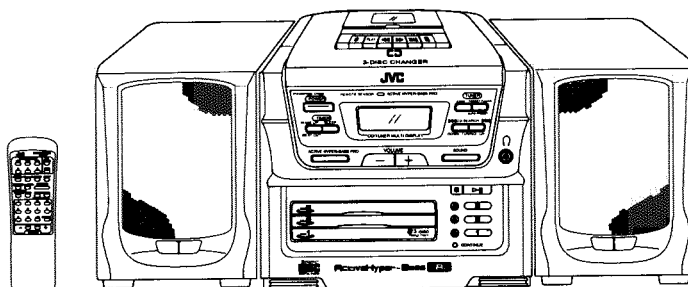


# JVC

## SERVICE MANUAL

### CD PORTABLE COMPONENT SYSTEM

## PC-XC7BK<sub>B/E/EN/G</sub>



**COMPACT**  
**disc**  
**DIGITAL AUDIO**

#### ■ Self-diagnosis function

This model has a convenient self-diagnosis function for CD section.

#### Area Suffix

B ..... U.K.  
E ..... Continental Europe  
EN ..... Northern Europe  
G ..... Germany

### Contents

■ Safety Precautions .....	2	6. Wiring Connections .....	57
■ Instructions .....	5	7. Standard Schematic Diagrams .....	58
1. Location of Main Parts .....	23	8. Location of P.C. Board Parts and Parts List .....	64
2. Removal of Main Parts .....	28	9. Exploded View of Enclosure Assembly .....	76
3. Main Adjustment .....	39	10. Exploded View of Mechanism Assembly .....	80
4. Troubleshooting .....	44	11. Illustration of Packing and Parts List .....	85
5. Block Diagrams .....	51		

## 1. Safety Precautions

1. The design this product contains special hardware and many circuits and components specially for safety purposes. For continued protection; no changes should be made to the original design unless authorized in writing by the manufacturer. Replacement parts must be identical to those used in the original circuits. Service should be performed by qualified personnel only.
2. Alterations of the design or circuitry of the product should not be made. Any design alterations of the product should not be made. Any design alterations or additions will void the manufacture's warranty and will further relieve the manufacture of responsibility for personal injury or property damage resulting therefrom.
3. Many electrical and mechanical parts in the product have special safety — related characteristics. These characteristics are often not evident from visual inspection nor can the protection afforded by them necessarily be obtained by using replacement components rated for higher voltage, wattage, etc. Replacement parts which have these special safety characteristics are identified in the parts list of service manual. Electrical components having such features are identified by shading (■) and (▲) on the schematic diagram and parts list in the service manual. The use of a substitute replacement which does not have the same safety characteristics as the recommended replacement part shown in the parts list of service manual may create shock, fire, or other hazards.
4. The leads in the products are routed and dressed with ties, clamps, tubings, barriers and the like to be separated from live parts, high temperature parts, moving parts and or sharp edges for the prevention of electric shock and fire hazard. When service is required, the original lead routing and dress should be observed, and it should be confirmed that they have been returned to normal, after reassembling.
5. Leakage current check (Electrical shock hazard testing)

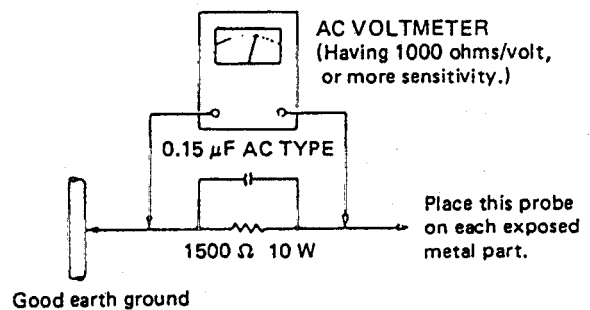
After re — assembling the product, always perform an isolation check on the exposed metal parts of the product (antenna terminals, knobs, metal cabinet, screw heads, headphone jack, control shafts, etc.) to be sure the product is safe to operate without danger of electrical shock. Do not use a line isolation transformer during this check.

- Plug the AC line cord directly into the AC outlet. using a "Leakage current tester", measure the leakage current from each exposed metal part of the cabinet, particularly any exposed metal part having a return path to the chassis, to a known good earth ground. Any leakage current must not exceed 0.5mA AC(r.m.s.)

• Alternate check method

Plug the AC line cord directly into the AC outlet. Use an AC

voltmeter having 1,000 ohms per volt or more sensitivity in the following manner. Connect a 1,500 ohms 10W resistor paralleled by a 0.15  $\mu$  F AC type capacitor between an exposed metal part and a known good earth ground. Measure the AC voltage across the resistor with the AC voltmeter. Move the resistor connection to each exposed metal part, particularly any exposed metal part having a return path to the chassis, and measure the AC voltage across the resistor. Now, reverse the plug in the AC outlet and repeat each measurement. Any voltage measured must not exceed 0.75V AC(r.m.s.). This corresponds to 0.5mA AC(r.m.s.).



## Warning (UK ONLY)

1. This equipment has been designed and manufactured to meet international safety standards.
2. It is the legal responsibility of the repairer to ensure that these safety standards are maintained.
3. Repairs must be made in accordance with the relevant safety standards.
4. It is essential that safety critical components are replaced by approved parts.
5. If mains voltage selector is provided, check setting for local voltage.

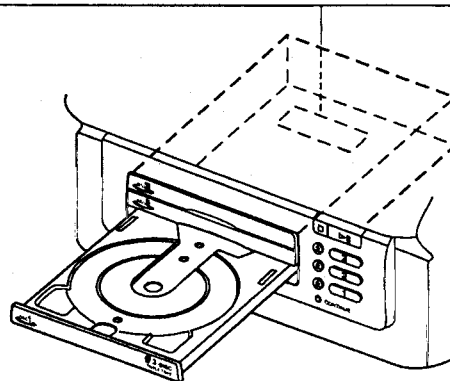
**IMPORTANT FOR LASER PRODUCTS**

**PRECAUTIONS**

1. **CLASS 1 LASER PRODUCT**
2. **DANGER:** Invisible laser radiation when open and interlock failed or defeated. Avoid direct exposure to beam.
3. **CAUTION:** Do not open the rear cover. There are no user serviceable parts inside the unit; leave all servicing to qualified service personnel.
4. **CAUTION:** The compact disc player uses invisible laser radiation and is equipped with safety switches which prevent the emission of radiation when the CD tray is open. It is dangerous to defeat the safety switches.
5. **CAUTION:** Use of controls for adjustments and the performance of procedures other than those specified herein may result in exposure to hazardous radiation.

**REPRODUCTION OF LABELS AND THEIR LOCATION**

<b>DANGER:</b> Invisible laser radiation when open and interlock failed or defeated. <b>AVOID DIRECT EXPOSURE TO BEAM.</b> (e)	<b>ADVARSEL:</b> Usynlig laserstråling ved åbning, når sikkerhedsafbrydere er ude af funktion. Undgå udsættelse for stråling. (d)	<b>WARNING:</b> Osynlig laserstråling når denna del är öppnad och spärren är urkopplad. Betrakta ej strålen. (s)	<b>VARO:</b> Avattassa ja suojakuitus ohitettaessa olet alttiina näkymättömälle lasersäteilylle. Älä katso säteeseen. (f)
--	---	--	---

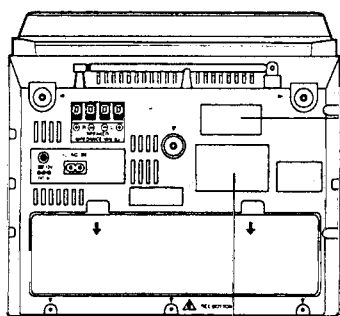


**ADVERSEL:** Usynlig laserstråling ved åbning, når sikkerhedsafbrydere er ude af funktion. Undgå udsættelse for stråling.

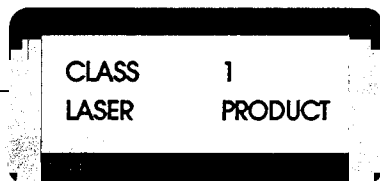
**VAROITUS:** Varmuuskytimen oliessa pois päältä kun laite avataan, siellä kehittyy näkymätöntä lasersäteilyä. Älä pane itseäsi säteilyn alttiiksi.

**WARNING:** Osynlig laserstråling uppstår vid komponentens öppning när säkerhetsbrytaren är frånslagen.

**ADVARSEL:** Usynlig laserstråling ved åpning når sikkerhetsbryteren er ude af funktion. Unngå utsettelse for stråling.



Name/Rating plate



**WARNING:**  
TO REDUCE THE RISK OF FIRE OR ELECTRIC SHOCK,  
DO NOT EXPOSE THIS APPLIANCE TO RAIN OR  
MOISTURE.

	<b>CAUTION</b> RISK OF ELECTRIC SHOCK DO NOT OPEN	
<p><b>CAUTION:</b> TO REDUCE THE RISK OF ELECTRIC SHOCK, DO NOT REMOVE COVER (OR BACK). NO USER-SERVICEABLE PARTS INSIDE. REFER SERVICING TO QUALIFIED SERVICE PERSONNEL.</p>		



The lightning flash with arrowhead symbol, within an equilateral triangle, is intended to alert the user to the presence of uninsulated "dangerous voltage" within the product's enclosure that may be of sufficient magnitude to constitute a risk of electric shock to persons.



The exclamation point within an equilateral triangle is intended to alert the user to the presence of important operating and maintenance (servicing) instructions in the literature accompanying the appliance.

**Caution !**

Pay careful attention to burrs left on the chassis as they were borne by press and machine work.

When servicing, carefully handle the chassis not to get injured by burrs on it.

### ■ Important control point concerning safety

1. Check the power transformer marking, and check that the power transformer is securely installed.

Parts number: VTP57J2-12B

2. Check the power cord marking, and check that the power cord is not externally damaged.

	B version	E/G/GI/EN version
Cord mark:	BASEC BS6500	◀ VDE ▶
Attachment plug:	KD-610 3A 250V	KP-419C
Connect plug:	KS-15F	KS-15F

3. Check the AC socket marking, and check that the AC socket is tightly fixed in the P.C.board when installed.

HSC1466

4. Check that there is sufficient space for the primary and adjacent secondary terminal parts on the P.C.board (There should be no protrusions of solder or terminal wires.)

5. Check the rated fuse display, and check that the fuse is secure in the fuse holder.

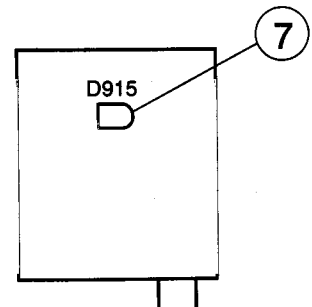
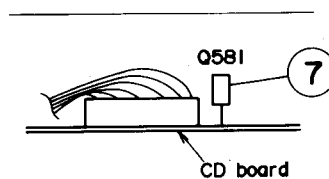
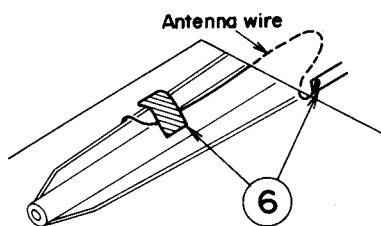
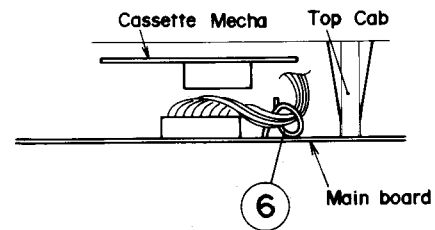
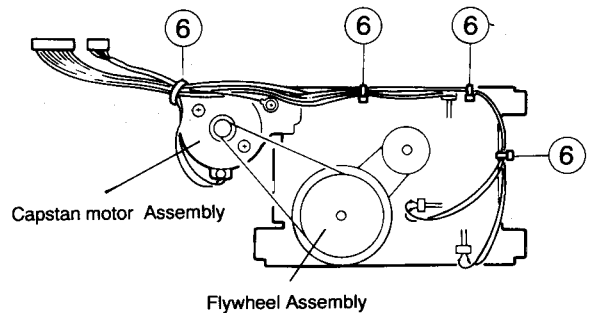
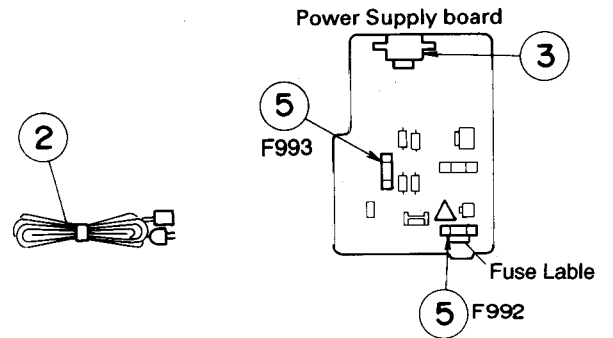
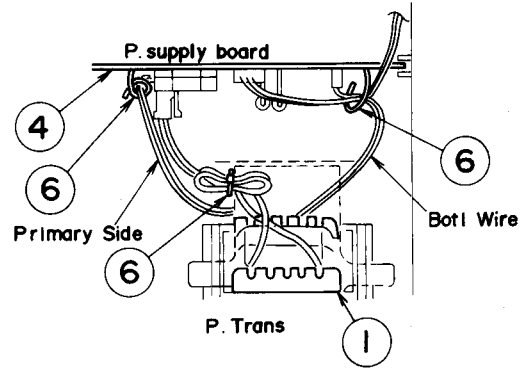
F992: T2.5A/250 V

F993: T2.5A/250 V

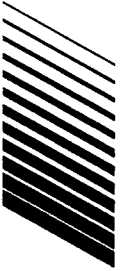
6. Check that the wires are neatly arranged so that they do not interfere with sections involving power, moving parts, heat generation, or those with sharp-edged parts.

7. The following parts are important for safety in such operations as those involved with heat generation. Use the specified parts and check original shape. Heat generating parts should be suspended above the P.C.board not fallen down. Parts marked with    are safety control parts.

IC502, IC304, Q581, Q915, Q931, Q901, R929, IC802, Q903



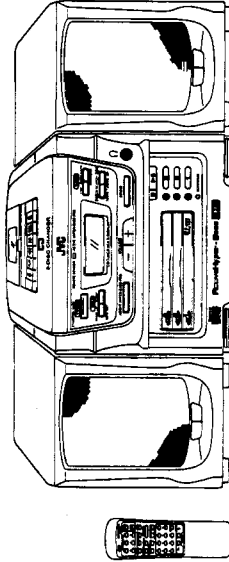
■ Instructions



**JVC**

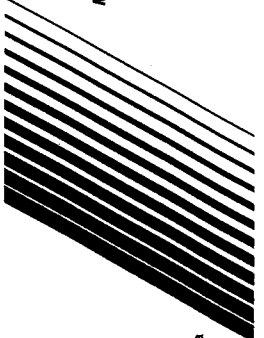
**CD PORTABLE COMPONENT SYSTEM**  
SISTEMA PORTATIL DE COMPONENTES DE CD  
SISTEMA A COMPONENTI CON CD PORTATILE

**PC-XC7 E**



PC-XC7E CD PORTABLE COMPONENT SYSTEM

COMPACT  
**disc**  
DIGITAL AUDIO



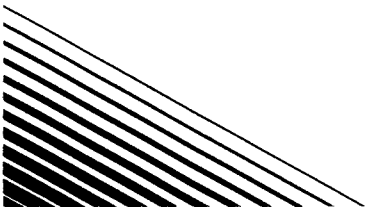
**INSTRUCTIONS**

INSTRUCCIONES  
MANUALE DI ISTRUZIONI

**JVC**  
VICTOR COMPANY OF JAPAN, LIMITED

Printed in Malaysia  
VNN7070-251M

© 1986 VICTOR COMPANY OF JAPAN, LIMITED



**FRENISH**

Thank you for purchasing this JVC product. Please read these instructions carefully before starting operation to be sure to obtain optimum performance and a longer service life from the unit.



**CONTENTS**

Features	3
Safety precautions	3
Handling precautions	4
Attaching/detaching the speakers	6
Connections	7
Power supply	7
Names of parts and their functions	10
Remote control unit	12
Switching the power on/off	14
Volume, tone and other controls	15
Handling CDs	16
Playing CDs	17
Handling cassette tapes	24
Cassette playback	24
Radio reception	25
Recording	28
Wake up timer operations	31
Sleep timer operations	32
Maintenance	33
Troubleshooting	34
Specifications	35

**ESPAÑOL**

Le agradecemos la adquisición de este producto de JVC. Por favor, lea detenidamente las instrucciones de este producto antes de comenzar para obtener el máximo rendimiento de este aparato y una vida de servicio más larga.

**INDICE**

Características	3
Precauciones de seguridad	3
Precauciones de manipulación	4
Fijación/detachado de los altavoces	6
Conexiones	7
Alimentación	7
Nombres de las partes y sus funciones	10
Unidad de control remoto	12
Conexión/desconexión de la alimentación	14
Volumen, tono y otros controles	15
Manipulación de CD	16
Manipulación de CD	17
Manipulación de cintas de casette	24
Reproducción de cassettes	24
Grabación	28
Operaciones del temporizador de despertar	31
Operación del temporizador de desconexión	32
Mantenimiento	33
Detección de problemas	34
Especificaciones	35

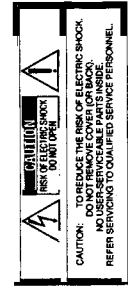
**ITALIANO**

Grazie per avere acquistato questo prodotto di JVC. Si prega di leggere attentamente le istruzioni con attenzione prima dell'uso, per essere certi di ottenere prestazioni ottimali ed una lunga durata dell'unità.

**INDICE**

Caratteristiche	3
Precauzioni per la sicurezza	3
Precauzioni per l'uso	4
Applicazione/rimozione dei diffusori	6
Collegamenti	7
Alimentazione	7
Nomi e funzioni delle parti	10
Unità di telecomando	12
Accensione e spegnimento	14
Volume, toni ed altri comandi	15
Manipolazione di CD	16
Riproduzione di CD	17
Manipolazione di cassette	24
Riproduzione di cassette	24
Ricezione di radio	25
Registrazione	28
Operazioni col timer per la sveglia	31
Operazioni col timer per lo spegnimento automatico	32
Mantenimento	33
Diagnostica	34
Dati tecnici	35

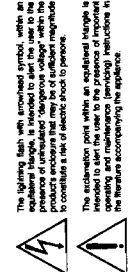
**WARNING:** TO REDUCE THE RISK OF FIRE OR ELECTRICAL SHOCK, DO NOT USE THIS APPLIANCE TO RAIN OR MOISTURE.



**IMPORTANT FOR LASER PRODUCTS**

1. CLASS 1 LASER PRODUCT  
 2. DANGER: Invisible laser radiation. Avoid direct exposure to beam.  
 3. CAUTION: Do not open the rear cover. There are no user serviceable parts inside the unit; leave all servicing to qualified service personnel.  
 4. CAUTION: Use of controls for adjustments other than those specified herein may result in exposure to hazardous radiation.

**ADVERTENCIA:** PARA REDUCIR EL RIESGO DE INCENDIOS O DE CHOQUES ELECTRICOS, NO EXPONGA ESTE APARATO A LA LLUVIA O A LA HUMEDAD.



**IMPORTANTE PARA PRODUCTOS LASER**

1. PRODUCTO LASER CLASE 1  
 2. PELIGRO: Radiación láser invisible cuando se abre. Evite la exposición directa al haz.  
 3. PRECAUCIÓN: No abra la cubierta trasera. Dentro de la unidad no hay componentes que el usuario pueda reparar; deje toda reparación al personal de servicio cualificado.  
 4. PRECAUCIÓN: La utilización de los controles de ajuste y de procedimientos que no estén especificados aquí, puede resultar en exposición a radiación peligrosa.

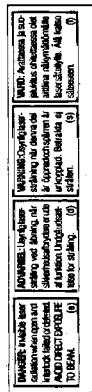
**AVVERTENZA:** NON ESPORRE L'APPARECCHIO A PIoggIA O UMIDITÀ, ONDE RIDURRE I RISCHI DI FIAMME O SCOSSE ELETTRICHE.

Per l'Italia:  
 Si dichiara che il questo prodotto di marca JVC è conforme alle prescrizioni del Decreto Ministeriale n. 548 del 28/09/95, pubblicato sulla Gazzetta Ufficiale della Repubblica Italiana n. 301 del 28/12/95.

**IMPORTANTI PRECAUZIONI PER PRODOTTI LASER**

1. PRODOTTO LASER DI CLASSE 1  
 2. PERICOLO: Sicurezza laser invisibile quando si apre il dispositivo di azionamento non funzionerà in modo sicuro. Evitare l'esposizione diretta al raggio.  
 3. ATTENZIONE: Non aprire la copertura posteriore. All'interno dell'unità non vi sono parti che possono interessare l'utente; fare eseguire qualsiasi intervento a personale di assistenza qualificata.  
 4. ATTENZIONE: L'uso di comandi e procedure non specificati qui, può risultare in esposizione a radiazioni pericolose.

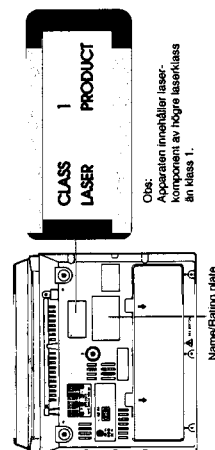
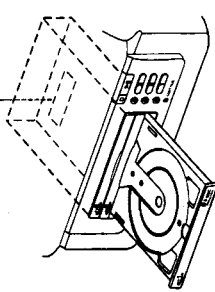
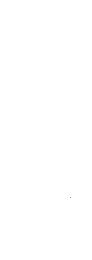
**REPRODUCTION OF LABELS AND THEIR LOCATION**



**REPRODUCCION DE ETIQUETAS Y SU UBICACION**



**ETICHETTE E LORO POSIZIONE**



**FEATURES**

- Multi-function 3-CD changer
- Active Hyper-Bass PRO circuit for low-frequency sound reproduction
- Sound mode control
- One-touch operation (COMPU PLAY) when AC power is used
- Sleep timer set in 12-hour intervals
- Direct Select/Stop Play/Search Play/Continuous Play/Repeat Play
- Programmed play of up to 20 tracks
- 2-band digital synthesizer tuner with 30-station (15 FM and 15 AM (MWLW)) preset capability
- Auto preset tuning
- Wake up timer can be set up to 12 hours in advance
- Sleep timer can be set for up to 120 minutes

**CARACTERISTICAS**

- Cambiador de 3 CD con múltiples funciones
- Circuito Active Hyper-Bass PRO para reproducción sonora de baja frecuencia
- Control de modo de sonido
- Operación de un solo toque (COMPU PLAY) (para uso con CA exclusivamente)
- Temporizador de sueño programable en intervalos de 12 horas
- Selección directa de reproducción de salto/reproducción de búsqueda/reproducción continua/repetición de reproducción/reproducción aleatoria
- Sintonizador programado hasta 20 bandas con capacidad para presentación de 30 estaciones (15 de FM y 15 de AM (OMOL))
- Sintonización programada automática
- El temporizador despertador puede ser ajustado a 12 horas antes de que el receptor pueda ser programado hasta un máximo de 120 minutos

**CARATTERISTICHE**

- Lettore cambiadischi multifunzione a 3 CD
- Circuito Active Hyper-Bass PRO di nuova concezione per la riproduzione delle basse frequenze
- Comando modo suono
- Azionamento ad un tocco (COMPU PLAY) (solo quando viene utilizzata l'alimentazione CA)
- Unità di telecomando a 33 tasti
- Selezione diretta dischi/reproduzione con evitamento/riproduzione con ricerca/riproduzione continua/riproduzione ripetuta/riproduzione casuale
- Riproduzione programmata di fino a 20 brani
- Sintonizzatore a sintonizzazione digitale a 2 bande con capacità di presentazione di fino a 30 stazioni (15 FM e 15 AM (MWLW))
- Sintonizzazione con preselezione automatica
- Il temporizzatore con preselezione automatica può essere impostato fino a 12 ore in anticipo
- Il timer per lo spegnimento automatico può essere impostato per fino a 120 minuti

**SAFETY PRECAUTIONS**



**Prevenção de choques eléctricos, peligro de incendio y daños**

1. Aunque el botón de alimentación POWER, el interruptor de standby STANDBY, un pequeño interruptor de encendido eléctrico. Para evitar la exposición directa al haz de luz, asegure la unidad durante un largo periodo de desconexión de CA. No manipule el cordón eléctrico del tomacorriente de CA. Cuando lo desenchufe del tomacorriente de la pared, sujételo siempre por el anillo, nunca por el cordón.
2. No manipule el cordón que se conecta a la unidad, ya que puede estar caliente.
3. Cuando lo desenchufe del tomacorriente de la pared, sujételo siempre por el anillo, nunca por el cordón.
4. En caso de que el cordón sea afectado por daños, desconéctelo. No toque el cable dañado.
5. No toque el cable dañado con el dedo, ya que puede estar caliente.
6. No modifique el cordón eléctrico de ninguna manera.
7. Para evitar accidentes, no extraiga los tornillos para desarmar la unidad y no toque nada dentro de la misma.

**PRECAUZIONI PER LA SICUREZZA**

- Prevenzione di scosse elettriche, fiamme e danni**
1. Anche quando l'interruttore POWER si trova in posizione di standby STANDBY, un piccolo interruttore di accensione elettrica. Per risparmiare energia e per ragioni di sicurezza, scollegare il cavo dell'alimentazione dalla presa di corrente CA quando si prevede di non utilizzare l'unità per un periodo prolungato.
  2. Non maneggiare il cavo di alimentazione con le mani bagnate.
  3. Per scollegarsi dalla presa di rete, afferrare sempre la spina e non il cavo dell'alimentazione.
  4. Conservare il rivenditore più vicino quando il cavo è danneggiato, scollegarlo con cautela e non toccarlo.
  5. Non toccare il cavo con il dito, poiché potrebbe essere caldo.
  6. Non modificare il cavo di alimentazione in alcun modo.
  7. Per evitare incidenti, non rimuovere vite per smontare l'unità e non toccare alcun componente interno.

1. Evitar la instalación en los siguientes lugares
  - En lugares donde la unidad pueda estar sujeta a vibraciones.
  - En lugares excesivamente húmedos como una cocina o un baño.
  - En lugares donde la unidad pueda estar sujeta a golpes.
  - En lugares donde la unidad pueda estar sujeta a magnetización de un imán o de un difusor.
2. Evitar la instalación en los siguientes lugares
  - Evitar la instalación en lugares donde la unidad pueda estar sujeta a vibraciones.
  - Evitar la instalación en lugares donde la unidad pueda estar sujeta a golpes.
  - Evitar la instalación en lugares donde la unidad pueda estar sujeta a magnetización de un imán o de un difusor.
3. Precauciones al polvo
  - Evitar la instalación en lugares donde la unidad pueda estar sujeta a vibraciones.
  - Evitar la instalación en lugares donde la unidad pueda estar sujeta a golpes.
  - Evitar la instalación en lugares donde la unidad pueda estar sujeta a magnetización de un imán o de un difusor.

1. Evite l'installazione nei luoghi seguenti
  - In luoghi dove l'unità può essere soggetta a vibrazioni.
  - In luoghi eccessivamente umidi come una stanza da bagno.
  - In luoghi dove l'unità può essere magnetizzata da un magnete o da un diffusore.
2. Fare attenzione alla polvere
  - Accertarsi di chiudere il pannello o caricatore di CD in modo che la polvere non si raccolga sulla superficie del pannello.
3. Condensazione
  - Nei casi seguenti della condensazione potrebbe formare nell'unità impedendo il funzionamento corretto dell'unità stessa.
  - In una stanza in cui il riscaldamento è appena stato acceso.
  - In un luogo luminoso o con elevata umidità.
  - Quando l'unità viene spostata direttamente da una stanza fredda ad una calda.

1. Evite l'installazione nei luoghi seguenti
  - In luoghi dove l'unità può essere soggetta a vibrazioni.
  - In luoghi eccessivamente umidi, such as in a bathroom.
  - Where it could be magnetized by a magnet or speaker.
2. Pay attention to dust
  - Be sure to close the CD holder or CD tray so that dust does not collect on the lens.
3. Condensation
  - In the following cases, condensation may occur in the unit, in which case the unit may not operate correctly.
  - In a room where a heater has just been switched on.
  - In a place where there is smoke or high humidity.
  - When the unit is moved directly from a cold room to a warm room.
  - In these cases, set the POWER button to ON and wait 1 or 2 hours before use.

1. Evite l'installazione nei luoghi seguenti
  - In luoghi dove l'unità può essere soggetta a vibrazioni.
  - In luoghi eccessivamente umidi, such as in a bathroom.
  - Where it could be magnetized by a magnet or speaker.
2. Pay attention to dust
  - Be sure to close the CD holder or CD tray so that dust does not collect on the lens.
3. Condensation
  - In the following cases, condensation may occur in the unit, in which case the unit may not operate correctly.
  - In a room where a heater has just been switched on.
  - In a place where there is smoke or high humidity.
  - When the unit is moved directly from a cold room to a warm room.
  - In these cases, set the POWER button to ON and wait 1 or 2 hours before use.

1. Evite l'installazione nei luoghi seguenti
  - In luoghi dove l'unità può essere soggetta a vibrazioni.
  - In luoghi eccessivamente umidi, such as in a bathroom.
  - Where it could be magnetized by a magnet or speaker.
2. Pay attention to dust
  - Be sure to close the CD holder or CD tray so that dust does not collect on the lens.
3. Condensation
  - In the following cases, condensation may occur in the unit, in which case the unit may not operate correctly.
  - In a room where a heater has just been switched on.
  - In a place where there is smoke or high humidity.
  - When the unit is moved directly from a cold room to a warm room.
  - In these cases, set the POWER button to ON and wait 1 or 2 hours before use.

1. Evite l'installazione nei luoghi seguenti
  - In luoghi dove l'unità può essere soggetta a vibrazioni.
  - In luoghi eccessivamente umidi, such as in a bathroom.
  - Where it could be magnetized by a magnet or speaker.
2. Pay attention to dust
  - Be sure to close the CD holder or CD tray so that dust does not collect on the lens.
3. Condensation
  - In the following cases, condensation may occur in the unit, in which case the unit may not operate correctly.
  - In a room where a heater has just been switched on.
  - In a place where there is smoke or high humidity.
  - When the unit is moved directly from a cold room to a warm room.
  - In these cases, set the POWER button to ON and wait 1 or 2 hours before use.

1. Evite l'installazione nei luoghi seguenti
  - In luoghi dove l'unità può essere soggetta a vibrazioni.
  - In luoghi eccessivamente umidi, such as in a bathroom.
  - Where it could be magnetized by a magnet or speaker.
2. Pay attention to dust
  - Be sure to close the CD holder or CD tray so that dust does not collect on the lens.
3. Condensation
  - In the following cases, condensation may occur in the unit, in which case the unit may not operate correctly.
  - In a room where a heater has just been switched on.
  - In a place where there is smoke or high humidity.
  - When the unit is moved directly from a cold room to a warm room.
  - In these cases, set the POWER button to ON and wait 1 or 2 hours before use.

1. Evite l'installazione nei luoghi seguenti
  - In luoghi dove l'unità può essere soggetta a vibrazioni.
  - In luoghi eccessivamente umidi, such as in a bathroom.
  - Where it could be magnetized by a magnet or speaker.
2. Pay attention to dust
  - Be sure to close the CD holder or CD tray so that dust does not collect on the lens.
3. Condensation
  - In the following cases, condensation may occur in the unit, in which case the unit may not operate correctly.
  - In a room where a heater has just been switched on.
  - In a place where there is smoke or high humidity.
  - When the unit is moved directly from a cold room to a warm room.
  - In these cases, set the POWER button to ON and wait 1 or 2 hours before use.

8. No inserte ningún objeto metálico dentro de la unidad.
9. Desenchufe el cordón eléctrico cuando haya posibilidad de caída de rayos.
10. Si se introduce agua dentro de la unidad, desenchufe el cordón eléctrico del microprocesador y consulte a su agente de servicio técnico.
11. No coloque el aparato en un lugar donde la unidad que permitiera la escape de calor ventilado.
12. Como esta unidad utiliza un portadisco o una bandeja de CD motorizado, asegúrese de que su mano u otro objeto no obstruya el movimiento del mismo.
13. Como los altavoces de esta unidad pueden ser extraídos, asegúrese de que cada altavoz esté firmemente conectado a la unidad principal y, evite golpes o caídas de impacto, cuando los transporte.

8. Do not insert any metallic objects into the unit.
9. Unplug the power cord when there is a possibility of lightning.
10. If water gets inside the unit, unplug the power cord from the outlet and consult your dealer.
11. Do not place the unit in a location where it will allow heat to escape.
12. Since this unit uses a motor-driven CD holder or CD tray, make sure that your hand or other object does not obstruct holder or tray movement.
13. Since the speaker sections of this unit are detachable, be sure that each speaker is firmly connected to the main unit when carrying the unit and avoid dropping or sinking it, and other forms of impact.

8. No inserte ningún objeto metálico dentro de la unidad.
9. Desenchufe el cordón eléctrico cuando haya posibilidad de caída de rayos.
10. Si se introduce agua dentro de la unidad, desenchufe el cordón eléctrico del microprocesador y consulte a su agente de servicio técnico.
11. No coloque el aparato en un lugar donde la unidad que permitiera la escape de calor ventilado.
12. Como esta unidad utiliza un portadisco o una bandeja de CD motorizado, asegúrese de que su mano u otro objeto no obstruya el movimiento del mismo.
13. Como los altavoces de esta unidad pueden ser extraídos, asegúrese de que cada altavoz esté firmemente conectado a la unidad principal y, evite golpes o caídas de impacto, cuando los transporte.

8. Do not insert any metallic objects into the unit.
9. Unplug the power cord when there is a possibility of lightning.
10. If water gets inside the unit, unplug the power cord from the outlet and consult your dealer.
11. Do not place the unit in a location where it will allow heat to escape.
12. Since this unit uses a motor-driven CD holder or CD tray, make sure that your hand or other object does not obstruct holder or tray movement.
13. Since the speaker sections of this unit are detachable, be sure that each speaker is firmly connected to the main unit when carrying the unit and avoid dropping or sinking it, and other forms of impact.

1. Evite l'installazione nei luoghi seguenti
  - In luoghi dove l'unità può essere soggetta a vibrazioni.
  - In luoghi eccessivamente umidi come una stanza da bagno.
  - In luoghi dove l'unità può essere magnetizzata da un magnete o da un diffusore.
2. Fare attenzione alla polvere
  - Accertarsi di chiudere il pannello o caricatore di CD in modo che la polvere non si raccolga sulla superficie del pannello.
3. Condensazione
  - Nei casi seguenti della condensazione potrebbe formare nell'unità impedendo il funzionamento corretto dell'unità stessa.
  - In una stanza in cui il riscaldamento è appena stato acceso.
  - In un luogo luminoso o con elevata umidità.
  - Quando l'unità viene spostata direttamente da una stanza fredda ad una calda.

1. Evite l'installazione nei luoghi seguenti
  - In luoghi dove l'unità può essere soggetta a vibrazioni.
  - In luoghi eccessivamente umidi, such as in a bathroom.
  - Where it could be magnetized by a magnet or speaker.
2. Pay attention to dust
  - Be sure to close the CD holder or CD tray so that dust does not collect on the lens.
3. Condensation
  - In the following cases, condensation may occur in the unit, in which case the unit may not operate correctly.
  - In a room where a heater has just been switched on.
  - In a place where there is smoke or high humidity.
  - When the unit is moved directly from a cold room to a warm room.
  - In these cases, set the POWER button to ON and wait 1 or 2 hours before use.

1. Evite l'installazione nei luoghi seguenti
  - In luoghi dove l'unità può essere soggetta a vibrazioni.
  - In luoghi eccessivamente umidi, such as in a bathroom.
  - Where it could be magnetized by a magnet or speaker.
2. Pay attention to dust
  - Be sure to close the CD holder or CD tray so that dust does not collect on the lens.
3. Condensation
  - In the following cases, condensation may occur in the unit, in which case the unit may not operate correctly.
  - In a room where a heater has just been switched on.
  - In a place where there is smoke or high humidity.
  - When the unit is moved directly from a cold room to a warm room.
  - In these cases, set the POWER button to ON and wait 1 or 2 hours before use.

1. Evite l'installazione nei luoghi seguenti
  - In luoghi dove l'unità può essere soggetta a vibrazioni.
  - In luoghi eccessivamente umidi, such as in a bathroom.
  - Where it could be magnetized by a magnet or speaker.
2. Pay attention to dust
  - Be sure to close the CD holder or CD tray so that dust does not collect on the lens.
3. Condensation
  - In the following cases, condensation may occur in the unit, in which case the unit may not operate correctly.
  - In a room where a heater has just been switched on.
  - In a place where there is smoke or high humidity.
  - When the unit is moved directly from a cold room to a warm room.
  - In these cases, set the POWER button to ON and wait 1 or 2 hours before use.

PRECAUZIONI PER L'USO

**Non utilizzare questa unità nella luce solare diretta e non lasciarla in automobili (o imbarcazioni, ecc.) chiuse dove può essere esposta a temperature elevate superiori ai 40°C.**

**Se l'unità non funziona normalmente.**

- Scollegare il cavo di alimentazione alla presa di corrente, quindi ricollegarlo e riaccendere l'unità.

**Se il cavo di alimentazione viene scollegato, non richiuderla i piatti portadisco a mano. Per farlo, ricollegare il cavo di alimentazione e premere il tasto **▶**. Altrimenti si può danneggiare l'apparecchio.**

8. Do not insert any metallic objects into the unit.
9. Unplug the power cord when there is a possibility of lightning.
10. If water gets inside the unit, unplug the power cord from the outlet and consult your dealer.
11. Do not place the unit in a location where it will allow heat to escape.
12. Since this unit uses a motor-driven CD holder or CD tray, make sure that your hand or other object does not obstruct holder or tray movement.
13. Since the speaker sections of this unit are detachable, be sure that each speaker is firmly connected to the main unit when carrying the unit and avoid dropping or sinking it, and other forms of impact.

8. Do not insert any metallic objects into the unit.
9. Unplug the power cord when there is a possibility of lightning.
10. If water gets inside the unit, unplug the power cord from the outlet and consult your dealer.
11. Do not place the unit in a location where it will allow heat to escape.
12. Since this unit uses a motor-driven CD holder or CD tray, make sure that your hand or other object does not obstruct holder or tray movement.
13. Since the speaker sections of this unit are detachable, be sure that each speaker is firmly connected to the main unit when carrying the unit and avoid dropping or sinking it, and other forms of impact.

8. Do not insert any metallic objects into the unit.
9. Unplug the power cord when there is a possibility of lightning.
10. If water gets inside the unit, unplug the power cord from the outlet and consult your dealer.
11. Do not place the unit in a location where it will allow heat to escape.
12. Since this unit uses a motor-driven CD holder or CD tray, make sure that your hand or other object does not obstruct holder or tray movement.
13. Since the speaker sections of this unit are detachable, be sure that each speaker is firmly connected to the main unit when carrying the unit and avoid dropping or sinking it, and other forms of impact.

8. Do not insert any metallic objects into the unit.
9. Unplug the power cord when there is a possibility of lightning.
10. If water gets inside the unit, unplug the power cord from the outlet and consult your dealer.
11. Do not place the unit in a location where it will allow heat to escape.
12. Since this unit uses a motor-driven CD holder or CD tray, make sure that your hand or other object does not obstruct holder or tray movement.
13. Since the speaker sections of this unit are detachable, be sure that each speaker is firmly connected to the main unit when carrying the unit and avoid dropping or sinking it, and other forms of impact.

PRECAUZIONI PER L'USO

**Non utilizzare questa unità nella luce solare diretta e non lasciarla in automobili (o imbarcazioni, ecc.) chiuse dove può essere esposta a temperature elevate superiori ai 40°C.**

**Se l'unità non funziona normalmente.**

- Scollegare il cavo di alimentazione alla presa di corrente, quindi ricollegarlo e riaccendere l'unità.

**Se il cavo di alimentazione viene scollegato, non richiuderla i piatti portadisco a mano. Per farlo, ricollegare il cavo di alimentazione e premere il tasto **▶**. Altrimenti si può danneggiare l'apparecchio.**

PRECAUZIONI PER L'USO

**Non utilizzare questa unità nella luce solare diretta e non lasciarla in automobili (o imbarcazioni, ecc.) chiuse dove può essere esposta a temperature elevate superiori ai 40°C.**

**Se l'unità non funziona normalmente.**

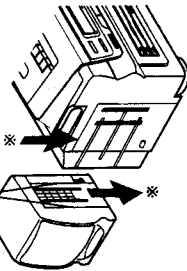
- Scollegare il cavo di alimentazione alla presa di corrente, quindi ricollegarlo e riaccendere l'unità.

**Se il cavo di alimentazione viene scollegato, non richiuderla i piatti portadisco a mano. Per farlo, ricollegare il cavo di alimentazione e premere il tasto **▶**. Altrimenti si può danneggiare l'apparecchio.**

**ATTACHING/DETACHING THE SPEAKERS**

When using the speakers attached to the main unit  
Align the bottom of the speaker against the top of the main unit and press down on the speaker to attach it.

Speaker slot  
Ranura del altavoz  
Pulsatore d'attacco



Quando utilizza los altavoces colocados en la unidad principal  
Alinee la parte inferior del altavoz con la parte superior de la unidad principal y presione el altavoz hacia abajo para colocarlo.

Press the speaker down with the speaker and main unit aligned.  
Baje el altavoz luego de alinearlo con la unidad principal.  
Pulsare verso il basso con diffusore ed unità allineati.

Main unit  
Unidad principal  
Unità principale

**FIJACION/RETIRO DE LOS ALTAVOCES**

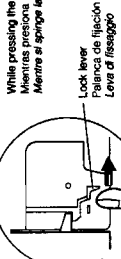
**APPLICAZIONE/RIMOZIONE DEI DIFFUSORI**

Quando si utilizza l'unità con i diffusori applicati  
Allineare il lato inferiore dell'altoparlante con il lato superiore dell'apparecchio principale e premere sull'altoparlante per fissarlo.

When using the speakers detached from the main unit  
While pressing the lock lever in the direction of the arrow, lift the speaker up to detach from the main unit.

Quando utilizza los altavoces separados de la unidad principal  
Mientras presiona la palanca de bloqueo ubicada en la parte trasera de la parte inferior del altavoz en la dirección de la flecha, levante el altavoz para separarlo de la unidad principal.

Quando si utilizza l'unità con i diffusori rimossi  
Premere, nella direzione della freccia, sulla leva di bloccaggio ubicata sulla parte posteriore inferiore dell'altoparlante, e far scorrere l'altoparlante verso l'alto per staccarlo dall'apparecchio principale.



While pressing the lock lever....  
Mientras presiona la palanca de fijación....  
Mentre si spinge la leva di fissaggio ...

Lock lever  
Palanca de fijación  
Leva di fissaggio

Rear side of the speaker  
Lado posterior de altavoz  
Lato posteriore del diffusore



Lift it up  
Céilo  
Sollevalo

Note:  
Since the speakers sound differently according to where they are placed, carefully place them for optimal effect within the length of the provided speaker cords. It is recommended that the left and right speakers be placed symmetrically in relation to the main unit.

Note:  
Como los altavoces suenan diferente de acuerdo a dónde sean colocados, ubíquelos con precaución para obtener un efecto óptimo dentro de la longitud de los cordones para altavoz suministrados. Se recomienda colocar los altavoces izquierdo y derecho simétricamente en relación a la unidad principal.

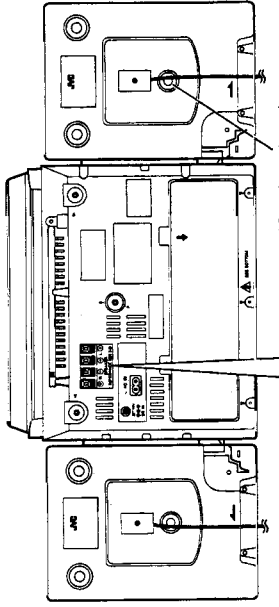
Note:  
Dato che i diffusori suonano in modo diverso a seconda della loro posizione, posizionarli con attenzione per ottenere un effetto ottimale entro il campo permesso dalla lunghezza dei cavi. Si raccomanda di posizionare i diffusori sinistro e destro simmetricamente rispetto all'unità.

**CONNECTIONS**

• Do not switch the power on until all connections are completed.

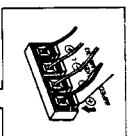
• No conecte la alimentación hasta haber completado todas las conexiones.

• Non attivare l'alimentazione prima del completamento dei collegamenti.



• When connecting the speaker cords, connect the cords with a line to the terminal marked with the letter G.  
• Cuando conecte los cordones de los altavoces, conecte primero el cordón marcado con una línea al terminal G.  
• Quando i cavi dei diffusori vengono collegati, collegare per primo il cavo marcato da una riga al terminale G.

• Marked with line  
• Marcado con una línea  
• Marcato con una linea



• Space for speaker cords  
• Espacio para los cordones de los altavoces  
• Spazio per i cavi dei diffusori  
• After connecting the speaker cords, bundle any slack into the space for the speaker cords in the rear panel.  
• Después de conectar los cordones de los altavoces, arrolle el sobrante dentro del espacio para los cordones de los altavoces, ubicado en el panel trasero.  
• Dopo aver collegato i cavi dei diffusori, avvolga il cavo che avanza nello spazio apposito nel pannello posteriore.

**CONEXIONES**

**COLLEGAMENTI**

**POWER SUPPLY**

A. Operation on household AC  
• Connect the AC power cord after all other connections have been made.



Power cord  
Corden de alimentación  
Cavo alimentazione

**ALIMENTACION**

A. Operación con CA en el hogar  
• Conecte el cordón de CA después de haber terminado todas las conexiones.

**ALIMENTAZIONE**

A. Funzionamento con alimentazione di rete CA  
• Collegare il cavo di alimentazione CA dopo aver eseguito tutti gli altri collegamenti.

**CAUTIONS:**

1. ONLY USE WITH JVC POWER CORD PROVIDED WITH THIS UNIT TO AVOID MALFUNCTION OR DAMAGE TO THE UNIT. REMOVE BATTERIES WHEN USING THE POWER CORD.  
2. BE SURE TO UNPLUG THE POWER CORD FROM THE OUTLET WHEN GOING OUT OR WHEN THE UNIT IS NOT IN USE FOR AN EXTENDED PERIOD OF TIME.

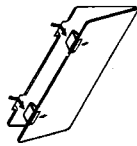
PRECAUTIONS:  
1. PARA EVITAR FALLAS O DAÑOS EN LA UNIDAD UTILICE EL CORDON DE ALIMENTACION DE JVC SUMINISTRADO CON ESTA UNIDAD. PARA UTILIZAR EL CORDON DE ALIMENTACION EXTRAIGA LAS PILAS.  
2. ASEGURESE DE DESENCHUFAR EL CORDON DE ALIMENTACION CUANDO SALGA O CUANDO NO VAYA A UTILIZAR LA UNIDAD POR UN LARGO PERIODO.

PRECAUZIONI:  
1. UTILIZZARE SOLO COL CAVO DI ALIMENTAZIONE JVC FORNITO IN DOTAZIONE A QUESTA UNITA' PER EVITARE DISFUNZIONI O DANNI ALL'UNITA' STESSA. RIMUOVERE LE BATTERIE QUANDO SI UTILIZZA IL CAVO DI ALIMENTAZIONE EXTRA.  
2. ACCERTARSI DI SCOLLEGARE IL CAVO DI ALIMENTAZIONE DALLA PRESA DI RETE QUANDO SI ESCE O QUANDO SI PREVEDE DI NON UTILIZZARE L'UNITA' PER UN PERIODO PROLUNGATO.



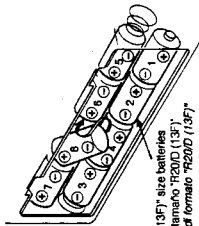
**B. Operation on batteries**

- Loading batteries
- 1. Open battery cover by pulling it toward you while pressing the sections marked by the arrow.
- 2. Insert eight "R20D (13F)" size batteries as shown in the diagram.
- Be careful to insert the batteries with the ⊕ and ⊖ terminals positioned correctly.
- 3. Replace the cover.



**B. Operación con pilas**

- Colocación de las pilas
- 1. Abra la tapa del compartimiento de las pilas jalándola hacia usted mientras presiona las secciones marcadas con las flechas.
- 2. Inserte ocho pilas de tamaño "R20D (13F)", como se muestra en el diagrama.
- Tome precauciones para insertar las pilas con los terminales ⊕ y ⊖ en posición correcta.
- 3. Coloque la tapa.



"R20D (13F)" size batteries  
Pilas de tamaño "R20D (13F)"  
Baterías de formato "R20D (13F)"

**B. Funzionamento con batterie**

- Inserimento batterie
- 1. Aprire il coperchio del vano batterie tirando verso di sé e premendo sulle sezioni marcate dalle frecce.
- 2. Inserire otto batterie di formato "R20D (13F)" come indicato in figura.
- Accertarsi di inserire le batterie con la polarità ⊕ e ⊖ orientate in modo corretto.
- 3. Chiudere il coperchio del vano batterie.

**Battery replacement**

When the battery ( ) indicator lights during battery operation, the batteries are nearly exhausted and should be replaced. (When the battery indicator stays lit for approx. one minute, the unit is switched off.)  
When making an important recording, use new batteries (preferably alkaline batteries with a longer service life) to avoid any possible failure.

- Continuous operation of the unit causes the battery power to be consumed quicker than noncontinuous operation.
- Operation of the unit in a cold place causes the battery power to be consumed more quickly than in a warm place.

**Reemplazo de las pilas**

Cuando se enciende la indicación de las pilas ( ) durante el funcionamiento con pilas, las mismas están casi agotadas y deben ser reemplazadas. (Cuando la indicación de las pilas permanece encendida durante un minuto aprox., la alimentación de la unidad se desconecta automáticamente.)  
Para evitar una grabación importante, utilice pilas nuevas (preferiblemente pilas alcalinas que tienen una vida de servicio más larga), para evitar cualquier falla posible.

- Para una mejor utilización de las pilas: Si este aparato se utiliza continuamente, las pilas se gastarán más rápido que si se utiliza de vez en cuando.
- Si se utiliza en un lugar frío, las pilas se consumirán más rápidamente que si se utiliza en un lugar cálido.

**Sostituzione batterie**

Quando l'indicatore ( ) si illumina durante il funzionamento a batterie, le batterie sono quasi scariche e devono essere sostituite. (Quando l'indicatore delle batterie rimane illuminato per circa 1 minuto, l'unità viene spenta.)  
Quando si esegue una registrazione importante, utilizzare batterie nuove (preferibilmente batterie alcaline di maggiore durata) per evitare qualsiasi problema.

- Per un migliore utilizzo delle batterie: L'uso continuo dell'unità causa un consumo più rapido delle batterie che l'uso a caldo.
- L'uso dell'unità al freddo causa un consumo più rapido delle batterie che l'uso al caldo.

**CAUTIONS:**

- WHEN NOT USING THE UNIT FOR A LONG PERIOD OF TIME (WEEKS) OR WHEN MOVING THE UNIT, REMOVE THE BATTERIES TO AVOID A MALFUNCTION OR DAMAGE TO THE UNIT.
- WHEN THE JVC POWER CORD PROVIDED WITH THIS UNIT IS CONNECTED, THE POWER IS AUTOMATICALLY SWITCHED FROM THE BATTERIES TO THE HOUSEHOLD AC EVEN WHEN THE BATTERIES ARE LOADED. HOWEVER, REMOVE THE BATTERIES WHEN USING THE POWER CORD.

**PRECAUCIONES:**

- SI NO VA A UTILIZAR LA UNIDAD DURANTE LARGO TIEMPO (MÁS DE DOS SEMANAS) O CUANDO UTILICE Y DEBE MOVERSE EL APARATO, QUITAR LAS BATERÍAS PARA EVITAR FALLAS DE FUNCIONAMIENTO O DAÑOS A LA UNIDAD.
- CUANDO SE CONECTA EL CORDON DE ALIMENTACION DE JVC DE ESTA UNIDAD, LA ALIMENTACION COMUNTA AUTOMATICAMENTE DE LAS PILAS A CA AUN CUANDO LAS PILAS ESTEN COLOCADAS. SIN EMBARGO RECOMENDAMOS QUE EXTRAIGA LAS PILAS CUANDO UTILIZA EL CORDON DE ALIMENTACION.

**AVVERTENZE:**

- QUANDO SI PREVEDE DI NON UTILIZZARE L'UNITÀ PER LUNGO TEMPO (PIÙ DI DUE SETTIMANE) OPPURE QUANDO SI DEVE MOVERE L'APPARATO, CORTARE IL FUSIBILE PER EVITARE LE BATTERIE PER EVITARE DISFUNZIONI O DANNI ALL'UNITÀ.
- QUANDO IL CAVO DI ALIMENTAZIONE JVC FORNITO IN DOTAZIONE A QUESTA UNITÀ VIENE COLLEGATO, L'ALIMENTAZIONE VIENE COMMUTATA AUTOMATICAMENTE DALLE BATTERIE ALLA CORRENTE DI RETE CA ANCHE SE LE BATTERIE VENGONO LASCIATE INSERITE. RIMUOVERE COMUNQUE LE BATTERIE QUANDO SI UTILIZZA IL CAVO DI ALIMENTAZIONE.

**PRECAUCIONES PARA EL USO DE LAS PILAS**

Si las pilas son incorrectamente usadas, esto puede causar fugas de productos químicos de las mismas. Prestar atención a las siguientes precauciones:

- Verifique que los terminales ⊕ y ⊖ de las pilas estén correctamente colocados de acuerdo al diagrama.
- No mezcle pilas nuevas y viejas, ni mezcle diferentes tipos de pilas.
- No intente recargar las pilas que no sean recargables.
- Extraiga las pilas cuando no vaya a utilizar la unidad durante un largo período.

Si los productos químicos provenientes de las pilas entran en contacto con su piel, lávese inmediatamente con agua. Si los productos químicos caen sobre esta unidad, límpiela completamente.

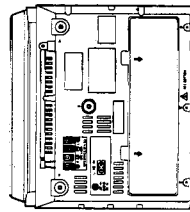
**PRECAUZIONI PER L'USO DELLE BATTERIE**

Quando le batterie vengono utilizzate in modo scorretto, si possono verificare fuoriuscite chimiche o esplosioni. Prestare attenzione a quanto indicato di seguito:

- Controllare che le polarità ⊕ e ⊖ delle batterie siano orientate in modo corretto ed inserirle come indicato in figura.
- Non mescolare batterie vecchie e nuove o batterie di tipi diversi.
- Non tentare di ricaricare batterie non ricaricabili.
- Rimuovere le batterie quando si prevede di non utilizzare l'unità per un periodo prolungato.

Se piccoli quantità fuoriusciti dalle batterie entrano in contatto con la pelle, lavare immediatamente con acqua. Se tali prodotti chimici ricadessero sull'unità, pulirla bene l'unità stessa.

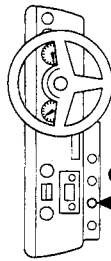
**C. Operation on car battery (DC 12 V)**



To use the optional lighter socket (12 V) on the car battery, connect the lighter socket to the DC IN socket of the car battery. At the DC IN socket of the car battery, there is a fuse. Be careful not to make a short-circuit between the plugs.

Optional exclusive car adaptor (JVC model CA-R120E)  
Adaptador exclusivo para automóvil opcional (JVC modelo CA-R120E)  
Adattatore esclusivo per automobile opzionale (modello JVC CA-R120E)

**C. Funcionamiento con la batería del automóvil (CC 12 V)**



**C. Funzionamento con la batteria dell'automobile (12 V CC)**

Primo collega l'adattatore per vettura alla presa DC IN 12V, non alla presa dell'accendisigari, in quanto un cortocircuito della presa dell'accendisigari potrebbe far saltare il fusibile, rischiando di danneggiare l'unità.

- Collegare prima l'adattatore per vettura alla presa DC IN 12V, non alla presa dell'accendisigari, in quanto un cortocircuito della presa dell'accendisigari potrebbe far saltare il fusibile, rischiando di danneggiare l'unità.
- Quando si utilizza la batteria di una vettura, accertarsi di utilizzare l'adattatore specificato (JVC modello CA-R120E) per evitare problemi o danni risultanti da un disegno con polarità differenti.

First connect the car adaptor for automobile to the DC IN 12 V jack, not the lighter socket, because shorting of plugs on the car battery fuse could cause the fuse to blow out. In addition, be careful not to make a short-circuit between the plugs.

- Quando si utilizza la batteria di una vettura, accertarsi di utilizzare l'adattatore specificato (JVC modello CA-R120E) per evitare problemi o danni risultanti da un disegno con polarità differenti.

NOMI E FUNZIONI DELLE PARTI

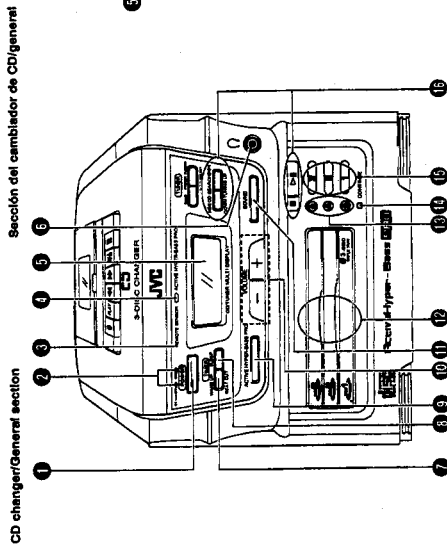
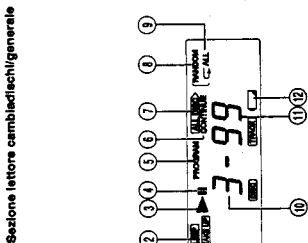
NOMBRES DE LAS PARTES Y SUS FUNCIONES

NAMES OF PARTS AND THEIR FUNCTIONS

Sezione lettore cambiadischi/generale

Sección del cambiador de CD/generale

CD changer/General section



- 1 Interruttore di alimentazione (POWER)
- 2 Indicator POWER ON/STANDBY
- 3 Sensore sensor telecomando (REMOTE SENSING)
- 4 Indicatore ACTIVE HYPER-BASS PRO
- 5 Finestrino display
- 6 Indicatore WAKE UP
- 7 Indicatore SLEEP
- 8 Indicatore di riproduzione (▶)
- 9 Indicatore di pausa (||)
- 10 Indicatore di programmazione (PROGRAM)
- 11 Indicatore di riproduzione continuata (CONTINUE)
- 12 Indicatore di tutti i dischi (ALL DISC)
- 13 Indicatore di riproduzione casuale (RANDOM)
- 14 Visualizzazione numero CD
- 15 Visualizzazione orario sveglia/spagniment automatico
- 16 Presa cuffie (7) (mini stereo diam. 3,5 mm)
- 17 Collegare le cuffie (impedenza da 16 Ω a 1 kΩ) a queste pre se. Il suono dei diffusori viene eliminato automaticamente quando le cuffie vengono collegate.
- 18 Tasto WAKE UP/TIMER
- 19 Tasto SLEEP/TIMER
- 20 HYPER-BASS PRO
- 21 Tasti volume (VOLUME) (+, -)
- 22 Botone di hyper grave attivo, professional (ACTIVE HYPER-BASS PRO)
- 23 Botone di volumen (VOLUME) (+, -)
- 24 Botón SOUND
- 25 Portadiscos de CD (DISC 1-DISC 3)
- 26 Botones de apertura/cierre del plato portadiscos de CD (DISC 1-DISC 3)
- 27 Tasto riproduzione continuata (CONTINUE)
- 28 Tasti di controllo del 3CD (CD CONTROL) (DISC 1-DISC 3)
- 29 Tasti di ricerca del brano del CD (4-4, ▶▶); Premere questi tasti per localizzare il brano di un brano o per avviare le operazioni di ricerca in avanti/indietro.

- 1 Botón de alimentación (POWER)
- 2 Indicator POWER ON/STANDBY
- 3 Sección sensor remoto (REMOTE SENSING)
- 4 Indicador ACTIVE HYPER-BASS PRO
- 5 Ventanilla de WAKE UP
- 6 Indicador SLEEP
- 7 Indicador (▶) de reproducción
- 8 Indicador (||) de pausa
- 9 Indicador de modo de programación (PROGRAM)
- 10 Indicador de reproducción continuada (CONTINUE)
- 11 Indicador de todos los discos (ALL DISC)
- 12 Indicador de reproducción aleatoria (RANDOM)
- 13 Indicador de repetición de reproducción
- 14 Visualización del número de disco
- 15 Visualización del número de pista
- 16 Indicación de hora despertador/desconexión
- 17 Indicador de pilas (7) (mini estereo de 3,5 mm)
- 18 Jack de audifonos (7) (mini estereo de 3,5 Ω a 1 kΩ), a esse jack, El sonido de los altavoces se apaga automáticamente cuando se conectan los audifonos.
- 19 Botón WAKE UP/TIMER
- 20 Botón SLEEP/TIMER
- 21 Botón de hiper grave activo, professional (ACTIVE HYPER-BASS PRO)
- 22 Botón de volumen (VOLUME) (+, -)
- 23 Botón SOUND
- 24 Portadiscos de CD (DISC 1-DISC 3)
- 25 Botones de apertura/cierre del plato portadiscos de CD (DISC 1-DISC 3)
- 26 Tasto de reproducción continuada (CONTINUE)
- 27 Botones de control de 3CD (CD CONTROL) (DISC 1-DISC 3)
- 28 Botones para operación del CD (4-4, ▶▶); Premios para ubicar el principio del CD; Premios para ubicar el principio de la pista o para iniciar las operaciones de búsqueda hacia adelante/hacia atrás.

- 1 POWER button
- 2 POWER ON/STANDBY indicators
- 3 REMOTE SENSOR section
- 4 ACTIVE HYPER-BASS PRO indicator
- 5 Display window
- 6 SLEEP UP indicator
- 7 SLEEP indicator (▶)
- 8 Play indicator (||)
- 9 Program mode indicator (PROGRAM)
- 10 CONTINUE play indicator
- 11 ALL DISC indicator
- 12 Repeat play indicator (≡ ALL)
- 13 CD number display
- 14 Track number display
- 15 Wake up/sleep time display
- 16 Battery indicator (7) (3,5 mm dia. stereo min)
- 17 Headphones jack (7) (3,5 mm dia. stereo) to this jack, Speaker sound is automatically switched off when the headphones are connected.
- 18 WAKE UP TIMER button
- 19 SLEEP TIMER button
- 20 ACTIVE HYPER-BASS PRO button
- 21 VOLUME buttons (+, -)
- 22 CD tray (4) operation buttons (DISC 1-DISC 3)
- 23 TUNE play button
- 24 CD CONTROL buttons (DISC 1-DISC 3)
- 25 CD operation buttons (4-4, ▶▶); Press to locate the beginning of a track, and to start forward/reverse search operations.

**Tasto arresto/cancellazione (||):**  
Premere questo tasto per interrompere la riproduzione di un CD o per cancellare la riproduzione programmata.  
**Tasto riproduzione/pausa (▶-||):**  
Premere questo tasto per riprodurre un CD oppure per interrompere temporaneamente la riproduzione.

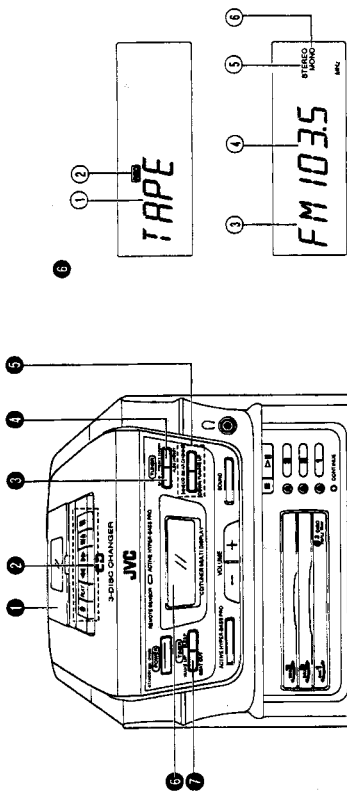
**Botón (||) de paradas/cancelación:**  
Presione para detener la reproducción de un CD o para cancelar la reproducción programada.  
**Botón (▶-||) de reproducción/pausa:**  
Presione para reproducir un disco o para parar temporariamente.

**Stop/clear button (||):**  
Press to stop playing a CD or cancel playback.  
**Play/pause button (▶-||):**  
Press to play a CD or to stop temporarily.

Sezione sintonizzatore/registratore

Sección del sintonizador/platina

Tuner/Deck section



- 1 Vano portacassetta
- 2 Tasti funzionamento registratore a cassette
- 3 REC: Premere questo tasto assieme al tasto ▶ PLAY per avviare la registrazione.
- 4 PLAY: Premere questo tasto per riprodurre il nastro.
- 5 REW: Premere questo tasto per riavvolgere rapidamente il nastro.
- 6 FF: Premere questo tasto per far scorrere rapidamente il nastro.
- 7 STOP/EJECT: Premere questo tasto per fermare il nastro.
- 8 La pressione di questo tasto del vano portacassetta, nastro fermo causa l'apertura del vano portacassetta.
- 9 PAUSE: Premere questo tasto per interrompere temporaneamente lo scorrimento del nastro. Premere nuovamente per abbandonare il modo di pausa.
- 10 Tasto sintonizzatore/banda (TUNER/BAND)
- 11 Premere questo tasto per selezionare il modo del sintonizzatore.
- 12 Premere questo tasto per selezionare la banda.
- 13 Tasto sintonizzazione, preselezioni/pressione automatica (PRESET TUNING/AUTO PRESET)
- 14 Tasti sintonizzazione alto/basso (UP/DOWN)
- 15 Finestrino display
- 16 Display modo registratore (TAPE)
- 17 Indicatore di registrazione (REC)
- 18 Display frequenza
- 19 Display stazione preselezionata
- 20 Indicatore stereo (STEREO)
- 21 Indicatore MONO (MONO)
- 22 Tasto BEAT CUT

- 1 Cassette holder
- 2 Buttons for operation of the cassette
- 3 REC: Press this button with the ▶ PLAY button to start recording.
- 4 PLAY: Press to play the tape.
- 5 REW: Press to rewind the tape rapidly.
- 6 FF: Press to wind the tape forward rapidly.
- 7 STOP/EJECT: Press to stop the tape. Pressing this button when the tape has stopped opens the cassette holder.
- 8 Press to stop the tape temporarily. Press again to open the pause mode.
- 9 PAUSE: Press to select tuner mode.
- 10 Press to select the band.
- 11 Tuning buttons (UP/DOWN)
- 12 Display window
- 13 Tape (TAPE) mode display
- 14 Recording indicator (REC)
- 15 Band indicator
- 16 Radio frequency display
- 17 Preset station display
- 18 STEREO indicator
- 19 MONO indicator
- 20 BEAT CUT button.

- 1 Botón para operación del cassette
- 2 Presione este botón conjuntamente con el botón ▶ PLAY para iniciar la grabación.
- 3 PLAY: Presione para reproducir la cinta.
- 4 REW: Presione para rebobinar rápidamente la cinta.
- 5 FF: Presione para avanzar la cinta hacia adelante rápidamente.
- 6 STOP/EJECT: Presione para detener el nastro. Cuando la cinta está detenida abre el portacassetta.
- 7 PAUSE: Presione para detener la cinta temporalmente.
- 8 Presione para seleccionar el modo de sintonizador.
- 9 Presione para seleccionar la banda.
- 10 Botón de sintonización/ preselección automática (PRESET TUNING/AUTO PRESET)
- 11 Botones de ajuste de sintonización (UP/DOWN)
- 12 Ventanilla de indicación del modo de cinta (TAPE)
- 13 Indicador de grabación (REC)
- 14 Indicador de banda
- 15 Indicador de frecuencia de radio
- 16 Indicador de estación preseleccionada
- 17 Indicador estéreo (STEREO)
- 18 Indicador monodisco (MONO)
- 19 Botón BEAT CUT

- 1 Vano portacassetta
- 2 Tasti funzionamento registratore a cassette
- 3 REC: Premere questo tasto assieme al tasto ▶ PLAY per avviare la registrazione.
- 4 PLAY: Premere questo tasto per riprodurre il nastro.
- 5 REW: Premere questo tasto per riavvolgere rapidamente il nastro.
- 6 FF: Premere questo tasto per far scorrere rapidamente il nastro.
- 7 STOP/EJECT: Premere questo tasto per fermare il nastro.
- 8 La pressione di questo tasto del vano portacassetta, nastro fermo causa l'apertura del vano portacassetta.
- 9 PAUSE: Premere questo tasto per interrompere temporaneamente lo scorrimento del nastro. Premere nuovamente per abbandonare il modo di pausa.
- 10 Tasto sintonizzatore/banda (TUNER/BAND)
- 11 Premere questo tasto per selezionare il modo del sintonizzatore.
- 12 Premere questo tasto per selezionare la banda.
- 13 Tasto sintonizzazione, preselezioni/pressione automatica (PRESET TUNING/AUTO PRESET)
- 14 Tasti sintonizzazione alto/basso (UP/DOWN)
- 15 Finestrino display
- 16 Display modo registratore (TAPE)
- 17 Indicatore di registrazione (REC)
- 18 Display frequenza
- 19 Display stazione preselezionata
- 20 Indicatore stereo (STEREO)
- 21 Indicatore MONO (MONO)
- 22 Tasto BEAT CUT

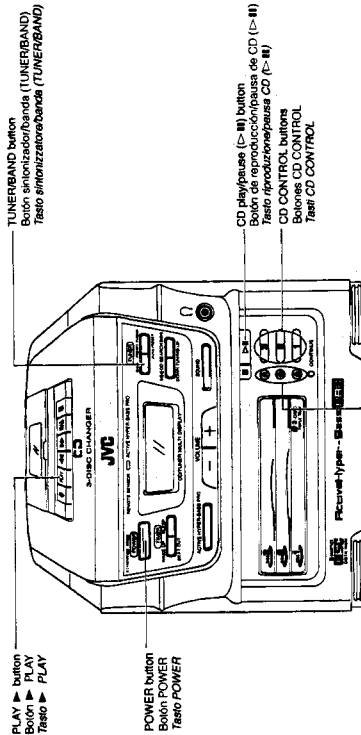
- 1 Cassette holder
- 2 Buttons for operation of the cassette
- 3 REC: Press this button with the ▶ PLAY button to start recording.
- 4 PLAY: Press to play the tape.
- 5 REW: Press to rewind the tape rapidly.
- 6 FF: Press to wind the tape forward rapidly.
- 7 STOP/EJECT: Press to stop the tape. Pressing this button when the tape has stopped opens the cassette holder.
- 8 Press to stop the tape temporarily. Press again to open the pause mode.
- 9 PAUSE: Press to select tuner mode.
- 10 Press to select the band.
- 11 Tuning buttons (UP/DOWN)
- 12 Display window
- 13 Tape (TAPE) mode display
- 14 Recording indicator (REC)
- 15 Band indicator
- 16 Radio frequency display
- 17 Preset station display
- 18 STEREO indicator
- 19 MONO indicator
- 20 BEAT CUT button.

- 1 Botón para operación del cassette
- 2 Presione este botón conjuntamente con el botón ▶ PLAY para iniciar la grabación.
- 3 PLAY: Presione para reproducir la cinta.
- 4 REW: Presione para rebobinar rápidamente la cinta.
- 5 FF: Presione para avanzar la cinta hacia adelante rápidamente.
- 6 STOP/EJECT: Presione para detener el nastro. Cuando la cinta está detenida abre el portacassetta.
- 7 PAUSE: Presione para detener la cinta temporalmente.
- 8 Presione para seleccionar el modo de sintonizador.
- 9 Presione para seleccionar la banda.
- 10 Botón de sintonización/ preselección automática (PRESET TUNING/AUTO PRESET)
- 11 Botones de ajuste de sintonización (UP/DOWN)
- 12 Ventanilla de indicación del modo de cinta (TAPE)
- 13 Indicador de grabación (REC)
- 14 Indicador de banda
- 15 Indicador de frecuencia de radio
- 16 Indicador de estación preseleccionada
- 17 Indicador estéreo (STEREO)
- 18 Indicador monodisco (MONO)
- 19 Botón BEAT CUT

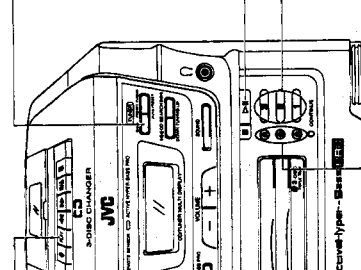
- 1 Vano portacassetta
- 2 Tasti funzionamento registratore a cassette
- 3 REC: Premere questo tasto assieme al tasto ▶ PLAY per avviare la registrazione.
- 4 PLAY: Premere questo tasto per riprodurre il nastro.
- 5 REW: Premere questo tasto per riavvolgere rapidamente il nastro.
- 6 FF: Premere questo tasto per far scorrere rapidamente il nastro.
- 7 STOP/EJECT: Premere questo tasto per fermare il nastro.
- 8 La pressione di questo tasto del vano portacassetta, nastro fermo causa l'apertura del vano portacassetta.
- 9 PAUSE: Premere questo tasto per interrompere temporaneamente lo scorrimento del nastro. Premere nuovamente per abbandonare il modo di pausa.
- 10 Tasto sintonizzatore/banda (TUNER/BAND)
- 11 Premere questo tasto per selezionare il modo del sintonizzatore.
- 12 Premere questo tasto per selezionare la banda.
- 13 Tasto sintonizzazione, preselezioni/pressione automatica (PRESET TUNING/AUTO PRESET)
- 14 Tasti sintonizzazione alto/basso (UP/DOWN)
- 15 Finestrino display
- 16 Display modo registratore (TAPE)
- 17 Indicatore di registrazione (REC)
- 18 Display frequenza
- 19 Display stazione preselezionata
- 20 Indicatore stereo (STEREO)
- 21 Indicatore MONO (MONO)
- 22 Tasto BEAT CUT



**SWITCHING THE POWER ON/OFF**

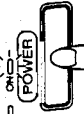


**CONEXION/DESCONEXION DE LA ALIMENTACION**



**Switching the power on/off**

- Switching on:



- Switching off:



**COMPU PLAY (only when AC power is used)**

Even when the power is set to STANDBY, pressing the button shown below switches on the power and selects the source.

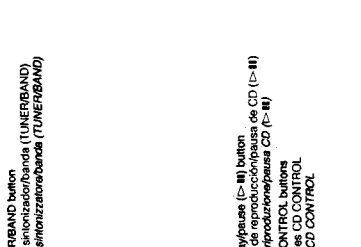
Function mode Modo de función funzionamento	Operations Operaciones Operazioni
	When this button is pressed with a CD loaded, CD playback begins. Cuando se presiona este botón habiendo un CD colocado, comienza la reproducción del mismo. Se questo tasto viene premuto a lettore CD carico, la riproduzione del CD ha immediatamente inizio.
	When this button is pressed with a tape loaded, tape playback begins. Cuando se presiona este botón habiendo una cinta colocada, comienza la reproducción de la misma. Se questo tasto viene premuto a registratore a cassette carico, la riproduzione della cassetta ha immediatamente inizio.
	When this button is pressed, the tuner is engaged. Cuando se presiona este botón, se activa el sintonizador. Se questo tasto viene premuto, il sintonizzatore si accende.

When wake up timer is engaged, this unit's power is not switched on even when the deck's ▶ PLAY button is pressed.

The timerizer despertador es activado y la alimentación de la unidad no se conecta aunque se presione el botón ▶ PLAY de la pila.

Quando il timer per la sveglia è attivato, l'alimentazione dell'unità non viene attivata premendo se il tasto ▶ PLAY del registratore viene premuto.

**ACCENSIONE E SPEGNIMENTO**

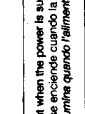


**Accensione e spegnimento dell'unità**

- Accensione:



- Spegnimento:



**COMPU PLAY (solo cuando se use CA)**

Cuando la alimentación está colocada en STANDBY el presionar el botón mostrado abajo conecta la alimentación y selecciona la fuente.

Function mode Modo de función funzionamento	Operations Operaciones Operazioni
	When this button is pressed with a CD loaded, CD playback begins. Cuando se presiona este botón habiendo un CD colocado, comienza la reproducción del mismo. Se questo tasto viene premuto a lettore CD carico, la riproduzione del CD ha immediatamente inizio.
	When this button is pressed with a tape loaded, tape playback begins. Cuando se presiona este botón habiendo una cinta colocada, comienza la reproducción de la misma. Se questo tasto viene premuto a registratore a cassette carico, la riproduzione della cassetta ha immediatamente inizio.
	When this button is pressed, the tuner is engaged. Cuando se presiona este botón, se activa el sintonizador. Se questo tasto viene premuto, il sintonizzatore si accende.

When wake up timer is engaged, this unit's power is not switched on even when the deck's ▶ PLAY button is pressed.

Quando il timer per la sveglia è attivato, l'alimentazione dell'unità non viene attivata premendo se il tasto ▶ PLAY del registratore viene premuto.

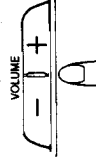
**Notes:**

- When switching off the power, be sure to press the POWER button on the remote control. The COMPU PLAY button on the remote control has the same function as that on the main unit.

**VOLUME, TONE AND OTHER CONTROLS**

**VOLUME button**

- + : Use to increase the volume. (Control range from VOL.0 to VOL.25.)
- : Use to decrease the volume. (Control range from VOL.0 to VOL.25.)



**Notes:**

- Para desconectar la alimentación asegúrese de pulsar el botón POWER. El botón COMPU PLAY del controlador remoto tiene la misma función que el de la unidad principal.

**VOLUMEN, TONO Y OTROS COMANDOS**

**Botón VOLUME**

- + : Use para aumentar el volumen. (Los límites de control van de VOL.0 a VOL.25.)
- : Use para reducir el volumen. (Los límites de control van de VOL.0 a VOL.25.)

**Notes:**

- Separare l'unità solo premendo il tasto POWER. Il tasto COMPU PLAY del telecomando possiede le stesse funzioni di quello omonimo dell'unità principale.

**VOLUME, TONI ED ALTRI COMANDI**

**Tasto VOLUME**

- + : Per aumentare il volume. (Gamma controllo volume da VOL.0 a VOL.25.)
- : Per diminuire il volume. (Gamma controllo volume da VOL.0 a VOL.25.)

**ACTIVE HYPER-BASS PRO button**

ON : The ACTIVE HYPER-BASS PRO indicator lights up. Set to this position to activate ACTIVE HYPER-BASS PRO sound.

OFF : The ACTIVE HYPER-BASS PRO indicator goes out. Set to this position when ACTIVE HYPER-BASS PRO sound is not required.



**Botón de hiper graves activos profesionales (ACTIVE HYPER-BASS PRO)**

ON : Se enciende el indicador ACTIVE HYPER-BASS PRO. Coloque en esta posición para activar el sonido hiper grave activo profesional.

OFF : Se apaga el indicador ACTIVE HYPER-BASS PRO. Seleccione esta posición cuando no desea escuchar el sonido de hiper grave activo profesional.

**Sound mode button**

Sound modes can be selected to enhance the type of music being played.

- Press the SOUND button to select the sound mode.
- Each time the SOUND button is pressed the sound mode changes as follows:



**Tasto modo suono**

I modi del suono possono essere selezionati per potenziare il tipo di musica riprodotta.

- Premere il tasto SOUND per selezionare il modo desiderato.
- Ogni volta che il tasto SOUND viene premuto, il modo cambia come indicato di seguito:

**Sound mode selection**

FLAT (No sound effect (flat characteristic)). Set to this position when listening to classical music.

BEAT: Set to this position for music with a heavy beat, such as rock or disco music.

POP: Set to this position for light music including popular and vocal music.

CLEAR: Set to this position for crisp and clear sounding music with transparent highs.

**Selezione modo suono**

FLAT (nessun effetto (caratteristiche piatte)): Impostare questa posizione per ascoltare musica classica.

BEAT: Impostare questa posizione per ascoltare musica con un ritmo pesante come musica rock o disco.

POP: Impostare questa posizione per ascoltare musica leggera di tipo popolare e vocale.

CLEAR: Impostare questa posizione per ascoltare musica chiara e nitida con acuti trasparenti.

**Note:**

The sound modes only affect the sound output from the speakers or headphones. They do not affect the sound when recording.

**Note:**

I modi del suono influenzano solo il suono emesso dai diffusori o dalle cuffie, ma non la registrazione del suono stesso.

**HANDLING CDS**

Since dirty, damaged and warped CDs may damage the unit, take care regarding the following:

- Useable CDs**  
Use CDs with the mark shown.
- Notes on handling CDs**
  - Do not touch the reflective recorded surface.
  - Do not stick or write anything on the label side.
  - Do not bend CDs.
- Storage**
  - After removing a CD from the unit, be sure to place it back to its original position.
  - Do not expose CDs to direct sunlight, high temperatures from a heater, etc., high humidity, or dust.
- Cleaning CDs**
  - Before loading a CD, wipe off any dust, dirt or fingerprints with a soft cloth. CDs should be cleaned by wiping radially from the center to the edge.
  - Never use thinner, benzine, record cleaner or antibiotic spray.

**MANIPULACION DE CD**

Como los CD sucios, dañados o alabeados pueden dañar la unidad, tome precauciones en relación a lo siguiente:

- CD utilizables**  
Utilice CD con la marca indicada.
- Notas sobre manipulación de CD**
  - No toque la superficie grabada reflejante.
  - No adhiera ni escriba nada sobre el lado de la etiqueta.
  - No doble los CD.
- Almacenamiento**
  - Después de extraer un CD de la unidad, asegúrese de colocarlo otra vez en su posición original.
  - No exponga los CD a la luz directa del sol, altas temperaturas provenientes de un calentador, etc., alta humedad, o polvo.
- Limpieza de CD**
  - Antes de colocar un CD, limpie el polvo, suciedad o huellas digitales, con un paño suave. Los CD deben ser limpiados radialmente desde el centro hacia el borde.
  - Nunca utilice solvente, bencina, limpiador de discos o aerosol antiestático.

**MANEGGIO DEI CD**

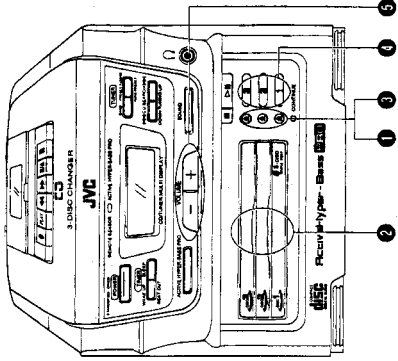
Dato che CD sporchi, danneggiati o deformati possono danneggiare l'unità, fare attenzione a quanto segue:

- CD utilizzabili**  
Utilizzare solo CD recanti il marchio indicato.
- Note sul maneggio dei CD**
  - Non toccare la superficie registrata indelebile.
  - Non incollare o scrivere alcunché sul lato etichettato.
  - Non piegare i CD.
- Conservazione**
  - Dopo aver rimosso un CD dall'unità, accertarsi di riporlo nella sua custodia originale.
  - Non esporre i CD a temperature elevate, ad umidità elevata o a polvere.
- Pulizia CD**
  - Prima di inserire un CD, pulire polvere, sporco o impronte digitali con un panno morbido. I CD devono essere puliti strofinando radialmente, dal centro verso il bordo.
  - Nunca utilizzare mai diluente, benzina, liquido pulente per dischi o spray antistatici.

**PLAYING CDS**

(Example: When playing back a CD loaded in the DISC 1 tray)

Operate in the order shown

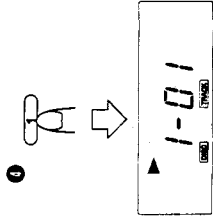


(Ejemplo: Cuando reproduce un CD colocado en el portadisco DISC 1)

Opere en el orden mostrado

(Esempio: Quando al riproduce il CD inserito nel piatto DISC 1)

Eseguite le operazioni nell'ordine indicato



**COMPACT disc DIGITAL AUDIO**

**Handling**

- Manipulación
- Maneggio

**Cleaning**

- Limpieza
- Pulizia

**Correct**  
Correcto  
Corretto

**Incorrect**  
Incorrecto  
Scorretto

● Removing the CD from its storage case and loading it.  
● Extracción de CD de su caja y colocación del mismo.  
● Rimozione del CD dalla sua custodia e suo caricamento nell'altore.

● Press to secure the CD.  
● Premere il centro e sollevare.

● Press to secure the CD.  
● Premere per fissare il CD.

**REPRODUCCION DE CD**

(Ejemplo: Cuando reproduce un CD colocado en el portadisco DISC 1)

Opere en el orden mostrado

(Esempio: Quando al riproduce il CD inserito nel piatto DISC 1)

Eseguite le operazioni nell'ordine indicato

- Press the required CD tray open/close button (▲) (DISC 1 to DISC 3). The CD tray opens. (The power is switched on when AC power is supplied.)
  - When battery power is used, switch on the POWER button first, then perform operations.
- Load a CD with the label side facing up.
- Press the CD tray open/close button (▲) to close the CD tray.
  - Repeat the above procedures to load the other CDs.
- Press the required CD CONTROL button (DISC 1 to DISC 3) to start play.

When the mode is changed or the power is switched off, press the Eject (▲) button to confirm which trays hold CDs. Press the appropriate CD CONTROL button (DISC 1 to DISC 3) to exchange by opening their trays with the appropriate CD tray open/close buttons (▲).

8-cm (8") CDs can be used in this unit without an adaptor.

**Notes:**

- When the POWER button is set to STANDBY, or another mode (TAPE or TUNER) is selected, the last CD played is stored in memory. The same CD will be played when the power is switched on again and the >II button is pressed.
- When the CD tray is open, press any of >II, ▲ or the CD CONTROL buttons (DISC 1 to DISC 3), and the tray will close.
- The CD tray will also close when the function mode is changed to TAPE or TUNER.

- Presione el botón (▲) de abrir/cerrar del portadisco de CD deseado (DISC 1 a DISC 3). El portadisco de CD se abrirá. (La alimentación queda conectada cuando se suministra CA.)
  - Cuando se usa la pila, primero conecte el botón POWER y después realice las operaciones.
- Cobaque un CD con la etiqueta apuntado hacia arriba.
- Presione el botón (▲) de abrir/cerrar del portadisco de CD para cerrado.
  - Repita los procedimientos de arriba para colocar otros CD.
- Presione el botón CD CONTROL (DISC 1 a DISC 3) necesario para iniciar la reproducción.
- Ajuste.

Cuando se cambia el modo o cuando se desconecta la alimentación, presione el botón de eyección (▲) para confirmar los portadiscos que contienen CD. Y presione el botón CD CONTROL (DISC 1 a DISC 3) necesario para intercambiar abriendo los portadiscos con los botones (▲) de apertura/cierre del portadisco de CD apropiado.

Los CD de 8-cm pueden ser usados con esta unidad sin necesidad de adaptador.

**Notes:**

- Al colocar el botón POWER en STANDBY o en otro modo (TAPE o TUNER) se activa, y el último CD reproducido es almacenado en memoria. El mismo CD será reproducido cuando se conecte la alimentación otra vez y se presione el botón >II.
- Cuando un portadisco de CD está abierto, presione cualquiera de los botones >II, ▲ o el botón CD CONTROL (DISC 1 a DISC 3) para cerrar el portadisco.
- El portadisco de CD también se cerrará cuando se activa el modo TAPE o TUNER.

- Premere il tasto di apertura/chiusura (▲) del piatto del CD desiderato (da DISC 1 a DISC 3). Il piatto del CD si apre. (Nel caso di alimentazione CA, l'alimentazione viene attivata.)
  - Cuando si utilizza l'alimentazione a batteria, attivare prima l'alimentazione col tasto POWER e quindi eseguire le operazioni.
  - Inserire un CD col lato etichettato rivolto in alto.
- Premere il tasto di apertura/chiusura del piatto portadisco (▲) per far chiudere il piatto stesso.
- Repelere la procedura per caricare gli altri CD.
- Premere il tasto CD CONTROL richiesto (da DISC 1 a DISC 3) per iniziare la riproduzione.
- Regolare.

Cuando el modo viene cambiado o l'alimentación viene desactivada, presione el tasto de expulsión (▲) para aclarar que platos contienen CD e presione el tasto CD CONTROL (DISC 1 a DISC 3) necesario para intercambiar abriendo los platos con los botones (▲) de apertura/chiusura apropiados.

La reproducción de CD de 8 cm non richiede l'uso di alcun adattatore.

**Note:**

- Quando il tasto POWER viene portato su STANDBY oppure viene selezionato un altro modo (TAPE o TUNER), l'ultimo CD riprodotto viene memorizzato. Lo stesso CD viene riprodotto quando l'alimentazione viene ripristinata ed il tasto >II viene premuto.
- Cuando un disco CD è aperto, premere uno dei tasti >II, ▲ o CD CONTROL (da DISC 1 a DISC 3) per chiudere il piatto del CD.
- Il piatto del CD si chiude anche quando il modo viene commutato su TAPE o TUNER.

**When the AC power cord is unplugged, never close the open tray by hand. To close it, plug the power cord in again and press the  $\Delta$  button. Otherwise it may cause damage to the unit.**

**To stop in the middle of a CD**  
During play, press the stop/clear (■) button to stop play.



**To stop a CD temporarily**  
Press the  $\Delta$  button to stop play temporarily. When pressed again, play resumes from the point where it was paused.

**Notes:**  
• The following indication may appear when a CD is dirty or scratched, or when the CD is loaded upside down.  
In such a case, check the CD and insert again after cleaning the CD or turning it over.  
• When the CD  $\Delta$  II or DISC 1 through 3 buttons are pressed with no CDs loaded in the trays, "00" is displayed.

**Cuando se desenchufa el cordón de alimentación CA, nunca cierre el portadisco con la mano. Para cerrar, enchufe otra vez el cordón de alimentación y presione el botón  $\Delta$ . De lo contrario podrá dañar la unidad.**

**Para detener la reproducción de un CD en la mitad de la misma**  
Presione el botón (■) de parada/borrado para detener la reproducción.



**Para detener un CD temporalmente**  
Presione el botón  $\Delta$  para interrumpir temporalmente la reproducción continuada en el punto en que la detuvo.

**Notes:**  
• La siguiente indicación puede aparecer cuando el CD está sucio o arañado, o cuando se lo ha colocado al revés.  
En tal caso, inspeccione el CD y colóquelo otra vez, después de limpiarlo o de colocarlo correctamente.  
• Cuando presiona los botones CD  $\Delta$  II o DISC 1 a 3 y no hay CD colocado en los portadiscos, se visualiza "00".



**Do not use the unit at excessively high or low temperatures. The recommended temperature range is from 5°C (41°F) to 35°C (95°F).**  
• After playback, unload CDs and close the CD tray.  
• If mistacking occurs during play, lower the volume.  
• Mistacking may occur if a strong shock is applied to the unit or if it is used in a place subject to vibrations (i.e. in a car travelling on a rough road).

**Reproducción con salto**

Durante la reproducción es posible saltar hacia adelante hasta el principio de la próxima pista o hacia atrás hasta el principio de la pista que está siendo reproducida o de la pista deseada. La reproducción se inicia automáticamente.  
**Para escuchar la próxima pista...**  
Presione una vez el botón  $\Delta$  para saltar al principio de la próxima pista.  
**Para escuchar la pista anterior...**  
Presione el botón  $\Delta$  para saltar al principio de la pista anterior.  
Presione dos veces rápidamente para saltar al principio de la pista anterior.

**Se il cavo di alimentazione viene scollegato, non richiudere i piatti portadisco a mano. Per farlo, ricollegare il cavo di alimentazione e premere il tasto  $\Delta$ . Altrimenti si può danneggiare l'apparecchio.**

**Per l'interruzione nel mezzo di un CD**  
Premere il tasto annulla/cancellazione (■) per interrompere la riproduzione.

**Per interrompere temporaneamente la riproduzione di un CD**  
Premere il tasto  $\Delta$  per interrumpire temporalmente la riproduzione di un CD. Quando il tasto viene premuto nuovamente, la riproduzione riprende dal punto in cui è stata interrotta.

**Notes:**  
• L'indicazione seguente potrebbe apparire quando un CD è sporco o graffiato oppure quando il CD viene inserito capovoto.  
In tali casi, controllare il CD e reinserirlo dopo averlo pulito o girato.  
• Quando i tasti CD  $\Delta$  II o di DISC 1 a DISC 3 vengono premuti senza un CD nei piatti, viene visualizzata l'indicazione "00".

**Non utilizzare l'unità a temperature eccessivamente basse o alte. La gamma di temperatura raccomandata va da 5°C a 35°C.**  
• Dopo la riproduzione, rimuovete i CD e chiudete i piatti.  
• Se la riproduzione dovesse saltare, abbassare il volume.  
• La riproduzione può saltare se l'unità viene urtata con forza oppure se viene utilizzata in luoghi soggetti a forti vibrazioni (per esempio in una vettura che marcia su fondo stradale dissestato).

**Riproduzione con salto**

Durante la riproduzione è possibile saltare all'inizio del brano successivo oppure all'inizio del brano incosulto di riproduzione o al principio della pista desiderata, quando l'inizio del brano desiderato viene raggiunto.  
**Per ascoltare il brano successivo...**  
Premere una volta il tasto  $\Delta$  per saltare all'inizio del brano successivo.  
**Per ascoltare il brano precedente...**  
Premere il tasto  $\Delta$  per saltare all'inizio del brano in corso di riproduzione. Premere due volte in rapida successione per saltare all'inizio del brano precedente.

**Search play (to locate the required position on the CD)**

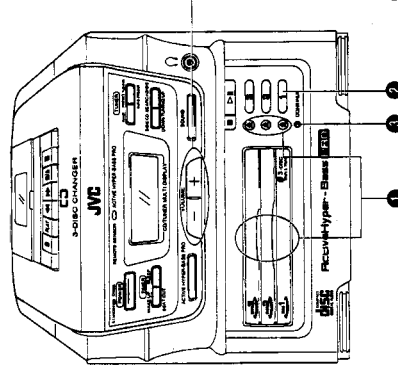
The required position can be located using fast-forward or reverse search while playing a CD.



**Keep pressing for fast-reverse search.**  
Mantenga presionado para la búsqueda reversa rápida. Tiene presionado para la búsqueda progresiva rápida.  
• Hold down the button; search play starts slowly and then gradually increases in speed.  
• Since low-volume sound (at about one quarter of the normal level) can be heard in the search mode, monitor the sound and release the button when the required position is located.

**Continuous play**

**How to play all tracks**  
Operate in the order shown



1 Load a CD in each tray (DISC 1-DISC 3).  
2 Press the CD CONTROL button (DISC 1) to start play.  
3 Press the CONTINUE button to set continuous play mode.  
4 Adjust.  
• CD play starts from DISC 1 and continues to the last track of the last CD in the CD changer.

• When a CD is loaded in each tray, continuous play can be started by pressing any CD CONTROL button (DISC 1 to DISC 3). Continuous play ends with the last track of the CD loaded in the DISC 3 tray.  
**Notes:**  
• During CD play, continuous play will not function if another CD tray is open.  
• While CDs are being changed in the CD changer, there will be a short delay after pressing the  $\Delta$  button until the CD tray opens.

**Reproducción con búsqueda (para localizar la posición deseada en el CD)**

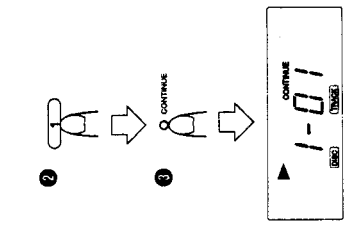
La posición deseada puede ser ubicada utilizando la búsqueda de avance rápido o inversa mientras reproduce un CD.



**Mantenga presionado el botón; la búsqueda con reproducción se inicia lentamente y luego aumenta gradualmente la velocidad.**  
• Como en el modo de búsqueda es posible escuchar el sonido a bajo volumen (aproximadamente a un cuarto del nivel normal), vigile el sonido y suelte el botón cuando haya localizado la posición deseada.

**Reproducción continuada**

**Reproducción de todas las pistas**  
Opere en el orden mostrado



1 Coloque un CD en cada portadisco (DISC 1-DISC 3).  
2 Presione el botón CD CONTROL (DISC 1) para iniciar la reproducción.  
3 Presione el botón CONTINUE para activar el modo de reproducción continua.  
4 Ajuste.  
• La reproducción del CD comienza por el DISC 1 y continúa hasta la última pista del último CD en el cambiador.

• Cuando se coloca un CD en cada portadisco, la reproducción continuada puede ser activada presionando cualquiera de los botones CD CONTROL (DISC 1 a DISC 3). La reproducción continuada termina con la última pista del CD colocado en el portadisco DISC 3.  
**Notes:**  
• Durante la reproducción de CD, la reproducción continuada no funciona si otro portadisco de esta unidad o los CD en el cambiador, están abiertos. Después de presionar el botón  $\Delta$ , habrá un breve retraso después de presionar el botón  $\Delta$  hasta que se abra el portadisco de CD.

**Riproduzione con ricerca (per localizzare una determinata posizione sul CD)**

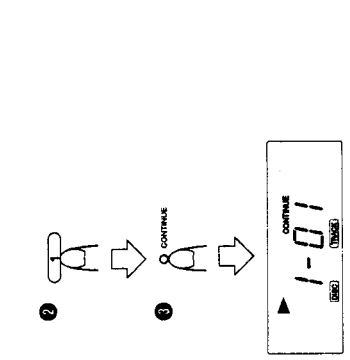
La posizione desiderata può essere localizzata utilizzando la ricerca rapida in avanti o all'indietro durante la riproduzione di un CD.



**Mantenga premuto il tasto; la riproduzione con ricerca inizia lentamente e quindi aumenta gradualmente di velocità.**  
• Dato che il suono può essere udito a basso volume (circa un quarto del livello normale) nel modo di ricerca, ascoltare e rilasciare il tasto quando la posizione desiderata viene raggiunta.

**Riproduzione continuata**

**Come riprodurre tutti i brani**  
Eseguire le operazioni nell'ordine indicato



1 Caricare un CD in ciascun piatto (DISC 1-DISC 3).  
2 Premere il tasto CD CONTROL (DISC 1) per dare inizio alla riproduzione.  
3 Premere il tasto CONTINUE per impostare il modo di riproduzione continua.  
4 Regolare.  
• La riproduzione del CD inizia dal disco DISC 1 e continua sino all'ultimo brano dell'ultimo CD del lettore cambiadisco.

• Quando un CD è presente in ciascun piatto, la riproduzione continuata può essere iniziata premendo un qualsiasi tasto CD CONTROL (da DISC 1 a DISC 3). La riproduzione continuata termina con l'ultimo brano del CD del piatto DISC 3.  
**Note:**  
• Durante la riproduzione di un CD, la riproduzione continua non funziona se un altro piatto portadisco è aperto.  
• Mentre i CD sono in cambio, dopo che il tasto  $\Delta$  viene premuto, il piatto portadisco si apre con un certo ritardo.

**DISC CONTROL button**

• **Direct Disc Selection**  
Press the CD CONTROL button (DISC 1 to DISC 3) corresponding to the No. of the required CD.

Example: To designate Disc 2

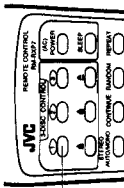


The tracks on the designated CD are played in sequence.

Note:  
• When "PROGRAM" is shown in the display and the direct select operation is performed, the CD cannot be played.

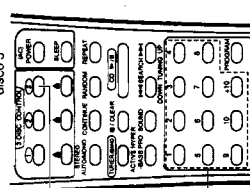
**Direct access play (using the remote control unit)**

Example 1: To designate Disc 1



1 Designate the required CD using CD CONTROL button (DISC 1 to DISC 3).  
• CD play starts.

Example 2: To designate the 3rd track of Disc 3



1 Designate the required CD using the CD CONTROL buttons (DISC 1 to DISC 3).  
2 The track number is displayed and the required track number is selected using the track button.  
• CD play starts.

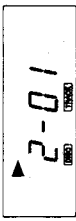
To designate track numbers 1 to 10, press the track number button corresponding to the track number.  
To designate track number 11 or higher, press the +10 button the required number of times, then a track number button. (Example: To designate the 20th track, press the +10 button once, then press track number button 10.)

+10 button:  
Each time this button is pressed, the number increases by 10. First press this button to set the 10's digit, then press the track number button to set the 1's digit.

**Testo DISC CONTROL**

• **Selezione diretta del CD**  
Premere il tasto CD CONTROL (DISC 1 - DISC 3) corrispondente al numero del CD richiesto.

Esempio: Per designare il disco 2

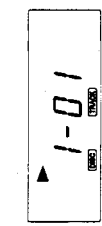


I brani sul disco indicato vengono riprodotti in sequenza.

Note:  
• Quando l'indicazione "PROGRAM" viene visualizzata e si esegue l'operazione di selezione diretta, il CD non può essere riprodotto.

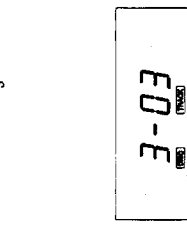
**Riproduzione ad accesso diretto (utilizzando l'unità di telecomando)**

Esempio 1: Per designare il disco 1



1 Designare il CD desiderato utilizzando il tasto CD CONTROL (DISC 1 a DISC 3).  
• La riproduzione del CD ha inizio.

Esempio 2: Per designare il terzo brano del disco 3



1 Designare il CD desiderato utilizzando i bottoni CD CONTROL (DISC 1 a DISC 3).  
2 Si visualizzano i numeri de pista. Selezionare il numero de pista desiderata utilizzando il tasto apposito.  
• La riproduzione del CD ha inizio.

Per designare i numeri di brano da 1 a 10, premere il tasto numerico corrispondente al numero del brano.  
Per designare il numero 11 o un numero superiore, premere il tasto +10 per il numero di volte necessario. (Esempio: Per indicare il 20° brano, premere una volta il tasto +10 e quindi il tasto di numero di brano 10.)

Tasto +10:  
Ogni volta che questo tasto viene premuto, il numero aumenta di 10. Premere questo tasto per impostare le decine e quindi premere un tasto numerico per impostare le unità.

**Repeat play (Using the remote control unit)**

Press the REPEAT button before or during play. To perform repeat play of a single track, press the REPEAT button, or all tracks on all CDs in the CD changer.

Each time the REPEAT button is pressed, the mode will change in the order from a single track to all tracks (≡ ALL), to clear mode.



• **Single track repeat (≡)**  
The current or specified track will be played repeatedly.  
• **All tracks of one CD repeat (≡ ALL)**  
All tracks on the current or specified CD will be played repeatedly.  
• **All tracks of all CDs repeat (ALL DISC CONTINUE ≡ ALL)**  
When the CONTINUE button is pressed in the "≡ ALL" mode, CD play starts from the current or specified track, then all tracks on all CDs will be played repeatedly.

**Random play (Using the remote control unit)**

Press the RANDOM button before or during play. It is possible to perform random play from one or all CDs.

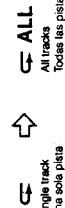
• **One disc random (RANDOM)**  
Press the RANDOM button to randomly play tracks on the current or specified CD, except in continuous mode.  
• **All disc random (ALL DISC CONTINUE, RANDOM)**  
Press the RANDOM button in continuous play mode to randomly select and play tracks from all of the CDs in the CD changer.

Note:  
• It is not a malfunction that a certain track be played back several times during random play.  
• All disc random does not function when a CD tray other than one played at the time is open.

**Ripetición de reproducción (modo remoto)**

Presione el botón REPEAT antes o durante la reproducción. Es posible efectuar la repetición de reproducción de una sola pista, todas las pistas de un CD o todas las pistas de todos los CD en el cambiador.

Cada vez que presione el botón REPEAT el modo cambiará en el siguiente orden: de una sola pista (≡) a todas las pistas (≡ ALL), al modo de borrado.



• **Repetición de una sola pista (≡)**  
La pista actual o la especificada será reproducida repetidamente.  
• **Repetición de todas las pistas de un CD (≡ ALL)**  
Todas las pistas del CD actual o del especificado serán reproducidas repetidamente.  
• **Repetición de todas las pistas de todos los CD (ALL DISC CONTINUE ≡ ALL)**  
Cuando se presiona el botón CONTINUE estando en modo "≡ ALL", activado, la unidad inicia la reproducción del CD desde la pista actual o desde la especificada, y luego de un tiempo determinado todos los CD son reproducidas repetidamente.

**Reproducción aleatoria (modo remoto)**

Presione el botón RANDOM antes o durante la reproducción. Es posible ejecutar la reproducción aleatoria de uno o de todos los CD.

• **Un disco aleatorio (RANDOM)**  
Presione el botón RANDOM para reproducir aleatoriamente las pistas del CD colocado o de uno especificado, excepto cuando el modo de reproducción continua esté activado.  
• **Todos los discos aleatoriamente (ALL DISC CONTINUE RANDOM)**  
Presione el botón RANDOM en el modo de reproducción continua para reproducir aleatoriamente y reproducir las pistas de todos los CD en el cambiador.

Note:  
• Que cierta pista sea reproducida varias veces durante la reproducción aleatoria no es una falla.  
• La reproducción aleatoria de todos los discos no funciona cuando hay un portadisco de CD abierto que no sea el que se está reproduciendo.

**Riproduzione ripetuta (Utilizzando l'unità di telecomando)**

Premere il tasto REPEAT prima o durante la riproduzione. E' possibile ripetere la riproduzione di un brano, di un CD o di tutti i CD contenuti nel lettore multiplo.

Ad ogni pressione del tasto REPEAT, il modo di riproduzione cambia da quello di un singolo brano (≡), a quello di tutti i brani (≡ ALL), a quello di cancellazione.



Goce di. Se spinge. Si spegne. Repeat playback is released. Desactivación de la repetición de reproducción. La riproduzione ripetuta viene cancellata.

• **Ripetizione di un singolo brano (≡)**  
Il brano attuale o da voi indicato viene riprodotto più volte.  
• **Ripetizione di un intero CD (≡ ALL)**  
Tutti i brani del CD attuale o programmato vengono riprodotti ripetutamente.  
• **Ripetizione di tutti i CD (ALL DISC CONTINUE ≡ ALL)**  
Se il tasto CONTINUE viene premuto nel modo "≡ ALL", la riproduzione del CD inizia dal brano attualmente in riproduzione o da un brano specificato, quindi tutti i brani del CD vengono riprodotti più volte.

**Riproduzione casuale (Utilizzando l'unità di telecomando)**

Premere il tasto RANDOM prima o durante la riproduzione. E' possibile eseguire la riproduzione casuale di uno o di tutti i CD.

• **Riproduzione casuale di un solo CD (RANDOM)**  
Premere il tasto RANDOM per riprodurre in ordine casuale i brani del CD al momento riprodotto o programmato, salvo nel modo di riproduzione continua.  
• **Riproduzione casuale di tutti i CD (ALL DISC CONTINUE RANDOM)**  
Premere il tasto RANDOM nel corso del modo di riproduzione continua per riprodurre in ordine casuale i brani dei CD caricati nel lettore multiplo.

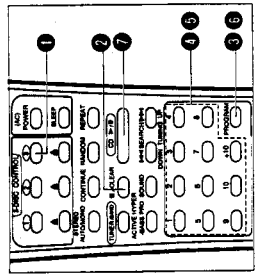
Note:  
• Può accadere che nel corso della riproduzione casuale un brano venga riprodotto più volte.  
• Se viene aperto un piatto portadisco diverso da quello al momento in riproduzione, la riproduzione casuale di tutti i CD non funziona.

**Programmed play (using the remote control unit)**

- Up to 20 tracks can be programmed to be played in any required order from one CD or all CDs in the CD changer.

Example: (CD containing more than 12 tracks)

Example 1: Programming tracks from disc 3 (tracks 2, 5, and 12).

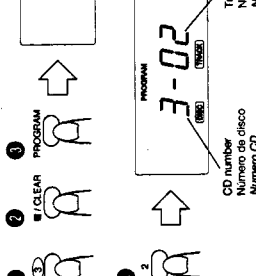


**Reproduzione programmata (utilizzando l'unità di telecomando)**

- È possibile programmare un massimo di 20 piste per la riproduzione in cualquier orden deseado, de un CD o de todos los CD en el cambiador.

Ejemplo: (CD conteniendo más de 12 pistas)

Ejemplo 1: Programación de pistas del disco 3 (pistas 2, 5, y 12).

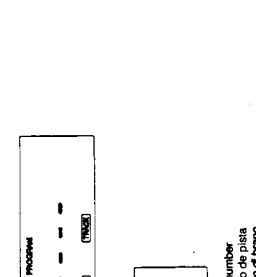


**Riproduzione programmata (utilizzando l'unità di telecomando)**

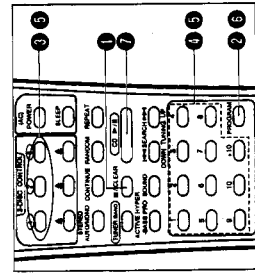
- Si possono programmare sino a 20 brani/piste di uno o più CD e di riprodurre in qualsiasi ordine.

Esempio: (CD contenente più di 12 brani)

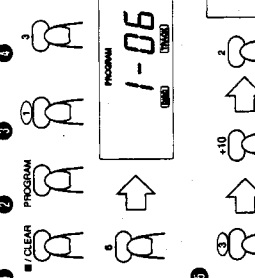
Esempio 1: Programmazione di brani del disco 3 (brani 2, 5, e 12).



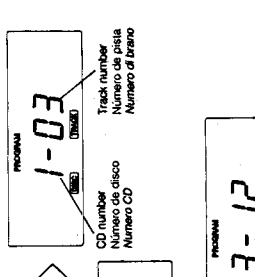
- Example 2: Programming tracks from 2 or more CDs in the order of disc 1 (track 3), disc 1 (track 6), and disc 3 (track 12).



- Example 2: Programación de pistas de 2 o más CDs en el siguiente orden: disco 1 (pista 3), disco 1 (pista 6), y disco 3 (pista 12).



- Esempio 2: Programmazione di brani da 2 o più CD nell'ordine CD 1 (brano 3), CD 1 (brano 6) e CD 3 (brano 12).



- 1 Press the No. 3 CD CONTROL button.
- 2 Press the CLEAR button.
- 3 Press the PROGRAM button to set to the programming mode.
- 4 Press to designate the required track number.
- 5 Designate the remaining tracks by pressing the number button.
- 6 Press the PROGRAM button to confirm the details of the program.
- 7 Repeat from step 2 to readjust the program.

- 1 Presione el botón No. 3 de CD CONTROL.
- 2 Presione el botón CLEAR.
- 3 Para activar el modo de programación, presione el botón PROGRAM.
- 4 Presione para seleccionar el número de pista.
- 5 Designe las restantes presionando los botones de número de pista.
- 6 Presione el botón PROGRAM para confirmar los detalles del programa.
- 7 Repita desde el paso 2 para reajustar el programa.

- 1 Premere il tasto No.3 CD CONTROL.
- 2 Premere il tasto CLEAR.
- 3 Premere il tasto PROGRAM per impostare il modo di programmazione.
- 4 Premere il tasto numero di brano desiderato con il tasto numero.
- 5 Designare gli altri brani con i tasti numerici.
- 6 Premere il tasto PROGRAM per controllare i dettagli del programma.
- 7 Ripetere dalla fase 2 per reimpostare il programma.

- 1 Press the CLEAR button.
- 2 Press the PROGRAM button to set to the programming mode.
- 3 Designate the required CD using the CD CONTROL buttons (No. 1 to No. 3).
- 4 Designate the required track using the track number buttons (No. 1 to No. 10, and +10).
- 5 Repeat steps 4 and 5 to designate the other tracks.
- 6 Press the PROGRAM button to confirm program details.
- 7 Repeat from step 1 to readjust the program.
- 8 Press the CLEAR button when programming is completed. Programmed play starts.

- 1 Presione el botón CLEAR.
- 2 Presione el botón PROGRAM para activar el modo de programación.
- 3 Seleccione el CD deseado utilizando los botones (No. 1 a No. 3) de CD CONTROL.
- 4 Seleccione la pista deseada utilizando los botones (No. 1 a No. 10, +10), de número de pista.
- 5 Repita los pasos 4 y 5 para seleccionar las pistas.
- 6 Presione el botón PROGRAM para confirmar los detalles del programa.
- 7 Repita desde el paso 1 para reajustar el programa.
- 8 Cuando termine la programación presione el botón CLEAR. Se inicia la reproducción programada.

- 1 Premere il tasto CLEAR.
- 2 Premere il tasto PROGRAM per impostare il modo di programmazione.
- 3 Indicare il CD desiderato con i tasti CD CONTROL (dal No. 1 al No. 3).
- 4 Selezionare il brano desiderato utilizzando i tasti numerici (da 1 a 10 e +10).
- 5 Ripetere le fasi 4 e 5 per selezionare gli altri brani.
- 6 Premere il tasto PROGRAM per controllare i dettagli del programma.
- 7 Ripetere dalla fase 1 per reimpostare il programma.
- 8 Ripetere dalla fase 2 per eseguire la programmazione.
- 9 Premere il tasto CLEAR quando la programmazione è terminata. La riproduzione programmata si avvia.

Para confirmar los detalles de un programa...  
 Press the PROGRAM button in stop mode: the tracks making up the program will be displayed in programmed order.  
 To clear the programmed tracks...  
 Press the CLEAR button before playing a CD.  
 During programmed play, press the button twice.

Para confirmar los detalles de un programa...  
 Presione el botón PROGRAM en el modo de parada: las pistas que componen el programa serán mostradas en el orden programado.  
 Para borrar las pistas programadas...  
 Presione el botón CLEAR antes de reproducir un CD. Durante la reproducción programada presione este botón dos veces.

Per controllare i dettagli di un programma...  
 I brani programmati vengono visualizzati nell'ordine programato.  
 Per ordine programato i brani programmati...  
 Premere il tasto CLEAR prima di riprodurre un CD. Durante la riproduzione programata, premere questo tasto due volte.

Notes:  
 • Programming is possible even when a CD tray is open. (The tracks on the CD can be confirmed as the labels are visible).  
 • Programmed tracks are not cleared even if the CD tray is open.  
 • During programmed play from more than 2 CDs, if a CD tray is open, programmed play will not function.

Notes:  
 • La programación es posible aunque haya un portadisco de CD abierto. (Las pistas del CD pueden ser confirmadas en las etiquetas visibles).  
 • Las pistas programadas no se borran si se abre el portadisco de CD.  
 • Durante la reproducción programada de más de 2 CD, si hay un portadisco de CD abierto, la reproducción programada no funcionará.

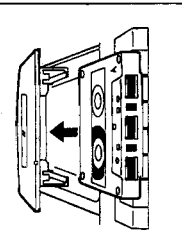
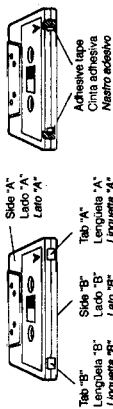
Notes:  
 • La programmazione è possibile solo se un piatto portadisco è aperto. (I brani del CD possono venire controllati guardando l'etichetta, che è visibile).  
 • I brani programmati non vengono cancellati dalla memoria neppure aprendo un piatto o più, se il piatto portadisco viene aperto, la riproduzione programmata non ha luogo.



**HANDLING CASSETTE TAPES**

- Cassette tapes**
- Loose tape may cause trouble. Using a pencil or like object, gently tighten the tape as shown.
  - To prevent recordings from being erased accidentally, remove the tabs with a screwdriver, etc. Reset the slots with adhesive tape to erase and re-record after the tabs have been removed.
  - C-120 cassettes are not recommended because they are prone to malfunction.

- Cassette loading**
- Press the **M/A STOP/EJECT** button to open the cassette holder.
  - Load a cassette as shown.
  - Close the cassette holder by pressing it gently. Listen for the click indicating that the holder is securely shut.



**MANIPULACION DE CASSETTES DE CINTA**

- Cassettes de cinta**
- La cinta floja puede causar problemas. Utilice un lápiz o un objeto similar y tense la cinta como se muestra.
  - Para evitar borrarse grabaciones accidentalmente, extraiga las lengüetas de un destornillador, etc. Para borrar la cinta, después de haber extraído las lengüetas, selle las ranuras con cinta adhesiva.
  - No se recomienda el uso de cassettes C-120 porque tienen tendencia a fallar.

- Colocación de cassettes**
- Presione el botón **M/A STOP/EJECT** para abrir el portacassette.
  - Extraiga el cassette como se muestra.
  - Cierre el portacassette presionándolo suavemente. Cuando oiga un "click" ello indica que el portacassette está correctamente cerrado.

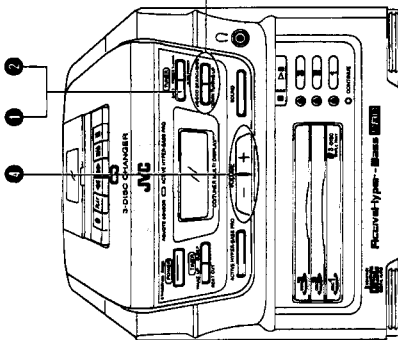
**MANEGGIO DEI NASTRI A CASSETTA**

- Nastri a cassetta**
- La cinta allentada possono causare problemi. Utilizzi un lapis o un oggetto simile per il tightenamento del nastro come illustrato per mezzo di una matita o di un oggetto simile.
  - Per evitare la cancellazione accidentale di registrazioni, rimuoverne le linguette con un cacciavite o un oggetto simile. Per cancellare o registrare nuovamente il nastro, coprire i fori con nastro adesivo.
  - Si raccomanda di non utilizzare cassette C-120 in quanto queste possono causare problemi.

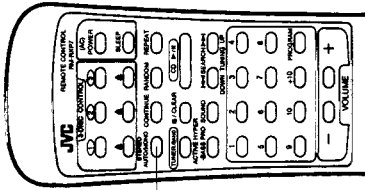
- Inserimento cassette**
- Premere il tasto **M/A STOP/EJECT** per aprire il vano portacassetta.
  - Inserire una cassetta come indicato.
  - Chiudere il vano portacassetta premendo gentilmente su di esso. Accertarsi di udire lo scatto che indica la sua chiusura.

**RADIO RECEPTION**

Operate in the order shown



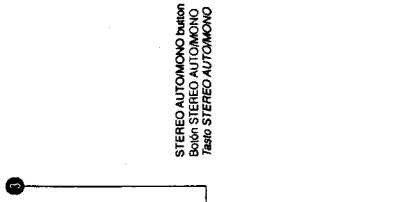
Operate in the order shown



Eseguire le operazioni nell'ordine indicato

**RADIORRECEPCION**

Operate in the order shown

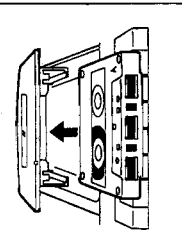
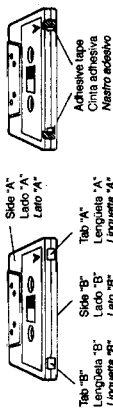


Eseguire le operazioni nell'ordine indicato

**CASSETTE PLAYBACK**

- Operate in the order shown
- Load a cassette tape with side A facing up.
  - Press to start playback. (The power is still running, cassette operation buttons are depressed do not return to their original position.)
  - When battery power is used, switch on the POWER button first, then perform operations.
  - Adjust.

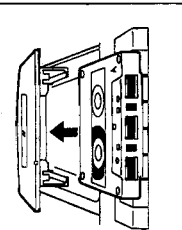
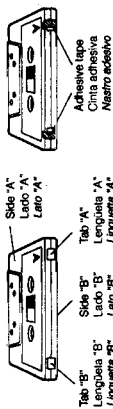
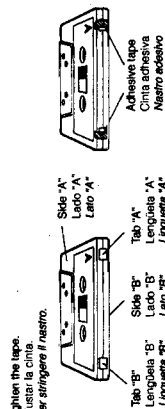
- Note:**
- When the power is turned off while the tape is still running, cassette operation buttons which are depressed do not return to their original position.
  - Press the **M/A STOP/EJECT** button to stop the tape running before turning off the power.



**REPRODUCCION DE CASSETTES**

- Operate in the order shown
- Coloque un cassette con la cara A apuntando hacia arriba.
  - Presione el botón de reproducción. (Se está ejecutando la reproducción, los botones de reproducción no vuelven a sus posiciones originales.)
  - Cuando se utiliza la alimentación de la pila, primero conecte ON el botón POWER, y efectúe las operaciones.
  - Ajuste.

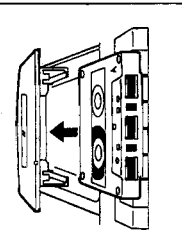
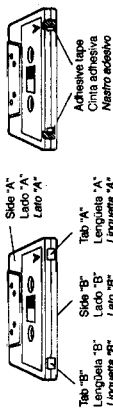
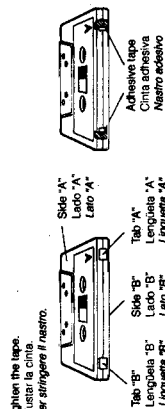
- Note:**
- Cuando se conecta la alimentación y la cinta está siendo transportada, los botones de operación del cassette que fueron originalmente en sus posiciones originales.
  - Presione el botón **M/A STOP/EJECT** para detener la cinta antes de desconectar la alimentación.



**REPRODUZIONE DI CASSETTE**

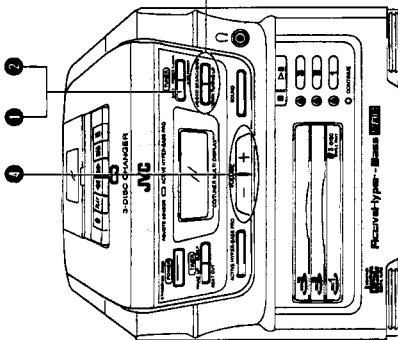
- Operate in the order shown
- Inserire una cassetta col lato A in alto.
  - Premere il tasto di riproduzione. (L'unità si trova in esecuzione, i tasti di riproduzione, di registrazione e a cassette) non tornano alle posizioni originali.)
  - Cuando si utilizzano le batterie, portare prima il tasto POWER su ON e quindi eseguire le operazioni.
  - Regolare.

- Note:**
- Cuando l'alimentazione viene disattivata mentre il nastro sta scorrendo, i tasti di funzionamento del registratore a cassette che sono stati premuti non ritornano nella loro posizione originale.
  - Premere il tasto **M/A STOP/EJECT** per fermare il nastro prima di disattivare l'alimentazione.

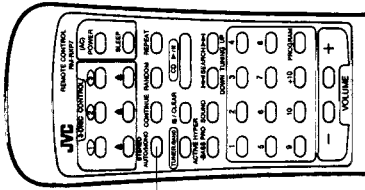


**STEREO AUTO/OMONO**

Operate in the order shown



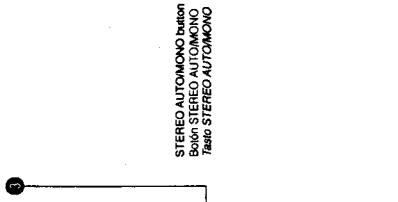
Operate in the order shown



Eseguire le operazioni nell'ordine indicato

**STEREO AUTO/OMONO**

Operate in the order shown



Eseguire le operazioni nell'ordine indicato

- 1 Press the **TUNER/BAND** button.
- The power is switched on and a band and radio frequency will be shown in the display.
  - When battery power is used, switch on the POWER button first, then perform operations.
  - Select the band.
  - Sintonize the station.
  - Adjust.

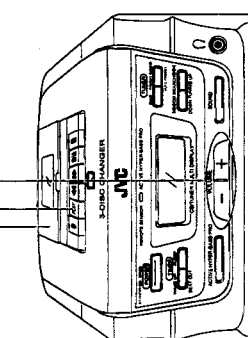
- 1 Presione el botón **TUNER/BAND**.
- Se conecta la alimentación y aparece en el visor una banda y una frecuencia de radio.
  - Cuando se utiliza la alimentación de la pila, primero conecte ON el botón POWER, y efectúe las operaciones después.
  - Selecciona la banda.
  - Sintonice la estación deseada.
  - Ajuste.

- 1 Premere il tasto **TUNER/BAND**.
- Il sistema si accende e sul display viene visualizzata la banda e la frequenza.
  - Cuando si utilizzano le batterie, portare prima il tasto POWER su ON e quindi eseguire le operazioni.
  - Selezionare la banda.
  - Sintonizzare la stazione desiderata.
  - Regolare.

**STEREO AUTO/OMONO**

- Operate in the order shown
- Set to this position when listening to or recording an FM stereo broadcast. The STEREO indicator lights when the FM stereo broadcast is received.
  - MONO: Set to this position when FM stereo reception is noisy. When another station is tuned to in the MONO mode, the unit automatically enters Auto mode.

- STEREO AUTO/OMONO**
- Coloque en esta posición cuando escucha o graba una radiodifusión estereofónica de FM. El indicador STEREO se enciende cuando se recibe una radiodifusión estereofónica de FM.
- MONO:** Coloque en esta posición cuando la recepción estereofónica de FM tenga ruido. Si se sintoniza otra estación en el modo MONO, la unidad ingresa automáticamente en el modo automático.



Eseguire le operazioni nell'ordine indicato

- 1 Press the **TUNER/BAND** button.
- The power is switched on and a band and radio frequency will be shown in the display.
  - When battery power is used, switch on the POWER button first, then perform operations.
  - Select the band.
  - Sintonize the station.
  - Adjust.

- 1 Presione el botón **TUNER/BAND**.
- Se conecta la alimentación y aparece en el visor una banda y una frecuencia de radio.
  - Cuando se utiliza la alimentación de la pila, primero conecte ON el botón POWER, y efectúe las operaciones después.
  - Selecciona la banda.
  - Sintonice la estación deseada.
  - Ajuste.

- 1 Premere il tasto **TUNER/BAND**.
- Il sistema si accende e sul display viene visualizzata la banda e la frequenza.
  - Cuando si utilizzano le batterie, portare prima il tasto POWER su ON e quindi eseguire le operazioni.
  - Selezionare la banda.
  - Sintonizzare la stazione desiderata.
  - Regolare.

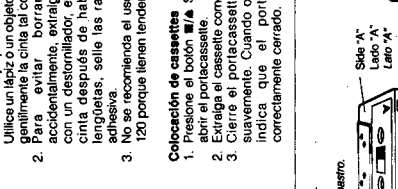
- 1 Press the **UP** or **DOWN** button for one second to tune in the nearest station. The broadcast can be heard. In AM operation the frequency moves continuously from the MW to the LW band and vice versa.

- 1 Presione el botón **UP** o **DOWN** durante un segundo para sintonizar la estación más próxima y escuchar la transmisión. Durante el funcionamiento en AM, la frecuencia pasa continuamente de la banda MW a la banda LW y viceversa.

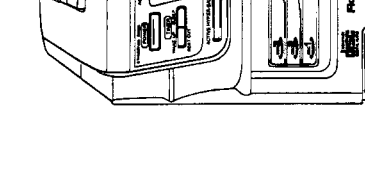
- 1 Premere il tasto **UP** o **DOWN** per un secondo per sintonizzare la stazione più vicina e ascoltare la trasmissione. Durante il funzionamento in AM, la frequenza passa continuamente dalla banda MW a quella LW e viceversa.

**STEREO AUTO/OMONO**

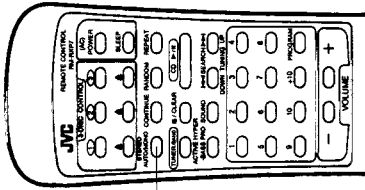
Operate in the order shown



Operate in the order shown



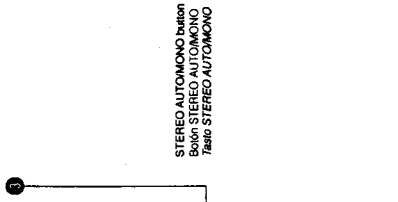
Operate in the order shown



Eseguire le operazioni nell'ordine indicato

**STEREO AUTO/OMONO**

Operate in the order shown



Eseguire le operazioni nell'ordine indicato

**Manual tuning**

Each time the UP or DOWN button is pressed, the unit steps through the current frequency band. Tuning is done in steps of 50 kHz for FM and 9 kHz for AM (MW/LW). Frequency moves continuously from the MW (522-1.639 kHz) to the LW (144-288 kHz) band and vice versa.

Press to move to lower frequencies.  
Presione para disminuir la frecuencia.  
Premiere pour abaisser la fréquence.

- Notes:**
- When seek tuning to the required station is not possible because the broadcast signal is too weak, press the UP or DOWN button momentarily to perform manual tuning.
  - When the TUNER BAND button is selected, the tune mode (TAPE or CD) is selected, the tune mode frequency is stored in memory. When the power is switched on again and TUNER BAND button is pressed, the same station will be tuned to.
  - After switching the mode to TUNER while the CD changer changes the CD during CD playback, there is a momentary delay until the radio can be heard.
  - While listening to the radio, pressing one of the CD tray open/close buttons (▲) changes the unit to the CD mode.

**Sintonización manual**

Cada vez que se presiona el botón UP o DOWN, la unidad pasa a través de la banda de frecuencia actual. La sintonización es hecha en pasos de 50 kHz para FM y de 9 kHz para AM (MW/LW). La frecuencia cambia continuamente de la banda de MW (522-1.639 kHz) a la de LW (144-288 kHz) y viceversa.

Pres to move to higher frequencies.  
Presione para aumentar la frecuencia.  
Premiere pour augmenter la fréquence.

- Notes:**
- Quando la búsqueda de sintonía de la estación deseada no es posible porque la señal de radiodifusión es demasiado débil, presione el botón UP o DOWN por un momento para efectuar la sintonización manual.
  - Cuando el modo de sintonización es seleccionado (TAPE o CD), la frecuencia de sintonización se almacena en memoria. Cuando se conecta la alimentación y se presiona el botón TUNER BAND, la unidad sintoniza la misma estación.
  - Después de conmutar al modo TUNER mientras el cambiador de CD cambia el CD durante la reproducción, hay un retardo momentáneo hasta que se escucha la radio.
  - El presionar el botón de abertura/cierre (▲) del portacdiscos de CD durante la sintonización de radio, activa el modo de CD en la unidad.

**Sintonizzazione manuale**

Ogni volta che il tasto UP o DOWN viene premuto, la frequenza cambia all'interno della banda corrente. La sintonizzazione viene fatta in passi di 50 KHz in FM e 9 KHz in AM (MW/LW). Durante il funzionamento in AM, la frequenza sintonizzata passa continuamente dalla banda MW (522-1.639 KHz) alla banda LW (144-288 KHz) e viceversa.

- Notes:**
- Quando la sintonizzazione con ricerca della stazione desiderata non è possibile in quanto il segnale di radiodiffusione è troppo debole, premere il tasto UP o DOWN per eseguire la sintonizzazione manuale.
  - Quando l'alimentazione si trova nel modo STAND-BY, oppure quando viene selezionato un altro modo (TAPE o CD), l'ultima frequenza sintonizzata viene memorizzata. Quando l'alimentazione viene riativata e si preme il tasto TUNER BAND, l'unità si sintonizza su quella stessa frequenza.
  - Quando si commuta il modo su TUNER mentre l'unità cambia il CD durante la riproduzione di CD, la radio può essere udita dopo un lieve ritardo.
  - La pressione del tasto di apertura/chiusura (▲) di uno dei palmi del CD durante la sintonizzazione di radio, porta l'unità nel modo di riproduzione di CD.

**Manual tuning**

Repeat the above procedure for each of the other stations, using a different preset button each time.

Press to move to higher frequencies.  
Presione para aumentar la frecuencia.  
Premiere pour augmenter la fréquence.

- Notes:**
- The previous stored station is erased when a new station is selected. Press the TUNER BAND button to replace the previous station's frequency in memory.
  - When listening to an AM (MW/LW) broadcast, noise may be heard if the remote control unit is used.

- All preset stations will be erased when the power cord is disconnected or a power failure occurs for more than 24 hours. In such cases, store the stations again.

**Manual tuning**

Repeat the above procedure for each of the other stations, using a different preset button each time.

Press to move to higher frequencies.  
Presione para aumentar la frecuencia.  
Premiere pour augmenter la fréquence.

- Notes:**
- La estación previamente almacenada se borra cuando se desconecta el cordón que la frecuencia de la nueva estación reemplaza la frecuencia anterior en memoria.
  - Cuando escucha una radiodifusión de AM (MW/LW), es posible que se escuche ruido si se utiliza la unidad de control remoto.

- Todas las estaciones presintonizadas se borran cuando se desconecta el cordón de alimentación u ocurre un corte de energía de más de 24 horas. En tales casos almacene las estaciones otra vez.

**Manual tuning**

Repeat the above procedure for each of the other stations, using a different preset button each time.

Press to move to higher frequencies.  
Presione para aumentar la frecuencia.  
Premiere pour augmenter la fréquence.

- Notes:**
- Quando si memorizza una nuova stazione, la stazione precedente viene cancellata in quanto la frequenza della nuova stazione sostituisce quella memorizzata in precedenza.
  - Quando si ascolta una trasmissione AM (MW/LW) si possono udire dei disturbi se viene utilizzato il telecomando.

- Tutte le stazioni presintonizzate vengono cancellate se il cavo di alimentazione viene cancellato oppure se si verifica un'interruzione di corrente per più di 24 ore. In tali casi eseguire nuovamente la memorizzazione delle stazioni.

**Auto preset tuning**

This function scans the current band, detecting frequencies used to broadcast signals, and stores the first 15 frequencies in memory automatically.

Press to move to lower frequencies.  
Presione para disminuir la frecuencia.  
Premiere pour abaisser la fréquence.

- Notes:**
- When seek tuning to the required station is not possible because the broadcast signal is too weak, press the UP or DOWN button momentarily to perform manual tuning.
  - When the TUNER BAND button is selected, the tune mode (TAPE or CD) is selected, the tune mode frequency is stored in memory. When the power is switched on again and TUNER BAND button is pressed, the same station will be tuned to.
  - After switching the mode to TUNER while the CD changer changes the CD during CD playback, there is a momentary delay until the radio can be heard.
  - While listening to the radio, pressing one of the CD tray open/close buttons (▲) changes the unit to the CD mode.

**Sintonización automática**

Esta función busca la banda actual, detectando frecuencias usadas para señales de radiodifusión y almacena automáticamente en memoria las primeras 15 frecuencias.

Pres to move to higher frequencies.  
Presione para aumentar la frecuencia.  
Premiere pour augmenter la fréquence.

- Notes:**
- Quando la sintonizzazione con ricerca della stazione desiderata non è possibile in quanto il segnale di radiodiffusione è troppo debole, premere il tasto UP o DOWN per eseguire la sintonizzazione manuale.
  - Quando l'alimentazione si trova nel modo STAND-BY, oppure quando viene selezionato un altro modo (TAPE o CD), l'ultima frequenza sintonizzata viene memorizzata. Quando l'alimentazione viene riativata e si preme il tasto TUNER BAND, l'unità si sintonizza su quella stessa frequenza.
  - Quando si commuta il modo su TUNER mentre l'unità cambia il CD durante la riproduzione di CD, la radio può essere udita dopo un lieve ritardo.
  - La pressione del tasto di apertura/chiusura (▲) di uno dei palmi del CD durante la sintonizzazione di radio, porta l'unità nel modo di riproduzione di CD.

**Sintonizzazione automática**

Questa funzione esegue la ricerca nella banda attuale rilevando le frequenze utilizzate per le trasmissioni e quindi memorizza automaticamente le prime 15 frequenze.

Press to move to higher frequencies.  
Presione para aumentar la frecuencia.  
Premiere pour augmenter la fréquence.

- Notes:**
- Quando la sintonizzazione con ricerca della stazione desiderata non è possibile in quanto il segnale di radiodiffusione è troppo debole, premere il tasto UP o DOWN per eseguire la sintonizzazione manuale.
  - Quando l'alimentazione si trova nel modo STAND-BY, oppure quando viene selezionato un altro modo (TAPE o CD), l'ultima frequenza sintonizzata viene memorizzata. Quando l'alimentazione viene riativata e si preme il tasto TUNER BAND, l'unità si sintonizza su quella stessa frequenza.
  - Quando si commuta il modo su TUNER mentre l'unità cambia il CD durante la riproduzione di CD, la radio può essere udita dopo un lieve ritardo.
  - La pressione del tasto di apertura/chiusura (▲) di uno dei palmi del CD durante la sintonizzazione di radio, porta l'unità nel modo di riproduzione di CD.

**Auto preset tuning**

This function scans the current band, detecting frequencies used to broadcast signals, and stores the first 15 frequencies in memory automatically.

Press to move to higher frequencies.  
Presione para aumentar la frecuencia.  
Premiere pour augmenter la fréquence.

- Notes:**
- When seek tuning to the required station is not possible because the broadcast signal is too weak, press the UP or DOWN button momentarily to perform manual tuning.
  - When the TUNER BAND button is selected, the tune mode (TAPE or CD) is selected, the tune mode frequency is stored in memory. When the power is switched on again and TUNER BAND button is pressed, the same station will be tuned to.
  - After switching the mode to TUNER while the CD changer changes the CD during CD playback, there is a momentary delay until the radio can be heard.
  - While listening to the radio, pressing one of the CD tray open/close buttons (▲) changes the unit to the CD mode.

**Auto preset tuning**

This function scans the current band, detecting frequencies used to broadcast signals, and stores the first 15 frequencies in memory automatically.

Press to move to higher frequencies.  
Presione para aumentar la frecuencia.  
Premiere pour augmenter la fréquence.

- Notes:**
- Quando si memorizza una nuova stazione, la stazione precedente viene cancellata in quanto la frequenza della nuova stazione sostituisce quella memorizzata in precedenza.
  - Quando si ascolta una trasmissione AM (MW/LW) si possono udire dei disturbi se viene utilizzato il telecomando.

**Auto preset tuning**

This function scans the current band, detecting frequencies used to broadcast signals, and stores the first 15 frequencies in memory automatically.

Press to move to higher frequencies.  
Presione para aumentar la frecuencia.  
Premiere pour augmenter la fréquence.

- Notes:**
- Quando si memorizza una nuova stazione, la stazione precedente viene cancellata in quanto la frequenza della nuova stazione sostituisce quella memorizzata in precedenza.
  - Quando si ascolta una trasmissione AM (MW/LW) si possono udire dei disturbi se viene utilizzato il telecomando.

**Auto preset tuning**

This function scans the current band, detecting frequencies used to broadcast signals, and stores the first 15 frequencies in memory automatically.

Press to move to higher frequencies.  
Presione para aumentar la frecuencia.  
Premiere pour augmenter la fréquence.

- Notes:**
- Quando si memorizza una nuova stazione, la stazione precedente viene cancellata in quanto la frequenza della nuova stazione sostituisce quella memorizzata in precedenza.
  - Quando si ascolta una trasmissione AM (MW/LW) si possono udire dei disturbi se viene utilizzato il telecomando.

**Auto preset tuning**

This function scans the current band, detecting frequencies used to broadcast signals, and stores the first 15 frequencies in memory automatically.

Press to move to higher frequencies.  
Presione para aumentar la frecuencia.  
Premiere pour augmenter la fréquence.

- Notes:**
- Quando si memorizza una nuova stazione, la stazione precedente viene cancellata in quanto la frequenza della nuova stazione sostituisce quella memorizzata in precedenza.
  - Quando si ascolta una trasmissione AM (MW/LW) si possono udire dei disturbi se viene utilizzato il telecomando.

**Auto preset tuning**

This function scans the current band, detecting frequencies used to broadcast signals, and stores the first 15 frequencies in memory automatically.

Press to move to higher frequencies.  
Presione para aumentar la frecuencia.  
Premiere pour augmenter la fréquence.

- Notes:**
- Quando si memorizza una nuova stazione, la stazione precedente viene cancellata in quanto la frequenza della nuova stazione sostituisce quella memorizzata in precedenza.
  - Quando si ascolta una trasmissione AM (MW/LW) si possono udire dei disturbi se viene utilizzato il telecomando.

**Auto preset tuning**

This function scans the current band, detecting frequencies used to broadcast signals, and stores the first 15 frequencies in memory automatically.

Press to move to higher frequencies.  
Presione para aumentar la frecuencia.  
Premiere pour augmenter la fréquence.

- Notes:**
- Quando si memorizza una nuova stazione, la stazione precedente viene cancellata in quanto la frequenza della nuova stazione sostituisce quella memorizzata in precedenza.
  - Quando si ascolta una trasmissione AM (MW/LW) si possono udire dei disturbi se viene utilizzato il telecomando.

**Auto preset tuning**

This function scans the current band, detecting frequencies used to broadcast signals, and stores the first 15 frequencies in memory automatically.

Press to move to higher frequencies.  
Presione para aumentar la frecuencia.  
Premiere pour augmenter la fréquence.

- Notes:**
- Quando si memorizza una nuova stazione, la stazione precedente viene cancellata in quanto la frequenza della nuova stazione sostituisce quella memorizzata in precedenza.
  - Quando si ascolta una trasmissione AM (MW/LW) si possono udire dei disturbi se viene utilizzato il telecomando.

**Auto preset tuning**

This function scans the current band, detecting frequencies used to broadcast signals, and stores the first 15 frequencies in memory automatically.

Press to move to higher frequencies.  
Presione para aumentar la frecuencia.  
Premiere pour augmenter la fréquence.

- Notes:**
- Quando si memorizza una nuova stazione, la stazione precedente viene cancellata in quanto la frequenza della nuova stazione sostituisce quella memorizzata in precedenza.
  - Quando si ascolta una trasmissione AM (MW/LW) si possono udire dei disturbi se viene utilizzato il telecomando.

**Auto preset tuning**

This function scans the current band, detecting frequencies used to broadcast signals, and stores the first 15 frequencies in memory automatically.

Press to move to higher frequencies.  
Presione para aumentar la frecuencia.  
Premiere pour augmenter la fréquence.

- Notes:**
- Quando si memorizza una nuova stazione, la stazione precedente viene cancellata in quanto la frequenza della nuova stazione sostituisce quella memorizzata in precedenza.
  - Quando si ascolta una trasmissione AM (MW/LW) si possono udire dei disturbi se viene utilizzato il telecomando.

**Auto preset tuning**

This function scans the current band, detecting frequencies used to broadcast signals, and stores the first 15 frequencies in memory automatically.

Press to move to higher frequencies.  
Presione para aumentar la frecuencia.  
Premiere pour augmenter la fréquence.

- Notes:**
- Quando si memorizza una nuova stazione, la stazione precedente viene cancellata in quanto la frequenza della nuova stazione sostituisce quella memorizzata in precedenza.
  - Quando si ascolta una trasmissione AM (MW/LW) si possono udire dei disturbi se viene utilizzato il telecomando.

**Auto preset tuning**

This function scans the current band, detecting frequencies used to broadcast signals, and stores the first 15 frequencies in memory automatically.

Press to move to higher frequencies.  
Presione para aumentar la frecuencia.  
Premiere pour augmenter la fréquence.

- Notes:**
- Quando si memorizza una nuova stazione, la stazione precedente viene cancellata in quanto la frequenza della nuova stazione sostituisce quella memorizzata in precedenza.
  - Quando si ascolta una trasmissione AM (MW/LW) si possono udire dei disturbi se viene utilizzato il telecomando.

**Auto preset tuning**

This function scans the current band, detecting frequencies used to broadcast signals, and stores the first 15 frequencies in memory automatically.

Press to move to higher frequencies.  
Presione para aumentar la frecuencia.  
Premiere pour augmenter la fréquence.

- Notes:**
- Quando si memorizza una nuova stazione, la stazione precedente viene cancellata in quanto la frequenza della nuova stazione sostituisce quella memorizzata in precedenza.
  - Quando si ascolta una trasmissione AM (MW/LW) si possono udire dei disturbi se viene utilizzato il telecomando.

**Auto preset tuning**

This function scans the current band, detecting frequencies used to broadcast signals, and stores the first 15 frequencies in memory automatically.

Press to move to higher frequencies.  
Presione para aumentar la frecuencia.  
Premiere pour augmenter la fréquence.

- Notes:**
- Quando si memorizza una nuova stazione, la stazione precedente viene cancellata in quanto la frequenza della nuova stazione sostituisce quella memorizzata in precedenza.
  - Quando si ascolta una trasmissione AM (MW/LW) si possono udire dei disturbi se viene utilizzato il telecomando.

**Auto preset tuning**

This function scans the current band, detecting frequencies used to broadcast signals, and stores the first 15 frequencies in memory automatically.

Press to move to higher frequencies.  
Presione para aumentar la frecuencia.  
Premiere pour augmenter la fréquence.

- Notes:**
- Quando si memorizza una nuova stazione, la stazione precedente viene cancellata in quanto la frequenza della nuova stazione sostituisce quella memorizzata in precedenza.
  - Quando si ascolta una trasmissione AM (MW/LW) si possono udire dei disturbi se viene utilizzato il telecomando.

RECORDING

GRABACION

REGISTRAZIONE



- During recording, the ALC (Automatic Level Control) circuit automatically optimizes the recording level, so manual recording level adjustment is unnecessary.
- Check that the safety tab on the cassette tape is not broken off.

**Note:**  
This unit has recording/playback characteristics suitable for normal tapes. Normal tapes have different characteristics from CROs and metal tapes.

- Durante la grabación, el circuito ALC (Control Automático del Nivel) optimiza automáticamente el nivel de grabación haciendo innecesario el ajuste manual del nivel de grabación.
- Verifique que la lengüeta de seguridad del cassette de cinta no esté rota.

**Note:**  
Esta unidad tiene características de grabación/reproducción adecuadas para cintas normales. Las cintas normales tienen diferentes características que las cintas de CROs y de metal.

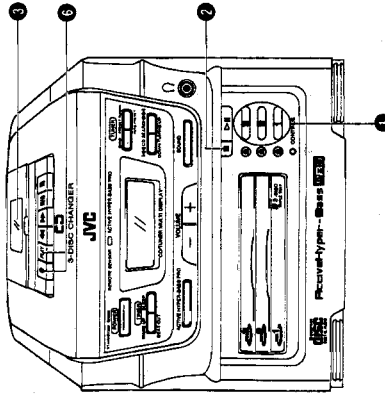
- Durante la registrazione, il circuito ALC (Controllo automatico del livello) ottimizza automaticamente il livello di registrazione rendendolo così superfino la regolazione manuale del livello di registrazione stesso.
- Controllare che la linguetta di protezione della registrazione della cassetta non sia stata rimossa.

**Note:**  
Questa unità possiede caratteristiche di registrazione/reproduzione adatte a cassette normali. Le cassette normali possiedono caratteristiche diverse da quelli al cromo (CRO) e metal.

Synchronized recording with the CD player

- In this system, the CD player starts play when the cassette deck enters the recording mode.

Operate in the order shown



- 1 Press the CD CONTROL button corresponding to the CD to be recorded.
- 2 Press the button to set stop mode.
- 3 Load a cassette with side A facing up. (Wind past the tape leader before starting recording.)
- 4 When programmed play is required, program the recording time using the remote control. (See page 22.)
- 5 Select tracks with a total playing time which does not exceed the tape length (refer to the liner notes).
- 6 When recording a CD in repeat play mode, set as required.
- 7 Press the REC button and the PLAY button; synchronized recording will start. (The recording indicator lights up.)

Grabación sincronizada con el reproductor de CD

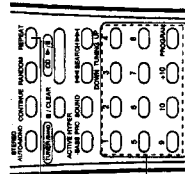
- En este sistema el reproductor de CD inicia la reproducción cuando la platina de cassette ingresa en el modo de grabación.

Operar en el orden mostrado

Registrazione sincronizzata col lettore CD

- In questo modo di funzionamento, il lettore CD inizia a riprodurre quando il registratore entra nel modo di registrazione.

Eseguire le operazioni nell'ordine indicato



- 1 Premere il tasto CD CONTROL corrispondente al CD da registrare.
- 2 Premere il tasto per impostare il modo di arresto.
- 3 Inserire una cassetta col lato A rivolto verso l'alto. (Avvolgere il nastro oltre la porzione guida prima di avviare la registrazione.)
- 4 Quando è richiesto il programma di registrazione, programare le tracce da registrare utilizzando il telecomando. (Consultare a proposito pag. 22.)
- 5 La durata complessiva dei brani scelti non deve superare quella del nastro. (Consultare in proposito la copertina del CD.)
- 6 Per registrare un CD nel modo di ripetizione della riproduzione seguire queste istruzioni.
- 7 Premere il tasto REC ed il tasto PLAY; la registrazione sincronizzata inizia. (L'indicazione di registrazione si illumina.)

- En la cinta quedan automáticamente sin ser automáticamente grabados aquellos espacios que se grabaron en el modo de CD para automáticamente, cuando el reproductor de CD para primero, la cinta continúa girando. En este caso, presione el botón STOP/EJECT para detener la cinta.
- Antes de la grabación sincronizada de CD con reproducción continuada de CD, presione el botón CONTINUE. (Ver página 19).

**Note:**  
Durante la grabación sincronizada de CD los espacios que se grabaron en el modo de CD no serán automáticamente grabados cuando el reproductor de CD utilice el modo de CD. Antes de grabar un espacio sin grabar mientras los CD cambian.

**Quando uno spazio non registrato tra i brani non è necessario...**  
Esegua quanto indicato dopo aver completato le operazioni precedenti (da 1 a 2).  
1 Premere due volte il tasto > II del lettore CD. Il lettore CD entra nel modo di pausa.  
2 Premere i tasti REC e PLAY. Il lettore CD inizia la riproduzione sincronizzata.

- Note:**  
• A seconda del CD utilizzato, degli spazi non registrati di lunghezza diversa possono essere lasciati tra i brani.

- Degli spazi non registrati di circa 4 secondi vengono creati automaticamente tra i brani.
- Quando la cinta viene registrata per prima, il lettore CD si ferma automaticamente quando viene registrata per prima la fine del CD. Il nastro continua a scorrere. In questo caso, premere il tasto STOP/EJECT per fermare il nastro.
- Per registrare con la registrazione sincronizzata più CD riprodotti di seguito, premere il tasto CONTINUE. (Consultare a proposito pag. 19.)

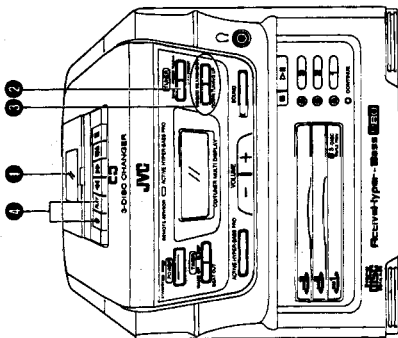
**Note:**  
• Durante la registrazione sincronizzata di CD, i spazi non registrati di circa 4 secondi vengono creati automaticamente tra i brani. Quando la cinta viene registrata per prima, il lettore CD si ferma automaticamente quando viene registrata per prima la fine del CD. Il nastro continua a scorrere. In questo caso, premere il tasto STOP/EJECT per fermare il nastro.
- Per registrare con la registrazione sincronizzata più CD riprodotti di seguito, premere il tasto CONTINUE. (Consultare a proposito pag. 19.)

**Quando uno spazio non registrato tra i brani non è necessario...**  
Esegua quanto indicato dopo aver completato le operazioni precedenti (da 1 a 2).  
1 Premere due volte il tasto > II del lettore CD. Il lettore CD entra nel modo di pausa.  
2 Premere i tasti REC e PLAY. Il lettore CD inizia la riproduzione sincronizzata.

- Note:**  
• A seconda del CD utilizzato, degli spazi non registrati di lunghezza diversa possono essere lasciati tra i brani.

Recording from the radio  
Operate in the order shown

Grabación desde la radio  
Operar en el orden mostrado



- 1 Load a cassette.
- 2 Press the TUNER BAND button.
- 3 Press the REC button with the PLAY button.

- To stop recording temporarily, press the PAUSE button. To resume recording, press the PAUSE button again.

**BEAT CUT button**

When recording an AM (MW/LW) broadcast, beats may be produced which are not heard when listening to the broadcast. In this case, press this button after the deck is set to the recording mode and the case is closed. This button should normally be set to "CUT-1".



**Erasing**

A recorded tape can be erased by recording new material over the previous material.

To erase a tape without making a new recording... Press the PLAY button of the deck to set to the TAPE mode and press the REC and PLAY buttons together after pressing the stop button.

It may be unlawful to record or playback copyrighted material without the consent of the copyright owner.

**Registrazione dalla radio**

Eseguire le operazioni nell'ordine indicato

- 1 Coloque un cassette.
- 2 Presione el botón TUNER BAND.
- 3 Presione el botón REC conjuntamente con el botón PLAY.

- Para parar la grabación temporalmente, presione el botón PAUSE. Para continuar la grabación, presione otra vez el botón PAUSE.

**Botón BEAT CUT**

Cuando graba una radiodifusión AM (OM/LW), se pueden producir ruidos que no se escuchan al escuchar la radiodifusión. En este caso, presione este botón después de que el modo de grabación esté en el modo de grabación y se haya cerrado la tapa. Este botón debe estar normalmente colocado en "CUT-1".

**Borrado**

La cinta grabada puede ser borrada grabando otro material sobre el material anterior.

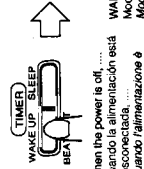
Para borrar la cinta sin efectuar una nueva grabación... Presione el botón PLAY de la pila para activar el modo TAPE y presione conjuntamente los botones REC y PLAY después de presionar el botón de parada.

Puede ser ilegal el grabar o reproducir material protegido por derechos de autor sin el consentimiento del dueño de los mismos.

**WAKE UP TIMER OPERATIONS**

Wake up timer can be set up to 12 hours in advance, starting timer playback of a CD, tape or broadcast at any 30-minute interval within the 12 hours.

Setting the wake up timer  
Example: You set the wake up timer to 22:00 and you want to set the timer for 6:00 next morning (about 8 hours later)



8 hours later from the present  
8 horas más tarde a partir de la hora actual  
8 ore dopo l'orario corrente

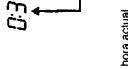
**Notes:**

- The starting time of timer playback may be within a few minutes margin of error from the specified time.
- If you want to change timer setting you have already made, set it again.
- To cancel engaged wake up timer, switch the power on by pressing the POWER button, and the indication WAKE UP remains, even after the power is switched on via wake up timer. 2 hours later, the power will switch off automatically.
- When automatic power off is not required, press the POWER button to switch the power off or press the SLEEP button until the sleep time indicator disappears.

**OPERACIONES DEL TEMPORIZADOR DESPERTADOR**

El temporizador despertador puede ser ajustado 12 horas antes para activar la reproducción de un CD, cinta o recepción de radiodifusión, en cualquier intervalo de 30 minutos dentro de las 12 horas mencionadas.

Ajuste del temporizador despertador  
Ejemplo: Cuando la hora actualizada es 22:00, y usted desea ajustar el temporizador a las 6:00 de la mañana siguiente (aproximadamente 8 horas después)



Releasing wake up timer mode  
Desactivación del modo de temporizador para conexión de alimentación.  
Cancelación del modo del timer para la alarma

**Notes:**

- La hora de inicio de la reproducción por temporizador puede tener unos pocos minutos de error en relación a la hora especificada.
- Si usted desea cambiar el ajuste del temporizador que ha realizado, ajústelo otra vez.
- Para desactivar el temporizador despertador, conecte la alimentación presionando el botón POWER, y la indicación WAKE UP se apagará.
- La indicación WAKE UP permanecerá encendida después de conectar la alimentación a través del temporizador despertador. 2 horas después, la alimentación se desconectará automáticamente.
- Cuando no desea la desconexión automática de la alimentación, presione el botón POWER para activar el temporizador que desaparece la indicación del temporizador de desconexión.

**OPERAZIONI COL TIMER PER LA SVEGLIA**

Il timer per la sveglia può essere impostato fino a 12 ore in anticipo avviando la riproduzione col timer di un CD, una trasmissione o di un nastro ad un qualsiasi intervallo da 30 minuti all'interno delle 12 ore.

Impostazione del timer per la sveglia  
Esempio: Quando sono le 22:00 e si desidera impostare il timer alle 6:00 della mattina successiva (circa 8 ore dopo)



- L'orario di avvio della riproduzione col timer può avere un margine di errore di alcuni minuti.
- Se si desidera cambiare l'impostazione del timer, riassegne l'impostazione.
- Per disattivare il timer per la sveglia, attivare la segnalazione WAKE UP premendo il tasto POWER per la segnalazione WAKE UP.
- L'indicazione WAKE UP rimane illuminata anche dopo che l'alimentazione viene attivata col timer per la sveglia. 2 ore dopo, l'alimentazione viene disattivata automaticamente.
- Quando la disattivazione automatica dell'alimentazione non è necessaria, premere il tasto POWER per disattivare l'alimentazione oppure premere il tasto SLEEP fino a che l'indicazione del timer per lo spegnimento automatico non scompare.

**Reproduction por temporizador**

- La reproducción por temporizador de cintas, radiodifusión, y CD es posible.

**Operazioni**

- 1 Coloque el botón POWER en ON.
- 2 Seleccione la fuente de sonido.

Source sound Fuente de sonido Fonte sonora	Timer mode Modo de temporizador Modo di funzionamento	Operations Operaciones Operazioni
CD play Reproducción de CD	CD CD	Load a CD and press the CLEAR button to set the CD mode. Cargue un disco y presione el botón CLEAR para establecer el modo CD.
Tape playback Reproducción nastro	TAPE TAPE	Load a cassette tape. Cargue una cinta de cassette.
Radio broadcast Radiodifusión Transmisión radio	TUNER TUNER	Press the TUNER BAND button to set to the tuner mode and tune to the required frequency. Presione el botón TUNER BAND para establecer el modo de sintonizador y sintonice la frecuencia deseada. Presione el tasto TUNER BAND per impostare il modo del sintonizzatore e mettere in sintonia la stazione desiderata.

- Timer playback of a CD is possible in programmed order. (See page 22.)

- 1 Adjust the volume.
- 2 Set the POWER button to STANDBY.
- 3 Set wake up timer.
- 4 Set volume (TAPE) or PLAY button for timer playback of a tape.)

**Riproduzione col timer**

- E' possibile eseguire la riproduzione col timer di nastri, trasmissioni e CD.

**Operazioni**

- 1 Impostare il tasto POWER su ON.
- 2 Selezionare la fonte.

- La riproduzione col timer di un CD può essere eseguita in un ordine programmato. (Vedi pag. 22.)

- 1 Regolare il volume.
- 2 Impostare il timer per la sveglia.
- 3 Impostare il tasto POWER su STANDBY.
- 4 Impostare il tasto PLAY o il tasto TUNER BAND per la riproduzione col timer di un nastro.

MAINTENANCE

MANUTENIMENTO

MANUTENZIONE



Cleaning is important!

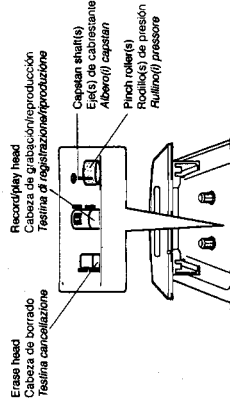
- When the tape is running, magnetic powder and dust naturally accumulate on the heads, capstan and pinch roller. When they become too dirty, sound quality deteriorates.
- Previously recorded tape is not completely erased.
- Level of sound is reduced.
- Distortion increases.
- Recording is not performed satisfactorily.
- Therefore, you should clean the heads, etc. after every 10 hours of use for optimal recording conditions.

- La limpieza es importante!
- Cuando la cinta está girando, el polvo magnético y el polvo se acumulan naturalmente en las cabezas, cabrestante y rodillo de presión. Cuando están muy sucios...
- La calidad de sonido se deteriora...
- El nivel de sonido se reduce...
- La distorsión aumenta...
- La grabación no se realiza satisfactoriamente...
- Por lo tanto, usted debe limpiar las cabezas, etc. después de cada 10 horas de uso para obtener condiciones de grabación óptimas.

Cleaning the heads, capstan and pinch roller

- Open the cassette holder.
- Clean the heads, pinch roller and capstan.
- For effective cleaning, use a cleaning kit available from an audio store.
- After cleaning, be sure that the cleaning fluid has dried completely before loading a cassette.

- Limpienza de las cabezas, cabrestante y rodillo de presión
- Abra el portacassetes.
- Limpie las cabezas, rodillo de presión y cabrestante.
- Para una limpieza efectiva, utilice un conjunto de limpieza disponible en cualquier tienda de audio.
- Después de la limpieza, asegúrese de que el líquido para la misma se haya secado completamente antes de colocar un cassette.



Cautions:

1. Keep magnets and metallic objects away from the head.  
If the head becomes magnetized, noise will increase and the sound will deteriorate. Demagnetize the head every 20-30 hours use with a head eraser (available from an audio store). (When demagnetizing the head, the POWER button should be set to STANDBY.)  
As the head of this unit is of magnetic film, it is not demagnetized by cleaning.  
Thinner and benzine will damage the rubber pinch roller.
2. Do not use anything other than alcohol for cleaning.

Precauzioni:

1. Non avvicinare magneti o oggetti metallici alla testina.  
Se la testina si dovesse magnetizzare, l'asurdità aumentano ed il suono si deteriora. Smagnetizzare la testina ogni 20-30 ore di utilizzo con un dispositivo apposito (disponibile presso un negozio specializzato). (Per smagnetizzare la testina, il POWER deve essere in funzione su STANDBY.)  
Poiché la testina di cancellazione di questo apparecchio è del tipo magnetico, non smagnetizzarla.  
Diluente o benzina danneggiano la gomma dei rullini pressori.
2. Utilizzare solo alcool per la pulizia. Il diluente o la benzina danneggiano la gomma dei rullini pressori.

- La riproduzione col timer inizia all'orario impostato per la sveglia e l'alimentazione viene quindi distribuita dopo due ore. (Il modo di riproduzione col timer per la sveglia viene quindi abbandonato).

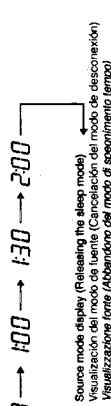
- La reproducción por temporizador se iniciará a la hora de despertar y la alimentación se desconectará 2 horas más tarde. (El modo de temporizador despertador se desactivará en ese momento).

OPERAZIONI COL TIMER PER LO SPEGNIMENTO AUTOMATICO

OPERACIONES DEL TEMPORIZADOR DE DESCONEXION

- Utilizza questa funzione, quando si desidera addormentarsi mentre si ascolta un nastro, una trasmissione radio o un CD.
- ① Impostare la fonte desiderata e la sintonizzazione (trasmissione) o la riproduzione (CD o nastro).
- ② Premere il tasto SLEEP per impostare il tempo di spegnimento.

- Utilice este modo cuando desea dormirse escuchando una cinta, radiodifusión o CD.
- ① Coloque en la fuente o música (radiodifusión) deseada, o en reproducción (CD o cinta).
- ② Presione el botón SLEEP para ajustar la hora de desconexión.



- Sleep time settings of 30, 60, 90 or 120 minutes can be set. When you release the SLEEP button, the source is displayed after 5 sec.
- Los ajustes de la hora del despertador son 30, 60, 90 o 120 minutos. Cuando usó el botón SLEEP, la fuente es indicada después de transcurridos 5 seg.
- Possono essere impostati tempi di spegnimento di 30, 60, 90 o 120 minuti. Quando si rilascia il tasto SLEEP, la fonte viene visualizzata dopo 5 secondi.

- Il funzionamento col timer per lo spegnimento automatico inizia e l'alimentazione viene disattivata dopo il tempo specificato (modi di sintonizzatore e del lettore CD).
- L'alimentazione non viene disattivata dopo il tempo specificato durante la riproduzione di un nastro ma al termine del nastro stesso.

- Después de transcurrido el tiempo especificado se activa el temporizador de desconexión y la alimentación es desconectada (modos de sintonizador y CD).
- La alimentación no se desconecta después de la hora especificada durante la operación de la cinta, pero se desconectará cuando la cinta termine.

- Controllo del tempo specificato
- Quando il tasto SLEEP viene premuto, il tempo rimanente fino allo spegnimento viene visualizzato. Se il tasto viene premuto nuovamente è possibile impostare un nuovo tempo per lo spegnimento automatico via timer.

- Verificazione del tempo para dormir
- Cuando presiona el botón SLEEP aparece la indicación del tiempo restante. Si lo presiona otra vez, es posible establecer un nuevo período para dormir.

- Per cancellare lo spegnimento automatico
- Premere l'interruttore POWER per spegnere il sistema o premere il tasto SLEEP sino a che l'indicatore dell'ora di spegnimento automatico via timer scompare.

- Cancelación del temporizador de desconexión
- Presione el botón POWER para desconectar la alimentación o presione el botón SLEEP hasta que el indicador del tiempo para dormir desaparezca.

- The sleep timer operation will start and the power will be switched off after the specified time (Timer & CD modes). The power will not switch off after the specified time during tape operation but will switch off when the tape ends.

- Checking the sleep time
- When the SLEEP button is pressed, the time remaining until the timer expires will be displayed. If it is pressed again, a new sleep time can be set.

- To cancel the sleep timer operation
- Press the POWER button to switch the power off or press the SLEEP button until the sleep time indicator disappears.

## TROUBLESHOOTING

What appears to be trouble is not always so. Often, the problem is a simple error or a loose connection. First, make sure...

- When abnormal operation occurs, unplug the AC power cord from the AC outlet. Then reconnect and switch the power ON.
- Power cannot be turned on.
  - Is the power cord unplugged?
  - Are headphones connected?

- (CD Player Section)
- The CD player does not play.
    - Is the CD inside down?
    - Is the CD dirty?
  - A certain portion of the CD does not play correctly.
    - Is the CD scratched?
    - Is the CD dirty?
  - CD playback is not performed when the CD CONTROL button is pressed.
    - Is program mode engaged?
    - Is the power OFF (STANDBY) and ON again?

- (Cassette Deck Section)
- Playback sound is at a very low level.
    - Is the head dirty?
    - Have the safety tabs of the cassette been broken off?

- (Tuner Section)
- Reception is noisy.
    - Try adjusting the antenna.

- (Timer Section)
- Timer operation does not start.
    - Is the wake up timer mode (RECALL) displayed?

- (Remote Control)
- Remote control is impossible.
    - Are the batteries in the remote control exhausted?
    - Is the REMOTE SENSOR section exposed to bright light (direct sunlight, etc.)?

Note:  
Before making an important recording, be sure the REMOTE SENSOR is working correctly by checking the LED light to see if it is flashing. If it is not, the deck, etc. is working correctly.

## DETECCION DE PROBLEMAS

Lo que parece ser un problema no siempre es grave. Primero asegúrese.....

- Cuando ocurre una falla de funcionamiento, desconecte el cordón de alimentación CA del tomacorriente de CA. Luego reconecte y conecte la alimentación.
- No se puede conectar la alimentación.
  - ¿Está el cordón de alimentación desconectado?
  - ¿Están los auriculares conectados?

- (Sección lectora de CD)
- El lector de CD no funciona.
    - ¿El CD está invertido?
    - ¿El CD es sucio?
  - Una parte del CD no viene reproducida correctamente.
    - ¿El CD está rayado?
    - ¿El CD es sucio?
  - El CD no se reproduce cuando el botón CD CONTROL está presionado.
    - ¿Está el modo de programa activado?
    - Cuando la alimentación OFF (espera) y conectela ON otra vez.

- (Sección de la pletina de cintas)
- El nivel de reproducción tiene un nivel muy bajo.
    - ¿Está la cabeza sucia?
    - El botón REC no funciona.
    - ¿Están las lengüetas de seguridad del cassette rotas?

- (Sección de sintonizador)
- La recepción es ruidosa.
    - Intente ajustar la antena.

- (Sección del temporizador)
- El temporizador no se activa.
    - ¿Está indicado el modo de temporizador (RECALL)?

Note:  
Antes de efectuar una grabación importante, asegúrese de hacer una grabación de prueba para verificar que la pletina, etc. está funcionando correctamente.

## SPECIFICATIONS

## CD player section

Type : Compact disc player  
Signal detection system : Non-contact optical pickup  
Number of channels : 2 channels  
Frequency response : 20 Hz - 20,000 Hz  
Signal-to-noise ratio : 90 dB  
Wow & flutter : Less than measurable limit

Radio section  
Frequency range : FM 87.5-108 MHz  
AM (MW) 522-1,629 kHz  
Antennas : Telescopic antenna for FM and LW

Tape deck section  
Track system : 4-track, 2-channel stereo  
Motor : Electronic governor EC  
Heads : Hard permalloy head for recording/playback, magnetic for playback

Frequency response : 0.15% (WRMS) for CD and cassette  
Wow & flutter : Approx. 120 sec (C-60)  
Fast wind time : Approx. 1.4 kg

Speaker Section (each unit)  
Dimensions : 150 (W) x 242 (H) x 212 (D) mm  
Weight : Approx. 1.4 kg

Power output : 15.4 W (7.7 W + 7.7 W) at 3 Ω (Max.)  
10 W (5 W + 5 W) at 3 Ω  
Output terminals : PHONES x 1 (Output level: 0-15 mV/ch, 32 Ω, Matching impedance: 16 Ω - 1 kΩ)  
Speaker x 2 (Matching impedance: 16 Ω - 16 Ω)

Power requirements : 14 W (with POWER SW ON)  
Power consumption : 4.0 W (with POWER SW ON)  
Dimensions : 662 (W) x 272 (H) x 330 (D) mm, including knobs  
Weight : 7.8 kg (without batteries)

Accessories provided : AC power cord x 1  
Remote control unit (RM-RP7) x 1  
RMAA (15F) batteries x 2 (for the remote control)

Design and specifications are subject to change without notice.

## ESPECIFICACIONES

## Sección del reproductor de CD

Tipo : Reproductor de discos compactos  
Sistema de detección de señal : Capto óptico sin contacto  
Número de canales : 2 canales  
Respuesta de frecuencia : 20 Hz - 20,000 Hz  
Relación señal-ruido : 90 dB  
Fluctuación y temblor : Menor que el límite medible

Sección de radio  
Límites de frecuencia : FM 87.5-108 MHz  
AM (OM) 522-1,629 kHz  
Antenas : Antena telescópica para FM para MW y LW

Sección de la pletina de cintas  
Sistema de pistas : 4 pistas de canales  
Motor : Motor de CC controlado electrónicamente para el cabezal  
Cabezas : Cabezal de aleación dura para grabación/reproducción magnética para bobinado

Respuesta de frecuencia : 0.15% (WRMS) para CD y cinta  
Fluctuación y temblor : 120 seg. aprox. (cassette C-60)  
Tiempo de bobinado : 1.4 kg

Sección de altavoces (cada unidad)  
Dimensiones : 150 (An) x 242 (Al) x 212 (P) mm  
Peso : Aprox. 1,4 kg

Requisitos de potencia : 15,4 W (7,7 W + 7,7 W) a 3 Ω (máx.)  
10 W (5 W + 5 W) a 3 Ω  
Terminales de salida : PHONES x 1 (nivel de salida: 0-15 mV/ch, 32 Ω, Impedancia de adaptación: 16 Ω - 1 kΩ)  
Altavoz x 2 (impedancia de adaptación de 16 Ω - 16 Ω)

Requisitos de alimentación : 230 V CA, 50 Hz  
Consumo de energía : 4,0 W (con POWER en ON)  
Dimensiones : 662 (Al) x 272 (An) x 330 (P) mm, incluyendo las perillas  
Peso : 8,6 kg (con pilas)  
Accesorios suministrados : Cordón de CA x 1  
Unidad de control remoto (RM-RP7) x 1  
Pilas "R6/AAA (15F)" x 2 (para el controlador remoto)

El diseño y las especificaciones están sujetos a cambios sin aviso previo.

## DATI TECNICI

## Sezione lettore CD

Tipo : Lettore di CD  
Sistema rilevamento segnale : Pickup ottico senza contatto  
Numero canali : 2 canali  
Risposta frequenza : 20 Hz - 20,000 Hz  
Rapporto segnale/rumore : 90 dB  
Wow e flutter : Meno del limite misurabile

Gamma frequenza : FM 87.5-108 MHz  
AM (MW) 522-1,629 kHz  
Antenne : Antenna telescopica FM per MW e LW

Sezione registratore  
Sistema registrazione : 4 piste, 2 canali stereo  
Motore : Motore a CC controllato elettronicamente per il capostile  
Testine : Testina in permalloy duro per registrazione/riproduzione; testina magnetica per la cancellazione

Risposta in frequenza : 0.15% (WRMS) per CD e nastro  
Fluctuazione e temblor : 120 sec. (cassetta C-60)  
Tempo avvolgimento : Circa 120 secondi (cassetta C-60)

Sezione altoparlanti (per ciascun diffusore)  
Dimensioni : 150 (An) x 242 (Al) x 212 (P) mm  
Peso : Circa 1,4 kg

Generali  
Potenza in uscita : 15,4 W (7,7 W + 7,7 W) a 3 Ω (Mass.)  
10 W (5 W + 5 W) a 3 Ω  
Terminali in uscita : PHONES x 1 (livello in uscita: 0-15 mV/ch, 32 Ω, Diffusori x 2 (impedenza: 3 Ω - 1 kΩ))

Alimentazione  
Consumo : 230 V CA, 50 Hz  
Dimensioni : 662 (L) x 272 (A) x 330 (P) mm, comando "push" : 8,6 kg (senza batterie)

Accessori in dotazione : Cavo alimentazione CA x 1  
Unità di telecomando (RM-RP7) x 1  
Pila "R6/AAA (15F)" x 2 (per telecomando)

Design and specifications are subject to change without notice.

# 1 Location of Main Parts

## ■ Front cabinet inside

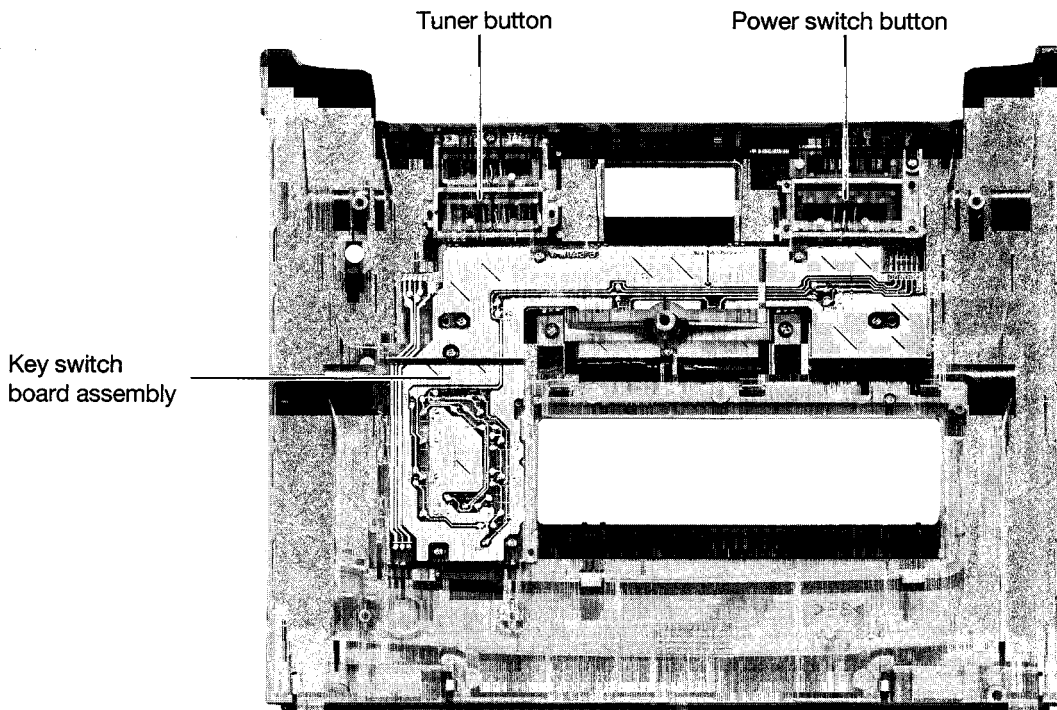


Fig. 1 - 1

## ■ Front cabinet front view

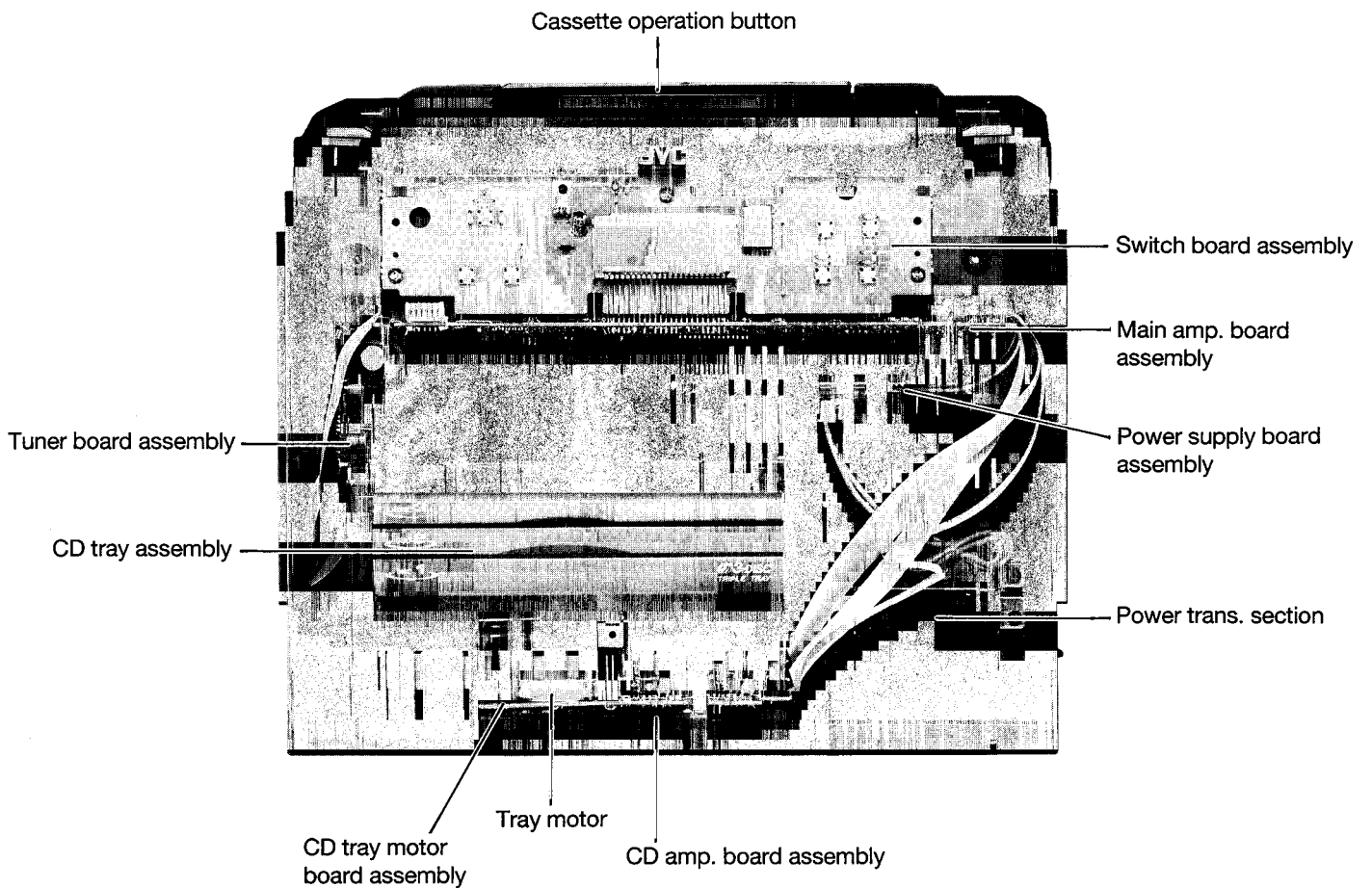


Fig. 1 - 2

■ CD unit (Top side)

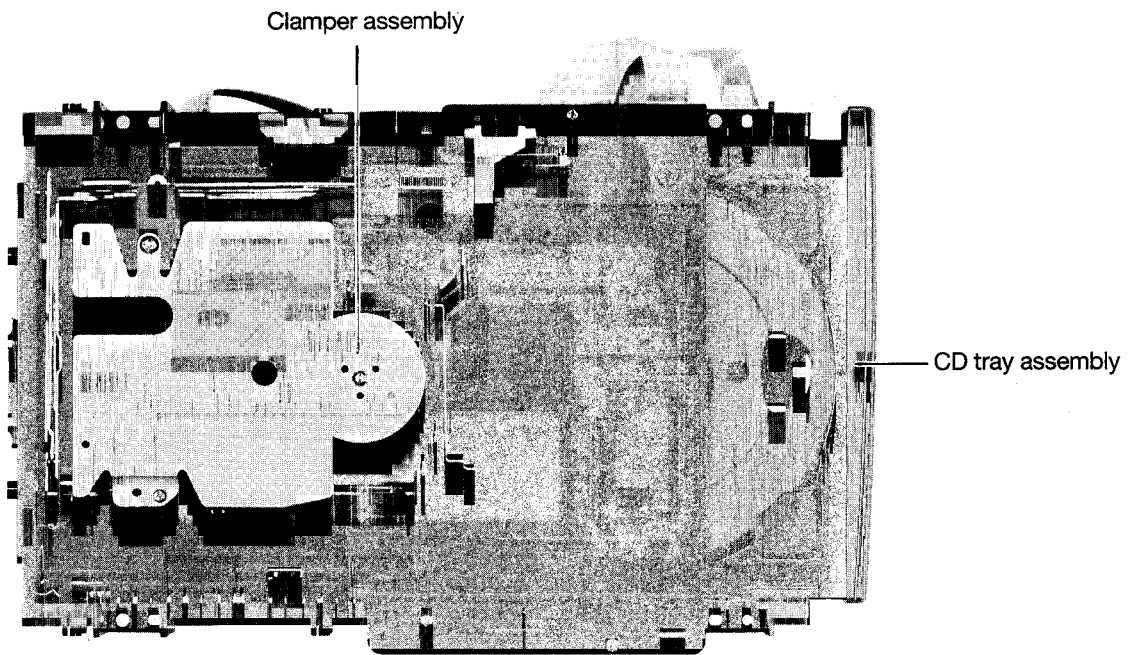


Fig. 1 - 3

■ CD unit (Bottom side)

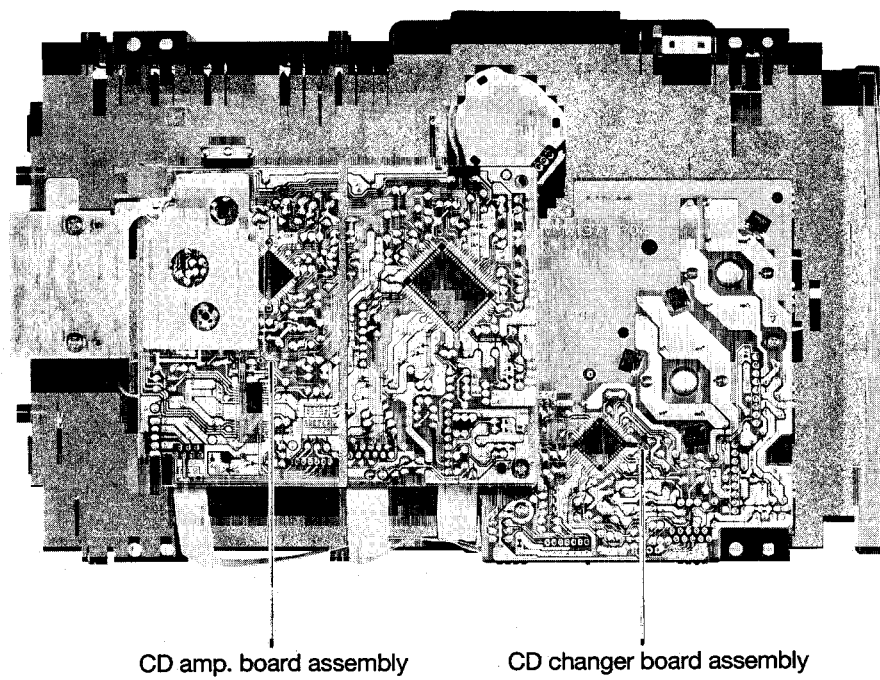


Fig. 1 - 4



■ Top cabinet unit (Top side)

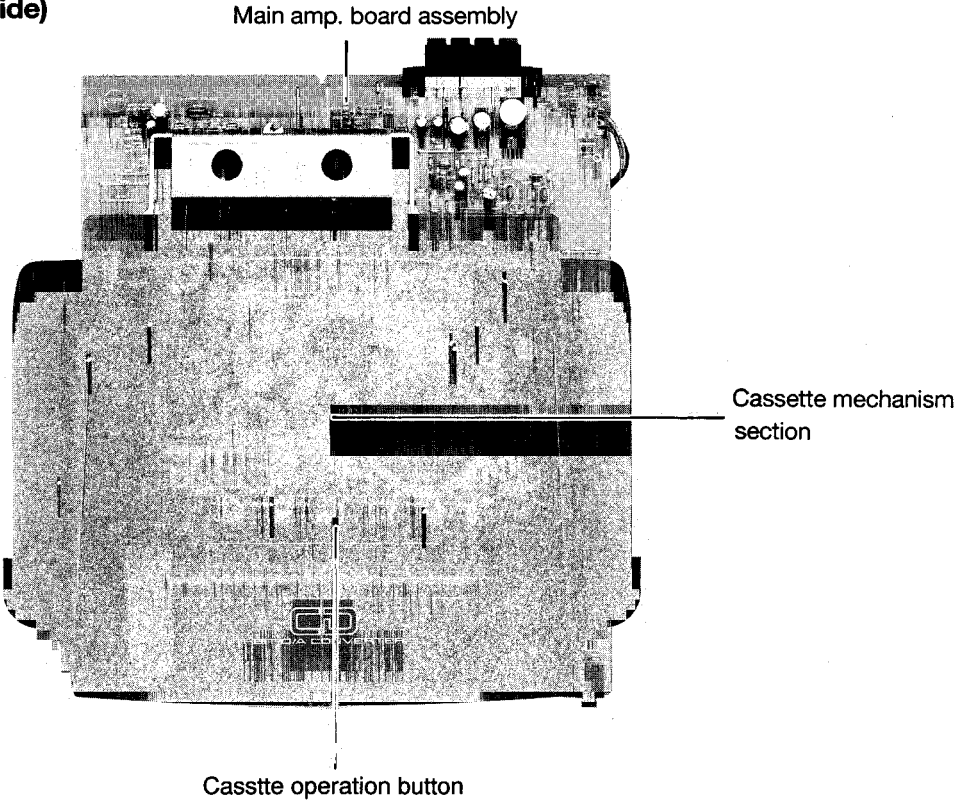


Fig. 1 - 5

■ Top cabinet unit (Bottom side)

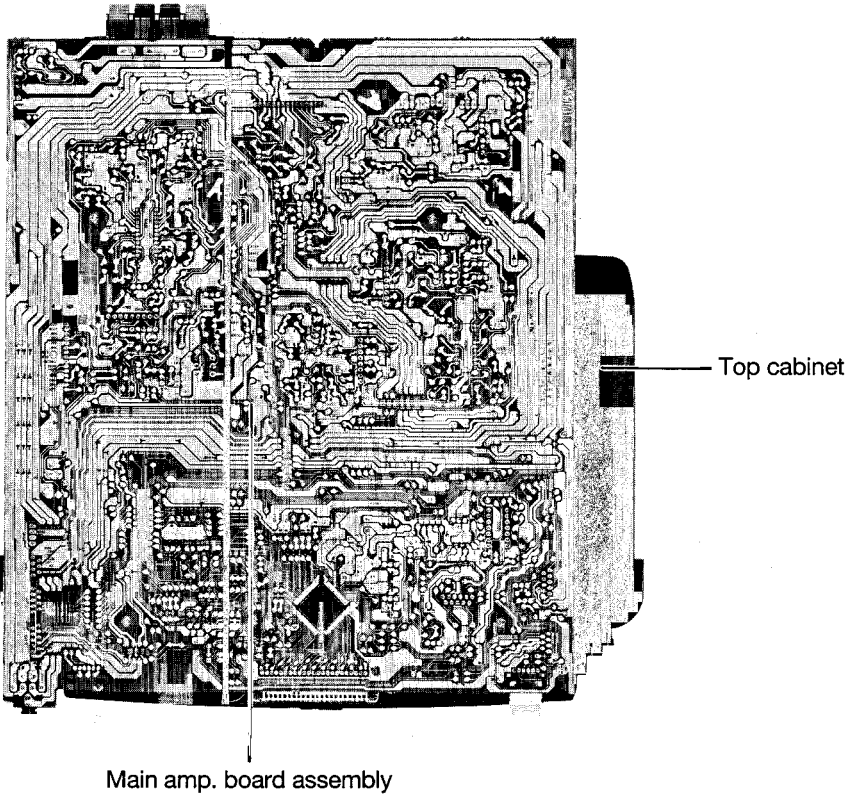


Fig. 1 - 6

■ Top cabinet bottom side

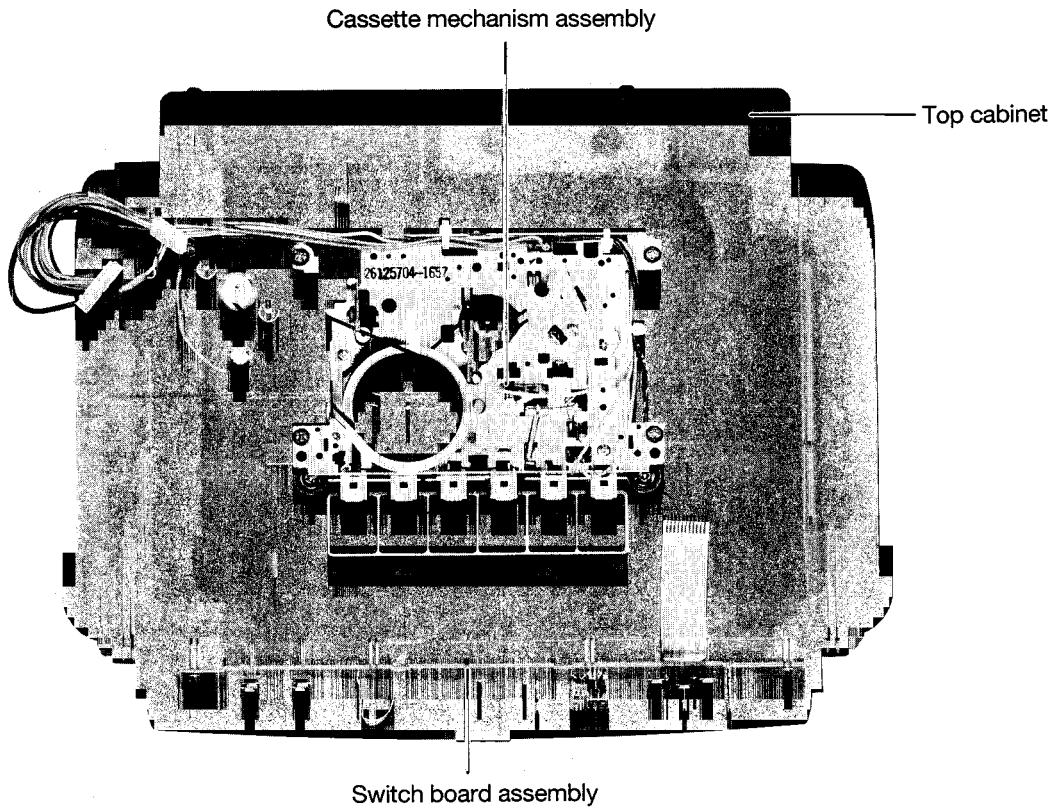


Fig. 1 - 7

■ Main board (Top side)

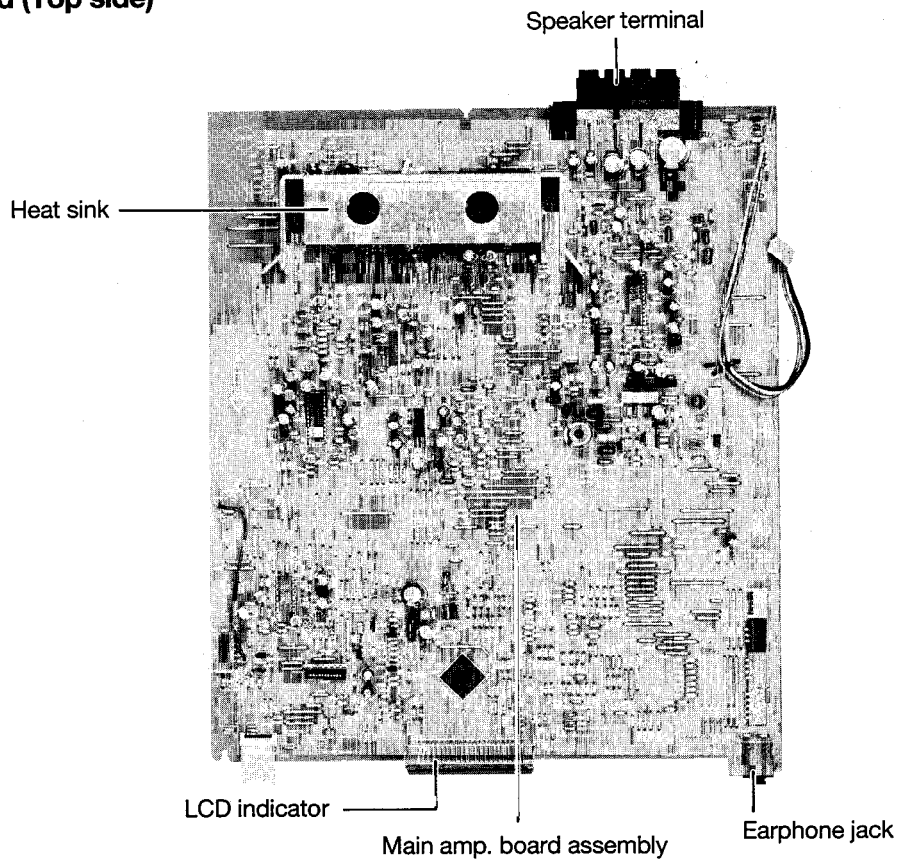
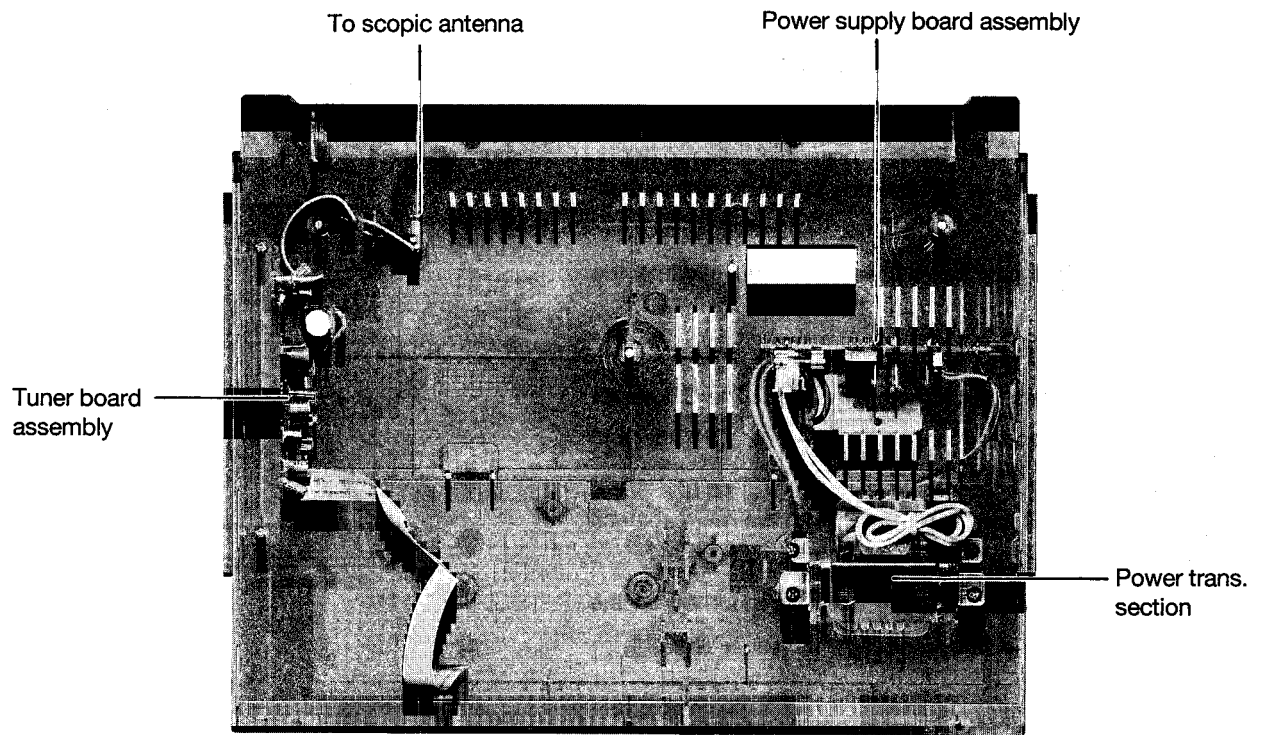


Fig. 1 - 8

■ Rear cabinet inside view



CD holder

Fig. 1 - 9

## 2 Removal of Main Parts

### ■ Enclosure section

#### ◆ Front cabinet (Fig.2-1~Fig. 2-2)

1. Remove the six screws ① retaining the front cabinet from the rear and bottom. (Use a screwdriver with a shank length of 22 cm or more.)
2. Remove the two screws ② retaining the front cabinet from both sides.
3. The front cabinet can be removed if pulled towards the front.

#### ◆ CD player unit (Fig. 2-3)

1. Disconnect the three flat wires connected to the CD player from main PC board connectors CN718, CN716, and CN302.
2. The CD player unit can be removed from the rear cabinet if pulled towards the front.

(※ At this time, you can replace the fuse mounted on the power PC board in the back right corner of the rear cabinet.)

#### ◆ Cassette mechanism and main amplifier board assembly unit (Fig. 2-1, Fig. 2-3)

1. Remove the screw ③ securing the speaker terminal from the rear of the rear cabinet. (See Fig. 1.)
2. From the front, disconnect the flat wire to the tuner PC board from main PC board connector CN711.
3. Pull out the cassette mechanism and main PC board ass'y from the rear cabinet, then disconnect the wire connector (W991) on the main PC board from power PC board ass'y connector CN991 located in the back right corner of the rear cabinet.

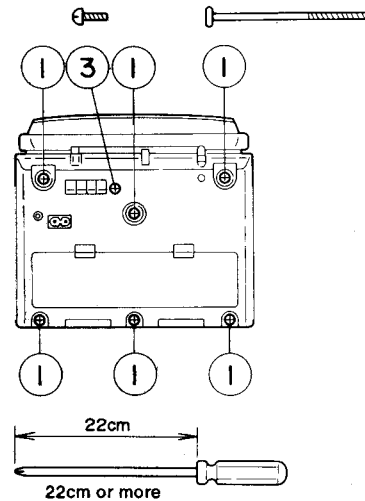


Fig. 2 - 1

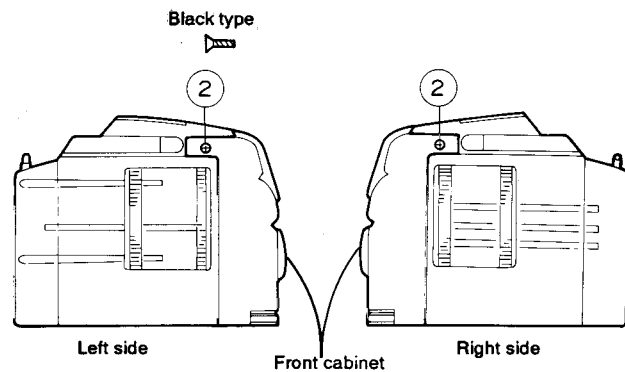


Fig. 2 - 2

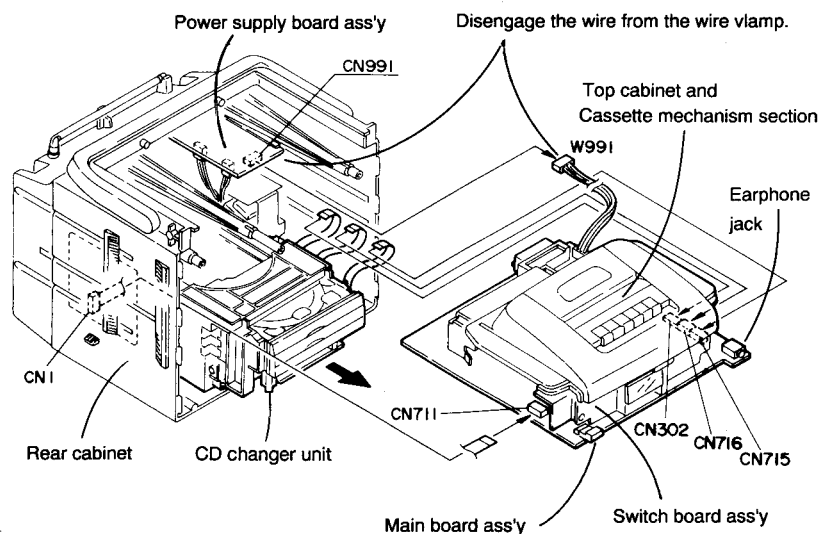


Fig. 2 - 3

◆ Power transformer and power supply board assembly (Fig. 2-4)

1. Install the AC jack of the power PC board assembly onto the rear cabinet, then remove the two screws ④.
2. Disengage the tab on the battery PC board, then remove the PC board together with the power PC board. If necessary, disconnect the connector to the power transformer.
3. Remove the two screws ⑤ retaining the shield plate and power transformer.
4. Remove the two screws ⑥ retaining the power transformer.

◆ Tuner board ass'y (Fig. 2-4)

1. Disconnect the antenna wire from TP1 on the tuner PC board.
2. Remove the screw ⑦ retaining the PC board holder.
3. Pull out the PC board assembly from the rear cabinet.

◆ Internal parts of the front cabinet (Fig. 2-5)

1. Remove the front cabinet.
2. Remove the screw ⑧ retaining the power switch button.
3. Remove the screw ⑨ retaining the function switch button.
4. Remove the two screws ⑩ retaining the holder.
5. Remove the eight screws ⑪ retaining the switch PC board.

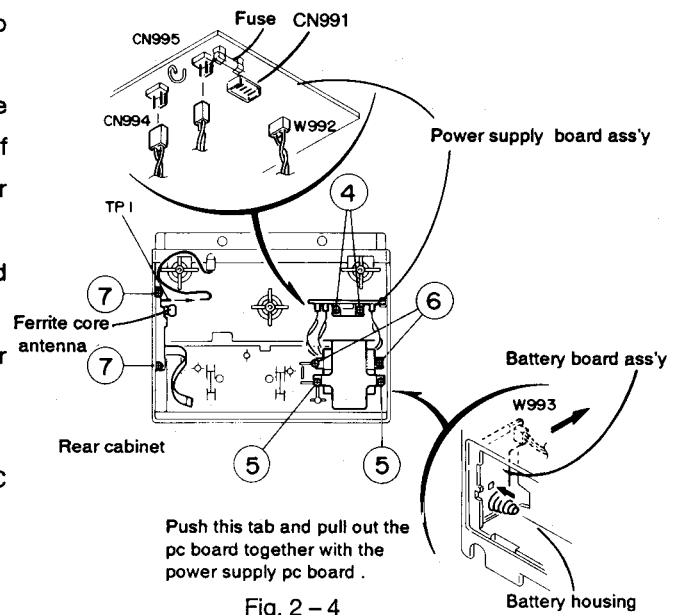


Fig. 2-4

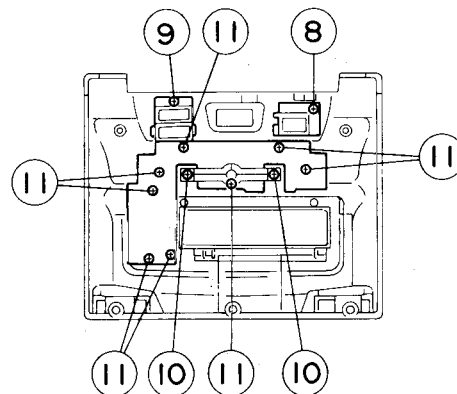


Fig. 2-5

◆ Main board ass'y and cassette mechanism ass'y

(Fig. 2-6~Fig. 2-7)

1. Remove the front cabinet.
2. Remove the cassette mechanism assembly and main board assembly unit from the rear cabinet.
3. Turn the unit upside down so that the top cabinet faces down.
4. Remove the five screws ⑫ retaining the main board ass'y.
5. Slightly lift the main PC board, then disconnect the parallel wires coming from the switch PC board assembly from CN701 on the main PC board assembly.
6. Turn the main PC board assembly upside down (the parts side will face up). Disconnect the wire holder PP11 on the PC board, then disconnect the A mechanism head wire CNA32 (5 pins), the B mechanism head wire CNA31 (3 pins), and the mechanism drive connector CNA33 (15 pins).
7. Remove the three screws ⑬ retaining the switch board ass'y. (When removing the switch PC board holder with the switch PC board mounted on it, remove the two screws ①.)
8. Remove the five screws ⑭ retaining the mechanism.
9. Open the cassette door, then remove the cassette mechanism unit from the top cabinet.

◆ Removing the cassette door (Fig. 2-8)

- a. Remove the cassette mechanism ass'y, push the cassette door left arm inward, disengage the door shaft and remove it from the top cabinet. Make sure to hold the edge while performing this step or the door spring may fly out, possibly causing injury.
  - b. When reattaching, start with the door spring side, then push the opposite side in.
  - c. Fit the door spring into the slit.
- (※ Although cassette door removal is possible with the mechanism assembly mounted, removing the mechanism assembly beforehand will make it easier and ensure correctness.)

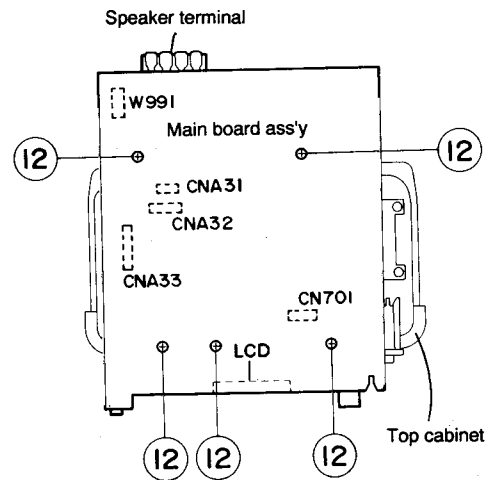


Fig. 2-6

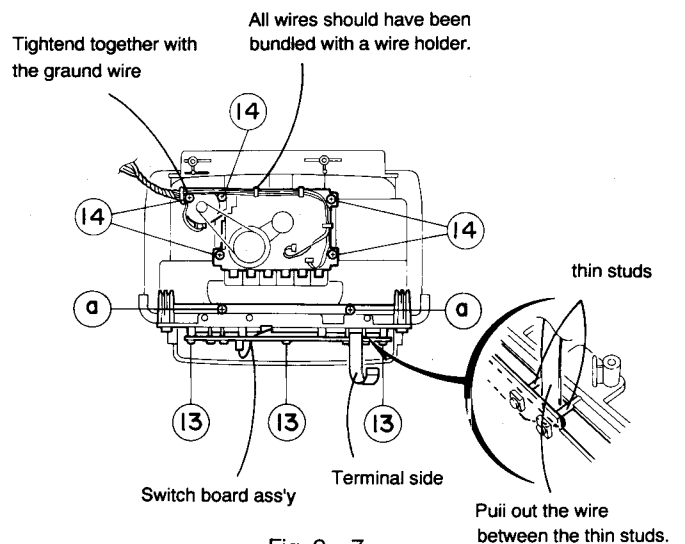


Fig. 2-7

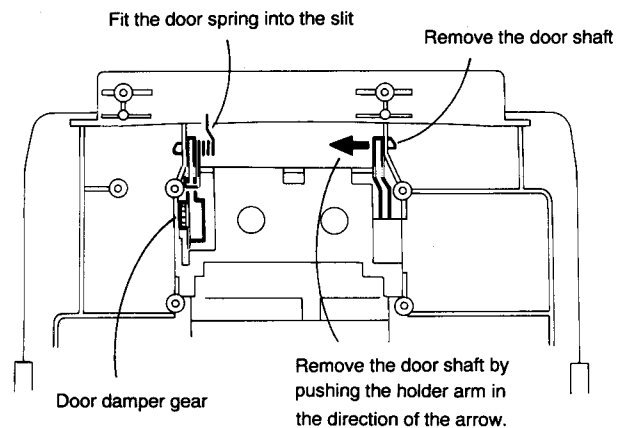


Fig. 2-8

## CD Changer Mechanism Sections

### ■ Removing the CD tray assembly

(See Figs. 2-9 to 2-15)

1. Remove the front panel assembly.
2. Remove the CD changer assembly.
3. Remove the CD amplifier board.
4. From the T. bracket section (A) and clamber base section (B), remove both of the edges fixing the rod (See Figs. 2-9 and 2-10).
5. Remove the three screws ① retaining the T. bracket (See Fig. 2-9)
6. From the left side face of the chassis assembly, remove the one screw ④ retaining both of the return spring and lock lever.
7. By removing the pawl at the section (D) fixing the return spring, dismantle the return spring (See Fig. 2-11).
8. Remove the three lock levers (See 2-11).

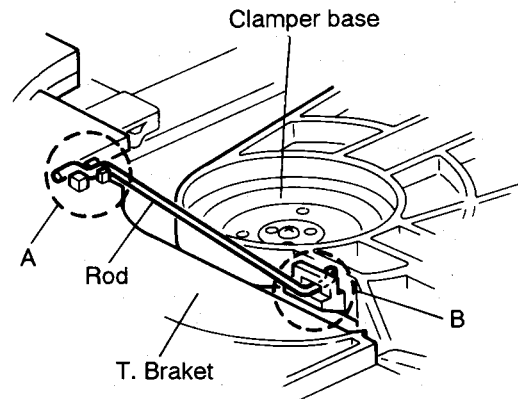


Fig. 2 - 9

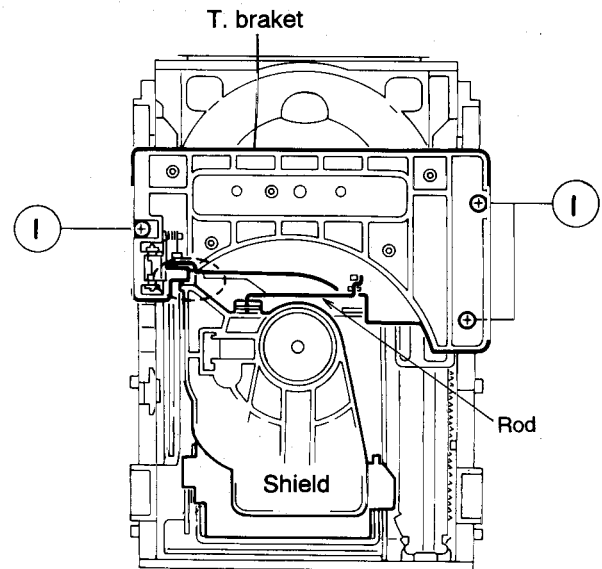


Fig. 2 - 10

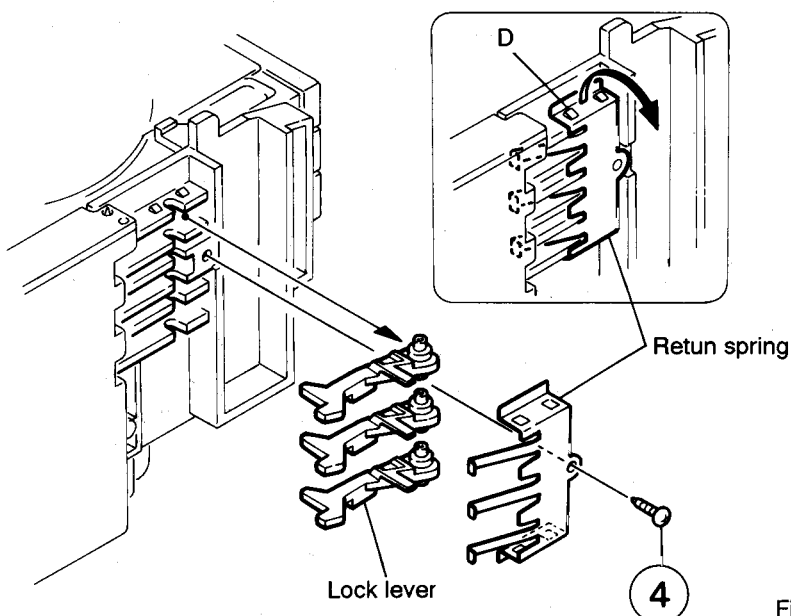


Fig. 2 - 11

11. Check whether the lifter unit stopper has been caught into the hole at the section (F) of CD tray assembly as shown in Fig. 2-13.
12. Make sure that the driver unit elevator is positioned as shown in Fig. 2-13a from to the second or fifth hole on the left side face of the CD changer mechanism.
- [Caution]** In case the driver unit elevator is not at the above position, set the elevator to the position as shown in Fig. 2-13a by manually turning the pulley gear as shown in Fig. 2-14.
13. Manually turn the motor pulley in the clockwise direction until the lifter unit stopper is lowered from the section (F) of CD tray assembly (See Fig. 2-13).
14. Pull out all of the three stages of CD tray assembly in the arrow direction (E) until these stages stop (See Fig. 2-12).
15. At the position where the CD tray assembly has stopped, pull out the CD tray assembly while pressing (H) the two pawls (G) on the back side of CD tray assembly (See Fig. 2-15). In this case, it is easy to pull out the assembly when it is pulled out first from the stage CD tray assembly.

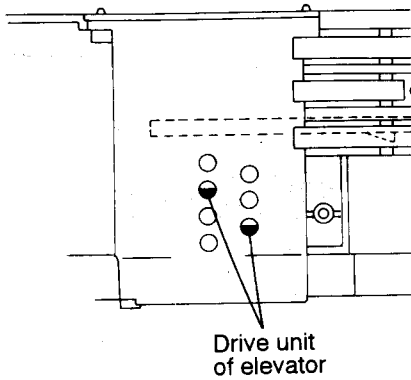
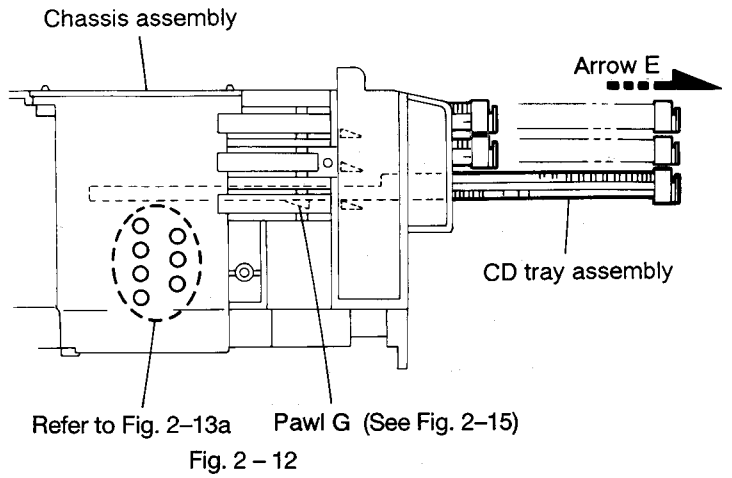


Fig. 2-13a

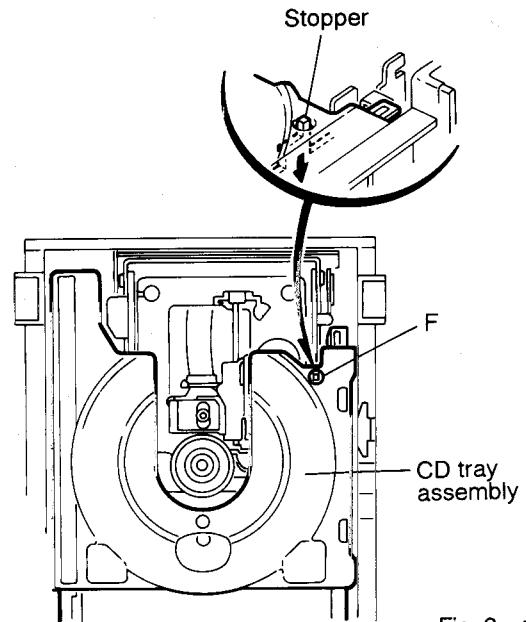


Fig. 2-13

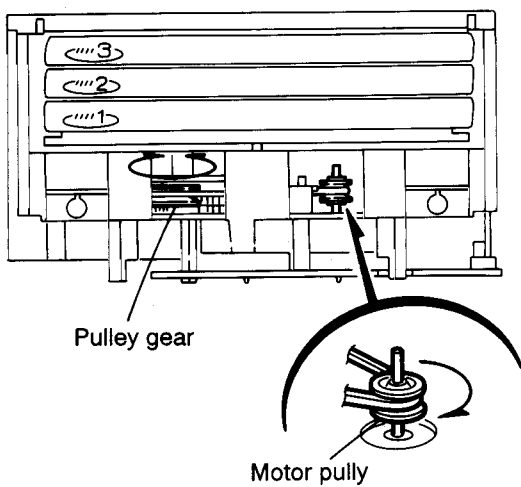


Fig. 2-14

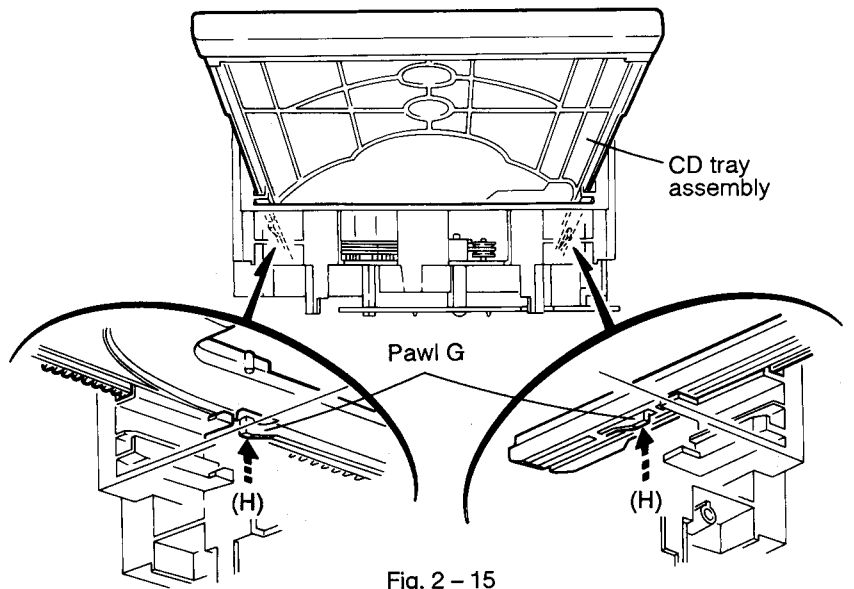


Fig. 2-15



## ■ Removing the CD mechanism assembly (See Fig. 2-16)

1. While turning the cams R1 and R2 assembly in the arrow direction (I), align the shaft (J) of the CD mechanism assembly to the position shown in Fig. 2-16.
2. Remove the four screws (5) retaining the CD mechanism assembly (See Fig. 2-16).

## ■ Removing the CD mechanism (See Figs. 2-17 and 2-18)

(See Figs. 2-17 and 2-18)

1. For dismantling only the CD mechanism without removing the CD mechanism assembly, align the shaft (L) of the CD mechanism assembly to the position shown in Fig. 2-17 while turning the cam R1 and R2 assembly in the arrow direction (K).
2. By raising the CD mechanism assembly in the arrow direction (M), remove the assembly from the lifter unit (Fig. 2-18).

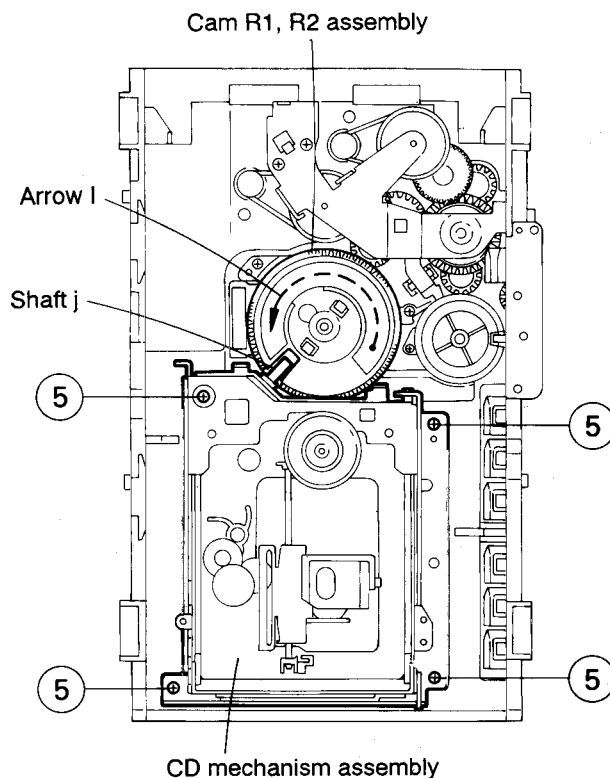


Fig. 2 - 16

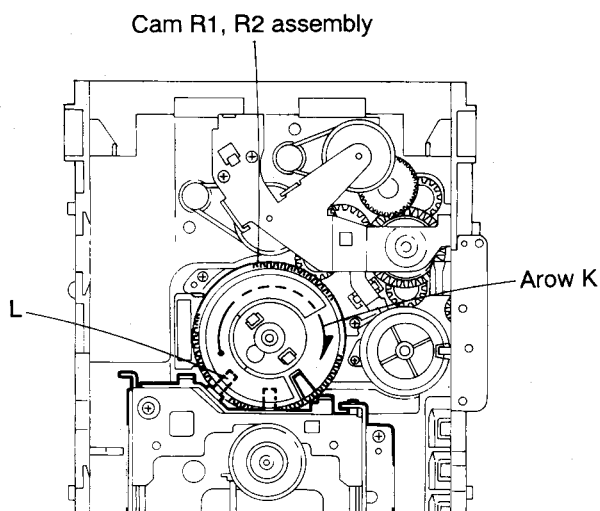


Fig. 2 - 17

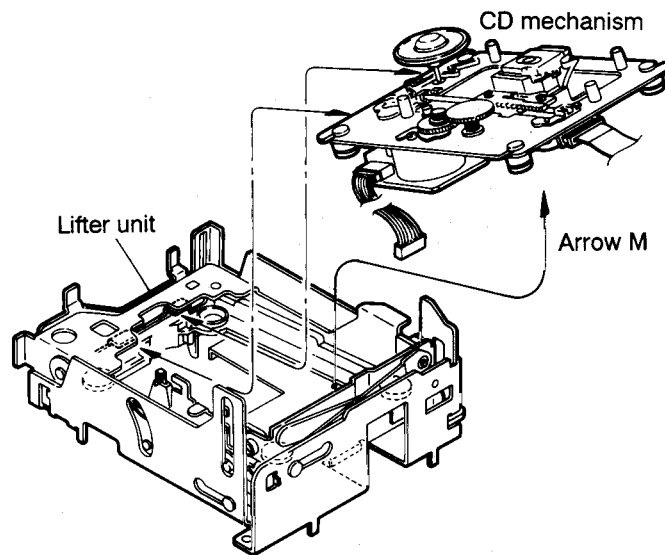


Fig. 2 - 18

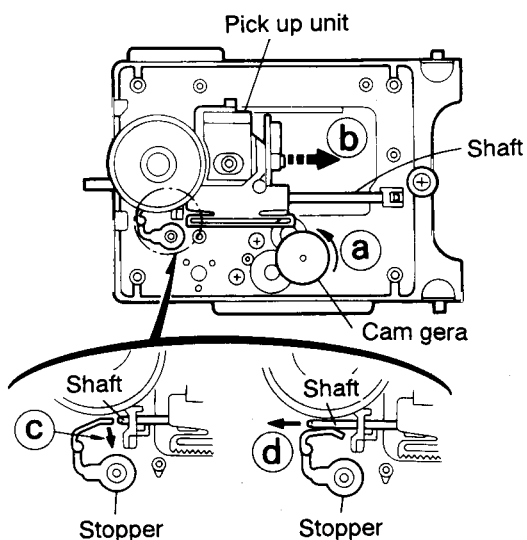


Fig. 2 - 19

## ■ Removing the CD pickup unit (See Fig. 2-19)

(See Fig. 2-19)

1. Move the cam gear in the arrow direction (a). Then, the CD pickup unit will be moved in the arrow direction (b).
2. According to the above step, shift the CD pickup unit to the center position (Fig. 2-19).
3. While pressing the stopper retaining the shaft in the arrow direction (c), pull out the shaft in the arrow direction (d) (See Fig. 2-19).
4. After dismantling the shaft from the CD pickup unit, remove the CD pickup unit.

### ■ Removing the actuator motor board

(See Figs. 2-20 and 2-21)

1. Absorb the four soldered positions (M) of the right and left motors with a soldering absorber (See Fig. 2-20).
2. Remove the two screws ⑥ retaining the actuator motor board (See Fig. 2-21).
3. Remove the two screws ⑪ retaining the bracket (See Fig. 2-21).
4. Remove the two screws ⑦ retaining the tray select switch board (See Fig. 2-21).

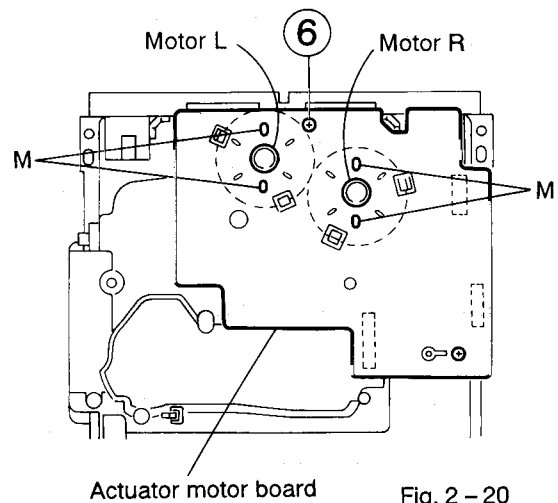


Fig. 2 - 20

### ■ Removing the cam unit

(See Figs. 2-22 and 2-24)

1. Remove the CD mechanism assembly.
2. While turning the cam gear L, align the pawl (N) position of the drive unit to the notch position (Fig. 2-22) on the cam gear L.
3. Pull out the drive unit and cylinder gear (See Fig. 2 - 23).
4. While turning the cam gear L, align the pawl (O) position of the select lever to the notch position (Fig. 2-24) on the cam gear L.
5. Remove the four screws ⑧ retaining the cam unit (cam gear L and cams R1/R2 assembly) (See Fig. 2-24).

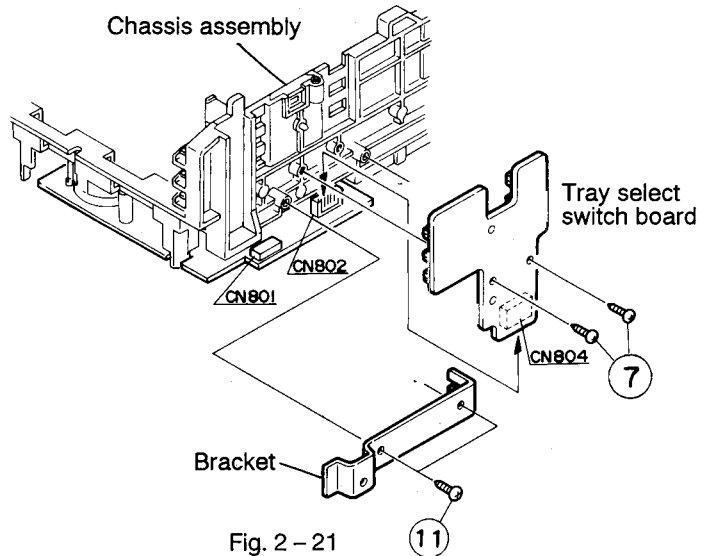


Fig. 2 - 21

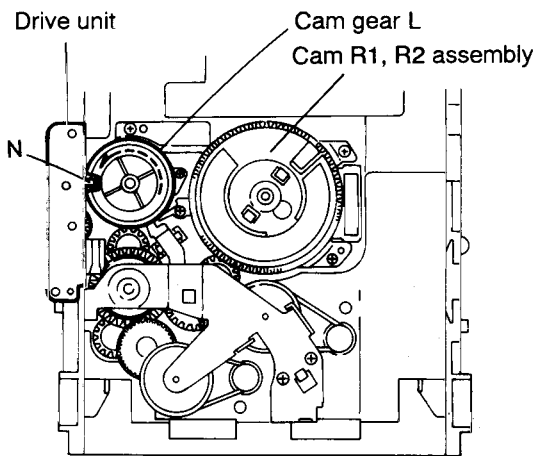


Fig. 2 - 22

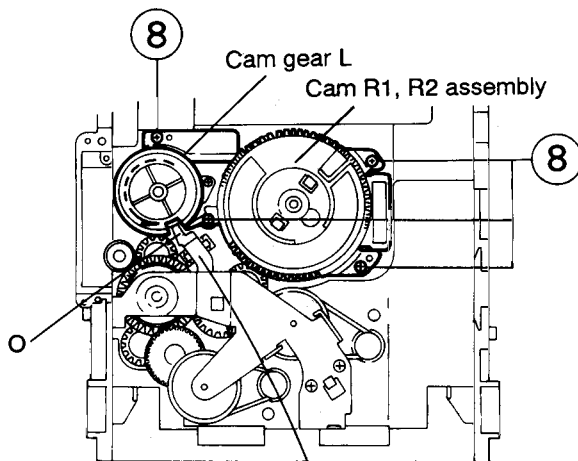


Fig. 2 - 24

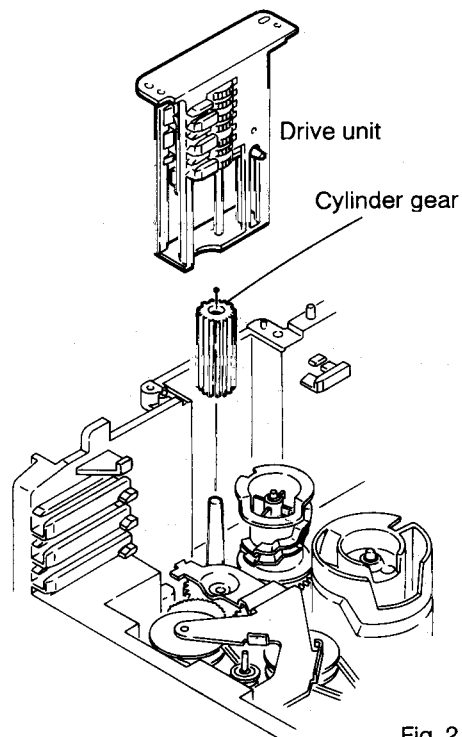


Fig. 2 - 23

## ■ Removing the actuator motor and belt

(See Figs. 2-25 to 2-28)

1. Remove the two screws ⑨ retaining the gear bracket (See Fig. 2-25).
2. While pressing the pawl (P) fixing the gear bracket in the arrow direction, remove the gear bracket (See Fig. 2-25).
3. From the notch (Q section) on the chassis assembly fixing the edge of gear bracket, remove and take out the gear bracket (See Fig. 2-26).
4. Remove the belts respectively from the right and left actuator motor pulleys and pulley gears (See Fig. 2-28).
5. After turning over the chassis assembly, remove the actuator motor while spreading the four pawls (R) fixing the right and left actuator motors in the arrow direction (See Fig. 2-27).

**[Note]** When the chassis assembly is turned over under the conditions wherein the gear bracket and belt have been removed, then the pulley gear as well as the gear, etc. constituting the gear unit can possibly be separated to pieces. In such a case, assemble these parts by referring to the assembly and configuration diagram in Fig. 2-28.

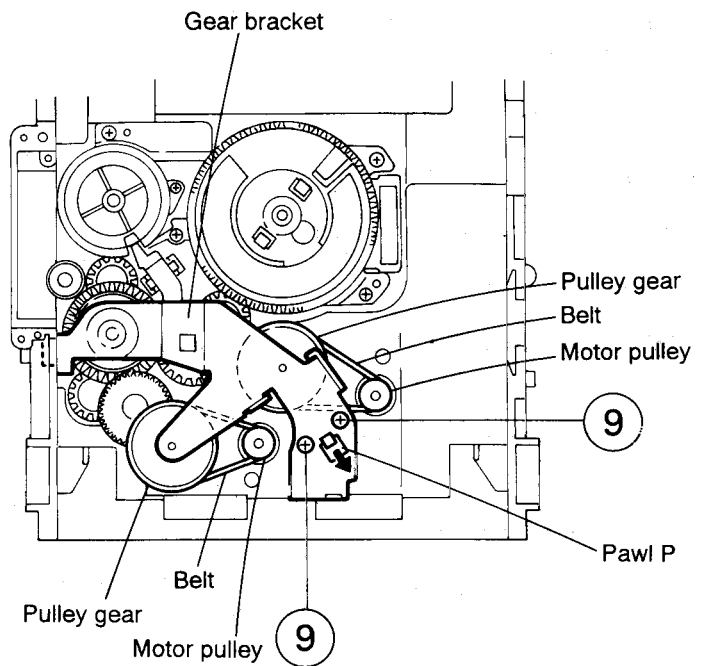


Fig. 2 - 25

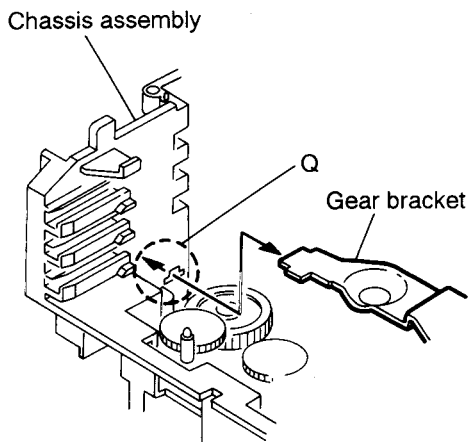


Fig. 2 - 26

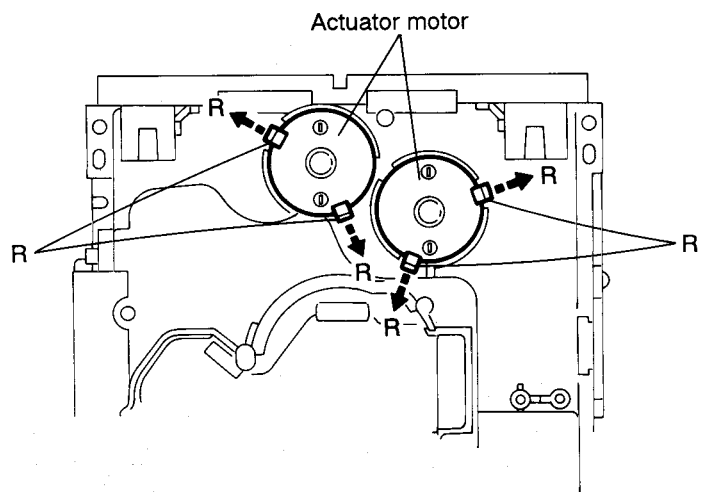


Fig. 2 - 27

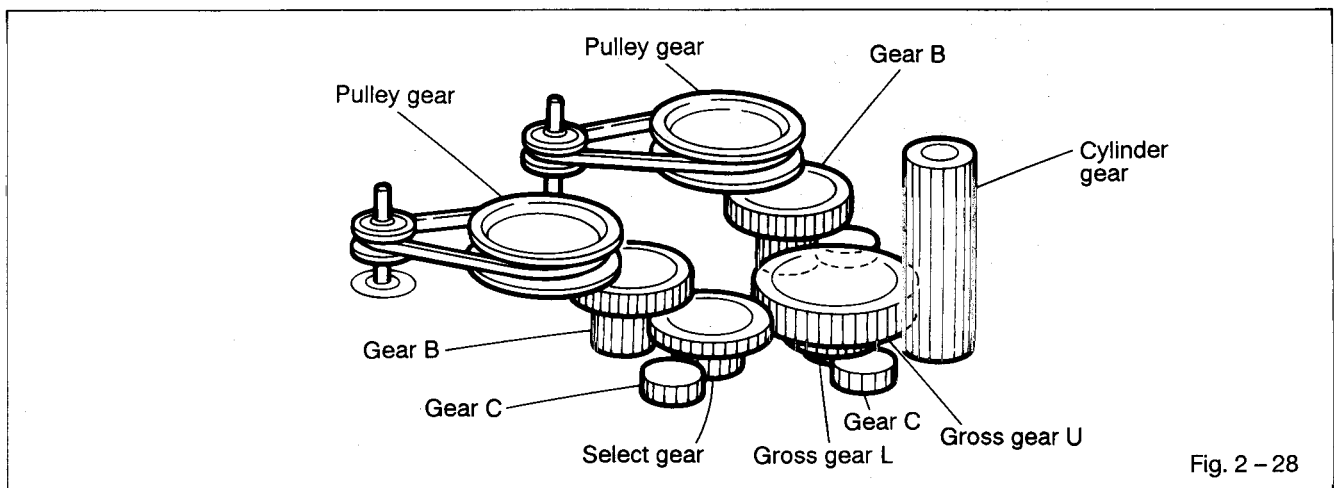


Fig. 2 - 28

**■ Removing the cams R1/R2 assembly and cam gear L** (See Fig. 2-29)

1. Remove the slit washer fixing the cams R1 and R2 assembly.
2. By removing the two pawls (S) fixing the cam R1, separate R2 from R1.
3. Remove the slit washer fixing the cam gear L.
4. Pull out the cam gear L from the C.G. base assembly.

**■ Removing the C.G. base assembly**  
(See Figs. 2-29 and 2-30)

Remove the three screws ⑩ retaining the C.G. base assembly.

**[Caution]** To reassemble the cylinder gear, etc. with the cam unit (cam gear and cams R1/R2 assembly), gear unit and drive unit, align the position of the pawl (N) on the drive unit to that of the notch on the cam gear L. Then, make sure that the gear unit is engaged by turning the cam gear L.

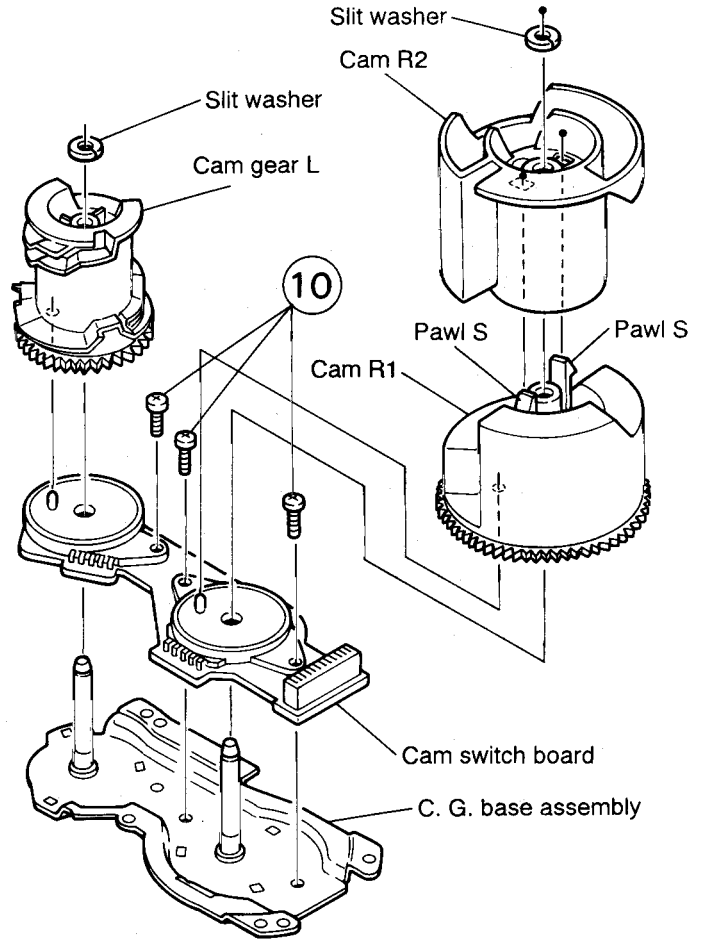


Fig. 2 - 29

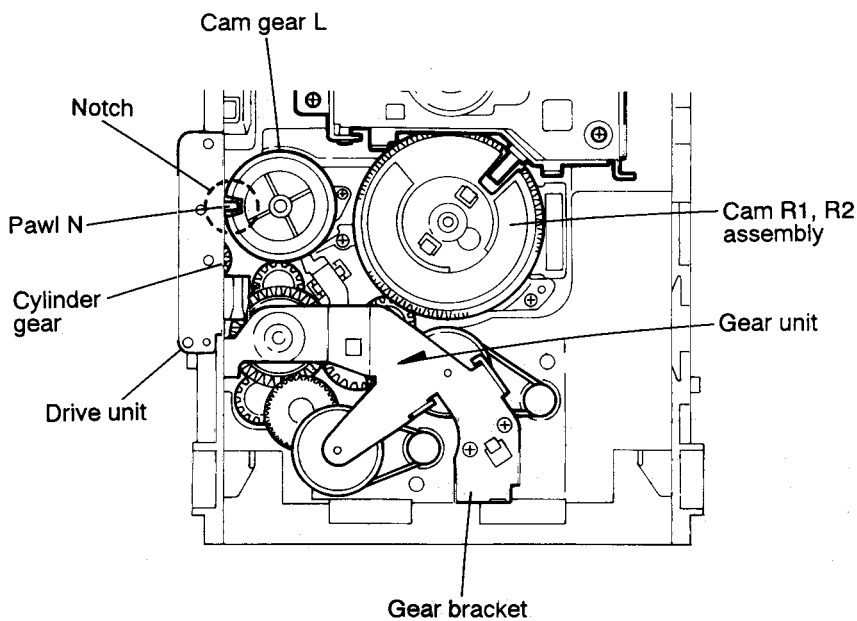


Fig. 2 - 30

## Cassette Mechanism Section

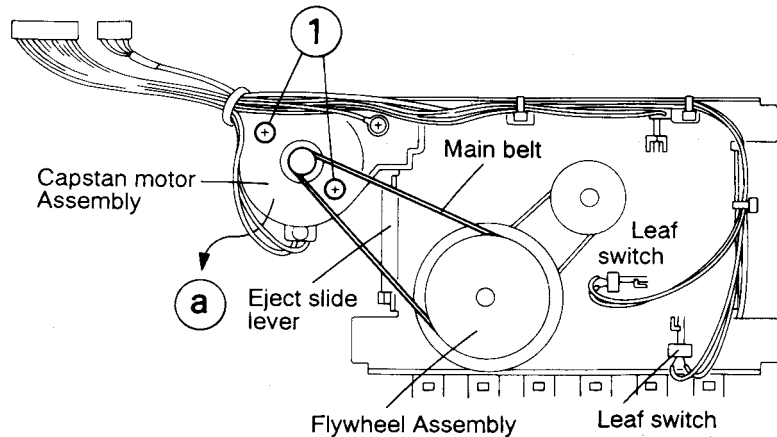


Fig. 2 - 31

### ■ Removing the Capstan motor

(See Fig. 2-31)

1. Remove the Front panel assembly.(Refer to the article“Front panel assembly”appearing on a previous page)
2. Remove the Cassette mechanism assembly.(Refer to the article“Cassette mechanism assembly” appearing on a previous page )
3. Remove the Main board(Refer to the article “Main board” appearing on a previous page.)
4. Remove the Cassette mechanism. (Refer to the article “Cassette mechanism”appearing on a previous page.)
5. Remove two screws ① retaining the capstan motor assembly from the back of the cassette mechanism .
6. Take out the main belt from the flywheel assembly. Then, slide the capstan motor slightly in the direction of the arrow ② while pulling downwards to remove together with the main belt.

### ■ Removing the Eject slide lever

(See Fig. 2-32)

1. Place the cassette mechanism back side frontward and disengage the stopper arm ① of the Eject slide lever by pressing it inwards through the opening of the chassis with a small screwdriver as shown in Fig. 2-32.
2. Disengage the Eject slide lever in the direction of arrow ②.

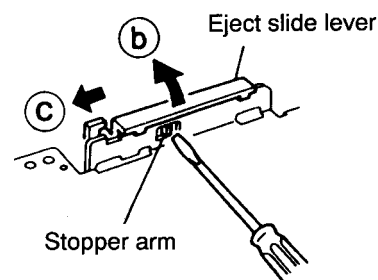


Fig. 2 - 32

### ■ Removing the Leaf switch

(See Fig. 2-33)

- Press the leaf switch in the direction of the arrow ① and then remove it in the direction of the arrow ② referring to Fig. 2-33.

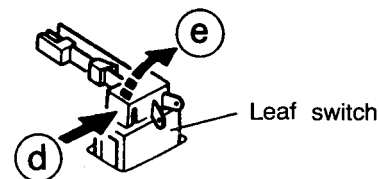


Fig. 2 - 33

■ Removing the Pinch roller assembly

(See Fig. 2-34)

1. Pull out the stopper protruding from the base assembly in the direction of the arrow ① to remove it from the pinch roller assembly.
2. Then, pull out the pinch roller assembly in the direction of the arrow ②.

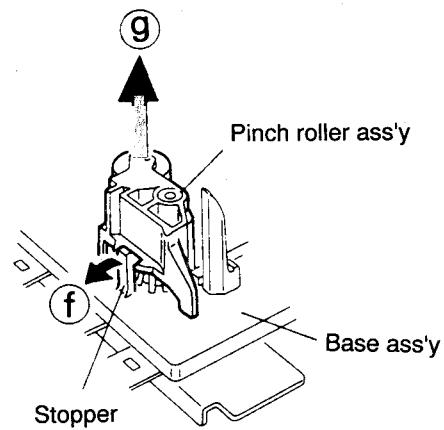


Fig. 2 - 34

■ Removing the Record/Playback head & Erase head (See Figs. 2-35 to 2-36)

1. Remove two screws ② and ③ retaining the Record / Playback head.
2. Pull out the stopper of the Erase head in the direction of the arrow ④.
3. Pull out the Erase head in the direction of the arrow ⑤.

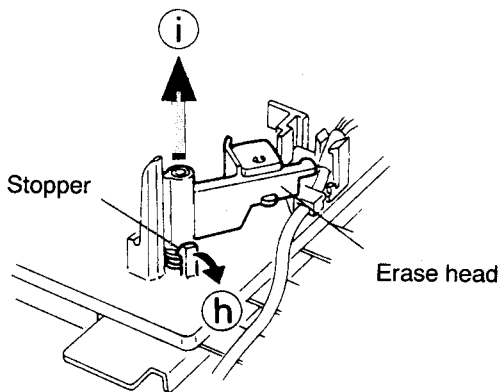


Fig. 2 - 35

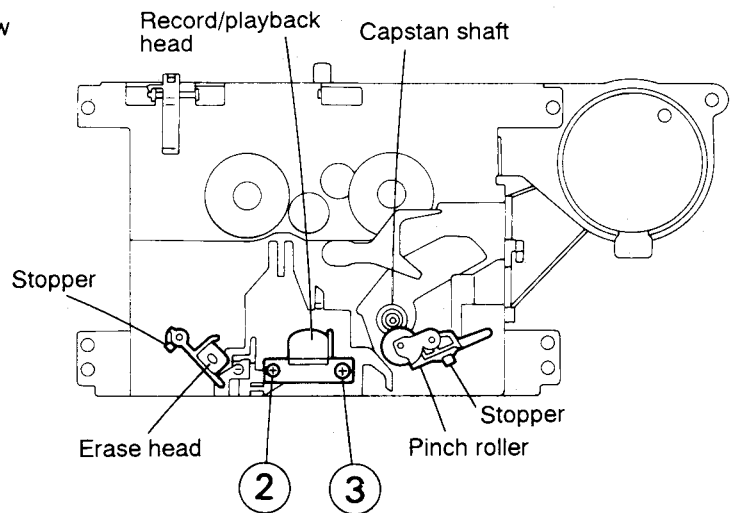


Fig. 2 - 36

■ Removing the Flywheel assembly

(See Fig. 2-37)

1. E. washer retaining the flywheel assembly in the direction of arrow ⑥.
2. Pull the flywheel assembly out of the back side of the cassette mechanism in the direction of the arrow ⑦.

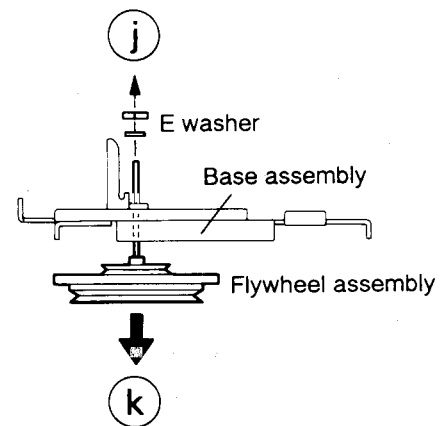


Fig. 2 - 37

### 3 Main Adjustment

#### ■ Test Instruments required for adjustment

1. Low frequency oscillator  
(oscillation frequency: 50Hz to 20kHz)  
( Output : 0 dBs with 60  $\Omega$  terminator)
2. Attenuator( Impedance : 600  $\Omega$  )
3. Test Tapes  
VTT712 (VT712) ..... For tape speed,wow and flutter measurement  
VTT724 (VT724) ..... For play back output level  
VTT739 (VT739) ..... For playback frequency response check  
VTT703 (VT703) ..... For head azimuth measurement
4. Electronic voltmeter, Distortion meter
5. Resistor... 600  $\Omega$  for attenuator matching
6. Torque gauge..... Cassette type for CTG – N mechanism adjustment
7. Wow and Flutter meter , Frequency counter
8. Blank tape..... Normal:UR,Chrome: AC225

#### ■ Measuring conditions (Amplifier section)

Supply voltage ..... 230V (50/60Hz)  
Reference output : Speaker ..... 0 dBs (0.775V) / 3  $\Omega$   
(Volume Level: 19)  
: Headphone - 10 dBs (0.245V)/ 32  $\Omega$

#### ● Standard position of functionswitches

Function switch ..... TAPE  
Mode switch ..... STEREO

#### ● Standard position of volume control

Sound ..... Flat position  
AHB PRO ..... OFF  
Main volume adjust ..... 0 dBs Speaker out(Vol.19)  
Headphone out(Vol.20)  
Beat cut switch ..... Cut1  
Standard test frequency.....1 kHz  
; unless otherwise specified.  
Reference input level ..... TP(CN301) : - 20dBs  
Input for REC/PB, Check &measuring ..... CN301  
: -20 dBs

#### ● Test remarks

1. Negative side of the input and output on the testing set, that ought to be separately to each other, and then bear in mind there connection the testing set with 2 channeles Electronic voltmeter, the negative side never connect commonly.
2. Replaced output load with a dummy and that lead wire to be used as big as possible.
3. Attach top cover when measuring and connect filter shown below Fig. 1 to V. meter.

#### ■ Measuring condition (Radio section)

Refer to rating source ..... Tuner+B : DC 5.7V  
Reference output ..... Speaker : 20mW(0.245 V) / 3  $\Omega$   
Headphone : 0.11 mW (0.06 V)/32  $\Omega$   
AM frequency ..... 400Hz modulation 30%  
FM frequency ..... 400Hz modulation  
frequency deviation 22.5kHz

#### ● Standard position of switches and controllers

Function..... RADIO  
Mode ..... STEREO

#### ● Careful points for adjustment

1. Connect 30 pF capacitor and 33 k  $\Omega$  resistor to the output side of the IF sweeper in series while 0.082  $\mu$  F capacitor and 100k  $\Omega$  resistor to the input side in series.
2. Set output level of the IF sweeper as minimum as adjustable.
3. RF Alignment order  
Procedure of the steps of tracking should be kept.

#### ◎ Test point : CN301( Top view )

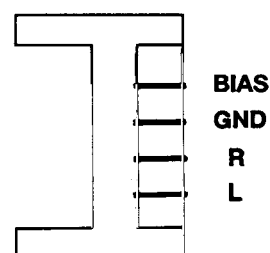


Fig. 3 - 1

■ Arrangement of Adjusting Position

(Cassette mechanism)

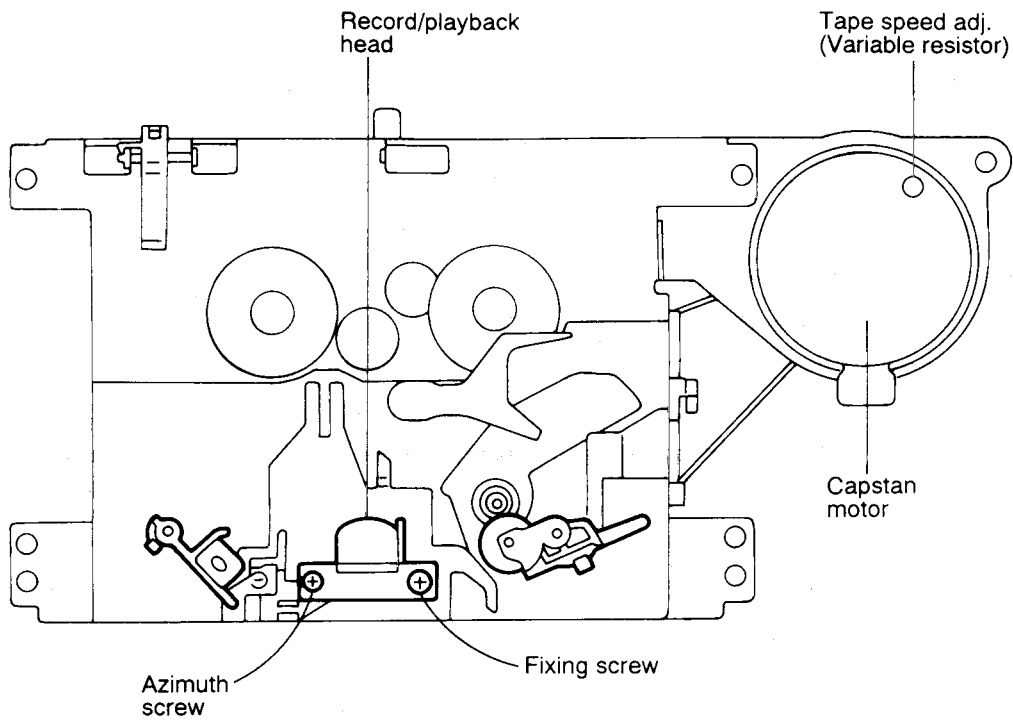


Fig.3-2

■ Tuner board

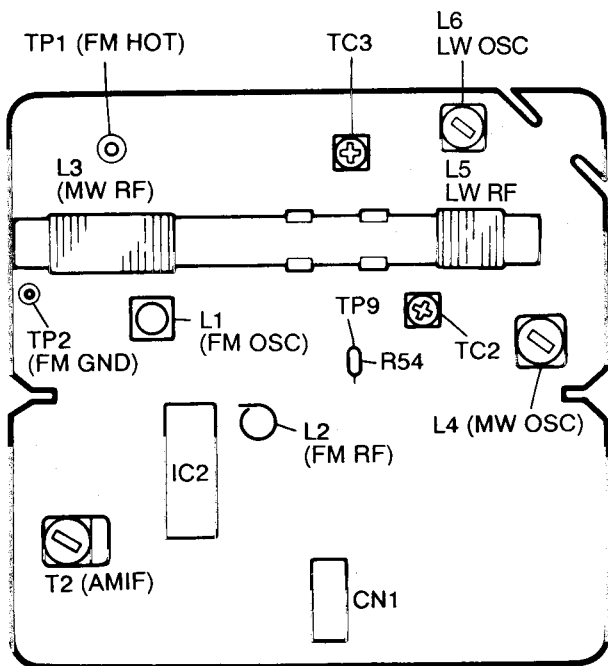


Fig.3-3

■ Main board

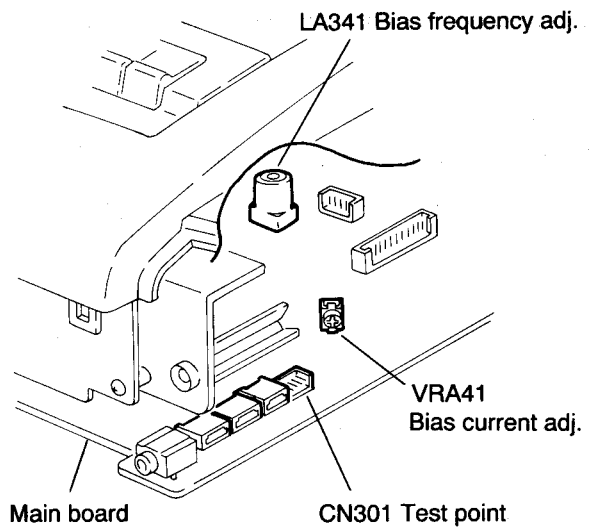


Fig.3-4



## ■ Cassette and amplifier section

Item	Conditions	Adjustment & Confirmation Methods	Stand. values	Adjust
Head azimuth adjustment	<ul style="list-style-type: none"> <li>• Test tape : VTT703 (10kHz)</li> <li>• Output terminal for measurement : Headphone</li> <li>• Input terminal for measurement : CN301</li> </ul>	<p>* Adjust the head azimuth screw only when the head is replaced.</p> <p>① Playback test tape VTT703 (10kHz).</p> <p>② Adjust the head azimuth so that the phase difference is minimum (Within 2dB of the peak level of play output.) After adjustment apply the screw locking adhesive to the head azimuth screw more than a half around the screw head.</p>	<p>Within 2dB of the peak level</p> <p>Minimum phase difference</p>	Head azimuth adjusting screw
Tape speed adjustment and wow &Flutter checking	<ul style="list-style-type: none"> <li>• Test tape : VTT712 (3kHz)</li> <li>• Output terminal for measurement : Headphone</li> </ul>	<p>① When playing test tape VTT712 (3kHz).</p> <p>② Check that the frequency counter reading is 2960Hz ~3070Hz. If the reading is out of this range, adjust the variable resistor in the motor housing.</p> <p>③ Wow &amp;Flutter should be less than 0.35%(JIS UNWTD)</p>	<ul style="list-style-type: none"> <li>• Tape speed : 2960Hz ~3070Hz</li> <li>Wow &amp;Flutter : Less than 0.35%(JIS UNWTD)</li> </ul>	Variable resistor in the motor housing.
Play back output level checking	<ul style="list-style-type: none"> <li>• Test tape : VTT724 (1kHz)</li> <li>• Output terminal for measurement : Headphone</li> </ul>	<p>① When Playback the test tape VTT724 (1kHz), the output level at headphone is <math>-24\text{dB} \pm 3\text{dB}</math> at 1kHz.</p> <p>② Deviation L and R : less than 3dB</p>	$-24\text{dB} \pm 3\text{dB}$	
Playback frequency response checking	<ul style="list-style-type: none"> <li>• Test tape : VTT739</li> <li>• Output terminal for measurement : Headphone</li> </ul>	When playback the test tape VTT739, response should be $-3\text{dB} \pm 4\text{dB}$ at 63Hz and 1kHz, $\pm 0\text{dB} \pm 4\text{dB}$ at 10kHz and 1kHz with respect to 1kHz.	<p>63Hz and 1kHz</p> <p>: <math>-3\text{dB} \pm 4\text{dB}</math></p> <p>10kHz and 1kHz</p> <p><math>\pm 0\text{dB} \pm 4\text{dB}</math></p>	
Record / playback frequency response adjustment	<ul style="list-style-type: none"> <li>• Reference frequency : 1kHz, 10kHz (Ref. - 20dB)</li> <li>• Test tape : AC224</li> <li>• Output terminal for measurement : CN301</li> </ul>	<p>① Record and playback the 1kHz reference frequency and 10kHz signal and check at terminal CN301.</p> <p>② Adjust the VRA41 so that record and playback frequency response with 1kHz and 10kHz at CN301 is <math>\pm 0\text{dB} \pm 1\text{dB}</math></p> <p>③ Confirm that the frequency counter reading is <math>86\text{kHz} \pm 3\text{kHz}</math>. If the reading is out of this range, adjust LA341.</p>	<p><math>+1\text{dB} \pm 1\text{dB}</math></p> <p><math>86\text{kHz} \pm 1\text{kHz}</math></p>	VRA41 LA341
Record / playback sensitivity check	<ul style="list-style-type: none"> <li>• Test tape : VTT724, AC224</li> </ul>	While recording / playing back an input signal of the reference level (REC level), confirm that difference between the REC / PB level of the input signal and PB level of the VTT724 test tape is within $0 \pm 3\text{dB}$ .	$0 \pm 3\text{dB}$	

■ Tuner section

- FM, AM IF adjustment : Since a solid IF is being used, no adjustment is required.
- MPX adjustment : Since a ceramic resonator is being used, no adjustment is required.
- FM tracking adjustment : Since a fixed coil is being used, no adjustment is required.

Item	Conditions	Adjustment & Confirmation Methods	Stand. values	Adjust
LW Tracking adjustment	<ul style="list-style-type: none"> <li>• Band: LW</li> <li>• Signal input Dummy antenna</li> <li>• Test point: TP9</li> <li>• Signal output: CN1</li> </ul>	<ol style="list-style-type: none"> <li>① Adjust L6 so that the CN1 output is maximum when 144 kHz (preset 6) is received from the AM signal generator. Adjust L6 to obtain <math>1.1 \pm 0.02</math> V at TP9.</li> <li>② Adjust L5 so that the CN1 output is maximum when 144 kHz (preset 6) is received from the AM signal generator.</li> <li>③ Adjust TC3 so that the CN1 output maximum when 288 kHz (preset 7) is received from the AM signal generator.</li> <li>④ Repeat the item ②, ③, adjust for no further improvement.</li> </ol>	Output level: Maximum $1.1 \pm 0.02$ V at TP9  Output level: Maximum  Output level: Maximum	L6  L5  TC3  L5, TC3
AM Tracking adjustment	<ul style="list-style-type: none"> <li>• Band: SW</li> <li>• Signal input Standard loop antenna: TP9</li> <li>• Signal output: CN1</li> </ul>	<ol style="list-style-type: none"> <li>① Confirm so that the CN1 output is maximum when 1629 kHz (preset 2) is received from the AM signal generator.</li> <li>② Incase voltage at TP9 is more than 5.0 V adjust L4 to obtain <math>5.0 \pm 0.1</math> V at TP9.</li> <li>③ Adjust L3 so that the CN1 output is maximum when 603 kHz (preset 3) is received from the AM signal generator.</li> <li>④ Adjust TC2 so that the CN1 output is maximum when 1404 kHz (preset 4) is received from the AM signal generator.</li> <li>⑤ Repeat the item ④, ⑤, adjust for no further improvement.</li> </ol>	Output level: Maximum  $5.0 \pm 0.1$ V at TP9  Output level: Maximum  Output level: Maximum	L4  L3  TC2  L3, TC2

● Adjusting position of CD amplifier board

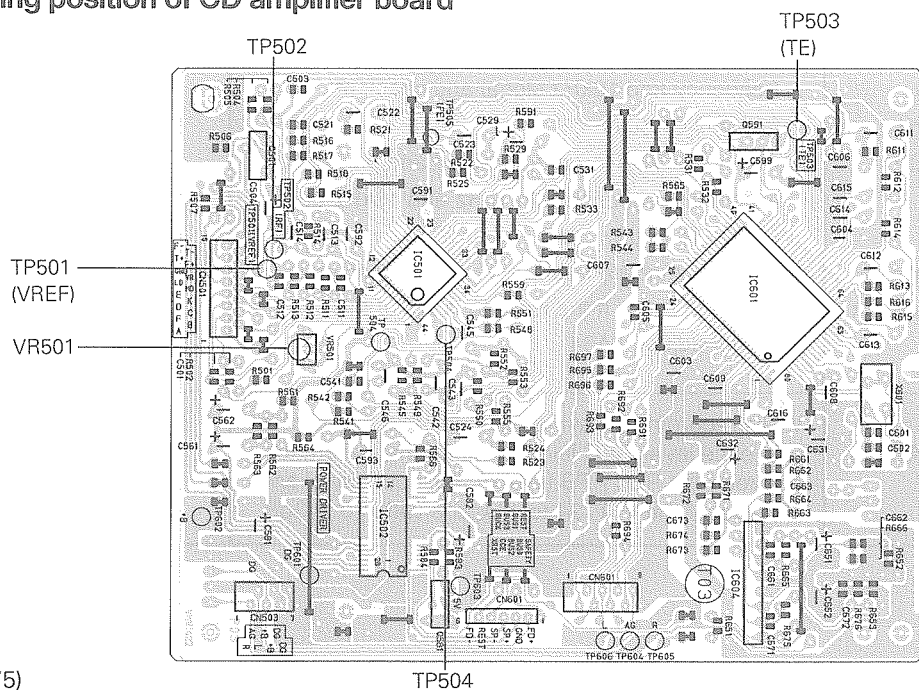
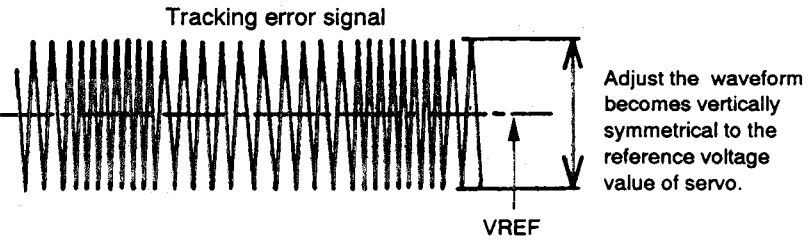


Fig. 3 - 5

## ■ CD player section

Item	Conditions	Adjustment & Confirmation Methods	Stand. values	Adjust
Tracking offset adjustment	Test disc :CTS1000 Oscilloscope  <b>Note 1</b> Adjust VR501 so that the waveform becomes vertically symmetrical to the reference voltage value of servo.  <b>Note 2</b> The oscilloscope input should be DC – coupled.  <b>Note 3</b> VREF: Ground level on the oscilloscope.	<ol style="list-style-type: none"> <li>① Connect TP503 (TE) and TP501 (VREF) respectively to the hot and ground sides of the oscilloscope.</li> <li>② Replay the test disc CTS1000.</li> <li>③ When TP504 and TP501 have been connected (Shorted) during replay, a tracking error signal will be emitted for about 3 sec. (Since the tracking error signal will be emitted at all times when the model with a test mode function is shifted to TEST mode, the adjustment can be performed more easily).</li> <li>④ Since the waveform of tracking error signal displayed by the oscilloscope goes up and down when VR501 has been adjusted, adjust VR501 so that the center of the waveform amplitude becomes a reference voltage value of servo (VREF).</li> <li>⑤ Repeat the steps ② ~ ④ until the center of the waveform amplitude of tracking error signal becomes the reference voltage value of servo (This step is not necessary in the case of the model with test mode function).</li> </ol>	Adjust the center of waveform amplitude to the reference voltage value of servo (VREF).	VR501
 <p style="text-align: center;">Tracking error signal</p> <p style="text-align: center;">VREF</p> <p style="text-align: right;">Adjust the waveform becomes vertically symmetrical to the reference voltage value of servo.</p>				

## 4 Troubleshooting

### ■ Pickup maintenance

(1) Checking the service life of laser diode

If a laser diode reaches the end of its service life, the following phenomena will show up. Similar symptoms may also appear when the pickup lens becomes too dirty. In this case, clean the lens.

1) The RF output (between TP502(RF) and TP501(VREF) )

2) The driving current, necessary for the laser diode to emit lights, increases. (Calculate from the voltage level at both ends of the R505 at 10 Ω .)

◆ Following the flow chart shown below, check the service life.

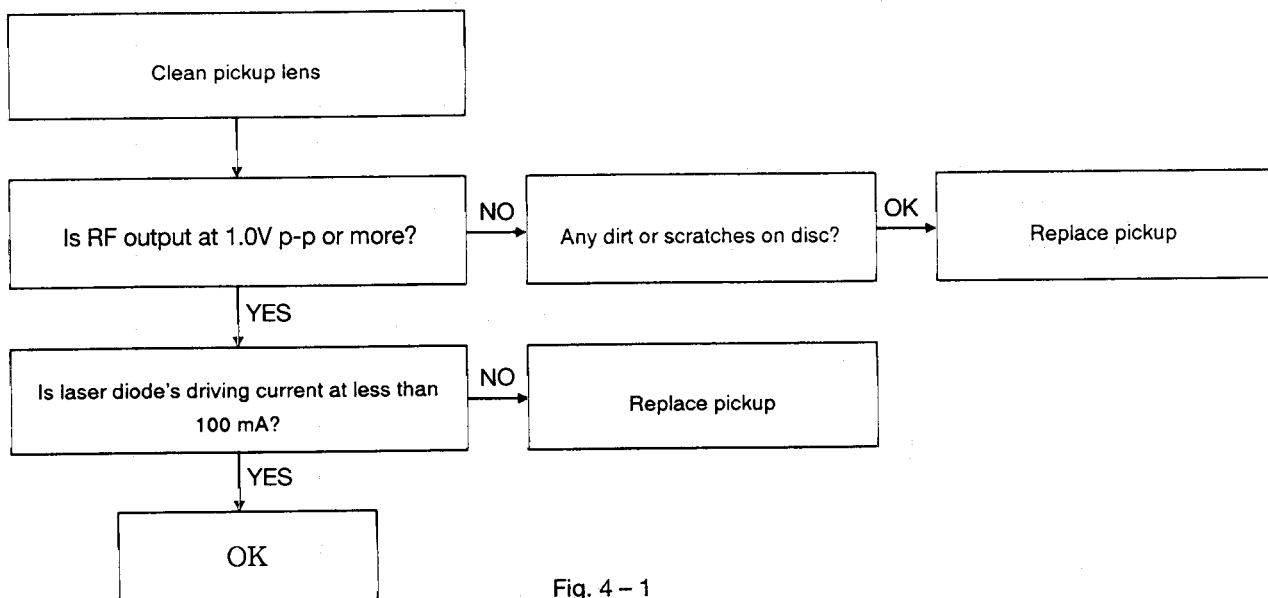


Fig. 4 - 1

◆ How to measure laser diode's driving current

After connecting a voltmeter at both ends of the R505(10 Ω ), measure the voltage during playback. If the voltage level is at 1.0 V or more, the service life of the laser diode has expired.

Laser diode's driving current (A)

= Voltage level at both ends of R505 (V)/10 ( Ω )

When voltage level is at 1.0 V:

$1.0 \text{ V} / 10 \Omega = 0.1 \text{ A} = 100 \text{ mA}$

Note:

The laser diode easily breaks down. Be sure to turn the power off before connecting a voltmeter.

## Self – Diagnosis Function of CD

### 1. Purpose

This function is designed to display an error to readily clarify the cause of such an error should any trouble occur in CD.

### 2. How to Use the Function

- (1) Turn the microcomputer action of the set to [TEST] mode.
- (2) Press **POWER** + **[ ] /CLEAR** on the remote control same time. Confirm that all of the LCDs have been turned on when set to the [TEST] mode subsequent to the step in item (2).
- (3) When the CD trouble has occurred after starting CD, an error code will be displayed on the display section of LCD, etc.

### 3. Error code and location in trouble

(See Fig. 4-2 — 4-6)

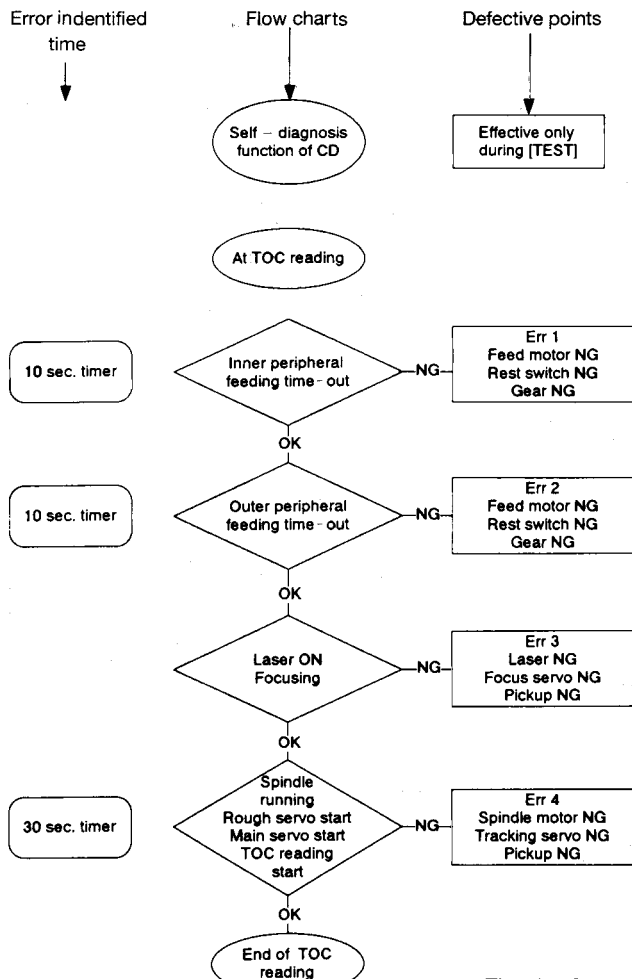


Fig. 4 - 2

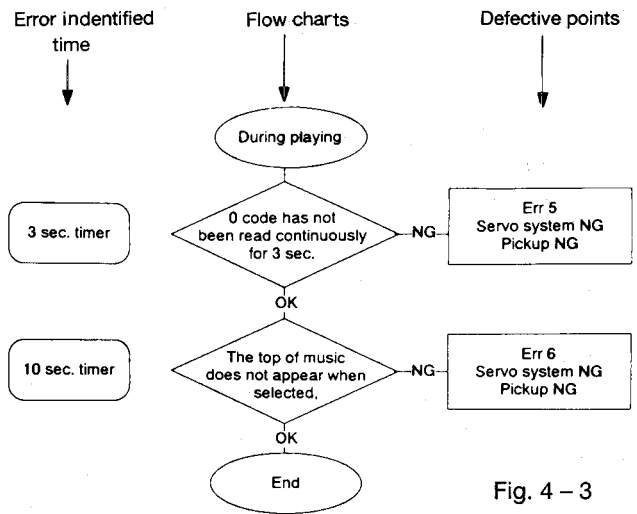


Fig. 4 - 3

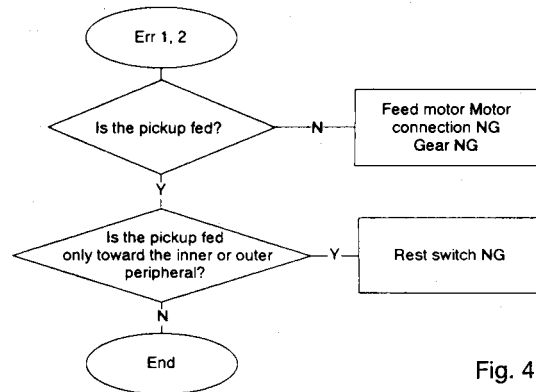


Fig. 4 - 4

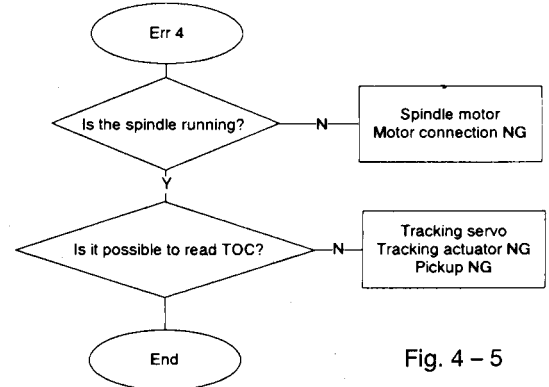


Fig. 4 - 5

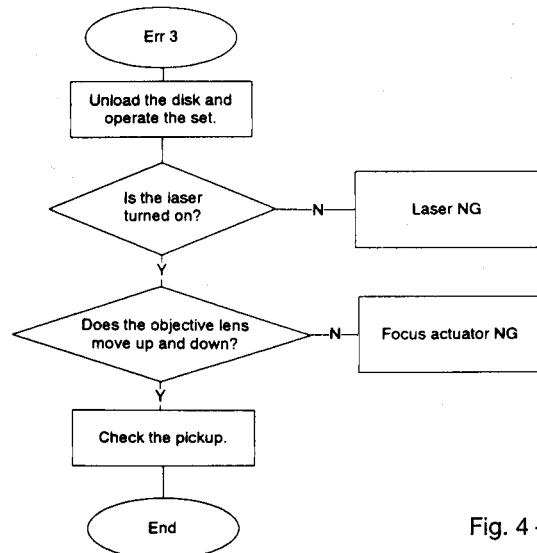


Fig. 4 - 6

## General descriptions of TOC (Table of Contents) readings

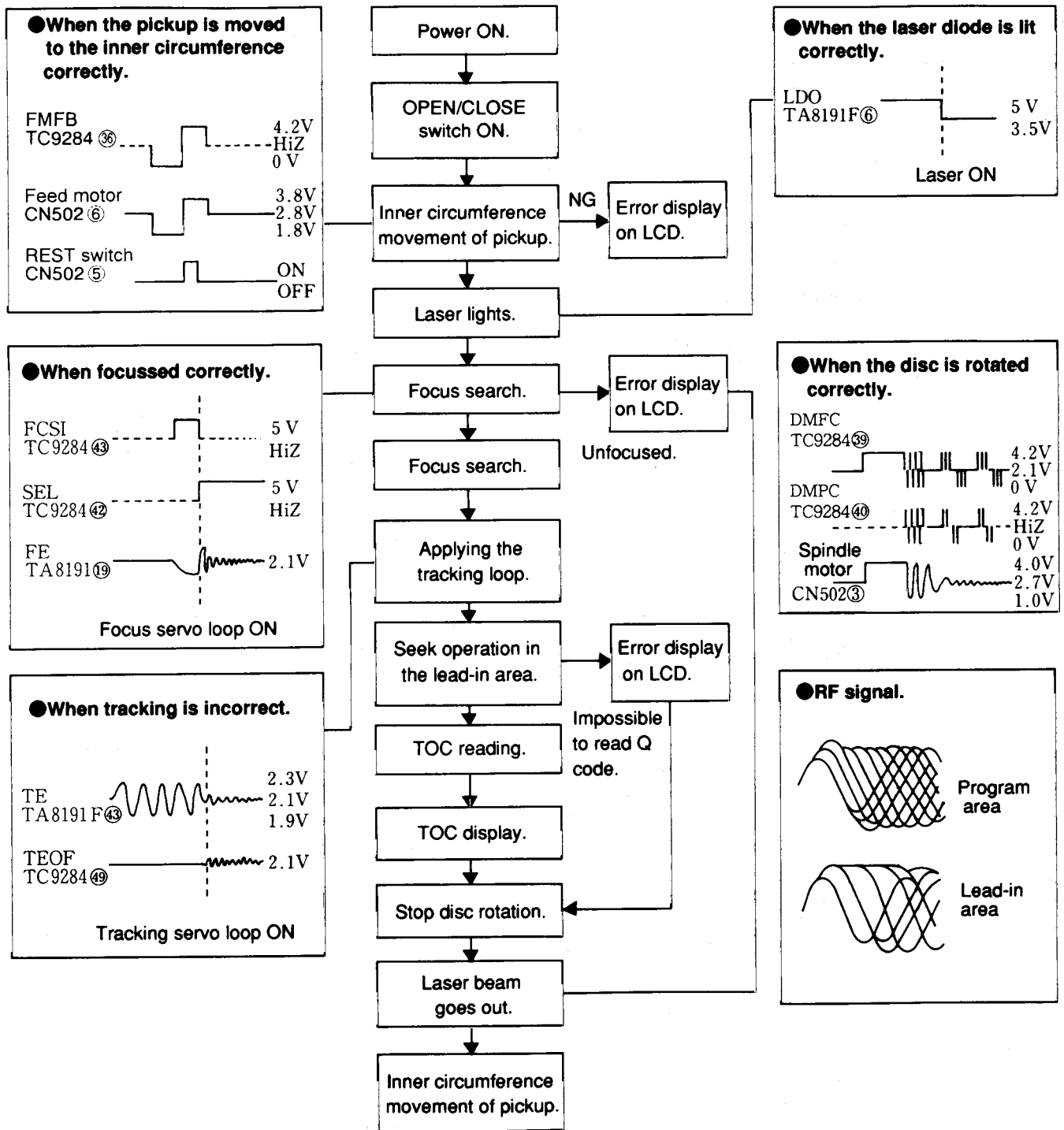


Fig. 4 - 7

■ General section

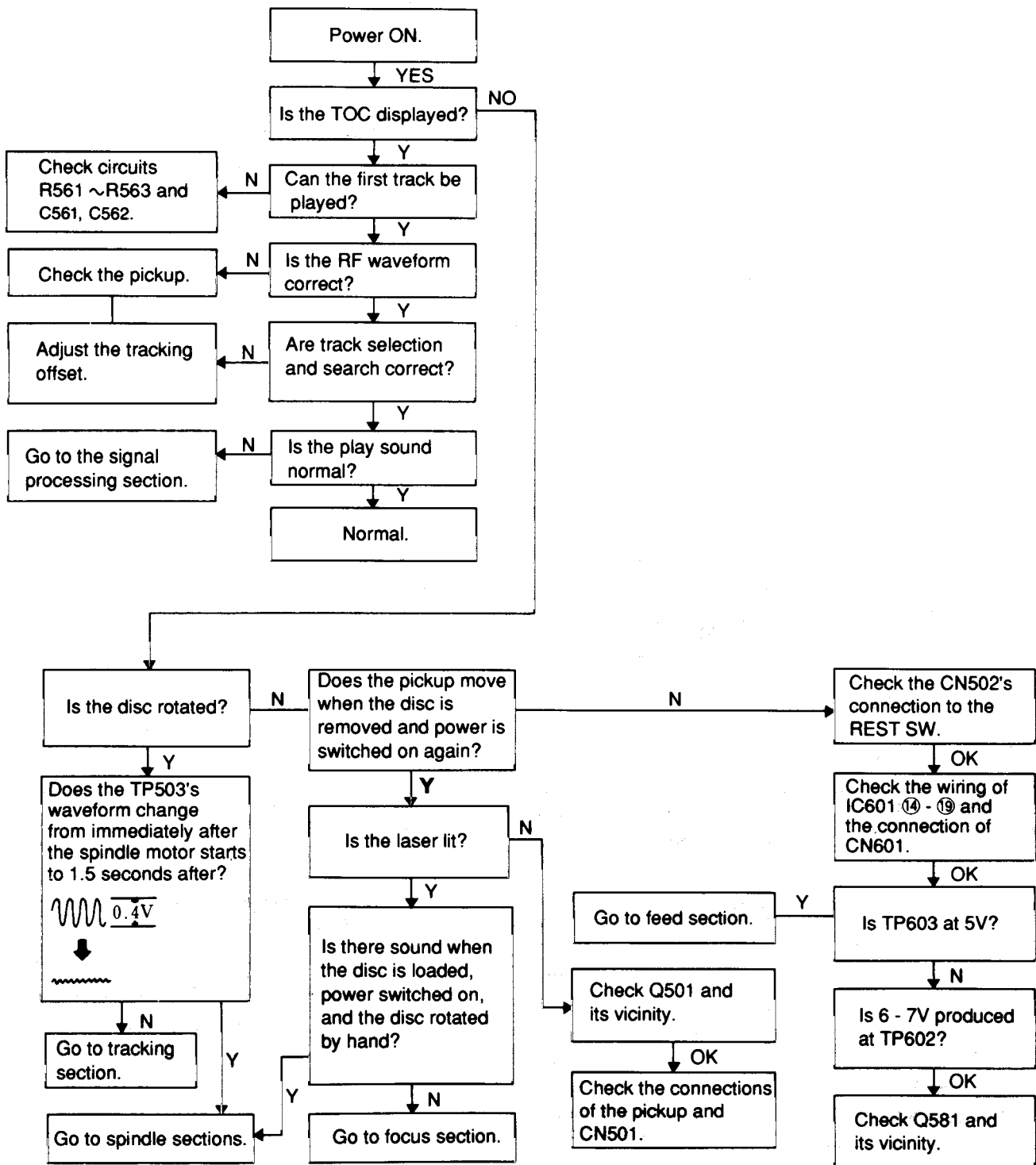


Fig. 4 - 8

■ Feed section

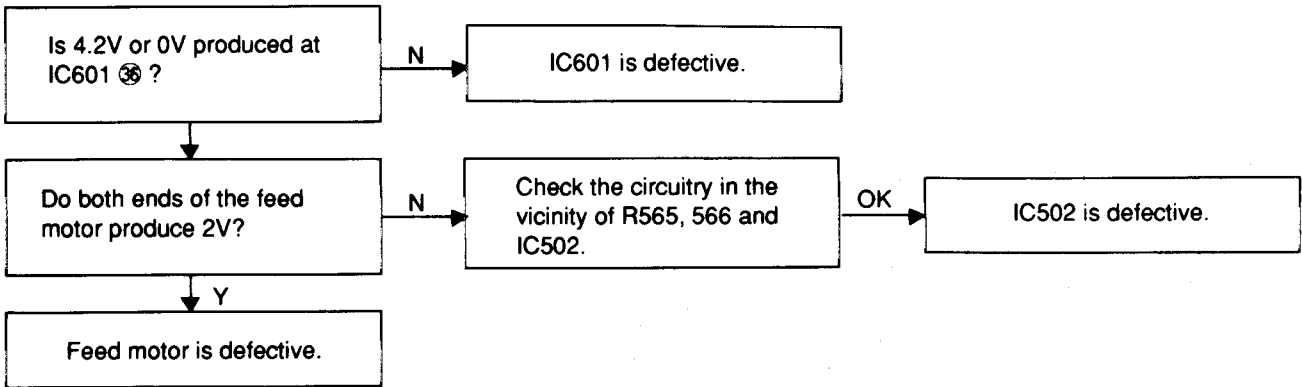


Fig. 4 - 9

■ Focus section

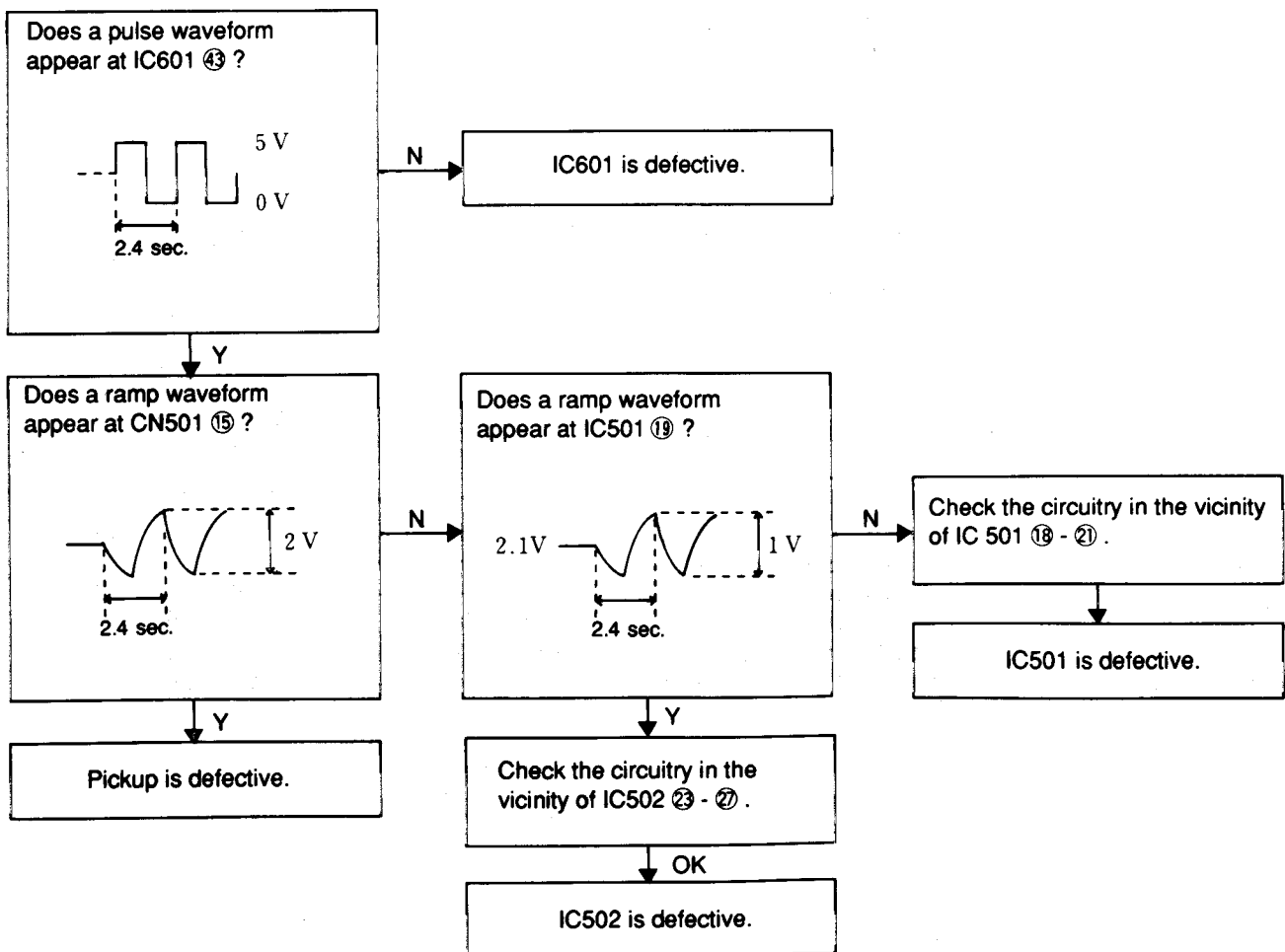


Fig. 4 - 10



■ Spindle motor section

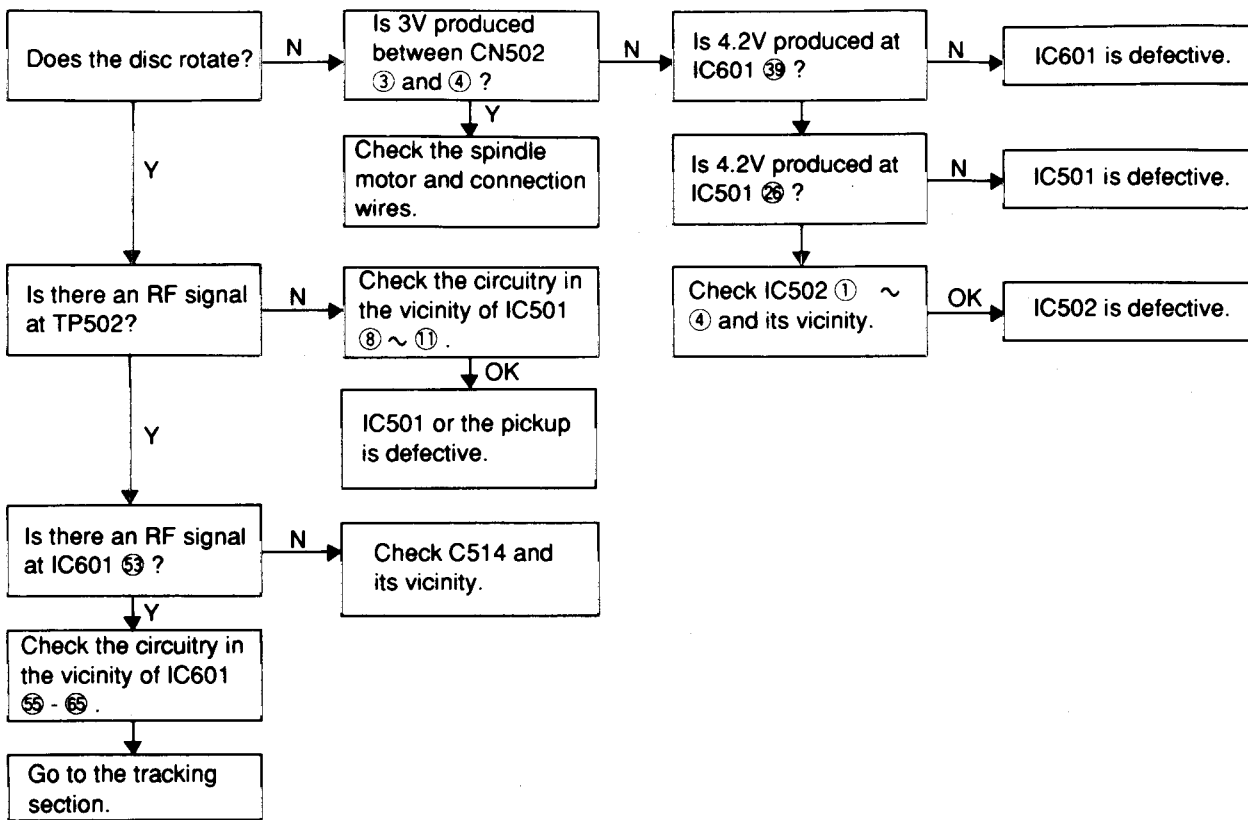


Fig. 4 - 11

■ Signal processing section

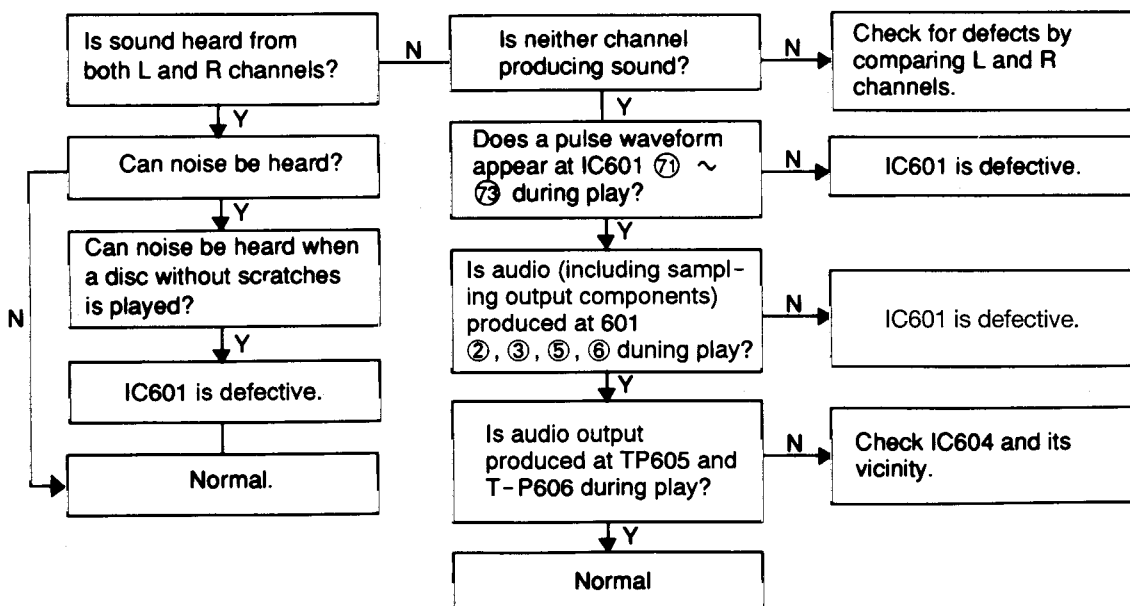


Fig. 4 - 12

■ Tracking section

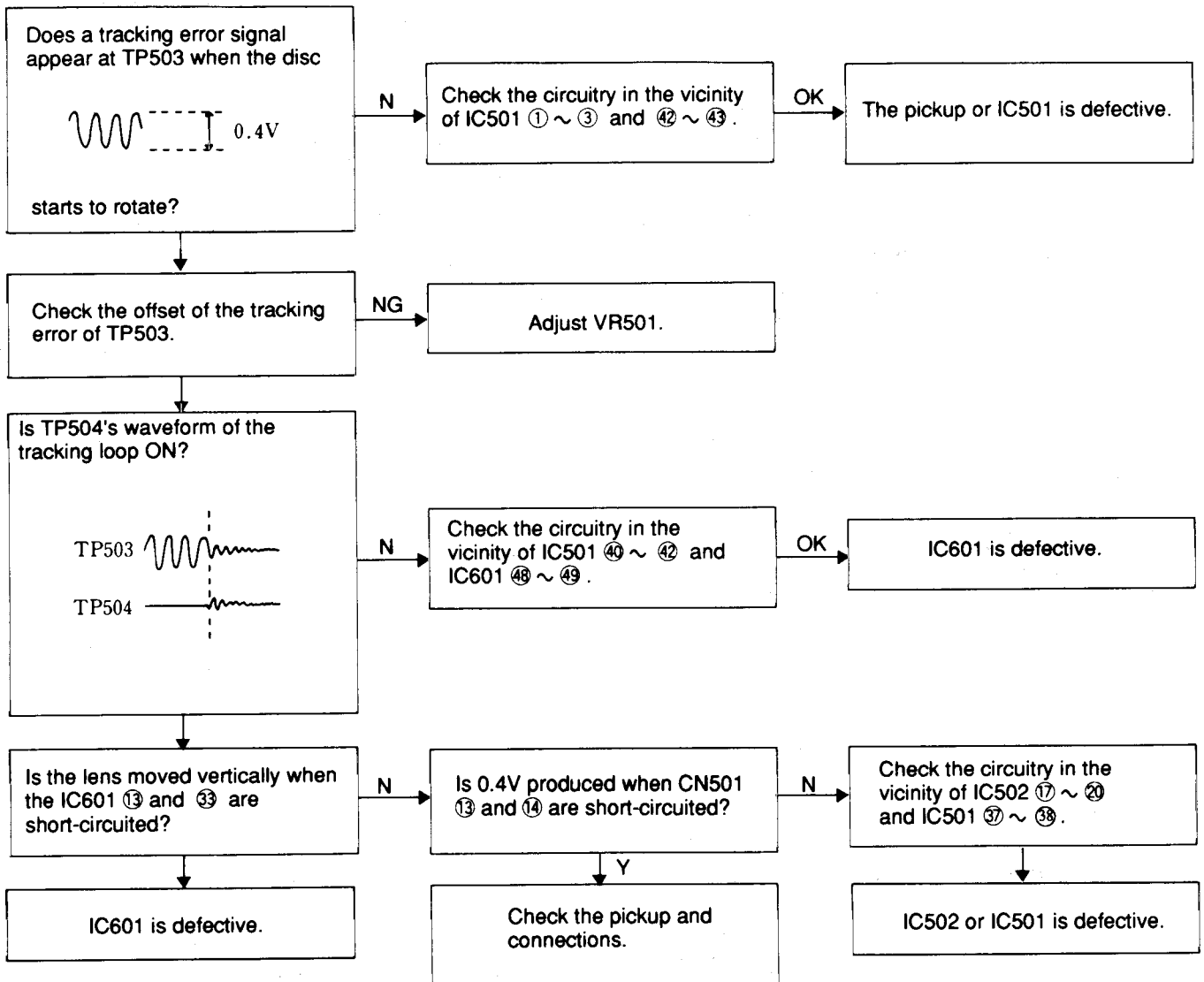
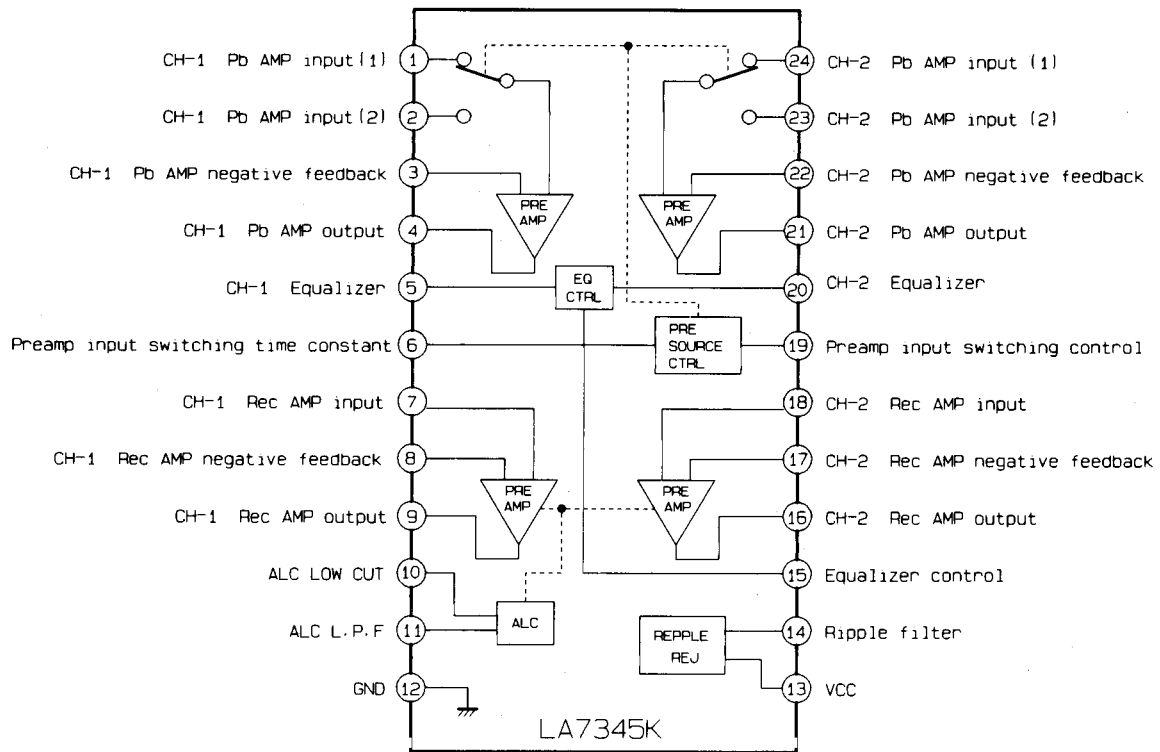


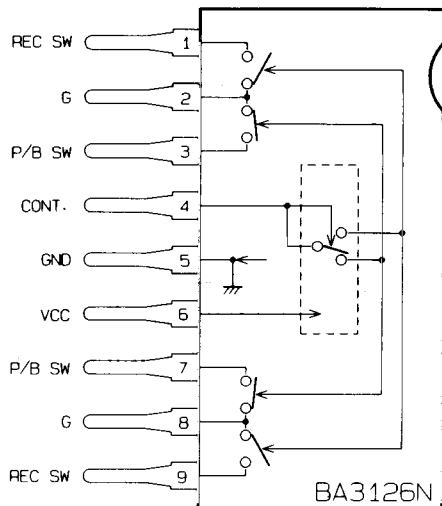
Fig. 4 - 13

## 5 Block Diagrams (Integrated circuit)

### ■ ICA31 (AN7345K) PB/REC EQ. amp.

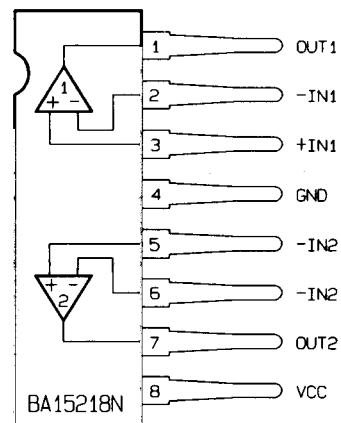


### ■ ICA33 (BA3126N) head switch

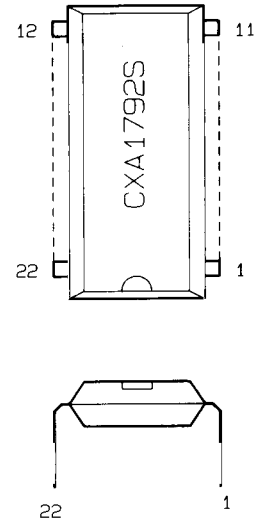
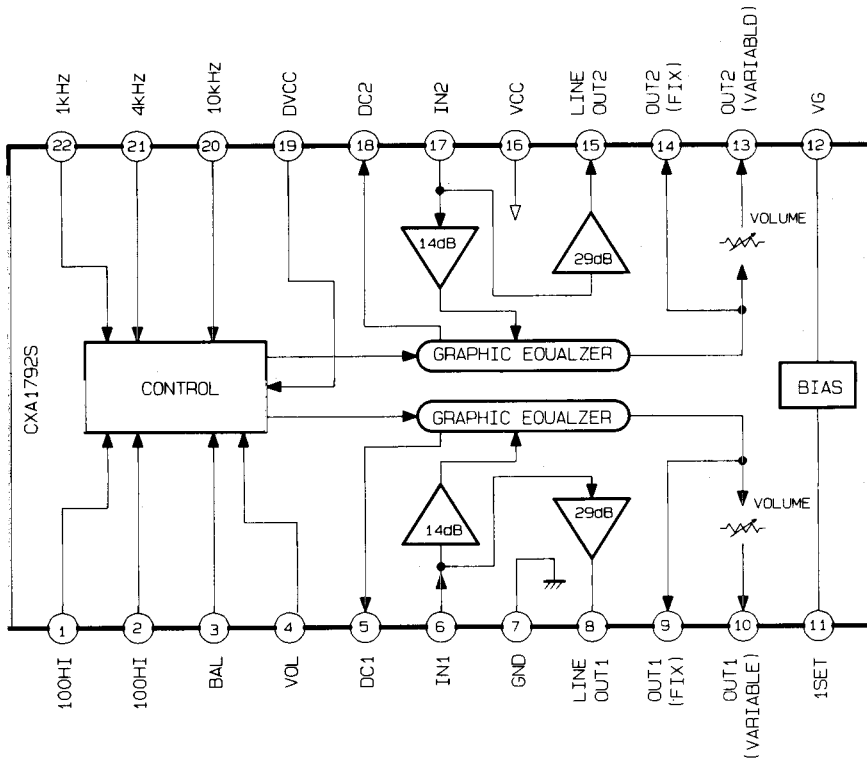


### ■ IC301/IC121 (BA15218N)

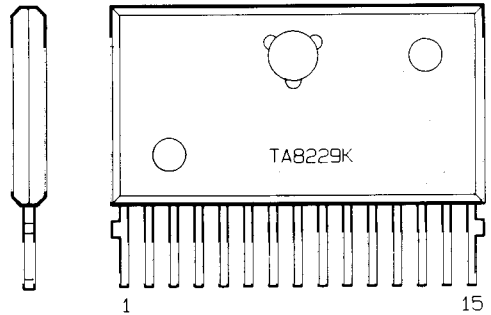
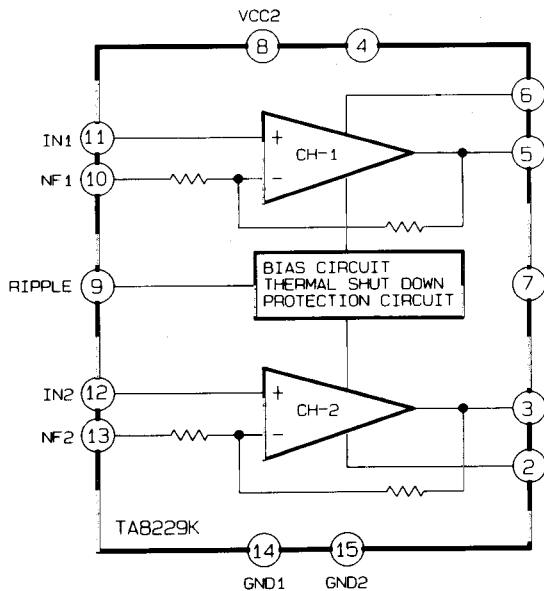
#### Function/bass boost



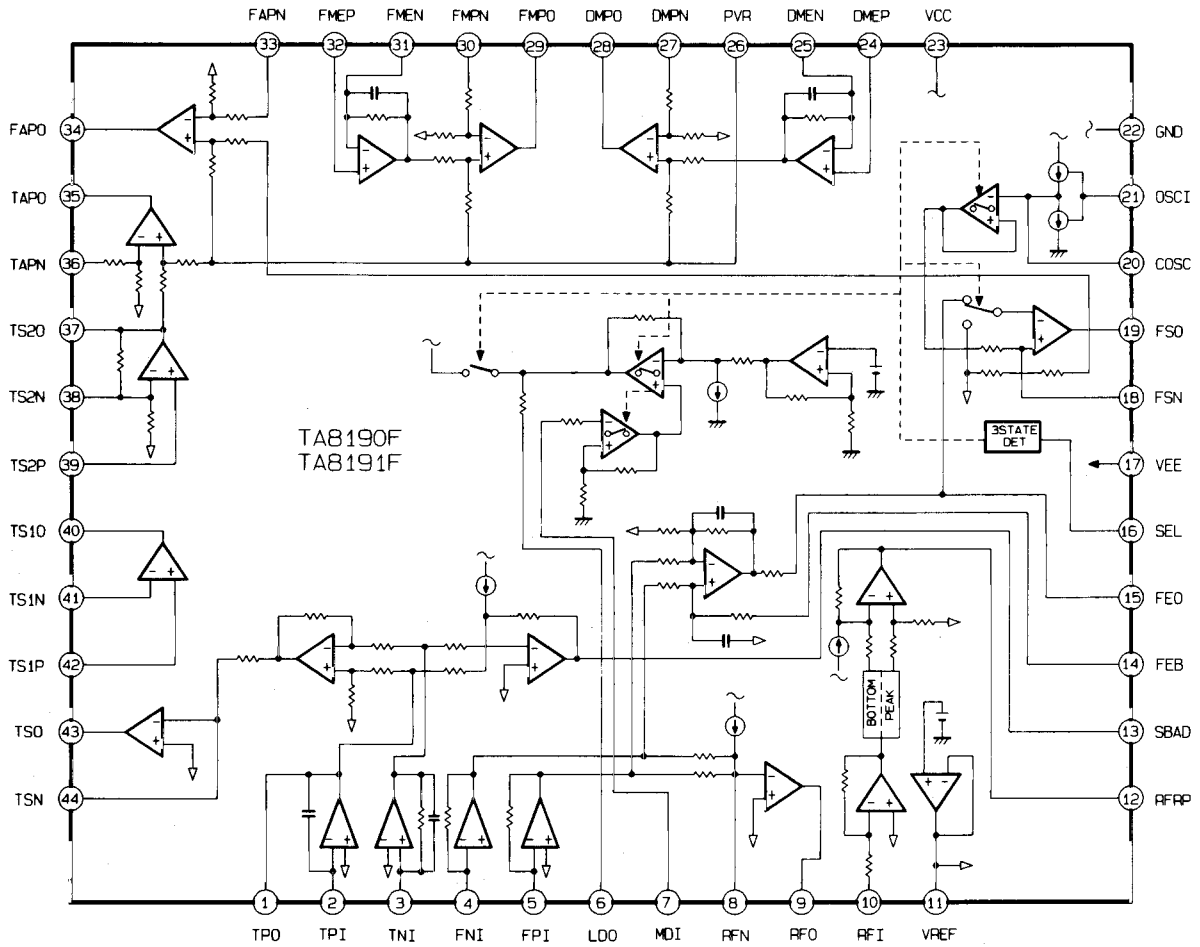
■ IC302 (CXA1792S) tone volume



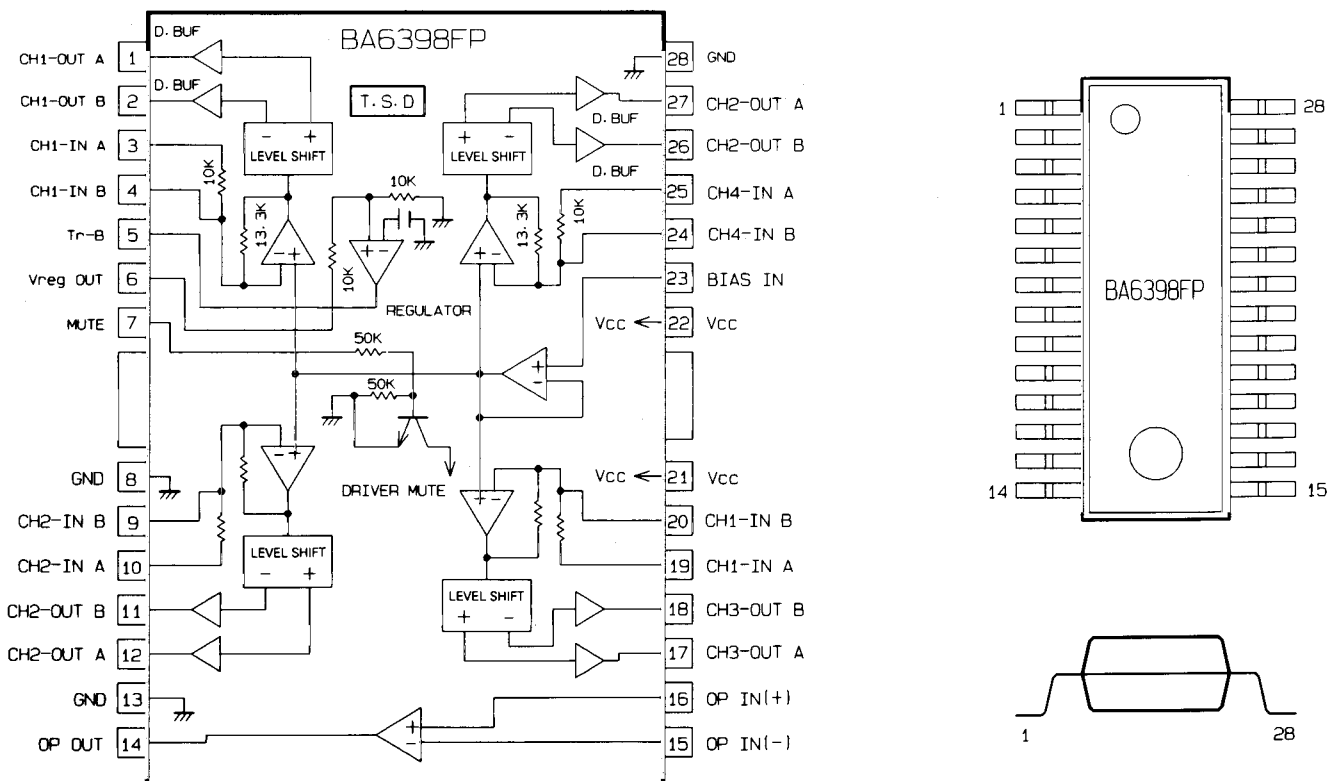
■ IC304 (TA8229K) power amp.



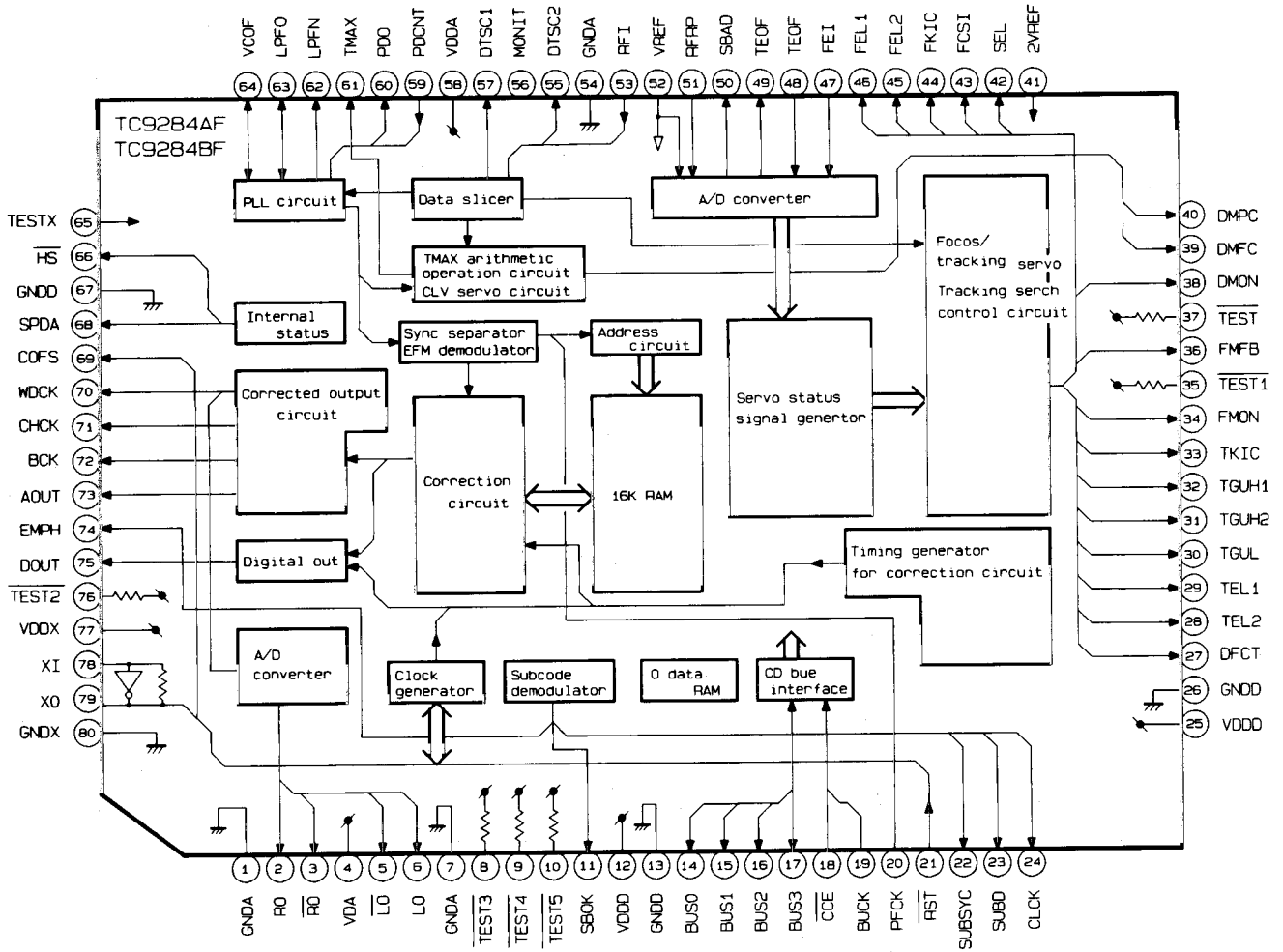
■ IC501 (TA8191F) servo



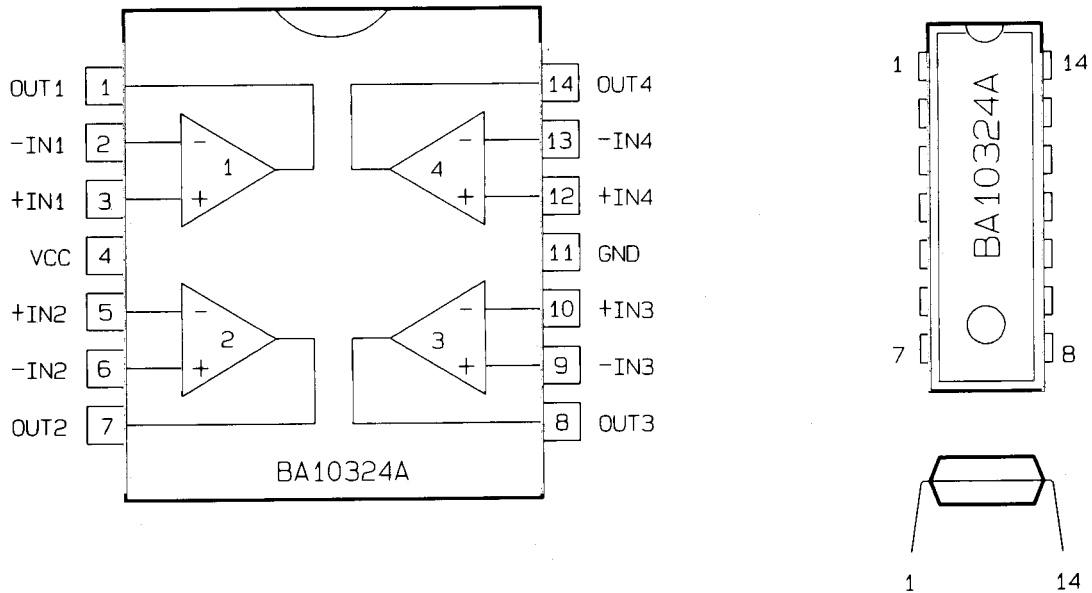
■ IC502 (BA6398FP) power driver



■ IC601 (TC9284BF) processor



■ IC702 (BA10324A) E. volume



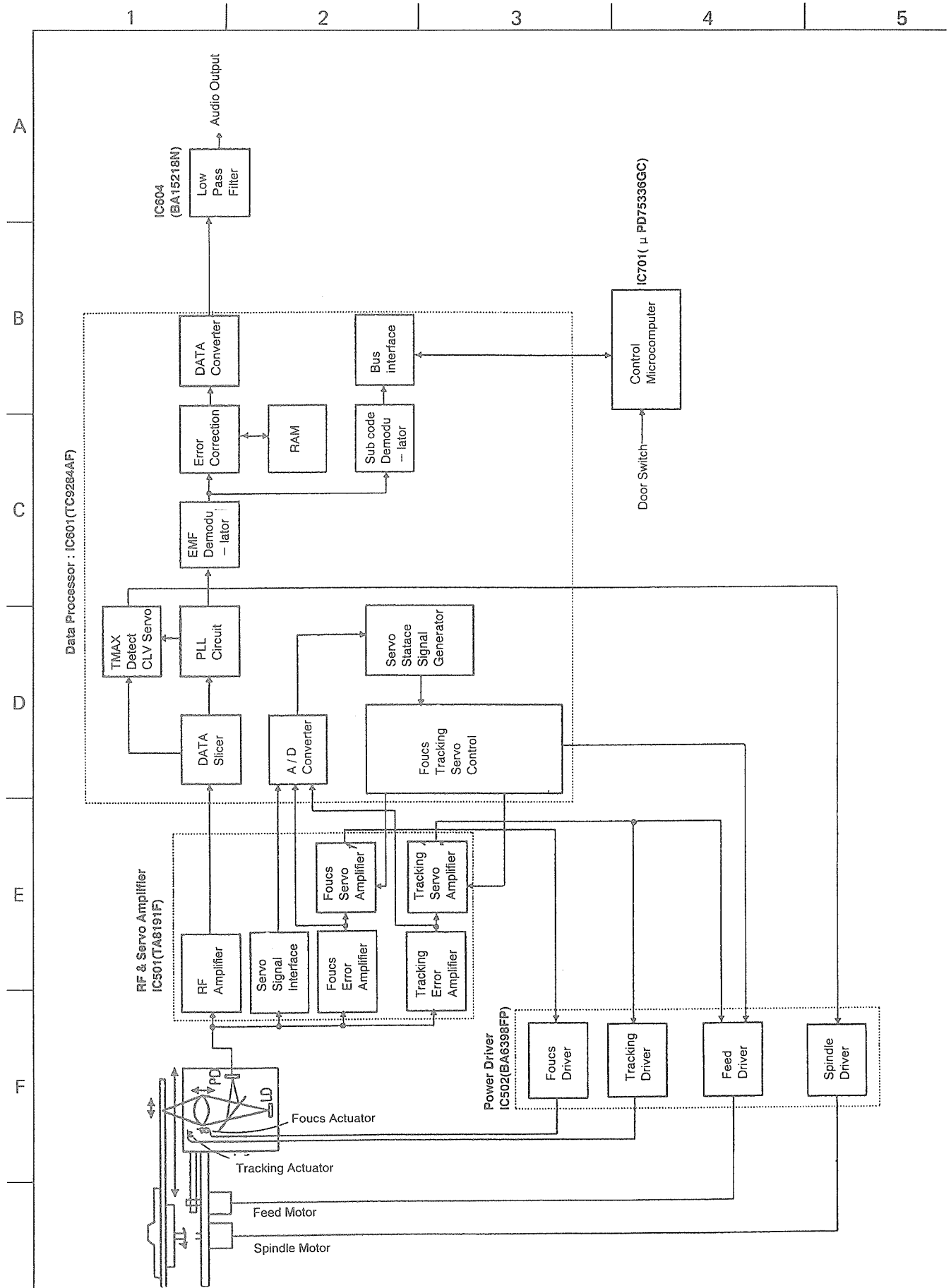


■ IC701 (UPD75336GC) system microprocessor

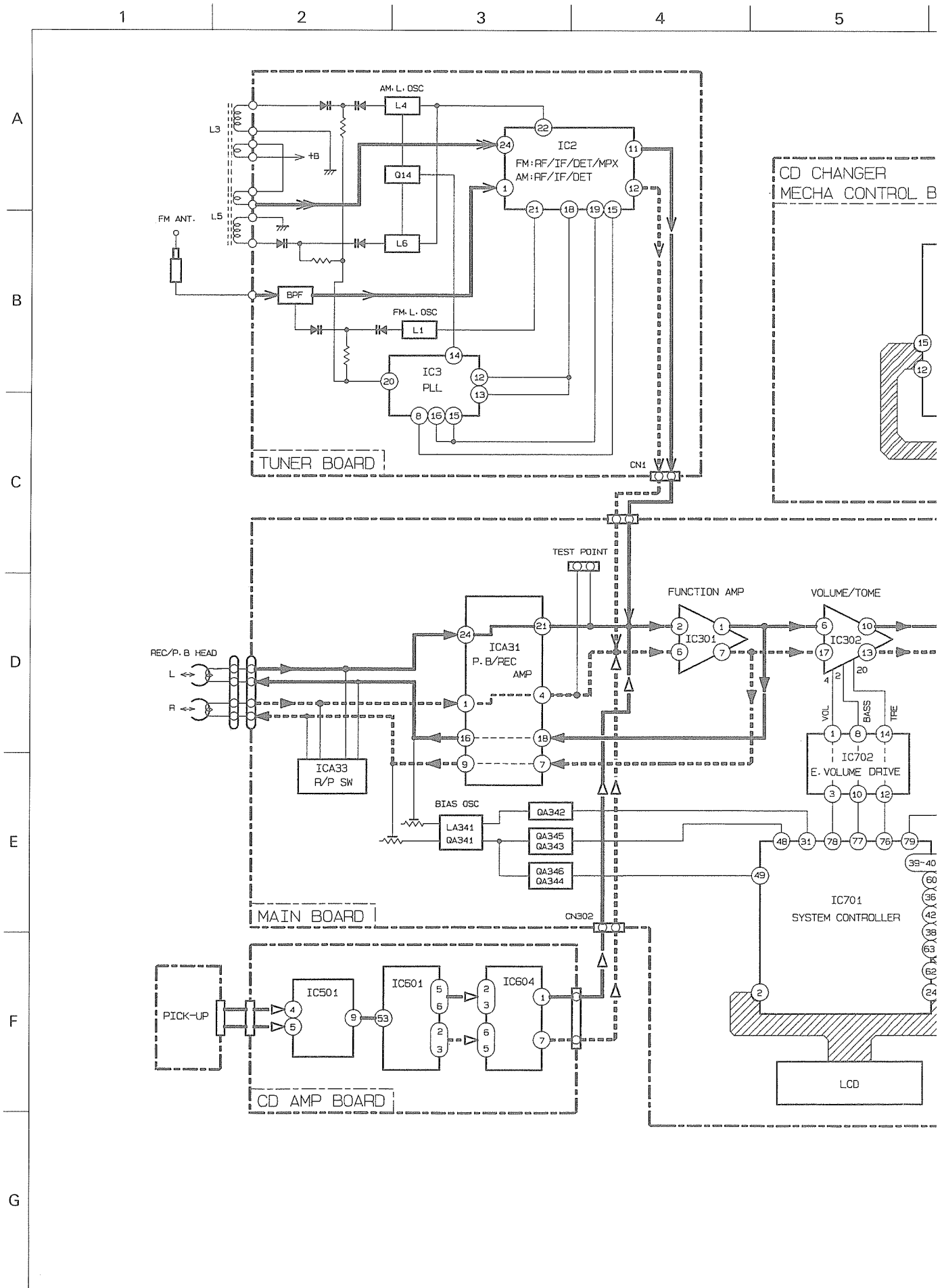
No.	Signal name	I/O	Explanation for this signal	ACT
1		O	LCD SEGMENT	
2	S18 BUSA(01)	O	LCD SEGMENT	
3	S17 BUSA(02)	O	LCD SEGMENT	
4	S16 BUSA(03)	O	LCD SEGMENT	
5	S15 BUSA(04)	O	LCD SEGMENT	
6	S14 BUSA(05)	O	LCD SEGMENT	
7	S13 BUSA(06)	O	LCD SEGMENT	
8	S12 BUSA(07)	O	LCD SEGMENT	
9	S11 BUSA(08)	O	LCD SEGMENT	
10	S10 BUSA(09)	O	LCD SEGMENT	
11	S9 BUSA(10)	O	LCD SEGMENT	
12	S8 BUSA(11)	O	LCD SEGMENT	
13	S7 BUSA(12)	O	LCD SEGMENT	
14	S6 BUSA(13)	O	LCD SEGMENT	
15	S5 BUSA(14)	O	LCD SEGMENT	
16	S4 BUSA(15)	O	LCD SEGMENT	
17	S3 BUSA(16)	O	LCD SEGMENT	
18	S2 BUSA(17)	O	LCD SEGMENT	
19	S1 BUSA(18)	O	LCD SEGMENT	
20	BUSA(19)	O	LCD SEGMENT	
21	COM 0 BUSA(20)	O	LCD COMMON	
22	COM 1 BUSA(21)	O	LCD COMMON	
23	COM 2 BUSA(22)	O	LCD COMMON	
24	COM 3 BUSA(23)	O	LCD COMMON	
25	LCDB	O	LCD BIAS	
26	VLC 0	—		
27	VLC 1	—		
28	VLC 2	—		
29	MT 0	O	CD TRAY MOTOR CONTROL 0	
30	MT 1	O	CD TRAY MOTOR CONTROL 1	
31	RECB	O	REC BIAS SWITCH	H
32	R/P	O	REC CTL SWITCH	H
33	Vss	—	GND	
34	FTU	O	FUNCTION TUNER SWITCH	L
35	PBM	O	PLAYBACK MUTE	H
36	SMUTE	O	SYSTEM MUTE	L
37	FCD	O	FUNCTION CD SWITCH	L
38	PIN	I	[POWER]KEY INPUT	L
39	SCK	O	SERIAL CLOCK	
40	SDATA	I/O	SERIAL DATA	
41	REC L	I	{REC}SW IN	
42	REM	I	REMOCON IN	
43	WAKE UP	I	WAKW UP SWITCH	L
44	AC/DC	I	AC/DC	L
45	MPX	I	TUNER MPX	L
46	TUST	O	TUNER STROBE	H
47	A/B	O	TAPE A/B CONTROL	H
48	BIAS 1	O	REC BIAS CONTROL 1	H
49	BIAS 2	O	REC BIAS CONTROL 2	H
50	SCD	O	CD SAFETY	H
51	XRST	O	CD LSI RESET	L
52	BUCK	O	CD BUS CLOCK	
53	CCE	O	CD DATA CCE	L
54	BUS 0	I/O	CD DATA BUS 0	
55	BUS 1	I/O	CD DATA BUS 1	
56	BUS 2	I/O	CD DATA BUS 2	
57	BUS 3	I/O	CD DATA BUS 3	
58	BATT	I	BATTERY	
59	SAFETY	I	CD REG SAFETY	
60	DOOR SW	I	CD OPEN / CLOSE / REST SWITCH	
61	KEY 3	I	A PLAY / B PLAY SWITCH	
62	KEY 1	I	TACT KEY 1 / VERSION	
63	KEY 2	I	TACT KEY 2 / VERSION	
64	AVss	—	A GND	
65	AVref	—	A Vdd	
66	Vdd	—	Vdd	
67	XT 1	I	SUB SYSTEM CLOCK	
68	XT 2	O	SUB SYSTEM CLOCK	
69	VDD	—	CONNECT Vdd	
70	OSC 2	I	SYSTEM CLOCK	
71	OSC 1	O	SYSTEM CLOCK	
72	RESET	I	RESET	
73	BEAT	O	MAIN CLOCK SHIFT	L
74	+BCTL	O	A Vref SWITCH	H
75	B.UP	I	BACK UP	
76	TRE	O	PWM	
77	BASS	O	PWM	
78	VOL	O	PWM	
79	MBH	O	BASS SWITCH	H
80	POUT	O	POWER SWITCH	H

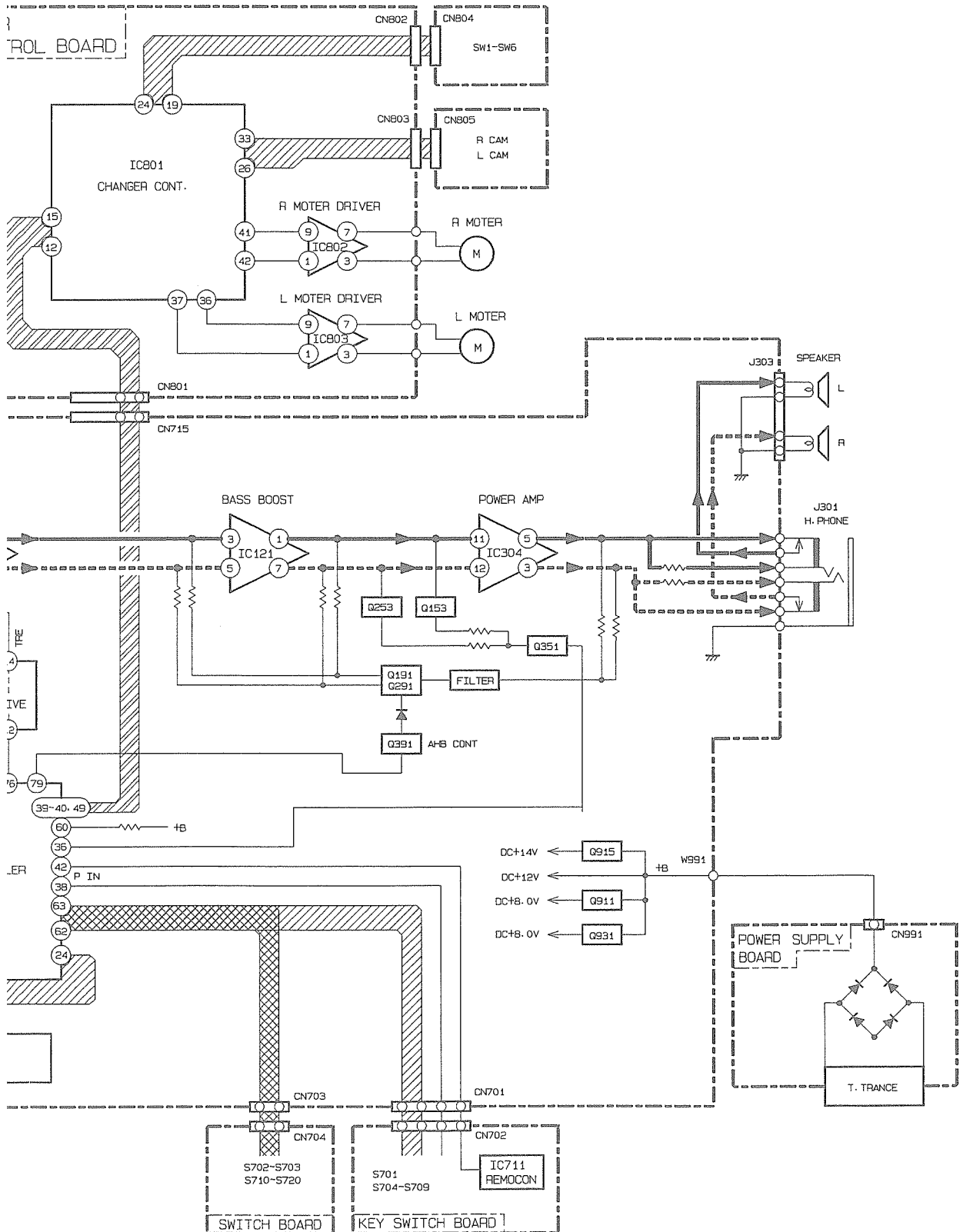


■ CD player diagram

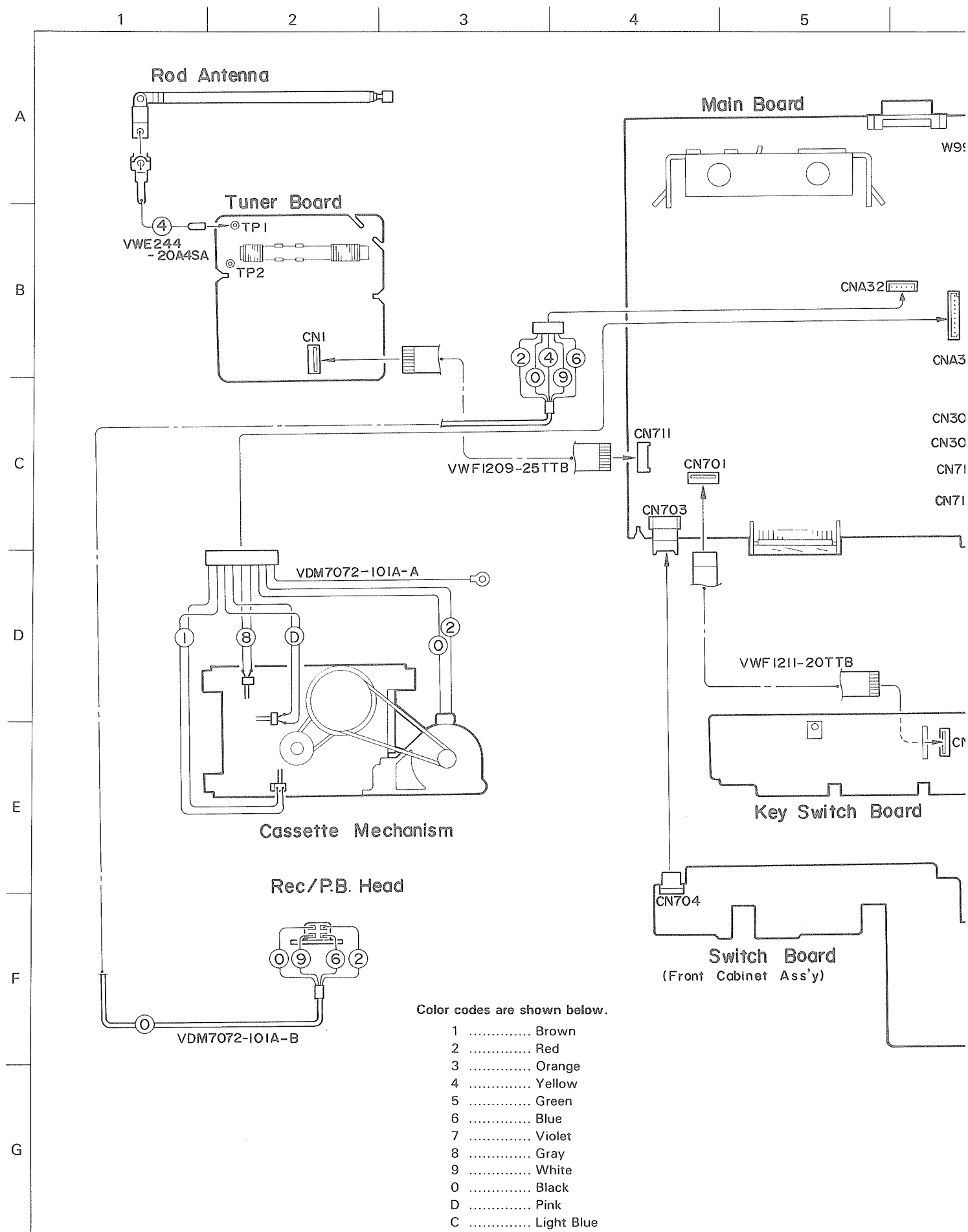


PC-XC7 signal circuit diagram





# 6 Wiring Connections



6

7

8

9

10

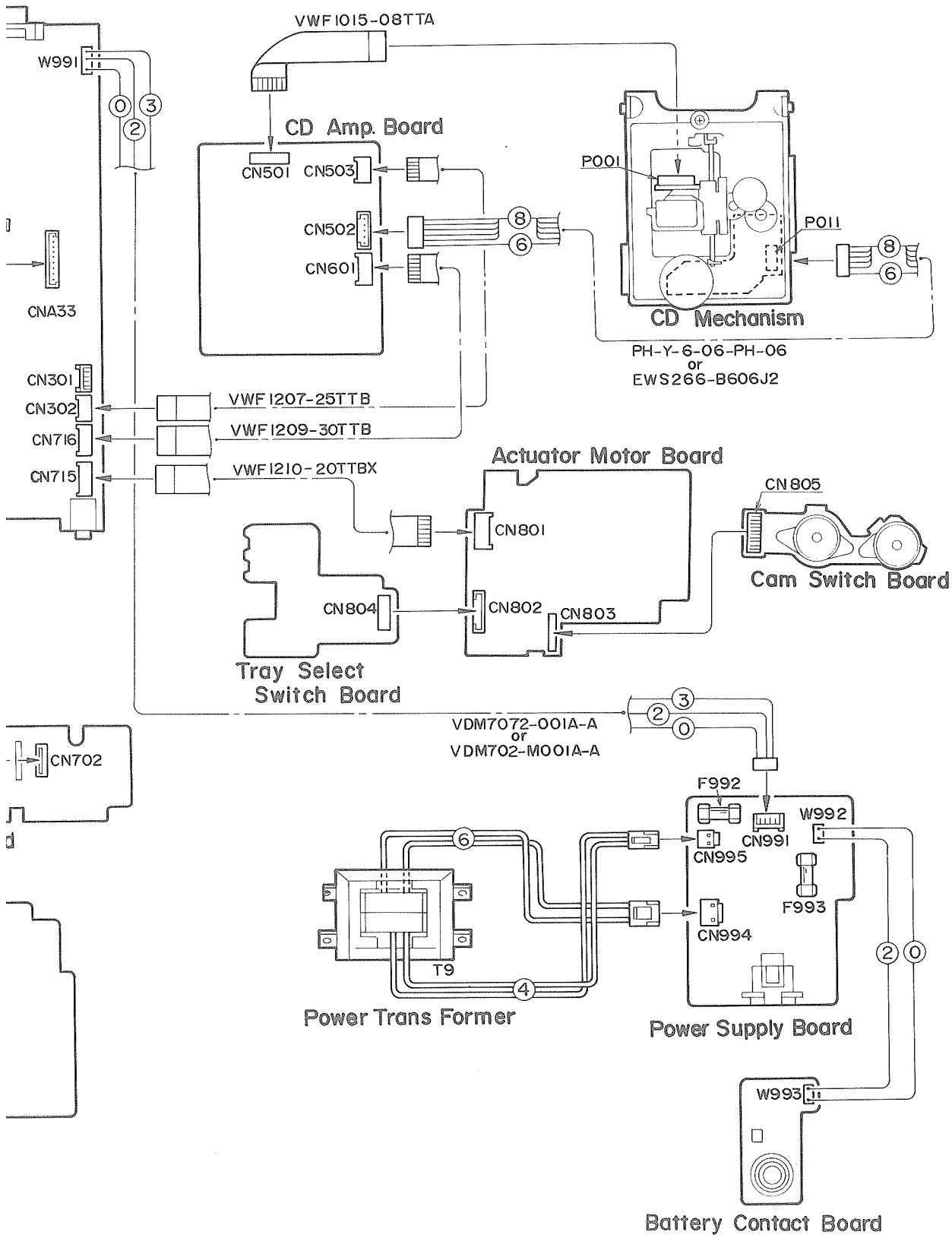


Fig. 6 - 1

# 7 Standard Schematic Diagrams

1 2 3 4 5

## CD amplifier circuit

A

B

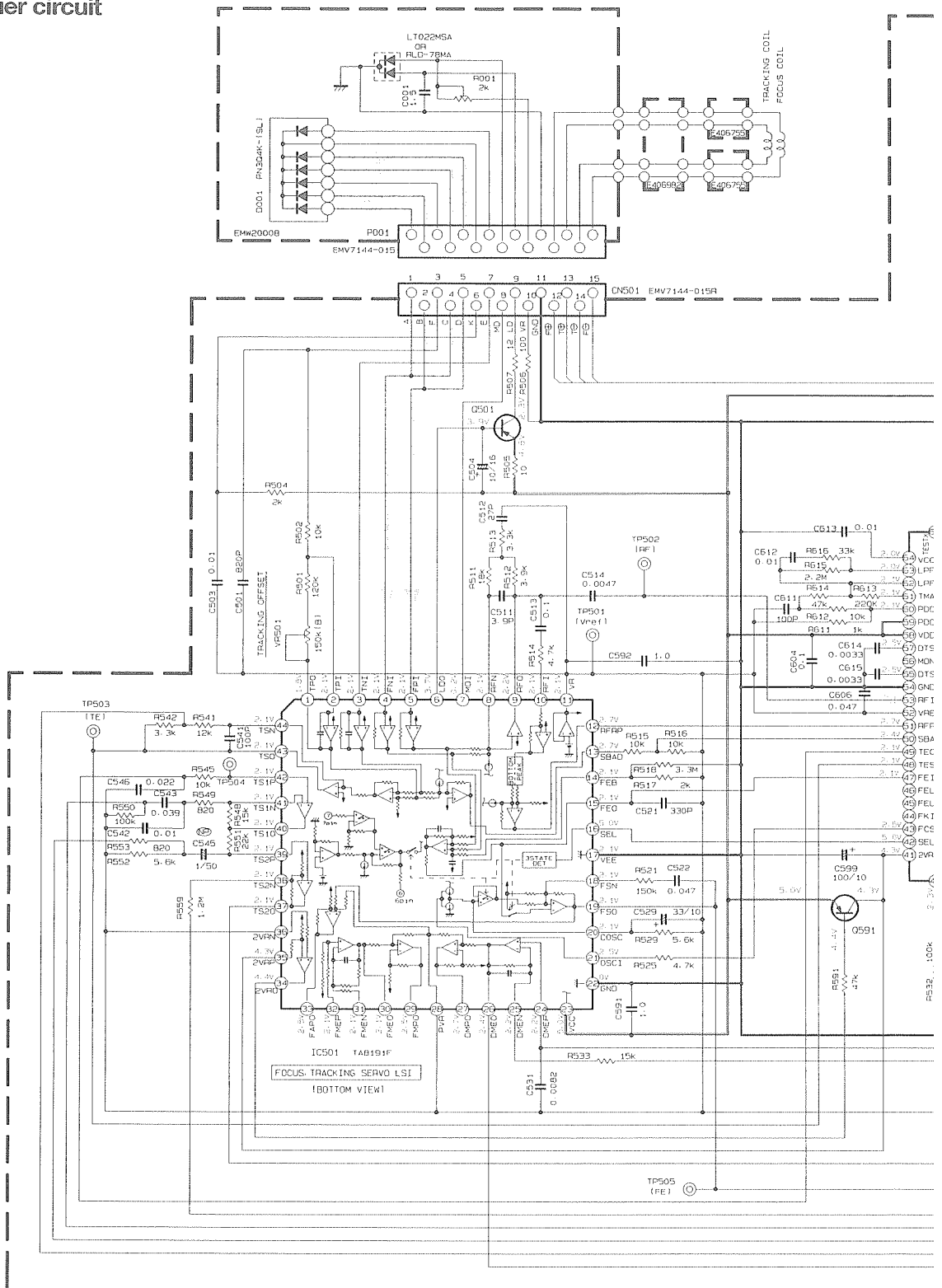
C

D

E

F

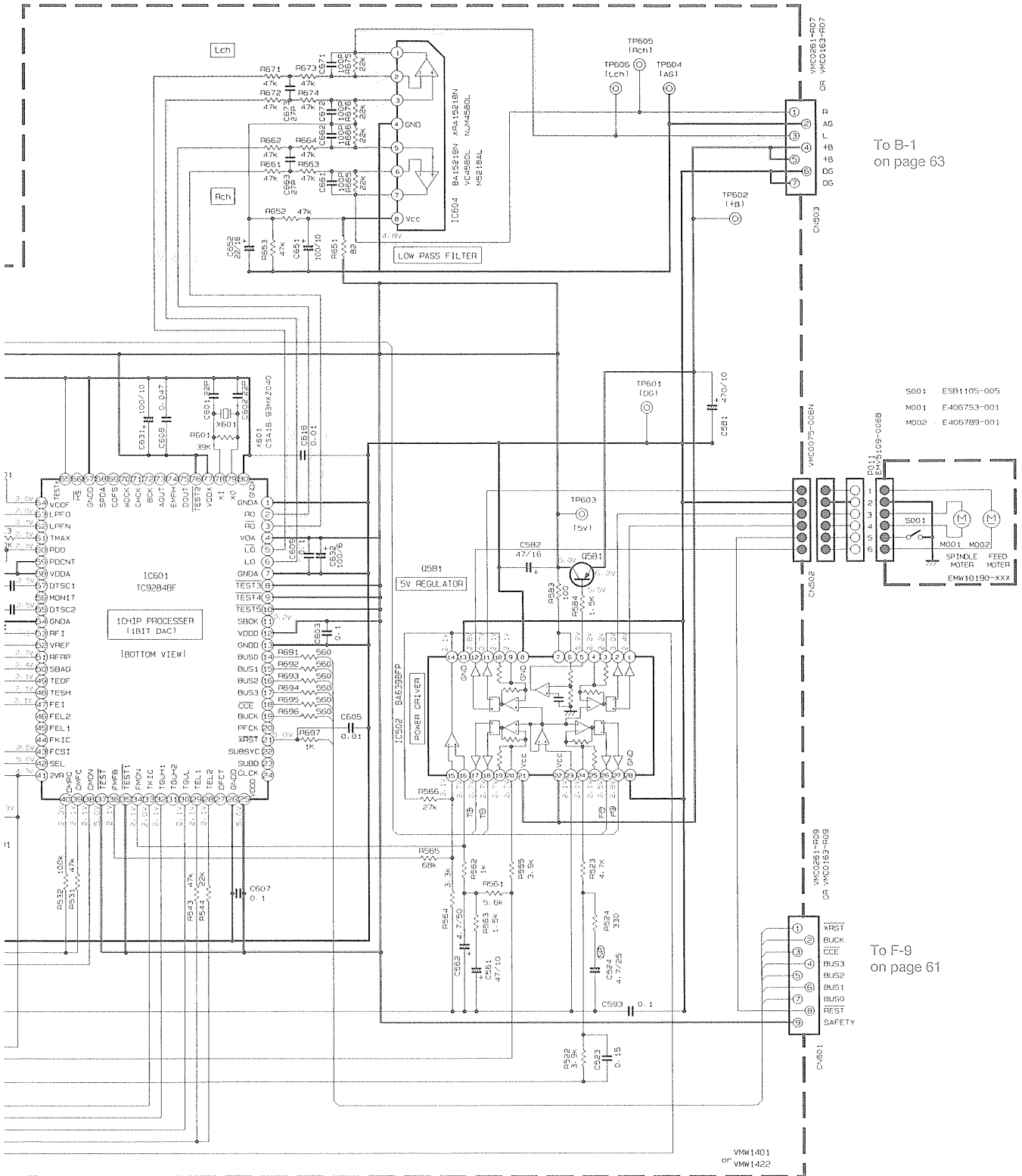
G



- NOTES**
1. VOLTAGES ARE DC-MEASURED WITH A DIGITAL VOLT METER IN PLAYBACK
  2. UNLESS OTHERWISE SPECIFIED, RESISTORS ARE 1/6W ±5% CARBON RESISTOR. ALL RESISTANCE VALUES ARE IN Ω/M/K/Ω.
  3. ALL CAPACITORS ARE CERAMIC CAPACITOR OR MYLAR CAPACITOR. ALL CAPACITANCE VALUES ARE IN μ/F/P/pF/1.
  4. ALL INDUCTANCE VALUES ARE IN mH/μH/KH.
  5. ALL E. CAPACITORS ARE SHOWN IN THE FORM OF CAPACITANCE / (RATED VOLTAGE [V]).
- Ⓜ UNFLAMMABLE CARBON RESISTOR
  - Ⓜ METAL FILM RESISTOR
  - Ⓜ OXIDE METAL FILM RESISTOR
  - Ⓜ 1.20V LOW LEAK CURRENT ELECTROLYTIC CAPACITOR
  - Ⓜ NON-POLARISED ELECTROLYTIC CAPACITOR
  - Ⓜ POLYPROPYLENE CAPACITOR
  - Ⓜ POLYSTYROL CAPACITOR

IC501	2SA9521L-K1
IC501	2SA1309(A-S1) OR 2SA1175(HFE) OR 2SA933S(IRS)

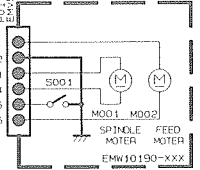
Fig. 7 - 1



To B-1  
on page 63

To F-9  
on page 61

- S001: ESB1105-005
- M001: E-406753-001
- M002: E-406789-001



L CD Analogue signal line  
 R CD Digital signal line  
 +B Line





CD Traverse Mechanism Control Circuit

1 2 3 4 5

A

B

C

D

E

F

G

TABLE 1. CAM PATTERN LIST

CAM NO.	LCAM	RCAM	POSITION
MAIN TRAV1	01123	11517	EMERGENCY
MAIN TRAV1	01110	11110	TRAV1 STAND-BY
CAM 1	01101	11010	TRAV1 CHECKING
MAIN TRAV2	11010	11101	TRAV2 STAND-BY
MAIN TRAV2	11100	11111	TRAV2 CHECKING
CAM 2	11100	11011	TRAV2 STAND-BY
MAIN TRAV3	11000	11111	TRAV3 CHECKING
MAIN TRAV3	11000	11111	OFF

NOTES

1. VOLTAGES ARE DC-MEASURED WITH A DIGITAL VOLT METER OR OSCILLOSCOPE WITHOUT LOAD SIGNAL.
2. EXCESS OPERATOR SPECIFIED RESISTORS ARE 1/8W ±5% CARBON RESISTOR.
3. EXCESS OPERATOR SPECIFIED CAPACITORS ARE 50V POLYESTER CAPACITOR.
4. ALL CAPACITORS ARE CERAMIC CAPACITOR OR MILAN CAPACITOR.
5. ALL CAPACITANCE VALUES ARE IN μF (μF).
6. ALL INDUCTANCE VALUES ARE IN mH (mH).
7. ALL E-CAPACITORS ARE SHOWN IN THE FORM OF CAPACITANCE (μF)/RAIRED VOLTAGE (V).

- ⊖ UNFINISHED CARBON RESISTOR
- ⊖ METAL FILM RESISTOR
- ⊖ OXIDE METAL FILM RESISTOR
- ⊖ 50V LOW LEAK CARBON ELECTROLYTIC CAPACITOR
- ⊖ 50V POLYESTER CAPACITOR
- ⊖ POLYESTER CAPACITOR

△ Parts are safety assurance parts. When replacing those parts make sure to use the specified one.

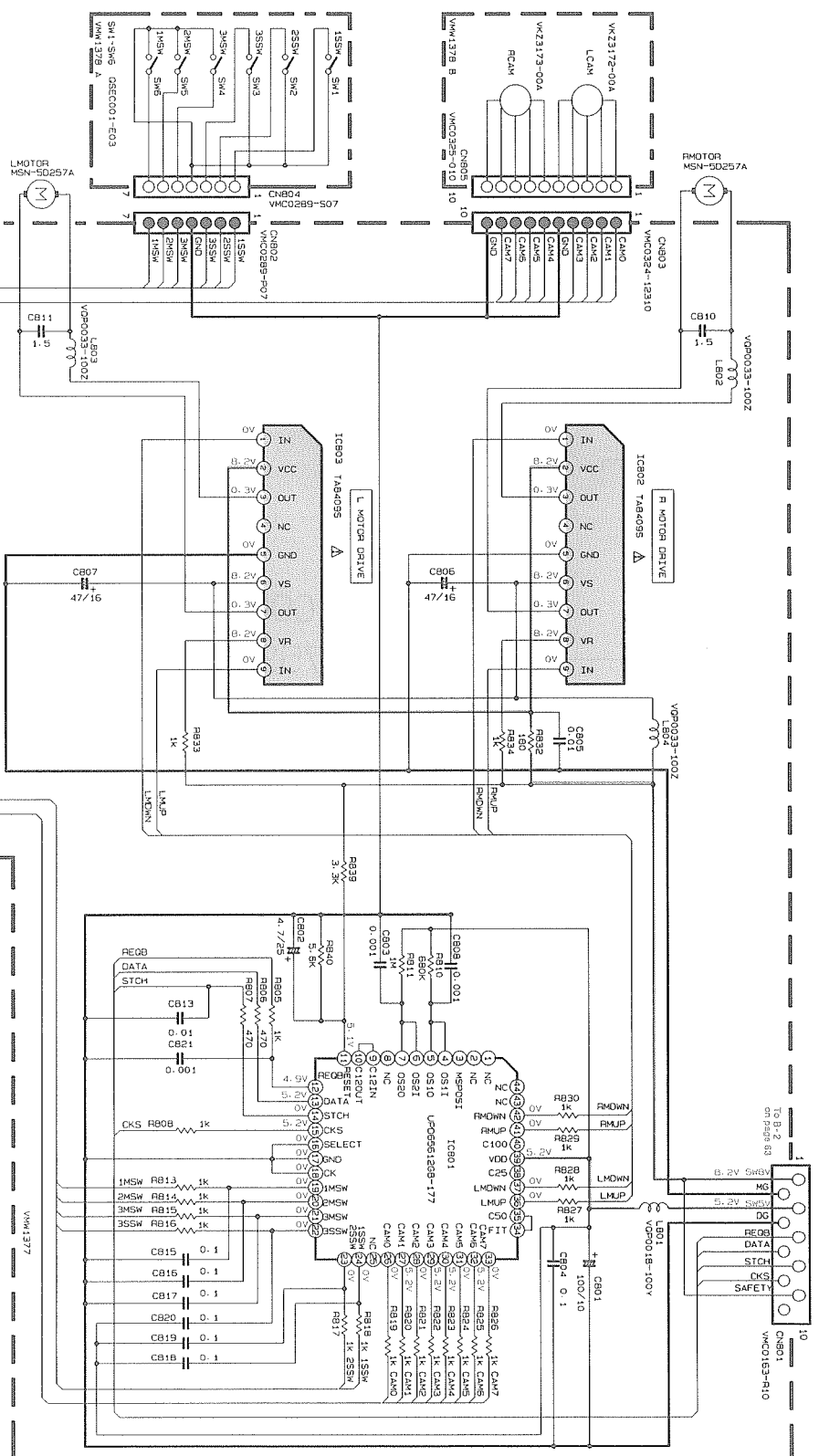


Fig. 7-2

To F-2 on page 61

■ PC-XC7 System diagram

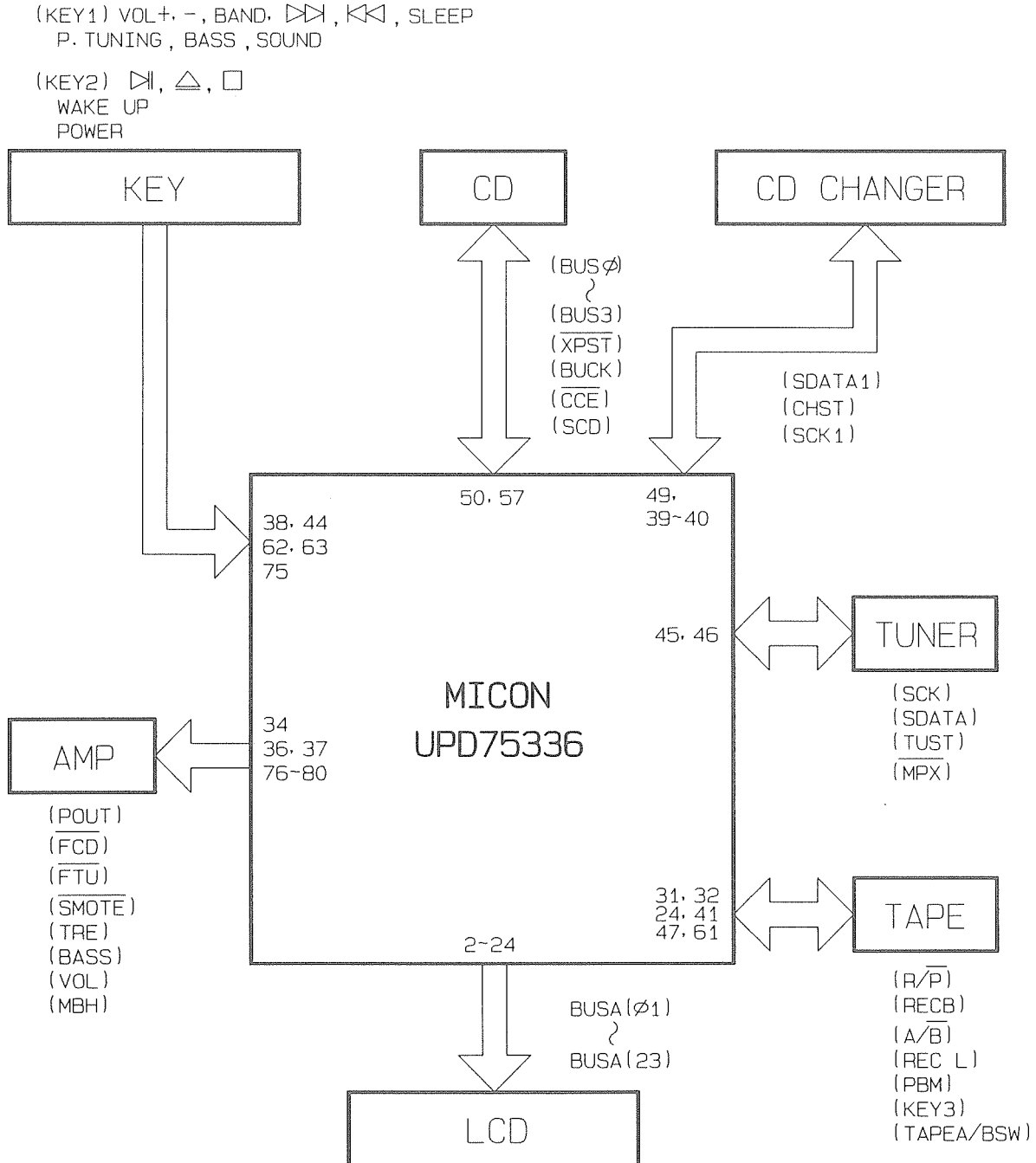


Fig. 7-3



# System microprocessor circuit

To G-3 on page 63

# To F-10 on page 62

A

B

C

D

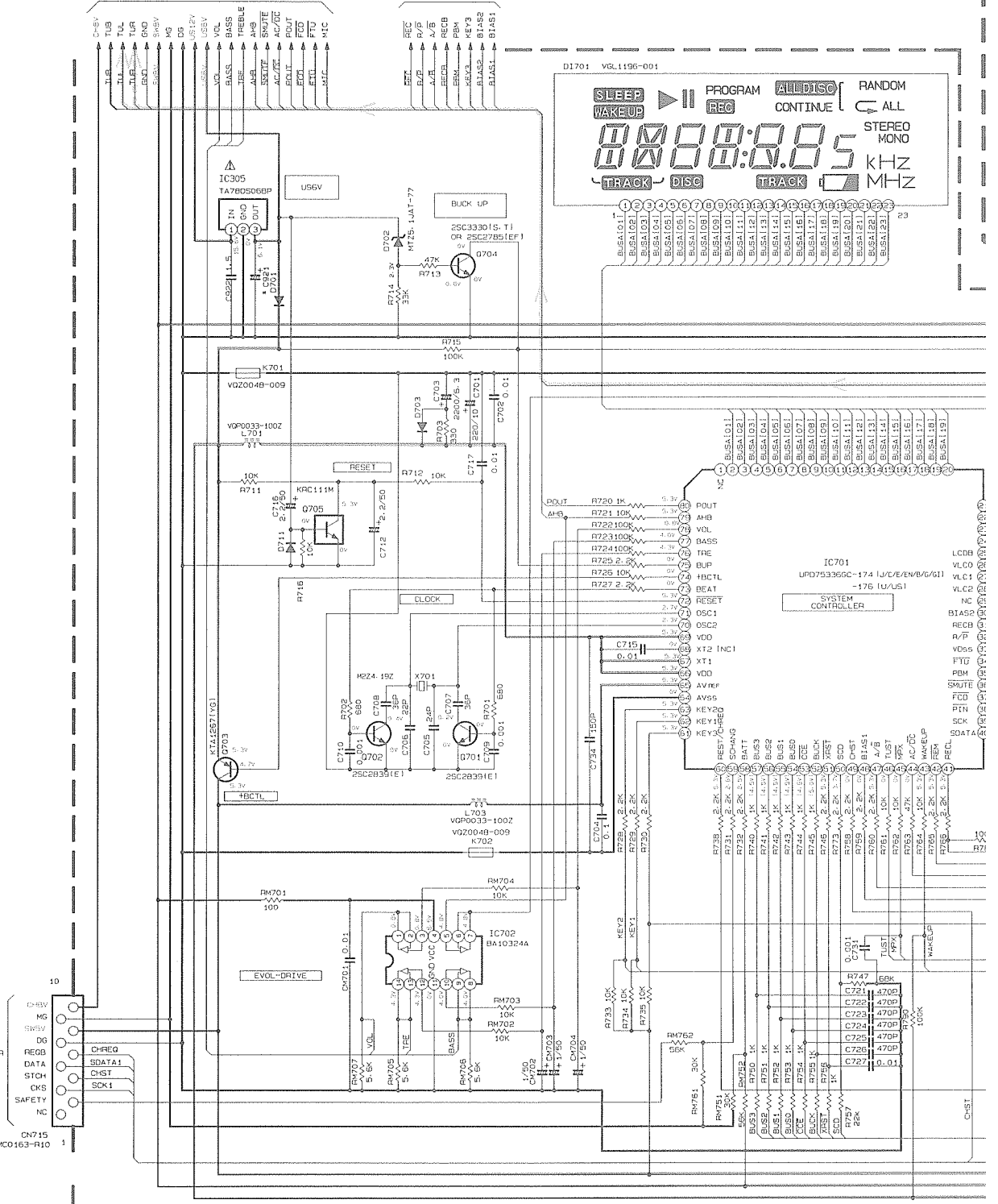
E

F

G

VDH7070-007AV (U/US1)  
VDH7070-006AV (U/G/E/EN/B/G/G1)  
TO AMP

VDH7070-005FW  
TO DECK



To F-5  
on page 59

NOTES  
 1. VOLTAGES ARE DC-MEASURED WITH A DIGITAL VOLT METER OR OSCILLOSCOPE WITHOUT INPUT SIGNAL. CONDITION — CD MODE, VOL.7, SOUND BEAT.  
 2. UNLESS OTHERWISE SPECIFIED, RESISTORS ARE 1/8W ±5% CARBON RESISTOR. ALL RESISTANCE VALUES ARE IN OHMS (Ω). ALL CAPACITORS ARE CERAMIC CAPACITOR OR NPLAR CAPACITOR. ALL CAPACITANCE VALUES ARE IN nF (nF) or pF. ALL INDUCTANCE VALUES ARE IN mH (mH). ALL C-CAPACITORS ARE SHOWN IN THE FORM OF CAPACITANCE (uF)/RATED VOLTAGE (V). ALL DIODES ARE 1SS254T OR HSS104T.

- ① BRACKETS INSIDE VOLTS REFERENCE DATA.
- ② UNFLAMMABLE CARBON RESISTOR
- ③ METAL FILM RESISTOR
- ④ OXIDE METAL FILM RESISTOR
- ⑤ 20% LOW LEAK CURRENT ELECTROLYTIC CAPACITOR
- ⑥ ND+POLYMERED ELECTROLYTIC CAPACITOR
- ⑦ POLYPROPYLENE CAPACITOR
- ⑧ POLYSTYROL CAPACITOR

LOCATION	REF. NO.	VERSION	E/B/G/G1 EN	U/US-SK	U/US-10K
*1B-F	RM733	6BK	△ OPEN	←	△ 10K
*1B-B	DM722	SLP-34MCF25 GREEN	←	←	←
*1B-B	RM722	330	←	←	←
*4-D	C921	47/10	←	←	←

6

7

8

9

10

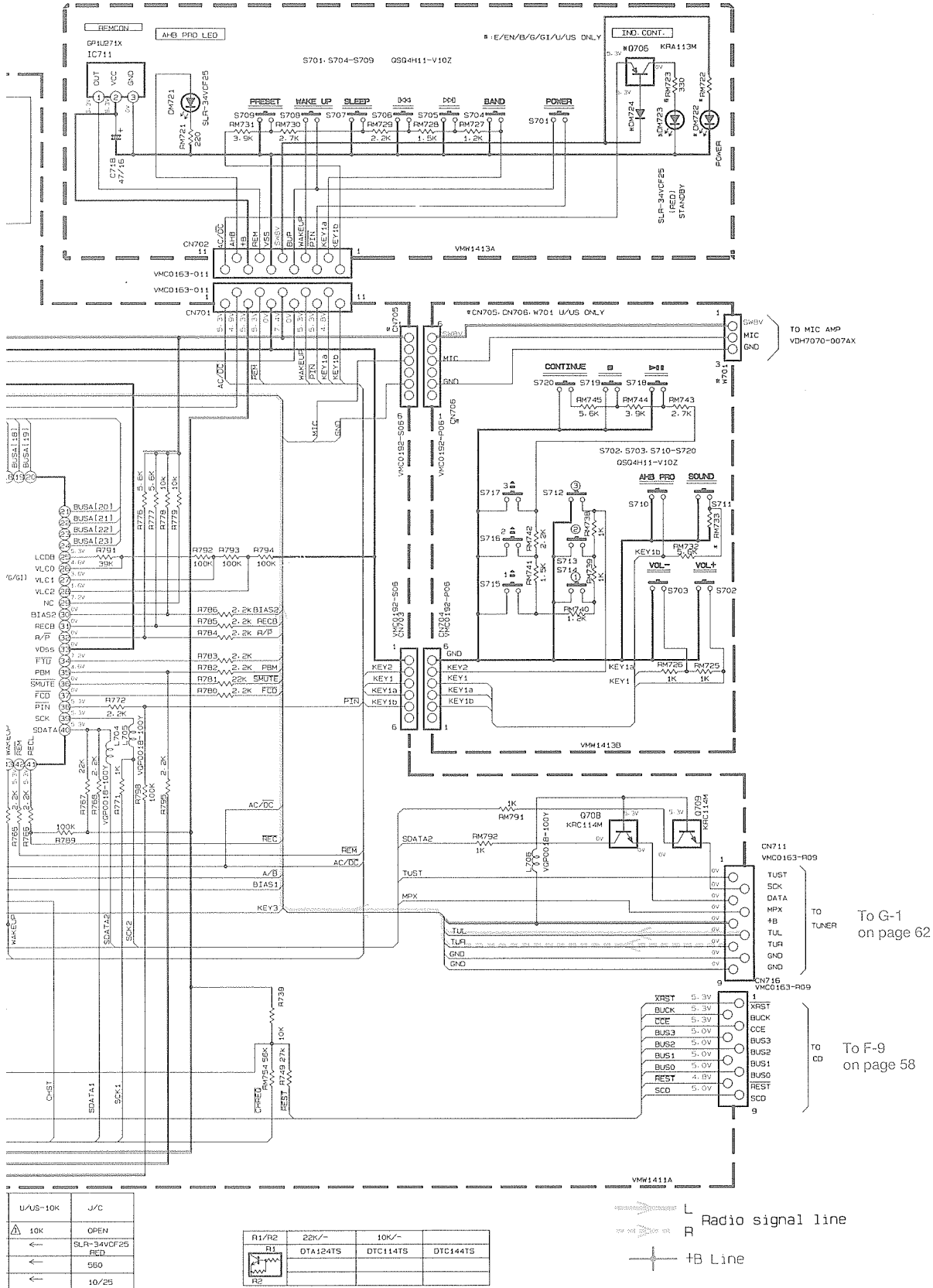


Fig. 7 - 4

1 2 3 4 5

A B C D E F G

■ Tuner circuit

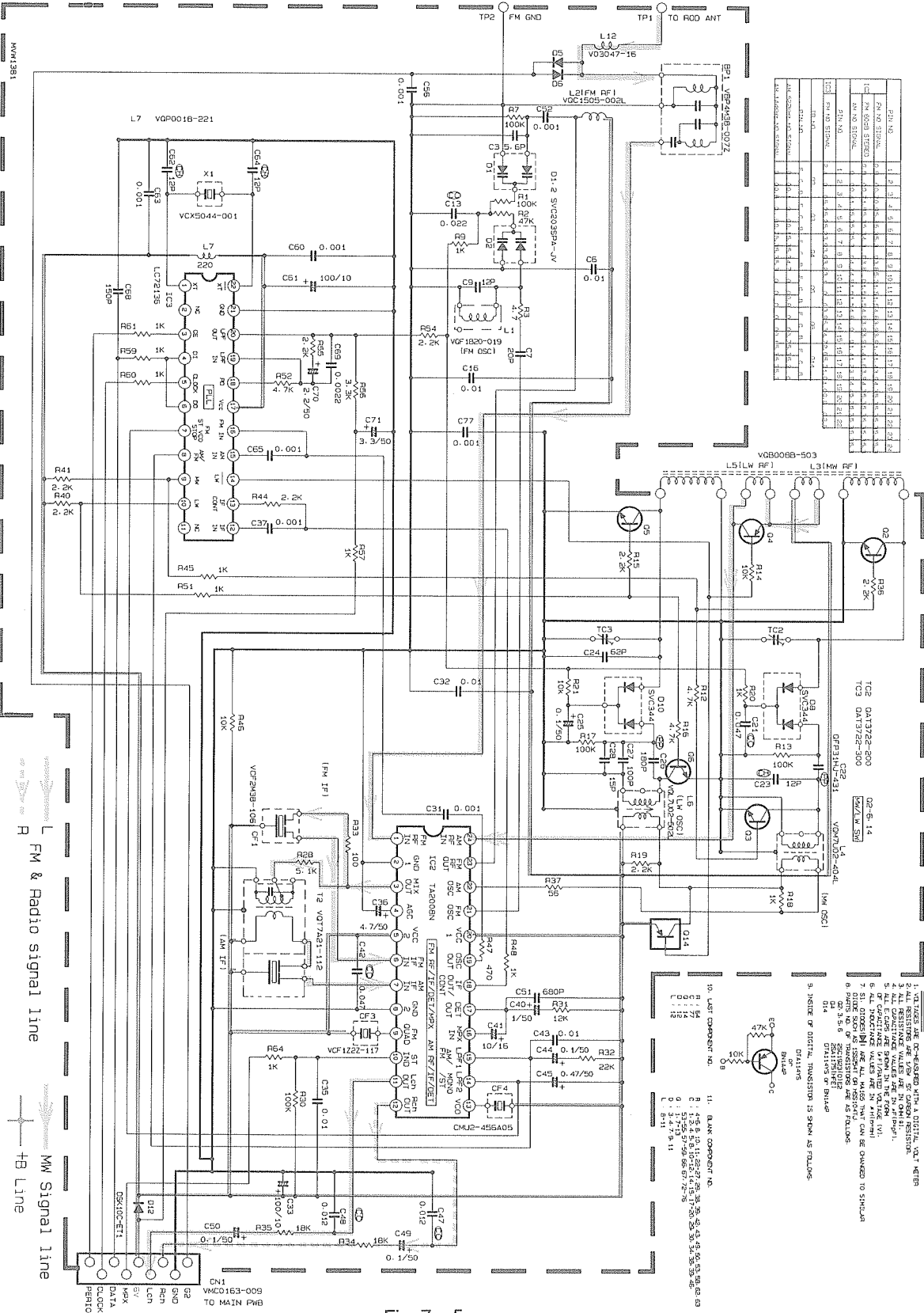


Fig. 7-5

Note : VDH7071005TW To E-10 on page 61

■ Cassette amplifier circuit

NOTES

1. VOLTAGE ARE MEASURED WITH A DIGITAL VOL. METER OR OSCILLOSCOPE WITHOUT LOAD SIGNAL CONDITION. LINE MODE MEASUREMENT CONDITION IS INDICATED IN 1.1.

2. UNLESS OTHERWISE SPECIFIED, RESISTORS ARE 1/8W 1%V CARBON RESISTOR. ALL RESISTANCE VALUES ARE IN OHMS. ALL CAPACITORS ARE CERAMIC CAPACITOR OF MICA CAPACITOR. ALL INDUCTIVE VALUES ARE IN MH. ALL CAPACITORS ARE SPECIFIED IN THE FORM OF CAPACITANCE (NOMINAL VALUE) (V). ALL TRANSISTORS ARE SPECIFIABLE (F) OR 2SC3301(S, T) POLYPROPYLENE CAPACITOR.

Recording signal line

Playback signal line

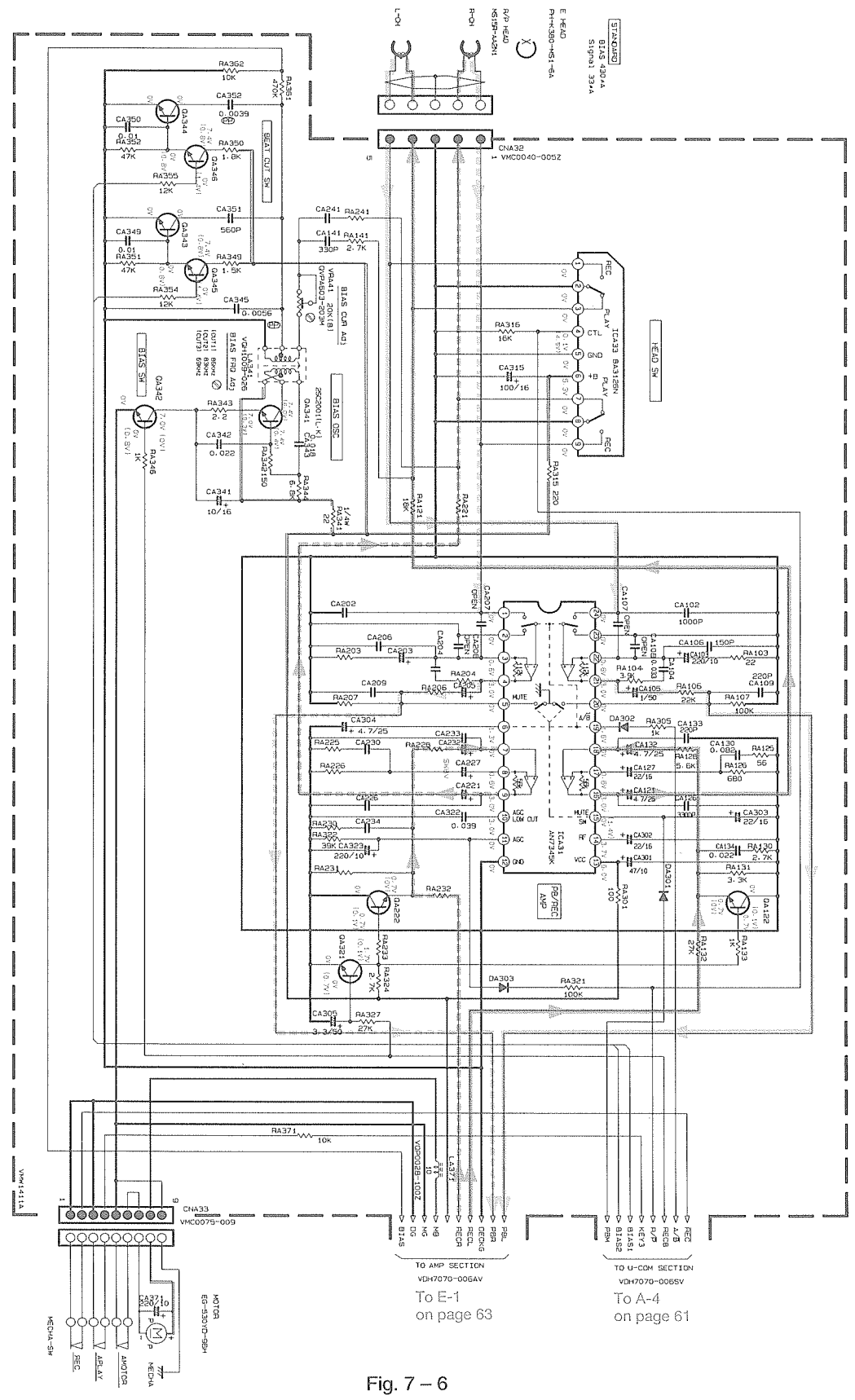


Fig. 7 - 6

### Power amplifier/power supply circuit

A

B

C

D

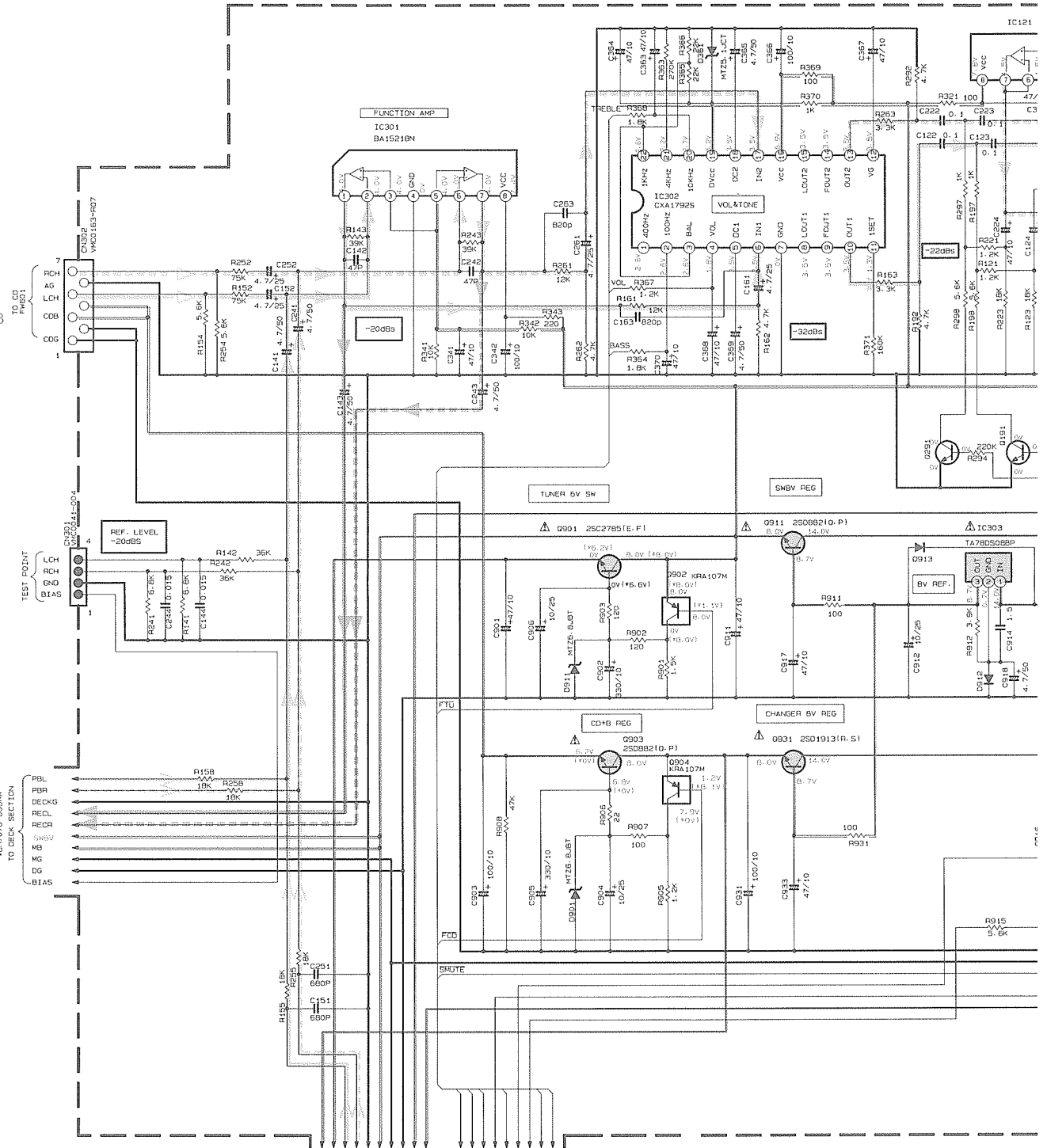
E

F

G

To A-9 on page 58

To G-9 on page 62



- NOTES**
1. VOLTAGES ARE DC-MEASURED WITH A DIGITAL VOLT METER OR OSCILLOSCOPE WITHOUT INPUT SIGNAL. CONDITION — CD STOP MODE AT AC SUPPLY ( ) IS INVERT MODE VOL 15 SOUND MODE FLAT 4HS PRO-ON
  2. UNLESS OTHERWISE SPECIFIED, RESISTORS ARE 1/4W 1% CARBON RESISTOR. ALL RESISTANCE VALUES ARE IN OHMS.
  3. ALL CAPACITORS ARE CERAMIC CAPACITOR OR MYLAR CAPACITOR. ALL CAPACITANCE VALUES ARE IN PICO (P).
  4. ALL INDUCTANCE VALUES ARE IN MILLI (M).
  5. ALL E-CAPACITORS ARE SHOWN IN THE FORM OF CAPACITANCE (nF)/RATED VOLTAGE (V).
  6. ALL DIODES ARE 1SS234T OR 1SS1041J.
  7. ALL NPN TRANSISTORS ARE 2SC2765(F, E) OR 2SC3301S, T1.

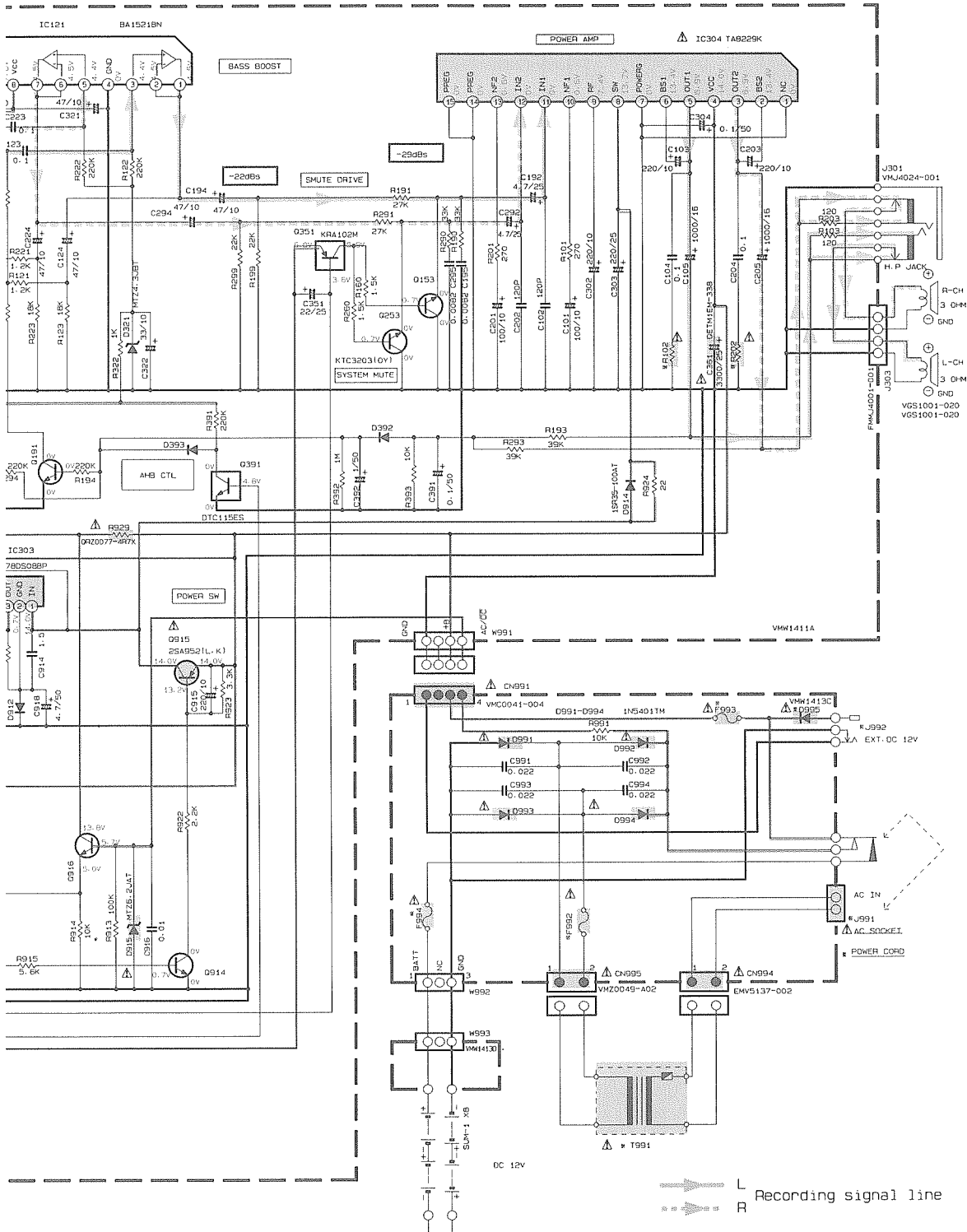
To A-3 on page 61

PARTS	DevN	REF
	DT115ES	0391
	DTA114ES	0351
	DTA114YS	0302 0932

	AC IN	V991	T991	P.COP
J/C	120V	DMCB251-V01	YTP57A2-12L	QMP1F0
E/EN/G/GI	230V	DMC0263-004	YTP57J2-12B	DM939F
B	50Hz			DM9552

Fig. 7 - 7





P. CORD	F992	F993	F994	J992	D995	R102, R202
2-12L QMP1F00-183E	2MF51N2-3R0J1 3A/250V	SHORT	2MF51N2-3R0J1 3A/250V			OPD161J-2R2
2-12B QMP39F0-183E	2MF51E2-2R5J1 T2.5A	2MF51E2-2R5J1 T2.5A	SHORT	QMA431B-V01	IN5401TM	GRH161K-2R2
	QMP9520-183E					

△Prts are safety assurance parts. When replacing those parts make sure to use the specified one.



6

7

8

9

10

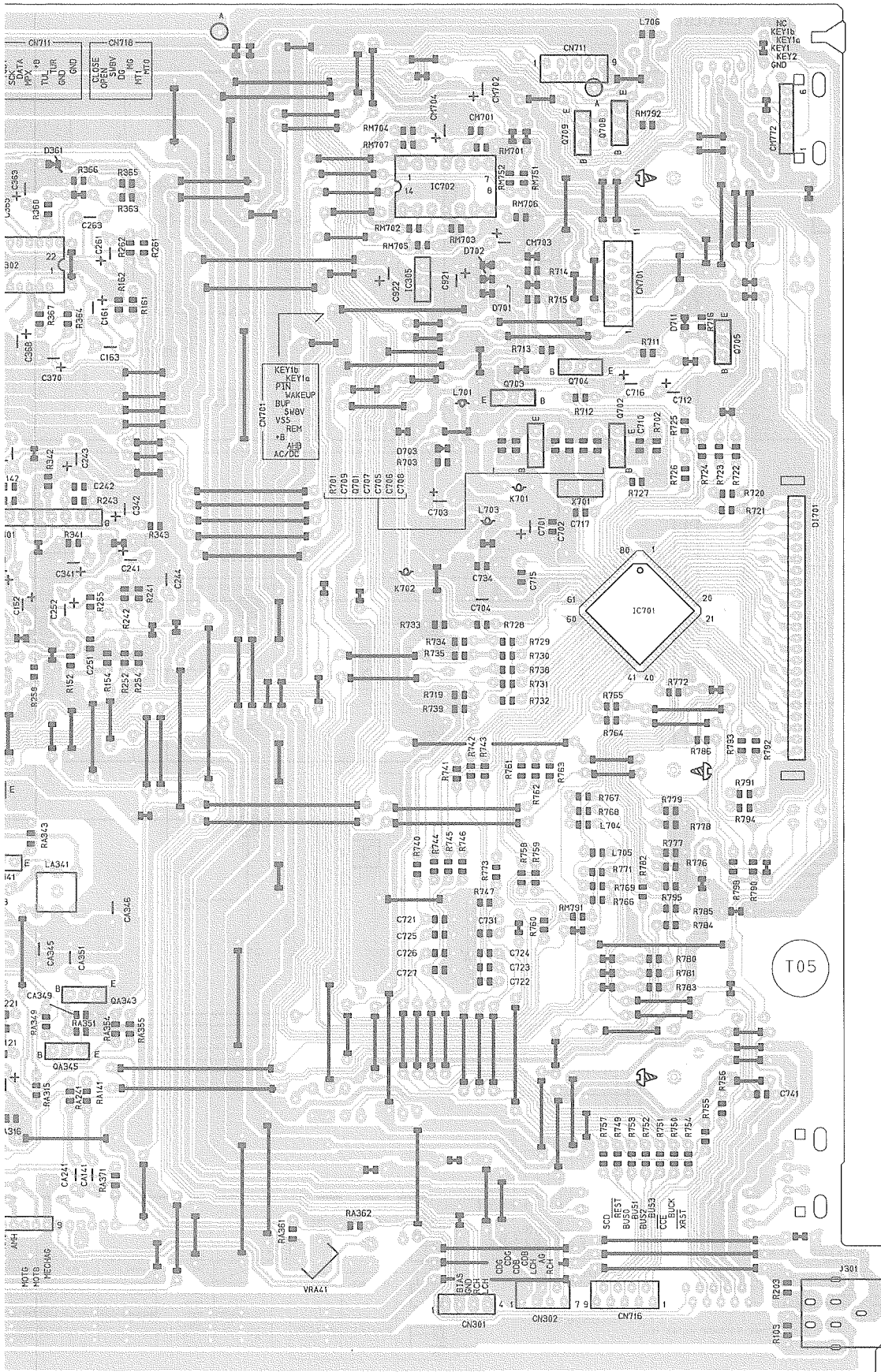


Fig. 8 - 1



● Main board parts list

BLOCK NO. 0111111111		BLOCK NO. 0111111111		
REF.	PARTS NO.	PARTS NAME	REMARKS	SUFFIX
B2001	VH7992-001	BUS WIRE		
C 101	QET41AM-107	E. CAPACITOR	100MF 20% 10V	
C 102	QCB1HK-121Y	C. CAPACITOR	120PF 10% 50V	
C 103	QET41AM-227	E. CAPACITOR	220MF 20% 10V	
C 104	QELC1HJ-104ZM	M. CAPACITOR	.10MF 5% 50V	
C 105	QETN1CM-108Z	E. CAPACITOR	OUT CUP	
C 122	QFLC1HJ-104ZM	M. CAPACITOR	-10MF 5% 50V	
C 123	QFLC1HJ-104ZM	M. CAPACITOR	-10MF 5% 50V	
C 124	QET41AM-476	E. CAPACITOR	OPAMP	
C 141	QET41HM-475	E. CAPACITOR	4.7MF 20% 50V	
C 142	QCS11HJ-470	C. CAPACITOR	47PF 5% 50V	
C 143	QET41HM-475	E. CAPACITOR	4.7MF 20% 50V	
C 144	QFLC1HJ-153ZM	M. CAPACITOR	.015MF 5% 50V	
C 151	QCB1HK-681Y	C. CAPACITOR	680PF 10% 50V	
C 152	QER41EM-475VM	E. CAPACITOR	4.7MF 20% 25V	
C 161	QER41EM-475VM	E. CAPACITOR	4.7MF 20% 25V	
C 163	QFLB1HJ-821	M. CAPACITOR	820PF 5% 50V	
C 192	QER41EM-475VM	E. CAPACITOR	4.7MF 20% 25V	
C 194	QET41AM-476	E. CAPACITOR	4.7MF 20% 10V	
C 195	QFLC1HJ-822ZM	M. CAPACITOR	8200PF 5% 50V	
C 201	QET41AM-107	E. CAPACITOR	100MF 20% 10V	
C 202	QCB1HK-121Y	C. CAPACITOR	120PF 10% 50V	
C 203	QET41AM-227	E. CAPACITOR	220MF 20% 10V	
C 204	QFLC1HJ-104ZM	M. CAPACITOR	-10MF 5% 50V	
C 205	QETN1CM-108Z	E. CAPACITOR	OUT CUP	
C 222	QFLC1HJ-104ZM	M. CAPACITOR	.10MF 5% 50V	
C 223	QFLC1HJ-104ZM	M. CAPACITOR	.10MF 5% 50V	
C 224	QET41AM-476	E. CAPACITOR	OPAMP	
C 241	QET41HM-475	E. CAPACITOR	4.7MF 20% 50V	
C 242	QCS11HJ-470	C. CAPACITOR	47PF 5% 50V	
C 243	QET41HM-475	E. CAPACITOR	4.7MF 20% 50V	
C 244	QFLC1HJ-153ZM	M. CAPACITOR	.015MF 5% 50V	
C 251	QCB1HK-681Y	C. CAPACITOR	680PF 10% 50V	
C 252	QER41EM-475VM	E. CAPACITOR	4.7MF 20% 25V	
C 261	QER41EM-475VM	E. CAPACITOR	4.7MF 20% 25V	
C 263	QFLB1HJ-821	M. CAPACITOR	820PF 5% 50V	
C 292	QER41EM-475VM	E. CAPACITOR	4.7MF 20% 25V	
C 294	QET41AM-476	E. CAPACITOR	4.7MF 20% 10V	
C 295	QFLC1HJ-822ZM	M. CAPACITOR	8200PF 5% 50V	
C 302	QET41AM-227	E. CAPACITOR	RF	
C 303	QET41AM-227	E. CAPACITOR	SW	
C 304	QETC1HM-104ZN	E. CAPACITOR	.10MF 20% 50V	
C 321	QET41AM-476	E. CAPACITOR	OPAMP	
C 322	QETC1AM-336ZN	E. CAPACITOR	33MF 20% 10V	
C 341	QET41AM-476	E. CAPACITOR	47MF 20% 10V	
C 342	QET41AM-107	E. CAPACITOR	100MF 20% 10V	
C 351	QETC1EM-226ZM	E. CAPASITOR	22MF 20% 25V	
C 361	QETM1EM-338	E. CAPACITOR	DECUP	
C 363	QET41AM-476	E. CAPACITOR	47MF 20% 10V	
C 364	QET41AM-476	E. CAPACITOR	4.7MF 20% 10V	
C 365	QET41HM-475	E. CAPACITOR	4.7MF 20% 50V	
C 366	QET41AM-107	E. CAPACITOR	VCC	
C 367	QET41AM-476	E. CAPACITOR	VG	
C 368	QET41AM-476	E. CAPACITOR	VOL	
C 369	QET41HM-475	E. CAPACITOR	4.7MF 20% 50V	
C 370	QET41AM-476	E. CAPACITOR	100HZ	
C 391	QETC1HM-104ZN	E. CAPACITOR	.10MF 20% 50V	
C 392	QET41HM-105	E. CAPACITOR	1.0MF 20% 50V	
C 701	QET41AM-227	E. CAPACITOR	220MF 20% 10V	
C 702	QCVB1CM-103Y	C. CAPACITOR	.010MF 20% 16V	
C 703	QETM0UM-228	E. CAPACITOR	2200MF 20% 6.3V	
C 704	QELC1HJ-104ZM	M. CAPACITOR	.10MF 5% 50V	
C 705	QCS11HJ-240	C. CAPACITOR	CLOCK	
C 706	QCS11HJ-220	C. CAPACITOR	CLOCK	
C 707	QCS11HJ-360	C. CAPACITOR	CLOCK	
C 708	QCS11HJ-360	C. CAPACITOR	CLOCK	
C 709	QCB1HK-102Y	C. CAPACITOR	CLOCK	
C 710	QCB1HK-102Y	C. CAPACITOR	CLOCK	
C 712	QETC1HM-225ZN	E. CAPACITOR	2.2MF 20% 50V	
C 715	QCVB1CM-103Y	C. CAPACITOR	XT2	
C 716	QETC1HM-225ZN	E. CAPACITOR	RESET	
C 717	QCVB1CM-103Y	C. CAPACITOR	RESET	
C 721	QCB1HK-471Y	C. CAPACITOR	470PF 10% 50V	
C 722	QCB1HK-471Y	C. CAPACITOR	470PF 10% 50V	
C 723	QCB1HK-471Y	C. CAPACITOR	470PF 10% 50V	
C 724	QCB1HK-471Y	C. CAPACITOR	470PF 10% 50V	
C 725	QCB1HK-471Y	C. CAPACITOR	470PF 10% 50V	
C 726	QCB1HK-471Y	C. CAPACITOR	470PF 10% 50V	
C 727	QCVB1CM-103Y	C. CAPACITOR	.010MF 20% 16V	
C 731	QCB1HK-102Y	C. CAPACITOR	1000PF 10% 50V	
C 734	QCB1HK-151Y	C. CAPACITOR	1500PF 10% 50V	
C 741	QCB1HK-102Y	C. CAPACITOR	1000PF 10% 50V	
C 901	QET41AM-476	E. CAPACITOR	47MF 20% 10V	
C 902	QETC1AM-337ZN	E. CAPACITOR	330MF 20% 10V	
C 903	QET41AM-307	E. CAPACITOR	30MF 20% 10V	
C 904	QET41EM-106	E. CAPACITOR	10MF 20% 25V	
C 905	QETC1AM-337ZN	E. CAPACITOR	330MF 20% 10V	
C 906	QET41EM-106	E. CAPACITOR	10MF 20% 25V	
C 911	QET41AM-476	E. CAPACITOR	47MF 20% 10V	
C 912	QET41EM-106	E. CAPACITOR	DECAP	
C 914	QCZ0205-155	ML.C. CAPACITOR	PULSE	
C 915	QET41AM-227	E. CAPACITOR	P SW	
C 916	QCVB1CM-103Y	C. CAPACITOR	.010MF 20% 16V	
C 917	QET41AM-476	E. CAPACITOR	47MF 20% 10V	
C 918	QET41HM-475	E. CAPACITOR	4.7MF 20% 50V	
C 921	QET41AM-476	E. CAPACITOR	47MF 20% 10V	
C 922	QCZ0205-155	ML.C. CAPACITOR	1.5MF	
C 931	QET41AM-107	E. CAPACITOR	100MF 20% 10V	
C 933	QET41AM-476	E. CAPACITOR	47MF 20% 10V	
CA102	QCB1HK-102Y	C. CAPACITOR	1000PF 10% 50V	
CA104	QFLC1HJ-333ZM	M. CAPACITOR	220MF 20% 10V	
CA105	QET41HM-105	E. CAPACITOR	.033MF 5% 50V	
CA106	QCB1HK-151Y	C. CAPACITOR	150PF 10% 50V	
CA109	QCB1HK-221Y	C. CAPACITOR	220PF 10% 50V	
CA121	QET41HM-475	E. CAPACITOR	4.7MF 20% 50V	
CA126	QCY41HK-332	C. CAPACITOR	3300PF 10% 50V	
CA127	QETC1EM-226ZN	E. CAPACITOR	22MF 20% 25V	
CA130	QFLC1HJ-822ZM	M. CAPACITOR	.082MF 5% 50V	
CA132	QET41HM-475	E. CAPACITOR	4.7MF 20% 50V	

BLOCK NO. 01111111

REF.	PARTS NO.	PARTS NAME	REMARKS	SUFFIX
D 911	MTZ6.8JB	ZENER DIODE		
D 912	1SS133	SI DIODE		
D 913	1SS133	SI DIODE		
D 914	1SR35-100	SI DIODE		
D 915	MTZ6.2JAT-77	ZENER DIODE		
DA301	1SS133	SI DIODE		
DA302	1SS133	SI DIODE		
DA303	1SS133	SI DIODE		
DI701	VGL1196-001	ICD		
ICA31	AN7345K	IC	PB/REC AMP HEAD SW	
ICA33	BA3126N	IC	BASS BOOST	
IC121	BA15218N	IC		
IC301	BA15218N	IC		
IC302	CXA1792S	IC	TO NE VOL	
IC303	TA78D508BP	IC	POWER AMP	
IC304	TA8229K	IC		
IC305	TA78D508BP	IC	-165	
IC701	UPD753366C-174	IC		
IC702	BA10324	IC		
J 301	VMJ4024-001	JACK	HP JACK	
J 303	FMMJ4001-001	SPK TERMINAL	SPK TERM.	
K 701	VQZ0048-009	INDUCTOR		
K 702	VQZ0048-009	INDUCTOR		
L 701	VQPO033-100Z	INDUCTOR		
L 703	VQPO033-100Z	INDUCTOR		
L 704	VQPO018-100	INDUCTOR	S DATA2	
L 705	VQPO018-100	INDUCTOR	SCK	
L 706	VQPO018-221	INDUCTOR	COIL(=XC20)	
LA341	VQH1009-026	OSC COIL		
LA371	VQP0028-100Z	INDUCTOR		
Q 153	KTC3203(OY)-T	TRANSISTOR		
Q 191	2SC2785	TRANSISTOR		
Q 253	KTC3203(OY)-T	TRANSISTOR		
Q 291	2SC2785	TRANSISTOR		
Q 351	KRA102M-T	TRANSISTOR		
Q 391	DTC115ES	TRANSISTOR	CLOCK BEAT	
Q 701	2SC2839	TRANSISTOR	CLOCK BEAT	
Q 702	2SC2839	TRANSISTOR	+B CONTROL	
Q 703	KTA167(YG)-T	TRANSISTOR	BUP CONTROL	
Q 704	2SC2785	TRANSISTOR	RESET	
Q 705	KRC111M-T	TRANSISTOR	TUNER DATA SW	
Q 708	KRC114M-T	TRANSISTOR	TUNER SCK SW	
Q 709	KRC114M-T	TRANSISTOR	TUNER SW	
Q 901	2SC2785	TRANSISTOR		
Q 902	KRA107M-T	TRANSISTOR		
Q 903	2SD882(P,Q)	TRANSISTOR	CD REG Q903	
Q 904	KRA107M-T	TRANSISTOR		
Q 911	2SD882(P,Q)	TRANSISTOR	SW 8V REG	
Q 914	2SC2785	TRANSISTOR	POWER SW	
Q 915	2SA952(L,K)	TRANSISTOR		
Q 916	2SC2785	TRANSISTOR		
Q 931	2SD1913(R,S)	TRANSISTOR	CH 8V REG Q931	
QA122	2SC2785	TRANSISTOR	REC MUTE	
QA222	2SC2785	TRANSISTOR	REC MUTE	
QA321	2SC2785	TRANSISTOR	R MUTE DRIVE	

BLOCK NO. 01111111

REF.	PARTS NO.	PARTS NAME	REMARKS	SUFFIX
CA133	QCB1HK-221V	C. CAPACITOR	220PF 10% 50V	
CA134	QFLC1HJ-223ZM	M. CAPACITOR	.022MF 5% 50V	
CA141	QCS11HJ-331	C. CAPACITOR	330PF 5% 50V	
CA202	QCB1HK-102V	C. CAPACITOR	1000PF 10% 50V	
CA203	QET41AM-227	E. CAPACITOR	220MF 20% 10V	
CA204	QFLC1HJ-333ZM	M. CAPACITOR	.033MF 5% 50V	
CA205	QET41HM-105	E. CAPACITOR	1.0MF 20% 50V	
CA206	QCB1HK-151V	C. CAPACITOR	150PF 10% 50V	
CA209	QCB1HK-221V	C. CAPACITOR	220PF 10% 50V	
CA221	QET41HM-475	E. CAPACITOR	4.7MF 20% 50V	
CA226	QCY1HK-332	C. CAPACITOR	3300PF 10% 50V	
CA227	QETC1EM-226ZN	E. CAPACITOR	22MF 20% 25V	
CA230	QFLC1HJ-823ZM	M. CAPACITOR	.082MF 5% 50V	
CA232	QET41HM-475	E. CAPACITOR	4.7MF 20% 50V	
CA233	QCB1HK-221V	C. CAPACITOR	220PF 10% 50V	
CA234	QFLC1HJ-223ZM	M. CAPACITOR	.022MF 5% 50V	
CA241	QCS11HJ-331	C. CAPACITOR	330PF 5% 50V	
CA301	QET41AM-476	E. CAPACITOR	47MF 20% 10V	
CA302	QETC1EM-226ZN	E. CAPACITOR	22MF 20% 25V	
CA303	QETC1EM-226ZN	E. CAPACITOR	22MF 20% 25V	
CA304	QET41HM-475	E. CAPACITOR	4.7MF 20% 50V	
CA305	QETC1HM-335ZN	E. CAPACITOR	3.3MF 20% 50V	
CA315	QET41CM-107	E. CAPACITOR	100MF 20% 16V	
CA322	QFLC1HJ-393ZM	M. CAPACITOR	.039MF 5% 50V	
CA323	QET41AM-227	E. CAPACITOR	220MF 20% 10V	
CA341	QET41EM-106	E. CAPACITOR	10MF 20% 25V	
CA342	QFLC1HJ-223ZM	M. CAPACITOR	.022MF 5% 50V	
CA343	QFLC1HJ-183ZM	M. CAPACITOR	.018MF 5% 50V	
CA345	QFP81HJ-562	PP CAPACITOR	BIAS0	
CA349	QCVB1CM-103Y	C. CAPACITOR	.010MF 20% 16V	
CA350	QCVB1CM-103Y	C. CAPACITOR	.010MF 20% 16V	
CA351	QCS11HJ-561	C. CAPACITOR	BIAS1	
CA352	QFP81HJ-392	PP CAPACITOR	BIAS2	
CM701	QCVB1CM-103Y	C. CAPACITOR	.010MF 20% 16V	
CM702	QET41HM-105	E. CAPACITOR	1.0MF 20% 50V	
CM704	QET41HM-105	E. CAPACITOR	1.0MF 20% 50V	
CNA32	VMC0040-005Z	CONNECTOR	TO R/P HEAD	
CNA33	VMC0075-009	CONNECTOR	TO MECHA SW	
CN301	VMC0041-004	CONNECTOR	TEST POINT	
CN302	VMC0163-R07	CONNECTOR	CD	
CN701	VMC0163-011	CONNECTOR	MICOM-CONT	
CN703	VMC0192-506	CONNECTOR	MICOM-CONT	
CN711	VMC0163-R09	CONNECTOR	TO TUNER	
CN715	VMC0163-R10	CONNECTOR	TO CHANGER	
CN716	VMC0163-R09	CONNECTOR	TO CD	
D 321	MTZ4.5JB	ZENER DIODE		
D 361	MTZ5.1JC	ZENER DIODE		
D 392	1SS133	SI DIODE		
D 393	1SS133	SI DIODE		
D 701	1SS133	SI DIODE		
D 702	MTZ5.1JAT-77	ZENER DIODE		
D 703	1SS133	SI DIODE		
D 711	1SS133	SI DIODE		
D 901	MTZ6.8JB	ZENER DIODE		



BLOCK NO. 01111111

REF.	PARTS NO.	PARTS NAME	REMARKS	SUFFIX
QA341	25C2001(L,K)	TRANSISTOR		
QA342	25C2785	TRANSISTOR		
QA343	25C2785	TRANSISTOR		
QA344	25C2785	TRANSISTOR		
QA345	25C2785	TRANSISTOR		
QA346	25C2785	TRANSISTOR		
R 101	QRD161J-271	CARBON RESISTOR	270 5% 1/6W	
R 102	QRD161K-282	FUSI-RESISTOR	2.2 10% 1/6W	
R 103	QRD161J-151	CARBON RESISTOR	HP LEVEL	
R 121	QRD161J-122	CARBON RESISTOR	1.2K 5% 1/6W	
R 122	QRD161J-224	CARBON RESISTOR	220K 5% 1/6W	
R 123	QRD161J-183	CARBON RESISTOR	OPAMP	
R 141	QRD167J-682	CARBON RESISTOR	6.8K 5% 1/6W	
R 142	QRD161J-363	CARBON RESISTOR	36K 5% 1/6W	
R 143	QRD161J-393	CARBON RESISTOR	39K 5% 1/6W	
R 152	QRD161J-753	CARBON RESISTOR	75K 5% 1/6W	
R 154	QRD167J-562	CARBON RESISTOR	5.6K 5% 1/6W	
R 155	QRD161J-183	CARBON RESISTOR	18K 5% 1/6W	
R 158	QRD161J-183	CARBON RESISTOR	18K 5% 1/6W	
R 160	QRD161J-152	CARBON RESISTOR	1.5K 5% 1/6W	
R 161	QRD161J-123	CARBON RESISTOR	12K 5% 1/6W	
R 162	QRD161J-472	CARBON RESISTOR	4.7K 5% 1/6W	
R 163	QRD167J-332	CARBON RESISTOR	3.3K 5% 1/6W	
R 190	QRD161J-333	CARBON RESISTOR	33K 5% 1/6W	
R 191	QRD161J-373	CARBON RESISTOR	27K 5% 1/6W	
R 192	QRD161J-472	CARBON RESISTOR	4.7K 5% 1/6W	
R 193	QRD161J-393	CARBON RESISTOR	39K 5% 1/6W	
R 194	QRD161J-224	CARBON RESISTOR	220K 5% 1/6W	
R 197	QRD161J-102	CARBON RESISTOR	1.0K 5% 1/6W	
R 198	QRD167J-562	CARBON RESISTOR	5.6K 5% 1/6W	
R 199	QRD161J-223	CARBON RESISTOR	22K 5% 1/6W	
R 201	QRD161J-271	CARBON RESISTOR	270 5% 1/6W	
R 202	QRH161K-282	FUSI-RESISTOR	2.2 10% 1/6W	
R 203	QRD161J-121	CARBON RESISTOR	HP LEVEL	
R 221	QRD161J-122	CARBON RESISTOR	1.2K 5% 1/6W	
R 222	QRD161J-224	CARBON RESISTOR	220K 5% 1/6W	
R 223	QRD161J-183	CARBON RESISTOR	OPAMP	
R 241	QRD167J-682	CARBON RESISTOR	6.8K 5% 1/6W	
R 242	QRD161J-363	CARBON RESISTOR	36K 5% 1/6W	
R 243	QRD161J-393	CARBON RESISTOR	39K 5% 1/6W	
R 252	QRD161J-753	CARBON RESISTOR	75K 5% 1/6W	
R 254	QRD167J-562	CARBON RESISTOR	5.6K 5% 1/6W	
R 255	QRD161J-183	CARBON RESISTOR	18K 5% 1/6W	
R 258	QRD161J-183	CARBON RESISTOR	18K 5% 1/6W	
R 260	QRD161J-152	CARBON RESISTOR	1.5K 5% 1/6W	
R 261	QRD161J-123	CARBON RESISTOR	12K 5% 1/6W	
R 262	QRD161J-472	CARBON RESISTOR	4.7K 5% 1/6W	
R 263	QRD167J-332	CARBON RESISTOR	3.3K 5% 1/6W	
R 290	QRD161J-333	CARBON RESISTOR	33K 5% 1/6W	
R 291	QRD161J-273	CARBON RESISTOR	27K 5% 1/6W	
R 292	QRD161J-472	CARBON RESISTOR	4.7K 5% 1/6W	
R 293	QRD161J-393	CARBON RESISTOR	39K 5% 1/6W	
R 294	QRD161J-224	CARBON RESISTOR	220K 5% 1/6W	
R 297	QRD161J-102	CARBON RESISTOR	1.0K 5% 1/6W	
R 298	QRD167J-562	CARBON RESISTOR	5.6K 5% 1/6W	

BLOCK NO. 01111111

REF.	PARTS NO.	PARTS NAME	REMARKS	SUFFIX
R 299	QRD161J-223	CARBON RESISTOR	22K 5% 1/6W	
R 321	QRD161J-101	CARBON RESISTOR	OPAMP	
R 322	QRD161J-102	CARBON RESISTOR	1.0K 5% 1/6W	
R 341	QRD161J-103	CARBON RESISTOR	10K 5% 1/6W	
R 342	QRD161J-103	CARBON RESISTOR	10K 5% 1/6W	
R 343	QRD161J-221	CARBON RESISTOR	220 5% 1/6W	
R 363	QRD161J-274	CARBON RESISTOR	270K 5% 1/6W	
R 364	QRD161J-182	CARBON RESISTOR	1.8K 5% 1/6W	
R 365	QRD161J-223	CARBON RESISTOR	22K 5% 1/6W	
R 366	QRD161J-223	CARBON RESISTOR	22K 5% 1/6W	
R 367	QRD161J-122	CARBON RESISTOR	1.2K 5% 1/6W	
R 368	QRD161J-182	CARBON RESISTOR	1.8K 5% 1/6W	
R 369	QRD161J-101	CARBON RESISTOR	100 5% 1/6W	
R 370	QRD161J-102	CARBON RESISTOR	1.0K 5% 1/6W	
R 371	QRD161J-164VT	CARBON RESISTOR	160K 5% 1/6W	
R 391	QRD161J-224	CARBON RESISTOR	220K 5% 1/6W	
R 392	QRD161J-105	CARBON RESISTOR	1.0M 5% 1/6W	
R 393	QRD161J-103	CARBON RESISTOR	10K 5% 1/6W	
R 701	QRD161J-681	CARBON RESISTOR	CLOCK	
R 702	QRD161J-681	CARBON RESISTOR	CLOCK	
R 703	QRD161J-331	CARBON RESISTOR	BUY	
R 711	QRD161J-103	CARBON RESISTOR	RESET	
R 712	QRD161J-103	CARBON RESISTOR	RESET	
R 713	QRD161J-473	CARBON RESISTOR	BUY	
R 714	QRD161J-333	CARBON RESISTOR	BUY	
R 715	QRD161J-104	CARBON RESISTOR	BUY	
R 716	QRD161J-103	CARBON RESISTOR	10K 5% 1/6W	
R 720	QRD161J-102	CARBON RESISTOR	BEAT	
R 721	QRD161J-103	CARBON RESISTOR	MBH	
R 722	QRD161J-104	CARBON RESISTOR	VOL	
R 723	QRD161J-104	CARBON RESISTOR	BASS	
R 724	QRD161J-104	CARBON RESISTOR	TRE	
R 725	QRD161J-222	CARBON RESISTOR	BUY	
R 726	QRD161J-103	CARBON RESISTOR	+BCTL	
R 727	QRD161J-222	CARBON RESISTOR	BEAT	
R 728	QRD161J-222	CARBON RESISTOR	KEY2	
R 729	QRD161J-222	CARBON RESISTOR	KEY1	
R 730	QRD161J-222	CARBON RESISTOR	KEY3(AP/BP)	
R 731	QRD161J-222	CARBON RESISTOR	MICJ	
R 732	QRD161J-222	CARBON RESISTOR	BATT	
R 733	QRD161J-103	CARBON RESISTOR	KEY2	
R 734	QRD161J-103	CARBON RESISTOR	KEY1	
R 735	QRD161J-103	CARBON RESISTOR	KEY3(AP/BP)	
R 738	QRD161J-222	CARBON RESISTOR	DOOR SW	
R 739	QRD161J-103	CARBON RESISTOR	DOOR SW	
R 740	QRD161J-102	CARBON RESISTOR	BUS3	
R 741	QRD161J-102	CARBON RESISTOR	BUS2	
R 742	QRD161J-102	CARBON RESISTOR	BUS1	
R 743	QRD161J-102	CARBON RESISTOR	BUS0	
R 744	QRD161J-102	CARBON RESISTOR	CCE	
R 745	QRD161J-102	CARBON RESISTOR	BUCK	
R 746	QRD161J-222	CARBON RESISTOR	XRST	
R 747	QRD161J-683	CARBON RESISTOR	S CD	
R 749	QRD161J-273	CARBON RESISTOR	REST(X106=473)	
R 750	QRD161J-102	CARBON RESISTOR	BUS3(JSC=561)	



BLOCK NO. 01111111

REF.	PARTS NO.	PARTS NAME	REMARKS	SUFFIX
RA130	QRD161J-272	CARBON RESISTOR	2.7K 5% 1/6W	
RA131	QRD167J-332	CARBON RESISTOR	3.3K 5% 1/6W	
RA132	QRD161J-273	CARBON RESISTOR	27K 5% 1/6W	
RA133	QRD161J-102	CARBON RESISTOR	1.0K 5% 1/6W	
RA141	QRD161J-272	CARBON RESISTOR	2.7K 5% 1/6W	
RA203	QRD161J-220	CARBON RESISTOR	22 5% 1/6W	
RA204	QRD161J-392	CARBON RESISTOR	3.9K 5% 1/6W	
RA206	QRD161J-223	CARBON RESISTOR	22K 5% 1/6W	
RA207	QRD161J-104	CARBON RESISTOR	100K 5% 1/6W	
RA221	QRD161J-183	CARBON RESISTOR	18K 5% 1/6W	
RA225	QRD161J-560	CARBON RESISTOR	56 5% 1/6W	
RA226	QRD161J-681	CARBON RESISTOR	680 5% 1/6W	
RA228	QRD167J-562	CARBON RESISTOR	5.6K 5% 1/6W	
RA230	QRD161J-272	CARBON RESISTOR	2.7K 5% 1/6W	
RA231	QRD167J-332	CARBON RESISTOR	3.3K 5% 1/6W	
RA232	QRD161J-273	CARBON RESISTOR	27K 5% 1/6W	
RA241	QRD161J-272	CARBON RESISTOR	2.7K 5% 1/6W	
RA301	QRD161J-101	CARBON RESISTOR	100 5% 1/6W	
RA305	QRD161J-102	CARBON RESISTOR	1.0K 5% 1/6W	
RA315	QRD161J-221	CARBON RESISTOR	220 5% 1/6W	
RA321	QRD161J-163	CARBON RESISTOR	16K 5% 1/6W	
RA322	QRD161J-104	CARBON RESISTOR	100K 5% 1/6W	
RA324	QRD161J-393	CARBON RESISTOR	39K 5% 1/6W	
RA327	QRD161J-272	CARBON RESISTOR	2.7K 5% 1/6W	
RA341	QRD14CJ-220S	CARBON RESISTOR	22 5% 1/4W	
RA342	QRD161J-151	CARBON RESISTOR	150 5% 1/6W	
RA343	QRD161J-2R2	CARBON RESISTOR	2.2 5% 1/6W	
RA344	QRD167J-682	CARBON RESISTOR	6.8K 5% 1/6W	
RA346	QRD161J-102	CARBON RESISTOR	1.0K 5% 1/6W	
RA349	QRD161J-152	CARBON RESISTOR	1.5K 5% 1/6W	
RA350	QRD161J-182	CARBON RESISTOR	1.8K 5% 1/6W	
RA351	QRD161J-473	CARBON RESISTOR	47K 5% 1/6W	
RA352	QRD161J-473	CARBON RESISTOR	47K 5% 1/6W	
RA354	QRD161J-123	CARBON RESISTOR	12K 5% 1/6W	
RA355	QRD161J-123	CARBON RESISTOR	12K 5% 1/6W	
RA361	QRD161J-474	CARBON RESISTOR	470K 5% 1/6W	
RA362	QRD161J-103	CARBON RESISTOR	10K 5% 1/6W	
RA371	QRD161J-103	CARBON RESISTOR	10K 5% 1/6W	
RM701	QRD161J-101	CARBON RESISTOR	100 5% 1/6W	
RM702	QRD161J-103	CARBON RESISTOR	10K 5% 1/6W	
RM703	QRD161J-103	CARBON RESISTOR	10K 5% 1/6W	
RM704	QRD161J-103	CARBON RESISTOR	10K 5% 1/6W	
RM705	QRD167J-562	CARBON RESISTOR	5.6K 5% 1/6W	
RM706	QRD167J-562	CARBON RESISTOR	5.6K 5% 1/6W	
RM707	QRD167J-562	CARBON RESISTOR	5.6K 5% 1/6W	
RM751	QRD161J-303Y	CARBON RESISTOR	BATT-	
RM752	QRD161J-563	CARBON RESISTOR	BATT+	
RM754	QRD161J-563	CARBON RESISTOR	CHANGER REST	
RM761	QRD161J-303Y	CARBON RESISTOR	30K 5% 1/6W	
RM762	QRD161J-563	CARBON RESISTOR	VER-SAFETY	
RM791	QRD161J-102	CARBON RESISTOR	SK2	
RM792	QRD161J-102	CARBON RESISTOR	SDAT2	
VR441	QVPA603-203M	SEMI-V.RESISTOR	BIAS ADJ	
X 701	M2Z-19	CERA LOCK		

BLOCK NO. 01111111

REF.	PARTS NO.	PARTS NAME	REMARKS	SUFFIX
R 751	QRD161J-102	CARBON RESISTOR	BUS2	
R 752	QRD161J-102	CARBON RESISTOR	BUS1	
R 753	QRD161J-102	CARBON RESISTOR	BUS0	
R 754	QRD161J-102	CARBON RESISTOR	CCE	
R 755	QRD161J-102	CARBON RESISTOR	BUCK	
R 756	QRD161J-102	CARBON RESISTOR	XRST	
R 757	QRD161J-223	CARBON RESISTOR	S CD	
R 758	QRD161J-222	CARBON RESISTOR	BIAS2	
R 759	QRD161J-222	CARBON RESISTOR	BIAS1	
R 760	QRD161J-222	CARBON RESISTOR	F. TUNER	
R 761	QRD161J-103	CARBON RESISTOR	TUST	
R 762	QRD161J-103	CARBON RESISTOR	MPX	
R 763	QRD161J-473	CARBON RESISTOR	AC/DC	
R 764	QRD161J-103	CARBON RESISTOR	WAKEUP	
R 765	QRD161J-222	CARBON RESISTOR	REMCON	
R 766	QRD161J-222	CARBON RESISTOR	RECL	
R 767	QRD161J-223	CARBON RESISTOR	SDATA	
R 768	QRD161J-222	CARBON RESISTOR	SDATA1	
R 771	QRD161J-102	CARBON RESISTOR	SKC1	
R 772	QRD161J-222	CARBON RESISTOR	PIN	
R 773	QRD161J-222	CARBON RESISTOR	A/B	
R 776	QRD167J-562	CARBON RESISTOR	RECH	
R 777	QRD167J-562	CARBON RESISTOR	RECB	
R 778	QRD161J-103	CARBON RESISTOR	MT1	
R 779	QRD161J-103	CARBON RESISTOR	MT0	
R 780	QRD161J-222	CARBON RESISTOR	F CD	
R 781	QRD161J-223	CARBON RESISTOR	SMUTE	
R 782	QRD161J-222	CARBON RESISTOR	PBM	
R 783	QRD161J-222	CARBON RESISTOR	A/B	
R 784	QRD161J-222	CARBON RESISTOR	REC H	
R 785	QRD161J-222	CARBON RESISTOR	REC B	
R 786	QRD161J-222	CARBON RESISTOR	MT1(1CD)BIAS2(C3	
R 789	QRD161J-104	CARBON RESISTOR	REC L	
R 790	QRD161J-104	CARBON RESISTOR	WAKEUP	
R 791	QRD161J-393	CARBON RESISTOR	LCDB	
R 792	QRD161J-104	CARBON RESISTOR	VLC0	
R 793	QRD161J-104	CARBON RESISTOR	VLC1	
R 794	QRD161J-104	CARBON RESISTOR	VLC2	
R 795	QRD161J-222	CARBON RESISTOR	PBM	
R 798	QRD161J-104	CARBON RESISTOR	100K	
R 901	QRD161J-152	CARBON RESISTOR	1.5K 5% 1/6W	
R 902	QRD161J-121	CARBON RESISTOR	120 5% 1/6W	
R 903	QRD161J-121	CARBON RESISTOR	120 5% 1/6W	
R 905	QRD161J-122	CARBON RESISTOR	1.2K 5% 1/6W	
R 906	QRD161J-220	CARBON RESISTOR	22 5% 1/6W	
R 907	QRD161J-101	CARBON RESISTOR	100 5% 1/6W	
R 908	QRD161J-473	CARBON RESISTOR	47K 5% 1/6W	
R 911	QRD161J-101	CARBON RESISTOR	100 5% 1/6W	
R 912	QRD161J-392	CARBON RESISTOR	3.9K 5% 1/6W	
R 913	QRD161J-104	CARBON RESISTOR	100K 5% 1/6W	
R 914	QRD161J-103	CARBON RESISTOR	10K 5% 1/6W	
R 915	QRD167J-562	CARBON RESISTOR	5.6K 5% 1/6W	
R 922	QRD161J-222	CARBON RESISTOR	2.2K 5% 1/6W	
R 923	QRD167J-332	CARBON RESISTOR	3.3K 5% 1/6W	
R 924	QRD161J-220	CARBON RESISTOR	22 5% 1/6W	
R 929	QR20077-4R7X	FUSE RESISTOR	4.7 1/6W	
R 931	QRD161J-101	CARBON RESISTOR	100 5% 1/6W	
RA103	QRD161J-220	CARBON RESISTOR	22 5% 1/6W	
RA104	QRD161J-392	CARBON RESISTOR	3.9K 5% 1/6W	
RA106	QRD161J-223	CARBON RESISTOR	22K 5% 1/6W	
RA107	QRD161J-104	CARBON RESISTOR	100K 5% 1/6W	
RA121	QRD161J-183	CARBON RESISTOR	18K 5% 1/6W	
RA125	QRD161J-560	CARBON RESISTOR	56 5% 1/6W	
RA126	QRD161J-681	CARBON RESISTOR	680 5% 1/6W	
RA128	QRD167J-562	CARBON RESISTOR	5.6K 5% 1/6W	

1

2

3

4

5

■ Switch board

A

B

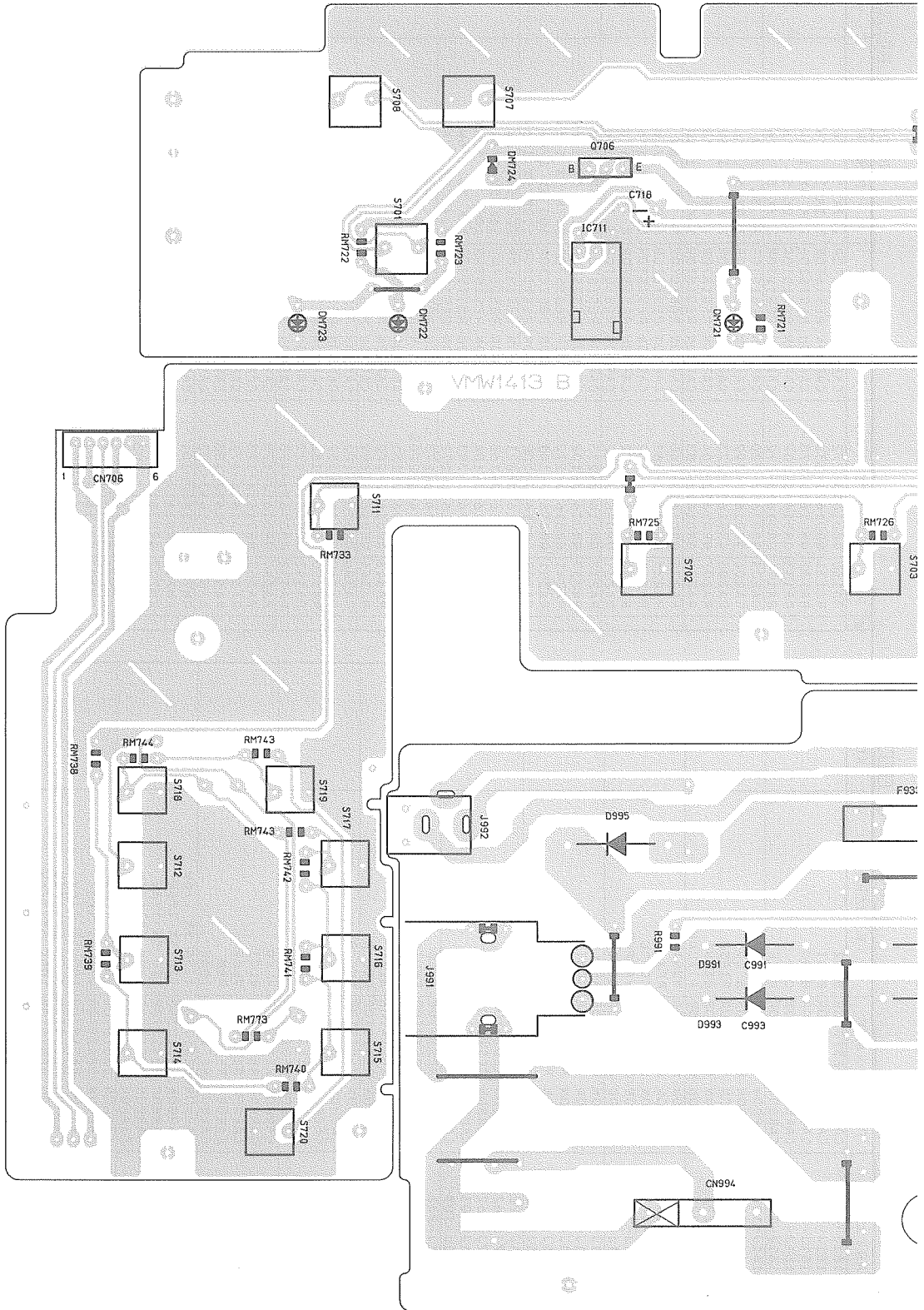
C

D

E

F

G



◆ Power supply board

F

6

7

8

9

10

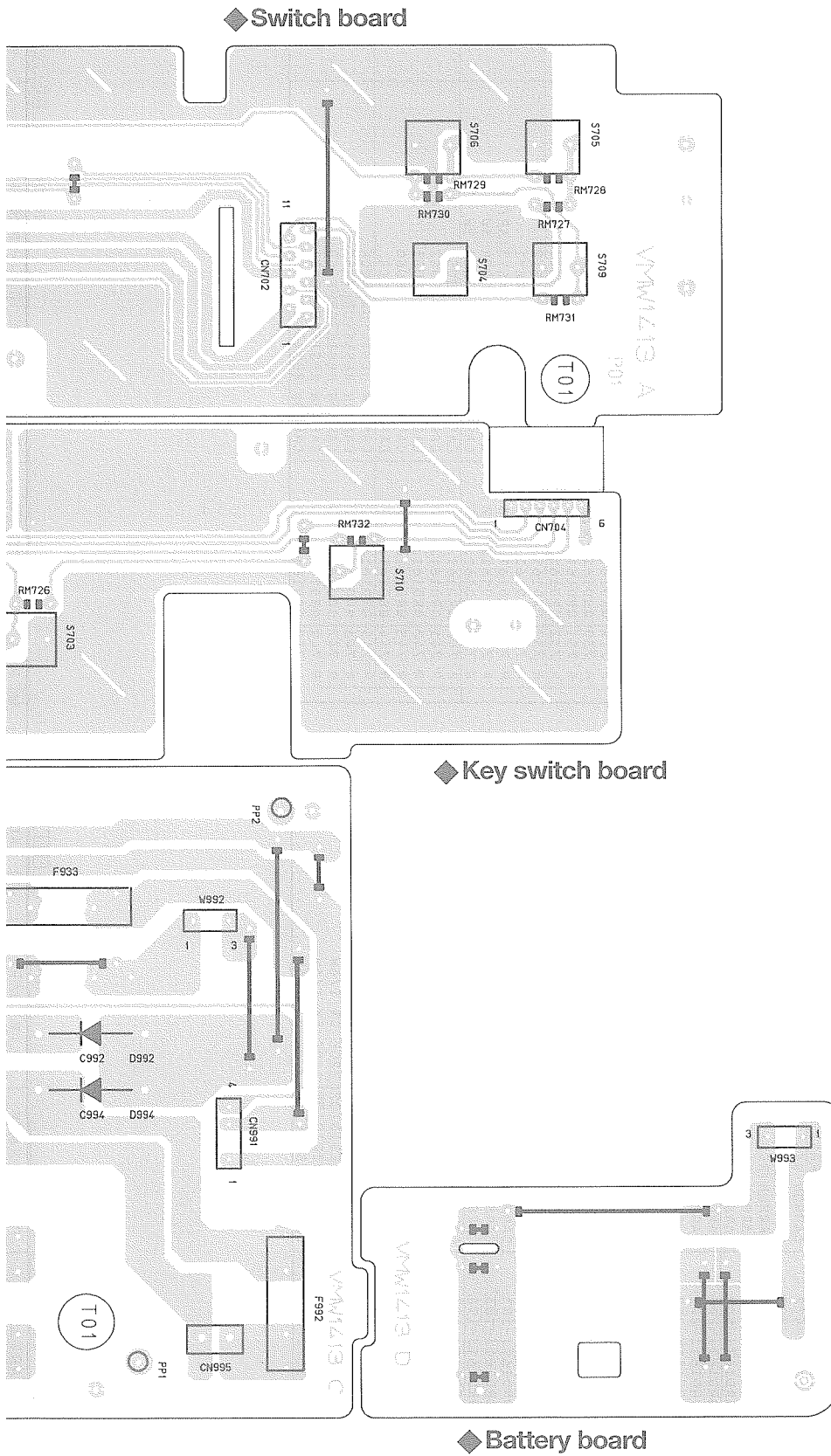


Fig. 8-2



● Switch board parts list

BLOCK NO. 03		BLOCK NO. 03		
REF.	PARTS NO.	PARTS NAME	REMARKS	SUFFIX
C 718	QET41CM-476	E-CAPACITOR	47MF 20% 16V	
C 991	QCF11HP-223	C-CAPACITOR	.022MF +100:-0%	
C 992	QCF11HP-223	C-CAPACITOR	.022MF +100:-0%	
C 993	QCF11HP-223	C-CAPACITOR	.022MF +100:-0%	
C 994	QCF11HP-223	C-CAPACITOR	.022MF +100:-0%	
CN702	VMC0163-011	CONNECTOR	MICOM-CONT	
CN704	VMC0192-P06	CONNECTOR	MICOM-CONT	
CN991	VMC0041-004	CONNECTOR	SUPPLY-MAIN	
CN994	EMV5137-002	CONNECTOR	PRI	
CN995	VMZ0049-A02	CONNECTOR	SEC	
A D 991	1N5401TM	SI DIODE		
A D 992	1N5401TM	SI DIODE		
A D 993	1N5401TM	SI DIODE		
A D 994	1N5401TM	SI DIODE		
A D 995	1N5401TM	SI DIODE		
DM721	SLR-34VCF25	LED	MBH(RED)	
DM722	SLR-34MCF25	LED	POWER(GREEN)	
DM723	SLR-34VCF25	LED	STANDBY(RED)	
DM724	1SS133	SI DIODE		
IC711	GP1U271X	RM RECEIVER	REMCON	
J 991	GMCO263-004BS	AC SOCKET		
J 992	GM431B-V01	FILM CAPACITOR		
PP 1	VMZ0015-005	POST PIN		
PP 2	VMZ0015-005	POST PIN		
Q 706	KRA13M-I	TRANSISTOR TAPE	IND. CONT	
R 991	QRD161J-103	CARBON RESISTOR	AC IN	
RM721	QRD161J-221	CARBON RESISTOR	MBH	
RM722	QRD161J-331	CARBON RESISTOR	POWER	
RM723	QRD161J-331	CARBON RESISTOR	STANDBY	
RM725	QRD161J-102	CARBON RESISTOR	1.0K 5% 1/6W	
RM726	QRD161J-102	CARBON RESISTOR	1.0K 5% 1/6W	
RM727	QRD161J-122	CARBON RESISTOR	1.2K 5% 1/6W	
RM728	QRD161J-152	CARBON RESISTOR	1.5K 5% 1/6W	
RM729	QRD161J-222	CARBON RESISTOR	2.2K 5% 1/6W	
RM730	QRD161J-272	CARBON RESISTOR	2.7K 5% 1/6W	
RM731	QRD161J-392	CARBON RESISTOR	3.9K 5% 1/6W	
RM732	QRD167J-562	CARBON RESISTOR	5.6K 5% 1/6W	
RM733	QRD161J-683	CARBON RESISTOR	VERSION	
RM738	QRD161J-102	CARBON RESISTOR	1.0K 5% 1/6W	
RM739	QRD161J-102	CARBON RESISTOR	1.0K 5% 1/6W	
RM740	QRD161J-122	CARBON RESISTOR	1.2K 5% 1/6W	
RM741	QRD161J-152	CARBON RESISTOR	1.5K 5% 1/6W	
RM742	QRD161J-222	CARBON RESISTOR	2.2K 5% 1/6W	
RM743	QRD161J-272	CARBON RESISTOR	2.7K 5% 1/6W	
RM744	QRD161J-392	CARBON RESISTOR	3.9K 5% 1/6W	
RM745	QRD167J-562	CARBON RESISTOR	5.6K 5% 1/6W	
S 701	GSQ4H11-V10Z	TACT SW	POWER	
S 702	GSQ4H11-V10Z	TACT SW	VOL+	
S 703	GSQ4H11-V10Z	TACT SW	VOL-	
S 704	GSQ4H11-V10Z	TACT SW	BAND	
S 705	GSQ4H11-V10Z	TACT SW	REV.SKIP	
S 706	GSQ4H11-V10Z	TACT SW	FW.SKIP	
S 707	GSQ4H11-V10Z	TACT SW	SLEEP	
S 708	GSQ4H11-V10Z	TACT SW	WAKE UP	
S 709	GSQ4H11-V10Z	TACT SW	PRESET	
A REF.	PARTS NO.	PARTS NAME	REMARKS	SUFFIX
S 710	GSQ4H11-V10Z	TACT SW	MBH	
S 711	GSQ4H11-V10Z	TACT SW	SOUND	
S 712	GSQ4H11-V10Z	TACT SW	DISC3	
S 713	GSQ4H11-V10Z	TACT SW	DISC3 PLAY(3CD)	
S 714	GSQ4H11-V10Z	TACT SW	DISC2	
S 715	GSQ4H11-V10Z	TACT SW	DISC1	
S 716	GSQ4H11-V10Z	TACT SW	DISC1 EJECT(3CD)	
S 717	GSQ4H11-V10Z	TACT SW	DISC2 EJECT(3CD)	
S 718	GSQ4H11-V10Z	TACT SW	DISC3 EJECT(3CD)	
S 719	GSQ4H11-V10Z	TACT SW	EJECT(1CD)PLY(3C	
S 720	GSQ4H11-V10Z	TACT SW	CD_STOP_CLER(3C	
			CONTINUE(3CD)	

■ Tuner board

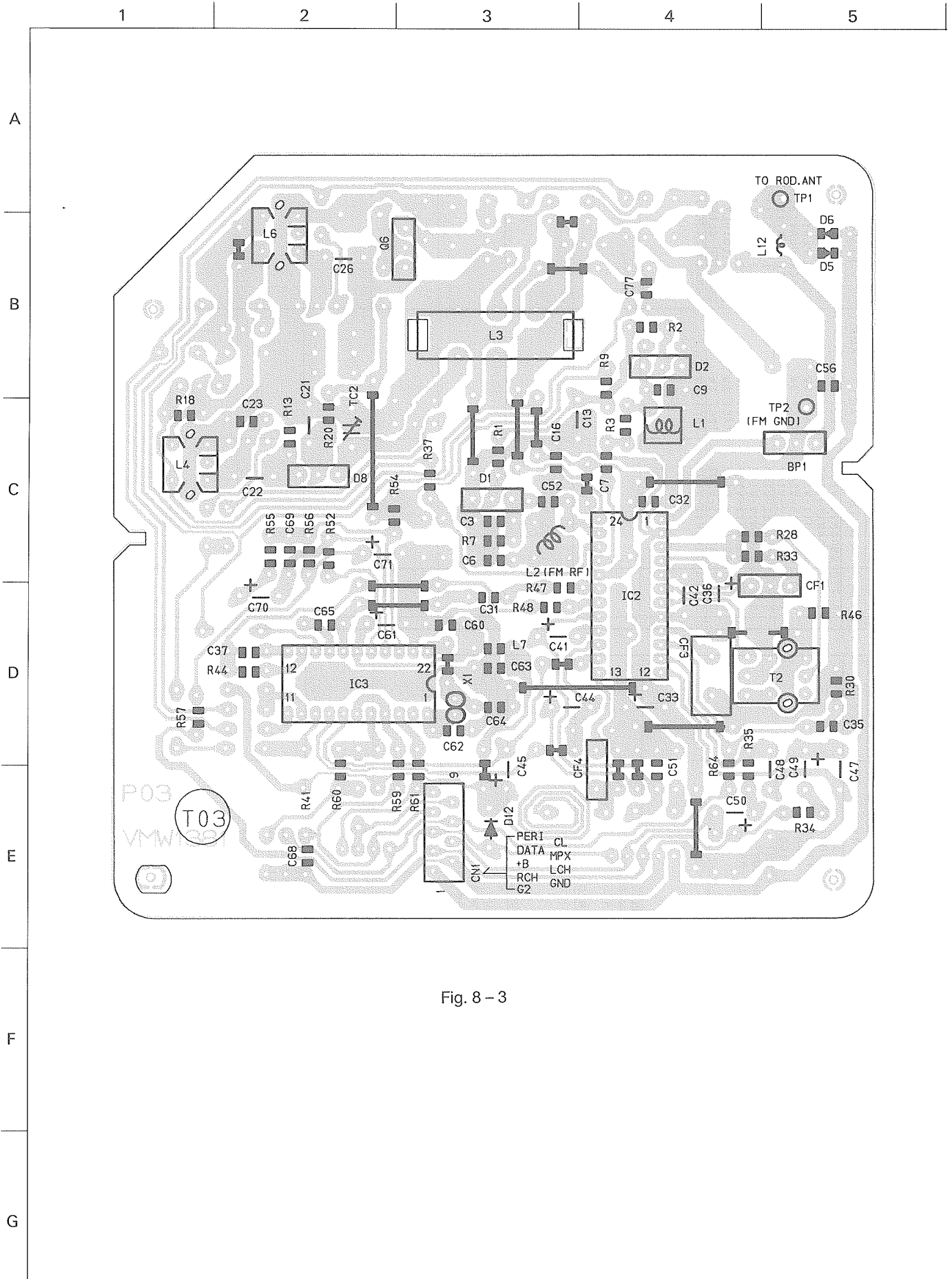


Fig. 8 - 3

● Tuner board parts list

REF.	PARTS NO.	PARTS NAME	REMARKS	SUFFIX
Q 2	25C1923	TRANSISTOR	LW	
Q 3	25C1923	TRANSISTOR		
Q 4	25A1175	TRANSISTOR		
Q 5	25C1923	TRANSISTOR		
Q 6	25C1923	TRANSISTOR		
Q 14	DTA114YS	TRANSISTOR		
R 1	GRD161J-104	CARBON RESISTOR	100K 5% 1/6W	
R 2	GRD161J-473	CARBON RESISTOR	47K 5% 1/6W	
R 3	GRD167J-4R7	CARBON RESISTOR	4.7 5% 1/6W	
R 7	GRD161J-104	CARBON RESISTOR	100K 5% 1/6W	
R 9	GRD161J-102	CARBON RESISTOR	1.0K 5% 1/6W	
R 12	GRD161J-472	CARBON RESISTOR	4.7K 5% 1/6W	
R 13	GRD161J-104	CARBON RESISTOR	100K 5% 1/6W	
R 14	GRD161J-103	CARBON RESISTOR	10K 5% 1/6W	
R 15	GRD161J-222	CARBON RESISTOR	2.2K 5% 1/6W	
R 16	GRD161J-472	CARBON RESISTOR	4.7K 5% 1/6W	
R 17	GRD161J-104	CARBON RESISTOR	100K 5% 1/6W	
R 18	GRD161J-102	CARBON RESISTOR	1.0K 5% 1/6W	
R 19	GRD161J-222	CARBON RESISTOR	2.2K 5% 1/6W	
R 20	GRD161J-102	CARBON RESISTOR	1.0K 5% 1/6W	
R 21	GRD161J-103	CARBON RESISTOR	10K 5% 1/6W	
R 28	GRD161J-512	CARBON RESISTOR	5.1K 5% 1/6W	
R 30	GRD161J-104	CARBON RESISTOR	100K 5% 1/6W	
R 31	GRD161J-123	CARBON RESISTOR	12K 5% 1/6W	
R 32	GRD161J-223	CARBON RESISTOR	22K 5% 1/6W	
R 33	GRD161J-101	CARBON RESISTOR	100 5% 1/6W	
R 34	GRD161J-183	CARBON RESISTOR	18K 5% 1/6W	
R 35	GRD161J-183	CARBON RESISTOR	18K 5% 1/6W	
R 36	GRD161J-222	CARBON RESISTOR	2.2K 5% 1/6W	
R 37	GRD161J-560	CARBON RESISTOR	56 5% 1/6W	
R 40	GRD161J-222	CARBON RESISTOR	2.2K 5% 1/6W	
R 41	GRD161J-222	CARBON RESISTOR	2.2K 5% 1/6W	
R 44	GRD161J-222	CARBON RESISTOR	2.2K 5% 1/6W	
R 45	GRD161J-102	CARBON RESISTOR	E/U	
R 46	GRD161J-103	CARBON RESISTOR	10K 5% 1/6W	
R 47	GRD161J-471	CARBON RESISTOR	470 5% 1/6W	
R 48	GRD161J-102	CARBON RESISTOR	1.0K 5% 1/6W	
R 51	GRD161J-102	CARBON RESISTOR	E/U	
R 52	GRD161J-472	CARBON RESISTOR	4.7K 5% 1/6W	
R 54	GRD161J-222	CARBON RESISTOR	2.2K 5% 1/6W	
R 55	GRD161J-222	CARBON RESISTOR	2.2K 5% 1/6W	
R 56	GRD167J-532	CARBON RESISTOR	3.3K 5% 1/6W	
R 57	GRD161J-102	CARBON RESISTOR	1.0K 5% 1/6W	
R 59	GRD161J-102	CARBON RESISTOR	1.0K 5% 1/6W	
R 60	GRD161J-102	CARBON RESISTOR	1.0K 5% 1/6W	
R 61	GRD161J-102	CARBON RESISTOR	1.0K 5% 1/6W	
R 64	GRD161J-102	CARBON RESISTOR	1.0K 5% 1/6W	
T 2	VGT7A21-112	IFT		
TC 2	QAT3722-200ZM	T-CAPACITOR	MW RF	
TC 3	QAT3722-300ZM	T-CAPACITOR	LW RF	
TP 1	VNZ0015-002	POST PIN	TO ROD ANT	
TP 2	VNZ0015-002	POST PIN	GND	
X 1	VXC5044-001	CRYSTAL		

REF.	PARTS NO.	PARTS NAME	REMARKS	SUFFIX
BP 1	VBPM3B-007Z	P FILTER	BPF	
C 3	QCSB1HK-5R6Y	C-CAPACITOR	5.6PF 10% 50V	
C 6	QCVB1CN-103Y	C-CAPACITOR	.010MF 30% 16V	
C 7	QCS11HJ-200	C-CAPACITOR	20PF 5% 50V	
C 9	QCS11HJ-120	C-CAPACITOR	12PF 5% 50V	
C 13	QCC11EM-223V	C-CAPACITOR	.022MF 20% 25V	
C 16	QCVB1CN-103Y	C-CAPACITOR	.010MF 30% 16V	
C 21	QCC11EM-473V	C-CAPACITOR	.047MF 20% 25V	
C 22	QFP41HJ-431	PP-CAPACITOR	430PF 5% 50V	
C 23	QCT30CH-120Y	C-CAPACITOR	12PF 5% 50V	
C 24	QCSB1HJ-620Y	C-CAPACITOR	62PF 5% 50V	
C 25	QETC1HM-104Z	E-CAPACITOR	.10MF 20% 50V	
C 26	QFP31HJ-181ZM	PP-CAPACITOR	180PF 5% 50V	
C 27	QCS11HJ-101	C-CAPACITOR	100PF 5% 50V	
C 28	QCS11HJ-150	C-CAPACITOR	15PF 5% 50V	
C 31	QCSB1HK-102Y	C-CAPACITOR	100PF 10% 50V	
C 32	QCVB1CN-103Y	C-CAPACITOR	.010MF 30% 16V	
C 33	QET41AM-107	E-CAPACITOR	100MF 20% 10V	
C 35	QCVB1CN-103Y	C-CAPACITOR	.010MF 30% 16V	
C 36	QET41HM-475	E-CAPACITOR	.47MF 20% 50V	
C 37	QCSB1HK-102Y	C-CAPACITOR	100PF 10% 50V	
C 40	QET41HM-105	E-CAPACITOR	1.0MF 20% 50V	
C 41	QET41CM-106	E-CAPACITOR	10MF 20% 16V	
C 42	QCC11EM-473V	C-CAPACITOR	.047MF 20% 25V	
C 43	QCVB1CN-103Y	C-CAPACITOR	.010MF 30% 16V	
C 44	QET41HM-104N	E-CAPACITOR	.10MF 20% 50V	
C 45	QET41HM-474	E-CAPACITOR	.47MF 20% 50V	
C 47	QCC11EM-123V	C-CAPACITOR	.012MF 20% 25V	
C 48	QCC11EM-123V	C-CAPACITOR	.012MF 20% 25V	
C 49	QET41HM-104N	E-CAPACITOR	.10MF 20% 50V	
C 50	QET41HM-104N	E-CAPACITOR	.10MF 20% 50V	
C 51	QCSB1HK-681Y	C-CAPACITOR	680PF 10% 50V	
C 52	QCSB1HK-102Y	C-CAPACITOR	100PF 10% 50V	
C 56	QCSB1HK-102Y	C-CAPACITOR	100PF 10% 50V	
C 60	QCSB1HK-102Y	C-CAPACITOR	100PF 10% 50V	
C 61	QET41AM-107	E-CAPACITOR	100PF 20% 10V	
C 62	QCT30CH-120Y	C-CAPACITOR	12PF 5% 50V	
C 63	QCSB1HK-102Y	C-CAPACITOR	100PF 10% 50V	
C 64	QCT30CH-120Y	C-CAPACITOR	12PF 5% 50V	
C 65	QCSB1HK-102Y	C-CAPACITOR	100PF 10% 50V	
C 68	QCSB1HK-151Y	C-CAPACITOR	150PF 10% 50V	
C 69	QCVB1CN-222Y	C-CAPACITOR	220PF 20% 16V	
C 70	QETC1HM-225ZM	E-CAPACITOR	2.2MF 20% 50V	
C 71	QETC1HM-335Z	E-CAPACITOR	3.3MF 20% 50V	
C 77	QCSB1HK-102Y	C-CAPACITOR	100PF 10% 50V	
CF 1	VCFM3B-106	C FILTER		
CF 3	VCF1Z22-117Z	C FILTER		
CF 4	CMU2-456A05	CERA LOCK		
CN 1	VMC0163-009	CONNECTOR	TO MAIN	
D 1	SVC203SPA-AB-AL	VARI CAP		
D 2	SVC203SPA-AB-AL	VARI CAP		
D 5	1SS133	SI DIODE		
D 6	1SS133	SI DIODE		
D 8	SVC344-AA	VARI CAP		
D 10	SVC344-AA	VARI CAP		
D 12	DSK10C-E	DIODE		
IC 2	TA2008N	IC		
IC 3	LC72136	IC		
L 1	VQF1B20-019	OSC COIL	FM OSC	
L 2	VQC1505-002T	RF COIL	FM RF	
L 3	VQB008B-503	BAR ANTENA	MW/LW RF	
L 4	VQM7U02-404	OSC COIL (MW)	MW OSC	
L 6	VQL7U02-502	OSC COIL (LW)	LW OSC	
L 7	VQP0018-221	INDUCTOR		
L 12	V03047-16	RF COIL	RF COIL	

■ CD amplifier board

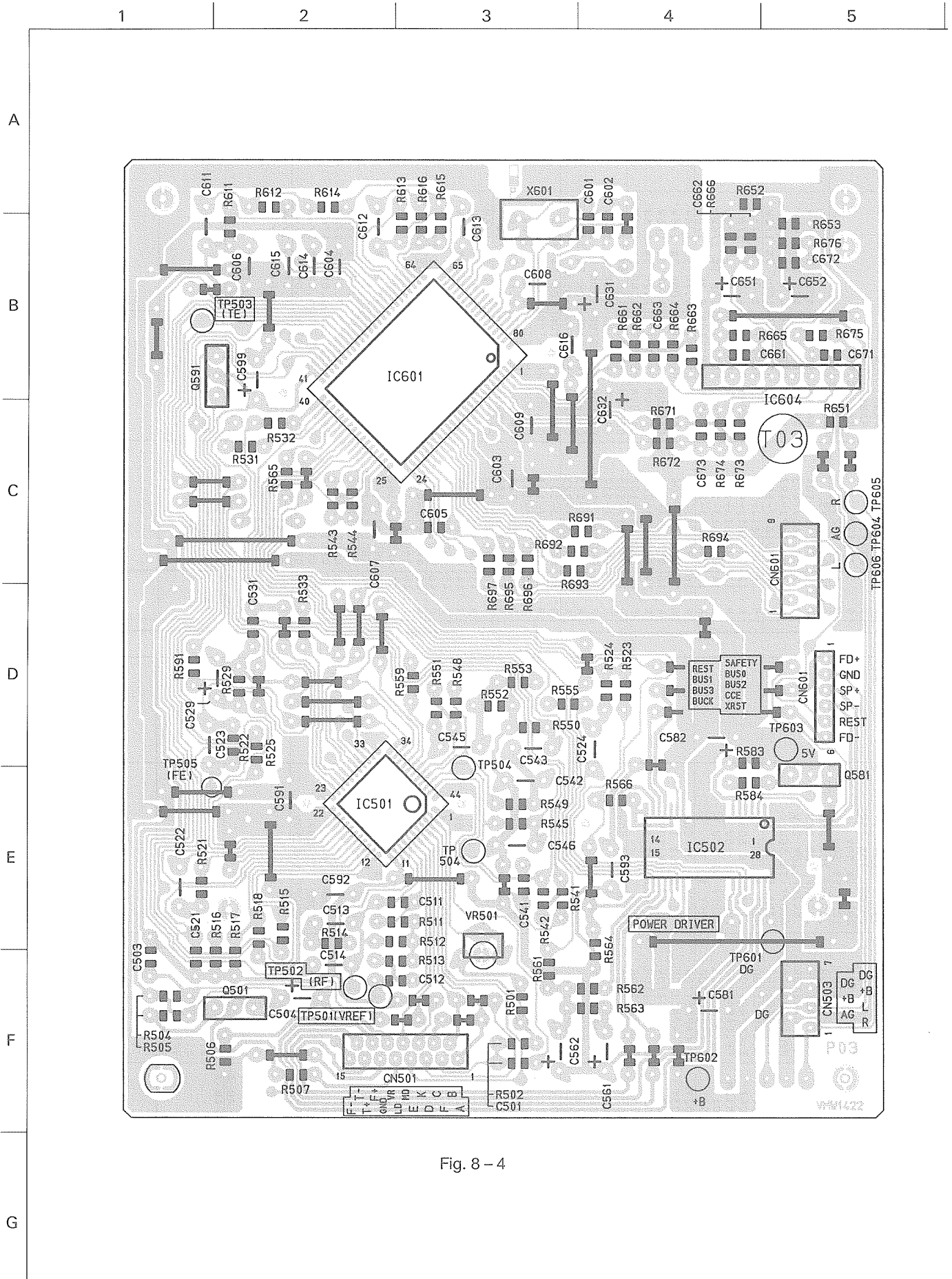


Fig. 8 - 4



● CD amplifier board parts list

REF.	PARTS NO.	PARTS NAME	REMARKS	SUFFIX
A IC501	TA8191F	IC	SERVO LSI	
A IC502	BA6897FP	IC	POWER DRIVER	
IC601	TC92848F	IC	L.P.F	
IC604	BA15218N	IC	LASER APC	
Q 501	2SA952(L,K)	TRANSISTOR	5V REGULATOR	
Q 581	2SA1309(RS)	TRANSISTOR	2VREF	
Q 591	2SA1309(RS)	TRANSISTOR	120K 5% 1/6W	
R 501	QRD161J-124	CARBON RESISTOR	10K 5% 1/6W	
R 502	QRD161J-103	CARBON RESISTOR	2.0K 5% 1/6W	
R 504	QRD161J-202	CARBON RESISTOR	10 5% 1/6W	
R 505	QRD161J-100	CARBON RESISTOR	100 5% 1/6W	
R 506	QRD161J-101	CARBON RESISTOR	12 5% 1/6W	
R 507	QRD161J-120	CARBON RESISTOR	18K 5% 1/6W	
R 511	QRD161J-183	CARBON RESISTOR	3.9K 5% 1/6W	
R 512	QRD161J-392	CARBON RESISTOR	4.7K 5% 1/6W	
R 513	QRD161J-392	CARBON RESISTOR	3.3M 5% 1/6W	
R 514	QRD161J-472	CARBON RESISTOR	4.7K 5% 1/6W	
R 515	QRD161J-103	CARBON RESISTOR	10K 5% 1/6W	
R 516	QRD161J-103	CARBON RESISTOR	10K 5% 1/6W	
R 517	QRD161J-202	CARBON RESISTOR	2.0K 5% 1/6W	
R 518	QRD161J-355Y1	CARBON RESISTOR	3.3M 5% 1/6W	
R 521	QRD161J-154	CARBON RESISTOR	150K 5% 1/6W	
R 522	QRD161J-392	CARBON RESISTOR	3.9K 5% 1/6W	
R 523	QRD161J-472	CARBON RESISTOR	4.7K 5% 1/6W	
R 524	QRD161J-331	CARBON RESISTOR	330 5% 1/6W	
R 525	QRD161J-472	CARBON RESISTOR	4.7K 5% 1/6W	
R 529	QRD167J-562	CARBON RESISTOR	5.6K 5% 1/6W	
R 531	QRD161J-473	CARBON RESISTOR	47K 5% 1/6W	
R 532	QRD161J-104	CARBON RESISTOR	100K 5% 1/6W	
R 533	QRD161J-153	CARBON RESISTOR	15K 5% 1/6W	
R 541	QRD161J-123	CARBON RESISTOR	12K 5% 1/6W	
R 542	QRD167J-332	CARBON RESISTOR	3.3K 5% 1/6W	
R 543	QRD161J-473	CARBON RESISTOR	47K 5% 1/6W	
R 544	QRD161J-223	CARBON RESISTOR	22K 5% 1/6W	
R 545	QRD161J-103	CARBON RESISTOR	10K 5% 1/6W	
R 548	QRD161J-153	CARBON RESISTOR	15K 5% 1/6W	
R 549	QRD161J-821	CARBON RESISTOR	820 5% 1/6W	
R 550	QRD161J-104	CARBON RESISTOR	100K 5% 1/6W	
R 551	QRD161J-223	CARBON RESISTOR	22K 5% 1/6W	
R 552	QRD167J-562	CARBON RESISTOR	5.6K 5% 1/6W	
R 553	QRD161J-821	CARBON RESISTOR	820 5% 1/6W	
R 555	QRD161J-392	CARBON RESISTOR	3.9K 5% 1/6W	
R 559	QRD161J-125	CARBON RESISTOR	1.2M 5% 1/6W	
R 561	QRD167J-562	CARBON RESISTOR	5.6K 5% 1/6W	
R 562	QRD161J-102	CARBON RESISTOR	1.0K 5% 1/6W	
R 563	QRD161J-152	CARBON RESISTOR	1.5K 5% 1/6W	
R 564	QRD167J-332	CARBON RESISTOR	3.3K 5% 1/6W	
R 566	QRD161J-683	CARBON RESISTOR	68K 5% 1/6W	
R 566	QRD161J-273	CARBON RESISTOR	27K 5% 1/6W	
R 583	QRD161J-101	CARBON RESISTOR	100 5% 1/6W	
R 584	QRD161J-331	CARBON RESISTOR	330 5% 1/6W	
R 591	QRD161J-473	CARBON RESISTOR	47K 5% 1/6W	
R 611	QRD161J-102	CARBON RESISTOR	1.0K 5% 1/6W	
R 612	QRD161J-103	CARBON RESISTOR	10K 5% 1/6W	
R 613	QRD161J-224	CARBON RESISTOR	220K 5% 1/6W	

REF.	PARTS NO.	PARTS NAME	REMARKS	SUFFIX
C 501	QCBB1HK-821Y	C-CAPACITOR	820PF 10% 50V	
C 503	QCVC1CN-103Y	C-CAPACITOR	-0.10MF 20% 16V	
C 504	QET41CM-106	E-CAPACITOR	10MF 20% 16V	
C 511	QCSB1HJ-3R9	C-CAPACITOR	3.9PF 10% 50V	
C 512	QCS31HJ-270Z	C-CAPACITOR	27PF 5% 50V	
C 513	QFLC1HJ-104ZM	M-CAPACITOR	-10MF 5% 50V	
C 514	QFLC1HJ-472ZM	M-CAPACITOR	4700PF 5% 50V	
C 521	QCBB1HK-331Y	C-CAPACITOR	330PF 10% 50V	
C 522	QFLC1HJ-473ZM	M-CAPACITOR	-0.47MF 5% 50V	
C 523	QFV81HJ-154	FILM CAPACITOR	1.5MF 5% 50V	
C 524	QFPC1EM-475ZM	NP-E-CAPACITOR	4.7MF 20% 25V	
C 529	QETC1AM-336ZM	E-CAPACITOR	33MF 20% 10V	
C 531	QCVC1CN-822Y	C-CAPACITOR	8200PF 20% 16V	
C 541	QCBB1HK-101Y	C-CAPACITOR	100PF 10% 50V	
C 542	QFLC1HJ-103ZM	M-CAPACITOR	-0.10MF 5% 50V	
C 543	QFLC1HJ-393ZM	M-CAPACITOR	-0.39MF 5% 50V	
C 545	QEN61HM-105Z	NP-E-CAPACITOR	1.0MF 20% 50V	
C 546	QFLC1HJ-223ZM	M-CAPACITOR	-0.22MF 5% 50V	
C 561	QET41AM-476	E-CAPACITOR	47MF 20% 10V	
C 562	QET41HM-475	E-CAPACITOR	4.7MF 20% 50V	
C 581	QET41AM-477	E-CAPACITOR	470MF 20% 10V	
C 582	QEK41CM-476	E-CAPACITOR	47MF 20% 16V	
C 591	VCPO012-105Z	C-CAPACITOR	10MF 20% 10V	
C 592	VCPO012-105Z	C-CAPACITOR	FOR CERA LOCK	
C 593	QCC11EM-104V	C-CAPACITOR	-10MF 5% 50V	
C 599	QEK61AM-107ZM	E-CAPACITOR	10MF 20% 25V	
C 601	QCS11HJ-220	C-CAPACITOR	220PF 20% 10V	
C 602	QCS11HJ-220	C-CAPACITOR	FOR CERA LOCK	
C 603	QFV41HJ-104ZM	FILM CAPACITOR	-10MF 5% 50V	
C 604	QCC11EM-104V	C-CAPACITOR	-10MF 20% 25V	
C 605	QCVC1CN-103Y	C-CAPACITOR	-0.10MF 30% 16V	
C 606	QCC11EM-473V	C-CAPACITOR	-0.47MF 20% 25V	
C 607	QFV41HJ-104ZM	FILM CAPACITOR	-10MF 5% 50V	
C 608	QCC11EM-673V	C-CAPACITOR	-0.67MF 20% 25V	
C 609	QFV41HJ-104ZM	FILM CAPACITOR	-10MF 5% 50V	
C 611	QCS11HJ-101	C-CAPACITOR	100PF 5% 50V	
C 612	QFLC1HJ-103ZM	M-CAPACITOR	-0.10MF 5% 50V	
C 613	QFLC1HJ-103ZM	M-CAPACITOR	-0.10MF 5% 50V	
C 614	QFLC1HJ-332ZM	M-CAPACITOR	3300PF 5% 50V	
C 615	QFLC1HJ-332ZM	M-CAPACITOR	3300PF 5% 50V	
C 616	QCC11EM-103V	C-CAPACITOR	FOR EMC	
C 631	QEK61AM-107ZM	E-CAPACITOR	100MF 20% 10V	
C 632	QER60JM-107	E-CAPACITOR	100MF 20% 6.3V	
C 651	QEK61AM-107ZM	E-CAPACITOR	100MF 20% 10V	
C 652	QEK41CM-226	E-CAPACITOR	22MF 20% 16V	
C 661	QCBB1HK-101Y	C-CAPACITOR	100PF 10% 50V	
C 662	QCBB1HK-101Y	C-CAPACITOR	100PF 10% 50V	
C 663	QCS31HJ-270Z	C-CAPACITOR	27PF 5% 50V	
C 671	QCBB1HK-101Y	C-CAPACITOR	100PF 10% 50V	
C 672	QCBB1HK-101Y	C-CAPACITOR	100PF 10% 50V	
C 673	QCS31HJ-270Z	C-CAPACITOR	27PF 5% 50V	
CN501	EMV7171-115R	15FFC CONNECTOR	TO PICK UP	
CN502	VMC0075-006	CONNECTOR	TO MECHA	
CN503	VMC0163-R07	CONNECTOR	TO AMP	
CN601	VMC0163-R09	CONNECTOR	TO MICOM	

BLOCK NO. 04

REF.	PARTS NO.	PARTS NAME	REMARKS	SUFFIX
R 614	QRD161J-473	CARBON RESISTOR	47K 5% 1/6W	
R 615	QRD161J-225	CARBON RESISTOR	2.2M 5% 1/6W	
R 616	QRD161J-333	CARBON RESISTOR	33K 5% 1/6W	
R 651	QRD161J-820	CARBON RESISTOR	82 5% 1/6W	
R 652	QRD161J-473	CARBON RESISTOR	47K 5% 1/6W	
R 653	QRD161J-473	CARBON RESISTOR	47K 5% 1/6W	
R 661	QRD161J-473	CARBON RESISTOR	47K 5% 1/6W	
R 662	QRD161J-473	CARBON RESISTOR	47K 5% 1/6W	
R 663	QRD161J-473	CARBON RESISTOR	47K 5% 1/6W	
R 664	QRD161J-473	CARBON RESISTOR	47K 5% 1/6W	
R 665	QRD161J-223	CARBON RESISTOR	22K 5% 1/6W	
R 666	QRD161J-223	CARBON RESISTOR	22K 5% 1/6W	
R 671	QRD161J-473	CARBON RESISTOR	47K 5% 1/6W	
R 672	QRD161J-473	CARBON RESISTOR	47K 5% 1/6W	
R 673	QRD161J-473	CARBON RESISTOR	47K 5% 1/6W	
R 674	QRD161J-473	CARBON RESISTOR	47K 5% 1/6W	
R 675	QRD161J-223	CARBON RESISTOR	22K 5% 1/6W	
R 676	QRD161J-223	CARBON RESISTOR	22K 5% 1/6W	
R 691	QRD161J-561	CARBON RESISTOR	560 5% 1/6W	
R 692	QRD161J-561	CARBON RESISTOR	560 5% 1/6W	
R 693	QRD161J-561	CARBON RESISTOR	560 5% 1/6W	
R 694	QRD161J-561	CARBON RESISTOR	560 5% 1/6W	
R 695	QRD161J-561	CARBON RESISTOR	560 5% 1/6W	
R 696	QRD161J-561	CARBON RESISTOR	560 5% 1/6W	
R 697	QRD161J-561	CARBON RESISTOR	560 5% 1/6W	
VR501	QVZ3523-1544Z	V-RESISTOR	TE OFFSET ADJ	
X 601	CSA16.93MXZ040T	CERA LOCK	16.93MHZ	

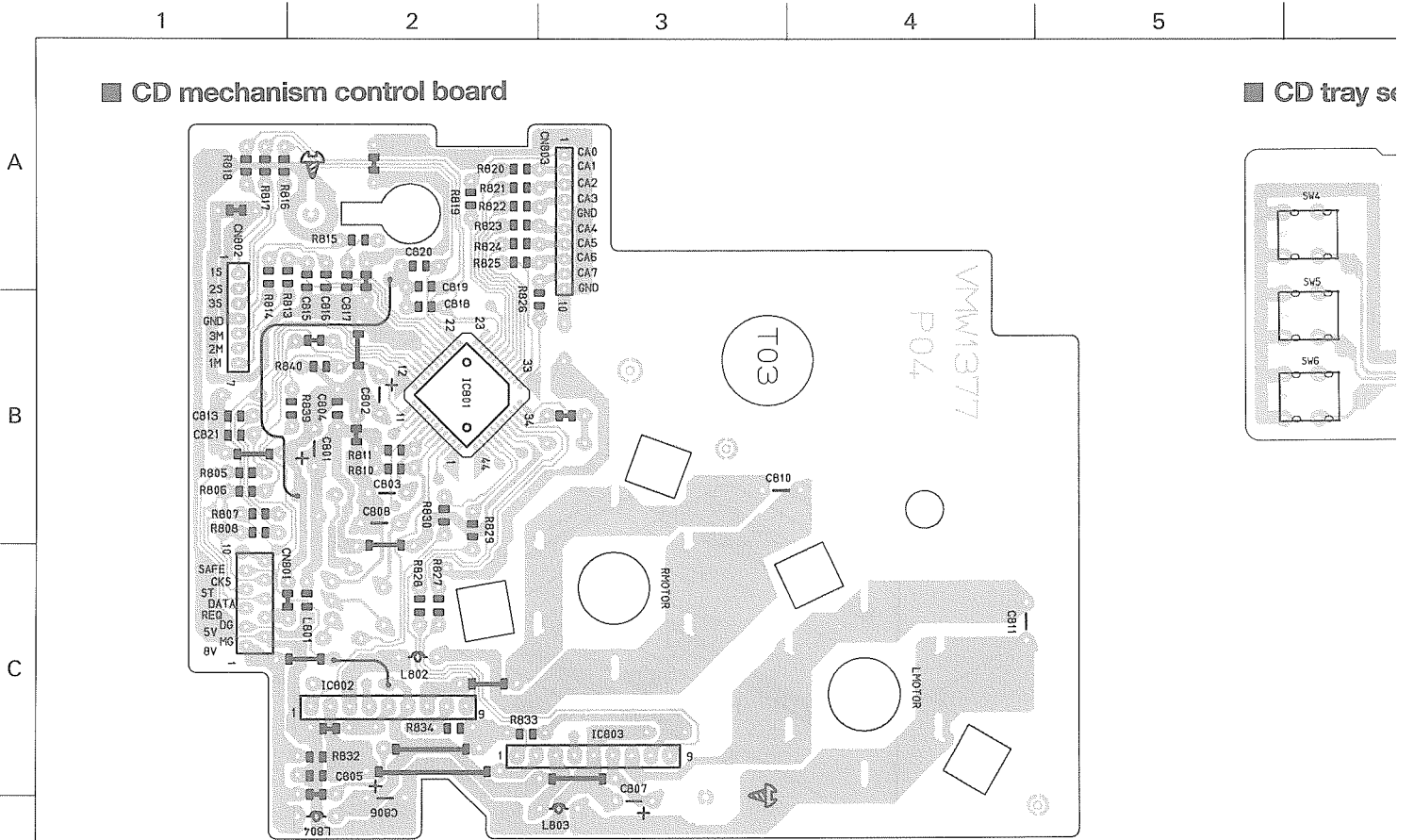


CD mechanism control board parts list

BLOCK NO. 06

REF.	PARTS NO.	PARTS NAME	REMARKS	SUFFIX
C 801	QEK61AM-107Z	E-CAPACITOR	100MF 20% 10V	
C 802	QEK41EM-475	E-CAPACITOR	4.7MF 20% 25V	
C 803	QFLBIHJ-102	M-CAPACITOR	1000PF 5% 50V	
C 804	QCFBIHZ-104Y	C-CAPACITOR	10MF +80% -20%	
C 805	QCVB1CM-103Y	C-CAPACITOR	0.10MF 20% 16V	
C 806	QEK41CM-476	E-CAPACITOR	47NF 20% 16V	
C 807	QEK41CM-476	E-CAPACITOR	47NF 20% 16V	
C 808	QFLBIHJ-102	M-CAPACITOR	1000PF 5% 50V	
C 810	QCZ0205-155	ML-C-CAPACITOR	1.5MF	
C 811	QCZ0205-155	ML-C-CAPACITOR	1.5MF	
C 813	QCVB1CM-103Y	C-CAPACITOR	0.10MF 20% 16V	
C 821	QCBBIHK-102Y	C-CAPACITOR	1000PF 10% 50V	
CN801	VMC0163-R10	CONNECTOR	TO MICON	
CN802	VMC0289-P07	CONNECTOR	TO SWITCH PWB	
CN803	VMC0324-12310	CONNECTOR	TO CAM SW PWB	
IC801	UPD65612GB-208	IC		
IC802	TA8409S	IC		
IC803	TA8409S	IC		
L 801	VQP0018-100	INDUCTOR		
L 803	VQP0033-100Z	INDUCTOR		
L 804	VQP0033-100Z	INDUCTOR		
L 805	QRD161J-102	CARBON RESISTOR	1.0K 5% 1/6W	
R 806	QRD161J-471	CARBON RESISTOR	470 5% 1/6W	
R 807	QRD161J-471	CARBON RESISTOR	470 5% 1/6W	
R 808	QRD161J-102	CARBON RESISTOR	1.0K 5% 1/6W	
R 810	QRD161J-684	CARBON RESISTOR	680K 5% 1/6W	
R 811	QRD161J-105	CARBON RESISTOR	1.0M 5% 1/6W	
R 813	QRD161J-102	CARBON RESISTOR	1.0K 5% 1/6W	
R 814	QRD161J-102	CARBON RESISTOR	1.0K 5% 1/6W	
R 815	QRD161J-102	CARBON RESISTOR	1.0K 5% 1/6W	
R 816	QRD161J-102	CARBON RESISTOR	1.0K 5% 1/6W	
R 817	QRD161J-102	CARBON RESISTOR	1.0K 5% 1/6W	
R 818	QRD161J-102	CARBON RESISTOR	1.0K 5% 1/6W	
R 819	QRD161J-102	CARBON RESISTOR	1.0K 5% 1/6W	
R 820	QRD161J-102	CARBON RESISTOR	1.0K 5% 1/6W	
R 821	QRD161J-102	CARBON RESISTOR	1.0K 5% 1/6W	
R 822	QRD161J-102	CARBON RESISTOR	1.0K 5% 1/6W	
R 823	QRD161J-102	CARBON RESISTOR	1.0K 5% 1/6W	
R 824	QRD161J-102	CARBON RESISTOR	1.0K 5% 1/6W	
R 825	QRD161J-102	CARBON RESISTOR	1.0K 5% 1/6W	
R 826	QRD161J-102	CARBON RESISTOR	1.0K 5% 1/6W	
R 827	QRD161J-102	CARBON RESISTOR	1.0K 5% 1/6W	
R 828	QRD161J-102	CARBON RESISTOR	1.0K 5% 1/6W	
R 829	QRD161J-102	CARBON RESISTOR	1.0K 5% 1/6W	
R 830	QRD161J-102	CARBON RESISTOR	1.0K 5% 1/6W	
R 832	QRD161J-181	CARBON RESISTOR	180 5% 1/6W	
R 833	QRD161J-102	CARBON RESISTOR	1.0K 5% 1/6W	
R 834	QRD161J-102	CARBON RESISTOR	1.0K 5% 1/6W	
R 839	QRD167J-332	CARBON RESISTOR	3.3K 5% 1/6W	
R 840	QRD167J-562	CARBON RESISTOR	5.6K 5% 1/6W	

Fig. 8 - 5



CD tray select switch board parts list

BLOCK NO. 05

REF.	PARTS NO.	PARTS NAME	REMARKS	SUFFIX
CN804	VMC0289-S07	CONNECTOR		

6 | 7 | 8 | 9 | 10

tray select switch board

■ Cam switch board

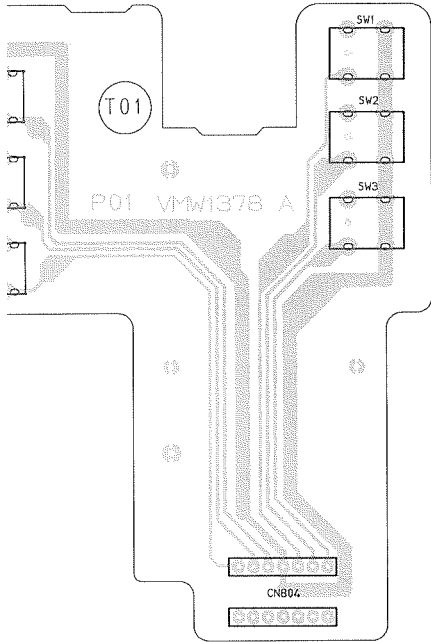


Fig. 8 - 6

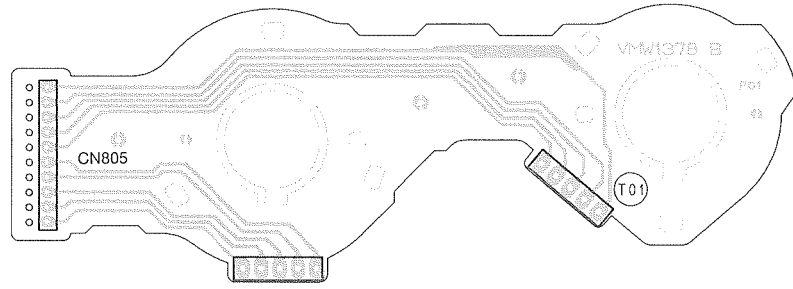


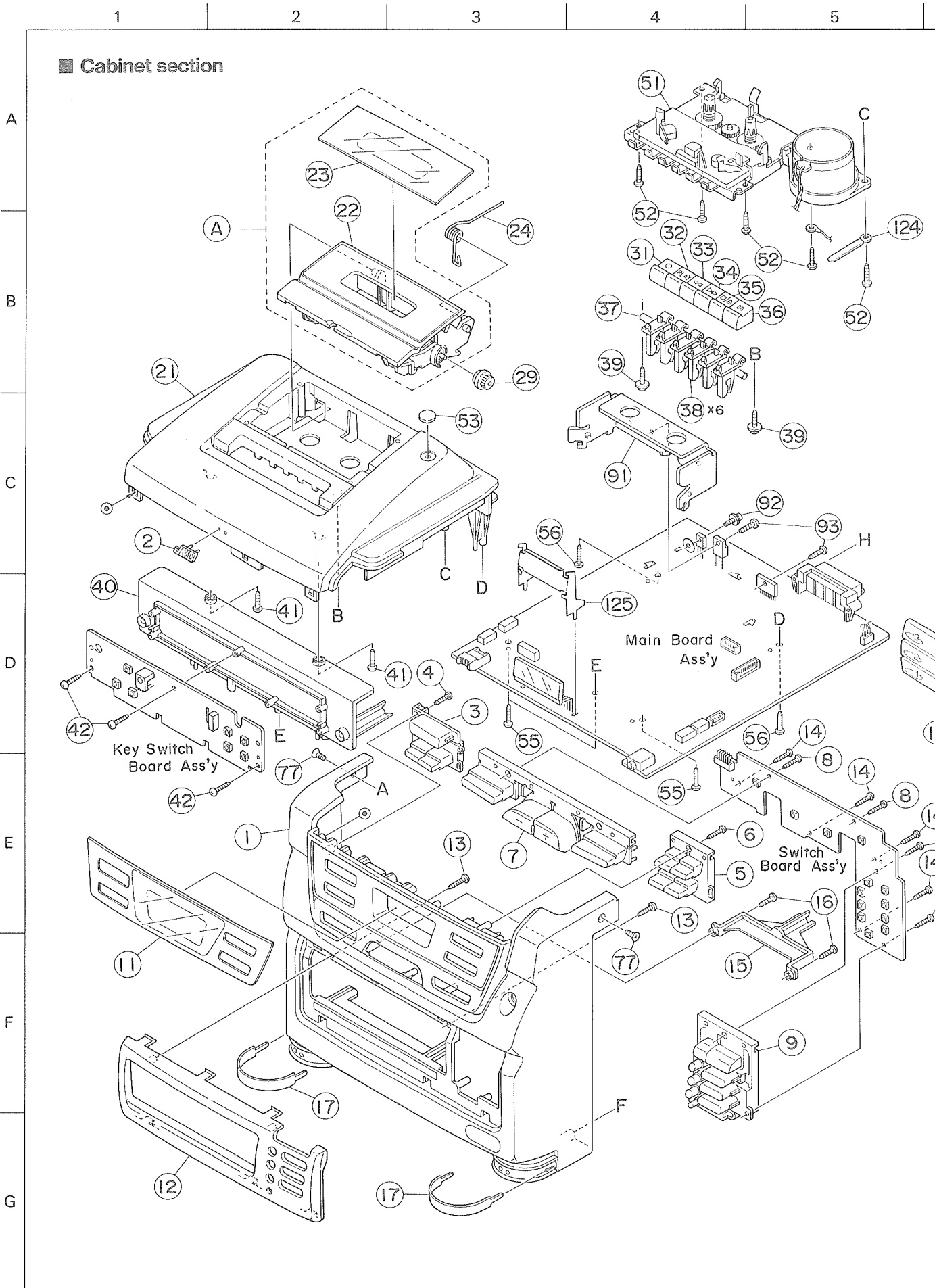
Fig. 8 - 7

REF.	PARTS NO.	PARTS NAME	REMARKS	SUFFIX
▲ CN804	VMC0289-S07	CONNECTOR		
SW 1	0SECC001-E03	LEVER SWITCH		
SW 2	0SECC001-E03	LEVER SWITCH		
SW 3	0SECC001-E03	LEVER SWITCH		
SW 4	0SECC001-E03	LEVER SWITCH		
SW 5	0SECC001-E03	LEVER SWITCH		
SW 6	0SECC001-E03	LEVER SWITCH		

● Cam switch board parts list

REF.	PARTS NO.	PARTS NAME	REMARKS	SUFFIX
▲ CN805	VMC0325-010	CONNECTOR	FOR CAM SWITCH	

# 9 Exploded View of Enclosure Assembly









## ● Enclosure assembly parts list

BLOCK NO. M3MM

△	REF.	PARTS NO.	PARTS NAME	REMARKS	QTY	SUFFIX	CLR
	A	ZCPCXC7K-CB	CASSETTE DOOR	NO.22-23	1		
	1	VJG1384-002	FRONT CABINET		1		
	2	PQ45130-1-1	JVC MARK		1		
	3	VXP3771-001	PUSH BUTTON(A)	POWER	1		
	4	SBSF2610Z	SCREW	F.CAB+BUTTON(A)	1		
	5	VXP3772-001	PUSH BUTTON(B)	BAND SEARCH	1		
	6	SBSF2610Z	SCREW	F.CAB+BUTTON(B)	1		
	7	VXP3757-001	PUSH BUTTON(C)	VOLUME	1		
	8	SBSF2610Z	SCREW	F.CAB+BUTTON(C)	2		
	9	VXP3758-001	PUSH BUTTON(D)	DISC 1.2.3	1		
	10	SBSF2610Z	SCREW	F.CAB+BUTTON(D)	2		
	11	VJD3991-001	LCD LENS		1		
	12	VJD2465-001	FRONT COVER		1		
	13	SBSF2610Z	SCREW	F.CAB+F.COVER	2		
	14	SBSF2610Z	SCREW	F.CAB+SW PWB	4		
	15	VYH3916-001	HOLDER		1		
	16	SBSF3010Z	SCREW	F.CAB+HOLDER	2		
	17	VJD5483-002	FOOT PLATE		2		
	21	VJG1395-002	TOP COVER		1		
	22	VJT2365-001	CASSETTE DOOR		1		
	23	VJT4230-001	DOOR LENS		1		
	24	VKW5218-001	DOOR SPRING		1		
	29	VYH7366-001MM	GEAR	F.CAB+BUTTON(B)	1		
	31	VXP2116-001	MECHA BUTTON	REC	1		
	32	VXP2116-002	MECHA BUTTON	PLAY	1		
	33	VXP2116-003	MECHA BUTTON	REW	1		
	34	VXP2116-004	MECHA BUTTON	FF	1		
	35	VXP2116-005	MECHA BUTTON	STOP/EJECT	1		
	36	VXP2116-006	MECHA BUTTON	PAUSE	1		
	37	VYH7877-002	SHAFT		1		
	38	VYH7883-002	BUTTON LEVER		6		
	39	E65923-001	TAPPING SCREW	SHAFT	2		
	40	VYH2316-001	CHASSIS		1		
	41	SBSF3010Z	SCREW	TOP+CHASSIS	2		
	42	SBSF3010Z	SCREW	CHASSIS+SW PWB	3		
	51	-----	CASSETTE MECHA		1		
	52	SBSF3010Z	SCREW	TOP+MECHA	5		
	53	VJD5458-004	PLATE	MOTOR AJAST	1		
	55	SBSF3010Z	SCREW	TOP+ MAIN PWB	3		
	56	SBSF3010Z	SCREW	CHASSIS+MAIN PW	2		
	61	VJG1385-002	REAR CABINET		1		
	62	VJH2016-002	HANDLE		1		
	63	VJC2555-001	BATTERY COVER		1		
	64	VYH5657-002	BATTERY SPRING		1		
	65	E65923-004	TAPPING SCREW	BATT SPRING	1		
	66	VYH8075-001	PROTECTOR SHEET	FOR BATTERY	1		
△	67	FMJA3001-00A(D)	ROD ANT ASS'Y	JSC VJA3001-A(C)	1		
	68	SDSP3016N	SCREW	ANTENNA	1		
	69	VYSA1R4-056	SPACER		1		
	70	VYH5012-005SS	TERMINAL LUG	FOR ANTENNA	1		
	71	VYH8095-001	PROTECTOR SHEET	FOR BATTERY	1		
	72	SBSF3010Z	SCREW	TRANS	4		
	73	VYH3933-001	SHIELD		1		
	74	VMA4685-001	BARRIER		1		
	76	SDSF3065Z	SCREW	FRONT+REAR	6		

BLOCK NO. M3MM

REF.	PARTS NO.	PARTS NAME	REMARKS	QTY	SUFFIX	CLR
77	SSSF3010M	SCREW	FRONT+HANDLE	2		
78	SBSF3010Z	SCREW	REAR+AC SOKET	2		
79	SBSF3010Z	SCREW	SP TERMINAL	1		
80	VYH8066-001	AC BRACKET	FOR AC SOCKET	1		
82	VYH8050-001	TUNER HOLDER		1		
83	SBSF3014Z	SCREW	FOR T.HOLDER	2		
84	VYN7070-008T	NAME PLATE		1	G	
	VYN7070-005T	NAME PLATE		1	B,E	
	VYN7070-009T	NAME PLATE		1	EN	
85	VMA4695-001	SHIELD	FOR POWER SUPPL	1		
86	QHX5080-001	WIRE CLAMP	FOR POWER SUPPL	1		
87	VYH5483-001	BATTERY SPRING	FOR UM-1	1		
88	VMZ0125-001Z	FUSE CLIP	FOR F991-F993	6		
89	E70891-001	CLASS 1 LABEL		1		
91	VYH3919-001	HEAT SINK		1		
92	DPSP3010Z	SCREW	IC	1		
93	SBSF3010Z	SCREW	POWER TRANSISTA	2		
94	E406709-001	LASER CAUTION		1		
100	-----	CHANGER MECHA	ASS'Y	1		
101	VJD3992-001	TRAY FITTING(A)		1		
102	VJD3992-002	TRAY FITTING(B)		1		
103	VJD3992-003	TRAY FITTING(C)		1		
104	VMA4620-001	SHIELD	FOR CD PWB	1		
105	VMA4658-001	SHIELD CASE	BURIKI	1		
106	SBSF3010Z	SCREW	FOR SHIELD CASE	2		
110	VYSA1R2-033	SPACER		1		
123	VYSA1R4-056	SPACER		1		
124	VKZ4001-110	WIRE CLAMP		1		
125	VYH3911-001	LCD HOLDER		1		
126	VND4003-071	FUSE LABEL	FOR F992 T2.5A	1		
F 992	QMF51E2-2R5J1	FUSE	2ND	1		
F 993	QMF51E2-2R5J1	FUSE	FOR DC	1		
T 991	VTP57J2-12B	POWER TRANS		1		

■ Speaker section

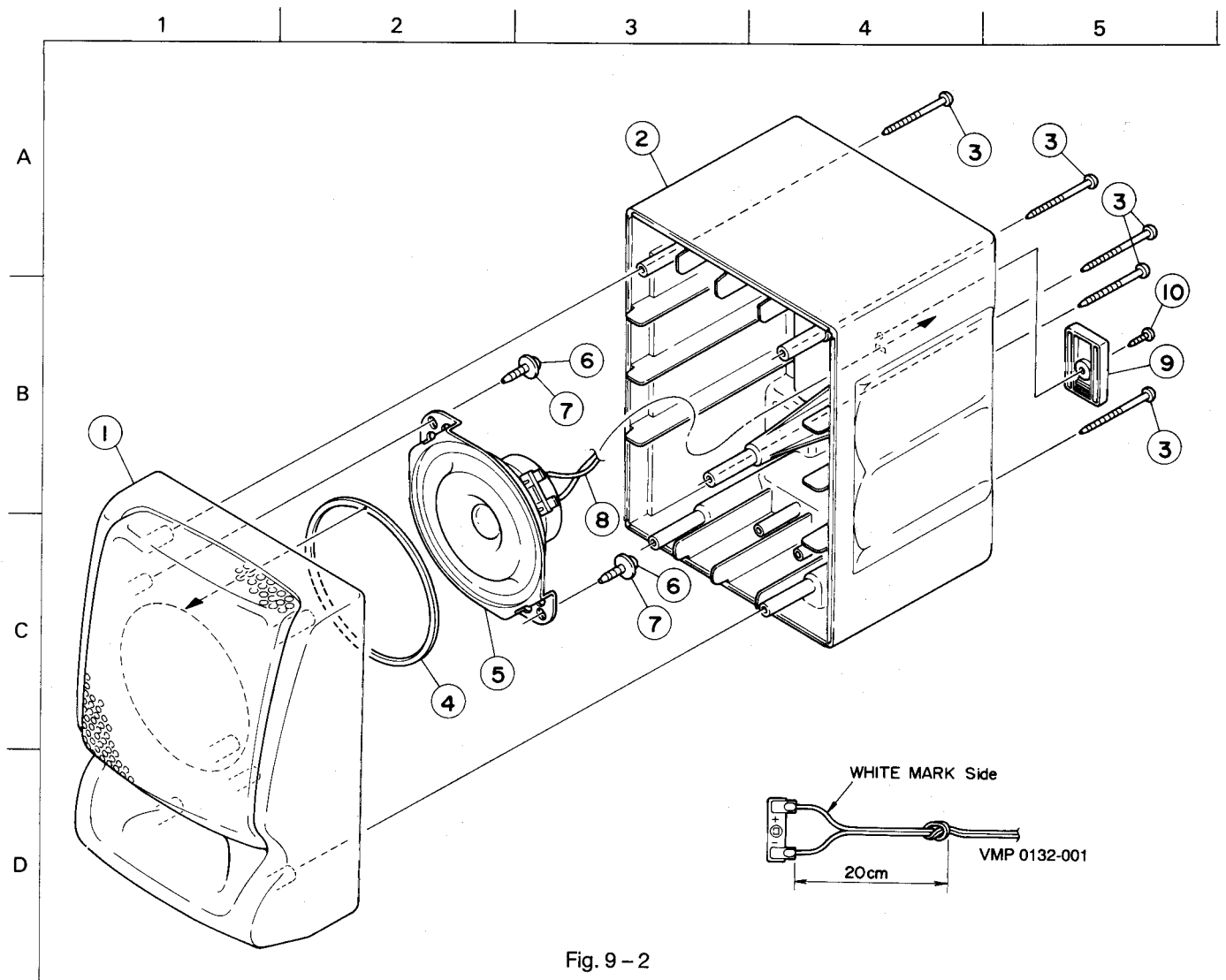


Fig. 9-2

● Speaker section parts list

BLOCK NO. **M5MM** | | | |

△	REF.	PARTS NO.	PARTS NAME	REMARKS	QTY	SUFFIX	CLR
S	1	VJC2556-00C VJC2556-00D	SP F.ASS'Y(L) SP F.ASS'Y(R)		1 1		
S	2	VJG1387-002 VJG1388-002	SP R.CABINET(L) SP R.CABINET(R)		1 1		
S	3	SBSF3050Z	SCREW	FRONT+REAR	5		
S	4	VYSH201-013	SPACER	SP.F.CABINET	1		
S	5	VGS1001-020	SPEAKER		1		
S	6	SBSF3010Z	SCREW	SPEAKER	2		
S	7	VYH8069-001	WASHER	SPEAKER	2		
S	8	VMP0132-001	SPEAKER CORD		1		
S	9	VJD5470-001	CORD HOLDER		1		
S	10	SBSF3010Z	SCREW		1		

# 10 Exploded View of Mechanism Assembly

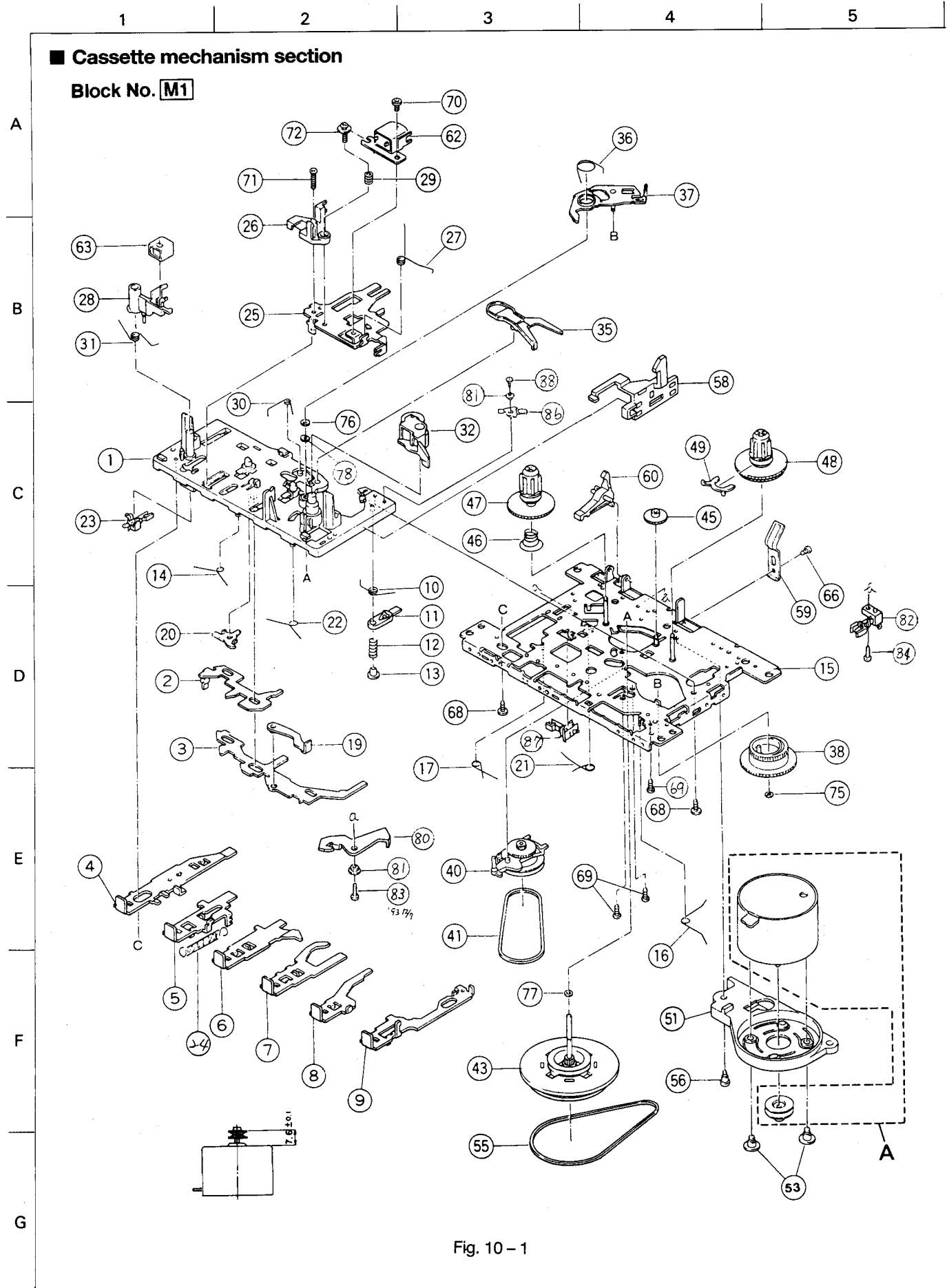


Fig. 10 - 1



● Cassette mechanism parts list

BLOCK NO. M1MM

△	REF.	PARTS NO.	PARTS NAME	REMARKS	QTY	SUFFIX	CLR
	1	192114316T	BASE ASS'Y		1		
	2	19211409T	SWITCH ACTUATOR		1		
	3	19211438T	PUSH B.ACTUATOR		1		
	4	19211422T	BUTTON LEVER	REC	1		
	5	19211484T	BUTTON LEVER	PLAY	1		
	6	19211424T	BUTTON LEVER	REW	1		
	7	19211425T	BUTTON LEVER	FF	1		
	8	19211466T	BUTTON LEVER	STOP	1		
	9	19211461T	BUTTON LEVER	PAUSE	1		
	10	19211413T	P CONT. SPRING		1		
	11	19211455T	PAUSE LEVER (E)		1		
	12	19211412T	SPRING		1		
	13	19211411T	PAUSE STOPPER		1		
	14	19211414T	TORSION SPRING		1		
	15	192101501ZT	CHASSIS ASS'Y		1		
	16	19211416T	TORSION SPRING		1		
	17	19211417T	TORSION SPRING		1		
	19	19211464T	E KICK LEVER		1		
	20	19211420T	STOPPER		1		
	21	19211421T	TORSION SPRING		1		
	22	19211415T	TORSION SPRING		1		
	23	MSW-1541T	LEAF SWITCH	640101149T	1		
	24	18210150T	B.LEVER SPRING		1		
	25	19210313T	HEAD PANEL		1		
	26	19210304AT	HEAD BASE		1		
	27	19210309T	PANEL P SPRING		1		
	28	19210305T	MAGNET HEAD ARM		1		
	29	18210307T	AZIMUTH SPRING		1		
	30	19211418T	TORSION SPRING		1		
	31	19210310T	MG ARM SPRING		1		
	32	192104309T	P.ROLL.ARM ASSY		1		
	35	19212604TT	SENSING LEVER		1		
	36	19212605T	TORSION SPRING		1		
	37	19212650ZT	GEAR PLATE ASSY		1		
	38	19212602T	CAM GEAR		1		
	40	192107304T	RF CLUTCH ASS'Y		1		
	41	18210711T	RF BELT		1		
	43	192109303ZT	FLYWHEEL ASS'Y		1		
	45	18211070T	F.FORWARD GEAR		1		
	46	18211099T	BACK T.SPRING	BACK TENSION	1		
	47	192105304T	S. REEL ASS'Y		1		
	48	192105303T	T. REEL ASS'Y		1		
	49	19210506T	SENSOR		1		
	51	19211208T	MOTOR BRACKET		1		
	53	19211202T	COLLAR SCREW		2		
	55	19210923T	MAIN BELT		1		
	56	19211203T	MB SCREW		1		
	58	19211301T	EJ. SLIDE LEVER		1		
	59	18291001T	PACK SPRING		1		
	60	18211069T	REC.SAF.LEVER		1		
	62	MS15R-AA2N1	R/P HEAD	62020175T	1		
	63	PH-K380-MS1-6A	E HEAD	62091010T	1		
	66	91790000T	TAPPING SCREW	M2 X 3	1		
	68	96790000T	TAPPING SCREW	M2 X 5	2		







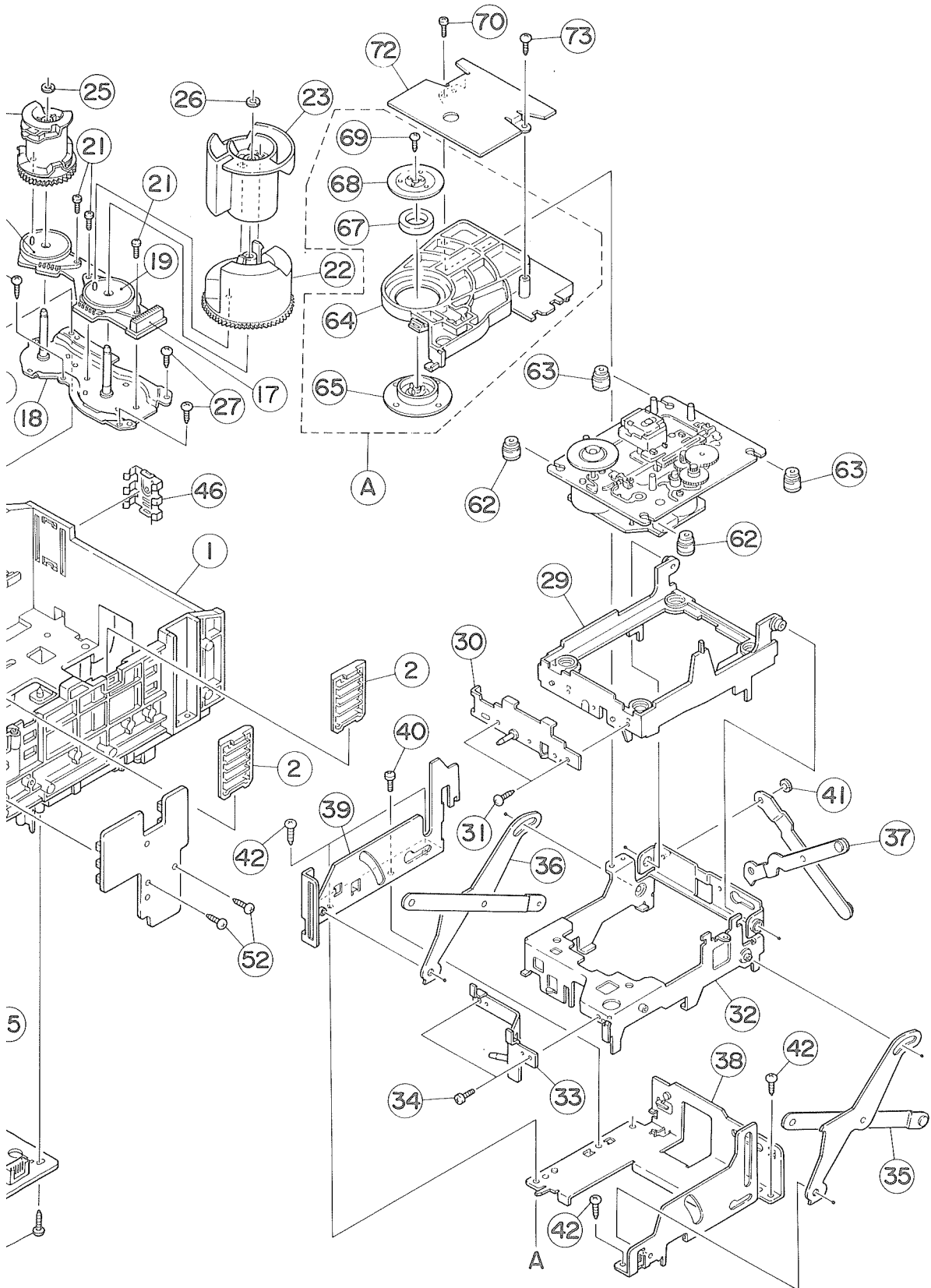


Fig. 10-2



## ● CD changer mechanism assembly parts list

BLOCK NO. M4MM

△	REF.	PARTS NO.	PARTS NAME	REMARKS	QTY	SUFFIX	CLR
	A	VKS3703-00DMM	CLAMPER ASS'Y	NO.64-65,67-69	1		
	1	VKS1144-003	CHASSIS		1		
	2	VKS3698-003	TRAY GUIDE		2		
	3	VKS5532-003	PULLEY GEAR		2		
	4	VKB3000-164	BELT		2		
	5	VKS5505-003	GEAR B		2		
	6	VKS5506-002	GEAR C		3		
	7	VKS5507-002	CROSS GEAR U		1		
	8	VKS5508-002	CROSS GEAR L		1		
	9	VKS5510-003	SELECT LEVER		1		
	10	VKH5769-001	S.G.SHAFT		1		
	11	VKS5511-002	SELECT GEAR		1		
	12	VKW5155-003	COMP.SPRING	FOR SELECT GEAR	1		
	13	VKM3846-002	GEAR BRACKET		1		
	14	VKS5509-002MM	CYLINDER GEAR		1		
	15	MSN5D257A-SA2	D.C.MOTOR ASS'Y		2		
	16	DPSP2616Z	SCREW	FOR GEAR BKT	2		
	17	VMC0325-010	CONNECTOR		1		
	18	VKM3825-00AMM	C.G.BASE ASS'Y		1		
	19	VKZ3172-00AMM	CAM SW. R ASS'Y		1		
	20	VKZ3173-00AMM	CAM SW. L ASS'Y		1		
	21	SPST2606Z	SCREW	FOR CAM SW.	3		
	22	VKS2263-002MM	CAM R1		1		
	23	VKS2264-002MM	CAM R2		1		
	24	VKS2265-002MM	CAM GEAR L		1		
	25	WDL316050	SLIT WASHER	FOR CAM GEAR L	1		
	26	WDL316050	SLIT WASHER	FOR CAM R2	1		
	27	SBSF2608Z	SCREW	FOR C.GEAR BASE	4		
	28	VKS3702-00FMM	DRIVE UNIT		1		
	29	VKS2247-004	M.HOLDER A ASSY		1		
	30	VKL7767-00B	BRACKET ASS'Y		1		
	31	SBSF2606Z	SCREW	FOR BKT ASS'Y	2		
	32	VKM3860-00A	M.HOLDER B ASSY		1		
	33	VKL7802-00C	M.HOLDER C ASSY		1		
	34	SDST2604Z	SCREW	FOR M.HOLDER C	2		
	35	VKL7810-00A	LIFTER ASS'Y R		1		
	36	VKL7811-00A	LIFTER ASS'Y L		1		
	37	VKL7812-00A	LIFTER ASS'Y H		1		
	38	VKL2732-002	LIFTER BASE		1		
	39	VKM3823-001	LIFTER BRACKET		1		
	40	SDST2604Z	SCREW	FOR LIFTER BKT	1		
	41	WDL266035-2	SLIT WASHER	FOR L.ASS'Y (H)	1		
	42	SBSF2608Z	SCREW	FOR L.BKT, L.B.	4		
	43	VKS5514-002MM	LOCK LEVER		3		
	44	VKY3133-002MM	RETURN SPRING		1		
	45	SBSF2608Z	SCREW	FOR R.SPRING	1		
	46	VKY3134-003MM	CLICK SPRING		1		
	47	VKS2252-00DMM	TRAY ASS'Y		3		
	48	VKS2250-003	TOP BRACKET		1		
	49	VKS5515-002	S.TRAY STOPPER		1		
	50	VKW5156-004	TORSION SPRING	FOR T.STOPPER	1		
	51	SBSF2608Z	SCREW	FOR TOP BKT	3		
	52	SBSF2608Z	SCREW	FOR SHASSIS+PCB	4		
	62	FMYH4003-002	INSULATOR		2		
	63	FMYH4003-001	INSULATOR		2		
	64	VKS3703-00DMM	CLAMPER BASE		1		
	65	VKS3697-001	CLAMPER		1		
	67	VYH7313-003	MAGNET		1		
	68	VKL7757-001	YOKE		1		
	69	SBSF2606Z	SCREW		1		
	70	SPST2606Z	SCREW		1		
	71	VKW5187-001	ROD		1		
	72	VYH3897-001	SHIELD		1		
	73	SBSF3010Z	SCREW		1		

■ CD mechanism section

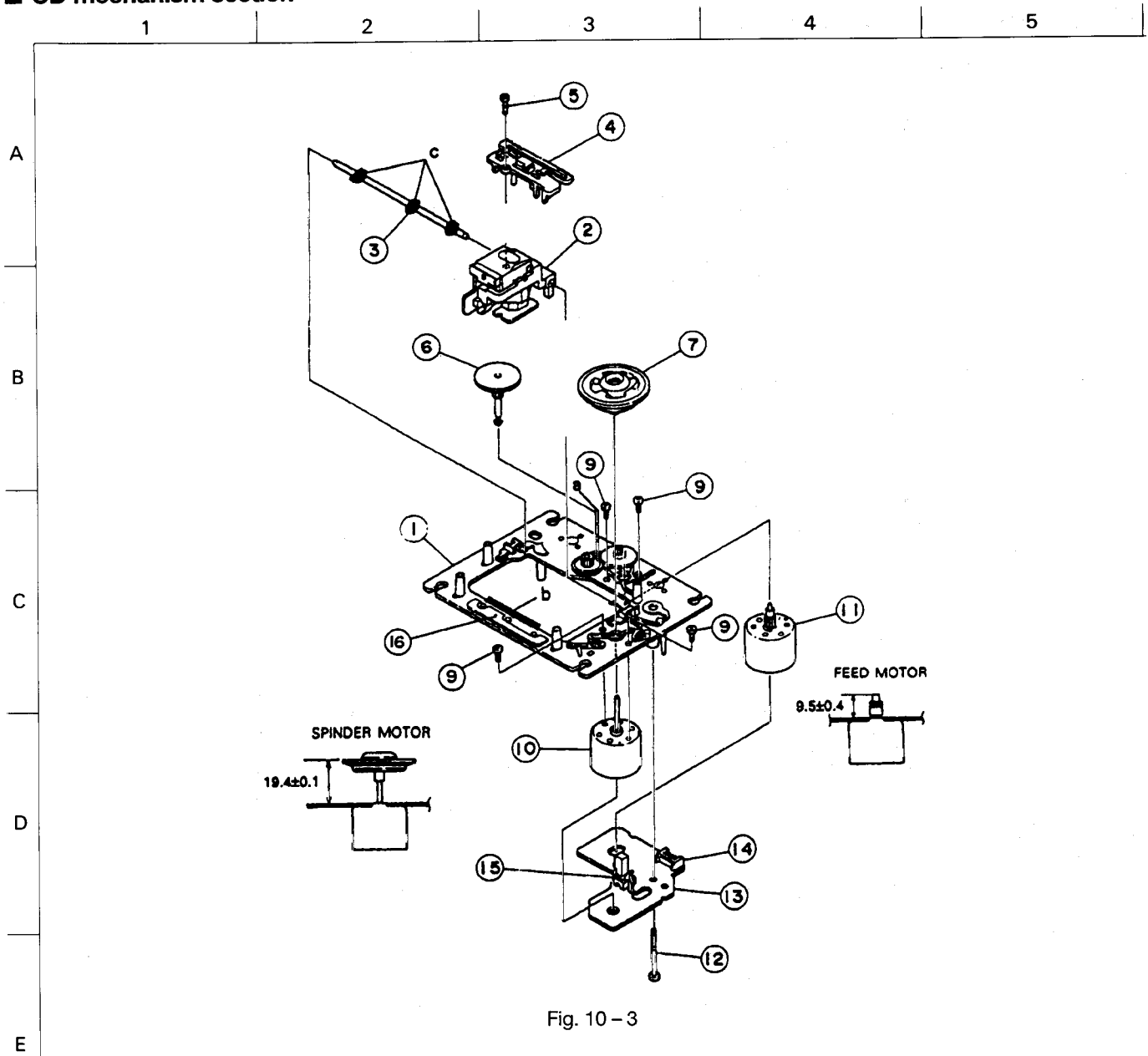


Fig. 10-3

● CD mechanism section parts list

BLOCK NO.

REF.	PARTS NO.	PARTS NAME	REMARKS	QTY	SUFFIX	CLR
1	EPB-002A	MECHA BAES ASSY		1		
2	OPTIMA-6S	CD PICK-UP UNIT		1		
3	E406777-001	PIC-UP SHAFT		1		
4	E307746-001	CD RACK		1		
5	SDSF2006Z	SCREW	CD LACK ASS'Y	1		
6	EPB-003A	MECHA GEAR		1		
7	EPB309173A	CD T.TABLE ASSY		1		
9	SDSP2003N	SCREW	FOR MOTOR	4		
10	E406783-001	SP MOTOR	SPINDL MOTOR	1		
11	E406784-001SA	DC MOTOR ASS'Y	FEED MOTOR	1		
12	E75832-001	SPECIAL SCREW	M.REAF SWITCH	1		
13	EMW10190-001	PRINTED BOARD	LEAF SWITCH	1		
14	EMV5109-006B	6P PLUG ASSY		1		
15	ESB1100-005	LEAF SWITCH		1		
16	E407212-001	LR DAMPER		1		

# 11 Illustration of Packing and Parts List

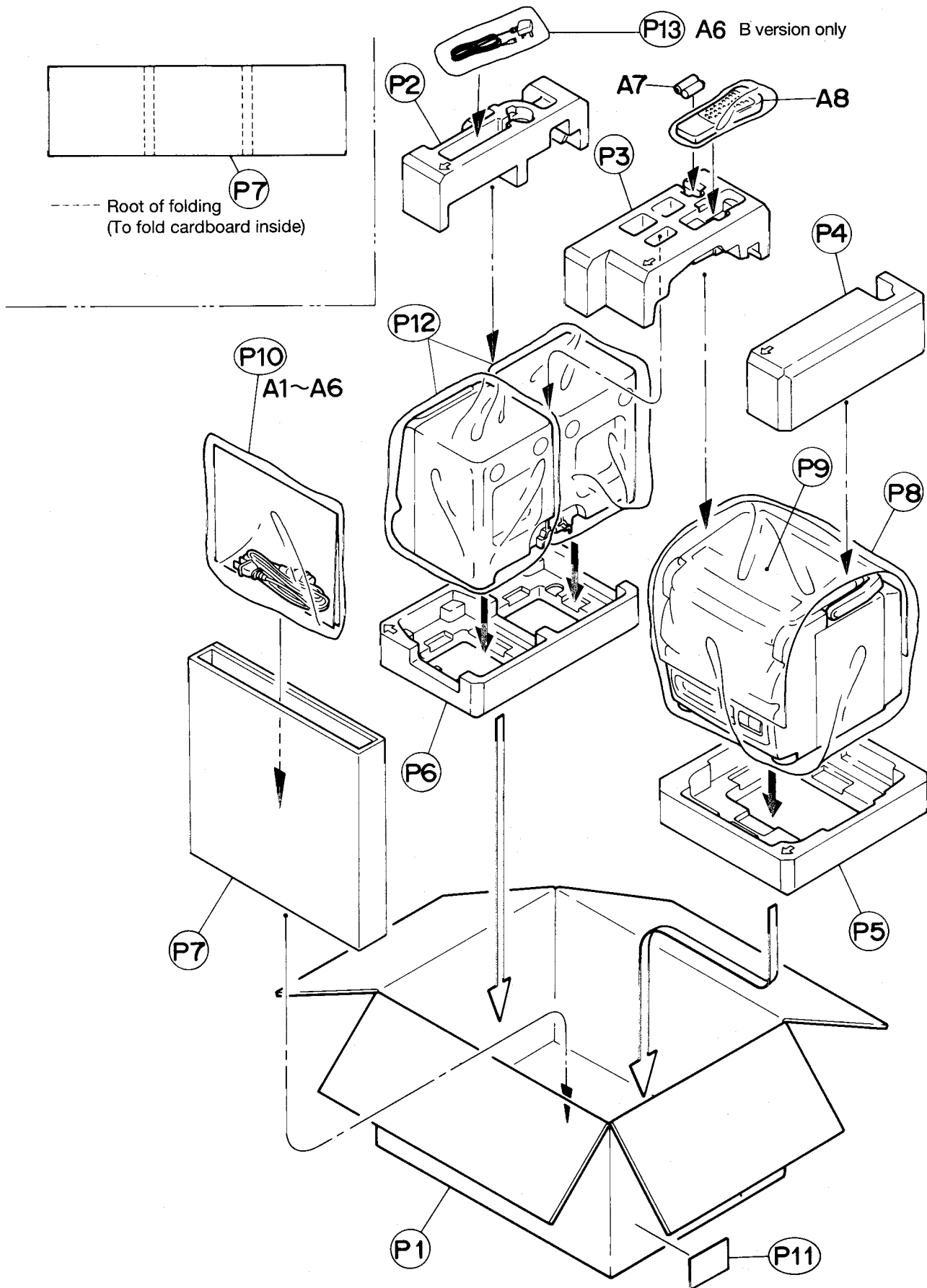


Fig. 11-1

● Packing parts list

BLOCK NO. M6MM [ ] [ ] [ ] [ ]

△	REF.	PARTS NO.	PARTS NAME	REMARKS	QTY	SUFFIX	CLR
	P 1	VPC7070-001	CARTON		1		
	P 2	VPH1684-001	CUSHION(U.L)		1		
	P 3	VPH1684-002	CUSHION(U.C)		1		
	P 4	VPH1684-003	CUSHION(U.R)		1		
	P 5	VPH1684-004	CUSHION(BOTTOM)		1		
	P 6	VPH1691-001	CUSHION(SP.B)		1		
	P 7	VPK4325-001	PAD		1		
	P 8	VPE3026-005	POLY BAG		1		
	P 9	VPK4002-025	SHEET		1		
	P 10	VPE3005-007	POLY BAG	INSTRUCTIONS	1		
	P 11	-----	CARTON LABEL		1		
	P 12	VPE3026-006	POLY BAG	SP,(R)	1		
		VPE3026-006	POLY BAG	SP,(L)	1		
	P 13	QPGA015-03503	POLY BAG	FOR 3PIN P.CORD	1	B	

● Accessories

BLOCK NO. M6MM [ ] [ ] [ ] [ ]

△	REF.	PARTS NO.	PARTS NAME	REMARKS	QTY	SUFFIX	CLR
△	A 1	VNN7070-671M	INSTRUCTIONS		1	B	
△		VNN7070-251M	INSTRUCTIONS		1	E	
△		VNN7070-271M	INSTRUCTIONS		1	EN	
△		VNN7070-261M	INSTRUCTIONS		1	E,EN,G	
	A 2	E43486-340B	SAFETY INST SHE		1	B	
	A 3	BT-54003-1	WARRANTY CARD		1	B	
		BT-20135	WARRANTY CARD		1	G	
	A 4	BT-20066A	SERVICE NET LIS		1	B	
△	A 6	QMP39F0-183E	POWER CORD		1	E,EN,G	
△		QMP5520-183BS	POWER CORD		1	B	
	A 7	R6PRPA-2STSA	BATTERY		2		
	A 8	VGR0042-401	REMO-CON UNIT	RM-RXP7	1		



VICTOR COMPANY OF JAPAN, LIMITED  
AUDIO PRODUCTS DIVISION

10-1, 1-chome, Ohwatari-machi, Maebashi-city, Japan

