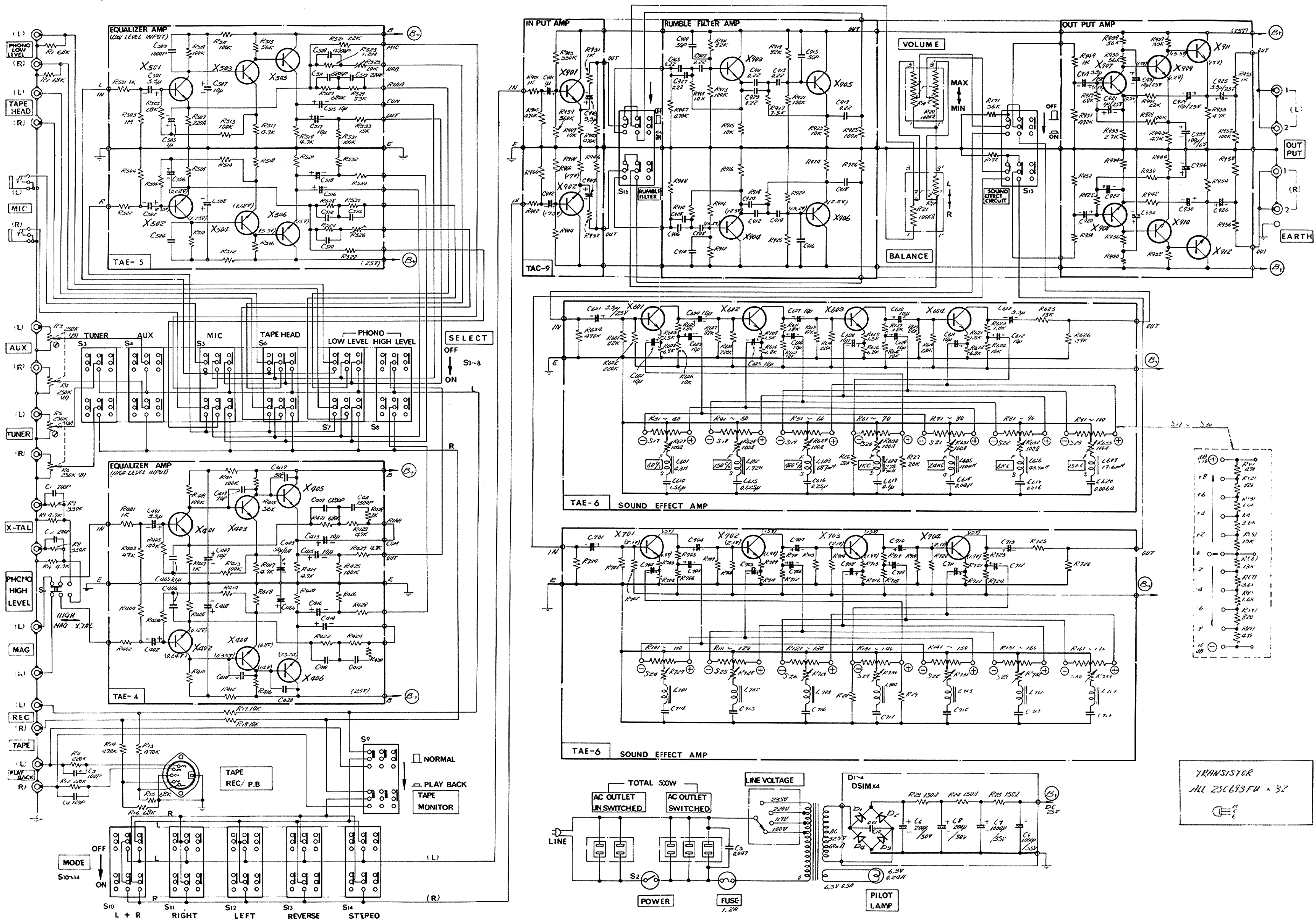


Schematic Diagram Model 5012/MST-1000E





Schematic Diagram Model 5011/PST-1000E