

JVC

SERVICE MANUAL

MODEL

QL-10

Contents ■ TT-101 ■ UA-7045 ■ CL-P1

QUARTZ-LOCKED DIRECT DRIVE TURNTABLE



JVC's Model QL-10 Turntable consists of a TT-101 Turntable, UA-7045 Tonearm and CL-P1 Base Board, which are sold separately. The QL-10 Turntable is precision adjusted at the JVC factory to ensure a perfectly balanced system.

For details of the structure, operation, adjustment, troubleshooting and parts list, refer to the service manuals for the TT-101 Turntable, UA-7045 Tonearm and CL-P1 Base Board. The QL-10 Turntable has its own particular packing. Therefore, be sure to read the item describing Unpacking and Setting-up in the chapter "PREPARATION" carefully.

This service manual covers the following areas:

U.S.A.	Australia
Canada	U.K.
PACEX, NEX, EES	Europe
(Military market)	Other territories

CONTENTS

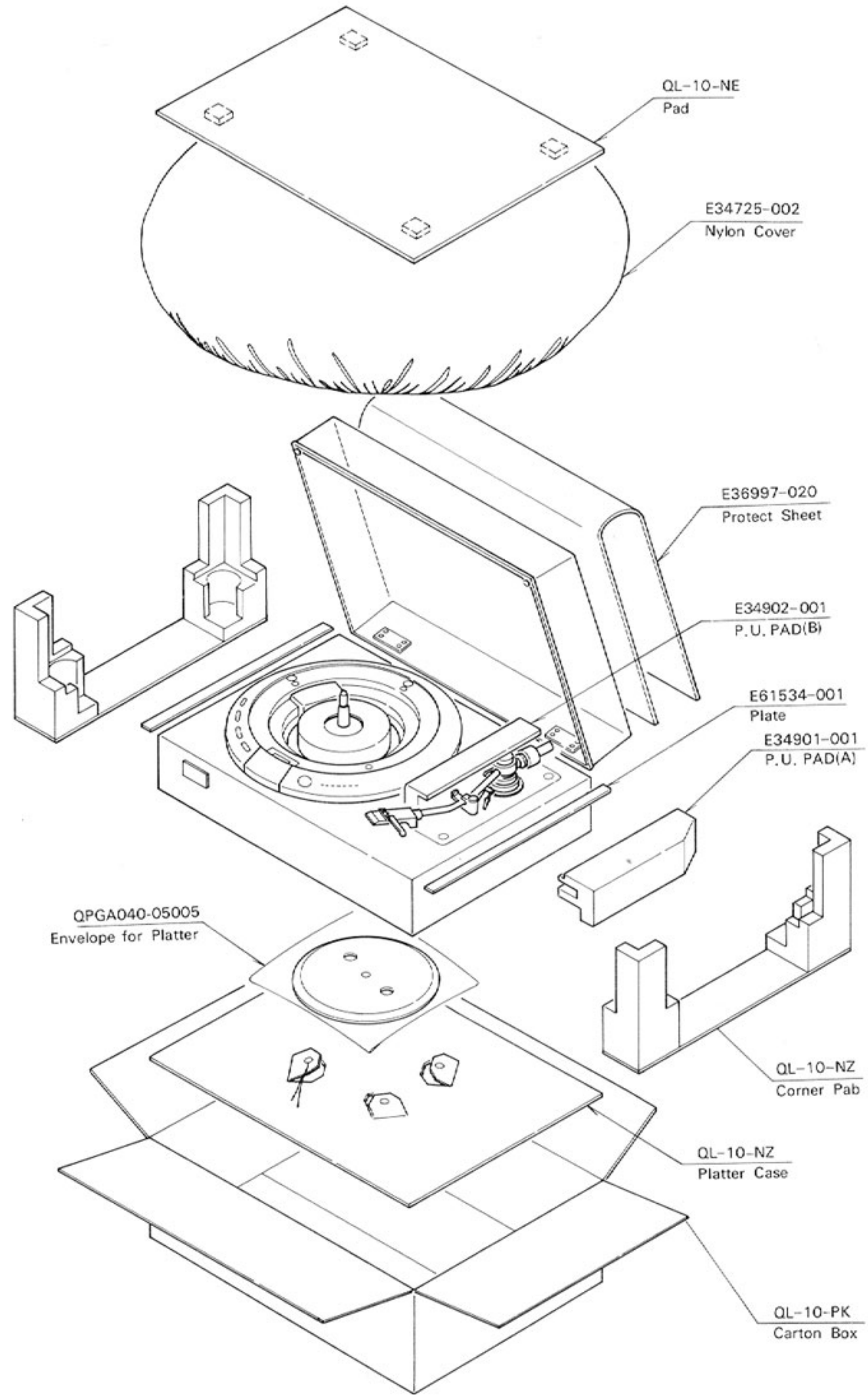
The table of contents for the QL-10 is divided into three independent sections which fully describe the TT-101 Turntable, UA-7045 Tonearm and CL-P1 Base Board. Refer to each table of contents.

<p>Table of contents TT-101 Turntable section UA-7045 Tonearm section CL-P1 Base Board section</p>

Line Voltages and Frequencies for Designated Areas

Countries	Line Voltage & Frequency	Power consumption
		QL-10
U.S.A. CANADA	AC 120V, 60Hz	23 watts
EUROPE CONTINENT	AC 220V, 50Hz	23 watts
U.K., AUSTRALIA	AC 240V, 50Hz	23 watts
U.S. MILITARY MARKET	AC 100, 120V/220, 240V Selectable, 50/60Hz	17.5 watts
OTHER AREAS	AC 110, 120V/220, 240V Selectable, 50/60Hz	23 watts

Packing Materials for QL-10



Accessories List for QL-10

Part Number	Description	Q'ty
E30580-546A	Instruction Book	1
E64207-001	Envelope for Inst. Book	1
See below	Warranty Card	1
E60259-002	Overhang Indicator	1
E61315-001	EP Adaptor	1
E60477-001	Spanner	1
E60572-001	Subweight	1
E60502-001	Screw	2
QPG005-00703	Envelope (Subweight & Screws)	1
E34299-001,	Signal Cord Ass'y	1

Warranty Card	U.S.A.	Australia	U.K.	European countries	PACEX and other countries
	BT20020C	BT20029	BT20013	Not enclosed	BT20014

JVC

VICTOR COMPANY OF JAPAN, LIMITED, TOKYO, JAPAN