

# PARTS LIST

## Contents

Main Parts Locations.....	2-2
Exploded View and Part Numbers List .....	2-3
Tonearm Ass'y .....	2-5
Control Panel.....	2-7
Printed Circuit Board Ass'y and Parts List.....	2-8
● SQ02AA Motor Drive P.C. Board Ass'y.....	2-8
● ENL-015B Servo Control P.C. Board Ass'y .....	2-9
● TXX-393C Arm Control P.C. Board Ass'y .....	2-11
● Turntable Control P.C. Board Ass'y .....	2-12
Accessories List .....	2-13
Packing Materials and Parts List .....	2-14

# Main Parts Locations

## Top View

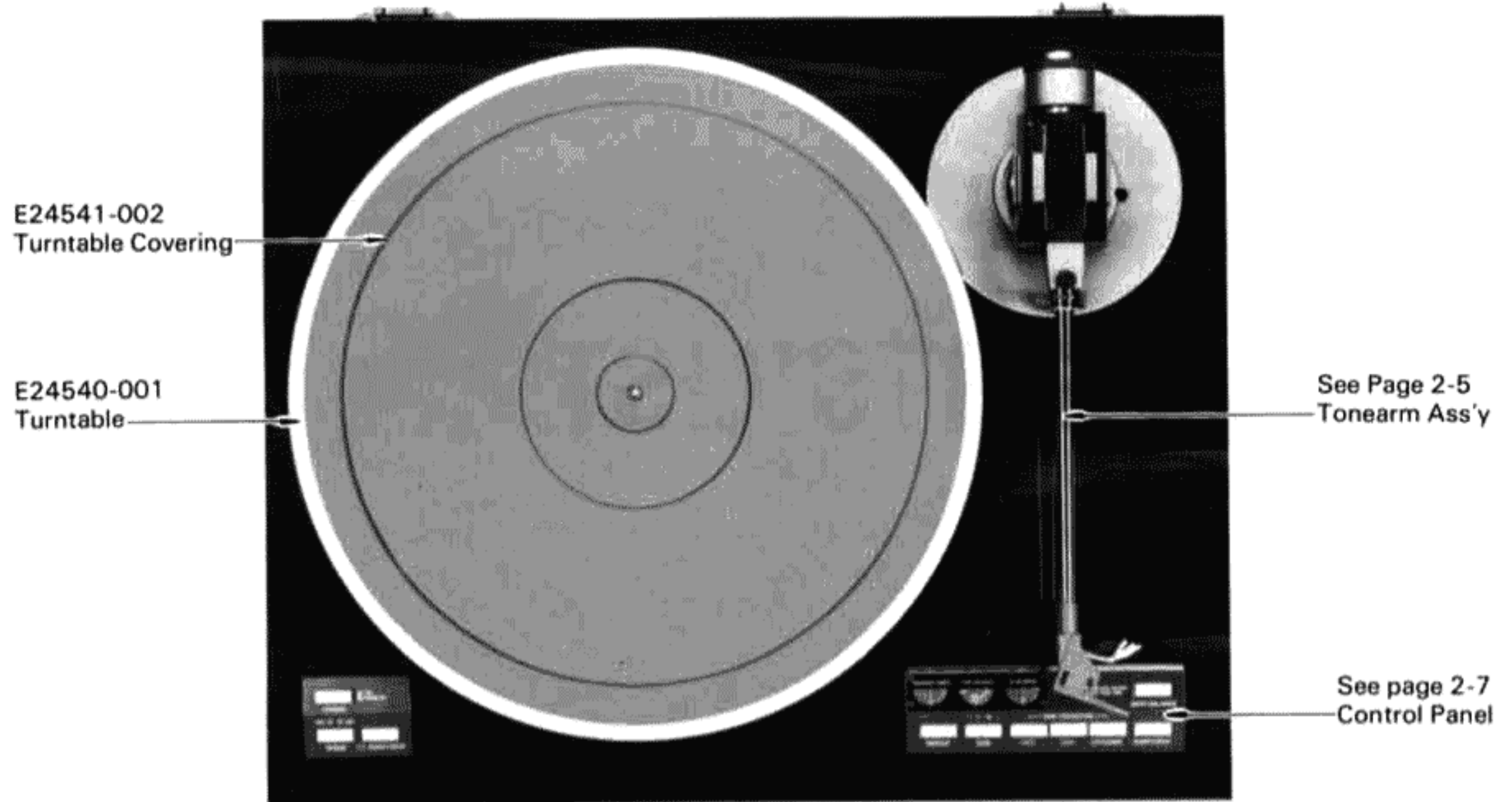


Fig. 2-1

## Bottom View

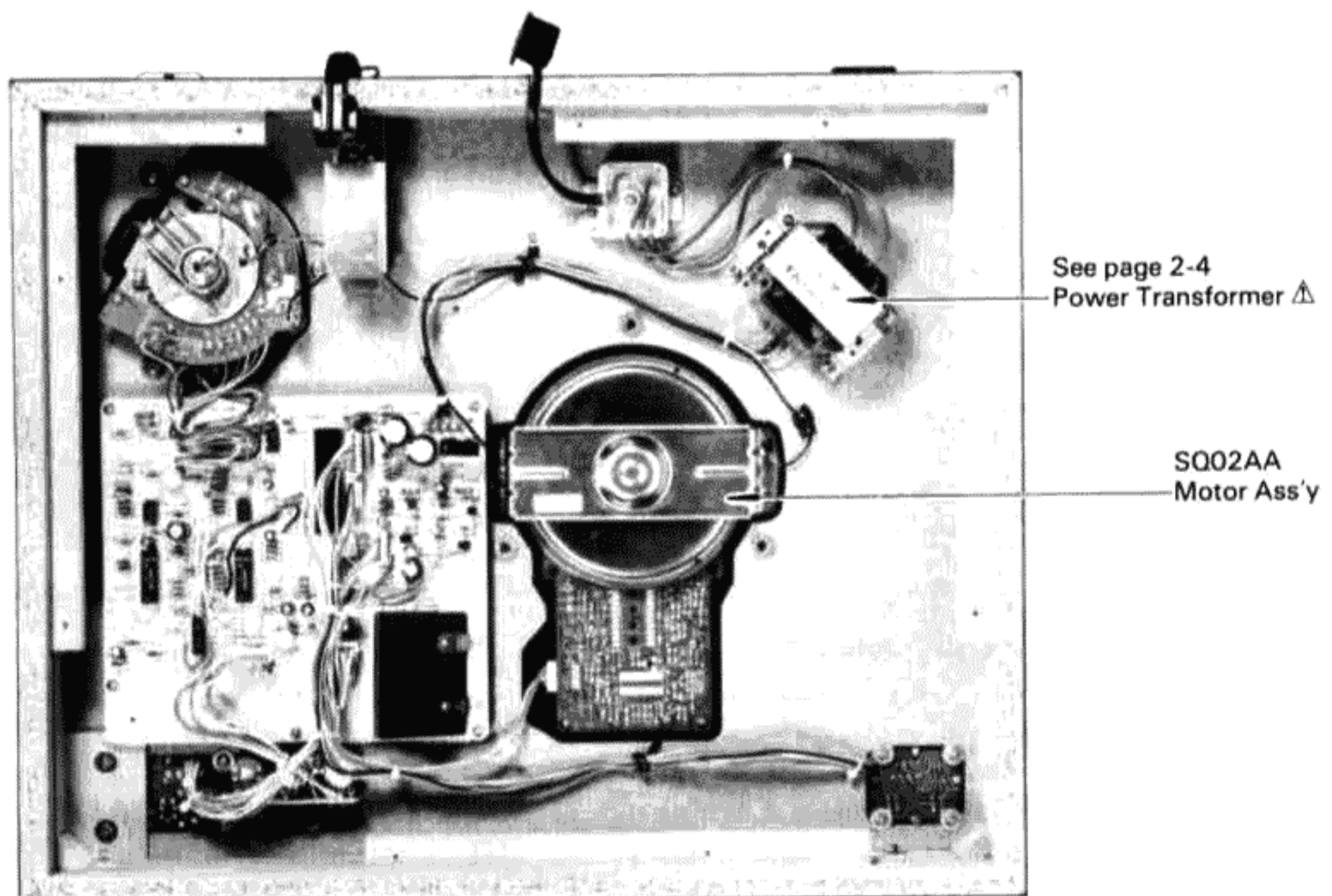


Fig. 2-2

$\triangle$  : Safety Parts

## 2. Exploded View and Part Numbers List

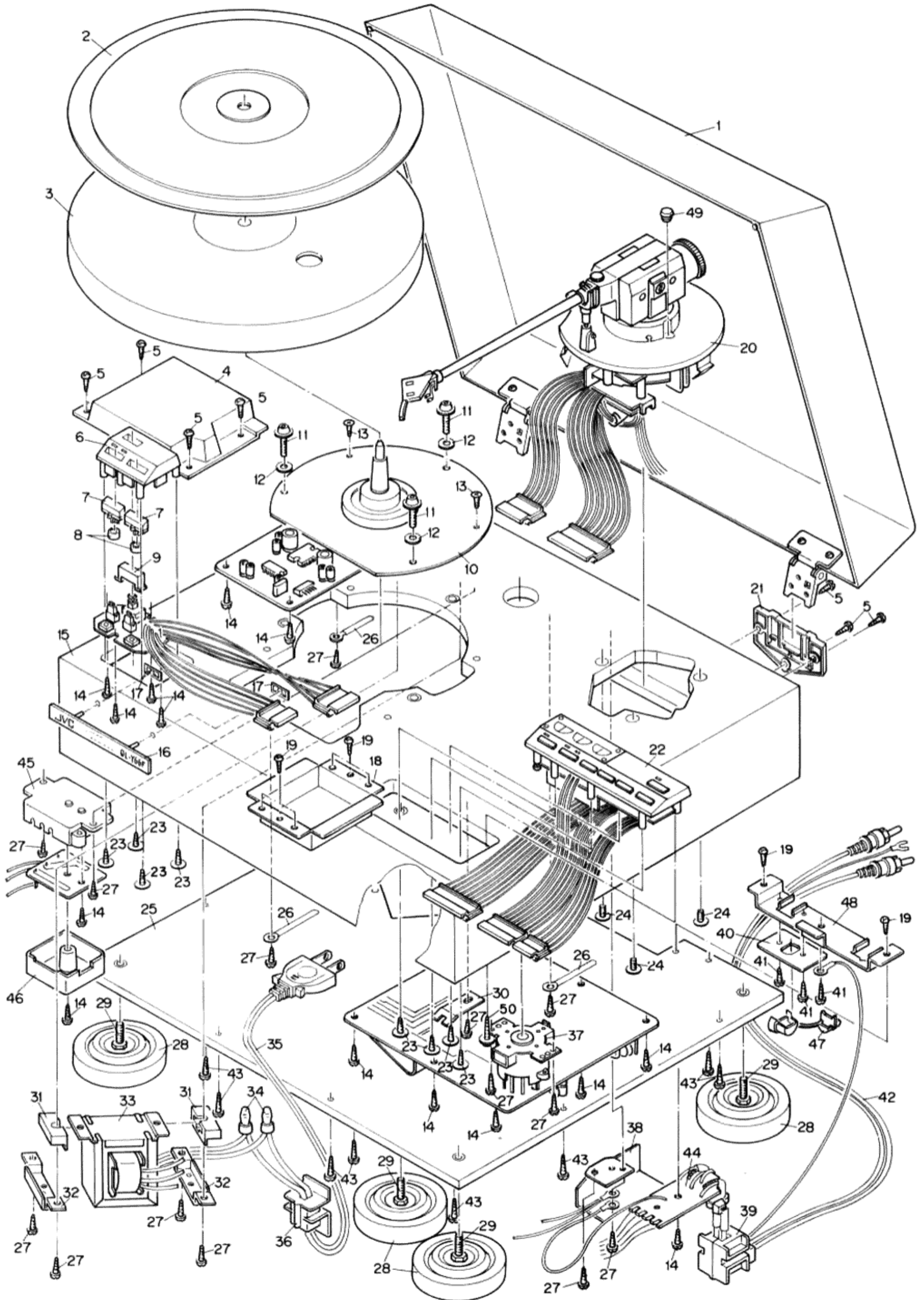


Fig. 2-3



No.	Part Number	Part Name	Q'ty	Description	Area
1	E301966-003	Dust Cover Ass'y	1		
2	E24541-002	Turntable Covering	1		
3	E24540-001	Turntable	1		
4	E24640-001	Motor Cover	1		
5	SBSA3012M	Screw	10		
6	E303156-002	Panel (L)	1		
7	E68967-003	Knob (B)	2		
8	E69185-001	Bushing	2		
9	E71029-001	Knob	1		
△ 10	SQ02AA	Motor Ass'y	1		
11	E69183-001	Screw	3		
12	E69389-001	Washer	3		
13	SHSA3016M	Screw	2		
14	SBSF3008Z	Screw	13		
15	ETA-QLY66FJ	Cabinet Ass'y	1		J, C, E, A, G, BS
16	ETA-QLY66FU	Cabinet Ass'y	1		U, P, PG
17	E71445-001	Mark	1		
18	NPS2000Z	Speed Nut	2		
19	E303164-002	Trans Cover	1		
19	SBSA3010M	Screw	6		
20	See page 2-5	Tonearm Ass'y	1		
21	E65588-001	Lock Plate	2		
22	E302003-005SA	Panel Ass'y	1		
23	E65923-003	Screw	8		
24	E71046-001	Screw	3		
25	E303171-003	Bottom Board	1		
26	E50670-005	Wire Clamp	3		
27	SBSA3012Z	Screw	13		
28	E303157-002	Foot Ass'y	4		
29	E71030-001	Screw	4		
30	E69379-001	Holder	1		
31	E61824-002	Cushion	2		
32	E71045-001	Trans Holder	2		
△ 33	ETP1010-25JA	Power Transformer	1		J, C
	ETP1010-25ZA	Power Transformer	1		U, P, PG
	ETP1010-25EA	Power Transformer	1		E, A, G
	ETP1010-25EABS	Power Transformer	1		BS
34	E03830-001	Connector	2		J, C
△ 35	QMP1200-200	Power Cord	1		J, C
	QMP7600-250	Power Cord	1		U, P, PG
	QMP3900-200	Power Cord	1		E, G
	QMP2560-244	Power Cord	1		A
	QMP9017-008BS	Power Cord	1		BS
36	A37897	Cord Clamp	1		U, P, PG, E, A, G
	A37897BS	Cord Clamp	1		BS
△ 37	QSR0085-008U	Voltage Selector	1		U, P, PG
38	E60090-004	Shield Cover	1		
39	A27355	Cord Stopper	1		
40	E69574-002	C.S. Plate	1		J, C
41	SBST3006Z	Screw	2		
42	E03724-003G	Signal Cord	1		
43	SBSA3020Z	Screw	9		
44	E68441-001	Signal Circuit Board	1		
45	E303428-001	Primary Case	1		U, P, PG, E, G, A
46	E303429-001	Primary Cover	1		U, P, PG, E, G, A
47	QHS3876-162	Cord Stopper	1		J, C
48	E69682-002	C.S. Plate	1		
49	E65395-002	Mask Cap	1		J, C
50	E69562-002	Screw	1		

△ : Safety Parts.

The Marks for Designated Areas

J..... U. S. A.  
C..... Canada  
E..... Europe

G..... West Germany  
A..... Australia  
P, PG..... U. S. Military Market

BS..... U. K.  
U..... Other Countries  
No mark indicates all areas.

# Tonearm Ass'y

ARM-549B (U.S.A., Canada, U.K. & West Germany)

MP-362S (Europe, Australia, U.S. Military Market & Other Countries)

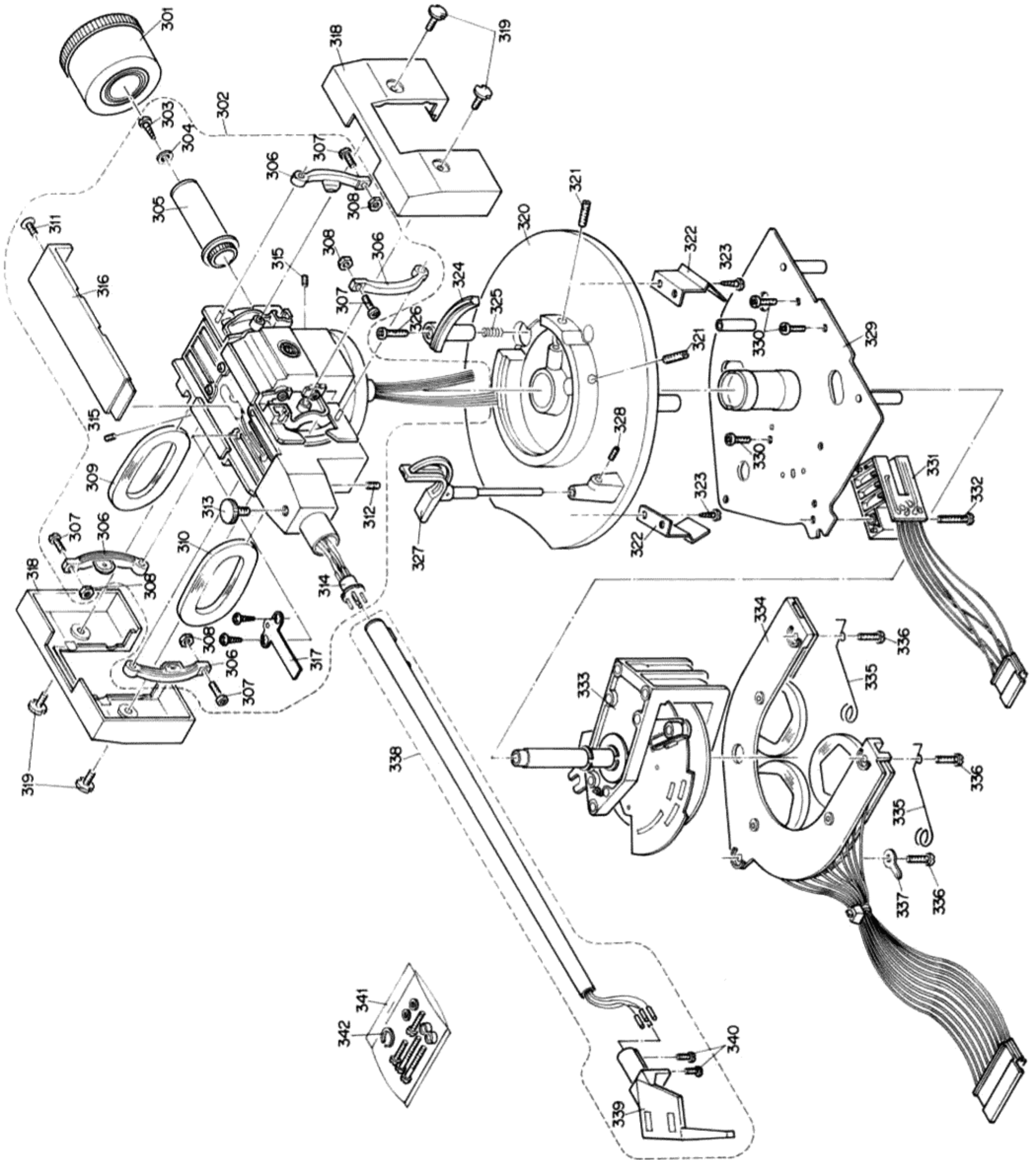


Fig. 2-4

No.	Part Number	Part Name	Q'ty	Description	Area
301	E303161-001	Main Weight Ass'y	1		
302	E24639-001	V.D. Generator	1		
303	SBSB2608Z	Screw	1		
304	E67605-001	Washer	1		
305	E24055-001	Weight Shaft	1		
306	E303162-001	Coil Clamp	4		
307	SPBP2610N	Screw	4		
308	NTB2600N	Nut	4		
309	E68994-001	Vertical Coil (A)	1		
310	E69010-001	Vertical Coil (B)	1		
311	SSSP2006M	Screw	1		
312	TRS2603	Set Screw	1		
313	E68762-004	Screw	1		
314	E69207-002	Pin Connector Ass'y	1		
315	YRS3003M	Set Screw	2		
316	E71041-001	Plate	1		
317	E71559-001	Earth Lug	1		
318	E24604-001	Cover	2		
319	E66933-001	Screw	4		
320	E24603-001	Pick-Up Base	1		
321	YRS4016M	Set Screw	2		
322	E71127-002	Stopper	2		
323	SBST3006Z	Screw	2		
324	E302038-002	Stopper	1		
325	E49649-001	Spring	1		
326	SPSP3010M	Screw	1		
327	E71042-001	Rest Ass'y	1		
328	YRS4004M	Set Screw	1		
329	E302025-002	Arm Base Sub Ass'y	1		
330	SPBP3008N	Screw	3		
331	E71164-001	Circuit Board	1		
332	SPSP3014Z	Screw	1		
333	E303249-001	Bearing Bkt Ass'y	1		
334	E302235-001	Horizontal C. Board	1		
335	E68744-001	Wire Holder	2		
336	SPSP3008Z	Screw	3		
337	52868-4	Lug	1		
338	E24065-005	Pipe Arm Ass'y	1		J, C, G, BS
	E24210-002	Cartridge & Pipe Arm Ass'y	1		U, P, PG, E, A
338-1	MC-200EZ	Cartridge	1		U, P, PG, E, A
	DT-200E	Stylus	1		U, P, PG, E, A
339	E302041-001	Head Case Ass'y	1		
340	SPBP2005N	Screw	2		
341	E68400-001	Screw Ass'y	1		J, C, G, BS
342	E71605-001	Ring Ass'y	1		U, P, PG, E, A

**The Marks for Designated Areas**

- J..... U. S. A.
- C..... Canada
- E..... Europe
- G..... West Germany
- A..... Australia
- P, PG..... U.S.Military Market
- BS..... U.K.
- U..... Other Countries

No mark indicates all areas.



# Control Panel

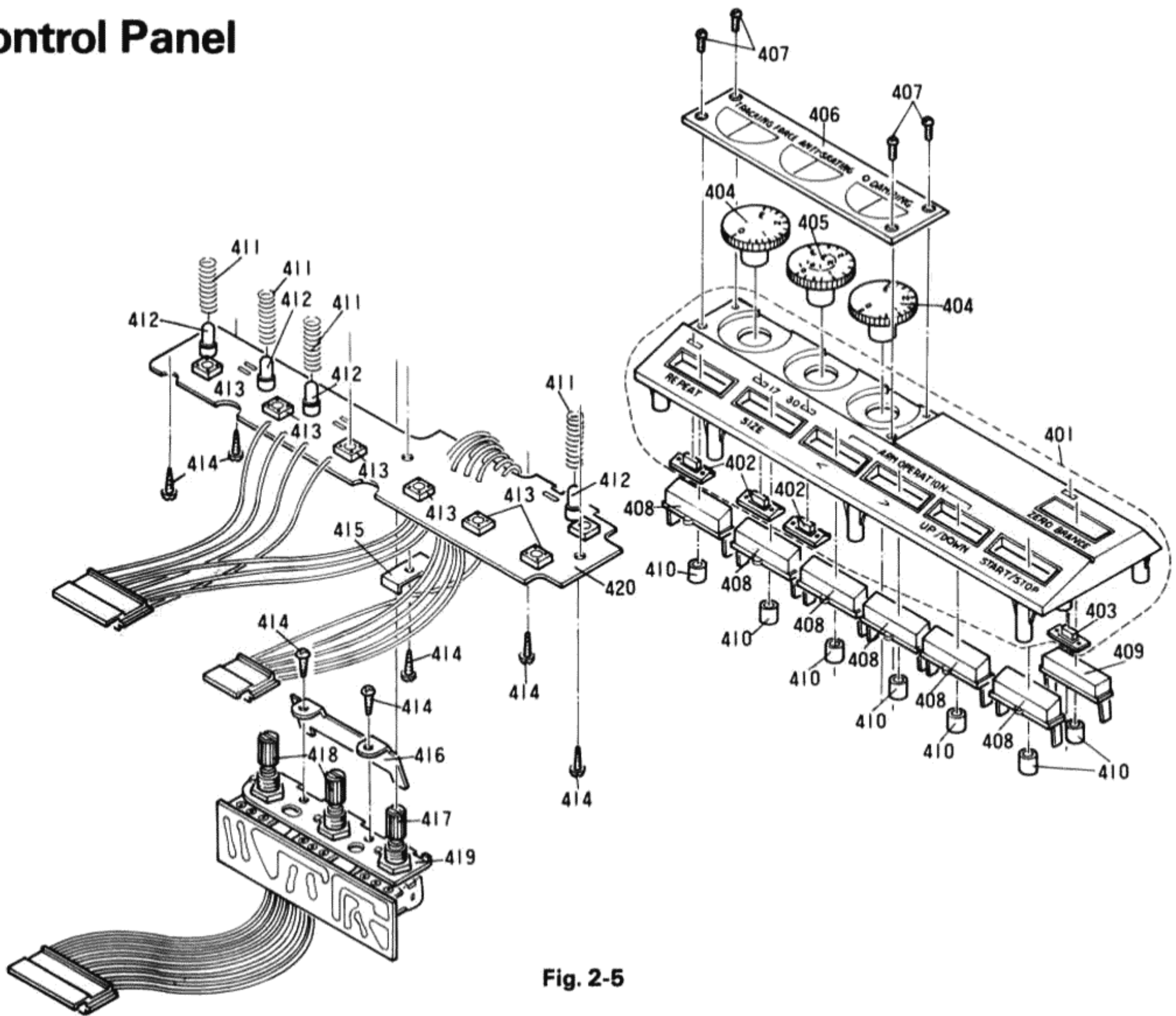


Fig. 2-5

No.	Part Number	Part Name	Q'ty	Description
401	E302003-005	Panel Ass'y	1	
402	E68969-002	Prism (A)	3	
403	E68970-002	Prism (B)	1	
404	E302004-001	Volume Knob	2	
405	E302004-002	Volume Knob	1	
406	E68974-001	Volume Window	1	
407	E69021-003	Screw	4	
408	E68967-003	Knob (A)	6	
409	E68698-003	Knob (B)	1	
410	E69185-001	Bushing	7	
411	E61194-006	Spring	4	
412	SR603C	L.E.D.	4	
413	ESP0001-008	Push Switch	7	
414	SBSF3008Z	Screw	7	
415	E69380-001	Spacer	1	
416	E69222-001	Holder	1	
417	QVD7A2B-014V	Variable Resistor	1	
418	QVG4A2B-014V	Variable Resistor	2	
419	E68972-002	Volume Plate	4	
420	TXX-393C	Panel C.B. Ass'y	1	

# Printed Circuit Board Ass'y and Parts List

## ● SQ02AA Motor Drive P.C. Board Ass'y

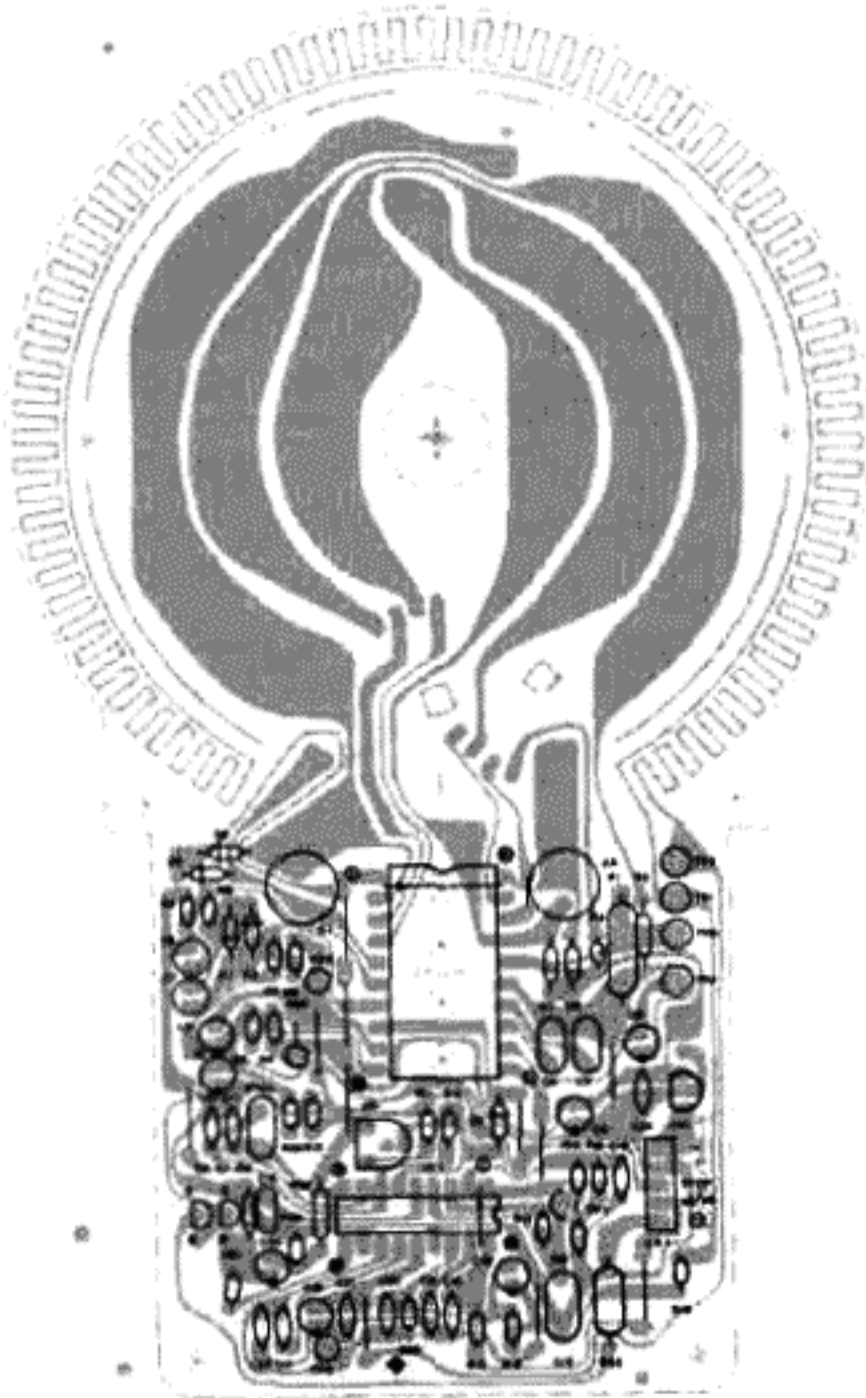


Fig. 2-6

### Capacitors

Item No.	Part Number	Description		
C1	QEN41EM-107	100 $\mu$ F	25V	Electro
C2	QEN41EM-107	100 $\mu$ F	25V	Electro
C3	QFN41HK-104	0.1 $\mu$ F	50V	Mylar
C4	QFN41HK-104	0.1 $\mu$ F	50V	Mylar
C5	QET41HM-105	1 $\mu$ F	50V	Electro
C6	QET41VM-106	10 $\mu$ F	35V	Electro
C7	QEN40JM-336	33 $\mu$ F	6.3V	Non Pole
C8	QEN40JM-336	33 $\mu$ F	6.3V	Non Pole
C9	QET41VM-106	10 $\mu$ F	35V	Electro
C10	QCT25CH-101	100 pF	50V	Ceramic
C11	QCT25CH-101	100pF	50V	Ceramic
C12	QFN41HK-103	0.01 $\mu$ F	50V	Mylar
C13	APS473J100	0.004 $\mu$ F	50V	Mylar
C14	QCF31HP-103	0.01 $\mu$ F	50V	Ceramic
C15	QCF31HP-103	0.01 $\mu$ F	50V	Ceramic
C16	QET41HM-105	1 $\mu$ F	50V	Electro
C17	QCT25UJ-330	33 pF	50V	Ceramic
C18	QET41VM-106	10 $\mu$ F	35V	Electro
C19	QCF31HP-103	0.01 $\mu$ F	50V	Ceramic
C20	QCF31HP-102	1000 pF	50V	Ceramic
C21	QCF31HP-103	0.01 $\mu$ F	50V	Ceramic
C22	QCF31HP-103	0.01 $\mu$ F	50V	Ceramic
C23	QCF31HP-223	0.022 $\mu$ F	50V	Ceramic
C24	QET41HM-105	1 $\mu$ F	50V	Electro
C25	QET41EM-226	22 $\mu$ F	25V	Electro

### Resistors

Item No.	Part Number	Description		
R1	QRX019J-2R7	2.7	1W	Metal Film
R2	QRD141J-561S	560	1/4W	Carbon
R3	QRD167J-821	820	1/6W	Carbon
R4	QRD167J-473	47K	1/6W	Carbon

### Transistors

Item No.	Part Number	Description		Maker
Q1	2SC1815Y (GR, BL)	Silicon		Toshiba
Q2	2SC1815Y (GR, BL)	Silicon		Toshiba

### I.C.s

Item No.	Part Number	Description		Maker
IC1	VC4053			Custom for JVC
IC2	VC5023			Custom for JVC

### Diodes

Item No.	Part Number	Description		Maker
D1	1SS1555	Silicon		Toshiba
D2	1SS1555	Silicon		Toshiba
D3	1SS1555	Silicon		Toshiba
D4	1SS1555	Silicon		Toshiba
D5	1SS1555	Silicon		Toshiba
D6	1SS1555	Silicon		Toshiba
D7	1SS1555	Silicon		Toshiba
D8	1SS1555	Silicon		Toshiba

### Resistors

Item No.	Part Number	Description		
R5	QRD167J-222	2.2K	1/6W	Carbon
R6	QRD167J-153	15K	1/6W	Carbon
R7	QRD167J-153	15K	1/6W	Carbon
R8	QRD167J-472	4.7K	1/6W	Carbon
R9	QRD167J-822	8.2K	1/6W	Carbon
R10	FRB20-563	56K	1/6W	Metal Film
R11	QRD167J-473	47K	1/6W	Carbon
R12	QRD167J-753	75K	1/6W	Carbon
R13	FRB20-473	47K	1/6W	Metal Film
R14	QRD167J-824	820K	1/6W	Carbon
R15	QRD167J-332	3.3K	1/6W	Carbon
R16	QRD167J-222	2.2K	1/6W	Carbon
R17	QRD167J-101	100	1/6W	Carbon
R18	QRD167J-102	1K	1/6W	Carbon
R19	QRD167J-104	100K	1/6W	Carbon
R20	QRD167J-105	1 M	1/6W	Carbon
R21	QRD167J-224	220K	1/6W	Carbon
R22	QRD167J-123	12K	1/6W	Carbon
R23	QRD121J-182	1.8K	1/2W	Carbon
R24	QRD123J-122	1.2K	1/2W	Carbon
R25	QRD167J-223	22K	1/6W	Carbon
R26	QRD167J-562	5.6K	1/6W	Carbon
VR1	V6EK1S-103	10K		Variable

### Others

Item No.	Part Number	Description	
HG1	ESHE006	X'tal	
HG2	VHE-101	Hall Element	
CP1	VHE-101	Hall Element	
CN1	ICP-N15	Circuit Protector	
	QMV5004-005	5Pins Mini Connector	
	M31731	Circuit Board	

△ : Safety Parts.



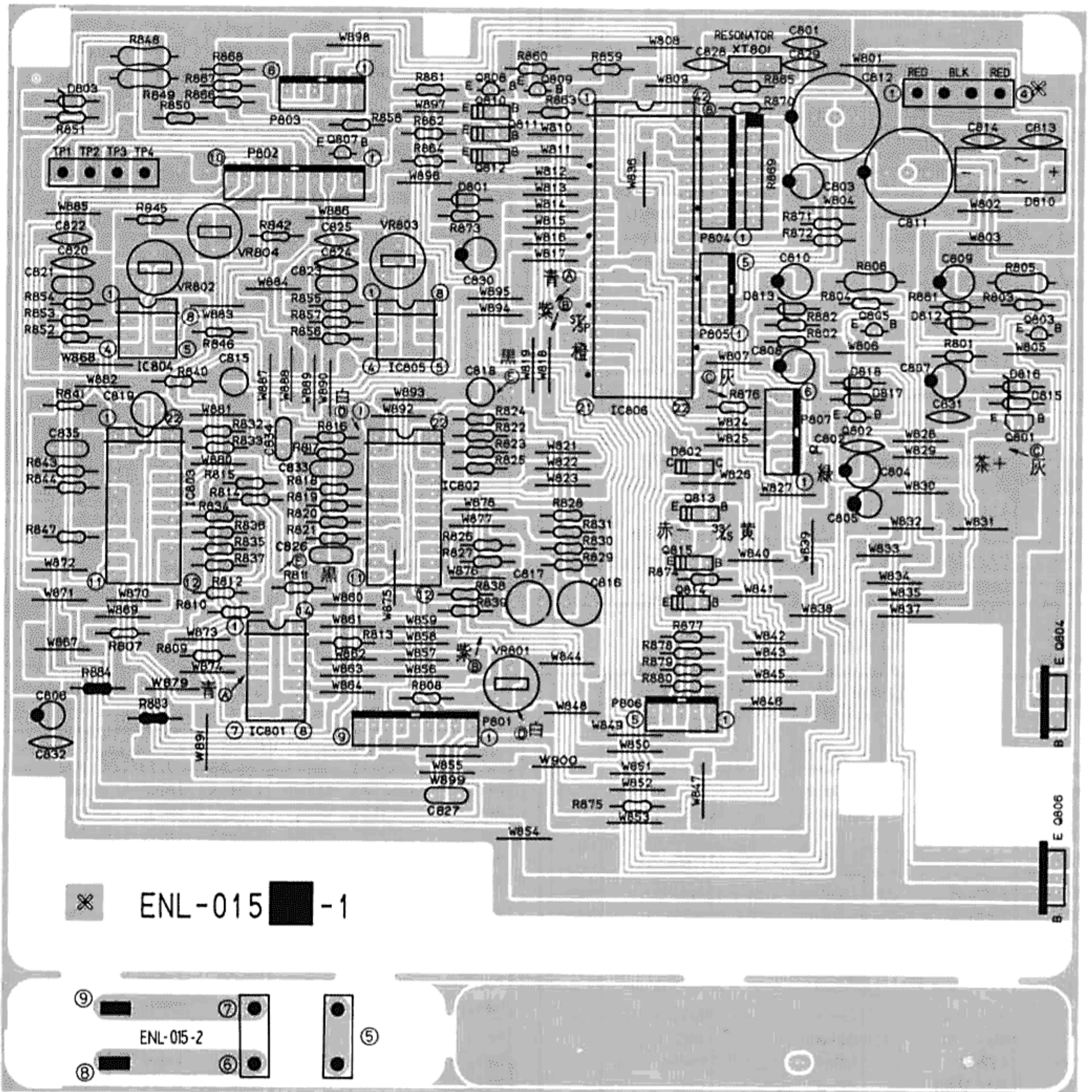


Fig. 2-7



## Transistors

Item No.	Part Number	Description		Maker
Q801	2SD571 (L, K)	Silicon		NEC
Q802	2SB605 (K, L)	Silicon		NEC
Q803	2SC1685LF (R)	Silicon		Matsushita
Q804	2SB1015 (O, Y)	Silicon		Toshiba
Q805	2SA733A (P, Q)	Silicon		NEC
Q806	2SD1406 (O, Y)	Silicon		Sanyo
Q807	2SC1685LF (R)	Silicon		Matsushita
Q808	2SA733A (P, Q)	Silicon		NEC
Q809	2SC1685LF (R)	Silicon		Matsushita
Q810	UN1212	Silicon		Matsushita
Q811	UN1112	Silicon		Matsushita
Q812	UN1112	Silicon		Matsushita
Q813	UN1112	Silicon		Matsushita
Q814	UN1112	Silicon		Matsushita
Q815	UN1212	Silicon		Matsushita

## I.C.s

Item No.	Part Number	Description		Maker
IC801	TC4016BP			Toshiba
IC802	AN6995			Matsushita
IC803	AN6995			Matsushita
IC804	HA17741PSV			Kanematsu
IC805	HA17741PS			Kanematsu
IC806	LM6405A-277			Sanyo

## Diodes

Item No.	Part Number	Description		Maker
D801	1S2473	Silicon		Rohm
D802	MA154WA	Silicon		Matsushita
D803	RD6.2EB3	Zener		NEC
D804	SR603C	L.E.D.		NEC
D805	SR603C	L.E.D.		NEC
D806	SR603C	L.E.D.		NEC
D807	SR603C	L.E.D.		NEC
D808	SLP541D	L.E.D.		Sanyo
D809	SLP541D	L.E.D.		Sanyo
D810	S1RBA20F1	Silicon		Shindengen
D812	RD12EB3	Zener		NEC
D813	RD12EB3	Zener		NEC
D815	1S2473	Silicon		Rohm
D816	RD6.2EB3	Zener		NEC
D817	RD6.2EB3	Zener		NEC
D818	1S2473	Silicon		Rohm

## Capacitors

Item No.	Part Number	Description		
C801	QCF21HP-103	0.01 $\mu$ F	50V	Ceramic
C802	QCF21HP-103	0.01 $\mu$ F	50V	Ceramic
C803	QET51AM-476	47 $\mu$ F	10V	Electro
C804	QET51AM-476	47 $\mu$ F	10V	Electro
C805	QET51CM-227	220 $\mu$ F	16V	Electro

Item No.	Part Number	Description		
C806	QET51CM-476	47 $\mu$ F	16V	Electro
C807	QET51AM-476	47 $\mu$ F	10V	Electro
C808	QET51AM-476	47 $\mu$ F	10V	Electro
C809	QET51CM-476	47 $\mu$ F	16V	Electro
C810	QET51EM-106	10 $\mu$ F	25V	Electro
C811	QETB1EM-228	2200 $\mu$ F	25V	Electro
C812	QETB1EM-228	2200 $\mu$ F	25V	Electro
C813	QCF21HP-103	0.01 $\mu$ F	50V	Ceramic
C814	QCF21HP-103	0.01 $\mu$ F	50V	Ceramic
C815	QEN51EM-336	33 $\mu$ F	25V	Non Pole
C816	QEN51HM-475	4.7 $\mu$ F	50V	Non Pole
C817	QEN51HM-475	4.7 $\mu$ F	50V	Non Pole
C818	QEN51HM-105	1 $\mu$ F	50V	Non Pole
C819	QEN51HM-224	0.22 $\mu$ F	50V	Non Pole
C820	QCF21HP-223	0.022 $\mu$ F	50V	Ceramic
C821	QFN81HK-104	0.1 $\mu$ F	50V	Mylar
C822	QCF21HP-473	0.047 $\mu$ F	50V	Ceramic
C823	QFN81HK-104	0.1 $\mu$ F	50V	Mylar
C824	QCF21HP-223	0.022 $\mu$ F	50V	Ceramic
C825	QCF21HP-473	0.047 $\mu$ F	50V	Ceramic
C826	QFN81HK-223	0.022 $\mu$ F	50V	Mylar
C827	QFN81HK-223	0.022 $\mu$ F	50V	Mylar
C828	QCT26CH-221A	220pF	50V	Ceramic
C829	QCT26CH-221A	220pF	50V	Ceramic
C830	QET51EM-106	10 $\mu$ F	25V	Electro
C831	QCF21HP-103	0.01 $\mu$ F	50V	Ceramic
C832	QCF21HP-103	0.01 $\mu$ F	50V	Ceramic
C833	QFN81HK-223	0.022 $\mu$ F	50V	Mylar
C834	QFN81HK-223	0.022 $\mu$ F	50V	Mylar
C835	QFN81HK-223	0.022 $\mu$ F	50V	Mylar
C836	QFN81HK-103	0.01 $\mu$ F	50V	Mylar
C837	QFN81HK-103	0.01 $\mu$ F	50V	Mylar

## Resistors

Item No.	Part Number	Description		
R801	QRD141J-122S	1.2K	1/4W	Carbon
R802	QRD141J-122S	1.2K	1/4W	Carbon
R803	QRD141J-221S	220	1/4W	Carbon
R804	QRD141J-221S	220	1/4W	Carbon
R805	△ QRD125J-152	1.5K	1/2W	UNF. Carbon
R806	△ QRD125J-152	1.5K	1/2W	UNF. Carbon
R807	QRD141J-474S	470K	1/4W	Carbon
R808	QRD141J-243S	24K	1/4W	Carbon
R809	QRD141J-223S	22K	1/4W	Carbon
R810	QRD141J-103S	10K	1/4W	Carbon
R811	QRD141J-152S	1.5K	1/4W	Carbon
R812	QRD141J-274S	270K	1/4W	Carbon
R813	QRD141J-183S	18K	1/4W	Carbon
R814	QRD141J-102S	1K	1/4W	Carbon
R815	QRD141J-223S	22K	1/4W	Carbon
R816	QRD141J-273S	27K	1/4W	Carbon
R817	QRD141J-393S	39K	1/4W	Carbon
R818	QRD141J-472S	4.7K	1/4W	Carbon
R819	QRD141J-472S	4.7K	1/4W	Carbon
R820	QRD141J-472S	4.7K	1/4W	Carbon
R821	QRD141J-472S	4.7K	1/4W	Carbon
R822	QRD141J-272S	2.7K	1/4W	Carbon
R823	QRD141J-392S	3.9K	1/4W	Carbon
R824	QRD141J-563S	56K	1/4W	Carbon
R825	QRD141J-433S	43K	1/4W	Carbon

△ : Safety Parts

## Resistors

Item No.	Part Number	Description		
R822	QRD141J-272S	2.7K	1/4W	Carbon
R823	QRD141J-392S	3.9K	1/4W	Carbon
R824	QRD141J-563S	56K	1/4W	Carbon
R825	QRD141J-433S	43K	1/4W	Carbon
R826	QRD141J-102S	1K	1/4W	Carbon
R827	QRD141J-333S	33K	1/4W	Carbon
R828	QRD141J-103S	10K	1/4W	Carbon
R829	QRD141J-103S	10K	1/4W	Carbon
R830	QRD141J-103S	10K	1/4W	Carbon
R831	QRD141J-681S	680	1/4W	Carbon
R832	QRD141J-103S	10K	1/4W	Carbon
R833	QRD141J-152S	1.5K	1/4W	Carbon
R834	QRD141J-103S	10K	1/4W	Carbon
R835	QRD141J-104S	100K	1/4W	Carbon
R836	QRD141J-472S	4.7K	1/4W	Carbon
R837	QRD141J-271S	270	1/4W	Carbon
R838	QRD141J-472S	4.7K	1/4W	Carbon
R839	QRD141J-472S	4.7K	1/4W	Carbon
R840	QRD141J-103S	10K	1/4W	Carbon
R841	QRD141J-102S	1K	1/4W	Carbon
R842	QRD141J-103S	10K	1/4W	Carbon
R843	QRD141J-103S	10K	1/4W	Carbon
R844	QRD141J-472S	4.7K	1/4W	Carbon
R845	QRD141J-103S	10K	1/4W	Carbon
R846	QRD141J-185S	1.8M	1/4W	Carbon
R847	QRD141J-472S	4.7K	1/4W	Carbon
R848	△ QRD125J-4R7	4.7	1/2W	UNF. Carbon
R849	△ QRD125J-4R7	4.7	1/2W	UNF. Carbon
R850	QRD141J-681S	680	1/4W	Carbon
R851	QRD141J-471S	470	1/4W	Carbon
R852	QRD141J-302S	3K	1/4W	Carbon
R853	QRD141J-242S	2.4K	1/4W	Carbon
R854	QRD141J-433S	43K	1/4W	Carbon
R855	QRD141J-333S	33K	1/4W	Carbon
R856	QRD141J-302S	3K	1/4W	Carbon
R857	QRD141J-272S	2.7K	1/4W	Carbon
R858	QRD141J-331S	330	1/4W	Carbon
R859	QRD141J-223S	22K	1/4W	Carbon
R860	QRD141J-473S	47K	1/4W	Carbon
R861	QRD141J-223S	22K	1/4W	Carbon
R862	QRD141J-223S	22K	1/4W	Carbon
R863	QRD141J-473S	47K	1/4W	Carbon
R864	QRD141J-223S	22K	1/4W	Carbon
R865	QRD141J-105S	1M	1/4W	Carbon

Item No.	Part Number	Description		
RB66	QRD141J-154S	150K	1/4W	Carbon
R867	QRD141J-154S	150K	1/4W	Carbon
R868	QRD141J-154S	150K	1/4W	Carbon
R869	QRGS7XK-103			Resistor Array
R870	QRD141J-332S	3.3K	1/4W	Carbon
R871	QRD141J-103S	10K	1/4W	Carbon
R872	QRD141J-103S	10K	1/4W	Carbon
R873	QRD141J-243S	24K	1/4W	Carbon
R874	QRD141J-223S	22K	1/4W	Carbon
R875	QRD141J-821S	820	1/4W	Carbon
R876	QRD141J-821S	820	1/4W	Carbon
R877	QRD141J-102S	1K	1/4W	Carbon
R878	QRD141J-102S	1K	1/4W	Carbon
R879	QRD141J-102S	1K	1/4W	Carbon
R880	QRD141J-102S	1K	1/4W	Carbon
R881	QRD141J-102S	1K	1/4W	Carbon
R882	QRD141J-102S	1K	1/4W	Carbon
R883	△ QRZ0062-100	10	1/4W	Fusible
R884	△ QRZ0062-100	10	1/4W	Fusible
R885	△ QRZ0062-100	10	1/4W	Fusible
VR801	QVP4AOB-104	100K	0.1W	Variable
VR802	QVP4AOB-103	10K	0.1W	Variable
VR803	QVP4AOB-103	10K	0.1W	Variable
VR804	QVP4AOB-103	10K	0.1W	Variable

## Others

Item No.	Part Number	Description
	E67764-004	Wrapping Terminal
	E67764-004	Wrapping Terminal
	E67764-103	Wrapping Terminal
	E67764-103	Wrapping Terminal
	E10938-101	Circuit Board
	SBSB3008Z	Screw
	SBST3006Z	Screw
	E69894-002	Heat Sink
P801	QMV5004-009	9P Plug Ass'y
P802	QMV5005-010	10P Plug Ass'y
P803	QMV5005-006	6P Plug Ass'y
P804	QMV5005-008	8P Plug Ass'y
P805	QMV5005-005	5P Plug Ass'y
P806	QMV5005-005	5P Plug Ass'y
P807	QMV5005-006	6P Plug Ass'y
XT801	E03737-009	Resonator

△: Safety Parts

## ● TXX-393C Arm Control P.C.Board Ass'y

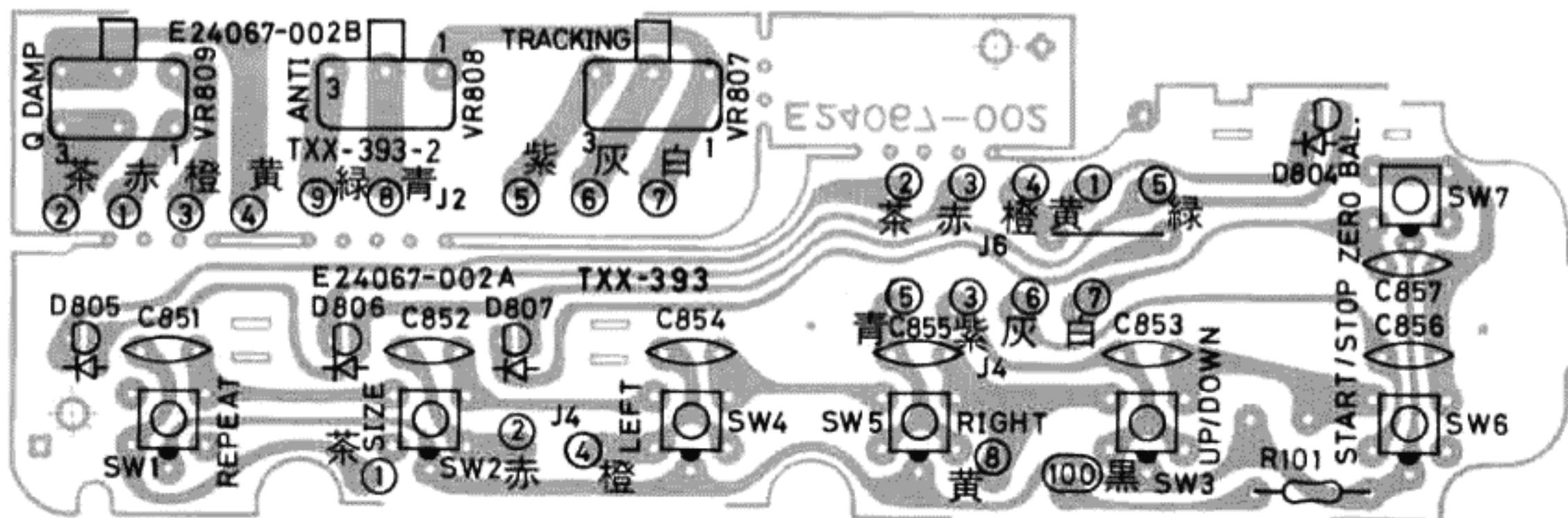


Fig. 2-8



### Diodes

Item No.	Part Number	Description	
			Maker
D804	SR603C	Silicon	NEC
D805	SR603C	Silicon	NEC
D806	SR603C	Silicon	NEC
D807	SR603C	Silicon	NEC

### Resistors

Item No.	Part Number	Description
V807	QVG4A2B-014V	Variable
V808	QVG4A2B-014V	Variable
V809	QVD7A2B-014V	Variable

### Others

Item No.	Part Number	Description
	ESP0001-008	Push Switch
	E24067-002	Circuit Board
	E33754-001	Tie Band
	E69248-001	Spacer
	E68972-002	Volume Plate

### ● Turntable Control P.C. Board Ass'y

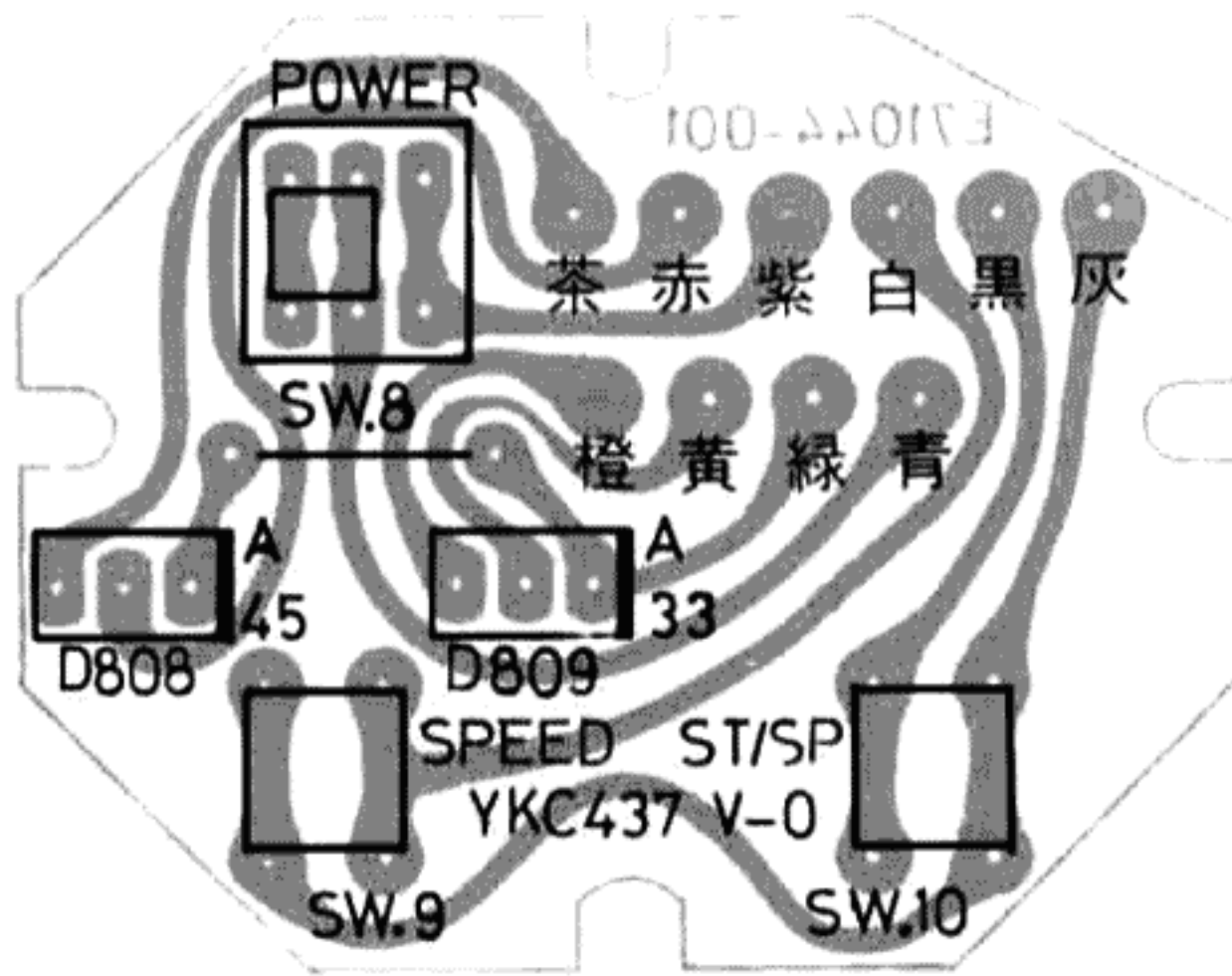


Fig. 2-9

Item No.	Part Number	Description
D808	SLP541D	L.E.D.
D809	SLP541D	L.E.D.
SW8	QSP2256-001	Push Switch
SW9	ESP0001-007	Push Switch
SW10	ESP0001-007	Push Switch
	SBSF3008Z	Screw
	E71044-001	P.C.Board Ass'y

# Accessories List

Part Number	Part Name	Description	Area
E30580-1207A E30580-1207ABS E300196-010 E300196-010B E66329-001	Instruction Book Instruction Book Envelope Envelope EP Adaptor		Except BS BS only Except BS BS only
BT20044D BT20047A BT20025G BT20029C BT20060	Safety Instruction Sheet Warranty Card Warranty Card Warranty Card Warranty Card		J J, P, PG C A BS
BT20064 BT20066 BT20071 BT20046B E66416-003	Warranty Card EEC Agency Service Center List Service Information Card Envelope		G G, BS C J, P, PG J
E04056 E301997-003 QPGA007-01203 E69127-001 E69284-007	Siemens Plug Parts Box Envelope Driver Parts Box Sheet		U, PG
QPGA007-00605 E35497-019 E35497-017 E24041-004 E65938-003	Envelope Caution Sheet Caution Sheet Arm Pipe Ass'y Sub Weight	S-shaped	U, PG P

## The Marks for Designated Areas.

J..... U. S. A.  
 C..... Canada  
 E..... Europe  
 G..... West Germany  
 A..... Australia  
 P, PG..... U.S.Military Market  
 BS..... U.K.  
 U..... Other Countries  
 No mark indicates all areas.

# Packing Materials and Parts List

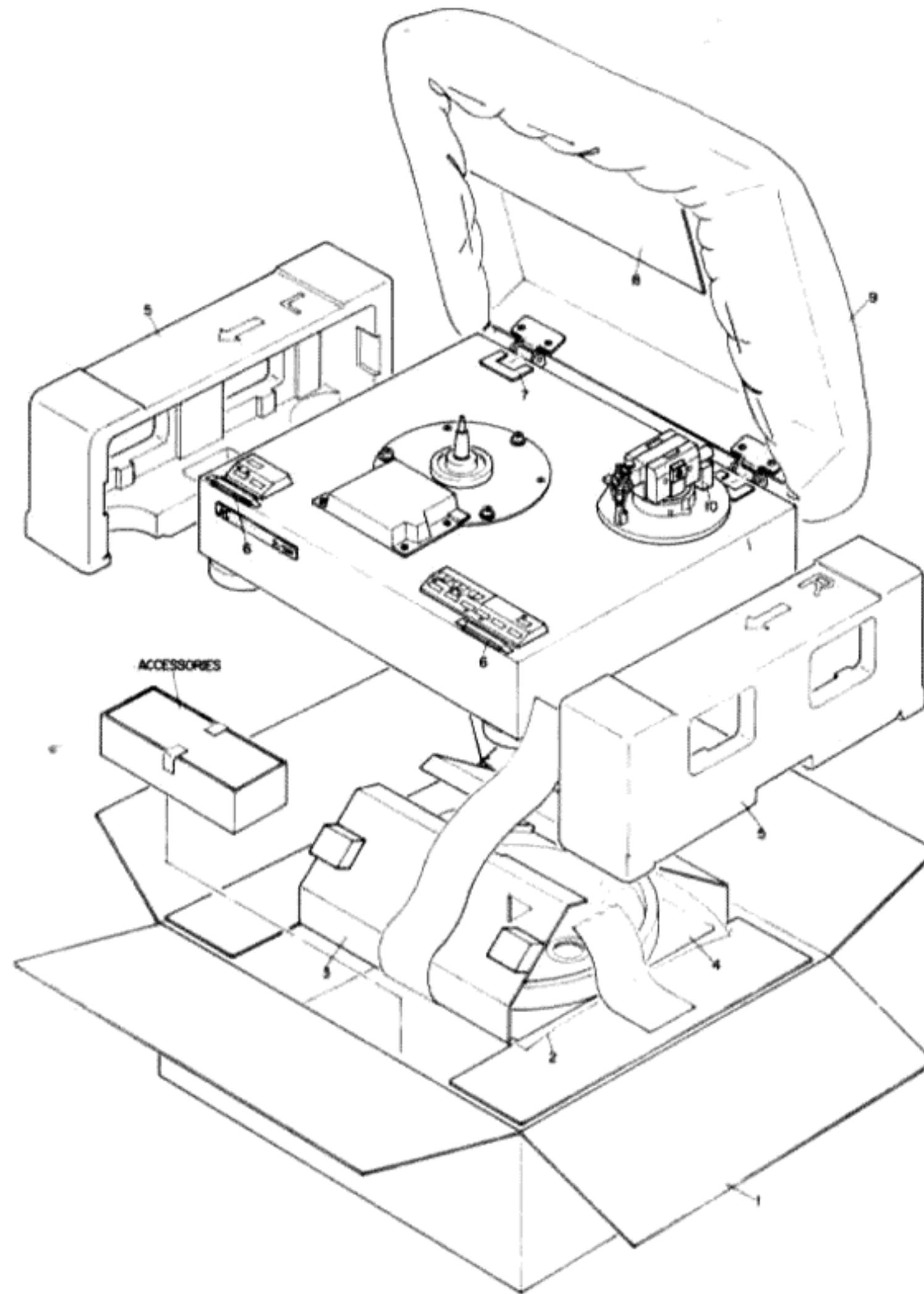


Fig. 2-10

No.	Part Number	Part Name	Description	Area
1	PK-QLY66FE	Packing Case		
2	QPGA040-05005	Poly Bag		Except BS
	QPGA040-05005B	Poly Bag		BS only
3	E303256-002	Turntable Pad		
4	E71362-001	Sheet		
5	NZ-QLY66F	Packing Pad		
6	E69391-001	Pad		
7	E61947-004	Hinge Pad		
8	E36997-020	Protect Sheet		
9	E34725-006	Nylon Cover		
10	E71531-001	Spacer		

## The Marks for Designated Areas

J..... U.S.A.  
 C..... Canada  
 E..... Europe  
 G..... West Germany  
 A..... Australia  
 P, PG.... U.S.Military Market  
 BS..... U.K.  
 U..... Other Countries  
 No mark indicates all areas.