

# JVC

# SCHEMATIC DIAGRAMS

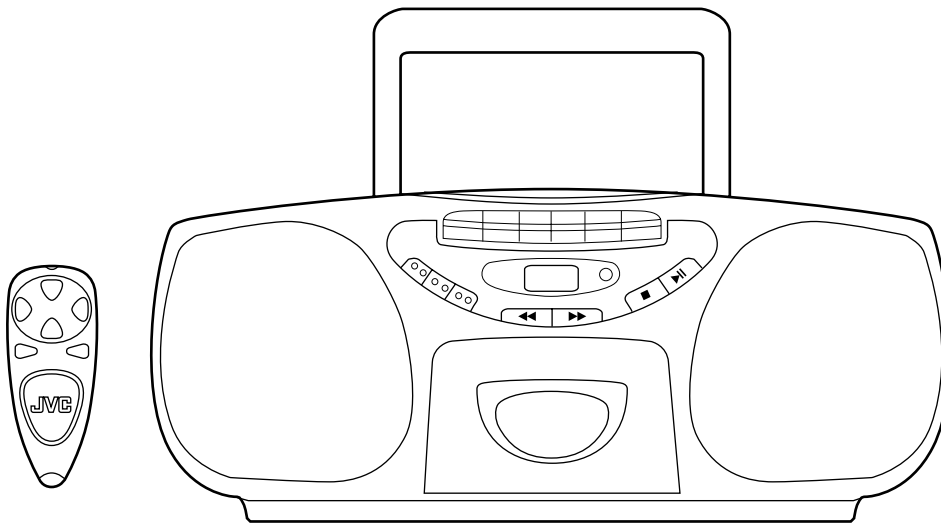
## CD PORTABLE SYSTEM

# RC-BX30

CD-ROM No.SML200212

Area suffix

UJ ----- U.S.Military



COMPACT  
disc  
DIGITAL AUDIO

### Contents

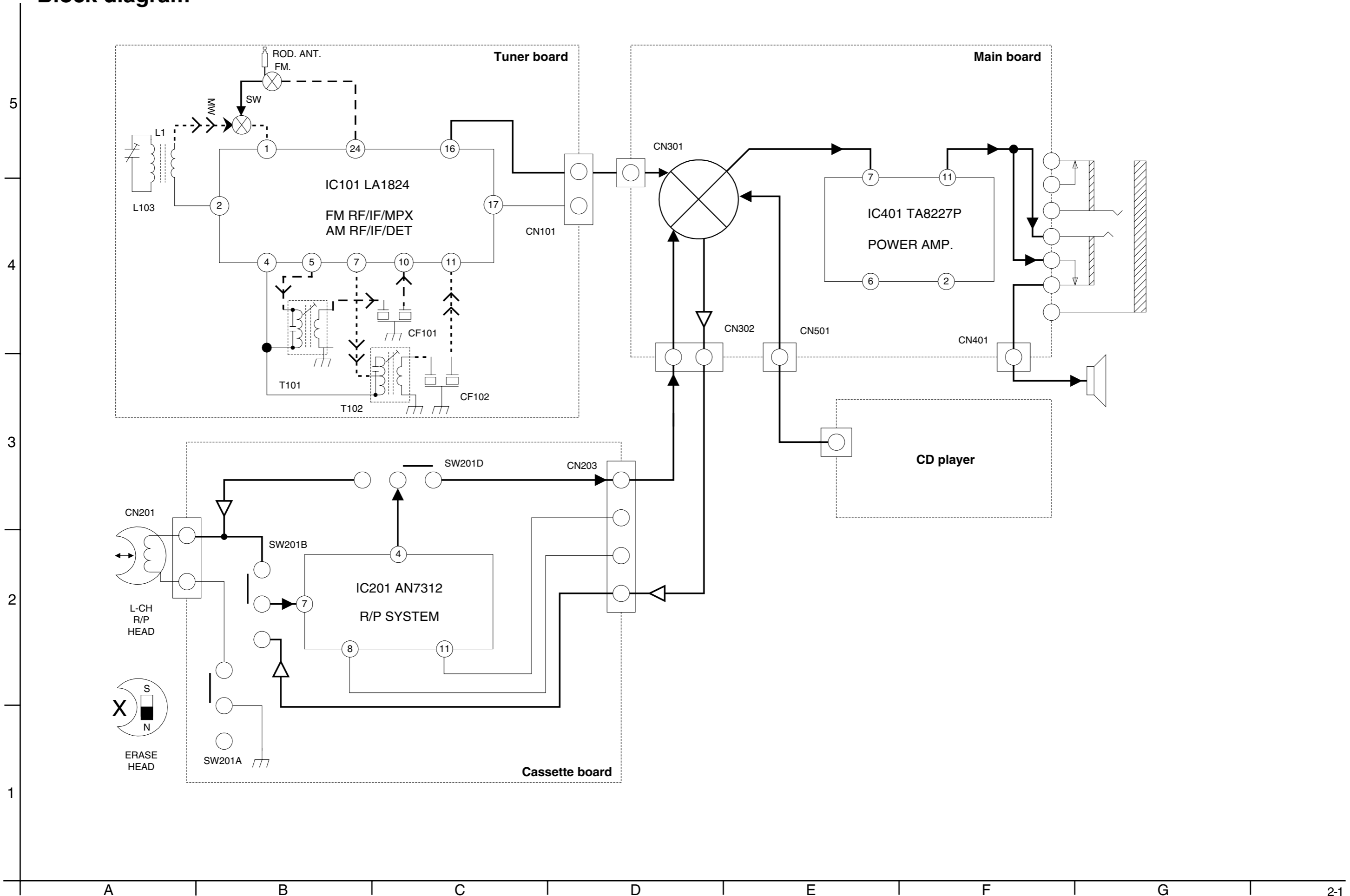
Block diagram .....	2-1
Standard schematic diagrams .....	2-2
Printed circuit boards .....	2-8~11

## RC-BX30

In regard with component parts appearing on the silk-screen printed side (parts side) of the PWB diagrams, the parts that are printed over with black such as the resistor (■), diode (▣) and ICP (●) or identified by the "▲" mark nearby are critical for safety.

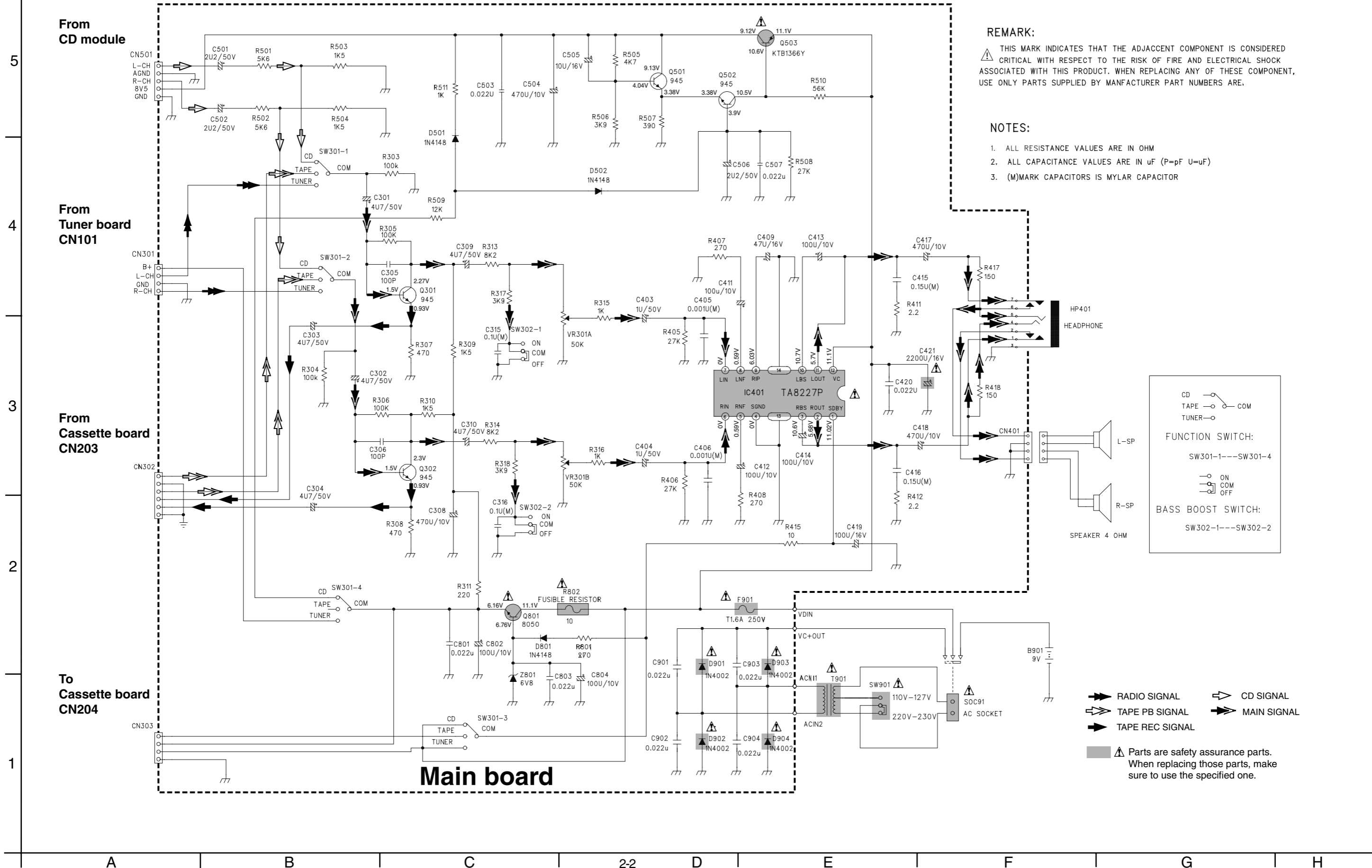
(This regulation does not correspond to J and C version.)

# Block diagram



# Standard schematic diagrams

## Main section

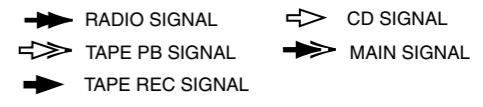
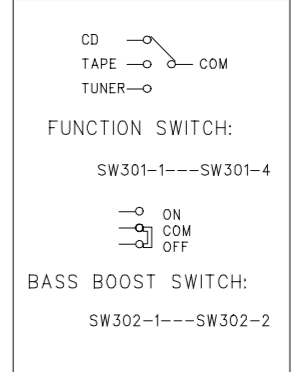


**REMARK:**

THIS MARK INDICATES THAT THE ADJACENT COMPONENT IS CONSIDERED CRITICAL WITH RESPECT TO THE RISK OF FIRE AND ELECTRICAL SHOCK ASSOCIATED WITH THIS PRODUCT. WHEN REPLACING ANY OF THESE COMPONENT, USE ONLY PARTS SUPPLIED BY MANUFACTURER PART NUMBERS ARE.

**NOTES:**

1. ALL RESISTANCE VALUES ARE IN OHM
2. ALL CAPACITANCE VALUES ARE IN uF (P=pF U=uF)
3. (M)MARK CAPACITORS IS MYLAR CAPACITOR

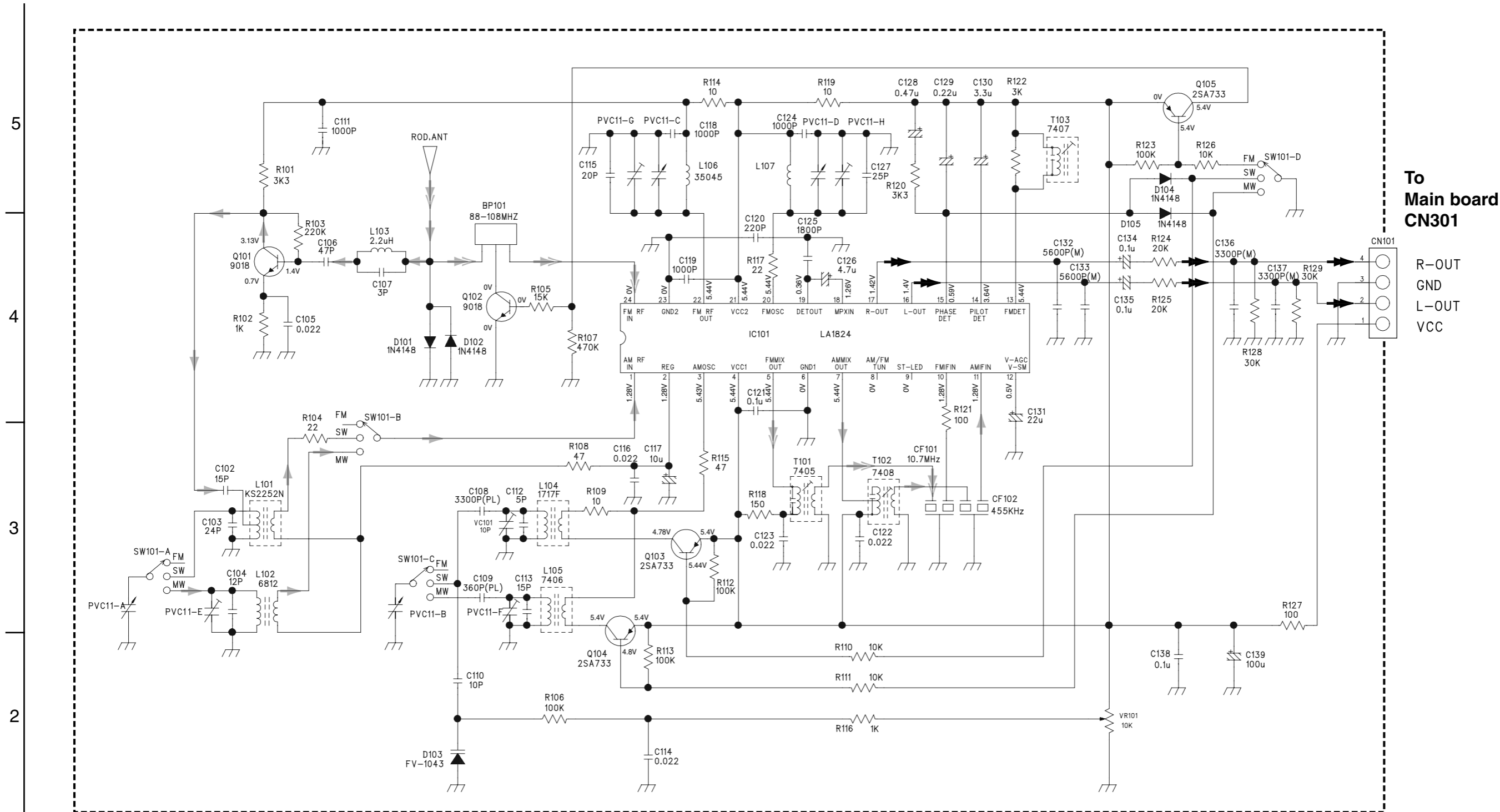


Parts are safety assurance parts. When replacing those parts, make sure to use the specified one.

5  
4  
3  
2  
1

A B C 2-2 D E F G H

■ Tuner section



To Main board  
CN301

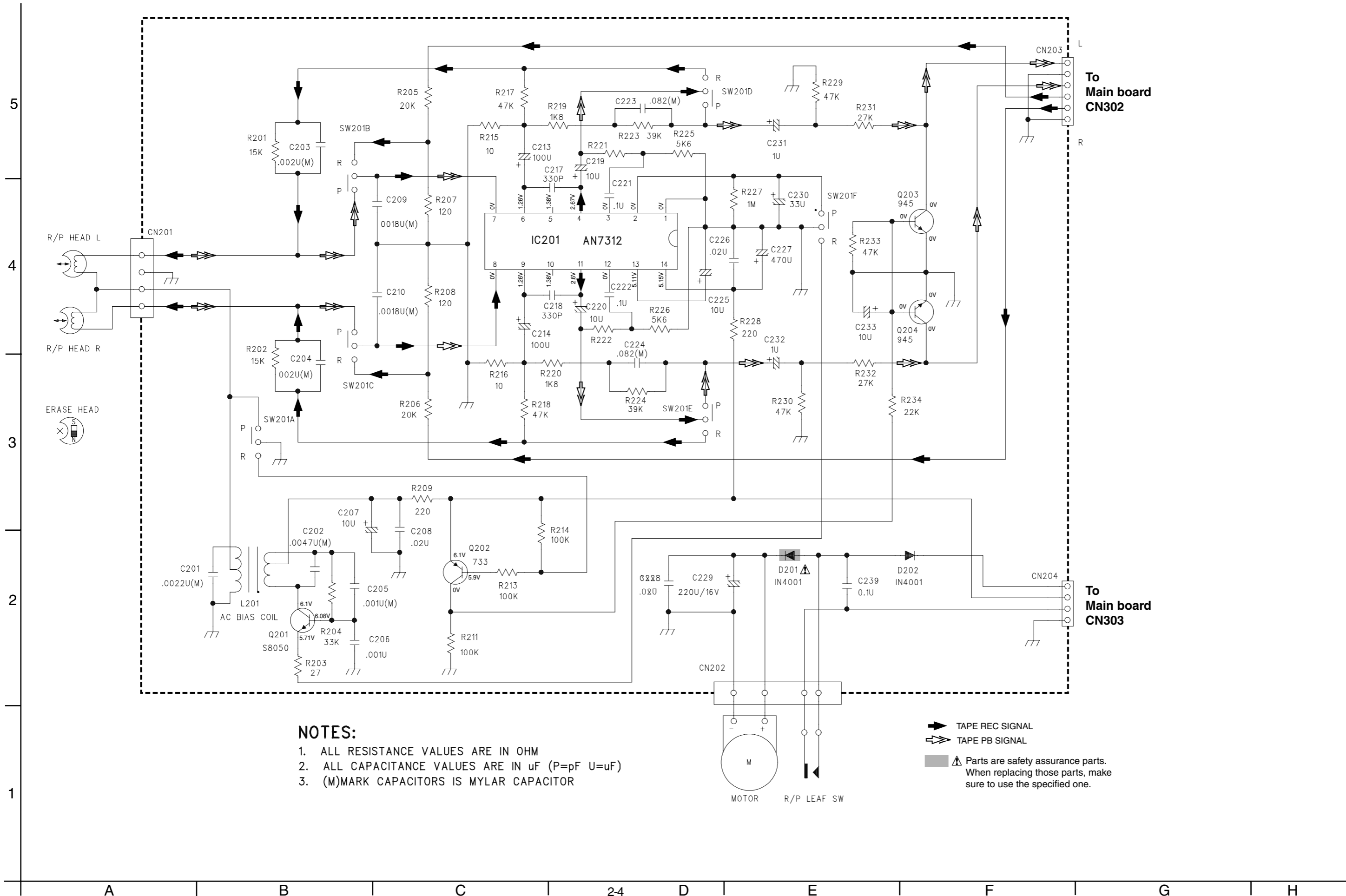
R-OUT  
GND  
L-OUT  
VCC

NOTES

1. ALL RESISTANCE VALUES ARE IN OHM
2. ALL CAPACITANCE VALUES ARE IN uF (P=pF u=uF)
3. (M)MARK CAPACITORS IS MYLAR CAPACITOR  
(PL)MARK CAPACITORS IS POLY CAPACITOR



■ Cassette section

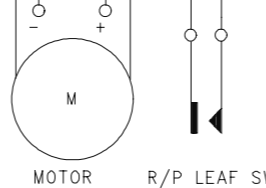


**NOTES:**

1. ALL RESISTANCE VALUES ARE IN OHM
2. ALL CAPACITANCE VALUES ARE IN uF (P=pF U=uF)
3. (M)MARK CAPACITORS IS MYLAR CAPACITOR

➔ TAPE REC SIGNAL  
 ⇨ TAPE PB SIGNAL

⚠ Parts are safety assurance parts.  
 When replacing those parts, make sure to use the specified one.

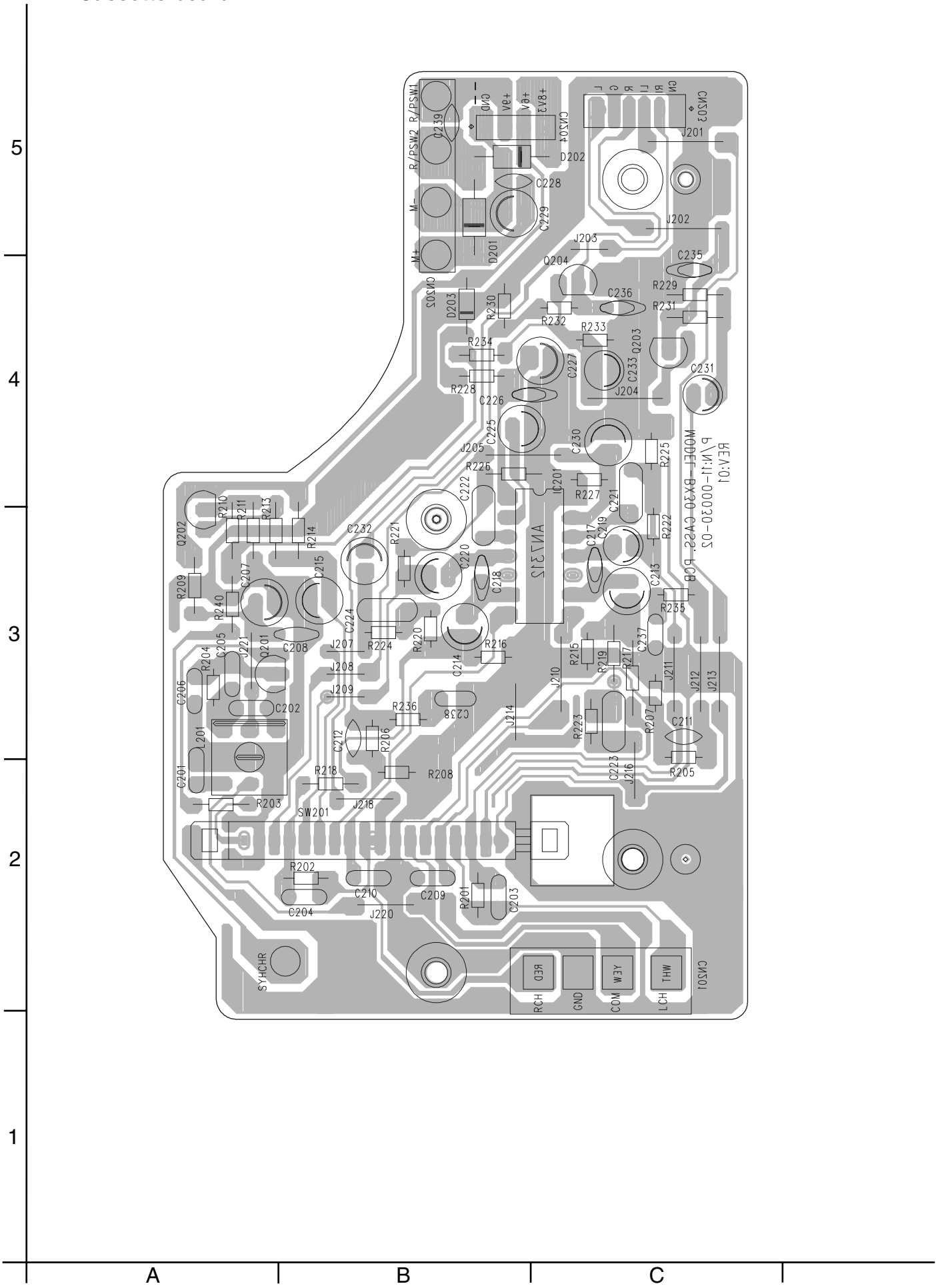








■ Cassette board



REV:A:01  
b/M:11-00030-05  
MODEL-BX30-CV22-FCB

5

4

3

2

1

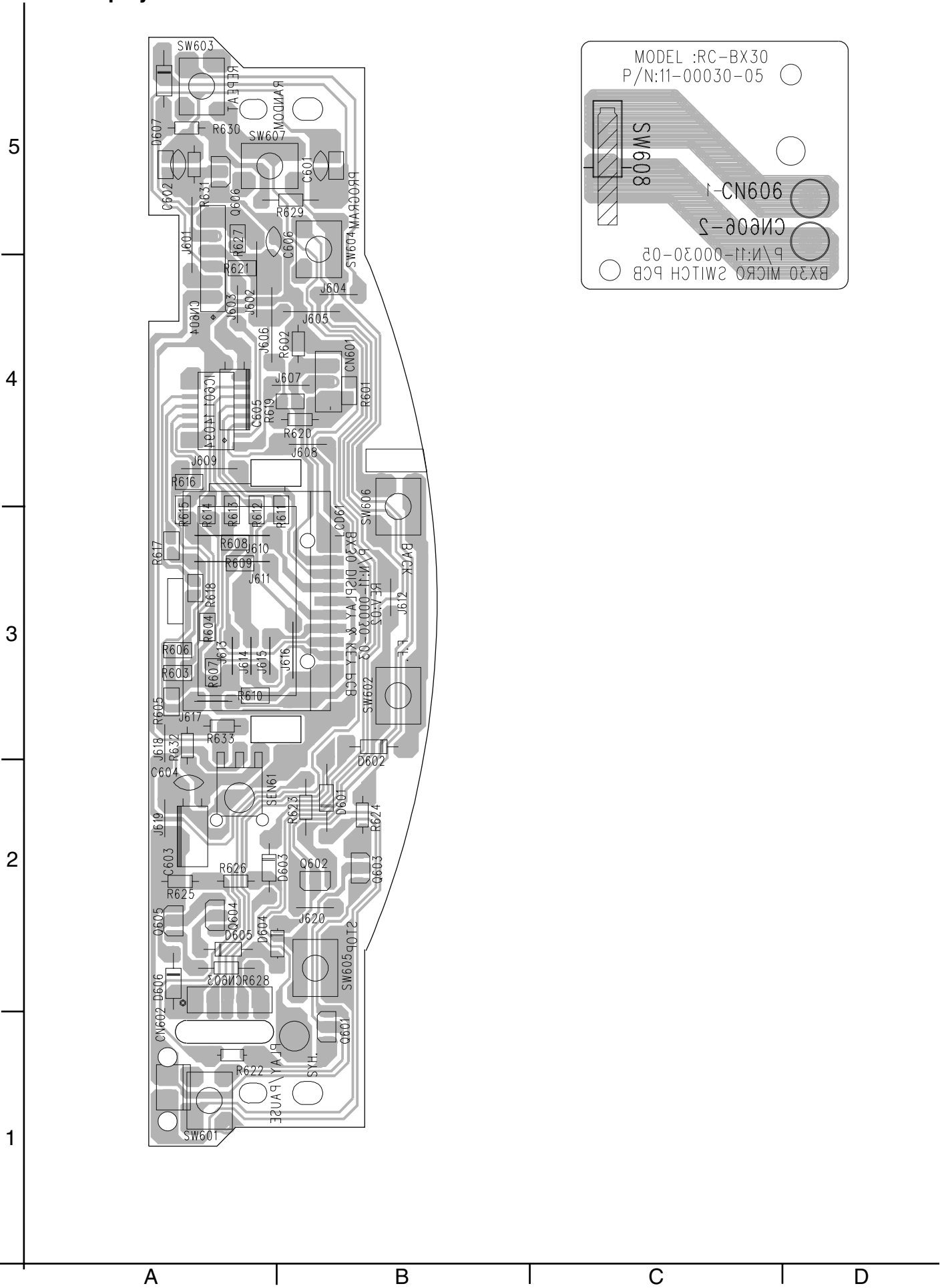
A

B

C

■ Display board

■ Micro switch board



< MEMO >



VICTOR COMPANY OF JAPAN, LIMITED

AUDIO & COMMUNICATION BUSINESS DIVISION

PERSONAL & MOBILE NETWORK BUSINESS UNIT. 10-1,1Chome,Ohwatari-machi,maebashi-city,371-8543,Japan