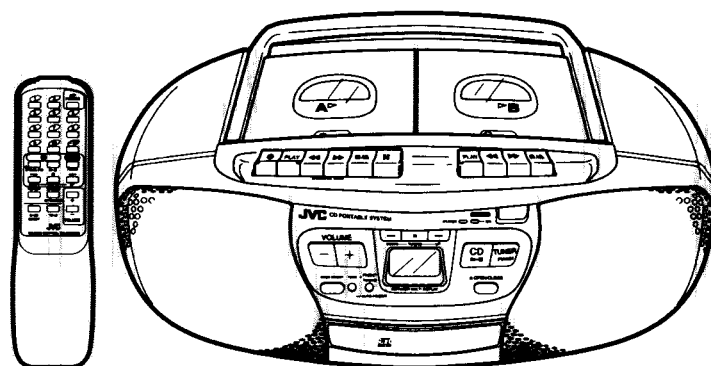


# JVC

## SERVICE MANUAL

### CD PORTABLE SYSTEM

# RC-QW350BK c/J



COMPACT  
**disc**  
DIGITAL AUDIO

#### Area Suffix

C ..... Canada  
J ..... U.S.A.

#### NOTE:

The model RC-QW350BKC/J is the minor change model of the RCQW35BKC/J.  
The differences between these two models are as follows:

1. Coloring and printing of the enclosure
2. Packing materials and accessories

The specifications and the other parts are the same as those of RC-QW35BKC/J.  
For the further details, please refer to the service manual No. 1976 for RC-QW35BKC/J.

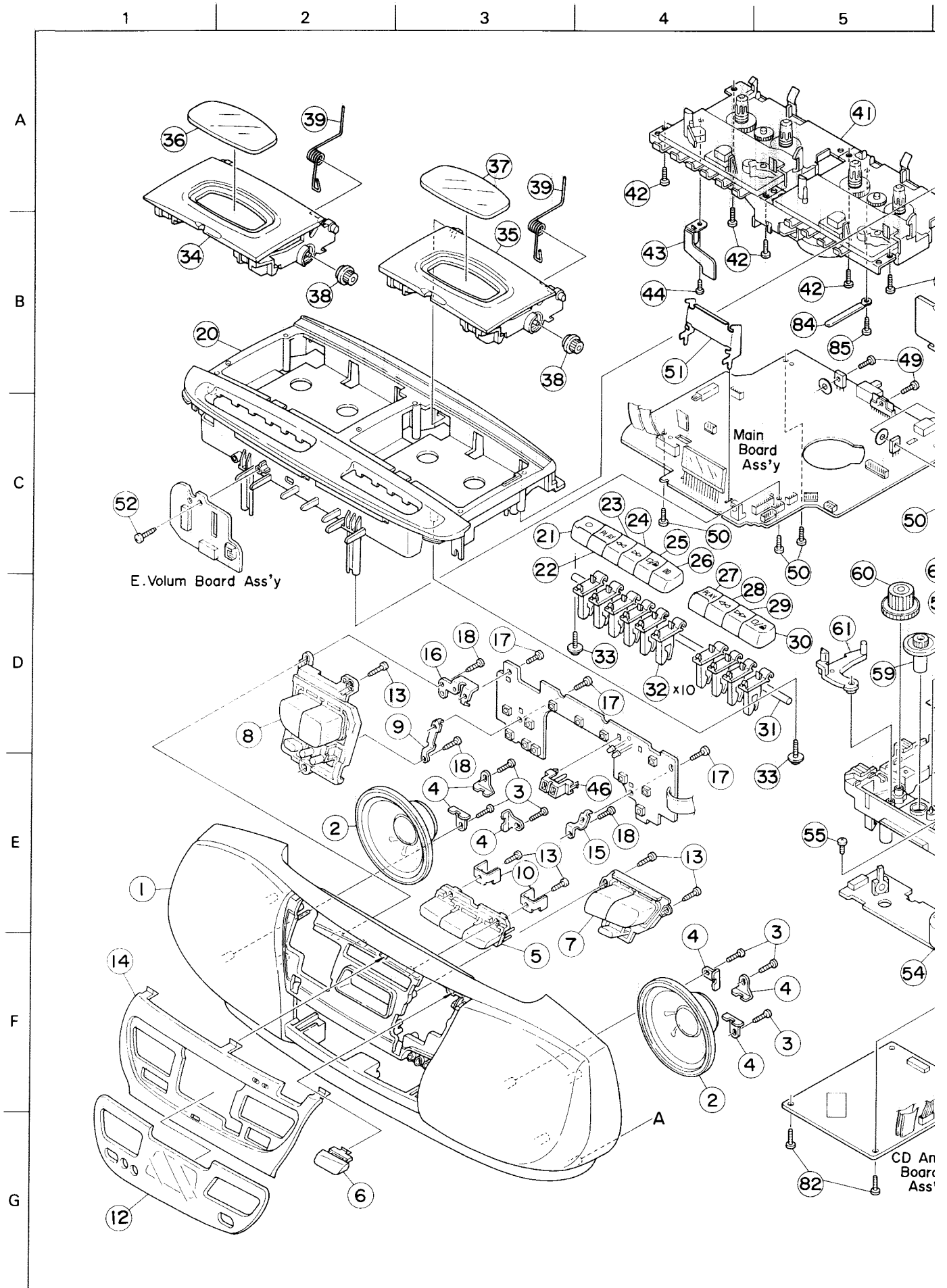
## ● Enclosure component parts list

BLOCK NO. M1MM | | |

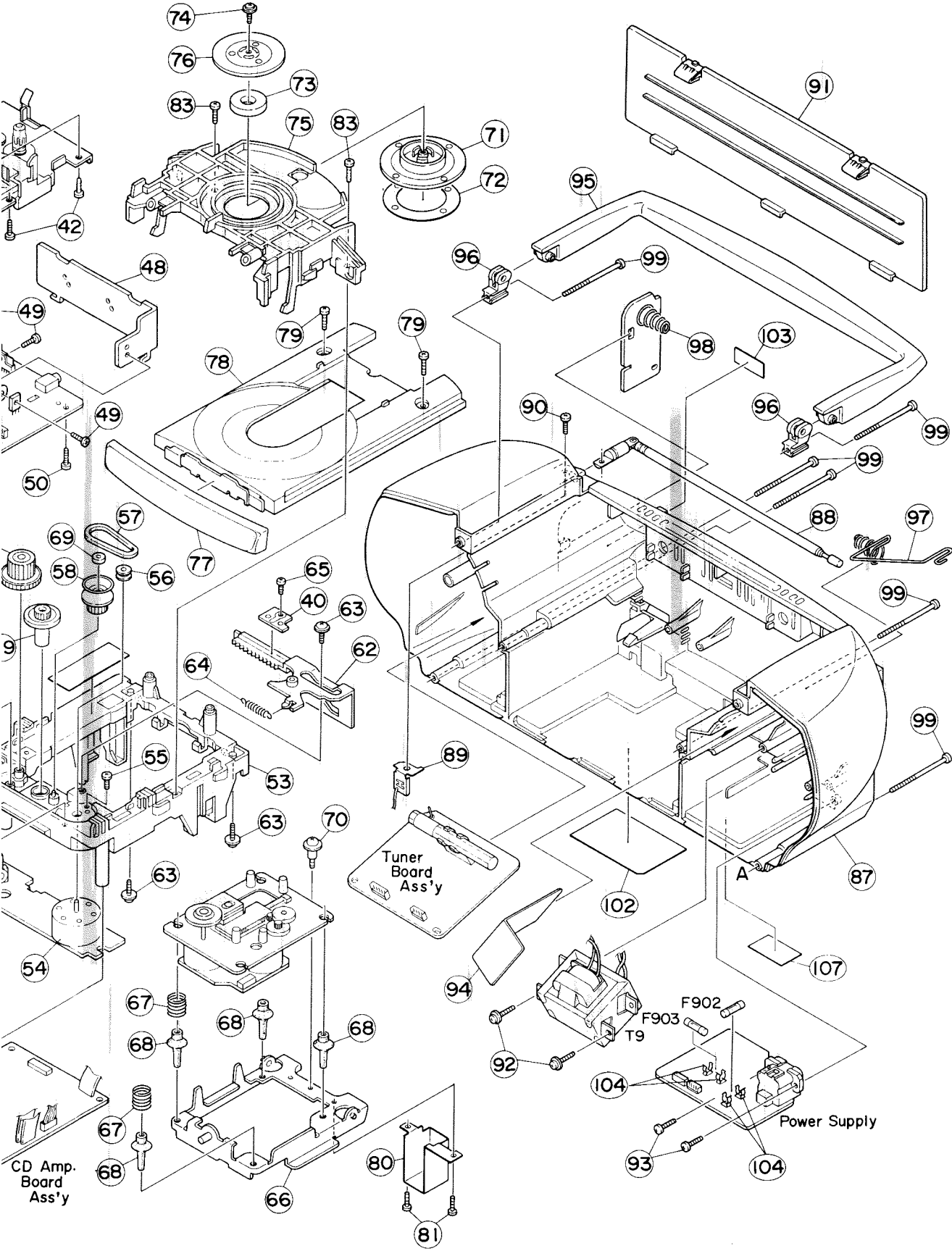
△	REF.	PARTS NO.	PARTS NAME	REMARKS	QTY	SUFFIX	CLR
	1	VJG1373-50A	FRONT C.ASS'Y	ORDER BY JVC P	1		
	2	VGS1001-026	SPEAKER		2		
	3	SBSF3008Z	SCREW	FOR SPEAKER	6		
	4	VYH8087-001	SPEAKER CLAMP	ORDER BY JVC PT	6		
	5	VXP3740-002	CD SEARCH BUTTO	ORDER BY JVC PT	1		
	6	VXP3743-003	POWER BUTTON	40010-205-01-01	1		
	7	VXP2118-002	FUNCTION BUTTON	VXP2118-002	1		
	8	VXP2117-002	VOLUME BUTTON	+/- KNOBE	1		
	9	VKL7824-002	SW PWB BKT(D)	ORDER BY JVC PT	1		
	10	VKL7836-001	SW PCB SUPP.BKT	50010-137-00-01	2		
	12	VJK2204-003	LCD LENS	ORDER BY JVC PT	1		
	13	SBSF2608Z	SCREW	FOR BUTTON	5		
	14	VJD2463-003	FRONT COVER(B)	ORDER BY JVC PT	1		
	15	VKL7817-001	SW PWB BKT(A)	50010-131-00-01	1		
	16	VKL7823-002	SW PWB BKT(C)	ORDER BY JVC PT	1		
	17	SDSP3004Z	SCREW	FOR SW PWB + BK	3		
	18	SBSF2608Z	SCREW	FOR SW BKT+F.CA	3		
	20	VJD1204-004	TOP COVER	40010-451-06-01	1		
	21	VXP2112-021	MECH BUTTON	40010-207-02-01	1		
	22	VXP2112-022	MECH BUTTON	40010-208-02-01	1		
	23	VXP2112-023	MECH BUTTON	40010-209-02-01	1		
	24	VXP2112-024	MECH BUTTON	40010-210-02-01	1		
	25	VXP2112-025	MECH BUTTON	40010-211-02-01	1		
	26	VXP2112-026	MECH BUTTON	40010-212-02-01	1		
	27	VXP2112-027	MECH BUTTON	40010-213-02-01	1		
	28	VXP2112-028	MECH BUTTON	40010-214-02-01	1		
	29	VXP2112-029	MECH BUTTON	40010-215-02-01	1		
	30	VXP2112-030	MECH BUTTON	40010-216-02-01	1		
	31	VYH7877-001	SHAFT	71200-010-01-00	1		
	32	VYH8006-001	BUTTON LEVER	40010-652-00-01	10		
	33	E65923-003	TAPPING SCREW	SHAFT + T.COVER	2		
	34	VJT2361-003	CASSETTE DOOR(L)	40010-301-02-01	1		
	35	VJT2362-003	CASSETTE DOOR(R)	40010-302-02-01	1		
	36	VJT3378-005	DOOR LENS(L)	40010-341-03-01	1		
	37	VJT3378-006	DOOR LENS(R)	40010-342-03-01	1		
	38	VYH8007-001	GEAR	40010-604-00-01	2		
	39	VKW5213-002	DOOR SPRING(L)	71100-044-01-01	2		
	40	VE406291-001	PLATE	40010-507-00-01	1		
	41	-----	C. MECHA.ASSY		1		
	42	SBSF3010Z	SCREW	FOR CASS.MECHA	6		
	43	VKY4718-001	REC SPRING	71100-043-01-01	1		
	44	SDST2003Z	SCREW	FOR REC SPRING	1		
	46	VKS5564-001	LED HOLDER	ORDER BY JVC PT	1		
△	48	VYH3900-002	HEAT SINK	78000-007-02-00	1		
	49	SDSP3008Z	SCREW	P.IC + HEAT SIN	3		
	50	SBSF3010Z	SCREW	MAIN+TOP COVER	4		
	51	VKL7813-001	LCD HOLDER	50010-136-00-01	1		
	52	SBSF3010Z	SCREW	E.VOL.PWB+T.COV	1		
	53	VYH1255-001	LOADING BASE	40010-506-00-01	1		
	54	RF-500TB-12560	MOTOR	38102-004-00-01	1		
	55	SPSK2640Z	MINI SCREW	MOTOR + L.BASE	2		
	56	VE75984-001	MOTOR PULLEY	40010-681-00-01	1		
	57	VE75950-002	BELT	77100-003-01-00	1		
	58	VE75985-001	GEAR(1)	40010-601-00-01	1		
	59	VE75986-002	GEAR(2)	40010-602-00-01	1		



# 9. Exploded View of Enclosure Assembly



6	7	8	9	10
---	---	---	---	----



# 11. Illustration of Packing and Parts List

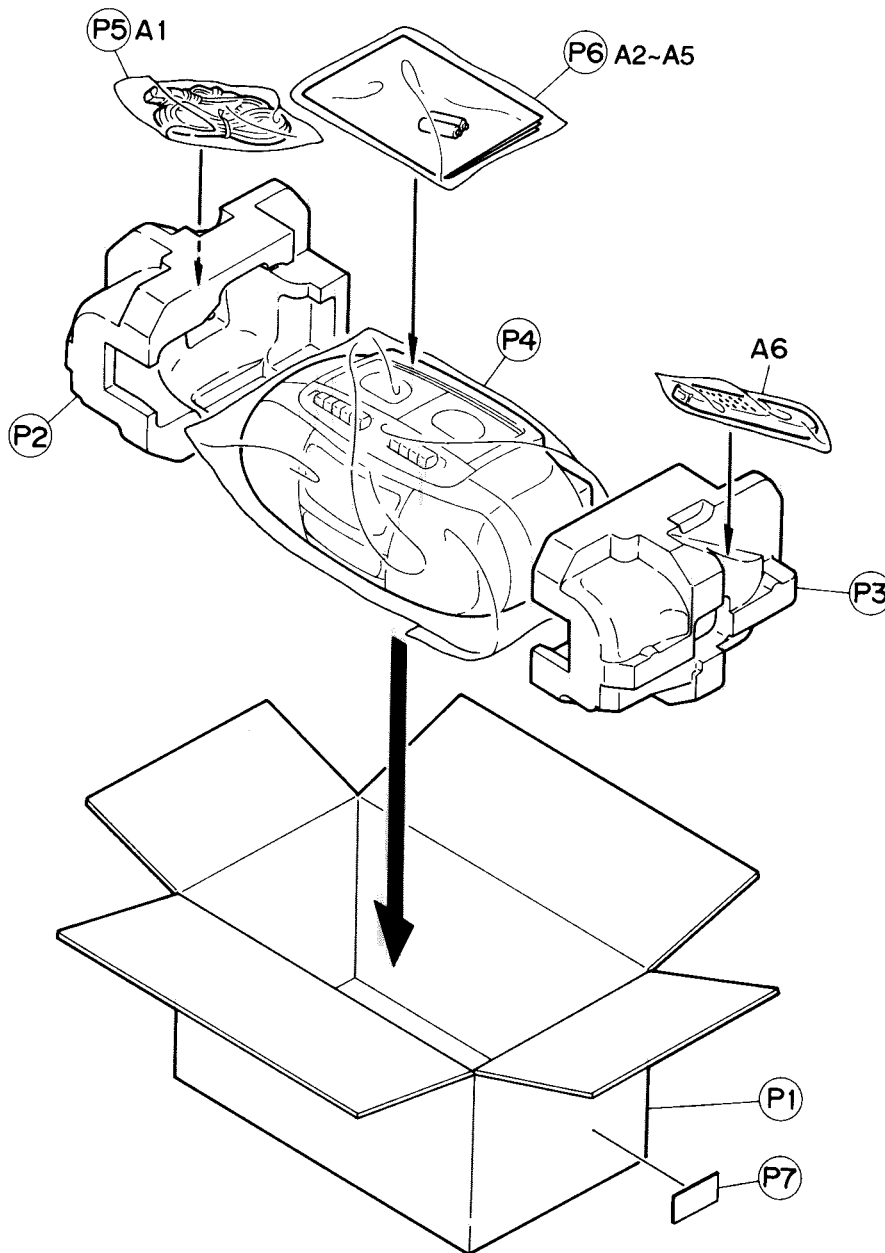


Fig. 11 - 1

## ● Packing parts list

BLOCK NO.

△	REF.	PARTS NO.	PARTS NAME	REMARKS	QTY	SUFFIX	CLR
P	1	VPC5214-002	CARTON	50350-001-01-01	1		
P	2	VPH1678-001	CUSHION (L)	50010-601-00-01	1		
P	3	VPH1678-002	CUSHION (R)	50010-602-00-01	1		
P	4	VPE3020-028	POLY BAG	74038-643-03-01	1		
P	5	QPGA012-02505	POLY BAG	74009-233-04-00	1		
P	6	VPE3026-004	POLY BAG	74023-353-07-00	1		
P	7	-----	CARTON LABEL	77200-453-01-01	1		

**Accessories**

BLOCK NO. M5MM

REF.	PARTS NO.	PARTS NAME	REMARKS	QTY	SUFFIX	CLR
A 1	QMP1350-183	POWER CORD		1		
A 2	VNN5214-611C	INSTRUCTIONS	77301-116-01-01	1		
A 3	BT-20047F	WARRANTY CARD		1	J	
	BT-52002-1	WARRANTY CARD		1	C	
A 4	BT-20044G	SAFETY INST.		1	J	
A 5	BT-20071B	SERVICE NETWORK		1	C	
	BT-20137	SERVICE NETWORK		1	J	
A 6	VGR0050-001	REMOCON UNIT	RM-RXGW35	1		





BLOCK NO. M1MM

REF.	PARTS NO.	PARTS NAME	REMARKS	QTY	SUFFIX	CLR
60	VE75987-001	GEAR(3)	40010-603-00-01	1		
61	VE307162-001	LEVER	40010-651-00-01	1		
62	VE307160-001	CAM	40010-653-00-01	1		
63	E65923-003	TAPPING SCREW	FOR CD MECHA	3		
64	VYH7787-001	SPRING	71100-049-01-01	1		
65	SBSF3008Z	SCREW	PLATE + L.BASE	1		
66	VE307179-002	E.BASE ASS'Y	50010-134-00-01	1		
67	E406871-001	SPRING	71100-047-01-01	2		
68	VE406294-002	INSULATOR	76402-002-01-01	4		
69	VE60912-001	SPEED NUT	40010-441-00-01	1		
70	E406293-001	SPECIAL SCREW	FOR CD MECHA	1		
71	VYH3901-001	CLAMPER	40010-505-00-01	1		
72	VYH7315-005	PAD	76300-014-02-02	1		
73	VYH7313-004	MAGNET	38300-003-01-01	1		
74	GBSF2606Z	SCREW	FOR CLAMPER	1		
75	VYH2314-001	CLAMPER BASE	40010-508-00-01	1		
76	VYH3764-001	CLAMPER PLATE	50010-101-00-01	1		
77	VJD2462-011	CD FITTING	40010-303-15-01	1		
78	VYH1256-001	TRAY	40010-104-00-01	1		
79	SBSF3008Z	SCREW	FOR TRAY STOPPE	2		
80	VMA4660-001	SHIELD CASE	50010-135-00-01	1		
81	SDSR2606Z	SCREW	SHIELD CASE+CD	2		
82	SBSF3008Z	SCREW	CD AMP PWB + L.	2		
83	SBSF3008Z	SCREW	CLAMPER BASE+L.	2		
84	VKZ4001-110	WIRE CLAMP		1		
85	SDST3006Z	SCREW		1		
87	VJG1374-005	REAR CABINET	40010-102-04-01	1		
88	215-021704-00	ANT. ROD	77001-002-01-02	1		
89	VKL7814-001	TERMINAL LUG	50010-103-00-01	1		
90	SDSP3012N	SCREW	FOR ROD ANT.	1		
91	VJC2554-004	BATTERY COVER	40010-452-03-01	1		
92	GBSF3016Z	SCREW	FOR TRANS	2		
93	SBSF3010Z	SCREW	FOR AC	2		
94	VYH8055-001	SHIELD PLATE	ORDER BY JVC PT	1		
95	VJH2015-004	HANDLE	40010-391-03-01	1		
96	VYH8008-001	HANDLE SUPPORTE	40010-503-00-01	2		
97	VKW5212-001	BATTERY SPRING	71100-050-01-01	1		
98	207-0Q3305-00	BATTERY SPRING	71100-048-01-01	1		
99	SBSF3040Z	SCREW	FRONT+REAR	6		
102	VYN5214-Q006	NAME PLATE	77200-452-01-01	1		
103	VND5008-001	FCC LABEL(4)	77200-156-01-01	1		
104	VMZ0125-001Z	FUSE CLIP	FOR F902,F903	4		
107	77200-154-01-01	HHS LABEL	77200-154-01-01	1		
F 902	QMF0007-2R5J1	FUSE	23702.5	1		
F 903	QMF0007-2R5J1	FUSE	FOR BATT	1		
T 9	U-1380TN-B	POWER TRANS		1		

**JVC**

**VICTOR COMPANY OF JAPAN, LIMITED**  
**AUDIO PRODUCTS DIVISION**

10-1, 1-chome, Ohwatari-machi, Maebashi-city, 371 Japan