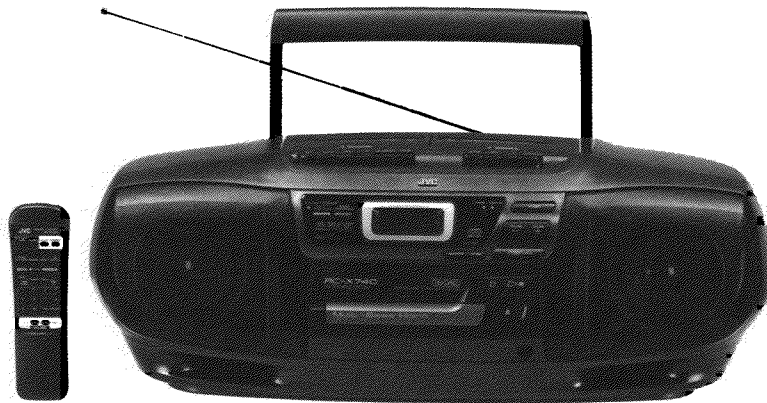


JVC

SERVICE MANUAL

CD PORTABLE SYSTEM

RC – X740 B/E/EN/G/GI



COMPACT
disc
DIGITAL AUDIO

Note

The RC – X740 B/E/EN/G/GI is basically the same as the RC – X540 B/E/EN/G/GI (Excluding the cassette mechanism) Therefore, please refer to the service manual (NO.1929) for the RC – X740 B/E/EN/G/GI for details of the RC – X540 B/E/EN/G/GI other than the Instructions, Troubleshooting of CD part etc.

Area Suffix

B.....	U.K.
E.....	Continental Europe
EN	North Europe
G	Germany
GI	Italy

Contents

1. Safety Precautions	Page 2	8. Block Diagram	28
2. Safety Precaution about RC – X740	3	9. Wiring Connections	30
3. Instructions(Refer to RC – X540)	6	10. Standard Schematic Diagram	31
4. Location of Main Parts	6	11. Location of P.C. Board Parts	37
5. Removal of Main Parts	7	12. Electrical Parts List	41
6. Main Adjustment	16	13. Illustration of Packing and Parts List	50
7. Analytic Drawing and Parts List	22		

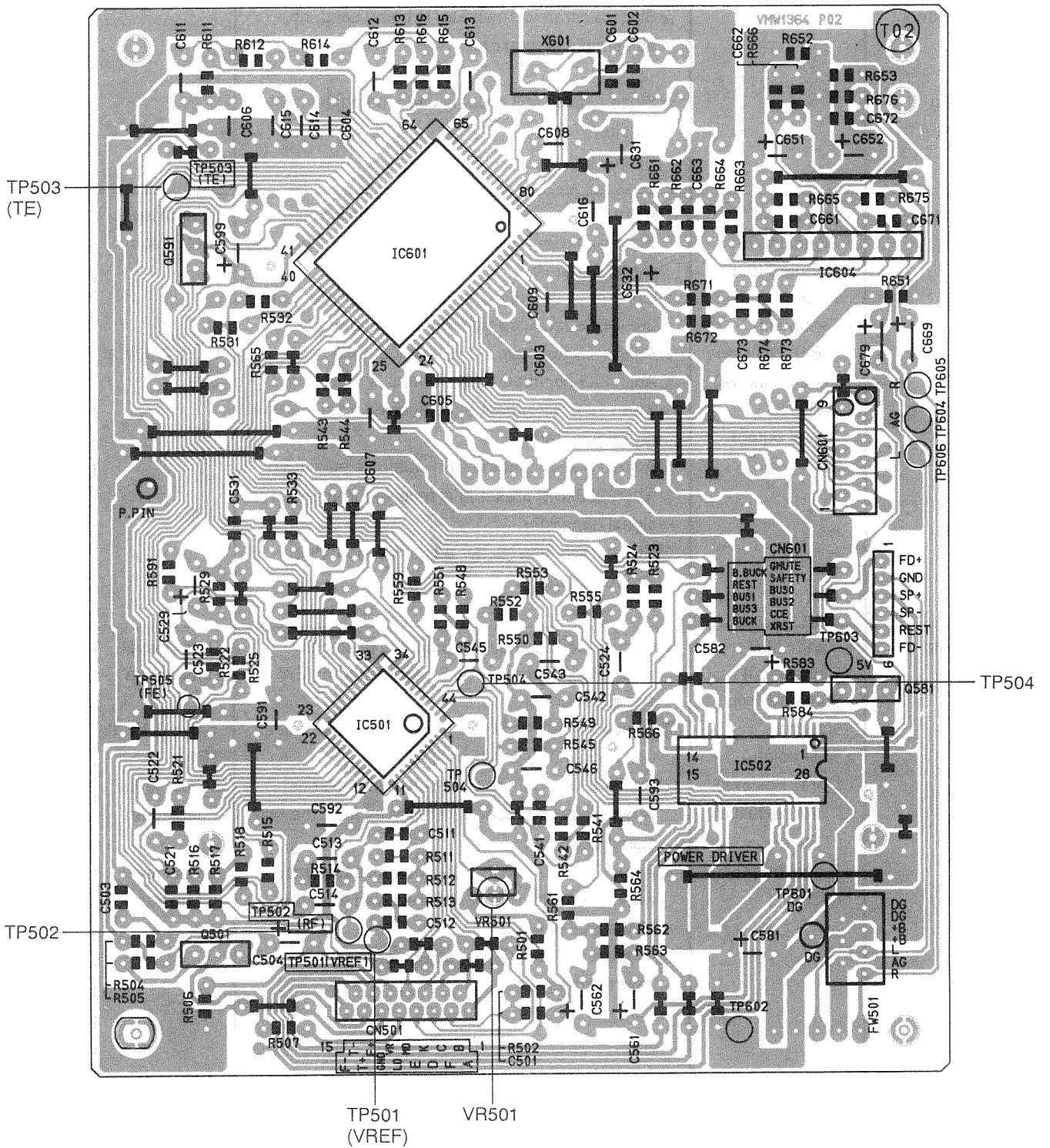
■ Cassette / Recorder Deck Sections

Item	Conditions	Adjustment & Confirmation Methods	Stand. values	Adjust
Head azimuth adjustment (A, B mechanism)	<ul style="list-style-type: none"> • Test tape : VTT703L(10kHz) • Output terminal for measurement : Headphone • Input terminal for measurement : CN301 	<p>* Adjust the head azimuth screw only when the head is replaced.</p> <p>① Playback test tape VTT703L(10kHz) .</p> <p>② Adjust the head azimuth so that the phase difference is minimum (Within 2dB of the peak level of play output.) After adjustment apply the screw locking adhesive to the head azimuth screw more than a half arund the screw head.</p>	<p>Within 2dB of the peak level</p> <p>Minimum phase difference</p>	Head azimuth adjusting screw
Tape speed adjustment and wow &Flutter checking (A, B mechanism)	<ul style="list-style-type: none"> • Tast tape : VTT712 (3kHz) • Output terminal for measurement : Headphone 	<p>① When playing test tape VTT712 (3kHz).</p> <p>② Adjust VRA61 so that the frequency counter reading is 2990Hz ~3010Hz .</p> <p>③ Wow &Flutter should be less than 0.38%(JIS UNWTD)</p>	<ul style="list-style-type: none"> • Tape speed : 2990Hz ~3010Hz Wow &Flutter : Less than 0.38%(JIS UNWTD) 	VRA61
Play back output level checking (A, B mechanism)	<ul style="list-style-type: none"> • Tast tape : VTT724 (1kHz) •Output terminal for measurement : Headphone 	<p>① When Playback the test tape VTT724 (1kHz) , the output level at headphone is $- 26\text{dB} \pm 3\text{dB}$ at 1kHz.</p> <p>② Deviation L and R : less than 3dB</p>	$- 26\text{dB} \pm 3\text{dB}$	
Playback frequency response checking (A, B mechanism)	<ul style="list-style-type: none"> • Tast tape : VTT736 •Output terminal for measurement : Headphone 	When playback the test tape VTT736, response should be $- 3\text{dB} \pm 4\text{dB}$ at 63Hz and 1kHz, $+1\text{dB} \pm 4\text{dB}$ at 10kHz and 1kHz with respect to 1kHz.	<p>63Hz and 1kHz : $- 3\text{dB} \pm 4\text{dB}$</p> <p>10kHz and 1kHz : $+1\text{dB} \pm 4\text{dB}$</p>	
Record / playback frequency response adjustment (A mechanism)	<ul style="list-style-type: none"> • Reference frequency : 1kHz, 10kHz (Ref. $- 20\text{dB}$) • Test tape : AC224 • Output terminal for measurement :CN301 	<p>① Record and playback the 1kHz reference frequency and 10kHz signal and check at treminal CN301.</p> <p>② Adjust the VRA41 so that record and playback frequency response with 1kHz and 10kHz at CN301 is $+1\text{dB} \pm 1\text{dB}$</p> <p>③ Comfirm that the frequency counter reading is $95.5\text{kHz} \pm 3\text{kHz}$. If the reading is out of this range, adjust LA341.</p>	<p>$+ 1\text{dB} \pm 1\text{dB}$</p> <p>$95.5\text{kHz} \pm 3\text{kHz}$</p>	VRA41 LA341

■ Tuner Sections

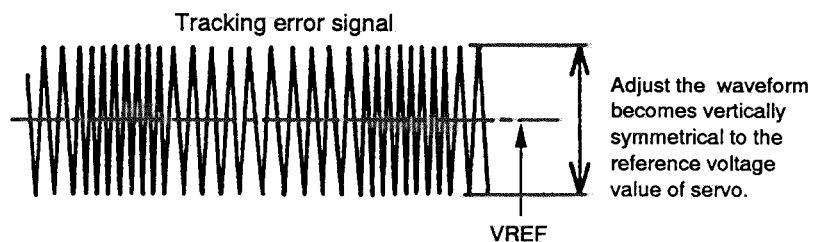
Item	Conditions	Adjustment & Confirmation Methods	Stand. values	Adjust
FM, AM IF adjustment MPX adjustment FM tracking adjustment		<p>☆ Since a solid IF is being used, no adjustment is required.</p> <p>☆ Since a ceramic resonator is being used, no adjustment is required.</p> <p>☆ Since a fixed coil is being used, no adjustment is required.</p>		
LW Tracking adjustment	<ul style="list-style-type: none"> • Band : LW • Signal input Standard loop antenna • Test point : TP1(Positive) : TP2(Negative) : TP9 • Signal output : CN1 	<ol style="list-style-type: none"> ① Adjust L6 so that the CN1 output is maximum when 144kHz(preset 6) is received from the MW signal generator. ② Confirm so that the CN1 output is maximum when 288kHz is received from MW signal generator. ③ Adjust L6 to obtain $1.1 \pm 0.02V$ at TP9. ④ Adjust L5 so that the CN1 output is maximum when 144kHz(preset 6) is received from the MW signal generator. ⑤ Adjust TC3 so that the CN1 output is maximum when 288kHz(preset 7) is received from the MW signal generator. ⑥ Repeat the item ④, ⑤, adjust for no further improvement. 	<p>Output level : Maximum</p> <p>$1.1 \pm 0.02V$ at TP9.</p>	<p>L6</p> <p>L6 L5</p> <p>TC3</p> <p>L5, TC3</p>
MW tracking adjustment	<ul style="list-style-type: none"> • Band : MW • Signal input Standard loop antenna • Test point : TP1(Positive) : TP2(Negative) : TP9 • Signal output : CN1 	<ol style="list-style-type: none"> ① Confirm so that the CN1 output is maximum when 522kHz(preset 1) is received from MW signal generator. ② In case voltage at TP9 is more than 5.0V. adjust L4 to obtain $5.0 \pm 0.1V$ at TP9. ③ Adjust L3 so that the CN1 output is maximum when 603kHz(preset 3) is received from the MW signal generator. ④ Adjust TC2 so that the CN1 output is maximum when 1404kHz(preset 4) is received from the MW signal generator. ⑤ Repeat the item ④, ⑤, adjust for no further improvement. 	<p>Output level : Maximum</p> <p>$5.0 \pm 0.1V$ at TP9.</p> <p>Output level : Maximum</p> <p>Output level : Maximum</p>	<p>L4</p> <p>L3</p> <p>TC2</p> <p>L3, TC2</p>

■ Arrangement of Adjusting Position
: CD Amplifier P. C. Board



■ CD player Section

Item	Conditions	Adjustment & Confirmation Methods	Stand. values	Adjust
Tracking offset adjustment	<p>Test disc :CTS1000 Oscilloscope</p> <p>Note 1 Adjust VR501 so that the waveform becomes vertically symmetrical to the reference voltage value of servo.</p> <p>Note 2 The oscilloscope input should be DC – coupled.</p> <p>Note 3 VREF: Ground level on the oscilloscope.</p>	<p>① Connect TP503 (TE) and TP501 (VREF) respectively to the hot and ground sides of the oscilloscope.</p> <p>② Replay the test disc CTS1000.</p> <p>③ When TP504 and TP501 have been connected (Shorted) during replay, a tracking error signal will be emitted for about 3 sec. (Since the tracking error signal will be emitted at all times when the model with a test mode function is shifted to TEST mode, the adjustment can be performed more easily).</p> <p>④ Since the waveform of tracking error signal displayed by the oscilloscope goes up and down when VR501 has been adjusted, adjust VR501 so that the center of the waveform amplitude becomes a reference voltage value of servo(VREF).</p> <p>⑤ Repeat the steps ② ~ ④ until the center of the waveform amplitude of tracking error signal becomes the reference voltage value of servo (This step is not necessary in the case of the model with test mode function).</p>	Adjust the center of waveform amplitude to the reference voltage value of servo (VREF).	VR501



7. Analytic Drawing and Parts List

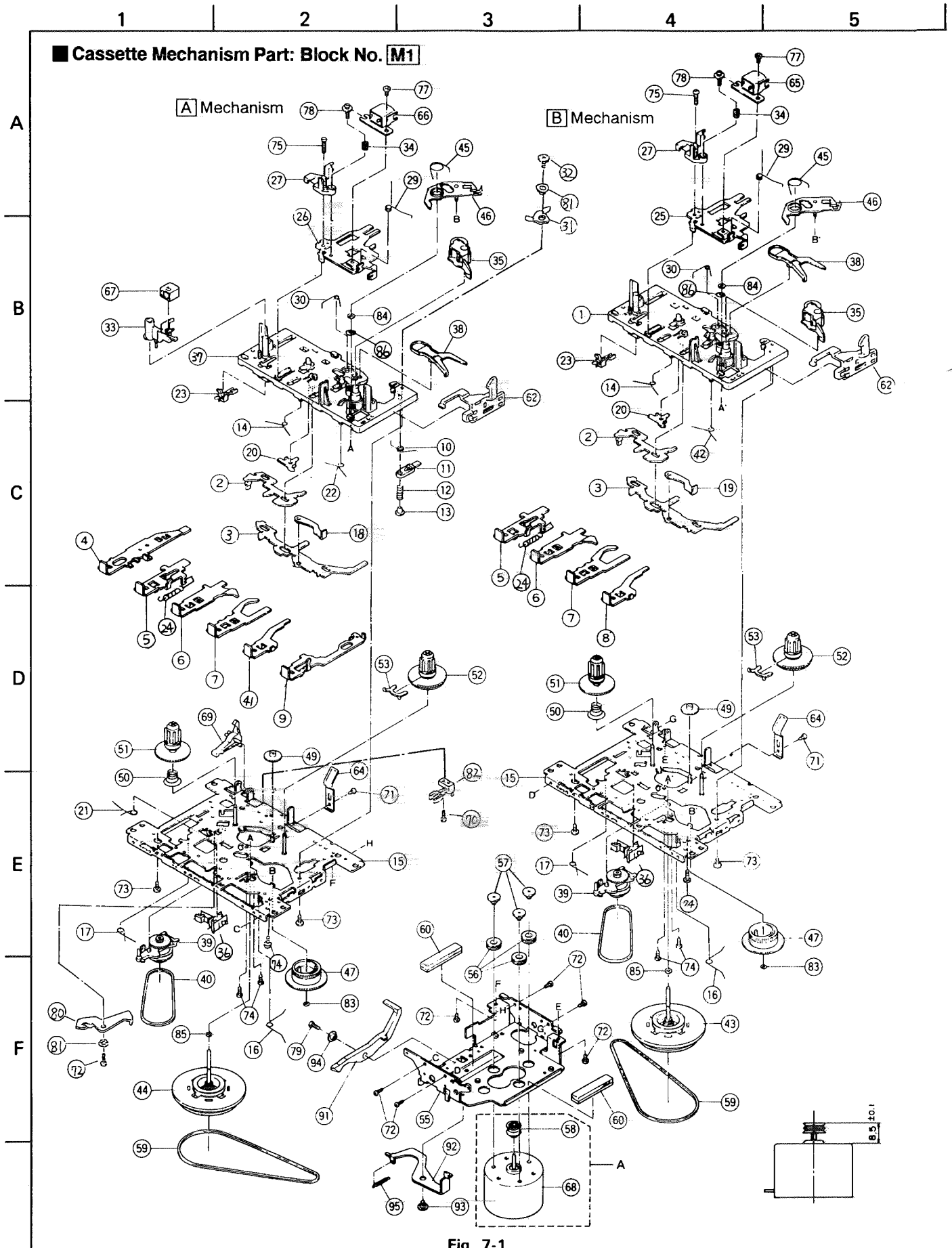


Fig. 7-1

■ Cassette Mechanism Parts List

BLOCK NO. M1MM

△	REF.	PARTS NO.	PARTS NAME	REMARKS	QTY	SUFFIX	CLR
	A	1921123065T	DC MOTOR	REF.58,68	1		
	1	1921143012T	BASE ASS'Y		1		
	2	19211409T	SWITCH ACTUATOR		2		
	3	19211438T	PUSH B.ACTUATOR		2		
	4	19211422T	BUTTON LEVER	REC BUTTON	1		
	5	19211484T	BUTTON LEVER	PLAY BUTTON	2		
	6	19211424T	BUTTON LEVER	REW BUTTON	2		
	7	19211425T	BUTTON LEVER	FF BUTTON	2		
	8	19211426T	BUTTON LEVER	STOP BUTTON	1		
	9	19211461T	BUTTON LEVER	PAUSE BUTTON	1		
	10	19211413T	P CONT. SPRING		1		
	11	19211455T	PAUSE LEVER (E)		1		
	12	19211412T	SPRING	PAUSE LEVER	1		
	13	19211411T	PAUSE STOPPER		1		
	14	19211414T	TORSION SPRING	BUTTON LEVER	2		
	15	1921015012T	CHASSIS ASS'Y		2		
	16	19211416T	TORSION SPRING	E.ACTUATER	2		
	17	19211417T	TORSION SPRING	P.S.LEVER	2		
	18	19211464T	E KICK LEVER		1		
	19	182101159T	E.KICK LEVER		1		
	20	19211420T	STOPPER		2		
	21	19211421T	TORSION SPRING	REC BUTTON	1		
	22	19211415T	TORSION SPRING	BUTTON LEVER(C)	1		
	23	MSW-1541T	LEAF SWITCH	MSW-1541T	2		
	24	18210150T	SPRING		2		
	25	19210311T	HEAD PANEL		1		
	26	19210313T	HEAD PANEL		1		
	27	19210304AT	HEAD BASE		2		
	29	19210309T	PANEL P SPRING		2		
	30	19211418AT	SPRING	M CONTROL	2		
	32	99992041T	SPECIAL SCREW	M 2 X 3	1		
		19211434T	P.ROLLER ARM		1		
	33	19210305T	MAGNET HEAD ARM		1		
	34	18210307T	AZIMUTH SPRING		2		
	35	192104309T	P.ROLL. ARM ASY		2		
	36	640101161T	LEAF SWITCH	MSW-17820MVDO	2		
	37	192114318T	BASE ASS'Y		1		
	38	19212604TT	SENSING LEVER		2		
	39	192107308T	RF CLUTCH ASS'Y		2		
	40	18210711T	RF.BELT		2		
	41	19211466T	BUTTON LEVER	STOP	1		
	42	19211433T	TORSION SPRING		1		
	43	192109318T	FLYWHEEL ASS'Y	PB MECHA.(B)	1		
	44	192109317T	FLYWHEEL ASS'Y	REC/PB MECHA.(A)	1		
	45	19212605T	TORSION SPRING	GEAR PLATE	2		
	46	192126502ZT	GEAR PLATE ASSY		2		
	47	19212602T	CAM GEAR		2		
	49	18211070T	F.FORWARD GEAR		2		
	50	18211099T	BACK TENSION SP		2		
	51	192105304T	S. REEL ASS'Y	SUPPLY	2		
	52	192105303T	T. REEL ASS'Y	TAKE-UP	2		
	53	19210506T	SENSOR		2		
	55	19211211T	MOTOR BRACKET		1		
	56	18211266T	MOTOR RUBBER		3		

BLOCK NO. M1MM 11

REF.	PARTS NO.	PARTS NAME	REMARKS	QTY	SUFFIX	CLR
57	18511418T	COLLAR SCREW		3		
58	19211213T	MOTOR PULLEY		1		
59	19210924T	MAIN BELT		2		
60	182112126T	ANTI V.FELT MAT		2		
62	19211301T	EJ. SLIDE LEVER	EJECT	2		
64	18291001T	PACK SPRING		2		
65	MS15R-AA2N1	R/P HEAD	DECK B	1		
66	MS15R-AA2N1	PB HEAD	DECK A	1		
67	PHK-MSI-6A	E HEAD	DECK A	1		
68	60020222T	MOTOR	EG530YD-9BH	1		
69	18211069T	REC.SAF.LEVER		1		
70	91810000T	SCREW	M2 X 5	1		
71	91790000T	TAPPING SCREW	M2 X 3	2		
72	91800000T	SCREW	M2 X 4	7		
73	96790000T	TAPPING SCREW	M2 X 5	4		
74	99991809T	SPECIAL SCREW	M2 X 4.5	6		
75	90040000T	SCREW(M2 X 6)	M2 X 6	2		
77	91150000T	SCREW(M2 X 3)	M2 X 3	2		
78	99220000T	SCREW(M2 X 7)	M2 X 7	2		
79	9P0420061T	SCREW	M2 X 6	1		
80	19210201T	REC ARM		1		
81	19211437T	P ARM COLLAR		2		
82	64010138T	LEAF SWITCH	MSW-1275	1		
83	94220000T	P.WASHER	1.2X3.8X0.3	2		
84	99990313T	POLY.CUT WASHER	1.45X3.8X0.5	2		
85	97860000T	POLY WASHER	2 X 3.5 X 0.3	2		
86	99990003T	POLYSLIDER WAS.	2.1X4X 0.13	2		
91	19211209T	P.KICK LEVER(B)		1		
92	18211268T	P.KICK LEVER		1		
93	18211223T	COLLAR SCREW		1		
94	18211265T	COLLAR (B)		1		
95	18211225T	SPRING		1		

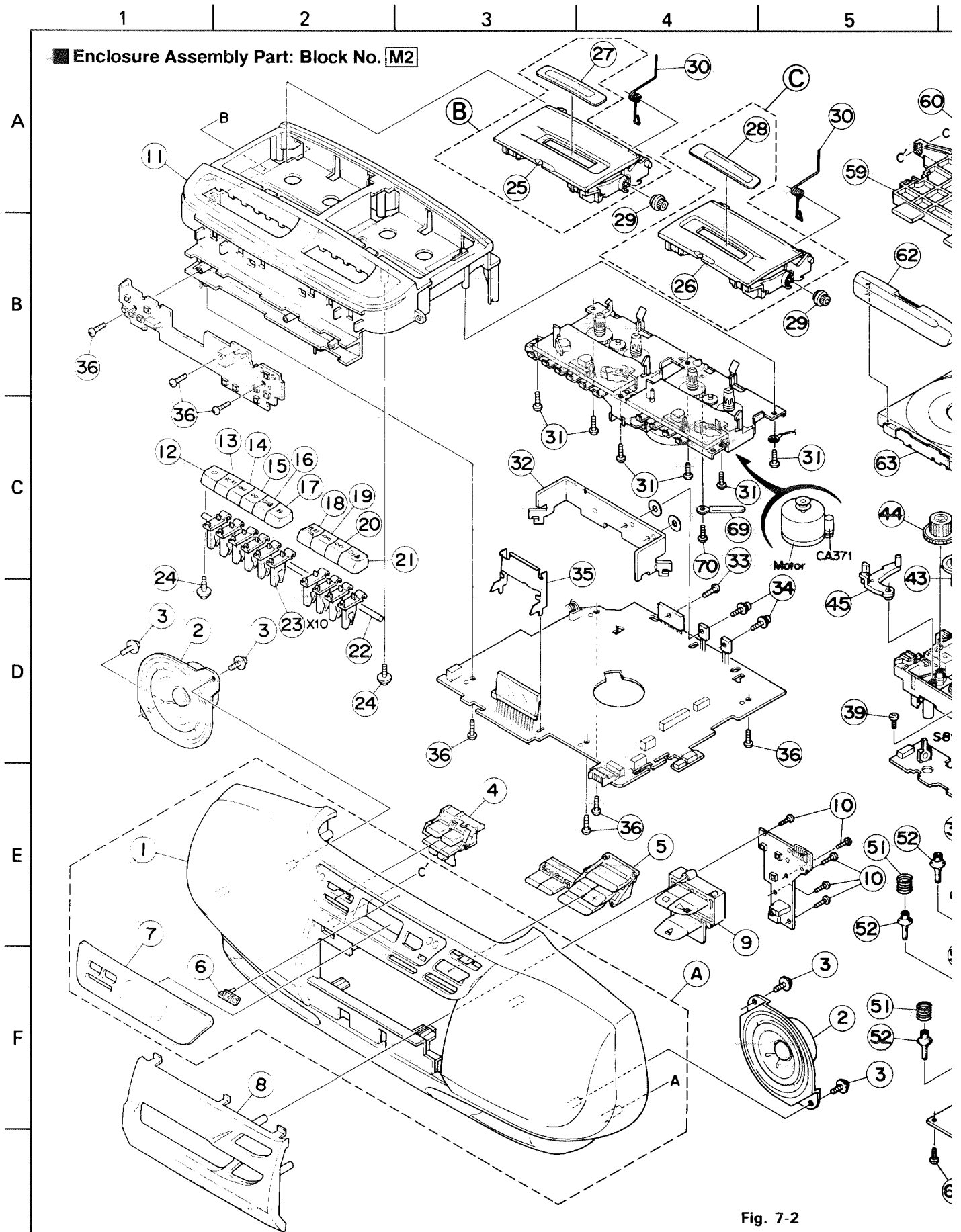
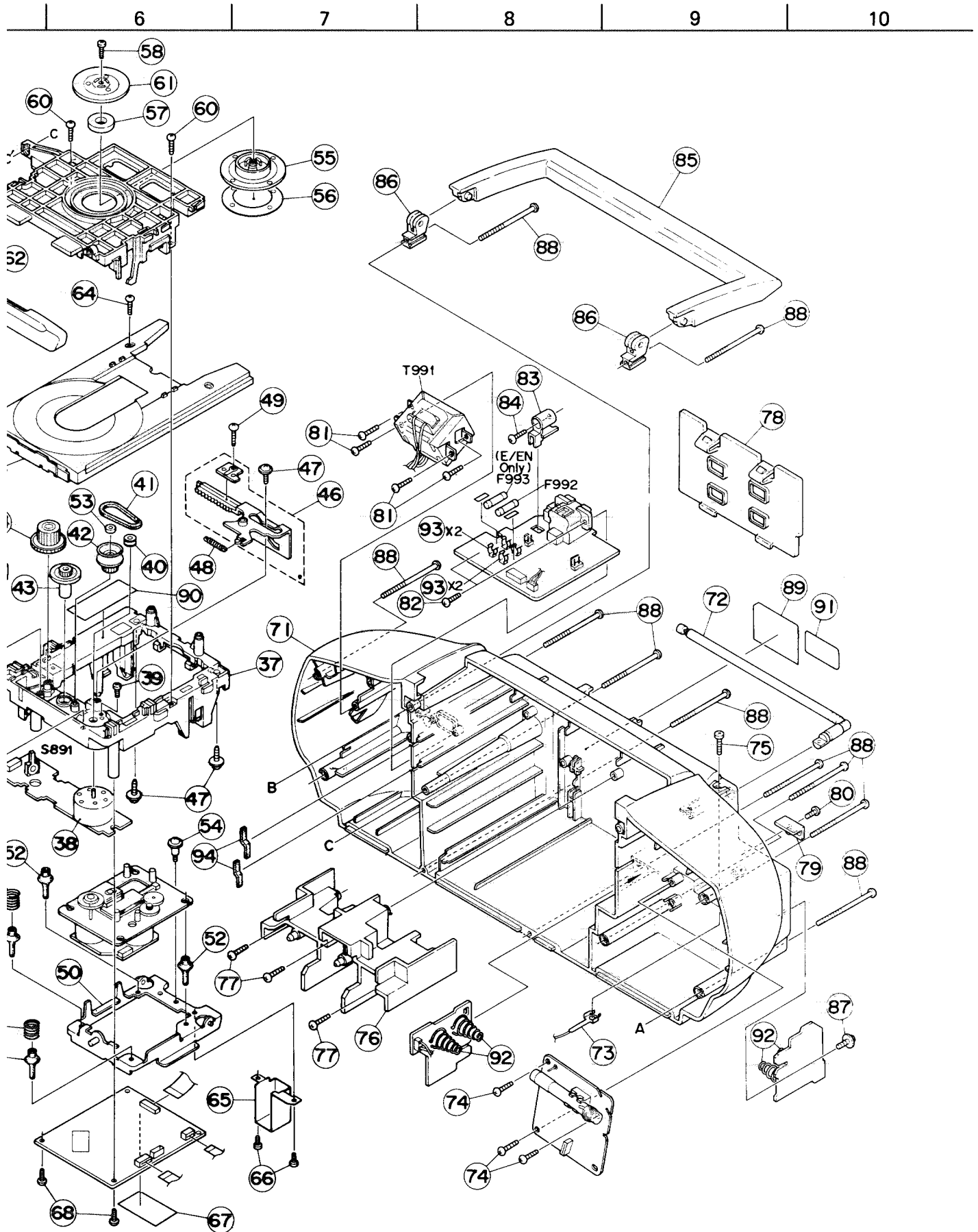


Fig. 7-2



■ Enclosure Assembly Parts List

BLOCK NO. M2MM

△	REF.	PARTS NO.	PARTS NAME	REMARKS	QTY	SUFFIX	CLR
	A	ZCRCX740K-FB	FRONT CABINET	REF.1,6,7	1		
	B	ZCRCX740K-CBA	CASSETTE CASE	REF.25,27	1		
	C	ZCRCX740K-CBB	CASSETTE CASE	REF.26,28	1		
	1	VJG1330-00B	FRONT CABINET		1		
	2	VGS1001-020	SPEAKER		2		
	3	E65923-003	TAPPING SCREW	FOR SPEAKER	4		
	4	VXP3693-001	BUTTON	HYPER BASS HORN	1		
	5	VXP3694-001	VOLUME BUTTON		1		
	6	VJD5429-001SS	JVC MARK		1		
	7	VJK3656-001	LCD LENS		1		
	8	VJD2449-001	CONTROL COVER		1		
	9	VXP3698-001	CD BUTTON		1		
	10	SBSF2608Z	SCREW	COVER+BUTTON	5		
	11	VJD1195-002	TOP COVER		1		
	12	VXP2086-031	MECH BUTTON	REC	1		
	13	VXP2086-032	MECH BUTTON	PLAY	1		
	14	VXP2086-033	MECH BUTTON	REW	1		
	15	VXP2086-034	MECH BUTTON	FF	1		
	16	VXP2086-035	MECH BUTTON	STOP	1		
	17	VXP2086-036	MECH BUTTON	A:PAUSE	1		
	18	VXP2086-037	MECH BUTTON	B MECH PLAY G	1		
	19	VXP2086-038	MECH BUTTON	B MECH REW H	1		
	20	VXP2086-039	MECH BUTTON	B MECH FF I	1		
	21	VXP2086-040	MECH BUTTON	B MECH STOP J	1		
	22	VYH7877-001	SHAFT		1		
	23	VYH7883-002	BUTTON LEVER		10		
	24	E65923-003	TAPPING SCREW		2		
	25	VJT2352-001	CASSETTE DOOR L		1		
	26	VJT2352-002	CASSETTE DOOR R		1		
	27	VJT4224-001	DOOR LENS(L)		1		
	28	VJT4224-002	DOOR LENS(R)		1		
	29	VYH7366-001MM	GEAR		2		
	30	VKW5159-001	DOOR SPRING		2		
	31	SBSF3010Z	SCREW	FOR CASS MECHA	6		
△	32	VYH3848-001	HEAT SINK		1		
	33	SBSF3010Z	SCREW		1		
	34	DPSP3010Z	SCREW		2		
	35	VYH3877-001	LCD HOLDER		1		
	36	SBSF3010Z	SCREW	CONTROL PWB+TOP	7		
	37	VYH1238-001	LOADING BASE		1		
	38	MMN-6F1LB8K	MOTOR		1		
	39	SPSK2640Z	MINI SCREW		2		
	40	E75984-221	MOTOR PULLEY		1		
	41	E75950-002	BELT		1		
	42	E75985-221	GEAR(1)		1		
	43	E75986-221SS	GEAR(2)		1		
	44	E75987-221SS	GEAR(3)		1		
	45	E307162-331	LEVER		1		
	46	E307252-331	CAM-PLATE		1		
	47	E65923-003	TAPPING SCREW		3		
	48	VYH7787-001	SPRING		1		
	49	SBSF3008Z	SCREW		1		
	50	E307179-332	E.BASE ASS'Y		1		
	51	E406871-001	SPRING		2		
	52	E406294-002	INSULATOR		4		

BLOCK NO. M2MM | | |

REF.	PARTS NO.	PARTS NAME	REMARKS	QTY	SUFFIX	CLR
53	E72024-001	SPEED NUT		1		
54	E406293-001	SPECIAL SCREW		1		
55	VYH3680-001	CLAMPER		1		
56	VYH7315-005	PAD		1		
57	E74897-002	MAGNET		1		
58	GBSF2606Z	SCREW	FOR CLAMPER	1		
59	VYH2302-001	CLAMPER BASE		1		
60	SBSF3010Z	SCREW	FOR CLAMPER BAS	2		
61	VYH3764-001	CLAMPER PLATE		1		
62	VJT3369-001	CD FITTING		1		
63	VYH1222-101	TRAY		1		
64	SBSF3010Z	SCREW	FOR TRAY STOPPE	1		
65	VMA4619-002	SHIELD CASE		1		
66	SDSR2606Z	SCREW	FOR SHIELD CASE	2		
67	VMA4620-001	SHIELD		1		
68	SBSF3010Z	SCREW	FOR CD PWB	2		
69	VKZ4001-110	WIRE CLAMP		1		
70	SBST3006Z	SCREW		1		
71	VJG1329-002	REAR CABINET		1		
72	VJA3033-00A	ROD ANT ASS'Y		1		
73	VYH5012-006	TERMINAL LUG		1		
74	SBSF3010Z	SCREW	FOR TUNER PWB	3		
75	SDSP3012N	SCREW	FOR ROD ANT	1		
76	VYH2303-001	CD SUPPORT		1		
77	SBSF3010Z	SCREW	FOR CD SUPPORT	3		
78	VJC2546-001	BATTERY COVER		1		
79	VYH7953-001	HOOK		1		
80	SBSF3008M	SCREW	HOOK+REAR	1		
81	SBSF3010Z	SCREW	FOR TRANS	4		
82	SBSF3010Z	SCREW	FOR AC	2		
83	VYH7972-001	DC HOLDER		1		
84	SBSF3010Z	SCREW	FOR DC HOLDER	1		
85	VJH2013-001	HANDLE		1		
86	VYH7845-002	HANDLE SUPPORTE		2		
87	E65923-004	TAPPING SCREW	FOR BATT PWB	1		
88	SBSF3050Z	SCREW	FRONT+REAR	10		
89	VYN5189-M005T	NAME PLATE	FOR E	1	E	
	VYN5189-M009T	NAME PLATE		1	EN	
	VYN5189-M002T	NAME PLATE		1	B	
	VYN5189-M008T	NAME PLATE		1	G	
	VYN5189-M015T	NAME PLATE		1	GI	
90	E406709-001	LASER CAUTION		1		
91	E70891-001	CLASS 1 LABEL		1		
92	VYH5483-001	BATTERY SPRING	FOR UM-1	2		
	VYH5483-001	BATTERY SPRING	FOR UM-1	2		
93	VMZ0125-001Z	FUSE CLIP	FOR F992	2		
	VMZ0125-001Z	FUSE CLIP	FOR F993	2	E, EN	
CA371	QET41AM-227	E.CAPACITOR	220MF 20% 10V	1		
F 992	QMF51E2-2R5J1	FUSE	2ND	1		
F 993	QMF51E2-2R5J1	FUSE	FOR DC	1	E, EN	
T 991	VTP57J2-12B	POWER TRANS		1		

8. Block Diagram

■ General Section

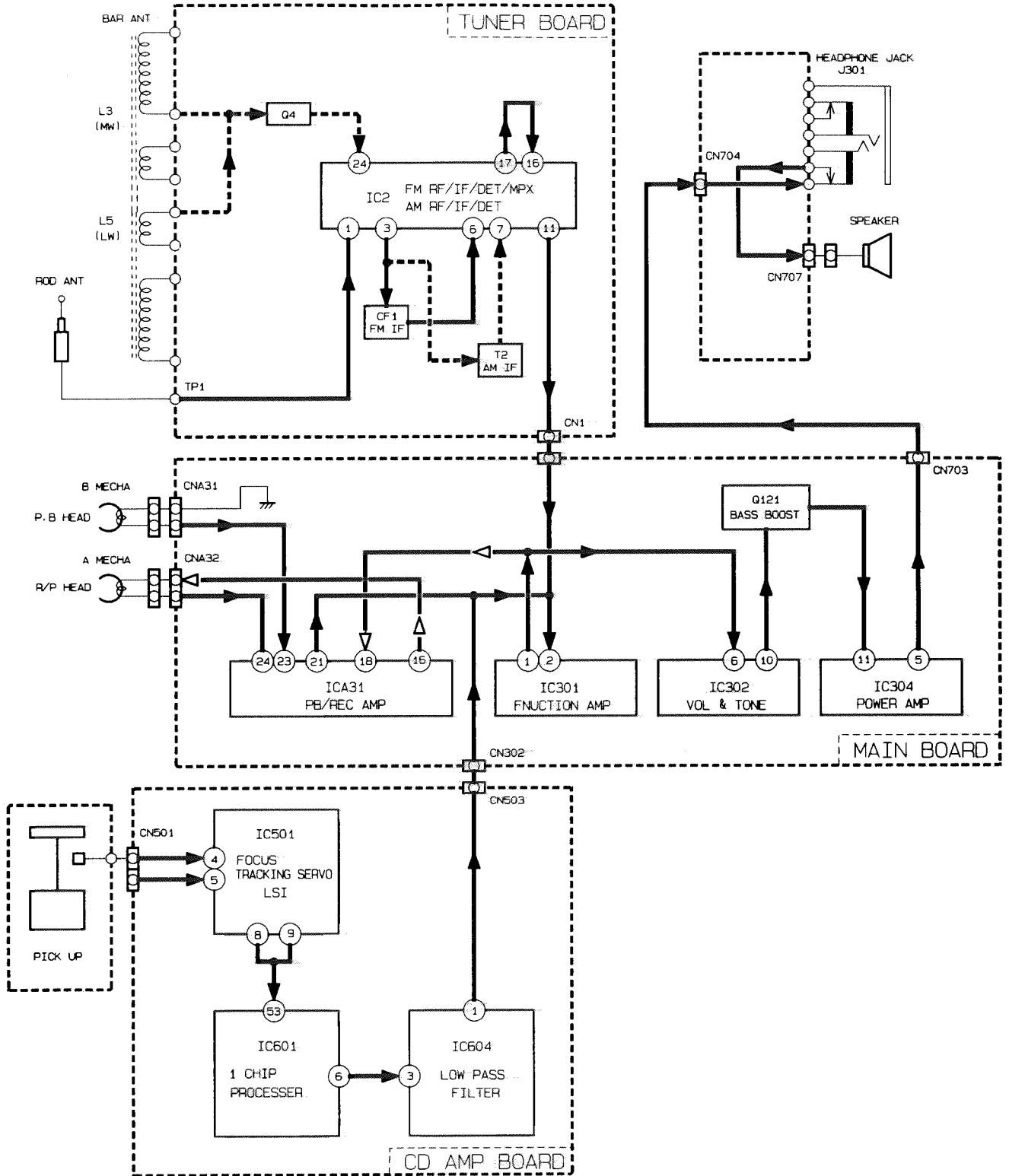


Fig. 8-1

■ CD Player Section

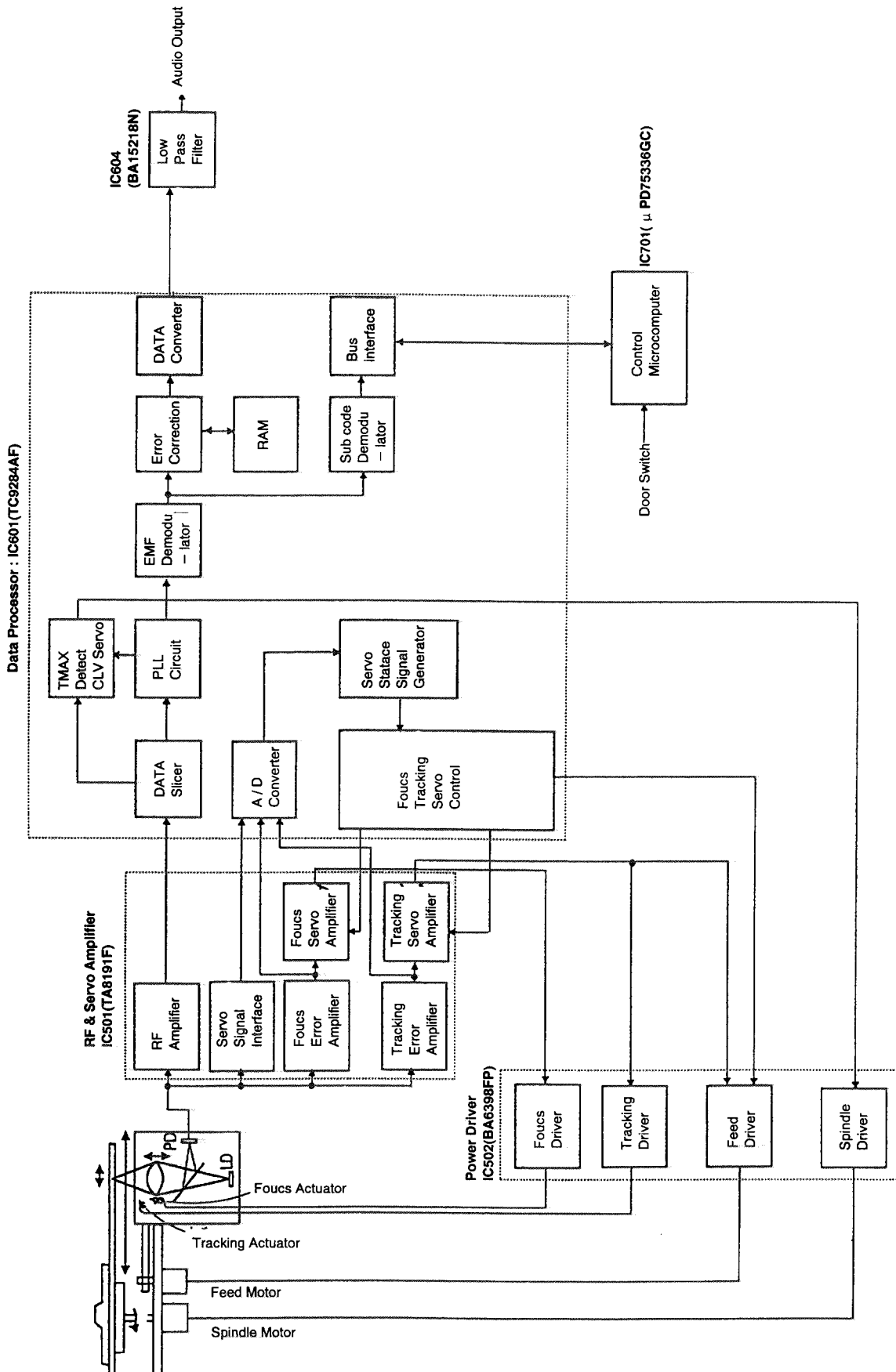


Fig. 8-2

9. Wiring Connections

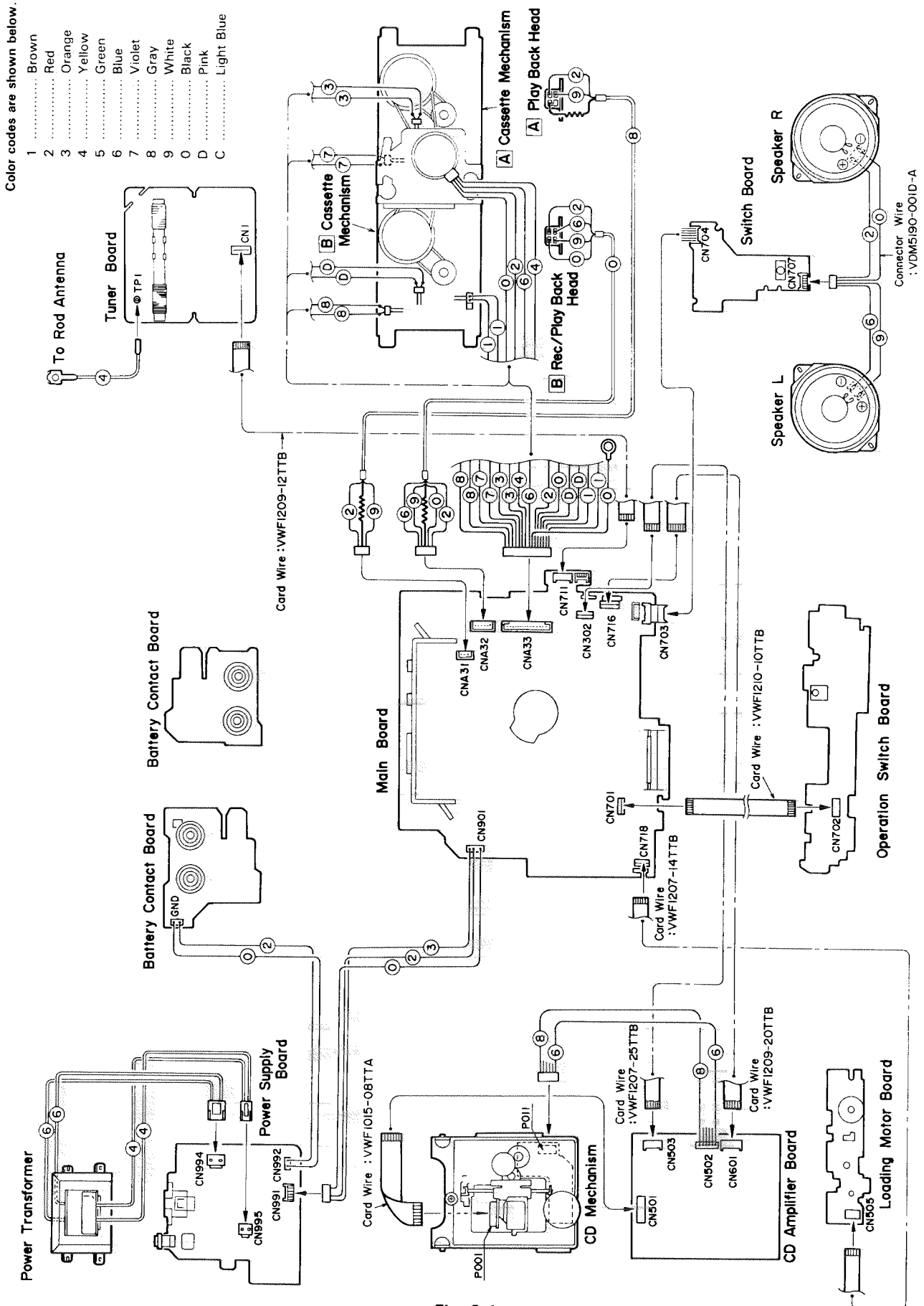
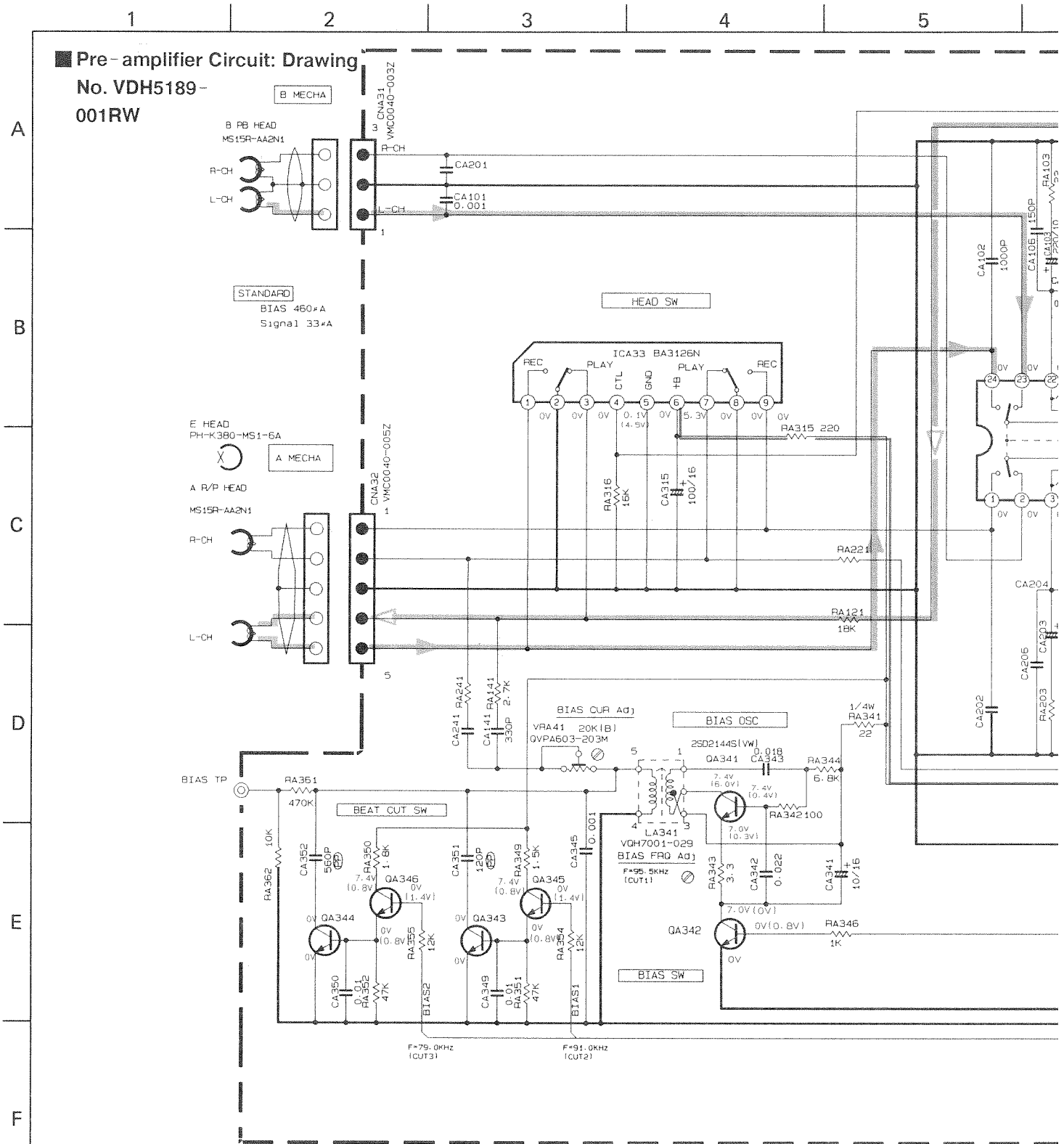


Fig. 9-1

10. Standard Schematic Diagram



Pre-amplifier Circuit: Drawing
No. VDH5189-
001RW

NOTES

1. VOLTAGES ARE DC-MEASURED WITH A DIGITAL VOLT METER OR OSCILLOSCOPE WITHOUT INPUT SIGNAL.
 CONDITION : TAPE MODE A MECHA PB.
 CONDITION : INVERTMODE IN ()

2. UNLESS OTHERWISE SPECIFIED, RESISTORS ARE 1/6W ±5% CARBO
 ALL RESISTANCE VALUES ARE IN OHM(Ω).
 ALL CAPACITORS ARE CERAMIC CAPACITOR OR MYLAR CAPACITO
 ALL CAPACITANCE VALUES ARE IN P(F=pF).
 ALL INDUCTANCE VALUES ARE IN H(M=mH).
 ALL E-CAPACITORS ARE SHOWN IN THE FORM OF CAPACITANCE
 ALL DIODES ARE 1S5254T OR HSS104TJ
 ALL TRANSISTORS ARE 2SC2765(E, F) OR 2SC3330(S, T)
 P POLYPROPYLENE CAPACITOR

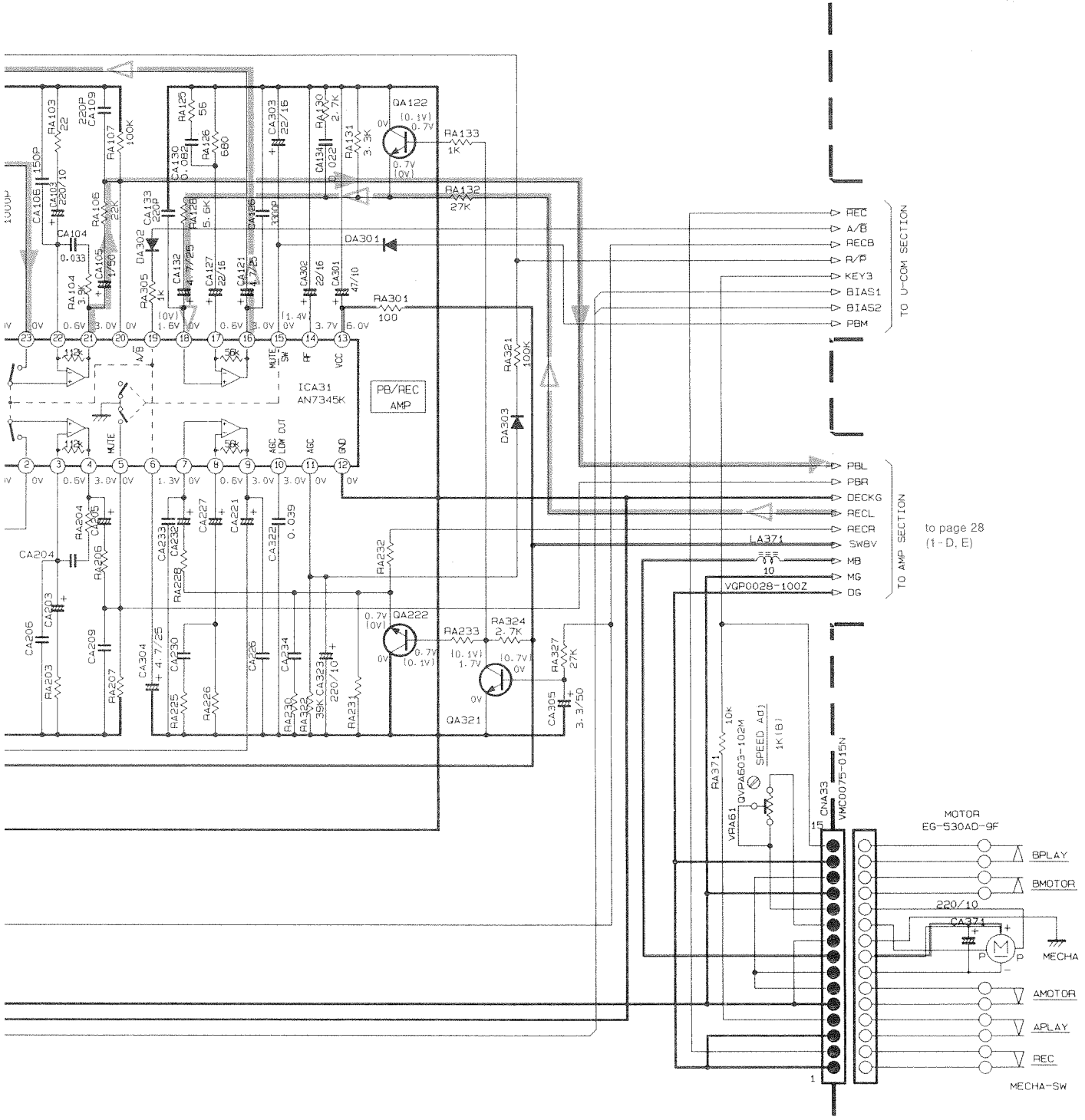
6

7

8

9

10



TO U-COM SECTION

TO AMP SECTION

to page 28
(1-D, E)

VMW1379A

+5% CARBON RESISTOR.
R CAPACITOR.
CAPACITANCE (#F)/RATED VOLTAGE (V).
333301S(T)




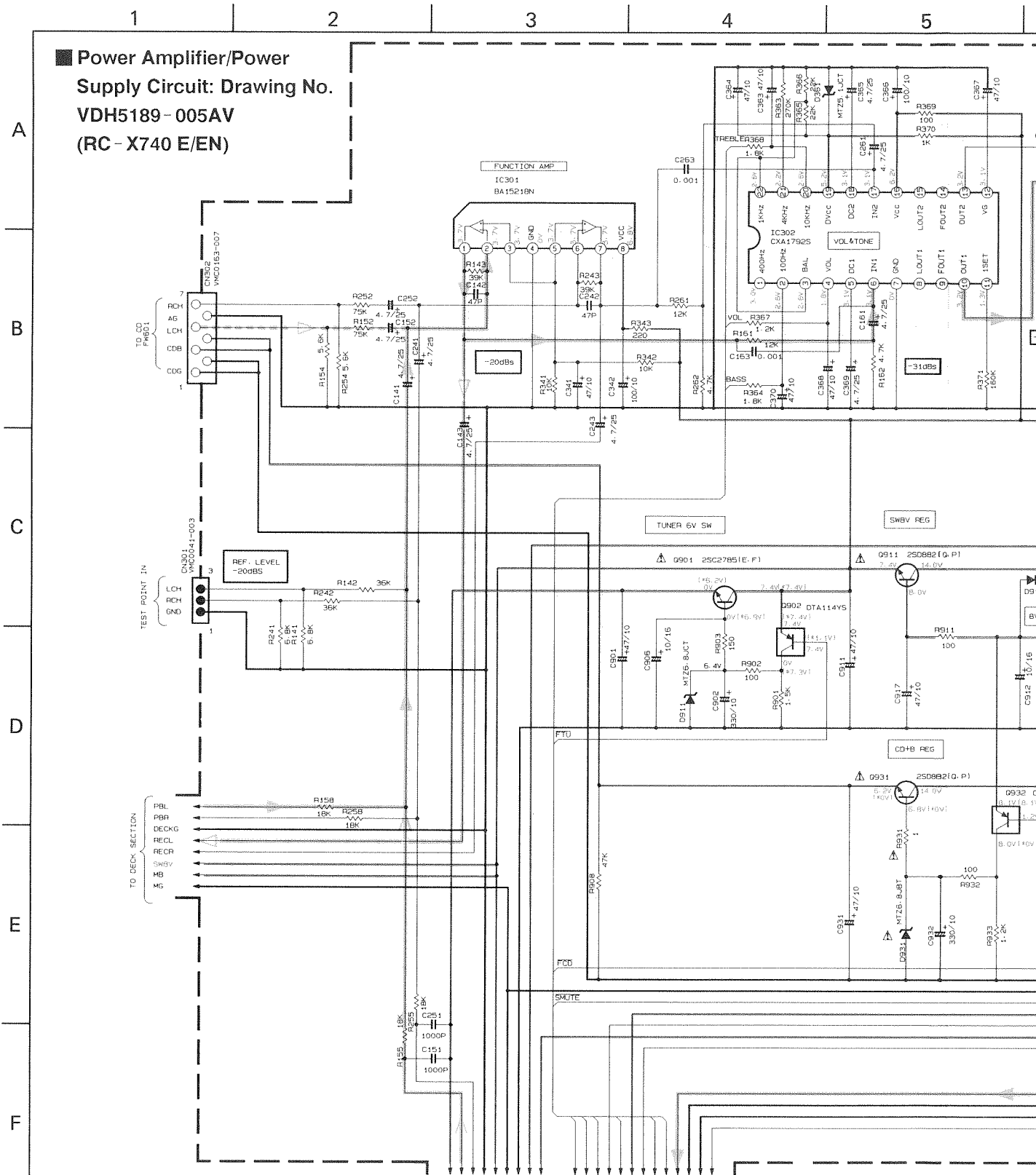
-  REC Signal
-  P.B/Tape signal
-  +B Line

Fig. 10-1

Power Amplifier/Power Supply Circuit: Drawing No. VDH5189-005AV (RC - X740 E/EN)



- NOTES**
1. VOLTAGES ARE DC-MEASURED WITH A DIGITAL VOLT METER OR OSCILLOSCOPE WITHOUT INPUT SIGNAL. CONDITION --- CD STOP MODE AT AC SUPPLY. () IS INVERT MODE VOL -15 SOUND MODE (FLAT MBH-ON)
 2. UNLESS OTHERWISE SPECIFIED - RESISTORS ARE 1/8W ±5% CARBON RESISTOR. ALL RESISTANCE VALUES ARE IN OHM(Ω). ALL CAPACITORS ARE CERAMIC CAPACITOR OR MYLAR CAPACITOR. ALL CAPACITANCE VALUES ARE IN μF(PDF). ALL INDUCTANCE VALUES ARE IN MH(μH). ALL E-CAPACITORS ARE SHOWN IN THE FORM OF CAPACITANCE (μF)/RATED VOLTAGE (V). ALL DIODES ARE 1SS254T OR H5S104T. ALL NPN TRANSISTORS ARE 2SC2785(F,E) OR 2SC3330(S,T).

PARTS	DevN	REF
	100K	DTC 115ES 0391
	10K	DTA 114ES 0351
	10K	DTA 114YS 0902 0932
	4K	

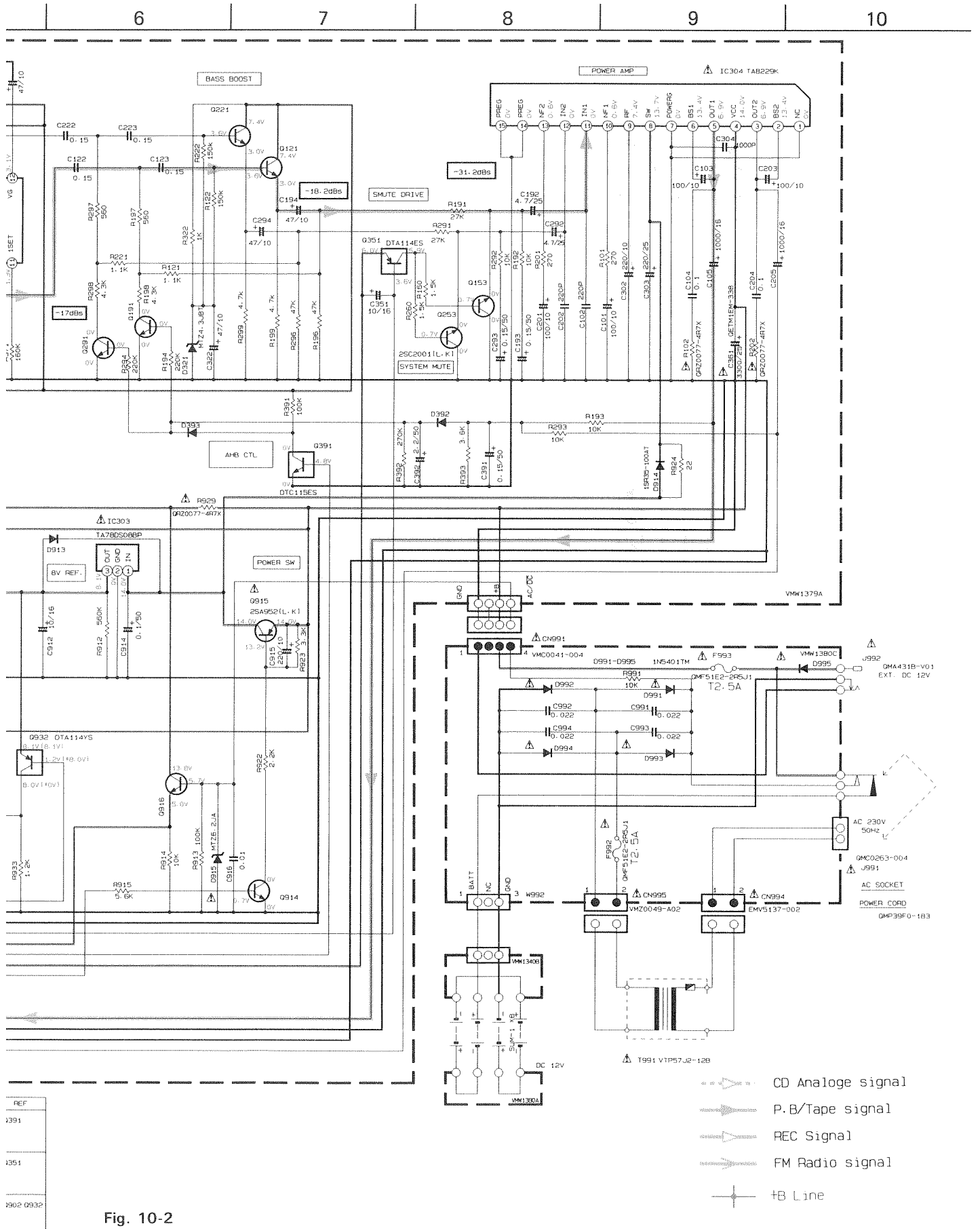


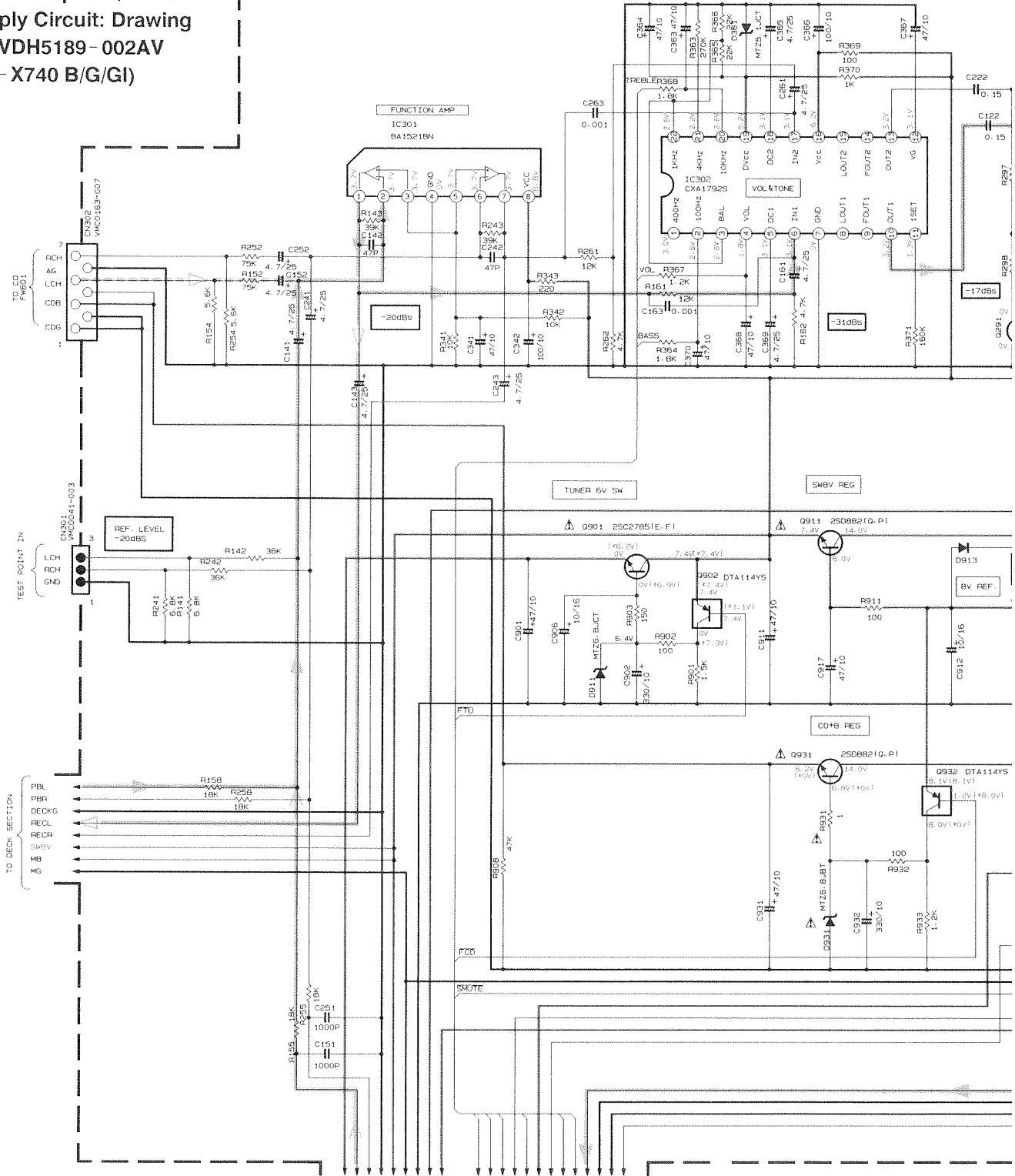
Fig. 10-2

REF
1391
1351
1902 0932

- CD Analogue signal
- P.B./Tape signal
- REC Signal
- FM Radio signal
- +B Line

Power Amplifier/Power Supply Circuit: Drawing No. VDH5189-002AV (RC-X740 B/G/GI)

A
B
C
D
E
F



NOTES

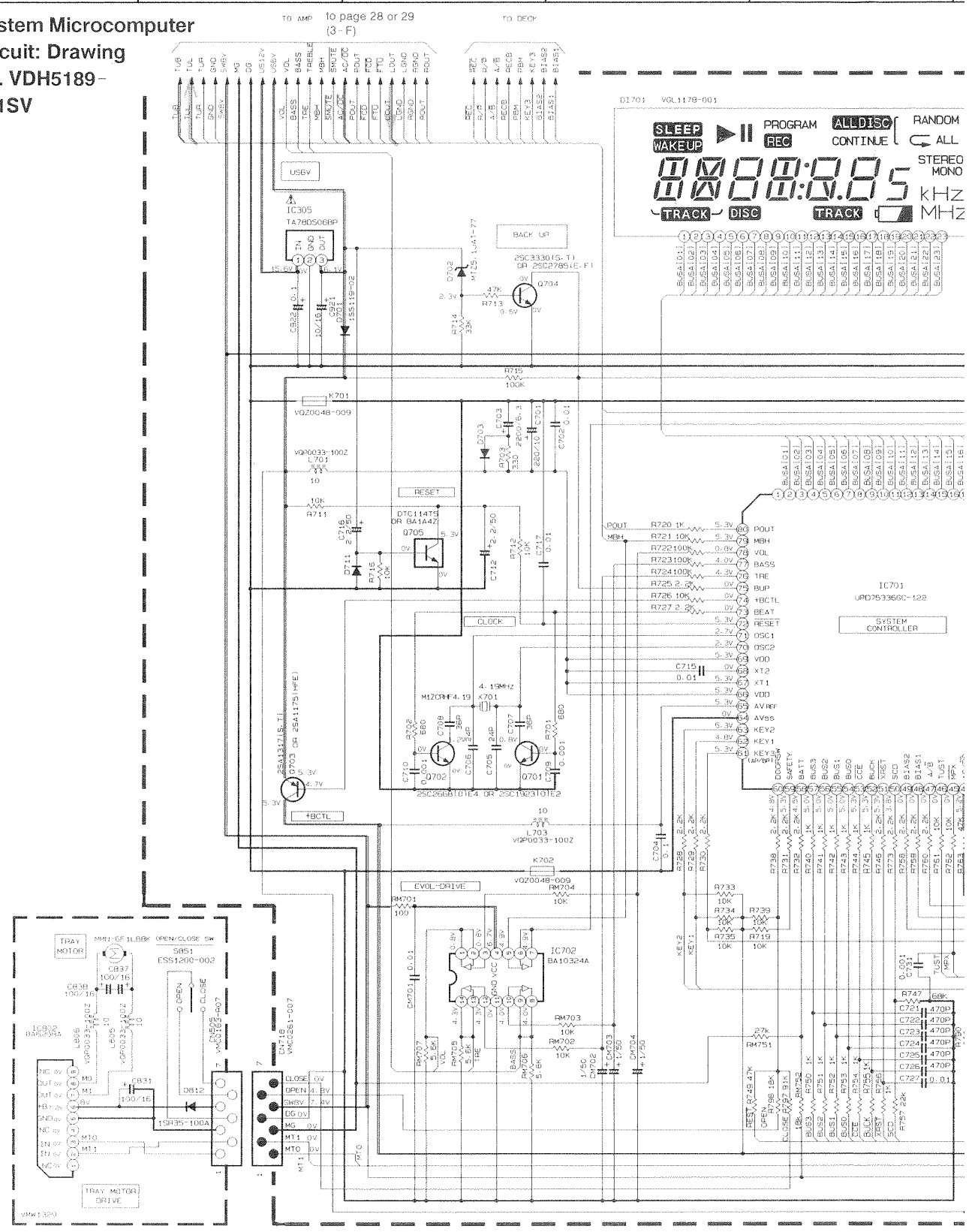
- VOLTAGES ARE DC-MEASURED WITH A DIGITAL VOLT METER OR OSCILLOSCOPE WITHOUT INPUT SIGNAL. CONDITION — TO STOP MODE AT AC SUPPLY. () IS INVERT MODE VOL-15 SOUND MODE FLAT MBH ON
- UNLESS OTHERWISE SPECIFIED, RESISTORS ARE 1/8W 15% CARBON RESISTOR. ALL RESISTANCE VALUES ARE IN OHMS.
- ALL CAPACITORS ARE CERAMIC CAPACITOR OR MYLAR CAPACITOR. ALL CAPACITANCE VALUES ARE IN PPF.
- ALL INDUCTANCE VALUES ARE IN MH.
- ALL E-CAPACITORS ARE SHOWN IN THE FORM OF CAPACITANCE (PF)/RATED VOLTAGE (V).
- ALL DIODES ARE 1SS254T OR 1SS104TJ.
- ALL NPN TRANSISTORS ARE 2SC2795(F,E) OR 2SC3330(S,T).

PARTS	DevN	REF
	DTC115ES	Q391
	DTA114ES	Q351
	DTA114YS	Q902 Q932

TO COM SECTION

System Microcomputer
Circuit: Drawing
No. VDH5189-
001SV

A
B
C
D
E
F



- NOTES**
- VOLTAGES ARE DC-MEASURED WITH A DIGITAL VOLT METER OR OSCILLOSCOPE WITHOUT INPUT SIGNAL.
 CONDITION --- CD MODE - VOL 7 - SOUND BEAT
 - UNLESS OTHERWISE SPECIFIED, RESISTORS ARE 1/8W 5% CARBON RESISTOR.
 ALL RESISTANCE VALUES ARE IN OHMS.
 ALL CAPACITORS ARE CERAMIC CAPACITOR OR MYLAR CAPACITOR.
 ALL CAPACITANCE VALUES ARE IN PICOPI (P).
 ALL INDUCTANCE VALUES ARE IN MILLI- (M).
 ALL ELECTROLYTIC CAPACITORS ARE SHOWN IN THE FORM OF CAPACITANCE (UF)/RATED VOLTAGE (V).
 ALL DIODES ARE 1SS254T OR HSS1041/J
 - BRACKETS INSIDE VOLTS REFERENCE DATA.
 UNFLAMMABLE CARBON RESISTOR
 METAL FILM RESISTOR
 OXIDE METAL FILM RESISTOR
 1% LOW LEAK CURRENT ELECTROLYTIC CAPACITOR
 NON-POLARIZED ELECTROLYTIC CAPACITOR
 POLYPROPYLENE CAPACITOR
 POLYSTYROL CAPACITOR

VERSION	U-9K	U-10K	E/B/G/GI	OP
RW733	10K	27K	68K	0P

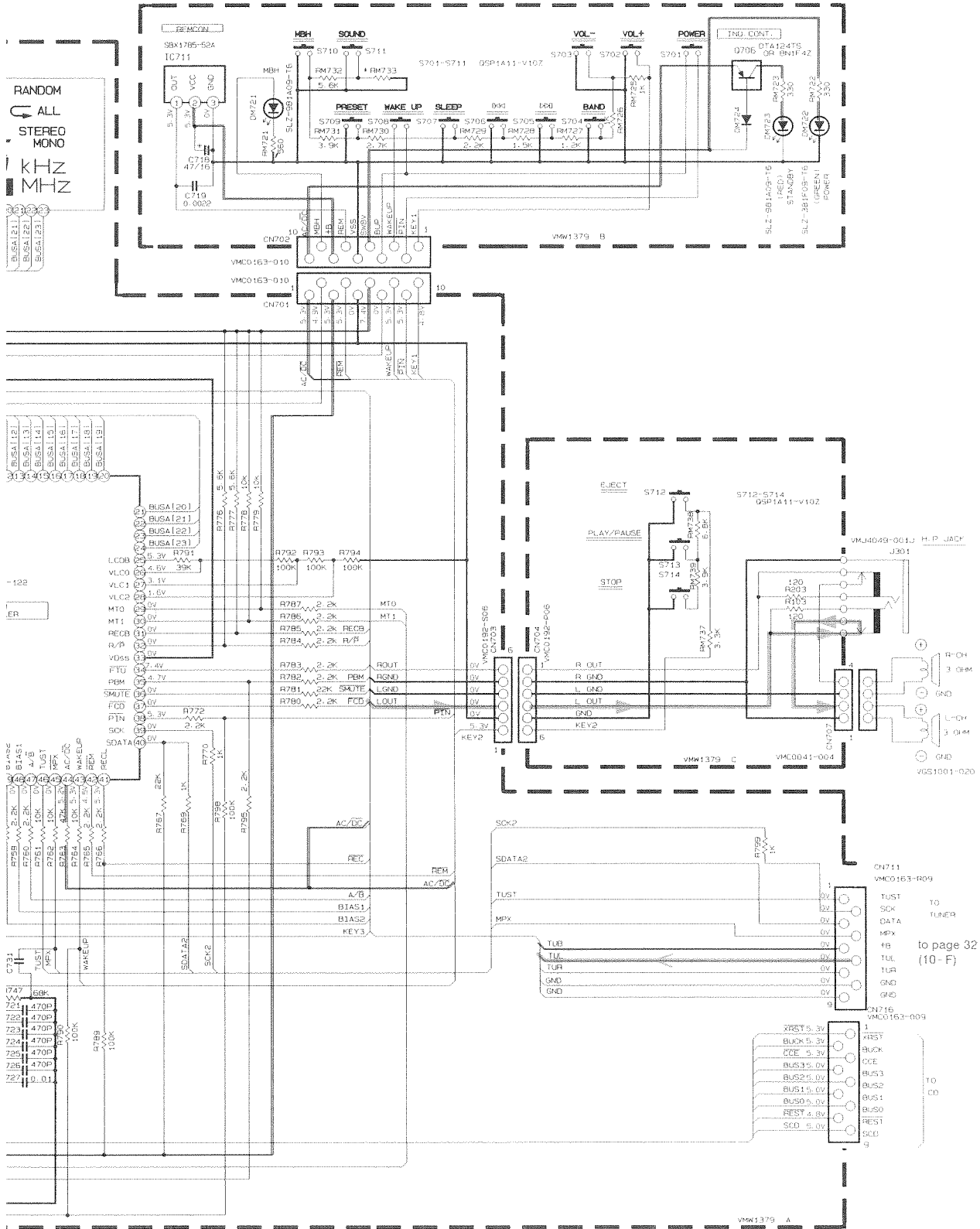
6

7

8

9

10



E/B/G/GI	W/C
60K	OPEN

R1/R2	22K/-	10K/-
R1	DTA12475	DTC11475

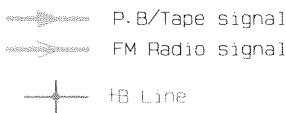


Fig. 10-4

to page 32
(10-F)

1 2 3 4 5

CD Amplifier Circuit:
Drawing No. VDH1001-
001CV

A

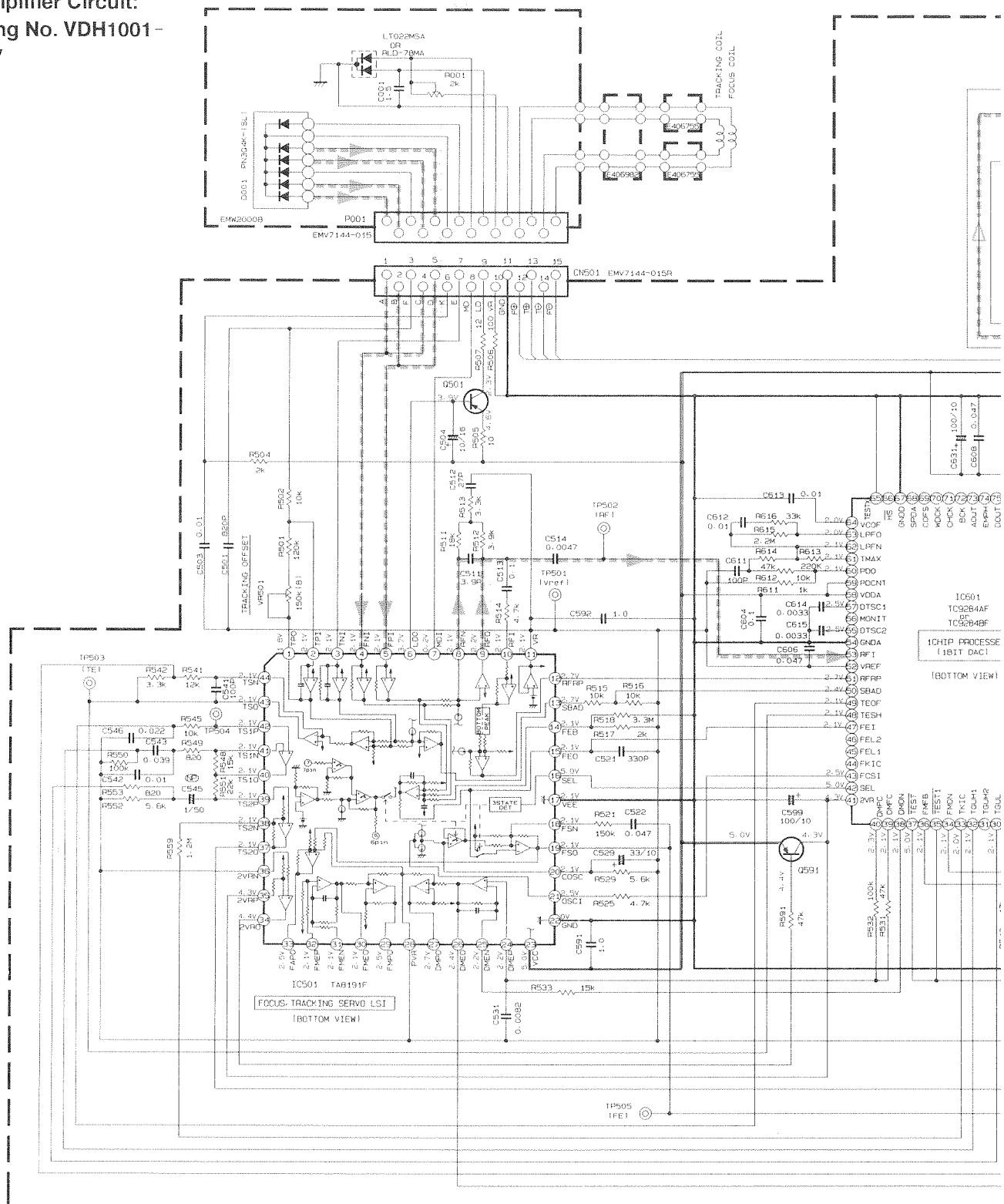
B

C

D

E

F



NOTES

1. VOLTAGES ARE DC-MEASURED WITH A DIGITAL VOLT METER IN PLAYBACK.
2. UNLESS OTHERWISE SPECIFIED - RESISTORS ARE 1/6W ±5% CARBON RESISTOR.
 ALL RESISTANCE VALUES ARE IN OHMS!
 ALL CAPACITORS ARE CERAMIC CAPACITOR OR MYLAR CAPACITOR.
 ALL CAPACITANCE VALUES ARE IN μF(10⁻⁶F).
 ALL INDUCTANCE VALUES ARE IN μH(10⁻⁶H).
 ALL CAPACITORS ARE SHOWN IN THE FORM OF CAPACITANCE (μF)/RATED VOLTAGE (V).

- Ⓜ UNFLAMMABLE CARBON RESISTOR
- Ⓜ METAL FILM RESISTOR
- Ⓜ OXIDE METAL FILM RESISTOR
- Ⓜ 100V LOW LEAK CURRENT ELECTROLYTIC CAPACITOR
- Ⓜ NON-POLARISED ELECTROLYTIC CAPACITOR
- Ⓜ POLYPROPYLENE CAPACITOR
- Ⓜ POLYSTYROL CAPACITOR

Q501	2SA952(L, K)
Q581	
Q591	2SA13091A, S1 OR 2SA11751(FE1) OR 2SA935(SRS)

Fig. 10-5

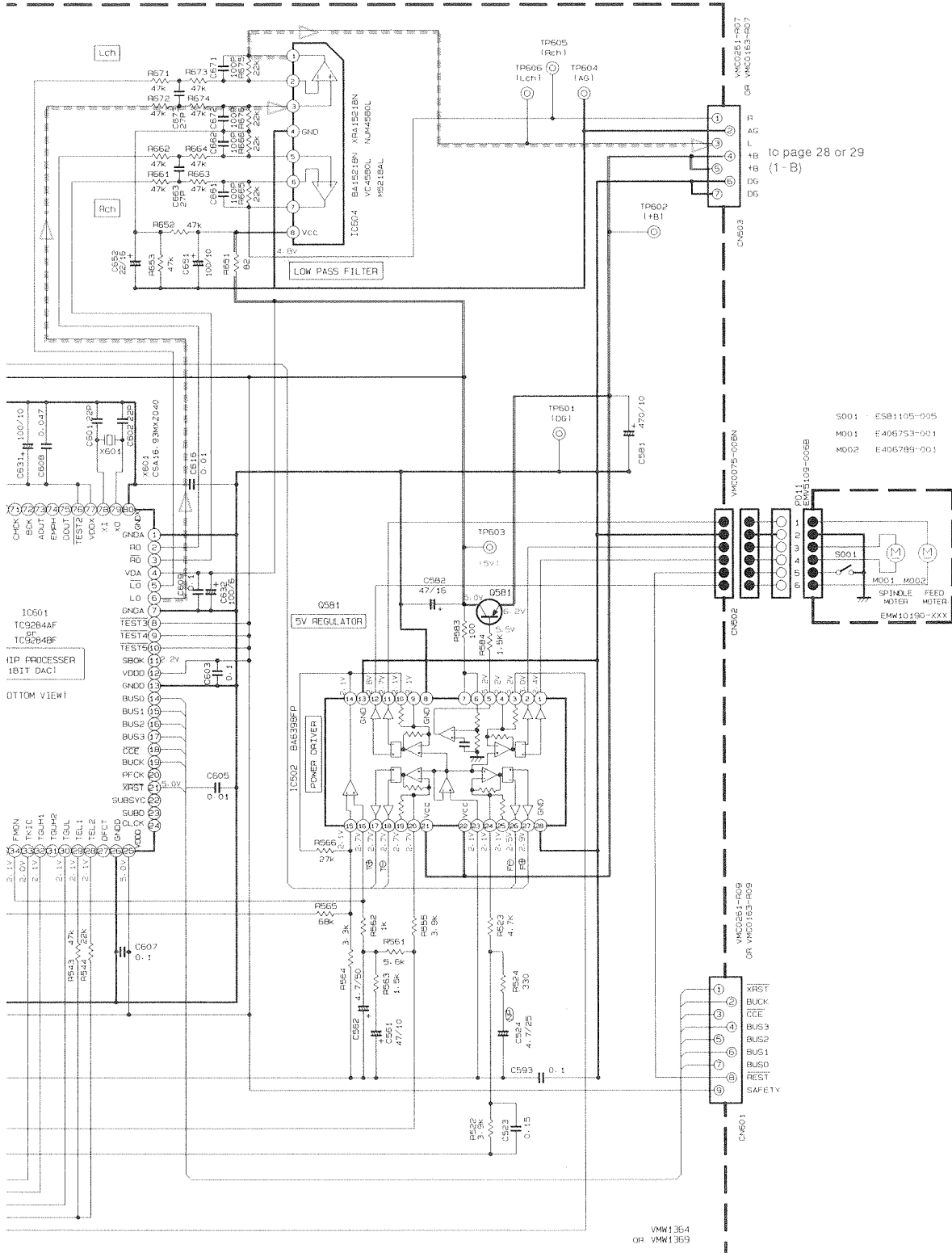
6

7

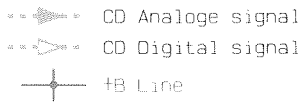
8

9

10



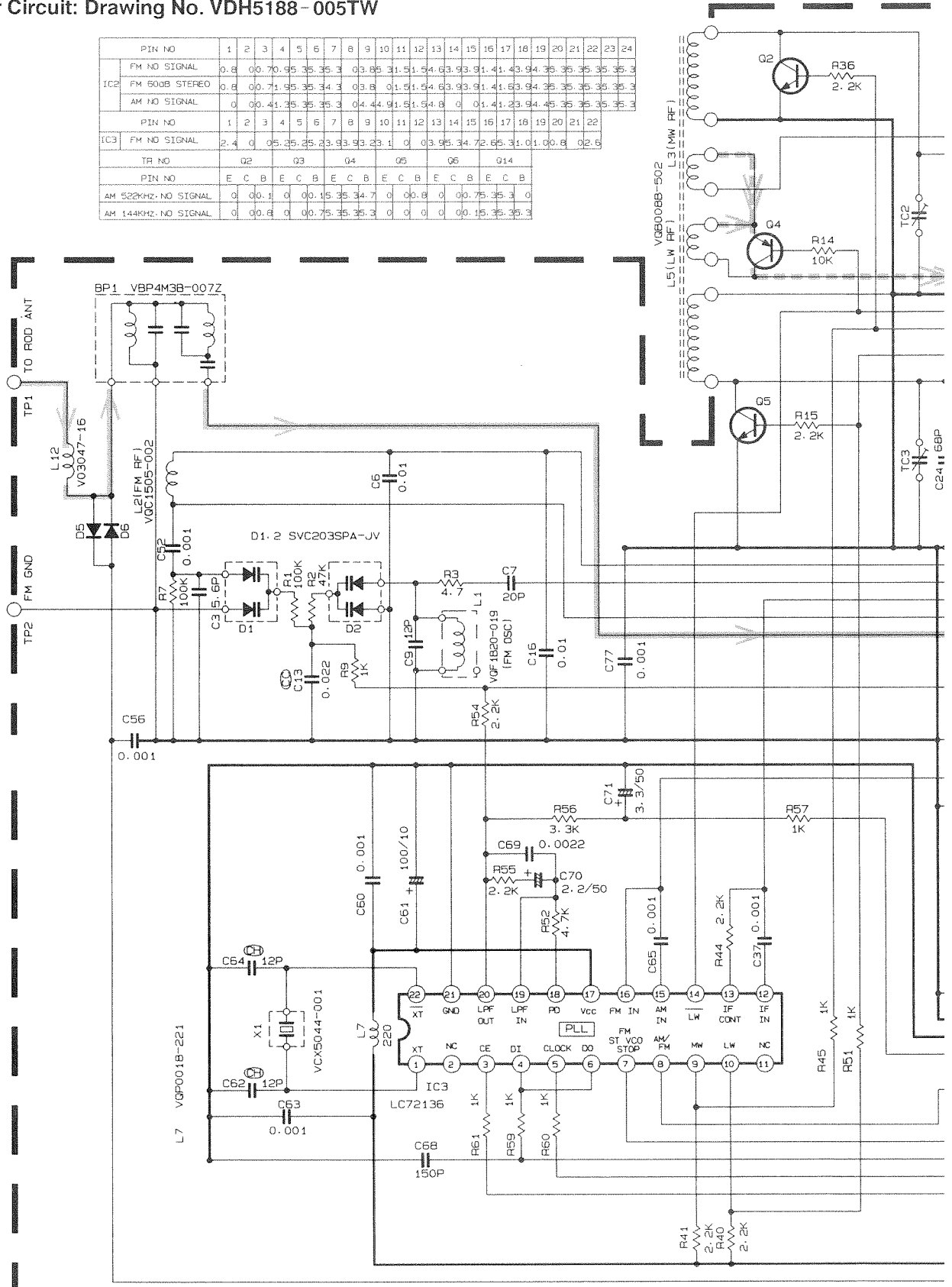
to page 28 or 29
(1 - B)



■ Tuner Circuit: Drawing No. VDH5188-005TW

PIN NO	1	2	3	4	5	6	7	8	9	10	11	12	13	14	15	16	17	18	19	20	21	22	23	24	
IC2 FM NO SIGNAL	0.6	0.0	7.0	9.5	3.5	3.3	0.3	8.8	3.1	5.1	5.4	6.3	9.3	9.1	4.1	4.3	9.4	3.5	3.5	3.5	3.5	3.5	3.5	3.5	
IC2 FM 600B STEREO	0.6	0.0	7.1	9.5	3.5	3.4	0.3	8.8	0.1	5.1	5.4	6.3	9.3	9.1	4.1	4.3	9.4	3.5	3.5	3.5	3.5	3.5	3.5	3.5	
IC2 AM NO SIGNAL	0	0.0	4.1	3.5	3.5	3.5	0.4	4.4	9.1	5.1	5.4	6.3	0	0	0.1	4.1	2.3	9.4	4.5	3.5	3.5	3.5	3.5	3.5	
PIN NO	1	2	3	4	5	6	7	8	9	10	11	12	13	14	15	16	17	18	19	20	21	22			
IC3 FM NO SIGNAL	2.4	0	0.5	3.5	3.5	3.3	9.3	9.3	2.3	1	0	0	0.3	9.5	3.4	7.2	8.5	3.1	0.1	0.0	6	0.2	5		
TR NO			02		03		04		05		06														
PIN NO			E	C	B		E	C	B		E	C	B		E	C	B		E	C	B				
AM 522KHZ-NO SIGNAL			0	0.0	1	0	0.0	1.5	3.5	3.4	7	0	0.0	8	0	0.0	7.5	3.5	3	0					
AM 144KHZ-NO SIGNAL			0	0.0	6	0	0.0	7.5	3.5	3.5	3	0	0	0	0.0	1.5	3.5	3.5	3	0					

A
B
C
D
E
F



MVW1381

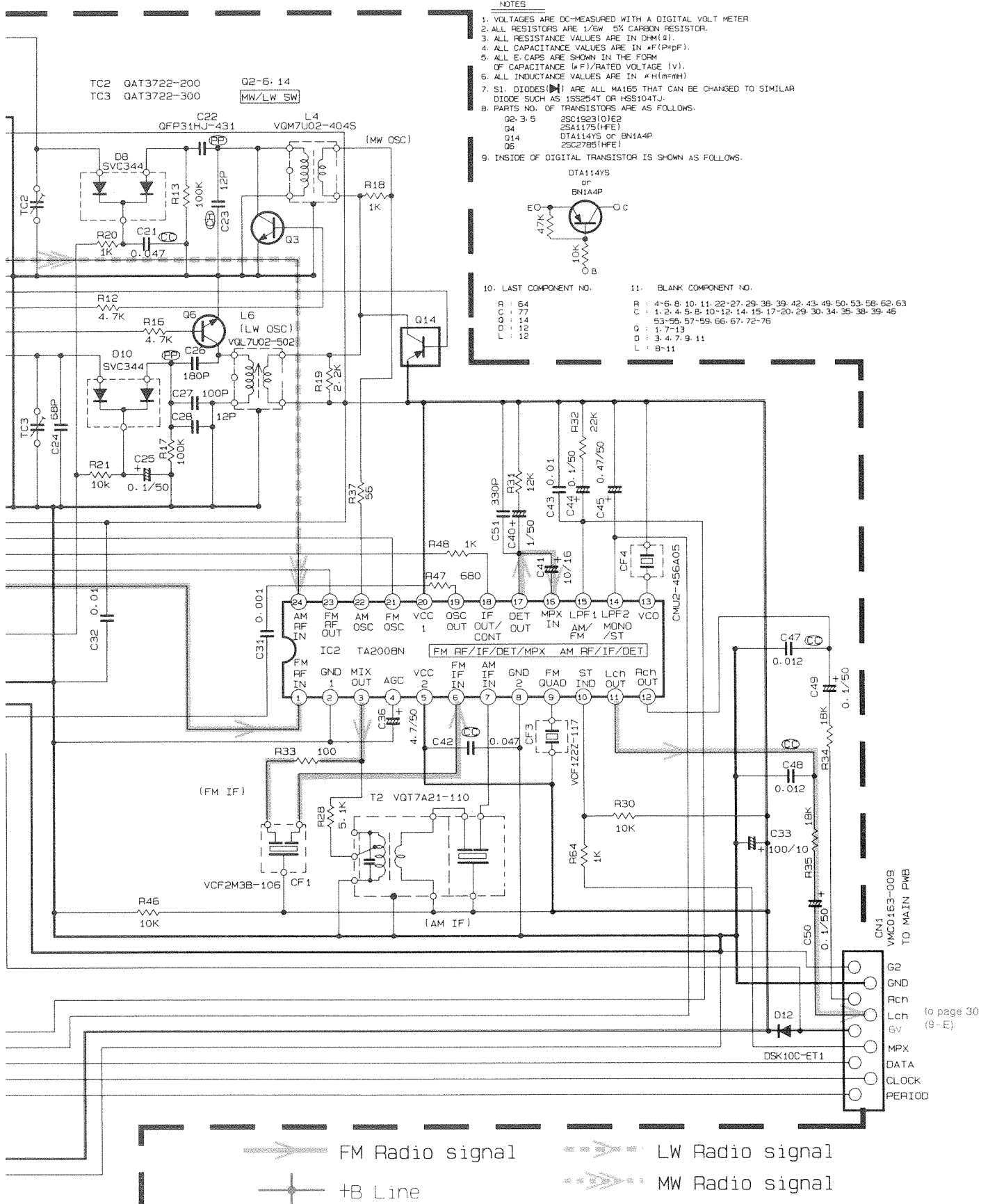
6

7

8

9

10



- NOTES**
- VOLTAGES ARE DC-MEASURED WITH A DIGITAL VOLT METER
 - ALL RESISTORS ARE 1/6W 5% CARBON RESISTOR.
 - ALL RESISTANCE VALUES ARE IN OHM(Ω).
 - ALL CAPACITANCE VALUES ARE IN PPF.
 - ALL E. CAPS ARE SHOWN IN THE FORM OF CAPACITANCE (μF)/RATED VOLTAGE (V).
 - ALL INDUCTANCE VALUES ARE IN μH(mH).
 - S1, DIODES (▶) ARE ALL MA165 THAT CAN BE CHANGED TO SIMILAR DIODE SUCH AS 1SS254T OR HSS104TJ.
 - PARTS NO. OF TRANSISTORS ARE AS FOLLOWS.
 - INSIDE OF DIGITAL TRANSISTOR IS SHOWN AS FOLLOWS.
 - LAST COMPONENT NO.
 - BLANK COMPONENT NO.
- | | |
|--------|--------------------|
| Q2-3-5 | 2SC1923(O1E2) |
| Q4 | 2SA1175(HFE) |
| Q14 | DTA114YS or BN1A4P |
| Q6 | 2SC2785(HFE) |
- | | |
|---|--|
| R | 4-6-8-10-11-22-27-29-38-39-42-43-49-50-53-58-62-63 |
| C | 1-2-4-5-8-10-12-14-15-17-20-29-30-34-35-38-39-46 |
| D | 1-7-13 |
| L | 3-4-7-9-11 |
| L | 8-11 |

Fig. 10-6

FM Radio signal
 LW Radio signal
 +B Line
 MW Radio signal

to page 30 (9-E)