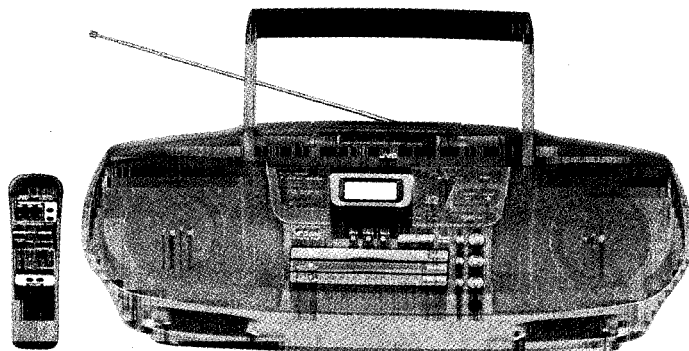


JVC

SERVICE MANUAL

CD PORTABLE CHANGER SYSTEM

RC – XC1 B/E/EN/G/GI



COMPACT
disc
DIGITAL AUDIO

Area Suffix

B.....	U.K.
E.....	Continental Europe
EN.....	North Europe
G.....	Germany
GI.....	Italy

Contents

1. Safety Precautions.....	Page 2	9. Main IC Block Diagram.....	66
2. Safety Precaution about RC – XC1.....	3	10. Block Diagram.....	73
3. Instructions.....	6	11. Wiring Connections.....	74
4. Location of Main Parts.....	30	12. Standard Schematic Diagram.....	75
5. Removal of Main Parts.....	33	13. Location of P.C. Board Parts.....	82
6. Main Adjustment.....	46	14. Electrical Parts List.....	86
7. Troubleshooting of CD Part.....	53	15. Illustration of Packing and Parts List.....	96
8. Analytic Drawing and Parts List.....	59	16. Accessories.....	97

1. Safety Precautions

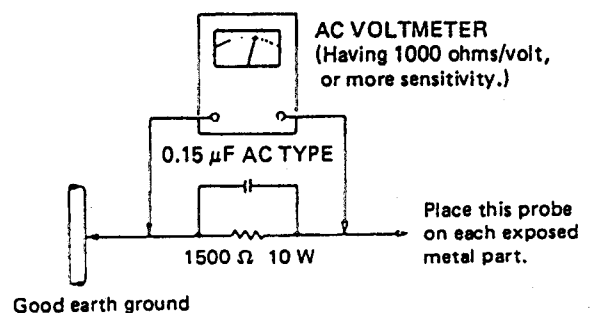
1. The design this product contains special hardware and many circuits and components specially for safety purposes. For continued protection, no changes should be made to the original design unless authorized in writing by the manufacturer. Replacement parts must be identical to those used in the original circuits. Service should be performed by qualified personnel only.
2. Alterations of the design or circuitry of the product should not be made. Any design alterations of the product should not be made. Any design alterations or additions will void the manufacture's warranty and will further relieve the manufacture of responsibility for personal injury or property damage resulting therefrom.
3. Many electrical and mechanical parts in the product have special safety — related characteristics. These characteristics are often not evident from visual inspection nor can the protection afforded by them necessarily be obtained by using replacement components rated for higher voltage, wattage, etc. Replacement parts which have these special safety characteristics are identified in the parts list of service manual. Electrical components having such features are identified by (\triangle) on the schematic diagram and parts list in the service manual. The use of a substitute replacement which does not have the same safety characteristics as the recommended replacement part shown in the parts list of service manual may create shock, fire, or other hazards.
4. The leads in the products are routed and dressed with ties, clamps, tubings, barriers and the like to be separated from live parts, high temperature parts, moving parts and or sharp edges for the prevention of electric shock and fire hazard. When service is required, the original lead routing and dress should be observed, and it should be confirmed that they have been returned to normal, after reassembling.
5. Leakage current check (Electrical shock hazard testing)

After re — assembling the product, always perform an isolation check on the exposed metal parts of the product (antenna terminals, knobs, metal cabinet, screw heads, headphone jack, control shafts, etc.) to be sure the product is safe to operate without danger of electrical shock. Do not use a line isolation transformer during this check.

- Plug the AC line cord directly into the AC outlet. using a "Leakage current tester", measure the leakage current from each exposed metal part of the cabinet, particularly any exposed metal part having a return path to the chassis, to a known good earth ground. Any leakage current must not exceed 0.5mA AC(r.m.s.)

- Alternate check method

Plug the AC line cord directly into the AC outlet. Use an AC voltmeter having 1,000 ohms per volt or more sensitivity in the following manner. Connect a 1,500 ohms 10W resistor paralleled by a 0.15 μ F AC type capacitor between an exposed metal part and a known good earth ground. Measure the AC voltage across the resistor with the AC voltmeter. Move the resistor connection to each exposed metal part, particularly any exposed metal part having a return path to the chassis, and measure the AC voltage across the resistor. Now, reverse the plug in the AC outlet and repeat each measurement. Any voltage measured must not exceed 0.75V AC(r.m.s.). This corresponds to 0.5mA



Warning

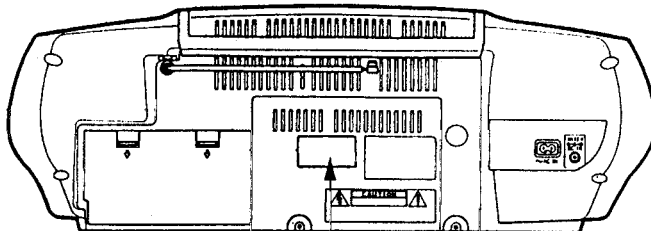
1. This equipment has been designed and manufactured to meet international safety standards.
2. It is the legal responsibility of the repairer to ensure that these safety standards are maintained.
3. Repairs must be made in accordance with the relevant safety standards.
4. It is essential that safety critical components are replaced by approved parts.
5. If mains voltage selector is provided, check setting for local voltage.

2. Safety Precaution about RC – XC1

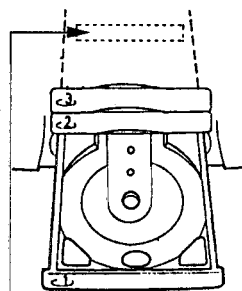
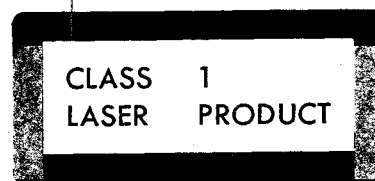
IMPORTANT FOR LASER PRODUCTS PRECAUTIONS

1. CLASS 1 LASER PRODUCT
2. **DANGER:** invisible laser radiation when open and interlock failed or defeated. Avoid direct exposure to beam.
3. **CAUTION:** Do not open the rear cover. There are no user serviceable parts inside the unit; leave all servicing to qualified service personnel.
4. **CAUTION:** The compact disc player uses invisible laser radiation and is equipped with safety switches which prevent the emission of radiation when the CD holder is open. It is dangerous to defeat the safety switches.
5. **CAUTION:** Use of controls for adjustments and the performance of procedures other than those specified herein may result in exposure to hazardous radiation.
6. **CAUTION:** The laser is able to function, if safety switches out of function. The laser light is invisible, avoid exposure, do not disassemble the laser unit, but replace the complete unit.

REPRODUCTION OF LABELS AND THEIR LOCATION



Obs:
Apparaten innehåller laserkomponent av högre laserklass än klass 1.



DANGER: Invisible laser radiation when open and interlock failed or defeated. AVOID DIRECT EXPOSURE TO BEAM. (e)	ADVARSEL: Usynlig laserstråling ved åbning, når sikkerhedsbrydere er ude af funktion. Undgåudsættelse for stråling. (d)	WARNING: Osynlig laserstråling når deres dør är öpprad och spånen är urkopplad. Beträkta ej strålen. (s)	VARO: Avartassa ja suo- jakukius ohitettaessa olet alttiina näkymättömälle lasersäteilylle. Älä katso säteeseen. (!)
--	--	---	---

IMPORTANT (In the United Kingdom) Mains Supply (AC 230 V~, 50 Hz only)

DO NOT cut off the mains plug from this equipment. If the plug fitted is not suitable for the power points in your home or the cable is too short to reach a power point, then obtain an appropriate safety approved extension lead or consult your dealer.

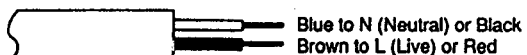
BE SURE to replace the fuse only with an identical approved type, as originally fitted, and to replace the fuse cover.

If nonetheless the mains plug is cut off ensure to remove the fuse and dispose of the plug immediately, to avoid a possible shock hazard by inadvertent connection to the mains supply.

IMPORTANT

DO NOT make any connection to the terminal which is marked with the letter E or by the safety earth symbol or coloured green or green-and-yellow.

The wires in the mains lead on this product are coloured in accordance with the following code:

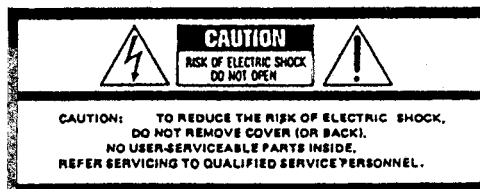


As these colours may not correspond with the coloured markings identifying the terminals in your plug proceed as follows:

The wire which is coloured blue must be connected to the terminal which is marked with the letter N or coloured black.

The wire which is coloured brown must be connected to the terminal which is marked with the letter L or coloured red.

IF IN DOUBT – CONSULT A COMPETENT ELECTRICIAN.



The lightning flash with arrowhead symbol, within an equilateral triangle, is intended to alert the user to the presence of uninsulated "dangerous voltage" within the product's enclosure that may be of sufficient magnitude to constitute a risk of electric shock to persons.



The exclamation point within an equilateral triangle is intended to alert the user to the presence of important operating and maintenance (servicing) instructions in the literature accompanying the appliance.

■ Arrangement of Safety Precaution Position

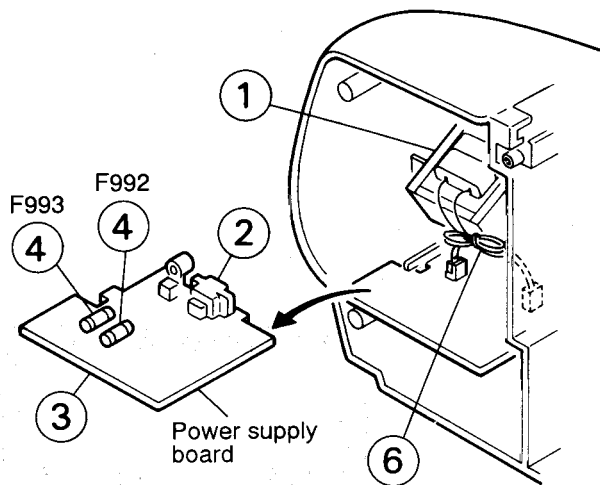


Fig. 2-3

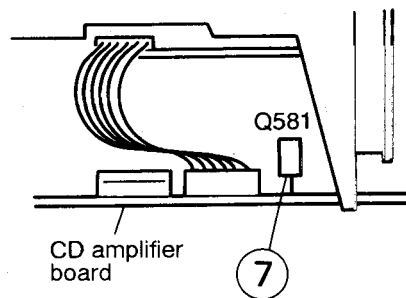


Fig. 2-4

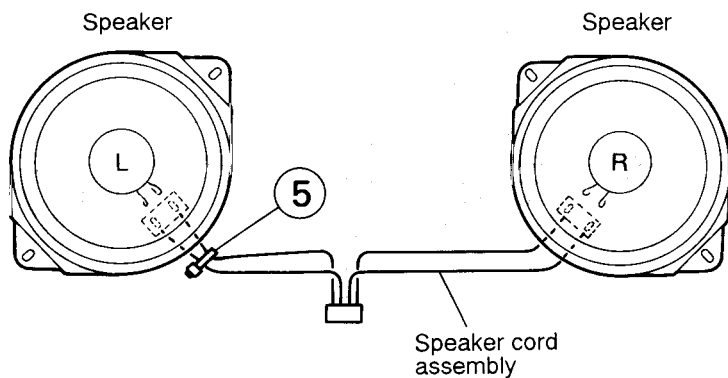


Fig. 2-5

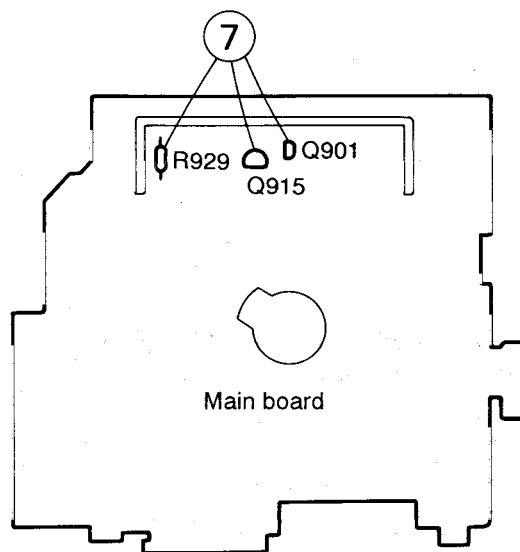


Fig. 2-6

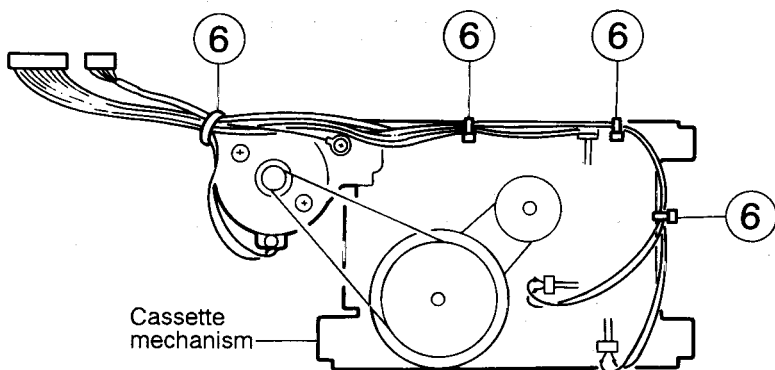


Fig. 2-7

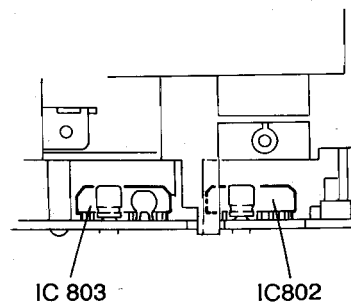


Fig. 2-8

■ Important management points regarding safety(Item demanding special safety precautions)

1. Power transformer marking : VTP57J2 – 12B

The torque of the screw driver for the power transformor must be controlled.

2. Concerning the AC socket, the next marking must be confirmed and to avoid print circuit board pattern damage.

The AC socket must not float from print circuit board.

•Marking HSC1466

3. Concerning the primary terminal and the adjacent secondary terminal on the print circuit board to provide proper creeping and spatial distance, solder must not protrude from soldering round.

4. Before installation confirm the fuse capacity indication, ⊙ or ♡ mark on the holder.

REF.NO	Capacity and mark	Indication on P.C.board	Version
F992	T2.5A ⊙, ♡	T2.5A	B/E/EN/G/GI
F993	T2.5A ⊙, ♡	T2.5A	E/EN

5. The speaker wire adjacent to live parts must be tied tightly near solder terminal.

6. Wires must be clamped or secured at the locations shown in the figure so that the wire do not touch to live parts, moving part , hot part, or sharp edges.

7. Following parts are controlled as the heated parts. confirm that the flammable parts are lifted up the parts in () must be controled.

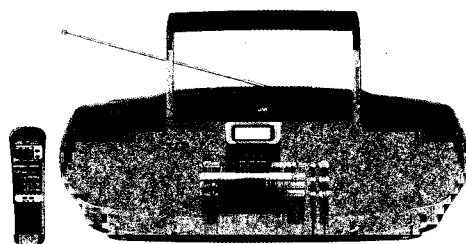
• IC : IC801, IC502, IC304 • Transistor : (Q901),(Q915), Q931, (Q581) • Resistor : (R929)

8. Confirm following EMC(Electromagnetic compatibility)control matter.

control parts (Symbol number)

• C991~ C994 (Power supply board), L1, L12, BP1, R3, R47, C7(Tuner board)

3. Instructions



Thank you for purchasing this JVC product. Please read these instructions carefully before starting operation to be sure to obtain optimum performance and a longer service life from the unit.

Enhorabuena por la compra de este producto JVC. Lea detenidamente este manual de instrucciones antes de poner en funcionamiento la unidad a fin de obtener un óptimo rendimiento y mayor vida útil.

Grazie per avere acquistato questo prodotto JVC. Si prega di leggere queste istruzioni con attenzione prima dell'uso per essere certi di ottenere prestazioni ottimali ed una lunga durata dell'unità.



CONTENTS

INDICE

INDICE

Features	2
Safety precautions	3
Handling precautions	4
Power supply	6
Names of parts and their functions	9
Remote control unit	14
Switching the power on/off	17
Volume, tone and other controls	19
Concerning compact discs	20
Playing compact discs	21
Cassette tape	30
Cassette playback	31
Radio reception	32
Recording	36
Wake up timer operations	41
Sleep timer operations	43
Maintenance	44
Troubleshooting	45
Specifications	46

Características	2
Precauciones de seguridad	3
Precauciones de manipulación	4
Alimentación	6
Nombre de las partes y sus funciones	9
Unidad de control remoto	14
Conexión/desconexión de la alimentación	17
Volumen, tono y otros controles	19
En cuanto a discos compactos	20
Reproducción de discos compacto	21
Cassette	30
Reproducción de cassettes	31
Radiorecepción	32
Grabación	36
Operación del temporizador despertador	41
Operación del temporizador de desconexión	43
Mantenimiento	44
Detección de problemas	45
Especificaciones	46

Caratteristiche	2
Precauzioni per la sicurezza	3
Precauzioni per l'uso	4
Alimentazione	6
Nomi e funzioni delle parti	9
Unità di telecomando	14
Accensione e spegnimento	17
Volume, tono ed altri comandi	19
Informazioni sui CD	20
Riproduzione di CD	21
Nastri a cassetta	30
Riproduzione di cassette	31
Ricezione con la radio	32
Registrazione	36
Funzionamento del timer per la sveglia	41
Funzionamento del timer per lo spegnimento automatico	43
Manutenzione	44
Diagnostica	45
Dati tecnici	46

WARNING:
TO REDUCE THE RISK OF FIRE OR ELECTRIC SHOCK,
DO NOT EXPOSE THIS APPLIANCE TO RAIN OR
MOISTURE.

ADVERTENCIA:
PARA EVITAR RIESGOS DE INCENDIOS O
ELECTROCUCIONES, NO EXPONGA ESTE APARATO A
LA LLUVIA O A LA HUMEDAD.

AVVERTENZA:
NON ESPORRE L'APPARECCHIO A PIOGGIA O
UMIDITA' ONDE RIDURRE I RISCHI DI FIAMME O
SCOSSE ELETTRICHE.



The lightning flash with arrowhead symbol, within an equilateral triangle, is intended to alert the user to the presence of uninsulated "dangerous voltage" within the product's enclosure that may be of sufficient magnitude to constitute a risk of electric shock to persons.



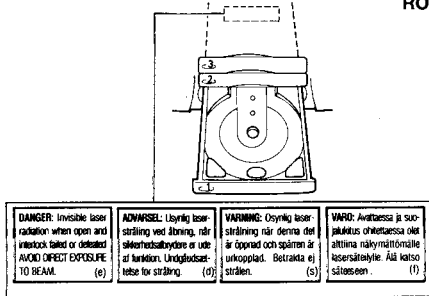
The exclamation point within an equilateral triangle is intended to alert the user to the presence of important operating and maintenance (servicing) instructions in the literature accompanying the appliance.

IMPORTANT FOR LASER PRODUCTS

PRECAUTIONS

1. CLASS 1 LASER PRODUCT
2. **DANGER:** Invisible laser radiation when open and interlock failed or defeated. Avoid direct exposure to beam.
3. **CAUTION:** Do not open the rear cover. There are no user serviceable parts inside the unit; leave all servicing to qualified service personnel.
4. **CAUTION:** Use of controls for adjustments and the performance of procedures other than those specified herein may result in exposure to hazardous radiation.

REPRODUCTION OF LABELS AND THEIR LOCATION

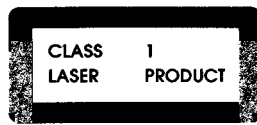


IMPORTANTE PARA PRODUCTOS LASER

PRECAUCIONES

1. PRODUCTO LASER CLASE 1
2. **PELIGRO:** Radiación láser invisible cuando se abre, falla o se anula el seguro. Evite la exposición directa al rayo.
3. **ATENCIÓN:** No abra la tapa posterior. No hay piezas reparables por el usuario dentro de la unidad; acuda a técnicos calificados para la reparación.
4. **ATENCIÓN:** El empleo de controles para ajustes y la ejecución de procedimientos diferentes a los especificados aquí puede causar una exposición peligrosa a la radiación.

ROTULOS Y SU UBICACION



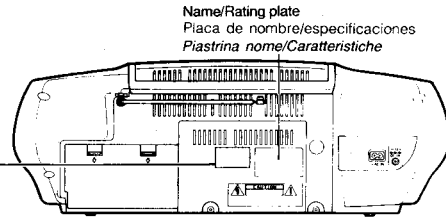
Obs:
Apparaten innehåller laserkomponent av högre laserklass än klass 1.

IMPORTANTI PRECAUZIONI PER PRODOTTI LASER

PRECAUZIONI

1. **PRODOTTO LASER DI CLASSE 1**
2. **PERICOLO:** Quando l'apparecchio è aperto ed i dispositivi di sicurezza non funzionano o sono stati disattivati, vengono prodotte invisibili radiazioni laser. Evitare l'esposizione diretta al raggio.
3. **CAUTELA:** Non aprire la copertura posteriore. All'interno dell'unità non vi sono parti che possono interessare l'utente; fare eseguire qualsiasi intervento a personale di assistenza qualificato.
4. **CAUTELA:** L'uso di comandi e procedure diversi da quanto specificato possono risultare nell'esposizione a radiazioni pericolose.

ETICHETTE E LORO POSIZIONE



FEATURES

1. **Multi-function 3-disc changer**
 - Direct Disc Select/Skip Play/Search Play/Continuous Play/Repeat Play/Random Play
 - Programmed play of up to 20 tunes
2. **One-touch operation (COMPU PLAY) (only when AC power is used)**
 - When a source button (CD, tape, or tuner) is pressed, the unit's power is turned on and initiates playback even when the power is set to STANDBY.
3. **33-key remote control unit opens and closes the motor-driven disc tray and operates the usual CD and tuner functions**
 - The remote control controls power ON/OFF switching, volume control, sound control and Multi-Bass Horn ON/OFF switching.
4. **2-Band digital synthesizer tuner with 30-station (15 FM and 15 AM (MW/LW)) preset capability**
 - Seek/manual tuning.
 - Auto preset tuning.
5. **Multi-Bass Horn circuit for low-frequency sound reproduction**
6. **Timer function**
 - Wake up timer can be set for up to 12 hours.
 - Sleep timer can be set for up to 2 hours.
7. **Beat Cut button**

CARACTERISTICAS

1. **Cambiador de 3 discos con múltiples funciones**
 - Selección directa de disco/Reproducción por salto/Reproducción por búsqueda/Reproducción continua/Repetición de reproducción/Reproducción aleatoria
 - Reproducción programada de 20 músicas, máximo
2. **Operación de un solo toque (COMPU PLAY) (exclusiva para uso de C.A.)**
 - Cuando se presiona un botón de fuente (CD, cinta, o sintonizador, la alimentación de la unidad queda conectada y se inicia la reproducción aun cuando la energía esté en STANDBY.
3. **El controlador remoto de 33 teclas abre y cierra el portadisco de CD motorizado y comanda las funciones normales del CD y del sintonizador**
 - El controlador remoto comanda la conmutación ON/OFF, el volumen, sonido y la conmutación ON/OFF de la bocina de graves múltiples.
4. **Sintonizador sintetizador digital de 2 bandas con capacidad para presintonizar 30 estaciones (15 de FM y 15 de AM (OM/OL))**
 - Búsqueda/sintonización manual.
 - Sintonización automática preprogramada.
5. **Circuito Multi Bass-Horn para reproducción de sonido de baja frecuencia**
6. **Función de temporización**
 - El temporizador despertador puede ser ajustado para un máximo de 12 horas.
 - El temporizador de desconexión puede ser ajustado para un máximo de 2 horas.
7. **Botón para eliminar compases**

CARATTERISTICHE

1. **Cambiatore multifunzione a 3 CD**
 - Selezione diretta del CD/riproduzione con salto/riproduzione con ricerca/riproduzione continuata/riproduzione ripetuta/riproduzione casuale
 - Riproduzione programmata di sino a 20 brani
2. **Funzionamento ad un tocco (COMPU PLAY) (solo quando si utilizza l'alimentazione a corrente alternata)**
 - Quando un tasto di selezione della fonte (CD, registratore, sintonizzatore) viene premuto, l'alimentazione dell'unità viene attivata e la riproduzione inizia anche se l'interruttore di accensione si trova su STANDBY.
3. **Unità di telecomando a 33 tasti per l'apertura e la chiusura del piatto motorizzato del CD e l'utilizzo delle normali funzioni del lettore CD e del sintonizzatore**
 - L'unità di telecomando controlla l'attivazione/disattivazione dell'alimentazione, il volume, il suono e l'attivazione/disattivazione della funzione Multi-Bass Horn.
4. **Sintonizzatore a sintetizzazione digitale a 2 bande con 30 stazioni preselezionabili (15 FM e 15 AM (MW/LW))**
 - Sintonizzazione con ricerca/manuale.
 - Sintonizzazione con preselezione automatica.
5. **Circuito Multi-Bass Horn per la riproduzione di suoni a bassa frequenza**
6. **Funzione timer**
 - Il timer per la sveglia può essere impostato fino a 12 ore.
 - Il timer per lo spegnimento automatico può essere impostato fino a 2 ore.
7. **Tasto taglio battimenti**



SAFETY PRECAUTIONS

Prevention of Electric Shocks, Fire Hazards and Damage

1. Even when the POWER switch is set to STANDBY, a very small current will flow. To save power and for safety when not using the unit for an extended period of time, disconnect the power cord from the household AC outlet.
2. Do not handle the power cord with wet hands.
3. When unplugging from the wall outlet, always grasp and pull the plug, not the power cord.
4. Consult your nearest dealer when damage, disconnection, or contact failure is found with the cord.

PRECAUCIONES DE SEGURIDAD

Prevención contra electrochoques, riesgos de incendios y daños

1. Aunque el interruptor POWER esté ajustado en STANDBY, circula una pequeña cantidad de corriente. Para ahorrar energía y por seguridad, desconecte el cable de alimentación del tomacorriente cuando no vaya a utilizar la unidad por mucho tiempo.
2. No toque el cable de alimentación con las manos húmedas.
3. Al desencharar el cable del tomacorriente, tire de la clavija y no del cable.
4. Consulte a su vendedor más cercano cuando descubra una falla, desconexión o falta de contacto en el cable.

PRECAUZIONI PER LA SICUREZZA

Prevenzione di scosse elettriche, fiamme e danni

1. Anche quando l'interruttore POWER si trova sulla posizione STANDBY, una piccola quantità di corrente continua a fluire. Per risparmiare energia e per ragioni di sicurezza, scollegare il cavo dell'alimentazione dalla presa di corrente CA quando si prevede di non utilizzare l'unità per un periodo prolungato.
2. Non maneggiare il cavo di alimentazione con le mani bagnate.
3. Per scollegarsi dalla presa di rete, afferrare sempre la spina e non il cavo dell'alimentazione.
4. Consultare il rivenditore più vicino quando si riscontrano danni, scollegamenti o contatti scadenti nel cavo di alimentazione.

5. Do not bend the cord sharply, or pull or twist it.
6. Do not modify the power cord in any manner.
7. Do not remove screws to disassemble the unit and do not touch anything inside the unit to avoid accidents.
8. Do not insert any metallic objects into the unit.
9. Unplug the power cord when there is a possibility of lightning.
10. If water gets inside the unit, unplug the power cord from the outlet and consult your dealer.
11. Do not block the ventilation holes of the unit so that heat can escape.
12. Since the RC-XC1 uses a motor-driven disc tray, make sure your hand or other object does not obstruct tray movement.

Power button

When the power cord is connected to a household AC outlet, the power indicator is lit red, indicating STANDBY mode (this indicator does not light when DC power is supplied). When the power is switched on, the indicator turns green showing that the power is on (this indicator lights with both AC and DC power supplies).

When this unit is plugged into an AC outlet, it consumes a small current to operate the remote control and timer, or to back up the memory of the microprocessor, even when the POWER button is set to STANDBY.

5. No doble, tire o enrosque demasiado el cable.
6. No efectue ninguna modificación en el cable.
7. No saque los tornillos para desarmar la unidad ni toque nada dentro de la misma para evitar accidentes.
8. No introduzca ningún objeto metálico dentro de la unidad.
9. Desenchufe el cable lo antes posible si hay posibilidad de tormentas eléctricas.
10. Si entrara agua dentro de la unidad, desenchufe el cable del tomacorriente y consulte a su vendedor.
11. No bloquee los orificios de ventilación de la unidad para que el calor pueda salir.
12. Como el RC-XC1 utiliza un portadiscos de CD accionada por motor, asegúrese de no obstruir con su mano o con un objeto el movimiento del mismo.

Botón de alimentación

Cuando se conecta el cable de alimentación en un tomacorriente de alterna, se enciende el indicador de alimentación en rojo indicando el modo STANDBY (este indicador no se enciende cuando se suministra corriente continua). Cuando se conecta la alimentación el indicador se enciende en verde indicando que la alimentación está conectada. (este indicador se enciende con ambas corrientes alterna y continua).

Cuando esta unidad está conectada a un tomacorriente de CA, consume una pequeña cantidad de corriente para operar el control remoto y el temporizador, y para la memoria de apoyo del microprocesador, aún cuando el botón POWER este colocado en STANDBY.

5. Non piegare eccessivamente il cavo e non tirarlo o torcerlo.
6. Non modificare il cavo di alimentazione in alcun modo.
7. Onde evitare incidenti, non rimuovere alcuna vite per smontare l'unità e non toccare nulla all'interno.
8. Non inserire alcun oggetto metallico nell'unità.
9. Scollegare il cavo di alimentazione durante temporali con fulmini.
10. Se dell'acqua dovesse penetrare all'interno dell'unità, scollegare il cavo dell'alimentazione dalla presa di rete e consultare il proprio rivenditore.
11. Non bloccare i fori di ventilazione dell'unità in modo che il calore possa essere dissipato.
12. Dato che l'unità RC-XC1 utilizza un piatto per il CD motorizzato, fare attenzione a che il movimento del piatto non venga ostruito dalle mani o da un qualsiasi oggetto.

Interruttore alimentazione

Quando il cavo di alimentazione è collegato ad una presa di rete CA, l'indicatore di accensione si illumina in rosso per indicare il modo di STANDBY (questo indicatore non si illumina quando viene fornita alimentazione in CC). Quando l'alimentazione viene attivata, l'indicatore diviene verde per indicare l'attivazione dell'alimentazione. (questo indicatore si illumina sia per l'alimentazione in CA che in CC).

Quando questa unità è collegata ad una presa di rete CA, essa consuma una piccola quantità di corrente per il funzionamento del telecomando e del timer o per il mantenimento della memoria del microprocessore anche quando il tasto POWER è impostato su STANDBY.



HANDLING PRECAUTIONS

Do not use this unit in direct sunlight or leave the unit in closed automobiles (or yachts, etc.) where it would be exposed to high temperatures above 40°C (104°F).

PRECAUCIONES DE MANIPULACION

No utilice esta unidad a la luz directa del sol ni la deje en un automóvil cerrado (yate, etc.) donde podría estar expuesta a temperaturas superiores a 40°C.

PRECAUZIONI PER L'USO

Non utilizzare questa unità nella luce solare diretta e non lasciarla in automobili chiuse (o yacht, ecc.) dove può essere esposta a temperature elevate sopra i 40°C.

1. **Avoid installing in the following places**
 - Where it could be subject to vibrations.
 - Where it is excessively humid, such as in a bathroom.
 - Where it could be magnetized by a magnet or speaker.
2. **Pay attention to dust**
Be sure to close the disc tray so that dust does not collect on the lens.
3. **Condensation**
In the following cases, condensation may occur in the unit, in which case the unit may not operate correctly.
 - In a room where a heater has just been switched on.
 - In a place where there is smoke or high humidity.
 - When the unit is moved directly from a cold to a warm room.
 In these cases, set the POWER switch to ON and wait 1 or 2 hours before use.
4. **Volume setting**
Compact discs produce very little noise compared with analog records. When the volume control of an amplifier is adjusted by listening to the noise as is done with analog records, the speakers could be damaged by the sudden increase of output when the music starts. Therefore, turn down the volume before starting and adjust as required while playing a CD.
5. **Do not place cassette tapes, etc. near the speakers**
Since there are magnets in the speakers, do not place tapes or magnetic cards on them as recorded data could be erased.
6. **Keep this unit away from your TV**
When this unit is used near a TV, the TV picture could be distorted. If this happens, move this unit away from the TV. If this does not correct the situation, avoid using this unit when the TV is turned on.
7. **Cleaning the cabinet**
If the cabinet gets dirty, wipe it with a soft, dry cloth. Never use benzine or thinner as these could damage the surface finish.

1. **Evite instalarla en los siguientes lugares**
 - Donde podría estar sometida a vibraciones.
 - Donde haya mucha humedad, tal como en un cuarto de baño.
 - Donde podría ser magnetizada por un imán o altavoz.
2. **Preste atención al polvo**
Asegúrese de cerrar el portadisco de CD para que el polvo no se acumule sobre la lente.
3. **Condensación**
En los siguientes casos, puede producirse condensación dentro de la unidad y en consecuencia la unidad no funcionará correctamente.
 - En una habitación donde se haya encendido un calefactor.
 - En un lugar con humo o muy húmedo.
 - Cuando la unidad haya sido trasladada directamente de un sitio frío a otro de mayor temperatura.
 En estos casos, coloque el interruptor POWER en ON y espere 1 ó 2 horas antes de utilizar la unidad.
4. **Regulación del volumen**
Los discos compactos producen muy poco ruido comparados con los discos analógicos. Cuando se ajusta el control de volumen de un amplificador escuchando el ruido, como en el caso de los discos analógicos, los altavoces pueden resultar dañados por un aumento súbito de la salida al comenzar la música. Por lo tanto, disminuya el volumen antes de poner en funcionamiento la unidad y regúlelo como guste mientras reproduzca el CD.
5. **No coloque cassettes, etc. cerca de los altavoces.**
Puesto que los altavoces tienen imanes, no coloque cintas o tarjetas magnéticas sobre los mismos porque podrían borrarse los datos grabados.
6. **Mantenga esta unidad lejos del televisor**
Cuando se utiliza esta unidad cerca de un televisor, es posible que se distorsione la imagen televisiva. Si esto ocurriese, alejela del televisor. Si esto tampoco mejora la situación, evite utilizar la unidad cuando esté encendido el televisor.
7. **Limpieza del gabinete**
Si se ensucia el gabinete, límpielo con un paño suave y seco. No utilice bencina ni diluyente ya que éstos podrían perjudicar el acabado.

1. **Evitare l'installazione nei luoghi seguenti**
 - In luoghi dove l'unità può essere soggetta a vibrazioni.
 - In luoghi eccessivamente umidi come una stanza da bagno.
 - In luoghi dove l'unità può essere magnetizzata da un magnete o da un diffusore.
2. **Fare attenzione alla polvere**
Accertarsi di chiudere il piatto del CD per evitare che la lente si impolveri.
3. **Condensa**
Nei casi seguenti si potrebbe formare della condensa nell'unità impedendo il normale funzionamento.
 - In una stanza in cui il riscaldamento è appena stato acceso.
 - In un luogo fumoso o con elevata umidità.
 - Quando l'unità viene spostata direttamente da una stanza fredda ad una calda.
 In questi casi, portare l'interruttore di accensione su ON ed attendere 1 o 2 ore prima dell'uso.
4. **Impostazione volume**
Un CD produce molto poco rumore di fondo a paragone di un disco analogico. Quando il comando del volume di un amplificatore viene regolato basandosi sul rumore prodotto come nel caso di un disco analogico, i diffusori possono venire danneggiati dall'improvviso aumento del livello in uscita. Abbassare perciò il volume prima dell'uso e regolarlo come desiderato dopo l'inizio della musica.
5. **Non posare nastri a cassetta, ecc., in prossimità dei diffusori.**
Dato che i diffusori incorporano dei magneti, non posare nastri registrati o schede magnetiche su di essi in quanto i materiali registrati potrebbero venire cancellati.
6. **Tenere l'unità lontana dal televisore.**
Quando questa unità viene utilizzata in prossimità di un televisore, l'immagine TV potrebbe venire distorta. Se ciò dovesse accadere, allontanare l'unità dal televisore. Se ciò non fosse sufficiente ad eliminare la interferenza, evitare di utilizzare questa unità quando il televisore è acceso.
7. **Pulizia dell'esterno dell'unità**
Se l'esterno dell'unità fosse sporco, strofinare con un panno morbido ed asciutto. Non usare mai benzina o diluente in quanto essi possono danneggiare la finitura delle superfici.

8. When listening with headphones

- Do not listen at high volumes as it could damage your hearing.
- For safety, do not drive while listening to this unit.

9. When this unit is carried, switch the power OFF if possible

Otherwise a malfunction may occur in the unit.

10. Carrying handle

Do not raise or lower the carrying handle with the telescopic antenna extended, to avoid damaging the antenna. Place the carrying handle so that it does not interfere with operation.

11. Pay attention to the following

- Do not place the unit on an inclination.
- Do not apply shock to the unit.
- To close the disc tray, press the open/close button. (▲) (Do not close it by hand.)
- When this unit is carried, take the discs out of the disc trays if possible.

8. Cuando escuche con auriculares

- No escuche con el volumen muy alto porque podrían dañarse sus oídos.
- Por seguridad, no conduzca mientras escucha esta unidad.

9. Cuando se transporta esta unidad, desconecte OFF la alimentación siempre que sea posible, de lo contrario pueden ocurrir fallas

No levante ni baje la manija con la antena telescópica extendida para evitar que se dañe. Colóquela de tal modo que no interfiera con la operación.

10. Manija de transporte

No levante ni baje la manija con la antena telescópica extendida para evitar que se dañe. Colóquela de tal modo que no interfiera con la operación.

11. Preste atención a lo siguiente

- No coloque la unidad en un lugar inclinado.
- No la golpee.
- Para cerrar el portadisco de CD presione el botón de apertura/cierre (▲). (No lo cierre con la mano).
- Cuando se transporta esta unidad, extraiga los discos y los portadiscos siempre que sea posible.

8. Ascolto con le cuffie

- Abbassare il volume in modo da non danneggiare le orecchie.
- Per motivi di sicurezza, non guidare mentre si ascolta con le cuffie.

9. Prima di trasportare l'apparecchio ricordarsi di spegnerlo

In caso contrario potrebbero verificarsi delle disfunzioni.

10. Manico per il trasporto

Non sollevare o abbassare il manico con l'antenna telescopica estesa onde evitare di danneggiare l'antenna stessa.

Posizionare il manico in modo che non interferisca col funzionamento.

11. Fare attenzione a quanto segue

- Non porre l'unità su di una superficie inclinata.
- Non sottoporre l'unità a forti urti.
- Per chiudere il piatto del CD premere il tasto apertura/chiura (▲). (Non chiuderlo manualmente).
- Prima di trasportare l'apparecchio ricordarsi di togliere i dischi eventualmente presenti sui piatti portadischi.

POWER SUPPLY**A. Operation on household AC**

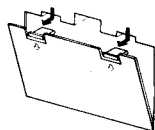
- Connect the AC power cord.

CAUTIONS:

1. ONLY USE WITH JVC POWER CORD PROVIDED WITH THIS UNIT TO AVOID MALFUNCTION OR DAMAGE TO THE UNIT. REMOVE BATTERIES WHEN USING THE POWER CORD.
2. BE SURE TO UNPLUG THE POWER CORD FROM THE OUTLET WHEN GOING OUT OR WHEN THE UNIT IS NOT IN USE FOR AN EXTENDED PERIOD OF TIME.

B. Operation on batteries**• Loading batteries**

1. Open the battery cover by pulling it toward you while pressing the sections marked by the arrows.
2. Insert eight "R20" size batteries as shown in the diagram.
 - * Be careful to insert the batteries with the ⊕ and ⊖ terminals positioned correctly.
3. Replace the cover.

**Battery replacement**

When the battery () indicator lights during battery operation, the batteries are nearly exhausted and should be replaced. (When the battery indicator stays lit for approx. one minute, the unit is switched off.)

When making an important recording, use new batteries (preferably alkaline batteries with a longer service life) to avoid any possible failure.

• For better battery usage

Continuous operation of the unit causes the battery power to be consumed quicker than noncontinuous operation.

Operation of the unit in a cold place causes the battery power to be consumed more quickly than in a warm place.

CAUTIONS:

- WHEN NOT USING THE UNIT FOR A LONG TIME (MORE THAN TWO WEEKS) OR WHEN ALWAYS USING HOUSEHOLD AC, REMOVE THE BATTERIES TO AVOID A MALFUNCTION OR DAMAGE TO THE UNIT.
- WHEN THE JVC POWER CORD PROVIDED WITH THIS UNIT IS CONNECTED, THE POWER IS AUTOMATICALLY SWITCHED FROM THE BATTERIES TO THE HOUSEHOLD AC EVEN WHEN THE BATTERIES ARE LOADED. HOWEVER, REMOVE THE BATTERIES WHEN USING THE POWER CORD.

ALIMENTACION**A. Funcionamiento con corriente alterna**

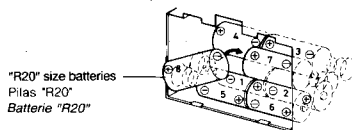
- Conexión del cable de corriente alterna.

PRECAUCIONES:

1. UTILICE EL CABLE DE ALIMENTACIÓN JVC SUMINISTRADO CON ESTE APARATO PARA PREVENIR FALLAS O DAÑOS. RETIRE LAS PILAS CUANDO UTILICE EL CABLE.
2. DESENCHUFE EL CABLE DE ALIMENTACIÓN DEL TOMACORRIENTE AL AUSENTARSE DE SU CASA O CUANDO NO UTILICE EL APARATO POR MUCHO TIEMPO.

B. Funcionamiento con pilas**• Colocación de las pilas**

1. Abra la tapa del compartimiento de las pilas tirándola hacia Vd mientras presiona las secciones marcadas por las flechas.
2. Inserte 8 pilas "R20" como se muestra en el diagrama.
 - * Coloque las pilas en el compartimiento posicionando correctamente los terminales ⊕ y ⊖.
3. Vuelva a colocar la tapa.

**Reemplazo de pilas**

Si el indicador () de las pilas se enciende durante la operación con pilas, ello indica que las pilas están casi descargadas. Reemplácelas por unas nuevas. (Cuando el indicador de las pilas se enciende durante un minuto aprox., se desconecta la alimentación de la unidad.)

Cuando efectúe una grabación importante, utilice pilas nuevas (preferentemente alcalinas para mayor duración) a fin de evitar posibles fallas.

• Para una mejor utilización de las pilas

Si este aparato se utiliza continuamente, las pilas se gastarán más rápido que si se utiliza de vez en cuando.

Si se utiliza en un lugar frío, las pilas se consumirán más rápidamente que si se utiliza en un lugar cálido.

PRECAUCIONES:

- CUANDO NO VAYA A UTILIZAR EL APARATO POR MUCHO TIEMPO (MAS DE DOS SEMANAS) O CUANDO USE SIEMPRE CORRIENTE ALTERNA, RETIRE LAS PILAS PARA EVITAR FALLAS DE FUNCIONAMIENTO Y DAÑOS.
- CUANDO SE CONECTA EL CABLE DE ALIMENTACIÓN SUMINISTRADO CON EL APARATO, LA ALIMENTACIÓN SE CONMUTA AUTOMÁTICAMENTE A CORRIENTE ALTERNA, AUNQUE HAYA PILAS CARGADAS. NO OBSTANTE, RETIRE LAS PILAS CUANDO UTILICE EL CABLE DE ALIMENTACION.

ALIMENTAZIONE**A. Funcionamento con la rete CA**

- Collegare il cavo di alimentazione CA.

PRECAUZIONI:

1. UTILIZZARE SOLO IL CAVO DI ALIMENTAZIONE JVC IN DOTAZIONE A QUESTA UNITA' PER EVITARE DISFUNZIONI O DANNI ALL'UNITA' STESSA. RIMUOVERE LE BATTERIE QUANDO SI UTILIZZA IL CAVO DI ALIMENTAZIONE.
2. ACCERTARSI DI SCOLLEGARE IL CAVO DI ALIMENTAZIONE DALLA PRESA DI RETE QUANDO SI ESCE O QUANDO SI PREVEDE DI NON UTILIZZARE L'UNITA' PER UN PERIODO PROLUNGATO.

B. Funcionamento con batterie**• Inserimento batterie**

1. Aprire il coperchio del vano batterie tirandolo verso di sé mentre si preme sulle sezioni marcate dalle frecce.
2. Inserire 8 batterie di formato "R20" come indicato in figura.
 - * Fare attenzione ad inserire le batterie con i terminali ⊕ e ⊖ posizionati in modo corretto.
3. Reinserrire il coperchio.

Sostituzione batterie

Quando l'indicatore delle batterie () si illumina durante il funzionamento a batterie, le batterie sono praticamente scariche e devono essere sostituite. (Quando l'indicatore delle batterie rimane illuminato per circa un minuto, l'alimentazione dell'unità viene disattivata.)

Quando si eseguono registrazioni importanti, utilizzare batterie nuove (preferibilmente batterie alcaline di maggiore durata) per evitare qualsiasi problema.

• Per un migliore utilizzo delle batterie

L'uso continuo dell'unità scarica le batterie più velocemente di un uso saltuario. L'uso dell'unità in un luogo freddo scarica le batterie più rapidamente che in un luogo caldo.

PRECAUZIONI:

- QUANDO NON SI UTILIZZA L'UNITA' PER UN LUNGO PERIODO DI TEMPO (PIU' DI DUE SETTIMANE) OPPURE QUANDO SI UTILIZZA SEMPRE L'ALIMENTAZIONE DI RETE CA, RIMUOVERE LE BATTERIE PER EVITARE DISFUNZIONI O DANNI ALL'UNITA'.
- QUANDO IL CAVO DI ALIMENTAZIONE JVC IN DOTAZIONE A QUESTA UNITA' VIENE COLLEGATO, L'ALIMENTAZIONE VIENE COMMUTATA AUTOMATICAMENTE DALLE BATTERIE ALLA RETE CA ANCHE QUANDO LE BATTERIE SONO INSERITE. RIMUOVERE COMUNQUE LE BATTERIE QUANDO SI UTILIZZA IL CAVO DI ALIMENTAZIONE.

CAUTIONS WHEN USING BATTERIES:
When batteries are used incorrectly, it may result in the leakage of chemicals from the batteries or they may explode. The following care should be taken:

- Check that the positive ⊕ and negative ⊖ terminals of the batteries are positioned correctly and load them as shown in the diagram.
- Do not mix new and old batteries together, or mix different types of batteries.
- Do not try to recharge non-rechargeable batteries.
- Remove the batteries when the unit is not to be used for an extended period of time.

If chemicals from the batteries come in contact with your skin, wash them off immediately with water. If chemicals leak onto the unit, clean the unit completely.

PRECAUCIONES PARA EL USO DE LAS PILAS:
Si se utiliza incorrectamente las pilas, ello puede resultar en fugas de productos químicos de las mismas y pueden explotar. Se deben tomar las siguientes precauciones:

- Verifique que el polo positivo ⊕ y el negativo ⊖ de las pilas estén correctamente colocados y que las mismas estén instaladas como se muestra en el diagrama.
- No mezcle pilas nuevas y viejas, o diferentes tipos de pilas.
- No intente recargar las pilas que no son recargables.
- Extraiga las pilas de la unidad cuando ésta no vaya a ser usada por un largo período.

Si los productos químicos provenientes de las pilas entran en contacto con la piel, lávese inmediatamente con agua. Si los productos químicos entran dentro de la unidad, límpiela.

PRECAUZIONI PER L'USO DELLE BATTERIE :
Se le batterie vengono utilizzate in modo scorretto, si possono verificare perdite di sostanze chimiche o esplosioni. Osservare le precauzioni seguenti:

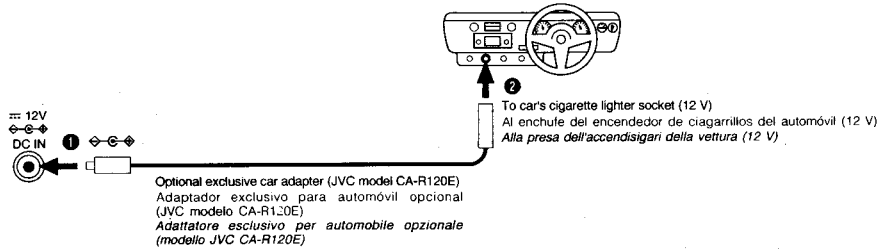
- Controllare che i terminali positivo ⊕ e negativo ⊖ delle batterie siano posizionati correttamente ed inserire le batterie come indicato.
- Non mescolare batterie vecchie e nuove oppure tipi di batteria diversi.
- Non provare a ricaricare batterie non ricaricabili.
- Rimuovere le batterie quando si prevede di non utilizzare l'unità per un periodo di tempo prolungato.

Se sostanze chimiche delle batterie entrassero in contatto con la pelle, lavare immediatamente con acqua. Se le sostanze chimiche entrassero in contatto con l'unità, lavare completamente l'unità stessa.

C. Operation on car battery (DC 12 V) (E version only)

C. Funcionamiento con batería de automóvil (12 V de CC) (Versión E exclusivamente)

C. Funzionamento con la batteria di una vettura (CC 12 V) (Solo versione E)



- First connect the car adapter to the DC IN 12 V jack, not the cigarette lighter socket, because shorting of a plug on the car may cause the fuse to blow out. In addition, be careful not to make a short-circuit between the plugs.
- When using a car battery, be sure to use the specified car adapter (JVC model CA-R120E) to prevent mishaps or damage resulting from different polarity design.

- Primero conecte el adaptador al jack DC IN 12 V, no al enchufe del encendedor de cigarrillos, porque si pone en cortocircuito una clavija del automóvil, puede quemarse un fusible. Además, tenga cuidado de no producir un cortocircuito entre las clavijas.
- Cuando utilice una batería de automóvil, emplee el adaptador especificado (JVC modelo CA-R120E) para evitar fallas o daños por diferentes tipos de polaridad.

- Collegare prima l'alimentatore alla presa DC IN 12V e non alla presa dell'accendisigari in quanto un cortocircuito nella vettura potrebbe far saltare il fusibile. Inoltre, fare attenzione a non mettere in cortocircuito le prese.
- Quando si utilizza la batteria di una vettura per l'alimentazione, accertarsi di utilizzare l'alimentatore specificato (modello JVC CA-R120E) onde evitare danni derivanti da polarità differenti.

NAMES OF PARTS AND THEIR FUNCTIONS

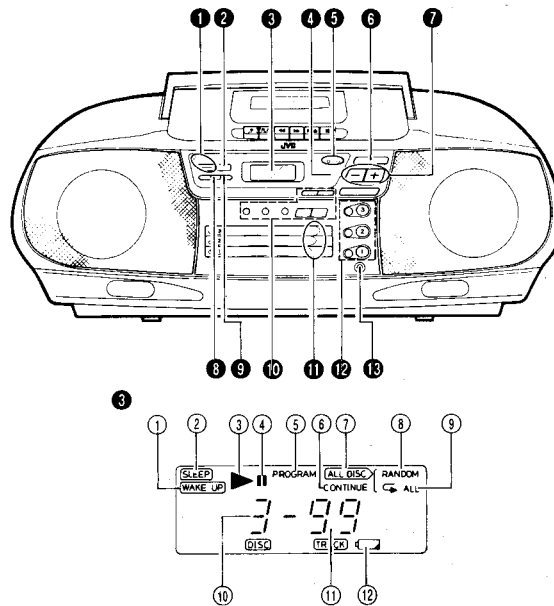
NOMBRE DE LAS PARTES Y SUS FUNCIONES

NOMI E FUNZIONI DELLE PARTI

CD changer/General section

Sección de cambiador de CD/general

Sezione cambiatore di CD/generale



- 1 Multi-Bass Horn button and indicator
- 2 SOUND button
- 3 Display window
 - 1 WAKE UP indicator
 - 2 SLEEP indicator
 - 3 Playback indicator (▶)
 - 4 Pause indicator (||)
 - 5 PROGRAM mode indicator
 - 6 CONTINUE playback indicator
 - 7 ALL DISC indicator
 - 8 RANDOM playback indicator
 - 9 Repeat playback indicator (◀ ALL)
 - 10 Disc number display
 - 11 TRACK number display
 - Wake up/sleep time display
 - 12 Battery indicator () (See page 7.)
- 4 REMOTE SENSOR section
- 5 POWER indicators
 - GREEN : POWER ON
 - RED : STANDBY
- 6 POWER button
- 7 VOLUME buttons
 - + : Use to increase the volume.
 - : Use to decrease the volume.
- 8 WAKE UP TIMER button
- 9 SLEEP TIMER button
- 10 CD operation buttons
 - REPEAT playback button
 - RANDOM playback button
 - CONTINUE playback button
 - Search buttons (◀◀, ▶▶)
 - Stop/clear button (□)
 - Play/pause button (▶||)
- 11 Disc trays (Disc 1 - Disc 3)
- 12 3-DISC CONTROL buttons (No. 1 - No. 3)
- 13 Disc tray open/close buttons (▲) (No. 1 - No. 3)
- 14 Headphones jack (PHONES) (3.5 mm dia. stereo mini)
 - Connect headphones (with impedance 16 Ω - 1 kΩ) to this jack. The speakers are automatically switched off when the headphones are connected.

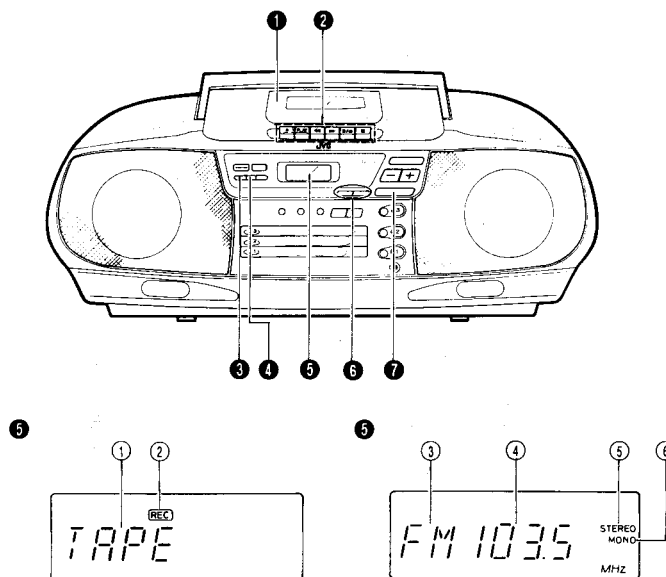
- 1 Botón e indicador de la bocina de graves múltiples
- 2 Botón SOUND
- 3 Ventanilla de indicación
 - 1 Indicador WAKE UP
 - 2 Indicador SLEEP
 - 3 Indicador de reproducción (▶)
 - 4 Indicador de pausa (||)
 - 5 Indicador del modo PROGRAM
 - 6 Indicador de reproducción CONTINUE
 - 7 Indicador ALL DISC
 - 8 Indicador de reproducción RANDOM
 - 9 Indicador de repetición de reproducción (◀ ALL)
 - 10 Indicación de número de disco
 - 11 Indicación de número TRACK
 - Indicación de hora despertador/desconexión
 - 12 Indicador de pila () (Ver página 7.)
- 4 Sección REMOTE SENSOR
- 5 Indicadores POWER
 - VERDE : ON (encendido)
 - ROJO : STANDBY (espera)
- 6 Botón POWER
- 7 Botones VOLUME
 - + : Utilicelo para aumentar el volumen.
 - : Utilicelo para reducir el volumen.
- 8 Botón WAKE UP TIMER
- 9 Botón SLEEP TIMER
- 10 Botones de operación de CD
 - Botón de reproducción REPEAT
 - Botón de reproducción RANDOM
 - Botón de reproducción CONTINUE
 - Botones de búsqueda (◀◀, ▶▶)
 - Botón de parada/borrado (□)
 - Botón de reproducción/pausa (▶||)
- 11 Portadiscos (Disco 1 - Disco 3)
- 12 3 botones DISC CONTROL (No. 1 - No. 3)
- 13 Botones de apertura/cierre (▲) de portadisco (No. 1 - No. 3)
- 14 Jack de audífonos (PHONES) (mini estéreo de 3,5 mm. de diám.)
 - Conecte los audífonos (con una impedancia de 16 Ω - 1 kΩ) a este jack. Los altavoces se apagarán automáticamente cuando se conecten los audífonos.

- 1 Tasto ed indicatore Multi-Bass Horn
- 2 Tasto SOUND
- 3 Finestrella display
 - 1 Indicatore WAKE UP
 - 2 Indicatore SLEEP
 - 3 Indicatore di riproduzione (▶)
 - 4 Indicatore di pausa (||)
 - 5 Indicatore modo PROGRAM
 - 6 Indicatore riproduzione continuata CONTINUE
 - 7 Indicatore ALL DISC
 - 8 Indicatore riproduzione RANDOM
 - 9 Indicatore riproduzione ripetuta (◀ ALL)
 - 10 Visualizzazione numero CD
 - 11 Visualizzazione numero brano TRACK
 - Visualizzazione orario sveglia/spegniment automatico
 - 12 Indicatore batteria () (Vedere a pag. 7.)
- 4 Sezione REMOTE SENSOR
- 5 Indicatori POWER
 - VERDE : Modo ON
 - ROSSO : Modo STANDBY
- 6 Tasto POWER
- 7 Tasti VOLUME
 - + : Usato per aumentare il volume.
 - : Usato per diminuire il volume.
- 8 Tasto WAKE UP TIMER
- 9 Tasto SLEEP TIMER
- 10 Tasti di funzione del lettore CD
 - Tasto riproduzione ripetuta REPEAT
 - Tasto riproduzione casuale RANDOM
 - Tasto riproduzione continuata CONTINUE
 - Tasti ricerca (◀◀, ▶▶)
 - Tasto arresto/cancellazione (□)
 - Tasto riproduzione/pausa (▶||)
- 11 Piatti CD (CD 1 - CD 3)
- 12 Tasti 3-DISC CONTROL (No. 1 - No. 3)
- 13 Tasti apertura/chiusura (▲) piatto CD (No. 1 - No. 3)
- 14 Presa cuffie (PHONES) (per minispina stereo da 3,5 mm)
 - Collegarvi cuffie (di impedenza compresa fra i 16 Ω ed 1 kΩ). Ciò fa tacere automaticamente i diffusori del sistema.

Deck/Tuner section

Sección de la platina/sintonizador

Sezione registratore/sintonizzatore



- 1 Cassette holder
- 2 Cassette operation buttons (from left to right)
 - REC : Press this button with PLAY ► button to start recording.
 - PLAY ► : Press to play the tape.
 - ◀◀ REW : Press to rewind the tape rapidly.
 - ▶▶ FF : Press to wind the tape forward rapidly.
 - /▲ STOP/EJECT : Press to stop the tape. Pressing this button when the tape has stopped opens the cassette holder.
 - || PAUSE : Press to stop the tape momentarily. Press again to release the pause mode.

- 3 PRESET TUNING button
 - 4 AUTO PRESET button
 - 5 BEAT CUT button
 - 6 Display window
 - 1 Tape mode display
 - 2 Recording indicator (REC)
 - 3 Band indicator (FM/AM (MW/LW))
 - 4 Radio frequency display
 - 5 Preset station display
 - 6 STEREO indicator
 - 7 MONO indicator
 - 8 TUNING buttons (UP/DOWN)
 - 9 TUNER/BAND button
- Press to select TUNER mode.
Press to select the band (FM/AM (MW/LW)).

- 1 Portacassette
- 2 Botones de operación del cassette (de izquierda a derecha)
 - REC : Presione este botón conjuntamente con el botón PLAY ► para iniciar la grabación.
 - PLAY ► : Presiónelo para reproducir la cinta.
 - ◀◀ REW : Presiónelo para rebobinar la cinta rápidamente.
 - ▶▶ FF : Presiónelo para avanzar la cinta rápidamente.
 - /▲ STOP/EJECT : Presiónelo para detener la cinta. Al presionar este botón cuando la cinta se ha detenido, se abre el portacassette.
 - || PAUSE : presiónelo para detener la cinta temporalmente. Pre-siónelo otra vez para desactivar el modo de pausa.

- 3 Botón PRESET TUNING
 - 4 Botón AUTO PRESET
 - 5 Botón BEAT CUT
 - 6 Ventanilla de indicación
 - 1 Indicación de modo de cinta
 - 2 Indicador de grabación (REC)
 - 3 Indicador de banda (FM/AM (OM/OL))
 - 4 Indicación de frecuencia de radio
 - 5 Indicación de estación presintonizada
 - 6 Indicador STEREO
 - 7 Indicador MONO
 - 8 Botones de TUNING (UP/DOWN)
 - 9 Botón TUNER/BAND
- Presiónelo para activar el modo TUNER.
Presiónelo para seleccionar la banda (FM/AM (OM/OL)).

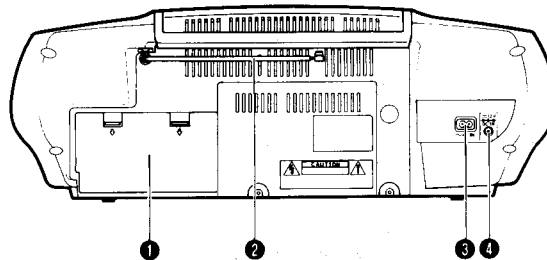
- 1 Portacassetta
- 2 Tasti di funzione del registratore a cassette (da destra a sinistra)
 - REC : Premere questo tasto insieme a quello PLAY ► per dare inizio alla registrazione.
 - PLAY ► : Premere questo tasto per riprodurre una cassetta.
 - ◀◀ REW : Premere questo tasto per riavvolgere il nastro.
 - ▶▶ FF : Premere questo tasto per fare avanzare rapidamente il nastro.
 - /▲ STOP/EJECT : Premere questo tasto per far fermare il movimento della cassetta. Premendolo a nastro fermo si fa aprire il vano portacassetta.
 - || PAUSE : Premerlo per fermare temporaneamente il nastro. Premerlo di nuovo per far terminare la pausa.

- 3 Tasto PRESET TUNING
 - 4 Tasto AUTO PRESET
 - 5 Tasto BEAT CUT
 - 6 Display
 - 1 Display del modo di funzionamento del registratore
 - 2 Indicatore di registrazione (REC)
 - 3 Indicatore di banda (FM/AM (MW/LW))
 - 4 Display della frequenza ricevuta
 - 5 Display della stazione in sintonia
 - 6 Indicatore STEREO
 - 7 Indicatore MONO
 - 8 Tasti TUNING (UP/DOWN)
 - 9 Tasto TUNER/BAND
- Premarlo per impostare il modo TUNER.
Premarlo anche per scegliere una banda di frequenza (FM/AM (MW/LW)).

Rear panel

Panel trasero

Pannello posteriore



- 1 Battery compartment cover
- 2 Telescopic antenna
- 3 AC IN (AC Input) jack
- 4 DC IN 12 V jack (E version only)

- 1 Cubierta del compartimento de la batería
- 2 Antena telescópica
- 3 Jack AC IN (entrada de CA)
- 4 Jack IN de 12 V CC (versión E exclusivamente)

- 1 Copercchio vano batteria
- 2 Antenna telescopica
- 3 Presa AC IN (ingresso di corrente alternata)
- 4 Presa DC IN 12 V (Solo versione E)

REMOTE CONTROL UNIT

UNIDAD DE CONTROL REMOTO

UNITA' DI TELECOMANDO

Preparation before use

- **Installing batteries in the remote control unit**
- 1. Remove the battery cover from the back of the remote control unit.
- 2. Insert two "R6" size batteries.
 - Insert the batteries with the ⊕ and ⊖ terminals matching the indication inside the battery compartment.



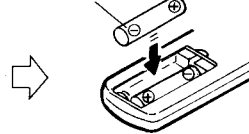
- 3. Replace the cover.

- **Battery replacement**
- When the remote control operation becomes unstable or the distance from which remote control is possible becomes shorter, replace the batteries with new ones.

Preparación previa

- **Colocación de las pilas en el control remoto**
- 1. Saque la tapa de las pilas en la parte posterior del control remoto.
- 2. Coloque 2 pilas de tamaño "R6".
 - Coloque las pilas teniendo en cuenta que los terminales ⊕ y ⊖ coincidan con las indicaciones dentro del compartimiento de las pilas.

Insert the ⊖ ends first.
Primero inserte el terminal ⊖.
Inserire il lato ⊖ per primo.

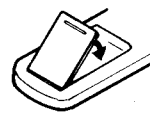


- 3. Vuelva a colocar la tapa.

- **Cambio de las pilas**
- Quando el funcionamiento del control remoto sea inestable o disminuya la distancia de operación, cambie las pilas por otras nuevas.

Preparativi prima dell'uso

- **Installazione delle batterie nel telecomando**
- 1. Rimuovere il coperchio del vano batterie dal retro del telecomando.
- 2. Inserire due batterie di formato "R6".
 - Inserire le batterie con i terminali ⊕ e ⊖ orientati come indicato all'interno del vano stesso.



- 3. Reinstallare il coperchio.

- **Sostituzione batterie**
- Quando il funzionamento del telecomando diviene instabile oppure la distanza di funzionamento si accorcia, sostituire le batterie con altre di nuove.

Using the remote control unit

To use the remote control unit, point it at the REMOTE SENSOR and press the buttons gently and firmly. Remote control operation is possible within about 7 m (approx. 23 ft). However, since the remote control range is less when the unit is used at an angle, use directly in front of the REMOTE SENSOR, as far much possible.

Do not expose the REMOTE SENSOR to strong light (direct sunlight or artificial lighting) and make sure that there are no obstacles between the REMOTE SENSOR and the remote control unit.

Uso de la unidad de control remoto

Quando utilice esta unidad, dirijala hacia REMOTE SENSOR y presione los botones suave y firmemente. El control remoto es posible dentro de un limite aproximado de 7 m. No obstante, puesto que el alcance disminuye cuando se emplea la unidad desde un ángulo, utilicela en lo posible situándose directamente frente a REMOTE SENSOR.

No exponga REMOTE SENSOR a luces intensas (directamente al sol o luces artificiales) y asegúrese que no haya ningún obstáculo entre REMOTE SENSOR y la unidad de control remoto.

Uso dell'unità di telecomando

Per utilizzare l'unità di telecomando, puntarla verso la sezione REMOTE SENSOR e premere i tasti con gentilezza ma con fermezza. Il funzionamento col telecomando è possibile fino ad una distanza di circa 7 m. Comunque, dato che il campo di funzionamento del telecomando è inferiore quando l'unità viene utilizzata da una posizione ad angolo, utilizzare l'unità direttamente di fronte alla sezione REMOTE SENSOR per quanto possibile.

Non esporre la sezione REMOTE SENSOR ad una illuminazione eccessiva (luce solare diretta o luce artificiale) ed accertarsi che non vi siano ostacoli tra l'unità di telecomando e la sezione REMOTE SENSOR.

14

The following operations can be performed using the remote control unit.

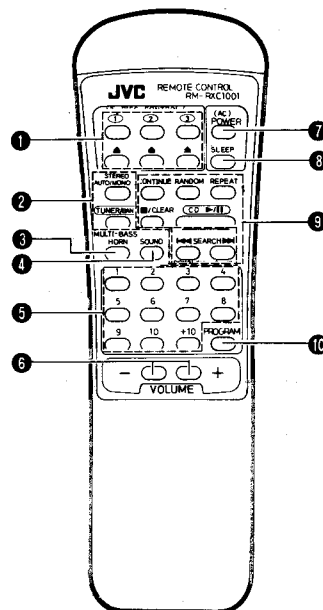
- Check the functions of the operation buttons carefully and operate them correctly.

Las siguientes operaciones pueden realizarse utilizando la unidad de control remoto.

- Estudie detenidamente las funciones de los botones de operación y utilícelos correctamente.

Le operazioni seguenti possono essere eseguite utilizzando l'unità di telecomando.

- Controllare con attenzione le funzioni dei vari tasti ed utilizzare quindi i tasti in modo corretto.



- 1 3-DISC CONTROL buttons and disc tray open/close buttons (▲) (No. 1 to No. 3).
- 2 TUNER operation buttons
STEREO AUTO/
MONO : To select FM mode.
BAND : To select tuner mode and to select the band (FM/AM (MW/LW)).
TUNING-DOWN/UP : To tune to a broadcast.
- 3 MULTI-BASS HORN button
- 4 SOUND button
- 5 Track (tune) number buttons (No. 1 to No. 10, +10)
Preset station buttons (No. 1 to No. 10, +10)
- 6 VOLUME buttons (+, -)
- 7 POWER (AC) button
 - When power is supplied from the batteries, even when the button is pressed, the RC-XC1 will not be switched on. Switch on the POWER button of the main unit first, then perform operations.
- 8 SLEEP button
- 9 CD operation buttons
CONTINUE : Continuous playback button
RANDOM : Random playback button
REPEAT : Repeat playback button
■/CLEAR : Stop/clear button
CD ►/|| : CD mode/play/pause button
◀◀ SEARCH ▶▶ : To scan to the beginning of a tune and to start forward or reverse search.
- 10 PROGRAM mode button

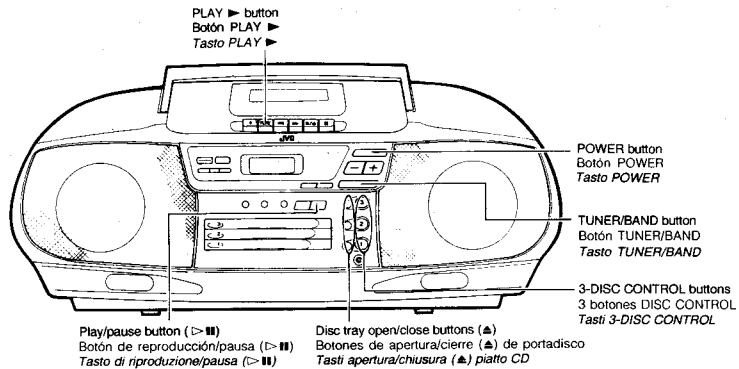
- 1 3 botones DISC CONTROL y botones apertura/cierre (▲) de portadisco (No. 1 a No. 3)
- 2 Botones de operación de TUNER
STEREO AUTO/
MONO : Para seleccionar el modo FM.
BAND : Para seleccionar el modo de sintonizador y la banda (FM/AM (QM/OL)).
TUNING-DOWN/UP : Para sintonizar una transmisión.
- 3 Botón MULTI-BASS HORN
- 4 Botón SOUND
- 5 Botones de número de pista (música) (No. 1 a No. 10, +10)
Botones de estación presintonizada (No. 1 a No. 10, +10)
- 6 Botones VOLUME (+, -)
- 7 Botón POWER (AC)
 - Cuando se suministra energía de las baterías, y si se presiona este botón, el RC-XC1 no se encenderá. Primero presione el botón POWER de la unidad principal, y luego ejecute las operaciones.
- 8 Botón SLEEP
- 9 Botones de operación de CD
CONTINUE : Botón de reproducción continua
RANDOM : Botón de reproducción aleatoria
REPEAT : Botón de repetición de reproducción
■/CLEAR : Botón de parada/borrado
CD ►/|| : Botón de modo de CD/reproducción/pausa
◀◀ SEARCH ▶▶ : Para buscar el inicio de una música y para activar la búsqueda hacia adelante o hacia atrás.
- 10 Botón de modo PROGRAM

- 1 Tasti 3-DISC CONTROL e tasti apertura/chiusura (▲) piatti CD (dal No. 1 al No. 3).
- 2 Tasti di funzione del sintonizzatore (TUNER)
STEREO AUTO/
MONO : Per scegliere il modo FM.
BAND : Per impostare il modo del sintonizzatore e scegliere una banda di frequenza (FM/AM (MW/LW)).
TUNING-DOWN/UP : Per mettere in sintonia una stazione.
- 3 Tasto MULTI-BASS HORN
- 4 Tasto SOUND
- 5 Tasti numeri di scelta dei brani (Dal No. 1 al No. 10, +10)
Tasti delle stazioni programmate (Dal No. 1 al No. 10, +10)
- 6 Tasti del VOLUME (+, -)
- 7 Tasto POWER (AC)
 - Se l'alimentazione viene fatta attraverso batterie, anche premendo questo tasto l'RC-XC1 non si accende. Portare prima su ON il tasto POWER dell'unità principale e quindi eseguire le operazioni desiderate.
- 8 Tasto SLEEP
- 9 Tasti di funzione del lettore CD
CONTINUE : Tasto riproduzione continuata
RANDOM : Tasto riproduzione casuale
REPEAT : Tasto di riproduzione ripetuta
■/CLEAR : Tasto di arresto/cancellazione CD ►/|| : Tasto del modo CD/riproduzione/pausa
◀◀ SEARCH ▶▶ : Per tornare all'inizio di un brano o cercare brani in avanti o all'indietro.
- 10 Tasto modo PROGRAM

SWITCHING THE POWER ON/OFF

CONEXION/DESCONEXION DE LA ALIMENTACION

ACCENSIONE E SPEGNIMENTO



Switching the power on/off

- Switching on:



Conexión/desconexión de la alimentación

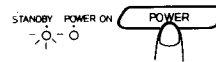
- Conexión:

The green indicator lights.
Se enciende el indicador verde.
L'indicatore verde si illumina.

Accensione e spegnimento

- Accensione:

- Switching off:



- Desconexión:

The red indicator lights. (The indicator does not light when DC power is supplied.)
Se enciende el indicador rojo. (El indicador no se enciende cuando se suministra CC).
L'indicatore rosso si illumina. (L'indicatore non si illumina quando viene utilizzata l'alimentazione CC).

- Spegnimento:

COMPU PLAY (only when AC power is used)




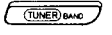
Even when the power is set to STANDBY, pressing the button shown below switches on the power and selects the source.

Operación COMPU PLAY (solo cuando se utiliza CA)

Aun cuando la alimentación esté en STANDBY, al presionar el botón mostrado abajo, conecta la energía y selecciona la fuente.

Riproduzione COMPU PLAY (solo quando viene utilizzata l'alimentazione CA)

Anche se l'unità si trova nel modo STANDBY, premendo uno dei tasti indicati di seguito essa si accende e una sorgente di segnale viene attivata.

Function mode Modo de función Modo di funzionamento	Operations Operaciones Operazioni
 	<p>CD</p> <p>When this button is pressed with a CD loaded, CD playback begins. Cuando se presiona este botón habiendo un CD colocado, comienza la reproducción del mismo. Se questo tasto viene premuto a lettore CD carico, la riproduzione del CD ha immediatamente inizio.</p>
	<p>TAPE</p> <p>When this button is pressed with a tape loaded, tape playback begins. Cuando se presiona este botón habiendo una cinta colocada, comienza la reproducción de la misma. Se questo tasto viene premuto a registratore a cassette carico, la riproduzione della cassetta ha immediatamente inizio.</p>
	<p>TUNER</p> <p>When this button is pressed, the tuner is engaged. Cuando se presiona este botón, se activa el sintonizador. Se questo tasto viene premuto, il sintonizzatore si accende.</p>

- When the disc tray open/close button (▲) is pressed, the source sound does not switch over, the disc tray can open or close.

When wake up timer is engaged, the power of this unit is not switched on even when the PLAY ► button of the deck is pressed.

Notes:

- When switching off the power, be sure to press the POWER button. (When the POWER is switched off with the disc tray open, the disc tray is closed and then the power is switched off.)
- The COMPU PLAY button on the remote control has the same function as the RC-XC1.
- Position the front panel away from you when carrying this unit to avoid accidentally pressing the POWER button.

- Cuando se presiona el botón para abertura/cierre (▲) del portadisco de CD, la fuente de sonido no se conmuta, y el portadisco de CD puede ser abierto o cerrado.

Cuando se activa el temporizador despertador, la alimentación de esta unidad no se conecta aún cuando se presione el botón PLAY ► de la platina.

Notas:

- Cuando desconecte la alimentación, asegúrese de presionar el botón POWER. (Cuando se desconecta POWER con el portadisco de CD abierto, éste se cierra y a continuación se desconecta la energía.)
- El botón COMPU PLAY del controlador remoto tiene la misma función que el RC-XC1.
- Coloque el panel frontal alejado de usted cuando transporte la unidad, para evitar presionar accidentalmente el botón POWER.

- Quando il tasto di apertura/chiusura (▲) del piatto del CD viene premuto, il suono della fonte non viene commutato ed il piatto del CD non può essere aperto o chiuso.

Quando il timer per la sveglia è attivato, l'alimentazione di questa unità non viene attivata anche se si preme il tasto PLAY ► del registratore.

Note:

- Quando si disattiva l'alimentazione, accertarsi di premere il tasto POWER. (Quando il tasto POWER viene premuto col piatto del CD aperto, il piatto del CD viene chiuso e quindi l'alimentazione viene disattivata.)
- Il tasto COMPU PLAY sul telecomando funziona come quello dell'unità principale RC-XC1.
- Allontanare da sé il pannello anteriore così da evitare di premere incidentalmente il tasto POWER.

18

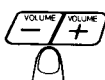
VOLUME, TONE AND OTHER CONTROLS

VOLUMEN, TONO Y OTROS CONTROLES

VOLUME, TONO ED ALTRI COMANDI

VOLUME buttons

- + : Use to increase the volume.
 - : Use to decrease the volume.
- (Control range from VOL 0 to VOL 25.)



Botones VOLUME

- + : Utilicelo para aumentar el volumen.
 - : Utilicelo para reducir el volumen.
- (Los límites de control van de VOL 0 a VOL 25.)

Tasti VOLUME

- + : Per aumentare il volume.
 - : Per diminuire il volume.
- (La gamma di controllo va da VOL 0 a VOL 25.)

MULTI-BASS HORN button

- ON : The Multi-Bass Horn indicator lights. Set to this position when listening to Multi-Bass Horn sound.
- OFF : The Multi-Bass Horn indicator goes out. Set to this position when Multi-Bass Horn sound is not required.



MULTI-BASS HORN

- ON : El indicador de la bocina de graves múltiples se enciende. Colóquelo en esta posición para escuchar el sonido de graves múltiples.
- OFF : Se apaga el indicador de la bocina de graves múltiples. Colóquelo en esta posición cuando no desee escuchar el sonido de la bocina de graves múltiples.

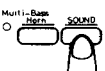
MULTI-BASS HORN

- ON : L'indicatore Multi-Bass Horn si illumina. Impostare questa posizione per ascoltare il suono Multi-Bass Horn.
- OFF : L'indicatore Multi-Bass Horn si spegne. Impostare questa posizione quando il suono Multi-Bass Horn non è necessario.

Sound mode button

This unit has three preset sound modes (BEAT, POP, CLEAR). These modes can be selected to enhance the type of music being played.

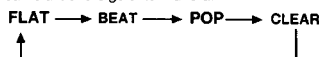
- Press the SOUND button to select the sound mode.
- Each time the SOUND button is pressed the sound mode changes as follows:



Botón de modo de sonido

Esta unidad posee tres modos de sonido preajustados. (BEAT, POP, CLEAR). Estos modos pueden ser seleccionados para realzar el tipo de música que está siendo reproducida.

- Presione el botón SOUND para seleccionar el modo de sonido.
- Cada vez que se presiona el modo de sonido, éste cambia de la siguiente manera:



Selettore del modo audio

Questa unità possiede tre modi sonori preimpostati. (BEAT, POP, CLEAR). Essi devono venire scelti in accordo con il tipo di musica ascoltata.

- Per scegliere un modo audio, premere il tasto SOUND.
- Ogni volta che il tasto SOUND viene premuto, il modo audio cambia nella sequenza seguente:

Sound mode selection

FLAT (No sound effect (flat characteristics)): Set to this position when listening to classical music.

BEAT: Set to this position for music with a heavy beat, such as rock or disco music.

POP: Set to this position for light music including popular and vocal music.

CLEAR: Set to this position for crisp and clear sounding music with transparent highs.

Selección del modo de sonido

FLAT (Sin efectos de sonido (característica plana)): Colóquelo en esta posición cuando escucha música clásica.

BEAT: Colóquelo en esta posición para música con ritmo pesado tal como rock o música de discoteca.

POP: Colóquelo en esta posición para música leve incluyendo música popular y vocal.

CLEAR: Colóquelo en esta posición para música con sonido contrastado y nítido, con altos transparentes.

Sceita modo audio

FLAT (Nessun effetto audio (risposta di frequenza piatta)): Scegliere questa posizione per riprodurre musica classica.

BEAT: Scegliere questa posizione per riprodurre musica molto ritmata, ad esempio rock o disco.

POP: Scegliere questa posizione per riprodurre musica leggera di vario tipo.

CLEAR: Scegliere questa posizione per riprodurre musica in modo chiaro e con acuti cristallini.

CONCERNING COMPACT DISCS EN CUANTO A DISCOS COMPACTOS INFORMAZIONI SUI CD

Since dirty, damaged and warped discs may damage the unit, care should be taken of the following:

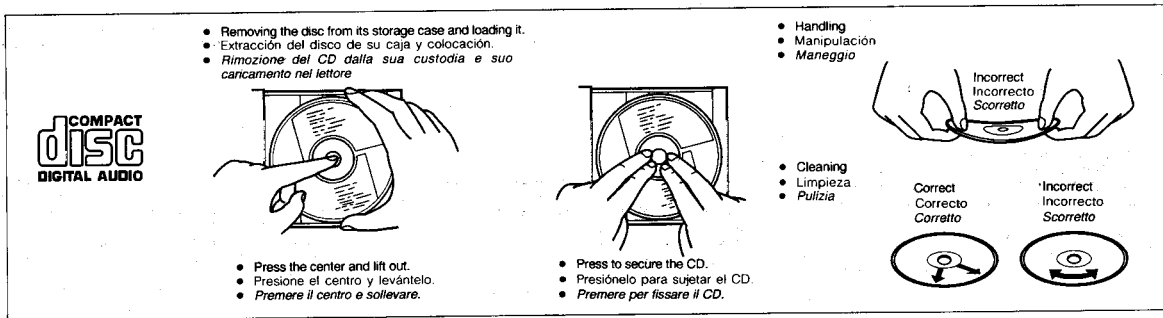
- Usable compact discs**
Use compact discs with the mark shown.
- Notes on handling discs**
 - Do not touch the reflective recorded surface.
 - Do not stick anything to or write anything on the label side.
 - Do not bend compact discs.
- Storage**
 - After removing a disc from the unit, be sure to put it back in its case.
 - Do not expose discs to direct sunlight, high temperatures from a heater, etc., high humidity, or dust.
- Cleaning discs**
Before loading a disc, wipe off any dust, dirt or fingerprints with a soft cloth. Discs should be cleaned by wiping radially, from the center to the edge.
- Never use thinner, benzine, record cleaner or antistatic spray.**

Puesto que los discos sucios, alabeados y con defectos pueden dañar la unidad, deben tenerse en cuenta los siguientes puntos:

- Discos compactos utilizables**
Utilice discos compactos con la siguiente marca.
- Notas sobre la manipulación de discos**
 - No toque la superficie grabada reflectante.
 - No pegue ni escriba nada sobre el lado del rótulo.
 - No doble el disco compacto.
- Almacenamiento**
 - Guarde los discos en sus cajas luego de sacarlos del reproductor.
 - No los exponga a la luz solar directa, altas temperaturas de un calefactor, etc., gran humedad o polvo.
- Limpieza de discos**
Antes de colocar un disco, limpie la superficie de polvo, suciedad e impresiones digitales con un paño suave. El disco debe limpiarse de forma radial, desde el centro hacia el borde.
- Nunca utilice diluyente, bencina, limpiadores de discos analógicos o pulverizadores antiestáticos.**

Dato che CD sporchi, danneggiati e deformati possono danneggiare l'unità, prestare attenzione a quanto segue:

- CD utilizzabili**
Utilizzare solo CD recanti il marchio indicato.
- Note sul maneggio dei CD**
 - Non toccare la superficie registrata iridescente.
 - Non incollare etichette o scrivere sul lato dell'etichetta del CD.
 - Non piegare i CD.
- Conservazione**
 - Dopo aver rimosso un CD dall'unità, accertarsi di riporlo nella sua custodia.
 - Non esporre i CD alla luce solare diretta, a temperature elevate, ad umidità elevate o a polvere.
- Pulizia CD**
Prima di inserire un CD, pulire polvere, sporco o impronte digitali con un panno morbido. I CD devono essere puliti strofinando radialmente, dal centro verso il bordo.
- Non utilizzare mai diluente, benzina, liquido pulente per dischi o spray antistatici.**



20

PLAYING COMPACT DISCS REPRODUCCION DE DISCOS COMPACTOS RIPRODUZIONE DI CD

(Example: When playing back a CD loaded in the Disc 1 tray)

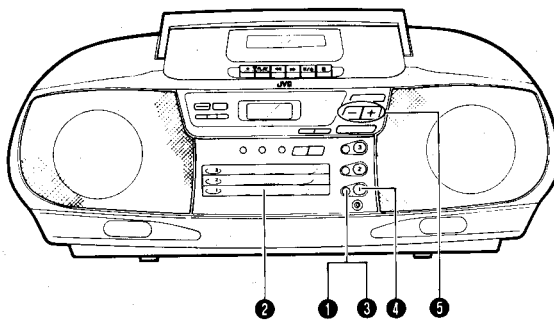
Operate in the order shown.

(Ejemplo: cuando reproduce un CD colocado en el portadisco Disco 1)

Proceda en el orden indicado.

(Esempio: Per riprodurre il CD contenuto nel piatto del CD 1)

Eseguire le operazioni nell'ordine indicato.



- Press the required disc tray open/close button (▲) (No. 1 to No. 3). The disc tray opens. (The power is switched on when AC power is supplied.)
 - When battery power is used, switch on the POWER button first, then perform operations.
- Load a disc with the label side facing up.
- Press the disc tray open/close button (▲) to close the disc tray.
 - Repeat the above procedures to load the other discs.
- Press the required DISC CONTROL button (No. 1 to No. 3) to start play.
- Adjust.

• 8-cm (3-3/16") compact discs can be used in this unit without an adapter.
• During CD playback, other discs can be exchanged by opening their trays with the appropriate disc tray open/close buttons (▲).

- Presione el botón necesario de apertura/cierre (▲) del portadisco (No. 1 a No. 3). El portadisco se abre. (Se conecta la alimentación cuando se alimenta CA.)
 - Cuando se usa la pila, conecte primero el botón POWER, luego efectúe las operaciones.
- Coloque un disco con la etiqueta apuntando hacia arriba.
- Presione el botón de apertura/cierre (▲) del portadisco para cerrar el mismo.
 - Repita los procedimientos de arriba para colocar otros discos.
- Presione el botón DISC CONTROL necesario (No. 1 a No. 3), para iniciar la reproducción.
- Ajuste.

• En esta unidad se pueden utilizar discos compactos de 8 cm. (3-3/16") sin adaptador.
• Durante la reproducción de un CD es posible cambiar otros CD abriendo sus portadiscos con los botones de apertura/cierre (▲) correspondientes a los mismos.

- Premere il tasto di apertura/chiusura (▲) del piatto del CD desiderato (dal No. 1 al No. 3). Il piatto si apre. (L'alimentazione viene attivata se l'unità è collegata all'alimentazione CA.)
 - Quando si utilizzano le batterie, attivare prima l'alimentazione col tasto POWER e quindi eseguire le operazioni.
- Inserire un CD con l'etichetta rivolta in alto.
- Premere il tasto di apertura/chiusura (▲) del piatto del CD per chiudere il piatto.
 - Ripetere questa procedura per inserire gli altri CD.
- Premere il tasto DISC CONTROL del caso (dal No. 1 al No. 3) per avviare la riproduzione.
- Regolare.

• Con questa unità, i CD da 8 cm possono essere utilizzati senza bisogno di un adattatore.
• Durante la riproduzione di un CD, gli altri CD possono essere cambiati aprendo il piatto col tasto di apertura/chiusura (▲) appropriato.

21

Notes:

- When the POWER button is set to STANDBY, or another mode (TAPE or TUNER) is selected, the last disc played is stored in memory. The same disc will be played when the power is switched on again and the >|| button is pressed.
- When a disc tray is open, press any of >||, ▲ or the DISC CONTROL buttons (No. 1 to No. 3), and the tray will close.

When the AC power cord is unplugged, never close the open tray by hand. To close it, plug the power cord in again and press the ▲ button. Otherwise it may cause damage to the unit.

Notas:

- Cuando se coloca el botón POWER en STANDBY, o se selecciona otro modo (TAPE o TUNER), el último disco reproducido es almacenado en memoria. Este disco será reproducido cuando se conecte otra vez la alimentación y se presione el botón >||.
- Cuando un portadisco está abierto, presione cualquiera de los botones >||, ▲ o DISC CONTROL (No. 1 a No. 3), para cerrar el portadisco.

Cuando desenchufa la tarjeta de alimentación de CA, nunca cierre el portadisco abierto con la mano. Para cerrarlo, inserte la tarjeta de alimentación otra vez y presione el botón ▲, de lo contrario podrá causar daños a la unidad.

Note:

- Portando il tasto di accensione POWER su STANDBY, o selezionando un'altra modalità (TAPE o TUNER), il numero dell'ultimo disco riprodotto viene memorizzato. Premendo il tasto >|| dopo aver riaperto l'apparecchio, la lettura di tale disco ha inizio di nuovo immediatamente.
- Un piatto portadischi eventualmente aperto, può essere chiuso premendo i tasti >|| o ▲, o uno dei tasti DISC CONTROL (da 1 a 3).

Non chiudere mai a mano il piatto portadischi se il cavo di alimentazione si trova staccato dalla presa di corrente. Per richiudere il piatto in questo caso, reinserire la spina del cavo nella presa di corrente e premere il tasto ▲. In caso contrario l'apparecchio potrebbe venire danneggiato.

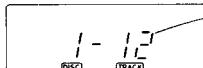
To stop play

- To stop in the middle of a disc
During playback, press the □/clear button to stop play.



Para detener la reproducción

- Para detenerla en la mitad de un disco
Para detener la reproducción durante la misma presione el botón □/borrado.



The total number of tracks (tunes)
Se visualiza el número total de pistas (canciones)
Viene visualizzato il numero totale dei brani

Per interrompere la riproduzione

- Per l'interruzione nel mezzo di un CD
Premere il tasto □/di cancellazione per interrompere la riproduzione durante la riproduzione stessa.

- To stop a disc temporarily
Press the >|| button to stop play temporarily. When pressed again, play resumes from the point where it was paused.

- Para detener temporariamente un disco
Presione el botón >|| para parar temporariamente la reproducción. Cuando se lo presiona otra vez, se reinicia la reproducción en el punto donde fue detenida.

- Interruzione temporanea della riproduzione
Premere il tasto >|| per interrompere temporaneamente la riproduzione. Premendo il tasto un'altra volta, la riproduzione riprende dal punto in cui era stata interrotta.

Notes:

- The following indication may be shown when a disc is dirty or scratched, or when the disc is loaded upside down.
In such a case, check the disc and insert again after cleaning the disc or turning it over.
- When a CD is not loaded in the tray and the >|| button is pressed, "00" is displayed.

Notas:

- La siguiente indicación puede aparecer cuando el disco está sucio o rayado, o puesto al revés. En tal caso, verifique el disco e insértele nuevamente después de haberlo limpiado o invertido.
- Cuando no hay un CD en el portadisco y se presiona el botón >||, se visualiza "00".

Note:

- L'indicazione seguente potrebbe apparire quando un CD è sporco o graffiato oppure quando il CD viene inserito rovescio.
In tali casi, controllare il CD e quindi reinsertirlo dopo averlo pulito o voltato.
- Quando non vi è alcun CD nel piatto e viene premuto il tasto >||, viene visualizzata l'indicazione "00".



22

- Do not use the unit at excessive high or cold temperatures. The recommended temperature range is from 5°C (41°F) to 35°C (95°F).
- If mistracking occurs during play, lower the volume.
- Mistracking may occur if a strong shock is applied to the unit or if it is used in a place subject to vibrations (i.e. in a car travelling on a rough road).

- No utilice esta unidad en lugares con temperaturas excesivamente altas o bajas. El margen de temperatura recomendado es de 5°C a 35°C.
- Si ocurriese una falla de seguimiento de pista durante la reproducción, reduzca el volumen.
- El mal seguimiento puede producirse si la unidad recibe un fuerte golpe o se utiliza en un lugar sometido a vibraciones (por ej. en un automóvil que circula por un camino irregular).

- Non utilizzare l'unità con temperature eccessivamente elevate o basse. La gamma raccomandata va dai 5°C ai 35°C.
- Se la lettura del CD fosse scorretta durante la riproduzione, abbassare il volume.
- La lettura del CD potrebbe saltare se l'unità viene urtata o se essa viene utilizzata in un luogo soggetto a vibrazioni (ad esempio in auto su fondi stradali accidentati).

Skip playback

- During playback, it is possible to skip forward to the beginning of the next tune or back to the beginning of the tune being played or the previous tune; when the beginning of the required tune has been located, play starts automatically.

To listen to the next tune ...

Press the ►► button once to skip to the beginning of the next tune.

To listen to the previous tune ...

Press the ◀◀ button to skip to the beginning of the tune being played back and press again to skip to the beginning of the previous tune.

Reproducción por salto

- Durante la reproducción, es posible saltar al comienzo de la próxima canción o retroceder al comienzo de la canción que se está reproduciendo o de la canción previa; una vez localizado el comienzo de la canción deseada, la reproducción comienza automáticamente.

Para escuchar la próxima canción ...

Presione el botón ►► una vez para saltar al comienzo de la próxima canción.

Para escuchar la canción previa ...

Presione el botón ◀◀ para saltar al comienzo de la canción que se está reproduciendo y presione nuevamente para saltar al comienzo de la canción previa.

Riproduzione con salto

- Durante la riproduzione è possibile saltare all'inizio del brano successivo oppure all'inizio del brano in corso di riproduzione o di un brano precedente; la riproduzione inizia automaticamente quando l'inizio del brano desiderato viene raggiunto.

Per ascoltare il brano successivo ...

Premere una volta il tasto ►► per saltare all'inizio del brano successivo.

Per ascoltare il brano precedente ...

Premere il tasto ◀◀ per saltare all'inizio del brano in corso di riproduzione e premere nuovamente per saltare all'inizio del brano precedente.

Search playback (to locate the required position on the disc)

- The required position can be located using fast-forward or reverse search while playing a disc.

Keep pressing for fast-reverse search
Mantenga presionado para la búsqueda regresiva rápida
Tenere premuto per la ricerca rapida all'indietro.



Keep pressing for fast-forward search
Mantenga presionado para la búsqueda progresiva rápida
Tenere premuto per la ricerca rapida in avanti.

- Hold down the button; search play starts slowly and then gradually increases in speed.
- Since low-volume sound (at about one quarter of the normal level) can be heard in the search mode, monitor the sound and release the button when the required position is located.

- Mantenga presionado el botón; se iniciará lentamente la reproducción, aumentando posteriormente su velocidad en forma gradual.
- Puesto que se puede escuchar un sonido muy bajo (aproximadamente un cuarto del nivel normal) en el modo de búsqueda, monitorea el sonido y suelte el botón cuando localice la posición deseada.

Riproduzione con ricerca (per localizzare una determinata posizione sul CD)

- La posizione desiderata può essere localizzata utilizzando la ricerca rapida in avanti o all'indietro durante la riproduzione di un CD.

- Tenere premuto il tasto; la riproduzione con ricerca inizia lentamente e quindi aumenta gradualmente di velocità.
- Dato che il suono può essere udito a basso volume (circa un quarto del livello normale) nel modo di ricerca, ascoltare e rilasciare il tasto quando la posizione desiderata viene raggiunta.

Continuous play

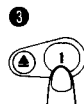
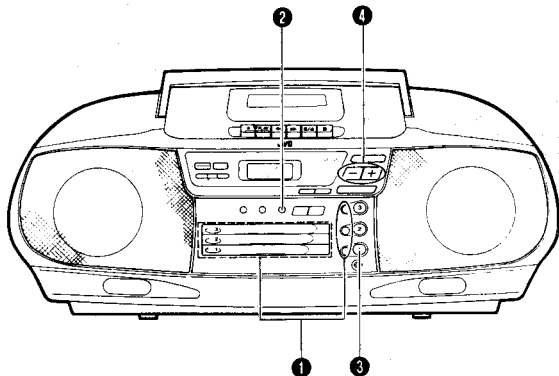
How to play all tracks
Operate in the order shown.

Reproducción continua

Reproducción de todas las pistas
Proceda en el orden indicado.

Riproduzione continuata

Come riprodurre tutti i brani
Eseguire le operazioni nell'ordine indicato.



- 1 Load a disc in each tray (Disc 1 - Disc 3).
- 2 Press the CONTINUE button to set continuous playback mode.
- 3 Press the DISC CONTROL button No. 1 to start playback.
- 4 Adjust.

- CD play starts from disc No. 1 and continues till the last tune of the last disc in the CD changer.

Notes:

1. During CD playback, continuous play will not function if another disc tray is open.
2. While discs are being changed in the CD changer, there will be a short delay after pressing the ▲ button until the disc tray opens.

- 1 Coloque un disco en cada portadisco (Disco 1 - Disco 3).
- 2 Presione el botón CONTINUE para activar el modo de reproducción continua.
- 3 Para iniciar la reproducción, presione el botón No. 1 de DISC CONTROL.
- 4 Ajuste.

- La reproducción de CD comienza por el disco No. 1 y continúa hasta la última música del último disco del cambiador de CD.

Notas:

1. Durante la reproducción de CD, la reproducción continua no funcionará si hay otro portadisco abierto.
2. Mientras el cambiador está cambiando CD, habrá un pequeño retardo después de presionar el botón ▲ hasta que se abra el portadisco.

- 1 Inserire un CD in ciascun piatto (CD 1 - CD 3).
- 2 Premere il tasto CONTINUE per impostare il modo di riproduzione continuata.
- 3 Premere il tasto DISC CONTROL No. 1 per avviare la riproduzione.
- 4 Regolare.

- La riproduzione dei CD inizia dal CD No. 1 e continua fino all'ultimo brano dell'ultimo CD del cambiatore di CD.

Note:

1. Durante la lettura dei compact disc, la riproduzione continua non può funzionare se uno dei piatti portadischi è aperto.
2. Se si preme il tasto ▲ nel corso delle operazioni di scambio dei dischi nello scambiatore, l'apertura del piatto portadischi ha luogo con un leggero ritardo.

DISC CONTROL button

- **Direct Disc Selection**
Press the DISC CONTROL button (No. 1 to No. 3) corresponding to the No. of the required disc.

Example: (to designate Disc 3)

The tracks on the designated disc are played in sequence.

- When the unit is in continuous playback mode, by pressing the CONTINUE button, the next disc will be played after the end of the disc being played.

Note:

- When "PROGRAM" is shown in the display and the direct select operation is performed, the CD cannot be played.

Botón DISC CONTROL

- **Selección directa de disco**
Presione el botón (No. 1 a No. 3) de DISC CONTROL, correspondiente al No. del disco deseado.

Ejemplo: (para seleccionar el Disco 3)



Las pistas del disco seleccionado son reproducidas secuencialmente.

- Cuando la unidad está en el modo de reproducción continua y se presiona el botón CONTINUE, el próximo disco será reproducido después del fin del que está siendo reproducido.

Nota:

- El CD no puede ser reproducido cuando "PROGRAM" aparece en la indicación y se efectúa la operación de selección directa.

Tasto DISC CONTROL

- **Selezione diretta del CD**
Premere il tasto DISC CONTROL (da No. 1 a No. 3) corrispondente al numero del CD desiderato.

Esempio: (per selezionare il CD 3)

I brani del CD selezionato vengono riprodotti in sequenza.

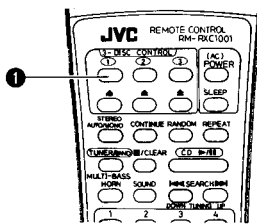
- Quando l'unità si trova nel modo di riproduzione continua, premendo il tasto CONTINUE si causa la riproduzione del CD successivo al termine del CD in corso di riproduzione.

Nota:

- Quando l'indicazione "PROGRAM" è visualizzata sul display e viene eseguita l'operazione di selezione diretta, il CD non può essere riprodotto.

Direct access playback using the remote control

- Example 1 (to designate Disc 1)



- 1 Designate the required disc using the DISC CONTROL buttons (No. 1 to No. 3).
- CD play starts.

Reproducción por acceso directo utilizando el controlador remoto

- Ejemplo 1 (para seleccionar el Disco 1)

- 1 Seleccione el disco requerido utilizando los botones de DISC CONTROL (No. 1 a No. 3).
- Se inicia la reproducción del CD.

Riproduzione ad accesso diretto (col telecomando)

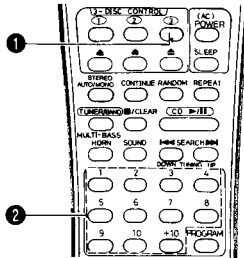
- Esempio 1 (per selezionare il CD 1)

- 1 Selezionare il CD desiderato utilizzando i tasti DISC CONTROL (da No. 1 a No. 3).
- La riproduzione del CD inizia.

- Example 2 (to designate the 3rd tune of Disc 3)

- Ejemplo 2 (para seleccionar la 3ra. música del Disco 3)

- Esempio 2 (per selezionare il terzo brano del CD 3)



- 1 Designate the required disc using the DISC CONTROL buttons (No. 1 to No. 3).
- 2 The track number is displayed and the required tune is selected using the track button.
 - CD play starts.

- To designate tune numbers 1 to 10, press the track number button corresponding to the track (tune) number.
- To designate tune numbers 11 or higher, press the +10 button the required number of times, then the track number button. (Example: To designate the 20th tune, press the +10 button once, then press track number button 10.)

* +10 button:
Each time this button is pressed, the number increases by 10. First press this button to set the 10 digits, then press the track number button to set the 1 digits.

Repeat playback

Press the REPEAT button before or during play. It is possible to perform repeat playback of a single tune, all tunes on one disc, or all tunes on all discs in the CD changer. Each time the REPEAT button is pressed, the mode will change from a single tune (⇐), to all tunes (⇐ ALL), to clear mode, in this order.

- **Single tune repeat (⇐)**
The current or specified tune will be played repeatedly.
- **All tune repeat of one disc (⇐ ALL)**
All tunes on the current or specified CD will be played repeatedly.
- **All tune repeat of all discs (ALL DISC, CONTINUE, ⇐ ALL)**
When the CONTINUE button is pressed during "⇐ ALL" mode, CD play starts from the current or specified tune and all tunes on all discs will be played repeatedly.

- 1 Selezionare il CD desiderato utilizzando i tasti DISC CONTROL (da No. 1 a No. 3).
- 2 Il numero di brano vengono visualizzati ed il brano desiderato viene selezionato utilizzando il tasto del brano.
 - La riproduzione del CD inizia.

- Para seleccionar números de música de 1 a 10 presione botón de número de pista correspondiente al número de pista (música).
- Para seleccionar números de música de 11 a mayores, presione el botón +10 el número necesario de veces, luego el botón de número de pista. (Ejemplo: para seleccionar la música No. 20, presione una vez el botón +10 y luego presione el botón 10 de número de pista).

* Botón +10:
Cada vez que se presiona este botón el número aumenta en 10. Primero presione este botón para ingresar 10 dígitos, luego presione el botón de número de pista para ingresar el resto de los dígitos.

Repetición de reproducción

Presione el botón REPEAT antes o durante la reproducción. La unidad puede reproducir repetidamente una sola música, todas las del disco o todas las músicas de todos los discos del cambiador de CD. Cada vez que se presione el botón REPEAT, el modo cambiará de una sola música (⇐) a todas las músicas (⇐ ALL), a desactivación de modo, en este orden.

- Per designare i numeri di brano da 1 a 10, premere il tasto numerico corrispondente al numero del brano.
- Per designare i numeri di brano da 11 o un numero maggiore, premere il tasto +10 per il numero di volte necessario e quindi un tasto numerico. (Esempio: Per indicare il 20° brano, premere una volta il tasto +10 e quindi il tasto di numero di brano 10.)

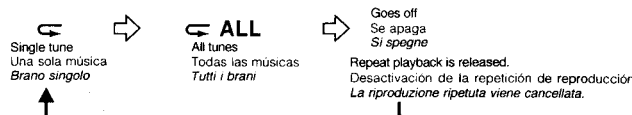
- **Tasto +10:**
Ogni volta che questo tasto viene premuto, il numero aumenta di 10. Premere questo tasto per impostare le decine e quindi premere un tasto numerico per impostare le unità.

Riproduzione ripetuta

Premere il tasto REPEAT prima o durante la riproduzione. E' possibile eseguire la riproduzione ripetuta di un singolo brano, di tutti i brani di un CD o di tutti i brani di tutti i CD contenuti nel cambiador di CD. Ogni volta che il tasto REPEAT viene premuto, il modo cambia dal modo di riproduzione ripetuta di un singolo brano (⇐) al modo di riproduzione ripetuta di tutti i brani (⇐ ALL) al modo di cancellazione nell'ordine.

- **Repetición de una sola música (⇐)**
La música que está siendo reproducida o la seleccionada será reproducida repetidamente.
- **Repetición de todas las músicas de un disco (⇐ ALL)**
Todas las músicas del disco que está siendo reproducido o las del especificado serán reproducidas repetidamente.
- **Repetición de todas las músicas de todos los discos (ALL DISC, CONTINUE, ⇐ ALL)**
Cuando se presiona el botón CONTINUE y el modo "⇐ ALL" está activado, la reproducción de CD comienza desde la música que está siendo reproducida o la especificada, reproduciéndose repetidamente todas las músicas de todos los discos.

- **Riproduzione ripetuta di un singolo brano (⇐)**
Il brano in corso di riproduzione o appena selezionato viene riprodotto ripetutamente.
- **Riproduzione ripetuta di un CD (⇐ ALL)**
Tutti i brani del CD in corso di riproduzione o appena selezionato vengono riprodotti ripetutamente.
- **Riproduzione ripetuta di tutti i brani di tutti i CD (ALL DISC, CONTINUE, ⇐ ALL)**
Quando il tasto CONTINUE viene premuto nel modo (⇐ ALL), la riproduzione inizia dal brano in corso di riproduzione o appena selezionato e quindi tutti i brani di tutti i CD vengono riprodotti ripetutamente.



Random playback

Press the RANDOM button before or during play. It is possible to perform random playback from one disc or all discs.

- **One disc random (RANDOM)**
Press the RANDOM button to randomly play tracks on the current or specified disc, except in continuous mode.
- **All disc random (ALL DISC, CONTINUE, RANDOM)**
Press the RANDOM button in continuous play mode to randomly select and play tracks from all of the discs in the CD changer.

Note:
All disc random does not function as written above when a disc tray other than one played at the time is open.

Reproducción aleatoria

Presione el botón RANDOM, antes o durante la reproducción ya que es posible ejecutar la reproducción aleatoria de uno o de todos los discos.

- **Reproducción aleatoria de un disco (RANDOM)**
Presione el botón RANDOM para reproducir aleatoriamente, las pistas del disco que está reproduciendo o del seleccionado, excepto en modo continuo.
- **Reproducción aleatoria de todos los discos (ALL DISC, CONTINUE, RANDOM)**
Presione el botón RANDOM en el modo de reproducción aleatoria continuada para seleccionar y reproducir las pistas de todos los discos del cambiador de CD.

Nota:
Todos los discos aleatoriamente no funciona, como se indica arriba, cuando hay un portadisco que no sea el de reproducción abierto.

Riproduzione casuale

Premere il tasto RANDOM prima o durante la riproduzione. E' possibile eseguire la riproduzione casuale per un CD oppure per tutti i CD.

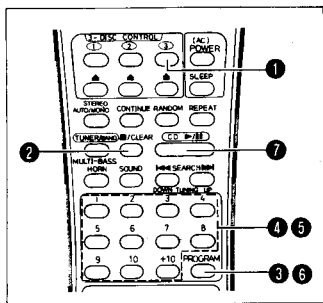
- **Riproduzione casuale di un CD (RANDOM)**
Per riprodurre casualmente brani del CD corrente o del CD specificato, escluso nel modo di riproduzione continuata, premere il tasto RANDOM.
- **Riproduzione casuale di tutti i CD (ALL DISC, CONTINUE, RANDOM)**
Premere il tasto RANDOM nel modo di riproduzione continuata per selezionare e riprodurre in un ordine casuale i brani di tutti i CD contenuti nel cambiador.

Nota:
La funzione di riproduzione in ordine casuale da tutti i dischi non funziona nel modo sopradescritto se vi sono dei piatti portadischi aperti, escluso ovviamente quello del disco in corso di lettura.

Programmed playback (using the remote control)

- Up to 20 tunes can be programmed to be played in any required order from one disc or all discs in the CD changer.
- Example 1 (When programming from the 3rd disc, the 2nd tune to be played first, and the 5th tune next, then the 12th tune.)

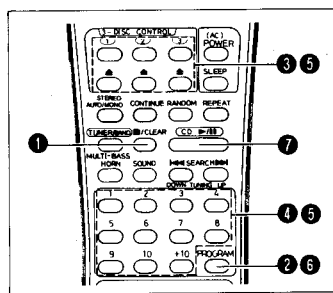
Example 1 (Disc containing more than 12 tunes)



- 1 Press the DISC CONTROL button No.3.
- 2 Press the CLEAR button.
- 3 Press the PROGRAM button to set programming mode.
- 4 Press to designate the required track number.
- 5 Designate the remaining tunes by pressing the track number buttons.
- 6 Press the PROGRAM button to confirm the details of the program.
 - Repeat from step 4 to readjust the program.
 - Repeat from step 5 to add to the program.
- 7 Press the CD button when programming is completed. Programmed playback starts.

- Example 2 (When programming from more than 2 discs, the 3rd tune of Disc 1 is to be played first, and the 6th tune of Disc 1 next, then the 12th tune of Disc 3.)

Example 2



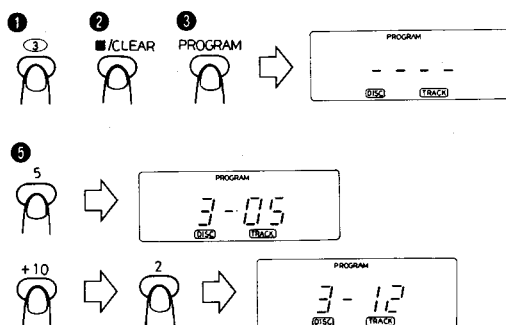
- 1 Press the CLEAR button.
- 2 Press the PROGRAM button to set programming mode.
- 3 Designate the required disc using the DISC CONTROL buttons (No. 1 to No. 3).
- 4 Designate the required tune using the track buttons (No. 1 to No. 10, +10).
- 5 Repeat procedures 3 and 4 to designate the other tunes.
- 6 Press the PROGRAM button to confirm the details of the program.
 - Repeat from step 3 to readjust the program.
 - Repeat from step 4 to add to the program.
- 7 Press the CD button when programming is completed.

To confirm the details of a program ... Press the PROGRAM button: the tunes making up the program will be displayed in programmed order.

Reproducción programada (utilizando el controlador remoto)

- Es posible programar un máximo de 20 músicas para ser reproducidas en cualquier orden, de un disco de las de todos los discos del cambiador de CD.
- Ejemplo 1 (cuando se programa el 3er. disco, la 2da. música a ser reproducida primero, y la 5ta música a continuación, luego la no. 12).

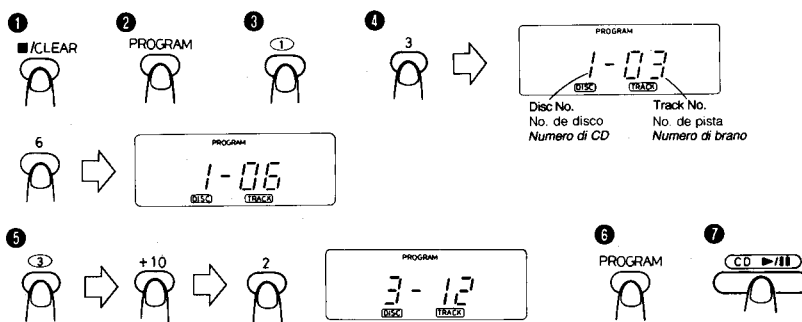
Ejemplo 1 (Disco conteniendo más de 12 músicas)



- 1 Presione el botón No. 3 de DISC CONTROL.
- 2 Presione el botón CLEAR.
- 3 Presione el botón PROGRAM para establecer el modo de programación.
- 4 Presione para seleccionar el número de pista deseado.
- 5 Seleccione las músicas restantes presionando los botones de número de pista.
- 6 Presione el botón PROGRAM para confirmar los detalles del programa.
 - Para reajustar el programa repita desde el paso 4.
 - Para agregar algo al programa repita desde el paso 5.
- 7 Cuando termine la programación, presione el botón CD. Se iniciará la reproducción programada.

- Ejemplo 2 (Cuando programa más de 2 discos, la 3ra. música del Disco 1 a ser reproducida primero, luego la 6ta. música del mismo disco, luego la música no. 12 del Disco 3.)

Ejemplo 2



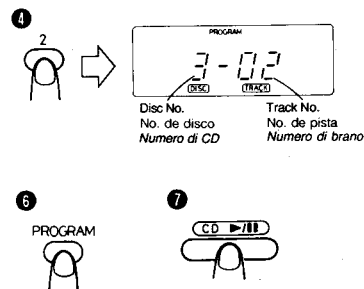
- 1 Presione el botón CLEAR.
- 2 Presione el botón PROGRAM para establecer el modo de programación.
- 3 Seleccione el disco deseado utilizando los botones (No. 1 a No. 3) de DISC CONTROL.
- 4 Seleccione la música deseada utilizando los botones de pista (No. 1 a No. 10, +10).
- 5 Repita los procedimientos 3 y 4 para seleccionar las otras canciones.
- 6 Para confirmar los detalles del programa presione el botón PROGRAM.
 - Para reajustar el programa repita desde el paso 3.
 - Para agregar algo al programa repita desde el paso 4.
- 7 Cuando termine la programación, presione el botón CD. Se iniciará la reproducción programada.

Confirmación de los detalles de un programa ... Presione el botón PROGRAM: las músicas que conforman el programa aparecerán en el orden programado.

Riproduzione programmata (col telecomando)

- Si possono programmare sino ad un massimo di 20 brani, per la riproduzione in un qualsiasi ordine desiderato, selezionandoli da uno o più dei dischi presenti nello scambiatore.
- Esempio 1 (Per riprodurre per primo il brano numero 2, per secondo il brano numero 5 e per terzo il brano numero 12 del CD 3).

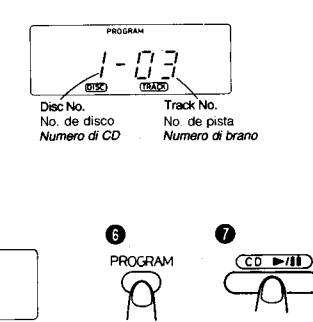
Esempio 1 (CD contenente più di 12 brani)



- 1 Premere il tasto DISC CONTROL No. 3.
- 2 Premere il tasto CLEAR.
- 3 Premere il tasto PROGRAM per impostare il modo di programmazione.
- 4 Selezionare il numero di brano desiderato.
- 5 Selezionare i brani rimanenti premendo i tasti del numero di brano.
- 6 Premere il tasto PROGRAM per ottenere conferma dei dettagli del programma.
 - Ripetere dalla fase 4 per cambiare il programma.
 - Ripetere dalla fase 5 per eseguire aggiunte.
- 7 Premere il tasto CD al termine della programmazione. La riproduzione programmata inizia.

- Esempio 2 (Per riprodurre per primo il brano numero 3 del CD 1, per secondo il brano numero 6 del CD 1 e per terzo il brano numero 12 del CD 3.)

Esempio 2



- 1 Premere il tasto CLEAR.
- 2 Premere il tasto PROGRAM per impostare il modo di programmazione.
- 3 Selezionare il CD desiderato utilizzando i tasti DISC CONTROL (da No. 1 a No. 3).
- 4 Selezionare il numero di brano desiderato utilizzando i tasti del numero di brano (da No. 1 a No. 10, +10).
- 5 Ripetere le procedure 3 e 4 per selezionare gli altri brani.
- 6 Premere il tasto PROGRAM per ottenere conferma dei dettagli del programma.
 - Ripetere dalla fase 4 per cambiare il programma.
 - Ripetere dalla fase 5 per eseguire aggiunte.
- 7 Premere il tasto CD al termine della programmazione.

Per ottenere conferma dei dettagli di un programma ... Premere il tasto PROGRAM: i brani contenuti nel programma vengono visualizzati nell'ordine di programmazione.

To clear the programmed tunes ...

Press the **■/CLEAR** button before playing the disc. During programmed playback, press this button twice.

Notes:

1. Programming is possible even when a disc tray is open. (The tunes on the disc can be confirmed as the labels are visible.)
2. Programmed tunes are not cleared even if the disc tray is opened.
3. During programmed playback from more than 2 discs, if a disc tray is open, programmed play will not function.

Borrado de las músicas programadas ...

Presione el botón **■/CLEAR** antes de reproducir el disco. Durante la reproducción programada presione dos veces este botón.

Notes:

1. La programación es posible aun cuando el portadisco está abierto. (Las músicas del disco pueden ser verificadas porque las etiquetas son visibles).
2. Las músicas programada no se borran aunque el portadisco esté abierto.
3. Durante la reproducción programada de más de 2 discos, si un portadisco está abierto la reproducción programada no funcionará.

Per cancellare i brani programati ...

Premere il tasto **■/CLEAR** prima di riprodurre il CD. Durante la riproduzione programmata, premere questo tasto due volte.

Note:

1. La programmazione è possibile anche con il piatto portadischi aperto, perché i brani contenuti sui dischi possono essere controllati sin tanto che le etichette sono visibili.
2. I brani programati non vengono cancellati anche aprendo il piatto portadischi.
3. Nel corso della riproduzione programmata da 2 o più dischi, la lettura non può aver luogo se vi è anche un solo piatto portadischi aperto.

CASSETTE TAPE

Cassette tape

1. Loose tape may cause trouble. With a pencil, gently tighten the tape as shown.
2. To prevent recordings from being erased accidentally, remove the tab(s) with a screwdriver. Reseal the slots with adhesive tape to erase and re-record after the tabs have been broken off.

Cassette loading

1. Press the **STOP/EJECT (■/▲)** button to open the cassette holder.
2. Load a cassette as shown.
3. Close the cassette holder by pressing it gently. Listen for the click that tells you that you've closed the holder securely.

CASSETTE

Cassette

1. Una cinta floja puede causar fallas. Ajústela cuidadosamente con un lápiz, etc., como se muestra en la ilustración.
2. Para prevenir el borrado accidental de una grabación, extraiga la(s) lengüeta(s) con un destornillador, etc. Cubra los orificios con cinta adhesiva para borrar y regrabar después de haber sacado las lengüetas.

Colocación de un cassette

1. Presione el botón **STOP/EJECT (■/▲)** de eyección para abrir el portacassette.
2. Coloque un cassette tal como se muestra.
3. Cierre el portacassette presionándolo suavemente. Escuchará un "clic" indicando que el portacassette se ha cerrado correctamente.

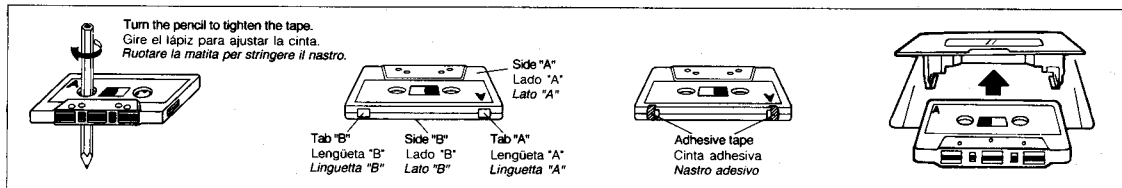
NASTRI A CASSETTA

Nastri a cassetta

1. Un nastro allentato può causare problemi. Stringere leggermente il nastro con una matita o un oggetto simile, come indicato.
2. Per prevenire l'accidentale cancellazione della registrazione, rimuovere le linguette di protezione con un cacciavite o un oggetto simile. Chiudere i fori con nastro adesivo per cancellare o registrare dopo che le linguette sono state rimosse.

Inserimento della cassetta

1. Premere il tasto **STOP/EJECT (■/▲)** per aprire il vano della cassetta.
2. Inserire una cassetta come indicato.
3. Chiudere il vano della cassetta premendo leggermente su di esso. Controllare che vi sia lo scatto che indica che il vano è ben chiuso.



30

CASSETTE PLAYBACK



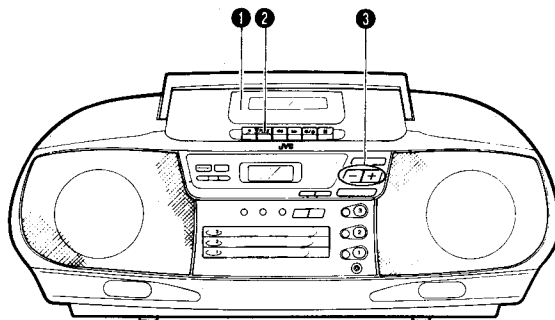
REPRODUCCION DE CASSETTES

RIPRODUZIONE DI CASSETTE

Operate in the order shown.

Proceda en el orden indicado.

Eseguire le operazioni nell'ordine indicato.



- 1 Load a cassette tape.
- 2 Press to start playback. (The power is switched on, TAPE mode is engaged and tape playback starts.)
 - When battery power is used, switch on the **POWER** button first, then perform operations.
- 3 Adjust.

- 1 Coloque un cassette de cinta.
- 2 Presione para iniciar la reproducción. (Se conecta la energía, se activa el modo TAPE y comienza la reproducción de la cinta.)
 - Cuando las pilas están agotadas, primero presione el botón **POWER** y luego ejecute las operaciones.
- 3 Ajuste.

- 1 Inserire un nastro a cassetta.
- 2 Premere il tasto per avviare la riproduzione. (L'alimentazione viene attivata, l'unità entra nel modo TAPE e la riproduzione del nastro inizia.)
 - Quando si utilizzano le batterie, premere prima il tasto **POWER** e quindi eseguire le operazioni.
- 3 Regolare.

RADIO RECEPTION

RADIORRECEPCION

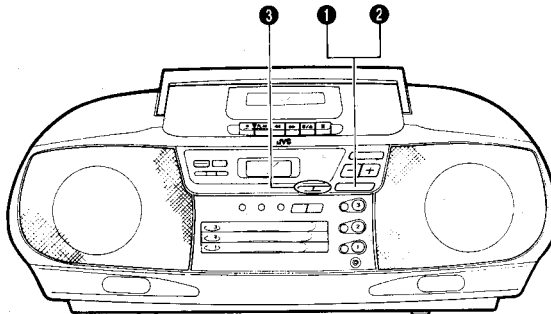
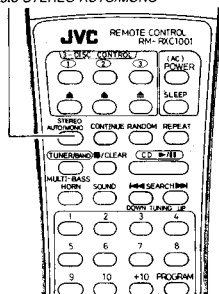
RICEZIONE CON LA RADIO

Operate in the order shown.

Proceda en el orden indicado.

Eseguire le operazioni nell'ordine indicato.

STEREO AUTO/MONO button
Botón STEREO AUTO/MONO
Tasto STEREO AUTO/MONO



- 1 Press the TUNER/BAND button.
 - The power is switched on and a band and radio frequency will be shown in the display.
 - When battery power is used, switch on the POWER button first, then perform operations.
- 2 Select the band (FM or AM (MW/LW)).
- 3 Tune to the required station.

- 1 Presione el botón TUNER/BAND.
 - Se conectará la alimentación; la banda y frecuencia de radio serán mostradas en la indicación.
 - Cuando se utilizan las pilas, primero presione el botón POWER y luego ejecute las operaciones.
- 2 Seleccione la banda (FM o AM (OM/OL)).
- 3 Sintonice la estación deseada.

- 1 Premere il tasto TUNER/BAND.
 - Il sistema si accende e sul display viene visualizzata la banda e la frequenza.
 - Quando si utilizzano le batterie, premere prima il tasto POWER e quindi eseguire le operazioni.
- 2 Selezionare la banda (FM o AM (MW/LW)).
- 3 Sintonizzare la stazione desiderata.

STEREO AUTO/MONO button (using the remote control unit)

Botón STEREO AUTO/MONO (utilizando la unidad de control remoto)

Tasto STEREO AUTO/MONO (utilizzando il telecomando)

Auto mode:
Set to this position when listening to or recording an FM stereo broadcast. The STEREO indicator lights when the FM stereo broadcast is received.

Modo auto:
Ajuste en esta posición cuando escuche o grabe una radioemisión estereofónica por FM. Se enciende el indicador STEREO cuando se recibe una radioemisión estereofónica.

Modo automatico:
Impostare questa posizione quando si ascolta o si registra una trasmissione FM stereo. L'indicatore del modo STEREO si accende quando la trasmissione ricevuta è in stereo.

MONO:
Set to this position when FM stereo reception is noisy. When another station is tuned in in mono mode, the unit automatically enters Auto mode.

MONO:
Colóquelo en esta posición cuando la recepción estereofónica de FM tenga ruido. Si se sintoniza otra estación en el modo monofónico, la unidad ingresa automáticamente en el modo automático.

MONO:
Impostare questa posizione quando la ricezione FM stereo è disturbata. Quando, nel modo mono, viene sintonizzata un'altra stazione, l'unità entra automaticamente nel modo automatico.

- **Seek tuning**
Press the UP or DOWN button for one second or more; the unit enters the seek tuning mode and tunes to higher or lower frequencies, and when the broadcast is received, it stops tuning automatically and the broadcast can be heard.
In AM operation, the frequency moves continuously from the MW to the LW band and vice versa.
- **Manual tuning**
Each time the UP or DOWN button is pressed, the unit steps through the current frequency band. Tuning is in steps of 50 kHz for FM and 9 kHz for AM (MW/LW).
In AM operation, the frequency moves continuously from the MW (522 - 1,629 kHz) to the LW (144 - 288 kHz) band and vice versa.

- **Sintonización por búsqueda**
Presionando el botón UP o DOWN por más de 1 segundo, la unidad se establece en el modo de sintonización por búsqueda sintonizando las frecuencias más altas o más bajas, cuando recibe una radiodifusión, detiene automáticamente la sintonización y se escucha la radiodifusión.
En AM, la frecuencia se mueve continuamente de la banda de OM a la banda de OL y viceversa.
- **Sintonización manual**
Cada vez que presiona el botón UP o DOWN, la unidad avanza a través de la banda actual de frecuencias. La sintonización se realiza en pasos de 50 kHz para FM y de 9 kHz para AM (OM/OL).
En AM, la frecuencia se mueve continuamente de la banda de OM (522 - 1,629 kHz) a la banda de OL (144 - 288 kHz) y viceversa.

- **Sintonizzazione con ricerca**
Premere il tasto UP o DOWN per un secondo o più; l'unità entra nel modo di sintonizzazione con ricerca sintonizzando rispettivamente le stazioni verso l'alto o verso il basso e, quando una trasmissione viene ricevuta, essa interrompe automaticamente la ricerca e la trasmissione sintonizzata può essere ascoltata. Durante il funzionamento nella banda AM, la frequenza si sposta continuamente dalla banda MW alla banda LW e viceversa.
- **Sintonizzazione manuale**
Ogni volta che il tasto UP o DOWN viene premuto, l'unità si sposta lungo la banda di frequenza correntemente selezionata. La sintonizzazione viene eseguita in passi da 50 kHz per la banda FM ed in passi da 9 kHz per la banda AM (MW/LW). Durante il funzionamento nella banda AM, la frequenza si sposta continuamente dalla banda MW (522 - 1629 kHz) alla banda (144 - 288 kHz) LW e viceversa.

Press to move to lower frequency.
Presione para disminuir la frecuencia
Premere per abbassare la frequenza.



Press to move to higher frequency.
Presione para aumentar la frecuencia.
Premere per aumentare la frequenza.

- Notes:**
- When seek tuning to the required station is not possible because it is broadcasting too weak a signal, press the UP or DOWN button momentarily to perform manual tuning.
 - When the POWER button is set to STANDBY, or another mode (TAPE or CD) is selected, the last tuned frequency is stored in memory. When the power is switched on again and TUNER/BAND button is pressed, the same station will be heard.

- Notas:**
- Cuando no pueda sintonizar la estación deseada con este método debido a que la señal de difusión es muy débil, presione el botón UP o DOWN temporalmente para realizar una sintonización manual.
 - Cuando se coloca el botón POWER en STANDBY, o se ha seleccionado otro modo (TAPE o CD), la última frecuencia sintonizada es almacenada en memoria. Al encender nuevamente la unidad y presionar el botón TUNER/BAND, se escuchará la misma estación.

- Note:**
- Quando la sintonizzazione con ricerca della stazione desiderata non è possibile in quanto il segnale trasmesso è troppo debole, premere leggermente il tasto UP o DOWN per eseguire la sintonizzazione manuale.
 - Se il tasto POWER si trova su STANDBY, oppure quando viene selezionato un altro modo (TAPE o CD), l'ultima frequenza sintonizzata viene memorizzata. Quando l'alimentazione viene riattivata ed il tasto TUNER/BAND viene premuto, sarà possibile ascoltare la stessa stazione.

Auto preset tuning

Presintonización automática

Sintonizzazione con preselezione automatica

This function scans the current band (FM or AM (MW/LW)), detecting frequencies used to broadcast signals, and stores the first 15 frequencies in memory automatically.

- Press the AUTO PRESET button for more than 2 seconds. The frequencies of stations broadcasting signals can be preset automatically in the order of increasing frequency (15 stations in each band (FM and AM (MW/LW))).

Esta función explora la banda actual (FM o AM (OM/OL)), detectando las frecuencias utilizadas para emitir señales y almacena automáticamente las primeras 15 frecuencias en memoria.

- Presione el botón AUTO PRESET durante más de 2 segundos. Las frecuencias de las estaciones que difunden señales pueden preajustarse automáticamente en el orden de frecuencias ascendentes (15 estaciones en cada banda (FM y AM (OM/OL))).

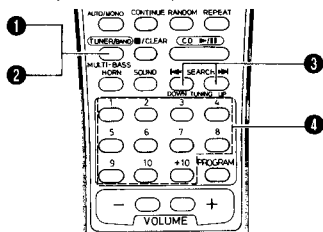
Questa funzione esegue la ricerca nella banda utilizzata (FM o AM (MW/LW)) rilevando le frequenze utilizzate per le trasmissioni e quindi memorizza automaticamente le prime 15 frequenze.

- Premere il tasto AUTO PRESET per più di 2 secondi. Le frequenze delle stazioni possono essere preselezionate automaticamente nell'ordine di aumento della frequenza (15 stazioni per ciascuna banda (FM ed AM (MW/LW))).

Preset stations (using the remote control unit)

15 stations in each band (FM and AM (MW/LW)) can be preset as follows:

- Example (when presetting an FM station broadcasting at 103.5 MHz to preset button "15")



- 1 Press the TUNER/BAND button.
- 2 Select the FM band using the TUNER/BAND button.
- 3 Tune to the required station.
- 4 Press preset button "+10", then "5" for more than 2 sec. (When "15" blinks in the preset station display, the station has been preset.)

- Repeat the above procedure for each of the other stations, using a different preset button each time.
- Repeat the above procedure for the AM (MW/LW) band.

- **To change preset stations**
Perform step 4 above after tuning to the required station.

Notes:

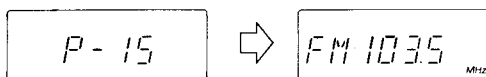
- The previous preset station is erased when a new station is set as the new station's frequency replaces the previous frequency in memory.
- When listening to an AM (MW/LW) broadcast, noise may be heard if the remote control is used.

• All preset stations will be erased when a power failure occurs for more than 24 hours or the power cord is unplugged for more than 24 hours. In such cases, preset the stations again.

Presintonización de estaciones (utilizando la unidad de control remoto)

Pueden presintonizarse 15 estaciones en cada banda (FM y AM (OM/OL)) del siguiente modo:

- Ejemplo: (cuando preajusta una radioemisora de FM difundiendo a 103,5 MHz en el botón de estación presintonizada "15")



- 1 Presione el botón TUNER/BAND.
- 2 Seleccione la banda de FM utilizando el botón TUNER/BAND.
- 3 Sintonicé la estación deseada.
- 4 Presione el botón de estación presintonizada "+10" y luego "5" por más de 2 seg. (Cuando destelle "15" en el indicador de estación presintonizada, la estación ha quedado presintonizada.)

- Repita el procedimiento mencionado para las demás estaciones, utilizando un botón de estación presintonizada diferente cada vez.
- Repita el procedimiento mencionado para la banda de AM (OM/OL).

- **Para cambiar las estaciones presintonizadas**
Realice el paso 4 mencionado después de sintonizar la estación deseada.

Notas:

- Se borrará la estación previa cuando se presintonice una nueva estación ya que la nueva frecuencia reemplaza a la previa en la memoria.
- Cuando sintonice una radiodifusión de AM (OM/OL) con el control remoto, es posible que escuche ruido.

• Todas las estaciones presintonizadas se borran cuando ocurre un corte de energía durante más de 24 horas, o cuando se desconecta el cordón de alimentación durante más de 24 horas. En tales casos, presintonice las estaciones otra vez.

Preselezione delle stazioni (utilizzando il telecomando)

15 stazioni per ciascuna banda (FM ed AM (MW/LW)) possono essere preselezionate nel modo seguente:

- Esempio (per preselezionare una stazione FM che trasmette sui 103,5 MHz nel tasto di preselezione numero "15").

- 1 Premere il tasto TUNER/BAND.
- 2 Selezionare la banda FM utilizzando il tasto TUNER/BAND.
- 3 Sintonizzare la stazione desiderata.
- 4 Premere il tasto di preselezione "+10" e quindi quello "5" per oltre 2 secondi. (Quando la cifra "15" lampeggia sul display di preselezione, la stazione è preselezionata.)

- Ripetere la procedura sopraindicata per ciascuna stazione desiderata utilizzando ogni volta un tasto di preselezione diverso.
- Ripetere la procedura sopraindicata per la banda AM (MW/LW).

- **Per cambiare le stazioni preselezionate**
Eseguiere la fase 4 dopo aver sintonizzato la nuova stazione desiderata.

Note:

- La stazione preselezionata precedente viene cancellata quando viene preselezionata una nuova stazione in quanto la frequenza della nuova stazione sostituisce quella vecchia in memoria.
- Quando si ascolta una trasmissione AM (MW/LW) si possono udire dei disturbi se viene utilizzato il telecomando.

Preset tuning

- The stations must be preset before this operation can be performed.

(Using the controls of the main unit)

- 1 Press the TUNER/BAND button.
- 2 Select the band (FM or AM (MW/LW)) using the TUNER/BAND button.
- 3 Press the PRESET TUNING button to select the required preset station.

(Using the remote control unit)

- 1 Press the TUNER/BAND button
 - 2 Select the band (FM or AM (MW/LW)) using the TUNER/BAND button.
 - 3 Press the required preset station buttons (No. 1 – No. 10, +10).
- The preset station number and frequency corresponding to the button pressed are shown.

Sintonización de estaciones presintonizadas

- Deberán presintonizarse las estaciones para poder realizar esta operación.

(Utilizando los controles de la unidad principal)

- 1 Presione el botón TUNER/BAND.
- 2 Seleccione la banda (FM o AM (OM/OL)) utilizando el botón TUNER/BAND.
- 3 Presione el botón PRESET TUNING para seleccionar la estación presintonizada deseada.

(Utilizando la unidad de control remoto)

- 1 Presione el botón TUNER/BAND.
 - 2 Seleccione la banda (FM o AM (OM/OL)) utilizando el botón TUNER/BAND.
 - 3 Presione los botones de estaciones presintonizadas deseadas (No. 1 - No. 10, +10)
- Se visualizará el número de estación presintonizada y la frecuencia correspondiente al botón presionando.

Sintonizzazione stazioni preselezionate

- Le stazioni devono essere preselezionate prima di poter eseguire questa operazione.

(Uso dei comandi del telecomando)

- 1 Premere il tasto TUNER/BAND.
- 2 Selezionare la banda (FM o AM (MW/LW)) col tasto TUNER/BAND.
- 3 Premere il tasto PRESET TUNING per selezionare la stazione preselezionata desiderata.

(Col telecomando)

- 1 Premere il tasto TUNER/BAND.
 - 2 Selezionare la banda (FM o AM (MW/LW)) utilizzando il tasto TUNER/BAND.
 - 3 Premere il tasto della stazione preselezionata desiderata (No. 1 – No. 10, +10).
- Il numero della stazione preselezionata e la frequenza corrispondenti al tasto premuto vengono visualizzati.

Using the antennas

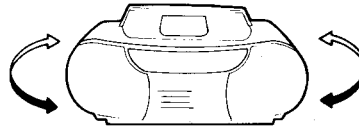
FM
FM
FM



Note:
The built-in ferrite core antenna can pick up interference from television receivers in the neighborhood and thereby disturb AM (MW/LW) reception.

Uso de las antenas

AM (MW/LW)
AM (OM/OL)
AM (MW/LW)



Note:
La antena de núcleo de ferrita incorporada puede captar interferencias de los televisores del vecindario y provocar, por consiguiente, en una recepción deficiente de emisiones de AM (OM/OL).

Uso delle antenne

Note:
L'antenna con anima in ferrite può ricevere interferenze prodotte da televisori nel vicinato che possono disturbare la ricezione di trasmissioni AM (MW/LW).

RECORDING



- In recording, the ALC circuit automatically optimizes the recording level; adjustment of the recording level is unnecessary.
- Check that the safety tab on the cassette tape is not broken off.

Note:
This unit has recording/playback characteristics suitable for normal tapes. Normal tapes have different characteristics from CrO₂ and metal tapes.

GRABACION

- Al efectuar una grabación, el circuito ALC (control automático de nivel) optimiza automáticamente el nivel de grabación; por lo tanto no es necesario ajustar el nivel de grabación.
- Verifique que el cassette tenga su lengüeta de seguridad.

Note:
Esta unidad posee características de grabación/reproducción adecuadas para cintas normales. Las cintas normales poseen diferentes características que van de CrO₂ a cintas de metal.

REGISTRAZIONE

- Durante la registrazione, il circuito ALC ottimizza automaticamente il livello di registrazione; la regolazione del livello di registrazione non è perciò necessaria.
- Controllare che la linguetta di protezione della registrazione della cassetta non sia stata rimossa.

Note:
Questa unità possiede caratteristiche di registrazione/riproduzione adatte a nastri normali. I nastri normali possiedono caratteristiche diverse dai nastri CrO₂ e Metal.

Synchronized recording with the CD player

- In this system, the CD player starts playback when the cassette deck enters the recording mode.

Grabación sincronizada con el reproductor de CD

- En este sistema, el reproductor de CD comenzará la reproducción cuando la platina de cassette se establezca en el modo de grabación.

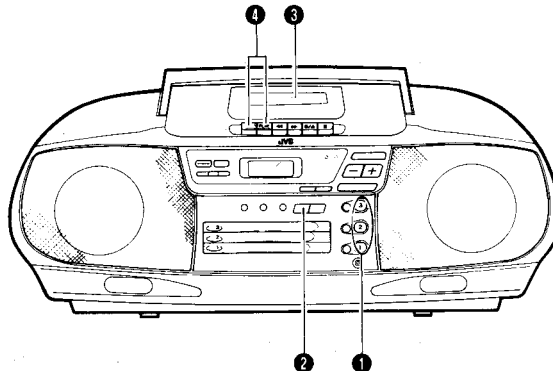
Registrazione sincronizzata col lettore CD

- In questo modo di funzionamento, il lettore CD inizia a riprodurre quando il registratore entra nel modo di registrazione.

Operate in the order shown.

Proceda en el orden indicado.

Eseguire le operazioni nell'ordine indicato.



- 1 Press the DISC CONTROL button corresponding to the disc to be recorded.
- 2 Press the □/clear button to set the Stop mode.
- 3 Load a cassette in the deck with side A facing up. (Wind past the leader tape before starting recording.)
 - When programmed playback is required, program the required tunes using the remote control. (See page 28.)
 - Select tunes with a total playing time which does not exceed the tape's length (refer to the liner notes).
 - Set repeat mode to an appropriate position if needed. (◀ or ◀ ALL)
- 4 Press the ○ REC button with the PLAY ▶ button; synchronized recording will start.

- 1 Presione el botón DISC CONTROL correspondiente al disco que desea grabar.
- 2 Presione el botón □/borrado para activar el modo de parada.
- 3 Coloque un cassette en la platina con la cara A apuntando hacia arriba. (Bobine hasta pasar la cinta de guía antes de comenzar la grabación.)
 - Cuando se requiera efectuar una reproducción programada, programe las canciones deseadas utilizando el control remoto. (Véase la página 28.)
 - Seleccione músicas por un tiempo de reproducción total que no exceda la longitud de la cinta (refiérase a las anotaciones al dorso).
 - Ajuste el modo de repetición en la posición correcta en caso de que sea necesario. (◀ o ◀ ALL)
- 4 Para iniciar la grabación sincronizada presione el botón ○ REC al mismo tiempo que presiona el botón PLAY ▶.

- 1 Premere il tasto DISC CONTROL corrispondente al CD che si desidera registrare.
- 2 Premere il tasto □/di cancellazione per entrare nel modo di arresto.
- 3 Inserire una cassetta nella piastra col lato A rivolto in alto. (Superare la sezione guida del nastro prima di avviare la registrazione.)
 - Se si desidera eseguire la riproduzione programmata, programmare i brani desiderati utilizzando il telecomando. (Vedi pag. 28.)
 - Selezionare dei brani con un tempo di riproduzione totale che non ecceda la lunghezza del nastro (vedere le note della confezione).
 - Se si desidera, impostare il modo di riproduzione ripetuta nella posizione appropriata (◀ o ◀ ALL).
- 4 Premere il tasto ○ REC insieme a quello PLAY ▶. La registrazione sincronizzata ha inizio.

- Non-recorded sections of approx. 4 seconds are automatically left between tunes.
- When the tape reaches the end first, the CD player stops automatically; when the CD player stops first, the tape continues running. In this case, press the ■/▲ STOP/EJECT button to stop the tape.
- Before synchro recording of CD continuous play, press the CONTINUE button. (See page 24.)

Notes:

- During CD synchro recording, the ▷|| and SEARCH (◀◀, ▶▶) buttons do not function.
- When synchro recording is performed using more than two discs, there will be a little blank space while the discs change.

• **When automatic spacing between tunes is not required ...**

Perform the following after finishing the previous operation (● to ●).

- ① Press the ▷|| button of the CD player twice. The CD player enters the pause mode.
- ② Press the ○ REC and ▶ PLAY buttons simultaneously. Now, the CD player starts playback simultaneously.

Note:

- Depending on the disc used, blanks of a specified length may be left between tunes.

It may be unlawful to record or playback copyrighted material without the consent of the copyright owner.

- Quedan automáticamente secciones sin grabar de unos 4 segundos entre canciones.
- Cuando la cinta llega al final primero, el reproductor se detiene automáticamente; cuando el reproductor se detiene primero, la cinta continúa moviéndose. En este caso, presione el botón ■/▲ STOP/EJECT para detener la cinta.
- Antes de la grabación sincronizada de reproducción continua de CD, presione el botón CONTINUE. (Ver página 24).

Notas:

- Durante la grabación sincronizada de CD, no funcionarán los botones ▷|| y SEARCH (◀◀, ▶▶).
- Cuando se efectúa la grabación sincronizada utilizando más de dos discos, habrá un pequeño espacio sin grabar mientras los discos son cambiados.

• **Cuando el espaciado automático entre canciones no es necesario ...**

Realice lo siguiente después de finalizar los pasos anteriores (● al ●).

- ① Presione dos veces el botón ▷|| del reproductor; éste se establece en el modo de pausa.
- ② Presione los botones ○ REC y ▶ PLAY simultáneamente. El reproductor inicia simultáneamente la reproducción.

Nota:

- Dependiendo del disco usado es posible dejar blancos de longitud especificada entre las músicas.

Es ilegal grabar o reproducir materiales con derechos registrados sin la autorización del propietario.

- Tra i brani vengono creati automaticamente spazi non registrati da circa 4 secondi.
- Se il nastro termina per primo, il lettore CD entra automaticamente nel modo di arresto; quando il lettore CD si ferma per primo, il nastro continua a scorrere. In questo caso, premere il tasto ■/▲ STOP/EJECT per interrompere lo scorrimento del nastro.
- Prima di effettuare la registrazione in sincronizzazione della lettura continua di un compact disc, premere il tasto CONTINUE (vedere a pag. 24).

Note:

- Durante la registrazione sincronizzata di CD, i tasti ▷|| e SEARCH (◀◀, ▶▶) non funzionano.
- Effettuando la registrazione in sincronizzazione da due o più dischi, vi sarà un breve spazio non registrato nel corso delle operazioni di scambio del disco.

• **Quando la creazione automatica di spazi tra i brani non è necessaria ...**

Eseguire quanto segue dopo aver finito le operazioni precedenti (da ● a ●).

- ① Premere due volte il tasto ▷|| del lettore CD. Il lettore CD entra nel modo di pausa.
- ② Premere contemporaneamente i tasti ○ REC e ▶ PLAY. Il lettore CD inizia ora la riproduzione.

Nota:

- A seconda del CD utilizzato, è possibile lasciare degli spazi vuoti di lunghezza specificata tra i brani.

Notare che la registrazione o la riproduzione di materiali protetti da diritti d'autore senza il permesso del proprietario di tali diritti potrebbe essere contro la legge.

38

Recording from the radio

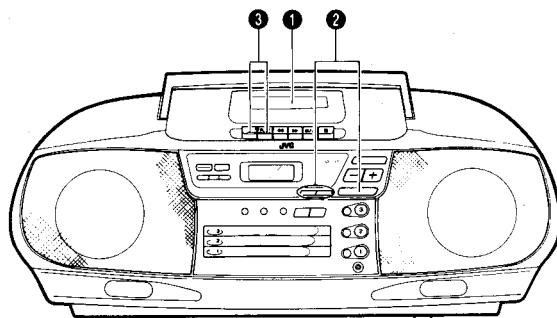
Operate in the order shown.

Grabación de una radiodifusión

Proceda en el orden indicado.

Registrazione della radio

Eseguire le operazioni nell'ordine indicato.



- ① Load a cassette with side A facing up. (Wind past the leader tape before starting recording.)
- ② Press the TUNER/BAND button. Tune to the required station.
- ③ Press the ○ REC button with the PLAY ▶ button.

- To stop recording temporarily, press the || PAUSE button. To resume recording press the || PAUSE button again.

- ① Coloque un cassette con el lado A hacia arriba. (Bobine hasta pasar la cinta de guía antes de comenzar la grabación.)
- ② Presione el botón TUNER/BAND. Sintonice la estación deseada.
- ③ Presione el botón ○ REC al mismo tiempo que presiona el botón PLAY ▶.

- Para detener temporalmente la grabación, presione el botón || PAUSE. Para reiniciar la grabación presione otra vez el botón || PAUSE.

- ① Inserire una cassetta col lato A rivolto in alto. (Prima di avviare la registrazione, superare la sezione guida del nastro.)
- ② Premere il tasto TUNER/BAND. Sintonizzare la stazione desiderata.
- ③ Premere il tasto ○ REC insieme a quello PLAY ▶.

- Per interrompere temporaneamente la riproduzione, premere il tasto || PAUSE. Per riprenderla, premere di nuovo lo stesso tasto.

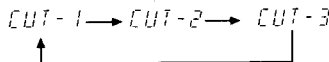
BEAT CUT button

When recording an AM (MW/LW) broadcast, beats may be produced which are not heard when listening to the broadcast. In such a case, set this button after setting the deck to record mode so that the beats are eliminated. Normally set this switch to "CUT-1".



Botón BEAT CUT

Cuando graba un programa de AM (OM/OL), es posible que se produzcan compases que no serán escuchados cuando se escucha un programa. En tal caso, presione este botón después de colocar la platina en el modo de grabación para eliminar los compases. Normalmente coloque este conmutador en "CUT-1".



Tasto BEAT CUT

Quando si registra una trasmissione AM (MW/LW), si possono produrre dei battimenti con non vengono uditi quando si ascolta tale trasmissione. In tali casi, impostare questo tasto dopo aver impostato il registratore nel modo di registrazione onde eliminare tali battimenti. Impostare normalmente questo tasto su "CUT-1".

Erasing

When recording on a pre-recorded tape, the previous recording is automatically erased and only the new material can be heard when the tape is played.

To erase a tape without making a new recording ...
Press the PLAY ► button of the deck to set to the TAPE mode and press the ○ REC and PLAY ► buttons together after pressing the STOP button.

Borrado

Cuando grabe una cinta pregrabada, la grabación previa se borrará automáticamente y sólo podrá escucharse el nuevo material grabado al reproducir la cinta.

Para borrar una cinta sin efectuar una nueva grabación ...
Presione el botón PLAY ► de la platina para activar el modo TAPE y presione conjuntamente los botones ○ REC y PLAY ► después de presionar el botón STOP.

Cancellazione

Quando si registra su di un nastro preregistrato, la registrazione precedente viene cancellata automaticamente e solo la nuova registrazione può essere udita quando il nastro viene riprodotto.

Per cancellare un nastro senza eseguire una nuova registrazione ...
Premere il tasto PLAY ► del registratore per impostare il modo TAPE e quindi premere i tasti ○ REC e PLAY ► contemporaneamente dopo aver premuto il tasto STOP.

WAKE UP TIMER OPERATIONS

OPERACION DEL TEMPORIZADOR DESPERTADOR

FUNZIONAMENTO DEL TIMER PER LA SVEGLIA

Wake up timer can be set up to 12 hours in advance, starting timer playback of a CD, tape or broadcast at any 30-minute interval within the 12 hours.

El temporizador de conexión puede ser ajustado 12 horas antes, comenzando con la reproducción por temporizador de un CD, cinta o radiodifusión en cualquier intervalo de 30 minutos dentro de las 12 horas.

Il timer per la sveglia può essere impostato fino a 12 ore in anticipo, per avviare la riproduzione col timer di un CD, di una cassetta o di una trasmissione in intervalli di 30 minuti entro le 12 ore.

How to set the wake up timer

(Example: When the present time is 22:00 and you want to set the timer for 6:00 next morning (about 8 hours later))

Ajuste del temporizador despertador

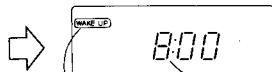
(Ejemplo: Cuando la hora actual es 22:00 and usted desea despertarse a las 6:00 de la mañana siguiente (8 horas más tarde aproximadamente))

Come impostare il timer per la sveglia

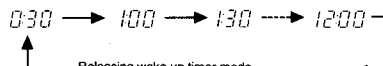
(Esempio: Quando l'orario corrente è 22:00 e si desidera impostare il timer per le 6:00 della mattina successiva (8 ore dopo))



When the power is off, ...
Quando la alimentazione está desconectada ...
Quando l'alimentazione è disattivata, ...



WAKE UP mode 8 hours later from the present
Modo WAKE UP 8 horas más tarde a partir de la hora actual
Modo WAKE UP 8 ore dopo l'orario corrente



Releasing wake up timer mode
Desactivación del modo de temporizador para conexión de alimentación
Cancellazione del modo del timer per la sveglia

Notes:

- The starting time of timer playback may be within a few minutes margin of error from the specified time.
- If you want to change timer setting you have already made, set it again.
- To cancel engaged wake-up timer, switch the power on by pressing the POWER button, and the indication " WAKE UP " goes out.
- The indication " WAKE UP " remains even after the power is switched on via wake up timer. 2 hours later, the power will switch off automatically. (When automatic power off is not required, press the POWER button to switch the power off or press the SLEEP button until the sleep time indicator disappears.)

Notas:

- El tiempo de activación de reproducción por temporizador puede tener unos pocos minutos como margen de error en relación al tiempo especificado.
- Si usted desea cambiar el ajuste del temporizador que efectuó, ajústelo otra vez.
- Para cancelar el temporizador despertador activado, conecte la alimentación presionando el botón POWER, y la indicación " WAKE UP " se apagará.
- La indicación " WAKE UP " permanece en el visor aún después de que la alimentación haya sido conectada via temporizador despertador. 2 horas más tarde la alimentación será desconectada. (Cuando la desconexión automática de alimentación no es necesaria, presione el botón POWER para desconectar la misma o presione el botón SLEEP hasta que la indicación del temporizador de desconexión desaparezca.)

Note:

- L'orario di avvio della riproduzione col timer può possedere un margine di errore di alcuni minuti dall'orario specificato.
- Eseguire nuovamente l'impostazione del timer se si desidera cambiare l'impostazione già eseguita.
- Per cancellare l'impostazione del timer, attivare l'alimentazione premendo il tasto POWER per far sparire l'indicazione " WAKE UP ".
- L'indicazione " WAKE UP " rimane anche dopo che l'alimentazione viene attivata per mezzo del timer per la sveglia. 2 ore dopo, l'alimentazione viene disattivata automaticamente. (Quando lo spegnimento automatico non è necessario, premere il tasto POWER per disattivare l'alimentazione oppure premere il tasto SLEEP fino a far scomparire l'indicatore dello spegnimento automatico.)

Timer playback

- Timer playback of tapes, broadcasts and CDs is possible.

Operations

- ① Set the POWER button to ON.
- ② Select the source sound.

Source sound	Timer mode	Operations
CD play	CD	Load discs into the trays, press the desired DISC CONTROL button and press the \square /clear button.
Tape playback	TAPE	Load a cassette tape.
Radio broadcast	TUNER	Press the TUNER/BAND button to set to the tuner mode and tune to the required frequency.

- Timer playback of a CD is possible in programmed order. (See page 28.)
 - ① Adjust the volume.
 - ④ Set the POWER button to STANDBY.
 - ⑤ Set wake up timer. (When performing the timer playback of tape, press the PLAY \blacktriangleright button of the deck.)
- Timer playback will start at wake up time and the power will be switched off 2 hours later. (The wake up timer mode is then released.)

Reproducción con temporizador

- Es posible la reproducción de cintas, audición de radioemisiones y CD utilizando el temporizador.

Operaciones

- ① Coloque el botón POWER en ON.
- ② Seleccione la fuente.

Fuente	Modo de temporizador	Operaciones
Reproducción de CD	CD	Coloque los discos en los portadiscos, presione el botón DISC CONTROL del disco deseado y presione el botón \square /borrado.
Reproducción de una cinta	TAPE	Coloque un cassette.
Radioemisión	TUNER	Presione el botón TUNER/BAND para establecer el modo de sintonizador y sintonice la frecuencia deseada.

- Es posible la reproducción de un CD con temporizador en el orden programado. (Véase la página 28.)
 - ① Ajuste de volumen.
 - ④ Coloque el botón POWER en STANDBY.
 - ⑤ Ajuste el temporizador despertador. (Cuando realice la reproducción de un cassette con el temporizador, presione el botón PLAY \blacktriangleright de la platina.)
- La reproducción por temporizador se iniciará a la hora para despertarse y la alimentación se desconectará 2 horas más tarde. (El modo de temporizador de conexión se desconecta.)

Riproduzione col timer

- E' possibile eseguire la riproduzione col timer di nastri, trasmissioni e CD.

Operazioni

- ① Portare il tasto POWER su ON.
- ② Selezionare la fonte.

Fonte	Modo di funzionamento	Operazioni
Riproduzione CD	CD	Inserire i dischi sui piatti portadischi, premere il tasto DISC CONTROL desiderato e premere poi il tasto \square /di cancellazione.
Riproduzione nastri	TAPE	Caricare un nastro.
Trasmissione	TUNER	Premere il tasto TUNER/BAND per impostare il modo del sintonizzatore e mettere in sintonia la stazione desiderata.

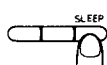
- E' possibile eseguire la riproduzione col timer dei brani di un CD in un ordine programmato. (Vedi pag. 28.)
 - ① Regolare il volume.
 - ④ Portare il tasto POWER su STANDBY.
 - ⑤ Impostare il timer per la sveglia. (Quando si esegue la riproduzione col timer di un nastro, premere il tasto PLAY \blacktriangleright del registratore.)
- La riproduzione col timer inizia all'orario impostato e l'alimentazione viene quindi disattivata dopo 2 ore. (Il modo del timer per la sveglia viene quindi abbandonato.)

42

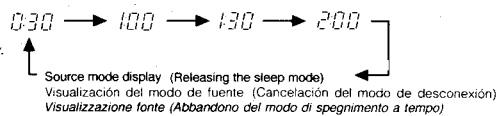
SLEEP TIMER OPERATIONS

- Use this when you want to fall asleep while listening to a tape, broadcast or CD

- ① Set the required source and tune (tuner) or play back (CD or tape).
- ② Press the SLEEP button to set to the sleep time.



(SLEEP) is shown in the display.
Se visualiza (SLEEP) en el display.
L'indicazione (SLEEP) viene visualizzata sul display.



- Sleep times of 30, 60, 90 or 120 minutes can be set. When you release the SLEEP button, the source is displayed after 5 sec.
- Pueden ajustarse tiempos de desconexión de 30, 60, 90 o 120 minutos. Cuando suelte el botón SLEEP, se visualizará la fuente en 5 seg.
- Possono essere impostati tempi di 30, 60, 90 o 120 minuti per lo spegnimento a tempo. Quando si rilascia il tasto SLEEP, la fonte viene visualizzata per 5 secondi.

- The sleep operation will start and the power will be switched off after the specified time. (Tuner & CD modes)
In the tape playback mode, when the timer setting time is shorter than the tape remaining playback time, the power will switch off at the tape end.
- **Checking the sleep time**
When the SLEEP button is pressed, the remaining sleep time is displayed. If it is pressed again, a new sleep time can be set.
- **To cancel the sleep operation**
Press the POWER button to switch the power off or press the SLEEP button until the sleep time indicator disappears.

OPERATION DEL TEMPORIZADOR DE DESCONEXION

- Utilice esta función cuando desee dormir mientras escucha una cinta, radioemisión o CD

- ① Establezca la fuente deseada y sintonice (sintonizador) o reproduzca (CD o cinta).
- ② Presione el botón SLEEP para fijar la hora de desconexión.

- Comenzará a funcionar el temporizador de desconexión y se apagará la unidad una vez que haya transcurrido el tiempo especificado. (Modos de sintonizador y CD)
En el modo de reproducción cinta, cuando el ajuste del tiempo del temporizador es más corto que el tiempo restante de reproducción de la cinta, la alimentación se desconectará al fin de la misma.
- **Verificación de la hora de desconexión**
Cuando se presiona el botón SLEEP, se visualizará el tiempo restante de desconexión. Si se lo presiona nuevamente, se fijará un nuevo tiempo de desconexión.
- **Para cancelar el temporizador de desconexión**
Presione el botón POWER para apagar la unidad o presione el botón SLEEP hasta que desaparezca la indicación de desconexión.

FUNZIONAMENTO DEL TIMER PER LO SPEGNIMENTO AUTOMATICO

- Utilizzare questa funzione per addormentarsi ascoltando un nastro, una trasmissione o un CD

- ① Impostare la fonte desiderata ed eseguire la sintonizzazione (sintonizzatore) oppure avviare la riproduzione (CD o nastro).
- ② Premere il tasto SLEEP per impostare l'orario di spegnimento.

- Il funzionamento con spegnimento a tempo inizia e l'alimentazione viene disattivata dopo che il tempo specificato è trascorso. (Modi del sintonizzatore e lettore CD)
Nel mode di riproduzione di nastro, quando il tempo impostato col timer è più corto del tempo di riproduzione rimanente del nastro, l'alimentazione viene disattivata alla fine del nastro.
- **Controllo del tempo specificato**
Quando il tasto SLEEP viene premuto, il tempo rimanente fino allo spegnimento viene visualizzato. Se il tasto viene premuto nuovamente è possibile impostare un nuovo tempo per lo spegnimento automatico.
- **Per cancellare il funzionamento con spegnimento automatico**
Premere l'interruttore POWER per spegnere il sistema o premere il tasto SLEEP sino a che l'indicatore dell'ora di spegnimento via timer scompare.

MAINTENANCE

Cleaning is important!

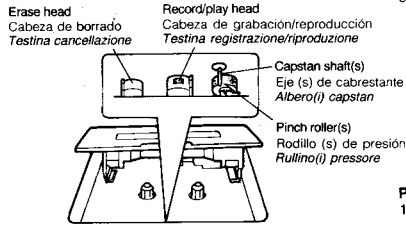
When the tape is running, magnetic powder and dust naturally accumulate on the heads, capstan and pinch roller. When they become too dirty ...

- sound quality deteriorates
- the output sound level drops
- the previous sound is not completely erased
- recording is not performed satisfactorily.

Because of this, you should clean the heads, etc. every 10 hours of use, so that perfect recording is possible.

Cleaning the heads, capstan and pinch roller

Open the cassette holder. Clean the heads, pinch roller and capstan. For effective cleaning, use a cleaning kit available from an audio store. After cleaning, be sure that the cleaning fluid has dried completely before loading a cassette.



Cautions:

1. Keep magnets and metallic objects away from the head. If the head becomes magnetized, noise will increase and the tone will deteriorate. Demagnetize the head every 20 – 30 hours of use with a head eraser (available from an audio store). (When demagnetizing the head, the POWER button should be set to STANDBY.)
 - As the erase head of this unit is of magnetic type, do not demagnetize it.
2. Do not use anything other than alcohol for cleaning. Thinner and benzine will damage the rubber pinch roller.

MANTENIMIENTO

¡La limpieza es importante!

Cuando la cinta se mueve, el polvo magnético y suciedad se acumulan naturalmente en las cabezas, cabrestante y rodillo de presión. Cuando éstos se ensucian demasiado ...

- Se deteriora la calidad del sonido
- Disminuye el nivel de sonido de salida
- El sonido previo no se borra completamente
- No se logran grabaciones satisfactorias

Por ello, deberá limpiar las cabezas, etc., cada 10 horas de uso, para obtener una grabación perfecta.

Limpieza de cabezas, cabrestante y rodillo de presión

Abra el portacassetes. Limpie las cabezas, el rodillo de presión y el cabrestante. Para una limpieza efectiva, utilice los juegos de limpieza disponibles en cualquier comercio de audio. Después de la limpieza, asegúrese de que el líquido de limpieza se haya secado completamente antes de colocar un cassette.

Precauciones:

1. Mantenga imanes y objetos metálicos lejos de la cabeza. Si se magnetiza la cabeza, aumentará el ruido y se deteriorará el tono. Desmagnetice la cabeza cada 20 – 30 horas de uso con un desmagnetizador de cabezas (disponible en cualquier comercio de audio). (Cuando desmagnetice la cabeza, asegúrese que el botón POWER esté en STANDBY.)
 - Como la cabeza de borrado de esta unidad es de tipo magnético, no la desmagnetice.
2. Utilice únicamente alcohol para la limpieza. La bencina y el diluyente dañarán el rodillo de presión de goma.

MANUTENZIONE

La pulizia è importante!

Quando il nastro scorre, polvere magnetica e sporco si accumulano su testine, capstan e rullini pressori. Quando essi sono eccessivamente sporchi ...

- La qualità del suono si deteriora ...
- Il livello del suono in uscita cala.
- I materiali registrati in precedenza non vengono cancellati completamente.
- La registrazione non viene eseguita in modo soddisfacente.

Per questi motivi, pulire le testine, ecc., ogni 10 ore di utilizzo in modo da poter ottenere registrazioni perfette.

Pulizia di testine, capstan e rullini pressori

Aprire il vano della cassetta. Pulire testine, rullini pressori e capstan. Per pulire in modo efficace, utilizzare un corredo di pulizia disponibile presso i negozi specializzati. Dopo la pulizia accertarsi che il liquido pulente si sia asciugato completamente prima di inserire una cassetta.

Precauzioni:

1. Tenere magneti ed oggetti metallici lontani dalla testina. Se la testina si magnetizza, i disturbi aumentano ed i toni si deteriorano. Smagnetizzare la testina ogni 20 – 30 ore di uso con un dispositivo apposito (reperibile presso un negozio specializzato). (Quando si smagnetizza la testina, l'interruttore POWER deve trovarsi su STANDBY.)
 - Poiché la testina di cancellazione di questo apparecchio è del tipo magnetico, non smagnetizzarla.
2. Utilizzare solo alcool per la pulizia. Diluente o benzina danneggiano la gomma dei rullini pressori.

TROUBLESHOOTING

What appears to be trouble is not always serious. Make sure first ...

- **When abnormal operation occurs.**
 - * Remove the AC power cord and all the batteries, then load the batteries again after a few minutes and switch on the power again. (If operation is still abnormal with the above procedure, replace all the batteries with new ones and perform operation again.)
 - **Power cannot be turned on.**
 - * Is the power cord unplugged?
 - **No sound from the speakers.**
 - * Are headphones connected?

CD Player Section

- **The CD player does not play.**
 - * Is the disc upside down?
 - * Is the disc dirty?
 - **A certain portion of the disc does not play correctly.**
 - * Is the disc scratched?
 - **CD playback is not performed when the DISC CONTROL button is pressed.**
 - * Is program mode engaged?
- **When operation stops.**
 - * Switch the power OFF and ON again.

Cassette Deck Section

- **Playback sound is at a very low level.**
 - * Is the head dirty?
 - **The O REC button does not function.**
 - * Have the safety tabs of the cassette been broken off?

Tuner Section

- **Reception is noisy.**
 - * Try adjusting the antenna.

Timer Section

- **Timer operation does not start.**
 - * Is the wake up timer mode "WAKE UP" displayed?

DETECCION DE PROBLEMAS

Aquellos que parece ser una falla no siempre es algo serio. Asegúrese primero ...

- **Cuando hay una falla de funcionamiento.**
 - * Desconecte el cordón de alimentación de CA y todas las pilas, luego coloque las pilas otra vez después de transcurridos unos pocos minutos y conecte otra vez la alimentación. (Si el funcionamiento tiene problemas después del procedimiento de arriba, reemplace todas las pilas por nuevas y efectúe la operación otra vez.)
 - **No se puede encender la unidad.**
 - * ¿Está desenchufado el cable de alimentación?
 - **No sale sonido por los altavoces.**
 - * ¿Están conectados los auriculares?

Sección del reproductor de CD

- **El reproductor no funciona.**
 - * ¿Está el disco invertido?
 - * ¿Está el disco sucio?
 - **No se puede reproducir correctamente una cierta sección del disco.**
 - * ¿Está el disco rayado?
 - **La reproducción de CD no se realiza cuando el botón DISC CONTROL está presionado.**
 - * ¿Está el modo de programa activado?
- **Cuando para de funcionar.**
 - * Desconecte OFF la alimentación, luego conéctela ON otra vez.

Sección de la platina de cassette

- **El sonido de reproducción es muy bajo.**
 - * ¿Está la cabeza sucia?
 - **No funciona el botón O REC.**
 - * ¿Se han extraído las lengüetas de seguridad de la cassette?

Sección del sintonizador

- **La recepción es ruidosa.**
 - * Trate de ajustar la antena.

Sección del temporizador

- **No funciona el temporizador.**
 - * ¿Está el modo de temporizador despertador "WAKE UP" indicado en el visor?

DIAGNOSTICA

Quanto appare essere un problema, molto spesso non è nulla di serio. Controllare per prima cosa quanto segue ...

- **In caso di anomalità nel funzionamento.**
 - * Staccare il cavo di alimentazione e togliere tutte le batterie. Attendere alcuni minuti, rimettere le batterie ed attivare di nuovo l'apparecchio. (Se il funzionamento continua ad essere anormale anche dopo tale operazione, sostituire tutte le batterie con altre nuove, e ripetere di nuovo la stessa operazione.)
 - **L'alimentazione non può essere attivata.**
 - * Il cavo di alimentazione è scollegato?
 - **I diffusori non producono alcun suono.**
 - * Le cuffie sono collegate?

Sezione lettore CD

- **Il lettore CD non riproduce.**
 - * Il CD è rovescio?
 - * Il CD è sporco?
 - **Una parte del CD non viene riprodotta correttamente.**
 - * Il CD è graffiato?
 - **La riproduzione di CD non viene eseguita quando il tasto DISC CONTROL viene premuto.**
 - * Il modo di programmazione è stato attivato?
- **Se il funzionamento si arresta.**
 - * Spegnerne l'apparecchio e riaccenderlo.

Sezione registratore a cassette

- **Il livello del suono riprodotto è molto basso.**
 - * La testina è sporca?
 - **Il tasto O REC non funziona.**
 - * Le linguette di protezione della registrazione della cassetta sono state rimosse?

Sezione sintonizzatore

- **La ricezione è disturbata.**
 - * Provare ad orientare l'antenna.

Sezione timer

- **Il funzionamento col timer non si avvia.**
 - * L'indicazione "WAKE UP" del timer per la sveglia viene visualizzata?

Remote Control

- Remote control is impossible.
- * Are the batteries in the remote control exhausted?
- * Is the REMOTE SENSOR section exposed to bright light (direct sunlight, etc.)?

Note:

Before making an important recording, be sure to make a test recording first to check that the deck, etc. is working correctly.

Control remoto

- No funciona el control remoto.
- * ¿Están agotadas las pilas del control remoto?
- * ¿Está expuesta la sección REMOTE SENSOR a luces fuertes (directamente a la luz solar, etc.)?

Nota:

Antes de efectuar una grabación importante, realice una grabación de prueba para verificar que la platina, etc., funcione correctamente.

Telecomando

- Il funzionamento col telecomando è impossibile.
- * Le batterie del telecomando sono scariche?
- * La sezione REMOTE SENSOR è esposta ad una forte illuminazione (luce solare diretta, ecc.)?

Nota:

Prima di eseguire registrazioni importanti, accertarsi di eseguire una registrazione di prova per essere certi che il funzionamento del registratore, ecc., sia corretto.

SPECIFICATIONS

Compact disc player section

Type	: Compact disc player
Signal detection	: Non-contact optical pickup
Number of channels	: 2 channels
Frequency range	: 20 Hz - 20,000 Hz
Signal-to-noise ratio	: 90 dB
Wow & flutter	: Less than measurable limit

Radio section

Frequency ranges	: FM 87.5 - 108 MHz AM: (MW) 522 - 1,629 kHz (LW) 144 - 288 kHz
Antennas	: Telescopic antenna for FM Ferrite core antenna for AM (MW/LW)

Tape deck section

Track system	: 4-track 2-channel stereo
Motor	: Electronic governor DC motor for capstan
Heads	: Hard permalloy head for recording/playback, Magnetic head for erasure
Frequency response	: 63 - 12,500 Hz
Wow and flutter	: 0.15% (WRMS)
Fast wind time	: Approx. 120 sec. (C-60 cassette)

ESPECIFICACIONES

Sección del reproductor de disco compacto

Tipo	: Reproductor de disco compacto
Detección de señales	: Captor óptico sin contacto
Número de canales	: 2 canales
Respuesta de frecuencia	: 20 Hz - 20,000 Hz
Relación señal/ruido	: 90 dB
Lloro y tremolación	: Inferior al límite medible

Sección de la radio

Gamas de frecuencias	: FM 87.5 - 108 MHz AM: (OM) 522 - 1,629 kHz (OL) 144 - 288 kHz
Antena	: Antena telescópica para FM Antena de núcleo de ferrita para AM (OM/OL)

Sección de la platina de cassette

Sistema de pista	: 4 pistas, 2 canales estereofónicos
Motor	: Motor de CC regulado electrónicamente para cabrestante
Cabezas	: Cabeza de permalloy duro para la grabación/reproducción, Cabeza magnética para borrado
Respuesta de frecuencia	: 63 - 12,500 Hz
Lloro y tremolación	: 0.15% (WRMS)
Tiempo de bobinado rápido	: Aprox. 120 seg. (Cassette C-60)

DATI TECNICI

Sezione lettore CD

Tipo	: Lettore di CD
Letture segnale	: Pickup ottico senza contatto
Numero canali	: 2 canali
Risposta in frequenza	: 20 Hz - 20,000 Hz
Rapporto segnale/rumore	: 90 dB
Wow & Flutter	: Meno del limite misurabile

Sezione radio

Gamma frequenza	: FM 87.5 - 108 MHz AM: (MW) 522 - 1,629 kHz (LW) 144 - 288 kHz
Antenna	: Antenna telescopica per FM Antenna in ferrite per AM (MW/LW)

Sezione registratore

Sistema registrazione	: 4 piste, 2 canali stereo
Motore	: Motore con regolatore elettronico per capstani
Testine	: Testina in permalloy duro per registrazione/riproduzione, Testina magnetica per cancellazione
Risposta in frequenza	: Da 63 a 12,500 Hz
Wow & Flutter	: 0,15% (WRMS)
Tempo avvolgimento rapido	: Circa 120 secondi (cassetta C-60)

46

General

Speaker	: 10 cm x 2
Power output	: Max. 15.4 W (7.7 W + 7.7 W) at 3 Ω 10.6 W (5.3 W + 5.3 W) at 3 Ω (10% THD)
Output jacks	: Headphones (0 - 15 mW/ch, 32 Ω) (matching impedance 16 Ω - 1 kΩ)
Power supply	: AC 230 V, 50 Hz DC 12 V ("R20" x 8)
E/EN version only	: Ext. DC 12 V (Car battery via optional CA-R120 E car adapter)
Power consumption	: 14 W (with POWER SW ON-Rated Power Output (0.18 W + 0.18 W) at 3 Ω) 4 W (with POWER SW STANDBY)
Dimensions	: 600 (W) x 217 (H) x 280 (D) mm including knobs
Weight	: Approx. 6.9 kg with batteries Approx. 6.1 kg without batteries
Accessories provided	: AC power cord x 1 Remote control unit x 1 (RM-RXC1001) Battery "R6" x 2 (for the remote control)

Design and specifications are subject to change without notice.

Generalidades

Altavoz	: 10 cm x 2
Potencia de salida	: Mx. 15.4 W (7.7 W + 7.7 W) a 3 Ω 10.6 W (5.3 W + 5.3 W) a 3 Ω (10% de distorsión armónica total)
Jacks de salida	: Auriculares (0 - 15 mW/canal 32 Ω) (impedancia de adaptación 16 Ω - 1 kΩ)
Suministro de energía	: CA 230 V, 50 Hz CC 12 V ("R20" x 8)
Versión E exclusivamente	: Ext. 12 V CC (batería del automóvil via el adaptador para automóvil CA-R120 E)
Consumo de energía	: 14 W (con POWER SW ON-Salida nominal de potencia (0,18 W + 0,18 W) a 3 Ω) 4 W (con el INT. POWER en STANDBY)
Dimensiones	: 600 (A) x 217 (Alt.) x 280 (P) mm, incluyendo las perillas
Peso	: 6.9 kg. aprox. con pilas 6.1 kg. aprox. sin pilas
Accesorios suministrados	: Cable de corriente alterna x 1 Unidad de control remoto x 1 (RM-RXC1001) Pila "R6" x 2 (para el control remoto)

Diseño y especificaciones sujetos a cambios sin aviso.

Generali

Altoparlante	: 10 cm x 2
Potenza in uscita	: Mass. 15.4 W (7.7 W + 7.7 W) a 3 Ω 10.6 W (5.3 W + 5.3 W) a 3 Ω (10% THD)
Prese in uscita	: Cuffie (0 - 15 mW/can., 32 Ω) (impedenza 16 Ω - 1 kΩ)
Alimentazione	: 230 V CA, 50 Hz 12 V CC ("R20" x 8)
Solo versione E	: 12 V CC est. (Batteria vettura con adattatore opzionale CA-R120 E)
Consumo	: 14 W (con interruttore POWER su ON-Potenza nominale in uscita (0,18 W + 0,18 W) a 3 Ω) 4 W (con POWER SW STANDBY)
Dimensioni	: 600 (L) x 217 (A) x 280 (P) mm manopole incluse
Peso	: Circa 6,9 kg con batterie Circa 6,1 kg senza batterie
Accessori in dotazione	: Cavo alimentazione x 1 Unità telecomando x 1 (RM-RXC1001) Batteria "R6" x 2 (per telecomando)

Disegno e dati tecnici soggetti a cambiamenti senza preavviso.

4. Location of Main Parts

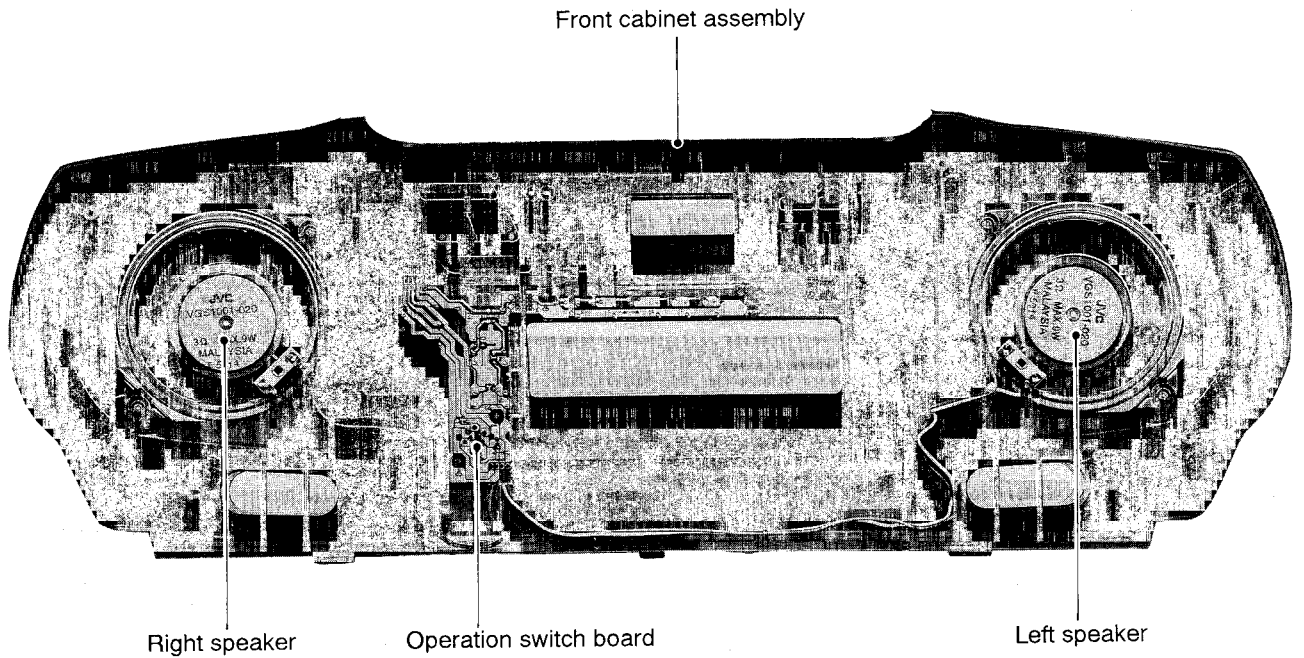


Fig. 4-1

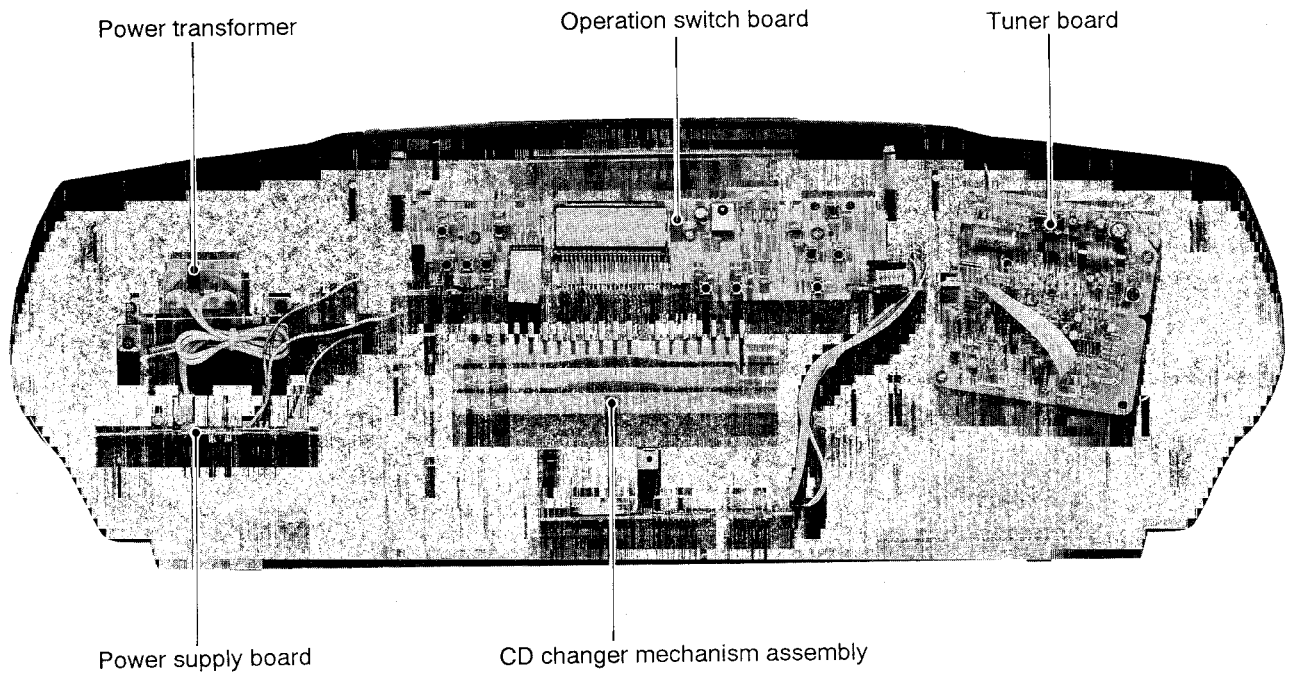


Fig. 4-2

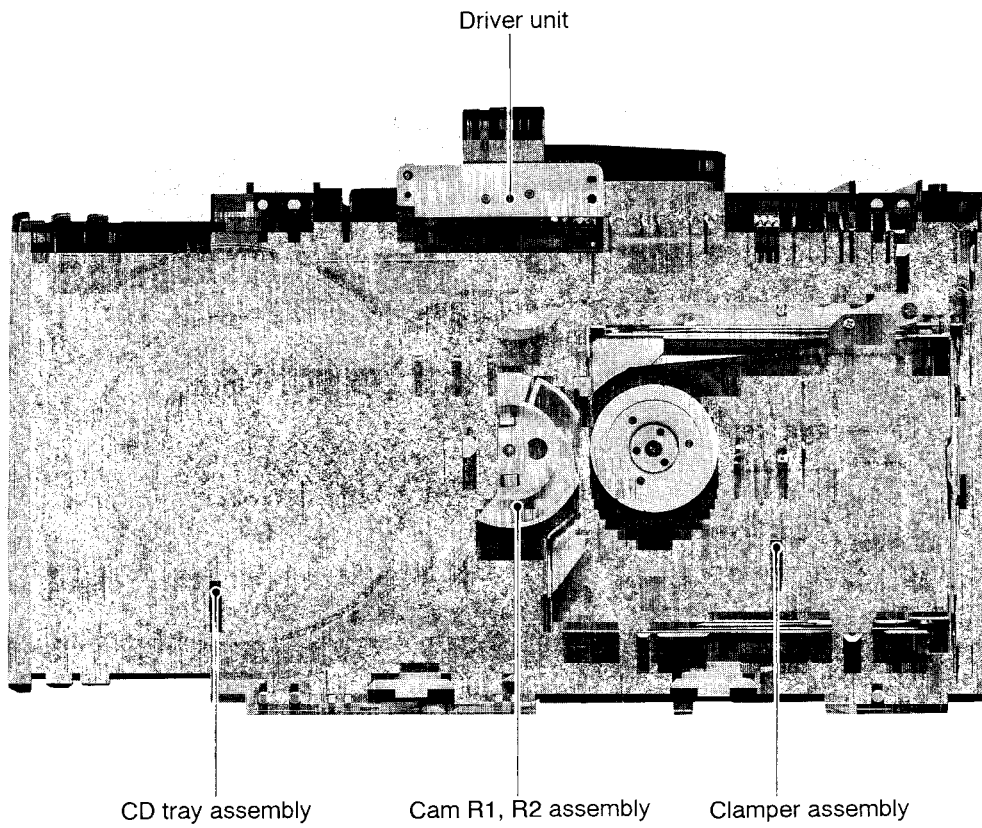


Fig. 4-3

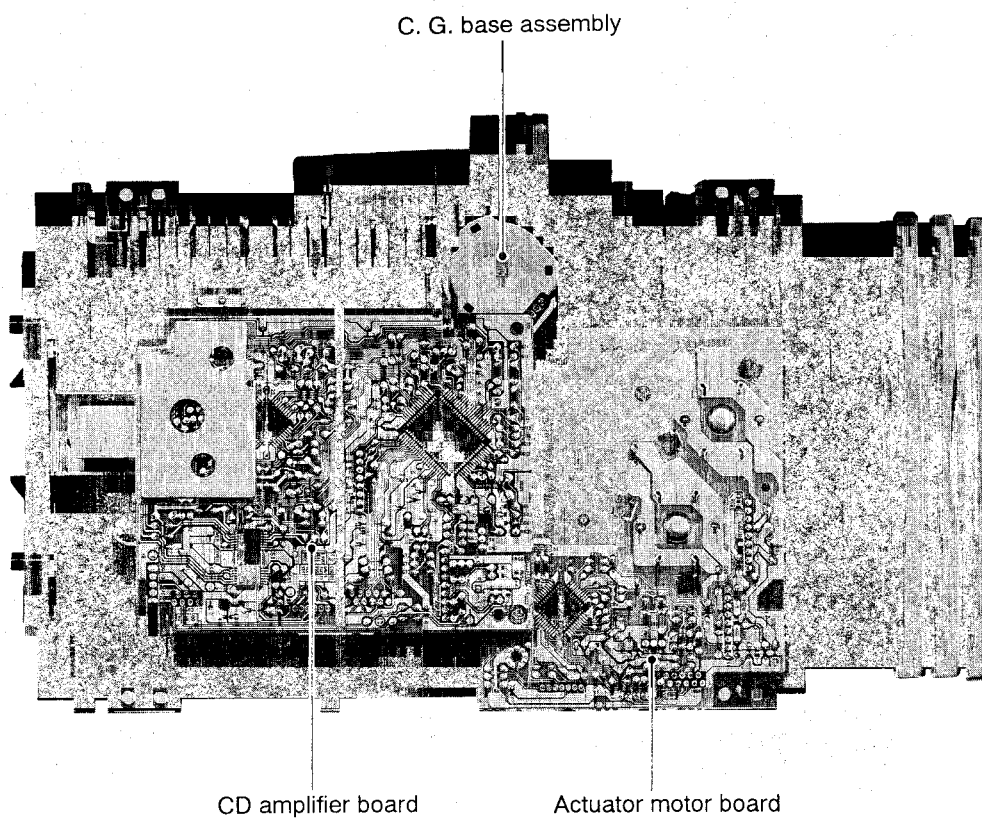


Fig. 4-4

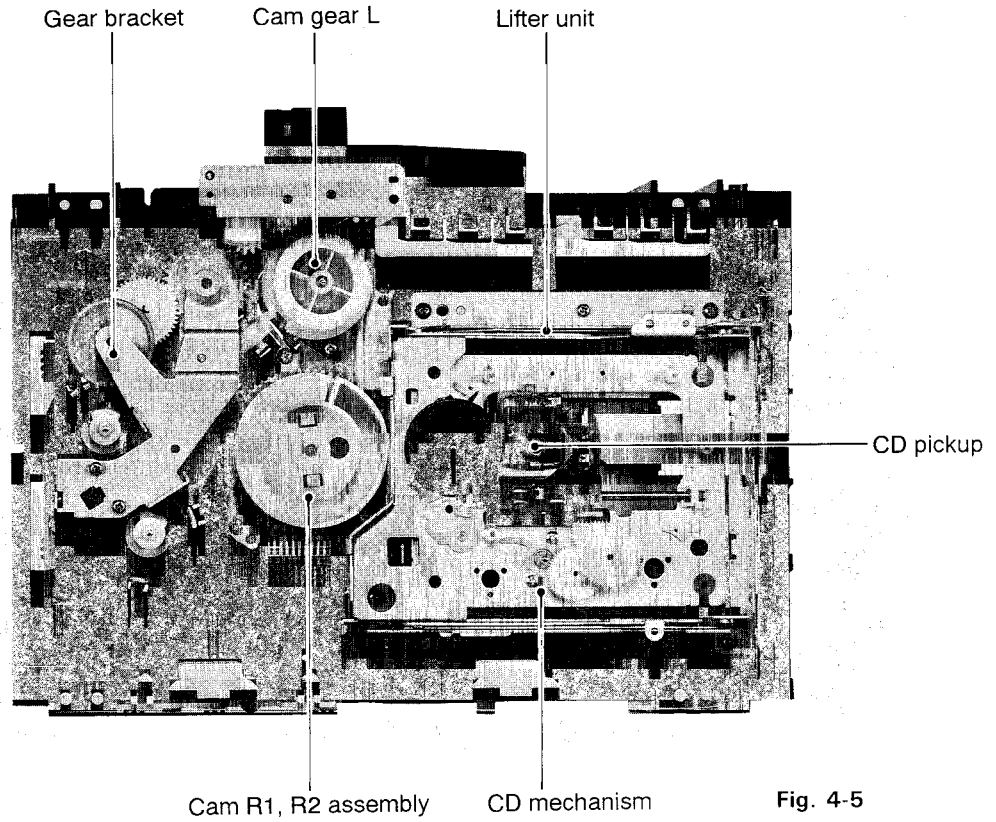


Fig. 4-5

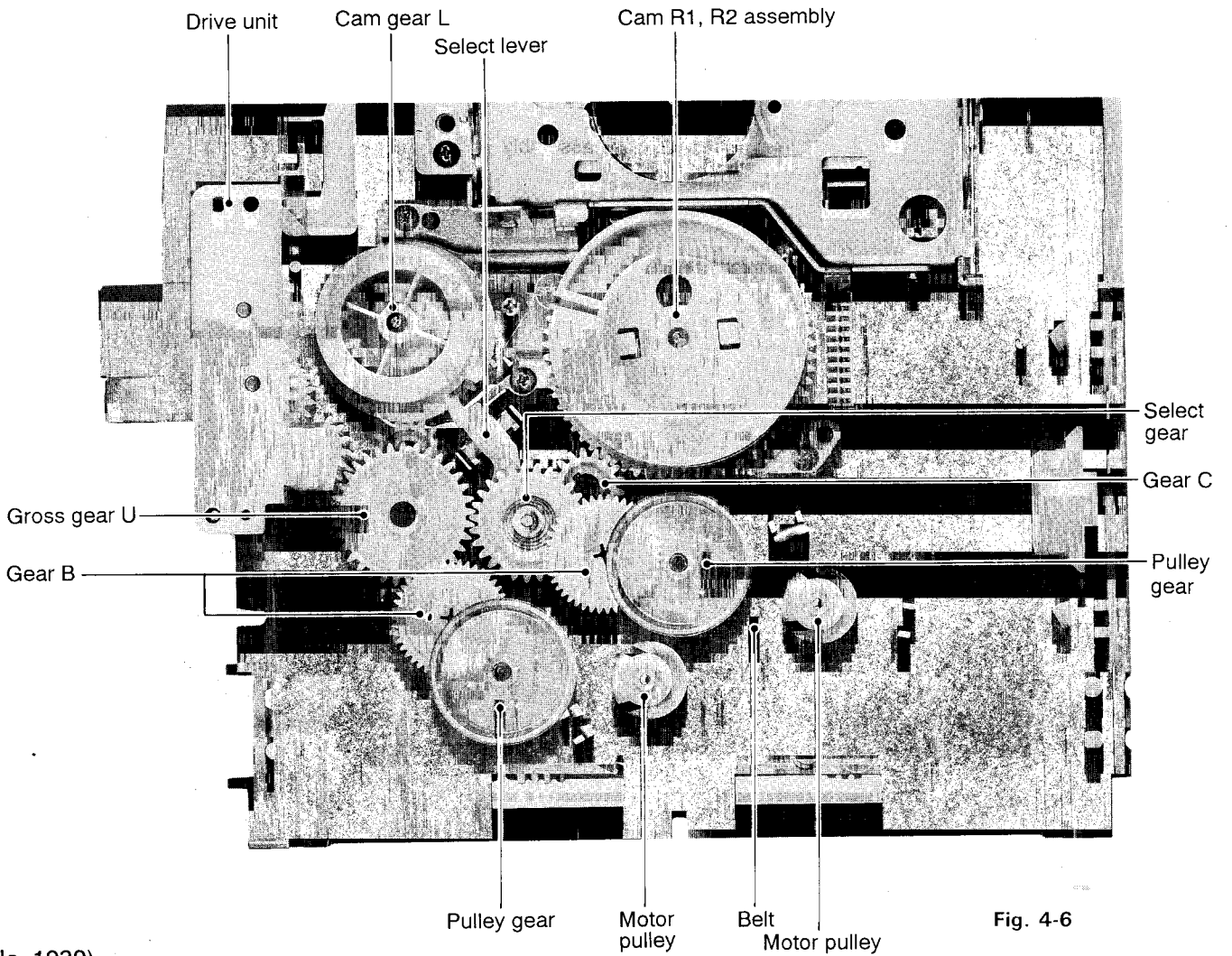


Fig. 4-6

5. Removal of Main Parts

« Before disassembling the body »

When the CD changer mechanism has been taken out of the body at the position of Disc "3", the shield provided on the clamber assembly will come into contact with the E.

Capacitor(C361) just above the main board, and the fuseable resistor (R929) can possibly be damaged due to condenser discharge. Therefore, the CD changer brought in for repair should be confirmed and repaired according to the following step :

- (1) When the disc has been positioned to the CD tray "3", be sure to rest the disc to the CD tray 1.
- (2) In case the disc position cannot be changed due to a trouble in the CD changer mechanism, lower the CD mechanism assembly while turning the motor pulley with a finger as described in Item 12 of " Removing the CD tray assembly ".

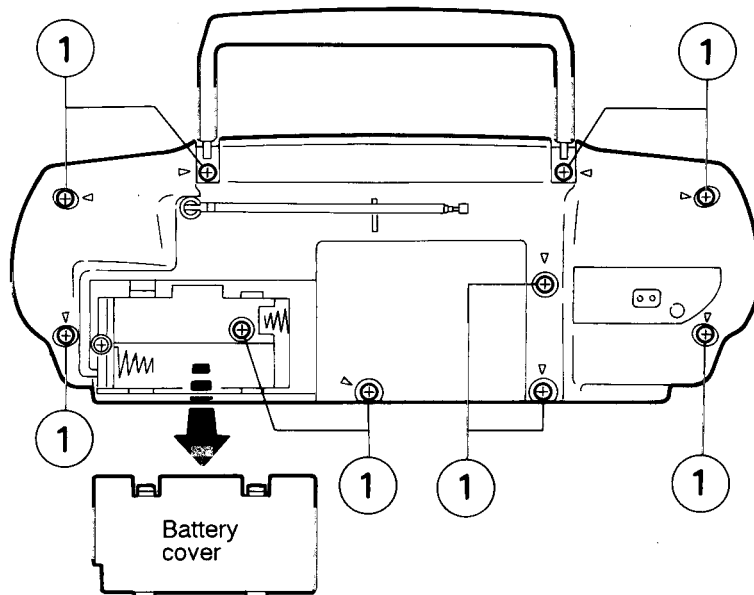


Fig. 5-1

■ Removing the front panel assembly

(See Fig. 5-1-3)

1. Remove the battery cover from the back of the body.
2. From the back of the body, remove the ten screws (1) retaining the front panel assembly.
3. Separate the front panel assembly from its mating face with the body. At this time, the connector CN704 on the front panel assembly side switch board will be disconnected automatically from the connector CN703 on the body side main board (See Figs. 5-2 and 5-3).

■ Removing the handle (See Fig. 5-4)

1. After spreading the rear cabinet in each arrow direction, disengage the engagements of handle with the right and left convex sections of the cassette mechanism assembly as shown in Fig. 5-4.
2. Remove the handle while drawing it out along the groove on the body.

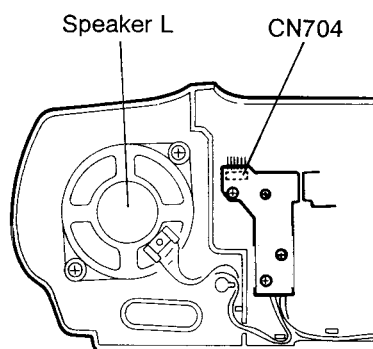


Fig. 5-2

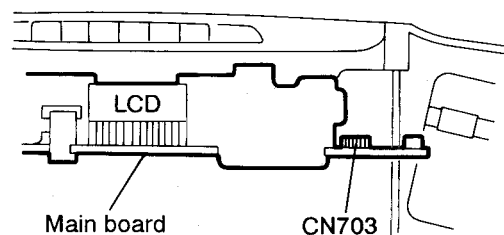


Fig. 5-3

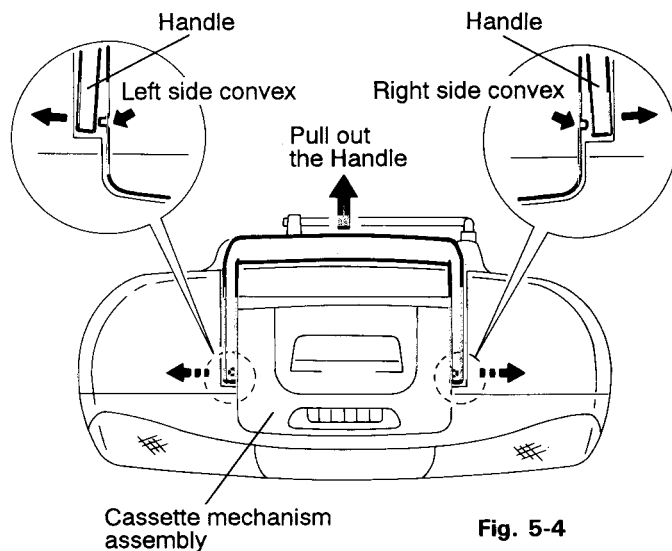


Fig. 5-4

Removing the CD changer mechanism assembly (See Figs. 5-5)

1. From the connector CN715 on the main board, remove the card wire outgoing from the connector CN801 on the loading motor board.
2. From the connectors CN716 and CN302 on the main board, remove the card wire outgoing from the connectors CN601 and CN503 on the CD amplifier board.
3. Pull out CD mechanism assembly from the body side.

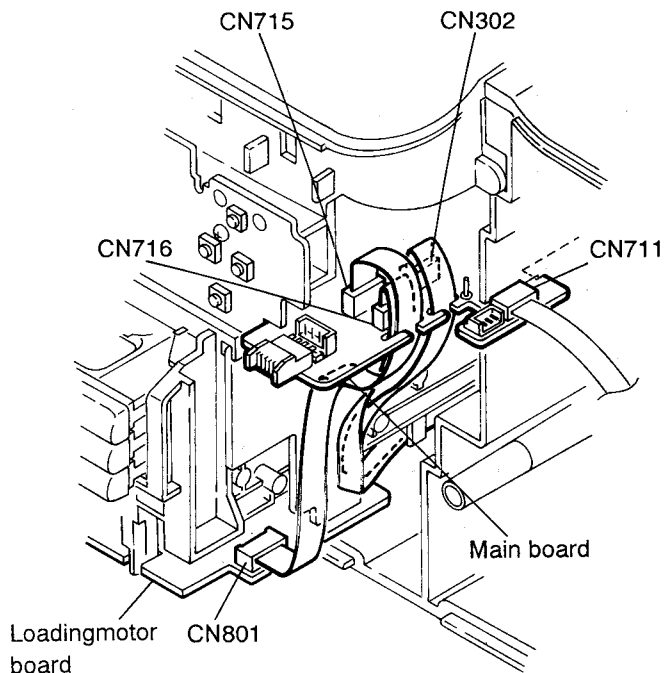


Fig. 5-5

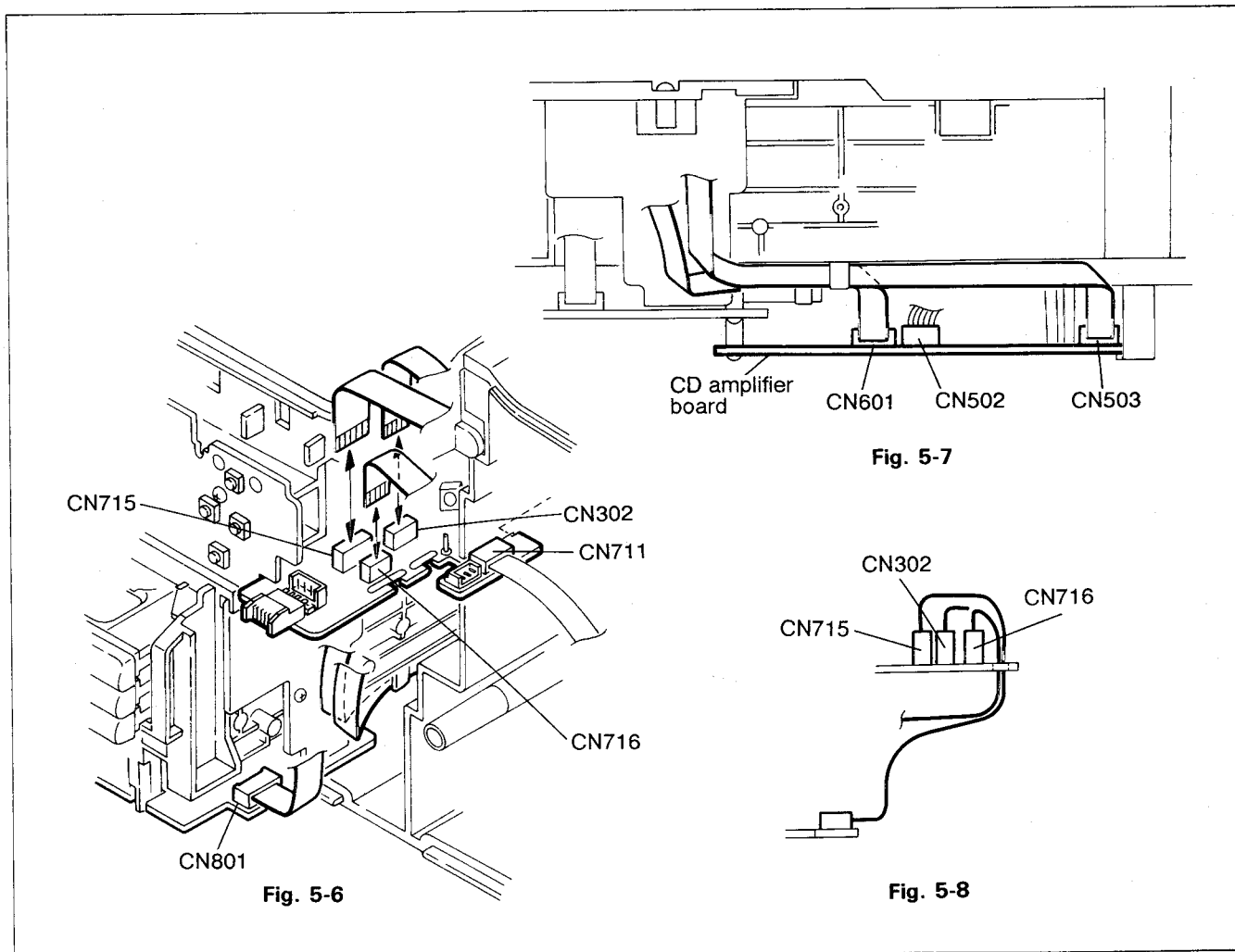


Fig. 5-6

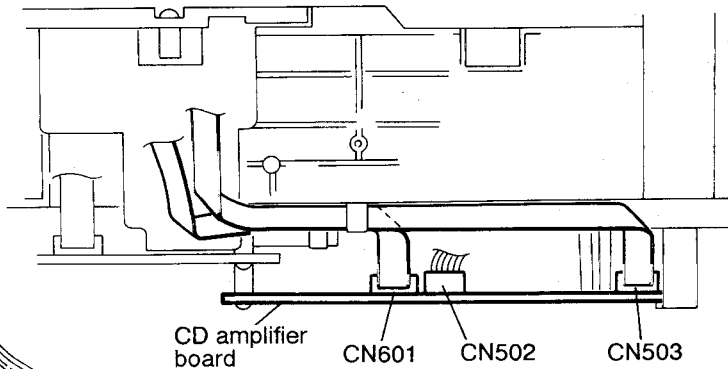


Fig. 5-7

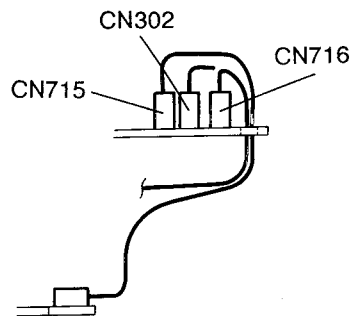


Fig. 5-8

■ Removing the cassette mechanism assembly (See Fig. 5-9)

1. From the connector CN711 on the main board, remove the card wire outgoing from the connector CN1 on the tuner board.
2. Tear off the two spacer on the left side.
3. Disconnect the 3PIN connector wire from the connector CN991 on the power supply board.
4. Pull out the cassette mechanism assembly from the rear cabinet.

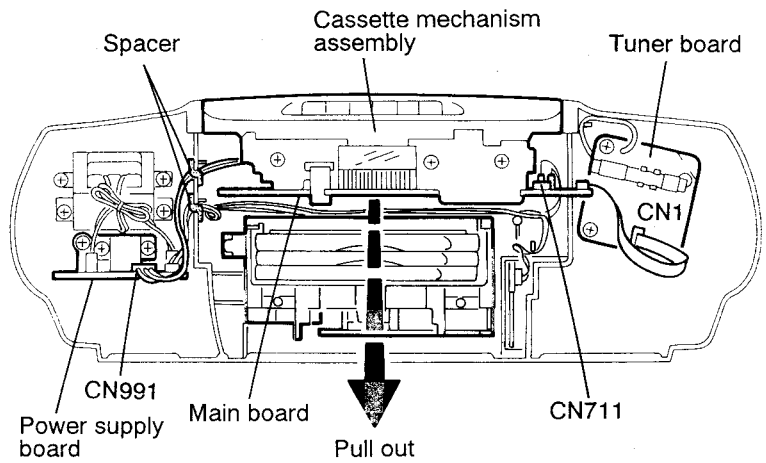


Fig. 5-9

■ Removing the main board (See Figs. 5-10-12)

1. Remove the cassette mechanism assembly (See "Removing the cassette mechanism assembly").
2. From the back of the cassette mechanism assembly, remove the four screws (2) retaining the main board (See Fig. 5-10).
3. Remove the three screws (3) retaining the LCD/switch board (See Fig. 5-11).
4. From the connector CNA33 on the main board, disconnect the 9PIN connector wire outgoing from the capstan motor, leaf switch, etc. (See Fig. 5-12, 12a).
5. Disconnect the 5PIN connector CNA32 outgoing from the record head and erase head (See Fig. 5-12, 12a).

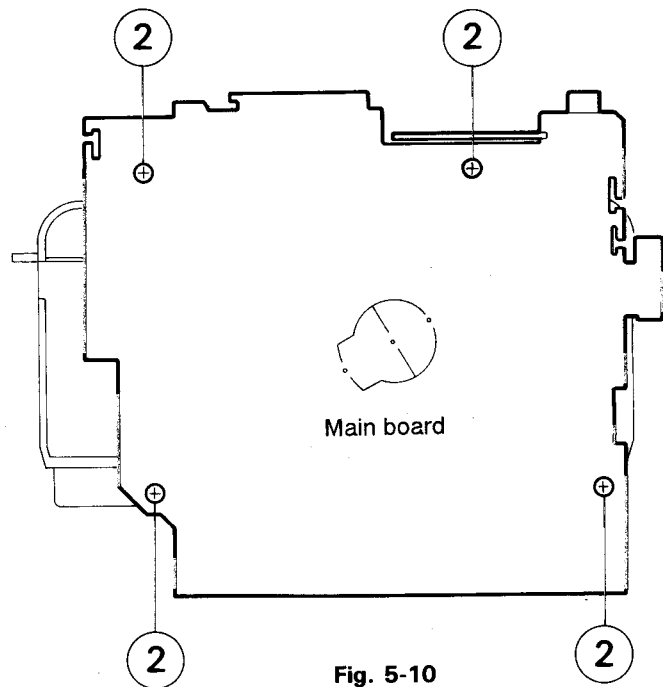


Fig. 5-10

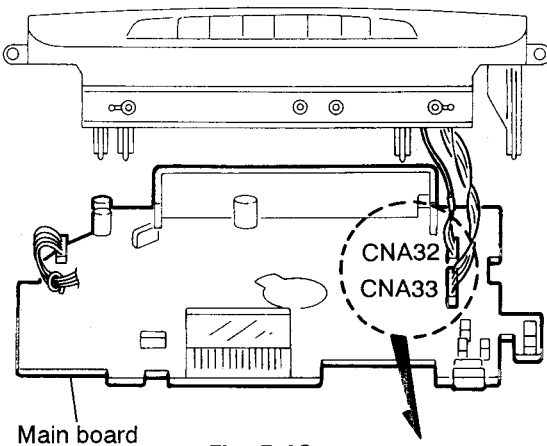


Fig. 5-12

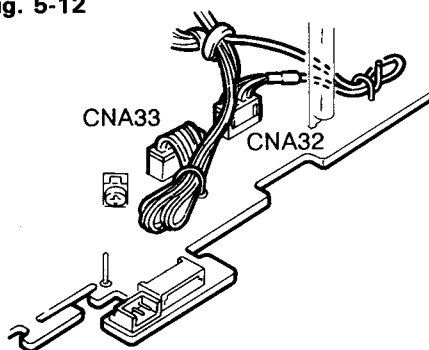


Fig. 5-12-a

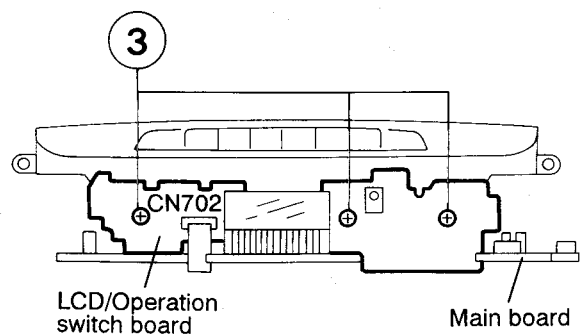


Fig. 5-11

■ Removing the cassette mechanism

(See Fig. 5-13)

1. Remove the cassette mechanism assembly (See "Removing the cassette mechanism assembly").
2. Remove the main body (See "Removing the main body").
3. From the top cover, remove the six screws (4) retaining the cassette mechanism.
4. Remove the two screws (5) fixing (retaining) the operation button assembly.
5. By pressing the eject button, open the cassette door, and take out the cassette mechanism.

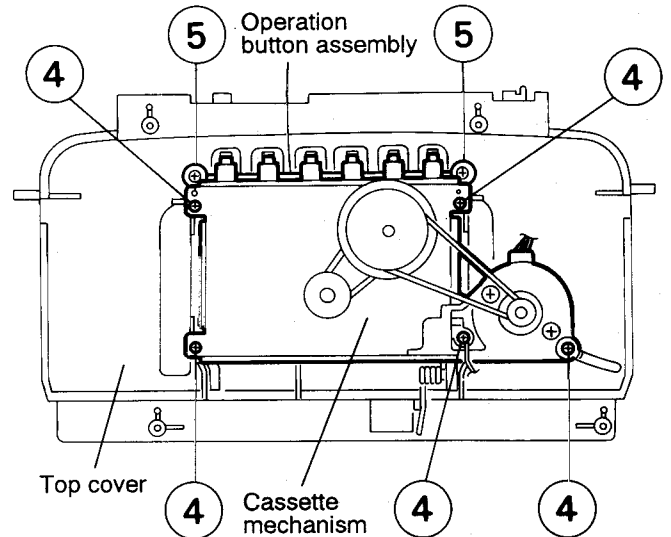


Fig. 5-13

■ Removing the tuner board

(See Fig. 5-14)

1. Remove the front panel assembly (See "Removing the front panel assembly").
2. From the connector CN1 on the tuner board, disconnect the card wire outgoing from the connector CN711 on the main board.
3. From TP1 on the tuner board, pull out the antenna wire outgoing from the rod antenna.
4. Remove the three screws (6) retaining the tuner board.

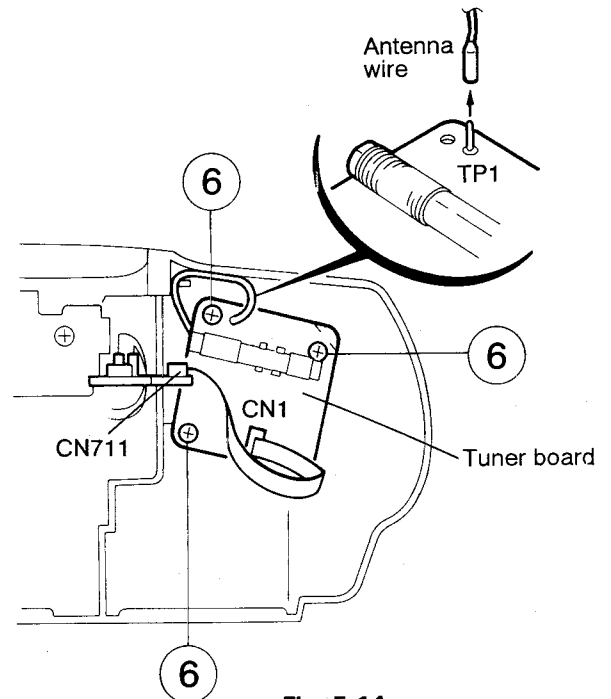


Fig. 5-14

■ Removing the power transformer and power supply board

(See Fig. 5-15)

1. Remove the front panel assembly (See "Removing the front panel assembly").
2. Remove the two screws (7) retaining the power supply board.
3. Remove the four screws (8) retaining the power transformer.
4. Take out the power supply board together with the power transformer.

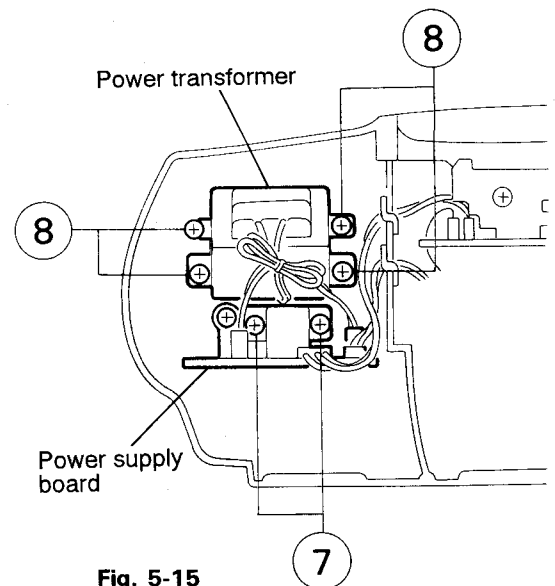


Fig. 5-15

■ Removing the headphone jack & CD operation switch board (See Fig. 5-16)

1. Remove the front panel assembly (See "Removing the front panel assembly").
2. From the front panel assembly side, remove the five screws (9) retaining the headphone jack and CD operation switch board.
3. From the connector CN704 on the switch board, disconnect the 4PIN connector wires outgoing from the right and left speakers.
4. Remove the four screws (10) retaining the right and left speakers.

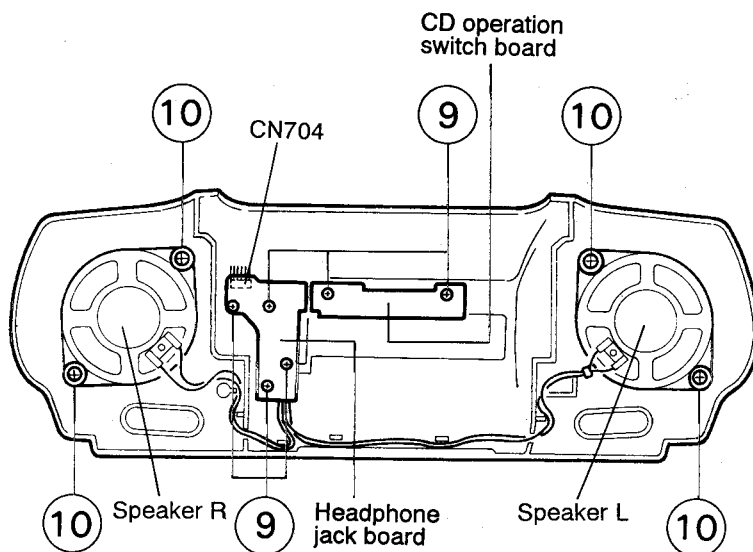


Fig. 5-16

■ Removing the CD amplifier board (See Fig. 5-17)

1. Remove the front panel assembly (See "Removing the front panel assembly").
2. Remove the CD mechanism mechanism assembly (See "Removing the CD mechanism mechanism assembly").
3. Remove the one screws (11) retaining the CD amplifier board.
4. From the loading base assembly, remove the two pawls (A) fixing the CD amplifier board.
5. From the connector CN501 on the CD amplifier board, remove the card wire outgoing from the CD pickup unit.
6. From the connector CN502 on the CD amplifier board, remove the 6PIN connector outgoing from the CD mechanism board.

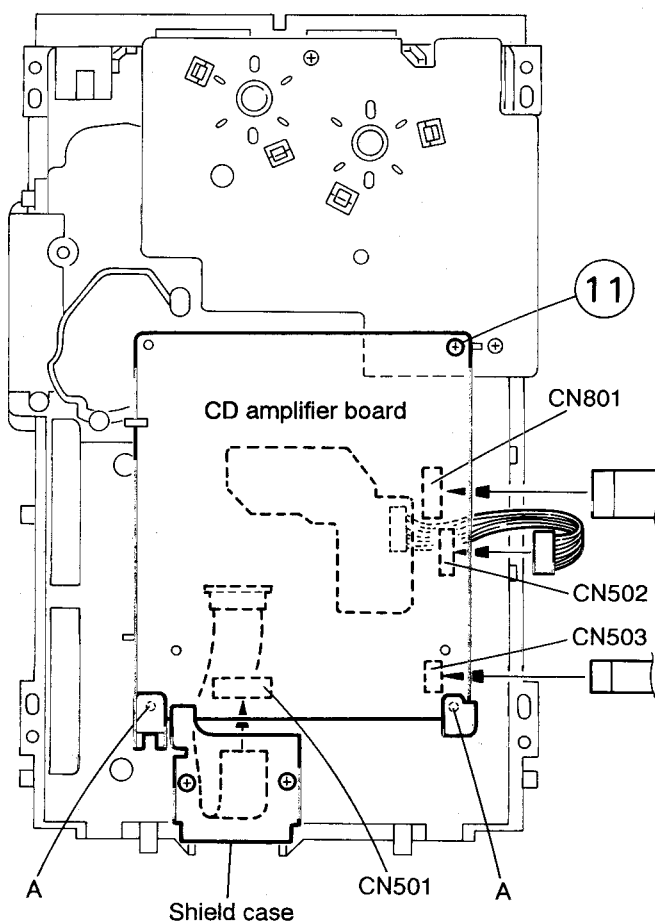


Fig. 5-17

CD Changer Mechanism Sections

■ Removing the CD tray assembly

(See Figs. 5-18~5-24)

1. Remove the front panel assembly.
2. Remove the CD changer assembly.
3. Remove the CD amplifier board.
4. From the T. bracket section (A) and clamber base section (B), remove both of the edges fixing the rod (See Figs. 5-18 and 5-19).
5. Remove the three screws (1) retaining the T. bracket (See Fig. 5-18).
6. Remove the two screws (2 and 3) retaining both of the shield and clamber assembly (See Fig. 5-19).
7. Remove the shield from the section (C) retaining the clamber assembly (See Fig. 5-19).
8. From the left side face of the chassis assembly, remove the one screw (4) retaining both of the return spring and lock lever.
9. By removing the pawl at the section (D) fixing the return spring, dismount the return spring (See Fig. 5-20).
10. Remove the three lock levers (See 5-20).

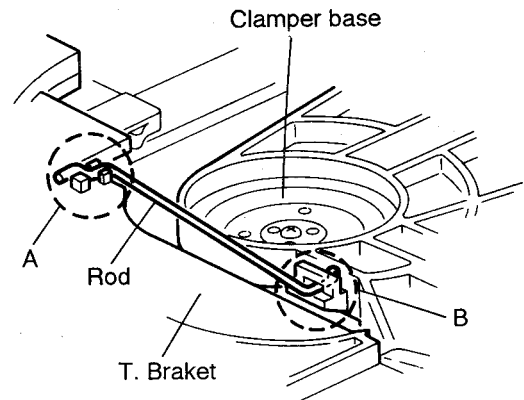


Fig. 5-18

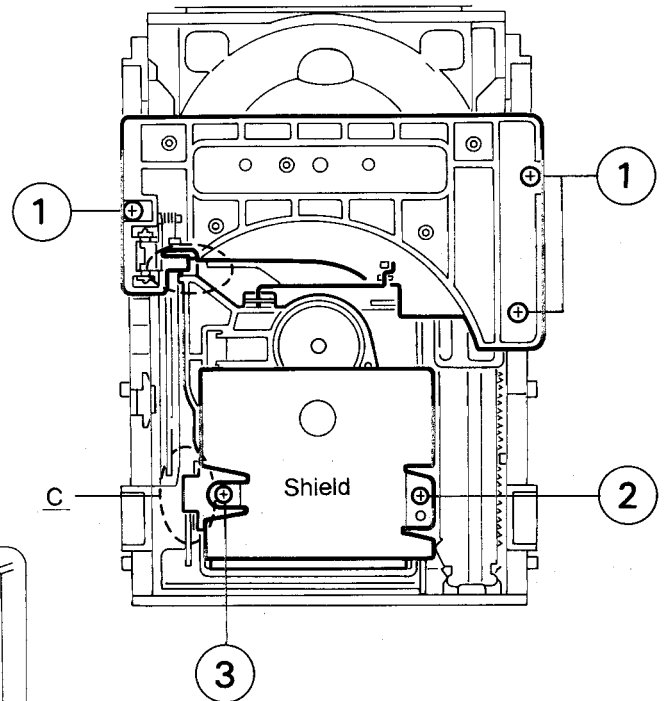


Fig. 5-19

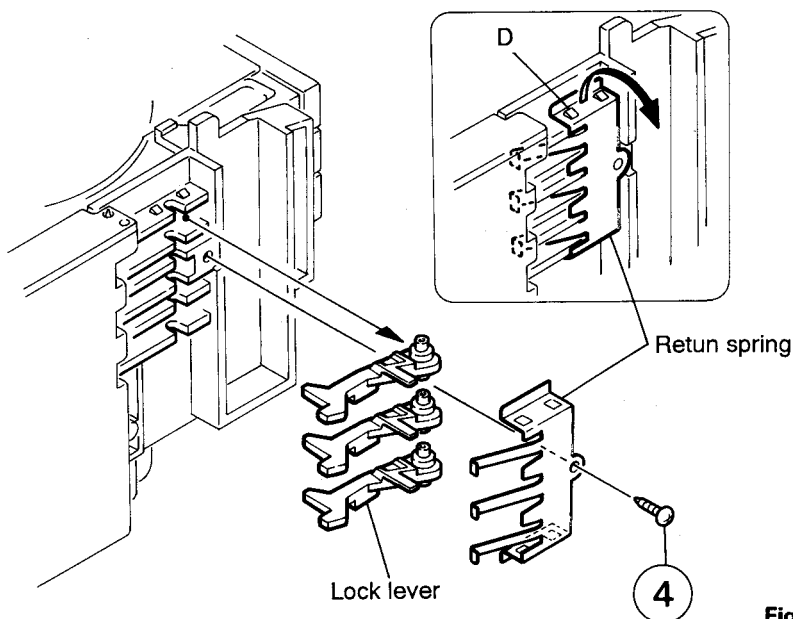


Fig. 5-20

11. Check whether the lifter unit stopper has been caught into the hole at the section (F) of CD tray assembly as shown in Fig. 5-21.
 12. Make sure that the driver unit elevator is positioned as shown in Fig. 5-22a from to the second or fifth hole on the left side face of the CD changer mechanism.
- [Caution]** In case the driver unit elevator is not at the above position, set the elevator to the position as shown in Fig. 5-22a by manually turning the pulley gear as shown in Fig. 5-23.
13. Manually turn the motor pulley in the clockwise direction until the lifter unit stopper is lowered from the section (F) of CD tray assembly (See Fig. 5-23).
 14. Pull out all of the three stages of CD tray assembly in the arrow direction (E) until these stages stop (See Fig. 5-22).
 15. At the position where the CD tray assembly has stopped, pull out the CD tray assembly while pressing the two pawls (G and G') on the back side of CD tray assembly (See Fig. 5-24). In this case, it is easy to pull out the assembly when it is pulled out first from the stage CD tray assembly.

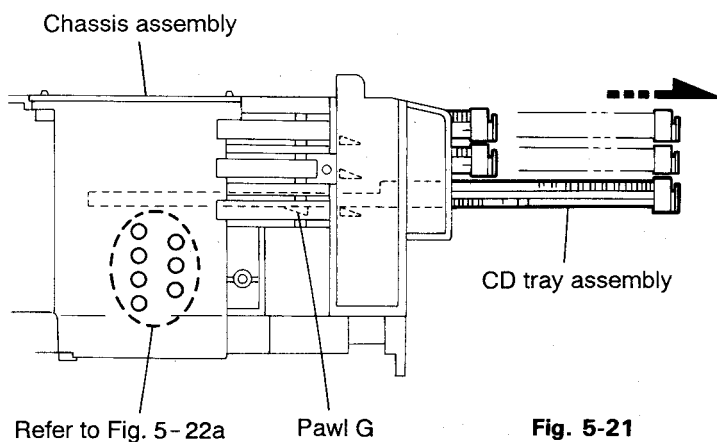


Fig. 5-21

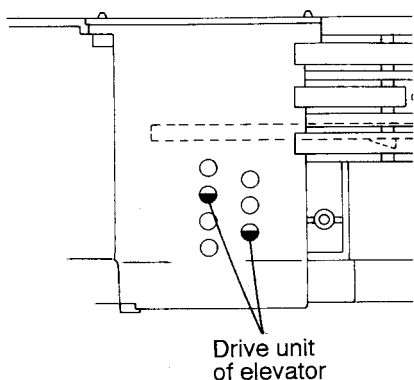


Fig. 5-22a

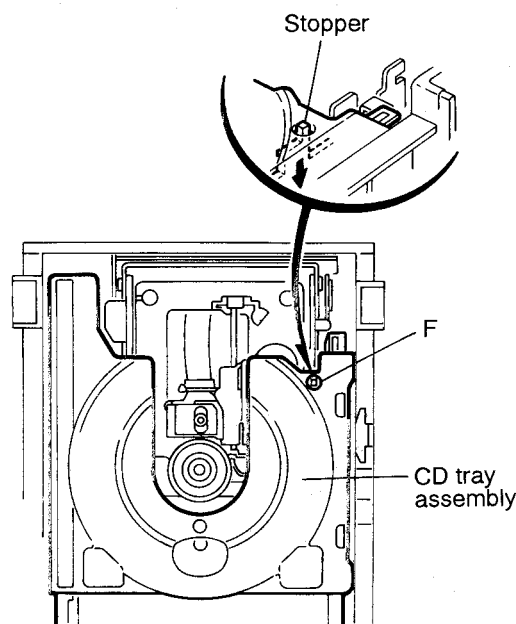


Fig. 5-22

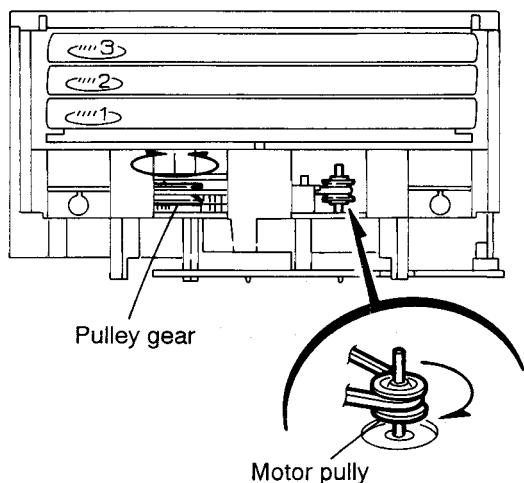


Fig. 5-23

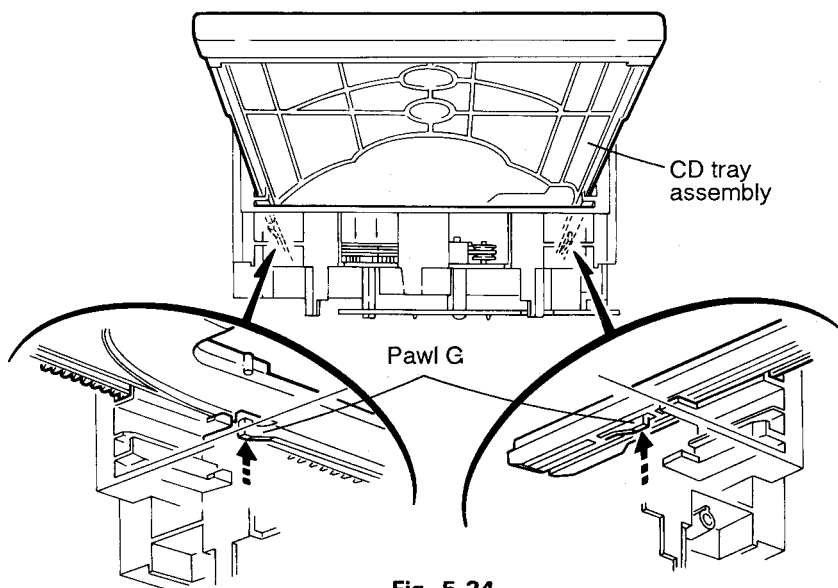


Fig. 5-24

Removing the CD mechanism assembly (See Fig. 5-25)

1. While turning the cams R1 and R2 assembly in the arrow direction (I), align the shaft (J) of the CD mechanism assembly to the position shown in Fig. 5-25.
2. Remove the four screws (5) retaining the CD mechanism assembly (See Fig. 5-25).

Removing the CD mechanism (See Figs. 5-26 and 5-27)

1. For dismantling only the CD mechanism without removing the CD mechanism assembly, align the shaft (L) of the CD mechanism assembly to the position shown in Fig. 5-26 while turning the cam R1 and R2 assembly in the arrow direction (K).
2. By raising the CD mechanism assembly in the arrow direction (M), remove the assembly from the lifter unit (Fig. 5-27).

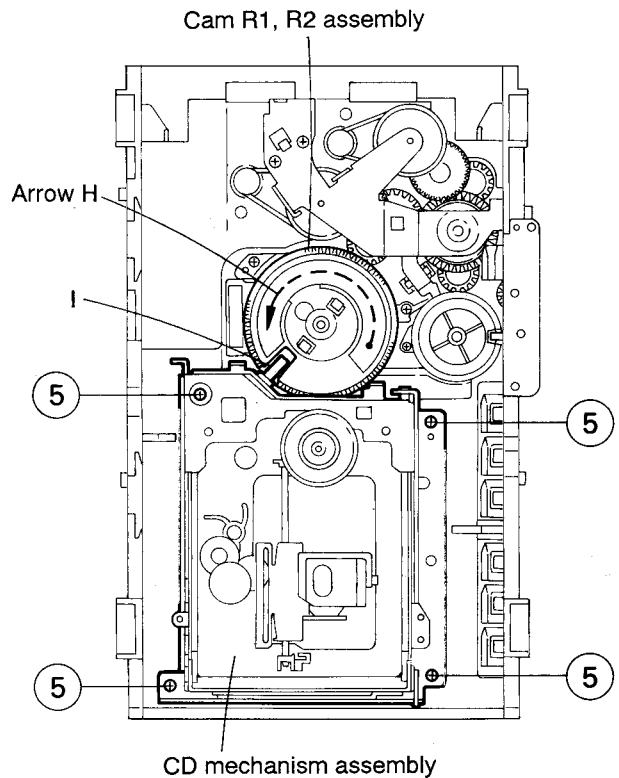


Fig. 5-25

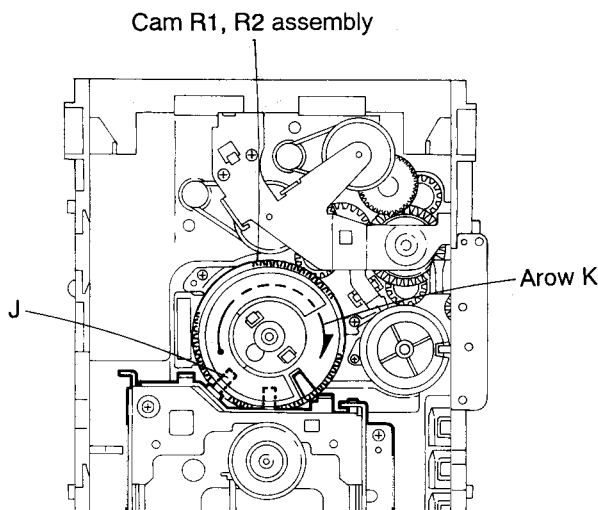


Fig. 5-26

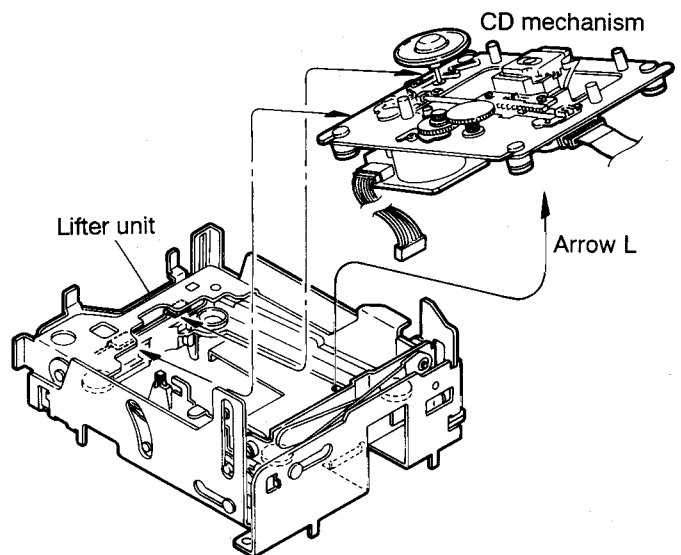


Fig. 5-27

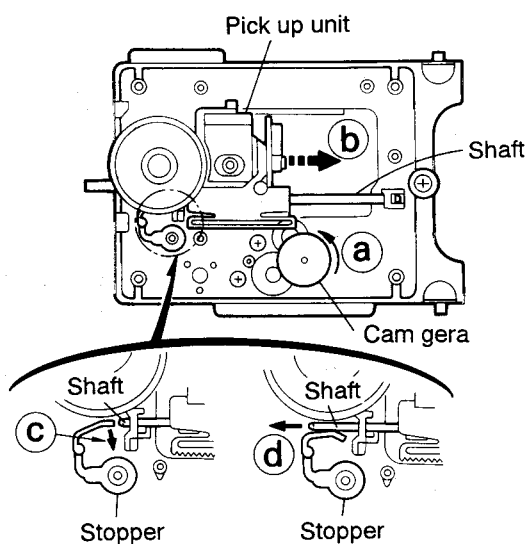


Fig. 5-27a

Removing the CD pickup unit (See Fig. 5-27a)

1. Move the cam gear in the arrow direction (a). Then, the CD pickup unit will be moved in the arrow direction (b).
2. According to the above step, shift the CD pickup unit to the center position (Fig. 5-27a).
3. While pressing the stopper retaining the shaft in the arrow direction (c), pull out the shaft in the arrow direction (d) (See Fig. 5-27a).
4. After dismantling the shaft from the CD pickup unit, remove the CD pickup unit.

■ Removing the actuator motor board

(See Figs. 5-28 and 5-29)

1. Absorb the four soldered positions (M) of the right and left motors with a soldering absorber (See Fig. 5-28).
2. Remove the two screws (6) retaining the actuator motor board (See Fig. 5-29).
3. Remove the two screws (7) retaining the tray select switch board (See Fig. 5-29).

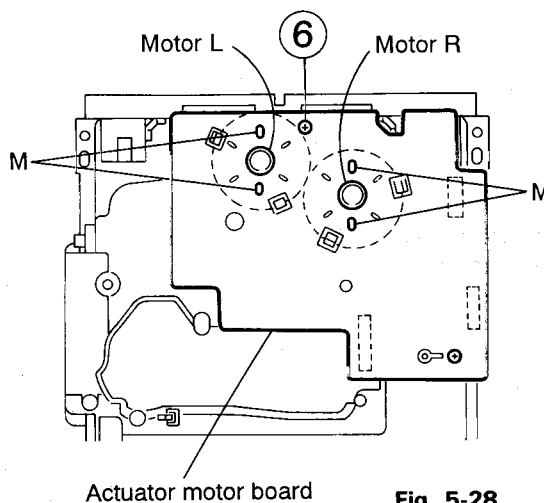


Fig. 5-28

■ Removing the cam unit

(See Figs. 5-30~5-32)

1. Remove the CD mechanism assembly.
2. While turning the cam gear L, align the pawl (N) position of the drive unit to the notch position (Fig. 5-30) on the cam gear L.
3. Pull out the drive unit and cylinder gear (See Fig. 5-31).
4. While turning the cam gear L, align the pawl (O) position of the select lever to the notch position (Fig. 5-32) on the cam gear L.
5. Remove the four screws (8) retaining the cam unit (cam gear L and cams R1/R2 assembly) (See Fig. 5-32).

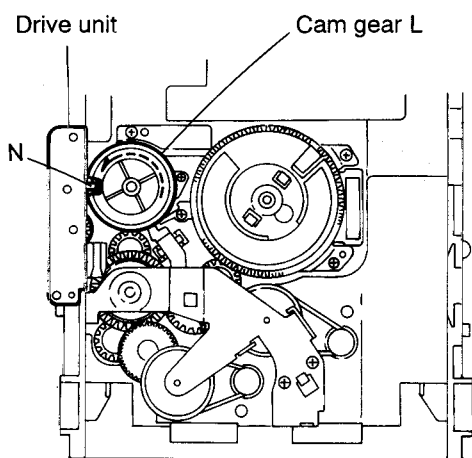


Fig. 5-30

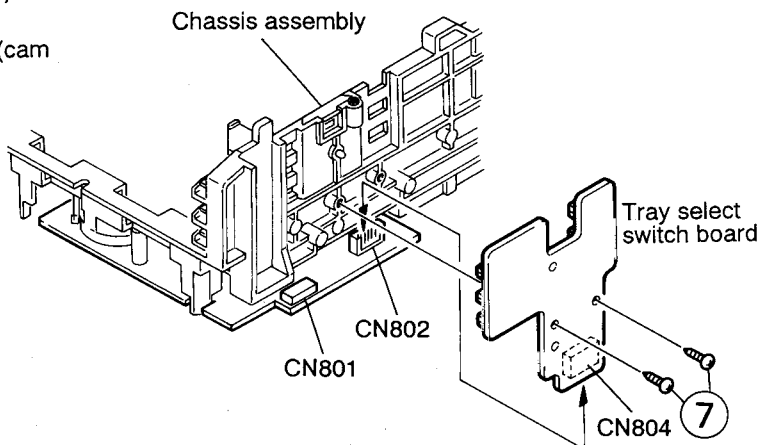


Fig. 5-29

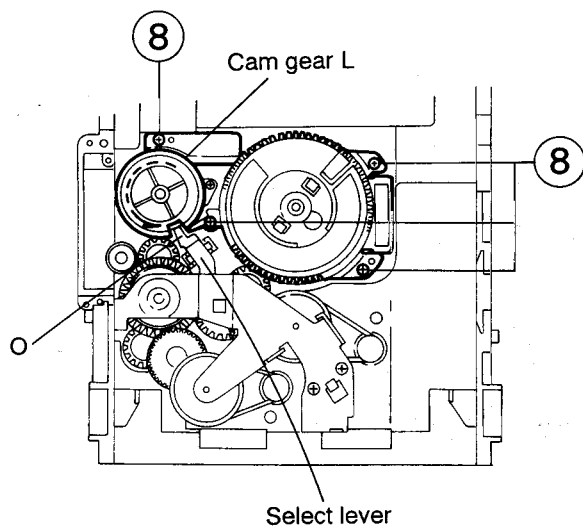


Fig. 5-32

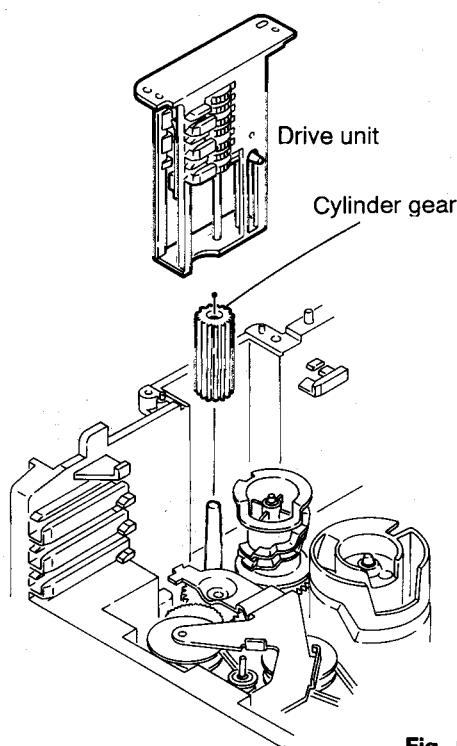


Fig. 5-31

■ Removing the actuator motor and belt

(See Figs. 5-33~5-36)

1. Remove the two screws (9) retaining the gear bracket (See Fig. 5-33).
2. While pressing the pawl (P) fixing the gear bracket in the arrow direction, remove the gear bracket (See Fig. 5-33).
3. From the notch (Q section) on the chassis assembly fixing the edge of gear bracket, remove and take out the gear bracket (See Fig. 5-34).
4. Remove the belts respectively from the right and left actuator motor pulleys and pulley gears (See Fig. 5-33).
5. After turning over the chassis assembly, remove the actuator motor while spreading the four pawls (R) fixing the right and left actuator motors in the arrow direction (See Fig. 5-35).

[Note] When the chassis assembly is turned over under the conditions wherein the gear bracket and belt have been removed, then the pulley gear as well as the gear, etc. constituting the gear unit can possibly be separated to pieces. In such a case, assemble these parts by referring to the assembly and configuration diagram in Fig. 5-36.

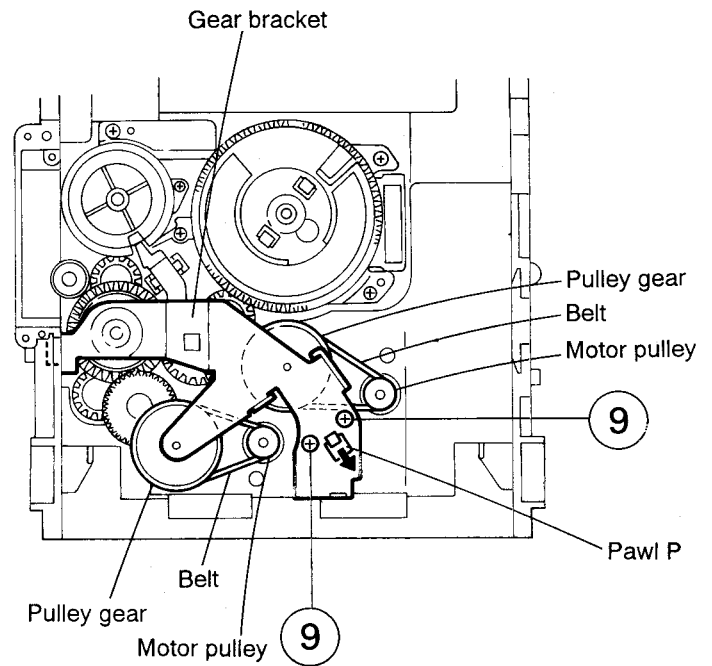


Fig. 5-33

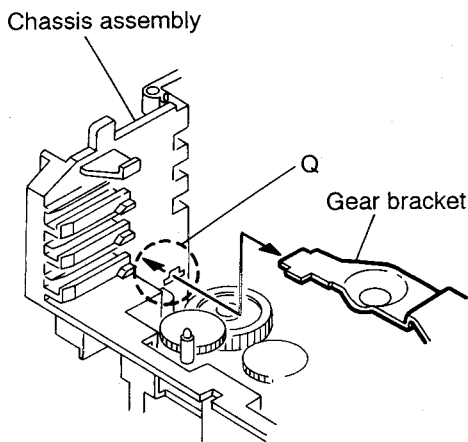


Fig. 5-34

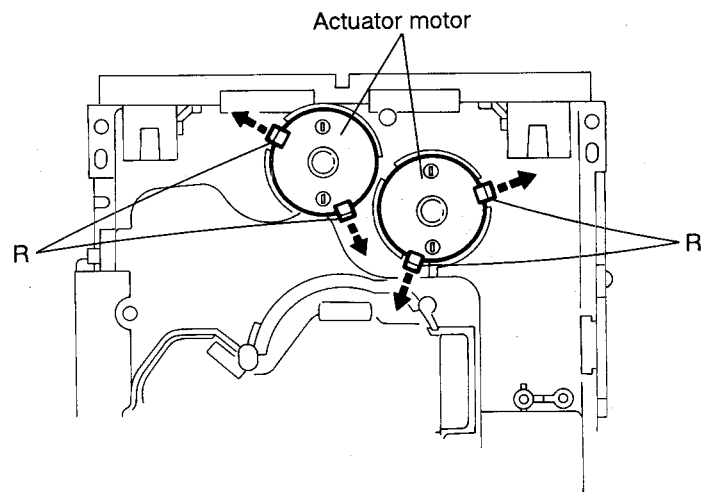


Fig. 5-35

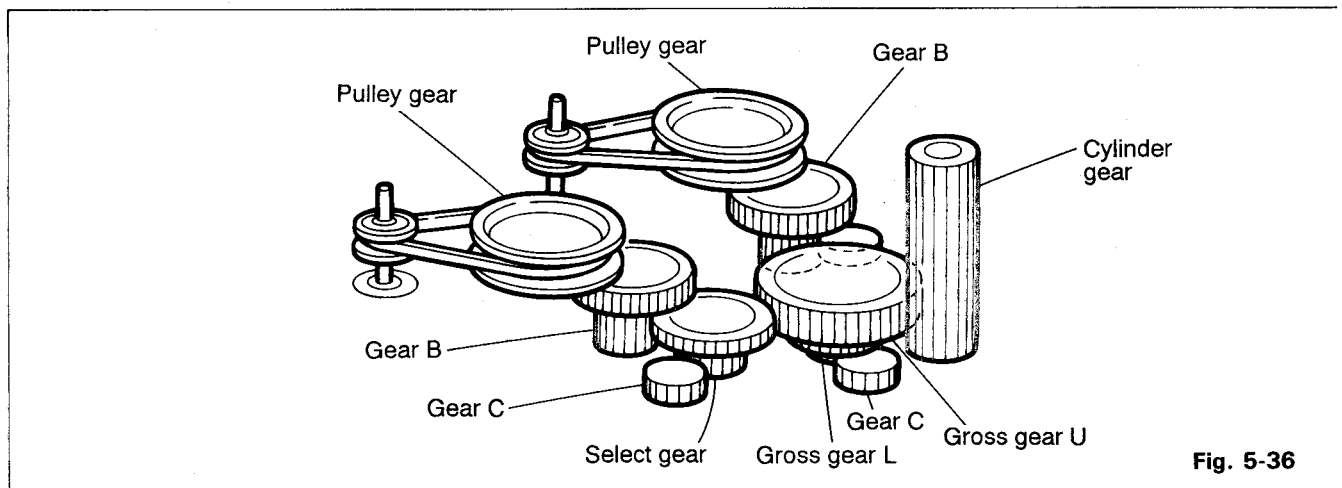


Fig. 5-36

■ Removing the cams R1/R2 assembly and cam gear L (See Fig. 5-37)

1. Remove the slit washer fixing the cams R1 and R2 assembly.
2. By removing the two pawls (S) fixing the cam R1, separate R2 from R1.
3. Remove the slit washer fixing the cam gear L.
4. Pull out the cam gear L from the C.G. base assembly.

■ Removing the C.G. base assembly (See Figs. 5-37 and 5-38)

Remove the three screws (10) retaining the C.G. base assembly.

[Caution] To reassemble the cylinder gear, etc. with the cam unit (cam gear and cams R1/R2 assembly), gear unit and drive unit, align the position of the pawl (N) on the drive unit to that of the notch on the cam gear L. Then, make sure that the gear unit is engaged by turning the cam gear L.

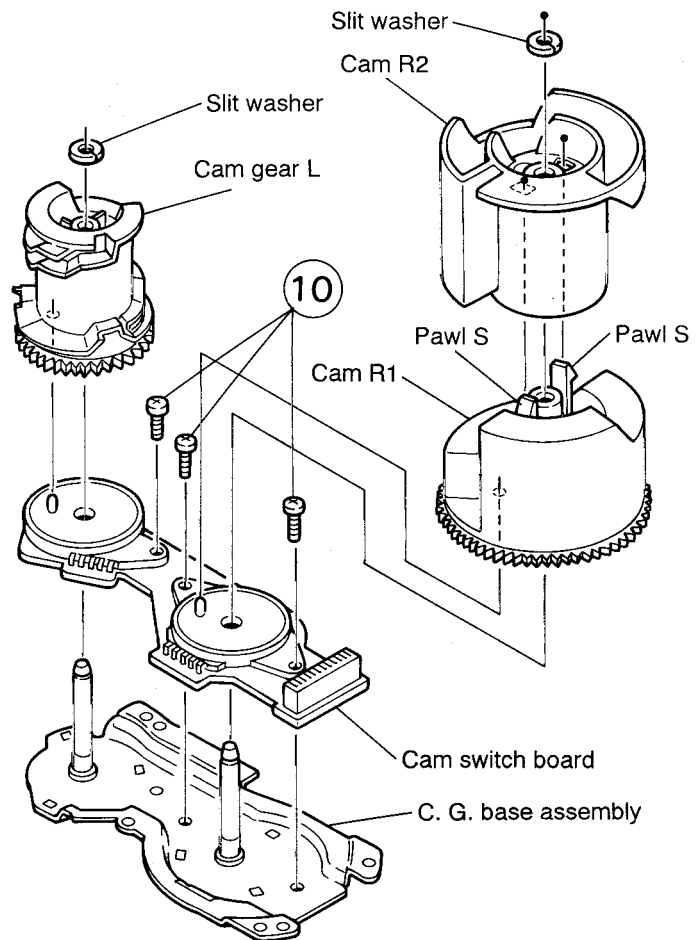


Fig. 5-37

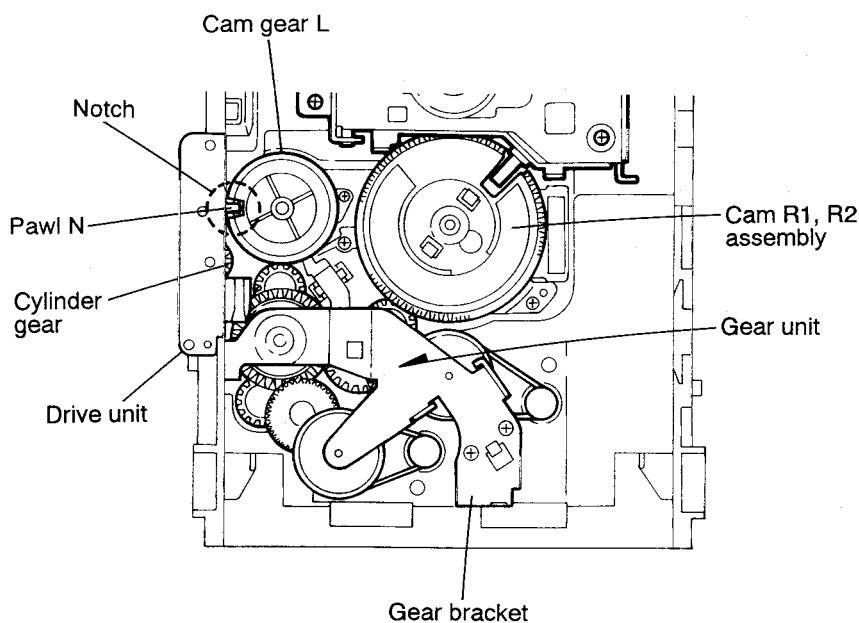


Fig. 5-38

Cassette Mechanism Section

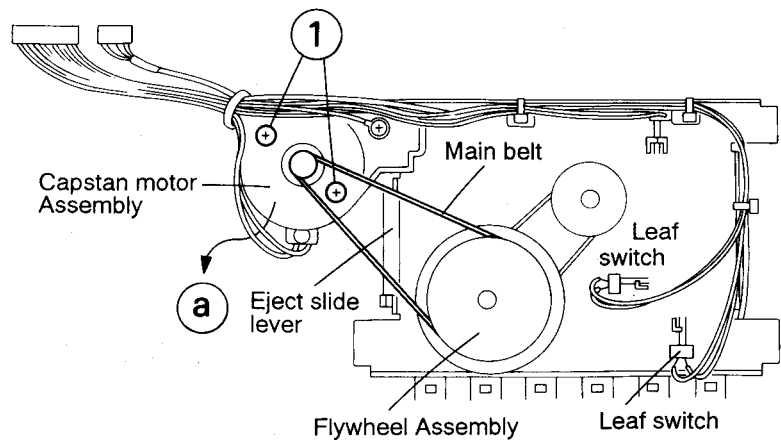


Fig. 5-39

■ Removing the Capstan motor

(See Fig. 5 – 39)

1. Remove the Front panel assembly.(Refer to the article“Front panel assembly”appearing on a previous page)
2. Remove the Cassette mechanism assembly.(Refer to the article“Cassette mechanism assembly” appearing on a previous page)
3. Remove the Main board(Refer to the article “Main board” appearing on a previous page.)
4. Remove the Cassette mechanism. (Refer to the article “Cassette mechanism”appearing on a previous page.)
5. Remove two screws ① retaining the capstan motor assembly from the back of the cassette mechanism .
6. Take out the main belt from the flywheel assembly. Then, slide the capstan motor slightly in the direction of the arrow ② while pulling downwards to remove together with the main belt.

■ Removing the Eject slide lever

(See Fig. 5 – 40)

1. Place the cassette mechanism back side frontward and disengage the stopper arm ② of the Eject slide lever by pressing it inwards through the opening of the chassis with a small screwdriver as shown in Fig. 5 – 40.
2. Disengage the Eject slide lever in the direction of arrow ③.

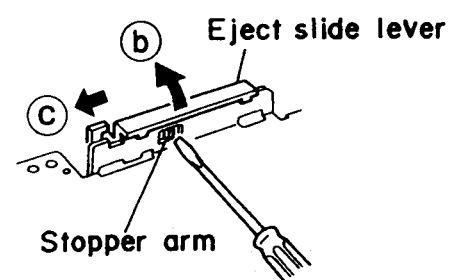


Fig. 5-40

■ Removing the Leaf switch

(See Fig.5 – 41)

Press the leaf switch in the direction of the arrow ④ and then remove it in the direction of the arrow ⑤ referring to Fig. 5 – 41.

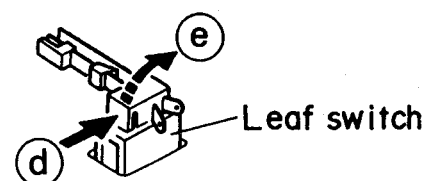


Fig. 5-41

■ Removing the Pinch roller assembly

(See Figs. 5 - 42)

1. Pull out the stopper protruding from the base assembly in the direction of the arrow ① to remove it from the pinch roller assembly.
2. Then, pull out the pinch roller assembly in the direction of the arrow ②.

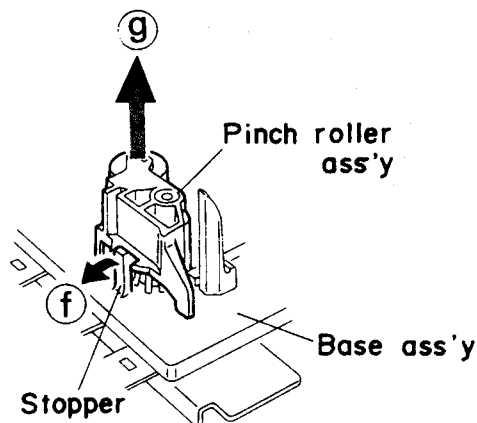


Fig. 5-42

■ Removing the Record/Playback head & Erase head

(See Figs. 5 - 43, 44)

1. Remove two screws (② , ③) retaining the Record / Playback head.
2. Pull out the stopper of the Erase head in the direction of the arrow ④.
3. Pull out the Erase head in the direction of the arrow ⑤.

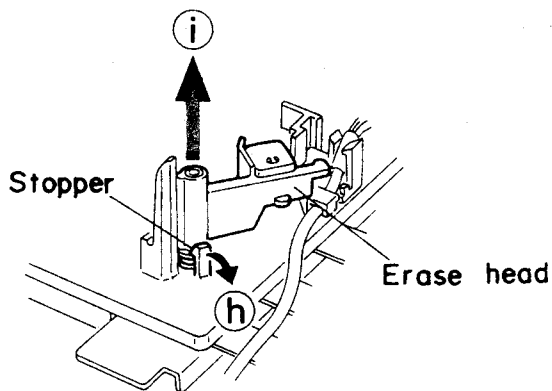


Fig. 5-43

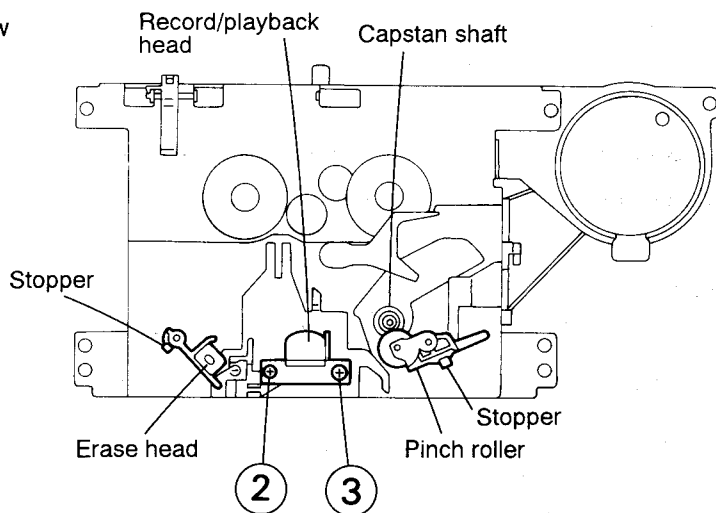


Fig. 5-44

■ Removing the Flywheel assembly

(See Fig. 5 - 45)

1. E. washer retaining the flywheel assembly in the direction of arrow ⑥.
2. Pull the flywheel assembly out of the back side of the cassette mechanism in the direction of the arrow ⑦.

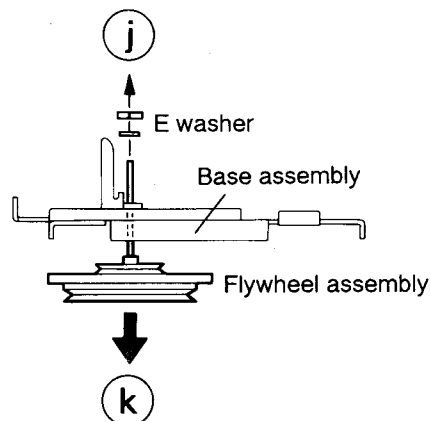


Fig. 5-45

6. Main Adjustment

■ Test Instruments required for adjustment

1. Low frequency oscillator
(oscillation frequency: 50Hz to 20kHz)
(Output : 0 dBs with 60 Ω terminator)
2. Attenuator(Impedance : 600 Ω)
3. Test Tapes
VTT712 For tape speed, wow and flutter measurement
VTT724 For play back output level
VTT736 For playback frequency response check
VTT703L For head azimuth measurement
4. Electronic voltmeter, Distortion meter
5. Resistor...600 Ω for attenuator matching
6. Torque gauge..... Cassette type for CTG – N mechanism adjustment
7. Wow and Flutter meter , Frequency counter
8. Blank tape..... Normal:UR,Chrome: AC224

■ Measuring conditions (Amplifier section)

- Supply voltage AC230V (50/60Hz)
Reference output : Speaker 0 dBs (0.775V) / 3 Ω
: Headphone - 10 dBs (0.245V) / 32 Ω

● Standard position of functionswitches

- Function switch TAPE
Mode switch STEREO

● Standard position of volume control

- Sound Flat position
MBH OFF
Main volume adjust 0 dBs Speaker out(Vol.19)
Headphone out(Vol.20)
Beat cut switch Cut1
Standard test frequency 1 kHz

; unless otherwise specified.

- Reference input level TP(CN301) : - 20dBs
Input for REC/PB, Check & measuring CN301 : - 40dBs

● Test remarks

1. Negative side of the input and output on the testing set, that ought to be separately to each other, and then bear in mind there connection the testing set with 2 channeles Electronic voltmeter, the negative side never connect commonly.
2. Replaced output load with a dummy and that lead wire to be used as big as possible.
3. Attach top cover when measuring and connect filter shown below Fig. 1 to V. meter.

■ Measuring condition (Radio section)

- Refer to rating source Tuner+B : DC 5.7V
Reference output Speaker : 20mW(0.245 V) / 3 Ω
Headphone : (0.07V) / 32 Ω
AM frequency 400Hz modulation 30%
FM frequency 400Hz modulation frequency deviation 22.5kHz

● Standard position of switches and controllers

- Function RADIO
Mode STEREO

● Careful points for adjustment

1. Connect 30 pF capacitor and 33 k Ω resistor to the output side of the IF sweeper in series while 0.082 μ F capacitor and 100k Ω resistor to the input side in series.
2. Set output level of the IF sweeper as minimum as adjustable.
3. RF Alignment order
Procedure of the steps of tracking should be kept.

◎ Test point : CN301 (Top view)

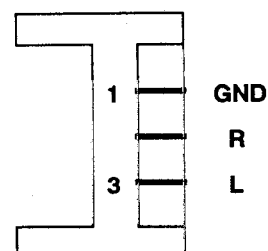


Fig. 6 – 1

■ Arrangement of Adjusting Position

(Cassette mechanism)

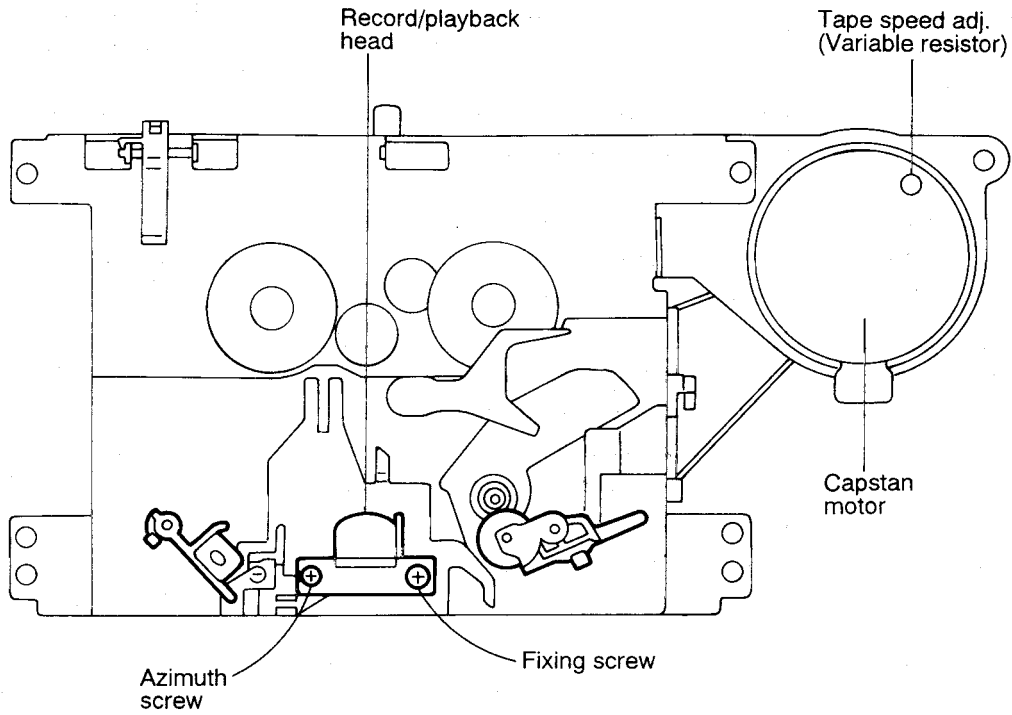


Fig. 6-2

(Tuner board)

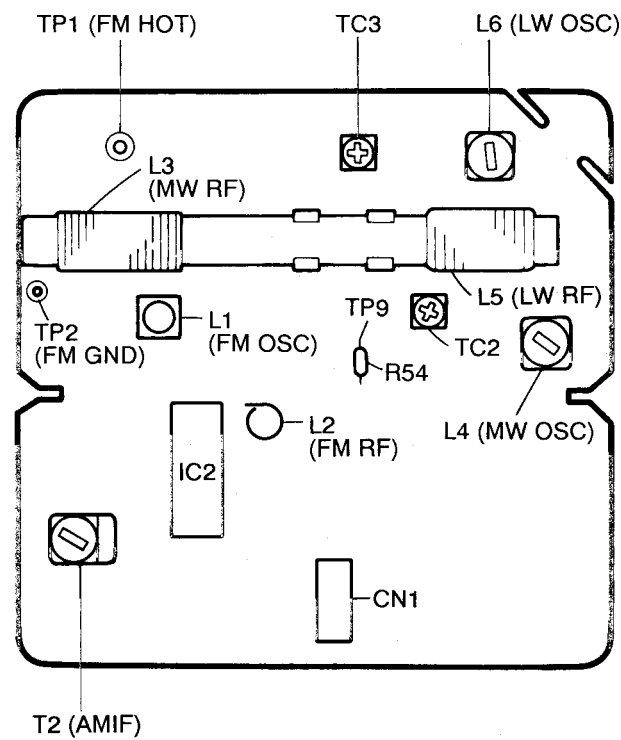


Fig. 6-3

(Main board)

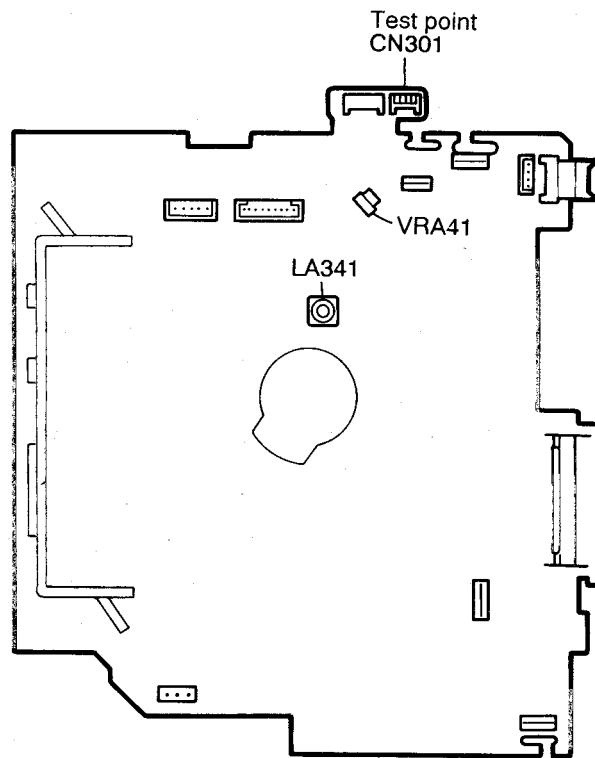


Fig. 6-4

■ Cassette / Recorder Deck Sections

Item	Conditions	Adjustment & Confirmation Methods	Stand. values	Adjust
Head azimuth adjustment	<ul style="list-style-type: none"> • Test tape : VTT703L(10kHz) • Output terminal for measurement : Headphone • Input terminal for measurement : CN301 	<p>* Adjust the head azimuth screw only when the head is replaced.</p> <p>① Playback test tape VTT703L(10kHz) .</p> <p>② Adjust the head azimuth so that the phase difference is minimum (Within 2dB of the peak level of play output.) After adjustment apply the screw locking adhesive to the head azimuth screw more than a half around the screw head.</p>	<p>Within 2dB of the peak level</p> <p>Minimum phase difference</p>	Head azimuth adjusting screw
Tape speed and wow &Flutter checking	<ul style="list-style-type: none"> • Test tape : VTT712 (3kHz) • Output terminal for measurement : Headphone 	<p>① When playing test tape VTT712 (3kHz).</p> <p>② Check that the frequency counter reading is 2960Hz ~3070Hz . If the reading is out of this range, adjust the variable resistor in the motor housing .</p> <p>③ Wow &Flutter should be less than 0.35%(JIS UNWTD)</p>	<ul style="list-style-type: none"> • Tape speed : 2960Hz ~3070Hz Wow &Flutter : Less than 0.35%(JIS UNWTD) 	Variable resistor in the motor housing .
Play back output level checking	<ul style="list-style-type: none"> • Test tape : VTT724 (1kHz) • Output terminal for measurement : Headphone 	<p>① When Playback the test tape VTT724 (1kHz) , the output level at headphone is $-26\text{dB} \pm 3\text{dB}$ at 1kHz.</p> <p>② Deviation L and R : less than 3dB</p>	$-26\text{dB} \pm 3\text{dB}$	
Playback frequency response checking	<ul style="list-style-type: none"> • Test tape : VTT736 • Output terminal for measurement : Headphone 	When playback the test tape VTT736, response should be $-3\text{dB} \pm 4\text{dB}$ at 63Hz and 1kHz, $+1\text{dB} \pm 4\text{dB}$ at 10kHz and 1kHz with respect to 1kHz.	<p>63Hz and 1kHz : $-3\text{dB} \pm 4\text{dB}$</p> <p>10kHz and 1kHz : $+1\text{dB} \pm 4\text{dB}$</p>	
Record / playback frequency response adjustment	<ul style="list-style-type: none"> • Reference frequency : 1kHz, 10kHz (Ref. - 20dB) • Test tape : AC224 • Output terminal for measurement : CN301 	<p>① Record and playback the 1kHz reference frequency and 10kHz signal and check at terminal CN301.</p> <p>② Adjust the VRA41 so that record and playback frequency response with 1kHz and 10kHz at CN301 is $+1\text{dB} \pm 1\text{dB}$</p> <p>③ Confirm that the frequency counter reading is $95.5\text{kHz} \pm 3\text{kHz}$. If the reading is out of this range, adjust LA341.</p>	<p>$+1\text{dB} \pm 1\text{dB}$</p> <p>$95.5\text{kHz} \pm 3\text{kHz}$</p>	<p>VRA41</p> <p>LA341</p>

■ Tuner Sections

Item	Conditions	Adjustment & Confirmation Methods	Stand. values	Adjust
FM, AM IF adjustment		☆ Since a solid IF is being used, no adjustment is required.		
MPX adjustment		☆ Since a ceramic resonator is being used, no adjustment is required.		
FM tracking adjustment		☆ Since a fixed coil is being used, no adjustment is required.		
LW Tracking adjustment	<ul style="list-style-type: none"> • Band : LW • Signal input Standard loop antenna • Test point : TP1(Positive) : TP2(Negative) : TP9 • Signal output : CN1 	<ol style="list-style-type: none"> ① Adjust L6 so that the CN1 output is maximum when 144kHz(preset 6) is received from the MW signal generator. ② Confirm so that the CN1 output is maximum when 288kHz is received from MW signal generator. ③ Adjust L6 to obtain $1.1 \pm 0.02V$ at TP9. ④ Adjust L5 so that the CN1 output is maximum when 144kHz(preset 6) is received from the MW signal generator. ⑤ Adjust TC3 so that the CN1 output is maximum when 288kHz(preset 7) is received from the MW signal generator. ⑥ Repeat the item ④, ⑤, adjust for no further improvement. 	Output level : Maximum $1.1 \pm 0.02V$ at TP9.	L6 L6 L5 TC3 L5, TC3
MW tracking adjustment	<ul style="list-style-type: none"> • Band : MW • Signal input Standard loop antenna • Test point : TP1(Positive) : TP2(Negative) : TP9 • Signal output : CN1 	<ol style="list-style-type: none"> ① Confirm so that the CN1 output is maximum when 522kHz(preset 1) is received from MW signal generator. ② In case voltage at TP9 is more than 5.0V. adjust L4 to obtain $5.0 \pm 0.1V$ at TP9. ③ Adjust L3 so that the CN1 output is maximum when 603kHz(preset 3) is received from the MW signal generator. ④ Adjust TC2 so that the CN1 output is maximum when 1404kHz(preset 4) is received from the MW signal generator. ⑤ Repeat the item ④, ⑤, adjust for no further improvement. 	Output level : Maximum $5.0 \pm 0.1V$ at TP9. Output level : Maximum Output level : Maximum	L4 L3 TC2 L3, TC2

■ CD player Section

Item	Conditions	Adjustment & Confirmation Methods	Stand. values	Adjust
Tracking offset adjustment	Test disc :CTS1000 Oscilloscope Note 1 Adjust VR501 so that the waveform becomes vertically symmetrical to the reference voltage value of servo. Note 2 The oscilloscope input should be DC – coupled. Note 3 VREF: Ground level on the oscilloscope.	<ol style="list-style-type: none"> ① Connect TP503 (TE) and TP501 (VREF) respectively to the hot and ground sides of the oscilloscope. ② Replay the test disc CTS1000. ③ When TP504 and TP501 have been connected (Shorted) during replay, a tracking error signal will be emitted for about 3 sec. (Since the tracking error signal will be emitted at all times when the model with a test mode function is shifted to TEST mode, the adjustment can be performed more easily). ④ Since the waveform of tracking error signal displayed by the oscilloscope goes up and down when VR501 has been adjusted, adjust VR501 so that the center of the waveform amplitude becomes a reference voltage value of servo(VREF). ⑤ Repeat the steps ② – ④ until the center of the waveform amplitude of tracking error signal becomes the reference voltage value of servo (This step is not necessary in the case of the model with test mode function). 	Adjust the center of waveform amplitude to the reference voltage value of servo (VREF).	VR501

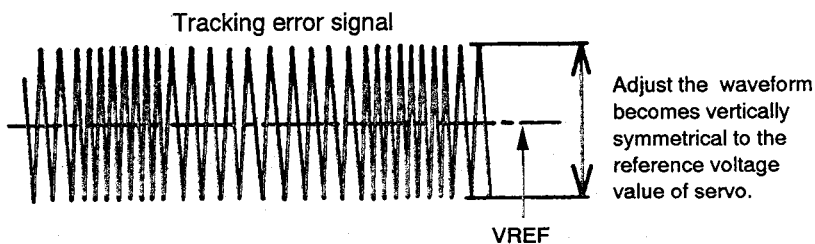


Fig. 6-5

■ Arrangement of Adjusting Position
: CD Amplifier P. C. Board

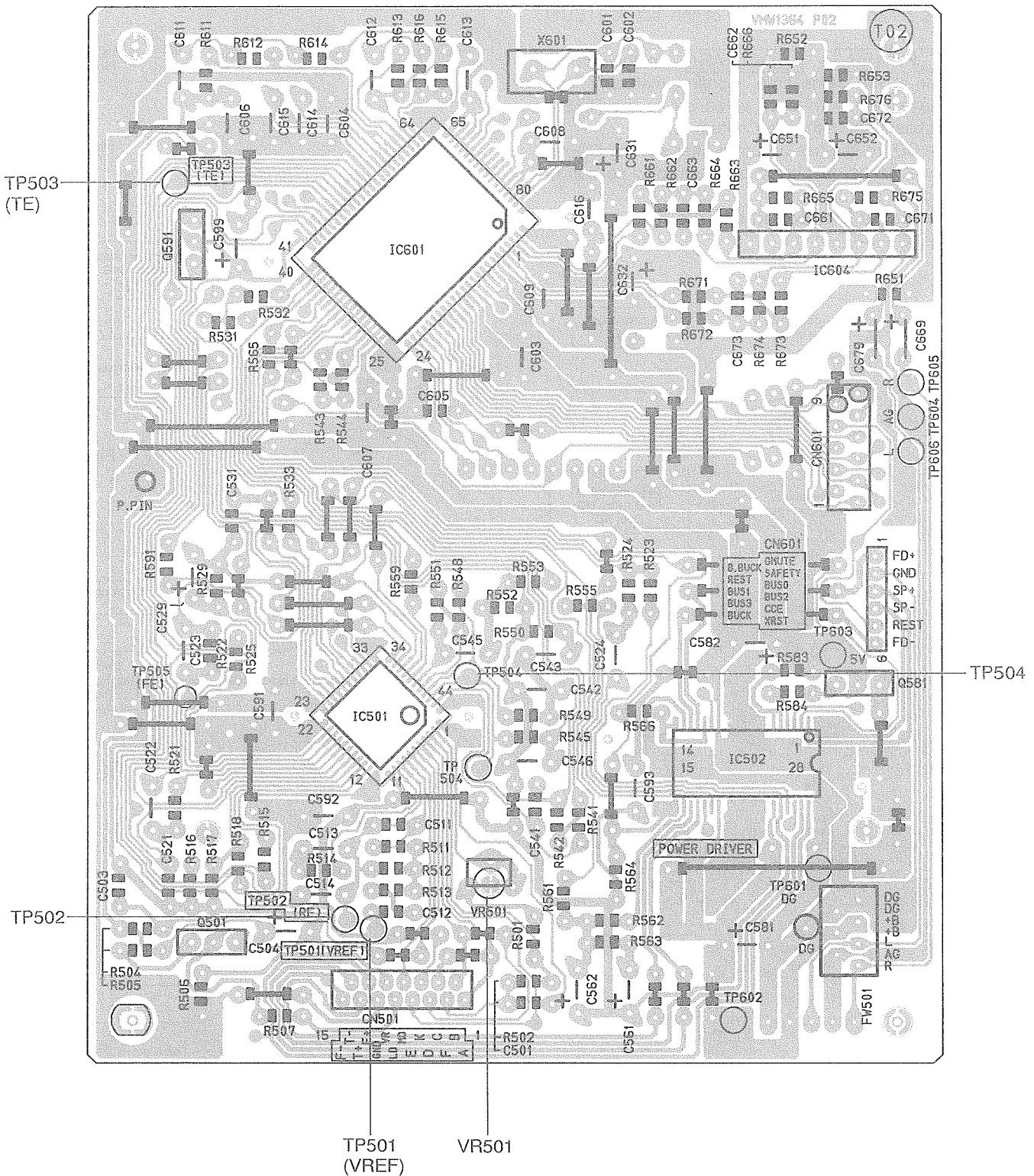


Fig. 6-6

■ Self – Diagnosis Functoin of CD

1. Purpose

This function is designed to display an error to readily clarify the cause of such an error should any trouble occur in CD.

2. How to Use the Function

- (1) Turn the microcomputer action of the set to [TEST] mode.
- (2) Press **POWER** + **[] /CLEAR** on the remote controller at the same time. Confirm that all of the LCDs have been turned on when set to the [TEST] mode subsequent to the step in Item (2).
- (3) Wne the CD trouble has occurred after starting CD, an error code will be displayed on the display section of LCD, etc.

3. Error code and location in trouble

(See Figs. 6 – 7~6 – 11)

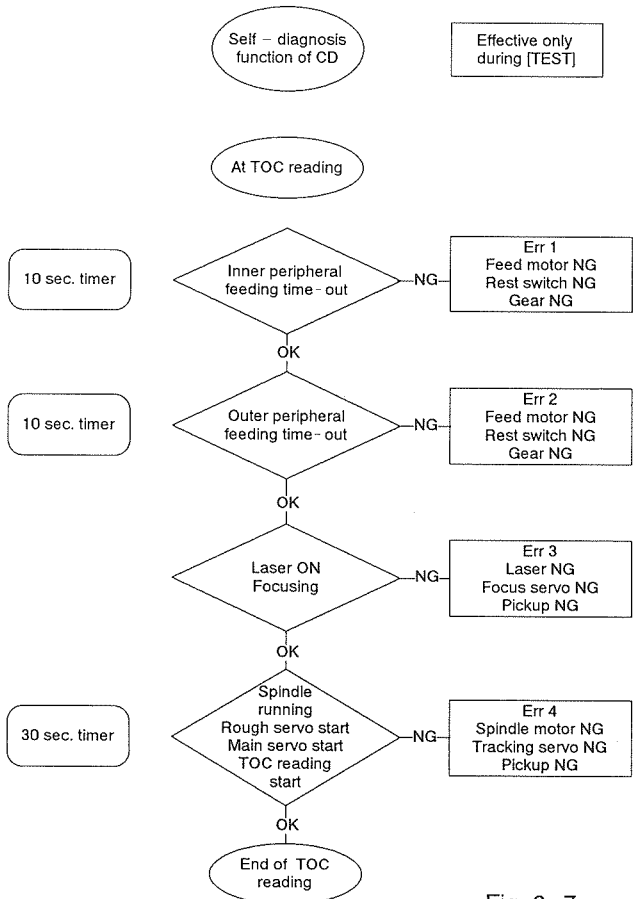


Fig. 6-7

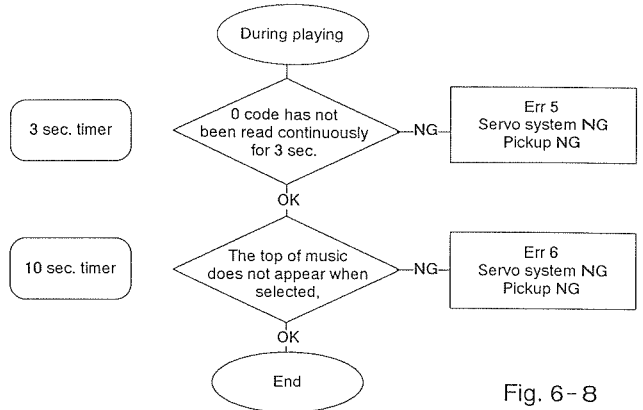


Fig. 6-8

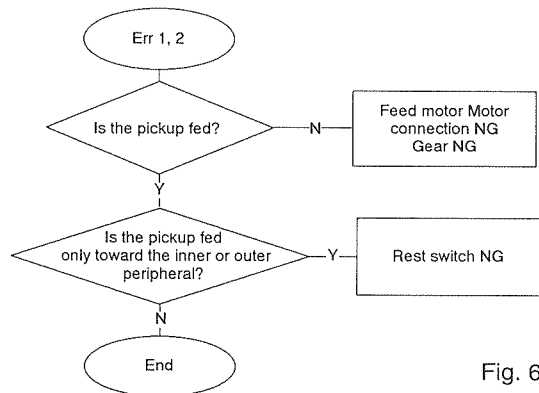


Fig. 6-9

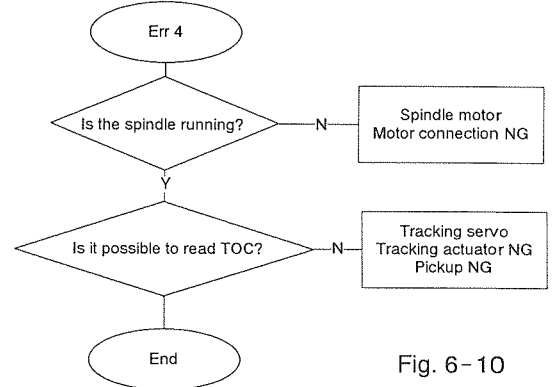


Fig. 6-10

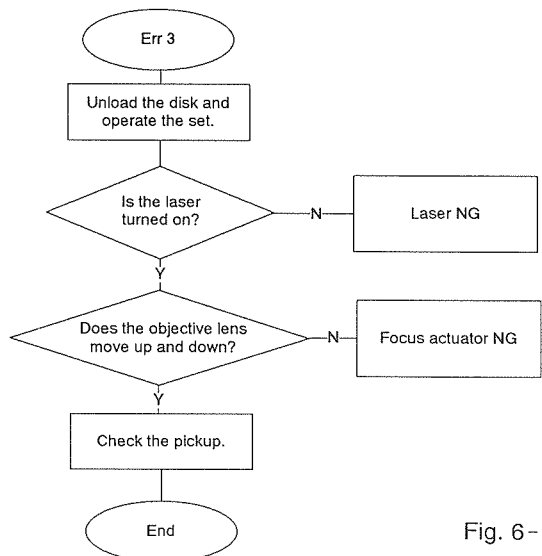


Fig. 6-11

7. Troubleshooting of CD Part

General descriptions of TOC (Table of Contents) readings

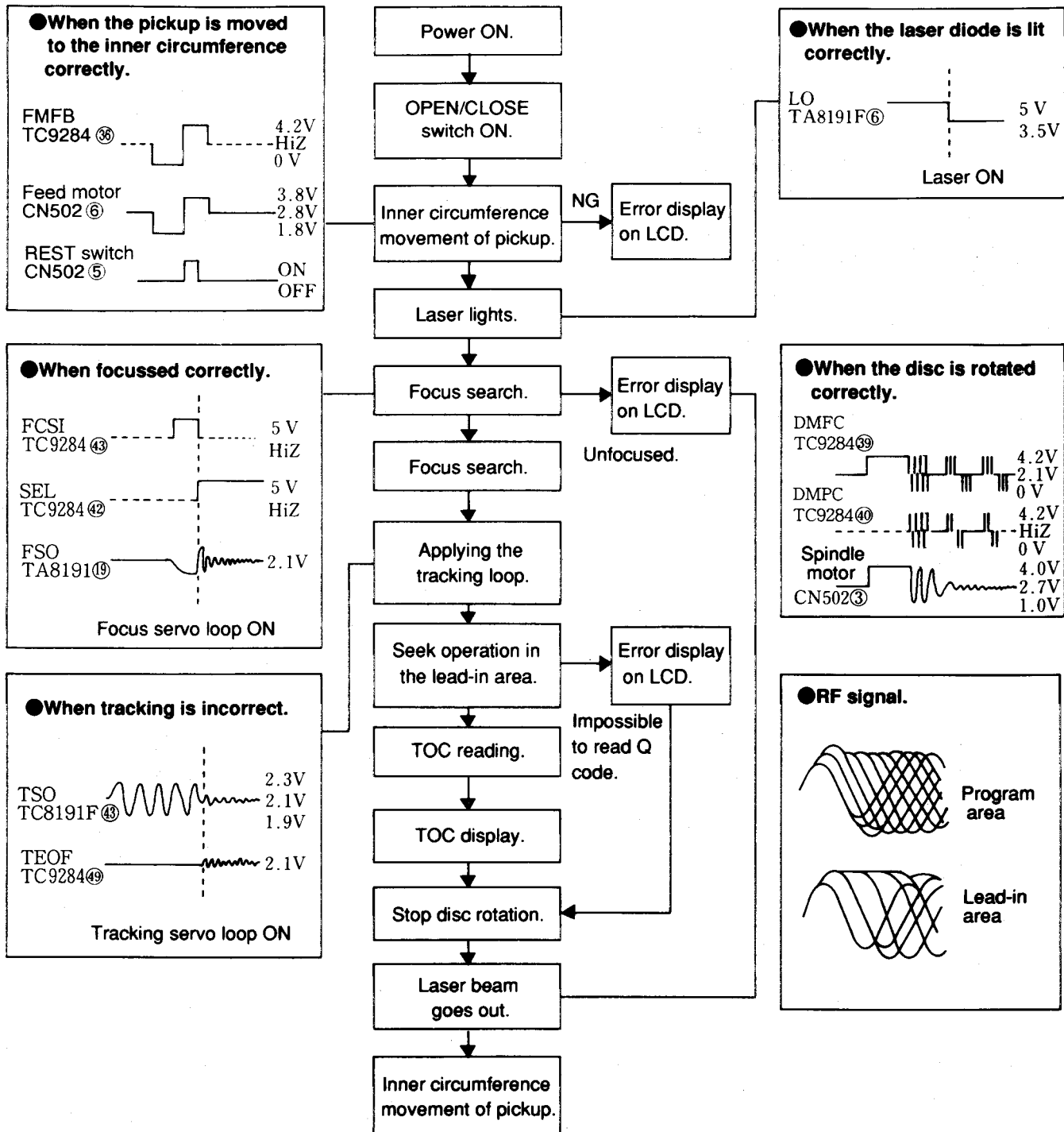


Fig. 7-1

■ General section

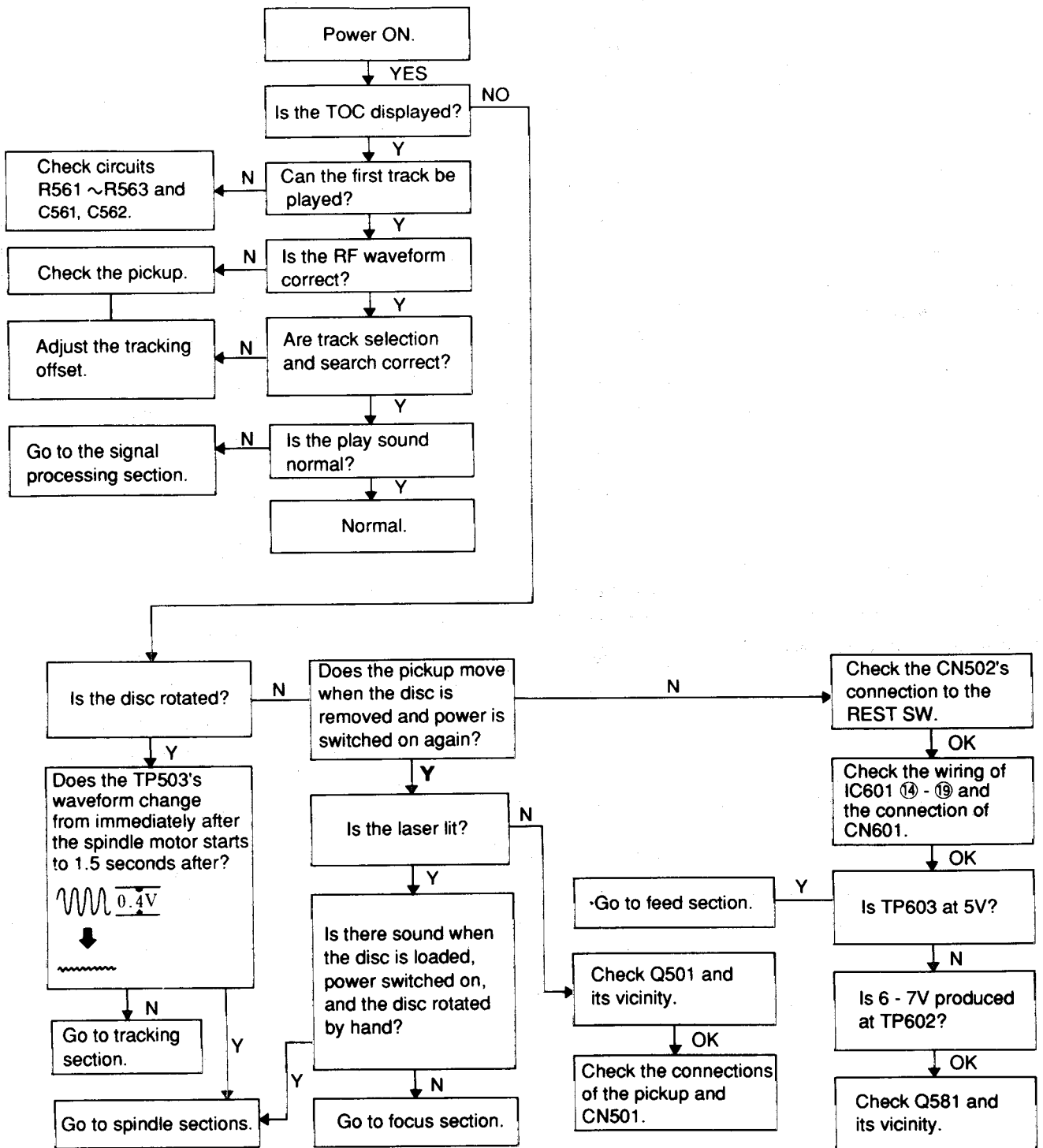


Fig. 7-2

■ Feed section

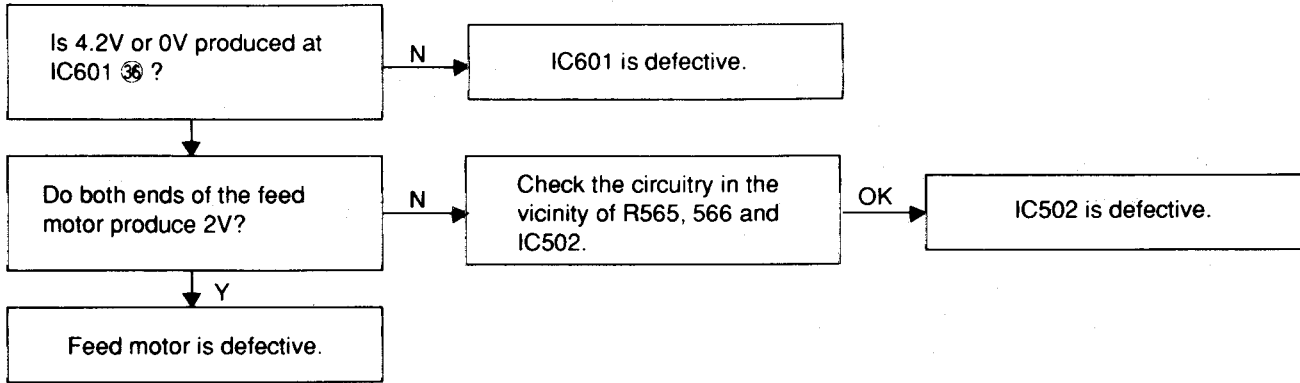


Fig. 7-3

■ Focus section

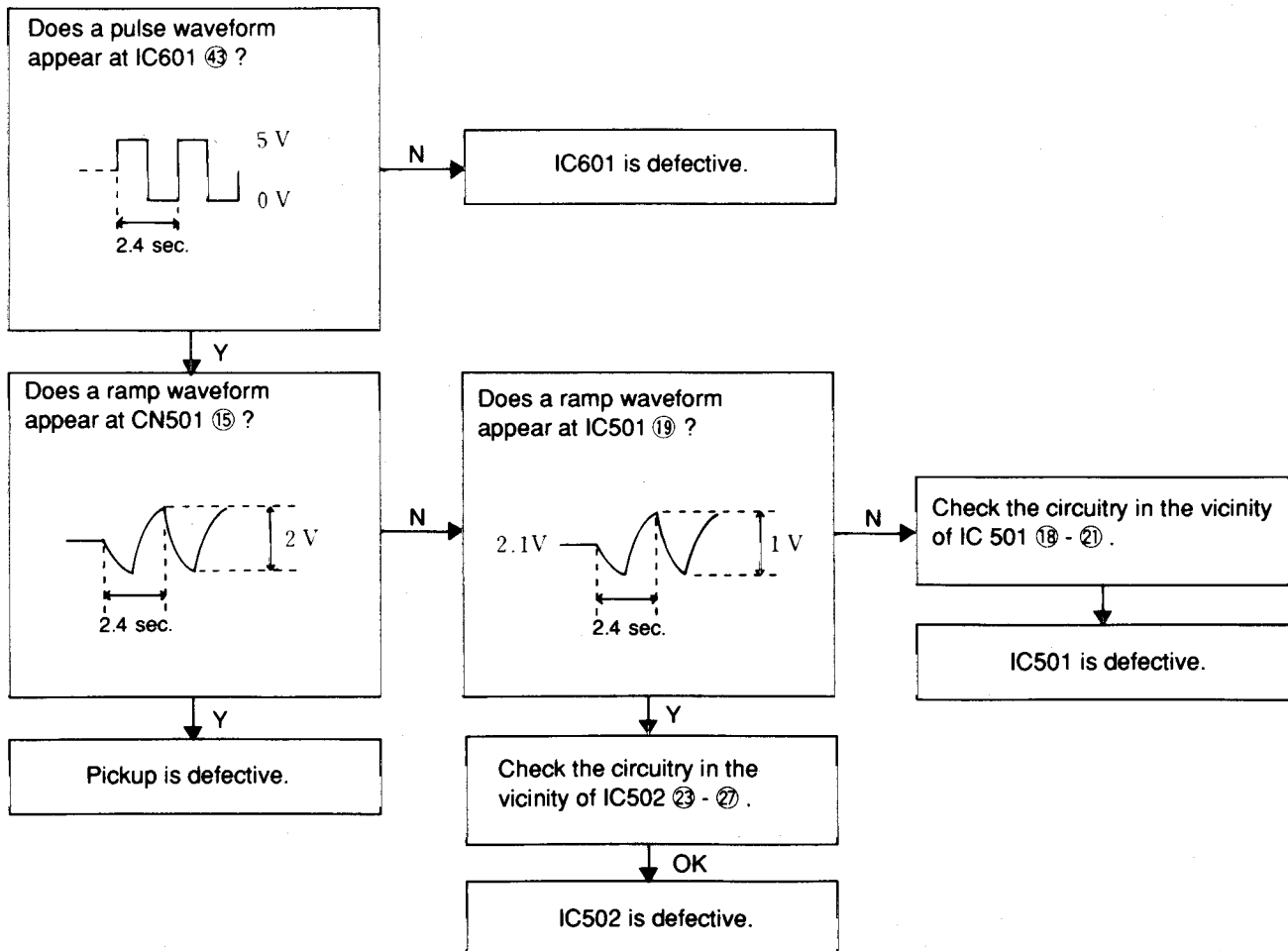


Fig. 7-4

■ Spindle motor section

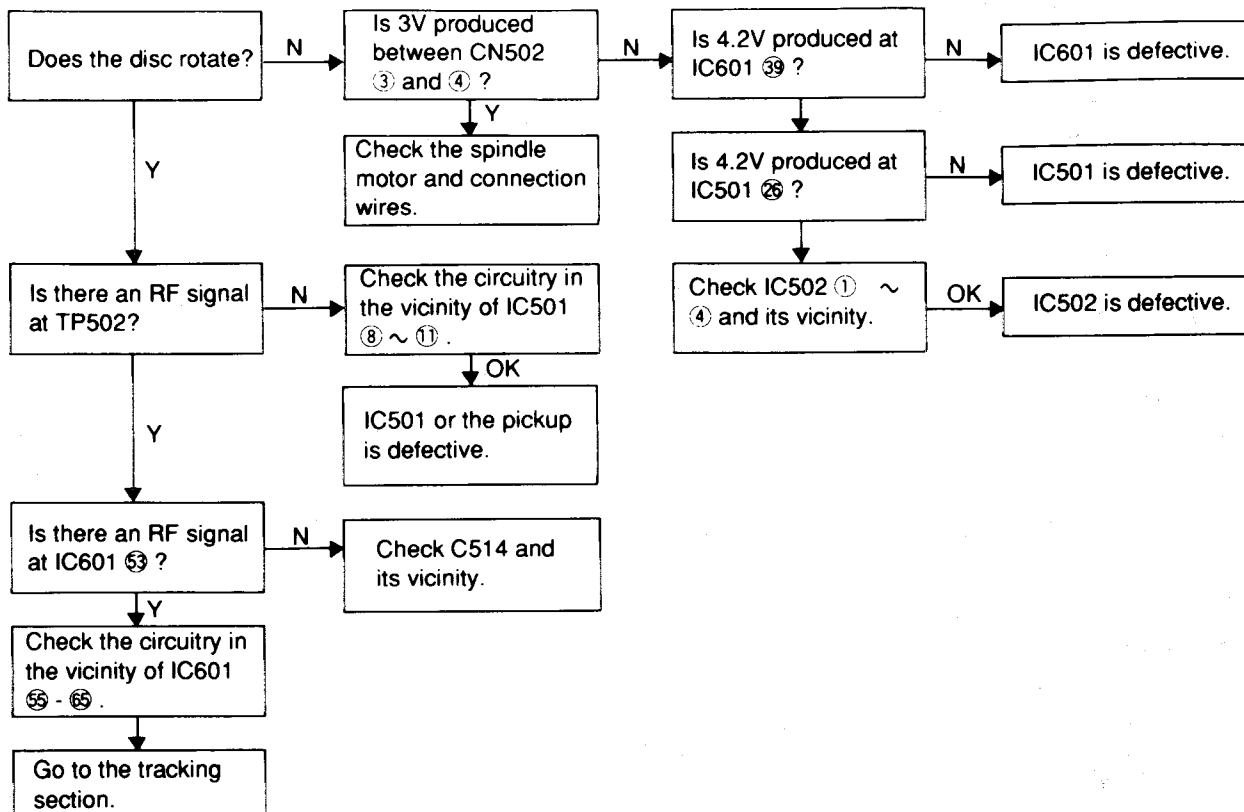


Fig. 7-5

■ Signal processing section

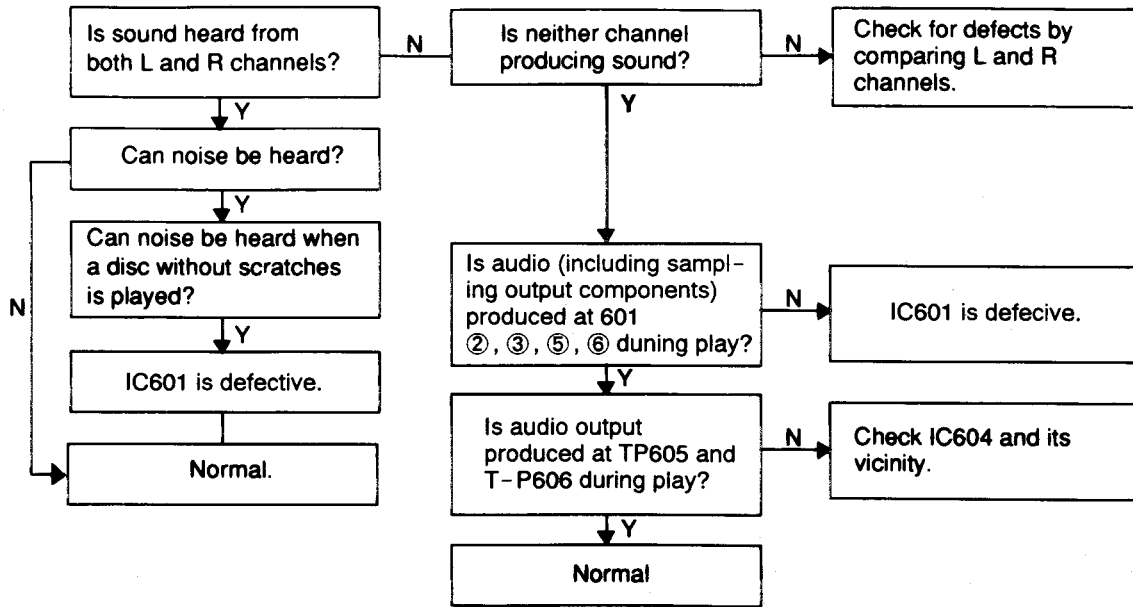


Fig. 7-6

■ Tracking section

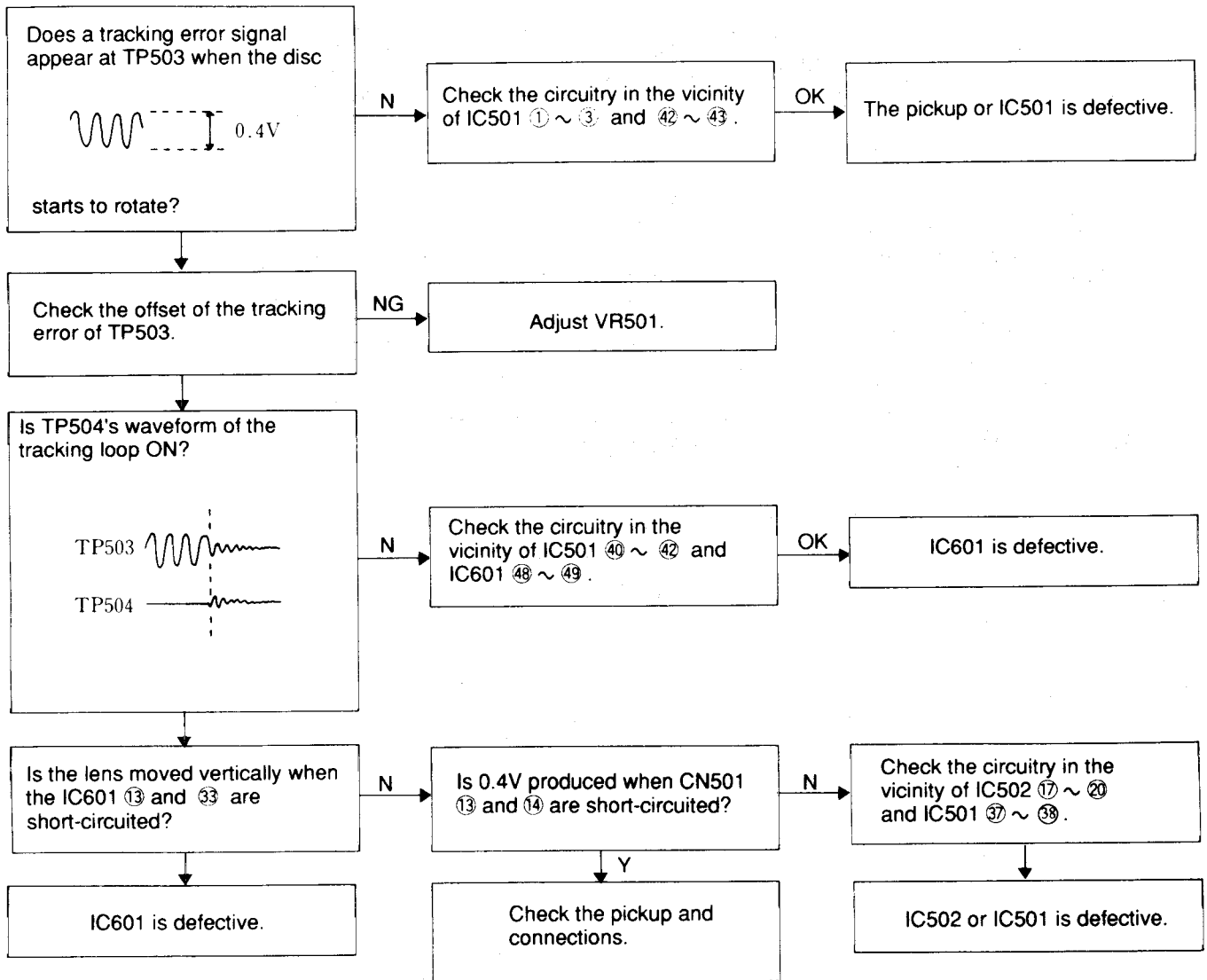
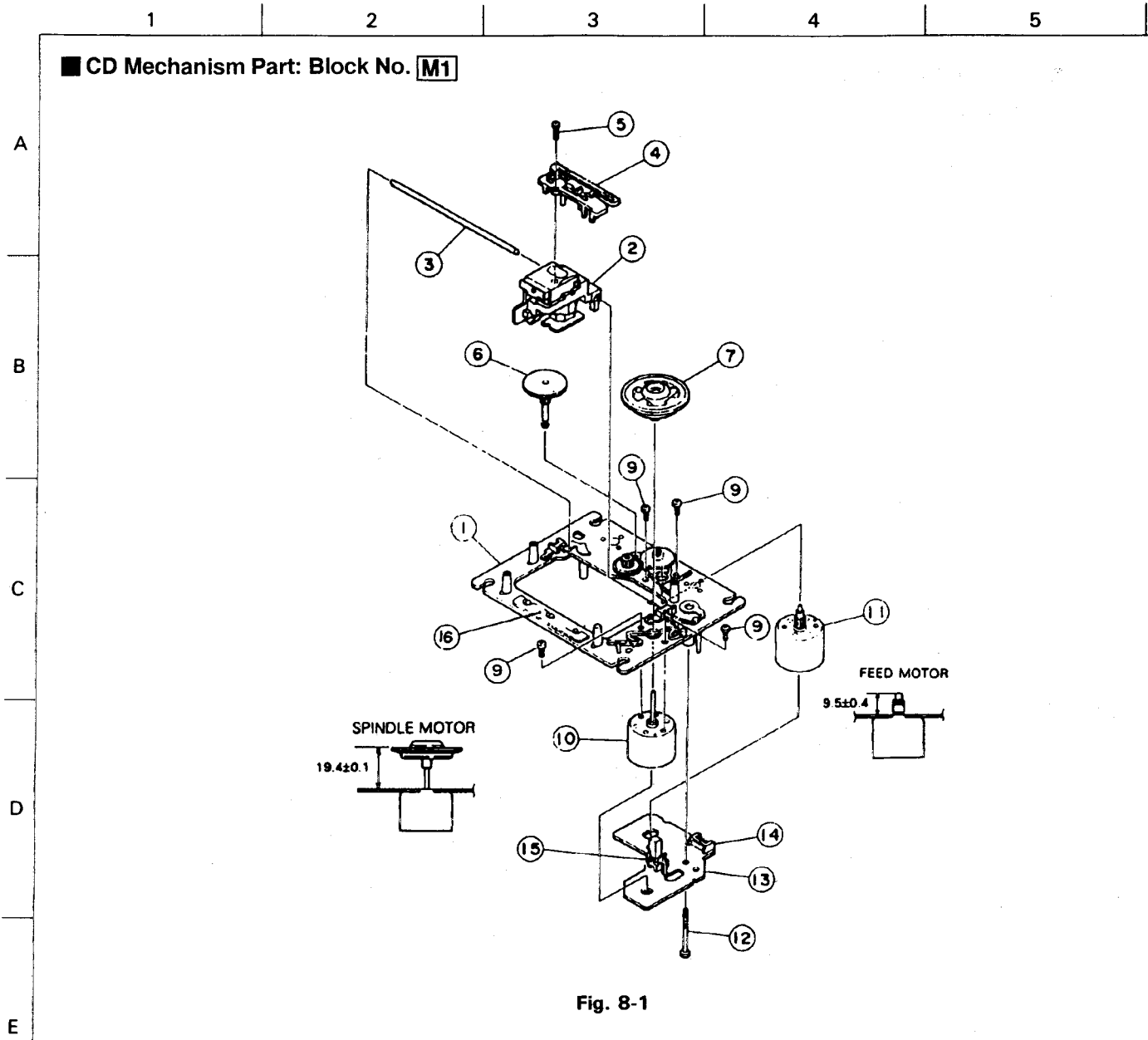


Fig. 7-7

8. Analytic Drawing and Parts List



■ CD Mechanism Parts List

BLOCK NO. **M1M1M1M1**

△ REF.	PARTS NO.	PARTS NAME	REMARKS	QTY	SUFFIX	CLR
1	EPB-002A	MECHA BASE ASSY		1		
2	OPTIMA-6S	OPTICAL PICK-UP		1		
3	E406777-001	GUIDE SHAFT		1		
4	E307746-001	CD RACK		1		
5	SDSF2006Z	SCREW		1		
6	EPB-003A	MECHA GEAR		1		
7	EPB309173A	TURN TABLE		1		
9	SDSP2003N	SCREW		1		
10	E406783-001	DC MOTOR		1		
11	E406784-001SA	DC MOTOR ASSY		1		
12	E75832-001	SPECIAL SCREW		1		
13	EMW10190-001	PRINTED BOARD		1		
14	EMV5109-006B	CONN. TERMINAL		1		
15	ESB1100-005	LEAF SWITCH		1		
16	E407212-001	DAMPER		1		

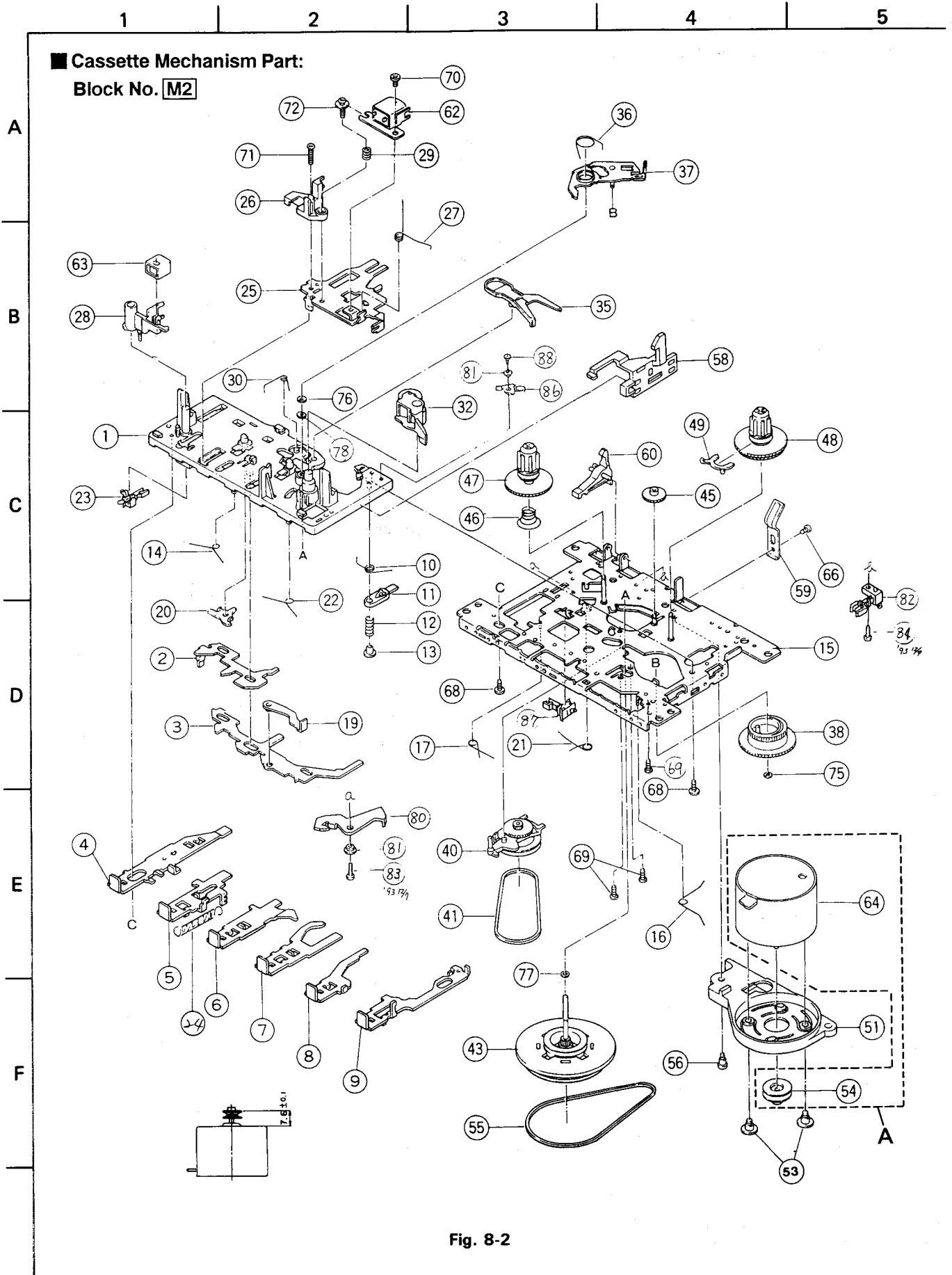


Fig. 8-2

■ Cassette Mechanism Parts List

BLOCK NO.

△	REF.	PARTS NO.	PARTS NAME	REMARKS	QTY	SUFFIX	CLR
	A	1921123026T	DC MOTOR	REF.58,68	1		
	1	192114301ZT	BASE ASS'Y		1		
	2	19211409T	SWITCH ACTUATOR		1		
	3	19211408T	LOCK CAM		1		
	4	19211422T	BUTTON LEVER		1		
	5	19211423T	BUTTON LEVER		1		
	6	19211424T	BUTTON LEVER		1		
	7	19211425T	BUTTON LEVER		1		
	8	19211426T	BUTTON LEVER		1		
	9	19211461T	BUTTON LEVER		1		
	10	19211413T	P CONT. SPRING		1		
	11	19211455T	PAUSE LEVER (E)		1		
	12	19211412T	SPRING		1		
	13	19211411T	PAUSE STOPPER		1		
	14	19211414T	TORSION SPRING		1		
	15	192101501ZT	CHASSIS ASS'Y		1		
	16	19211416T	TORSION SPRING		1		
	17	19211417T	TORSION SPRING		1		
	19	182101159T	E KICK LEVER		1		
	20	19211420T	STOPPER		1		
	21	19211421T	TORSION SPRING		1		
	22	19211415T	TORSION SPRING		1		
	23	MSW-1541T	LEAF SWITCH	MSW-1541T	1		
	24	18210150T	PLAY BUTTON LEV		1		
	25	19210311T	HEAD PANEL		1		
	26	19210304AT	HEAD BASE		1		
	27	19210309T	PANEL P SPRING		1		
	28	19210305T	MAGNET HEAD ARM		1		
	29	18210307T	AZIMUTH SPRING		1		
	30	19211418T	TORSION SPRING		1		
	32	192104309T	P.ROLL. ARM ASY		1		
	35	19212604TT	SENSING LEVER		1		
	36	19212605T	TORSION SPRING		1		
	37	192126502ZT	GEAR PLATE ASSY		1		
	38	19212602T	CAM GEAR		1		
	40	192107308T	RF CLUTCH ASS'Y		1		
	41	18210711T	RF BELT		1		
	43	192109303ZT	FLYWHEEL ASS'Y		1		
	45	18211070T	F.FORWARD GEAR		1		
	46	18211099T	BACK TENSION SP		1		
	47	192105304T	S. REEL ASS'Y		1		
	48	192105303T	T. REEL ASS'Y		1		
	49	19210506T	SENSOR		1		
	51	19211208T	MOTOR BRACKET		1		
	53	19211202T	COLLAR SCREW		2		
	54	19211201T	MOTOR PULLEY		1		
	55	19210924T	MAIN BELT		1		
	56	19211203T	MB SCREW		1		
	58	19211301T	EJ. SLIDE LEVER		1		
	59	18291001T	PACK SPRING		1		
	60	18211069T	REC.SAF.LEVER		1		
	62	MS15R-AA2N1	R/P HEAD	MS15R-AA2N1	1		
	63	PHK-MSI-6A	E HEAD	PH-K380-MS16A	1		
	64	60020218T	MOTOR	EG530AD-9F	1		

BLOCK NO. M2MM

△	REF.	PARTS NO.	PARTS NAME	REMARKS	QTY	SUFFIX	CLR
	66	91790000T	TAPPING SCREW	M2 X 3	1		
	68	96790000T	TAPPING SCREW	M2 X 5	2		
	69	99991809T	SPECIAL SCREW	M2 X 4.5	3		
	70	91150000T	SCREW(M2 X 3)	M2 X 3	1		
	71	90040000T	SCREW(M2 X 6)	M2 X 6	1		
	72	99220000T	SCREW(M2 X 7)	M2 X 7	1		
	75	94220000T	P.WASHER	1.2X3.8X0.3	1		
	76	99990313T	POLY.CUT WASHER	1.45X3.8X0.5	1		
	77	98820000T	POLY.WASHER	2 X 3.5 X 0.4	1		
	78	99990003T	POLYSLIDER WAS.	2.1 X 7 X 0.13	1		
	80	19210201T	REC. ARM		1		
	81	19211437T	P ARM COLLAR		2		
	82	64010138T	LEAF SWITCH	MSW-1275	1		
	83	91800000T	SCREW	M2 X 4	1		
	84	91810000T	SCREW	M2 X 5	1		
	86	19211434T	P.ROLLER ARM		1		
	87	640101161T	LEAF SWITCH	MSW-17820MVDO	1		
	88	99992041T	SPECIAL SCREW	M2 X 3	1		

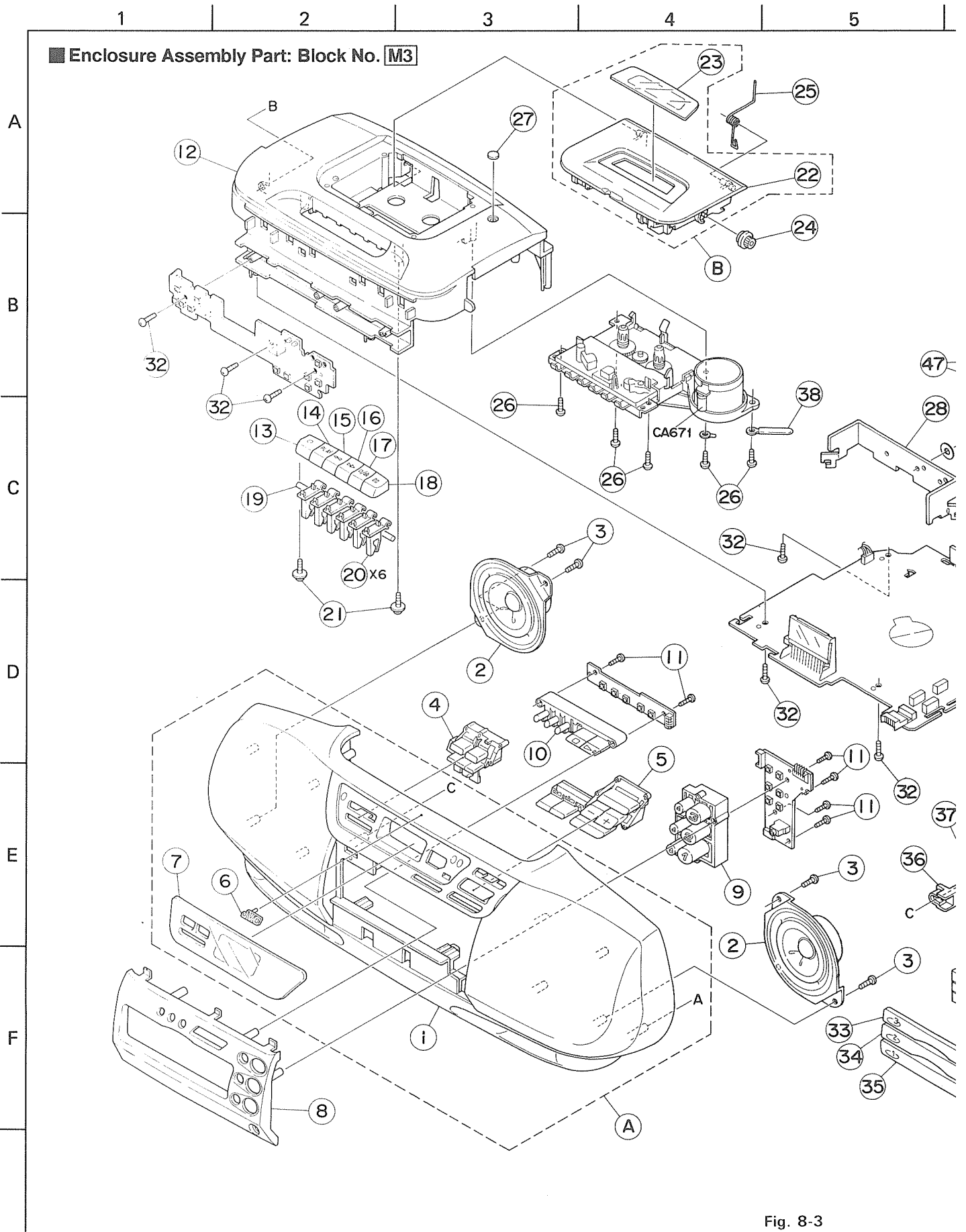


Fig. 8-3

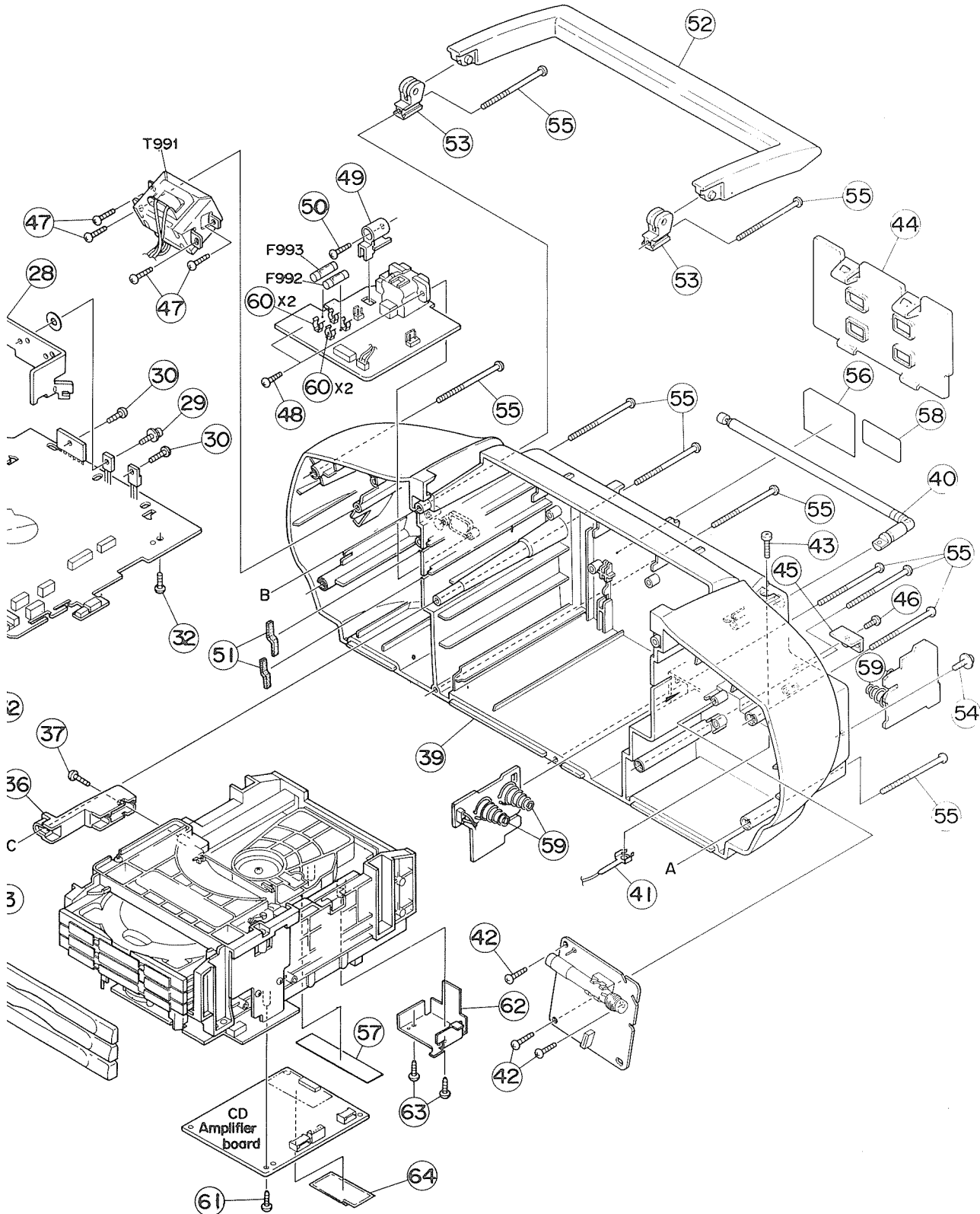
6

7

8

9

10



■ Enclosure Assembly Parts List

BLOCK NO.

△	REF.	PARTS NO.	PARTS NAME	REMARKS	QTY	SUFFIX	CLR
	A	ZCRCXC1K-FB	FRONT CABINET	REF.1,6,7,8	1		
	B	ZCRCX540K-CB	REAR CABINET	REF.22,23	1		
	1	VJG1330-00B	FRONT CABINET		1		
	2	VGS1001-020	SPEAKER		2		
	3	E65923-003	TAPPING SCREW	FOR SPEAKER	4		
	4	VXP3693-001	BUTTON		1		
	5	VXP3694-001	VOLUME BUTTON		1		
	6	VJD5429-001SS	JVC MARK		1		
	7	VJK3656-001	LCD LENS		1		
	8	VJD2448-001	CONTROL COVER		1		
	9	VXP3695-001	CD EJECT BUTTON		1		
	10	VXP3696-001	CD BUTTON		1		
	11	SBSF2608Z	SCREW	COVER+BUTTON	6		
	12	VJD1194-003	TOP COVER		1		
	13	VXP2090-012	MECHA BUTTON	A:REC	1		
	14	VXP2090-013	MECHA BUTTON	A:PLAY	1		
	16	VXP2090-014	MECHA BUTTON	A:FF	1		
	17	VXP2090-015	MECHA BUTTON	A:STOP	1		
	18	VXP2090-016	MECHA BUTTON	A:PAUSE	1		
	19	VYH7877-002	SHAFT		1		
	20	VYH7883-002	BUTTON LEVER		6		
	21	E65923-003	TAPPING SCREW		2		
	22	VJT2351-001	CASSETTE DOOR		1		
	23	VJT4223-001	DOOR LENS		1		
	24	VYH7366-001MM	GEAR		1		
	25	VKW5159-001	DOOR SPRING		1		
	26	SBSF3010Z	SCREW		5		
	27	VJD5458-002	PLATE		1		
△	28	VYH3848-001	HEAT SINK		1		
	29	DPSP3010Z	SCREW		1		
	30	SBSF3010Z	SCREW		2		
	31	VYH3877-001	LCD HOLDER		1		
	32	SBSF3010Z	SCREW	CONTROL PWB+TOP	7		
	33	VJT3368-001	CD FITTING(A)		1		
	34	VJT3368-002	CD FITTING(B)		1		
	35	VJT3368-003	CD FITTING(C)		1		
	36	VYH7950-001	SUPPORT BKT(A)		1		
	37	SBSF3010Z	SCREW	FOR SUPPORT BKT	1		
	38	VKZ4001-110	WIRE CLAMP		1		
	39	VJG1329-002	REAR CABINET		1		
	40	VJA3033-00A	ROD ANT ASS'Y		1		
	41	VYH5012-006	TERMINAL LUG		1		
	42	SBSF3010Z	SCREW	FOR TUNER PWB	3		
	43	SDSP3012N	SCREW	FOR ROD ANT	1		
	44	VJC2546-001	BATTERY COVER		1		
	45	VYH7953-001	HOOK		1		
	46	SBSF3008M	SCREW	HOOK+REAR	1		
	47	SBSF3010Z	SCREW	FOR TRANS	2		
		SBSF3010Z	SCREW	FOR TRANS	2		
	48	SBSF3010Z	SCREW	FOR AC	2		
	49	VYH7972-001	DC HOLDER		1		
	50	SBSF3010Z	SCREW	FOR DC HOLDER	1		
	51	VYSH102-090	SPACER		2		
	52	VJH2013-001	HANDLE		1		
	53	VYH7845-002	HANDLE SUPPORT		2		

BLOCK NO. M3MM

REF.	PARTS NO.	PARTS NAME	REMARKS	QTY	SUFFIX	CLR
54	E65923-004	TAPPING SCREW	FOR BATT PWB	1		
55	SBSF3050Z	SCREW	FRONT+REAR	10		
56	VYN5188-M009T	NAME PLATE		1	EN	
	VYN5188-M015T	NAME PLATE		1	GI	
	VYN5188-M002T	NAME PLATE		1	B	
	VYN5188-M008T	NAME PLATE		1	G	
	VYN5188-M005T	NAME PLATE		1	E	
57	E406709-001	LASER CAUTION		1		
58	E70891-001	CLASS 1 LABEL		1		
59	VYH5483-001	BATTERY SPRING	FOR UM-1	2		
	VYH5483-001	BATTERY SPRING	FOR UM-1	2		
60	VMZ0125-001Z	FUSE CLIP	FOR F993	2	E,EN	
	VMZ0125-001Z	FUSE CLIP	FOR F992	2		
61	SBSF3008Z	SCREW		1		
62	VMA4658-001	SHIELD CASE	FOR RF WIRE	1		
63	SBSF3010Z	SCREW	FOR SHIELD CASE	2		
64	VMA4620-001	SHIELD		1		
CA371	QET41AM-227	E.CAPACITOR	220MF 20% 10V	1		
F 992	QMF51E2-2R5J1	FUSE	2ND	1		
F 993	QMF51E2-2R5J1	FUSE	FOR DC	1	E,EN	
T 991	VTP57J2-12B	POWER TRANS		1		

1 2 3 4 5

■ CD Changer Mechanism Part: Block No. 04

A

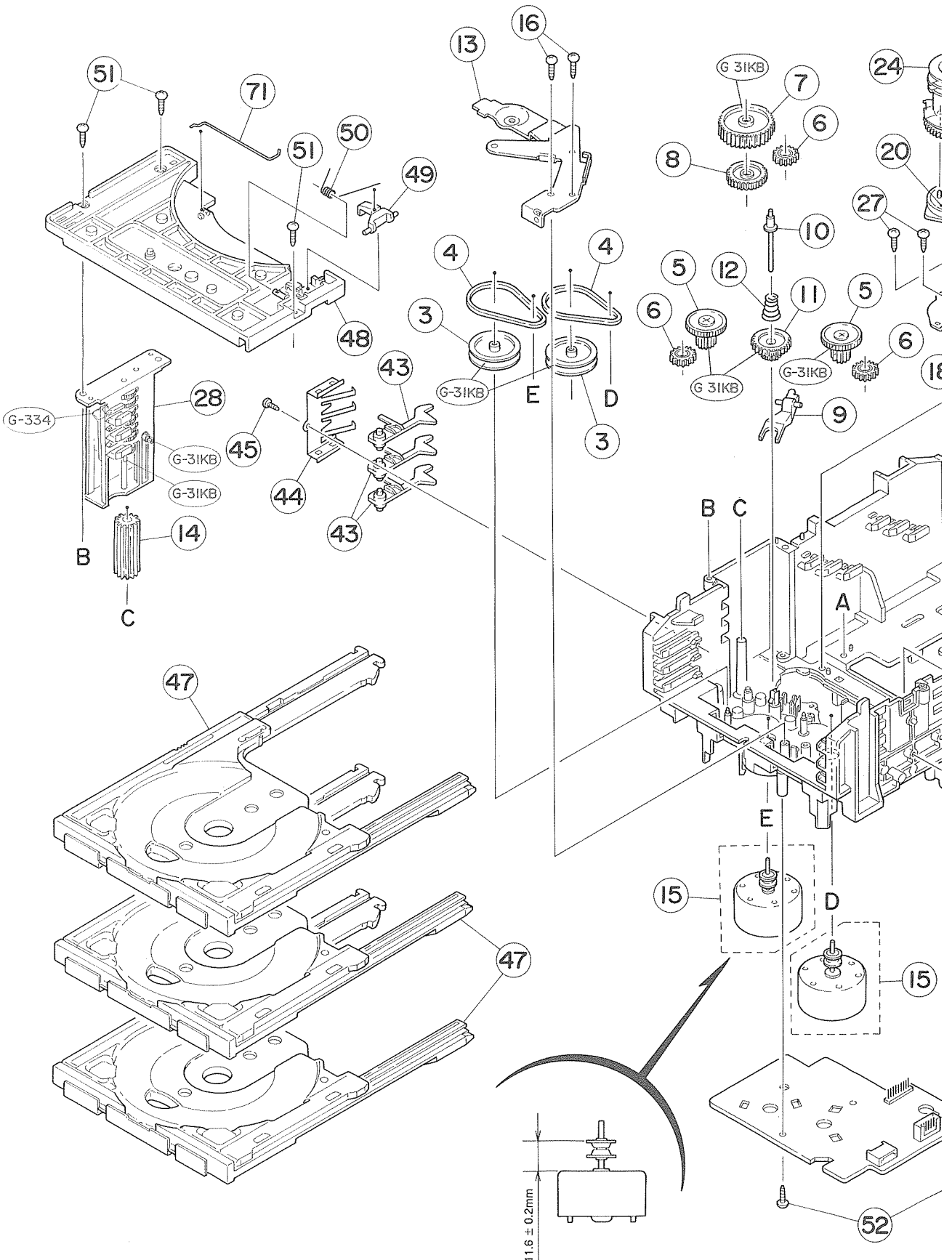
B

C

D

E

F



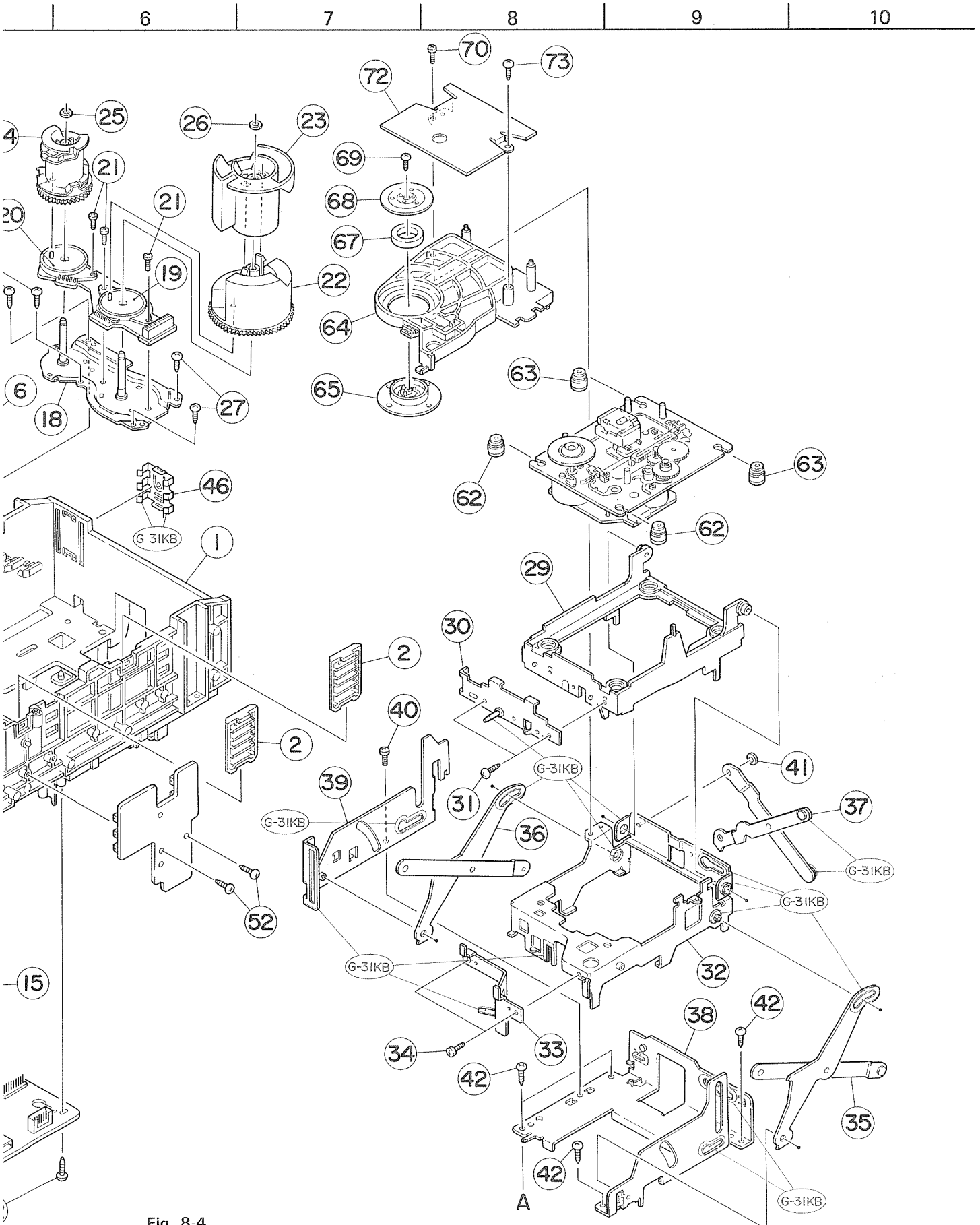


Fig. 8-4

■ CD Changer Mechanism Parts List

BLOCK NO.

REF.	PARTS NO.	PARTS NAME	REMARKS	QTY	SUFFIX	CLR
1	VKS1144-002	CHASSIS		1		
2	VKS3698-001	TRAY GUIDE		2		
3	VKS5532-001	PULLEY GEAR		2		
4	VKB3000-164	BELT		2		
5	VKS5505-001	GEAR B		2		
6	VKS5506-001	GEAR C		3		
7	VKS5507-001	CROSS GEAR U		1		
8	VKS5508-001	CROSS GEAR L		1		
9	VKS5510-002	SELECT LEVER		1		
10	VKH5769-001	S.G.SHAFT		1		
11	VKS5511-001	SELECT GEAR		1		
12	VKW5155-003	COMP.SPRING	FOR SELECT GEAR	1		
13	VKM3846-001	GEAR BRACKET		1		
14	VKS5509-001	CYLINDER GEAR		1		
15	MSN5D257A-SA2	D.C.MOTOR		2		
17	DPSP2616Z	SCREW	FOR MOTOR	2		
18	VKM3825-00A	C.G.BASE ASS'Y		1		
19	VKZ3172-00A	CAM SW. R ASS'Y		1		
20	VKZ3173-00A	CAM SW. L ASS'Y		1		
21	SPST2606Z	SCREW	FOR CAM SW.	3		
22	VKS2263-001	CAM R1		1		
23	VKS2264-001	CAM R2		1		
24	VKS2265-001	CAM GEAR L		1		
25	WDL316050	SLIT WASHER	FOR CAM GEAR L	1		
26	WDL316050	SLIT WASHER		1		
27	SBSF2608Z	SCREW	FOR C.GEAR BASE	4		
28	VKS3702-00E	DRIVE UNIT		1		
29	VKS2247-002	MECHA HOLDER A		1		
30	VKL7767-00B	BRACKET ASS'Y		1		
31	SBSF2606Z	SCREW	FOR BRACKET	2		
32	VKM3824-00D	*M.HOLDER B ASS		1		
33	VKL7802-00C	M.HOLDER C AS'Y		1		
34	SDST2604Z	SCREW	FOR M.HOLDER C	2		
35	VKL7810-00A	LIFTER ASS'Y R		1		
36	VKL7811-00A	LIFTER ASS'Y L		1		
37	VKL7812-00A	LIFTER ASS'Y H		1		
38	VKL2732-001	LIFTER BASE		1		
39	VKM3823-001	LIFTER BRACKET		1		
40	SDST2604Z	SCREW		1		
41	WDL266035-2	SLIT WASHER		1		
42	SBSF2608Z	SCREW		4		
43	VKS5514-001	LOCK LEVER		3		
44	VKY3133-001	RETURN SPRING		1		
45	SBSF2608Z	SCREW	FOR RETURN SP	1		
46	VKY3134-002	CLICK SPRING		1		
47	VKS2252-00C	TRAY ASS'Y		3		
48	VKS2250-001	TOP BRACKET		1		
49	VKS5515-001	S.TRAY STOPPER		1		
50	VKW5156-002	TORSION SPRING		1		
51	SBSF2608Z	SCREW		3		
52	SBSF2608Z	SCREW		4		
62	FMYH4003-002J	INSULATOR		2		
63	FMYH4003-001J	INSULATOR		2		
64	VKS2248-001	CLAMPER BASE		1		
65	VKS3697-001	CLAMPER		1		
67	VYH7313-003	MAGNET		1		
68	VKL7757-001	YOKE		1		
69	SBSF2606Z	SCREW		1		
70	SPST2606Z	SCREW		1		
71	VKW5187-001	ROD		1		
72	VYH3897-001	SHIELD		1		
73	SBSF3010Z	SCREW		1		

9. Main IC Block Diagram

■ IC601: TC9284AF (1Chip Processor)

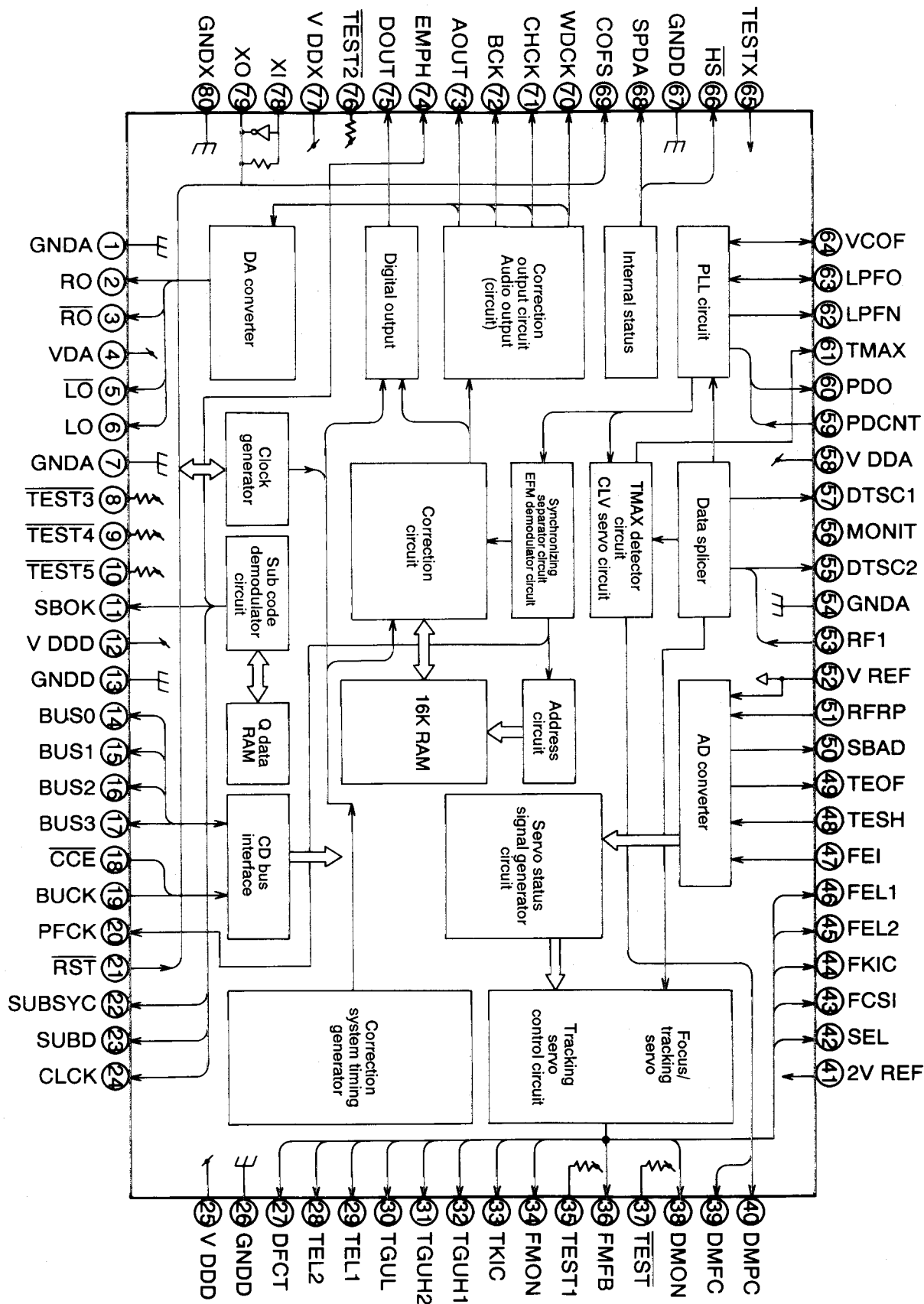


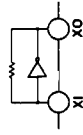
Fig. 9-1

■ IC601:TC9284AF

Terminal No.	Designation of Terminal	I/O	Description of Function
1	GNDA	—	R channel analog gland terminal of D/A converter
2	RO	O	Forward output terminal of R channel data
3	RO	O	Reverse output terminal of R channel data
4	VDA	—	Power supply terminal to D/A converter
5	LO	O	Reverse output terminal of L channel data
6	LO	O	Forward output terminal of L channel data
7	GNDA	—	L channel analog gland terminal of D/A converter
8	TEST3	I	Test terminal. Normally at "H" or open (with pullup resistor)
9	TEST4	I	Test terminal. Normally, it is a "H" or open (with pullup resistor).
10	TEST5	I	Test terminal. Normally, it is a "H" or open (with pullup resistor).
11	SBOOK	O	CRCC decision result output terminal of sub code Q data. It is at "H" when the result is OK.
12	V _{ser}	—	Digital power supply voltage terminal (+5V)
13	GNDD	—	Digital gland terminal
14	BUS0	—	—
15	BUS1	—	—
16	BUS2	I/O	Microcomputer interface data input/output terminal. (With Schmidt input, open drain output and pull-up resistor)
17	BUS3	—	—
18	OC _E	I	Microcomputer interface chip enable signal input terminal. BUS 3 - 0 is active when the terminal is at "H" (Schmidt input)
19	BUCK	I	Microcomputer interface clock input terminal (Schmidt input)
20	PFC	O	Playback system frame sink signal output terminal
21	RST	I	Reset signal input terminal. It is at "L" during resetting (with pull-up resistor)
22	SUBSYN	O	Sub code block sink output terminal. It is at "H" at S1 position when the sub code sink is detected.
23	SUBD	O	Sub code P - W output terminals
24	CLOCK	I	Sub code P - W data reading clock input terminal
25	V _{ser}	—	Digital power supply voltage terminal (+5V)
26	GNDD	—	Digital gland terminal
27	DFCT	O	Defect detector signal output terminal. It is at "V _{ser} " during detection of defect, but at "HIZ" under normal conditions.
28	TEL2	—	Tracking gain adjusting analog switch output terminal.
29	TEL1	O	It is at "V _{ser} " during gain adjustment, but at "HIZ" under normal conditions.
30	TGUL	O	Tracking servo gain amplifier analog switch output terminal. It is possible to select the polarity at gain amplifier and normal playback by command.

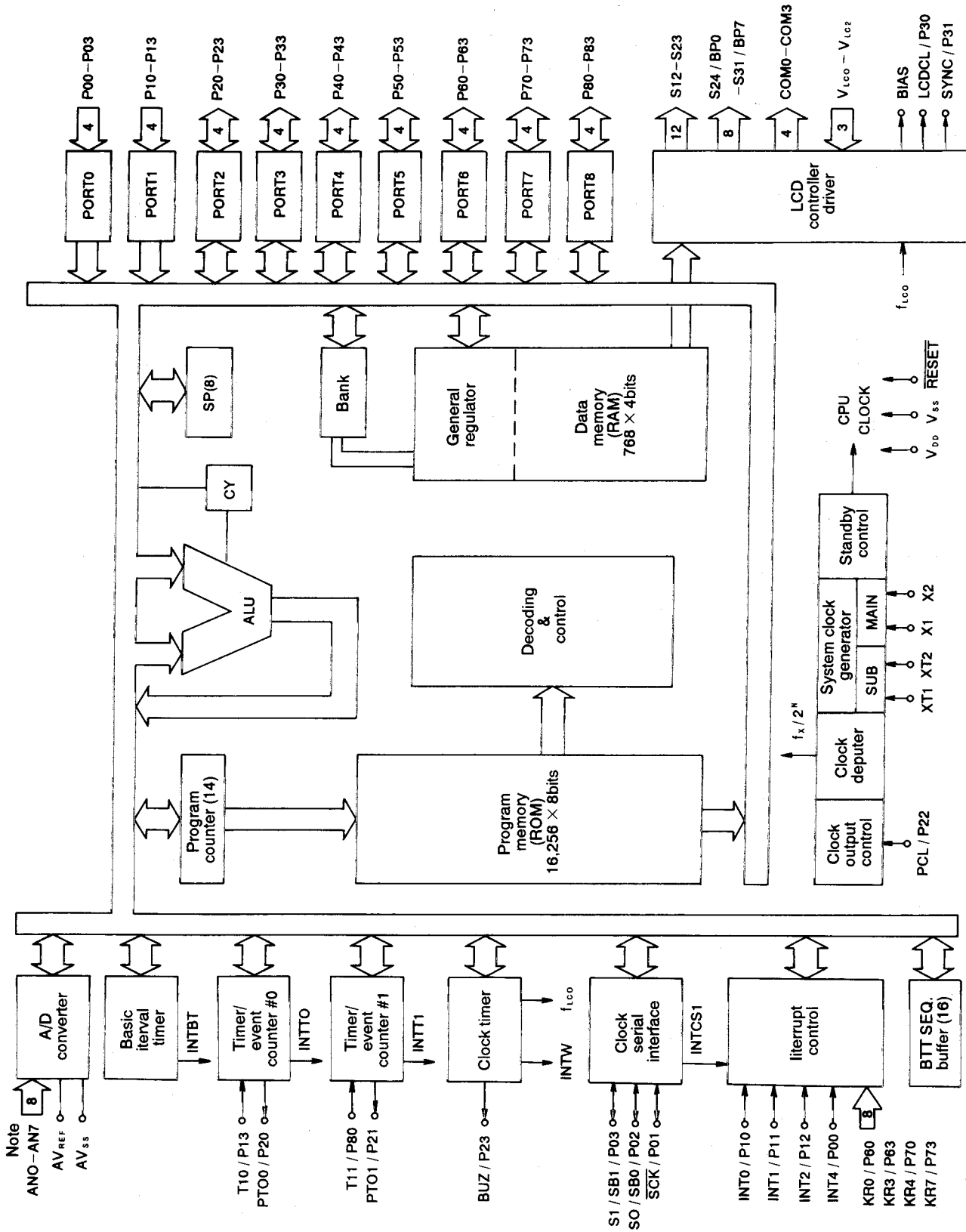
Terminal No.	Designation of Terminal	I/O	Description of Function															
31	TGUH2	O	Tracking servo gain amplifier analog switch output terminal. It is at "V _{ser} " at gain amplifier, but at "HIZ" under normal conditions. Although TGUH1 is used during normal playback, TGUH2 is used during double speed playback.															
32	TGUH1	O	Tracking actuator kick signal output terminal. It is used as a kick signal output terminal during adjustment of NKIC, and CKIC, tracking gains. Kicking is in outer peripheral direction at "2V _{ser} " and inner peripheral direction at "L". Normally, this terminal is at "HIZ". Three values are output (2V _{ser} , HIZ and GNDA).															
33	TKIC	O	Feed servo ON/OFF analog switch output terminal. It is at "HIZ" when servo is on, but at "V _{ser} " when servo is off.															
34	FMON	I	Test terminal. It is normally at "H" or open (with pull-up resistor).															
35	TEST1	O	Feed motor FWD/BWD feed control signal output terminal. Feeding is in outer peripheral direction at "2V _{ser} " and inner peripheral direction at "L". Normally, this terminal is at "HIZ". Three values are output (2V _{ser} , HIZ and GNDA).															
36	FMFB	O	Test terminal. It is normally at "H" or open (with pull-up resistor).															
37	TEST	O	Gain selector analog switch output terminal of disc motor drive circuit. By command, it is possible to select "HIZ" when CLV servo is off and "HIZ/V _{ser} " when the servo is off.															
38	DMON	O	Disc motor CLV servo AFC signal output terminal. Three values are output (2V _{ser} , V _{ser} and GNDA).															
39	DMFC	O	<table border="1" style="width: 100%; border-collapse: collapse;"> <thead> <tr> <th>action</th> <th>Command</th> <th>DMFC output</th> </tr> </thead> <tbody> <tr> <td>Motor acceleration</td> <td>DMFK</td> <td>"2V_{ser}"</td> </tr> <tr> <td>CLV servo ON</td> <td>DMSV</td> <td>AFC signal (PWM)</td> </tr> <tr> <td>Motor brake ON</td> <td>DMBK</td> <td>"L"</td> </tr> <tr> <td>CLV servo OFF</td> <td>DMOFF</td> <td>"V_{ser}"</td> </tr> </tbody> </table>	action	Command	DMFC output	Motor acceleration	DMFK	"2V _{ser} "	CLV servo ON	DMSV	AFC signal (PWM)	Motor brake ON	DMBK	"L"	CLV servo OFF	DMOFF	"V _{ser} "
action	Command	DMFC output																
Motor acceleration	DMFK	"2V _{ser} "																
CLV servo ON	DMSV	AFC signal (PWM)																
Motor brake ON	DMBK	"L"																
CLV servo OFF	DMOFF	"V _{ser} "																
40	DMPC	O	Disc motor CLV servo APC signal output terminal. Three values are output (2V _{ser} , HIZ and GNDA).															
41	2V _{ser}	—	Analog reference power supply terminal (Twice the "V _{ser} " voltage)															
42	SEL	O	<p>Servo mode indicator signal output terminal for ON/OFF control of laser diode (LD) and focus servo. Three values are output (V_{ser}, HIZ and GNDA).</p> <table border="1" style="width: 100%; border-collapse: collapse;"> <thead> <tr> <th>SEL output</th> <th>LD servo</th> <th>Action mode</th> </tr> </thead> <tbody> <tr> <td>"L"</td> <td>OFF</td> <td>LD OFF</td> </tr> <tr> <td>"HIZ"</td> <td>ON</td> <td>Focus search</td> </tr> <tr> <td>"H"</td> <td>ON</td> <td>Focus ON (normal play, etc.)</td> </tr> </tbody> </table>	SEL output	LD servo	Action mode	"L"	OFF	LD OFF	"HIZ"	ON	Focus search	"H"	ON	Focus ON (normal play, etc.)			
SEL output	LD servo	Action mode																
"L"	OFF	LD OFF																
"HIZ"	ON	Focus search																
"H"	ON	Focus ON (normal play, etc.)																

Terminal No.	Designation of Terminal	I/O	Description of Function
64	VCOF	O	VCO filter terminal
65	TESTX	I	Test terminal. It is normally at "H" or "L".
66	HS	O	Double speed mode output terminal. Although "H" is output during normal playback, "L" is output during double speed playback.
67	GNDD	—	Digital gland terminal
68	SPDA	O	Processor status signal output terminal
69	COFS	O	Correction system frame clock (7.35kHz) output terminal
70	WDCK	O	Word clock (86.2kHz) output terminal. By microcomputer command, it is possible to select SUBQ, BUFOV and IPF signals.
71	CHCK	O	Channel clock (44.1kHz) output terminal. "L" at L channel and "H" at R channel.
72	BCK	O	Bit clock (1.4112MHz) output terminal
73	AOUT	O	Audio data output terminal
74	EMPH	O	Emphasis ON/OFF indicator signal output terminal. "H" at emphasis ON, but "L" at emphasis OFF.
75	DOUT	O	Digital output terminal
76	TEST2	I	Test terminal. It is normally "H" or open (with pull-up resistor).
77	V _{osc}	—	Crystal oscillator power supply terminal
78	XI	I	Crystal oscillator connection terminal (Crystal oscillator frequency: 16.9344MHz)
79	XO	O	
80	GNDX	—	Crystal oscillator section gland terminal



Terminal No.	Designation of Terminal	I/O	Description of Function								
43	FCSI	O	Focus actuator drive signal terminal at [FOCUS SEARCH] mode. The lens is driven in distant direction from disc at "V _{max} " but in approaching direction to the lens at "L". Normally, this terminal is at "HIZ". Three values are output (V _{max} , HIZ and GNDX).								
44	FKIC	O	Focus actuator drive signal output terminal at [FOCUS GAIN ADJUST] mode. The lens is driven in distant direction from disc at "V _{max} " but in approaching direction to the lens at "L". Normally, this terminal is at "HIZ". Three values are output (V _{max} , HIZ and GNDX).								
45	FEL2	O	Focus gain adjusting analog switch output terminal.								
46	FEL1	O	These terminals are at "V _{ref} " or "HIZ".								
47	FEI	I	Focus error signal input terminal (Analog Input)								
48	TESH	I	Tracking error signal sample hole analog switch input terminal (Analog Input)								
49	TEOF	O	Tracking servo action(actuator) ON/OFF analog switch input terminal (Analog Input)								
50	SBAD	I	Sub beam adder signal input terminal (Analog Input)								
51	RFRP	I	RF ripple signal input terminal (Analog Input)								
52	V _{ref}	—	Analog reference power supply terminal								
53	RFI	I	RF-signal input terminal (Analog Input)								
54	GNDX	—	Analog gland terminal								
55	DTSC2	O	Data slicer control EFM signal reversion output terminal								
56	MONIT	O	Internal signal monitor output terminal. It is possible to select EFM0, PLCK and LOCK signals. Muting is also possible.								
57	DTSC1	O	Data slicer control EFM signal forward output terminal								
58	VDDA	—	Analog power supply terminal								
59	PDCNT	I	PDO output control terminal. The PDO terminal is forcedly fixed to "HIZ" at "L", but normal output at "H".								
60	PDO	O	Phase difference output terminal between EFM and PLCK signals. Three values are output (2V _{ref} , HIZ and GNDX).								
61	TMAX	O	TMAX detection result output terminal. Three values are output (2V _{ref} , HIZ and GNDX). <table border="1" style="margin-left: 20px;"> <tr> <td>TMAX detection result</td> <td>TMAX output</td> </tr> <tr> <td>Longer than specified period</td> <td>"L"</td> </tr> <tr> <td>Shorter than specified period</td> <td>"2V_{ref}"</td> </tr> <tr> <td>Within specified period</td> <td>"HIZ"</td> </tr> </table>	TMAX detection result	TMAX output	Longer than specified period	"L"	Shorter than specified period	"2V _{ref} "	Within specified period	"HIZ"
TMAX detection result	TMAX output										
Longer than specified period	"L"										
Shorter than specified period	"2V _{ref} "										
Within specified period	"HIZ"										
62	LPFN	I	Low pass filter amplifier reverse input terminal (Analog Input)								
63	LPFO	O	Low pass filter amplifier output terminal (Analog Input)								

■ IC701 μ PD75336GC (System Controller)



Note AN6/P82, AN7/P83

Fig. 9-2

● IC701(SYSTEM CONTROLLER): μ PD75336GC - 120

Pin No.	Terminal Name	Abbreviation	I/O	Description of Function
1	S31	SEG0	O	LCD segment 0
2	S30	SEG1	O	LCD segment 1
3	S29	SEG2	O	LCD segment 2
4	S28	SEG3	O	LCD segment 3
5	S27	SEG4	O	LCD segment 4
6	S26	SEG5	O	LCD segment 5
7	S25	SEG6	O	LCD segment 6
8	S24	SEG7	O	LCD segment 7
9	S23	SEG8	O	LCD segment 8
10	S22	SEG9	O	LCD segment 9
11	S21	SEG10	O	LCD segment 10
12	S20	SEG11	O	LCD segment 11
13	S19	SEG12	O	LCD segment 12
14	S18	SEG13	O	LCD segment 13
15	S17	SEG14	O	LCD segment 14
16	S16	SEG15	O	LCD segment 15
17	S15	SEG16	O	LCD segment 16
18	S14	SEG17	O	LCD segment 17
19	S13	SEG18	O	LCD segment 18
20	S12	SEG19	O	LCD segment 19
21	COM0	COM0	O	LCD common
22	COM1	COM1	O	LCD common
23	COM2	COM2	O	LCD common
24	COM3	COM3	O	LCD common
25	BIAS	LCDB	O	LCD drive power source
26	VLC0	VLC0	I	LCD drive power source
27	VLC1	VLC1	I	LCD drive power source
28	VLC2	VLC2	I	LCD drive power source
29	P40	MT0	O	CD tray motor voltage control 0

Pin No.	Terminal Name	Abbreviation	I/O	Description of Function1
30	P41	MT1	O	CD tray motor voltage control 1
31	P42	SMUTE	O	System mute output
32	P43	PBMUTE	O	Tape play mute
33	VSS	VSS	-	Microcomputer GND
34	P50	BIAS	O	REC. bias auto-beat cutting
35	P51	NC	O	Not used
36	P52	VOLST	O	Serial volume control latch output
37	P53	TUST	O	Tuner PLL strobe output
38	P00	PIN	I	Power switch input
39	SCK	CK	O	Serial clock
40	CB0	DATA	I/O	Serial data
41	P03	RECSW	I	Record switch input
42	INT0	REM	I	Remote control input
43	P11	NC	I	Not used
44	P12	BUJ	I	Backup detector
45	P13	AC/DC	I	AC/DC decision
46	P20	RECH	O	Recorder amplifier power control
47	P21	RCrO,	O	Chromium tape recorder control
48	P22	RECB	O	Recorder bias control
49	P23	SENSOR	O	Remote control cord output
50	P30	PB70	O	Play equalizer control
51	P31	XRST	O	CD LSI reset
52	P32	BUCK	O	CD communication bus clock
53	P33	CCE	O	CD communication chip nail
54	P80	BUS0	I/O	CD communication data bus 0
55	P81	BUS1	I/O	CD communication data bus 1
56	P82	BUS2	I/O	CD communication data bus 2
57	P83	BUS3	I/O	CD communication data bus 3
58	AN0	JACK/MPX	I	MIC jack switch/stereo indicator input

Pin No.	Terminal Name	Abbreviation	I/O	Description of Function1
59	AN1	DOORSW	I	Common OPEN/CLOSE/RESET input
60	AN2	SAFETY	I	Abnormal voltage detection monitor input
61	AN3	KEY3	I	Key input 3
62	AN4	KEY1	I	Key input 1
63	AN5	KEY2	I	Key input 2
64	AV _{AS}	AV _{AS}	-	AD gland
65	AV _{REF}	AV _{REF}	-	AD power source
66	DV _{DO}	DV _{DO}	-	Microcomputer system +B
67	XT1	XT1	I	Sub - clock input (32.768kHz)
68	XT2	XT2	O	Sub - clock input (32.768kHz)
69	IC	IC	-	-
70	X1	X1	I	System clock input (4.19MHz)
71	X2	X2	O	System clock output (4.19MHz)
72	RESET	RESET	I	Microcomputer reset input
73	P60	BEAT	O	Beat output
74	P61	XTSTOP	O	Sub - clock control
75	P62	+BCTL	O	AD power source control
76	P63	FTU	O	Tuner power source control
77	P70	FAUX	O	AUX. control
78	P71	FCD	O	CD power source control
79	P72	LED	O	LED control
80	P73	POUT	O	System power source control

◆ IC304: TA8229K (Power Amplifier)

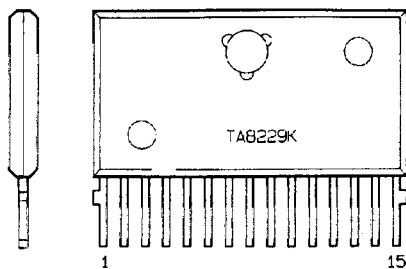


Fig. 9-3

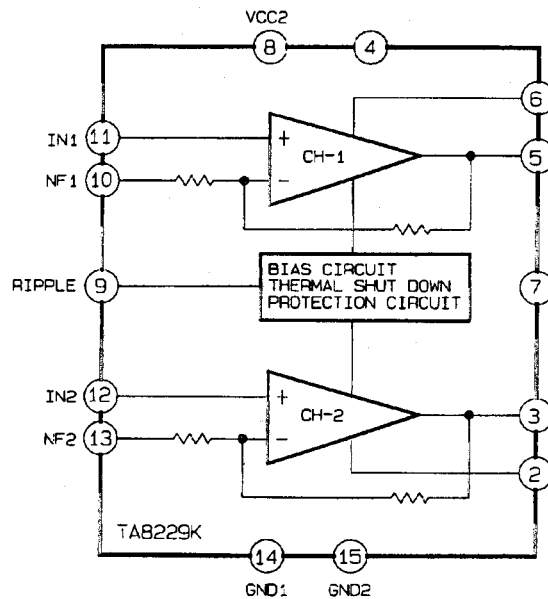


Fig. 9-4

■ IC302: CXA1792S (E. Volume & Tone)

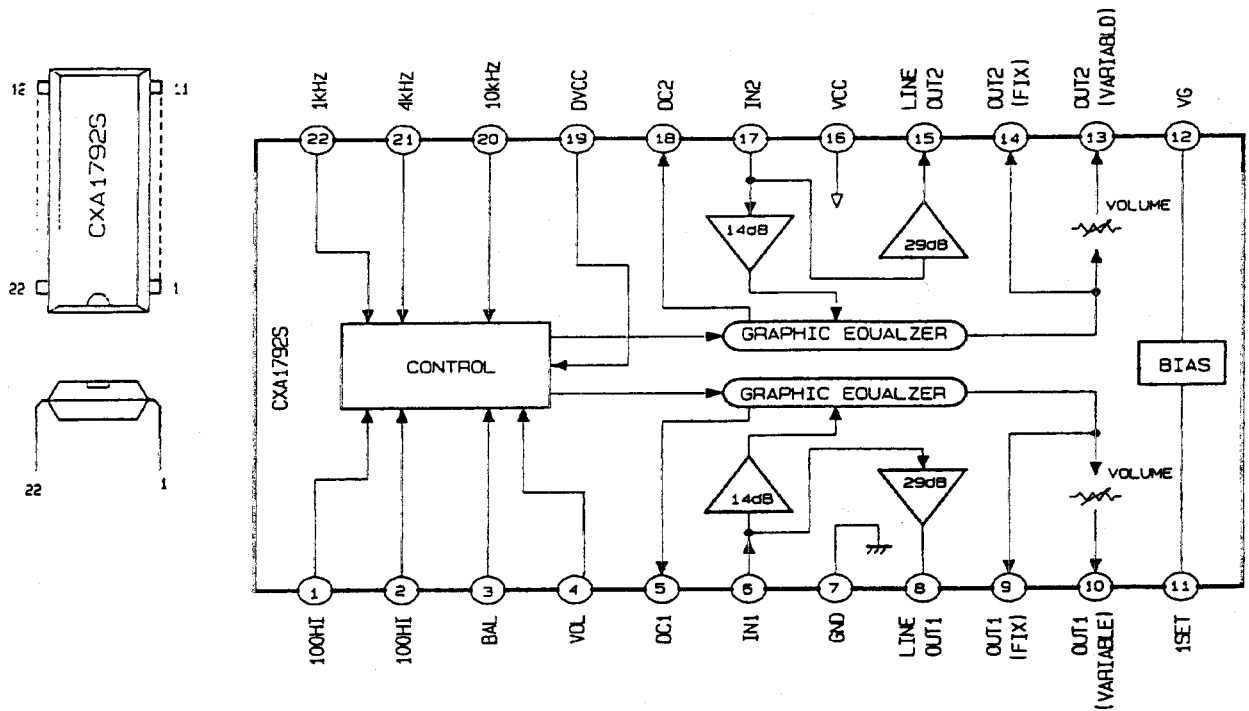


Fig. 9-5

■ IC2: TA2008N (FM/AM Tuner)

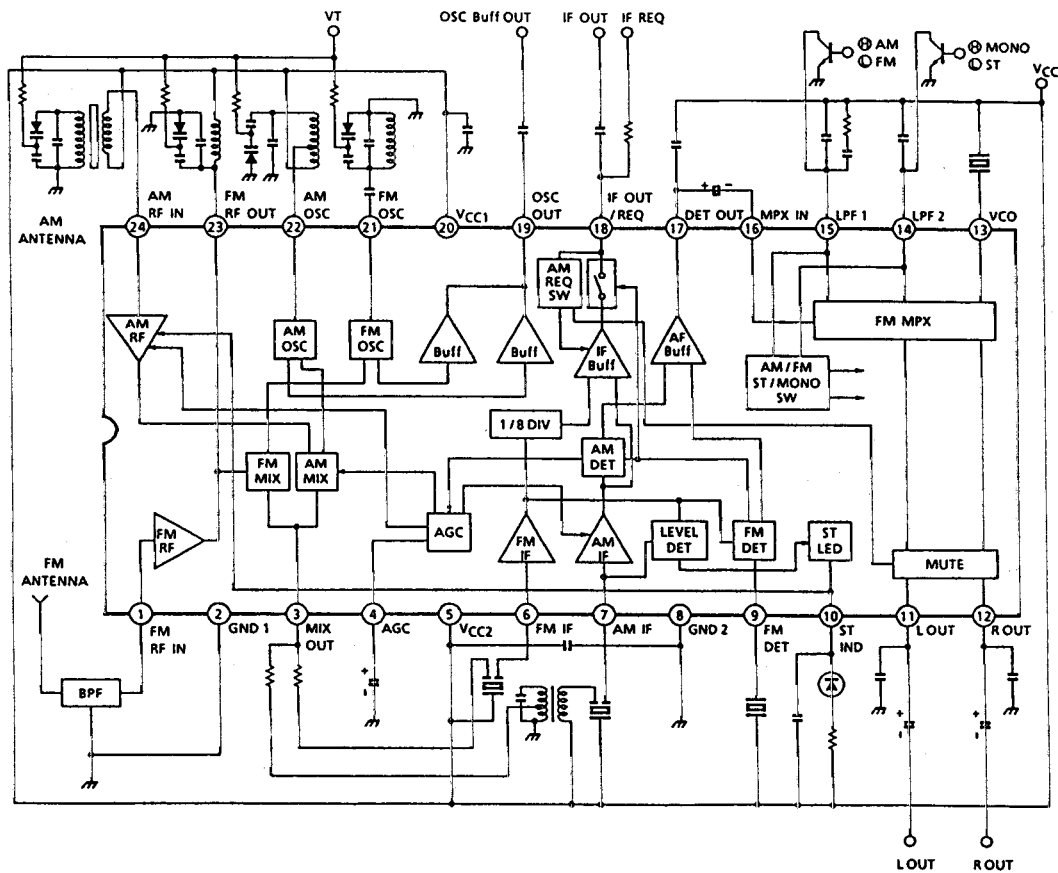


Fig. 9-6

10. Block Diagram

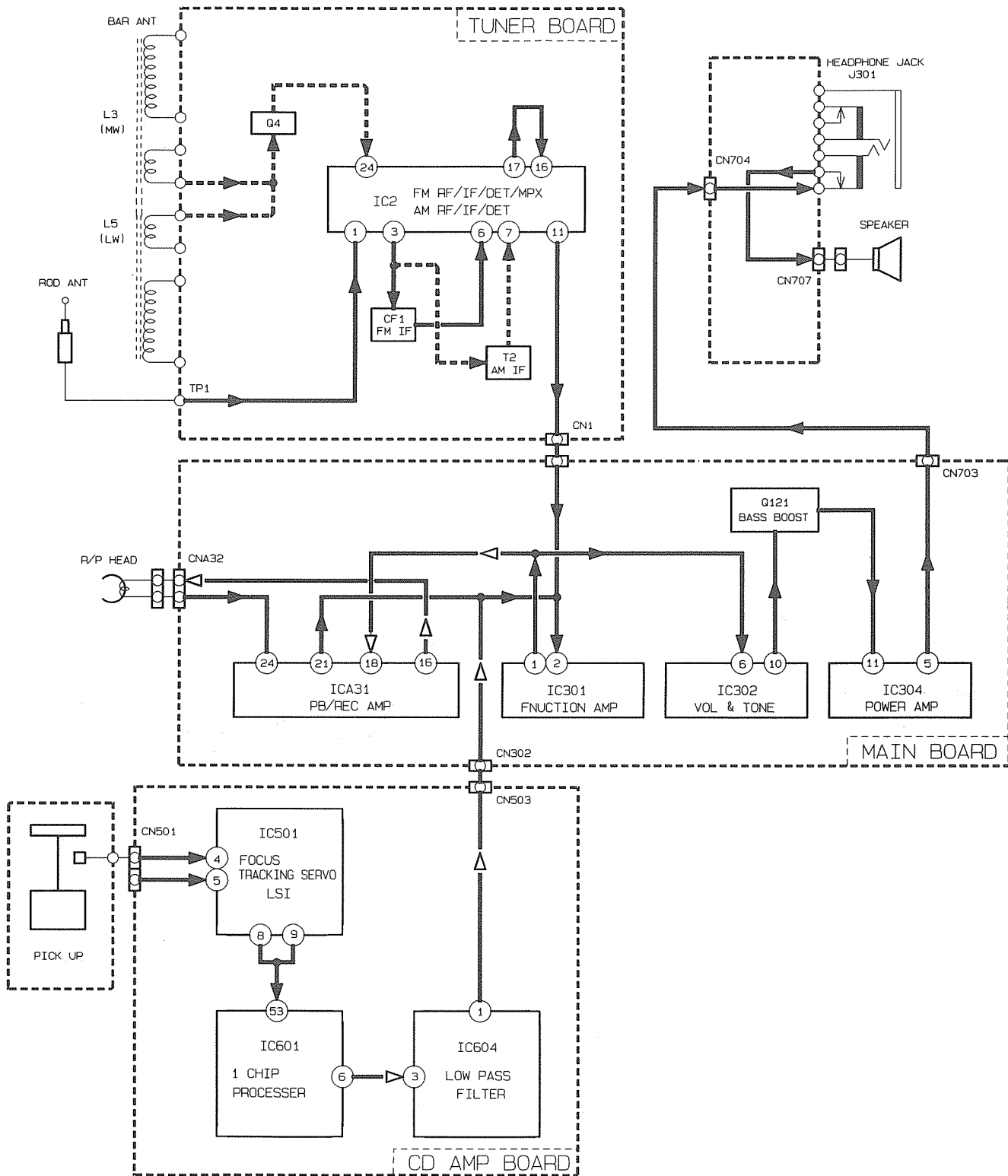


Fig. 10-1

■ CD Player Part

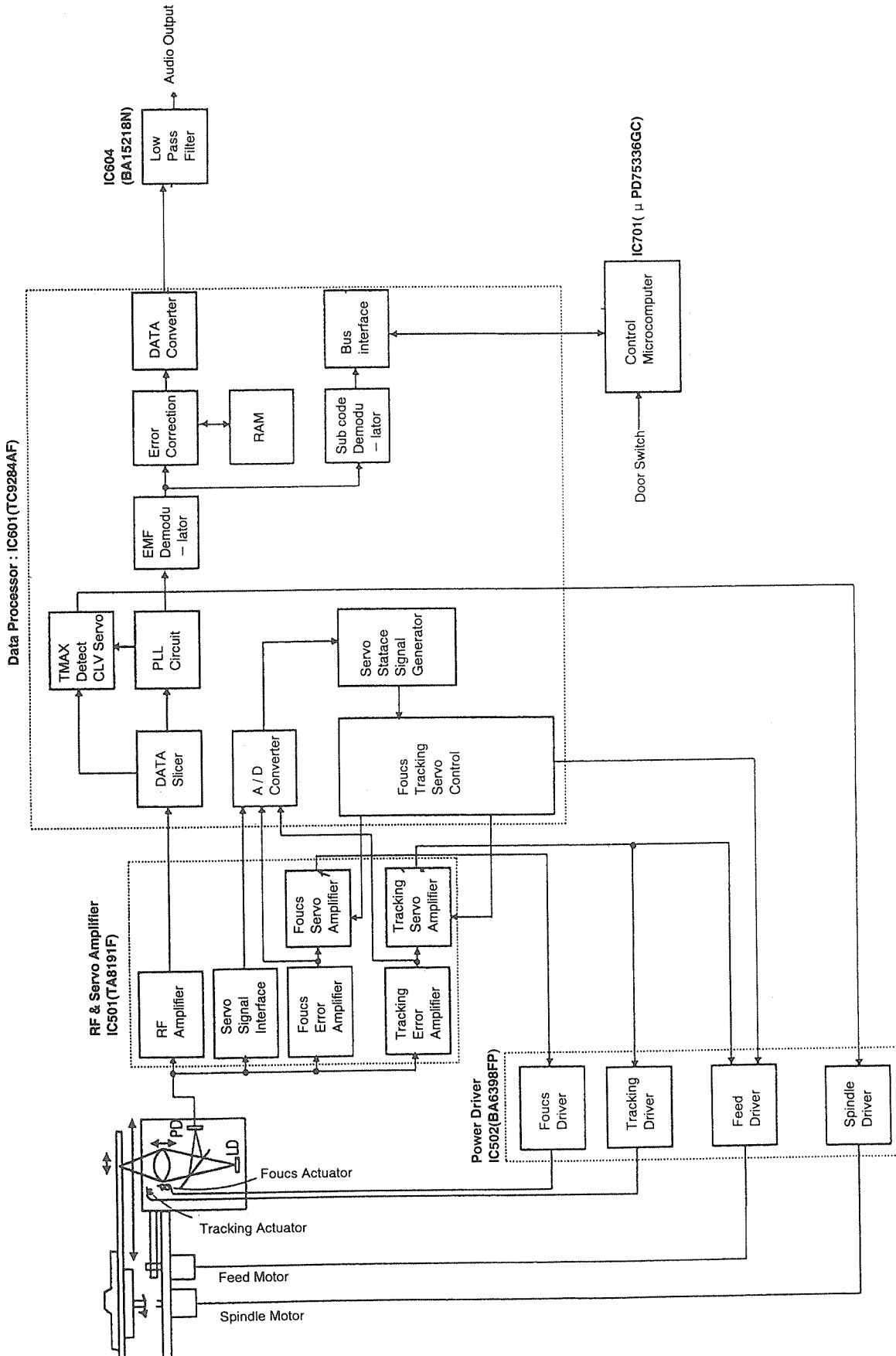
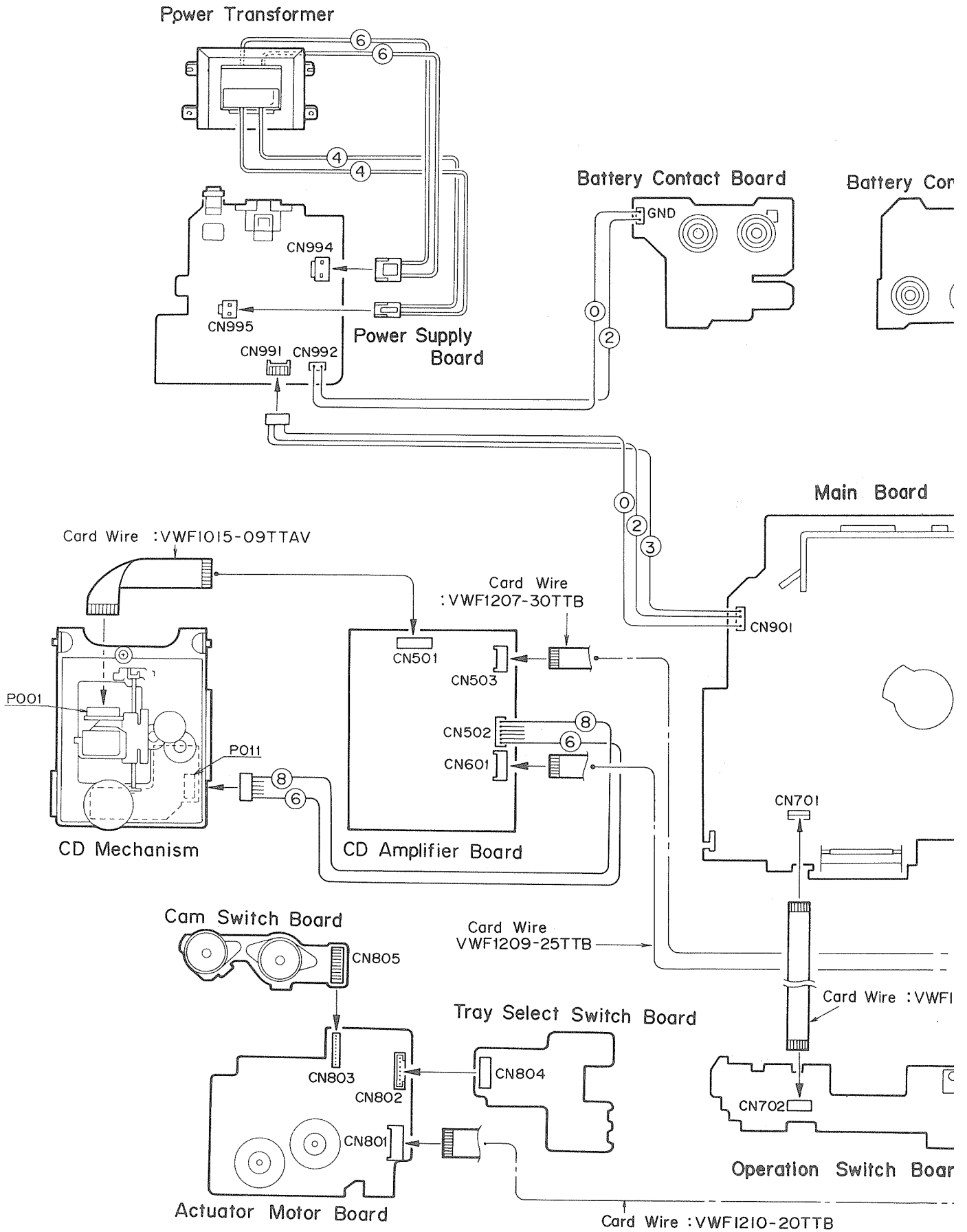


Fig. 10-2

11. Wiring Connections



Color codes are shown below.

- 1 Brown
- 2 Red
- 3 Orange
- 4 Yellow
- 5 Green
- 6 Blue
- 7 Violet
- 8 Gray
- 9 White
- 0 Black
- D Pink
- C Light Blue

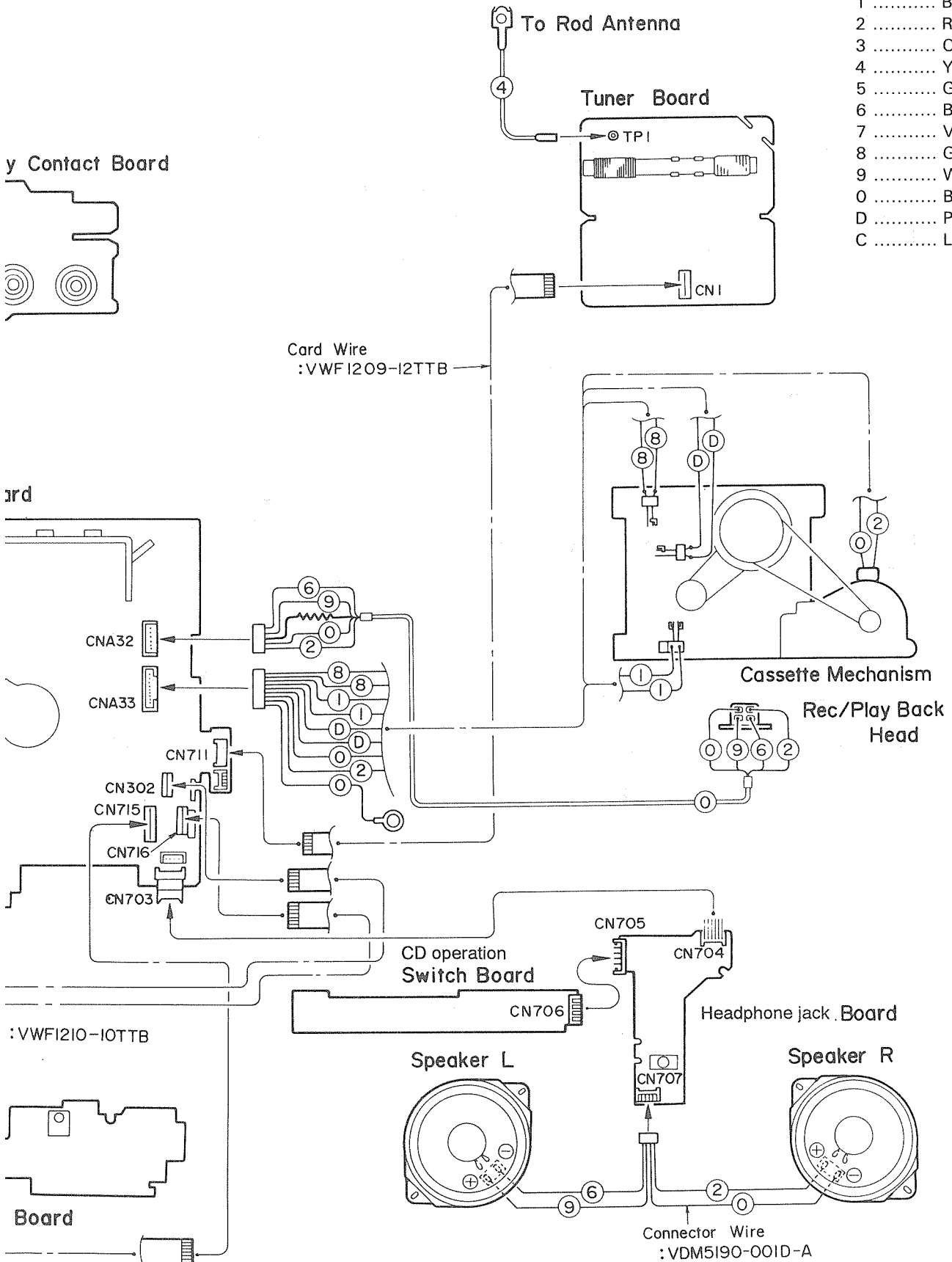
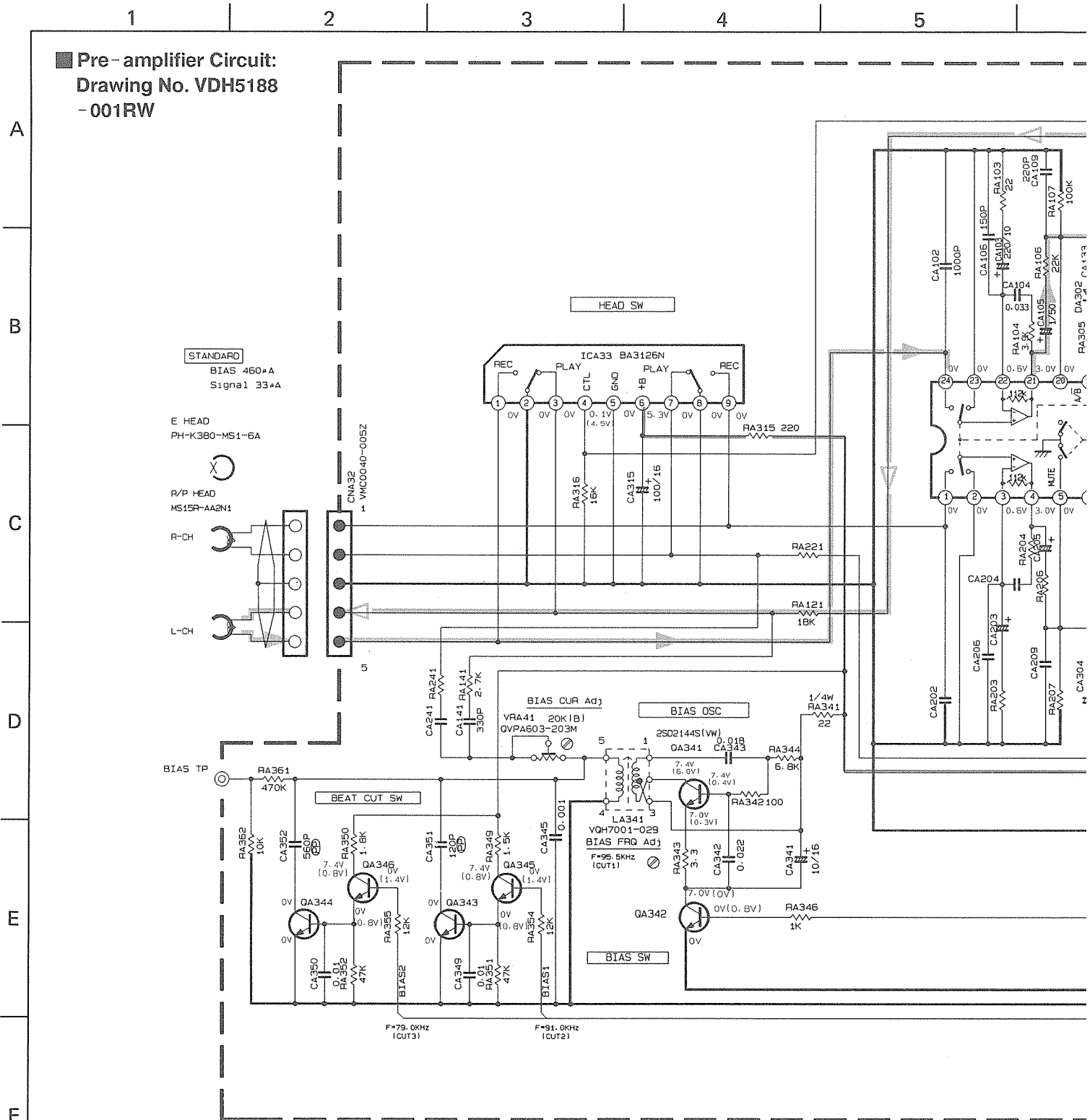


Fig. 11-1

12. Standard Schematic Diagram



NOTES

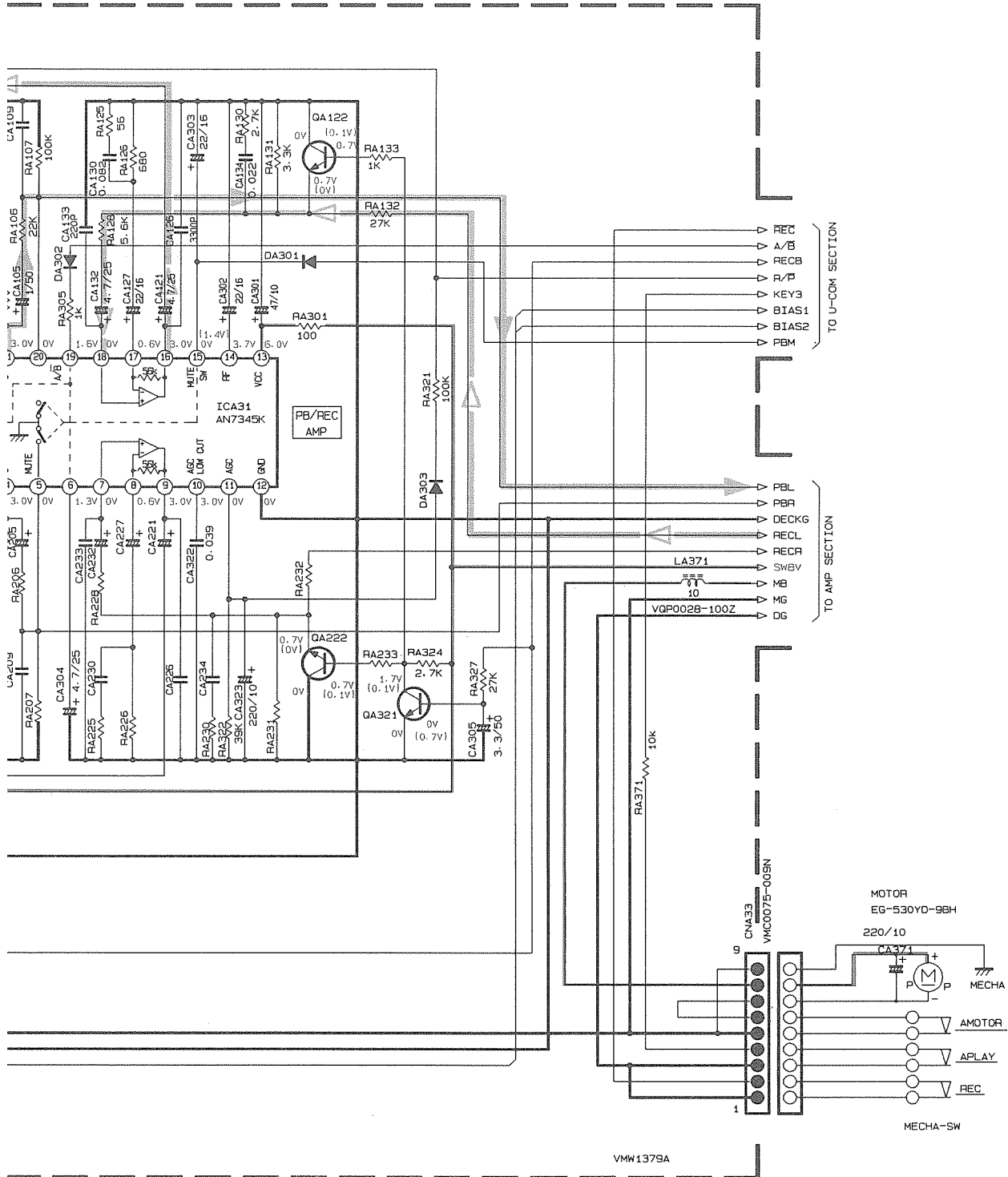
1. VOLTAGES ARE DC-MEASURED WITH A DIGITAL VOLT METER OR OSCILLOSCOPE WITHOUT INPUT SIGNAL.
CONDITION : TAPE MODE MECHA PB.
CONDITION : INVERTMODE IN ()




2. UNLESS OTHERWISE SPECIFIED, RESISTORS ARE 1/6W ±5% CARBON RESISTOR.
ALL RESISTANCE VALUES ARE IN OHM(Ω).
ALL CAPACITORS ARE CERAMIC CAPACITOR OR MYLAR CAPACITOR.
ALL CAPACITANCE VALUES ARE IN pF(p=pF).
ALL INDUCTANCE VALUES ARE IN µH(µ=µH).
ALL E. CAPACITORS ARE SHOWN IN THE FORM OF CAPACITANCE (µF)/RATED VOL.
ALL DIODES ARE 1SS254T OR HSS104TJ
ALL TRANSISTORS ARE 2SC2785(E.F) OR 2SC3330(S.T)

Ⓟ POLYPROPYLENE CAPACITOR

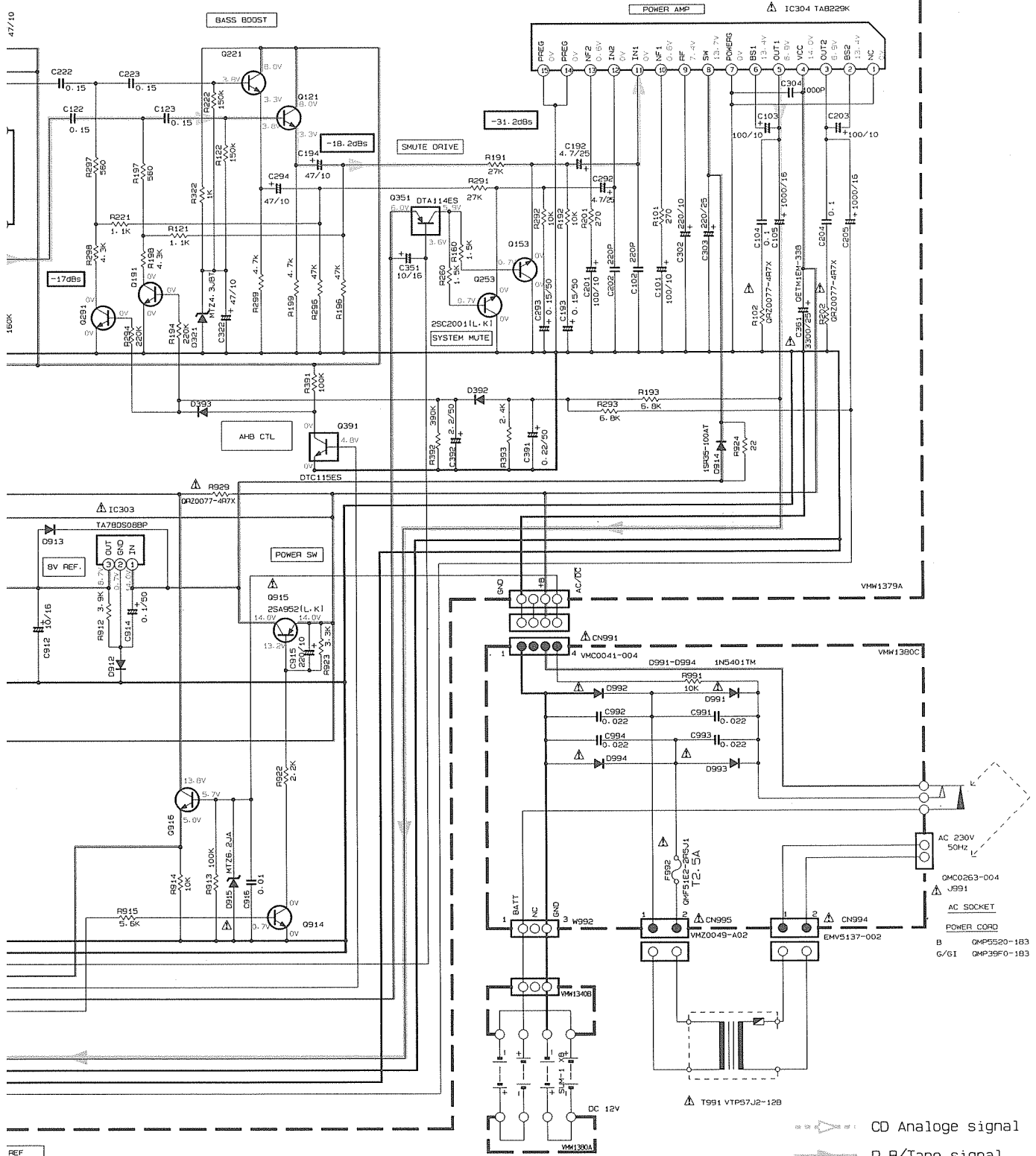
Fig. 12-1

6 7 8 9 10



-  P.B/Tape signal
-  REC Signal
-  +B Line

RESISTOR.
RATED VOLTAGE (V).

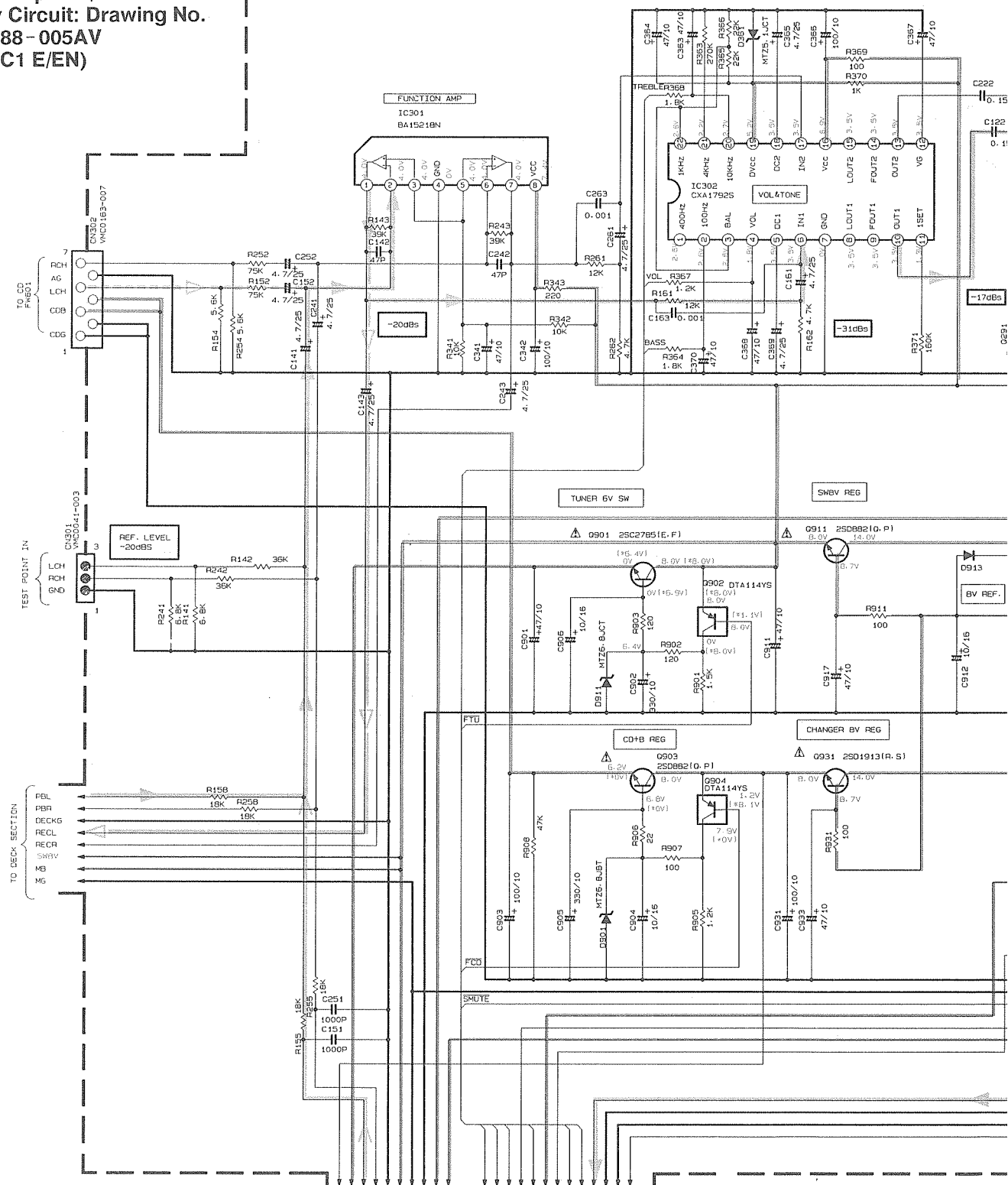


REF
91
51
02 0932

- ⊃ : CD Analogue signal
- ⊃ : P.B/Tape signal
- ⊃ : REC Signal
- ⊃ : FM Radio signal
- ⊃ : +B Line

Fig. 12-2

Power Amplifier/Power Supply Circuit: Drawing No. VDH5188-005AV (RC-XC1 E/EN)



- NOTES**
- VOLTAGES ARE DC-MEASURED WITH A DIGITAL VOLT METER OR OSCILLOSCOPE WITHOUT INPUT SIGNAL.
CONDITION --- CD STOP MODE AT AC SUPPLY
 - UNLESS OTHERWISE SPECIFIED - RESISTORS ARE 1/6W ±5% CARBON RESISTOR.
ALL RESISTANCE VALUES ARE IN OHM(Ω).
ALL CAPACITORS ARE CERAMIC CAPACITOR OR MYLAR CAPACITOR.
ALL CAPACITANCE VALUES ARE IN PICOPI (pF).
ALL INDUCTANCE VALUES ARE IN MILLIHENRY (mH).
ALL E-CAPACITORS ARE SHOWN IN THE FORM OF CAPACITANCE (μF)/RATED VOLTAGE (V).
ALL DIODES ARE 1SS324T OR HSS104TJ.
ALL NPN TRANSISTORS ARE 2SC2785IF-E1 OR 2SC3301S-T1.

PARTS	DevN	REF
	DTC115ES	Q391
	DTA114ES	Q351
	DTA114YS	Q902 Q932

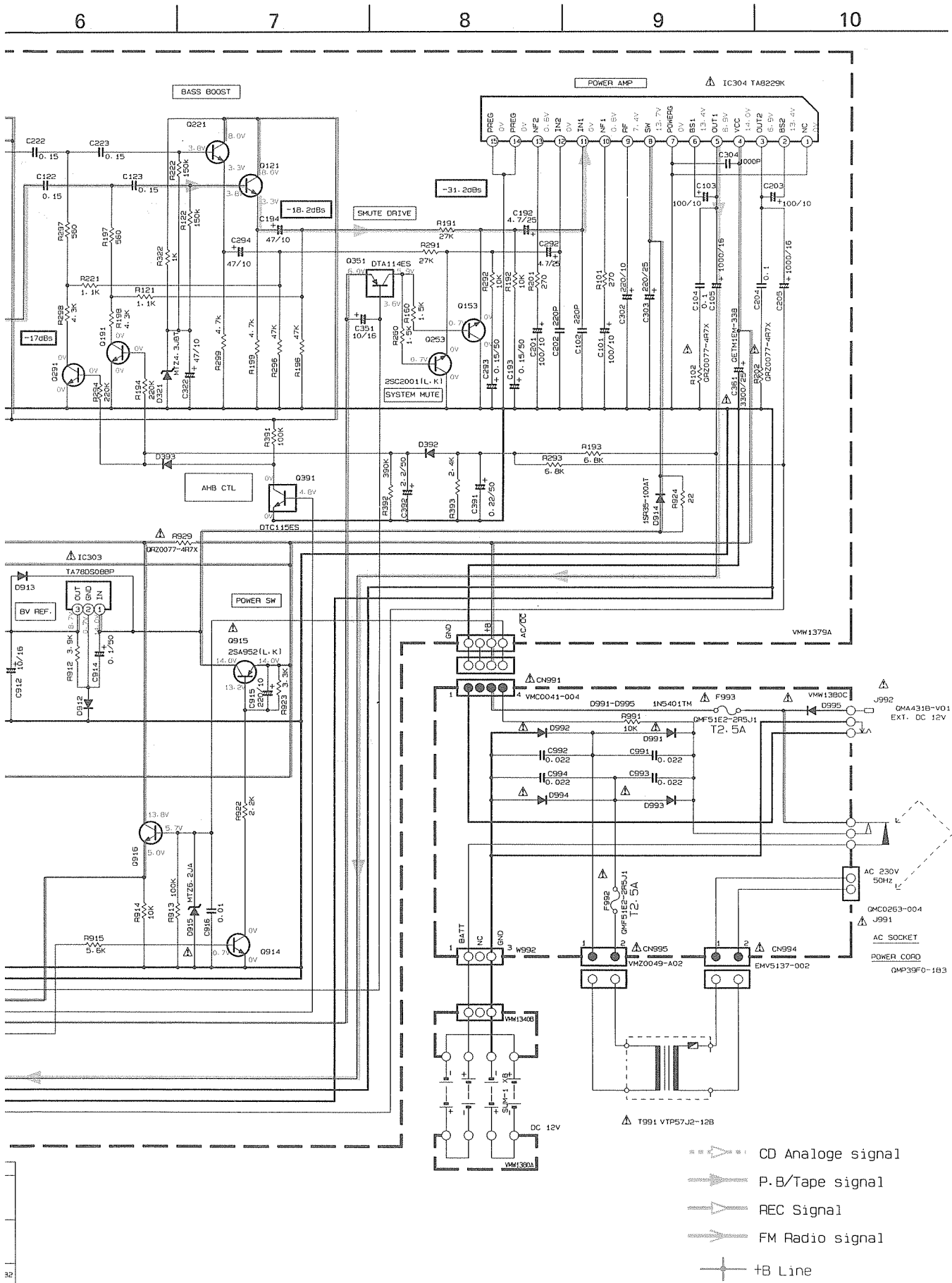
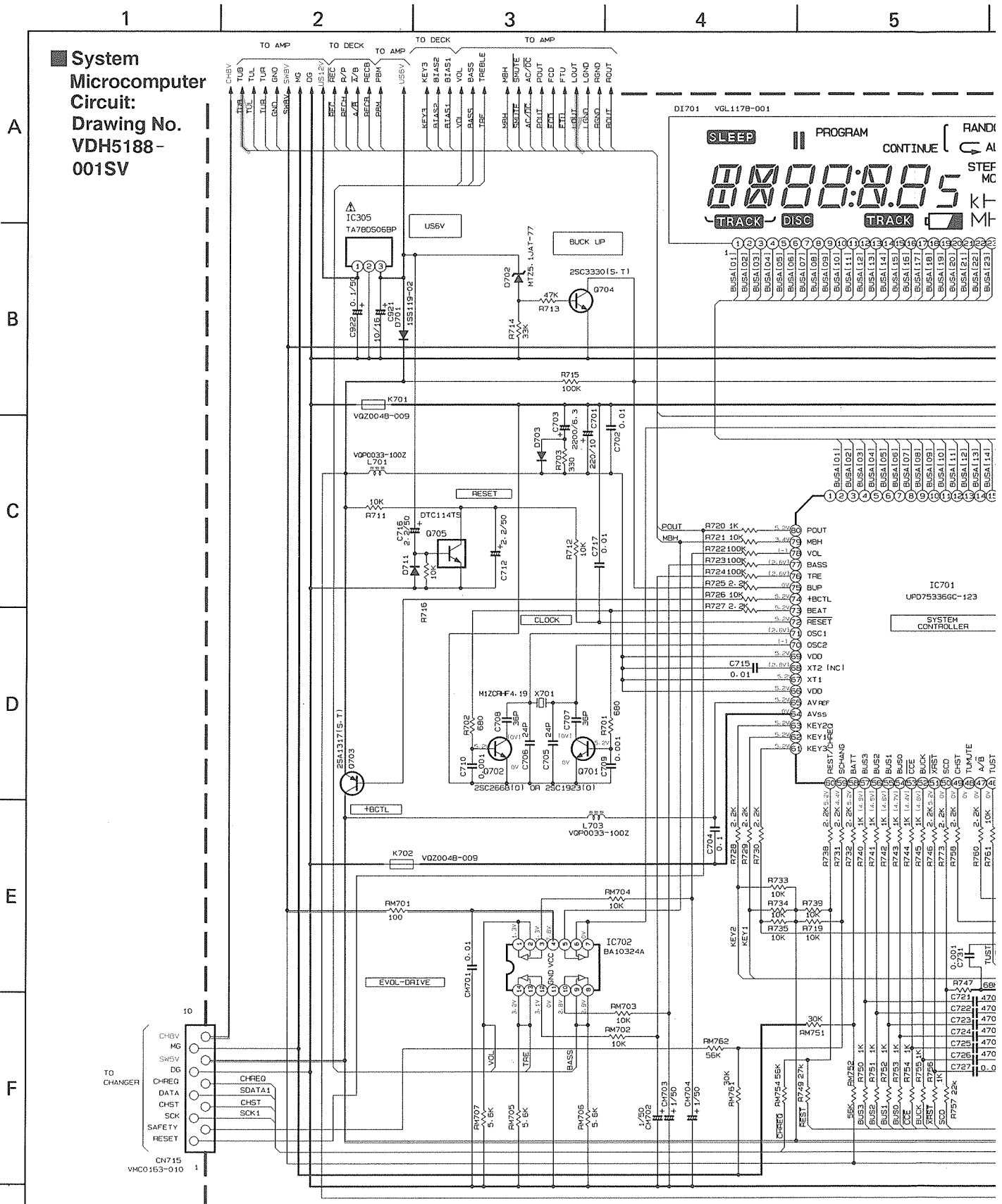


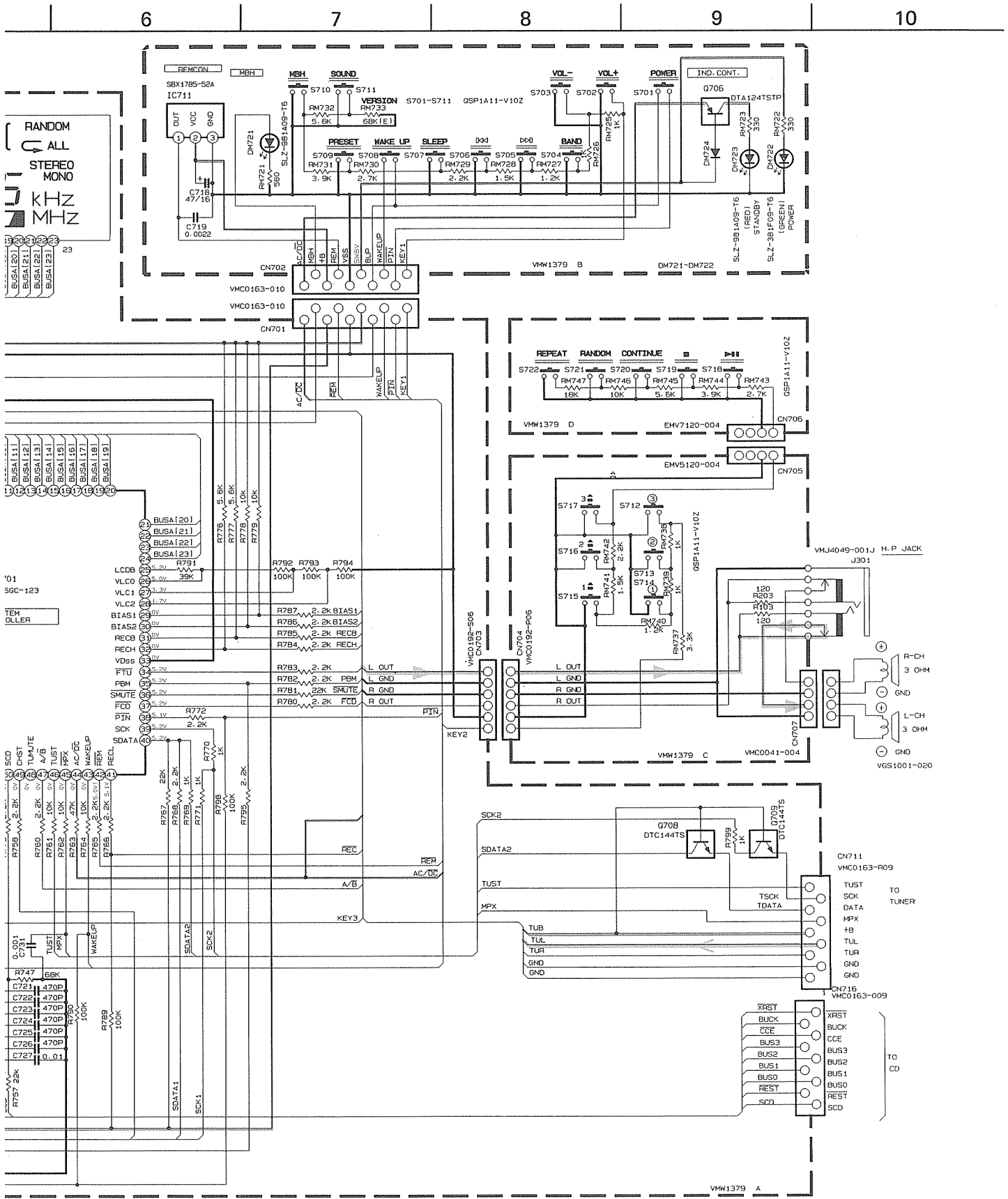
Fig. 12-3

System Microcomputer Circuit:
Drawing No. VDH5188-001SV



- NOTES**
1. VOLTAGES ARE DC-MEASURED WITH A DIGITAL VOLT METER OR OSCILLOSCOPE WITHOUT INPUT SIGNAL. CONDITION --- CD MODE.
 2. UNLESS OTHERWISE SPECIFIED, RESISTORS ARE 1/8W ±5% CARBON RESISTOR. ALL RESISTANCE VALUES ARE IN OHMS (Ω). ALL CAPACITORS ARE CERAMIC CAPACITOR OR MYLAR CAPACITOR. ALL CAPACITANCE VALUES ARE IN nF (pF). ALL INDUCTANCE VALUES ARE IN mH (mH). ALL ELECTROLYTIC CAPACITORS ARE SHOWN IN THE FORM OF CAPACITANCE (μF)/RATED VOLTAGE (V). ALL DIODES ARE OR.
 3. BRACKETS INSIDE VOLTS REFERENCE DATA.
 - Ⓜ UNFLAMMABLE CARBON RESISTOR
 - Ⓝ METAL FILM RESISTOR
 - Ⓞ OXIDE METAL FILM RESISTOR
 - Ⓟ ±20% LOW LEAK CURRENT ELECTROLYTIC CAPACITOR
 - Ⓠ NON-POLARISED ELECTROLYTIC CAPACITOR
 - Ⓡ POLYPROPYLENE CAPACITOR
 - Ⓢ POLYSTYROL CAPACITOR

Fig. 1

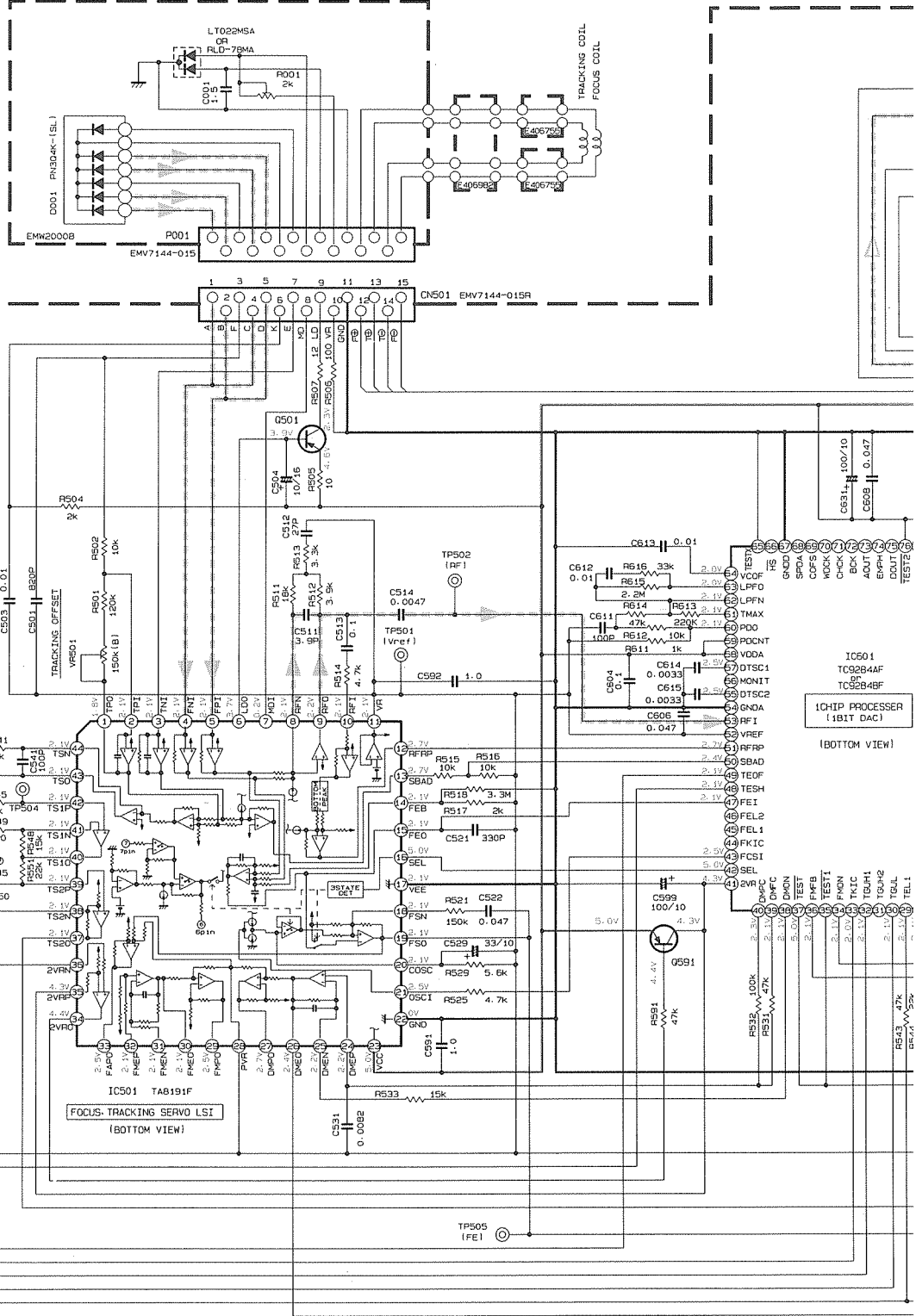


R1/R2	10K/10K	10K/47K	10K/~	47K/~
R1	DTC114ES	DTC114YS	DTC114TS	DTC144TS
R2				

+B Line
 P.B/Tape signal
 FM Radio signal

Fig. 12-4

CD Amplifier Circuit:
Drawing No. VDH1001
-001CV



NOTES

1. VOLTAGES ARE DC-MEASURED WITH A DIGITAL VOLT METER IN PLAYBACK
2. UNLESS OTHERWISE SPECIFIED, RESISTORS ARE 1/6W ±5% CARBON RESISTOR. ALL RESISTANCE VALUES ARE IN Ω(MHΩ).
3. ALL CAPACITORS ARE CERAMIC CAPACITOR OR MYLAR CAPACITOR. ALL CAPACITANCE VALUES ARE IN nF(μF)pF.
4. ALL INDUCTANCE VALUES ARE IN mH(μH)mH.
5. ALL E-CAPACITORS ARE SHOWN IN THE FORM OF CAPACITANCE (nF)/RATED VOLTAGE (V).

- Ⓜ UNFLAMMABLE CARBON RESISTOR
- Ⓜ METAL FILM RESISTOR
- Ⓜ OXIDE METAL FILM RESISTOR
- Ⓜ 100X LOW LEAK CURRENT ELECTROLYTIC CAPACITOR
- Ⓜ NON-POLARISED ELECTROLYTIC CAPACITOR
- Ⓜ POLYPROPYLENE CAPACITOR
- Ⓜ POLYSTYROL CAPACITOR

Q501	2SA952(L, K)
Q591	2SA1309(R, S) OR 2SA1175(HFE) OR 2SA933S(RS)

Fig. 12-5

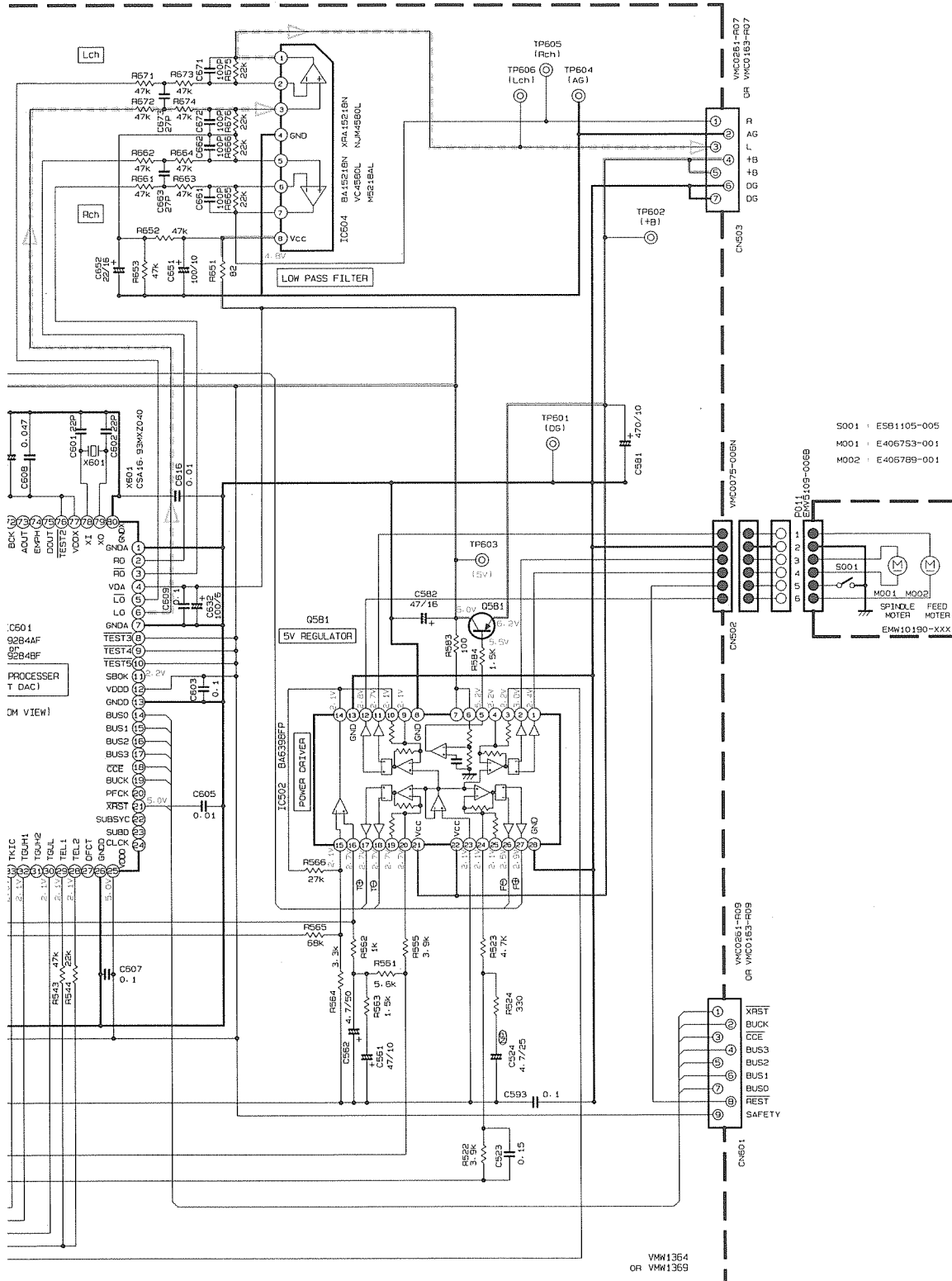
6

7

8

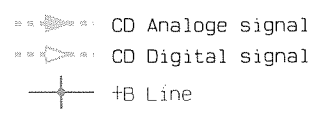
9

10



S001 : ESB1105-005
 M001 : E406753-001
 M002 : E406789-001

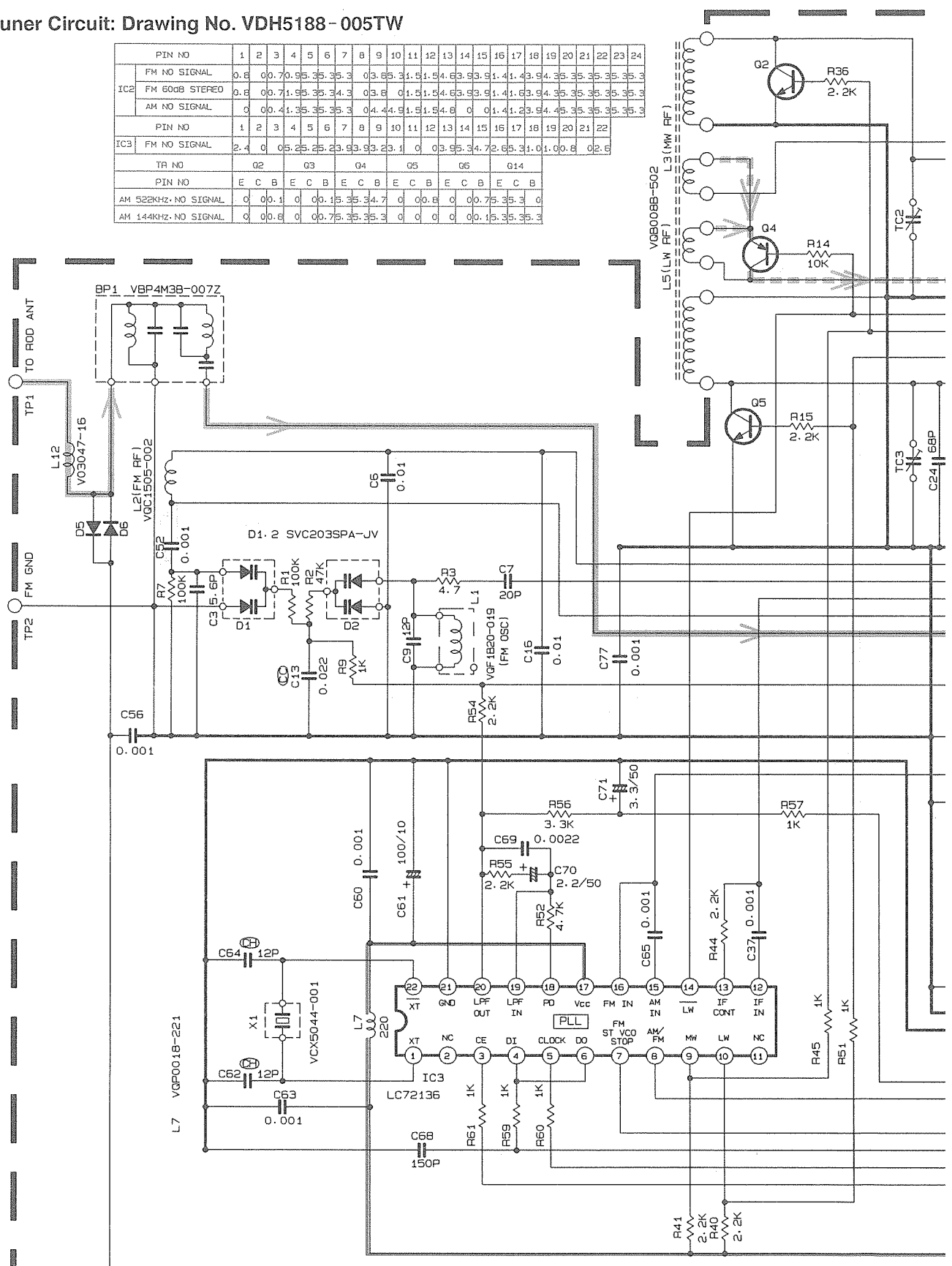
VW1354
 OR VW1359

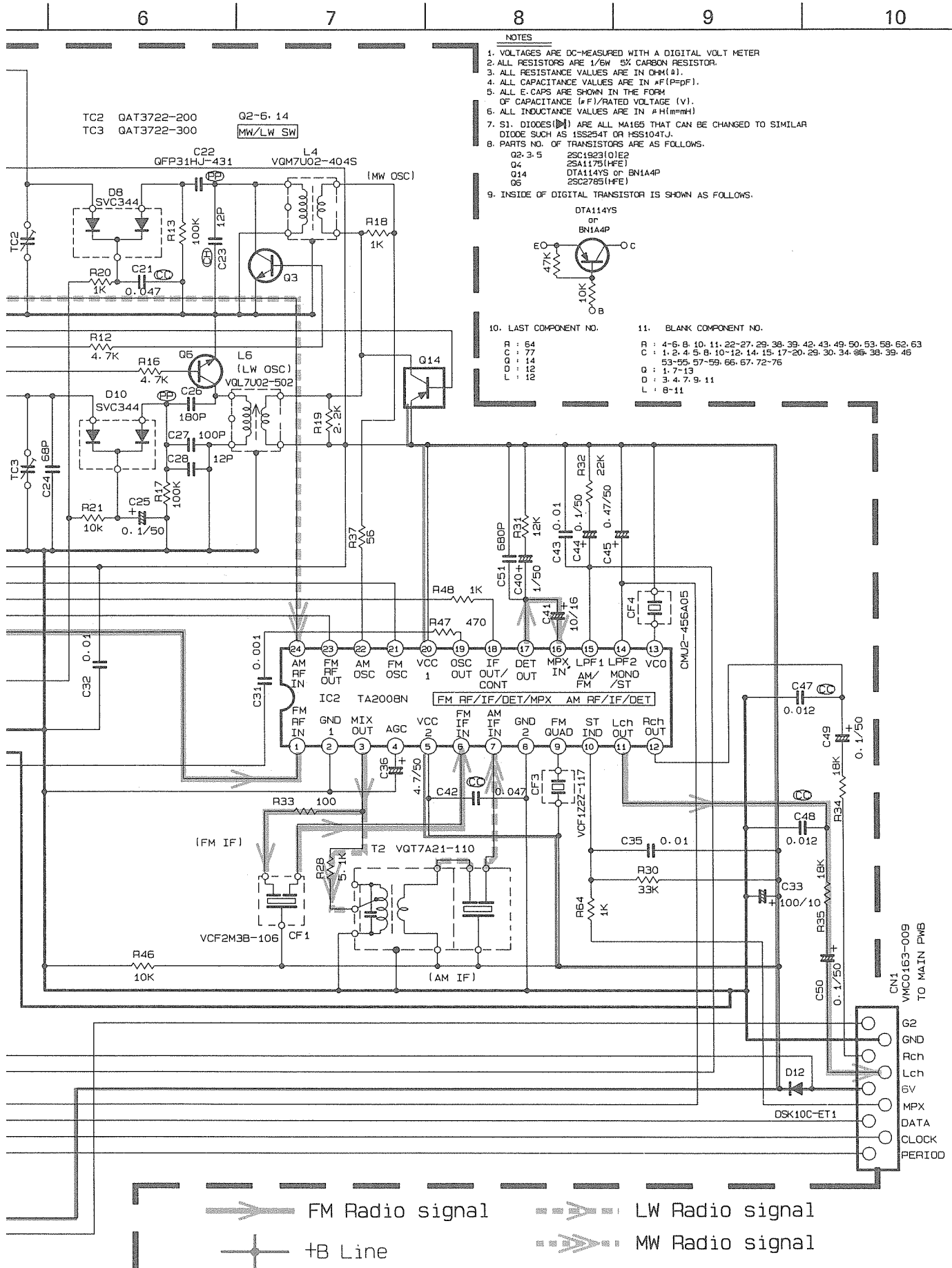


■ Tuner Circuit: Drawing No. VDH5188-005TW

PIN NO	1	2	3	4	5	6	7	8	9	10	11	12	13	14	15	16	17	18	19	20	21	22	23	24
IC2 FM NO SIGNAL	0.8	0.0	7.0	9.5	3.5	3.5	3	0.3	8.5	2.1	5.1	5.4	6.3	9.3	9.1	4.1	4.3	9.4	3.5	3.5	3.5	3.5	3.5	3.5
IC2 FM 60dB STEREO	0.8	0.0	7.1	9.5	3.5	3.4	3	0.3	8	1.5	1.5	4	6.3	9.3	9.1	4.1	4.3	9.4	3.5	3.5	3.5	3.5	3.5	3.5
IC2 AM NO SIGNAL	0	0.0	4.1	3.5	3.5	3.5	3	0.4	4.4	9.1	5.1	5.4	6	0	0.1	4.1	2.3	9.4	4.5	3.5	3.5	3.5	3.5	3.5
PIN NO	1	2	3	4	5	6	7	8	9	10	11	12	13	14	15	16	17	18	19	20	21	22	23	24
IC3 FM NO SIGNAL	2.4	0	0.5	2.5	2.5	2.3	9.3	2.3	1	0	0.3	9.5	3.4	7.2	6.5	3.1	0.1	0.9	6	0	0	0	0	0
TR NO	02	03	04	05	06	07	08	09	10	11	12	13	14	15	16	17	18	19	20	21	22	23	24	
PIN NO	E	C	B	E	C	B	E	C	B	E	C	B	E	C	B	E	C	B	E	C	B	E	C	B
AM 522KHZ-NO SIGNAL	0	0.0	1	0	0.0	1.5	3.5	3.4	7	0	0.0	6	0	0.0	7.5	3.5	3	0	0	0	0	0	0	0
AM 1.44KHZ-NO SIGNAL	0	0.0	6	0	0.0	7.5	3.5	3.5	3	0	0	0	0	0.0	1.5	3.5	3.5	3	0	0	0	0	0	0

A
B
C
D
E
F





- NOTES**
1. VOLTAGES ARE DC-MEASURED WITH A DIGITAL VOLT METER
 2. ALL RESISTORS ARE 1/8W 5% CARBON RESISTOR.
 3. ALL RESISTANCE VALUES ARE IN OHM(Ω).
 4. ALL CAPACITANCE VALUES ARE IN nF(p=pF).
 5. ALL E. CAPS ARE SHOWN IN THE FORM OF CAPACITANCE (#F)/RATED VOLTAGE (V).
 6. ALL INDUCTANCE VALUES ARE IN #H(m=mH).
 7. SJ. DIODES(▶) ARE ALL MA165 THAT CAN BE CHANGED TO SIMILAR DIODE SUCH AS 1SS254T OR HSS104TJ.
 8. PARTS NO. OF TRANSISTORS ARE AS FOLLOWS.

Q2-3-5	2SC1983(OJE2)
Q4	2SA1175(HFE)
Q14	DTA114YS or BN1A4P
Q6	2SC2785(HFE)
 9. INSIDE OF DIGITAL TRANSISTOR IS SHOWN AS FOLLOWS.

DTA114YS	
or	
BN1A4P	
E	O
47K	10K
B	B
 10. LAST COMPONENT NO.

R	: 64
C	: 77
L	: 14
D	: 12
 11. BLANK COMPONENT NO.

R	: 4-6, 8, 10, 11, 22-27, 29, 38, 39, 42, 43, 49, 50, 53, 58, 62, 63
C	: 1, 2, 4, 5, 6, 10-12, 14, 15, 17-20, 29, 30, 34, 36, 38, 39, 46
L	: 1, 7-13
D	: 3, 4, 7, 9, 11
L	: 8-11

Fig. 12-6

Actuator Motor Control Circuit:
Drawing No. VDH1002-001MW

A
B
C
D
E
F

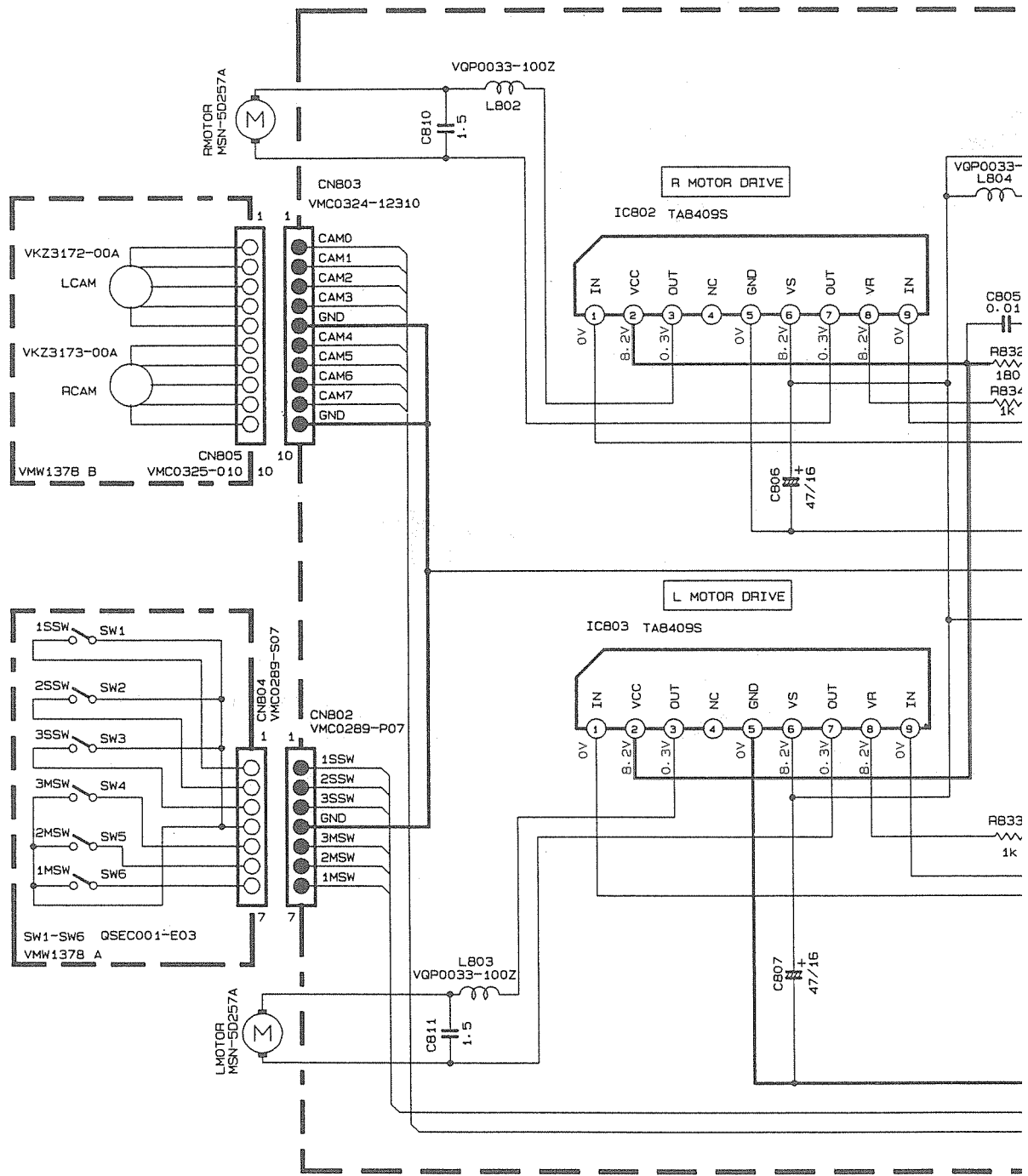


TABLE 1 CAM PATTERN LIST

CAM NO. POSITION	LCAM			RCAM			POSITION			
	0	1	2	3	4	5		6	7	
MAIN TRAY1	0	1	1	1	0	1	1	1	0	EMERGENCY
SUB TRAY1	0	0	1	1	0	1	1	0	0	TRAY1 STAND-BY
CAMR 1	0	1	0	1	0	1	0	1	0	TRAY1 CHACKING
MAIN TRAY2	1	0	0	1	0	1	0	0	1	TRAY2 STAND-BY
SUB TRAY2	1	1	1	0	0	0	1	1	1	TRAY2 CHACKING
CAMR 2	1	0	1	0	0	1	0	1	1	TRAY3 STAND-BY
MAIN TRAY3	1	1	0	0	0	0	0	1	1	TRAY3 CHACKING
SUB TRAY3	1	0	0	0	0	0	0	0	0	
OFF	1	1	1	1	0	1	1	1	1	OFF

0=0V
1=5V

NOTES

- VOLTAGES ARE DC-MEASURED WITH A DIGITAL VOLT METER OR OSCILLOSCOPE WITHOUT INPUT SIGNAL.
CONDITION — DISC 1 CD STOP MODE
- UNLESS OTHERWISE SPECIFIED, RESISTORS ARE 1/6W ±5% CARBON RESISTOR. ALL RESISTANCE VALUES ARE IN Ω(MΩ). ALL CAPACITORS ARE CERAMIC CAPACITOR OR MYLAR CAPACITOR. ALL CAPACITANCE VALUES ARE IN μF(P=pF). ALL INDUCTANCE VALUES ARE IN μH(m=MH). ALL E. CAPACITORS ARE SHOWN IN THE FORM OF CAPACITANCE (μF)/RATED VOLTAGE

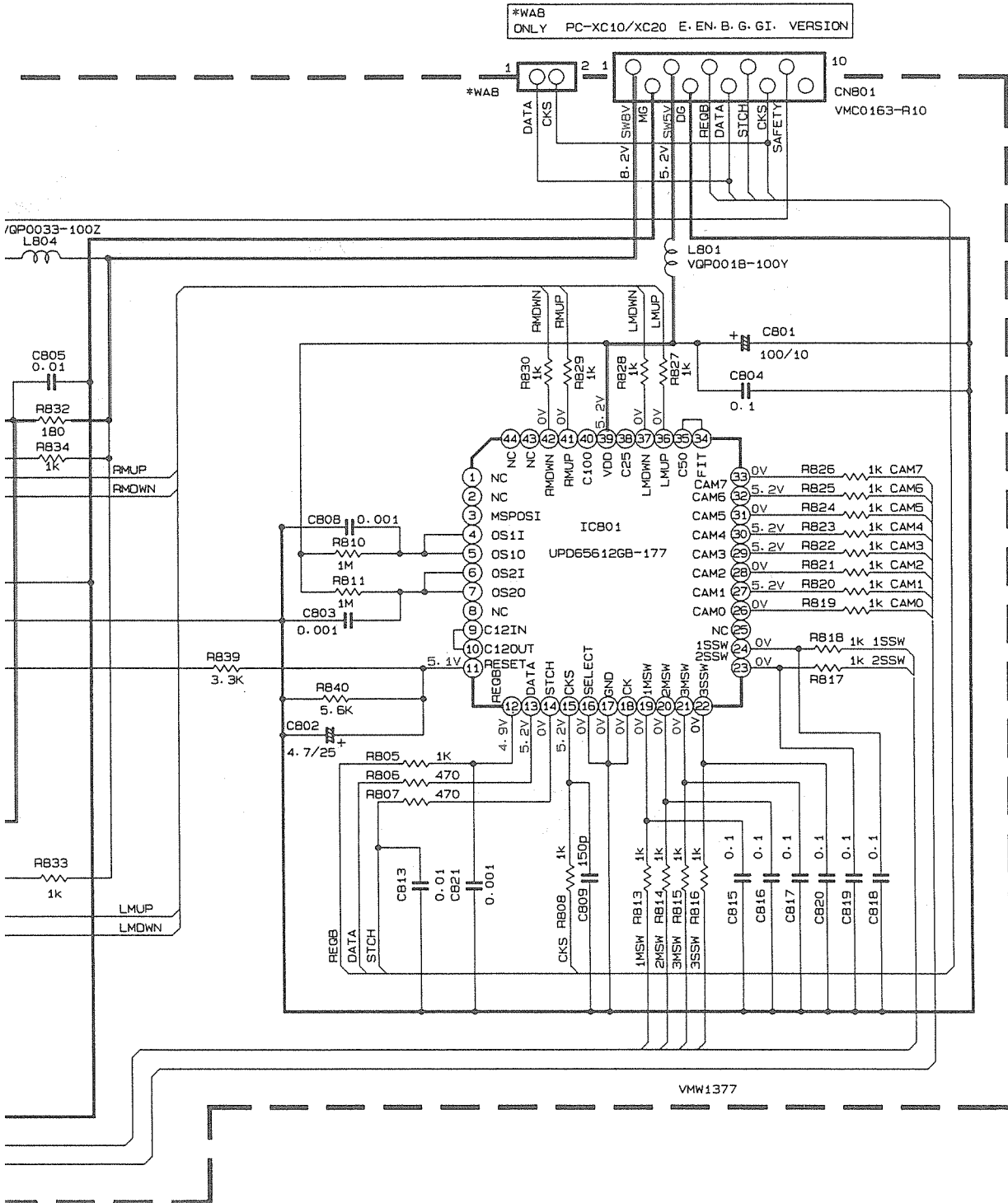
6

7

8

9

10



- UNFLAMMABLE CARBON RESISTOR
- METAL FILM RESISTOR
- OXIDE METAL FILM RESISTOR
- ±20% LOW LEAK CURRENT ELECTROLYTIC CAPACITOR
- NON-POLARISED ELECTROLYTIC CAPACITOR
- POLYPROPYLENE CAPACITOR
- POLYSTYROL CAPACITOR



6

7

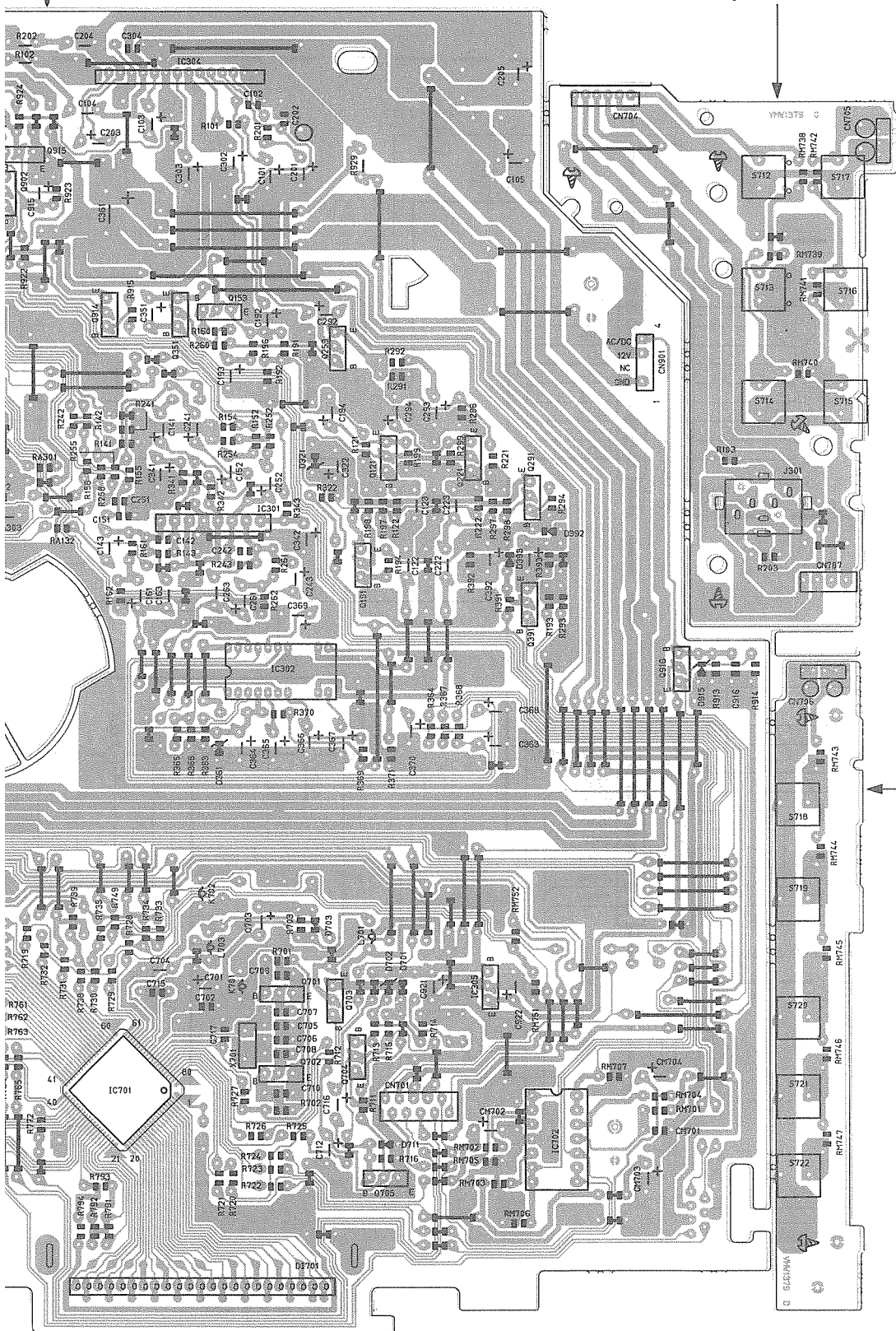
8

9

10

Amplifier board

● Headphone Jack board



● Main Amplifier board

● CD Operation Switch board

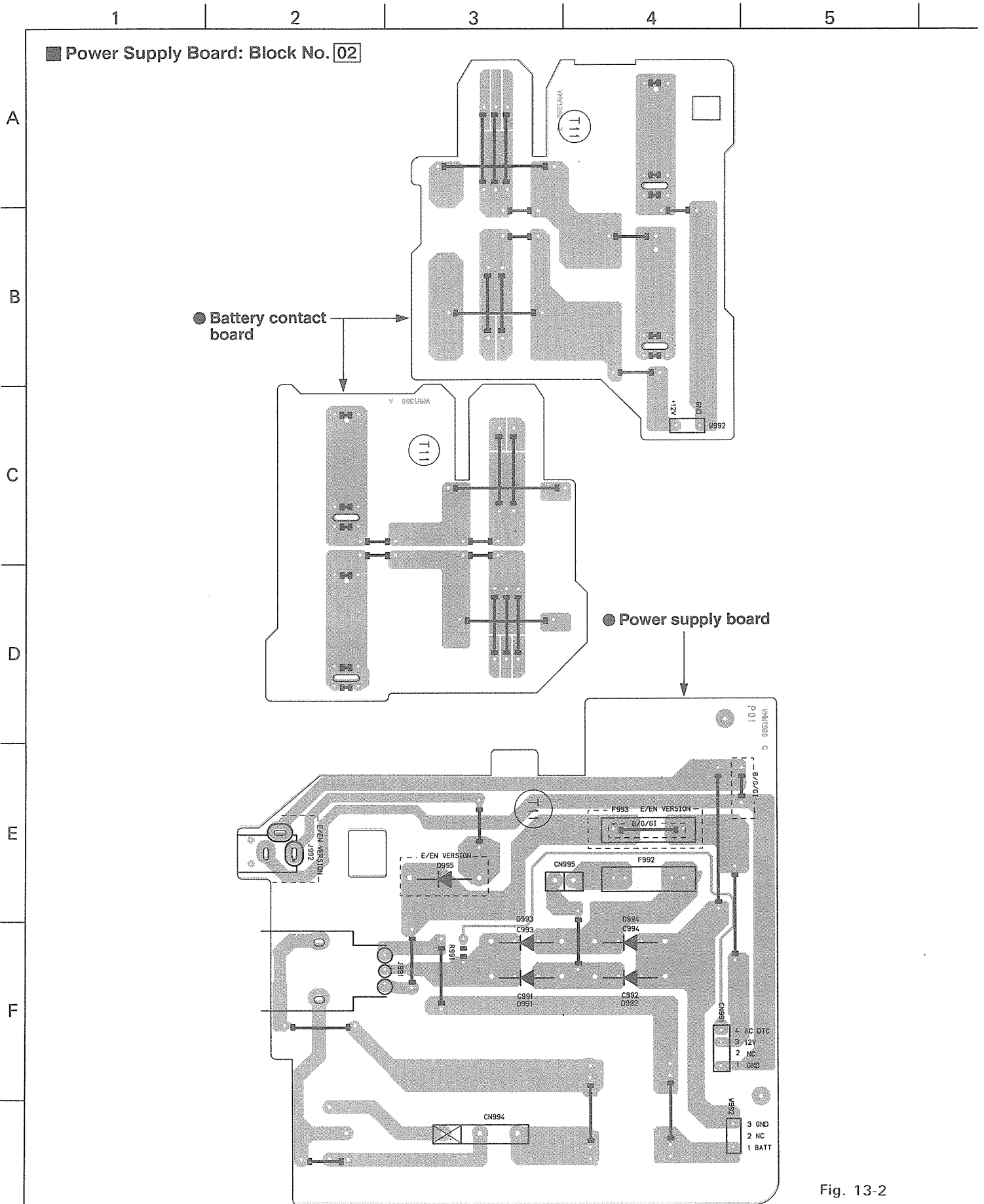


Fig. 13-2

6 | 7 | 8 | 9 | 10

■ CD Amplifier Board: Block No. 03

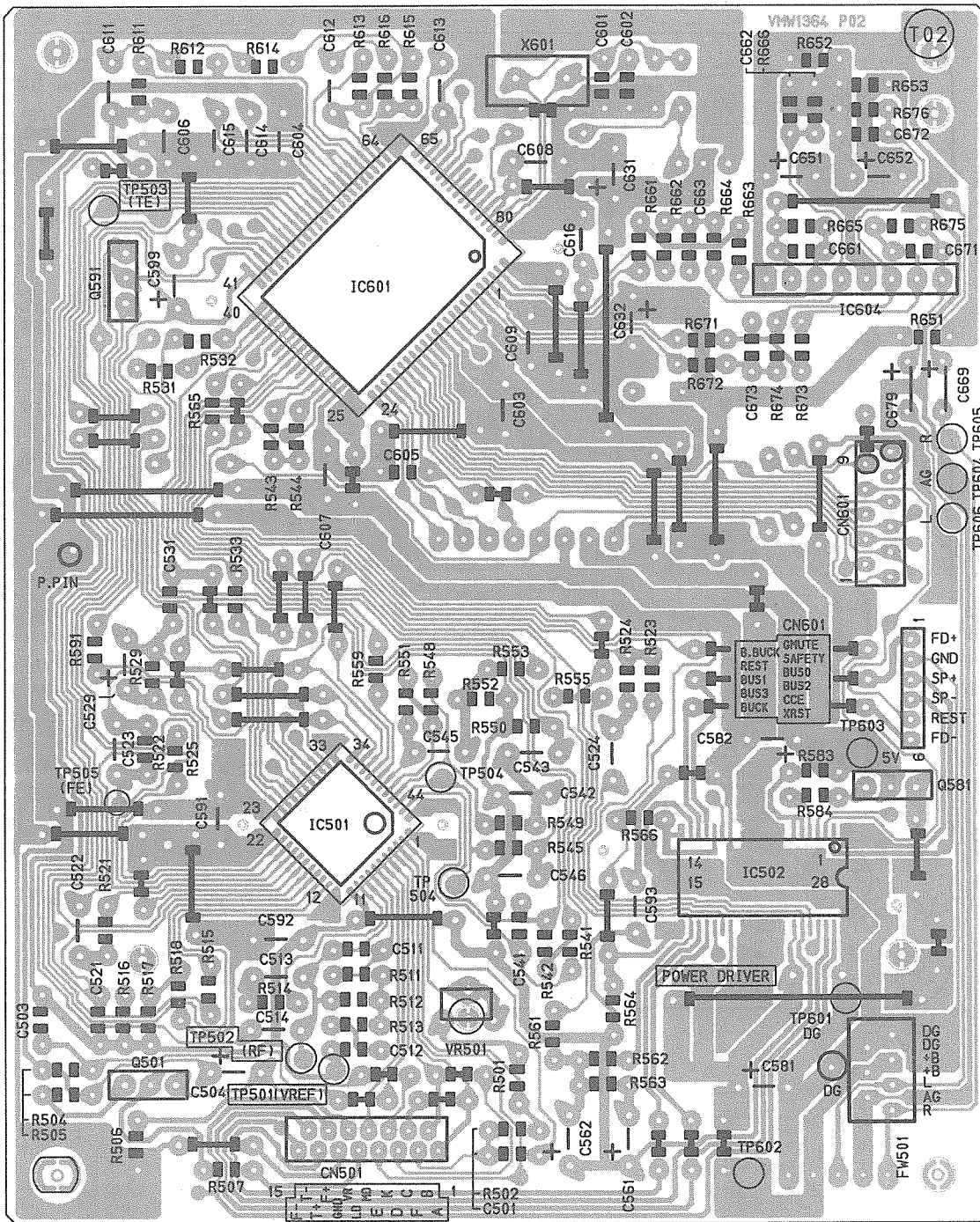


Fig. 13-3

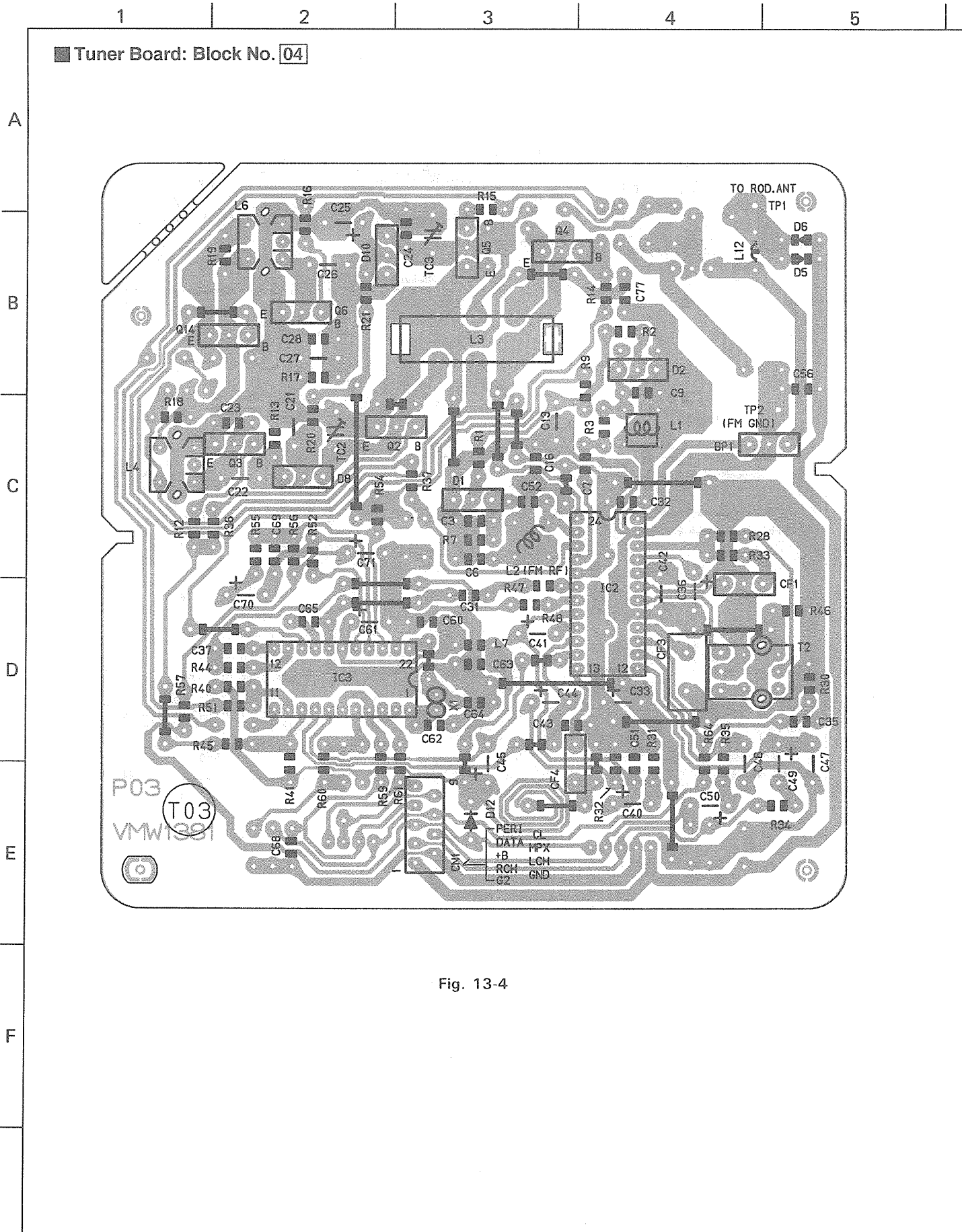


Fig. 13-4

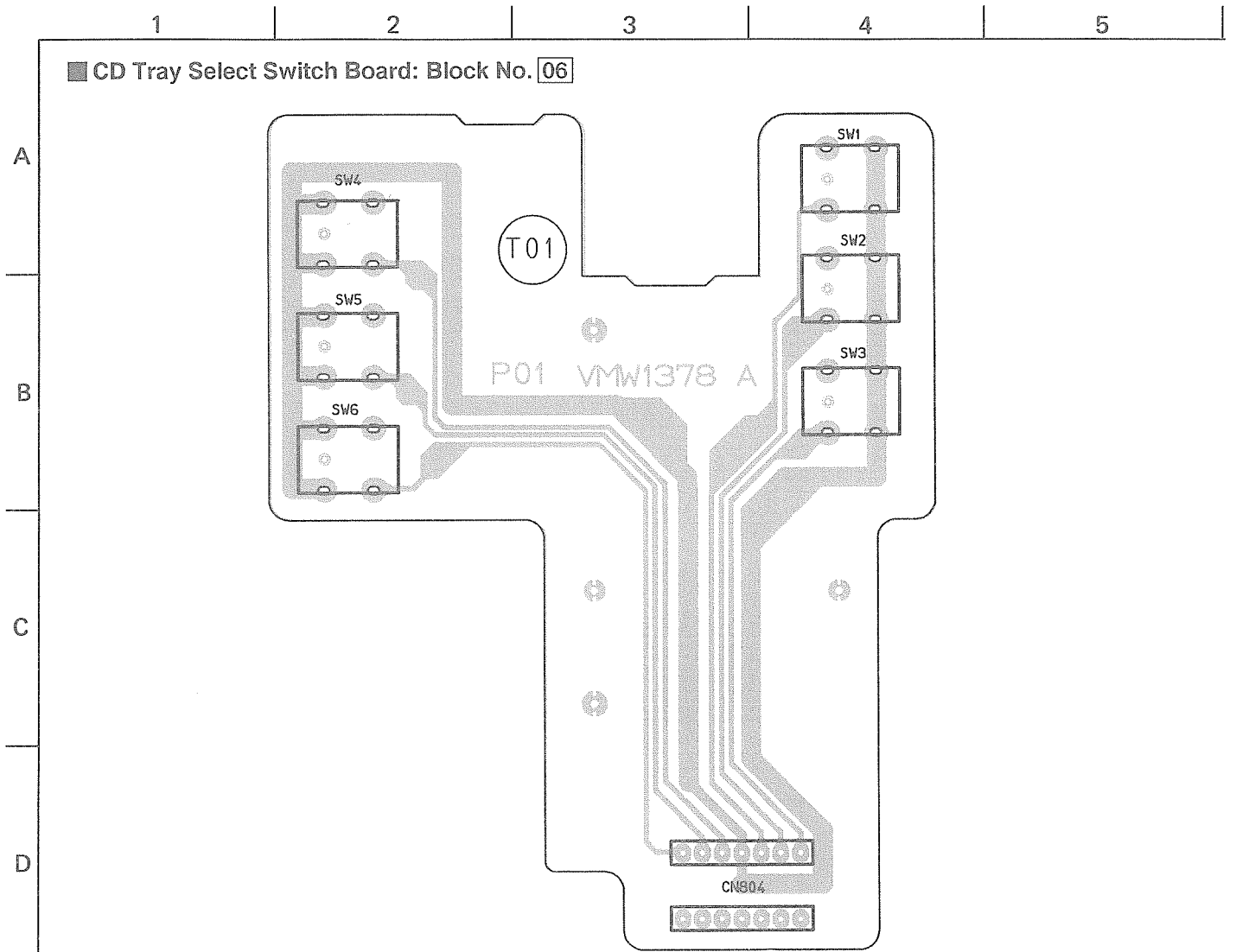


Fig. 13-6

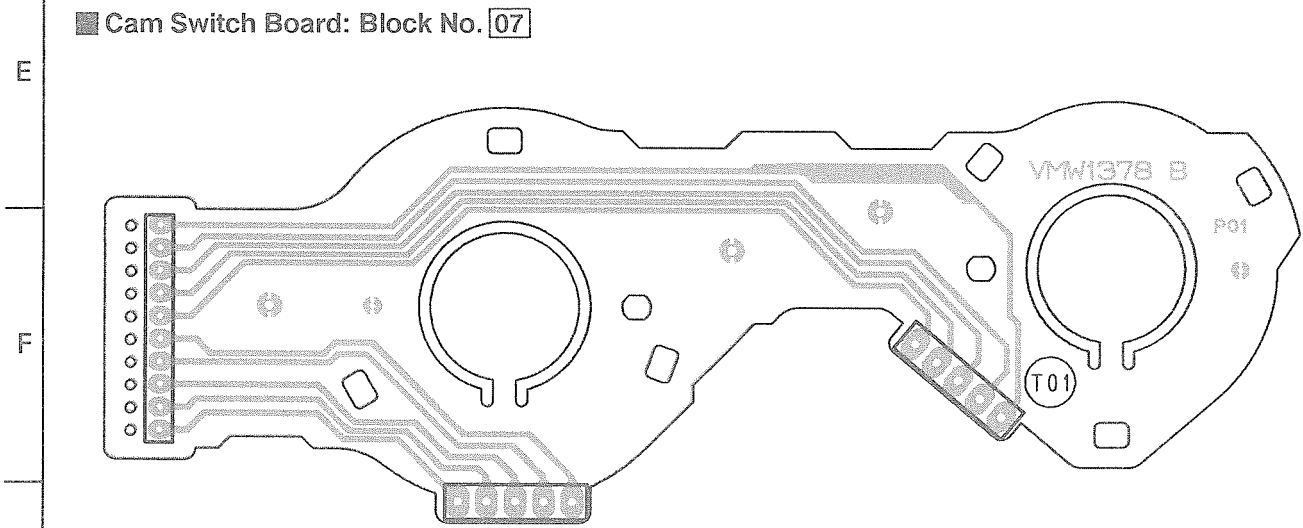


Fig. 13-7

14. Electrical Parts List

Main Board

REF.	PARTS NO.	PARTS NAME	REMARKS	SUFFIX
C 101	QET41AM-107	E. CAPACITOR	100MF 20% 10V	
C 102	QCB1HK-221Y	C. CAPACITOR	220PF 10% 50V	
C 103	QET41AM-107	E. CAPACITOR	BS	
C 104	QFLC1HJ-104ZM	M. CAPACITOR	.10MF 5% 50V	
C 105	QETN1CM-108Z	E. CAPACITOR	OUT CUP	
C 121	QFV81HJ-154	FILM CAPACITOR	.15MF 5% 50V	
C 122	QFV81HJ-154	FILM CAPACITOR	.15MF 5% 50V	
C 141	QET41EM-475	E. CAPACITOR	4.7MF 20% 25V	
C 142	QCS11HJ-360	C. CAPACITOR	47PF 5% 50V	
C 143	QET41EM-475	E. CAPACITOR	4.7MF 20% 25V	
C 151	QCB1HK-102Y	C. CAPACITOR	1000PF 10% 50V	
C 152	QER41EM-475VM	E. CAPACITOR	4.7MF 20% 25V	
C 161	QER41EM-475VM	E. CAPACITOR	4.7MF 20% 25V	
C 163	QFN41HJ-102	M. CAPACITOR	1000PF 5% 50V	
C 192	QER41EM-475VM	E. CAPACITOR	4.7MF 20% 25V	
C 193	QETC1HM-154Z	E. CAPACITOR	.15MF 20% 50V	
C 194	QET41AM-476	E. CAPACITOR	47MF 20% 10V	
C 201	QET41AM-107	E. CAPACITOR	100MF 20% 10V	
C 202	QCB1HK-221Y	C. CAPACITOR	220PF 10% 50V	
C 203	QET41AM-107	E. CAPACITOR	BS	
C 204	QFLC1HJ-104ZM	M. CAPACITOR	.10MF 5% 50V	
C 205	QETN1CM-108Z	E. CAPACITOR	OUT CUP	
C 222	QFV81HJ-154	FILM CAPACITOR	.15MF 5% 50V	
C 223	QFV81HJ-154	FILM CAPACITOR	.15MF 5% 50V	
C 241	QET41EM-475	E. CAPACITOR	4.7MF 20% 25V	
C 242	QCS11HJ-470	C. CAPACITOR	47PF 5% 50V	
C 243	QET41EM-475	E. CAPACITOR	4.7MF 20% 25V	
C 251	QCB1HK-102Y	C. CAPACITOR	1000PF 10% 50V	
C 252	QER41EM-475VM	E. CAPACITOR	4.7MF 20% 25V	
C 261	QER41EM-475VM	E. CAPACITOR	4.7MF 20% 25V	
C 263	QFN41HJ-102	M. CAPACITOR	1000PF 5% 50V	
C 292	QER41EM-475VM	E. CAPACITOR	4.7MF 20% 25V	
C 293	QETC1HM-154Z	E. CAPACITOR	.15MF 20% 50V	
C 294	QET41AM-476	E. CAPACITOR	47MF 20% 10V	
C 302	QET41AM-227	E. CAPACITOR	RF	
C 303	QET41EM-227	E. CAPACITOR	SW	
C 304	QCB1HK-102Y	C. CAPACITOR	1000PF 10% 50V	
C 322	QET41AM-476	E. CAPACITOR	47MF 20% 10V	
C 341	QET41AM-476	E. CAPACITOR	47MF 20% 10V	
C 342	QET41AM-107	E. CAPACITOR	100MF 20% 10V	
C 351	QET41CM-106	E. CAPACITOR	10MF 20% 16V	
C 361	QETM1EM-338	E. CAPACITOR	DECUP	
C 363	QET41AM-476	E. CAPACITOR	47MF 20% 10V	
C 364	QET41AM-476	E. CAPACITOR	47MF 20% 10V	
C 365	QET41EM-475	E. CAPACITOR	4.7MF 20% 25V	
C 366	QET41AM-107	E. CAPACITOR	VCC	
C 367	QET41AM-476	E. CAPACITOR	VG	
C 368	QET41AM-476	E. CAPACITOR	VOL	
C 369	QET41EM-475	E. CAPACITOR	4.7MF 20% 25V	
C 370	QET41AM-476	E. CAPACITOR	100HZ	
C 391	QETC1HM-224ZN	E. CAPACITOR	.22MF 20% 50V	
C 392	QETC1HM-225ZN	E. CAPACITOR	2.2MF 20% 50V	
C 701	QET41AM-227	E. CAPACITOR	220MF 20% 10V	
C 702	QCVB1CM-103Y	C. CAPACITOR	.010MF 20% 16V	
C 703	QETROJM-228	E. CAPACITOR	2200MF 20% 6.3V	

REF.	PARTS NO.	PARTS NAME	REMARKS	SUFFIX
C 704	QFLC1HJ-104ZM	M. CAPACITOR	.10MF 5% 50V	
C 705	QCS11HJ-240	C. CAPACITOR	CLOCK	
C 706	QCS11HJ-240	C. CAPACITOR	CLOCK	
C 707	QCS11HJ-360	C. CAPACITOR	CLOCK	
C 708	QCS11HJ-360	C. CAPACITOR	CLOCK	
C 709	QCB1HK-102Y	C. CAPACITOR	CLOCK	
C 710	QCB1HK-102Y	C. CAPACITOR	CLOCK	
C 712	QETC1HM-225ZN	E. CAPACITOR	2.2MF 20% 50V	
C 715	QCVB1CM-103Y	E. CAPACITOR	XT2	
C 716	QETC1HM-225ZN	E. CAPACITOR	RESET	
C 717	QCVB1CM-103Y	E. CAPACITOR	RESET	
C 718	QEK41CM-476	E. CAPACITOR	47MF 20% 16V	
C 719	QEXB1CM-222Y	E. CAPACITOR	2200PF 20% 16V	
C 721	QCB1HK-471Y	C. CAPACITOR	470PF 10% 50V	
C 722	QCB1HK-471Y	C. CAPACITOR	470PF 10% 50V	
C 723	QCB1HK-471Y	C. CAPACITOR	470PF 10% 50V	
C 724	QCB1HK-471Y	C. CAPACITOR	470PF 10% 50V	
C 725	QCB1HK-471Y	C. CAPACITOR	470PF 10% 50V	
C 726	QCB1HK-471Y	C. CAPACITOR	470PF 10% 50V	
C 727	QCVB1CM-103Y	E. CAPACITOR	.010MF 20% 16V	
C 731	QCB1HK-102Y	C. CAPACITOR	1000PF 10% 50V	
C 901	QET41AM-476	E. CAPACITOR	47MF 20% 10V	
C 902	QETC1AM-337ZN	E. CAPACITOR	330MF 20% 10V	
C 903	QET41AM-107	E. CAPACITOR	100MF 20% 10V	
C 904	QET41CM-106	E. CAPACITOR	10MF 20% 16V	
C 905	QETC1AM-337ZN	E. CAPACITOR	330MF 20% 10V	
C 906	QET41CM-106	E. CAPACITOR	10MF 20% 16V	
C 911	QET41AM-476	E. CAPACITOR	47MF 20% 10V	
C 912	QET41CM-106	E. CAPACITOR	DECAP	
C 914	QETC1HM-104ZN	E. CAPACITOR	PULSE	
C 915	QET41AM-227	E. CAPACITOR	P SW	
C 916	QCVB1CM-103Y	E. CAPACITOR	.010MF 20% 16V	
C 917	QET41AM-476	E. CAPACITOR	47MF 20% 10V	
C 921	QET41CM-106	E. CAPACITOR	10MF 20% 16V	
C 922	QEK41HM-104	E. CAPACITOR	.10MF 20% 50V	
C 931	QET41AM-107	E. CAPACITOR	100MF 20% 10V	
C 933	QET41AM-476	E. CAPACITOR	NOISE	
CA102	QCB1HK-102Y	C. CAPACITOR	1000PF 10% 50V	
CA103	QET41AM-227	E. CAPACITOR	220MF 20% 10V	
CA104	QFLC1HJ-333ZM	M. CAPACITOR	.033MF 5% 50V	
CA105	QET41HM-105	E. CAPACITOR	1.0MF 20% 50V	
CA106	QCB1HK-151Y	C. CAPACITOR	150PF 10% 50V	
CA109	QCB1HK-221Y	C. CAPACITOR	220PF 10% 50V	
CA121	QET41EM-475	E. CAPACITOR	4.7MF 20% 25V	
CA126	QCY41HK-332	C. CAPACITOR	3300PF 10% 50V	
CA127	QET41CM-226	E. CAPACITOR	22MF 20% 16V	
CA130	QFLC1HJ-823ZM	M. CAPACITOR	.082MF 5% 50V	
CA132	QET41EM-475	E. CAPACITOR	4.7MF 20% 25V	
CA133	QCB1HK-221Y	C. CAPACITOR	220PF 10% 50V	
CA134	QFV81HJ-223	FILM CAPACITOR	.022MF 5% 50V	
CA141	QCS11HJ-331	C. CAPACITOR	330PF 5% 50V	
CA202	QCB1HK-102Y	C. CAPACITOR	1000PF 10% 50V	
CA203	QET41AM-227	E. CAPACITOR	220MF 20% 10V	
CA204	QFLC1HJ-333ZM	M. CAPACITOR	.033MF 5% 50V	
CA205	QET41HM-105	E. CAPACITOR	1.0MF 20% 50V	

BLOCK NO. 01111111

REF.	PARTS NO.	PARTS NAME	REMARKS	SUFFIX
D 912	1SS133	SI DIODE		
D 913	1SS133	SI DIODE		
D 914	1SR35-100	SI DIODE		
D 915	MTZ6-2JAT-77	Z-DIODE I/M		
DA301	1SS133	SI DIODE		
DA302	1SS133	SI DIODE		
DA303	1SS133	SI DIODE		
DI701	VGL1178-001	LCD		
DM721	SL2-981A09-T6	LED	MBH	
DM722	SL2-381F09-T6	LED	POWER(GREEN)	
DM723	SL2-981A09-T6	LED	STANDBY(RED)	
DM724	1SS133	SI DIODE		
ICA31	AN7345K	IC	PB/REC AMP	
ICA33	BA3126N	IC	HEAD SW	
IC301	BA15218N	IC		
IC302	CXA1792S	IC	TONE VOL	
IC303	TA78DS08BP	IC	POWER AMP	
IC304	TA8229K	IC	POWER AMP	
IC305	TA78DS06BP	IC	SYSTEM MICOM	
IC701	UPD753366C-123	IC		
IC702	BA10324	IC		
IC711	SBX1785-52A	RM RECEIVER	REMCON	
J 301	VMJ4049-001J	JACK	HP JACK	
K 701	VQ20048-009	INDUCTOR		
K 702	VQ20048-009	INDUCTOR		
L 701	VQP0033-100Z	INDUCTOR		
L 703	VQP0033-100Z	INDUCTOR		
LA341	V8I7001-029	OSC COIL (BIAS)	COIL	
LA371	V8P0028-100Z	INDUCTOR		
Q 121	2SC2785	TRANSISTOR	BASS BOOST	
Q 153	2SD2144S (VW)	TRANSISTOR		
Q 191	2SC2785	TRANSISTOR		
Q 221	2SC2785	TRANSISTOR	BASS BOOST	
Q 253	2SD2144S (VW)	TRANSISTOR		
Q 291	2SC2785	TRANSISTOR		
Q 351	DTA114ES	TRANSISTOR		
Q 391	DTC115ES	TRANSISTOR		
Q 701	2SC1923	TRANSISTOR	CLOCK BEAT	
Q 702	2SC1923	TRANSISTOR	CLOCK BEAT	
Q 703	2SA1175	TRANSISTOR	+B CONTROL	
Q 704	2SC2785	TRANSISTOR	BUP CONTROL	
Q 705	DTC114TSTP	TRANSISTOR	RESET	
Q 706	DTA1241STP	TRANSISTOR	TAPE IND. CONT	
Q 708	DTC144TS	TRANSISTOR	TUNER DATA SW	
Q 709	DTC144TS	TRANSISTOR	TUNER SOCK SW	
Q 901	2SD2785	TRANSISTOR	TUNER SW	
Q 902	DTA114YS	TRANSISTOR		
Q 903	2SD882(P,Q)	TRANSISTOR	CD REG	
Q 904	DTA114YS	TRANSISTOR		
Q 911	2SD882(P,Q)	TRANSISTOR	SW 8V REG	
Q 914	2SC3330	TRANSISTOR		
Q 915	2SA952(L,K)	TRANSISTOR	POWER SW	
Q 916	2SC2785	TRANSISTOR	AC IN	
Q 931	2SD1913(R,S)	TRANSISTOR	CH 8V REG	
QA122	2SC3330	TRANSISTOR	REC MUTE	

BLOCK NO. 01111111

REF.	PARTS NO.	PARTS NAME	REMARKS	SUFFIX
CA206	QCB11HK-151Y	C-CAPACITOR	150PF 10% 50V	
CA209	QCB11HK-221Y	C-CAPACITOR	220PF 10% 50V	
CA221	QET41EM-475	E-CAPACITOR	4.7MF 20% 25V	
CA226	QCV41HK-332	C-CAPACITOR	3300PF 10% 50V	
CA227	QET41CM-226	E-CAPACITOR	22MF 20% 16V	
CA230	QFLC1HJ-823ZM	M-CAPACITOR	.082MF 5% 50V	
CA232	QET41EM-475	E-CAPACITOR	4.7MF 20% 25V	
CA233	QCB11HK-221Y	C-CAPACITOR	220PF 10% 50V	
CA234	QV81HJ-223	FILM CAPACITOR	.022MF 5% 50V	
CA241	QCS11HJ-331	E-CAPACITOR	330PF 5% 50V	
CA301	QET41AM-476	E-CAPACITOR	4.7MF 20% 10V	
CA302	QET41CM-226	E-CAPACITOR	22MF 20% 16V	
CA303	QET41CM-226	E-CAPACITOR	22MF 20% 16V	
CA304	QET41EM-475	E-CAPACITOR	4.7MF 20% 25V	
CA305	QETC1HM-335ZM	E-CAPACITOR	3.3MF 20% 50V	
CA315	QET41CM-107	E-CAPACITOR	100MF 20% 16V	
CA322	QFLC1HJ-393ZM	M-CAPACITOR	.039MF 5% 50V	
CA323	QET41AM-227	E-CAPACITOR	220MF 20% 10V	
CA341	QET41CM-106	E-CAPACITOR	10MF 20% 16V	
CA342	QFLC1HJ-223ZM	M-CAPACITOR	.022MF 5% 50V	
CA343	QFLC1HJ-183ZM	M-CAPACITOR	.018MF 5% 50V	
CA345	QFLC1HJ-102ZM	M-CAPACITOR	1000PF 5% 50V	
CA349	QCVB1CN-103Y	C-CAPACITOR	.010MF 30% 16V	
CA350	QCVB1CN-103Y	C-CAPACITOR	.010MF 30% 16V	
CA351	QFP81HJ-121	P-P-CAPACITOR	120PF 5% 50V	
CA352	QFP31HJ-561	P-P-CAPACITOR	560PF 5% 50V	
CM701	QCVB1CN-103Y	C-CAPACITOR	.010MF 20% 16V	
CM702	QET41HM-105	E-CAPACITOR	1.0MF 20% 50V	
CM703	QET41HM-105	E-CAPACITOR	1.0MF 20% 50V	
CM704	QET41HM-105	E-CAPACITOR	1.0MF 20% 50V	
CNA32	VNC0040-005Z	CONNECTOR IM	TO R/P HEAD	
CNA33	VNC0075-009	CONNECTOR	TO MECHA SW	
CN301	VNC0041-003	CONNECTOR	TEST POINT	
CN302	VNC0163-007	CONNECTOR	CD	
CN701	VNC0163-010	CONNECTOR	MICOM-CONT	
CN702	VNC0163-010	CONNECTOR	MICOM-CONT	
CN703	VNC0192-006	CONNECTOR	MICOM-CONT	
CN704	VNC0192-006	CONNECTOR	MICOM-CONT	
CN705	EMV7120-004	CONNECTOR	CDCONT-CDCONT	
CN706	EMV5120-004	CONNECTOR	CDCONT-CDCONT	
CN707	VNC0041-004	CONNECTOR	CONT-SPK.	
CN708	VNC0040-004Z	CONNECTOR IM		
CN711	VNC0163-009	CONNECTOR	TO TUNER	
CN715	VNC0163-010	CONNECTOR	TO CHANGER	
CN716	VNC0163-009	CONNECTOR	TO CD	
D 321	MTZ4-3JB	ZENER DIODE		
D 361	MTZ5-1JC	ZENER DIODE		
D 392	1SS133	SI DIODE		
D 393	1SS133	SI DIODE		
D 701	1SS119-02	SI DIODE		
D 702	MTZ5-1JAT-77	ZENER DIODE		
D 703	1SS133	SI DIODE		
D 711	1SS133	SI DIODE		
D 901	MTZ6-8JB	ZENER DIODE		
D 911	MTZ6-8JC	ZENER DIODE		

BLOCK NO. 01111111

REF.	PARTS NO.	PARTS NAME	REMARKS	SUFFIX
R 341	QRD161J-103	CARBON RESISTOR	10K 5% 1/6W	
R 342	QRD161J-103	CARBON RESISTOR	10K 5% 1/6W	
R 343	QRD161J-221	CARBON RESISTOR	220 5% 1/6W	
R 363	QRD161J-274	CARBON RESISTOR	270K 5% 1/6W	
R 364	QRD161J-182	CARBON RESISTOR	1.8K 5% 1/6W	
R 365	QRD161J-223	CARBON RESISTOR	22K 5% 1/6W	
R 366	QRD161J-223	CARBON RESISTOR	22K 5% 1/6W	
R 367	QRD161J-122	CARBON RESISTOR	1.2K 5% 1/6W	
R 368	QRD161J-182	CARBON RESISTOR	1.8K 5% 1/6W	
R 369	QRD161J-101	CARBON RESISTOR	100 5% 1/6W	
R 370	QRD161J-102	CARBON RESISTOR	1.0K 5% 1/6W	
R 371	QRD161J-164YT	CARBON RESISTOR	160K 5% 1/6W	
R 391	QRD161J-104	CARBON RESISTOR	100K 5% 1/6W	
R 392	QRD161J-394	CARBON RESISTOR	390K 5% 1/6W	
R 393	QRD161J-242	CARBON RESISTOR	2.4K 5% 1/6W	
R 701	QRD161J-681	CARBON RESISTOR	CLOCK	
R 702	QRD161J-681	CARBON RESISTOR	CLOCK	
R 703	QRD161J-331	CARBON RESISTOR	BUP	
R 711	QRD161J-103	CARBON RESISTOR	RESET	
R 712	QRD161J-103	CARBON RESISTOR	RESET	
R 713	QRD161J-673	CARBON RESISTOR	BUP	
R 714	QRD161J-333	CARBON RESISTOR	BUP	
R 715	QRD161J-104	CARBON RESISTOR	BUP	
R 716	QRD161J-103	CARBON RESISTOR	10K 5% 1/6W	
R 720	QRD161J-102	CARBON RESISTOR	BEAT	
R 721	QRD161J-103	CARBON RESISTOR	MBH	
R 722	QRD161J-104	CARBON RESISTOR	VOL	
R 723	QRD161J-104	CARBON RESISTOR	BASS	
R 724	QRD161J-104	CARBON RESISTOR	TRE	
R 725	QRD161J-222	CARBON RESISTOR	BUP	
R 726	QRD161J-103	CARBON RESISTOR	+BCTL	
R 727	QRD161J-222	CARBON RESISTOR	BEAT	
R 728	QRD161J-222	CARBON RESISTOR	KEY2	
R 729	QRD161J-222	CARBON RESISTOR	KEY1	
R 730	QRD161J-222	CARBON RESISTOR	KEY3(CAP/BP)	
R 731	QRD161J-222	CARBON RESISTOR	MICJ	
R 732	QRD161J-222	CARBON RESISTOR	BATT	
R 733	QRD161J-103	CARBON RESISTOR	KEY2	
R 734	QRD161J-103	CARBON RESISTOR	KEY1	
R 735	QRD161J-103	CARBON RESISTOR	KEY3(CAP/BP)	
R 738	QRD161J-222	CARBON RESISTOR	DOOR SW	
R 739	QRD161J-103	CARBON RESISTOR	DOOR SW	
R 740	QRD161J-102	CARBON RESISTOR	BUS3	
R 741	QRD161J-102	CARBON RESISTOR	BUS2	
R 742	QRD161J-102	CARBON RESISTOR	BUS1	
R 743	QRD161J-102	CARBON RESISTOR	BUS0	
R 744	QRD161J-102	CARBON RESISTOR	CCE	
R 745	QRD161J-102	CARBON RESISTOR	BUCK	
R 746	QRD161J-222	CARBON RESISTOR	XRST	
R 747	QRD161J-683	CARBON RESISTOR	S CD	
R 749	QRD161J-273	CARBON RESISTOR	REST	
R 750	QRD161J-102	CARBON RESISTOR	BUS3	
R 751	QRD161J-102	CARBON RESISTOR	BUS2	
R 752	QRD161J-102	CARBON RESISTOR	BUS1	
R 753	QRD161J-102	CARBON RESISTOR	BUS0	

BLOCK NO. 01111111

REF.	PARTS NO.	PARTS NAME	REMARKS	SUFFIX
QA222	25C3330	TRANSISTOR	REC MUTE	
QA221	25C3330	TRANSISTOR	R MUTE DRIVE	
QA341	25D2144S(VM)	TRANSISTOR		
QA342	25C3330	TRANSISTOR		
QA343	25C3330	TRANSISTOR		
QA344	25C3330	TRANSISTOR		
QA345	25C3330	TRANSISTOR		
QA346	25C3330	TRANSISTOR		
R 101	QRD161J-271	CARBON RESISTOR	270 5% 1/6W	
R 102	QR20077-4R7X	FUSE RESISTOR	4.7 1/0W	
R 103	QRD161J-121	CARBON RESISTOR	HP LEVEL	
R 121	QRD161J-112	C-RESISTOR	1.1K 5% 1/6W	
R 122	QRD161J-154	CARBON RESISTOR	150K 5% 1/6W	
R 141	QRD161J-682	CARBON RESISTOR	6.8K 5% 1/6W	
R 142	QRD161J-363	CARBON RESISTOR	36K 5% 1/6W	
R 143	QRD161J-393	CARBON RESISTOR	39K 5% 1/6W	
R 152	QRD161J-753	CARBON RESISTOR	75K 5% 1/6W	
R 154	QRD161J-562	CARBON RESISTOR	5.6K 5% 1/6W	
R 155	QRD161J-183	CARBON RESISTOR	18K 5% 1/6W	
R 158	QRD161J-183	CARBON RESISTOR	18K 5% 1/6W	
R 160	QRD161J-152	CARBON RESISTOR	1.5K 5% 1/6W	
R 161	QRD161J-123	CARBON RESISTOR	12K 5% 1/6W	
R 162	QRD161J-472	CARBON RESISTOR	4.7K 5% 1/6W	
R 191	QRD161J-273	CARBON RESISTOR	27K 5% 1/6W	
R 192	QRD161J-103	CARBON RESISTOR	10K 5% 1/6W	
R 193	QRD161J-682	CARBON RESISTOR	6.8K 5% 1/6W	
R 194	QRD161J-224	CARBON RESISTOR	220K 5% 1/6W	
R 196	QRD161J-473	CARBON RESISTOR	47K 5% 1/6W	
R 197	QRD161J-561	CARBON RESISTOR	560 5% 1/6W	
R 198	QRD161J-432	CARBON RESISTOR	4.3K 5% 1/6W	
R 199	QRD161J-472	CARBON RESISTOR	4.7K 5% 1/6W	
R 201	QRD161J-271	CARBON RESISTOR	270 5% 1/6W	
R 202	QR20077-4R7X	FUSE RESISTOR	4.7 1/0W	
R 203	QRD161J-121	CARBON RESISTOR	HP LEVEL	
R 221	QRD161J-112	CARBON RESISTOR	1.1K 5% 1/6W	
R 222	QRD161J-154	CARBON RESISTOR	150K 5% 1/6W	
R 241	QRD161J-682	CARBON RESISTOR	6.8K 5% 1/6W	
R 242	QRD161J-363	CARBON RESISTOR	36K 5% 1/6W	
R 243	QRD161J-393	CARBON RESISTOR	39K 5% 1/6W	
R 252	QRD161J-753	CARBON RESISTOR	75K 5% 1/6W	
R 254	QRD161J-562	CARBON RESISTOR	5.6K 5% 1/6W	
R 255	QRD161J-183	CARBON RESISTOR	18K 5% 1/6W	
R 258	QRD161J-183	CARBON RESISTOR	18K 5% 1/6W	
R 260	QRD161J-152	CARBON RESISTOR	1.5K 5% 1/6W	
R 261	QRD161J-123	CARBON RESISTOR	12K 5% 1/6W	
R 262	QRD161J-472	CARBON RESISTOR	4.7K 5% 1/6W	
R 291	QRD161J-273	CARBON RESISTOR	27K 5% 1/6W	
R 292	QRD161J-103	CARBON RESISTOR	10K 5% 1/6W	
R 293	QRD161J-682	CARBON RESISTOR	6.8K 5% 1/6W	
R 294	QRD161J-224	CARBON RESISTOR	220K 5% 1/6W	
R 296	QRD161J-473	CARBON RESISTOR	47K 5% 1/6W	
R 297	QRD161J-561	CARBON RESISTOR	560 5% 1/6W	
R 298	QRD161J-432	CARBON RESISTOR	4.3K 5% 1/6W	
R 299	QRD161J-472	CARBON RESISTOR	4.7K 5% 1/6W	
R 322	QRD161J-102	CARBON RESISTOR	1.0K 5% 1/6W	

BLOCK NO. 01111111

REF.	PARTS NO.	PARTS NAME	REMARKS	SUFFIX
R 924	QRD161J-220	CARBON RESISTOR	22 5% 1/6W	
R 925	QR20077-4R7X	FUSE RESISTOR	4.7 1/0W	
R 931	QRD161J-101	CARBON RESISTOR	100 5% 1/6W	
RA103	QRD161J-220	CARBON RESISTOR	22 5% 1/6W	
RA104	QRD161J-392	CARBON RESISTOR	3.9K 5% 1/6W	
RA106	QRD161J-223	CARBON RESISTOR	22K 5% 1/6W	
RA107	QRD161J-104	CARBON RESISTOR	100K 5% 1/6W	
RA121	QRD161J-183	CARBON RESISTOR	18K 5% 1/6W	
RA125	QRD161J-560	CARBON RESISTOR	56 5% 1/6W	
RA126	QRD161J-681	CARBON RESISTOR	680 5% 1/6W	
RA128	QRD161J-562	CARBON RESISTOR	5.6K 5% 1/6W	
RA130	QRD161J-272	CARBON RESISTOR	2.7K 5% 1/6W	
RA131	QRD161J-332	CARBON RESISTOR	3.3K 5% 1/6W	
RA132	QRD161J-273	CARBON RESISTOR	27K 5% 1/6W	
RA133	QRD161J-102	CARBON RESISTOR	1.0K 5% 1/6W	
RA141	QRD161J-272	CARBON RESISTOR	2.7K 5% 1/6W	
RA203	QRD161J-220	CARBON RESISTOR	22 5% 1/6W	
RA204	QRD161J-392	CARBON RESISTOR	3.9K 5% 1/6W	
RA206	QRD161J-223	CARBON RESISTOR	22K 5% 1/6W	
RA207	QRD161J-104	CARBON RESISTOR	100K 5% 1/6W	
RA221	QRD161J-183	CARBON RESISTOR	18K 5% 1/6W	
RA225	QRD161J-560	CARBON RESISTOR	56 5% 1/6W	
RA226	QRD161J-681	CARBON RESISTOR	680 5% 1/6W	
RA228	QRD161J-562	CARBON RESISTOR	5.6K 5% 1/6W	
RA230	QRD161J-272	CARBON RESISTOR	2.7K 5% 1/6W	
RA231	QRD161J-332	CARBON RESISTOR	3.3K 5% 1/6W	
RA232	QRD161J-273	CARBON RESISTOR	27K 5% 1/6W	
RA233	QRD161J-102	CARBON RESISTOR	1.0K 5% 1/6W	
RA241	QRD161J-272	CARBON RESISTOR	2.7K 5% 1/6W	
RA301	QRD161J-101	CARBON RESISTOR	100 5% 1/6W	
RA305	QRD161J-102	CARBON RESISTOR	1.0K 5% 1/6W	
RA315	QRD161J-221	CARBON RESISTOR	220 5% 1/6W	
RA316	QRD161J-163	CARBON RESISTOR	16K 5% 1/6W	
RA321	QRD161J-104	CARBON RESISTOR	100K 5% 1/6W	
RA322	QRD161J-393	CARBON RESISTOR	39K 5% 1/6W	
RA324	QRD161J-272	CARBON RESISTOR	2.7K 5% 1/6W	
RA327	QRD161J-273	CARBON RESISTOR	27K 5% 1/6W	
RA341	QRD14CJ-220S	CARBON RESISTOR	22 5% 1/4W	
RA342	QRD161J-101	CARBON RESISTOR	100 5% 1/6W	
RA343	QRD161J-3R3	CARBON RESISTOR	3.3 5% 1/6W	
RA344	QRD161J-682	CARBON RESISTOR	6.8K 5% 1/6W	
RA346	QRD161J-102	CARBON RESISTOR	1.0K 5% 1/6W	
RA349	QRD161J-152	CARBON RESISTOR	1.5K 5% 1/6W	
RA350	QRD161J-182	CARBON RESISTOR	1.8K 5% 1/6W	
RA351	QRD161J-473	CARBON RESISTOR	47K 5% 1/6W	
RA352	QRD161J-473	CARBON RESISTOR	47K 5% 1/6W	
RA354	QRD161J-123	CARBON RESISTOR	12K 5% 1/6W	
RA355	QRD161J-123	CARBON RESISTOR	12K 5% 1/6W	
RA361	QRD161J-474	CARBON RESISTOR	470K 5% 1/6W	
RA362	QRD161J-103	CARBON RESISTOR	10K 5% 1/6W	
RA371	QRD161J-103	CARBON RESISTOR	10K 5% 1/6W	
RM701	QRD161J-101	CARBON RESISTOR	100 5% 1/6W	
RM702	QRD161J-103	CARBON RESISTOR	10K 5% 1/6W	
RM703	QRD161J-103	CARBON RESISTOR	10K 5% 1/6W	
RM704	QRD161J-103	CARBON RESISTOR	10K 5% 1/6W	

BLOCK NO. 01111111

REF.	PARTS NO.	PARTS NAME	REMARKS	SUFFIX
R 754	QRD161J-102	CARBON RESISTOR	CCE	
R 755	QRD161J-102	CARBON RESISTOR	BUCK	
R 756	QRD161J-102	CARBON RESISTOR	XRST	
R 757	QRD161J-223	CARBON RESISTOR	S CD	
R 758	QRD161J-222	CARBON RESISTOR	BIAS2	
R 759	QRD161J-222	CARBON RESISTOR	BIAS1	
R 760	QRD161J-222	CARBON RESISTOR	F TUNER	
R 761	QRD161J-103	CARBON RESISTOR	TUST	
R 762	QRD161J-103	CARBON RESISTOR	MPX	
R 763	QRD161J-473	CARBON RESISTOR	AC/DC	
R 764	QRD161J-103	CARBON RESISTOR	WAKEUP	
R 765	QRD161J-222	CARBON RESISTOR	REMCON	
R 766	QRD161J-222	CARBON RESISTOR	RECL	
R 767	QRD161J-223	CARBON RESISTOR	SDATA	
R 768	QRD161J-222	CARBON RESISTOR	SDATA1	
R 769	QRD161J-102	CARBON RESISTOR	SDATA2	
R 770	QRD161J-102	CARBON RESISTOR	SCK	
R 771	QRD161J-102	CARBON RESISTOR	SCK1	
R 772	QRD161J-222	CARBON RESISTOR	PIN	
R 773	QRD161J-222	CARBON RESISTOR	A/B	
R 776	QRD161J-562	CARBON RESISTOR	RECH	
R 777	QRD161J-562	CARBON RESISTOR	RECB	
R 778	QRD161J-103	CARBON RESISTOR	MT1	
R 779	QRD161J-103	CARBON RESISTOR	MTO	
R 780	QRD161J-222	CARBON RESISTOR	F CD	
R 781	QRD161J-223	CARBON RESISTOR	SMUTE	
R 782	QRD161J-222	CARBON RESISTOR	PBM	
R 783	QRD161J-222	CARBON RESISTOR	A/B	
R 784	QRD161J-222	CARBON RESISTOR	REC H	
R 785	QRD161J-222	CARBON RESISTOR	REC B	
R 786	QRD161J-222	CARBON RESISTOR	MT1	
R 787	QRD161J-222	CARBON RESISTOR	MTO	
R 789	QRD161J-104	CARBON RESISTOR	REC L	
R 790	QRD161J-104	CARBON RESISTOR	WAKEUP	
R 791	QRD161J-393	CARBON RESISTOR	LCDB	
R 792	QRD161J-104	CARBON RESISTOR	VLC0	
R 793	QRD161J-104	CARBON RESISTOR	VLC1	
R 794	QRD161J-104	CARBON RESISTOR	VLC2	
R 795	QRD161J-222	CARBON RESISTOR	PBM	
R 798	QRD161J-104	CARBON RESISTOR	100K	
R 799	QRD161J-102	CARBON RESISTOR	SCK1	
R 901	QRD161J-152	CARBON RESISTOR	1.5K 5% 1/6W	
R 902	QRD161J-121	CARBON RESISTOR	120 5% 1/6W	
R 903	QRD161J-121	CARBON RESISTOR	1.2K 5% 1/6W	
R 905	QRD161J-222	CARBON RESISTOR	1.2K 5% 1/6W	
R 906	QRD161J-220	CARBON RESISTOR	22 5% 1/6W	
R 907	QRD161J-101	CARBON RESISTOR	100 5% 1/6W	
R 908	QRD161J-473	CARBON RESISTOR	47K 5% 1/6W	
R 911	QRD161J-101	CARBON RESISTOR	100 5% 1/6W	
R 912	QRD161J-392	CARBON RESISTOR	3.9K 5% 1/6W	
R 913	QRD161J-104	CARBON RESISTOR	100K 5% 1/6W	
R 914	QRD161J-103	CARBON RESISTOR	10K 5% 1/6W	
R 915	QRD161J-562	CARBON RESISTOR	5.6K 5% 1/6W	
R 922	QRD161J-222	CARBON RESISTOR	2.2K 5% 1/6W	
R 923	QRD161J-332	CARBON RESISTOR	3.3K 5% 1/6W	

Power Supply Board

BLOCK NO. 02		BLOCK NO. 02		BLOCK NO. 02		BLOCK NO. 02	
REF.	PARTS NO.	PARTS NAME	REMARKS	SUFFIX	SUFFIX	SUFFIX	SUFFIX
C 991	QCF11HP-223	C-CAPACITOR	.022MF +100%-0%				
C 992	QCF11HP-223	C-CAPACITOR	.022MF +100%-0%				
C 993	QCF11HP-223	C-CAPACITOR	.022MF +100%-0%				
C 994	QCF11HP-223	C-CAPACITOR	.022MF +100%-0%				
CN991	VMC0041-004	CONNECTOR	SUPPLY-MAIN				
CN992	EMV5137-002	CONNECTOR	TO TRANS				
CN995	VMZ0049-A02	CONNECTOR	FROM TRANS				
D 991	1N5401TM	SI DIODE					
D 992	1N5401TM	SI DIODE					
D 993	1N5401TM	SI DIODE					
D 994	1N5401TM	SI DIODE					
D 995	1N5401TM	SI DIODE					E-EN
J 991	QMC0263-004BS	AC SOCKET					
J 992	QMA431B-V01	DC JACK					E-EN
R 991	QRD161J-103	CARBON RESISTOR	AC IN				

BLOCK NO. 01		BLOCK NO. 01		BLOCK NO. 01		BLOCK NO. 01	
REF.	PARTS NO.	PARTS NAME	REMARKS	SUFFIX	SUFFIX	SUFFIX	SUFFIX
RM705	QRD161J-562	CARBON RESISTOR	5.6K 5% 1/6W				
RM706	QRD161J-562	CARBON RESISTOR	5.6K 5% 1/6W				
RM707	QRD161J-562	CARBON RESISTOR	5.6K 5% 1/6W				
RM721	QRD161J-561	CARBON RESISTOR	MBH				
RM722	QRD161J-331	CARBON RESISTOR	POWER				
RM723	QRD161J-331	CARBON RESISTOR	STANDBY				
RM725	QRD161J-102	CARBON RESISTOR	1.0K 5% 1/6W				
RM726	QRD161J-102	CARBON RESISTOR	1.0K 5% 1/6W				
RM727	QRD161J-122	CARBON RESISTOR	1.2K 5% 1/6W				
RM728	QRD161J-152	CARBON RESISTOR	1.5K 5% 1/6W				
RM729	QRD161J-222	CARBON RESISTOR	2.2K 5% 1/6W				
RM730	QRD161J-272	CARBON RESISTOR	2.7K 5% 1/6W				
RM731	QRD161J-322	CARBON RESISTOR	3.2K 5% 1/6W				
RM732	QRD161J-562	CARBON RESISTOR	5.6K 5% 1/6W				
RM733	QRD161J-683	CARBON RESISTOR	68K 5% 1/6W				
RM738	QRD161J-102	CARBON RESISTOR	1.0K 5% 1/6W				
RM739	QRD161J-102	CARBON RESISTOR	1.0K 5% 1/6W				
RM740	QRD161J-122	CARBON RESISTOR	1.2K 5% 1/6W				
RM741	QRD161J-152	CARBON RESISTOR	1.5K 5% 1/6W				
RM742	QRD161J-222	CARBON RESISTOR	2.2K 5% 1/6W				
RM743	QRD161J-272	CARBON RESISTOR	RUDDER				
RM744	QRD161J-392	CARBON RESISTOR	3.9K 5% 1/6W				
RM745	QRD161J-562	CARBON RESISTOR	5.6K 5% 1/6W				
RM746	QRD161J-103	CARBON RESISTOR	10K 5% 1/6W				
RM747	QRD161J-183	CARBON RESISTOR	18K 5% 1/6W				
RM751	QRD161J-303Y	CARBON RESISTOR	BATT+				
RM752	QRD161J-563	CARBON RESISTOR	BATT+				
RM754	QRD161J-563	CARBON RESISTOR	CHANGER REST SW				
RM761	QRD161J-303Y	CARBON RESISTOR	30K 5% 1/6W				
RM762	QRD161J-563	CARBON RESISTOR	56K 5% 1/6W				
RM781	QRD161J-221	CARBON RESISTOR	220 5% 1/6W				
S 701	QSP1A11-V10Z	TACT SWITCH	POWER				
S 702	QSP1A11-V10Z	TACT SWITCH	VOL+				
S 703	QSP1A11-V10Z	TACT SWITCH	VOL-				
S 704	QSP1A11-V10Z	TACT SWITCH	BAND				
S 705	QSP1A11-V10Z	TACT SWITCH	REV.SKIP				
S 706	QSP1A11-V10Z	TACT SWITCH	FW.SKIP				
S 707	QSP1A11-V10Z	TACT SWITCH	SLEEP				
S 708	QSP1A11-V10Z	TACT SWITCH	WAKE UP				
S 709	QSP1A11-V10Z	TACT SWITCH	PRESET				
S 710	QSP1A11-V10Z	TACT SWITCH	MBH				
S 711	QSP1A11-V10Z	TACT SWITCH	SOUND				
S 712	QSP1A11-V10Z	TACT SWITCH	DISC3 PLAY				
S 713	QSP1A11-V10Z	TACT SWITCH	DISC2 PLAY				
S 714	QSP1A11-V10Z	TACT SWITCH	DISC1 PLAY				
S 715	QSP1A11-V10Z	TACT SWITCH	DISC1 EJECT				
S 716	QSP1A11-V10Z	TACT SWITCH	DISC2 EJECT				
S 717	QSP1A11-V10Z	TACT SWITCH	DISC3 EJECT				
S 718	QSP1A11-V10Z	TACT SWITCH	CD PLAY POSE				
S 719	QSP1A11-V10Z	TACT SWITCH	CD STOP CLER				
S 720	QSP1A11-V10Z	TACT SWITCH	CONTINUE				
S 721	QSP1A11-V10Z	TACT SWITCH	RANDOM				
S 722	QSP1A11-V10Z	TACT SWITCH	REPEAT				
VRA41	QVPA603-203M	SEMI.V.RESISTOR	BIAS ADJ				
X 701	M1ZCRHF4.19	CERA LOCK	MAIN				

CD Amplifier Board

BLOCK NO. 03111111

BLOCK NO. 03111111

REF.	PARTS NO.	PARTS NAME	REMARKS	SUFFIX
C 501	QCB81HK-821Y	C-CAPACITOR	820PF 10% 50V	
C 503	QCVB10N-103Y	C-CAPACITOR	.010MF 30% 16V	
C 504	QET41CM-106	E-CAPACITOR	10MF 20% 16V	
C 511	QCSB1HJ-389	C-CAPACITOR	3.9PF 10% 50V	
C 512	QCS11HJ-270	C-CAPACITOR	27PF 5% 50V	
C 513	QFLC1HJ-104ZM	M-CAPACITOR	.10MF 5% 50V	
C 514	QFN41HJ-472	M CAPACITOR	4700PF 5% 50V	
C 521	QCB81HK-331Y	C-CAPACITOR	330PF 10% 50V	
C 522	QFLC1HJ-473ZM	M-CAPACITOR	.047MF 5% 50V	
C 523	QEV81HJ-154	FILM CAPACITOR	.15MF 5% 50V	
C 524	QEPIC1EM-475ZM	NP-E CAPACITOR	4.7MF 20% 25V	
C 529	QETC1AM-336ZN	E-CAPACITOR	33MF 20% 10V	
C 531	QCVB10N-822Y	C-CAPACITOR	8200PF 20% 16V	
C 541	QCB81HK-101Y	C-CAPACITOR	100PF 10% 50V	
C 542	QFLC1HJ-103ZM	M-CAPACITOR	.010MF 5% 50V	
C 543	QFLC1HJ-393ZM	M-CAPACITOR	.039MF 5% 50V	
C 545	QEN61HM-105Z	NP-E-CAPACITOR	1.0MF 20% 50V	
C 546	QFLC1HJ-223ZM	M-CAPACITOR	.022MF 5% 50V	
C 561	QET41AM-476	E-CAPACITOR	47MF 20% 10V	
C 562	QET41HM-475	E-CAPACITOR	4.7MF 20% 50V	
C 581	QET41AM-477	E-CAPACITOR	470MF 20% 10V	
C 582	QEK41CM-476	E-CAPACITOR	47MF 20% 16V	
C 591	VP00012-105Z	C-CAPACITOR		
C 592	VP00012-105Z	C-CAPACITOR		
C 593	QC11EM-104V	C-CAPACITOR		
C 599	QEK61AM-107ZM	E-CAPACITOR	.10MF 20% 25V	
C 601	QCS11HJ-220	C-CAPACITOR	100MF 20% 10V	
C 602	QCS11HJ-220	C-CAPACITOR	FOR CERA LOCK	
C 603	QEV41HJ-104ZM	FILM CAPACITOR	.10MF 5% 50V	
C 604	QC11EM-104V	C-CAPACITOR	.10MF 20% 25V	
C 605	QCVB10N-103Y	C-CAPACITOR	.010MF 30% 16V	
C 606	QC11EM-473V	C-CAPACITOR	.047MF 20% 25V	
C 607	QEV41HJ-104ZM	FILM CAPACITOR	.10MF 5% 50V	
C 608	QC11EM-473V	C-CAPACITOR	.047MF 20% 25V	
C 609	QEV41HJ-104ZM	FILM CAPACITOR	.10MF 5% 50V	
C 611	QCS11HJ-101	C-CAPACITOR	100PF 5% 50V	
C 612	QFLC1HJ-103ZM	M-CAPACITOR	.010MF 5% 50V	
C 613	QFLC1HJ-103ZM	M-CAPACITOR	.010MF 5% 50V	
C 614	QFN41HJ-332	M CAPACITOR	3300PF 5% 50V	
C 615	QFN41HJ-332	M CAPACITOR	3300PF 5% 50V	
C 616	QC11EM-103V	C-CAPACITOR	FOR EMC	
C 631	QEK61AM-107ZM	E-CAPACITOR	100MF 20% 10V	
C 632	QER40JM-107	E-CAPACITOR	100MF 20% 6.3V	
C 651	QEK61AM-107ZM	E-CAPACITOR	100MF 20% 10V	
C 652	QEK41CM-226	E-CAPACITOR	22MF 20% 16V	
C 661	QCB81HK-101Y	C-CAPACITOR	100PF 10% 50V	
C 662	QCB81HK-101Y	C-CAPACITOR	100PF 10% 50V	
C 663	QCS11HJ-270	C-CAPACITOR	27PF 5% 50V	
C 671	QCB81HK-101Y	C-CAPACITOR	100PF 10% 50V	
C 672	QCB81HK-101Y	C-CAPACITOR	100PF 10% 50V	
C 673	QCS11HJ-270	C-CAPACITOR	27PF 5% 50V	
CN501	ENV7144-015R	15PIN CONNECTOR	TO PICK UP	
CN502	VNC0075-006N	CONNECTOR	TO MECHA	
CN503	VNC0163-R07	CONNECTOR	TO AMP	
CN601	VNC0163-R09	CONNECTOR	TO MICOM	

REF.	PARTS NO.	PARTS NAME	REMARKS	SUFFIX
IC501	TAB191F	IC	SERVO LSI	
IC502	BA6398FP	IC	POWER DRIVER	
IC601	TC92848F	IC	1 CHIP PROCESSE	
IC604	BA15218N	IC	L.P.F	
Q 501	2SA952(L,K)	TRANSISTOR	LASER APC	
Q 581	2SA952(L,K)	TRANSISTOR	5V REGULATOR	
Q 591	2SA1309(RS)	TRANSISTOR	2VREF	
R 502	QRD161J-124	CARBON RESISTOR	120K 5% 1/6W	
R 503	QRD161J-103	CARBON RESISTOR	10K 5% 1/6W	
R 504	QRD161J-202	CARBON RESISTOR	2.0K 5% 1/6W	
R 505	QRD161J-100	CARBON RESISTOR	10 5% 1/6W	
R 506	QRD161J-101	CARBON RESISTOR	100 5% 1/6W	
R 507	QRD161J-120	CARBON RESISTOR	12 5% 1/6W	
R 511	QRD161J-183	CARBON RESISTOR	18K 5% 1/6W	
R 512	QRD161J-392	CARBON RESISTOR	3.9K 5% 1/6W	
R 513	QRD161J-332	CARBON RESISTOR	3.3K 5% 1/6W	
R 514	QRD161J-472	CARBON RESISTOR	4.7K 5% 1/6W	
R 515	QRD161J-103	CARBON RESISTOR	10K 5% 1/6W	
R 516	QRD161J-103	CARBON RESISTOR	10K 5% 1/6W	
R 517	QRD161J-202	CARBON RESISTOR	2.0K 5% 1/6W	
R 518	QRD161J-335YT	CARBON RESISTOR	3.3M 5% 1/6W	
R 521	QRD161J-154	CARBON RESISTOR	150K 5% 1/6W	
R 522	QRD161J-392	CARBON RESISTOR	3.9K 5% 1/6W	
R 523	QRD161J-472	CARBON RESISTOR	4.7K 5% 1/6W	
R 524	QRD161J-331	CARBON RESISTOR	330 5% 1/6W	
R 525	QRD161J-472	CARBON RESISTOR	4.7K 5% 1/6W	
R 529	QRD161J-562	CARBON RESISTOR	5.6K 5% 1/6W	
R 531	QRD161J-473	CARBON RESISTOR	47K 5% 1/6W	
R 532	QRD161J-104	CARBON RESISTOR	100K 5% 1/6W	
R 541	QRD161J-153	CARBON RESISTOR	15K 5% 1/6W	
R 543	QRD161J-123	CARBON RESISTOR	12K 5% 1/6W	
R 542	QRD161J-332	CARBON RESISTOR	3.3K 5% 1/6W	
R 545	QRD161J-473	CARBON RESISTOR	47K 5% 1/6W	
R 544	QRD161J-223	CARBON RESISTOR	22K 5% 1/6W	
R 545	QRD161J-103	CARBON RESISTOR	10K 5% 1/6W	
R 548	QRD161J-153	CARBON RESISTOR	15K 5% 1/6W	
R 549	QRD161J-821	CARBON RESISTOR	820 5% 1/6W	
R 550	QRD161J-104	CARBON RESISTOR	100K 5% 1/6W	
R 551	QRD161J-223	CARBON RESISTOR	22K 5% 1/6W	
R 552	QRD161J-562	CARBON RESISTOR	5.6K 5% 1/6W	
R 553	QRD161J-821	CARBON RESISTOR	820 5% 1/6W	
R 555	QRD161J-392	CARBON RESISTOR	3.9K 5% 1/6W	
R 559	QRD161J-125	CARBON RESISTOR	1.2M 5% 1/6W	
R 561	QRD161J-562	CARBON RESISTOR	5.6K 5% 1/6W	
R 562	QRD161J-102	CARBON RESISTOR	1.0K 5% 1/6W	
R 563	QRD161J-152	CARBON RESISTOR	1.5K 5% 1/6W	
R 564	QRD161J-332	CARBON RESISTOR	3.3K 5% 1/6W	
R 565	QRD161J-683	CARBON RESISTOR	68K 5% 1/6W	
R 566	QRD161J-273	CARBON RESISTOR	27K 5% 1/6W	
R 583	QRD161J-101	CARBON RESISTOR	100 5% 1/6W	
R 584	QRD161J-331	CARBON RESISTOR	330 5% 1/6W	
R 591	QRD161J-473	CARBON RESISTOR	47K 5% 1/6W	
R 611	QRD161J-102	CARBON RESISTOR	1.0K 5% 1/6W	
R 612	QRD161J-103	CARBON RESISTOR	10K 5% 1/6W	
R 613	QRD161J-224	CARBON RESISTOR	220K 5% 1/6W	

Tuner Board

BLOCK NO. 04		BLOCK NO. 04			
A	REF.	PARTS NO.	PARTS NAME	REMARKS	SUFFIX
	BP	1	VBP4M3B-007Z	P FILTER	BPF
	C	3	QCSB1HK-5R6Y	C.CAPACITOR	5.6PF 10% 50V
	C	6	QCVB1CN-103Y	C.CAPACITOR	.010MF 30% 16V
	C	7	QCS11HJ-200	C.CAPACITOR	20PF 5% 50V
	C	9	QCS11HJ-120	C.CAPACITOR	12PF 5% 50V
	C	13	QCC11EM-223V	C.CAPACITOR	.022MF 20% 25V
	C	16	QCVB1CN-103Y	C.CAPACITOR	.010MF 30% 16V
	C	21	QCC11EM-473V	C.CAPACITOR	.047MF 20% 25V
	C	22	QFP31HJ-431ZM	PP-CAPACITOR	430PF 5% 50V
	C	23	QCT30CH-120Y	C.CAPACITOR	12PF 5% 50V
	C	24	QCS11HJ-680	C.CAPACITOR	68PF 5% 50V
	C	25	QETC1HM-104Z	E.CAPACITOR	.10MF 20% 50V
	C	26	QFP31HJ-181ZM	PP-CAPACITOR	180PF 5% 50V
	C	27	QCS11HJ-101	C.CAPACITOR	100PF 5% 50V
	C	28	QCS11HJ-120	C.CAPACITOR	12PF 5% 50V
	C	31	QCB11HK-102Y	C.CAPACITOR	1000PF 10% 50V
	C	32	QCVB1CN-103Y	C.CAPACITOR	.010MF 30% 16V
	C	33	QET41AM-107	E.CAPACITOR	100MF 20% 10V
	C	35	QCVB1CN-103Y	C.CAPACITOR	.010MF 30% 16V
	C	36	QET41HM-475	E.CAPACITOR	=R19
	C	37	QCB11HK-102Y	C.CAPACITOR	1000PF 10% 50V
	C	40	QET41HM-105	E.CAPACITOR	1.0MF 20% 50V
	C	41	QET41CN-106	E.CAPACITOR	10MF 20% 16V
	C	42	QCC11EM-473V	C.CAPACITOR	.047MF 20% 25V
	C	43	QCVB1CN-103Y	C.CAPACITOR	.010MF 30% 16V
	C	44	QETC1HM-104Z	E.CAPACITOR	.10MF 20% 50V
	C	45	QET41HM-474	E.CAPACITOR	.47MF 20% 50V
	C	47	QCC11EM-123V	C.CAPACITOR	.012MF 20% 25V
	C	48	QCC11EM-123V	C.CAPACITOR	.012MF 20% 25V
	C	49	QETC1HM-104Z	E.CAPACITOR	.10MF 20% 50V
	C	50	QETC1HM-104Z	E.CAPACITOR	.10MF 20% 50V
	C	51	QCB11HK-681Y	C.CAPACITOR	680PF 10% 50V
	C	52	QCB11HK-102Y	C.CAPACITOR	1000PF 10% 50V
	C	56	QCB11HK-102Y	C.CAPACITOR	1000PF 10% 50V
	C	60	QCB11HK-102Y	C.CAPACITOR	1000PF 10% 50V
	C	61	QET41AM-107	E.CAPACITOR	100MF 20% 10V
	C	62	QCT30CH-120Y	C.CAPACITOR	12PF 5% 50V
	C	63	QCB11HK-102Y	C.CAPACITOR	1000PF 10% 50V
	C	64	QCT30CH-120Y	C.CAPACITOR	12PF 5% 50V
	C	65	QCB11HK-102Y	C.CAPACITOR	1000PF 10% 50V
	C	68	QCB11HK-151Y	C.CAPACITOR	150PF 10% 50V
	C	69	QCVB1CN-222Y	C.CAPACITOR	2200PF 20% 16V
	C	70	QETC1HM-225ZM	E.CAPACITOR	2.2MF 20% 50V
	C	71	QETC1HM-335Z	E.CAPACITOR	3.3MF 20% 50V
	C	77	QCB11HK-102Y	C.CAPACITOR	1000PF 10% 50V
	CF	1	VCF2M3B-106	C FILTER	
	CF	3	VCF1Z2Z-117Z	C FILTER	
	CF	4	CMU2-456A05	CERA LOCK	
	CN	1	VMCO163-009	CONNECTOR	TO MAIN
	D	1	SVC203SPA-AB-AL	VARI CAP	
	D	2	SVC203SPA-AB-AL	VARI CAP	
	D	5	1SS133	SI DIODE	
	D	6	1SS133	SI DIODE	
	D	8	SVC344-AA	VARI CAP	
	D	10	SVC344-AA	VARI CAP	

BLOCK NO. 03		BLOCK NO. 03			
A	REF.	PARTS NO.	PARTS NAME	REMARKS	SUFFIX
	R	614	QRD161J-473	CARBON RESISTOR	47K 5% 1/6W
	R	615	QRD161J-225	CARBON RESISTOR	2.2M 5% 1/6W
	R	616	QRD161J-333	CARBON RESISTOR	33K 5% 1/6W
	R	651	QRD161J-820	CARBON RESISTOR	82 5% 1/6W
	R	652	QRD161J-473	CARBON RESISTOR	47K 5% 1/6W
	R	653	QRD161J-473	CARBON RESISTOR	47K 5% 1/6W
	R	661	QRD161J-473	CARBON RESISTOR	47K 5% 1/6W
	R	662	QRD161J-473	CARBON RESISTOR	47K 5% 1/6W
	R	663	QRD161J-473	CARBON RESISTOR	47K 5% 1/6W
	R	664	QRD161J-473	CARBON RESISTOR	47K 5% 1/6W
	R	665	QRD161J-223	CARBON RESISTOR	22K 5% 1/6W
	R	666	QRD161J-223	CARBON RESISTOR	22K 5% 1/6W
	R	671	QRD161J-473	CARBON RESISTOR	47K 5% 1/6W
	R	672	QRD161J-473	CARBON RESISTOR	47K 5% 1/6W
	R	673	QRD161J-473	CARBON RESISTOR	47K 5% 1/6W
	R	674	QRD161J-473	CARBON RESISTOR	47K 5% 1/6W
	R	675	QRD161J-223	CARBON RESISTOR	22K 5% 1/6W
	R	676	QRD161J-223	CARBON RESISTOR	22K 5% 1/6W
	VR	501	QVZ3523-154AZ	V.RESISTOR	TE OFFSET ADJ
	X	601	CSA16.93MXZ040T	CERA LOCK	16.93MHZ

BLOCK NO. 04

BLOCK NO. 04

REF.	PARTS NO.	PARTS NAME	REMARKS	SUFFIX
R 61	QRD161J-102	CARBON RESISTOR	=B108	
R 64	QRD161J-102	CARBON RESISTOR	1.0K 5% 1/6W	
T 2	VQT7A21-110	IFT		
TC 2	QAT3722-200ZM	T.CAPACITOR	MW RF	
TC 3	QAT3722-300ZM	T.CAPACITOR	LW RF	
TP 1	VMZ0015-002	POST PIN	TO ROD ANT	
TP 2	VMZ0015-002	POST PIN	GND	
X 1	VCK5044-001	CRYSTAL		

REF.	PARTS NO.	PARTS NAME	REMARKS	SUFFIX
D 12	DSK10C-E	DIODE		
IC 2	TA2008N	IC		
IC 3	LC72136	IC		
L 1	VGF1B20-019	OSC COIL	FM OSC	
L 2	VGC1505-002	RF COIL	MW RF	
L 3	VGB008B-502	BAR ANTENA	MW/LW RF	
L 4	VGM7U02-404	OSC COIL(MW)	MW OSC	
L 6	VBL7U02-502	OSC COIL(LW)	LW OSC	
L 7	VGP0018-221	INDUCTOR		
L 12	V03047-16	RF COIL	RF COIL	
Q 2	2SC1923	TRANSISTOR	LW	
Q 3	2SC1923	TRANSISTOR		
Q 4	2SA1175	TRANSISTOR		
Q 5	2SC1923	TRANSISTOR		
Q 6	2SC2785	TRANSISTOR		
Q 14	D1A114YS	TRANSISTOR		
R 1	QRD161J-104	CARBON RESISTOR	100K 5% 1/6W	
R 2	QRD161J-473	CARBON RESISTOR	47K 5% 1/6W	
R 3	QRD167J-4R7	CARBON RESISTOR	4.7 5% 1/6W	
R 7	QRD161J-104	CARBON RESISTOR	100K 5% 1/6W	
R 9	QRD161J-102	CARBON RESISTOR	1.0K 5% 1/6W	
R 12	QRD161J-472	CARBON RESISTOR	4.7K 5% 1/6W	
R 13	QRD161J-104	CARBON RESISTOR	100K 5% 1/6W	
R 14	QRD161J-103	CARBON RESISTOR	10K 5% 1/6W	
R 15	QRD161J-222	CARBON RESISTOR	2.2K 5% 1/6W	
R 16	QRD161J-472	CARBON RESISTOR	4.7K 5% 1/6W	
R 17	QRD161J-104	CARBON RESISTOR	100K 5% 1/6W	
R 18	QRD161J-102	CARBON RESISTOR	1.0K 5% 1/6W	
R 19	QRD161J-222	CARBON RESISTOR	2.2K 5% 1/6W	
R 20	QRD161J-102	CARBON RESISTOR	1.0K 5% 1/6W	
R 21	QRD161J-103	CARBON RESISTOR	10K 5% 1/6W	
R 28	QRD161J-512	CARBON RESISTOR	5.1K 5% 1/6W	
R 30	QRD161J-333	CARBON RESISTOR	33K 5% 1/6W	
R 31	QRD161J-123	CARBON RESISTOR	12K 5% 1/6W	
R 32	QRD161J-223	CARBON RESISTOR	22K 5% 1/6W	
R 33	QRD161J-101	CARBON RESISTOR	100 5% 1/6W	
R 34	QRD161J-183	CARBON RESISTOR	18K 5% 1/6W	
R 35	QRD161J-183	CARBON RESISTOR	18K 5% 1/6W	
R 36	QRD161J-222	CARBON RESISTOR	2.2K 5% 1/6W	
R 37	QRD161J-560	CARBON RESISTOR	56 5% 1/6W	
R 40	QRD161J-222	CARBON RESISTOR	2.2K 5% 1/6W	
R 41	QRD161J-222	CARBON RESISTOR	2.2K 5% 1/6W	
R 44	QRD161J-222	CARBON RESISTOR	2.2K 5% 1/6W	
R 45	QRD161J-102	CARBON RESISTOR	E/U	
R 46	QRD161J-103	CARBON RESISTOR	10K 5% 1/6W	
R 47	QRD161J-471	CARBON RESISTOR	470 5% 1/6W	
R 48	QRD161J-102	CARBON RESISTOR	1.0K 5% 1/6W	
R 51	QRD161J-102	CARBON RESISTOR	E/U	
R 52	QRD161J-472	CARBON RESISTOR	4.7K 5% 1/6W	
R 54	QRD161J-222	CARBON RESISTOR	2.2K 5% 1/6W	
R 55	QRD161J-222	CARBON RESISTOR	2.2K 5% 1/6W	
R 56	QRD167J-332	CARBON RESISTOR	3.3K 5% 1/6W	
R 57	QRD161J-102	CARBON RESISTOR	1.0K 5% 1/6W	
R 59	QRD161J-102	CARBON RESISTOR	=B113	
R 60	QRD161J-102	CARBON RESISTOR	=B114	

Actuator Motor Board

		BLOCK NO. 05111111			
A REF.	PARTS NO.	PARTS NAME	REMARKS	SUFFIX	
C 801	GEK61AM-107Z	E-CAPACITOR	100MF 20% 10V		
C 802	GEK41EM-475	E-CAPACITOR	4.7MF 20% 25V		
C 803	QFLC1HJ-102ZM	M-CAPACITOR	1000PF 5% 50V		
C 804	QCFB1HZ-104Y	C-CAPACITOR	.10MF +80:-20%		
C 805	QCVB1CM-103Y	C-CAPACITOR	.010MF 20% 16V		
C 806	GEK41CM-476	E-CAPACITOR	47MF 20% 16V		
C 807	GEK41CM-476	E-CAPACITOR	47MF 20% 16V		
C 808	QFLC1HJ-102ZM	M-CAPACITOR	1000PF 5% 50V		
C 809	QCBB1HK-151Y	C-CAPACITOR	150PF 10% 50V		
C 810	QCZ0205-155	M.L.C-CAPACITOR	1.5MF		
C 811	QCZ0205-155	M.L.C-CAPACITOR	1.5MF		
C 813	QCVB1CM-103Y	C-CAPACITOR	.010MF 20% 16V		
C 815	QCFB1HZ-104Y	C-CAPACITOR	.10MF +80:-20%		
C 816	QCFB1HZ-104Y	1-CAPACITOR	.10MF +80:-20%		
C 817	QCFB1HZ-104Y	1-CAPACITOR	.10MF +80:-20%		
C 818	QCFB1HZ-104Y	C-CAPACITOR	.10MF +80:-20%		
C 819	QCFB1HZ-104Y	C-CAPACITOR	.10MF +80:-20%		
C 820	QCFB1HZ-104Y	C-CAPACITOR	.10MF +80:-20%		
C 821	QCBB1HK-102Y	C-CAPACITOR	1000PF 10% 50V		
CN801	VNC0163-R10	CONNECTOR	TO MICON		
CN802	VNC0289-P07	CONNECTOR	TO SWITCH PWB		
CN803	VNC0324-12310	CONNECTOR	TO CAM SW PWB		
IC801	UPD65612GB-177	IC			
IC802	TA84095	IC			
IC803	TA84095	IC			
L 801	VGP0018-100	INDUCTOR			
L 802	VGP0033-100Z	INDUCTOR			
L 803	VGP0033-100Z	INDUCTOR			
L 804	VGP0033-100Z	INDUCTOR			
R 805	QRD161J-102	CARBON RESISTOR	1.0K 5% 1/6W		
R 806	QRD161J-471	CARBON RESISTOR	470 5% 1/6W		
R 807	QRD161J-471	CARBON RESISTOR	470 5% 1/6W		
R 808	QRD161J-102	CARBON RESISTOR	1.0K 5% 1/6W		
R 810	QRD161J-105	CARBON RESISTOR	1.0M 5% 1/6W		
R 811	QRD161J-105	CARBON RESISTOR	1.0M 5% 1/6W		
R 813	QRD161J-102	CARBON RESISTOR	1.0K 5% 1/6W		
R 814	QRD161J-102	CARBON RESISTOR	1.0K 5% 1/6W		
R 815	QRD161J-102	CARBON RESISTOR	1.0K 5% 1/6W		
R 816	QRD161J-102	CARBON RESISTOR	1.0K 5% 1/6W		
R 817	QRD161J-102	CARBON RESISTOR	1.0K 5% 1/6W		
R 818	QRD161J-102	CARBON RESISTOR	1.0K 5% 1/6W		
R 819	QRD161J-102	CARBON RESISTOR	1.0K 5% 1/6W		
R 820	QRD161J-102	CARBON RESISTOR	1.0K 5% 1/6W		
R 821	QRD161J-102	CARBON RESISTOR	1.0K 5% 1/6W		
R 822	QRD161J-102	CARBON RESISTOR	1.0K 5% 1/6W		
R 823	QRD161J-102	CARBON RESISTOR	1.0K 5% 1/6W		
R 824	QRD161J-102	CARBON RESISTOR	1.0K 5% 1/6W		
R 825	QRD161J-102	CARBON RESISTOR	1.0K 5% 1/6W		
R 826	QRD161J-102	CARBON RESISTOR	1.0K 5% 1/6W		
R 827	QRD161J-102	CARBON RESISTOR	1.0K 5% 1/6W		
R 828	QRD161J-102	CARBON RESISTOR	1.0K 5% 1/6W		
R 829	QRD161J-102	CARBON RESISTOR	1.0K 5% 1/6W		
R 830	QRD161J-102	CARBON RESISTOR	1.0K 5% 1/6W		
R 832	QRD161J-181	CARBON RESISTOR	180 5% 1/6W		
R 833	QRD161J-102	CARBON RESISTOR	1.0K 5% 1/6W		

		BLOCK NO. 05111111			
A REF.	PARTS NO.	PARTS NAME	REMARKS	SUFFIX	
R 834	QRD161J-102	CARBON RESISTOR	1.0K 5% 1/6W		
R 839	QRD167J-332	CARBON RESISTOR	3.3K 5% 1/6W		
R 840	QRD167J-562	CARBON RESISTOR	5.6K 5% 1/6W		

■ CD Tray Select Switch Board

BLOCK NO. 06

REF.	PARTS NO.	PARTS NAME	REMARKS	SUFFIX
▲ CN804	VMC0289-507	CONNECTOR		
SW 1	QSECC001-E03	LEVER SWITCH		
SW 2	QSECC001-E03	LEVER SWITCH		
SW 3	QSECC001-E03	LEVER SWITCH		
SW 4	QSECC001-E03	LEVER SWITCH		
SW 5	QSECC001-E03	LEVER SWITCH		
SW 6	QSECC001-E03	LEVER SWITCH		

■ Cam Switch Board

BLOCK NO. 07

REF.	PARTS NO.	PARTS NAME	REMARKS	SUFFIX
▲ CN805	VMC0325-010	CONN. TERMINAL		

15. Illustration of Packing and Parts List

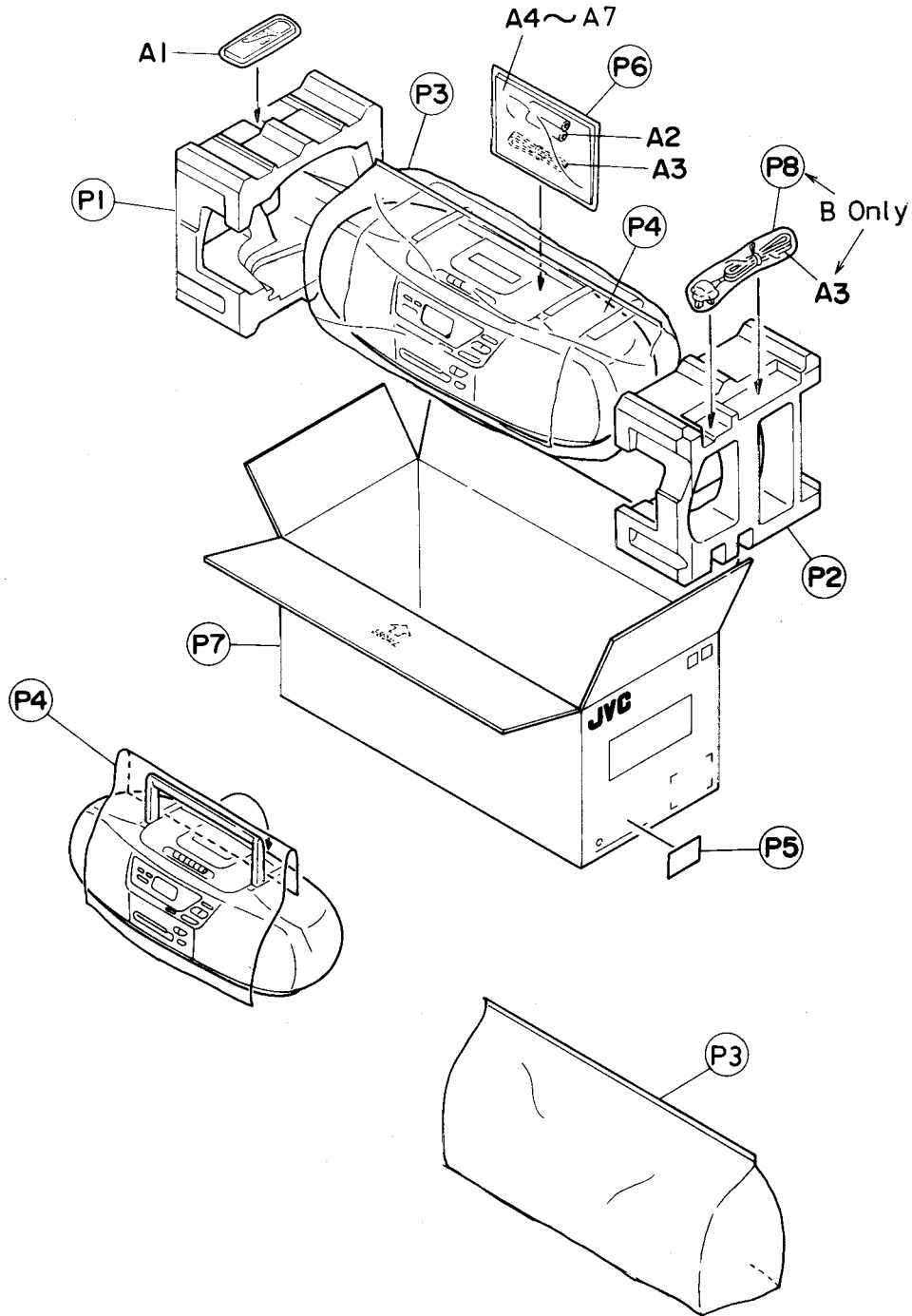


Fig. 15-1

■ Packing Parts List

BLOCK NO. M5MM

△	REF.	PARTS NO.	PARTS NAME	REMARKS	QTY	SUFFIX	CLR
P	1	VPH1662-001	CUSHION (L)		1		
P	2	VPH1662-002	CUSHION (R)		1		
P	3	VPE3020-067	POLY BAG		1		
P	4	VPK4002-037	SHEET	FOR SET	1		
P	5	VND3111-053	CARTON LABEL		1		
P	6	VPE3005-007	POLY BAG	FOR INST./P.CORD	1		
P	7	VPC5188-M001	CARTON		1		
P	8	QPGA015-03503	POLY BAG	POWER CORD	1	B	

16. Accessories

BLOCK NO.

△	REF.	PARTS NO.	PARTS NAME	REMARKS	QTY	SUFFIX	CLR
	A 1	VGR0042-001	REMO-CON UNIT		1		
	A 2	UM-3(DJ)-2PSA	BATTERY		1		
△	A 3	QMP39F0-183	POWER CORD		1		
△		QMP5520-183BS	POWER CORD		1	B	
A	4	VNN5188-671M	INSTRUCTIONS		1	B	
		VNN5188-251M	INSTRUCTIONS		1	E,GI	
A	5	VNN5188-261M	INSTRUCTIONS		1	E,EN,G	
		VNN5188-271M	INSTRUCTIONS		1	EN	
A	6	BT20060	WARRANTY CARD		1	B	
		BT-20135	WARRANTY CARD		1	G	
A	7	BT-20066A	WARRANTY CARD		1	B	
A	8	E43486-340B	SAFETY SHEET		1	B	

RC – XC1 B/E/EN/G/GI

JVC

VICTOR COMPANY OF JAPAN, LIMITED
AUDIO PRODUCTS DIVISION 10-1, 1-chome, Ohwatari-machi, Maebashi-city, Japan