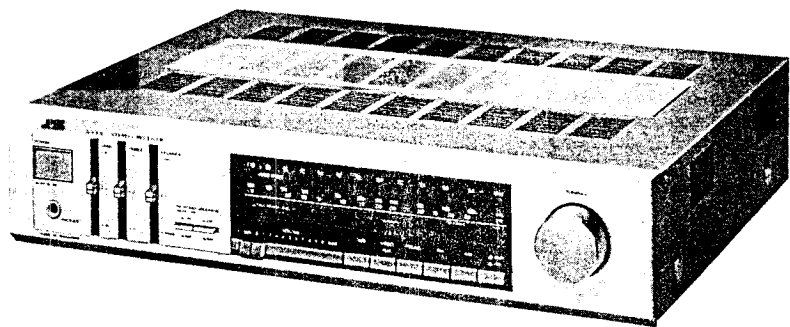


# JVC

For Service Manuals Contact  
MAURITRON TECHNICAL SERVICES  
8 Cherry Tree Rd, Chinnor  
Oxon OX9 4QY  
Tel:- 01844-351694 Fax:- 01844-352554  
Email:- enquiries@mauritron.co.uk

# SERVICE MANUAL

MODEL  
**R-K10/R-K10L**  
STEREO RECEIVER



No. 2591  
JAN. 1982

# Contents

|   |        |  |            |
|---|--------|--|------------|
| 1. Specifications .....   | 1      | 8-(2) TXX-400 Main Amp., Fuse, Tone, Speaker<br>and AC Outlet Sections ..... | 10 - 12    |
| 2. Removal Procedures .....                                     | 2      | 9. Packing Materials and Part Numbers .....                                  | 13         |
| 2-(1) Removing the Bottom Cover .....                           | 2      | 10. Accessories List .....   | 13         |
| 2-(2) Removing the Power Transistors .....                      | 2      | 11. R-K10/L Schematic Diagrams .....   | 14 - 17    |
| 3. Rear View and Part Numbers .....                             | 2      | 11-(1) R-K10 Schematic Diagram .....   | 14 - 15    |
| 4. Exploded View and Part Numbers .....                         | 3      | 11-(2) R-K10L Schematic Diagram .....  | 16 - 17    |
| 5. Dial Stringing Procedure .....                               | 4      | 12. Parts List with Specified Numbers for Designated<br>Areas .....          | 18         |
| 6. FM/MW(LW) Tuner Alignment Procedures ...                     | 5 - 6  | 13. Repair of Printed Resistor .....   | back cover |
| 6-(1) FM Section .....  | 5      |  |            |
| 6-(2) MW(LW) Section .....                                      | 6      |  |            |
| 7. Power Amplifier Idling Current Adjustment<br>Procedure ..... | 6      |  |            |
| 8. Printed Circuit Board Ass'y and Parts List ...               | 7 - 12 |  |            |
| 8-(1) TFC-36 Tuner, LED and DIN Socket<br>Sections .....        | 7 - 9  |  |            |

### Warning:

When replacing the parts marked with  $\Delta$ , be sure to use the designated parts to ensure safety.

## 1. Specifications

### FM Tuner Section (Figures are based upon IHF standard)

|                            |   |
|----------------------------|---|
| Tuning Range               | : 88 MHz - 108 MHz                                    |
| Usable Sensitivity (IHF)   | : 10.3 dBf (1.8 $\mu$ V/300 $\Omega$ )                |
| 50 dB Quieting Sensitivity |   |
| Mono                       | : 14.8 dBf (3.0 $\mu$ V/300 $\Omega$ )                |
| Stereo                     | : 38.3 dBf (45 $\mu$ V/300 $\Omega$ )                 |
| Distortion                 |   |
| Mono                       | : 0.15 % (1 kHz)                                      |
| Stereo                     | : 0.3 % (1 kHz)                                       |
| Signal to Noise Ratio      |   |
| Mono                       | : 82 dB (74 dB, DIN)                                  |
| Stereo                     | : 74 dB (65 dB, DIN)                                  |
| Selectivity                | : 65 dB, $\pm$ 400 kHz<br>(55 dB, $\pm$ 300 kHz, DIN) |
| Capture Ratio              | : 1.5 dB  |
| IF Rejection               | : 85 dB at 98 MHz                                     |
| Image Rejection            | : 60 dB at 98 MHz                                     |
| Stereo Separation          | : 40 dB at 1 kHz                                      |

### MW Tuner Section

|                       |   |
|-----------------------|---|
| Tuning Range          | : 525 kHz - 1605 kHz                              |
| Usable Sensitivity    | : 300 $\mu$ V/m,<br>50 $\mu$ V (External Antenna) |
| Signal to Noise Ratio | : 50 dB   |
| Distortion            | : 0.5 % at 100 mV/m                               |
| Selectivity           | : 40 dB, $\pm$ 10 kHz<br>36 dB, $\pm$ 9 kHz       |

### LW Tuner Section

|                       |   |
|-----------------------|---|
| Tuning range          | : 150 kHz - 350 kHz                               |
| Usable Sensitivity    | : 700 $\mu$ V/m,<br>50 $\mu$ V (External Antenna) |
| Signal to Noise Ratio | : 50 dB   |
| Distortion            | : 0.5 % at 100 mV/m                               |
| Selectivity           | : 40 dB, $\pm$ 9 kHz                              |

### Amplifier Section

RMS Power: 30 watts per channel, min. RMS, both channels driven, into 8 ohms from 20 Hz to 20 kHz, with no more than 0.03 % total harmonic distortion.

33 watts per channel, min. RMS, both channels driven, into 8 ohms at 1 kHz with no more than 0.008 % total harmonic distortion.

35 watts per channel at 1 kHz into 8 ohms  
0.7 % total harmonic distortion.

### Input Sensitivity/

|                      |                   |
|----------------------|-------------------|
| Impedance            |                   |
| PHONO                | : 2.5 mV/47 kohms |
| TAPE PLAY 1,2        | : 120 mV/40 kohms |
| TAPE PLAY 1<br>(DIN) | : 120 mV/40 kohms |

### Tone Control

|        |                        |
|--------|------------------------|
| Bass   | : $\pm$ 8 dB at 100 Hz |
| Treble | : $\pm$ 8 dB at 10 kHz |

|   |  |
|---|--|
| Hum and Noise<br>(to rated input level) | : (Weighted by IHF New IHF<br>"A" network) |
| PHONO                                   | : 71 dB      78 dB (Rec. Out)              |
| AUX, TAPE PLAY                          | : 91 dB      74 dB                         |

For Service Manuals Contact  
MAURITRON TECHNICAL SERVICES  
8 Cherry Tree Rd, Chinnor  
Oxon OX9 4QY  
Tel: 01844-351694 Fax: 01844-352554  
Email: enquiries@mauritron.co.uk

### Power Specifications

| Areas           | Line Voltage & Frequency                           | Power Consumption |
|-----------------|--|-------------------|
| U.S.A., Canada  | AC 120 V, 60 Hz                                    | 145 W, 200 VA     |
| Europe          | AC 220 V $\sim$ , 50 Hz                            | 380 W             |
| U.K., Australia | AC 240 V $\sim$ , 50 Hz                            | 380 W             |
| Other Areas     | AC 110/120/220/240 V $\sim$ , Selectable, 50/60 Hz | 380 W             |

### Dimensions and Weight

| Dimensions     |                  |              | Weight             |
|----------------|------------------|--------------|--------------------|
| Height         | Width            | Depth        | Net                |
| 92 mm (3-5/8") | 435 mm (17-1/8") | 356 mm (14") | 5.9 kg (13.0 lbs.) |

## 2. Removal Procedures

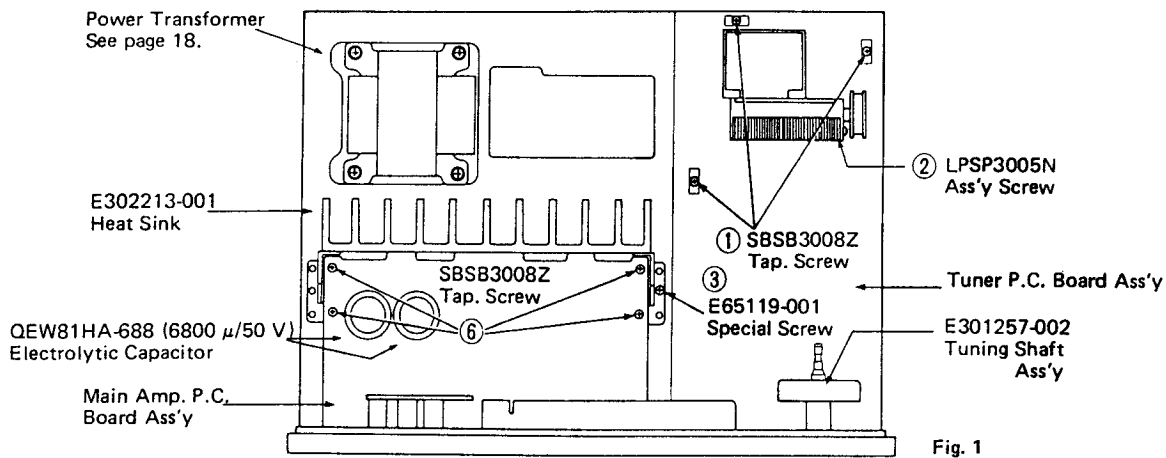


Fig. 1

### 2-(1) Removing the Bottom Cover

- Step 1: Remove 5 screws ①, ②, ③. (Fig. 1)
- Step 2: Remove 11 screws ④. (Fig. 2)
- Step 3: Remove the Fuse P.C. Board Ass'y ⑤ from fasteners and replace the Bottom Cover.

### 2-(2) Removing the Power Transistor:

- Step 1 – Step 3
- Step 4: Resolder the power transistor's leads.
- Step 5: Remove 4 screws ⑥ (Fig. 1) and heat-sink from Main Amp. P.C. Board Ass'y and then replace the transistors.

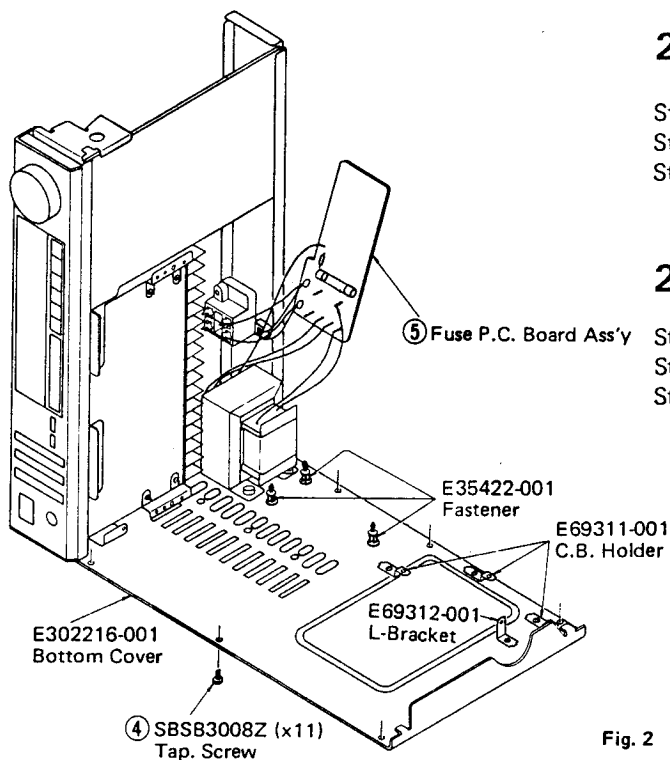


Fig. 2

## 3. Rear View and Part Numbers

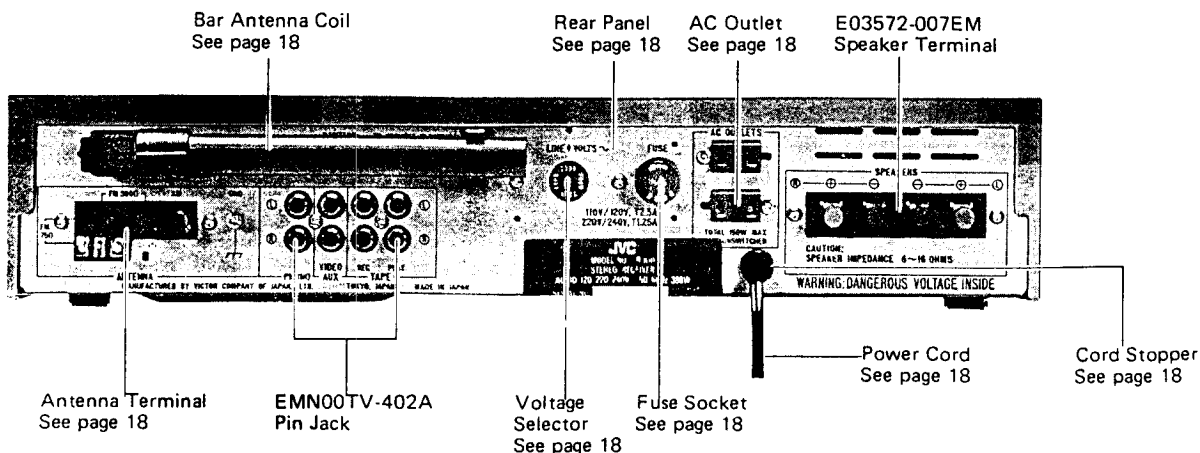


Fig. 3

# 4. Exploded View and Part Numbers

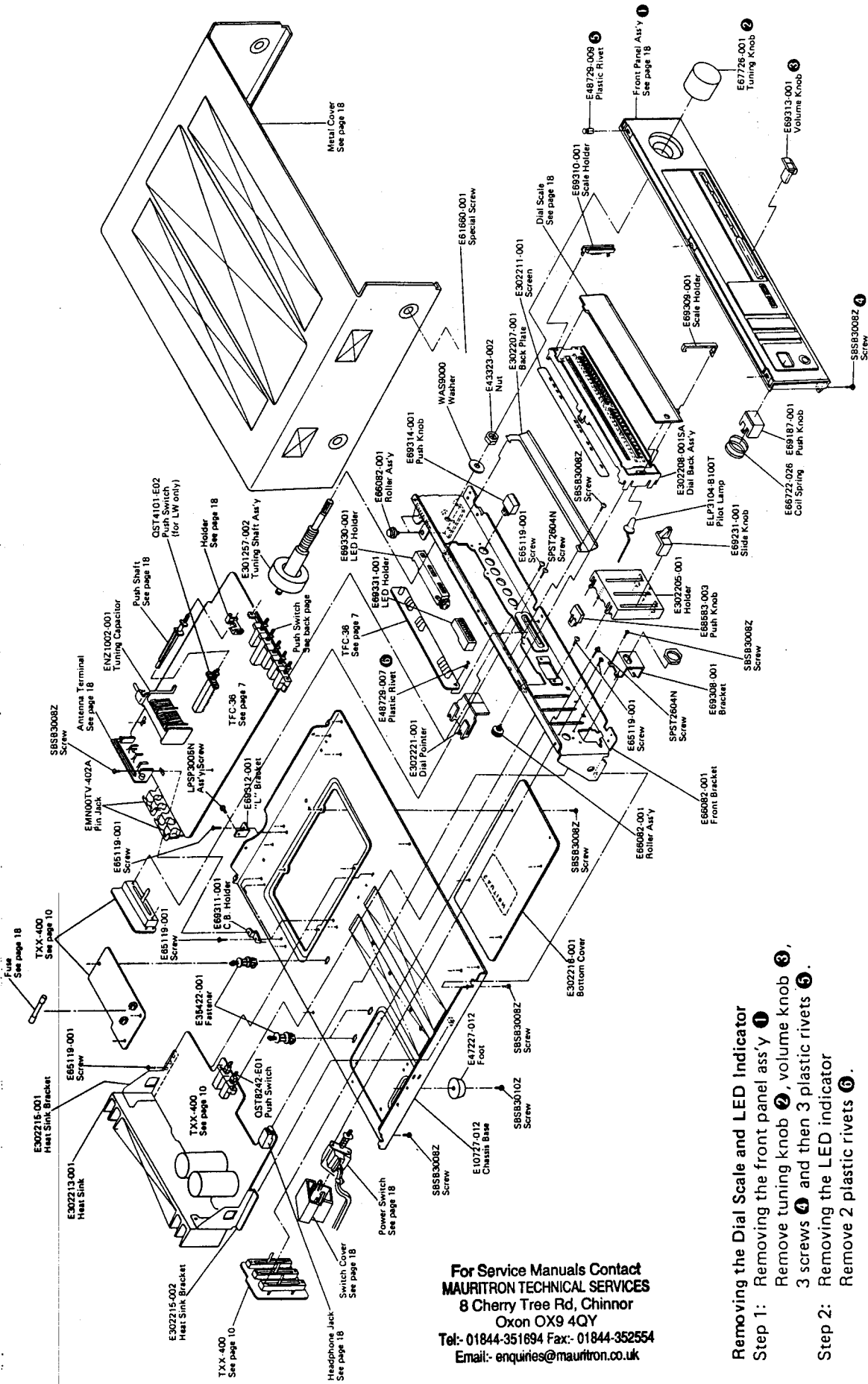


Fig. 4

## Removing the Dial Scale and LED Indicator

- Step 1:** Removing the front panel ass'y ①  
Remove tuning knob ②, volume knob ③,  
3 screws ④ and then 3 plastic rivets ⑤.
- Step 2:** Removing the LED indicator  
Remove 2 plastic rivets ⑥.

# 5. Dial Stringing Procedure

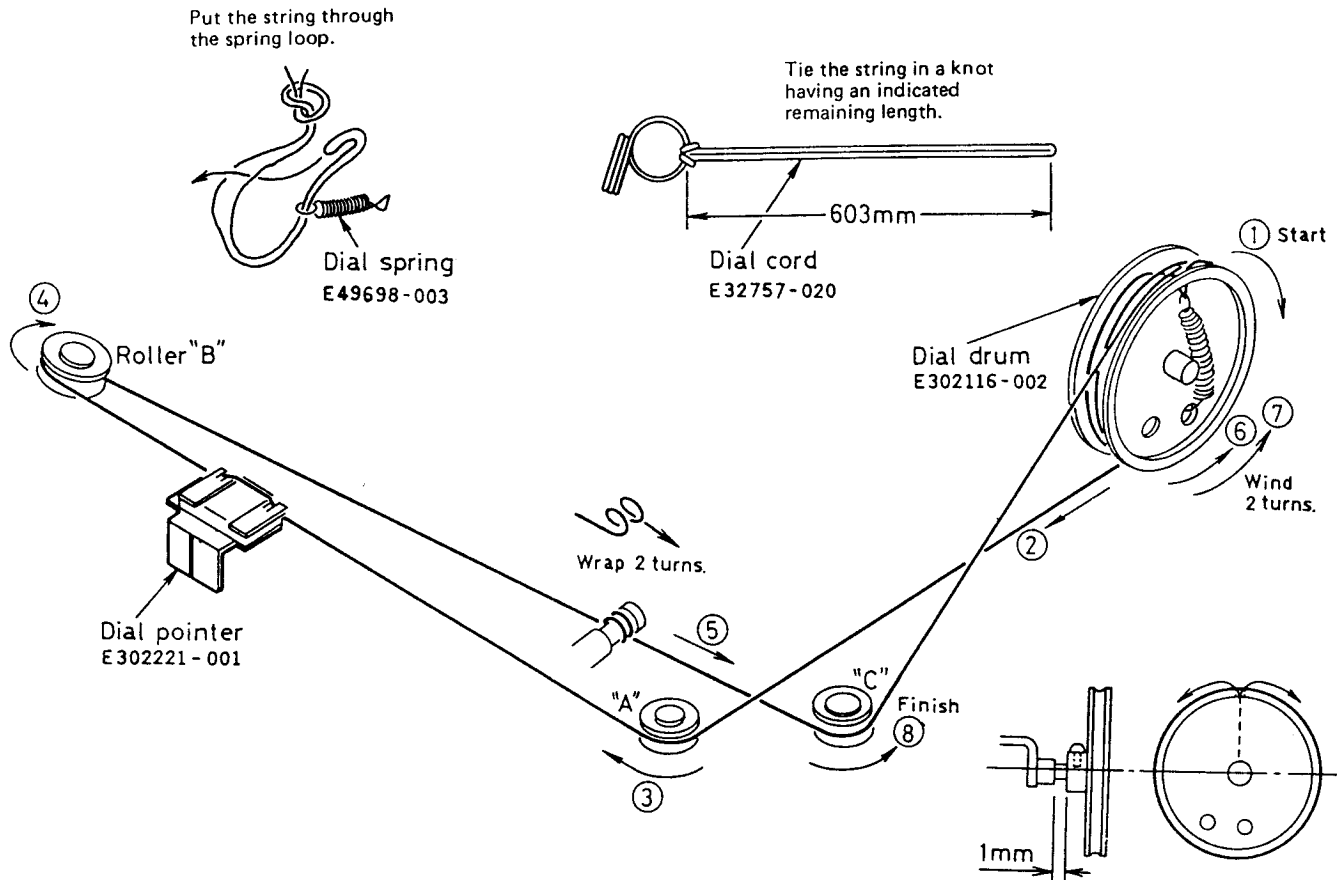


Fig. 5

- (1) Remove dial pointer and old cord.
- (2) Tie end of new dial cord to one end of dial spring, connect the other end of dial spring of bottom right eye inside dial drum.
- (3) Rotate the tuning capacitor dial drum to its maximum counterclockwise.
- (4) Run the dial cord through the slot in the rim of the dial drum. See step ①.
- (5) Guide the dial cord around, over and under rollers "A" and "B". Keep the dial cord taut during this procedure. See step ② to ④.
- (6) Pull the dial cord taut and wrap 2 turns counterclockwise around tuning shaft. See step ⑤.
- (7) Guide the dial cord over the dial drum and wind 2 turns counterclockwise. See step ⑥ and ⑦.
- (8) Pull the dial cord taut and set it around roller "C". See step ⑧.
- (9) Turn the tuning shaft to rotate the dial drum fully counterclockwise and fully clockwise to distribute the tensioning along the dial cord.
- (10) Place the dial cord over and under the tabs on the rear of the dial pointer and place the dial pointer on the top of the dial rail.
- (11) Turn the tuning shaft clockwise. Slide the dial pointer to zero (0) calibration marker on the logging scale while holding tuning shaft fully clockwise. Cement the dial pointer to the dial cord to prevent slippage. Allow cement to dry thoroughly.

# 6. FM/MW(LW) Tuner Alignment Procedures

## 6-(1) FM Section

Alignment Location on TFC-36 FM/MW (LW) Tuner P.C. Board Ass'y

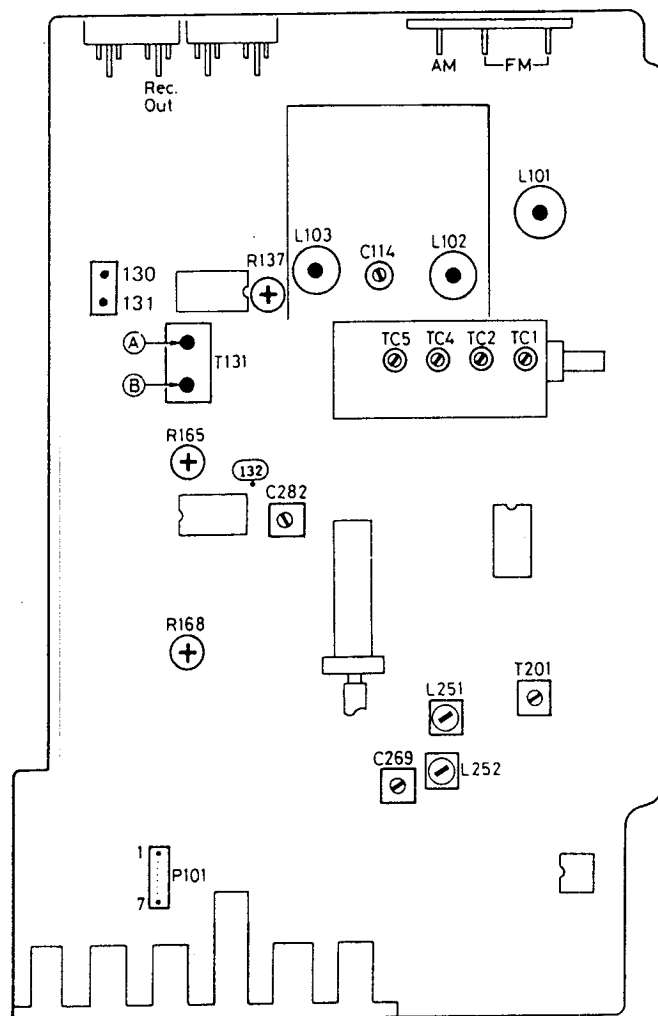


Fig. 6

For Service Manuals Contact  
**MAURITRON TECHNICAL SERVICES**  
 8 Cherry Tree Rd, Chinnor  
 Oxon OX9 4QY  
 Tel: 01844-351694 Fax: 01844-352554  
 Email: enquiries@mauritron.co.uk

### Discriminator, Center Meter, Distortion and Signal Gain

1. Set to FM.
2. Connect an RF generator, 1 kHz modulation and 75 kHz deviation, to the antenna terminals on the rear panel through a dummy antenna.
3. Connect an Oscilloscope, Distortion Meter and VTVM to the Rec. Out jacks on the rear panel.
4. Tune to a frequency where there is no broadcasting.
5. Connect a DC VTVM between TP130 and 131.
6. Adjust the core indicated arrow (A) of T131 for DC VTVM reading of 0 (zero) mV.
7. Set the RF generator to 98 MHz.
8. Set the dial pointer to 98 MHz.
9. Adjust the core of T131 indicated by arrow (B) so that the distortion is minimized at a value less than 0.4 %.

### Tracking and Sensitivity

**Precaution:** No adjustment is necessary. The tracking and sensitivity have been adjusted properly and completely at the factory. If any special reason occasioned, take the following procedures carefully.

### Low Frequency

1. Connect an RF generator to the antenna terminals on the rear panel through a dummy antenna.
2. Set the RF generator to 88 MHz, a modulation of 1 kHz and a deviation of 75 kHz to provide an input of 2  $\mu$ V.
3. Connect a VTVM and an Oscilloscope to the Rec. Out jacks on the rear panel.
4. Set the dial pointer to 88 MHz.
5. Adjust the three coils L103, L102 and L101 in the tuning gang to maximize the output.

### High Frequency

6. Set the RF generator to 108 MHz, a modulation of 1 kHz and a deviation of 75 kHz, to provide an input of 2  $\mu$ V.
7. Set the dial pointer to 108 MHz.
8. Adjust the FM trimmers C114, TC2 and TC1 in the tuning gang to maximize the output.
9. Repeat these high and low frequency adjustments alternately until maximum sensitivity is obtained.

**Note:** After adjustment, confirm that the band cover is as follows: (for West Germany only)

FM: Lower 87.5 MHz -300 kHz, Higher 108.0 MHz +500 kHz

### Multiplex and Stereo Separation

#### Multiplex

1. Set the Stereo signal generator as follows: 400 Hz modulation frequency, 7.5 kHz deviation pilot, 67.5 kHz main and sub carriers. Connect its output to an RF generator.
2. Connect an RF generator to the antenna terminals through a dummy antenna.
3. Connect a VTVM, an Oscilloscope and a Distortion Meter to the Rec. Out jacks on the rear panel.
4. Set the RF generator to 98 MHz and output of 1 mV.
5. Set the dial pointer to 98 MHz.
6. Connect the Frequency Counter to 19 kHz Test Point (TP132).
7. Switch off the pilot signal of Stereo Modulator.
8. Adjust R165 so that the frequency counter indicates 19 kHz (0 ~ -50 Hz)

#### Stereo Separation

9. Switch the selector of Stereo Modulator to left channel modulation.
10. Adjust R168 so that the output of right channel is minimized.
11. Switch the selector of the modulator to right channel modulation.
12. Adjust R168 so that the left channel is minimized.
13. Set R168 to the average if the separation of left and right is different.

### Muting Level

Note: No adjustment is necessary. However, if the check-up is required, take the following steps.

1. Release the FM MONO/MUTE OFF pushbutton during this adjustment procedures.
2. Connect a VTVM and an Oscilloscope to the Rec. out jacks on the rear panel.
3. Set the RF generator to 108 MHz, a modulation of 1 kHz and a deviation of 75 kHz, to provide an input of 14  $\mu$ V.
4. Turn R137 clockwise and remember the point (or position) at which the muting ceases operating.
5. Turn R137 counterclockwise slightly so that the output level drops by 1 dB.
6. Attenuate the output of the RF generator to 2 dB from 14  $\mu$ V of step 3 and check that the muting is still operating.

## 6-(2) MW(LW) Section

Note: ( ) shows LW Alignment Procedures

### Tracking and Sensitivity

#### Low Frequency

1. Connect the RF generator to the antenna terminals on the rear panel, set this to 600 kHz (160 kHz) with 30 % modulation at 400 Hz.
2. Connect an AC VTVM and an oscilloscope to the Rec. out jacks on the rear panel.
3. Set the dial pointer to 600 kHz (160 kHz).
4. Adjust OSC coil L251 (L252) and the ferrite bar antenna core to maximize the output signal. Left ferrite bar is for MW (right ferrite bar is for LW).

#### High Frequency

5. Set the RF generator to 1400 kHz (350 kHz) with 30 % modulation at 400 Hz.
6. Set the dial pointer to 1400 kHz (350 kHz).
7. Adjust the trimmers TC4 (C269) and TC5 (C282) in the tuning gang so that the output signal is maximized.
8. Repeat these high and low frequency adjustment procedures alternately until maximum sensitivity is obtained.

## 7. Power Amplifier Idling Current Adjustment Procedure

Adjustment Location on TXX-400 Main Amp. P.C. Board Ass'y

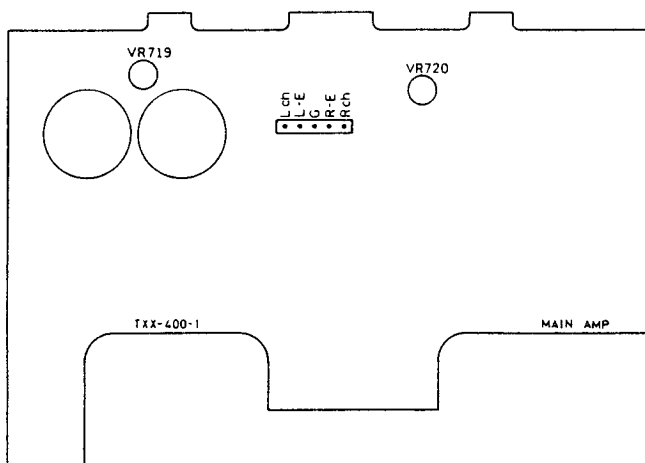


Fig. 7

### Precaution:

- (1) Allow the set to warm up at least 5 minutes before connecting a DC VTVM.
- (2) Keep the heat-sink cooling to prevent overheating and consequent destruction of the semiconductor junction and set the volume control to minimum during these adjustment procedures.

( ): for Right channel adjustment

### Procedures:

1. Turn R719 (R720) fully counterclockwise before the power is switched on.
2. Connect a DC VTVM to the Test Point L-CH and L-E (R-CH and R-E).
3. Adjust R719 (R720) for DC VTVM reading of 5 mV.

# 8. Printed Circuit Board Ass'y and Parts List

## 8-(1) TFC-36 Tuner, LED and DIN Socket Sections

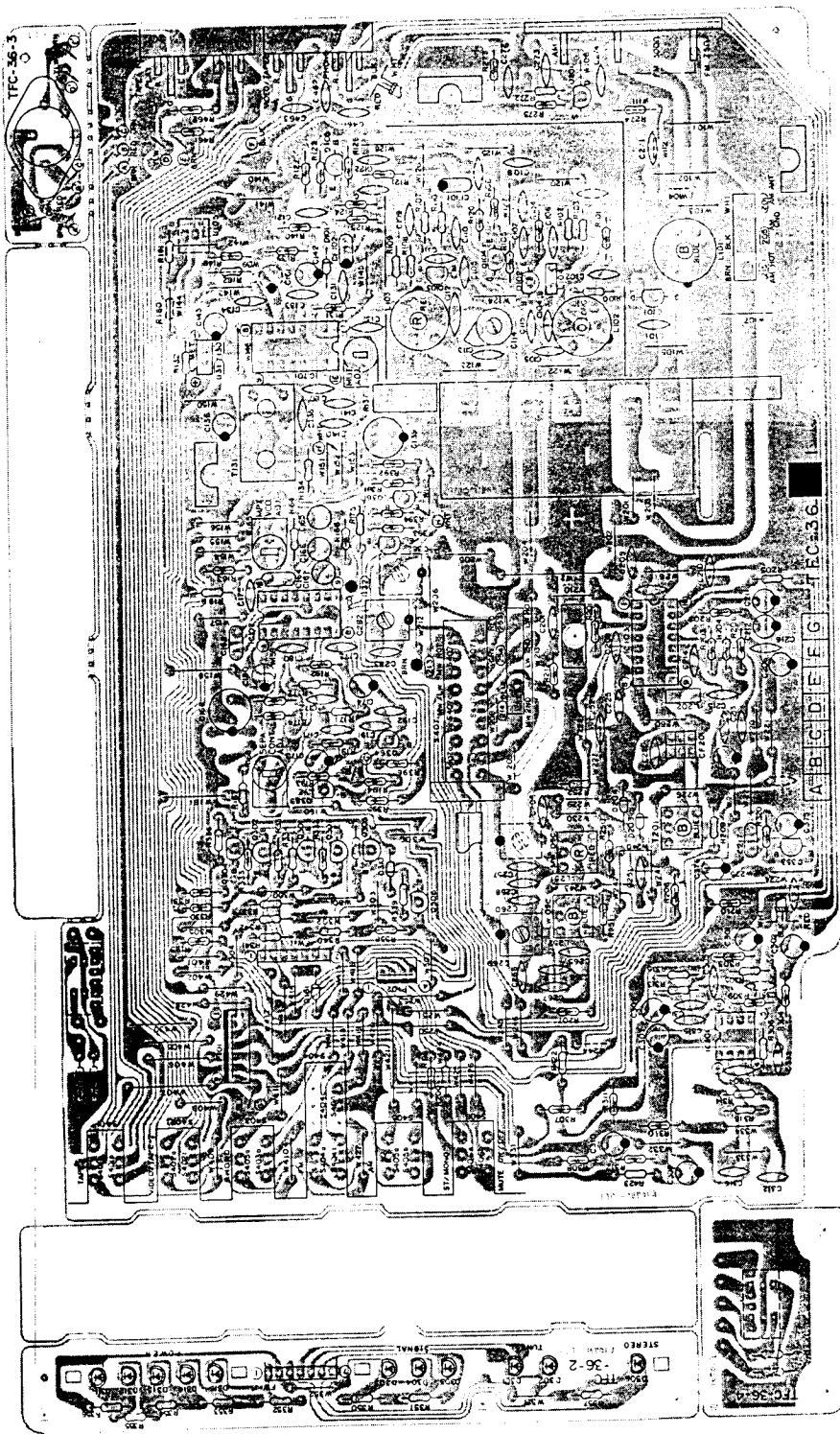


Fig. 8

### Transistors

| Item No. | Part Number   | Rating | Description | Maker                   |
|----------|---------------|--------|-------------|-------------------------|
| Q101     | 2SK168(E,F)   |        | F.E.T.      | Hitachi                 |
| Q102     | 2SC535(B,C)   |        | Silicon     | "                       |
| Q103     | 2SC461(C)     |        | "           | "                       |
| Q104     | 2SC461(C)     |        | "           | "                       |
| Q105     | 2SC535(B,C)   |        | "           | "                       |
| Q201     | 2SK105(F,H)   |        | F.E.T.      | Hitachi (See back page) |
| Q301     | 2SA564A (Q,R) |        | Silicon     | Matsushita              |
| Q302     | 2SA564A(Q,R)  |        | "           | "                       |
| Q303     | 2SC828(Q,R)   |        | "           | "                       |
| Q304     | 2SC828(Q,R)   |        | "           | "                       |
| Q305     | 2SC828(Q,R)   |        | "           | "                       |
| Q306     | 2SC458(D)     |        | "           | Hitachi                 |
| Q353     | 2SC458(C,D)   |        | "           | "                       |
| Q361     | 2SC458(C,D)   |        | "           | "                       |

### Transistors

| Item No. | Part Number  | Rating | Description | Maker   |
|----------|--------------|--------|-------------|---------|
| Q362     | 2SA1029(C,D) |        | Silicon     | Hitachi |
| Q363     | 2SC458(C,D)  |        | "           | "       |
| Q364     | 2SC458(C,D)  |        | "           | "       |

### Integrated Circuits

| Item No. | Part Number | Rating | Description | Maker    |
|----------|-------------|--------|-------------|----------|
| IC101    | HA11225     |        |             | Hitachi  |
| IC102    | UPC1235C    |        |             | Ryosan   |
| IC103    | HA1197      |        |             | Hitachi  |
| IC301    | NJM4558D-D  |        |             | Dainichi |

For Service Manuals Contact  
**MAURITRON TECHNICAL SERVICES**  
 8 Cherry Tree Rd, Chinnor  
 Oxon OX9 4QY  
 Tel: 01844-351694 Fax: 01844-352554  
 Email: enquiries@mauritron.co.uk



### Diodes

| Item No. | Part Number | Rating | Description |         |                         |
|----------|-------------|--------|-------------|---------|-------------------------|
|          |             |        |             | Maker   |                         |
| D101     | 1S2076-31   |        | Silicon     | Hitachi |                         |
| D161     | 1S2076-31   |        |             | "       |                         |
| D203     | 1S2076-31   |        |             | "       | Hitachi (See back page) |
| D204     | 1S2076-31   |        |             | "       | "                       |
| D301     | TLG143      |        | LED         | Toshiba |                         |
| D302     | TLG143      |        |             | "       | "                       |
| D303     | TLO143      |        |             | "       | "                       |
| D304     | TLO143      |        |             | "       | "                       |
| D305     | TLO143      |        |             | "       | "                       |
| D306     | TLR143      |        | Silicon LED | Hitachi |                         |
| D310     | 1S2076-31   |        |             | "       | Toshiba                 |
| D311     | TLR143      |        |             | "       | "                       |
| D312     | TLR143      |        |             | "       | "                       |
| D313     | TLR143      |        |             | "       | "                       |
| D314     | TLR143      |        | "           | "       |                         |
| D315     | TLR143      |        | "           | "       |                         |

### Coils & Transformers

| Item No. | Part Number   | Rating | Description                 |
|----------|---------------|--------|-----------------------------|
| L101     | EQR2306-013   |        | RF Coil (See back page)     |
| L102     | EQR2306-003   |        | RF Coil                     |
| L103     | EQR2406-001   |        | "                           |
| L104     | EQL3001-1R5KY |        | Inductor                    |
| L105     | EQF0102-001   |        | Filter (See back page)      |
| L202     | EQL3001-102KY |        | Inductor                    |
| L251     | E03079-56     |        | OSC Coil                    |
| L252     | E03079-38     |        | LW OSC Coil (See back page) |
| T131     | E03793-001    |        | FM DET Transformer          |
| T201     | E03613-017    |        | I.F. Transformer            |

### Capacitors

| Item No. | Part Number | Rating        |      | Description                   |
|----------|-------------|---------------|------|-------------------------------|
|          |             |               |      |                               |
| C101     | QCS31HJ-100 | 10 pF         | 50 V | Ceramic                       |
| C102     | QCF31HP-103 | 0.01 $\mu$ F  | 50 V | "                             |
| C103     | QCS31HJ-150 | 15 pF         | 50 V | "                             |
| C104     | QCS31HJ-4R0 | 4 pF          | 50 V | "                             |
| C105     | QCS31HJ-2R0 | 2 pF          | 50 V | "                             |
| C106     | QCS31HJ-151 | 150 pF        | 50 V | "                             |
| C107     | QCF31HP-103 | 0.01 $\mu$ F  | 50 V | "                             |
| C108     | QCF31HP-103 | 0.01 $\mu$ F  | 50 V | "                             |
| C109     | QCF31HP-103 | 0.01 $\mu$ F  | 50 V | "                             |
| C110     | QCT25CH-100 | 10 pF         |      | "                             |
| C111     | QCT25CH-220 | 22 pF         |      | "                             |
| C112     | QCT25CH-7R0 | 7 pF          |      | "                             |
| C113     | QCT25PH-220 | 22 pF         |      | "                             |
| C114     | ENZ1003-004 |               |      | Trimmer                       |
| C115     | QCS31HJ     |               | 50 V | Ceramic (See back page)       |
| C121     | QCF31HP-223 | 0.022 $\mu$ F | 50 V | Ceramic                       |
| C122     | QCF31HP-223 | 0.022 $\mu$ F | 50 V | "                             |
| C131     | QCF31HP-223 | 0.022 $\mu$ F | 50 V | "                             |
| C132     | QCF31HP-223 | 0.022 $\mu$ F | 50 V | "                             |
| C133     | QCS31HJ-331 | 330 pF        | 50 V | "                             |
| C134     | QCF31HP-223 | 0.022 $\mu$ F | 50 V | "                             |
| C135     | QCF31HP-223 | 0.022 $\mu$ F | 50 V | "                             |
| C136     | QET51AM-107 | 100 $\mu$ F   | 10 V | Electrolytic                  |
| C137     | QCF31HP-223 | 0.022 $\mu$ F | 50 V | Ceramic                       |
| C139     | QET51CM-107 | 100 $\mu$ F   | 16 V | Electrolytic                  |
| C140     | QCF31HP-223 | 0.022 $\mu$ F | 50 V | Ceramic                       |
| C141     | QCF31HP-223 | 0.022 $\mu$ F | 50 V | "                             |
| C142     | QET61EM-106 | 10 $\mu$ F    | 25 V | Electrolytic                  |
| C143     | QET61HM-474 | 0.47 $\mu$ F  | 50 V | "                             |
| C161     | QET61CM-226 | 22 $\mu$ F    | 16 V | "                             |
| C162     | QFM31HK-473 | 0.047 $\mu$ F | 50 V | Mylar                         |
| C164     | QFP31HJ-471 | 470 pF        | 50 V | Polypropylene                 |
| C165     | QEB51EM-335 | 3.3 $\mu$ F   | 25 V | Low Leak Current Electrolytic |
| C166     | QET61HM-105 | 1 $\mu$ F     | 50 V | Electrolytic                  |

### Capacitors

| Item No. | Part Number | Rating        |      | Description                  |
|----------|-------------|---------------|------|------------------------------|
|          |             |               |      |                              |
| C167     | QET61HM-105 | 1 $\mu$ F     | 50 V | Electrolytic                 |
| C168     | QET51CM-107 | 100 $\mu$ F   | 16 V | "                            |
| C171     | QCS31HJ-391 | 390 pF        | 50 V | Ceramic                      |
| C171     | QCS31HJ-    |               | 50 V | Ceramic (See back page)      |
| C172     | QCS31HJ-    |               | 50 V | "                            |
| C173     | QET61HM-474 | 0.47 $\mu$ F  | 50 V | Electrolytic                 |
| C174     | QET61HM-474 | 0.47 $\mu$ F  | 50 V | "                            |
| C175     | QCF31HP-223 | 0.022 $\mu$ F | 50 V | Ceramic                      |
| C180     | QET61CM-226 | 22 $\mu$ F    | 16 V | Electrolytic (See back page) |
| C191     | QCY31HK-    |               | 50 V | Ceramic (See back page)      |
| C192     | QCY31HK     |               | 50 V | "                            |
| C195     | QCF31HP-473 | 0.047 $\mu$ F | 50 V | Ceramic                      |
| C201     | QCF31HP-223 | 0.022 $\mu$ F | 50 V | "                            |
| C205     | QCY31HK-103 | 0.01 $\mu$ F  | 50 V | "                            |
| C206     | QET61EM-106 | 10 $\mu$ F    | 25 V | Electrolytic                 |
| C208     | QCF31HP-223 | 0.022 $\mu$ F | 50 V | Ceramic                      |
| C209     | QCF31HP-223 | 0.022 $\mu$ F | 50 V | "                            |
| C210     | QCF31HP-223 | 0.022 $\mu$ F | 50 V | "                            |
| C211     | QET61HM-105 | 1 $\mu$ F     | 50 V | Electrolytic                 |
| C212     | QET61EM-106 | 10 $\mu$ F    | 25 V | "                            |
| C213     | QCY21HK-102 | 1000 pF       | 50 V | Ceramic                      |
| C214     | QCF31HP-223 | 0.022 $\mu$ F | 50 V | "                            |
| C215     | QCS31HJ-121 | 120 pF        | 50 V | "                            |
| C216     | QCY21HK-103 | 0.01 $\mu$ F  | 50 V | "                            |
| C217     | QFM31HK-473 | 0.047 $\mu$ F | 50 V | Mylar                        |
| C221     | QCS31HJ-560 | 56 pF         | 50 V | Ceramic                      |
| C225     | QCS31HJ-470 | 47 pF         | 50 V | "                            |
| C251     | QCY31HK-103 | 0.01 $\mu$ F  | 10 V | Ceramic (See back page)      |
| C252     | QCY31HK-103 | 0.01 $\mu$ F  | 10 V | "                            |
| C257     | QCT25PH-151 | 150 pF        |      | Ceramic                      |
| C258     | QCT25PH-181 | 180 pF        |      | "                            |
| C260     | QCT25UJ-100 | 10 pF         |      | "                            |
| C261     | QAT2001-005 |               |      | Trimmer (See back page)      |
| C265     | QCT25UJ-270 | 27 pF         | 16 V | Ceramic (See back page)      |
| C266     | QCT25CH-680 | 68 pF         | 16 V | "                            |
| C267     | QCT25CH-680 | 68 pF         | 16 V | "                            |
| C268     | QCT25CH-150 | 15 pF         | 16 V | "                            |
| C269     | QAT2001-005 |               |      | Trimmer (See back page)      |
| C271     | QCF31HP-223 | 0.022 $\mu$ F | 50 V | Ceramic (See back page)      |
| C272     | QCF31HP-223 | 0.022 $\mu$ F | 50 V | "                            |
| C273     | QCF31HP-223 | 0.022 $\mu$ F | 50 V | "                            |
| C274     | QCS31HJ-331 | 330 pF        | 50 V | "                            |
| C281     | QAT2001-001 |               |      | Trimmer (See back page)      |
| C282     | QAT2001-005 |               |      | "                            |
| C283     | QCS31HJ-100 | 10 pF         | 50 V | Ceramic (See back page)      |
| C301     | QET61HM-475 | 4.7 $\mu$ F   | 50 V | Electrolytic                 |
| C302     | QET61HM-475 | 4.7 $\mu$ F   | 50 V | "                            |
| C303     | QCS31HJ-560 | 56 pF         | 50 V | Ceramic                      |
| C304     | QCS31HJ-560 | 56 pF         | 50 V | "                            |
| C307     | QET61CM-106 | 10 $\mu$ F    | 16 V | Electrolytic                 |
| C308     | QET61CM-106 | 10 $\mu$ F    | 16 V | "                            |
| C309     | QET61HM-225 | 2.2 $\mu$ F   | 50 V | "                            |
| C310     | QET61HM-225 | 2.2 $\mu$ F   | 50 V | "                            |
| C311     | QCY31HK-182 | 1800 pF       | 50 V | Ceramic                      |
| C312     | QCY31HK-182 | 1800 pF       | 50 V | "                            |
| C315     | QCY31HK-682 | 6800 pF       | 50 V | "                            |
| C316     | QCY31HK-682 | 6800 pF       | 50 V | "                            |
| C331     | QCS31HJ-331 | 330 pF        | 50 V | "                            |
| C332     | QCS31HJ-331 | 330 pF        | 50 V | "                            |
| C375     | QET61HM-474 | 0.47 $\mu$ F  | 50 V | Electrolytic                 |
| C376     | QET61EM-105 | 1 $\mu$ F     | 25 V | Electrolytic (See back page) |
| C461     | QCF31HP-223 | 0.022 $\mu$ F | 50 V | Ceramic                      |
| C462     | QCF31HP-223 | 0.022 $\mu$ F | 50 V | "                            |
| C463     | QCF31HP-223 | 0.022 $\mu$ F | 50 V | "                            |

## Resistors

| Item No. | Part Number  | Rating         |       | Description                          |
|----------|--------------|----------------|-------|--------------------------------------|
|          |              |                |       |                                      |
| R100     | QRD141J-102S | 1 k $\Omega$   | 1/4 W | Carbon                               |
| R101     | QRD141J-391S | 390 $\Omega$   | 1/4 W | "                                    |
| R102     | QRD141J-472S | 4.7 k $\Omega$ | 1/4 W | "                                    |
| R103     | QRD141J-153S | 15 k $\Omega$  | 1/4 W | "                                    |
| R104     | QRD141J-102S | 1 k $\Omega$   | 1/4 W | "                                    |
| R105     | QRD141J-102S | 1 k $\Omega$   | 1/4 W | "                                    |
| R106     | QRD141J-392S | 3.9 k $\Omega$ | 1/4 W | "                                    |
| R107     | QRD141J-102S | 1 k $\Omega$   | 1/4 W | "                                    |
| R108     | QRD141J-103S | 10 k $\Omega$  | 1/4 W | "                                    |
| R109     | QRD141J-682S | 6.8 k $\Omega$ | 1/4 W | "                                    |
| R110     | QRD141J-222S | 2.2 k $\Omega$ | 1/4 W | "                                    |
| R111     | QRZ0052-220  | 22 $\Omega$    | 1/4 W | Fuse Carbon $\Delta$                 |
| R120     | QRD141J-271S | 270 $\Omega$   | 1/4 W | Carbon                               |
| R121     | QRD141J-101S | 100 $\Omega$   | 1/4 W | "                                    |
| R122     | QRD141J-222S | 2.2 k $\Omega$ | 1/4 W | "                                    |
| R123     | QRD141J-681S | 680 $\Omega$   | 1/4 W | "                                    |
| R124     | QRD141J-102S | 1 k $\Omega$   | 1/4 W | "                                    |
| R125     | QRD141J-101S | 100 $\Omega$   | 1/4 W | "                                    |
| R126     | QRD141J-331S | 330 $\Omega$   | 1/4 W | "                                    |
| R131     | QRD141J-331S | 330 $\Omega$   | 1/4 W | "                                    |
| R132     | QRD141J-123S | 12 k $\Omega$  | 1/4 W | "                                    |
| R134     | QRD141J-332S | 3.3 k $\Omega$ | 1/4 W | "                                    |
| R137     | QRD141J-682S | 6.8 k $\Omega$ | 1/4 W | "                                    |
| R139     | QRD141J-473S | 47 k $\Omega$  | 1/4 W | "                                    |
| R140     | QRD141J-102S | 1 k $\Omega$   | 1/4 W | "                                    |
| R149     | QRD141J-123S | 12 k $\Omega$  | 1/4 W | Carbon                               |
| R162     | QRD141J      |                | 1/4 W | Carbon (See back page)               |
| R163     | QRD141J-683S | 68 k $\Omega$  | 1/4 W | Carbon                               |
| R164     | QRD148J-123S | 12 k $\Omega$  | 1/4 W | "                                    |
| R165     | EVP314-7-B14 |                |       | Variable (VCO)                       |
| R166     | QRD141J-102S | 1 k $\Omega$   | 1/4 W | Carbon                               |
| R167     | QRD149J-560S | 56 $\Omega$    | 1/4 W | UNF Carbon (See back page) $\Delta$  |
| R167     | QRZ0052-560  | 56 $\Omega$    |       | Fuse Carbon (See back page) $\Delta$ |
| R168     | EVP314-7-B55 |                |       | Variable (SEPA)                      |
| R171     | QRD141J-913S | 100 k $\Omega$ | 1/4 W | Carbon                               |
| R172     | QRD141J-913S | 120 $\Omega$   | 1/4 W | "                                    |
| R173     | QRD141J-363S | 36 k $\Omega$  | 1/4 W | "                                    |
| R174     | QRD141J-363S | 36 k $\Omega$  | 1/4 W | "                                    |
| R175     | QRD141J-681S | 680 $\Omega$   | 1/4 W | "                                    |
| R181     | QRD141J-103S | 10 k $\Omega$  | 1/4 W | Carbon (See back page)               |
| R191     | QRD141J-332S | 3.3 k $\Omega$ | 1/4 W | Carbon                               |
| R192     | QRD141J-332S | 3.3 k $\Omega$ | 1/4 W | "                                    |
| R193     | QRD141J-103S | 10 k $\Omega$  | 1/4 W | "                                    |
| R194     | QRD141J-103S | 10 k $\Omega$  | 1/4 W | "                                    |
| R194     | QRD141J-472S | 4.7 k $\Omega$ | 1/4 W | "                                    |
| R198     | QRD141J-333S | 33 k $\Omega$  | 1/4 W | Carbon (See back page)               |
| R199     | QRD141J-363S | 36 k $\Omega$  | 1/4 W | Carbon                               |
| R200     | QRD141J      |                | 1/4 W | Carbon (See back page)               |
| R201     | QRD141J-152S | 1.5 k $\Omega$ | 1/4 W | Carbon                               |
| R203     | QRD141J-103S | 10 k $\Omega$  | 1/4 W | "                                    |
| R204     | QRD141J-271S | 270 $\Omega$   | 1/4 W | "                                    |
| R205     | QRD141J-681S | 680 $\Omega$   | 1/4 W | "                                    |
| R206     | QRD141J-222S | 2.2 k $\Omega$ | 1/4 W | "                                    |
| R207     | QRD141J-562S | 5.6 k $\Omega$ | 1/4 W | "                                    |
| R208     | QRD141J-562S | 5.6 k $\Omega$ | 1/4 W | "                                    |
| R209     | QRD141J-151S | 150 $\Omega$   | 1/4 W | "                                    |
| R210     | QRD141J-104S | 100 k $\Omega$ | 1/4 W | "                                    |
| R212     | QRD141J-151S | 150 $\Omega$   | 1/4 W | "                                    |
| R250     | QRD141J-182S | 1.8 k $\Omega$ | 1/4 W | "                                    |
| R250     | QRD141J-182S | 1.8 k $\Omega$ | 1/4 W | "                                    |
| R250     | QRD141J-182S | 1.8 k $\Omega$ | 1/4 W | "                                    |
| R251     | QRD141J-102S | 1 k $\Omega$   | 1/4 W | "                                    |
| R251     | QRD141J-561S | 560 $\Omega$   | 1/4 W | "                                    |
| R252     | QRD141J-562S | 5.6 k $\Omega$ | 1/4 W | "                                    |

## Resistors

| Item No. | Part Number  | Rating         |       | Description            |
|----------|--------------|----------------|-------|------------------------|
|          |              |                |       |                        |
| R272     | QRD141J-102S | 10 k $\Omega$  | 1/4 W | Carbon (See back page) |
| R273     | QRD141J-331S | 10 k $\Omega$  | 1/4 W | "                      |
| R274     | QRD141J-472S | 10 k $\Omega$  | 1/4 W | "                      |
| R275     | QRD141J-103S | 10 k $\Omega$  | 1/4 W | "                      |
| R303     | QRD141J-222S | 2.2 k $\Omega$ | 1/4 W | Carbon                 |
| R304     | QRD141J-222S | 2.2 k $\Omega$ | 1/4 W | "                      |
| R305     | QRD141J-563S | 56 k $\Omega$  | 1/4 W | "                      |
| R306     | QRD141J-563S | 56 k $\Omega$  | 1/4 W | "                      |
| R307     | QRD141J-102S | 1 k $\Omega$   | 1/4 W | "                      |
| R308     | QRD141J-102S | 1 k $\Omega$   | 1/4 W | "                      |
| R309     | QRD141J-911S | 910 $\Omega$   | 1/4 W | "                      |
| R310     | QRD141J-911S | 910 $\Omega$   | 1/4 W | "                      |
| R311     | QRD141J-104S | 100 k $\Omega$ | 1/4 W | "                      |
| R312     | QRD141J-104S | 100 k $\Omega$ | 1/4 W | "                      |
| R313     | QRD141J-393S | 39 k $\Omega$  | 1/4 W | "                      |
| R314     | QRD141J-393S | 39 k $\Omega$  | 1/4 W | "                      |
| R315     | QRD141J-474S | 470 k $\Omega$ | 1/4 W | "                      |
| R316     | QRD141J-474S | 470 k $\Omega$ | 1/4 W | "                      |
| R320     | QRD141J-104S | 100 k $\Omega$ | 1/4 W | "                      |
| R330     | QRD141J-103S | 10 k $\Omega$  | 1/4 W | "                      |
| R331     | QRD141J-103S | 10 k $\Omega$  | 1/4 W | "                      |
| R332     | QRD141J-103S | 10 k $\Omega$  | 1/4 W | "                      |
| R333     | QRD141J-103S | 10 k $\Omega$  | 1/4 W | "                      |
| R334     | QRD141J-102S | 1 k $\Omega$   | 1/4 W | "                      |
| R335     | QRD141J-102S | 1 k $\Omega$   | 1/4 W | "                      |
| R337     | QRD141J-222S | 2.2 k $\Omega$ | 1/4 W | "                      |
| R338     | QRD148J-222S | 2.2 k $\Omega$ | 1/4 W | "                      |
| R339     | QRD148J-681S | 680 $\Omega$   | 1/4 W | "                      |
| R340     | QRD141J-271S | 270 $\Omega$   | 1/4 W | "                      |
| R341     | QRD141J-271S | 270 $\Omega$   | 1/4 W | "                      |
| R342     | QRD141J-472S | 4.7 k $\Omega$ | 1/4 W | "                      |
| R350     | QRD141J-331S | 330 $\Omega$   | 1/4 W | "                      |
| R351     | QRD141J-121S | 120 $\Omega$   | 1/4 W | "                      |
| R352     | QRD141J-121S | 120 $\Omega$   | 1/4 W | "                      |
| R353     | QRD141J-181S | 180 $\Omega$   | 1/4 W | "                      |
| R354     | QRD141J-331S | 330 $\Omega$   | 1/4 W | "                      |
| R355     | QRD141J-561S | 560 $\Omega$   | 1/4 W | "                      |
| R356     | QRD141J-222S | 2.2 k $\Omega$ | 1/4 W | "                      |
| R391     | QRD141J-563S | 56 k $\Omega$  | 1/4 W | "                      |
| R392     | QRD141J-333S | 33 k $\Omega$  | 1/4 W | "                      |
| R393     | QRD141J-103S | 10 k $\Omega$  | 1/4 W | "                      |
| R394     | QRD141J-223S | 22 k $\Omega$  | 1/4 W | "                      |
| R395     | QRD141J-223S | 22 k $\Omega$  | 1/4 W | "                      |
| R396     | QRD141J-223S | 22 k $\Omega$  | 1/4 W | "                      |
| R422     | QRD141J-181S | 180 $\Omega$   | 1/4 W | "                      |
| R423     | QRD141J-181S | 180 $\Omega$   | 1/4 W | "                      |
| R461     | QRD141J-104S | 100 k $\Omega$ | 1/4 W | Carbon (See back page) |
| R462     | QRD141J-104S | 100 k $\Omega$ | 1/4 W | "                      |

## Others

| Item No. | Part Number | Rating | Description                       |
|----------|-------------|--------|-----------------------------------|
|          | ENZ1002-001 |        | V. Capacitor                      |
|          | E10731-001  |        | Circuit Board                     |
|          | E65396-001  |        | Earth Plate                       |
|          | E302236-001 |        | Shield Case                       |
| S401     | QST8651-E01 |        | Push Switch 6 Key (See back page) |
| S401     | QST8651-E02 |        | Push Switch 5 Key (See back page) |
| S407     | QST4101-E02 |        | Push Switch (See back page)       |
| CF101    | ECB2118-001 |        | C. Filter (See back page)         |
| CF101    | ECB2123-001 |        | "                                 |
| CF102    | ECB2118-001 |        | "                                 |
| CF102    | ECB2123-001 |        | "                                 |
| CF201    | ECB1545-001 |        | C. Filter                         |

## 8-(2) TXX-400 Main Amp., Fuse, Tone, Speaker and AC Outlet Sections

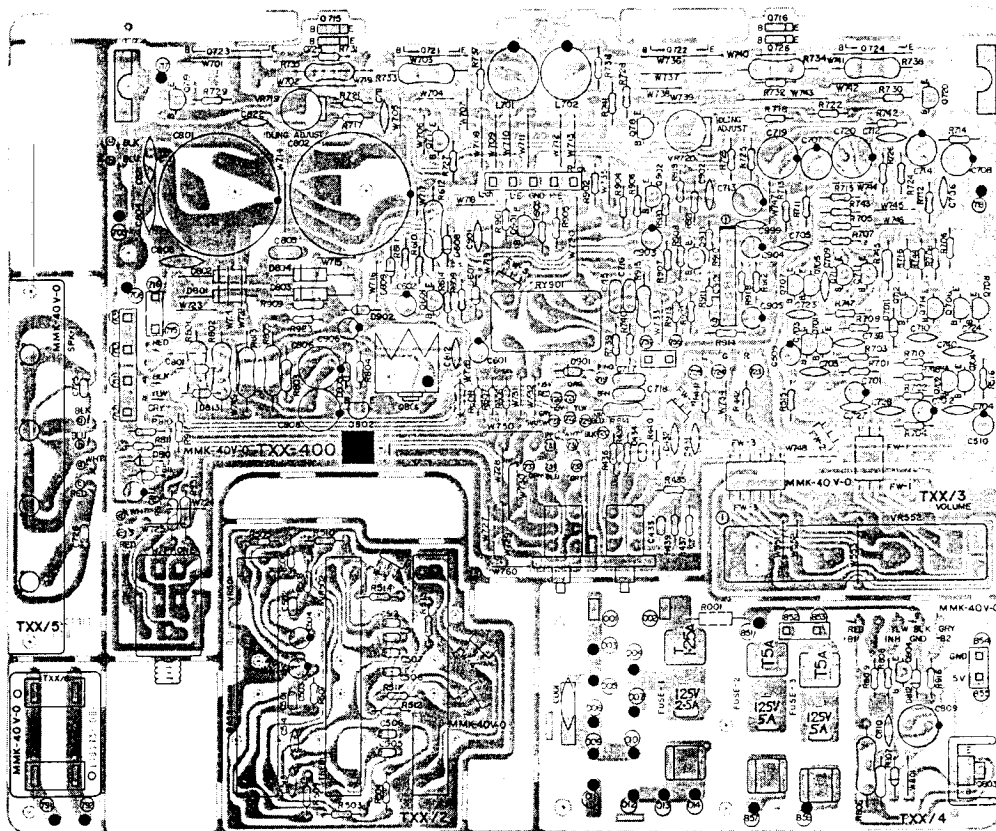


Fig. 9

### Transistors

| Item No. | Part Number   | Rating | Description | Maker                         |
|----------|---------------|--------|-------------|-------------------------------|
|          |               |        |             |                               |
| Q601     | 2SC458(D)     |        | Silicon     | Hitachi                       |
| Q701     | 2SC1775AV(F)  |        | "           | "                             |
| Q702     | 2SC1775AV(F)  |        | "           | "                             |
| Q703     | 2SC1775AV(F)  |        | "           | "                             |
| Q704     | 2SC1775AV(F)  |        | "           | "                             |
| Q705     | 2SA872AV(E)   |        | "           | "                             |
| Q706     | 2SA872AV(E)   |        | "           | "                             |
| Q707     | 2SA872AV(E)   |        | "           | "                             |
| Q708     | 2SA872AV(E)   |        | "           | "                             |
| Q711     | 2SA872AV(E)   |        | "           | "                             |
| Q712     | 2SA872AV(E)   |        | "           | "                             |
| Q712     | 2SD716LB(O,R) |        | "           | Ryosan                        |
| Q713     | 2SA949(O,Y)   |        | "           | Toshiba                       |
| Q714     | 2SA949(O,Y)   |        | "           | "                             |
| Q715     | 2SD636(Q,R)   |        | "           | Matsushita                    |
| Q716     | 2SD636(Q,R)   |        | "           | "                             |
| Q717     | 2SC2235(O,Y)  |        | "           | Toshiba                       |
| Q719     | 2SA965(O,Y)   |        | "           | "                             |
| Q722     | 2SD716LB(O,R) |        | "           | Ryosan                        |
| Q723     | 2SB686LB(O,R) |        | "           | "                             |
| Q725     | 2SD636(Q,R)   |        | "           | Matsushita<br>(See back page) |
| Q726     | 2SD636(Q,R)   |        | "           | "                             |
| Q801     | 2SD313V(D,E)  |        | "           | Sanyo                         |
| Q802     | 2SC945A(P,Q)  |        | "           | Ryosan                        |
| Q803     | 2SD313V(D,E)  |        | "           | Sanyo                         |
| Q901     | 2SC1775AV(F)  |        | "           | Hitachi                       |
| Q902     | 2SC1775AV(F)  |        | "           | "                             |
| Q903     | 2SA733A(P,Q)  |        | "           | Ryosan                        |

### Integrated Circuit

| Item No. | Part Number | Rating | Description | Maker   |
|----------|-------------|--------|-------------|---------|
|          |             |        |             |         |
| IC901    | TA7317P     |        |             | Toshiba |

### Diodes

| Item No. | Part Number | Rating | Description | Maker      |
|----------|-------------|--------|-------------|------------|
|          |             |        |             |            |
| D607     | 1S2076-31   |        | Silicon     | Hitachi    |
| D608     | 1S2076-31   |        | "           | "          |
| D609     | 1S2076-31   |        | "           | "          |
| D701     | RD13EB3     |        | Zener       | Ryosan     |
| D801     | S3V20F      |        | Silicon     | Shindengen |
| D802     | S3V20F      |        | "           | "          |
| D803     | S3V20F      |        | "           | "          |
| D804     | S3V20F      |        | "           | "          |
| D805     | RD15EB3     |        | Zener       | Ryosan     |
| D806     | RD6.2EB3    |        | "           | "          |
| D813     | RD6.2EB3    |        | "           | "          |
| D901     | 1S2076-31   |        | Silicon     | Hitachi    |
| D902     | 1S2076-31   |        | "           | "          |

### Coils

| Item No. | Part Number | Rating | Description |
|----------|-------------|--------|-------------|
| L701     | E04059-1R2M |        | Choke Coil  |
| L702     | E04059-1R2M |        | "           |

### Capacitors

| Item No. | Part Number  | Rating   |      | Description                |
|----------|--------------|----------|------|----------------------------|
| C431     | QCS31HJ-181  | 180 pF   | 50 V | Ceramic                    |
| C432     | QCS31HJ-181  | 180 pF   | 50 V | "                          |
| C433     | QFM31HK-183  | 0.018 μF | 50 V | Mylar                      |
| C434     | QFM31HK-183  | 0.018 μF | 50 V | "                          |
| C501     | QFM31HK-333  | 0.033 μF | 50 V | "                          |
| C502     | QFM31HK-333  | 0.033 μF | 50 V | "                          |
| C503     | QE20046-224  | 0.22 μF  |      | N.P. Electrolytic          |
| C504     | QE20046-224  | 0.22 μF  |      | "                          |
| C505     | QFM31HK-222  | 2200 pF  | 50 V | Mylar                      |
| C506     | QFM31HK-222  | 2200 pF  | 50 V | "                          |
| C507     | QFM31HK-223  | 0.022 μF | 50 V | "                          |
| C508     | QFM31HK-223  | 0.022 μF | 50 V | "                          |
| C509     | QET61HM-475  | 4.7 μF   | 50 V | Electrolytic               |
| C510     | QET61HM-475  | 4.7 μF   | 50 V | "                          |
| C511     | QFM31HP-332  | 3300 pF  | 50 V | Mylar                      |
| C513     | QCF31HP-331  | 0.01 μF  | 50 V | Ceramic                    |
| C514     | QCF31HP-331  | 0.01 μF  | 50 V | "                          |
| C602     | QET61HM-475  | 4.7 μF   | 50 V | Electrolytic               |
| C701     | QET61HM-225  | 2.2 μF   | 50 V | "                          |
| C702     | QET61HM-225  | 2.2 μF   | 50 V | "                          |
| C703     | QCS31HJ-101  | 100 pF   | 50 V | Ceramic                    |
| C704     | QCS31HJ-101  | 100 pF   | 50 V | "                          |
| C705     | QCS31HJ-220  | 22 pF    | 50 V | "                          |
| C706     | QCS31HJ-220  | 22 pF    | 50 V | "                          |
| C707     | QET61AM-107  | 100 μF   | 10 V | Electrolytic               |
| C708     | QET61AM-107  | 100 μF   | 10 V | "                          |
| C709     | QCS31HJ-390  | 39 pF    | 50 V | Ceramic                    |
| C710     | QCS31HJ-390  | 39 pF    | 50 V | "                          |
| C711     | QCY21HK-103  | 0.01 μF  | 50 V | "                          |
| C712     | QCY21HK-103  | 0.01 μF  | 50 V | "                          |
| C713     | QET61HM-226  | 22 μF    | 50 V | Electrolytic               |
| C714     | QET61HM-226  | 22 μF    | 50 V | "                          |
| C715     | QFM31HK-473  | 0.047 μF | 50 V | Mylar                      |
| C716     | QFM31HK-473  | 0.047 μF | 50 V | "                          |
| C717     | QFM31HK-473  | 0.047 μF | 50 V | "                          |
| C718     | QFM31HK-473  | 0.047 μF | 50 V | "                          |
| C719     | QET51HM-107  | 100 μF   | 50 V | Electrolytic               |
| C720     | QET51HM-107  | 100 μF   | 50 V | "                          |
| C723     | QCS31HJ-330  | 33 pF    | 50 V | Ceramic                    |
| C724     | QCS31HJ-330  | 33 pF    | 50 V | "                          |
| C725     | QFM31HK-102  | 1000 pF  | 50 V | Mylar                      |
| C726     | QFM31HK-102  | 1000 pF  | 50 V | "                          |
| C727     | QCS31HJ-680  | 68 pF    | 50 V | Ceramic                    |
| C739     | QCS31HJ-181  | 180 pF   | 50 V | "                          |
| C740     | QCS31HJ-181  | 180 pF   | 50 V | "                          |
| C801     | QET81HA-688  | 6800 μF  | 50 V | Electrolytic               |
| C801     | QEW81HA-688  | 6800 μF  | 50 V | "                          |
| C802     | QET81HA-688  | 6800 μF  | 50 V | "                          |
| C802     | QEW81HA-688  | 6800 μF  | 50 V | "                          |
| C803     | QCE22HP-103H | 0.01 μF  | 50 V | Ceramic                    |
| C804     | QCE22HP-103H | 0.01 μF  | 50 V | "                          |
| C805     | QFM31HK-104  | 0.1 μF   | 50 V | Mylar                      |
| C805     | QFM32AK-104  | 0.1 μF   | 10 V | "                          |
| C806     | QET51CM-227  | 220 μF   | 50 V | Electrolytic               |
| C808     | QET51CM-107  | 100 μF   | 50 V | "                          |
| C810     | QCF31HP-103  | 0.01 μF  | 50 V | Ceramic                    |
| C810     | QCF31HP-103  | 0.01 μF  | 50 V | "                          |
| C812     | QCF31HP-103  | 0.01 μF  | 50 V | "                          |
| C821     | QCF21HP-473H | 0.047 μF | 50 V | "                          |
| C822     | QCF21HP-473H | 0.047 μF | 50 V | "                          |
| C901     | QCF31HP-223  | 0.022 μF | 50 V | "                          |
| C902     | QCF31HP-223  | 0.022 μF | 50 V | "                          |
| C903     | QET61HM-226  | 22 μF    | 50 V | Electrolytic               |
| C904     | QET61AM-107  | 100 μF   | 10 V | "                          |
| C905     | QET61CM-226  | 22 μF    | 16 V | "                          |
| C906     | QET61HM-105  | 1 μF     | 50 V | "                          |
| C999     | QCF31HP-102  | 1000 pF  | 50 V | Ceramic                    |
| C001     | QFZ9010-103  | 0.01 μF  |      | Ceramic<br>(See back page) |

### Resistors

| Item No. | Part Number   | Rating |       | Description                 |
|----------|---------------|--------|-------|-----------------------------|
| R001     | QRC121K-275EM | 2.7 MΩ | 1/2 W | Composition (See back page) |
| R435     | QRD141J-564S  | 560 kΩ | 1/4 W | Carbon                      |
| R436     | QRD141J-564S  | 560 kΩ | 1/4 W | "                           |
| R437     | QRD141J-223S  | 22 kΩ  | 1/4 W | "                           |
| R438     | QRD141J-223S  | 22 kΩ  | 1/4 W | "                           |
| R439     | QRD141J-683S  | 68 kΩ  | 1/4 W | "                           |
| R440     | QRD141J-683S  | 68 kΩ  | 1/4 W | "                           |
| R441     | QRD141J-332S  | 3.3 kΩ | 1/4 W | "                           |
| R442     | QRD141J-332S  | 3.3 kΩ | 1/4 W | "                           |
| R503     | QRD141J-123S  | 12 kΩ  | 1/4 W | "                           |
| R504     | QRD141J-123S  | 12 kΩ  | 1/4 W | "                           |
| R505     | QRD141J-182S  | 1.8 kΩ | 1/4 W | "                           |
| R506     | QRD141J-182S  | 1.8 kΩ | 1/4 W | "                           |
| R507     | QRD141J-823S  | 82 kΩ  | 1/4 W | "                           |
| R508     | QRD141J-823S  | 82 kΩ  | 1/4 W | "                           |
| R509     | QRD141J-182S  | 1.8 kΩ | 1/4 W | "                           |
| R510     | QRD141J-182S  | 1.8 kΩ | 1/4 W | "                           |
| R511     | QRD141J-561S  | 560 Ω  | 1/4 W | "                           |
| R512     | QRD141J-561S  | 560 Ω  | 1/4 W | "                           |
| R513     | QRD141J-472S  | 4.7 kΩ | 1/4 W | "                           |
| R514     | QRD141J-472S  | 4.7 kΩ | 1/4 W | "                           |
| R515     | QRD141J-562S  | 5.6 kΩ | 1/4 W | "                           |
| R516     | QRD141J-562S  | 5.6 kΩ | 1/4 W | "                           |
| R606     | QRD141J-222S  | 2.2 kΩ | 1/4 W | "                           |
| R607     | QRD141J-222S  | 2.2 kΩ | 1/4 W | "                           |
| R608     | QRD141J-471S  | 4.7 kΩ | 1/4 W | "                           |
| R609     | QRD141J-390S  | 39 Ω   | 1/4 W | "                           |
| R610     | QRD141J-563S  | 56 kΩ  | 1/4 W | "                           |
| R611     | QRD141J-560S  | 56 Ω   | 1/4 W | "                           |
| R612     | QRG027J-122   | 1.2 kΩ | 2 W   | UNF Oxide Metal Film Δ      |
| R614     | QRD141J-181S  | 180 Ω  | 1/4 W | Carbon                      |
| R701     | QRD141J-222S  | 2.2 kΩ | 1/4 W | "                           |
| R702     | QRD141J-222S  | 2.2 kΩ | 1/4 W | "                           |
| R703     | QRD141J-104S  | 100 kΩ | 1/4 W | "                           |
| R704     | QRD141J-104S  | 100 kΩ | 1/4 W | "                           |
| R705     | QRD149J-101S  | 100 Ω  | 1/4 W | UNF Carbon Δ                |
| R708     | QRD149J-101S  | 100 Ω  | 1/4 W | "                           |
| R709     | QRD141J-822S  | 8.2 kΩ | 1/4 W | Carbon                      |
| R710     | QRD141J-822S  | 8.2 kΩ | 1/4 W | "                           |
| R711     | QRD141J-561S  | 560 Ω  | 1/4 W | "                           |
| R712     | QRD141J-561S  | 560 Ω  | 1/4 W | "                           |
| R713     | QRD141J-683S  | 68 kΩ  | 1/4 W | "                           |
| R714     | QRD141J-683S  | 68 kΩ  | 1/4 W | "                           |
| R715     | QRD141J-272S  | 2.7 kΩ | 1/4 W | "                           |
| R716     | QRD141J-272S  | 2.7 kΩ | 1/4 W | "                           |
| R717     | QRD141J-332S  | 3.3 kΩ | 1/4 W | "                           |
| R718     | QRD141J-332S  | 3.3 kΩ | 1/4 W | "                           |
| R721     | QRD141J-152S  | 1.5 kΩ | 1/4 W | "                           |
| R722     | QRD141J-152S  | 1.5 kΩ | 1/4 W | "                           |
| R723     | QRD141J-472S  | 4.7 kΩ | 1/4 W | "                           |
| R724     | QRD141J-472S  | 4.7 kΩ | 1/4 W | "                           |
| R725     | QRD141J-182S  | 1.8 kΩ | 1/4 W | "                           |
| R726     | QRD141J-182S  | 1.8 kΩ | 1/4 W | "                           |
| R727     | QRD149J-100S  | 10 Ω   | 1/4 W | UNF Carbon Δ                |
| R728     | QRD149J-100S  | 10 Ω   | 1/4 W | "                           |
| R729     | QRD149J-100S  | 10 Ω   | 1/4 W | "                           |
| R730     | QRD149J-100S  | 10 Ω   | 1/4 W | "                           |
| R731     | QRD149J-271S  | 270 Ω  | 1/4 W | "                           |
| R732     | QRD149J-271S  | 270 Ω  | 1/4 W | "                           |
| R733     | QRX029J-R22S  | 0.22 Ω | 2W    | Oxide Metal Film Δ          |
| R734     | QRX029J-R22S  | 0.22 Ω | 2 W   | "                           |
| R735     | QRX029J-R22S  | 0.22 Ω | 2 W   | "                           |
| R736     | QRX029J-R22S  | 0.22 Ω | 2 W   | "                           |
| R737     | QRD149J-4R7S  | 4.7 Ω  | 1/4 W | UNF Carbon Δ                |
| R738     | QRD149J-4R7S  | 4.7 Ω  | 1/4 W | "                           |
| R739     | QRD141J-100S  | 10 Ω   | 1/4 W | Carbon                      |
| R740     | QRD141J-100S  | 10 Ω   | 1/4 W | "                           |
| R741     | QRD149J-470S  | 47 Ω   | 1/4 W | UNF Carbon Δ                |

Resistors

| Item No. | Part Number  | Rating |       | Description                        |
|----------|--------------|--------|-------|------------------------------------|
| R742     | QRD149J-470S | 47 Ω   | 1/4 W | UNF Carbon Δ                       |
| R743     | QRD149J-330S | 33 Ω   | 1/4 W | "                                  |
| R744     | QRD149J-330S | 33 Ω   | 1/4 W | "                                  |
| R745     | QRD129J-182  | 1.8 kΩ | 1/2 W | "                                  |
| R801     | QRG026J-121  | 120 Ω  | 2 W   | Oxide Metal Film Δ (See back page) |
| R801     | QRG027J-121  | 120 Ω  | 2 W   | "                                  |
| R802     | QRG026J-121  | 120 Ω  | 2 W   | "                                  |
| R802     | QRG027J-121  | 120 Ω  | 2W    | "                                  |
| R803     | QRD129J-182  | 1.8 kΩ | 1/2 W | UNF Carbon Δ                       |
| R804     | QRD149J-101S | 100 Ω  | 1/4 W | "                                  |
| R805     | QRG026J-561  | 560 Ω  | 2 W   | Oxide Metal Film Δ (See back page) |
| R805     | QRG029J-561  | 560 Ω  | 2 W   | UNF Carbon Δ (See back page)       |
| R807     | QRD129J-222  | 2.2 kΩ | 1/2 W | UNF Carbon Δ                       |
| R811     | QRD141J-472S | 4.7 kΩ | 1/4 W | Carbon                             |
| R813     | QRG026J-121  | 120 Ω  | 2 W   | Oxide Metal Film Δ (See back page) |
| R813     | QRG027J-121  | 120 Ω  | 2 W   | "                                  |
| R814     | QRD129J-330  | 33 Ω   | 1/2 W | UNF Carbon Δ                       |
| R901     | QRD141J-222S | 2.2 kΩ | 1/4 W | Carbon                             |
| R902     | QRD141J-222S | 2.2 kΩ | 1/4 W | "                                  |
| R903     | QRD141J-681S | 680 Ω  | 1/4 W | "                                  |
| R904     | QRD141J-681S | 680 Ω  | 1/4 W | "                                  |
| R905     | QRD141J-123S | 12 kΩ  | 1/4 W | "                                  |
| R906     | QRD141J-123S | 12 kΩ  | 1/4 W | "                                  |
| R907     | QRD141J-103S | 10 kΩ  | 1/4 W | "                                  |
| R908     | QRD141J-332S | 3.3 kΩ | 1/4 W | "                                  |
| R909     | QRD141J-562S | 5.6 kΩ | 1/4 W | "                                  |
| R909     | QRD141J-562S | 5.6 kΩ | 1/4 W | "                                  |
| R909     | QRD141J-562S | 5.6 kΩ | 1/4 W | "                                  |
| R909     | QRD141J-562S | 5.6 kΩ | 1/4 W | "                                  |
| R909     | QRD141J-562S | 5.6 kΩ | 1/4 W | "                                  |
| R909     | QRD141J-562S | 5.6 kΩ | 1/4 W | "                                  |
| R911     | QRD141J-183S | 18 kΩ  | 1/4 W | "                                  |
| R912     | QRD141J-683S | 68 kΩ  | 1/4 W | "                                  |

Resistors

| Item No. | Part Number  | Rating |       | Description        |
|----------|--------------|--------|-------|--------------------|
| R913     | QRD141J-123S | 12 kΩ  | 1/4 W | Carbon             |
| R914     | QRD141J-184S | 180 kΩ | 1/4 W | "                  |
| R915     | QRG017J-471S | 470 Ω  | 1 W   | Oxide Metal Film Δ |
| R916     | QRD141J-562S | 5.6 kΩ | 1/4 W | Carbon             |
| R917     | QRD141J-223S | 22 kΩ  | 1/4 W | "                  |
| R918     | QRD141J-104S | 100 kΩ | 1/4 W | "                  |
| R919     | QRD141J-104S | 100 kΩ | 1/4 W | "                  |
| R920     | QRD141J-104S | 100 kΩ | 1/4 W | "                  |
| R921     | QRD141J-563S | 56 kΩ  | 1/4 W | "                  |
| R922     | QRD141J-151S | 150 Ω  | 1/4 W | "                  |
| R923     | QRD141J-472S | 4.7 kΩ | 1/4 W | "                  |
| R931     | QRD129J-221  | 220 Ω  | 1/2 W | UNF Carbon Δ       |
| R932     | QRD129J-221  | 220 Ω  | 1/2 W | "                  |

Others

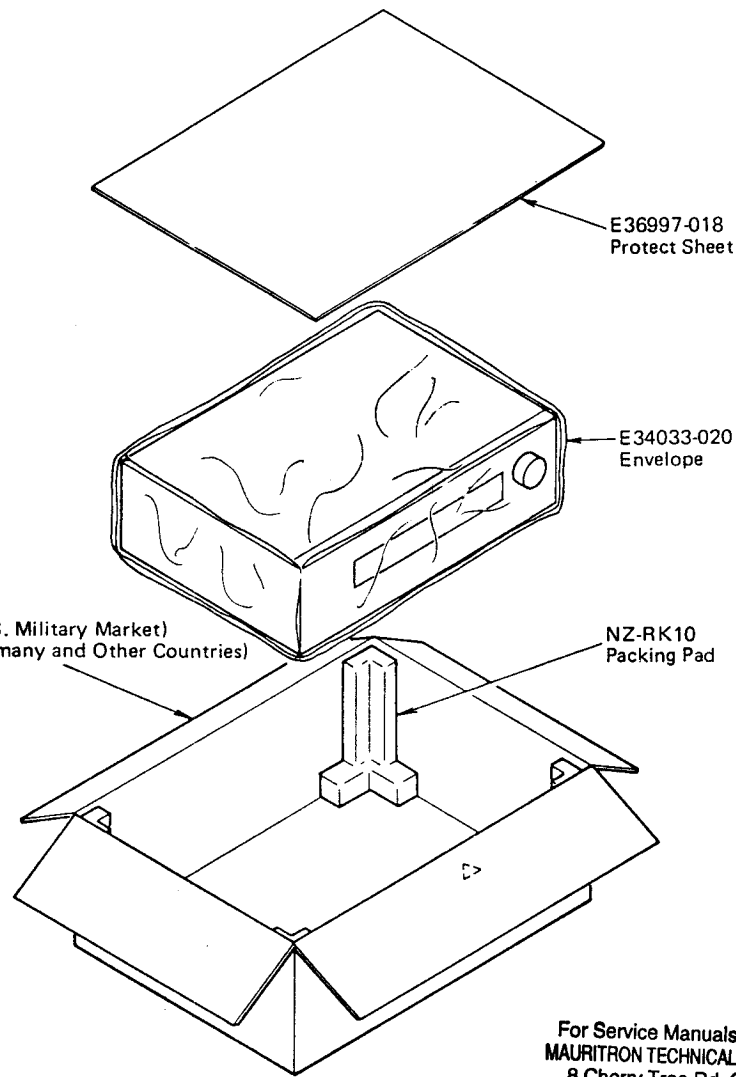
| Item No. | Part Number  | Rating | Description                          |
|----------|--------------|--------|--------------------------------------|
| RY901    | ESK6D24-213  |        | Relay                                |
| VR501    | QVZ5010-102  |        | Slide Variable                       |
| VR502    | QVZ5010-102  |        | Slide Variable                       |
| VR551    | QVZ5010-104  |        | Slide Variable                       |
| VR552    | QVZ5010-008  |        | Slide Variable                       |
| VR719    | EVP314-7-B13 |        | Variable                             |
| VR720    | EVP314-7-B13 |        | Variable                             |
|          | QST8242-E01  |        | Push Switch (Loudness) Circuit Board |
|          | E10732-001   |        |                                      |
|          | E10732-001BS |        | Circuit Board (for U.K.)             |
|          | SBSE3012Z    |        | Screw (for Power Transistors)        |

Specified Numbers for Designated Areas

| P.C. Board          | Item No.            | U.S.A. & Canada  | U.S. Military Market & Other Countries | Europe & Australia | West Germany | Europe (with LW) | U.K. (with LW) |             |
|---------------------|---------------------|------------------|--|--------------------|--------------|------------------|----------------|-------------|
| Tuner Unit (TFC-36) | Q201                | -                | -                                      | -                  | -            | 2SK105 (F,H)     | 2SK105 (F,H)   |             |
|                     | D203, 204           | -                | -                                      | -                  | -            | 1S2076-31        | 1S2076-31      |             |
|                     | L101                | EQR2306-013      | EQR2306-013                            | EQR2306-013        | EQR2306-017  | EQR2306-013      | EQR2306-013    |             |
|                     | L105                | -                | -                                      | -                  | EQF0102-001  | -                | -              |             |
|                     | L252                | -                | -                                      | -                  | -            | E03079-38        | E03079-38      |             |
|                     | CF101, 102          | ECB2123-001      | ECB2123-001                            | ECB2118-001        | ECB2118-001  | ECB2118-001      | ECB2118-001    |             |
|                     | S401 ~ 406          | QST8651-E01      | QST8651-E01                            | QST8651-E01        | QST8651-E01  | QST8651-E02      | QST8651-E02    |             |
|                     | S407                | -                | -                                      | -                  | -            | QST4101-E02      | QST4101-E02    |             |
|                     | C115                | QCS31HJ-5R0      | QCS31HJ-5R0                            | QCS31HJ-5R0        | QCS31HJ-8R0  | QCS31HJ-5R0      | QCS31HJ-5R0    |             |
|                     | C171, 172           | QCS31HJ-681      | QCS31HJ-681                            | QCS31HJ-471        | QCS31HJ-471  | QCS31HJ-471      | QCS31HJ-471    |             |
|                     | C180                | -                | -                                      | -                  | QET61CM-226  | -                | -              |             |
|                     | C191, 192           | QCY31HK-103      | QCY31HK-103                            | QCY31HK-822        | QCY31HK-822  | QCY31HK-822      | QCY31HK-822    |             |
|                     | C251, 252           | -                | -                                      | -                  | -            | QCY31HK-103      | QCY31HK-103    |             |
|                     | C261, 269, 282      | -                | -                                      | -                  | -            | QAT2001-005      | QAT2001-005    |             |
|                     | C265                | -                | -                                      | -                  | -            | QCT25UJ-270      | QCT25UJ-270    |             |
|                     | C266, 267           | -                | -                                      | -                  | -            | QCT25CH-680      | QCT25CH-680    |             |
|                     | C268                | -                | -                                      | -                  | -            | QCT25CH-150      | QCT25CH-150    |             |
|                     | C271, 272, 273      | -                | -                                      | -                  | -            | QCF31HP-223      | QCF31HP-223    |             |
|                     | C274                | -                | -                                      | -                  | -            | QCS31HJ-331      | QCS31HJ-331    |             |
|                     | C281                | -                | -                                      | -                  | -            | QAT2001-001      | QAT2001-001    |             |
|                     | C283                | -                | -                                      | -                  | -            | QCS31HJ-100      | QCS31HJ-100    |             |
|                     | C376                | QET61EM-105      | QET61EM-105                            | QET61EM-105        | QET61EM-105  | -                | -              |             |
|                     | R162                | QRD141J-333S     | QRD141J-333S                           | QRD141J-333S       | QRD141J-472S | QRD141J-333S     | QRD141J-333S   |             |
|                     | R167 Δ              | QRD149J-560S     | QRD149J-560S                           | QRZ0052-560        | QRZ0052-560  | QRZ0052-560      | QRZ0052-560    |             |
|                     | R181                | -                | -                                      | -                  | -            | QRD141J-103S     | -              |             |
|                     | R198                | -                | -                                      | -                  | -            | -                | -              |             |
|                     | R200                | QRD148J-223S     | QRD148J-223S                           | QRD148J-223S       | QRD148J-223S | QRD148J-223S     | QRD148J-223S   |             |
|                     | R207, 208, 252      | -                | -                                      | -                  | -            | QRD141J-104S     | QRD141J-104S   |             |
|                     | R251, 272           | -                | -                                      | -                  | -            | QRD141J-104S     | QRD141J-104S   |             |
|                     | R273                | -                | -                                      | -                  | -            | QRD141J-104S     | QRD141J-104S   |             |
|                     | R274                | -                | -                                      | -                  | -            | QRD141J-104S     | QRD141J-104S   |             |
|                     | R275                | -                | -                                      | -                  | -            | QRD141J-104S     | QRD141J-104S   |             |
|                     | R461, 462           | -                | -                                      | QRD141J-104S       | QRD141J-104S | QRD141J-104S     | QRD141J-104S   |             |
|                     | Audio Unit (TX-400) | Q725, 726        | -                                      | -                  | 2SD636(Q,R)  | 2SD636(Q,R)      | 2SD636(Q,R)    | 2SD636(Q,R) |
|                     |                     | R001             | QRC121K-275EM                          | -                  | -            | -                | -              | -           |
|                     |                     | R801, 802, 813 Δ | QRG027J-121                            | QRG027J-121        | QRG027J-121  | QRG027J-121      | QRG027J-121    | QRG026J-121 |
|                     | R805 Δ              | QRG029J-561      | QRG029J-561                            | QRG029J-561        | QRG029J-561  | QRG029J-561      | QRG026J-561    |             |
|                     | C001 Δ              | QFZ9010-103      | QFZ9010-103                            | QFZ9010-103        | QFZ9010-103  | QFZ9010-103      | QFZ9010-103    |             |

Δ Safety Parts

# 9. Packing Materials and Part Numbers



Carton Box  
 PK-RK10J (for U.S.A., Canada and U.S. Military Market)  
 PK-RK10E (for Australia, Europe, Germany and Other Countries)  
 PK-RK10LE (for U.K. and Europe)

Fig. 10

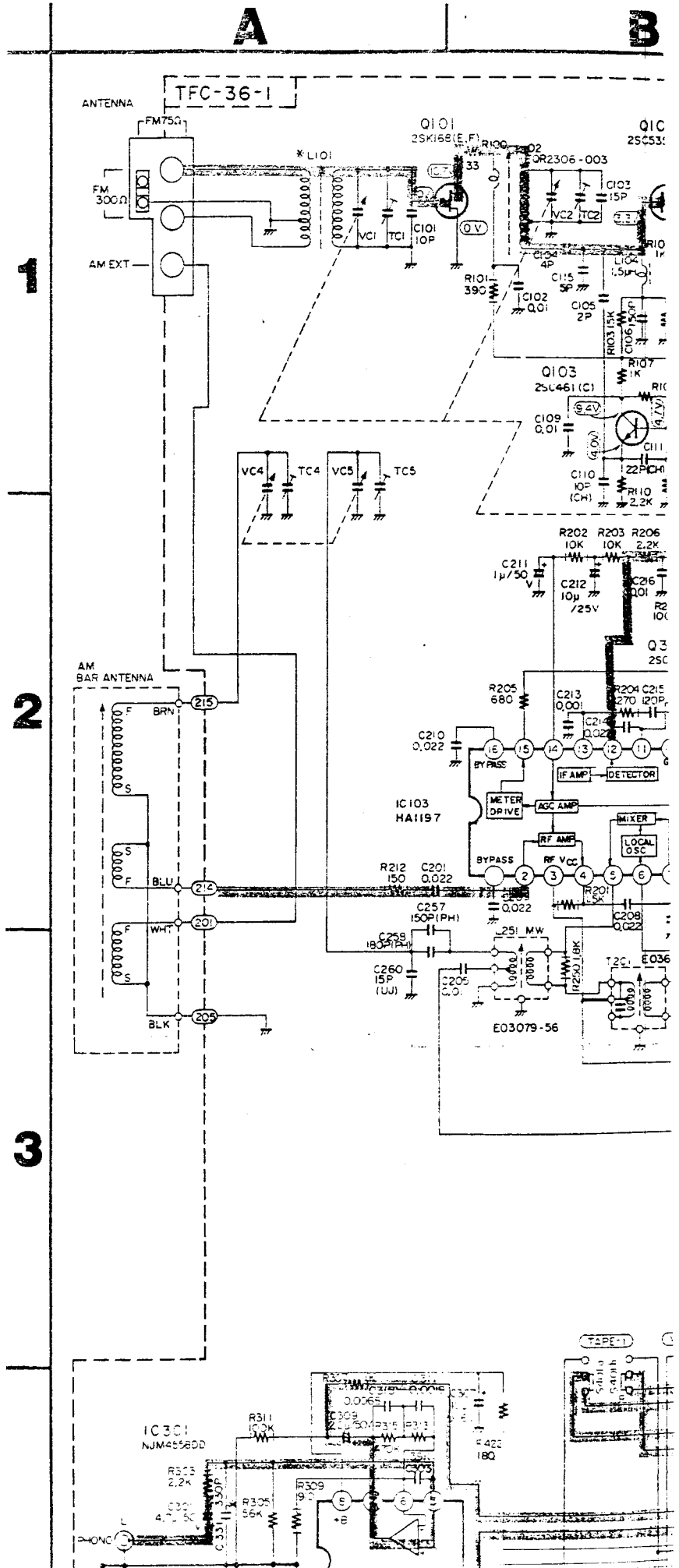
For Service Manuals Contact  
**MAURITRON TECHNICAL SERVICES**  
 8 Cherry Tree Rd, Chinnor  
 Oxon OX9 4QY  
 Tel:- 01844-351694 Fax:- 01844-352554  
 Email:- enquiries@mauritron.co.uk

# 10. Accessories List

| Item No. | Part Number  | Description  | Q'ty |
|----------|--------------|--|------|
| 1        | E30580-1003A | Instruction Book                                   | 1    |
| 2        | See page 18. | Warranty Card                                      | 1    |
| 3        | E03614-004   | FM Antenna (Except Germany)                        | 1    |
| 4        | E67007-001   | Wire Antenna (for Germany only)                    | 1    |
| 5        | BT20042      | Service Procedures (for U.S. Military Market only) | 1    |
| 6        | E66416-002   | Envelope for Instruction Book                      | 1    |
| 7        | BT20046      | Service Information Card (for U.S.A. only)         | 1    |
| 8        | BT20044B     | Safety Instruction (for U.S.A. only)               | 1    |

# 11. R-K10/R-K10L Schematic Diagram

## 11-(1) R-K10 Schematic Diagram



For Service Manuals Contact  
**MAURITRON TECHNICAL SERVICES**  
 8 Cherry Tree Rd, Chinnor  
 Oxon OX9 4QY  
 Tel:- 01844-351694 Fax:- 01844-352554  
 Email:- enquiries@mauritron.co.uk

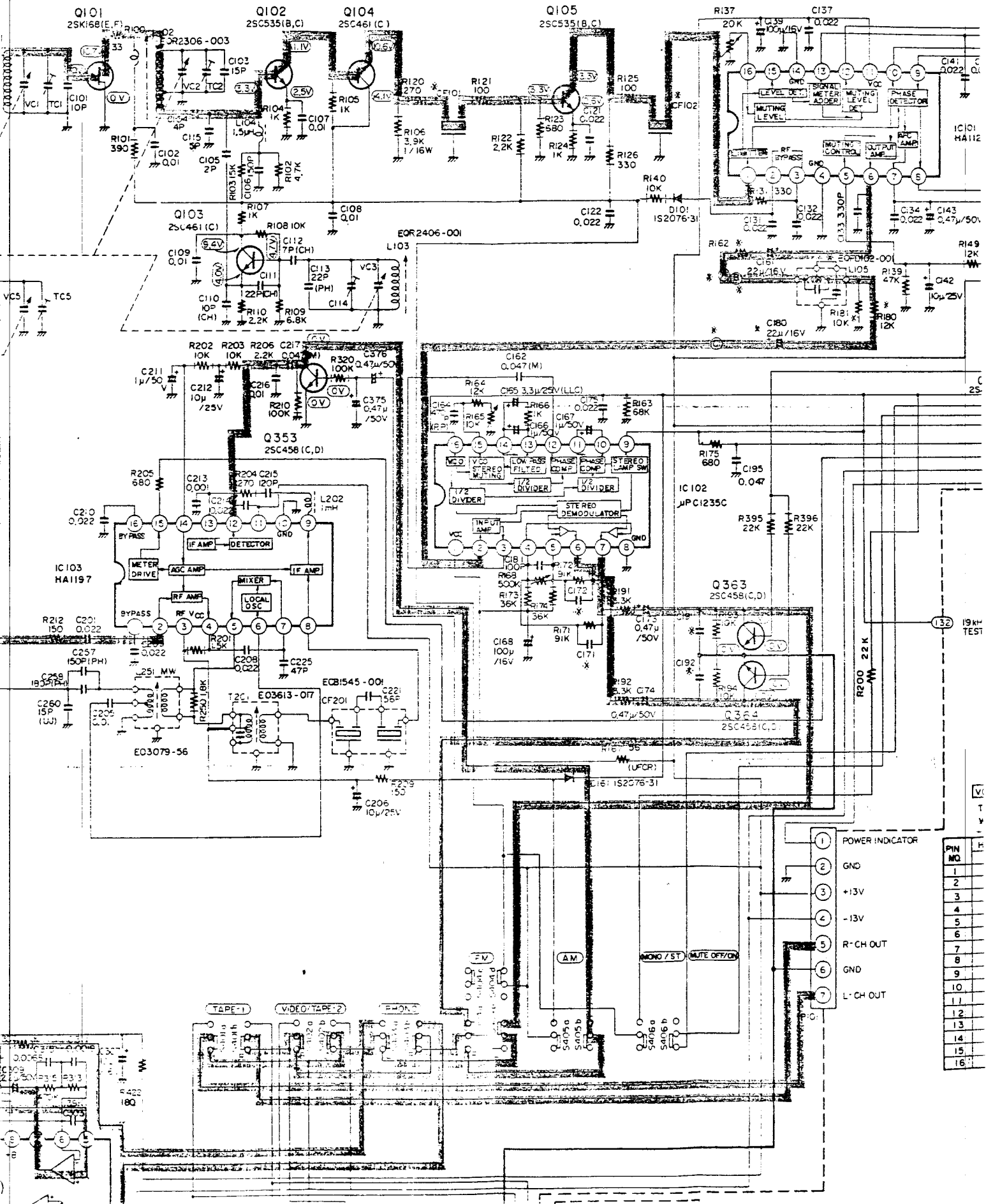
# 10L Schematic Diagrams

Schematic Diagram

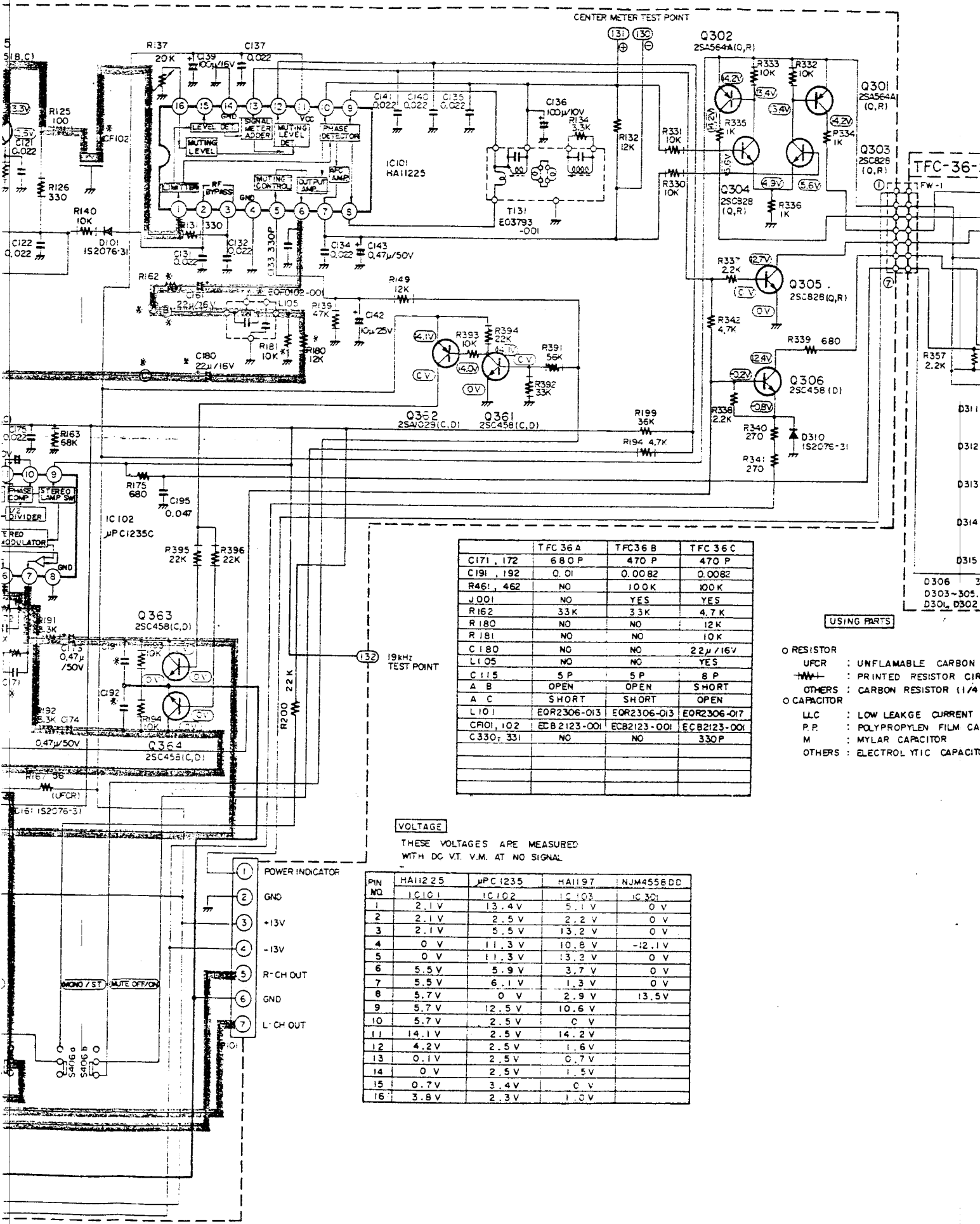
**B**

**C**

**D**







|           | TFC 36 A    | TFC 36 B    | TFC 36 C    |
|-----------|-------------|-------------|-------------|
| C171, 172 | 680 P       | 470 P       | 470 P       |
| C191, 192 | 0.01        | 0.0082      | 0.0082      |
| R461, 462 | NO          | 100K        | 100K        |
| J001      | NO          | YES         | YES         |
| R162      | 33K         | 33K         | 4.7K        |
| R180      | NO          | NO          | 12K         |
| R181      | NO          | NO          | 10K         |
| C180      | NO          | NO          | 22μ/16V     |
| L105      | NO          | NO          | YES         |
| C115      | 5 P         | 5 P         | 8 P         |
| A B       | OPEN        | OPEN        | SHORT       |
| A C       | SHORT       | SHORT       | OPEN        |
| L101      | EOR2306-013 | EOR2306-013 | EOR2306-017 |
| CR01, 102 | ECB2123-001 | ECB2123-001 | ECB2123-001 |
| C330, 331 | NO          | NO          | 330P        |

**USING PARTS**

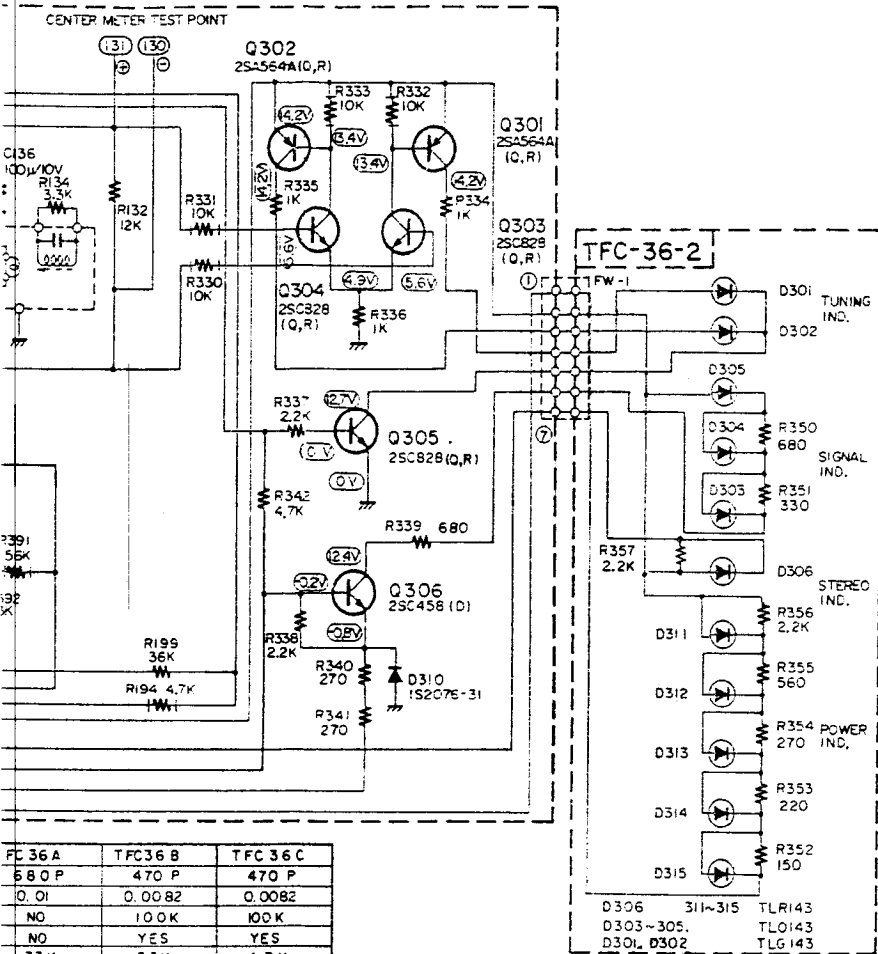
- RESISTOR
- UFCR : UNFLAMMABLE CARBON
- /—/— : PRINTED RESISTOR CIR
- OTHERS : CARBON RESISTOR (1/4
- CAPACITOR
- LLC : LOW LEAKGE CURRENT
- P.P. : POLYPROPYLEN FILM CA
- M : MYLAR CAPACITOR
- OTHERS : ELECTROLYTIC CAPACIT

**VOLTAGE**

THESE VOLTAGES ARE MEASURED WITH DC V.T. V.M. AT NO SIGNAL

| PIN NO | HA11225 |       | μPC1235 |        | HA1197 |       | NJM4558DD |       |
|--------|---------|-------|---------|--------|--------|-------|-----------|-------|
|        | IC101   | IC102 | IC103   | IC301  | IC103  | IC301 | IC301     | IC301 |
| 1      | 2.1V    | 13.4V | 5.1V    | 0V     |        |       |           |       |
| 2      | 2.1V    | 2.5V  | 2.2V    | 0V     |        |       |           |       |
| 3      | 2.1V    | 5.5V  | 13.2V   | 0V     |        |       |           |       |
| 4      | 0V      | 11.3V | 10.8V   | -12.1V |        |       |           |       |
| 5      | 0V      | 11.3V | 13.2V   | 0V     |        |       |           |       |
| 6      | 5.5V    | 5.9V  | 3.7V    | 0V     |        |       |           |       |
| 7      | 5.5V    | 6.1V  | 1.3V    | 0V     |        |       |           |       |
| 8      | 5.7V    | 0V    | 2.9V    | 13.5V  |        |       |           |       |
| 9      | 5.7V    | 12.5V | 10.6V   |        |        |       |           |       |
| 10     | 5.7V    | 2.5V  | 0V      |        |        |       |           |       |
| 11     | 14.1V   | 2.5V  | 14.2V   |        |        |       |           |       |
| 12     | 4.2V    | 2.5V  | 1.6V    |        |        |       |           |       |
| 13     | 0.1V    | 2.5V  | 0.7V    |        |        |       |           |       |
| 14     | 0V      | 2.5V  | 1.5V    |        |        |       |           |       |
| 15     | 0.7V    | 3.4V  | 0V      |        |        |       |           |       |
| 16     | 3.8V    | 2.3V  | 1.0V    |        |        |       |           |       |

- 1 POWER INDICATOR
- 2 GND
- 3 +13V
- 4 -13V
- 5 R-CH OUT
- 6 GND
- 7 L-CH OUT



| FC 36 A     | TFC36 B     | TFC 36 C    |
|-------------|-------------|-------------|
| 6 B 0 P     | 470 P       | 470 P       |
| 0.01        | 0.0082      | 0.0082      |
| NO          | 100K        | 100K        |
| NO          | YES         | YES         |
| 33K         | 33K         | 4.7K        |
| NO          | NO          | 12K         |
| NO          | NO          | 10K         |
| NO          | NO          | 2.2µ/16V    |
| NO          | NO          | YES         |
| 5 P         | 5 P         | 8 P         |
| OPEN        | OPEN        | SHORT       |
| SHORT       | SHORT       | OPEN        |
| QR2306-013  | EOR2306-013 | EOR2306-017 |
| ECB2123-001 | ECB2123-001 | ECB2123-001 |
| NO          | NO          | 330P        |

**USING PARTS**

- RESISTOR
- UFCR : UNFLAMMABLE CARBON RESISTOR (1/4 WATTS)
- PRINTED : PRINTED RESISTOR CIRCUIT (1/32 WATTS)
- OTHERS : CARBON RESISTOR (1/4 WATTS)
- CAPACITOR
- LLC : LOW LEAKAGE CURRENT ELECTROLYTIC CAPACITOR
- P.P. : POLYPROPYLENE FILM CAPACITOR
- M : MYLAR CAPACITOR
- OTHERS : ELECTROLYTIC CAPACITOR OR CERAMIC CAPACITOR

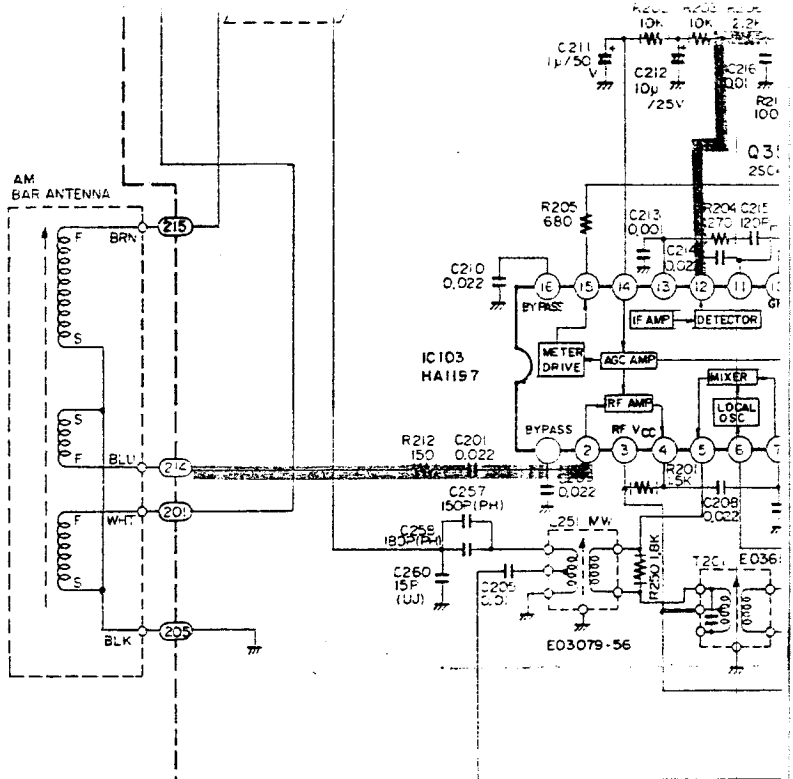
- D306 311-315 TLR143
- D303-305, TL0143
- D301, D302, TLG143

MEASURED SIGNAL

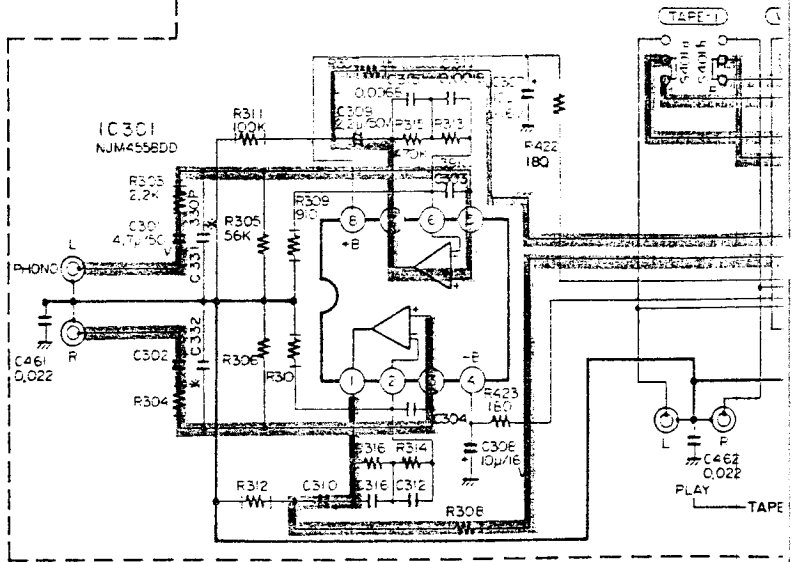
| HAI197 | NJM45580D |
|--------|-----------|
| 1.0V   | 1.0V      |
| 5.1V   | 0V        |
| 2.2V   | 0V        |
| 13.2V  | 0V        |
| 10.8V  | -12.1V    |
| 13.2V  | 0V        |
| 3.7V   | 0V        |
| 1.3V   | 0V        |
| 2.9V   | 13.5V     |
| 10.6V  |           |
| 0V     |           |
| 14.2V  |           |
| 1.6V   |           |
| 0.7V   |           |
| 1.5V   |           |
| 0V     |           |
| 1.0V   |           |

**For Service Manuals Contact**  
**MAURITRON TECHNICAL SERVICES**  
 8 Cherry Tree Rd, Chinnor  
 Oxon OX9 4QY  
 Tel: 01844-351894 Fax: 01844-352554  
 Email: enquiries@mauritron.co.uk

2



3



4

A

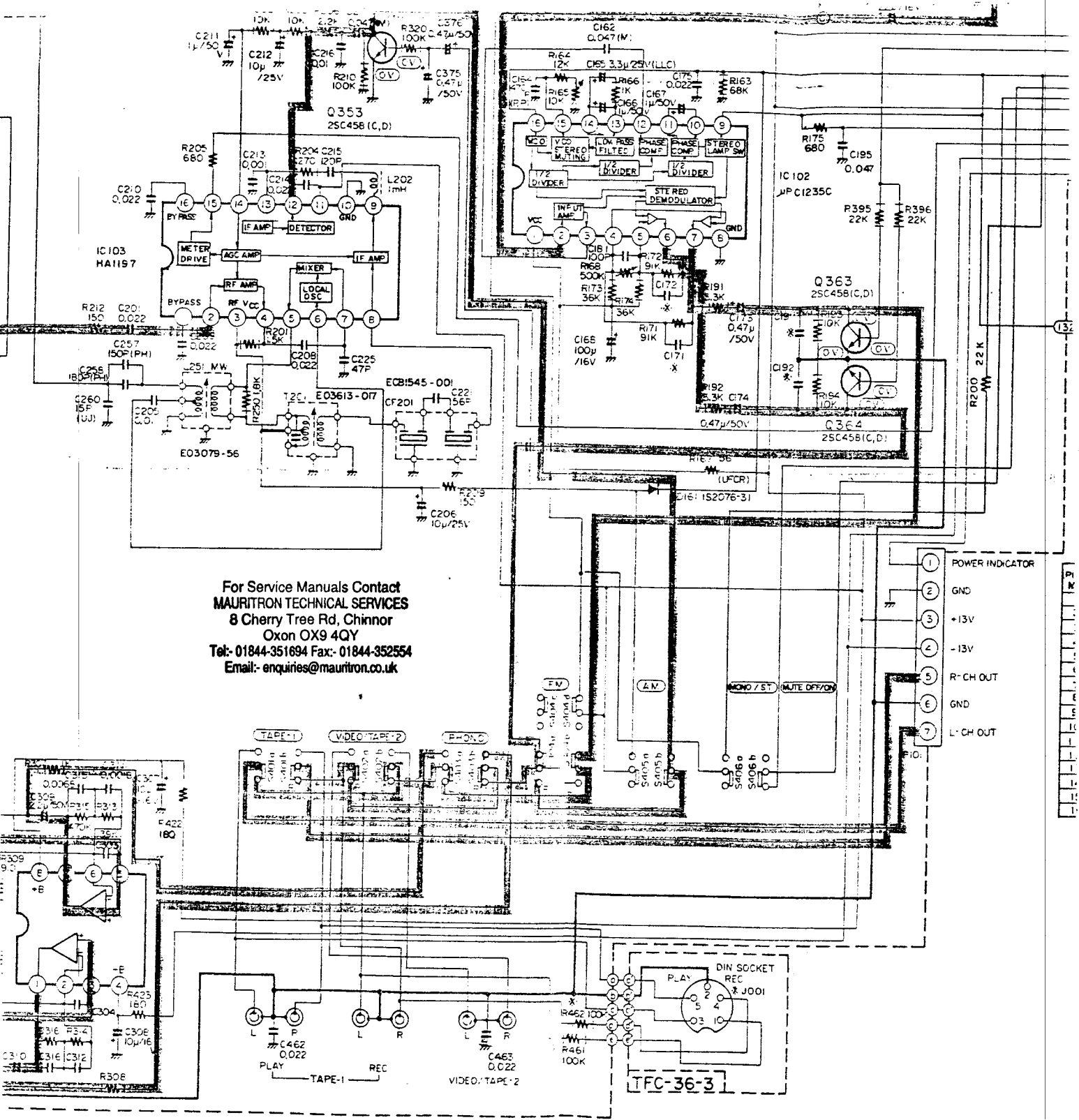
B

Notes:

1. shows DC voltage to the chassis with no signal input.
2. Voltage values in are positive.
3. Voltage values in are negative.
4. indicates positive B power supply.
5. indicates negative B power supply.
6. indicates signal path.
7. When replacing the parts in the darkened area () and those marked with , be sure to use the designated parts to ensure safety.

8. Pa  
 9. Th  
 Th  
 no  
 Print

|      |
|------|
| P.C. |
| TFC  |
| TXX  |



For Service Manuals Contact  
**MAURITRON TECHNICAL SERVICES**  
 8 Cherry Tree Rd, Chinnor  
 Oxon OX9 4QY  
 Tel: 01844-351694 Fax: 01844-352554  
 Email: enquiries@mauritron.co.uk

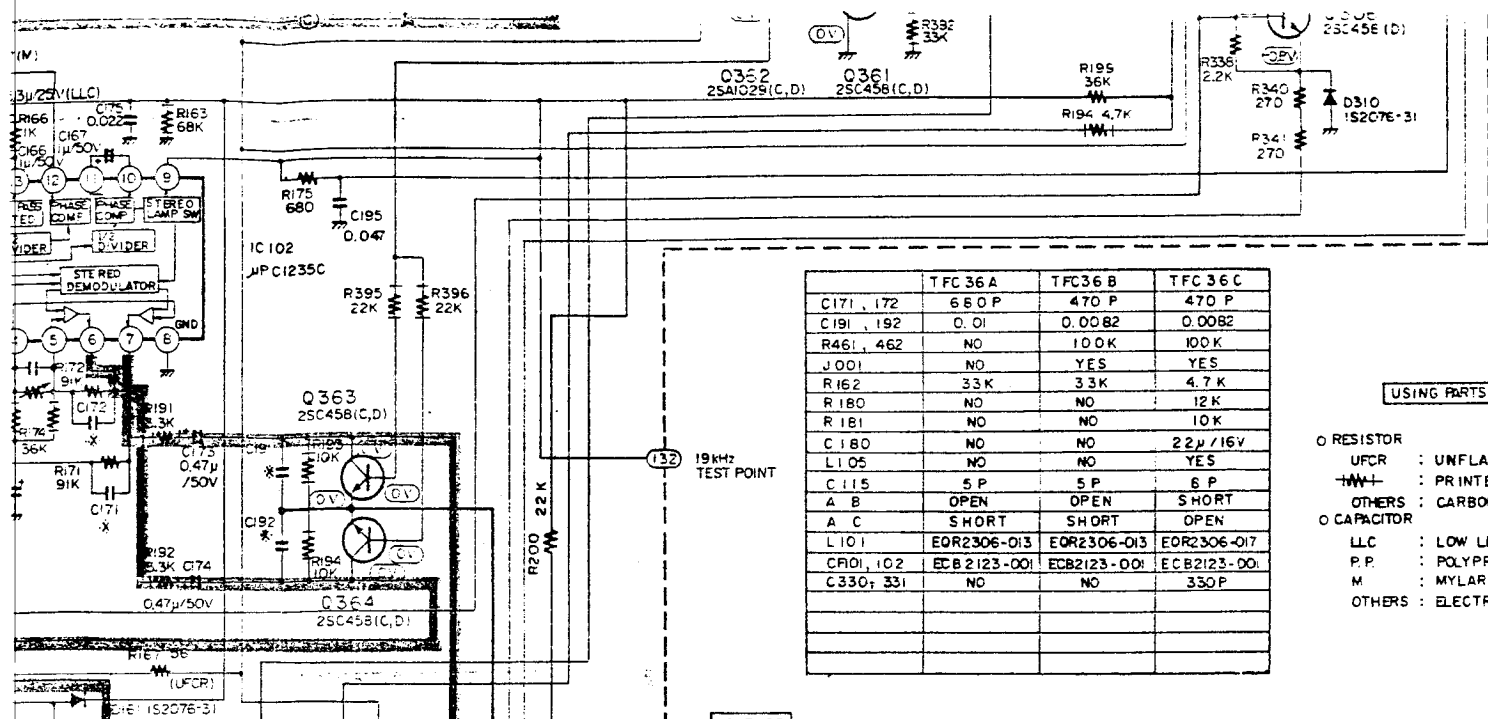
**B** **C** **D**

the chassis with no signal input.  
 positive.  
 negative.  
 power supply.  
 power supply.  
 the darkened area ( ) and  
 sure to use the designated parts

8. Parts in red indicate transistors or ICs.  
 9. This is the standard circuit diagram.  
 The design and contents are subject to change without  
 notice.

Printed Circuit Board Ass'y Locations

| P.C. Board Ass'y | Description   | Page |
|------------------|---|------|
| TFC-36           | Tuner, LED and DIN Socket Sections                    | 7    |
| TXX-400          | Main Amp., Fuse, Tone, Speaker and AC Outlet Sections | 10   |



|           | TFC 36 A    | TFC 36 B    | TFC 36 C    |
|-----------|-------------|-------------|-------------|
| C171, 172 | 650 P       | 470 P       | 470 P       |
| C191, 192 | 0.01        | 0.0082      | 0.0082      |
| R461, 462 | NO          | 100K        | 100K        |
| J001      | NO          | YES         | YES         |
| R162      | 33K         | 33K         | 4.7K        |
| R180      | NO          | NO          | 12K         |
| R181      | NO          | NO          | 10K         |
| C180      | NO          | NO          | 22µ/16V     |
| L105      | NO          | NO          | YES         |
| C115      | 5 P         | 5 P         | 6 P         |
| A B       | OPEN        | OPEN        | SHORT       |
| A C       | SHORT       | SHORT       | OPEN        |
| L101      | EOR2306-013 | EOR2306-013 | EOR2306-017 |
| CR01, 102 | ECB2123-001 | ECB2123-001 | ECB2123-001 |
| C330, 331 | NO          | NO          | 330P        |
|           |             |             |             |
|           |             |             |             |

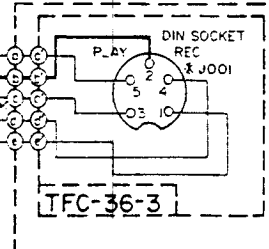
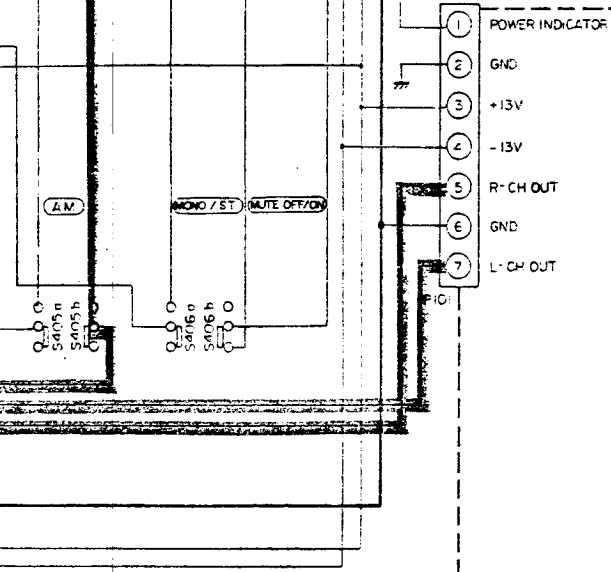
**USING PARTS**

- RESISTOR**
- UFCR : UNFLAMMABLE
  - HW+ : PRINTED RESISTOR
  - OTHERS : CARBON RESISTOR
- CAPACITOR**
- LLC : LOW LEAKAGE CAPACITOR
  - P.P. : POLYPROPYLENE CAPACITOR
  - M : MYLAR CAPACITOR
  - OTHERS : ELECTROLYTIC CAPACITOR

**VOLTAGE**

THESE VOLTAGES ARE MEASURED WITH DC VT. V.M. AT NO SIGNAL

| PIN NO | HA11225 | µPC1235 | HA1197 | NJM4558DD |
|--------|---------|---------|--------|-----------|
| 1      | 2.1V    | 13.4V   | 5.1V   | 0V        |
| 2      | 2.1V    | 2.5V    | 2.2V   | 0V        |
| 3      | 2.1V    | 5.5V    | 13.2V  | 0V        |
| 4      | 0V      | 11.3V   | 10.8V  | -12.1V    |
| 5      | 0V      | 11.3V   | 13.2V  | 0V        |
| 6      | 5.5V    | 5.9V    | 3.7V   | 0V        |
| 7      | 5.5V    | 6.1V    | 1.3V   | 0V        |
| 8      | 5.7V    | 0V      | 2.9V   | 13.5V     |
| 9      | 5.7V    | 12.5V   | 10.6V  |           |
| 10     | 5.7V    | 2.5V    | 0V     |           |
| 11     | 14.1V   | 2.5V    | 14.2V  |           |
| 12     | 4.2V    | 2.5V    | 1.6V   |           |
| 13     | 0.1V    | 2.5V    | 0.7V   |           |
| 14     | 0V      | 2.5V    | 1.5V   |           |
| 15     | 0.7V    | 3.4V    | 0V     |           |
| 16     | 3.8V    | 2.3V    | 1.0V   |           |



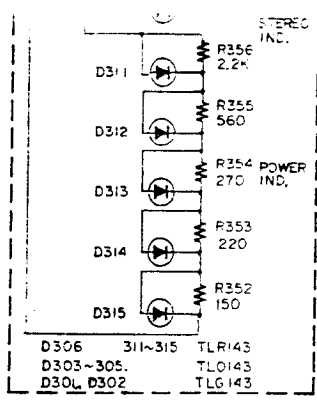
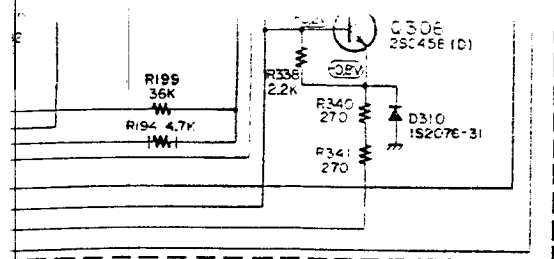
**C**

**D**

**E**

to change without

|                 | Page |
|-----------------|------|
| Socket Sections | 7    |
| ne, Speaker and | 10   |



2

|            |             |             |
|------------|-------------|-------------|
| C 36 A     | TFC36 B     | TFC 36 C    |
| B 80 P     | 470 P       | 470 P       |
| 0.01       | 0.0082      | 0.0082      |
| NO         | 100K        | 100K        |
| NO         | YES         | YES         |
| 33K        | 33K         | 4.7K        |
| NO         | NO          | 12K         |
| NO         | NO          | 10K         |
| NO         | NO          | 22µ/16V     |
| NO         | NO          | YES         |
| 5 P        | 5 P         | 8 P         |
| OPEN       | OPEN        | SHORT       |
| SHORT      | SHORT       | OPEN        |
| R2306-013  | EQR2306-013 | EOR2306-017 |
| B 2123-001 | ECB2123-001 | ECB2123-001 |
| NO         | NO          | 330P        |
|            |             |             |
|            |             |             |
|            |             |             |

**USING PARTS**

- RESISTOR  
 UFCR : UNFLAMMABLE CARBON RESISTOR (1/4 WATTS)  
 -W- : PRINTED RESISTOR CIRCUIT (1/32 WATTS)  
 OTHERS : CARBON RESISTOR (1/4 WATTS)  
 ○ CAPACITOR  
 LLC : LOW LEAKGE CURRENT ELECTROLYTIC CAPACITOR  
 P.P. : POLYPROPYLEN FILM CAPACITOR  
 M : MYLAR CAPACITOR  
 OTHERS : ELECTROLYTIC CAPACITOR OR CERAMIC CAPACITOR

SURED  
AL

|        |           |
|--------|-----------|
| HA1197 | NJM4558DD |
| 1C 103 | 1C 301    |
| 5.1 V  | 0 V       |
| 2.2 V  | 0 V       |
| 13.2 V | 0 V       |
| 10.8 V | -12.1 V   |
| 13.2 V | 0 V       |
| 3.7 V  | 0 V       |
| 1.3 V  | 0 V       |
| 2.9 V  | 13.5 V    |
| 10.6 V |           |
| 0 V    |           |
| 14.2 V |           |
| 1.6 V  |           |
| 0.7 V  |           |
| 1.5 V  |           |
| 0 V    |           |
| 1.0 V  |           |

3

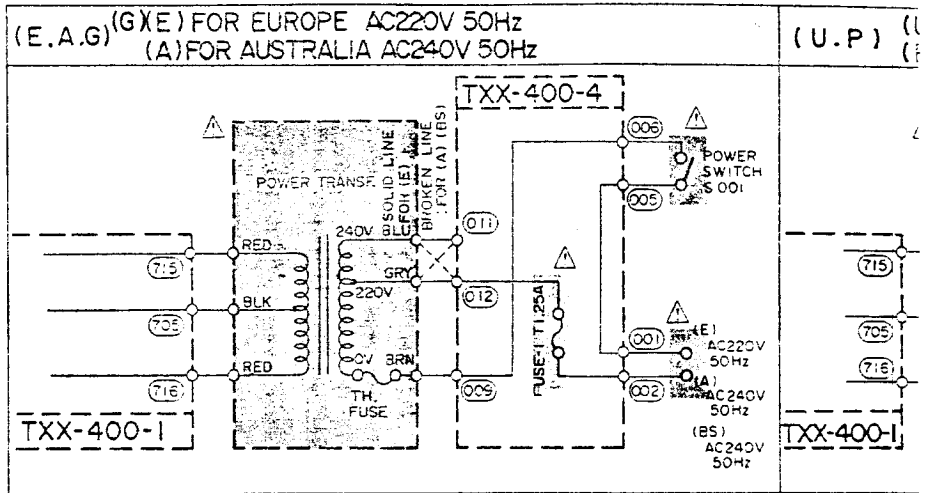
For Service Manuals Contact  
**MAURITRON TECHNICAL SERVICES**  
 8 Cherry Tree Rd, Chinnor  
 Oxon OX9 4QY  
 Tel: 01844-351894 Fax: 01844-352554  
 Email: enquiries@mauritron.co.uk

4

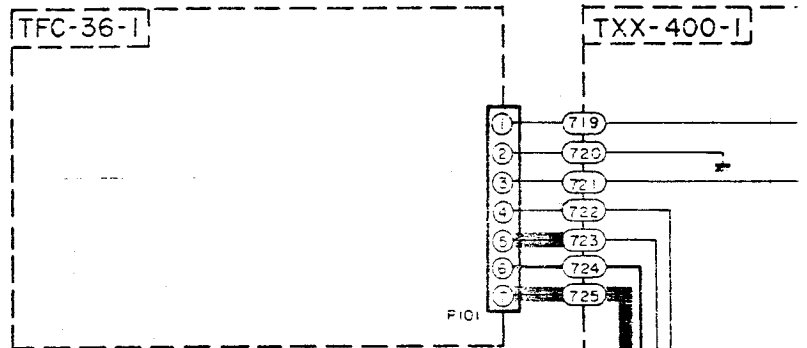
**E F**

For Service Manuals Contact  
**MAURITRON TECHNICAL SERVICES**  
 8 Cherry Tree Rd, Chinnor  
 Oxon OX9 4QY  
 Tel: 01844-351694 Fax: 01844-352554  
 Email: enquiries@mauritron.co.uk

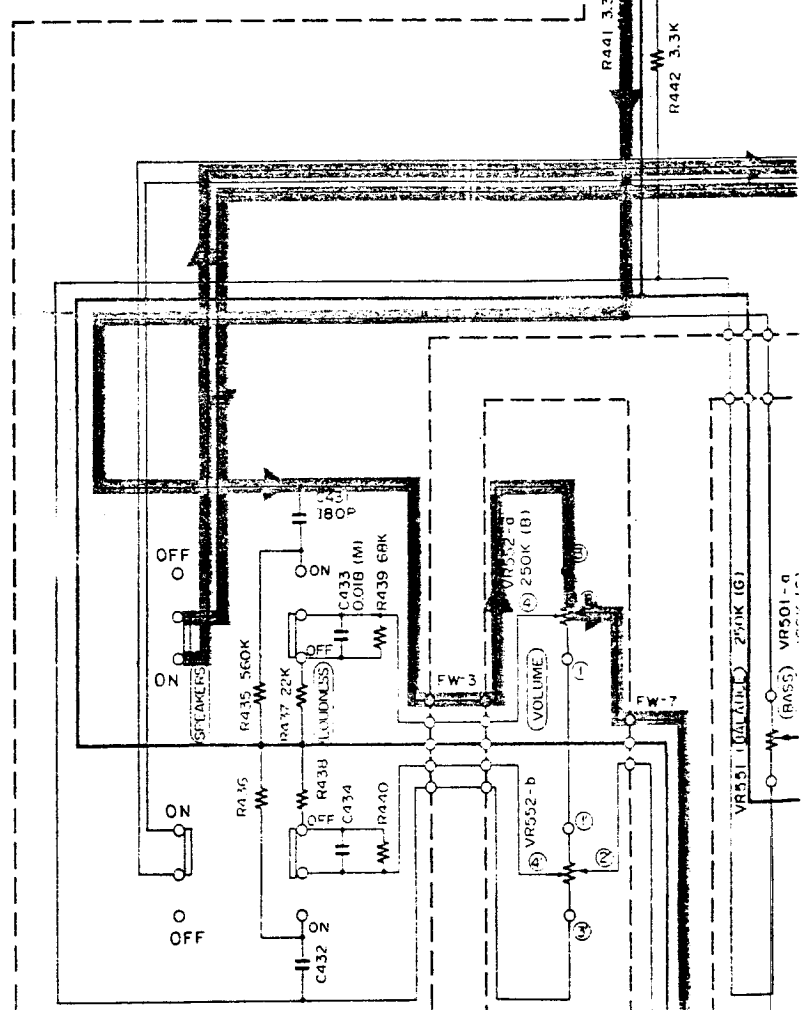
1



2



3



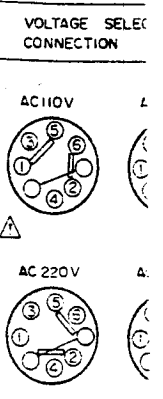
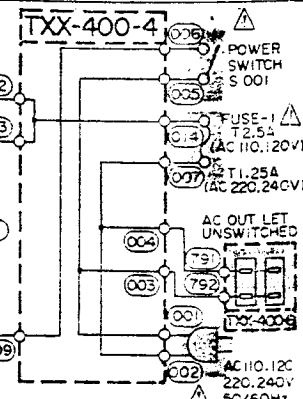
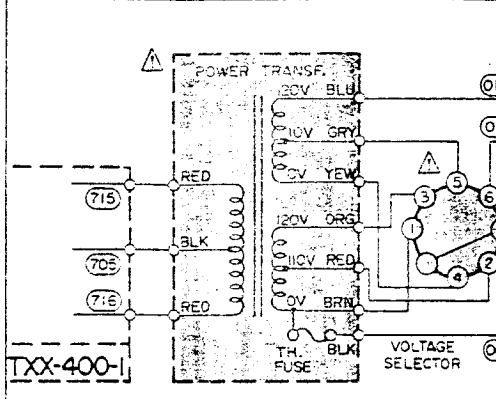
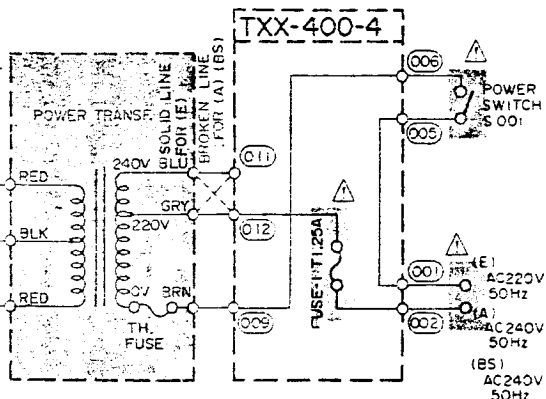
A

B

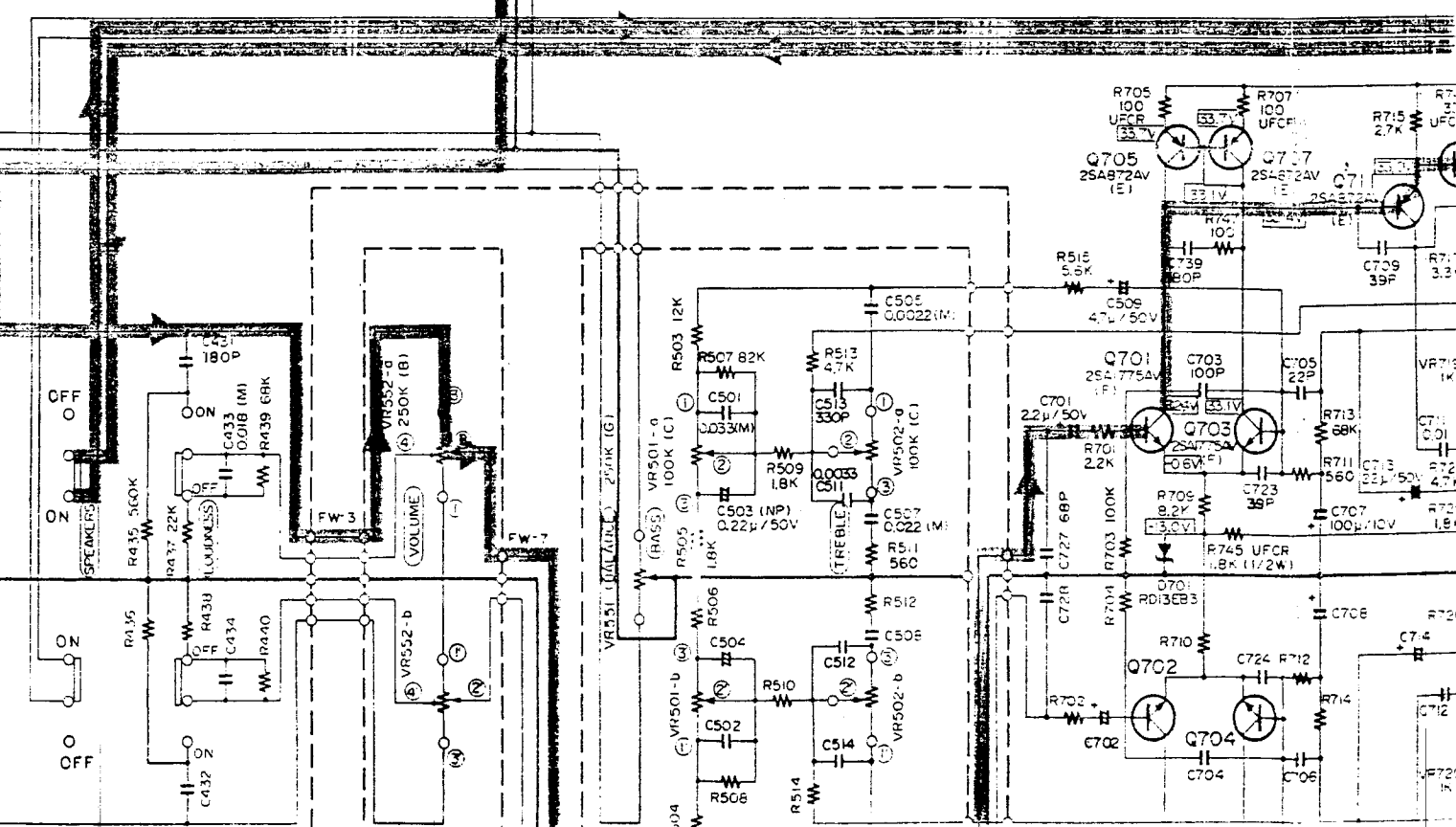
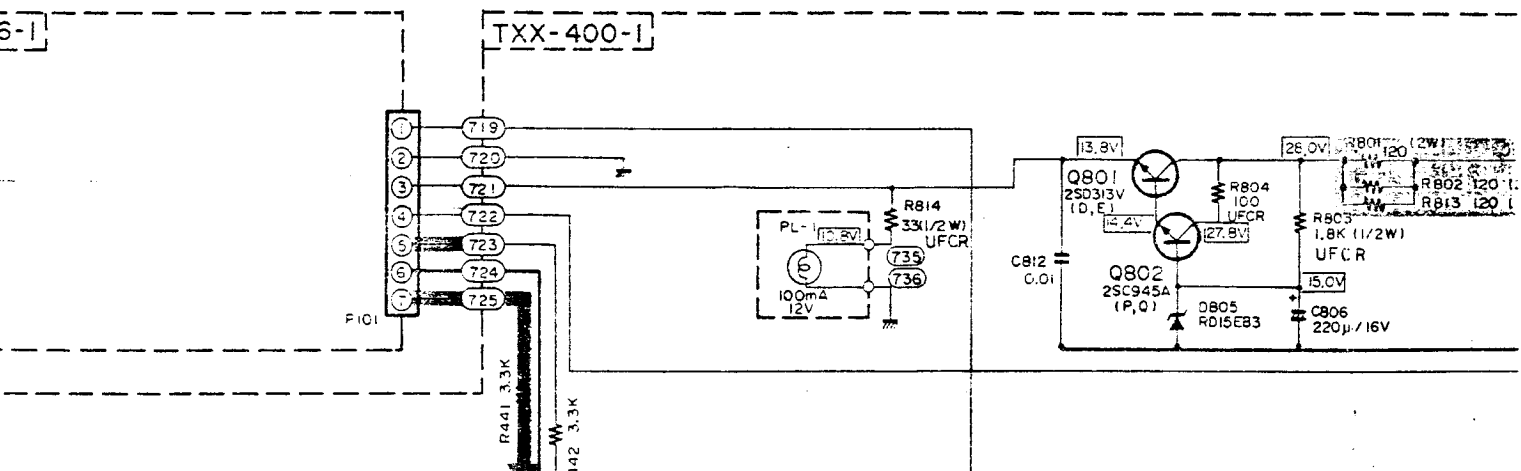
C

FOR EUROPE AC220V 50Hz  
OR AUSTRALIA AC240V 50Hz

(U.P) (U) FOR OTHER COUNTRIES  
(P) FOR PACEX



36-1





C

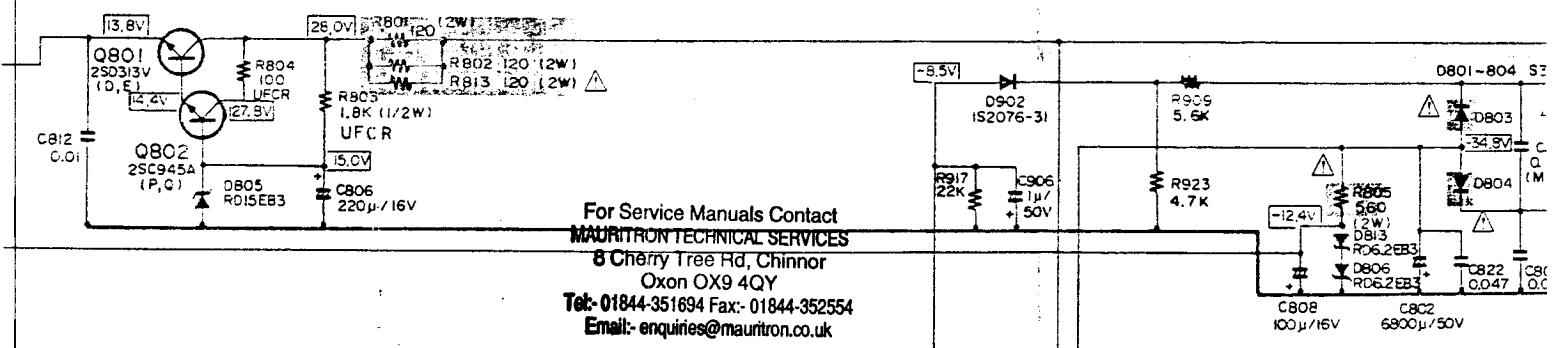
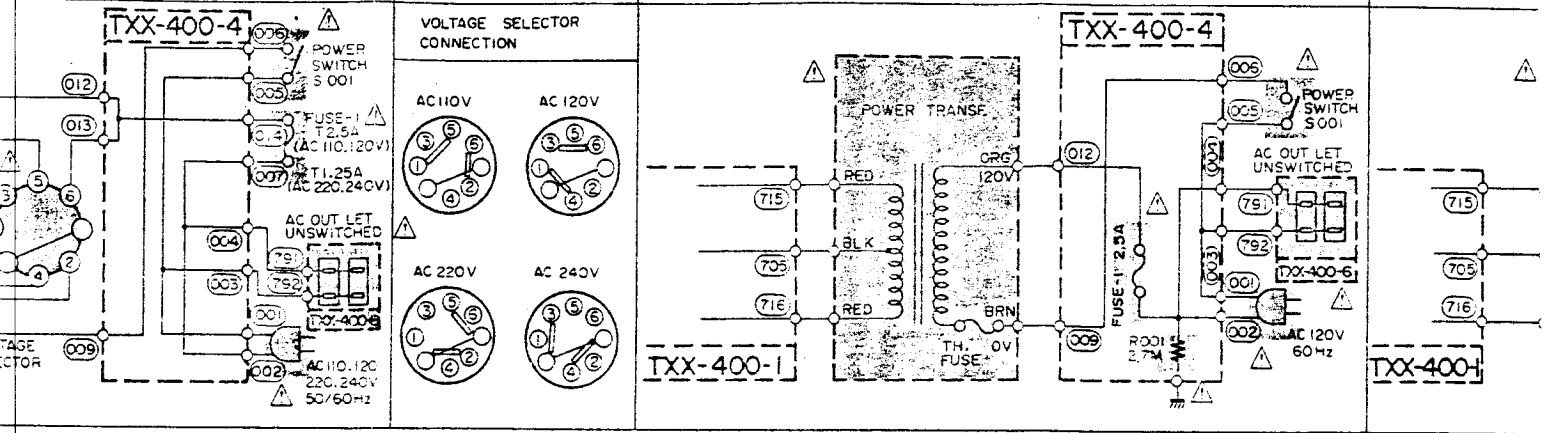
D

E

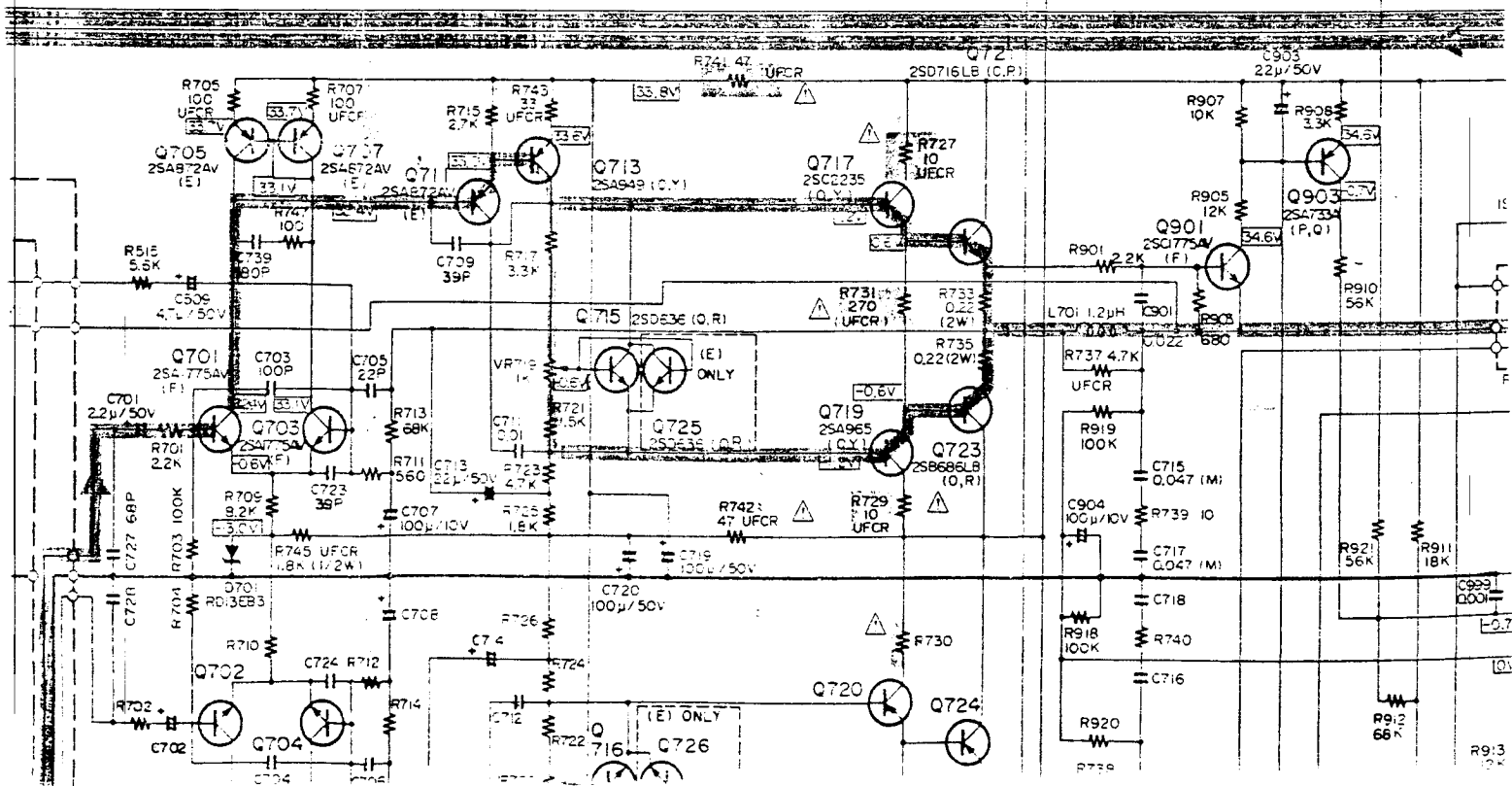
RIES

(C) FOR CANADA AC 120V 60Hz

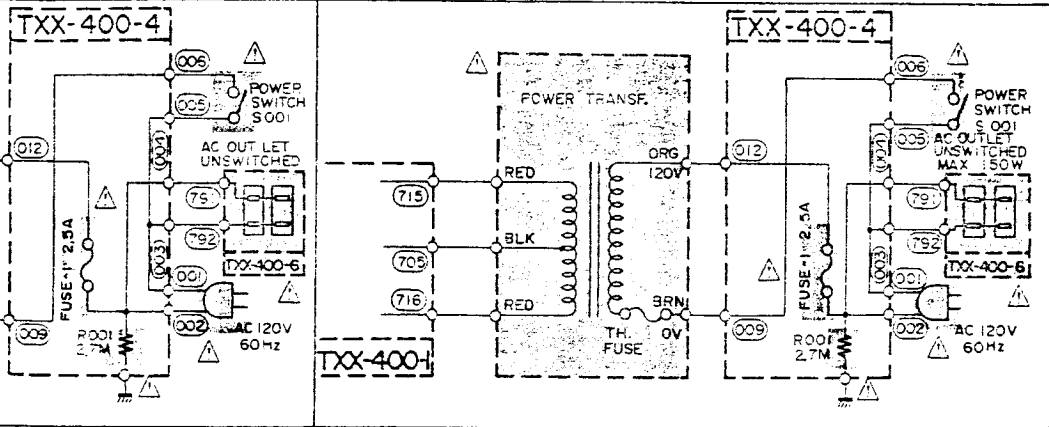
(J) FOR U.S.



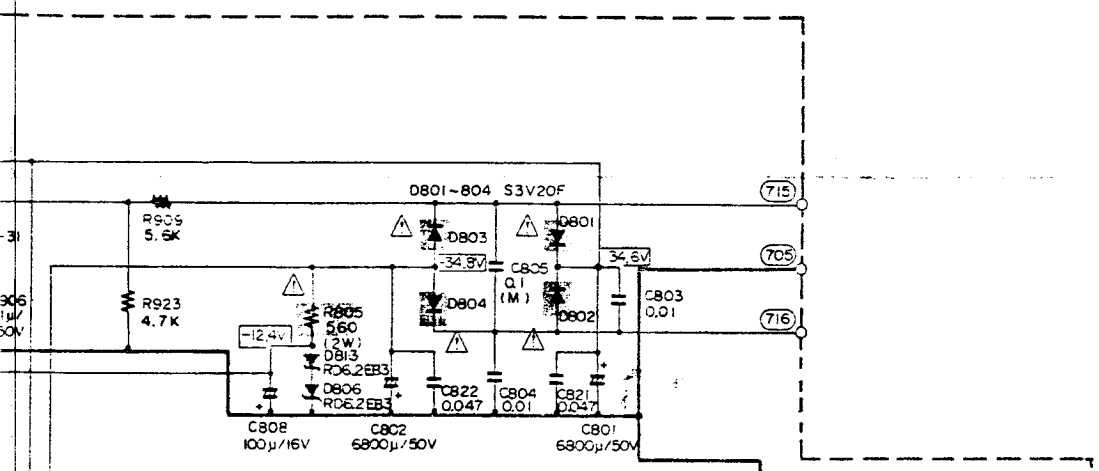
For Service Manuals Contact  
**MAURITRON TECHNICAL SERVICES**  
 8 Cherry Tree Rd, Chinnor  
 Oxon OX9 4QY  
 Tel: 01844-351694 Fax: 01844-352554  
 Email: enquiries@mauritron.co.uk



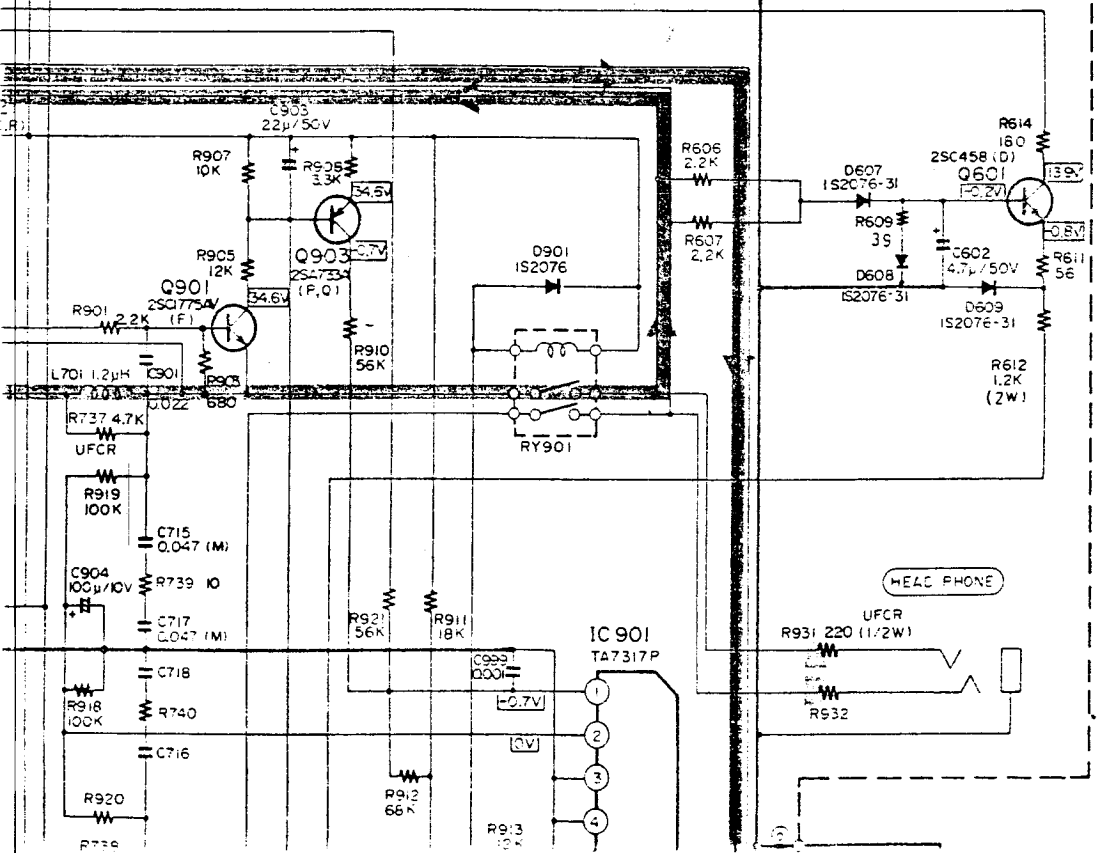
60Hz (J) FOR U.S.A AC 120V 60Hz



1



2



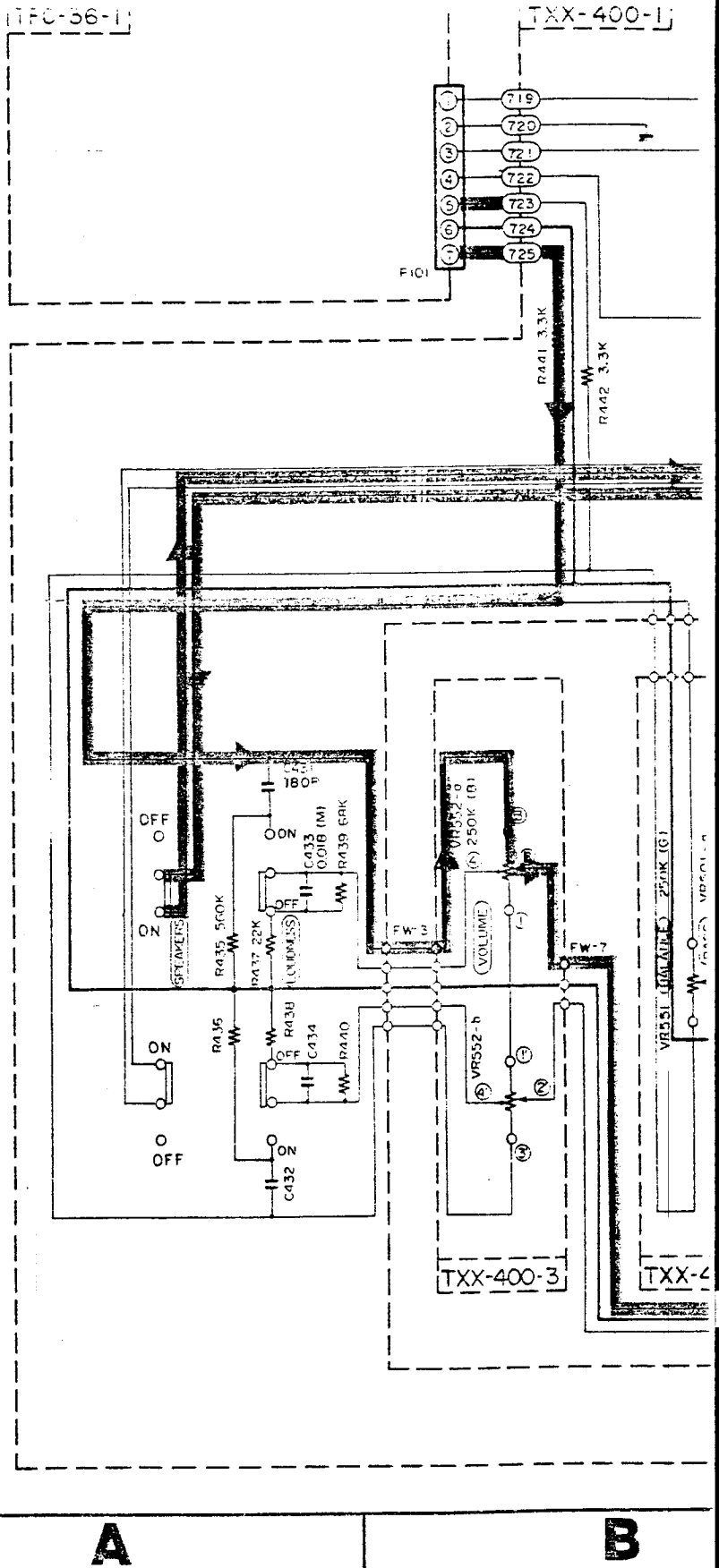
3

For Service Manuals Contact  
**MAURITRON TECHNICAL SERVICES**  
 8 Cherry Tree Rd, Chinnor  
 Oxon OX9 4QY  
 Tel: 01844-351694 Fax: 01844-352554  
 Email: enquiries@mauritron.co.uk

2

3

4



A

B

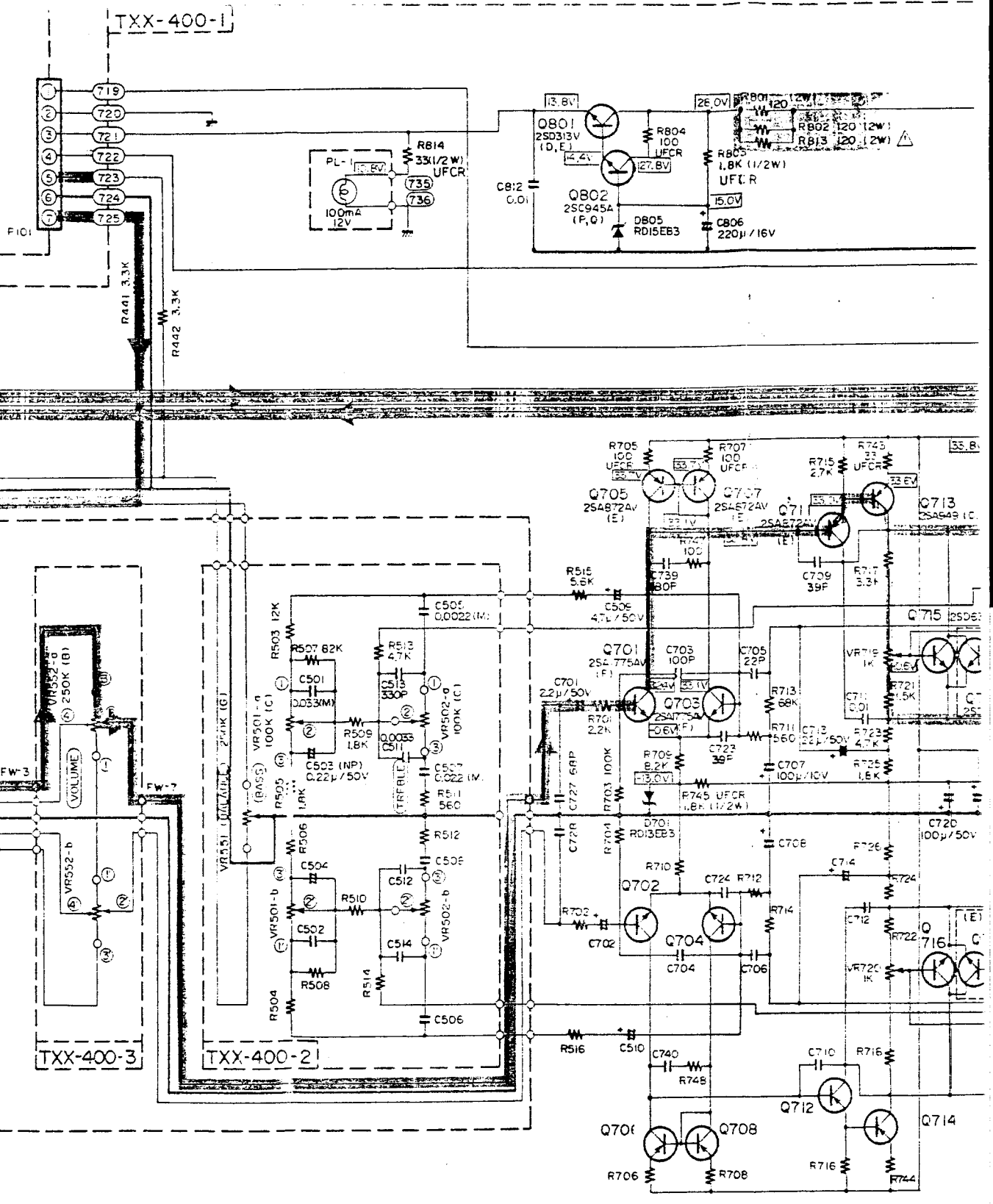
Notes:

1. shows DC voltage to the chassis with no signal input.
2. Voltage values in are positive.
3. Voltage values in are negative.
4. indicates positive B power supply.
5. indicates negative B power supply.
6. indicates signal path.
7. When replacing the parts in the darkened area () and those marked with , be sure to use the designated parts to ensure safety.

8. Parts in red indicate...
9. This is the stand...  
The design and...  
notice.

Printed Circuit Board

|                  |
|------------------|
| P.C. Board Ass'y |
| TFC-36           |
| TXX-400          |



**B**

**C**

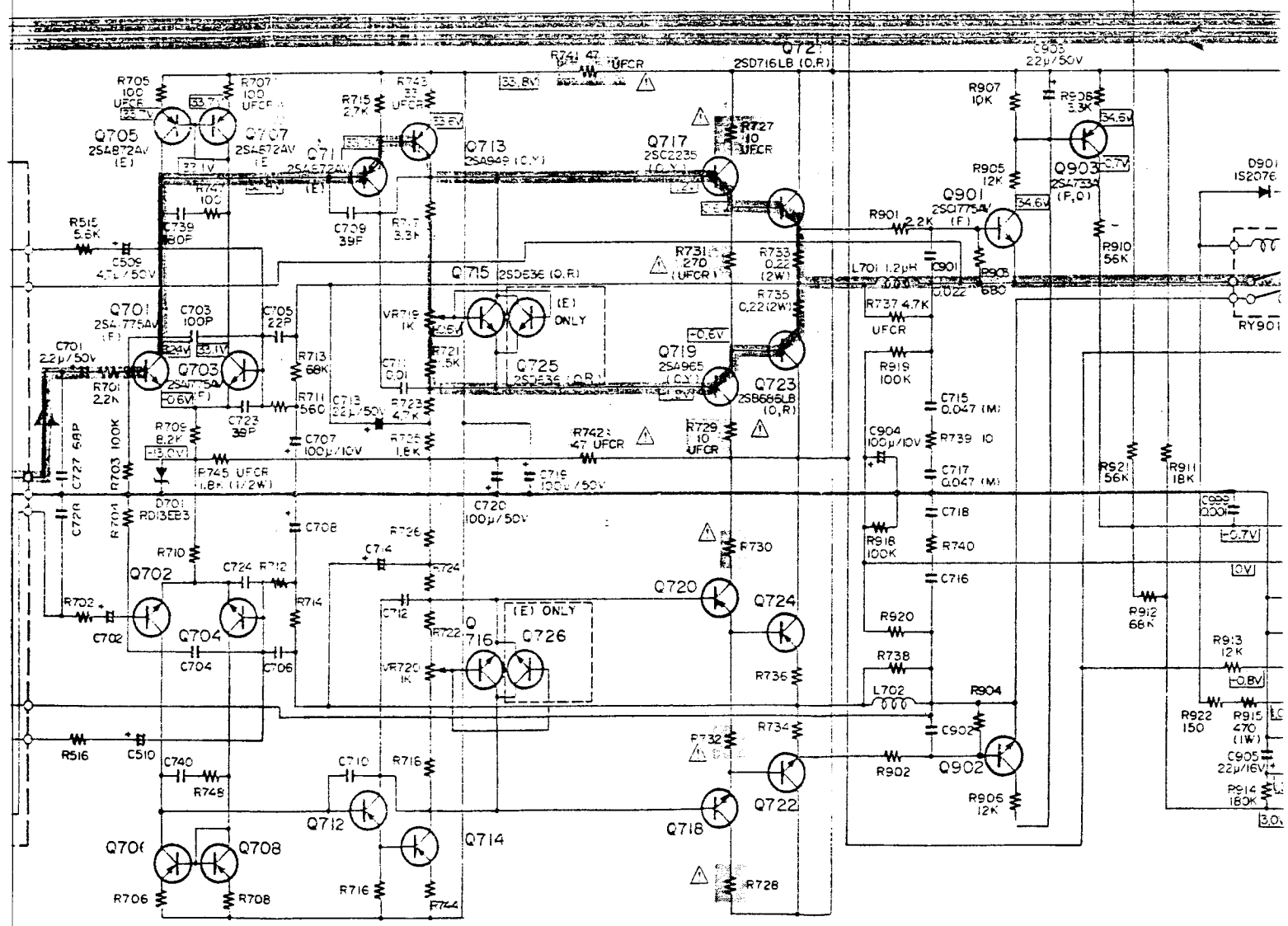
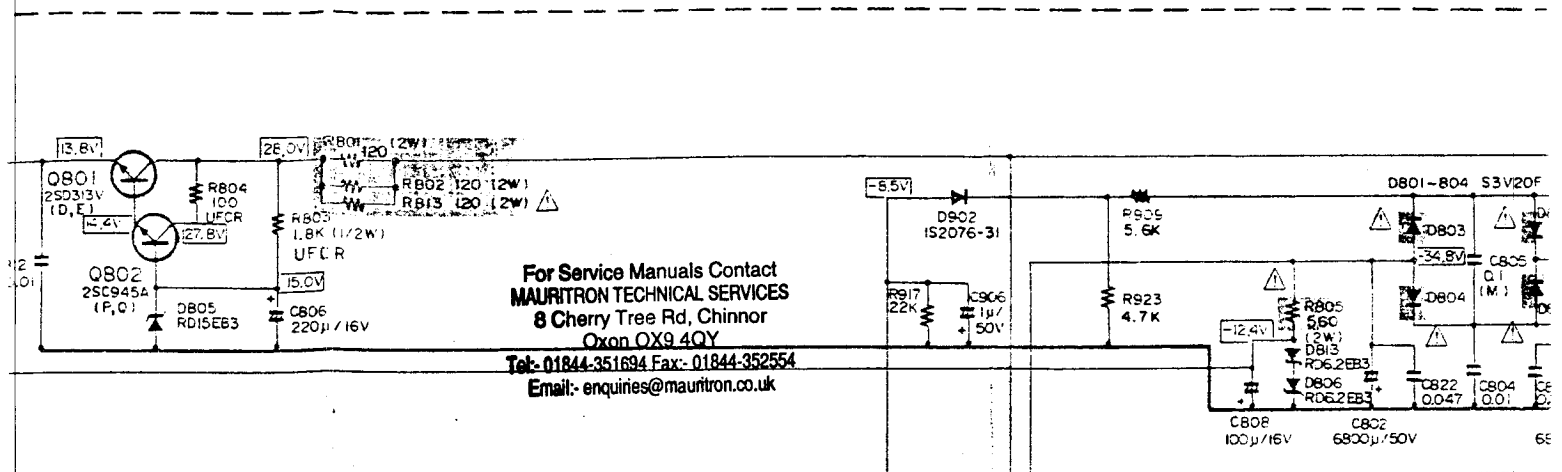
assis with no signal input.

- 8. Parts in red indicate transistors or ICs.
- 9. This is the standard circuit diagram. The design and contents are subject to change without notice.

Printed Circuit Board Ass'y Locations

| P.C. Board Ass'y | Description   | Page |
|------------------|---|------|
| TFC-36           | Tuner, LED and DIN Socket Sections                    | 7    |
| TXX-400          | Main Amp., Fuse, Tone, Speaker and AC Outlet Sections | 10   |

arked area ( ) and use the designated parts



**C**

**D**

**E**

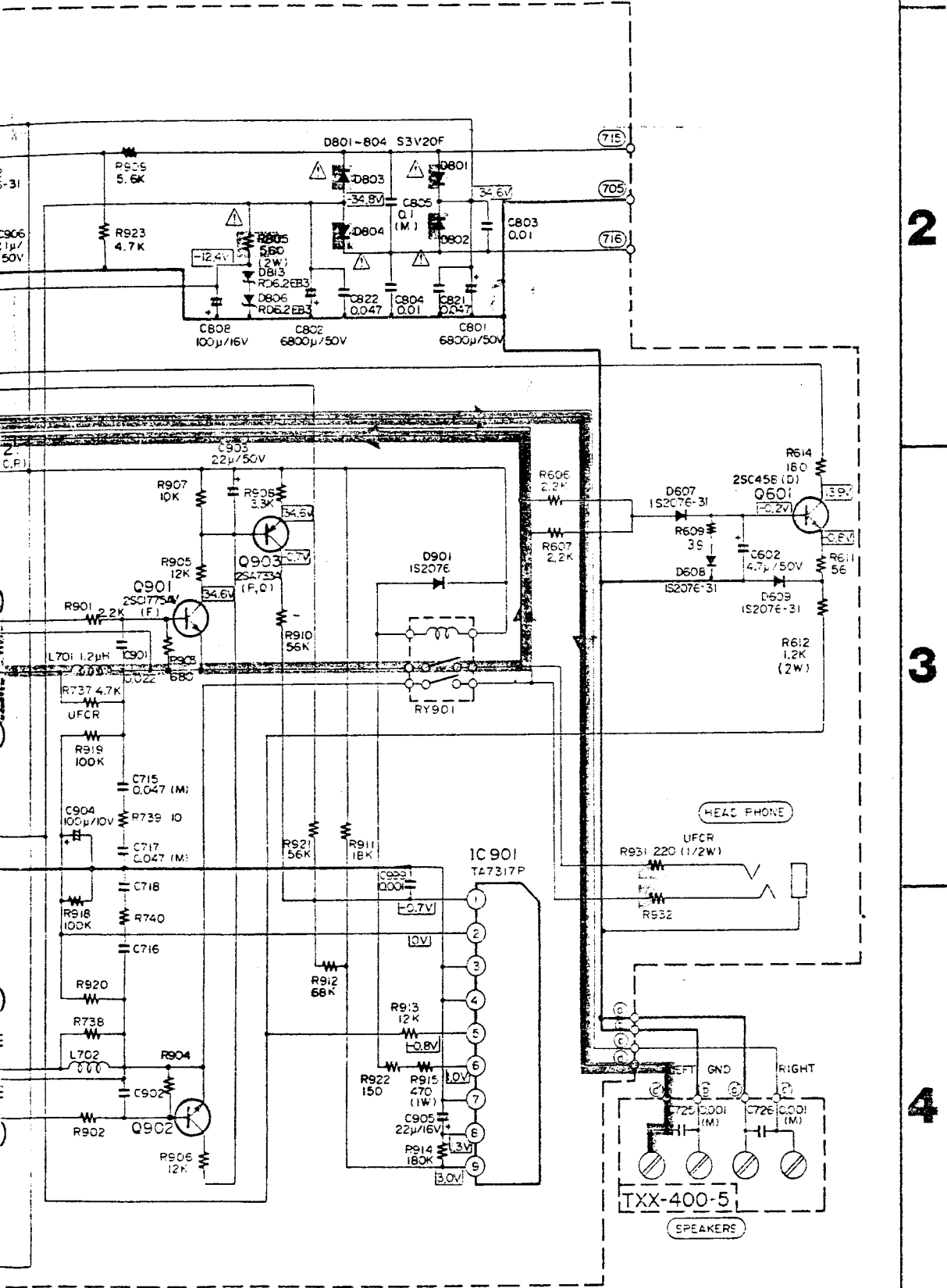
without

|       |      |
|-------|------|
|       | Page |
| tions | 7    |
| and   | 10   |

2

3

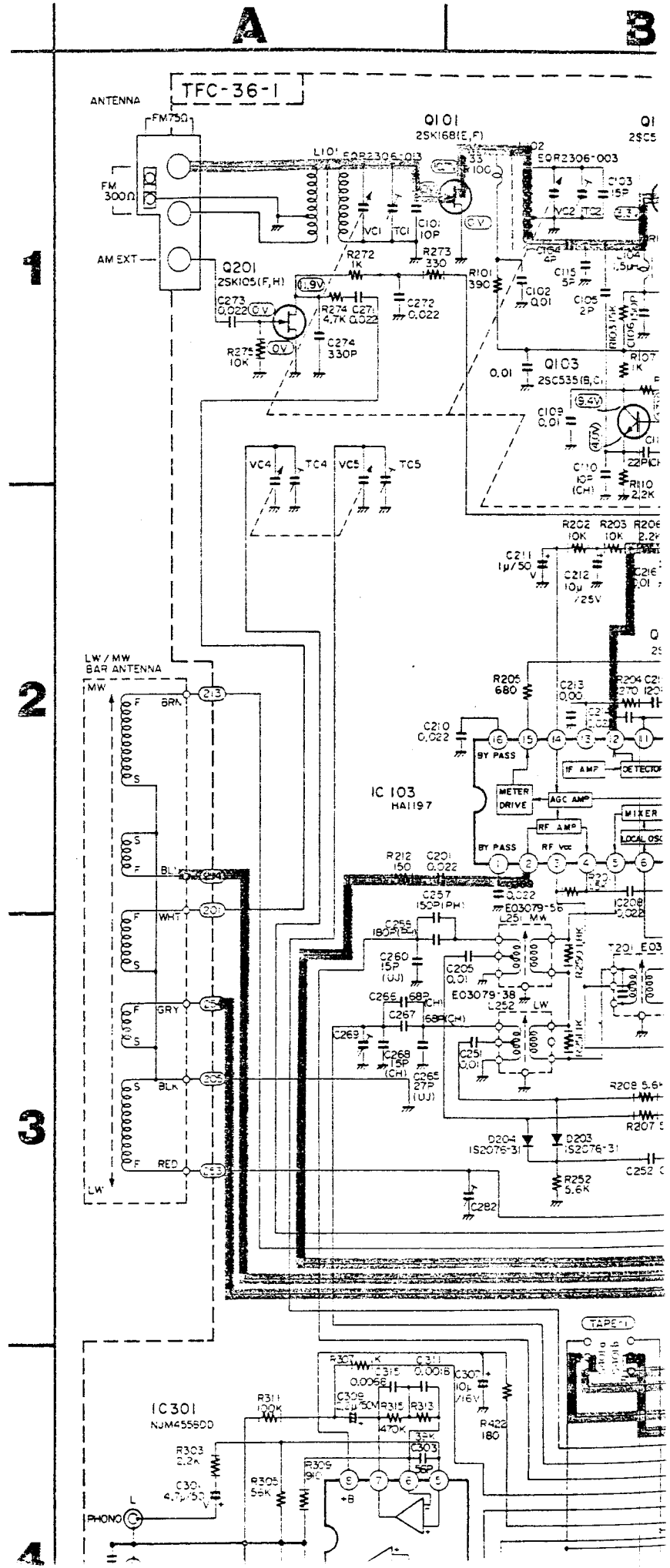
4



E

F

# 11-(2) R-K10L Schematic Diagram



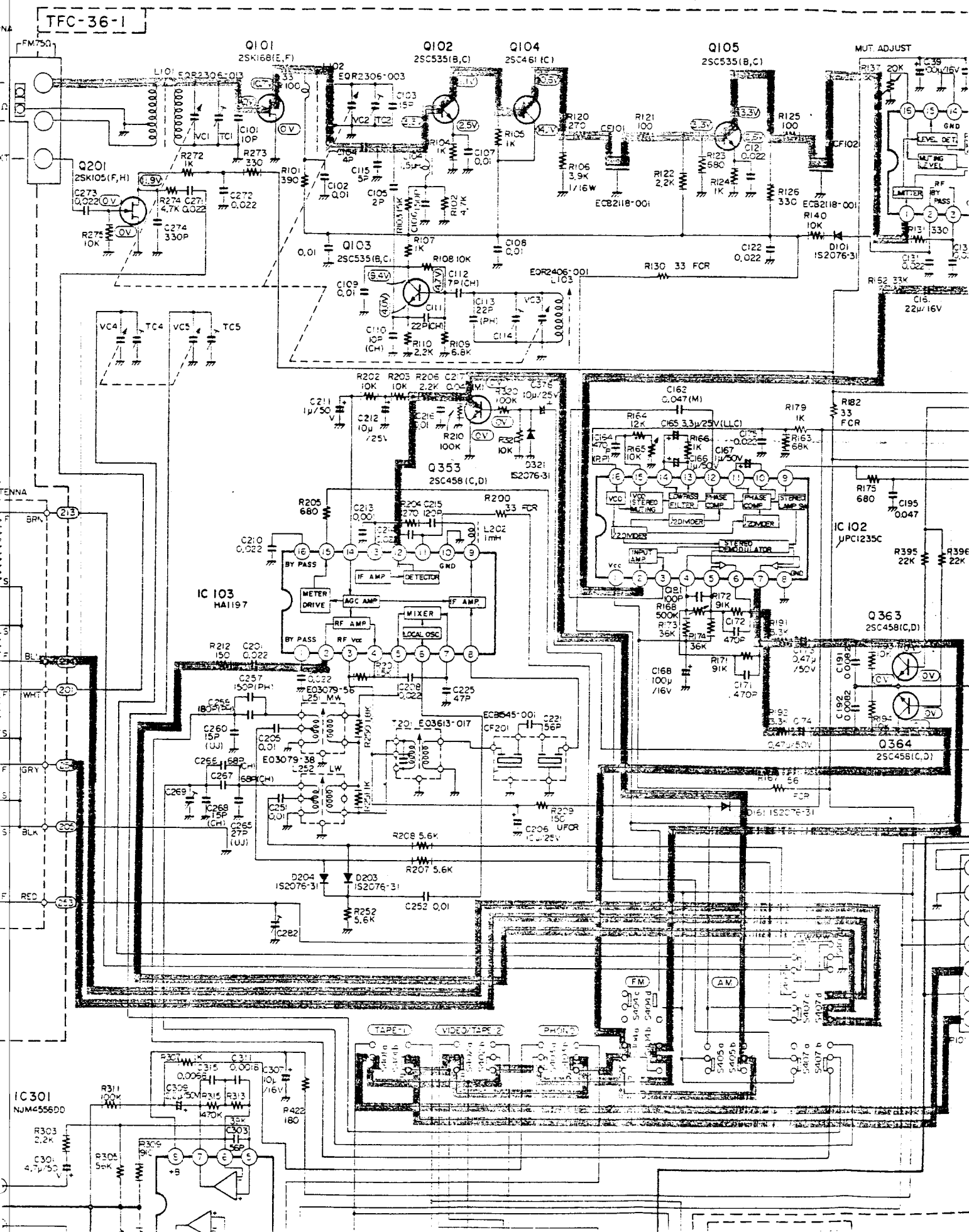
For Service Manuals Contact  
**MAURITRON TECHNICAL SERVICES**  
 8 Cherry Tree Rd, Chinnor  
 Oxon OX9 4QY  
 Tel: 01844-351694 Fax: 01844-352554  
 Email: enquiries@mauritron.co.uk

# R-K10L Schematic Diagram

## A

## B

## C

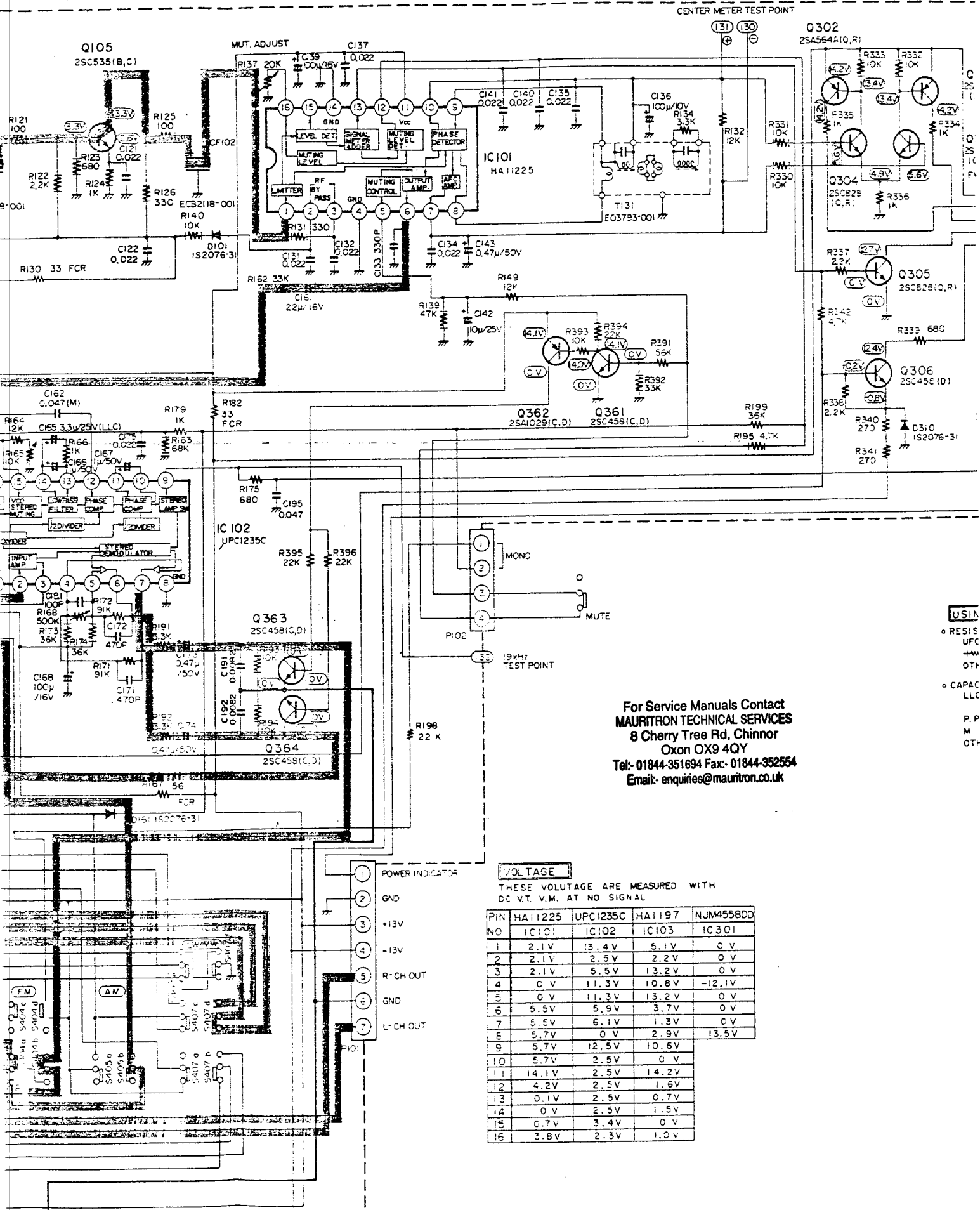




C

D

E



CENTER METER TEST POINT

Q302  
2SA564A(I,Q,R)

IC101  
HA11225

IC102  
UPC1235C

Q362  
2SA1C29(C,D)

Q361  
2SC458(C,D)

Q363  
2SC458(C,D)

Q364  
2SC458(C,D)

USIN

- RESIS
- UFC
- +M
- OTF
- CAPAC
- LLC

P.P

M

OTF

For Service Manuals Contact  
**MAURITRON TECHNICAL SERVICES**  
 8 Cherry Tree Rd, Chinnor  
 Oxon OX9 4QY  
 Tel: 01844-351694 Fax: 01844-352554  
 Email: enquiries@mauritron.co.uk

**VOLTAGE**

THESE VOLTAGE ARE MEASURED WITH DC V.T. V.M. AT NO SIGNAL

| PIN NO. | HA11225 IC101 | UPC1235C IC102 | HA1197 IC103 | NJM4558DD IC301 |
|---------|---------------|----------------|--------------|-----------------|
| 1       | 2.1V          | 13.4V          | 5.1V         | 0V              |
| 2       | 2.1V          | 2.5V           | 2.2V         | 0V              |
| 3       | 2.1V          | 5.5V           | 13.2V        | 0V              |
| 4       | 0V            | 11.3V          | 10.8V        | -12.1V          |
| 5       | 0V            | 11.3V          | 13.2V        | 0V              |
| 6       | 5.5V          | 5.9V           | 3.7V         | 0V              |
| 7       | 5.5V          | 6.1V           | 1.3V         | 0V              |
| 8       | 5.7V          | 0V             | 2.9V         | 13.5V           |
| 9       | 5.7V          | 12.5V          | 10.6V        |                 |
| 10      | 5.7V          | 2.5V           | 0V           |                 |
| 11      | 14.1V         | 2.5V           | 14.2V        |                 |
| 12      | 4.2V          | 2.5V           | 1.6V         |                 |
| 13      | 0.1V          | 2.5V           | 0.7V         |                 |
| 14      | 0V            | 2.5V           | 1.5V         |                 |
| 15      | 0.7V          | 3.4V           | 0V           |                 |
| 16      | 3.8V          | 2.3V           | 1.0V         |                 |

POWER INDICATOR

GND

+13V

-13V

R-CH OUT

GND

L-CH OUT

MONO

MUTE

19kH7 TEST POINT

R198  
22K

FM

AM

5A07 a

5A07 b

5A07 c

5A07 d

5A07 e

5A07 f

5A07 g

5A07 h

5A07 i

5A07 j

5A07 k

5A07 l

5A07 m

5A07 n

5A07 o

5A07 p

5A07 q

5A07 r

5A07 s

5A07 t

5A07 u

5A07 v

5A07 w

5A07 x

5A07 y

5A07 z

5A07 aa

5A07 ab

5A07 ac

5A07 ad

5A07 ae

5A07 af

5A07 ag

5A07 ah

5A07 ai

5A07 aj

5A07 ak

5A07 al

5A07 am

5A07 an

5A07 ao

5A07 ap

5A07 aq

5A07 ar

5A07 as

5A07 at

5A07 au

5A07 av

5A07 aw

5A07 ax

5A07 ay

5A07 az

5A07 ba

5A07 bb

5A07 bc

5A07 bd

5A07 be

5A07 bf

5A07 bg

5A07 bh

5A07 bi

5A07 bj

5A07 bk

5A07 bl

5A07 bm

5A07 bn

5A07 bo

5A07 bp

5A07 bq

5A07 br

5A07 bs

5A07 bt

5A07 bu

5A07 bv

5A07 bw

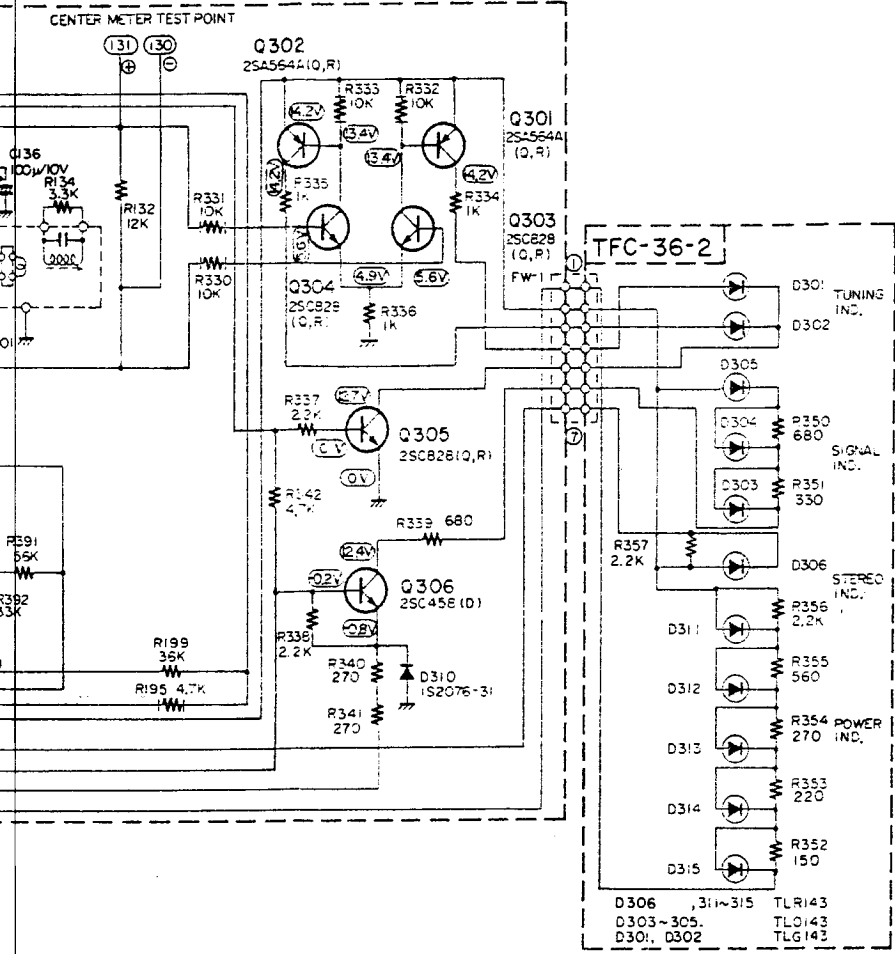
5A07 bx

5A07 by

5A07 bz

5A07 ca

5A07 cb



1

2

**USING PARTS**

- RESISTOR
  - UFCR : UNFLAMMABLE CARBON RESISTOR (1/4W)
  - + : PRINTED RESISTOR CIRCUIT (1/32W)
  - OTHERS : CARBON RESISTOR (1/4W)
- CAPACITOR
  - LLC : LOW LEAKAGE CURRENT ELECTROLYTIC CAPACITOR
  - P.P. : POLYPROPYLEN FILM CAPACITOR
  - M : MYLAR CAPACITOR
  - OTHERS : ELECTROLYTIC CAPACITOR OR CERAMIC CAPACITOR

MEASURED WITH

|      |           |
|------|-----------|
| 1197 | NJM455800 |
| 103  | IC301     |
| 5.1V | 0V        |
| 2.2V | 0V        |
| 3.2V | 0V        |
| 0.8V | -12.1V    |
| 3.2V | 0V        |
| 3.7V | 0V        |
| 1.3V | C V       |
| 2.9V | 13.5V     |
| 0.6V |           |
| 0V   |           |
| 4.2V |           |
| 1.6V |           |
| 0.7V |           |
| 1.5V |           |
| 0V   |           |
| 1.0V |           |

3

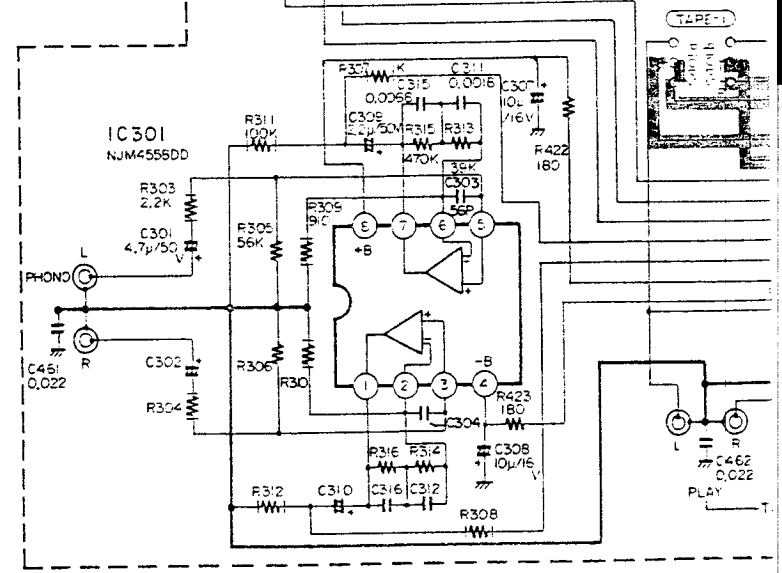
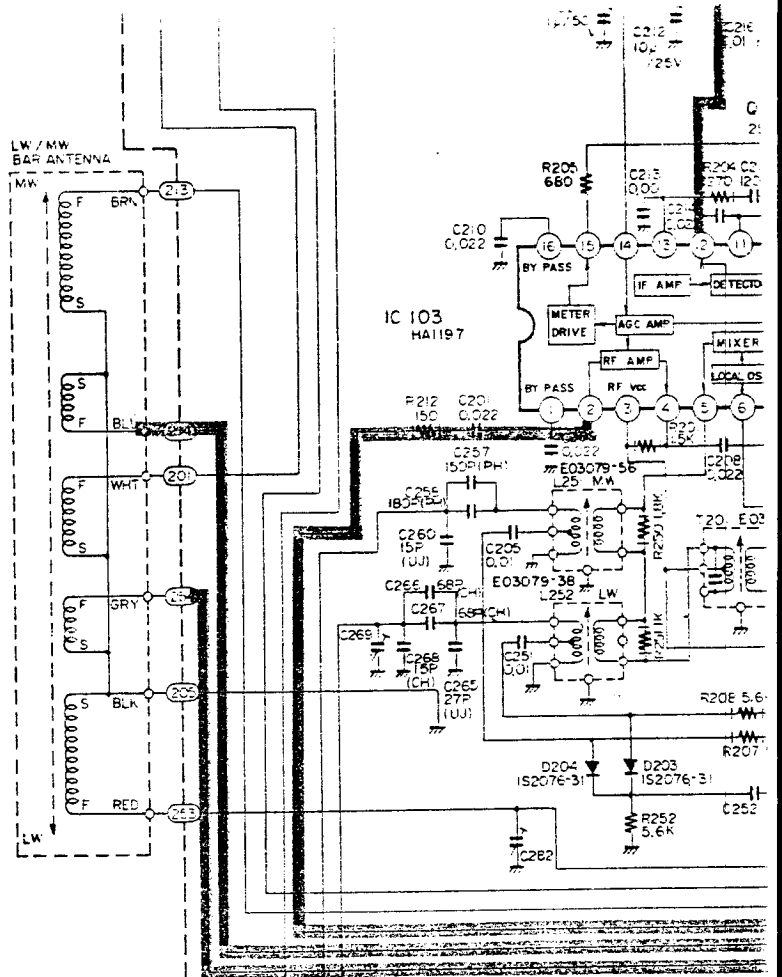
4

For Service Manuals Contact  
**MAURITRON TECHNICAL SERVICES**  
 8 Cherry Tree Rd, Chinnor  
 Oxon OX9 4QY  
 Tel: 01844-351694 Fax: 01844-352554  
 Email: enquiries@mauritron.co.uk

2

3

4



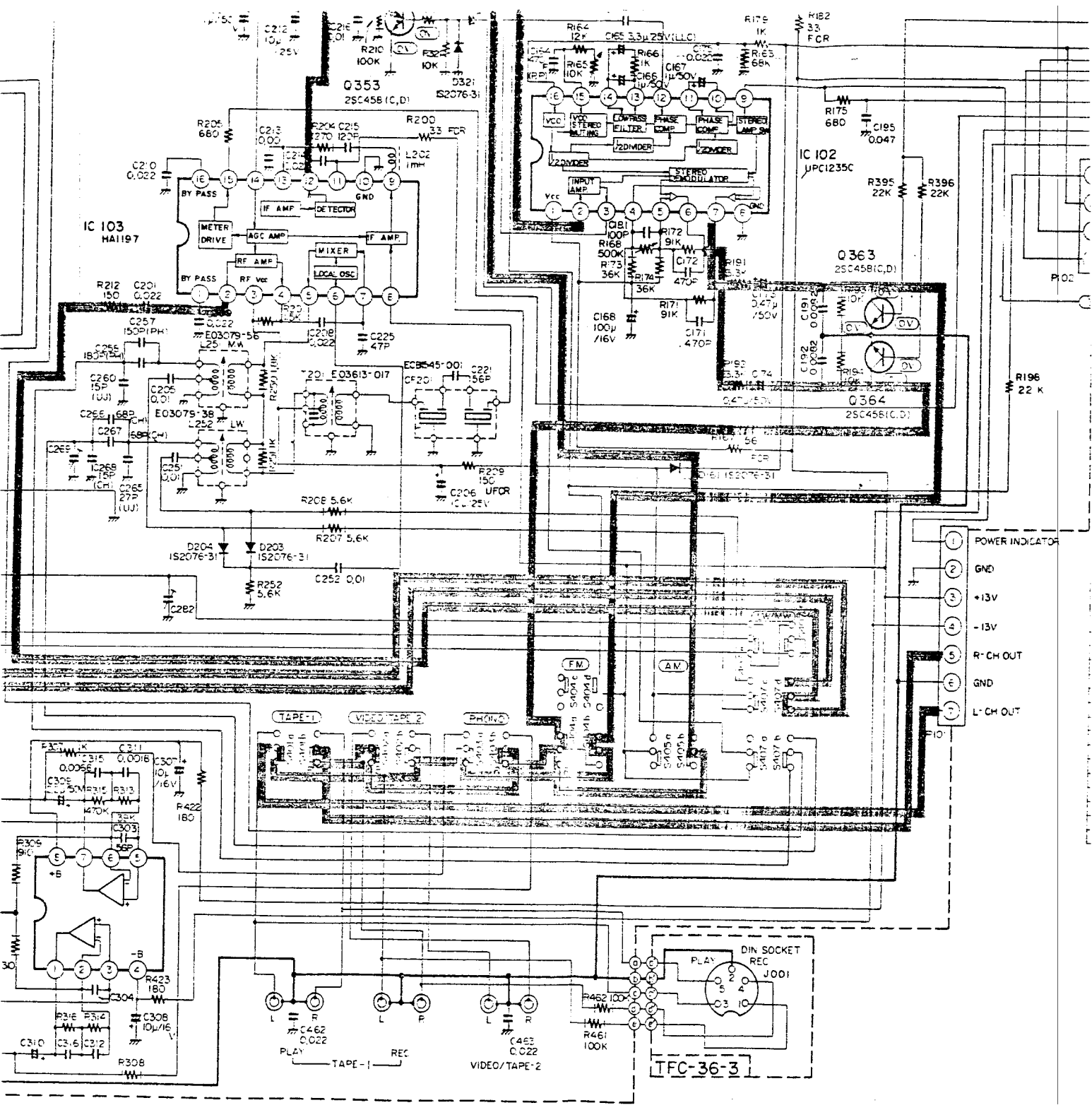
A

B

Notes:

1. shows DC voltage to the chassis with no signal input.
2. Voltage values in are positive.
3. Voltage values in are negative.
4. indicates positive B power supply.
5. indicates negative B power supply.
6. indicates signal path.
7. When replacing the parts in the darkened area ( ) and those marked with , be sure to use the designated parts to ensure safety.

8. P  
 9. T  
 T  
 n  
 Pri  
 P.C  
 TF  
 TX



**B** **C** **D**

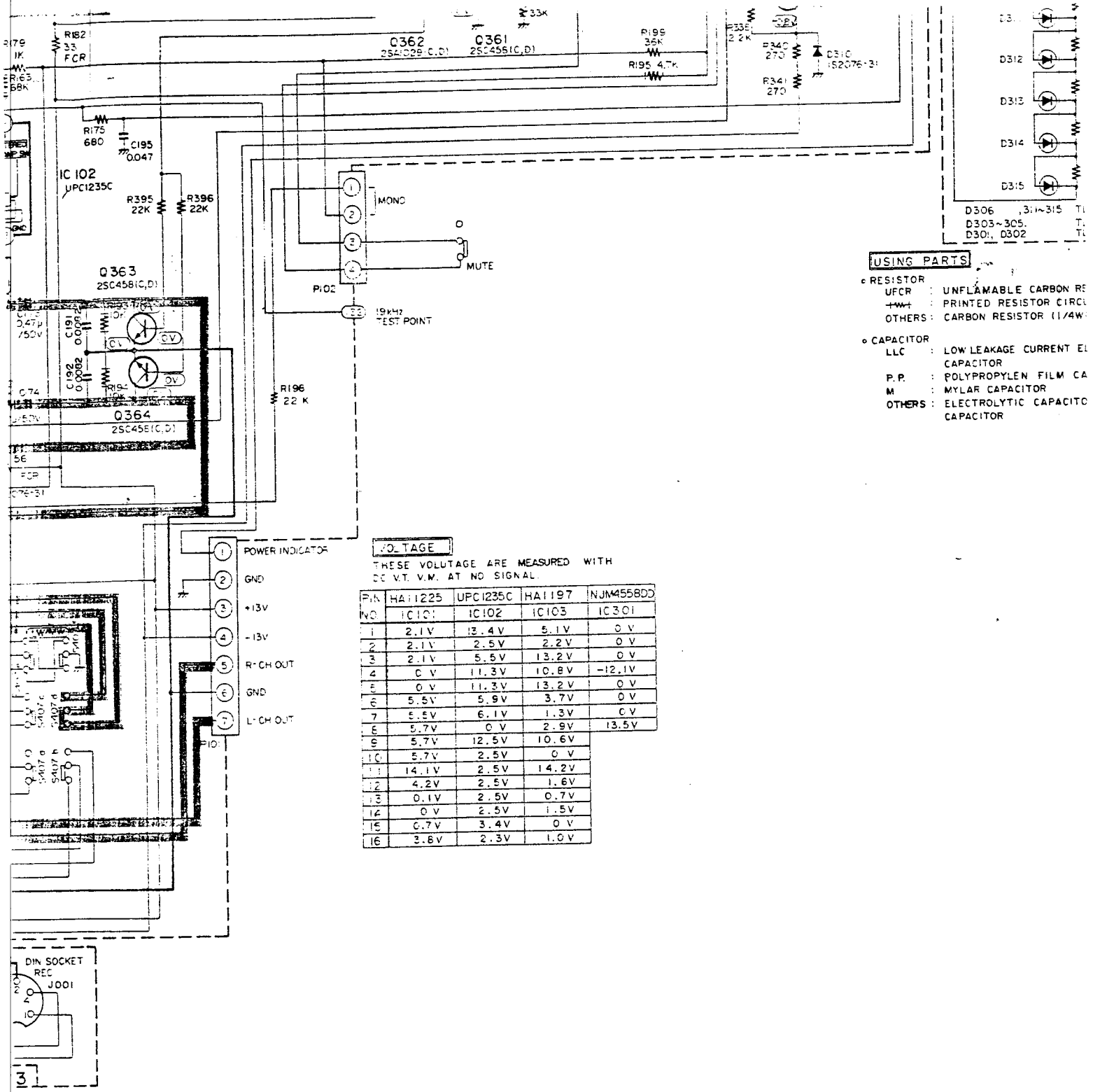
the chassis with no signal input.  
 positive.  
 negative.  
 power supply.  
 power supply.

8. Parts in red indicate transistors or ICs.
9. This is the standard circuit diagram.  
 The design and contents are subject to change without notice.

**Printed Circuit Board Ass'y Locations**

| P.C. Board Ass'y | Description   | Page |
|------------------|---|------|
| TFC-36           | Tuner, LED and DIN Socket Sections                    | 7    |
| TXX-400          | Main Amp., Fuse, Tone, Speaker and AC Outlet Sections | 10   |

in the darkned area ( ) and  
 e sure to use the designated parts



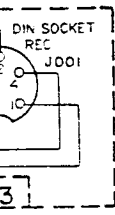
**USING PARTS**

- RESISTOR
  - UFCR : UNFLAMMABLE CARBON RESISTOR
  - +WC : PRINTED RESISTOR CIRCLE
  - OTHERS : CARBON RESISTOR (1/4W)
- CAPACITOR
  - LLC : LOW LEAKAGE CURRENT ELECTROLYTIC CAPACITOR
  - P.P. : POLYPROPYLENE FILM CAPACITOR
  - M : MYLAR CAPACITOR
  - OTHERS : ELECTROLYTIC CAPACITOR

**VOLTAGE**

THESE VOLTAGE ARE MEASURED WITH DC V.T. V.M. AT NO SIGNAL.

| PIN NO | HA11225 | UFC1235C | HA1197 | NJM4558DD |
|--------|---------|----------|--------|-----------|
|        | IC101   | IC102    | IC103  | IC301     |
| 1      | 2.1V    | 13.4V    | 5.1V   | 0V        |
| 2      | 2.1V    | 2.5V     | 2.2V   | 0V        |
| 3      | 2.1V    | 5.5V     | 13.2V  | 0V        |
| 4      | 0V      | 11.3V    | 10.8V  | -12.1V    |
| 5      | 0V      | 11.3V    | 13.2V  | 0V        |
| 6      | 5.5V    | 5.9V     | 3.7V   | 0V        |
| 7      | 5.5V    | 6.1V     | 1.3V   | 0V        |
| 8      | 5.7V    | 0V       | 2.9V   | 13.5V     |
| 9      | 5.7V    | 12.5V    | 10.6V  |           |
| 10     | 5.7V    | 2.5V     | 0V     |           |
| 11     | 14.1V   | 2.5V     | 14.2V  |           |
| 12     | 4.2V    | 2.5V     | 1.6V   |           |
| 13     | 0.1V    | 2.5V     | 0.7V   |           |
| 14     | 0V      | 2.5V     | 1.5V   |           |
| 15     | 0.7V    | 3.4V     | 0V     |           |
| 16     | 3.6V    | 2.3V     | 1.0V   |           |



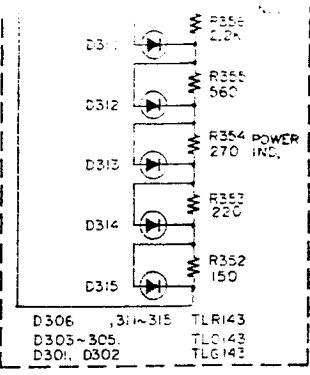
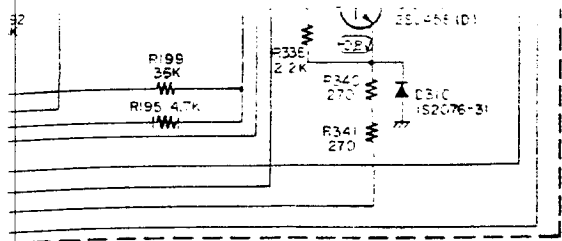
**D**

**E**

**F**

out

|    | Page |
|----|------|
| ns | 7    |
| d  | 10   |



D306, 311-315 TLR143  
 D305-305 TLR143  
 D301, D302 TLR143

**USING PARTS**

- RESISTOR
  - UFCR : UNFLAMMABLE CARBON RESISTOR (1/4W)
  - PRINT : PRINTED RESISTOR CIRCUIT (1/32W)
  - OTHERS : CARBON RESISTOR (1/4W)
- CAPACITOR
  - LLC : LOW LEAKAGE CURRENT ELECTROLYTIC CAPACITOR
  - P.P. : POLYPROPYLEN FILM CAPACITOR
  - M : MYLAR CAPACITOR
  - OTHERS : ELECTROLYTIC CAPACITOR OR CERAMIC CAPACITOR

2

3

4

RED WITH

|    |            |
|----|------------|
| 97 | INJM4558DD |
| 05 | IC301      |
| 1V | 0V         |
| 2V | 0V         |
| 2V | 0V         |
| 6V | -12.1V     |
| 2V | 0V         |
| 7V | 0V         |
| 3V | CV         |
| 9V | 13.5V      |
| 6V |            |
| V  |            |
| 2V |            |
| 6V |            |
| 7V |            |
| 5V |            |
| V  |            |
| 0V |            |

For Service Manuals Contact  
**MAURITRON TECHNICAL SERVICES**  
 8 Cherry Tree Rd, Chinnor  
 Oxon OX9 4QY  
 Tel:- 01844-351694 Fax:- 01844-352554  
 Email:- enquiries@maurtron.co.uk

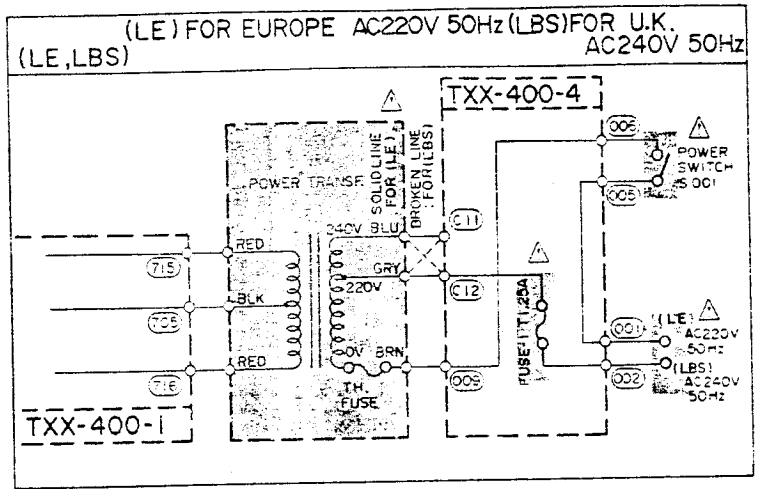
E

F

A

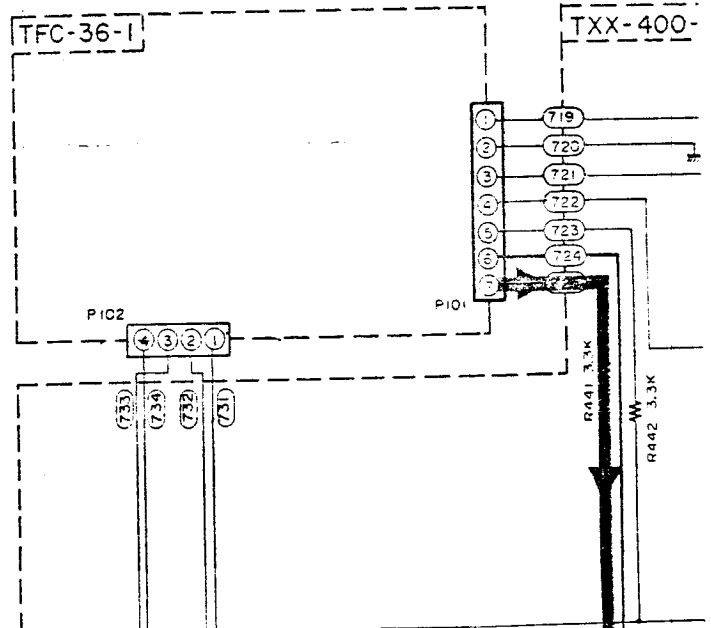
B

1

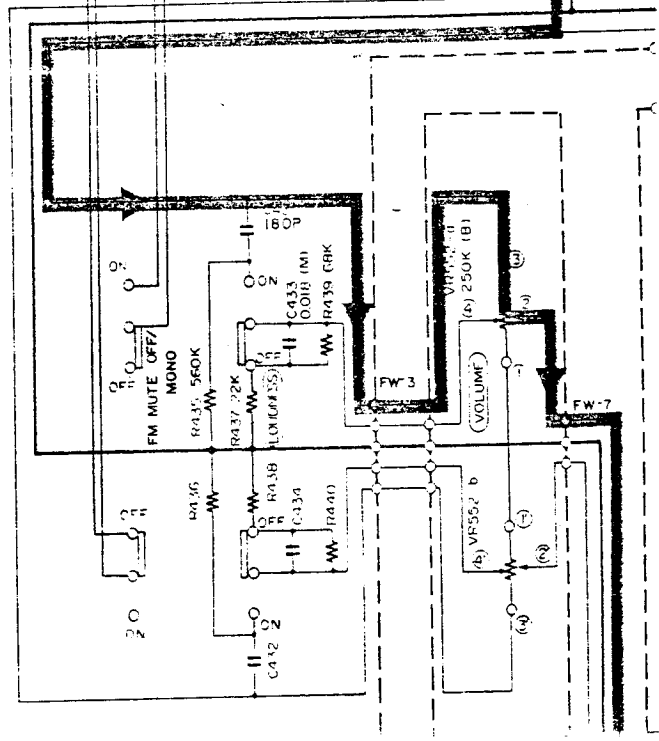


For Service Manuals Contact  
**MAURITRON TECHNICAL SERVICES**  
 8 Cherry Tree Rd, Chinnor  
 Oxon OX9 4QY  
 Tel: 01844-351694 Fax: 01844-352554  
 Email: enquiries@mauritron.co.uk

2



3

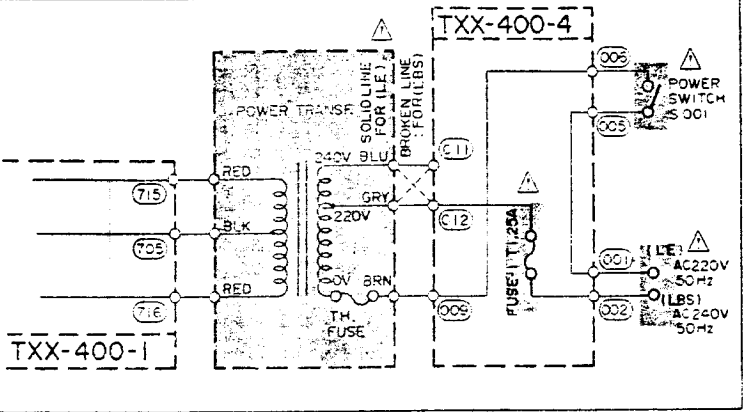


A

B

C

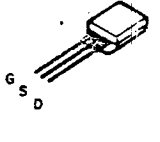
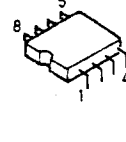
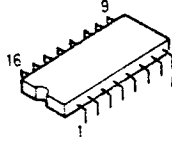
(LE) FOR EUROPE AC220V 50Hz (LBS) FOR U.K.  
(LE,LBS) AC240V 50Hz



μPC1235C  
HA1197  
HA11225

NJM4558D-D

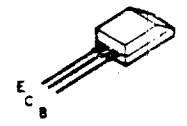
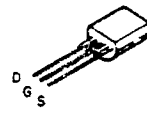
2SK168



2SB686LB  
2SD716LB

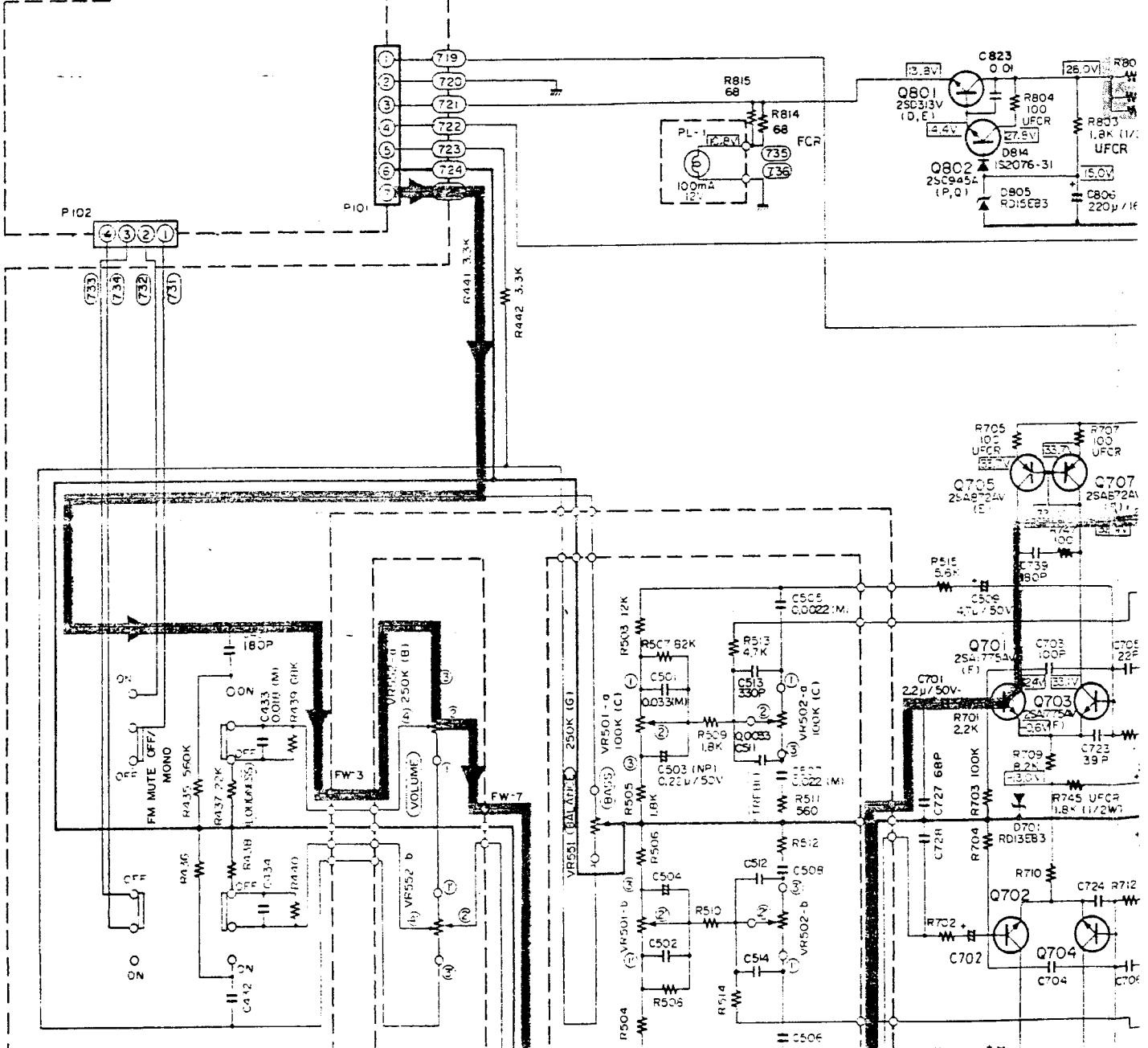
2SK105

2SC535



TFC-36-1

TXX-400-1





C

D

E

μPC1235C  
HA1197  
HA11225

NJM4558D-D

2SK168

Other Transistors

2SD636

1S2076-31  
RD13EB3

S3V20F

TA7317P

2SB686LB  
2SD716LB

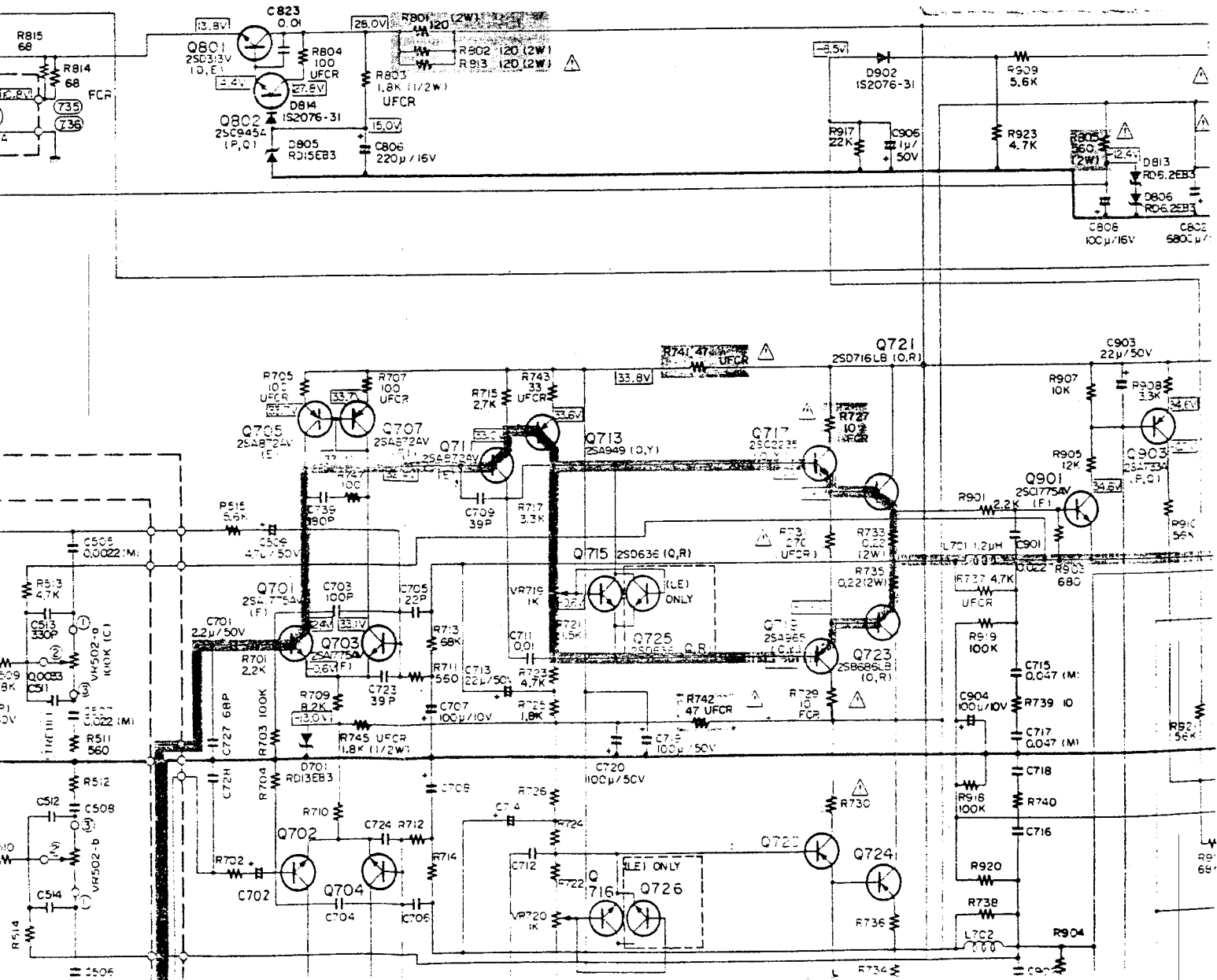
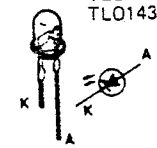
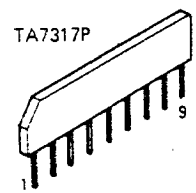
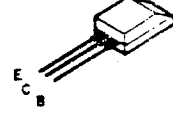
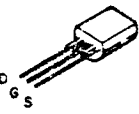
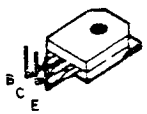
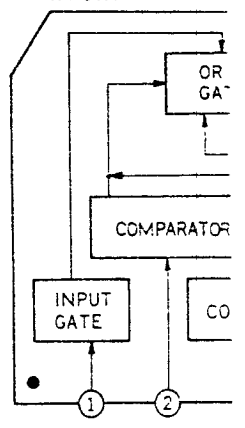
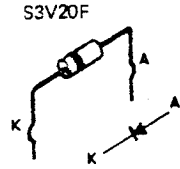
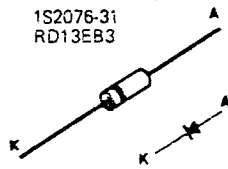
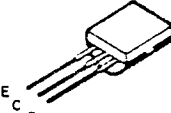
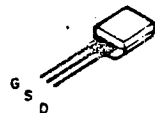
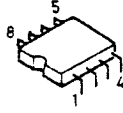
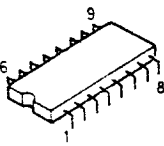
2SK105

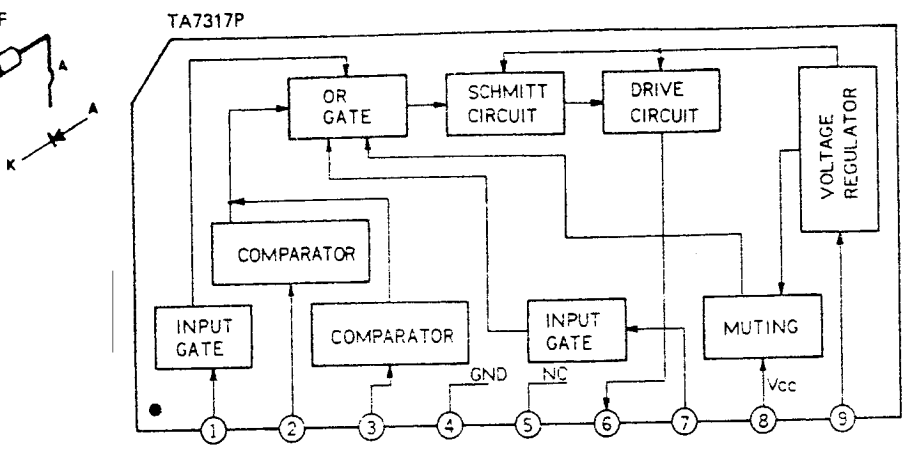
2SC535

2SD313V

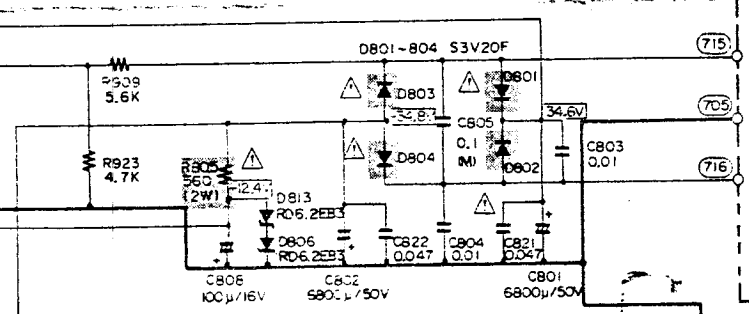
TA7317P

TLR143  
TLG143  
TLO143



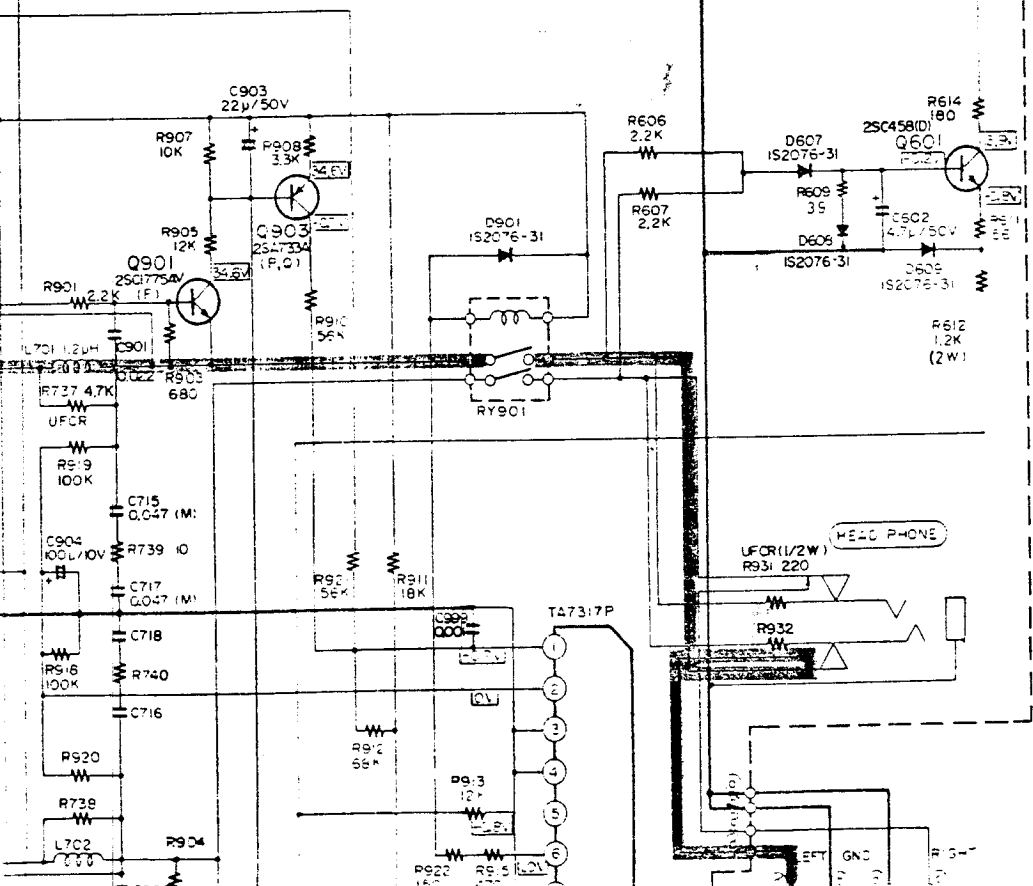


1



For Service Manuals Contact  
**MAURITRON TECHNICAL SERVICES**  
 8 Cherry Tree Rd, Chinnor  
 Oxon OX9 4QY  
 Tel:- 01844-351694 Fax:- 01844-352554  
 Email:- enquiries@mauritron.co.uk

2



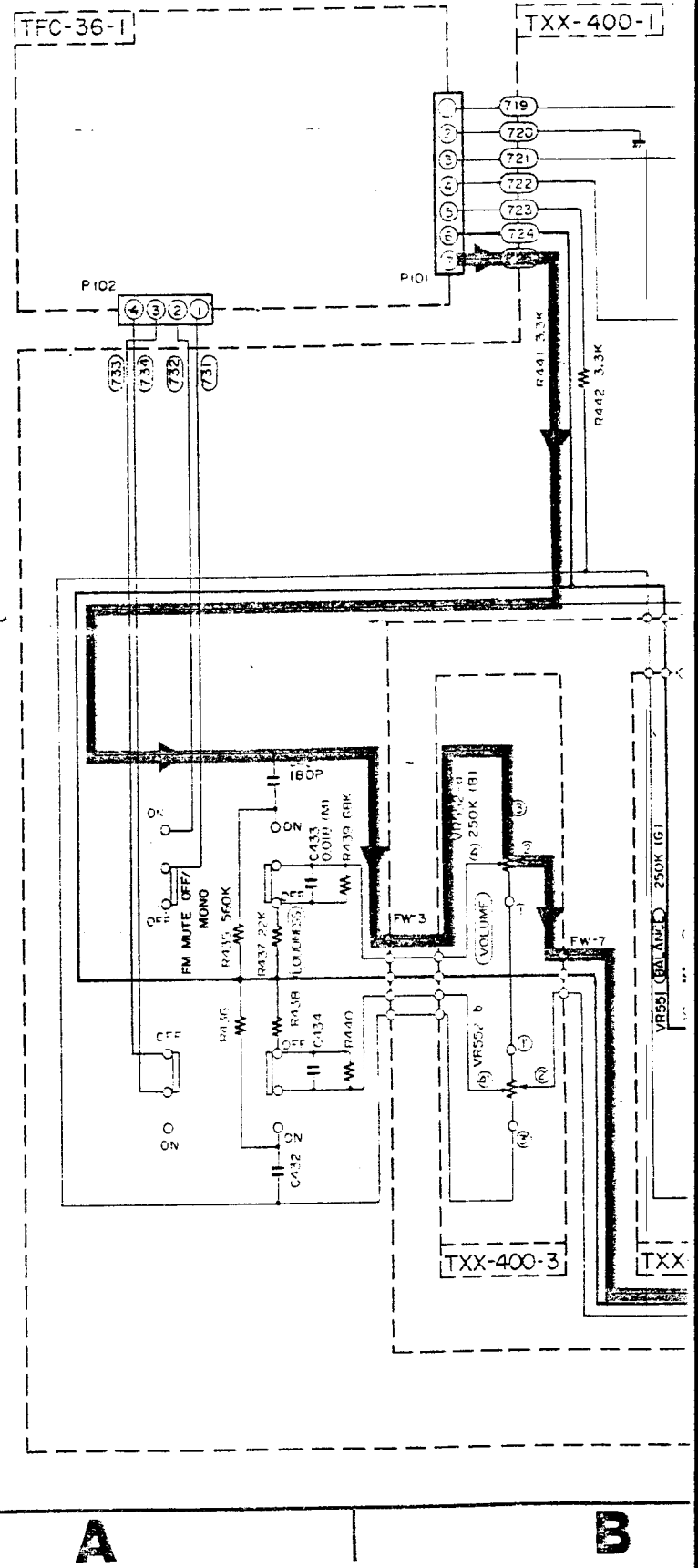
3

For Service Manuals Contact  
**MAURITRON TECHNICAL SERVICES**  
 8 Cherry Tree Rd, Chinnor  
 Oxon OX9 4QY  
 Tel: 01844-351694 Fax: 01844-352554  
 Email: enquiries@mauritron.co.uk

2

3

4



A

B

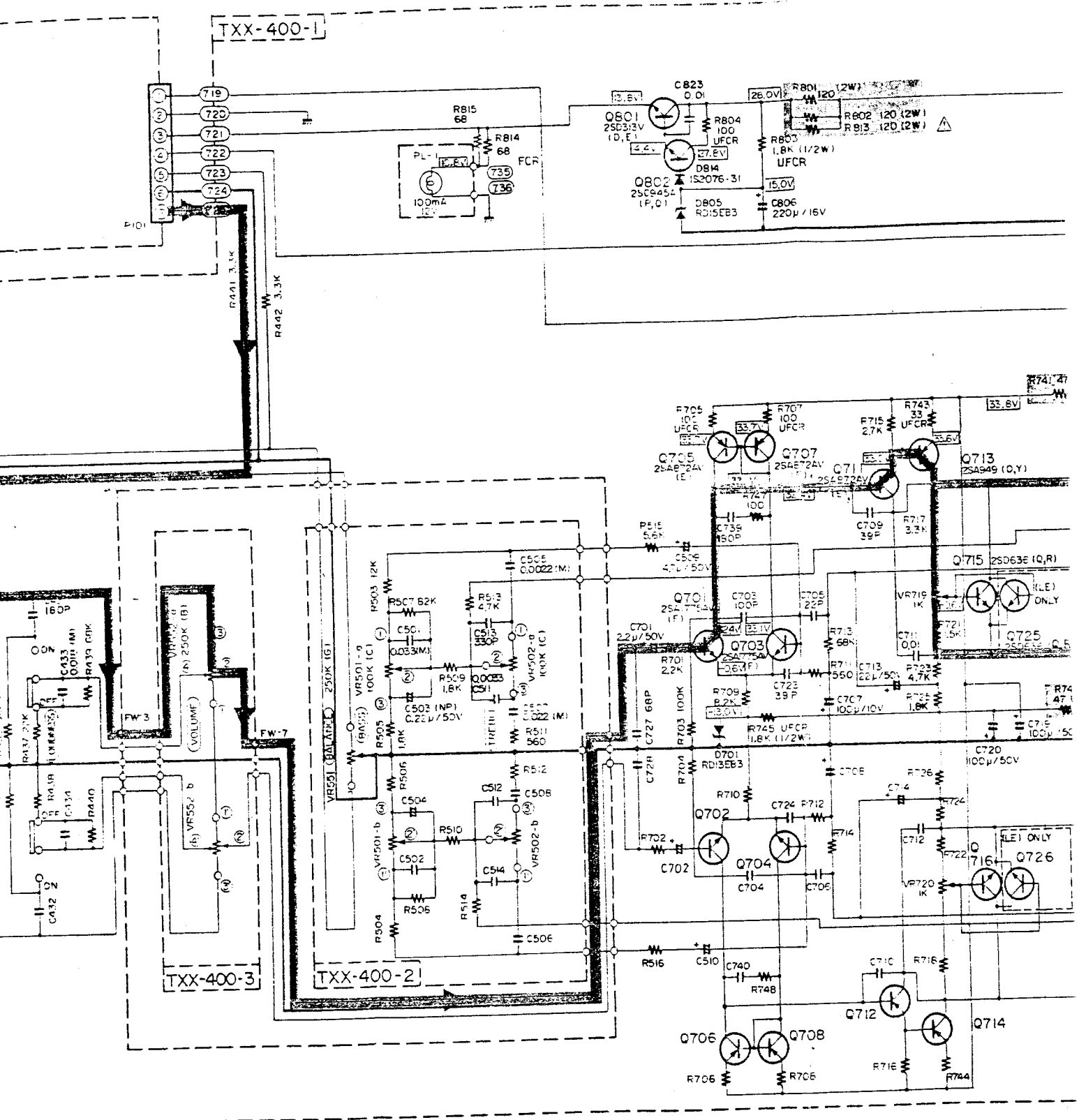
Notes:

1. shows DC voltage to the chassis with no signal input.
2. Voltage values in are positive.
3. Voltage values in are negative.
4. indicates positive B power supply.
5. indicates negative B power supply.
6. indicates signal path.
7. When replacing the parts in the darkned area () and those marked with , be sure to use the designated parts to ensure safety.

8. Parts in red indicate
9. This is the standard The design and co notice.

Printed Circuit Board

|                  |   |
|------------------|---|
| P.C. Board Ass'y |   |
| TFC-36           | T |
| TXX-400          | M |
|                  | A |



8. Parts in red indicate transistors or ICs.
9. This is the standard circuit diagram.
- The design and contents are subject to change without notice.

Printed Circuit Board Ass'y Locations

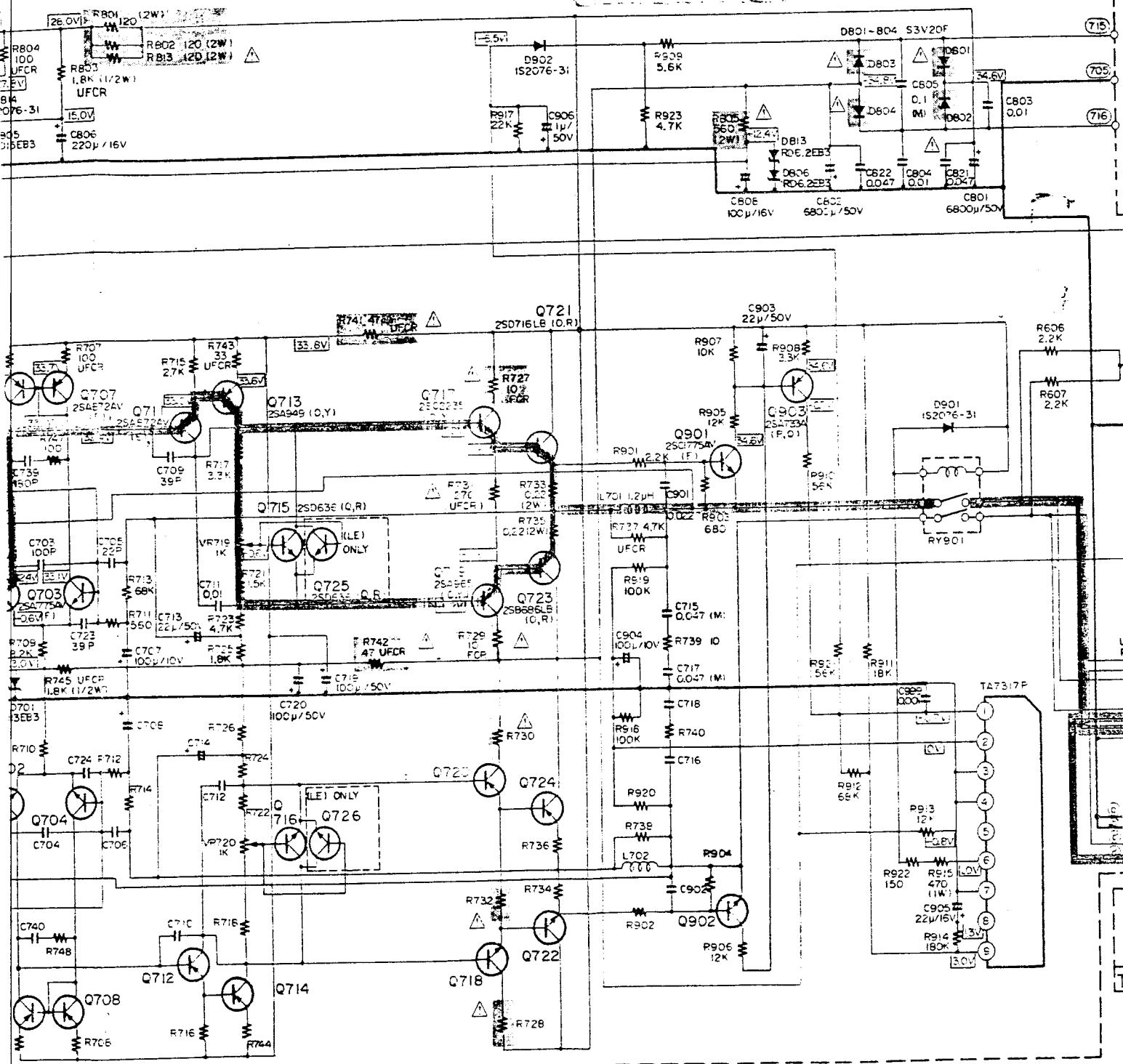
| P.C. Board Ass'y | Description   | Page |
|------------------|---|------|
| TFC-36           | Tuner, LED and DIN Socket Sections                    | 7    |
| TXX-400          | Main Amp., Fuse, Tone, Speaker and AC Outlet Sections | 10   |

s with no signal input.

ly.

ply.

kned area ( ) and se the designated parts

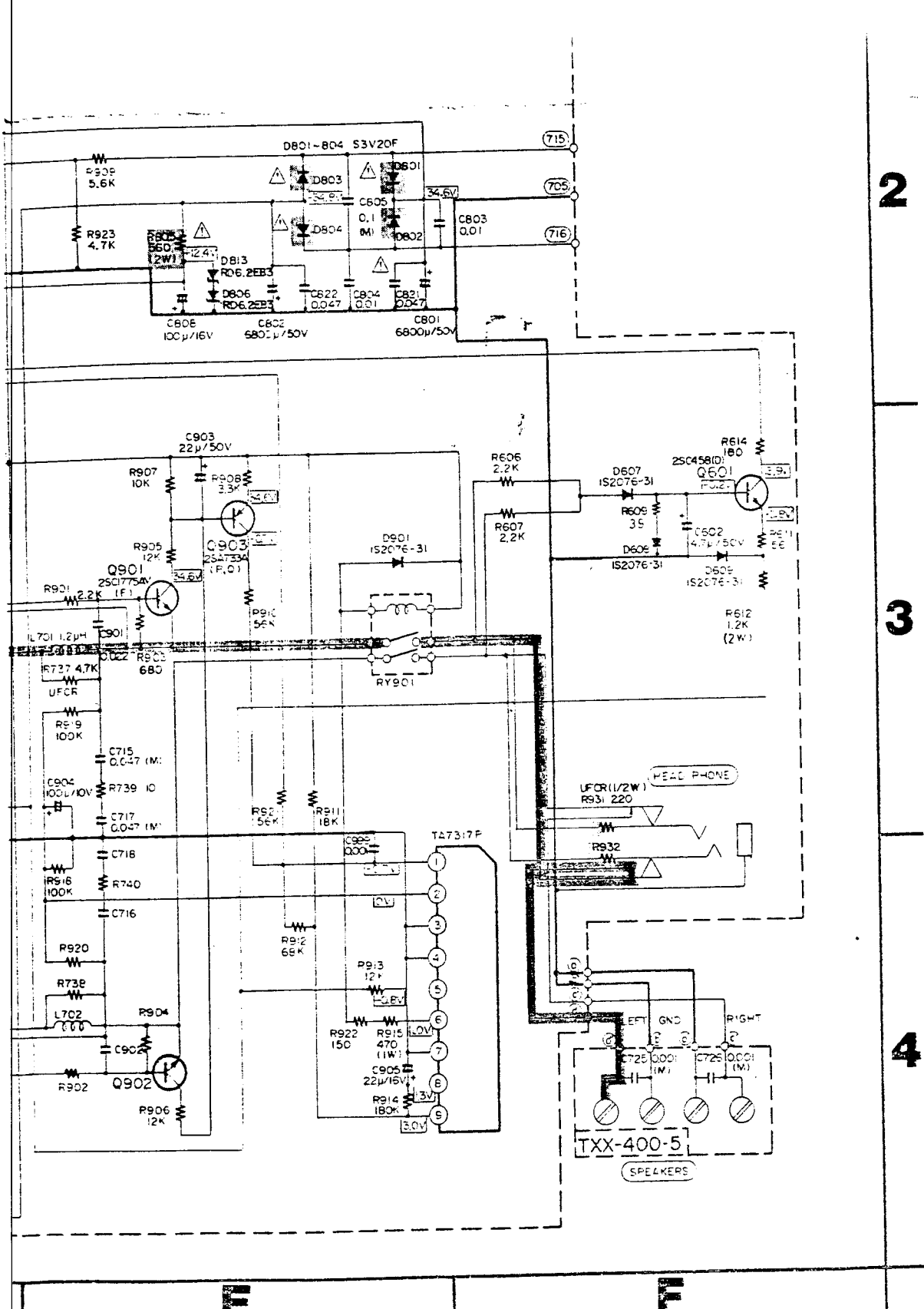


**D**

**E**

For Service Manuals Contact  
**MAURITRON TECHNICAL SERVICES**  
 8 Cherry Tree Rd, Chinnor  
 Oxon OX9 4QY  
 Tel: 01844-351694 Fax: 01844-352554  
 Email: enquiries@mauritron.co.uk

|      |
|------|
| Page |
| 7    |
| 10   |














2

3

4

## 12. Parts List with Specified Numbers for Designated Areas

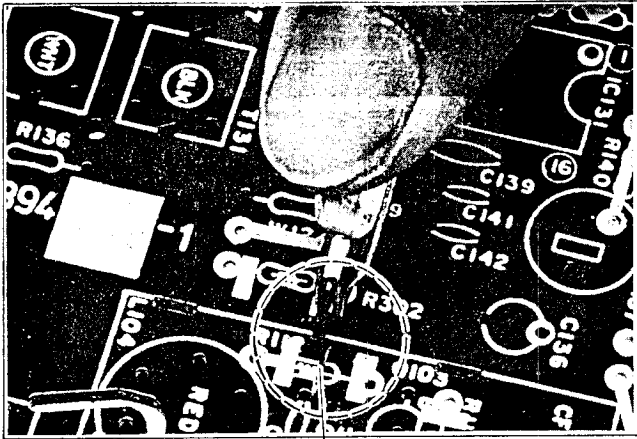
| Item No. | Description   | U.S.A. & Canada                                      | U.S. Military Market & Other Countries                          | Europe & Australia   | West Germany  | Europe (with LW) | U.K. (with LW)  |
|----------|---|--|---|--|---------------|------------------|-----------------|
| 1        | Front Panel Ass'y   | EFP-RK10E  | EFP-RK10E   | EFP-RK10E  | EFP-RK10E     | EFP-RK10LE       | EFP-RK10LE      |
| 2        | Dial Scale  | E302209-001  | E302209-001   | E302209-001  | E302209-001   | E302209-002      | E302209-002     |
| 3        | Rear Panel  | E24145-001   | E24145-001  | E24145-002   | E24145-005    | E24145-003       | E24145-003      |
| 4        | Metal Cover   | E24147-001   | E24147-001  | E24147-002<br>(for Europe)<br>E24147-001<br>(for Australia)<br>E23862-001<br>(for Europe only) | E24147-001    | E24147-002       | E24147-002      |
| 5        | Grill   | —  | —   | —  | —             | E23862-001       | E23862-001      |
| 6        | Push Shaft  | —  | —   | —  | —             | E69315-001       | E69315-001      |
| 7        | Holder  | —  | —   | —  | —             | E69316-001       | E69316-001      |
| 8        | Tuner Unit  | TFC-36A  | TFC-36A   | TFC-36B  | TFC-36C       | TFC-36D          | TFC-36D         |
| 9        | Audio Unit  | TXX-400A<br>(for U.S.A.)<br>TXX-400B<br>(for Canada) | TXX-400C  | TXX-400D   | TXX-400G      | TXX-400E         | TXX-400F        |
| 10       | Power Switch   | QSP1110-308  | QSP1110-305   | QSP1110-305  | QSP1110-305   | QSP1110-305      | QSP1110-305BS   |
| 11       | Switch Cover   | —  | —   | E301869-001  | E301869-001   | E301869-001      | E301869-001     |
| 12       | Power Transformer   | ETP1100-02JA   | ETP1100-02FA  | ETP1100-02EA   | ETP1100-02EA  | ETP1100-02EA     | ETP1100-02EABS  |
| 13       | AC Outlet   | QMC0437-002  | QMC0437-002   | —  | —             | —                | —               |
| 14       | Fuse Socket    | —  | QMG0301-003   | —  | —             | —                | —               |
| 15       | Fuse Clip    | E45524-002   | —   | EMG7331-001  | EMG7331-001   | EMG7331-001      | EMG7331-001     |
| 16       | Siemens Plug   | —  | E04056  | —  | —             | —                | —               |
| 17       | Voltage Selector   | —  | QSR0085-001   | —  | —             | —                | —               |
| 18       | Din Socket  | —  | —   | E03623-003   | E03623-003    | E03623-003       | E03623-003      |
| 19       | Headphone Jack  | QMS6302-116  | QMS6302-116   | QMS6302-116  | QMS6302-116   | QMS6312-016      | QMS6312-016     |
| 20       | Power Cord   | QMP1200-200  | QMP7600-200E  | QMP3900-200E<br>(for Europe)<br>QMP2560-244E<br>(for Australia)                                | QMP3900-200E  | QMP3900-200E     | QMP9017-008EBS  |
| 21       | Cord Stopper   | QHS3876-162  | QHS3876-162   | QHS3876-162  | QHS3876-162   | QHS3876-162      | QHS3876-162BS   |
| 22       | Fuse   | QMF61U1-2R5  | QMF51A2-1R25H<br>(220 V/240 V)<br>QMF51A2-2R5H<br>(110 V/120 V) | QMF51A2-1R25H  | QMF51A2-1R25H | QMF51A2-1R25H    | QMF51A2-1R25HBS |
| 23       | Bar Antenna Coil  | E03037-039M  | E03037-039M   | E03037-039M  | E03037-039M   | E03037-40W       | E03037-40W      |
| 24       | Antenna Terminal  | E03572-016   | E03572-016  | E03572-016   | EMB91YV-201A  | E03572-016       | E03572-016      |
| 25       | Warranty Card   | BT20048<br>(for U.S.A.)<br>BT20025D<br>(for Canada)  | BT20032B<br>(for U.S. Military Market only)                     | BT20029C<br>(for Australia only)   | —             | —                | BT20013C        |

 : Safety Parts

For Service Manuals Contact  
**MAURITRON TECHNICAL SERVICES**  
 8 Cherry Tree Rd, Chinnor  
 Oxon OX9 4QY  
 Tel: 01844-351694 Fax: 01844-352554  
 Email: enquiries@mauritron.co.uk

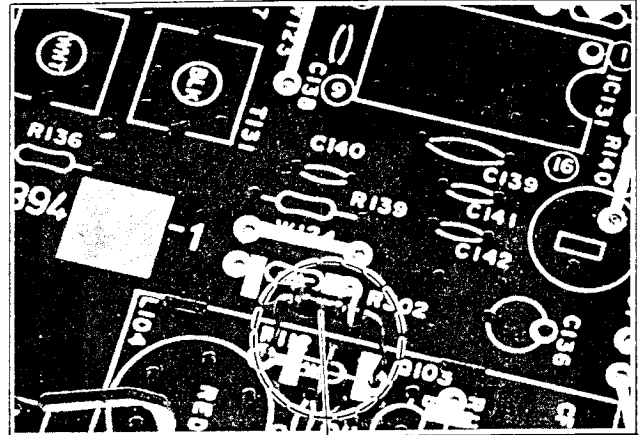
# 13. Repair of Printed Resistor

- (1) When replacing a printed resistor, cut off the printing by a pointed tool as shown in Fig. 11.
- (2) Solder a new resistor in the pattern side as shown in Fig. 12.



Cut off the printing

Fig. 11



Newly added resistor

Fig. 12

For Service Manuals Contact  
**MAURITRON TECHNICAL SERVICES**  
8 Cherry Tree Rd, Chinnor  
Oxon OX9 4QY  
Tel: 01844-351694 Fax: 01844-352554  
Email: enquiries@maurtron.co.uk

# JVC

VICTOR COMPANY OF JAPAN, LIMITED, TOKYO, JAPAN