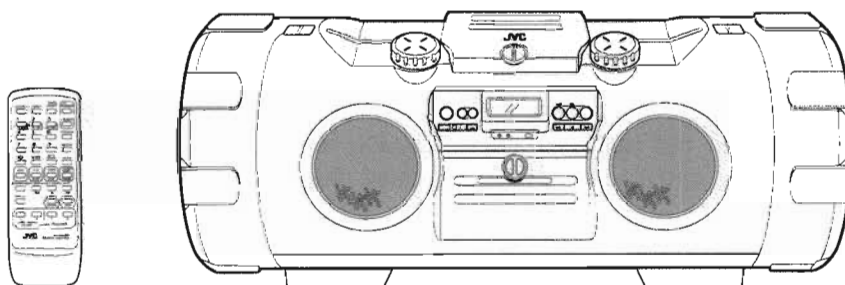


JVC

SERVICE MANUAL

POWERED WOOFER CD SYSTEM

RV-B99



COMPACT
disc
DIGITAL AUDIO

Areas Suffix

J	U.S.A.(BK/GY)
B	U.K.(BK/BU)
E	Continental Europe(BK/BU)
EN	North Europe(BK/BU)
EE	Russian Fedration(BK/BU)
EV	Eastern Europe(BK)
U	Other Areas(BK/BU)
UT	Taiwan(BK/BU)
UB	Hong Kong(BK/BU)
US	Singapore(BK/BU)
UX	Saudi Arabia(BK)
UY	Argentina(BK)

Contents

Safety Precautions	1-2	Adjustment Method	2-19
Important for Laser Products	1-4	Schematic Diagrams	2-25
Instructions	1-6~25	Printed Circuit Boards	2-37
Description of Major IC's	2-1	Parts List	3-1~41
Disassembly Method	2-8		

Safety Precautions

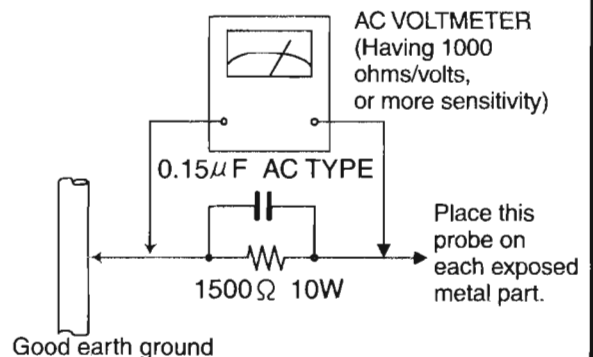
1. This design of this product contains special hardware and many circuits and components specially for safety purposes. For continued protection, no changes should be made to the original design unless authorized in writing by the manufacturer. Replacement parts must be identical to those used in the original circuits. Services should be performed by qualified personnel only.
2. Alterations of the design or circuitry of the product should not be made. Any design alterations of the product should not be made. Any design alterations or additions will void the manufacturer's warranty and will further relieve the manufacture of responsibility for personal injury or property damage resulting therefrom.
3. Many electrical and mechanical parts in the products have special safety-related characteristics. These characteristics are often not evident from visual inspection nor can the protection afforded by them necessarily be obtained by using replacement components rated for higher voltage, wattage, etc. Replacement parts which have these special safety characteristics are identified in the Parts List of Service Manual. Electrical components having such features are identified by shading on the schematics and by (Δ) on the Parts List in the Service Manual. The use of a substitute replacement which does not have the same safety characteristics as the recommended replacement parts shown in the Parts List of Service Manual may create shock, fire, or other hazards.
4. The leads in the products are routed and dressed with ties, clamps, tubings, barriers and the like to be separated from live parts, high temperature parts, moving parts and/or sharp edges for the prevention of electric shock and fire hazard. When service is required, the original lead routing and dress should be observed, and it should be confirmed that they have been returned to normal, after re-assembling.
5. Leakage current check (Electrical shock hazard testing)
After re-assembling the product, always perform an isolation check on the exposed metal parts of the product (antenna terminals, knobs, metal cabinet, screw heads, headphone jack, control shafts, etc.) to be sure the product is safe to operate without danger of electrical shock. Do not use a line isolation transformer during this check.

- Plug the AC line cord directly into the AC outlet. Using a "Leakage Current Tester", measure the leakage current from each exposed metal parts of the cabinet, particularly any exposed metal part having a return path to the chassis, to a known good earth ground. Any leakage current must not exceed 0.5mA AC (r.m.s.)

- Alternate check method

Plug the AC line cord directly into the AC outlet. Use an AC voltmeter having, 1,000 ohms per volt or more sensitivity in the following manner. Connect a 1,500 Ω 10W resistor paralleled by a 0.15 μ F AC-type capacitor between an exposed metal part and a known good earth ground. Measure the AC voltage across the resistor with the AC voltmeter.

Move the resistor connection to each exposed metal part, particularly any exposed metal part having a return path to the chassis, and measure the AC voltage across the resistor. Now, reverse the plug in the AC outlet and repeat each measurement. Any voltage measured must not exceed 0.75 V AC (r.m.s.). This corresponds to 0.5 mA AC (r.m.s.).




Warning

1. This equipment has been designed and manufactured to meet international safety standards.
2. It is the legal responsibility of the repairer to ensure that these safety standards are maintained.
3. Repairs must be made in accordance with the relevant safety standards.
4. It is essential that safety critical components are replaced by approved parts.
5. If mains voltage selector is provided, check setting for local voltage.


CAUTION Burrs formed during molding may be left over on some parts of the chassis. Therefore, pay attention to such burrs in the case of performing repair of this system.

Safety Precautions (U.K only)

1. This design of this product contains special hardware and many circuits and components specially for safety purposes. For continued protection, no changes should be made to the original design unless authorized in writing by the manufacturer. Replacement parts must be identical to those used in the original circuits.
2. Any unauthorised design alterations or additions will void the manufacturer's guarantee ; furthermore the manufacturer cannot accept responsibility for personal injury or property damage resulting therefrom.
3. Essential safety critical components are identified by () on the Parts List and by shading on the schematics, and must never be replaced by parts other than those listed in the manual. please note however that many electrical and mechanical parts in the product have special safety related characteristics. These characteristics are often not evident from visual inspection. Parts other than specified by the manufacturer may not have the same safety characteristics as the recommended replacement parts shown in the Parts List of the Service Manual and may create shock, fire, or other hazards.
4. The leads in the products are routed and dressed with ties, clamps, tubings, barriers and the like to be separated from live parts, high temperature parts, moving parts and/or sharp edges for the prevention of electric shock and fire hazard. When service is required, the original lead routing and dress should be observed, and it should be confirmed that they have been returned to normal, after re-assembling.

Warning

1. Service should be performed by qualified personnel only.
2. This equipment has been designed and manufactured to meet international safety standards.
3. It is the legal responsibility of the repairer to ensure that these safety standards are maintained.
4. Repairs must be made in accordance with the relevant safety standards.
5. It is essential that safety critical components are replaced by approved parts.
6. If mains voltage selector is provided, check setting for local voltage.

 **CAUTION** Burrs formed during molding may be left over on some parts of the chassis. Therefore, pay attention to such burrs in the case of preforming repair of this system.

Important for Laser Products

1.CLASS 1 LASER PRODUCT

2.DANGER : Invisible laser radiation when open and inter lock failed or defeated. Avoid direct exposure to beam.

3.CAUTION : There are no serviceable parts inside the Laser Unit. Do not disassemble the Laser Unit. Replace the complete Laser Unit if it malfunctions.

4.CAUTION : The compact disc player uses invisible laserradiation and is equipped with safety switches which prevent emission of radiation when the drawer is open and the safety interlocks have failed or are defeated. It is dangerous to defeat the safety switches.

5.CAUTION : If safety switches malfunction, the laser is able to function.

6.CAUTION : Use of controls, adjustments or performance of procedures other than those specified herein may result in hazardous radiation exposure.

CAUTION Please use enough caution not to see the beam directly or touch it in case of an adjustment or operation check.

VARNING : Osynlig laserstrålning är denna del är öppnad och spårren är urkopplad. Betrakta ej strålen.

VARO : Avattaessa ja suojalukitus ohitettaessa olet alltiina näkymättömälle lasersäteilylle. Älä katso säteeseen.

ADVARSEL : Usynlig laserstrålning ved åbning , når sikkerhedsafbrydere er ude af funktion. Undgå udsættelse for stråling.

ADVARSEL : Usynlig laserstrålning ved åbning,når sikkerhedsbryteren er avslott. unngå utsettelse for stråling.

REPRODUCTION AND POSITION OF LABELS

WARNING LABEL

(Except for the U.S.A.and Canada and UP)

**CLASS 1
LASER PRODUCT**

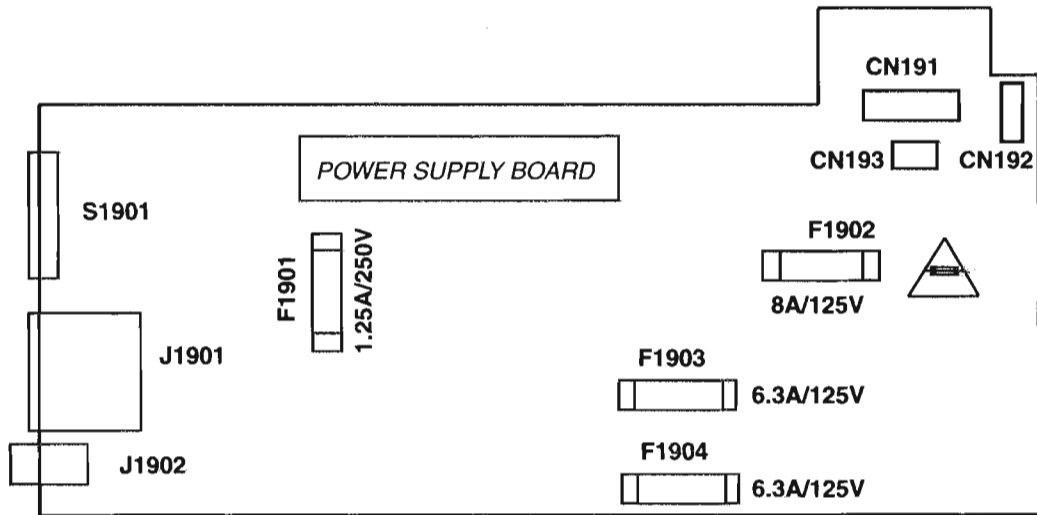


DANGER : Invisible laser radiation when open and interlock or defeated. AVOID DIRECT EXPOSURE TO BEAM. (e)	VARO : Avattaessa ja suojalukitus ohitettaessa olet alltiina näkymättömälle lasersäteilylle. Älä katso säteeseen. (d)
VARNING : Osynlig laserstrålning är denna del är öppnad och spårren är urkopplad. Betrakta ej strålen. (e)	ADVARSEL : Usynlig laserstrålning ved åbning , når sikkerhedsafbrydere er ude af funktion. Undgå udsættelse for stråling. (f)

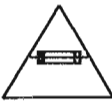
(sticking on the inside)




■ Importance Administering point on the Safety



Note : It's means "J" for U.S.A. market model

RV-B99J ONLY
<p style="text-align: center;">Full Fuse Replacement Marking</p> <p>Graphic symbol mark (This symbol means fast blow type fuse.)</p> <div style="text-align: center;">  </div> <p style="text-align: center;">should be read as follows ;</p>
FUSE CAUTION
<p>FOR CONTINUED PROTECTION AGAINST RISK OF FIRE, REPLACE ONLY WITH SAME TYPE AND RATING OF FUSES ;</p> <p style="text-align: center;"> F1901 : 1.25-A, 250-V F1902 : 8- A, 125-V F1903 : 6.3-A, 125-V F1904 : 6.3-A, 125-V </p>

RV-B90J SEULEMENT
<p style="text-align: center;">Marquage Pour Le Remplacement Complet De Fusible</p> <p>Le symbole graphique (Ce symbole signifie fusible de type à fusion rapide.)</p> <div style="text-align: center;">  </div> <p style="text-align: center;">doit être interprété comme suit ;</p>
PRECAUTIONS SUR LES FUSIBLES
<p>POUR UNE PROTECTION CONTINUE CONTRE DES RISQUES D'INCENDIE, REMPLACER SEULEMENT PAR UN FUSIBLE DU MEME TYPE ;</p> <p style="text-align: center;"> F1901 : 1.25-A, 250-V F1902 : 8- A, 125-V F1903 : 6.3-A, 125-V F1904 : 6.3-A, 125-V </p>

Instructions

ENGLISH

Thank you for purchasing this JVC product. Please read these instructions carefully before starting operation to be sure to obtain optimum performance and a longer service life from the unit.



ESPAÑOL

Le agradecemos la adquisición de este producto de JVC. Por favor, lea detenidamente las instrucciones antes de comenzar la operación para obtener de esta unidad un rendimiento óptimo y una vida de servicio más larga.

FRANÇAIS

Nous vous remercions d'avoir acheté cet appareil JVC. Veuillez lire consciencieusement ce manuel d'instructions avant de commencer à faire fonctionner l'appareil de façon à être sûr d'en tirer le meilleur rendement et une durée de vie plus longue de cet appareil.

CONTENTS

Features 3
 Safety precautions 4
 Handling precautions 5
 Shoulder strap attachment/detachment 6
 Connections 7
 Power supply 7
 Names of parts and their functions 11
 Remote control unit 13
 Switching the power on/off 15
 Volume, sound mode and other controls 16
 Handling CDs 18
 Playing CDs 19
 Handling cassette tapes 23
 Cassette playback 24
 Using with another audio unit 25
 Radio reception 25
 Recording 28
 Microphone/Guitar input 31
 Clock adjustment 31
 Timer operations 33
 Maintenance 37
 Troubleshooting 38
 Specifications 39

INDICE

Características 3
 Precauciones de seguridad 4
 Precauciones de manipulación 5
 Colocación/extracción de la correa para el hombro 6
 Conexiones 7
 Alimentación 7
 Nombres de las partes y sus funciones 11
 Unidad de control remoto 13
 Conexión/desconexión de la alimentación 15
 Volumen, modo de sonido y otros controles 16
 Manipulación de discos 18
 Reproducción de CD 19
 Manipulación de cintas 23
 Reproducción de cintas de música 24
 Reproducción de cassettes 24
 Empleo de otra unidad de audio 25
 Radiorecepción 25
 Grabación 28
 Entrada de micrófono/guitarra 31
 Ajuste del reloj 31
 Operaciones por temporizador 33
 Mantenimiento 37
 Detección de problemas 38
 Especificaciones 39

SOMMAIRE

Caractéristiques 3
 Consignes de sécurité 4
 Précautions de manipulation 5
 Fixation/détachement de la bandoulière 6
 Raccordements 7
 Alimentation 7
 Noms des pièces et leurs fonctions 11
 Boîtier de télécommande 13
 Commutation marche/arrêt de l'alimentation 15
 Volume, mode de son et autres commandes 16
 Manipulation des disques 18
 Lecture de disques 19
 Lecture de cassettes 24
 Lecture de cassette 24
 Utilisation avec un autre appareil audio 25
 Réception radio 25
 Enregistrement 28
 Entrée microphonique/guitare 31
 Réglage de l'horloge 31
 Fonctionnement de la minuterie 33
 Entretien 37
 En cas de pannes 38
 Caractéristiques techniques 39

WARNING:
 TO REDUCE THE RISK OF FIRE OR ELECTRIC SHOCK, DO NOT EXPOSE THIS APPLIANCE TO RAIN OR MOISTURE.



ADVERTENCIA:
 PARA REDUCIR EL RIESGO DE INCENDIO O DE CHOQUES ELÉCTRICOS, NO EXPOGA ESTE APARATO A LA LLUVIA O A LA HUMEDAD.



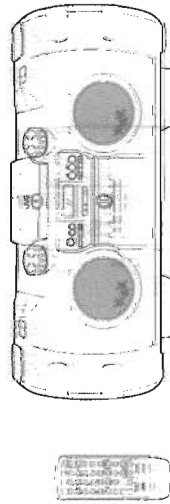
AVERTISSEMENT:
 POUR RÉDUIRE LES RISQUES D'INCENDIE OU D'ÉLECTROCUTION, NE PAS EXPOSER L'APPAREIL À LA PLUIE NI À L'HUMIDITÉ.



JVC

POWERED WOOFER CD SYSTEM
CD CON ALTA VOZ DE GRAVES Y AMPLIFICADOR INCORPORADO
CHAÎNE CD A WOOFER AMPLIFIÉ

RV-B99 BK/GY



COMPACT DISC
DIGITAL AUDIO

INSTRUCTIONS

INSTRUCCIONES
 MANUEL D'INSTRUCTIONS

For Customer Use:
 Enter below the Model No. and Serial No. which are located on the rear of the cabinet. Retain this information for future reference.
 Model No. _____
 Serial No. _____

LV70218-001A (U)

SAFETY PRECAUTIONS

PRECAUCIONES DE SEGURIDAD

CONSIGNES DE SECURITE



Prevention of Electric Shocks, Fire Hazards

1. Even when the POWER button is set to standby, a very small current will flow. To save power and for safety when not using the unit for an extended period of time, disconnect the power cord from the household AC outlet.

2. Do not handle the power cord with wet hands.

3. When unplugging from the wall outlet, always grasp and pull the plug, not the power cord.

4. Check the power cord for fraying, cracking, disconnection, or contact failure affects the cord.

5. Do not bend the cord severely, or pull or twist it.

6. Do not modify the power cord in any manner.

7. To avoid accidents, do not remove screws to disassemble the unit and do not touch the unit's wolver ducts etc.

8. Do not insert any metallic objects into the unit's wolver ducts etc.

9. Unplug the power cord when there is a possibility of lightning.

10. If water gets inside the unit, unplug the power cord from the outlet and consult your dealer.

11. Do not block the unit's ventilation holes that allow heat to escape.

12. Do not install the unit in a badly ventilated place.

Prevention of electric shocks, fire hazards

1. Incluso cuando la pila de alimentación POWER está colocada en estado espera, fluye una pequeña corriente eléctrica. Para ahorrar energía y por seguridad cuando no utilice esta unidad durante un largo periodo, desconecte el cordón eléctrico del tomacorriente de CA.

2. No manipule el cordón eléctrico con las manos húmedas.

3. Cuando lo desconecte del tomacorriente de la pared, sujétalo siempre por el enchufe, nunca por el cordón.

4. En caso de que el cordón esté húmedo por dañar, deterioración, o tallo contacto, consulte a su agente más cercano.

5. No obture en ángulo agudo al cableo, no pule ni manipule el cordón eléctrico de ninguna manera.

6. Para evitar accidentes, no extienda los tornillos para desarmar la unidad y no toque nada dentro de la misma.

7. No inserte ningún objeto metálico dentro de los ductos del altavoz de graves, etc.

8. No inserte ningún objeto metálico dentro de los ductos de salida de la unidad.

9. Desconecte el cordón eléctrico cuando haya posibilidad de rayos.

10. Si el agua penetra en la unidad, desconecte el cordón eléctrico de la pared inmediatamente y consulte a su agente.

11. No bloquee los orificios de ventilación de la unidad que permiten el escape de calor.

12. No instale la unidad en un lugar mal ventilado.

Prévention contre l'électrocution, les incendies

1. Même quand la pila de alimentation POWER est allumée, il circule un très faible courant. Pour économiser l'énergie et pour la sécurité, si l'appareil n'est pas utilisé pendant une longue période, débranchez le cordon d'alimentation de la prise secteur.

2. Ne pas saisir le cordon d'alimentation avec les mains humides.

3. Quand le déconnecte de la prise secteur, touchez toujours le cordon, pas sur le cordon.

4. Consulter le revendeur le plus proche si une panne, un ennuï ou un mauvais contact se produit avec le cordon.

5. Ne pas plier le cordon sévèrement et ne pas le tirer ni le tordre.

6. Ne pas modifier le cordon d'alimentation.

7. Pour éviter des accidents, ne pas retirer les vis pour débrancher l'appareil et ne rien toucher dans l'appareil.

8. Ne pas introduire d'objets métalliques dans les orifices de cooler de l'appareil.

9. Débrancher le cordon secteur en cas d'orage.

10. Si de l'eau pénètre dans l'appareil, débrancher le cordon secteur de la prise et ne pas toucher les trous de ventilation de l'appareil qui permettent à la chaleur de s'évacuer.

11. Ne pas installer l'appareil dans un endroit mal aéré.

When this unit is plugged into an AC outlet, it consumes a small amount of power to operate the remote control and timer, or to back up the memory. The POWER button is set to standby.

Esta unidad consume una pequeña corriente cuando se la conecta a un tomacorriente de CA, salvo para alimentar el control remoto y el temporizador, o para apoyo de la memoria del microprocesador. Al estar en modo de espera, el botón POWER no consume energía.

Lorsque cet appareil est branché à une prise secteur, il consomme un léger courant pour commander la télécommande et la minuterie, ou pour maintenir la mémoire du microprocesseur, même quand la touche POWER est en attente.

RECEIVER INFORMATION (For U.S.A.)

This equipment has been tested and found to comply with the limits for a Class B digital device, pursuant to Part 15 of the FCC Rules. These limits are designed to provide reasonable protection against harmful interference in a residential installation. This equipment generates, uses, and can radiate radio frequency energy, and if not properly installed and used in accordance with the instructions, may cause harmful interference to radio communications. However, there is no guarantee that interference will not occur in a particular installation. If this equipment does cause harmful interference to radio or television reception, which can be determined by turning the equipment off and on, the user is encouraged to try the following measures by one or more of the following measures:

- Reorient or relocate the receiving antenna.
- Increase the separation between the equipment and receiver.
- Connect the equipment into an outlet on a circuit different from that to which the receiver is connected.
- Consult the dealer or an experienced radio/TV technician for help.

IMPORTANT FOR LASER PRODUCTS (For U.S.A. only)

PRECAUTIONS

1. CLASS I LASER PRODUCT
2. DANGER: Avoid laser radiation when open and interlock failed or disabled.
3. CAUTION: Do not open the rear cover. There are no user serviceable parts inside the unit, leave all servicing in qualified service personnel.
4. CAUTION: The CD player uses invisible laser radiation and is equipped with safety switches which prevent the emission of radiation when the CD door is open. It is dangerous to delete the safety switches.
5. CAUTION: Use of controls for adjustments and the performance of procedures other than those specified herein may result in exposure to hazardous radiation.

FEATURES

- Active Circuit Suspend (ACS) circuit for enhanced sound reproduction
- Super woofer volume control
- One-touch override (COMP/PLAY)
- 35-key remote control unit operates all CD, cassette deck and tuner functions
- Shop Play/Search Play/Repeat Play/Random Play
- Full-track cassette mechanism
- Auto reverse
- Auto tape select mechanism
- Metal type I and II tape recording capability
- 2-Band digital synthesizer tuner with 45.5kHz channel spacing
- Auto preset tuning
- Timer/Clock function
- Sleep timer can be set for up to 120 minutes
- Shoulder strap and carrying handles
- Locking mechanism for CD and cassette door
- DC IN 12V jack for car battery
- Microphone/guitar input

CARACTERÍSTICAS

- Circuito ACS (ACS) para reproducción sonora elevada
- Control de volumen de super woofer
- Comandos de modo de son
- Funcionamiento de una tecla (COMP/PLAY)
- Telecomando a 35 touches que controla el sintetizador, el reproductor de CD, el cassette y el sintonizador
- Repetición/avance/retroceso/lectura aleatoria
- Grabación automática de bandas
- Sintonizador automático de banda
- Desbande metal (tipo I y II) que puede grabarse hasta 45.5 kHz de ancho de banda
- Sintonizador a sintetizador numérico de 2 bandas (45.5 kHz y 15.5 kHz)
- Síntesis automática de prefrecuencias
- Función minutero/clock
- Repetición por interrupción con función de hasta 120 minutos
- Banda de hombro para transporte
- Mecanismo de verrouillage para el cassette y CD
- Toma de entrada CC 12 V para batería automotriz
- Entrada microfono/guitarra

CARACTERÍSTICAS

- Circuit Active Circuit Suspend (ACS) para reproducción sonora elevada
- Contrôle du volume du super woofer
- Commandes de mode de son
- Fonctionnement à une touche (COMP/PLAY)
- Télécommande à 35 touches qui contrôle le synthétiseur, le lecteur CD, le lecteur cassette et le sintoniseur
- Répétition/avance/retroceso/lecture aléatoire
- Enregistrement automatique de bande
- Sintoniseur automatique de bande
- Des bande métallique (type I et II) qui peuvent être enregistrées jusqu'à 45.5 kHz de bande
- Sintoniseur à synthétiseur numérique de 2 bandes (45.5 kHz et 15.5 kHz)
- Synchronisation par recherche/manuelle
- Fonction minuterie/clock
- Répétition par interruption avec fonction de jusqu'à 120 minutes
- Bandoulière et poignées de transport
- Mécanisme de verrouillage pour le volet cassette et CD
- Prise d'entrée CC 12 V pour batterie automobile
- Entrée microphone/guitare

CARACTERÍSTICAS

- Active Circuit Suspend (ACS) circuit for enhanced sound reproduction
- Super woofer volume control
- One-touch override (COMP/PLAY)
- 35-key remote control unit operates all CD, cassette deck and tuner functions
- Shop Play/Search Play/Repeat Play/Random Play
- Full-track cassette mechanism
- Auto reverse
- Auto tape select mechanism
- Metal type I and II tape recording capability
- 2-Band digital synthesizer tuner with 45.5kHz channel spacing
- Auto preset tuning
- Timer/Clock function
- Sleep timer can be set for up to 120 minutes
- Shoulder strap and carrying handles
- Locking mechanism for CD and cassette door
- DC IN 12V jack for car battery
- Microphone/guitar input

Attention: Aération correcte

Pour prévenir tout risque électrique ou d'incendie et éviter toute déformation, placez l'appareil de la manière suivante.

1. Avant:
2. Bien séché de tout objet.
3. Bien séché de tout objet.

Ne laissez rien aux endroits indiqués dans les figures ci-dessous.

Placez l'appareil sur une surface plane et horizontale. Vérifiez à ce que sa ventilation soit libre et que les trous de ventilation soient dégagés. Ne placez pas l'appareil sur une table d'au moins six centimètres de hauteur.

Precaution: Ventilación correcta

Para evitar el riesgo de choque eléctrico y de incendio, y evitar cualquier deformación, coloque el equipo en un lugar que cumpla las siguientes condiciones:

1. Frente libre.
2. Sin obstáculos, espacio abierto.
3. Sin obstáculos, espacio abierto.

No debe haber ninguna obstrucción en los alrededores de la parte superior de la unidad.

Sitoe el equipo sobre una superficie horizontal. Verifique un espacio adecuado para permitir el paso del aire y una correcta ventilación. Situarlo en un lugar libre una mesa de 10.0 cm de altura.

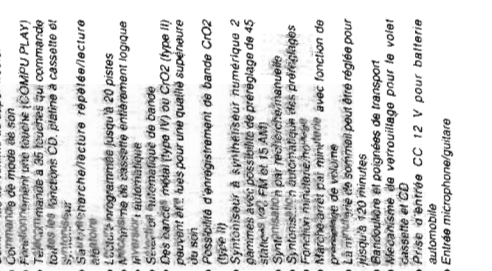
Caution: Proper Ventilation

To avoid risk of electric shock and fire, and to prevent damage, locate the apparatus as follows:

1. Front.
2. No obstructions and open spacing.
3. No obstructions and open spacing.

Bottom: Bottom: Bottom:

Place on a level surface. Maintain an adequate air path for ventilation by placing on a table with a height of 10 cm or more.



PRECAUTIONS DE MANIPULATION

PRECAUTIONS DE MANIPULATION

HANDLING PRECAUTIONS



Do not use this unit in direct sunlight where it would be exposed to high temperatures above 40°C (104°F).



No utilice esta unidad bajo la luz directa del sol donde podría quedar expuesta a temperaturas superiores a 40°C (104°F).



Ne pas utiliser cet appareil en plein soleil où il pourrait être exposé à des températures élevées au-dessus de 40°C (104°F).

When abnormal operation occurs.
• Unplug the AC power cord from the AC outlet and remove all the batteries. Then reload the batteries after a few minutes, then reconnect the AC power cord and switch the power ON.

1. Avoid installing in the following places
• Where it could be subject to vibrations.
• Where it is excessively humid, such as in a bathroom.
• Where it could be magnetized by a magnet or speaker.

2. Pay attention to dust
• The CD door or the CD case that dust does not collect on the lens.
3. Condensation
In the following cases, condensation may occur in the unit, in which case the unit may not operate correctly.
• In a room where a heater has just been switched on.
• In a place where there is smoke or high humidity.
• When the unit is moved directly from a cold to a warm room.

In these cases, set the POWER button to standby and wait 1 or 2 hours before use.
4. Volume setting
CDB produce very little noise compared with analog sources. If the volume level is adjusted for these sources, the speakers may produce a distorted sound or a high output level. Therefore, lower the volume before operation and adjust it as required during play.

5. Safety mechanism
This unit incorporates a safety interlock mechanism which switches the laser beam on and off, so that when the CD door is open, the laser beam stops automatically.
6. Do not use cassette tapes, etc. near the speakers
Since there are magnets in the speakers, do not place tapes or magnetic cards on them as recorded data could be erased.

7. Keep this unit away from your TV
When this unit is used near a TV, the TV picture could be distorted. If this happens, move the unit away from the TV. If this does not solve the problem, turn off both the unit when the TV is turned on.
8. Cleaning the cabinet
If the cabinet gets dirty, wipe it with a soft, dry cloth. Never use benzene or thinner as these could damage the surface finish.

Quando ocorre uma falha de funcionamento.
• Desconecte o cordão de CA da tomada e retire as pilhas. Depois de alguns minutos, reconecte as pilhas e reconecte o cabo de alimentação de CA e ligue o aparelho.

1. Evite instalar em los seguintes lugares
• Onde possa ser submetido a vibrações.
• Onde haja humidade excessiva, tal como em um quarto de banho.
• Onde possa ser magnetizada por um ímã ou altavoz.

2. Preste atenção ao pó
Ajuste o nível de volume do CD para evitar que o pó se deposite sobre a lente.
3. Condensação
Em los seguintes casos, puede producirse condensación dentro de la unidad y en consecuencia la unidad no funcionará correctamente.
• En un lugar donde haya humo o gran humedad.
• Cuando se trasladó rápidamente la unidad de una sala fría a una templada.
En estos casos, coloque el botón POWER en espera (conectabilidad) y espere 1 o 2 horas antes de utilizarla.

4. Ajuste del volumen
Los discos CD producen muy poco ruido en comparación con los fuentes analógicas. Si ajusta el nivel de volumen para estas fuentes, es posible que los altavoces sean dañados por el incremento brusco del nivel de salida. Por ello, reduzca el volumen antes de la operación y ajústelo como desee durante la reproducción.
5. Mecanismo de seguridad
Este aparato incorpora un mecanismo de interbloqueo que desconecta el láser y conecta el rayo láser de tal manera que cuando se abre el portadisco de CD, el rayo láser se inmediatamente desconecta.
6. No coloque casasetes de cinta, etc., próximos a los altavoces
Como hay ímanes en los altavoces, no coloque cintas o tarjetas magnéticas sobre ellos, ya que se podría borrar los datos que pueden ser borrados.

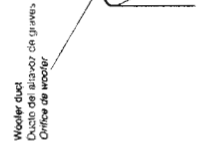
7. Mantenga esta unidad lejos de su TV
Cuando se usa esta unidad próxima a un TV, la imagen de éste puede ser distorsionada. Si ello ocurre, mueva esta unidad lejos del TV. Si esto no corrige el problema, avise usar esta unidad cuando el TV está encendido.
8. Limpieza del gabinete
Si el gabinete se ensucia límpielo con un paño suave y seco. Nunca utilice bencina o solventes ya que estos pueden dañar la terminación de la superficie.

9. When listening with headphones
• Do not listen at high volumes as this could damage your hearing.
• For safety, do not drive while listening to music.

10. Pay attention to the following
• Do not place the unit on an incline.
• Do not apply shock to the unit.
• For safety, retract the antenna so that it doesn't get hooked or broken during transport.

Carrying handle

This unit is equipped with a carrying handle at each end. Be sure to hold both handles when you carry the unit. If you carry the unit by only one handle, because of the length of the unit (69 cm (27-3/16")), the end may drag on the ground and be damaged as a result.
• Do not lift the unit by the woofer duct, and do not insert any metallic objects into them.

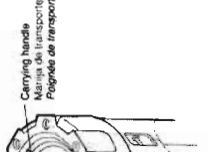


9. Cuando escuche con auriculares
• No escuche con el volumen muy alto porque podría dañarse sus oídos.
• Por seguridad no conduzca mientras escucha música.

10. Preste atención lo siguientes
• No coloque la unidad en un lugar inclinado.
• No la golpee.
• Para seguridad, retraiga la antena de tal manera que no se enganche o rompa durante el transporte.

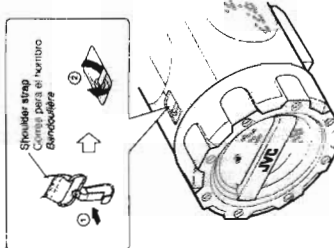
Manija de transporte

Esta unidad está equipada con una manija de transporte en cada extremo. Asegúrese de sujetar ambas manijas cuando lleve la unidad. Si usted lleva la unidad sujetando solo una manija y debido a la longitud de la unidad (69 cm), el extremo puede tocar el suelo y dañarse como resultado.
• No levante la unidad por los ductos del altavoz de graves ni inserte ningún objeto metálico dentro de los mismos.



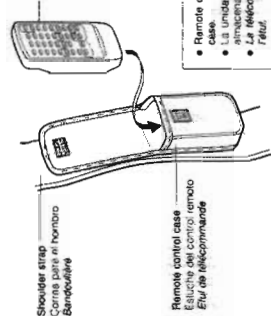
SHOULDER STRAP ATTACHMENT/ DETACHMENT

• ATTACHMENT
As shown in the illustration below, press in the metal fitting at (1) and hook over (2).
• DETACHMENT
Press in the metal fitting at (1) and unhook.



COLOCACION/EXTRACCION DE LA CORREA PARA EL HOMBRO

• COLOCACION
Presione el accesorio de metal en (1) y enganche como se muestra en la ilustración de abajo.
• EXTRACCION
Presione el accesorio de metal en (1) y desenganche.



9. Lors de l'écoute avec un casque d'écoute
• Ne pas écouter à volume trop élevé car cela risque de provoquer des troubles de l'oreille.
• Pour la sécurité, ne conduisez pas pendant que vous écoutez de la musique.

10. Faire attention aux choses suivantes
• Ne pas placer l'appareil sur un plan incliné.
• Ne pas faire subir des chocs à l'appareil.
• Pour des raisons de sécurité lors du transport, retenir l'antenne pour qu'elle ne soit pas recourbée ou cassée.

Pegajosa de transporte

Cet appareil dispose d'une poignée de transport à chaque extrémité. Assurez-vous de saisir les deux poignées lorsque vous portez l'appareil. Si vous portez l'appareil seulement par une poignée, à cause de la longueur de l'appareil (69 cm), l'autre extrémité peut cogner le sol et être par conséquent endommagée.
• Ne pas lever l'appareil par les orifices de woofer, et ne pas insérer d'objets métalliques dans ces orifices.

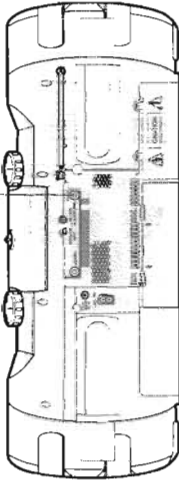
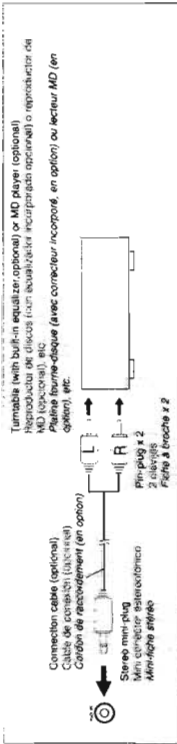
FIXATION/RETRAIT DE LA BANDOULIÈRE

• FIXATION
Appuyez sur la partie métallique (1) et crocheter comme montré dans l'illustration ci-dessous.
• RETRAIT
Appuyez sur la partie métallique (1) et décrocher.

• Remote control unit may be stored in the case.
• La unidad de control remoto puede ser almacenada en el estuche.
• Le télécommande peut être rangée dans l'étui.

CONNECTIONS RACCORDEMENTS

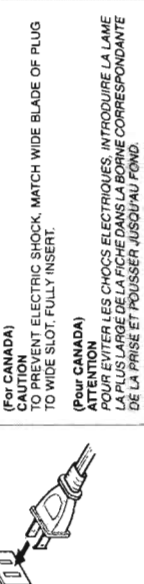
- Do not switch the power on until all connections are completed.
- No pas mettre l'appareil sous tension tant que tous les raccordements ne sont pas terminés.
- Connection of external audio units etc.
- Raccordement d'appareils audio externes
- Connection with a turntable or MD player, etc.
- Raccordement avec une platine tourne-disque ou un lecteur MD, etc.



- Note:**
- Do not install the unit near a TV, otherwise the TV picture color will become distorted. If this occurs, move the TV away from the unit, then turn off the TV and turn it on again after 15 to 30 minutes. The TV's automatic degaussing circuit will correct the picture.
 - Ne pas installer l'appareil près d'un téléviseur, sinon la couleur de l'image TV deviendra déformée. Si ceci se produit, aligner le téléviseur, déplacer l'appareil, puis couper le téléviseur pendant 15 à 30 minutes. Le circuit de dégaussage automatique du téléviseur corrigera l'image.

POWER SUPPLY ALIMENTATION

- A. Operation on house hold AC**
- Connect the AC power cord after all other connections have been made.
 - Opération con tomacorriente de CA
 - Brancher le cordon d'alimentation CA une fois terminés tous les autres raccordements ont été effectués.
- ALIMENTATION**
- A. Fonctionnement sur le secteur**
- Brancher le cordon d'alimentation CA une fois effectués tous les autres raccordements ont été effectués.



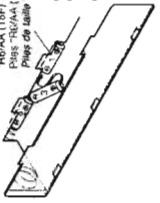
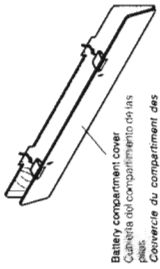
- The provided AC power cord for this unit has certain one-way direction connections to prevent electric shock. Refer to the illustration for correct connection.
- El cordon de CA suministrado con esta unidad tiene ciertas conexiones en un solo sentido para prevenir electrochoques. Referirse a la ilustración para su conexión correcta.
- CAUTIONS:**
- ONLY USE WITH JVC POWER CORD PROVIDED WITH THIS UNIT TO AVOID UNEXPECTED OR DAMAGE TO THE UNIT.
 - BE SURE TO UNPLUG THE POWER CORD FROM THE OUTLET WHEN GOING OUT OR WHEN THE UNIT IS NOT IN USE FOR AN EXTENDED PERIOD OF TIME.
- PRECAUTIONS:**
- PARA EVITAR FALLAS O DAÑOS EN LA UNIDAD UTILICE EL CORDON DE ALIMENTACION DE JVC SUMINISTRADO CON ESTA UNIDAD.
 - SEGURAMENTE DESCONECTAR EL CORDON DE ALIMENTACION DEL TOMACORRIENTE CUANDO SALGA O CUANDO NO VAYA A UTILIZAR LA UNIDAD POR UN LARGO PERIODO.

B. Batteries for memory back-up system memoria

It is recommended that batteries be loaded to prevent the preset station memory and timer. (AC from being erased when there is a power outage.) When the AC power cord is disconnected.

Se recomienda instalar las pilas para evitar que se borre la memoria de las estaciones de radio preestablecidas y el temporizador. (Evitar que se borre la memoria de las estaciones de radio preestablecidas y el temporizador cuando se desconecta el cordón de CA.)

- Loading batteries**
Load three "RBAA (15F)" size batteries (optional) into the battery compartment.
- Colocación de las pilas**
Cobijete tres pilas tamaño "RBAA (15F)" (opcionales) dentro del compartimiento de las pilas.



- When removing the batteries, remove battery number 3 first.
- Para extraer las pilas, retire el cordón de la pila número 3.
- En retirant les piles, retire d'abord la pile numéro 3.

Notes:

- The three "RBAA (15F)" size batteries supply the power to the memory back-up system which prevents the contents of memory being lost when there is a power outage, or the power is disconnected. The power cord is not consumed when the power cord is connected to the household AC outlet.
- When the memory backup function is activated, the time is not displayed to reduce the power consumption.
- When the power cord is not connected or the "R20D (13F)" size batteries are not loaded, the batteries should be replaced with new batteries within 24 hours.
- Connect the power cord when replacing batteries in order to backup the memory.

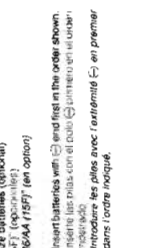
Remarques:

- Las tres pilas tamaño "RBAA (15F)" suministran alimentación para el sistema de apoyo de memoria que evita que se pierda el contenido de la memoria en caso de un apagado de la energía o cuando se desconecta el cordón de alimentación. Las pilas no se consumen cuando se desconecta el cordón de alimentación o cuando el temporizador de CA está activado. La hora no es indicada para reducir el consumo de energía.
- Cuando el temporizador de alimentación del adaptador de CA no está conectado o las pilas "R20D (13F)" no se han cargado, las pilas deben ser reemplazadas por nuevas cada 12 meses aproximadamente.
- Al reemplazar las pilas, conecte el cordón de alimentación del adaptador de CA para alimentar la memoria.

B. Piles pour le système de soutien mémoire

Il est recommandé de mettre en place des piles pour éviter l'effacement de la mémoire des stations préprogrammées et du temporisateur. (Éviter l'effacement de la mémoire des stations préprogrammées et du temporisateur quand le cordon d'alimentation secteur est débranché.)

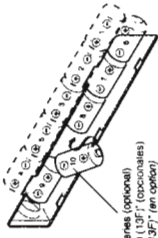
- Mise en place des piles**
Mettre en place trois piles de taille "RBAA (15F)" (en option) dans le compartiment des piles.



- Insert batteries with (+) end first in the order shown.
- Insérer les piles avec le pôle (+) en premier dans l'ordre indiqué.
- Introduce the piles with (+) terminals first in the order shown.
- Insérer les piles avec le pôle (+) en premier dans l'ordre indiqué.

C. Operation on batteries

- Loading batteries**
- Remove the battery cover by pulling it toward the arrow.
 - Insert 10 "R20D (13F)" size batteries as shown in the diagram.
 - Be careful to insert the batteries with the (+) and (-) terminals positioned correctly.
 - Replace the cover.



C. Fonctionnement sur piles

- Mise en place des piles**
- Retirez le couvercle des piles en tirant le couvercle vers vous tout en appuyant sur les crochets marqués de flèches.
 - Introduire 10 piles de taille "R20D (13F)" comme montré sur le schéma.
 - Faire attention de bien introduire les piles avec les bornes (+) et (-) positionnées correctement.
 - Remettre en place le couvercle.

Battery replacement

When the batteries are nearly exhausted, the following symptoms may appear. In this case, replace the batteries with the fresh ones. (Do not use fresh ones and old ones together.)

● **For the memory back-up**
When the AC power cord is unplugged, the stored memory (time/clock setting/preset tuning) is lost. To prevent this, it is recommended that the AC power cord be used when recording important material or listening to a CD.

● **For better battery usage**
Continuous operation of the unit causes the battery power to be consumed quicker than non-continuous operation. When the battery power in a cold place causes the battery to be consumed more quickly than in a warm place.

● **For power supply**
The use of household AC is recommended, when continuous operation of the unit is required over a longer period of time.

CAUTIONS:

- **DO NOT USE THE UNIT FOR A LONG TIME (MORE THAN TWO WEEKS) OR WHEN ALWAYS USING HOUSEHOLD AC. REMOVE THE BATTERIES TO AVOID A MALFUNCTION OR DAMAGE TO THE UNIT.**
- **WHEN THE JVC POWER CORD PROVIDED WITH THIS UNIT IS CONNECTED, THE UNIT WILL BE SUPPLIED WITH POWER FROM THE BATTERIES TO THE HOUSEHOLD AC. EVEN WHEN THE BATTERIES ARE LOADED, HOWEVER, REMOVE THE BATTERIES WHEN USING THE POWER CORD.**

CAUTIONS WHEN USING BATTERIES

- When batteries are used incorrectly, they result in the leakage of chemicals from the batteries or they may explode. The following care should be taken:
 - Check that the positive (+) and negative (-) terminals of the batteries are positioned correctly and lead them as shown in the diagram.
 - Do not try to recharge old batteries together or mix different types of batteries.
 - Do not try to recharge non-rechargeable batteries.
 - Remove the batteries when the unit is not to be used for an extended period of time.
 - If chemicals from the batteries come in contact with your skin, wash it off immediately with water. If chemicals leak onto the unit, clean the unit completely.

Reemplazo de las pilas

Cuando las pilas están casi agotadas, aparecerán los siguientes síntomas. En este caso reemplácelas por pilas nuevas. (No use pilas nuevas y viejas conjuntamente.)

● **Para el respaldo de memoria**
Cuando se desconecta el cable de CA, la memoria almacenada (hora/clock/ajustes de sintonización) se pierde. Para evitar esto, se recomienda utilizar el cable de alimentación de CA cuando graba material importante o escucha un CD.

● **Para una mejor utilización de las pilas**
Si se usa aparatos se utiliza continuamente, las pilas se gastarán más rápido que si se utiliza de vez en cuando. Cuando las pilas se encuentran en un lugar frío, las pilas se consumen más rápidamente que si se utilizan en un lugar cálido.

● **Para el suministro de energía**
Se recomienda utilizar CA del hogar cuando se requiere operar la unidad continuamente durante un largo período.

PRECAUCIONES:

- **SI NO VA A UTILIZAR LA UNIDAD DURANTE LARGO TIEMPO (MÁS DE DOS SEMANAS) O CUANDO UTILICE CA PARA SEGUIR, EXTRAIGA LAS PILAS PARA EVITAR FALLAS DE FUNCIONAMIENTO O DAÑOS A LA UNIDAD.**
- **CUANDO SE CONECTA EL CORDÓN DE ALIMENTACIÓN JVC DE ESTA UNIDAD, LA UNIDAD SERÁ ALIMENTADA POR LA UNIDAD AUTOMÁTICAMENTE DE LAS PILAS AUN CUANDO LAS PILAS ESTÉN CARGADAS. SIN EMBARGO, RECOMENDAMOS QUE EXTRAIGA LAS PILAS CUANDO UTILIZA EL CORDÓN DE ALIMENTACIÓN.**

PRECAUCIONES PARA EL USO DE LAS PILAS

- Si las pilas son incorrectamente usadas, ellas pueden resultar en fugas de productos químicos de las pilas o pueden explotar. Es necesario tomar las siguientes precauciones:
 - Verifique que los terminales (+) y (-) negativos de las pilas estén conectados correctamente de acuerdo al diagrama.
 - No mezcle pilas nuevas y viejas, ni mezcle diferentes tipos de pilas.
 - No intente recargar las pilas que no se han recargado.
 - Extraiga las pilas cuando no vaya a utilizar la unidad durante un largo período.
 - Si las pilas químicas provenientes de las pilas están en contacto con su piel, lávelas inmediatamente con agua. Si las pilas químicas caen sobre esta unidad, límpiela completamente.

Remplacement des piles

Lorsque les piles sont pratiquement usées, les symptômes suivants peuvent apparaître. Dans ce cas, remplacez les piles par des piles neuves de plus haute capacité.

● **Pour l'appareil principal**
Un mauvais alignement se produit pendant la lecture CD et le son est déformé par moments pendant la lecture de la cassette. Lorsque ces symptômes se produisent, l'ACC (appareil principal) doit être réaligné. L'alimentation est coupée au bout d'une minute.

● **Pour le soutien mémoire**
Si le cordon d'alimentation secteur est débranché, le contenu de la mémoire (registre de la minuterie/registre de l'horloge/stations mémorisées) est effacé. Utilisez le cordon d'alimentation secteur pour faire un enregistrement important ou écouter un CD.

● **Pour une meilleure utilisation des piles**
Si l'appareil est utilisé en continu sans arrêt, les piles s'useront plus rapidement que si elles sont utilisées de temps en temps. Lorsque les piles se trouvent dans un endroit froid, l'appareil est utilisé dans un endroit chaud, l'appareil est utilisé dans un endroit chaud.

● **Pour l'alimentation**
L'utilisation du secteur CA est recommandée quand le fonctionnement continu de l'appareil est nécessaire pendant une longue durée.

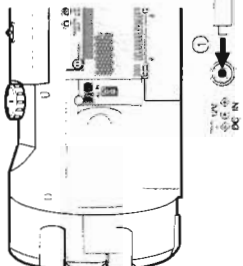
PRECAUTIONS:

- **SI L'APPAREIL N'EST PAS UTILISÉ PENDANT UNE LONGUE PÉRIODE (PLUS DE DEUX SEMAINES) OU S'IL EST TOUJOURS UTILISÉ SUR LE SECTEUR, RETIREZ LES PILLES POUR ÉVITER UN MAUVAIS FONCTIONNEMENT OU DES DOMMAGES À L'APPAREIL.**
- **LORSQUE LE CORDON D'ALIMENTATION JVC DE CETTE UNITÉ EST CONNECTÉ, L'UNITÉ SERA ALIMENTÉE AUTOMATIQUEMENT COMMUNÉE DES PILAS SUR LE SECTEUR CA MÊME QU'AND LES PILLES SONT EN PLACE. PAR CONSÉQUENT, RETIREZ LES PILLES EN UTILISANT LE CORDON D'ALIMENTATION.**

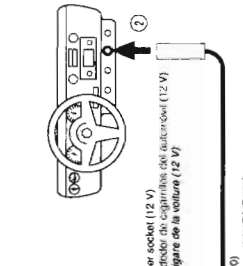
PRECAUTIONS EN UTILISANT DES PILLES

- Si les piles ne sont pas utilisées correctement, il peut y avoir une fuite de produits chimiques des piles ou elles peuvent exploser. Les précautions suivantes doivent être prises:
 - Vérifiez que les terminales (+) ou (-) négatives des piles sont connectées correctement et les introduire comme montré sur le schéma.
 - Ne pas mélanger ensemble des piles neuves et des piles usées, ni mélanger différents types de piles.
 - Ne pas essayer de recharger des piles non-rechargeables.
 - Retirez les piles quand l'appareil n'est pas utilisé pendant une longue période.
 - Si des produits chimiques des piles viennent en contact avec votre peau, lavez immédiatement avec de l'eau. Si des produits chimiques coulent sur l'appareil, nettoyez complètement l'appareil.

D. Operation on car battery (DC 12 V)



D. Funcionamiento con batería de automóvil (12 V de CC)



D. Fonctionnement sur une batterie automobile (CC 12 V)

To car's cigarette lighter socket (12 V)
Al enchufe del encendedor de cigarrillos del automóvil (12 V)
Vers la prise allume-cigare de la voiture (12 V)

Options available on select JVC model CA-R120
Adaptador disponible en una selección de modelos JVC CA-R120
Adaptateur automobile exclusif optionnel (modèle JVC CA-R120)

● Primero conecte el adaptador al jack DC IN 12V, no al enchufe del encendedor de cigarrillos, porque si por error conecto una clavija del automóvil, puede quemarse el fusible y causar un cortocircuito que produzca un incendio entre las clavijas.

● Premièrement, raccordez l'adaptateur automobile à la prise DC IN 12 V, pas à la prise de l'allume-cigare, car faire un court-circuit en branchant une clavija de votre voiture dans le jack DC IN peut provoquer un incendie entre les fiches.

CAUTIONS WHEN USING THIS UNIT IN A CAR

- When using a car battery, be sure to use the specified car adapter (JVC model CA-R120) for different models or damage resulting from different polarity design.
- For safety, stop the car before performing operations.
- Do not start the engine when you use the car adapter, otherwise the car battery will be exhausted.
- During transport, stabilize the unit in a box.
- This unit is not waterproof or dustproof. To prevent malfunctions, do not leave the unit in a car for long periods.
- Plug the power cord from the AC IN jack when using the unit with a car adapter.

PRECAUCIONES PARA USAR ESTA UNIDAD EN UN AUTOMÓVIL

- Cuando utilice una batería de automóvil, emplee el adaptador específico (JVC modelo CA-R120) para evitar fallas o daños por diferentes tipos de polaridad.
- Por seguridad, pare el automóvil antes de efectuar estas operaciones.
- No arranque el motor cuando use el adaptador de la batería de la unidad, sino que estabilice la unidad en una caja, etc.
- Esta unidad no es impermeable ni a prueba de polvo. Para evitar fallas no deje la unidad en un automóvil por largo tiempo.
- Conecte el cable de alimentación de la toma AC IN cuando emplee la unidad con un adaptador para automóvil.

PRÉCAUTIONS POUR UTILISER CET APPAREIL DANS UNE VOITURE

- En utilisant une batterie automobile, bien utiliser l'adaptateur automobile spécifique (modèle JVC CA-R120) pour éviter tout problème ou endommagement résultant d'une polarité différente.
- Pour des raisons de sécurité, arrêter la voiture avant d'effectuer des opérations.
- Bien faire tourner le moteur quand vous utilisez l'adaptateur automobile, sinon la batterie de la voiture sera déchargée.
- Pendant le transport, stabiliser l'appareil dans une boîte, etc.
- Cet appareil n'est pas imperméable ni protégé contre le pollen. Pour éviter des pannes, ne laissez pas l'appareil dans une voiture pendant de longues périodes.
- Débrancher le cordon d'alimentation de la prise AC IN en utilisant l'appareil avec un adaptateur automobile.

NOMES DES PIECES ET LEURS FONCTIONS

Section sintoniseur/platine

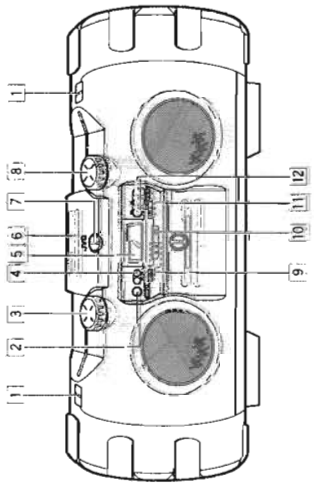
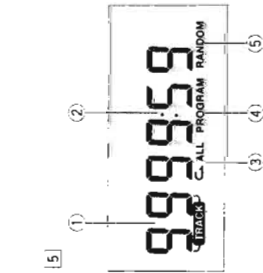
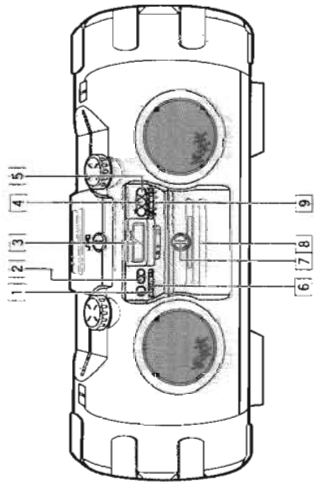
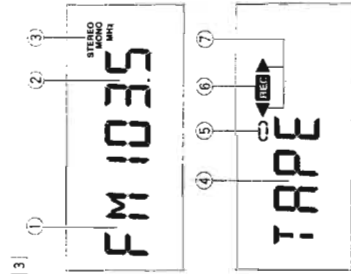
Section sintonizador/platina

Tuner/Deck section

Section lecteur CD/général

Generalidades

CD player/General section



- 1) Toucher pour la bande qu'on écoute
- 2) Bouton ALIX
- 3) Fenêtre d'affichage
- 4) Affichage de la fréquence radio
- 5) Affichage de la durée pendant une émission FM (STEREOMONO)
- 6) Affichage de la bande
- 7) Indicateur de mode d'inversion (C/D)

- 1) Botón PRESET TUNING/BEAT CUT
- 2) Botón ALIX
- 3) Ventanilla de indicación
- 4) Indicación de la frecuencia de radio
- 5) Indicación de la duración de una reproducción de FM (STEREOMONO)
- 6) Indicación de la cinta
- 7) Indicador de modo de inversión (C/D)
- 8) Indicador de grabación (REC)
- 9) Indicadores de sentido de delimitación de la banda (←) (→)

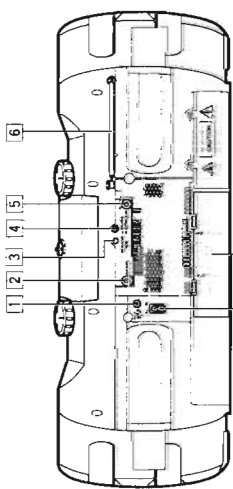
- 1) PRESET TUNING/BEAT CUT button
- 2) ALIX button
- 3) Display window
- 4) Radio display
- 5) Band frequency display
- 6) Mode display during FM broadcast (STEREOMONO)
- 7) Tape display
- 8) Reverse mode indicator (C/D)
- 9) Recording indicator (REC)
- 10) Band direction indicators (←) (→)
- 11) TAPE button
- 12) Press to select the tape mode.
- 13) Press to turn the power on.
- 14) TUNER BAND/FM mode button
- 15) Press to select the tuner mode.
- 16) ONES button
- 17) Press to turn the power on.
- 18) LOCK/RELEASE knob
- 19) Cassette holder
- 20) RELEASE: To open the cassette holder.
- 21) MULTI CONTROL button
- 22) (When the mode is set to TAPE)
- 23) ← REW : Press to rewind the tape.
- 24) STOP : Press to stop the tape.
- 25) FF : Press to fast forward the tape.
- 26) (When the mode is set to TUNER)
- 27) ←→ : Auto tuning/Manual tuning.

- 1) Crochet pour la bande qu'on écoute
- 2) Bouton d'alimentation (POWER)
- 3) Bouton de commande SUPER WOOFER
- 4) VOLUME
- 5) Fenêtre d'affichage
- 6) Affichage de fonction/numéro de piste
- 7) Affichage de la durée de lecture
- 8) Indicateur de lecture rapide (C, ALL)
- 9) Indicateur de mode programmé (PROGRAM)
- 10) Indicateur de lecture aléatoire (RANDOM)
- 11) Voir page 31 pour l'affichage du réglage de l'horloge.
- 12) Bouton LOCK/RELEASE
- 13) Pour arrêter le veldit CD
- 14) Pour sélectionner le mode CD
- 15) Bouton de commande VOLUME
- 16) Bouton ACTIVE CLEAR SOUND et indicateurs ACS
- 17) Section de télécommande (REMOTE SENSOR)
- 18) Les signaux de télécommande sont reçus
- 19) Touches MULTI CONTROL
- 20) Pour sélectionner le mode CD
- 21) ←→ : Appuyer pour localiser le début d'une piste pendant la saut de lecture
- 22) Appuyer pour l'avance rapide/le rebobinage pendant la recherche
- 23) Appuyer pour arrêter la reproduction programmée.
- 24) Toucher CD
- 25) Appuyer pour sélectionner le mode CD
- 26) Appuyer pour la lecture/pause
- 27) Appuyer pour mettre l'alimentation en marche.

- 1) Shoulder strap hook
- 2) POWER button
- 3) SUPER WOOFER VOLUME control knob
- 4) SOUND button
- 5) Display window
- 6) Function/Track number display
- 7) Repeat play indicator (C, ALL, PROGRAM)
- 8) Program play indicator (RANDOM)
- 9) See page 31 for clock adjustment display
- 10) CD door
- 11) LOCK/RELEASE knob
- 12) LOCK: To secure the CD door.
- 13) RELEASE: To open the CD door.
- 14) VOLUME control knob
- 15) ACTIVE CLEAR SOUND button and ACS
- 16) REMOTE SENSOR section
- 17) Remote control signals are received here.
- 18) MULTI CONTROL buttons
- 19) (When the mode is set to CD)
- 20) Press to locate the beginning of a track during skip play.
- 21) Press to fast-forward/rewind
- 22) Press to search play.
- 23) Press to stop program play.
- 24) Press to cancel program play.
- 25) CD button
- 26) Press to select the CD mode.
- 27) Press to play/pause.
- 28) Press to turn the power on.

- 1) Botón PRESET TUNING/BEAT CUT
- 2) Botón ALIX
- 3) Ventanilla de indicación
- 4) Indicación de la frecuencia de radio
- 5) Indicación de la duración de una reproducción de FM (STEREOMONO)
- 6) Indicación de la cinta
- 7) Indicador de modo de inversión (C/D)
- 8) Indicador de grabación (REC)
- 9) Indicadores de sentido de delimitación de la banda (←) (→)
- 10) Botón TAPE
- 11) Presione para seleccionar el modo de cinta.
- 12) Presione para seleccionar la alimentación de la cinta.
- 13) Presione para seleccionar el modo de sintonizador.
- 14) Presione para conectar la alimentación (ONES)
- 15) Presione para seleccionar la banda.
- 16) Botón ONE TOUCH REC
- 17) Presione para conectar la alimentación (LOCK)
- 18) Presione para rebobinar la cinta.
- 19) Botón MULTI CONTROL
- 20) (Cuando el modo está ajustado en TAPE)
- 21) ← REW: Presione para rebobinar la cinta.
- 22) STOP: Presione para parar la cinta.
- 23) FF: Presione para avanzar rápidamente la cinta.
- 24) (Cuando el modo está ajustado en TUNER)
- 25) ←→: Sintonización automática/sintonización manual.

Rear panel



- 1) DC IN 12V Jack (Φ6.3)
- 2) Headphone Jack (PHONES) (6.5 mm dia. stereo mini plug)
- 3) Connect headphones (impedance 16Ω to 1kΩ) to this Jack.
- 4) Speaker sound is automatically switched off when the headphones are connected.
- 5) MIC/GUITAR INPUT Jack (6.3mm dia. plug)
- 6) MIC LEVEL (MIC/GUITAR LEVEL) (M) control knob (microphone/guitar)
- 7) AUX IN (AUX input) Jack
- 8) Telescopic antenna
- 9) AC IN (AC input) Jack
- 10) Battery compartment cover

Panel trasero

Panneau arrière

- 1) Jack DC IN 12 V (Φ6.3)
- 2) Jack de auriculares (PHONES) (mini clavija estéreo de 3,5 mm de diám.)
- 3) Conecte los auriculares (impedancia de 16 Ω a 1kΩ) a este jack.
- 4) El sonido del altavoz se desconecta automáticamente cuando se conectan los auriculares.
- 5) Jack MIC/GUITAR INPUT (entrada de micrófono/guitarra) (clavija de 6,3 mm de diám.)
- 6) Botón de control MIC LEVEL (MIC/GUITAR LEVEL) (M)
- 7) Jack AUX IN (entrada AUX)
- 8) Antena telescópica
- 9) Jack AC IN (entrada de CA)
- 10) Cubierta del compartimiento de pilas

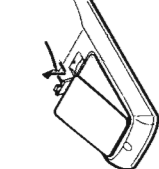
- 1) Pista de control CC 12 V (DC IN) (Φ6.3)
- 2) Pista de casaca de auriculares (PHONES) (mini clavija estéreo de 3,5 mm de diámetro)
- 3) Branchez un casaca d'écoute (impédance de 16 Ω à 1 kΩ) à cette prise.
- 4) Le son des haut-parleurs est coupé automatiquement lorsqu'un casaca est branché.
- 5) Prise d'entrée microphone/guitare (MIC/GUITAR INPUT) (clavija de 6,3 mm de diamètre)
- 6) Bouton de commande de niveau microphone/guitare (MIC LEVEL) (M/GUITAR LEVEL) (M)
- 7) Piste d'entrée auxiliaire (AUX IN)
- 8) Couverture du compartiment des piles

REMOTE CONTROL UNIT

Preparation before use

- Installing batteries in the remote control unit
 1. Remove the battery cover from the back of the unit.
 2. Insert two REAAA (1.5F) size batteries.
 3. Insert the batteries with the (+) and (-) terminals matching the indication inside the battery compartment.
 4. Replace the cover.

Batteries are not provided with this unit.



- Battery replacement

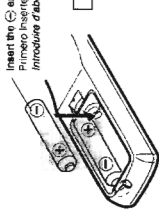
When the remote control operation becomes unstable or the distance from which remote control is possible decreases, replace the batteries.

UNIDAD DE CONTROL REMOTO

Preparativos antes usarla

- Instalación de las pilas en la unidad de control remoto
 1. Extraiga la tapa de las pilas de la parte posterior de la unidad de control remoto.
 2. Inserte las pilas con las terminales (+) y (-) de acuerdo a la indicación en el interior del compartimiento de las pilas.
 3. Revuelva la tapa.

No se han suministrado pilas con esta unidad.



- Reemplazo de las pilas

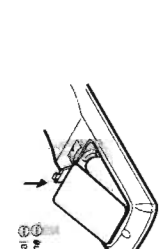
Si el funcionamiento de controlador remoto se vuelve inestable o si la distancia de funcionamiento se vuelve más corta, reemplace las pilas.

BOITIER DE TELECOMMANDE

Préparatifs avant utilisation

- Mise en place des piles dans le boîtier de télécommande
 1. Retirez le couvercle des piles du dos du boîtier.
 2. Introduisez deux piles de taille REAAA (1.5F). Les piles doivent être insérées en respectant les indications des bornes (+) et (-) dans le compartiment des piles.
 3. Remettez en place le couvercle.

Les piles ne sont pas fournies avec cet appareil.



- Remplacement des piles

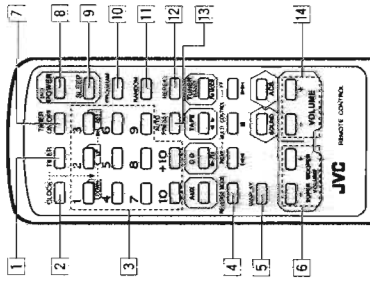
Si le fonctionnement de la télécommande devient instable ou si la distance de fonctionnement devient plus courte, remplacez les piles.

Using the remote control unit

- Point at the remote sensor and operate within about 7 m (approx. 23 ft).
- The remote control range is less when the unit is used at an angle.
- Do not expose the remote sensor to strong direct sunlight or artificial lighting.
- Make sure that there are no obstacles between the remote and the unit.
- If the radio reception is okay, move the remote control unit away from the main unit.

The following operations can be performed using the remote control unit.

- Check the operation button functions carefully and operate them correctly.



- 1) TIMER button
Press to change the mode to TIMER.
- 2) CLOCK button
Press to adjust the clock.
- 3) Number buttons (1-10, +10)
When the mode is set to CD) Press to play specific tracks or to program stops. (When the mode is set to TUNER) (When the mode is set to TUNER) Press to select preset stations.
- 4) REVERSE MODE button
When the mode is set to TUNER, press to select preset stations.
- 5) DISPLAY button
Press to display the mode.
- 6) SUPER WOOFER VOLUME buttons (+/-)
Press ON/OFF button.
- 7) POWER (AC) button
When the main unit power is supplied from batteries, pressing this button will not turn on the main unit power. (In the case, press the POWER button on the main unit.)
- 8) SLEEP button
Press to set the program play mode to SLEEP.
- 9) PROGRAM button
Press to set the program play mode to PROGRAM.
- 10) REPEAT button
Press to set the program play mode to REPEAT.
- 11) AUTO PRESET button
Press to set the program play mode to AUTO PRESET.
- 12) VOLUME buttons (+/-)
Press to adjust the volume.

Utilización de la unidad de control remoto

- Apuntela hacia el sensor remoto y hágala funcionar dentro de un radio de 7 m. aprox.
- El radio de acción del controlador remoto es menor cuando se lo apunta en ángulo.
- No exponga el sensor remoto a la luz directa del sol o a fuerte iluminación artificial.
- Asegúrese de que no haya obstáculos entre el controlador remoto y la unidad principal.
- Si la recepción de radio tiene ruido, aleje el control remoto de la unidad principal.

Las siguientes operaciones deben ser ejecutadas utilizando la unidad de control remoto.

- Compruebe detalladamente el funcionamiento de los botones de operación y opérelos correctamente.

Utilisation du boîtier de télécommande

- Pointer le boîtier de télécommande vers la section de détection et l'utiliser dans une limite de 7 m environ.
- La portée de la télécommande devient plus courte quand le boîtier est utilisé en forment un angle.
- Ne pas exposer la section du détecteur de la télécommande à la lumière forte (soit du soleil ou d'éclairage artificiel).
- S'assurer qu'il n'y a pas d'obstacles entre la section du détecteur de télécommande et la section de l'appareil principal.
- Si la réception radio est bruitée, éloigner la télécommande de l'appareil principal.

Le fonctionnement suivant peut être effectué en utilisant le boîtier de télécommande.

- Bien étudier les fonctions des touches de fonctionnement et les utiliser correctement.

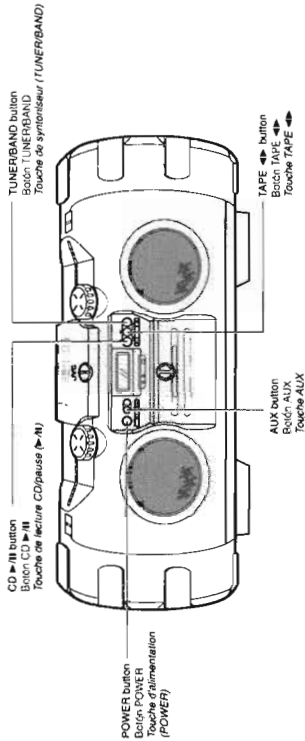
- 1) Touche de minuterie (TIMER)
Appuyer pour passer en mode de minuterie.
- 2) Touche d'horloge (CLOCK)
Appuyer pour régler l'horloge.
- 3) Touches numériques (1 à 10, +10)
Lorsque le mode est réglé sur CD) Appuyer pour sélectionner des pistes programmées.
Lorsque le mode est réglé sur TUNER) Appuyer pour sélectionner des stations préférentielles.
- 4) Les touches 1 à 3 sont également utilisées pour le réglage de l'horloge et les opérations de minuterie (voir page 31).
- 5) Touche de mode d'inversion (REVERSE MODE)
Lorsque le mode est réglé sur TUNER) Appuyer pour sélectionner des stations préférentielles.
- 6) Touches d'affichage (DISPLAY)
Appuyer pour annuler ou remettre à zéro la minuterie.
- 7) Touches SUPER WOOFER VOLUME (+/-)
Appuyer pour annuler ou remettre à zéro la minuterie.
- 8) Touche d'alimentation secteur (POWER (AC))
Lorsque l'alimentation de l'appareil principal est fournie par les piles, la pression sur cette touche ne mettra pas l'alimentation de l'appareil principal en marche. (Dans ce cas, appuyer sur la touche POWER de l'appareil principal.)
- 9) Touche de sommeil (SLEEP)
Appuyer pour sélectionner le mode de reproduction programmée.
- 10) Touche PROGRAM
Appuyer pour sélectionner le mode de reproduction programmée.
- 11) Touche REPEAT
Appuyer pour sélectionner le mode de reproduction programmée.
- 12) Touches VOLUME (+/-)
Appuyer pour sélectionner le mode de reproduction programmée.

● Les touches non mentionnées ici ont les mêmes fonctions que celles sur l'appareil principal.

● Los botones que no están aquí mencionados poseen las mismas funciones que los de la unidad principal.

● Buttons not mentioned here have the same functions as those on the main unit.

SWITCHING THE POWER ON/OFF
CONEXION/DESCONEXION DE LA ALIMENTACION



Switching the power on/off

- Switching on:
- Switching off:

Conexión/desconexión de la alimentación

- Conexión:
The display window lights (only when AC power is used).
Se ilumina la ventanilla de indicación y sólo cuando se emplea alimentación de CA.
La fenêtre d'affichage s'allume (uniquement quand l'alimentation secteur est utilisée).
- Desconexión:
The display window light goes off and only the clock time is displayed.
Se apaga la ventanilla de indicación y sólo cuando se muestra la hora del reloj.
La fenêtre d'affichage s'éteint et uniquement l'heure de l'horloge est affichée.

One touch operation (COMPU PLAY) (only when AC power is used)

Even when the power is set to standby, pressing the button shown below switches on the power and selects the source.

Function mode Modo de función Modo fonction	Image	Operations Operaciones Opérations
CD		When this button is pressed with a CD loaded, CD playback begins. Cuando se presiona este botón habiendo un CD cargado, comienza la reproducción del mismo. Lorsque cette touche est pressée avec un disque audio chargé, le lecture CD commence.
TAPE		When this button is pressed with a tape loaded, tape playback begins. Cuando se presiona este botón habiendo una cinta cargada, comienza la reproducción de la misma. Lorsque cette touche est pressée avec une cassette chargée, la lecture de la cassette commence.
TUNER		When this button is pressed, the tuner is engaged. Cuando se presiona este botón, se activa el sintonizador. Lorsque cette touche est pressée, le sintonisateur est engagé.
AUX		A sound source connected to the AUX IN terminal can be engaged. Es posible activar una fuente de sonido que está conectada al terminal AUX IN. Une source de son raccordée à la borne AUX IN peut être engagée.

- Notes:**
- COMPU PLAY doesn't function when the unit is used with batteries or a car adapter. Press the POWER button to turn on. To avoid battery exhaustion, the display window doesn't light either when the power is switched ON, the POWER button is pressed, or when switching off the power, be sure to press the COMPU PLAY button.
 - The COMPU PLAY function on the remote control has the same function as that on the main unit.

VOLUME, SOUND MODE AND OTHER CONTROLS
VOLUMEN, MODO DE SONIDO Y OTROS CONTROLES

VOLUME control

- + : Use to increase the volume.
- : Use to decrease the volume.
- (Control range from VOL.0 to VOL.50)
- The volume level is displayed in the display window for 2 seconds.



Main unit
Unidad principal
Appareil principal

Remote control unit
Unidad de control remoto
Télécommande

Botón VOLUME

- + : Usado para aumentar el volumen.
- : Usado para reducir el volumen.
- (Los límites de control van de VOL.0 a VOL.50)
- El nivel de volumen es indicado en la ventanilla de indicación durante 2 segundos.

SUPER WOOFER VOLUME control

- + : Use to emphasize the bass sound.
- : Use to tone down the bass sound.
- (Control range from BASS 1 to BASS 6.)
- The volume level is displayed in the display window for 2 seconds.



Main unit
Unidad principal
Appareil principal

Remote control unit
Unidad de control remoto
Télécommande

Control SUPER WOOFER VOLUME

- + : Empleate para enfatizar el sonido grave.
- : Empleate para reducir el sonido grave.
- (Los límites de control son de BASS 1 a BASS 6.)
- El nivel del volumen es indicado en la ventanilla de indicación durante 2 segundos.

Note:

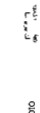
Because it is easier, the VOLUME control knob on SUPER WOOFER VOLUME and the knob of not have a volume source. Check the volume level in the display window when adjusting.

Remarque:
Comme les boutons de commande VOLUME en SUPER WOOFER VOLUME et sur les autres, il est plus facile de régler le volume dans la fenêtre d'affichage en ajustant.

ACTIVE CLEAR SOUND™ button

- Use the ACTIVE CLEAR SOUND (ACS) button to emphasize the bass sound. Press the ACTIVE CLEAR SOUND button to turn it ON/OFF.

- **Active Clear Sound (ACS)**
The Active Clear Sound (ACS) circuit emphasizes high-frequency sound without lowering the signal-to-noise ratio, while adjusting the output according to the input signal level. This function is effective for emphasizing the high-frequency sound and the low-frequency heavy bass sound.



Main unit
Unidad principal
Appareil principal

Remote control unit
Unidad de control remoto
Télécommande

Remarques:
• COMPU PLAY no funciona cuando la unidad es usada con pilas o con el adaptador del automóvil. Presione el botón POWER para conectar la alimentación. Para evitar que la batería se agote, la ventanilla de indicación no se enciende aunque la alimentación está conectada.
- Para desconectar la alimentación asegúrese de presionar el botón POWER.
- El función COMPU PLAY del controlador remoto tiene la misma función que el de la unidad principal.

Remarque:
Le circuit ACS (Son clair actif) met en valeur le son haute fréquence sans faire chuter le rapport signal sur bruit, tout en ajustant sa sortie en fonction du niveau du signal d'entrée. Ce qui donne un meilleur équilibre entre le son haute fréquence et le son grave lourde basse fréquence.

Binis depending on the volume level.
Se enciende cuando ACS está en ON.
Se enciende cuando ACS está en ON.
Se enciende cuando ACS está en ON.

MANIPULATION DES DISQUES AUDIONUMERIQUES

Comme la saleté, des disques endommagés ou gondolés peuvent provoquer des dommages à l'appareil, faire attention aux points suivants.

1. Disques numériques utilisables
 Utilisez des disques portant la marque montée.

2. Remarques sur la manipulation des disques
 • Ne pas toucher la surface enregistrée
 • Ne pas coller ni écrire sur la face portant l'identification.
 • Ne pas chasser les disques.

3. Stockage
 • Après retrait d'un disque de l'appareil, s'assurer de bien le remettre dans son boîtier.
 • Ne pas exposer les disques en plein soleil.
 • Éviter les hautes températures comme près d'un appareil de chauffage, dans les endroits très humides ou sales.

4. Nettoyage d'un disque
 • Avant de charger un disque, essuyer la poussette, la saleté ou les empreintes digitales à la surface du disque avec un chiffon doux. Ne pas utiliser de liquide nettoyant de l'intérieur vers l'extérieur.
 • Ne jamais utiliser de diluant, de benzine ou un jet pulvérisé antistatique.

MANIPULACION DE CD

Como los CD sucios, dañados o alibendados pueden dañar la unidad, tome precauciones en relación a lo siguiente.

1. CD utilizables
 Utilice CD con la marca indicada.

2. Notas sobre manipulación de CD
 • No toque la superficie grabada del lado de la etiqueta.
 • No adherir ni escribir nada sobre el lado de la etiqueta.
 • No golpear los CD.

3. Almacenamiento
 • Después de extraer un CD de la unidad, asegúrese de colocarlo en su caja.
 • No exponga los CD a la luz directa del sol, altas temperaturas provenientes de un calentador, etc., alta humedad, o polvo.

4. Limpieza de CD
 • Antes de colocar un CD, limpie el polvo, suciedad o huellas digitales, con un paño suave. Los CD deben ser limpiados radialmente desde el centro hacia el borde.
 • Nunca utilice solventes, bencina, limpiador de discos o aerosol antistático.

HANDLING CDS

Since dirty, damaged and warped CDs may damage the unit, take care regarding the following.

1. Usable CDs
 Use CDs with the mark shown.

2. Notes on handling CDs
 • Do not touch the reflective recorded surface.
 • Do not stick or write anything on the label side.
 • Do not bend CDs.

3. Storage
 • After removing a CD from the unit, be sure to put it back in its case.
 • Do not expose CDs to direct sunlight, high temperatures from a heater, etc., high humidity, or dust.

4. Cleaning CDs
 • Before loading a CD, wipe off any dust, dirt or fingerprints with a soft cloth. CDs should be cleaned by wiping radially from the center to the edge.
 • Never use thinner, benzene, record cleaner or antistatic spray.

Touche de mode de son
 Les modes de son peuvent être sélectionnés pour relever le type de musique joué.

• Appuyez sur la touche **SOUND** pour sélectionner le mode de son.
 • Chaque fois que la touche **SOUND** est pressée, le mode de son change comme suit.



• The factory preset is "FLAT". Each time the **SOUND** button is pressed, the display changes as shown.
 • Le préajusté est "FLAT". Chaque fois que la touche **SOUND** est pressée, l'affichage change comme montré.

Botón de modo de sonido
 Los modos de sonido pueden ser seleccionados para relevar el tipo de música que está siendo reproducida.

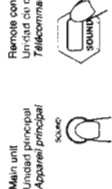
• Presione el botón **SOUND** para seleccionar el modo de sonido.
 • Cada vez que presione el botón **SOUND**, el modo de sonido cambia de la forma siguiente.



• The factory preset is "FLAT". Each time the **SOUND** button is pressed, the display changes as shown.
 • Cada vez que presione el botón **SOUND**, el modo de sonido cambia de la forma siguiente.

Sound mode button
 Sound modes can be selected to enhance the type of music being played.

• Press the **SOUND** button to select the sound mode.
 • Each time the **SOUND** button is pressed the sound mode changes as follows:



• The factory preset is "FLAT". Each time the **SOUND** button is pressed, the display changes as shown.
 • Each time the **SOUND** button is pressed, the sound mode changes as follows.

Sélection du mode de son
BEAT: Régler sur cette position pour de la musique avec un rythme important, telle la musique rock ou disco.
POP: Régler sur cette position pour de la musique légère comprenant la musique populaire et vocale.
CLEAR: Régler sur cette position pour de la musique avec un son clair et transparent.
FLAT (Pas d'effet sonore caractéristique): Régler sur cette position en écoutant de la musique classique.

Remarque:
 Les modes sélectionnés n'affectent que la sortie de son des haut-parleurs ou de casque et n'affectent pas le son enregistrement.

Selección del modo de sonido
BEAT: Colóquelo en esta posición para música con ritmo pulsado tal como rock o música de baile.
POP: Colóquelo en esta posición para música suave, incluyendo música popular y vocal.
CLEAR: Colóquelo en esta posición para música con sonido vívido y claro con altas transparencias.
FLAT (Sin efecto de sonido característica): Colóquelo en esta posición para escuchar música clásica.

Nota:
 Los modos seleccionados sólo afectan la salida de sonido proveniente de los altavoces o auriculares, pero no afectan el sonido cuando se graba.

Sound mode selection
BEAT: Set to this position for music with a heavy beat, such as rock or disco music.
POP: Set to this position for light music including popular and vocal music.
CLEAR: Set to this position for crisp and clear sounding music with transparent highs.
FLAT (No sound effect (flat characteristics)): Set to this position when listening to classical music.

Note:
 The selected modes only affect the sound output from the speakers or headphones. They do not affect the sound when recording.

COMPACT disc DIGITAL AUDIO

Handling:
 • Manipulation
 • Manipulation

Cleaning:
 • Wiping
 • Wiping
 • Wiping

Incorrect:
 • Incorrect
 • Incorrect
 • Incorrect

Correct:
 • Correct
 • Correct
 • Correct

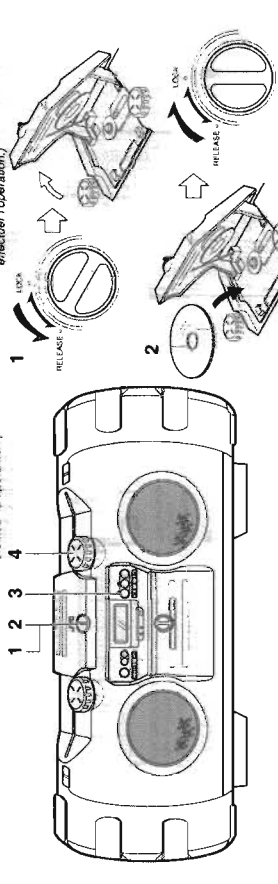
Notes:
 • Press the button on the unit.
 • Press the button on the unit.
 • Press the button on the unit.

Remarque:
 Les CD ont forme de coupe, etc. (CD non spécialement conçus pour être utilisés avec cet appareil). Si ce type de CD est chargé, il causera un problème de fonctionnement.

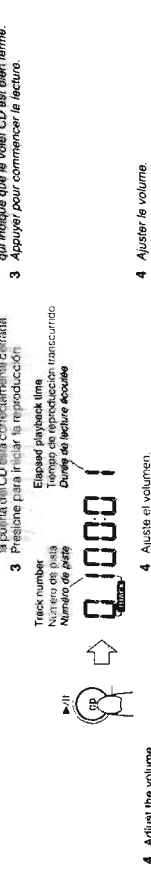
LECTURE DE DISQUES AUDIONUMÉRIQUES

Reproduction de un CD completo
El siguiente ejemplo de reproducción de un CD completo supone que se ha colocado un CD con 12 pistas y un tiempo total de reproducción de 48 minutos y 57 segundos.

Operar en el orden mostrado
Cuando se emplea alimentación de CA (conecte primero el botón POWER y luego el botón de operación)



- 1. Set to RELEASE to open the CD door.
2. Load a CD with the label side facing up and close the CD door. Press the CD door down and set to LOCK, listening for the click that indicates the CD door is securely closed.
3. Press to start play.



- 4. Adjust the volume.
Los CD de 8 cm. pueden ser usados con esta unidad sin necesidad de adaptador.

Para detener un CD en el mitad del mismo
Presione el botón [STOP] para detener la reproducción.
The total number of tracks and total playback time are displayed.
La unidad muestra el número total de pistas y el tiempo total de reproducción.

Para parar un CD temporalmente
Presione el botón [PAUSE] para pausar la reproducción temporalmente. En ese momento la indicación de tiempo de reproducción parpadeará. Si lo pulsa desde el punto donde se efectuó la pausa.

Para parar un CD momentáneamente un disco
Apoyar sur la touche CD [H] para arrêter momentáneamente la lecture et l'affichage de la durée de lecture égrégite. Quand la touche est de nouveau pressée, la lecture reprendra à partir du point où elle avait été pausée.

Remarque:
L'indication suivante peut apparaître quand un disque est saisi ou rayé, ou si le disque est mané sans dessus dessous. Dans ce cas, vérifier le disque et le mettre en place à nouveau et nettoyer ou changer le disque.

000000 or 000157
Note:
The following indication may appear when a CD is dirty or scratched, or when the CD is loaded upside down. In such a case, check the CD and insert again after cleaning the CD or turning it over.

No use the unit, and excessively high or low temperatures. The recommended temperature range is from 5°C (41°F) to 35°C (95°F).

After playback, unload CDs and close the CD door.
If misrouting occurs during play, lower the volume and reinsert the disc. Do not touch the disc. Do not touch the disc. Do not touch the disc.

Skip play
During play, it is possible to skip forward to the beginning of the next track or back to the beginning of the track being played or the previous track, when the beginning of the track has been located, play starts automatically.

To listen to the next track...
Press the [NEXT] button once to skip to the beginning of the next track.

Search play (to locate the required position on the CD)
The required position can be located using fast-forward or reverse search while playing a CD.

Keep pressing for fast-reverse search
Maintenez pressée pour la recherche accélérée arrière.

Hold down the button; search play starts slowly and then gradually increases in speed. Since low-volume sound (at about one quarter of the normal level) can be heard in the search button when the required position is located.

Direct access play (using the remote control unit)
Pressing any of the track number buttons will start play from the beginning of the designated track. (This function cannot be used during programmed play.)

No utilice la unidad en un lugar con altas o bajas temperaturas. Los límites recomendados de temperatura son 5°C (41°F) a 35°C (95°F).

Después de la reproducción, retire los CD y cierre las portadiscos.
Si ocurre una falla de seguimiento durante la reproducción, reduzca el volumen e inserte nuevamente el disco. No toque el disco. No toque el disco. No toque el disco.

Reproducción con salto
Durante la reproducción es posible saltar hacia adelante o hacia atrás al principio de la pista que está siendo reproducida o de la pista anterior. Cuando haya localizado el principio de la pista deseada, la reproducción se inicia automáticamente.

Para escuchar la próxima pista...
Presione una vez el botón [NEXT] para saltar al principio de la próxima pista.

Reproducción con búsqueda (para localizar la posición deseada en el CD)
La posición deseada puede ser ubicada utilizando la búsqueda de avance rápido o inversa mientras se reproduce un CD.

Mantenga presionado para la búsqueda acelerada inversa.

Mantenga presionado el botón; la búsqueda con reproducción se inicia lentamente y luego aumenta gradualmente a velocidad normal. Como un nivel de sonido (aproximadamente a un cuarto del nivel normal) puede ser escuchado en el botón cuando haya localizado la posición deseada.

Reproducción por acceso directo (utilizando la unidad de control remoto)
Si presiona cualquiera de los botones de número de pista la reproducción se iniciará desde el principio de la pista escogida. (Esta función no puede ser usada durante la reproducción programada.)

Ne pas utiliser l'appareil à des températures trop élevées ou trop basses. La gamme de température recommandée est entre 5°C (41°F) et 35°C (95°F).

Après lecture, décharger les CD et fermer la volet.
Si un problème d'alignement se produit pendant la lecture, baisser le volume, réinsérer le disque et recommencer la lecture.

Saut de lecture
Pendant la lecture, il est possible de sauter vers l'avant ou vers l'arrière au début de la piste précédente, quand le début de la piste requise a été localisée, la lecture commence automatiquement.

Pour écouter la piste suivante...
Appuyez une fois sur la touche [NEXT] pour passer au début de la piste suivante.

Recherche en lecture (pour localiser la position voulue sur le disque)
La position voulue peut être localisée en utilisant la recherche accélérée avant ou arrière pendant la lecture.

Maintenez pressée pour la recherche accélérée avant.

Maintenez pressée la touche; la lecture de recherche commence lentement et puis la vitesse augmente graduellement à la vitesse normale. Comme un léger son (environ le quart du niveau de lecture) peut être audible dans le mode de recherche, relâchez la touche quand la position voulue est atteinte en contrôlant le son.

Lecture à accès direct (en utilisant la télécommande)
Une pression sur l'une des touches de numéro de piste fera démarrer la lecture à partir du début de la piste choisie. (Cette fonction ne peut pas être utilisée pendant la lecture programmée.)

MANIPULATION DES CASSETTES

MANIPULACION DE CASSETTES DE CINTA

Cassette tapes

1. If any cause trouble, using a pencil or like object, gently tighten the tape as shown.
2. To prevent recordings from being erased accidentally, remove the tabs(s) with a screwdriver, etc. Reseal the slots with adhesive tape to erase and re-record after the tabs have been removed.
3. C-120 cassettes are not recommended because they are prone to malfunction.

Cassette loading

1. Set the LOCK/RELEASE knob to RELEASE to open the cassette holder.
2. Insert a cassette tape as shown.
3. Close the cassette tape holder and set the LOCK/RELEASE knob to LOCK, leaving the LOCK/RELEASE knob in the position that the lock tab indicates the cassette holder is securely closed.



Note:
If the power is switched off while tape is running, the tape will stop. To resume playing, turn the power on and attempt to remove the cassette.

Auto tape select mechanism
This unit has an Auto Tape Select mechanism which distinguishes between different types of tape using detection holes in the cassette. After the type of tape has been detected, bias and equalization suitable for the tape are set.

- Cassettes with detection holes:
Metal tape (EQ: 70 µs) Type IV
CrO₂ (chrome) tape (EQ: 70 µs) Type II
• Cassettes without detection holes:
Normal tape (EQ: 120 µs) Type I

MetalCrO₂ tape detection holes
Huecos de detección de cinta metalCrO₂
Huecos de detección de cintas MetalCrO₂

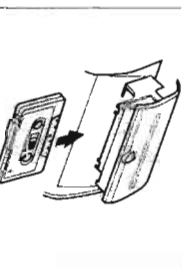


Cassettes

1. Insert a cassette in a way that causes the worst functioning. Utiliser un crayon ou un objet semblable pour la rendre comme indiqué.
2. Pour éviter l'effacement accidentel d'un enregistrement, ôter les languettes avec un tournevis. Recouvrir les orifices avec du ruban adhésif si vous voulez effacer ou réenregistrer après que les languettes ont été cassées.
3. Les cassettes C-120 ne sont pas recommandées car elles sont sujettes à de mauvais fonctionnements.

Mise en place d'une cassette

1. Régler le bouton LOCK/RELEASE sur RELEASE pour ouvrir la porte cassette.
2. Introduire une cassette comme montré.
3. Fermer la porte cassette et régler le bouton LOCK/RELEASE sur LOCK. Le caducot qui indique que le porte cassette est bien fermé.



Remarque:
Si l'alimentation est coupée alors que la bande défile, il peut être impossible de retirer la cassette. Pour recommencer à jouer, ré-alimentez la cassette.

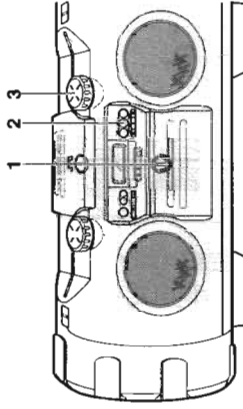
Mécanisme de sélection automatique de bande
Cet appareil comporte un mécanisme de sélection automatique de bande qui reconnaît divers types de bandes grâce aux trous de détection dans les cassettes. Une fois le type de bande détecté, la polarisation et l'égalisation sont réglées pour correspondre au mieux à la bande.

- Cassettes avec trous de détection:
Bande métal (EQ: 70 µs) Type IV
Bande CrO₂ (chrome) (EQ: 70 µs) Type II
• Cassettes sans trous de détection:
Bande normale (EQ: 120 µs) Type I

CASSETTE PLAYBACK

Operate in the order shown

- When AC power is used (When battery power is used, switch on the power button first, then perform operation.)



- 1 Load a cassette tape with side A facing out.
- 2 Press to start playback. (The power is switched on and the TAPE mode is engaged to start tape playback.)
- 3 Adjust the volume.

- After loading a cassette tape, simply press the buttons on the front panel to select the playback direction, press the TAPE button. The change in direction can be checked in the tape direction indicator (◀ or ▶).
- When the tape plays back with the reverse mode set to (◀) (single side play) or (▶) (both side play) mode, the tape stops automatically when the tape reaches the end of the side. When the reverse mode is set to the C (continuous play) mode, the tape continuously plays one side after the other until you stop operation.

Notes:
• Do not turn the LOCK/RELEASE knob until the tape mechanism has stopped moving.
• The tape mechanism can not be switched over; playback direction can not be switched over.

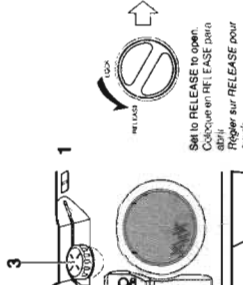
How to fast-wind tapes

1. Press the TAPE button (to set to TAPE mode).
2. Press the (REW) or (FF) button.

REPRODUCCION DE CASSETTES

Opere en el orden mostrado

- Cuando emplea alimentación de CA (Si la pila está agotada conéctese primero al botón de alimentación y luego efectúe la operación.)



- 1 Coloque un cassette con la cara A apuntando hacia afuera.
- 2 Presione para iniciar la reproducción. (Se conecta la alimentación y se activa el modo TAPE para iniciar la reproducción de la cinta.)
- 3 Ajuste el volumen.

- Después de colocar un cassette de cinta simplemente presione el botón TAPE para comenzar la lectura. (Para seleccionar el sentido de reproducción, presione el botón TAPE. ◀▶ El cambio de dirección puede ser verificado en el indicador (◀ o ▶) de la cinta.)
- Cuando el modo de reproducción en el modo de inversión (◀) (reproducción de una sola cara) o en el modo de reproducción de ambos lados (▶) (reproducción de ambos lados), la cinta se está reproduciendo automáticamente al fin de la misma detiene la reproducción de uno o ambos lados. Cuando se activa el modo de inversión en el modo C (reproducción continua) la cinta se reproduce continuamente de ambos lados hasta que usted pare la operación.

Notas:
• No gire la perilla LOCK/RELEASE hasta que el mecanismo de la cinta haya dejado de moverse.
• Cuando no hay cinta colocada en la pila, la reproducción de reproducción no puede ser iniciada.

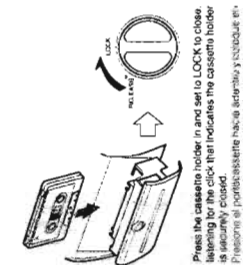
Método para bobinado rápido de cintas

1. Presione el botón TAPE para activar el modo TAPE.
2. Presione el botón (REW) o (FF) (FF).

LECTURE DE CASSETTE

Procéder dans l'ordre indiqué

- Lorsque l'alimentation secteur est utilisée (Si l'énergie des piles est utilisée, commutier d'abord la touche d'alimentation, puis effectuer l'opération.)



- 1 Chargez une cassette avec la face A à l'extérieur.
- 2 Appuyez pour lancer la lecture. (L'alimentation est mise sur marche et le mode TAPE est engagé pour lancer la lecture de la bande.)
- 3 Régler le volume.

- Après chargement d'une cassette, appuyez simplement sur la touche TAPE pour commencer la lecture. (Pour sélectionner le sens de lecture, appuyez sur la touche TAPE. ◀▶ Le changement de sens de défilement peut être vérifié avec l'indicateur (◀ ou ▶) de sens de défilement de la bande.)
- Lorsque le mode de lecture est réglé sur (◀) (lecture d'une seule face) ou (▶) (lecture des deux faces), la bande s'arrête automatiquement à la fin après avoir lu une face ou les deux. Lorsque le mode d'inversion est réglé sur le mode C (lecture continue), la bande s'arrête en continu une face après l'autre jusqu'à ce que vous arrêtez l'opération.

Remarques:
• Ne pas tourner le bouton LOCK/RELEASE tant que le mouvement du mécanisme de la bande n'est pas arrêté.
• Quand il n'y a pas de bande chargée dans la pilette, son sens de lecture ne peut pas être continué.

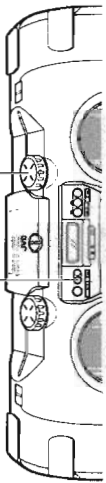
Comment faire défiler rapidement des bandes

1. Appuyez sur la touche TAPE pour activer le mode TAPE.
2. Appuyez sur la touche (REW) ou (FF) (FF).

USING WITH ANOTHER AUDIO UNIT

Operate in the order shown

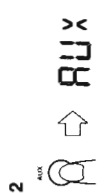
- When AC power is used. (When battery power is used, switch on the power button first, then perform operation.)



- 1 Connect the audio unit, turntable, MD player, etc. to the AUX (in jack (see page 7)).
- 2 Push the power button (see page 7).
- 3 Start playback on the connected audio unit. (For more details, refer to the instruction manual of the connected audio unit.)
- 4 Adjust the volume. (The volume level is displayed in the display window.)

Operate in the order shown

- Cuando emplea alimentación de CA. (Si la pila está agotada, conecte primero el botón de alimentación y luego efectúe la operación.)

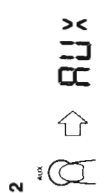


- 1 Conectar el aparato de audio, platina turntable, lector MD, etc. a la pila AUX (en el puerto de MD, etc. (ver página 7)).
- 2 Presionar el botón de encendido.
- 3 Comenzar la lectura del aparato de audio. (Para más detalles, consulte el manual de instrucciones de la unidad de audio conectada.)
- 4 Ajustar el volumen. (El nivel de volumen está reflejado en la ventana de indicación.)

UTILISATION AVEC UN AUTRE APPAREIL AUDIO

Procéder dans l'ordre indiqué

- Lorsque l'alimentation secteur est utilisée. (Si l'énergie des piles est utilisée, commuter d'abord la touche d'alimentation, puis effectuer l'opération.)

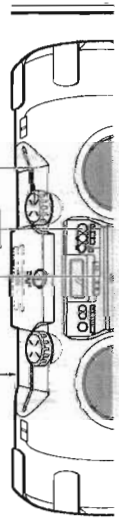


- 1 Raccorder l'appareil audio, platine tourne-disque, lecteur MD, etc. à la prise AUX (en votre page 7).
- 2 Appuyer sur la touche AUX. (L'alimentation électrique est assurée par les piles.)
- 3 Commencer la lecture sur l'appareil audio raccorder. (Pour plus de détails, se référer au manuel d'instructions de l'appareil audio raccorder.)
- 4 Ajuster le volume. (Le niveau de volume est affiché dans la fenêtre d'affichage.)

RADIO RECEPTION

Operate in the order shown

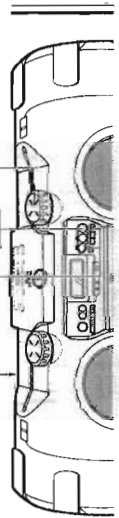
- When AC power is used. (When battery power is used, switch on the power button first, then perform operation.)



- 1 Press the TUNER BAND button.
- 2 Select the band by pressing the TUNER BAND button.
- 3 Pressing this button switches between FM auto, FM mono and AM.
- 4 Tune to the required station.
- 5 Seek tuning (auto tuning) and manual tuning are available (see page 26 for details).
- 6 Adjust the volume.

Procéder dans l'ordre indiqué

- Lorsque l'alimentation secteur est utilisée. (Si l'énergie des piles est utilisée, commuter d'abord la touche d'alimentation, puis effectuer l'opération.)

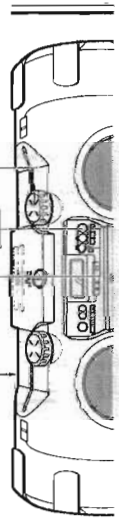


- 1 Appuyer sur la touche TUNER BAND.
- 2 Sélectionner la gamme en appuyant sur la touche TUNER BAND.
- 3 Appuyer sur ce bouton commutera entre FM auto, FM mono et AM.
- 4 Régler sur la station requise.
- 5 Recherche automatique (tuning) et réglage manuel sont disponibles (voir page 26 pour des détails).
- 6 Ajuster le volume.

RADIORECEPCION

Operate in the order shown

- Cuando emplea alimentación de CA. (Si la pila está agotada, conecte primero el botón de alimentación y luego efectúe la operación.)



- 1 Presione el botón TUNER BAND.
- 2 Seleccione la banda presionando el botón TUNER BAND.
- 3 Al presionar este botón conmuta entre FM auto, FM mono y AM.
- 4 Sintonice la estación deseada.
- 5 Búsqueda automática (sintonización) y ajuste manual (ver página 26) están disponibles (ver página 26 para detalles).
- 6 Ajuste el volumen.

Seek tuning (auto tuning)

Press the **←** or **→** button for one second or more. The unit enters the seek tuning mode to tune in the nearest station automatically, so the broadcast can be heard.

Manual tuning

Each time the **←** or **→** button is pressed, the unit steps through the current frequency band. Tuning is done in steps of 100 kHz for FM and 10 kHz for AM.



Press to move to lower frequencies. Press to move to higher frequencies. Press to increase the frequency. Press to decrease the frequency.

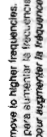
- When seek tuning to the required station is not possible because the broadcast signal is too weak, press the **←** or **→** button momentarily to perform manual tuning.
- When memory recall is selected, the last tuned frequency is stored in memory. When the power is switched on again and TUNER BAND is pressed, the same station will be tuned to.

Búsqueda de sintonía (sintonización automática)

Presione el botón **←** o **→** durante un segundo o más. La unidad ingresa en el modo de búsqueda de sintonía, sintonizando automáticamente la estación más próxima, escuchándose la radiodifusión.

Sintonización manual

Cada vez que se presiona el botón **←** o **→**, la unidad pasa a través de la banda de frecuencia actual. La sintonización se hace en pasos de 100 kHz para FM, de 10 kHz para AM.



Presione para disminuir la frecuencia. Presione para aumentar la frecuencia. Presione para disminuir la frecuencia. Presione para aumentar la frecuencia.

- Cuando la búsqueda de sintonía de la estación deseada no es posible debido a que la señal de radiodifusión es demasiado débil, presione momentáneamente el botón **←** o **→** para efectuar la sintonización manual.
- Cuando se selecciona la sintonización en memoria, la última frecuencia sintonizada es almacenada en memoria. Cuando conecta la alimentación otra vez y presiona el botón TUNER BAND, la unidad sintoniza la misma estación.

Sintonisation par recherche (sintonisation automatique)

Appuyer sur la touche **←** ou **→** pendant plus d'une seconde, l'appareil passe en mode de recherche pour se sintoniser automatiquement sur la station la plus proche, ainsi l'émission peut être entendue.

Syntonsisation manuelle

A chaque pression sur la touche **←** ou **→**, la fréquence change dans la gamme de fréquence actuelle. La sintonisation se fait par pas de 100 kHz en FM et 10 kHz en AM.



Appuyez pour diminuer la fréquence. Appuyez pour augmenter la fréquence.

- Lorsque la sintonisation par recherche de la station voulue n'est pas possible parce que le signal de diffusion est trop faible, appuyez momentanément sur la touche **←** ou **→** pour effectuer la sintonisation manuelle.
- Lorsque la sintonisation en mémoire est sélectionnée, la dernière fréquence sintonisée est mémorisée. Quand l'alimentation est remise sur marche et que la touche TUNER BAND est pressée, la même station sera sintonisée.

Sintonización automática des préférences

Cette fonction mémorise la gamme courante, détecte les fréquences utilisées par les signaux d'émission, et mémorise automatiquement les 30 premières fréquences FM et les 15 premières fréquences AM en mémoire.

Empieando el control remoto

Las frecuencias de las estaciones que están radiodifundiendo pueden ser automáticamente almacenadas en memoria en las 30 estaciones de FM y 15 estaciones de AM en la banda de AM.

Selección de las radiodifusoras deseadas (utilizando la unidad de control remoto)

Es posible presintonizar 30 estaciones en la banda de FM y 15 estaciones en la banda de AM de la siguiente forma:

- 1 Presione el botón TUNER BAND/FM MODE.
- 2 Seleccione la banda de FM utilizando el botón TUNER BAND/FM MODE.
- 3 Sintonice la estación deseada.
- 4 Presione el botón **←** o **→** durante más de 2 segundos. (Cuando el "15" aparece en la indicación de estación presintonizada, esta ha sido registrada.)

Sintonización automática des préférences

Cette fonction mémorise la gamme courante, détecte les fréquences utilisées par les signaux d'émission, et mémorise automatiquement les 30 premières fréquences FM et les 15 premières fréquences AM en mémoire.

Empieando el control remoto

Las frecuencias de las estaciones que están radiodifundiendo pueden ser automáticamente almacenadas en memoria en las 30 estaciones de FM y 15 estaciones de AM en la banda de AM.

Selección de las radiodifusoras deseadas (utilizando la unidad de control remoto)

Es posible presintonizar 30 estaciones en la banda de FM y 15 estaciones en la banda de AM de la siguiente forma:

- 1 Presione el botón TUNER BAND/FM MODE.
- 2 Seleccione la banda de FM utilizando el botón TUNER BAND/FM MODE.
- 3 Sintonice la estación deseada.
- 4 Presione el botón **←** o **→** durante más de 2 segundos. (Cuando el "15" aparece en la indicación de estación presintonizada, esta ha sido registrada.)



Préajuste des stations désirées (en utilisant la télécommande)

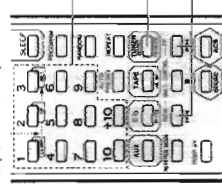
Il est possible de présintoniser 30 stations dans la gamme FM et 15 stations dans la gamme AM de la façon suivante:

- 1 Appuyez sur la touche TUNER BAND/FM MODE.
- 2 Sélectionnez la gamme FM avec la touche TUNER BAND/FM MODE.
- 3 Sintonisez la station désirée.
- 4 Appuyez sur la touche **←** ou **→** pendant plus de 2 secondes. (Quand "15" clignote dans l'affichage de station préajustée, la station a été préajustée.)

Préajuste des stations désirées (utilisant la télécommande)

Il est possible de présintoniser 30 stations dans la gamme FM et 15 stations dans la gamme AM de la façon suivante:

- 1 Appuyez sur la touche TUNER BAND/FM MODE.
- 2 Sélectionnez la bande de FM utilisant le bouton TUNER BAND/FM MODE.
- 3 Sintonisez la station désirée.
- 4 Appuyez sur la touche **←** ou **→** pendant plus de 2 secondes. (Quand "15" apparaît dans l'indication de station présintonisée, cette station a été enregistrée.)



RECORDING

GRABACION

ENREGISTREMENT

- During recording, the ALC (Automatic Level Control) circuit automatically optimizes the recording level, so manual recording level adjustment is unnecessary.
- Check that the safety tab on the cassette tape is not broken off.

Note:
This unit has recording characteristics for normal and C-60 tapes. Normal and C-60 tapes have different characteristics from metal tapes.

Synchronized recording with the CD player
In this system, the CD player starts play when the cassette deck enters the recording mode.

Operate in the order shown

- Répéter la procédure précédente pour chaque station, en utilisant une touche de présélection différente à chaque fois.
- Répéter la procédure précédente pour l'autre gamme.
- Pour changer les stations prééglées
Effectuer l'étape 4 ci-dessus après avoir synchronisé la station voulue.

Remarques:
• La station prééglée précédente est effacée quand une nouvelle station est prééglée car celle-ci est mémorisée dans la nouvelle station temporaire.
• Lors de l'échec d'une émission AM, du bruit peut être entendu si la télécommande est utilisée.

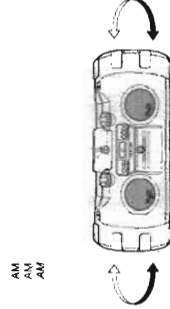
Pour éviter aux stations prééglées d'être effacées à cause d'une panne de courant, etc., installer des piles de soutien mémoire dans l'appareil (voir page 6).

Synchronisation de station prééglées (Réception des stations prééglées avant de procéder à cette opération.)

- 1 Appuyez sur la touche TUNER BAND.
- 2 Sélectionnez la gamme en utilisant la touche TUNER BAND.
- 3 Cliquez fois que la touche PRESET TUNING est pressée, la station prééglée suivante est sélectionnée.

- (En utilisant la touche TUNER BAND/FM MODE)**
- 1 Appuyez sur la touche TUNER BAND/FM MODE.
 - 2 Sélectionnez la gamme en utilisant la touche TUNER BAND/FM MODE.
 - 3 Appuyez sur les touches de station prééglée correspondante à la station prééglée et la fréquence correspondante à la touche pressée sont indiqués.

Utilisation des antennes



FM: Ajuster la longueur, l'inclinaison et l'orientation de l'antenne télescopique pour obtenir la réception optimale.
AM: Installer l'unité où la réception sera possible (à côté d'une fenêtre, etc.) ou changer l'orientation de l'appareil.

Note:
L'antenne à noyau de ferrite incorporée peut capter des interférences provenant d'un téléviseur dans le voisinage et provoquer par conséquent une mauvaise réception des émissions AM.

- Repita el procedimiento anterior para cada una de las otras estaciones, utilizando un botón de presintonización diferente para cada estación.
- Repita el procedimiento anterior para la otra banda.
- Cambio de estaciones presintonizadas
Ejecute el paso 4 de arriba después de sintonizar la estación deseada.

Notes:
• La estación previamente sintonizada se borra cuando se cambia esta estación ya que esta es memorizada en la nueva estación. Cuando escucha una radiodifusión (de AM, es posible que se escuche ruido si se utiliza la unidad de control remoto).

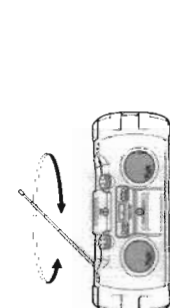
Para evitar que las estaciones presintonizadas se borren debido a un corte de energía eléctrica, etc., coloque las pilas para apoyo de memoria en la unidad (ver página 6).

Presintonización de radiodifusoras (Recepción de radiodifusoras presintonizadas)

- Las estaciones deben ser presintonizadas antes de que se pueda ejecutar esta operación.
- (Empieando la unidad principal)**
- 1 Presione el botón TUNER BAND.
 - 2 Seleccione la banda empleando el botón TUNER BAND.
 - 3 Cuando presiona el botón PRESET TUNING, cada selección a la próxima estación presintonizada.

- (Utilizando la unidad de control remoto)**
- 1 Presione el botón TUNER BAND/FM MODE.
 - 2 Seleccione la banda utilizando el botón TUNER BAND/FM MODE.
 - 3 Presione las botones (No. 1 - No. 10 y +10) que corresponden al número de estación presintonizada y la frecuencia correspondiente al botón presionado.

Utilisation des antennes



FM: Ajuste la longitud de la antena telescópica, el ángulo y la orientación hasta que logra la recepción óptima.
AM: Instale la unidad donde la recepción sea posible (cerca de una ventana, etc.) o cambie la orientación de la unidad.

Note:
El núcleo incorporado de la antena de ferrita puede captar interferencias de un televisor de la vecindad y disturbando la recepción de AM.

- Repeat the previous procedure for each of the other stations, using a different preset button each time.
- Repeat the previous procedure for the other band.
- To change preset stations
Perform step 4 after tuning to the required station.

Notes:
• The previously stored station is erased when a new station is stored, because the new frequency in memory replaces the previous frequency in memory.
• When listening to an AM broadcast, noise may be heard if the remote control unit is used.

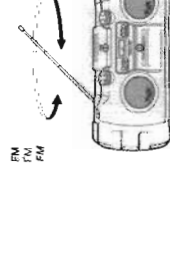
To prevent the preset stations from being erased because of a power failure, etc., install memory back-up batteries in the unit (See page 6).

Preset station tuning (Receiving the preset stations)

- The stations must be preset before this operation can be performed.
- (Using the main unit)**
- 1 Press the TUNER BAND button.
 - 2 Select the band using the TUNER BAND button.
 - 3 Each time the PRESET TUNING button is pressed, the next preset station is selected.

- (Using the remote control unit)**
- 1 Press the TUNER BAND/FM MODE button.
 - 2 Select the band using the TUNER BAND/FM MODE button.
 - 3 Press the required preset station buttons (No. 1 - No. 10 and +10).
- The preset station number and frequency corresponding to the button pressed are shown.

Using the antennas



FM: Adjust the telescopic antenna's length, angle and direction until optimum reception is achieved.
AM: Install the unit where suitable reception is possible (beside a window, etc.) or change the direction of the unit.

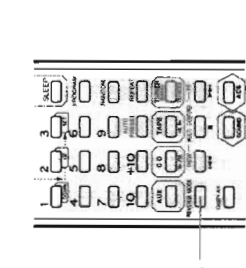
Note:
The built-in ferrite core antenna can pick up interference from television receivers in the neighborhood and thereby disturb AM reception.

- En enregistrant, le circuit ALC (circuit de contrôle automatique) optimise automatiquement le niveau d'enregistrement, ainsi l'ajustement du niveau d'enregistrement n'est pas nécessaire.
- Vérifier que la languette de sécurité de la cassette n'est pas brisée.

Remarque:
Cet appareil a des caractéristiques d'enregistrement adaptées pour les bandes normales et C-60. Les bandes normales et C-60 ont des caractéristiques différentes des bandes métal.

Enregistrement synchronisé avec le lecteur CD
Dans ce système, le lecteur CD commence la lecture quand la platine à cassette passe en mode d'enregistrement.

Procéder dans l'ordre indiqué

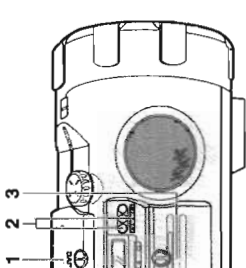


- Durante la grabación, el circuito ALC (circuitul automatice de nivel) optimiza automatice nivelul de grabación, facend necesar neregulaj manual de nivelul de grabación.
- Verificați că eticheta de siguranță de la casete nu este rotită.

Nota:
Esa unidad posee características de grabación adaptadas para cintas normales y C-60. Las cintas normales y de C-60 tienen características diferentes que las cintas de metal.

Grabación sincronizada con el reproductor de CD
En este sistema, el reproductor de CD inicia la reproducción cuando la platina de cassette ingresa en el modo de grabación.

Operar en el orden mostrado

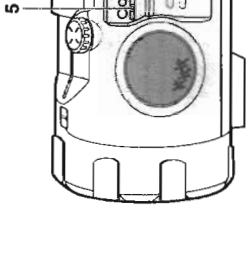


- Colocarea unui CD și închiderea ușii mașinii CD.
- 2 Apăsarea butonului CD ► Nu trebuie să apăsați butonul STOP pentru a intra în modul de funcționare CD.
- 3 Încărcarea unei casete cu fața A înainte de a începe înregistrarea. (Trebuie să apăsați butonul de pornire înainte de a începe înregistrarea.)
- 4 Asigurați-vă că direcția de înregistrare este corectă (► sau ◄).
- 5 Când este necesar, programați pistele de înregistrare utilizând telecomanda. (Vezi pagina 21.)
- 6 Selectați pistele cu un timp total de reproducere care nu depășește lungimea de la cîntă (referiți-vă la notele de la linia 21).
- 7 Apăsarea butonului ONE TOUCH REC. începe înregistrarea sincronizată.
- 8 La grabare se începe înregistrarea și indicatorul REC s'allumează în fereastra de afișare.

Nota:
Acest dispozitiv are caracteristici de înregistrare adaptate pentru benzi normale și C-60. Benzi normale și C-60 au caracteristici diferite față de benzi metalice.

Enregistrare sincronizată cu reproductorul de CD
În acest sistem, reproductorul de CD începe reproducerea când platina de casete intră în modul de înregistrare.

Operați în ordinea aratăată



- Coloque un CD et ferme la porte du CD.
- 2 Appuyez sur la touche CD ► Il ne faut pas appuyer sur le bouton STOP pour passer en mode d'arrêt CD.
- 3 Chargez une cassette avec la face A avant de commencer l'enregistrement. (Passer le bande amorce avant de lancer l'enregistrement.)
- 4 Assurez-vous que le sens de défilement de la bande est riglé sur ► (sans arrêt).
- 5 Sélectionnez le mode d'inversion requis (◄ ou ►).
- 6 Lorsque nécessaire, programmez les pistes requises en utilisant la télécommande. (Voir page 21.)
- 7 Sélectionnez les pistes avec une durée de lecture totale qui n'excède pas la longueur de la bande (se référer aux remarques accompagnant le cassette). TOUCH REC. démarre l'enregistrement synchronisé.
- 8 Lors de la lecture CD commence automatiquement.
- 9 L'indicateur de sens avant (►) clignote et l'indicateur REC s'allume dans la fenêtre d'affichage.

- En la cinta quedan automáticamente sin grabar secciones de 4 segundos aprox.
- Cuando el reproductor de CD paré la platina de cinta para automáticamente.
- Para detener la grabación en mitad de la misma, presione el botón STOP. La platina de cassette también se detiene después de transcurridos 4 segundos.

FM: Ajuste la longitud de la antena telescópica, el ángulo y la orientación hasta que logra la recepción óptima.
AM: Instale la unidad donde la recepción sea posible (cerca de una ventana, etc.) o cambie la orientación de la unidad.

Note:
El núcleo incorporado de la antena de ferrite puede captar interferencias de un televisor de la vecindad y disturbando la recepción de AM.

Note:

- During CD synchro recording, the CD ►/III and (◄) buttons do not function.
- If a recording is completed in the reverse direction (◄), it is possible to continue recording without changing the direction to forward (►), until the tape ends.
- Continuous play CD is selected, a recording CD ►/III button is pressed, and the CD indicator at the end of the tape. The CD indicator appears in the display window during recording.

Function of automatic recording (Synchro recording mode only)

If the tape is reversed while a CD is being played, recording will be done on the reverse side of the tape as follows:

- When less than 10 seconds of the last tune on the forward side of the tape have been recorded, recording will start from the beginning of the previous track.
- When more than 10 seconds of the last tune on the forward side of the tape have been recorded, recording on the other side of the tape will start from the beginning of the current track.

Before recording

When the tape direction is set to ◄ (reverse direction) after a cassette tape is inserted...

- 1 Press the TAPE ◄ button twice to change the tape direction to ► (forward direction).
- 2 Press the STOP button.
- 3 Change the mode to CD by pressing the CD ►/III button.

(If a non-recorded tape with side A facing out is inserted, the recording is stopped immediately.)

When non-recorded section recording tunes is not required...

- 1 Press the CD ►/III button twice. The CD player enters the pause mode.
- 2 Press the ONE TOUCH REC button to start recording.

Note:

- Depending on the CD used, non-recorded sections of different lengths may be left between tunes.

To record one track.

Play the track to be recorded. Then press the ONE TOUCH REC button to locate the beginning of the track and enter the one track recording mode. After the recording is finished, the CD player and cassette deck both stop.

To record only on side B or in the middle of a tape.

- 1 Load the cassette with the required side facing out.
- 2 Set the reverse mode to ◄ with the remote control unit.
- 3 Press the ONE TOUCH REC button on the main unit.

Synchronized recording starts and the playback is completed automatically when CD playback is completed.

How to rewind a tape

- 1 Press the TAPE ◄ button (to set TAPE mode).
- 2 Press the STOP button.
- 3 Press the ►/III (REW) button.

Note:

- During the grabacion sincronizada de CD los botones CD ►/III y (◄) no funcionan.
- Si se termina una grabación en la dirección de la cinta en sentido contrario, es posible continuar grabando sin cambiar el sentido de la cinta hacia adelante (►) hasta que la misma llega a su fin.
- Si se selecciona la reproducción continuada de CD (grabación automática), se presiona el botón de grabación en el fin de la cinta. El indicador CD aparece en la indicación durante la grabación.

Función de grabación del CD completo (modo de grabación sincronizada exclusivamente)

Si la cinta es invertida mientras el CD está siendo reproducido, la grabación se efectuará en el lado opuesto de la cinta de la siguiente manera:

- Cuando se hayan grabado menos de 10 segundos de la última pista en el lado frontal de la cinta, la grabación del otro lado se iniciará desde el principio de la pista anterior.
- Cuando se hayan grabado más de 10 segundos de la última pista en el lado frontal de la cinta, la grabación del otro lado se iniciará desde el principio de la pista actual.

Antes de la grabación

Cuando se ajusta el sentido de la cinta en ◄ (hacia atrás), después de que se coloca una cinta de casete...

- 1 Presione dos veces el botón TAPE ◄ para cambiar el sentido de la cinta a ► (hacia adelante).
- 2 Presione el botón STOP.
- 3 Cambie el modo a CD presionando el botón ►/III del CD.

(Si se intenta grabar una cinta del lado A que no está grabada hacia atrás (◄), la grabación iniciará inmediatamente.)

Cuando no desea una sección sin grabar entre múltiples...

- 1 Presione dos veces el botón CD ►/III. El indicador de CD ingresará en el modo de pausa.
- 2 Presione el botón ONE TOUCH REC para iniciar la grabación.

Note:

- Dependiendo del CD utilizado, las secciones de diferentes longitudes pueden estar grabadas entre las pistas.

Grabación de una pista...

Reproduzca la pista a ser grabada. Luego, al presionar el botón ONE TOUCH REC localiza el inicio de la pista y activa el modo de grabación de una pista. Después que termina la grabación, el reproductor de CD y la pletina de casete se detienen.

Para grabar sólo el lado B o en la mitad de una cinta...

- 1 Coloque el casete con el lado correcto apuntando hacia atrás.
- 2 Ajuste el modo de inversión en ◄ con el control remoto.
- 3 Presione el botón ONE TOUCH REC en la unidad principal. Se iniciará la grabación automáticamente en el otro lado de la pletina de casete o en el inicio de la reproducción del CD.

Método para rebobinar una cinta

- 1 Presione el botón TAPE ◄ (para activar el modo TAPE).
- 2 Presione el botón STOP.
- 3 Presione el botón ►/III (REW).

Remarque:

- Pendant l'enregistrement synchro CD, les touches CD ►/III et (◄) ne fonctionnent pas.
- Si un enregistrement est terminé dans le sens inverse (◄), il est possible de continuer à enregistrer sans changer de sens (►) jusqu'à la fin de la bande.
- Si la fonction de reproduction continue de CD (enregistrement automatique) est sélectionnée, un enregistrement sera fait sur la face arrière de la bande à la fin de la bande. L'indicateur CD apparaît dans la fenêtre d'affichage pendant l'enregistrement.

Fonction d'enregistrement CD complet (mode d'enregistrement synchronisé exclusivement)

Si la bande est inversée pendant que le CD est en cours de reproduction, l'enregistrement se fera sur l'autre face de la bande commencent à partir du début de la piste précédente.

- Si plus de 10 secondes du dernier morceau enregistré, l'enregistrement sur l'autre face de la bande commencera à partir du début de la piste courante.

Avant l'enregistrement

Lorsque le sens de défilement de la bande est réglé sur ◄ (sens inverse) après qu'une cassette est introduite...

- 1 Appuyez deux fois sur la touche TAPE ◄ pour changer le sens de défilement de la bande sur ► (sens avant).
- 2 Appuyez sur la touche STOP.
- 3 Appuyez sur le bouton CD ►/III.

(Si une cassette vierge avec la face A vers l'arrière est enregistrée dans le sens inverse (◄), l'enregistrement est arrêté immédiatement.)

Quand une section non enregistrée entre les pistes...

- 1 Presione dos veces el botón CD ►/III. Le indicador de CD pasará en modo de pausa.
- 2 Appuyez sur la touche ONE TOUCH REC pour lancer l'enregistrement.

Remarque:

- En fonction du disque utilisé, des sections non enregistrées de différentes longueurs peuvent être laissées entre les pistes.

Pour enregistrer une piste...

Reproduisez la piste à ser grabada. Ensuite, la touche ONE TOUCH REC localise le début de la piste et passe en mode d'enregistrement d'une piste. Après que l'enregistrement est terminé, le lecteur CD et la pletine à cassette s'arrêtent tous les deux.

Para registrar únicamente sur la face B ou au milieu d'une bande...

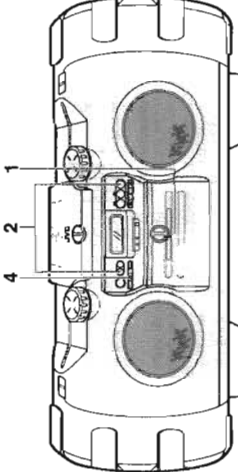
- 1 Placez le cassette avec la face requise tournée à l'arrière.
- 2 Régler le mode d'inversion sur ◄ avec la télécommande.
- 3 Appuyez sur la touche ONE TOUCH REC sur l'unité principale. Se commencera la grabación automáticamente en el otro lado de la pletina de casete o al principio de la reproducción del CD.

Comment faire défiler rapidement la bande

- 1 Appuyez sur la touche TAPE ◄ (pour passer en mode TAPE).
- 2 Appuyez sur la touche STOP.
- 3 Appuyez sur la touche ►/III (REW).

Recording from the radio or an external source connected to the AUX IN terminals

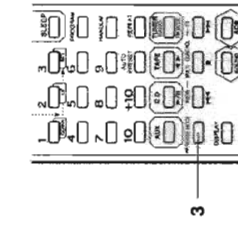
Operate in the order shown



- 1 Load a cassette with side A facing out. (When past the tape leader before starting recording.)
- 2 Make sure the tape direction is set to ► (forward direction).
- 3 Select the TUNER/BAND/FORM MODE button.
- 4 Select the required station.
- 5 Select the desired reverse mode.
- 6 Press the ONE TOUCH REC button.
- 7 The recording starts from the beginning of side A.

Grabación desde la radio o desde una fuente externa conectada a los terminales AUX IN

Operar en el orden mostrado



- 1 Coloque un cassette con el lado A expuesto hacia afuera. (Antes de iniciar la grabación, rebobine la cinta hasta el comienzo de la grabación.)
- 2 Asegúrese de colocar el lamido de la cinta en ► (hacia adelante).
- 3 Seleccione la fuente a ser grabada (TUNER). Presione el botón TUNER/BAND/FORM MODE.
- 4 Seleccione la estación deseada.
- 5 Presione el botón AUX.
- 6 Seleccione el modo de inversión deseado.
- 7 Presione el botón ONE TOUCH REC.
- 8 La grabación se inicia desde el principio de la cinta A.

Enregistrement à partir de la radio ou d'une source externe branchée aux bornes AUX IN

Procéder dans l'ordre indiqué



- 1 Chargez une cassette avec la face A vers l'avant. (Passer la bande amorce avant de lancer l'enregistrement.)
- 2 Sélectionner la source à enregistrer. Appuyez sur la touche TUNER/BAND/FORM MODE.
- 3 Sélectionner la station requise. Appuyez sur le bouton AUX.
- 4 Appuyez sur la touche ONE TOUCH REC.
- 5 L'enregistrement commence à partir du début de la face A.

BEAT CUT button

When recording an AM broadcast, beats may be produced which are not heard when listening to the broadcast. In such cases, set this button to the "CUT-1" position. This will eliminate the beats without affecting the recording.



Botón BEAT CUT

Cuando graba una radiodifusión de AM, es posible que se escuchan compases inaudibles cuando escucha la radiodifusión. En tal caso, ajuste este botón a la posición de "CUT-1". Esto eliminará los compases sin afectar el grabado.

Touche BEAT CUT

En enregistrant une émission AM, des battements sur ne sont pas entendus lors de l'écoute de l'émission. Dans ce cas, réglez le bouton BEAT CUT sur la position "CUT-1". Normalement, régler cette touche sur "CUT-1".

Erasing

A recorded tape can be erased by recording new material over the previous material.

- To erase a tape without making a new recording...**
- 1 Press the TAPE ◄ button to set to the TAPE mode.
 - 2 Insert the cassette to be erased facing out.
 - 3 Press the ONE TOUCH REC button.

It should be noted that it may be unlawful to re-record pre-recorded tapes, records, or discs without the consent of the owner of copyright in the sound or video recording, literary, dramatic, musical, or artistic work embodied therein.

Borrado

La cinta grabada puede ser borrada grabando otro material sobre el material anterior.

- Para borrar una cinta sin efectuar una nueva grabación...**
1. Presione el botón TAPE ◄ para activar el modo TAPE.
 2. Inserte la cinta con el lado a ser borrado apuntando hacia afuera.
 3. Presione el botón ONE TOUCH REC.

Il peut être illégal d'enregistrer ou de reproduire des œuvres sous copyright sans le consentement du détenteur des droits d'auteur.

Effacement

Une bande enregistrée peut être effacée en enregistrant du nouveau matériel sur le précédent.

- Pour effacer une bande sans faire de nouvel enregistrement...**
1. Appuyez sur la touche TAPE ◄ pour régler sur le mode TAPE.
 2. Insérez la cassette avec la face à effacer à l'arrière.
 3. Appuyez sur la touche ONE TOUCH REC.

Il peut être illégal d'enregistrer ou de reproduire des œuvres sous copyright sans le consentement du détenteur des droits d'auteur.

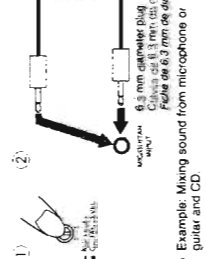
ENTRÉE MICROPHONE/GUITARE

ENTRADA DE MICROFONO/ GUITARRA

A microphone or guitar can be connected, and their sound can be mixed with the source sound.



Un microphone ou une guitare peut être branché, et leur son peut être mélangé avec le son de la source.



- Operate in the order shown: 1. Make sure the MIC/GUITAR INPUT knob is properly set. 2. When using a microphone, make sure the knob is pressed in (M). 3. Connect a microphone or guitar to the MIC/GUITAR INPUT jack and turn it on. 4. Select the source sound (CD, TAPE, TUNER, AUX).

- Opérez dans l'ordre indiqué: 1. S'assurer que le bouton MIC/GUITAR INPUT est réglé correctement. 2. Pour utiliser un microphone, s'assurer que le bouton est enfoncé (M). 3. Brancher un microphone ou une guitare à la prise MIC/GUITAR INPUT et le mettre en marche. 4. Sélectionner le son de la source (CD, TAPE, TUNER, AUX).

Caution: Do not connect a bass guitar to the MIC/GUITAR INPUT, as it may damage the unit.

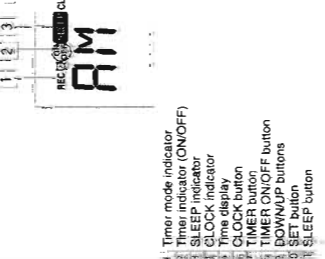
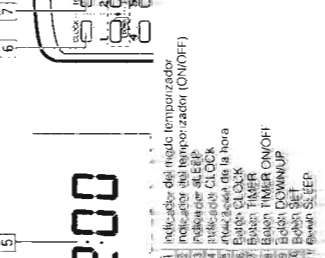
Attention: Ne connectez pas une guitare basse sur l'entrée MIC/GUITAR INPUT, car elle pourrait endommager l'appareil.

REGLAJE DE L'HORLOJ (EN UTILISANT LA TELECOMMANDE)

REGLAJE DE L'HORLOJ (EN UTILISANT LA TELECOMMANDE)

Number of parts in the section of the clock/timer and their functions.

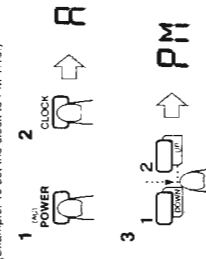
Noms des pièces dans la section horloge/timer, et leurs fonctions.



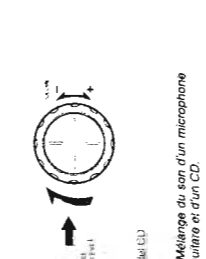
- 1. Timer mode indicator 2. SLEEP indicator 3. CLOCK indicator 4. Time display 5. BATTERY indicator 6. TIMER button 7. BATTERY indicator 8. DOWN/UP buttons 9. SET button 10. SLEEP button

- 1. Indicateur de mode de minuterie (SLEEP) 2. Indicateur de marche/arrêt de minuterie (ON/OFF) 3. Indicateur de sommeil (SLEEP) 4. Indicateur d'horloge (CLOCK) 5. Indicateur de batterie 6. Touche TIMER 7. Indicateur de batterie 8. Touche TIMER ON/OFF 9. Touche DOWN/UP 10. Touche SET 11. Touche SLEEP

Setting the current time (when this unit is used for the first time)



Ajuste de l'heure actuelle (quand cet appareil est utilisé pour la première fois)



- 1. Set the POWER button to ON. 2. Press the CLOCK button. "H: 12:00" will blink in the display. 3. Set to PM 1:15 by pressing the DOWN/UP buttons. 4. Press the SET button. The time will light in the display.

- 1. Cliquez le bouton POWER en ON. 2. Pressez le bouton CLOCK. "H: 12:00" clignotera dans l'affichage. 3. Réglez sur PM 1:15 en pressant les touches DOWN/UP. 4. Appuyez sur la touche SET. L'heure sera allumée dans l'affichage.

Notes: Before performing timer recording or playback, it is necessary to set the current time. If memory back-up batteries are exhausted or not installed, and the power cord is plugged in again after being disconnected, or power is restored after a power failure, "CLOCK" will blink in the display. Set the current time again.

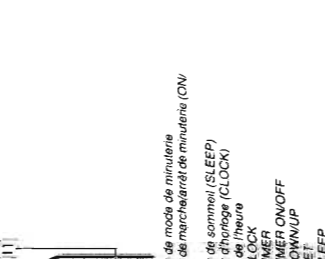
Remarques: Avant d'effectuer l'enregistrement ou la lecture par minuterie, il est nécessaire de régler l'heure actuelle. Si les piles de soutien mémoire sont épuisées ou non installées, et que le cordon d'alimentation est rebranché après avoir été débranché, ou si l'alimentation est restituée après une panne de courant, "CLOCK" clignotera dans l'affichage. Réglez de nouveau l'heure courante.

CLOCK ADJUSTMENT (USING THE REMOTE CONTROL UNIT)

CLOCK ADJUSTMENT (USING THE REMOTE CONTROL UNIT)

Number of parts in the clock/timer section, and their functions.

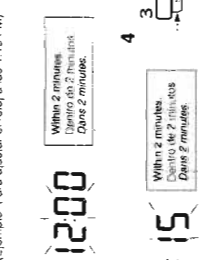
Noms des pièces dans la section horloge/timer, et leurs fonctions.



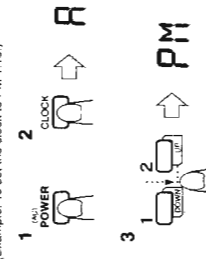
- 1. Timer mode indicator 2. SLEEP indicator 3. CLOCK indicator 4. Time display 5. BATTERY indicator 6. TIMER button 7. BATTERY indicator 8. DOWN/UP buttons 9. SET button 10. SLEEP button

- 1. Indicateur de mode de minuterie (SLEEP) 2. Indicateur de marche/arrêt de minuterie (ON/OFF) 3. Indicateur de sommeil (SLEEP) 4. Indicateur d'horloge (CLOCK) 5. Indicateur de batterie 6. Touche TIMER 7. Indicateur de batterie 8. Touche TIMER ON/OFF 9. Touche DOWN/UP 10. Touche SET 11. Touche SLEEP

Ajuste de l'heure actuelle (quand se usa la unidad por primera vez)



Réglage de l'heure actuelle (quand cet appareil est utilisé pour la première fois)



- 1. Click the button POWER on ON. 2. Press the CLOCK button. "H: 12:00" will blink in the display. 3. Set to PM 1:15 by pressing the DOWN/UP buttons. 4. Press the SET button. The time will light in the display.

- 1. Cliquez le bouton POWER en ON. 2. Pressez le bouton CLOCK. "H: 12:00" clignotera dans l'affichage. 3. Réglez sur PM 1:15 en pressant les touches DOWN/UP. 4. Appuyez sur la touche SET. L'heure sera allumée dans l'affichage.

Notes: Before performing timer recording or playback, it is necessary to set the current time. If memory back-up batteries are exhausted or not installed, and the power cord is plugged in again after being disconnected, or power is restored after a power failure, "CLOCK" will blink in the display. Set the current time again.

Remarques: Avant d'effectuer l'enregistrement ou la lecture par minuterie, il est nécessaire de régler l'heure actuelle. Si les piles de soutien mémoire sont épuisées ou non installées, et que le cordon d'alimentation est rebranché après avoir été débranché, ou si l'alimentation est restituée après une panne de courant, "CLOCK" clignotera dans l'affichage. Réglez de nouveau l'heure courante.

- **Timer recording will start at timer start time** and stop time. (The timer mode is then released.)
- **To repeat timer recording every day** Press the TIMER ON/OFF button to display the timer mode indicator (REC \square) in the display window.

- **To cancel timer operation** Press the TIMER ON/OFF button so that the timer mode indicator (REC \square) goes out. If you do this, timer recording will not start at the timer start time.

Notes:

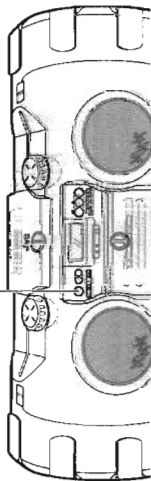
- Once the timer has been set, the start and stop times, etc., are stored in memory. When timer recording or playback is required at different times, the timer must be set again.
- When the timer start or stop times, check that the timer is tuned to the required frequency.
- If memory back-up batteries are exhausted or not installed, and the power cord is disconnected or there is a power failure, timer settings will be erased from memory. If this happens, set the current time and perform the timer setting again.

Timer playback

- **Timer playback of tapes, broadcasts and CDs is possible.**

Operations

- 1 Set the POWER button to ON.
- 2 Set the timer. (Refer to "Setting the timer" on page 33.)
- 3 Set the POWER button to standby.



Source input Fuente de entrada Son de source	Operación Módulo de temporizador Operación
CD play Reproducción de discos compactos	Load a disc Cargar un disco
Tape playback Reproducción de cintas	Load a cassette tape Cargar una cinta
Broadcast Emisión de radio	Tuner Sintonización

- **L'enregistrement par minuterie commença à l'heure de mise en marche de la minuterie et l'alimentation sera coupée à l'heure de arrêt alors même.**
- **Pour répéter l'enregistrement par minuterie tous les jours** Appuyez sur la touche TIMER ON/OFF pour que l'indicateur de mode de minuterie (REC \square) s'allume dans la fenêtre d'affichage.

- **Pour annuler le fonctionnement de la minuterie** Appuyez sur la touche TIMER ON/OFF pour que l'indicateur de mode de minuterie (REC \square) s'éteigne. Si vous faites ainsi, l'enregistrement par minuterie ne commencera pas à l'heure de mise en marche de la minuterie.

Remarques:

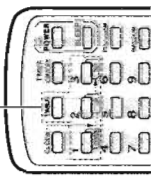
- Une fois la minuterie réglée, les heures de mise en marche et d'arrêt, etc., sont mémorisées en mémoire. Lorsque vous devez effectuer une nouvelle enregistrement par minuterie à des heures différentes, le timer doit être réglé à nouveau.
- Lorsque la minuterie est réglée, vérifiez que le sintoniseur est sintonisé sur la fréquence voulue.
- Si les piles de soutien mémoire sont épuisées ou si les piles sont défectueuses, et que le cordon d'alimentation n'est pas branché et si le câble de données n'est pas connecté, les paramètres de minuterie seront effacés de la mémoire. Si cela arrive, régler de nouveau l'heure d'attente et celle de l'arrêt de la minuterie.

Lecture par minuterie

- **La lecture par minuterie de cassettes, d'émissions et de CD est possible.**

Fonctionnement

- 1 Mettez le bouton POWER à l'état ON.
- 2 Réglez la minuterie. (Voir la page 33 pour régler la minuterie.)
- 3 Réglez la touche POWER sur attente.



Operación Módulo de temporizador Operación	Operación Módulo de temporizador Operación
Load a disc Cargar un disco	Load a cassette tape Cargar una cinta
Tuner Sintonización	Tuner Sintonización

- **La reproducción por minuterie comenzará a la hora de activación del temporizador y la alimentación se desconectará a la hora de desactivación del temporizador.**
- **La unidad permanece en el mismo modo de temporizador aun después de desconectar la alimentación.** La misma función de temporización se repetirá a la misma hora el día siguiente.
- **El modo de temporización es activado cuando se activa el temporizador.**
- **Cuando se conecta la alimentación es posible hacer que el sonido aumente gradualmente desde el volumen 0 (cero) al volumen actual.**

Cancelación de la operación por temporizador

- Presione el botón TIMER ON/OFF para apagar el indicador (REC \square) de modo de temporización.

Notes:

- Cuando se ajusta el volumen en "VOL." (el nivel de volumen no está especificado), el volumen de reproducción por temporizador permanece en el nivel último antes del ajuste del temporizador. (En este caso el modo de operación gradual no funciona.)
- Cuando se conecta la alimentación por temporización, presione el botón POWER para desconectar la unidad.

Operación del temporizador de desconexión (utilizando la unidad de control remoto)

- **A. Utilice el control remoto para poner a dormir la unidad de control remoto.**

- 1 Ajuste la fuente deseada y sintonice (reafine) la reproducción (CD o cinta).
- 2 Presione el botón SLEEP para ajustar el tiempo que va a dormir.



Source mode display (Releasing the sleep mode)
Affichage de mode de source (Relâchement de la minuterie de sommeil)

- Los ajustes de tiempo para dormir pueden ser 30, 60 o 120 minutos. Cuando usted suelta el botón SLEEP la fuente es indicada después de que hayan transcurrido 5 segundos.
- Después de transcurrido el tiempo especificado se activa el temporizador de desconexión y la alimentación es desconectada.
- **Verificación del tiempo para dormir** Cuando presiona el botón SLEEP aparecerá la indicación del tiempo restante. Si la presión de otro botón es posible establecer un nuevo tiempo de tiempo para dormir.
- **Cancelación del temporizador de desconexión** Presione el botón POWER para desconectar la alimentación o presione el botón SLEEP hasta que el indicador del tiempo para dormir desaparezca.

- **La lectura por minuterie comenzará a la hora de mise en marche de la minuterie et l'alimentation sera coupée à l'heure de mise à l'arrêt de la minuterie.**
- **L'appareil reste dans le même mode de minuterie même après la coupure de l'alimentation.** La même fonction de minuterie sera répétée à la même heure le jour suivant.
- **Cuando el modo de minuterie está activado, el temporizador se repetirá a la misma hora el día siguiente.**
- **Cuando se conecta la alimentación es posible de hacer que el sonido aumente gradualmente desde el volumen 0 (cero) al volumen de volume 0 (cero) al volumen preajustado.**

Pour annuler le fonctionnement de la minuterie

- Appuyez sur la touche TIMER ON/OFF pour que l'indicateur de mode de minuterie (REC \square) s'éteigne.

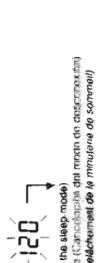
Remarques:

- **Quando o réglage de volume est réglé sur "VOL." (le niveau de volume n'est pas spécifié), le volume de la lecture par minuterie est au niveau utilisé avant de régler la minuterie.** Dans ce cas, le mode d'augmentation en fonction de la minuterie ne fonctionne pas.
- **Pour arrêter pendant la lecture par minuterie, appuyez sur la touche POWER pour couper l'alimentation de l'appareil.**

Fonctionnement de la minuterie de sommeil (en utilisant la télécommande)

- **A. Utilisez la télécommande pour mettre à dormir l'unité de contrôle à distance.**

- 1 Réglez la source voulue et sintoniser (pour des émissions ou lire (CD ou cassette)).
- 2 Appuyez sur la touche SLEEP pour régler la durée de sommeil.



Source mode display (Releasing the sleep mode)
Affichage de mode de source (Relâchement de la minuterie de sommeil)

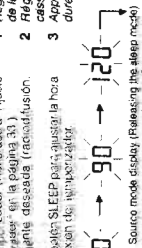
- Les réglages de durée de sommeil de 30, 60, 90 ou 120 minutes sont possibles. Quand vous relâchez la touche SLEEP, la source est affichée 5 s plus tard.
- La minuterie de sommeil commencera et l'alimentation sera coupée après la durée spécifiée.
- **Contrôle de la durée de sommeil** Quand la touche SLEEP est pressée, la durée de sommeil restante est affichée. Si elle est pressée à nouveau, une nouvelle durée de sommeil peut être réglée.
- **Pour arrêter pendant la lecture par minuterie de sommeil** Appuyez sur la touche POWER pour couper l'alimentation ou appuyez sur la touche SLEEP jusqu'à ce que l'indicateur de minuterie de sommeil disparaisse.

- B. To fall asleep while listening to a tape, broadcast or CD and to perform timer playback the following morning**
- 1 Set the timer. (Refer to "Setting the timer" on page 33.)
 - 2 Set to the required source (broadcast, tape or CD).
 - 3 Press the SLEEP button to set the sleep time.



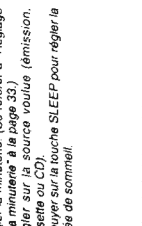
- Any source can be selected for sleep timer playback. For example, CD play for sleep timer operation and broadcast reception for sleep timer operation and CD play for timer playback.
- However, when broadcast reception is selected for both sleep timer operation and timer playback, the station you heard at night will be tuned to the following morning.

- B. Para dormir mientras escucha una cinta, radiodifusión, o CD y para efectuar la reproducción por temporizador la mañana siguiente**
- 1 Ajuste el temporizador. (Referéncia a "Ajuste del temporizador" en la página 33.)
 - 2 Seleccione la fuente deseada (transmisión, cinta o CD).
 - 3 Presione el botón SLEEP para ajustar la hora de reproducción de la mañana siguiente.



- Para las operaciones del temporizador de reproducción y para la reproducción por temporizador, puede ser seleccionado cualquier modo de reproducción.
 - Recepción de CD para la operación por temporizador y reproducción por temporizador para la reproducción por temporizador.
- Sin embargo, cuando se selecciona la recepción de radiodifusión tanto para el temporizador de desonización como para el temporizador de reproducción, la estación de radio que escuchó durante la noche será sintonizada a la mañana siguiente.

- B. Pour vous endormir en écoutant une bande, une émission ou un CD et pour effectuer la lecture par minuterie le lendemain matin**
- 1 Régler la minuterie. (Se référer à "Régler la minuterie de la page 33.)
 - 2 Régler la source voulue (émission, cassette ou CD).
 - 3 Appuyer sur la touche SLEEP pour régler la durée de sommeil.



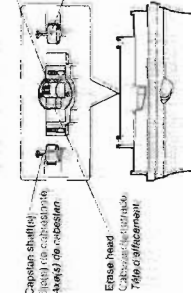
- N'importe quelle source peut être sélectionnée pour la durée de sommeil et la lecture par minuterie.
 - Utilisez un lecteur (pour éliminer la poussière de la lentille).
- Cependant, quand la réception d'émission est sélectionnée pour le temporisateur de sommeil et la lecture par minuterie, la station que vous entendrez la nuit sera sintonisée le matin suivant.

MANTENIMIENTO

La limpieza es importante!

- Cuando la cinta, el cassette o el CD están girando, el polvo magnético puede acumularse en los cabezales, el capstan y el rodillo de presión. Cuando están muy sucios, la calidad del sonido se deteriora.
- El nivel de suciedad depende de la frecuencia con que se utilicen.
 - Las cintas grabadas no se borran completamente.
 - La grabación no se realiza satisfactoriamente si el nivel de suciedad es alto.
 - Los cabezales, el capstan y el rodillo de presión deben limpiarse con cuidado.
- Después de la limpieza, asegúrese de que el líquido para la limpieza se haya secado completamente antes de colocar la cinta o cassette.

- Cleaning the heads, capstan and pinch roller**
- Clean the cassette holder.
- For effective cleaning, use the cleaning kit available from an audio store.
- After cleaning, be sure that the cleaning fluid has dried completely before loading a cassette.



MANTENIMIENTO

La limpieza es importante!

- Cuando la cinta, el cassette o el CD están girando, el polvo magnético puede acumularse en los cabezales, el capstan y el rodillo de presión. Cuando están muy sucios, la calidad del sonido se deteriora.
- El nivel de suciedad depende de la frecuencia con que se utilicen.
 - Las cintas grabadas no se borran completamente.
 - La grabación no se realiza satisfactoriamente si el nivel de suciedad es alto.
 - Los cabezales, el capstan y el rodillo de presión deben limpiarse con cuidado.
- Después de la limpieza, asegúrese de que el líquido para la limpieza se haya secado completamente antes de colocar la cinta o cassette.

- Cleaning the heads, capstan and pinch roller**
- Clean the cassette holder.
- For effective cleaning, use the cleaning kit available from an audio store.
- After cleaning, be sure that the cleaning fluid has dried completely before loading a cassette.



ENTRETIEN

Le nettoyage est important!

- Quand la bande, le cassette ou le CD tournent, le pollen magnétique peut s'accumuler sur les têtes, le capstan et le galet presseur. Quand ils sont trop sales, la qualité sonore se détériore.
- Le niveau de saleté dépend de la fréquence à laquelle ils sont utilisés.
 - Les bandes enregistrées ne se brossent pas complètement.
 - L'enregistrement ne se fait pas satisfaisamment si le niveau de saleté est élevé.
 - Les têtes, le capstan et le galet presseur doivent être nettoyés avec soin.
- Après nettoyage, s'assurer que le liquide de nettoyage a complètement séché avant de charger une cassette.

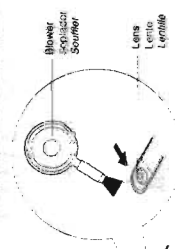
- Nettoyage des têtes, du capstan et du galet presseur**
- Ouvrir le porte cassette.
- Nettoyer les têtes, le capstan et le galet presseur.
- Après nettoyage, utiliser un kit de nettoyage approprié disponible dans les magasins d'accessoires audio.
- Après nettoyage, s'assurer que le liquide de nettoyage a complètement séché avant de charger une cassette.

- What appears to be trouble is not always serious. First make sure....**
- Power cannot be turned on.
 - Is the power cord unplugged?
 - Are headphones connected?
 - No sound from the speakers.
 - Is the volume control set to mute?
 - Are headphones connected?
 - Clock time is blinking in the display.
 - Was there a power failure?
 - Were the power cord unplugged while the memory back-up batteries were not installed?
 - The CD player does not play.
 - Is the CD upside down?
 - Is the CD dirty?
 - Is there condensation on the lens? (See "Cleaning the lens" above.)
 - A certain portion of the CD does not play.
 - Is the CD scratched?
 - Is there condensation on the lens? (See "Cleaning the lens" above.)
 - When the operation stops.
 - Switch to power standby and then ON again.
- (Cassette Deck Section)
- Playback sound is at a very low level.
 - Is the head dirty?
 - Is the RE TOUCH REC button does not function?
 - No function of the button ONE TOUCH REC.
 - Have the safety tabs of the cassette been broken off?

TROUBLESHOOTING

DETECCION DE PROBLEMAS

- Lo que parece ser un problema no siempre es grave. Primero asegúrese....**
- No se puede conectar la alimentación.
 - ¿Está el cordón de alimentación desenchufado?
 - ¿No sale sonido de los altavoces?
 - ¿Están los audífonos conectados?
 - No sale sonido de los altavoces.
 - ¿Están los audífonos conectados?
 - La hora del reloj parpadea en la indicación.
 - ¿Hubo un corte eléctrico?
 - ¿Estaba el cable de alimentación desenchufado y las pilas de apoyo de memoria no estaban colocadas?
 - El reproductor de CD no funciona.
 - ¿Está el CD invertido?
 - ¿Está el CD sucio?
 - ¿Hay condensación en la lente? (Ver "Limpieza de la lente" que sigue.)
 - Una porción de un CD no se correctamente reproduce.
 - ¿Está el CD rayado?
 - ¿Hay condensación en la lente? (Ver "Limpieza de la lente" que sigue.)
 - Cuando la alimentación en espera y u ON remite en marcha.
 - Coloque la alimentación en espera y u ON otra vez.
- (Sección del reproductor de CD)
- El reproductor de CD no funciona.
 - ¿Está el CD invertido?
 - ¿Está el CD sucio?
 - ¿Hay condensación en la lente? (Ver "Limpieza de la lente" que sigue.)
 - Una porción de un CD no se correctamente reproduce.
 - ¿Está el CD rayado?
 - ¿Hay condensación en la lente? (Ver "Limpieza de la lente" que sigue.)
 - Cuando la alimentación en espera y u ON remite en marcha.
 - Coloque la alimentación en espera y u ON otra vez.



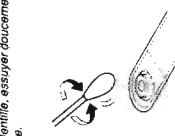
Limpieza de la lente

- Si la lente del lector de CD está sucia o manchada, etc., puede degradar el sonido. Abra el compartimiento del CD y limpie la lente.
- Utilice un soploador (disponible en una tienda de cámaras) para quitar el polvo de la lente.
 - Si hay huellas digitales, etc., en la lente, limpie suavemente con un hisopo de algodón.



Nettoyage de la lentille

- Si la cabeza de lectura de CD está sucia, des partes de nivel, etc., peuvent dégrader le son. Ouvrir le porte-disque et nettoyer la lentille.
- Utiliser un soufflet (en vente dans les magasins de photo) pour éliminer la poussière de la lentille.
 - Dans le cas d'empreintes digitales, etc., sur la lentille, essayer doucement avec un coton-tige.



EN CAS DE PANNES

- Ce qui semble être une panne n'est pas toujours sérieux. S'en assurer d'abord....**
- L'alimentation ne peut pas être fournie.
 - Le cordon d'alimentation est-il débranché?
 - Le volume est-il réglé sur MUTE?
 - Le casque est-il branché?
 - Pas de son des haut-parleurs.
 - Le volume est-il réglé sur MUTE?
 - Le casque est-il branché?
 - L'heure de l'horloge clignote dans l'affichage.
 - Y'a-t-il eu une panne de courant?
 - Le cordon d'alimentation a-t-il été débranché et les piles de secours n'étaient pas installées?
 - Le lecteur CD ne lit pas.
 - Le disque est-il sans dessus dessous?
 - Le disque est-il sale?
 - Y'a-t-il de la condensation sur la lentille? (Voir "Nettoyage de la lentille" qui suit.)
 - Une partie d'un CD ne se joue correctement.
 - Le disque est-il rayé?
 - Y'a-t-il de la condensation sur la lentille? (Voir "Nettoyage de la lentille" qui suit.)
 - Quand l'opération s'arrête.
 - Couper l'alimentation en attente puis la remettre en marche.
- (Section lecteur CD)
- Le lecteur CD ne lit pas.
 - Le disque est-il sans dessus dessous?
 - Le disque est-il sale?
 - Y'a-t-il de la condensation sur la lentille? (Voir "Nettoyage de la lentille" qui suit.)
 - Une partie d'un CD ne se joue correctement.
 - Le disque est-il rayé?
 - Y'a-t-il de la condensation sur la lentille? (Voir "Nettoyage de la lentille" qui suit.)
 - Quand l'opération s'arrête.
 - Couper l'alimentation en attente puis la remettre en marche.

- Precautions:**
- Manténgalos limpios y los objetos metálicos lejos de la cabeza. Si la cabeza magnética el ruido aumentara y el sonido se deteriora. Desmagnétice la cabeza cada 20-30 horas de uso con un desmagnetizador de cabezas (disponible en cualquier tienda de audio). Cuando desmagnétice la cabeza, el botón POWER debe estar en posición de apagado.
 - Para limpiar la cabeza, utilizar un hisopo de algodón que no sea alcohol. Si la cabeza está manchada, etc., puede deteriorar el sonido. Abra el compartimiento del CD y limpie la lente.

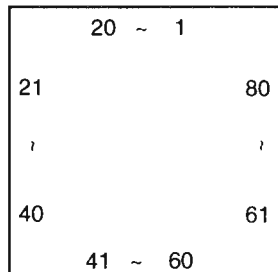
- Précautions:**
- Gardez les aimants et objets métalliques éloignés de la tête. Si la tête devient magnétisée, du bruit augmentera et le son se détériorera. Démagnétiser la tête toutes les 20 à 30 heures d'utilisation avec un effaceur de tête (en vente dans un magasin d'accessoires audio). Lors de la démagnétisation de la tête, le bouton POWER doit être réglé en arrêt.
 - Ne pas utiliser autre chose que de l'alcool pour le nettoyage. Les aimants et la benzène endommageront le galet presseur de cassettes.

<<MEMO>>

Description of Major IC's

■ MN171603NA1(IC901) : System controller

1. Layout



2. Terminal Function

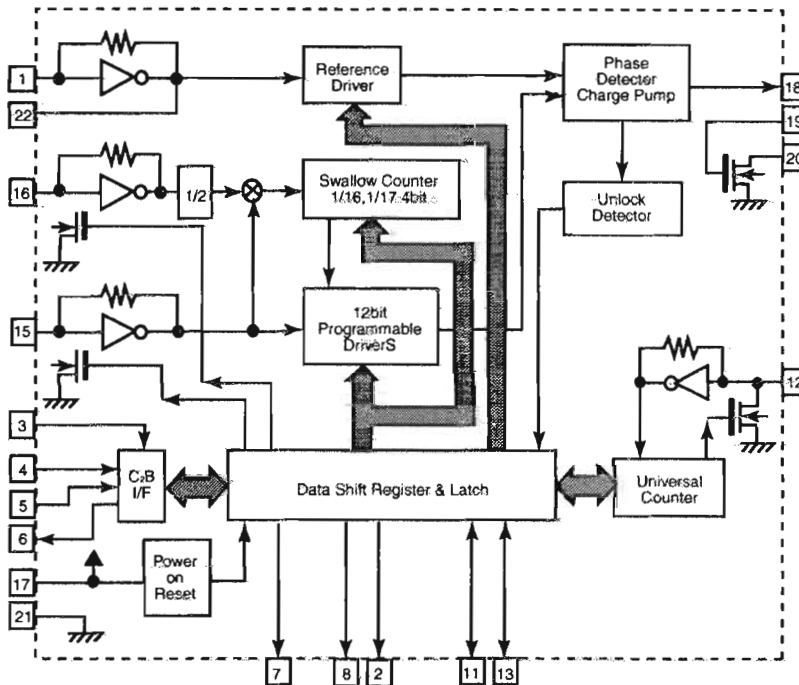
Pin No.	Symbol	I/O	Function	Pin No.	Symbol	I/O	Function
1	VOL1	I	Volume encoder input	43	/TADOOR	I	Version detect
2	VOL2	I	Volume encoder input	44	STTA	O	Output for TAPE control(Strobe signal output)
3	AVSS	-	Connected to GND	45	/WVDL1	O	Super woofer volume output
4	SAFETY1	I	AD0(REG SAFETY)input	46	/WVDL2	O	Super woofer volume output
5	SAFETY2	I	AD1 input	47	/WVDL3	O	Super woofer volume output
6	RESET/DOOR	I	AD2 input	48	SCT	O	
7	KEY	I	AD3(Key) input	49	NC	-	Not use
8	VERSION	I	AD4(VERSION) input	50	PQUT	O	System power supply control output
9	KEY1	I	AD5(TAPEO) input	51	/BCTL	O	Analog power supply control output
10	BATT	I	AD6(BATT) input	52	PBMUTE	O	Output for TAPE control(play mute)
11	COPEGBAFAE	I	AD7(TEMP SAFETY) input	53	/SMUTE	O	System mute output
12	AVdd	-	A/D convertor reference voltage input	54	/FAUX	O	AUX function control
13	VLCD1	-	LCD power supply input	55	FTU	O	Tuner function control
14	VLCD2	-	LCD power supply input	56	FCO	O	CD function control
15	VLCD3	-	LCD power supply input	57	VOL	O	PWM(main volume) output
16	CDM3	O	LCD common output	58	BASS	O	PWM(BASS) output
17	CDM2	O	LCD common output	59	TRE	O	PWM(TREBLE) output
18	CDM1	O	LCD common output	60	PLAY	I	Input for TAPE control(PLAY detect)
19	CDM0	O	LCD common output	61	AC/DC	I	Input for System power supply detect
20	SEG0	O	LCD segment 0 output	62	BUP	I	Input for Backup detect
21	SEG1	O	LCD segment 1 output	63	STAT	I	Input for CD control(status)]
22	SEG2	O	LCD segment 2 output	64	XRST	O	Output for CD control(CD-LSi reset)
23	SEG3	O	LCD segment 3 output	65	MLD	O	Output for CD control(Micon data road)
24	SEG4	O	LCD segment 4 output	66	MCLK	O	Output for CD control(Micon clock)
25	SEG5	O	LCD segment 5 output	67	MDATA	O	Output for CD control(Micon data)
26	SEG6	O	LCD segment 6 output	68	/RESET	I	System reset input/output
27	SEG7	O	LCD segment 7 output	69	X1	-	X'tal Oscillator for timer/sub system clock
28	SEG8	O	LCD segment 8 output	70	X0	-	X'tal Oscillator for timer/sub system clock
29	SEG9	O	LCD segment 9 output	71	Vss	-	Connected to GND
30	SEG10	O	LCD segment 10 output	72	OSC2	-	X'tal/Ceramic Oscillator for system clock
31	SEG11	O	LCD segment 11 output	73	OSC1	-	X'tal/Ceramic Oscillator for system clock
32	SEG12	O	LCD segment 12 output	74	Vdd	-	+Power supply
33	SEG13	O	LCD segment 13 output	75	BEAT	O	Output for beat cut control
34	SEG14	O	LCD segment 14 output	76	SOCK	I	Output for CD control(Clock for sub-Q)
35	SEG15	O	LCD segment 15 output	77	SUBQ	I	Input for CD control(Data for sub-Q)
36	SEG16	O	LCD segment 16 output	78	PERIOD	O	Output for Tuner control(Strobe signal)
37	SEG17	O	LCD segment 17 output	79	/HPX	I	Input for Tuner control(Stereo signal)
38	SEG18	O	LCD segment 18 output	80	SCK	O	Serial clock(sift back)input/output
39	SEG19	O	LCD segment 19 output	81	SI	I	Serial data(sift back B)input
40	WVOL1	I	Super woofer volume encoder input	82	SO	O	Serial data(sift back B)output
41	WVOL2	I	Super woofer volume encoder input	83	/REM	I	Remortcontrol signal input/output
42	REEL	I	Input for TAPE control (TAAPE end detect)	84	/PIN	I	Power key input/output

■ LC72136N(IC3):PLL Frequency sinesizer LS1

1. Layout

XT	1	22	XT
FM/AM	2	21	GND
CE	3	20	LPFOUT
DI	4	19	LPFIN
CLOCK	5	18	PD
DO	6	17	VCC
FM/ST/VCO	7	16	FMIN
AM/FM	8	15	AMIN
	9	14	
	10	13	IFCONT
SDIN	11	12	IFIN

2. Block

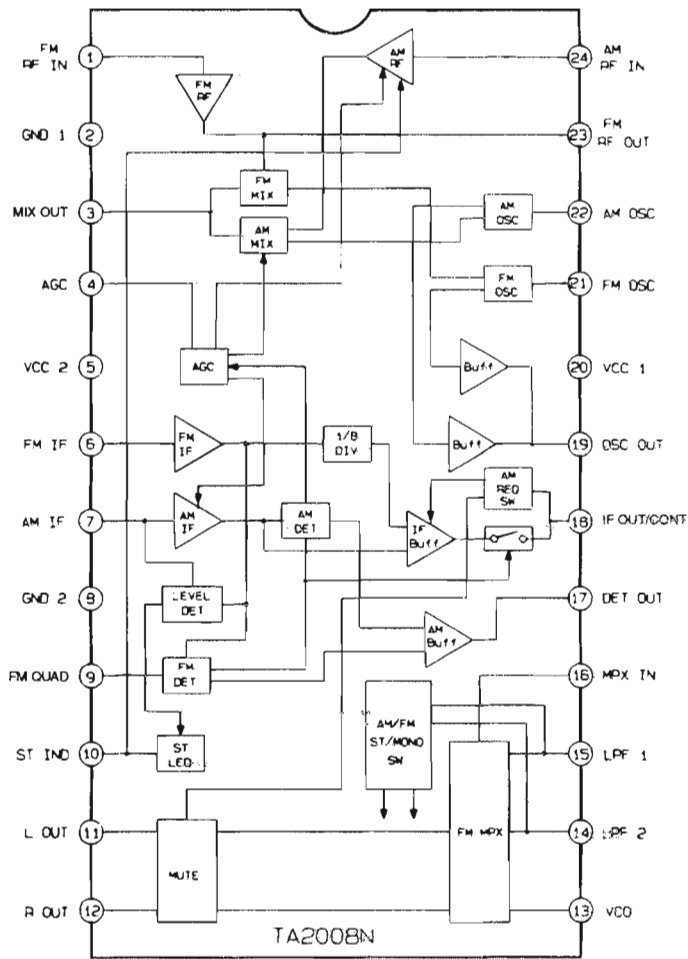


3. Function

Pin No.	Symbol	I/O	Function	Pin No.	Symbol	I/O	Function
1	XT	I	X'tal oscillator connect (75KHz)	12	IFIN	I	IF counter signal input
2	FM/AM	O	LOW:FM mode	13	IFCONT	O	IF signal output
3	CE	I	When data output/input for 4pin(input) and 6pin(output): H	14		-	Not use
4	DI	I	Input for receive the serial data from controller	15	AMIN	I	AM Local OSC signal output
5	CLOCK	I	Sync signal input use	16	FMIN	I	FM Local OSC signal input
6	DO	O	Data output for Controller Output port	17	VCC	-	Power supply(VDD=4.5~5.5V) When power ON:Reset circuit move
7	FM/ST/VCO	O	"Low": MW mode	18	PD	O	PLL charge pump output(H: Local OSC frequency Height than Reference frequency. L: Low Agreement: Height impedance)
8	AM/FM	O	Not use	19	LPFIN	I	Input for active lowpassfilter of PLL
9		-	Not use	20	LPFOUT	O	Output for active lowpassfilter of PLL
10		-	Input/output port	21	GND	-	Connected to GND
11	SDIN	I/O	Data input/output	22	XT	I	X'tal oscillator(75KHz)

■ TA2008AN(IC2):FM/AM IF AMP & Detector

1. Terminal Layout



2. Terminal Function

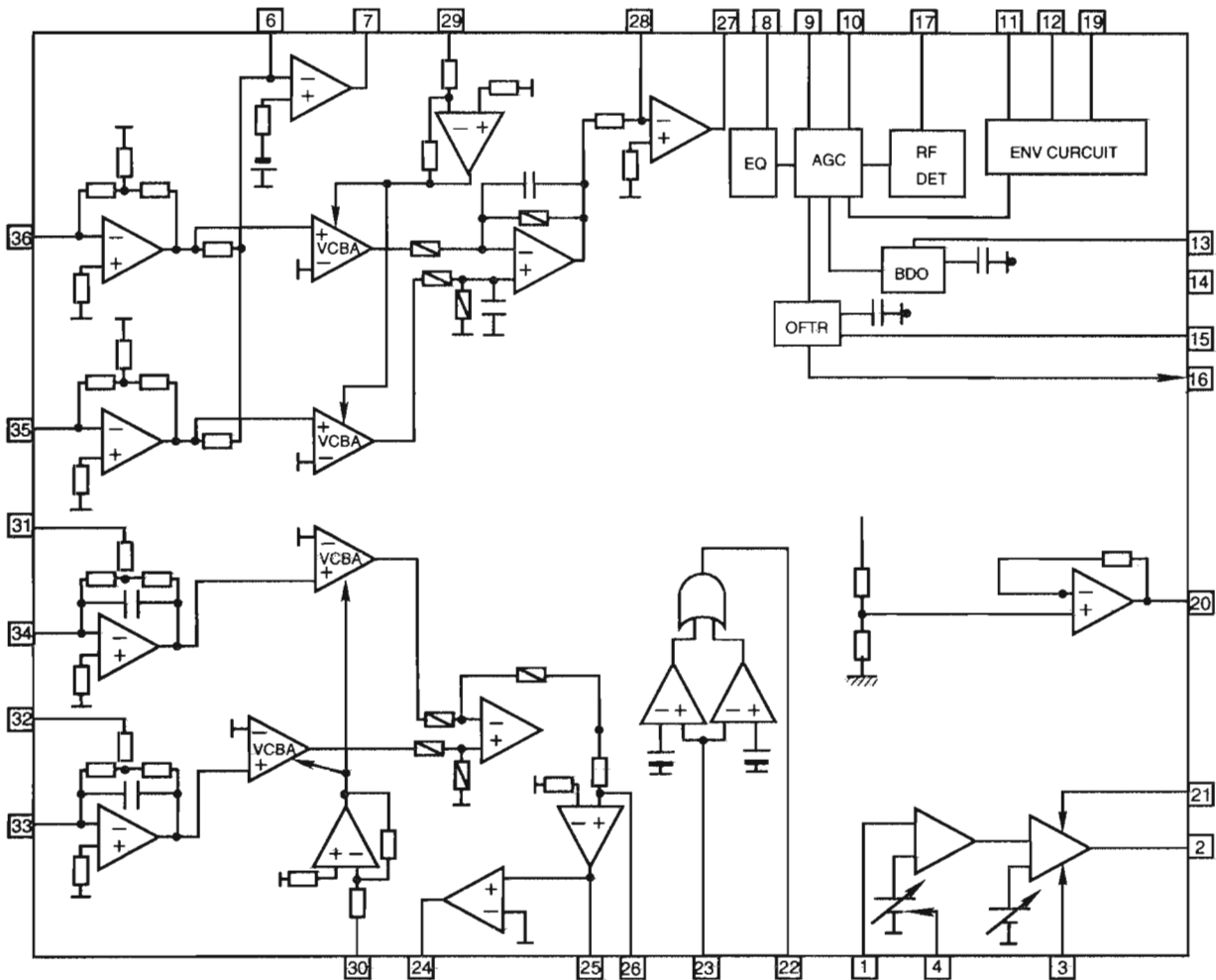
Pin No.	I/O	Symbol	Functions and operations	Pin No.	I/O	Symbol	Functions and operations
1	I	AM RF IN	AM RF signal input	13	-	VCO	VCO input
2	-	GND1	Ground	14	0	LPF2	MONO:"H" STEREO:"L"
3	0	MIX OUT	AM/FM RF MIX OUT	15	0	LPF1	AM:"H" FM:"L"
4	-	AGC	AGC input pin	16	I	MPX IN	Multi plex signal input
5	-	VCC	Power supply	17	0	DET OUT	Detector output
6	I	FM IF IN	FM IF signal input	18	I/O	IF OUT	IF output/IF CONT onput
7	I	AM IF IN	AN IF signal input	19	0	OSC OUT	AM/FM OSC output (To IC3)
8	-	GND2	Ground	20	-	VCC1	Power supply
9	0	FM QUAD	FM QUAD input	21	-	FM OSC	FM OSC input
10	0	ST IND	Stereo indicator output "H"mono "L"stereo	22	-	AM OSC	AM OSC input
11	0	L-CH OUT	Lch output	23	0	FM RF OUT	FM RF signal output
12	0	R-CH OUT	Rch output	24	0	AM RF OUT	AM RF signal output

■ AN8806SB(IC601):RF&Servo AMP

1. Terminal Layout

PD	1	36	PDAC
LD	2	35	PDBD
LDON	3	34	PDF
LDP	4	33	PDE
VCC	5	32	PDER
RF-	6	31	PDFR
RF OUT	7	30	TBAL
RF IN	8	29	FBAL
C.AGC	9	28	EF-
ARF	10	27	EF OUT
C.ENV	11	26	TE-
C.EA	12	25	TE OUT
CS BDO	13	24	CROSS
BDO	14	23	TE BPF
CS BRT	15	22	VDET
OFTR	16	21	LD OFF
/NRFDET	17	20	VREF
GND	18	19	ENV

2. Block Diagram

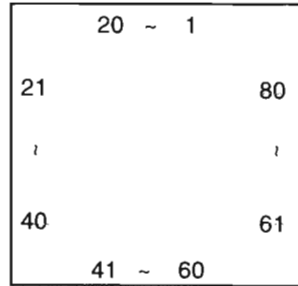


3. Functions

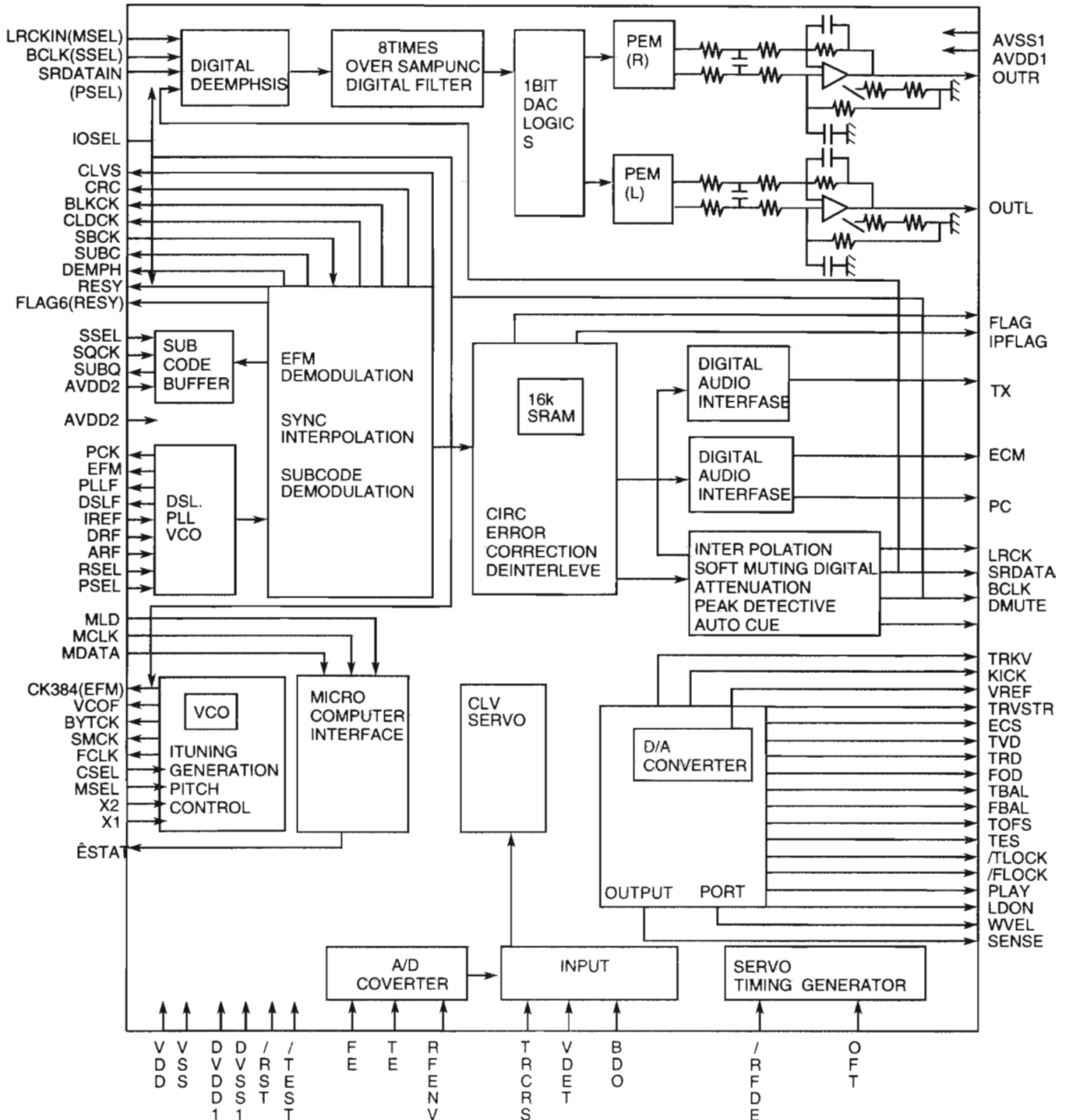
Pin No.	Symbol	I/O	Functions and operations
1	PD	I	APC amp input terminal
2	LD	O	APC amp output terminal
3	LD ON	I	APC ON/OFF control terminal
4	LDP	--	Connect to ground
5	VCC	--	Power supply
6	RF-	I	Inverse input pin for RF amp
7	RF OUT	O	RFamp output
8	RF IN	I	RF input
9	C.AGC	I/O	Connecting pin of AGC loop filter
10	ARF	O	RF output
11	C.ENV	I/O	A capacitor is connected to this terminal to detect the envelope of RF signal
12	C.EA	I/O	A capacitor is connected to this terminal to detect the envelope of RE signal
13	CS BDO	I/O	A capacitor is connected to detect the lower envelope of RF signal
14	BDO	O	BDO output pin
15	CS BRT	I/O	A capacitor is connected to detect the lower envelope of RF signal
16	OFTR	O	Of-track-status signal output
17	/NRFDET	O	RF detection signal output
18	GND	--	Ground
19	ENV	O	Envelope output
20	VREF	O	Reference voltage output
21	LD OFF	--	Connect to ground
22	VDET	O	Vibration detection signal output
23	TE BPF	I	Input pin of tracking error through BPF
24	CROSS	O	Tracking error cross output
25	TE OUT	O	Tracking error signal output
26	TE-	I	Inverse input pin for tracking error amp
27	FE OUT	O	Output pin of focus error
28	FE-	I	Inverse input pin for focus error amp
29	FBAL	I	Focus balance control
30	TBAL	I	Tracking balance control
31	PDFR	I/O	F I-V amp gain control
32	PDER	I/O	E I-V amp gain control
33	PDF	I	I-V amp input
34	PDE	I	I-V amp input
35	PD BD	I	I-V amp input
36	PD AC	I	I-V amp input

MN35510(IC603):DIGITAL SERVO&DIGITAL SIGNAL PROCESSER

1. Terminal Layout



2. Block Diagram



3. Description

Pin No.	symbol	I/O	Description	Pin No.	symbol	I/O	Description
1	BCLK	O	Not used	41	TES	O	Tracking error shunt signal output(H:shunt)
2	LRCK	O	Not used	42	PLAY	-	Not used
3	SRDATA	O	Not used	43	WVEL	-	Not used
4	DVDD1	-	Power supply (Digital)	44	ARF	I	RF signal input
5	DVSS1	-	Connected to GND	45	IREF	I	Reference current input pin
6	TX	O	Digital audio interface output	46	DRF	I	Bias pin for DSL
7	MCLK	I	μ com command clock signal input (Data is latched at signal's rising point)	47	DSLIF	I/O	Loop filter pin for DSL
8	MDATA	I	μ com command data input	48	PLLIF	I/O	Loop filter pin for PLL
9	MLD	I	μ com command load signal input	49	VCOF	-	Not used
10	SENSE	O	Sence signal output	50	AVDD2	-	Power supply(Analog)
11	FLOCK	O	Focus lock signal output Active :Low	51	AVSS2	-	Connected to GND(Analog)
12	TLOCK	O	Tracking lock signal output Active :Low	52	EFM	-	Not used
13	BLKCK	O	sub-code block clock signal output	53	PCK	-	Not used
14	SQCK	I	Outside clock for sub-code Q resister input	54	PDO	-	Not used
15	SUBQ	O	Sub-code Q -code output	55	SUBC	-	Not used
16	DMUTE	-	Connected to GND	56	SBCK	-	Not used
17	STATUS	O	Status signal (CRC,CUE,CLVS,TTSTOP,ECLV,SQOK)	57	VSS	-	Connected to GND(for X'tal oscillation circuit)
18	RST	I	Reset signal input (L:Reset)	58	X1	I	Input of 16.9344MHz X'tal oscillation circuit
19	SMCK	-	Not used	59	X2	O	Output of X'tal oscillation circuit
20	PMCK	-	Not used	60	VDD	-	Power supply(for X'tal cscillation circuit)
21	TRV	O	Traverse enforced output	61	BYTCK	-	Not used
22	TVD	O	Traverse drive output	62	CLDCK	-	Not used
23	PC	-	Not used	63	FLAG	-	Not used
24	ECM	O	Spindle motor drive signal (Enforced mode output) 3-State	64	IPPLAG	-	Not used
25	ECS	O	Spindle motor drive signal (Servo error signal output)	65	FLAG	-	Not used
26	KICK	O	Kick pulse output	66	CLVS	-	Not used
27	TRD	O	Tracking drive output	67	CRC	-	Not used
28	FOD	O	Focus drive output	68	DEMPH	-	Not used
29	VREF	I	Reference voltage input pin for D/A output block (TVD,FOD,FBA,TBAL)	69	RESY	-	Not used
30	FBAL	O	Focus Balance adjust signal output	70	IOSEL	-	pull up
31	TBAL	O	Tracking Balance adjust signal output	71	TEST	-	pull up
32	FE	I	Focus error signal input(Analog input)	72	AVDD1	-	Power supply(Digital)
33	TE	I	Tracking error signal input(Analog input)	73	OUT L	O	Lch audio output
34	RF ENV	I	RF envelope signal input(Analog input)	74	AVSS1	-	Connected to GND
35	VDET	I	Vibration detect signal input(H:detect)	75	OUT R	O	Rch audio output
36	OFT	I	Off track signal input(H:off track)	76	RSEL	-	pull up
37	TRCRS	I	Track cross signal input	77	CSEL	-	Connected to GND
38	RFDET	I	RF detect signal input(L:detect)	78	PSEL	-	Connected to GND
39	BDO	I	BDO input pin(L:detect)	79	MSEL	-	Connected to GND
40	LDON	O	Laser ON signal output(H:on)	80	SSEL	-	Pull up

Disassembly Method

■ Side panel (both side) removal (See Fig.1)

1. Remove the 6 screws A holding the side panel.

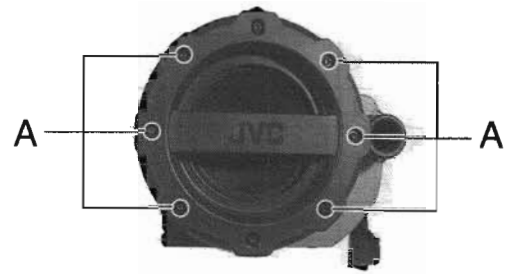
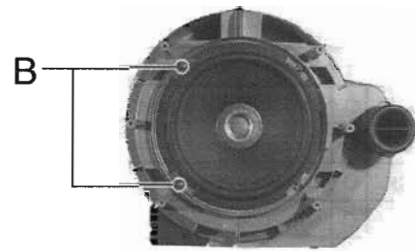


Fig.1

■ Front panel removal (See Fig.2, 3)

1. Remove the side panel of both side.
2. Remove the 2 screws B holding the Woofer speaker of both side. (See Fig.2)
3. Remove the 10 screws C holding the rear side panel. (up side 4 screws, center 2 screws, down side 4 screws) (See Fig 3)



Front side ←

Fig.2

■ Cassette mechanism removal (See Fig.4)

1. Remove the side panel of both side.
2. Remove the front panel.
3. Remove the 4 screws D of rear side holding the cassette mechanism ass'y. (See Fig.4)
4. Disconnect the flat wire from the display and control P.C.Boards.
5. Remove the cassette mechanism ass'y.

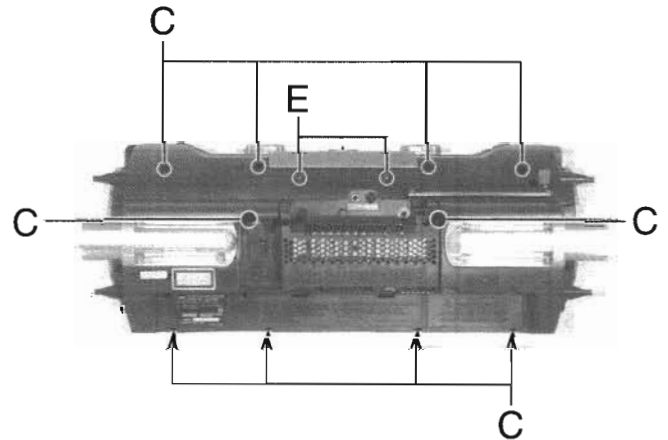


Fig.3

■ CD mechanism ass'y removal (See Fig.3, 4)

1. Remove the side panel of both side.
2. Remove the front panel.
3. Remove the cassette mechanism ass'y.
4. Remove the 2 screws E of rear side holding the CD mechanism ass'y (See Fig.3)
5. Disconnect the CN403, CN407 and CN408.
6. Remove the CD mechanism ass'y.

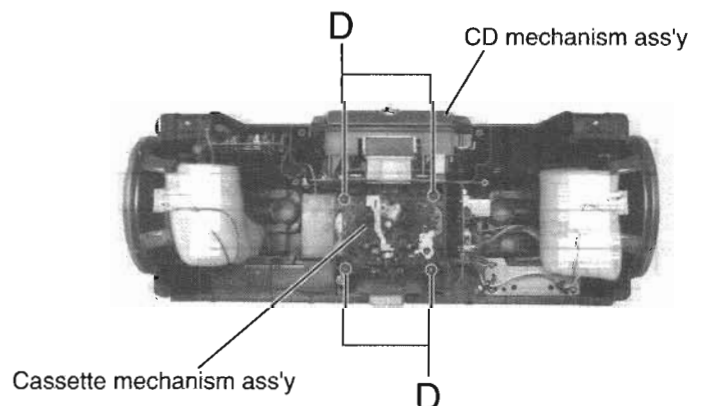


Fig.4

■ Equalizer amp P.C.B removal (See Fig.5)

1. Remove the side panel of both side.
2. Remove the front panel.
3. Remove the cassette mechanism assy.
4. Remove the CN407 and CN408 from the CD mechanism assy
5. Remove the 4 screws F holding the equraizer amp P.C.B. (See Fig.5)
6. Draws out the equalizer amp P.C.B.

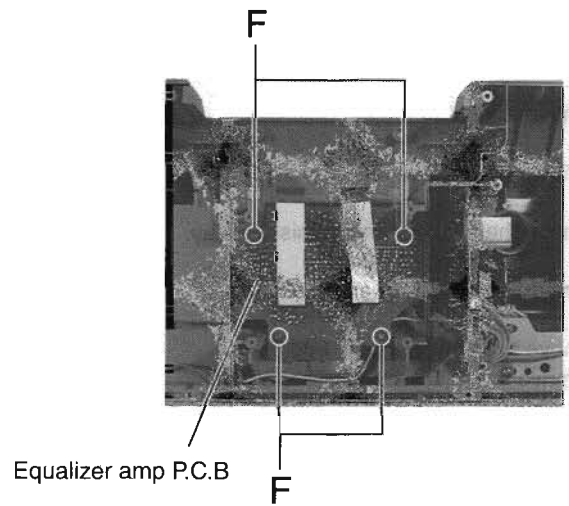


Fig.5

■ Power supply P.C.B removal (See Fig.6)

1. Remove the side panel of both side.
2. Remove the front panel.
3. Remove the cassette mechanism ass'y.
4. Remove the CN191, CN193 and CN194, CN195 from the power supply P.C.B.
5. Remove the 2 screws G holding the AC plug indetsoket.

■ Power transformer removal (See Fig.6)

1. Remove the side panel of both side.
2. Remove the front panel.
3. Remove the CN194 and CN195 from the power supply P.C.B.
4. Remove the speakers terminal from the speaker.
5. Remove the 2 screws H holding the transformer bracket.

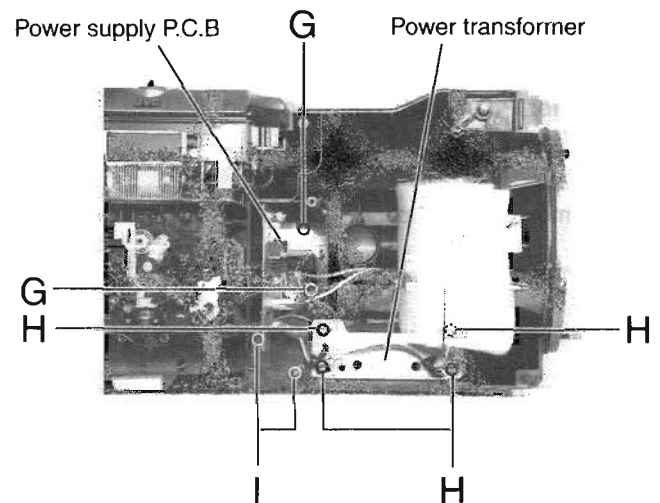


Fig.6

■ **Power amp P.C.B removal**

(See Fig.6 and Fig.7, 8)

1. Remove the side panel of both side.
2. Remove the front panel.
3. Remove the cassette mechanism assy.
4. Remove the equraizer amp P.C.B.
5. Remove the power supply P.C.B.
(Remove the speakers terminal both side.)
6. Remove the power transformer .
7. Remove the 2 screws I holding the holder, and remove it.
8. Remove 4 screws J holding the heat sink cover.
9. Remove the 4 screws K holding the heat sink from the rear side.
10. Remove the power amp P.C.B with the heat sink.

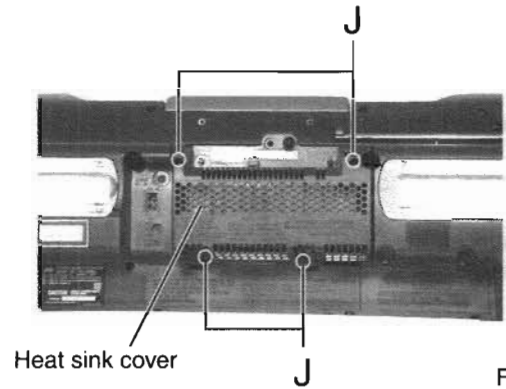


Fig.7

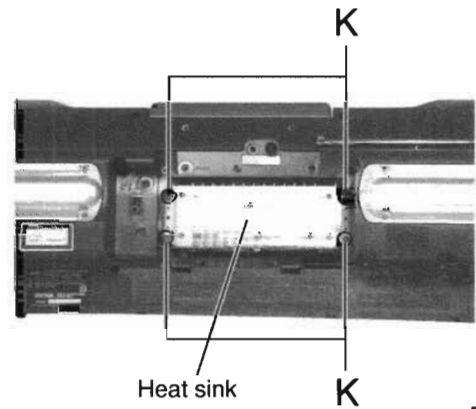


Fig.8

■ **Tuner P.C.B removal** (See Fig.9)

1. Remove the side panel of both side.
2. Remove the front panel.
3. Remove the antenna wire.
4. Remove the screw L.
5. Draws out the Tuner circuit board ,and disconnect the CN1.
6. Remove the Tuner circuit board.

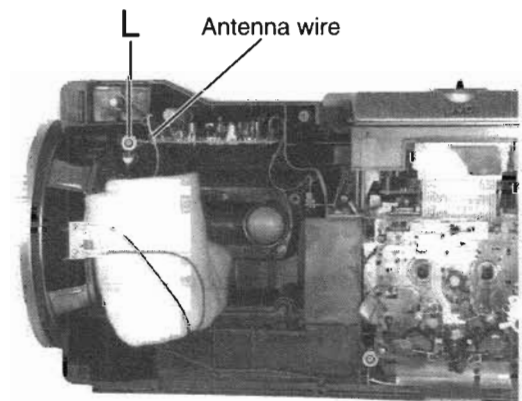


Fig.9

■ **Display/Control P.C.B removal** (See Fig.10)

1. Remove the side panel of both side.
2. Remove the Front side panel.
3. Remove the CD mechanism assembly.
4. Remove the 4 screws M holding the Display/Control circuit board.
5. Disconnect the CN603, CN604, CN607, CN751 and Remove the Display/Control P.C.B.

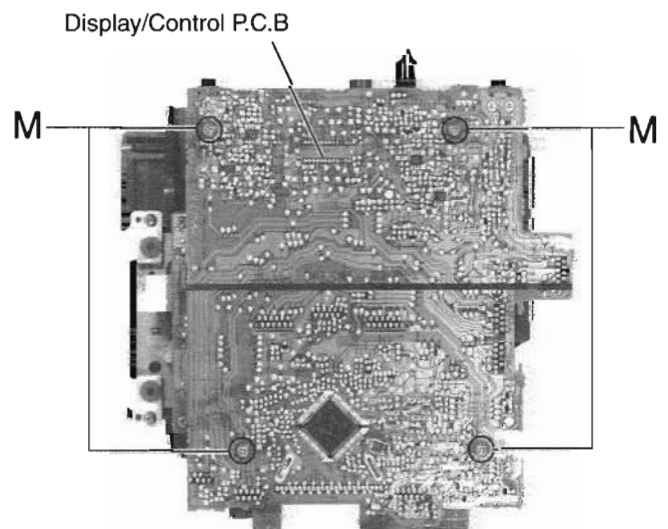


Fig.10

■ CD Servo P.C.B removal (See Fig.11)

1. Remove the side panel of both side.
2. Remove the Front side panel.
3. Remove the CD mechanism assembly.
4. Remove the the Display/Control P.C.B.
5. Remove the 4 screws N holding the CD servo P.C.B.
6. Disconnect the CN601 and P01 of Traverse mechanism wire, and Remove the CD servo P.C.B.

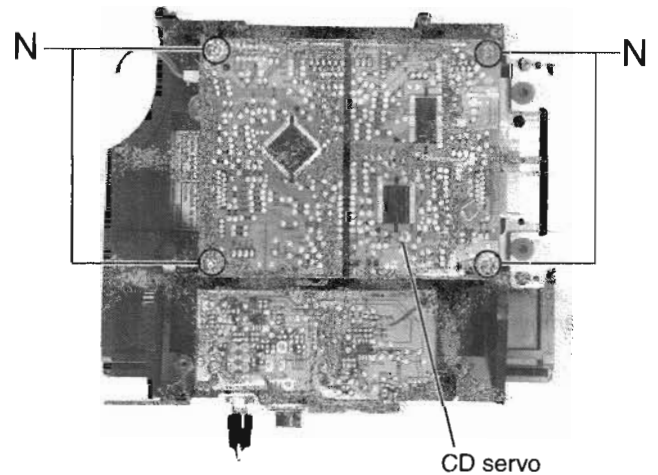


Fig.11

■ CD Traverse mechanism removal (See Fig.12)

1. Remove the side panel of both side.
2. Remove the Front side panel.
3. Remove the CD mechanism assembly.
4. Remove the Display/Control/CD servo P.C.B.
5. Remove the 4 screws O holding the traverse mechanism, and Remove it.

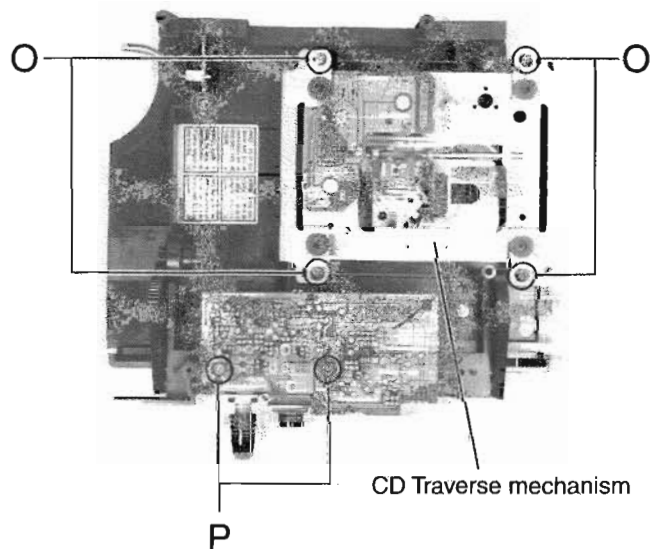


Fig.12

■ Guittar and Mic.jack P.C.B.removal (See Fig.13)

1. Remove the side panel of both side.
2. Remove the front panel.
3. Remove the cassette mechanism assembly.
4. Remove the CD mechanism assembly.
5. Remove the Display & Control P.C.B..
6. Remove the two screws P retaining the Guittar and Mic.jack P.C.B..
7. Pull out the volume knob and remove with the washer and nut.
8. Remove underforward the pressure plate of input jack section.
9. Remove the screw Q retaining the P.C.B. bracket . and take out the Guittar and Mic.jack P.C.B..

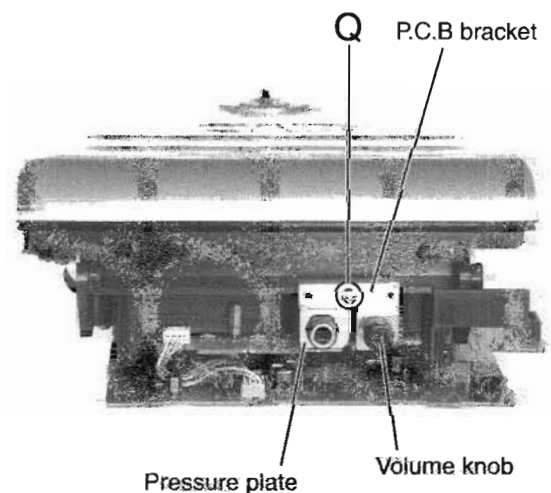


Fig.13

■ Front Speaker removal (See Fig.14, 15)

1. Remove the side panel of both side.
2. Remove the front side panel.
3. Remove the 4 screws R holding the Speakers cover.
4. Remove the 4 screws S holding the Front speaker.
5. Disconnect the Fasten from speakers terminal, and Remove the Front speaker.

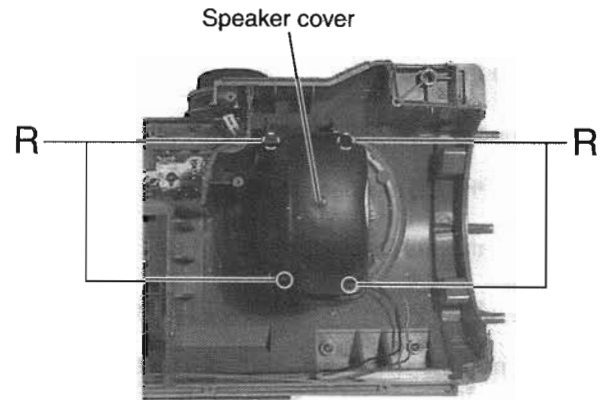
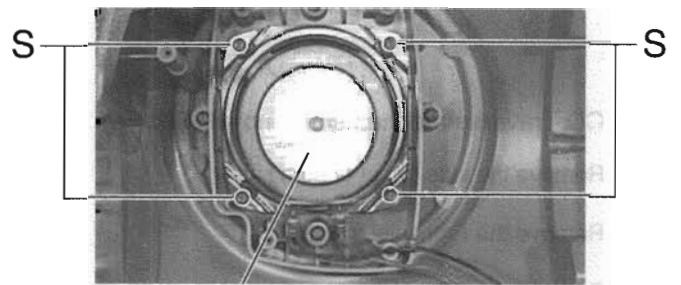


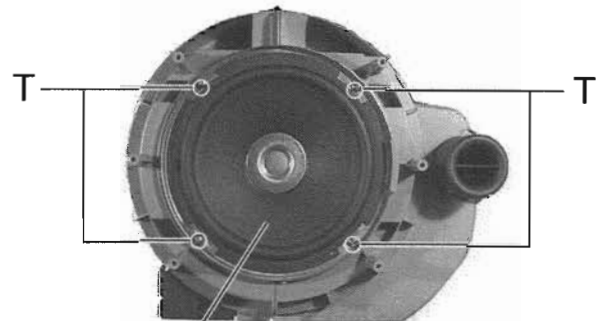
Fig.14



Front speaker Fig.15

■ Sub woofer removal (See Fig.16)

1. Remove the side panel of both side.
2. Remove the 4 screws T holding the side speaker.
3. Disconnect the Fasten from the speakers terminal, and Remove the Sub woofer speaker.



Sub woofer Fig.16

■ Key panel ass'y removal (See Fig.17, 18)

1. Remove the side panel of both side.
2. Pull out the Volume knob, and Remove the Nut.
3. Remove the 8 screws U holding the Key P.C.board, and Remove the 2 screws V holding the Key panel.
4. Remove the 5 Fook holding the key panel (2 Fook is down side of P.C.board), and Remove the Key panel ass'y.

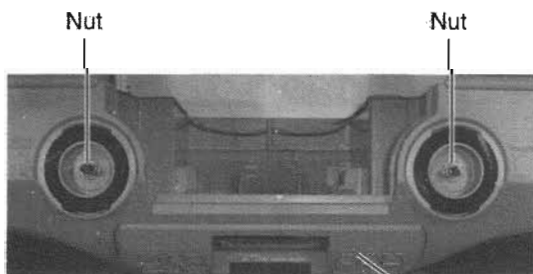


Fig.17 Key panel

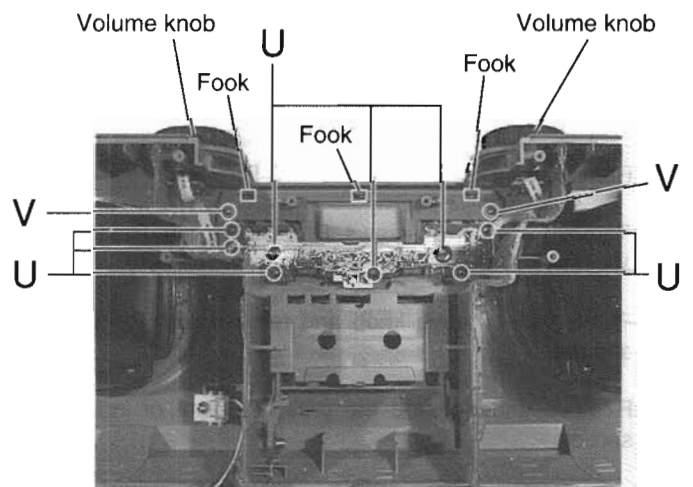
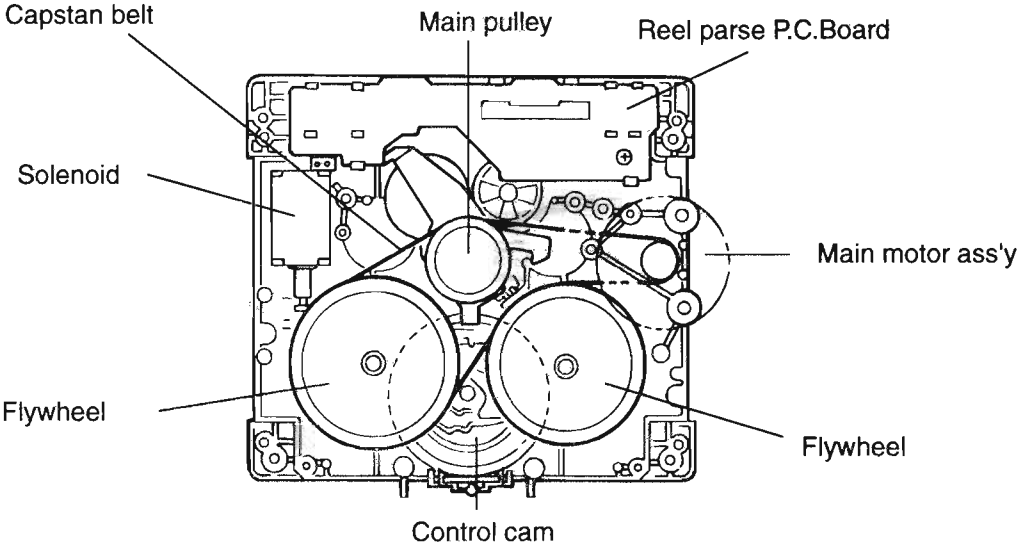
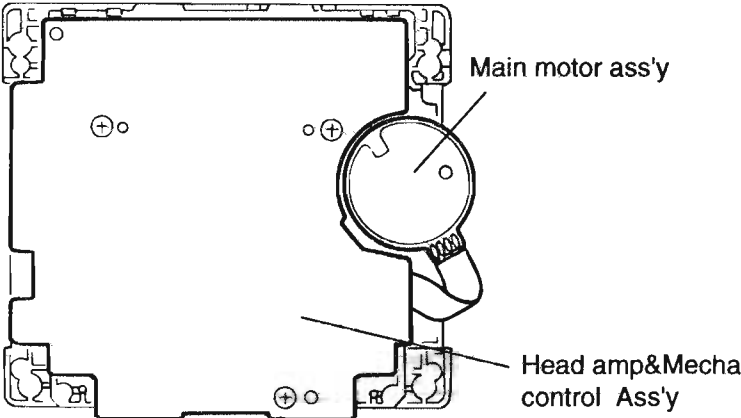
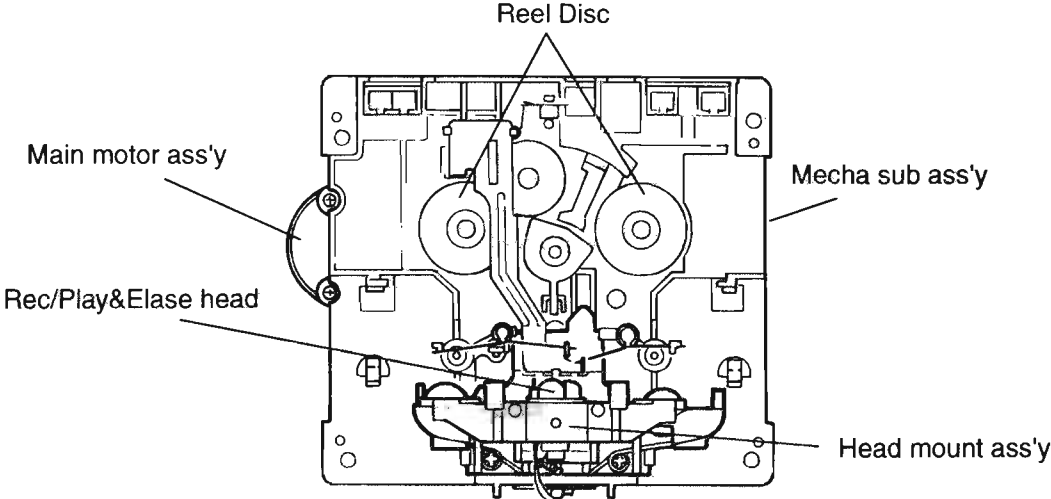


Fig.18

[Cassette mechanism section]



**Headamp & Control P.C.Boards Removal
(See Fig.4)**

- 1.Remove the cassette mechanism Ass'y.
- 2.After turning over the cassette mechanism assembly, remove the 3 screws (A) retating the head amp. & mechanism control P.C.Board.
- 3.Disconnect the CN32 on the P.C. Board and the connector CN1 on the reel P.C.Board. and Remove the Head amp & Control P.C.Boards.
- 4.When necessary remove the 4 pin parallel wire soldered to the main motor.

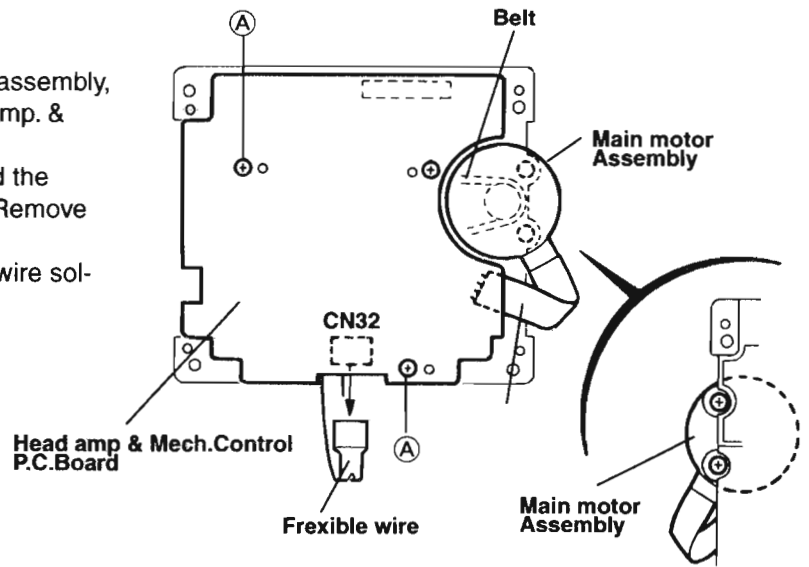


Fig.4

**Main motor Removal
(See Fig.4.Fig.5Fig6.Fig.7)**

- 1.Remove the 2 screws (B) retaining the main motor assembly.(See Fig.4.Fig.5)
- 2.While raising the main motor,remove the main motor belt from the motor pulley.(See Fig.5)

Caution: Be sure to handle the capstan belt so carefully that that this belt will not be stained by grease and other foreign matter.Moreover, these belts should be hanged while referring to the capstan belt hanging method in Fig.6.Fig.7.

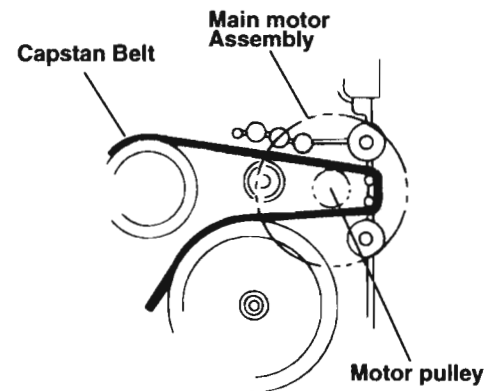


Fig.5

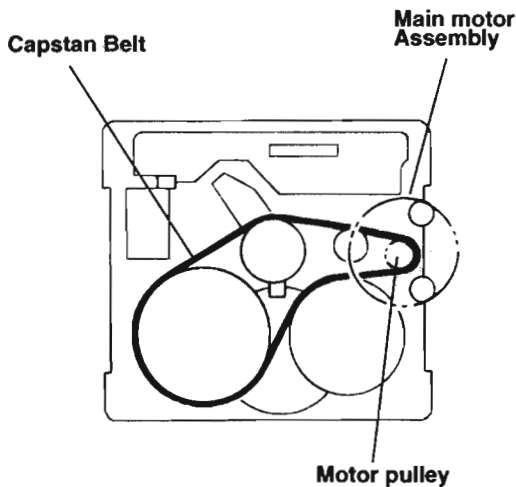


Fig.6

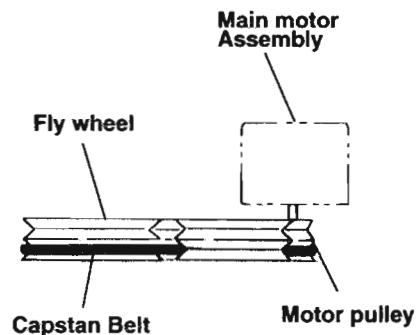


Fig.7

**■ Flywheel Removal
(See Fig.8)**

- 1.Remove the the head amp. & mechanism control P.C.Board.
- 2.Remove the capstan motor Assembly.
- 3.After turning over the cassette mechanism,remove the slit washers (a) and (b) fixing the capstan shafts R and L,and pull out the flywheels R and L repectively from behind the cassette mechanism.

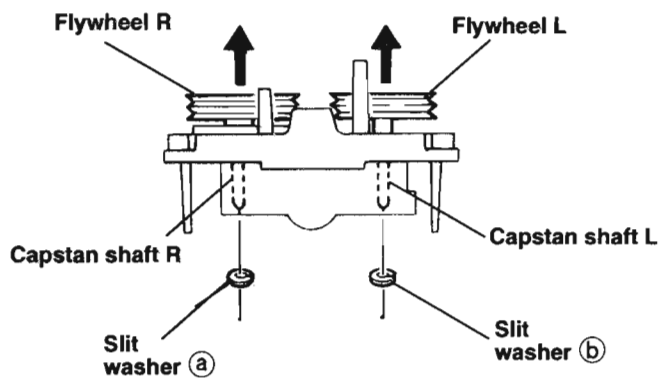


Fig.8

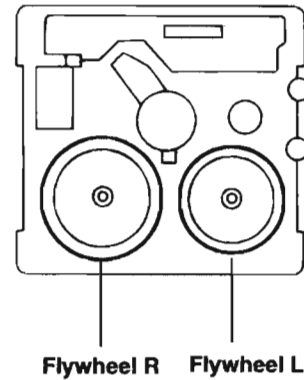


Fig.9

**■ Reel Pulse and Solenoid P.C.Board Removal
(See Fig.10)**

- 1.Remove the 5 Pawls (c ,d ,e ,f and g)ewtaining the reel pulse P.C.board.
- 2.From the surface of the reel pulse P.C. board parts, remove the 2 pawls (h) and (i) retaining the solenoid.

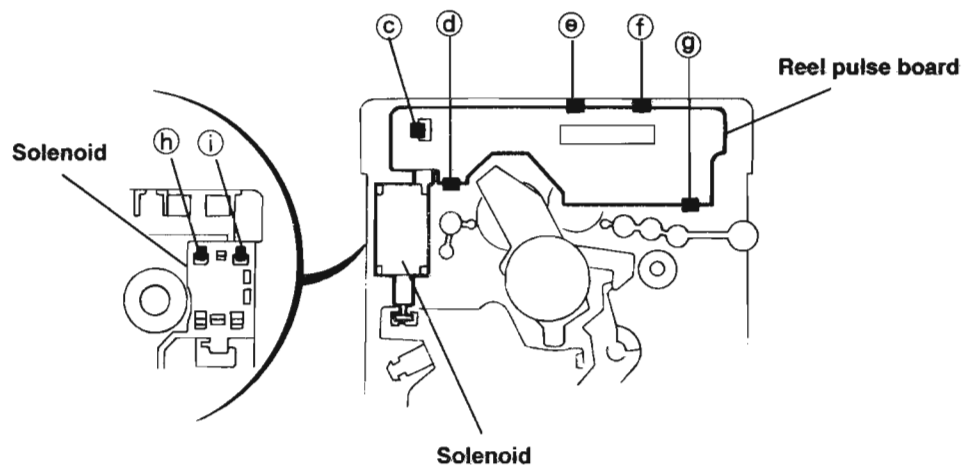


Fig.10

Reassembling the Playback,Recording and Eraser Heads(See Fig.13,Fig14)

- 1.Reassemble the eadmount
 - 1)To become direction of the left side, Direction lever of the head mount assembly is maintained by the hand.
 - 2)Reassemble the playback head from the front of the head mount to the position as shown Fig.13, Fig14,and Fig.15.(J', K',L' and M',N' are set to the hole of K and L and ditches of J,M and N and thru sting out the head mount assembly is built in.
- 2.Fix the reversing szimuth screw.
- 3.Set the spring from behind the playback head.
- 4.Attach the flexible P.C. board to the chassis base, and fix it with the FPC holder as shown in Fig.15.
- 5.The recording and eraser heads should also be reassembled similarly according to Steps1~ 4 above.

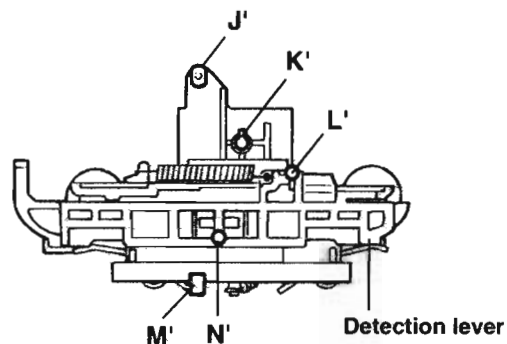


Fig.13 Head mount Assembly

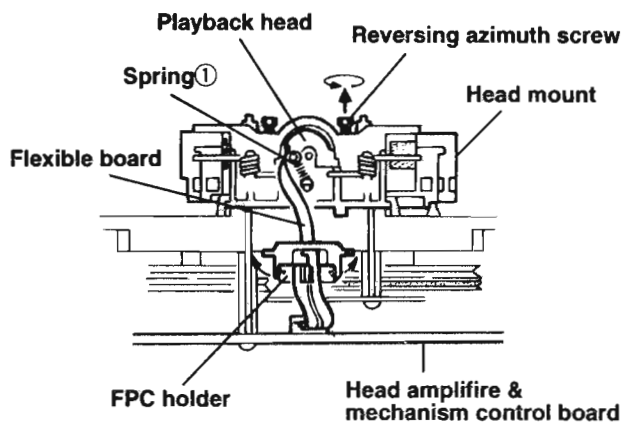


Fig.15

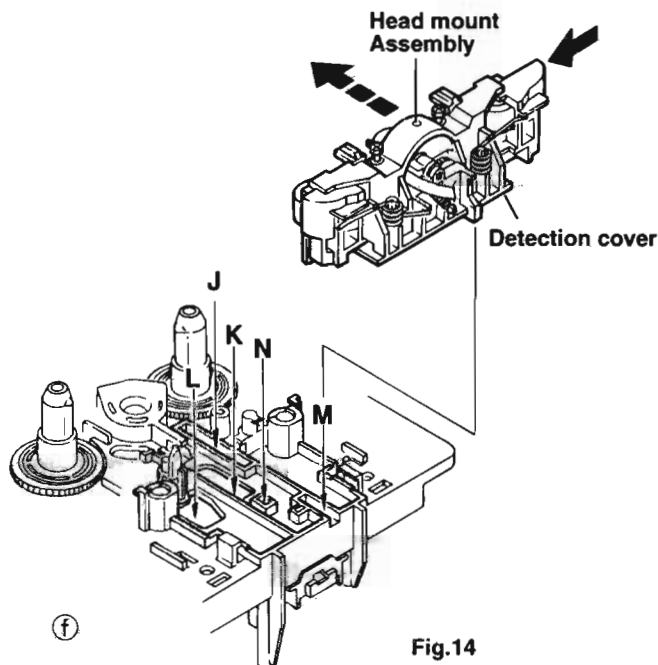


Fig.14

Reassembling the Control Cam (See Fig.16,Fig17,Fig.18)

The head assembly is adjusted in the direction of the left side (direction of the forward), and It inserts according to the part of hole "O" of the control cam and "O' " of the mechanism sab assembly.



Fig.16

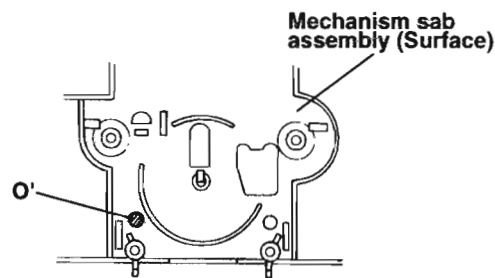


Fig.17

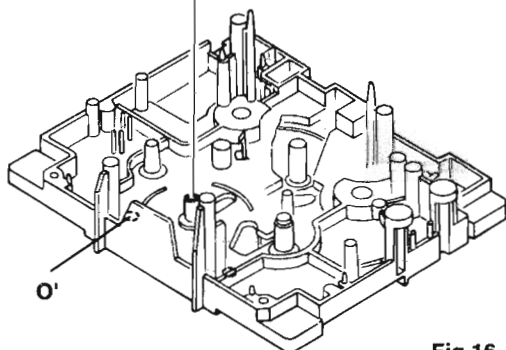


Fig.18

■ Playback, Recording and Eraser Heads Removal (See Fig.11)

1. While shifting the trigger arms seen on the right side of the head mount in the arrow direction, turn the flywheel R in counterclockwise direction until the head mount has gone out with a click (See Fig.11)
2. When the flywheel R is rotated in counterclockwise direction from the position in Fig.12 to that in Fig.13.
3. At this position, disconnect the flexible P.C. board (outgoing from the playback head) from the connector CN 301 on the head amp. & mechanism control P.C. board.
4. After dismantling the FPC holder, remove the flexible P.C. board.
5. Remove the flexible P.C. board from the chassis base.
6. Remove the spring ③ from behind the playback head.
7. Loosen the reversing azimuth screw retaining the playback head.
8. Take out the playback head from the front of the head mount.
9. The recording and eraser heads should also be removed similarly according to Steps 1~8.

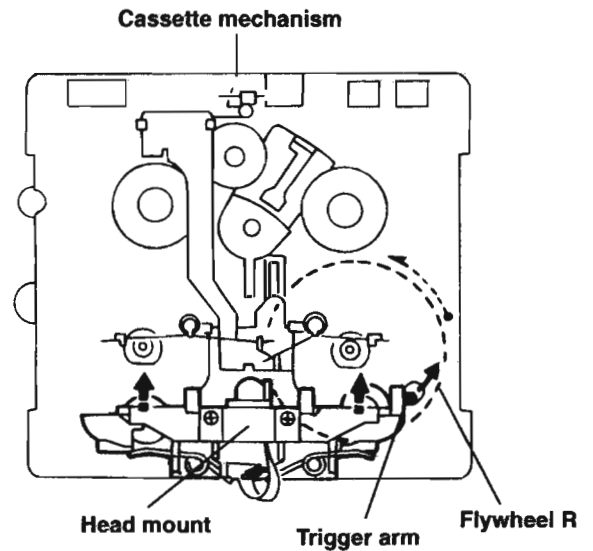


Fig.11

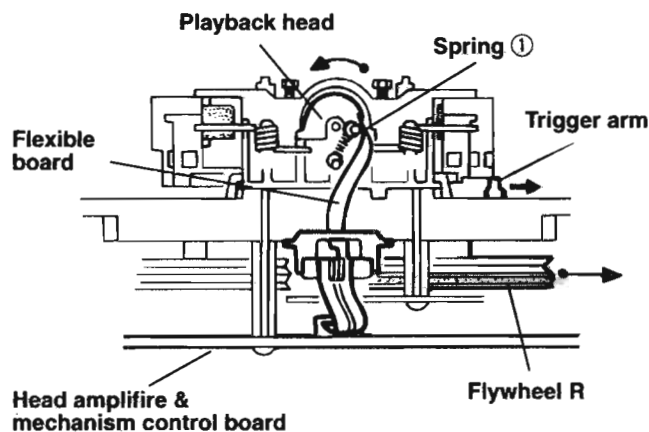


Fig.12

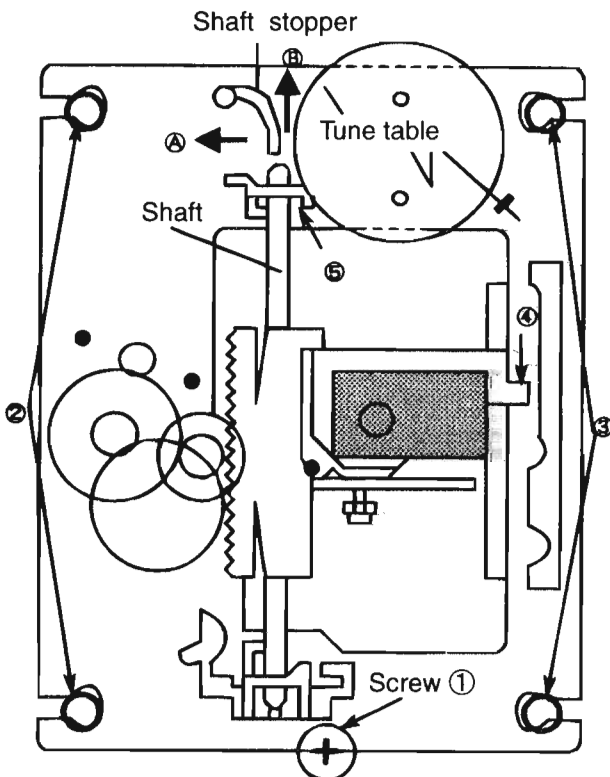
[CD mechanism section]

■ Removing the Laser Pickup

- 1) Remove the metal cover, tray assembly and the clamp.
- 2) Remove the screw ① from the Mecha Base assembly.
- 3) Remove the Mecha Base assembly from the rubber cushion ② ③ .
- 4) Move the Shaft stopper from the rest position to the left side .
- 5) Remove the Pickup Shaft from the Mecha Base assembly.(Slide the Pickup shaft to the up side-)
- 6) Remove the CD Pick Unit with the shaft.

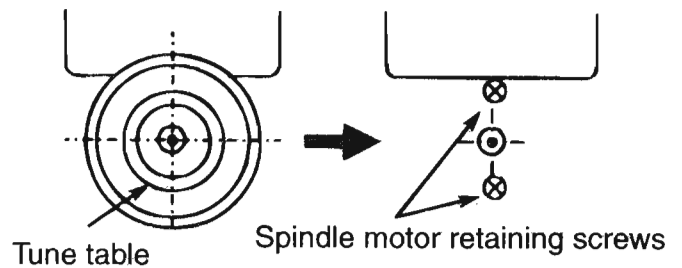
■ Installing the Laser Pickup

- 1) Connect the Flat wire with the connectors of APC (Automatic Power Control) P.C.Board.
- 2) While installing the ④ in the CD Support, set the shaft on the base hook⑤ .
- 3) Install the Mecha Base assembly to the rubber cushion ② ③ .



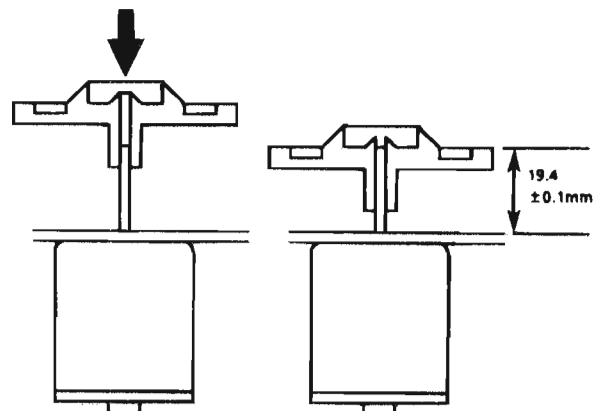
■ Removing the spindle motor

- 1) Remove the Mechanism assembly.
- 2) Remove the turntable, and remove the two screws retaining the spindle motor.
- 3) Remove the screw retaining the spindle and the Feed Motor P.C. Board and unsolder it.

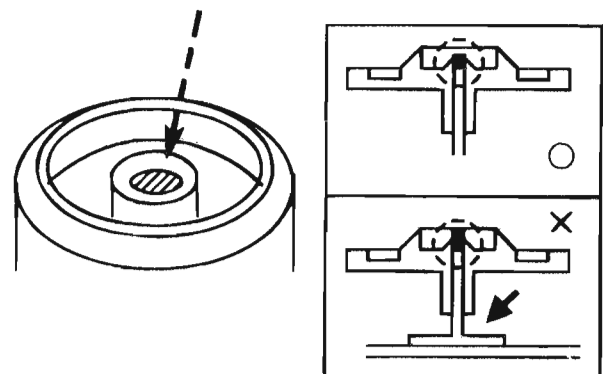


■ Installing the spindle motor

- 1) Tighten the 2 screws to the same torque.
- 2) Fasten the Spindle and the Feed Motor P.C. Board with the screw and solder.
- 3) Install the turntable. When installing, press straight down at the center of the turntable until the distance from the surface of the mechanism base to the top of the turntable is exactly 19.4 ± 0.1 mm.



- 4) After insertion is complete, bond the motor shaft and turntable together (at the section marked by an arrow in the figure on the left below).

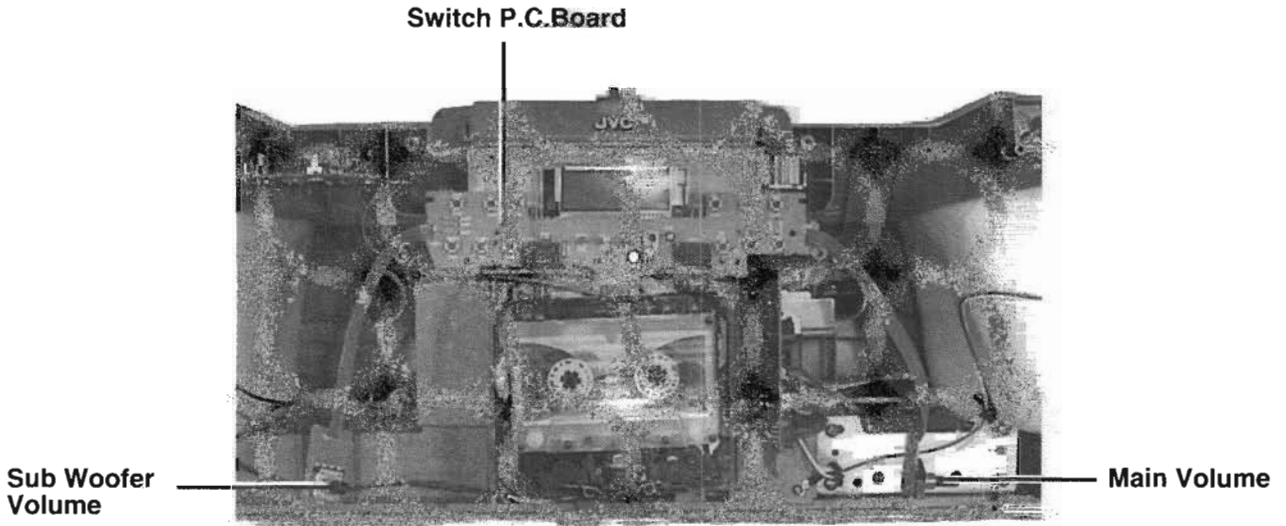


- 5) Use 'LOCTITE' #460 bonding agent, and apply as little as possible. Take care not to allow any excess bonding agent to get onto the turntable. Be extremely careful not to allow bonding agent to adhere to the motor bearings (the section marked by an allow in the figure on the right).

Adjustment Method

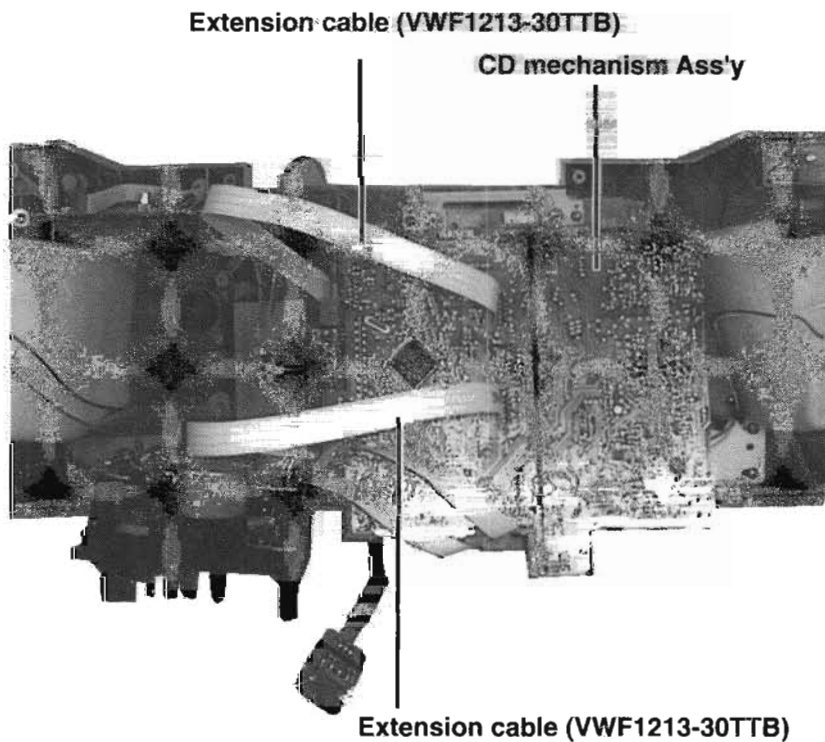
Connection of Adjustment

■ Connection of Cassette Deck and Circuit Board Check

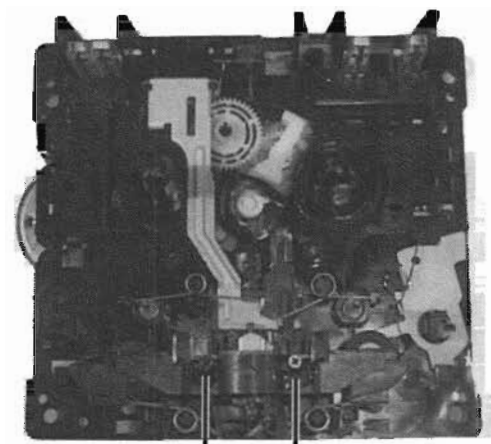


The switch P.C.Board and Two Volumes removed from a front panel, and It's installs in a main P.C.Board.

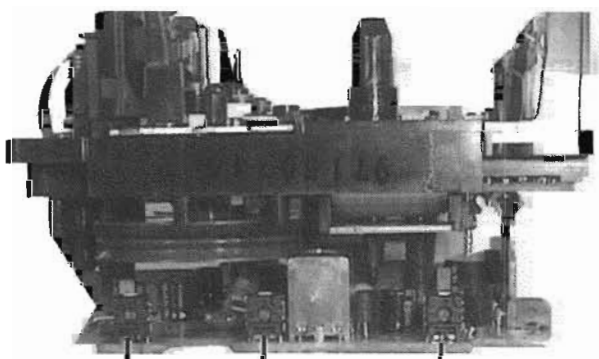
■ Connection of CD Mechanism ass'y Check



■ Arrangement of Adjusting points



Azimuth Adjust screws



VR32

VR31

VR37

Adjustment of Tape speed

■ Tape Recorder Section

Items	Measurement conditions	Measurement method	Standard values	Adjusting positions
Confirmation of head angle	Test tape :TMT7036(10kHz) Measurement output terminal :Speaker terminal Speaker R :Headphone terminal	1.Playback the test tape TMT7036(10kHz). 2.With the playback mechanism or recording & playback mechanism, adjust the head azimuth screw so that the forward and reverse output levels become maximum.After adjustment,lock the head azimuth at least by half aturn. 3.In either case,this adjustment should be performed in both the forward and reverse directions with the head azimuth screw.	Maximum output	Adjust the head azimuth screw only when the head has been changed.
Confirmation of tape speed	Test tape :VTT712(3kHz) or TMT7036(3kHz) Measurement output terminal :Headphone terminal	<Constant speed> Adjust VR37 so that the frequency counter reading becomes $3,010\text{Hz} \pm 15\text{Hz}$ when playing back the test tape VTT712(3kHz)with the playback mechanism or playback and recording mechanism after ending forward winding of the tape.	Tape speed of decks :3,010Hz $\pm 15\text{Hz}$	VR37

■ Reference Values for Confirmation items

Items	Measurement conditions	Measurement method	Standard values	Adjusting positions
Wow & flutter		When the test tape VTT712(3kHz) has been played back with the playback mechanism or recording and playback mechanism at the beginning of forward winding the frequency counter reading of wow & flutter should be 0.25% or less(WRMS).	0.25% or less (WRMS)	Both the playback and recording & playback mechanism

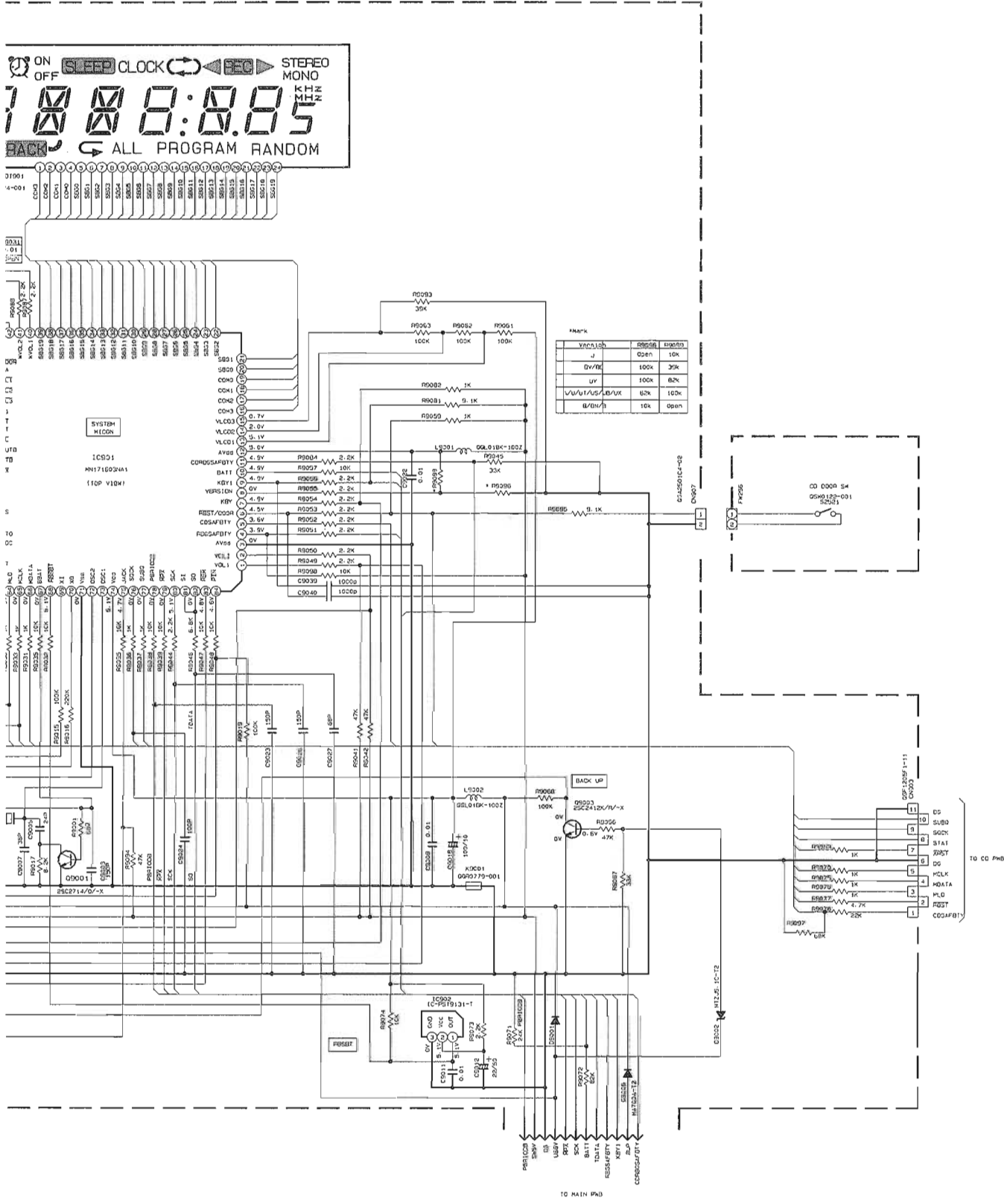
■ Electrical Performance

Items	Measurement conditions	Measurement method	Standard values	Adjusting positions
Adjustment of recording bias current (Reference value)	*Mode : Forward or reverse mode *Recording mode *Test tape :AC-514 and AC-225 Measurement output terminal :Both recording and headphone terminals	1. With the recording and playback mechanism, load the test tapes(AC-514 to TYP II and AC-225 to TYP I),and set the mechanism to the recording and pausing conditions in advance. 2. After connecting 100Ω in series to the recorder head,measure the bias current with a valve voltmeter at both of the terminals. 3. After resetting the [PAUSE] mode,start recording. At this time,adjust VR31 for LcH and VR32 for RcH so that the recording bias current values become 4.0μA (TYP I) and 4.20μA(TYP II).	AC-225 :4.20μA AC-514 :4.0μA	LcH :VR31 RcH :VR32
Adjustment of recording and playback frequency characteristics	Reference frequency :1kHz and 10kHz (REF:-20dB) Test tape :TYP II AC-514 Measurement input terminal :OSC IN	1. With the recording and playback mechanism,load the test tape(AC-514 to TYP II),and set the mechanism to the recording and pausing condition in advance. 2. While repetitively inputting the reference frequency signal of 1kHz and 10kHz from OSC IN, record and playback the test tape. 3. While recording and playing back the test tape in TYP II ,adjust VR31 for LcH and VR32 for RcH so that the output deviation between 1kHz and 10kHz becomes -1dB±2dB.	Output deviation between 1kHz and 10kHz : -1dB±2dB	LcH :VR31 RcH :VR32

■ Reference Values for Electrical Function Confirmation Items

Items	Measurement conditions	Measurement method	Standard values	Adjusting positions
Recording bias frequency	*Recording and playback side forward or reverse *Test tape :TYP II AC-514 *Measurement terminal BIAS TP on P.C.board	1. While changing over to and from BIAS 1 and 2, confirm that the frequency is changed. 2. With the recording and playback mechanism. load the test tape (AC-514 to TYP II),and set the mechanism to the recording and pausing conditions in advance. 3. Confirm that the BIAS TP frequency on the P.C.board is 100kHz±6kHz.	100kHz ±6kHz	
Eraser current (Reference value)	*Recording and playback side forward or reverse *Recording mode *Test tape :AC-514 and AC-225 Measurement terminal Both of the eraser head	1. With the recording and playback mechanism, load the test tapes(AC-514 to TYP II and AC-225 to TYP I),and set the mechanism to the recording and pausing condition in advance. 2. After setting to the recording conditions,connect 1MΩ in series to the eraser head on the recording and playback mechanism side,and measure the eraser current from both of the eraser terminal.	TYP II :120mA TYP I :75mA	

<<MEMO>>



E

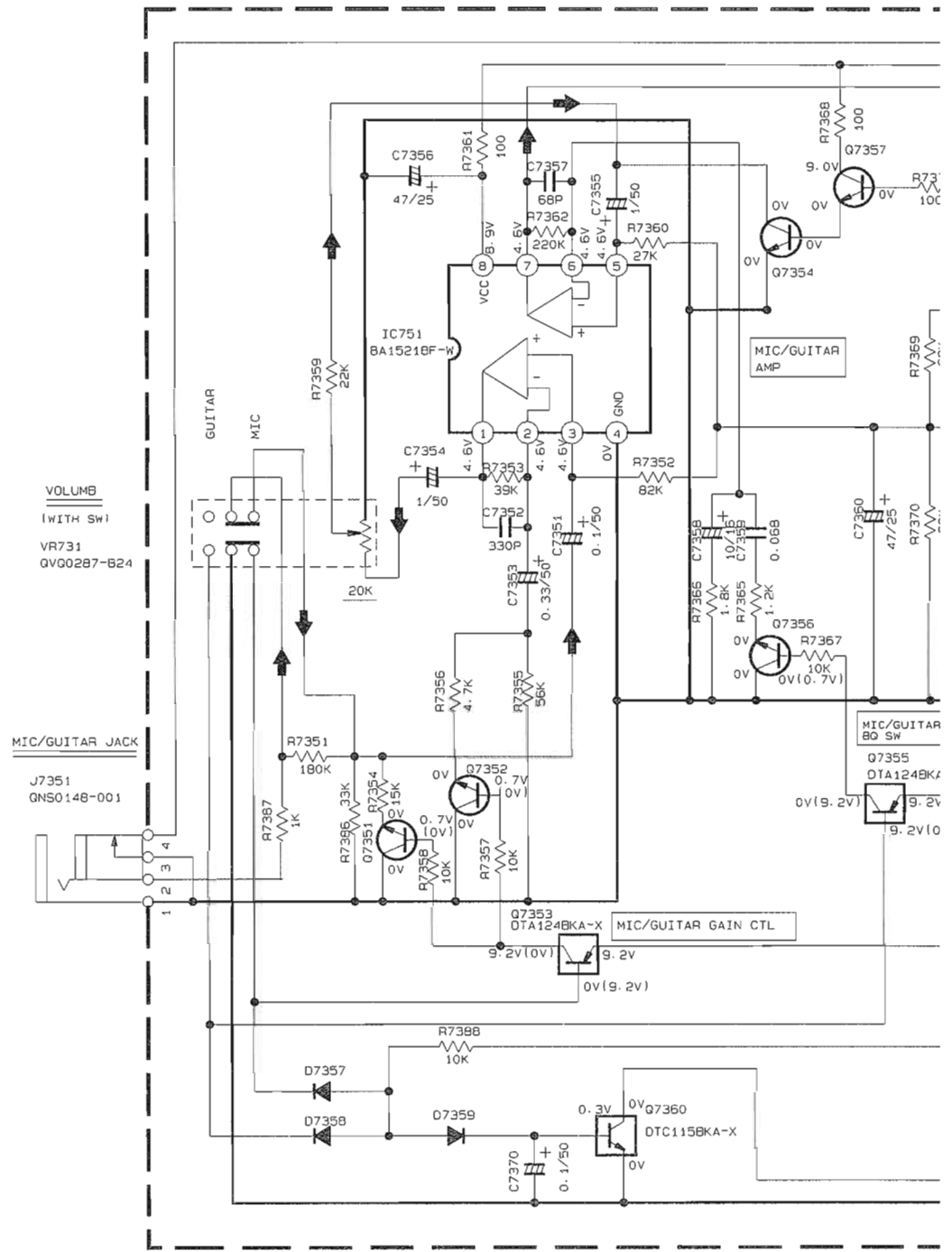
F

G

H

I

MIC Amplifier Circuit

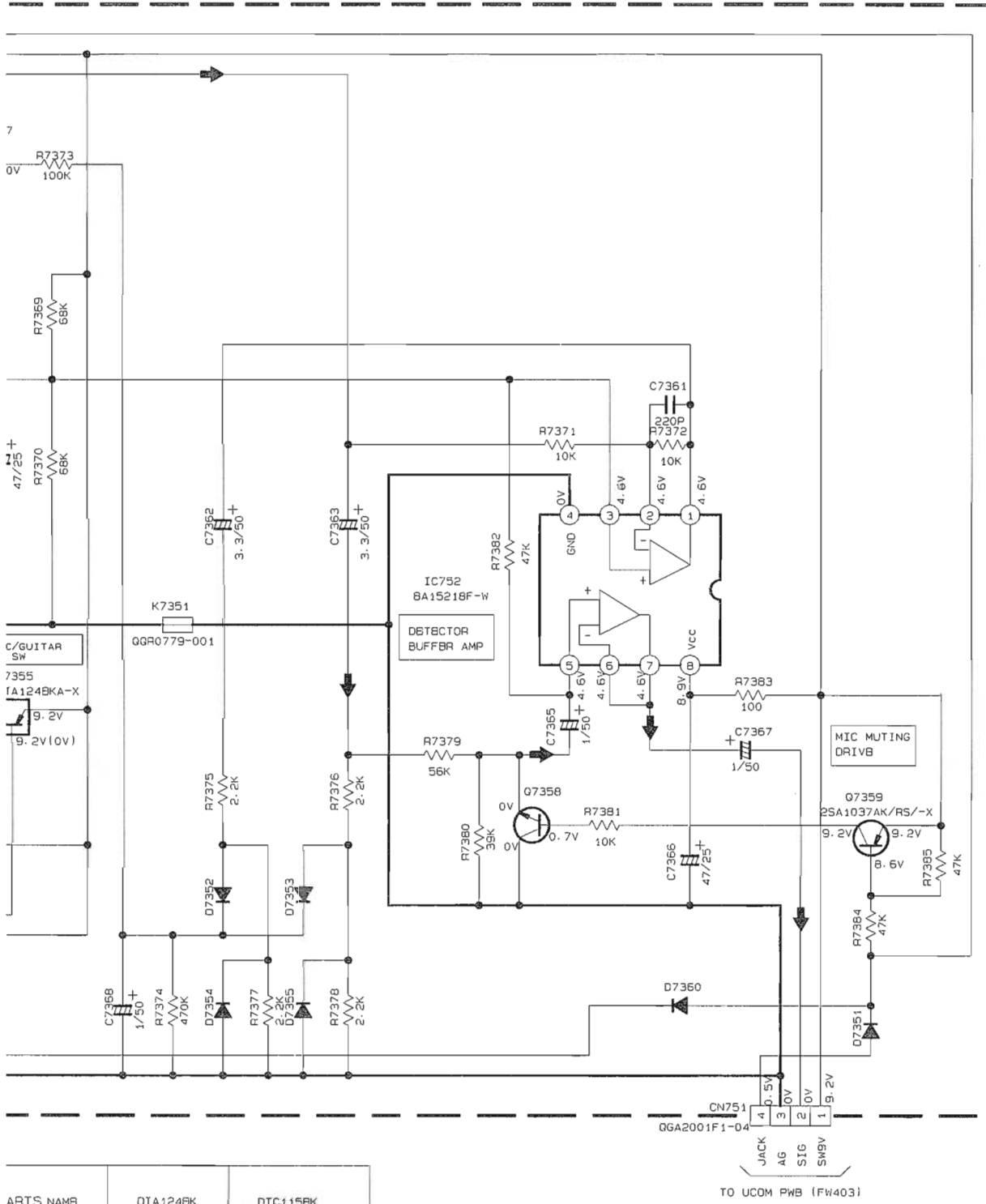


NOTES

1. VOLTAGES ARE DC-MEASURED WITH A DIGITAL VOLT METER OR OSCILLOSCOPE WITHOUT INPUT SIGNAL. CONDITION --- CD STOP AT AC SUPPLY () IS GUITAR POSITION AND NORMAL IS MIC. POSITION
2. UNLESS OTHERWISE SPECIFIED RESISTORS ARE 1/10W ±5% CARBON RESISTOR. ALL RESISTANCE VALUES ARE IN OHM(Ω). ALL CAPACITORS ARE CERAMIC CAPACITOR OR MYLAR CAPACITOR. ALL CAPACITANCE VALUES ARE IN μF (P=pF). ALL INDUCTANCE VALUES ARE IN μH (m=mH). ALL ELECTROLYTIC CAPACITORS ARE SHOWN IN THE FORM OF CAPACITANCE (μF)/RATED VOLTAGE (V). ALL DIODES ARE 1SS254-T2 ALL NPN TRANSISTORS ARE 2SC2412K/R/-X

PARTS NA

CONSTRU



ARTS NAMS	OTA1248K	DTC1158K
DNSTRUCTION		

➔ MIC SIGNAL

E

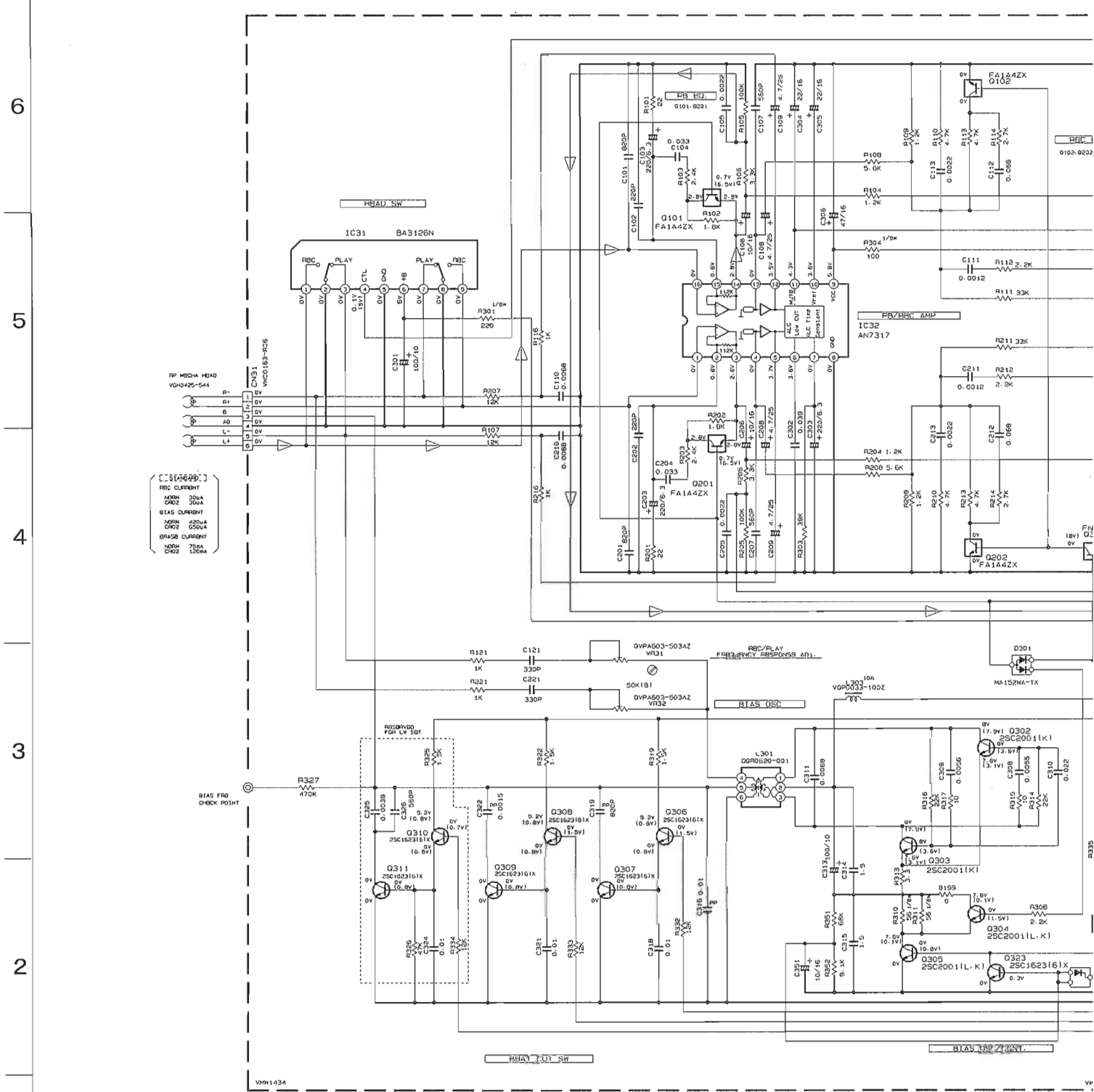
F

G

H

I

Head Amplifier Circuit



- [514089] RBC CURRENT
- HOOK 300A
- CR20 300A
- BIAS CURRENT
- HOOK 300A
- CR20 300A
- BIAS CURRENT
- HOOK 300A
- CR20 300A

NOTES

1. VOLTAGES ARE DC-MEASURED WITH A DIGITAL VOLT METER OR OSCILLOSCOPE WITHOUT INPUT SIGNAL. CONDITION-HQMA STCP HOBB
2. UNLESS OTHERWISE SPECIFIED - RESISTORS ARE 1/10W ±5% METAL GLAZE RESISTOR. ALL RESISTANCE VALUES ARE IN OHMS (Ω).
- ALL CAPACITORS ARE CERAMIC CAPACITOR OR NYLAR CAPACITOR. ALL CAPACITANCE VALUES ARE IN #INCHES (IN).
- ALL INDUCTANCE VALUES ARE IN #INCHES (IN).
- ALL CAPACITORS ARE SHOWN IN THE FORM OF CAPACITANCE (F) / RATED VOLTAGE (V).
- ⊃ POLYPROPYLENE CAPACITOR

▷ PLAY BACK SIGNAL

6

5

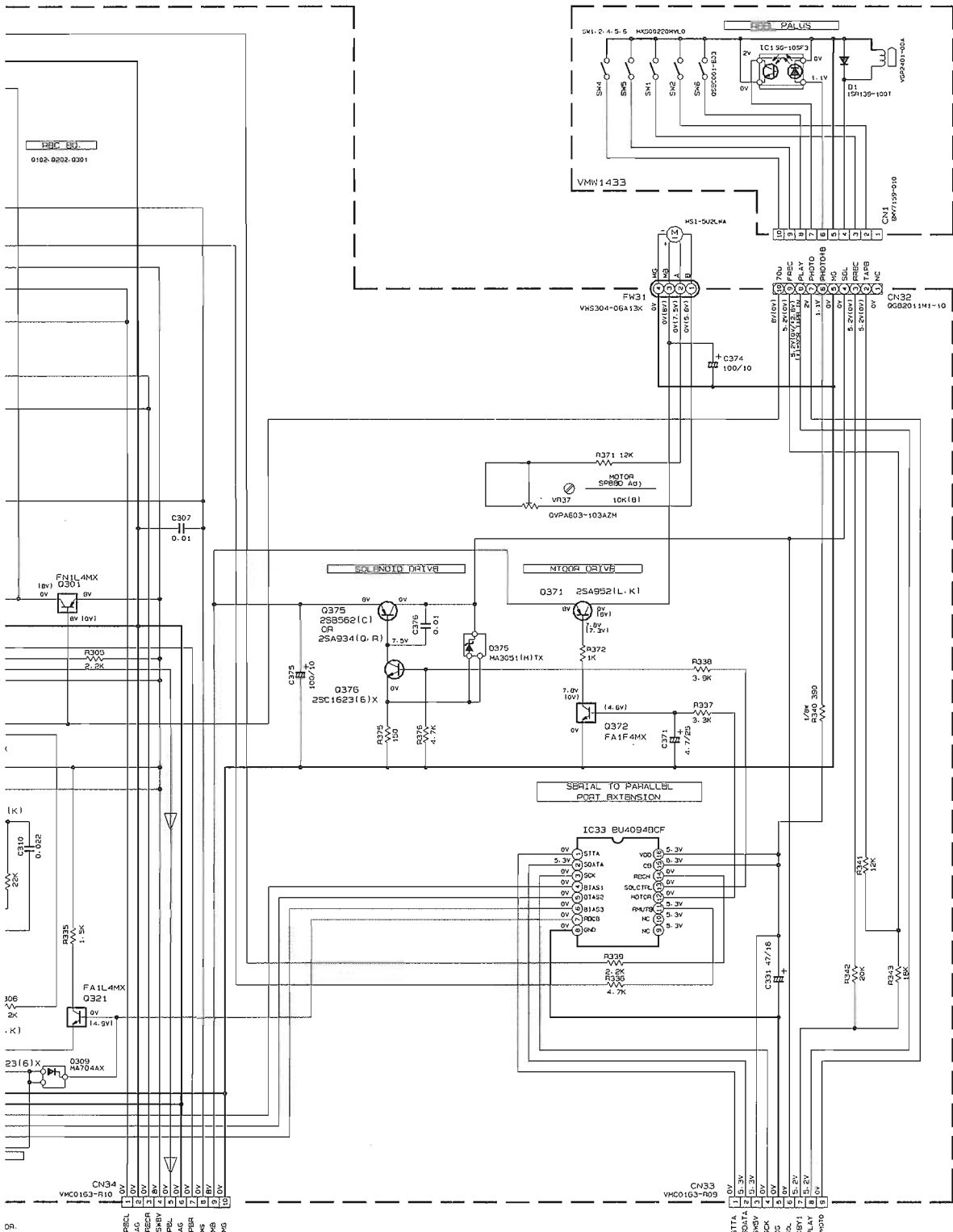
4

3

2

1

A B C D E

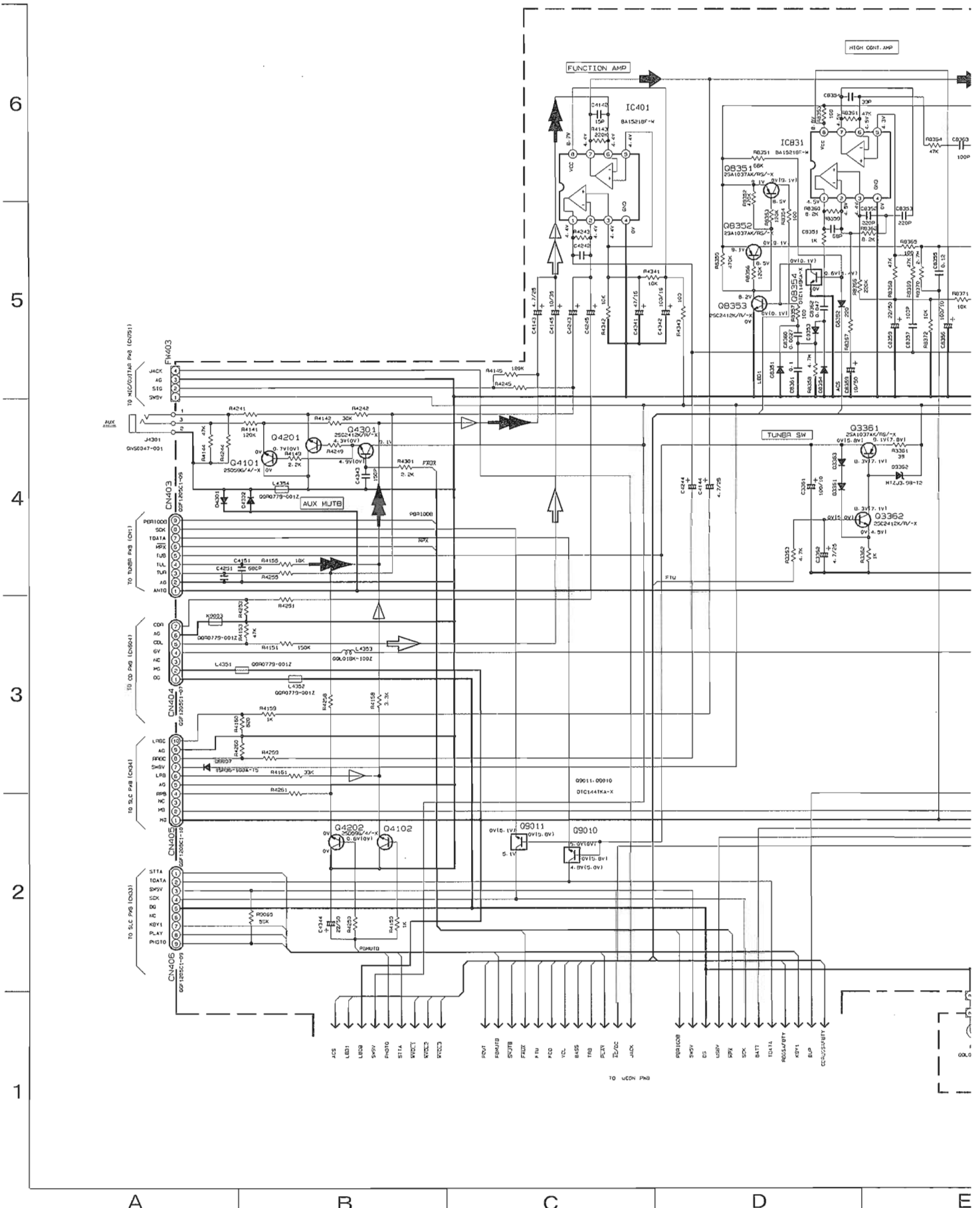


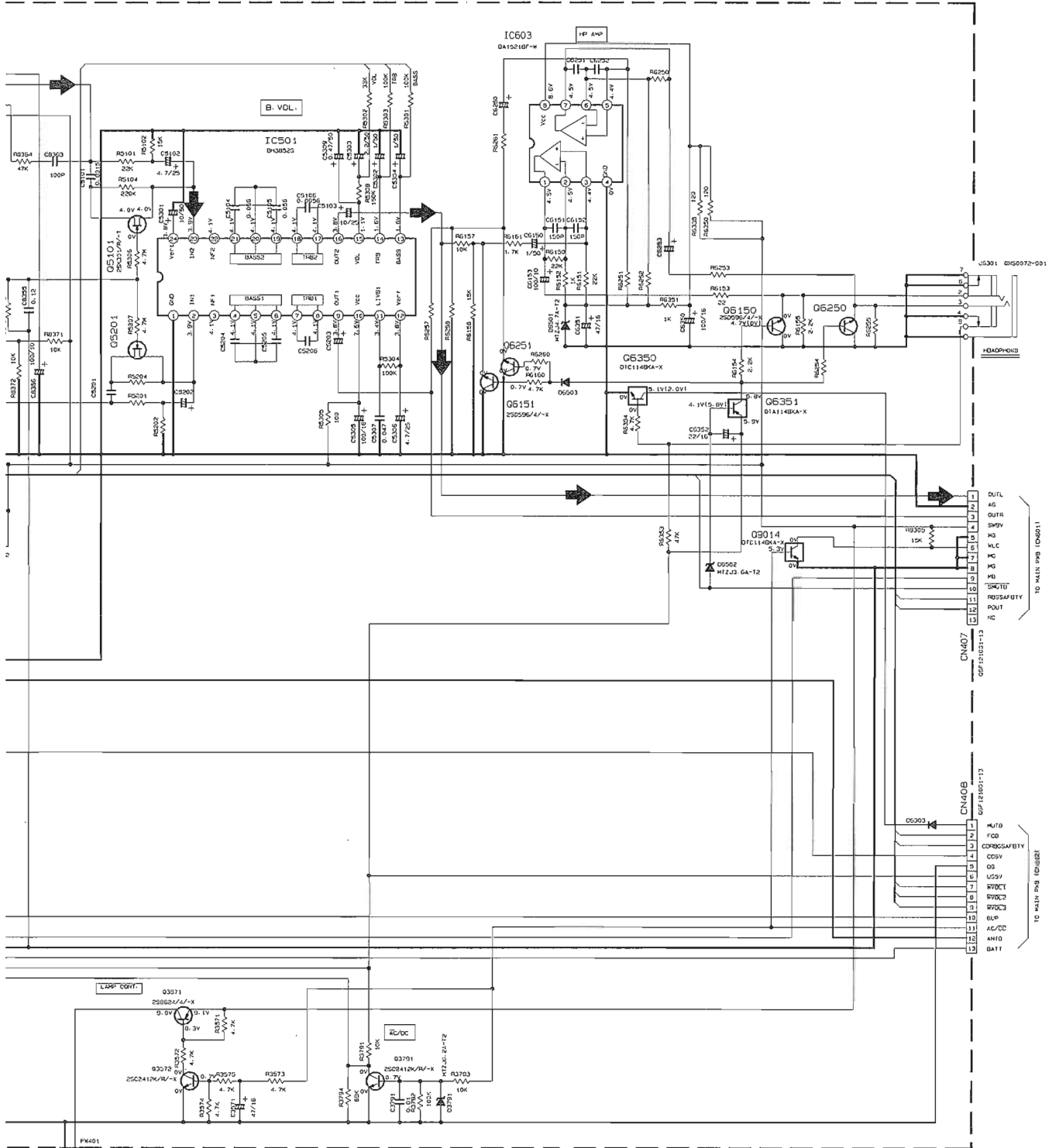
OR
4GB 1V).

SYMBOL	NAME	REF. NO
	FA1A42X	0101-0201 0102-0202-0301
	FA1L4MX	0301
	FA1L4MX	0301
	FA1F4MX	0371

E F G H I

Function Amplifier Circuit





- NOTES**
1. VOLTAGE IS DC-HEAVY-BIAS WITH A DIGITAL VOLT METER OR OSCILLOSCOPE WITHOUT INPUT SIGNAL.
 2. CONSTRUCTION: --- CD STRIP HOLES (RESISTOR)
 3. UNLESS OTHERWISE SPECIFIED, RESISTORS ARE 1/4W 1% OF CARBON RESISTOR.
 4. ALL RESISTANCE VALUES ARE IN OHMS (R), K (K), OR MEG (M).
 5. ALL CAPACITORS ARE CERAMIC CAPACITOR OR MYLAR CAPACITOR.
 6. ALL CAPACITANCE VALUES ARE IN (F) OR (P).
 7. ALL INDUCTANCE VALUES ARE IN (H) OR (M).
 8. ALL DIODES ARE 1N4148 IN THE FORM OF CAPACITANCE (C) 1-F/10V (V) 1450 (V).
 9. ALL NPN TRANSISTORS ARE 2SC2705/TO-18.
- UNFLAMEABLE CARBON RESISTOR
 NON-POLARIZED (BIBERPOLY) CAPACITOR
 POLYPROPYLENE CAPACITOR
 FUSIBLE RESISTOR

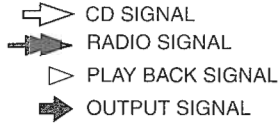


TABLE 1

PARTS NAME	D1C1148K	D1A1148K
CONSTRUCTION		

Power Supply & Power Amplifier Circuit (RV-B99 B/E/EN/EV/EE)

6
5
4
3
2
1

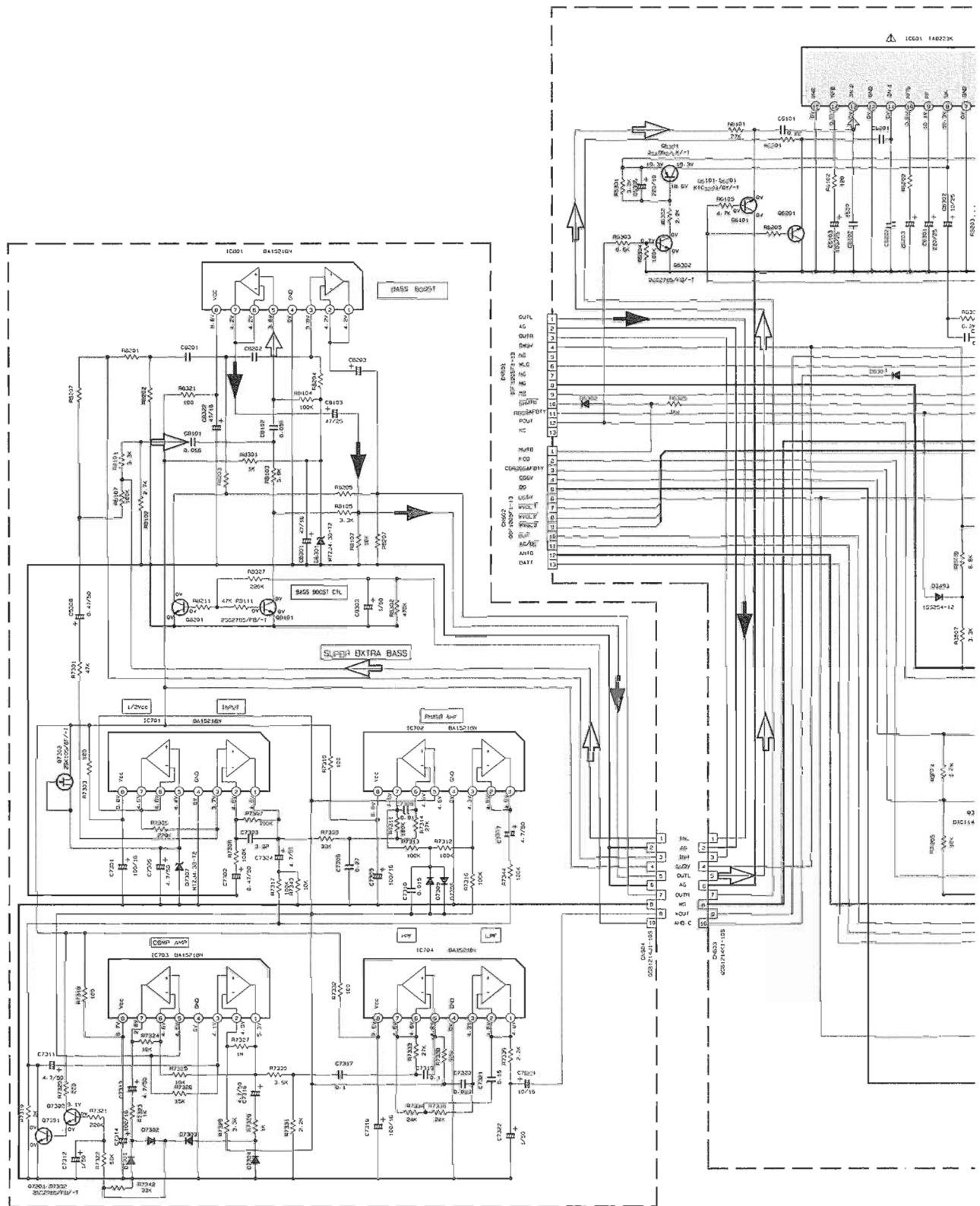


TABLE 1 DIGITAL TRANSISTOR

D1C1145A	D1A1145A	D1A1415A	D1A1435A	D1A1445A	D1C1445A	D1C1415A

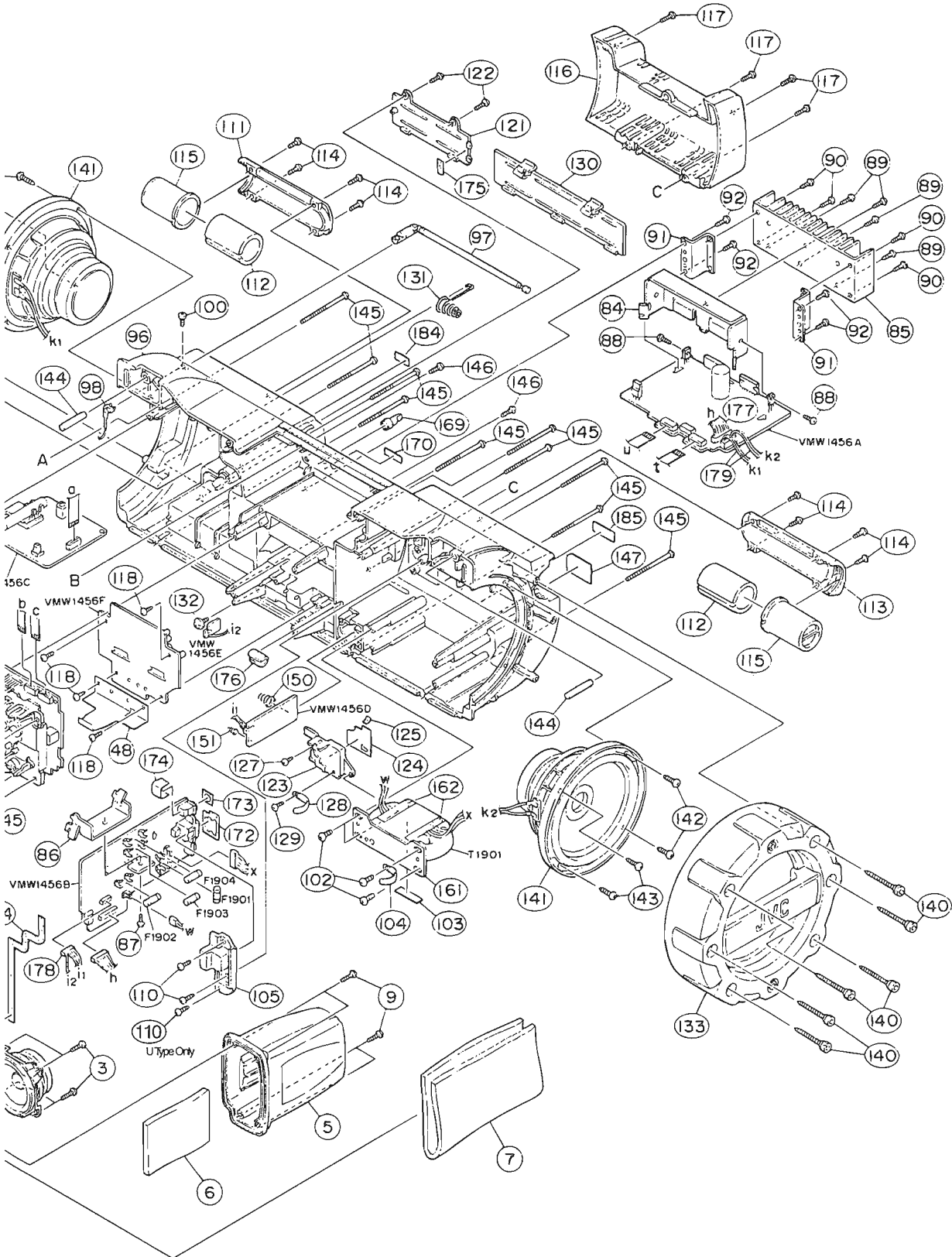
1. VOLTAGES ARE MEASURED WITH A DIGITAL VOLTMETER OR OSCILLOSCOPE WITHOUT INPUT SIGNAL. CONDITION -- CD STOP MODE

2. UNLESS OTHERWISE SPECIFIED RESISTORS ARE 1/4W ±5% CARBON RESISTOR. ALL RESISTANCE VALUES ARE IN OHMS.

ALL INDUCTANCE VALUES ARE IN μH. ALL CAPACITORS ARE 50V DC. ALL CAPACITANCE VALUES ARE IN P.F. UNLESS OTHERWISE SPECIFIED. ALL 100 TRANSISTORS ARE PNP TRANSISTOR ARE

A B C D E

RV-B99



E

F

G

H

I

■ Parts List (General Assembly)

BLOCK NO. M1111111

△ REF.	PARTS NO.	PARTS NAME	REMARKS	QTY	SUFFIX	CLR
1	VJG1500-00F	FRONT CABI SA		1		BU
	VJG1500-00DUL	FRONT CABI SA		1		GY
	VJG1500-00EUL	FRONT CABI SA		1		BK
2	QAS0006-001	SPEAKER	FULL RANGE	2		
3	QYSBSF3010Z	SCREW	FOR SC SPK.	8		
4	VYH2280-002	CAP (L)		1		
5	VYH2281-002	CAP (R)		1		
6	VKZ4389-009	SOUND ABSORBER	FOR CAP	2		
7	VKZ4805-001UL	SOUND ABSORBER	FOR WOOFER	2		
8	VYSH102-097	SPACER	FOR SC WIRE	2		
9	QYSBSF3010Z	SCREW	FOR CAP	8		
11	VJD2495-042	FRONT COVER(A)		1	B,E,EN,EE	BK
	VJD2495-042	FRONT COVER(A)		1	EV,U,UB,US	BK
	VJD2495-042	FRONT COVER(A)		1	UT,UX,UY	BK
	VJD2495-043	FRONT COVER(A)		1	J	BK
	VJD2495-033	FRONT COVER(A)		1		GY
	VJD2495-052	FRONT COVER(A)		1		BU
12	QYSBSF2608Z	T.SCREW	FRONT + F.COVER	10		
13	VJK4520-001	LCD LENS		1		BK
	VJK4520-031	LCD LENS		1		GY
	VJK4520-051	LCD LENS		1		BU
15	VYSH102-098	SPACER		2		
16	VXP3890-001	POWER BUTTON(A)		1		BK
	VXP3890-031	POWER BUTTON(A)		1		GY
	VXP3890-051	POWER BUTTON(A)		1		BU
17	VXP3891-031	FUNC. BTN(A)		1		GY
	VXP3891-051	FUNC. BTN(A)		1		BU
	VXP3891-041	FUNC. BTN(A)		1		BK
18	VXL4455-041	VOL.KNOB		2		BK
	VXL4455-001	VOL.KNOB		2		GY
	VXL4455-051	VOL.KNOB		2		BU
19	VYTS539-002	VOL.SHEET	FOR VOL.KNOB	2		
20	VJF3007-041	FOOT		1		BK
	VJF3007-001	FOOT		1		GY
	VJF3007-051	FOOT		1		BU
21	VJF3007-002	FOOT		1		GY
	VJF3007-052	FOOT		1		BU
	VJF3007-042	FOOT		1		BK
22	VYSA1R6-079	SPACER	FOR FOOT	2		
23	QYSBSF3010Z	SCREW	FOR FOOT	6		
24	VJK4516-002	LENS		1	B,E,EN,EE	
	VJK4516-001	LENS		1	J	
	VJK4516-002	LENS		1	UT,UX,UY	
	VJK4516-002	LENS		1	EV,U,UB,US	
25	VJD5512-002	LED LENS		1	J	
	VJD5512-001	LED LENS		1	UT,UX,UY	
	VJD5512-001	LED LENS		1	EV,U,UB,US	
	VJD5512-001	LED LENS		1	B,E,EN,EE	
28	QYSBSFG3010Z	TAP SCREW	FOR SPK.CONNECT	1		
30	PQ45130-7	JVC MARK		1		
31	VJT2389-031	CASSETTE HOLDER		1		GY
	VJT2389-051	CASSETTE HOLDER		1		BU
	VJT2389-041	CASSETTE HOLDER		1		BK
32	VJT2390-041	DOOR COVER		1		BK
	VJT2390-031	DOOR COVER		1		GY

BLOCK NO. M1MM1111

REF.	PARTS NO.	PARTS NAME	REMARKS	QTY	SUFFIX	CLR
33	VJT2390-051	DOOR COVER		1		BU
	VJT4246-031	DOOR LENS		1		GY
	VJT4246-051	DOOR LENS		1		BU
	VJT4246-001	DOOR LENS		1		BK
34	VKY4180-001	CASSETTE SPRING		2		
35	VYH5601-001	GEAR		1		
36	VXL4458-001	EJECT KNOB	FOR C.CASS OPEN	1		BK
	VXL4458-031	EJECT KNOB	FOR C.CASS OPEN	1		GY
	VXL4458-051	EJECT KNOB	FOR C.CASS OPEN	1		BU
37	VYH8174-001	CAM(A)		1		
39	VKY4736-001	PLATE SPRING(A)		1		
40	VKY4737-002	PLATE SPRING(B)		1		
41	QYSBSF2008Z	SCREW	E.KNOB + CAM(A)	1		
43	VKW5309-001	DOOR SPRING		1		
44	-----	CASS.MECHA ASSY		1		
45	VKL7850-002	EJECT SAFTY(R)		1		
46	VKW5258-002	TORSION SPRING		1		
47	QYSBSF3014Z	SCREW		4		
48	VMA4728-002	HEAD SHIELD		1		
50	-----	CD MECHA UNIT		1		
51	VJD5410-204	PICK COVER		1		
52	QYSDSF2006M	SCREW		4		
53	FMYH4003-003	INSULATOR		2		
54	FMYH4003-004	INSULATOR		2		
55	VYH7815-001	CD MECHA HOLDER		2		
56	QYSBSF3010Z	SCREW	FOR HOLDER	4		
57	E65923-003	TAPPING SCREW	FOR SW.PWB	1		
58	LV10179-002A	CD CASE		1		BK
	LV10179-001A	CD CASE		1		GY
	LV10179-003A	CD CASE		1		BU
60	QYSBSF3010Z	SCREW	FOR CD PWB	4		
61	QYSBSF3010Z	SCREW	FOR MICON PWB	4		
62	VYH4769-002SS	GEAR	FOR CD CASE	1		
65	VJT1060-041	CD DOOR		1		BK
	VJT1060-031	CD DOOR		1		GY
	VJT1060-051	CD DOOR		1		BU
66	VYH3644-001	CLAMPER	FOR OPTIMA-6	1		
67	VYH7313-003	MAGNET		1		
68	VYH7314-001	YOKE		1		
69	VYH7315-005	PAD		1		
70	VXL4458-001	EJECT KNOB		1		BK
	VXL4458-031	EJECT KNOB		1		GY
	VXL4458-051	EJECT KNOB		1		BU
71	VYH8197-001	CAM(B)		1		
72	QYSBSF2008Z	SCREW	E.KNOB + CAM(B)	1		
73	VKY4736-001	PLATE SPRING(A)		1		
74	VKY4737-002	PLATE SPRING(B)		1		
75	VYH8178-001	SLIDER(B)		1		
76	VKW5334-001	SWITCH SPRING	FOR SW LEVER	1		
77	VYH8204-001	SWITCH LEVER		1		
78	VYH8205-001	LOCK		1		
79	QYSDSF2606M	SCREW	SLIDER(B) + LOC.	1		
80	VYH8176-002	COVER		1		
81	VKW5352-001	TENSION SPRING		1		

BLOCK NO.

△ REF.	PARTS NO.	PARTS NAME	REMARKS	QTY	SUFFIX	CLR
82	VKW5335-002	CD DOOR SPRING		1		
83	VKZ4794-002	SPECIAL SCREW	CD DOOR + SLIDE	3		
84	VMH3021-001	HEAT SINK		1		
85	VYH3892-005	HEAT SINK		1		
86	VMH4055-002	HEAT SINK	FOR D1901	1		
87	QYSBSF3010Z	SCREW		1		
88	QYSBSF3010Z	SCREW		2		
89	QYSBSF3010Z	SCREW	H.SINK(A)+H.SIN	4		
90	QYSBST3008Z	TH TAP SCREW	H.SINK(B)+BKT.	4		
91	VYH8188-002	BRACKET	FOR HEAT SINK	2		
92	QYSBSF3010Z	SCREW	FOR BKT. + REAR	4		
93	VYK3011-001	LCD HOLDER		1		
94	VYH8193-002	SHEET		1		
96	VJG1502-041UL	REAR CABINET		1	B,E,EN,EE	BK
	VJG1502-051	REAR CABINET		1	B,E,EN,EE	BU
	VJG1502-052	REAR CABINET		1	U,UB,US,UT	BU
	VJG1502-041UL	REAR CABINET		1	EV,J	BK
	VJG1502-042	REAR CABINET		1	U,UB,US	BK
	VJG1502-031UL	REAR CABINET		1	J	GY
	VJG1502-042	REAR CABINET		1	UT,UX,UY	BK
97	FMJA3001-00A(D)	ROD ANT ASS'Y		1		
98	VYH5012-005	TERMINAL LUG		1		
99	E65923-003	TAPPING SCREW	FOR TUNER PWB	1		
100	QYSDSP3012N	SCREW	FOR ROD ANT	1		
102	QYSBSF4012Z	SCREW	FOR TRANS	4		
103	VYSH101-028	SPACER		1		
104	VKZ4001-016	WIRE HOLDER		1		
105	VYH8179-002	JACK HOLDER		1		
110	QYSBSF3010Z	SCREW	FOR JACK HOLDER	3	UT,UX,UY	
	QYSBSF3010Z	SCREW	FOR JACK HOLDER	2	B,E,EN,EE	
	QYSBSF3010Z	SCREW	FOR JACK HOLDER	3	U,UB,US	
111	VJD2503-001	DUCT		1	EV,J	GY
	VJD2503-041	DUCT		1		BK
	VJD2503-051	DUCT		1		BU
112	VKZ4796-002	SOUND ABSORBER	FOR DUCT	2		
113	VJD2503-042	DUCT		1		BK
	VJD2503-002	DUCT		1		GY
	VJD2503-052	DUCT		1		BU
114	QYSBSF3010Z	SCREW	FOR DUCT	8		
115	VJD5510-001	DUCT CAP		2		GY
	VJD5510-051	DUCT CAP		2		BU
	VJD5510-041	DUCT CAP		2		BK
116	VJD1230-031UL	GRILLE		1		GY
	VJD1230-051	GRILLE		1		BU
	VJD1230-041UL	GRILLE		1		BK
117	QYSBSF3010Z	SCREW	FOR GRILL	4		
118	QYSBSF3010Z	SCREW	FOR CONECTER PW	4		
121	VJE3036-041	BATTERY LID		1		BK
	VJE3036-031	BATTERY LID		1		GY
	VJE3036-051	BATTERY LID		1		BU
122	QYSBSF3010Z	SCREW	FOR BATT. LID	2		
123	VYH8199-031	COVER		1		GY
	VYH8199-051	COVER		1		BU

BLOCK NO. MM

REF.	PARTS NO.	PARTS NAME	REMARKS	QTY	SUFFIX	CLR
	VYH8199-041	COVER		1		BK
124	VYTH542-001	SHEET(COVER)		1		
125	VYSH101-029	SPACER		1		
127	QYSBSF3010Z	SCREW	FOR COVER	1		
128	VKZ4001-111	WIRE HOLDER	FOR COVER	1		
129	QYSBSF3010Z	SCREW	FOR WIRE HOLDER	1		
130	VJC2603-041	BATTERY COVER	FOR COVER	1		BK
	VJC2603-031	BATTERY COVER	FOR COVER	1		GY
	VJC2603-051	BATTERY COVER	FOR COVER	1		BU
131	VYH5657-001	BATTERY SPRING		1		
132	E65923-003	TAPPING SCREW	FOR BATT(SUM 3)	1		
133	VJD1233-00DUL	SIDE PROTECT.AS		2		BK
	VJD1233-00E	SIDE PROTECT.AS		2		BU
	VJD1233-00CUL	SIDE PROTECT.AS		2		GY
140	VKZ4795-001	SPECIAL SCREW	FOR SIDE PROTEC	12		GY
	VKZ4795-011	SPECIAL SCREW	FOR SIDE PROTEC	12		BU
	VKZ4795-011	SPECIAL SCREW	FOR SIDE PROTEC	12		BK
141	QAS0007-001	SPEAKER	WOOFER	2		
142	QYSBSF4012Z	SCREW	FOR WF SPK.	4		
143	QYSBSF4012Z	SCREW	FOR WF WIRE	4		
144	VKH3012-073	SHAFT(E)		2		
145	QYSBSF3035Z	SCREW	FRONT+REAR	10		
146	QYSBSF3010Z	SCREW	CD CASE + REAR	2		
147	LV30887-001A	NAME PLATE		1	J	GY
	LV30887-006A	NAME PLATE		1	UX	BK
	LV30887-004A	NAME PLATE		1	EE	BK
	LV30887-005A	NAME PLATE		1	U,UB,US,UY	BK
	LV30887-007A	NAME PLATE		1	UT	BK
	LV30887-008A	NAME PLATE		1	B,E,EN	BU
	LV30887-009A	NAME PLATE		1	EE	BU
	LV30887-003A	NAME PLATE		1	B,E,EN,EV	BK
	LV30887-010A	NAME PLATE		1	U,UB,US	BU
	LV30887-011A	NAME PLATE		1	UT	BU
	LV30887-002A	NAME PLATE		1	J	BK
150	VYH5483-001	BATTERY SPRING	FOR UM-1	1		
151	VYH7199-001	BATTERY SPRING	FOR UM-3	1		
154	QUQ412-0912CJ	FFC WIRE	MICON - TUNER	1		
155	QUQ412-0916CJ	FFC WIRE	MICON - CASSETT	1		
156	QUQ412-1018CJ	FFC WIRE	MICON - CASSETT	1		
157	QUQ412-1310CJ	FFC WIRE	MAIN - MICON	2		
158	QUQ412-0706CJ	FFC WIRE	CD - MICON	1		
159	QUQ412-1112CJ	FFC WIRE	CD - MICON	1		
160	QUQ110-1507AJ	FFC WIRE	CD - CD PICK	1		
161	VYK3023-001	SHIELD PLATE		1	J	
162	VYSA1R6-079	SPACER		2	J	
164	VYTH539-002	PACKING SHEET L		1		
165	VYTH540-002	PACKING SHEET R		1		
166	VYSA1R4-056	SPACER	FOR LCD HOLDER	2		
167	LV40779-001A	BRACKET	FOR MIC	1		
168	QYSBSF3010Z	SCREW		3		
169	LV40759-001A	KNOB	FOR MIC	1		
170	LV40760-001A	MIC PLATE		1		
171	PU59915-105	SPACER	FOR CAS.WIRE	2		
172	VYTH543-001	SHEET(AC)	HIMELON(FOR AC)	1		

BLOCK NO. M1MM

REF.	PARTS NO.	PARTS NAME	REMARKS	QTY	SUFFIX	CLR
173	VYTH544-001	SHEET(DC)	HIMELON(FOR DC)	1		
174	VYSA1R6-080	SPACER	HIMELON(FOR DC)	1		
175	VYSA1R4-056	SPACER	FOR BATT.LID	1		
176	VYSH101-027	SPACER	FOR WF WIRE	1		
177	WJK0002-001A	E-SI C WIRE C-B	MAIN - AC PWB	1		
178	WJK0003-001A	E-SI C WIRE C-B	AC - BATT	1		
179	WJK0004-001A	E-SI C WIRE C-B	MAIN - WOOFER	1		
180	QJK002-020602	SIN CL C-B WIRE	CD DOOR SW-MICO	1		
181	QJK003-040704	SIN CL C-B WIRE	MICON - JACK	1		
183	WJJ0002-001A	E-SI C WIRE C-C	AC - SPEAKER	1		
184	LE40210-001A	CAUTION LABEL		1	UT	
185	LV30887-012A	NAME PLATE		1	UT	BK
	LV30887-018A	NAME PLATE		1	UT	BU
186	QUM042-08Z3Z3	PARA RIBON WIRE	MICON - LAMP	1		
187	QUM043-14Z3Z3	PARA RIBON WIRE	SW - VOL	2		
△ F1901	QMF51E2-1R25-J1	FUSE	PRI	1	UT,UX,UY	
△	QMF51N2-1R25-J1	FUSE	PRI	1	J	
△	QMF51E2-1R25-J1	FUSE	PRI	1	U,UB,US	
△ F1902	QMF51A2-8R0J1	FUSE	2ND	1	UT,UX,UY	
△	QMF51U1-8R0-J1	FUSE	2ND	1	J	
△	QMF51A2-8R0J1	FUSE	2ND	1	B,E,EN,EE	
△	QMF51A2-8R0J1	FUSE	2ND	1	EV,U,UB,US	
△ F1903	QMF51U1-6R3-J1	FUSE	BATT	1	J	
△ F1904	QMF51E2-6R3-J1	FUSE	DC	1	EV,U,UB,US	
△	QMF51E2-6R3-J1	FUSE	DC	1	UT,UX,UY	
△	QMF51E2-6R3-J1	FUSE	DC	1	B,E,EN,EE	
△	QMF51U1-6R3-J1	FUSE	DC	1	J	
△ T1901	QQT0176-003	POWER TRANS		1	B,E,EN	
△	QQT0176-004	POWER TRANS		1	UT,UX,UY	
△	QQT0176-002	POWER TRANS		1	J	
△	QQT0176-003	POWER TRANS		1	EE,EV	
△	QQT0176-004	POWER TRANS		1	U,UB,US	

Electrical Parts List

■ Main & Front P.C.B. (B/E/EN/EE/EV)

BLOCK NO. 01111111		BLOCK NO. 01111111		
A REF.	PARTS NO.	PARTS NAME	REMARKS	SUFFIX
CN251	QGB1216K1-10S	CONNECTOR		
CN252	QGB1216K1-10S	CONNECTOR		
CN403	QGF1205C1-09	CONNECTOR		
CN404	QGF1205C1-07	CONNECTOR		
CN405	QGF1205C1-10	CONNECTOR		
CN406	QGF1205C1-09	CONNECTOR		
CN407	QGF1210G1-13	CONNECTOR		
CN408	QGF1210G1-13	CONNECTOR		
CN901	QGB1216J1-10S	CONNECTOR		
CN902	QGB1216J1-10S	CONNECTOR		
CN903	QGF1205F1-11	CONNECTOR		
CN904	QGA2501C3-03Z	CONNECTOR 1M		
CN907	QGA2501C4-02	CONNECTOR		
C2501	QER41HM-105	E CAPACITOR	1.0MF 20% 50V	
C2502	QER41CM-476	E CAPACITOR	47MF 20% 16V	
C2503	NCB21HK-333X	C CAPACITOR	.033MF 10% 50V	
C2521	NCB21HK-103X	C CAPACITOR	.010MF 10% 50V	
C2522	NCB21HK-103X	C CAPACITOR	.010MF 10% 50V	
C2523	NCB21HK-103X	C CAPACITOR	.010MF 10% 50V	
C2524	NCB21HK-103X	C CAPACITOR	.010MF 10% 50V	
C3301	QER41HM-107Z	E CAPACITOR	100MF 20% 10V	
C3302	QEK41EM-475	E CAPACITOR	4.7MF 20% 25V	
C3571	QEK41CM-476	E CAPACITOR	47MF 20% 16V	
C3791	NCB21HK-103X	C CAPACITOR	.010MF 10% 50V	
C4142	NCB21HJ-150X	C CAPACITOR	15PF 5% 50V	
C4143	QKB41EM-475	E CAPACITOR	4.7MF 20% 25V	
C4144	QEK41EM-475	E CAPACITOR	4.7MF 20% 25V	
C4145	Q1E1V06-106Z	E CAPACITOR		
C4151	NCB21HJ-681X	C CAPACITOR	680PF 5% 50V	
C4242	NCB21HJ-150X	C CAPACITOR	15PF 5% 50V	
C4243	QEK41EM-475	E CAPACITOR	4.7MF 20% 25V	
C4244	QEK41EM-475	E CAPACITOR	4.7MF 20% 25V	
C4245	Q1E1V06-106Z	E CAPACITOR		
C4251	NCB21HJ-681X	C CAPACITOR	680PF 5% 50V	
C4341	QEK41CM-476	E CAPACITOR	47MF 20% 16V	
C4342	QEK1CM-107Z	E CAPACITOR	100MF 20% 16V	
C4343	NCB21HJ-151X	C CAPACITOR	150PF 5% 50V	
C4344	QEK1HM-226Z	E CAPACITOR	22MF 20% 50V	
C5101	QFLM1HJ-152Z	M CAPACITOR	1500PF 5% 50V	
C5102	QER41EM-475	E CAPACITOR	4.7MF 20% 25V	
C5103	QER61EM-106Z	E.CAPA. I.M	10MF 20% 25V	
C5104	QFLM1HJ-563Z	M CAPACITOR	.056MF 5% 50V	
C5105	QFLM1HJ-563Z	M CAPACITOR	.056MF 5% 50V	
C5106	QFLM1HJ-562Z	M CAPACITOR	5600PF 5% 50V	
C5201	QFLM1HJ-152Z	M CAPACITOR	1500PF 5% 50V	
C5202	QER41EM-475	E CAPACITOR	4.7MF 20% 25V	
C5203	QER61EM-106Z	E.CAPA. I.M	10MF 20% 25V	
C5204	QFLM1HJ-563Z	M CAPACITOR	.056MF 5% 50V	
C5205	QFLM1HJ-563Z	M CAPACITOR	.056MF 5% 50V	
C5206	QFLM1HJ-562Z	M CAPACITOR	5600PF 5% 50V	
C5301	QEK1HM-106Z	E CAPACITOR	10MF 20% 50V	
C5302	QER41HM-105	E CAPACITOR	1.0MF 20% 50V	
C5303	QER41HM-225	E CAPACITOR	2.2MF 20% 50V	
C5304	QER41HM-105	E CAPACITOR	1.0MF 20% 50V	
C5305	QEK1CM-107Z	E CAPACITOR	100MF 20% 16V	

BLOCK NO. 01111111		BLOCK NO. 01111111		
A REF.	PARTS NO.	PARTS NAME	REMARKS	SUFFIX
C5306	QEK41EM-475	E CAPACITOR	4.7MF 20% 25V	
C5307	QFLM1HJ-473Z	M CAPACITOR	.047MF 5% 50V	
C5309	QEK41HM-474	E CAPACITOR	.47MF 20% 50V	
C6352	QEK41CM-226	E CAPACITOR	22MF 20% 16V	
C8351	NCB21HJ-680X	C.CAPA. C.M	68PF 5% 50V	
C8352	NCB21HJ-221X	C CAPACITOR	220PF 5% 50V	
C8353	NCB21HJ-221X	C CAPACITOR	220PF 5% 50V	
C8354	NCB21HJ-330X	C CAPACITOR	33PF 5% 50V	
C8355	GFV1HJ-124Z	TF CAPACITOR	.12MF 5% 50V	
C8356	QEK1AM-107Z	E CAPACITOR	100MF 20% 10V	
C8357	NCB21HJ-101X	C CAPACITOR	100PF 5% 50V	
C8358	QEK1HM-226Z	E.CAPA. I.M	22MF 20% 50V	
C8359	QEK1HM-106Z	E CAPACITOR	10MF 20% 50V	
C8360	NCB21HK-272X	C CAPACITOR	2700PF 10% 50V	
C8361	QFV41HJ-104	TF CAPACITOR	.10MF 5% 50V	
C8362	NCB21HK-473X	C CAPACITOR	.047MF 10% 50V	
C9001	NCB21HJ-101X	C CAPACITOR	100PF 5% 50V	
C9002	NCB21HJ-220X	C CAPACITOR	22PF 5% 50V	
C9003	NCB21HJ-151X	C CAPACITOR	150PF 5% 50V	
C9005	NCB21HJ-240X	C.CAPA. I.M	24PF 5% 50V	
C9006	NCB21HJ-240X	C.CAPA. I.M	24PF 5% 50V	
C9007	NCB21HJ-360X	C CAPACITOR	36PF 5% 50V	
C9008	NCB21HJ-360X	C CAPACITOR	36PF 5% 50V	
C9009	NCB21HK-103X	C CAPACITOR	.010MF 10% 50V	
C9011	NCB21HK-103X	C CAPACITOR	.010MF 10% 50V	
C9012	QER61HM-226Z	E.CAPA. I.M	22MF 20% 50V	
C9013	NCB21HJ-151X	C CAPACITOR	150PF 5% 50V	
C9015	NCB21HJ-151X	C CAPACITOR	150PF 5% 50V	
C9016	NCB21HJ-151X	C CAPACITOR	150PF 5% 50V	
C9017	NCB21HJ-151X	C CAPACITOR	150PF 5% 50V	
C9018	QER41AM-107	E CAPACITOR	100MF 20% 10V	
C9019	QER61HM-106Z	E CAPACITOR	10MF 20% 50V	
C9020	QER61HM-106Z	E CAPACITOR	10MF 20% 50V	
C9021	QER61HM-106Z	E CAPACITOR	10MF 20% 50V	
C9022	NCB21HK-103X	C CAPACITOR	.010MF 10% 50V	
C9023	NCB21HJ-151X	C CAPACITOR	150PF 5% 50V	
C9024	NCB21HJ-101X	C CAPACITOR	100PF 5% 50V	
C9026	NCB21HJ-151X	C CAPACITOR	150PF 5% 50V	
C9027	NCB21HJ-680X	C.CAPA. C.M	68PF 5% 50V	
C9031	NCB21HK-103X	C CAPACITOR	.010MF 10% 50V	
C9033	NCB21HJ-151X	C CAPACITOR	150PF 5% 50V	
C9035	NCB21HJ-151X	C CAPACITOR	150PF 5% 50V	
C9036	NCB21HJ-151X	C CAPACITOR	150PF 5% 50V	
C9037	NCB21HJ-151X	C CAPACITOR	150PF 5% 50V	
C9038	NCB21HJ-151X	C CAPACITOR	150PF 5% 50V	
C9039	NCB21HJ-102X	C CAPACITOR	1000PF 5% 50V	
C9040	NCB21HJ-102X	C CAPACITOR	1000PF 5% 50V	
D1901	QL00024-001	LCD		
D2502	SLR-342VR-T15	ED I M	STAND-BY LED	
D2503	SLR-342VR-T15	ED I M	ACS ON/OFF(R)	
D2504	SLR-342MG-T15	LED I M	ACS IND (GR)	
D3361	1S8254-T2	SI DIODE		
D3362	MTJ3.9B-T2	Z DIODE		
D3363	1S8254-T2	SI DIODE		

BLOCK NO. 01

REF.	PARTS NO.	PARTS NAME	REMARKS	SUFFIX
Q6351	DTA114EKA-X	DIGITAL TR		
Q8351	2SA1037AK/RS/-X	CHIP TR.C.M		
Q8352	2SA1037AK/RS/-X	CHIP TR.C.M		
Q8353	2SC2412K/R/-X	TRANSISTOR		
Q8354	DTC114EKA-X	TRANSISTOR		
Q9001	2SC2714/07/-X	TRANSISTOR	MAIN CLOCK	
Q9002	2SC2714/07/-X	TRANSISTOR	MAIN CLOCK	
Q9003	2SC2412K/R/-X	TRANSISTOR		
Q9006	2SA1037AK/RS/-X	CHIP TR.C.M		
Q9010	DTC114EKA-X	TRANSISTOR		
Q9011	DTC114EKA-X	TRANSISTOR		
Q9012	2SC2412K/R/-X	TRANSISTOR		
Q9013	2SC2412K/R/-X	TRANSISTOR		
Q9014	DTC114EKA-X	TRANSISTOR		
R2501	NRS181J-271X	MG RESISTOR	270 5% 1/8W	
R2504	NRSA02J-101X	MG RESISTOR	100 5% 1/10W	
R2505	NRSA02J-101X	MG RESISTOR	100 5% 1/10W	
R2506	NRSA02J-121X	MG RESISTOR	120 5% 1/10W	
R2507	NRSA02J-151X	MG RESISTOR	150 5% 1/10W	
R2508	NRSA02J-221X	MG RESISTOR	220 5% 1/10W	
R2509	NRSA02J-271X	MG RESISTOR	270 5% 1/10W	
R2510	NRSA02J-391X	MG RESISTOR	390 5% 1/10W	
R2511	NRSA02J-561X	RES. C.M	560 5% 1/10W	
R2512	NRSA02J-102X	RES. C.M	1.0K 5% 1/10W	
R2513	NRSA02J-182X	MG RESISTOR	1.8K 5% 1/10W	
R2514	NRS181J-391X	MG RESISTOR	390 5% 1/8W	
R2515	NRS181J-471X	MG RESISTOR	470 5% 1/8W	
R2516	NRSA02J-473X	MG RESISTOR	47K 5% 1/10W	
R2517	NRSA02J-102X	RES. C.M	1.0K 5% 1/10W	
R2518	NRSA02J-104X	MG RESISTOR	100K 5% 1/10W	
R2519	NRSA02J-472X	RES. C.M	4.7K 5% 1/10W	
R2520	NRSA02J-472X	RES. C.M	4.7K 5% 1/10W	
R2521	NRSA02J-222X	MG RESISTOR	2.2K 5% 1/10W	
R3361	NRSA02J-390X	MG RESISTOR	39 5% 1/10W	
R3362	NRSA02J-102X	RES. C.M	1.0K 5% 1/10W	
R3363	NRSA02J-472X	RES. C.M	4.7K 5% 1/10W	
R3571	NRSA02J-472X	RES. C.M	4.7K 5% 1/10W	
R3572	NRSA02J-472X	RES. C.M	4.7K 5% 1/10W	
R3573	NRSA02J-472X	RES. C.M	4.7K 5% 1/10W	
R3574	NRSA02J-472X	RES. C.M	4.7K 5% 1/10W	
R3575	NRSA02J-472X	RES. C.M	4.7K 5% 1/10W	
R3791	NRSA02J-103X	RES. C.M	10K 5% 1/10W	
R3792	NRSA02J-104X	MG RESISTOR	100K 5% 1/10W	
R3793	NRSA02J-103X	RES. C.M	10K 5% 1/10W	
R3794	NRSA02J-683X	MG RESISTOR	68K 5% 1/10W	
R4141	NRSA02J-124X	MG RESISTOR	120K 5% 1/10W	
R4142	NRSA02J-303X	RES. C.M	30K 5% 1/10W	
R4143	NRSA02J-224X	RES. C.M	220K 5% 1/10W	
R4144	NRSA02J-473X	MG RESISTOR	47K 5% 1/10W	
R4145	NRSA02J-424X	MG RESISTOR	120K 5% 1/10W	
R4149	NRSA02J-222X	MG RESISTOR	2.2K 5% 1/10W	
R4150	NRSA02J-102X	RES. C.M	1.0K 5% 1/10W	
R4151	NRSA02J-154X	RES. C.M	150K 5% 1/10W	
R4153	NRSA02J-473X	MG RESISTOR	47K 5% 1/10W	
R4155	NRSA02J-183X	MG RESISTOR	18K 5% 1/10W	

BLOCK NO. 01

REF.	PARTS NO.	PARTS NAME	REMARKS	SUFFIX
D3791	MTZJ6-2A-T2	Z-DIODE 10M		
D4301	1SS254-T2	SI DIODE		
D4302	1SS254-T2	SI DIODE		
D6501	MTZJ4-7A-T2	ZENER DIODE		
D6502	MTZJ3-6A-T2	ZENER DIODE 1/M		
D8303	1SS254-T2	SI DIODE		
D8351	1SS254-T2	SI DIODE		
D8352	1SS254-T2	SI DIODE		
D8353	1SS254-T2	SI DIODE		
D8354	1SS254-T2	SI DIODE		
D9001	1SS254-T2	SI DIODE		
D9002	MTZJ5-1C-T2	ZENER DIODE		
D9006	MA700A-T2	S.B.DIODE		
D9007	1SR35-100A-T5	SI DIODE		
IC001	VYH7237-002	IC HOLDER	FOR MICON	
IC401	BA15218F-W	IC	ADDER	
IC501	BH3852S	IC	VOL&TONE	
IC603	BA15218F-W	IC	H.P AMP	
IC831	BA15218F-W	IC	HIGH CONT. AMP	
IC901	MN171603NA1	IC	SYSTEM MICON	
IC902	IC-PS79131-T	IC	RESET IC	
IC903	GP10281X	IR DETECT UNIT	REM DET	
J4301	GNS0047-001	JACK	AUX	
J6301	GNS0072-001	HEADPHONE JACK		
K9001	QGR0779-001Z	INDUCTOR	<- B4520	
K9003	QGR0779-001Z	INDUCTOR		
L4351	QGR0779-001Z	INDUCTOR		
L4352	QGR0779-001Z	INDUCTOR		
L4353	QGL01BK-100Z	INDUCTOR		
L4354	QGR0779-001Z	INDUCTOR		
L9001	QGL01BK-100Z	INDUCTOR		
L9002	QGL01BK-100Z	INDUCTOR		
PL 1	QLL0043-001	LAMP		
Q2501	DTA124XKA-X	CHIP D.TR.C.M		
Q2502	2SC2412K/R/-X	TRANSISTOR		
Q2503	2SC2412K/R/-X	TRANSISTOR		
Q2504	DTC144TKA-X	TRANSISTOR		
Q2505	DTA143TKA-X	TRANSISTOR		
Q3361	2SA1037AK/RS/-X	CHIP TR.C.M		
Q3362	2SC2412K/R/-X	TRANSISTOR	TUNER SW	
Q3571	2SB624/47-X	TRANSISTOR		
Q3572	2SC2412K/R/-X	TRANSISTOR		
Q3791	2SC2412K/R/-X	TRANSISTOR		
Q4101	2SD596/47-X	TRANSISTOR		
Q4102	2SD596/47-X	TRANSISTOR		
Q4201	2SD596/47-X	TRANSISTOR		
Q4202	2SD596/47-X	TRANSISTOR		
Q4301	2SC2412K/R/-X	TRANSISTOR		
Q5101	2SK301/R/-T	JUNCTION FET		
Q5201	2SK301/R/-T	JUNCTION FET		
Q6150	2SD596/47-X	TRANSISTOR		
Q6151	2SD596/47-X	TRANSISTOR		
Q6250	2SD596/47-X	TRANSISTOR		
Q6251	2SD596/47-X	TRANSISTOR		
Q6350	DTC114EKA-X	TRANSISTOR		

BLOCK NO. 01111111

REF.	PARTS NO.	PARTS NAME	REMARKS	SUFFIX
R0361	NRSA02J-472X	RES. C.M	4.7K 5% 1/10W	
R0362	NRSA02J-121X	MG RESISTOR	120 5% 1/10W	
R0363	NRSA02J-121X	MG RESISTOR	120 5% 1/10W	
R0364	NRSA02J-102X	RES. C.M	1.0K 5% 1/10W	
R0365	NRSA02J-473X	MG RESISTOR	47K 5% 1/10W	
R0366	NRSA02J-472X	RES. C.M	4.7K 5% 1/10W	
R0367	NRSA02J-683X	MG RESISTOR	68K 5% 1/10W	
R0368	NRSA02J-474X	MG RESISTOR	470K 5% 1/10W	
R0369	NRSA02J-124X	MG RESISTOR	120K 5% 1/10W	
R0370	NRSA02J-101X	MG RESISTOR	100 5% 1/10W	
R0371	NRSA02J-475X	MG RESISTOR	4.7M 5% 1/10W	
R0372	NRSA02J-102X	RES. C.M	1.0K 5% 1/10W	
R0373	NRSA02J-474X	MG RESISTOR	470K 5% 1/10W	
R0374	NRSA02J-822X	MG RESISTOR	8.2K 5% 1/10W	
R0375	NRSA02J-101X	MG RESISTOR	100 5% 1/10W	
R0376	NRSA02J-473X	MG RESISTOR	47K 5% 1/10W	
R0377	NRSA02J-102X	RES. C.M	1.0K 5% 1/10W	
R0378	NRSA02J-472X	MG RESISTOR	4.7K 5% 1/10W	
R0379	NRSA02J-101X	MG RESISTOR	100 5% 1/10W	
R0380	NRSA02J-473X	MG RESISTOR	47K 5% 1/10W	
R0381	NRSA02J-102X	RES. C.M	1.0K 5% 1/10W	
R0382	NRSA02J-472X	MG RESISTOR	4.7K 5% 1/10W	
R0383	NRSA02J-101X	MG RESISTOR	100 5% 1/10W	
R0384	NRSA02J-473X	MG RESISTOR	47K 5% 1/10W	
R0385	NRSA02J-101X	MG RESISTOR	100 5% 1/10W	
R0386	NRSA02J-224X	RES. C.M	220K 5% 1/10W	
R0387	NRSA02J-221X	MG RESISTOR	220 5% 1/10W	
R0388	NRSA02J-473X	MG RESISTOR	47K 5% 1/10W	
R0389	NRSA02J-473X	MG RESISTOR	47K 5% 1/10W	
R0390	NRSA02J-275X	MG RESISTOR	2.7M 5% 1/10W	
R0391	NRSA02J-103X	RES. C.M	10K 5% 1/10W	
R0392	NRSA02J-103X	RES. C.M	10K 5% 1/10W	
R0393	NRSA02J-681X	MG RESISTOR	680 5% 1/10W	
R0394	NRSA02J-222X	MG RESISTOR	2.2K 5% 1/10W	
R0395	NRSA02J-472X	RES. C.M	4.7K 5% 1/10W	
R0396	NRSA02J-472X	RES. C.M	4.7K 5% 1/10W	
R0397	NRSA02J-103X	RES. C.M	10K 5% 1/10W	
R0398	NRSA02J-102X	RES. C.M	1.0K 5% 1/10W	
R0399	NRSA02J-103X	RES. C.M	10K 5% 1/10W	
R0400	NRSA02J-222X	MG RESISTOR	2.2K 5% 1/10W	
R0401	NRSA02J-222X	MG RESISTOR	2.2K 5% 1/10W	
R0402	NRSA02J-222X	MG RESISTOR	2.2K 5% 1/10W	
R0403	NRSA02J-102X	RES. C.M	1.0K 5% 1/10W	
R0404	NRSA02J-104X	MG RESISTOR	100K 5% 1/10W	
R0405	NRSA02J-224X	RES. C.M	220K 5% 1/10W	
R0406	NRSA02J-822X	MG RESISTOR	8.2K 5% 1/10W	
R0407	NRSA02J-104X	MG RESISTOR	100K 5% 1/10W	
R0408	NRSA02J-104X	MG RESISTOR	100K 5% 1/10W	
R0409	NRSA02J-102X	RES. C.M	1.0K 5% 1/10W	
R0410	NRSA02J-102X	RES. C.M	1.0K 5% 1/10W	
R0411	NRSA02J-102X	RES. C.M	1.0K 5% 1/10W	
R0412	NRSA02J-822X	MG RESISTOR	8.2K 5% 1/10W	
R0413	NRSA02J-822X	MG RESISTOR	8.2K 5% 1/10W	
R0414	NRSA02J-104X	MG RESISTOR	100K 5% 1/10W	
R0415	NRSA02J-104X	MG RESISTOR	100K 5% 1/10W	
R0416	NRSA02J-224X	RES. C.M	220K 5% 1/10W	
R0417	NRSA02J-822X	MG RESISTOR	8.2K 5% 1/10W	
R0418	NRSA02J-822X	MG RESISTOR	8.2K 5% 1/10W	
R0419	NRSA02J-104X	MG RESISTOR	100K 5% 1/10W	
R0420	NRSA02J-104X	MG RESISTOR	100K 5% 1/10W	
R0421	NRSA02J-102X	RES. C.M	1.0K 5% 1/10W	
R0422	NRSA02J-682X	MG RESISTOR	6.8K 5% 1/10W	
R0423	NRSA02J-103X	RES. C.M	10K 5% 1/10W	
R0424	NRSA02J-103X	RES. C.M	10K 5% 1/10W	
R0425	NRSA02J-103X	RES. C.M	10K 5% 1/10W	
R0426	NRSA02J-103X	RES. C.M	10K 5% 1/10W	
R0427	NRSA02J-103X	RES. C.M	10K 5% 1/10W	
R0428	NRSA02J-102X	RES. C.M	1.0K 5% 1/10W	

BLOCK NO. 01111111

REF.	PARTS NO.	PARTS NAME	REMARKS	SUFFIX
R4158	NRSA02J-332X	MG RESISTOR	3.3K 5% 1/10W	
R4159	NRSA02J-102X	RES. C.M	1.0K 5% 1/10W	
R4160	NRSA02J-821X	MG RESISTOR	820 5% 1/10W	
R4161	NRSA02J-333X	MG RESISTOR	330 5% 1/10W	
R4241	NRSA02J-124X	MG RESISTOR	120K 5% 1/10W	
R4242	NRSA02J-303X	RES. C.M	30K 5% 1/10W	
R4243	NRSA02J-224X	RES. C.M	220K 5% 1/10W	
R4244	NRSA02J-473X	MG RESISTOR	47K 5% 1/10W	
R4245	NRSA02J-124X	MG RESISTOR	120K 5% 1/10W	
R4249	NRSA02J-222X	MG RESISTOR	2.2K 5% 1/10W	
R4250	NRSA02J-102X	RES. C.M	1.0K 5% 1/10W	
R4251	NRSA02J-154X	RES. C.M	150K 5% 1/10W	
R4253	NRSA02J-473X	MG RESISTOR	47K 5% 1/10W	
R4255	NRSA02J-183X	MG RESISTOR	18K 5% 1/10W	
R4258	NRSA02J-332X	MG RESISTOR	3.3K 5% 1/10W	
R4259	NRSA02J-102X	RES. C.M	1.0K 5% 1/10W	
R4260	NRSA02J-821X	MG RESISTOR	820 5% 1/10W	
R4261	NRSA02J-333X	MG RESISTOR	330 5% 1/10W	
R4301	NRSA02J-222X	MG RESISTOR	2.2K 5% 1/10W	
R4341	NRSA02J-103X	RES. C.M	10K 5% 1/10W	
R4342	NRSA02J-103X	RES. C.M	10K 5% 1/10W	
R4343	NRSA02J-101X	MG RESISTOR	100 5% 1/10W	
R5101	NRSA02J-223X	RES. C.M	22K 5% 1/10W	
R5102	NRSA02J-153X	MG RESISTOR	15K 5% 1/10W	
R5104	NRSA02J-224X	RES. C.M	220K 5% 1/10W	
R5201	NRSA02J-223X	RES. C.M	22K 5% 1/10W	
R5202	NRSA02J-153X	MG RESISTOR	15K 5% 1/10W	
R5204	NRSA02J-224X	RES. C.M	220K 5% 1/10W	
R5301	NRSA02J-104X	MG RESISTOR	100K 5% 1/10W	
R5302	NRSA02J-333X	MG RESISTOR	33K 5% 1/10W	
R5303	NRSA02J-184X	MG RESISTOR	18K 5% 1/10W	
R5304	NRSA02J-104X	MG RESISTOR	100K 5% 1/10W	
R5305	NRSA02J-101X	MG RESISTOR	100 5% 1/10W	
R5306	NRSA02J-475X	MG RESISTOR	4.7M 5% 1/10W	
R5307	NRSA02J-475X	MG RESISTOR	4.7M 5% 1/10W	
R5308	NRSA02J-154X	RES. C.M	150K 5% 1/10W	
R6150	NRSA02J-223X	RES. C.M	22K 5% 1/10W	
R6151	NRSA02J-223X	RES. C.M	22K 5% 1/10W	
R6152	NRSA02J-102X	RES. C.M	1.0K 5% 1/10W	
R6153	NRSA02J-220X	MG RESISTOR	22 5% 1/10W	
R6154	NRSA02J-222X	MG RESISTOR	2.2K 5% 1/10W	
R6155	NRSA02J-222X	MG RESISTOR	2.2K 5% 1/10W	
R6157	NRSA02J-103X	RES. C.M	10K 5% 1/10W	
R6158	NRSA02J-153X	MG RESISTOR	15K 5% 1/10W	
R6160	NRSA02J-472X	RES. C.M	4.7K 5% 1/10W	
R6161	NRSA02J-472X	RES. C.M	4.7K 5% 1/10W	
R6250	NRSA02J-223X	RES. C.M	22K 5% 1/10W	
R6251	NRSA02J-223X	RES. C.M	22K 5% 1/10W	
R6252	NRSA02J-102X	RES. C.M	1.0K 5% 1/10W	
R6253	NRSA02J-220X	MG RESISTOR	22 5% 1/10W	
R6254	NRSA02J-222X	MG RESISTOR	2.2K 5% 1/10W	
R6255	NRSA02J-222X	MG RESISTOR	2.2K 5% 1/10W	
R6257	NRSA02J-103X	RES. C.M	10K 5% 1/10W	
R6258	NRSA02J-153X	MG RESISTOR	15K 5% 1/10W	
R6260	NRSA02J-472X	RES. C.M	4.7K 5% 1/10W	

BLOCK NO. 01111111

REF.	PARTS NO.	PARTS NAME	REMARKS	SUFFIX
R9029	NRSA02J-102X	RES. C.M	1.0K 5% 1/10W	
R9030	NRSA02J-102X	RES. C.M	1.0K 5% 1/10W	
R9031	NRSA02J-102X	RES. C.M	1.0K 5% 1/10W	
R9032	NRSA02J-103X	RES. C.M	10K 5% 1/10W	
R9033	NRSA02J-102X	RES. C.M	1.0K 5% 1/10W	
R9036	NRSA02J-102X	RES. C.M	1.0K 5% 1/10W	
R9037	NRSA02J-102X	RES. C.M	1.0K 5% 1/10W	
R9038	NRSA02J-103X	RES. C.M	10K 5% 1/10W	
R9039	NRSA02J-103X	RES. C.M	10K 5% 1/10W	
R9041	NRSA02J-473X	MG RESISTOR	47K 5% 1/10W	
R9042	NRSA02J-473X	MG RESISTOR	47K 5% 1/10W	
R9044	NRSA02J-222X	MG RESISTOR	2.2K 5% 1/10W	
R9045	NRSA02J-333X	MG RESISTOR	33K 5% 1/10W	
R9046	NRSA02J-682X	MG RESISTOR	6.8K 5% 1/10W	
R9047	NRSA02J-103X	RES. C.M	10K 5% 1/10W	
R9048	NRSA02J-103X	RES. C.M	10K 5% 1/10W	
R9049	NRSA02J-222X	MG RESISTOR	2.2K 5% 1/10W	
R9050	NRSA02J-222X	MG RESISTOR	2.2K 5% 1/10W	
R9051	NRSA02J-222X	MG RESISTOR	2.2K 5% 1/10W	
R9052	NRSA02J-222X	MG RESISTOR	2.2K 5% 1/10W	
R9053	NRSA02J-222X	MG RESISTOR	2.2K 5% 1/10W	
R9054	NRSA02J-222X	MG RESISTOR	2.2K 5% 1/10W	
R9055	NRSA02J-222X	MG RESISTOR	2.2K 5% 1/10W	
R9056	NRSA02J-222X	MG RESISTOR	2.2K 5% 1/10W	
R9057	NRSA02J-103X	RES. C.M	10K 5% 1/10W	
R9059	NRSA02J-102X	RES. C.M	1.0K 5% 1/10W	
R9061	NRSA02J-104X	MG RESISTOR	100K 5% 1/10W	
R9062	NRSA02J-104X	MG RESISTOR	100K 5% 1/10W	
R9063	NRSA02J-104X	MG RESISTOR	100K 5% 1/10W	
R9065	NRSA02J-563X	RES. C.M	56K 5% 1/10W	
R9066	NRSA02J-473X	MG RESISTOR	47K 5% 1/10W	
R9067	NRSA02J-333X	MG RESISTOR	33K 5% 1/10W	
R9068	NRSA02J-104X	MG RESISTOR	100K 5% 1/10W	
R9069	NRSA02J-102X	RES. C.M	1.0K 5% 1/10W	
R9070	NRSA02J-102X	RES. C.M	1.0K 5% 1/10W	
R9071	NRSA02J-243X	MG RESISTOR	24K 5% 1/10W	
R9072	NRSA02J-823X	MG RESISTOR	82K 5% 1/10W	
R9073	NRSA02J-222X	MG RESISTOR	2.2K 5% 1/10W	
R9074	NRSA02J-103X	RES. C.M	10K 5% 1/10W	
R9075	NRSA02J-102X	RES. C.M	1.0K 5% 1/10W	
R9076	NRSA02J-102X	RES. C.M	1.0K 5% 1/10W	
R9077	NRSA02J-472X	RES. C.M	4.7K 5% 1/10W	
R9078	NRSA02J-223X	RES. C.M	22K 5% 1/10W	
R9079	NRSA02J-243X	MG RESISTOR	24K 5% 1/10W	
R9080	NRSA02J-243X	MG RESISTOR	24K 5% 1/10W	
R9081	NRSA02J-912X	RES. C.M	9.1K 5% 1/10W	
R9082	NRSA02J-102X	RES. C.M	1.0K 5% 1/10W	
R9083	NRSA02J-473X	MG RESISTOR	47K 5% 1/10W	
R9084	NRSA02J-222X	MG RESISTOR	2.2K 5% 1/10W	
R9085	NRSA02J-912X	RES. C.M	9.1K 5% 1/10W	
R9086	NRSA02J-473X	MG RESISTOR	47K 5% 1/10W	
R9087	NRSA02J-222X	MG RESISTOR	2.2K 5% 1/10W	
R9088	NRSA02J-222X	MG RESISTOR	2.2K 5% 1/10W	
R9089	NRSA02J-102X	RES. C.M	1.0K 5% 1/10W	

BLOCK NO. 01111111

REF.	PARTS NO.	PARTS NAME	REMARKS	SUFFIX
R9092	NRSA02J-103X	RES. C.M	10K 5% 1/10W	
R9093	NRSA02J-393X	MG RESISTOR	39K 5% 1/10W	
R9094	NRSA02J-473X	MG RESISTOR	47K 5% 1/10W	
R9095	NRSA02J-103X	RES. C.M	10K 5% 1/10W	
R9096	NRSA02J-103X	RES. C.M	10K 5% 1/10W	B-E-EV
R9096	NRSA02J-103X	RES. C.M	10K 5% 1/10W	EE-EV
R9097	NRSA02J-683X	MG RESISTOR	68K 5% 1/10W	
R9098	NRSA02J-103X	RES. C.M	10K 5% 1/10W	
R9099	NRSA02J-393X	RES. C.M	39K 5% 1/10W	
R9301	NRSA02J-473X	MG RESISTOR	47K 5% 1/10W	
R9302	NRSA02J-473X	MG RESISTOR	47K 5% 1/10W	
R9303	NRSA02J-103X	RES. C.M	10K 5% 1/10W	
R9304	NRSA02J-103X	RES. C.M	10K 5% 1/10W	
R9305	NRSA02J-153X	MG RESISTOR	15K 5% 1/10W	
S2501	Q5W0622-001Z	TACT SWITCH		
S2502	Q5W0622-001Z	TACT SWITCH		
S2503	Q5W0622-001Z	TACT SWITCH		
S2504	Q5W0622-001Z	TACT SWITCH		
S2505	Q5W0622-001Z	TACT SWITCH		
S2506	Q5W0622-001Z	TACT SWITCH		
S2507	Q5W0622-001Z	TACT SWITCH		
S2508	Q5W0622-001Z	TACT SWITCH		
S2509	Q5W0622-001Z	TACT SWITCH		
S2510	Q5W0622-001Z	TACT SWITCH		
S2512	Q5W0622-001Z	TACT SWITCH		
S2513	Q5W0622-001Z	TACT SWITCH		
VR901	Q5W0132-001	PUSH SWITCH		
VR902	Q5W0626-001	R ENCODER		
VR902	Q5W0626-001	R ENCODER		
X9001	QAX0401-001	CRYSTAL	SUB CLOCK	
X9002	QAX0410-001Z	CERA LOCK	MAIN CLOCK	

■ Main & Front P. C. B. (J)

BLOCK NO. 02				BLOCK NO. 02					
REF.	PARTS NO.	PARTS NAME	REMARKS	SUFFIX	REF.	PARTS NO.	PARTS NAME	REMARKS	SUFFIX
CN251	GBB1216K1-10S	CONNECTOR			C5306	QEK41EM-475	E CAPACITOR	4.7MF 20% 25V	
CN252	GBB1216K1-10S	CONNECTOR			C5307	QFLM1HJ-473Z	M CAPACITOR	.047MF 5% 50V	
CN403	GGF1205C1-09	CONNECTOR			C5309	QEK41HM-474	E CAPACITOR	.47MF 20% 50V	
CN404	GGF1205C1-07	CONNECTOR			C6352	QEK41CM-226	E CAPACITOR	22MF 20% 16V	
CN405	GGF1205C1-10	CONNECTOR			C8351	NCS21HJ-680X	C.CAPA. C.M	68PF 5% 50V	
CN406	GGF1205C1-09	CONNECTOR			C8352	NCS21HJ-221X	C CAPACITOR	220PF 5% 50V	
CN407	GGF1210G1-13	CONNECTOR			C8353	NCS21HJ-221X	C CAPACITOR	220PF 5% 50V	
CN408	GGF1210G1-13	CONNECTOR			C8354	NCS21HJ-330X	C CAPACITOR	33PF 5% 50V	
CN901	GBB1216J1-10S	CONNECTOR			C8355	QFVJ1HJ-124Z	TF CAPACITOR	.12MF 5% 50V	
CN902	GBB1216J1-10S	CONNECTOR			C8356	QEK1AM-107Z	E CAPACITOR	100MF 20% 10V	
CN903	GGF1205F1-11	CONNECTOR			C8357	NCS21HJ-101X	C CAPACITOR	100PF 5% 50V	
CN904	GA2501C3-03Z	CONNECTOR IM			C8358	QEK1HM-226Z	E CAPACITOR	22MF 20% 50V	
CN907	GA2501C4-02	CONNECTOR			C8359	QEK1HM-106Z	E CAPACITOR	10MF 20% 50V	
C2501	QER41HM-105	E CAPACITOR	1.0MF 20% 50V		C8360	NCR21HK-272X	C CAPACITOR	2700PF 10% 50V	
C2502	QER41CM-476	E CAPACITOR	4.7MF 20% 16V		C8361	QFV41HJ-104	TF CAPACITOR	.10MF 5% 50V	
C2503	NCR21HK-333X	C CAPACITOR	.033MF 10% 50V		C8362	NCR21HK-473X	C CAPACITOR	.047MF 10% 50V	
C2521	NCR21HK-103X	C CAPACITOR	.010MF 10% 50V		C8363	NCS21HJ-101X	C CAPACITOR	100PF 5% 50V	
C2522	NCR21HK-103X	C CAPACITOR	.010MF 10% 50V		C9001	NCS21HJ-220X	C CAPACITOR	22PF 5% 50V	
C2523	NCR21HK-103X	C CAPACITOR	.010MF 10% 50V		C9002	NCS21HJ-220X	C CAPACITOR	22PF 5% 50V	
C2524	NCR21HK-103X	C CAPACITOR	.010MF 10% 50V		C9003	NCS21HJ-151X	C CAPACITOR	150PF 5% 50V	
C3361	QEK1AM-107Z	E CAPACITOR	100MF 20% 10V		C9005	NCS21HJ-240X	C CAPACITOR	24PF 5% 50V	
C3362	QEK41EM-475	E CAPACITOR	4.7MF 20% 25V		C9006	NCS21HJ-240X	C CAPACITOR	24PF 5% 50V	
C3571	QEK41CM-476	E CAPACITOR	4.7MF 20% 16V		C9007	NCS21HJ-360X	C CAPACITOR	36PF 5% 50V	
C3791	NCR21HK-103X	C CAPACITOR	.010MF 10% 50V		C9008	NCS21HJ-360X	C CAPACITOR	36PF 5% 50V	
C4142	NCS21HJ-150X	C CAPACITOR	15PF 5% 50V		C9009	NCR21HK-103X	C CAPACITOR	.010MF 10% 50V	
C4143	QEK41EM-475	E CAPACITOR	4.7MF 20% 25V		C9011	NCR21HK-103X	C CAPACITOR	.010MF 10% 50V	
C4144	QEK41EM-475	E CAPACITOR	4.7MF 20% 25V		C9012	QER61HM-226Z	E.CAPA. I.M	22MF 20% 50V	
C4145	QIE1V06-106Z	E CAPACITOR			C9013	NCS21HJ-151X	C CAPACITOR	150PF 5% 50V	
C4151	NCS21HJ-681X	C CAPACITOR	680PF 5% 50V		C9015	NCS21HJ-151X	C CAPACITOR	150PF 5% 50V	
C4242	NCS21HJ-150X	C CAPACITOR	15PF 5% 50V		C9016	NCS21HJ-151X	C CAPACITOR	150PF 5% 50V	
C4243	QEK41EM-475	E CAPACITOR	4.7MF 20% 25V		C9017	NCS21HJ-151X	C CAPACITOR	150PF 5% 50V	
C4244	QEK41EM-475	E CAPACITOR	4.7MF 20% 25V		C9018	QER41AM-107	E CAPACITOR	100MF 20% 10V	
C4245	QIE1V06-106Z	E CAPACITOR			C9019	QER61HM-106Z	E CAPACITOR	10MF 20% 50V	
C4251	NCS21HJ-681X	C CAPACITOR	680PF 5% 50V		C9020	QER61HM-106Z	E CAPACITOR	10MF 20% 50V	
C4341	QEK41CM-476	E CAPACITOR	4.7MF 20% 16V		C9021	QER61HM-106Z	E CAPACITOR	10MF 20% 50V	
C4342	QEK1CM-107Z	E CAPACITOR	100MF 20% 16V		C9022	NCR21HK-103X	C CAPACITOR	.010MF 10% 50V	
C4343	NCS21HJ-151X	C CAPACITOR	150PF 5% 50V		C9023	NCS21HJ-151X	C CAPACITOR	150PF 5% 50V	
C4344	QEK41HM-226Z	E CAPACITOR	22MF 20% 50V		C9024	NCS21HJ-101X	C CAPACITOR	100PF 5% 50V	
C5101	QFLM1HJ-152Z	M CAPACITOR	1500PF 5% 50V		C9026	NCS21HJ-151X	C CAPACITOR	150PF 5% 50V	
C5102	QER41EM-475	E CAPACITOR	4.7MF 20% 25V		C9027	NCS21HJ-680X	C.CAPA. C.M	68PF 5% 50V	
C5103	QER61EM-106Z	E.CAPA. I.M	10MF 20% 25V		C9031	NCR21HK-103X	C CAPACITOR	.010MF 10% 50V	
C5104	QFLM1HJ-563Z	M CAPACITOR	.056MF 5% 50V		C9034	NCS21HJ-151X	C CAPACITOR	150PF 5% 50V	
C5105	QFLM1HJ-563Z	M CAPACITOR	.056MF 5% 50V		C9035	NCS21HJ-151X	C CAPACITOR	150PF 5% 50V	
C5106	QFLM1HJ-562Z	M CAPACITOR	5600PF 5% 50V		C9036	NCS21HJ-151X	C CAPACITOR	150PF 5% 50V	
C5201	QFLM1HJ-152Z	M CAPACITOR	1500PF 5% 50V		C9037	NCS21HJ-151X	C CAPACITOR	150PF 5% 50V	
C5202	QER41EM-475	E CAPACITOR	4.7MF 20% 25V		C9038	NCS21HJ-151X	C CAPACITOR	150PF 5% 50V	
C5203	QER61EM-106Z	E.CAPA. I.M	10MF 20% 25V		C9039	NCS21HJ-102X	C CAPACITOR	1000PF 5% 50V	
C5204	QFLM1HJ-563Z	M CAPACITOR	.056MF 5% 50V		C9040	NCS21HJ-102X	C CAPACITOR	1000PF 5% 50V	
C5205	QFLM1HJ-563Z	M CAPACITOR	.056MF 5% 50V		D1901	QLD0024-001	LCD		
C5206	QFLM1HJ-562Z	M CAPACITOR	5600PF 5% 50V		D2503	SLR-342VR-T15	LED I M	ACS ON/OFF(R)	
C5301	QEK1HM-106Z	E CAPACITOR	10MF 20% 50V		D2504	SLR-342MG-T15	LED I M	ACS IND (GR)	
C5302	QER41HM-105	E CAPACITOR	1.0MF 20% 50V		D3361	1SS254-T2	SI DIODE		
C5303	QER41HM-225	E CAPACITOR	2.2MF 20% 50V		D3362	MTJ3.9B-T2	Z DIODE		
C5304	QER41HM-105	E CAPACITOR	1.0MF 20% 50V		D3363	1SS254-T2	SI DIODE		
C5305	QEK1CM-107Z	E CAPACITOR	100MF 20% 16V		D3791	MTJ2.6.2A-T2	Z.DIODE IDM		

BLOCK NO. 02

BLOCK NO. 02

REF.	PARTS NO.	PARTS NAME	REMARKS	SUFFIX
D4301	1SS254-T2	SI DIODE		
D4302	1SS254-T2	SI DIODE		
D6501	MTZJ4.7A-T2	ZENER DIODE		
D6502	MTZJ3.6A-T2	ZENER DIODE I/M		
D6503	1SS254-T2	SI DIODE		
D8351	1SS254-T2	SI DIODE		
D8352	1SS254-T2	SI DIODE		
D8353	1SS254-T2	SI DIODE		
D8354	1SS254-T2	SI DIODE		
D9001	1SS254-T2	SI DIODE		
D9002	MTZJ5.1C-T2	ZENER DIODE		
D9006	NA700A-T2	S-B DIODE		
D9007	1SR35-100A-T5	SI DIODE		
IC401	VYH7237-002	IC HOLDER	FOR MICON	
IC401	BA1521BF-W	IC	ADDER	
IC501	BH382S	IC	VOL&TONE	
IC603	BA1521BF-W	IC	H.P AMP	
IC831	BA1521BF-W	IC	HIGH CONT. AMP	
IC901	MN171603MA1	IC	SYSTEM MICON	
IC902	IC-PST9131-T	IC	RESET IC	
IC903	GP1U281X	IR DETECT UNIT	REM DET	
J4301	QNS0047-001	JACK	AUX	
J6301	QNS0072-001	HEADPHONE JACK		
K9001	QQR0779-001Z	INDUCTOR		
K9003	QQR0779-001Z	INDUCTOR	<- B4520	
L4351	QQR0779-001Z	INDUCTOR		
L4352	QQR0779-001Z	INDUCTOR		
L4353	QQL01BK-100Z	INDUCTOR		
L4354	QQR0779-001Z	INDUCTOR		
L9001	QQL01BK-100Z	INDUCTOR		
L9002	QQL01BK-100Z	INDUCTOR		
PL 1	QLL0043-001	LAMP		
Q2502	2SC2412K/R/-X	TRANSISTOR		
Q2503	2SC2412K/R/-X	TRANSISTOR		
Q2504	2SC2412K/R/-X	TRANSISTOR		
Q2505	DTA143TKA-X	TRANSISTOR		
Q3361	2SA1037AK/RS/-X	CHIP TR.C.M	TUNER SW	
Q3362	2SC2412K/R/-X	TRANSISTOR		
Q3571	2SB624/4/-X	TRANSISTOR		
Q3572	2SC2412K/R/-X	TRANSISTOR		
Q3791	2SC2412K/R/-X	TRANSISTOR		
Q4101	2SD596/4/-X	TRANSISTOR		
Q4102	2SD596/4/-X	TRANSISTOR		
Q4201	2SD596/4/-X	TRANSISTOR		
Q4202	2SD596/4/-X	TRANSISTOR		
Q4301	2SC2412K/R/-X	TRANSISTOR		
Q5101	2SK301/R/-T	JUNCTION FET		
Q5201	2SK301/R/-T	JUNCTION FET		
Q6150	2SD596/4/-X	TRANSISTOR		
Q6151	2SD596/4/-X	TRANSISTOR		
Q6250	2SD596/4/-X	TRANSISTOR		
Q6251	2SD596/4/-X	TRANSISTOR		
Q6350	DTA114EKA-X	TRANSISTOR		
Q6351	DTA114EKA-X	DIGITAL TR		
Q8351	2SA1037AK/RS/-X	CHIP TR.C.M		

BLOCK NO. 02

REF.	PARTS NO.	PARTS NAME	REMARKS	SUFFIX
Q8352	2SA1037AK/RS/-X	CHIP TR.C.M		
Q8353	2SC2412K/R/-X	TRANSISTOR		
Q8354	DTA114EKA-X	TRANSISTOR		
Q9001	2SC2714/O/-X	TRANSISTOR	MAIN CLOCK	
Q9002	2SC2714/O/-X	TRANSISTOR	MAIN CLOCK	
Q9003	2SC2412K/R/-X	TRANSISTOR		
Q9006	2SA1037AK/RS/-X	CHIP TR.C.M		
Q9010	DTA144TKA-X	TRANSISTOR		
Q9011	DTA144TKA-X	TRANSISTOR		
Q9012	2SC2412K/R/-X	TRANSISTOR		
Q9013	2SC2412K/R/-X	TRANSISTOR		
Q9014	DTA114EKA-X	TRANSISTOR		
R2504	NRSA02J-101X	MG RESISTOR	100 5% 1/10W	
R2505	NRSA02J-101X	MG RESISTOR	100 5% 1/10W	
R2506	NRSA02J-121X	MG RESISTOR	120 5% 1/10W	
R2507	NRSA02J-151X	MG RESISTOR	150 5% 1/10W	
R2508	NRSA02J-221X	MG RESISTOR	220 5% 1/10W	
R2509	NRSA02J-271X	MG RESISTOR	270 5% 1/10W	
R2510	NRSA02J-391X	MG RESISTOR	390 5% 1/10W	
R2511	NRSA02J-561X	RES. C.M	560 5% 1/10W	
R2512	NRSA02J-102X	RES. C.M	1.0K 5% 1/10W	
R2513	NRSA02J-182X	MG RESISTOR	1.8K 5% 1/10W	
R2514	NRS181J-391X	MG RESISTOR	390 5% 1/8W	
R2515	NRS181J-471X	MG RESISTOR	470 5% 1/8W	
R2516	NRSA02J-473X	MG RESISTOR	47K 5% 1/10W	
R2517	NRSA02J-102X	RES. C.M	1.0K 5% 1/10W	
R2518	NRSA02J-104X	MG RESISTOR	100K 5% 1/10W	
R2519	NRSA02J-472X	RES. C.M	4.7K 5% 1/10W	
R2520	NRSA02J-472X	RES. C.M	4.7K 5% 1/10W	
R2521	NRSA02J-222X	MG RESISTOR	2.2K 5% 1/10W	
R3361	NRSA02J-390X	MG RESISTOR	39 5% 1/10W	
R3362	NRSA02J-102X	RES. C.M	1.0K 5% 1/10W	
R3363	NRSA02J-472X	RES. C.M	4.7K 5% 1/10W	
R3371	NRSA02J-472X	RES. C.M	4.7K 5% 1/10W	
R3372	NRSA02J-472X	RES. C.M	4.7K 5% 1/10W	
R3373	NRSA02J-472X	RES. C.M	4.7K 5% 1/10W	
R3374	NRSA02J-472X	RES. C.M	4.7K 5% 1/10W	
R3375	NRSA02J-472X	RES. C.M	4.7K 5% 1/10W	
R3791	NRSA02J-103X	RES. C.M	10K 5% 1/10W	
R3792	NRSA02J-104X	MG RESISTOR	100K 5% 1/10W	
R3793	NRSA02J-103X	RES. C.M	10K 5% 1/10W	
R3794	NRSA02J-683X	MG RESISTOR	68K 5% 1/10W	
R4141	NRSA02J-124X	MG RESISTOR	120K 5% 1/10W	
R4142	NRSA02J-303X	RES. C.M	30K 5% 1/10W	
R4143	NRSA02J-224X	RES. C.M	220K 5% 1/10W	
R4144	NRSA02J-473X	MG RESISTOR	47K 5% 1/10W	
R4145	NRSA02J-124X	MG RESISTOR	120K 5% 1/10W	
R4149	NRSA02J-222X	MG RESISTOR	2.2K 5% 1/10W	
R4150	NRSA02J-102X	RES. C.M	1.0K 5% 1/10W	
R4151	NRSA02J-154X	RES. C.M	150K 5% 1/10W	
R4153	NRSA02J-473X	MG RESISTOR	47K 5% 1/10W	
R4155	NRSA02J-183X	MG RESISTOR	18K 5% 1/10W	
R4158	NRSA02J-332X	MG RESISTOR	3.3K 5% 1/10W	
R4159	NRSA02J-102X	RES. C.M	1.0K 5% 1/10W	
R4160	NRSA02J-821X	MG RESISTOR	820 5% 1/10W	

BLOCK NO. 02111111

REF.	PARTS NO.	PARTS NAME	REMARKS	SUFFIX
R6351	NRSA02J-102X	RES. C.M	1.0K 5% 1/10W	
R6352	NRSA02J-473X	MG RESISTOR	47K 5% 1/10W	
R6353	NRSA02J-472X	RES. C.M	4.7K 5% 1/10W	
R6354	NRSA02J-683X	MG RESISTOR	68K 5% 1/10W	
R6355	NRSA02J-474X	MG RESISTOR	470K 5% 1/10W	
R6356	NRSA02J-124X	MG RESISTOR	120K 5% 1/10W	
R6357	NRSA02J-101X	MG RESISTOR	100 5% 1/10W	
R6358	NRSA02J-475X	MG RESISTOR	4.7M 5% 1/10W	
R6359	NRSA02J-102X	RES. C.M	1.0K 5% 1/10W	
R6360	NRSA02J-822X	MG RESISTOR	8.2K 5% 1/10W	
R6361	NRSA02J-473X	MG RESISTOR	47K 5% 1/10W	
R6362	NRSA02J-822X	MG RESISTOR	8.2K 5% 1/10W	
R6363	NRSA02J-101X	MG RESISTOR	100 5% 1/10W	
R6364	NRSA02J-473X	MG RESISTOR	47K 5% 1/10W	
R6365	NRSA02J-101X	MG RESISTOR	100 5% 1/10W	
R6366	NRSA02J-224X	RES. C.M	220K 5% 1/10W	
R6367	NRSA02J-221X	MG RESISTOR	220 5% 1/10W	
R6368	NRSA02J-473X	MG RESISTOR	47K 5% 1/10W	
R6369	NRSA02J-473X	MG RESISTOR	47K 5% 1/10W	
R6370	NRSA02J-275X	MG RESISTOR	2.7M 5% 1/10W	
R6371	NRSA02J-103X	RES. C.M	10K 5% 1/10W	
R6372	NRSA02J-103X	RES. C.M	10K 5% 1/10W	
R9001	NRSA02J-681X	MG RESISTOR	680 5% 1/10W	
R9002	NRSA02J-681X	MG RESISTOR	680 5% 1/10W	
R9003	NRSA02J-222X	MG RESISTOR	2.2K 5% 1/10W	
R9004	NRSA02J-472X	RES. C.M	4.7K 5% 1/10W	
R9005	NRSA02J-472X	RES. C.M	4.7K 5% 1/10W	
R9006	NRSA02J-472X	RES. C.M	4.7K 5% 1/10W	
R9007	NRSA02J-103X	RES. C.M	10K 5% 1/10W	
R9009	NRSA02J-102X	RES. C.M	1.0K 5% 1/10W	
R9010	NRSA02J-103X	RES. C.M	10K 5% 1/10W	
R9011	NRSA02J-222X	MG RESISTOR	2.2K 5% 1/10W	
R9012	NRSA02J-222X	MG RESISTOR	2.2K 5% 1/10W	
R9013	NRSA02J-222X	MG RESISTOR	2.2K 5% 1/10W	
R9014	NRSA02J-102X	RES. C.M	1.0K 5% 1/10W	
R9015	NRSA02J-104X	MG RESISTOR	100K 5% 1/10W	
R9016	NRSA02J-224X	RES. C.M	220K 5% 1/10W	
R9017	NRSA02J-822X	MG RESISTOR	8.2K 5% 1/10W	
R9018	NRSA02J-822X	MG RESISTOR	8.2K 5% 1/10W	
R9019	NRSA02J-104X	MG RESISTOR	100K 5% 1/10W	
R9020	NRSA02J-104X	MG RESISTOR	100K 5% 1/10W	
R9021	NRSA02J-102X	RES. C.M	1.0K 5% 1/10W	
R9022	NRSA02J-682X	MG RESISTOR	6.8K 5% 1/10W	
R9023	NRSA02J-103X	RES. C.M	10K 5% 1/10W	
R9024	NRSA02J-103X	RES. C.M	10K 5% 1/10W	
R9025	NRSA02J-103X	RES. C.M	10K 5% 1/10W	
R9026	NRSA02J-103X	RES. C.M	10K 5% 1/10W	
R9027	NRSA02J-103X	RES. C.M	10K 5% 1/10W	
R9028	NRSA02J-102X	RES. C.M	1.0K 5% 1/10W	
R9029	NRSA02J-102X	RES. C.M	1.0K 5% 1/10W	
R9030	NRSA02J-102X	RES. C.M	1.0K 5% 1/10W	
R9031	NRSA02J-102X	RES. C.M	1.0K 5% 1/10W	

BLOCK NO. 02111111

REF.	PARTS NO.	PARTS NAME	REMARKS	SUFFIX
R4161	NRSA02J-333X	MG RESISTOR	33K 5% 1/10W	
R4241	NRSA02J-124X	MG RESISTOR	120K 5% 1/10W	
R4242	NRSA02J-303X	RES. C.M	30K 5% 1/10W	
R4243	NRSA02J-224X	RES. C.M	220K 5% 1/10W	
R4244	NRSA02J-473X	MG RESISTOR	47K 5% 1/10W	
R4245	NRSA02J-124X	MG RESISTOR	120K 5% 1/10W	
R4249	NRSA02J-222X	MG RESISTOR	2.2K 5% 1/10W	
R4250	NRSA02J-102X	RES. C.M	1.0K 5% 1/10W	
R4251	NRSA02J-154X	RES. C.M	150K 5% 1/10W	
R4253	NRSA02J-473X	MG RESISTOR	47K 5% 1/10W	
R4255	NRSA02J-183X	MG RESISTOR	18K 5% 1/10W	
R4258	NRSA02J-332X	MG RESISTOR	3.3K 5% 1/10W	
R4259	NRSA02J-102X	RES. C.M	1.0K 5% 1/10W	
R4260	NRSA02J-821X	MG RESISTOR	820 5% 1/10W	
R4261	NRSA02J-333X	MG RESISTOR	33K 5% 1/10W	
R4301	NRSA02J-222X	MG RESISTOR	2.2K 5% 1/10W	
R4341	NRSA02J-103X	RES. C.M	10K 5% 1/10W	
R4342	NRSA02J-103X	RES. C.M	10K 5% 1/10W	
R4343	NRSA02J-101X	MG RESISTOR	100 5% 1/10W	
R5101	NRSA02J-223X	RES. C.M	22K 5% 1/10W	
R5102	NRSA02J-153X	MG RESISTOR	15K 5% 1/10W	
R5104	NRSA02J-224X	RES. C.M	220K 5% 1/10W	
R5201	NRSA02J-223X	RES. C.M	22K 5% 1/10W	
R5202	NRSA02J-153X	MG RESISTOR	15K 5% 1/10W	
R5204	NRSA02J-224X	RES. C.M	220K 5% 1/10W	
R5301	NRSA02J-104X	MG RESISTOR	100K 5% 1/10W	
R5302	NRSA02J-333X	MG RESISTOR	33K 5% 1/10W	
R5303	NRSA02J-104X	MG RESISTOR	100K 5% 1/10W	
R5304	NRSA02J-104X	MG RESISTOR	100K 5% 1/10W	
R5305	NRSA02J-101X	MG RESISTOR	100 5% 1/10W	
R5306	NRSA02J-473X	MG RESISTOR	4.7M 5% 1/10W	
R5307	NRSA02J-473X	MG RESISTOR	4.7M 5% 1/10W	
R5308	NRSA02J-154X	RES. C.M	150K 5% 1/10W	
R6150	NRSA02J-223X	RES. C.M	22K 5% 1/10W	
R6151	NRSA02J-223X	RES. C.M	22K 5% 1/10W	
R6152	NRSA02J-102X	RES. C.M	1.0K 5% 1/10W	
R6153	NRSA02J-220X	MG RESISTOR	22 5% 1/10W	
R6154	NRSA02J-222X	MG RESISTOR	2.2K 5% 1/10W	
R6155	NRSA02J-222X	MG RESISTOR	2.2K 5% 1/10W	
R6157	NRSA02J-103X	RES. C.M	10K 5% 1/10W	
R6158	NRSA02J-153X	MG RESISTOR	15K 5% 1/10W	
R6160	NRSA02J-473X	RES. C.M	4.7K 5% 1/10W	
R6161	NRSA02J-473X	RES. C.M	4.7K 5% 1/10W	
R6250	NRSA02J-222X	RES. C.M	22K 5% 1/10W	
R6251	NRSA02J-223X	RES. C.M	22K 5% 1/10W	
R6252	NRSA02J-102X	RES. C.M	1.0K 5% 1/10W	
R6253	NRSA02J-220X	MG RESISTOR	22 5% 1/10W	
R6254	NRSA02J-222X	MG RESISTOR	2.2K 5% 1/10W	
R6255	NRSA02J-222X	MG RESISTOR	2.2K 5% 1/10W	
R6257	NRSA02J-103X	RES. C.M	10K 5% 1/10W	
R6258	NRSA02J-153X	MG RESISTOR	15K 5% 1/10W	
R6260	NRSA02J-472X	RES. C.M	4.7K 5% 1/10W	
R6261	NRSA02J-472X	RES. C.M	4.7K 5% 1/10W	
R6335	NRSA02J-121X	MG RESISTOR	120 5% 1/10W	
R6350	NRSA02J-121X	MG RESISTOR	120 5% 1/10W	

BLOCK NO. 02111111

REF.	PARTS NO.	PARTS NAME	REMARKS	SUFFIX
R9032	NRSA02J-103X	RES. C.M	10K 5% 1/10W	
R9033	NRSA02J-102X	RES. C.M	1.0K 5% 1/10W	
R9035	NRSA02J-103X	RES. C.M	10K 5% 1/10W	
R9036	NRSA02J-102X	RES. C.M	1.0K 5% 1/10W	
R9037	NRSA02J-102X	RES. C.M	1.0K 5% 1/10W	
R9038	NRSA02J-103X	RES. C.M	10K 5% 1/10W	
R9039	NRSA02J-103X	RES. C.M	10K 5% 1/10W	
R9041	NRSA02J-473X	MG RESISTOR	47K 5% 1/10W	
R9042	NRSA02J-473X	MG RESISTOR	47K 5% 1/10W	
R9044	NRSA02J-222X	MG RESISTOR	2.2K 5% 1/10W	
R9045	NRSA02J-333X	MG RESISTOR	33K 5% 1/10W	
R9046	NRSA02J-682X	MG RESISTOR	6.8K 5% 1/10W	
R9047	NRSA02J-103X	RES. C.M	10K 5% 1/10W	
R9048	NRSA02J-103X	RES. C.M	10K 5% 1/10W	
R9049	NRSA02J-222X	MG RESISTOR	2.2K 5% 1/10W	
R9050	NRSA02J-222X	MG RESISTOR	2.2K 5% 1/10W	
R9051	NRSA02J-222X	MG RESISTOR	2.2K 5% 1/10W	
R9052	NRSA02J-222X	MG RESISTOR	2.2K 5% 1/10W	
R9053	NRSA02J-222X	MG RESISTOR	2.2K 5% 1/10W	
R9054	NRSA02J-222X	MG RESISTOR	2.2K 5% 1/10W	
R9055	NRSA02J-222X	MG RESISTOR	2.2K 5% 1/10W	
R9056	NRSA02J-222X	MG RESISTOR	2.2K 5% 1/10W	
R9057	NRSA02J-103X	RES. C.M	10K 5% 1/10W	
R9059	NRSA02J-102X	RES. C.M	1.0K 5% 1/10W	
R9061	NRSA02J-104X	MG RESISTOR	100K 5% 1/10W	
R9062	NRSA02J-104X	MG RESISTOR	100K 5% 1/10W	
R9063	NRSA02J-104X	MG RESISTOR	100K 5% 1/10W	
R9065	NRSA02J-563X	RES. C.M	56K 5% 1/10W	
R9066	NRSA02J-473X	MG RESISTOR	47K 5% 1/10W	
R9067	NRSA02J-333X	MG RESISTOR	33K 5% 1/10W	
R9068	NRSA02J-104X	MG RESISTOR	100K 5% 1/10W	
R9069	NRSA02J-102X	RES. C.M	1.0K 5% 1/10W	
R9070	NRSA02J-102X	RES. C.M	1.0K 5% 1/10W	
R9071	NRSA02J-243X	MG RESISTOR	24K 5% 1/10W	
R9072	NRSA02J-823X	MG RESISTOR	82K 5% 1/10W	
R9073	NRSA02J-222X	MG RESISTOR	2.2K 5% 1/10W	
R9074	NRSA02J-103X	RES. C.M	10K 5% 1/10W	
R9075	NRSA02J-102X	RES. C.M	1.0K 5% 1/10W	
R9076	NRSA02J-102X	RES. C.M	1.0K 5% 1/10W	
R9077	NRSA02J-472X	RES. C.M	4.7K 5% 1/10W	
R9078	NRSA02J-223X	RES. C.M	22K 5% 1/10W	
R9079	NRSA02J-243X	MG RESISTOR	24K 5% 1/10W	
R9080	NRSA02J-243X	MG RESISTOR	24K 5% 1/10W	
R9081	NRSA02J-912X	RES. C.M	9.1K 5% 1/10W	
R9082	NRSA02J-102X	RES. C.M	1.0K 5% 1/10W	
R9083	NRSA02J-473X	MG RESISTOR	47K 5% 1/10W	
R9084	NRSA02J-222X	MG RESISTOR	2.2K 5% 1/10W	
R9085	NRSA02J-912X	RES. C.M	9.1K 5% 1/10W	
R9086	NRSA02J-473X	MG RESISTOR	47K 5% 1/10W	
R9087	NRSA02J-222X	MG RESISTOR	2.2K 5% 1/10W	
R9088	NRSA02J-222X	MG RESISTOR	2.2K 5% 1/10W	
R9089	NRSA02J-102X	RES. C.M	1.0K 5% 1/10W	
R9092	NRSA02J-103X	RES. C.M	10K 5% 1/10W	
R9093	NRSA02J-393X	MG RESISTOR	39K 5% 1/10W	
R9094	NRSA02J-473X	MG RESISTOR	47K 5% 1/10W	

BLOCK NO. 02111111

REF.	PARTS NO.	PARTS NAME	REMARKS	SUFFIX
R9095	NRSA02J-103X	RES. C.M	10K 5% 1/10W	
R9097	NRSA02J-683X	MG RESISTOR	68K 5% 1/10W	
R9098	NRSA02J-103X	RES. C.M	10K 5% 1/10W	
R9099	NRSA02J-103X	RES. C.M	10K 5% 1/10W	
R9301	NRSA02J-473X	MG RESISTOR	47K 5% 1/10W	
R9302	NRSA02J-473X	MG RESISTOR	47K 5% 1/10W	
R9303	NRSA02J-103X	RES. C.M	10K 5% 1/10W	
R9304	NRSA02J-103X	RES. C.M	10K 5% 1/10W	
R9305	NRSA02J-153X	MG RESISTOR	15K 5% 1/10W	
S2501	QSW0622-001Z	TACT SWITCH		
S2502	QSW0622-001Z	TACT SWITCH		
S2503	QSW0622-001Z	TACT SWITCH		
S2504	QSW0622-001Z	TACT SWITCH		
S2505	QSW0622-001Z	TACT SWITCH		
S2506	QSW0622-001Z	TACT SWITCH		
S2507	QSW0622-001Z	TACT SWITCH		
S2508	QSW0622-001Z	TACT SWITCH		
S2509	QSW0622-001Z	TACT SWITCH		
S2510	QSW0622-001Z	TACT SWITCH		
S2512	QSW0622-001Z	TACT SWITCH		
S2513	QSW0622-001Z	TACT SWITCH		
S2521	QSW0122-001	PUSH SWITCH		
VR901	QSW0626-001	R ENCODER		
VR902	QSW0626-001	R ENCODER		
X9001	QAX0401-001	CRYSTAL		
X9002	QAX0410-001Z	CERA LOCK		

■ Main & Front P. C. B. (UUB/US/UT/UJ/UJY)

BLOCK NO. 03

REF.	PARTS NO.	PARTS NAME	REMARKS	SUFFIX
CN251	QGB1216K1-10S	CONNECTOR		
CN252	QGB1216K1-10S	CONNECTOR		
CN403	QGF1205C1-09	CONNECTOR		
CN404	QGF1205C1-07	CONNECTOR		
CN405	QGF1205C1-10	CONNECTOR		
CN406	QGF1205C1-09	CONNECTOR		
CN407	QGF1210G1-13	CONNECTOR		
CN408	QGF1210G1-13	CONNECTOR		
CN901	QGB1216J1-10S	CONNECTOR		
CN902	QGB1216J1-10S	CONNECTOR		
CN903	QGF1205F1-11	CONNECTOR		
CN904	QGA2501C3-03Z	CONNECTOR IM		
CN907	QGA2501C4-02	CONNECTOR		
C2501	QER41HM-105	E CAPACITOR	1.0MF 20% 50V	
C2502	QER41CM-476	E CAPACITOR	47MF 20% 16V	
C2503	NCB21HK-333X	C CAPACITOR	.033MF 10% 50V	
C2524	NCB21HK-103X	C CAPACITOR	.010MF 10% 50V	
C2522	NCB21HK-103X	C CAPACITOR	.010MF 10% 50V	
C2523	NCB21HK-103X	C CAPACITOR	.010MF 10% 50V	
C2524	NCB21HK-103X	C CAPACITOR	.010MF 10% 50V	
C3351	QEK1AM-107Z	E CAPACITOR	100MF 20% 10V	
C3352	QEK41EM-475	E CAPACITOR	4.7MF 20% 25V	
C3571	QEK41CM-476	E CAPACITOR	47MF 20% 16V	
C3791	NCB21HK-103X	C CAPACITOR	.010MF 10% 50V	
C4142	NC521HJ-150X	C CAPACITOR	15PF 5% 50V	
C4143	QEK41EM-475	E CAPACITOR	4.7MF 20% 25V	
C4144	QEK41EM-475	E CAPACITOR	4.7MF 20% 25V	
C4145	QIE1V06-106Z	E.CAPACITOR		
C4151	NC521HJ-681X	C CAPACITOR	680PF 5% 50V	
C4242	NC521HJ-150X	C CAPACITOR	15PF 5% 50V	
C4243	QEK41EM-475	E CAPACITOR	4.7MF 20% 25V	
C4244	QEK41EM-475	E CAPACITOR	4.7MF 20% 25V	
C4245	QIE1V06-106Z	E.CAPACITOR		
C4251	NC521HJ-681X	C CAPACITOR	680PF 5% 50V	
C4341	QER41CM-476	E CAPACITOR	47MF 20% 16V	
C4342	QEK1CM-107Z	E CAPACITOR	100MF 20% 16V	
C4343	NC521HJ-151X	C CAPACITOR	150PF 5% 50V	
C4344	QEK1HM-226Z	E.CAPACITOR	22MF 20% 50V	
C5101	QFLM1HJ-152Z	M CAPACITOR	1500PF 5% 50V	
C5102	QER41EM-475	E CAPACITOR	4.7MF 20% 25V	
C5103	QER61EM-106Z	E.CAPA. I.M	10MF 20% 25V	
C5104	QFLM1HJ-563Z	M CAPACITOR	.056MF 5% 50V	
C5105	QFLM1HJ-563Z	M CAPACITOR	.056MF 5% 50V	
C5106	QFLM1HJ-562Z	M CAPACITOR	5600PF 5% 50V	
C5201	QFLM1HJ-152Z	M CAPACITOR	1500PF 5% 50V	
C5202	QER41EM-475	E CAPACITOR	4.7MF 20% 25V	
C5203	QER61EM-106Z	E.CAPA. I.M	10MF 20% 25V	
C5204	QFLM1HJ-563Z	M CAPACITOR	.056MF 5% 50V	
C5205	QFLM1HJ-563Z	M CAPACITOR	.056MF 5% 50V	
C5206	QFLM1HJ-562Z	M CAPACITOR	5600PF 5% 50V	
C5301	QEK1CM-106Z	E CAPACITOR	10MF 20% 50V	
C5302	QER41HM-105	E CAPACITOR	1.0MF 20% 50V	
C5303	QER41HM-225	E CAPACITOR	2.2MF 20% 50V	
C5304	QER41HM-105	E CAPACITOR	1.0MF 20% 50V	
C5305	QEK1CM-107Z	E CAPACITOR	100MF 20% 16V	

BLOCK NO. 03

REF.	PARTS NO.	PARTS NAME	REMARKS	SUFFIX
C5306	QEK1EM-475	E CAPACITOR	4.7MF 20% 25V	
C5307	QFLM1HJ-473Z	M CAPACITOR	.047MF 5% 50V	
C5309	QEK41HM-474	E CAPACITOR	.47MF 20% 50V	
C6352	QEK41CM-226	E CAPACITOR	22MF 20% 16V	
C8351	NC521HJ-680X	C.CAPA. C.M	68PF 5% 50V	
C8352	NC521HJ-221X	C CAPACITOR	220PF 5% 50V	
C8353	NC521HJ-221X	C CAPACITOR	220PF 5% 50V	
C8354	NC521HJ-330X	C CAPACITOR	33PF 5% 50V	
C8355	QFVJ1HJ-124Z	TF CAPACITOR	.12MF 5% 50V	
C8356	QEK1AM-107Z	E CAPACITOR	100MF 20% 10V	
C8357	NC521HJ-101X	C CAPACITOR	100PF 5% 50V	
C8358	QEK1HM-226Z	E.CAPACITOR	22MF 20% 50V	
C8359	QEK1HM-106Z	E CAPACITOR	10MF 20% 50V	
C8360	NCB21HK-272X	C CAPACITOR	2700PF 10% 50V	
C8361	QFV61HJ-104	TF CAPACITOR	.10MF 5% 50V	
C8362	NCB21HK-473X	C CAPACITOR	.047MF 10% 50V	
C8363	NC521HJ-101X	C CAPACITOR	100PF 5% 50V	
C9001	NC521HJ-220X	C CAPACITOR	22PF 5% 50V	
C9002	NC521HJ-220X	C CAPACITOR	22PF 5% 50V	
C9003	NC521HJ-151X	C CAPACITOR	150PF 5% 50V	
C9005	NC521HJ-240X	C.CAPACITOR	24PF 5% 50V	
C9006	NC521HJ-240X	C.CAPACITOR	24PF 5% 50V	
C9007	NC521HJ-360X	C CAPACITOR	36PF 5% 50V	
C9008	NC521HJ-360X	C CAPACITOR	36PF 5% 50V	
C9009	NCB21HK-103X	C CAPACITOR	.010MF 10% 50V	
C9011	NCB21HK-103X	C CAPACITOR	.010MF 10% 50V	
C9012	QER61HM-226Z	E.CAPA. I.M	22MF 20% 50V	
C9013	NC521HJ-151X	C CAPACITOR	150PF 5% 50V	
C9015	NC521HJ-151X	C CAPACITOR	150PF 5% 50V	
C9016	NC521HJ-151X	C CAPACITOR	150PF 5% 50V	
C9017	NC521HJ-151X	C CAPACITOR	150PF 5% 50V	
C9018	QER41AM-107	E CAPACITOR	100MF 20% 10V	
C9019	QER61HM-106Z	E CAPACITOR	10MF 20% 50V	
C9020	QER61HM-106Z	E CAPACITOR	10MF 20% 50V	
C9021	QER61HM-106Z	E CAPACITOR	10MF 20% 50V	
C9022	NCB21HK-103X	C CAPACITOR	.010MF 10% 50V	
C9023	NC521HJ-151X	C CAPACITOR	150PF 5% 50V	
C9024	NC521HJ-101X	C CAPACITOR	100PF 5% 50V	
C9026	NC521HJ-151X	C CAPACITOR	150PF 5% 50V	
C9027	NC521HJ-680X	C.CAPA. C.M	68PF 5% 50V	
C9031	NCB21HK-103X	C CAPACITOR	.010MF 10% 50V	
C9034	NC521HJ-151X	C CAPACITOR	150PF 5% 50V	
C9035	NC521HJ-151X	C CAPACITOR	150PF 5% 50V	
C9036	NC521HJ-151X	C CAPACITOR	150PF 5% 50V	
C9037	NC521HJ-151X	C CAPACITOR	150PF 5% 50V	
C9038	NC521HJ-151X	C CAPACITOR	150PF 5% 50V	
C9039	NC521HJ-102X	C CAPACITOR	1000PF 5% 50V	
C9040	NC521HJ-102X	C CAPACITOR	1000PF 5% 50V	
D1901	QLD0024-001	LCD		
D2502	SLR-342VR-T15	ED I M	STAND-BY LED	
D2503	SLR-342VR-T15	ED I M	ACS ON/OFF(R)	
D2504	SLR-342PMG-T15	LED I M	ACS IND (GR)	
D3361	1SS254-T2	SI DIODE		
D3362	MTJ3.9B-T2	Z DIODE		
D3363	1SS254-T2	SI DIODE		

BLOCK NO. 03

BLOCK NO. 03

REF.	PARTS NO.	PARTS NAME	REMARKS	SUFFIX
D3791	MTJ6-2A-T2	Z. DIODE IDM		
D4301	1SS254-T2	SI DIODE		
D4302	1SS254-T2	SI DIODE		
D501	MTJ4-7A-T2	ZENER DIODE		
D6501	MTJ3-6A-T2	ZENER DIODE I/M		
D6503	1SS254-T2	SI DIODE		
D8351	1SS254-T2	SI DIODE		
D8352	1SS254-T2	SI DIODE		
D8353	1SS254-T2	SI DIODE		
D8354	1SS254-T2	SI DIODE		
D9001	1SS254-T2	SI DIODE		
D9002	MTJ5-1C-T2	ZENER DIODE		
D9006	MA700A-T2	S-B. DIODE		
D9007	1SR35-100A-T5	SI DIODE		
IC401	VYH7237-002	IC HOLDER	FOR MICON	
IC401	BA15218F-W	IC	ADDER	
IC501	BH3852S	IC	VOL&TONE	
IC603	BA15218F-W	IC	H. P. AMP	
IC831	BA15218F-W	IC	HIGH CONT. AMP	
IC901	MN171603NA1	IC	SYSTEM MICON	
IC902	IC-PS79131-T	IC	RESET IC	
IC903	GP1U281X	IR DETECT UNIT	REM DET	
J4301	GNS0047-001	JACK	AUX	
J6301	GNS0072-001	HEADPHONE JACK		
K9001	QR0779-0012	INDUCTOR		
K9003	QR0779-0012	INDUCTOR	<- B4520	
L4351	QR0779-0012	INDUCTOR		
L4352	QR0779-0012	INDUCTOR		
L4353	QL01BK-1002	INDUCTOR		
L4354	QR0779-0012	INDUCTOR		
L9001	QL01BK-1002	INDUCTOR		
L9002	QL01BK-1002	INDUCTOR		
PL 1	QL0043-001	LAMP		
Q2501	DTA124XKA-X	CHIP D. TR. C.M		
Q2502	2SC2412K/R/-X	TRANSISTOR		
Q2503	2SC2412K/R/-X	TRANSISTOR		
Q2504	DTC144TKA-X	TRANSISTOR		
Q2505	DTA143TKA-X	TRANSISTOR		
Q3361	2SA1037AK/RS/-X	CHIP TR. C.M		
Q3362	2SC2412K/R/-X	TRANSISTOR		
Q3571	2SB0247/-X	TRANSISTOR		
Q3572	2SC2412K/R/-X	TRANSISTOR		
Q3791	2SC2412K/R/-X	TRANSISTOR		
Q4101	2SD5967/-X	TRANSISTOR		
Q4102	2SD5967/-X	TRANSISTOR		
Q4201	2SD5967/-X	TRANSISTOR		
Q4202	2SD5967/-X	TRANSISTOR		
Q4301	2SC2412K/R/-X	TRANSISTOR		
Q5101	2K301/R/-T	JUNCTION FET		
Q5201	2K301/R/-T	JUNCTION FET		
Q6150	2SD5967/-X	TRANSISTOR		
Q6151	2SD5967/-X	TRANSISTOR		
Q6250	2SD5967/-X	TRANSISTOR		
Q6251	2SD5967/-X	TRANSISTOR		
Q6350	DTC114EKA-X	TRANSISTOR		

REF.	PARTS NO.	PARTS NAME	REMARKS	SUFFIX
Q6351	DTA114EKA-X	DIGITAL TR		
Q8351	2SA1037AK/RS/-X	CHIP TR. C.M		
Q8352	2SA1037AK/RS/-X	CHIP TR. C.M		
Q8353	2SC2412K/R/-X	TRANSISTOR		
Q8354	DTC114EKA-X	TRANSISTOR		
Q9001	2SC2147/07-X	TRANSISTOR	MAIN CLOCK	
Q9002	2SC2147/07-X	TRANSISTOR	MAIN CLOCK	
Q9003	2SC2412K/R/-X	TRANSISTOR		
Q9006	2SA1037AK/RS/-X	CHIP TR. C.M		
Q9010	DTC144TKA-X	TRANSISTOR		
Q9011	DTC144TKA-X	TRANSISTOR		
Q9012	2SC2412K/R/-X	TRANSISTOR		
Q9013	2SC2412K/R/-X	TRANSISTOR		
Q9014	DTC114EKA-X	TRANSISTOR		
R2501	NRS181J-271X	MG RESISTOR	270 5% 1/8W	
R2504	NRSA02J-101X	MG RESISTOR	100 5% 1/10W	
R2505	NRSA02J-101X	MG RESISTOR	100 5% 1/10W	
R2506	NRSA02J-121X	MG RESISTOR	120 5% 1/10W	
R2507	NRSA02J-151X	MG RESISTOR	150 5% 1/10W	
R2508	NRSA02J-221X	MG RESISTOR	220 5% 1/10W	
R2509	NRSA02J-271X	MG RESISTOR	270 5% 1/10W	
R2510	NRSA02J-391X	MG RESISTOR	390 5% 1/10W	
R2511	NRSA02J-561X	RES. C.M	560 5% 1/10W	
R2512	NRSA02J-102X	RES. C.M	1.0K 5% 1/10W	
R2513	NRSA02J-182X	MG RESISTOR	1.8K 5% 1/10W	
R2514	NRS181J-391X	MG RESISTOR	390 5% 1/8W	
R2515	NRS181J-471X	MG RESISTOR	470 5% 1/8W	
R2516	NRSA02J-473X	MG RESISTOR	47K 5% 1/10W	
R2517	NRSA02J-102X	RES. C.M	1.0K 5% 1/10W	
R2518	NRSA02J-104X	MG RESISTOR	100K 5% 1/10W	
R2519	NRSA02J-472X	RES. C.M	4.7K 5% 1/10W	
R2520	NRSA02J-472X	RES. C.M	4.7K 5% 1/10W	
R2521	NRSA02J-222X	MG RESISTOR	2.2K 5% 1/10W	
R3361	NRSA02J-390X	MG RESISTOR	39 5% 1/10W	
R3362	NRSA02J-102X	RES. C.M	1.0K 5% 1/10W	
R3563	NRSA02J-472X	RES. C.M	4.7K 5% 1/10W	
R3571	NRSA02J-472X	RES. C.M	4.7K 5% 1/10W	
R3572	NRSA02J-472X	RES. C.M	4.7K 5% 1/10W	
R3573	NRSA02J-472X	RES. C.M	4.7K 5% 1/10W	
R3574	NRSA02J-472X	RES. C.M	4.7K 5% 1/10W	
R3575	NRSA02J-472X	RES. C.M	4.7K 5% 1/10W	
R3791	NRSA02J-103X	RES. C.M	10K 5% 1/10W	
R3792	NRSA02J-104X	MG RESISTOR	100K 5% 1/10W	
R3793	NRSA02J-103X	RES. C.M	10K 5% 1/10W	
R3794	NRSA02J-683X	MG RESISTOR	68K 5% 1/10W	
R4141	NRSA02J-124X	MG RESISTOR	120K 5% 1/10W	
R4142	NRSA02J-303X	RES. C.M	30K 5% 1/10W	
R4143	NRSA02J-224X	RES. C.M	220K 5% 1/10W	
R4144	NRSA02J-473X	MG RESISTOR	47K 5% 1/10W	
R4145	NRSA02J-124X	MG RESISTOR	120K 5% 1/10W	
R4149	NRSA02J-222X	MG RESISTOR	2.2K 5% 1/10W	
R4150	NRSA02J-102X	RES. C.M	1.0K 5% 1/10W	
R4151	NRSA02J-154X	RES. C.M	150K 5% 1/10W	
R4153	NRSA02J-473X	MG RESISTOR	47K 5% 1/10W	
R4155	NRSA02J-183X	MG RESISTOR	18K 5% 1/10W	

BLOCK NO. 03111111

A	REF.	PARTS NO.	PARTS NAME	REMARKS	SUFFIX
	R6261	NRSA02J-472X	RES. C.M	4.7K 5% 1/10W	
	R6335	NRSA02J-121X	MG RESISTOR	120 5% 1/10W	
	R6350	NRSA02J-121X	MG RESISTOR	120 5% 1/10W	
	R6351	NRSA02J-102X	RES. C.M	1.0K 5% 1/10W	
	R6353	NRSA02J-473X	MG RESISTOR	47K 5% 1/10W	
	R6354	NRSA02J-472X	RES. C.M	4.7K 5% 1/10W	
	R6355	NRSA02J-683X	MG RESISTOR	68K 5% 1/10W	
	R6352	NRSA02J-474X	MG RESISTOR	470K 5% 1/10W	
	R6353	NRSA02J-124X	MG RESISTOR	120K 5% 1/10W	
	R6354	NRSA02J-101X	MG RESISTOR	100 5% 1/10W	
	R6355	NRSA02J-474X	MG RESISTOR	470K 5% 1/10W	
	R6356	NRSA02J-124X	MG RESISTOR	120K 5% 1/10W	
	R6357	NRSA02J-101X	MG RESISTOR	100 5% 1/10W	
	R6358	NRSA02J-475X	MG RESISTOR	4.7M 5% 1/10W	
	R6359	NRSA02J-102X	RES. C.M	1.0K 5% 1/10W	
	R6360	NRSA02J-682X	MG RESISTOR	6.8K 5% 1/10W	
	R6361	NRSA02J-473X	MG RESISTOR	47K 5% 1/10W	
	R6362	NRSA02J-822X	MG RESISTOR	8.2K 5% 1/10W	
	R6363	NRSA02J-101X	MG RESISTOR	100 5% 1/10W	
	R6364	NRSA02J-473X	MG RESISTOR	47K 5% 1/10W	
	R6365	NRSA02J-101X	MG RESISTOR	100 5% 1/10W	
	R6366	NRSA02J-224X	RES. C.M	220K 5% 1/10W	
	R6367	NRSA02J-221X	MG RESISTOR	220 5% 1/10W	
	R6368	NRSA02J-473X	MG RESISTOR	47K 5% 1/10W	
	R6369	NRSA02J-473X	MG RESISTOR	47K 5% 1/10W	
	R6370	NRSA02J-273X	MG RESISTOR	2.7M 5% 1/10W	
	R6371	NRSA02J-103X	RES. C.M	10K 5% 1/10W	
	R6372	NRSA02J-103X	RES. C.M	10K 5% 1/10W	
	R9001	NRSA02J-681X	MG RESISTOR	680 5% 1/10W	
	R9002	NRSA02J-681X	MG RESISTOR	680 5% 1/10W	
	R9003	NRSA02J-223X	MG RESISTOR	2.2K 5% 1/10W	
	R9004	NRSA02J-472X	RES. C.M	4.7K 5% 1/10W	
	R9005	NRSA02J-472X	RES. C.M	4.7K 5% 1/10W	
	R9006	NRSA02J-473X	RES. C.M	4.7K 5% 1/10W	
	R9007	NRSA02J-103X	RES. C.M	10K 5% 1/10W	
	R9009	NRSA02J-102X	RES. C.M	1.0K 5% 1/10W	
	R9010	NRSA02J-103X	RES. C.M	10K 5% 1/10W	
	R9011	NRSA02J-223X	MG RESISTOR	2.2K 5% 1/10W	
	R9012	NRSA02J-222X	MG RESISTOR	2.2K 5% 1/10W	
	R9013	NRSA02J-222X	MG RESISTOR	2.2K 5% 1/10W	
	R9014	NRSA02J-102X	RES. C.M	1.0K 5% 1/10W	
	R9015	NRSA02J-104X	MG RESISTOR	100K 5% 1/10W	
	R9016	NRSA02J-224X	RES. C.M	220K 5% 1/10W	
	R9017	NRSA02J-822X	MG RESISTOR	8.2K 5% 1/10W	
	R9018	NRSA02J-822X	MG RESISTOR	8.2K 5% 1/10W	
	R9019	NRSA02J-104X	MG RESISTOR	100K 5% 1/10W	
	R9020	NRSA02J-104X	MG RESISTOR	100K 5% 1/10W	
	R9021	NRSA02J-102X	RES. C.M	1.0K 5% 1/10W	
	R9022	NRSA02J-682X	MG RESISTOR	6.8K 5% 1/10W	
	R9023	NRSA02J-103X	RES. C.M	10K 5% 1/10W	
	R9024	NRSA02J-103X	RES. C.M	10K 5% 1/10W	
	R9025	NRSA02J-103X	RES. C.M	10K 5% 1/10W	
	R9026	NRSA02J-103X	RES. C.M	10K 5% 1/10W	
	R9027	NRSA02J-103X	RES. C.M	10K 5% 1/10W	
	R9028	NRSA02J-102X	RES. C.M	1.0K 5% 1/10W	

BLOCK NO. 03111111

A	REF.	PARTS NO.	PARTS NAME	REMARKS	SUFFIX
	R4158	NRSA02J-332X	MG RESISTOR	3.3K 5% 1/10W	
	R4159	NRSA02J-102X	RES. C.M	1.0K 5% 1/10W	
	R4160	NRSA02J-821X	MG RESISTOR	820 5% 1/10W	
	R4161	NRSA02J-333X	MG RESISTOR	33K 5% 1/10W	
	R4241	NRSA02J-124X	MG RESISTOR	120K 5% 1/10W	
	R4242	NRSA02J-303X	RES. C.M	30K 5% 1/10W	
	R4243	NRSA02J-224X	RES. C.M	220K 5% 1/10W	
	R4244	NRSA02J-473X	MG RESISTOR	47K 5% 1/10W	
	R4245	NRSA02J-124X	MG RESISTOR	120K 5% 1/10W	
	R4249	NRSA02J-222X	MG RESISTOR	2.2K 5% 1/10W	
	R4250	NRSA02J-102X	RES. C.M	1.0K 5% 1/10W	
	R4251	NRSA02J-454X	RES. C.M	150K 5% 1/10W	
	R4253	NRSA02J-473X	MG RESISTOR	47K 5% 1/10W	
	R4255	NRSA02J-183X	MG RESISTOR	18K 5% 1/10W	
	R4258	NRSA02J-332X	MG RESISTOR	3.3K 5% 1/10W	
	R4259	NRSA02J-102X	RES. C.M	1.0K 5% 1/10W	
	R4260	NRSA02J-821X	MG RESISTOR	820 5% 1/10W	
	R4261	NRSA02J-333X	MG RESISTOR	33K 5% 1/10W	
	R4301	NRSA02J-222X	MG RESISTOR	2.2K 5% 1/10W	
	R4341	NRSA02J-103X	RES. C.M	10K 5% 1/10W	
	R4342	NRSA02J-103X	RES. C.M	10K 5% 1/10W	
	R4343	NRSA02J-101X	MG RESISTOR	100 5% 1/10W	
	R5101	NRSA02J-223X	RES. C.M	22K 5% 1/10W	
	R5102	NRSA02J-153X	MG RESISTOR	15K 5% 1/10W	
	R5104	NRSA02J-224X	RES. C.M	220K 5% 1/10W	
	R5201	NRSA02J-223X	RES. C.M	22K 5% 1/10W	
	R5202	NRSA02J-153X	MG RESISTOR	15K 5% 1/10W	
	R5204	NRSA02J-224X	RES. C.M	220K 5% 1/10W	
	R5301	NRSA02J-104X	MG RESISTOR	100K 5% 1/10W	
	R5302	NRSA02J-333X	MG RESISTOR	33K 5% 1/10W	
	R5303	NRSA02J-104X	MG RESISTOR	100K 5% 1/10W	
	R5304	NRSA02J-104X	MG RESISTOR	100K 5% 1/10W	
	R5305	NRSA02J-101X	MG RESISTOR	100 5% 1/10W	
	R5306	NRSA02J-475X	MG RESISTOR	4.7M 5% 1/10W	
	R5307	NRSA02J-475X	MG RESISTOR	4.7M 5% 1/10W	
	R5308	NRSA02J-124X	RES. C.M	150K 5% 1/10W	
	R6150	NRSA02J-223X	RES. C.M	22K 5% 1/10W	
	R6151	NRSA02J-223X	RES. C.M	22K 5% 1/10W	
	R6152	NRSA02J-102X	RES. C.M	1.0K 5% 1/10W	
	R6153	NRSA02J-220X	MG RESISTOR	22 5% 1/10W	
	R6154	NRSA02J-222X	MG RESISTOR	2.2K 5% 1/10W	
	R6155	NRSA02J-222X	MG RESISTOR	2.2K 5% 1/10W	
	R6157	NRSA02J-103X	RES. C.M	10K 5% 1/10W	
	R6158	NRSA02J-153X	MG RESISTOR	15K 5% 1/10W	
	R6160	NRSA02J-472X	RES. C.M	4.7K 5% 1/10W	
	R6161	NRSA02J-472X	RES. C.M	4.7K 5% 1/10W	
	R6250	NRSA02J-223X	RES. C.M	22K 5% 1/10W	
	R6251	NRSA02J-223X	RES. C.M	22K 5% 1/10W	
	R6252	NRSA02J-102X	RES. C.M	1.0K 5% 1/10W	
	R6253	NRSA02J-220X	MG RESISTOR	22 5% 1/10W	
	R6254	NRSA02J-222X	MG RESISTOR	2.2K 5% 1/10W	
	R6255	NRSA02J-222X	MG RESISTOR	2.2K 5% 1/10W	
	R6257	NRSA02J-103X	RES. C.M	10K 5% 1/10W	
	R6258	NRSA02J-153X	MG RESISTOR	15K 5% 1/10W	
	R6260	NRSA02J-472X	RES. C.M	4.7K 5% 1/10W	

BLOCK NO. 03

REF.	PARTS NO.	PARTS NAME	REMARKS	SUFFIX
R9092	NRSA02J-103X	RES. C.M	10K 5% 1/10W	
R9093	NRSA02J-393X	MG RESISTOR	39K 5% 1/10W	
R9094	NRSA02J-473X	MG RESISTOR	47K 5% 1/10W	
R9095	NRSA02J-103X	RES. C.M	10K 5% 1/10W	UY
R9096	NRSA02J-104X	MG RESISTOR	100K 5% 1/10W	UT,UX U,UB,US
R9096	NRSA02J-623X	MG RESISTOR	62K 5% 1/10W	
R9096	NRSA02J-623X	MG RESISTOR	62K 5% 1/10W	
R9097	NRSA02J-683X	MG RESISTOR	68K 5% 1/10W	
R9098	NRSA02J-103X	RES. C.M	10K 5% 1/10W	
R9099	NRSA02J-823X	MG RESISTOR	82K 5% 1/10W	UY
R9099	NRSA02J-104X	MG RESISTOR	100K 5% 1/10W	UT,UX U,UB,US
R9099	NRSA02J-104X	MG RESISTOR	100K 5% 1/10W	
R9301	NRSA02J-473X	MG RESISTOR	47K 5% 1/10W	
R9302	NRSA02J-473X	MG RESISTOR	47K 5% 1/10W	
R9303	NRSA02J-103X	RES. C.M	10K 5% 1/10W	
R9304	NRSA02J-103X	RES. C.M	10K 5% 1/10W	
R9305	NRSA02J-153X	MG RESISTOR	15K 5% 1/10W	
S2501	QSW0622-001Z	TACT SWITCH		
S2502	QSW0622-001Z	TACT SWITCH		
S2503	QSW0622-001Z	TACT SWITCH		
S2504	QSW0622-001Z	TACT SWITCH		
S2505	QSW0622-001Z	TACT SWITCH		
S2506	QSW0622-001Z	TACT SWITCH		
S2507	QSW0622-001Z	TACT SWITCH		
S2508	QSW0622-001Z	TACT SWITCH		
S2509	QSW0622-001Z	TACT SWITCH		
VR901	QSW0626-001	R ENCODER		
VR902	QSW0626-001	R ENCODER		
X9001	GAX0401-001	CRYSTAL	SUB CLOCK	
X9002	GAX0410-001Z	CERA LOCK	MAIN CLOCK	

BLOCK NO. 03

REF.	PARTS NO.	PARTS NAME	REMARKS	SUFFIX
R9029	NRSA02J-102X	RES. C.M	1.0K 5% 1/10W	
R9030	NRSA02J-102X	RES. C.M	1.0K 5% 1/10W	
R9031	NRSA02J-102X	RES. C.M	1.0K 5% 1/10W	
R9032	NRSA02J-103X	RES. C.M	10K 5% 1/10W	
R9033	NRSA02J-102X	RES. C.M	1.0K 5% 1/10W	
R9035	NRSA02J-103X	RES. C.M	10K 5% 1/10W	
R9036	NRSA02J-102X	RES. C.M	1.0K 5% 1/10W	
R9037	NRSA02J-102X	RES. C.M	1.0K 5% 1/10W	
R9038	NRSA02J-103X	RES. C.M	10K 5% 1/10W	
R9039	NRSA02J-103X	RES. C.M	10K 5% 1/10W	
R9041	NRSA02J-473X	MG RESISTOR	47K 5% 1/10W	
R9042	NRSA02J-473X	MG RESISTOR	47K 5% 1/10W	
R9044	NRSA02J-222X	MG RESISTOR	2.2K 5% 1/10W	
R9045	NRSA02J-333X	MG RESISTOR	33K 5% 1/10W	
R9046	NRSA02J-682X	MG RESISTOR	6.8K 5% 1/10W	
R9047	NRSA02J-103X	RES. C.M	10K 5% 1/10W	
R9048	NRSA02J-103X	RES. C.M	10K 5% 1/10W	
R9049	NRSA02J-222X	MG RESISTOR	2.2K 5% 1/10W	
R9050	NRSA02J-222X	MG RESISTOR	2.2K 5% 1/10W	
R9051	NRSA02J-222X	MG RESISTOR	2.2K 5% 1/10W	
R9052	NRSA02J-222X	MG RESISTOR	2.2K 5% 1/10W	
R9053	NRSA02J-222X	MG RESISTOR	2.2K 5% 1/10W	
R9054	NRSA02J-222X	MG RESISTOR	2.2K 5% 1/10W	
R9055	NRSA02J-222X	MG RESISTOR	2.2K 5% 1/10W	
R9056	NRSA02J-222X	MG RESISTOR	2.2K 5% 1/10W	
R9057	NRSA02J-103X	RES. C.M	10K 5% 1/10W	
R9059	NRSA02J-104X	RES. C.M	1.0K 5% 1/10W	
R9061	NRSA02J-104X	MG RESISTOR	100K 5% 1/10W	
R9062	NRSA02J-104X	MG RESISTOR	100K 5% 1/10W	
R9063	NRSA02J-104X	MG RESISTOR	100K 5% 1/10W	
R9065	NRSA02J-563X	RES. C.M	56K 5% 1/10W	
R9066	NRSA02J-473X	MG RESISTOR	47K 5% 1/10W	
R9067	NRSA02J-333X	MG RESISTOR	33K 5% 1/10W	
R9068	NRSA02J-104X	MG RESISTOR	100K 5% 1/10W	
R9069	NRSA02J-102X	RES. C.M	1.0K 5% 1/10W	
R9070	NRSA02J-102X	RES. C.M	1.0K 5% 1/10W	
R9071	NRSA02J-243X	MG RESISTOR	24K 5% 1/10W	
R9072	NRSA02J-823X	MG RESISTOR	82K 5% 1/10W	
R9073	NRSA02J-222X	MG RESISTOR	2.2K 5% 1/10W	
R9074	NRSA02J-103X	RES. C.M	10K 5% 1/10W	
R9075	NRSA02J-102X	RES. C.M	1.0K 5% 1/10W	
R9076	NRSA02J-102X	RES. C.M	1.0K 5% 1/10W	
R9077	NRSA02J-472X	RES. C.M	4.7K 5% 1/10W	
R9078	NRSA02J-223X	RES. C.M	22K 5% 1/10W	
R9079	NRSA02J-243X	MG RESISTOR	24K 5% 1/10W	
R9080	NRSA02J-243X	MG RESISTOR	24K 5% 1/10W	
R9081	NRSA02J-912X	RES. C.M	9.1K 5% 1/10W	
R9082	NRSA02J-102X	RES. C.M	1.0K 5% 1/10W	
R9083	NRSA02J-473X	MG RESISTOR	47K 5% 1/10W	
R9084	NRSA02J-222X	MG RESISTOR	2.2K 5% 1/10W	
R9085	NRSA02J-912X	RES. C.M	9.1K 5% 1/10W	
R9086	NRSA02J-473X	MG RESISTOR	47K 5% 1/10W	
R9087	NRSA02J-222X	MG RESISTOR	2.2K 5% 1/10W	
R9088	NRSA02J-222X	MG RESISTOR	2.2K 5% 1/10W	
R9089	NRSA02J-102X	RES. C.M	1.0K 5% 1/10W	

**Power Supply & Power Amplifier P. C. B.
(B/E/EN/EE/EV)**

BLOCK NO. 04				BLOCK NO. 04					
REF.	PARTS NO.	PARTS NAME	REMARKS	SUFFIX	REF.	PARTS NO.	PARTS NAME	REMARKS	SUFFIX
BP 1	QRR0757-001Z	P FILTER		EE, EV	CN193	QGA2501C4-05	CONNECTOR		
BP 1	QRR0768-001Z	P FILTER		B, E, EN	CN194	QGA7901C1-02	CONNECTOR		
C 3	QCSB1HK-GR8Y	C CAPACITOR	6.8PF 10% 50V	B, E, EN	CN195	QGA3901C1-02	CONNECTOR		
C 3	QCSB1HK-RR2Y	CER. CAPACITOR-S	2.2PF 10% 50V	EE, EV	CN601	QGF1205F1-13	CONNECTOR		
C 6	QDYB1CM-103Y	C CAPACITOR			CN602	QGF1205F1-13	CONNECTOR		
C 7	QCS11HJ-300	C CAPACITOR	20PF 5% 50V	B, E, EN	CN603	QGB1214K1-10S	CONNECTOR		
C 7	QCSB1HK-680Y	AL E. CAPACITOR	68PF 5% 50V	EE, EV	CN604	QGB1214J1-10S	CONNECTOR		
C 9	QCSB1HK-3R9Y	C CAPACITOR	3.9PF 10% 50V	EE, EV	C1901	QFLM1HJ-683Z	M CAPACITOR	.068MF 5% 50V	
C 9	QCS11HJ-120	C CAPACITOR	12PF 5% 50V	B, E, EN	C1902	QFLM1HJ-683Z	M CAPACITOR	.068MF 5% 50V	
C 13	QDX31EM-223Z	C CAPACITOR		B, E, EN	C1903	QFLM1HJ-683Z	M CAPACITOR	.068MF 5% 50V	
C 13	QDX31EM-473Z	C CAPACITOR		EE, EV	C1904	QFLM1HJ-683Z	M CAPACITOR	.068MF 5% 50V	
C 16	QDYB1CM-103Y	C CAPACITOR			C3191	QETN1HM-475Z	AL E. CAPACITOR	4.7MF 20% 50V	
C 21	QDX11EM-473Z	C CAPACITOR			C3192	QET41EM-107	E CAPACITOR	100MF 20% 25V	
C 22	QFP41HJ-451	PP CAPACITOR	4.30PF 5% 50V		C3193	QCB81HK-101Y	C CAPACITOR	100PF 10% 50V	
C 23	QDCB1HK-120Y	C CAPACITOR			C3194	QET41EM-107	E CAPACITOR	100MF 20% 25V	
C 24	QCSB1HK-620Y	C CAPACITOR	62PF 5% 50V		C3301	QDYB1CM-103Y	C CAPACITOR		
C 25	QETC1HM-104Z	E CAPACITOR	.10MF 20% 50V		C3302	QCB81HK-221Y	C CAPACITOR	220PF 10% 50V	
C 26	QFP31HJ-181Z	PP CAPACITOR	180PF 5% 50V		C3303	QET41CM-107	E CAPACITOR	100MF 20% 16V	
C 27	QCS11HJ-101	C CAPACITOR	100PF 5% 50V		C3491	QDYB1CM-103Y	C CAPACITOR		
C 28	QCS11HJ-150	C CAPACITOR	15PF 5% 50V		C3492	QCB81HK-221Y	C CAPACITOR	220PF 10% 50V	
C 31	QDGB1HK-102Y	C CAPACITOR			C3493	QET41CM-107	E CAPACITOR	100MF 20% 16V	
C 32	QDYB1CM-103Y	E CAPACITOR			C3901	QET41AM-107	E CAPACITOR	100MF 20% 10V	
C 33	QET41AM-107	E CAPACITOR	100MF 20% 10V		C3902	QDX31EM-104Z	C CAPACITOR		
C 35	QDYB1CM-103Y	C CAPACITOR			C5308	QER61HM-474Z	E CAPACITOR	.47MF 20% 50V	
C 36	QET41HM-475	E CAPACITOR	4.7MF 20% 50V		C6101	QFV41HJ-224	TF CAPACITOR	.22MF 5% 50V	
C 37	QDGB1HK-102Y	C CAPACITOR			C6102	QCB81HK-151Y	C CAPACITOR	150PF 10% 50V	
C 40	QET41HM-105	E CAPACITOR	1.0MF 20% 50V		C6103	QET41EM-107	E CAPACITOR	100MF 20% 25V	
C 41	QET41CM-106	C CAPACITOR	10MF 20% 16V		C6104	QFV41HJ-104	TF CAPACITOR	.10MF 5% 50V	
C 42	QDX11EM-473Z	C CAPACITOR			C6105	QET41EM-476	E CAPACITOR	47MF 20% 25V	
C 44	QET41HM-105	E CAPACITOR	1.0MF 20% 50V		C6107	QET41EM-108	E CAPACITOR	1000MF 20% 25V	
C 45	QET41HM-474	E CAPACITOR	.47MF 20% 50V		C6150	QER41HM-105	E CAPACITOR	1.0MF 20% 50V	
C 47	QDX31EM-123Z	C CAPACITOR			C6151	N6S21HJ-151X	C CAPACITOR	150PF 5% 50V	
C 48	QDX31EM-123Z	C CAPACITOR			C6152	N6S21HJ-151X	C CAPACITOR	150PF 5% 50V	
C 49	QETN1HM-104Z	E CAPACITOR	.10MF 20% 50V		C6153	QER41AM-107	E CAPACITOR	100MF 20% 10V	
C 50	QETN1HM-104Z	E CAPACITOR	.10MF 20% 50V		C6201	QFV41HJ-224	TF CAPACITOR	.22MF 5% 50V	
C 51	QDGB1HK-681Y	C CAPACITOR			C6202	QCB81HK-151Y	C CAPACITOR	150PF 10% 50V	
C 52	QDGB1HK-102Y	C CAPACITOR			C6203	QET41EM-107	E CAPACITOR	100MF 20% 25V	
C 56	QDGB1HK-102Y	C CAPACITOR			C6204	QFV41HJ-104	TF CAPACITOR	.10MF 5% 50V	
C 60	QDGB1HK-102Y	C CAPACITOR			C6205	QET41EM-476	E CAPACITOR	47MF 20% 25V	
C 61	QET41AM-107	E CAPACITOR	100MF 20% 10V		C6206	QET41EM-108	E CAPACITOR	1000MF 20% 25V	
C 62	QDCB1HK-120Y	C CAPACITOR			C6207	QTE1V06-226Z	E CAPACITOR		
C 63	QDGB1HK-102Y	C CAPACITOR			C6250	QER41HM-105	E CAPACITOR	1.0MF 20% 50V	
C 64	QDCB1HK-120Y	C CAPACITOR			C6251	N6S21HJ-151X	C CAPACITOR	150PF 5% 50V	
C 65	QDGB1HK-102Y	C CAPACITOR			C6252	N6S21HJ-151X	C CAPACITOR	150PF 5% 50V	
C 66	QCSB1HK-151Y	C CAPACITOR	150PF 10% 50V		C6253	QER41AM-107	E CAPACITOR	100MF 20% 10V	
C 69	QDXB1CM-223Y	C CAPACITOR			C6301	QET41EM-227	E CAPACITOR	220MF 20% 25V	
C 70	QETN1HM-225Z	E CAPACITOR	2.2MF 20% 50V		C6302	QET41EM-106	E CAPACITOR	10MF 20% 25V	
C 71	QETN1HM-335Z	E CAPACITOR	3.3MF 20% 50V		C6303	QFV41HJ-104	TF CAPACITOR	.10MF 5% 50V	
C 77	QDGB1HK-102Y	C CAPACITOR			C6304	QFV1HJ-154Z	TF CAPACITOR	.15MF 5% 50V	
CF 1	QAX0403-001	C FILTER			C6305	QET41HM-105	E CAPACITOR	1.0MF 20% 50V	
CF 3	QAX0404-001Z	C FILTER			C6306	QET41AM-227	E CAPACITOR	220MF 20% 10V	
CF 4	QAX0409-001	CERA LOCK			C6307	QET41EM-106	E CAPACITOR	10MF 20% 25V	
CN 1	QGF1205C1-09	CONNECTOR	TO MAIN		C6308	QET41HM-474	E CAPACITOR	.47MF 20% 50V	
CN191	QGA2501C4-09	CONNECTOR			C6309	QET41HM-474	E CAPACITOR	.47MF 20% 50V	
CN192	QGB2501K1-04	CONNECTOR							

BLOCK NO. 04111111

REF.	PARTS NO.	PARTS NAME	REMARKS	SUFFIX
D1902	6A10E2	SI DIODE		
D3191	1SS254-T2	SI DIODE		
D3192	MTZJ7.5A-T2	Z-DIODE		
D3193	RB100A	DIODE		
D3194	MTZJ7.5A-T2	Z-DIODE		
D3195	1SS254-T2	SI DIODE		
D3196	1SS254-T2	SI DIODE		
D3301	1SS254-T2	SI DIODE		
D3302	MTZJ9.1A-T2	ZENER DIODE		
D3491	1SS254-T2	SI DIODE		
D3492	MTZJ9.1A-T2	ZENER DIODE		
D3493	1SS254-T2	SI DIODE		
D3901	MTZJ8.2B-T2	DIODE		
D6301	1SS254-T2	SI DIODE		
D6302	1SS254-T2	SI DIODE		
D6303	1SS254-T2	SI DIODE		
D6304	1SS254-T2	SI DIODE		
D7301	1SS254-T2	SI DIODE		
D7302	1SS254-T2	SI DIODE		
D7303	1SS254-T2	SI DIODE		
D7304	1SS254-T2	SI DIODE		
D7305	1SS254-T2	SI DIODE		
D7306	1SS254-T2	SI DIODE		
D7307	MTZJ4.3B-T2	ZENER DIODE		
D8301	MTZJ6.3B-T2	ZENER DIODE		
IC 2	TA2008AN	IC		
IC 3	LC72136N	IC		
IC 301	TA8233H	IC	WOOFER	
IC 390	TA78DL06S	IC	US6V	
IC 601	TA8223K	IC	FULL RANGE	
IC 701	BA15218N	IC		
IC 702	BA15218N	IC		
IC 703	BA15218N	IC		
IC 704	BA15218N	IC		
IC 801	BA15218N	IC	BB AMP	
J1901	QNC0042-001	AC SOCKET		
J1902	QNA0016-001	DC JACK		
L 1	QOR0773-001	OSC COIL	FM OSC	EE-EV
L 1	QOR0772-001	OSC COIL	FM OSC	B-E-EN
L 2	QOR0769-001	RF COIL	FM RF	B-E-EN
L 2	QOR0781-001	RF COIL	FM RF	EE-EV
L 3	QOR0771-001	BAR ANTENA	MW RF	
L 4	QOR0723-001	OSC COIL(MW)	MW OSC	
L 5	QUY150-050Y	BUS WIRE		
L 6	QOR0774-001	OSC COIL(LW)	LW OSC	
L 7	QOL231K-21Y	INDUCTOR		
L 12	QOR0756-001	INDUCTOR		
L3191	QOL28AK-101	CHOKO COIL		
Q 2	2SC2668/0-T	TRANSISTOR	LW	
Q 3	2SC2668/0-T	TRANSISTOR		
Q 4	2SA1175/HFE/-T	TRANSISTOR		
Q 5	2SC2668/0-T	TRANSISTOR		
Q 6	2SC2668/0-T	TRANSISTOR		
Q 14	DTA114YSA-T	D.TR.I.M		
Q3191	DTA143TSA-T	D.TR.I.M		

BLOCK NO. 04111111

REF.	PARTS NO.	PARTS NAME	REMARKS	SUFFIX
C6310	QCB1HK-101V	C CAPACITOR	100PF 10% 50V	
C6311	QET41CM-106	E CAPACITOR	10MF 20% 16V	
C6312	QET41EM-227	E CAPACITOR	220MF 20% 25V	
C6313	QCB1HK-101V	C CAPACITOR	100PF 10% 50V	
C6314	QFV41HJ-104	TF CAPACITOR	-10MF 5% 50V	
C6315	QETM1EM-688	E CAPACITOR	6800MF 20% 25V	
C6316	QFV41HJ-104	TF CAPACITOR	-10MF 5% 50V	
C6317	QFV41HJ-104	TF CAPACITOR	-10MF 5% 50V	
C6318	QFV41HJ-104	TF CAPACITOR	-10MF 5% 50V	
C6319	QFV41HJ-104	TF CAPACITOR	-10MF 5% 50V	
C6320	QET41EM-106	E CAPACITOR	10MF 20% 25V	
C6321	QET41CM-106	E CAPACITOR	10MF 20% 16V	
C6350	QEK1CM-107Z	E CAPACITOR	100MF 20% 16V	
C6351	QEK41CM-476	E CAPACITOR	47MF 20% 16V	
C7301	QET41CM-107	E CAPACITOR	100MF 20% 16V	
C7302	QET41HM-474	E CAPACITOR	-47MF 20% 50V	
C7303	QCSB1HK-3R3Y	C CAPACITOR	3.3PF 10% 50V	
C7305	QET41HM-475	E CAPACITOR	4.7MF 20% 50V	
C7306	QFV41HJ-274Z	TF CAPACITOR	-27MF 5% 50V	
C7307	QET41HM-475	E CAPACITOR	4.7MF 20% 50V	
C7308	QFLM1HJ-103Z	M CAPACITOR	-010MF 5% 50V	
C7309	QET41CM-107	E CAPACITOR	100MF 20% 16V	
C7310	QFLM1HJ-153Z	M CAPACITOR	-015MF 5% 50V	
C7311	QET41HM-475	E CAPACITOR	4.7MF 20% 50V	
C7312	QET41HM-105	E CAPACITOR	1.0MF 20% 50V	
C7313	QET41HM-475	E CAPACITOR	4.7MF 20% 50V	
C7314	QET41CM-107	E CAPACITOR	100MF 20% 16V	
C7316	QET41HM-475	E CAPACITOR	4.7MF 20% 50V	
C7317	QFV41HJ-104	TF CAPACITOR	-10MF 5% 50V	
C7318	QET41CM-107	E CAPACITOR	100MF 20% 16V	
C7319	QFV41HJ-104	TF CAPACITOR	-10MF 5% 50V	
C7320	QFLM1HJ-393Z	M CAPACITOR	-039MF 5% 50V	
C7321	QFV41HJ-154Z	TF CAPACITOR	-15MF 5% 50V	
C7322	QER41HM-105	E CAPACITOR	1.0MF 20% 50V	
C7323	QET41CM-106	E CAPACITOR	10MF 20% 16V	
C7324	QET41HM-475	E CAPACITOR	4.7MF 20% 50V	
C8101	QFLM1HJ-563Z	M CAPACITOR	-056MF 5% 50V	
C8102	QFLM1HJ-563Z	M CAPACITOR	-056MF 5% 50V	
C8103	QET41EM-476	E CAPACITOR	47MF 20% 25V	
C8201	QFLM1HJ-563Z	M CAPACITOR	-056MF 5% 50V	
C8202	QFLM1HJ-563Z	M CAPACITOR	-056MF 5% 50V	
C8301	QET41EM-476	E CAPACITOR	47MF 20% 25V	
C8303	QET41HM-105	E CAPACITOR	4.7MF 20% 16V	
C8322	QET41CM-476	E CAPACITOR	47MF 20% 16V	
D 1	SVC203SPA-JV-T	VARI CAP		B-E-EN
D 1	KV1370N-T	VARI-CAP DIODE		EE-EV
D 2	KV1370N-T	VARI-CAP DIODE		EE-EV
D 2	SVC203SPA-JV-T	VARI CAP		B-E-EN
D 5	1SS254-T2	SI DIODE		
D 6	1SS254-T2	SI DIODE		
D 8	SVC344-T	VARI CAP		
D 10	SVC344-T	VARI CAP		
D 12	DSK10C-T1	DIODE		
D1901	D55BA20-S1	SI DIODE		

BLOCK NO. 04

BLOCK NO. 04

REF.	PARTS NO.	PARTS NAME	REMARKS	SUFFIX
Q3192	2SA1359/OY	TRANSISTOR		
Q3193	DTA114TSA-T	D.TR.I.M		
Q3194	2SC2785/FE/-T	TRANSISTOR		
Q3195	2SA1175/HFE/-T	TRANSISTOR		
Q3196	2SA934/QR/-T	TR I/M		
Q3197	2SC2785/FE/-T	TRANSISTOR		
Q3198	DTA114TSA-T	D.TR.I.M		
Q3301	2SA1175/HFE/-T	TRANSISTOR		
Q3302	2SA1359/OY	TRANSISTOR		
Q3303	DTA144TSA-T	D.TRANSISTOR		
Q3304	DTA144TSA-T	D.TRANSISTOR		
Q3305	2SC2785/FE/-T	TRANSISTOR		
Q3306	2SC2785/FE/-T	TRANSISTOR		
Q3491	2SA1175/HFE/-T	TRANSISTOR		
Q3492	2SB1565/EF	TRANSISTOR		
Q3493	DTA144TSA-T	D.TRANSISTOR		
Q3494	DTA144TSA-T	D.TRANSISTOR		
Q3495	2SC2785/FE/-T	TRANSISTOR		
Q3496	2SC2785/FE/-T	TRANSISTOR		
Q6101	2SC2001/LK/-T	TRANSISTOR		
Q6201	2SC2001/LK/-T	TRANSISTOR		
Q6301	2SA952/LK/-T	TRANSISTOR		
Q6302	2SC2785/FE/-T	TRANSISTOR		
Q6303	DTA114ESA-T	D.TRANSISTOR	MUTING DRIVE	
Q6304	2SC2001/LK/-T	TRANSISTOR		
Q6305	DTA114ESA-T	D.TRANSISTOR		
Q6306	DTA114ESA-T	D.TRANSISTOR		
Q6307	DTA114ESA-T	D.TRANSISTOR		
Q6308	DTA114ESA-T	D.TRANSISTOR		
Q7301	2SC2785/FE/-T	TRANSISTOR		
Q7302	2SC2785/FE/-T	TRANSISTOR		
Q7303	2SK105/EF/-T	FET I/M		
Q8101	2SC2785/FE/-T	TRANSISTOR		
Q8201	2SC2785/FE/-T	TRANSISTOR		
R 1	GRE141J-104Y	C RESISTOR	100K 5% 1/4W	
R 2	GRE141J-473Y	C RESISTOR	47K 5% 1/4W	
R 3	GRE141J-270Y	C RESISTOR	27 5% 1/4W	EE-EV
R 3	GRE141J-4R7Y	C RESISTOR	4.7 5% 1/4W	B-EVEN
R 7	GRE141J-104Y	C RESISTOR	100K 5% 1/4W	
R 9	GRE141J-103Y	CARBON RESISTOR	10K 5% 1/4W	EE-EV
R 9	GRE141J-102Y	C RESISTOR	1.0K 5% 1/4W	B-EVEN
R 12	GRE141J-472Y	C RESISTOR	4.7K 5% 1/4W	
R 13	GRE141J-104Y	C RESISTOR	100K 5% 1/4W	
R 14	GRE141J-104Y	C RESISTOR	10K 5% 1/4W	
R 15	GRE141J-222Y	C RESISTOR	2.2K 5% 1/4W	
R 16	GRE141J-472Y	C RESISTOR	4.7K 5% 1/4W	
R 17	GRE141J-104Y	C RESISTOR	100K 5% 1/4W	
R 18	GRE141J-102Y	C RESISTOR	1.0K 5% 1/4W	
R 19	GRE141J-222Y	C RESISTOR	2.2K 5% 1/4W	
R 20	GRE141J-102Y	C RESISTOR	1.0K 5% 1/4W	
R 21	GRE141J-103Y	C RESISTOR	10K 5% 1/4W	
R 23	QUV150-050Y	BUS WIRE		
R 28	GRE141J-512Y	C RESISTOR	5.1K 5% 1/4W	
R 30	GRE141J-104Y	C RESISTOR	100K 5% 1/4W	
R 31	GRE141J-123Y	C RESISTOR	12K 5% 1/4W	

REF.	PARTS NO.	PARTS NAME	REMARKS	SUFFIX
R 33	GRE141J-101Y	C RESISTOR	100 5% 1/4W	
R 34	GRE141J-183Y	C RESISTOR	18K 5% 1/4W	
R 35	GRE141J-183Y	C RESISTOR	18K 5% 1/4W	
R 36	GRE141J-222Y	C RESISTOR	2.2K 5% 1/4W	
R 37	GRE141J-560Y	C RESISTOR	56 5% 1/4W	
R 40	GRE141J-222Y	C RESISTOR	2.2K 5% 1/4W	
R 41	GRE141J-222Y	C RESISTOR	2.2K 5% 1/4W	
R 42	GRE141J-473Y	C RESISTOR	47K 5% 1/4W	
R 44	GRE141J-222Y	C RESISTOR	2.2K 5% 1/4W	
R 45	GRE141J-102Y	C RESISTOR	1.0K 5% 1/4W	
R 46	GRE141J-103Y	C RESISTOR	10K 5% 1/4W	
R 47	GRE141J-471Y	C RESISTOR	470 5% 1/4W	
R 48	GRE141J-102Y	C RESISTOR	1.0K 5% 1/4W	
R 51	GRE141J-102Y	C RESISTOR	1.0K 5% 1/4W	
R 52	GRE141J-472Y	C RESISTOR	4.7K 5% 1/4W	
R 54	GRE141J-222Y	C RESISTOR	2.2K 5% 1/4W	
R 55	GRE141J-222Y	C RESISTOR	2.2K 5% 1/4W	
R 56	GRE141J-332Y	C RESISTOR	3.3K 5% 1/4W	
R 57	GRE141J-102Y	C RESISTOR	1.0K 5% 1/4W	
R 59	GRE141J-102Y	C RESISTOR	1.0K 5% 1/4W	
R 60	GRE141J-102Y	C RESISTOR	1.0K 5% 1/4W	
R 61	GRE141J-102Y	C RESISTOR	1.0K 5% 1/4W	
R 64	GRE141J-102Y	C RESISTOR	1.0K 5% 1/4W	
R1901	GRE141J-103Y	C RESISTOR	10K 5% 1/4W	
R3191	GRE141J-2R2Y	C RESISTOR	2-2 5% 1/4W	
R3192	GRE141J-152Y	C RESISTOR	1.5K 5% 1/4W	
R3193	GRE141J-104Y	C RESISTOR	100K 5% 1/4W	
R3194	GRE141J-103Y	C RESISTOR	10K 5% 1/4W	
R3195	GRE141J-222Y	C RESISTOR	2.2K 5% 1/4W	
R3196	GRE141J-103Y	C RESISTOR	10K 5% 1/4W	
R3197	GAD0015-153Z	THERMISTOR		
R3198	GRE141J-472Y	C RESISTOR	4.7K 5% 1/4W	
R3199	GRE141J-473Y	C RESISTOR	47K 5% 1/4W	
R3200	GRE141J-123Y	C RESISTOR	12K 5% 1/4W	
R3201	GRE141J-152Y	C RESISTOR	1.5K 5% 1/4W	
R3202	GRE141J-152Y	C RESISTOR	1.5K 5% 1/4W	
R3203	GRE141J-103Y	C RESISTOR	10K 5% 1/4W	
R3204	GRE141J-222Y	C RESISTOR	2.2K 5% 1/4W	
R3301	GRE141J-471Y	C RESISTOR	470 5% 1/4W	
R3302	GRE141J-1R0Y	C RESISTOR	1.0 5% 1/4W	
R3303	GRE141J-1R0Y	C RESISTOR	1.0 5% 1/4W	
R3304	GRE141J-1R0Y	C RESISTOR	1.0 5% 1/4W	
R3305	GRE141J-222Y	C RESISTOR	2.2K 5% 1/4W	
R3306	GRE141J-682Y	C RESISTOR	6.8K 5% 1/4W	
R3307	GRE141J-102Y	C RESISTOR	1.0K 5% 1/4W	
R3308	GRE141J-222Y	C RESISTOR	2.2K 5% 1/4W	
R3309	GRE141J-681Y	C RESISTOR	680 5% 1/4W	
R3310	GRE141J-681Y	C RESISTOR	680 5% 1/4W	
R3311	GRE141J-681Y	C RESISTOR	680 5% 1/4W	
R3312	GRE141J-472Y	C RESISTOR	4.7K 5% 1/4W	
R3313	GRE141J-471Y	C RESISTOR	470 5% 1/4W	
R3314	GRE141J-332Y	C RESISTOR	3.3K 5% 1/4W	
R3315	GRE141J-472Y	C RESISTOR	4.7K 5% 1/4W	
R3316	GRE141J-472Y	C RESISTOR	4.7K 5% 1/4W	
R3491	GRE141J-471Y	C RESISTOR	470 5% 1/4W	

BLOCK NO. 09111111

A	REF.	PARTS NO.	PARTS NAME	REMARKS	SUFFIX
	R7305	GRE141J-224Y	C RESISTOR	220K 5% 1/4W	
	R7307	GRE141J-394Y	C RESISTOR	390K 5% 1/4W	
	R7308	GRE141J-104Y	C RESISTOR	100K 5% 1/4W	
	R7309	GRE141J-333Y	C RESISTOR	33K 5% 1/4W	
	R7310	GRE141J-101Y	C RESISTOR	100 5% 1/4W	
	R7311	GRE141J-104Y	C RESISTOR	100K 5% 1/4W	
	R7312	GRE141J-104Y	C RESISTOR	100K 5% 1/4W	
	R7313	GRE141J-104Y	C RESISTOR	100K 5% 1/4W	
	R7314	GRE141J-273Y	C RESISTOR	27K 5% 1/4W	
	R7316	GRE141J-104Y	C RESISTOR	100K 5% 1/4W	
	R7317	GRE141J-104Y	C RESISTOR	100K 5% 1/4W	
	R7318	GRE141J-101Y	C RESISTOR	100 5% 1/4W	
	R7319	GRE141J-202Y	C RESISTOR	2.0K 5% 1/4W	
	R7320	GRE141J-231Y	C RESISTOR	220 5% 1/4W	
	R7321	GRE141J-224Y	C RESISTOR	220K 5% 1/4W	
	R7322	GRE141J-563Y	C RESISTOR	56K 5% 1/4W	
	R7323	GRE141J-102Y	C RESISTOR	1.0K 5% 1/4W	
	R7324	GRE141J-103Y	C RESISTOR	10K 5% 1/4W	
	R7325	GRE141J-103Y	C RESISTOR	10K 5% 1/4W	
	R7326	GRE141J-153Y	C RESISTOR	15K 5% 1/4W	
	R7327	GRE141J-103Y	C RESISTOR	1.0M 5% 1/4W	
	R7328	GRE141J-332Y	C RESISTOR	3.3K 5% 1/4W	
	R7329	GRE141J-102Y	C RESISTOR	1.0K 5% 1/4W	
	R7330	GRE141J-392Y	C RESISTOR	3.9K 5% 1/4W	
	R7331	GRE141J-222Y	C RESISTOR	2.2K 5% 1/4W	
	R7332	GRE141J-101Y	C RESISTOR	100 5% 1/4W	
	R7333	GRE141J-273Y	C RESISTOR	27K 5% 1/4W	
	R7334	GRE141J-243Y	C RESISTOR	24K 5% 1/4W	
	R7336	GRE141J-243Y	C RESISTOR	24K 5% 1/4W	
	R7338	GRE141J-823Y	C RESISTOR	82K 5% 1/4W	
	R7339	GRE141J-222Y	C RESISTOR	2.2K 5% 1/4W	
	R7341	GRE141J-473Y	C RESISTOR	47K 5% 1/4W	
	R7342	GRE141J-333Y	C RESISTOR	33K 5% 1/4W	
	R7343	GRE141J-103Y	C RESISTOR	10K 5% 1/4W	
	R7344	GRE141J-104Y	C RESISTOR	100K 5% 1/4W	
	R8101	GRE141J-332Y	C RESISTOR	3.3K 5% 1/4W	
	R8102	GRE141J-872Y	C RESISTOR	3.7K 5% 1/4W	
	R8103	GRE141J-392Y	C RESISTOR	3.9K 5% 1/4W	
	R8104	GRE141J-104Y	C RESISTOR	100K 5% 1/4W	
	R8105	GRE141J-332Y	C RESISTOR	3.3K 5% 1/4W	
	R8107	GRE141J-103Y	C RESISTOR	10K 5% 1/4W	
	R8111	GRE141J-473Y	C RESISTOR	47K 5% 1/4W	
	R8201	GRE141J-332Y	C RESISTOR	3.3K 5% 1/4W	
	R8202	GRE141J-272Y	C RESISTOR	2.7K 5% 1/4W	
	R8203	GRE141J-392Y	C RESISTOR	3.9K 5% 1/4W	
	R8204	GRE141J-104Y	C RESISTOR	100K 5% 1/4W	
	R8205	GRE141J-332Y	C RESISTOR	3.3K 5% 1/4W	
	R8207	GRE141J-103Y	C RESISTOR	10K 5% 1/4W	
	R8211	GRE141J-473Y	C RESISTOR	47K 5% 1/4W	
	R8301	GRE141J-102Y	C RESISTOR	1.0K 5% 1/4W	
	R8302	GRE141J-474Y	C RESISTOR	470K 5% 1/4W	
	R8321	GRE141J-101Y	C RESISTOR	100 5% 1/4W	
	R8327	GRE141J-224Y	C RESISTOR	220K 5% 1/4W	
	T 1	08R0719-001	IFT		
	T 2	08R0719-001	IFT		
	T 3	0AT3725-200Z	T CAPACITOR	MW RF	
	TC	0AT3725-300Z	T CAPACITOR	LW RF	
	TP 1	GNZ0104-001	POST PIN	TD ROD ANT	
	TP 2	GNZ0104-001	POST PIN	GND	
	WC 1	07W0007-001	POST PIN		
	X 1	0AX0402-001	CRYSTAL		
	A 1	Z1902	ANG0020-001Z	FUSE CLIP	FOR F1902
	A 2	Z1904	ANG0020-001Z	FUSE CLIP	FOR F1904
	A 3	Z1922	ANG0020-001Z	FUSE CLIP	FOR F1902
	A 4	Z1944	ANG0020-001Z	FUSE CLIP	FOR F1904

BLOCK NO. 09111111

A	REF.	PARTS NO.	PARTS NAME	REMARKS	SUFFIX
	R3492	GRE141J-1R0Y	C RESISTOR	1.0 5% 1/4W	
	R3493	GRE141J-1R0Y	C RESISTOR	1.0 5% 1/4W	
	R3494	GRE141J-1R0Y	C RESISTOR	1.0 5% 1/4W	
	R3495	GRE141J-222Y	C RESISTOR	2.2K 5% 1/4W	
	R3496	GRE141J-682Y	C RESISTOR	6.8K 5% 1/4W	
	R3497	GRE141J-102Y	C RESISTOR	1.0K 5% 1/4W	
	R3498	GRE141J-222Y	C RESISTOR	2.2K 5% 1/4W	
	R3499	GRE141J-681Y	C RESISTOR	680 5% 1/4W	
	R3500	GRE141J-681Y	C RESISTOR	680 5% 1/4W	
	R3501	GRE141J-681Y	C RESISTOR	680 5% 1/4W	
	R3502	GRE141J-472Y	C RESISTOR	4.7K 5% 1/4W	
	R3503	GRE141J-471Y	C RESISTOR	470 5% 1/4W	
	R3504	GRE141J-332Y	C RESISTOR	3.3K 5% 1/4W	
	R3505	GRE141J-472Y	C RESISTOR	4.7K 5% 1/4W	
	R3506	GRE141J-472Y	C RESISTOR	4.7K 5% 1/4W	
	R3507	GRE141J-332Y	C RESISTOR	3.3K 5% 1/4W	
	R3508	GRE141J-682Y	C RESISTOR	6.8K 5% 1/4W	
	R3901	QR79006-4R7X	F RESISTOR	4.7 1/0W	
	R5107	GRE141J-104Y	C RESISTOR	100K 5% 1/4W	
	R5207	GRE141J-104Y	C RESISTOR	100K 5% 1/4W	
	R6101	GRE141J-273Y	C RESISTOR	27K 5% 1/4W	
	R6102	GRE141J-121Y	C RESISTOR	120 5% 1/4W	
	R6103	GRE141J-123Y	C RESISTOR	12K 5% 1/4W	
	R6104	GRE141J-2R2Y	C RESISTOR	2.2 5% 1/4W	
	R6105	GRE141J-472Y	C RESISTOR	4.7K 5% 1/4W	
	R6201	GRE141J-273Y	C RESISTOR	27K 5% 1/4W	
	R6202	GRE141J-121Y	C RESISTOR	120 5% 1/4W	
	R6203	GRE141J-123Y	C RESISTOR	12K 5% 1/4W	
	R6204	GRE141J-2R2Y	C RESISTOR	2.2 5% 1/4W	
	R6205	GRE141J-472Y	C RESISTOR	4.7K 5% 1/4W	
	R6301	GRE141J-332Y	C RESISTOR	3.3K 5% 1/4W	
	R6302	GRE141J-222Y	C RESISTOR	2.2K 5% 1/4W	
	R6303	GRE141J-562Y	C RESISTOR	5.6K 5% 1/4W	
	R6304	GRE141J-104Y	C RESISTOR	100K 5% 1/4W	
	R6305	GRE141J-182Y	C RESISTOR	1.8K 5% 1/4W	
	R6306	GRE141J-182Y	C RESISTOR	1.8K 5% 1/4W	
	R6307	GRE141J-153Y	C RESISTOR	15K 5% 1/4W	
	R6308	GRE141J-153Y	C RESISTOR	15K 5% 1/4W	
	R6309	GRE141J-472Y	C RESISTOR	4.7K 5% 1/4W	
	R6310	GRE141J-102Y	C RESISTOR	1.0K 5% 1/4W	
	R6311	GRE141J-102Y	C RESISTOR	1.0K 5% 1/4W	
	R6312	GRE141J-102Y	C RESISTOR	1.0K 5% 1/4W	
	R6313	GRE141J-102Y	C RESISTOR	1.0K 5% 1/4W	
	R6314	GRE141J-391Y	C RESISTOR	390 5% 1/4W	
	R6315	GRE141J-224Y	C RESISTOR	220K 5% 1/4W	
	R6316	GRE141J-391Y	C RESISTOR	390 5% 1/4W	
	R6317	GRE141J-473Y	C RESISTOR	47K 5% 1/4W	
	R6318	GRE141J-2R2Y	C RESISTOR	2.2 5% 1/4W	
	R6319	GRE141J-2R2Y	C RESISTOR	2.2 5% 1/4W	
	R6320	GRE141J-2R2Y	C RESISTOR	2.2 5% 1/4W	
	R6321	GRE141J-2R2Y	C RESISTOR	2.2 5% 1/4W	
	R6322	GRE141J-123Y	C RESISTOR	12K 5% 1/4W	
	R6325	GRE141J-133Y	C RESISTOR	13K 5% 1/4W	
	R7301	GRE141J-473Y	C RESISTOR	47K 5% 1/4W	
	R7303	GRE141J-101Y	C RESISTOR	100 5% 1/4W	

Power Supply & Power Amplifier P. C. B. (J)

BLOCK NO. 05

A	REF.	PARTS NO.	PARTS NAME	REMARKS	SUFFIX
	CN191	0GA2501C4-09	CONNECTOR		
	CN192	0GB2501K1-04	CONNECTOR		
	CN193	0GA2501C4-05	CONNECTOR		
	CN194	0GA7901C4-02	CONNECTOR		
	CN195	0GA3901C1-02	CONNECTOR		
	CN601	0GF1205F1-13	CONNECTOR		
	CN602	0GF1205F1-13	CONNECTOR		
	CN603	0GB1214K1-10S	CONNECTOR		
	CN604	0GB1214J1-10S	CONNECTOR		
	C1901	0FLM1HJ-683Z	M CAPACITOR		
	C1902	0FLM1HJ-683Z	M CAPACITOR	.068MF 5% 50V	
	C1903	0FLM1HJ-683Z	M CAPACITOR	.068MF 5% 50V	
	C1904	0FLM1HJ-683Z	M CAPACITOR	.068MF 5% 50V	
	C3191	0ETN1HM-475Z	E CAPACITOR	4.7MF 20% 50V	
	C3192	0ET41EM-107	E CAPACITOR	100MF 20% 25V	
	C3193	0CBB1HK-101Y	C CAPACITOR	100PF 10% 50V	
	C3194	0ET41EM-107	E CAPACITOR	100MF 20% 25V	
	C3301	0DYB1CM-103Y	C CAPACITOR		
	C3302	0CBB1HK-221Y	E CAPACITOR	220PF 10% 50V	
	C3303	0ET41CM-107	E CAPACITOR	100MF 20% 16V	
	C3491	0QYB1CM-103Y	C CAPACITOR		
	C3492	0CBB1HK-221Y	E CAPACITOR	220PF 10% 50V	
	C3493	0ET41CM-107	E CAPACITOR	100MF 20% 16V	
	C3901	0ET41AM-107	E CAPACITOR	100MF 20% 10V	
	C3902	0DX31EM-104Z	C CAPACITOR		
	C3908	0ER61HM-474Z	E CAPACITOR	.47MF 20% 50V	
	C6101	0FV41HJ-224	TF CAPACITOR	.22MF 5% 50V	
	C6102	0CBB1HK-151Y	C CAPACITOR	150PF 10% 50V	
	C6103	0ET41EM-107	E CAPACITOR	100MF 20% 25V	
	C6104	0FV41HJ-104	TF CAPACITOR	.10MF 5% 50V	
	C6105	0ET41EM-476	E CAPACITOR	47MF 20% 25V	
	C6106	0ET41EM-108	E CAPACITOR	1000MF 20% 25V	
	C6107	0TE1V06-226Z	E CAPACITOR		
	C6150	0ER41HM-105	E CAPACITOR	1.0MF 20% 50V	
	C6151	NCS21HJ-151X	C CAPACITOR	150PF 5% 50V	
	C6152	NCS21HJ-151X	C CAPACITOR	150PF 5% 50V	
	C6153	0ER41AM-107	E CAPACITOR	100MF 20% 10V	
	C6201	0FV41HJ-224	TF CAPACITOR	.22MF 5% 50V	
	C6202	0CBB1HK-151Y	C CAPACITOR	150PF 10% 50V	
	C6203	0ET41EM-107	E CAPACITOR	100MF 20% 25V	
	C6204	0FV41HJ-104	TF CAPACITOR	.10MF 5% 50V	
	C6205	0ET41EM-476	E CAPACITOR	47MF 20% 25V	
	C6206	0ET41EM-108	E CAPACITOR	1000MF 20% 25V	
	C6207	0TE1V06-226Z	E CAPACITOR		
	C6250	0ER41HM-105	E CAPACITOR	1.0MF 20% 50V	
	C6251	NCS21HJ-151X	C CAPACITOR	150PF 5% 50V	
	C6252	NCS21HJ-151X	C CAPACITOR	150PF 5% 50V	
	C6253	0ER41AM-107	E CAPACITOR	100MF 20% 10V	
	C6301	0ET41EM-227	E CAPACITOR	220MF 20% 25V	
	C6302	0ET41EM-106	E CAPACITOR	10MF 20% 25V	
	C6303	0FV41HJ-104	TF CAPACITOR	.10MF 5% 50V	
	C6304	0FV41HJ-154Z	TF CAPACITOR	.15MF 5% 50V	
	C6305	0ET41HM-105	E CAPACITOR	1.0MF 20% 50V	
	C6306	0ET41AM-227	E CAPACITOR	220MF 20% 10V	
	C6307	0ET41EM-106	E CAPACITOR	10MF 20% 25V	

BLOCK NO. 05

A	REF.	PARTS NO.	PARTS NAME	REMARKS	SUFFIX
	C6308	0ET41HM-474	E CAPACITOR	.47MF 20% 50V	
	C6309	0ET41HM-474	E CAPACITOR	.47MF 20% 50V	
	C6310	0CBB1HK-101Y	C CAPACITOR	100PF 10% 50V	
	C6311	0ET41CM-106	E CAPACITOR	10MF 20% 16V	
	C6312	0ET41EM-227	E CAPACITOR	220MF 20% 25V	
	C6313	0CBB1HK-101Y	C CAPACITOR	100PF 10% 50V	
	C6314	0FV41HJ-104	TF CAPACITOR	.10MF 5% 50V	
	C6315	0ETM1EM-688	E CAPACITOR	6800MF 20% 25V	
	C6316	0FV41HJ-104	TF CAPACITOR	.10MF 5% 50V	
	C6317	0FV41HJ-104	TF CAPACITOR	.10MF 5% 50V	
	C6318	0FV41HJ-104	TF CAPACITOR	.10MF 5% 50V	
	C6319	0FV41HJ-104	TF CAPACITOR	.10MF 5% 50V	
	C6320	0ET41EM-106	E CAPACITOR	10MF 20% 25V	
	C6321	0ET41CM-106	E CAPACITOR	10MF 20% 16V	
	C6322	0ET41CM-106	E CAPACITOR	10MF 20% 16V	
	C6323	0CBB1HK-3R3Y	E CAPACITOR	3.3PF 10% 50V	
	C6324	0ET41HM-475	E CAPACITOR	4.7MF 20% 50V	
	C6325	0FV41HJ-274Z	TF CAPACITOR	.27MF 5% 50V	
	C6326	0ET41HM-475	E CAPACITOR	4.7MF 20% 50V	
	C6327	0FV41HJ-104	TF CAPACITOR	.10MF 5% 50V	
	C6328	0FV41HJ-104	TF CAPACITOR	.10MF 5% 50V	
	C6329	0FV41HJ-104	TF CAPACITOR	.10MF 5% 50V	
	C6330	0CBB1HK-3R3Y	E CAPACITOR	3.3PF 10% 50V	
	C6331	0ET41CM-107	E CAPACITOR	100MF 20% 16V	
	C6332	0ET41CM-107	E CAPACITOR	100MF 20% 16V	
	C6333	0CBB1HK-476	E CAPACITOR	47MF 20% 16V	
	C6334	0ET41CM-107	E CAPACITOR	100MF 20% 16V	
	C6335	0ET41HM-474	E CAPACITOR	4.7MF 20% 50V	
	C6336	0CBB1HK-3R3Y	E CAPACITOR	3.3PF 10% 50V	
	C6337	0ET41HM-475	E CAPACITOR	4.7MF 20% 50V	
	C6338	0FV41HJ-274Z	TF CAPACITOR	.27MF 5% 50V	
	C6339	0ET41HM-475	E CAPACITOR	4.7MF 20% 50V	
	C6340	0FV41HJ-104	TF CAPACITOR	.10MF 5% 50V	
	C6341	0FV41HJ-104	TF CAPACITOR	.10MF 5% 50V	
	C6342	0FV41HJ-104	TF CAPACITOR	.10MF 5% 50V	
	C6343	0FV41HJ-104	TF CAPACITOR	.10MF 5% 50V	
	C6344	0FV41HJ-104	TF CAPACITOR	.10MF 5% 50V	
	C6345	0FV41HJ-104	TF CAPACITOR	.10MF 5% 50V	
	C6346	0FV41HJ-104	TF CAPACITOR	.10MF 5% 50V	
	C6347	0FV41HJ-104	TF CAPACITOR	.10MF 5% 50V	
	C6348	0FV41HJ-104	TF CAPACITOR	.10MF 5% 50V	
	C6349	0FV41HJ-104	TF CAPACITOR	.10MF 5% 50V	
	C6350	0FV41HJ-104	TF CAPACITOR	.10MF 5% 50V	
	C6351	0FV41HJ-104	TF CAPACITOR	.10MF 5% 50V	
	C6352	0FV41HJ-104	TF CAPACITOR	.10MF 5% 50V	
	C6353	0FV41HJ-104	TF CAPACITOR	.10MF 5% 50V	
	C6354	0FV41HJ-104	TF CAPACITOR	.10MF 5% 50V	
	C6355	0FV41HJ-104	TF CAPACITOR	.10MF 5% 50V	
	C6356	0FV41HJ-104	TF CAPACITOR	.10MF 5% 50V	
	C6357	0FV41HJ-104	TF CAPACITOR	.10MF 5% 50V	
	C6358	0FV41HJ-104	TF CAPACITOR	.10MF 5% 50V	
	C6359	0FV41HJ-104	TF CAPACITOR	.10MF 5% 50V	
	C6360	0FV41HJ-104	TF CAPACITOR	.10MF 5% 50V	
	C6361	0FV41HJ-104	TF CAPACITOR	.10MF 5% 50V	
	C6362	0FV41HJ-104	TF CAPACITOR	.10MF 5% 50V	
	C6363	0FV41HJ-104	TF CAPACITOR	.10MF 5% 50V	
	C6364	0FV41HJ-104	TF CAPACITOR	.10MF 5% 50V	
	C6365	0FV41HJ-104	TF CAPACITOR	.10MF 5% 50V	
	C6366	0FV41HJ-104	TF CAPACITOR	.10MF 5% 50V	
	C6367	0FV41HJ-104	TF CAPACITOR	.10MF 5% 50V	
	C6368	0FV41HJ-104	TF CAPACITOR	.10MF 5% 50V	
	C6369	0FV41HJ-104	TF CAPACITOR	.10MF 5% 50V	
	C6370	0FV41HJ-104	TF CAPACITOR	.10MF 5% 50V	
	C6371	0FV41HJ-104	TF CAPACITOR	.10MF 5% 50V	
	C6372	0FV41HJ-104	TF CAPACITOR	.10MF 5% 50V	
	C6373	0FV41HJ-104	TF CAPACITOR	.10MF 5% 50V	
	C6374	0FV41HJ-104	TF CAPACITOR	.10MF 5% 50V	
	C6375	0FV41HJ-104	TF CAPACITOR	.10MF 5% 50V	
	C6376	0FV41HJ-104	TF CAPACITOR	.10MF 5% 50V	
	C6377	0FV41HJ-104	TF CAPACITOR	.10MF 5% 50V	
	C6378	0FV41HJ-104	TF CAPACITOR	.10MF 5% 50V	
	C6379	0FV41HJ-104	TF CAPACITOR	.10MF 5% 50V	
	C6380	0FV41HJ-104	TF CAPACITOR	.10MF 5% 50V	
	C6381	0FV41HJ-104	TF CAPACITOR	.10MF 5% 50V	
	C6382	0FV41HJ-104	TF CAPACITOR	.10MF 5% 50V	
	C6383	0FV41HJ-104	TF CAPACITOR	.10MF 5% 50V	
	C6384	0FV41HJ-104	TF CAPACITOR	.10MF 5% 50V	
	C6385	0FV41HJ-104	TF CAPACITOR	.10MF 5% 50V	
	C6386	0FV41HJ-104	TF CAPACITOR	.10MF 5% 50V	
	C6387	0FV41HJ-104	TF CAPACITOR	.10MF 5% 50V	
	C6388	0FV41HJ-104	TF CAPACITOR	.10MF 5% 50V	
	C6389	0FV41HJ-104	TF CAPACITOR	.10MF 5% 50V	
	C6390	0FV41HJ-104	TF CAPACITOR	.10MF 5% 50V	
	C6391	0FV41HJ-104	TF CAPACITOR	.10MF 5% 50V	
	C6392	0FV41HJ-104	TF CAPACITOR	.10MF 5% 50V	
	C6393	0FV41HJ-104	TF CAPACITOR	.10MF 5% 50V	
	C6394	0FV41HJ-104	TF CAPACITOR	.10MF 5% 50V	
	C6395	0FV41HJ-104	TF CAPACITOR	.10MF 5% 50V	
	C6396	0FV41HJ-104	TF CAPACITOR	.10MF 5% 50V	
	C6397	0FV41HJ-104	TF CAPACITOR	.10MF 5% 50V	
	C6398	0FV41HJ-104	TF CAPACITOR	.10MF 5% 50V	
	C6399	0FV41HJ-104	TF CAPACITOR	.10MF 5% 50V	
	C6400	0FV41HJ-104	TF CAPACITOR	.10MF 5% 50V	
	C6401	0FV41HJ-104	TF CAPACITOR	.10MF 5% 50V	
	C6402	0FV41HJ-104	TF CAPACITOR	.10MF 5% 50V	
	C6403	0FV41HJ-104	TF CAPACITOR	.10MF 5% 50V	
	C6404	0FV41HJ-104	TF CAPACITOR	.10MF 5% 50V	
	C6405	0FV41HJ-104	TF CAPACITOR	.10MF 5% 50V	
	C6406	0FV41HJ-104	TF CAPACITOR	.10MF 5% 50V	
	C6407	0FV41HJ-104	TF CAPACITOR	.10MF 5% 50V	
	C6408	0FV41HJ-104	TF CAPACITOR	.10MF 5% 50V	
	C6409	0FV41HJ-104	TF CAPACITOR	.10MF 5% 50V	
	C6410	0FV41HJ-104	TF CAPACITOR	.10MF 5% 50V	
	C6411	0FV41HJ-104	TF CAPACITOR	.10MF 5% 50V	
	C6412	0FV41HJ-104	TF CAPACITOR	.10MF 5% 50V	
	C6413	0FV41HJ-104	TF CAPACITOR	.10MF 5% 50V	
	C6414	0FV41HJ-104	TF CAPACITOR	.10MF 5% 50V	
	C6415	0FV41HJ-104	TF CAPACITOR	.10MF 5% 50V	
	C6416	0FV41HJ-104	TF CAPACITOR	.10MF 5% 50V	
	C6417	0FV41HJ-104	TF CAPACITOR	.10MF 5% 50V	
	C6418	0FV41HJ-104	TF CAPACITOR	.10MF 5% 50V	
	C6419	0FV41HJ-104	TF CAPACITOR	.10MF 5% 50V	
	C6420	0FV41HJ-104	TF CAPACITOR	.10MF 5% 50V	
	C6421	0FV41HJ-104	TF CAPACITOR	.10MF 5% 50V	
	C6422	0FV41HJ-104	TF CAPACITOR	.10MF 5% 50V	
	C6423	0FV41HJ-104	TF CAPACITOR	.10MF 5% 50V	
	C6424	0FV41HJ-104	TF CAPACITOR	.10MF 5% 50V	
	C6425	0FV41HJ-104	TF CAPACITOR	.10MF 5% 50V	
	C6426	0FV41HJ-104	TF CAPACITOR	.10MF 5% 50V	
	C6427	0FV41HJ-104	TF CAPACITOR	.10	

BLOCK NO. 05

BLOCK NO. 05

A	REF.	PARTS NO.	PARTS NAME	REMARKS	SUFFIX
	Q6305	DTC114ESA-T	D. TRANSISTOR		
	Q6306	DTC114ESA-T	D. TRANSISTOR		
	Q6307	DTC114ESA-T	D. TRANSISTOR		
	Q6308	DTC114ESA-T	D. TRANSISTOR		
	Q7301	2SC2785/FE/-T	TRANSISTOR		
	Q7302	2SC2785/FE/-T	TRANSISTOR		
	Q7303	2SK105/FE/-T	FET I/M		
	Q8101	2SC2785/FE/-T	TRANSISTOR		
	R1901	ORE141J-103Y	C. RESISTOR		
	R3191	ORE141J-2R2Y	C. RESISTOR		
	R3192	ORE141J-152Y	C. RESISTOR		
	R3193	ORE141J-104Y	C. RESISTOR		
	R3194	ORE141J-103Y	C. RESISTOR		
	R3195	ORE141J-103Y	C. RESISTOR		
	R3196	ORE141J-103Y	C. RESISTOR		
	R3197	QAD0015-132Z	THEMISTOR		
	R3198	ORE141J-472Y	C. RESISTOR		
	R3199	ORE141J-473Y	C. RESISTOR		
	R3200	ORE141J-123Y	C. RESISTOR		
	R3201	ORE141J-152Y	C. RESISTOR		
	R3202	ORE141J-152Y	C. RESISTOR		
	R3203	ORE141J-103Y	C. RESISTOR		
	R3204	ORE141J-222Y	C. RESISTOR		
	R3301	ORE141J-471Y	C. RESISTOR		
	R3302	ORE141J-1R0Y	C. RESISTOR		
	R3303	ORE141J-1R0Y	C. RESISTOR		
	R3304	ORE141J-1R0Y	C. RESISTOR		
	R3305	ORE141J-222Y	C. RESISTOR		
	R3306	ORE141J-682Y	C. RESISTOR		
	R3307	ORE141J-102Y	C. RESISTOR		
	R3308	ORE141J-222Y	C. RESISTOR		
	R3309	ORE141J-681Y	C. RESISTOR		
	R3310	ORE141J-681Y	C. RESISTOR		
	R3311	ORE141J-681Y	C. RESISTOR		
	R3312	ORE141J-472Y	C. RESISTOR		
	R3313	ORE141J-471Y	C. RESISTOR		
	R3314	ORE141J-332Y	C. RESISTOR		
	R3315	ORE141J-472Y	C. RESISTOR		
	R3316	ORE141J-472Y	C. RESISTOR		
	R3491	ORE141J-471Y	C. RESISTOR		
	R3492	ORE141J-1R0Y	C. RESISTOR		
	R3493	ORE141J-1R0Y	C. RESISTOR		
	R3494	ORE141J-1R0Y	C. RESISTOR		
	R3495	ORE141J-222Y	C. RESISTOR		
	R3496	ORE141J-682Y	C. RESISTOR		
	R3497	ORE141J-102Y	C. RESISTOR		
	R3498	ORE141J-222Y	C. RESISTOR		
	R3499	ORE141J-681Y	C. RESISTOR		
	R3500	ORE141J-681Y	C. RESISTOR		
	R3501	ORE141J-681Y	C. RESISTOR		
	R3502	ORE141J-472Y	C. RESISTOR		
	R3503	ORE141J-471Y	C. RESISTOR		
	R3504	ORE141J-332Y	C. RESISTOR		
	R3505	ORE141J-472Y	C. RESISTOR		

A	REF.	PARTS NO.	PARTS NAME	REMARKS	SUFFIX
	D3301	1SS254-T2	SI DIODE		
	D3302	MT2J9-1A-T2	ZENER DIODE		
	D3491	1SS254-T2	SI DIODE		
	D3492	MT2J9-1A-T2	ZENER DIODE		
	D3493	1SS254-T2	SI DIODE		
	D3901	MT2J8-2B-T2	DIODE		
	D6301	1SS254-T2	SI DIODE		
	D6302	1SS254-T2	SI DIODE		
	D6303	1SS254-T2	SI DIODE		
	D6304	1SS254-T2	SI DIODE		
	D7301	1SS254-T2	SI DIODE		
	D7302	1SS254-T2	SI DIODE		
	D7303	1SS254-T2	SI DIODE		
	D7304	1SS254-T2	SI DIODE		
	D7305	1SS254-T2	SI DIODE		
	D7306	1SS254-T2	SI DIODE		
	D8301	MT2J4-3B-T2	ZENER DIODE		
	D8301	MT2J4-3B-T2	ZENER DIODE		
	IC301	TAB233H	IC	WOOFER	
	IC390	TA78DLO4S	IC	US6V	
	IC601	TA8223K	IC	FULL RANGE	
	IC701	BA15218N	IC		
	IC702	BA15218N	IC		
	IC703	BA15218N	IC		
	IC704	BA15218N	IC		
	IC801	BA15218N	IC	BB AMP	
	J1901	GNC0043-001	AC SOCKET		
	J1902	GNA0016-001	DC JACK		
	L3191	QOL28AK-101	CHOKE COIL		
	Q3191	DTA143TSA-T	D. TRANSISTOR		
	Q3192	2SA1359/DY	TRANSISTOR		
	Q3193	DTA114ISA-T	D. TRANSISTOR		
	Q3194	2SC2785/FE/-T	TRANSISTOR		
	Q3195	2SA1175/HFE/-T	TRANSISTOR		
	Q3196	2SA934/QR/-T	TR I/M		
	Q3197	2SC2785/FE/-T	TRANSISTOR		
	Q3198	DTC114TSA-T	D. TRANSISTOR		
	Q3301	2SA1175/HFE/-T	TRANSISTOR		
	Q3302	2SA1359/DY	TRANSISTOR		
	Q3303	DTA144TSA-T	D. TRANSISTOR		
	Q3304	DTC144TSA-T	D. TRANSISTOR		
	Q3305	2SC2785/FE/-T	TRANSISTOR		
	Q3306	2SC2785/FE/-T	TRANSISTOR		
	Q3491	2SA1175/HFE/-T	TRANSISTOR		
	Q3492	2SB1565/VEF	TRANSISTOR		
	Q3493	DTA144TSA-T	D. TRANSISTOR		
	Q3494	DTC144TSA-T	D. TRANSISTOR		
	Q3495	2SC2785/FE/-T	TRANSISTOR		
	Q3496	2SC2785/FE/-T	TRANSISTOR		
	Q6101	2SC2001/LK/-T	TRANSISTOR		
	Q6201	2SC2001/LK/-T	TRANSISTOR		
	Q6301	2SA952/LK/-T	TRANSISTOR		
	Q6302	2SC2785/FE/-T	TRANSISTOR		
	Q6303	DTA114ESA-T	D. TRANSISTOR	MUTING DRIVE	
	Q6304	2SC2001/LK/-T	TRANSISTOR		

BLOCK NO. 05

REF.	PARTS NO.	PARTS NAME	REMARKS	SUFFIX
R3506	0RE141J-472Y	C RESISTOR	4.7K 5% 1/4W	
R3507	0RE141J-332Y	C RESISTOR	3.3K 5% 1/4W	
R3508	0RE141J-682Y	C RESISTOR	6.8K 5% 1/4W	
R3901	0RE141J-5R6Y	C RESISTOR	5.6 5% 1/4W	
R5107	0RE141J-104Y	C RESISTOR	100K 5% 1/4W	
R5207	0RE141J-104Y	C RESISTOR	100K 5% 1/4W	
R6101	0RE141J-273Y	C RESISTOR	27K 5% 1/4W	
R6102	0RE141J-121Y	C RESISTOR	120 5% 1/4W	
R6103	0RE141J-123Y	C RESISTOR	12K 5% 1/4W	
R6104	0RE141J-2R2Y	C RESISTOR	2.2 5% 1/4W	
R6105	0RE141J-472Y	C RESISTOR	4.7K 5% 1/4W	
R6201	0RE141J-273Y	C RESISTOR	27K 5% 1/4W	
R6202	0RE141J-121Y	C RESISTOR	120 5% 1/4W	
R6203	0RE141J-123Y	C RESISTOR	12K 5% 1/4W	
R6204	0RE141J-2R2Y	C RESISTOR	2.2 5% 1/4W	
R6205	0RE141J-472Y	C RESISTOR	4.7K 5% 1/4W	
R6301	0RE141J-332Y	C RESISTOR	3.3K 5% 1/4W	
R6302	0RE141J-222Y	C RESISTOR	2.2K 5% 1/4W	
R6303	0RE141J-562Y	C RESISTOR	5.6K 5% 1/4W	
R6304	0RE141J-104Y	C RESISTOR	100K 5% 1/4W	
R6305	0RE141J-62Y	C RESISTOR	6.2K 5% 1/4W	
R6306	0RE141J-182Y	C RESISTOR	1.8K 5% 1/4W	
R6307	0RE141J-153Y	C RESISTOR	15K 5% 1/4W	
R6308	0RE141J-153Y	C RESISTOR	15K 5% 1/4W	
R6309	0RE141J-472Y	C RESISTOR	4.7K 5% 1/4W	
R6310	0RE141J-102Y	C RESISTOR	1.0K 5% 1/4W	
R6311	0RE141J-102Y	C RESISTOR	1.0K 5% 1/4W	
R6312	0RE141J-102Y	C RESISTOR	1.0K 5% 1/4W	
R6313	0RE141J-102Y	C RESISTOR	1.0K 5% 1/4W	
R6314	0RE141J-391Y	C RESISTOR	390 5% 1/4W	
R6315	0RE141J-224Y	C RESISTOR	220K 5% 1/4W	
R6316	0RE141J-391Y	C RESISTOR	390 5% 1/4W	
R6317	0RE141J-473Y	C RESISTOR	47K 5% 1/4W	
R6318	0RE141J-2R2Y	C RESISTOR	2.2 5% 1/4W	
R6319	0RE141J-2R2Y	C RESISTOR	2.2 5% 1/4W	
R6320	0RE141J-2R2Y	C RESISTOR	2.2 5% 1/4W	
R6321	0RE141J-2R2Y	C RESISTOR	2.2 5% 1/4W	
R6322	0RE141J-123Y	C RESISTOR	12K 5% 1/4W	
R6323	0RE141J-153Y	C RESISTOR	15K 5% 1/4W	
R7301	0RE141J-473Y	C RESISTOR	47K 5% 1/4W	
R7303	0RE141J-101Y	C RESISTOR	100 5% 1/4W	
R7305	0RE141J-224Y	C RESISTOR	220K 5% 1/4W	
R7307	0RE141J-394Y	C RESISTOR	390K 5% 1/4W	
R7308	0RE141J-104Y	C RESISTOR	100K 5% 1/4W	
R7309	0RE141J-333Y	C RESISTOR	33K 5% 1/4W	
R7310	0RE141J-101Y	C RESISTOR	100 5% 1/4W	
R7311	0RE141J-186Y	C RESISTOR	180K 5% 1/4W	
R7312	0RE141J-104Y	C RESISTOR	100K 5% 1/4W	
R7313	0RE141J-104Y	C RESISTOR	100K 5% 1/4W	
R7314	0RE141J-273Y	C RESISTOR	27K 5% 1/4W	
R7316	0RE141J-104Y	C RESISTOR	100K 5% 1/4W	
R7317	0RE141J-104Y	C RESISTOR	100K 5% 1/4W	
R7318	0RE141J-101Y	C RESISTOR	100 5% 1/4W	
R7319	0RE141J-302Y	C RESISTOR	2.0K 5% 1/4W	
R7320	0RE141J-221Y	C RESISTOR	220 5% 1/4W	

BLOCK NO. 05

REF.	PARTS NO.	PARTS NAME	REMARKS	SUFFIX
R7321	0RE141J-234Y	C RESISTOR	220K 5% 1/4W	
R7322	0RE141J-563Y	C RESISTOR	56K 5% 1/4W	
R7323	0RE141J-102Y	C RESISTOR	1.0K 5% 1/4W	
R7324	0RE141J-103Y	C RESISTOR	10K 5% 1/4W	
R7325	0RE141J-103Y	C RESISTOR	10K 5% 1/4W	
R7326	0RE141J-153Y	C RESISTOR	15K 5% 1/4W	
R7327	0RE141J-105Y	C RESISTOR	1.0M 5% 1/4W	
R7328	0RE141J-332Y	C RESISTOR	3.3K 5% 1/4W	
R7329	0RE141J-102Y	C RESISTOR	1.0K 5% 1/4W	
R7330	0RE141J-392Y	C RESISTOR	3.9K 5% 1/4W	
R7331	0RE141J-222Y	C RESISTOR	2.2K 5% 1/4W	
R7332	0RE141J-101Y	C RESISTOR	100 5% 1/4W	
R7333	0RE141J-273Y	C RESISTOR	27K 5% 1/4W	
R7334	0RE141J-243Y	C RESISTOR	24K 5% 1/4W	
R7335	0RE141J-243Y	C RESISTOR	24K 5% 1/4W	
R7338	0RE141J-823Y	C RESISTOR	82K 5% 1/4W	
R7339	0RE141J-252Y	C RESISTOR	2.2K 5% 1/4W	
R7341	0RE141J-473Y	C RESISTOR	47K 5% 1/4W	
R7342	0RE141J-333Y	C RESISTOR	33K 5% 1/4W	
R7343	0RE141J-103Y	C RESISTOR	10K 5% 1/4W	
R7344	0RE141J-104Y	C RESISTOR	100K 5% 1/4W	
R8101	0RE141J-332Y	C RESISTOR	3.3K 5% 1/4W	
R8102	0RE141J-272Y	C RESISTOR	2.7K 5% 1/4W	
R8103	0RE141J-392Y	C RESISTOR	3.9K 5% 1/4W	
R8104	0RE141J-104Y	C RESISTOR	100K 5% 1/4W	
R8105	0RE141J-332Y	C RESISTOR	3.3K 5% 1/4W	
R8107	0RE141J-103Y	C RESISTOR	10K 5% 1/4W	
R8111	0RE141J-473Y	C RESISTOR	47K 5% 1/4W	
R8201	0RE141J-332Y	C RESISTOR	3.3K 5% 1/4W	
R8202	0RE141J-272Y	C RESISTOR	2.7K 5% 1/4W	
R8203	0RE141J-392Y	C RESISTOR	3.9K 5% 1/4W	
R8204	0RE141J-104Y	C RESISTOR	100K 5% 1/4W	
R8205	0RE141J-332Y	C RESISTOR	3.3K 5% 1/4W	
R8207	0RE141J-103Y	C RESISTOR	10K 5% 1/4W	
R8211	0RE141J-473Y	C RESISTOR	47K 5% 1/4W	
R8301	0RE141J-102Y	C RESISTOR	1.0K 5% 1/4W	
R8302	0RE141J-474Y	C RESISTOR	470K 5% 1/4W	
R8321	0RE141J-101Y	C RESISTOR	100 5% 1/4W	
R8327	0RE141J-224Y	C RESISTOR	220K 5% 1/4W	
TUBE	6XTG109-010	GLASS TUBE	FOR R3901	
WC	1	POST PIN		
A	Z1904	ONG0020-001Z	FUSE CLIP	FOR F1904
A	Z1911	ONG0020-001Z	FUSE CLIP	FOR F1901
A	Z1922	ONG0020-001Z	FUSE CLIP	FOR F1902
A	Z1933	ONG0020-001Z	FUSE CLIP	FOR F1903

Power Supply & Power Amplifier P. C. B.
(U/UB/US/UT/UJ/UU)

BLOCK NO. 05		BLOCK NO. 06		
REF.	PARTS NO.	PARTS NAME	REMARKS	SUFFIX
BP 1	00R0760-001Z	P FILTER	BPF	
C 3	0CSB1HK-6R8V	C CAPACITOR	6.8PF 10% 50V	
C 6	0DYB1CM-103Y	C CAPACITOR		
C 7	0CS11HJ-200	C CAPACITOR	20PF 5% 50V	
C 9	0CS11HJ-120	C CAPACITOR	12PF 5% 50V	
C 13	0DX31EM-223Z	C CAPACITOR		
C 16	0DYB1CM-103Y	C CAPACITOR		
C 17	0CS11HJ-200	C CAPACITOR	20PF 5% 50V	
C 21	0DX11EM-473Z	C CAPACITOR		
C 22	0DF41HJ-431	PP CAPACITOR	430PF 5% 50V	
C 23	0DCB1HK-4R7Y	C CAPACITOR		
C 25	0FLM1HJ-223Z	M CAPACITOR	.022MF 5% 50V	
C 26	0FLM1HJ-472Z	M CAPACITOR	4700PF 5% 50V	
C 31	0DGB1HK-102Y	C CAPACITOR		
C 32	0DYB1CM-103Y	C CAPACITOR		
C 33	0ET41AM-107	E CAPACITOR	100MF 20% 10V	
C 35	0DYB1CM-103Y	C CAPACITOR		
C 36	0ET41AM-475	E CAPACITOR	4.7MF 20% 50V	
C 37	0DGB1HK-102Y	C CAPACITOR		
C 41	0ET41CM-106	E CAPACITOR	10MF 20% 16V	
C 42	0DX31EM-473Z	C CAPACITOR		
C 44	0ET41AM-105	E CAPACITOR	1.0MF 20% 50V	
C 45	0ET41AM-474	E CAPACITOR	.47MF 20% 50V	
C 47	0DX31EM-123Z	C CAPACITOR		
C 48	0DX31EM-123Z	C CAPACITOR		
C 49	0ETN1HK-104Z	E CAPACITOR	.10MF 20% 50V	
C 50	0ETN1HK-104Z	E CAPACITOR	.10MF 20% 50V	
C 51	0CBB1HK-331Y	C CAPACITOR	330PF 10% 50V	
C 52	0DGB1HK-102Y	C CAPACITOR		
C 56	0DGB1HK-102Y	C CAPACITOR		
C 60	0DGB1HK-102Y	C CAPACITOR		
C 61	0ET41AM-107	E CAPACITOR	100MF 20% 10V	
C 62	0DGB1HJ-120Y	C CAPACITOR		
C 63	0DGB1HK-102Y	C CAPACITOR		
C 64	0DGB1HJ-120Y	C CAPACITOR		
C 65	0DGB1HK-102Y	C CAPACITOR		
C 66	0CBB1HK-151Y	C CAPACITOR	150PF 10% 50V	
C 69	0DXB1CM-222Y	C CAPACITOR		
C 70	0ETN1HK-225Z	E CAPACITOR	2.2MF 20% 50V	
C 71	0ETN1HK-335Z	E CAPACITOR	3.3MF 20% 50V	
C 75	0CSB1HK-6R8Y	C CAPACITOR	6.8PF 10% 50V	
C 76	0DX31EM-103Z	C CAPACITOR		
C 77	0DGB1HK-102Y	C CAPACITOR		
C 78	0CSB1HK-5R6Y	C CAPACITOR	5.6PF 10% 50V	
CF 1	0AX0403-001	C FILTER		
CF 3	0AX0404-001Z	C FILTER		
CF 4	0AX0409-001	CERA LOCK		
CN 1	0GF1205C1-09	CONNECTOR	TO MAIN	
CN191	0GA2501C4-09	CONNECTOR		
CN192	0GB2501K1-04	CONNECTOR		
CN193	0G2501C4-05	CONNECTOR		
CN194	0GA7901C1-04	CONNECTOR		
CN195	0GA3901C1-02	CONNECTOR		
CN601	0GF1205F1-13	CONNECTOR		
CN602	0GF1205F1-13	CONNECTOR		

REF.	PARTS NO.	PARTS NAME	REMARKS	SUFFIX
CN603	0GB1214K1-10S	CONNECTOR		
CN604	0GB1214J1-10S	CONNECTOR		
C1901	0FLM1HJ-683Z	M CAPACITOR	.068MF 5% 50V	
C1902	0FLM1HJ-683Z	M CAPACITOR	.068MF 5% 50V	
C1903	0FLM1HJ-683Z	M CAPACITOR	.068MF 5% 50V	
C1904	0FLM1HJ-683Z	M CAPACITOR	.068MF 5% 50V	
C3191	0ETN1HM-475Z	AL E. CAPACITOR	4.7MF 20% 50V	
C3192	0ET41EM-107	E CAPACITOR	100MF 20% 25V	
C3193	0CBB1HK-101Y	C CAPACITOR	100PF 10% 50V	
C3194	0ET41EM-107	E CAPACITOR	100MF 20% 25V	
C3301	0DYB1CM-103Y	C CAPACITOR		
C3302	0CBB1HK-221Y	C CAPACITOR	220PF 10% 50V	
C3303	0ET41CM-107	E CAPACITOR	100MF 20% 16V	
C3491	0DYB1CM-103Y	C CAPACITOR		
C3492	0CBB1HK-221Y	C CAPACITOR	220PF 10% 50V	
C3493	0ET41CM-107	E CAPACITOR	100MF 20% 16V	
C3901	0ET41AM-107	E CAPACITOR	100MF 20% 10V	
C3902	0DX31EM-104Z	C CAPACITOR		
C5308	0ER61HM-474Z	E CAPACITOR	.47MF 20% 50V	
C6101	0FV41HJ-224	TF CAPACITOR	.22MF 5% 50V	
C6102	0CBB1HK-151Y	C CAPACITOR	150PF 10% 50V	
C6103	0ET41EM-107	E CAPACITOR	100MF 20% 25V	
C6104	0FV41HJ-104	TF CAPACITOR	.10MF 5% 50V	
C6105	0ET41EM-476	E CAPACITOR	47MF 20% 25V	
C6106	0ET41EM-108	E CAPACITOR	1000MF 20% 25V	
C6107	0ET1V066-226Z	E CAPACITOR		
C6150	0ER41HM-105	E CAPACITOR	1.0MF 20% 50V	
C6151	NCS21HJ-151X	C CAPACITOR	150PF 5% 50V	
C6152	NCS21HJ-151X	C CAPACITOR	150PF 5% 50V	
C6153	0ER41AM-107	E CAPACITOR	100MF 20% 10V	
C6201	0FV41HJ-224	TF CAPACITOR	.22MF 5% 50V	
C6202	0CBB1HK-151Y	C CAPACITOR	150PF 10% 50V	
C6203	0ET41EM-107	E CAPACITOR	100MF 20% 25V	
C6204	0FV41HJ-104	TF CAPACITOR	.10MF 5% 50V	
C6205	0ET41EM-476	E CAPACITOR	47MF 20% 25V	
C6206	0ET41EM-108	E CAPACITOR	1000MF 20% 25V	
C6207	0ET1V066-226Z	E CAPACITOR		
C6250	0ER41HM-105	E CAPACITOR	1.0MF 20% 50V	
C6251	NCS21HJ-151X	C CAPACITOR	150PF 5% 50V	
C6252	NCS21HJ-151X	C CAPACITOR	150PF 5% 50V	
C6253	0ER41AM-107	E CAPACITOR	100MF 20% 10V	
C6301	0ET41EM-227	E CAPACITOR	220MF 20% 25V	
C6302	0ET41EM-106	E CAPACITOR	10MF 20% 25V	
C6303	0FV41HJ-104	TF CAPACITOR	.10MF 5% 50V	
C6304	0FV41HJ-154Z	TF CAPACITOR	.15MF 5% 50V	
C6305	0ET41HM-105	E CAPACITOR	1.0MF 20% 50V	
C6306	0ET41AM-227	E CAPACITOR	220MF 20% 10V	
C6307	0ET41EM-106	E CAPACITOR	10MF 20% 25V	
C6308	0ET41HM-474	E CAPACITOR	.47MF 20% 50V	
C6309	0ET41HM-474	E CAPACITOR	.47MF 20% 50V	
C6310	0CBB1HK-101Y	C CAPACITOR	100PF 10% 50V	
C6311	0ET41CM-106	E CAPACITOR	10MF 20% 16V	
C6312	0ET41EM-227	E CAPACITOR	220MF 20% 25V	
C6313	0CBB1HK-101Y	C CAPACITOR	100PF 10% 50V	
C6314	0FV41HJ-104	TF CAPACITOR	.10MF 5% 50V	

BLOCK NO. 03

REF.	PARTS NO.	PARTS NAME	REMARKS	SUFFIX
D3301	1SS254-T2	SI DIODE		
D3302	MTZJ9.1A-T2	ZENER DIODE		
D3491	1SS254-T2	SI DIODE		
D3492	MTZJ9.1A-T2	ZENER DIODE		
D3493	1SS254-T2	SI DIODE		
D3901	MTZJ8.2B-T2	DIODE		
D6301	1SS254-T2	SI DIODE		
D6302	1SS254-T2	SI DIODE		
D6303	1SS254-T2	SI DIODE		
D6304	1SS254-T2	SI DIODE		
D7301	1SS254-T2	SI DIODE		
D7302	1SS254-T2	SI DIODE		
D7303	1SS254-T2	SI DIODE		
D7304	1SS254-T2	SI DIODE		
D7305	1SS254-T2	SI DIODE		
D7306	1SS254-T2	SI DIODE		
D7307	MTZJ4.3B-T2	ZENER DIODE		
D8301	MTZJ4.3B-T2	ZENER DIODE		
IC 2	TA2008AN	IC		
IC 3	LC72136N	IC		
IC301	TA8223H	IC	WOOFER	
IC390	TA78DLO65	IC	US6V	
IC601	TA8223K	IC	FULL RANGE	
IC701	BA15218N	IC		
IC702	BA15218N	IC		
IC703	BA15218N	IC		
IC704	BA15218N	IC		
IC801	BA15218N	IC	BB AMP	
J1901	GNCO042-001	AC SOCKET		
J1902	QNA0016-001	DC JACK		
L 1	QOR072-001	OSC COIL	FM OSC	
L 2	QOR0769-001	RF COIL	FM RF	
L 3	QOR0770-001	BAR ANTENA	MW/SW RF	
L 4	QOR0723-001	OSC COIL(MW)	MW OSC	
L 5	QY1150-050Y	BUS WIRE		
L 6	QOR0775-001	OSC COIL	SW OSC	
L 7	QOL231K-221Y	INDUCTOR		
L 12	QOR0756-001	INDUCTOR		
L 13	QOR0874-001	COIL	SW	
L3191	QOL28AK-101	CHOKO COIL		
Q 3	2SC2668/O/-T	TRANSISTOR		
Q 4	2SA1175/HFE/-T	TRANSISTOR		
Q 5	2SC2668/O/-T	TRANSISTOR		
Q 6	2SC2785/FE/-T	TRANSISTOR		
Q 16	2SC2668/O/-T	TRANSISTOR	FM/SW SW	
Q 17	DTA114YSA-T	D.T.R.I.M		
Q3191	DTA143TSA-T	D.T.R.I.M		
Q3192	2SA1359/OY/	TRANSISTOR		
Q3193	DTA114TSA-T	D.T.R.I.M		
Q3194	2SC2785/FE/-T	TRANSISTOR		
Q3195	2SA1175/HFE/-T	TRANSISTOR		
Q3196	2SA934/OR/-T	TR I/M		
Q3197	2SC2785/FE/-T	TRANSISTOR		
Q3198	DTA143TSA-T	D.T.R.I.M		
Q3301	2SA1175/HFE/-T	TRANSISTOR		

BLOCK NO. 06

REF.	PARTS NO.	PARTS NAME	REMARKS	SUFFIX
C6315	QETM1EM-688	E CAPACITOR	680MF 20% 25V	
C6316	QFV41HJ-104	TF CAPACITOR	.10MF 5% 50V	
C6317	QFV41HJ-104	TF CAPACITOR	.10MF 5% 50V	
C6318	QFV41HJ-104	TF CAPACITOR	.10MF 5% 50V	
C6319	QFV41HJ-104	TF CAPACITOR	.10MF 5% 50V	
C6320	QET41EM-106	E CAPACITOR	10MF 20% 25V	
C6321	QET41CM-106	E CAPACITOR	10MF 20% 16V	
C6350	QKXC1CM-107Z	E CAPACITOR	100MF 20% 16V	
C6351	QKX41CM-476	E CAPACITOR	47MF 20% 16V	
C7301	QET41CM-107	E CAPACITOR	100MF 20% 16V	
C7302	QET41HM-474	E CAPACITOR	.47MF 20% 50V	
C7303	QCSB1HK-3R3Y	C CAPACITOR	3.3PF 10% 50V	
C7305	QET41HM-475	E CAPACITOR	4.7MF 20% 50V	
C7306	QFV1HJ-274Z	TF CAPACITOR	.27MF 5% 50V	
C7307	QET41HM-475	E CAPACITOR	4.7MF 20% 50V	
C7308	QFLM1HJ-103Z	M CAPACITOR	.010MF 5% 50V	
C7309	QET41CM-107	E CAPACITOR	100MF 20% 16V	
C7310	QFLM1HJ-153Z	M CAPACITOR	.015MF 5% 50V	
C7311	QET41HM-475	E CAPACITOR	4.7MF 20% 50V	
C7312	QET41HM-105	E CAPACITOR	1.0MF 20% 50V	
C7313	QET41HM-475	E CAPACITOR	4.7MF 20% 50V	
C7314	QET41CM-107	E CAPACITOR	100MF 20% 16V	
C7316	QET41HM-475	E CAPACITOR	4.7MF 20% 50V	
C7317	QFV41HJ-104	TF CAPACITOR	.10MF 5% 50V	
C7318	QET41CM-107	E CAPACITOR	100MF 20% 16V	
C7319	QFV41HJ-104	TF CAPACITOR	.10MF 5% 50V	
C7320	QFLM1HJ-393Z	M CAPACITOR	.039MF 5% 50V	
C7321	QFV1HJ-154Z	TF CAPACITOR	.15MF 5% 50V	
C7322	QER41HM-105	E CAPACITOR	1.0MF 20% 50V	
C7323	QET41CM-106	E CAPACITOR	10MF 20% 16V	
C7324	QET41HM-475	E CAPACITOR	4.7MF 20% 50V	
C8101	QFLM1HJ-563Z	M CAPACITOR	.056MF 5% 50V	
C8102	QFLM1HJ-563Z	M CAPACITOR	.056MF 5% 50V	
C8103	QET41EM-476	E CAPACITOR	47MF 20% 25V	
C8201	QFLM1HJ-563Z	M CAPACITOR	.056MF 5% 50V	
C8202	QFLM1HJ-563Z	M CAPACITOR	.056MF 5% 50V	
C8301	QET41CM-476	E CAPACITOR	47MF 20% 25V	
C8303	QET41HM-105	E CAPACITOR	1.0MF 20% 50V	
C8322	QET41CM-476	E CAPACITOR	47MF 20% 16V	
D 1	5VC203SPA-JV-T	VARI CAP		
D 2	5VC203SPA-JV-T	VARI CAP		
D 5	1S8254-T2	SI DIODE		
D 6	1S8254-T2	SI DIODE		
D 8	1S8254-T	VARI CAP		
D 10	5VC344-T	VARI CAP		
D 12	DSK10C-I1	DIODE		
D1901	D58BA20-S1	SI DIODE		
D1902	6A10E2	SI DIODE		
D3191	1S8254-T2	SI DIODE		
D3192	MTZJ7.5A-T2	Z.DIODE		
D3193	RB100A	DIODE		
D3194	MTZJ7.5A-T2	Z-DIODE		
D3195	1S8254-T2	SI DIODE		
D3196	1S8254-T2	SI DIODE		

BLOCK NO. 06

REF.	PARTS NO.	PARTS NAME	REMARKS	SUFFIX
R 54	GRE141J-222Y	C RESISTOR	2.2K 5% 1/4W	
R 55	GRE141J-222Y	C RESISTOR	2.2K 5% 1/4W	
R 56	GRE141J-332Y	C RESISTOR	3.3K 5% 1/4W	
R 57	GRE141J-102Y	C RESISTOR	1.0K 5% 1/4W	
R 59	GRE141J-102Y	C RESISTOR	1.0K 5% 1/4W	
R 60	GRE141J-102Y	C RESISTOR	1.0K 5% 1/4W	
R 61	GRE141J-102Y	C RESISTOR	1.0K 5% 1/4W	
R 64	GRE141J-102Y	C RESISTOR	1.0K 5% 1/4W	
R 66	GRE141J-103Y	C RESISTOR	10K 5% 1/4W	
R 71	GRE141J-472Y	C RESISTOR	4.7K 5% 1/4W	
R 72	GRE141J-473Y	C RESISTOR	4.7K 5% 1/4W	
R 73	QY150-050Y	BUS WIRE		
R1901	GRE141J-103Y	C RESISTOR	10K 5% 1/4W	
R3191	GRE141J-2R2Y	C RESISTOR	2.2 5% 1/4W	
R3192	GRE141J-152Y	C RESISTOR	1.5K 5% 1/4W	
R3193	GRE141J-104Y	C RESISTOR	100K 5% 1/4W	
R3194	GRE141J-103Y	C RESISTOR	10K 5% 1/4W	
R3195	GRE141J-222Y	C RESISTOR	2.2K 5% 1/4W	
R3196	GRE141J-103Y	C RESISTOR	10K 5% 1/4W	
R3197	QAD0015-153Z	THERMISTOR	10K 5% 1/4W	
R3198	GRE141J-472Y	C RESISTOR	4.7K 5% 1/4W	
R3199	GRE141J-473Y	C RESISTOR	4.7K 5% 1/4W	
R3200	GRE141J-423Y	C RESISTOR	12K 5% 1/4W	
R3201	GRE141J-152Y	C RESISTOR	1.5K 5% 1/4W	
R3202	GRE141J-152Y	C RESISTOR	1.5K 5% 1/4W	
R3203	GRE141J-103Y	C RESISTOR	10K 5% 1/4W	
R3204	GRE141J-222Y	C RESISTOR	2.2K 5% 1/4W	
R3301	GRE141J-471Y	C RESISTOR	4.7K 5% 1/4W	
R3302	GRE141J-1R0Y	C RESISTOR	1.0 5% 1/4W	
R3303	GRE141J-1R0Y	C RESISTOR	1.0 5% 1/4W	
R3304	GRE141J-1R0Y	C RESISTOR	1.0 5% 1/4W	
R3305	GRE141J-222Y	C RESISTOR	2.2K 5% 1/4W	
R3306	GRE141J-682Y	C RESISTOR	6.8K 5% 1/4W	
R3307	GRE141J-102Y	C RESISTOR	1.0K 5% 1/4W	
R3308	GRE141J-222Y	C RESISTOR	2.2K 5% 1/4W	
R3309	GRE141J-681Y	C RESISTOR	680 5% 1/4W	
R3310	GRE141J-681Y	C RESISTOR	680 5% 1/4W	
R3311	GRE141J-681Y	C RESISTOR	680 5% 1/4W	
R3312	GRE141J-472Y	C RESISTOR	4.7K 5% 1/4W	
R3313	GRE141J-471Y	C RESISTOR	4.7K 5% 1/4W	
R3314	GRE141J-332Y	C RESISTOR	3.3K 5% 1/4W	
R3315	GRE141J-472Y	C RESISTOR	4.7K 5% 1/4W	
R3316	GRE141J-472Y	C RESISTOR	4.7K 5% 1/4W	
R3491	GRE141J-471Y	C RESISTOR	4.7K 5% 1/4W	
R3492	GRE141J-1R0Y	C RESISTOR	1.0 5% 1/4W	
R3493	GRE141J-1R0Y	C RESISTOR	1.0 5% 1/4W	
R3494	GRE141J-1R0Y	C RESISTOR	1.0 5% 1/4W	
R3495	GRE141J-222Y	C RESISTOR	2.2K 5% 1/4W	
R3496	GRE141J-682Y	C RESISTOR	6.8K 5% 1/4W	
R3497	GRE141J-102Y	C RESISTOR	1.0K 5% 1/4W	
R3498	GRE141J-222Y	C RESISTOR	2.2K 5% 1/4W	
R3499	GRE141J-681Y	C RESISTOR	680 5% 1/4W	
R3500	GRE141J-681Y	C RESISTOR	680 5% 1/4W	
R3501	GRE141J-681Y	C RESISTOR	680 5% 1/4W	
R3502	GRE141J-472Y	C RESISTOR	4.7K 5% 1/4W	

BLOCK NO. 06

REF.	PARTS NO.	PARTS NAME	REMARKS	SUFFIX
R 3302	2SA135970Y/	TRANSISTOR		
R 3303	DTA144TSA-T	D. TRANSISTOR		
R 3304	DTA144TSA-T	D. TRANSISTOR		
R 3305	2SC2785/FE/-T	TRANSISTOR		
R 3306	2SC2785/FE/-T	TRANSISTOR		
R 3491	2SA1175/HFE/-T	TRANSISTOR		
R 3492	2SB1565/FE/	TRANSISTOR		
R 3493	DTA144TSA-T	D. TRANSISTOR		
R 3494	DTA144TSA-T	D. TRANSISTOR		
R 3495	2SC2785/FE/-T	TRANSISTOR		
R 3496	2SC2785/FE/-T	TRANSISTOR		
R 6101	2SC2001/LK/-T	TRANSISTOR		
R 6201	2SC2001/LK/-T	TRANSISTOR		
R 6301	2SA952/LK/-T	TRANSISTOR		
R 6302	2SC2785/FE/-T	TRANSISTOR		
R 6303	DTA114ESA-T	D. TRANSISTOR	MUTING DRIVE	
R 6304	2SC2001/LK/-T	TRANSISTOR		
R 6305	DTA114ESA-T	D. TRANSISTOR		
R 6306	DTA114ESA-T	D. TRANSISTOR		
R 6307	DTA114ESA-T	D. TRANSISTOR		
R 6308	DTA114ESA-T	D. TRANSISTOR		
R 7301	2SC2785/FE/-T	TRANSISTOR		
R 7302	2SC2785/FE/-T	TRANSISTOR		
R 7303	2SK105/FF/-T	FET I/M		
R 8101	2SC2785/FE/-T	TRANSISTOR		
R 8201	2SC2785/FE/-T	TRANSISTOR		
R 1	GRE141J-104Y	C RESISTOR	100K 5% 1/4W	
R 2	GRE141J-473Y	C RESISTOR	4.7K 5% 1/4W	
R 3	GRE141J-4R7Y	C RESISTOR	4.7 5% 1/4W	
R 9	GRE141J-104Y	C RESISTOR	100K 5% 1/4W	
R 12	GRE141J-472Y	C RESISTOR	4.7K 5% 1/4W	
R 13	GRE141J-104Y	C RESISTOR	100K 5% 1/4W	
R 15	GRE141J-222Y	C RESISTOR	2.2K 5% 1/4W	
R 16	GRE141J-472Y	C RESISTOR	4.7K 5% 1/4W	
R 17	GRE141J-104Y	C RESISTOR	100K 5% 1/4W	
R 20	GRE141J-102Y	C RESISTOR	1.0K 5% 1/4W	
R 21	GRE141J-103Y	C RESISTOR	1.0K 5% 1/4W	
R 28	GRE141J-512Y	C RESISTOR	5.1K 5% 1/4W	
R 33	GRE141J-104Y	C RESISTOR	100K 5% 1/4W	
R 34	GRE141J-393Y	C RESISTOR	39K 5% 1/4W	
R 35	GRE141J-393Y	C RESISTOR	39K 5% 1/4W	
R 37	GRE141J-560Y	C RESISTOR	56 5% 1/4W	
R 40	GRE141J-222Y	C RESISTOR	2.2K 5% 1/4W	
R 41	GRE141J-222Y	C RESISTOR	2.2K 5% 1/4W	
R 42	GRE141J-473Y	C RESISTOR	4.7K 5% 1/4W	
R 44	GRE141J-222Y	C RESISTOR	2.2K 5% 1/4W	
R 45	GRE141J-102Y	C RESISTOR	1.0K 5% 1/4W	
R 46	GRE141J-103Y	C RESISTOR	10K 5% 1/4W	
R 48	GRE141J-471Y	C RESISTOR	4.7K 5% 1/4W	
R 51	GRE141J-102Y	C RESISTOR	1.0K 5% 1/4W	
R 52	GRE141J-472Y	C RESISTOR	4.7K 5% 1/4W	

BLOCK NO. 06111111

REF.	PARTS NO.	PARTS NAME	REMARKS	SUFFIX
R7318	GRE141J-101Y	C RESISTOR	100 5% 1/4W	
R7319	GRE141J-202Y	C RESISTOR	2.0K 5% 1/4W	
R7320	GRE141J-221Y	C RESISTOR	220 5% 1/4W	
R7321	GRE141J-224Y	C RESISTOR	220K 5% 1/4W	
R7322	GRE141J-563Y	C RESISTOR	56K 5% 1/4W	
R7323	GRE141J-102Y	C RESISTOR	1.0K 5% 1/4W	
R7324	GRE141J-103Y	C RESISTOR	10K 5% 1/4W	
R7325	GRE141J-103Y	C RESISTOR	10K 5% 1/4W	
R7326	GRE141J-153Y	C RESISTOR	15K 5% 1/4W	
R7327	GRE141J-105Y	C RESISTOR	1.0M 5% 1/4W	
R7328	GRE141J-332Y	C RESISTOR	3.3K 5% 1/4W	
R7329	GRE141J-102Y	C RESISTOR	1.0K 5% 1/4W	
R7330	GRE141J-392Y	C RESISTOR	3.9K 5% 1/4W	
R7331	GRE141J-222Y	C RESISTOR	2.2K 5% 1/4W	
R7332	GRE141J-101Y	C RESISTOR	100 5% 1/4W	
R7333	GRE141J-273Y	C RESISTOR	27K 5% 1/4W	
R7334	GRE141J-243Y	C RESISTOR	24K 5% 1/4W	
R7335	GRE141J-243Y	C RESISTOR	24K 5% 1/4W	
R7336	GRE141J-243Y	C RESISTOR	24K 5% 1/4W	
R7337	GRE141J-823Y	C RESISTOR	82K 5% 1/4W	
R7338	GRE141J-222Y	C RESISTOR	2.2K 5% 1/4W	
R7339	GRE141J-473Y	C RESISTOR	47K 5% 1/4W	
R7340	GRE141J-333Y	C RESISTOR	33K 5% 1/4W	
R7341	GRE141J-103Y	C RESISTOR	10K 5% 1/4W	
R7342	GRE141J-103Y	C RESISTOR	10K 5% 1/4W	
R7343	GRE141J-104Y	C RESISTOR	100K 5% 1/4W	
R7344	GRE141J-104Y	C RESISTOR	100K 5% 1/4W	
R8101	GRE141J-332Y	C RESISTOR	3.3K 5% 1/4W	
R8102	GRE141J-272Y	C RESISTOR	2.7K 5% 1/4W	
R8103	GRE141J-392Y	C RESISTOR	3.9K 5% 1/4W	
R8104	GRE141J-104Y	C RESISTOR	100K 5% 1/4W	
R8105	GRE141J-332Y	C RESISTOR	3.3K 5% 1/4W	
R8106	GRE141J-103Y	C RESISTOR	10K 5% 1/4W	
R8107	GRE141J-473Y	C RESISTOR	47K 5% 1/4W	
R8201	GRE141J-332Y	C RESISTOR	3.3K 5% 1/4W	
R8202	GRE141J-272Y	C RESISTOR	2.7K 5% 1/4W	
R8203	GRE141J-392Y	C RESISTOR	3.9K 5% 1/4W	
R8204	GRE141J-104Y	C RESISTOR	100K 5% 1/4W	
R8205	GRE141J-332Y	C RESISTOR	3.3K 5% 1/4W	
R8206	GRE141J-103Y	C RESISTOR	10K 5% 1/4W	
R8207	GRE141J-473Y	C RESISTOR	47K 5% 1/4W	
R8208	GRE141J-102Y	C RESISTOR	1.0K 5% 1/4W	
R8209	GRE141J-474Y	C RESISTOR	470K 5% 1/4W	
R8321	GRE141J-101Y	C RESISTOR	100 5% 1/4W	
R8327	GRE141J-224Y	C RESISTOR	220K 5% 1/4W	
S1901	QSW0555-001	VOLTAGE SELECTOR		
T 2	QGR0719-001	IFT		
TC 2	GAT3725-200Z	T CAPACITOR	MW RF	
TC 3	GAT3725-100Z	T CAPACITOR	SW RF	
TP 1	GNZ0104-001	POST PIN	TO ROD ANT	
TP 2	GNZ0104-001	POST PIN	GND	
WC 1	GZW0007-001	POST PIN		
X 1	QAX0402-001	CRYSTAL		
Z1904	QNG0020-001Z	FUSE CLIP	FOR F1904	
Z1911	QNG0020-001Z	FUSE CLIP	FOR F1901	
Z1922	QNG0020-001Z	FUSE CLIP	FOR F1902	

BLOCK NO. 06111111

REF.	PARTS NO.	PARTS NAME	REMARKS	SUFFIX
R3303	GRE141J-471Y	C RESISTOR	470 5% 1/4W	
R3304	GRE141J-332Y	C RESISTOR	3.3K 5% 1/4W	
R3305	GRE141J-472Y	C RESISTOR	4.7K 5% 1/4W	
R3306	GRE141J-472Y	C RESISTOR	4.7K 5% 1/4W	
R3307	GRE141J-332Y	C RESISTOR	3.3K 5% 1/4W	
R3308	GRE141J-682Y	C RESISTOR	6.8K 5% 1/4W	
R3309	GRE141J-682Y	C RESISTOR	6.8K 5% 1/4W	
R5107	GRE141J-104Y	C RESISTOR	100K 5% 1/4W	
R5207	GRE141J-104Y	C RESISTOR	100K 5% 1/4W	
R6101	GRE141J-273Y	C RESISTOR	27K 5% 1/4W	
R6102	GRE141J-121Y	C RESISTOR	12K 5% 1/4W	
R6103	GRE141J-123Y	C RESISTOR	12K 5% 1/4W	
R6104	GRE141J-282Y	C RESISTOR	2.2 5% 1/4W	
R6105	GRE141J-472Y	C RESISTOR	4.7K 5% 1/4W	
R6201	GRE141J-273Y	C RESISTOR	27K 5% 1/4W	
R6202	GRE141J-121Y	C RESISTOR	12K 5% 1/4W	
R6203	GRE141J-123Y	C RESISTOR	12K 5% 1/4W	
R6204	GRE141J-282Y	C RESISTOR	2.2 5% 1/4W	
R6205	GRE141J-472Y	C RESISTOR	4.7K 5% 1/4W	
R6301	GRE141J-332Y	C RESISTOR	3.3K 5% 1/4W	
R6302	GRE141J-222Y	C RESISTOR	2.2K 5% 1/4W	
R6303	GRE141J-562Y	C RESISTOR	5.6K 5% 1/4W	
R6304	GRE141J-104Y	C RESISTOR	100K 5% 1/4W	
R6305	GRE141J-622Y	C RESISTOR	6.2K 5% 1/4W	
R6306	GRE141J-182Y	C RESISTOR	1.8K 5% 1/4W	
R6307	GRE141J-133Y	C RESISTOR	15K 5% 1/4W	
R6308	GRE141J-153Y	C RESISTOR	15K 5% 1/4W	
R6309	GRE141J-472Y	C RESISTOR	4.7K 5% 1/4W	
R6310	GRE141J-102Y	C RESISTOR	1.0K 5% 1/4W	
R6311	GRE141J-102Y	C RESISTOR	1.0K 5% 1/4W	
R6312	GRE141J-102Y	C RESISTOR	1.0K 5% 1/4W	
R6313	GRE141J-102Y	C RESISTOR	1.0K 5% 1/4W	
R6314	GRE141J-391Y	C RESISTOR	390 5% 1/4W	
R6315	GRE141J-224Y	C RESISTOR	220K 5% 1/4W	
R6316	GRE141J-391Y	C RESISTOR	390 5% 1/4W	
R6317	GRE141J-473Y	C RESISTOR	47K 5% 1/4W	
R6318	GRE141J-282Y	C RESISTOR	2.2 5% 1/4W	
R6319	GRE141J-282Y	C RESISTOR	2.2 5% 1/4W	
R6320	GRE141J-282Y	C RESISTOR	2.2 5% 1/4W	
R6321	GRE141J-282Y	C RESISTOR	2.2 5% 1/4W	
R6322	GRE141J-123Y	C RESISTOR	12K 5% 1/4W	
R6325	GRE141J-153Y	C RESISTOR	15K 5% 1/4W	
R7301	GRE141J-473Y	C RESISTOR	47K 5% 1/4W	
R7303	GRE141J-101Y	C RESISTOR	100 5% 1/4W	
R7305	GRE141J-224Y	C RESISTOR	220K 5% 1/4W	
R7307	GRE141J-394Y	C RESISTOR	390K 5% 1/4W	
R7308	GRE141J-104Y	C RESISTOR	100K 5% 1/4W	
R7309	GRE141J-333Y	C RESISTOR	33K 5% 1/4W	
R7310	GRE141J-101Y	C RESISTOR	100 5% 1/4W	
R7311	GRE141J-184Y	C RESISTOR	180K 5% 1/4W	
R7312	GRE141J-104Y	C RESISTOR	100K 5% 1/4W	
R7313	GRE141J-104Y	C RESISTOR	100K 5% 1/4W	
R7314	GRE141J-273Y	C RESISTOR	27K 5% 1/4W	
R7316	GRE141J-104Y	C RESISTOR	100K 5% 1/4W	
R7317	GRE141J-104Y	C RESISTOR	100K 5% 1/4W	

Tuner P. C. B. (J)

BLOCK NO. 07111111				BLOCK NO. 07111111					
REF.	PARTS NO.	PARTS NAME	REMARKS	SUFFIX	REF.	PARTS NO.	PARTS NAME	REMARKS	SUFFIX
BP	1 QGR0768-001Z	P FILTER	BPF		L	3 QGR0745-001	BAR ANTENA	MW RF	
C	3 QCSB1HK-3R9Y	C CAPACITOR	3.9PF 10% 50V		L	4 QGR0723-001	OSC COIL(MW)	MW OSC	
C	6 QDYB1CM-103Y	C CAPACITOR			L	7 QGL231K-221Y	INDUCTOR		
C	7 QDGB1HK-102Y	C CAPACITOR			L	10 QGL231K-4R7Y	INDUCTOR		
C	9 QCS11HJ-120	C CAPACITOR	12PF 5% 50V		L	12 QGR0756-001	INDUCTOR	DO/J/E	
C	13 QDX31EM-223Z	C CAPACITOR			Q	1 25C2668/07-T	TRANSISTOR		
C	16 QDYB1CM-103Y	C CAPACITOR			R	1 GRE141J-104Y	C RESISTOR	100K 5% 1/4W	
C	21 QFP41HJ-431	PP CAPACITOR	4.30PF 5% 50V		R	2 GRE141J-473Y	C RESISTOR	47K 5% 1/4W	
C	22 QFP41HJ-431	PP CAPACITOR			R	3 GRE141J-370Y	C RESISTOR	27 5% 1/4W	
C	23 QDCB1HJ-120Y	C CAPACITOR			R	4 GRE141J-473Y	C RESISTOR	47K 5% 1/4W	
C	31 QDGB1HK-102Y	C CAPACITOR			R	7 GRE141J-104Y	C RESISTOR	100K 5% 1/4W	
C	32 QDYB1CM-103Y	C CAPACITOR			R	9 GRE141J-472Y	C RESISTOR	4.7K 5% 1/4W	
C	33 QET41AM-107	E CAPACITOR	100MF 20% 10V		R	13 GRE141J-104Y	C RESISTOR	100K 5% 1/4W	
C	35 QETM1HM-104Z	E CAPACITOR	.10MF 20% 50V		R	18 GRE141J-102Y	C RESISTOR	1.0K 5% 1/4W	
C	36 QET41HM-475	E CAPACITOR	4.7MF 20% 50V		R	20 GRE141J-223Y	C RESISTOR	22K 5% 1/4W	
C	37 QDGB1HK-102Y	C CAPACITOR			R	24 GRE141J-661Y	C RESISTOR	680 5% 1/4W	
C	38 QDYB1CM-103Y	C CAPACITOR			R	25 GRE141J-102Y	C RESISTOR	1.0K 5% 1/4W	
C	40 QDYB1CM-103Y	C CAPACITOR			R	30 GRE141J-183Y	C RESISTOR	18K 5% 1/4W	
C	41 QET41HM-475	E CAPACITOR	4.7MF 20% 50V		R	31 GRE141J-104Y	C RESISTOR	100K 5% 1/4W	
C	42 QDX31EM-473Z	C CAPACITOR			R	32 GRE141J-332Y	C RESISTOR	3.3K 5% 1/4W	
C	43 QETM1HM-104Z	E CAPACITOR	.10MF 20% 50V		R	33 GRE141J-331Y	C RESISTOR	330 5% 1/4W	
C	44 QET41HM-105	E CAPACITOR	1.0MF 20% 50V		R	35 GRE141J-223Y	C RESISTOR	22K 5% 1/4W	
C	45 QETM1HM-104Z	E CAPACITOR	.10MF 20% 50V		R	36 GRE141J-223Y	C RESISTOR	22K 5% 1/4W	
C	47 QDX31EM-123Z	C CAPACITOR			R	37 GRE141J-560Y	C RESISTOR	56 5% 1/4W	
C	48 QDX31EM-123Z	C CAPACITOR			R	38 GRE141J-101Y	C RESISTOR	100 5% 1/4W	
C	49 QETM1HM-104Z	E CAPACITOR	.10MF 20% 50V		R	39 GRE141J-121Y	C RESISTOR	120 5% 1/4W	
C	50 QETM1HM-104Z	E CAPACITOR	.10MF 20% 50V		R	42 GRE141J-473Y	C RESISTOR	47K 5% 1/4W	
C	51 QCB1HK-331Y	C CAPACITOR	330PF 10% 50V		R	44 GRE141J-222Y	C RESISTOR	2.2K 5% 1/4W	
C	52 QDGB1HK-102Y	C CAPACITOR			R	47 GRE141J-220Y	C RESISTOR	22 5% 1/4W	
C	60 QDGB1HK-102Y	C CAPACITOR			R	48 GRE141J-102Y	C RESISTOR	1.0K 5% 1/4W	
C	61 QET41AM-107	E CAPACITOR	100MF 20% 10V		R	52 GRE141J-103Y	C RESISTOR	10K 5% 1/4W	
C	62 QDCB1HJ-120Y	C CAPACITOR			R	54 GRE141J-222Y	C RESISTOR	2.2K 5% 1/4W	
C	63 QDGB1HK-102Y	C CAPACITOR			R	55 GRE141J-222Y	C RESISTOR	2.2K 5% 1/4W	
C	64 QDCB1HJ-120Y	C CAPACITOR			R	56 GRE141J-332Y	C RESISTOR	3.3K 5% 1/4W	
C	65 QDGB1HK-102Y	C CAPACITOR			R	57 GRE141J-102Y	C RESISTOR	1.0K 5% 1/4W	
C	66 QCB1HK-151Y	C CAPACITOR	150PF 10% 50V		R	59 GRE141J-102Y	C RESISTOR	1.0K 5% 1/4W	
C	69 QDXB1CM-222Y	C CAPACITOR			R	60 GRE141J-102Y	C RESISTOR	1.0K 5% 1/4W	
C	70 QETM1HM-225Z	E CAPACITOR	2.2MF 20% 50V		R	61 GRE141J-102Y	C RESISTOR	1.0K 5% 1/4W	
C	71 QET41CM-106	E CAPACITOR	10MF 20% 16V		R	63 GRE141J-473Y	C RESISTOR	47K 5% 1/4W	
CF	1 QAX0403-001	C FILTER			T	2 QAX0540-001	C FIL		
CF	3 QAX053R-001Z	CRYSTAL			TC	2 QAT3725-200Z	T CAPACITOR	MW RF	
CN	1 QGF1205C1-09	CONNECTOR	TO MAIN		TP	1 QNZ0104-001	POST PIN	TO ROD ANT	
D	1 SVC203SPA-JV-T	VARI CAP			TP	2 QNZ0104-001	POST PIN	GND	
D	2 SVC203SPA-JV-T	VARI CAP			X	1 QAX0402-001	CRYSTAL		
D	5 1S5254-T2	SI DIODE			ZD	1 MTZJ3.0B-12	Z DIODE 1.M		
D	6 1S5254-T2	SI DIODE							
D	8 SVC344-T	VARI CAP							
D	12 DSK10C-T1	DIODE							
IC	1 TA2104AN	IC							
IC	2 LC72136N	IC							
K	1 QGR0779-001Z	INDUCTOR							
L	1 QGR0772-001	OSC COIL	FM DSC						
L	2 QGR0769-001	RF COIL	FM RF						

■ Jack P. C. B. (B/E/EN/EE/EV)

BLOCK NO. 08					BLOCK NO. 08				
REF.	PARTS NO.	PARTS NAME	REMARKS	SUFFIX	REF.	PARTS NO.	PARTS NAME	REMARKS	SUFFIX
CN731	QEA2001F1-04	4P PLUG ASSY			R7366	NRSA02J-182X	MG RESISTOR	1.8K 5% 1/10W	
C7351	QETC1HM-104Z	E CAPACITOR	.10MF 20% 50V		R7367	NRSA02J-103X	RES. C.M	10K 5% 1/10W	
C7352	NSC21HJ-331X	C CAPACITOR	330PF 5% 50V		R7368	NRSA02J-101X	MG RESISTOR	100 5% 1/10W	
C7353	QETN1HM-334Z	E CAPACITOR	.33MF 20% 50V		R7369	NRSA02J-683X	MG RESISTOR	68K 5% 1/10W	
C7354	QET41HM-105	E CAPACITOR	1.0MF 20% 50V		R7370	NRSA02J-683X	MG RESISTOR	68K 5% 1/10W	
C7355	QET41HM-105	E CAPACITOR	1.0MF 20% 50V		R7371	NRSA02J-103X	RES. C.M	10K 5% 1/10W	
C7356	QET41EM-476	E CAPACITOR	47MF 20% 25V		R7372	NRSA02J-103X	RES. C.M	10K 5% 1/10W	
C7357	NSC21HJ-680X	C.CAPA. C.M	68PF 5% 50V		R7373	NRSA02J-104X	MG RESISTOR	100K 5% 1/10W	
C7358	QET41CM-106	E CAPACITOR	10MF 20% 16V		R7374	NRSA02J-474X	MG RESISTOR	470K 5% 1/10W	
C7359	QFV41HJ-683	TF CAPACITOR	.068MF 5% 50V		R7375	NRSA02J-222X	MG RESISTOR	2.2K 5% 1/10W	
C7360	QET41EM-476	E CAPACITOR	47MF 20% 25V		R7376	NRSA02J-222X	MG RESISTOR	2.2K 5% 1/10W	
C7361	NSC21HJ-221X	C CAPACITOR	220PF 5% 50V		R7377	NRSA02J-222X	MG RESISTOR	2.2K 5% 1/10W	
C7362	QETN1HM-335Z	E CAPACITOR	3.3MF 20% 50V		R7378	NRSA02J-222X	MG RESISTOR	2.2K 5% 1/10W	
C7363	QETN1HM-335Z	E CAPACITOR	3.3MF 20% 50V		R7379	NRSA02J-563X	RES. C.M	56K 5% 1/10W	
C7364	QET41HM-105	E CAPACITOR	1.0MF 20% 50V		R7380	NRSA02J-393X	MG RESISTOR	39K 5% 1/10W	
C7366	QET41EM-476	E CAPACITOR	47MF 20% 25V		R7381	NRSA02J-103X	RES. C.M	10K 5% 1/10W	
C7367	QET41HM-105	E CAPACITOR	1.0MF 20% 50V		R7382	NRSA02J-473X	MG RESISTOR	47K 5% 1/10W	
C7368	QET41HM-105	E CAPACITOR	1.0MF 20% 50V		R7383	NRSA02J-101X	MG RESISTOR	100 5% 1/10W	
C7370	QETC1HM-104Z	E CAPACITOR	.10MF 20% 50V		R7384	NRSA02J-473X	MG RESISTOR	47K 5% 1/10W	
D7351	1S254-T2	SI DIODE			R7385	NRSA02J-473X	MG RESISTOR	47K 5% 1/10W	
D7352	1S254-T2	SI DIODE			R7386	NRSA02J-333X	MG RESISTOR	33K 5% 1/10W	
D7353	1S254-T2	SI DIODE			R7387	NRSA02J-102X	RES. C.M	1.0K 5% 1/10W	
D7354	1S254-T2	SI DIODE			R7388	NRSA02J-103X	RES. C.M	10K 5% 1/10W	
D7355	1S254-T2	SI DIODE			VR731	QVQ0287-B24	V RESISTOR	MIC VOL/WITH SW	
D7358	1S254-T2	SI DIODE							
D7359	1S254-T2	SI DIODE							
D7360	1S254-T2	SI DIODE							
IC751	BA15218F-W	IC							
IC752	BA15218F-W	IC							
J7351	QNS0140-001	6.3 JACK							
K7351	QR0779-001Z	INDUCTOR							
Q7351	2SC2412K/R/-X	TRANSISTOR							
Q7352	2SC2412K/R/-X	TRANSISTOR							
Q7353	DTA124EKA-X	DIGI TRANSISTOR							
Q7354	2SC2412K/R/-X	TRANSISTOR							
Q7355	DTA124EKA-X	DIGI TRANSISTOR							
Q7356	2SC2412K/R/-X	TRANSISTOR							
Q7357	2SC2412K/R/-X	TRANSISTOR							
Q7358	2SC2412K/R/-X	TRANSISTOR							
Q7359	2SA1037AK/RS/-X	CHIP TR.C.M							
Q7360	DIC115EKA-X	CHIP D.TR.							
R7351	NRSA02J-184X	MG RESISTOR	180K 5% 1/10W						
R7352	NRSA02J-823X	MG RESISTOR	82K 5% 1/10W						
R7353	NRSA02J-393X	MG RESISTOR	39K 5% 1/10W						
R7354	NRSA02J-153X	MG RESISTOR	15K 5% 1/10W						
R7355	NRSA02J-563X	RES. C.M	56K 5% 1/10W						
R7356	NRSA02J-472X	RES. C.M	4.7K 5% 1/10W						
R7357	NRSA02J-103X	RES. C.M	10K 5% 1/10W						
R7358	NRSA02J-103X	RES. C.M	10K 5% 1/10W						
R7359	NRSA02J-223X	RES. C.M	22K 5% 1/10W						
R7360	NRSA02J-273X	MG RESISTOR	27K 5% 1/10W						
R7361	NRSA02J-101X	MG RESISTOR	100 5% 1/10W						
R7362	NRSA02J-224X	RES. C.M	220K 5% 1/10W						
R7365	NRSA02J-122X	MG RESISTOR	1.2K 5% 1/10W						

■ Jack P. C. B. (J)

BLOCK NO. 097

REF.	PARTS NO.	PARTS NAME	REMARKS	SUFFIX
CN751	QGA2001F1-04	4P PLUG ASSY		
W7351	QETC1HM-104Z	E CAPACITOR	-10MF 20% 50V	
W7352	NS521HJ-331X	C CAPACITOR	330PF 5% 50V	
W7353	QETN1HM-334Z	E CAPACITOR	.33MF 20% 50V	
W7354	QET41HM-105	E CAPACITOR	1.0MF 20% 50V	
W7355	QET41HM-105	E CAPACITOR	1.0MF 20% 50V	
W7356	QET41EM-476	E CAPACITOR	47MF 20% 25V	
W7357	NS521HJ-680X	C.CAPA. C.M	68PF 5% 50V	
W7358	QET41CM-106	E CAPACITOR	10MF 20% 16V	
W7359	QV441HJ-683	TF CAPACITOR	.068MF 5% 50V	
W7360	QET41EM-476	E CAPACITOR	47MF 20% 25V	
W7361	NS521HJ-221X	C CAPACITOR	220PF 5% 50V	
W7362	QETN1HM-335Z	E CAPACITOR	3.3MF 20% 50V	
W7363	QETN1HM-335Z	E CAPACITOR	3.3MF 20% 50V	
W7364	QET41HM-105	E CAPACITOR	1.0MF 20% 50V	
W7370	QETC1HM-104Z	E CAPACITOR	-10MF 20% 50V	
W7351	1S5254-T2	SI DIODE	47MF 20% 25V	
W7352	1S5254-T2	SI DIODE		
W7353	1S5254-T2	SI DIODE		
W7354	1S5254-T2	SI DIODE		
W7355	1S5254-T2	SI DIODE		
W7356	1S5254-T2	SI DIODE		
W7357	1S5254-T2	SI DIODE		
W7358	1S5254-T2	SI DIODE		
W7359	1S5254-T2	SI DIODE		
W7360	1S5254-T2	SI DIODE		
IC751	BA15218F-W	IC		
IC752	BA15218F-W	IC		
W7351	QMS0148-001	6-3 JACK		
W7351	QR0779-001Z	INDUCTOR		
W7351	25C2412K/R/-X	TRANSISTOR	<- B7102	
W7352	25C2412K/R/-X	TRANSISTOR		
W7353	DTA124EKA-X	DIGI TRANSISTOR		
W7354	25C2412K/R/-X	TRANSISTOR		
W7355	DTA124EKA-X	DIGI TRANSISTOR		
W7356	25C2412K/R/-X	TRANSISTOR		
W7357	25C2412K/R/-X	TRANSISTOR		
W7358	25C2412K/R/-X	TRANSISTOR		
W7359	25A1037AK/RS/-X	CHIP TR.C.M		
W7360	DTC115EKA-X	CHIP D.TR.		
W7351	NPSA02J-184X	MG RESISTOR	180K 5% 1/10W	
W7352	NPSA02J-823X	MG RESISTOR	82K 5% 1/10W	
W7353	NPSA02J-393X	MG RESISTOR	39K 5% 1/10W	
W7354	NPSA02J-153X	MG RESISTOR	15K 5% 1/10W	
W7355	NPSA02J-563X	RES. C.M	56K 5% 1/10W	
W7356	NPSA02J-472X	RES. C.M	4.7K 5% 1/10W	
W7357	NPSA02J-103X	RES. C.M	10K 5% 1/10W	
W7358	NPSA02J-103X	RES. C.M	10K 5% 1/10W	
W7359	NPSA02J-223X	RES. C.M	22K 5% 1/10W	
W7360	NPSA02J-275X	MG RESISTOR	27K 5% 1/10W	
W7361	NPSA02J-101X	MG RESISTOR	100 5% 1/10W	
W7362	NPSA02J-224X	RES. C.M	220K 5% 1/10W	
W7365	NPSA02J-122X	MG RESISTOR	1.2K 5% 1/10W	

BLOCK NO. 098

REF.	PARTS NO.	PARTS NAME	REMARKS	SUFFIX
W7366	NPSA02J-182X	MG RESISTOR	1.8K 5% 1/10W	
W7367	NPSA02J-103X	RES. C.M	10K 5% 1/10W	
W7368	NPSA02J-101X	MG RESISTOR	100 5% 1/10W	
W7369	NPSA02J-683X	MG RESISTOR	68K 5% 1/10W	
W7370	NPSA02J-683X	MG RESISTOR	68K 5% 1/10W	
W7371	NPSA02J-103X	RES. C.M	10K 5% 1/10W	
W7372	NPSA02J-103X	RES. C.M	10K 5% 1/10W	
W7373	NPSA02J-104X	MG RESISTOR	100K 5% 1/10W	
W7374	NPSA02J-474X	MG RESISTOR	470K 5% 1/10W	
W7375	NPSA02J-222X	MG RESISTOR	2.2K 5% 1/10W	
W7376	NPSA02J-222X	MG RESISTOR	2.2K 5% 1/10W	
W7377	NPSA02J-222X	MG RESISTOR	2.2K 5% 1/10W	
W7378	NPSA02J-222X	MG RESISTOR	2.2K 5% 1/10W	
W7379	NPSA02J-563X	RES. C.M	56K 5% 1/10W	
W7380	NPSA02J-593X	MG RESISTOR	59K 5% 1/10W	
W7381	NPSA02J-103X	RES. C.M	10K 5% 1/10W	
W7382	NPSA02J-473X	MG RESISTOR	47K 5% 1/10W	
W7383	NPSA02J-101X	MG RESISTOR	100 5% 1/10W	
W7384	NPSA02J-473X	MG RESISTOR	47K 5% 1/10W	
W7385	NPSA02J-473X	MG RESISTOR	47K 5% 1/10W	
W7386	NPSA02J-333X	MG RESISTOR	33K 5% 1/10W	
W7387	NPSA02J-102X	RES. C.M	1.0K 5% 1/10W	
W7388	NPSA02J-103X	RES. C.M	10K 5% 1/10W	
VR731	QVQQ287-B24	V RESISTOR	MIC VOL/WITH SW	

■ Jack P. C. B. (U/UB/US/UT/UJ/UJY)

BLOCK NO. 10				BLOCK NO. 10					
REF.	PARTS NO.	PARTS NAME	REMARKS	SUFFIX	REF.	PARTS NO.	PARTS NAME	REMARKS	SUFFIX
CN751	QGA2001F1-04	4P PLUG ASSY			R7366	NRSA02J-182X	MG RESISTOR	1.8K 5% 1/10W	
C7351	QETC1HM-104Z	E CAPACITOR	.10MF 20% 50V		R7367	NRSA02J-103X	RES. C.M	10K 5% 1/10W	
C7352	NCS21HJ-331X	C CAPACITOR	330PF 5% 50V		R7368	NRSA02J-101X	MG RESISTOR	100 5% 1/10W	
C7353	QETN1HM-334Z	E CAPACITOR	.33MF 20% 50V		R7369	NRSA02J-683X	MG RESISTOR	68K 5% 1/10W	
C7354	QET41HM-105	E CAPACITOR	1.0MF 20% 50V		R7370	NRSA02J-683X	MG RESISTOR	68K 5% 1/10W	
C7355	QET41HM-105	E CAPACITOR	1.0MF 20% 50V		R7371	NRSA02J-103X	RES. C.M	10K 5% 1/10W	
C7356	QET41EM-476	E CAPACITOR	47MF 20% 25V		R7372	NRSA02J-103X	RES. C.M	10K 5% 1/10W	
C7357	NCS21HJ-680X	C.CAPA. C.M	68PF 5% 50V		R7373	NRSA02J-104X	MG RESISTOR	100K 5% 1/10W	
C7358	QET41CM-106	E CAPACITOR	10MF 20% 16V		R7374	NRSA02J-474X	MG RESISTOR	470K 5% 1/10W	
C7359	QFV41HJ-683	TF CAPACITOR	.068MF 5% 50V		R7375	NRSA02J-222X	MG RESISTOR	2.2K 5% 1/10W	
C7360	QET41EM-476	E CAPACITOR	47MF 20% 25V		R7376	NRSA02J-222X	MG RESISTOR	2.2K 5% 1/10W	
C7361	NCS21HJ-221X	C CAPACITOR	220PF 5% 50V		R7377	NRSA02J-222X	MG RESISTOR	2.2K 5% 1/10W	
C7362	QETN1HM-335Z	E CAPACITOR	3.3MF 20% 50V		R7378	NRSA02J-222X	MG RESISTOR	2.2K 5% 1/10W	
C7363	QETN1HM-335Z	E CAPACITOR	3.3MF 20% 50V		R7379	NRSA02J-563X	RES. C.M	56K 5% 1/10W	
C7364	QET41HM-105	E CAPACITOR	1.0MF 20% 50V		R7380	NRSA02J-393X	MG RESISTOR	39K 5% 1/10W	
C7365	QET41EM-476	E CAPACITOR	47MF 20% 25V		R7381	NRSA02J-103X	RES. C.M	10K 5% 1/10W	
C7366	QET41HM-105	E CAPACITOR	1.0MF 20% 50V		R7382	NRSA02J-473X	MG RESISTOR	47K 5% 1/10W	
C7367	QET41HM-105	E CAPACITOR	1.0MF 20% 50V		R7383	NRSA02J-101X	MG RESISTOR	100 5% 1/10W	
C7368	QET41HM-105	E CAPACITOR	1.0MF 20% 50V		R7384	NRSA02J-473X	MG RESISTOR	47K 5% 1/10W	
C7370	QETC1HM-104Z	E CAPACITOR	.10MF 20% 50V		R7385	NRSA02J-473X	MG RESISTOR	47K 5% 1/10W	
D7351	1SS254-T2	SI DIODE			R7386	NRSA02J-333X	MG RESISTOR	33K 5% 1/10W	
D7352	1SS254-T2	SI DIODE			R7387	NRSA02J-102X	RES. C.M	1.0K 5% 1/10W	
D7353	1SS254-T2	SI DIODE			R7388	NRSA02J-103X	RES. C.M	10K 5% 1/10W	
D7354	1SS254-T2	SI DIODE			VR731	QV00287-B24	V RESISTOR	MIC VOL/WITH SW	
D7355	1SS254-T2	SI DIODE							
D7356	1SS254-T2	SI DIODE							
D7357	1SS254-T2	SI DIODE							
D7358	1SS254-T2	SI DIODE							
D7359	1SS254-T2	SI DIODE							
D7360	1SS254-T2	SI DIODE							
IC751	BA15218F-W	IC							
IC752	BA15218F-W	IC							
J7351	ONS0148-001	6.3 JACK							
K7351	QOR0779-001Z	INDUCTOR							
Q7351	2SC2412K/R/-X	TRANSISTOR							
Q7352	2SC2412K/R/-X	TRANSISTOR							
Q7353	DTA124EKA-X	DIGI TRANSISTOR							
Q7354	2SC2412K/R/-X	TRANSISTOR							
Q7355	DTA124EKA-X	DIGI TRANSISTOR							
Q7356	2SC2412K/R/-X	TRANSISTOR							
Q7357	2SC2412K/R/-X	TRANSISTOR							
Q7358	2SC2412K/R/-X	TRANSISTOR							
Q7359	2SA1037AK/RS7-X	CHIP TR.C.M							
Q7360	DTC115EKA-X	CHIP D-TR.							
R7351	NRSA02J-184X	MG RESISTOR	180K 5% 1/10W						
R7352	NRSA02J-823X	MG RESISTOR	82K 5% 1/10W						
R7353	NRSA02J-393X	MG RESISTOR	39K 5% 1/10W						
R7354	NRSA02J-153X	MG RESISTOR	15K 5% 1/10W						
R7355	NRSA02J-563X	RES. C.M	56K 5% 1/10W						
R7356	NRSA02J-472X	RES. C.M	4.7K 5% 1/10W						
R7357	NRSA02J-103X	RES. C.M	10K 5% 1/10W						
R7358	NRSA02J-103X	RES. C.M	10K 5% 1/10W						
R7359	NRSA02J-223X	RES. C.M	22K 5% 1/10W						
R7360	NRSA02J-273X	MG RESISTOR	27K 5% 1/10W						
R7361	NRSA02J-101X	MG RESISTOR	100 5% 1/10W						
R7362	NRSA02J-224X	RES. C.M	220K 5% 1/10W						
R7365	NRSA02J-122X	MG RESISTOR	1.2K 5% 1/10W						

CD Servo Control P. C. B.

BLOCK NO. 00111111			BLOCK NO. 00111111		
A	REF.	PARTS NO.	PARTS NAME	REMARKS	SUFFIX
	C 604	QKXC1AM-107Z	E CAPACITOR	100PF 20% 10V	
	C 605	QK741EM-106	E CAPACITOR	10MF 20% 25V	
	C 606	QDGB1HK-102Y	C CAPACITOR		
	C 607	QDGB1HK-102Y	C CAPACITOR		
	C 608	QK741HM-105	E CAPACITOR	1.0MF 20% 50V	
	C 609	QCB1HK-101Y	C CAPACITOR	100PF 10% 50V	
	C 610	QFLM1HU-273Z	M CAPACITOR	.027MF 5% 50V	
	C 611	QDXB1CM-222Y	C CAPACITOR		
	C 612	QDYB1CM-103Y	C CAPACITOR		
	C 613	QCB1HK-331Y	C CAPACITOR	330PF 10% 50V	
	C 614	QFV41HJ-104	TF CAPACITOR	.10MF 5% 50V	
	C 615	QDVB1E2-223Y	C CAPACITOR		
	C 616	QDVB1E2-223Y	C CAPACITOR		
	C 617	QDVB1E2-223Y	C CAPACITOR		
	C 618	QDVB1CM-222Y	C CAPACITOR		
	C 619	QCB1HK-271Y	C CAPACITOR	270PF 10% 50V	
	C 620	QCS11HJ-470	C CAPACITOR	47PF 5% 50V	
	C 621	QDGB1HK-821Y	E CAPACITOR		
	C 622	QK741AM-476	E CAPACITOR	47MF 20% 10V	
	C 623	QFV41HJ-104	TF CAPACITOR	.10MF 5% 50V	
	C 628	QDX31EM-473Z	C CAPACITOR		
	C 629	QK741AM-107	E CAPACITOR	100MF 20% 10V	
	C 631	QK741AM-477	E CAPACITOR	470MF 20% 10V	
	C 632	QKXC1AM-107Z	E CAPACITOR	100MF 20% 10V	
	C 651	QCS11HJ-120	C CAPACITOR	12PF 5% 50V	
	C 652	QCS11HJ-150	C CAPACITOR	15PF 5% 50V	
	C 653	QDVB1E2-223Y	C CAPACITOR		
	C 655	QDX31EM-473Z	C CAPACITOR		
	C 661	QCB1HK-471Y	C CAPACITOR	470PF 10% 50V	
	C 662	QDVB1E2-223Y	C CAPACITOR		
	C 663	QFLM1HU-223Z	M CAPACITOR	.022MF 5% 50V	
	C 664	QDVB1E2-223Y	C CAPACITOR		
	C 665	QFV41HU-104	TF CAPACITOR	.10MF 5% 50V	
	C 671	QDVB1CM-222Y	C CAPACITOR		
	C 672	QDXB1CM-222Y	C CAPACITOR		
	C 673	QK741AM-227	E CAPACITOR	220MF 20% 10V	
	C 674	QDVB1E2-223Y	C CAPACITOR		
	C 675	QDGB1HK-102Y	C CAPACITOR		
	C 676	QDGB1HK-102Y	C CAPACITOR		
	C 691	QCB1HK-151Y	C CAPACITOR	150PF 10% 50V	
	C 692	QCB1HK-151Y	C CAPACITOR	150PF 10% 50V	
	C 694	QCB1HK-151Y	C CAPACITOR	150PF 10% 50V	
	C 698	QDGB1HK-102Y	C CAPACITOR	150PF 10% 50V	
	CN601	QGF100BF1-15	21-41 CONNECTOR	TO RF	
	CN602	QJK004-060601	SIN CL C-B WIRE	TO MOTOR	
	CN603	QGF120SF1-07	CONNECTOR	TO AUDIO	
	CN604	QGF120SF1-11	CONNECTOR	TO MICRON	
	CN605	GGAZ501F1-03	CONNECTOR	TO DIGITAL OUT	
	D 661	1SS254-T2	SI DIODE		
	IC601	AN8806SB	IC	RF AMP	
	IC602	BA897PP-W	IC	DRIVER	
	IC603	MN35510	IC	1CHIP PROCESSOR	
	Q 601	2SA952/LK/-T	TRANSISTOR		
	Q 631	2SA952/LK/-T	TRANSISTOR		
A	REF.	PARTS NO.	PARTS NAME	REMARKS	SUFFIX
	R 601	QRE141J-123Y	C RESISTOR	12K 5% 1/4W	
	R 603	QRE141J-125Y	C.RES. I.M	1.2M 5% 1/4W	
	R 605	QRE141J-134Y	C.RES. I.M	130K 5% 1/4W	
	R 606	QRE141J-913Y	C.RES. I.M	9.1K 5% 1/4W	
	R 607	QRE141J-273Y	C RESISTOR	27K 5% 1/4W	
	R 609	QRE141J-114Y	C.RES. I.M	110K 5% 1/4W	
	R 610	QRE141J-154Y	C RESISTOR	150K 5% 1/4W	
	K 612	QRE141J-103Y	C RESISTOR	10K 5% 1/4W	
	R 613	QRE141J-121Y	C RESISTOR	120 5% 1/4W	
	R 614	QRE141J-100Y	C RESISTOR	10 5% 1/4W	
	R 615	QRE141J-120Y	C RESISTOR	12 5% 1/4W	
	R 616	QRE141J-910Y	C RESISTOR	91 5% 1/4W	
	R 621	QRE141J-330Y	C RESISTOR	33 5% 1/4W	
	R 622	QRE141J-330Y	C RESISTOR	33 5% 1/4W	
	R 623	QRE141J-330Y	C RESISTOR	33 5% 1/4W	
	R 631	QRE141J-331Y	C RESISTOR	330 5% 1/4W	
	R 632	QRE141J-101Y	C RESISTOR	100 5% 1/4W	
	R 633	QRE141J-273Y	C RESISTOR	27K 5% 1/4W	
	R 641	QRE141J-563Y	C RESISTOR	56K 5% 1/4W	
	R 642	QRE141J-123Y	C RESISTOR	12K 5% 1/4W	
	R 643	QRE141J-822Y	C RESISTOR	8.2K 5% 1/4W	
	R 644	QRE141J-223Y	C RESISTOR	22K 5% 1/4W	
	R 645	QRE141J-223Y	C RESISTOR	22K 5% 1/4W	
	R 646	QRE141J-182Y	C RESISTOR	1.8K 5% 1/4W	
	R 647	QRE141J-562Y	C RESISTOR	5.6K 5% 1/4W	
	R 651	QRE141J-102Y	C RESISTOR	1.0K 5% 1/4W	
	R 652	QRE141J-102Y	C RESISTOR	1.0K 5% 1/4W	
	R 653	QRE141J-102Y	C RESISTOR	1.0K 5% 1/4W	
	R 654	QRE141J-102Y	C RESISTOR	1.0K 5% 1/4W	
	R 655	QRE141J-471Y	C RESISTOR	470 5% 1/4W	
	R 659	QRE141J-471Y	C RESISTOR	470 5% 1/4W	
	R 661	QRE141J-104Y	C RESISTOR	100K 5% 1/4W	
	R 662	QRE141J-155Y	C RESISTOR	1.5M 5% 1/4W	
	R 663	QRE141J-124Y	C RESISTOR	120K 5% 1/4W	
	R 664	QRE141J-471Y	C RESISTOR	470 5% 1/4W	
	R 666	QRE141J-220Y	C RESISTOR	22 5% 1/4W	
	R 671	QRE141J-102Y	C RESISTOR	1.0K 5% 1/4W	
	R 672	QRE141J-102Y	C RESISTOR	1.0K 5% 1/4W	
	X 651	QAX0411-001	CRYSTAL	16.9344MHZ	

■ Cassette Deck P. C. B.

BLOCK NO. 12

A	REF.	PARTS NO.	PARTS NAME	REMARKS	SUFFIX
C 101	NC521HJ-821X	C CAPACITOR	820PF 5% 50V		
C 102	NC521HJ-221X	C CAPACITOR	220PF 5% 50V		
C 103	QK40JM-227	E CAPACITOR	220MF 20% 6.3V		
C 104	NCB21HK-333X	C CAPACITOR	-0.33MF 10% 50V		
C 105	NCB21HK-222X	C CAPACITOR	2200PF 10% 50V		
C 106	QK41CM-106	E CAPACITOR	10MF 20% 16V		
C 107	NC521HJ-561X	C CAPACITOR	560PF 5% 50V		
C 108	QK41EM-475	E CAPACITOR	4.7MF 20% 25V		
C 109	QK41EM-475	E CAPACITOR	4.7MF 20% 25V		
C 110	NCB21HK-682X	C CAPACITOR	6800PF 10% 50V		
C 111	NCB21HK-122X	C CAPACITOR	1200PF 10% 50V		
C 112	NCB21EK-683X	C CAPACITOR	-0.68MF 10% 25V		
C 113	NCB21HK-222X	C CAPACITOR	2200PF 10% 50V		
C 124	NC521HJ-331X	C CAPACITOR	330PF 5% 50V		
C 201	NC521HJ-821X	C CAPACITOR	820PF 5% 50V		
C 202	NC521HJ-221X	C CAPACITOR	220PF 5% 50V		
C 203	QK40JM-227	E CAPACITOR	220MF 20% 6.3V		
C 204	NCB21HK-333X	C CAPACITOR	-0.33MF 10% 50V		
C 205	NCB21HK-222X	C CAPACITOR	2200PF 10% 50V		
C 206	QK41CM-106	E CAPACITOR	10MF 20% 16V		
C 207	NC521HJ-561X	C CAPACITOR	560PF 5% 50V		
C 208	QK41EM-475	E CAPACITOR	4.7MF 20% 25V		
C 209	QK41EM-475	E CAPACITOR	4.7MF 20% 25V		
C 210	NCB21HK-682X	C CAPACITOR	6800PF 10% 50V		
C 211	NCB21HK-122X	C CAPACITOR	1200PF 10% 50V		
C 212	NCB21EK-683X	C CAPACITOR	-0.68MF 10% 25V		
C 213	NCB21HK-222X	C CAPACITOR	2200PF 10% 50V		
C 221	NC521HJ-331X	C CAPACITOR	330PF 5% 50V		
C 301	QKJ1AM-1072	E CAPACITOR	100MF 20% 10V		
C 302	NCB21HK-393X	C CAPACITOR	-0.39MF 10% 50V		
C 303	QK40JM-227	E CAPACITOR	220MF 20% 6.3V		
C 304	QK41CM-226	E CAPACITOR	22MF 20% 16V		
C 305	QK41CM-226	E CAPACITOR	22MF 20% 16V		
C 306	QK41CM-476	E CAPACITOR	47MF 20% 16V		
C 307	NCB21HK-103X	C CAPACITOR	-0.10MF 10% 50V		
C 308	NCB21HK-562X	C CAPACITOR	5600PF 10% 50V		
C 309	NCB21HK-562X	C CAPACITOR	5600PF 10% 50V		
C 310	NCB21HK-223X	C CAPACITOR	-0.22MF 10% 50V		
C 311	NCB21HK-682X	C CAPACITOR	6800PF 10% 50V		
C 313	QKJ1AM-1072	E CAPACITOR	100MF 20% 10V		
C 314	QK70205-155Z	ML C CAP 1/4M	1.5MF		
C 315	QK70205-155Z	ML C CAP 1/4M	1.5MF		
C 316	QF32AJ-103Z	PP CAPACITOR	-0.10MF 5% 100V		
C 318	NCB21HK-103X	C CAPACITOR	-0.10MF 10% 50V		
C 319	QF32AJ-824Z	TF CAPACITOR	820PF 5% 100V		
C 321	NCB21HK-103X	C CAPACITOR	-0.10MF 10% 50V		
C 322	QF32AJ-152Z	M CAPACITOR	1500PF 5% 100V		
C 331	QK41CM-476	E CAPACITOR	47MF 20% 16V		
C 351	QK41CM-106	E CAPACITOR	10MF 20% 16V		
C 374	QK41EM-475	E CAPACITOR	4.7MF 20% 25V		
C 374	QKJ1AM-1072	E CAPACITOR	MOTOR +B		
C 375	QKJ1AM-1072	E CAPACITOR	100MF 20% 10V		
C 376	NCB21HK-103X	C CAPACITOR	-0.10MF 10% 50V		
CN 51	QGF1205F1-06	CONNECTOR	PRI/HEAD		
CN 52	QGB2011M1-10	PWB CONECTOR	PRI/MECHA		

BLOCK NO. 12

A	REF.	PARTS NO.	PARTS NAME	REMARKS	SUFFIX
CN 33	QGF1205F1-09	CONNECTOR	PRI/MICON		
CH 34	QGF1205F1-10	CONNECTOR	PRI/AMP		
D 301	MA152WA-X	DIODE			
D 309	MA704A-X	S. K. DIODE			
D 375	MA3051/W/-X	ZENER DIODE			
FW 31	QUR024-06A2Z3	EF FLAT			
IC 31	8A3126N	IC	HEAD SW		
IC 32	AN7317	IC	PB&REC		
IC 33	BU40948CF-X	IC			
L 301	QR0620-001	OSC COIL(BIAS)			
L 303	QQL01BK-100Z	INDUCTOR			
Q 101	DTC114TKA-X	TRANSISTOR			
Q 102	DTC114TKA-X	TRANSISTOR	REC EQ CONT.		
Q 201	DTC114TKA-X	TRANSISTOR			
Q 202	DTC114TKA-X	TRANSISTOR	REC EQ CONT.		
Q 301	DTA144EKA-X	TRANSISTOR	REC EQ CONT.		
Q 302	2SC2001/K/-T	TR I/M			
Q 303	2SC2001/K/-T	TR I/M			
Q 304	2SC2001/LK/-T	TRANSISTOR			
Q 305	2SC2001/LK/-T	TRANSISTOR			
Q 306	2SC2412K/RS/-X	CHIP TR.C.M			
Q 307	2SC2412K/RS/-X	CHIP TR.C.M			
Q 308	2SC2412K/RS/-X	CHIP TR.C.M			
Q 309	2SC2412K/RS/-X	CHIP TR.C.M			
Q 321	DTC144EKA-X	TRANSISTOR			
Q 323	2SC2412K/RS/-X	CHIP TR.C.M			
Q 371	2SA952/LK/-T	TRANSISTOR	MOTER+ B		
Q 372	DTC124EKA-X	TRANSISTOR			
Q 375	2SB562/G/-T	TRANSISTOR	SOLENOID DRIVE		
Q 376	2SC2412K/RS/-X	CHIP TR.C.M			
R 101	NRS402J-220X	MG RESISTOR	22 5% 1/10W		
R 102	NRS402J-182X	MG RESISTOR	1.8K 5% 1/10W		
R 103	NRS402J-242NY	MG RESISTOR	2.4K 5% 1/10W		
R 104	NRS402J-122X	MG RESISTOR	1.2K 5% 1/10W		
R 105	NRS402J-104X	MG RESISTOR	100K 5% 1/10W		
R 106	NRS402J-332X	MG RESISTOR	3.3K 5% 1/10W		
R 107	NRS402J-123X	RES. C.M	12K 5% 1/10W		
R 108	NRS402J-562X	MG RESISTOR	5.6K 5% 1/10W		
R 109	NRS402J-122X	MG RESISTOR	1.2K 5% 1/10W		
R 110	NRS402J-472X	RES. C.M	4.7K 5% 1/10W		
R 111	NRS402J-333X	MG RESISTOR	33K 5% 1/10W		
R 112	NRS402J-222X	MG RESISTOR	2.2K 5% 1/10W		
R 113	NRS402J-472X	RES. C.M	4.7K 5% 1/10W		
R 114	NRS402J-272X	MG RESISTOR	2.7K 5% 1/10W		
R 116	NRS402J-102X	RES. C.M	1.0K 5% 1/10W		
R 121	NRS402J-102X	RES. C.M	1.0K 5% 1/10W		
R 201	NRS402J-220X	MG RESISTOR	22 5% 1/10W		
R 202	NRS402J-182X	MG RESISTOR	1.8K 5% 1/10W		
R 203	NRS402J-242NY	MG RESISTOR	2.4K 5% 1/10W		
R 204	NRS402J-122X	MG RESISTOR	1.2K 5% 1/10W		
R 205	NRS402J-104X	MG RESISTOR	100K 5% 1/10W		
R 206	NRS402J-332X	MG RESISTOR	3.3K 5% 1/10W		
R 207	NRS402J-123X	RES. C.M	12K 5% 1/10W		
R 208	NRS402J-562X	MG RESISTOR	5.6K 5% 1/10W		
R 209	NRS402J-122X	MG RESISTOR	1.2K 5% 1/10W		

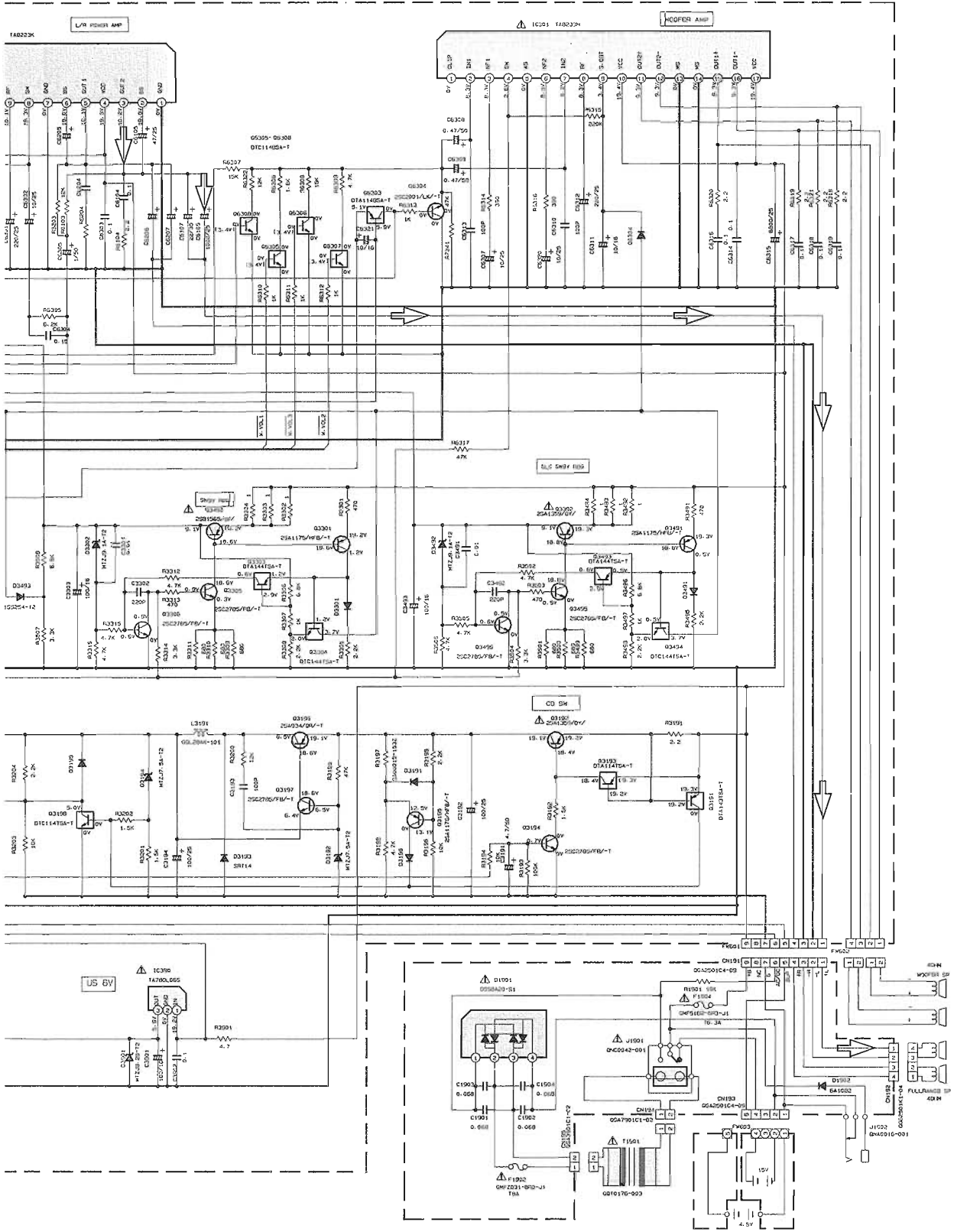
Switch P. C. B.

BLOCK NO. 12

A REF.	PARTS NO.	PARTS NAME	REMARKS	SUFFIX
R 210	NRSA02J-472X	RES. C.M	4.7K 5% 1/10W	
R 211	NRSA02J-333X	MG RESISTOR	33K 5% 1/10W	
R 212	NRSA02J-222X	MG RESISTOR	2.2K 5% 1/10W	
R 213	NRSA02J-472X	RES. C.M	4.7K 5% 1/10W	
R 214	NRSA02J-272X	MG RESISTOR	2.7K 5% 1/10W	
R 216	NRSA02J-102X	RES. C.M	1.0K 5% 1/10W	
R 221	NRSA02J-102X	RES. C.M	1.0K 5% 1/10W	
R 303	NRS181J-221X	MG RESISTOR	220 5% 1/8W	
R 304	NRSA02J-393X	MG RESISTOR	39K 5% 1/10W	
R 304	NRS181J-101X	MG RESISTOR	100 5% 1/8W	
R 305	NRSA02J-222X	MG RESISTOR	2.2K 5% 1/10W	
R 306	NRSA02J-222X	MG RESISTOR	2.2K 5% 1/10W	
R 310	NRS181J-560X	MG RESISTOR	56 5% 1/8W	
R 311	NRS181J-560X	MG RESISTOR	56 5% 1/8W	
R 313	NRSA02J-3R3VY	RES. C.M	3.3 5% 1/10W	
R 314	NRSA02J-223X	RES. C.M	22K 5% 1/10W	
R 315	NRSA02J-100X	MG RESISTOR	10 5% 1/10W	
R 316	NRSA02J-223X	RES. C.M	22K 5% 1/10W	
R 317	NRSA02J-100X	MG RESISTOR	10 5% 1/10W	
R 319	NRSA02J-152X	MG RESISTOR	1.5K 5% 1/10W	
R 322	NRSA02J-152X	MG RESISTOR	1.5K 5% 1/10W	
R 327	NRSA02J-474X	MG RESISTOR	470K 5% 1/10W	
R 332	NRSA02J-123X	RES. C.M	12K 5% 1/10W	
R 333	NRSA02J-123X	RES. C.M	12K 5% 1/10W	
R 335	NRSA02J-152X	MG RESISTOR	1.5K 5% 1/10W	
R 336	NRSA02J-472X	RES. C.M	4.7K 5% 1/10W	
R 337	NRSA02J-332X	MG RESISTOR	3.3K 5% 1/10W	
R 338	NRSA02J-392X	MG RESISTOR	3.9K 5% 1/10W	
R 339	NRSA02J-222X	MG RESISTOR	2.2K 5% 1/10W	
R 340	NRS181J-391X	RES. C.M	390 5% 1/8W	
R 341	NRSA02J-123X	MG RESISTOR	12K 5% 1/10W	
R 342	NRSA02J-203X	MG RESISTOR	20K 5% 1/10W	
R 343	NRSA02J-183X	MG RESISTOR	18K 5% 1/10W	
R 351	NRSA02J-683X	MG RESISTOR	68K 5% 1/10W	
R 352	NRSA02J-912X	RES. C.M	9.1K 5% 1/10W	
R 371	NRSA02J-123X	RES. C.M	12K 5% 1/10W	
R 372	NRSA02J-102X	RES. C.M	1.0K 5% 1/10W	
R 375	NRSA02J-151X	MG RESISTOR	150 5% 1/10W	
R 376	NRSA02J-472X	RES. C.M	4.7K 5% 1/10W	
VR 31	QVP0008-503Z	SEMI V RESISTOR	BIAS ADJ	
VR 32	QVP0008-503Z	SEMI V RESISTOR	BIAS ADJ	
VR 37	QVP0008-103Z	SEMI V RESISTOR	TAPE SPEED ADJ	

BLOCK NO. 13

A REF.	PARTS NO.	PARTS NAME	REMARKS	SUFFIX
CN 1	GGR201111-10	10P PLUG ASSY		
D 1	1SR139-100-T2	SI DIODE		
IC 1	SG-105F3-BB+C	PHOTO SENSER		
P 1	GNZ0104-001	POST PIN		
SW 1	MXS00220MVLO	CASSETTE SWITCH	R-REC	
SW 2	MXS00220MVLO	CASSETTE SWITCH	TAPE	
SW 4	MXS00220MVLO	CASSETTE SWITCH	70U	
SW 5	MXS00220MVLO	CASSETTE SWITCH	F.REC	
SW 6	QSW0507-001	SWITCH		



NCB VALUES ARE IN A HEMISPHER.
 CAPS ARE SHOWN IN THE FORM
 VALUE (F) RATED VOLTAGE (V).
 ARE 155254 FOR HSS104TU OR MA1651
 RESISTOR ARE 552765/P-T
 RESISTOR ARE 25A1175/PB-T

➡ OUTPUT SIGNAL
 ⇨ INPUT SIGNAL

E F G H I

Power Supply & Power Amplifier Circuit (RV-B99 J)

6

5

4

3

2

1

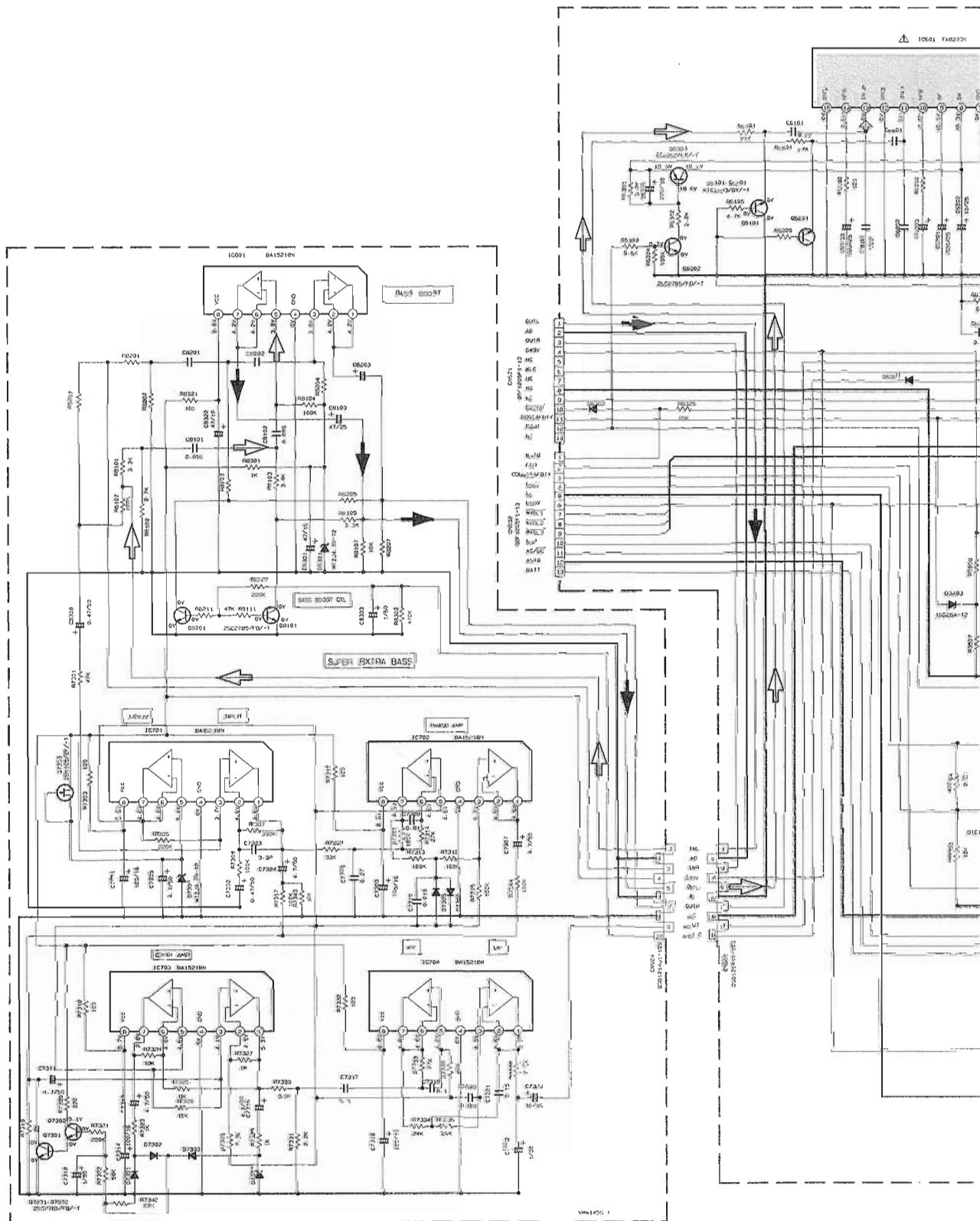
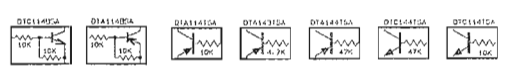


TABLE 01 DIGITAL TRIGGER SIGNAL



- 1. VOLTAGE ARE CORRELATED WITH A DIGITAL VOLT METER (E1) SIGNAL WITHOUT INPUT SIGNAL. C601 CAN BE OBTAINED
- 2. LABELS OPERATES SPECIFIED RESISTORS ARE 1/4W 5% OHM RESISTOR. ALL RESISTANCE VALUES ARE IN OHMS (+). ALL CAPACITORS ARE CERAMIC CAPACITOR EXCEPT ALL CAPACITANCE VALUES ARE IN MICROFARAD.

ALL DIMENSIONS MUST BE CAPACITORS ARE IN MICROFARAD. ALL DIODES ARE 1N4148. ALL NPN TRANSISTORS / ALL PNP TRANSISTORS /

A

B

C

D

E

Power Supply & Power Amplifier Circuit (RV-B99 UB/UT/UY/UX/US/U)

6

5

4

3

2

1

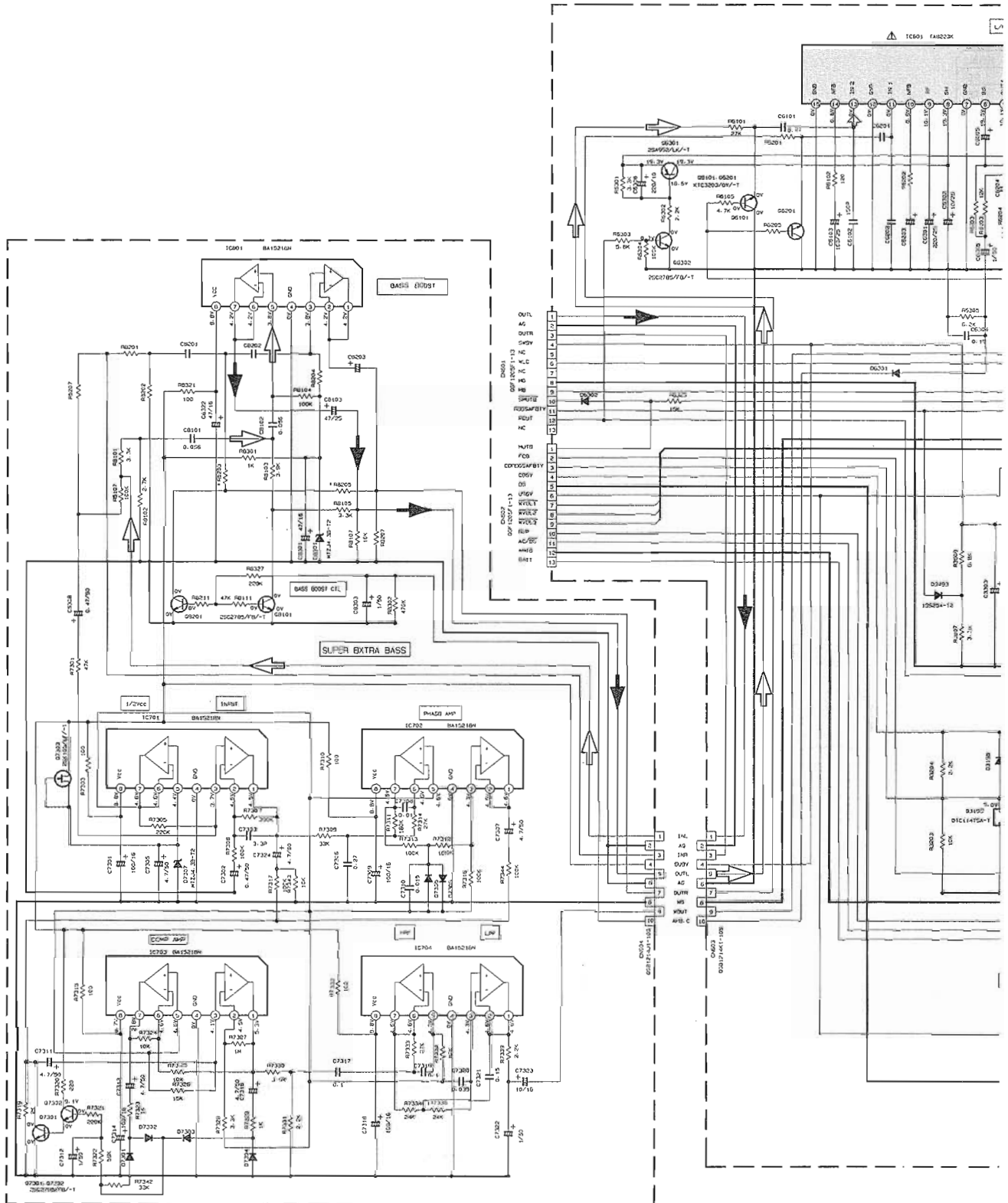


TABLE 1 DIGITAL TRANSISTOR

--	--	--	--	--	--	--

NOTE 1. VOLTAGES ARE MEASURED WITH A DIGITAL VOLT METER OR OSCILLOSCOPE WITHOUT INPUT SIGNAL. CONDITION -- CD STOP MODE.

2. UNLESS OTHERWISE SPECIFIED RESISTORS ARE 1/8W ±5% CARBON RESISTOR. ALL RESISTANCE VALUES ARE IN OHMS (Ω). ALL CAPACITORS ARE CERAMIC CAPACITOR OR MYLAR CAPACITOR. ALL CAPACITANCE VALUES ARE IN MICROFARAD (μF).

ALL INDICATED VALUES ARE IN ALL B. CAPACITORS ARE 50VDC 1 OF CAPACITORS (μF)/VATDC 1 ALL DIODES ARE 1SS254 (OR 1 ALL 4N1 TRANSISTORS ARE 2SC22 ALL PNP TRANSISTORS ARE 2SA11

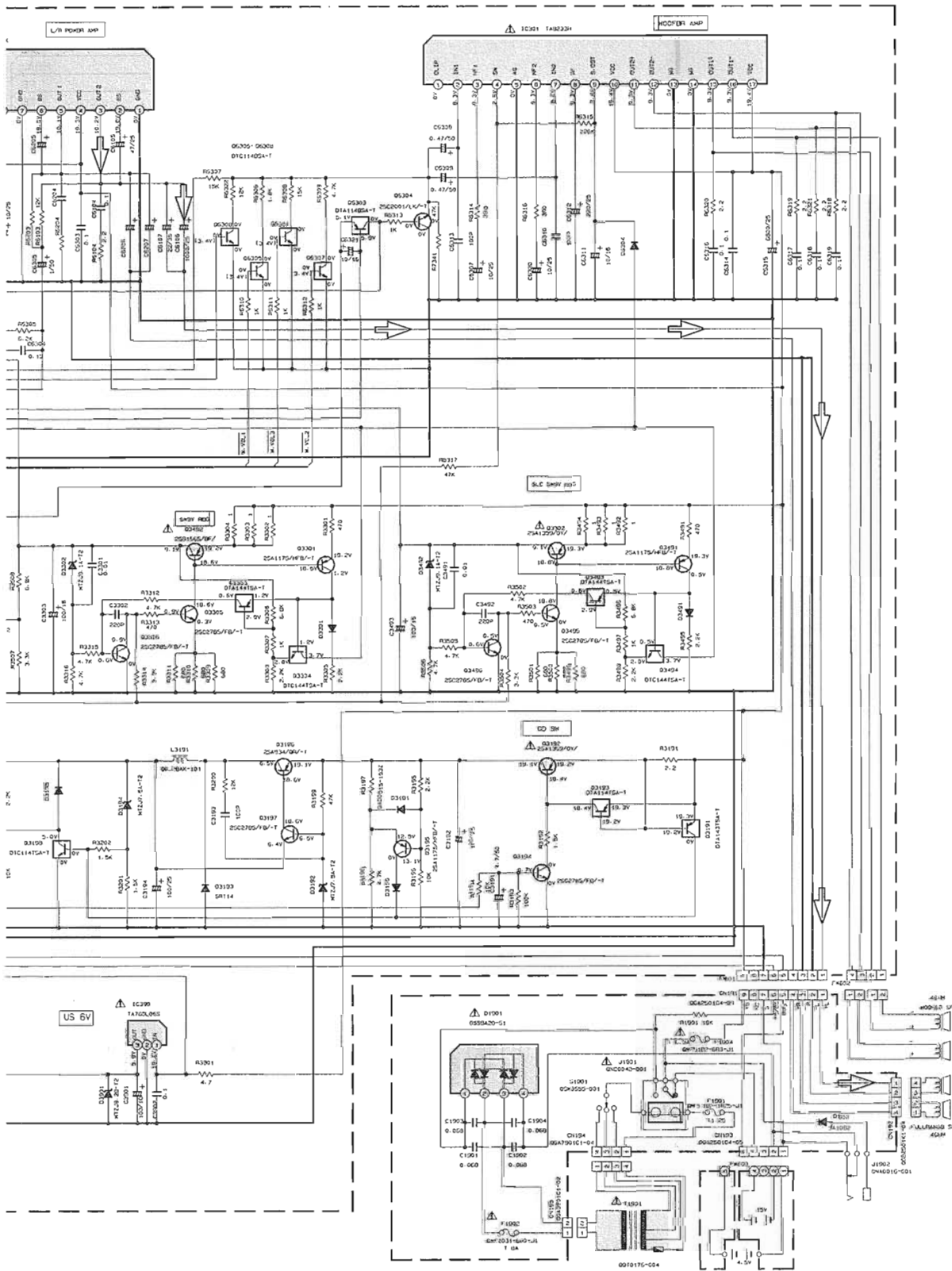
A

B

C

D

E



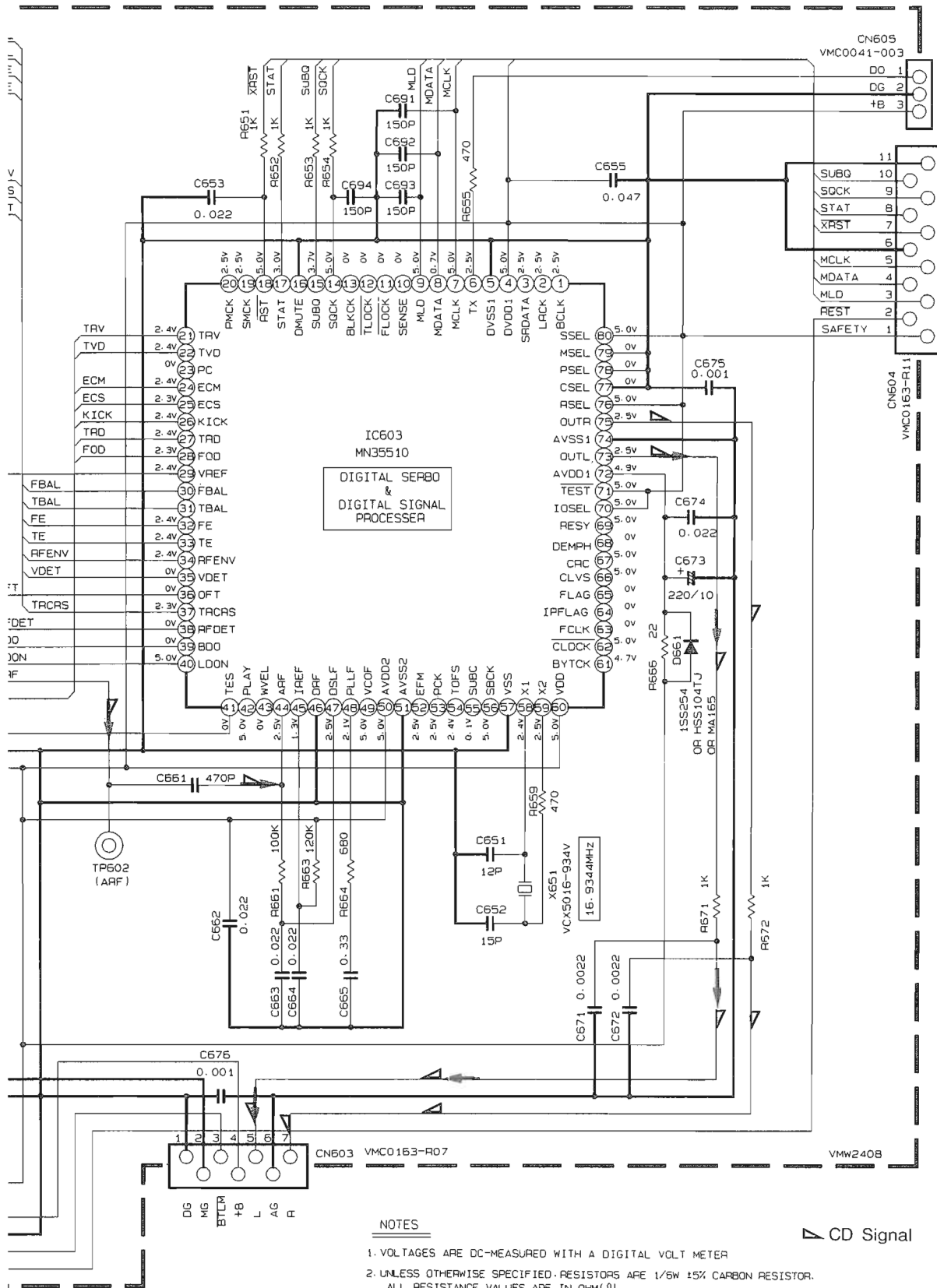
E

F

G

H

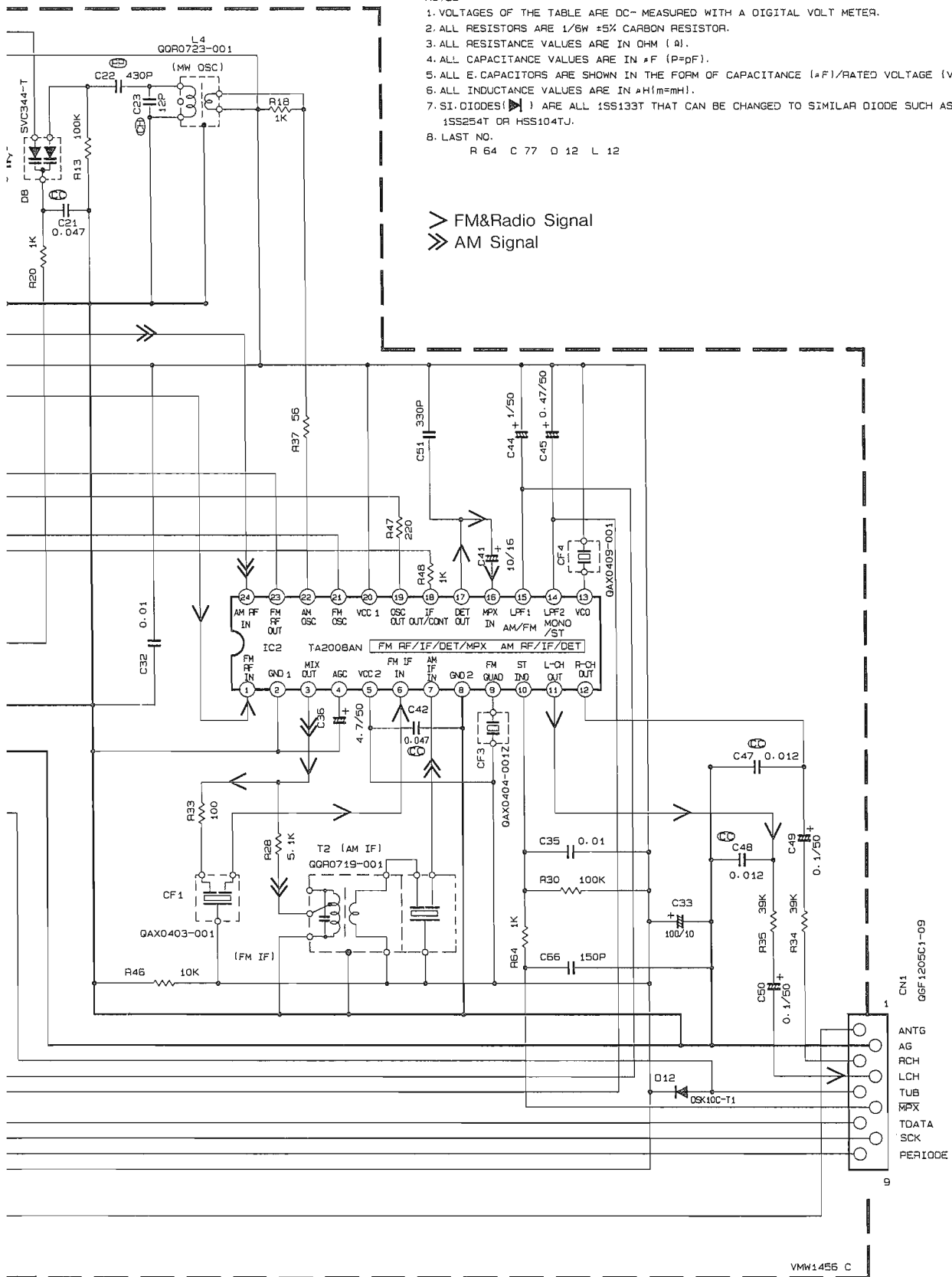
I



NOTES

1. VOLTAGES ARE DC-MEASURED WITH A DIGITAL VOLT METER
2. UNLESS OTHERWISE SPECIFIED, RESISTORS ARE 1/6W ±5% CARBON RESISTOR.
 ALL RESISTANCE VALUES ARE IN OHM (Ω).
 ALL CAPACITANCE VALUES ARE IN PICO (pF).
 ALL E-CAPACITORS ARE SHOWN IN THE FORM OF CAPACITANCE (μF)/RATED VOLTAGE (V).

▷ CD Signal



NOTES

1. VOLTAGES OF THE TABLE ARE DC- MEASURED WITH A DIGITAL VOLT METER.
2. ALL RESISTORS ARE 1/8W ±5% CARBON RESISTOR.
3. ALL RESISTANCE VALUES ARE IN OHM (Ω).
4. ALL CAPACITANCE VALUES ARE IN #F (P=pF).
5. ALL E. CAPACITORS ARE SHOWN IN THE FORM OF CAPACITANCE (#F)/RATED VOLTAGE (V).
6. ALL INDUCTANCE VALUES ARE IN #H(m=mH).
7. SI-DIODES(▶) ARE ALL 1SS133T THAT CAN BE CHANGED TO SIMILAR DIODE SUCH AS 1SS254T OR HSS104TJ.
8. LAST NO.

R 64 C 77 D 12 L 12

➤ FM&Radio Signal
 ➤➤ AM Signal

VMW1455 C

E

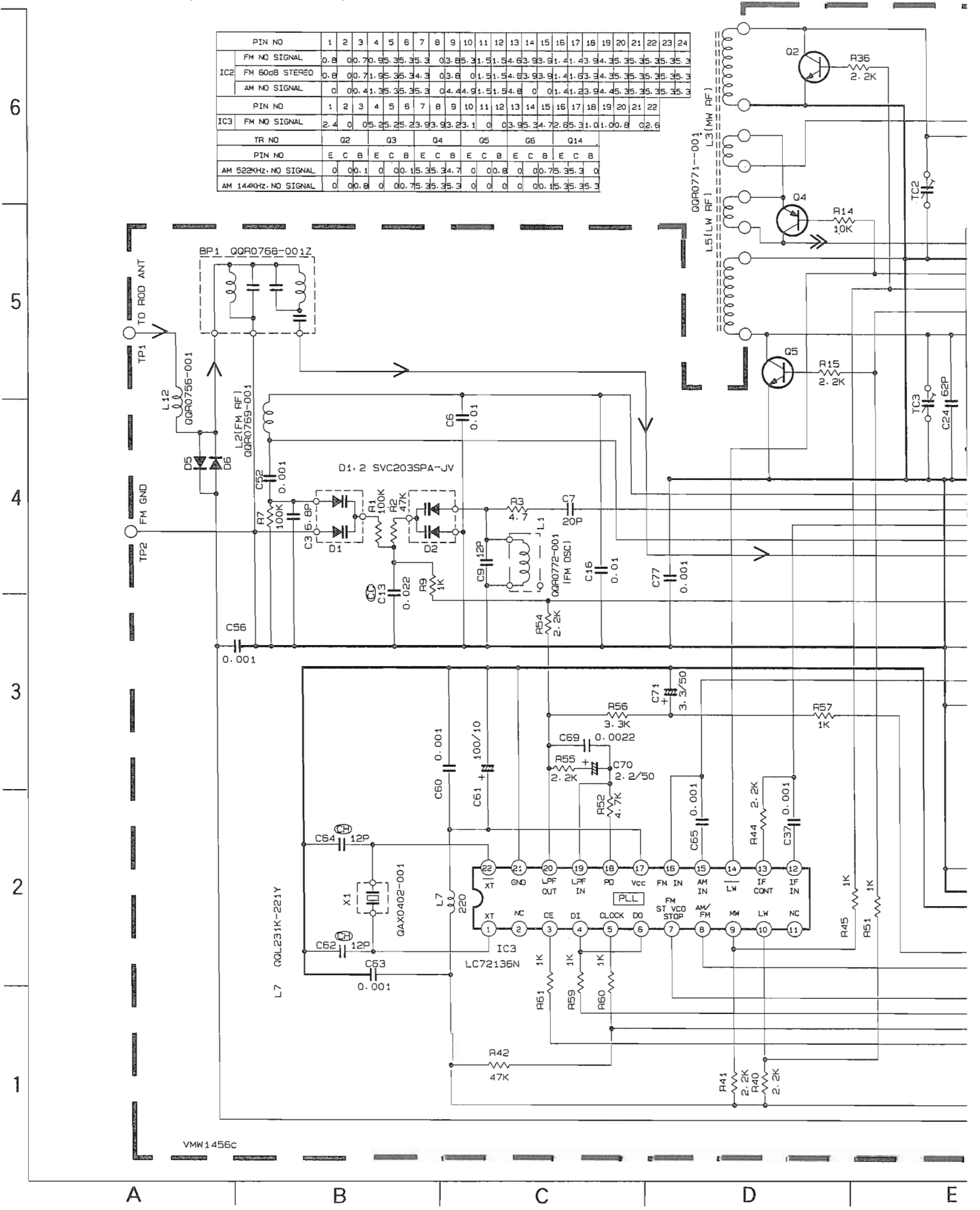
F

G

H

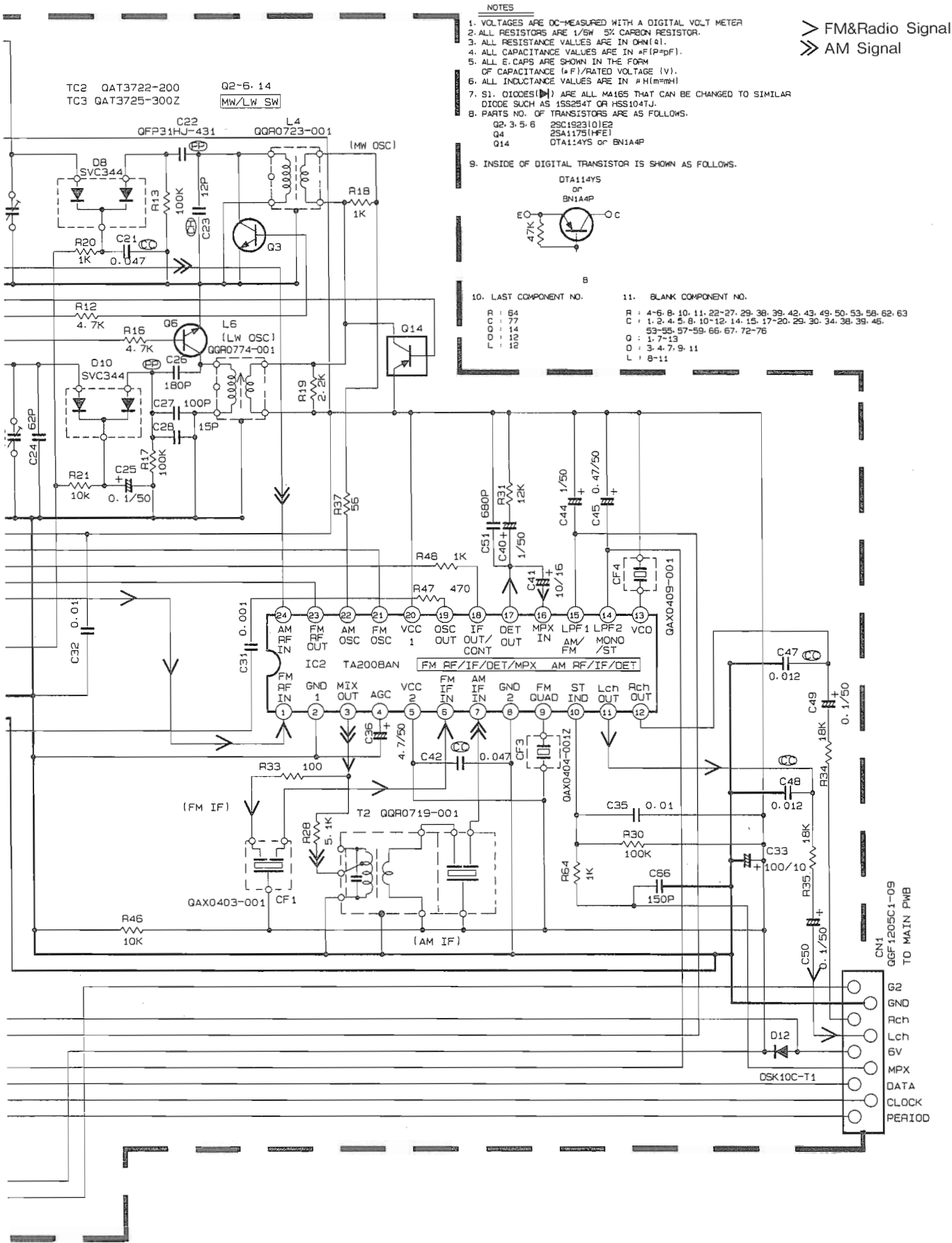
I

■ Tuner Circuit (RV-B99 E/EN/B)



PIN NO	1	2	3	4	5	6	7	8	9	10	11	12	13	14	15	16	17	18	19	20	21	22	23	24	
FM NO SIGNAL	0.8	0.0	7.0	9.5	3.5	3.5	3	0.3	8.5	3.1	3.1	5.4	6.3	9.3	9.1	4.1	4.3	9.4	3.5	3.5	3.5	3.5	3.5	3	
IC2	FM 60dB STEREO	0.8	0.0	7.1	9.5	3.5	3.4	3	0.3	8	0.1	5.1	5.4	6.3	9.3	9.1	4.1	6.3	3.4	3.5	3.5	3.5	3.5	3	
	AM NO SIGNAL	0	0.0	4.1	3.5	3.5	3.5	3	0.4	4.4	9.1	3.1	5.4	8	0	0.1	4.1	2.3	9.4	4.5	3.5	3.5	3.5	3	
PIN NO	1	2	3	4	5	6	7	8	9	10	11	12	13	14	15	16	17	18	19	20	21	22			
IC3	FM NO SIGNAL	2.4	0	0.5	2.5	2.5	2.3	9.3	9.3	2.3	1	0	0.3	9.5	3.4	7.2	6.5	3.1	0.1	0.0	8	0	2	6	
TR NO	Q2	Q3	Q4	Q5	Q6	Q14																			
PIN NO	E	C	B	E	C	B	E	C	B	E	C	B	E	C	B	E	C	B	E	C	B	E	C	B	
AM 52KHZ. NO SIGNAL	0	0.0	1	0	0.0	1.5	3.5	3.4	7	0	0.0	8	0	0.0	8	0	0.7	3.5	3	0					
AM 144KHZ. NO SIGNAL	0	0.0	8	0	0.0	7.5	3.5	3.5	3	0	0	0	0	0	0	0.0	1.5	3.5	3.5	3					

VMW1456c

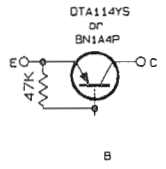


NOTES

1. VOLTAGES ARE DC-MEASURED WITH A DIGITAL VOLT METER
2. ALL RESISTORS ARE 1/8W 5% CARBON RESISTOR.
3. ALL RESISTANCE VALUES ARE IN OHMS (Ω).
4. ALL CAPACITANCE VALUES ARE IN pF (p=F).
5. ALL E. CAPS ARE SHOWN IN THE FORM OF CAPACITANCE (pF)/RATED VOLTAGE (V).
6. ALL INDUCTANCE VALUES ARE IN μH (m=MH).
7. S1, DIODES (▷) ARE ALL MA165 THAT CAN BE CHANGED TO SIMILAR DIODE SUCH AS 1SS254T OR HSS104TJ.
8. PARTS NO. OF TRANSISTORS ARE AS FOLLOWS.

Q2, 3, 5, 6 2SC1923 (E2)
 Q4 2SA1175 (HFE1)
 Q14 DTA114YS or 8N144P

9. INSIDE OF DIGITAL TRANSISTOR IS SHOWN AS FOLLOWS.



10. LAST COMPONENT NO.
11. BLANK COMPONENT NO.

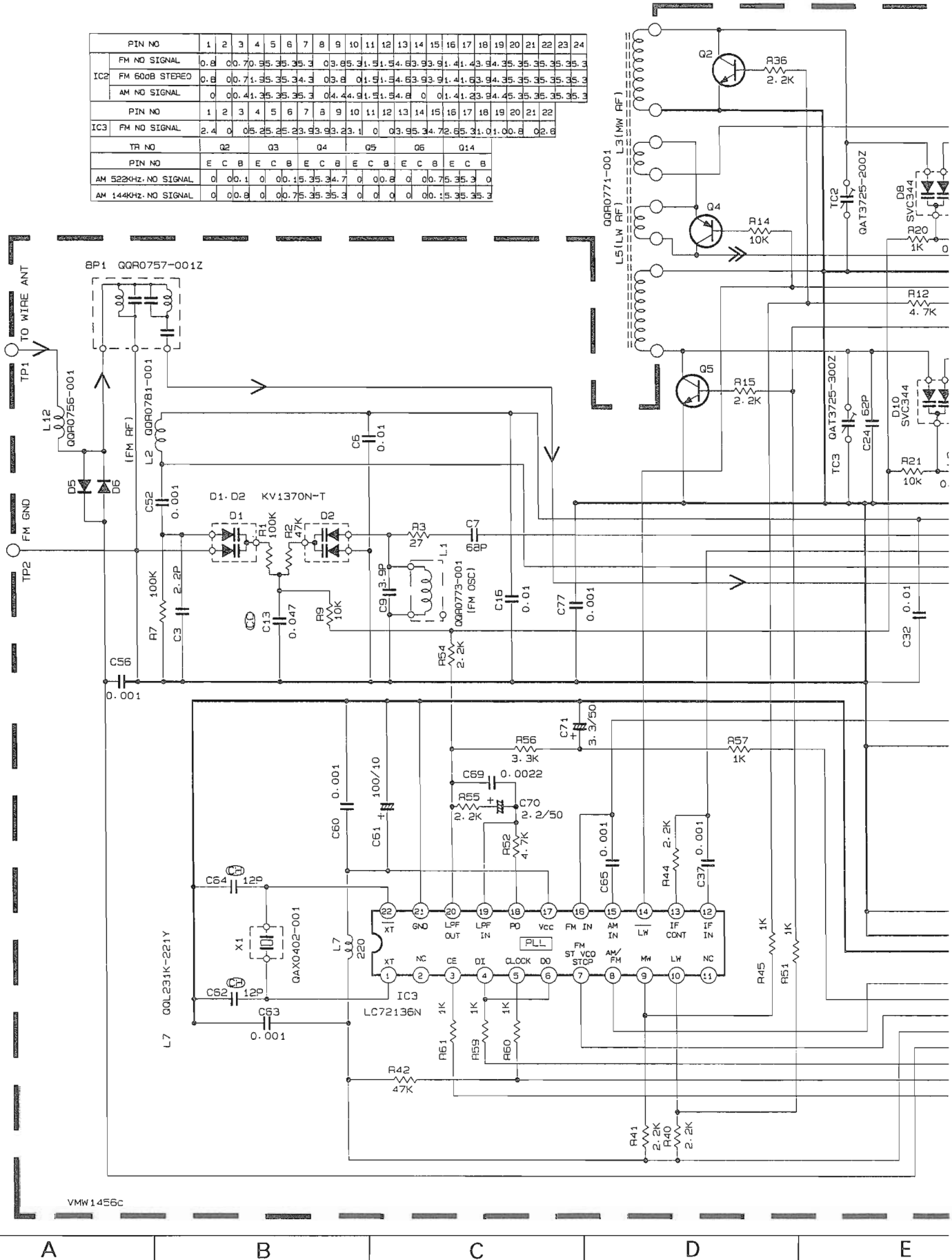
R : 64
 C : 77
 L : 14
 D : 12

R : 4-6, 8, 10, 11, 22-27, 29, 38, 39, 42, 43, 49, 50, 53, 58, 62, 63
 C : 1, 2, 4, 5, 6, 10-12, 14, 15, 17-20, 25, 30, 34, 38, 39, 46,
 53-55, 57-59, 66, 67, 72-76
 L : 1, 7-13
 D : 3, 4, 7, 9, 11
 B : 8-11

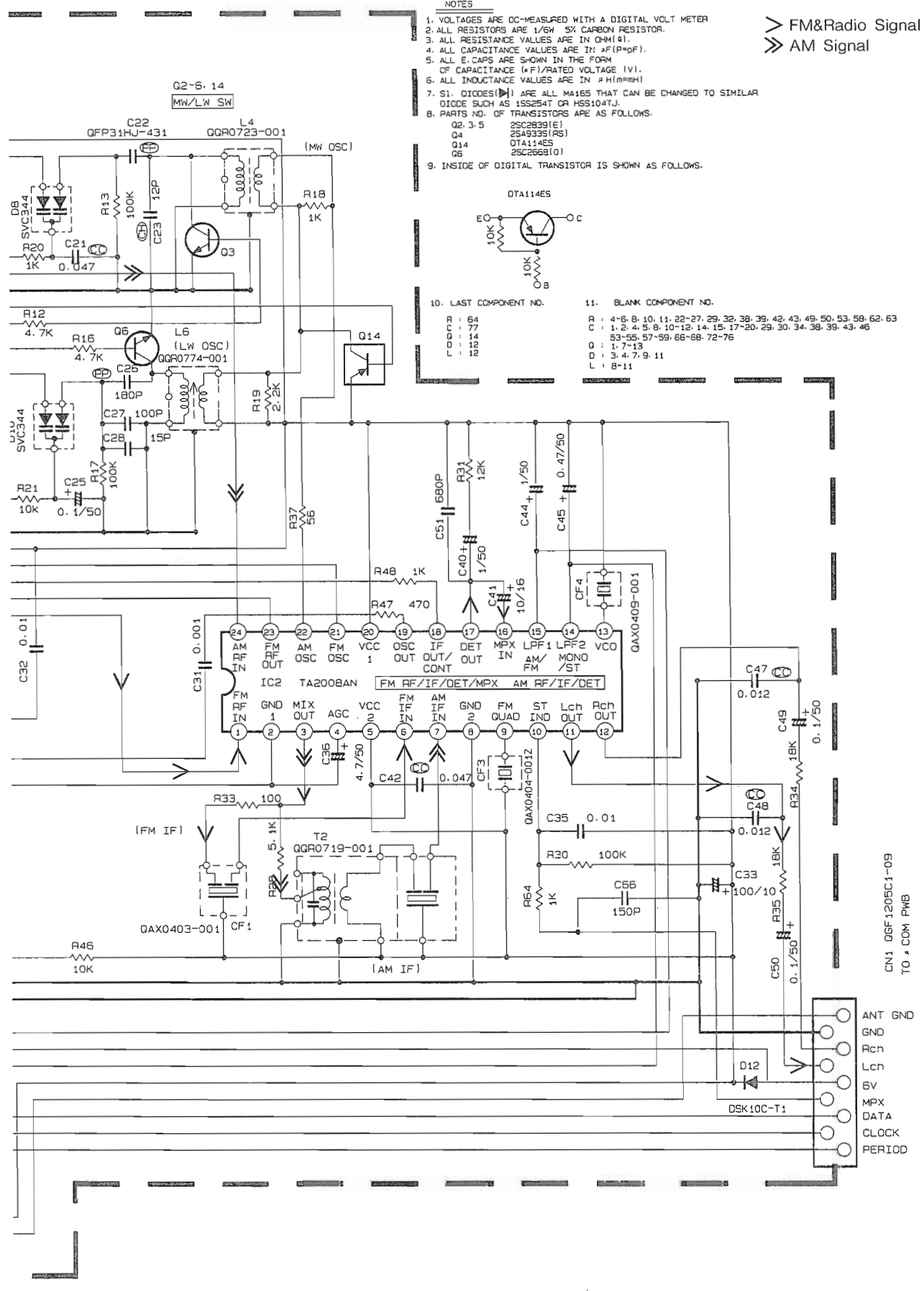
▷ FM&Radio Signal
 ▷▷ AM Signal

Tuner Circuit (RV-B99 EE/EV)

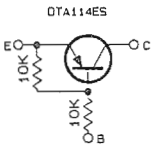
PIN NO	1	2	3	4	5	6	7	8	9	10	11	12	13	14	15	16	17	18	19	20	21	22	23	24
IC2	FM NO SIGNAL	0.8	0.0	7.0	35.35	35.3	0	0	3.85	31.51	54.83	93.91	41.43	94.35	35.35	35.3	0	0	0	0	0	0	0	0
	FM 60dB STEREO	0.8	0.0	7.1	35.35	34.3	0	0	3.8	01.51	54.83	93.91	41.43	94.35	35.35	35.3	0	0	0	0	0	0	0	0
	AM NO SIGNAL	0	0	0	4.1	35.35	3	0	4.4	91.51	54.8	0	0	1.4	1.23	84.45	35.35	35.3	0	0	0	0	0	0
PIN NO	1	2	3	4	5	6	7	8	9	10	11	12	13	14	15	16	17	18	19	20	21	22		
IC3	FM NO SIGNAL	2.4	0	0	5.25	25.23	93.93	23.1	0	0	0	0	0	0	0	0	0	0	0	0	0	0	0	0
	AM 522KHZ. NO SIGNAL	0	0	0	1	0	0	0	0	0	0	0	0	0	0	0	0	0	0	0	0	0	0	0
	AM 144KHZ. NO SIGNAL	0	0	0	0	0	0	0	0	0	0	0	0	0	0	0	0	0	0	0	0	0	0	0
TR NO	Q2	Q3	Q4	Q5	Q6	Q14																		
PIN NO	E	C	B	E	C	B	E	C	B	E	C	B	E	C	B									
AM 522KHZ. NO SIGNAL	0	0	0	1	0	0	0	0	0	0	0	0	0	0	0	0	0	0	0	0	0	0	0	0
AM 144KHZ. NO SIGNAL	0	0	0	0	0	0	0	0	0	0	0	0	0	0	0	0	0	0	0	0	0	0	0	0



VMW1456c



NOTES

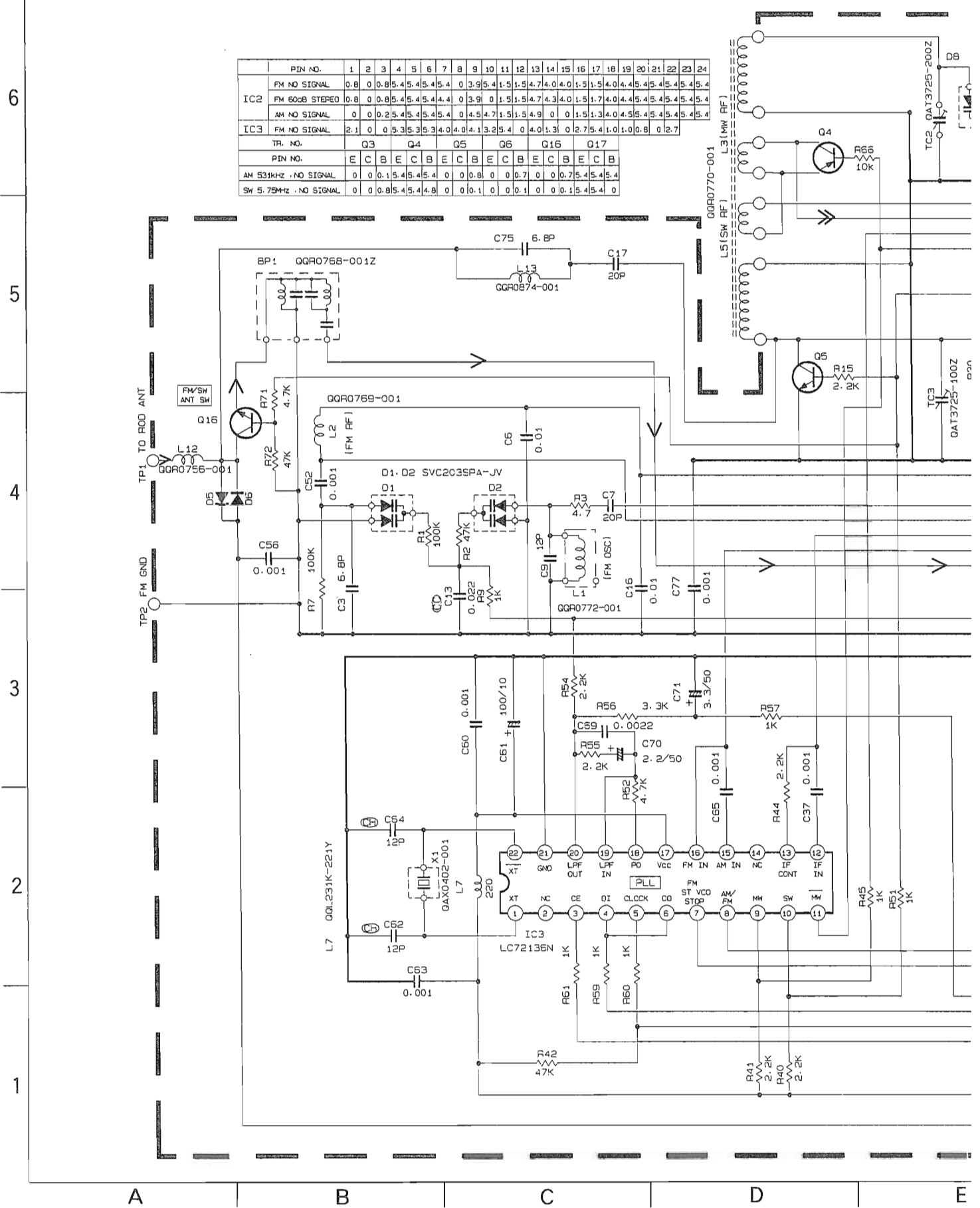
1. VOLTAGES ARE DC-MEASURED WITH A DIGITAL VOLT METER
2. ALL RESISTORS ARE 1/6W 5% CARBON RESISTOR.
3. ALL RESISTANCE VALUES ARE IN OHM(Ω).
4. ALL CAPACITANCE VALUES ARE IN pF(pF).
5. ALL CAPS ARE SHOWN IN THE FORM OF CAPACITANCE \times F / RATED VOLTAGE (V).
6. ALL INDUCTANCE VALUES ARE IN μ H(μH).
7. SI DIODES (|>|) ARE ALL MAJES THAT CAN BE CHANGED TO SIMILAR DIODE SUCH AS 1SS254T OR HSS104TJ.
8. PARTS NO. OF TRANSISTORS ARE AS FOLLOWS.
 Q2, 3, 5 2SC2839(E)
 Q4 2SA933S(RS)
 Q14 DTA114ES
 Q6 2SC2669(O)
9. INSIDE OF DIGITAL TRANSISTOR IS SHOWN AS FOLLOWS.

10. LAST COMPONENT NO.
 R : 64
 C : 77
 L : 15
 D : 15
11. BLANK COMPONENT NO.
 R : 4-6, 8, 10, 11, 22-27, 29, 32, 38, 39, 42, 43, 49, 50, 53, 58, 62, 63
 C : 1, 2, 4, 5, 8, 10-12, 14, 15, 17-20, 29, 30, 34, 38, 39, 43, 46
 L : 53-55, 57-59, 66-68, 72-76
 D : 1-7, 13
 Q : 3, 4, 7, 9, 11
 L : 8-11

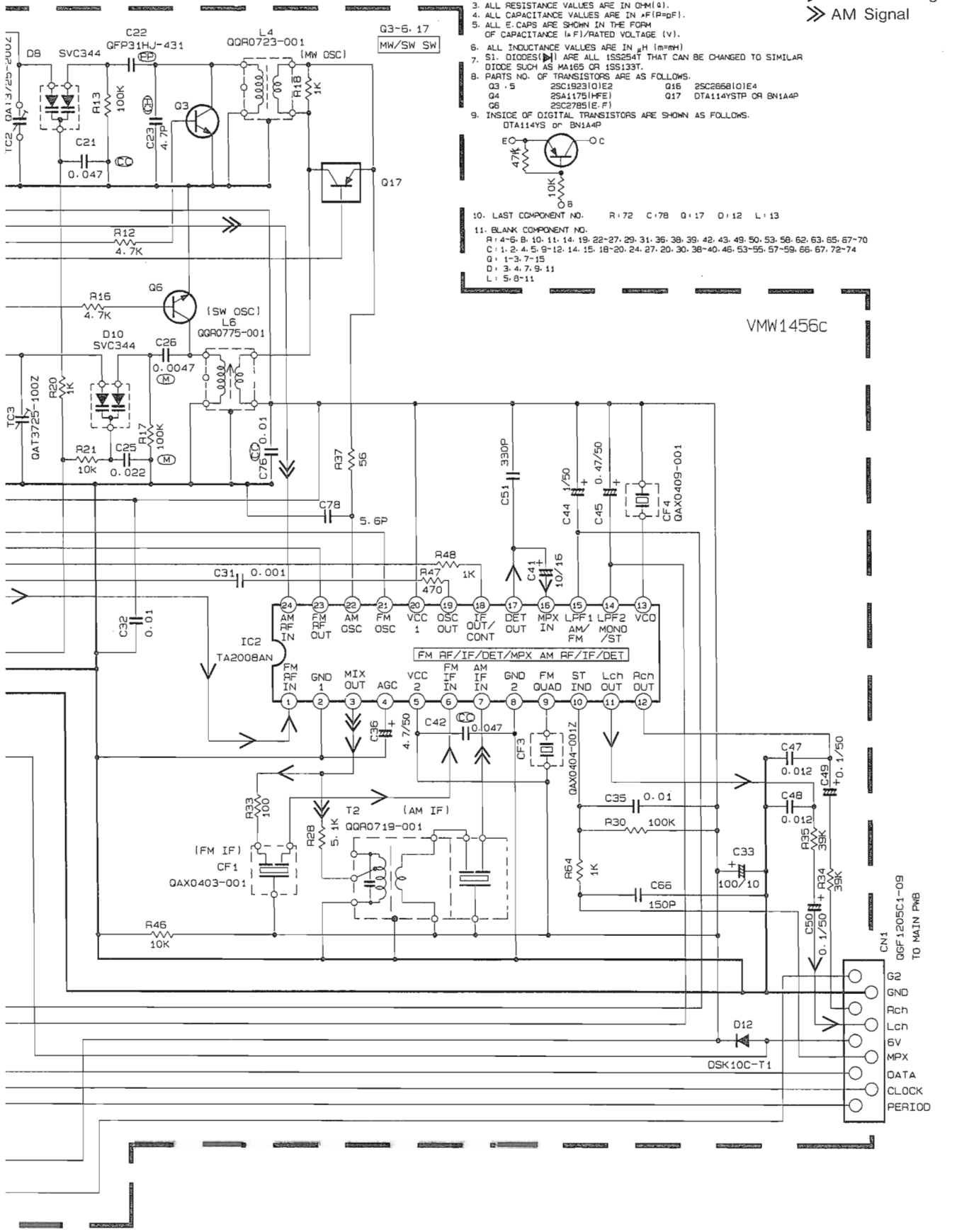
> FM&Radio Signal
 >> AM Signal

CN1 06F1205C.1-09
 TO COM PWB

E F G H I

■ Tunere Circuit (RV-B99 U/UT/UJ/US/UB/UX)



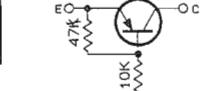


NOTES

- VOLTAGES ARE OC-MEASURED WITH A DIGITAL VOLT METER
- ALL RESISTORS ARE 1/6W 5% CARBON RESISTOR.
- ALL CAPACITANCE VALUES ARE IN OHM(S).
- ALL CAPACITANCE VALUES ARE IN μF(P=μF).
- ALL E-CAPS ARE SHOWN IN THE FORM OF CAPACITANCE 1x(F1)/RATED VOLTAGE (V).
- ALL INDUCTANCE VALUES ARE IN μH (M=MH)
- SI DIODES (D1) ARE ALL 1SS254T THAT CAN BE CHANGED TO SIMILAR DIODE SUCH AS MA165 OR 1SS133T.
- PARTS NO. OF TRANSISTORS ARE AS FOLLOWS.

Q3 . 5	2SC1923(O1E2)	Q16	2SC2658(O1E4)
Q4	2SA1175(MFE)	Q17	DTA114YSTP OR 8N1A4P
Q6	2SC2785(E.F)		
- INSIDE OF DIGITAL TRANSISTORS ARE SHOWN AS FOLLOWS.
DTA114YS or 8N1A4P

➤ FM&Radio Signal
➤➤ AM Signal



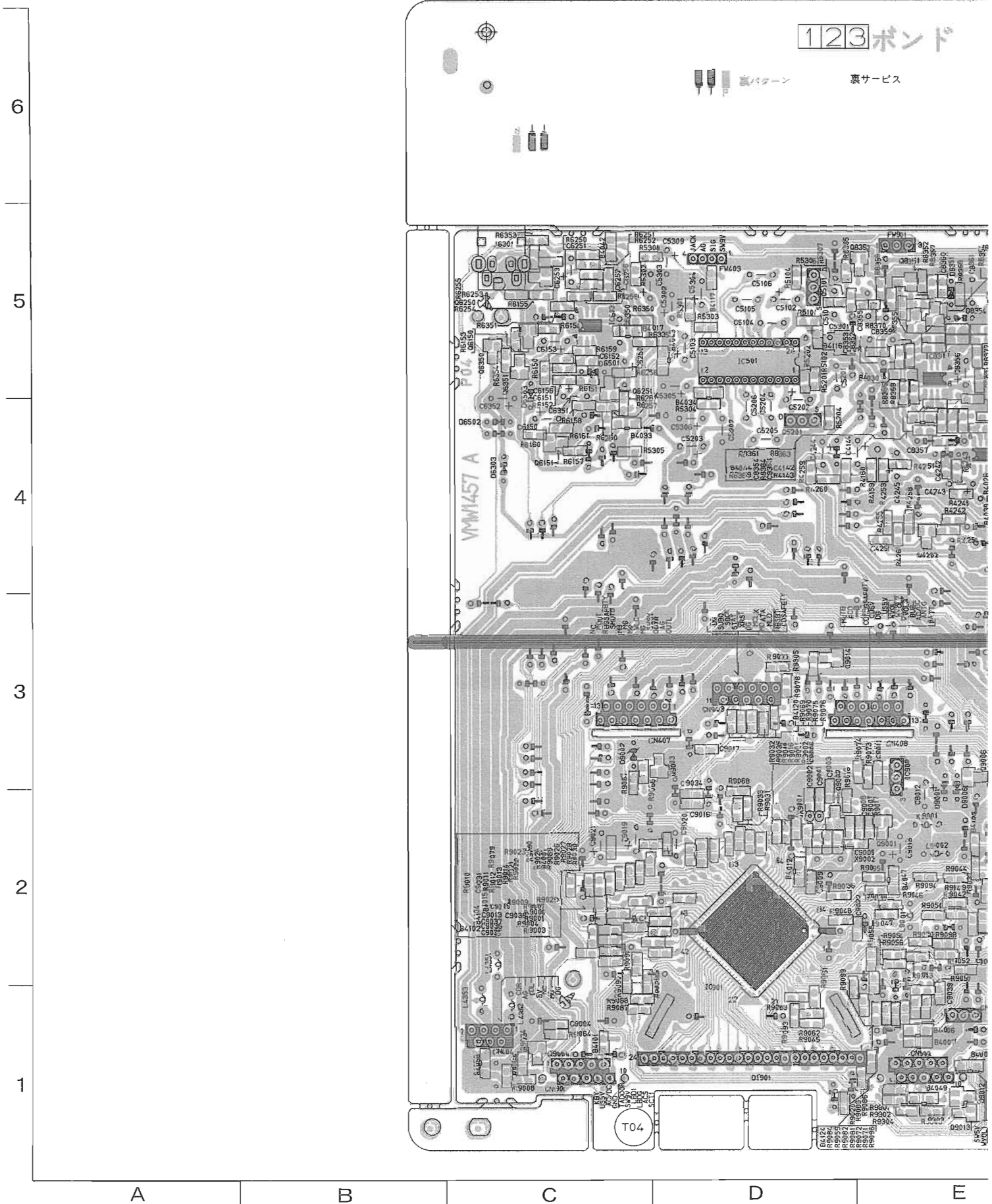
- LAST COMPONENT NO. R:72 C:78 Q:17 D:12 L:13
- BLANK COMPONENT NO.

R: 4-6, 8, 10-11, 14, 19, 22-27, 29-31, 35-38, 39, 42, 43, 49, 50, 53, 58, 62, 63, 65, 67-70
C: 1-2, 4, 5, 9-12, 14, 15, 18-20, 24, 27, 20, 30, 38-40, 45, 53-55, 57-59, 65, 67, 72-74
Q: 1-3, 7-15
D: 3, 4, 7, 9, 11
L: 5, 8-11

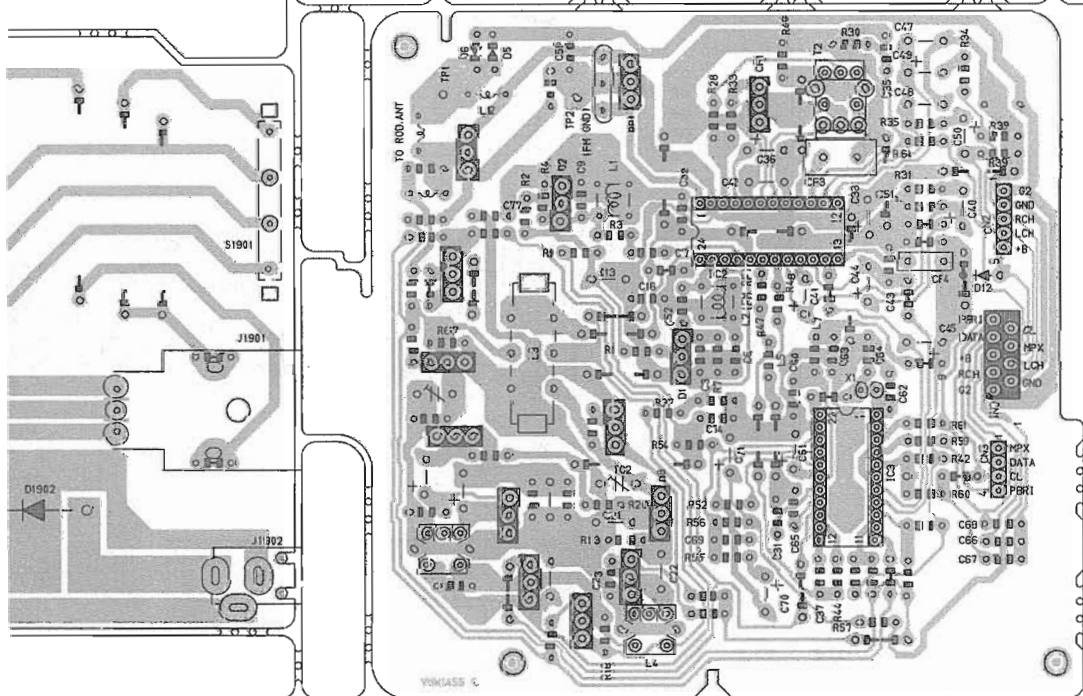
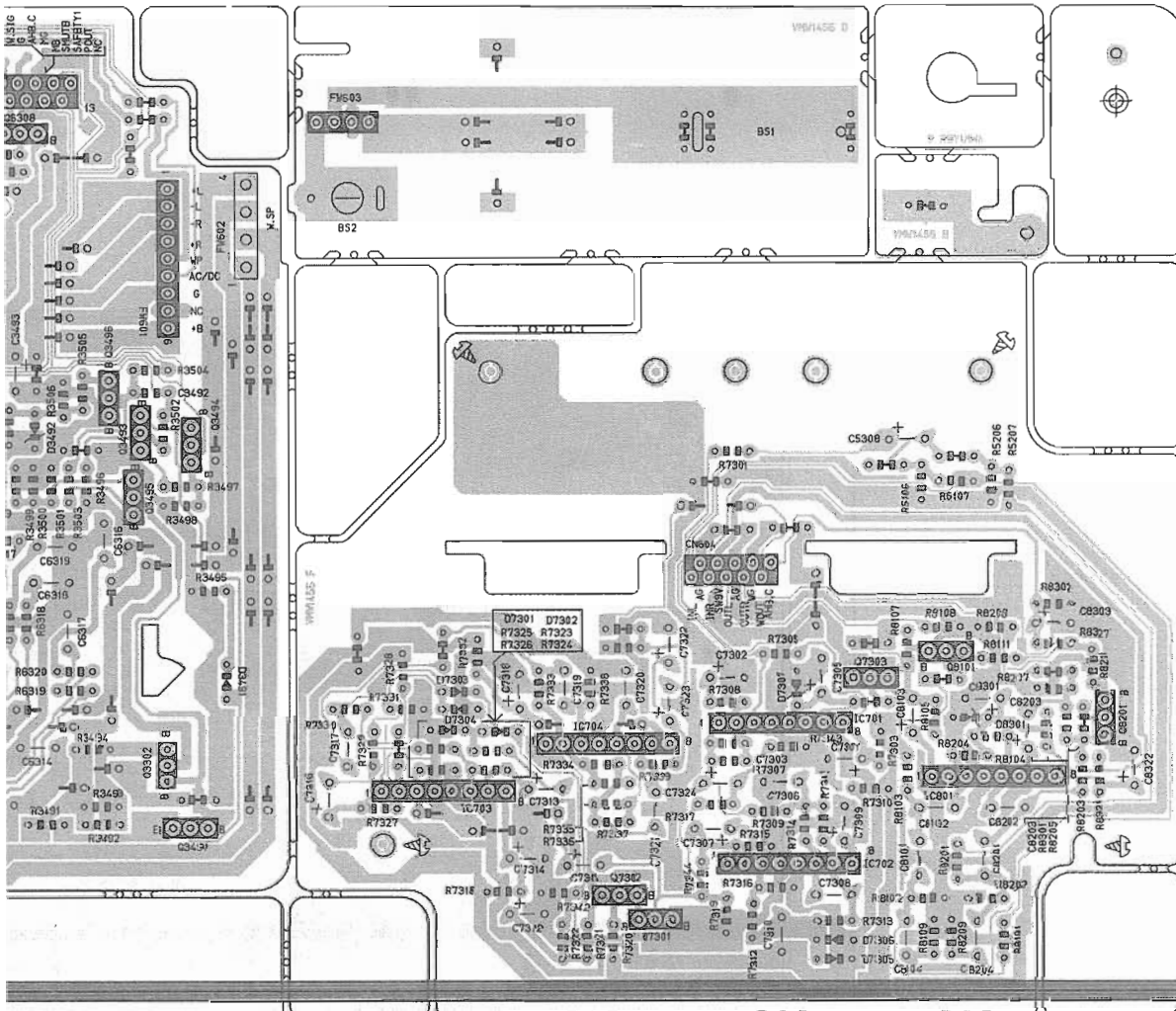
VMW1456c

Printed Circuit Boards

■ Main & Front Board

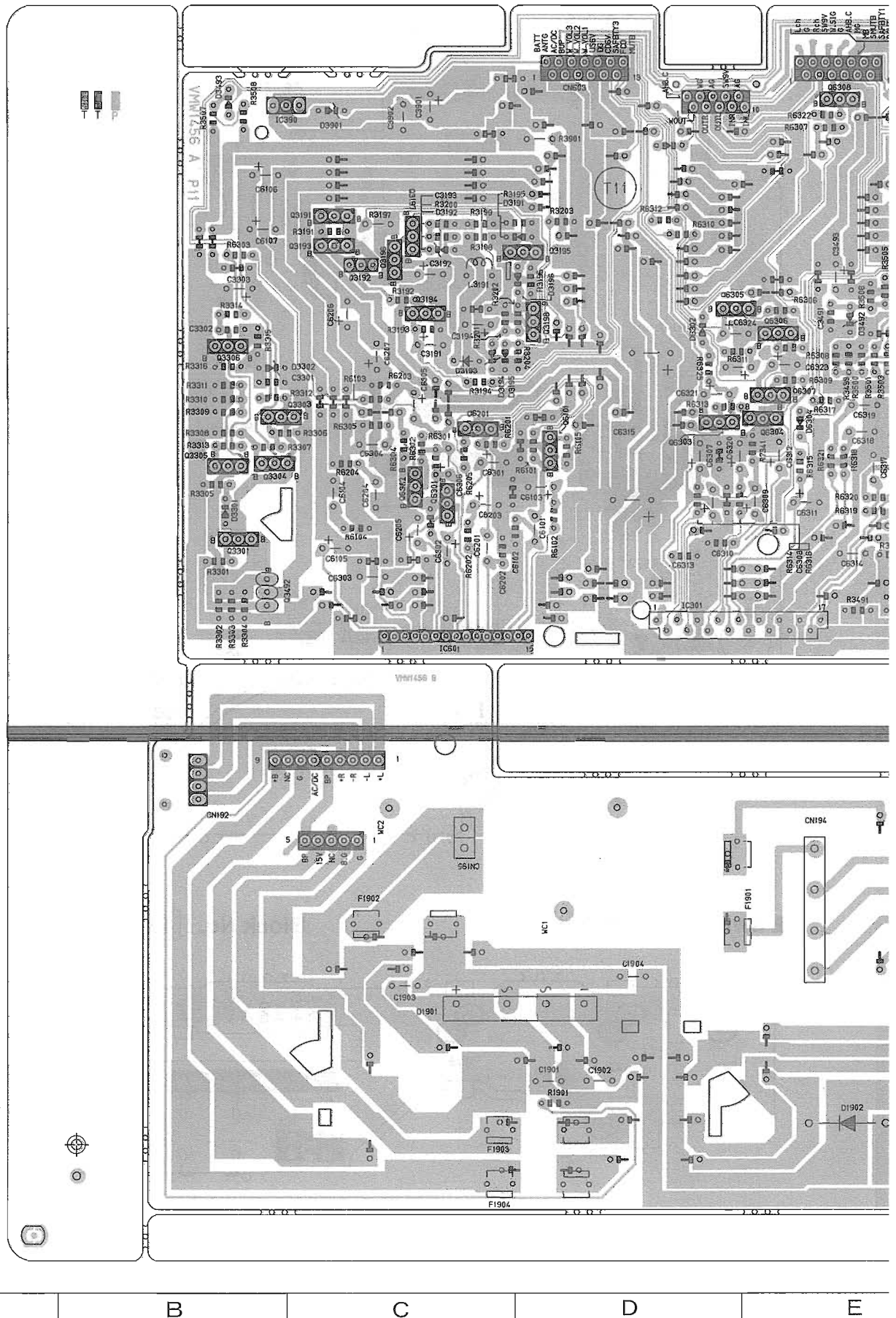


Block No. : 05



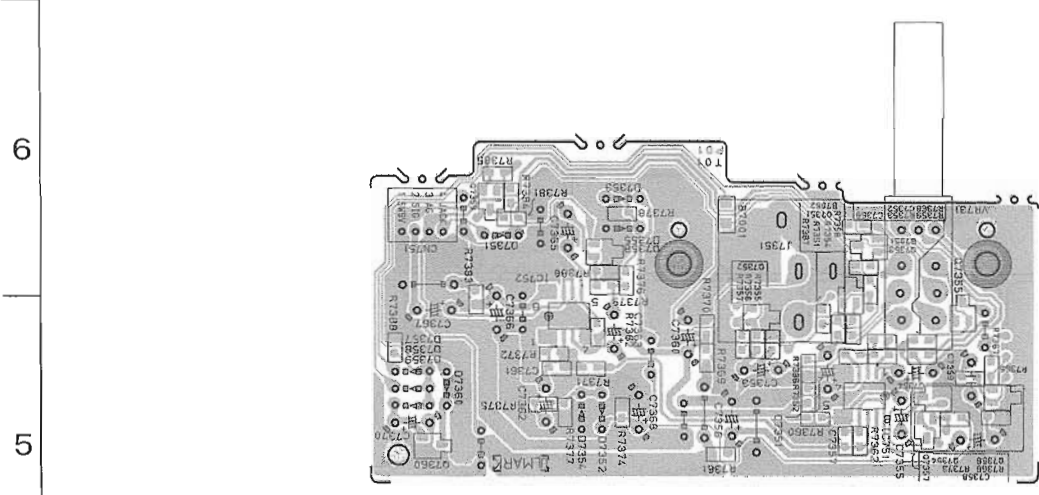
■ Tuner Board
(J version only)
:Block No. : 07

■ Power & Tuner & Power Amplifier Board (Other versions)



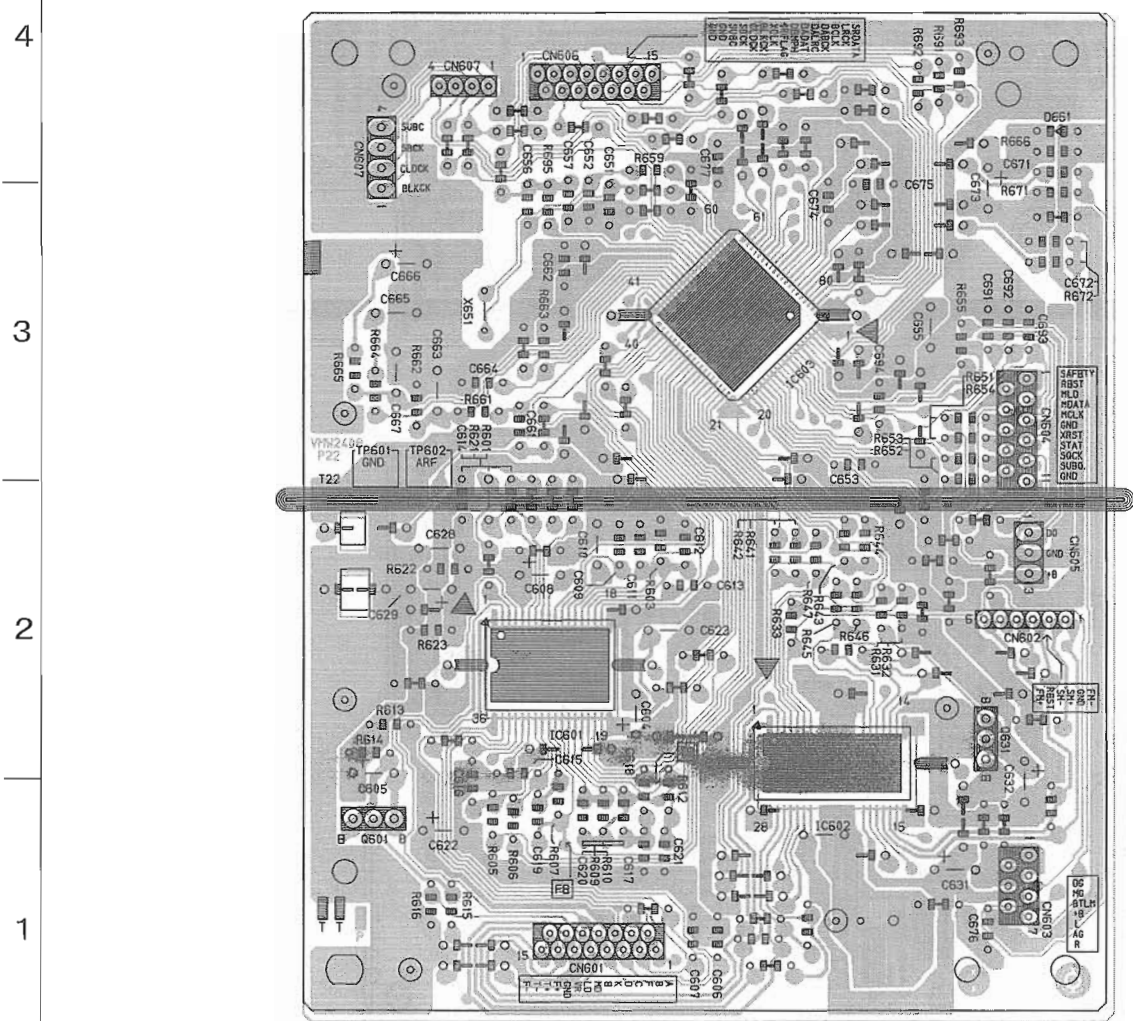
■ Jack Board

Block No. : 08 09 10



■ CD Servo Control Board

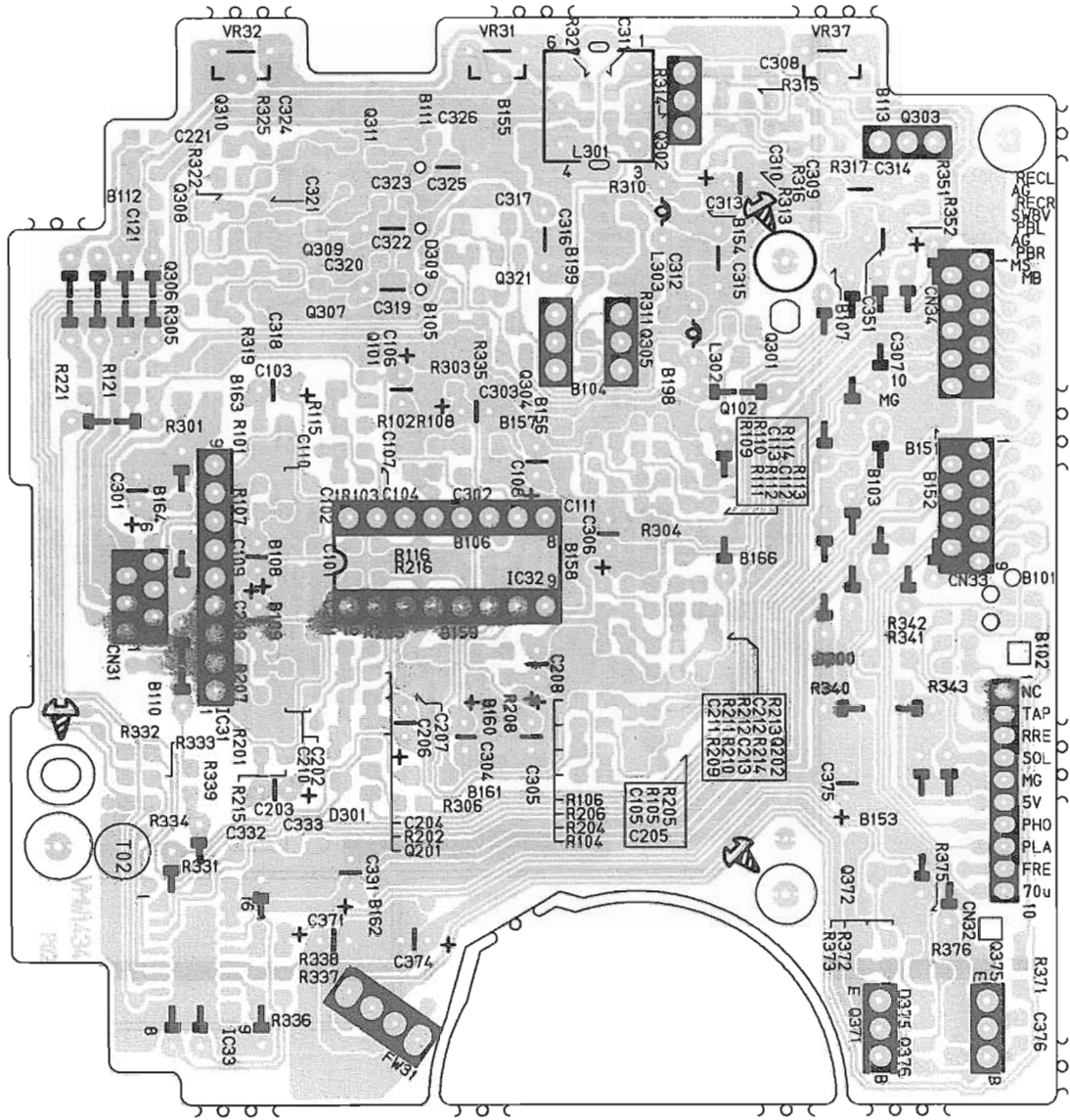
Block No. : 11



A B C D E

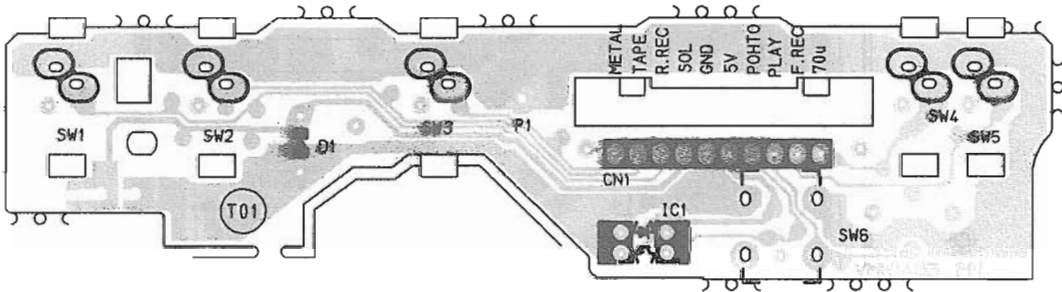
■ Cassette deck P. C. Board

Block No. : 12



■ Switch P. C. Board

Block No. : 13



E

F

G

H

I

PARTS LIST

[RV-B99BK
RV-B99GY
RV-B99BU]

* All printed circuit boards and its assemblies are not available as service parts.

<p style="text-align: center;">RV-B99BK</p> <p style="text-align: center;">Areas Suffix</p> <p>B ----- U.K. E ----- Continental Europe EN ----- Northern Europe EV ----- Eastern Europe EE ----- Russian Federation J ----- U.S.A. UB ----- Hong Kong US ----- Singapore UT ----- Taiwan UY ----- Argentina UX ----- Saudi Arabia U ----- Other Areas No marks indicates all areas.</p>	<p style="text-align: center;">RV-B99BU</p> <p style="text-align: center;">Areas Suffix</p> <p>B ----- U.K. E ----- Continental Europe EN ----- Northern Europe EE ----- Russian Federation UB ----- Hong Kong US ----- Singapore UT ----- Taiwan U ----- Other Areas No marks indicates all areas.</p>
	<p style="text-align: center;">RV-B99GY</p> <p style="text-align: center;">Areas Suffix</p> <p>J ----- U.S.A. No marks indicates all areas.</p>

- Contents -

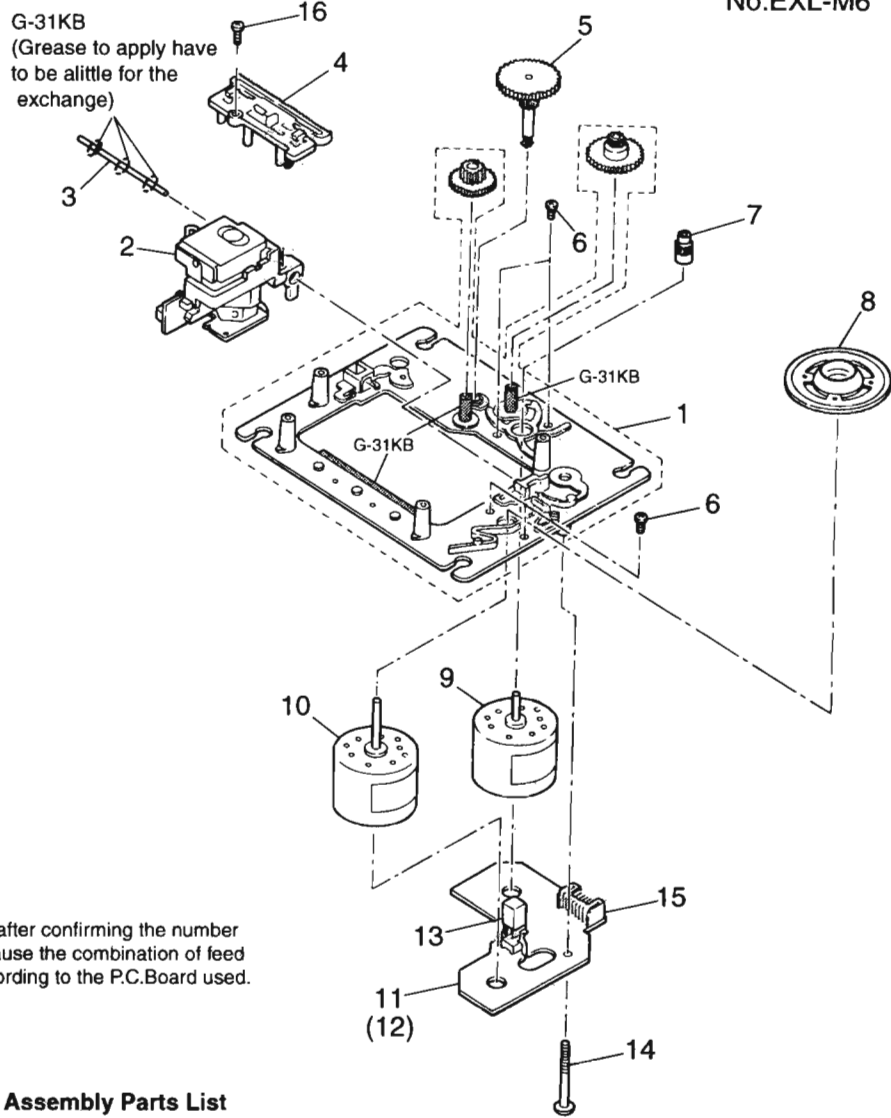
CD Mechanism Ass'y and Parts List	3-2
Cassette Mechanism Ass'y and Parts List	3-3
Exploded View of General Assembly and Parts List	3-4
Electrical Parts List	3-10
Packing Materials and Accessories Parts List	3-40

CD Mechanism Ass'y and Parts List

■ Grease Point

Block No. **M 2 M M**

No.EXL-M6



■ CD Mechanism Assembly Parts List

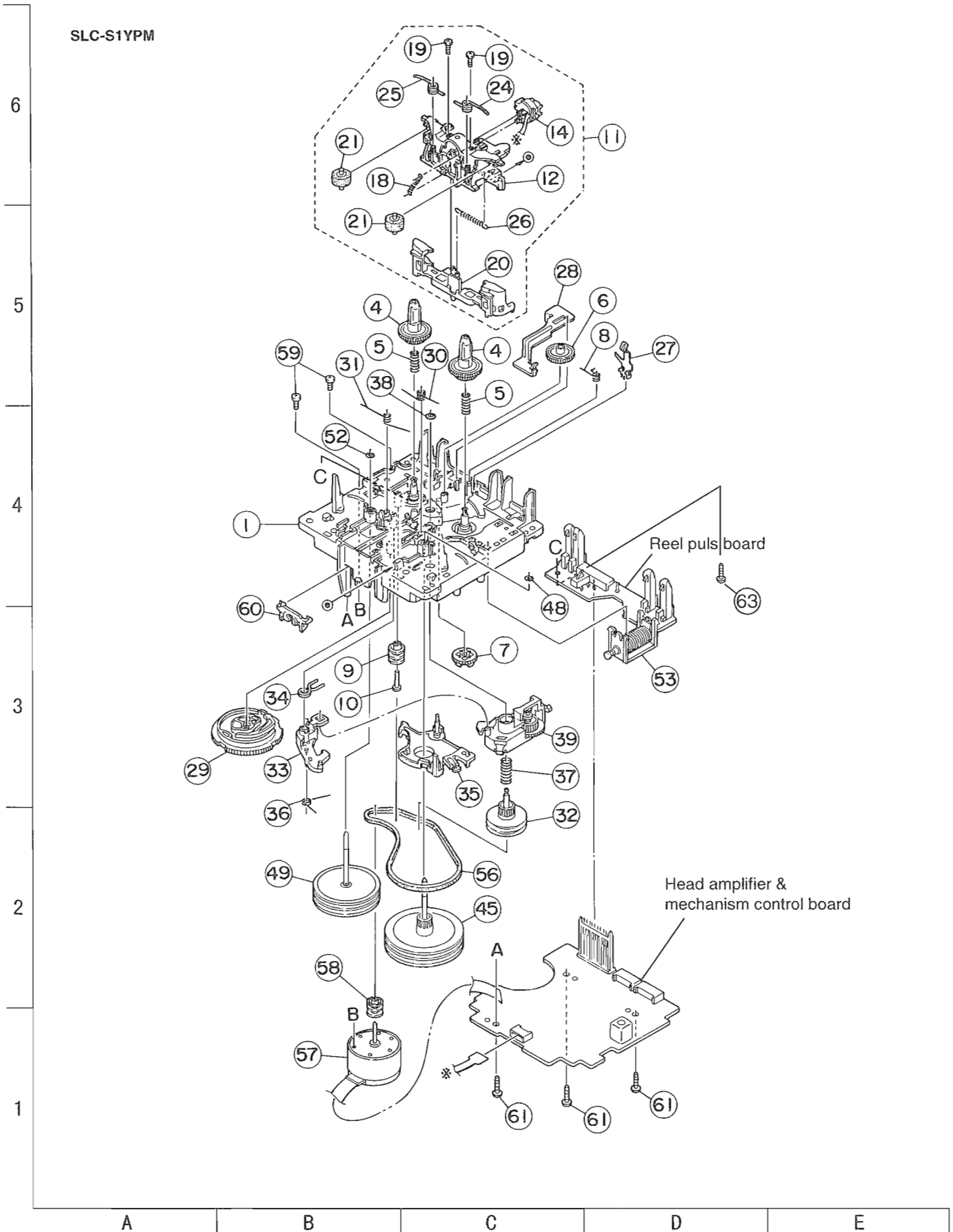
Item	Parts Number	Parts Name	Q'ty	Description	Area
1	EPB-002PK	MECHA. BASE ASSY	1		
2	OPTIMA-150S	OPTICAL PICK UP	1		
3	E407782-001	CD SHAFT	1		
4	E307746-001	CD RACK	1		
5	EPB-003A	MECHA GEAR	1		
6	SDSP2003N	SCREW	4		
7	E406750-001	PINION GEAR	1		
8	E75807-302	TURN TABLE	1	Use the 1CD	
	EPB309173A	TURN TABLE	1	Use the 3CD	
9	E406784-001	FEED MOTOR	1	Use the No.11 P.C.Board	
	MDN-4RA3ETA-1	FEED MOTOR	1	Use the No.12 P.C.Board	
10	E406783-001	SPINDLE MOTOR	1		
11	EMW10190-001(S)	P.C.BOARD	1		
12	EMW10190-221(S)	P.C.BOARD	1		
13	ESB1100-005	LEAF SWITCH	1		
14	E75832-001	SCREW	1		
15	EMV5109-006B	CONN. TERMINAL	1		
16	SDSF2006Z	SCREW	1		

A B C D E

Cassette Mechanism Ass'y and Parts List

Block No. M 3 M M

SLC-S1YPM



■ Parts List (Cassette Mechanism)

BLOCK NO.

△	REF.	PARTS NO.	PARTS NAME	REMARKS	QTY	SUFFIX	CLR
	1	VKS1165-00G	CHASSIS B.ASS'Y		1		
	4	VKS2274-002	REEL GEAR		2		
	5	VKW5286-002	B.T. SPRING		2		
	6	VKS5559-001	PLAY IDLE GEAR		1		
	7	VKS5597-00A	FR GEAR ASS'Y		1		
	8	VKW5296-001	EARTH SPRING		1		
	9	VKR4749-002	IDLE PULLEY		1		
	10	VKH5786-002	SHAFT		1		
	11	VKS2275-00C	HEAD MOUNT ASSY		1		
	12	VKS1167-001	HEAD MOUNT BASE		1		
	14	VGH0425-544	R/P&E HEAD	VKS2275-00B	1		
	18	VKW5302-001	HEAD SPRING		1		
	19	VKZ4730-001	SPECIAL SCREW		2		
	20	VKS2277-005	DIRECTION LEVER		1		
	21	VKP4233-00A	PINCH ROL. ASSY		2		
	24	VKW5299-002	PIN ROL.SP.(R)		1		
	25	VKW5300-002	PIN ROL.SP.(L)		1		
	26	VKW5285-001	RETURN SPRING		1		
	27	VKY3149-002	CASSETTE SP.		1		
	28	VKM3906-002	PLAY SW LEVER		1		
	29	VKS1166-003	CONTROL CAM		1		
	30	VKW5279-001	HEAD BASE SP(R)		1		
	31	VKW5280-001	HEAD BASE SP(L)		1		
	32	VKS5603-00D	MAIN PULLEY ASY		1		
	33	VKS3785-001MM	FR ARM		1		
	34	VKW5284-002	SWING SPRING		1		
	35	VKS2278-003	TRIGGER ARM		1		
	36	VKW5301-001	FR SPRING		1		
	37	VKW5266-001	ELEVATOR SPRING		1		
	38	WDL214025	WASHER		1		
	39	VKS3786-00G	CLUTCH ASS'Y		1		
	45	VKF3205-00B	F.WHEEL ASSY(R)		1		
	48	WDL183425	SLIT WASHER		1		
	49	VKF3207-00B	F.WHEEL ASSY(L)		1		
	52	WDL173525-6	SLIT WASHER		1		
	53	VKZ3174-00A	DC SOLENOID		1		
	56	VKB3000-181	CAPSTAN BELT		1		
	57	MSI-5U2LWA	D.C.MOTOR ASS'Y		1		
	58	VKR4761-001	MOTOR PULLEY		1		
	59	QYSPSP2604Z	SCREW		2		
	60	VKS5577-001	FPC HOLDER		1		
	61	QYSBSF2608Z	T.SCREW	FOR P.W.B.	3		
	63	QYSBSF2006Z	SCREW		1		

Exploded View of General Assembly and Parts List

