



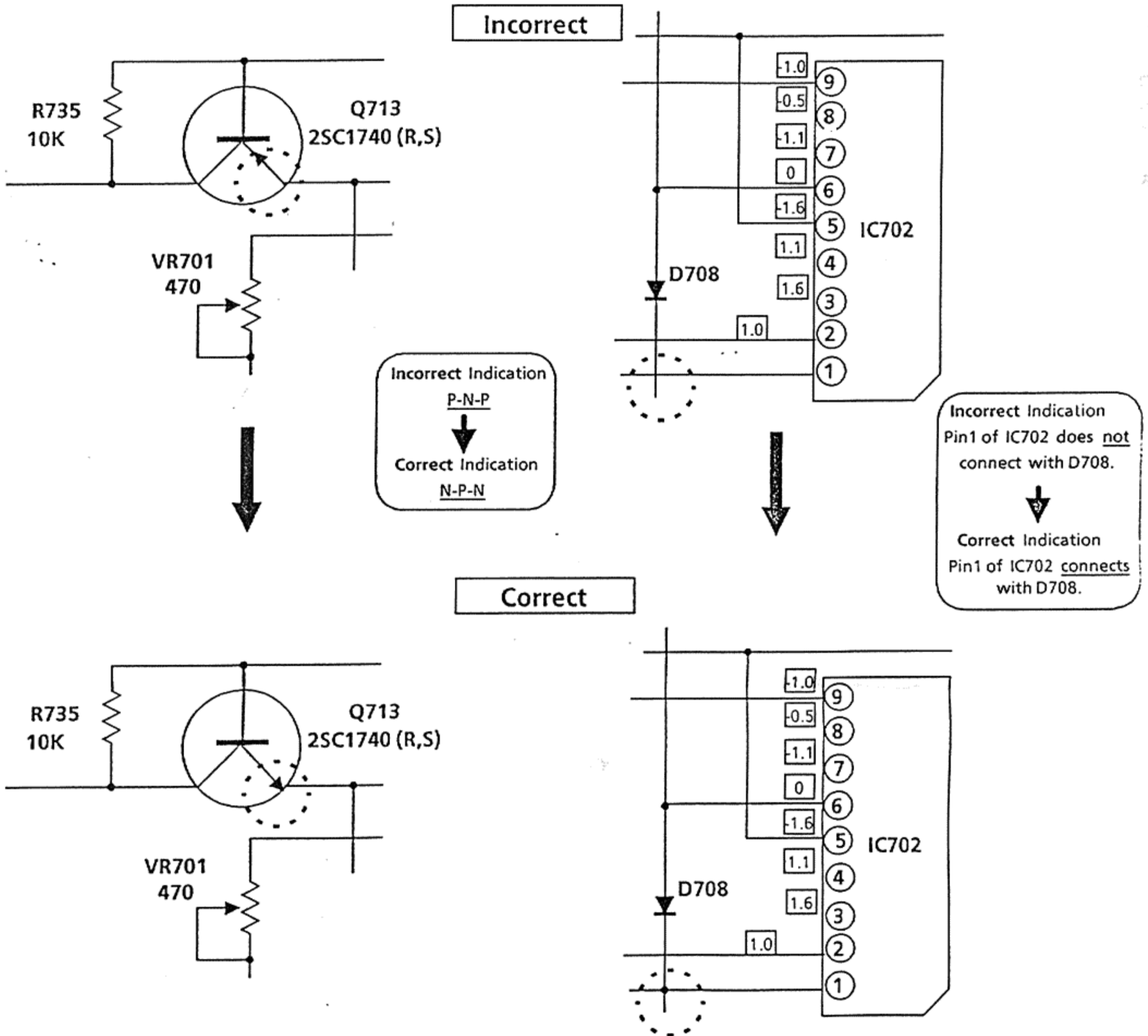
Manual Change Information

SUBJECT : Misprint in schematic diagram

DATE : 14 April 1989

■ The following items have been changed. Please note these in your service manual.

Model & Manual No.	Location	Reference Information	Affected serial No.
RX-1001VBK No.20057	Schematic Diagram (ENH-100-1)	EA-00-5036	#1~



ATTACHMENT

- | | | |
|--|---|---|
| <input checked="" type="checkbox"/> NONE | <input type="checkbox"/> EXPLODED VIEW | <input type="checkbox"/> ADJUSTMENT procedure |
| <input type="checkbox"/> SCHEMATIC DIAGRAM | <input type="checkbox"/> COMPONENT/PCB LAYOUT | <input type="checkbox"/> |

VICTOR COMPANY OF JAPAN, LIMITED

AUDIO PRODUCTS DIVISION, SERVICE ENGINEERING SECTION 2500

1644, Shimotsuruma, Yamato-shi, Kanagawa 242, Japan Fax: 0462-76-5226 Telephone: 0462-74-2121

