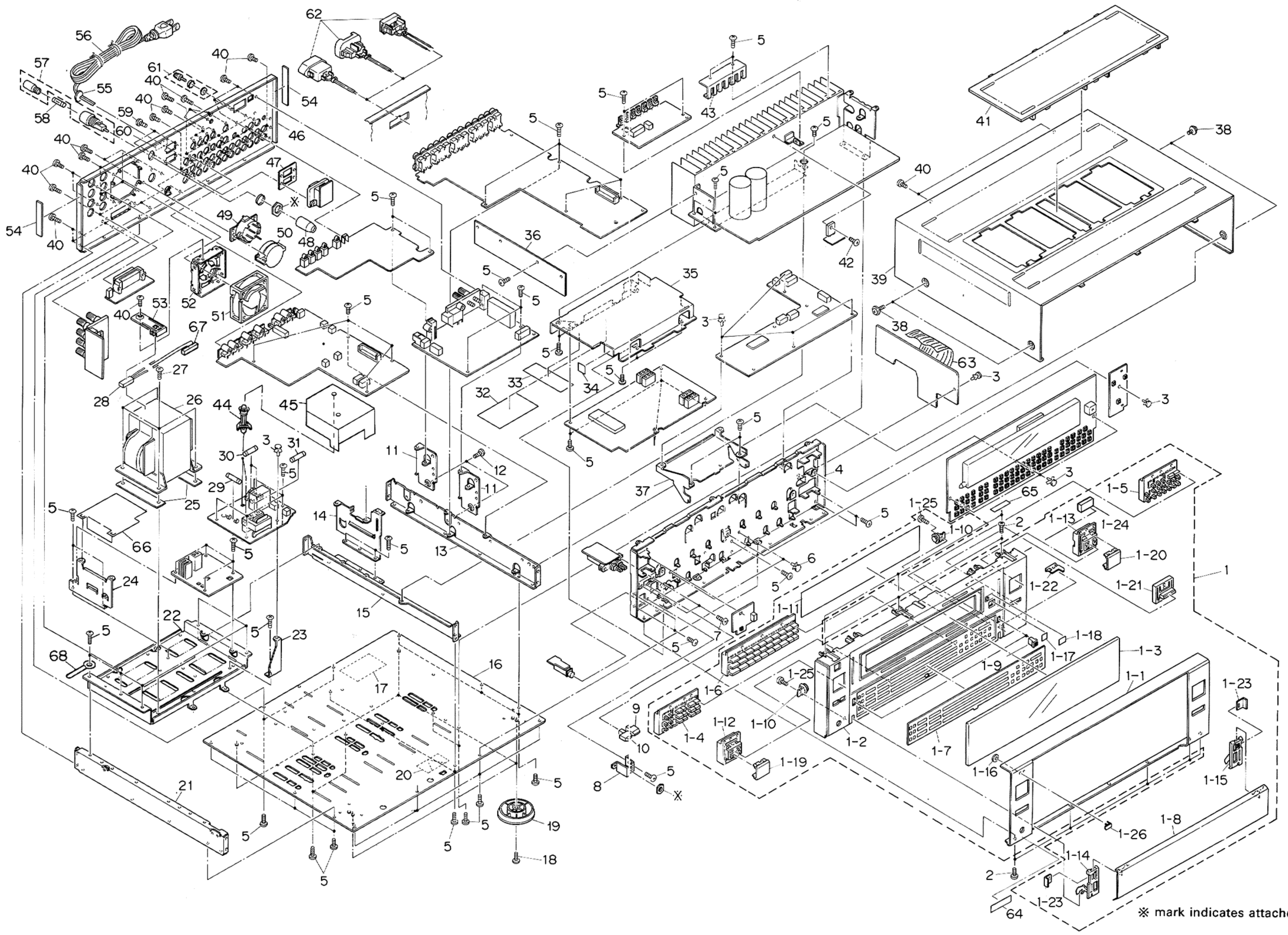


# PARTS LIST

## Contents

Exploded View and Parts List .....	2- 3
Printed Circuit Board Ass'y and Parts List .....	2- 7
■ ENH-134 □ Power Amplifier PC Board Ass'y .....	2- 7
■ ENA-089 □ Tuner PC Board Ass'y .....	2-12
■ END-057 □ Power Supply PC Board Ass'y .....	2-14
■ ENP-021 □ Surround / DAP PC Board Ass'y .....	2-16
■ ENF-055 □ Source Selector / SEA PC Board Ass'y .....	2-20
■ ENB-093 □ Display / Control PC Board Ass'y .....	2-24
■ ENH-071 □ Impedance Unit PC Board Ass'y .....	2-26
■ ENC-068 □ Video Signal / Volume Control PC Board Ass'y .....	2-28
Accessories List .....	2-31
Packing Materials and Part Numbers .....	2-32

# Exploded View and Parts List



## ■ Parts List

⚠	Item	Part Number	Part Name	Q'ty	Description	Areas
	1	EFP-RX1010VTNE	Front Panel Ass'y	1		
	1-1	E12058-001	Front Panel	1		
	1-2	E12060-001	Front Base	1		
	1-3	E26491-001	Window Screen	1		
	1-4	E26493-001	Push Button	1	SEA	
	1-5	E26494-001	Push Button	1	PRESET	
	1-6	E26495-001	Push Button	1	SOURCE	
	1-7	E26496-003	Switch Plate	1		
	1-8	E26498-001	Door	1		
	1-9	E305513-001	Magnet	2		
	1-10	E305654-004	Damper Ass'y	2		
	1-11	E306243-001	FL Screen	1		
	1-12	E306244-001	Button Base	1	Left	
	1-13	E306245-001	Button Base	1	Right	
	1-14	E306246-001	Hinge	1	Left	
	1-15	E306246-002	Hinge	1	Right	
	1-16	E60912-003	Speed Nut	1		
	1-17	E72436-006	Screen	1		
	1-18	E72437-006	Sheet	1		
	1-19	E75467-001	Button Cap	1	Left	
	1-20	E75467-002	Button Cap	1	Right	
	1-21	E75469-001	Push Button	1	MUTE	
	1-22	E75470-002	Earth Plate	1		
	1-23	E75474-001	Hinge Plate	2		
	1-24	E75756-001	Screen	1		
	1-25	SBSF3008Z	Screw	2		
	1-26	E72968-001	JVC Mark	1		
	2	E74304-001	Special Screw	5		
	3	E48729-008	Plastic Rivet	10		
	4	E12061-001	Front Bracket	1		
	5	SBSG3008CC	Screw	74		
	6	E48729-007	Plastic Rivet	3		
	7	SBST3006CC	Screw	2		
	8	E75471-001	Headphone Bracket	1		
	9	E75073-005	Push Button	1		
	10	E75073-004	Push Button	1		
	11	E75472-001	Stay Bracket	2		
	12	E74304-002	Special Screw	2		
	13	E306251-001	Side Bracket	1	Right	
	14	E306247-001	Circuit Board Bracket	1	(R)	
	15	E305166-002	Center Bracket	1		
	16	E11647-002	Bottom Plate	1		
	17	E74925-001	Dolby Sheet	1		
	18	GBST3008CC	Screw	4		
	19	E75088-015	Foot Ass'y	4		
	20	E70281-001	Caution Label	1		J
		E70115-002	Caution Label	1		A,E,G,BS
	21	E305167-002	Side Bracket	1	Left	
	22	E25914-001	Trans Bracket	1		
	23	E74547-001	Bracket	1		
	24	E305208-001	Circuit Board Bracket	1		
	25	E74978-001	Spacer	2		J,C
⚠	26	ETP1200-38JA	Power Transformer	1		J
⚠		ETP1200-38CA	Power Transformer	1		C
⚠		ETP1200-38FA	Power Transformer	1		U
⚠		ETP1200-38EA	Power Transformer	1		A,E
⚠		ETP1200-38EABS	Power Transformer	1		BS
⚠		ETP1200-38XA	Power Transformer	1		G
	27	E65389-006	Special Screw	4		
	28	T70AR1U1	Thermal Protect	1	S801	
⚠	29	QMF51A2-R10S	Fuse	1	F002	A,E,G,U
⚠		QMF51E2-R10SBS	Fuse	1	F002	BS
⚠	30	QMF51U1-8R0S	Fuse	1	F003,F004	J,C
⚠		QMF51A2-6R3S	Fuse	1	F003,F004	A,E,G,U
⚠		QMF51E2-6R3SBS	Fuse	1	F003,F004	BS

	Item	Part Number	Part Name	Q'ty	Description	Areas
	31	QMF51U1-6R3S	Fuse	1	F001	J,C
		QMF51A2-3R15S	Fuse	1	F001	A,E,G,U
		QMF51E2-3R15SBS	Fuse	1	F001	BS
	32	E74949-001	Shield Plate	1		
	33	E75045-001	Spacer	1		G
	34	E74404-002	Spacer	1		G
	35	E25915-001	Bracket	1		
	36	E74832-001	Protect Sheet	1		
	37	E306250-001	Shield Bracket	1		
	38	E61660-004	Special Screw	4		
	39	E12062-001	Metal Cover	1		J,C,A,G
		E12063-003	Metal Cover	1		E,U,BS
	40	SBSG3008M	Screw	36		Except G,U
		SBSG3008M	Screw	37		G
		SBSG3008M	Screw	38		U
	41	E24134-007	Grill	1		E,U,BS
	42	E73525-001	Screw	1		
	43	E74550-001	Leaf Spring	1		
	44	E302321-001	Fastener	2		Except J,C
	45	E306274-001	Primary Cover	1		Except J,C
	46	E26500-008	Rear Panel	1		J,C
		E26500-009	Rear Panel	1		U
		E26500-010	Rear Panel	1		E
		E26500-011	Rear Panel	1		A,BS
		E26500-012	Rear Panel	1		G
	47	E69589-008	Spacer	1		J
	48	E69291-001	Fuse Cover	1		E,U
	49	QSR0085-009	Voltage Selector	1		U
	50	E302764-001	Voltage Selector Cover	1		U
	51	MMF-06C24DL-RA1	DC Fan Motor	1		
	52	E306248-002	Fan Plate	1		
	53	E75473-002	Bracket	1		Except U
		E75473-003	Bracket	1		U
	54	EXO085010R10S	Spacer	2		
	55	QHS3876-162	Cord Stopper	1		Except BS
	56	QHS3876-162BS	Cord Stopper	1		BS
		QMP1D00-200H	Power Cord	1		J,C
		QMP7520-200	Power Cord	1		U
		QMP3900-200	Power Cord	1		E
		QMP2560-244	Power Cord	1		A
	57	QMP9017-008BS	Power Cord	1		BS
		QMP39A0-200	Power Cord	1		G
	58	QMG0301-003	Fuse Holder	1		E,U
		QMF51A2-3R15S	Fuse	1		U
		QMF51A2-1R25S	Fuse	1		E
	59	SDSG3008M	Screw	3		Except J,C,U
		SDSG3008M	Screw	5		J,C,U
	60	E67199-001	Caution Label	1		J
		E65507-001	Caution Label	1		C
	61	E70078-001	GND Terminal	1		
	62	EMC0236-001	AC Socket	1		E,G
		EMC0233-001	AC Outlet	1		A
		EMC0237-001BS	AC Outlet	1		BS
		EWR1YE-32PP	Flat Wire	1	FW441	
	63	E49267-001	Origin Making Label	1		BS
	64					
	65	EXO028008H02S	Spacer	3		
	66	E306410-001	Protect Cover	1		Except J,C
	67	EWS102-005	Socket Wire Ass'y	1		
	68	PU49485-1	Clamper	1		

Safety Parts

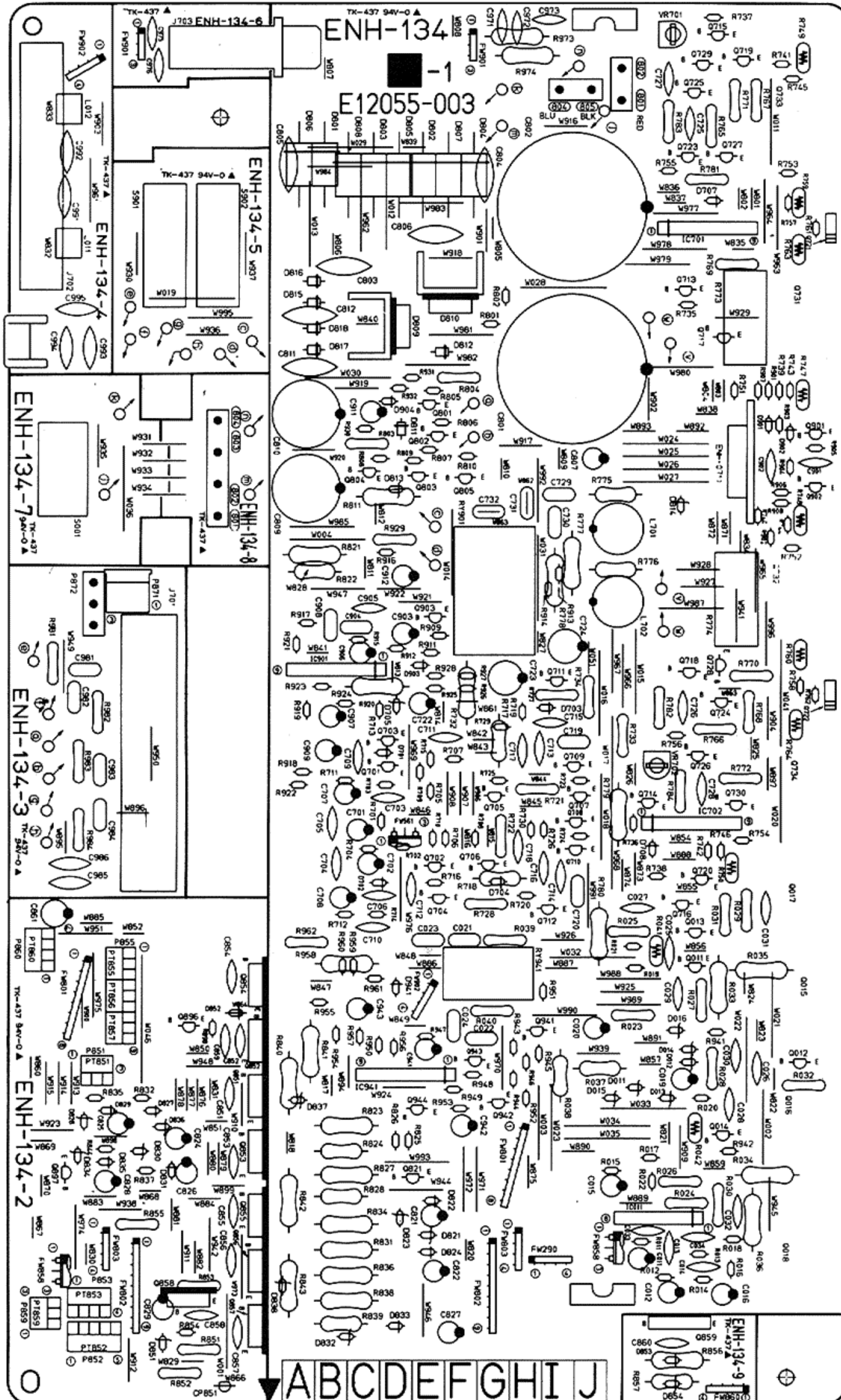
**The Marks for Designated Areas**

J.....the U.S.A.      G.....West Germany  
C.....Canada      BS.....the U.K.  
A.....Australia      U.....Other Countries  
E.....Europe      **No mark indicates all areas.**

# Printed Circuit Board Ass'y and Parts List

■ ENH-134 □ Power Amplifier PC Board Ass'y

Note : ENH-134 □ varies according to the areas employed. See note (1) when placing an order.



Note (1)

PC Board Ass'y	Designated Areas
ENH-134 [A]	the U.S.A.
ENH-134 [B]	Canada
ENH-134 [C]	Other Countries
ENH-134 [D]	Australia, Europe
ENH-134 [E]	the U.K.
ENH-134 [F]	West Germany

TRANSISTOR

Δ ITEM	PART NUMBER	DESCRIPTION	AREA
Q011	2SC2235(O,Y)	SILICON TOSHIBA	
Q012	2SC2235(O,Y)	SILICON TOSHIBA	
Q013	2SA965(O,Y)	SILICON TOSHIBA	
Q014	2SA965(O,Y)	SILICON TOSHIBA	
Q015	2SC3854LC(P,Y)	SILICON SANKEN	
Q016	2SC3854LC(P,Y)	SILICON SANKEN	
Q017	2SA1490LC(P,Y)	SILICON SANKEN	
Q018	2SA1490LC(P,Y)	SILICON SANKEN	
Q701	2SC2240(A,B)	SILICON TOSHIBA	
Q702	2SC2240(A,B)	SILICON TOSHIBA	
Q703	2SC2240(A,B)	SILICON TOSHIBA	
Q704	2SC2240(A,B)	SILICON TOSHIBA	
Q705	2SA1038(S,E)	SILICON ROHM	
Q706	2SA1038(S,E)	SILICON ROHM	
Q707	2SA933LN(R,S)	SILICON ROHM	
Q708	2SA933LN(R,S)	SILICON ROHM	
Q709	2SA1038(S,E)	SILICON ROHM	
Q710	2SA1038(S,E)	SILICON ROHM	
Q711	2SC2389(S,E)	SILICON ROHM	
Q712	2SC2389(S,E)	SILICON ROHM	
Q713	2SC1740(R,S)	SILICON ROHM	
Q714	2SC1740(R,S)	SILICON ROHM	
Q715	2SA933LN(R,S)	SILICON ROHM	
Q716	2SA933LN(R,S)	SILICON ROHM	
Q717	2SC2389(S,E)	SILICON ROHM	
Q718	2SC2389(S,E)	SILICON ROHM	
Q719	2SA1038(S,E)	SILICON ROHM	
Q720	2SA1038(S,E)	SILICON ROHM	
Q721	2SD636(Q,R)	SILICON MATSUSHITA	
Q722	2SD636(Q,R)	SILICON MATSUSHITA	
Q723	2SC2389(S)	SILICON ROHM	
Q724	2SC2389(S)	SILICON ROHM	
Q725	2SA1038(S)	SILICON ROHM	
Q726	2SA1038(S)	SILICON ROHM	
Q727	2SD669A(B,C)	SILICON HITACHI	
Q728	2SD669A(B,C)	SILICON HITACHI	
Q729	2SB649A(B,C)	SILICON HITACHI	
Q730	2SB649A(B,C)	SILICON HITACHI	
Q731	2SC3858LF(Y,P)	SILICON SANKEN	
Q732	2SC3858LF(Y,P)	SILICON SANKEN	
Q733	2SA1494LF(Y,P)	SILICON SANKEN	
Q734	2SA1494LF(Y,P)	SILICON SANKEN	
Q801	2SA1038(S,E)	SILICON ROHM	
Q802	2SC2389(S,E)	SILICON ROHM	
Q803	2SA1038(S,E)	SILICON ROHM	
Q804	2SC2389(S,E)	SILICON ROHM	
Q805	2SC2389(S,E)	SILICON ROHM	
Q821	2SA933LN(R,S)	SILICON ROHM	
Q851	2SD1666(R,S)	SILICON SANYO	
Q852	2SB1133(R,S)	SILICON SANYO	
Q853	2SD1944(J,K)	SILICON ROHM	
Q854	2SD1944(J,K)	SILICON ROHM	
Q855	2SD1944(J,K)	SILICON ROHM	
Q856	2SB1133(R,S)	SILICON SANYO	
Q857	2SD1944(J,K)	SILICON ROHM	
Q858	2SD1266(P,Q)	SILICON MATSUSHITA	
Q859	2SC3853V(O,Y)	SILICON SANKEN	
Q896	DTC114YS	SILICON ROHM	
Q897	DTC114YS	SILICON ROHM	
Q901	2SC2389(S,E)	SILICON ROHM	
Q902	2SC2389(S,E)	SILICON ROHM	
Q903	2SA1038(S,E)	SILICON ROHM	
Q941	2SC2389(S,E)	SILICON ROHM	
Q942	2SC2389(S,E)	SILICON ROHM	
Q943	2SA1038(S,E)	SILICON ROHM	
Q944	DTC143TS	SILICON ROHM	

Δ SAFETY PARTS

I. C. S.

Δ ITEM	PART NUMBER	DESCRIPTION	AREA
IC011	M5209L	I.C. MITSUBISHI	
IC701	VC5022-2	I.C. SANYO	
IC702	VC5022-2	I.C. SANYO	
IC901	TA7317P	I.C. TOSHIBA	
IC941	TA7317P	I.C. TOSHIBA	

Δ SAFETY PARTS

DIODES

Δ ITEM	PART NUMBER	DESCRIPTION	AREA
D011	RD6.8JSB3	ZENER NEC	
D012	RD6.8JSB3	ZENER NEC	
D013	RD6.8JSB3	ZENER NEC	
D014	RD6.8JSB3	ZENER NEC	
D015	RD6.2JSB3	ZENER NEC	
D016	RD6.2JSB3	ZENER NEC	
D701	1SS133	SILICON ROHM	
D702	1SS133	SILICON ROHM	
D703	1SS133	SILICON ROHM	
D704	1SS133	SILICON ROHM	
D705	MTZ18JC	ZENER ROHM	
D707	1SS133	SILICON ROHM	
D708	1SS133	SILICON ROHM	
D801	30DL2FC	SILICON NIHONINTER	A
D801	30DL2FC	SILICON NIHONINTER	B
D801	30DF2SFC	SILICON NIHONINTER	C
D801	30DF2SFC	SILICON NIHONINTER	D
D801	30DF2SFC	SILICON NIHONINTER	E
D801	30DF2SFC	SILICON NIHONINTER	F
D802	30DL2FC	SILICON NIHONINTER	A
D802	30DL2FC	SILICON NIHONINTER	B
D802	30DF2SFC	SILICON NIHONINTER	C
D802	30DF2SFC	SILICON NIHONINTER	D
D802	30DF2SFC	SILICON NIHONINTER	E
D802	30DF2SFC	SILICON NIHONINTER	F
D803	30DL2FC	SILICON NIHONINTER	A
D803	30DL2FC	SILICON NIHONINTER	B
D803	30DF2SFC	SILICON NIHONINTER	C
D803	30DF2SFC	SILICON NIHONINTER	D
D803	30DF2SFC	SILICON NIHONINTER	E
D803	30DF2SFC	SILICON NIHONINTER	F
D804	30DL2FC	SILICON NIHONINTER	A
D804	30DL2FC	SILICON NIHONINTER	B
D804	30DF2SFC	SILICON NIHONINTER	C
D804	30DF2SFC	SILICON NIHONINTER	D
D804	30DF2SFC	SILICON NIHONINTER	E
D804	30DF2SFC	SILICON NIHONINTER	F
D805	30DL2FC	SILICON NIHONINTER	A
D805	30DL2FC	SILICON NIHONINTER	B
D805	30DF2SFC	SILICON NIHONINTER	C
D805	30DF2SFC	SILICON NIHONINTER	D
D805	30DF2SFC	SILICON NIHONINTER	E
D805	30DF2SFC	SILICON NIHONINTER	F
D806	30DL2FC	SILICON NIHONINTER	A
D806	30DL2FC	SILICON NIHONINTER	B
D806	30DF2SFC	SILICON NIHONINTER	C
D806	30DF2SFC	SILICON NIHONINTER	D
D806	30DF2SFC	SILICON NIHONINTER	E
D806	30DF2SFC	SILICON NIHONINTER	F
D807	30DL2FC	SILICON NIHONINTER	A
D807	30DL2FC	SILICON NIHONINTER	B
D807	30DF2SFC	SILICON NIHONINTER	C
D807	30DF2SFC	SILICON NIHONINTER	D
D807	30DF2SFC	SILICON NIHONINTER	E
D807	30DF2SFC	SILICON NIHONINTER	F
D808	30DL2FC	SILICON NIHONINTER	A
D808	30DL2FC	SILICON NIHONINTER	B
D808	30DF2SFC	SILICON NIHONINTER	C
D808	30DF2SFC	SILICON NIHONINTER	D
D808	30DF2SFC	SILICON NIHONINTER	E
D808	30DF2SFC	SILICON NIHONINTER	F
D809	SF8041	THYRISTOR TOSHIBA	
D810	SF8041	THYRISTOR TOSHIBA	
Δ D811	ERA15-02L19	SILICON KYOUDOU	
Δ D812	ERA15-02L19	SILICON KYOUDOU	
D813	MTZ2.7JB	ZENER ROHM	
D814	MTZ6.2JC	ZENER ROHM	
D815	EMO1ZW	SI.DIODE SANKEN	A
D815	EMO1ZW	SI.DIODE SANKEN	B
Δ D815	ERA15-02L19	SILICON KYOUDOU	C
Δ D815	ERA15-02L19	SILICON KYOUDOU	D
Δ D815	ERA15-02L19	SILICON KYOUDOU	E
Δ D815	ERA15-02L19	SILICON KYOUDOU	F
D816	EMO1ZW	SI.DIODE SANKEN	A
D816	EMO1ZW	SI.DIODE SANKEN	B
Δ D816	ERA15-02L19	SILICON KYOUDOU	C
Δ D816	ERA15-02L19	SILICON KYOUDOU	D
Δ D816	ERA15-02L19	SILICON KYOUDOU	E
Δ D816	ERA15-02L19	SILICON KYOUDOU	F
D817	EMO1ZW	SI.DIODE SANKEN	A

DIODES

Δ	ITEM	PART NUMBER	DESCRIPTION	AREA
	D817	EM01ZW	SI. DIODE SANKEN	B
Δ	D817	ERA15-02L19	SILICON KYOUDOU	C
Δ	D817	ERA15-02L19	SILICON KYOUDOU	D
Δ	D817	ERA15-02L19	SILICON KYOUDOU	E
Δ	D817	ERA15-02L19	SILICON KYOUDOU	F
	D818	EM01ZW	SI. DIODE SANKEN	A
	D818	EM01ZW	SI. DIODE SANKEN	B
Δ	D818	ERA15-02L19	SILICON KYOUDOU	C
Δ	D818	ERA15-02L19	SILICON KYOUDOU	D
Δ	D818	ERA15-02L19	SILICON KYOUDOU	E
Δ	D818	ERA15-02L19	SILICON KYOUDOU	F
	D821	MTZ16JC	ZENER ROHM	
	D822	1SS133	SILICON ROHM	
	D823	MTZ16JC	ZENER ROHM	
	D824	1SS133	SILICON ROHM	
	D827	1SS133	SILICON ROHM	
	D828	MTZ18JC	ZENER ROHM	
	D829	1SS133	SILICON ROHM	
	D830	MTZ18JC	ZENER ROHM	
	D831	1SS133	SILICON ROHM	
	D832	MTZ16JC	ZENER ROHM	
	D833	1SS133	SILICON ROHM	
	D834	MTZ6.2JC	ZENER ROHM	
	D835	1SS133	SILICON ROHM	
	D836	MTZ15JC	ZENER ROHM	
	D837	MTZ15JC	ZENER ROHM	C
	D837	MTZ12JC	ZENER ROHM	D
	D837	MTZ12JC	ZENER ROHM	E
	D837	MTZ12JC	ZENER ROHM	F
	D838	MTZ15JC	ZENER ROHM	C
	D838	MTZ12JC	ZENER ROHM	D
	D838	MTZ12JC	ZENER ROHM	E
	D838	MTZ12JC	ZENER ROHM	F
	D851	RD6.2JSB3	ZENER NEC	
	D852	1SS133	SILICON ROHM	C
	D852	1SS133	SILICON ROHM	D
	D852	1SS133	SILICON ROHM	E
	D852	1SS133	SILICON ROHM	F
	D853	1SS133	SILICON ROHM	
	D854	MTZ20JC	ZENER ROHM	
	D901	1SS133	SILICON ROHM	
	D902	1SS133	SILICON ROHM	
	D903	1SS133	SILICON ROHM	
	D904	1SS133	SILICON ROHM	
	D941	1SS133	SILICON ROHM	

Δ (S) SAFETY PARTS

CAPACITORS

Δ	ITEM	PART NUMBER	DESCRIPTION	AREA
	C011	QETB1HM-475	4.7MF 50V ELECTRO	
	C012	QETB1HM-475	4.7MF 50V ELECTRO	
	C013	QCS21HJ-101	100PF 50V CERAMIC	
	C014	QCS21HJ-101	100PF 50V CERAMIC	
	C015	QETB1AM-107	100MF 10V ELECTRO	
	C016	QETB1AM-107	100MF 10V ELECTRO	
	C019	QEH81HM-226	22MF 50V ELECTRO	
	C020	QEH81HM-226	22MF 50V ELECTRO	
	C021	QFN81HK-223	0.022MF 50V MYLAR	
	C022	QFN81HK-223	0.022MF 50V MYLAR	
	C023	QFN81HK-223	0.022MF 50V MYLAR	
	C024	QFN81HK-223	0.022MF 50V MYLAR	
	C025	QCS21HJ-151	150PF 50V CERAMIC	
	C026	QCS21HJ-151	150PF 50V CERAMIC	
	C027	QCS21HJ-151	150PF 50V CERAMIC	
	C028	QCS21HJ-151	150PF 50V CERAMIC	
	C029	QCY21HK-272	2700PF 50V CERAMIC	
	C030	QCY21HK-272	2700PF 50V CERAMIC	
	C031	QCY21HK-272	2700PF 50V CERAMIC	
	C032	QCY21HK-272	2700PF 50V CERAMIC	
	C033	QCS21HJ-270	27PF 50V CERAMIC	F
	C034	QCS21HJ-270	27PF 50V CERAMIC	F
	C701	EEZ5003-106	10MF ELECTRO	
	C702	EEZ5003-106	10MF ELECTRO	
	C703	QCS21HJ-271	270PF 50V CERAMIC	
	C704	QCS21HJ-271	270PF 50V CERAMIC	
	C705	QCS21HJ-101	100PF 50V CERAMIC	
	C706	QCS21HJ-101	100PF 50V CERAMIC	
	C707	QETB1CM-107	100MF 16V ELECTRO	
	C708	QETB1CM-107	100MF 16V ELECTRO	
	C709	QCS21HJ-5R0	5PF 50V CERAMIC	
	C710	QCS21HJ-5R0	5PF 50V CERAMIC	
	C711	QCY21HK-332	3300PF 50V CERAMIC	
	C712	QCY21HK-332	3300PF 50V CERAMIC	
	C713	QCS21HJ-680	68PF 50V CERAMIC	
	C714	QCS21HJ-680	68PF 50V CERAMIC	
	C715	QCS21HJ-680	68PF 50V CERAMIC	
	C716	QCS21HJ-680	68PF 50V CERAMIC	
	C717	QCS21HJ-220	22PF 50V CERAMIC	
	C718	QCS21HJ-220	22PF 50V CERAMIC	

CAPACITORS

Δ	ITEM	PART NUMBER	DESCRIPTION	AREA
	C719	QFN81HK-472	4700PF 50V MYLAR	
	C720	QFN81HK-472	4700PF 50V MYLAR	
	C722	QETB1EM-106	10MF 25V ELECTRO	
	C723	QEH82AM-476	47MF 100V ELECTRO	
	C724	QEH82AM-476	47MF 100V ELECTRO	
	C725	QCS32HJ-470	47PF 500V CERAMIC	
	C726	QCS32HJ-470	47PF 500V CERAMIC	
	C727	QCS32HJ-470	47PF 500V CERAMIC	
	C728	QCS32HJ-470	47PF 500V CERAMIC	
	C729	QFN81HK-223	0.022MF 50V MYLAR	A
	C729	QFN81HK-473	0.047MF 50V MYLAR	B
	C729	QFN81HK-473	0.047MF 50V MYLAR	C
	C729	QFN81HK-473	0.047MF 50V MYLAR	D
	C729	QFN81HK-473	0.047MF 50V MYLAR	E
	C729	QFN81HK-473	0.047MF 50V MYLAR	F
	C730	QFN81HK-223	0.022MF 50V MYLAR	A
	C730	QFN81HK-473	0.047MF 50V MYLAR	B
	C730	QFN81HK-473	0.047MF 50V MYLAR	C
	C730	QFN81HK-473	0.047MF 50V MYLAR	D
	C730	QFN81HK-473	0.047MF 50V MYLAR	E
	C730	QFN81HK-473	0.047MF 50V MYLAR	F
	C731	QFN81HK-473	0.047MF 50V MYLAR	B
	C731	QFN81HK-473	0.047MF 50V MYLAR	C
	C731	QFN81HK-473	0.047MF 50V MYLAR	D
	C731	QFN81HK-473	0.047MF 50V MYLAR	E
	C731	QFN81HK-473	0.047MF 50V MYLAR	F
	C732	QFN81HK-473	0.047MF 50V MYLAR	B
	C732	QFN81HK-473	0.047MF 50V MYLAR	C
	C732	QFN81HK-473	0.047MF 50V MYLAR	D
	C732	QFN81HK-473	0.047MF 50V MYLAR	E
	C732	QFN81HK-473	0.047MF 50V MYLAR	F
	C801	EEW7501-129	12000MF 75V ELECTRO	
	C802	EEW7501-129	12000MF 75V ELECTRO	
	C803	QCE22HP-103	0.01MF 500V CERAMIC	
	C804	QCE22HP-103	0.01MF 500V CERAMIC	
	C805	QCE22HP-103	0.01MF 500V CERAMIC	
	C806	QCE22HP-103	0.01MF 500V CERAMIC	
	C807	QETB1HM-226	22MF 50V ELECTRO	
	C809	QETB1HM-108	1000MF 50V ELECTRO	
	C810	QETB1HM-108	1000MF 50V ELECTRO	
	C811	QCE22HP-103	0.01MF 500V CERAMIC	
	C812	QCE22HP-103	0.01MF 500V CERAMIC	
	C813	QFN82CK-104	0.1MF 160V MYLAR	F
	C814	QFN82CK-104	0.1MF 160V MYLAR	F
	C821	QETB1EM-107	100MF 25V ELECTRO	
	C822	QETB1EM-107	100MF 25V ELECTRO	
	C824	QETB1EM-476	47MF 25V ELECTRO	
	C825	QETB1EM-226	22MF 25V ELECTRO	
	C826	QETB1EM-226	22MF 25V ELECTRO	
	C827	QETB1EM-107	100MF 25V ELECTRO	
	C828	QETB1EM-226	22MF 25V ELECTRO	
	C829	QETB1EM-106	10MF 25V ELECTRO	
	C851	QCF21HP-472	4700PF 50V CERAMIC	
	C852	QCF21HP-472	4700PF 50V CERAMIC	
	C853	QCF21HP-472	4700PF 50V CERAMIC	
	C854	QCF21HP-472	4700PF 50V CERAMIC	
	C855	QCF21HP-472	4700PF 50V CERAMIC	
	C856	QCF21HP-472	4700PF 50V CERAMIC	
	C857	QCF21HP-472	4700PF 50V CERAMIC	
	C858	QCF21HP-103	0.01MF 50V CERAMIC	
	C859	QCF21HP-472	4700PF 50V CERAMIC	
	C860	QCF21HP-472	4700PF 50V CERAMIC	
	C861	QETB1EM-107	100MF 25V ELECTRO	
	C901	QCF21HP-223	0.022MF 50V CERAMIC	
	C902	QCF21HP-223	0.022MF 50V CERAMIC	
	C903	QETB1EM-226	22MF 25V ELECTRO	
	C904	QCF21HP-103	0.01MF 50V CERAMIC	
	C905	QCY21HK-102	1000PF 50V CERAMIC	
	C906	QETB1AM-476	47MF 10V ELECTRO	
	C907	QETB1HM-474	0.47MF 50V ELECTRO	
	C908	QFN81HK-153	0.015MF 50V MYLAR	
	C909	QETB1CM-226	22MF 16V ELECTRO	
	C911	QETB1HM-225	2.2MF 50V ELECTRO	
	C912	QETB1HM-227	220MF 50V ELECTRO	
	C941	QETB1EM-226	22MF 25V ELECTRO	
	C942	QETB1AM-476	47MF 10V ELECTRO	
	C943	QETB1CM-226	22MF 16V ELECTRO	
	C971	QCS21HJ-331	330PF 50V CERAMIC	F
	C972	QCS21HJ-331	330PF 50V CERAMIC	F
	C973	QCF21HP-103	0.01MF 50V CERAMIC	F
	C975	QCS21HJ-331	330PF 50V CERAMIC	F
	C976	QCS21HJ-331	330PF 50V CERAMIC	F
	C981	QFN81HK-103	0.01MF 50V MYLAR	F
	C982	QFN81HK-103	0.01MF 50V MYLAR	F
	C983	QFN81HK-103	0.01MF 50V MYLAR	F
	C984	QFN81HK-103	0.01MF 50V MYLAR	F
	C985	QCF21HP-472	4700PF 50V CERAMIC	F
	C986	QCF21HP-472	4700PF 50V CERAMIC	F
	C991	QCY21HK-102	1000PF 50V CERAMIC	F
	C992	QCY21HK-102	1000PF 50V CERAMIC	F
	C993	QCF21HP-472	4700PF 50V CERAMIC	F
	C994	QCF21HP-472	4700PF 50V CERAMIC	F
	C995	QCF21HP-472	4700PF 50V CERAMIC	F

Δ (S) SAFETY PARTS

## RESISTORS

Δ	ITEM	PART NUMBER	DESCRIPTION			AREA
	R011	QRD167J-222	2.2K	1/6W	CARBON	
	R012	QRD167J-222	2.2K	1/6W	CARBON	
	R013	QRD167J-104	100K	1/6W	CARBON	
	R014	QRD167J-104	100K	1/6W	CARBON	
	R015	QRD167J-272	2.7K	1/6W	CARBON	
	R016	QRD167J-272	2.7K	1/6W	CARBON	
	R017	QRD167J-104	100K	1/6W	CARBON	
	R018	QRD167J-104	100K	1/6W	CARBON	
	R019	QRD167J-822	8.2K	1/6W	CARBON	
	R020	QRD167J-822	8.2K	1/6W	CARBON	
	R021	QRD167J-822	8.2K	1/6W	CARBON	
	R022	QRD167J-822	8.2K	1/6W	CARBON	
Δ	R023	QRD14CJ-821S	820	1/4W	UNF. CARBON	A
Δ	R023	QRD14CJ-821S	820	1/4W	UNF. CARBON	B
Δ	R023	QRZ0077-821	820	1/4W	FUSIBLE	C
Δ	R023	QRZ0077-821	820	1/4W	FUSIBLE	D
Δ	R023	QRZ0077-821	820	1/4W	FUSIBLE	E
Δ	R023	QRZ0077-821	820	1/4W	FUSIBLE	F
Δ	R024	QRD14CJ-821S	820	1/4W	UNF. CARBON	A
Δ	R024	QRD14CJ-821S	820	1/4W	UNF. CARBON	B
Δ	R024	QRZ0077-821	820	1/4W	FUSIBLE	C
Δ	R024	QRZ0077-821	820	1/4W	FUSIBLE	D
Δ	R024	QRZ0077-821	820	1/4W	FUSIBLE	E
Δ	R024	QRZ0077-821	820	1/4W	FUSIBLE	F
Δ	R025	QRD14CJ-821S	820	1/4W	UNF. CARBON	A
Δ	R025	QRD14CJ-821S	820	1/4W	UNF. CARBON	B
Δ	R025	QRZ0077-821	820	1/4W	FUSIBLE	C
Δ	R025	QRZ0077-821	820	1/4W	FUSIBLE	D
Δ	R025	QRZ0077-821	820	1/4W	FUSIBLE	E
Δ	R025	QRZ0077-821	820	1/4W	FUSIBLE	F
Δ	R026	QRD14CJ-821S	820	1/4W	UNF. CARBON	A
Δ	R026	QRD14CJ-821S	820	1/4W	UNF. CARBON	B
Δ	R026	QRZ0077-821	820	1/4W	FUSIBLE	C
Δ	R026	QRZ0077-821	820	1/4W	FUSIBLE	D
Δ	R026	QRZ0077-821	820	1/4W	FUSIBLE	E
Δ	R026	QRZ0077-821	820	1/4W	FUSIBLE	F
Δ	R027	QRD14CJ-222S	2.2K	1/4W	UNF. CARBON	
Δ	R028	QRD14CJ-222S	2.2K	1/4W	UNF. CARBON	
Δ	R029	QRD14CJ-222S	2.2K	1/4W	UNF. CARBON	
Δ	R030	QRD14CJ-222S	2.2K	1/4W	UNF. CARBON	
Δ	R031	QRD14CJ-471S	470	1/4W	UNF. CARBON	
Δ	R032	QRD14CJ-471S	470	1/4W	UNF. CARBON	
Δ	R033	QRX022J-R22AM	0.22	2W	M. FILM	
Δ	R034	QRX022J-R22AM	0.22	2W	M. FILM	
Δ	R035	QRX022J-R22AM	0.22	2W	M. FILM	
Δ	R036	QRX022J-R22AM	0.22	2W	M. FILM	
Δ	R037	QRG012J-681AM	680	1W	O.M. FILM	
Δ	R038	QRG012J-681AM	680	1W	O.M. FILM	
Δ	R039	QRD14CJ-100S	10	1/4W	UNF. CARBON	
Δ	R040	QRD14CJ-100S	10	1/4W	UNF. CARBON	
	R041	SDT250			THERMISTOR	
	R042	SDT250			THERMISTOR	
	R701	QRD167J-222	2.2K	1/6W	CARBON	
	R702	QRD167J-222	2.2K	1/6W	CARBON	
	R703	QRD167J-104	100K	1/6W	CARBON	
	R704	QRD167J-104	100K	1/6W	CARBON	
	R705	QRD167J-202	2K	1/6W	CARBON	
	R706	QRD167J-202	2K	1/6W	CARBON	
	R707	QRD167J-202	2K	1/6W	CARBON	
	R708	QRD167J-202	2K	1/6W	CARBON	
	R709	QRD167J-822	8.2K	1/6W	CARBON	
	R710	QRD167J-822	8.2K	1/6W	CARBON	
	R711	QRD167J-152	1.5K	1/6W	CARBON	
	R712	QRD167J-152	1.5K	1/6W	CARBON	
	R713	QRD167J-104	100K	1/6W	CARBON	
	R714	QRD167J-104	100K	1/6W	CARBON	
	R715	QRD167J-101	100	1/6W	CARBON	
	R716	QRD167J-101	100	1/6W	CARBON	
Δ	R717	QRD125J-153	1.5K	1/2W	UNF. CARBON	
Δ	R718	QRD125J-153	15K	1/2W	UNF. CARBON	
	R719	QRD167J-391	390	1/6W	CARBON	
	R720	QRD167J-391	390	1/6W	CARBON	
Δ	R721	QRD14CJ-151S	150	1/4W	UNF. CARBON	
Δ	R722	QRD14CJ-151S	150	1/4W	UNF. CARBON	
	R723	QRD167J-152	1.5K	1/6W	CARBON	
	R724	QRD167J-152	1.5K	1/6W	CARBON	
	R725	QRD167J-333	33K	1/6W	CARBON	
	R726	QRD167J-333	33K	1/6W	CARBON	
Δ	R727	QRD14CJ-391S	390	1/4W	UNF. CARBON	
Δ	R728	QRD14CJ-391S	390	1/4W	UNF. CARBON	
	R729	QRD167J-152	1.5K	1/6W	CARBON	
	R730	QRD167J-152	1.5K	1/6W	CARBON	
Δ	R732	QRG022J-562A	5.6K	2W	O.M. FILM	
Δ	R733	QRD14CJ-330S	33	1/4W	UNF. CARBON	A
Δ	R733	QRD14CJ-330S	33	1/4W	UNF. CARBON	B
Δ	R733	QRZ0077-330	33	1/4W	FUSIBLE	C
Δ	R733	QRZ0077-330	33	1/4W	FUSIBLE	D
Δ	R733	QRZ0077-330	33	1/4W	FUSIBLE	E
Δ	R733	QRZ0077-330	33	1/4W	FUSIBLE	F
Δ	R734	QRD14CJ-330S	33	1/4W	UNF. CARBON	A
Δ	R734	QRD14CJ-330S	33	1/4W	UNF. CARBON	B
Δ	R734	QRZ0077-330	33	1/4W	FUSIBLE	C
Δ	R734	QRZ0077-330	33	1/4W	FUSIBLE	D
Δ	R734	QRZ0077-330	33	1/4W	FUSIBLE	E
Δ	R734	QRZ0077-330	33	1/4W	FUSIBLE	F

## RESISTORS

Δ	ITEM	PART NUMBER	DESCRIPTION			AREA
	R735	QRD167J-103	10K	1/6W	CARBON	
	R736	QRD167J-103	10K	1/6W	CARBON	
	R737	QRD167J-103	10K	1/6W	CARBON	
	R738	QRD167J-103	10K	1/6W	CARBON	
	R739	QRD167J-221	220	1/6W	CARBON	
	R740	QRD167J-221	220	1/6W	CARBON	
	R741	QRD167J-221	220	1/6W	CARBON	
	R742	QRD167J-221	220	1/6W	CARBON	
	R743	QRD167J-271	270	1/6W	CARBON	
	R744	QRD167J-271	270	1/6W	CARBON	
	R745	QRD167J-271	270	1/6W	CARBON	
	R746	QRD167J-271	270	1/6W	CARBON	
	R747	ERT-D2WFL351S	350	1/4W	THERMISTOR	
	R748	ERT-D2WFL351S	350	1/4W	THERMISTOR	
	R749	ERT-D2WFL351S	350	1/4W	THERMISTOR	
	R750	ERT-D2WFL351S	350	1/4W	THERMISTOR	
	R751	QRD167J-122	1.2K	1/6W	CARBON	
	R752	QRD167J-122	1.2K	1/6W	CARBON	
	R753	QRD167J-122	1.2K	1/6W	CARBON	
	R754	QRD167J-122	1.2K	1/6W	CARBON	
	R755	QRD167J-471	470	1/6W	CARBON	
	R756	QRD167J-471	470	1/6W	CARBON	
	R757	QRD167J-101	100	1/6W	CARBON	
	R758	QRD167J-101	100	1/6W	CARBON	
	R759	ERT-D2WFL351S	350	1/4W	THERMISTOR	
	R760	ERT-D2WFL351S	350	1/4W	THERMISTOR	
	R761	QRD167J-391	390	1/6W	CARBON	
	R762	QRD167J-391	390	1/6W	CARBON	
	R763	SDT250			THERMISTOR	
	R764	SDT250			THERMISTOR	
Δ	R765	QRD14CJ-272S	2.7K	1/4W	UNF. CARBON	
Δ	R766	QRD14CJ-272S	2.7K	1/4W	UNF. CARBON	
Δ	R767	QRD14CJ-271S	270	1/4W	UNF. CARBON	
Δ	R768	QRD14CJ-271S	270	1/4W	UNF. CARBON	
Δ	R769	QRD14CJ-120S	12	1/4W	UNF. CARBON	A
Δ	R769	QRD14CJ-120S	12	1/4W	UNF. CARBON	B
Δ	R769	QRD14CJ-100S	10	1/4W	UNF. CARBON	C
Δ	R769	QRD14CJ-100S	10	1/4W	UNF. CARBON	D
Δ	R769	QRD14CJ-100S	10	1/4W	UNF. CARBON	E
Δ	R769	QRD14CJ-100S	10	1/4W	UNF. CARBON	F
Δ	R770	QRD14CJ-120S	12	1/4W	UNF. CARBON	A
Δ	R770	QRD14CJ-120S	12	1/4W	UNF. CARBON	B
Δ	R770	QRD14CJ-100S	10	1/4W	UNF. CARBON	C
Δ	R770	QRD14CJ-100S	10	1/4W	UNF. CARBON	D
Δ	R770	QRD14CJ-100S	10	1/4W	UNF. CARBON	E
Δ	R770	QRD14CJ-100S	10	1/4W	UNF. CARBON	F
Δ	R771	QRD14CJ-120S	12	1/4W	UNF. CARBON	A
Δ	R771	QRD14CJ-120S	12	1/4W	UNF. CARBON	B
Δ	R771	QRD14CJ-100S	10	1/4W	UNF. CARBON	C
Δ	R771	QRD14CJ-100S	10	1/4W	UNF. CARBON	D
Δ	R771	QRD14CJ-100S	10	1/4W	UNF. CARBON	E
Δ	R771	QRD14CJ-100S	10	1/4W	UNF. CARBON	F
Δ	R772	QRD14CJ-120S	12	1/4W	UNF. CARBON	A
Δ	R772	QRD14CJ-120S	12	1/4W	UNF. CARBON	B
Δ	R772	QRD14CJ-100S	10	1/4W	UNF. CARBON	C
Δ	R772	QRD14CJ-100S	10	1/4W	UNF. CARBON	D
Δ	R772	QRD14CJ-100S	10	1/4W	UNF. CARBON	E
Δ	R772	QRD14CJ-100S	10	1/4W	UNF. CARBON	F
Δ	R773	ERF032K-R22	0.22	3W	CEMENT	
Δ	R774	ERF032K-R22	0.22	3W	CEMENT	
Δ	R775	QRD125J-330	33	1/2W	UNF. CARBON	A
Δ	R775	QRD125J-330	33	1/2W	UNF. CARBON	B
Δ	R775	QRD125J-330	33	1/2W	UNF. CARBON	C
Δ	R775	QRD125J-330	33	1/2W	UNF. CARBON	D
Δ	R775	QRD125J-330	33	1/2W	UNF. CARBON	E
Δ	R775	QRD125J-470	47	1/2W	UNF. CARBON	F
Δ	R776	QRD125J-330	33	1/2W	UNF. CARBON	A
Δ	R776	QRD125J-330	33	1/2W	UNF. CARBON	B
Δ	R776	QRD125J-330	33	1/2W	UNF. CARBON	C
Δ	R776	QRD125J-330	33	1/2W	UNF. CARBON	D
Δ	R776	QRD125J-330	33	1/2W	UNF. CARBON	E
Δ	R776	QRD125J-470	47	1/2W	UNF. CARBON	F
Δ	R777	QRG022J-100AM	10	2W	O.M. FILM	
Δ	R778	QRG022J-100AM	10	2W	O.M. FILM	
Δ	R779	QRX022J-R47AM	0.47	2W	M. FILM	
Δ	R780	QRX022J-R47AM	0.47	2W	M. FILM	
Δ	R781	QRD14CJ-100S	10	1/4W	UNF. CARBON	
Δ	R782	QRD14CJ-100S	10	1/4W	UNF. CARBON	
Δ	R783	QRD14CJ-100S	10	1/4W	UNF. CARBON	
Δ	R784	QRD14CJ-100S	10	1/4W	UNF. CARBON	
	R801	QRD167J-114	110K	1/6W	CARBON	
	R802	QRD167J-114	110K	1/6W	CARBON	
Δ	R803	QRD14CJ-4R7S	4.7	1/4W	UNF. CARBON	
Δ	R804	QRD14CJ-4R7S	4.7	1/4W	UNF. CARBON	
	R805	QRD167J-472	4.7K	1/6W	CARBON	
	R806	QRD167J-472	4.7K	1/6W	CARBON	
	R807	QRD167J-103	10K	1/6W	CARBON	
	R808	QRD167J-103	10K	1/6W	CARBON	
	R809	QRD167J-122	1.2K	1/6W	CARBON	
	R810	QRD167J-333	33K	1/6W	CARBON	
Δ	R811	QRG022J-222AM	2.2K	2W	O.M. FILM	
Δ	R821	QRX012J-1R2AM	1.2	1W	M. FILM	
Δ	R822	QRX012J-1R2AM	1.2	1W	M. FILM	
Δ	R823	QRG022J-680AM	68	2W	O.M. FILM	A
Δ	R823	QRG022J-680AM	68	2W	O.M. FILM	B



RESISTORS

Δ	ITEM	PART NUMBER	DESCRIPTION			AREA
Δ	R823	QRG022J-470A	47	2W	O.M.FILM	C
Δ	R823	QRG022J-470A	47	2W	O.M.FILM	D
Δ	R823	QRG022J-470A	47	2W	O.M.FILM	E
Δ	R823	QRG022J-470A	47	2W	O.M.FILM	F
Δ	R824	QRD125J-272	2.7K	1/2W	UNF.CARBON	
	R825	QRD167J-562	5.6K	1/6W	CARBON	
	R826	QRD167J-682	6.8K	1/6W	CARBON	
Δ	R827	QRG022J-330A	33	2W	O.M.FILM	A
Δ	R827	QRG022J-330A	33	2W	O.M.FILM	B
Δ	R827	QRG022J-270A	27	2W	O.M.FILM	C
Δ	R827	QRG022J-270A	27	2W	O.M.FILM	D
Δ	R827	QRG022J-270A	27	2W	O.M.FILM	E
Δ	R827	QRG022J-270A	27	2W	O.M.FILM	F
Δ	R828	QRD125J-272	2.7K	1/2W	UNF.CARBON	
Δ	R831	QRG022J-470A	47	2W	O.M.FILM	
	R832	QRD167J-133	13K	1/6W	CARBON	
Δ	R834	QRG022J-820AM	82	2W	O.M.FILM	
	R835	QRD167J-133	13K	1/6W	CARBON	
Δ	R836	QRG022J-390AM	39	2W	O.M.FILM	
	R837	QRD167J-123	12K	1/6W	CARBON	
Δ	R838	QRG022J-680AM	68	2W	O.M.FILM	
Δ	R839	QRD125J-272	2.7K	1/2W	UNF.CARBON	
Δ	R840	QRG022J-151A	150	2W	O.M.FILM	
Δ	R841	QRG022J-151A	150	2W	O.M.FILM	
Δ	R842	QRG022J-151A	150	2W	O.M.FILM	
Δ	R843	QRG022J-151A	150	2W	O.M.FILM	
	R844	QRD167J-183	18K	1/6W	CARBON	
Δ	R851	QRD14CJ-120S	12	1/4W	UNF.CARBON	A
Δ	R851	QRD14CJ-120S	12	1/4W	UNF.CARBON	B
Δ	R851	QRZ0077-120	12	1/4W	FUSIBLE	C
Δ	R851	QRZ0077-120	12	1/4W	FUSIBLE	D
Δ	R851	QRZ0077-120	12	1/4W	FUSIBLE	E
Δ	R851	QRZ0077-120	12	1/4W	FUSIBLE	F
Δ	R852	QRD14CJ-120S	12	1/4W	UNF.CARBON	A
Δ	R852	QRD14CJ-120S	12	1/4W	UNF.CARBON	B
Δ	R852	QRZ0077-120	12	1/4W	FUSIBLE	C
Δ	R852	QRZ0077-120	12	1/4W	FUSIBLE	D
Δ	R852	QRZ0077-120	12	1/4W	FUSIBLE	E
Δ	R852	QRZ0077-120	12	1/4W	FUSIBLE	F
Δ	R853	QRD14CJ-150S	15	1/4W	UNF.CARBON	A
Δ	R853	QRD14CJ-150S	15	1/4W	UNF.CARBON	B
Δ	R853	QRZ0077-150	15	1/4W	FUSIBLE	C
Δ	R853	QRZ0077-150	15	1/4W	FUSIBLE	D
Δ	R853	QRZ0077-150	15	1/4W	FUSIBLE	E
Δ	R853	QRZ0077-150	15	1/4W	FUSIBLE	F
	R854	QRD167J-182	1.8K	1/6W	CARBON	
Δ	R855	QRD14CJ-120S	12	1/4W	UNF.CARBON	A
Δ	R855	QRD14CJ-120S	12	1/4W	UNF.CARBON	B
Δ	R855	QRZ0077-120	12	1/4W	FUSIBLE	C
Δ	R855	QRZ0077-120	12	1/4W	FUSIBLE	D
Δ	R855	QRZ0077-120	12	1/4W	FUSIBLE	E
Δ	R855	QRZ0077-120	12	1/4W	FUSIBLE	F
Δ	R856	QRX022J-4R7A	4.7	2W	M.FILM	
Δ	R857	QRD125J-272	2.7K	1/2W	UNF.CARBON	
	R898	QRD167J-103	10K	1/6W	CARBON	
	R901	QRD167J-102	1K	1/6W	CARBON	
	R902	QRD167J-102	1K	1/6W	CARBON	
	R903	QRD167J-562	5.6K	1/6W	CARBON	
	R904	QRD167J-562	5.6K	1/6W	CARBON	
	R905	QRD167J-123	12K	1/6W	CARBON	
	R906	QRD167J-123	12K	1/6W	CARBON	
	R907	QRD167J-102	1K	1/6W	CARBON	
	R908	QRD167J-102	1K	1/6W	CARBON	
	R909	QRD167J-103	10K	1/6W	CARBON	
	R911	QRD167J-332	3.3K	1/6W	CARBON	
	R912	QRD167J-473	47K	1/6W	CARBON	
	R913	QRD167J-104	100K	1/6W	CARBON	
	R914	QRD167J-823	82K	1/6W	CARBON	
	R915	QRD167J-823	82K	1/6W	CARBON	
	R916	QRD167J-563	56K	1/6W	CARBON	
	R917	QRD167J-683	68K	1/6W	CARBON	
	R918	QRD167J-392	3.9K	1/6W	CARBON	
	R919	QRD167J-392	3.9K	1/6W	CARBON	
	R920	QRD167J-333	33K	1/6W	CARBON	
	R921	QRD167J-224	220K	1/6W	CARBON	
	R922	QRD167J-562	5.6K	1/6W	CARBON	
	R923	QRD167J-220	22	1/6W	CARBON	A
	R923	QRD167J-220	22	1/6W	CARBON	B
	R923	QRD167J-220	22	1/6W	CARBON	C
	R923	QRD167J-220	22	1/6W	CARBON	D
	R923	QRD167J-330	33	1/6W	CARBON	E
	R923	QRD167J-330	33	1/6W	CARBON	F
Δ	R924	QRG022J-271A	270	2W	O.M.FILM	A
Δ	R924	QRG022J-271A	270	2W	O.M.FILM	B
Δ	R924	QRG026J-271AF	270	2W	O.M.FILM	C
Δ	R924	QRG026J-271AF	270	2W	O.M.FILM	D
Δ	R924	QRG026J-271AF	270	2W	O.M.FILM	E
Δ	R924	QRG026J-271AF	270	2W	O.M.FILM	F
	R925	QRD167J-680	68	1/6W	CARBON	A
	R925	QRD167J-680	68	1/6W	CARBON	B
	R925	QRD167J-680	68	1/6W	CARBON	C
	R925	QRD167J-390	39	1/6W	CARBON	D
	R925	QRD167J-390	39	1/6W	CARBON	E
	R925	QRD167J-390	39	1/6W	CARBON	F
	R926	QRD167J-220	22	1/6W	CARBON	A

RESISTORS

Δ	ITEM	PART NUMBER	DESCRIPTION			AREA
	R926	QRD167J-220	22	1/6W	CARBON	B
	R926	QRD167J-220	22	1/6W	CARBON	C
	R926	QRD167J-390	39	1/6W	CARBON	D
	R926	QRD167J-390	39	1/6W	CARBON	E
	R926	QRD167J-390	39	1/6W	CARBON	F
	R927	QRD167J-180	18	1/6W	CARBON	A
	R927	QRD167J-180	18	1/6W	CARBON	B
	R927	QRD167J-560	56	1/6W	CARBON	C
	R927	QRD167J-390	39	1/6W	CARBON	D
	R927	QRD167J-390	39	1/6W	CARBON	E
	R927	QRD167J-390	39	1/6W	CARBON	F
	R928	QRD167J-220	22	1/6W	CARBON	A
	R928	QRD167J-220	22	1/6W	CARBON	B
	R928	QRD167J-220	22	1/6W	CARBON	C
	R928	QRD167J-390	39	1/6W	CARBON	D
	R928	QRD167J-390	39	1/6W	CARBON	E
	R928	QRD167J-390	39	1/6W	CARBON	F
Δ	R929	QRD14CJ-680S	68	1/4W	UNF.CARBON	A
Δ	R929	QRD14CJ-680S	68	1/4W	UNF.CARBON	B
Δ	R929	QRD14CJ-101S	100	1/4W	UNF.CARBON	C
Δ	R929	QRD14CJ-101S	100	1/4W	UNF.CARBON	D
Δ	R929	QRD14CJ-101S	100	1/4W	UNF.CARBON	E
Δ	R929	QRD14CJ-101S	100	1/4W	UNF.CARBON	F
	R930	QRD167J-472	4.7K	1/6W	CARBON	
	R931	QRD167J-123	12K	1/6W	CARBON	
	R932	QRD167J-332	3.3K	1/6W	CARBON	
	R941	QRD167J-103	10K	1/6W	CARBON	
	R942	QRD167J-103	10K	1/6W	CARBON	
	R943	QRD167J-104	100K	1/6W	CARBON	
	R944	QRD167J-823	82K	1/6W	CARBON	
	R945	QRD167J-123	12K	1/6W	CARBON	
	R946	QRD167J-123	12K	1/6W	CARBON	
	R947	QRD167J-103	10K	1/6W	CARBON	
	R948	QRD167J-332	3.3K	1/6W	CARBON	
	R949	QRD167J-473	47K	1/6W	CARBON	
	R950	QRD167J-563	56K	1/6W	CARBON	
	R951	QRD167J-333	33K	1/6W	CARBON	
	R952	QRD167J-333	33K	1/6W	CARBON	
	R953	QRD167J-823	82K	1/6W	CARBON	
	R954	QRD167J-224	220K	1/6W	CARBON	
	R955	QRD167J-562	5.6K	1/6W	CARBON	
	R956	QRD167J-392	3.9K	1/6W	CARBON	
	R957	QRD167J-683	68K	1/6W	CARBON	
Δ	R958	QRG022J-391AM	390	2W	O.M.FILM	
	R959	QRD167J-680	68	1/6W	CARBON	
	R960	QRD167J-820	82	1/6W	CARBON	
	R961	QRD167J-680	68	1/6W	CARBON	
Δ	R962	QRD14CJ-121S	120	1/4W	UNF.CARBON	A
Δ	R962	QRD14CJ-121S	120	1/4W	UNF.CARBON	B
Δ	R962	QRD14CJ-181S	180	1/4W	UNF.CARBON	C
Δ	R962	QRD14CJ-181S	180	1/4W	UNF.CARBON	D
Δ	R962	QRD14CJ-181S	180	1/4W	UNF.CARBON	E
Δ	R962	QRD14CJ-181S	180	1/4W	UNF.CARBON	F
Δ	R973	QRG022J-471AM	470	2W	O.M.FILM	
Δ	R974	QRG022J-471AM	470	2W	O.M.FILM	
Δ	R981	QRZ0077-100	10	1/4W	FUSIBLE	F
Δ	R982	QRZ0077-100	10	1/4W	FUSIBLE	F
Δ	R983	QRZ0077-100	10	1/4W	FUSIBLE	F
Δ	R984	QRZ0077-100	10	1/4W	FUSIBLE	F
	VR701	QVPE601-501	500	0.15W	VARIABLE	
	VR702	QVPE601-501	500	0.15W	VARIABLE	

Δ (SPECIALTY PARTS)

OTHERS

Δ	ITEM	PART NUMBER	DESCRIPTION			AREA
		EMB90YV-401A	SPEAKER TERMINAL			
		EW23A-16RR	FLAT WIRE			
		E12055-003	CIRCUIT BOARD			
		E25913-005	HEAT SINK			
		E305205-001	HEAT SINK BRACKET			
		E306249-001	HEAT SINK BRACKET			
		E67764-102	WRAPPING TERMINAL			
		E70208-001	PLATE			
		E70306-001	HEAT SINK			
		E70859-001	EARTH PLATE			
		E73525-001	SPECIAL SCREW			
		E73525-002	SCREW			
		E74546-001	HEAT SINK BRACKET			
		SBSB3008CC	SCREW			
		SBSB3008Z	SCREW			
		EMBO0TV-801A	TERMINAL			A
		EMBO0TV-801A	TERMINAL			B
		EMBO0TV-801B	TERMINAL			C
		E65654-001	SPACER			C
		EMBO0TV-801B	TERMINAL			D

OTHERS

Δ ITEM	PART NUMBER	DESCRIPTION	AREA
	E65654-001	SPACER	D
	EMB00TV-801B	TERMINAL	E
	E65654-001	SPACER	F
	EMB00TV-801B	TERMINAL	F
	E65654-001	SPACER	F
	E70225-002	EARTH PLATE	F
WT804	E67764-102	WRAPPING TERMINAL	
J703	QMS6A40-021	HEADPHONE JACK	
L011	EQL0001-R45	INDUCTOR	F
L012	EQL0001-R45	INDUCTOR	F
L701	EQL0101-1R2	INDUCTOR	
L702	EQL0101-1R2	INDUCTOR	
P871	EMV7112-003R	CONNECTOR	
P872	EMV5102-003B	PLUG ASSY	
S901	QST4231-E04	PUSH SWITCH	
S902	QST4231-E04	PUSH SWITCH	
Δ CP851	ICP-N5	I.C. PROTECTOR	C
Δ CP851	ICP-N5	I.C. PROTECTOR	D
Δ CP851	ICP-N5	I.C. PROTECTOR	E
Δ CP851	ICP-N5	I.C. PROTECTOR	F

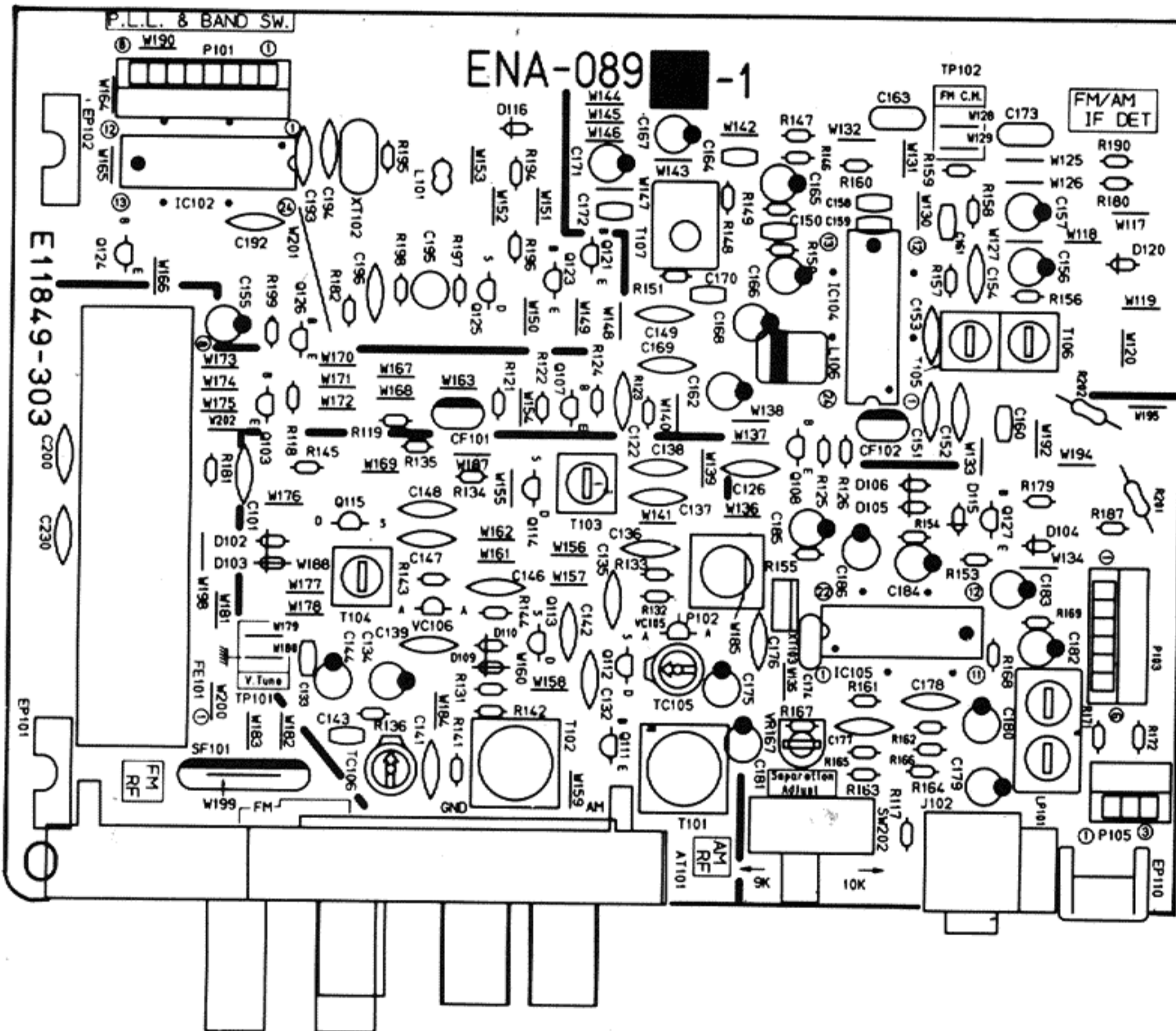
OTHERS

Δ ITEM	PART NUMBER	DESCRIPTION	AREA
	FW290	EWR34B-20KST	FLAT WIRE
	FW561	EWR23C-35JN	FLAT WIRE
	FW801	EWR38B-16SST	FLAT WIRE
	FW802	EWR39B-16SST	FLAT WIRE
	FW803	EWR34B-20SST	FLAT WIRE
	FW858	EWR23C-20NN	FLAT WIRE
	FW860	EWR34B-10KST	FLAT WIRE
	FW901	EWR33B-13SST	FLAT WIRE
	FW902	EWR34B-70SST	FLAT WIRE
	PT851	EMV7122-003	CONNECTOR
	PT852	EMV7122-005	CONNECTOR
	PT853	EMV7122-004	CONNECTOR
	PT855	EMV7122-003	CONNECTOR
	PT856	EMV7122-003	CONNECTOR
	PT857	EMV7122-003	CONNECTOR
	PT859	EMV7122-003	CONNECTOR
	PT860	EMV7122-004	CONNECTOR
	RY901	ESK5024-214	RELAY
	RY941	ESK8024-212	RELAY

Δ USAFETY PARTS

■ ENA-089 □ Tuner PC Board Ass'y

Note : ENA-089 □ varies according to the areas employed. See note (1) when placing an order.



Note (1)

PC Board Ass'y	Designated Areas
ENH-089 [A]	the U.S.A., Canada
ENH-089 [B]	Other Countries
ENH-089 [C]	Europe
ENH-089 [E]	West Germany
ENH-089 [H]	Australia, the U.K.

TRANSISTOR

Δ ITEM	PART NUMBER	DESCRIPTION	AREA
Q103	2SC461(B,C)	SILICON HITACHI	
Q107	2SC535(B,C)	SILICON HITACHI	
Q108	2SC461(B,C)	SILICON HITACHI	
Q112	2SK301(Q,R)	F.E.T. MATSUSHITA	
Q123	DTA114YS	SILICON ROHM	
Q124	DTA114YS	SILICON ROHM	
Q125	2SK301(Q2)	F.E.T. MATSUSHITA	
Q126	2SC458(D)	SILICON HITACHI	
Q127	DTC144ES	SILICON ROHM	

Δ USAFETY PARTS

I. C. S.

ITEM	PART NUMBER	DESCRIPTION	AREA
IC102	LC7218	I.C. SANYO	
IC104	LA1266A	I.C. SANYO	
IC105	LA3401	I.C. SANYO	

△ SAFETY PARTS

DIODES

ITEM	PART NUMBER	DESCRIPTION	AREA
D104	1SS119	SILICON HITACHI	
D105	1SS119	SILICON HITACHI	
D106	1SS119	SILICON HITACHI	
D115	1SS119	SILICON HITACHI	
D116	1SS119	SILICON HITACHI	
D120	1SS119	SILICON HITACHI	
VC105	SVC342(L)	VARICAP SANYO	

△ SAFETY PARTS

CAPACITORS

ITEM	PART NUMBER	DESCRIPTION	AREA
C101	QCF21HP-223	0.022MF 50V CERAMIC	
C122	QCF21HP-223	0.022MF 50V CERAMIC	
C126	QCF21HP-223	0.022MF 50V CERAMIC	
C132	QCS21HJ-561	560PF 50V CERAMIC	
C133	QCHB1EZ-223	0.022MF 25V CERAMIC	
C134	QETB1EM-106	10MF 25V ELECTRO	
C135	QCC21EM-223	0.022MF 25V CERAMIC	
C136	QCT26CH-180	18PF 50V CERAMIC	
C137	QCT26CH-221	220PF 50V CERAMIC	
C138	QCT26CH-241	240PF 50V CERAMIC	
C149	QCF21HP-223	0.022MF 50V CERAMIC	
C150	QCHB1EZ-223	0.022MF 25V CERAMIC	
C151	QCF21HP-223	0.022MF 50V CERAMIC	
C152	QCF21HP-223	0.022MF 50V CERAMIC	
C153	QCC21EM-223	0.022MF 25V CERAMIC	
C154	QCF21HP-223	0.022MF 50V CERAMIC	
C155	QETB1EM-227	220MF 25V ELECTRO	
C156	QETB1HM-475	4.7MF 50V ELECTRO	
C157	QETB1HM-474	0.47MF 50V ELECTRO	
C158	QCB1HK-101	100PF 50V CERAMIC	
C159	QCB1HK-101	100PF 50V CERAMIC	
C160	QCB1HK-221	220PF 50V CERAMIC	
C161	QCHB1EZ-223	0.022MF 25V CERAMIC	
C162	QETB1EM-106	10MF 25V ELECTRO	
C163	QFN81HJ-332	3300PF 50V MYLAR	
C164	QCHB1EZ-223	0.022MF 25V CERAMIC	
C165	QETB1HM-474	0.47MF 50V ELECTRO	
C166	QETB1HM-225	2.2MF 50V ELECTRO	
C167	QETB1HM-225	2.2MF 50V ELECTRO	
C168	QETB1HM-475	4.7MF 50V ELECTRO	
C169	QCF21HP-223	0.022MF 50V CERAMIC	
C170	QCHB1EZ-223	0.022MF 25V CERAMIC	
C171	QETB1EM-106	10MF 25V ELECTRO	
C172	QCVB1CM-103	0.01MF 16V CERAMIC	
C173	QFN81HK-223	0.022MF 50V MYLAR	
C174	QFN81HK-473	0.047MF 50V MYLAR	
C175	QETB1EM-106	10MF 25V ELECTRO	
C176	QCY21HK-102	1000PF 50V CERAMIC	
C177	QCS21HJ-561	560PF 50V CERAMIC	A
C177	QCS21HJ-561	560PF 50V CERAMIC	B
C177	QCS21HJ-271	270PF 50V CERAMIC	C
C177	QCS21HJ-271	270PF 50V CERAMIC	E
C177	QCS21HJ-271	270PF 50V CERAMIC	H
C178	QCS21HJ-561	560PF 50V CERAMIC	A
C178	QCS21HJ-561	560PF 50V CERAMIC	B
C178	QCS21HJ-271	270PF 50V CERAMIC	C
C178	QCS21HJ-271	270PF 50V CERAMIC	E
C178	QCS21HJ-271	270PF 50V CERAMIC	H
C179	QETB1HM-225	2.2MF 50V ELECTRO	
C180	QETB1HM-225	2.2MF 50V ELECTRO	
C181	QETB1EM-106	10MF 25V ELECTRO	
C182	QETB1HM-225	2.2MF 50V ELECTRO	
C183	QETB1HM-105	1MF 50V ELECTRO	
C184	QETB1HM-105	1MF 50V ELECTRO	
C185	QETB1HM-225	2.2MF 50V ELECTRO	
C186	QETB1HM-474	0.47MF 50V ELECTRO	
C192	QCC21EM-473	0.047MF 25V CERAMIC	
C193	QCS21HJ-180	18PF 50V CERAMIC	
C194	QCS21HJ-180	18PF 50V CERAMIC	
C195	QEN51HM-474	0.47MF 50V NON POLE	
C196	QCY21HK-102	1000PF 50V CERAMIC	
C200	QCF21HP-103	0.01MF 50V CERAMIC	
C230	QCF21HP-103	0.01MF 50V CERAMIC	

△ SAFETY PARTS

RESISTORS

ITEM	PART NUMBER	DESCRIPTION	AREA
R117	QRD167J-100	10 1/6W CARBON	
R118	QRD167J-332	3.3K 1/6W CARBON	
R119	QRD167J-221	220 1/6W CARBON	
R121	QRD167J-391	390 1/6W CARBON	
R122	QRD167J-272	2.7K 1/6W CARBON	
R123	QRD167J-102	1K 1/6W CARBON	
R124	QRD167J-681	680 1/6W CARBON	
R125	QRD167J-332	3.3K 1/6W CARBON	
R126	QRD167J-221	220 1/6W CARBON	
R131	QRD167J-331	330 1/6W CARBON	
R132	QRD167J-103	10K 1/6W CARBON	
R133	QRD167J-473	47K 1/6W CARBON	
R135	QRD167J-470	47 1/6W CARBON	
R136	QRD167J-103	10K 1/6W CARBON	
R146	QRD167J-560	56 1/6W CARBON	
R147	QRD167J-103	10K 1/6W CARBON	
R148	QRD167J-103	10K 1/6W CARBON	
R149	QRD167J-223	22K 1/6W CARBON	
R150	QRD167J-103	10K 1/6W CARBON	
R151	QRD167J-224	220K 1/6W CARBON	
R153	QRD167J-103	10K 1/6W CARBON	
R154	QRD167J-103	10K 1/6W CARBON	
R155	QRD167J-562	5.6K 1/6W CARBON	
R156	QRD167J-822	8.2K 1/6W CARBON	
R157	QRD167J-103	10K 1/6W CARBON	
R158	QRD167J-183	18K 1/6W CARBON	A
R158	QRD167J-273	27K 1/6W CARBON	B
R158	QRD167J-273	27K 1/6W CARBON	C
R158	QRD167J-273	27K 1/6W CARBON	E
R158	QRD167J-273	27K 1/6W CARBON	H
R159	QRD167J-561	560 1/6W CARBON	
R160	QRD167J-123	12K 1/6W CARBON	A
R160	QRD167J-123	12K 1/6W CARBON	B
R160	QRD167J-273	27K 1/6W CARBON	C
R160	QRD167J-273	27K 1/6W CARBON	E
R160	QRD167J-273	27K 1/6W CARBON	H
R161	QRD167J-124	120K 1/6W CARBON	A
R161	QRD167J-124	120K 1/6W CARBON	B
R161	QRD167J-184	180K 1/6W CARBON	C
R161	QRD167J-184	180K 1/6W CARBON	E
R161	QRD167J-184	180K 1/6W CARBON	H
R162	QRD167J-124	120K 1/6W CARBON	A
R162	QRD167J-124	120K 1/6W CARBON	B
R162	QRD167J-184	180K 1/6W CARBON	C
R162	QRD167J-184	180K 1/6W CARBON	E
R162	QRD167J-184	180K 1/6W CARBON	H
R163	QRD167J-332	3.3K 1/6W CARBON	
R164	QRD167J-332	3.3K 1/6W CARBON	
R165	QRD167J-184	180K 1/6W CARBON	A
R165	QRD167J-184	180K 1/6W CARBON	B
R165	QRD167J-274	270K 1/6W CARBON	C
R165	QRD167J-274	270K 1/6W CARBON	E
R165	QRD167J-274	270K 1/6W CARBON	H
R166	QRD167J-184	180K 1/6W CARBON	A
R166	QRD167J-184	180K 1/6W CARBON	B
R166	QRD167J-274	270K 1/6W CARBON	C
R166	QRD167J-274	270K 1/6W CARBON	E
R166	QRD167J-274	270K 1/6W CARBON	H
R168	QRD167J-103	10K 1/6W CARBON	
R169	QRD167J-103	10K 1/6W CARBON	
R171	QRD167J-682	6.8K 1/6W CARBON	
R172	QRD167J-682	6.8K 1/6W CARBON	
R179	QRD167J-562	5.6K 1/6W CARBON	
R180	QRD167J-472	4.7K 1/6W CARBON	
R181	QRD167J-222	2.2K 1/6W CARBON	
R182	QRD167J-181	180 1/6W CARBON	
R187	QRD167J-101	100 1/6W CARBON	
R190	QRD167J-472	4.7K 1/6W CARBON	
R194	QRD167J-472	4.7K 1/6W CARBON	
R195	QRD167J-473	47K 1/6W CARBON	
R196	QRD167J-103	10K 1/6W CARBON	
R197	QRD167J-222	2.2K 1/6W CARBON	
R198	QRD167J-332	3.3K 1/6W CARBON	
R199	QRD167J-472	4.7K 1/6W CARBON	
△ R201	QRD145J-680S	68 1/4W UNF. CARBON	A
△ R201	QRD145J-680S	68 1/4W UNF. CARBON	B
△ R201	QRZ0062-680	68 1/4W FUSIBLE	C
△ R201	QRZ0062-680	68 1/4W FUSIBLE	E
△ R201	QRZ0062-680	68 1/4W FUSIBLE	H
△ R202	QRD145J-470S	47 1/4W UNF. CARBON	A
△ R202	QRD145J-470S	47 1/4W UNF. CARBON	B
△ R202	QRZ0062-470	47 1/4W FUSIBLE	C
△ R202	QRZ0062-220	22 1/4W FUSIBLE	E
△ R202	QRZ0062-470	47 1/4W FUSIBLE	H
VR167	QVZ3518-104	100K 0.1W VARIABLE	

△ SAFETY PARTS

OTHERS

OTHERS

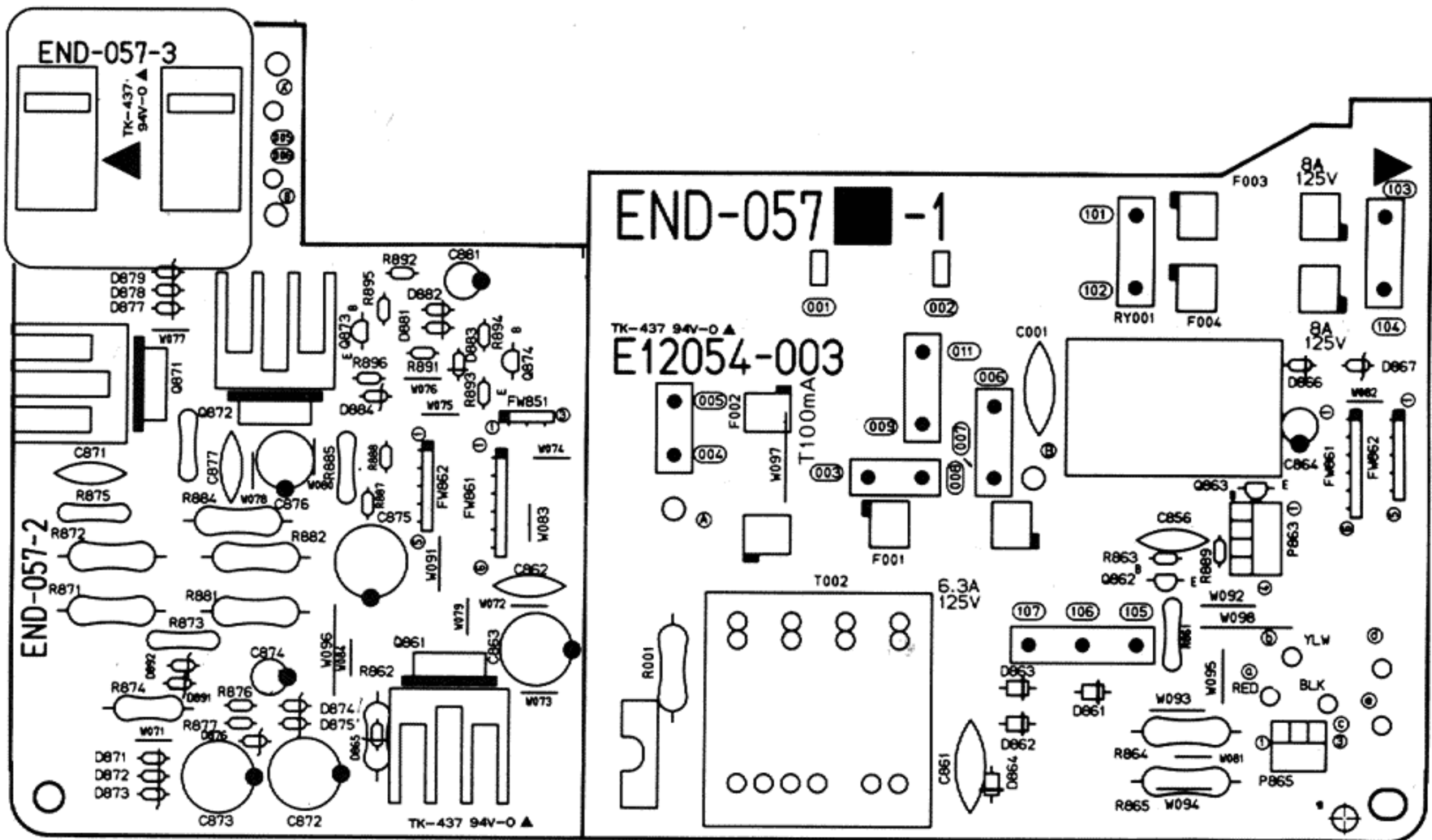
Δ	ITEM	PART NUMBER	DESCRIPTION	AREA
		E11849-302	CIRCUIT BOARD	
	J102	QMS3501-021	MINI JACK	
	L101	EQL4004-1R0	INDUCTOR	
	L106	EQL3001-102K	INDUCTOR	
	P101	EMV7112-008	CONNECTOR	
	P103	EMV7112-006	CONNECTOR	
	P105	EMV7112-003	CONNECTOR	B
	T101	EQR1111-014	AM RF COIL	
	T103	EQR1207-015	MW OSC COIL	
	T105	EQT2140-012	I.F. TRANSFORMER	
	T106	EQT2140-013	I.F. TRANSFORMER	
	T107	ECB1560-006	CERAMIC FILTER	
	AT101	EMB41YV-401K	ANTENNA TERMINAL	A
	AT101	EMB41YV-401K	ANTENNA TERMINAL	B
	AT101	EMB41YV-301K	ANTENNA TERMINAL	C
	AT101	EMB41YV-301K	ANTENNA TERMINAL	E
	AT101	EMB41YV-401K	ANTENNA TERMINAL	H
	CF101	ECB2123-001R	CERAMIC FILTER	A
	CF101	ECB2123-001R	CERAMIC FILTER	B
	CF101	ECB2118-001R	CERAMIC FILTER	C
	CF101	ECB2118-001R	CERAMIC FILTER	E
	CF101	ECB2118-001R	CERAMIC FILTER	H
	CF102	ECB2123-001R	CERAMIC FILTER	A
	CF102	ECB2123-001R	CERAMIC FILTER	B
	CF102	ECB2118-001R	CERAMIC FILTER	C

Δ	ITEM	PART NUMBER	DESCRIPTION	AREA
	CF102	ECB2118-001R	CERAMIC FILTER	E
	CF102	ECB2118-001R	CERAMIC FILTER	H
	EP101	E70859-001	EARTH PLATE	
	EP102	E70859-001	EARTH PLATE	
	EP110	E70225-001	EARTH PLATE	
	FE101	EAF2204-001	FRONT END	A
	FE101	EAF2204-001	FRONT END	B
	FE101	EAF2204-001	FRONT END	C
	FE101	EAF2203-002	FRONT END	E
	FE101	EAF2204-001	FRONT END	H
	LP101	EQF0101-002	LOW PASS FILTER	
	LP102	EQF0102-001	LOW PASS FILTER	E
	SF101	EQF0201-006	BAND PASS FILTER	E
	SW202	QSS1201-039	SLIDE SWITCH	B
	TC105	ENZ1003-006	TRIMMER	
	XT102	ECX0007-200KC	RESONATOR	
	XT103	ECX0000-456KR	RESONATOR	

Δ (SAFETY) PARTS

■ END-057 □ Power Supply PC Board Ass'y

Note : END-057 □ varies according to the areas employed. See note (1) when placing an order.



Note (1)

PC Board Ass'y	Designated Areas
END-057 [A]	the U.S.A.
END-057 [B]	Canada
END-057 [C]	Other Countries
END-057 [D]	Australia , Europe
END-057 [E] BS	the U.K.
END-057 [F]	West Germany

TRANSISTOR

ITEM	PART NUMBER	DESCRIPTION	AREA
Q861	2SD1265A(O)	SILICON MATSUSHITA	C
Q862	2SC2235(O,Y)	SILICON TOSHIBA	
Q863	DTC143TS	SILICON ROHM	
Q871	2SB1133(R,S)	SILICON SANYO	
Q872	2SB1133(R,S)	SILICON SANYO	
Q873	DTC144ES	SILICON ROHM	
Q874	DTA114YS	SILICON ROHM	

△ SAFETY PARTS

DIODES

ITEM	PART NUMBER	DESCRIPTION	AREA
D861	ERA15-02L19	SILICON KYOUDOU	
D862	ERA15-02L19	SILICON KYOUDOU	
D863	ERA15-02L19	SILICON KYOUDOU	
D864	ERA15-02L19	SILICON KYOUDOU	
D865	RD12JSB3	ZENER NEC	C
D866	1SS133	SILICON ROHM	
D867	RD6.2JSB3	ZENER NEC	
D871	1SS133	SILICON ROHM	
D872	RD15JSB3	ZENER NEC	
D873	RD16JSB3	ZENER NEC	
D874	RD9.1JSB3	ZENER NEC	
D875	RD9.1JSB3	ZENER NEC	
D876	RD10JSB3	ZENER NEC	
D877	1SS133	SILICON ROHM	
D878	RD10JSB3	ZENER NEC	
D879	RD11JSB3	ZENER NEC	
D881	1SS133	SILICON ROHM	
D882	1SS133	SILICON ROHM	
D883	1SS133	SILICON ROHM	
D884	RD20JSB3	ZENER RYOSAN	

△ SAFETY PARTS

CAPACITORS

ITEM	PART NUMBER	DESCRIPTION	AREA
C001	QCZ9019-472	4700PF CERAMIC	A
C001	QCZ9019-472	4700PF CERAMIC	B
C001	QCZ9019-472	4700PF CERAMIC	C
C001	QCZ9019-472	4700PF CERAMIC	D
C001	QCZ9019-472BS	4700PF CERAMIC	EBS
C001	QCZ9019-472	4700PF CERAMIC	F
C861	QCE22HP-103	0.01MF 500V CERAMIC	
C862	QCF21HP-472	4700PF 50V CERAMIC	C
C863	QETB1EM-477	470MF 25V ELECTRO	A
C863	QETB1EM-477	470MF 25V ELECTRO	B
C863	QETB1JM-227	220MF 63V ELECTRO	C
C863	QETB1EM-477	470MF 25V ELECTRO	D
C863	QETB1EM-477	470MF 25V ELECTRO	EBS
C863	QETB1EM-477	470MF 25V ELECTRO	F
C864	QETB1CM-476	47MF 16V ELECTRO	
C871	QCF21HP-472	4700PF 50V CERAMIC	
C872	QETB1HM-227	220MF 50V ELECTRO	
C873	QETB1HM-107	100MF 50V ELECTRO	
C874	QETB1EM-476	47MF 25V ELECTRO	
C875	QETB1EM-227	220MF 25V ELECTRO	
C876	QETB1EM-476	47MF 25V ELECTRO	
C877	QCF21HP-472	4700PF 50V CERAMIC	
C881	QETB1HM-476	47MF 50V ELECTRO	

△ SAFETY PARTS

RESISTORS

ITEM	PART NUMBER	DESCRIPTION	AREA
R001	QRC128K-275EM	2.7M 1/2W COMPOSI	A
R001	QRC128K-275EM	2.7M 1/2W COMPOSI	B
R861	QRD14CJ-100S	10 1/4W UNF.CARBON	A
R861	QRD14CJ-100S	10 1/4W UNF.CARBON	B
R861	QRZ0076-3R3	3.3 1/4W FUSIBLE	C
R861	QRZ0077-100	10 1/4W FUSIBLE	D
R861	QRZ0077-220	22 1/4W FUSIBLE	EBS
R861	QRZ0077-220	22 1/4W FUSIBLE	F
R862	QRG012J-332AM	3.3K 1W O.M.FILM	C
R863	QRD167J-821	820 1/6W CARBON	
R864	QRX022J-R22AM	0.22 2W M.FILM	A
R865	QRX022J-R22AM	0.22 2W M.FILM	A
R871	QRG022J-220A	22 2W O.M.FILM	
R874	QRD125J-681	680 1/2W UNF.CARBON	
R875	QRD14CJ-150S	15 1/4W UNF.CARBON	A
R875	QRD14CJ-150S	15 1/4W UNF.CARBON	B
R875	QRZ0077-150	15 1/4W FUSIBLE	C
R875	QRZ0077-150	15 1/4W FUSIBLE	D
R875	QRZ0077-150	15 1/4W FUSIBLE	EBS
R875	QRZ0077-150	15 1/4W FUSIBLE	F
R876	QRD167J-270	27 1/6W CARBON	
R877	QRD167J-270	27 1/6W CARBON	
R881	QRG022J-101AF	100 2W O.M.FILM	
R884	QRG022J-222AM	2.2K 2W O.M.FILM	
R885	QRD14CJ-220S	22 1/4W UNF.CARBON	A
R885	QRD14CJ-220S	22 1/4W UNF.CARBON	B
R885	QRZ0077-220	22 1/4W FUSIBLE	C
R885	QRZ0077-220	22 1/4W FUSIBLE	D
R885	QRZ0077-220	22 1/4W FUSIBLE	EBS
R885	QRZ0077-220	22 1/4W FUSIBLE	F
R887	QRD167J-473	47K 1/6W CARBON	
R888	QRD167J-100	10 1/6W CARBON	
R891	QRD167J-103	10K 1/6W CARBON	
R892	QRD167J-473	47K 1/6W CARBON	
R893	QRD167J-103	10K 1/6W CARBON	
R894	QRD167J-102	1K 1/6W CARBON	
R895	QRD167J-103	10K 1/6W CARBON	
R896	QRD167J-102	1K 1/6W CARBON	

△ SAFETY PARTS

OTHERS

ITEM	PART NUMBER	DESCRIPTION	AREA
	EMG7331-002	FUSE CLIP	
	EWS073-006	SOCKET WIRE	
	EWS112-005	SOCKET WIRE	
	E65508-002	TAB	
	E70945-H25B	HEAT SINK	
	SBSB3010CC	SCREW	
	EMG7331-002	FUSE CLIP	A
	ETP1000-42JA	POWER TRANSFORMER	A
	E12054-003 (S)	CIRCUIT BOARD	A
	E70859-001	EARTH PLATE	A
	QMC0440-001	AC OUTLET	A
	EMG7331-002	FUSE CLIP	B
	ETP1000-42JA	POWER TRANSFORMER	B
	E12054-003 (S)	CIRCUIT BOARD	B
	E70859-001	EARTH PLATE	B
	QMC0440-001	AC OUTLET	B
	EMG7331-002	FUSE CLIP	C
	ETP1000-412B	POWER TRANSFORMER	C
	E12054-003 (S)	CIRCUIT BOARD	C
	E67132-T6R3	FUSE LABEL	C
	E70945-H40B	HEAT SINK	C
	QMC0437-002	AC OUTLET	C
	EMG7331-002	FUSE CLIP	D
	ETP1000-41EA	POWER TRANSFORMER	D
	E12054-003 (S)	CIRCUIT BOARD	D
	E67132-T3R15	FUSE LABEL	D
	E67132-T6R3	FUSE LABEL	D
	EMG7331-002	FUSE CLIP	EBS
	ETP1000-41EABS	POWER TRANSFORMER	EBS
	E12054-003BS (S)	CIRCUIT BOARD	EBS
	E67132-T3R15	FUSE LABEL	EBS
	E67132-T6R3	FUSE LABEL	EBS
	EMG7331-002	FUSE CLIP	F
	ETP1000-41EA	POWER TRANSFORMER	F
	E12054-003 (S)	CIRCUIT BOARD	F
	E67132-T3R15	FUSE LABEL	F
	E67132-T6R3	FUSE LABEL	F
WT101	E67764-202	WRAPPING TERMINAL	
WT103	E67764-202	WRAPPING TERMINAL	
WT105	E67764-103	WRAPPING TERMINAL	
P863	EMV7122-004	CONNECTOR	
P865	EMV7122-003	CONNECTOR	
P866	EMV7122-003	CONNECTOR	
FW851	EWR33B-65LST	FLAT WIRE	
FW861	EWR36B-20SST	FLAT WIRE	

OTHERS

OTHERS

Δ	ITEM	PART NUMBER	DESCRIPTION	AREA
	FW862	EWR358-25SST	FLAT WIRE	
	RY001	ESK1012-115	RELAY	A
	RY001	ESK1012-115	RELAY	B
	RY001	ESK1012-115	RELAY	C
	RY001	ESK1012-115	RELAY	D
	RY001	ESK1012-115	RELAY	E
	RY001	ESK1012-115BS	RELAY	EBS
	RY001	ESK1012-115	RELAY	F
	WT001	E67764-102	WRAPPING TERMINAL	
	WT002	E67764-202	WRAPPING TERMINAL	
	WT003	E67764-202	WRAPPING TERMINAL	C

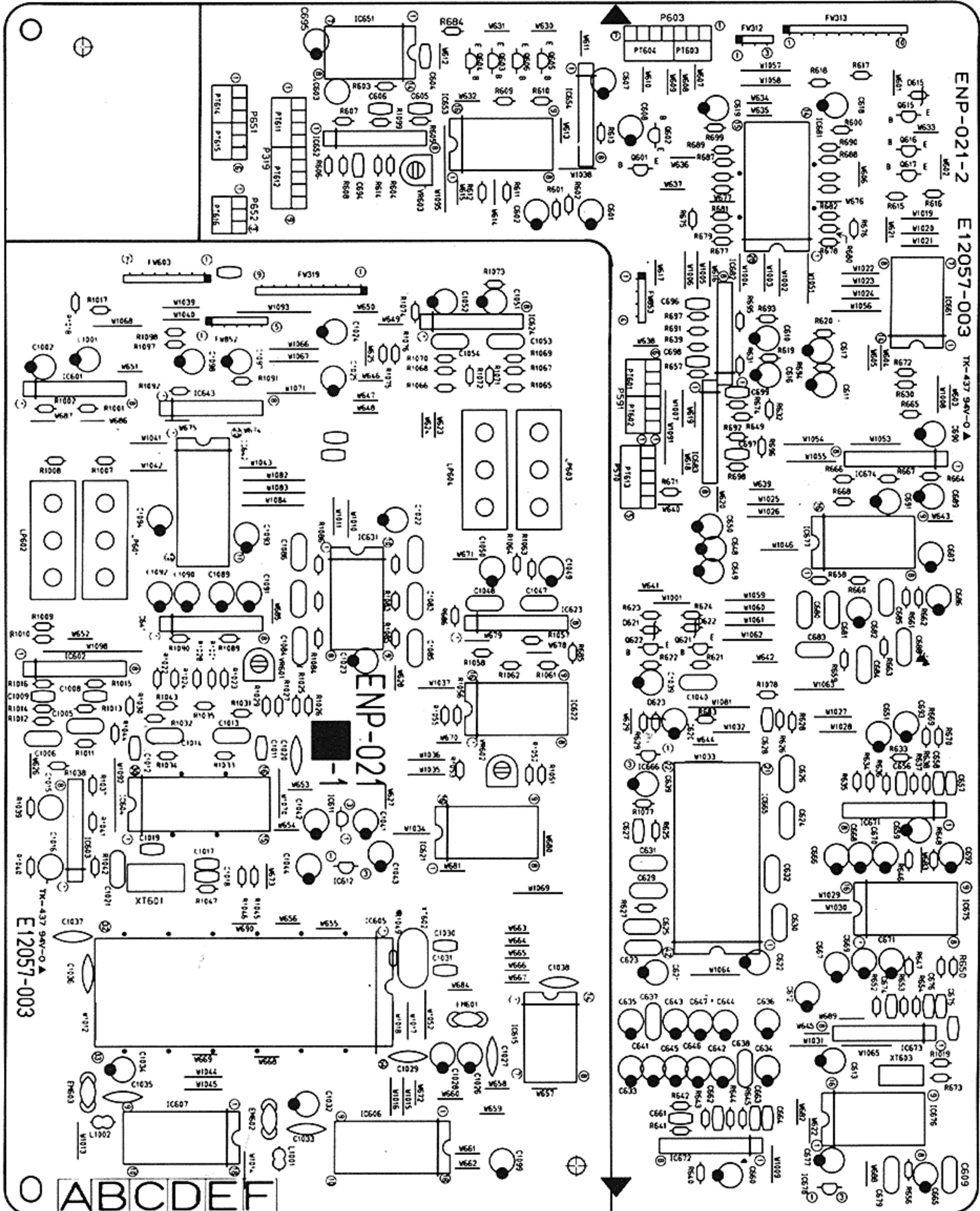
Δ (USA:PETTY) (PARTS)

Δ	ITEM	PART NUMBER	DESCRIPTION	AREA
	WT003	E67764-202	WRAPPING TERMINAL	D
	WT003	E67764-202	WRAPPING TERMINAL	EBS
	WT003	E67764-202	WRAPPING TERMINAL	F
	WT004	E67764-102	WRAPPING TERMINAL	C

Δ (USA:PETTY) (PARTS)

■ ENP-021 □ Surround / DAP PC Board Ass'y

Note : ENP-021 □ varies according to the areas employed. See note (1) when placing an order.



Note (1)

PC Board Ass'y	Designated Areas
ENP-021 <b>A</b>	the U.S.A. , Canada Other Countries
ENP-021 <b>B</b>	Australia , Europe , the U.K.
ENP-021 <b>C</b>	West Germany

TRANSISTOR

Δ ITEM	PART NUMBER	DESCRIPTION	AREA
Q601	DTA114YS	SILICON ROHM	
Q602	DTC144ES	SILICON ROHM	
Q603	DTC144ES	SILICON ROHM	
Q604	DTA114YS	SILICON ROHM	
Q605	DTC144ES	SILICON ROHM	
Q606	DTA114YS	SILICON ROHM	
Q615	DTA114YS	SILICON ROHM	
Q616	DTC144ES	SILICON ROHM	
Q617	DTA114YS	SILICON ROHM	
Q621	2SC1685(Q,R)	SILICON MATSUSHITA	
Q622	2SC1685(Q,R)	SILICON MATSUSHITA	

Δ SAFETY PARTS

I. C. S.

Δ ITEM	PART NUMBER	DESCRIPTION	AREA
IC601	VC4580L	I.C. DAINICHI	
IC602	VC4580L	I.C. DAINICHI	
IC603	VC4580L	I.C. DAINICHI	
IC604	TD6726N	I.C. TOSHIBA	
IC605	VC4097-008	I.C. TOSHIBA	
IC606	TMM41464AP-12	I.C. TOSHIBA	
IC607	TMM41464AP-12	I.C. TOSHIBA	
IC611	NJM78L05A	I.C. DAINICHI	
IC612	NJM79L05A	I.C. DAINICHI	
IC615	TC74HC02AP	I.C. TOSHIBA	
IC621	PCM56P	I.C. NIPONBARBURAUN	
IC622	UPD4053BC	I.C. NEC	
IC623	VC4580L	I.C. DAINICHI	
IC624	VC4580L	I.C. DAINICHI	
IC631	TC4052BP	I.C. TOSHIBA	
IC641	VC4580L	I.C. DAINICHI	
IC642	TC9177P	I.C. TOSHIBA	
IC643	VC4580L	I.C. DAINICHI	
IC651	TC4011UBP	I.C. 1509	
IC652	VC4580L	I.C. DAINICHI	
IC653	TC4052BP	I.C. TOSHIBA	
IC654	VC4580L	I.C. DAINICHI	
IC661	LC4966	I.C. SANYO	
IC665	LA2770	I.C. SANYO	
IC666	NJM78L12A	I.C. DAINICHI	
IC671	VC4580L	I.C. DAINICHI	
IC672	VC4580L	I.C. DAINICHI	
IC673	VC4580L	I.C. DAINICHI	
IC674	VC4580L	I.C. DAINICHI	
IC675	UPC1571C	I.C. NEC	
IC676	YM3428	I.C. YAMAHA	
IC677	LA2730	I.C. SANYO	
IC678	NJM78L05A	I.C. DAINICHI	
IC681	TC9163N	I.C. TOSHIBA	
IC682	VC4580L	I.C. DAINICHI	
IC683	VC4580L	I.C. DAINICHI	

Δ SAFETY PARTS

DIODES

Δ ITEM	PART NUMBER	DESCRIPTION	AREA
D615	MT212JC	ZENER ROHM	
D621	MT23.0JB	ZENER ROHM	
D622	MT23.0JB	ZENER ROHM	
D623	MT26.2JC	ZENER ROHM	
D624	MA700	ZENER MATSUSHITA	
D625	MA700	ZENER MATSUSHITA	
D626	1SS133	SILICON ROHM	
D627	1SS133	SILICON ROHM	
D628	1SS133	SILICON ROHM	

Δ SAFETY PARTS

CAPACITORS

Δ ITEM	PART NUMBER	DESCRIPTION	AREA
C601	QETB1CM-107	100MF 16V ELECTRO	
C602	QETB1CM-107	100MF 16V ELECTRO	
C603	QENS1HM-105	1MF 50V NON POLE	
C604	QCVB1CM-103	0.01MF 16V CERAMIC	
C605	QCVB1HK-102	1000PF 50V CERAMIC	
C606	QCVB1CM-103	0.01MF 16V CERAMIC	
C607	QETB1HM-105	1MF 50V ELECTRO	
C608	QETB1HM-105	1MF 50V ELECTRO	
C609	QCZ0205-155	1.5MF 25V CERAMIC	
C610	QETB1HM-105	1MF 50V ELECTRO	
C611	QETB1HM-105	1MF 50V ELECTRO	
C612	QETB1EM-476	47MF 25V ELECTRO	
C613	QETB1EM-476	47MF 25V ELECTRO	
C616	QETB1HM-105	1MF 50V ELECTRO	
C617	QETB1HM-105	1MF 50V ELECTRO	
C618	QETB1EM-106	10MF 25V ELECTRO	
C619	QETB1EM-106	10MF 25V ELECTRO	
C620	QETB1EM-476	47MF 25V ELECTRO	
C621	QEK61EM-475G	4.7MF 25V ELECTRO	
C622	QEK61EM-475G	4.7MF 25V ELECTRO	
C623	QFV81HJ-104	0.1MF 50V T.FILM	
C624	QFV81HJ-104	0.1MF 50V T.FILM	
C625	QFV81HJ-104	0.1MF 50V T.FILM	
C626	QFV81HJ-104	0.1MF 50V T.FILM	
C627	QCBB1HK-681	680PF 50V CERAMIC	
C628	QCBB1HK-681	680PF 50V CERAMIC	
C629	QFV81HJ-334	0.33MF 50V T.FILM	
C630	QFV81HJ-154	0.15MF 50V T.FILM	
C631	QFV81HJ-334	0.33MF 50V T.FILM	
C632	QFV81HJ-154	0.15MF 50V T.FILM	
C633	QEK61EM-475G	4.7MF 25V ELECTRO	
C634	QEK61EM-475G	4.7MF 25V ELECTRO	
C635	QEK61EM-475G	4.7MF 25V ELECTRO	
C636	QEK61EM-475G	4.7MF 25V ELECTRO	
C637	QFN81HK-682	6800PF 50V MYLAR	
C638	QFN81HK-682	6800PF 50V MYLAR	
C639	QETB1CM-107	100MF 16V ELECTRO	
C641	QEK61HM-224G	0.22MF 50V ELECTRO	
C642	QEK61HM-224G	0.22MF 50V ELECTRO	
C643	QEK61EM-475G	4.7MF 25V ELECTRO	
C644	QEK61EM-475G	4.7MF 25V ELECTRO	
C645	QEK61HM-224G	0.22MF 50V ELECTRO	
C646	QEK61HM-224G	0.22MF 50V ELECTRO	
C647	QETB1EM-476	47MF 25V ELECTRO	
C648	QEK61HM-105G	1MF 50V ELECTRO	
C649	QEK61HM-105G	1MF 50V ELECTRO	
C650	QEK61HM-105G	1MF 50V ELECTRO	
C651	QEK61HM-105G	1MF 50V ELECTRO	
C656	QCBB1HK-681	680PF 50V CERAMIC	
C657	QCSB1HJ-680	68PF 50V CERAMIC	
C658	QCBB1HK-271	270PF 50V CERAMIC	
C659	QETB1EM-106	10MF 25V ELECTRO	
C660	QETB1EM-106	10MF 25V ELECTRO	
C661	QCBB1HK-101	100PF 50V CERAMIC	
C662	QCBB1HK-681	680PF 50V CERAMIC	
C663	QCBB1HK-271	270PF 50V CERAMIC	
C664	QCSB1HJ-680	68PF 50V CERAMIC	
C665	QETC1HM-225	2.2MF 50V ELECTRO	
C666	QEK61HM-225G	2.2MF 50V ELECTRO	
C667	QEK61HM-225G	2.2MF 50V ELECTRO	
C668	QEK61CM-106G	10MF 16V ELECTRO	
C669	QEK61CM-106G	10MF 16V ELECTRO	
C670	QEK61EM-475G	4.7MF 25V ELECTRO	
C671	QEK61EM-475G	4.7MF 25V ELECTRO	
C673	QCBB1HK-101	100PF 50V CERAMIC	
C674	QCBB1HK-681	680PF 50V CERAMIC	
C675	QCSB1HJ-680	68PF 50V CERAMIC	
C676	QCBB1HK-271	270PF 50V CERAMIC	
C677	QETB1EM-476	47MF 25V ELECTRO	
C679	QFP81HJ-102	1000PF 50V POLY	
C680	QFV81HJ-334	0.33MF 50V T.FILM	
C681	QFV81HJ-104	0.1MF 50V T.FILM	
C682	QETB1HM-105	1MF 50V ELECTRO	
C683	QFN81HJ-333	0.033MF 50V MYLAR	
C684	QFN81HJ-273	0.027MF 50V MYLAR	
C685	QFN81HJ-472	4700PF 50V MYLAR	
C686	QETB1AM-107	100MF 10V ELECTRO	
C687	QETB1EM-226	22MF 25V ELECTRO	
C688	QFN81HJ-562	5600PF 50V MYLAR	
C689	QETB1HM-105	1MF 50V ELECTRO	
C690	QETB1EM-106	10MF 25V ELECTRO	
C691	QETB1HM-105	1MF 50V ELECTRO	
C692	QEK61CM-106G	10MF 16V ELECTRO	
C693	QETB1HM-105	1MF 50V ELECTRO	
C694	QCVB1CM-103	0.01MF 16V CERAMIC	
C695	QEK61CM-106G	10MF 16V ELECTRO	
C696	QCBB1HK-101	100PF 50V CERAMIC	
C697	QCBB1HK-101	100PF 50V CERAMIC	
C698	QCBB1HK-101	100PF 50V CERAMIC	
C699	QCBB1HK-101	100PF 50V CERAMIC	
C1001	QETB1EM-106	10MF 25V ELECTRO	
C1002	QETB1EM-106	10MF 25V ELECTRO	
C1005	QFN81HJ-472	4700PF 50V MYLAR	
C1006	QFN81HJ-472	4700PF 50V MYLAR	
C1008	QCBB1HK-101	100PF 50V CERAMIC	

CAPACITORS

Δ	ITEM	PART NUMBER	DESCRIPTION			AREA
	C1009	QCB1HK-101	100PF	50V	CERAMIC	
	C1011	QCT30CH-180	18PF	50V	CERAMIC	
	C1012	QCT30CH-180	18PF	50V	CERAMIC	
	C1013	QFP81HJ-182	1800PF	50V	POLY	
	C1014	QFP81HJ-182	1800PF	50V	POLY	
	C1015	QEN51HM-225	2.2MF	50V	NON POLE	
	C1016	QEN51HM-225	2.2MF	50V	NON POLE	
	C1017	QCXB1CM-472	4700PF	16V	CERAMIC	
	C1018	QCT30CH-100	10PF	50V	CERAMIC	
	C1019	QCT30CH-5R6	5.6PF	50V	CERAMIC	
	C1020	QCF21HP-473	0.047MF	50V	CERAMIC	
	C1021	QCZ0205-155	1.5MF	25V	CERAMIC	
	C1022	QETB1EM-476	47MF	25V	ELECTRO	
	C1023	QETB1EM-476	47MF	25V	ELECTRO	
	C1024	QETB1EM-107	100MF	25V	ELECTRO	
	C1025	QETB1EM-107	100MF	25V	ELECTRO	
	C1026	QETB1CM-476	47MF	16V	ELECTRO	
	C1027	QCF21HP-473	0.047MF	50V	CERAMIC	
	C1028	QETB1CM-476	47MF	16V	ELECTRO	
	C1029	QCF21HP-473	0.047MF	50V	CERAMIC	
	C1030	QCT30CH-100	10PF	50V	CERAMIC	
	C1031	QCT30CH-100	10PF	50V	CERAMIC	
	C1032	QETB1CM-476	47MF	16V	ELECTRO	
	C1033	QCF21HP-473	0.047MF	50V	CERAMIC	
	C1034	QETB1CM-476	47MF	16V	ELECTRO	
	C1035	QCF21HP-473	0.047MF	50V	CERAMIC	
	C1036	QCF21HP-473	0.047MF	50V	CERAMIC	
	C1037	QCF21HP-473	0.047MF	50V	CERAMIC	
	C1038	QCF21HP-473	0.047MF	50V	CERAMIC	
	C1039	QETB1EM-106	10MF	25V	ELECTRO	
	C1040	QFV81HJ-474	0.47MF	50V	T. FILM	
	C1041	QETB1EM-476	47MF	25V	ELECTRO	
	C1042	QETB1EM-476	47MF	25V	ELECTRO	
	C1043	QETB1EM-476	47MF	25V	ELECTRO	
	C1044	QETB1EM-476	47MF	25V	ELECTRO	
	C1047	QFP81HJ-221	220PF	50V	POLY	
	C1048	QFP81HJ-221	220PF	50V	POLY	
	C1049	QETB1EM-106	10MF	25V	ELECTRO	
	C1050	QETB1EM-106	10MF	25V	ELECTRO	
	C1051	QETB1EM-106	10MF	25V	ELECTRO	
	C1052	QETB1EM-106	10MF	25V	ELECTRO	
	C1053	QFP81HJ-751	750PF	50V	POLY	
	C1054	QFP81HJ-751	750PF	50V	POLY	
	C1083	QFN81HJ-822	8200PF	50V	MYLAR	
	C1084	QFN81HJ-822	8200PF	50V	MYLAR	
	C1085	QFN81HJ-273	0.027MF	50V	MYLAR	
	C1086	QFN81HJ-273	0.027MF	50V	MYLAR	
	C1089	QETB1HM-225	2.2MF	50V	ELECTRO	
	C1090	QETB1HM-225	2.2MF	50V	ELECTRO	
	C1091	QETB1EM-106	10MF	25V	ELECTRO	
	C1092	QETB1EM-106	10MF	25V	ELECTRO	
	C1093	QETB1EM-106	10MF	25V	ELECTRO	
	C1094	QETB1EM-106	10MF	25V	ELECTRO	
	C1097	QETB1HM-105	1MF	50V	ELECTRO	
	C1098	QETB1HM-105	1MF	50V	ELECTRO	
	C1099	QETB1HM-474	0.47MF	50V	ELECTRO	

Δ IS SAFETY PARTS

RESISTORS

Δ	ITEM	PART NUMBER	DESCRIPTION			AREA
	R600	QRD167J-104	100K	1/6W	CARBON	
	R601	QRD167J-152	1.5K	1/6W	CARBON	
	R602	QRD167J-152	1.5K	1/6W	CARBON	
	R603	QRD167J-104	100K	1/6W	CARBON	
	R604	QRD167J-221	220	1/6W	CARBON	
	R605	QRD167J-104	100K	1/6W	CARBON	
	R606	QRD167J-104	100K	1/6W	CARBON	
	R607	QRD167J-622	6.2K	1/6W	CARBON	
	R608	QRD167J-153	15K	1/6W	CARBON	
	R609	QRD167J-103	10K	1/6W	CARBON	
	R610	QRD167J-103	10K	1/6W	CARBON	
	R611	QRD167J-104	100K	1/6W	CARBON	
	R612	QRD167J-104	100K	1/6W	CARBON	
	R613	QRD167J-104	100K	1/6W	CARBON	
	R614	QRD167J-223	22K	1/6W	CARBON	
	R615	QRD167J-103	10K	1/6W	CARBON	
	R616	QRD167J-103	10K	1/6W	CARBON	
	R617	QRD167J-103	10K	1/6W	CARBON	
	R618	QRD167J-103	10K	1/6W	CARBON	
	R619	QRD167J-104	100K	1/6W	CARBON	
	R620	QRD167J-104	100K	1/6W	CARBON	
	R621	QRD167J-474	470K	1/6W	CARBON	
	R622	QRD167J-474	470K	1/6W	CARBON	
	R623	QRD167J-103	10K	1/6W	CARBON	
	R624	QRD167J-103	10K	1/6W	CARBON	

RESISTORS

Δ	ITEM	PART NUMBER	DESCRIPTION			AREA
	R625	QRD167J-473	47K	1/6W	CARBON	
	R626	QRD167J-473	47K	1/6W	CARBON	
	R627	QRD167J-752	7.5K	1/6W	CARBON	
	R628	QRD167J-752	7.5K	1/6W	CARBON	
	R629	QRD167J-152	1.5K	1/6W	CARBON	
	R630	QRD167J-104	100K	1/6W	CARBON	
	R631	QRD167J-104	100K	1/6W	CARBON	
	R632	QRD167J-104	100K	1/6W	CARBON	
	R633	QRD167J-104	100K	1/6W	CARBON	
	R634	QRD167J-203	20K	1/6W	CARBON	
	R635	QRD167J-103	10K	1/6W	CARBON	
	R636	QRD167J-103	10K	1/6W	CARBON	
	R637	QRD167J-104	100K	1/6W	CARBON	
	R638	QRD167J-104	100K	1/6W	CARBON	
	R639	QRD167J-103	10K	1/6W	CARBON	
	R640	QRD167J-104	100K	1/6W	CARBON	
	R641	QRD167J-103	10K	1/6W	CARBON	
	R642	QRD167J-103	10K	1/6W	CARBON	
	R643	QRD167J-103	10K	1/6W	CARBON	
	R644	QRD167J-104	100K	1/6W	CARBON	
	R645	QRD167J-104	100K	1/6W	CARBON	
	R646	QRD167J-473	47K	1/6W	CARBON	
	R647	QRD167J-183	18K	1/6W	CARBON	
	R648	QRD167J-473	47K	1/6W	CARBON	
	R649	QRD167J-103	10K	1/6W	CARBON	
	R650	QRD167J-622	6.2K	1/6W	CARBON	
	R651	QRD167J-103	10K	1/6W	CARBON	
	R652	QRD167J-103	10K	1/6W	CARBON	
	R653	QRD167J-104	100K	1/6W	CARBON	
	R654	QRD167J-104	100K	1/6W	CARBON	
	R656	QRD167J-473	47K	1/6W	CARBON	
	R657	QRD167J-333	33K	1/6W	CARBON	
	R658	QRD167J-274	270K	1/6W	CARBON	
	R659	QRD167J-622	6.2K	1/6W	CARBON	
	R660	QRD167J-274	270K	1/6W	CARBON	
	R661	QRD167J-473	47K	1/6W	CARBON	
	R662	QRD167J-332	3.3K	1/6W	CARBON	
	R663	QRD167J-181	180	1/6W	CARBON	
	R664	QRD167J-183	18K	1/6W	CARBON	
	R665	QRD167J-104	100K	1/6W	CARBON	
	R666	QRD167J-104	100K	1/6W	CARBON	
	R667	QRD167J-273	27K	1/6W	CARBON	
	R668	QRD167J-223	22K	1/6W	CARBON	
	R669	QRD167J-103	10K	1/6W	CARBON	
	R670	QRD167J-622	6.2K	1/6W	CARBON	
	R671	QRD167J-104	100K	1/6W	CARBON	
	R672	QRD167J-104	100K	1/6W	CARBON	
	R673	QRD167J-272	2.7K	1/6W	CARBON	
	R674	QRD167J-333	33K	1/6W	CARBON	
	R675	QRD167J-104	100K	1/6W	CARBON	
	R676	QRD167J-104	100K	1/6W	CARBON	
	R677	QRD167J-103	10K	1/6W	CARBON	
	R678	QRD167J-103	10K	1/6W	CARBON	
	R679	QRD167J-103	10K	1/6W	CARBON	
	R680	QRD167J-103	10K	1/6W	CARBON	
	R681	QRD167J-103	10K	1/6W	CARBON	
	R682	QRD167J-103	10K	1/6W	CARBON	
	R683	QRD167J-104	100K	1/6W	CARBON	
	R684	QRD167J-102	1K	1/6W	CARBON	
	R685	QRD167J-474	470K	1/6W	CARBON	
	R686	QRD167J-474	470K	1/6W	CARBON	
	R687	QRD167J-103	10K	1/6W	CARBON	
	R688	QRD167J-103	10K	1/6W	CARBON	
	R689	QRD167J-103	10K	1/6W	CARBON	
	R690	QRD167J-103	10K	1/6W	CARBON	
	R691	QRD167J-103	10K	1/6W	CARBON	
	R692	QRD167J-103	10K	1/6W	CARBON	
	R693	QRD167J-104	100K	1/6W	CARBON	
	R694	QRD167J-104	100K	1/6W	CARBON	
	R695	QRD167J-104	100K	1/6W	CARBON	
	R696	QRD167J-104	100K	1/6W	CARBON	
	R697	QRD167J-333	33K	1/6W	CARBON	
	R698	QRD167J-103	10K	1/6W	CARBON	
	R699	QRD167J-104	100K	1/6W	CARBON	
	R1001	QRD167J-104	100K	1/6W	CARBON	
	R1002	QRD167J-104	100K	1/6W	CARBON	
	R1007	QRD167J-562	5.6K	1/6W	CARBON	
	R1008	QRD167J-562	5.6K	1/6W	CARBON	
	R1009	QRD167J-562	5.6K	1/6W	CARBON	
	R1010	QRD167J-562	5.6K	1/6W	CARBON	
	R1011	QRD167J-302	3K	1/6W	CARBON	
	R1012	QRD167J-302	3K	1/6W	CARBON	
	R1013	QRD167J-103	10K	1/6W	CARBON	
	R1014	QRD167J-103	10K	1/6W	CARBON	
	R1015	QRD167J-103	10K	1/6W	CARBON	
	R1016	QRD167J-103	10K	1/6W	CARBON	
	R1017	QRD167J-104	100K	1/6W	CARBON	
	R1018	QRD167J-104	100K	1/6W	CARBON	
	R1019	QRD167J-105	1M	1/6W	CARBON	
	R1021	QRD167J-432	4.3K	1/6W	CARBON	
	R1022	QRD167J-432	4.3K	1/6W	CARBON	
	R1023	QRD167J-432	4.3K	1/6W	CARBON	
	R1024	QRD167J-432	4.3K	1/6W	CARBON	
	R1025	QRD167J-222	2.2K	1/6W	CARBON	
	R1026	QRD167J-222	2.2K	1/6W	CARBON	
	R1027	QRD167J-103	10K	1/6W	CARBON	



RESISTORS

OTHERS

Δ	ITEM	PART NUMBER	DESCRIPTION			AREA
	R1028	QRD167J-392	3.9K	1/6W	CARBON	
	R1029	QRD167J-102	1K	1/6W	CARBON	
	R1030	QRD167J-102	1K	1/6W	CARBON	
	R1031	QRD167J-102	1K	1/6W	CARBON	
	R1032	QRD167J-102	1K	1/6W	CARBON	
	R1033	QRD167J-432	4.3K	1/6W	CARBON	
	R1034	QRD167J-432	4.3K	1/6W	CARBON	
	R1035	QRD167J-133	13K	1/6W	CARBON	
	R1037	QRD167J-222	2.2K	1/6W	CARBON	
	R1038	QRD167J-222	2.2K	1/6W	CARBON	
	R1039	QRD167J-473	47K	1/6W	CARBON	
	R1040	QRD167J-473	47K	1/6W	CARBON	
	R1041	QRD167J-473	47K	1/6W	CARBON	
	R1042	QRD167J-473	47K	1/6W	CARBON	
	R1043	QRD167J-821	820	1/6W	CARBON	
	R1044	QRD167J-162	1.6K	1/6W	CARBON	
	R1045	QRD167J-102	1K	1/6W	CARBON	
	R1046	QRD167J-102	1K	1/6W	CARBON	
	R1047	QRD167J-561	560	1/6W	CARBON	
	R1049	QRD167J-105	1M	1/6W	CARBON	
	R1051	QRD167J-105	1M	1/6W	CARBON	
	R1052	QRD167J-474	470K	1/6W	CARBON	
	R1053	QRD167J-224	220K	1/6W	CARBON	
	R1055	QRD167J-242	2.4K	1/6W	CARBON	
	R1056	QRD167J-242	2.4K	1/6W	CARBON	
	R1057	QRD167J-222	2.2K	1/6W	CARBON	
	R1058	QRD167J-222	2.2K	1/6W	CARBON	
	R1061	QRD167J-102	1K	1/6W	CARBON	
	R1062	QRD167J-102	1K	1/6W	CARBON	
	R1063	QRD167J-562	5.6K	1/6W	CARBON	
	R1064	QRD167J-562	5.6K	1/6W	CARBON	
	R1065	QRD167J-562	5.6K	1/6W	CARBON	
	R1066	QRD167J-562	5.6K	1/6W	CARBON	
	R1067	QRD167J-473	47K	1/6W	CARBON	
	R1068	QRD167J-473	47K	1/6W	CARBON	
	R1069	QRD167J-153	15K	1/6W	CARBON	
	R1070	QRD167J-153	15K	1/6W	CARBON	
	R1071	QRD167J-153	15K	1/6W	CARBON	
	R1072	QRD167J-153	15K	1/6W	CARBON	
	R1073	QRD167J-104	100K	1/6W	CARBON	
	R1074	QRD167J-104	100K	1/6W	CARBON	
	R1075	QRD167J-272	2.7K	1/6W	CARBON	
	R1076	QRD167J-272	2.7K	1/6W	CARBON	
	R1077	QRD167J-153	15K	1/6W	CARBON	
	R1078	QRD167J-153	15K	1/6W	CARBON	
	R1083	QRD167J-224	220K	1/6W	CARBON	
	R1084	QRD167J-224	220K	1/6W	CARBON	
	R1085	QRD167J-224	220K	1/6W	CARBON	
	R1086	QRD167J-224	220K	1/6W	CARBON	
	R1089	QRD167J-474	470K	1/6W	CARBON	
	R1090	QRD167J-474	470K	1/6W	CARBON	
	R1091	QRD167J-104	100K	1/6W	CARBON	
	R1092	QRD167J-104	100K	1/6W	CARBON	
	R1097	QRD167J-104	100K	1/6W	CARBON	
	R1098	QRD167J-104	100K	1/6W	CARBON	
	R1099	QRD167J-473	47K	1/6W	CARBON	
	VR601	QVPA601-202A	2K		VARIABLE	
	VR602	QVPA601-104A	100K		VARIABLE	
	VR603	QVPA601-102A	1K		VARIABLE	

Δ IS SAFETY PARTS

Δ	ITEM	PART NUMBER	DESCRIPTION			AREA
		E12057-003	CIRCUIT BOARD			
	EM601	EQF0601-222T	EMI FILTER			
	EM602	EQF0601-222T	EMI FILTER			
	EM603	EQF0601-222T	EMI FILTER			
	FW312	EWR33B-16LST	FLAT WIRE			
	FW313	EWR3AB-20LST	FLAT WIRE			
	FW319	EWR39B-40LST	FLAT WIRE			
	FW603	EWR37B-35LST	FLAT WIRE			
	FW852	EWR35B-35LST	FLAT WIRE			
	FW853	EWR34B-13LST	FLAT WIRE			
	LP601	EQF0101-008	LOW PASS FILTER			
	LP602	EQF0101-008	LOW PASS FILTER			
	LP603	EQF0101-008	LOW PASS FILTER			
	LP604	EQF0101-008	LOW PASS FILTER			
	L1001	EQL4004-1R0	INDUCTOR			
	L1002	EQL4004-1R0	INDUCTOR			
	PT601	EMV7122-003	CONNECTOR			
	PT602	EMV7122-003	CONNECTOR			
	PT603	EMV7122-003	CONNECTOR			
	PT604	EMV7122-004	CONNECTOR			
	PT611	EMV7122-004	CONNECTOR			
	PT612	EMV7122-005	CONNECTOR			
	PT613	EMV7122-005	CONNECTOR			
	PT614	EMV7122-003	CONNECTOR			
	PT615	EMV7122-003	CONNECTOR			
	PT616	EMV7122-003	CONNECTOR			
	XT601	F65SM	CRYSTAL			
	XT602	ECX0012-288KF	RESONATOR			
	XT603	ECX0003-580KM	RESONATOR			

Δ IS SAFETY PARTS



Note (1)

PC Board Ass'y	Designated Areas
ENF-055 [A]	the U.S.A., Canada
ENF-055 [B]	Australia, Europe, the U.K.
ENF-055 [C]	West Germany
ENF-055 [D]	Other Countries

TRANSISTOR

Δ ITEM	PART NUMBER	DESCRIPTION	AREA
Q301	2SK170(BL)	F.E.T TOSHIBA	
Q302	2SK170(BL)	F.E.T TOSHIBA	
Q303	2SK170(BL)	F.E.T TOSHIBA	
Q304	2SK170(BL)	F.E.T TOSHIBA	
Q305	2SD655(E,F)	SILICON HITACHI	
Q306	2SD655(E,F)	SILICON HITACHI	
Q307	2SD655(E,F)	SILICON HITACHI	
Q308	2SD655(E,F)	SILICON HITACHI	
Q341	2SK163(L1)	F.E.T NEC	
Q342	2SK163(L1)	F.E.T NEC	
Q343	DTA114YS	SILICON ROHM	
Q344	DTA114YS	SILICON ROHM	
Q345	DTC144ES	SILICON ROHM	
Q346	DTC144ES	SILICON ROHM	
Q401	2SC458(C,D)	SILICON HITACHI	
Q402	2SC458(C,D)	SILICON HITACHI	
Q481	2SC458(C,D)	SILICON HITACHI	
Q482	2SC458(C,D)	SILICON HITACHI	
Q491	DTC114YS	SILICON ROHM	

Δ SAFETY PARTS

I. C. S.

Δ ITEM	PART NUMBER	DESCRIPTION	AREA
IC301	NJM4560DD	I.C. DAINICHI	
IC302	TC9164N	I.C. TOSHIBA	
IC303	NJM4560SD	I.C. DAINICHI	
IC304	TC9162N	I.C. TOSHIBA	
IC305	TC9163N	I.C. TOSHIBA	
IC401	TC74HC595AP	I.C. TOSHIBA	
IC491	MN1281(P,Q)	I.C. MATSUSHITA	
IC501	LA3607S	I.C. SANYO	
IC502	LA3607S	I.C. SANYO	
IC503	NJM4560SD	I.C. DAINICHI	
IC504	LC7522	I.C. SANYO	

Δ SAFETY PARTS

DIODES

Δ ITEM	PART NUMBER	DESCRIPTION	AREA
D481	1SS119	SILICON HITACHI	
D482	1SS119	SILICON HITACHI	
D483	RD5.1JSB3	ZENER NEC	
D484	RD5.1JSB3	ZENER NEC	
D486	1SS119	SILICON HITACHI	
D491	1SS119	SILICON HITACHI	
D492	1SS119	SILICON HITACHI	
D493	1SS119	SILICON HITACHI	
D501	RD6.8JSB3	ZENER NEC	
D502	RD6.8JSB3	ZENER NEC	

Δ SAFETY PARTS

CAPACITORS

Δ ITEM	PART NUMBER	DESCRIPTION	AREA
C303	QFN81HK-223	0.022MF 50V MYLAR	
C304	QCF21HP-223	0.022MF 50V CERAMIC	
C305	QFN81HJ-103	0.01MF 50V MYLAR	
C306	QFN81HJ-103	0.01MF 50V MYLAR	
C307	QCS21HJ-680	68PF 50V CERAMIC	A
C307	QCS21HJ-680	68PF 50V CERAMIC	B
C307	QCS21HJ-101	100PF 50V CERAMIC	C
C307	QCS21HJ-680	68PF 50V CERAMIC	D
C308	QCS21HJ-680	68PF 50V CERAMIC	A
C308	QCS21HJ-680	68PF 50V CERAMIC	B

CAPACITORS

Δ ITEM	PART NUMBER	DESCRIPTION	AREA
C308	QCS21HJ-101	100PF 50V CERAMIC	C
C308	QCS21HJ-680	68PF 50V CERAMIC	D
C309	QFN81HJ-822	8200PF 50V MYLAR	
C310	QFN81HJ-822	8200PF 50V MYLAR	
C311	QFN81HJ-392	3900PF 50V MYLAR	
C312	QFN81HJ-392	3900PF 50V MYLAR	
C313	QETB0JM-228	2200MF 6.3V ELECTRO	
C314	QETB0JM-228	2200MF 6.3V ELECTRO	
C315	QFN81HJ-472	4700PF 50V MYLAR	
C316	QFN81HJ-472	4700PF 50V MYLAR	
C317	QCS21HJ-331	330PF 50V CERAMIC	
C318	QCS21HJ-331	330PF 50V CERAMIC	
C319	QFN81HJ-153	0.015MF 50V MYLAR	
C320	QFN81HJ-153	0.015MF 50V MYLAR	
C321	QFN81HJ-272	2700PF 50V MYLAR	
C322	QFN81HJ-272	2700PF 50V MYLAR	
C323	QETB1HM-475	4.7MF 50V ELECTRO	
C324	QETB1HM-475	4.7MF 50V ELECTRO	
C325	QETB1EM-107	100MF 25V ELECTRO	
C326	QETB1EM-107	100MF 25V ELECTRO	
C329	QCB1HK-151	150PF 50V CERAMIC	
C330	QCB1HK-151	150PF 50V CERAMIC	
C331	QFV81HJ-224	0.22MF 50V T.FILM	
C332	QCF21HP-223	0.022MF 50V CERAMIC	
C333	QCF21HP-223	0.022MF 50V CERAMIC	
C334	QCF21HP-223	0.022MF 50V CERAMIC	
C335	QCS21HJ-331	330PF 50V CERAMIC	C
C336	QCS21HJ-331	330PF 50V CERAMIC	C
C337	QCS21HJ-331	330PF 50V CERAMIC	C
C338	QCS21HJ-331	330PF 50V CERAMIC	C
C339	QCS21HJ-331	330PF 50V CERAMIC	C
C340	QCS21HJ-331	330PF 50V CERAMIC	C
C341	QCS21HJ-331	330PF 50V CERAMIC	C
C342	QCS21HJ-331	330PF 50V CERAMIC	C
C343	QCS21HJ-331	330PF 50V CERAMIC	C
C344	QCS21HJ-331	330PF 50V CERAMIC	C
C345	QCS21HJ-331	330PF 50V CERAMIC	C
C346	QCS21HJ-331	330PF 50V CERAMIC	C
C347	QCS21HJ-331	330PF 50V CERAMIC	C
C348	QCS21HJ-331	330PF 50V CERAMIC	C
C351	QETB1EM-476	47MF 25V ELECTRO	
C352	QETB1EM-476	47MF 25V ELECTRO	
C353	QCF21HP-223	0.022MF 50V CERAMIC	
C354	QCF21HP-223	0.022MF 50V CERAMIC	
C355	QCF21HP-223	0.022MF 50V CERAMIC	
C356	QCF21HP-223	0.022MF 50V CERAMIC	
C357	QCF21HP-223	0.022MF 50V CERAMIC	
C358	QCF21HP-223	0.022MF 50V CERAMIC	
C359	QCF21HP-223	0.022MF 50V CERAMIC	
C360	QCF21HP-223	0.022MF 50V CERAMIC	
C369	QCS21HJ-471	470PF 50V CERAMIC	C
C370	QCS21HJ-471	470PF 50V CERAMIC	C
C371	QETB1EM-106	10MF 25V ELECTRO	
C372	QETB1EM-106	10MF 25V ELECTRO	
C373	QETB1EM-106	10MF 25V ELECTRO	
C374	QETB1EM-106	10MF 25V ELECTRO	
C375	QCS21HJ-221	220PF 50V CERAMIC	C
C376	QCS21HJ-221	220PF 50V CERAMIC	C
C381	QCS21HJ-221	220PF 50V CERAMIC	C
C382	QCS21HJ-221	220PF 50V CERAMIC	C
C383	QCS21HJ-331	330PF 50V CERAMIC	C
C384	QCS21HJ-331	330PF 50V CERAMIC	C
C385	QCS21HJ-221	220PF 50V CERAMIC	C
C386	QCS21HJ-221	220PF 50V CERAMIC	C
C387	QCS21HJ-331	330PF 50V CERAMIC	C
C388	QCS21HJ-331	330PF 50V CERAMIC	C
C389	QCS21HJ-331	330PF 50V CERAMIC	C
C390	QCS21HJ-331	330PF 50V CERAMIC	C
C395	QETB1EM-106	10MF 25V ELECTRO	
C396	QETB1EM-106	10MF 25V ELECTRO	
C401	QETB1HM-475	4.7MF 50V ELECTRO	
C491	QETB1HM-225	2.2MF 50V ELECTRO	
C492	EEZ0502-479	47000MF 5.5V ELECTRO	
C493	QCS21HJ-391	390PF 50V CERAMIC	
C494	QCS21HJ-561	560PF 50V CERAMIC	
C495	QCB1HK-561	560PF 50V CERAMIC	
C501	QETB1EM-106	10MF 25V ELECTRO	
C502	QETB1EM-106	10MF 25V ELECTRO	
C503	QCS21HJ-470	47PF 50V CERAMIC	
C504	QCS21HJ-470	47PF 50V CERAMIC	
C507	QCS21HJ-101	100PF 50V CERAMIC	
C508	QCS21HJ-101	100PF 50V CERAMIC	
C509	QETB1CM-226	22MF 16V ELECTRO	
C510	QETB1CM-226	22MF 16V ELECTRO	
C511	QETB1HM-475	4.7MF 50V ELECTRO	
C512	QETB1HM-475	4.7MF 50V ELECTRO	
C513	QETB1CM-226	22MF 16V ELECTRO	
C514	QETB1CM-226	22MF 16V ELECTRO	
C515	QETB1HM-475	4.7MF 50V ELECTRO	
C516	QETB1HM-475	4.7MF 50V ELECTRO	
C521	QCY21HK-272	2700PF 50V CERAMIC	
C522	QCY21HK-272	2700PF 50V CERAMIC	
C523	QCS21HJ-471	470PF 50V CERAMIC	
C524	QCS21HJ-471	470PF 50V CERAMIC	
C525	QCY21HK-682	6800PF 50V CERAMIC	

CAPACITORS

Δ	ITEM	PART NUMBER	DESCRIPTION			AREA
	C526	QCY21HK-682	6800PF	50V	CERAMIC	
	C527	QCY21HK-122	1200PF	50V	CERAMIC	
	C528	QCY21HK-122	1200PF	50V	CERAMIC	
	C529	QFN81HK-183	0.018MF	50V	MYLAR	
	C530	QFN81HK-183	0.018MF	50V	MYLAR	
	C531	QCY21HK-272	2700PF	50V	CERAMIC	
	C532	QCY21HK-272	2700PF	50V	CERAMIC	
	C533	QFN81HK-473	0.047MF	50V	MYLAR	
	C534	QFN81HK-473	0.047MF	50V	MYLAR	
	C535	QCY21HK-682	6800PF	50V	CERAMIC	
	C536	QCY21HK-682	6800PF	50V	CERAMIC	
	C537	QFN81HK-104	0.1MF	50V	MYLAR	
	C538	QFN81HK-104	0.1MF	50V	MYLAR	
	C539	QFN81HK-183	0.018MF	50V	MYLAR	
	C540	QFN81HK-183	0.018MF	50V	MYLAR	
	C541	QFV81HJ-274	0.27MF	50V	T.FILM	
	C542	QFV81HJ-274	0.27MF	50V	T.FILM	
	C543	QFN81HK-473	0.047MF	50V	MYLAR	
	C544	QFN81HK-473	0.047MF	50V	MYLAR	
	C545	QFV81HJ-684	0.68MF	50V	T.FILM	
	C546	QFV81HJ-684	0.68MF	50V	T.FILM	
	C547	QFN81HK-124	0.12MF	50V	MYLAR	
	C548	QFN81HK-124	0.12MF	50V	MYLAR	
	C551	QETB1HM-475	4.7MF	50V	ELECTRO	
	C552	QETB1HM-475	4.7MF	50V	ELECTRO	
	C553	QETB1HM-475	4.7MF	50V	ELECTRO	
	C554	QETB1HM-475	4.7MF	50V	ELECTRO	
	C557	QCF21HP-223	0.022MF	50V	CERAMIC	
	C558	QCF21HP-223	0.022MF	50V	CERAMIC	
	C559	QCF21HP-223	0.022MF	50V	CERAMIC	

Δ ISIA FETTY PARTS

RESISTORS

Δ	ITEM	PART NUMBER	DESCRIPTION			AREA
	R301	QRD167J-5R6	5.6	1/6W	CARBON	
	R302	QRD167J-5R6	5.6	1/6W	CARBON	
	R303	QRD167J-101	100	1/6W	CARBON	
	R304	QRD167J-101	100	1/6W	CARBON	
	R305	QRD167J-562	5.6K	1/6W	CARBON	
	R306	QRD167J-562	5.6K	1/6W	CARBON	
	R307	QRD167J-562	5.6K	1/6W	CARBON	
	R308	QRD167J-562	5.6K	1/6W	CARBON	
	R309	QRD167J-270	27	1/6W	CARBON	
	R310	QRD167J-270	27	1/6W	CARBON	
	R311	QRD167J-561	560	1/6W	CARBON	
	R312	QRD167J-561	560	1/6W	CARBON	
	R313	QRD167J-222	2.2K	1/6W	CARBON	
	R314	QRD167J-222	2.2K	1/6W	CARBON	
	R315	QRD167J-272	2.7K	1/6W	CARBON	
	R316	QRD167J-272	2.7K	1/6W	CARBON	
	R317	QRD167J-273	27K	1/6W	CARBON	
	R318	QRD167J-273	27K	1/6W	CARBON	
	R319	QRD167J-273	27K	1/6W	CARBON	
	R320	QRD167J-273	27K	1/6W	CARBON	
	R321	QRD167J-181	180	1/6W	CARBON	
	R322	QRD167J-181	180	1/6W	CARBON	
	R323	QRD167J-200	20	1/6W	CARBON	
	R324	QRD167J-200	20	1/6W	CARBON	
	R325	QRD167J-153	15K	1/6W	CARBON	
	R326	QRD167J-153	15K	1/6W	CARBON	
	R327	QRD167J-184	180K	1/6W	CARBON	
	R328	QRD167J-184	180K	1/6W	CARBON	
	R329	QRD167J-331	330	1/6W	CARBON	
	R330	QRD167J-331	330	1/6W	CARBON	
	R331	QRD167J-104	100K	1/6W	CARBON	
	R332	QRD167J-104	100K	1/6W	CARBON	
	R333	QRD167J-473	47K	1/6W	CARBON	
	R334	QRD167J-473	47K	1/6W	CARBON	
	R335	QRD167J-471	470	1/6W	CARBON	
	R336	QRD167J-471	470	1/6W	CARBON	
	R337	QRD167J-331	330	1/6W	CARBON	C
	R338	QRD167J-331	330	1/6W	CARBON	C
	R341	QRD167J-473	47K	1/6W	CARBON	
	R342	QRD167J-473	47K	1/6W	CARBON	
Δ	R343	QRD14CJ-680S	68	1/4W	UNF. CARBON	A
Δ	R343	QRZ0077-680	68	1/4W	FUSIBLE	B
Δ	R343	QRZ0077-680	68	1/4W	FUSIBLE	C
Δ	R343	QRZ0077-680	68	1/4W	FUSIBLE	D
Δ	R344	QRD14CJ-680S	68	1/4W	UNF. CARBON	A
Δ	R344	QRZ0077-680	68	1/4W	FUSIBLE	B
Δ	R344	QRZ0077-680	68	1/4W	FUSIBLE	C
Δ	R344	QRZ0077-680	68	1/4W	FUSIBLE	D
	R347	QRD167J-104	100K	1/6W	CARBON	
	R351	QRD167J-221	220	1/6W	CARBON	
	R352	QRD167J-221	220	1/6W	CARBON	
	R353	QRD167J-221	220	1/6W	CARBON	
	R354	QRD167J-221	220	1/6W	CARBON	
	R355	QRD167J-221	220	1/6W	CARBON	
	R356	QRD167J-221	220	1/6W	CARBON	

Δ ISIA FETTY PARTS

RESISTORS

Δ	ITEM	PART NUMBER	DESCRIPTION			AREA
	R357	QRD167J-221	220	1/6W	CARBON	
	R358	QRD167J-221	220	1/6W	CARBON	
	R359	QRD167J-221	220	1/6W	CARBON	
	R360	QRD167J-221	220	1/6W	CARBON	
	R361	QRD167J-221	220	1/6W	CARBON	A
	R361	QRD167J-221	220	1/6W	CARBON	B
	R361	QRD167J-102	1K	1/6W	CARBON	C
	R361	QRD167J-221	220	1/6W	CARBON	D
	R362	QRD167J-221	220	1/6W	CARBON	A
	R362	QRD167J-221	220	1/6W	CARBON	B
	R362	QRD167J-102	1K	1/6W	CARBON	C
	R362	QRD167J-221	220	1/6W	CARBON	D
	R363	QRD167J-221	220	1/6W	CARBON	
	R364	QRD167J-221	220	1/6W	CARBON	
Δ	R365	QRD14CJ-680S	68	1/4W	UNF. CARBON	A
Δ	R365	QRZ0077-680	68	1/4W	FUSIBLE	B
Δ	R365	QRZ0077-680	68	1/4W	FUSIBLE	C
Δ	R365	QRZ0077-680	68	1/4W	FUSIBLE	D
Δ	R366	QRD14CJ-680S	68	1/4W	UNF. CARBON	A
Δ	R366	QRZ0077-680	68	1/4W	FUSIBLE	B
Δ	R366	QRZ0077-680	68	1/4W	FUSIBLE	C
Δ	R366	QRZ0077-680	68	1/4W	FUSIBLE	D
	R371	QRD167J-683	68K	1/6W	CARBON	
	R372	QRD167J-683	68K	1/6W	CARBON	
	R373	QRD167J-154	150K	1/6W	CARBON	
	R374	QRD167J-154	150K	1/6W	CARBON	
	R375	QRD167J-104	100K	1/6W	CARBON	
	R376	QRD167J-104	100K	1/6W	CARBON	
	R381	QRD167J-471	470	1/6W	CARBON	
	R382	QRD167J-471	470	1/6W	CARBON	
	R383	QRD167J-221	220	1/6W	CARBON	
	R384	QRD167J-221	220	1/6W	CARBON	
	R385	QRD167J-471	470	1/6W	CARBON	
	R386	QRD167J-471	470	1/6W	CARBON	
	R387	QRD167J-221	220	1/6W	CARBON	
	R388	QRD167J-221	220	1/6W	CARBON	
	R389	QRD167J-221	220	1/6W	CARBON	
	R390	QRD167J-221	220	1/6W	CARBON	
	R395	QRD167J-104	100K	1/6W	CARBON	
	R396	QRD167J-104	100K	1/6W	CARBON	
	R397	QRD167J-103	10K	1/6W	CARBON	
	R398	QRD167J-103	10K	1/6W	CARBON	
	R401	QRD167J-103	10K	1/6W	CARBON	
	R402	QRD167J-471	470	1/6W	CARBON	
	R403	QRD167J-473	47K	1/6W	CARBON	
	R404	QRD167J-223	22K	1/6W	CARBON	
	R405	QRD167J-103	10K	1/6W	CARBON	
	R481	QRD167J-103	10K	1/6W	CARBON	
	R482	QRD167J-471	470	1/6W	CARBON	
	R483	QRD167J-473	47K	1/6W	CARBON	
	R484	QRD167J-223	22K	1/6W	CARBON	
	R485	QRD167J-103	10K	1/6W	CARBON	
	R490	QRD167J-331	330	1/6W	CARBON	
	R491	QRD167J-104	100K	1/6W	CARBON	
	R492	QRD167J-104	100K	1/6W	CARBON	
	R493	QRD167J-104	100K	1/6W	CARBON	
	R494	QRD167J-104	100K	1/6W	CARBON	
	R495	QRD167J-104	100K	1/6W	CARBON	
	R496	QRD167J-104	100K	1/6W	CARBON	
	R497	QRD167J-104	100K	1/6W	CARBON	
	R498	QRD167J-103	10K	1/6W	CARBON	
	R501	QRD167J-153	15K	1/6W	CARBON	
	R502	QRD167J-153	15K	1/6W	CARBON	
	R503	QRD167J-104	100K	1/6W	CARBON	
	R504	QRD167J-104	100K	1/6W	CARBON	
	R505	QRD167J-823	82K	1/6W	CARBON	
	R506	QRD167J-823	82K	1/6W	CARBON	
	R507	QRD167J-101	100	1/6W	CARBON	
	R508	QRD167J-101	100	1/6W	CARBON	
	R509	QRD167J-103	10K	1/6W	CARBON	
	R510	QRD167J-103	10K	1/6W	CARBON	
	R511	QRD167J-103	10K	1/6W	CARBON	
	R512	QRD167J-103	10K	1/6W	CARBON	
	R513	QRD167J-224	220K	1/6W	CARBON	
	R514	QRD167J-224	220K	1/6W	CARBON	
	R515	QRD167J-224	220K	1/6W	CARBON	
	R516	QRD167J-224	220K	1/6W	CARBON	
	R517	QRD167J-223	22K	1/6W	CARBON	
	R518	QRD167J-223	22K	1/6W	CARBON	
	R519	QRD167J-333	33K	1/6W	CARBON	
	R520	QRD167J-333	33K	1/6W	CARBON	
	R521	QRD167J-104	100K	1/6W	CARBON	
	R522	QRD167J-104	100K	1/6W	CARBON	
Δ	R531	QRD14CJ-680S	68	1/4W	UNF. CARBON	A
Δ	R531	QRZ0077-680	68	1/4W	FUSIBLE	B
Δ	R531	QRZ0077-680	68	1/4W	FUSIBLE	C
Δ	R531	QRZ0077-680	68	1/4W	FUSIBLE	D
Δ	R532	QRD14CJ-680S	68	1/4W	UNF. CARBON	A
Δ	R532	QRZ0077-680	68	1/4W	FUSIBLE	B
Δ	R532	QRZ0077-680	68	1/4W	FUSIBLE	C
Δ	R532	QRZ0077-680	68	1/4W	FUSIBLE	D
Δ	R535	QRD14CJ-221S	220	1/4W	UNF. CARBON	A
Δ	R536	QRD14CJ-271S	270	1/4W	UNF. CARBON	A
Δ	R537	QRD167J-681	680	1/6W	CARBON	
Δ	R538	QRD167J-272	2.7K	1/6W	CARBON	

RESISTORS

Δ	ITEM	PART NUMBER	DESCRIPTION	AREA
	RA501	QRB079J-474	470K 1/10W R.NETWORK	
	RA502	QRB079J-474	470K 1/10W R.NETWORK	

Δ SAFETY PARTS

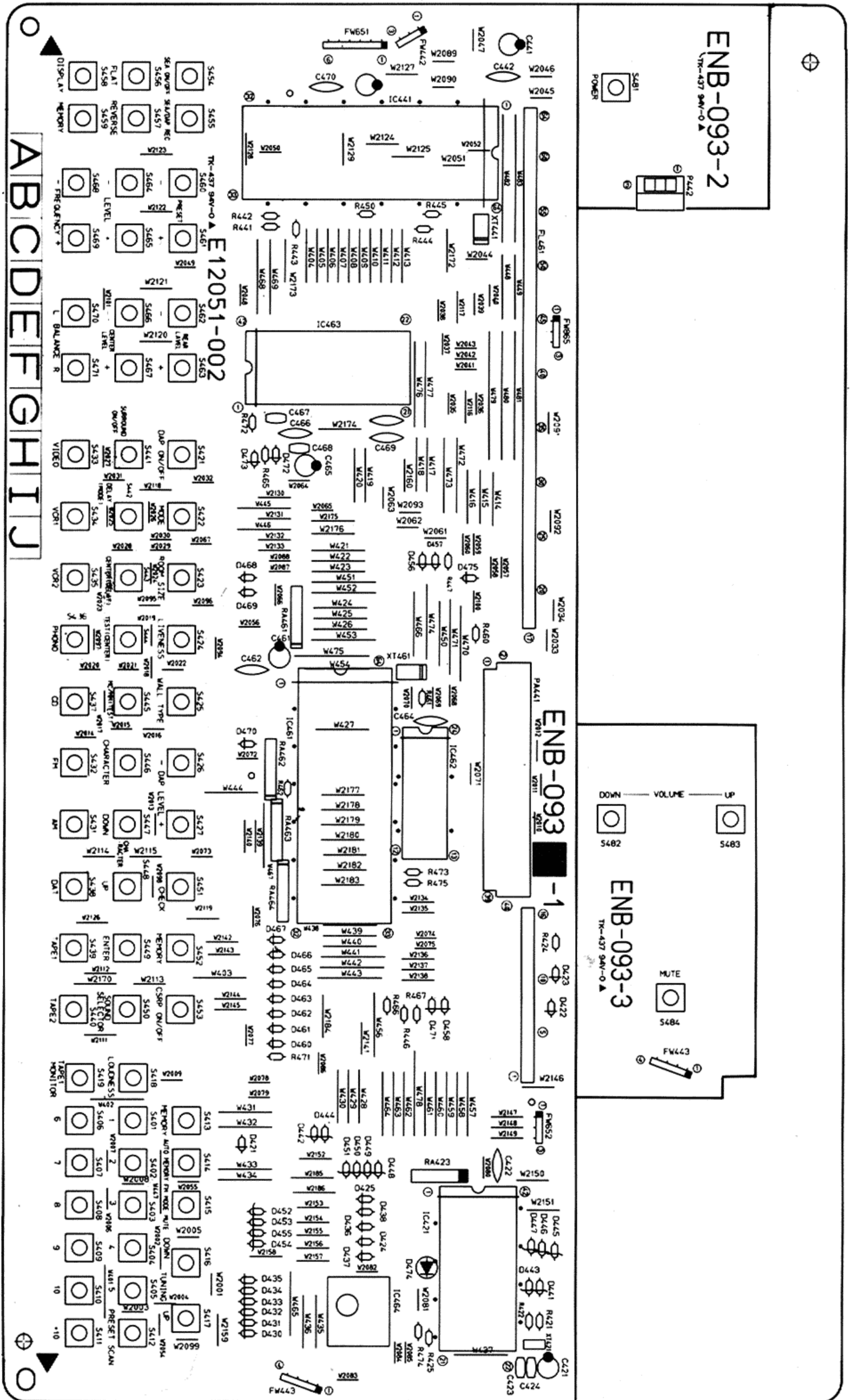
OTHERS

Δ	ITEM	PART NUMBER	DESCRIPTION	AREA
		E12053-002	CIRCUIT BOARD	
	J301	EMN00TV-405A	4P PIN JACK	
	J302	EMN00TV-602A	6P PIN JACK	
	J303	EMN00TV-604A	6P PIN JACK	
	J304	EMN00TV-602A	6P PIN JACK	
	J305	EMN00TV-405A	4P PIN JACK	
	L337	EQL4004-270	INDUCTOR	C
	L338	EQL4004-270	INDUCTOR	C
	L339	EQL4004-220	INDUCTOR	C
	L340	EQL4004-220	INDUCTOR	C
	FW101	EWR38B-16KST	FLAT WIRE	
	FW103	EWR36B-25KST	FLAT WIRE	
	FW105	EWR33B-25KST	FLAT WIRE	D
	FW560	EWR23C-25LN	FLAT WIRE	
	FW590	EWR34B-20LST	FLAT WIRE	
	FW591	EWR36B-40LST	FLAT WIRE	
	FW855	EWR39B-35LST	FLAT WIRE	
	FW863	EWR34B-25LST	FLAT WIRE	
	PA301	EMV5125-014	PLUG ASSY	
	PB301	EMV7125-014R	CONNECTOR	
	PB441	EMV7123-040	CONNECTOR	
	PB581	EMV7125-013R	CONNECTOR	
	PT312	EMV7122-003	CONNECTOR	
	PT313	EMV7122-005	CONNECTOR	
	PT314	EMV7122-005	CONNECTOR	
	PT315	EMV7122-003	CONNECTOR	
	PT316	EMV7122-003	CONNECTOR	

Δ SAFETY PARTS

■ ENB-093 □ Display / Control PC Board Ass'y

Note : ENB-093 □ varies according to the areas employed. See note (1) when placing an order.



Note (1)

PC Board Ass'y	Designated Areas
ENB-093 [A]	the U.S.A. ,Canada
ENB-093 [B]	Other Countries
ENB-093 [C]	Australia , Europe , the U.K.
ENB-093 [D]	West Germany

Transistors

I. C. S.

ITEM	PART NUMBER	DESCRIPTION	AREA
IC421	LC65148-4131	I.C. SANYO	
IC441	MN178122JSY1	I.C. MATSUSHITA	
IC461	MN178122JSZ2	I.C. MATSUSHITA	
IC462	LC35178S-15	I.C. SANYO	
IC463	MSC7112-01SS	I.C. NIHON DENSO	
IC464	A1QH3021HO	I.C. SHARP	

△ (SIA) FETYL PARTS

DIODES

ITEM	PART NUMBER	DESCRIPTION	AREA
D421	1SS133	SILICON ROHM	
D422	1SS133	SILICON ROHM	
D423	1SS133	SILICON ROHM	
D424	1SS133	SILICON ROHM	
D425	1SS133	SILICON ROHM	
D430	1SS133	SILICON ROHM	
D431	1SS133	SILICON ROHM	
D432	1SS133	SILICON ROHM	
D433	1SS133	SILICON ROHM	
D434	1SS133	SILICON ROHM	
D435	1SS133	SILICON ROHM	
D436	1SS133	SILICON ROHM	B
D437	1SS133	SILICON ROHM	A
D438	1SS133	SILICON ROHM	C
D438	1SS133	SILICON ROHM	D
D441	MTZ5.6JC	ZENER ROHM	
D442	MTZ5.6JC	ZENER ROHM	
D443	MTZ5.6JC	ZENER ROHM	
D444	MTZ5.6JC	ZENER ROHM	
D445	MTZ5.6JC	ZENER ROHM	
D446	MTZ5.6JC	ZENER ROHM	
D447	MTZ5.6JC	ZENER ROHM	
D448	MTZ5.6JC	ZENER ROHM	
D449	MTZ5.6JC	ZENER ROHM	
D450	MTZ5.6JC	ZENER ROHM	
D451	MTZ5.6JC	ZENER ROHM	
D452	MTZ5.6JC	ZENER ROHM	
D453	MTZ5.6JC	ZENER ROHM	
D454	MTZ5.6JC	ZENER ROHM	
D455	MTZ5.6JC	ZENER ROHM	
D456	1SS133	SILICON ROHM	
D457	1SS133	SILICON ROHM	
D458	1SS133	SILICON ROHM	
D460	1SS133	SILICON ROHM	
D461	1SS133	SILICON ROHM	
D462	1SS133	SILICON ROHM	
D463	1SS133	SILICON ROHM	
D464	1SS133	SILICON ROHM	
D465	1SS133	SILICON ROHM	
D466	1SS133	SILICON ROHM	
D467	1SS133	SILICON ROHM	
D468	1SS133	SILICON ROHM	
D469	1SS133	SILICON ROHM	
D470	1SS133	SILICON ROHM	
D471	1SS133	SILICON ROHM	
D472	1SS133	SILICON ROHM	
D473	1SS133	SILICON ROHM	
D474	SLH-34VC50F	L.E.D. ROHM	
D475	1SS133	SILICON ROHM	

△ (SIA) FETYL PARTS

CAPACITORS

ITEM	PART NUMBER	DESCRIPTION	AREA
C421	EEZ0603-108	1000MF ELECTRO	
C422	QCZ0202-155	1.5MF 25V CERAMIC	
C423	QCBB1HK-101	100PF 50V CERAMIC	
C424	QCBB1HK-101	100PF 50V CERAMIC	
C441	QETBOJM-477	470MF 6.3V ELECTRO	
C442	QCZ0202-155	1.5MF 25V CERAMIC	
C461	QETBOJM-477	470MF 6.3V ELECTRO	
C462	QCZ0205-155	1.5MF 25V CERAMIC	
C464	QCZ0202-155	1.5MF 25V CERAMIC	
C465	QETBOJM-227	220MF 6.3V ELECTRO	
C466	QCZ0202-155	1.5MF 25V CERAMIC	
C467	QCBB1HK-101	100PF 50V CERAMIC	
C468	QCHB1E2-223	0.022MF 25V CERAMIC	
C469	QCZ0202-155	1.5MF 25V CERAMIC	
C470	QCZ0202-155	1.5MF 25V CERAMIC	

△ (SIA) FETYL PARTS

RESISTORS

ITEM	PART NUMBER	DESCRIPTION	AREA
R421	QRD167J-105	1M 1/6W CARBON	
R422	QRD167J-152	1.5K 1/6W CARBON	
R424	QRD167J-3R9	3.9 1/6W CARBON	
R425	QRD167J-272	2.7K 1/6W CARBON	
R441	QRD167J-473	47K 1/6W CARBON	
R442	QRD167J-473	47K 1/6W CARBON	
R443	QRD167J-473	47K 1/6W CARBON	
R444	QRD167J-473	47K 1/6W CARBON	
R445	QRD167J-473	47K 1/6W CARBON	
R446	GRD167J-103	10K 1/6W CARBON	
R447	QRD167J-3R9	3.9 1/6W CARBON	
R450	QRD167J-473	47K 1/6W CARBON	
R460	QRD167J-103	10K 1/6W CARBON	
R461	QRD167J-103	10K 1/6W CARBON	
R462	QRD167J-102	1K 1/6W CARBON	
R465	QRD167J-104	100K 1/6W CARBON	
R466	QRD167J-103	10K 1/6W CARBON	
R467	QRD167J-103	10K 1/6W CARBON	
R471	QRD167J-221	220 1/6W CARBON	
R472	QRD167J-273	27K 1/6W CARBON	
R473	QRD167J-103	10K 1/6W CARBON	
R474	QRD167J-271	270 1/6W CARBON	
R475	QRD167J-103	10K 1/6W CARBON	
RA423	QRB045J-473	47K 1/8W R.NETWORK	
RA461	QRB079J-102	1K 1/10W R.NETWORK	
RA462	QRB079J-102	1K 1/10W R.NETWORK	
RA463	QRB079J-103	10K 1/10W R.NETWORK	
RA464	QRB079J-103	10K 1/10W R.NETWORK	

△ (SIA) FETYL PARTS

OTHERS

ITEM	PART NUMBER	DESCRIPTION	AREA
	E12051-002	CIRCUIT BOARD	
	E3400-419	FELT SPACER	
	E3400-420	FELT SPACER	
P442	EMV7112-003	CONNECTOR	
S401	ESP0001-018	TACT SWITCH	
S402	ESP0001-018	TACT SWITCH	
S403	ESP0001-018	TACT SWITCH	
S404	ESP0001-018	TACT SWITCH	
S405	ESP0001-018	TACT SWITCH	
S406	ESP0001-018	TACT SWITCH	
S407	ESP0001-018	TACT SWITCH	
S408	ESP0001-018	TACT SWITCH	
S409	ESP0001-018	TACT SWITCH	
S410	ESP0001-018	TACT SWITCH	
S411	ESP0001-018	TACT SWITCH	
S412	ESP0001-018	TACT SWITCH	
S413	ESP0001-018	TACT SWITCH	
S414	ESP0001-018	TACT SWITCH	
S415	ESP0001-018	TACT SWITCH	
S416	ESP0001-018	TACT SWITCH	
S417	ESP0001-018	TACT SWITCH	
S418	ESP0001-018	TACT SWITCH	
S419	ESP0001-018	TACT SWITCH	
S421	ESP0001-018	TACT SWITCH	
S422	ESP0001-018	TACT SWITCH	
S423	ESP0001-018	TACT SWITCH	
S424	ESP0001-018	TACT SWITCH	
S425	ESP0001-018	TACT SWITCH	
S426	ESP0001-018	TACT SWITCH	
S427	ESP0001-018	TACT SWITCH	

OTHERS

Δ	ITEM	PART NUMBER	DESCRIPTION	AREA
	S431	ESP0001-018	TACT SWITCH	
	S432	ESP0001-018	TACT SWITCH	
	S433	ESP0001-018	TACT SWITCH	
	S434	ESP0001-018	TACT SWITCH	
	S435	ESP0001-018	TACT SWITCH	
	S436	ESP0001-018	TACT SWITCH	
	S437	ESP0001-018	TACT SWITCH	
	S438	ESP0001-018	TACT SWITCH	
	S439	ESP0001-018	TACT SWITCH	
	S440	ESP0001-018	TACT SWITCH	
	S441	ESP0001-018	TACT SWITCH	
	S442	ESP0001-018	TACT SWITCH	
	S443	ESP0001-018	TACT SWITCH	
	S444	ESP0001-018	TACT SWITCH	
	S445	ESP0001-018	TACT SWITCH	
	S446	ESP0001-018	TACT SWITCH	
	S447	ESP0001-018	TACT SWITCH	
	S448	ESP0001-018	TACT SWITCH	
	S449	ESP0001-018	TACT SWITCH	
	S450	ESP0001-018	TACT SWITCH	
	S451	ESP0001-018	TACT SWITCH	
	S452	ESP0001-018	TACT SWITCH	
	S453	ESP0001-018	TACT SWITCH	
	S454	ESP0001-018	TACT SWITCH	
	S455	ESP0001-018	TACT SWITCH	
	S456	ESP0001-018	TACT SWITCH	
	S457	ESP0001-018	TACT SWITCH	
	S458	ESP0001-018	TACT SWITCH	
	S459	ESP0001-018	TACT SWITCH	
	S460	ESP0001-018	TACT SWITCH	

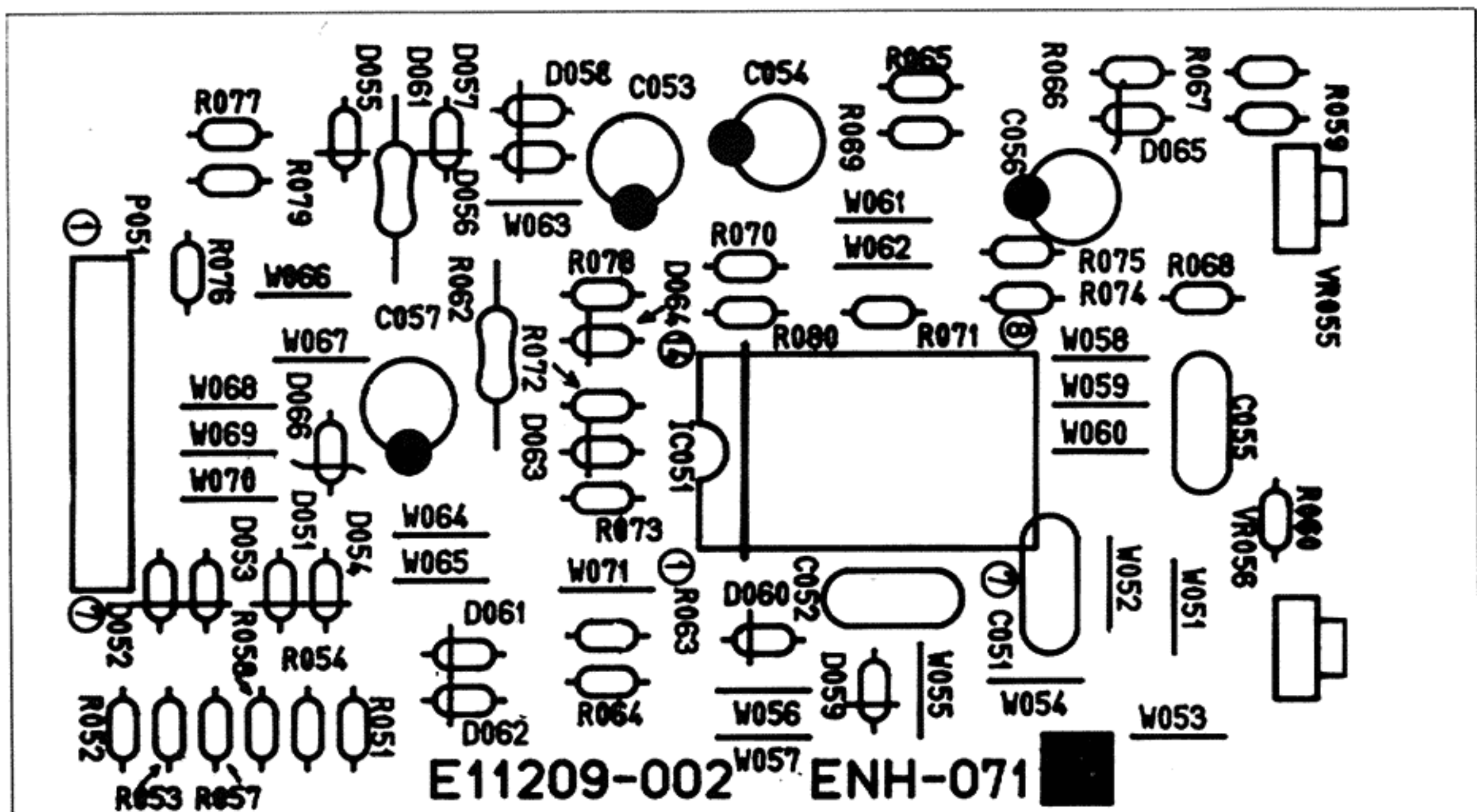
OTHERS

Δ	ITEM	PART NUMBER	DESCRIPTION	AREA
	S461	ESP0001-018	TACT SWITCH	
	S462	ESP0001-018	TACT SWITCH	
	S463	ESP0001-018	TACT SWITCH	
	S464	ESP0001-018	TACT SWITCH	
	S465	ESP0001-018	TACT SWITCH	
	S466	ESP0001-018	TACT SWITCH	
	S467	ESP0001-018	TACT SWITCH	
	S468	ESP0001-018	TACT SWITCH	
	S469	ESP0001-018	TACT SWITCH	
	S470	ESP0001-018	TACT SWITCH	
	S471	ESP0001-018	TACT SWITCH	
	S481	ESP0001-018	TACT SWITCH	
	S482	ESP0001-018	TACT SWITCH	
	S483	ESP0001-018	TACT SWITCH	
	S484	ESP0001-018	TACT SWITCH	
	FL461	ELU0001-082	FL TUBE	
	FW442	EWR33B-08KST	FLAT WIRE	
	FW443	EWR34B-16SST	FLAT WIRE	
	FW651	EWR36B-55LST	FLAT WIRE	
	FW652	EWR33B-25LST	FLAT WIRE	
	FW865	EWR33B-70LST	FLAT WIRE	
	PA441	EMV7123-040R	CONNECTOR	
	XT421	ECX0001-000KS	RESONATOR	
	XT441	ECX0072-000EM	RESONATOR	
	XT461	ECX0072-000EM	RESONATOR	

Δ : SAFETY PARTS

■ ENH-071 □ Impedance Unit PC Board Ass'y

Note : ENH-071 □ varies according to the areas employed. See note (1) when placing an order.



Note (1)

PC Board Ass'y	Designated Areas
ENB-071 [A]	Australia, Europe, the U.K. West Germany, Other Countries
ENB-071 [E]	the U.S.A., Canada

I. C. S.

Δ	ITEM	PART NUMBER	DESCRIPTION	AREA
	IC051	AN6912	I.C. MATSUSHITA	

Δ : SAFETY PARTS



DIODES

△	ITEM	PART NUMBER	DESCRIPTION	AREA
	D055	1SS147	SILICON ROHM	
	D056	1SS147	SILICON ROHM	
	D057	1SS147	SILICON ROHM	
	D058	1SS147	SILICON ROHM	
	D063	1SS133	SILICON ROHM	
	D064	1SS133	SILICON ROHM	
	D065	MTZ11C	ZENER ROHM	
	D066	MTZ15JC	ZENER ROHM	

△ SAFETY PARTS

CAPACITORS

△	ITEM	PART NUMBER	DESCRIPTION	AREA
	C053	QETB2AM-105	1MF 100V ELECTRO	
	C054	QETB2AM-225	2.2MF 100V ELECTRO	
	C055	QFN81HJ-103	0.01MF 50V MYLAR	
	C056	QETB1EM-476	47MF 25V ELECTRO	
	C057	QETB1HM-225	2.2MF 50V ELECTRO	

△ SAFETY PARTS

RESISTORS

△	ITEM	PART NUMBER	DESCRIPTION	AREA
△	R061	QRD145J-101S	100 1/4W UNF. CARBON	
△	R062	QRD145J-101S	100 1/4W UNF. CARBON	
	R065	QRD167J-223	22K 1/6W CARBON	
	R066	QRD167J-563	56K 1/6W CARBON	
	R067	QRD167J-473	47K 1/6W CARBON	
	R068	QRD167J-153	15K 1/6W CARBON	
	R069	QRD167J-823	82K 1/6W CARBON	
	R070	QRD167J-271	270 1/6W CARBON	
	R071	QRD167J-914	910K 1/6W CARBON	
	R072	QRD167J-472	4.7K 1/6W CARBON	
	R073	QRD167J-472	4.7K 1/6W CARBON	
	R074	QRD167J-154	150K 1/6W CARBON	
	R075	QRD167J-472	4.7K 1/6W CARBON	
	R076	QRD167J-103	10K 1/6W CARBON	
	R077	QRD167J-224	220K 1/6W CARBON	
	R078	QRD167J-474	470K 1/6W CARBON	
	R079	QRD167J-474	470K 1/6W CARBON	
	R080	QRD167J-914	910K 1/6W CARBON	

△ SAFETY PARTS

OTHERS

△	ITEM	PART NUMBER	DESCRIPTION	AREA
	P051	E11209-002 EMV5101-007B	CIRCUIT BOARD PLUG ASSY	

△ SAFETY PARTS



Note (1)

PC Board Ass'y	Designated Areas
ENC-068 [A]	the U.S.A., Canada
ENC-068 [B]	Other Countries
ENC-068 [C]	Australia, Europe, the U.K.
ENC-068 [D]	West Germany

TRANSISTORS

TRANSISTOR

Δ ITEM	PART NUMBER	DESCRIPTION	AREA
Q231	2SK301(P,Q)	F.E.T MATSUSHITA	
Q232	2SK301(P,Q)	F.E.T MATSUSHITA	
Q233	2SK301(P,Q)	F.E.T MATSUSHITA	
Q234	2SK301(P,Q)	F.E.T MATSUSHITA	
Q235	2SK301(P,Q)	F.E.T MATSUSHITA	
Q236	2SK301(P,Q)	F.E.T MATSUSHITA	
Q237	DTA114YS	SILICON ROHM	
Q238	DTC144ES	SILICON ROHM	
Q241	2SC1740S(R,S)	SILICON ROHM	
Q242	DTC144ES	SILICON ROHM	
Q274	2SC458(C,D)	SILICON HITACHI	
Q276	2SA933S(R,S)	SILICON ROHM	
Q284	2SC458(C,D)	SILICON HITACHI	
Q286	2SA933S(R,S)	SILICON ROHM	
Q294	2SC458(C,D)	SILICON HITACHI	
Q296	2SA933S(R,S)	SILICON ROHM	
Q2010	DTC144ES	SILICON ROHM	
Q2011	2SA933S(R,S)	SILICON ROHM	
Q2012	DTC144ES	SILICON ROHM	
Q2013	2SA933S(R,S)	SILICON ROHM	
Q2014	DTC144ES	SILICON ROHM	
Q2015	DTC144ES	SILICON ROHM	
Q2020	2SA933S(R,S)	SILICON ROHM	
Q2021	2SC458(C,D)	SILICON HITACHI	
Q2030	2SA933S(R,S)	SILICON ROHM	
Q2031	2SC458(C,D)	SILICON HITACHI	
Q2040	2SA933S(R,S)	SILICON ROHM	
Q2041	2SC458(C,D)	SILICON HITACHI	
Q2050	2SA933S(R,S)	SILICON ROHM	
Q2051	2SC458(C,D)	SILICON HITACHI	
Q2060	2SA933S(R,S)	SILICON ROHM	
Q2061	2SC458(C,D)	SILICON HITACHI	
Q2070	2SA933S(R,S)	SILICON ROHM	
Q2071	2SC458(C,D)	SILICON HITACHI	

Δ : USA/FRETYL PARTS

I. C. S.

Δ ITEM	PART NUMBER	DESCRIPTION	AREA
IC261	LA7951	I.C. SANYO	
IC271	LC4966	I.C. SANYO	
IC272	LC4966	I.C. SANYO	
IC561	TC9177P	I.C. TOSHIBA	
IC562	VC4580LD	I.C. DAINICHI	
IC581	TC9177P	I.C. TOSHIBA	
IC582	VC4580LD	I.C. DAINICHI	
IC591	TC9177P	I.C. TOSHIBA	
IC592	VC4580LD	I.C. DAINICHI	

Δ : USA/FRETYL PARTS

DIODES

Δ ITEM	PART NUMBER	DESCRIPTION	AREA
D235	1SS133	SILICON ROHM	
D238	1SS133	SILICON ROHM	
D251	RD13JSB3	ZENER NEC	

Δ : USA/FRETYL PARTS

CAPACITORS

Δ ITEM	PART NUMBER	DESCRIPTION	AREA
C234	QETB1HM-475	4.7MF 50V ELECTRO	
C235	QETB1EM-227	220MF 25V ELECTRO	
C237	QETB1EM-106	10MF 25V ELECTRO	
C241	QCS21HJ-331	330PF 50V CERAMIC	D
C242	QCS21HJ-331	330PF 50V CERAMIC	D

CAPACITORS

Δ ITEM	PART NUMBER	DESCRIPTION	AREA
C243	QCS21HJ-331	330PF 50V CERAMIC	D
C247	QCF21HP-223	0.022MF 50V CERAMIC	
C251	QETB1CM-477	470MF 16V ELECTRO	
C252	QETB1CM-477	470MF 16V ELECTRO	
C253	QCF21HP-223	0.022MF 50V CERAMIC	
C255	QFN81HK-104	0.1MF 50V MYLAR	
C256	QFN81HK-104	0.1MF 50V MYLAR	
C257	QCF21HP-223	0.022MF 50V CERAMIC	
C260	QETB1CM-476	47MF 16V ELECTRO	
C261	QETB1HM-475	4.7MF 50V ELECTRO	
C262	QFN81HJ-104	0.1MF 50V MYLAR	
C263	QETB1HM-475	4.7MF 50V ELECTRO	
C265	QETB1HM-475	4.7MF 50V ELECTRO	
C267	QETB1HM-475	4.7MF 50V ELECTRO	
C268	QETBOJM-108	1000MF 6.3V ELECTRO	
C272	QETB1CM-107	100MF 16V ELECTRO	
C278	QETBOJM-108	1000MF 6.3V ELECTRO	
C282	QETB1AM-107	100MF 10V ELECTRO	
C288	QETBOJM-108	1000MF 6.3V ELECTRO	
C290	QFN81HK-104	0.1MF 50V MYLAR	
C292	QETB1AM-107	100MF 10V ELECTRO	
C298	QETBOJM-108	1000MF 6.3V ELECTRO	
C561	QETB1EM-476	47MF 25V ELECTRO	
C562	QCF21HP-223	0.022MF 50V CERAMIC	
C563	QETB1EM-476	47MF 25V ELECTRO	
C564	QCF21HP-223	0.022MF 50V CERAMIC	
C565	QCS21HJ-181	180PF 50V CERAMIC	
C566	QCS21HJ-181	180PF 50V CERAMIC	
C567	QETB1HM-475	4.7MF 50V ELECTRO	
C568	QETB1HM-475	4.7MF 50V ELECTRO	
C569	QFN81HK-333	0.033MF 50V MYLAR	
C570	QFN81HK-333	0.033MF 50V MYLAR	
C571	QETB1HM-105	1MF 50V ELECTRO	
C572	QETB1HM-105	1MF 50V ELECTRO	
C575	QETB1EM-106	10MF 25V ELECTRO	
C576	QETB1EM-106	10MF 25V ELECTRO	
C577	QCBB1HK-561	560PF 50V CERAMIC	
C581	QETB1HM-475	4.7MF 50V ELECTRO	
C582	QETB1HM-475	4.7MF 50V ELECTRO	
C583	QETB1HM-105	1MF 50V ELECTRO	
C584	QETB1HM-105	1MF 50V ELECTRO	
C585	QETB1EM-106	10MF 25V ELECTRO	
C586	QETB1EM-106	10MF 25V ELECTRO	
C587	QCBB1HK-561	560PF 50V CERAMIC	
C591	QETB1HM-475	4.7MF 50V ELECTRO	
C592	QETB1HM-105	1MF 50V ELECTRO	
C593	QETB1EM-106	10MF 25V ELECTRO	
C594	QCBB1HK-561	560PF 50V CERAMIC	
C2000	QETB1CM-476	47MF 16V ELECTRO	
C2001	QCF21HP-223	0.022MF 50V CERAMIC	
C2002	QETB1CM-476	47MF 16V ELECTRO	
C2003	QCF21HP-223	0.022MF 50V CERAMIC	
C2004	QETB1CM-227	220MF 16V ELECTRO	
C2005	QETB1CM-227	220MF 16V ELECTRO	
C2006	QETB1CM-477	470MF 16V ELECTRO	
C2007	QCF21HP-223	0.022MF 50V CERAMIC	
C2020	QETBOJM-108	1000MF 6.3V ELECTRO	
C2027	QETB1AM-107	100MF 10V ELECTRO	
C2030	QETB1HM-105	1MF 50V ELECTRO	
C2037	QETB1AM-107	100MF 10V ELECTRO	
C2040	QETBOJM-108	1000MF 6.3V ELECTRO	
C2047	QETB1AM-107	100MF 10V ELECTRO	
C2050	QETB1HM-105	1MF 50V ELECTRO	
C2057	QETB1AM-107	100MF 10V ELECTRO	
C2060	QETBOJM-108	1000MF 6.3V ELECTRO	
C2067	QETB1AM-107	100MF 10V ELECTRO	
C2070	QETB1HM-105	1MF 50V ELECTRO	
C2077	QETB1AM-107	100MF 10V ELECTRO	
C2080	QCS21HJ-101	100PF 50V CERAMIC	
C2081	QCS21HJ-101	100PF 50V CERAMIC	
C2082	QCS21HJ-101	100PF 50V CERAMIC	
C2083	QCS21HJ-101	100PF 50V CERAMIC	

Δ : USA/FRETYL PARTS

RESISTORS

Δ ITEM	PART NUMBER	DESCRIPTION	AREA
R231	QRD167J-103	10K 1/6W CARBON	
R232	QRD167J-103	10K 1/6W CARBON	
R233	QRD167J-103	10K 1/6W CARBON	
R234	QRD167J-104	100K 1/6W CARBON	
R235	QRD167J-333	33K 1/6W CARBON	
R236	QRD167J-182	1.8K 1/6W CARBON	
Δ R240	QRD14CJ-680S	68 1/4W UNF. CARBON	A
Δ R240	QRZ0077-680	68 1/4W FUSIBLE	B
Δ R240	QRZ0077-680	68 1/4W FUSIBLE	C
Δ R240	QRZ0077-680	68 1/4W FUSIBLE	D

Δ : USA/FRETYL PARTS

RESISTORS

Δ	ITEM	PART NUMBER	DESCRIPTION		AREA
	R241	QRD167J-471	470	1/6W CARBON	
	R242	QRD167J-471	470	1/6W CARBON	
	R243	QRD167J-471	470	1/6W CARBON	
	R245	QRD167J-100	10	1/6W CARBON	
	R246	QRD167J-100	10	1/6W CARBON	
	R247	QRD167J-101	100	1/6W CARBON	
	R248	QRD167J-101	100	1/6W CARBON	
	R249	QRD167J-562	5.6K	1/6W CARBON	
	R250	QRG012J-270A	27	1W O.M.FILM	
Δ	R251	QRD14CJ-100S	10	1/4W UNF. CARBON	A
Δ	R251	QRZ0077-100	10	1/4W FUSIBLE	B
Δ	R251	QRZ0077-100	10	1/4W FUSIBLE	C
Δ	R251	QRZ0077-100	10	1/4W FUSIBLE	D
	R262	QRD167J-750	75	1/6W CARBON	
	R263	QRD167J-331	330	1/6W CARBON	
	R264	QRD167J-750	75	1/6W CARBON	
	R265	QRD167J-331	330	1/6W CARBON	
	R266	QRD167J-750	75	1/6W CARBON	
	R267	QRD167J-331	330	1/6W CARBON	
	R268	QRD167J-750	75	1/6W CARBON	
	R270	QRD167J-511	510	1/6W CARBON	
	R271	QRD167J-331	330	1/6W CARBON	
	R272	QRD167J-562	5.6K	1/6W CARBON	
	R273	QRD167J-682	6.8K	1/6W CARBON	
	R274	QRD167J-331	330	1/6W CARBON	
	R275	QRD167J-561	560	1/6W CARBON	
	R276	QRD167J-560	56	1/6W CARBON	
	R277	QRD167J-511	510	1/6W CARBON	
	R278	QRD167J-562	5.6K	1/6W CARBON	
	R279	QRD167J-750	75	1/6W CARBON	
	R280	QRD167J-511	510	1/6W CARBON	
	R281	QRD167J-331	330	1/6W CARBON	
	R282	QRD167J-562	5.6K	1/6W CARBON	
	R283	QRD167J-682	6.8K	1/6W CARBON	
	R284	QRD167J-331	330	1/6W CARBON	
	R285	QRD167J-561	560	1/6W CARBON	
	R286	QRD167J-560	56	1/6W CARBON	
	R287	QRD167J-511	510	1/6W CARBON	
	R288	QRD167J-562	5.6K	1/6W CARBON	
	R289	QRD167J-750	75	1/6W CARBON	
	R290	QRD167J-511	510	1/6W CARBON	
	R291	QRD167J-331	330	1/6W CARBON	
	R292	QRD167J-562	5.6K	1/6W CARBON	
	R293	QRD167J-682	6.8K	1/6W CARBON	
	R294	QRD167J-331	330	1/6W CARBON	
	R295	QRD167J-561	560	1/6W CARBON	
	R296	QRD167J-560	56	1/6W CARBON	
	R297	QRD167J-511	510	1/6W CARBON	
	R298	QRD167J-562	5.6K	1/6W CARBON	
	R299	QRD167J-750	75	1/6W CARBON	
Δ	R561	QRD14CJ-680S	68	1/4W UNF. CARBON	A
Δ	R561	QRZ0077-680	68	1/4W FUSIBLE	B
Δ	R561	QRZ0077-680	68	1/4W FUSIBLE	C
Δ	R561	QRZ0077-680	68	1/4W FUSIBLE	D
Δ	R562	QRD14CJ-680S	68	1/4W UNF. CARBON	A
Δ	R562	QRZ0077-680	68	1/4W FUSIBLE	B
Δ	R562	QRZ0077-680	68	1/4W FUSIBLE	C
Δ	R562	QRZ0077-680	68	1/4W FUSIBLE	D
	R563	QRD167J-104	100K	1/6W CARBON	
	R564	QRD167J-104	100K	1/6W CARBON	
	R565	QRD167J-563	56K	1/6W CARBON	
	R566	QRD167J-563	56K	1/6W CARBON	
	R567	QRD167J-105	1M	1/6W CARBON	
	R568	QRD167J-105	1M	1/6W CARBON	
	R569	QRD167J-563	56K	1/6W CARBON	
	R570	QRD167J-563	56K	1/6W CARBON	
	R571	QRD167J-105	1M	1/6W CARBON	
	R572	QRD167J-105	1M	1/6W CARBON	
	R573	QRD167J-103	10K	1/6W CARBON	
	R574	QRD167J-103	10K	1/6W CARBON	
	R575	QRD167J-103	10K	1/6W CARBON	
	R576	QRD167J-103	10K	1/6W CARBON	
	R581	QRD167J-104	100K	1/6W CARBON	
	R582	QRD167J-104	100K	1/6W CARBON	
	R583	QRD167J-105	1M	1/6W CARBON	
	R584	QRD167J-105	1M	1/6W CARBON	
	R585	QRD167J-103	10K	1/6W CARBON	
	R586	QRD167J-103	10K	1/6W CARBON	
	R587	QRD167J-103	10K	1/6W CARBON	
	R588	QRD167J-103	10K	1/6W CARBON	
	R589	QRD167J-332	3.3K	1/6W CARBON	
	R590	QRD167J-332	3.3K	1/6W CARBON	
	R591	QRD167J-104	100K	1/6W CARBON	
	R592	QRD167J-105	1M	1/6W CARBON	
	R593	QRD167J-103	10K	1/6W CARBON	
	R594	QRD167J-103	10K	1/6W CARBON	
	R595	QRD167J-332	3.3K	1/6W CARBON	
	R597	QRD167J-393	39K	1/6W CARBON	
	R598	QRD167J-393	39K	1/6W CARBON	
Δ	R2000	QRD14CJ-680S	68	1/4W UNF. CARBON	A

Δ SAFETY PARTS

RESISTORS

Δ	ITEM	PART NUMBER	DESCRIPTION		AREA
Δ	R2000	QRZ0077-680	68	1/4W FUSIBLE	B
Δ	R2000	QRZ0077-680	68	1/4W FUSIBLE	C
Δ	R2000	QRZ0077-680	68	1/4W FUSIBLE	D
Δ	R2001	QRD14CJ-680S	68	1/4W UNF. CARBON	A
Δ	R2001	QRZ0077-680	68	1/4W FUSIBLE	B
Δ	R2001	QRZ0077-680	68	1/4W FUSIBLE	C
Δ	R2001	QRZ0077-680	68	1/4W FUSIBLE	D
Δ	R2002	QRD14CJ-100S	10	1/4W UNF. CARBON	A
Δ	R2002	QRZ0077-100	10	1/4W FUSIBLE	B
Δ	R2002	QRZ0077-100	10	1/4W FUSIBLE	C
Δ	R2002	QRZ0077-100	10	1/4W FUSIBLE	D
Δ	R2003	QRG012J-270A	27	1W O.M.FILM	
	R2010	QRD167J-104	100K	1/6W CARBON	
	R2011	QRD167J-563	56K	1/6W CARBON	
	R2012	QRD167J-104	100K	1/6W CARBON	
	R2013	QRD167J-563	56K	1/6W CARBON	
	R2014	QRD167J-563	56K	1/6W CARBON	
	R2015	QRD167J-563	56K	1/6W CARBON	
	R2020	QRD167J-750	75	1/6W CARBON	
	R2021	QRD167J-562	5.6K	1/6W CARBON	
	R2022	QRD167J-392	3.9K	1/6W CARBON	
	R2023	QRD167J-271	270	1/6W CARBON	
	R2024	QRD167J-331	330	1/6W CARBON	
	R2025	QRD167J-201	200	1/6W CARBON	
	R2026	QRD167J-103	10K	1/6W CARBON	
	R2027	QRD167J-682	6.8K	1/6W CARBON	
	R2028	QRD167J-331	330	1/6W CARBON	
	R2029	QRD167J-103	10K	1/6W CARBON	
	R2030	QRD167J-750	75	1/6W CARBON	
	R2031	QRD167J-562	5.6K	1/6W CARBON	
	R2032	QRD167J-152	1.5K	1/6W CARBON	
	R2033	QRD167J-821	820	1/6W CARBON	
	R2034	QRD167J-331	330	1/6W CARBON	
	R2035	QRD167J-561	560	1/6W CARBON	
	R2036	QRD167J-103	10K	1/6W CARBON	
	R2037	QRD167J-682	6.8K	1/6W CARBON	
	R2038	QRD167J-331	330	1/6W CARBON	
	R2039	QRD167J-103	10K	1/6W CARBON	
	R2040	QRD167J-750	75	1/6W CARBON	
	R2041	QRD167J-562	5.6K	1/6W CARBON	
	R2042	QRD167J-392	3.9K	1/6W CARBON	
	R2043	QRD167J-271	270	1/6W CARBON	
	R2044	QRD167J-331	330	1/6W CARBON	
	R2045	QRD167J-201	200	1/6W CARBON	
	R2046	QRD167J-103	10K	1/6W CARBON	
	R2047	QRD167J-682	6.8K	1/6W CARBON	
	R2048	QRD167J-331	330	1/6W CARBON	
	R2049	QRD167J-103	10K	1/6W CARBON	
	R2050	QRD167J-750	75	1/6W CARBON	
	R2051	QRD167J-562	5.6K	1/6W CARBON	
	R2052	QRD167J-152	1.5K	1/6W CARBON	
	R2053	QRD167J-821	820	1/6W CARBON	
	R2054	QRD167J-331	330	1/6W CARBON	
	R2055	QRD167J-561	560	1/6W CARBON	
	R2056	QRD167J-103	10K	1/6W CARBON	
	R2057	QRD167J-682	6.8K	1/6W CARBON	
	R2058	QRD167J-331	330	1/6W CARBON	
	R2059	QRD167J-103	10K	1/6W CARBON	
	R2060	QRD167J-750	75	1/6W CARBON	
	R2061	QRD167J-562	5.6K	1/6W CARBON	
	R2062	QRD167J-392	3.9K	1/6W CARBON	
	R2063	QRD167J-271	270	1/6W CARBON	
	R2064	QRD167J-331	330	1/6W CARBON	
	R2065	QRD167J-201	200	1/6W CARBON	
	R2066	QRD167J-103	10K	1/6W CARBON	
	R2067	QRD167J-682	6.8K	1/6W CARBON	
	R2068	QRD167J-331	330	1/6W CARBON	
	R2069	QRD167J-103	10K	1/6W CARBON	
	R2070	QRD167J-750	75	1/6W CARBON	
	R2071	QRD167J-562	5.6K	1/6W CARBON	
	R2072	QRD167J-152	1.5K	1/6W CARBON	
	R2073	QRD167J-821	820	1/6W CARBON	
	R2074	QRD167J-331	330	1/6W CARBON	
	R2075	QRD167J-561	560	1/6W CARBON	
	R2076	QRD167J-103	10K	1/6W CARBON	
	R2077	QRD167J-682	6.8K	1/6W CARBON	
	R2078	QRD167J-331	330	1/6W CARBON	
	R2079	QRD167J-103	10K	1/6W CARBON	
	R2080	QRD167J-750	75	1/6W CARBON	
	R2081	QRD167J-750	75	1/6W CARBON	
	R2082	QRD167J-750	75	1/6W CARBON	
	R2083	QRD167J-750	75	1/6W CARBON	
	VR591	QVAA99W-EF5C	250K	VARIABLE	

Δ SAFETY PARTS

OTHERS

△	ITEM	PART NUMBER	DESCRIPTION	AREA
	J241	E12052-003	CIRCUIT BOARD	
	J254	EMN00YV-309A	3P PIN JACK	
	J255	EMN00YV-205A	2P PIN JACK	
	J256	EMN00YV-205A	2P PIN JACK	
	J256	EMN00YV-304A	3P PIN JACK	
	P290	EMV7122-004	CONNECTOR	
	P560	EMV7122-003	CONNECTOR	
	P561	EMV7122-003	CONNECTOR	
	P590	EMV7122-004	CONNECTOR	
	S241	QST9101-E06	PUSH SWITCH	
	EP001	E70225-001	EARTH PLATE	
	FW315	EWR36B-25LST	FLAT WIRE	
	FW570	EWR35B-25LST	FLAT WIRE	
	FW859	EWR23C-16LN	FLAT WIRE	
	J2	EMD0489-001	PIN JACK	

OTHERS

△	ITEM	PART NUMBER	DESCRIPTION	AREA
	J2001	EMD0489-001	PIN JACK	
	J2002	EMD0489-001	PIN JACK	
	J2003	EMD0489-001	PIN JACK	
	J2004	EMD0489-001	PIN JACK	
	PA581	EMV5125-013	PLUG ASSY	
	RY245	ESK5012-214	RELAY	
	RY246	ESK5012-214	RELAY	
	TP251	QMV5005-002K	PLUG ASSY	

△ SAFETY PARTS

## Accessories List

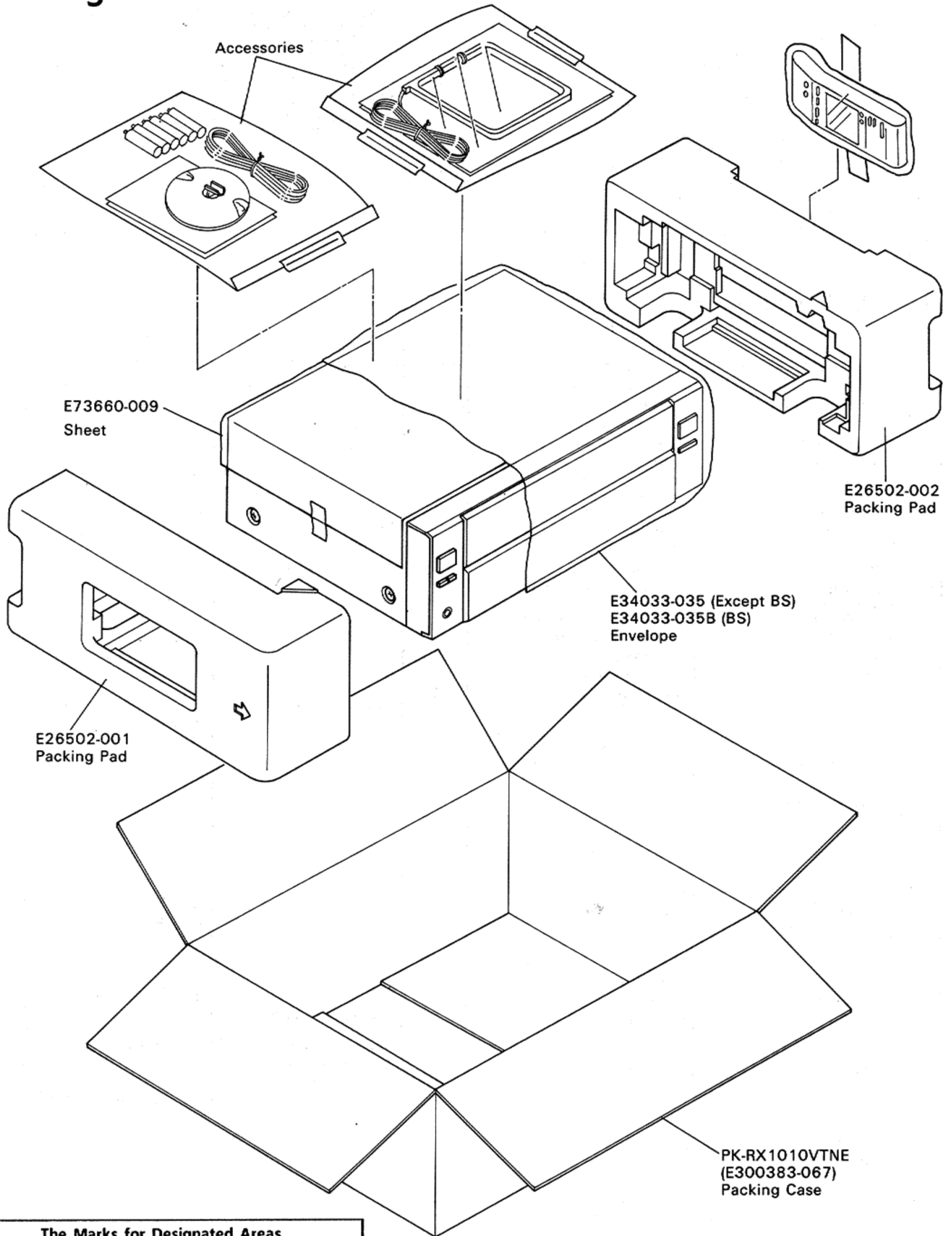
△	Part Number	Part Name	Q'ty	Description	Areas
	E30580-1496A	Instruction Book	1		J
	E30580-1549A	Instruction Book	1		Except J,BS
	E30580-1549ABS	Instruction Book	1		BS
	BT-20048C	Warranty Card	1		J
	BT-20025K	Warranty Card	1		C
	BT20029C	Warranty Card	1	for Australia	A
	BT-20117	Warranty Card	1		G
	BT20060	Warranty Card	1		BS
	BT20098	Audio Warranty	1	for New Zealand	A
	BT20108	Service Instruction Sheet	1		J
	BT20044F	Safety Information Sheet	1		J
	BT20071A	Service Center List	1		C
	BT20066A	ECC Agency	1		BS
	EQB4001-012	AM Loop Antenna	1		
	E304084-001	Loop Stand	1		
	EWP502-005K	Built in Antenna	1		Except G
	E67007-001	Wire Antenna Ass'y	1		G
	QZL1008-001	FTZ Information Sheet	1		G
△	E04056	Siemens Plug	1		U
△	QMF51A2-6R3S	Fuse	1		U
	E67142-T6R3	Fuse Label	1		U
	E35497-015	Caution Sheet	1	220V	U
	EMZ2001-007	Adapter	1		E
△	EMC0202-001BS	AC Plug	1		BS
	E43486-371A	Sheet	1		BS
	RM-SR1010U	Remote Controller	1		
	AM4J-2PSA	Battery	3		
	E6581-4	Envelope	1		U
	E66416-003	Envelope	1		J
	E41202-2	Envelope	1	for Instruction Book	J
	E41202-2	Envelope	2	for Instruction Book	Except J,BS
	E41202-2B	Envelope	2	for Instruction Book	BS

△ Safety Parts

### The Marks for Designated Areas

J.....the U.S.A.      G.....West Germany  
 C.....Canada        BS.....the U.K.  
 A.....Australia      U.....Other Countries  
 E.....Europe        No marks indicates all areas.

# Packing Materials and Part Numbers



## The Marks for Designated Areas

J.....the U.S.A.	G.....West Germany
C.....Canada	BS.....the U.K.
A.....Australia	U.....Other Countries
E.....Europe	<b>No mark indicates all areas.</b>