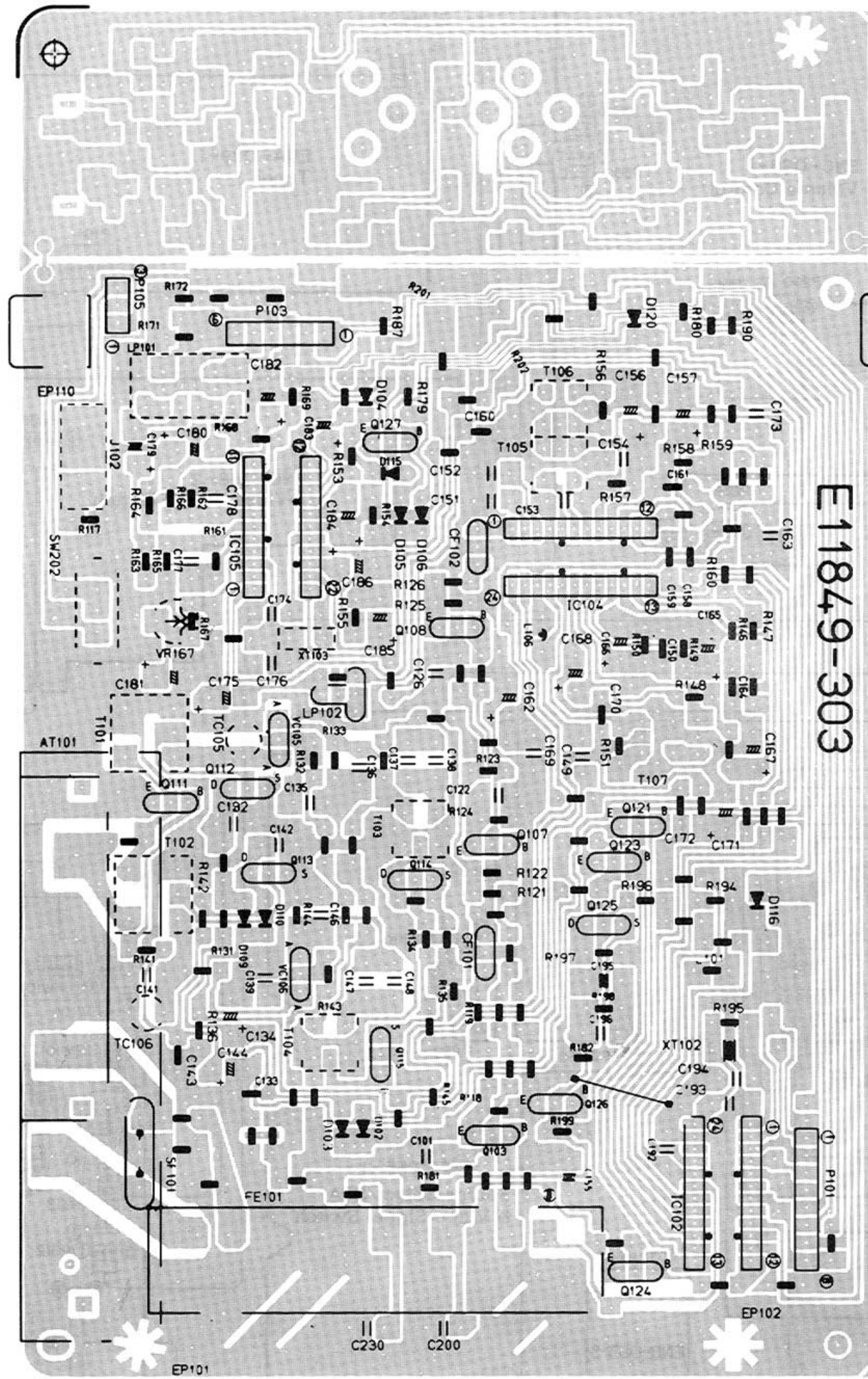
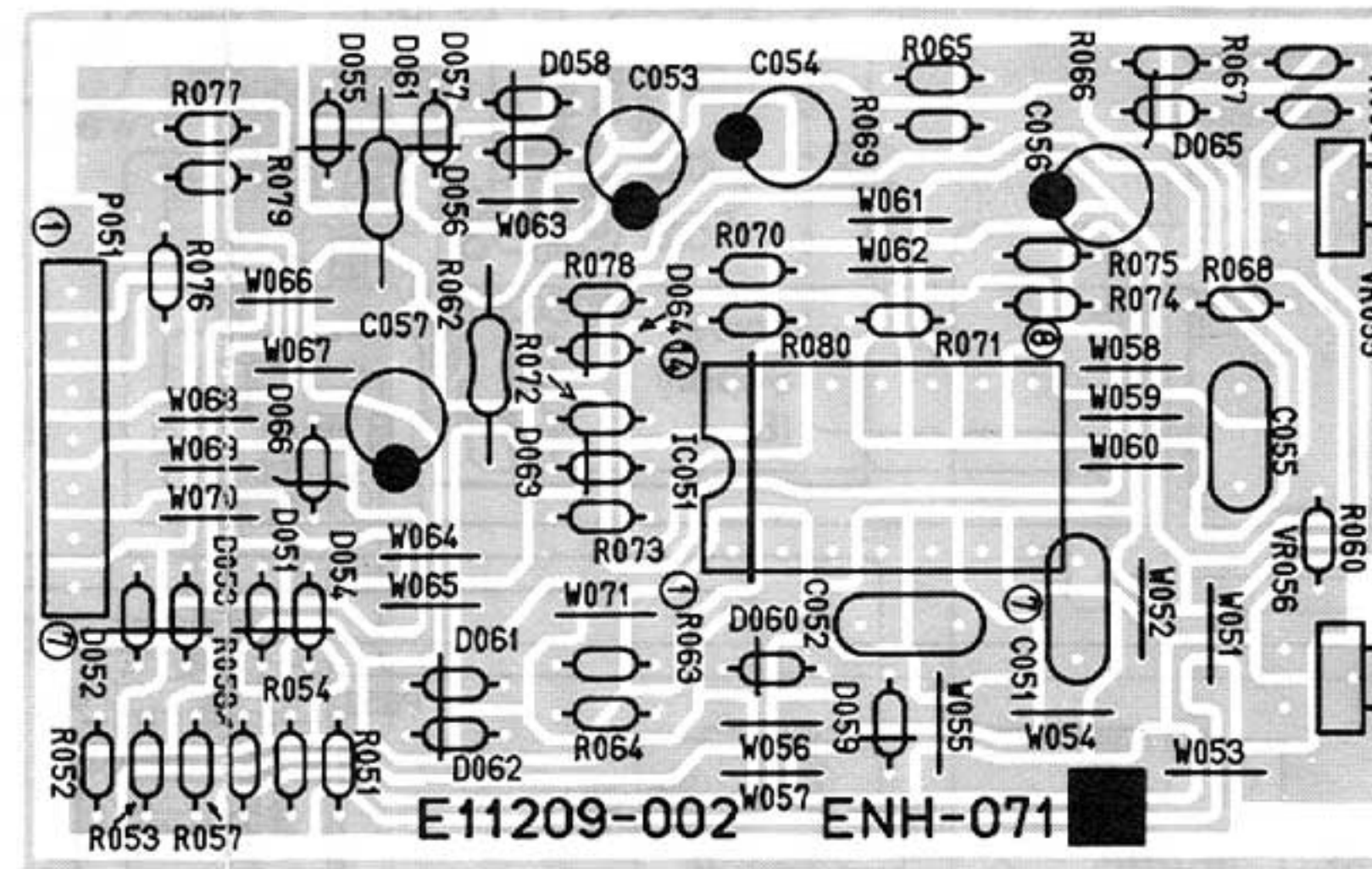


Printed Circuit Boards (1)

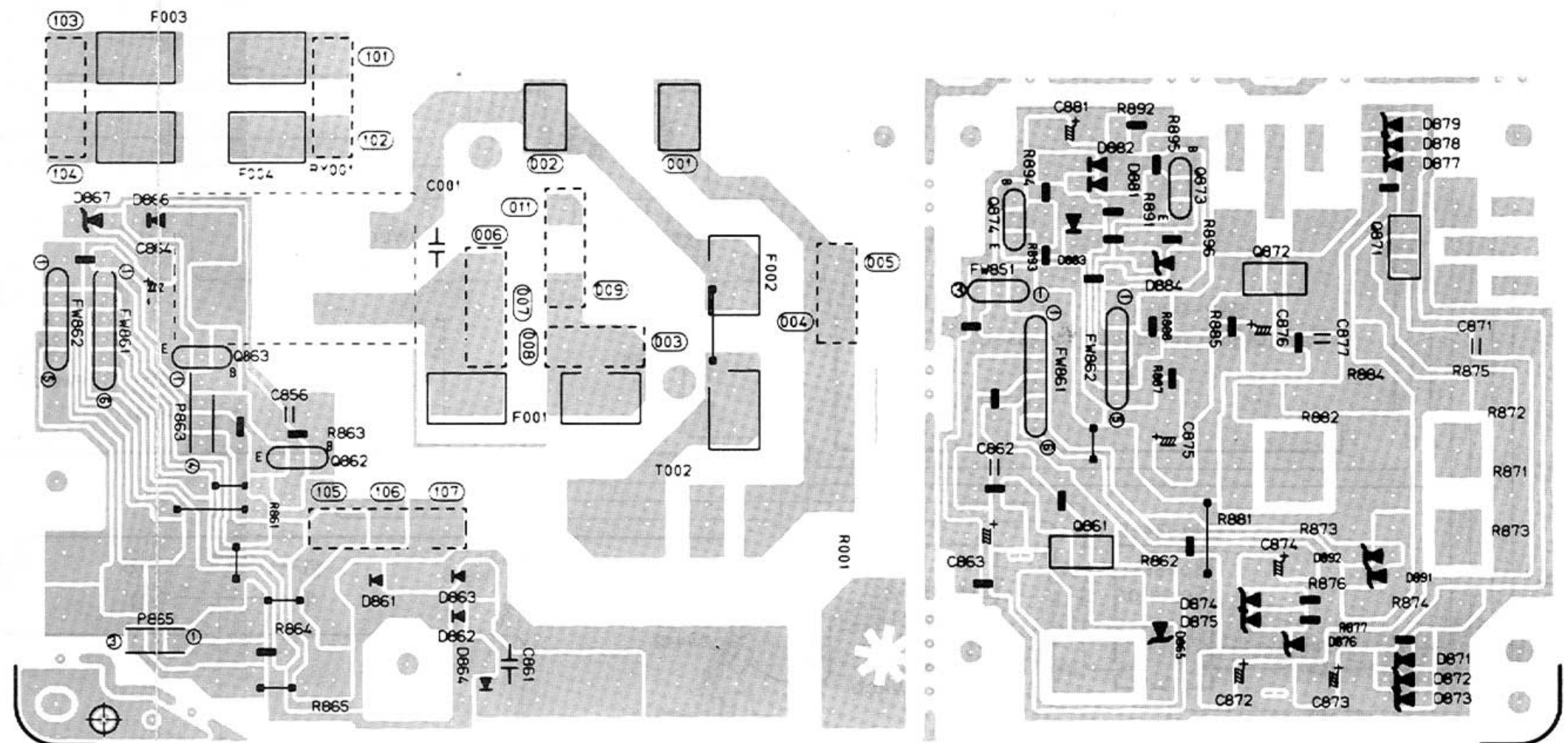
■ Tuner-PC Board (ENA-089)



■ Impedance Unit PC Board (ENH-071)

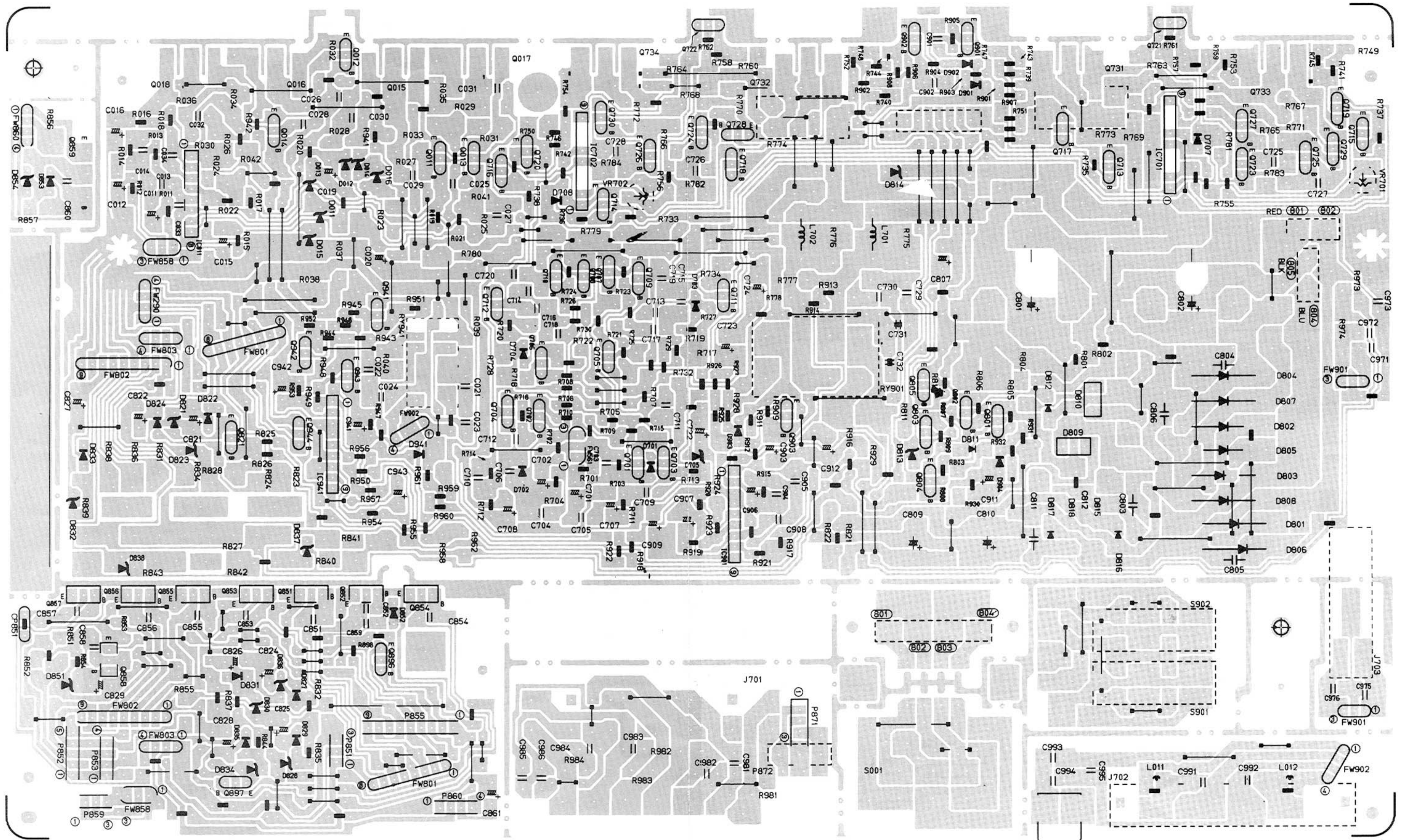


■ Power Supply PC Board (END-057)



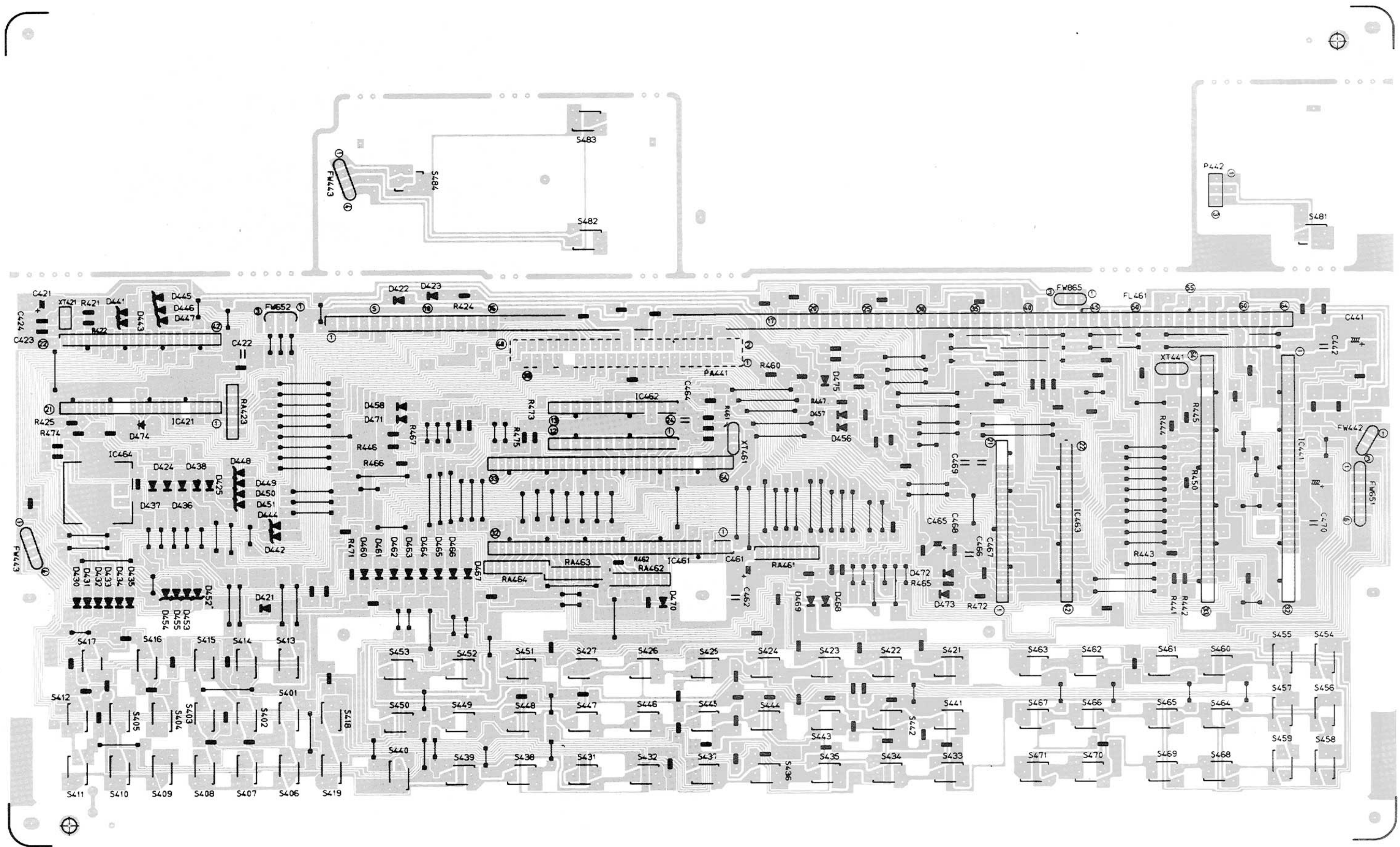
Printed Circuit Boards (3)

■ Power Amplifier PC Board (ENH-134)



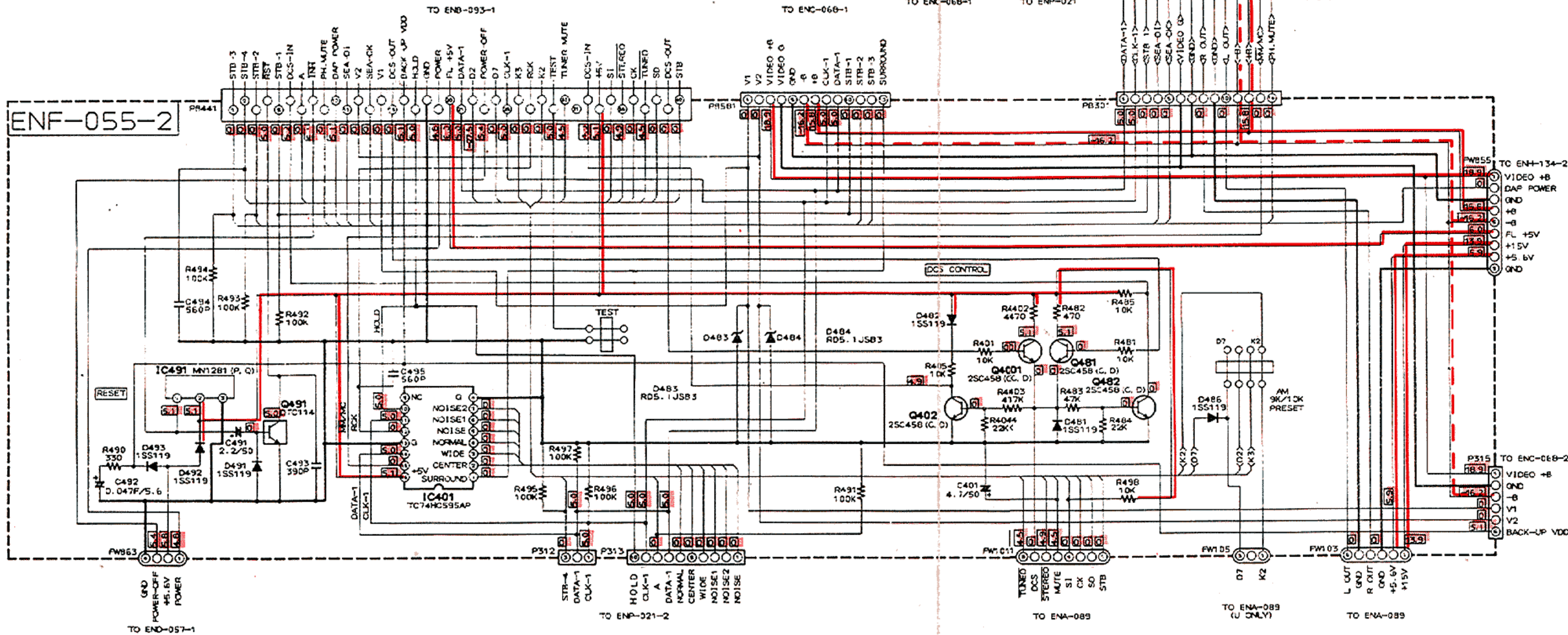
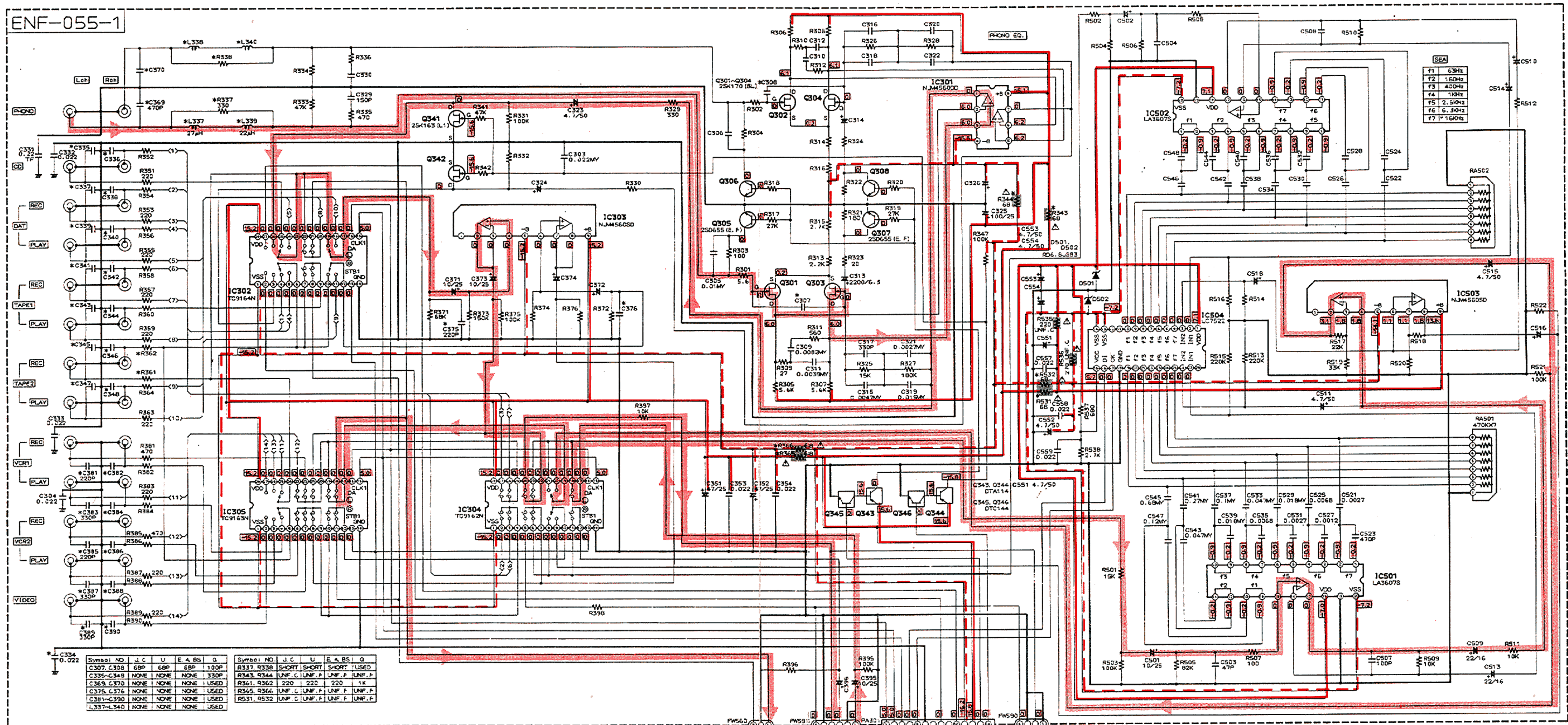
Printed Circuit Boards (4)

■ Display & Control PC Board (ENB-093)



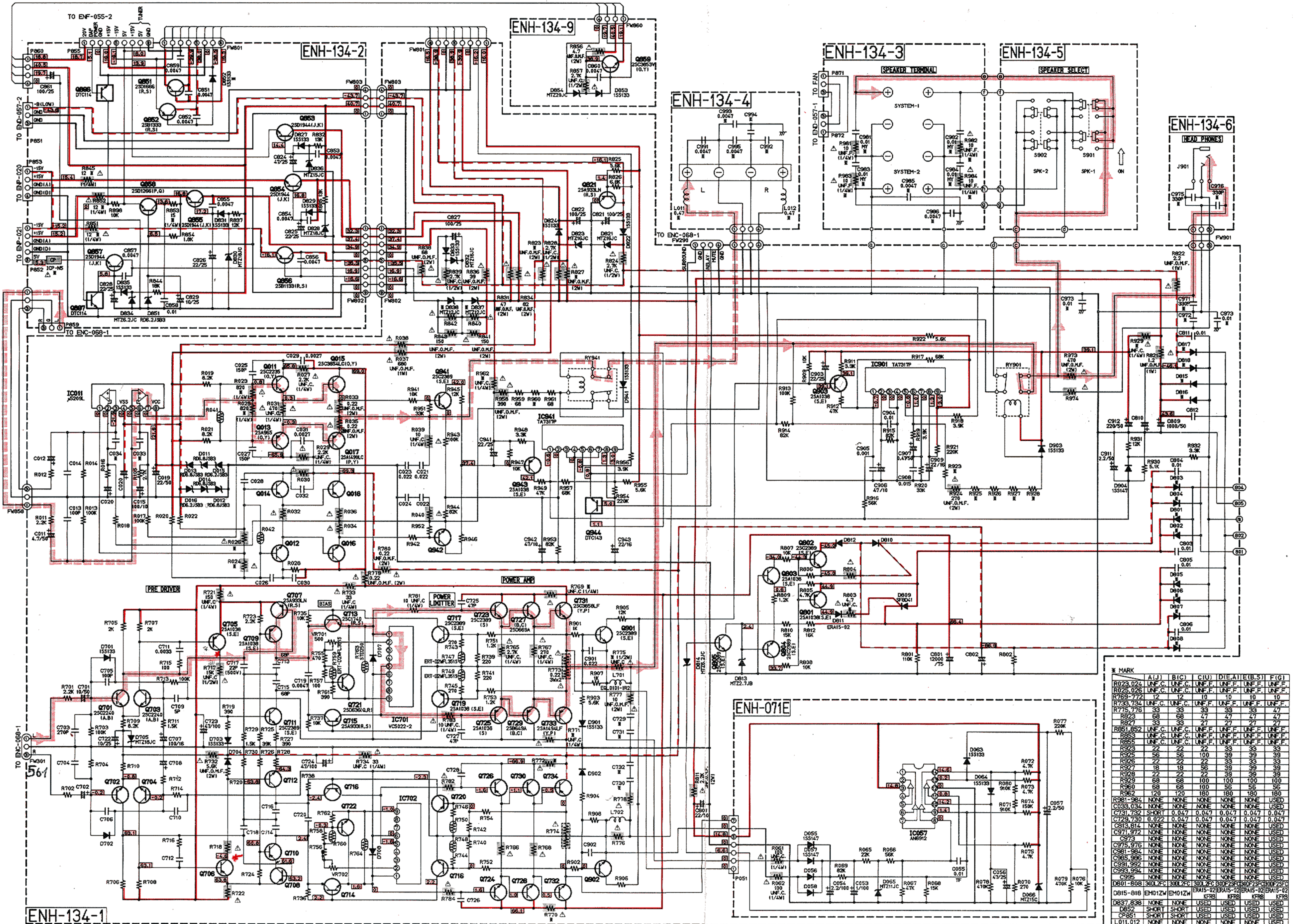
Schematic Diagrams (2)

Source Selector & SEA Section



Schematic Diagrams (3)

Power-Amplifier Section

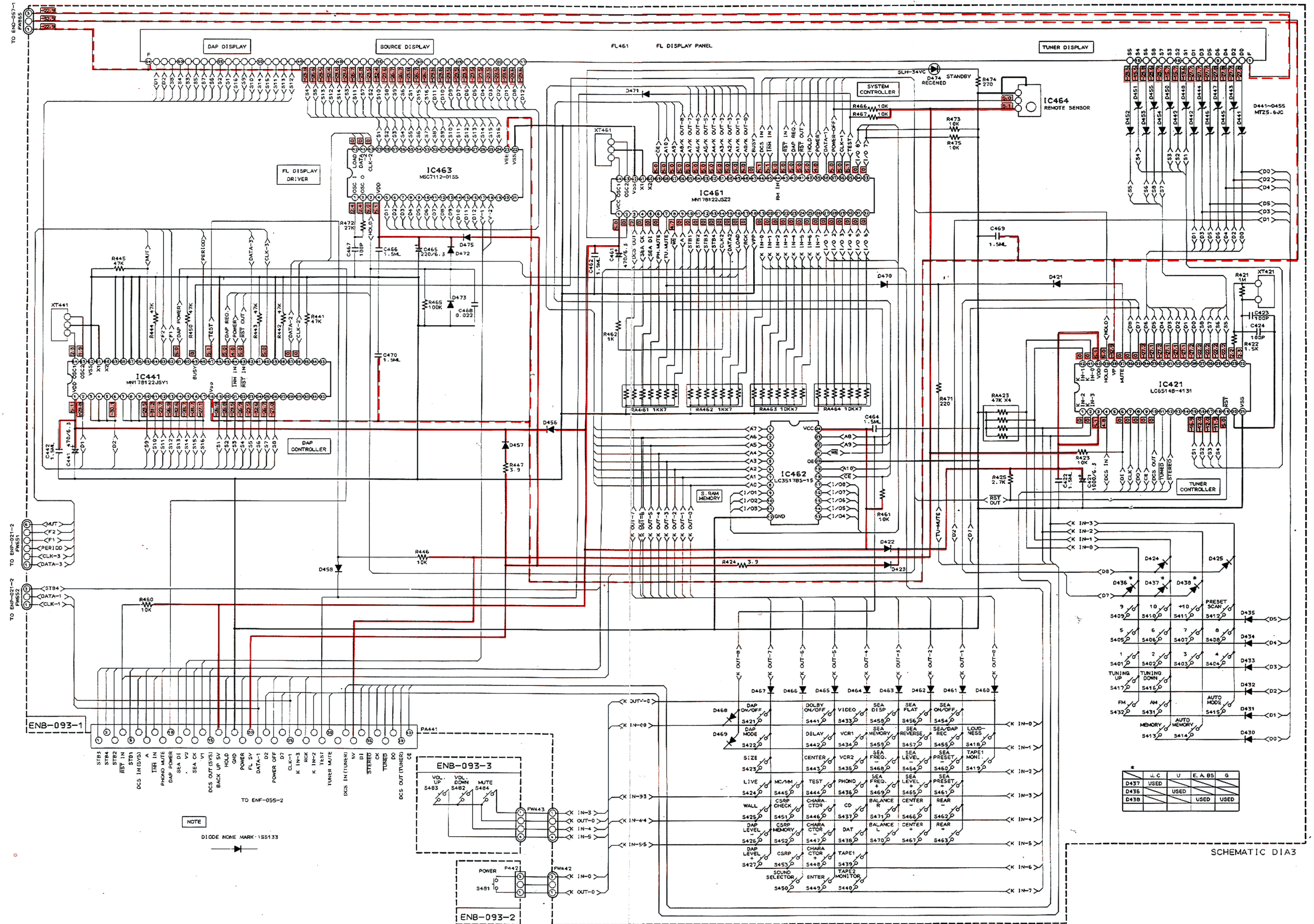


* +50V source shown on all spg. → D705 substitute

| MARK | A(J) | B(C) | C(U) | D(E) | A(E) | B(S) | F(G) |
|----------|--------|--------|--------|--------|--------|--------|--------|
| R023,024 | UNF.C | UNF.C | UNF.F | UNF.F | UNF.F | UNF.F | UNF.F |
| R025,026 | UNF.C | UNF.C | UNF.F | UNF.F | UNF.F | UNF.F | UNF.F |
| R769-772 | 12 | 12 | 10 | 10 | 10 | 10 | 10 |
| R733,734 | UNF.C | UNF.C | UNF.F | UNF.F | UNF.F | UNF.F | UNF.F |
| R775,776 | 33 | 33 | 33 | 33 | 33 | 33 | 47 |
| R823 | 50 | 50 | 47 | 47 | 47 | 47 | 47 |
| R827 | 33 | 33 | 27 | 27 | 27 | 27 | 27 |
| R851,852 | UNF.C | UNF.C | UNF.F | UNF.F | UNF.F | UNF.F | UNF.F |
| R853 | UNF.C | UNF.C | UNF.F | UNF.F | UNF.F | UNF.F | UNF.F |
| R855 | UNF.C | UNF.C | UNF.F | UNF.F | UNF.F | UNF.F | UNF.F |
| R857 | UNF.C | UNF.C | UNF.F | UNF.F | UNF.F | UNF.F | UNF.F |
| R859 | 56 | 56 | 100 | 33 | 33 | 33 | 33 |
| R862 | 22 | 22 | 22 | 33 | 33 | 33 | 33 |
| R864 | 22 | 22 | 22 | 33 | 33 | 33 | 33 |
| R866 | 22 | 22 | 22 | 33 | 33 | 33 | 33 |
| R868 | 22 | 22 | 22 | 33 | 33 | 33 | 33 |
| R870 | 18 | 18 | 50 | 33 | 33 | 33 | 33 |
| R872 | 22 | 22 | 22 | 33 | 33 | 33 | 33 |
| R874 | 50 | 50 | 100 | 100 | 100 | 100 | 100 |
| R876 | 50 | 50 | 100 | 50 | 50 | 50 | 50 |
| R878 | 120 | 120 | 180 | 180 | 180 | 180 | 180 |
| R881-884 | NONE | NONE | NONE | NONE | NONE | NONE | USED |
| C033,034 | NONE | NONE | NONE | NONE | NONE | NONE | USED |
| C731,732 | SHORT | 0.047 | 0.047 | 0.047 | 0.047 | 0.047 | 0.047 |
| C729,730 | 0.022 | 0.047 | 0.047 | 0.047 | 0.047 | 0.047 | 0.047 |
| C813,814 | NONE | NONE | NONE | NONE | NONE | NONE | USED |
| C971,972 | NONE | NONE | NONE | NONE | NONE | NONE | USED |
| C973 | NONE | NONE | NONE | NONE | NONE | NONE | USED |
| C975,976 | NONE | NONE | NONE | NONE | NONE | NONE | USED |
| C981-984 | NONE | NONE | NONE | NONE | NONE | NONE | USED |
| C985,986 | NONE | NONE | NONE | NONE | NONE | NONE | USED |
| C989,992 | NONE | NONE | NONE | NONE | NONE | NONE | USED |
| C993,994 | NONE | NONE | NONE | NONE | NONE | NONE | USED |
| C995 | NONE | NONE | NONE | NONE | NONE | NONE | USED |
| D801-808 | 300L7C | 300L7C | 300L7C | 300L7C | 300L7C | 300L7C | 300L7C |
| D815-818 | EM012W | EM012W | EM012W | EM012W | EM012W | EM012W | EM012W |
| D837,838 | NONE | NONE | USED | USED | USED | USED | USED |
| D852 | SHORT | SHORT | USED | USED | USED | USED | USED |
| CP851 | SHORT | SHORT | USED | USED | USED | USED | USED |
| L011,012 | NONE | NONE | NONE | NONE | NONE | NONE | USED |

Schematic Diagrams (4)

Display & Control Section

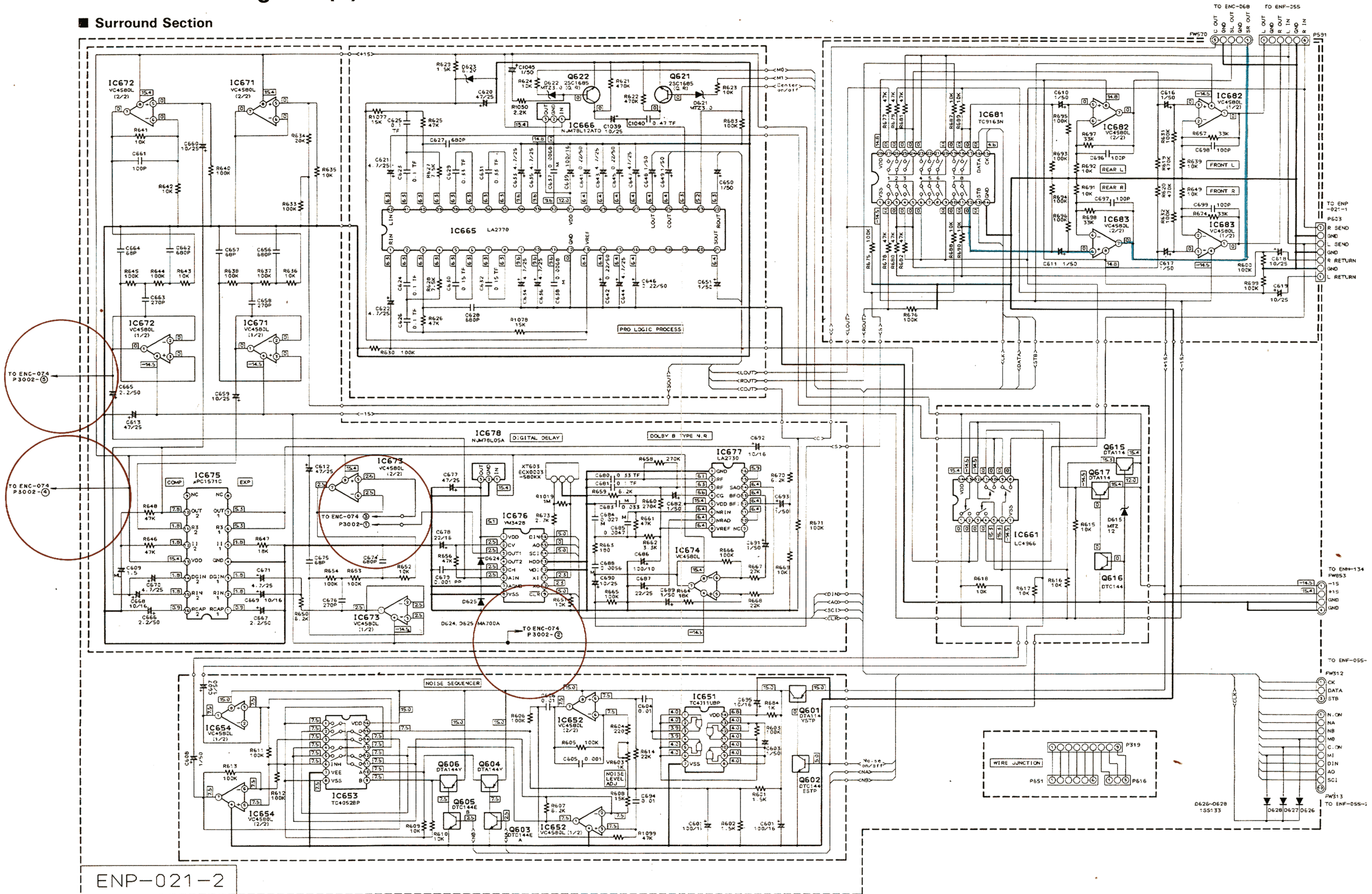


| | U.C | U | E.A. | B5 | G |
|------|------|------|------|------|---|
| D437 | USED | | | | |
| D438 | | USED | | | |
| D439 | | | USED | USED | |

(No. 20128) (No. 20128)

Schematic Diagram (6)

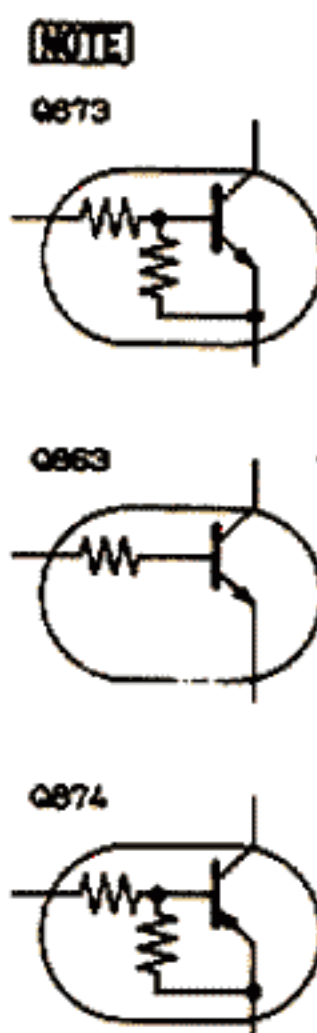
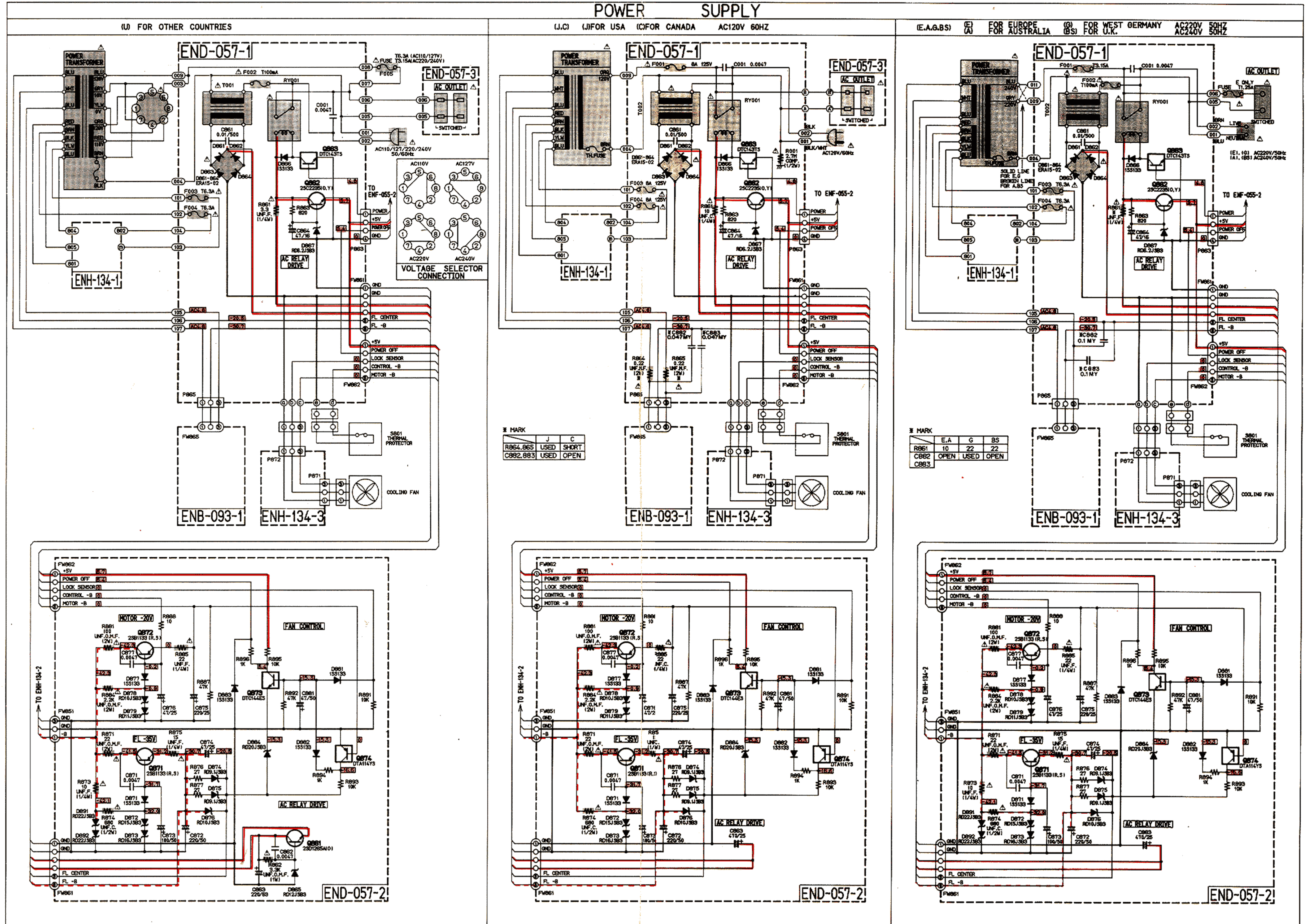
Surround Section



ENP-021-2

Schematic Diagrams (8)

Power Supply Section



■ Video Signal PC Board (ENC-068)

