

JVC

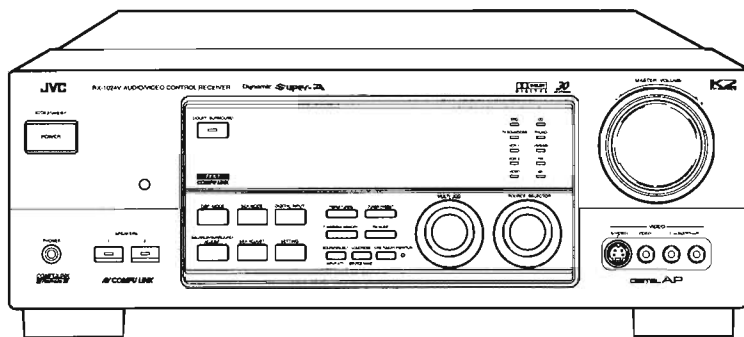
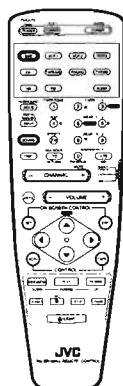
SERVICE MANUAL

AUDIO/VIDEO CONTROL RECEIVER

RX-1024VBK

Area Suffix

J The U.S.A
 C Canada



**TEXT
 COMPU LINK**

**COMPU LINK
 Remote**

AV COMPU LINK

**K2 3D
 INTERFACE 3D-PHON C**

DIGITAL AP

**DD DOLBY
 DIGITAL**

Dynamic Super-A

Contents

Safety Precautions	1-2	Adjustment Procedures	2-25
Instruction Book	1-3~38	Block Diagrams	3-1
Description of Major ICs	2-1	Schematic Diagrams	3-4
Internal Connection of Display	2-20	Printed Circuit Boards	3-13~18
Disassembly Procedures	2-22	Parts List	4-1~21

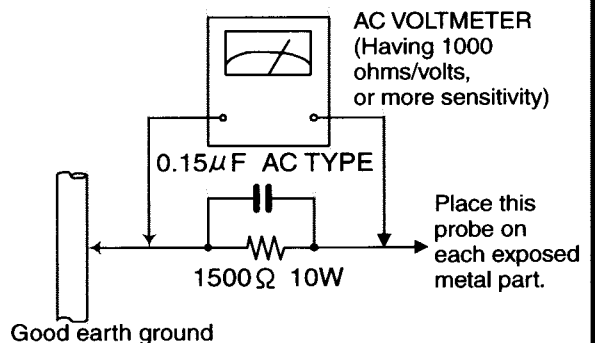
Safety Precautions

1. This design of this product contains special hardware and many circuits and components specially for safety purposes. For continued protection, no changes should be made to the original design unless authorized in writing by the manufacturer. Replacement parts must be identical to those used in the original circuits. Services should be performed by qualified personnel only.
2. Alterations of the design or circuitry of the product should not be made. Any design alterations of the product should not be made. Any design alterations or additions will void the manufacturer's warranty and will further relieve the manufacture of responsibility for personal injury or property damage resulting therefrom.
3. Many electrical and mechanical parts in the products have special safety-related characteristics. These characteristics are often not evident from visual inspection nor can the protection afforded by them necessarily be obtained by using replacement components rated for higher voltage, wattage, etc. Replacement parts which have these special safety characteristics are identified in the Parts List of Service Manual. Electrical components having such features are identified by shading on the schematics and by (Δ) on the Parts List in the Service Manual. The use of a substitute replacement which does not have the same safety characteristics as the recommended replacement parts shown in the Parts List of Service Manual may create shock, fire, or other hazards.
4. The leads in the products are routed and dressed with ties, clamps, tubings, barriers and the like to be separated from live parts, high temperature parts, moving parts and/or sharp edges for the prevention of electric shock and fire hazard. When service is required, the original lead routing and dress should be observed, and it should be confirmed that they have been returned to normal, after re-assembling.
5. Leakage current check (Electrical shock hazard testing)
After re-assembling the product, always perform an isolation check on the exposed metal parts of the product (antenna terminals, knobs, metal cabinet, screw heads, headphone jack, control shafts, etc.) to be sure the product is safe to operate without danger of electrical shock. Do not use a line isolation transformer during this check.

- Plug the AC line cord directly into the AC outlet. Using a "Leakage Current Tester", measure the leakage current from each exposed metal parts of the cabinet, particularly any exposed metal part having a return path to the chassis, to a known good earth ground. Any leakage current must not exceed 0.5mA AC (r.m.s.)

- Alternate check method
Plug the AC line cord directly into the AC outlet. Use an AC voltmeter having, 1,000 ohms per volt or more sensitivity in the following manner. Connect a 1,500 Ω 10W resistor paralleled by a 0.15 μ F AC-type capacitor between an exposed metal part and a known good earth ground.

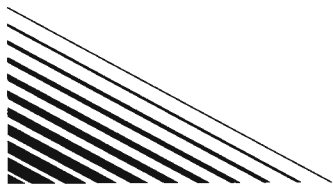
Measure the AC voltage across the resistor with the AC voltmeter.
Move the resistor connection to each exposed metal part, particularly any exposed metal part having a return path to the chassis, and measure the AC voltage across the resistor. Now, reverse the plug in the AC outlet and repeat each measurement. voltage measured Any must not exceed 0.75 V AC (r.m.s.). This corresponds to 0.5 mA AC (r.m.s.).



Warning

1. This equipment has been designed and manufactured to meet international safety standards.
2. It is the legal responsibility of the repairer to ensure that these safety standards are maintained.
3. Repairs must be made in accordance with the relevant safety standards.
4. It is essential that safety critical components are replaced by approved parts.
5. If mains voltage selector is provided, check setting for local voltage.

⚠ CAUTION Burrs formed during molding may be left over on some parts of the chassis. Therefore, pay attention to such burrs in the case of performing repair of this system.



JVC



AUDIO/VIDEO CONTROL RECEIVER RX-1024VBK

JVC
VICTOR COMPANY OF JAPAN, LIMITED

**TEXT
COMPU LINK**

**COMPU LINK
Remote IIII**

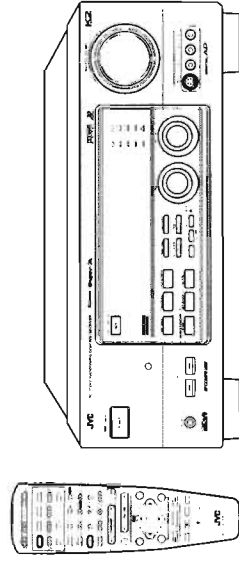
AV COMPU LINK

**K2
INTERFACE
3D-PHONIC**

DIGITAL AP

**DOLBY
DIGITAL**

Dynamic Super-A



INSTRUCTIONS

For Customer Use:
Enter below the Model No. and Serial No. which are located either on the rear bottom or side of the cabinet. Retain this information for future reference.
Model No. _____
Serial No. _____

LVT0018-001A (J)

05980FMDWJEM

EN

RX-1024VBK

Warnings, Cautions and Others



CAUTION
RISK OF ELECTRIC SHOCK
READ MANUAL



CAUTION: TO REDUCE THE RISK OF ELECTRIC SHOCK, DO NOT REMOVE COVER OR FRONT PANEL. NO USER SERVICEABLE PARTS INSIDE. REFER SERVICING TO QUALIFIED SERVICE PERSONNEL.

The lightning flash with arrowhead symbol, when used on a product or its packaging, alerts the user to the presence of uninsulated "dangerous voltage" within the product's enclosure that may be of sufficient magnitude to constitute a risk of electric shock to persons.

The exclamation point within an equilateral triangle is intended to alert the user to the presence of important operating and maintenance (servicing) instructions in the literature accompanying the appliance.

WARNING: TO REDUCE THE RISK OF FIRE OR ELECTRIC SHOCK, DO NOT EXPOSE THIS APPLIANCE TO RAIN OR MOISTURE.

CAUTION

- To reduce the risk of electrical shocks, fire, etc.:
1. Do not remove screws, covers or cabinet.
 2. Do not expose this appliance to rain or moisture.

Caution — POWER switch!
Disconnect the mains plug to shut the power off completely. The POWER switch in any position does not disconnect the mains line. The power can be remote controlled.

Caution — SPEAKER LOAD SELECTOR switch!
Match the position of SPEAKER LOAD SELECTOR switch on the back panel to the impedance of the speaker connected, to protect from overheating.

To get the best DSP (Digital Signal Processor) effect in your listening room, note the speaker settings you have set on the table below for future reference (even though the receiver memorizes the settings until you change them).

For actual setting procedures, see pages 19 to 21.

Speakers	Setting	Setting
Front Speakers	LARGE	SMALL
Center Speaker	LARGE	SMALL
Rear Speaker	LARGE	SMALL
Center Delay	Set to [msec] (Select from 0 to 5 msec)	NONE
Rear Delay	Set to [msec] (Select from 0 to 15 msec)	NONE
Crossover Frequency	80 Hz	100 Hz 120 Hz
LFE Attenuator	0 dB	10 dB
Dynamic Range Compression	OFF	MID MAX

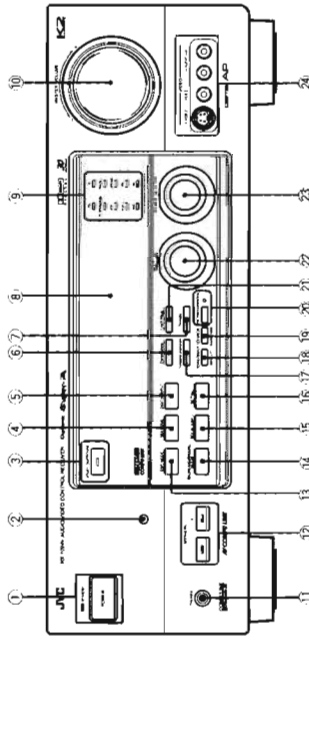
Note:
If the power cord is unplugged or a power failure occurs, all preset settings will be erased in a few days.

Table of Contents

Parts Identification	3	Using the DSP Modes	28
Getting Started	4	Using the 3D-PHONIC Modes	29
Before Installation	4	Using the DAP Modes	32
Checking the Supplied Accessories	4	Using the Dolby Digital and Dolby Pro Logic Modes	34
Connecting the FM and AM Antennas	5	Using the Theater Surround Mode	37
Connecting the Speakers	6	Using the On-Screen Menu	41
Connecting Audio/Video Components	8	Selecting the Source to Play	41
Connecting the Power Cord	12	Selecting the Different Sources for Picture and Sound	41
Putting Batteries in the Remote Control	12	Using the DSP Modes	42
Basic Operations	13	Adjusting the Front Speaker Output Balance	42
Turning the Power On and Off	13	Listening at Low Volume (Loudness)	42
Selecting the Source to Play	13	Attenuating the Input Signal	43
Adjusting the Volume	14	Adjusting the Subwoofer Output Level	43
Selecting the Front Speakers	15	Adjusting the DSP Modes	44
Muting the Sound	15	Selecting Your Favorite SEA Mode	45
Using the Sleep Timer	15	Creating Your Own SEA Mode	45
Attenuating the Input Signal	16	Basic Settings	45
Adjusting the Subwoofer Output Level	16	Operating the Tuner	46
Recording a Source	16	Storing the Preset Stations	46
Basic Settings	17	Assigning Names to the Preset Stations	47
Changing the Source Name	17	COMPU LINK Remote Control System	48
Selecting the Input Mode	17	TEXT COMPU LINK Remote Control System	49
Adjusting the Front Speaker Output Balance	18	Showing the Disc Information on the TV Screen	50
Setting the Subwoofer Information	18	Searching a Disc (Only for the CD Player)	51
Listening at Low Volume (Loudness)	18	Using the User File (Only for the CD Player with the User File Function)	53
Digital Input (DIGITAL IN) Terminal Setting	19	Entering the Disc Information	54
Setting the Speakers for the DSP Modes	19	AV COMPU LINK Remote Control System	56
One Touch Operation	22	Operating JVC's Audio/Video Components	58
About the One Touch Operation	22	Operating Other Manufacturers' Components	62
Using the One Touch Operation	22	Troubleshooting	68
Receiving Radio Broadcasts	23	Specifications	69
Tuning in Stations Manually	23		
Using Preset Tuning	23		
Selecting the FM Reception Mode	24		
Assigning Names to Preset Stations	25		
Using the SEA Modes	26		
Selecting Your Favorite SEA Mode	26		
Creating Your Own SEA Mode	27		

Parts Identification

Become familiar with the buttons and controls on the receiver before use.



Refer to the pages in parentheses for details.

Front Panel

- 1 POWER button and STANDBY lamp (13)
- 2 Remote sensor (12)
- 3 DOLBY SURROUND button and lamp (36)
- 4 SEA MODE button (26) *
- 5 DIGITAL INPUT button (17)
- 6 FM/AM TUNING button (23) *
- 7 FM MODE button (24)
- 8 Display (13)
- 9 Source lamps (13)
- 10 MASTER VOLUME control (14)
- 11 PHONES jack (15)
- 12 SPEAKERS 1/2 buttons and lamps (15)
- 13 DSP MODE button (29) *
- 14 BALANCE/SURROUND ADJUST button (18, 30) *
- 15 SEA ADJUST button (27) *
- 16 SETTING button (18) *
- 17 TUNER/SEA/MEMORY button (23, 25, 27)
- 18 SOUND SELECT/INPUT ATT. button (14, 16)
- 19 LOUDNESS/SOURCE NAME button (17, 18)
- 20 ONE TOUCH OPERATION button and lamp (22)
- 21 TUNER PRESET button (24) *
- 22 MULTIJOG control
What this control actually does depends on which function you are trying to adjust. Before using this control, select the function by pressing one of the buttons marked with *.
- 23 SOURCE SELECTOR control (13)
- 24 VIDEO input jacks (10)

Remote Control

- 25 TV/CATV/DBS POWER and VCR1 POWER buttons (60, 61)
- 26 Source selecting buttons (14)
- 27 SURROUND MODE button (31)
- 28 DIGITAL/ANALOG INPUT button (17)
- 29 SOUND button (26, 31, 58)
- 30 DISC button (59)
- 31 CHANNEL buttons (+/-) (60, 62)
- 32 MUTE button (15)
- 33 VCR1 CONTROL button (60, 64)
- 34 LIGHT button
- 35 AUDIO POWER button (13)
- 36 SLEEP button (15)
- 37 10 keys for adjusting preset channel (24) (18, 30) *
- 38 10 keys for operating audio/video components (58, 62)
- 39 TV/VCR, CATV, DBS) (13, 58, 62)

To operate an audio system, TV, and VCR, set this selector to "AUDIO/TV/VCR."

To operate a CATV converter, set this selector to "CATV."

To operate a DBS tuner, set this selector to "DBS."

VOLUME buttons (+/-) (14)

MENU operating buttons (SET, EXIT, Δ, ▽, <, >) (41)

TAPE CONTROL button (59)

Operating buttons for audio/video components (58, 62)

Getting Started

This section explains how to connect audio/video components and speakers to the receiver; and how to connect the power supply.

Before Installation

General

- Be sure your hands are dry.
- Turn the power off to all components.
- Read the manuals supplied with the components you are going to connect.

Locations

- Install the receiver in a location that is level and protected from moisture.
- The temperature around the receiver must be between 23° and 95° F (-5° and 35° C).
- Make sure there is good ventilation around the receiver. Poor ventilation could cause overheating and damage to the receiver.

Handling the receiver

- Do not insert any metal object into the receiver.
- Do not disassemble the receiver or remove screws, covers, or cabinet.
- Do not expose the receiver to rain or moisture.

Checking the Supplied Accessories

Check to be sure you have all of the following items, which are supplied with the receiver.

The number in the parentheses indicates quantity of the pieces supplied.

- Remote Control (1)
- Batteries (2)
- AM Loop Antenna (1)
- FM Antenna (1)

If anything is missing, contact your dealer immediately.

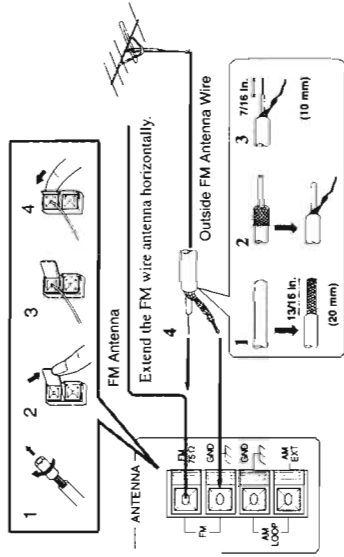
When using the remote control in the dark

Press LIGHT (33).
The buttons on the remote control are backlit while you are using the remote control.
If you do not press any button for about 5 seconds, backlight will turn off.

Getting Started

Connecting the FM and AM Antennas

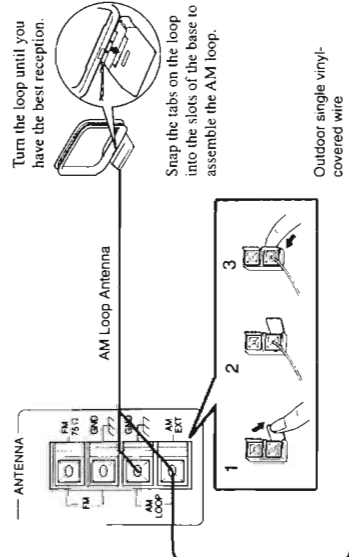
FM Antenna Connections



How to strip the 75Ω coaxial cable and connect it to the FM terminals

1. Strip back the outside covering of the 75Ω coaxial cable to expose the braided metallic mesh about 13/16 inches (20 mm).
2. Pull the mesh back and twist it into a single connector as shown in the illustration above.
3. Strip the insulation about 7/16 inches (10 mm) back from the central wire.
4. Insert the twisted mesh and the central wire to the FM terminals, as shown in the illustration above.

AM Antenna Connections



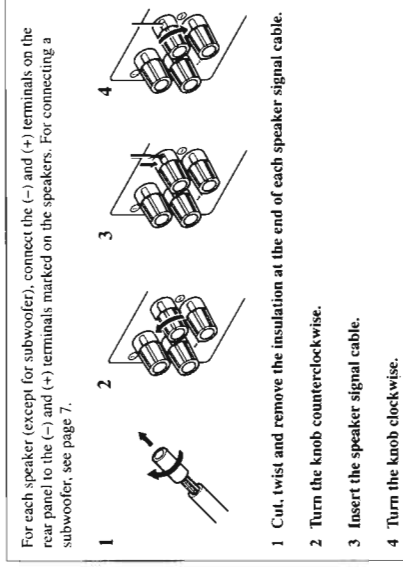
Connecting the Speakers

You can connect the following speakers:

- Two pairs of front speakers to produce normal stereo sound.
- One pair of rear speakers to enjoy the surround effect.
- One center speaker to produce more effective surround effect (to emphasize human voices).
- One subwoofer to enhance the bass.

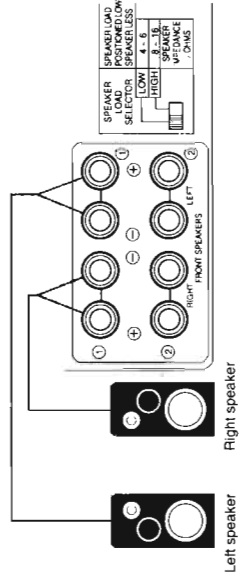
IMPORTANT:

After connecting the speakers listed above, set the speaker setting information properly to obtain the best possible performance. For details, see pages 18 and 19.



Connecting the front speakers

Connect the front speakers to the FRONT SPEAKERS terminals. You can connect two pairs of front speakers (one pair to the FRONT SPEAKERS ① terminals, and another pair to the FRONT SPEAKERS ② terminals).



CAUTION:

Use speakers with the SPEAKER IMPEDANCE indicated by the speaker terminals.

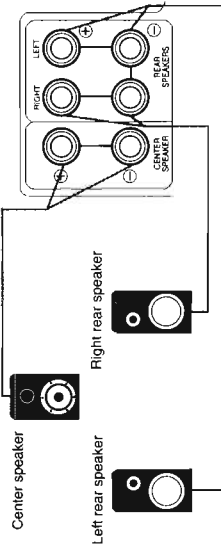
Note:

- To obtain the best possible output power from the receiver, and to prevent the receiver from being overheated, the receiver has the SPEAKER LOAD SELECTOR which has to be set as follows:
- Set it to the HIGH position when the impedance of the speakers connected is within the range of 8 ohms to 16 ohms.
 - Set it to the LOW position when the impedance of the speakers connected is within the range of 4 ohms to 6 ohms.
 - Set it to the LOW position when the impedance of any speaker connected is 6 ohms or less.

Getting Started

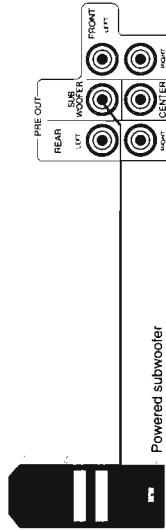
Connecting the rear and center speakers

Connect the rear speakers to the REAR SPEAKERS terminals and a center speaker to the CENTER SPEAKER terminals.



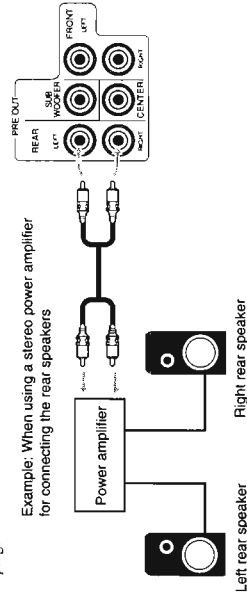
Connecting the subwoofer speaker

Connect the input jack of a powered subwoofer to the SUBWOOFER jack on the rear panel, using a cable with RCA pin plugs.



To enhance your audio system

You can use this receiver as the pre-amplifier (control amplifier) when you connect power amplifiers to the PRE OUT jacks on the rear panel, using cables with RCA pin plugs.



Example: When using a stereo power amplifier for connecting the rear speakers

CAUTION:

Use speakers with the SPEAKER IMPEDANCE indicated by the speaker terminals.

Note:

To obtain the best possible output power from the receiver, and to prevent the receiver from being overheated, the receiver has the SPEAKER LOAD SELECTOR which has to be set as follows:

- Set it to the HIGH position when the impedance of the speakers connected is within the range of 8 ohms to 16 ohms.
- Set it to the LOW position when the impedance of the speakers connected is within the range of 4 ohms to 6 ohms.
- Set it to the LOW position when the impedance of the any speaker connected is 6 ohms or less.

Connecting Audio/Video Components

You can connect the following audio/video components to this receiver. Refer also to the manuals supplied with your components. If you want to connect a component not listed in the table below, refer to the manual supplied with it.

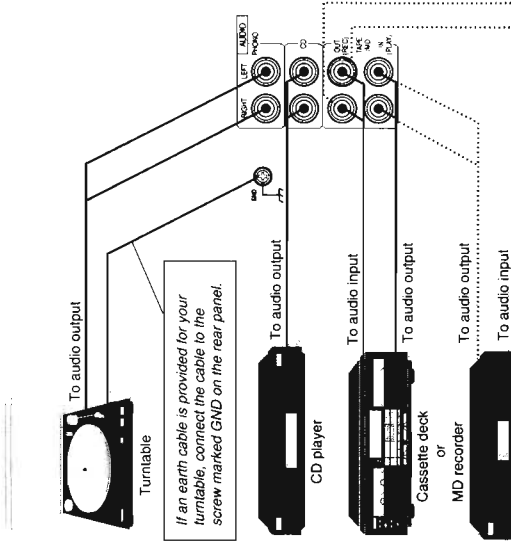
Audio Components	Video Components
• Turntable	• DVD player*
• CD player*	• TV
• Cassette deck or MD recorder*	• DBS tuner*
	• VCRs
	• Video camera

* You can connect these components using the methods described in "Analog connections" (below) or in "Digital connections" (see page 11).

Analog connections

Audio component connections

Use the cables with RCA pin plugs (not supplied). Connect the white plug to the audio left jack, and the red plug to the audio right jack.



Notes:

- Any turntables incorporating a small-output cartridge such as an MC (moving-coil type) must be connected to this receiver through a commercial head amplifier or step-up transformer. Direct connection may result in insufficient volume.
- You can connect either a cassette deck or an MD recorder to the TAPE/MD jacks. When connecting an MD recorder to the TAPE/MD jacks, change the source name, which will be shown on the display when selected as the source, to "MD". See page 17 for details.

If your audio components have a COMPU LINK-3 or TEXT COMPU LINK terminal

- See also page 48 for detailed information about the connection and the COMPU LINK-3 remote control system.
- See also page 49 for detailed information about the connection and the TEXT COMPU LINK remote control system.

Getting Started

Video component connections

Use the cables with RCA pin plugs (not supplied). Connect the white plug to the audio left jack, and the yellow plug to the video jack. If your video components have S-video (Y/C-separation) terminals, connect them using S-video cables (not supplied). Connecting these video components through the S-video input/output terminals will give you better picture playback (or recording) quality.

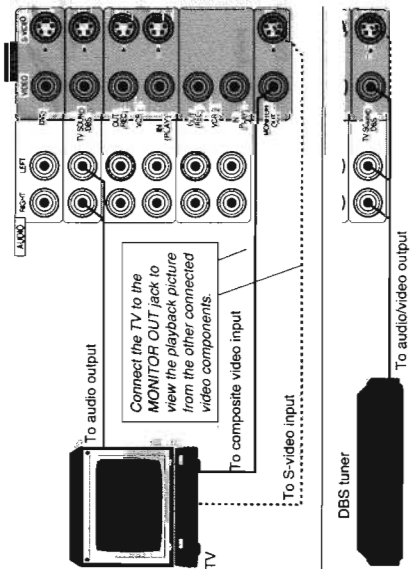
IMPORTANT:

This receiver is equipped with both the composite video and S-video input/output terminals for connecting video components. You do not have to connect both the composite video and S-video terminals. However, remember that the video signals from the composite video input terminals are output only through the composite video output terminals, while the ones from the S-video input terminals are output only through the S-video output terminals. Therefore, if a recording video component and a playing video component are connected to the receiver through the different video terminals, you cannot record the picture from the playing component on the recording component. In addition, if the TV and a playing video component are connected to the receiver through the different video terminals, you cannot view the playback picture from the playing component on the TV.

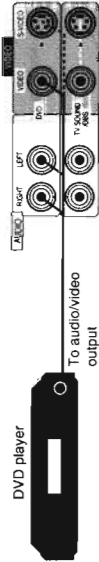
To view and record the playback picture from the video component connected to the YCR 2 jacks, you must connect the TV and the recording video component through the composite video terminals.

Connecting the TV and/or DBS tuner

You can connect either the TV or DBS tuner to the TV SOUND/DBS jacks.

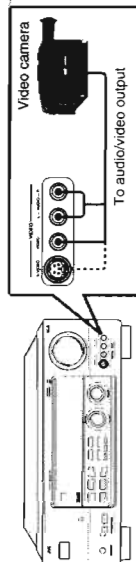
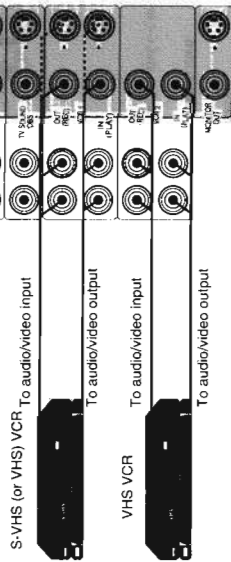


Connecting DVD player



Note:
To enjoy Dolby Digital with the DVD player as the source, connect the DVD player, using the method described in "Digital connections" on page 11.

Connecting VCRs



Notes:

- When connecting the TV to the TV SOUND/DBS jacks, DO NOT connect the TV's video output to these video input terminals.
- When connecting the DBS tuner to the TV SOUND/DBS jacks, change the source name, which will be shown on the display when selected as the source to "DBS." See page 17 for details.
- To enjoy Dolby Digital with the DBS tuner as the source, connect the DBS tuner using the method described in "Digital connections" on page 11.

If your video components have an AV COMPU LINK terminal

See also page 36 for detailed information about the connection and the AV COMPU LINK remote control system.

Getting Started

Digital connections

This receiver is equipped with three DIGITAL IN terminals — one digital coaxial terminal and two digital optical terminals. To enjoy Dolby Digital, you have to connect the source components using the DIGITAL IN terminals. You can connect any component to any one of the digital terminals using the digital coaxial cable (not supplied) or digital optical cable (not supplied).

DBS tuner



DVD player



CD player



MD recorder



Notes:

- When shipped from the factory, the DIGITAL IN terminals has been set for use with the following components:
 - DIGITAL 1 (coaxial): For DBS tuner
 - DIGITAL 2 (optical): For DVD player
 - DIGITAL 3 (optical): For CD player
- When you want to operate the CD player or MD recorder using the COMPU LINK remote control system, connect the larger component also as described in "Analog connections" (see page 8).

When the component has a digital coaxial output terminal, connect it to the DIGITAL 1 (DBS) terminal, using the digital coaxial cable (not supplied).

When the component has a digital optical output terminal, connect it to the DIGITAL 2 (DVD) or DIGITAL 3 (CD) terminal, using the digital optical cable (not supplied).

Before connecting a digital optical cable, unplug the protective plug.

IMPORTANT:

- When connecting the DVD player or the DBS tuner using the digital terminal, you also need to connect it to the video jack (either composite video terminal or S-video terminal) on the rear. Without connecting it to the video jack, you can view no playback picture.
- After connecting the above components using the DIGITAL IN terminals, set the following correctly if necessary.
 - Select the digital input mode correctly. For details, see "Selecting the Input Mode" on page 17.
 - Set the digital input (DIGITAL IN) terminal setting correctly. For details, see "Digital Input (DIGITAL IN) Terminal Setting" on page 19.

Connecting the Power Cord

Before plugging the receiver into an AC outlet, make sure that all connections have been made. When the power cord is connected, the STANDBY lamp above the POWER button lights up.

Keep the power cord away from the connecting cables and antenna. The power cord may cause noise or screen interference. We recommend that you use a coaxial cable to connect the antenna, since it is well-shielded against interference.

Notes:

- A small amount of power is always consumed even in standby mode. To switch off the power completely, unplug the power cord from the AC outlet.
- If the power cord is unplugged or a power failure occurs, preset settings will be erased in a few days.

CAUTIONS:

- Do not touch the power cord with wet hands.
- Do not pull on the power cord to unplug the cord. When unplugging the cord, always grasp the plug so as not to damage the cord.

Putting Batteries in the Remote Control

Before using the remote control, put two supplied batteries first. When using the remote control, aim the remote control directly at the remote sensor on the receiver.

- On the back of the remote control, remove the battery cover as illustrated.
- Insert batteries. Make sure to observe the proper polarity: (+) to (+) and (-) to (-).
- Replace the cover.



If the range or effectiveness of the remote control decreases, replace the batteries. Use two R6P (SUM-3)AAA (15F) type dry-cell batteries.

CAUTION:

- Follow these precautions to avoid leaking or cracking cells:
- Place batteries in the remote control so they match the polarity indicated: (+) to (+) and (-) to (-).
 - Use the correct type of batteries. Batteries that look similar may differ in voltage.
 - Always replace both batteries at the same time.
 - Do not expose batteries to heat or flame.

Basic Operations

The following operations are commonly used when you play any sound source.

IMPORTANT:
When using the Remote Control, check to see if its remote control mode selector is set to the correct position:
To operate an audio system, TV, and VCR, set it to "AUDIO/TV/VCR."
To operate a CATV converter, set it to "CATV."
To operate a DBS tuner, set it to "DBS."

Turning the Power On and Off

On the front panel:
To turn on the power, press POWER. The STANDBY lamp goes off. The name of the current source (or station frequency) appears on the display.
When the TV is connected to the TV SOUND/DBS jacks on the rear: The receiver automatically turns on and select "TV SOUND" as the source about 5 seconds after you turn on the TV. (If you change the source name from "TV SOUND" to "DBS", the receiver will not turn on along with the TV. See page 17.) Current source name appears

From the remote control:
To turn off the power, press POWER again. The STANDBY lamp lights up.
To turn on the power, press AUDIO POWER. The STANDBY lamp goes off. The name of the current source (or station frequency) appears on the display.
To turn off the power, press AUDIO POWER again. The STANDBY lamp lights up.

Selecting the Source to Play

On the front panel:
Turn SOURCE SELECTOR until the source name you want appears on the display.
As you turn the selector, the source changes as follows:
CD → PHONO → TAPE/MD → FM → AM → DVD
VIDEO → VCR2 → VCR1 → TV SOUND/DBS

Selected source name appears

What are the following indicators?
When you select the source encoded with Dolby Digital and start playback, the following indicators light up on the display to show the signal being input to this receiver. (Only the indicators for the received signals light up.)

L: Left front channel
R: Right front channel
C: Center channel
LS: Left rear channel
S: Rear channel (monaural)
LFE: Subwoofer channel

On the front panel:
Press SOUND SELECT briefly while viewing the picture from a video component such as the VCR or DVD player, etc. "SOUND SELECT" appears on the display.
Turn SOURCE SELECTOR to select the sound (except the TV sound), while the indication of the above step is still on the display.

From the remote control:
Press one of the audio source selecting buttons (CD, TAPE/MD, PHONO, FM, AM), while viewing the picture from a video component such as the VCR or DVD player, etc.

From the remote control:
Press one of the source selecting buttons directly.

DVD Selects the DVD player.
VCR1 Selects the video component connected to the VCR1 jacks.
VCR2 Selects the video component connected to the VCR2 jacks.
VIDEO Selects the video component connected to the VIDEO jacks.
CD* Selects the CD player.
TAPE/MD* Selects the cassette deck or the MD recorder.
PHONO* Selects the turntable.
FM* Selects an FM broadcast.
AM* Selects an AM broadcast.
TV/DBS Selects TV sounds when the remote control selector is set to "AUDIO/TV/VCR."
Selects the DBS tuner when the remote control selector is set to "DBS."

Adjusting the Volume

On the front panel:
To increase the volume, turn MASTER VOLUME clockwise. To decrease the volume, turn it counterclockwise.
When you turn MASTER VOLUME rapidly, the volume level also changes rapidly. When you turn MASTER VOLUME slowly, the volume level also changes slowly.

From the remote control:
To increase the volume, press VOLUME +. To decrease the volume, press VOLUME -.

Note:
When you press one of the source selecting buttons marked above with an asterisk (*), the receiver automatically turns on.

Notes:
Once you have selected a video source, pictures of the selected source is sent to the TV until you select another video source.
When you select TV sound as the source, this function does not work.

CAUTION:
Always set the volume to the minimum before starting any source. If the volume is set at its high level, the sudden blast of sound energy can permanently damage your hearing and/or ruin your speakers.

Note:
The volume level can be adjusted within the range of "0" (minimum) to "90" (maximum).

Basic Operations

Selecting the Front Speakers

On the front panel only:

When you have connected two pairs of the front speakers, you can select which to use.

Press **SPEAKERS 1** or **SPEAKERS 2** to select the speaker to use.

Each time you press the button, the lamp on the respective button turns on and off. When the lamp on either button lights up, the respective speakers are activated.

IMPORTANT:

You can activate two pairs of the front speakers at the same time only when the **SPEAKER LOAD SELECTOR** on the rear panel is set to "HIGH", and when no signals are sent to the center and rear speakers. Otherwise, activating one pair of the speakers deactivates the other.

Listening only with headphones

1. Connect a pair of headphones to the PHONES jack on the front panel.
2. Press **SPEAKERS 1** and/or **2**, so that no lamps on the buttons are turned on.

Muting the Sound

From the remote control only:

Press **MUTE** to mute the sound through all speakers and headphones connected.

"MUTE" appears on the display and the volume turns off (the volume level indicator also goes off).

To restore the sound, press **MUTE** again so that "OFF" appears on the display. Turning **MASTER VOLUME** or pressing **VOLUME +/-** also restores the sound at the previous volume level.

Using the Sleep Timer

Using the Sleep Timer, you can fall asleep to music and know the receiver will turn off by itself rather than play all night.

From the remote control only:

Press **SLEEP** repeatedly.

The **SLEEP** indicator lights up on the display, and the shut-off time on the display changes as follows.

- SLEEP 10min. → SLEEP 20min. → SLEEP 30min. → SLEEP 40min.
- SLEEP 50min. → SLEEP 60min. → SLEEP 70min. → SLEEP 80min.
- SLEEP 90min. → SLEEP 00min. (Canceled) → (back to the beginning)

When the shut-off time comes

The receiver turns off automatically.

To check or change the time remaining until the shut-off time

Press **SLEEP** once. The remaining time until the shut-off time appears in minutes.

- To change the shut-off time, press **SLEEP** repeatedly.

To cancel the Sleep Timer

Press **SLEEP** repeatedly until "SLEEP 00min." appears on the display. (The **SLEEP** indicator goes off.)

Turning off the power also cancels the Sleep Timer.

Attenuating the Input Signal

When the input level of the playing source through the analog terminals is too high, the sounds will be distorted. If this happens, you need to attenuate the input signal level to prevent the sound distortion.

On the front panel only:

Press and hold **SOUND SELECT/INPUT ATT** until "INPUT ATT ON" appears on the display.

The **ATT** indicator also lights up on the display.

Each time you press and hold the button, the input attenuator mode turns on ("INPUT ATT ON") and off ("INPUT NORMAL"). You can set input attenuator mode separately for each source.



Adjusting the Subwoofer Output Level

You can adjust the subwoofer output level if you have selected "YES" for the "SUBWOOFER" (see page 18). Once it has been adjusted, the receiver memorizes the adjustment.

On the front panel:

1. Press **BALANCE/SURROUND ADJUST** repeatedly until "SUBWFR LEVEL" appears on the display.

The display changes to show the current setting.

2. Turn **MULTI JOG** to adjust the subwoofer output level (-10 dB to +10 dB), while the indication of the previous step is still on the display.



From the remote control:

1. Press **SOUND**.
10 keys are activated for sound adjustments.

2. Press **SUBWOOFER +/-** to adjust the subwoofer output level (-10 dB to +10 dB).



Recording a Source

You can record any source playing through the receiver to the cassette deck or the MD recorder connected to the **TAPE/MD** jacks and the **VCRs** connected to the **VCR1** and **VCR2** jacks at the same time.

While recording, you can listen to the selected sound source at whatever sound level you like, without affecting the sound levels of the recording.

Notes:

- This function is available only for the sources connected using the analog terminals.
- This function takes effect only when the **DSP** mode is in use.

Note:

The output volume level and **SEA** modes cannot affect the recording.

IMPORTANT:

When recording the digital source, turn off the **DSP** mode.

Basic Settings

Some of the following settings are required after connecting and positioning your speakers in your listening room, while others will make operations easier.

IMPORTANT:

When using the Remote Control, check to see if its remote control mode selector is set to the correct position:
 To operate this receiver, set it to "AUDIO/TV/VCR" (except when selecting the DBS tuner as the source).

Changing the Source Name

If you have connected an MD recorder to the TAPE/MD jacks or the DBS tuner to the TV SOUND/DBS jacks on the rear panel, change the source name shown on the display when you select the MD recorder or DBS tuner as the source.

On the front panel only:

1. When changing the source name from "TAPE" to "MD":
 - Turn SOURCE SELECTOR until "TAPE" appears.
 When changing the source name from "TV SOUND" to "DBS":
 - Turn SOURCE SELECTOR until "TV SOUND" appears.



2. Press and hold SOURCE NAME until "ASSGN. MD" or "ASSGN. DBS" appears on the display.

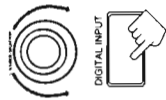
To change the source names to "TAPE" or "TV SOUND," repeat the same procedure above (in step 1, select "MD" or "DBS" then press and hold SOURCE NAME).

Selecting the Input Mode

When you have connected some components such as CD player, MD recorder, DVD player and the DBS tuner using digital terminals (see page 11), you need to change the input mode for these components to the digital input.

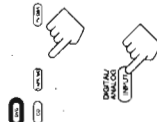
On the front panel:

1. Turn SOURCE SELECTOR until the source (CD, MD, DBS, or DVD) for which you want to change the input mode from analog input to digital input.
2. Press DIGITAL INPUT to change the input mode. Each time you press the button, the input mode alternates between the digital input and analog input.



From the remote control:

1. Press the source selecting button (CD, TAPE/MD, TV/DBS, or DVD) for which you want to change the input mode from analog input to digital input.
2. Press DIGITAL/ANALOG INPUT to change the input mode. Each time you press the button, the input mode alternates between the digital input and analog input.

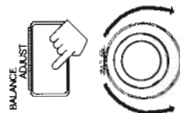


Adjusting the Front Speaker Output Balance

If the sounds you hear from the front right and left speakers are unequal, you can adjust the speaker output balance.

On the front panel only:

1. Press BALANCE/SURROUND ADJUST repeatedly until "L/R BALANCE" appears on the display. The display changes to show the current setting.
2. Turn MULTI JOG to adjust the balance, while the indication of the previous step is still on the display.
 - Turning it clockwise decreases the left channel output.
 - Turning it counterclockwise decreases the right channel output.

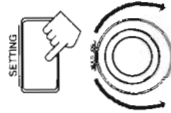


Setting the Subwoofer Information

Register whether or not you have connected a subwoofer.

On the front panel only:

1. Press SETTING repeatedly until "SUBWOOFER" appears on the display. The display changes to show the current setting.
2. Turn MULTI JOG to register whether you have connected a subwoofer or not, while the indication of the previous step is still on the display. As you turn it, the subwoofer setting alternates between "YES" and "NO."



YES	Select this when you use a subwoofer.
NO	Select this when you do not use a subwoofer.

Listening at Low Volume (Loudness)

Human ears are not sensitive to bass at low volume. To compensate for this, the loudness function automatically boosts the bass level as you lower the volume.

On the front panel only:

- Press LOUDNESS/SOURCE NAME briefly to select the loudness function.
- Each time you press the button, the loudness function turns on ("LOUDNESS ON") and off ("LOUDNESS OFF").
- Select "LOUDNESS ON" to activate the loudness function.
- The LOUDNESS indicator lights up on the display.
- Select "LOUDNESS OFF" to cancel it. The indicator goes off.



Note:
 The loudness function affects the front speaker sounds only.

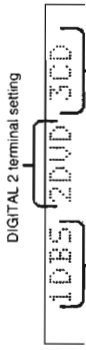
Basic Settings

Digital Input (DIGITAL IN) Terminal Setting

When you use the digital input terminals, you have to register what components are connected to which terminals (DIGITAL IN 1/2/3).

On the front panel only:

1. Press **SETTING** repeatedly until "DIGITAL IN" appears on the display.
The display changes to show the current setting.



2. Turn **MULTI JOG** to select the appropriate digital terminal setting, while the indication of the previous step is still on the display.
As you turn it, the display changes to show the following:

- ≡ 1 DBS 2 DVD 3 CD ≡ 1 MD 2 DVD 3 CD ≡ 1 MD 2 DBS 3 CD
- ≡ 1 MD 2 DBS 3 DVD ≡ 1 CD 2 DVD 3 MD ≡ 1 CD 2 DBS 3 MD
- ≡ 1 CD 2 DBS 3 DVD ≡ 1 DVD 2 CD 3 MD ≡ 1 DVD 2 DBS 3 MD
- ≡ 1 DVD 2 DBS 3 CD ≡ 1 DBS 2 CD 3 MD ≡ 1 DBS 2 DVD 3 MD
- ≡ (back to the beginning)



Setting the Speakers for the DSP Modes

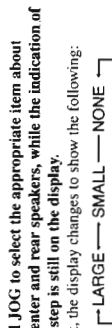
To obtain the best possible surround sound of the DSP modes, you have to register the information about the speakers arrangement after all connections are completed.

Front, Center, and Rear Speaker Setting

Register the sizes of the other speakers.

On the front panel only:

1. Press **SETTING** repeatedly until "FRONT SPK" (Front Speaker), "CENTER SPK" (Center Speaker) or "REAR SPK" (Rear Speaker) appears on the display.
The display changes to show the current setting.



2. Turn **MULTI JOG** to select the appropriate item about the front, center and rear speakers, while the indication of the previous step is still on the display.
As you turn it, the display changes to show the following:

LARGE	Select this when the speaker size is relatively large.
SMALL	Select this when the speaker size is relatively small.
NONE	Select this when you have not connected a speaker. (Not selectable for the front speakers)

Note:

When shipped from the factory, the DIGITAL IN terminals can be used as the digital input for the following components.

- DIGITAL 1 (coaxial): For DBS tuner
- DIGITAL 2 (optical): For DVD player
- DIGITAL 3 (optical): For CD player

Note:

When you change your speakers, you need to register the information about the speakers again.

Notes:

- If the size of the cone speaker unit built in your speaker is greater than 4 1/4 inches (12 cm), select "LARGE," and if it is smaller than 4 1/4 inches (12 cm), select "SMALL."
- If you have selected "NO" for the subwoofer setting, you can only select "LARGE" for the front speaker setting.

Center Delay Time Setting

Register the delay time of the sound from the center speaker, comparing that of the sound from the front speakers.

If the distance from your listening point to the center speaker is equal to that to the front speakers, select 0 msec. As the distance to the center speaker becomes shorter, increase the delay time.

On the front panel only:

1. Press **SETTING** repeatedly until "CENTER DELAY" appears on the display.
The display changes to show the current setting.



2. Turn **MULTI JOG** to select the delay time of the center speaker output, while the indication of the previous step is still on the display.

- Turn it clockwise to increase the delay time from 0 msec ("C. DELAY 0ms") to 5 msec ("C. DELAY 5ms").
- Turn it counterclockwise to decrease the delay time from 5 msec ("C. DELAY 5ms") to 0 msec ("C. DELAY 0ms").

Rear Delay Time Setting

Register the delay time of the sound from the rear speakers, comparing that of the sound from the front speakers.

If the distance from your listening point to the rear speakers is equal to that to the front speakers, select 0 msec. As the distance to the rear speakers becomes shorter, increase the delay time.

On the front panel only:

1. Press **SETTING** repeatedly until "REAR DELAY" appears on the display.
The display changes to show the current setting.



2. Turn **MULTI JOG** to select the delay time of the rear speaker output, while the indication of the previous step is still on the display.

- Turn it clockwise to increase the delay time from 0 msec ("R. DELAY 0ms") to 15 msec ("R. DELAY 15ms").
- Turn it counterclockwise to decrease the delay time from 15 msec ("R. DELAY 15ms") to 0 msec ("R. DELAY 0ms").

Crossover Frequency Setting

Small speaker cannot reproduce the bass sound very well. So, if you have used a small speaker any for the front, center, or rear channels, this receiver automatically reallocate the bass elements, originally assigned to the channel for which you have connected the small speaker, to another channel (for which you have connected the large speaker). To use this function properly, you need to set this crossover frequency level according to the size of the small speaker connected.

On the front panel only:

1. Press **SETTING** repeatedly until "CROSSOVER FRQ" (Crossover Frequency) appears on the display.
The display changes to show the current setting.



Note:
1 msec increase (or decrease) in delay time corresponds to 1 1/4 inches (30 cm) decrease (or increase) in distance.

Notes:

- 1 msec increase (or decrease) in delay time corresponds to 1 1/4 inches (30 cm) decrease (or increase) in distance.
- It is recommended that the rear delay time for Dolby Digital be set to 5 msec.

Note:

This function takes effect only when playing back a source using the Dolby Digital. However, if you have selected "LARGE" for all speakers (see page 19), this function will not take effect.

Basic Settings

- Turn MULTI JOG to select the crossover frequency level according to the size of the small speaker connected, while the indication of the previous step is still on the display. As you turn it, the display changes to show the following:

CROSS: 80Hz → CROSS: 100Hz → CROSS: 120Hz →

CROSS: 80Hz	Select this when the cone speaker unit built in the speaker is about 4 3/4 inches (12 cm).
CROSS: 100Hz	Select this when the cone speaker unit built in the speaker is about 3 7/16 inches (10 cm).
CROSS: 120Hz	Select this when the cone speaker unit built in the speaker is about 3 1/16 inches (8 cm).

Low Frequency Effect Attenuator Setting

If the bass sound is distorted while playing back a source using Dolby Digital, follow the procedure below.

On the front panel only:

- Press SETTING repeatedly until "LFE ATT" (Low Frequency Effect Attenuator) appears on the display. The display changes to show the current setting.
- Turn MULTI JOG to select the low frequency effect attenuator level, while the indication of the previous step is still on the display. As you turn it, the display changes to show the following:

LFE ATT: 0dB → LFE ATT: 10dB

LFE ATT: 0dB:	Normally select this.
LFE ATT: 10dB:	Select this when the bass sound is distorted.

Dynamic Range Compression Setting

You can compress the dynamic range (difference between maximum sound and minimum sound) of the reproduced sound. This is useful when enjoying surround sound at night.

On the front panel only:

- Press SETTING repeatedly until "D. RANGE COMP" (Dynamic Range Compression) appears on the display. The display changes to show the current setting.
- Turn MULTI JOG to select the appropriate item about the compression level, while the indication of the previous step is still on the display. As you turn it, the display changes to show the following:

COMP.: OFF → COMP.: MID → COMP.: MAX →

COMP.: OFF	Select this when you want to enjoy surround with its full dynamic range. (No effect applied.)
COMP.: MID	Select this when you want to reduce the dynamic range a little. (Factory setting.)
COMP.: MAX	Select this when you want to apply the compression effect fully. (Useful at night.)

One Touch Operation

This receiver can memorize the optimum sound settings for each playing source.

About the One Touch Operation

JVC's One Touch Operation function is used to assign and store different sound settings for each different playing source. By using this function, you do not have to change the settings every time you change the source. The stored settings for the newly selected source are automatically recalled.

The following can be stored for each source:

- Volume level (see page 14)
- Input attenuator mode (see page 16)
- Subwoofer output level (see page 16)
- Input mode (see page 17)
- Balance (see page 18)
- Loudness (see page 18)
- SEA modes (see page 26)
- DSP modes
 - 3D-PHONIC mode settings (see page 29)
 - DAP mode settings (see page 32)
 - Surround mode settings (see page 34 and 37)

Note:
If the source is FM or AM, you can assign a different setting for each band.

Using the One Touch Operation

On the front panel only:

To store the sound settings

- Press ONE TOUCH OPERATION. The ONE TOUCH OPERATION lamp lights up, then the previously memorized settings are recalled.
- Adjust the sound using the functions listed above. The newly adjusted settings are memorized.



To recall the sound settings

With the ONE TOUCH OPERATION lamp lit, the settings for the currently selected source is recalled when the source is selected.

To cancel the One Touch Operation function

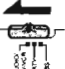
Press ONE TOUCH OPERATION so that the lamp goes off. (Even though the One Touch Operation function is canceled, the recalled sound effects remain active.)



Receiving Radio Broadcasts

You can browse through all the stations or use the preset function to go immediately to a particular station.

IMPORTANT:



When using the Remote Control, check to see if its remote control mode selector is set to the correct position:
To operate this receiver, set it to "AUDIO/TV/VCR" (except when selecting the DBS tuner as the source).

Tuning in Stations Manually

On the front panel:

1. Press FM/AM TUNING to select the band. Each time you press the button, the band alternates between FM and AM.
2. Turn MULTI JOG until you find the frequency you want.
 - Turning it clockwise increases the frequency.
 - Turning it counterclockwise decreases the frequency.

From the remote control:

1. Press FM or AM to select the band.
2. Press TUNING DOWN or TUNING UP repeatedly until you find the frequency you want.

Using Preset Tuning

Once a station is assigned to a channel number, the station can be quickly tuned. You can preset up to 40 stations at random.

To store the preset stations

1. Tune in the station you want to preset (see above). If you want to store the FM reception mode for this station, select the FM reception mode you want. See page 24 for details.
2. Press TUNER/SEA MEMORY. "CH-" appears and the channel number position starts flashing on the display for about 5 seconds.
3. Turn MULTI JOG to select a channel number while the channel number position is flashing.
4. Press TUNER/SEA MEMORY again while the selected channel number is flashing on the display. The selected channel number stops flashing. The station is assigned to the selected channel number.

5. Repeat steps 1 to 4 until you store all the stations you want.

To erase a stored preset station

Storing a new station on a used number erases the previously stored one.

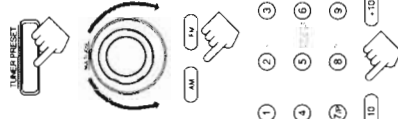
To tune in a preset station

On the front panel:

1. Press TUNER PRESET.
2. Turn MULTI JOG to select a preset channel.

From the remote control:

1. Press FM or AM.
2. Press 10 keys to select a preset channel number.
 - For channel number 5, press 5.
 - For channel number 15, press +10 then 5.
 - For channel number 20, press +10 then 10.
 - For channel number 30, press +10, +10, then 10.



Note:

When you use the 10 keys on the remote control, be sure that they are activated for tuner, not for the CD and others. (See page 58.)

Selecting the FM Reception Mode

When an FM stereo broadcast is hard to receive or noisy, set the FM reception mode to "MONO." (When shipped from the factory, this mode has been set to "AUTO.") You can change the FM reception mode while receiving an FM broadcast.

Press FM MODE on the front panel or FM MODE/MUTE on the remote control.

Each time you press the button, the FM reception mode alternates between "AUTO" and "MONO."

AUTO:	When a program is broadcast in stereo, you will hear stereo sound; when in monaural, you will hear monaural sounds. This mode is also useful to suppress static noise between stations. The MUTE AUTO indicator lights up on the display.
MONO:	Reception will be improved although you will lose the stereo effect. In this mode, you will hear noise while tuning into the stations. The MUTE AUTO indicator goes off on the display.

Notes:

- You can store the FM reception mode for each preset station.
- When using the FM MODE/MUTE button, be sure that the 10 keys are activated for tuner, not for the CD and others. (See page 58.)

Receiving Radio Broadcasts

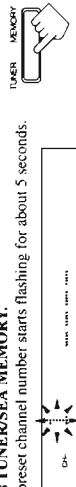
Assigning Names to Preset Stations

You can assign a name of up to four characters to each preset station. When a preset station is tuned in, its assigned name will appear on the display.

On the front panel only:

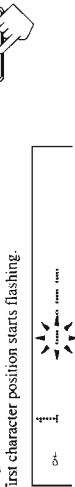
1. Tune in a preset station.
See page 24 for details.

2. Press TUNER/SEA MEMORY.

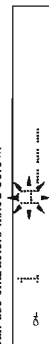


The preset channel number starts flashing for about 5 seconds.

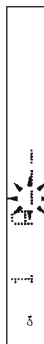
3. Press TUNER PRESET, while the preset channel number is flashing.
The first character position starts flashing.



4. Turn MULTI JOG to select the first character, while the first character position is flashing.
You can use characters listed below.



5. Press TUNER PRESET, while a character you want is flashing.
The next (or previous) character position starts flashing.



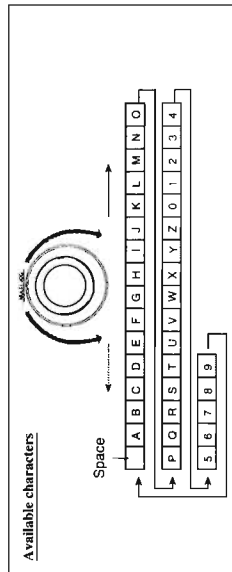
6. Repeat steps 4 and 5 to enter up to four characters.

7. Press TUNER/SEA MEMORY while the last selected character is flashing after you have assigned a name.



To erase the input characters

Insert spaces using the same procedure described above.



Using the SEA Modes

The SEA (Sound Effect Amplifier) modes give you control of the way your music sounds.

IMPORTANT:

When using the Remote Control, check to see if its remote control mode selector is set to the correct position:
To operate this receiver, set it to "AUDIO/TV/VCR" (except when selecting the DBS tuner as the source).



Selecting Your Favorite SEA Mode

On the front panel:

1. Press SEA MODE.
The display changes to show the current setting.



2. Turn MULTI JOG until the mode you want appears on the display, while the indication of the previous step is still on the display.
As you turn it, the SEA mode changes as follows:



SEA ROCK— SEA MUSICAL— SEA MOVIE— SEA COUNTRY—
SEA OFF— SEA USERMODE— SEA JAZZ

SEA ROCK:	Gives a heavy sound. Both high and low frequencies are boosted.
SEA MUSICAL:	Enhance the mid-frequency range, which the human voice is mostly made up of.
SEA MOVIE:	Adds breadth to sounds so you feel like you are in a movie theater.
SEA COUNTRY:	Enhances the high-frequency range so that instruments such as the violin and banjo are emphasized.
SEA JAZZ:	Gives a feeling of a live atmosphere. Good for acoustic music.
SEA USERMODE:	Your original SEA adjustment (see page 27).
SEA OFF:	No SEA mode is applied (see below).

To cancel the SEA mode

Turn MULTI JOG until "SEA OFF" appears in step 2 above. The SEA indicator goes off from the display.

From the remote control:

1. Press SOUND.
10 keys are activated for sound adjustments.



2. Press SEA MODE repeatedly until the SEA mode you want appears on the display.
Each time you press the button, the SEA mode changes as follows:



SEA ROCK— SEA MUSICAL— SEA MOVIE— SEA COUNTRY—
SEA OFF— SEA USERMODE— SEA JAZZ

To cancel the SEA mode

Press SEA MODE until "SEA OFF" appears in step 2 above. The SEA indicator goes off from the display.

Notes:

- The SEA modes cannot be used for recording.
- When the SEA mode is turned on, the SEA indicator lights up on the display.
- When the SEA mode is used with the DAP mode (see page 32), sounds may be distorted. If this happens, turn off the DAP mode or decrease the effect level of the DAP mode.

Note:

- When the SEA mode is turned on, the SEA indicator lights up on the display.

Using the SEA Modes

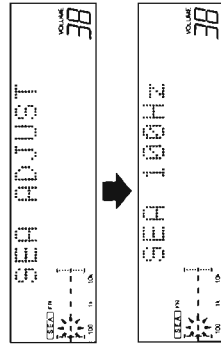
Creating Your Own SEA Mode

You can adjust and store your own SEA adjustment into memory (SEA USERMODE).

On the front panel only:

If you do not want to store your adjustment, but rather want to adjust the SEA temporarily, skip step 4 below.

1. Press SEA ADJUST repeatedly until the frequency range (100Hz, 1kHz or 10kHz) you want appears on the display.



2. Turn MULTI JOG to adjust the SEA level of the selected frequency range, while the indication of the previous step is still on the display.

- Turning it clockwise increases the level.
- Turning it counterclockwise decreases the level.



This FR means this adjustment can be applied to the front speakers only



3. Repeat step 1 and 2 to adjust other frequency ranges if necessary.

4. Press TUNER/SEA MEMORY, while the indication of the previous step is still on the display.

Your adjustment is stored into the SEA USERMODE.

To recall your own SEA adjustment

See page 26.

To erase a stored adjustment

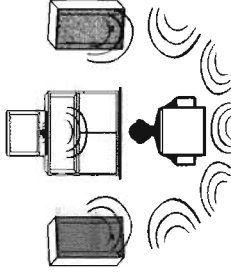
Storing a new adjustment into SEA USERMODE erases the previously stored one.

Using the DSP Modes

The built-in Surround Processor provides three types of the DSP (Digital Signal Processor) mode — 3D-PHONIC mode, DAP (Digital Acoustic Processor) mode and Surround mode (Dolby Digital, Dolby Pro Logic and JVC's Theater Surround.)

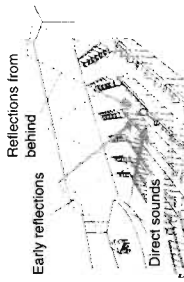
On the 3D-PHONIC mode

The 3D-PHONIC mode gives you such a nearly surround effect as it is reproduced through the Dolby Surround decoder, which is widely used to reproduce sounds with a feeling of movement like those experienced in movie theaters. The 3D-PHONIC mode is the result of research on sound localization technology carried out at JVC for many years and makes it possible to reproduce the surround sound with only two front speakers.



On the DAP mode

The sound heard in a concert hall or club consists of direct sound and indirect sound — early reflections and reflections from behind. Direct sounds reach the listener directly without any reflection. On the other hand, indirect sounds are delayed by the distances of the ceiling and walls. These direct sounds and indirect sounds are the most important elements of the acoustic surround effects. The DAP mode can create these important elements, and gives you a real "being there" feeling.

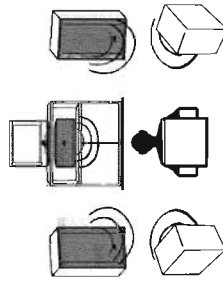


On Surround mode

With this receiver, you can use two types of the surround mode.

Dolby Surround (Dolby Digital and Dolby Pro Logic)

Used to watch the soundtracks of software encoded with Dolby Digital (bearing the mark) or with Dolby Surround (bearing the mark). Dolby Digital and Dolby Pro Logic can be selected automatically according to software played back.



JVC's Theater Surround

In order to reproduce a more realistic sound field in your listening room while playing soundtracks of software encoded with Dolby Digital (bearing the mark) or with Dolby Surround (bearing the mark), Theater Surround has been designed to create a real "being there" feeling.

Notes:

- The DSP modes have no effect on monaural sources.
- You can not use the two types of the DSP modes at the same time.

IMPORTANT:

When recording the digital source, turn off the DSP mode.


Note:

To enjoy the software encoded with Dolby Digital, you must connect the source component using the digital terminal on the rear of this receiver.

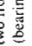
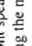
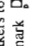
Manufactured under license from Dolby Laboratories. "Dolby," "Pro Logic," and the double-D symbol are trademarks of Dolby Laboratories. Confidential Unpublished Works. ©1992—1997 Dolby Laboratories, Inc. All rights reserved.

Using the DSP Modes

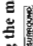
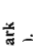
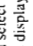
IMPORTANT:
When using the Remote Control, check to see if its remote control mode selector is set to the correct position.
To operate this receiver, set it to "AUDIO/TV/VCR" (except when selecting the DBS tuner as the source).

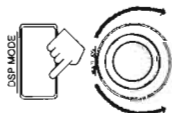


Using the 3D-PHONIC Modes

When using the 3D-PHONIC modes, you need only two front speakers to reproduce the soundtracks of software encoded with Dolby Digital (bearing the mark ) or with Dolby Surround (bearing the mark ) or Dolby Surround (bearing the mark ) .

On the front panel:

- Select and play the source encoded with Dolby Digital (bearing the mark ) or with Dolby Surround (bearing the mark ) .
When you play back the source encoded with Dolby Digital and select the digital input for that source, the  DIGITAL indicator lights up on the display.
- Press DSP MODE.
The current DSP mode appears on the display.
- Turn MULTI JOG until the mode — 3D ACTION (or 3D DIGITAL), 3D DRAMA, or 3D THEATER — you want appears on the display, while the indication of the previous step is still on the display.
As you turn it, the DSP modes change as follows (the 3D-PHONIC and DSP indicators also light up on the display):



When the digital input is selected to play the source encoded with Dolby Digital:

DIG THEATER → HEADPHONE → DSP OFF → 3D DIGITAL

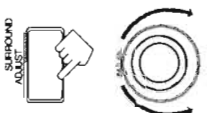
For other sources:

THEATER → LIVE CLUB → DANCE CLUB → HALL → PAVILION
DSP OFF
3D THEATER → 3D DRAMA → 3D ACTION → HEADPHONE

3D ACTION:	Best for action and war movies — where the action is fast and explosive.
3D DRAMA:	Best for dramas and romantic movies — where the action is slow and soft.
3D THEATER:	Reproduces the sound field of a theater.
3D DIGITAL:	Reproduces multi-sound source encoded with Dolby Digital.
DSP OFF:	No DSP mode is applied.

For the other modes, see pages 32 and 37.

If you need to make any adjustment, go to the following steps.



Note:

Once you have adjusted the 3D-PHONIC modes, it is memorized for each 3D-PHONIC mode.

- Press BALANCE/SURROUND ADJUST repeatedly until "DSP EFFECT" appears on the display.
The display changes to show the current setting.

- Turn MULTI JOG to select the effect level, while the indication of the previous step is still on the display.
As you turn it, the effect level changes as follows:




As the number increases, the selected 3D-PHONIC mode becomes stronger.

To cancel the 3D-PHONIC mode

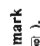
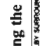
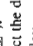
Turn MULTI JOG until "DSP OFF" appears in step 3.
The 3D-PHONIC and DSP indicators go off from the display.

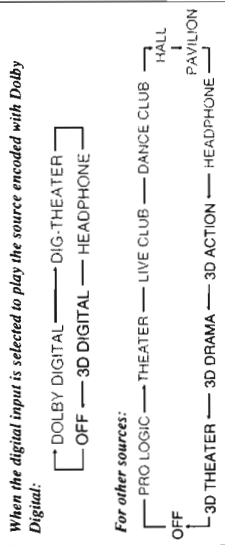
Notes on the indications:

- The indicator of the selected DSP mode also lights up on the display while selecting.
- The PRO LOGIC indicator lights up when the Dolby Pro Logic decoder built in this receiver is activated.
- The Dolby Pro Logic decoder is used not only for the analog sources but also for the sources encoded with Dolby Digital in the following cases:
 - When only front channel signals are encoded.
 - When front channel and monaural rear channel signals are encoded.
- While the Dolby Pro Logic is activated for this type of Dolby Digital source, the  DIGITAL indicator goes off.

Using the DSP Modes

From the remote control:

- Select and play the source encoded with Dolby Digital (bearing the mark ) or with Dolby Surround (bearing the mark ). When you play back the source encoded with Dolby Digital and select the digital input for that source, the  DIGITAL indicator lights up on the display.
- Press SURROUND MODE repeatedly until the mode — 3D ACTION (or 3D DIGITAL), 3D DRAMA, or 3D THEATER — you want appears on the display. Each time you press the button, the DSP modes change as follows (the 3D-PHONIC and DSP indicators also light up on the display):



- Press SOUND. 10 keys are activated for sound adjustments.
- Press EFFECT to select the effect level. Each time you press the button, the effect level changes as follows:


```

        ┌─┴─┐
        │ DSP EFFECT 1 ──┬─┴─┐
        │ DSP EFFECT 2 ──┬─┴─┐
        │ DSP EFFECT 3 ──┬─┴─┐
        │ DSP EFFECT 4 ──┬─┴─┐
        │ DSP EFFECT 5 ──┬─┴─┐
        └──────────────────┘
      
```

 As the number increases, the selected 3D-PHONIC mode becomes stronger.

To cancel the 3D-PHONIC mode

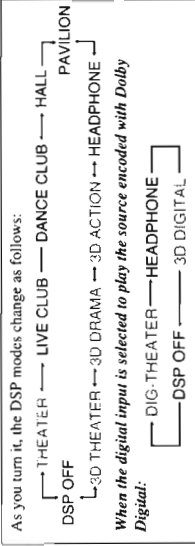
Press SURROUND MODE repeatedly until "OFF" appears. The 3D-PHONIC and DSP indicators go off from the display.

Using the DAP Modes

You can use five DAP modes — "Live Club, Dance Club, Hall, Pavilion, and Headphones" for any source. Among the DAP modes, "Headphones" is very special. It can create the same stereo sound as you listen through the speakers off air while listening to a source using headphones. So, you can feel as if you were not using the headphones and listening to music in a room. If the digital input is selected to play the source encoded with Dolby Digital, you can only select "Headphones."

On the front panel:

- Press DSP MODE. The current DSP mode appears on the display.
- Turn MULTI JOG until the mode (LIVE CLUB, DANCE CLUB, HALL, PAVILION, or HEADPHONE) you want appears on the display, while the indication of the previous step is still on the display. The DSP indicator also lights up on the display.



LIVE CLUB:	Gives the feeling of a live music club with a low ceiling.
DANCE CLUB:	Gives a throbbing bass beat.
HALL:	Gives clear vocal and the feeling of a concert hall.
PAVILION:	Gives the spacious feeling of a pavilion with a high ceiling.
HEADPHONE:	Gives a spacious stereo effect when listening with headphones.
DSP OFF:	No DSP mode is applied.

For the other modes, see pages 29 and 37.

If you need to make any adjustment, go to the following steps.

- Adjust the speaker output levels as follows.
 - Press BALANCE/SURROUND ADJUST repeatedly until one of the indications appears on the display.
 - "REAR L LEVEL": To adjust the left speaker level.
 - "REAR R LEVEL": To adjust the right speaker level.
 - Turn MULTI JOG to adjust the selected speaker output level (from -10 dB to +10 dB), while the indication of the previous step is still on the display.
 - Repeat 1) and 2) to adjust the other speaker output levels.

Continued to the next page.

Notes:

- The DAP mode is not used with the other DSP modes such as the 3D-PHONIC mode and the Surround mode. When the DAP mode is turned on, the other DSP mode, if used, will be turned off.
- When the DAP mode is used with the SEA mode (see page 26), sounds may be distorted. If this happens, turn off the SEA mode.

Note:

The indicator of the selected DSP mode also lights up on the display while selecting.

Note:

When you select "HEADPHONE", you cannot go to the following steps. No adjustments can be made for HEADPHONE.

Note:

You cannot adjust the rear speaker levels when "REAR SPK" is set to "NONE" (see page 19).

Using the DSP Modes

4. Adjust the effect level.

- 1) Press BALANCE/SURROUND ADJUST repeatedly until "DSP EFFECT" appears on the display.
- 2) Turn MULTI JOG to select the effect level, while the indication of the previous step is still on the display. As you turn it, the effect level changes as follows:



As the number increases, the selected DAP mode becomes stronger.

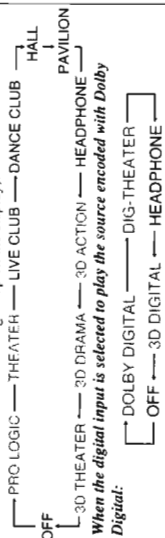
To cancel the DAP mode

Turn MULTI JOG until "DSP OFF" appears in step 2. The DSP indicator goes off from the display.

From the remote control:

1. Press SURROUND MODE repeatedly until the mode you want appears on the display.
The DSP indicator also lights up on the display.

Each time you press the button, the DSP modes change as follows (the indicator of the selected DSP mode also lights up on the display):



If you need to make any adjustment, go to the following steps.

2. Press SOUND.

10 keys are activated for sound adjustments.

3. Adjust the speaker output levels as follows:

- To adjust the left rear speaker level, press REAR-L +/-.
- To adjust the right rear speaker level, press REAR-R +/-.

4. Press EFFECT to select the effect level.

Each time you press the button, the effect level changes as follows:



As the number increases, the selected DAP mode becomes stronger.

To cancel the DAP mode

Press SURROUND MODE repeatedly until "OFF" appears. The DSP indicator goes off from the display.

Using the Dolby Digital and Dolby Pro Logic Modes

Once you have adjusted the Dolby Digital and Dolby Pro Logic modes, this receiver memorizes adjustment for each mode. To activate the Dolby Digital and Dolby Pro Logic modes, follow the procedure below.

From the remote control:

1. Select and play the source encoded with Dolby Digital (bearing the mark) or with Dolby Surround (bearing the mark).
- When you play back the source encoded with Dolby Digital and select the digital input for that source, the indicator lights up on the display.

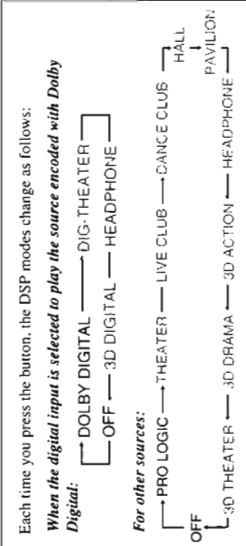


2. Press SURROUND MODE repeatedly until "PRO LOGIC" or "DOLBY DIGITAL" appears on the display.

Dolby Digital or Dolby Pro Logic is automatically selected according to the source being played back.

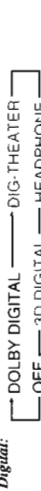
When Dolby Pro Logic is selected, the lamp on the DOLBY SURROUND button (on the front panel) lights red.

When Dolby Digital is selected, the lamp on the DOLBY SURROUND button (on the front panel) lights green.



Each time you press the button, the DSP modes change as follows:

When the digital input is selected to play the source encoded with Dolby Digital:



For other sources:



If you need to make any adjustment, go to the following steps.

3. Press SOUND.

10 keys are activated for sound adjustments.



Continued to the next page.

Notes:

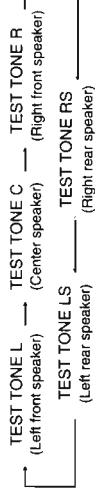
- To enjoy the software encoded with Dolby Digital, you must connect the source component using the digital terminal on the rear of this receiver.
- When the signals come into this receiver through the analog connection from the source component, "PRO LOGIC" is automatically selected.
- The Surround mode is not used with the other DSP modes such as the DAP mode and 3D-PHONIC mode. When the Surround mode is turned on, the other DSP mode, if used, will be turned off.

Notes on the Indications:

- The PRO LOGIC indicator lights up when the Dolby Pro Logic decoder built in this receiver is activated.
- The Dolby Pro Logic decoder is used not only for the analog sources but also for the sources encoded with Dolby Digital in the following cases:
 - When only front channel signals are encoded.
 - When front channel and monaural rear channel signals are encoded.
- While the Dolby Pro Logic is activated for this type of Dolby Digital source, the indicator goes off.

Using the DSP Modes

4. Press **TEST** to start checking the speaker output balance. "TEST TONE L" starts flashing on the display, and a test tone comes out of the speakers in the following order:



The speaker indicators also light on the display while the test tone comes out of the speakers.

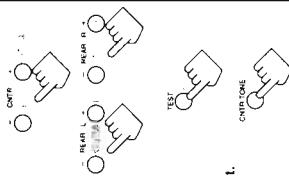
- L:** Lights when the test tone comes out of the left front speaker.
- C:** Lights when the test tone comes out of the center speaker.
- R:** Lights when the test tone comes out of the right front speaker.
- RS:** Lights when the test tone comes out of the right rear speaker.
- LS:** Lights when the test tone comes out of the left rear speaker.

IMPORTANT:

- Output the test tone while playing back an audio source. With the DVD digital input selected as the source, no test tone may come out while no signal is input to this receiver.
- Test tone comes out even while playing back a source encoded with Dolby Digital. In this case, the PRO LOGIC indicator lights up on the display.

5. Adjust the speaker output levels as follows:

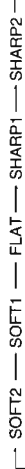
- To adjust the center speaker level, press **CNTR +/-**.
- To adjust the left rear speaker level, press **REAR•L +/-**.
- To adjust the right rear speaker level, press **REAR•R +/-**.



6. Press **TEST** again to stop the test tone.

7. Press **CNTR TONE** to select the center tone level you want.

The center tone adjustment affects the mid-frequency range, which the human voice is mostly made up of. Each time you press the button, the display changes to show the following:



Adjusted levels are also shown on the equalizer display.

This **CNTR** means this adjustment can be applied to the center speaker only. (Example: When "FLAT" is selected.)



To make the dialogue clearer, select "SHARP1" (little) or "SHARP2" (much). To make the dialogue softer, select "SOFT1" (little) or "SOFT2" (much). When "FLAT" is selected, no adjustment is applied.

To cancel the Surround mode

Press **SURROUND MODE** repeatedly until "OFF" appears.

On the front panel:

You can also use the buttons on the front panel to adjust the Dolby Digital and Dolby Pro Logic modes. However, no test tone is available when using the buttons on the front panel. So, make adjustments while listening to the sound of the source played back.

- Select and play the source encoded with Dolby Digital (hearing the mark) or with Dolby Surround (hearing the mark).
 - When you play back the source encoded with Dolby Digital and select the digital input for that source, the **DIGITAL** indicator lights up on the display.

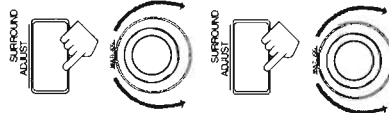
- Press **DOLBY SURROUND** so that the lamp on the button lights up.
 - "SURROUND ON" appears on the display.
 - Dolby Digital or Dolby Pro Logic is automatically selected according to the source being played back.

When **Dolby Pro Logic** is selected, the lamp on the **DOLBY SURROUND** button lights red.

When **Dolby Digital** is selected, the lamp on the **DOLBY SURROUND** button lights green.

If you need to make any adjustments, go to the following steps.

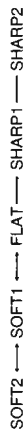
- Adjust the speaker output levels as follows.
 - Press **BALANCE/SURROUND ADJUST** repeatedly until one of the indications appears on the display.
 - "CENTER LEVEL": To adjust the center speaker level.
 - "REAR L LEVEL": To adjust the left speaker level.
 - "REAR R LEVEL": To adjust the right speaker level.
 - Turn **MULTI JOG** to adjust the selected speaker output level (from -10 dB to +10 dB), while the indicator of the previous step is still on the display.
 - Repeat 1) and 2) to adjust the other speaker output levels.



- Press **BALANCE/SURROUND ADJUST** repeatedly until "CENTER TONE" appears on the display.
 - The display changes to show the current setting.

- Turn **MULTI JOG** to select the center tone level you want, while the indication of the previous step is still on the display.

The center tone adjustment affects the mid-frequency range, which the human voice is mostly made up of. As you turn it, the display changes to show the following:



To make the dialogue clearer, select "SHARP1" (little) or "SHARP2" (much). To make the dialogue softer, select "SOFT1" (little) or "SOFT2" (much). When "FLAT" is selected, no adjustment is applied.

To cancel the surround mode

Press **DOLBY SURROUND** again so that "SURROUND OFF" appears.

Notes:

- To enjoy the software encoded with Dolby Digital, you must connect the source component using the digital terminal on the rear of this receiver.
- When the signals come into this receiver through the analog connection from the source component, "PRO LOGIC" is automatically selected.
- The Surround mode is not used with the other DSP modes such as the DAP mode and 3D-PHONIC mode. When the Surround mode is turned on, the other DSP mode, if used, will be turned off.

Notes on the indications:

- The **PRO LOGIC** indicator lights up when the Dolby Pro Logic decoder built in this receiver is activated.
- The **Dolby Pro Logic** decoder is used not only for the analog sources but also for the sources encoded with Dolby Digital in the following cases:
 - When only front channel signals are encoded.
 - When front channel and monaural rear channel signals are encoded.
- While the **Dolby Pro Logic** is activated for this type of Dolby Digital source, the **DIGITAL** indicator goes off.

Notes:


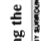
- You cannot adjust the center speaker level when "CENTER SPK" is set to "NONE" (see page 19).
- You cannot adjust the rear speaker levels when "REAR SPK" is set to "NONE" (see page 19).

Using the DSP Modes

Using the Theater Surround Mode

Once you have adjusted the Theater Surround mode, this receiver memorizes the adjustment. To activate the Theater Surround mode, follow the procedure below.

From the remote control:

1. Select and play the source encoded with Dolby Digital (bearing the mark ) or with Dolby Surround (bearing the mark ).
 • When you play back the source encoded with Dolby Digital and select the digital input for that source, the DD DIGITAL indicator lights up on the display.
2. Press SURROUND MODE repeatedly until "THEATER" or "DIG-THEATER" appears on the display.
 The DSP and THEATER indicators also light up on the display.

Each time you press the button, the DSP modes change as follows:

When the digital input is selected to play the source encoded with Dolby

Digital:  DIG-THEATER  DIG-THEATER  DIG-THEATER  DIG-THEATER


For other sources:

 PRO LOGIC  THEATER  LIVE CLUB  DANCE CLUB  HALL  PAVILION
 OFF  3D THEATER  3D DRAMA  3D ACTION  HEADPHONE

If you need to make any adjustment, go to the following steps.

3. Press SOUND.
 10 keys are activated for sound adjustments.
4. Press TEST to start checking the speaker output balance.
 "TEST TONE L" starts flashing on the display, and a test tone comes out of the speakers in the following order:

TEST TONE L (Left front speaker) TEST TONE C (Center speaker) TEST TONE R (Right front speaker)
 TEST TONE LS (Left rear speaker) TEST TONE RS (Right rear speaker)

 The speaker indicators also light on the display while the test tone comes out of the speakers.

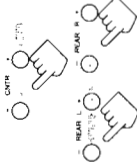
- L: Lights when the test tone comes out of the left front speaker.
- C: Lights when the test tone comes out of the center speaker.
- R: Lights when the test tone comes out of the right front speaker.
- RS: Lights when the test tone comes out of the right rear speaker.
- LS: Lights when the test tone comes out of the left rear speaker.

IMPORTANT:

- Output the test tone while playing back an audio source.
 With the DVD digital input selected as the source, no test tone may come out while no signal is input to this receiver.
- Test tone comes out even while playing back a source encoded with Dolby Digital. In this case, the PRO LOGIC indicator lights up on the display.

5. Adjust the speaker output levels as follows:

- To adjust the center speaker level, press CNTR +/-.
- To adjust the left rear speaker level, press REAR-L +/-.
- To adjust the right rear speaker level, press REAR-R +/-.



Notes:

- You can adjust the speaker output levels and center tone without outputting the test tone.
- You cannot adjust the center speaker level when "CENTER SPK" is set to "NONE" (see page 19).
- You cannot adjust the rear speaker levels when "REAR SPK" is set to "NONE" (see page 19).

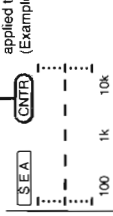
7. Press CNTR TONE to select the center tone level you want.

The center tone adjustment affects the mid-frequency range, which the human voice is mostly made up of. Each time you press the button, the display changes to show the following:

 SOFT2  SOFT1  FLAT  SHARP1  SHARP2

Adjusted levels are also shown on the equalizer display.

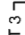

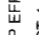
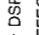
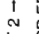
This CNTR means this adjustment can be applied to the center speaker only.
 (Example: When "FLAT" is selected.)



To make the dialogue clearer, select "SHARP1" (little) or "SHARP2" (much).
 To make the dialogue softer, select "SOFT1" (little) or "SOFT2" (much).
 When "FLAT" is selected, no adjustment is applied.

8. Press EFFECT to select the effect level.

Each time you press the button, the effect level changes as follows:

 DSP EFFECT 1  DSP EFFECT 2  DSP EFFECT 3  DSP EFFECT 4  DSP EFFECT 5

As the number increases, the surround effect becomes stronger.

To cancel the Theater Surround mode

Press SURROUND MODE repeatedly until "OFF" appears. The DSP and THEATER indicators goes off.



Note:

- You cannot adjust the effect level when "REAR SPK" is set to "NONE" (see page 19).

Using the DSP Modes

On the front panel:

You can also use the buttons on the front panel to adjust the Theater Surround mode. However, no test tone is available when using the buttons on the front panel. So, make adjustments while listening to the sound of the source played back.

1. Select and play the source encoded with Dolby Digital (bearing the mark ) or with Dolby Surround (bearing the mark ).
 - When you play back the source encoded with Dolby Digital and select the digital input for that source, the **DIGITAL** indicator lights up on the display.

2. Press **DSP MODE**.
 - The current DSP mode appears on the display.

3. Turn **MULTI JOG** until "THEATER" or "DIG-THEATER" appears on the display, while the indication of the previous step is still on the display.
 - The DSP and THEATER indicators also light up on the display.

As you turn it, the DSP modes change as follows:

When the digital input is selected to play the source encoded with Dolby Digital:

DIG-THEATER → HEADPHONE → DSP OFF → 3D DIGITAL

For other sources:

THEATER → LIVE CLUB → DANCE CLUB → HALL → PAVILION
 DSP OFF → 3D THEATER → 3D DRAMA → 3D ACTION → HEADPHONE

If you need to make any adjustment, go to the following steps.

4. Adjust the speaker output levels as follows.
 - 1) Press **BALANCE/SURROUND ADJUST** repeatedly until one of the indications appears on the display.
 - "CENTER LEVEL": To adjust the center speaker level.
 - "REAR L LEVEL": To adjust the left speaker level.
 - "REAR R LEVEL": To adjust the right speaker level.
 - 2) Turn **MULTI JOG** to adjust the selected speaker output level (from -10 dB to +10 dB), while the indication of the previous step is still on the display.
 - 3) Repeat 1) and 2) to adjust the other speaker output levels.

Notes:

- To enjoy the software encoded with Dolby Digital, you must connect the source component using the digital terminal on the rear of this receiver.
- The Surround mode is not used with the other DSP modes such as the DAP mode and 3D-PHONIC mode. When the Surround mode is turned on, the other DSP mode, if used, will be turned off.

Notes on the indications:

- The PRO LOGIC indicator lights up when the Dolby Pro Logic decoder built in this receiver is activated.
- The Dolby Pro Logic decoder is used not only for the analog sources but also for the sources encoded with Dolby Digital in the following cases:
 - When only front channel signals are encoded.
 - When front channel and monaural rear channel signals are encoded.
- While the Dolby Pro Logic is activated for this type of Dolby Digital source, the **DIGITAL** indicator goes off.

Notes:

- You cannot adjust the center speaker level when "CENTER SPK" is set to "NONE" (see page 19).
- You cannot adjust the rear speaker levels when "REAR SPK" is set to "NONE" (see page 19).

5. Press **BALANCE/SURROUND ADJUST** repeatedly until "CENTER TONE" appears on the display.
 - The display changes to show the current setting.

6. Turn **MULTI JOG** to select the center tone level you want, while the indication of the previous step is still on the display.
 - The center tone adjustment affects the mid-frequency range, which the human voice is mostly made up of.
 - As you turn it, the display changes to show the following:
 - SOFT2 → SOFT1 → FLAT → SHARP1 → SHARP2

7. Press **BALANCE/SURROUND ADJUST** repeatedly until "DSP EFFECT" appears on the display.
 - The display changes to show the current setting.

8. Turn **MULTI JOG** to select the effect level, while the indication of the previous step is still on the display.
 - As you turn it, the effect level changes as follows:
 - DSP EFFECT 1 → DSP EFFECT 2 → DSP EFFECT 3 → DSP EFFECT 4 → DSP EFFECT 5
 - As the number increases, the surround effect becomes stronger.

To cancel the Theater Surround mode

Turn **MULTI JOG** until "DSP OFF" appears in step 3. The DSP and THEATER indicators goes off.



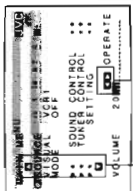
Note:
 You cannot adjust the effect level when "REAR SPK" is set to "NONE" (see page 19).

Using the On-Screen Menus

You can use the menus on the TV screen to control the receiver. To use this function, you need to connect the TV to the MONITOR OUT jack on the rear panel (see page 9), and set the TV's input mode to the proper position to which the receiver is connected.

Selecting the Source to Play (Also see page 13)

1. Press any button of ON SCREEN CONTROL $\Delta/\nabla/\leftarrow/\rightarrow$ once. The MAIN MENU appears on the TV.



MAIN MENU

Shows the buttons you can use on the current menu. In this case, use Δ/∇ to move \leftarrow up and down, and \leftarrow/\rightarrow to select, adjust or set the item.

2. Press ON SCREEN CONTROL Δ/∇ to move \leftarrow to "SOURCE."
3. Press ON SCREEN CONTROL \leftarrow/\rightarrow to select the source.
4. When you finish, press EXIT. The menu disappears from the TV.

Selecting the Different Sources for Picture and Sound

You can view the pictures played back on a video component while listening to any source.

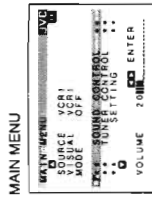
1. Press any button of ON SCREEN CONTROL $\Delta/\nabla/\leftarrow/\rightarrow$ once. The MAIN MENU appears on the TV.
2. Press ON SCREEN CONTROL Δ/∇ to move \leftarrow to "VISUAL."
3. Press ON SCREEN CONTROL \leftarrow/\rightarrow to select a different video source.
 - When you select "OSD," see page 49.
4. When you finish, press EXIT. The menu disappears from the TV.

Using the DSP Modes (Also see pages 29, 32, 34, 37)

1. Press any button of ON SCREEN CONTROL $\Delta/\nabla/\leftarrow/\rightarrow$ once. The MAIN MENU appears on the TV.
2. Press ON SCREEN CONTROL Δ/∇ to move \leftarrow to "MODE."
3. Press ON SCREEN CONTROL \leftarrow/\rightarrow to select the DSP mode you want to use.
4. When you finish, press EXIT. The menu disappears from the TV.

Adjusting the Front Speaker Output Balance (Also see page 18)

1. Press any button of ON SCREEN CONTROL $\Delta/\nabla/\leftarrow/\rightarrow$ once. The MAIN MENU appears on the TV.
2. Press ON SCREEN CONTROL Δ/∇ to move \leftarrow to "SOUND CONTROL," then press \leftarrow/\rightarrow . The SOUND CONTROL menu appears on the TV.
3. Press ON SCREEN CONTROL Δ/∇ to move \leftarrow to "BAL." (Balance).
4. Press ON SCREEN CONTROL \leftarrow/\rightarrow to adjust the balance.
5. When you finish, press EXIT repeatedly until the menu disappears from the TV.



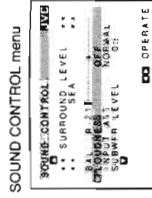
MAIN MENU



SOUND CONTROL menu

Listening at Low Volume (Loudness) (Also see page 18)

1. Press any button of ON SCREEN CONTROL $\Delta/\nabla/\leftarrow/\rightarrow$ once. The MAIN MENU appears on the TV.
2. Press ON SCREEN CONTROL Δ/∇ to move \leftarrow to "SOUND CONTROL," then press \leftarrow/\rightarrow . The SOUND CONTROL menu appears on the TV.
3. Press ON SCREEN CONTROL Δ/∇ to move \leftarrow to "LOUDNESS."
4. Press ON SCREEN CONTROL \leftarrow/\rightarrow to turn the loudness "ON" or "OFF."
5. When you finish, press EXIT repeatedly until the menu disappears from the TV.



SOUND CONTROL menu

Attenuating the Input Signal (Also see page 15)

This function is available only for the sources connected using the analog terminals, and takes effect only when the DSP mode is in use.

1. Press any button of ON SCREEN CONTROL $\Delta/\nabla/\leftarrow/\rightarrow$ once. The MAIN MENU appears on the TV.
2. Press ON SCREEN CONTROL Δ/∇ to move \leftarrow to "SOUND CONTROL," then press \leftarrow/\rightarrow . The SOUND CONTROL menu appears on the TV.
3. Press ON SCREEN CONTROL Δ/∇ to move \leftarrow to "INPUT ATT."
4. Press ON SCREEN CONTROL \leftarrow/\rightarrow to turn the function on ("ATT ON") or off ("NORMAL").
5. When you finish, press EXIT repeatedly until the menu disappears from the TV.



SOUND CONTROL menu

Using the On-Screen Menus

■ Adjusting the Subwoofer Output Level (Also see page 16)

You can adjust the subwoofer output level if you have selected "YES" for the "SUBWOOFER" (see page 18).

1. Press any button of ON SCREEN CONTROL $\Delta / \nabla / \triangleleft / \triangleright$ once. The MAIN MENU appears on the TV.
2. Press ON SCREEN CONTROL Δ / ∇ to move \square to "SOUND CONTROL," then press $\triangleleft / \triangleright$. The SOUND CONTROL menu appears on the TV.
3. Press ON SCREEN CONTROL Δ / ∇ to move \square to "SUBWFR LEVEL" (Subwoofer Level).
4. Press ON SCREEN CONTROL $\triangleleft / \triangleright$ to adjust the subwoofer output level.
5. When you finish, press EXIT repeatedly until the menu disappears from the TV.

■ Adjusting the DSP Modes (Also see pages 29, 32, 34, 37)

1. Press any button of ON SCREEN CONTROL $\Delta / \nabla / \triangleleft / \triangleright$ once. The MAIN MENU appears on the TV.
2. Press ON SCREEN CONTROL Δ / ∇ to move \square to "MODE."
3. Press ON SCREEN CONTROL $\triangleleft / \triangleright$ to select the DSP mode you want to adjust.
4. Press ON SCREEN CONTROL Δ / ∇ to move \square to "SOUND CONTROL," then press $\triangleleft / \triangleright$. The SOUND CONTROL menu appears.
5. Press ON SCREEN CONTROL Δ / ∇ to move \square to "SURROUND LEVEL," then press $\triangleleft / \triangleright$. The SURROUND LEVEL menu appears.
 - If you select "HEADPHONE" in step 3, the SURROUND LEVEL menu will not appear.
6. Press ON SCREEN CONTROL Δ / ∇ to move \square to the item you want to set or adjust, then press ON SCREEN CONTROL $\triangleleft / \triangleright$. On these adjustment menus, you can do the following:
 - For 3D-PHONIC modes:
 - "DSP EFFECT": Adjust the effect level.
 - For DAP modes (LIVE CLUB, DANCE CLUB, HALL, PAVILION):
 - "REAR L LEVEL": Adjust the left rear speaker output level. *
 - "REAR R LEVEL": Adjust the right rear speaker output level. *
 - "DSP EFFECT": Select the effect level.

For Dolby Surround Pro Logic:

- "TEST TONE": Output a test tone.
- "CENTER LEVEL": Adjust the center speaker output level. **
- "REAR L LEVEL": Adjust the left rear speaker output level. *
- "REAR R LEVEL": Adjust the right rear speaker output level. *
- "CENTER TONE": Select the center tone level. **

For Dolby Digital:

- "TEST TONE": Output a test tone.
- "CENTER LEVEL": Adjust the center speaker output level. **
- "REAR L LEVEL": Adjust the left rear speaker output level. *
- "REAR R LEVEL": Adjust the right rear speaker output level. *
- "CENTER TONE": Select the center tone level. **

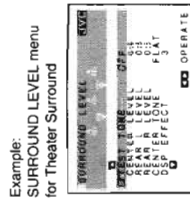
For Theater Surround and Digital Theater Surround:

- "TEST TONE": Output a test tone.
- "CENTER LEVEL": Adjust the center speaker output level. **
- "REAR L LEVEL": Adjust the left rear speaker output level. *
- "REAR R LEVEL": Adjust the right rear speaker output level. *
- "CENTER TONE": Select the center tone level. **
- "DSP EFFECT": Select the effect level. *

7. When you finish, press EXIT repeatedly until the menu disappears from the TV.

■ Selecting Your Favorite SEA Mode (Also see page 26)

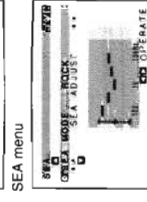
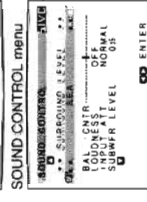
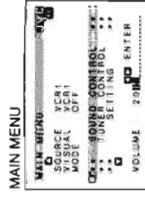
1. Press any button of ON SCREEN CONTROL $\Delta / \nabla / \triangleleft / \triangleright$ once. The MAIN MENU appears on the TV.
2. Press ON SCREEN CONTROL Δ / ∇ to move \square to "SOUND CONTROL," then press $\triangleleft / \triangleright$. The SOUND CONTROL menu appears.
3. Press ON SCREEN CONTROL Δ / ∇ to move \square to "SEA," then press $\triangleleft / \triangleright$. The SEA menu appears.
4. Press ON SCREEN CONTROL Δ / ∇ to move \square to "SEA MODE."
5. Press ON SCREEN CONTROL $\triangleleft / \triangleright$ to select the SEA mode you want.
6. When you finish, press EXIT repeatedly until the menu disappears from the TV.



Example:
SURROUND LEVEL menu
for Theater Surround

Notes:

- * Not displayed when "REAR SPK" is set to "NONE" (see page 19).
- ** Not displayed when "CENTER SPK" is set to "NONE" (see page 19).



Using the On-Screen Menus

■ Creating Your Own SEA Mode (Also see page 27)

1. Press any button of ON SCREEN CONTROL $\Delta/\nabla/\leftarrow/\rightarrow$ once. The MAIN MENU appears on the TV.
2. Press ON SCREEN CONTROL Δ/∇ to move \square to "SOUND CONTROL," then press \leftarrow/\rightarrow . The SOUND CONTROL menu appears.
3. Press ON SCREEN CONTROL Δ/∇ to move \square to "SEA," then press \leftarrow/\rightarrow . The SEA menu appears.
4. Press ON SCREEN CONTROL Δ/∇ to move \square to "SEA ADJUST," then press \leftarrow/\rightarrow . The SEA ADJUST menu appears.
5. Press ON SCREEN CONTROL $\Delta/\nabla/\leftarrow/\rightarrow$ to adjust the SEA mode as you want.
 - \leftarrow/\rightarrow : Select the frequency ranges.
 - Δ/∇ : Adjust the frequency levels.
6. Press SET to store the setting into the SEA USERMODE.
 - If you press EXIT, without pressing SET in this step, you can return to the SEA menu. (The adjustment you have made is active but not stored.)
7. When you finish, press EXIT repeatedly until the menu disappears from the TV.

■ Basic Settings

1. Press any button of ON SCREEN CONTROL $\Delta/\nabla/\leftarrow/\rightarrow$ once. The MAIN MENU appears on the TV.
2. Press ON SCREEN CONTROL Δ/∇ to move \square to "SETTING," then press \leftarrow/\rightarrow . The SETTING 1 or SETTING 2 menu appears.
3. Press ON SCREEN CONTROL Δ/∇ to the setting item you want to adjust.
 - To go to the SETTING 2 menu, move \square to "NEXT PAGE," then press \leftarrow/\rightarrow .
 - To go back to the SETTING 1 menu, move \square to "PREVIOUS PAGE," then press \leftarrow/\rightarrow .

On the SETTING 1 and 2 menus, you can do the following:

 - "SUBWOOFER": Set the subwoofer information (See page 18).
 - "FRONT SPK": Set the front speaker information (See page 19).
 - "CENTER SPK": Set the center speaker information (See page 19).
 - "REAR SPK": Set the rear speaker information (See page 19).
 - "CNTR DELAY": Adjust the delay time of the center speaker output (See page 20).
 - "REAR DELAY": Adjust the delay time of the rear speaker output (See page 20).
 - "CROSSOVER": Set the crossover frequency (See page 20).
 - "LFE ATT": Set the low frequency effect attenuator level (See page 21).
 - "COMP": Set the dynamic range compression (See page 21).
 - "DIGITAL 1/2/3": Set the digital input terminal (See page 19).

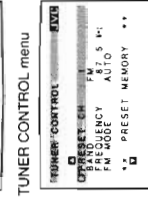
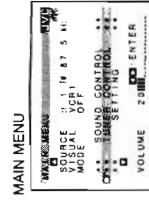
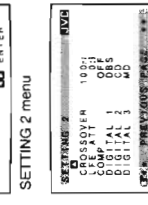
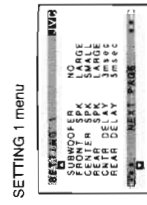
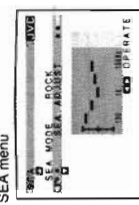
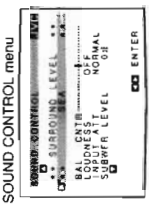
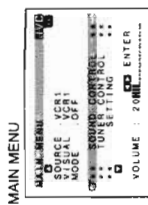
4. Press ON SCREEN CONTROL \leftarrow/\rightarrow to set (or adjust) the setting item selected in step 3.
5. When you finish, press EXIT repeatedly until the menu disappears from the TV.

■ Operating the Tuner

1. Press any button of ON SCREEN CONTROL $\Delta/\nabla/\leftarrow/\rightarrow$ once. The MAIN MENU appears on the TV.
2. Press ON SCREEN CONTROL Δ/∇ to move \square to "TUNER CONTROL," then press \leftarrow/\rightarrow . The TUNER CONTROL menu appears.
3. Press ON SCREEN CONTROL Δ/∇ to move \square to the item you want to set or adjust, then press ON SCREEN CONTROL \leftarrow/\rightarrow . On the TUNER CONTROL menu, you can do the following:
 - "PRESET CH": Select a preset channel station. (See page 24)
 - "BAND": Select the band. (See page 23)
 - "FREQUENCY": Tune in a station manually. (See page 23)
 - "FM MODE": Select the FM reception mode. (See page 24) *
 - "PRESET MEMORY": See "Storing the Preset Stations," below.
4. When you finish, press EXIT repeatedly until the menu disappears from the TV.

■ Storing the Preset Stations (Also see page 23)

1. Press any button of ON SCREEN CONTROL $\Delta/\nabla/\leftarrow/\rightarrow$ once. The MAIN MENU appears on the TV.
2. Press ON SCREEN CONTROL Δ/∇ to move \square to "TUNER CONTROL," then press \leftarrow/\rightarrow . The TUNER CONTROL menu appears.
3. Tune into a station on the TUNER CONTROL menu, referring to "Operating the Tuner," above.
4. Press ON SCREEN CONTROL Δ/∇ to move \square to "PRESET MEMORY," then press \leftarrow/\rightarrow . The PRESET MEMORY menu appears.
5. Press ON SCREEN CONTROL Δ/∇ to move \square to "PRESET CH."
6. Press ON SCREEN CONTROL \leftarrow/\rightarrow to select a preset station number you want.
7. Press SET to store the setting.
8. When you finish, press EXIT repeatedly until the menu disappears from the TV.



Note:

- * Not displayed when an AM station is selected.



Using the On-Screen Menus

- Assigning Names to the Preset Stations** (Also see page 25)

 1. Press any button of ON SCREEN CONTROL $\Delta / \nabla / \leftarrow / \rightarrow$ once. The MAIN MENU appears on the TV.
 2. Press ON SCREEN CONTROL Δ / ∇ to move \square to "TUNER CONTROL," then press \leftarrow / \rightarrow . The TUNER CONTROL menu appears.
 3. Press ON SCREEN CONTROL Δ / ∇ to move \square to "PRESET CH." The PRESET MEMORY menu appears.
 4. Press ON SCREEN CONTROL \leftarrow / \rightarrow to select a preset station. The character entry screen appears.
 5. Press ON SCREEN CONTROL Δ / ∇ to move \square to "PRESET NAME," then press \leftarrow / \rightarrow . The PRESET MEMORY menu appears.
 6. Press ON SCREEN CONTROL Δ / ∇ to move \square to "PRESET NAME," then press SET. The character entry screen appears.
 7. Press ON SCREEN CONTROL $\Delta / \nabla / \leftarrow / \rightarrow$ to move \square in front of a character you want. You can also select the following:
 - SPACE: To enter space
 - CANCEL: To erase the character
 - \leftarrow : To go back to the previous character position or go to the next character position
 8. Press SET to enter the selected character.
 9. Repeat steps 7 and 8 to enter up to four characters.
 10. Press ON SCREEN CONTROL $\Delta / \nabla / \leftarrow / \rightarrow$ to move \square to "PRESET NAME," then press SET to store the setting. The TUNER CONTROL menu appears again.
 11. When you finish, press EXIT repeatedly until the menu disappears from the TV.

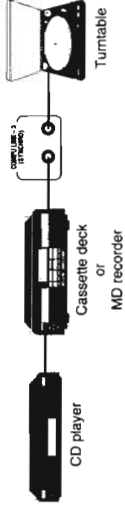


COMPU LINK Remote Control System

The COMPU LINK remote control system allows you to operate JVC audio components through the remote sensor on the receiver.

To use this remote control system, you need to connect JVC audio components through the COMPU LINK-3 (SYNCHRO) jacks (see below) in addition to the connections using cables with RCA pin plugs (see page 8) (and a digital cable if you want — see page 11).

- Make sure that the AC power cords of these components are unplugged before connection. Plug the AC power cords only after all connections are complete.



This remote control system allows you to use four functions listed below.

Remote Control through the Remote Sensor on the Receiver

You can control the connected audio components through the remote sensor on the receiver using this remote control. Aim the remote control directly at the remote sensor on the receiver. For details, see pages 58 and 59.

Automatic Source Selection

When you press the play (▶) button on a connected component or on its own remote control, the receiver automatically turns on and changes the source to the component. On the other hand, if you select a new source on the receiver or the remote control, the selected component begins playing immediately. In both cases, the previously selected source continues playing without sound for a few seconds.

Automatic Power On/Off (Standby): only possible with the COMPU LINK-3 connection

Both the CD player and cassette deck (or MD recorder) turn on and off (standby) along with the receiver.

When you turn on the receiver, the CD player or cassette deck (or MD recorder) will turn on automatically, depending on which component has been previously selected. When you turn off the receiver, both the CD player and cassette deck (or MD recorder) will turn off (standby).

Synchronized Recording

Synchronized recording means the cassette deck (or MD recorder) starts recording as soon as a CD or a record begins playing.

To use synchronized recording, follow these steps:

1. Put a tape in the cassette deck (or an MD in the MD recorder), and a disc in the CD player (or a record on the turntable).
2. Press the record (●) button and the pause (||) button on the cassette deck (or MD recorder) at the same time. This puts the cassette deck (or MD recorder) into recording pause. If you do not press the record (●) button and pause (||) button at the same time, the synchronized recording feature will not operate.
3. Press the play (▶) button on the CD player or on the turntable. The source changes on the receiver, and as soon as play starts, the cassette deck (or MD recorder) starts recording. When the play ends, the cassette deck (or MD recorder) enters recording pause, and stops about 4 seconds later.

Notes:

- If your audio component has two COMPU LINK-3 (SYNCHRO) jacks, you can use either one. If it has only one COMPU LINK-3 (SYNCHRO) jack, connect it so that it is the last item in the series of components. (For example, the turntable or CD player in the diagram to the left.)
- To operate the cassette deck or MD recorder using the COMPU LINK remote control system, set the source name correctly. (See page 17.)
- Refer also to the manuals supplied with your audio components.

Notes:

- During synchronized recording, the selected source cannot be changed.
- If your CD player is playing in program mode, a 4-second blank is recorded between tracks so that the music scan feature of your cassette deck can be used on the recorded tape.
- If the power of any component is shut off during synchronized recording, the COMPU LINK remote control system may not operate properly. In this case, you must start again from the beginning.

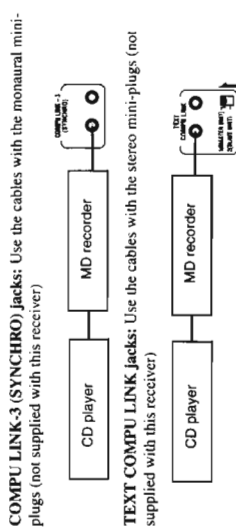
TEXT COMPU LINK Remote Control System

The TEXT COMPU LINK remote control system has been newly developed to deal with the disc information recorded in the CD Text* and MDs. Using these information in the discs, you can operate the CD player or MD recorder equipped with the TEXT COMPU LINK remote control system through the receiver.

CONNECTIONS:

To use this remote control system, you need to connect the CD player and/or MD recorder you want to operate, following the procedures below.

1. If you have already plugged your CD player, MD recorder, and this receiver into the AC outlets, unplug their AC power cords first.
2. Connect your CD player, MD recorder, and this receiver as follows, through the COMPU LINK-3 (SYNCHRO) jacks and TEXT COMPU LINK jacks.



IMPORTANT:

Set the Master/Slave Selector on the rear to "1(MASTER UNIT)."
 * "2(SLAVE UNIT)" is just for the serviceman's use. The TEXT COMPU LINK remote control system does not function with the selector set to "2(SLAVE UNIT)."

3. Connect your CD player, MD recorder and this receiver, using the cables with RCA pin plugs (see page 8) and a digital cable if you want — see page 11).
4. Plug the AC power cords of these components above into the AC outlets.
5. When turning on these components for the first time, turn on the connected components first, then turn on this receiver.

FUNCTIONS:

This remote control system allows you to use the functions listed below.

Displaying the Disc Information on the TV screen

Disc information such as its performer and disc title (and track titles only when a CD Text is selected) is shown on the TV screen.

Disc Search: Only for CD Player.

This remote control system can allow you to search discs by the performer, disc title, and music genre.

With this disc search, you can easily find the disc you want to play.

Additional Functions:

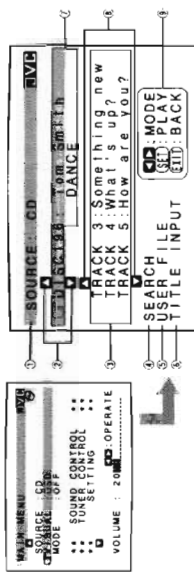
- If your CD player has the User File function, you can select a disc from the groups.
- * A "user file" is a group of the discs you make as you like on the CD player.
- If your CD player has the disc memory function, you can input the performer, disc title, and music genre about these normal audio CDs on the TV screen.

OPERATIONS

To use this remote control system, you need to connect the TV to the MONITOR OUT jack on the rear panel (see page 9), and set the TV's input mode to the proper position to which the receiver is connected. **Make sure you have connected the CD player or MD recorder equipped with the TEXT COMPU LINK remote control system. If not, you cannot use the following functions.**

Showing the Disc Information on the TV Screen

1. Press any button of ON SCREEN CONTROL $\Delta / \nabla / \leftarrow / \rightarrow$ once. The MAIN MENU appears on the TV.
2. Press ON SCREEN CONTROL Δ / ∇ to move \square to "SOURCE." Press ON SCREEN CONTROL \leftarrow / \rightarrow to select "CD" or "MD."
3. Press ON SCREEN CONTROL Δ / ∇ to move \square to "VISUAL."
4. Press ON SCREEN CONTROL \leftarrow / \rightarrow to select "OSD," then press EXIT. The Disc Information screen appears on the TV.



- ① Source name: CD or MD
- ② Select \square or ∇ then press SET to change the disc.
- ③ Track numbers and track titles.
 - The current playing (selected) track is indicated in yellow.
 - When you move \square to a track number, you can change the track information by pressing \leftarrow / \rightarrow . Each time you press the button, the track information alternates between its track title and its performer. (You can also start playing the track by pressing SET).
- ④ Select this (move \square in front), then press SET to go to the DISC SEARCH screen (see page 51).
- ⑤ Select this (move \square in front), then press SET to go to the USER FILE screen (see page 53).
- ⑥ Select this (move \square in front), then press SET to go to the TITLE INPUT screen (see page 54).
- ⑦ Disc information such as the disc title, performer, and music genre.
 - When this is selected (\square in front), you can change the disc information by pressing \leftarrow / \rightarrow . Each time you press the button, the disc information (see the note) changes.
- ⑧ Select \square or ∇ then press SET to change the track.
- ⑨ Usable buttons and their functions for the current selection. Indication here will be changed according to what is currently selected (\square in front) on the screen.

6. When you finish, press EXIT repeatedly until the MAIN MENU appears on the TV.

To exit from the MAIN MENU:

- 1) Press ON SCREEN CONTROL Δ / ∇ to move \square to "VISUAL."
- 2) Press ON SCREEN CONTROL \leftarrow / \rightarrow to select any one other than "OSD," then press EXIT.

Notes:

- The on-screen display will not appear about one minute after the power is turned on.
- The on-screen display will disappear in the following case:
 - If no operation is done for about 10 minutes.
 - If you do any operation other than explained in this section.
- To control the MD recorder using the TEXT COMPU LINK remote control system, you have to change the source name shown on the display from "TAPE" to "MD." (See page 17).
- The number of characters to show the disc information such as the disc title or track title is limited to 32. So if the disc title, for example, is longer than 32 characters, only the first 32 characters are shown.
- Some special characters such as accented letters cannot be displayed correctly.

Note on ①

The following information will appear on the display:

- Disc title
- Performer
- Genre
- Song writer
- Composer
- Arranger
- Message

Only recorded information will be shown. If there is no data, "NO DATA" will appear.

Note on ⑧

For example, the SET button will be used to start play (PLAY), to go to the next screen (ENTER), and to determine the selection (ENTER).

TEXT COMPU LINK Remote Control System

■ Searching a Disc (Only for the CD player)

Search a disc by its performer:

1. Display the disc information screen by following the procedure on page 50.
2. Press ON SCREEN CONTROL Δ/∇ to move \underline{C} to "SEARCH," then press SET.
The DISC SEARCH screen appears on the TV.
3. Press ON SCREEN CONTROL Δ/∇ to move \underline{C} to "PERFORMER," then press SET.
The PERFORMER SEARCH screen appears.
4. Press ON SCREEN CONTROL Δ/∇ to move \underline{C} in front of the first character of the performer you want to search, then press SET.
To correct the incorrect entry, press ON SCREEN CONTROL Δ/∇ to move \underline{C} in front of the correct character, then press SET.
To erase the incorrect entry, press ON SCREEN CONTROL Δ/∇ to move \underline{C} to "CANCEL," then press SET.
5. Press SET again.
Disc search starts, then the SEARCH RESULT screen, showing the performers, appears.

6. On the SEARCH RESULT screen, you can do the following:

- Changing the indication of the disc information: Press ON SCREEN CONTROL Δ/∇ to move \underline{C} to a searched disc, then press $\triangleleft/\triangleright$. Each time you press $\triangleleft/\triangleright$, the disc information alternates between its performer and its disc title.
- Going to the Disc Information screen (see page 50): Press ON SCREEN CONTROL Δ/∇ to move \underline{C} to a searched disc, then press SET.
- Showing unseen disc information (if more than 5 discs are listed as a result of the search): Press ON SCREEN CONTROL Δ/∇ to move \underline{C} to \blacksquare (or \blacktriangleright), then press SET.
- Going back to the PERFORMER SEARCH screen: Press EXIT.

Search a disc by its disc title:

1. Display the disc information screen by following the procedure on page 50.
2. Press ON SCREEN CONTROL Δ/∇ to move \underline{C} to "SEARCH," then press SET.
The DISC SEARCH screen appears on the TV.
3. Press ON SCREEN CONTROL Δ/∇ to move \underline{C} "DISC TITLE," then press SET.
The DISC TITLE SEARCH screen appears.
4. Press ON SCREEN CONTROL Δ/∇ to move \underline{C} in front of the first character of the disc title you want to search, then press SET.
To correct the incorrect entry, press ON SCREEN CONTROL Δ/∇ to move \underline{C} in front of the correct character, then press SET.
To erase the incorrect entry, press ON SCREEN CONTROL Δ/∇ to move \underline{C} to "CANCEL," then press SET.

5. Press SET again.
Disc search starts, then the SEARCH RESULT screen, showing the disc titles, appears.
6. On the SEARCH RESULT screen, you can do the following:
 - Changing the indication of the disc information: Press ON SCREEN CONTROL Δ/∇ to move \underline{C} to a searched disc, then press $\triangleleft/\triangleright$. Each time you press $\triangleleft/\triangleright$, the disc information alternates between its disc title and its performer.
 - Going to the Disc Information screen (see page 50): Press ON SCREEN CONTROL Δ/∇ to move \underline{C} to a searched disc, then press SET.
 - Showing unseen disc information (if more than 5 discs are listed as a result of the search): Press ON SCREEN CONTROL Δ/∇ to move \underline{C} to \blacksquare (or \blacktriangleright), then press SET.
 - Going back to the DISC TITLE SEARCH screen: Press EXIT.

Search a disc by its genre:

1. Display the disc information screen by following the procedure on page 50.
2. Press ON SCREEN CONTROL Δ/∇ to move \underline{C} to "SEARCH," then press SET.
The DISC SEARCH screen appears on the TV.
3. Press ON SCREEN CONTROL Δ/∇ to move \underline{C} to "GENRE," then press SET.
The GENRE SEARCH screen appears.
4. Press ON SCREEN CONTROL Δ/∇ to move \underline{C} to the genre you want to search, then press SET.
To show the unseen genres, press ON SCREEN CONTROL Δ/∇ until they appear.
Disc search starts, then the SEARCH RESULT screen, showing the disc titles, appears.

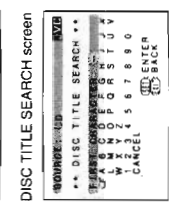
5. On the SEARCH RESULT screen, you can do the following:

- Changing the indication of the disc information: Press ON SCREEN CONTROL Δ/∇ to move \underline{C} to a searched disc, then press $\triangleleft/\triangleright$. Each time you press $\triangleleft/\triangleright$, the disc information alternates between its disc title and its performer.
- Going to the Disc Information screen (see page 50): Press ON SCREEN CONTROL Δ/∇ to move \underline{C} to a searched disc, then press SET.
- Showing unseen disc information (if more than 5 discs are listed as a result of the search): Press ON SCREEN CONTROL Δ/∇ to move \underline{C} to \blacksquare (or \blacktriangleright), then press SET.
- Going back to the GENRE SEARCH screen: Press EXIT.



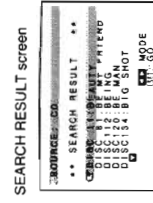
Note

Symbols such as @, # or \$ cannot be available for search.



Note

Symbols such as @, # or \$ cannot be available for search.



Using the User File (Only for the CD Player with the User File Function)

You can use the User File function through this receiver. For the User File function, refer to the manual supplied with your CD player.

Using your own User Files:

1. Display the disc information screen by following the procedure on page 50.
2. Press ON SCREEN CONTROL Δ/∇ to move CF to "USER FILE," then press SET. The USER FILE screen appears on the TV. To show the unseen user files, press ON SCREEN CONTROL Δ/∇ until they appear.
3. Press ON SCREEN CONTROL Δ/∇ to move CF to the User File you want, then press SET. The selected User File screen appears on the TV. The disc information shown will be the disc title. (If no disc title information is recorded for the discs, only the disc numbers will be shown.)



4. On this selected User File screen, you can do the following:
 - Changing the indication of the disc information: Press ON SCREEN CONTROL Δ/∇ to move CF to a disc, then press Δ/∇ . Each time you press Δ/∇ , the disc information alternates between its disc title and its performer.
 - Starting a disc play: Press ON SCREEN CONTROL Δ/∇ to move CF to a disc, then press SET.
 - Showing unseen disc information (if more than 5 discs are listed): Press ON SCREEN CONTROL Δ/∇ to move CF to CF (or CD) and press SET.
 - Going back to the USER FILE screen: Press EXIT.

Entering the Disc Information

For the CD Player with the disc memory function:

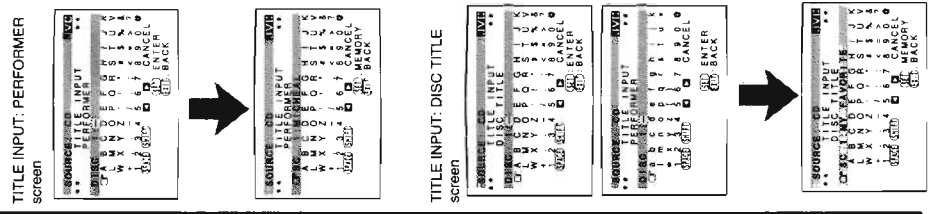
You can use the disc memory function through this receiver. The disc information (its performer, disc title, and its music genre) of normal audio CDs will be stored into the memory built in the CD player.

For the disc memory function, refer to the manual supplied with your CD player. The performer, disc title, and music genre information are usually recorded in a CD Text. However, if a CD Text has no genre information recorded in the disc itself, you can input its music genre by yourself.

Note: You can enter the TITLE INPUT screens for a CD Text and input its titles. However, you cannot store the titles you have input for a CD Text.

Example: Entering the following information for Disc 1
 Performer: "MICHEAL"
 Disc title: "MY FAVORITE"

1. Display the disc information screen by following the procedure on page 50.
2. Press ON SCREEN CONTROL Δ/∇ to move CF to "TITLE INPUT," then press SET. The TITLE INPUT: PERFORMER screen appears on the TV.
3. Press ON SCREEN CONTROL $\Delta/\nabla/\leftarrow/\rightarrow$ to move CF in front of a character you want, then press SET to enter the character.
 - If the current CD is a CD Text, go to step 5 without entering the performer. To use the lower case letters, press ON SCREEN CONTROL $\Delta/\nabla/\leftarrow/\rightarrow$ to move CF to SHIFT , then press SET. To use the upper case letters again, press ON SCREEN CONTROL $\Delta/\nabla/\leftarrow/\rightarrow$ to move CF to SHIFT , then press SET.
4. Repeat step 3 until you finish putting a name (up to 32 characters) to this User File. To insert a space, press ON SCREEN CONTROL $\Delta/\nabla/\leftarrow/\rightarrow$ to move CF to SPACE , then press SET. To correct an incorrect character:
 - 1) Press ON SCREEN CONTROL $\Delta/\nabla/\leftarrow/\rightarrow$ to move CF to C or D , then press SET until the incorrect character is selected.
 - 2) Press ON SCREEN CONTROL $\Delta/\nabla/\leftarrow/\rightarrow$ to move CF to CANCEL, then press SET to erase the character.
 - 3) Press ON SCREEN CONTROL $\Delta/\nabla/\leftarrow/\rightarrow$ to move CF in front of an correct character, then press SET to enter a correct character.
5. Press ON SCREEN CONTROL $\Delta/\nabla/\leftarrow/\rightarrow$ to move CF to "DISC1: MICHEAL (in this example)," then press SET. The TITLE INPUT: DISC TITLE screen appears.
6. Enter the disc title, referring to steps 3 and 4.
 - If the current CD is a CD Text, go to the next step without entering the disc title.



Continued to the next page.

TEXT COMPU LINK Remote Control System

7. Press ON SCREEN CONTROL Δ / ∇ / \leftarrow / \rightarrow to move \square to "DISC1: MY FAVORITE (in this example)," then press SET.
The TITLE INPUT: DISC 1 GENRE screen appears.

8. Press ON SCREEN CONTROL Δ / ∇ to move \square to the genre you want, then press SET.
The Disc Information screen appears again.

To show the unseen genres, press ON SCREEN CONTROL Δ / ∇ until they appear.

For the MD recorder:

You can write the disc information (disc title and song titles) into the disc. You can only write the song title for the song currently selected.

- If you have the CD-MD combination deck, you can also enter the disc information (its performer, disc title, and its music genre) of normal audio CDs into the memory built in the CD-MD combination deck. (To do this, follow the procedure on page 54.)

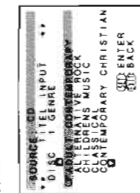
- Display the disc information screen by following the procedure on page 50.
- Press ON SCREEN CONTROL Δ / ∇ to move \square to "TITLE INPUT," then press SET.
The DISC TITLE INPUT screen appears on the TV.
- Enter the disc title, referring to steps 3 and 4 on page 54.
 - You can enter up to 32 character for the disc title.

4. Press ON SCREEN CONTROL Δ / ∇ / \leftarrow / \rightarrow to move \square to the disc title you have just entered, then press SET.
The disc title is stored into the memory, and the SONG TITLE INPUT screen for the currently selected song appears.

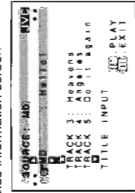
- You can enter a song title for the song currently selected (indicated in yellow on the TV screen).
- Enter the song title, referring to steps 3 and 4 on page 54.
 - You can enter up to 32 character for the song title.

6. Press ON SCREEN CONTROL Δ / ∇ / \leftarrow / \rightarrow to move \square to the song title you have just entered, then press SET.
The song title is stored into the memory, and the Disc Information screen appears again.

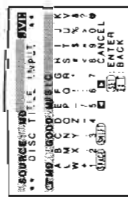
TITLE INPUT: DISC 1 GENRE screen



Disc information screen



DISC TITLE INPUT screen



AV COMPU LINK Remote Control System

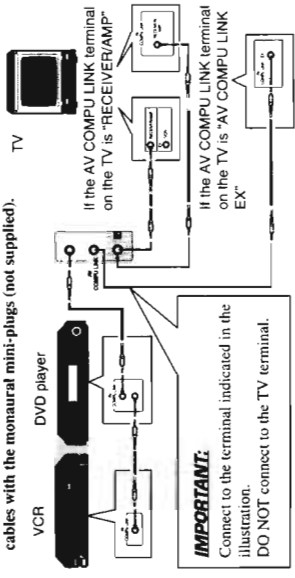
The AV COMPU LINK remote control system allows you to operate JVC video components (TV, VCR, and DVD player) through the receiver.

CONNECTIONS:

To use this remote control system, you need to connect the video components you want to operate, following the procedures below.

1. If you have already plugged your VCR1 (the VCR connected to the VCR 1 jacks), DVD player, TV, and this receiver into the AC outlets, unplug their AC power cords first.

2. Connect your VCR1, DVD player, TV, and this receiver as follows, using the cables with the monaural mini-plugs (not supplied).

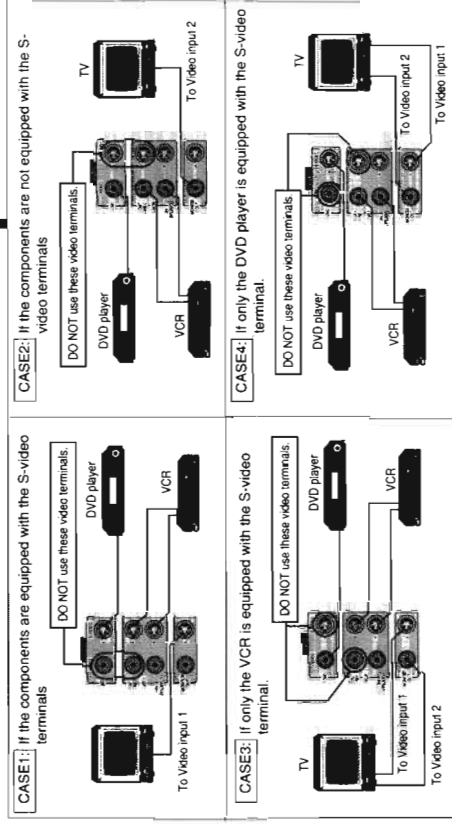


IMPORTANT:

Connect to the terminal indicated in the illustration. DO NOT connect to the TV terminal.

3. Connect the audio input/output jacks on VCR1, DVD player, TV, and this receiver using the cables with RCA pin plug (see pages 9 to 10) (and a digital cable if you want — see page 11).

4. Connect the video input/output jacks on VCR1, DVD player, TV, and this receiver as follows, using the cables with RCA pin plug or with S-video plug.



5. Plug the AC power cords of the components into the AC outlets.

6. When turning on the TV for the first time after the AV COMPU LINK connection, turn the TV volume to the minimum using the TV volume control on the TV.

CAUTION:

The AV COMPU LINK remote control system cannot control the DBS tuner connected to the TV/DBS jacks, and video components connected to the VIDEO and VCR2 jacks on the receiver.

Note:

When connecting either the VCR or DVD player to this receiver, connect it directly to the receiver using cable with the monaural mini-plugs.

Operating JVC's Audio/Video Components

You can operate JVC's audio and video components with this receiver's remote control, since control signals for JVC components are preset in the remote control.

FUNCTIONS:

This remote control system allows you to use five functions listed below.

Remote Control of DVD Player, VCR, and TV Using This Remote Control

- Aim the remote control directly at the remote sensor on the each component.
- For the TV having AV COMPU LINK terminal "RECEIVER/AMP": Aim the remote control directly at the remote sensor on the receiver when operating the TV.
- For the TV having AV COMPU LINK terminal "AV COMPU LINK EX": Aim the remote control directly at the remote sensor on the TV when operating the TV.

One-Touch Video Play

Simply by inserting a video cassette without its safety tab into the VCR1 (the VCR connected to the VCR1 jacks), you can enjoy the video playback without setting other switches manually.

The receiver automatically turns on and changes the source to "VCR1." The TV automatically turns on and changes the input mode to the position so that you can view the playback picture. When you insert a video cassette with its safety tab, press the play (▶) button on the VCR1 or on the remote control. So, you can get the same result.

One-Touch DVD Play

Simply by starting playback on the DVD player, you can enjoy the DVD playback without setting other switches manually. The receiver automatically turns on and changes the source to "DVD." "DVD" is automatically selected. The TV automatically turns on and changes the input mode to the position so that you can view the playback picture.

Automatic Selection of TV's Input Mode

- When you select "TV SOUND" as the source to play on the receiver, the TV automatically changes the input mode to the TV tuner so that you can watch TV.
- When you select "VCR2," as the source to play on the receiver, the TV automatically changes the input mode to the Video Input 2 so that you can watch the playback picture.
- When you select "DVD," "VCR1," "VIDEO" or "DBS" as the source to play on the receiver, the TV automatically changes the input mode to the appropriate position (either Video Input 1 or Video Input 2) so that you can view the playback picture.

Automatic Power-On/Off (Standby)

- The TV, VCR1 (the VCR connected to the VCR1 jacks), and DVD player turn on and off along with the receiver.
- When you turn on the receiver:
 - If the previously selected source is "VCR1," the TV and VCR1 will turn on automatically.
 - If the previously selected source is "VIDEO" or "TV SOUND," only the TV will turn on automatically.
 - If the previously selected source is "DVD," the TV and DVD player will turn on automatically.
- When you turn off the receiver, the TV, VCR1 and the DVD player will turn off.

IMPORTANT:

- To operate JVC's audio components using this remote control: You need to connect JVC audio components through the COMPU LINK-3 (SYNCHRO) jacks (see page 48) in addition to the connections using cables with RCA pin plugs (see page 8) or using digital cables (see page 11).
- Aim the remote control directly at the remote sensor on the receiver.

Tuner

After pressing FM or AM (with the remote control mode selector set to "AUDIO/TV/VCR"), you can perform the following operations:

- FM:** Selects an FM broadcast.
- AM:** Selects an AM broadcast.
- I — 10, +10:** Selects a preset channel number directly. For channel number 5, press 5. For channel number 15, press +10, then 5. For channel number 20, press +10, then 10.

TUNING UP/TUNING DOWN:

Tunes into stations.

FM MODE/MUTE: Changes the FM reception mode.

Sound control section (Amplifier)

You can always perform the following operations (with the remote control mode selector set to "AUDIO/TV/VCR"):

SURROUND MODE: Changes the DSP modes.

After pressing SOUND (with the remote control mode selector set to "AUDIO/TV/VCR"), you can perform the following operations:

- SEA MODE:** Changes the SEA modes.
- SUBWOOFER +/-:** Adjusts the subwoofer output level.
- CNTR +/-:** Adjusts the center speaker output level.
- REAR-L +/-:** Adjusts the left rear speaker output level.
- REAR-R +/-:** Adjusts the right rear speaker output level.
- EFFECT:** Selects the effect level.
- TEST:** Turns on or off the test tone output.
- CNTR TONE:** Selects the center tone.

CD player

After pressing CD (with the remote control mode selector set to "AUDIO/TV/VCR"), you can perform the following operations on a CD player:

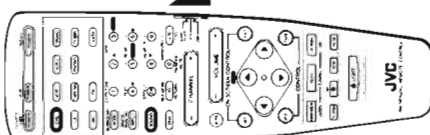
- PLAY:** Starts playing.
- ◀▶:** Returns to the beginning of the current (or previous) track.
- ▶▶:** Skips to the beginning of the next track.
- STOP:** Stops playing.
- PAUSE:** Pauses playing. To release it, press PLAY.
- I — 10, +10:** Selects a track number directly. For track number 5, press 5. For track number 15, press +10, then 5. For track number 20, press +10, then 10. For track number 30, press +10, then 10.

Notes:

- If you use the buttons on the front panel or the menu function to choose a source, the remote control will not operate that source. To operate a source with the remote control, the source must be selected using buttons on the remote control.
- Check to see if its remote control mode selector is set to the correct position. To operate audio system, TVs, and VCRs, set it to "AUDIO/TV/VCR".
- Refer also to the manuals supplied with your components.

Note:

- After adjusting sounds, press the corresponding source selecting button or DISC to operate your target source by using 10 keys; otherwise, 10 keys cannot be used for operating your target source.



Operating JVC's Audio/Video Components

CD player-changer

After pressing DISC (with the remote control mode selector set to "AUDIO/TV/VCR"), you can perform the following operations on the CD player-changer:

- PLAY:** Starts playing.
- ◀◀:** Returns to the beginning of the current (or previous) track.
- ▶▶:** Skips to the beginning of the next track.
- STOP:** Stops playing.
- PAUSE:** Pauses playing. To release it, press the PLAY button.
- I — 6, 7P:** Select the number of a disc installed in a CD player-changer.

After pressing CD (with the remote control mode selector set to "AUDIO/TV/VCR"), you can perform the following operations on the CD player-changer:

- I — 10, +10:** Selects a track number directly. For track number 5, press 5. For track number 15, press +10, then 5. For track number 20, press +10, then 10. For track number 30, press +10, +10, then 10.

Turntable

After pressing PHONO (with the remote control mode selector set to "AUDIO/TV/VCR"), you can perform the following operations on the turntable:

- PLAY:** Starts playing.
- STOP:** Stops playing.

Cassette deck

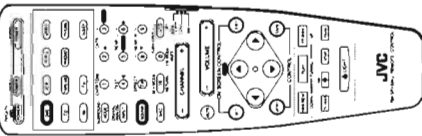
After pressing TAPE/MD or TAPE CONTROL (with the remote control mode selector set to "AUDIO/TV/VCR"), you can perform the following operations on the cassette deck:

- PLAY:** Starts playing.
- REW:** Fast winds the tape: from right to left.
- FF:** Fast winds the tape from left to right.
- STOP:** Stops operations.
- PAUSE:** Pauses playing or recording temporarily. To release it, press the PLAY button.
- REC ●:** Press this button with the PLAY button to start recording. Press this button with the PAUSE button to enter recording pause.

MD recorder

After pressing TAPE/MD or TAPE CONTROL (with the remote control mode selector set to "AUDIO/TV/VCR"), you can perform the following operations on the MD recorder:

- PLAY:** Starts playing.
- ◀◀:** Returns to the beginning of the current (or previous) track.
- ▶▶:** Skips to the beginning of the next track.
- STOP:** Stops playing.
- PAUSE:** Pauses playing. To release it, press the PLAY button.
- REC ●:** Press this button with the PLAY button to start recording. Press this button with the PAUSE button to enter recording pause.



Notes:

- To operate the cassette deck or MD recorder using the COMPU LINK remote control system, set the source name correctly. (See page 17.)
- You can use either the TAPE/MD button or the TAPE CONTROL button to activate the buttons listed to the left. If you press TAPE/MD, the playing source also changes. On the other hand, if you press TAPE CONTROL, the playing source does not change.

IMPORTANT:

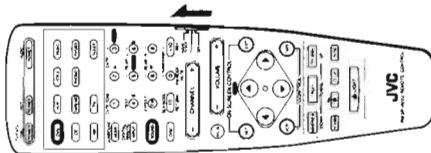
To operate JVC's video components using this remote control:

- You need to connect JVC video components through the AV COMPU LINK jacks (see page 56) in addition to the connections using cables with RCA pin plugs (see pages 9 to 10) or using a digital cable (see page 11).
- When using the remote control:
 - For the DVD player and the VCR: Aim the remote control directly at the remote sensor on the each component.
 - For the TV having AV COMPU LINK terminal "RECEIVERAMP": Aim the remote control directly at the remote sensor on the receiver when operating the TV.
 - For the TV having AV COMPU LINK terminal "AV COMPU LINK EX": Aim the remote control directly at the remote sensor on the TV when operating the TV.

VCR (the VCR connected to the VCR1 jacks)

You can always perform the following operations (with the remote control mode selector set to "AUDIO/TV/VCR"):

- VCR1 POWER:** Turns on or off the VCR1.
- After pressing VCR1 or VCR1 CONTROL (with the remote control mode selector set to "AUDIO/TV/VCR"), you can perform the following operations on the VCR:
 - PLAY:** Starts playing.
 - REW:** Rewinds a tape.
 - FF:** Fast winds a tape.
 - STOP:** Stops operations.
 - PAUSE:** Pauses playing or recording temporarily. To release it, press the PLAY button to start recording.
 - REC ●:** Press this button with the PAUSE button to enter recording pause.
- CHANNEL +/-:** Changes the channels on the VCR.
- I — 9, 0:** Selects the channels on the VCR. For channel 5, press 5. For channel 10, press 1, then 0.



DVD player

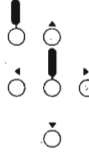
After pressing DVD (with the remote control mode selector set to "AUDIO/TV/VCR"), you can perform the following operations on a DVD player:

- PLAY:** Starts playing.
- ◀◀:** Returns to the beginning of the current (or previous) track.
- ▶▶:** Skips to the beginning of the next track.
- STOP:** Stops playing.
- PAUSE:** Stops playing temporarily. To release it, press the PLAY button.

Notes:

- Some JVC VCRs can accept two types of the control signals — code "A" and "B." Before using this remote control, make sure that the remote control code of the VCR1 is set to code "A."
- You can use either the VCR1 button or the VCR1 CONTROL button to activate the buttons listed to the left. If you press VCR1, the playing source also changes. On the other hand, if you press VCR1 CONTROL, the playing source does not change.

After pressing DVD (with the remote control mode selector set to the "AUDIO/TV/VCR" position), these buttons can be used for the DVD menu operations.



Note:

For detailed menu operations, refer to the instructions supplied with the discs or the DVD player.

Operating JVC's Audio/Video Components

TV

You can always perform the following operations (with the remote control mode selector set to "AUDIO/TV/VCR"):

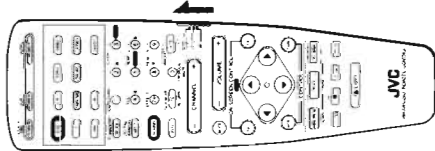
TV/CATV/DBS POWER: Turns on or off the TV.
Sets the input mode (either TV or VIDEO).

After pressing TV/DBS (with the remote control mode selector set to "AUDIO/TV/VCR"), you can perform the following operations on a TV:

CHANNEL +/-: Changes the channels.

1-9, 0, 100+: Selects the channels.

RETURN: Alternates between the previously selected channel and the current channel.



When the TV is connected to the TV SOUND/DBS jacks on the rear:

The receiver automatically turns on and select "TV SOUND" as the source about 5 seconds after you turn on the TV. (If you change the source name from "TV SOUND" to "DBS", the receiver will not turn on along with the TV. See page 17)

Note:

When you turn off the receiver with the TV kept turned on, the receiver will turn on soon again. To prevent this from happening, make sure that you turn off the TV before turning off the receiver.

Operating Other Manufactures' Components

This remote control supplied with the receiver can transmit control signals for other manufacturers' VCRs, TVs, CATV converters and DBS tuners. By changing the transmittable signals from preset ones to the other manufacturers', you can operate the other manufacturer's components using this remote control.

When operating the other manufacturers' components, refer also to the manuals supplied with them.

To operate these components with the remote control, first you need to set the manufacturer's code each for the VCR, TV, CATV converter, and DBS tuner.

IMPORTANT:

When using the Remote Control, check to see if its remote control mode selector is set to the correct position:



To operate an audio system, TV, and VCR, set it to "AUDIO/TV/VCR."

To operate a CATV converter, set it to "CATV."

To operate a DBS tuner, set it to "DBS."

To change the transmittable signals for operating another manufacturer's TV

1. Set the remote control mode selector to "AUDIO/TV/VCR."

2. Press and hold TV/CATV/DBS POWER.

3. Press TV/DBS.

4. Enter the manufacturer's code (three digits) using buttons 1-9, and 0.

See the lists on page 65 to find the code.

5. Release TV/CATV/DBS POWER.

The following buttons can be used for operating the TV (with the remote control mode selector set to "AUDIO/TV/VCR"):

TV/CATV/DBS POWER: Turns on and off TV.

TV/VIDEO: Sets the input mode (either TV or VIDEO).

After pressing TV/DBS (with the remote control mode selector set to "AUDIO/TV/VCR"), you can perform the following operations on the TV:

CHANNEL +/-: Changes the channels.

1-10, 0, 100+ (+10): Selects the TV channels.

100+ (+10) button will function as the ENTER button if your TV requires pressing ENTER after selecting a channel number.

6. Try to operate your TV by pressing TV/CATV/DBS POWER.

When your TV turns on or off, you have entered the correct code.

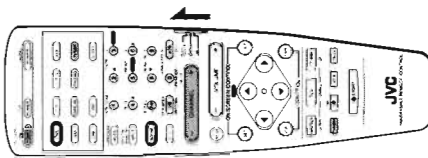
7. If there are more than one code listed for your brand of TV, try each one until the correct one is entered.

When the TV is connected to the TV SOUND/DBS jacks on the rear:

The receiver automatically turns on and select "TV SOUND" as the source about 5 seconds after you turn on the TV. (If you change the source name from "TV SOUND" to "DBS", the receiver will not turn on along with the TV. See page 17)

Note:

Refer also to the manual supplied with your TV.



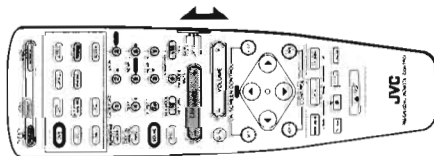
Note:

When you turn off the receiver with the TV kept turned on, the receiver will turn on soon again. To prevent this from happening, make sure that you turn off the TV before turning off the receiver.

Operating Other Manufactures' Components

To change the transmittable signals for operating a CATV converter or DBS tuner

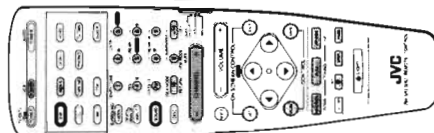
1. **For the CATV converter:**
Set the remote control mode selector to "CATV."
2. **For the DBS tuner:**
Set the remote control mode selector to "DBS."
3. Press and hold TV/CATV/DBS POWER.
3. Press TV/DBS.
4. Enter the manufacturer's code (three digits) using buttons 1 - 9, and 0.
See the lists on page 66 to find the code.
5. **Release TV/CATV/DBS POWER.**
After setting the remote control mode selector to "CATV" or "DBS", you can perform the following operations on the CATV converter or on the DBS tuner:
TV/CATV/DBS POWER: Turns on and off the CATV converter or DBS tuner.
CHANNEL +/-: Changes the channels.
1 - 10, 0, 100+(+10): Selects the channels. 100+(+10) button will function as the ENTER button if your CATV converter or DBS tuner requires; pressing ENTER after selecting a channel number.
6. **Try to operate your CATV converter or DBS tuner by pressing TV/CATV/DBS POWER.**
When your CATV converter or DBS tuner turns on or off, you have entered the correct code.
7. **If there are more than one code listed for your brand of CATV converter or DBS tuner, try each one until the correct one is entered.**



Note:
Refer also to the manual supplied with your CATV converter or DBS tuner.

To change the transmittable signals for operating another manufacturer's VCR

1. Set the remote control mode selector to "AUDIO/TV VCR."
 2. Press and hold VCR1 POWER.
 3. Press VCR1.
 4. Enter the manufacturer's code (three digits) using buttons 1 - 9, and 0.
See the lists on pages 66 and 67 to find the code.
 5. **Release VCR1 POWER.**
The following buttons can be used for operating the VCR (with the remote control mode selector set to "AUDIO/TV VCR"):
VCR1 POWER: Turns on and off VCR.
After pressing VCR1 or VCR1 CONTROL (with the remote control mode selector set to "AUDIO/TV/VCR"), you can perform the following operations on the VCR:
CHANNEL +/-: Changes the channels on the VCR.
1 - 10, 0, 100+(+10): Selects the channels on the VCR. 100+(+10) button will function as the ENTER button if your VCR requires; pressing ENTER after selecting a channel number.
- PLAY:** Starts playback.
STOP: Stops operations.
PAUSE: Pauses.
REW: Rewinds a tape.
FF: Fast winds a tape.
REC ●: Starts recording or enters recording pause.
6. **Try to operate your VCR by pressing VCR1 POWER.**
When your VCR turns on or off, you have entered the correct code.
 7. **If there are more than one code listed for your brand of VCR, try each one until the correct one is entered.**



Notes:

- You can use either the VCR1 button or the VCR1 CONTROL button to activate the buttons listed to the left. If you press VCR1, the playing source also changes. On the other hand, if you press VCR1 CONTROL, the playing source does not change.
- Refer also to the manual supplied with your VCR.

Operating Other Manufacturers' Components

Manufacturers' codes for TV		Manufacturers' codes for CATV converters		Manufacturers' codes for VCR	
Admiral	0893	ABC	003, 007, 008, 011, 013, 014, 017	Admiral	048
Aiko	092	Allegro	153	Adventura	000
Akai	030	Acher	153	Aiwa	278
Aialon	179	Optimus	154, 166, 250	Aiwa	000, 037
Anam	180	Century	093, 165	Aikai	041
Anam National	065	Citizen	153	American High	035
AOC	019, 030	Comtronics	040	Asha	240
Audiovox	180	Contec	019	Audiobox	037
Belcor	019	Everquest	015, 040	Beaumont	240
Bell & Howell	016, 154	Focus	400	Bell & Howell	104
Bradford	180	Garrard	153	Broksonic	121, 184, 211
Brockwood	019	Gemini	011, 276	Calix	037
Brookwood	180	General Instrument	040, 144	Canon	035
Candle	030, 056	GoldStar	040, 144	Capelhart	020
Carvale	030	Hamlin	009, 020, 259, 273	Carver	081
Carver	054	Hilachi	011	CCE	072, 278
Celebrity	000	Hyex	007	Citizen	037, 278
Concerto	056	Jasco	153	Colt	072
Concoto	180	Jerrold	003, 011, 012, 014, 015, 276	Craig	037, 047, 072, 240
Craig	180	Memorex	000	Curtis Mathes	035, 041, 060
Crown	039, 180	Optimus	007, 019	Cybernex	240
Curtis Mathes	030, 039, 060, 154	Panasonic	000, 021	Daewoo	020, 045, 278
CXC	180	Paragon	000, 021	Daytron	020
Daewoo	019, 039, 092, 451	Philips	153	Denon	042
Daytron	019	Pioneer	144	Dynatech	000
Denon	145	Popular Mechanics	400	Electrohome	037
Dumont	017, 019	Pulsar	000	Electrohome	037
Electroband	000	Radio Shack	021	Emerex	032
Emerson	019, 039, 154, 178, 179, 180, 236, 280, 282, 463	RCA	015	Emerson	000, 002, 037, 043, 121, 184, 209, 211, 212, 278, 479
Envision	030	Regal	015	Fisher	047, 054, 104
Fisher	154, 159	Reclon	400	Fuji	033, 035
Fujitsu	179	Rembbrandt	011	Funai	000
Fujitsu	171, 179, 180	Runco	020, 259, 273	Garrard	000
Fuluretech	180	Samsung	040, 144	GE	035, 060
GE	021, 047, 051, 055, 178, 282, 451	Scientific Atlanta	008, 017, 277	GoldStar	037, 038
Gibbler	017, 019, 030	Signal	015, 040	Gradiente	000
GoldStar	019, 030, 039, 178	Signature	011	Harley Davidson	000
Grundy	179, 180	S.L. Marx	040	Harman/Kardon	038
Hallmark	178	Sprucer	021	Harwood	072
Harvard	180	Starcom	003, 015	Headquarter	046
Hilachi	056, 145, 151	Stargate	015, 040	Hi-O	047
Infinity	054	Starquest	015	Hilachi	041, 042
JBK	004	Televue	040	Jensen	041
JBL	000	Tocom	012, 013	JVC	008, 041, 067
JCB	000	Toshiba	000	KEC	037, 278
JVC	053, 069, 160, 169	Tusa	015	Kenwood	038, 041, 067
KEC	180	Unika	153	KLH	072
Kenwood	019, 030	United Artists	007	Kodak	035, 037
KITV	030, 039, 180, 280	United Cable	003	Lloyd's	000
Logik	016	Universal	153	Logik	072
Luxman	056	Zenith	000	LXI	037
LX1	047, 054, 154, 156, 178	Zenitec	400	Magnavox	035, 039, 081, 149
Magnavox	030, 054, 187			Magnin	240
Majestic	016			Marantz	035, 081
Matsushita	030, 054			Maria	037
Megatron	145, 178			Matsushita	035, 162
Megatron	016, 056, 150, 154, 178			MEI	035
Memorex	019, 030, 150, 178			Memorex	000, 035, 037, 039, 046, 047, 048, 104, 240
MGA	017, 039, 047, 051			MGA	043
Midland	021			MGN Technology	240
Minuluz	019, 033, 150, 178			Minolta	042
Mitsubishi	019, 030, 056, 060			Mitsubishi	043, 067
Motorola	065, 093			Motorola	035, 048
MTC	180			MTC	000, 240
Multitech	156, 166, 178			Multitech	000, 072
NAD	019, 030, 056				
NEC	030, 092, 178				
Nikko					

Troubleshooting

Use this chart to help you solve daily operational problems. If there is any problem you cannot solve, contact your JVC service center.

PROBLEM	POSSIBLE CAUSE	SOLUTION
The display does not light up	The power cord is not plugged in.	Plug the power cord into an AC outlet.
No sound from speakers.	Speaker signal cables are not connected. The SPEAKERS 1 and 2 buttons are not set correctly. An incorrect source is selected. Muting is activated.	Check speaker wiring and reconnect if necessary. Press SPEAKERS 1 and 2 correctly. Select the correct source. Press MUTE to cancel the mute.
Sound from one speaker only.	Speaker signal cables are not connected properly. The balance is set to one extreme.	Check speaker wiring and reconnect if necessary. Adjust the balance property (see page 18).
Continuous hiss or buzzing during FM reception.	Incoming signal is too weak. The station is too far away. An incorrect antenna is used. Antennas are not connected properly.	Connect an outside FM antenna or contact your dealer. Select a new station. Check with your dealer to be sure you have the correct antenna. Check connections.
Occasional crackling noise during FM reception.	Ignition noise from automobiles.	Move the antenna farther from automobile traffic.
Howling during record playing.	Your turntable is too close to speakers.	Move speakers away from the turntable.
"OVERLOAD" starts flashing on the display.	Speakers are overloaded because of high volume. Speakers are overloaded because of short circuit of speaker terminals.	Rotate the MASTER VOLUME control counterclockwise three or four times then press POWER on the front panel. If "OVERLOAD" does not disappear, unplug the AC power cord, then plug it back again. Press POWER on the front panel then check the speaker wiring. If "OVERLOAD" does not disappear, unplug the AC power cord, then plug it back again. If speaker wiring is not short-circuited, contact your dealer.
Remote control does not work.	The remote control mode selector is not set correctly. There is an obstruction in front of the remote sensor on the receiver. Batteries are weak.	Set the selector correctly either to "AUDIO/TV/VCR," "CATV" or "DBS." Remove the obstruction. Replace batteries.

Operating Other Manufacturers' Components

NEC	038, 041, 087, 104
Nikko	037
Nikon	034
Noblex	240
Olympus	035
Oplimus	037, 048, 104, 162
Orion	479
Panasonic	035, 162, 225
Penney	035, 037, 038, 042, 054, 240
Pentax	042
Philco	035
Philips	035, 081
Pilot	037
Pioneer	067
Portland	020
Proflitronic	240
Protec	072
Pulsar	039
Quarier	046
Quartz	046
Quasar	035, 162
Radio Shack	000, 037
Radix	037
Randex	037
RCA	042, 060, 149
Realistic	000, 035, 037, 046, 047, 048, 104
Ricoh	034
Rurco	039
Samsung	045, 240
Sanky	039, 048
Sansui	041, 067
Sanyo	046, 047, 104, 240
Scott	043, 045, 121, 184, 211, 212
Sears	035, 037, 042, 046, 047, 054, 104
Sharp	048
Shintorn	072
Shogun	240
Singer	072
Sony	032, 033, 034, 035
STS	042
Sylvania	000, 035, 043, 081
Symphonic	000
Taiung	001, 041
Teac	000, 041
Technics	035, 162
Technika	000, 035, 037
TMK	240
Toshiba	043, 045, 212
Television	037, 240
Unitech	240
Vector	045
Vector Research	038
Video Concepts	045
Videoseonic	240
Wards	000, 035, 042, 047, 048, 060, 072, 081, 149, 212, 240
XR-1000	000, 035, 072
Yamaha	038
Zenith	033, 034, 039

Manufacturers' codes listed on page 65 to 67 are subject to change without notice. If they are changed, this remote control cannot operate the equipment.

Specifications

Output Power: At Stereo operation

130 watts per channel, min. RMS, both channels driven into 8 ohms, 20 Hz to 20 kHz with no more than 0.02% total harmonic distortion.

Amplifier

Output Power: At Surround operation
From Channels: 100 watts per channel, min. RMS, driven into 8 ohms at 1 kHz with no more than 0.8% total harmonic distortion.

Center channel: 100 watts, min. RMS, driven into 8 ohms at 1 kHz, with no more than 0.8% total harmonic distortion.

Rear channels: 100 watts per channel, min. RMS, driven into 8 ohms at 1 kHz, with no more than 0.8% total harmonic distortion.

Total Harmonic Distortion (8 ohms, 1 kHz): 0.02%* at 130 watts output
(* Measured by IVC Audio Analysis System)

Audio Input Sensitivity/Impedance (1 kHz):
PHONO (MM): 2.5 mV/47 k ohms
CD, TAPE/MD, TV SOUND/DBS, VCR1, VCR2, VIDEO, DVD: 200 mV/47 k ohms

Audio Input (DIGITAL IN):
Coaxial: DIGITAL 1 (DBS): 0.5 Vp-p/75 ohms
Optical: DIGITAL 2 (DVD), DIGITAL 3 (CD): -21 dBm to -15 dBm (660 nm ±30 nm)

Audio Output Level: TAPE/MD, VCR1, VCR2: 200 mV
PRE-OUT (FRONT): TV

Signal-to-Noise Ratio (66 IHF/78 IHF): PHONO: 70 dB/78 dB (at REC OUT)
CD, TAPE/MD, TV SOUND/DBS, VCR1, VCR2, VIDEO, DVD: -21 dBm to -15 dBm (660 nm ±30 nm)
87 dB/80 dB

Frequency Response (8 ohms): PHONO: 20 Hz to 20 kHz (±1 dB)
CD, TAPE/MD, TV SOUND/DBS, VCR1, VCR2, VIDEO, DVD: ±0.5 dB (20 Hz to 20 kHz)

RIAA Phono Equalization: ±0.5 dB (20 Hz to 20 kHz)
Loudness Control (Volume Control at -30 dB): +6 ±1 dB at 100 Hz
+4 ±1 dB at 10 kHz

S.E.A.: Center Frequencies: 100 Hz, 1 kHz, 10 kHz
Control Range: ±1.0 dB ±2 dB

Video

Video Input Sensitivity/Impedance: Composite video: TV SOUND/DBS, VCR1, VCR2, VIDEO, DVD: 1 Vp-p/75 ohms
S-video: TV SOUND/DBS, VCR1, VIDEO, DVD: 1 Vp-p/75 ohms
(Y: luminance): 1 Vp-p/75 ohms
(C: chrominance, burst): 0.286 Vp-p/75 ohms

Video Output Level: Composite video: VCR1, VCR2, MONITOR OUT: 1 Vp-p/75 ohms
S-video: VCR1, MONITOR OUT: 1 Vp-p/75 ohms
(Y: luminance): 1 Vp-p/75 ohms
(C: chrominance, burst): 0.286 Vp-p/75 ohms

69

Synchronization: Negative
Signal-to-Noise Ratio: 45 dB
On-Screen Color System: NTSC

FM tuner (IHF)
Tuning Range: 87.5 MHz to 108.0 MHz

Usable Sensitivity: Monaural: 10.8 dBf (0.95 μV/75 ohms)
50 dB Quieting Sensitivity: Monaural: 16.3 dBf (1.8 μV/75 ohms)
Stereo: 38.3 dBf (22.5 μV/75 ohms)

Signal-to-Noise Ratio (IHF-A weighted): Monaural: 80 dB at 85 dBf
Stereo: 73 dB at 85 dBf

Total Harmonic Distortion: Monaural: 0.15% at 1 kHz
Stereo: 0.2% at 1 kHz

Stereo Separation at REC OUT: 40 dB at 1 kHz
Capture Ratio: 1.5 dB at 85 dBf

Alternate Channel Selectivity: 60 dB: (±400 kHz)

Frequency Response: 30 Hz to 15 kHz: (-0.5 dB, -3 dB)

AM tuner

Tuning Range: 530 kHz to 1,710 kHz

Usable Sensitivity: Loop antenna: 300 μV/m

Signal-to-Noise Ratio: 50 dB (100 mV/m)

General

Power Requirements: AC 120V_~, 60 Hz
Power Consumption: 310 watts/410 VA
2 watts (in standby mode)

Dimensions (W x H x D): 17 1/16 x 6 7/16 x 16 1/4 inches
(435 x 157 x 412.5 mm)

Mass: 26.3 lbs (11.9 kg)

Designs & specifications are subject to change without notice.

70

QUALITY **JVC** SERVICE
HOW TO LOCATE YOUR JVC SERVICE CENTER
TOLL FREE : 1-800-537-5722

Dear customer:
 In order to receive the most satisfaction from your purchase, read the instruction booklet before operating the unit. In the event that repair is necessary, or for the address nearest your location, please refer to the factory service center list below or within the Continental United States, Call 1-800-537-5722 for your authorized servicer. Remember to retain your Bill of Sale for Warranty Service.

—JVC

**JVC SERVICE & ENGINEERING
 COMPANY OF AMERICA**
 DIVISION OF US JVC CORP.

FACTORY SERVICE CENTER LOCATIONS

- | | | |
|---|--|--|
| 107 Little Falls Road
Fairfield, NJ 07004-2105
(201) 808-9279 | 1500 Lakes Parkway
Lawrenceville, GA 30243-5357
(404) 339-2522 | 705 Enterprise Street
Aurora, IL 60504-8149
(708) 851-7855 |
| 5665 Corporate Avenue
Cypress, CA 90630-0024
(714) 229-8011 | 2969 Mapunapuna Place
Honolulu, HI 96819-2040
(808) 833-5828 | 10700 Hammerly, Suite 110
Houston, TX 77043
(713) 935-9331 |
| 230 Elliot Street
Ashland, MA 0172-2377
(508) 881-5923 | 14505 Commerce Way
Miami Lakes, FL 33016-1512
(305) 362-6252 | 880 Dubuque Avenue
South San Francisco, CA 94080-1804
(415) 871-2666 |

Sophisticated electronic products may require occasional service. Just as quality is a keyword in the engineering and production of the wide array of JVC products, service is the key to maintaining the high level of performance for which JVC is world famous. The JVC service and engineering organization stands behind our products.

NATIONAL HEADQUARTERS
 JVC SERVICE & ENGINEERING COMPANY OF AMERICA
 DIVISION OF US JVC CORP.
 107 Little Falls Road
 Fairfield, NJ 07004-2105

If you ship the product •••

Pack your JVC unit in the original carton or one of equivalent size and strength. Enclose, with the unit, a letter stating the problem or symptom that exists and also a copy of the receipt or bill of sale you received when you purchased your JVC unit. Print your home return address on the outside and the inside of the carton. Send to the appropriate JVC Factory Service Center as listed above.

Don't service it yourself.

CAUTION

To prevent electrical shock, do not open the cabinet. No user serviceable parts inside.
 Refer servicing to qualified service personnel.

ACCESSORIES

To purchase accessories for your JVC product, you may contact your local JVC Dealer. Or from the 48 Continental United States call toll free : 800-882-2345

(0694)

JVC LIMITED WARRANTY AUDIO-2

JVC COMPANY OF AMERICA warrants this product and all parts thereof, except as set forth below, ONLY TO THE ORIGINAL PURCHASER AT RETAIL TO BE FREE FROM DEFECTIVE MATERIAL AND WORKMANSHIP from the date of original retail purchase for the period as shown below. (The Warranty Period.)

PARTS	2 YRS	LABOR	2 YRS
-------	-------	-------	-------

THIS LIMITED WARRANTY IS VALID ONLY IN THE FIFTY(50) UNITED STATES, THE DISTRICT OF COLUMBIA AND IN COMMONWEALTH OF PUERTO RICO.

WHAT WE WILL DO:

If the product is found to be defective, JVC will repair or replace defective parts at no charge to the original owner. Such repairs will be made by JVC during normal business hours at JVC authorized service centers. Parts used for replacement are warranted only for the duration of the Warranty Period. All repairs must be brought to a JVC authorized service center on a carry-in basis except for Television sets having a screen size 26 inches and above which are covered on an in-home basis.

WHAT YOU MUST DO FOR WARRANTY SERVICE:

Return your product to a JVC authorized service center with a copy of your bill of sale. For your nearest JVC authorized service center, please call toll free: (800)537-5722. If service is not available locally, box the product carefully, preferably in the original carton, and ship, insured, with a copy of your bill of sale plus and letter of explanation of the problem to the nearest JVC Factory Service Center, the name and location of which will be given to you by the toll-free number. If you have any questions concerning your JVC Product, please contact our Customer Relations Department.

WHAT IS NOT COVERED:

- This limited warranty provided by JVC does not cover:
- Products which have been subject to abuse, accident, alteration, modification, tampering, negligence, misuse, faulty installation, lack of reasonable care, or if repaired or serviced by anyone other than a service facility authorized by JVC to render such service, or if affixed to any attachment not provided with the products, or if the model or serial number has been altered, tampered with, detached or removed;
 - Initial installation and installation and removal for repair;
 - Operational adjustments covered in the Owner's Manual, normal maintenance, video and audio head cleaning;
 - Damage that occurs in shipment, due to act of God, and cosmetic damage;
 - Signal reception problems and failures due to line power surge;
 - Video Pick-up Tubes/CCD Image Sensor, Cartridge, Stylus/Needle) are covered for 90 days from the date of purchase;
 - Accessories;
 - Batteries (except the Rechargeable Batteries are covered for 90 days from the date of purchase);

There are no express warranties except as listed above.

THE DURATION OF ANY IMPLIED WARRANTIES, INCLUDING THE IMPLIED WARRANTY OF MERCHANTABILITY, IS LIMITED TO THE DURATION OF THE EXPRESS WARRANTY HEREIN.

JVC SHALL NOT BE LIABLE FOR THE LOSS OF USE THE PRODUCT, INCONVENIENCE, LOSS OR ANY OTHER DAMAGES, WHETHER DIRECT, INCIDENTAL OR CONSEQUENTIAL (INCLUDING, WITHOUT LIMITATION, DAMAGE TO TAPES, RECORDS OR DISCS) RESULTING FROM THE USE OF THIS PRODUCT, OR ARISING OUT OF ANY BREACH OF THIS WARRANTY. ALL EXPRESS AND IMPLIED WARRANTIES, INCLUDING THE WARRANTIES OF MERCHANTABILITY AND FITNESS FOR PARTICULAR PURPOSE, ARE LIMITED TO THE WARRANTY PERIOD SET FORTH ABOVE.

Some states do not allow the exclusion of incidental or consequential damages or limitations on how long an implied warranty last, so these limitations or exclusions may not apply to you. This warranty gives you specific legal rights and you may also have other rights which vary from state to state.

JVC COMPANY OF AMERICA
 DIVISION OF US JVC CORP.
 41 Slater Drive
 Elmwood Park, New Jersey 07407

REFURBISHED PRODUCTS CARRY A SEPARATE WARRANTY. THIS WARRANTY DOES NOT APPLY. FOR DETAILS OF REFURBISHED PRODUCT WARRANTY, PLEASE REFER TO THE REFURBISHED PRODUCT WARRANTY INFORMATION PACKAGED WITH EACH REFURBISHED PRODUCT.

For customer use:

Enter below the Model No. and Serial No. which is located either on the rear, bottom or side of the cabinet. Retain this information for future reference.

Model No.:

Serial No.:

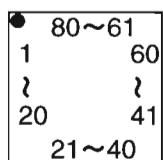
Purchase date:

Name of dealer:

Description of Major ICs

■ MN101C15FAF (IC401) : System Control Micon

1. Terminal Layout

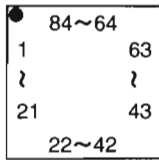


2. Pin Function

Pin No	Symbol	Functions	Pin No	Symbol	Functions
1	GND	Ground	41	VIDEO3	VIDEO 3 signal terminal
2	DVD-S/C	DVD S/C signal select terminal	42	VIDEO4	VIDEO 4 signal terminal
3	VCR1-S/C	VCR1 S/C signal select terminal	43	S.MUTE	Source mute control terminal
4	VIDEO-S/C	VIDEO S/C signal select terminal	44	_____	_____
5	TV-S/C	TV S/C select terminal	45	DSP-COMPLETE	DSP control signal terminal
6	4/8-IN	4 ohm / 8 ohm select signal terminal	46	DSP-REQ	DSP control signal terminal
7	TV SOUND	TV Auto power on	47	_____	_____
8	GND	Ground	48	_____	_____
9	PROTECT	Protect	49	INH-IN	Inhibit signal input terminal
10	GND	Ground	50	DSP-SYS-REQ	DSP control signal terminal
11	VDD	Power supply	51	DSP-RESET	DSP reset signal terminal
12	OSC2	Oscillation terminal	52	M/CS	Control signal from IC400
13	OSC1	Oscillation terminal	53	M-RESET	Reset signal from IC400
14	Vss	Ground	54	STATUS	Status signal from IC400
15	XI	Ground	55	COMMAND	Command signal from IC400
16	XO	Ground	56	MCLK	Clock signal from IC400
17	GND	Ground	57	SEA-CLK	SEA clock signal from terminal
18	_____	Text signal input terminal	58	SEA-DATA	SEA data signal terminal
19	_____	Text signal output terminal	59	VL/VH	Connect to power supply board
20	MASTER	Master signal terminal	60	4/8 OUT	4 ohm / 8 ohm select signal terminal
21	DSP-COMMAND	DSP control signal terminal	61	GND	Ground
22	DSP-STATUS	DSP control signal terminal	62	GND	Ground
23	DSP-CK	DSP control signal terminal	63	VOL-STB	Volume strobo signal terminal
24	GND	Ground	64	VOL-DATA	Volume data signal terminal
25	RESET-IN	Reset signal input terminal	65	VOL-CLK	Volume clock signal terminal
26	TUNER-CE	Tuner chip enable	66	SW-STB	Switch strobo signal terminal
27	TUNER-CLK	Tuner clock signal terminal	67	OTO-LED	OTO LED signal terminal
28	TUNER-STATUS	Tuner control signal terminal	68	D.DIGITAL	Dolby LED (Digital)
29	TUNER-COMMAND	Tuner control signal terminal	69	FR-RELAY1	Relay 1 signal terminal
30	TUNER-MUTE	Tuner mute signal terminal	70	FR-RELAY2	Relay 2 signal terminal
31	TUNER-IN	Tuner signal input terminal	71	CNTR-RELAY	Center speaker relay terminal
32	STEREO-IN	Stereo signal input terminal	72	SUR-RELAY	Surround speaker relay terminal
33	_____	_____	73	HP-RELAY	Head Phone relay terminal
34	M-BUSY	Busy signal from IC400	74	DOLBY	Dolby LED (PROLOGIC)
35	_____	_____	75	C.TONE3	Center tone 3 signal terminal
36	OSD-DATA	OSD data signal input terminal	76	C.TONE2	Center tone 2 signal terminal
37	OSD-STB	OSD standby signal terminal	77	C.TONE1	Center tone 1 signal terminal
38	OSD-CLK	OSD clock signal terminal	78	LED-LCK	LED latch clock signal terminal
39	VIDEO1	VIDEO 1 signal terminal	79	LED-DATA	LED data signal terminal
40	VIDEO2	VIDEO 2 signal terminal	80	LED-CLK	LED clock signal terminal

■ MN172412JABZ (IC400) : FL Tube Drive Control Micon

1. Terminal Layout

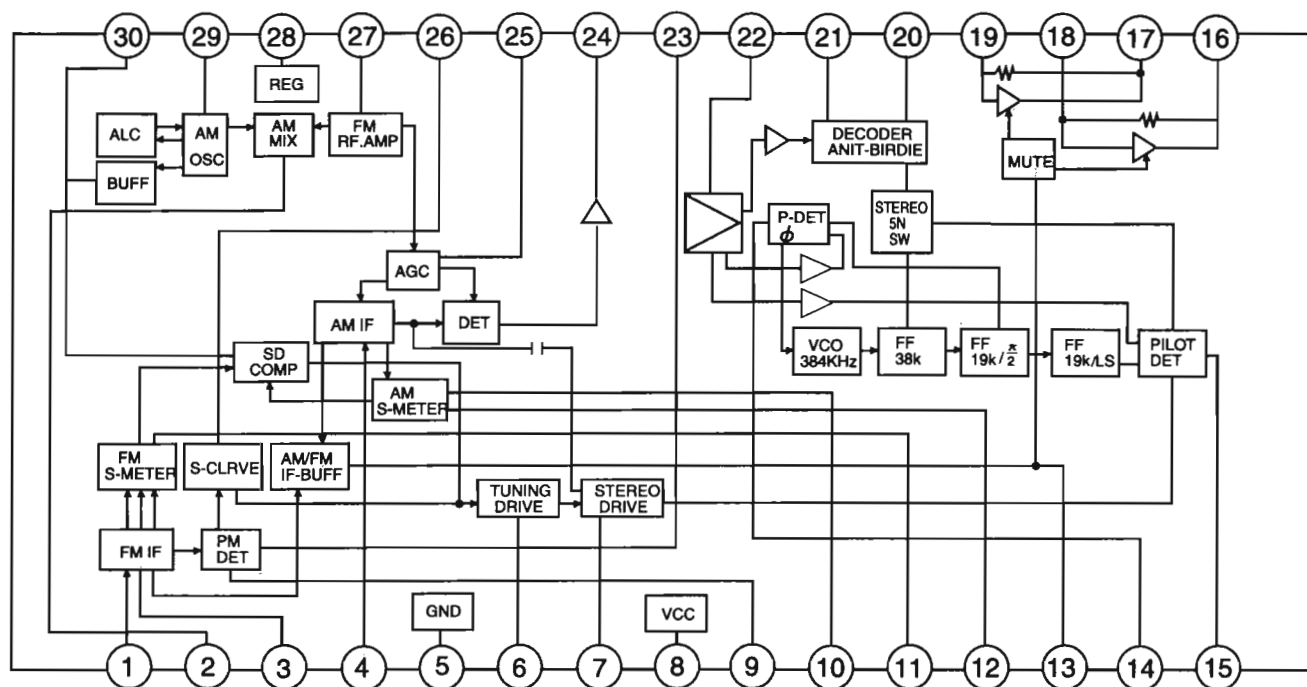


2. Pin Function

Pin No	Symbol	Functions	Pin No	Symbol	Functions
1	S22	Segment controlsignal output	43	JOG4	Connect to volume
2	S21	Segment controlsignal output	44	MBUSY	Busy signal to IC401
3	S20	Segment controlsignal output	45	MCLK	Clock signal to IC401
4	S19	Segment controlsignal output	46	COMMAND	Command signal to IC401
5	S18	Segment controlsignal output	47	STATUS	Status signal fot IC 401
6	S17	Segment controlsignal output	48	M/CS	Control signal to IC401
7	S16	Segment controlsignal output	49	RM	Remocon signal terminal
8	S15	Segment controlsignal output	50	VCRI	Compulink signal input
9	S14	Segment controlsignal output	51	DCSI	Compulink signal input
10	S13	Segment controlsignal output	52	DCSO	Compulink signal output
11	S12	Segment controlsignal output	53	VCRO	Compulink signal output
12	S11	Segment controlsignal output	54	TVO	Compulink output
13	S10	Segment controlsignal output	55	TVC	Compulink control output
14	S9	Segment controlsignal output	56	JOG5	Connect to mullti jog
15	S8	Segment controlsignal output	57	JOG6	Connect to mullti jog
16	S7	Segment controlsignal output	58	POWER	From power supply
17	S6	Segment controlsignal output	59	STANDBY	Standby signal terminal
18	S5	Segment controlsignal output	60	KI3	Key matrix input
19	S4	Segment controlsignal output	61	KI2	Key matrix input
20	S3	Segment controlsignal output	62	KI1	Key matrix input
21	S2	Segment controlsignal output	63	KI0	Key matrix input
22	S1	Segment controlsignal output	64	S36	Segment controlsignal output
23	VPP	Powe supply fot FL display	65	S35	Segment controlsignal output
24	G14	Grid control signal output	66	S34	Segment controlsignal output
25	G13	Grid controlsignal output	67	S33	Segment controlsignal output
26	G12	Grid controlsignal output	68	RST	Reset signal input
27	G11	Grid controlsignal output	69	X1	Connect to ground
28	G10	Grid controlsignal output	70	X2	No use
29	G9	Grid controlsignal output	71	VSS	Connect to ground
30	G8	Grid controlsignal output	72	OSC2	Oscillation terminal
31	G7	Grid controlsignal output	73	OSC1	Osillation terminal
32	G6	Grid controlsignal output	74	VDD	Power supply
33	G5	Grid controlsignal output	75	S32	Segment controlsignal output
34	G4	Grid controlsignal output	76	S31	Segment controlsignal output
35	G3	Grid controlsignal output	77	S30	Segment controlsignal output
36	G2	Grid controlsignal output	78	S29	Segment controlsignal output
37	————	Connect to Q408	79	S28	Segment controlsignal output
38	————	Connect to Q407	80	S27	Segment controlsignal output
39	G1	Grid controlsignal output	81	S26	Segment controlsignal output
40	JOG1	Connect to source selector	82	S25	Segment controlsignal output
41	JOG2	Connect to source selector	83	S24	Segment controlsignal output
42	JOG3	Connect to volume	84	S23	Segment controlsignal output

■ LA1837(IC102): FM AM IF AMP&detector, FM MPX Decoder

1. Block Diagram



3. Pin Function

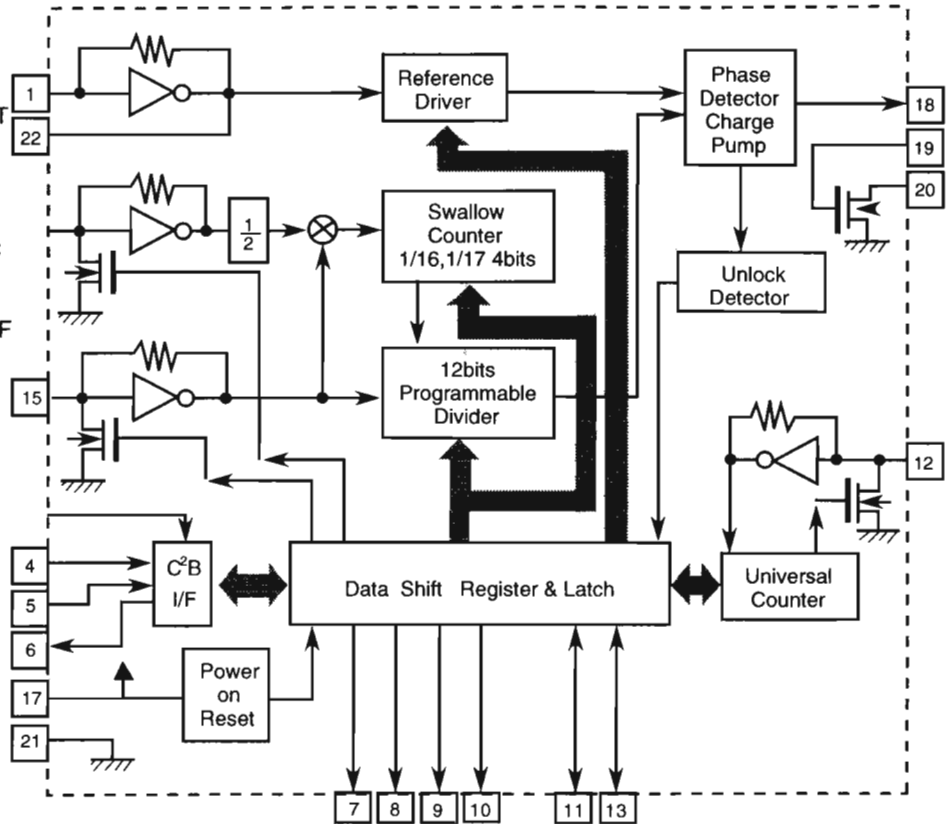
Pin No.	Symbol	I/O	Function	Pin No.	Symbol	I/O	Function
1	FM IN	I	This is an input terminal of FM IF signal.	16	L OUT	O	Left channel signal output.
2	AM MIX	O	This is an out put terminal for AM mixer.	17	R OUT	O	Right channel signal output.
3	FM IF	I	Bypass of FM IF	18	L IN	I	Input terminal of the Left channel post AMP.
4	AM IF	I	Input of AM IF Signal.	19	R IN	I	Input terminal of the Right channel post AMP.
5	GND	-	This is the device ground terminal.	20	RO	O	Mpx Right channel signal output.
6	TUNED	O	When the set is tuning,this terminal becomes "L".	21	LO	O	Mpx Left channel signal output.
7	STEREO	O	Stereo indicator output. Stereo "L", Mono: "H"	22	IF IN	I	Mpx input terminal
8	VCC	-	This is the power supply terminal.	23	FM OUT	O	FM detection output.
9	FM DET	-	FM detect transformer.	24	AM DET	O	AM detection output.
10	AM SD	-	This is a terminal of AM ceramic filter.	25	AM AGC	I	This is an AGC voltage input terminal for AM
11	FM VSM	O	Adjust FM SD sensitivity.	26	AFC	-	This is an output terminal of voltage for FM-AFC.
12	AM VSM	O	Adjust AM SD sensitivity.	27	AM RF	I	AM RF signal input.
13	MUTE	I/O	When the signal of IF REQ of IC121(LC72131) appear, the signal of FM/AM IF output. //Muting control input.	28	REG	O	Register value between pin 26 and pin28 desides the frequency width of the input signal.
14	FM/AM	I	Change over the FM/AM input. "H" :FM, "L" : AM	29	AM OSC	-	This is a terminal of AM Local oscillation circuit.
15	MONO/ST	O	Stereo : "H", Mono: "L"	30	OSC BUFFER	O	AM Local oscillation Signal output.

■ LC72131(IC121):PLL Synthesizer

1. Terminal Layout

XIN	1	22	XOUT
PLLCE	3	21	VSS
PLLDA	4	20	LPF OUT
PLLCK	5	19	LPF IN
IFDATA	6	18	PD
	7	17	VDD
FM	8	16	FM OSC
MW	9	15	AM OSC
LW	10	14	
AUTO/MONO	11	13	IF REQ
POWER		12	FM/AM IF

2. Block Diagram

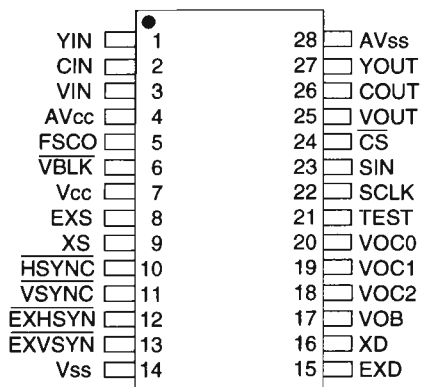


3. Pin Functions

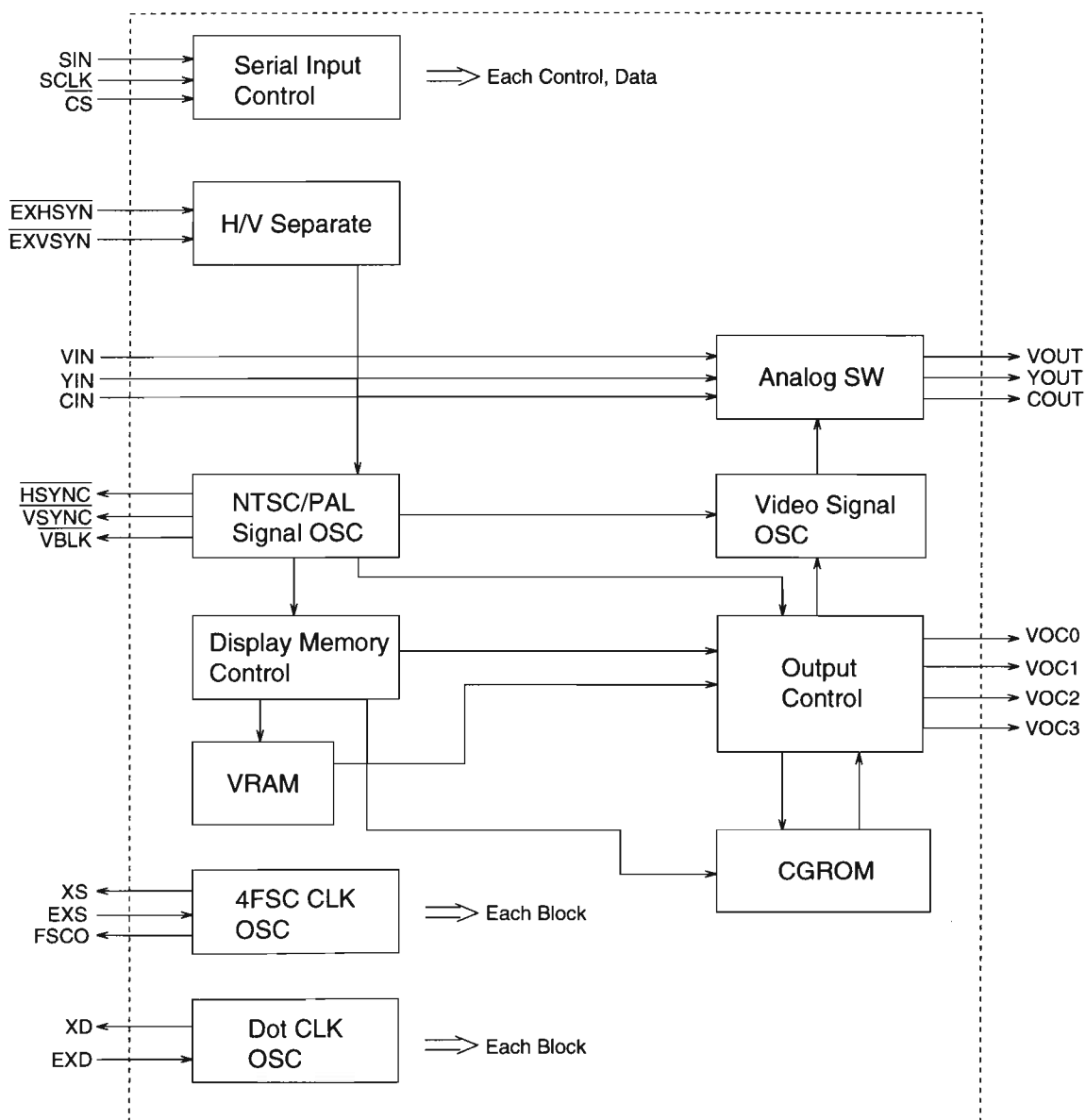
Pin No.	Symbol	I/O	Functions	Pin No.	Symbol	I/O	Functions
1	Xin	I	Crystal oscillator (7.2MHz).	12	FM/AM IF	I	Universal counter input
2		--	Not use	13	IF REQ	O	Output the "IF-signal request" to IC102
3	PLLCE	I	Fix the chip enable to "H" when inputting (DI) and outputting (DO) the serial data	14		I	Not use
4	PLLDA	I	Receive the control data from the controller (IC801).	15	AMOSC	I	Input the local oscillator signal of AM.
5	PLLCK	I	This clock is used to synchronize data when transmitting the data of DI and DO.	16	FM OSC	I	Input the local oscillator signal of FM.
6	IFDATA	O	Transmit the data from LC72131 to the controller which is synchronized with CK.	17	VDD	O	This is a terminal of power supply.
7	FM	O	It is "L" on FM mode.	18	PD	O	PLL charge pump output : When the local oscillator signal frequency is higher than the reference frequency high level signals will output. When it is lower than the reference frequency, low level signals will output. When it is same as reference frequency signals, it will be floating.
8	MW	O	It is "L" on MW mode.	19	LPF IN	I	Transistor used for the PLL active low-pass filter
9	LW	O	It is "L" on LW mode.	20	LPF OUT	O	Transistor used for the PLL active low-pass filter
10	AUTO MONO	O	It is "L" on monaural, "L" on auto	21	VSS	--	Connected toGND
11	POWER	O	Regulator control signal P ON "H", STANDBY "L"	22	X out	O	Crystal oscillator(7.2MHz).

■ MB90089 (IC203) :

1. Terminal Layout



2. Block Diagram



3.Functions

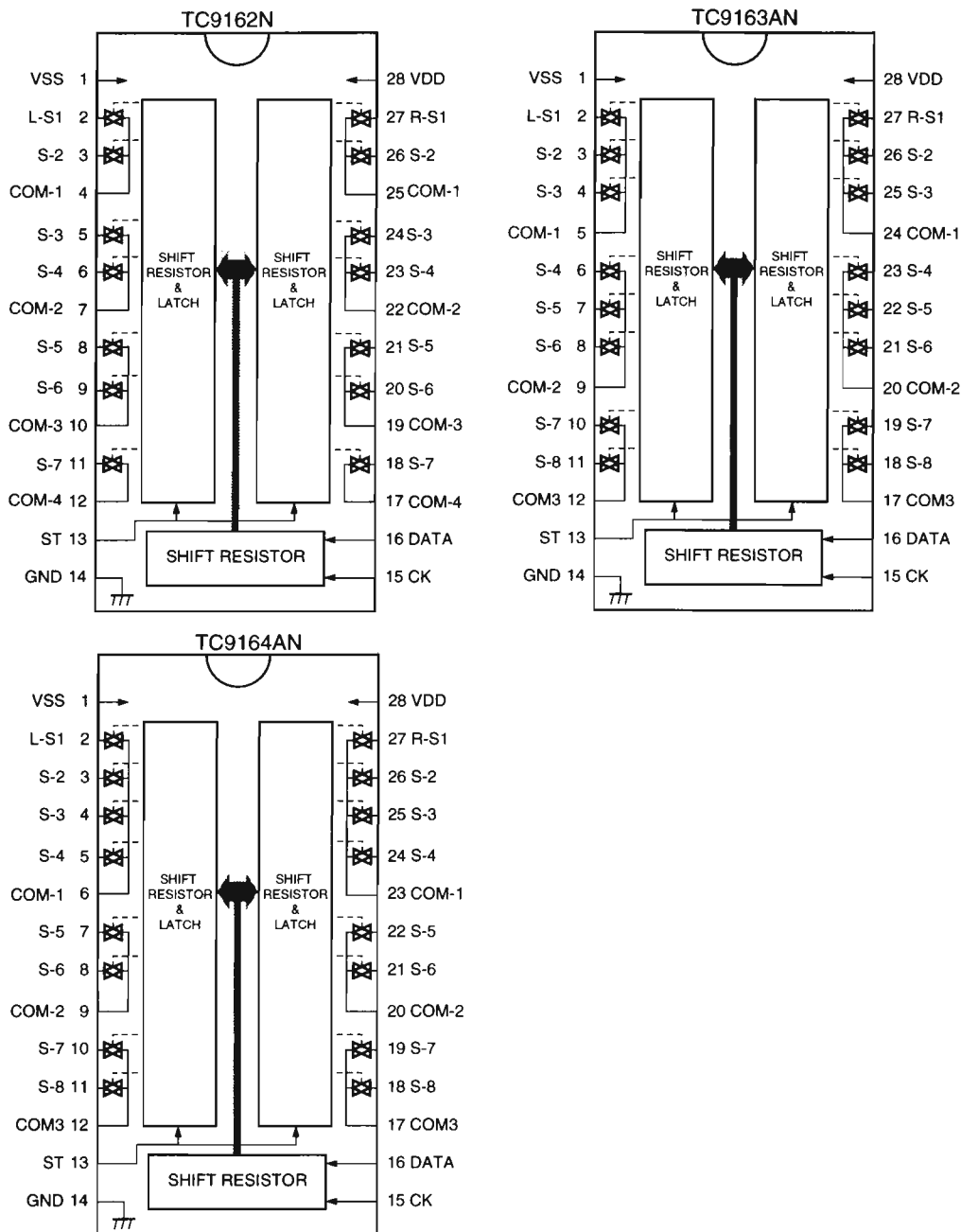
pin no	Symbol	I/O	Function
1	YIN	I	Lux signal Input terminal for Superinpause indocation
2	CIN	I	Contrast signal input terminal for Superinpause indication
3	VIN	I	Composit video signal input terminal for Superinpause indication
4	AVcc	-	Analog power supply terminal
5	FSCO	O	Internal collar barst phase indication signal
6	VBLK	O	Verticak blanking signal output terminal
7	Vcc	-	Power supply terminal
8	EXS	I	Clock generater outside circuit terminal for collar barst
9	XS	O	
10	HSYNC	O	Horizontal signal output terminal
11	VSYN	O	Vertical signal output terminal
12	EXHSYN	I	EXT horizontal signal input terminal
13	EXVSYN	I	EXT vertical signal input terminal
14	Vss	-	GND
15	EXD	I	Dot clock generater outside circuit signal terminal for indication
16	XD	O	
17	VOB	O	Character & background signal output terminal
18	VOC2	O	Collar signal output terminal
19	VOC1		
20	VOC0		
21	TEST	I	Test signal input terminal
22	SCLK	I	Shift clock input terminal for serial transmission
23	SIN	I	Serial data input terminal
24	CS	I	Tip select terminal
25	VOUT	O	Composit video signal output terminal
26	COUT	O	Contrast signal output terminal
27	YOUT	O	Lux signal output terminal
28	AVss	-	Anarog GND terminal

■ TC9162AN (IC321), TC9163AN (IC311), TC9164AN (IC304): Electrical Volume

1.Function

Switch to On/Off of S1 to S8 by control of LSI.

2.Terminal Lay out & Block Diagram



3.Corespondance of Switch & Data

S1~S8 are "1" position to ON by bit1~8 of Serial Data.

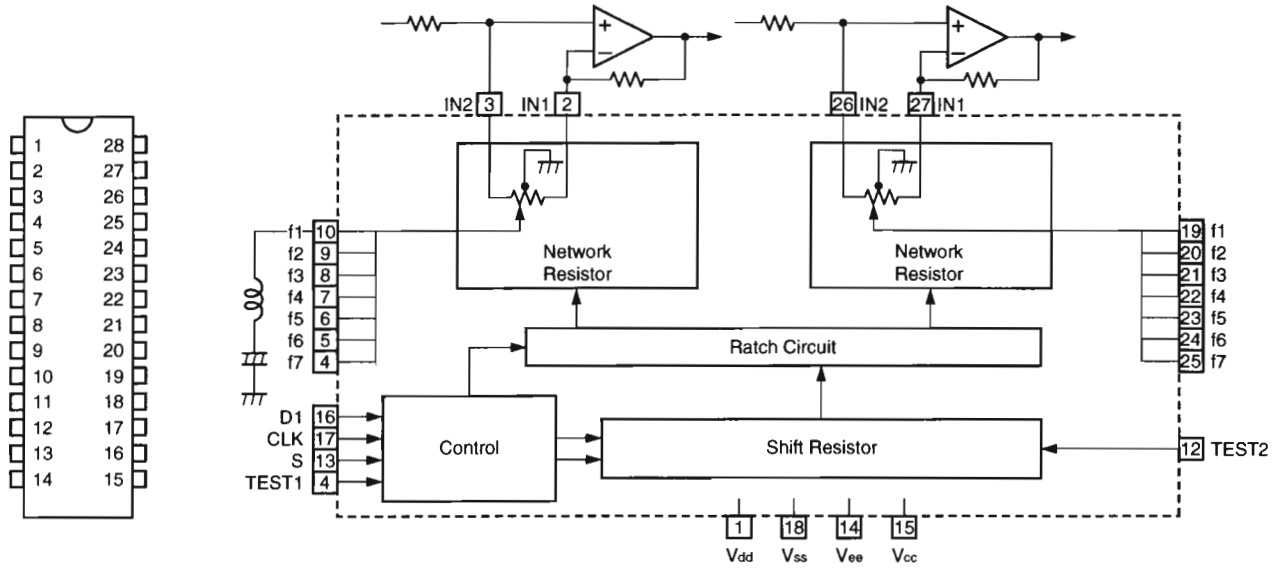
S9 is Right,S10 is Left Switch to ON/OFF. TC9162,TC9163 and TC9164 are select by bit11~14.

	Switch Select bit										Switch Select bit			
	S1	S2	S3	S4	S5	S6	S7	S8	S9	S10	S11	S12	S13	S14
TC9162N	S1~S8 are "0" position to ON by bit1~8 of Serial Data.										0	0	0	0
TC9163N	S1~S8 are "1" position to ON by bit1~8 of Serial Data.										1	0	0	0
TC9164N	S1~S8 are "1" position to ON by bit1~8 of Serial Data.										0	1	0	0

■ LC7522(IC451) : SEA Control

1.Terminal

2.Brock Diagram

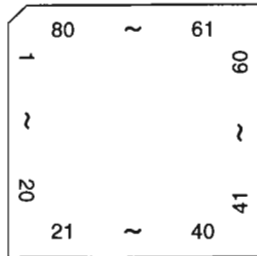


3.Function

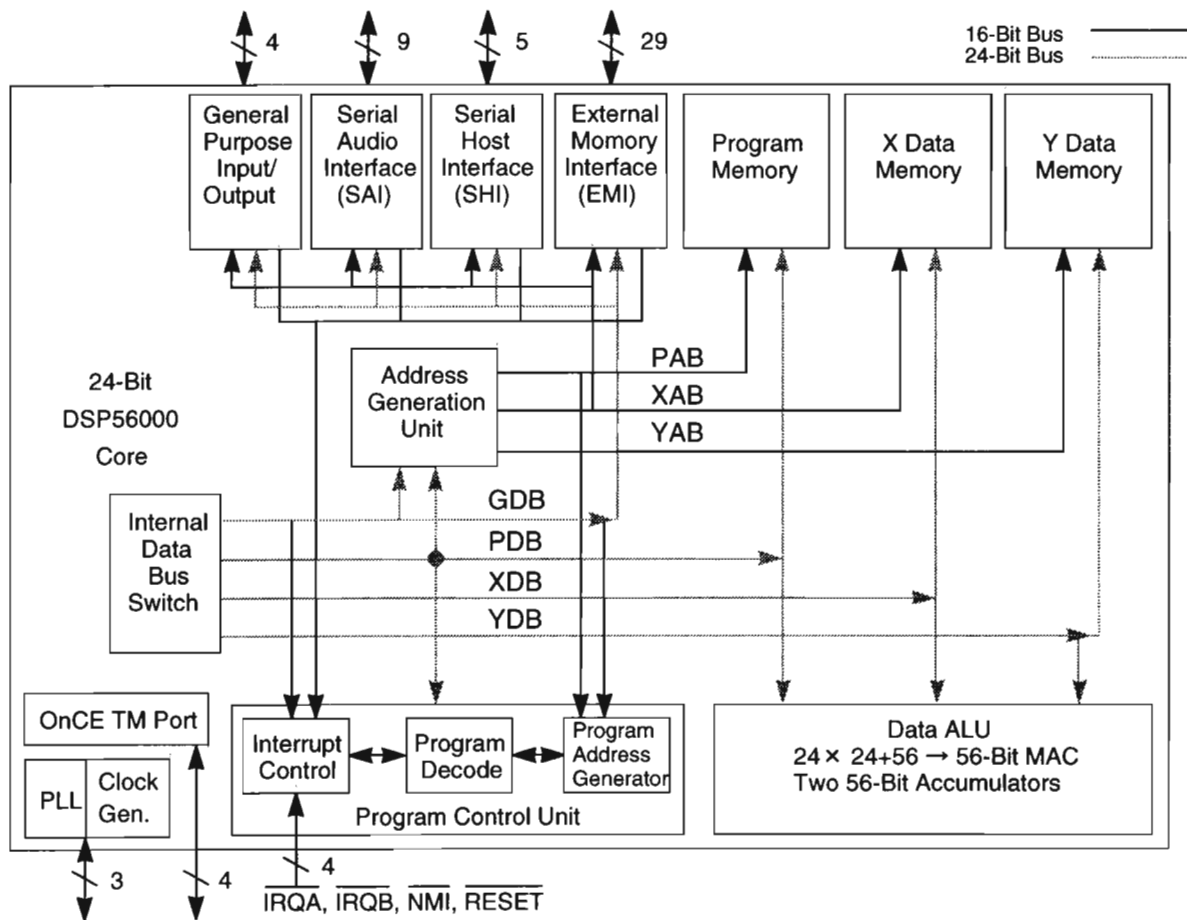
Pin No.	Symbole	Function
1	V _{DD}	Power Supply terminal for Audio signal +7V(typ)
18	V _{SS}	Power Supply terminal 0V
14	V _{EE}	Power Supply terminal for Audio signal. Single channel use, joint VSS.
15	V _{CC}	Power Supply terminal +5V(typ)
2,27 3,26	IN 1 IN 2	Audio signal Input terminal IN1 joint oposit input of Operation amp. IN2 joint unoposit input of Operation amp. It have Right and Left.
16	D1	Data input terminal from CPU Shumit inverter style
17	CLK	Clock input terminal from CPU Shumit inverter style
4~10 19~25	f1~f7	Joint terminal of B.P.F. f1~f7 × Right, Left Total 14 terminal
11 12	TEST1 TEST2	Internal test terminal of IC It can use open condition
13	S	Select terminal for 2 tip use "1" input, key code 7C3→VDD joint "0" input, key code 7C2→VEE joint
28	NC	No use

■ XCF56009FJ88 (IC631) : DSP Signal Processor

1. Terminal Lay out



2. Block Diagram

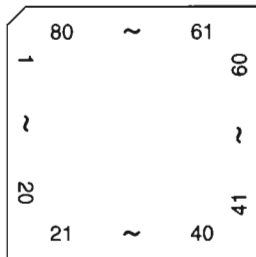


3.Pin function

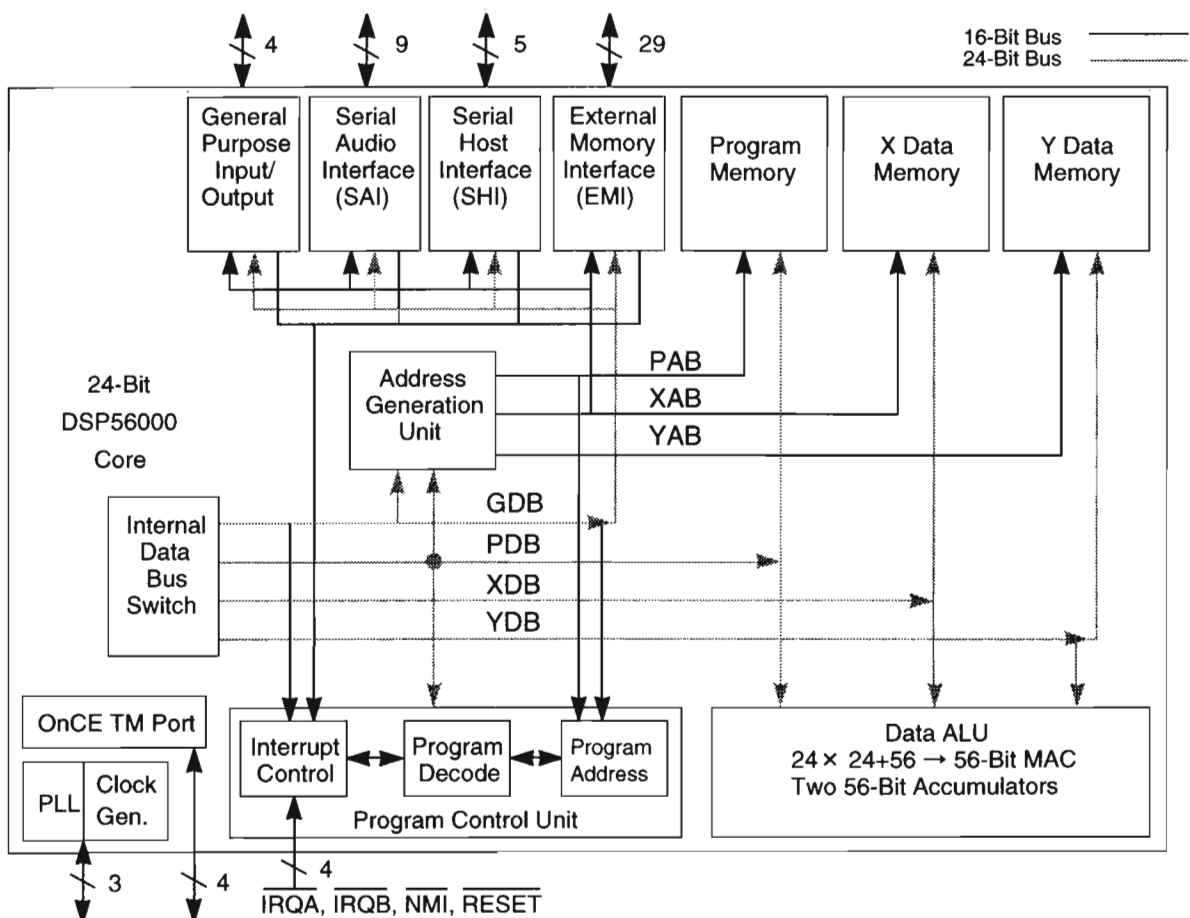
Pin No	Symbol	I/O	Function	Pin No	Symbol	I/O	Function
1	GND A	---	Ground	41	MOSI	I/O	SPI Master-Out-Slave-In
2	MCS0	O	No use	42	SS	I	SPI Slave Select
3	MCS3	O	No use	43	HRQE	I/O	Host Request
4	MA14	O	No use	44	GNDS	---	Ground
5	MA13	---	No use	45	SDO2	O	No use
6	VCCA	O	Address Bus Power	46	SDO1	O	Serial Data Output
7	MA12	---	No use	47	SDO0	O	Serial Data Output
8	GND A	---	Ground	48	VCCS	---	Serial Interface Power
9	VCCQ	---	Quiet Power	49	SCKT	I/O	Serial Clock Transmit
10	GNDQ	O	Ground	50	WST	I/O	Word Select Transmit
11	MA11	O	No use	51	SCKR	I/O	Receive Serial Clock
12	MA10	O	No use	52	GNDQ	---	Ground
13	MA9	O	No use	53	VCCQ	---	Quiet Power
14	MA8	---	No use	54	GNDS	---	Ground
15	GND A	O	Ground	55	WSR	I/O	Word Select Receive
16	MA7	---	No use	56	SDI1	I	Serial Data Input
17	VCCA	O	Address Bus Power	57	SDI0	I	Serial Data Input
18	MA6	O	No use	58	DSO	O	No use
19	MA5	O	No use	59	DSI	I	No use
20	MA4	---	No use	60	D \overline SCK	I	No use
21	GND A	O	Ground	61	DR	I	Debug Request
22	MA3	O	No use	62	MD7	I/O	No use
23	MA2	O	No use	63	MD6	I/O	No use
24	MA1	O	No use	64	MD5	I/O	No use
25	MA0	I	No use	65	MD4	I/O	No use
26	SCK	I	SPI Serial Clock	66	GNDD	---	Ground
27	EXTAL	---	External Clock/Crystal	67	MD3	I/O	No use
28	VCCQ	---	Quiet Power	68	MD2	I/O	No use
29	GNDQ	I	Ground	69	MD1	I/O	No use
30	PINIT	---	Ground	70	VCCD	---	Data Bus Power
31	GNDP	I	Ground	71	MD0	I/O	No use
32	PCAP	---	PLL Filter Capacitor	72	GNDD	---	Ground
33	VCCP	---	PLLn Power	73	GPIO3	I/O	No use
34	GNDS	I/O	Ground	74	GPIO2	I/O	No use
35	MISO	I	SPI Master-In-Slave -Out	75	GPIO1	I/O	No use
36	RESET	I	Reset	76	GPIO0	I/O	Control Signal with IC641
37	MODA	I	Mode Select	77	MRDO	O	No use
38	MODB	I	Ground	78	MWR	O	No use
39	MODC	I	Mode Select	79	MCS1	O	No use
40	VCCS	---	Serial Interface Power	80	MCS2	O	No use

■ XCB56007FJ88 (IC641) : DSP Signal Processor

1. Terminal Layout



2. Block Diagram

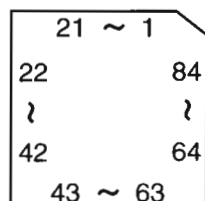


3. Functions

Pin No	Symbol	I/O	Function	Pin No	Symbol	I/O	Function
1	GNDA	---	Ground	41	MOSI	I/O	SPI Master-Out-Slave-In
2	MCS0	O	Memory Chip Select	42	SS	I	SPI Slave Select
3	MCS3	O	No use	43	HRQE	I/O	Host Request
4	MA14	O	Memory Address	44	GNDS	---	Ground
5	MA13	O	Memory Address	45	SDO2	O	Serial Data Output
6	VCCA	---	Address Bus Power	46	SDO1	O	Serial Data Output
7	MA12	O	Memory Address	47	SDO0	O	Serial Data Output
8	GNDA	---	Ground	48	VCCS	---	Serial Interface Power
9	VCCQ	---	Quiet Power	49	SCKT	I/O	Serial Clock Transmit
10	GNDQ	---	Ground	50	WST	I/O	Word Select Transmit
11	MA11	O	Memory Address	51	SCKR	I/O	Receive Serial Clock
12	MA10	O	Memory Address	52	GNDD	---	Ground
13	MA9	O	Memory Address	53	VCCQ	---	Quiet Power
14	MA8	O	Memory Address	54	GNDS	---	Ground
15	GNDA	---	Ground	55	WSR	I/O	Word Select Receive
16	MA7	O	Memory Address	56	SDI1	I	Serial Data Input
17	VCCA	---	Address Bus Power	57	SDI0	I	Serial Data Input
18	MA6	O	Memory Address	58	DSO	O	No use
19	MA5	O	Memory Address	59	DSI	I/O	No use
20	MA4	O	Memory Address	60	DSCK	I/O	No use
21	GNDA	---	Ground	61	DR	I	Debug Request
22	MA3	O	Memory Address	62	MD7	I/O	Data Bus
23	MA2	O	Memory Address	63	MD6	I/O	Data Bus
24	MA1	O	Memory Address	64	MD5	I/O	Data Bus
25	MA0	O	Memory Address	65	MD4	I/O	Data Bus
26	SCK	I/O	SPI Serial Clock	66	GND0	---	Ground
27	EXTAL	I	External Clock/Crystal	67	MD3	I/O	Data Bus
28	VCCQ	---	Address Bus Power	68	MD2	I/O	Data Bus
29	GNDQ	---	Ground	69	MD1	I/O	Data Bus
30	PINIT	I	Ground/PLL Initialization	70	VCCD	---	Data Bus Power
31	GNDP	---	Ground	71	MD0	I/O	Data Bus
32	PCAP	I	PLL Filter Capacitor	72	GND0	---	Ground
33	VCCP	---	PLL Power	73	GPIO3	I/O	No use
34	GNDS	---	Ground	74	GPIO2	I/O	No use
35	MISO	I/O	SPI Master-In-Slave-Out	75	GPIO1	I/O	No use
36	RESET	I	Reset	76	GPIO0	I/O	Control Signal with IC631
37	MODA	I	Mode Select	77	MRD	O	Memory Read Strobe
38	MODB	I	Ground	78	MWR	O	Memory Write strobe
39	MODC	I	Mode Select	79	MCS1	O	No use
40	VCCS	---	Serial Interface Power	80	MCS2	O	No use

■ MN173222JAP(IC671) : System Control Micon

1. Terminal Layout



2. Key Matrix

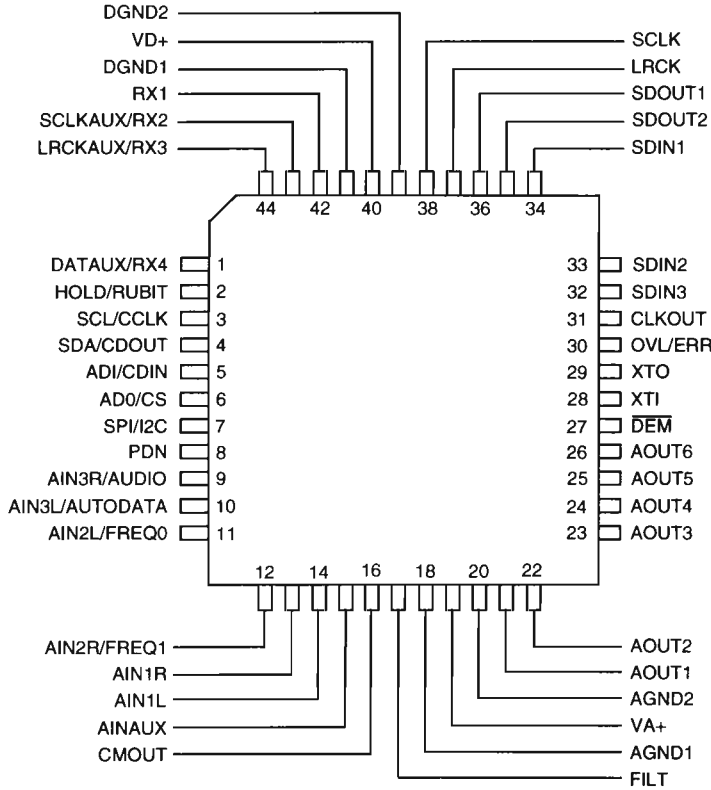
	KEY IN 0	KEY IN 1	KEY IN 2	KEY IN 3
KEY OUT 0	POWER S401	DVD MULTI S419	—	—
KEY OUT 1	SURROUND S402	PRESET SEA S403	TUNER/BAND S404	SETTING S405
KEY OUT 2	SOURCE S406	ADJUST S407	ONE TOUCH OPERATION S408	MEMORY S409
KEY OUT 3	◁ S410	▷ S411	△ S412	▽ S413

3. Pin Function

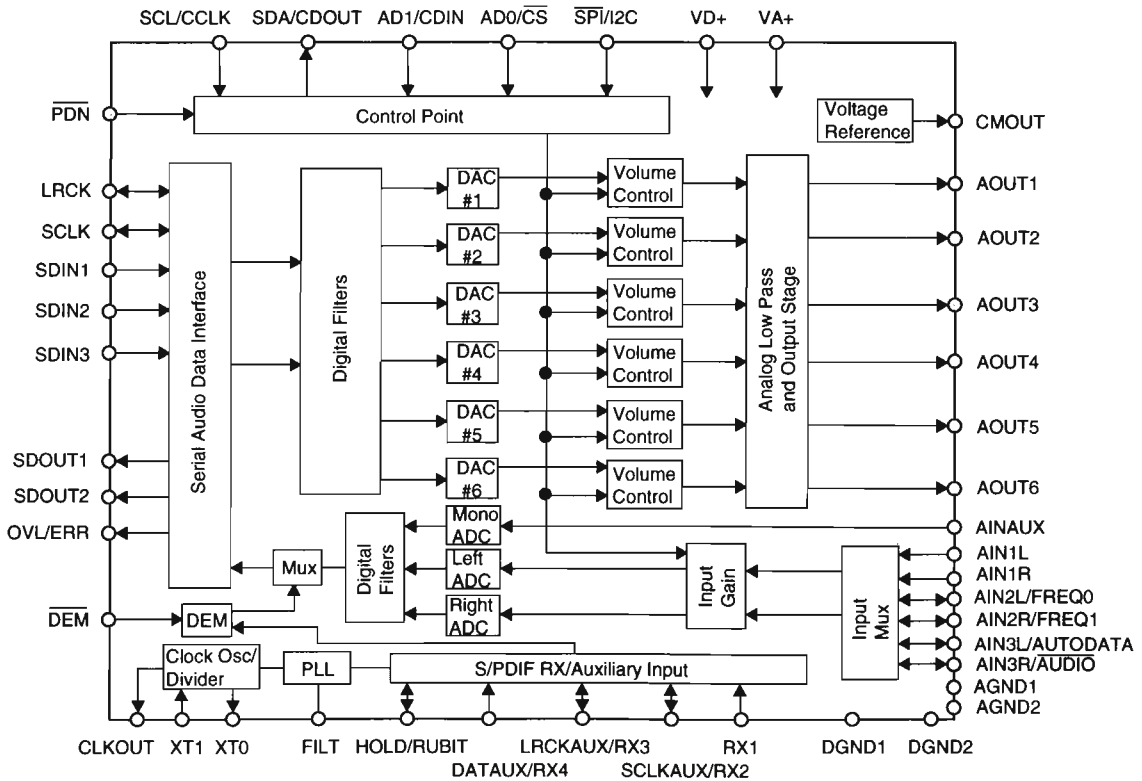
Pin No.	Synbol	I/O	Function	Pin No.	Synbol	I/O	Function
1~22	DGT1 to 22	O	Grid control signal output	57	TBL3	O	CCS
23	Vpp	--		58	TBL4	O	CDIN
24~39	Seg1 to15	O	Segment control signal output	59	TBL5	I	CDOUT
40	Bz	O	COMPLETE	60	TBL6	O	CCLK
41	SBTBT	O	DCLK	61	TBL7	I	REQ/09
42	SBTB	I	DOUT	62	TBL8	O	CS/09
43	SBTB	O	DIN	63	TBL9	O	RESET/09
44	TCO	O	DAPREQ	64	P50	I	REQ/07
45	SBTA	I	SCK	65	P51	O	CS/07
46	SBTA	I	SYSDATA	66	P52	O	RESET/07
47	SBOA	OI	DAPDATA	67	P53	I	GPIO/07
48	IRQ0	I	SYSREQ	68	RST	I	RESET
49	IRQ1	I	GPIO/09	69	X1	I	Ground
50	TCIB	I		70	X2	O	Open
51	TCIA	I	FREQ1	71	VSS	--	Ground
52	IRQ2	I	OVL/ERR	72	OSC2	O	Joint to crystal osc.
53	IRQ3	I	AUTODATA	73	OSC1	I	Joint to crystal osc.
54	TBL0	I	FREQ0	74	VDD	--	+5V
55	TBL1	I	AUDIO	75 to 84	DGT31 to 22	O	Grid control signal output
56	TBL2	O	PDOWN				

■ CS4226-KQ (IC601) : D/A, A/D Converter

1. Terminal Layout



2. Block Diagram



3.Functions

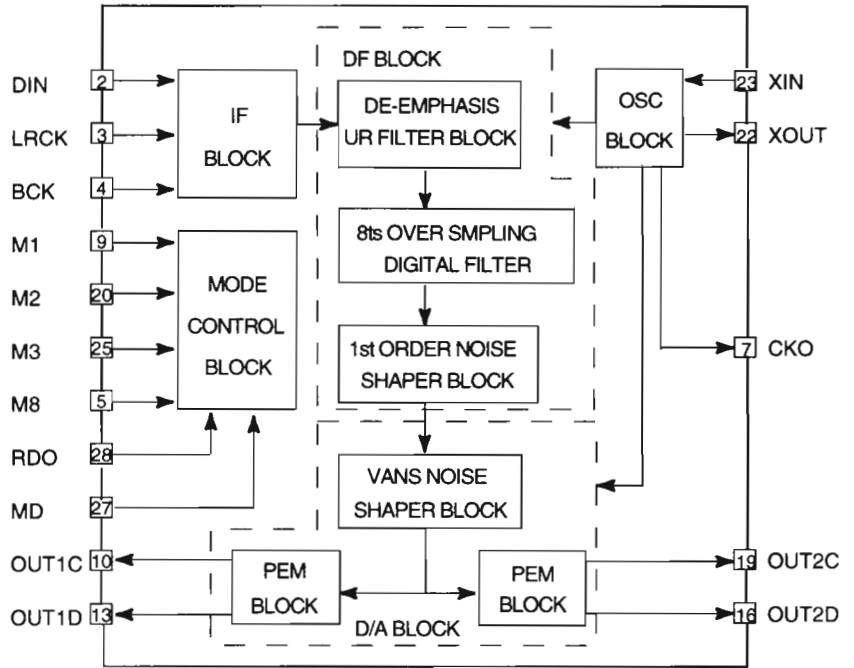
pin no	Symbol	Function
1	DATAUX/RX4	Auxiliary Dat Input / Receiver Channel 4
2	HOLD/RUBIT	S/PDIF Received User Bit / Hold Control
3	SLC/CCLK	Serial Control Interface Clock
4	SDA/CDOUT	Serial Control Data Out
5	ADI/CDIN	Address Bit / Serial Control Data In
6	AD0/ \overline{CS}	Address Bit / Control Port Chip Select
7	SPI/I2C	Analog ground
8	PDN	Powerdown Pin
9	AIN3R/ \overline{AUDIO}	Right Channel Mux Input 3/AC3 and MPEG
10	AIN3L/AUTODATA	Left Channel Mux Input 3/AC3 and MPEG
11	AIN2L/FREQ0	Left Channel Mux Input 2/Channel Status Freq. Bits
12	AIN2R/FREQ1	Right Channel Mux Input 2/Channel Status Freq. Bits
13	AIN1R	Right Channel Mux Input 1
14	AIN1L	Left Channel Mux Input 1
15	AINAUX	Analog ground
16	CMOUT	Common Mode Output
17	FILT	PLL Loop Filter Pin
18	AGND1	Analog Ground
19	VA+	Analog Power Input
20	AGND2	Analog Ground
21	AOUT1	Audio Outputs
22	AOUT2	Audio Outputs
23	AOUT3	Audio Outputs
24	AOUT4	Audio Outputs
25	AOUT5	Audio Outputs
26	AOUT6	Audio Outputs
27	\overline{DEM}	Analog ground
28	XTI	Crystal Connections
29	XTO	Crystal Connections
30	OVL/ERR	Overload Indicator
31	CLKOUT	Master Clock Output
32	SDIN3	Serial Data Input 3
33	SDIN2	Serial Data Input 2
34	SDIN1	Serial Data Input 1
35	SDOUT2	Serial Data Out put 2
36	SDOUT1	Serial Data Out put 1
37	LRCK	Left / Right Select Signal I/O
38	SCLK	DSP Serial Port Clock I/O
39	DGND2	Analog ground
40	VD+	Analog Power Input
41	DGND1	Analog Ground
42	RX1	Receiver Channel 1
43	SCLKAUX/RX2	Auxiliary Bit Clock Input or Output / Receiver Channel 2
44	LRCKAUX/RX3	Auxiliary Word Clock Input or Output / Receiver Channel 3

■ MN35503 (IC621) : D/A CONVERTER

1. Terminal Layout

MA	1	28	PDO
DIN	2	27	MD
LRCK	3	26	MC
BCK	4	25	M3
MB	5	24	DVDD1
DVDD2	6	23	XIN
CKO	7	22	XOUT
DVSS2	8	21	DVSS1
M1	9	20	M2
OUT1C	10	19	OUT2C
NC	11	18	NC
AVDD1	12	17	AVDD2
OUT1D	13	16	OUT2D
AVSS1	14	15	AVSS2

2. Block Diagram

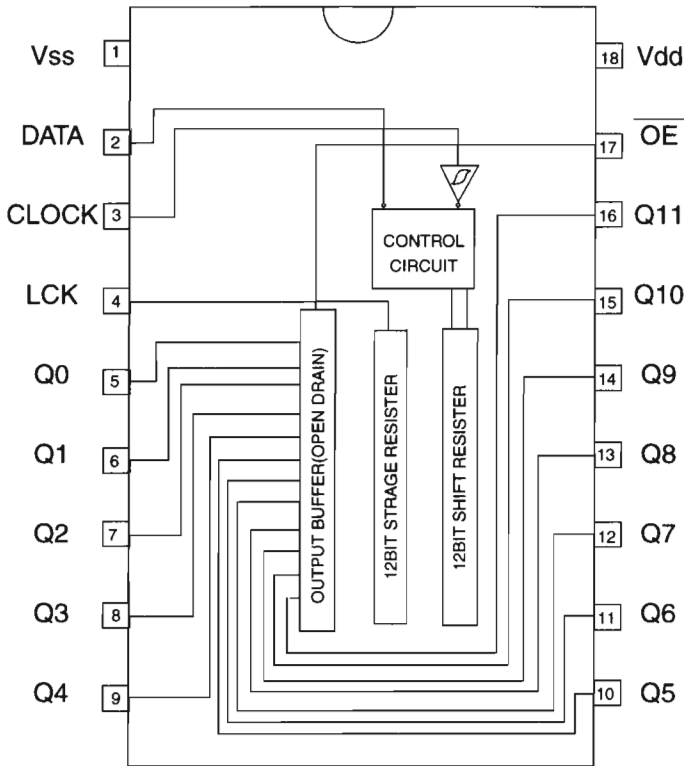


3. Description

Pin No.	Symbol	I/O	Description	Pin No.	Symbol	I/O	Description
1	MA	--	Analog power supply	15	AVSS2	--	Analog ground 2
2	DIN	I	Data input	16	OUT2D	O	2D PEM output
3	LRCK	I	LR clock input	17	AVDD2	--	Analog power supply 2
4	BCK	I	8bit clock input	18	NC	--	Non connection
5	MB	I	De-emphasis ON signal	19	OUT2C	O	"C PEM output
6	DVDD2	--	Analog power supply 2	20	M2	--	Connected to ground
7	CKO	I	Clock output	21	DVSS1	--	Digital ground pin 1
8	DVSS2	--	Analog ground 2	22	XOUT	O	Crystal oscillator output
9	M1	--	Connected to ground	23	XIN	I	Crystal oscillator input
10	OUT1C	O	1C PEM output	24	DVDD1	--	Digital power supply 1
11	NC	--	Non connection	25	M3	--	Connected to Analog power supply
12	AVDD1	--	Analog power supply 1	26	MC	--	Connected to Analog ground
13	OUT1D	O	1D PEM output	27	MD	I	Reset signal/Digital Att. control signal input
14	AVSS1	--	Analog ground 1	28	PDO	--	Not used

■ BU2092 (IC402) : PORT EXPANDER

1.Terminal Layout

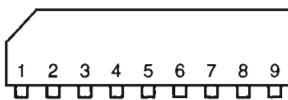


2.Pin Function

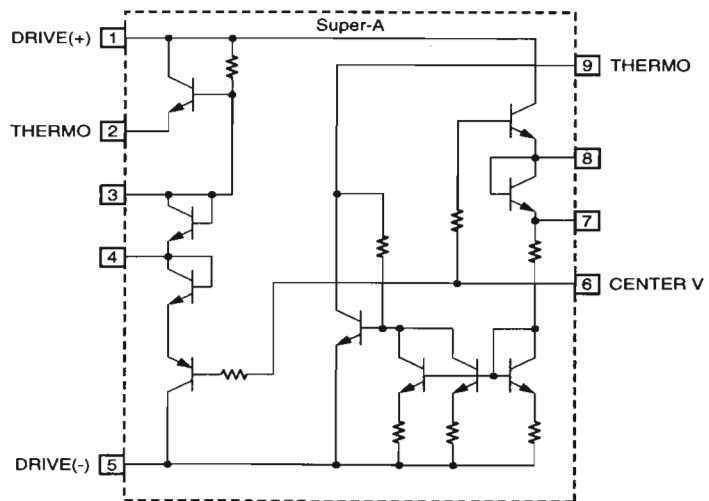
Pin No.	Symbol	I/O	Function						
1	Vss	-	Connect to GND						
2	DATA	I	Serial Data input						
3	CLOCK	I	Shift Clock of Data						
4	LCK	I	Latch Clock of Data						
5~16	Q0~Q11	O	Parallel Data Output <table border="1" style="margin-left: 20px;"> <tr> <td>Latch Data</td> <td>L</td> <td>H</td> </tr> <tr> <td>OUTPUT</td> <td>ON</td> <td>OFF</td> </tr> </table>	Latch Data	L	H	OUTPUT	ON	OFF
Latch Data	L	H							
OUTPUT	ON	OFF							
17	OE	I	Output Enable						
18	Vdd	-	Power Supply						

■ VC5022-2(IC701.702) : SUPER A

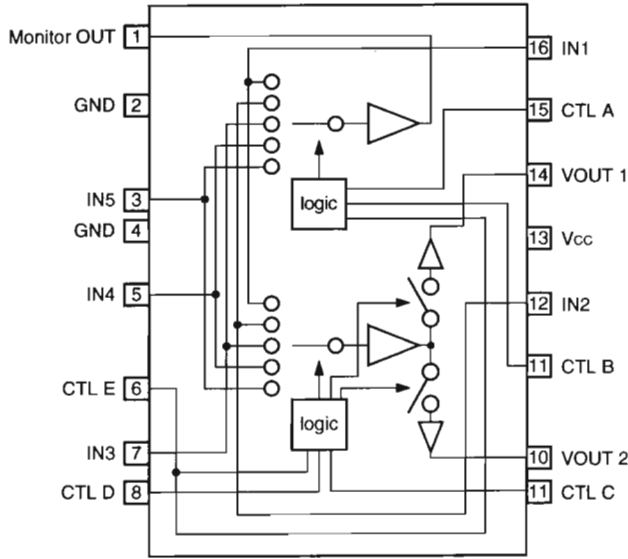
1.Terminal Layout



2.Block Diagram



■ BA7625 (IC201) : Video Selector

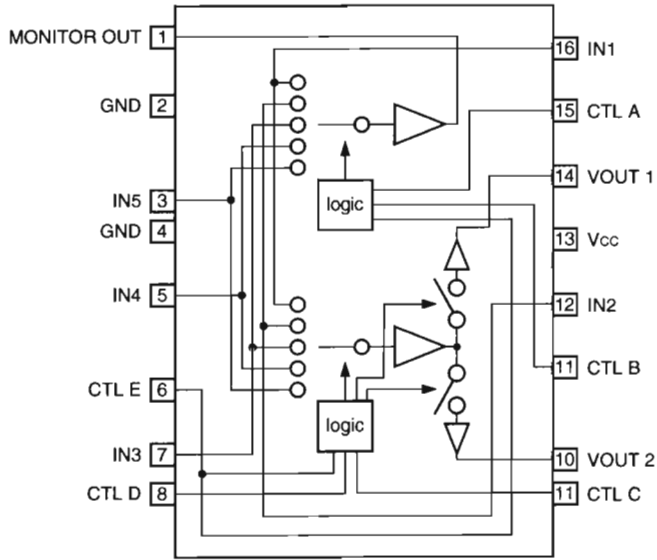


A	B	E	Monitor OUT
L	L	*	IN1
H	L	*	IN2
L	H	*	IN3
H	H	L	IN4
H	H	H	IN5

C	D	E	VOUT1
L	L	*	--
H	L	*	IN2
L	H	*	IN3
H	H	L	IN4
H	H	H	IN5

C	D	E	VOUT2
L	L	*	IN1
H	L	*	--
L	H	*	IN3
H	H	L	IN4
H	H	H	IN5

■ BA7626(IC241) : VIDEO SELECTOR



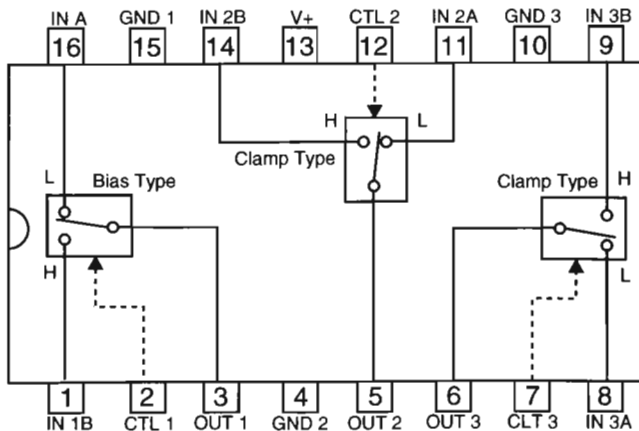
A	B	E	MONITOR OUT
L	L	*	IN1
H	L	*	IN2
L	H	*	IN3
H	H	L	IN4
H	H	H	IN5

C	D	E	VOUT1
L	L	*	--
H	L	*	IN2
L	H	*	IN3
H	H	L	IN4
H	H	H	IN5

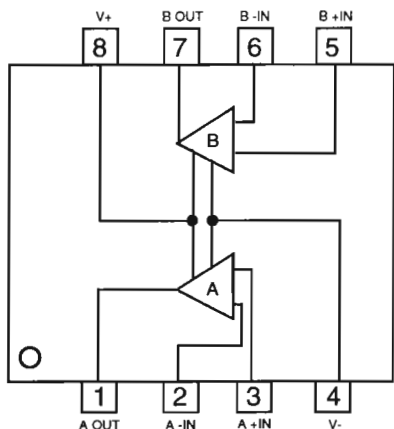
C	D	E	VOUT2
L	L	*	IN1
H	L	*	--
L	H	*	IN3
H	H	L	IN4
H	H	H	IN5

■ NJM2285D (IC202) : Video Switch

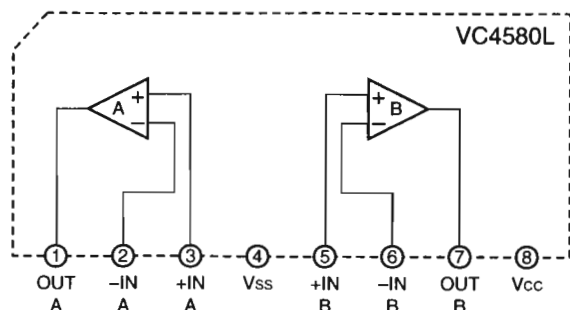
1. Terminal Layout & Block Diagram



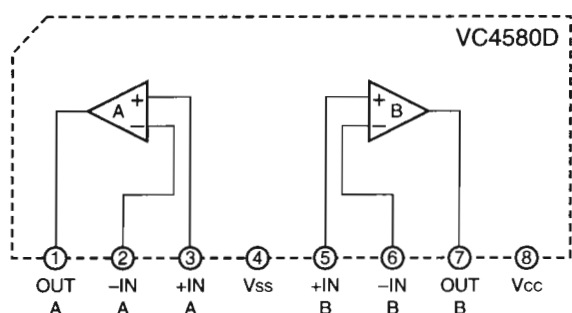
■ NJM4580DD (IC301) : Dual Ope. Amp



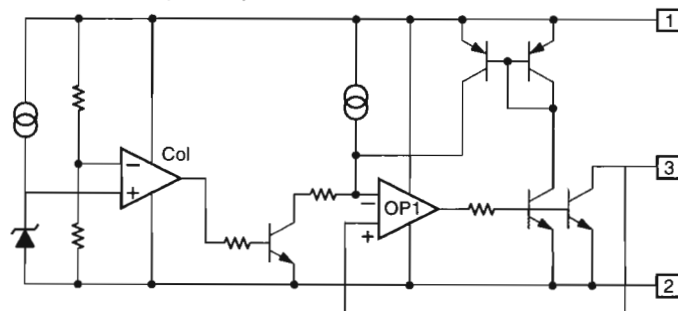
■ NJM4580L (IC361) : Dual Ope. Amp.



■ NJM4580D(IC305) : Dual Ope. Amp

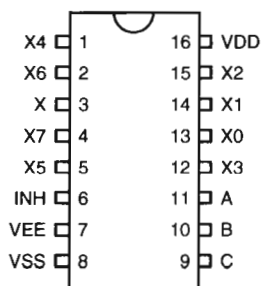


■ PST600E (IC403) : Reset IC

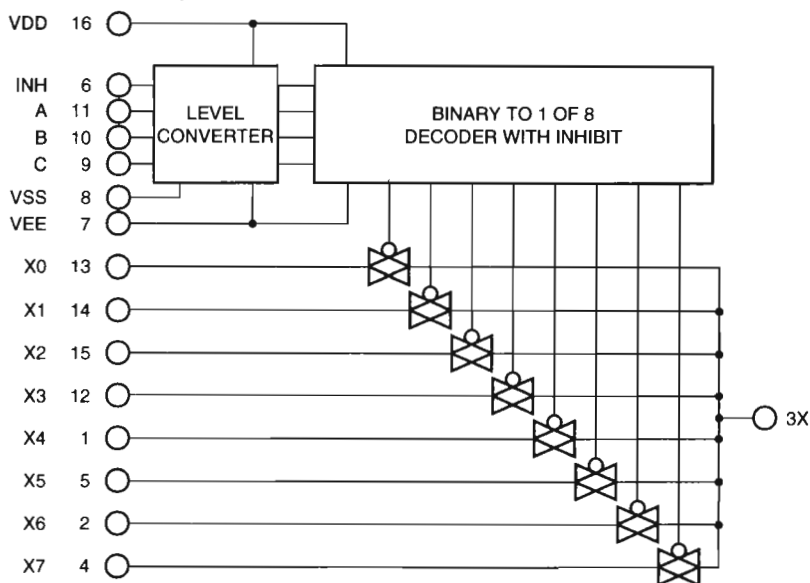


■ BU4051BC (IC341) : Analog Multiplexers / Demultiplexers

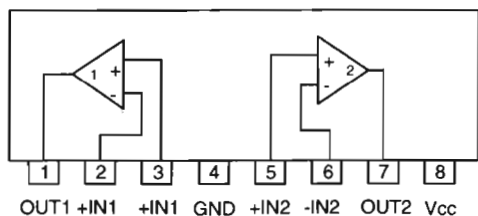
1. Terminal



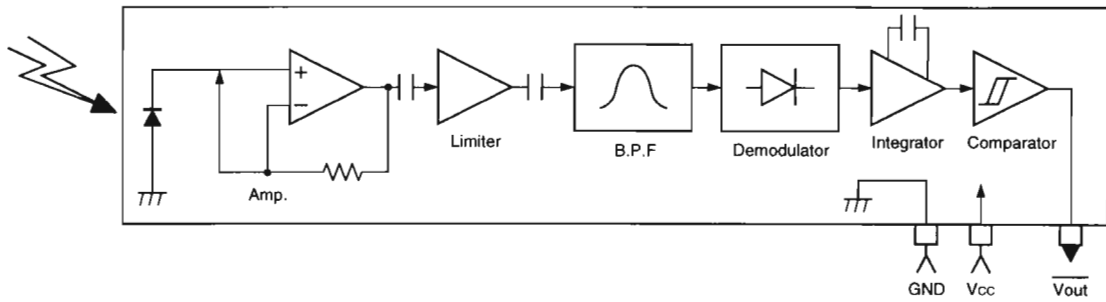
2. Block Diagram



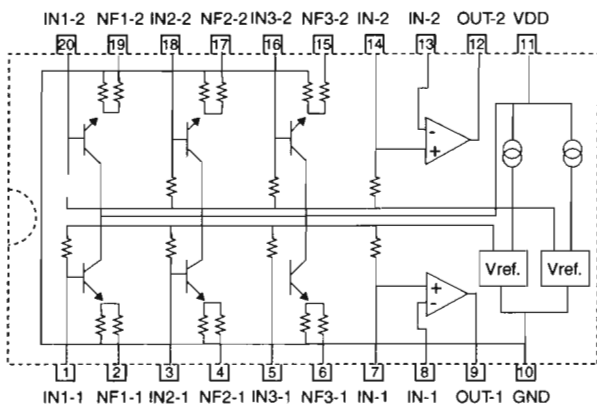
■ BA15218N (IC331,332,333) : Dual Ope. Amp.



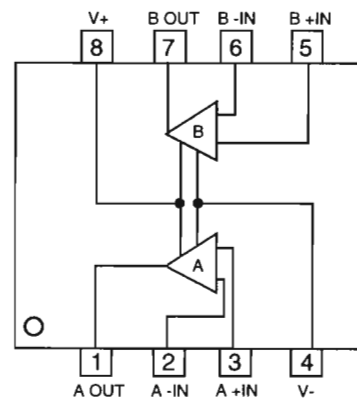
■ GP1U27151X (IC404) : Receiver for remote



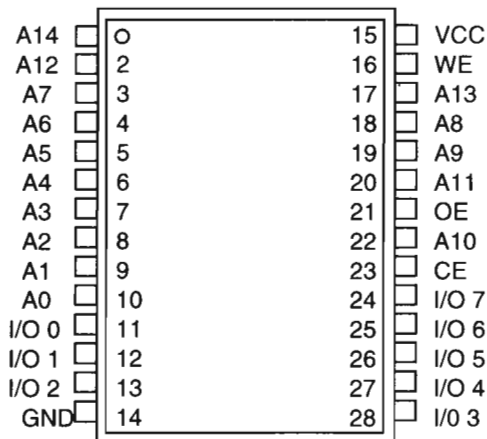
■ M5243P (IC452) : S.E.A. Graphic Equalizer



■ NJM4580E : Dual Ope. Amp. (IC501,511,521,551,561,571,581,591)



■ N341256SJ-15 (IC651) :



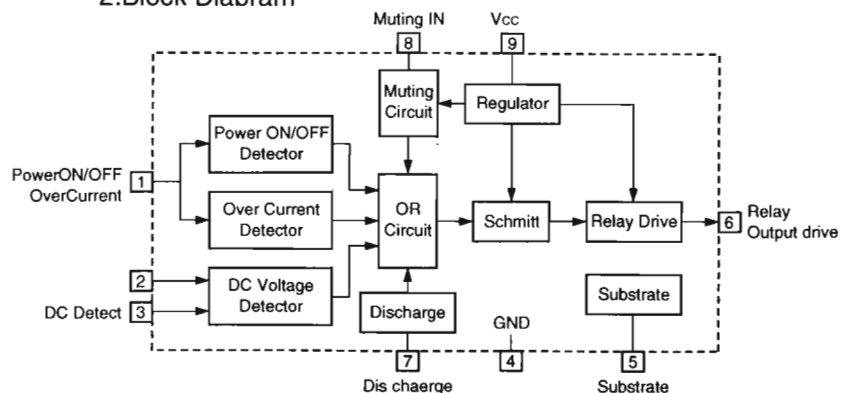
Symbol	Terminal
A0-A14	Addresss input
I/O 0-I/O 7	Data I / O
CE	Chip Enable input
OE	Output / Enable Input
WE	Write Enable Input
VCC	Power Supply (+5V)
GND	Ground

■ TA7317P (IC901) : Protector

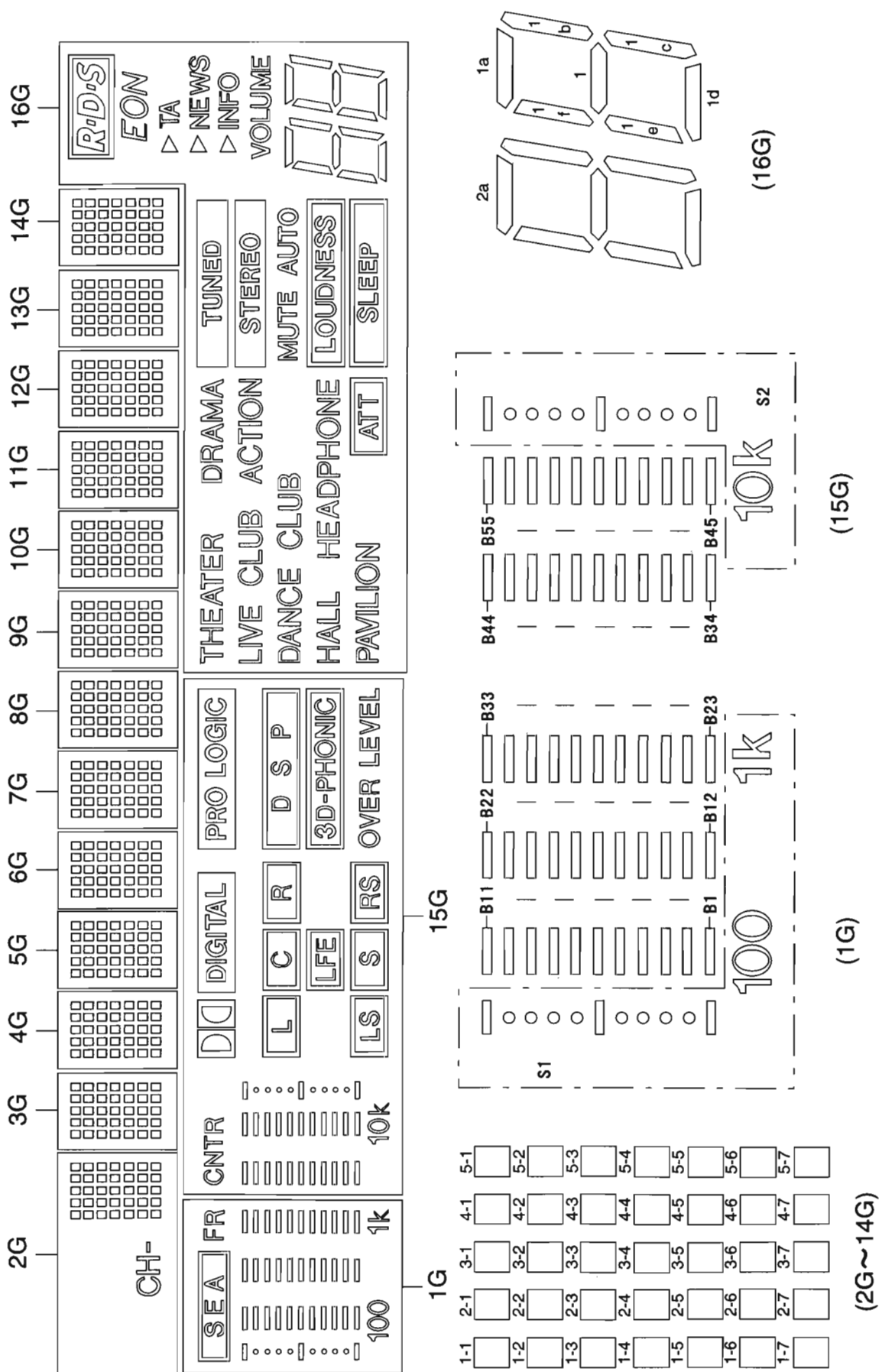
1.Terminal Lay out



2.Block Diagram



INTERNAL CONNECTION OF FL DISPLAY TUBE



ANODE CONNECTION

	1G	2G	3G~14G	15G	16G
P1	S1	1-1	1-1	S2	-
P2	B1	2-1	2-1	B34	-
P3	B12	3-1	3-1	B45	2d
P4	B23	4-1	4-1	B35	2e
P5	B2	5-1	5-1	B46	2c
P6	B13	1-2	1-2	B36	2g
P7	B24	2-2	2-2	B47	2f
P8	B3	3-2	3-2	B37	2b
P9	B14	4-2	4-2	B48	2a
P10	B25	5-2	5-2	B38	1d
P11	B4	1-3	1-3	B49	1e
P12	B15	2-3	2-3	B39	1c
P13	B26	3-3	3-3	B50	1g
P14	B5	4-3	4-3	B40	1f
P15	B16	5-3	5-3	B51	1b
P16	B27	1-4	1-4	B41	1a
P17	B6	2-4	2-4	B52	R·D·S
P18	B17	3-4	3-4	B42	EON
P19	B28	4-4	4-4	B53	VOLUME
P20	B7	5-4	5-4	B43	▷ INFO
P21	B18	1-5	1-5	B54	▷ NEWS
P22	B29	2-5	2-5	B44	▷ TA
P23	B8	3-5	3-5	B55	ATT
P24	B19	4-5	4-5	LS	SLEEP
P25	B30	5-5	5-5	S	LOUDNESS
P26	B9	1-6	1-6	RS	PAVILION
P27	B20	2-6	2-6	OVER LEVEL	HEADPHONE
P28	B31	3-6	3-6	3D-PHONIC	HALL
P29	B10	4-6	4-6	LFE	MUTE AUTO
P30	B21	5-6	5-6	CNTR	STEREO
P31	B32	1-7	1-7	L	TUNED
P32	B11	2-7	2-7	C	DANCE CLUB
P33	B22	3-7	3-7	R	ACTION
P34	B33	4-7	4-7	D S P	LIVE CLUB
P35	SEA	5-7	5-7	D D DIGITAL	DRAMA
P36	FR	CH-	-	PRO LOGIC	THEATER

Disassembly Procedures

■ Removing the Top cover

(See Fig. 1)

1. From behind body, remove the four screws 1 of the left and right side and three screws 2 of the rear side on top cover.
2. Lift the back of the top cover spreading both sides to remove.

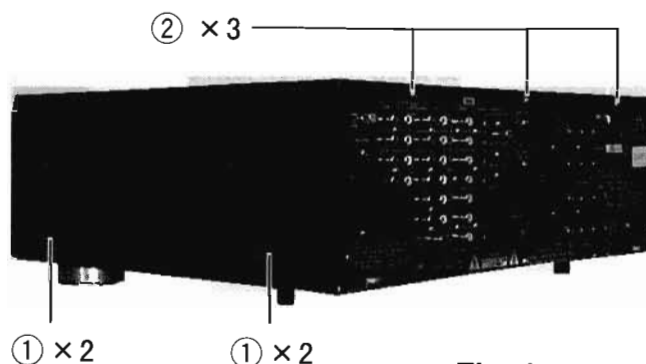


Fig. 1

■ Removing the Front panel

(See Fig. 2)

1. Remove the Top cover.
2. Disconnect the six connectors CN202, CN206, CN244, CN400, CN402 and CN416.
3. Remove the three screws 3 on top side of Front panel and five screws 4 on under the Front panel.
4. Remove the Front panel assembly.



Fig. 2

■ Removing the Rear panel

(See Fig. 3)

1. Remove the Top cover.
2. Pull out the Cord stopper 5.
3. Remove the 27pcs screws 6 on Rear panel.
4. Remove the Rear panel.

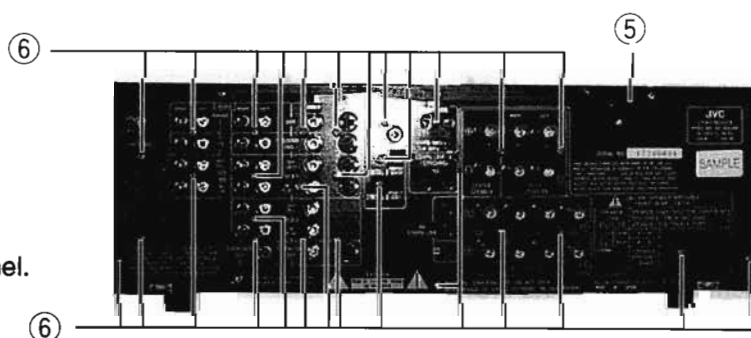


Fig. 3

■ **Removing Front P.C. board**

(See Figs. 4 and 5)

1. Remove the Top cover.
2. Remove the Front panel.
3. Pull out the volume knob ⑦ , then turn off to counterclockwise the volume nut ⑧ .
4. Remove the six screws ⑨ and disconnect connector wire at CN422 ⑩ and CN430 ⑪ .
5. Remove the Front P.C. board.

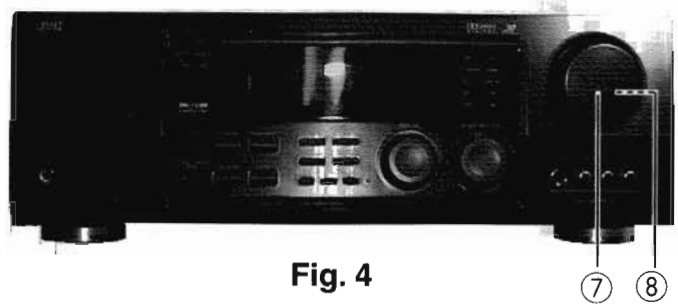


Fig. 4

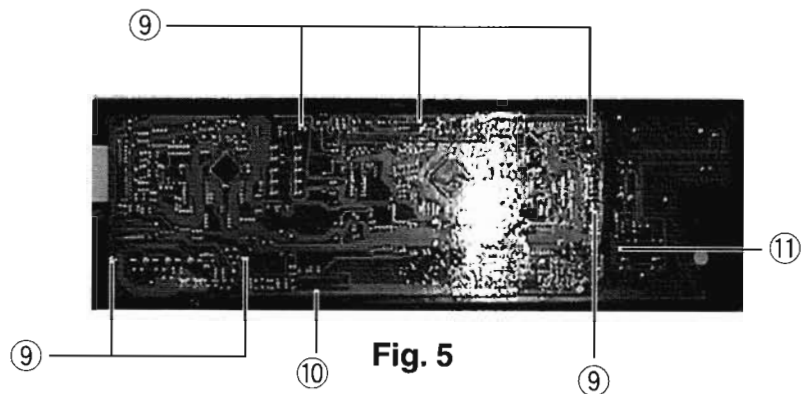


Fig. 5

■ **Removing Switch P.C. board**

(See Fig. 6)

1. Remove the Top cover.
2. Remove the Front panel.
3. Remove the Front P.C. board.
4. Remove the six screws ⑫ and disconnect connector wire at CN422 ⑬ and CN430 ⑭ .
5. Remove the P.C. board cover from four engagements ⑮ at front panel.
6. Remove the Switch P.C. board.

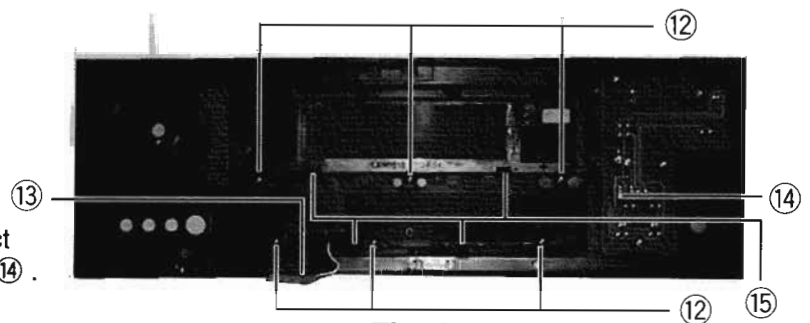


Fig. 6

■ **Removing Remote P.C. board**

(See Fig. 7)

1. Remove the Top cover.
2. Remove the Front panel.
3. Remove four screws ⑯ .
4. Remove the Remote P.C. board.

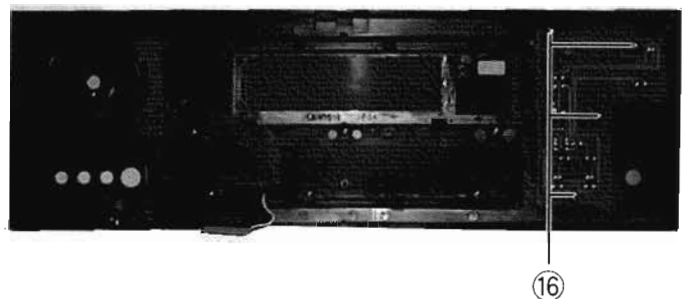


Fig. 7

■ Removing the Main P.C. board

(See Fig. 8)

1. Remove the Top cover.
2. Remove the Front panel.
3. Remove the Rear panel.
4. Remove the Joint P.C.board ⑰ ,⑱ and ⑲ .
5. Remove the Pre amp P.C. board ⑳ .
6. Remove the Tuner P.C. board ㉑ .
7. Remove the SEA P.C. board ㉒ .
8. Remove the Analog P.C. board ㉓ .
9. Remove the Center tone P.C. board ㉔ .
10. Remove the V-Audio P.C. board ㉕ .
11. Remove the Video P.C. board ㉖ .
12. Remove the S-Video P.C. board ㉗ .
13. Remove the TXT Compulink P.C. board ㉘ .
14. Remove the seven screws ㉙ and take off the shield cover ㉚ .
15. Remove the DSP P.C. board ㉛ .
16. Remove the five screws ㉜ .
17. The Main P.C. board slide to right way and lift up right side of the Main P.C. board.

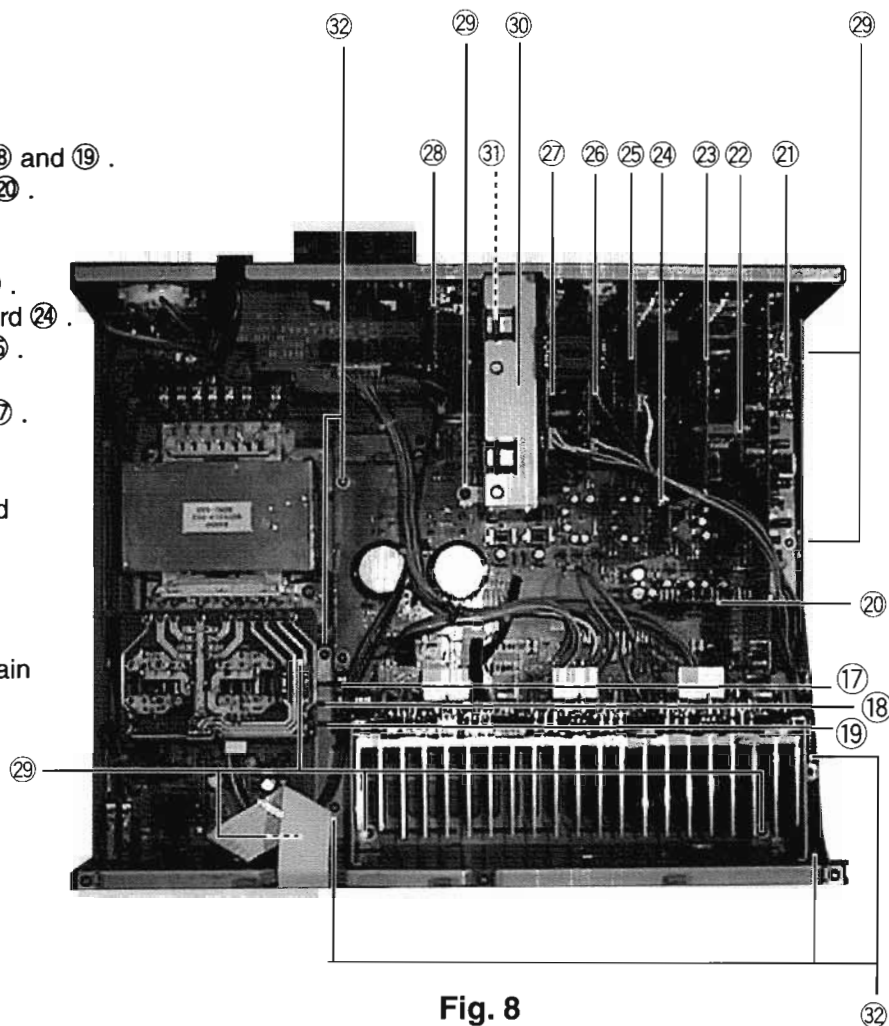


Fig. 8

■ Removing the Amp P.C. board

(See Fig. 9)

1. Remove the Top cover.
2. Remove the Front panel.
3. Remove the Rear panel.
4. Remove the Joint P.C. board ⑰ ,⑱ and ⑲ .
5. Remove the Pre amp P.C. board ⑳ .
6. Remove the Tuner P.C. board ㉑ .
7. Remove the SEA P.C. board ㉒ .
8. Remove the Analog P.C. board ㉓ .
9. Remove the Center tone P.C. board ㉔ .
10. Remove the V-Audio P.C. board ㉕ .
11. Remove the Video P.C. board ㉖ .
12. Remove the S-Video P.C. board ㉗ .
13. Remove the TXT Compulink P.C. board ㉘ .
14. Remove the six screws ㉛ and four screws ㉜ .
15. Remove the Amp P.C. board.

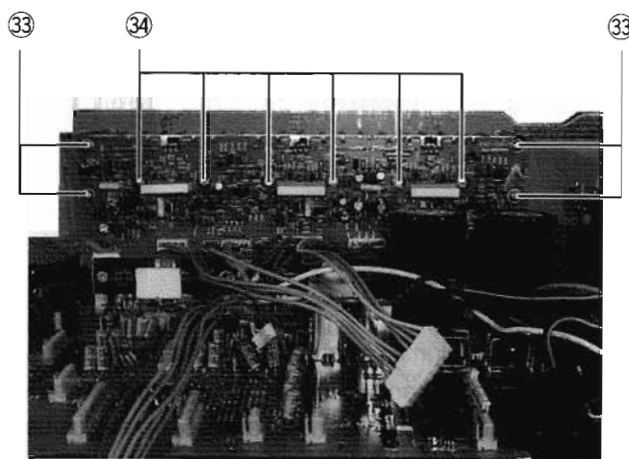


Fig. 9

Adjustment Procedures

■ TUNER SECTION

1. Tuner range

FM	87.5MHz~108.0MHz
MW	530kHz~1710kHz

2. Tuning voltage

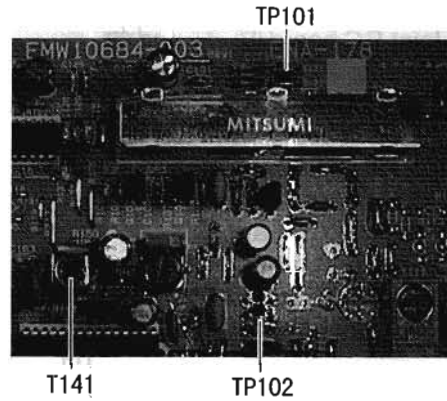
Confirm the voltages in the table at TP101

FM tuning voltage (Unit V)

87.5MHz	1.6 <	(Nominal 2.0)
108.0MHz	8.0 <	(Nominal 9.0)

MW tuning voltage (Unit V)

530kHz	0.8 <	(Nominal 1.0)
1710kHz	8.0 <	(Nominal 8.8)

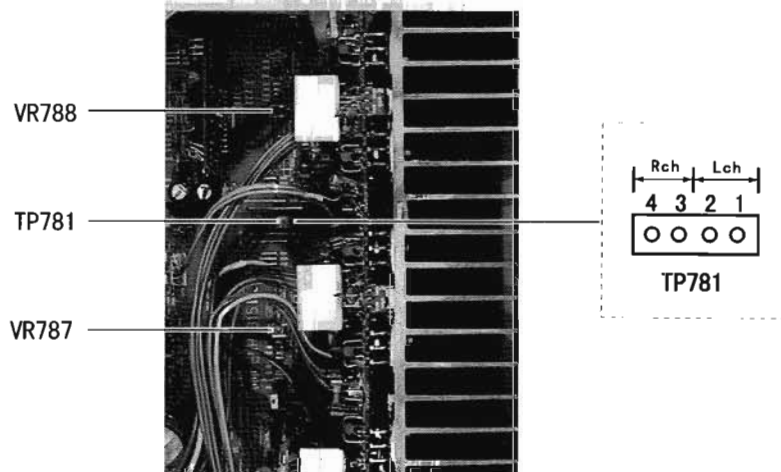


3. FM center meter

Receive a broadcast by using the function of 'AUTO STOP'

Adjust T141 (Detector coil) so that the voltage at TP102 becomes $0 \pm 1.5\text{mV}$

■ POWER AMPLIFIER SECTION

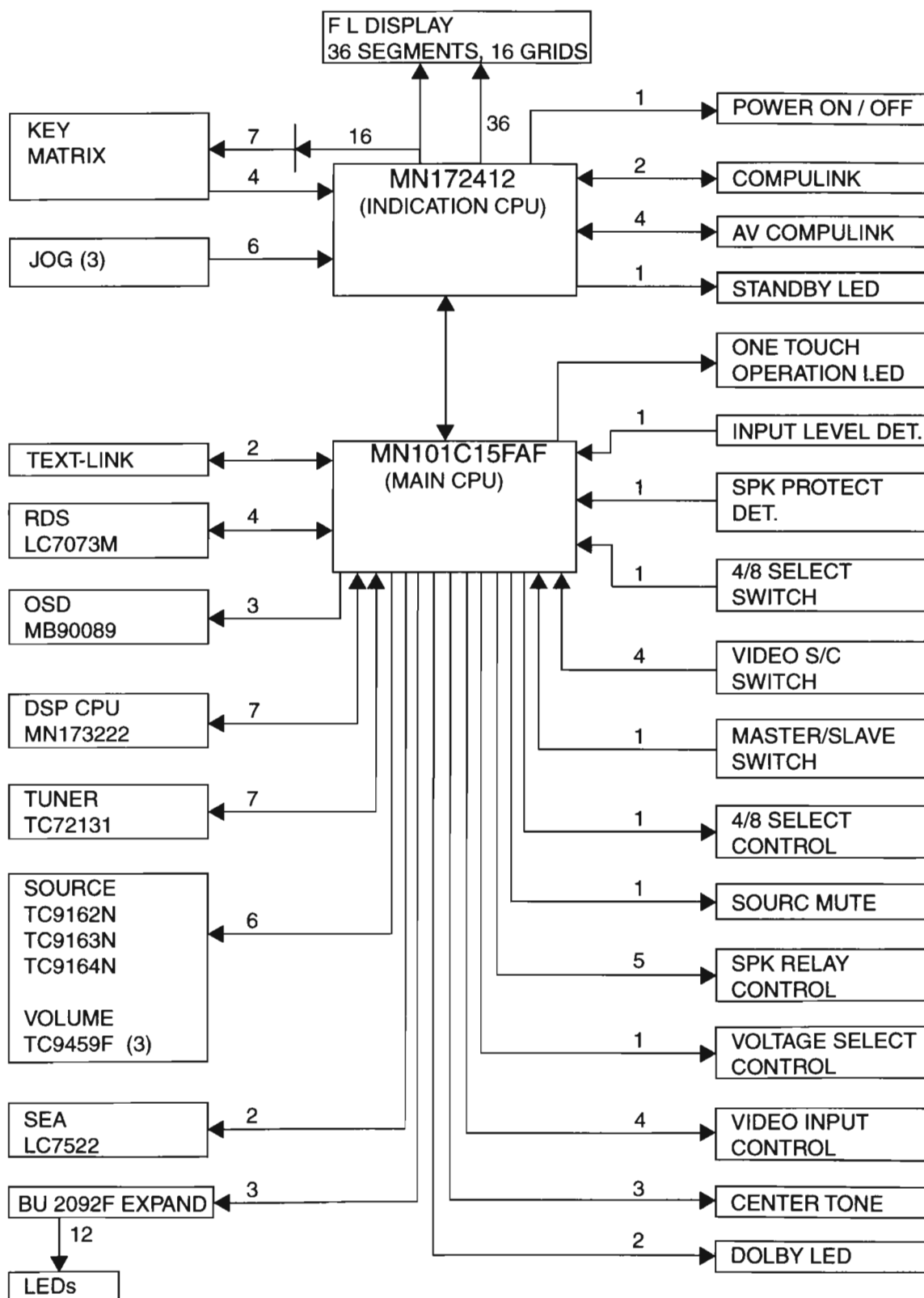


IDLING CURRENT

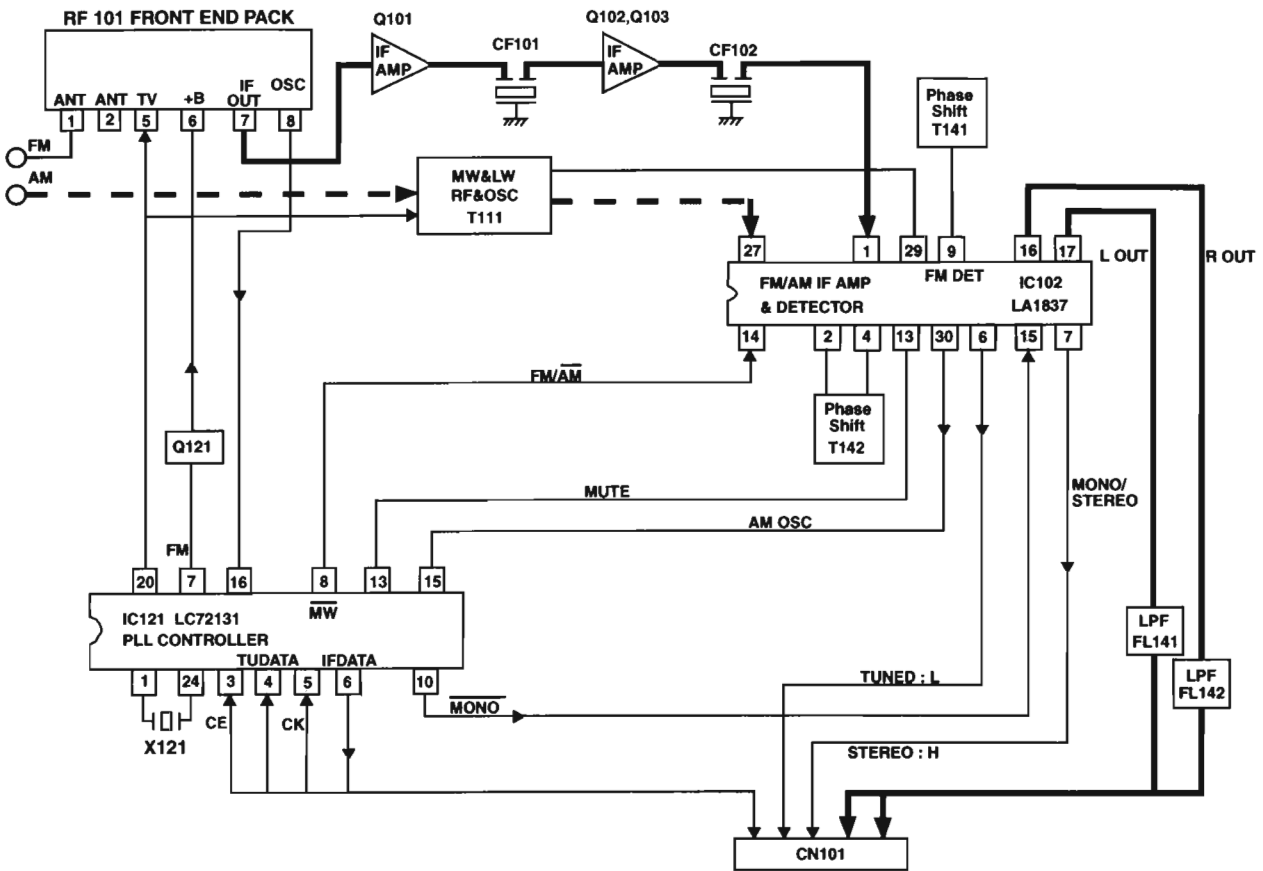
1. Set the volume control to minimum during this adjustment. set the surround mode "OFF"
2. Turn VR787 and VR788 fully counterclockwise to warm up before adjustment.
If the heat sink is already warm from previous use the correct adjustment can not be made.
3. For L-ch, connect a DC voltmeter between TP001's pin1 and pin2 (Lch)
And, connect it between pin3 and pin4 (Rch).
4. 30 minutes later after power on, adjust VR741 for L-ch, or VR742 for R-ch so that the DC voltmeter value has 1mV~10mV.

Block Diagram

CPU System

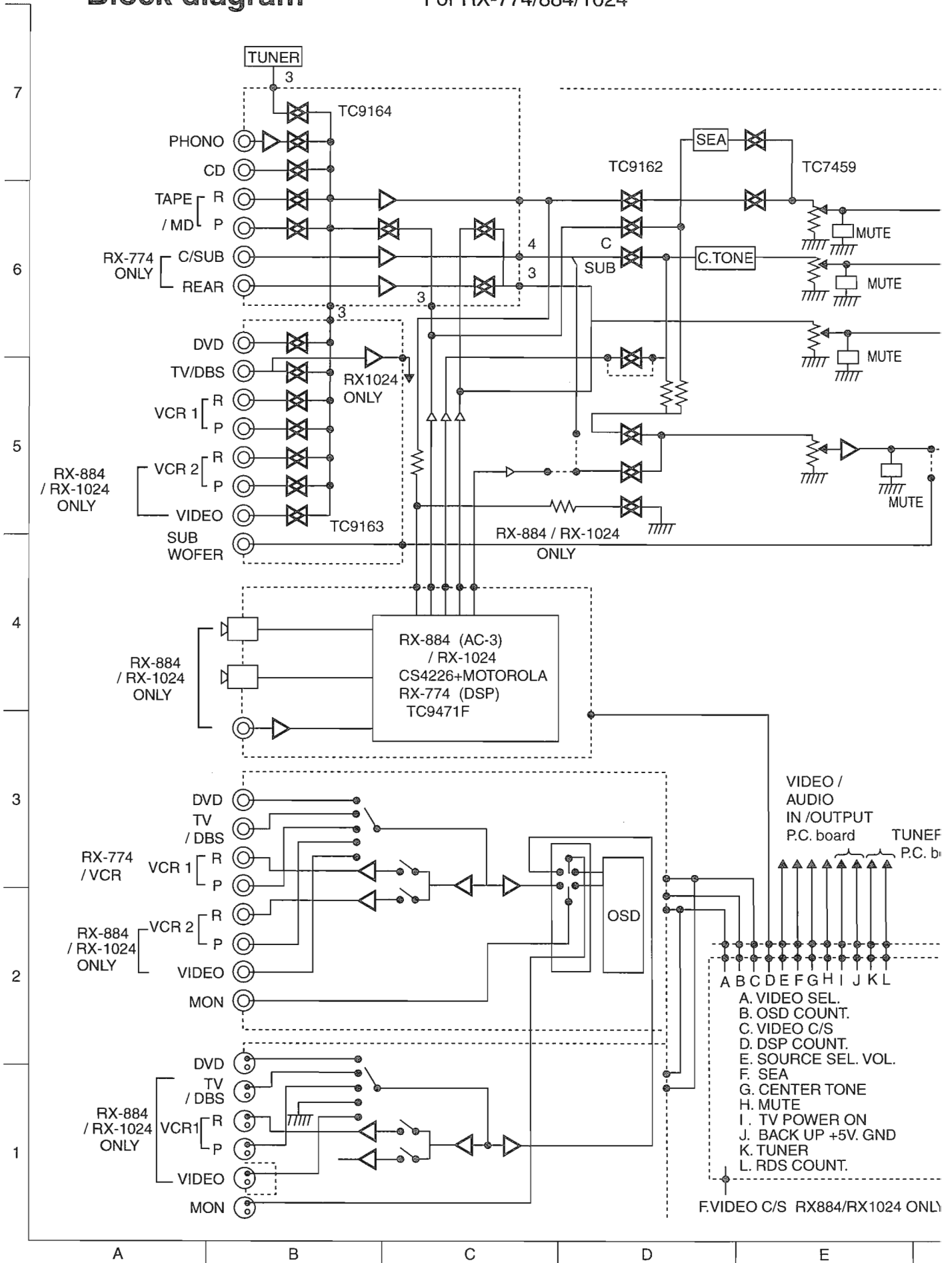


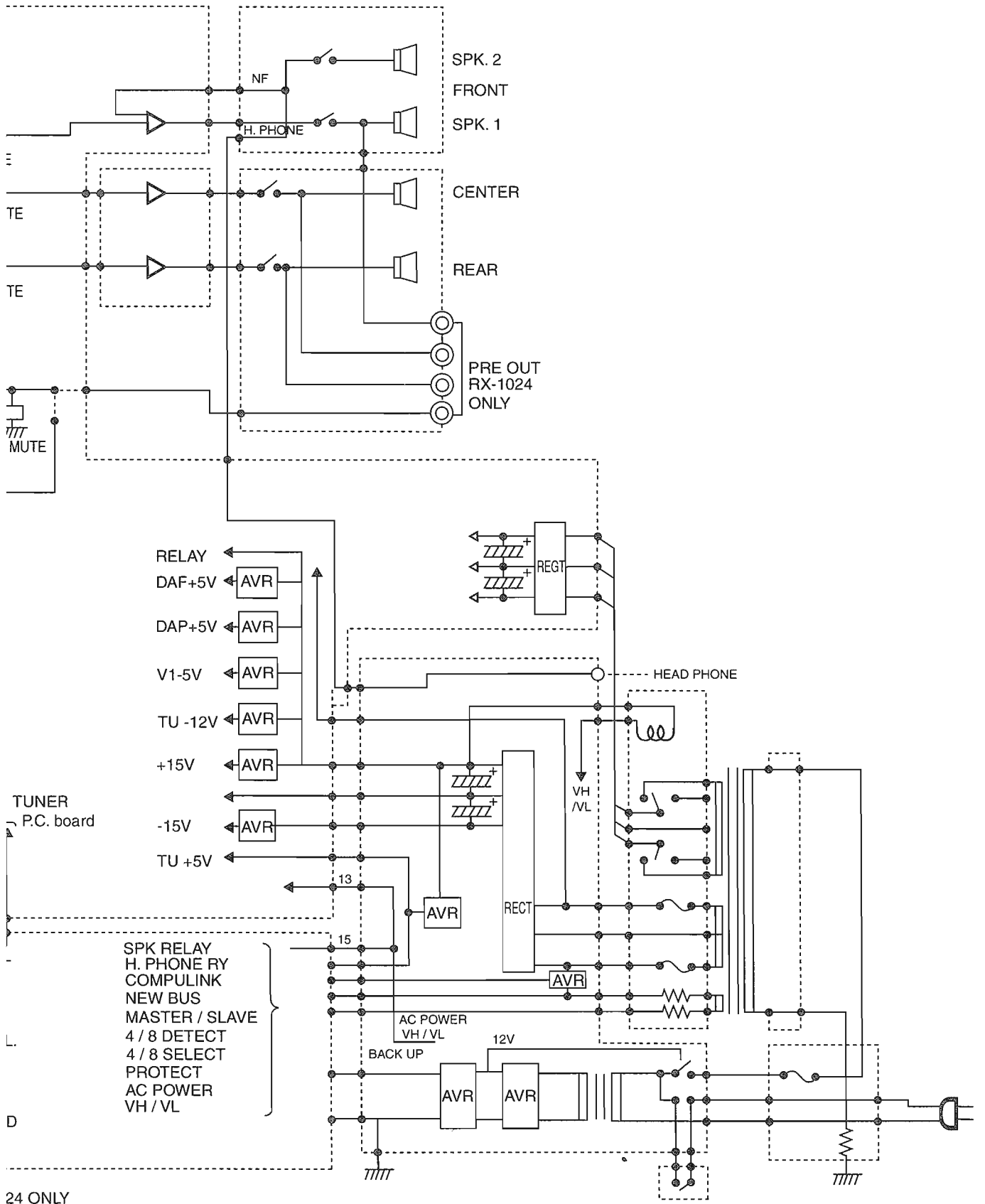
Tuner Section



Block diagram

For RX-774/884/1024





Schematic Diagrams

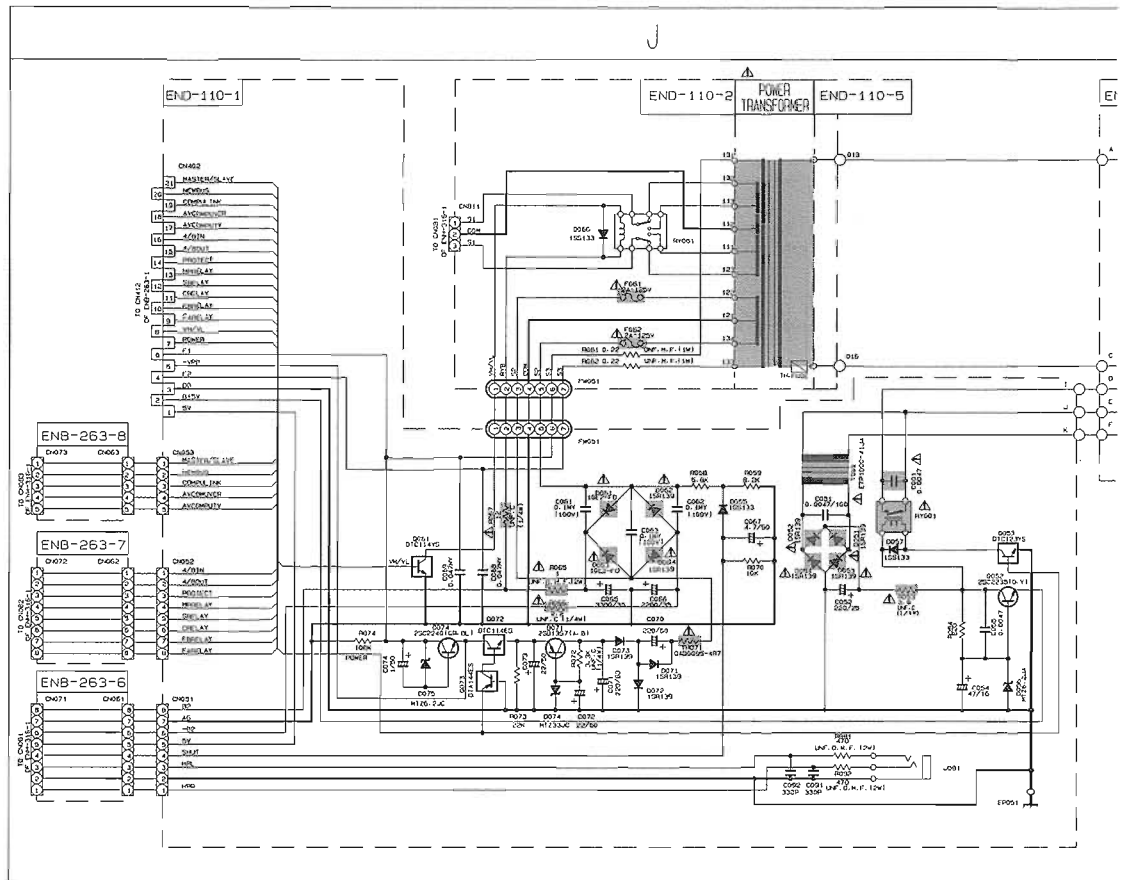
■ POWER PRIMARY SECTION

7

6

5

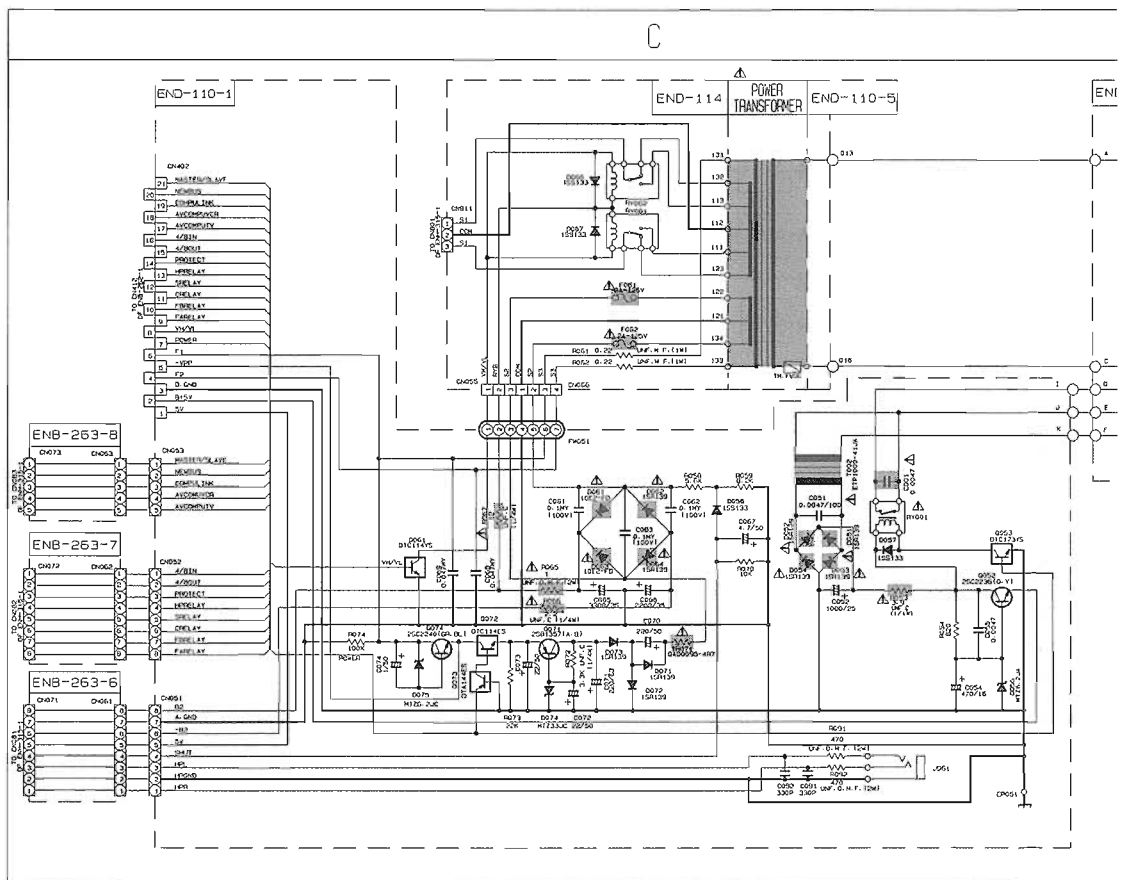
4



3

2

1



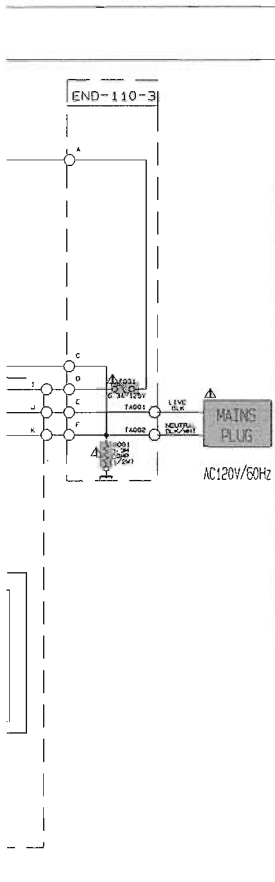
A

B

C

D

E

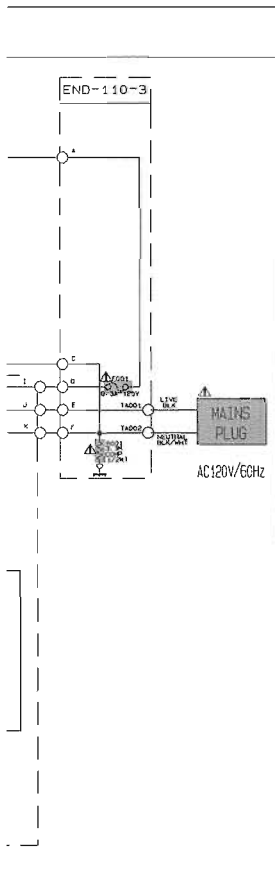


▲ Parts are safety assurance parts.
When replacing those parts make
sure to use the specified one.

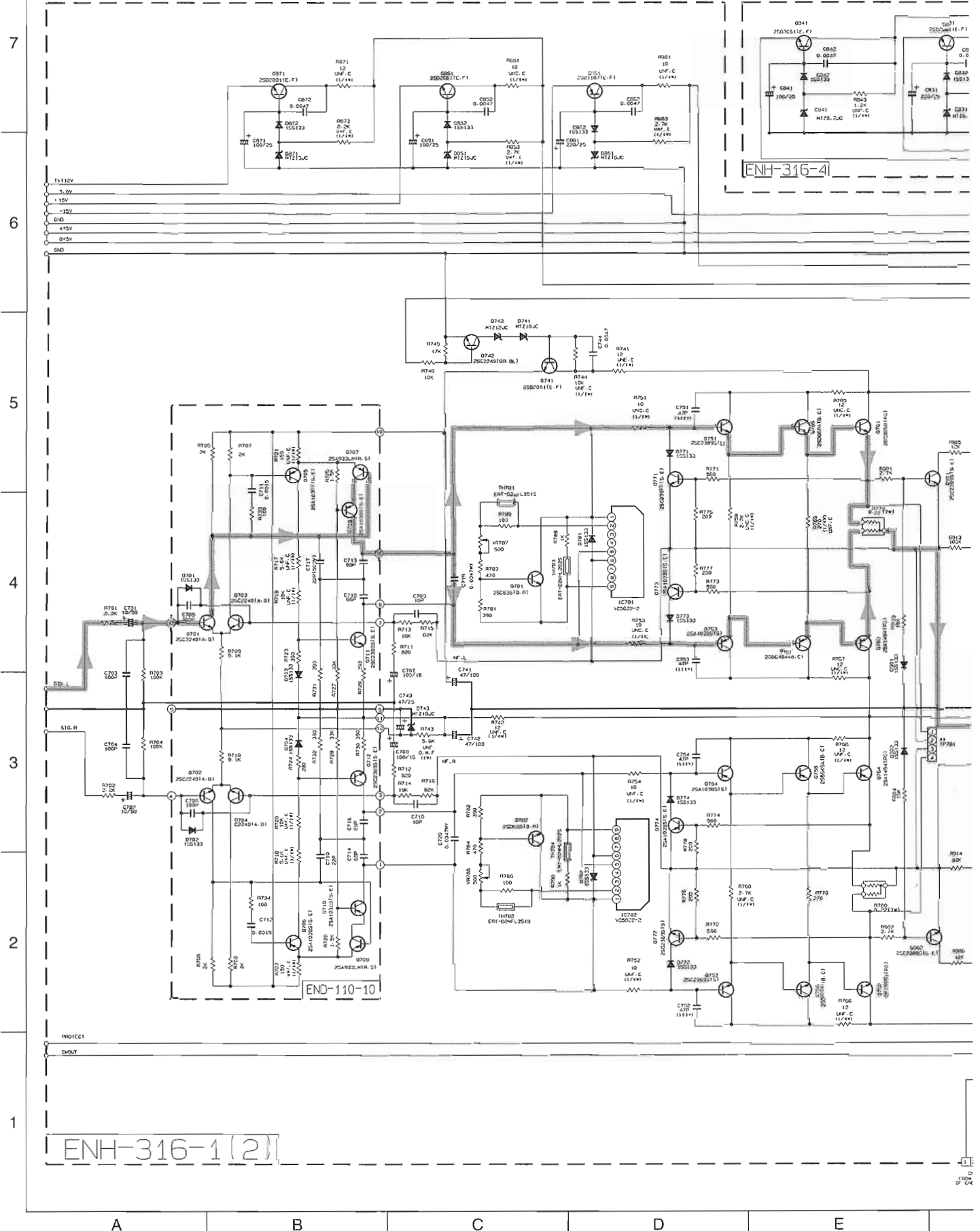
VERSION CODES	
C:	CANADA
J:	U. S. A.

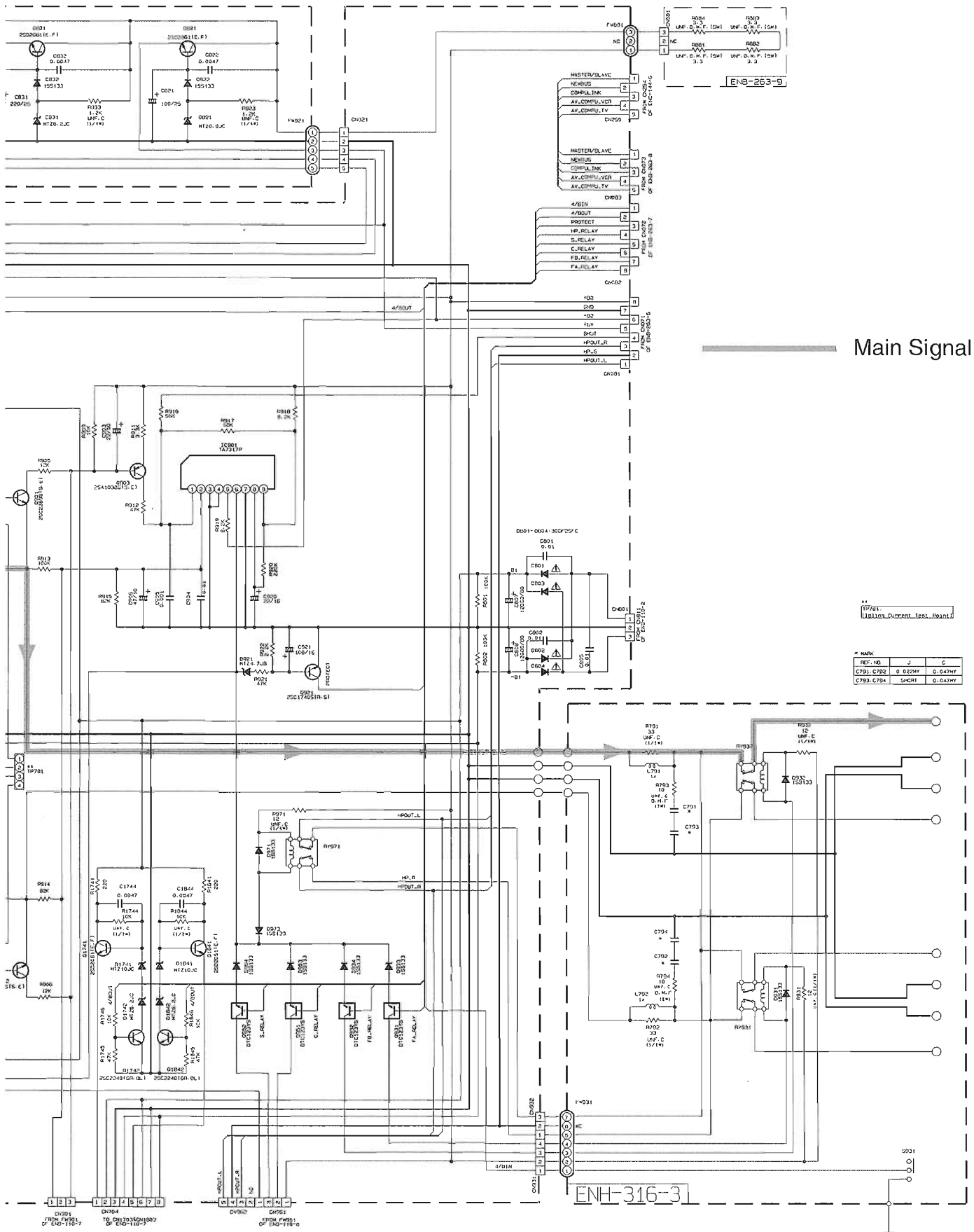
NOTES:
MARK(*) IS TO SHOW DEVIATION IN VERSIONS.
DETAILS ARE EXPLAINED NEAR THE MARK.

SHEET NUMBER	CIRCUIT DESCRIPTION
1/11	PRIMARY / RECTIFIER
2/11	VOLUME (FRONT/CENTER/REAR ch.) / SEA / SOURCE SELECT IC
3/11	AUDIO AMP (FRONT ch.) / SPEAKER TERMINAL (FRONT ch.) / REGULATOR / RECTIFIER
4/11	AUDIO AMP (CENTER/REAR ch.) / SPEAKER TERMINAL (CENTER/REAR ch.)
5/11	AUDIO SIGNAL INPUT TERMINAL / SOURCE SELECT IC / SYSTEMCONTROL SIGNAL TERMINAL
6/11	VIDEO SIGNAL INPUT TERMINAL / SOURCE SELECT IC
7/11	USER CONTROL KEYS / SYSTEMCONTROL LST / FL DISPLAY
8/11	SURROUND IC / DIGITAL SIGNAL INPUT TERMINAL
9/11	TUNER IGVLY C/J1



MAIN AMP. SECTION





F

G

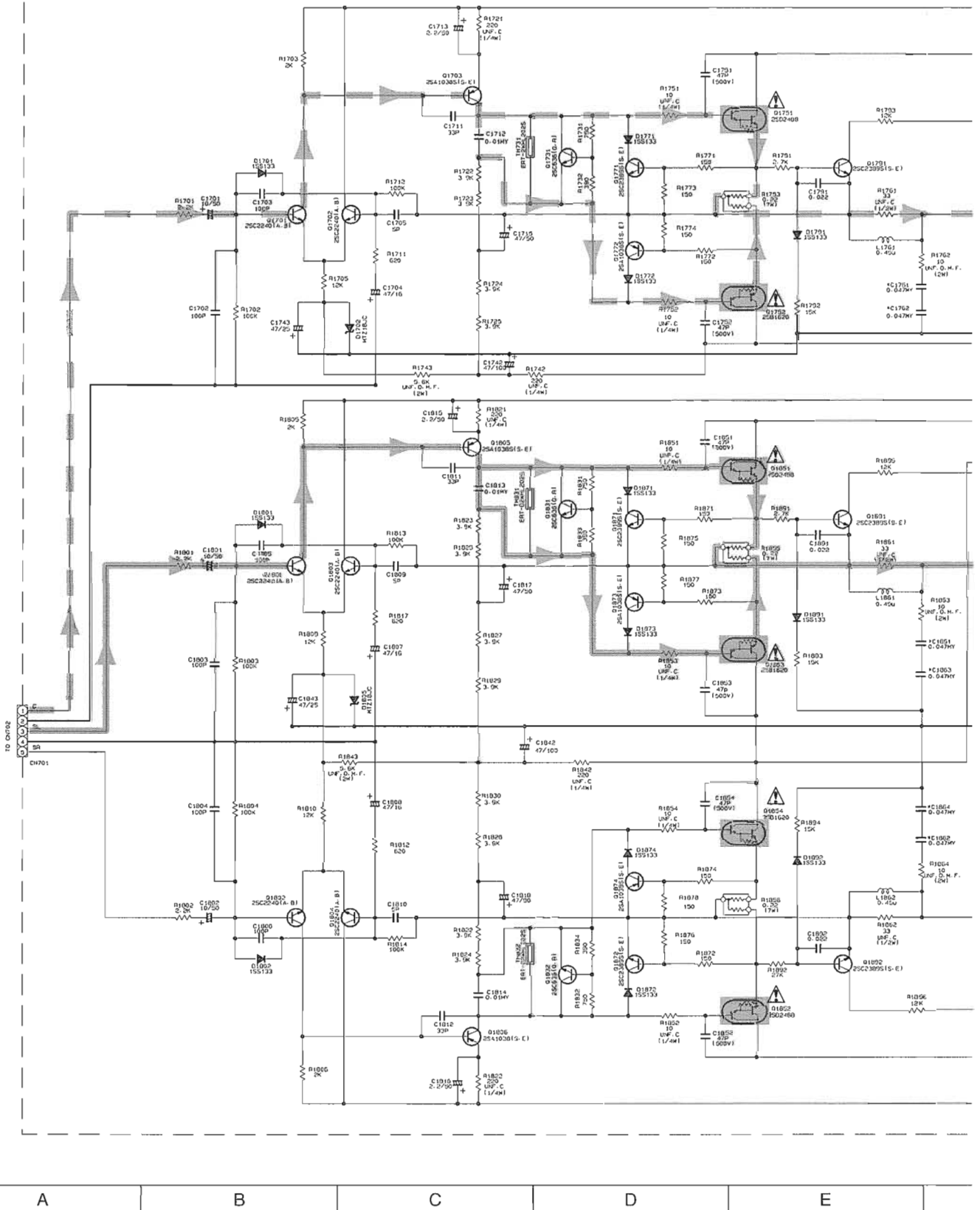
H

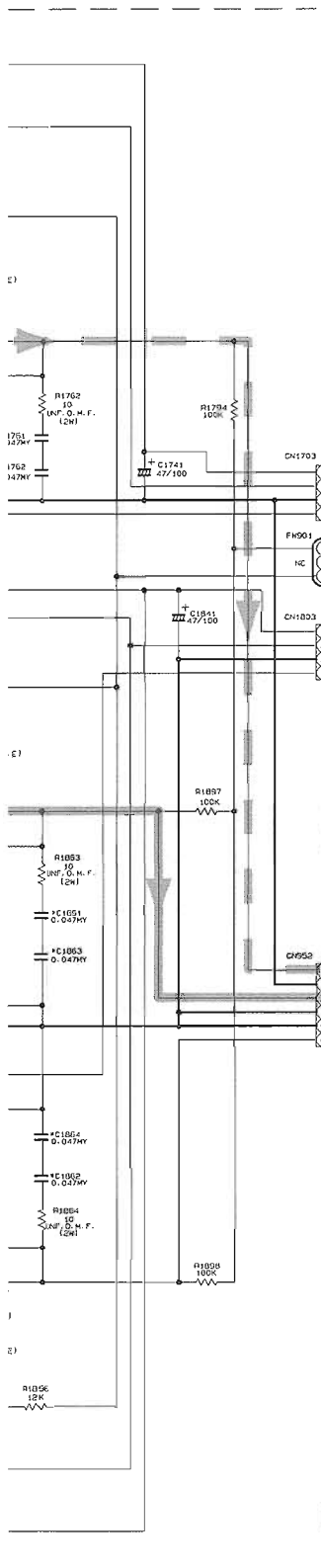
I



J


REAR / CENTER AMP. SECTION

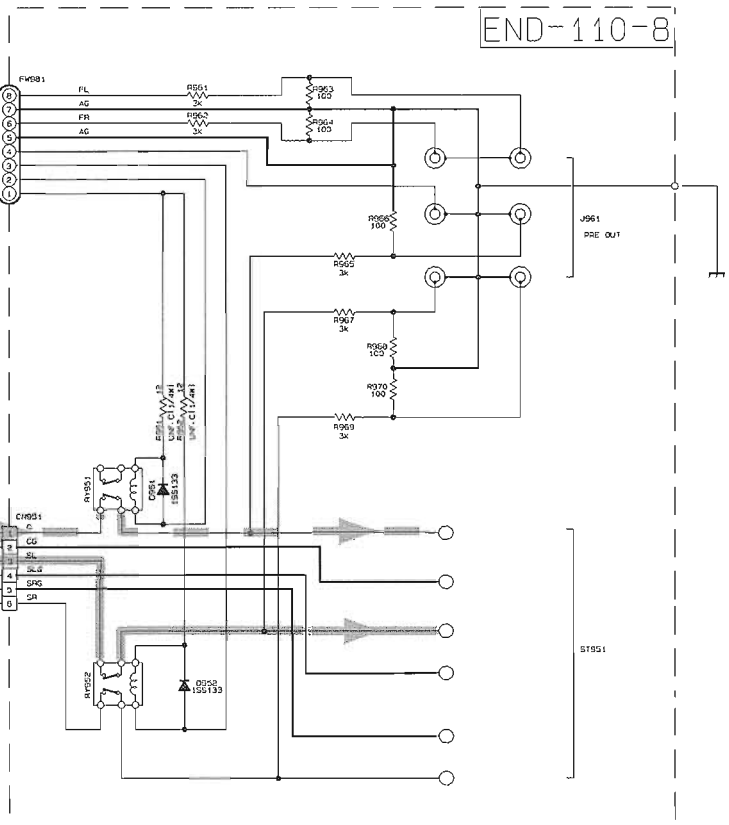
END-110-7





 Rear Signal
 Center Signal

 Parts are safety assurance parts.
 When replacing those parts make
 sure to use the specified one.



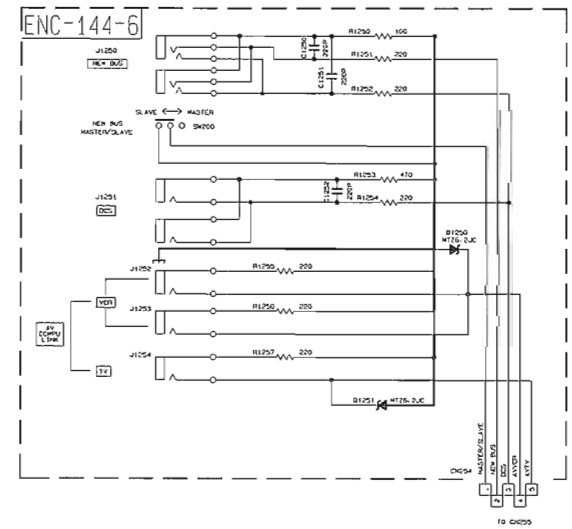
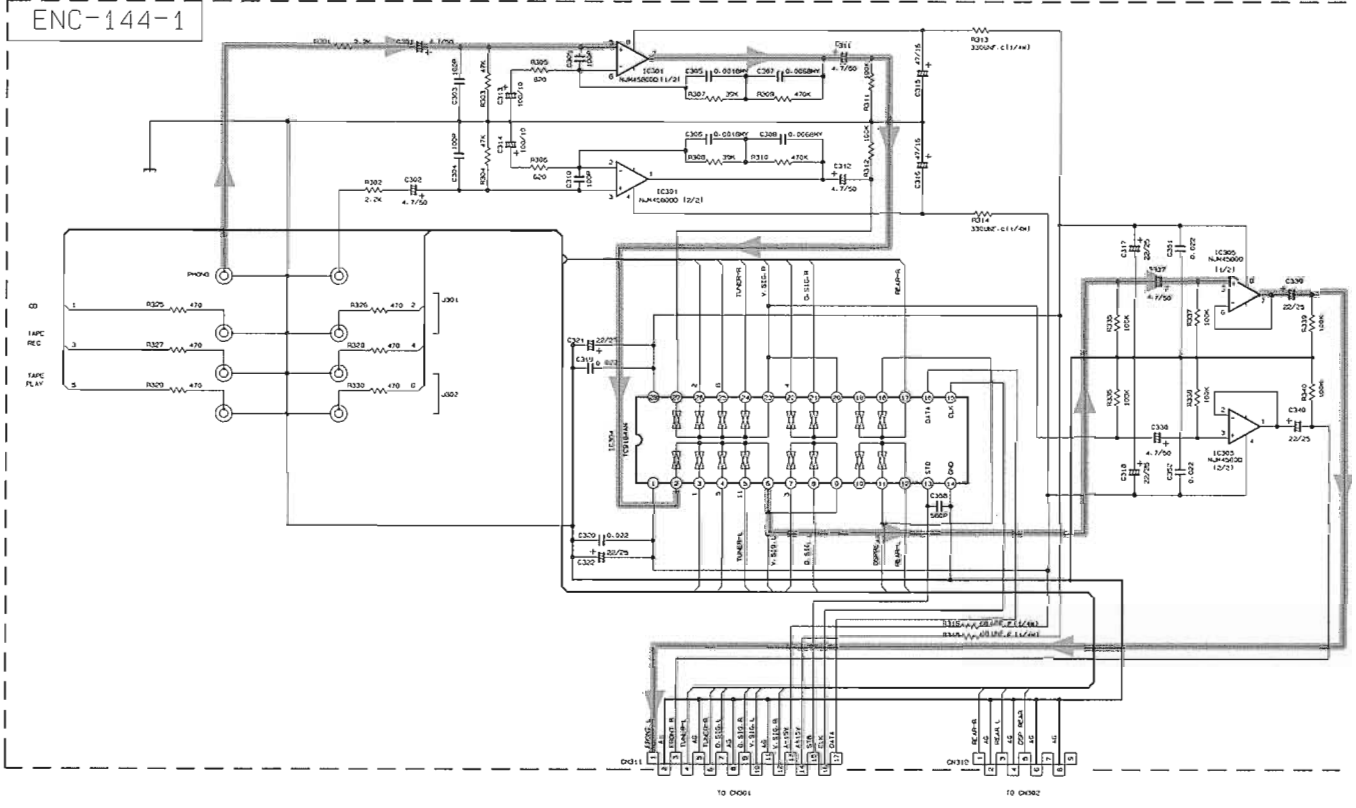
END-110-8

MARK L151

Part No.	QTY	DESCRIPTION
C1751	1	0.022HY
C1768	1	0.022HY
C1851	1	0.047HY
C1862	1	0.047HY
C1803	1	0.022HY
C1864	1	0.047HY
B111	1	USE NONE
B110	1	USE NONE
B120	1	USE NONE

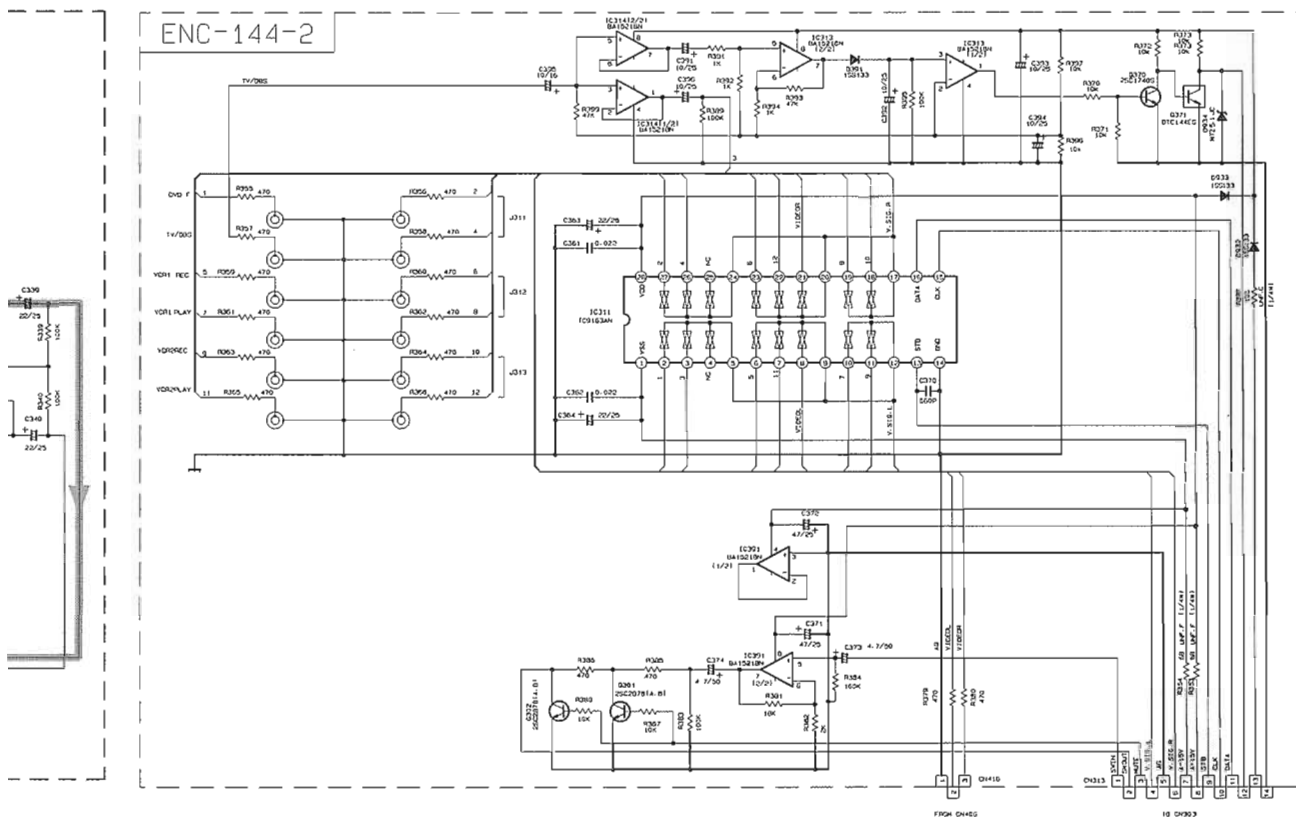
AUDIO SELECTOR SECTION

7
6
5
4
3
2
1



— Main Signal

A B C D E



F

G

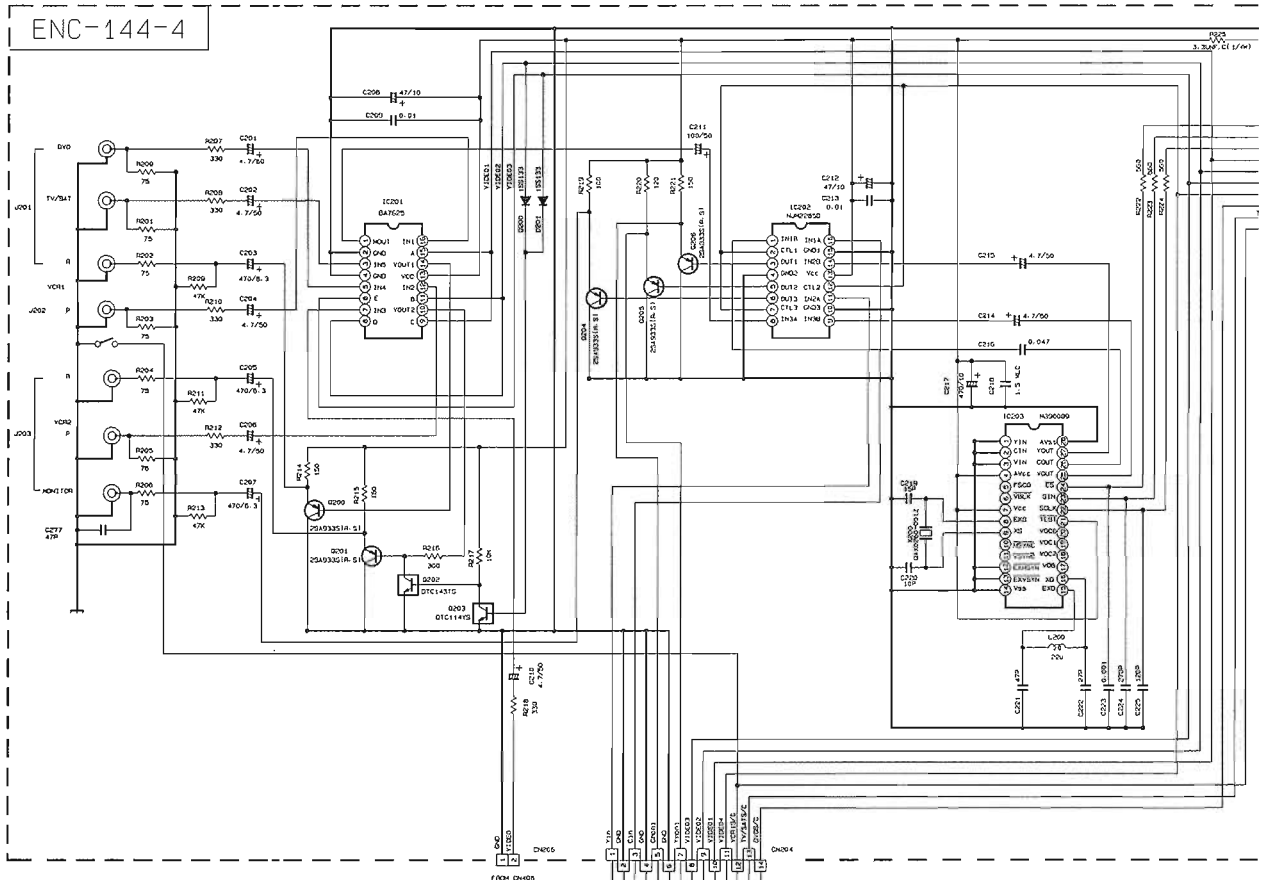
H

I

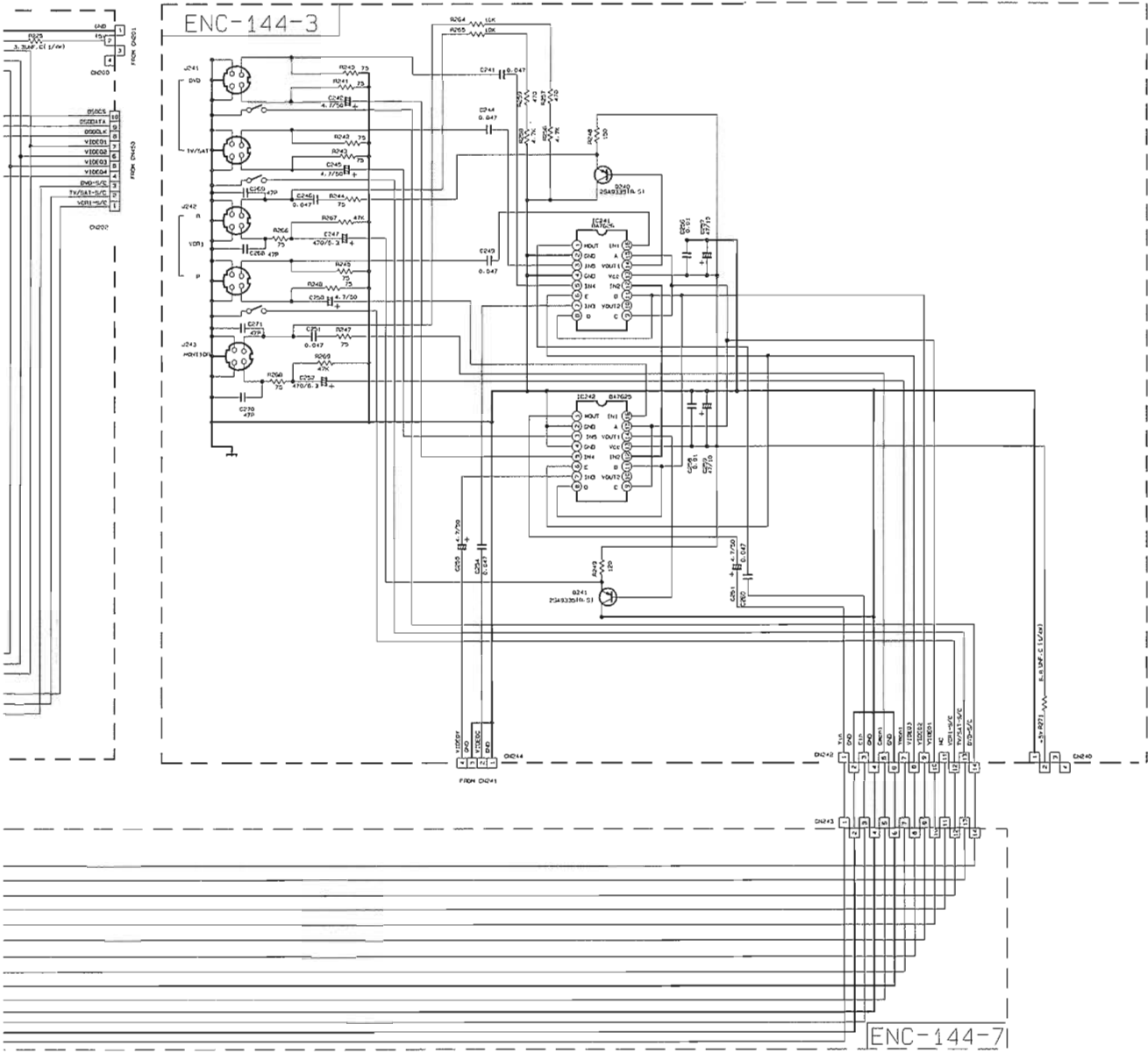
J

VIDEO SECTION

7
6
5
4
3
2
1



A B C D E



F

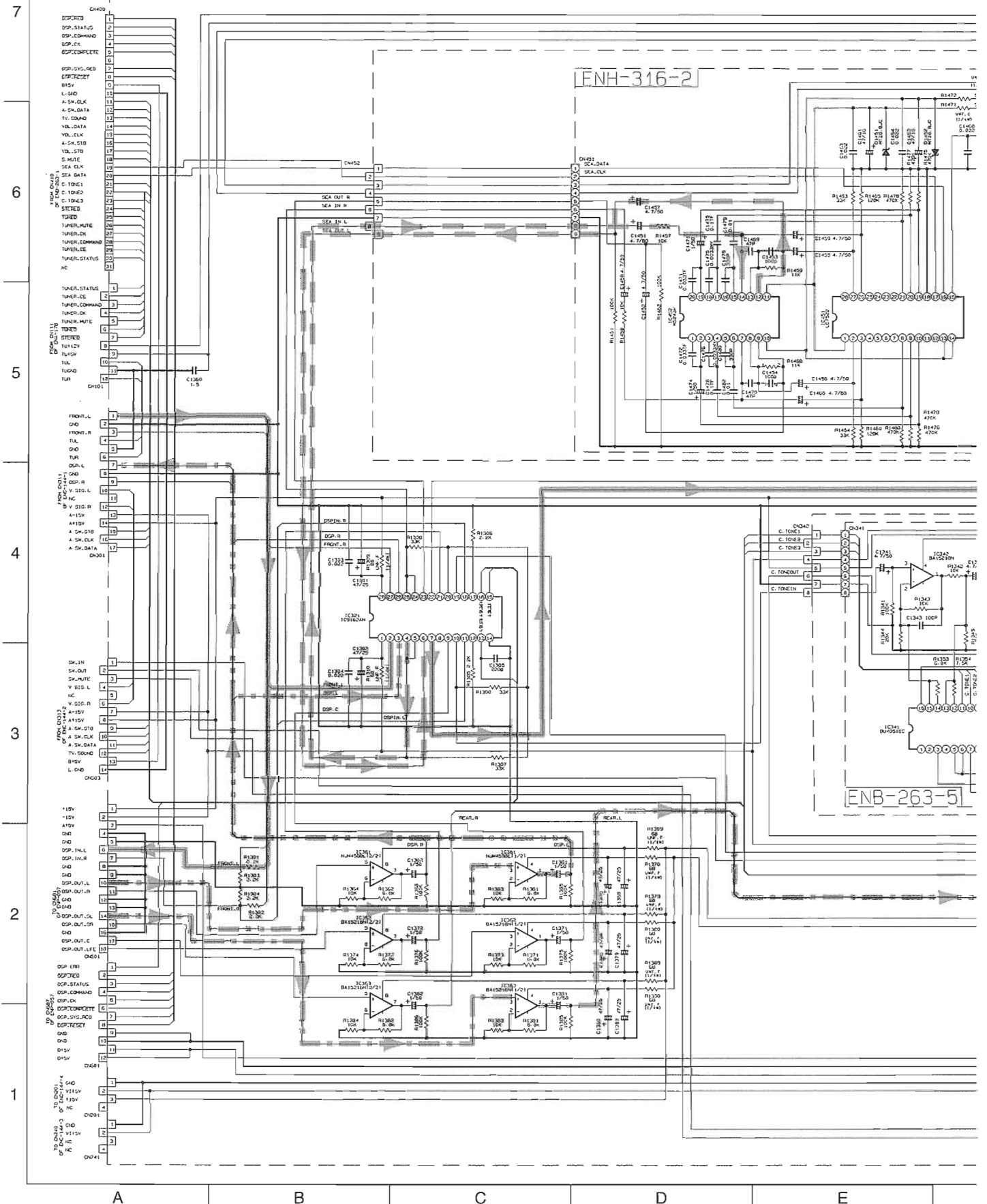
G

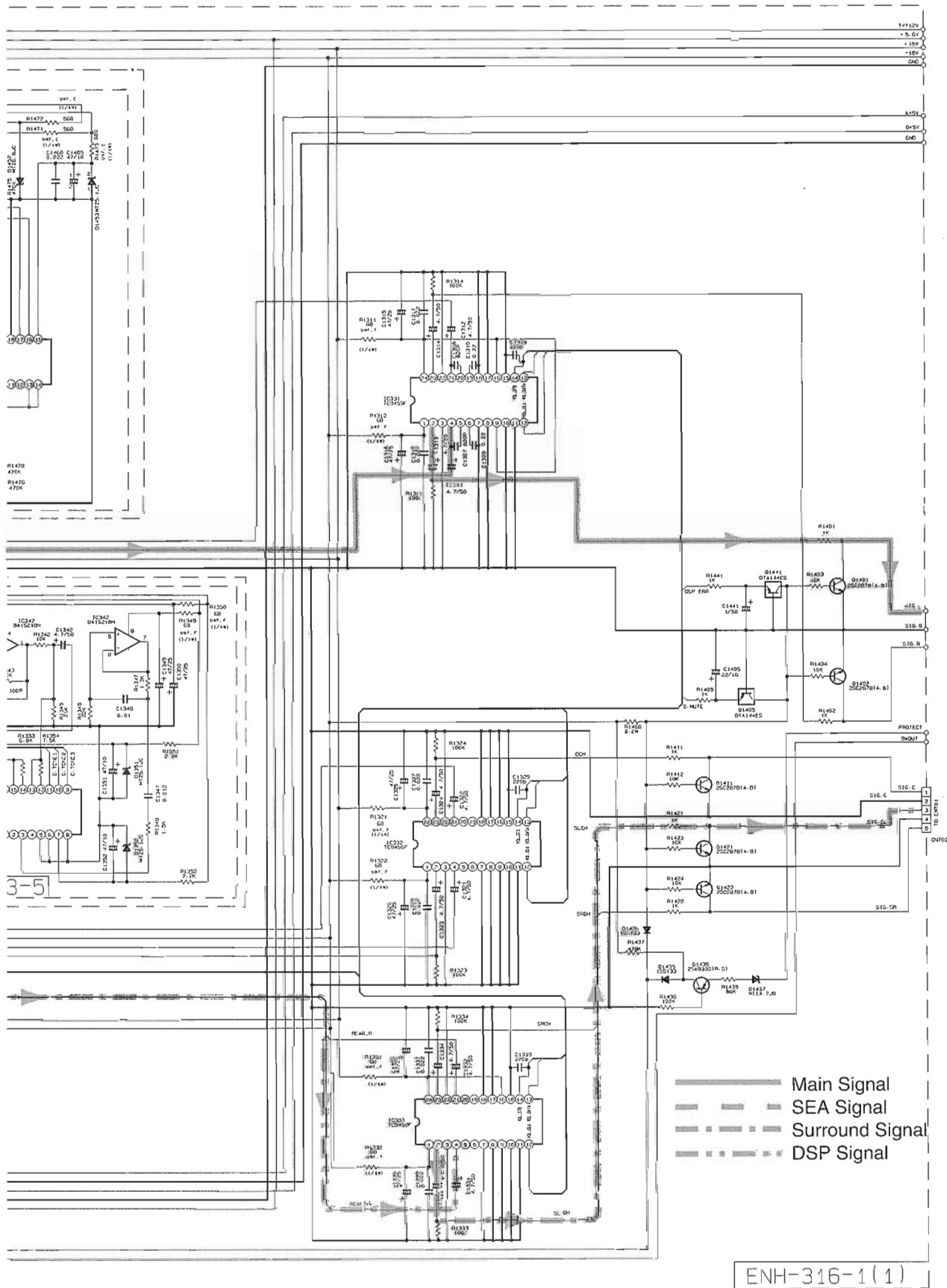
H

I

J

VOLUME CONTROL SECTION

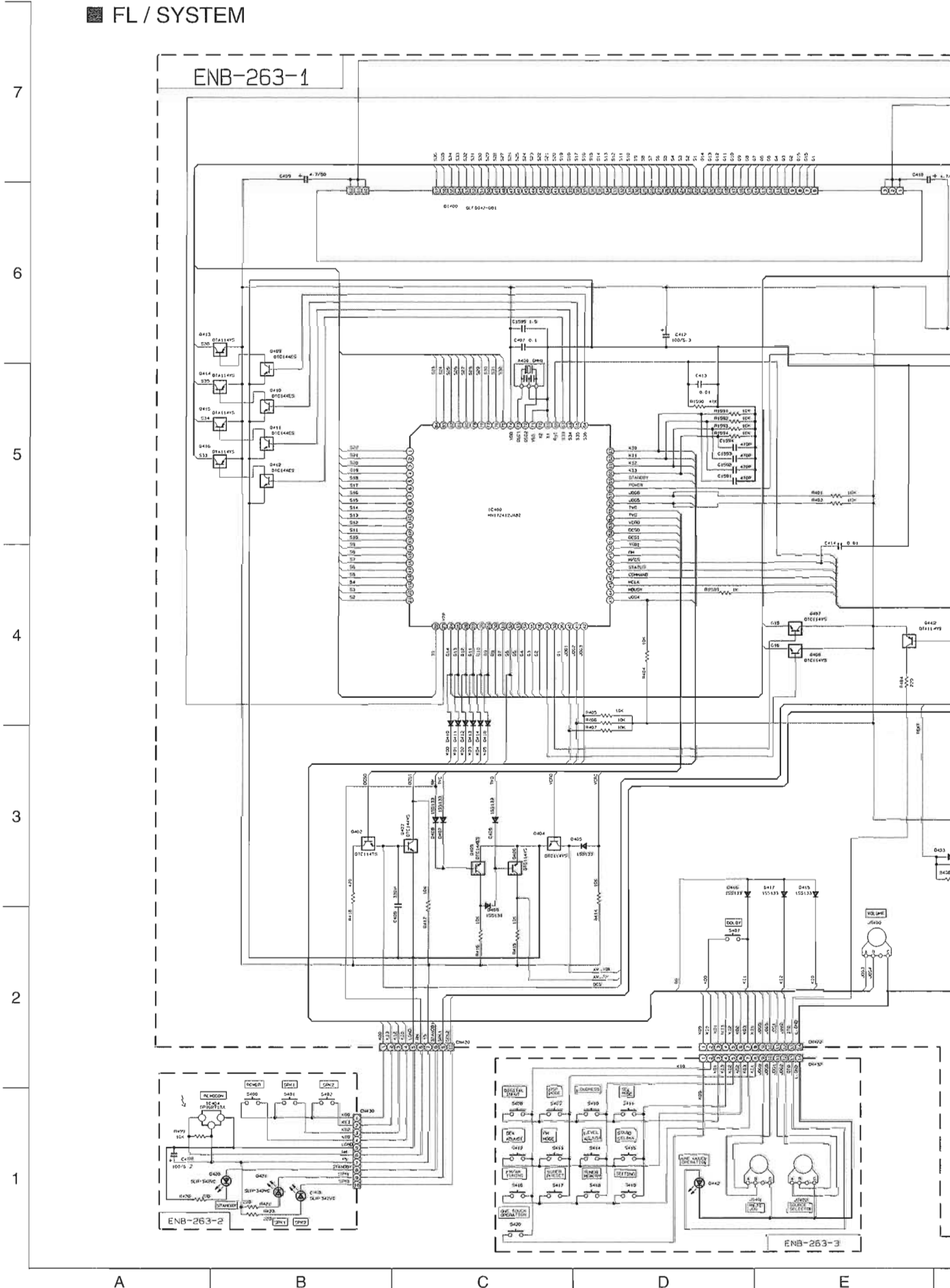


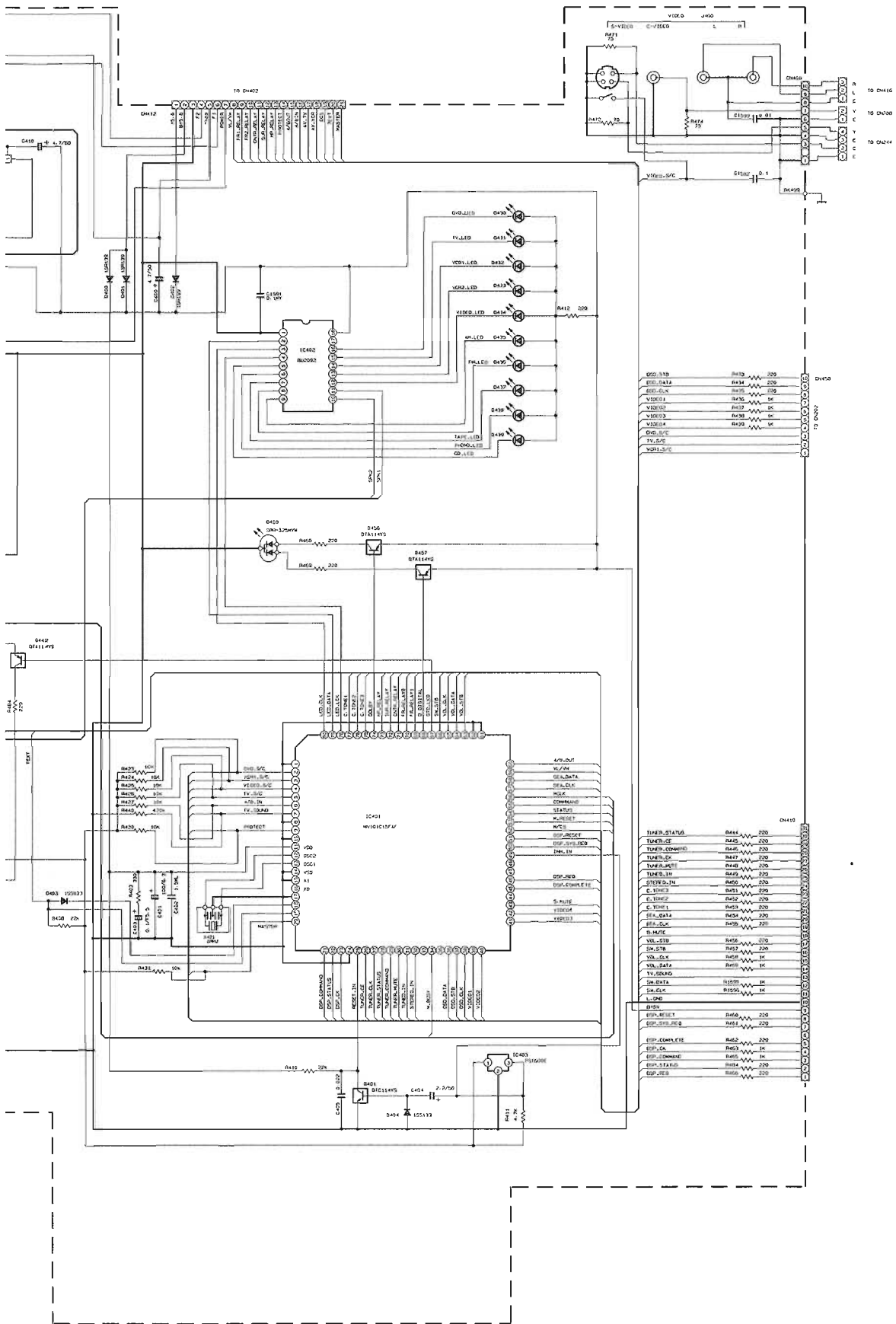


F G H I J

ENH-316-1(1)

FL / SYSTEM





F

G

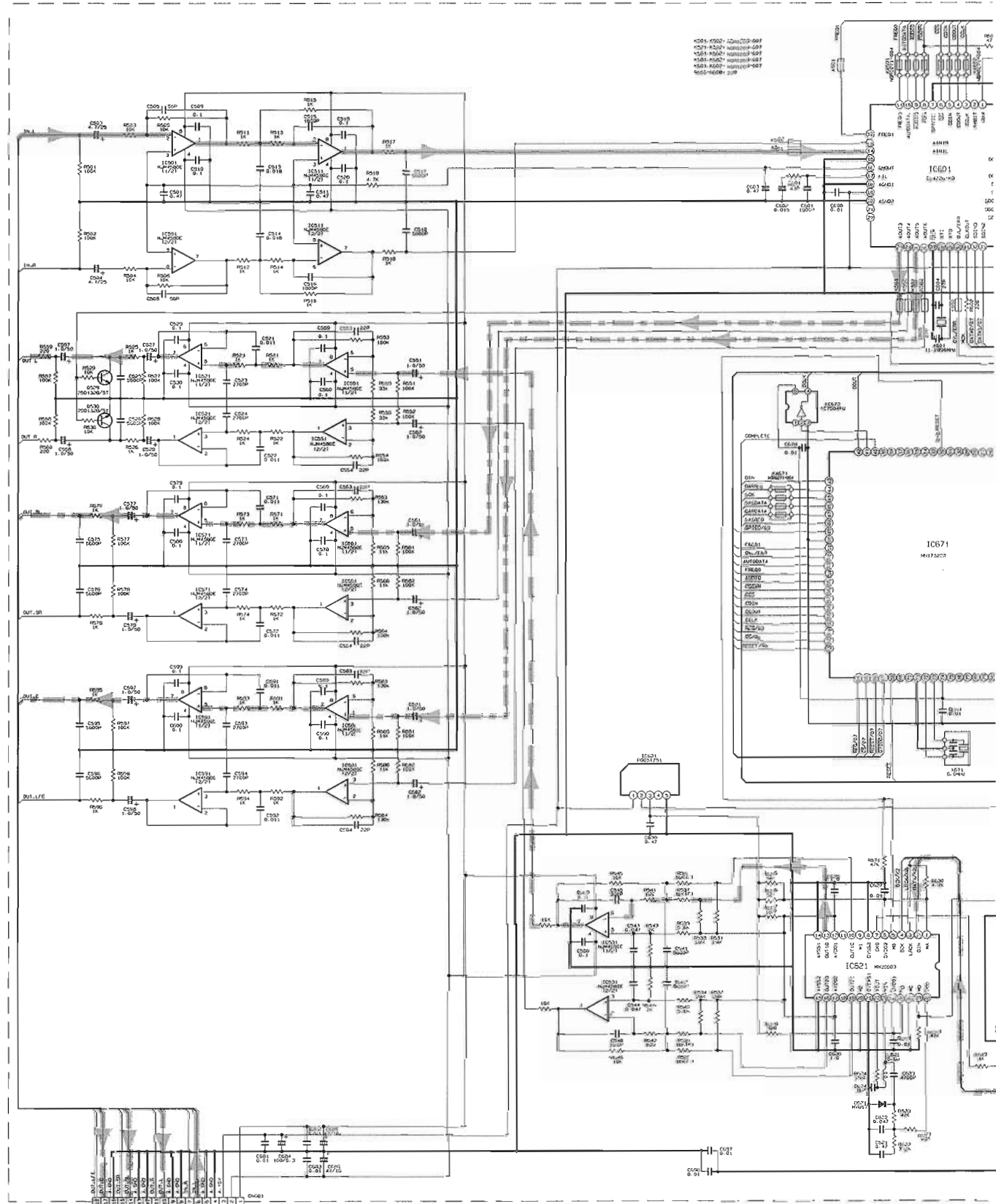
H

I

J

DSP SECTION

7
6
5
4
3
2
1

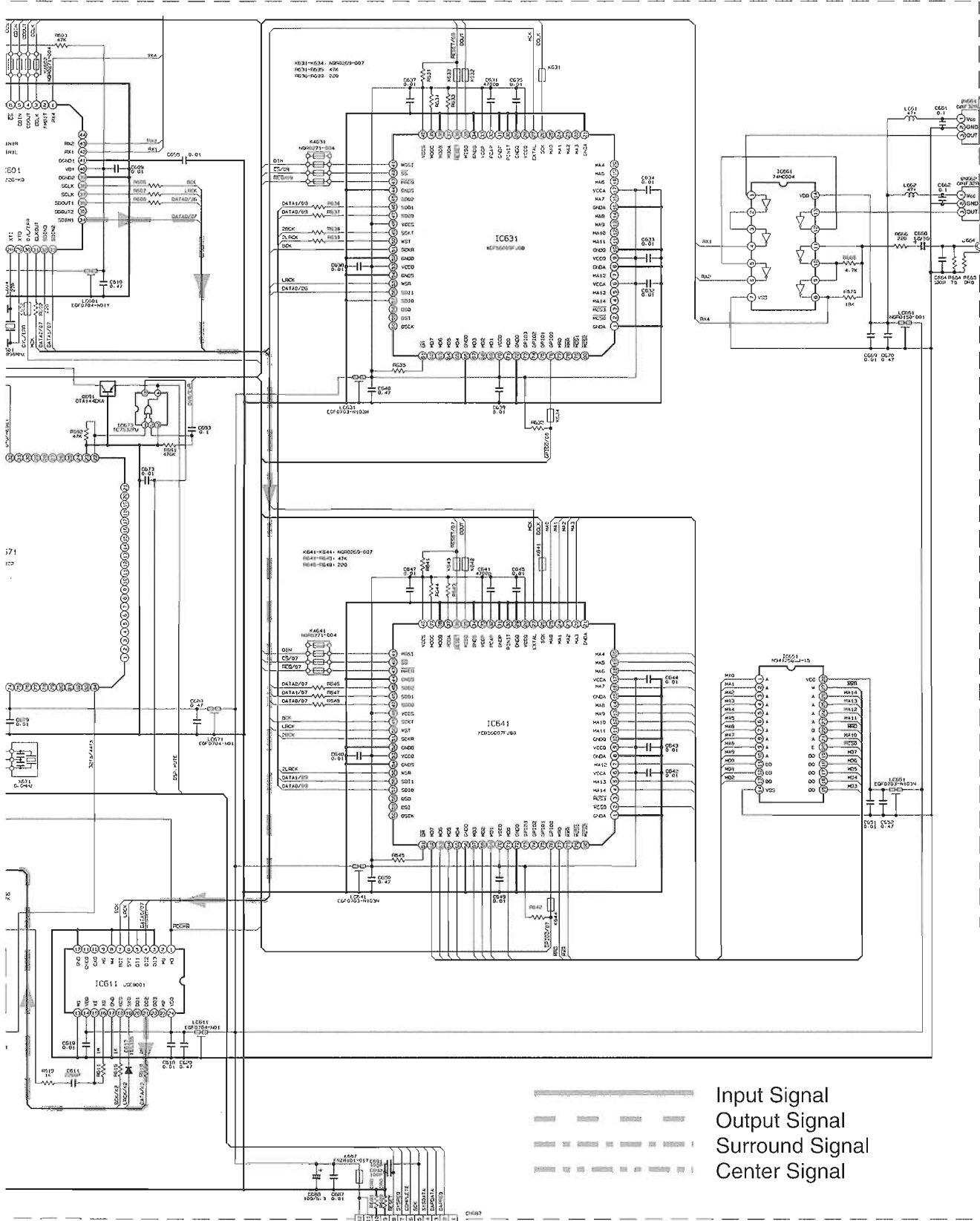


A B C D E

IC201-IC202: M41210-00F
 IC203-IC204: M41210-00F
 IC205-IC206: M41210-00F
 IC207-IC208: M41210-00F
 IC209: M41210-00F

IC671
 M417203

IC621
 M415503



371
103

282

F

G

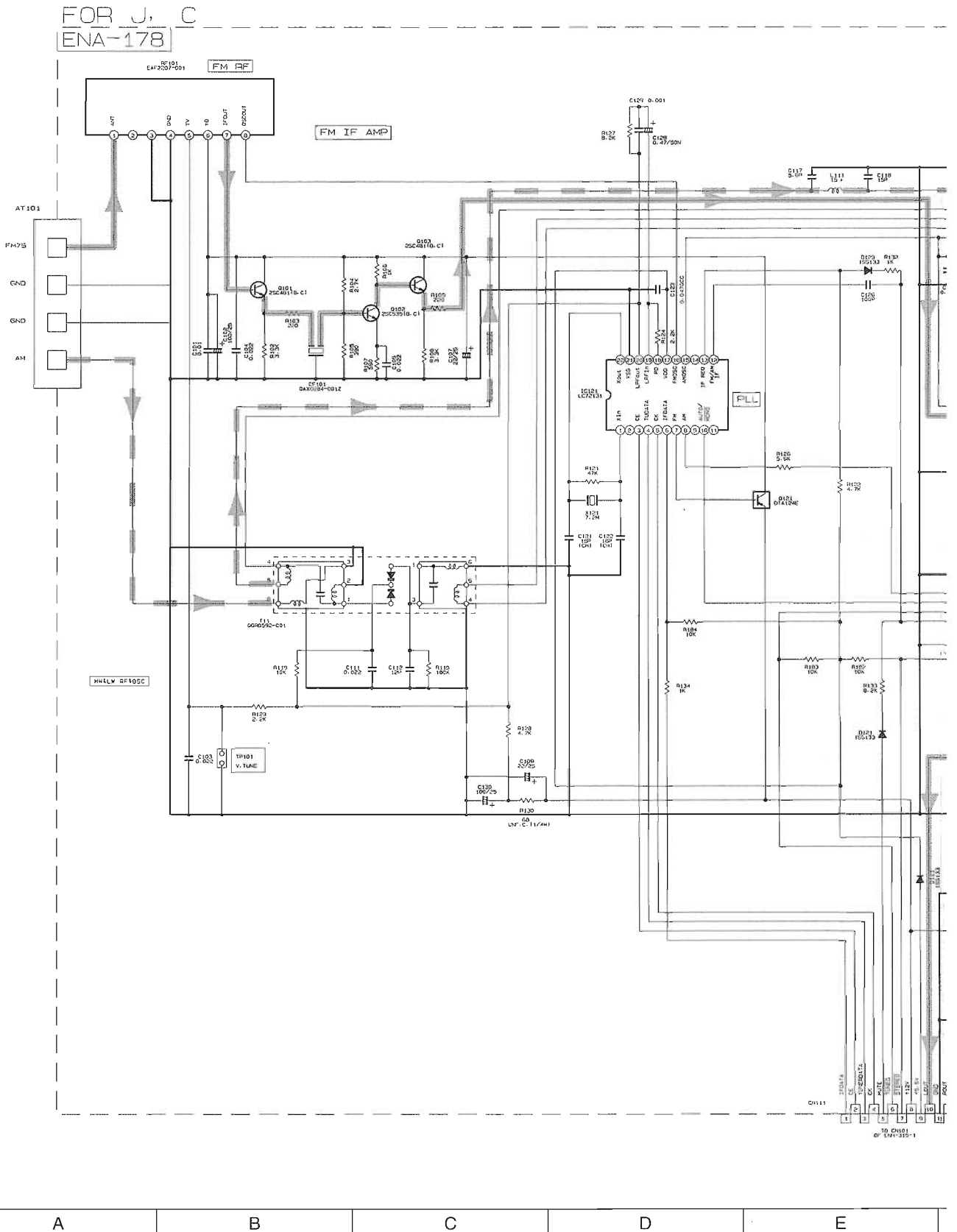
H

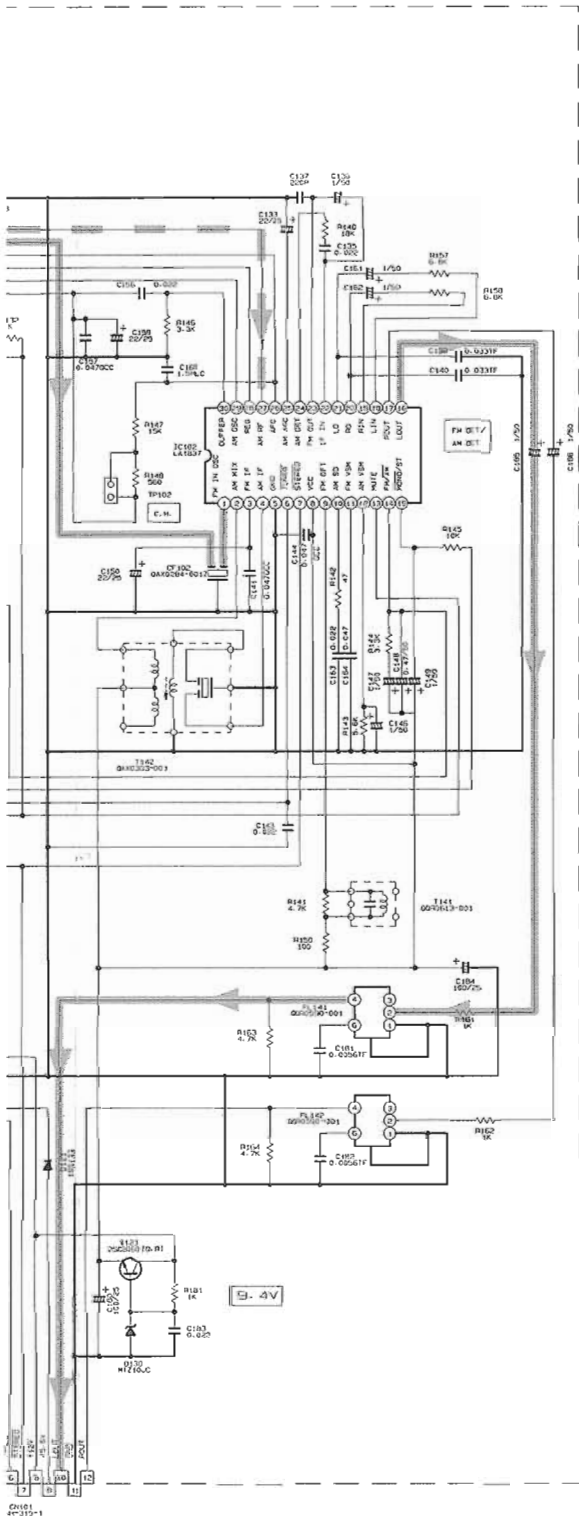
I

J

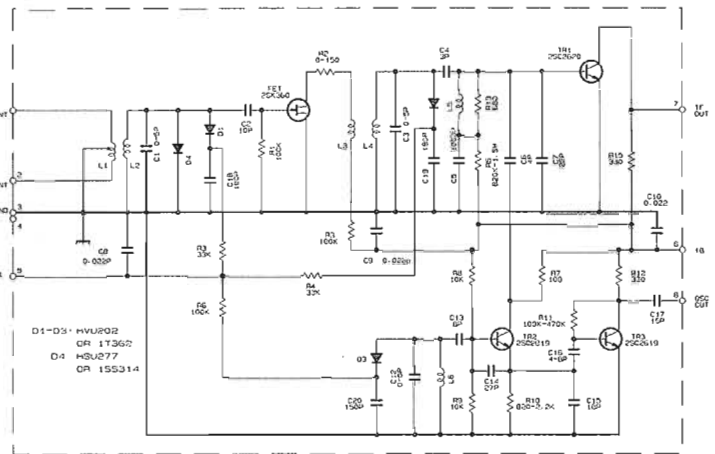
■ TUNER SECTION

7
6
5
4
3
2
1





RF 101
EAF2207-001



FM Signal
AM Signal

F

G

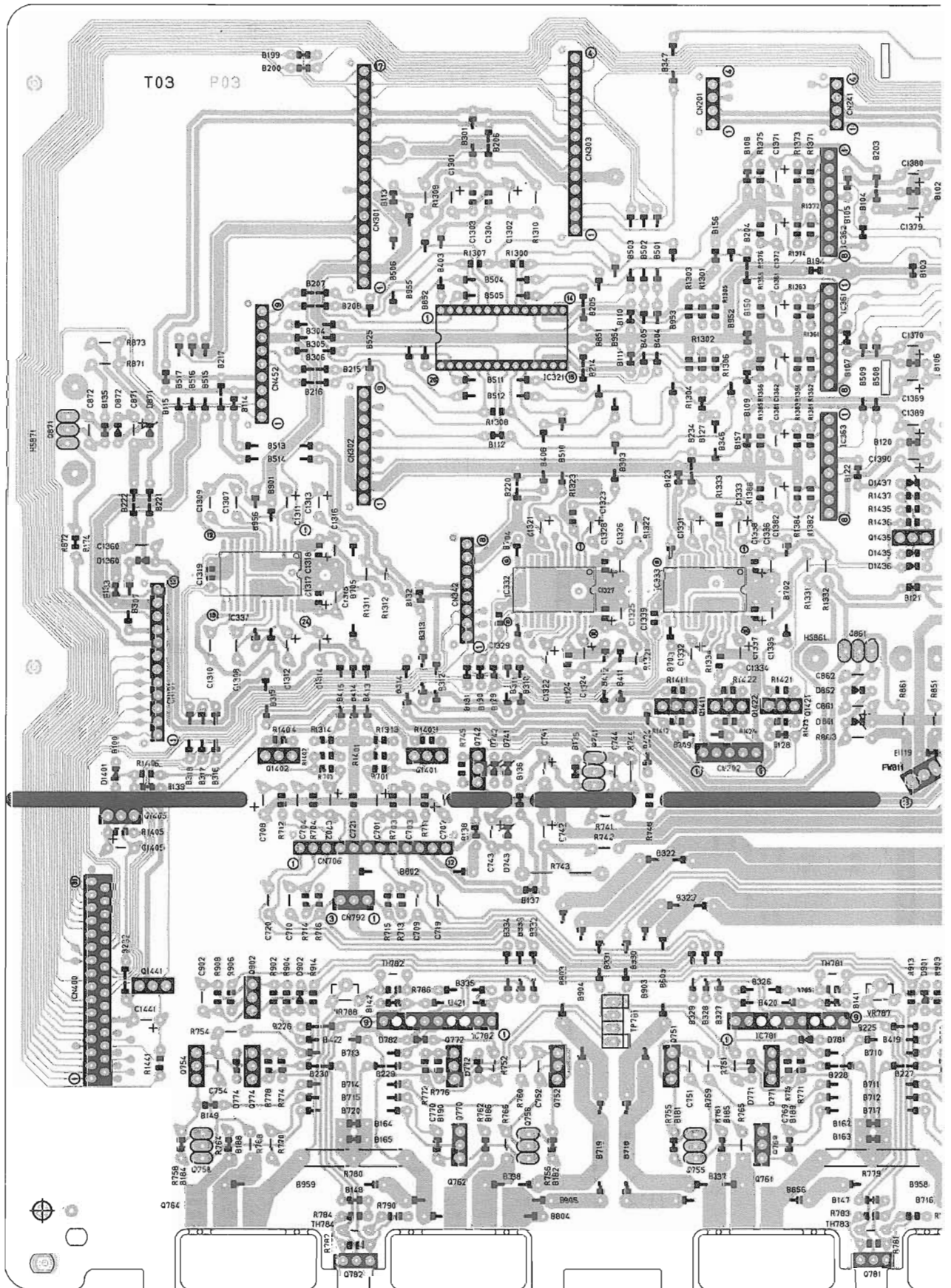
H

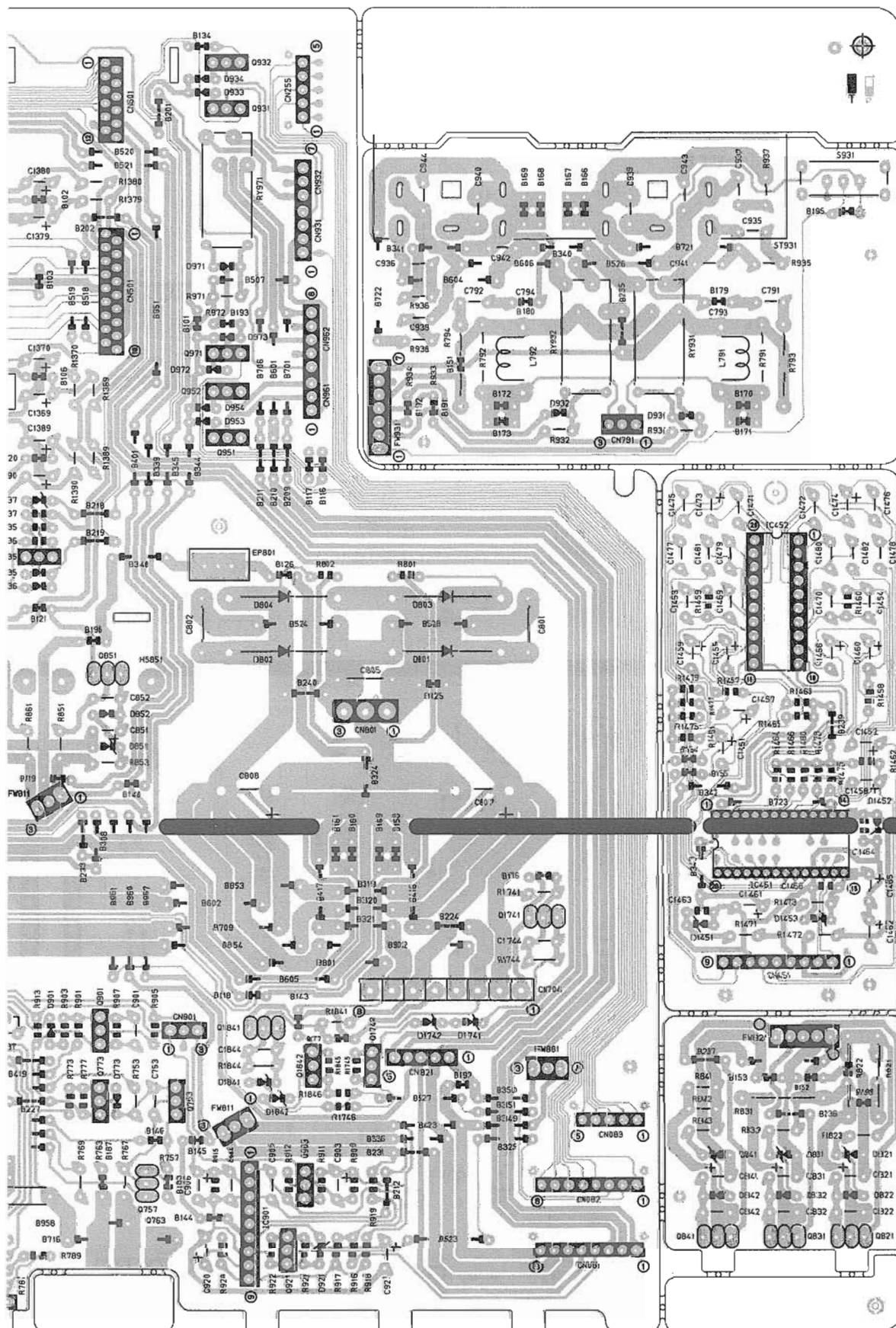
I

J

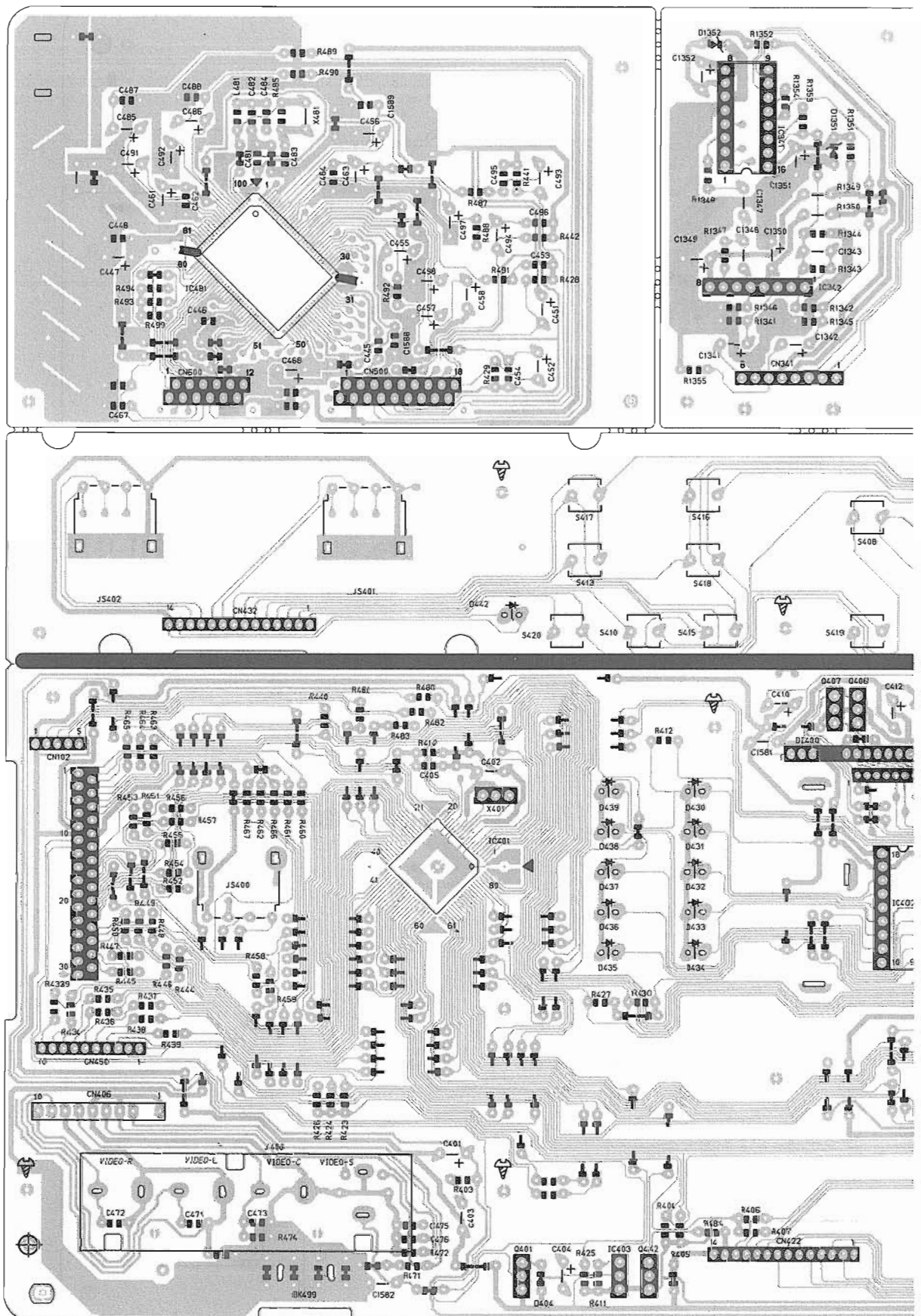
Printed Circuit Boards

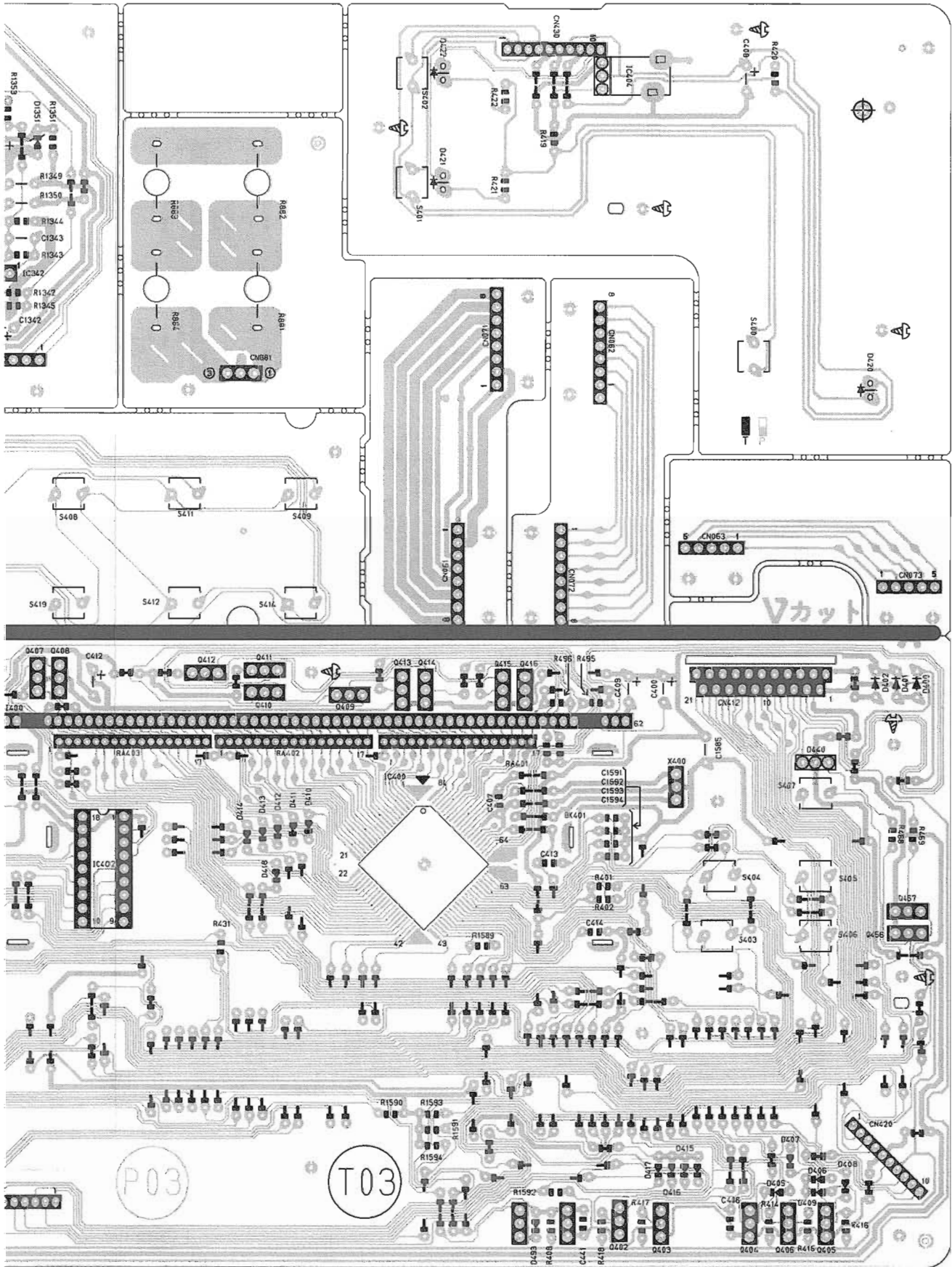
■ Main P.C. Board



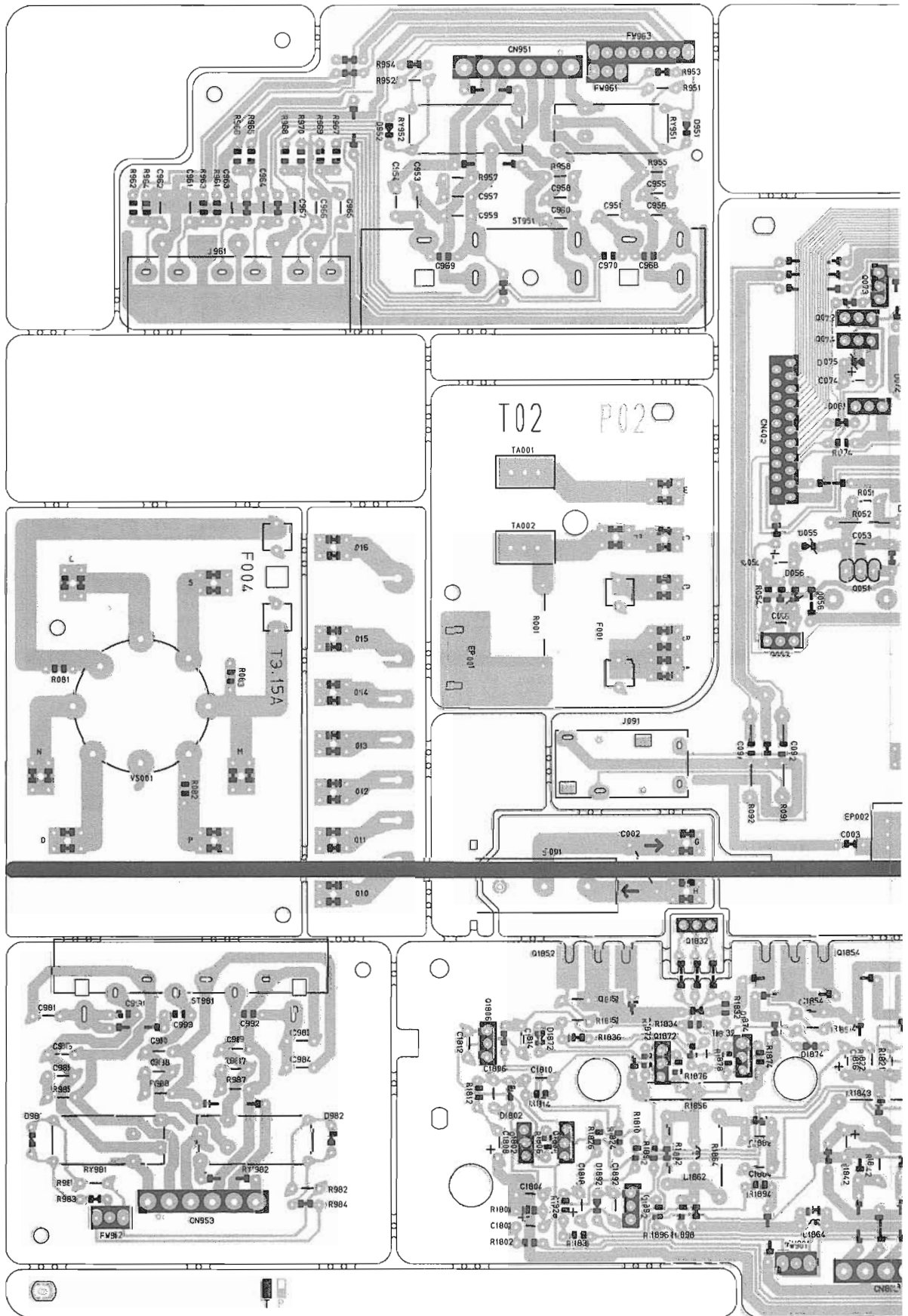


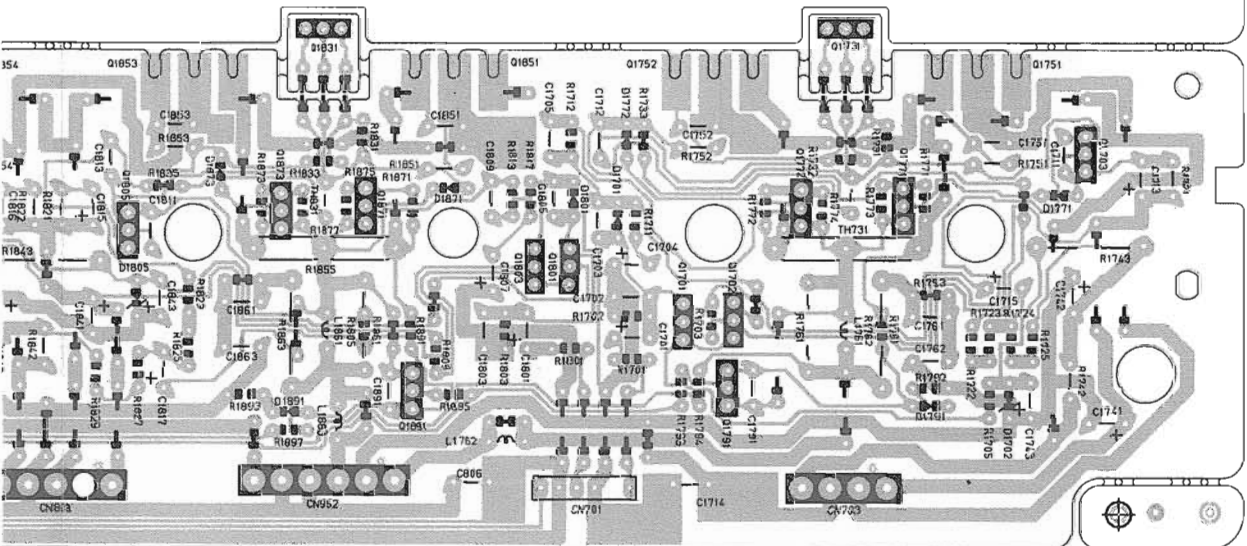
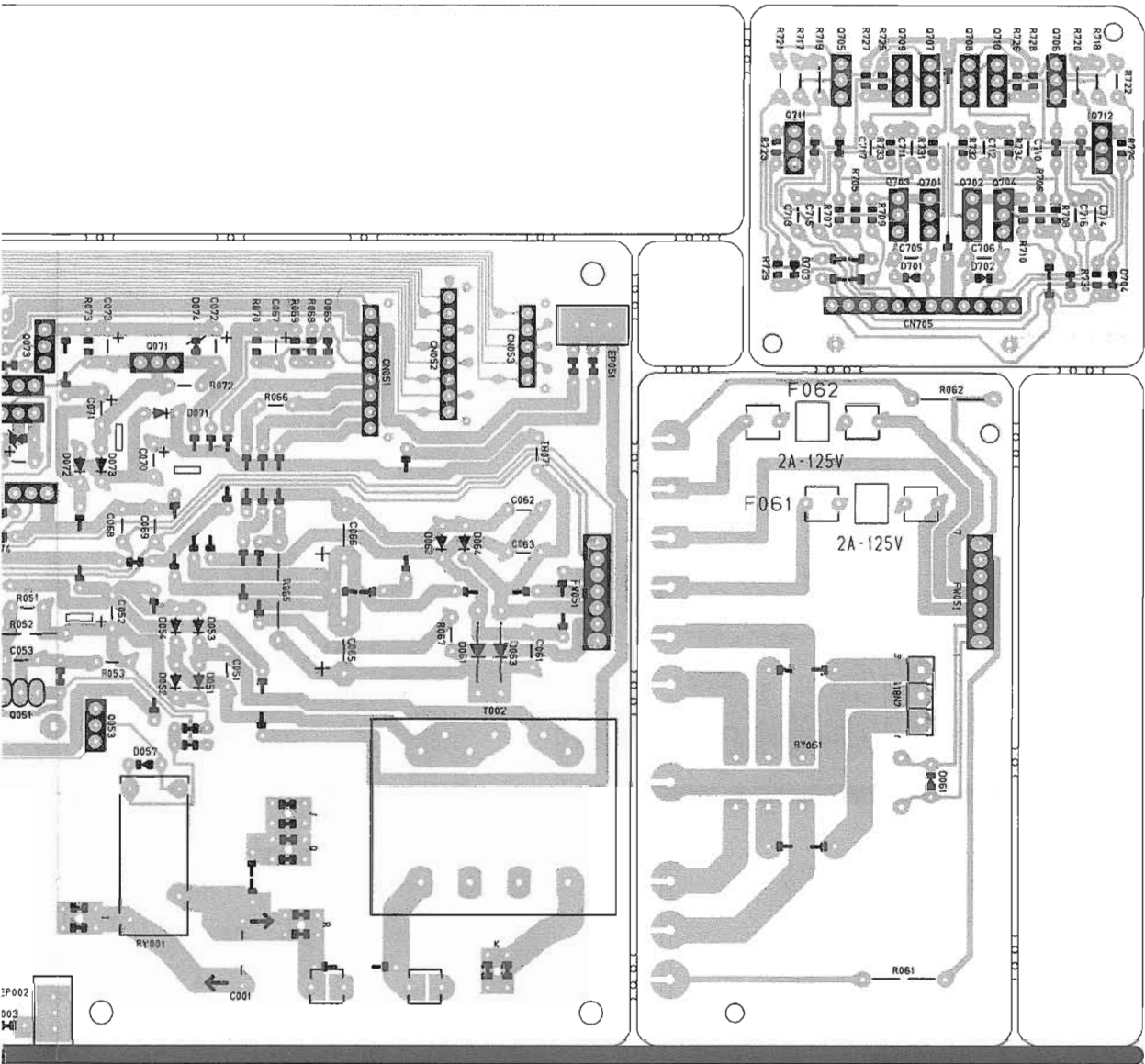
■ Front P.C. Board



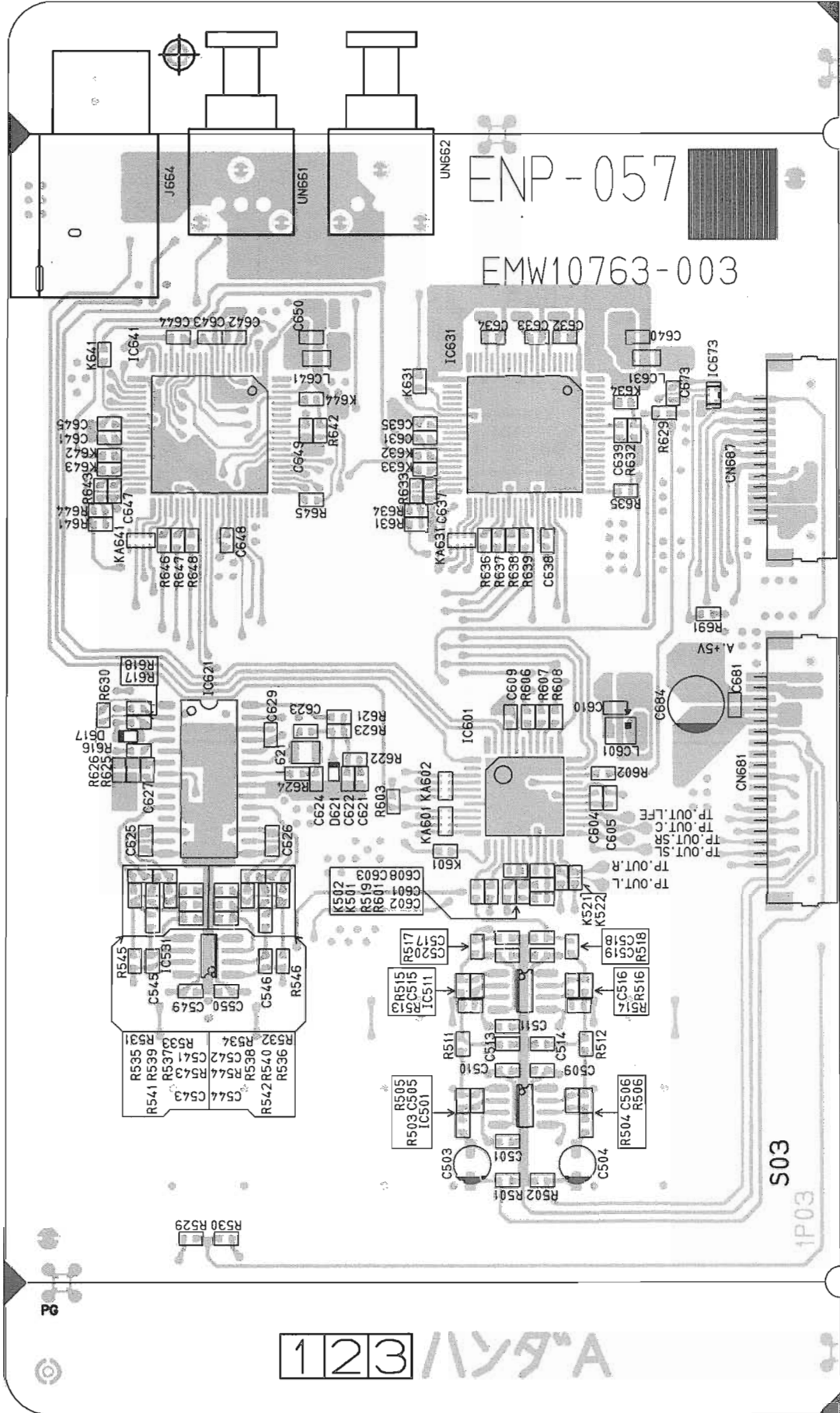


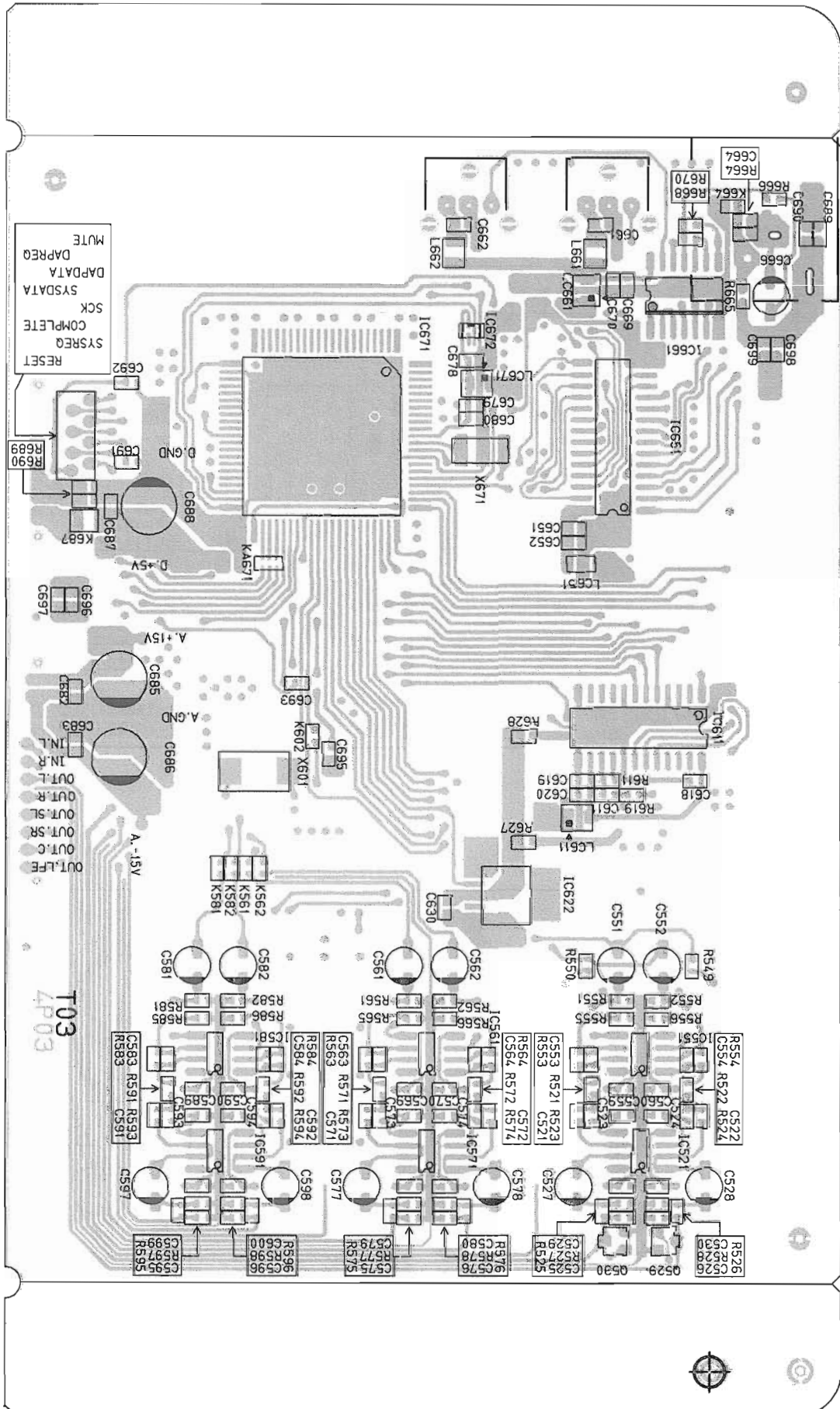
■ AC Supply P.C. Board



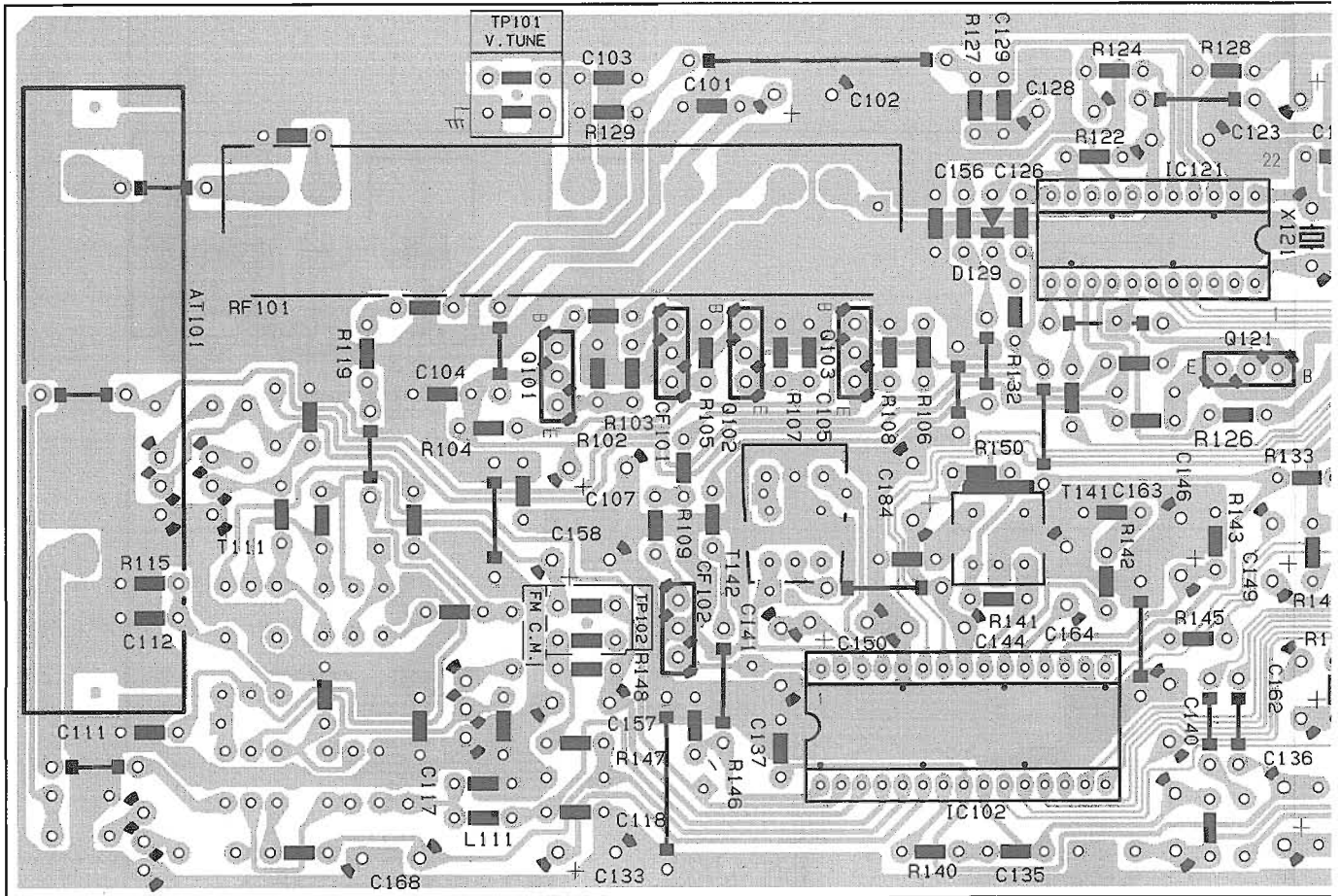


■ AC-3 P.C. Board

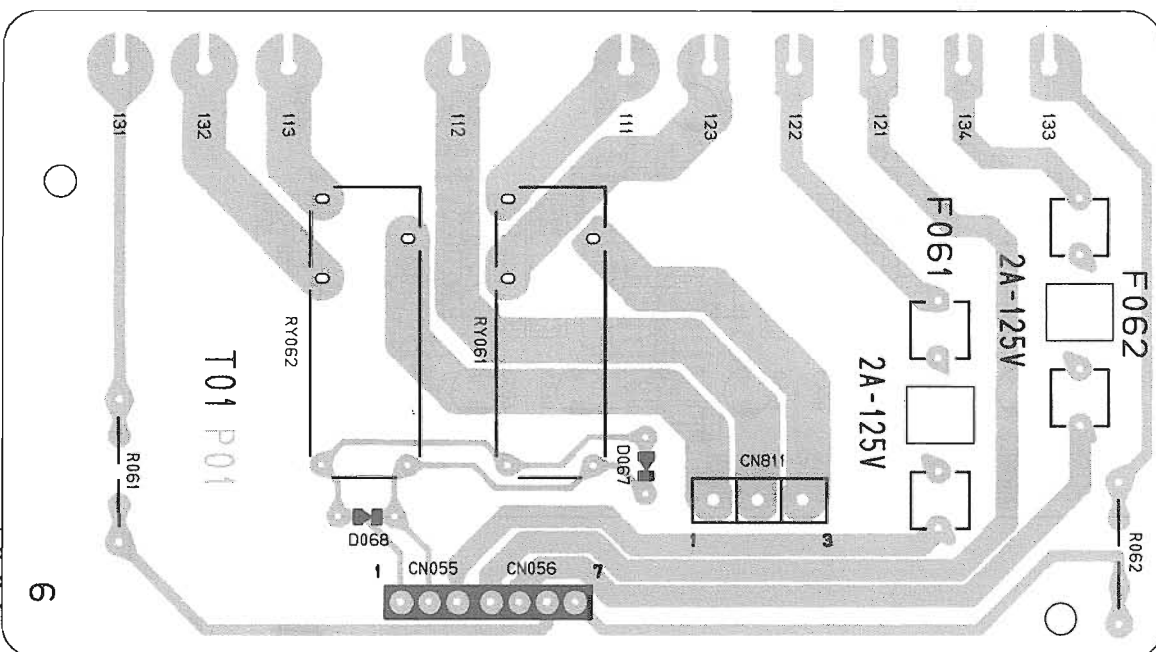


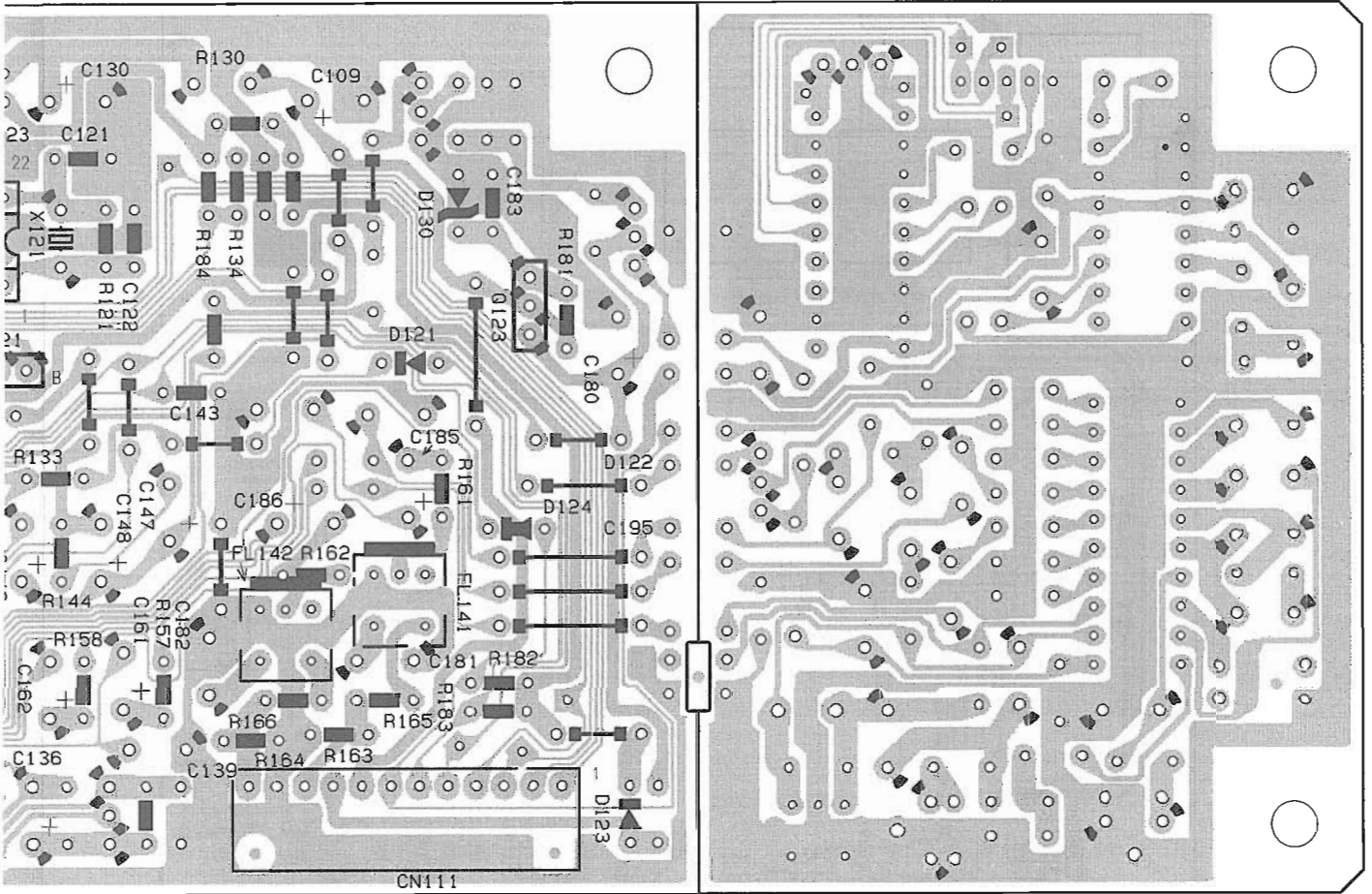


■ Tuner P.C. Board



■ Trans. Sec. P.C. Board





PARTS LIST

[RX-1024VBK]

* All printed circuit boards and its assemblies are not available as service parts.

The Marks for Designated Areas

J ---- the U.S.A
C---- Canada

- Contents -

General Exploded View and Parts List -----	4-2
Electrical Parts List -----	4-4
Tuner P.C.B. -----	4-4
Main P.C.B. -----	4-4
Front P.C.B. -----	4-8
Control P.C.B -----	4-10
AC Supply P.C.B. -----	4-13
AC-3 P.C.B. -----	4-16
Resistor P.C.B. -----	4-19
Accessories List -----	4-20
Packing Materials and Parts List -----	4-21

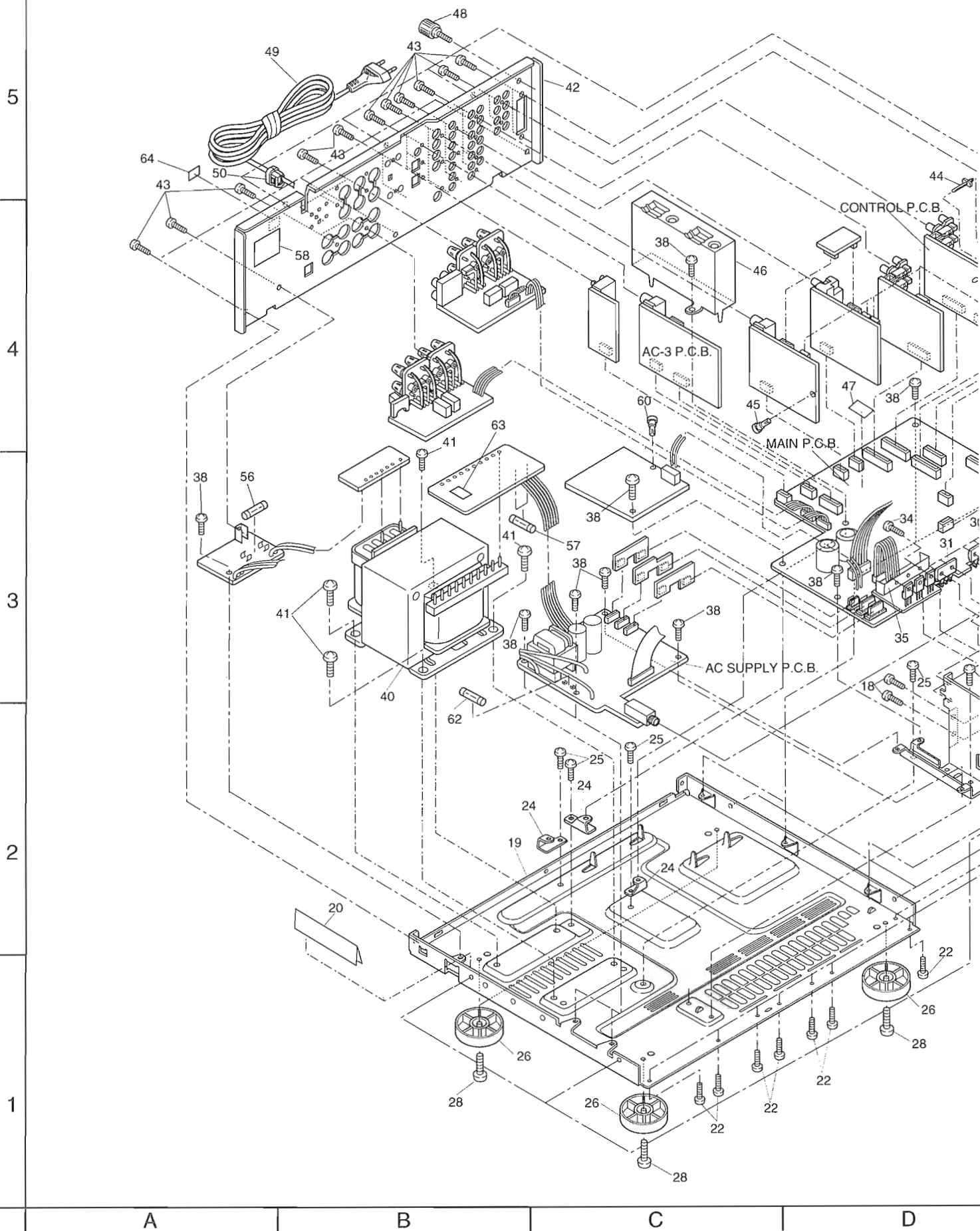
Parts List

Block No. M1MM

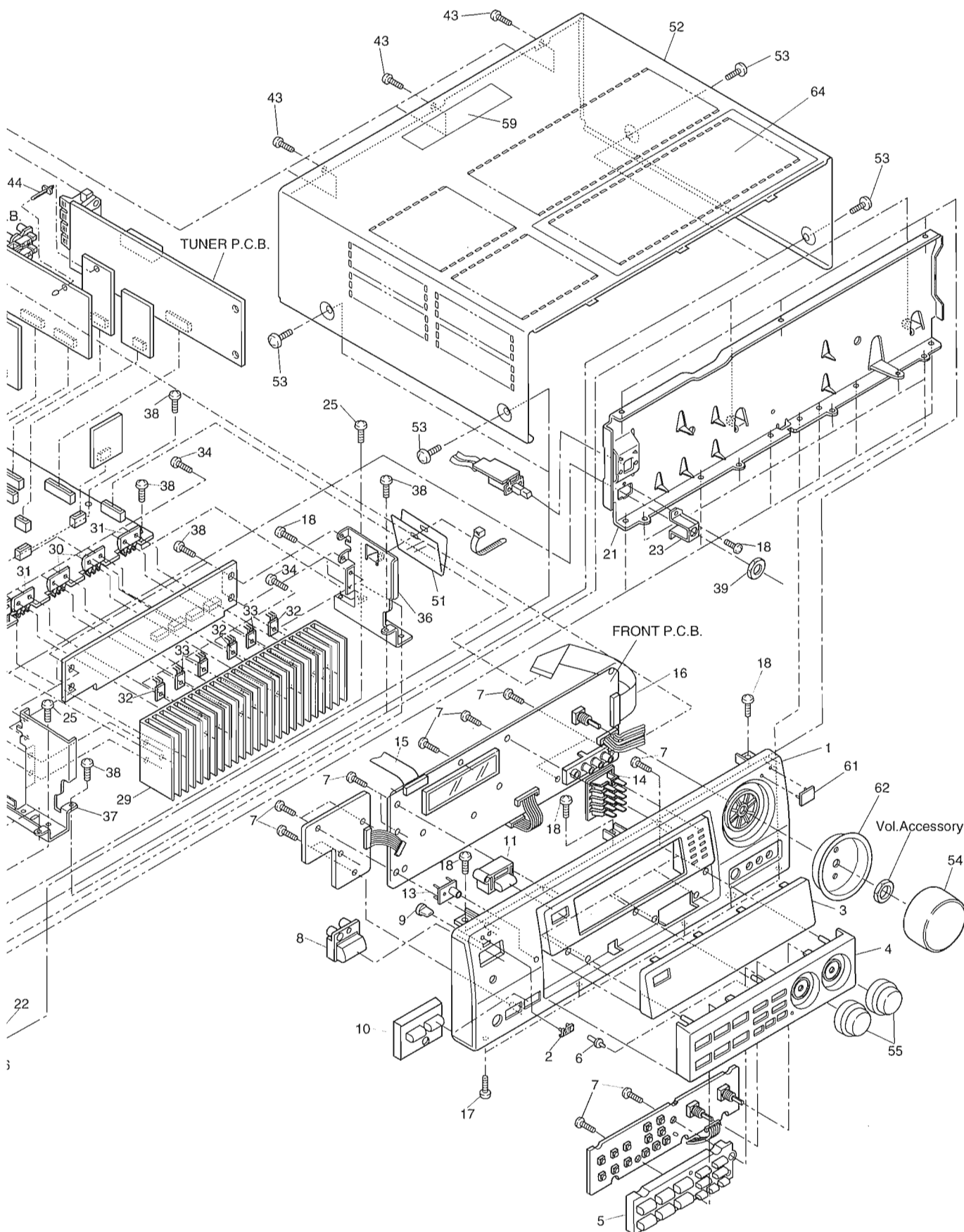
△	Item	Part Number	Parts Name	Qty	Description	Area
	1	LV10018-010AKP	FRONT PANEL	1		
	2	VJD5429-001SS	JVC MARK	1		
	3	LV20031-001AKP	LENS	1		
	4	LV20032-001AKP	FRONT ESC	1		
	5	LV20034-001AKP	PUSH BUTTON	1		
	6	LV40099-001AKP	INDICATOR	1		
	7	QYDSF2608Z	SCREW	18		
	8	LV30068-001AKP	P.BUTTON(POWER)	1		
	9	FSJD4001-002	INDICATOR	1		
	10	LV30069-001AKP	P.BUTTON ASSY	1		
	11	LV30071-001AKP	P.BUTTON ASSY	1		
	13	E308744-002	REMOTE LENS	1		
	14	LV30073-001AKP	SOURCE INDICATOR	1		
	15	VWF1221-20TTB	FLAT WIRE ASSY	1		
	16	VWF1231-22TTBW	FFC CABLE	1		
	17	QYSDSG3008M	SCREW	5		
	18	QYSBSG3008E	T.SCREW	8		
	19	LV10019-002AKP	CHASSIS BASE	1		
	20	EXO150010H09S11	FELT SPACER	1		
	21	LV10020-001AKP	FRONT BRACKET	1		
	22	QYSDSG3008E	T.SCREW	7		
	23	LE40139-001A	HEADPHONE BRACKET	1		
	24	E68587-223SM	CB BKT	3		
	25	QYSBST3006E	TAP.SCREW	7		
	26	VJF4039-00P	FOOT ASSY	4		
	28	QYSBST3010Z	TH TAP SCREW	4		
	29	LV30075-001AKP	HEAT SINK	1		
	30	2SC3858/PG/-F1	SI.TRANSISTOR	2		
	31	2SA1494/PG/-F1	SI.TRANSISTOR	2		
	32	2SD2488/Z1/-F1	SI.TRANSISTOR	3		
	33	2SB1620/OP/-F1	SI.TRANSISTOR	3		
	34	E73525-003	SCREW	16		
	35	LV40390-001AKP	LEAF SPRING	1		
	36	LV20035-001AKP	H.S BRACKET(R)	1		
	37	LV20036-001AKP	H.S BRACKET(L)	1		
	38	QYSBSG3008E	T.SCREW	17		
	39	VKZ4150-001	SPECIAL NUT	1		
△	40	QQT0221-001KP	POWER TRANSFORMER	1		
	41	QYSDSTL4008E	SPECIAL SCREW	4		
△	42	LV10021-025AKP	REAR PANEL	1		
	43	QYSBSGY3008E	SPECIAL SCREW	31		
	44	E302321-001	FASTENER	1		
	45	E48729-008	PLASTIC RIVET	1		
	46	LV20037-001AKP	SHIELD CASE	1		
	47	E75896-003	FELT SPACER	1		
	48	E409257-001	GND TERMINAL	1		
△	49	QMP1D00-200L	POWER CORD	1		
△	50	QHS3771-108	CORD STOPPER	1		
△	51	LV30076-001AKP	PROTECTOR	1		
	52	LV20038-002A (S)	TOP COVER	1		
	53	E406308-003	SPECIAL SCREW	4		
	54	LV30480-001AKP	VOL KNOB ASS'Y	1		
	55	LV30481-001AKP	JOG KNOB ASS'Y	2		
△	56	QMF51U1-6R3-J1	FUSE	1	F001	
△	57	QMF51U1-2R0-J1	FUSE	2	F061,F062	
△	58	E65507-001	CAUTION LABEL	1		C
△		E67199-001	J=FISE C.LABEL	1		J
	59	E409394-001	CAUTION LABEL	1		J
		E409396-001	CAUTION LABEL	1		C
	60	E310243-002	PLASTIC RIVET	1		
	61	LE40645-001A	MARK	1		
	62	LV30074-001A	VOL. RING	1		
△	63	E75803-001	J=FUSE C.LABEL	1		J
△	64	E408632-002	C=CSA LABEL	1		C

General Exploded View and Parts List

Block No. **M 1 M M**



M



Electrical Parts List (Tuner P.C.B.)

△	Item	Part Number	Description	Area
		I.C.S		
	IC102	LA1837	I.C (MONO-ANALOG)	
	IC121	LC72131	I.C (M)	
		DIODES		
	D121	1SS133-T2	SI.DIODE	
	D123	1SS133-T2	SI.DIODE	
	D129	1SS133-T2	SI.DIODE	
	D130	MTZJ10C-T2	ZENER	
		TRANSISTORS		
	Q101	2SC461/BC/-T	SILICON	
	Q102	2SC535/BC/-T	SILICON	
	Q103	2SC461/BC/-T	SILICON	
	Q121	DTA124ES-T	SILICON	
	Q123	2SC2060/QR/-T	SILICON	
		CAPACITORS		
	C101	QDYB1CM-103Y	0.01MF 16V C CAP.	
	C102	QETN1EM-107Z	100MF 25V AL E.CAP.	
	C103	QDVB1EZ-223Y	0.022MF 25V C CAP I M	
	C104	QDVB1EZ-223Y	0.022MF 25V C CAP I M	
	C105	QDVB1EZ-223Y	0.022MF 25V C CAP I M	
	C107	QETN1EM-226Z	22MF 25V E.CAP.	
	C109	QETN1EM-226Z	22MF 25V E.CAP.	
	C111	QDVB1EZ-223Y	0.022MF 25V C CAP I M	
	C112	QDCB1HJ-120Y	12PF 50V C CAP.	
	C117	QCSB1HK-5R6Y	5.6PF 50V CER.CAP.	
	C118	QCSB1HJ-150Y	15PF 50V CER.CAP.	
	C121	QDCB1HJ-180Y	18PF 50V C.CAP.	
	C122	QDCB1HJ-180Y	18PF 50V C.CAP.	
	C123	QDX31EM-473Z	0.047MF 25V C CAP.	
	C126	QCBB1HK-101Y	100PF 50V CER.CAP.	
	C128	QENC1HM-474	0.47MF 50V NP E.CAP.	
	C129	QCGB1HK-102	1000PF 50V CER.CAP.	
	C130	QETN1EM-107Z	100MF 25V AL E.CAP.	
	C133	QETN1EM-226ZM	22MF 25V E.CAP.	
	C134	QCBB1HK-331Y	330PF 50V CER.CAP.	
	C135	QDVB1EZ-223Y	0.022MF 25V C CAP I M	
	C136	QETN1HM-105Z	1MF 50V AL E.CAP.	
	C137	QCBB1HK-221Y	220PF 50V CER.CAP.	
	C139	QFLC1HJ-333Z	0.033MF 50V MYLAR CAP.	
	C140	QFLC1HJ-333Z	0.033MF 50V MYLAR CAP.	
	C141	QDX31EM-473Z	0.047MF 25V C CAP.	
	C143	QDVB1EZ-223Y	0.022MF 25V C CAP I M	
	C144	QDX31EM-473Z	0.047MF 25V C CAP.	
	C146	QETN1HM-105Z	1MF 50V AL E.CAP.	
	C147	QETN1HM-105Z	1MF 50V AL E.CAP.	
	C148	QETN1HM-474Z	0.47MF 50V AL E.CAP.	
	C149	QETN1HM-105Z	1MF 50V AL E.CAP.	
	C150	QETN1EM-226ZM	22MF 25V E.CAP.	
	C156	QDVB1EZ-223Y	0.022MF 25V C CAP I M	
	C157	QDX31EM-473Z	0.047MF 25V C CAP.	
	C158	QETN1EM-226ZM	22MF 25V E.CAP.	
	C161	QETN1HM-105Z	1MF 50V AL E.CAP.	
	C162	QETN1HM-105Z	1MF 50V AL E.CAP.	
	C163	QDVB1EZ-223Y	0.022MF 25V C CAP I M	
	C164	QDX31EM-473Z	0.047MF 25V C CAP.	
	C168	QCZ0205-155	1.5MF 25V CER.RES.	
	C180	QETN1EM-107Z	100MF 25V AL E.CAP.	
	C181	QFLC1HJ-562	5600PF 50V MYLAR CAP.	
	C182	QFLC1HJ-562	5600PF 50V MYLAR CAP.	
	C183	QDVB1EZ-223Y	0.022MF 25V C CAP I M	
	C184	QETN1EM-107Z	100MF 25V AL E.CAP.	
	C185	QETN1HM-105Z	1MF 50V AL E.CAP.	
	C186	QETN1HM-105Z	1MF 50V AL E.CAP.	
		RESISTORS		
	R102	QRE141J-332Y	3.3K 1/4W R.NETWORK	
	R103	QRE141J-221Y	220 1/4W R.NETWORK	

△	Item	Part Number	Description	Area
	R104	QRE141J-272Y	2.7K 1/4W R.NETWORK	
	R105	QRE141J-391Y	390 1/4W R.NETWORK	
	R106	QRE141J-102Y	1K 1/4W R.NETWORK	
	R107	QRE141J-561Y	560 1/4W R.NETWORK	
	R108	QRE141J-332Y	3.3K 1/4W R.NETWORK	
	R109	QRE141J-221Y	220 1/4W R.NETWORK	
	R115	QRE141J-104Y	100K 1/4W R.NETWORK	
	R119	QRE141J-103Y	10K 1/4W R.NETWORK	
	R121	QRE141J-473Y	47K 1/4W R.NETWORK	
	R122	QRE141J-472Y	4.7K 1/4W R.NETWORK	
	R124	QRE141J-222Y	2.2K 1/4W R.NETWORK	
	R126	QRE141J-562Y	5.6K 1/4W R.NETWORK	
	R127	QRE141J-822Y	8.2K 1/4W R.NETWORK	
	R128	QRE141J-472Y	4.7K 1/4W R.NETWORK	
	R129	QRE141J-222Y	2.2K 1/4W R.NETWORK	
	R130	QRJ146J-680X	68 1/4W R.NETWORK	
	R132	QRE141J-102Y	1K 1/4W R.NETWORK	
	R133	QRE141J-822Y	8.2K 1/4W R.NETWORK	
	R134	QRE141J-102Y	1K 1/4W R.NETWORK	
	R140	QRE141J-183Y	18K 1/4W R.NETWORK	
	R141	QRE141J-472Y	4.7K 1/4W R.NETWORK	
	R142	QRE141J-470Y	47 1/4W R.NETWORK	
	R143	QRE141J-562Y	5.6K 1/4W R.NETWORK	
	R144	QRE141J-332Y	3.3K 1/4W R.NETWORK	
	R145	QRE141J-103Y	10K 1/4W R.NETWORK	
	R146	QRE141J-332Y	3.3K 1/4W R.NETWORK	
	R147	QRE141J-153Y	15K 1/4W R.NETWORK	
	R148	QRE141J-561Y	560 1/4W R.NETWORK	
	R150	QRE141J-101Y	100 1/4W R.NETWORK	
	R157	QRE141J-682Y	6.8K 1/4W R.NETWORK	
	R158	QRE141J-682Y	6.8K 1/4W R.NETWORK	
	R161	QRE141J-102Y	1K 1/4W R.NETWORK	
	R162	QRE141J-102Y	1K 1/4W R.NETWORK	
	R163	QRE141J-472Y	4.7K 1/4W R.NETWORK	
	R164	QRE141J-472Y	4.7K 1/4W R.NETWORK	
	R181	QRE141J-102Y	1K 1/4W R.NETWORK	
	R182	QRE141J-103Y	10K 1/4W R.NETWORK	
	R183	QRE141J-103Y	10K 1/4W R.NETWORK	
	R184	QRE141J-103Y	10K 1/4W R.NETWORK	
		OTHERS		
	L111	QQL231K-150Y	INDUCTOR I.M	
	T111	QQR0592-001	RF COIL	
	T141	QQR0613-001	I.F.TRANSFORMER	
	T142	QAX0303-001	CERAMIC FILTER	
	X121	QAX0259-001Z	RESONATOR I.M	
	AT101	QNB0008-001	ANT TERMINAL	
	CF101	QAX0284-001Z	CERAMIC FILTER	
	CF102	QAX0284-001Z	CERAMIC FILTER	
	CN111	QGB2510K1-12	CONNECTOR	
	FL141	QQR0590-001	LOWPASS FILTER	
	FL142	QQR0590-001	LOWPASS FILTER	
	RF101	EAF2207-001	FRONT END	

Electrical Parts List (Main P.C.B.)

△	Item	Part Number	Description	Area
		I.C.S		
	IC321	TC9162AN	I.C (DIGI-OTHER)	
	IC331	TC9459F	I.C (M)	
	IC332	TC9459F	I.C (M)	
	IC333	TC9459F	I.C (M)	
	IC361	NJM4580L	I.C (MONO-ANALOG)	
	IC362	BA15218N	I.C (MONO-ANALOG)	
	IC363	BA15218N	I.C (MONO-ANALOG)	
	IC451	LC7522	I.C (DIGI-MOS)	
	IC452	M5243AP12	I.C (M)	
	IC781	VC5022-2	I.C.	
	IC782	VC5022-2	I.C.	
	IC901	TA7317P	I.C (MONO-ANALOG)	
		DIODES		
	D741	MTZJ10C-T2	ZENER	
	D742	MTZJ12C-T2	ZENER	
	D743	MTZJ18C-T2	ZENER	
	D771	1SS133-T2	SI.DIODE	
	D772	1SS133-T2	SI.DIODE	
	D773	1SS133-T2	SI.DIODE	
	D774	1SS133-T2	SI.DIODE	
	D781	1SS133-T2	DIODE	
	D782	1SS133-T2	DIODE	
	D801	30DF2-FC	SILICON	
	D802	30DF2-FC	SILICON	
	D803	30DF2-FC	SILICON	
	D804	30DF2-FC	SILICON	
	D821	MTZJ6.8C-T2	ZENER	
	D822	1SS133-T2	SI.DIODE	
	D831	MTZJ6.2C-T2	ZENER	
	D832	1SS133-T2	SI.DIODE	
	D841	MTZJ6.2C-T2	ZENER	
	D842	1SS133-T2	SI.DIODE	
	D851	MTZJ15C-T2	ZENER	
	D852	1SS133-T2	SI.DIODE	
	D861	MTZJ15C-T2	ZENER	
	D862	1SS133-T2	SI.DIODE	
	D871	MTZJ13C-T2	ZENER	
	D872	1SS133-T2	SI.DIODE	
	D881	MTZJ6.2C-T2	Z.DIODE	
	D882	1SS133-T2	DIODE	
	D901	1SS133-T2	SI.DIODE	
	D902	1SS133-T2	SI.DIODE	
	D921	MTZJ4.7B-T2	ZENER	
	D931	1SS133-T2	SI.DIODE	
	D932	1SS133-T2	SI.DIODE	
	D933	1SS133-T2	SI.DIODE	
	D934	1SS133-T2	SI.DIODE	
	D953	1SS133-T2	SI.DIODE	
	D954	1SS133-T2	SI.DIODE	
	D971	1SS133-T2	SI.DIODE	
	D972	1SS133-T2	DIODE	
	D973	1SS133-T2	SI.DIODE	
	D1401	1SS133-T2	SI.DIODE	
	D1435	1SS133-T2	SI.DIODE	
	D1436	1SS133-T2	SI.DIODE	
	D1437	MTZJ4.7B-T2	ZENER	
	D1451	MTZJ6.8C-T2	ZENER	
	D1452	MTZJ6.8C-T2	ZENER	
	D1453	MTZJ5.1C-T2	ZENER	
	D1741	MTZJ10C-T2	ZENER	
	D1742	MTZJ6.2C-T2	ZENER	
	D1841	MTZJ10C-T2	ZENER	
	D1842	MTZJ6.2C-T2	ZENER	
		TRANSISTORS		
	Q741	2SD2061/EF/	SI.TRANSISTOR	

△	Item	Part Number	Description	Area
	Q742	2SC2240/GL/-T	SILICON	
	Q751	2SC2389S/S/-T	SILICON	
	Q752	2SC2389S/S/-T	SILICON	
	Q753	2SA1038S/S/-T	SILICON	
	Q754	2SA1038S/S/-T	SILICON	
	Q755	2SD669A/BC/	SILICON	
	Q756	2SD669A/BC/	SILICON	
	Q757	2SB649A/BC/	SILICON	
	Q758	2SB649A/BC/	SILICON	
	Q769	2SK170(B1)TP	SI.TRANSISTOR	
	Q770	2SK170(B1)TP	SI.TRANSISTOR	
	Q771	2SC2389S/SE/-T	SI.TRANSISTOR	
	Q772	2SC2389S/SE/-T	SI.TRANSISTOR	
	Q773	2SA1038S/SE/-T	SILICON	
	Q774	2SA1038S/SE/-T	SILICON	
	Q781	2SD636/QR/	SILICON	
	Q782	2SD636/QR/	SILICON	
	Q821	2SD2061/EF/	SI.TRANSISTOR	
	Q831	SD2061/EF/	SI.TRANSISTOR	
	Q841	2SD2061/EF/	SI.TRANSISTOR	
	Q851	2SD2061/EF/	SI.TRANSISTOR	
	Q861	2SB1187/EF/	SILICON	
	Q871	2SD2061/EF/	SI.TRANSISTOR	
	Q881	2SD2061/EE	SI.TRANSISTOR	
	Q901	2SC2389S/SE/-T	SI.TRANSISTOR	
	Q902	2SC2389S/SE/-T	SI.TRANSISTOR	
	Q903	2SA1038S/SE/-T	SILICON	
	Q921	2SC1740S/RS/-T	SILICON	
	Q931	DTC123YS-T	SILICON	
	Q932	DTC123YS-T	SILICON	
	Q951	DTC123YS-T	SILICON	
	Q952	DTC123YS-T	SILICON	
	Q971	DTC123YS-T	DI.TRANSISTOR	
	Q1401	2SC2878/AB/-T	SILICON	
	Q1402	2SC2878/AB/-T	SILICON	
	Q1405	DTA144ES-T	SILICON	
	Q1411	2SC2878/AB/-T	SILICON	
	Q1421	2SC2878/AB/-T	SILICON	
	Q1422	2SC2878/AB/-T	SILICON	
	Q1435	2SA933S/RS/-T	SILICON	
	Q1441	DTA144ES-T	SILICON	
	Q1741	2SD2061/EF/	SI.TRANSISTOR	
	Q1742	2SC2240/GL/-T	SILICON	
	Q1841	2SD2061/EF/	SI.TRANSISTOR	
	Q1842	2SC2240/GL/-T	SILICON	
		CAPACITORS		
	C701	QETC1HM-106Z	10MF 50V E.CAP.	
	C702	QETC1HM-106Z	10MF 50V E.CAP.	
	C703	QCS31HJ-101A	100PF 50V CER.CAP.	
	C704	QCS31HJ-101A	100PF 50V CER.CAP.	
	C707	QETC1CM-107Z	100MF 16V AL E.CAP.	
	C708	QETC1CM-107Z	100MF 16V AL E.CAP.	
	C709	QCS31HJ-100Z	10PF 50V CER.CAP.	
	C710	QCS31HJ-100Z	10PF 50V CER.CAP.	
	C719	QFLC1HJ-472Z	4700PF 50V MYLAR CAP.	
	C720	QFLC1HJ-472Z	4700PF 50V MYLAR CAP.	
	C721	QCHB1EZ-223Y	0.047MF 50V CAP.	
	C741	QETC2AM-476Z	47MF 100V AL E.CAP.	
	C742	QETC2AM-476Z	47MF 100V AL E.CAP.	
	C743	QETC1EM-476Z	47MF 25V AL E.CAP.	
	C744	QCF31HZ-472Z	4700PF 50V CERAMIC	
	C751	QCS32HJ-470Z	47PF 500V CER.CAP.	
	C752	QCS32HJ-470Z	47PF 500V CER.CAP.	
	C753	QCS32HJ-470Z	47PF 500V CER.CAP.	
	C754	QCS32HJ-470Z	47PF 500V CER.CAP.	
	C755	QETC1HJ-472Z	4700PF 50V AL E.CAP.	

■ Electrical Parts List (Main P.C.B.)

△	Item	Part Number	Description	Area
	C756	QETC1HJ-472Z	4700PF 50V AL.E.CAP.	
	C757	QETC1HJ-472Z	4700PF 50V AL.E.CAP.	
	C758	QETC1HJ-472Z	4700PF 50V AL.E.CAP.	
	C769	QFV71HJ-473Z	0.047MF 50V CAP.	
	C770	QFV71HJ-473Z	0.047MF 50V CAP.	
	C791	QFLC1HJ-223Z	0.022MF 50V MYLAR CAP.	J
		QFLC1HJ-473Z	0.047MF 50V MYLAR CAP.	C
	C792	QFLC1HJ-223Z	0.022MF 50V MYLAR CAP.	J
		QFLC1HJ-473Z	0.047MF 50V MYLAR CAP.	C
	C793	QFLC1HJ-473Z	0.047MF 50V MYLAR CAP.	C
	C794	QFLC1HJ-473Z	0.047MF 50V MYLAR CAP.	C
	C801	QCE22HP-103A	0.01MF 500V CER.CAP.	
	C802	QCE22HP-103A	0.01MF 500V CER.CAP.	
	C803	QCE22HP-103	0.01MF 500V C.CAP.	
	C804	QCE22HP-103	0.01MF 500V C.CAP.	
	C805	QCE22HP-103A	0.01MF 500V CER.CAP.	
	C807	QEZ0356-129	12000MF ELECTRO	
	C808	QEZ0356-129	12000MF ELECTRO	
	C821	QEHC1EM-107Z	100MF 25V E.CAP.	
	C822	QCF31HZ-472Z	4700PF 50V CERAMIC	
	C831	QEHC1EM-227Z	220MF 25V ELECTRO	
	C832	QCF31HZ-472Z	4700PF 50V CERAMIC	
	C841	QEHC1EM-107Z	100MF 25V E.CAP.	
	C842	QCF31HZ-472Z	4700PF 50V CERAMIC	
	C851	QETC1EM-107Z	100MF 25V AL.E.CAP.	
	C852	QCF31HZ-472Z	4700PF 50V CERAMIC	
	C861	QETC1EM-107Z	100MF 25V AL.E.CAP.	
	C862	QCF31HZ-472Z	4700PF 50V CERAMIC	
	C871	QETC1EM-107Z	100MF 25V AL.E.CAP.	
	C872	QCF31HZ-472Z	4700PF 50V CERAMIC	
	C881	QETC1EM-107Z	100MF 25V AL.E.CAP.	
	C882	QCF31HJ-472Z	4700PF 50V C.CAP.	
	C883	QCZ0202-155Z	1.5MF 25V CER.RES.	
	C884	QCZ0202-155Z	1.5MF 25V CER.RES.	
	C901	QCF31HP-223Z	0.022MF 50V C.CAP.	
	C902	QCF31HP-223Z	0.022MF 50V C.CAP.	
	C903	QER61HM-226Z	22MF 50V AL.E.CAP.	
	C904	QCF31HZ-103Z	0.01MF 50V CERAMIC	
	C905	QCB31HK-102Z	1000PF 50V CERAMIC	
	C906	QETC1AM-476Z	47MF 10V E.CAP.	
	C920	QETC1CM-226	22MF 16V E.CAP.	
	C921	QER61CM-107Z	100MF 16V AL.E.CAP.	
	C1301	QETC1EM-476	47MF 25V AL.E.CAP.	
	C1302	QETC1EM-476	47MF 25V AL.E.CAP.	
	C1303	QDVB1EZ-223Y	0.022MF 25V C CAP I M	
	C1304	QDVB1EZ-223Y	0.022MF 25V C CAP I M	
	C1307	QFLC1HJ-821	820PF 50V MYLAR CAP.	
	C1308	QFLC1HJ-821	820PF 50V MYLAR CAP.	
	C1309	QFVJ1HJ-224Z	0.22MF 50V T.FILM	
	C1310	QFVJ1HJ-224Z	0.22MF 50V T.FILM	
	C1311	QETC1HM-475E	4.7MF 50V E.CAP.	
	C1312	QETC1HM-475E	4.7MF 50V E.CAP.	
	C1313	QETC1HM-475E	4.7MF 50V E.CAP.	
	C1314	QETC1HM-475E	4.7MF 50V E.CAP.	
	C1315	QETC1EM-476	47MF 25V AL.E.CAP.	
	C1316	QETC1EM-476	47MF 25V AL.E.CAP.	
	C1317	QDVB1EZ-223Y	0.022MF 25V C CAP I M	
	C1318	QDVB1EZ-223Y	0.022MF 25V C CAP I M	
	C1319	QCBBIHK-221Y	220PF 50V CER.CAP.	
	C1321	QETC1HM-475Z	4.7MF 50V E.CAP.	
	C1322	QETC1HM-475Z	4.7MF 50V E.CAP.	
	C1323	QETC1HM-475Z	4.7MF 50V E.CAP.	
	C1324	QETC1HM-475Z	4.7MF 50V E.CAP.	
	C1325	QETC1EM-476Z	47MF 25V AL.E.CAP.	
	C1326	QETC1EM-476Z	47MF 25V AL.E.CAP.	
	C1327	QDVB1EZ-223Y	0.022MF 25V C CAP I M	

△	Item	Part Number	Description	Area
	C1328	QDVB1EZ-223Y	0.022MF 25V C CAP I M	
	C1329	QCBBIHK-221Y	220PF 50V CER.CAP.	
	C1331	QETC1HM-475Z	4.7MF 50V E.CAP.	
	C1332	QETC1HM-475Z	4.7MF 50V E.CAP.	
	C1333	QETC1HM-475Z	4.7MF 50V E.CAP.	
	C1334	QETC1HM-475Z	4.7MF 50V E.CAP.	
	C1335	QETC1EM-476Z	47MF 25V AL.E.CAP.	
	C1336	QETC1EM-476Z	47MF 25V AL.E.CAP.	
	C1337	QDVB1EZ-223Y	0.022MF 25V C CAP I M	
	C1338	QDVB1EZ-223Y	0.022MF 25V C CAP I M	
	C1339	QCBBIHK-221Y	220PF 50V CER.CAP.	
	C1360	QCZ0202-155	1.5MF 25V CER.RES.	
	C1361	QETC1HM-105Z	1MF 50V AL.E.CAP.	
	C1362	QETC1HM-105Z	1MF 50V AL.E.CAP.	
	C1363	QCBBIHK-121Y	120PF 50V C.CAP.	
	C1364	QCBBIHK-121Y	120PF 50V C.CAP.	
	C1369	QETC1EM-476Z	47MF 25V AL.E.CAP.	
	C1370	QETC1EM-476Z	47MF 25V AL.E.CAP.	
	C1371	QETC1HM-105Z	1MF 50V AL.E.CAP.	
	C1372	QETC1HM-105Z	1MF 50V AL.E.CAP.	
	C1373	QCBBIHK-121Y	120PF 50V C.CAP.	
	C1374	QCBBIHK-121Y	120PF 50V C.CAP.	
	C1379	QETC1EM-476Z	47MF 25V AL.E.CAP.	
	C1380	QETC1EM-476Z	47MF 25V AL.E.CAP.	
	C1381	QETC1HM-105Z	1MF 50V AL.E.CAP.	
	C1382	QETC1HM-105Z	1MF 50V AL.E.CAP.	
	C1383	QCBBIHK-121Y	120PF 50V C.CAP.	
	C1384	QCBBIHK-121Y	120PF 50V C.CAP.	
	C1389	QETC1EM-476Z	47MF 25V AL.E.CAP.	
	C1390	QETC1EM-476Z	47MF 25V AL.E.CAP.	
	C1405	QETN1CM-226Z	22MF 16V AL.E.CAP.	
	C1441	QETC1HM-226Z	22MF 50V E.CAP.	
	C1451	QETC1HM-475Z	4.7MF 50V E.CAP.	
	C1452	QETC1HM-475Z	4.7MF 50V E.CAP.	
	C1453	QCS31HJ-101Z	100PF 50V CER.CAP.	
	C1454	QCS31HJ-101Z	100PF 50V CER.CAP.	
	C1455	QETC1HM-475Z	4.7MF 50V E.CAP.	
	C1456	QETC1HM-475Z	4.7MF 50V E.CAP.	
	C1457	QETC1HM-475Z	4.7MF 50V E.CAP.	
	C1458	QETC1HM-475Z	4.7MF 50V E.CAP.	
	C1459	QETC1HM-475Z	4.7MF 50V E.CAP.	
	C1460	QETC1HM-475Z	4.7MF 50V E.CAP.	
	C1461	QETC1CM-476Z	47MF 16V AL.E.CAP.	
	C1462	QETC1CM-476Z	47MF 16V AL.E.CAP.	
	C1463	QDVB1EZ-223Y	0.022MF 25V C CAP I M	
	C1464	QDVB1EZ-223Y	0.022MF 25V C CAP I M	
	C1465	QETC1CM-476Z	47MF 16V AL.E.CAP.	
	C1466	QCHB1EZ-223Y	0.022MF 25V C.CAP.	
	C1469	QCS31HJ-470Z	47PF 50V CER.CAP.	
	C1470	QCS31HJ-470Z	47PF 50V CER.CAP.	
	C1471	QFVJ1HJ-333Z	0.033MF 50V T.FILM	
	C1472	QFVJ1HJ-333Z	0.033MF 50V T.FILM	
	C1473	QETC1HM-105Z	1MF 50V AL.E.CAP.	
	C1474	QETC1HM-105Z	1MF 50V AL.E.CAP.	
	C1475	QFLC1HJ-332Z	3300PF 50V MYLAR CAP.	
	C1476	QFLC1HJ-332Z	3300PF 50V MYLAR CAP.	
	C1477	QFVJ1HJ-104Z	0.1MF 50V T.FILM	
	C1478	QFVJ1HJ-104Z	0.1MF 50V T.FILM	
	C1479	QCS31HJ-331Z	330PF 50V CER.CAP.	
	C1480	QCS31HJ-331Z	330PF 50V CER.CAP.	
	C1481	QFVJ1HJ-103Z	0.01MF 50V T.FILM	
	C1482	QFVJ1HJ-103Z	0.01MF 50V T.FILM	
	C1744	QCF31HZ-472Z	4700PF 50V CERAMIC	
	C1844	QCF31HZ-472Z	4700PF 50V CERAMIC	
		RESISTORS		
	R701	QRE141J-222Y	2.2K 1/4W R.NETWORK	

RX-1024VBK

■ Electrical Parts List (Main P.C.B.)

△	Item	Part Number	Description		Area
	R702	QRE141J-222Y	2.2K	1/4W R.NETWORK	
	R703	QRE141J-104Y	100K	1/4W R.NETWORK	
	R704	QRE141J-104Y	100K	1/4W R.NETWORK	
	R711	QRE141J-621Y	620	1/4W R.NETWORK	
	R712	QRE141J-621Y	620	1/4W R.NETWORK	
	R713	QRE141J-183Y	18K	1/4W R.NETWORK	
	R714	QRE141J-183Y	18K	1/4W R.NETWORK	
	R715	QRE141J-823Y	82K	1/4W R.NETWORK	
	R716	QRE141J-823Y	82K	1/4W R.NETWORK	
	R741	QRJ146J-120X	12	1/4W R.NETWORK	
	R742	QRJ146J-120X	12	1/4W R.NETWORK	
	R743	QRL022J-562	5.6K	2W R.NETWORK	
	R744	QRK126J-103X	10K	1/2W R.NETWORK	
	R745	QRE141J-473Y	47K	1/4W R.NETWORK	
	R746	QRE141J-103Y	10K	1/4W R.NETWORK	
	R751	QRJ146J-100X	10	1/4W R.NETWORK	
	R752	QRJ146J-100X	10	1/4W R.NETWORK	
	R753	QRJ146J-100X	10	1/4W R.NETWORK	
	R754	QRJ146J-100X	10	1/4W R.NETWORK	
	R755	QRJ146J-100X	10	1/4W R.NETWORK	
	R756	QRJ146J-100X	10	1/4W R.NETWORK	
	R757	QRJ146J-100X	10	1/4W R.NETWORK	
	R758	QRJ146J-100X	10	1/4W R.NETWORK	
	R759	QRJ146J-272X	2.7K	1/4W R.NETWORK	
	R760	QRJ146J-272X	2.7K	1/4W R.NETWORK	
	R761	QRJ146J-100X	10	1/4W R.NETWORK	
	R762	QRJ146J-100X	10	1/4W R.NETWORK	
	R763	QRJ146J-100X	10	1/4W R.NETWORK	
	R764	QRJ146J-100X	10	1/4W R.NETWORK	
	R765	QRJ146J-120X	12	1/4W R.NETWORK	
	R766	QRJ146J-120X	12	1/4W R.NETWORK	
	R767	QRJ146J-120X	12	1/4W R.NETWORK	
	R768	QRJ146J-120X	12	1/4W R.NETWORK	
	R769	QRJ146J-271X	270	1/4W R.NETWORK	
	R770	QRJ146J-271X	270	1/4W R.NETWORK	
	R771	QRE141J-561Y	560	1/4W R.NETWORK	
	R772	QRE141J-561Y	560	1/4W R.NETWORK	
	R773	QRE141J-561Y	560	1/4W R.NETWORK	
	R774	QRE141J-561Y	560	1/4W R.NETWORK	
	R775	QRE141J-201Y	200	1/4W R.NETWORK	
	R776	QRE141J-201Y	200	1/4W R.NETWORK	
	R777	QRE141J-201Y	200	1/4W R.NETWORK	
	R778	QRE141J-201Y	200	1/4W R.NETWORK	
	R779	QRZ0197-R22	0.22	1W NETWORK RES.	
	R780	QRZ0197-R22	0.22	1W NETWORK RES.	
	R781	QRE141J-391Y	390	1/4W R.NETWORK	
	R782	QRE141J-391Y	390	1/4W R.NETWORK	
	R783	QRE141J-471Y	470	1/4W R.NETWORK	
	R784	QRE141J-471Y	470	1/4W R.NETWORK	
	R785	QRE141J-102Y	1K	1/4W R.NETWORK	
	R786	QRE141J-102Y	1K	1/4W R.NETWORK	
	R791	QRJ125J-330	33	1/2W R.NETWORK	
	R792	QRJ125J-330	33	1/2W R.NETWORK	
	R793	QRL022J-100	10	2W R.NETWORK	
	R794	QRL022J-100	10	2W R.NETWORK	
	R801	QRE141J-104Y	100K	1/4W R.NETWORK	
	R802	QRE141J-104Y	100K	1/4W R.NETWORK	
	R823	QRJ146J-122X	1.2K	1/4W UNF.CARBON R	
	R833	QRJ146J-122X	1.2K	1/4W UNF.CARBON R	
	R843	QRJ146J-122X	1.2K	1/4W UNF.CARBON R	
	R851	QRJ146J-120X	12	1/4W R.NETWORK	
	R852	QRD146J-100X	10	1/4W R.NETWORK	
	R853	QRJ146J-272X	2.7K	1/4W R.NETWORK	
	R861	QRJ146J-100X	10	1/4W R.NETWORK	
	R862	QRD146J-100X	10	1/4W R.NETWORK	
	R863	QRJ146J-272X	2.7K	1/4W R.NETWORK	

△	Item	Part Number	Description		Area
	R871	QRJ146J-120X	12	1/4W R.NETWORK	
	R873	QRJ146J-222X	2.2	1/4W R.NETWORK	
	R874	QRD14CJ-2R2SX	2.2	1/4W R.NETWORK	
	R881	QRJ146J-220X	22	1/4W R.NETWORK	
	R882	QRJ146J-220X	22	1/4W R.NETWORK	
	R883	QRJ146J-220X	22	1/4W R.NETWORK	
	R901	QRE141J-272Y	2.7K	1/4W R.NETWORK	
	R902	QRE141J-272Y	2.7K	1/4W R.NETWORK	
	R903	QRE141J-153Y	15K	1/4W R.NETWORK	
	R904	QRE141J-153Y	15K	1/4W R.NETWORK	
	R905	QRE141J-123Y	12K	1/4W R.NETWORK	
	R906	QRE141J-123Y	12K	1/4W R.NETWORK	
	R907	QRD161J-102Y	1K	1/6W R.NETWORK	
	R908	QRD161J-102Y	1K	1/6W R.NETWORK	
	R909	QRE141J-103Y	10K	1/4W R.NETWORK	
	R911	QRE141J-332Y	3.3K	1/4W R.NETWORK	
	R912	QRE141J-473Y	47K	1/4W R.NETWORK	
	R913	QRE141J-104Y	100K	1/4W R.NETWORK	
	R914	QRE141J-823Y	82K	1/4W R.NETWORK	
	R915	QRE141J-823Y	82K	1/4W R.NETWORK	
	R916	QRE141J-563Y	56K	1/4W R.NETWORK	
	R917	QRE141J-683Y	68K	1/4W R.NETWORK	
	R918	QRE141J-822Y	8.2K	1/4W R.NETWORK	
	R919	QRE141J-822Y	8.2K	1/4W R.NETWORK	
	R920	QRE141J-224Y	220K	1/4W R.NETWORK	
	R921	QRE141J-473Y	47K	1/4W R.NETWORK	
	R922	QRE141J-222Y	2.2K	1/4W R.NETWORK	
	R931	QRJ146J-120X	12	1/4W R.NETWORK	
	R932	QRJ146J-120X	12	1/4W R.NETWORK	
	R971	QRJ146J-120X	12	1/4W R.NETWORK	
	R1300	QRE141J-333Y	33K	1/4W R.NETWORK	
	R1301	QRE141J-222Y	2.2K	1/4W R.NETWORK	
	R1302	QRE141J-222Y	2.2K	1/4W R.NETWORK	
	R1303	QRE141J-222Y	2.2K	1/4W R.NETWORK	
	R1304	QRE141J-222Y	2.2K	1/4W R.NETWORK	
	R1305	QRE141J-222Y	2.2K	1/4W R.NETWORK	
	R1306	QRE141J-222Y	2.2K	1/4W R.NETWORK	
	R1307	QRE141J-333Y	33K	1/4W R.NETWORK	
	R1308	QRE141J-333Y	33K	1/4W R.NETWORK	
	R1309	QRZ9005-680X	68	FUSIBLE	
	R1310	QRZ9005-680X	68	FUSIBLE	
	R1311	QRZ9005-680X	68	FUSIBLE	
	R1312	QRZ9005-680X	68	FUSIBLE	
	R1313	QRE141J-104Y	100K	1/4W R.NETWORK	
	R1314	QRE141J-104Y	100K	1/4W R.NETWORK	
	R1321	QRZ9005-680X	68	FUSIBLE	
	R1322	QRZ9005-680X	68	FUSIBLE	
	R1323	QRE141J-104Y	100K	1/4W R.NETWORK	
	R1324	QRE141J-104Y	100K	1/4W R.NETWORK	
	R1331	QRZ9005-680X	68	FUSIBLE	
	R1332	QRZ9005-680X	68	FUSIBLE	
	R1333	QRE141J-104Y	100K	1/4W R.NETWORK	
	R1334	QRE141J-104Y	100K	1/4W R.NETWORK	
	R1361	QRE141J-682Y	6.8K	1/4W R.NETWORK	
	R1362	QRE141J-682Y	6.8K	1/4W R.NETWORK	
	R1363	QRE141J-103Y	10K	1/4W R.NETWORK	
	R1364	QRE141J-103Y	10K	1/4W R.NETWORK	
	R1365	QRE141J-104Y	100K	1/4W R.NETWORK	
	R1366	QRE141J-104Y	100K	1/4W R.NETWORK	
	R1369	QRZ9005-680X	68	FUSIBLE	
	R1370	QRZ9005-680X	68	FUSIBLE	
	R1371	QRE141J-682Y	6.8K	1/4W R.NETWORK	
	R1372	QRE141J-682Y	6.8K	1/4W R.NETWORK	
	R1373	QRE141J-103Y	10K	1/4W R.NETWORK	
	R1374	QRE141J-103Y	10K	1/4W R.NETWORK	
	R1375	QRE141J-104Y	100K	1/4W R.NETWORK	

■ Electrical Parts List (Main P.C.B.)

△	Item	Part Number	Description	Area
	R1376	QRE141J-104Y	100K 1/4W R.NETWORK	
	R1379	QRZ9005-680X	68 FUSIBLE	
	R1380	QRZ9005-680X	68 FUSIBLE	
	R1381	QRE141J-682Y	6.8K 1/4W R.NETWORK	
	R1382	QRE141J-682Y	6.8K 1/4W R.NETWORK	
	R1383	QRE141J-103Y	10K 1/4W R.NETWORK	
	R1384	QRE141J-103Y	10K 1/4W R.NETWORK	
	R1385	QRE141J-104Y	100K 1/4W R.NETWORK	
	R1386	QRE141J-104Y	100K 1/4W R.NETWORK	
	R1389	QRZ9005-680X	68 FUSIBLE	
	R1390	QRZ9005-680X	68 FUSIBLE	
	R1401	QRE141J-102Y	1K 1/4W R.NETWORK	
	R1402	QRE141J-102Y	1K 1/4W R.NETWORK	
	R1403	QRE141J-103Y	10K 1/4W R.NETWORK	
	R1404	QRE141J-103Y	10K 1/4W R.NETWORK	
	R1405	QRE141J-102Y	1K 1/4W R.NETWORK	
	R1406	QRE141J-225Y	2.2 1/4W R.NETWORK	
	R1411	QRE141J-102Y	1K 1/4W R.NETWORK	
	R1412	QRE141J-103Y	10K 1/4W R.NETWORK	
	R1421	QRE141J-102Y	1K 1/4W R.NETWORK	
	R1422	QRE141J-102Y	1K 1/4W R.NETWORK	
	R1423	QRE141J-103Y	10K 1/4W R.NETWORK	
	R1424	QRE141J-103Y	10K 1/4W R.NETWORK	
	R1435	QRE141J-683Y	68K 1/4W R.NETWORK	
	R1436	QRE141J-104Y	100K 1/4W R.NETWORK	
	R1437	QRE141J-474Y	470K 1/4W R.NETWORK	
	R1441	QRE141J-102Y	1K 1/4W R.NETWORK	
	R1457	QRE141J-103Y	10K 1/4W R.NETWORK	
	R1458	QRE141J-103Y	10K 1/4W R.NETWORK	
	R1459	QRE141J-113Y	11K 1/4W R.NETWORK	
	R1460	QRE141J-113Y	11K 1/4W R.NETWORK	
	R1461	QRE141J-104Y	100K 1/4W R.NETWORK	
	R1462	QRE141J-104Y	100K 1/4W R.NETWORK	
	R1463	QRE141J-333Y	33K 1/4W R.NETWORK	
	R1464	QRE141J-333Y	33K 1/4W R.NETWORK	
	R1465	QRE141J-124Y	120K 1/4W R.NETWORK	
	R1466	QRE141J-124Y	120K 1/4W R.NETWORK	
	R1471	QRJ146J-561X	560 1/4W R.NETWORK	
	R1472	QRJ146J-561X	560 1/4W R.NETWORK	
	R1473	QRJ146J-681X	680 1/4W R.NETWORK	
	R1474	QRD161J-272Y	2.7K 1/6W R.NETWORK	
	R1475	QRE141J-474Y	470K 1/4W R.NETWORK	
	R1476	QRE141J-474Y	470K 1/4W R.NETWORK	
	R1477	QRE141J-474Y	470K 1/4W R.NETWORK	
	R1478	QRE141J-474Y	470K 1/4W R.NETWORK	
	R1479	QRE141J-474Y	470K 1/4W R.NETWORK	
	R1480	QRE141J-474Y	470K 1/4W R.NETWORK	
	R1741	QRJ146J-221X	220 1/4W R.NETWORK	
	R1744	QRK126J-103X	10K 1/2W R.NETWORK	
	R1745	QRE141J-473Y	47K 1/4W R.NETWORK	
	R1746	QRE141J-103Y	10K 1/4W R.NETWORK	
	R1841	QRJ146J-221X	220 1/4W R.NETWORK	
	R1844	QRK126J-103X	10K 1/2W R.NETWORK	
	R1845	QRE141J-473Y	47K 1/4W R.NETWORK	
	R1846	QRE141J-103Y	10K 1/4W R.NETWORK	
	VR787	QVP0004-501Z	500 VARIABLE	
	VR788	QVP0004-501Z	500 VARIABLE	
		OTHERS		
		QWE350-094K4K	VINYL WIRE	
		QWE350-25DR	WIRE	
		QWE351-134K4K	VINYL WIRE	
		QWE352-25DR	WIRE	
		QWE690-26RR	VINYL WIRE	
		QWE691-26RR	VINYL WIRE	
		QWE692-38RR	VINYL WIRE	
		QWE699-38RR	VINYL WIRE	

△	Item	Part Number	Description	Area
		QYSBSG3008E	T.SCREW	
	L791	QQLZ003-1R0	INDUCTOR	
	L792	QQLZ003-1R0	INDUCTOR	
	S931	QSW0509-001	SLIDE SWITCH	
	CN081	QGB2510J1-08	CONNECTOR	
	CN082	QGB2510J1-08	CONNECTOR	
	CN083	QGB2510J1-05	CONNECTOR	
	CN101	QGB2510J1-12	CONNECTOR	
	CN201	QGB2510J1-04	CONNECTOR	
	CN241	QGB2510J1-04	CONNECTOR	
	CN255	QGB2510J1-05	CONNECTOR	
	CN301	QGB2510J1-17	CONNECTOR	
	CN302	QGB2510J1-09	CONNECTOR	
	CN303	QGB2510J1-14	CONNECTOR	
	CN342	QGB2510J1-08	CONNECTOR	
	CN400	QGF1205C1-31	FFC SOCKET	
	CN451	QGB2510K1-09	CONNECTOR	
	CN452	QGB2510J1-09	CONNECTOR	
	CN501	QGB1214J3-18S	CONNECTOR	
	CN601	QGB1214J3-12S	CONNECTOR	
	CN702	QGA2501C1-05	CONNECTOR	
	CN704	QGA3901C1-08	CONNECTOR	
	CN706	QGB2510J1-12	CONNECTOR	
	CN791	QGA2501C1-03	3P CONNECTOR	
	CN792	QGA2501C1-03	3P CONNECTOR	
	CN801	EWS283-003	SOCKET WIRE ASSY	
	CN821	QGD2501C1-05Z	SOCKET	
	CN901	QGD2501C1-03Z	SOCKET	
	CN931	QGD2501C1-04Z	SOCKET	
	CN932	QGD2501C1-03Z	SOCKET	
	CN961	QGD2501C1-03Z	SOCKET	
	CN962	QGD2501C1-05Z	SOCKET	
	EP801	QNZ0136-001Z	IM EARTH PLATE	
	FW811	EWR33D-10SS	CORD	
	FW821	EWR35D-08LS	FLAT WIRE	
	FW881	EWR33D-25ES	FLAT WIRE	
	FW931	EWR37D-16LS	FLAT WIRE	
	HS851	E70306-001	HEAT SINK	
	HS861	E70306-001	HEAT SINK	
	HS871	E70306-001	HEAT SINK	
	HS881			
	RY931	QSK0042-001	RELAY	
	RY932	QSK0042-001	RELAY	
	RY971	QSK0042-001	RELAY	
	ST931	QNB0048-001	SPK.TERMINAL	
	TH781	QAD0010-351	THERMISTOR	
	TH782	QAD0010-351	THERMISTOR	
	TP781	QMV5005-004K	PLUG ASSY	

RX-1024VBK

■ Electrical Parts List (Front P.C.B.)

△	Item	Part Number	Description	Area
		I.C.S		
	IC341	BU4051BC	I.C (DIGI-MOS)	
	IC342	BA15218N	I.C (MONO-ANALOG)	
	IC400	MN172412JABZ	I.C (M)	
	IC401	MN101C15FAF	I.C.	
	IC402	BU2092	I.C (M)	
	IC403	IC-PST600/E/-T	I.C.	
	IC404	GP1U271X	INFRAREDDETECT UNIT	
		DIODES		
	D400	1SR139-200-T4	SILICON	
	D401	1SR139-200-T4	SILICON	
	D402	1SR139-200-T4	SILICON	
	D404	1SS133-T2	SI.DIODE	
	D406	1SS133-T2	SI.DIODE	
	D407	1SS133-T2	SI.DIODE	
	D408	1SS133-T2	SI.DIODE	
	D409	1SS133-T2	SI.DIODE	
	D410	1SS133-T2	SI.DIODE	
	D411	1SS133-T2	SI.DIODE	
	D412	1SS133-T2	SI.DIODE	
	D413	1SS133-T2	SI.DIODE	
	D415	1SS133-T2	DIODE	
	D416	1SS133-T2	DIODE	
	D417	1SS133-T2	DIODE	
	D418	1SS133-T2	SI.DIODE	
	D420	SLR-342VC-T	L.E.D.	
	D421	SLR-342VC-T	L.E.D.	
	D422	SLR-342VC-T	L.E.D.	
	D430	SLR-342VC-T	L.E.D.	
	D431	SLR-342VC-T	L.E.D.	
	D432	SLR-342VC-T	L.E.D.	
	D433	SLR-342VC-T	L.E.D.	
	D434	SLR-342VC-T	L.E.D.	
	D435	SLR-342VC-T	L.E.D.	
	D436	SLR-342VC-T	L.E.D.	
	D437	SLR-342VC-T	L.E.D.	
	D438	SLR-342VC-T	L.E.D.	
	D439	SLR-342VC-T	L.E.D.	
	D440	SPR-325MVW/L/-T	L.E.D.	
	D442	SLR-342VC-T	L.E.D.	
	D493	1SS133-T2	SI.DIODE	
	D1351	MTZJ5.1C-T2	ZENER	
	D1352	MTZJ5.1C-T2	ZENER	
		TRANSISTORS		
	Q401	DTC114YS-T	SILICON	
	Q402	DTC114TSA-T	DIGITAL TRANSISTOR	
	Q403	DTC144WS-T	SILICON	
	Q404	DTC114YS-T	SILICON	
	Q405	DTC144ES-T	SILICON	
	Q406	DTC114YS-T	SILICON	
	Q407	DTC114YS-T	SILICON	
	Q408	DTC114YS-T	SILICON	
	Q409	DTC144ES-T	SILICON	
	Q410	DTC144ES-T	SILICON	
	Q411	DTC144ES-T	SILICON	
	Q412	DTC144ES-T	SILICON	
	Q413	DTA114YS-T	SILICON	
	Q414	DTA114YS-T	SILICON	
	Q415	DTA114YS-T	SILICON	
	Q416	DTA114YS-T	SILICON	
	Q442	DTA114YS-T	SILICON	
	Q456	DTA114YS-T	SILICON	
	Q457	DTA114YS-T	SILICON	
		CAPACITORS		
	C400	QEKC1HM-475Z	4.7MF 50V ELECTRO	
	C401	QEKCOJM-107Z	100MF 6.3V ELECTRO	

△	Item	Part Number	Description	Area
	C402	QCZ0202-155	1.5MF 25V CER.RES.	
	C403	QEZ0329-10AZ	ELECTRO	
	C404	QER61HM-225Z	2.2MF 50V ELECTRO	
	C405	QDVB1EZ-223Y	0.022MF 25V C CAP IM	
	C406	QCBBIHK-331Y	330PF 50V CER.CAP.	
	C407	QCFB1HZ-104Y	0.1MF 50V CER.CAP.	
	C408	QEKCOJM-107Z	100MF 6.3V ELECTRO	
	C409	QEKC1HM-475Z	4.7MF 50V ELECTRO	
	C410	QEKC1HM-475Z	4.7MF 50V ELECTRO	
	C412	QEKCOJM-107Z	100MF 6.3V ELECTRO	
	C413	QDYB1CM-103Y	0.01MF 16V C CAP.	
	C414	QDYB1CM-103Y	0.01MF 16V C CAP.	
	C1341	QETC1HM-475Z	4.7MF 50V E.CAP.	
	C1342	QETC1HM-475Z	4.7MF 50V E.CAP.	
	C1343	QCS31HJ-101A	100PF 50V CER.CAP.	
	C1346	QFLC1HJ-103Z	0.01MF 50V MYLAR CAP.	
	C1347	QFLC1HJ-123Z	0.012MF 50V MYLAR CAP.	
	C1349	QETC1EM-476Z	47MF 25V AL E.CAP.	
	C1350	QETC1EM-476Z	47MF 25V AL E.CAP.	
	C1351	QETC1AM-476Z	47MF 10V E.CAP.	
	C1352	QETC1AM-476Z	47MF 10V E.CAP.	
	C1581	QFVS1HJ-104Z	0.1MF 50V MYLAR.CAP.	
	C1582	QFVS1HJ-104Z	0.1MF 50V MYLAR.CAP.	
	C1585	QCZ0202-155Z	1.5MF 25V CER.RES.	
	C1591	QCBBIHK-471Y	470PF 50V CER.CAP.	
	C1592	QCBBIHK-471Y	470PF 50V CER.CAP.	
	C1593	QCBBIHK-471Y	470PF 50V CER.CAP.	
	C1594	QCBBIHK-471Y	470PF 50V CER.CAP.	
	C1599	QDYB1CM-103Y	0.01MF 16V C CAP.	
		RESISTORS		
	R401	QRE141J-103Y	10K 1/4W R.NETWORK	
	R402	QRE141J-103Y	10K 1/4W R.NETWORK	
	R403	QRE141J-331Y	330 1/4W R.NETWORK	
	R404	QRE141J-103Y	10K 1/4W R.NETWORK	
	R405	QRE141J-103Y	10K 1/4W R.NETWORK	
	R406	QRE141J-103Y	10K 1/4W R.NETWORK	
	R407	QRE141J-103Y	10K 1/4W R.NETWORK	
	R408	QRE141J-223Y	22K 1/4W R.NETWORK	
	R410	QRE141J-223Y	22K 1/4W R.NETWORK	
	R411	QRE141J-472Y	4.7K 1/4W R.NETWORK	
	R412	QRE141J-181Y	180 1/4W R.NETWORK	
	R414	QRE141J-103Y	10K 1/4W R.NETWORK	
	R415	QRE141J-103Y	10K 1/4W R.NETWORK	
	R416	QRE141J-103Y	10K 1/4W R.NETWORK	
	R417	QRE141J-103Y	10K 1/4W R.NETWORK	
	R418	QRE141J-471Y	470 1/4W R.NETWORK	
	R419	QRE141J-103Y	10K 1/4W R.NETWORK	
	R420	QRE141J-221Y	220 1/4W R.NETWORK	
	R421	QRE141J-271Y	270 1/4W R.NETWORK	
	R422	QRE141J-271Y	270 1/4W R.NETWORK	
	R423	QRE141J-103Y	10K 1/4W R.NETWORK	
	R424	QRE141J-103Y	10K 1/4W R.NETWORK	
	R425	QRE141J-103Y	10K 1/4W R.NETWORK	
	R426	QRE141J-103Y	10K 1/4W R.NETWORK	
	R427	QRE141J-103Y	10K 1/4W R.NETWORK	
	R430	QRE141J-103Y	10K 1/4W R.NETWORK	
	R431	QRE141J-103Y	10K 1/4W R.NETWORK	
	R433	QRE141J-221Y	220 1/4W R.NETWORK	
	R434	QRE141J-221Y	220 1/4W R.NETWORK	
	R435	QRE141J-221Y	220 1/4W R.NETWORK	
	R436	QRE141J-102Y	1K 1/4W R.NETWORK	
	R437	QRE141J-102Y	1K 1/4W R.NETWORK	
	R438	QRE141J-102Y	1K 1/4W R.NETWORK	
	R439	QRE141J-102Y	1K 1/4W R.NETWORK	
	R440	QRE141J-474Y	470K 1/4W R.NETWORK	
	R444	QRE141J-221Y	220 1/4W R.NETWORK	

■ Electrical Parts List (Front P.C.B.)

△	Item	Part Number	Description	Area
	R445	QRE141J-221Y	220 1/4W R.NETWORK	
	R446	QRE141J-221Y	220 1/4W R.NETWORK	
	R447	QRE141J-221Y	220 1/4W R.NETWORK	
	R448	QRE141J-221Y	220 1/4W R.NETWORK	
	R449	QRE141J-221Y	220 1/4W R.NETWORK	
	R450	QRE141J-221Y	220 1/4W R.NETWORK	
	R451	QRE141J-221Y	220 1/4W R.NETWORK	
	R452	QRE141J-221Y	220 1/4W R.NETWORK	
	R453	QRE141J-221Y	220 1/4W R.NETWORK	
	R454	QRE141J-221Y	220 1/4W R.NETWORK	
	R455	QRE141J-221Y	220 1/4W R.NETWORK	
	R456	QRE141J-221Y	220 1/4W R.NETWORK	
	R457	QRE141J-221Y	220 1/4W R.NETWORK	
	R458	QRE141J-102Y	1K 1/4W R.NETWORK	
	R459	QRE141J-102Y	1K 1/4W R.NETWORK	
	R460	QRE141J-221Y	220 1/4W R.NETWORK	
	R461	QRE141J-221Y	220 1/4W R.NETWORK	
	R462	QRE141J-221Y	220 1/4W R.NETWORK	
	R463	QRE141J-102Y	1K 1/4W R.NETWORK	
	R464	QRE141J-221Y	220 1/4W R.NETWORK	
	R465	QRE141J-102Y	1K 1/4W R.NETWORK	
	R466	QRE141J-221Y	220 1/4W R.NETWORK	
	R468	QRE141J-271Y	270 1/4W R.NETWORK	
	R469	QRE141J-221Y	220 1/4W R.NETWORK	
	R471	QRE141J-750Y	75 1/4W R.NETWORK	
	R472	QRE141J-750Y	75 1/4W R.NETWORK	
	R474	QRE141J-750Y	75 1/4W R.NETWORK	
	R484	QRE141J-271Y	270 1/4W R.NETWORK	
	R495	QRE141J-104Y	100K 1/4W R.NETWORK	
	R496	QRE141J-104Y	100K 1/4W R.NETWORK	
	R497	QRE141J-104Y	100K 1/4W R.NETWORK	
	R498	QRE141J-104Y	100K 1/4W R.NETWORK	
	R881	QRZ0209-3R3	3.3 FUSIBLE	
	R882	QRZ0209-3R3	3.3 FUSIBLE	
	R883	QRZ0209-3R3	3.3 FUSIBLE	
	R884	QRZ0209-3R3	3.3 FUSIBLE	
	R1341	QRE141J-104Y	100K 1/4W R.NETWORK	
	R1342	QRE141J-103Y	10K 1/4W R.NETWORK	
	R1343	QRE141J-203Y	20K 1/4W R.NETWORK	
	R1344	QRE141J-203Y	20K 1/4W R.NETWORK	
	R1345	QRE141J-273Y	27K 1/4W R.NETWORK	
	R1346	QRE141J-223Y	22K 1/4W R.NETWORK	
	R1347	QRE141J-132Y	1.3K 1/4W R.NETWORK	
	R1348	QRE141J-182Y	1.8K 1/4W R.NETWORK	
	R1349	QRZ9005-680X	68 FUSIBLE	
	R1350	QRZ9005-680X	68 FUSIBLE	
	R1351	QRE141J-222Y	2.2K 1/4W R.NETWORK	
	R1352	QRE141J-222Y	2.2K 1/4W R.NETWORK	
	R1353	QRE141J-682Y	6.8K 1/4W R.NETWORK	
	R1354	QRE141J-752Y	7.5K 1/4W R.NETWORK	
	R1355	QRE141J-104Y	100K 1/4W R.NETWORK	
	R1589	QRE141J-102Y	1K 1/4W R.NETWORK	
	R1590	QRE141J-473Y	47K 1/4W R.NETWORK	
	R1591	QRE141J-103Y	10K 1/4W R.NETWORK	
	R1592	QRE141J-103Y	10K 1/4W R.NETWORK	
	R1593	QRE141J-103Y	10K 1/4W R.NETWORK	
	R1594	QRE141J-103Y	10K 1/4W R.NETWORK	
	R1595	QRE141J-102Y	1K 1/4W R.NETWORK	
	R1596	QRE141J-102Y	1K 1/4W R.NETWORK	
	RA401	QRB169J-104	100K R.ARRAY	
	RA402	QRB169J-104	100K R.ARRAY	
	RA403	QRB169J-104	100K R.ARRAY	
		OTHERS		
		VYH7653-001	I.C.PROTECTOR	
	J400	QND0026-001	PIN JACK	
	S400	QSW0683-001Z	PUSH SWITCH	

△	Item	Part Number	Description	Area
	S401	QSW0683-001Z	PUSH SWITCH	
	S402	QSW0683-001Z	PUSH SWITCH	
	S407	QSW0683-001Z	PUSH SWITCH	
	S408	QSW0683-001Z	PUSH SWITCH	
	S409	QSW0683-001Z	PUSH SWITCH	
	S410	QSW0683-001Z	PUSH SWITCH	
	S411	QSW0683-001Z	PUSH SWITCH	
	S412	QSW0683-001Z	PUSH SWITCH	
	S413	QSW0683-001Z	PUSH SWITCH	
	S414	QSW0683-001Z	PUSH SWITCH	
	S415	QSW0683-001Z	PUSH SWITCH	
	S416	QSW0683-001Z	PUSH SWITCH	
	S417	QSW0683-001Z	PUSH SWITCH	
	S418	QSW0683-001Z	PUSH SWITCH	
	S419	QSW0683-001Z	PUSH SWITCH	
	S420	QSW0683-001Z	PUSH SWITCH	
	X400	QAX0112-001Z	RESONATOR I.M	
	X401	QAX0246-001Z	RESONATOR	
	BK400	E308566-001	FL HOLDER	
	BK401	E308566-002	FL HOLDER	
	BK499	E70225-002	EARTH PLATE	
	B1595	QUY158-125Y	BUS WIRE I/M	
	B1596	QUY158-125Y	BUS WIRE I/M	
	CN061	QGB2510K1-08	CONNECTOR	
	CN062	QGB2510K1-08	CONNECTOR	
	CN063	QGB2510K1-05	CONNECTOR	
	CN071	QGB2510K1-08	CONNECTOR	
	CN072	QGB2510K1-08	CONNECTOR	
	CN073	QGB2510K1-05	CONNECTOR	
	CN341	QGB2510K1-08	CONNECTOR	
	CN406	EWS21A-001	SOCKET WIRE ASSY	
	CN410	QGF1205F1-31	CONNECTOR	
	CN412	QGF1210G1-21	CONNECTOR	
	CN420	EWS26A-F908J	SOCKET WIRE ASSY	
	CN422	QGA2001F1-14	14P PLUG ASSY	
	CN430	QGA2001F1-10	10P PLUG ASSY	
	CN432	EWS26E-F908J	SOCKET WIRE ASSY	
	CN450	EWS26A-A940J	SOCKET WIRE ASSY	
	CN881	QGD2501C1-03Z	SOCKET I.M	
	DI400	QLF0042-001	FLUORESCENT DISPLAY TUBE	
	FS400	E3400-444	FELT SPACER	
	FS401	E3400-444	FELT SPACER	
	HL401	VYH7653-002	I.C.PROTECTOR	
	JS400	QSW0502-001	SW	
	JS401	QSW0672-001	ROTARY SWITCH	
	JS402	QSW0672-001	ROTARY SWITCH	

■ Electrical Parts List (Control P.C.B.)

△	Item	Part Number	Description	Area
		I.C.S		
	IC201	BA7625	I.C (MONO-ANALOG)	
	IC202	NJM2285D	I.C (M)	
	IC203	MB90089PF-206	I.C (M)	
	IC241	BA7626	I.C (MONO-ANALOG)	
	IC242	BA7625	I.C (MONO-ANALOG)	
	IC301	NJM4580D-D	I.C.	
	IC304	TC9164AN	I.C (DIGI-MOS)	
	IC305	NJM4580L	I.C (MONO-ANALOG)	
	IC311	TC9163AN	I.C (DIGI-MOS)	
	IC313	BA15218N	IC	
	IC314	BA15218N	IC	
	IC391	BA15218N	I.C (MONO-ANALOG)	
		DIODES		
	D200	1SS133-T2	SI.DIODE	
	D201	1SS133-T2	SI.DIODE	
	D391	1SS133-T2	DIODE	
	D392	1SS133-T2	DIODE	
	D393	1SS133-T2	DIODE	
	D394	MTZJ5.1C-T2	Z.DIODE	
	D1250	MTZJ6.2C-T2	ZENER	
	D1251	MTZJ6.2C-T2	ZENER	
		TRANSISTORS		
	Q200	2SA933S/RS/-T	SILICON	
	Q201	2SA933S/RS/-T	SILICON	
	Q202	DTC143TS-T	SILICON	
	Q203	DTC114YS-T	SILICON	
	Q204	2SA933S/RS/-T	SILICON	
	Q205	2SA933S/RS/-T	SILICON	
	Q206	2SA933S/RS/-T	SILICON	
	Q240	2SA933S/RS/-T	SILICON	
	Q241	2SA933S/RS/-T	SILICON	
	Q301	2SC2878/AB/-T	SILICON	
	Q302	2SC2878/AB/-T	SILICON	
	Q370	2SC1740S/RS/-T	TRANSISTOR	
	Q371	DTC144ES-T	D.TRANSISTOR	
		CAPACITORS		
	C201	QETC1HM-475Z	4.7MF 50V E.CAP.	
	C202	QETC1HM-475Z	4.7MF 50V E.CAP.	
	C203	QETC0JM-477Z	470MF 6.3V AL E.CAP.	
	C204	QETC1HM-475Z	4.7MF 50V E.CAP.	
	C205	QETC0JM-477Z	470MF 6.3V AL E.CAP.	
	C206	QETC1HM-475Z	4.7MF 50V E.CAP.	
	C207	QETC0JM-477Z	470MF 6.3V AL E.CAP.	
	C208	QETC1AM-476Z	47MF 10V E.CAP.	
	C209	QCF31HZ-103Z	0.01MF 50V CERAMIC	
	C210	QETC1HM-475Z	4.7MF 50V E.CAP.	
	C211	QETC1HM-107Z	100MF 50V E.CAP.	
	C212	QETC1AM-476Z	47MF 10V E.CAP.	
	C213	QCF31HZ-103Z	0.01MF 50V CERAMIC	
	C214	QETC1HM-475Z	4.7MF 50V E.CAP.	
	C215	QETZ1HM-475Z	4.7MF 50V E.CAP.	
	C216	QDX31EM-473Z	0.047MF 25V C.CAP.	
	C217	QETC1AM-477Z	470MF 10V E.CAP.	
	C218	QCZ0202-155Z	1.5MF 25V CER.RES.	
	C219	QDC31HJ-150Z	15PF 50V C.CAP.	
	C220	QDC31HJ-100Z	10PF 50V C.CAPA.1M	
	C221	QDC31HJ-470Z	47PF 50V C.CAPA.1M	
	C222	QDC31HJ-270Z	27PF 50V ACCAPA.1M	
	C223	QCGB1HK-102Y	1000PF 50V CER.CAP.	
	C224	QCBB1HK-271Y	270PF 50V CER.CAP.	
	C225	QCBB1HK-121Y	120PF 50V CER.CAP.	
	C241	QDX31EM-473Z	0.047MF 25V C.CAP.	
	C242	QETC1HM-475Z	4.7MF 50V E.CAP.	
	C244	QDX31EM-473Z	0.047MF 25V C.CAP.	
	C245	QETC1HM-475Z	4.7MF 50V E.CAP.	

△	Item	Part Number	Description	Area
	C246	QDX31EM-473Z	0.047MF 25V C.CAP.	
	C247	QETC0JM-477	470MF 6.3V AL E.CAP.	
	C249	QDX31EM-473Z	0.047MF 25V C.CAP.	
	C250	QETC1HM-475Z	4.7MF 50V E.CAP.	
	C251	QDX31EM-473Z	0.047MF 25V C.CAP.	
	C252	QETC0JM-477Z	470MF 6.3V AL E.CAP.	
	C254	QDX31EM-473Z	0.047MF 25V C.CAP.	
	C255	QETC1HM-475Z	4.7MF 50V E.CAP.	
	C256	QCF31HZ-103Z	0.01MF 50V CERAMIC	
	C257	QETC1AM-476Z	47MF 10V E.CAP.	
	C258	QCF31HZ-103Z	0.01MF 50V CERAMIC	
	C259	QETC1AM-476Z	47MF 10V E.CAP.	
	C260	QDX31EM-473Z	0.047MF 25V C.CAP.	
	C261	QETC1HM-475Z	4.7MF 50V E.CAP.	
	C268	QCS31HJ-470Z	47PF 50V CER.CAP.	
	C269	QCS31HJ-470Z	47PF 50V CER.CAP.	
	C270	QCS31HJ-470Z	47PF 50V CER.CAP.	
	C271	QCS31HJ-470Z	47PF 50V CER.CAP.	
	C277	QCS31HJ-470Z	47PF 50V CER.CAP.	
	C301	QETC1HM-475Z	4.7MF 50V E.CAP.	
	C302	QETC1HM-475Z	4.7MF 50V E.CAP.	
	C303	QCS31HJ-101Z	100PF 50V CER.CAP.	
	C304	QCS31HJ-101Z	100PF 50V CER.CAP.	
	C305	QFLC1HJ-182Z	1800PF 50V MYLAR CAP.	
	C306	QFLC1HJ-182Z	1800PF 50V MYLAR CAP.	
	C307	QFLC1HJ-682Z	6800PF 50V MYLAR CAP.	
	C308	QFLC1HJ-682Z	6800PF 50V MYLAR CAP.	
	C309	QCS31HJ-101Z	100PF 50V CER.CAP.	
	C310	QCS31HJ-101Z	100PF 50V CER.CAP.	
	C311	QETC1HM-475Z	4.7MF 50V E.CAP.	
	C312	QETC1HM-475Z	4.7MF 50V E.CAP.	
	C313	QETC1AM-107Z	100MF 10V E.CAP.	
	C314	QETC1AM-107Z	100MF 10V E.CAP.	
	C315	QETC1CM-476Z	47MF 16V AL E.CAP.	
	C316	QETC1CM-476Z	47MF 16V AL E.CAP.	
	C317	QETC1EM-226Z	22MF 25V E.CAP.	
	C318	QETC1EM-226Z	22MF 25V E.CAP.	
	C319	QCF31HZ-223Z	0.022MF 50V CERAMIC	
	C320	QCF31HZ-223Z	0.022MF 50V CERAMIC	
	C321	QETC1EM-226Z	22MF 25V E.CAP.	
	C322	QETC1EM-226Z	22MF 25V E.CAP.	
	C337	QETC1HM-475Z	4.7MF 50V E.CAP.	
	C338	QETC1HM-475Z	4.7MF 50V E.CAP.	
	C339	QETC1EM-226Z	22MF 25V E.CAP.	
	C340	QETC1EM-226Z	22MF 25V E.CAP.	
	C351	QCF31HZ-223Z	0.022MF 50V CERAMIC	
	C352	QCF31HZ-223Z	0.022MF 50V CERAMIC	
	C358	QCBB1HK-561Y	560PF 50V CER.CAP.	
	C361	QCF31HZ-223Z	0.022MF 50V CERAMIC	
	C362	QCF31HZ-223Z	0.022MF 50V CERAMIC	
	C363	QETC1EM-226Z	22MF 25V E.CAP.	
	C364	QETC1EM-226Z	22MF 25V E.CAP.	
	C368	QCBB1HK-471Y	470PF 50V CER.CAP.	
	C370	QCBB1HK-561Y	560PF 50V CER.CAP.	
	C371	QETC1EM-476Z	47MF 25V AL E.CAP.	
	C372	QETC1EM-476Z	47MF 25V AL E.CAP.	
	C373	QETC1HM-475Z	4.7MF 50V E.CAP.	
	C374	QETC1HM-475Z	4.7MF 50V E.CAP.	
	C391	QETC1EM-106Z	10MF 25V E.CAP.	
	C392	QETC1EM-106Z	10MF 25V E.CAP.	
	C393	QETC1EM-106Z	10MF 25V E.CAP.	
	C394	QETC1EM-106Z	10MF 25V E.CAP.	
	C395	QETC1CM-106Z	10MF 16V AL E.CAP.	
	C396	QETC1EM-106Z	10MF 25V E.CAP.	
	C1250	QCBB1HK-221Y	220PF 50V CER.CAP.	
	C1251	QCBB1HK-221Y	220PF 50V CER.CAP.	

■ Electrical Parts List (Control P.C.B.)

△	Item	Part Number	Description			Area
	C1252	QCBB1HK-221Y	220PF	50V	CER.CAP.	
		RESISTORS				
	R200	QRE141J-750Y	75	1/4W	R.NETWORK	
	R201	QRE141J-750Y	75	1/4W	R.NETWORK	
	R202	QRE141J-750Y	75	1/4W	R.NETWORK	
	R203	QRE141J-750Y	75	1/4W	R.NETWORK	
	R204	QRE141J-750Y	75	1/4W	R.NETWORK	
	R205	QRE141J-750Y	75	1/4W	R.NETWORK	
	R206	QRE141J-750Y	75	1/4W	R.NETWORK	
	R207	QRE141J-331Y	330	1/4W	R.NETWORK	
	R208	QRE141J-331Y	330	1/4W	R.NETWORK	
	R209	QRE141J-473Y	47K	1/4W	R.NETWORK	
	R210	QRE141J-331Y	330	1/4W	R.NETWORK	
	R211	QRE141J-473Y	47K	1/4W	R.NETWORK	
	R212	QRE141J-331Y	330	1/4W	R.NETWORK	
	R213	QRE141J-473Y	47K	1/4W	R.NETWORK	
	R214	QRE141J-151Y	150	1/4W	R.NETWORK	
	R215	QRE141J-151Y	150	1/4W	R.NETWORK	
	R216	QRE141J-301Y	300	1/4W	R.NETWORK	
	R217	QRE141J-103Y	10K	1/4W	R.NETWORK	
	R218	QRE141J-331Y	330	1/4W	R.NETWORK	
	R219	QRE141J-101Y	100	1/4W	R.NETWORK	
	R220	QRE141J-121Y	120	1/4W	R.NETWORK	
	R221	QRE141J-151Y	150	1/4W	R.NETWORK	
	R222	QRE141J-561Y	560	1/4W	R.NETWORK	
	R223	QRE141J-561Y	560	1/4W	R.NETWORK	
	R224	QRE141J-561Y	560	1/4W	R.NETWORK	
	R225	QRJ146J-3R3X	3.3	1/4W	R.NETWORK	
	R240	QRE141J-750Y	75	1/4W	R.NETWORK	
	R241	QRE141J-750Y	75	1/4W	R.NETWORK	
	R242	QRE141J-750Y	75	1/4W	R.NETWORK	
	R243	QRE141J-750Y	75	1/4W	R.NETWORK	
	R244	QRE141J-750Y	75	1/4W	R.NETWORK	
	R245	QRE141J-750Y	75	1/4W	R.NETWORK	
	R246	QRE141J-750Y	75	1/4W	R.NETWORK	
	R247	QRE141J-750Y	75	1/4W	R.NETWORK	
	R248	QRE141J-151Y	150	1/4W	R.NETWORK	
	R249	QRE141J-121Y	120	1/4W	R.NETWORK	
	R256	QRE141J-472Y	4.7K	1/4W	R.NETWORK	
	R257	QRE141J-471Y	470	1/4W	R.NETWORK	
	R258	QRE141J-472Y	4.7K	1/4W	R.NETWORK	
	R259	QRE141J-471Y	470	1/4W	R.NETWORK	
	R264	QRE141J-103Y	10K	1/4W	R.NETWORK	
	R265	QRE141J-103Y	10K	1/4W	R.NETWORK	
	R266	QRE141J-750Y	75	1/4W	R.NETWORK	
	R267	QRE141J-473Y	47K	1/4W	R.NETWORK	
	R268	QRE141J-750Y	75	1/4W	R.NETWORK	
	R269	QRE141J-473Y	47K	1/4W	R.NETWORK	
	R271	QRJ146J-6R8X	6.8	1/4W	R.NETWORK	
	R301	QRE141J-222Y	2.2K	1/4W	R.NETWORK	
	R302	QRE141J-222Y	2.2K	1/4W	R.NETWORK	
	R303	QRE141J-473Y	47K	1/4W	R.NETWORK	
	R304	QRE141J-473Y	47K	1/4W	R.NETWORK	
	R305	QRE141J-621Y	620	1/4W	R.NETWORK	
	R306	QRE141J-621Y	620	1/4W	R.NETWORK	
	R307	QRE141J-393Y	39K	1/4W	R.NETWORK	
	R308	QRE141J-393Y	39K	1/4W	R.NETWORK	
	R309	QRE141J-474Y	470K	1/4W	R.NETWORK	
	R310	QRE141J-474Y	470K	1/4W	R.NETWORK	
	R311	QRE141J-104Y	100K	1/4W	R.NETWORK	
	R312	QRE141J-104Y	100K	1/4W	R.NETWORK	
	R313	QRJ146J-331X	330	1/4W	R.NETWORK	
	R314	QRJ146J-331X	330	1/4W	R.NETWORK	
	R315	QRZ9005-680X	68		FUSIBLE	
	R316	QRZ9005-680X	68		FUSIBLE	
	R325	QRE141J-471Y	470	1/4W	R.NETWORK	

△	Item	Part Number	Description			Area
	R326	QRE141J-471Y	470	1/4W	R.NETWORK	
	R327	QRE141J-471Y	470	1/4W	R.NETWORK	
	R328	QRE141J-471Y	470	1/4W	R.NETWORK	
	R329	QRE141J-471Y	470	1/4W	R.NETWORK	
	R330	QRE141J-471Y	470	1/4W	R.NETWORK	
	R335	QRE141J-104Y	100K	1/4W	R.NETWORK	
	R336	QRE141J-104Y	100K	1/4W	R.NETWORK	
	R337	QRE141J-104Y	100K	1/4W	R.NETWORK	
	R338	QRE141J-104Y	100K	1/4W	R.NETWORK	
	R339	QRE141J-104Y	100K	1/4W	R.NETWORK	
	R340	QRE141J-104Y	100K	1/4W	R.NETWORK	
	R353	QRZ9005-680X	68		FUSIBLE	
	R354	QRZ9005-680X	68		FUSIBLE	
	R355	QRE141J-471Y	470	1/4W	R.NETWORK	
	R356	QRE141J-471Y	470	1/4W	R.NETWORK	
	R357	QRE141J-471Y	470	1/4W	R.NETWORK	
	R358	QRE141J-471Y	470	1/4W	R.NETWORK	
	R359	QRE141J-471Y	470	1/4W	R.NETWORK	
	R360	QRE141J-471Y	470	1/4W	R.NETWORK	
	R361	QRE141J-471Y	470	1/4W	R.NETWORK	
	R362	QRE141J-471Y	470	1/4W	R.NETWORK	
	R363	QRE141J-471Y	470	1/4W	R.NETWORK	
	R364	QRE141J-471Y	470	1/4W	R.NETWORK	
	R365	QRE141J-471Y	470	1/4W	R.NETWORK	
	R366	QRE141J-471Y	470	1/4W	R.NETWORK	
	R370	QRE141J-103Y	10K	1/4W	R.NETWORK	
	R371	QRE141J-332Y	3.3K	1/4W	R.NETWORK	
	R372	QRE141J-103Y	10K	1/4W	R.NETWORK	
	R373	QRE141J-103Y	10K	1/4W	R.NETWORK	
	R379	QRE141J-471Y	470	1/4W	R.NETWORK	
	R380	QRE141J-471Y	470	1/4W	R.NETWORK	
	R381	QRE141J-183Y	18K	1/4W	R.NETWORK	
	R382	QRE141J-202Y	2K	1/4W	R.NETWORK	
	R383	QRE141J-104Y	100K	1/4W	R.NETWORK	
	R384	QRE141J-104Y	100K	1/4W	R.NETWORK	
	R385	QRE141J-471Y	470	1/4W	R.NETWORK	
	R386	QRE141J-471Y	470	1/4W	R.NETWORK	
	R387	QRE141J-103Y	10K	1/4W	R.NETWORK	
	R388	QRE141J-103Y	10K	1/4W	R.NETWORK	
	R389	QRE141J-104Y	100K	1/4W	R.NETWORK	
	R391	QRE141J-102Y	1K	1/4W	R.NETWORK	
	R392	QRE141J-102Y	1K	1/4W	R.NETWORK	
	R393	QRE141J-473Y	47K	1/4W	R.NETWORK	
	R394	QRE141J-102Y	1K	1/4W	R.NETWORK	
	R395	QRE141J-104Y	100K	1/4W	R.NETWORK	
	R396	QRE141J-103Y	10K	1/4W	R.NETWORK	
	R397	QRE141J-103Y	10K	1/4W	R.NETWORK	
	R398	QRE141J-101X	100K	1/4W	R.NETWORK	
	R399	QRE141J-473Y	47K	1/4W	R.NETWORK	
	R1250	QRE141J-101Y	100	1/4W	R.NETWORK	
	R1251	QRE141J-221Y	220	1/4W	R.NETWORK	
	R1252	QRE141J-221Y	220	1/4W	R.NETWORK	
	R1253	QRE141J-471Y	470	1/4W	R.NETWORK	
	R1254	QRE141J-221Y	220	1/4W	R.NETWORK	
	R1255	QRE141J-221Y	220	1/4W	R.NETWORK	
	R1256	QRE141J-221Y	220	1/4W	R.NETWORK	
	R1257	QRE141J-221Y	220	1/4W	R.NETWORK	
		OTHERS				
		E3400-431			FELT SPACER	
		QWE350-09BB			WIRE	
	J201	QNN0077-001			PIN JACK	
	J202	QNN0080-001			PIN JACK	
	J203	QNN0077-001			PIN JACK	
	J241	QND0005-001			CONNECT TERMINAL	
	J242	QND0029-001			PIN JACK	
	J243	QND0027-001			PIN JACK	

RX-1024VBK

■ Electrical Parts List (Control P.C.B.)

△	Item	Part Number	Description	Area
	J301	QNN0082-001	PIN JACK	
	J302	QNN0082-001	PIN JACK	
	J311	QNN0082-001	PIN JACK	
	J312	QNN0082-001	PIN JACK	
	J313	QNN0082-001	PIN JACK	
	J314	QNN0107-001	PIN JACK	
	L200	QQL231K-220Y	INDUCTOR 1M	
	X200	QAX0260-001Z	CRYSTAL	
	CN200	QGB2510K1-04	CONNECTOR	
	CN202	QGA2001F1-10	10P PLUG ASSY	
	CN204	QGB1214K1-14S	CONNECT TERMINAL	
	CN205	QGB1214J1-14S	CONNECT TERMINAL	
	CN206	QGA2501F1-02	CONNECTOR	
	CN240	QGB2510K1-04	CONNECTOR	
	CN242	QGB1214K1-14S	CONNECT TERMINAL	
	CN243	QGB1214J1-14S	CONNECT TERMINAL	
	CN244	QGA2501F1-04	CONNECTOR	
	CN254	QGB2510K1-05	CONNECTOR	
	CN311	QGB2510K1-17	CONNECTOR	
	CN313	QGB2510K1-14	CONNECTOR	
	CN416	QGA2501F1-03	CONNECTOR	
	J1250	QNS0077-001	PIN JACK	
	J1251	QNS0083-001	PIN JACK	
	J1252	QNS0001-001	JACK	
	J1253	QNS0001-001	JACK	
	J1254	QNS0001-001	JACK	
	SP203	VYH7653-005	I.C.PROTECTOR	
	SW200	QSW0673-001	LEVER SWITCH	

■ Electrical Parts List (AC Supply P.C.B.)

△	Item	Part Number	Description	Area
		DIODES		
△	D051	1SR139-200-T4	SILICON	
△	D052	1SR139-200-T4	SILICON	
△	D053	1SR139-200-T4	SILICON	
△	D054	1SR139-200-T4	SILICON	
	D056	MTZJ6.2A-T2	ZENER	
	D057	1SS133-T2	SI.DIODE	
△	D061	10E2-FD	DIODE	
△	D062	1SR139-200-T4	SILICON	
△	D063	10E2-FD	DIODE	
△	D064	1SR139-200-T4	SILICON	
	D065	1SS133-T2	SI.DIODE	
	D066	1SS133-T2	SI.DIODE	
	D071	1SR139-200-T4	SILICON	
	D072	1SR139-200-T4	SILICON	
	D073	1SR139-200-T4	SILICON	
	D074	MTZJ33C-T2	ZENER	
	D075	MTZJ6.2C-T2	ZENER	
	D701	1SS133-T2	SI.DIODE	
	D702	1SS133-T2	SI.DIODE	
	D703	1SS133-T2	SI.DIODE	
	D704	1SS133-T2	SI.DIODE	
	D951	1SS133-T2	SI.DIODE	
	D952	1SS133-T2	SI.DIODE	
	D1701	1SS133-T2	SI.DIODE	
	D1702	MTZJ18C-T2	ZENER	
	D1771	1SS133-T2	SI.DIODE	
	D1772	1SS133-T2	SI.DIODE	
	D1791	1SS133-T2	SI.DIODE	
	D1801	1SS133-T2	SI.DIODE	
	D1802	1SS133-T2	SI.DIODE	
	D1805	MTZJ18C-T2	ZENER	
	D1871	1SS133-T2	SI.DIODE	
	D1872	1SS133-T2	SI.DIODE	
	D1873	1SS133-T2	SI.DIODE	
	D1874	1SS133-T2	SI.DIODE	
	D1891	1SS133-T2	SI.DIODE	
	D1892	1SS133-T2	SI.DIODE	
		TRANSISTORS		
	Q052	2SC2235/OY/-T	SILICON	
	Q053	DTC123YS-T	SILICON	
	Q061	DTC114YS-T	SILICON	
	Q071	2SB1357/EF/-T	SILICON	
	Q072	DTC114ES	DIGITAL TRANSISTOR	
	Q073	DTA144ES-T	SILICON	
	Q074	2SC2240/GL/-T	SILICON	
	Q701	2SC2240-BL/AB/	SI.TRANSISTOR	
	Q702	2SC2240-BL/AB/	SI.TRANSISTOR	
	Q703	2SC2240-BL/AB/	SI.TRANSISTOR	
	Q704	2SC2240-BL/AB/	SI.TRANSISTOR	
	Q705	2SA1038S/SE/-T	SILICON	
	Q706	2SA1038S/SE/-T	SILICON	
	Q707	2SA933LN/RS/-T	SILICON	
	Q708	2SA933LN/RS/-T	SILICON	
	Q709	2SA1038S/SE/-T	SILICON	
	Q710	2SA1038S/SE/-T	SILICON	
	Q711	2SC2389S/SE/-T	SI.TRANSISTOR	
	Q712	2SC2389S/SE/-T	SI.TRANSISTOR	
	Q1701	2SC2240-BL/AB/	SI.TRANSISTOR	
	Q1702	2SC2240-BL/AB/	SI.TRANSISTOR	
	Q1703	2SA1038S/S/-T	SILICON	
	Q1731	2SD636/QR/	SILICON	
	Q1771	2SC2389S/SE/-T	SI.TRANSISTOR	
	Q1772	2SA1038S/SE/-T	SILICON	
	Q1791	2SC2389S/SE/-T	SI.TRANSISTOR	
	Q1801	2SC2240-BL/AB/	SI.TRANSISTOR	

△	Item	Part Number	Description	Area
	Q1802	2SC2240-BL/AB/	SI.TRANSISTOR	
	Q1803	2SC2240-BL/AB/	SI.TRANSISTOR	
	Q1804	2SC2240-BL/AB/	SI.TRANSISTOR	
	Q1805	2SA1038S/S/-T	SILICON	
	Q1806	2SA1038S/S/-T	SILICON	
	Q1831	2SD636/QR/	SILICON	
	Q1832	2SD636/QR/	SILICON	
	Q1871	2SC2389S/SE/-T	SI.TRANSISTOR	
	Q1872	2SC2389S/SE/-T	SI.TRANSISTOR	
	Q1873	2SA1038S/SE/-T	SILICON	
	Q1874	2SA1038S/SE/-T	SILICON	
	Q1891	2SC2389S/SE/-T	SI.TRANSISTOR	
	Q1892	2SC2389S/SE/-T	SI.TRANSISTOR	
		CAPACITORS		
△	C001	QCZ9019-472	4700PF C.CAP.	
	C051	QFN32AK-472Z	4700PF 100V METAL.MYLAR	
	C052	QETN1EM-108Z	1000MF 25V AL E.CAP.	
	C054	QETN1CM-477Z	470MF 16V AL E.CAP.	
	C055	QCF31HZ-472Z	4700PF 50V CERAMIC	
	C061	QFN32AJ-104Z	0.1MF 100V MYLAR CAP.	
	C062	QFN32AJ-104Z	0.1MF 100V MYLAR CAP.	
	C063	QFN32AJ-104Z	0.1MF 100V MYLAR CAP.	
	C065	QETB1VM-338	3300MF 35V E.CAP.	
	C066	QETB1VM-228	2200MF 35V E.CAP.	
	C067	QETC1HM-475Z	4.7MF 50V E.CAP.	
	C068	QFLC1HJ-473Z	0.047MF 50V MYLAR CAP.	
	C069	QFLC1HJ-473Z	0.047MF 50V MYLAR CAP.	
	C070	QETC1HM-227Z	220MF 50V E.CAP.	
	C071	QETN1JM-227Z	220MF 63V AL E.CAP.	
	C072	QETC1HM-226Z	22MF 50V E.CAP.	
	C073	QETC1HM-226Z	22MF 50V E.CAP.	
	C074	QETC1HM-105Z	1MF 50V AL E.CAP.	
	C091	QCBB1HK-331Y	330PF 50V CER.CAP.	
	C092	QCBB1HK-331Y	330PF 50V CER.CAP.	
	C705	QCS31HJ-101Z	100PF 50V CER.CAP.	
	C706	QCS31HJ-101Z	100PF 50V CER.CAP.	
	C710	QCS32HJ-220Z	22PF 500V CER.CAP.	
	C711	QFLC1HJ-152Z	1500PF 50V MYLAR CAP.	
	C712	QFLC1HJ-152Z	1500PF 50V MYLAR CAP.	
	C713	QCS31HJ-680Z	68PF 50V CER.CAP.	
	C714	QCS31HJ-680Z	68PF 50V CER.CAP.	
	C715	QCS31HJ-680Z	68PF 50V CER.CAP.	
	C716	QCS31HJ-680Z	68PF 50V CER.CAP.	
	C717	QCS32HJ-220Z	22PF 500V CER.CAP.	
	C1701	QETC1HM-106Z	10MF 50V E.CAP.	
	C1702	QCS31HJ-101Z	100PF 50V CER.CAP.	
	C1703	QCS31HJ-101Z	100PF 50V CER.CAP.	
	C1704	QETC1CM-476Z	47MF 16V AL E.CAP.	
	C1705	QCS31HJ-5R0Z	5PF 50V CER.CAP.	
	C1711	QCS32HJ-330Z	33PF 500V CER.CAP.	
	C1712	QFLC1HJ-103Z	0.01MF 50V MYLAR CAP.	
	C1713	QETC1HM-225Z	2.2MF 50V AL E.CAP.	
	C1715	QETC1HM-476Z	47MF 50V E.CAP.	
	C1741	QETN2AM-476Z	47MF 100V AL E.CAP.	
	C1742	QETN2AM-476Z	47MF 100V AL E.CAP.	
	C1743	QETC1EM-476Z	47MF 25V AL E.CAP.	
	C1751	QCS32HJ-470Z	47PF 500V CER.CAP.	
	C1752	QCS32HJ-470Z	47PF 500V CER.CAP.	
	C1761	QFLC1HJ-473Z	0.047MF 50V MYLAR CAP.	C
	C1762	QFLC1HJ-223Z	0.022MF 50V MYLAR CAP.	J
		QFLC1HJ-473Z	0.047MF 50V MYLAR CAP.	C
	C1791	QCF31HZ-223Z	0.022MF 50V CERAMIC	
	C1801	QETC1HM-106Z	10MF 50V E.CAP.	
	C1802	QETC1HM-106Z	10MF 50V E.CAP.	
	C1803	QCS31HJ-101Z	100PF 50V CER.CAP.	
	C1804	QCS31HJ-101Z	100PF 50V CER.CAP.	

RX-1024VBK

■ Electrical Parts List (AC Supply P.C.B.)

△	Item	Part Number	Description			Area
	C1805	QCS31HJ-101Z	100PF	50V	CER.CAP.	
	C1806	QCS31HJ-101Z	100PF	50V	CER.CAP.	
	C1807	QETC1CM-476Z	47MF	16V	AL E.CAP.	
	C1808	QETC1CM-476Z	47MF	16V	AL E.CAP.	
	C1809	QCS31HJ-5R0Z	5PF	50V	CER.CAP.	
	C1810	QCS31HJ-5R0Z	5PF	50V	CER.CAP.	
	C1811	QCS32HJ-330Z	33PF	500V	CER.CAP.	
	C1812	QCS32HJ-330Z	33PF	500V	CER.CAP.	
	C1813	QFLC1HJ-103Z	0.01MF	50V	MYLAR CAP.	
	C1814	QFLC1HJ-103Z	0.01MF	50V	MYLAR CAP.	
	C1815	QK1HM-225Z	2.2MF	50V	ELECTRO	
	C1816	QK1HM-225Z	2.2MF	50V	ELECTRO	
	C1817	QETC1HM-476Z	47MF	50V	E.CAP.	
	C1818	QETC1HM-476Z	47MF	50V	E.CAP.	
	C1841	QETN2AM-476Z	47MF	100V	AL E.CAP.	
	C1842	QETN2AM-476Z	47MF	100V	AL E.CAP.	
	C1843	QETC1EM-106Z	10MF	25V	AL E.CAP.	
	C1851	QCS32HJ-470Z	47PF	500V	CER.CAP.	
	C1852	QCS32HJ-470Z	47PF	500V	CER.CAP.	
	C1853	QCS32HJ-470Z	47PF	500V	CER.CAP.	
	C1854	QCS32HJ-470Z	47PF	500V	CER.CAP.	
	C1861	QFLC1HJ-473Z	0.047MF	50V	MYLAR CAP.	C
	C1862	QFLC1HJ-473Z	0.047MF	50V	MYLAR CAP.	C
	C1863	QFLC1HJ-223Z	0.022MF	50V	MYLAR CAP.	J
		QFLC1HJ-473Z	0.047MF	50V	MYLAR CAP.	C
	C1864	QFLC1HJ-223Z	0.022MF	50V	MYLAR CAP.	J
		QFLC1HJ-473Z	0.047MF	50V	MYLAR CAP.	C
	C1891	QCF31HZ-223Z	0.022MF	50V	CERAMIC	
	C1892	QCF31HZ-223Z	0.022MF	50V	CERAMIC	
		RESISTORS				
△	R001	QRZ9044-335	3.3M		COMPOSITION	
△	R053	QRJ146J-3R9X	3.9	1/4W	R.NETWORK	
	R054	QRE141J-821Y	820	1/4W	R.NETWORK	
	R061	QRT012J-R22	0.22	1W	R.NETWORK	
	R062	QRT012J-R22	0.22	1W	R.NETWORK	
△	R065	QRT022J-1R0	1	2W	R.NETWORK	
△	R066	QRJ146J-2R2X	2.2	1/4W	R.NETWORK	
△	R067	QRJ146J-120X	12	1/4W	R.NETWORK	
	R068	QRE141J-562Y	5.6K	1/4W	R.NETWORK	
	R069	QRE141J-822Y	8.2K	1/4W	R.NETWORK	
	R070	QRE141J-103Y	10K	1/4W	R.NETWORK	
	R072	QRJ146J-332X	3.3K	1/4W	R.NETWORK	
	R073	QRE141J-223Y	22K	1/4W	R.NETWORK	
	R074	QRE141J-104Y	100K	1/4W	R.NETWORK	
	R091	QRL022J-471	470	2W	R.NETWORK	
	R092	QRL022J-471	470	2W	R.NETWORK	
	R705	QRE141J-202Y	2K	1/4W	R.NETWORK	
	R706	QRE141J-202Y	2K	1/4W	R.NETWORK	
	R707	QRE141J-202Y	2K	1/4W	R.NETWORK	
	R708	QRE141J-202Y	2K	1/4W	R.NETWORK	
	R709	QRE141J-912Y	9.1K	1/4W	R.NETWORK	
	R710	QRE141J-912Y	9.1K	1/4W	R.NETWORK	
	R717	QRJ146J-562X	5.6K	1/4W	R.NETWORK	
	R718	QRJ146J-562X	5.6K	1/4W	R.NETWORK	
	R719	QRK126J-103X	10K	1/2W	R.NETWORK	
	R720	QRK126J-103X	10K	1/2W	R.NETWORK	
	R721	QRJ146J-151X	150	1/4W	R.NETWORK	
	R722	QRJ146J-151X	150	1/4W	R.NETWORK	
	R723	QRE141J-391Y	390	1/4W	R.NETWORK	
	R724	QRE141J-391Y	390	1/4W	R.NETWORK	
	R725	QRE141J-152Y	1.5K	1/4W	R.NETWORK	
	R726	QRE141J-152Y	1.5K	1/4W	R.NETWORK	
	R727	QRE141J-333Y	33K	1/4W	R.NETWORK	
	R728	QRE141J-333Y	33K	1/4W	R.NETWORK	
	R729	QRE141J-391Y	390	1/4W	R.NETWORK	
	R730	QRE141J-391Y	390	1/4W	R.NETWORK	

△	Item	Part Number	Description			Area
	R731	QRE141J-391Y	390	1/4W	R.NETWORK	
	R732	QRE141J-391Y	390	1/4W	R.NETWORK	
	R733	QRE141J-101Y	100	1/4W	R.NETWORK	
	R734	QRE141J-101Y	100	1/4W	R.NETWORK	
	R951	QRJ146J-120X	12	1/4W	R.NETWORK	
	R952	QRJ146J-120X	12	1/4W	R.NETWORK	
	R961	QRE141J-302Y	3K	1/4W	R.NETWORK	
	R962	QRE141J-302Y	3K	1/4W	R.NETWORK	
	R963	QRE141J-101Y	100	1/4W	R.NETWORK	
	R964	QRE141J-101Y	100	1/4W	R.NETWORK	
	R965	QRE141J-302Y	3K	1/4W	R.NETWORK	
	R966	QRE141J-101Y	100	1/4W	R.NETWORK	
	R967	QRE141J-302Y	3K	1/4W	R.NETWORK	
	R968	QRE141J-302Y	3K	1/4W	R.NETWORK	
	R969	QRE141J-101Y	100	1/4W	R.NETWORK	
	R970	QRE141J-101Y	100	1/4W	R.NETWORK	
	R1701	QRE141J-222Y	2.2K	1/4W	R.NETWORK	
	R1702	QRE141J-104Y	100K	1/4W	R.NETWORK	
	R1703	QRE141J-202Y	2K	1/4W	R.NETWORK	
	R1705	QRE141J-123Y	12K	1/4W	R.NETWORK	
	R1711	QRE141J-621Y	620	1/4W	R.NETWORK	
	R1712	QRE141J-104Y	100K	1/4W	R.NETWORK	
	R1721	QRJ146J-221X	220	1/4W	R.NETWORK	
	R1722	QRE141J-392Y	3.9K	1/4W	R.NETWORK	
	R1723	QRE141J-392Y	3.9K	1/4W	R.NETWORK	
	R1724	QRE141J-392Y	3.9K	1/4W	R.NETWORK	
	R1725	QRE141J-392Y	3.9K	1/4W	R.NETWORK	
	R1731	QRE141J-751Y	750	1/4W	R.NETWORK	
	R1732	QRE141J-391Y	390	1/4W	R.NETWORK	
	R1742	QRJ146J-221X	220	1/4W	R.NETWORK	
	R1743	QRL022J-562	5.6K	2W	R.NETWORK	
	R1751	QRJ146J-100X	10	1/4W	R.NETWORK	
	R1752	QRJ146J-100X	10	1/4W	R.NETWORK	
	R1753	QRZ0197-R22	0.22	1W	NETWORK	RES.
	R1761	QRJ125J-330	33	1/2W	R.NETWORK	
	R1762	QRL022J-100	10	2W	R.NETWORK	
	R1771	QRE141J-151Y	150	1/4W	R.NETWORK	
	R1772	QRE141J-151Y	150	1/4W	R.NETWORK	
	R1773	QRE141J-151Y	150	1/4W	R.NETWORK	
	R1774	QRE141J-151Y	150	1/4W	R.NETWORK	
	R1791	QRE141J-272Y	2.7K	1/4W	R.NETWORK	
	R1792	QRE141J-153Y	15K	1/4W	R.NETWORK	
	R1793	QRE141J-123Y	12K	1/4W	R.NETWORK	
	R1794	QRE141J-104Y	100K	1/4W	R.NETWORK	
	R1801	QRE141J-222Y	2.2K	1/4W	R.NETWORK	
	R1802	QRE141J-222Y	2.2K	1/4W	R.NETWORK	
	R1803	QRE141J-104Y	100K	1/4W	R.NETWORK	
	R1804	QRE141J-104Y	100K	1/4W	R.NETWORK	
	R1805	QRE141J-202Y	2K	1/4W	R.NETWORK	
	R1806	QRE141J-202Y	2K	1/4W	R.NETWORK	
	R1809	QRE141J-123Y	12K	1/4W	R.NETWORK	
	R1810	QRE141J-123Y	12K	1/4W	R.NETWORK	
	R1811	QRE141J-621Y	620	1/4W	R.NETWORK	
	R1812	QRE141J-621Y	620	1/4W	R.NETWORK	
	R1813	QRE141J-104Y	100K	1/4W	R.NETWORK	
	R1814	QRE141J-104Y	100K	1/4W	R.NETWORK	
	R1821	QRJ146J-221X	220	1/4W	R.NETWORK	
	R1822	QRJ146J-221X	220	1/4W	R.NETWORK	
	R1823	QRE141J-392Y	3.9K	1/4W	R.NETWORK	
	R1824	QRE141J-392Y	3.9K	1/4W	R.NETWORK	
	R1825	QRE141J-392Y	3.9K	1/4W	R.NETWORK	
	R1826	QRE141J-392Y	3.9K	1/4W	R.NETWORK	
	R1827	QRE141J-392Y	3.9K	1/4W	R.NETWORK	
	R1828	QRE141J-392Y	3.9K	1/4W	R.NETWORK	
	R1829	QRE141J-392Y	3.9K	1/4W	R.NETWORK	
	R1830	QRE141J-392Y	3.9K	1/4W	R.NETWORK	

■ Electrical Parts List (AC Supply P.C.B.)

△	Item	Part Number	Description	Area
	R1831	QRE141J-751Y	750 1/4W R.NETWORK	
	R1832	QRE141J-751Y	750 1/4W R.NETWORK	
	R1833	QRE141J-391Y	390 1/4W R.NETWORK	
	R1834	QRE141J-391Y	390 1/4W R.NETWORK	
	R1842	QRJ146J-221X	220 1/4W R.NETWORK	
	R1843	QRL022J-562	5.6K 2W R.NETWORK	
	R1851	QRJ146J-100X	10 1/4W R.NETWORK	
	R1852	QRJ146J-100X	10 1/4W R.NETWORK	
	R1853	QRJ146J-100X	10 1/4W R.NETWORK	
	R1854	QRJ146J-100X	10 1/4W R.NETWORK	
	R1855	QRZ0197-R22	0.22 1W NETWORK RES.	
	R1856	QRZ0197-R22	0.22 1W NETWORK RES.	
	R1861	QRJ125J-330	33 1/2W R.NETWORK	
	R1862	QRJ125J-330	33 1/2W R.NETWORK	
	R1863	QRL022J-100	10 2W R.NETWORK	
	R1864	QRL022J-100	10 2W R.NETWORK	
	R1871	QRE141J-151Y	150 1/4W R.NETWORK	
	R1872	QRE141J-151Y	150 1/4W R.NETWORK	
	R1873	QRE141J-151Y	150 1/4W R.NETWORK	
	R1874	QRE141J-151Y	150 1/4W R.NETWORK	
	R1875	QRE141J-151Y	150 1/4W R.NETWORK	
	R1876	QRE141J-151Y	150 1/4W R.NETWORK	
	R1877	QRE141J-151Y	150 1/4W R.NETWORK	
	R1878	QRE141J-151Y	150 1/4W R.NETWORK	
	R1891	QRE141J-272Y	2.7K 1/4W R.NETWORK	
	R1892	QRE141J-272Y	2.7K 1/4W R.NETWORK	
	R1893	QRE141J-153Y	15K 1/4W R.NETWORK	
	R1894	QRE141J-153Y	15K 1/4W R.NETWORK	
	R1895	QRE141J-123Y	12K 1/4W R.NETWORK	
	R1896	QRE141J-123Y	12K 1/4W R.NETWORK	
	R1897	QRE141J-104Y	100K 1/4W R.NETWORK	
	R1898	QRE141J-104Y	100K 1/4W R.NETWORK	
		OTHERS		
		QWE881-12RR	VINYL WIRE	
		QWE881-18RR	VINYL WIRE	
		QWE881-38RR	VINYL WIRE	
		QWE882-36RR	VINYL WIRE	
		QWE884-20RR	VINYL WIRE	
		QWE886-16RR	PIN WIRE	
		QWE886-26RR	VINYL WIRE	
		QWE881-16RR	VINYL WIRE	
	J091	QNS0023-001	JACK	
	J961	QNN0208-001	PIN JACK	
△	T002	ETP1000-41JA	POWER TRANSFORMER	
	CN051	QGB2510J1-08	CONNECTOR	
	CN052	QGB2510J1-08	CONNECTOR	
	CN053	QGB2510J1-05	CONNECTOR	
	CN402	QGF1205C1-21	CONNECTOR	
	CN701	EWS216-007	SOCKET WIRE ASSY	
	CN703	EWS288-001	VINYL WIRE	
	CN705	QGB2510K1-12	CONNECTOR	
	CN811	QGA3901F2-03	CONNECTOR	
	CN951	EWS356-004	SOCKET WIRE ASSY	
	EP001	E409182-001SM	EARTH TERMINAL	
	EP051	QNZ0136-001Z	IM EARTH PLATE	
	FC001	QNG0020-001Z	FUSE CLIP I.M	
	FC002	QNG0020-001Z	FUSE CLIP I.M	
	FC061	QNG0020-001Z	FUSE CLIP I.M	
	FC062	QNG0020-001Z	FUSE CLIP I.M	
	FC063	QNG0020-001Z	FUSE CLIP I.M	
	FC064	QNG0020-001Z	FUSE CLIP I.M	
	FW051	EWR37D-10SS	FLAT WIRE	
	FW901	EWR33D-08LS	CORD	
	FW963	EWR38D-15ES	FLAT WIRE	
	L1761	QQLZ005-R45	INDUCTOR	
	L1861	QQLZ005-R45	INDUCTOR	

△	Item	Part Number	Description	Area
	L1862	QQLZ005-R45	INDUCTOR	
△	RY001	QSK0039-001	RELAY	
	RY061	QSK0082-001	RELAY	
	RY951	QSK0042-001	RELAY	
	RY952	QSK0042-001	RELAY	
	ST951	QNB0078-001	SPEAKER TERMINAL	
	TA001	QNZ0079-001Z	TAB I.M	
	TA002	QNZ0079-001Z	TAB I.M	
△	TH071	QAD0095-4R7Z	POSITIVE THERMISTOR	
	TH731	QAD0012-202	THERMISTOR	
	TH831	QAD0012-202	THERMISTOR	
	TH832	QAD0012-202	THERMISTOR	

■ Electrical Parts List (AC-3 P.C.B.)

△	Item	Part Number	Description	Area
		I.C.S		
	IC501	NJM4580E-W	I.C (M)	
	IC511	NJM4580E-W	I.C (M)	
	IC521	NJM4580E-W	I.C (M)	
	IC531	NJM4580E-W	I.C	
	IC551	NJM4580E-W	I.C (M)	
	IC561	NJM4580E-W	I.C (M)	
	IC571	NJM4580E-W	I.C (M)	
	IC581	NJM4580E-W	I.C (M)	
	IC591	NJM4580E-W	I.C (M)	
	IC601	CS4226-KQ	I.C (M)	
	IC621	MN35503-X	I.C	
	IC622	PQ05TZ51-X	I.C	
	IC631	XCF56009FJ88	I.C (M)	
	IC641	XCB56007FJ88	I.C (M)	
	IC651	N341256SJ-15-X	I.C (S-RAM)	
	IC661	TC74HCU04AF-W	I.C.	
	IC671	MN173222JABP	I.C (M)	
	IC672	TC7S04FU-X	I.C (M)	
	IC673	TC7S32FU-X	I.C (M)	
		DIODE		
	D617	1SS355-X	DIODE	
	D621	HVU17-X	DIODE	
		TRANSISTORS		
	Q529	2SD1328/ST/-X	TRANSISTOR	
	Q530	2SD1328/ST/-X	TRANSISTOR	
	Q691	DTA144EKA-X	TRANSISTOR	
		CAPACITORS		
	C501	NCB30JK-474X	0.47MF 6.3V CER.CAP.	
	C503	NEA21EM-475NZ	4.7MF 25V AL E.CAP.	
	C504	NEA21EM-475NZ	4.7MF 25V AL E.CAP.	
	C505	NCS31HJ-560X	56PF 50V C CAP.	
	C506	NCS31HJ-560X	56PF 50V C CAP.	
	C509	NCB31CK-104X	0.1MF 16V C.CAPA. C.M	
	C510	NCB31CK-104X	0.1MF 16V C.CAPA. C.M	
	C511	NCB30JK-474X	0.47MF 6.3V CER.CAP.	
	C513	NCB31CK-183X	0.018MF 16V C.CAPA. C.M.	
	C514	NCB31CK-183X	0.018MF 16V C.CAPA. C.M.	
	C515	NCB31HK-182X	1800PF 50V C.CAP.	
	C516	NCB31HK-182X	1800PF 50V C.CAP.	
	C517	NCB31HK-562X	5600PF 50V C CAP.	
	C518	NCB31HK-562X	5600PF 50V C CAP.	
	C519	NCB31CK-104X	0.1MF 16V C.CAPA. C.M	
	C520	NCB31CK-104X	0.1MF 16V C.CAPA. C.M	
	C521	NCB31CK-103X	0.01MF 16V C.CAPA. C.M	
	C522	NCB31CK-103X	0.01MF 16V C.CAPA. C.M	
	C523	NCB31HK-272X	2700PF 50V C CAP.	
	C524	NCB31HK-272X	2700PF 50V C CAP.	
	C525	NCB31HK-562X	5600PF 50V C CAP.	
	C526	NCB31HK-562X	5600PF 50V C CAP.	
	C527	NEA21HM-105NZ	1MF 50V AL E.CAP.	
	C528	NEA21HM-105NZ	1MF 50V AL E.CAP.	
	C529	NCB31CK-104X	0.1MF 16V C.CAPA. C.M	
	C530	NCB31CK-104X	0.1MF 16V C.CAPA. C.M	
	C541	NCB31HK-682X	6800PF 50V C CAP.	
	C542	NCB31HK-682X	6800PF 50V C CAP.	
	C543	NCB31HK-473X	0.047MF 50V C.CAP.	
	C544	NCB31HK-473X	0.047MF 50V C.CAP.	
	C545	NCB31HK-391X	390PF 50V C.CAP.	
	C546	NCB31HK-391X	390PF 50V C.CAP.	
	C549	NCB31CK-104X	0.1MF 16V C.CAPA.	
	C550	NCB31CK-104X	0.1MF 16V C.CAPA.	
	C551	NEA21HM-105NZ	1MF 50V AL E.CAP.	
	C552	NEA21HM-105NZ	1MF 50V AL E.CAP.	
	C553	NCS31HJ-220X	22PF 50V C CAP.	
	C554	NCS31HJ-220X	22PF 50V C CAP.	

△	Item	Part Number	Description	Area
	C557	NEA21HM-105NZ	1MF 50V AL E.CAP.	
	C558	NEA21HM-105NZ	1MF 50V AL E.CAP.	
	C559	NCB31CK-104X	0.1MF 16V C.CAPA. C.M	
	C560	NCB31CK-104X	0.1MF 16V C.CAPA. C.M	
	C561	NEA21HM-105NZ	1MF 50V AL E.CAP.	
	C562	NEA21HM-105NZ	1MF 50V AL E.CAP.	
	C563	NCS31HJ-220X	22PF 50V C CAP.	
	C564	NCS31HJ-220X	22PF 50V C CAP.	
	C569	NCB31CK-104X	0.1MF 16V C.CAPA. C.M	
	C570	NCB31CK-104X	0.1MF 16V C.CAPA. C.M	
	C571	NCB31CK-103X	0.01MF 16V C.CAPA. C.M	
	C572	NCB31CK-103X	0.01MF 16V C.CAPA. C.M	
	C573	NCB31HK-272X	2700PF 50V C CAP.	
	C574	NCB31HK-272X	2700PF 50V C CAP.	
	C575	NCB31HK-562X	5600PF 50V C CAP.	
	C576	NCB31HK-562X	5600PF 50V C CAP.	
	C577	NEA21HM-105NZ	1MF 50V AL E.CAP.	
	C578	NEA21HM-105NZ	1MF 50V AL E.CAP.	
	C579	NCB31CK-104X	0.1MF 16V C.CAPA. C.M	
	C580	NCB31CK-104X	0.1MF 16V C.CAPA. C.M	
	C581	NEA21HM-105NZ	1MF 50V AL E.CAP.	
	C582	NEA21HM-105NZ	1MF 50V AL E.CAP.	
	C583	NCS31HJ-220X	22PF 50V C CAP.	
	C584	NCS31HJ-220X	22PF 50V C CAP.	
	C589	NCB31CK-104X	0.1MF 16V C.CAPA. C.M	
	C590	NCB31CK-104X	0.1MF 16V C.CAPA. C.M	
	C591	NCB31CK-103X	0.01MF 16V C.CAPA. C.M	
	C592	NCB31CK-103X	0.01MF 16V C.CAPA. C.M	
	C593	NCB31HK-272X	2700PF 50V C CAP.	
	C594	NCB31HK-272X	2700PF 50V C CAP.	
	C595	NCB31HK-562X	5600PF 50V C CAP.	
	C596	NCB31HK-562X	5600PF 50V C CAP.	
	C597	NEA21HM-105NZ	1MF 50V AL E.CAP.	
	C598	NEA21HM-105NZ	1MF 50V AL E.CAP.	
	C599	NCB31CK-104X	0.1MF 16V C.CAPA. C.M	
	C600	NCB31CK-104X	0.1MF 16V C.CAPA. C.M	
	C601	NCB31HK-152X	1500PF 50V SPACER	
	C602	NCB31CK-153X	0.015MF 16V C CAP.	
	C603	NCB30JK-474X	0.47MF 6.3V CER.CAP.	
	C604	NCS31HJ-270X	27PF 50V C CAP.	
	C605	NCS31HJ-270X	27PF 50V C CAP.	
	C608	NCB31HK-103X	0.01MF 50V C CAP.	
	C609	NCB31HK-103X	0.01MF 50V C CAP.	
	C610	NCB30JK-474X	0.47MF 6.3V CER.CAP.	
	C611	NCB31HK-222X	2200PF 50V C CAP.	
	C618	NCB31HK-103X	0.01MF 50V C CAP.	
	C619	NCB31HK-103X	0.01MF 50V C CAP.	
	C620	NCB30JK-474X	0.47MF 6.3V CER.CAP.	
	C621	NCB30JK-474X	0.47MF 6.3V CER.CAP.	
	C622	NCB31CK-473X	0.047MF 16V C.CAPA.	
	C623	NCB31HK-472X	4700PF 50V C CAP.	
	C624	NCS31HJ-180X	18PF 50V C.CAPA.	
	C625			
	C626	NCB21AK-105X	1MF C.CAPA.	
	C627	NCB31HK-103X	0.01MF 50V C CAP.	
	C628			
	C629	NCB31HK-103X	0.01MF 50V C CAP.	
	C630	NCB30JK-474X	0.47MF 6.3V CER.CAP.	
	C631	NCB31HK-472X	4700PF 50V C.CAP.	
	C632	NCB31HK-103X	0.01MF 50V C CAP.	
	C633	NCB31HK-103X	0.01MF 50V C CAP.	
	C634	NCB31HK-103X	0.01MF 50V C CAP.	
	C635	NCB31HK-103X	0.01MF 50V C CAP.	
	C637	NCB31HK-103X	0.01MF 50V C CAP.	
	C638	NCB31HK-103X	0.01MF 50V C CAP.	
	C639	NCB31HK-103X	0.01MF 50V C CAP.	

■ Electrical Parts List (AC-3 P.C.B.)

△	Item	Part Number	Description	Area
	C640	NCB30JK-474X	0.47MF 6.3V CER.CAP.	
	C641	NCB31HK-472X	4700PF 50V C.CAP.	
	C642	NCB31HK-103X	0.01MF 50V C CAP.	
	C643	NCB31HK-103X	0.01MF 50V C CAP.	
	C644	NCB31HK-103X	0.01MF 50V C CAP.	
	C645	NCB31HK-103X	0.01MF 50V C CAP.	
	C647	NCB31HK-103X	0.01MF 50V C CAP.	
	C648	NCB31HK-103X	0.01MF 50V C CAP.	
	C649	NCB31HK-103X	0.01MF 50V C CAP.	
	C650	NCB30JK-474X	0.47MF 6.3V CER.CAP.	
	C651	NCB31HK-103X	0.01MF 50V C CAP.	
	C652	NCB30JK-474X	0.47MF 6.3V CER.CAP.	
	C661	NCB31CK-104X	0.1MF 16V C.CAPA. C.M	
	C662	NCB31CK-104X	0.1MF 16V C.CAPA. C.M	
	C664	NCS31HJ-101X	100PF 50V C.CAPA. C.M	
	C666	NEA21HM-105NZ	1MF 50V AL E.CAP.	
	C669	NCB31CK-103X	0.01MF 16V C.CAPA. C.M	
	C670	NCB30JK-474X	0.47MF 6.3V CER.CAP.	
	C673	NCB31CK-103X	0.01MF 16V C.CAPA. C.M	
	C678	NCB31HK-103X	0.01MF 50V C CAP.	
	C679	NCB31HK-103X	0.01MF 50V C CAP.	
	C680	NCB30JK-474X	0.47MF 6.3V CER.CAP.	
	C681	NCB31HK-103X	0.01MF 50V C CAP.	
	C682	NCB31HK-103X	0.01MF 50V C CAP.	
	C683	NCB31HK-103X	0.01MF 50V C CAP.	
	C684	NEA20JM-107NPM	100MF 6.3V E.CAP.	
	C685	NEA21CM-476NP	47MF 16V AL E.CAP.	
	C686	NEA21CM-476NP	47MF 16V AL E.CAP.	
	C687	NCB31HK-103X	0.01MF 50V C CAP.	
	C688	NEA20JM-107NPM	100MF 6.3V E.CAP.	
	C689	NCB31CK-104X	0.1MF 16V C.CAPA. C.M	
	C690	NCB31CK-104X	0.1MF 16V C.CAPA. C.M	
	C691	NCS31HJ-101X	100PF 50V C.CAPA. C.M	
	C692	NCS31HJ-101X	100PF 50V C.CAPA. C.M	
	C693	NCB31CK-104X	0.1MF 16V C.CAPA. C.M	
	C695	NCB31CK-104X	0.1MF 16V C.CAPA. C.M	
	C696	NCB31CK-104X	0.1MF 16V C.CAPA. C.M	
	C697	NCB31CK-104X	0.1MF 16V C.CAPA. C.M	
	C698	NCB31CK-104X	0.1MF 16V C.CAPA. C.M	
	C699	NCB31CK-104X	0.1MF 16V C.CAPA. C.M	
		RESISTORS		
	R501	NRSA63J-104X	RES. C.M	
	R502	NRSA63J-104X	RES. C.M	
	R503	NRSA63J-103X	RES. C.M	
	R504	NRSA63J-103X	RES. C.M	
	R505	NRSA63J-103X	RES. C.M	
	R506	NRSA63J-103X	RES. C.M	
	R511	NRSA63J-102X	RES. C.M	
	R512	NRSA63J-102X	RES. C.M	
	R513	NRSA63J-102X	RES. C.M	
	R514	NRSA63J-102X	RES. C.M	
	R515	NRSA63J-102X	RES. C.M	
	R516	NRSA63J-102X	RES. C.M	
	R517	NRSA63J-102X	RES. C.M	
	R518	NRSA63J-102X	RES. C.M	
	R519	NRSA63J-472X	RES. C.M	
	R521	NRSA63J-102X	RES. C.M	
	R522	NRSA63J-102X	RES. C.M	
	R523	NRSA63J-102X	RES. C.M	
	R524	NRSA63J-102X	RES. C.M	
	R525	NRSA63J-102X	RES. C.M	
	R526	NRSA63J-102X	RES. C.M	
	R527	NRSA63J-104X	RES. C.M	
	R528	NRSA63J-104X	RES. C.M	
	R529	NRSA63J-103X	RES. C.M	
	R530	NRSA63J-103X	RES. C.M	

△	Item	Part Number	Description	Area
	R531	NRSA63J-243X	MG.RES	
	R532	NRSA63J-243X	MG.RES	
	R533	NRSA63J-243X	MG.RES	
	R534	NRSA63J-243X	MG.RES	
	R535	NRSA63F-183X	MG.RES	
	R536	NRSA63F-183X	MG.RES	
	R537	NRSA63F-183X	MG.RES	
	R538	NRSA63F-183X	MG.RES	
	R539	NRSA63F-562X	RES I.M	
	R540	NRSA63F-562X	RES I.M	
	R541	NRSA63J-821X	RES C.M	
	R542	NRSA63J-821X	RES C.M	
	R543	NRSA63J-202X	MG.RES	
	R544	NRSA63J-202X	MG.RES	
	R545	NRSA63J-103X	RES. C.M	
	R546	NRSA63J-103X	RES. C.M	
	R547			
	R548			
	R549	NRSA63J-221X	MG.RES	
	R550	NRSA63J-221X	MG.RES	
	R551	NRSA63J-104X	RES. C.M	
	R552	NRSA63J-104X	RES. C.M	
	R553	NRSA63J-104X	RES. C.M	
	R554	NRSA63J-104X	RES. C.M	
	R555	NRSA63J-333X	RES.I.M	
	R556	NRSA63J-333X	RES.I.M	
	R557	NRSA63J-104X	RES. C.M	
	R558	NRSA63J-104X	RES. C.M	
	R559	NRSA63J-221X	MG.RES	
	R560	NRSA63J-221X	MG.RES	
	R561	NRSA63J-104X	RES. C.M	
	R562	NRSA63J-104X	RES. C.M	
	R563	NRSA63J-104X	RES. C.M	
	R564	NRSA63J-104X	RES. C.M	
	R565	NRSA63J-752X	MG RES.	
	R566	NRSA63J-752X	MG RES.	
	R571	NRSA63J-102X	RES. C.M	
	R572	NRSA63J-102X	RES. C.M	
	R573	NRSA63J-102X	RES. C.M	
	R574	NRSA63J-102X	RES. C.M	
	R575	NRSA63J-102X	RES. C.M	
	R576	NRSA63J-102X	RES. C.M	
	R577	NRSA63J-104X	RES. C.M	
	R578	NRSA63J-104X	RES. C.M	
	R581	NRSA63J-104X	RES. C.M	
	R582	NRSA63J-104X	RES. C.M	
	R583	NRSA63J-104X	RES. C.M	
	R584	NRSA63J-104X	RES. C.M	
	R585	NRSA63J-752X	MG RES.	
	R586	NRSA63J-752X	MG RES.	
	R591	NRSA63J-102X	RES. C.M	
	R592	NRSA63J-102X	RES. C.M	
	R593	NRSA63J-102X	RES. C.M	
	R594	NRSA63J-102X	RES. C.M	
	R595	NRSA63J-102X	RES. C.M	
	R596	NRSA63J-102X	RES. C.M	
	R597	NRSA63J-104X	RES. C.M	
	R598	NRSA63J-104X	RES. C.M	
	R601	NRSA63F-433X	METAL GLAZE	
	R602	NRSA63J-221X	MG RES.	
	R603	NRSA63J-473X	RES. C.M	
	R606	NRSA63J-221X	MG RES.	
	R607	NRSA63J-221X	MG RES.	
	R608	NRSA63J-221X	MG RES.	
	R611	NRSA63J-105X	MG RES.	
	R616	NRSA63J-102X	RES. C.M	

RX-1024VBK

■ Electrical Parts List (AC-3 P.C.B.)

△	Item	Part Number	Description	Area
	R618	NRSA63J-102X	RES. C.M	
	R619	NRSA63J-102X	RES. C.M	
	R621	NRSA63J-333X	RES. 1M	
	R622	NRSA63J-332X	RES. C.M	
	R623	NRSA63J-473X	RES. C.M	
	R624	NRSA63J-271X	RES. C.M	
	R625	NRSA63J-560X	RES. C.M	
	R626	NRSA63J-560X	RES. C.M	
	R627	NRSA63J-101X	RES. C.M	
	R628	NRSA63J-101X	RES. C.M	
	R629	NRSA63J-473X	RES. C.M	
	R630	NRSA63J-472X	RES. C.M	
	R631	NRSA63J-473X	RES. C.M	
	R632	NRSA63J-473X	RES. C.M	
	R633	NRSA63J-473X	RES. C.M	
	R634	NRSA63J-473X	RES. C.M	
	R635	NRSA63J-473X	RES. C.M	
	R636	NRSA63J-221X	MG RES.	
	R637	NRSA63J-221X	MG RES.	
	R638	NRSA63J-221X	MG RES.	
	R639	NRSA63J-221X	MG RES.	
	R641	NRSA63J-473X	RES. C.M	
	R642	NRSA63J-473X	RES. C.M	
	R643	NRSA63J-473X	RES. C.M	
	R644	NRSA63J-473X	RES. C.M	
	R645	NRSA63J-473X	RES. C.M	
	R646	NRSA63J-221X	MG RES.	
	R647	NRSA63J-221X	MG RES.	
	R648	NRSA63J-221X	MG RES.	
	R664	NRSA63J-750X	RES.	
	R666	NRSA63J-221X	MG RES.	
	R668	NRSA63J-472X	RES. C.M	
	R670	NRSA63J-183X	MG RES.	
	R689	NRSA63J-0R0X	MG RES.	
	R690	NRSA63J-0R0X	MG RES.	
	R691	NRSA63J-474X	RES. C.M	
		OTHERS		
		EWE390-08BB	WIRE	
		E3400-431	FELT SPACER	
	J664	QNN0029-001	PIN JACK	
	K501	NQR0269-007X	BANDPASS FILTER	
	K502	NQR0269-007X	BANDPASS FILTER	
	K521	NQR0269-007X	BANDPASS FILTER	
	K522	NQR0269-007X	BANDPASS FILTER	
	K561	NQR0269-007X	BANDPASS FILTER	
	K562	NQR0269-007X	BANDPASS FILTER	
	K581	NQR0269-007X	BANDPASS FILTER	
	K582	NQR0269-007X	BANDPASS FILTER	
	K601	NQR0269-007X	BANDPASS FILTER	
	K602	NQR0269-007X	BANDPASS FILTER	
	K631	NQR0269-007X	BANDPASS FILTER	
	K632	NQR0269-007X	BANDPASS FILTER	
	K633	NQR0269-007X	BANDPASS FILTER	
	K634	NQR0269-007X	BANDPASS FILTER	
	K641	NQR0269-007X	BANDPASS FILTER	
	K642	NQR0269-007X	BANDPASS FILTER	
	K643	NQR0269-007X	BANDPASS FILTER	
	K644	NQR0269-007X	BANDPASS FILTER	
	K687	NQR0229-001X	F.BEADS C.M	
	L621			
	L661	EQL5002-470T	INDUCTOR	
	L662	EQL5002-470T	INDUCTOR	
	X601	NAX0213-001X	CRYSTAL	
	CN681	QGB1214K3-18W	CONNECTOR	
	CN687	QGB1214K3-12W	CONNECTOR	
	KA601	NQR0271-004X	BANDPASS FILTER	

△	Item	Part Number	Description	Area
	KA602	NQR0271-004X	BANDPASS FILTER	
	KA631	NQR0271-004X	BANDPASS FILTER	
	KA641	NQR0271-004X	BANDPASS FILTER	
	KA671	NQR0271-004X	BANDPASS FILTER	
	LC601	NQR0150-001X	EMI FILTER C.M	
	LC611	NQR0150-001X	EMI FILTER C.M	
	LC631	NQR0156-017X	EMI FILTER C.M	
	LC641	NQR0156-017X	EMI FILTER C.M	
	LC651	NQR0156-017X	EMI FILTER C.M	
	LC661	NQR0150-001X	EMI FILTER C.M	
	LC671	NQR0150-001X	EMI FILTER C.M	
	UN661	GP1F32R	OPTICAL JACK	
	UN662	GP1F32R	OPTICAL JACK	

■ Electrical Parts List (Resistor P.C.B.)

△	Item	Part Number	Description			Area
		RESISTORS				
	R881	QRL022J-100	10	2W	R.NETWORK	
	R882	QRL022J-100	10	2W	R.NETWORK	
	R883	QRL022J-100	10	2W	R.NETWORK	
	R884	QRL022J-100	10	2W	R.NETWORK	
	R885	QRL022J-100	10	2W	R.NETWORK	
	R886	QRL022J-100	10	2W	R.NETWORK	
	R887	QRL022J-100	10	2W	R.NETWORK	
	R888	QRL022J-100	10	2W	R.NETWORK	
	R889	QRL022J-100	10	2W	R.NETWORK	
	R890	QRL022J-100	10	2W	R.NETWORK	
	R891	QRL022J-100	10	2W	R.NETWORK	
	R892	QRL022J-100	10	2W	R.NETWORK	
	R893	QRL022J-100	10	2W	R.NETWORK	
	R894	QRL022J-100	10	2W	R.NETWORK	
	R895	QRL022J-100	10	2W	R.NETWORK	
	R896	QRL022J-100	10	2W	R.NETWORK	
		OTHERS				
		QGD2501C1-03Z	SOCKET			

RX-1024VBK

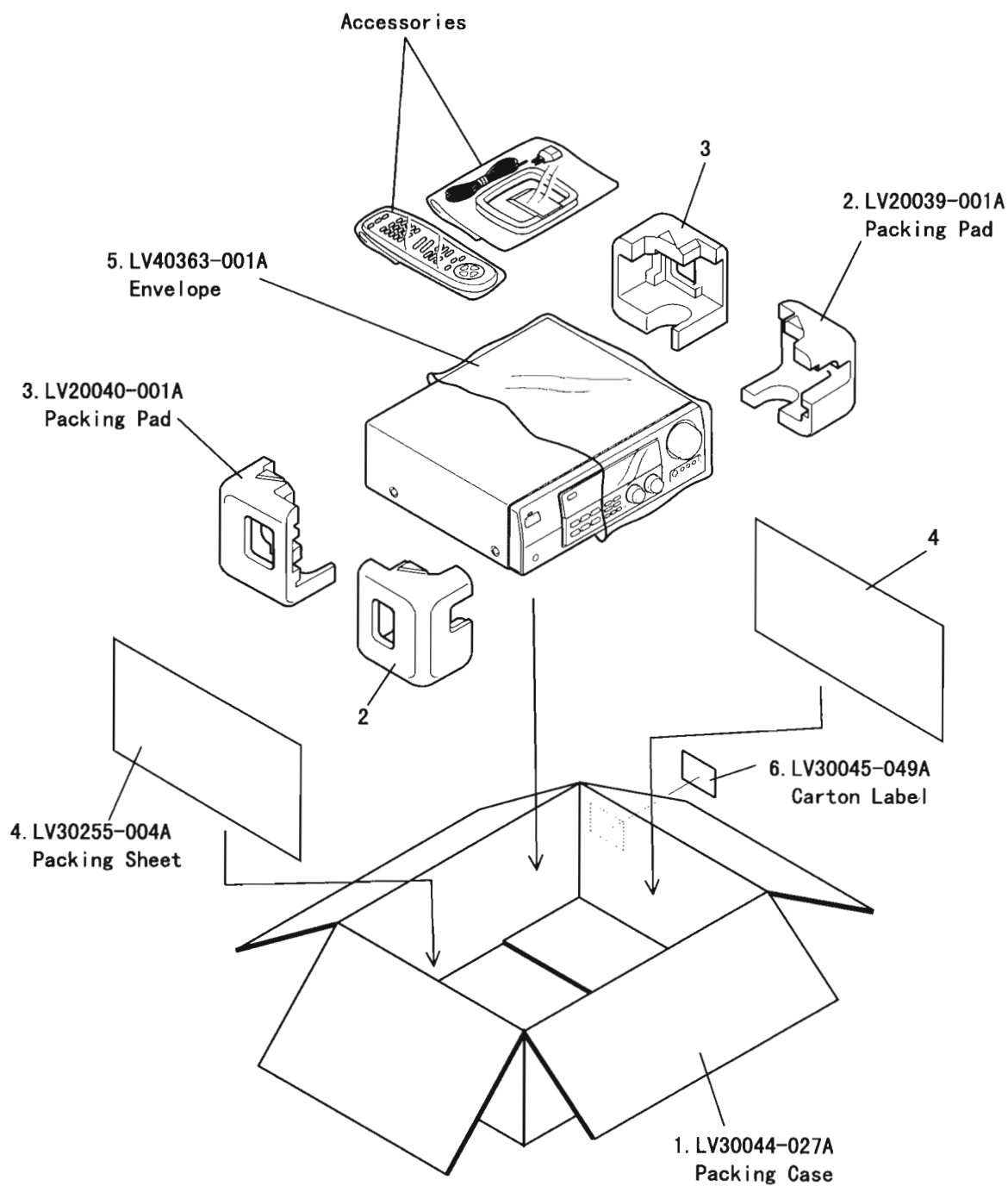
■ Accessories List

Block No. M2MM

△	Item	Part Number	Parts Name	Q'ty	Description	Area
	1	LVT0018-001A	INSTRUCTION BOOK	1		J
	1	LVT0018-002A	INSTRUCTION BOOK	1		C
	1	LVT0076-001A	INSTRUCTION BOOK	1		J
	2	BT-52002-1	WARRANTY CARD	1		C
	3	BT-20071B	SERVICE NETWORK	1		C
	4	BT-51006-1	REGISTER CARD	1		J
	5	BT-20044G	SAFETY SHEET	1		J
	6	EWP201-011	ANTENNA WIRE	1		
	7	QAL0014-001	AM LOOP ANT	1		
	8	RM-SR1024U	REMOCON	1		
	9	R6PRPA/2STS	BATTERY	2		
	10	QPA02503505P	POLY BAG	1		

Packing Materials and Parts Numbers

Block No. M 3 M M



RX-1024VBK

JVC

VICTOR COMPANY OF JAPAN, LIMITED

AUDIO DIVISION, 10-1, 1Chome, Ohwatari-machi, Maebashi-city, 371-8543, Japan

(No.20702)

 Printed in Japan
9806(S)