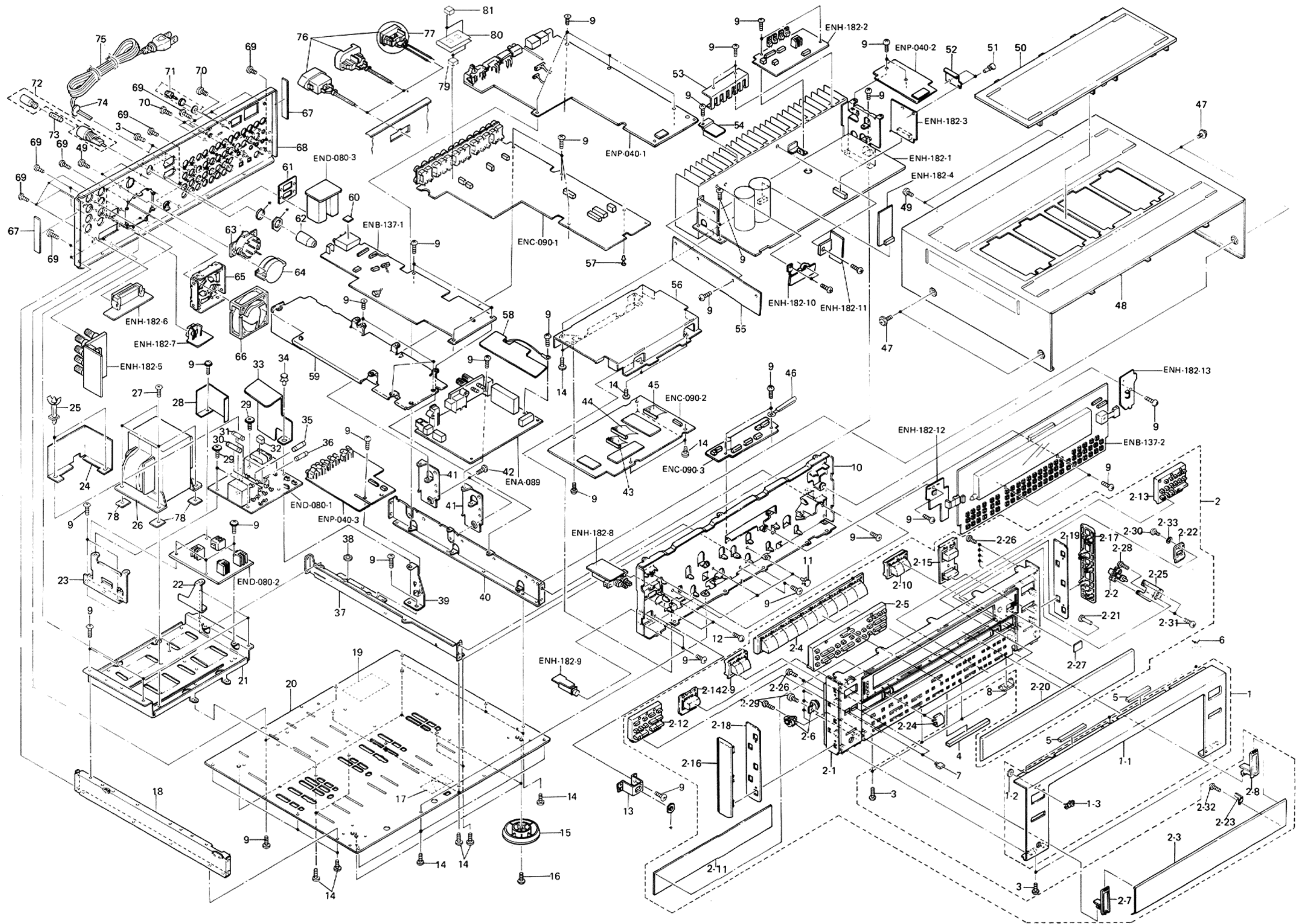


PARTS LIST

Contents

General Exploded View and Parts List	2-3
Printed Circuit Board Ass'y and Parts List	2-8
■ ENH-182 <input type="checkbox"/> Power Amplifier PC Board Ass'y	2-8
■ END-080 <input type="checkbox"/> Power Supply PC Board Ass'y	2-15
■ ENC-090 <input type="checkbox"/> Source Selector, SEA & System Control PC Board Ass'y	2-18
■ ENB-137 <input type="checkbox"/> System & Volume Control PC Board Ass'y	2-22
■ ENP-040 <input type="checkbox"/> Video Selector & DAP PC Board Ass'y	2-26
■ ENA-089 <input type="checkbox"/> Tuner PC Board Ass'y	2-32
Accessories List	2-34
Packing Materials and Part Numbers	2-35

General Exploded View and Parts List



※ mark indicates attached part.

■ Parts List

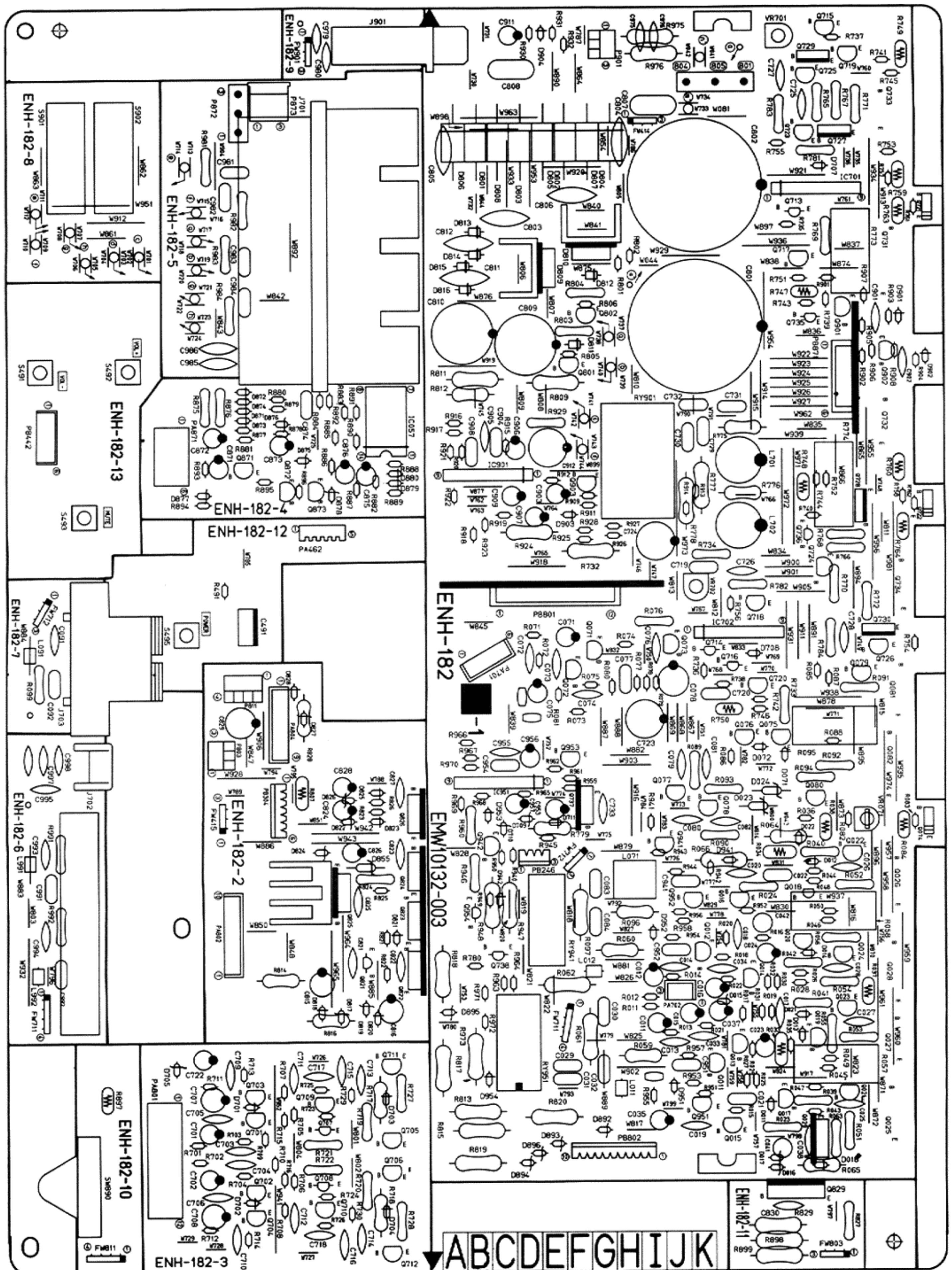
⚠	Item	Part Number	Part Name	Q'ty	Description	Areas
	1	EFP-RX1050VTNJS	Front Panel Ass'y	1		J, C
	1-1	EFPRX1050VPTNES	Front Panel Ass'y	1		Except J, C
	1-1	E102455-002	Front Panel	1		J, C
	1-2	E102455-003	Front Panel	1		Except J, C
	1-2	E60912-003	Speed Nut	1		
	1-3	E72968-001	JVC Mark	1		
	2	E102457-004SA	Front Base Ass'y	1		
	2-1	E102457-004	Front Base	1		
	2-2	E03820-006	Push Switch	1		
	2-3	E207141-002	Door	1		
	2-4	E207143-001	Push Button	1	SOURCE (Center)	
	2-5	E207145-002	Push Button	1	SEA	
	2-6	E305654-002	Damper Ass'y	2		
	2-7	E307113-002	Door Hinge	1	Left	
	2-8	E307114-002	Door Hinge	1	Right	
	2-9	E307577-001	Push Button	1	SOURCE (Left)	
	2-10	E307577-002	Push Button	1	SOURCE (Right)	
	2-11	E307580-001	FL Screen	1		
	2-12	E307581-002	Push Button	1	DAP	
	2-13	E307582-001	Push Button	1	PRESET	
	2-14	E307583-001	Push Button	1	POWER	
	2-15	E307585-001	Push Button	1	VOLUME	
	2-16	E307587-001	Fitting	1	Left	
	2-17	E307587-002	Fitting	1	Right	
	2-18	E307588-001	Plate	1	Left	
	2-19	E307588-002	Plate	1	Right	
	2-20	E307702-004	Window Screen	1		
	2-21	E406134-008	Knock Pin	1		
	2-22	E406375-001	Leaf Spring	1		
	2-23	E406509-001	Earth Plate	1		
	2-24	E406663-001	Cap	2		
	2-25	E406664-001	Switch Bracket	1		
	2-26	E406714-001	Special Screw	10		
	2-27	E72436-006	Screen	1		
	2-28	SBSF3006Z	Screw	1		
	2-29	SBSF3008Z	Screw	2		
	2-30	SBSF3010N	Screw	1		
	2-31	SBST3006Z	Screw	2		
	2-32	SPSP2002Z	Screw	1		
	2-33	WLS3000N	Washer	1		
	3	SDSG3008M	Screw	6		Except J, C, PU
	4	SDSG3008M	Screw	8		J, C, PU
	4	EXO080007R50S13	Spacer	1		
	5	EXO078006N30S02	Spacer	2		
	6	E48729-009	Plastic Rivet	3		
	7	E406334-001SS	Speaker Button	2		
	8	E406508-001	Leaf Spring	1		
	9	SBSG3008CC	Screw	50		
	10	E102459-002	Front Bracket	1		
	11	E48729-007	Plastic Rivet	2		J, C
	12	E48729-007	Plastic Rivet	3		Except J, C
	13	SBST3006CC	Screw	2		
	13	E75471-001	Headphone Bracket	1		
	14	SBSG3006CC	Screw	23		
	15	E406472-001	Foot Ass'y	4		
	16	SBST3008Z	Screw	4	for Foot	
	17	E70281-001	Caution Label	1		J
	17	E70115-002	Caution Label	1		Except J
	18	E305167-002	Side Bracket	1	Left	
	19	E74925-001	Dolby Sheet	1		
	20	E11647-002	Bottom Plate	1		
	21	E25914-002	Trans Bracket	1		
	22	E406711-001	Bracket	1		
	23	E305208-001	Circuit Board Bracket	1		
	24	E307881-001	Shield Cover	1		Except J, C, PU

⚠	Item	Part Number	Part Name	Q'ty	Description	Areas
⚠	25	E306232-002	Fastener	2		
	26	ETP1200-53JA	Power Transformer	1		J
		ETP1200-53CA	Power Transformer	1		C
		ETP1200-53FA	Power Transformer	1		PU
		ETP1200-53EA	Power Transformer	1		PA, PE, PEF, PG
⚠	27	ETP1200-53EABS	Power Transformer	1		PBS
		E65389-006	Special Screw	4		
	28	E407002-001	Protector	1		PU
	29	GBSG3008CC	Screw	3		
⚠	30	QMF51U1-8R0S	Fuse	2	F003, F004 (T8.0A / 125V)	J, C
⚠	31	QMF51A2-6R3S	Fuse	2	F003, F004 (T6.3A / 250V)	Except J, C, PBS
		QMF51E2-6R3SBS	Fuse	2	F003, F004 (T6.3A / 250V)	PBS
		QMF51U1-8R0S	Fuse	1	F001 (T8.0A / 125V)	J, C
		QMF51A2-3R15S	Fuse	1	F001 (T3.15A / 250V)	PA, PE, PEF, PG
		QMF51E2-3R15SBS	Fuse	1	F001 (T3.15A / 250V)	PBS
	32	E306805-048	Spacer	1		J, C
		E306805-049	Spacer	1		Except J, C, PU
		E306805-050	Spacer	1		PU
	33	E406945-001	Shield Bracket	1		
	34	E48729-020	Plastic Rivet	1		
⚠	35	QMF51A2-R10S	Fuse	1	F002 (T100mA / 250V)	Except J, C, PBS
		QMF51E2-R10SBS	Fuse	1	F002 (T100mA / 250V)	PBS
	36	QMF51U1-1R0S	Fuse	2	F011, F012 (T1.0A / 125V)	J, C
		QMF51A2-R63S	Fuse	2	F011, F012 (T630mA / 250V)	Except J, C, PBS
		QMF51E2-R63SBS	Fuse	2	F011, F012 (T630mA / 250V)	PBS
	37	E305166-003	Center Bracket	1		
	38	E73967-010	Spacer	1		
	39	E74547-002	Bracket	1		
	40	E306251-001	Side Bracket	1	Right	
	41	E75472-003	Stay Bracket	2		
	42	SDSG3008CC	Screw	2		
	43	EWR1LE-59TT	Flat Wire	1	FW403	
	44	EWR1KE-47TT	Flat Wire	1	FW402	
	45	EWR1ME-44TT	Flat Wire	1	FW401	
	46	E72018-001	Wire Clamp	1		
	47	E61660-004	Special Screw	4	for Metal Cover	
	48	E12062-001	Metal Cover	1		J, C, PA, PG
		E12063-003	Metal Cover	1		PE, PEF, PBS, PU
	49	SBSG3008M	Screw	2		Except PU
		SBSG3008M	Screw	4		PU
	50	E24134-007	Grill	1		PE, PEF, PBS, PU
	51	E48729-008	Plastic Rivet	4		
	52	E406949-001	Protector	1		
	53	E74550-001	Leaf Spring	1		
	54	E406948-001	Bracket	1		
	55	E74832-001	Protect Sheet	1		
	56	E25915-002	Bracket	1		
	57	E406084-001	Fastener	1		
	58	E406880-001	Shield Plate	1		
	59	E207146-001	Shield Bracket	1		
⚠	60	E3400-431	Spacer	1		
	61	E69589-008	Spacer	1		J
	62	E69291-001	Fuse Cover	1		PE, PEF, PU
	63	QSR0085-018	Voltage Selector	1		PU
	64	E302764-001	Voltage Selector Cover	1		PU
	65	E306248-002	Fan Plate	1		
	66	FBA06A24H1DS	DC Fan	1		
	67	EXO085010R10S	Spacer	2		
	68	E102460-009	Rear Panel	1		J, C
		E102460-010	Rear Panel	1		PU
	69	E102460-011	Rear Panel	1		PE, PEF
		E102460-012	Rear Panel	1		PA
		E102460-013	Rear Panel	1		PBS
		E102460-014	Rear Panel	1		PG
		E73273-006	Special Screw	39		

Printed Circuit Board Ass'y and Parts List

■ ENH-182 □ Power Amplifier PC Board Ass'y

Note : ENH-182 □ varies according to the areas employed. See note (1) when placing an order.



Note (1)

PC Board Ass'y	Designated Areas
ENH-182 A	the U.S.A.
ENH-182 B	Canada
ENH-182 C	Universal Type (with PAL)
ENH-182 D	Australia (with PAL)
ENH-182 E	Continental Europe (with PAL)
ENH-182 F	Germany (with PAL)
ENH-182 G	the U.K. (with PAL)

Transistors

ITEM	PART NUMBER	DESCRIPTION	AREA
Q011	2SC2389(S)	SILICON ROHM	
Q012	2SC2389(S)	SILICON ROHM	
Q013	2SC2389(S)	SILICON ROHM	
Q014	2SC2389(S)	SILICON ROHM	
Q015	2SA1038(S,E)	SILICON ROHM	
Q016	2SA1038(S,E)	SILICON ROHM	
Q017	2SC945A(P,Q)	SILICON NEC	
Q018	2SC945A(P,Q)	SILICON NEC	
Q019	2SA733A(P,Q)	SILICON NEC	
Q020	2SA733A(P,Q)	SILICON NEC	
Q021	2SC2235(O,Y)	SILICON TOSHIBA	
Q022	2SC2235(O,Y)	SILICON TOSHIBA	
Q023	2SA965(O,Y)	SILICON TOSHIBA	
Q024	2SA965(O,Y)	SILICON TOSHIBA	
Q025	2SC3856LD(O,Y)	SILICON	
Q026	2SC3856LD(O,Y)	SILICON	
Q027	2SA1492LD(O,Y)	SILICON	
Q028	2SA1492LD(O,Y)	SILICON	
Q029	2SD2061(E,F)	SILICON ROHM	
Q071	2SC2240(GR)	SILICON TOSHIBA	
Q072	2SC2240(GR)	SILICON TOSHIBA	
Q073	2SA1038(S,E)	SILICON ROHM	
Q074	2SD636(Q,R)	SILICON MATSUSHITA	
Q075	2SC945A(P,Q)	SILICON NEC	
Q076	2SA733A(P,Q)	SILICON NEC	
Q077	2SC2389(E)	SILICON ROHM	
Q078	2SA1038(E)	SILICON ROHM	
Q079	2SC2235(O,Y)	SILICON TOSHIBA	
Q080	2SA965(O,Y)	SILICON TOSHIBA	
Q081	2SC3856LD(O,Y)	SILICON	
Q082	2SA1492LD(O,Y)	SILICON	
Q701	2SC2240(A,B)	SILICON TOSHIBA	
Q702	2SC2240(A,B)	SILICON TOSHIBA	
Q703	2SC2240(A,B)	SILICON TOSHIBA	
Q704	2SC2240(A,B)	SILICON TOSHIBA	
Q705	2SA1038(S,E)	SILICON ROHM	
Q706	2SA1038(S,E)	SILICON ROHM	
Q707	2SA933LN(R,S)	SILICON ROHM	
Q708	2SA933LN(R,S)	SILICON ROHM	
Q709	2SA1038(S,E)	SILICON ROHM	
Q710	2SA1038(S,E)	SILICON ROHM	
Q711	2SC2389(S,E)	SILICON ROHM	
Q712	2SC2389(S,E)	SILICON ROHM	
Q713	2SC1740(R,S)	SILICON ROHM	
Q714	2SC1740(R,S)	SILICON ROHM	
Q715	2SA933LN(R,S)	SILICON ROHM	
Q716	2SA933LN(R,S)	SILICON ROHM	
Q717	2SC2389(S,E)	SILICON ROHM	
Q718	2SC2389(S,E)	SILICON ROHM	
Q719	2SA1038(S,E)	SILICON ROHM	
Q720	2SA1038(S,E)	SILICON ROHM	
Q721	2SD636(Q,R)	SILICON MATSUSHITA	
Q722	2SD636(Q,R)	SILICON MATSUSHITA	
Q723	2SC2389(S)	SILICON ROHM	
Q724	2SC2389(S)	SILICON ROHM	
Q725	2SA1038(S)	SILICON	
Q726	2SA1038(S)	SILICON	
Q727	2SD669A(B,C)	SILICON HITACHI	
Q728	2SD669A(B,C)	SILICON HITACHI	
Q729	2SB649A(B,C)	SILICON HITACHI	
Q730	2SB649A(B,C)	SILICON HITACHI	
Q731	2SC3858LG(Y,P,G)	SILICON SANKEN	
Q732	2SC3858LG(Y,P,G)	SILICON SANKEN	
Q733	2SA1494LG(Y,P,G)	SILICON SANKEN	
Q734	2SA1494LG(Y,P,G)	SILICON SANKEN	
Q735	DTC144ES	SILICON ROHM	
Q736	DTC144ES	SILICON ROHM	
Q737	2SD2061(E,F)	SILICON ROHM	
Q738	DTC144ES	SILICON ROHM	
Q801	2SA1038(S,E)	SILICON ROHM	

△ : SAFETY PARTS

Transistors

ITEM	PART NUMBER	DESCRIPTION	AREA
Q802	2SC2389(S,E)	SILICON ROHM	
Q821	2SA933LN(R,S)	SILICON ROHM	
Q822	2SB1133(R,S)	SILICON SANYO	
Q823	2SD1666(R,S)	SILICON SANYO	
Q824	2SD1944(J,K)	SILICON ROHM	
Q825	2SD1944(J,K)	SILICON ROHM	
Q826	2SD1944(J,K)	SILICON ROHM	
Q829	2SC3853V(O,Y)	SILICON SANKEN	
Q871	2SA1038(S,E)	SILICON ROHM	
Q872	2SC2389(S,E)	SILICON ROHM	
Q873	2SC2389(S,E)	SILICON ROHM	
Q901	2SC2389(S,E)	SILICON ROHM	
Q902	2SC2389(S,E)	SILICON ROHM	
Q903	2SA1038(S,E)	SILICON ROHM	
Q941	2SC2389(S,E)	SILICON ROHM	
Q942	2SC2240(GR,BL)	SILICON TOSHIBA	
Q951	2SC2389(S,E)	SILICON ROHM	
Q952	2SC2389(S,E)	SILICON ROHM	
Q953	2SA1038(S,E)	SILICON ROHM	
Q954	DTC143TS	SILICON ROHM	

△ : SAFETY PARTS

I.C.s

ITEM	PART NUMBER	DESCRIPTION	AREA
IC057	AN6912	I.C. MATSUSHITA	
IC701	VC5022-2	I.C. SANYO	
IC702	VC5022-2	I.C. SANYO	
IC901	TA7317P	I.C. TOSHIBA	
IC951	TA7317P	I.C. TOSHIBA	

△ : SAFETY PARTS

Diodes

ITEM	PART NUMBER	DESCRIPTION	AREA
D011	1SS133	SILICON ROHM	
D012	1SS133	SILICON ROHM	
D013	1SS133	SILICON ROHM	
D014	1SS133	SILICON ROHM	
D015	MTZ18JC	ZENER ROHM	
D016	MTZ11JC	ZENER ROHM	
D017	MTZ16JC	ZENER ROHM	
D018	1SS133	SILICON ROHM	
D021	1SS133	SILICON ROHM	
D022	1SS133	SILICON ROHM	
D023	MTZ24JC	ZENER ROHM	
D024	MTZ24JC	ZENER ROHM	
D071	1SS133	SILICON ROHM	
D072	1SS133	SILICON ROHM	
D701	1SS133	SILICON ROHM	
D702	1SS133	SILICON ROHM	
D703	1SS133	SILICON ROHM	
D704	1SS133	SILICON ROHM	
D705	MTZ18JC	ZENER ROHM	
D707	1SS133	SILICON ROHM	
D708	1SS133	SILICON ROHM	
D709	MTZ18JC	ZENER ROHM	
D710	MTZ18JC	ZENER ROHM	
D711	1SS133	SILICON ROHM	
D801	30DF2SFC	SILICON NIHONINTER	
D802	30DF2SFC	SILICON NIHONINTER	
D803	30DF2SFC	SILICON NIHONINTER	
D804	30DF2SFC	SILICON NIHONINTER	
D805	30DF2SFC	SILICON NIHONINTER	
D806	30DF2SFC	SILICON NIHONINTER	
D807	30DF2SFC	SILICON NIHONINTER	
D808	30DF2SFC	SILICON NIHONINTER	
D809	SF8D41	THYRISTOR TOSHIBA	
D810	SF8D41	THYRISTOR TOSHIBA	
△ D811	ERA15-02L19	SILICON KYOUDOU	
△ D812	ERA15-02L19	SILICON KYOUDOU	
D813	EM01Z	SI. DIODE	A
D813	EM01Z	SI. DIODE	B
△ D813	ERA15-02L19	SILICON KYOUDOU	C
△ D813	ERA15-02L19	SILICON KYOUDOU	D
△ D813	ERA15-02L19	SILICON KYOUDOU	E
△ D813	ERA15-02L19	SILICON KYOUDOU	F
△ D813	ERA15-02L19	SILICON KYOUDOU	G
D814	EM01Z	SI. DIODE	A
D814	EM01Z	SI. DIODE	B
△ D814	ERA15-02L19	SILICON KYOUDOU	C
△ D814	ERA15-02L19	SILICON KYOUDOU	D
△ D814	ERA15-02L19	SILICON KYOUDOU	E
△ D814	ERA15-02L19	SILICON KYOUDOU	F
△ D814	ERA15-02L19	SILICON KYOUDOU	G
D815	EM01Z	SI. DIODE	A
D815	EM01Z	SI. DIODE	B
△ D815	ERA15-02L19	SILICON KYOUDOU	C
△ D815	ERA15-02L19	SILICON KYOUDOU	D
△ D815	ERA15-02L19	SILICON KYOUDOU	E

△ : SAFETY PARTS

Diodes

Δ	ITEM	PART NUMBER	DESCRIPTION	AREA
Δ	D815	ERA15-02L19	SILICON KYOUDOU	F
Δ	D815	ERA15-02L19	SILICON KYOUDOU	G
	D816	EM01Z	SI.DIODE	A
	D816	EM01Z	SI.DIODE	B
Δ	D816	ERA15-02L19	SILICON KYOUDOU	C
Δ	D816	ERA15-02L19	SILICON KYOUDOU	D
Δ	D816	ERA15-02L19	SILICON KYOUDOU	E
Δ	D816	ERA15-02L19	SILICON KYOUDOU	F
Δ	D816	ERA15-02L19	SILICON KYOUDOU	G
	D817	MTZ16JC	ZENER ROHM	
	D818	1SS133	SILICON ROHM	
	D819	MTZ16JC	ZENER ROHM	
	D820	1SS133	SILICON ROHM	
	D821	1SS133	SILICON ROHM	
	D822	MTZ16JC	ZENER ROHM	
	D823	1SS133	SILICON ROHM	
	D824	MTZ6.2JC	ZENER ROHM	
	D825	1SS133	SILICON ROHM	
	D826	MTZ15JC	ZENER ROHM	
	D827	MTZ13JC	ZENER ROHM	
	D828	1SS133	SILICON ROHM	
	D871	1SS133	SILICON ROHM	
	D872	1SS133	SILICON ROHM	
	D873	1SS133	SILICON ROHM	
	D874	1SS133	SILICON ROHM	
	D875	MTZ2.7JB	ZENER ROHM	
	D876	MTZ11JC	ZENER ROHM	
	D877	MTZ15JC	ZENER ROHM	
	D878	MTZ6.2JC	ZENER ROHM	
	D879	1SS133	SILICON ROHM	
	D880	1SS133	SILICON ROHM	
	D892	MTZ6.2JC	ZENER ROHM	C
	D892	MTZ6.2JC	ZENER ROHM	D
	D892	MTZ6.2JC	ZENER ROHM	E
	D892	MTZ6.2JC	ZENER ROHM	F
	D892	MTZ6.2JC	ZENER ROHM	G
	D893	MTZ6.2JC	ZENER ROHM	C
	D893	MTZ6.2JC	ZENER ROHM	D
	D893	MTZ6.2JC	ZENER ROHM	E
	D893	MTZ6.2JC	ZENER ROHM	F
	D893	MTZ6.2JC	ZENER ROHM	G
	D894	MTZ4.3JB	ZENER ROHM	C
	D894	MTZ4.3JB	ZENER ROHM	D
	D894	MTZ4.3JB	ZENER ROHM	E
	D894	MTZ4.3JB	ZENER ROHM	F
	D894	MTZ4.3JB	ZENER ROHM	G
	D895	MTZ4.3JC	ZENER ROHM	C
	D895	MTZ4.3JC	ZENER ROHM	D
	D895	MTZ4.3JC	ZENER ROHM	E
	D895	MTZ4.3JC	ZENER ROHM	F
	D895	MTZ4.3JC	ZENER ROHM	G
	D896	MTZ6.8JC	ZENER ROHM	C
	D896	MTZ6.8JC	ZENER ROHM	D
	D896	MTZ6.8JC	ZENER ROHM	E
	D896	MTZ6.8JC	ZENER ROHM	F
	D896	MTZ6.8JC	ZENER ROHM	G
	D901	1SS133	SILICON ROHM	
	D902	1SS133	SILICON ROHM	
	D903	1SS133	SILICON ROHM	
	D904	1SS147	SILICON ROHM	
	D941	1SS133	SILICON ROHM	
	D942	MTZ12JC	ZENER ROHM	
	D951	1SS133	SILICON ROHM	
	D952	1SS133	SILICON ROHM	
	D953	1SS133	SILICON ROHM	
	D954	MTZ24JC	ZENER ROHM	

Δ : SAFETY PARTS

Capacitors

Δ	ITEM	PART NUMBER	DESCRIPTION	AREA
	C011	QETB1HM-475	4.7MF 50V ELECTRO	
	C012	QETB1HM-475	4.7MF 50V ELECTRO	
	C013	QCS21HJ-101	100PF 50V CERAMIC	
	C014	QCS21HJ-101	100PF 50V CERAMIC	
	C015	QETB1CM-476	47MF 16V ELECTRO	
	C016	QETB1CM-476	47MF 16V ELECTRO	
	C017	QCS21HJ-5R0	5PF 50V CERAMIC	
	C018	QCS21HJ-5R0	5PF 50V CERAMIC	
	C019	QCS21HJ-330	33PF 50V CERAMIC	
	C020	QCS21HJ-330	33PF 50V CERAMIC	
	C021	QFN81HK-103	0.01MF 50V MYLAR	
	C022	QFN81HK-103	0.01MF 50V MYLAR	
	C023	QEH1HM-226	22MF 50V ELECTRO	
	C024	QEH1HM-226	22MF 50V ELECTRO	
	C025	QCS22HJ-470A	47PF 500V CERAMIC	
	C026	QCS22HJ-470A	47PF 500V CERAMIC	
	C027	QCS22HJ-470A	47PF 500V CERAMIC	
	C028	QCS22HJ-470A	47PF 500V CERAMIC	
	C029	QFN81HK-223	0.022MF 50V MYLAR	A
	C029	QFN81HK-473	0.047MF 50V MYLAR	B

Δ : SAFETY PARTS

Capacitors

Δ	ITEM	PART NUMBER	DESCRIPTION	AREA
	C029	QFN81HK-473	0.047MF 50V MYLAR	C
	C029	QFN81HK-473	0.047MF 50V MYLAR	D
	C029	QFN81HK-473	0.047MF 50V MYLAR	E
	C029	QFN81HK-473	0.047MF 50V MYLAR	F
	C029	QFN81HK-473	0.047MF 50V MYLAR	G
	C030	QFN81HK-223	0.022MF 50V MYLAR	A
	C030	QFN81HK-473	0.047MF 50V MYLAR	B
	C030	QFN81HK-473	0.047MF 50V MYLAR	C
	C030	QFN81HK-473	0.047MF 50V MYLAR	D
	C030	QFN81HK-473	0.047MF 50V MYLAR	E
	C030	QFN81HK-473	0.047MF 50V MYLAR	F
	C030	QFN81HK-473	0.047MF 50V MYLAR	G
	C031	QFN81HK-473	0.047MF 50V MYLAR	B
	C031	QFN81HK-473	0.047MF 50V MYLAR	C
	C031	QFN81HK-473	0.047MF 50V MYLAR	D
	C031	QFN81HK-473	0.047MF 50V MYLAR	E
	C031	QFN81HK-473	0.047MF 50V MYLAR	F
	C031	QFN81HK-473	0.047MF 50V MYLAR	G
	C032	QFN81HK-473	0.047MF 50V MYLAR	B
	C032	QFN81HK-473	0.047MF 50V MYLAR	C
	C032	QFN81HK-473	0.047MF 50V MYLAR	D
	C032	QFN81HK-473	0.047MF 50V MYLAR	E
	C032	QFN81HK-473	0.047MF 50V MYLAR	F
	C032	QFN81HK-473	0.047MF 50V MYLAR	G
	C033	QCS21HJ-101	100PF 50V CERAMIC	
	C034	QCS21HJ-101	100PF 50V CERAMIC	
	C035	QEH1HM-226	22MF 50V ELECTRO	
	C037	QETB1EM-106	10MF 25V ELECTRO	
	C038	QCF21HP-472	4700PF 50V CERAMIC	
	C041	QETB1HM-225	2.2MF 50V ELECTRO	
	C042	QETB1HM-225	2.2MF 50V ELECTRO	
	C071	QETB1HM-106	10MF 50V ELECTRO	
	C072	QCS21HJ-271	270PF 50V CERAMIC	
	C073	QCS21HJ-101	100PF 50V CERAMIC	
	C074	QCS21HJ-5R0	5PF 50V CERAMIC	
	C075	QETB1CM-476	47MF 16V ELECTRO	
	C076	QCS21HJ-330	33PF 50V CERAMIC	
	C077	QFN81HK-103	0.01MF 50V MYLAR	
	C078	QETB1JM-476	47MF 63V ELECTRO	
	C079	QCS22HJ-470A	47PF 500V CERAMIC	
	C080	QCS22HJ-470A	47PF 500V CERAMIC	
	C081	QCF21HP-473	0.047MF 50V CERAMIC	
	C082	QCF21HP-473	0.047MF 50V CERAMIC	
	C083	QFN81HK-223	0.022MF 50V MYLAR	A
	C083	QFN81HK-473	0.047MF 50V MYLAR	B
	C083	QFN81HK-473	0.047MF 50V MYLAR	C
	C083	QFN81HK-473	0.047MF 50V MYLAR	D
	C083	QFN81HK-473	0.047MF 50V MYLAR	E
	C083	QFN81HK-473	0.047MF 50V MYLAR	F
	C083	QFN81HK-473	0.047MF 50V MYLAR	G
	C084	QFN81HK-473	0.047MF 50V MYLAR	B
	C084	QFN81HK-473	0.047MF 50V MYLAR	C
	C084	QFN81HK-473	0.047MF 50V MYLAR	D
	C084	QFN81HK-473	0.047MF 50V MYLAR	E
	C084	QFN81HK-473	0.047MF 50V MYLAR	F
	C084	QFN81HK-473	0.047MF 50V MYLAR	G
	C091	QCS21HJ-331	330PF 50V CERAMIC	E
	C091	QCS21HJ-331	330PF 50V CERAMIC	F
	C091	QCS21HJ-331	330PF 50V CERAMIC	G
	C092	QCF21HP-472	4700PF 50V CERAMIC	E
	C092	QCF21HP-472	4700PF 50V CERAMIC	F
	C092	QCF21HP-472	4700PF 50V CERAMIC	G
	C491	QEAD0H2-479A	47000MF ELECTRO	
	C701	EETB1HM-106E	10MF 50V ELECTRO	
	C702	EETB1HM-106E	10MF 50V ELECTRO	
	C703	QCS21HJ-271	270PF 50V CERAMIC	
	C704	QCS21HJ-271	270PF 50V CERAMIC	
	C705	QCS21HJ-101	100PF 50V CERAMIC	
	C706	QCS21HJ-101	100PF 50V CERAMIC	
	C707	EETB1CM-107E	100MF 16V ELECTRO	
	C708	EETB1CM-107E	100MF 16V ELECTRO	
	C709	QCS21HJ-5R0	5PF 50V CERAMIC	
	C710	QCS21HJ-5R0	5PF 50V CERAMIC	
	C711	QCY21HK-102	1000PF 50V CERAMIC	
	C712	QCY21HK-102	1000PF 50V CERAMIC	
	C713	QCS21HJ-680	68PF 50V CERAMIC	
	C714	QCS21HJ-680	68PF 50V CERAMIC	
	C715	QCS21HJ-680	68PF 50V CERAMIC	
	C716	QCS21HJ-680	68PF 50V CERAMIC	
	C717	QCS22HJ-220	22PF 500V CERAMIC	
	C718	QCS22HJ-220	22PF 500V CERAMIC	
	C719	QFN81HK-472	4700PF 50V MYLAR	
	C720	QFN81HK-472	4700PF 50V MYLAR	
	C722	EETB1CM-107E	100MF 16V ELECTRO	
	C723	QEH2AM-476	47MF 100V ELECTRO	
	C724	QEH2AM-476	47MF 100V ELECTRO	
	C725	QCS22HJ-470A	47PF 500V CERAMIC	
	C726	QCS22HJ-470A	47PF 500V CERAMIC	
	C727	QCS22HJ-470A	47PF 500V CERAMIC	
	C728	QCS22HJ-470A	47PF 500V CERAMIC	
	C729	QFN81HK-223	0.022MF 50V MYLAR	A
	C729	QFN81HK-473	0.047MF 50V MYLAR	B
	C729	QFN81HK-473	0.047MF 50V MYLAR	C
	C729	QFN81HK-473	0.047MF 50V MYLAR	D
	C729	QFN81HK-473	0.047MF 50V MYLAR	E

Δ : SAFETY PARTS

Capacitors

Δ	ITEM	PART NUMBER	DESCRIPTION			AREA
	C729	QFN81HK-473	0.047MF	50V	MYLAR	F
	C729	QFN81HK-473	0.047MF	50V	MYLAR	G
	C730	QFN81HK-223	0.022MF	50V	MYLAR	A
	C730	QFN81HK-473	0.047MF	50V	MYLAR	B
	C730	QFN81HK-473	0.047MF	50V	MYLAR	C
	C730	QFN81HK-473	0.047MF	50V	MYLAR	D
	C730	QFN81HK-473	0.047MF	50V	MYLAR	E
	C730	QFN81HK-473	0.047MF	50V	MYLAR	F
	C730	QFN81HK-473	0.047MF	50V	MYLAR	G
	C731	QFN81HK-473	0.047MF	50V	MYLAR	B
	C731	QFN81HK-473	0.047MF	50V	MYLAR	C
	C731	QFN81HK-473	0.047MF	50V	MYLAR	D
	C731	QFN81HK-473	0.047MF	50V	MYLAR	E
	C731	QFN81HK-473	0.047MF	50V	MYLAR	F
	C731	QFN81HK-473	0.047MF	50V	MYLAR	G
	C732	QFN81HK-473	0.047MF	50V	MYLAR	B
	C732	QFN81HK-473	0.047MF	50V	MYLAR	C
	C732	QFN81HK-473	0.047MF	50V	MYLAR	D
	C732	QFN81HK-473	0.047MF	50V	MYLAR	E
	C732	QFN81HK-473	0.047MF	50V	MYLAR	F
	C732	QFN81HK-473	0.047MF	50V	MYLAR	G
	C733	QCF21HP-472	4700PF	50V	CERAMIC	
	C801	EEW8002-129T	12000MF		ELECTRO	
	C802	EEW8002-129T	12000MF		ELECTRO	
	C803	QCE22HP-103	0.01MF	500V	CERAMIC	
	C804	QCE22HP-103	0.01MF	500V	CERAMIC	
	C805	QCE22HP-103	0.01MF	500V	CERAMIC	
	C806	QCE22HP-103	0.01MF	500V	CERAMIC	
	C807	QFN82CK-104	0.1MF	160V	MYLAR	
	C808	QFN82CK-104	0.1MF	160V	MYLAR	
	C809	QETB1HM-108E	1000MF	50V	ELECTRO	
	C810	QETB1HM-108E	1000MF	50V	ELECTRO	
	C811	QCE22HP-103	0.01MF	500V	CERAMIC	
	C812	QCE22HP-103	0.01MF	500V	CERAMIC	
	C815	QEHC1EM-107	100MF	25V	ELECTRO	
	C816	QEHC1EM-107	100MF	25V	ELECTRO	
	C821	QCF21HP-472	4700PF	50V	CERAMIC	
	C822	QCF21HP-472	4700PF	50V	CERAMIC	
	C823	QCF21HP-472	4700PF	50V	CERAMIC	
	C824	QEHC1HM-226	22MF	50V	ELECTRO	
	C825	QCF21HP-472	4700PF	50V	CERAMIC	
	C826	QEHC1HM-226	22MF	50V	ELECTRO	
	C827	QCF21HP-472	4700PF	50V	CERAMIC	
	C828	QEHC1HM-226	22MF	50V	ELECTRO	
	C829	QETB1HM-107	100MF	50V	ELECTRO	
	C830	QCF21HP-472	4700PF	50V	CERAMIC	
	C871	QETB1HM-226	22MF	50V	ELECTRO	
	C872	QETB2AM-225	2.2MF	100V	ELECTRO	
	C873	QBHB2AM-105	1MF	100V	ELECTRO	
	C874	QFV81HJ-104	0.1MF	50V	T.FILM	
	C875	QEHC1EM-476	47MF	25V	ELECTRO	
	C876	QEHC1HM-225	2.2MF	50V	ELECTRO	
	C901	QCF21HP-223	0.022MF	50V	CERAMIC	
	C902	QCF21HP-223	0.022MF	50V	CERAMIC	
	C903	QETB1EM-226	22MF	25V	ELECTRO	
	C904	QCF21HP-103	0.01MF	50V	CERAMIC	
	C905	QCY21HK-102	1000PF	50V	CERAMIC	
	C906	QETB1AM-476	47MF	10V	ELECTRO	
	C907	QETB1HM-474	0.47MF	50V	ELECTRO	
	C908	QFN81HK-153	0.015MF	50V	MYLAR	
	C909	QETB1CM-226	22MF	16V	ELECTRO	
	C911	QETB1HM-225	2.2MF	50V	ELECTRO	
	C912	QETB1HM-227	220MF	50V	ELECTRO	
	C941	QCF21HP-223	0.022MF	50V	CERAMIC	
	C951	QCF21HP-223	0.022MF	50V	CERAMIC	
	C952	QCF21HP-223	0.022MF	50V	CERAMIC	
	C953	QETB1HM-226	22MF	50V	ELECTRO	
	C954	QFN81HK-223	0.022MF	50V	MYLAR	
	C955	QCY21HK-102	1000PF	50V	CERAMIC	
	C956	QETB1AM-476	47MF	10V	ELECTRO	
	C957	QETB1CM-226	22MF	16V	ELECTRO	
	C975	QCS21HJ-331	330PF	50V	CERAMIC	E
	C975	QCS21HJ-331	330PF	50V	CERAMIC	F
	C975	QCS21HJ-331	330PF	50V	CERAMIC	G
	C976	QCS21HJ-331	330PF	50V	CERAMIC	E
	C976	QCS21HJ-331	330PF	50V	CERAMIC	F
	C976	QCS21HJ-331	330PF	50V	CERAMIC	G
	C979	QCS21HJ-331	330PF	50V	CERAMIC	E
	C979	QCS21HJ-331	330PF	50V	CERAMIC	F
	C979	QCS21HJ-331	330PF	50V	CERAMIC	G
	C980	QCS21HJ-331	330PF	50V	CERAMIC	E
	C980	QCS21HJ-331	330PF	50V	CERAMIC	F
	C980	QCS21HJ-331	330PF	50V	CERAMIC	G
	C981	QFN81HK-103	0.01MF	50V	MYLAR	E
	C981	QFN81HK-103	0.01MF	50V	MYLAR	F
	C981	QFN81HK-103	0.01MF	50V	MYLAR	G
	C982	QFN81HK-103	0.01MF	50V	MYLAR	E
	C982	QFN81HK-103	0.01MF	50V	MYLAR	F
	C982	QFN81HK-103	0.01MF	50V	MYLAR	G
	C983	QFN81HK-103	0.01MF	50V	MYLAR	E

Δ : SAFETY PARTS

Capacitors

Δ	ITEM	PART NUMBER	DESCRIPTION			AREA
	C983	QFN81HK-103	0.01MF	50V	MYLAR	F
	C983	QFN81HK-103	0.01MF	50V	MYLAR	G
	C984	QFN81HK-103	0.01MF	50V	MYLAR	E
	C984	QFN81HK-103	0.01MF	50V	MYLAR	F
	C984	QFN81HK-103	0.01MF	50V	MYLAR	G
	C985	QCF21HP-472	4700PF	50V	CERAMIC	E
	C985	QCF21HP-472	4700PF	50V	CERAMIC	F
	C985	QCF21HP-472	4700PF	50V	CERAMIC	G
	C986	QCF21HP-472	4700PF	50V	CERAMIC	E
	C986	QCF21HP-472	4700PF	50V	CERAMIC	F
	C986	QCF21HP-472	4700PF	50V	CERAMIC	G
	C991	QFN81HK-103	0.01MF	50V	MYLAR	E
	C991	QFN81HK-103	0.01MF	50V	MYLAR	F
	C991	QFN81HK-103	0.01MF	50V	MYLAR	G
	C992	QFN81HK-103	0.01MF	50V	MYLAR	E
	C992	QFN81HK-103	0.01MF	50V	MYLAR	F
	C992	QFN81HK-103	0.01MF	50V	MYLAR	G
	C993	QCS21HJ-471	470PF	50V	CERAMIC	E
	C993	QCS21HJ-471	470PF	50V	CERAMIC	F
	C993	QCS21HJ-471	470PF	50V	CERAMIC	G
	C994	QCS21HJ-471	470PF	50V	CERAMIC	E
	C994	QCS21HJ-471	470PF	50V	CERAMIC	F
	C994	QCS21HJ-471	470PF	50V	CERAMIC	G
	C995	QCF21HP-472	4700PF	50V	CERAMIC	E
	C995	QCF21HP-472	4700PF	50V	CERAMIC	F
	C995	QCF21HP-472	4700PF	50V	CERAMIC	G
	C997	QCF21HP-472	4700PF	50V	CERAMIC	E
	C997	QCF21HP-472	4700PF	50V	CERAMIC	F
	C997	QCF21HP-472	4700PF	50V	CERAMIC	G
	C998	QCF21HP-472	4700PF	50V	CERAMIC	E
	C998	QCF21HP-472	4700PF	50V	CERAMIC	F
	C998	QCF21HP-472	4700PF	50V	CERAMIC	G

Δ : SAFETY PARTS

Resistors

Δ	ITEM	PART NUMBER	DESCRIPTION			AREA
	R011	QRD167J-222	2.2K	1/6W	CARBON	
	R012	QRD167J-222	2.2K	1/6W	CARBON	
	R013	QRD167J-104	100K	1/6W	CARBON	
	R014	QRD167J-104	100K	1/6W	CARBON	
	R015	QRD167J-202	2K	1/6W	CARBON	
	R016	QRD167J-202	2K	1/6W	CARBON	
	R017	QRD167J-133	13K	1/6W	CARBON	
	R018	QRD167J-133	13K	1/6W	CARBON	
	R019	QRD167J-104	100K	1/6W	CARBON	
	R020	QRD167J-104	100K	1/6W	CARBON	
	R021	QRD167J-302	3K	1/6W	CARBON	
	R022	QRD167J-302	3K	1/6W	CARBON	
	R023	QRD14CJ-181S	180	1/4W	UNF. CARBON	A
Δ	R023	QRD14CJ-181S	180	1/4W	UNF. CARBON	B
Δ	R023	QRZ0077-181	180	1/4W	FUSIBLE	C
Δ	R023	QRZ0077-181	180	1/4W	FUSIBLE	D
Δ	R023	QRZ0077-181	180	1/4W	FUSIBLE	E
Δ	R023	QRZ0077-181	180	1/4W	FUSIBLE	F
Δ	R023	QRZ0077-181	180	1/4W	FUSIBLE	G
Δ	R024	QRD14CJ-181S	180	1/4W	UNF. CARBON	A
Δ	R024	QRD14CJ-181S	180	1/4W	UNF. CARBON	B
Δ	R024	QRZ0077-181	180	1/4W	FUSIBLE	C
Δ	R024	QRZ0077-181	180	1/4W	FUSIBLE	D
Δ	R024	QRZ0077-181	180	1/4W	FUSIBLE	E
Δ	R024	QRZ0077-181	180	1/4W	FUSIBLE	F
Δ	R024	QRZ0077-181	180	1/4W	FUSIBLE	G
	R025	QRD167J-123	12K	1/6W	CARBON	
	R026	QRD167J-123	12K	1/6W	CARBON	
	R027	QRD167J-123	12K	1/6W	CARBON	
	R028	QRD167J-123	12K	1/6W	CARBON	
	R029	QRD167J-272	2.7K	1/6W	CARBON	
	R030	QRD167J-272	2.7K	1/6W	CARBON	
	R031	QRD167J-272	2.7K	1/6W	CARBON	
	R032	QRD167J-272	2.7K	1/6W	CARBON	
	R033	SDT250			NEGATIVE	
	R034	SDT250			NEGATIVE	
	R035	QRD167J-511	510	1/6W	CARBON	
	R036	QRD167J-511	510	1/6W	CARBON	
	R037	SDT250			NEGATIVE	
	R038	SDT250			NEGATIVE	
Δ	R039	QRD14CJ-100S	10	1/4W	UNF. CARBON	
Δ	R040	QRD14CJ-100S	10	1/4W	UNF. CARBON	
Δ	R041	QRD14CJ-100S	10	1/4W	UNF. CARBON	
Δ	R042	QRD14CJ-100S	10	1/4W	UNF. CARBON	
	R043	QRD167J-331	330	1/6W	CARBON	
	R044	QRD167J-331	330	1/6W	CARBON	
	R045	QRD167J-331	330	1/6W	CARBON	
	R046	QRD167J-331	330	1/6W	CARBON	
	R047	QRD167J-151	150	1/6W	CARBON	
	R048	QRD167J-151	150	1/6W	CARBON	
	R049	QRD167J-151	150	1/6W	CARBON	
	R050	QRD167J-151	150	1/6W	CARBON	
Δ	R051	QRD14CJ-100S	10	1/4W	UNF. CARBON	
Δ	R052	QRD14CJ-100S	10	1/4W	UNF. CARBON	
Δ	R053	QRD14CJ-100S	10	1/4W	UNF. CARBON	

Δ : SAFETY PARTS

Resistors

ITEM	PART NUMBER	DESCRIPTION	AREA
△ R054	QRD14CJ-100S	10 1/4W UNF. CARBON	
△ R055	QRD14CJ-271S	270 1/4W UNF. CARBON	
△ R056	QRD14CJ-271S	270 1/4W UNF. CARBON	
△ R057	ERF032K-R22	0.22 3W CEMENT	
△ R058	ERF032K-R22	0.22 3W CEMENT	
△ R059	QRD125J-330	33 1/2W UNF. CARBON	
△ R060	QRD125J-330	33 1/2W UNF. CARBON	
△ R061	QRG022J-100A	10 2W O.M. FILM	
△ R062	QRG022J-100A	10 2W O.M. FILM	
△ R063	QRD14CJ-101S	100 1/4W UNF. CARBON	
△ R064	QRG012J-102A	1K 1W O.M. FILM	A
△ R064	QRG012J-102A	1K 1W O.M. FILM	B
△ R064	QRG012J-271A	270 1W O.M. FILM	C
△ R064	QRG012J-271A	270 1W O.M. FILM	D
△ R064	QRG012J-271A	270 1W O.M. FILM	E
△ R064	QRG012J-271A	270 1W O.M. FILM	F
△ R064	QRG012J-271A	270 1W O.M. FILM	G
△ R065	QRD125J-822	8.2K 1/2W UNF. CARBON	
△ R066	QRG022J-222A	2.2K 2W O.M. FILM	A
△ R066	QRG022J-222A	2.2K 2W O.M. FILM	B
△ R066	QRG022J-562A	5.6K 2W O.M. FILM	C
△ R066	QRG022J-562A	5.6K 2W O.M. FILM	D
△ R066	QRG022J-562A	5.6K 2W O.M. FILM	E
△ R066	QRG022J-562A	5.6K 2W O.M. FILM	F
△ R066	QRG022J-562A	5.6K 2W O.M. FILM	G
R071	QRD167J-222	2.2K 1/6W CARBON	
R072	QRD167J-104	100K 1/6W CARBON	
R073	QRD167J-133	13K 1/6W CARBON	
R074	QRD167J-202	2K 1/6W CARBON	
R075	QRD167J-104	100K 1/6W CARBON	
△ R076	QRD14CJ-181S	180 1/4W UNF. CARBON	
△ R077	QRD167J-123	12K 1/6W CARBON	
△ R078	QRD167J-123	12K 1/6W CARBON	
△ R079	QRV144F-2701	2.7K 1/4W M. FILM	
△ R080	QRV144F-2701	2.7K 1/4W M. FILM	
R081	QRD167J-152	1.5K 1/6W CARBON	
R082	QRD167J-152	1.5K 1/6W CARBON	
R083	QRD167J-391	390 1/6W CARBON	
R084	SDT250	NEGATIVE	
R085	QRD167J-221	220 1/6W CARBON	
R086	QRD167J-221	220 1/6W CARBON	
R087	QRD167J-271	270 1/6W CARBON	
R088	QRD167J-271	270 1/6W CARBON	
△ R089	QRD14CJ-100S	10 1/4W UNF. CARBON	
△ R090	QRD14CJ-100S	10 1/4W UNF. CARBON	
△ R091	QRD14CJ-100S	10 1/4W UNF. CARBON	
△ R092	QRD14CJ-100S	10 1/4W UNF. CARBON	
△ R093	QRD14CJ-272S	2.7K 1/4W UNF. CARBON	
△ R094	QRD14CJ-271S	270 1/4W UNF. CARBON	
△ R095	ERF032K-R22	0.22 3W CEMENT	
△ R096	QRD125J-330	33 1/2W UNF. CARBON	
△ R097	QRG022J-100A	10 2W O.M. FILM	
△ R099	QRD14CJ-100S	10 1/4W UNF. CARBON	E
△ R099	QRD14CJ-100S	10 1/4W UNF. CARBON	F
△ R099	QRD14CJ-100S	10 1/4W UNF. CARBON	G
R491	QRD167J-331	330 1/6W CARBON	
R701	QRD167J-222	2.2K 1/6W CARBON	
R702	QRD167J-222	2.2K 1/6W CARBON	
R703	QRD167J-104	100K 1/6W CARBON	
R704	QRD167J-104	100K 1/6W CARBON	
R705	QRD167J-202	2K 1/6W CARBON	
R706	QRD167J-202	2K 1/6W CARBON	
R707	QRD167J-202	2K 1/6W CARBON	
R708	QRD167J-202	2K 1/6W CARBON	
R709	QRD167J-822	8.2K 1/6W CARBON	
R710	QRD167J-822	8.2K 1/6W CARBON	
R711	QRD167J-152	1.5K 1/6W CARBON	A
R711	QRD167J-152	1.5K 1/6W CARBON	B
△ R711	QRV144F-1501	1.5K 1/4W M. FILM	C
△ R711	QRV144F-1501	1.5K 1/4W M. FILM	D
△ R711	QRV144F-1501	1.5K 1/4W M. FILM	E
△ R711	QRV144F-1501	1.5K 1/4W M. FILM	F
△ R711	QRV144F-1501	1.5K 1/4W M. FILM	G
R712	QRD167J-152	1.5K 1/6W CARBON	A
R712	QRD167J-152	1.5K 1/6W CARBON	B
△ R712	QRV144F-1501	1.5K 1/4W M. FILM	C
△ R712	QRV144F-1501	1.5K 1/4W M. FILM	D
△ R712	QRV144F-1501	1.5K 1/4W M. FILM	E
△ R712	QRV144F-1501	1.5K 1/4W M. FILM	F
△ R712	QRV144F-1501	1.5K 1/4W M. FILM	G
R713	QRD167J-104	100K 1/6W CARBON	A
R713	QRD167J-104	100K 1/6W CARBON	B
△ R713	QRV144F-1003	100K 1/4W M. FILM	C
△ R713	QRV144F-1003	100K 1/4W M. FILM	D
△ R713	QRV144F-1003	100K 1/4W M. FILM	E
△ R713	QRV144F-1003	100K 1/4W M. FILM	F
△ R713	QRV144F-1003	100K 1/4W M. FILM	G
R714	QRD167J-104	100K 1/6W CARBON	A
R714	QRD167J-104	100K 1/6W CARBON	B
△ R714	QRV144F-1003	100K 1/4W M. FILM	C

△ : SAFETY PARTS

Resistors

ITEM	PART NUMBER	DESCRIPTION	AREA
△ R714	QRV144F-1003	100K 1/4W M. FILM	D
△ R714	QRV144F-1003	100K 1/4W M. FILM	E
△ R714	QRV144F-1003	100K 1/4W M. FILM	F
△ R714	QRV144F-1003	100K 1/4W M. FILM	G
R715	QRD167J-101	100 1/6W CARBON	
R716	QRD167J-101	100 1/6W CARBON	
△ R717	QRD125J-153	15K 1/2W UNF. CARBON	
△ R718	QRD125J-153	15K 1/2W UNF. CARBON	
△ R719	QRD14CJ-391S	390 1/4W UNF. CARBON	
△ R720	QRD14CJ-391S	390 1/4W UNF. CARBON	
△ R721	QRD14CJ-151S	150 1/4W UNF. CARBON	A
△ R721	QRD14CJ-151S	150 1/4W UNF. CARBON	B
△ R721	QRZ0077-151	150 1/4W FUSIBLE	C
△ R721	QRZ0077-151	150 1/4W FUSIBLE	D
△ R721	QRZ0077-151	150 1/4W FUSIBLE	E
△ R721	QRZ0077-151	150 1/4W FUSIBLE	F
△ R721	QRZ0077-151	150 1/4W FUSIBLE	G
△ R722	QRD14CJ-151S	150 1/4W UNF. CARBON	A
△ R722	QRD14CJ-151S	150 1/4W UNF. CARBON	B
△ R722	QRZ0077-151	150 1/4W FUSIBLE	C
△ R722	QRZ0077-151	150 1/4W FUSIBLE	D
△ R722	QRZ0077-151	150 1/4W FUSIBLE	E
△ R722	QRZ0077-151	150 1/4W FUSIBLE	F
△ R722	QRZ0077-151	150 1/4W FUSIBLE	G
R723	QRD167J-222	2.2K 1/6W CARBON	
R724	QRD167J-222	2.2K 1/6W CARBON	
R725	QRD167J-393	39K 1/6W CARBON	
R726	QRD167J-393	39K 1/6W CARBON	
△ R727	QRD14CJ-391S	390 1/4W UNF. CARBON	
△ R728	QRD14CJ-391S	390 1/4W UNF. CARBON	
R729	QRD167J-152	1.5K 1/6W CARBON	
R730	QRD167J-152	1.5K 1/6W CARBON	
△ R732	QRG022J-562A	5.6K 2W O.M. FILM	
△ R733	QRD14CJ-100S	10 1/4W UNF. CARBON	
△ R734	QRD14CJ-100S	10 1/4W UNF. CARBON	A
△ R734	QRD14CJ-100S	10 1/4W UNF. CARBON	B
△ R734	QRZ0077-100	10 1/4W FUSIBLE	C
△ R734	QRZ0077-100	10 1/4W FUSIBLE	D
△ R734	QRZ0077-100	10 1/4W FUSIBLE	E
△ R734	QRZ0077-100	10 1/4W FUSIBLE	F
△ R734	QRZ0077-100	10 1/4W FUSIBLE	G
R735	QRD167J-103	10K 1/6W CARBON	
R736	QRD167J-103	10K 1/6W CARBON	
R737	QRD167J-103	10K 1/6W CARBON	
R738	QRD167J-103	10K 1/6W CARBON	
R739	QRD167J-221	220 1/6W CARBON	
R740	QRD167J-221	220 1/6W CARBON	
R741	QRD167J-221	220 1/6W CARBON	
R742	QRD167J-221	220 1/6W CARBON	
R743	QRD167J-271	270 1/6W CARBON	A
R743	QRD167J-271	270 1/6W CARBON	B
R743	QRD167J-681	680 1/6W CARBON	C
R743	QRD167J-681	680 1/6W CARBON	D
R743	QRD167J-681	680 1/6W CARBON	E
R743	QRD167J-681	680 1/6W CARBON	F
R743	QRD167J-681	680 1/6W CARBON	G
R744	QRD167J-271	270 1/6W CARBON	A
R744	QRD167J-271	270 1/6W CARBON	B
R744	QRD167J-681	680 1/6W CARBON	C
R744	QRD167J-681	680 1/6W CARBON	D
R744	QRD167J-681	680 1/6W CARBON	E
R744	QRD167J-681	680 1/6W CARBON	F
R744	QRD167J-681	680 1/6W CARBON	G
R745	QRD167J-271	270 1/6W CARBON	
R746	QRD167J-271	270 1/6W CARBON	
R747	ERT-D2WFL351S	350 1/4W THERMISTOR	
R748	ERT-D2WFL351S	350 1/4W THERMISTOR	
R749	ERT-D2WFL351S	350 1/4W THERMISTOR	
R750	ERT-D2WFL351S	350 1/4W THERMISTOR	
R751	QRD167J-122	1.2K 1/6W CARBON	
R752	QRD167J-122	1.2K 1/6W CARBON	
R753	QRD167J-122	1.2K 1/6W CARBON	
R754	QRD167J-122	1.2K 1/6W CARBON	
R755	QRD167J-471	470 1/6W CARBON	
R756	QRD167J-471	470 1/6W CARBON	
R757	QRD167J-101	100 1/6W CARBON	
R758	QRD167J-101	100 1/6W CARBON	
R759	ERT-D2WFL351S	350 1/4W THERMISTOR	
R760	ERT-D2WFL351S	350 1/4W THERMISTOR	
R761	QRD167J-391	390 1/6W CARBON	
R762	QRD167J-391	390 1/6W CARBON	
R763	SDT250	NEGATIVE	C
R763	SDT250	NEGATIVE	D
R763	SDT250	NEGATIVE	E
R763	SDT250	NEGATIVE	F
R763	SDT250	NEGATIVE	G
R764	SDT250	NEGATIVE	C
R764	SDT250	NEGATIVE	D
R764	SDT250	NEGATIVE	E

△ : SAFETY PARTS

Resistors

Δ	ITEM	PART NUMBER	DESCRIPTION			AREA
Δ	R948	QRG022J-221A	220	2W	O.M.FILM	C
Δ	R948	QRG022J-221A	220	2W	O.M.FILM	D
Δ	R948	QRG022J-221A	220	2W	O.M.FILM	E
Δ	R948	QRG022J-221A	220	2W	O.M.FILM	F
Δ	R948	QRG022J-221A	220	2W	O.M.FILM	G
	R949	QRD167J-220	22	1/6W	CARBON	A
	R949	QRD167J-220	22	1/6W	CARBON	B
	R949	QRD167J-150	15	1/6W	CARBON	C
	R949	QRD167J-150	15	1/6W	CARBON	D
	R949	QRD167J-150	15	1/6W	CARBON	E
	R949	QRD167J-150	15	1/6W	CARBON	F
	R949	QRD167J-150	15	1/6W	CARBON	G
	R950	QRD167J-220	22	1/6W	CARBON	A
	R950	QRD167J-220	22	1/6W	CARBON	B
	R950	QRD167J-150	15	1/6W	CARBON	C
	R950	QRD167J-150	15	1/6W	CARBON	D
	R950	QRD167J-150	15	1/6W	CARBON	E
	R950	QRD167J-150	15	1/6W	CARBON	F
	R950	QRD167J-150	15	1/6W	CARBON	G
	R951	QRD167J-471	470	1/6W	CARBON	
	R952	QRD167J-471	470	1/6W	CARBON	
	R953	QRD167J-562	5.6K	1/6W	CARBON	
	R954	QRD167J-562	5.6K	1/6W	CARBON	
	R955	QRD167J-123	12K	1/6W	CARBON	
	R956	QRD167J-123	12K	1/6W	CARBON	
	R957	QRD167J-152	1.5K	1/6W	CARBON	
	R958	QRD167J-152	1.5K	1/6W	CARBON	
	R959	QRD167J-103	10K	1/6W	CARBON	
Δ	R960	QRD14CJ-470S	47	1/4W	UNF. CARBON	
	R961	QRD167J-332	3.3K	1/6W	CARBON	
	R962	QRD167J-473	47K	1/6W	CARBON	
	R963	QRD167J-104	100K	1/6W	CARBON	
	R964	QRD167J-823	82K	1/6W	CARBON	
	R965	QRD167J-473	47K	1/6W	CARBON	
	R966	QRD167J-563	56K	1/6W	CARBON	
	R967	QRD167J-683	68K	1/6W	CARBON	
	R968	QRD167J-392	3.9K	1/6W	CARBON	
	R969	QRD167J-183	18K	1/6W	CARBON	
	R970	QRD167J-204	200K	1/6W	CARBON	
	R971	QRD167J-151	150	1/6W	CARBON	A
	R971	QRD167J-151	150	1/6W	CARBON	B
	R971	QRD167J-181	180	1/6W	CARBON	C
	R971	QRD167J-181	180	1/6W	CARBON	D
	R971	QRD167J-181	180	1/6W	CARBON	E
	R971	QRD167J-181	180	1/6W	CARBON	F
	R971	QRD167J-181	180	1/6W	CARBON	G
	R972	QRD167J-151	150	1/6W	CARBON	A
	R972	QRD167J-151	150	1/6W	CARBON	B
	R972	QRD167J-181	180	1/6W	CARBON	C
	R972	QRD167J-181	180	1/6W	CARBON	D
	R972	QRD167J-181	180	1/6W	CARBON	E
	R972	QRD167J-181	180	1/6W	CARBON	F
	R972	QRD167J-181	180	1/6W	CARBON	G
Δ	R973	QRG022J-391A	390	2W	O.M.FILM	A
Δ	R973	QRG022J-391A	390	2W	O.M.FILM	B
Δ	R973	QRG022J-471A	470	2W	O.M.FILM	C
Δ	R973	QRG022J-471A	470	2W	O.M.FILM	D
Δ	R973	QRG022J-471A	470	2W	O.M.FILM	E
Δ	R973	QRG022J-471A	470	2W	O.M.FILM	F
Δ	R973	QRG022J-471A	470	2W	O.M.FILM	G
Δ	R975	QRG022J-471A	470	2W	O.M.FILM	
Δ	R976	QRG022J-471A	470	2W	O.M.FILM	
Δ	R981	QRZ0077-100	10	1/4W	FUSIBLE	E
Δ	R981	QRZ0077-100	10	1/4W	FUSIBLE	F
Δ	R981	QRZ0077-100	10	1/4W	FUSIBLE	G
Δ	R982	QRZ0077-100	10	1/4W	FUSIBLE	E
Δ	R982	QRZ0077-100	10	1/4W	FUSIBLE	F
Δ	R982	QRZ0077-100	10	1/4W	FUSIBLE	G
Δ	R983	QRZ0077-100	10	1/4W	FUSIBLE	E
Δ	R983	QRZ0077-100	10	1/4W	FUSIBLE	F
Δ	R983	QRZ0077-100	10	1/4W	FUSIBLE	G
Δ	R984	QRZ0077-100	10	1/4W	FUSIBLE	E
Δ	R984	QRZ0077-100	10	1/4W	FUSIBLE	F
Δ	R984	QRZ0077-100	10	1/4W	FUSIBLE	G
Δ	R991	QRZ0077-100	10	1/4W	FUSIBLE	E
Δ	R991	QRZ0077-100	10	1/4W	FUSIBLE	F
Δ	R991	QRZ0077-100	10	1/4W	FUSIBLE	G
Δ	R992	QRZ0077-100	10	1/4W	FUSIBLE	E
Δ	R992	QRZ0077-100	10	1/4W	FUSIBLE	F
Δ	R992	QRZ0077-100	10	1/4W	FUSIBLE	G
	VR071	QVPE601-102	1K	0.15W	VARIABLE	
	VR701	QVPE601-501	500	0.15W	VARIABLE	
	VR702	QVPE601-501	500	0.15W	VARIABLE	

Δ : SAFETY PARTS

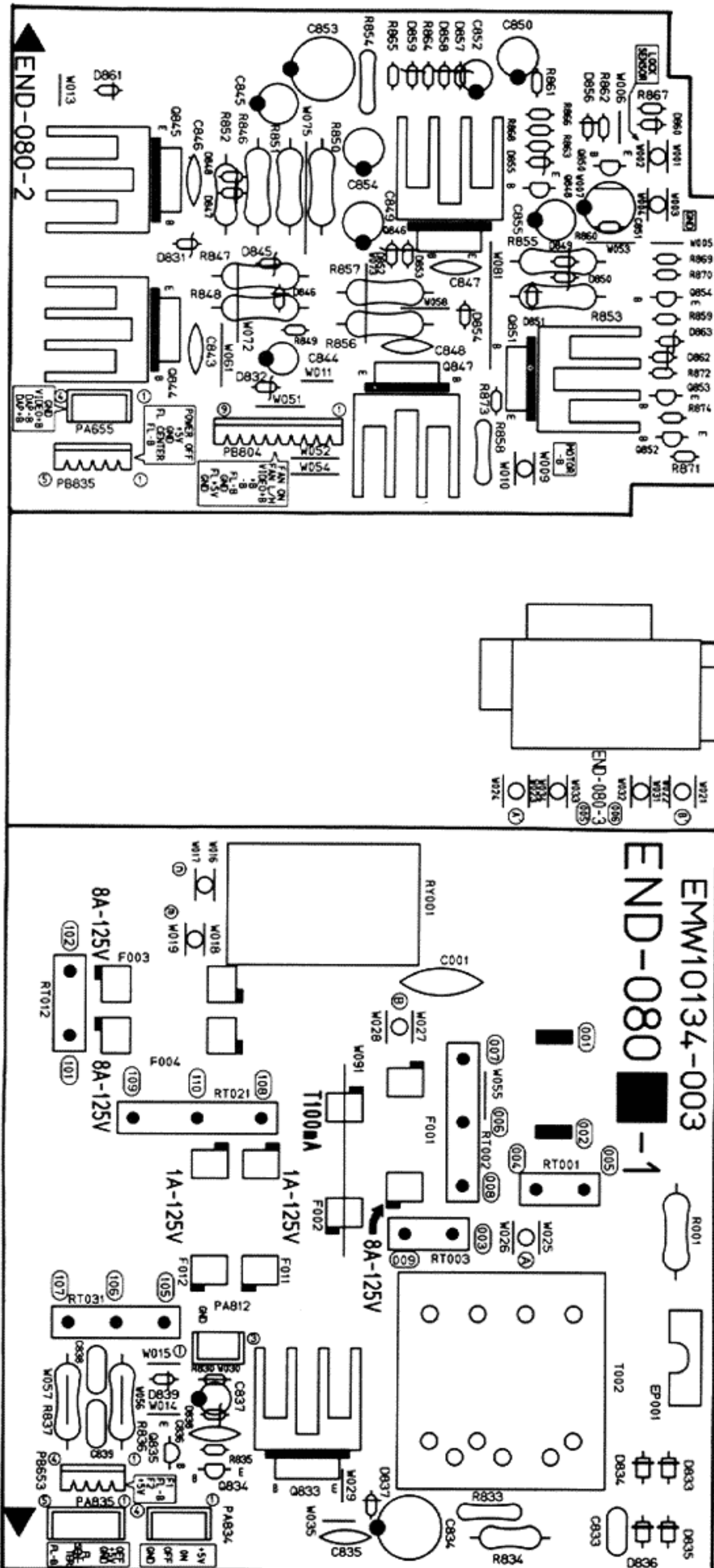
Others

Δ	ITEM	PART NUMBER	DESCRIPTION		AREA
		EMW10132-003	CIRCUIT BOARD		
		EWS112-006	SOCKET WIRE		
		E207227-002	HEAT SINK		
		E305205-001	HEAT SINK BRACKET		
		E306249-001	HEAT SINK BRACKET		
		E3400-431	SPACER		
		E406748-001	MYLAR SHEET		
		E48269-001	SPACER		
		E67764-103	WRAPPING TERMINAL		
		E70306-001	HEAT SINK		
		E70859-001	EARTH PLATE		
		E70945-H25B	HEAT SINK		
		E73525-001	SPECIAL SCREW		
		E73525-002	SCREW		
		E74546-001	HEAT SINK BRACKET		
		SBSE3010CC	SCREW		
		SBSG3008CC	SCREW		
		SBSG3008Z	SCREW		
		E70208-001	PLATE		A
		E65654-001	INSULATION TUBE		C
		E65654-001	INSULATION TUBE		D
		E65654-001	INSULATION TUBE		E
		E70225-001	EARTH PLATE		E
		E65654-001	INSULATION TUBE		F
		E70225-001	EARTH PLATE		F
		E65654-001	INSULATION TUBE		G
		E70225-001	EARTH PLATE		G
	J701	EMB00TV-801A	TERMINAL		A
	J701	EMB00TV-801A	TERMINAL		B
	J701	EMB00TV-801B	TERMINAL		C
	J701	EMB00TV-801B	TERMINAL		D
	J701	EMB00TV-801B	TERMINAL		E
	J701	EMB00TV-801B	TERMINAL		F
	J701	EMB00TV-801B	TERMINAL		G
	J702	EMB90YV-401A	SPEAKER TERMINAL		
	J703	EMB90YV-201AG	ANTENNA TERMINAL		
	J901	QMS6A40-021	HEADPHONE JACK		
	L011	EQL0001-R45	INDUCTOR		
	L012	EQL0001-R45	INDUCTOR		
	L071	EQL0001-1R0	INDUCTOR		
	L091	EQL0001-R45	INDUCTOR		E
	L091	EQL0001-R45	INDUCTOR		F
	L091	EQL0001-R45	INDUCTOR		G
	L701	EQL0101-1R2	INDUCTOR		
	L702	EQL0101-1R2	INDUCTOR		
	L991	EQL0001-R45	INDUCTOR		E
	L991	EQL0001-R45	INDUCTOR		F
	L991	EQL0001-R45	INDUCTOR		G
	L992	EQL0001-R45	INDUCTOR		E
	L992	EQL0001-R45	INDUCTOR		F
	L992	EQL0001-R45	INDUCTOR		G
	P803	EMV7122-103	CONNECTOR(3PIN)		
	P811	EMV7122-004	CONNECTOR(4PIN)		
	P872	EMV5102-003B	PLUG ASSY(3PIN)		
	P873	EMV5111-003B	PLUG ASSY(3PIN)		
	P901	EMV7122-103	CONNECTOR(3PIN)		
	S491	ESP0001-018	TACT SWITCH (VOLUME -)		
	S492	ESP0001-018	TACT SWITCH (VOLUME +)		
	S493	ESP0001-018	TACT SWITCH (MUTE)		
	S495	ESP0001-018	TACT SWITCH (POWER)		
	S901	QST4231-E04	PUSH SWITCH (SPK-1)		
	S902	QST4231-E04	PUSH SWITCH (SPK-2)		
	FW414	EWR33B-35LST	FLAT WIRE (3PIN)		
	FW415	EWR33B-13LST	FLAT WIRE (3PIN)		
	FW711	EWR34B-75SST	FLAT WIRE (4PIN)		
	FW712	EWR33B-70SST	FLAT WIRE (3PIN)		
	FW803	EWR33B-13LST	FLAT WIRE (3PIN)		
	FW811	EWR34E-30LST	FLAT WIRE (4PIN)		
	FW901	EWR33B-13LST	FLAT WIRE (3PIN)		
	PA462	VMC0194-P05	MALE CONNECTOR (6PIN)		
	PA701	EMV5109-006A	PLUG ASSY(6PIN)		
	PA702	EMV5109-003A	PLUG ASSY(3PIN)		
	PA801	EMV7125-012R	CONNECTOR(12PIN)		
	PA802	EMV5142-910	PLUG ASSY(10PIN)		
	PA804	EMV5142-409	PLUG ASSY(9PIN)		
	PA871	EMV7125-006R	CONNECTOR(6PIN)		
	PB246	EWS323-A940	SOCKET WIRE (3PIN)		
	PB304	EWS326-A931	SOCKET WIRE (6PIN)		
	PB442	VMC0194-S06	CONNECT TERMINAL (6PIN)		
	PB801	EMV5125-012	PLUG ASSY (12PIN)		
	PB802	EWS32A-A916	SOCKET WIRE (10PIN)		
	PB871	EMV5125-006	PLUG ASSY (6PIN)		
	RY901	ESK5D24-214	RELAY		
	RY941	ESK1D12-118J1	RELAY		
	RY951	ESK7D24-2120	RELAY		
	SW890	OHDS-90B	THERMAL SWITCH		

Δ : SAFETY PARTS

■ END-080 □ Power Supply PC Board Ass'y

Note : END-080 □ varies according to the areas employed. See note (1) when placing an order.



Note (1)

PC Board Ass'y	Designated Areas
END-080 A	the U.S.A.
END-080 B	Canada
END-080 C	Universal Type (with PAL)
END-080 D	Continental Europe (with PAL)
END-080 E	Australia (with PAL)
END-080 F BS	the U.K. (with PAL)
END-080 G	Germany (with PAL)

Transistors

ITEM	PART NUMBER	DESCRIPTION	AREA
Q833	2SD1266(P,Q)	SILICON MATSUSHITA	C
Q834	2SC2235(O,Y)	SILICON TOSHIBA	
Q835	DTC143TS	SILICON ROHM	
Q844	2SD1944(J,K)	SILICON ROHM	
Q845	2SB1187(E,F)	SILICON ROHM	
Q846	2SB1187(E,F)	SILICON ROHM	
Q847	2SB1187(E,F)	SILICON ROHM	
Q848	DTC144ES	SILICON ROHM	
Q850	DTA114YS	SILICON ROHM	
Q851	2SD2061(E,F)	SILICON ROHM	
Q852	DTA144ES	SILICON ROHM	
Q853	DTA144ES	SILICON ROHM	
Q854	DTA144ES	SILICON ROHM	

△ : SAFETY PARTS

Diodes

ITEM	PART NUMBER	DESCRIPTION	AREA
D831	MTZ15JC	ZENER ROHM	C
D831	MTZ15JC	ZENER ROHM	D
D831	MTZ15JC	ZENER ROHM	E
D831	MTZ15JC	ZENER ROHM	FBS
D831	MTZ15JC	ZENER ROHM	G
D832	MTZ13JC	ZENER ROHM	C
D832	MTZ13JC	ZENER ROHM	D
D832	MTZ13JC	ZENER ROHM	E
D832	MTZ13JC	ZENER ROHM	FBS
D832	MTZ13JC	ZENER ROHM	G
D833	11E2-TB2	SILICON NIHONINTER	
D834	11E2-TB2	SILICON NIHONINTER	
D835	11E2-TB2	SILICON NIHONINTER	
D836	11E2-TB2	SILICON NIHONINTER	
D837	MTZ12JC	ZENER ROHM	C
D838	RD6.2JSB3	ZENER NEC	
D839	1SS133	SILICON ROHM	
D845	MTZ16JC	ZENER ROHM	
D846	1SS133	SILICON ROHM	
D847	MTZ16JC	ZENER ROHM	
D848	1SS133	SILICON ROHM	
D849	MTZ20JC	ZENER ROHM	
D850	MTZ16JC	ZENER ROHM	
D851	1SS133	SILICON ROHM	
D852	MTZ5.1JC	ZENER ROHM	
D853	MTZ20JC	ZENER ROHM	
D854	1SS133	SILICON ROHM	
D855	MTZ20JC	ZENER ROHM	
D856	1SS133	SILICON ROHM	
D857	MTZ10JC	ZENER ROHM	
D858	MTZ9.1JC	ZENER ROHM	
D859	MTZ9.1JC	ZENER ROHM	
D860	1SS133	SILICON ROHM	
D861	1SS133	SILICON ROHM	
D862	MTZ10JC	ZENER ROHM	
D863	MTZ3.3JB	ZENER ROHM	

△ : SAFETY PARTS

Capacitors

ITEM	PART NUMBER	DESCRIPTION	AREA
△ C001	QCZ9019-472	4700PF CERAMIC	A
△ C001	QCZ9019-472	4700PF CERAMIC	B
△ C001	QCZ9019-472	4700PF CERAMIC	C
△ C001	QCZ9019-472	4700PF CERAMIC	D
△ C001	QCZ9019-472	4700PF CERAMIC	E
△ C001	QCZ9019-472BS	4700PF CERAMIC	FBS
△ C001	QCZ9019-472	4700PF CERAMIC	G
C833	QFN82AK-473	0.047MF 100V MYLAR	
C834	QETB1EM-477	470MF 25V ELECTRO	A
C834	QETB1EM-477	470MF 25V ELECTRO	B
C834	QETB1JM-227	220MF 63V ELECTRO	C
C834	QETB1EM-477	470MF 25V ELECTRO	D
C834	QETB1EM-477	470MF 25V ELECTRO	E
C834	QETB1EM-477	470MF 25V ELECTRO	FBS
C834	QETB1EM-477	470MF 25V ELECTRO	G
C835	QCF21HP-472	4700PF 50V CERAMIC	C
C836	QCF21HP-472	4700PF 50V CERAMIC	
C837	QETB1CM-476	47MF 16V ELECTRO	
C838	QFN81HK-473	0.047MF 50V MYLAR	
C839	QFN81HK-473	0.047MF 50V MYLAR	
C843	QCF21HP-472	4700PF 50V CERAMIC	
C844	QEH1EM-476	47MF 25V ELECTRO	
C845	QEH1EM-476	47MF 25V ELECTRO	
C846	QCF21HP-472	4700PF 50V CERAMIC	
C847	QCF21HP-472	4700PF 50V CERAMIC	
C848	QCF21HP-472	4700PF 50V CERAMIC	
C849	QEH1HM-226	22MF 50V ELECTRO	
C850	QETB1HM-476	47MF 50V ELECTRO	
C851	QETB1EM-227	220MF 25V ELECTRO	
C852	QETB1EM-476	47MF 25V ELECTRO	
C853	QEH1HM-227	220MF 50V ELECTRO	
C854	QEH1HM-226	22MF 50V ELECTRO	
C855	QETB1HM-476	47MF 50V ELECTRO	

△ : SAFETY PARTS

Resistors

ITEM	PART NUMBER	DESCRIPTION	AREA
△ R001	QRC128K-275EM	2.7M 1/2W COMPOSI	A
△ R001	QRC128K-275EM	2.7M 1/2W COMPOSI	B
△ R830	QRD167J-200	20 1/6W CARBON	E
△ R830	QRD167J-200	20 1/6W CARBON	FBS
△ R833	QRD14CJ-100S	10 1/4W UNF. CARBON	A
△ R833	QRD14CJ-100S	10 1/4W UNF. CARBON	B
△ R833	QRZ0076-3R3	3.3 1/4W FUSIBLE	C
△ R833	QRZ0077-180	18 1/4W FUSIBLE	D
△ R833	QRZ0077-180	18 1/4W FUSIBLE	E
△ R833	QRZ0077-180	18 1/4W FUSIBLE	FBS

△ : SAFETY PARTS

Resistors

ITEM	PART NUMBER	DESCRIPTION	AREA
△ R833	QRZ0077-180	18 1/4W FUSIBLE	G
△ R834	QRG012J-332A	3.3K 1W O.M.FILM	C
△ R835	QRD167J-821	820 1/6W CARBON	A
△ R835	QRD167J-821	820 1/6W CARBON	B
△ R835	QRD167J-821	820 1/6W CARBON	C
△ R835	QRV144F-8200	1/4W M.FILM	D
△ R835	QRV144F-9100	1/4W M.FILM	E
△ R835	QRV144F-9100	1/4W M.FILM	FBS
△ R835	QRV144F-8200	1/4W M.FILM	G
△ R836	QRX022J-R68A	0.68 2W M.FILM	A
△ R837	QRX022J-R68A	0.68 2W M.FILM	A
△ R846	QRG026J-271AF	270 2W O.M.FILM	
△ R847	QRG022J-221A	220 2W O.M.FILM	
△ R848	QRG022J-221A	220 2W O.M.FILM	
△ R849	QRD167J-682	6.8K 1/6W CARBON	
△ R850	QRG026J-271AF	270 2W O.M.FILM	
△ R851	QRG026J-271AF	270 2W O.M.FILM	
△ R852	QRD125J-272	2.7K 1/2W UNF. CARBON	
△ R853	QRG022J-220A	22 2W O.M.FILM	
△ R854	QRD14CJ-270S	27 1/4W UNF. CARBON	A
△ R854	QRD14CJ-100S	10 1/4W UNF. CARBON	B
△ R854	QRZ0077-100	10 1/4W FUSIBLE	C
△ R854	QRZ0077-100	10 1/4W FUSIBLE	D
△ R854	QRZ0077-100	10 1/4W FUSIBLE	E
△ R854	QRZ0077-100	10 1/4W FUSIBLE	FBS
△ R854	QRZ0077-100	10 1/4W FUSIBLE	G
△ R855	QRG012J-562A	5.6K 1W O.M.FILM	
△ R856	QRG022J-101A	100 2W O.M.FILM	
△ R857	QRG022J-222A	2.2K 2W O.M.FILM	
△ R858	QRD14CJ-100S	10 1/4W UNF. CARBON	A
△ R858	QRD14CJ-100S	10 1/4W UNF. CARBON	B
△ R858	QRZ0077-100	10 1/4W FUSIBLE	C
△ R858	QRZ0077-100	10 1/4W FUSIBLE	D
△ R858	QRZ0077-100	10 1/4W FUSIBLE	E
△ R858	QRZ0077-100	10 1/4W FUSIBLE	FBS
△ R858	QRZ0077-100	10 1/4W FUSIBLE	G
△ R859	QRD167J-272	2.7K 1/6W CARBON	
△ R860	QRD167J-473	47K 1/6W CARBON	
△ R861	QRD167J-473	47K 1/6W CARBON	
△ R862	QRD167J-102	1K 1/6W CARBON	
△ R863	QRD167J-103	10K 1/6W CARBON	
△ R864	QRD167J-270	27 1/6W CARBON	
△ R865	QRD167J-270	27 1/6W CARBON	
△ R866	QRD167J-102	1K 1/6W CARBON	
△ R867	QRD167J-103	10K 1/6W CARBON	
△ R868	QRD167J-103	10K 1/6W CARBON	
△ R869	QRD167J-272	2.7K 1/6W CARBON	
△ R870	QRD167J-473	47K 1/6W CARBON	
△ R871	QRD167J-103	10K 1/6W CARBON	
△ R872	QRD167J-103	10K 1/6W CARBON	
△ R873	QRD167J-103	10K 1/6W CARBON	
△ R874	QRD167J-103	10K 1/6W CARBON	

△ : SAFETY PARTS

Others

ITEM	PART NUMBER	DESCRIPTION	AREA
	EMG7331-002	FUSE CLIP	
	EMG7331-002U	FUSE CLIP	
	EWS073-007	SOCKET WIRE	
	EWS102-006	SOCKET WIRE	
	E65654-001	INSULATION TUBE	
	E70945-H25B	HEAT SINK	
	SBSE3010CC	SCREW	
	EMG7331-002	FUSE CLIP	A
	EMG7331-002U	FUSE CLIP	A
	EMW10134-003	CIRCUIT BOARD	A
△	ETP1000-42JA	POWER TRANSFORMER	A
△	E61380-026	FUSE LABEL	A
△	QMCA002-E02S	AC OUTLET	A
	EMG7331-002	FUSE CLIP	B
	EMG7331-002U	FUSE CLIP	B
△	EMW10134-003	CIRCUIT BOARD	B
△	ETP1000-42JA	POWER TRANSFORMER	B
△	E61380-026	FUSE LABEL	B
△	QMCA002-E02S	AC OUTLET	B
	EMG7331-002	FUSE CLIP	C
	EMG7331-002U	FUSE CLIP	C
△	EMW10134-003	CIRCUIT BOARD	C
△	ETP1000-412B	POWER TRANSFORMER	C
	E67132-TR63	FUSE LABEL	C
	E67132-T6R3	FUSE LABEL	C
	E70945-H35B	HEAT SINK	C
	QMCA002-E01S	AC OUTLET	C
	SBSE3010CC	SCREW	C
	EMG7331-002	FUSE CLIP	D
	EMG7331-002U	FUSE CLIP	D
△	EMW10134-003	CIRCUIT BOARD	D
△	ETP1000-41EA	POWER TRANSFORMER	D
	E67132-TR63	FUSE LABEL	D
	E67132-T3R15	FUSE LABEL	D
	E67132-T6R3	FUSE LABEL	D

△ : SAFETY PARTS

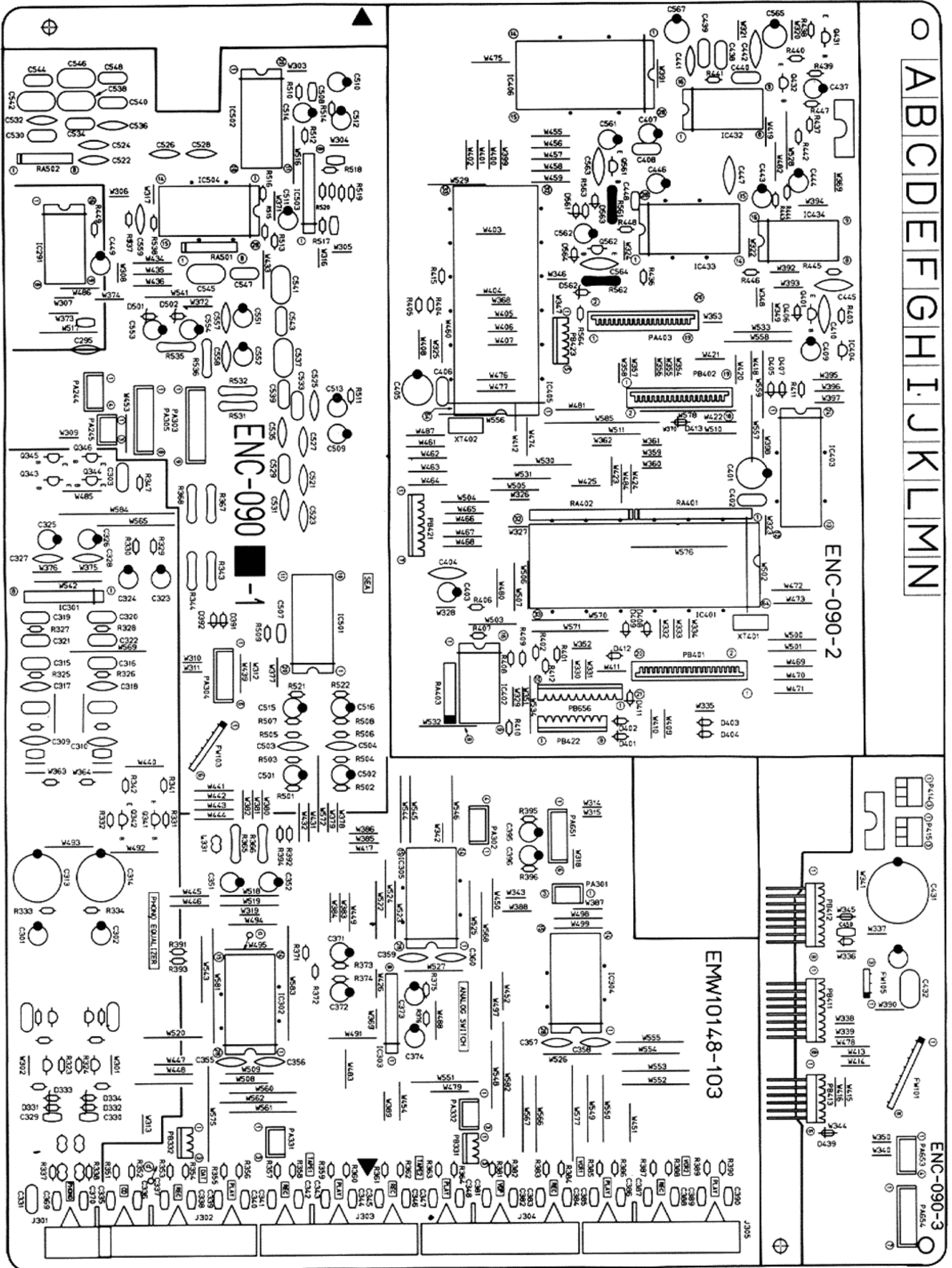
Others

Δ	ITEM	PART NUMBER	DESCRIPTION	AREA
		EMG7331-002	FUSE CLIP	E
		EMG7331-002U	FUSE CLIP	E
Δ		EMW10134-003	CIRCUIT BOARD	E
		ETP1000-41EA	POWER TRANSFORMER	E
		E67132-TR63	FUSE LABEL	E
		E67132-T3R15	FUSE LABEL	E
		E67132-T6R3	FUSE LABEL	E
		EMG7331-002	FUSE CLIP	FBS
		EMG7331-002U	FUSE CLIP	FBS
Δ		EMW10134-003BS	CIRCUIT BOARD	FBS
		ETP1000-41EABS	POWER TRANSFORMER	FBS
		E67132-TR63	FUSE LABEL	FBS
		E67132-T3R15	FUSE LABEL	FBS
		E67132-T6R3	FUSE LABEL	FBS
		EMG7331-002	FUSE CLIP	G
Δ		EMG7331-002U	FUSE CLIP	G
		EMW10134-003	CIRCUIT BOARD	G
		ETP1000-41EA	POWER TRANSFORMER	G
		E67132-TR63	FUSE LABEL	G
		E67132-T3R15	FUSE LABEL	G
		E67132-T6R3	FUSE LABEL	G
EP001		E70859-001	EARTH PLATE	
KT001		EMZ4001-001	TAB	
KT002		EMZ4001-001	TAB	
PA655		EMV5142-904	PLUG ASSY(4PIN)	
PA812		EMV5142-903	PLUG ASSY(3PIN)	
PA834		EMV5142-904	PLUG ASSY(4PIN)	
PA835		EMV5142-905	PLUG ASSY(5PIN)	
PB653		EWS324-A950	SOCKET WIRE(4PIN)	
PB804		EWS329-A452	SOCKET WIRE(9PIN)	
PB835		EWS325-A925	SOCKET WIRE(6PIN)	
RT001		E67764-102	WRAPPING TERMINAL	
RT002		E67764-203	WRAPPING TERMINAL	
RT003		E67764-102	WRAPPING TERMINAL	C
RT012		E67764-202	WRAPPING TERMINAL	
RT021		E67764-203	WRAPPING TERMINAL	
RT031		E67764-103	WRAPPING TERMINAL	
Δ RY001		ESK1D12-115	RELAY	A
Δ RY001		ESK1D12-115	RELAY	B
Δ RY001		ESK1D12-115	RELAY	C
RY001		ESK1D12-113	RELAY	D
RY001		ESK1D12-113	RELAY	E
RY001		ESK1D12-115BS	RELAY	FBS
Δ RY001		ESK1D12-115	RELAY	G

Δ : SAFETY PARTS

■ ENC-090 □ Source Selector, SEA & System Control PC Board Ass'y

Note : ENC-090 □ varies according to the areas employed. See note (1) when placing an order.



Note (1)

PC Board Ass'y	Designated Areas
ENC-090 A	the U.S.A.
ENC-090 B	Canada
ENC-090 C	Universal Type (with PAL)
ENC-090 D	Continental Europe (with PAL) Germany (with PAL) the U.K. (with PAL)
ENC-090 E	Australia (with PAL)

Transistors

ITEM	PART NUMBER	DESCRIPTION	AREA
Q301	2SK170(BL)	F.E.T TOSHIBA	
Q302	2SK170(BL)	F.E.T TOSHIBA	
Q303	2SK170(BL)	F.E.T TOSHIBA	
Q304	2SK170(BL)	F.E.T TOSHIBA	
Q305	2SD655(E,F)	SILICON HITACHI	
Q306	2SD655(E,F)	SILICON HITACHI	
Q307	2SD655(E,F)	SILICON HITACHI	
Q308	2SD655(E,F)	SILICON HITACHI	
Q341	2SK163(L1)	F.E.T NEC	
Q342	2SK163(L1)	F.E.T NEC	
Q343	DTA114YS	SILICON ROHM	
Q344	DTA114YS	SILICON ROHM	
Q345	DTC144ES	SILICON ROHM	
Q346	DTC144ES	SILICON ROHM	
Q401	DTC114YS	SILICON ROHM	
Q431	2SC1685(R,S)	SILICON MATSUSHITA	
Q432	2SC1685(R,S)	SILICON MATSUSHITA	
Q561	2SC2235(O,Y)	SILICON TOSHIBA	
Q562	2SA965(O,Y)	SILICON TOSHIBA	

△ : SAFETY PARTS

I.C.s

ITEM	PART NUMBER	DESCRIPTION	AREA
IC291	TC74HC595AP	I.C. TOSHIBA	
IC301	VC4580LD	I.C. DAINICHI	
IC302	TC9164N	I.C. TOSHIBA	
IC303	VC4580LD	I.C. DAINICHI	
IC304	TC9164N	I.C. TOSHIBA	
IC305	TC9163N	I.C. TOSHIBA	
IC401	MN171602JPC2	I.C. MATSUSHITA	
IC402	M66007P	I.C. MITSUBISHI	
IC403	LC3517BS-15	I.C. SANYO	
IC404	MN1281(P,Q)	I.C. MATSUSHITA	
IC405	MN17581JND	I.C. MATSUSHITA	
IC406	LH535931	I.C. SHARP	
IC432	XR-1091DCP	I.C. EXAR JAPAN	
IC433	TC9162N	I.C. TOSHIBA	
IC434	UPD7001C	I.C. NEC	
IC501	LA3607S	I.C. SANYO	
IC502	LA3607S	I.C. SANYO	
IC503	VC4580LD	I.C. DAINICHI	
IC504	LC7522	I.C. SANYO	

△ : SAFETY PARTS

Diodes

ITEM	PART NUMBER	DESCRIPTION	AREA
D391	1SS133	SILICON ROHM	
D392	1SS133	SILICON ROHM	
D401	1SS133	SILICON ROHM	
D402	1SS133	SILICON ROHM	
D403	1SS133	SILICON ROHM	
D404	1SS133	SILICON ROHM	
D405	1SS133	SILICON ROHM	
D406	1SS133	SILICON ROHM	
D407	1SS133	SILICON ROHM	
D408	1SS133	SILICON ROHM	
D409	1SS133	SILICON ROHM	
D413	1SS133	SILICON ROHM	C
D501	MTZ6.8JC	ZENER ROHM	
D502	MTZ6.8JC	ZENER ROHM	
D561	MTZ5.6JC	ZENER ROHM	
D562	MTZ5.6JC	ZENER ROHM	
D563	1SS133	SILICON ROHM	
D564	1SS133	SILICON ROHM	

△ : SAFETY PARTS

Capacitors

ITEM	PART NUMBER	DESCRIPTION	AREA
C295	QCF21HP-223	0.022MF 50V CERAMIC	
C296	QCBB1HK-471	470PF 50V CERAMIC	
C303	QFN81HK-223	0.022MF 50V MYLAR	
C305	QFN81HJ-103	0.01MF 50V MYLAR	
C306	QFN81HJ-103	0.01MF 50V MYLAR	
C307	QCS21HJ-680	68PF 50V CERAMIC	A
C307	QCS21HJ-680	68PF 50V CERAMIC	B
C307	QCS21HJ-680	68PF 50V CERAMIC	C
C307	QCS21HJ-101	100PF 50V CERAMIC	D
C307	QCS21HJ-680	68PF 50V CERAMIC	E
C308	QCS21HJ-680	68PF 50V CERAMIC	A
C308	QCS21HJ-680	68PF 50V CERAMIC	B
C308	QCS21HJ-680	68PF 50V CERAMIC	C
C308	QCS21HJ-101	100PF 50V CERAMIC	D
C308	QCS21HJ-680	68PF 50V CERAMIC	E
C309	QFN81HJ-822	8200PF 50V MYLAR	
C310	QFN81HJ-822	8200PF 50V MYLAR	
C311	QFN81HJ-392	3900PF 50V MYLAR	
C312	QFN81HJ-392	3900PF 50V MYLAR	
C313	QETB0JM-228	2200MF 6.3V ELECTRO	
C314	QETB0JM-228	2200MF 6.3V ELECTRO	
C315	QFN81HJ-472	4700PF 50V MYLAR	
C316	QFN81HJ-472	4700PF 50V MYLAR	
C317	QCS21HJ-331	330PF 50V CERAMIC	
C318	QCS21HJ-331	330PF 50V CERAMIC	
C319	QFN81HJ-153	0.015MF 50V MYLAR	
C320	QFN81HJ-153	0.015MF 50V MYLAR	
C321	QFN81HJ-272	2700PF 50V MYLAR	
C322	QFN81HJ-272	2700PF 50V MYLAR	
C323	QETB1HM-475	4.7MF 50V ELECTRO	
C324	QETB1HM-475	4.7MF 50V ELECTRO	
C325	QETB1EM-227	220MF 25V ELECTRO	
C326	QETB1EM-227	220MF 25V ELECTRO	
C329	QCBB1HK-151	150PF 50V CERAMIC	
C330	QCBB1HK-151	150PF 50V CERAMIC	
C331	QCZ0202-155	1.5MF 25V CERAMIC	
C335	QCBB1HK-331	330PF 50V CERAMIC	D
C336	QCBB1HK-331	330PF 50V CERAMIC	D
C337	QCBB1HK-331	330PF 50V CERAMIC	D
C338	QCBB1HK-331	330PF 50V CERAMIC	D
C339	QCBB1HK-331	330PF 50V CERAMIC	D
C340	QCBB1HK-331	330PF 50V CERAMIC	D
C341	QCBB1HK-331	330PF 50V CERAMIC	D
C342	QCBB1HK-331	330PF 50V CERAMIC	D
C343	QCBB1HK-331	330PF 50V CERAMIC	D
C344	QCBB1HK-331	330PF 50V CERAMIC	D
C345	QCBB1HK-331	330PF 50V CERAMIC	D
C346	QCBB1HK-331	330PF 50V CERAMIC	D
C347	QCBB1HK-331	330PF 50V CERAMIC	D
C348	QCBB1HK-331	330PF 50V CERAMIC	D
C351	QETB1EM-476	47MF 25V ELECTRO	
C352	QETB1EM-476	47MF 25V ELECTRO	
C355	QCF21HP-223	0.022MF 50V CERAMIC	
C356	QCF21HP-223	0.022MF 50V CERAMIC	
C357	QCF21HP-223	0.022MF 50V CERAMIC	
C358	QCF21HP-223	0.022MF 50V CERAMIC	
C359	QCF21HP-223	0.022MF 50V CERAMIC	
C360	QCF21HP-223	0.022MF 50V CERAMIC	
C369	QCS21HJ-471	470PF 50V CERAMIC	D
C370	QCS21HJ-471	470PF 50V CERAMIC	D
C371	QETB1EM-106	10MF 25V ELECTRO	
C372	QETB1EM-106	10MF 25V ELECTRO	
C373	QETB1EM-106	10MF 25V ELECTRO	
C374	QETB1EM-106	10MF 25V ELECTRO	
C381	QCBB1HK-331	330PF 50V CERAMIC	D
C382	QCBB1HK-331	330PF 50V CERAMIC	D
C383	QCBB1HK-331	330PF 50V CERAMIC	D
C384	QCBB1HK-331	330PF 50V CERAMIC	D
C385	QCBB1HK-331	330PF 50V CERAMIC	D
C386	QCBB1HK-331	330PF 50V CERAMIC	D
C387	QCBB1HK-331	330PF 50V CERAMIC	D
C388	QCBB1HK-331	330PF 50V CERAMIC	D
C389	QCBB1HK-331	330PF 50V CERAMIC	D
C390	QCBB1HK-331	330PF 50V CERAMIC	D
C395	QETB1EM-106	10MF 25V ELECTRO	
C396	QETB1EM-106	10MF 25V ELECTRO	
C401	EEZ0603-108	1000MF ELECTRO	
C402	QCZ0205-155	1.5MF 25V CERAMIC	
C403	QETB1AM-107	100MF 10V ELECTRO	
C404	QCF21HP-103	0.01MF 50V CERAMIC	
C405	QETB0JM-477	470MF 6.3V ELECTRO	
C406	QCZ0205-155	1.5MF 25V CERAMIC	
C407	QETB1AM-107	100MF 10V ELECTRO	
C408	QCZ0205-155	1.5MF 25V CERAMIC	
C409	QETB1HM-225	2.2MF 50V ELECTRO	
C410	QCY21HK-102	1000PF 50V CERAMIC	
C431	QETB2AM-227	220MF 100V ELECTRO	
C432	QFN81HJ-104	0.1MF 50V MYLAR	
C437	QETB1HM-474	0.47MF 50V ELECTRO	
C438	QFN81HK-102	1000PF 50V MYLAR	

△ : SAFETY PARTS

Capacitors

Δ	ITEM	PART NUMBER	DESCRIPTION			AREA
	C439	QC20205-155	1.5MF	25V	CERAMIC	
	C440	QC20205-155	1.5MF	25V	CERAMIC	
	C441	QCF21HP-103	0.01MF	50V	CERAMIC	
	C442	QCF21HP-103	0.01MF	50V	CERAMIC	
	C443	QETB1CM-476	47MF	16V	ELECTRO	
	C444	QETB1CM-476	47MF	16V	ELECTRO	
	C445	QCS21HJ-470	47PF	50V	CERAMIC	
	C446	QETB1EM-476	47MF	25V	ELECTRO	
	C447	QCS21HJ-680	68PF	50V	CERAMIC	
	C448	QCHB1EZ-223	0.022MF	25V	CERAMIC	
	C449	QETB1HM-475	4.7MF	50V	ELECTRO	
	C450	QCB1HK-331	330PF	50V	CERAMIC	D
	C501	QETB1EM-106	10MF	25V	ELECTRO	
	C502	QETB1EM-106	10MF	25V	ELECTRO	
	C503	QCS21HJ-470	47PF	50V	CERAMIC	
	C504	QCS21HJ-470	47PF	50V	CERAMIC	
	C507	QCB1HK-101	100PF	50V	CERAMIC	
	C508	QCB1HK-101	100PF	50V	CERAMIC	
	C509	QETB1CM-226	22MF	16V	ELECTRO	
	C510	QETB1CM-226	22MF	16V	ELECTRO	
	C511	QETB1HM-475	4.7MF	50V	ELECTRO	
	C512	QETB1HM-475	4.7MF	50V	ELECTRO	
	C513	QETB1CM-226	22MF	16V	ELECTRO	
	C514	QETB1CM-226	22MF	16V	ELECTRO	
	C515	QETB1HM-475	4.7MF	50V	ELECTRO	
	C516	QETB1HM-475	4.7MF	50V	ELECTRO	
	C521	QCY21HK-272	2700PF	50V	CERAMIC	
	C522	QCY21HK-272	2700PF	50V	CERAMIC	
	C523	QCS21HJ-471	470PF	50V	CERAMIC	
	C524	QCS21HJ-471	470PF	50V	CERAMIC	
	C525	QCY21HK-682	6800PF	50V	CERAMIC	
	C526	QCY21HK-682	6800PF	50V	CERAMIC	
	C527	QCY21HK-122	1200PF	50V	CERAMIC	
	C528	QCY21HK-122	1200PF	50V	CERAMIC	
	C529	QFN81HK-183	0.018MF	50V	MYLAR	
	C530	QFN81HK-183	0.018MF	50V	MYLAR	
	C531	QCY21HK-272	2700PF	50V	CERAMIC	
	C532	QCY21HK-272	2700PF	50V	CERAMIC	
	C533	QFN81HK-473	0.047MF	50V	MYLAR	
	C534	QFN81HK-473	0.047MF	50V	MYLAR	
	C535	QCY21HK-682	6800PF	50V	CERAMIC	
	C536	QCY21HK-682	6800PF	50V	CERAMIC	
	C537	QFN81HK-104	0.1MF	50V	MYLAR	
	C538	QFN81HK-104	0.1MF	50V	MYLAR	
	C539	QFN81HK-183	0.018MF	50V	MYLAR	
	C540	QFN81HK-183	0.018MF	50V	MYLAR	
	C541	QFV81HJ-274	0.27MF	50V	T.FILM	
	C542	QFV81HJ-274	0.27MF	50V	T.FILM	
	C543	QFN81HK-473	0.047MF	50V	MYLAR	
	C544	QFN81HK-473	0.047MF	50V	MYLAR	
	C545	QFV81HJ-684	0.68MF	50V	T.FILM	
	C546	QFV81HJ-684	0.68MF	50V	T.FILM	
	C547	QFN81HK-124	0.12MF	50V	MYLAR	
	C548	QFN81HK-124	0.12MF	50V	MYLAR	
	C551	QETB1HM-476	47MF	50V	ELECTRO	
	C552	QETB1HM-476	47MF	50V	ELECTRO	
	C553	QETB1HM-475	4.7MF	50V	ELECTRO	
	C554	QETB1HM-475	4.7MF	50V	ELECTRO	
	C557	QCF21HP-223	0.022MF	50V	CERAMIC	
	C558	QCF21HP-223	0.022MF	50V	CERAMIC	
	C559	QCF21HP-223	0.022MF	50V	CERAMIC	
	C561	QETB1CM-476	47MF	16V	ELECTRO	
	C562	QETB1CM-476	47MF	16V	ELECTRO	
	C563	QCY21HK-472	4700PF	50V	CERAMIC	
	C564	QCY21HK-472	4700PF	50V	CERAMIC	
	C565	QETB1AM-107	100NF	10V	ELECTRO	
	C567	QETB1AM-107	100MF	10V	ELECTRO	

Δ : SAFETY PARTS

Resistors

Δ	ITEM	PART NUMBER	DESCRIPTION			AREA
	R301	QRD167J-5R6	5.6	1/6W	CARBON	
	R302	QRD167J-5R6	5.6	1/6W	CARBON	
	R303	QRD167J-101	100	1/6W	CARBON	
	R304	QRD167J-101	100	1/6W	CARBON	
	R305	QRD167J-562	5.6K	1/6W	CARBON	
	R306	QRD167J-562	5.6K	1/6W	CARBON	
	R307	QRD167J-562	5.6K	1/6W	CARBON	
	R308	QRD167J-562	5.6K	1/6W	CARBON	
	R309	QRD167J-270	27	1/6W	CARBON	
	R310	QRD167J-270	27	1/6W	CARBON	
	R311	QRD167J-561	560	1/6W	CARBON	
	R312	QRD167J-561	560	1/6W	CARBON	
	R313	QRD167J-222	2.2K	1/6W	CARBON	
	R314	QRD167J-222	2.2K	1/6W	CARBON	
	R315	QRD167J-272	2.7K	1/6W	CARBON	

Δ : SAFETY PARTS

Resistors

Δ	ITEM	PART NUMBER	DESCRIPTION			AREA
	R316	QRD167J-272	2.7K	1/6W	CARBON	
	R317	QRD167J-273	27K	1/6W	CARBON	
	R318	QRD167J-273	27K	1/6W	CARBON	
	R319	QRD167J-273	27K	1/6W	CARBON	
	R320	QRD167J-273	27K	1/6W	CARBON	
	R321	QRD167J-181	180	1/6W	CARBON	
	R322	QRD167J-181	180	1/6W	CARBON	
	R323	QRD167J-200	20	1/6W	CARBON	
	R324	QRD167J-200	20	1/6W	CARBON	
	R325	QRD167J-153	15K	1/6W	CARBON	
	R326	QRD167J-153	15K	1/6W	CARBON	
	R327	QRD167J-184	180K	1/6W	CARBON	
	R328	QRD167J-184	180K	1/6W	CARBON	
	R329	QRD167J-331	330	1/6W	CARBON	
	R330	QRD167J-331	330	1/6W	CARBON	
	R331	QRD167J-104	100K	1/6W	CARBON	
	R332	QRD167J-104	100K	1/6W	CARBON	
	R333	QRD167J-473	47K	1/6W	CARBON	
	R334	QRD167J-473	47K	1/6W	CARBON	
	R335	QRD167J-471	470	1/6W	CARBON	
	R336	QRD167J-471	470	1/6W	CARBON	
	R337	QRD167J-331	330	1/6W	CARBON	D
	R338	QRD167J-331	330	1/6W	CARBON	D
	R341	QRD167J-473	47K	1/6W	CARBON	
	R342	QRD167J-473	47K	1/6W	CARBON	
Δ	R343	QRD14CJ-680S	68	1/4W	UNF. CARBON	A
Δ	R343	QRZ0077-680	68	1/4W	FUSIBLE	B
Δ	R343	QRZ0077-680	68	1/4W	FUSIBLE	C
Δ	R343	QRZ0077-680	68	1/4W	FUSIBLE	D
Δ	R343	QRZ0077-680	68	1/4W	FUSIBLE	E
Δ	R344	QRD14CJ-680S	68	1/4W	UNF. CARBON	A
Δ	R344	QRZ0077-680	68	1/4W	FUSIBLE	B
Δ	R344	QRZ0077-680	68	1/4W	FUSIBLE	C
Δ	R344	QRZ0077-680	68	1/4W	FUSIBLE	D
Δ	R344	QRZ0077-680	68	1/4W	FUSIBLE	E
	R347	QRD167J-104	100K	1/6W	CARBON	
	R351	QRD167J-471	470	1/6W	CARBON	
	R352	QRD167J-471	470	1/6W	CARBON	
	R353	QRD167J-471	470	1/6W	CARBON	
	R354	QRD167J-471	470	1/6W	CARBON	
	R355	QRD167J-471	470	1/6W	CARBON	
	R356	QRD167J-471	470	1/6W	CARBON	
	R357	QRD167J-471	470	1/6W	CARBON	
	R358	QRD167J-471	470	1/6W	CARBON	
	R359	QRD167J-471	470	1/6W	CARBON	
	R360	QRD167J-471	470	1/6W	CARBON	
	R361	QRD167J-471	470	1/6W	CARBON	A
	R361	QRD167J-471	470	1/6W	CARBON	B
	R361	QRD167J-471	470	1/6W	CARBON	C
	R361	QRD167J-102	1K	1/6W	CARBON	D
	R361	QRD167J-471	470	1/6W	CARBON	E
	R362	QRD167J-471	470	1/6W	CARBON	A
	R362	QRD167J-471	470	1/6W	CARBON	B
	R362	QRD167J-471	470	1/6W	CARBON	C
	R362	QRD167J-102	1K	1/6W	CARBON	D
	R362	QRD167J-471	470	1/6W	CARBON	E
	R363	QRD167J-471	470	1/6W	CARBON	
	R364	QRD167J-471	470	1/6W	CARBON	
Δ	R365	QRD14CJ-680S	68	1/4W	UNF. CARBON	A
Δ	R365	QRZ0077-680	68	1/4W	FUSIBLE	B
Δ	R365	QRZ0077-680	68	1/4W	FUSIBLE	C
Δ	R365	QRZ0077-680	68	1/4W	FUSIBLE	D
Δ	R365	QRZ0077-680	68	1/4W	FUSIBLE	E
Δ	R366	QRD14CJ-680S	68	1/4W	UNF. CARBON	A
Δ	R366	QRZ0077-680	68	1/4W	FUSIBLE	B
Δ	R366	QRZ0077-680	68	1/4W	FUSIBLE	C
Δ	R366	QRZ0077-680	68	1/4W	FUSIBLE	D
Δ	R366	QRZ0077-680	68	1/4W	FUSIBLE	E
Δ	R367	QRD14CJ-100S	10	1/4W	UNF. CARBON	A
Δ	R367	QRZ0077-100	10	1/4W	FUSIBLE	B
Δ	R367	QRZ0077-100	10	1/4W	FUSIBLE	C
Δ	R367	QRZ0077-100	10	1/4W	FUSIBLE	D
Δ	R367	QRZ0077-100	10	1/4W	FUSIBLE	E
Δ	R368	QRD14CJ-100S	10	1/4W	UNF. CARBON	A
Δ	R368	QRZ0077-100	10	1/4W	FUSIBLE	B
Δ	R368	QRZ0077-100	10	1/4W	FUSIBLE	C
Δ	R368	QRZ0077-100	10	1/4W	FUSIBLE	D
Δ	R368	QRZ0077-100	10	1/4W	FUSIBLE	E
	R371	QRD167J-683	68K	1/6W	CARBON	
	R372	QRD167J-683	68K	1/6W	CARBON	
	R373	QRD167J-154	150K	1/6W	CARBON	
	R374	QRD167J-154	150K	1/6W	CARBON	
	R375	QRD167J-104	100K	1/6W	CARBON	
	R376	QRD167J-104	100K	1/6W	CARBON	
	R381	QRD167J-471	470	1/6W	CARBON	
	R382	QRD167J-471	470	1/6W	CARBON	
	R383	QRD167J-471	470	1/6W	CARBON	
	R384	QRD167J-471	470	1/6W	CARBON	
	R385	QRD167J-471	470	1/6W	CARBON	
	R386	QRD167J-471	470	1/6W	CARBON	

Δ : SAFETY PARTS

Resistors

Δ	ITEM	PART NUMBER	DESCRIPTION			AREA
	R387	QRD167J-471	470	1/6W	CARBON	
	R388	QRD167J-471	470	1/6W	CARBON	
	R389	QRD167J-471	470	1/6W	CARBON	
	R390	QRD167J-471	470	1/6W	CARBON	
	R391	QRD167J-103	10K	1/6W	CARBON	
	R392	QRD167J-512	5.1K	1/6W	CARBON	
	R393	QRD167J-103	10K	1/6W	CARBON	
	R394	QRD167J-512	5.1K	1/6W	CARBON	
	R395	QRD167J-104	100K	1/6W	CARBON	
	R396	QRD167J-104	100K	1/6W	CARBON	
	R401	QRD167J-473	47K	1/6W	CARBON	
	R402	QRD167J-473	47K	1/6W	CARBON	
	R403	QRD167J-473	47K	1/6W	CARBON	
	R404	QRD167J-104	100K	1/6W	CARBON	
	R405	QRD167J-104	100K	1/6W	CARBON	
	R406	QRD167J-473	47K	1/6W	CARBON	
	R407	QRD167J-102	1K	1/6W	CARBON	
	R408	QRD167J-473	47K	1/6W	CARBON	
	R409	QRD167J-473	47K	1/6W	CARBON	
	R410	QRD167J-473	47K	1/6W	CARBON	
	R411	QRD167J-473	47K	1/6W	CARBON	
	R412	QRD167J-473	47K	1/6W	CARBON	
	R415	QRD167J-103	10K	1/6W	CARBON	
	R436	QRD167J-273	27K	1/6W	CARBON	
	R437	QRD167J-153	15K	1/6W	CARBON	
	R438	QRD167J-562	5.6K	1/6W	CARBON	
	R439	QRD167J-103	10K	1/6W	CARBON	
	R440	QRD167J-393	39K	1/6W	CARBON	
	R441	QRD167J-152	1.5K	1/6W	CARBON	
	R442	QRD167J-470	47	1/6W	CARBON	
	R443	QRD167J-223	22K	1/6W	CARBON	
	R444	QRD167J-223	22K	1/6W	CARBON	
	R445	QRD167J-273	27K	1/6W	CARBON	
	R446	QRD167J-682	6.8K	1/6W	CARBON	
	R447	QRD167J-104	100K	1/6W	CARBON	
	R448	QRD167J-220	22	1/6W	CARBON	
	R449	QRD167J-104	100K	1/6W	CARBON	
	R501	QRD167J-153	15K	1/6W	CARBON	
	R502	QRD167J-153	15K	1/6W	CARBON	
	R503	QRD167J-104	100K	1/6W	CARBON	
	R504	QRD167J-104	100K	1/6W	CARBON	
	R505	QRD167J-823	82K	1/6W	CARBON	
	R506	QRD167J-823	82K	1/6W	CARBON	
	R507	QRD167J-101	100	1/6W	CARBON	
	R508	QRD167J-101	100	1/6W	CARBON	
	R509	QRD167J-103	10K	1/6W	CARBON	
	R510	QRD167J-103	10K	1/6W	CARBON	
	R511	QRD167J-103	10K	1/6W	CARBON	
	R512	QRD167J-103	10K	1/6W	CARBON	
	R513	QRD167J-224	220K	1/6W	CARBON	
	R514	QRD167J-224	220K	1/6W	CARBON	
	R515	QRD167J-224	220K	1/6W	CARBON	
	R516	QRD167J-224	220K	1/6W	CARBON	
	R517	QRD167J-223	22K	1/6W	CARBON	
	R518	QRD167J-223	22K	1/6W	CARBON	
	R519	QRD167J-333	33K	1/6W	CARBON	
	R520	QRD167J-333	33K	1/6W	CARBON	
	R521	QRD167J-104	100K	1/6W	CARBON	
	R522	QRD167J-104	100K	1/6W	CARBON	
Δ	R531	QRD14CJ-560S	56	1/4W	UNF. CARBON	A
Δ	R531	QRZ0077-560	56	1/4W	FUSIBLE	B
Δ	R531	QRZ0077-560	56	1/4W	FUSIBLE	C
Δ	R531	QRZ0077-560	56	1/4W	FUSIBLE	D
Δ	R531	QRZ0077-560	56	1/4W	FUSIBLE	E
Δ	R532	QRD14CJ-560S	56	1/4W	UNF. CARBON	A
Δ	R532	QRZ0077-560	56	1/4W	FUSIBLE	B
Δ	R532	QRZ0077-560	56	1/4W	FUSIBLE	C
Δ	R532	QRZ0077-560	56	1/4W	FUSIBLE	D
Δ	R532	QRZ0077-560	56	1/4W	FUSIBLE	E
Δ	R535	QRD12CJ-221S	220	1/2W	R.NETWORK	A
Δ	R535	QRD12CJ-221S	220	1/2W	R.NETWORK	B
Δ	R535	QRD14CJ-331S	330	1/4W	UNF. CARBON	C
Δ	R535	QRD14CJ-331S	330	1/4W	UNF. CARBON	D
Δ	R535	QRD14CJ-331S	330	1/4W	UNF. CARBON	E
Δ	R536	QRD14CJ-271S	270	1/4W	UNF. CARBON	
	R537	QRD167J-681	680	1/6W	CARBON	
	R538	QRD167J-272	2.7K	1/6W	CARBON	
Δ	R561	QRD14CJ-100S	10	1/4W	UNF. CARBON	
Δ	R562	QRD14CJ-100S	10	1/4W	UNF. CARBON	
	R563	QRD167J-272	2.7K	1/6W	CARBON	
	R564	QRD167J-272	2.7K	1/6W	CARBON	
	RA401	QRB169J-104	100K	1/10W	R.NETWORK	
	RA402	QRB149J-104	100K	1/10W	R.NETWORK	
	RA403	QRB055J-473	47K	1/8W	R.NETWORK	
	RA501	QRB079J-474	470K	1/10W	R.NETWORK	
	RA502	QRB079J-474	470K	1/10W	R.NETWORK	

Δ : SAFETY PARTS

Others

Δ	ITEM	PART NUMBER	DESCRIPTION		AREA
		EMW10148-003	CIRCUIT BOARD		
	J301	EMN00TV-209A	2P PIN JACK		
	J302	EMN00TV-613A	6P PIN JACK		
	J303	EMN00TV-613A	6P PIN JACK		
	J304	EMN00TV-613A	6P PIN JACK		
	J305	EMN00TV-613A	6P PIN JACK		
	L337	EQL4004-270	INDUCTOR		D
	L338	EQL4004-270	INDUCTOR		D
	L339	EQL4004-220	INDUCTOR		D
	L340	EQL4004-220	INDUCTOR		D
	P414	EMV7122-103	CONNECTOR(3PIN)		
	P415	EMV7122-103	CONNECTOR(3PIN)		
	EP401	E70859-001	EARTH PLATE		
	FW101	EWR38B-35KST	FLAT WIRE(8PIN)		
	FW103	EWR36B-25KST	FLAT WIRE(6PIN)		
	FW105	EWR33B-50KST	FLAT WIRE(3PIN)		C
	PA244	EMV5142-904	PLUG ASSY(4PIN)		
	PA301	EMV5109-003A	PLUG ASSY(3PIN)		
	PA302	EMV5109-004A	PLUG ASSY(4PIN)		
	PA303	EMV5142-909	PLUG ASSY(9PIN)		
	PA304	EMV5142-906	PLUG ASSY(6PIN)		
	PA305	EMV5142-908	PLUG ASSY(8PIN)		
	PA331	EMV5109-003A	PLUG ASSY(3PIN)		
	PA332	EMV5109-003A	PLUG ASSY(3PIN)		
	PA403	EMV7123-020	CONNECTOR(20PIN)		
	PA651	EMV5109-006A	PLUG ASSY(6PIN)		
	PA653	EMV5142-904	PLUG ASSY(4PIN)		
	PA654	EMV5142-907	PLUG ASSY(7PIN)		
	PB331	EWS293-0108	SOCKET WIRE(3PIN)		
	PB332	EWS293-0111	SOCKET WIRE(3PIN)		
	PB401	EMV7123-021	CONNECTOR(21PIN)		
	PB402	EMV7123-019	CONNECTOR(19PIN)		
	PB411	EMV5122-008R	PLUG ASSY(8PIN)		
	PB412	EMV5122-008R	PLUG ASSY(8PIN)		
	PB413	EMV5122-006R	PLUG ASSY(6PIN)		
	PB421	EWS327-A932	SOCKET WIRE(7PIN)		
	PB422	EWS328-A946	SOCKET WIRE(8PIN)		
	PB423	EWS325-A945	SOCKET WIRE(5PIN)		
	XT401	ECX0060-000EM	RESONATOR		
	XT402	ECX0072-000EM	RESONATOR		

Δ : SAFETY PARTS

Note (1)

PC Board Ass'y	Designated Areas
ENB-137 A	the U.S.A.
ENB-137 B	Canada
ENB-137 C	Universal Type (with PAL)
ENB-137 D	Continental Europe (with PAL) Germany (with PAL) the U.K. (with PAL)
ENB-137 E	Australia (with PAL)

Transistors

△	ITEM	PART NUMBER	DESCRIPTION		AREA
	Q211	2SK301(P,Q)	F.E.T	MATSUSHITA	
	Q212	2SK301(P,Q)	F.E.T	MATSUSHITA	
	Q213	2SK301(P,Q)	F.E.T	MATSUSHITA	
	Q214	2SK301(P,Q)	F.E.T	MATSUSHITA	
	Q215	DTA114YS	SILICON	ROHM	
	Q216	DTC144ES	SILICON	ROHM	
	Q221	2SK301(P,Q)	F.E.T	MATSUSHITA	
	Q222	2SK301(P,Q)	F.E.T	MATSUSHITA	
	Q231	2SK301(P,Q)	F.E.T	MATSUSHITA	
	Q232	2SK301(P,Q)	F.E.T	MATSUSHITA	
	Q233	2SK301(P,Q)	F.E.T	MATSUSHITA	
	Q234	2SK301(P,Q)	F.E.T	MATSUSHITA	
	Q251	DTA114YS	SILICON	ROHM	
	Q252	DTC144ES	SILICON	ROHM	
	Q253	DTC144ES	SILICON	ROHM	
	Q254	2SC1740(R,S)	SILICON	ROHM	
	Q261	2SK301(P,Q)	F.E.T	MATSUSHITA	
	Q262	2SK301(P,Q)	F.E.T	MATSUSHITA	
	Q381	DTC114YS	SILICON	ROHM	
	Q382	DTC144ES	SILICON	ROHM	
	Q383	DTC114YS	SILICON	ROHM	
	Q421	2SC1740S(R,S)	SILICON	ROHM	
	Q422	2SC1740S(R,S)	SILICON	ROHM	
	Q461	DTC114ES	SILICON	ROHM	
	Q462	DTC114ES	SILICON	ROHM	
	Q463	DTC114ES	SILICON	ROHM	
	Q465	2SC1740S(R,S)	SILICON	ROHM	
	Q466	2SC1740S(R,S)	SILICON	ROHM	

△ : SAFETY PARTS

I.C.s

△	ITEM	PART NUMBER	DESCRIPTION		AREA
	IC211	TC9177P	I.C.	TOSHIBA	
	IC212	VC4580LD	I.C.	DAINICHI	
	IC221	TC9176P	I.C.	TOSHIBA	
	IC222	VC4580L	I.C.	DAINICHI	
	IC231	TC9176P	I.C.	TOSHIBA	
	IC232	VC4580L	I.C.	DAINICHI	
	IC261	UPC324C	I.C.	NEC	
	IC281	UPC324C	I.C.	NEC	
	IC421	LC6514B-4131	I.C.	SANYO	
	IC461	MN171202JPD	I.C.	MATSUSHITA	
	IC462	TC74HC154AP	I.C.	TOSHIBA	
	IC463	MSL915ARS	I.C.	NIHON DENSO	
	IC464	MSL915ARS	I.C.	NIHON DENSO	
	IC465	MSC7112-01SS	I.C.	NIHON DENSO	
	IC466	GP1U501X	I.C.	SHARP	

△ : SAFETY PARTS

Diodes

△	ITEM	PART NUMBER	DESCRIPTION		AREA
	D251	1SS133	SILICON	ROHM	
	D252	1SS133	SILICON	ROHM	
	D253	1SS133	SILICON	ROHM	
	D254	MTZ3.9JB	ZENER	ROHM	
	D255	1SS133	SILICON	ROHM	
	D381	1SS133	SILICON	ROHM	
	D382	1SS133	SILICON	ROHM	
	D383	1SS133	SILICON	ROHM	
	D384	1SS133	SILICON	ROHM	
	D385	MTZ6.2JC	ZENER	ROHM	
	D421	1SS133	SILICON	ROHM	
	D422	1SS133	SILICON	ROHM	
	D426	1SS133	SILICON	ROHM	
	D427	1SS133	SILICON	ROHM	C
	D428	1SS133	SILICON	ROHM	

△ : SAFETY PARTS

Diodes

△	ITEM	PART NUMBER	DESCRIPTION		AREA
	D430	1SS133	SILICON	ROHM	
	D431	1SS133	SILICON	ROHM	
	D432	1SS133	SILICON	ROHM	
	D433	1SS133	SILICON	ROHM	
	D434	1SS133	SILICON	ROHM	
	D435	1SS133	SILICON	ROHM	
	D436	1SS133	SILICON	ROHM	A
	D436	1SS133	SILICON	ROHM	B
	D437	1SS133	SILICON	ROHM	D
	D437	1SS133	SILICON	ROHM	E
	D439	1SS133	SILICON	ROHM	C
	D443	MTZ8.2JC	ZENER	ROHM	
	D444	MTZ8.2JC	ZENER	ROHM	
	D445	MTZ8.2JC	ZENER	ROHM	
	D446	MTZ8.2JC	ZENER	ROHM	
	D447	MTZ8.2JC	ZENER	ROHM	
	D448	MTZ8.2JC	ZENER	ROHM	
	D449	MTZ8.2JC	ZENER	ROHM	
	D450	MTZ8.2JC	ZENER	ROHM	
	D451	MTZ8.2JC	ZENER	ROHM	
	D452	MTZ8.2JC	ZENER	ROHM	
	D453	MTZ8.2JC	ZENER	ROHM	
	D454	MTZ8.2JC	ZENER	ROHM	
	D455	MTZ8.2JC	ZENER	ROHM	
	D461	1SS133	SILICON	ROHM	A
	D461	1SS133	SILICON	ROHM	B
	D461	1SS133	SILICON	ROHM	D
	D461	1SS133	SILICON	ROHM	E
	D462	1SS133	SILICON	ROHM	
	D463	1SS133	SILICON	ROHM	
	D464	1SS133	SILICON	ROHM	
	D465	1SS133	SILICON	ROHM	
	D466	1SS133	SILICON	ROHM	
	D467	1SS133	SILICON	ROHM	
	D468	1SS133	SILICON	ROHM	
	D469	1SS133	SILICON	ROHM	
	D470	1SS133	SILICON	ROHM	
	D471	1SS133	SILICON	ROHM	
	D472	1SS133	SILICON	ROHM	
	D473	1SS133	SILICON	ROHM	
	D475	1SS133	SILICON	ROHM	
	D476	1SS133	SILICON	ROHM	
	D477	1SS133	SILICON	ROHM	
	D478	1SS133	SILICON	ROHM	
	D479	1SS133	SILICON	ROHM	
	D480	SLR-54VC70F124	L.E.D.	ROHM	A
	D480	SLR-54VC70F124	L.E.D.	ROHM	B
	D480	SLR-54VC70F124	L.E.D.	ROHM	C
	D480	SLA-580LT70F124	L.E.D.	ROHM	D
	D480	SLR-54VC70F124	L.E.D.	ROHM	E
	D481	SLR-34DC50F124	L.E.D.	ROHM	
	D482	SLR-34YC50F124	L.E.D.	ROHM	
	D483	SLR-34YC50F124	L.E.D.	ROHM	
	D484	SLR-34YC50F124	L.E.D.	ROHM	
	D891	MTZ16JC	ZENER	ROHM	C
	D891	MTZ16JC	ZENER	ROHM	D
	D891	MTZ16JC	ZENER	ROHM	E

△ : SAFETY PARTS

Capacitors

△	ITEM	PART NUMBER	DESCRIPTION			AREA
	C211	QEK51HM-475	4.7MF	50V	ELECTRO	
	C212	QEK51HM-475	4.7MF	50V	ELECTRO	
	C213	QCS21HJ-181	180PF	50V	CERAMIC	
	C214	QCS21HJ-181	180PF	50V	CERAMIC	
	C215	QFM81HK-333	0.033MF	50V	MYLAR	
	C216	QFM81HK-333	0.033MF	50V	MYLAR	
	C217	QETB1HM-105	1MF	50V	ELECTRO	
	C218	QETB1HM-105	1MF	50V	ELECTRO	
	C219	QETB1EM-106	10MF	25V	ELECTRO	
	C220	QETB1EM-106	10MF	25V	ELECTRO	
	C221	QETB1HM-225	2.2MF	50V	ELECTRO	
	C223	QCF21HP-223	0.022MF	50V	CERAMIC	
	C224	QCF21HP-223	0.022MF	50V	CERAMIC	
	C225	QEK51HM-475	4.7MF	50V	ELECTRO	
	C226	QEK51HM-105G	1MF	50V	ELECTRO	
	C227	QEK51EM-106	10MF	25V	ELECTRO	
	C229	QCF21HP-223	0.022MF	50V	CERAMIC	
	C230	QCF21HP-223	0.022MF	50V	CERAMIC	
	C231	QEK51HM-475	4.7MF	50V	ELECTRO	
	C232	QEK51HM-475	4.7MF	50V	ELECTRO	
	C233	QEK51HM-105G	1MF	50V	ELECTRO	
	C234	QEK51HM-105G	1MF	50V	ELECTRO	
	C235	QEK51EM-106	10MF	25V	ELECTRO	
	C236	QEK51EM-106	10MF	25V	ELECTRO	
	C237	QCF21HP-223	0.022MF	50V	CERAMIC	
	C238	QCF21HP-223	0.022MF	50V	CERAMIC	
	C241	QEK51EM-476	47MF	25V	ELECTRO	
	C242	QEK51EM-476	47MF	25V	ELECTRO	
	C251	QETB1HM-475	4.7MF	50V	ELECTRO	
	C252	QETB1EM-227	220MF	25V	ELECTRO	

△ : SAFETY PARTS

Capacitors

Δ	ITEM	PART NUMBER	DESCRIPTION			AREA
	C253	QETB1EM-106	10MF	25V	ELECTRO	
	C263	QEK51HM-475	4.7MF	50V	ELECTRO	
	C264	QEK51HM-475	4.7MF	50V	ELECTRO	
	C265	QEK51HM-475	4.7MF	50V	ELECTRO	
	C266	QEK51HM-475	4.7MF	50V	ELECTRO	
	C272	QEK51HM-475	4.7MF	50V	ELECTRO	
	C273	QEK51HM-475	4.7MF	50V	ELECTRO	
	C281	QCSB1HJ-680	68PF	50V	CERAMIC	
	C282	QCSB1HJ-680	68PF	50V	CERAMIC	
	C283	QEK51HM-475	4.7MF	50V	ELECTRO	
	C284	QEK51HM-475	4.7MF	50V	ELECTRO	
	C285	QEK51HM-475	4.7MF	50V	ELECTRO	
	C286	QEK51HM-475	4.7MF	50V	ELECTRO	
	C287	QCSB1HJ-680	68PF	50V	CERAMIC	
	C288	QEK51HM-475	4.7MF	50V	ELECTRO	
	C289	QEK51HM-475	4.7MF	50V	ELECTRO	
	C291	QETB1EM-476	4.7MF	25V	ELECTRO	
	C292	QETB1EM-476	4.7MF	25V	ELECTRO	
	C293	QCHB1EZ-223	0.022MF	25V	CERAMIC	
	C294	QCHB1EZ-223	0.022MF	25V	CERAMIC	
	C383	QCF21HP-103	0.01MF	50V	CERAMIC	A
	C383	QCF21HP-103	0.01MF	50V	CERAMIC	D
	C421	QER40JM-337E	330MF	6.3V	ELECTRO	
	C422	QCZ0205-155	1.5MF	25V	CERAMIC	
	C423	QCBB1HK-101	100PF	50V	CERAMIC	
	C424	QCBB1HK-101	100PF	50V	CERAMIC	
	C425	QER51EM-475G	4.7MF	25V	ELECTRO	
	C461	QER40JM-337E	330MF	6.3V	ELECTRO	
	C462	QCZ0205-155	1.5MF	25V	CERAMIC	
	C465	QER40JM-107E	100MF	6.3V	ELECTRO	
	C466	QCZ0205-155	1.5MF	25V	CERAMIC	
	C467	QCBB1HK-101	100PF	50V	CERAMIC	
	C468	QCBB1HK-221	220PF	50V	CERAMIC	
	C469	QCZ0205-155	1.5MF	25V	CERAMIC	
	C470	QCZ0205-155	1.5MF	25V	CERAMIC	
	C471	QER41HM-336E	33MF	50V	ELECTRO	
	C472	QCHB1EZ-223	0.022MF	25V	CERAMIC	
	C473	QCHB1EZ-223	0.022MF	25V	CERAMIC	

Δ : SAFETY PARTS

Resistors

Δ	ITEM	PART NUMBER	DESCRIPTION			AREA
	R211	QRD167J-104	100K	1/6W	CARBON	
	R212	QRD167J-104	100K	1/6W	CARBON	
	R213	QRD167J-563	56K	1/6W	CARBON	
	R214	QRD167J-563	56K	1/6W	CARBON	
	R215	QRD167J-105	1M	1/6W	CARBON	
	R216	QRD167J-105	1M	1/6W	CARBON	
	R217	QRD167J-563	56K	1/6W	CARBON	
	R218	QRD167J-563	56K	1/6W	CARBON	
	R219	QRD167J-102	1K	1/6W	CARBON	
	R220	QRD167J-102	1K	1/6W	CARBON	
	R221	QRD167J-105	1M	1/6W	CARBON	
	R222	QRD167J-105	1M	1/6W	CARBON	
	R223	QRD167J-103	10K	1/6W	CARBON	A
	R223	QRV144F-1002	10K	1/4W	M.FILM	B
Δ	R223	QRV144F-1002	10K	1/4W	M.FILM	C
Δ	R223	QRV144F-1002	10K	1/4W	M.FILM	D
Δ	R223	QRV144F-1002	10K	1/4W	M.FILM	E
	R224	QRD167J-103	10K	1/6W	CARBON	A
	R224	QRD167J-103	10K	1/6W	CARBON	B
Δ	R224	QRV144F-1002	10K	1/4W	M.FILM	C
Δ	R224	QRV144F-1002	10K	1/4W	M.FILM	D
Δ	R224	QRV144F-1002	10K	1/4W	M.FILM	E
	R225	QRD167J-103	10K	1/6W	CARBON	A
	R225	QRD167J-103	10K	1/6W	CARBON	B
Δ	R225	QRV144F-1002	10K	1/4W	M.FILM	C
Δ	R225	QRV144F-1002	10K	1/4W	M.FILM	D
Δ	R225	QRV144F-1002	10K	1/4W	M.FILM	E
	R226	QRD167J-103	10K	1/6W	CARBON	A
	R226	QRD167J-103	10K	1/6W	CARBON	B
Δ	R226	QRV144F-1002	10K	1/4W	M.FILM	C
Δ	R226	QRV144F-1002	10K	1/4W	M.FILM	D
Δ	R226	QRV144F-1002	10K	1/4W	M.FILM	E
	R227	QRD167J-103	10K	1/6W	CARBON	
	R228	QRD167J-103	10K	1/6W	CARBON	
	R229	QRD167J-753	75K	1/6W	CARBON	
	R230	QRD167J-683	68K	1/6W	CARBON	
	R232	QRD167J-105	1M	1/6W	CARBON	
	R233	QRD167J-103	10K	1/6W	CARBON	
	R234	QRD167J-332	3.3K	1/6W	CARBON	
	R235	QRD167J-103	10K	1/6W	CARBON	
	R236	QRD167J-103	10K	1/6W	CARBON	
	R237	QRD167J-105	1M	1/6W	CARBON	
	R238	QRD167J-105	1M	1/6W	CARBON	
	R239	QRD167J-103	10K	1/6W	CARBON	
	R240	QRD167J-103	10K	1/6W	CARBON	

Δ : SAFETY PARTS

Resistors

Δ	ITEM	PART NUMBER	DESCRIPTION			AREA
	R241	QRD167J-332	3.3K	1/6W	CARBON	
	R242	QRD167J-332	3.3K	1/6W	CARBON	
	R243	QRD167J-103	10K	1/6W	CARBON	
	R244	QRD167J-103	10K	1/6W	CARBON	
	R245	QRD167J-103	10K	1/6W	CARBON	
	R246	QRD167J-103	10K	1/6W	CARBON	
	R247	QRD167J-331	330	1/6W	CARBON	
	R251	QRD167J-333	33K	1/6W	CARBON	
	R252	QRD167J-104	100K	1/6W	CARBON	
Δ	R253	QRD14CJ-680S	68	1/4W	UNF. CARBON	A
Δ	R253	QRZ0077-680	68	1/4W	FUSIBLE	B
Δ	R253	QRZ0077-680	68	1/4W	FUSIBLE	C
Δ	R253	QRZ0077-680	68	1/4W	FUSIBLE	D
Δ	R253	QRZ0077-680	68	1/4W	FUSIBLE	E
	R254	QRD167J-562	5.6K	1/6W	CARBON	
	R255	QRD167J-100	10	1/6W	CARBON	
	R256	QRD167J-100	10	1/6W	CARBON	
	R257	QRD167J-182	1.8K	1/6W	CARBON	
	R259	QRD167J-562	5.6K	1/6W	CARBON	
	R261	QRD167J-104	100K	1/6W	CARBON	
	R262	QRD167J-104	100K	1/6W	CARBON	
	R263	QRD167J-105	1M	1/6W	CARBON	
	R264	QRD167J-105	1M	1/6W	CARBON	
	R265	QRD167J-104	100K	1/6W	CARBON	
	R266	QRD167J-104	100K	1/6W	CARBON	
	R267	QRD167J-103	10K	1/6W	CARBON	
	R268	QRD167J-103	10K	1/6W	CARBON	
	R269	QRD167J-331	330	1/6W	CARBON	
	R271	QRD167J-104	100K	1/6W	CARBON	
	R272	QRD167J-105	1M	1/6W	CARBON	
	R273	QRD167J-104	100K	1/6W	CARBON	
	R274	QRD167J-103	10K	1/6W	CARBON	
	R275	QRD167J-103	10K	1/6W	CARBON	
	R281	QRD167J-104	100K	1/6W	CARBON	
	R282	QRD167J-104	100K	1/6W	CARBON	
	R283	QRD167J-105	1M	1/6W	CARBON	
	R284	QRD167J-105	1M	1/6W	CARBON	
	R285	QRD167J-153	15K	1/6W	CARBON	
	R286	QRD167J-153	15K	1/6W	CARBON	
	R287	QRD167J-563	56K	1/6W	CARBON	
	R288	QRD167J-563	56K	1/6W	CARBON	
	R289	QRD167J-104	100K	1/6W	CARBON	
	R290	QRD167J-105	1M	1/6W	CARBON	
	R291	QRD167J-153	15K	1/6W	CARBON	
	R292	QRD167J-563	56K	1/6W	CARBON	
	R293	QRD167J-680	68	1/6W	CARBON	
	R294	QRD167J-680	68	1/6W	CARBON	
	R381	QRD167J-103	10K	1/6W	CARBON	
	R382	QRD167J-103	10K	1/6W	CARBON	
	R383	QRD167J-103	10K	1/6W	CARBON	
	R385	QRD167J-221	220	1/6W	CARBON	
	R387	QRD167J-221	220	1/6W	CARBON	
	R388	QRD167J-221	220	1/6W	CARBON	
	R418	QRD167J-471	470	1/6W	CARBON	
	R419	QRD167J-103	10K	1/6W	CARBON	
	R421	QRD167J-105	1M	1/6W	CARBON	
	R422	QRD167J-152	1.5K	1/6W	CARBON	
	R423	QRD167J-272	2.7K	1/6W	CARBON	
	R424	QRD167J-473	47K	1/6W	CARBON	
	R425	QRD167J-221	220	1/6W	CARBON	
	R426	QRD167J-473	47K	1/6W	CARBON	
	R427	QRD167J-223	22K	1/6W	CARBON	
	R428	QRD167J-103	10K	1/6W	CARBON	
	R461	QRD167J-100	10	1/6W	CARBON	
	R463	QRD167J-103	10K	1/6W	CARBON	
	R464	QRD167J-473	47K	1/6W	CARBON	
	R465	QRD167J-223	22K	1/6W	CARBON	
	R466	QRD167J-103	10K	1/6W	CARBON	
	R467	QRD167J-471	470	1/6W	CARBON	
	R468	QRD167J-103	10K	1/6W	CARBON	
	R471	QRD167J-104	100K	1/6W	CARBON	
	R472	QRD167J-221	220	1/6W	CARBON	A
	R472	QRD167J-221	220	1/6W	CARBON	B
	R472	QRD167J-221	220	1/6W	CARBON	C
	R472	QRD167J-221	220	1/6W	CARBON	D
	R472	QRD167J-471	470	1/6W	CARBON	E
	R472	QRD167J-221	220	1/6W	CARBON	
	R473	QRD167J-273	27K	1/6W	CARBON	
	R475	QRD167J-113	11K	1/6W	CARBON	
	R476	QRD167J-113	11K	1/6W	CARBON	
	R477	QRD167J-512	5.1K	1/6W	CARBON	
	R478	QRD167J-512	5.1K	1/6W	CARBON	
	R481	QRD167J-221	220	1/6W	CARBON	
	R482	QRD167J-221	220	1/6W	CARBON	
	R483	QRD167J-221	220	1/6W	CARBON	
	R484	QRD167J-221	220	1/6W	CARBON	
	R491	QRD167J-103	10K	1/6W	CARBON	
	R492	QRD167J-103	10K	1/6W	CARBON	
	R493	QRD167J-103	10K	1/6W	CARBON	
	RA423	QRB049J-473	47K	1/10W	R.NETWORK	
	RA463	QRB079J-104	100K	1/10W	R.NETWORK	

Δ : SAFETY PARTS

Others

ITEM	PART NUMBER	DESCRIPTION	AREA
	EMW10153-003	CIRCUIT BOARD	
	E306805-039	SPACER	
	E307579-001	SHIELD COVER	
	E307704-001	FL.DISPLAY HOLDE	
J381	QMS3L10-0A0	MINI JACK	
J382	QMS3L10-0A0	MINI JACK	
J383	QMS3L10-0A0	MINI JACK	
S241	QST9101-E06	PUSH SWITCH(FRONT,REAR OUTSWITCH)	
S401	ESP0001-018	TACT SWITCH(DIGITAL IN)	
S402	ESP0001-018	TACT SWITCH(MC/MM)	
S403	ESP0001-018	TACT SWITCH(SEA FLAT)	
S404	ESP0001-018	TACT SWITCH(SEA REVERSE)	
S405	ESP0001-018	TACT SWITCH(CSRP MODE)	
S406	ESP0001-018	TACT SWITCH(CSRP)	
S407	ESP0001-018	TACT SWITCH(SEA LEVEL -)	
S408	ESP0001-018	TACT SWITCH(SEA LEVEL +)	
S409	ESP0001-018	TACT SWITCH(CD)	
S410	ESP0001-018	TACT SWITCH(DAT)	
S411	ESP0001-018	TACT SWITCH(CHARA -)	
S412	ESP0001-018	TACT SWITCH(CHARA +)	
S413	ESP0001-018	TACT SWITCH(BAL L)	
S414	ESP0001-018	TACT SWITCH(BAL R)	
S415	ESP0001-018	TACT SWITCH(MODE 2)	
S416	ESP0001-018	TACT SWITCH(CENTER -)	
S417	ESP0001-018	TACT SWITCH(CENTER +)	
S421	ESP0001-018	TACT SWITCH(1)	
S422	ESP0001-018	TACT SWITCH(2)	
S423	ESP0001-018	TACT SWITCH(3)	
S424	ESP0001-018	TACT SWITCH(4)	
S425	ESP0001-018	TACT SWITCH(5)	
S426	ESP0001-018	TACT SWITCH(6)	
S427	ESP0001-018	TACT SWITCH(7)	
S428	ESP0001-018	TACT SWITCH(8)	
S429	ESP0001-018	TACT SWITCH(9)	
S430	ESP0001-018	TACT SWITCH(10)	
S431	ESP0001-018	TACT SWITCH(+10)	
S432	ESP0001-018	TACT SWITCH(MEMO)	
S433	ESP0001-018	TACT SWITCH(AUTO MEMO)	
S434	ESP0001-018	TACT SWITCH(FM MODE MUTE)	
S435	ESP0001-018	TACT SWITCH(TUNE DOWN)	
S436	ESP0001-018	TACT SWITCH(TUNE UP)	
S437	ESP0001-018	TACT SWITCH(AM)	
S438	ESP0001-018	TACT SWITCH(FM)	
S451	ESP0001-018	TACT SWITCH(CSRP TEST)	
S452	ESP0001-018	TACT SWITCH(CSRP MEMO)	
S453	ESP0001-018	TACT SWITCH(CSRP MON)	
S454	ESP0001-018	TACT SWITCH(SEA)	
S455	ESP0001-018	TACT SWITCH(SEA REC)	
S456	ESP0001-018	TACT SWITCH(SEA PRESET)	
S457	ESP0001-018	TACT SWITCH(SEA MEMO)	
S458	ESP0001-018	TACT SWITCH(SEA FREQ. -)	
S459	ESP0001-018	TACT SWITCH(SEA FREQ. +)	
S460	ESP0001-018	TACT SWITCH(VDP)	
S461	ESP0001-018	TACT SWITCH(VCR 1)	
S462	ESP0001-018	TACT SWITCH(VCR 2)	
S463	ESP0001-018	TACT SWITCH(PHONO)	
S464	ESP0001-018	TACT SWITCH(TAPE 1)	
S465	ESP0001-018	TACT SWITCH(TAPE 2)	
S468	ESP0001-018	TACT SWITCH(S.SELECT)	
S469	ESP0001-018	TACT SWITCH(LOUD)	
S470	ESP0001-018	TACT SWITCH(CHARA)	
S471	ESP0001-018	TACT SWITCH(ENTER)	
S472	ESP0001-018	TACT SWITCH(DAP/DOLBY)	
S473	ESP0001-018	TACT SWITCH(ON SCREEN)	
S474	ESP0001-018	TACT SWITCH(REAR -)	
S475	ESP0001-018	TACT SWITCH(REAR +)	
S476	ESP0001-018	TACT SWITCH(PRO LOGIC)	
S477	ESP0001-018	TACT SWITCH(3CH LOGIC)	
S478	ESP0001-018	TACT SWITCH(THEATER)	
S479	ESP0001-018	TACT SWITCH(TEST)	
S480	ESP0001-018	TACT SWITCH(DAP MODE)	
S481	ESP0001-018	TACT SWITCH(DAP REC)	
S482	ESP0001-018	TACT SWITCH(DELAY -)	
S483	ESP0001-018	TACT SWITCH(DELAY +)	
S494	ESP0001-018	TACT SWITCH(LIVE)	
S496	ESP0001-018	TACT SWITCH(SIZE)	
S497	ESP0001-018	TACT SWITCH(WALL)	
S498	ESP0001-018	TACT SWITCH(DAP -)	
S499	ESP0001-018	TACT SWITCH(DAP +)	
EP210	E70225-001	EARTH PLATE	
FL461	ELU0001-126	FL TUBE	
PA241	EMV5109-003A	PLUG ASSY (3PIN)	
PA243	EMV5142-904	PLUG ASSY (4PIN)	
PA246	EMV5142-903	PLUG ASSY (3PIN)	
PA401	EMV7123-021	CONNECTOR (21PIN)	
PA402	EMV7123-019	CONNECTOR (19PIN)	
PA403	EMV7123-020	CONNECTOR (20PIN)	
PA411	EMV7124-008	CONNECTOR (8PIN)	
PA412	EMV7124-008	CONNECTOR (8PIN)	
PA413	EMV7124-006	CONNECTOR (6PIN)	

⚠ SAFETY PARTS

Others

ITEM	PART NUMBER	DESCRIPTION	AREA
PA442	VMC0194-P06	CONNECT TERMINAL (6PIN)	
PA658	EMV5109-003A	PLUG ASSY (7PIN)	
PB302	EWS294-0525	SOCKET WIRE (4PIN)	
PB303	EWS329-A930	SOCKET WIRE (9PIN)	
PB305	EWS328-A940	SOCKET WIRE (8PIN)	
PB425	EWS294-0525	SOCKET WIRE (4PIN)	
PB462	VMC0194-S05	FEMALE CONNECTOR (5PIN)	
PB701	EWS296-0135	SOCKET WIRE (6PIN)	
PB702	EWS293-0135	SOCKET WIRE (3PIN)	
PB834	EWS324-A930	SOCKET WIRE (4PIN)	
RY251	ESK5D12-214	RELAY	
RY252	ESK5D12-214	RELAY	
XT421	ECX0001-000KS	RESONATOR	
XT461	ECX0060-000EM	RESONATOR	

⚠ SAFETY PARTS

Note (1)

PC Board Ass'y	Designated Areas
ENP-040 A	the U.S.A.
ENP-040 B	Canada
ENP-040 C	Universal Type (with PAL)
ENP-040 D	Continental Europe (with PAL) Germany (with PAL) the U.K. (with PAL)
ENP-040 E	Australia (with PAL)

Transistors

ITEM	PART NUMBER	DESCRIPTION	AREA
Q1021	2SA933(R,S)	SILICON ROHM	
Q1031	DTA114YS	SILICON ROHM	
Q1033	2SC3068	SILICON SANYO	
Q1034	2SC3068	SILICON SANYO	
Q1035	2SC3068	SILICON SANYO	
Q1036	2SC3068	SILICON SANYO	
Q1037	2SC3068	SILICON SANYO	
Q1038	2SC3068	SILICON SANYO	
Q1081	2SD1302(S,T)	SILICON MATSUSHITA	
Q1082	2SC535(B,C)	SILICON HITACHI	
Q1141	DTC144ES	SILICON ROHM	
Q1171	2SC3068	SILICON SANYO	
Q1172	2SC3068	SILICON SANYO	
Q1173	DTA114YS	SILICON ROHM	
Q1174	DTA114YS	SILICON ROHM	
Q1175	DTC144ES	SILICON ROHM	
Q1176	DTC144ES	SILICON ROHM	
Q1201	2SC3068	SILICON SANYO	
Q1221	2SC3068	SILICON SANYO	
Q1222	2SC3068	SILICON SANYO	
Q2101	2SC458(C,D)	SILICON HITACHI	
Q2102	2SC458(C,D)	SILICON HITACHI	
Q2103	2SC458(C,D)	SILICON HITACHI	
Q2104	2SC458(C,D)	SILICON HITACHI	
Q2105	DTA144ES	SILICON ROHM	
Q2106	DTA144ES	SILICON ROHM	

△ : SAFETY PARTS

I.C.s

ITEM	PART NUMBER	DESCRIPTION	AREA
IC471	MC14577BP	I.C. NIHON MOTORRR	
IC472	MC14577BP	I.C. NIHON MOTORRR	
IC473	MC14577BP	I.C. NIHON MOTORRR	
IC474	LA7951	I.C. SANYO	
IC475	LA7951	I.C. SANYO	
IC476	NJM78M05FD	I.C. DAINICHI	
IC477	NJM79M05FA	I.C. DAINICHI	
IC481	MC14577BP	I.C. NIHON MOTORRR	
IC482	MC14577BP	I.C. NIHON MOTORRR	
IC483	LA7951	I.C. SANYO	
IC484	BU4066B	I.C. ROHM	
IC485	NJM2229S	I.C. DAINICHI	
IC486	UPD6452CS-507	I.C. NEC	
IC487	NJM78M05FD	I.C. DAINICHI	
IC488	NJM79M05FA	I.C. DAINICHI	
IC651	TC9245N	I.C. TOSHIBA	
IC654	LM2940CT-5.0	I.C. ASAHIGARASU	
IC655	VC458OLD	I.C. DAINICHI	
IC656	VC458OLD	I.C. DAINICHI	
IC657	TC5081AP	I.C. TOSHIBA	
IC661	VC458OLD	I.C. DAINICHI	
IC666	VC458OLD	I.C. DAINICHI	
IC667	CS5339-KP	I.C. ASAHI KASEI	
IC668	MN1281(P,Q)	I.C. MATSUSHITA	
IC670	LC83010N	I.C. SANYO	
IC671	LM33464G-12	I.C. SANYO	
IC672	LM33464G-12	I.C. SANYO	
IC673	SM5818AP	I.C. KANEMATSU	
IC674	SM5840EP	I.C. KANEMATSU	
IC675	SM5807EP	I.C. KANEMATSU	
IC676	PCM67P	I.C. NIHONBARBURAUN	
IC677	PCM67P	I.C. NIHONBARBURAUN	
IC678	UPD6376CX	I.C. NEC	
IC679	VC458OLD	I.C. DAINICHI	
IC680	VC458OLD	I.C. DAINICHI	
IC681	VC458OLD	I.C. DAINICHI	
IC682	VC458OLD	I.C. DAINICHI	
IC683	VC458OLD	I.C. DAINICHI	
IC684	LA2730	I.C. SANYO	
IC685	VC458OLD	I.C. DAINICHI	

△ : SAFETY PARTS

I.C.s

ITEM	PART NUMBER	DESCRIPTION	AREA
IC686	VC458OLD	I.C. DAINICHI	
IC687	UPD4053BC	I.C. NEC	
IC688	LM2940CT-5.0	I.C. ASAHIGARASU	
IC689	NJM78M05FD	I.C. DAINICHI	
IC690	NJM79M05FA	I.C. DAINICHI	

△ : SAFETY PARTS

I.C.s

※ The following parts are shaded I.C.s.

ITEM	PART NUMBER	DESCRIPTION	AREA
IC652	TC74HCU04AFT1	I.C. MATSUSHITA	
IC653	JCE4302A	I.C. MATSUSHITA	
IC658	TC74HC163AFT1	I.C. MATSUSHITA	
IC659	TC74HC163AFT1	I.C. MATSUSHITA	
IC660	TC74HC04AFT1	I.C. MATSUSHITA	

△ : SAFETY PARTS

Diodes

ITEM	PART NUMBER	DESCRIPTION	AREA
D591	MTZ13JC	ZENER ROHM	
D592	MTZ13JC	ZENER ROHM	
D593	MTZ13JC	ZENER ROHM	
D594	MTZ13JC	ZENER ROHM	
D595	MTZ13JC	ZENER ROHM	
D596	MTZ13JC	ZENER ROHM	
D597	MTZ13JC	ZENER ROHM	
D598	MTZ13JC	ZENER ROHM	
D841	MTZ16JC	ZENER ROHM	C
D841	MTZ16JC	ZENER ROHM	D
D841	MTZ16JC	ZENER ROHM	E
D842	MTZ16JC	ZENER ROHM	C
D842	MTZ16JC	ZENER ROHM	D
D842	MTZ16JC	ZENER ROHM	E
D843	MTZ16JC	ZENER ROHM	C
D843	MTZ16JC	ZENER ROHM	D
D843	MTZ16JC	ZENER ROHM	E
D844	MTZ16JC	ZENER ROHM	C
D844	MTZ16JC	ZENER ROHM	D
D844	MTZ16JC	ZENER ROHM	E
D865	MTZ15JC	ZENER ROHM	C
D865	MTZ15JC	ZENER ROHM	D
D865	MTZ15JC	ZENER ROHM	E
D866	MTZ18JC	ZENER ROHM	C
D866	MTZ18JC	ZENER ROHM	D
D866	MTZ18JC	ZENER ROHM	E
D867	MTZ5.1JC	ZENER ROHM	C
D867	MTZ5.1JC	ZENER ROHM	D
D867	MTZ5.1JC	ZENER ROHM	E
D1021	1SS133	SILICON ROHM	
D1022	1SS133	SILICON ROHM	
D1023	1SS133	SILICON ROHM	
D1024	MA700	ZENER MATSUSHITA	
D1025	MTZ5.1JC	ZENER ROHM	
D1026	1SS133	SILICON ROHM	
D1081	FC52M(5,6)	VARICAP FUJITSU	
D1101	1SS133	SILICON ROHM	
D1103	MTZ4.7JC	ZENER ROHM	
D1104	MTZ4.7JC	ZENER ROHM	
D1105	MTZ4.7JC	ZENER ROHM	
D1106	MTZ4.7JC	ZENER ROHM	
D1241	MTZ5.1JB	ZENER ROHM	
D1242	MTZ5.1JB	ZENER ROHM	
D1281	1SR139-200	SILICON ROHM	
D1282	1SR139-200	SILICON ROHM	
D1296	1SS133	SILICON ROHM	
D1297	1SS133	SILICON ROHM	
D2011	RD2.7FB2	ZENER NEC	
D2013	RD2.7FB2	ZENER NEC	A
D2013	RD2.7FB2	ZENER NEC	B
D2013	RD5.1FB3	ZENER NEC	C
D2013	RD5.1FB3	ZENER NEC	D
D2013	RD5.1FB3	ZENER NEC	E
D2021	MTZ5.1JC	ZENER ROHM	
D2022	MTZ5.1JC	ZENER ROHM	
D2023	MTZ5.1JC	ZENER ROHM	
D2024	MTZ5.1JC	ZENER ROHM	
D2025	MTZ5.1JC	ZENER ROHM	
D2026	MTZ5.1JC	ZENER ROHM	
D2027	MTZ5.1JC	ZENER ROHM	
D2028	MTZ5.1JC	ZENER ROHM	
D2029	MTZ5.1JC	ZENER ROHM	
D2030	MTZ5.1JC	ZENER ROHM	
D2031	MTZ5.1JC	ZENER ROHM	
D2032	MTZ5.1JC	ZENER ROHM	
D2101	1SS133	SILICON ROHM	
D2102	1SS133	SILICON ROHM	
D2103	1SS133	SILICON ROHM	
D2105	MTZ12JC	ZENER ROHM	
D2106	MTZ12JC	ZENER ROHM	
D2107	MTZ12JC	ZENER ROHM	

△ : SAFETY PARTS

Capacitors

Δ	ITEM	PART NUMBER	DESCRIPTION			AREA
	C595	QCS21HJ-221	220PF	50V	CERAMIC	A
	C595	QCS21HJ-331	330PF	50V	CERAMIC	D
	C596	QCS21HJ-221	220PF	50V	CERAMIC	A
	C596	QCS21HJ-331	330PF	50V	CERAMIC	D
	C597	QCS21HJ-331	330PF	50V	CERAMIC	A
	C597	QCS21HJ-331	330PF	50V	CERAMIC	D
	C598	QCS21HJ-331	330PF	50V	CERAMIC	A
	C598	QCS21HJ-331	330PF	50V	CERAMIC	D
	C1001	QETB1AM-107	100MF	10V	ELECTRO	
	C1002	QCZ0205-155	1.5MF	25V	CERAMIC	
	C1003	QETB1AM-107	100MF	10V	ELECTRO	
	C1004	QCZ0205-155	1.5MF	25V	CERAMIC	
	C1005	QCB1HK-121	120PF	50V	CERAMIC	
	C1006	QCVB1CM-103	0.01MF	16V	CERAMIC	
	C1007	QETB1EM-226	22MF	25V	ELECTRO	
	C1008	QCZ0205-155	1.5MF	25V	CERAMIC	
	C1009	QCZ0205-155	1.5MF	25V	CERAMIC	
	C1010	QCB1HK-221	220PF	50V	CERAMIC	
	C1011	QFVB1HJ-473N	0.047MF	50V	T.FILM	
	C1012	QCB1HK-121	120PF	50V	CERAMIC	
	C1013	QCB1HK-121	120PF	50V	CERAMIC	
	C1014	QETB1AM-107	100MF	10V	ELECTRO	
	C1015	QCZ0205-155	1.5MF	25V	CERAMIC	
	C1016	QCB1HK-221	220PF	50V	CERAMIC	
	C1021	QCZ0205-155	1.5MF	25V	CERAMIC	
	C1022	QETB0JM-477	470MF	6.3V	ELECTRO	
	C1023	QCZ0205-155	1.5MF	25V	CERAMIC	
	C1025	QCZ0205-155	1.5MF	25V	CERAMIC	
	C1026	QEK51HM-474G	0.47MF	50V	ELECTRO	
	C1031	QCB1HK-271	270PF	50V	CERAMIC	
	C1032	QCB1HK-271	270PF	50V	CERAMIC	
	C1033	QCB1HK-271	270PF	50V	CERAMIC	
	C1034	QCB1HK-271	270PF	50V	CERAMIC	
	C1035	QCB1HK-820	82PF	50V	CERAMIC	
	C1036	QCB1HK-820	82PF	50V	CERAMIC	
	C1037	QCB1HK-820	82PF	50V	CERAMIC	
	C1038	QCB1HK-820	82PF	50V	CERAMIC	
	C1039	QFN81HJ-473	0.047MF	50V	MYLAR	
	C1040	QFN81HJ-473	0.047MF	50V	MYLAR	
	C1041	QFN81HJ-473	0.047MF	50V	MYLAR	
	C1042	QFN81HJ-473	0.047MF	50V	MYLAR	
	C1043	QCVB1CM-392	3900PF	16V	CERAMIC	
	C1044	QCVB1CM-392	3900PF	16V	CERAMIC	
	C1045	QCB1HK-331	330PF	50V	CERAMIC	
	C1046	QCB1HK-331	330PF	50V	CERAMIC	
	C1047	QFN81HJ-473	0.047MF	50V	MYLAR	
	C1048	QFN81HJ-473	0.047MF	50V	MYLAR	
	C1049	QETB1EM-226	22MF	25V	ELECTRO	
	C1050	QETB1EM-226	22MF	25V	ELECTRO	
	C1053	QCVB1CM-103	0.01MF	16V	CERAMIC	
	C1054	QCVB1CM-103	0.01MF	16V	CERAMIC	
	C1078	QEH1EM-476	47MF	25V	ELECTRO	
	C1079	QCHB1EZ-223	0.022MF	25V	CERAMIC	
	C1080	QEB1AM-107	100MF	10V	ELECTRO	
	C1081	QES1CM-476	47MF	16V	ELECTRO	
	C1082	QEK51EM-106	10MF	25V	ELECTRO	
	C1083	QEK51EM-106	10MF	25V	ELECTRO	
	C1084	QEK51EM-106	10MF	25V	ELECTRO	
	C1085	QCB1HK-101	100PF	50V	CERAMIC	
	C1086	QETB1AM-107	100MF	10V	ELECTRO	
	C1087	QCVB1CM-103	0.01MF	16V	CERAMIC	
	C1088	QCB1HK-221	220PF	50V	CERAMIC	
	C1089	QCB1HK-102	1000PF	50V	CERAMIC	
	C1090	QCSB1HJ-150	15PF	50V	CERAMIC	
	C1091	QCSB1HJ-560	56PF	50V	CERAMIC	
	C1092	QCSB1HJ-390	39PF	50V	CERAMIC	
	C1093	QCB1HK-102	1000PF	50V	CERAMIC	
	C1094	QCHB1EZ-223	0.022MF	25V	CERAMIC	
	C1095	QETB1AM-476	47MF	10V	ELECTRO	
	C1096	QCHB1EZ-223	0.022MF	25V	CERAMIC	
	C1097	QCZ0205-155	1.5MF	25V	CERAMIC	
	C1101	QETB1EM-106	10MF	25V	ELECTRO	
	C1102	QETB1EM-106	10MF	25V	ELECTRO	
	C1105	QCHB1EZ-223	0.022MF	25V	CERAMIC	
	C1106	QCHB1EZ-223	0.022MF	25V	CERAMIC	
	C1107	QETB1EM-476	47MF	25V	ELECTRO	
	C1108	QETB1EM-476	47MF	25V	ELECTRO	
	C1109	QFVB1HJ-103N	0.01MF	50V	T.FILM	
	C1110	QFVB1HJ-103N	0.01MF	50V	T.FILM	
	C1111	QETB1EM-106	10MF	25V	ELECTRO	
	C1112	QCVB1CM-103	0.01MF	16V	CERAMIC	
	C1113	QCZ0205-155	1.5MF	25V	CERAMIC	
	C1114	QCZ0205-155	1.5MF	25V	CERAMIC	
	C1115	QCZ0205-155	1.5MF	25V	CERAMIC	
	C1116	QCZ0205-155	1.5MF	25V	CERAMIC	
	C1117	QCZ0205-155	1.5MF	25V	CERAMIC	
	C1119	QETB1AM-107	100MF	10V	ELECTRO	
	C1121	QCSB1HJ-180	18PF	50V	CERAMIC	
	C1122	QCSB1HJ-180	18PF	50V	CERAMIC	
	C1123	QCVB1CM-103	0.01MF	16V	CERAMIC	

Δ : SAFETY PARTS

Capacitors

Δ	ITEM	PART NUMBER	DESCRIPTION			AREA
	C1124	QCZ0205-155	1.5MF	25V	CERAMIC	
	C1125	QCZ0205-155	1.5MF	25V	CERAMIC	
	C1126	QETB1AM-107	100MF	10V	ELECTRO	
	C1127	QETB1AM-107	100MF	10V	ELECTRO	
	C1128	QCZ0205-155	1.5MF	25V	CERAMIC	
	C1129	QCZ0205-155	1.5MF	25V	CERAMIC	
	C1130	QETB1AM-107	100MF	10V	ELECTRO	
	C1131	QEK51CM-107	100MF	16V	ELECTRO	
	C1132	QCB1HK-101	100PF	50V	CERAMIC	
	C1133	QCB1HK-101	100PF	50V	CERAMIC	
	C1141	QCZ0205-155	1.5MF	25V	CERAMIC	
	C1142	QCZ0205-155	1.5MF	25V	CERAMIC	
	C1143	QCZ0205-155	1.5MF	25V	CERAMIC	
	C1144	QEK51CM-107	100MF	16V	ELECTRO	
	C1145	QEK51CM-107	100MF	16V	ELECTRO	
	C1147	QEK60JM-476	47MF	6.3V	ELECTRO	
	C1148	QEK60JM-476	47MF	6.3V	ELECTRO	
	C1149	QEK60JM-476	47MF	6.3V	ELECTRO	
	C1150	QEK60JM-476	47MF	6.3V	ELECTRO	
	C1151	QETB1AM-476	47MF	10V	ELECTRO	
	C1152	QETB1AM-476	47MF	10V	ELECTRO	
	C1153	QCVB1CM-103	0.01MF	16V	CERAMIC	
	C1154	QCVB1CM-103	0.01MF	16V	CERAMIC	
	C1155	QCVB1CM-103	0.01MF	16V	CERAMIC	
	C1156	QEK51CM-107	100MF	16V	ELECTRO	
	C1157	QETB1AM-107	100MF	10V	ELECTRO	
	C1158	QETB1AM-107	100MF	10V	ELECTRO	
	C1159	QCZ0205-155	1.5MF	25V	CERAMIC	
	C1160	QCZ0205-155	1.5MF	25V	CERAMIC	
	C1161	QCZ0205-155	1.5MF	25V	CERAMIC	
	C1162	QETB1AM-107	100MF	10V	ELECTRO	
	C1163	QEK51CM-107	100MF	16V	ELECTRO	
	C1164	QETB1AM-107	100MF	10V	ELECTRO	
	C1171	QEK51EM-106	10MF	25V	ELECTRO	
	C1172	QEK51EM-106	10MF	25V	ELECTRO	
	C1173	QCVB1CM-103	0.01MF	16V	CERAMIC	
	C1174	QCVB1CM-103	0.01MF	16V	CERAMIC	
	C1175	QEK51EM-106	10MF	25V	ELECTRO	
	C1176	QEK51EM-106	10MF	25V	ELECTRO	
	C1177	QCVB1CM-103	0.01MF	16V	CERAMIC	
	C1178	QCVB1CM-103	0.01MF	16V	CERAMIC	
	C1179	QETB1EM-107	100MF	25V	ELECTRO	
	C1180	QETB1EM-107	100MF	25V	ELECTRO	
	C1181	QCVB1CM-682	6800PF	16V	CERAMIC	
	C1182	QCVB1CM-682	6800PF	16V	CERAMIC	
	C1183	QCVB1CM-822	8200PF	16V	CERAMIC	
	C1184	QCVB1CM-822	8200PF	16V	CERAMIC	
	C1185	QCB1HK-101	100PF	50V	CERAMIC	
	C1186	QCB1HK-101	100PF	50V	CERAMIC	
	C1187	QEK51EM-106	10MF	25V	ELECTRO	
	C1188	QEK51EM-106	10MF	25V	ELECTRO	
	C1189	QCVB1CM-103	0.01MF	16V	CERAMIC	
	C1190	QCVB1CM-103	0.01MF	16V	CERAMIC	
	C1191	QETB1EM-107	100MF	25V	ELECTRO	
	C1192	QETB1EM-107	100MF	25V	ELECTRO	
	C1201	QETB1EM-106	10MF	25V	ELECTRO	
	C1202	QETB1EM-106	10MF	25V	ELECTRO	
	C1203	QCVB1CM-103	0.01MF	16V	CERAMIC	
	C1204	QCVB1CM-103	0.01MF	16V	CERAMIC	
	C1205	QETB1EM-106	10MF	25V	ELECTRO	
	C1206	QETB1EM-106	10MF	25V	ELECTRO	
	C1207	QCVB1CM-103	0.01MF	16V	CERAMIC	
	C1208	QCVB1CM-103	0.01MF	16V	CERAMIC	
	C1209	QETB1EM-107	100MF	25V	ELECTRO	
	C1210	QETB1EM-107	100MF	25V	ELECTRO	
	C1211	QCVB1CM-103	0.01MF	16V	CERAMIC	
	C1212	QCVB1CM-103	0.01MF	16V	CERAMIC	
	C1213	QCVB1CM-222	2200PF	16V	CERAMIC	
	C1214	QCVB1CM-222	2200PF	16V	CERAMIC	
	C1217	QCVB1CM-103	0.01MF	16V	CERAMIC	
	C1218	QCVB1CM-103	0.01MF	16V	CERAMIC	
	C1219	QEK51EM-476	47MF	25V	ELECTRO	
	C1220	QEK51EM-476	47MF	25V	ELECTRO	
	C1221	QETB1EM-106	10MF	25V	ELECTRO	
	C1222	QETB1EM-106	10MF	25V	ELECTRO	
	C1223	QCVB1CM-332	3300PF	16V	CERAMIC	
	C1224	QCVB1CM-332	3300PF	16V	CERAMIC	
	C1225	QCVB1CM-222	2200PF	16V	CERAMIC	
	C1226	QCVB1CM-222	2200PF	16V	CERAMIC	
	C1227	QCVB1CM-122	1200PF	16V	CERAMIC	
	C1228	QCVB1CM-122	1200PF	16V	CERAMIC	
	C1229	QETB1HM-105	1MF	50V	ELECTRO	
	C1230	QETB1HM-105	1MF	50V	ELECTRO	
	C1231	QCVB1CM-103	0.01MF	16V	CERAMIC	
	C1232	QCVB1CM-103	0.01MF	16V	CERAMIC	
	C1233	QETB1EM-107	100MF	25V	ELECTRO	
	C1234	QETB1EM-107	100MF	25V	ELECTRO	
	C1239	QEK51EM-106	10MF	25V	ELECTRO	
	C1240	QEK51EM-106	10MF	25V	ELECTRO	
	C1241	QETB1HM-105	1MF	50V	ELECTRO	

Δ : SAFETY PARTS

Capacitors

△	ITEM	PART NUMBER	DESCRIPTION			AREA
	C1242	QETB1HM-105	1MF	50V	ELECTRO	
	C1243	QFN81HJ-104	0.1MF	50V	MYLAR	
	C1244	QEB51HM-334	0.33MF	50V	LLC ELECTR	
	C1245	QFN81HJ-333	0.033MF	50V	MYLAR	
	C1246	QCXB1CM-472	4700PF	16V	CERAMIC	
	C1247	QFN81HJ-273	0.027MF	50V	MYLAR	
	C1248	QETB1EM-226	22MF	25V	ELECTRO	
	C1249	QETB1EM-107	100MF	25V	ELECTRO	
	C1250	QCXB1CM-562	5600PF	16V	CERAMIC	
	C1251	QETB1HM-105	1MF	50V	ELECTRO	
	C1252	QCVB1CM-103	0.01MF	16V	CERAMIC	
	C1253	QETB1EM-107	100MF	25V	ELECTRO	
	C1254	QCVB1CM-103	0.01MF	16V	CERAMIC	
	C1255	QETB1EM-107	100MF	25V	ELECTRO	
	C1257	QCSB1HJ-470	47PF	50V	CERAMIC	
	C1258	QCSB1HJ-470	47PF	50V	CERAMIC	
	C1259	QCVB1CM-103	0.01MF	16V	CERAMIC	
	C1260	QCVB1CM-103	0.01MF	16V	CERAMIC	
	C1261	QETB1EM-476	47MF	25V	ELECTRO	
	C1262	QETB1EM-476	47MF	25V	ELECTRO	
	C1263	QETB1EM-226	22MF	25V	ELECTRO	
	C1264	QETB1EM-226	22MF	25V	ELECTRO	
	C1265	QETB1EM-226	22MF	25V	ELECTRO	
	C1266	QETB1EM-226	22MF	25V	ELECTRO	
	C1267	QETB1EM-226	22MF	25V	ELECTRO	
	C1268	QETB1EM-226	22MF	25V	ELECTRO	
	C1269	QCVB1CM-103	0.01MF	16V	CERAMIC	
	C1270	QCVB1CM-103	0.01MF	16V	CERAMIC	
	C1271	QETB1EM-107	100MF	25V	ELECTRO	
	C1272	QETB1EM-107	100MF	25V	ELECTRO	
	C1273	QETB1HM-105	1MF	50V	ELECTRO	
	C1274	QETB1EM-106	10MF	25V	ELECTRO	
	C1275	QCSB1HJ-470	47PF	50V	CERAMIC	
	C1281	QETB1CM-107	100MF	16V	ELECTRO	
	C1282	QETB1CM-107	100MF	16V	ELECTRO	
	C1283	QETB1EM-476	47MF	25V	ELECTRO	
	C1284	QETB1EM-476	47MF	25V	ELECTRO	
	C1285	QETB1EM-476	47MF	25V	ELECTRO	
	C1286	QCHB1EZ-223	0.022MF	25V	CERAMIC	
	C1287	QCHB1EZ-223	0.022MF	25V	CERAMIC	
	C1288	QCHB1EZ-223	0.022MF	25V	CERAMIC	
	C1289	QETB1AM-107	100MF	10V	ELECTRO	
	C1290	QEHB1AM-107	100MF	10V	ELECTRO	
	C1291	QEHB1AM-107	100MF	10V	ELECTRO	
	C1292	EET1604-108M	1000MF		ELECTRO	
	C1293	QFV81HJ-104	0.1MF	50V	T.FILM	
	C1294	QFV81HJ-104	0.1MF	50V	T.FILM	
	C2003	QCBB1HK-101	100PF	50V	CERAMIC	
	C2004	QCBB1HK-101	100PF	50V	CERAMIC	
	C2007	QCBB1HK-101	100PF	50V	CERAMIC	
	C2008	QCBB1HK-101	100PF	50V	CERAMIC	
	C2011	QCBB1HK-101	100PF	50V	CERAMIC	
	C2012	QCBB1HK-101	100PF	50V	CERAMIC	
	C2021	QETB1CM-107	100MF	16V	ELECTRO	
	C2022	QETB1CM-107	100MF	16V	ELECTRO	
	C2023	QETB1CM-107	100MF	16V	ELECTRO	
	C2024	QETB1CM-107	100MF	16V	ELECTRO	
	C2025	QETB1CM-107	100MF	16V	ELECTRO	
	C2026	QETB1CM-107	100MF	16V	ELECTRO	
	C2027	QETB1CM-107	100MF	16V	ELECTRO	
	C2028	QETB1CM-107	100MF	16V	ELECTRO	
	C2029	QETB1CM-107	100MF	16V	ELECTRO	
	C2030	QETB1CM-107	100MF	16V	ELECTRO	
	C2031	QBHB1CM-107	100MF	16V	ELECTRO	
	C2032	QETB1CM-107	100MF	16V	ELECTRO	
	C2033	QETB1CM-476	47MF	16V	ELECTRO	
	C2034	QETB1CM-476	47MF	16V	ELECTRO	
	C2035	QETB1HM-475	4.7MF	50V	ELECTRO	
	C2036	QETB1HM-475	4.7MF	50V	ELECTRO	
	C2037	QCHB1EZ-223	0.022MF	25V	CERAMIC	
	C2038	QCHB1EZ-223	0.022MF	25V	CERAMIC	
	C2039	QCHB1EZ-223	0.022MF	25V	CERAMIC	
	C2040	QCHB1EZ-223	0.022MF	25V	CERAMIC	
	C2041	QCHB1EZ-223	0.022MF	25V	CERAMIC	
	C2042	QCHB1EZ-223	0.022MF	25V	CERAMIC	
	C2043	QCVB1CM-103	0.01MF	16V	CERAMIC	
	C2051	QEHB1CM-476	47MF	16V	ELECTRO	
	C2052	QEHB1CM-476	47MF	16V	ELECTRO	
	C2053	QBHB0JM-227	220MF	6.3V	ELECTRO	
	C2054	QBHB0JM-227	220MF	6.3V	ELECTRO	
	C2055	QETB1CM-477	470MF	16V	ELECTRO	
	C2061	QETB1HM-475	4.7MF	50V	ELECTRO	
	C2062	QETB1HM-475	4.7MF	50V	ELECTRO	
	C2063	QETB1HM-475	4.7MF	50V	ELECTRO	
	C2065	QETB1CM-107	100MF	16V	ELECTRO	
	C2066	QETB1CM-107	100MF	16V	ELECTRO	
	C2067	QETB1CM-107	100MF	16V	ELECTRO	
	C2068	QETB1AM-107	100MF	10V	ELECTRO	
	C2069	QETB1AM-107	100MF	10V	ELECTRO	
	C2070	QEHB1AM-107	100MF	10V	ELECTRO	

△ : SAFETY PARTS

Capacitors

△	ITEM	PART NUMBER	DESCRIPTION			AREA
	C2071	QETB1CM-476	47MF	16V	ELECTRO	
	C2072	QETB1HM-475	4.7MF	50V	ELECTRO	
	C2075	QETB1CM-227	220MF	16V	ELECTRO	
	C2076	QETB1CM-227	220MF	16V	ELECTRO	
	C2077	QCF21HP-223	0.022MF	50V	CERAMIC	
	C2078	QETB1CM-107	100MF	16V	ELECTRO	
	C2079	QETB1CM-107	100MF	16V	ELECTRO	
	C2081	QCGB1HK-102	1000PF	50V	CERAMIC	
	C2082	QCGB1HK-102	1000PF	50V	CERAMIC	
	C2101	QEK51EM-106	10MF	25V	ELECTRO	
	C2102	QCBB1HK-101	100PF	50V	CERAMIC	
	C2103	QFV81HJ-683	0.068MF	50V	T.FILM	
	C2104	QCXB1CM-392	3900PF	16V	CERAMIC	
	C2105	QETB1HM-105	1MF	50V	ELECTRO	
	C2106	QETB1AM-107	100MF	10V	ELECTRO	
	C2107	QFV81HJ-104	0.1MF	50V	T.FILM	
	C2108	QCHB1EZ-223	0.022MF	25V	CERAMIC	
	C2111	QCGB1HK-102	1000PF	50V	CERAMIC	
	C2112	QCGB1HK-102	1000PF	50V	CERAMIC	
	C2113	QEK51HM-475	4.7MF	50V	ELECTRO	
	C2114	QETB1AM-107	100MF	10V	ELECTRO	
	C2121	QCSB1HJ-220	22PF	50V	CERAMIC	A
	C2121	QCSB1HJ-220	22PF	50V	CERAMIC	B
	C2121	QCSB1HJ-270	27PF	50V	CERAMIC	C
	C2121	QCSB1HJ-270	27PF	50V	CERAMIC	D
	C2121	QCSB1HJ-270	27PF	50V	CERAMIC	E
	C2122	QCSB1HJ-220	22PF	50V	CERAMIC	A
	C2122	QCSB1HJ-220	22PF	50V	CERAMIC	B
	C2122	QCSB1HJ-270	27PF	50V	CERAMIC	C
	C2122	QCSB1HJ-270	27PF	50V	CERAMIC	D
	C2122	QCSB1HJ-270	27PF	50V	CERAMIC	E
	C2123	QETB1AM-107	100MF	10V	ELECTRO	
	C2124	QETB1AM-107	100MF	10V	ELECTRO	
	C2125	QCBB1HK-471	470PF	50V	CERAMIC	
	C2131	QETB1HM-105	1MF	50V	ELECTRO	
	C2132	QCSB1HJ-220	22PF	50V	CERAMIC	A
	C2132	QCSB1HJ-220	22PF	50V	CERAMIC	B
	C2132	QCSB1HJ-100	10PF	50V	CERAMIC	C
	C2132	QCSB1HJ-100	10PF	50V	CERAMIC	D
	C2132	QCSB1HJ-100	10PF	50V	CERAMIC	E
	C2133	QCSB1HJ-220	22PF	50V	CERAMIC	A
	C2133	QCSB1HJ-220	22PF	50V	CERAMIC	B
	C2133	QCSB1HJ-100	10PF	50V	CERAMIC	C
	C2133	QCSB1HJ-100	10PF	50V	CERAMIC	D
	C2133	QCSB1HJ-100	10PF	50V	CERAMIC	E
	C2134	QETB1AM-107	100MF	10V	ELECTRO	
	C2135	QETB1AM-107	100MF	10V	ELECTRO	
	C2136	QETB1AM-107	100MF	10V	ELECTRO	
	C2137	QETB1HM-106	10MF	50V	ELECTRO	
	C2138	QETB1HM-106	10MF	50V	ELECTRO	
	C2141	QBHB0JM-227	220MF	6.3V	ELECTRO	
	C2142	QBHB0JM-227	220MF	6.3V	ELECTRO	
	C2143	QEHB1CM-476	47MF	16V	ELECTRO	
	C2144	QEHB1CM-476	47MF	16V	ELECTRO	

△ : SAFETY PARTS

Resistors

△	ITEM	PART NUMBER	DESCRIPTION			AREA
	R597	QRD167J-471	470	1/6W	CARBON	
	R598	QRD167J-471	470	1/6W	CARBON	
△	R841	PTH61G30BD2R2N			FUSIBLE	C
△	R841	PTH61G30BD2R2N			FUSIBLE	D
△	R841	PTH61G30BD2R2N			FUSIBLE	E
△	R842	PTH61G30BD2R2N			FUSIBLE	C
△	R842	PTH61G30BD2R2N			FUSIBLE	D
△	R842	PTH61G30BD2R2N			FUSIBLE	E
	R1001	QRD167J-820	82	1/6W	CARBON	
	R1002	QRD167J-221	220	1/6W	CARBON	
	R1003	QRD167J-472	4.7K	1/6W	CARBON	
	R1004	QRD167J-183	18K	1/6W	CARBON	
	R1005	QRD167J-751	750	1/6W	CARBON	
	R1006	QRD167J-751	750	1/6W	CARBON	
	R1007	QRD167J-751	750	1/6W	CARBON	
	R1008	QRD167J-104	100K	1/6W	CARBON	
	R1009	QRD167J-122	1.2K	1/6W	CARBON	
	R1010	QRD167J-203	20K	1/6W	CARBON	
	R1012	QRD167J-301	300	1/6W	CARBON	
	R1013	QRD167J-820	82	1/6W	CARBON	
	R1014	QRD167J-100	10	1/6W	CARBON	
	R1015	QRD167J-472	4.7K	1/6W	CARBON	
	R1021	QRD167J-181	180	1/6W	CARBON	
	R1022	QRD167J-181	180	1/6W	CARBON	
	R1023	QRD167J-181	180	1/6W	CARBON	
	R1025	QRD167J-332	3.3K	1/6W	CARBON	
	R1026	QRD167J-103	10K	1/6W	CARBON	
	R1027	QRD167J-102	1K	1/6W	CARBON	
	R1028	QRD167J-103	10K	1/6W	CARBON	
	R1029	QRD167J-151	150	1/6W	CARBON	

△ : SAFETY PARTS

Resistors

Δ	ITEM	PART NUMBER	DESCRIPTION			AREA
Δ	R1031	QRV144F-1802	18K	1/4W	M.FILM	
Δ	R1032	QRV144F-1802	18K	1/4W	M.FILM	
Δ	R1033	QRV144F-1802	18K	1/4W	M.FILM	
Δ	R1034	QRV144F-1802	18K	1/4W	M.FILM	
Δ	R1035	QRV144F-1802	18K	1/4W	M.FILM	
Δ	R1036	QRV144F-1802	18K	1/4W	M.FILM	
Δ	R1037	QRV144F-1802	18K	1/4W	M.FILM	
Δ	R1038	QRV144F-1802	18K	1/4W	M.FILM	
	R1039	QRD167J-273	27K	1/6W	CARBON	
	R1040	QRD167J-273	27K	1/6W	CARBON	
	R1041	QRD167J-273	27K	1/6W	CARBON	
	R1042	QRD167J-273	27K	1/6W	CARBON	
	R1043	QRD167J-393	39K	1/6W	CARBON	
	R1044	QRD167J-393	39K	1/6W	CARBON	
	R1045	QRD167J-393	39K	1/6W	CARBON	
	R1046	QRD167J-393	39K	1/6W	CARBON	
	R1047	QRD167J-102	1K	1/6W	CARBON	
	R1048	QRD167J-102	1K	1/6W	CARBON	
	R1049	QRD167J-182	1.8K	1/6W	CARBON	
	R1050	QRD167J-182	1.8K	1/6W	CARBON	
	R1051	QRD167J-474	470K	1/6W	CARBON	
	R1052	QRD167J-474	470K	1/6W	CARBON	
	R1053	QRD167J-331	330	1/6W	CARBON	
	R1054	QRD167J-331	330	1/6W	CARBON	
	R1055	QRD167J-302	3K	1/6W	CARBON	
	R1056	QRD167J-302	3K	1/6W	CARBON	
	R1057	QRD167J-512	5.1K	1/6W	CARBON	
	R1058	QRD167J-512	5.1K	1/6W	CARBON	
	R1059	QRD167J-101	100	1/6W	CARBON	
	R1060	QRD167J-101	100	1/6W	CARBON	
	R1061	QRD167J-392	3.9K	1/6W	CARBON	
	R1062	QRD167J-392	3.9K	1/6W	CARBON	
	R1063	QRD167J-331	330	1/6W	CARBON	
	R1064	QRD167J-331	330	1/6W	CARBON	
	R1065	QRD167J-103	10K	1/6W	CARBON	
	R1066	QRD167J-103	10K	1/6W	CARBON	
	R1067	QRD167J-273	27K	1/6W	CARBON	
	R1068	QRD167J-273	27K	1/6W	CARBON	
	R1069	QRD167J-331	330	1/6W	CARBON	
	R1070	QRD167J-331	330	1/6W	CARBON	
	R1071	QRD167J-103	10K	1/6W	CARBON	
	R1072	QRD167J-103	10K	1/6W	CARBON	
	R1073	QRD167J-105	1M	1/6W	CARBON	
	R1074	QRD167J-105	1M	1/6W	CARBON	
	R1075	QRD167J-104	100K	1/6W	CARBON	
	R1076	QRD167J-104	100K	1/6W	CARBON	
Δ	R1078	QRD14CJ-100S	10	1/4W	UNF. CARBON	A
Δ	R1078	QRZ0077-100	10	1/4W	FUSIBLE	B
Δ	R1078	QRZ0077-100	10	1/4W	FUSIBLE	C
Δ	R1078	QRZ0077-100	10	1/4W	FUSIBLE	D
Δ	R1078	QRZ0077-100	10	1/4W	FUSIBLE	E
Δ	R1079	QRD14CJ-100S	10	1/4W	UNF. CARBON	A
Δ	R1079	QRZ0077-100	10	1/4W	FUSIBLE	B
Δ	R1079	QRZ0077-100	10	1/4W	FUSIBLE	C
Δ	R1079	QRZ0077-100	10	1/4W	FUSIBLE	D
Δ	R1079	QRZ0077-100	10	1/4W	FUSIBLE	E
	R1082	QRD167J-101	100	1/6W	CARBON	A
	R1082	QRD167J-101	100	1/6W	CARBON	B
Δ	R1082	QRZ0077-680	68	1/4W	FUSIBLE	C
Δ	R1082	QRZ0077-680	68	1/4W	FUSIBLE	D
Δ	R1082	QRZ0077-680	68	1/4W	FUSIBLE	E
	R1083	QRD167J-103	10K	1/6W	CARBON	
	R1084	QRD167J-103	10K	1/6W	CARBON	
	R1085	QRD167J-222	2.2K	1/6W	CARBON	
	R1086	QRD167J-105	1M	1/6W	CARBON	
	R1087	QRD167J-103	10K	1/6W	CARBON	
	R1088	QRD167J-470	47	1/6W	CARBON	
	R1089	QRD167J-102	1K	1/6W	CARBON	
	R1090	QRD167J-223	22K	1/6W	CARBON	
	R1092	QRD167J-103	10K	1/6W	CARBON	
	R1094	QRD167J-103	10K	1/6W	CARBON	
	R1095	QRD167J-103	10K	1/6W	CARBON	
	R1096	QRD167J-561	560	1/6W	CARBON	
	R1097	QRD167J-221	220	1/6W	CARBON	
	R1103	QRD167J-153	15K	1/6W	CARBON	
	R1104	QRD167J-153	15K	1/6W	CARBON	
	R1109	QRD167J-221	220	1/6W	CARBON	
	R1110	QRD167J-221	220	1/6W	CARBON	
	R1111	QRD167J-103	10K	1/6W	CARBON	
	R1112	QRD167J-100	10	1/6W	CARBON	
	R1113	QRD167J-101	100	1/6W	CARBON	
	R1114	QRD167J-101	100	1/6W	CARBON	
	R1115	QRD167J-101	100	1/6W	CARBON	
	R1141	QRD167J-101	100	1/6W	CARBON	
	R1142	QRD167J-561	560	1/6W	CARBON	
	R1143	QRD167J-101	100	1/6W	CARBON	
	R1171	QRD167J-122	1.2K	1/6W	CARBON	
	R1172	QRD167J-122	1.2K	1/6W	CARBON	
	R1173	QRD167J-512	5.1K	1/6W	CARBON	
	R1174	QRD167J-512	5.1K	1/6W	CARBON	

Δ : SAFETY PARTS

Resistors

Δ	ITEM	PART NUMBER	DESCRIPTION			AREA
	R1175	QRD167J-104	100K	1/6W	CARBON	
	R1176	QRD167J-104	100K	1/6W	CARBON	
	R1177	QRD167J-821	820	1/6W	CARBON	
	R1178	QRD167J-821	820	1/6W	CARBON	
	R1179	QRD167J-821	820	1/6W	CARBON	
	R1180	QRD167J-821	820	1/6W	CARBON	
	R1181	QRD167J-821	820	1/6W	CARBON	
	R1182	QRD167J-821	820	1/6W	CARBON	
	R1183	QRD167J-821	820	1/6W	CARBON	
	R1184	QRD167J-821	820	1/6W	CARBON	
	R1185	QRD167J-104	100K	1/6W	CARBON	
	R1186	QRD167J-104	100K	1/6W	CARBON	
	R1187	QRD167J-102	1K	1/6W	CARBON	
	R1188	QRD167J-102	1K	1/6W	CARBON	
	R1189	QRD167J-103	10K	1/6W	CARBON	
	R1190	QRD167J-103	10K	1/6W	CARBON	
	R1191	QRD167J-104	100K	1/6W	CARBON	
	R1192	QRD167J-104	100K	1/6W	CARBON	
	R1193	QRD167J-103	10K	1/6W	CARBON	
	R1194	QRD167J-103	10K	1/6W	CARBON	
	R1201	QRD167J-122	1.2K	1/6W	CARBON	
	R1202	QRD167J-122	1.2K	1/6W	CARBON	
	R1203	QRD167J-822	8.2K	1/6W	CARBON	
	R1204	QRD167J-822	8.2K	1/6W	CARBON	
	R1205	QRD167J-104	100K	1/6W	CARBON	
	R1206	QRD167J-104	100K	1/6W	CARBON	
	R1207	QRD167J-821	820	1/6W	CARBON	
	R1208	QRD167J-821	820	1/6W	CARBON	
	R1209	QRD167J-821	820	1/6W	CARBON	
	R1210	QRD167J-821	820	1/6W	CARBON	
	R1215	QRD167J-104	100K	1/6W	CARBON	
	R1216	QRD167J-104	100K	1/6W	CARBON	
	R1217	QRD167J-102	1K	1/6W	CARBON	
	R1218	QRD167J-103	10K	1/6W	CARBON	
	R1221	QRD167J-473	47K	1/6W	CARBON	
	R1222	QRD167J-473	47K	1/6W	CARBON	
	R1223	QRD167J-332	3.3K	1/6W	CARBON	
	R1224	QRD167J-332	3.3K	1/6W	CARBON	
	R1225	QRD167J-332	3.3K	1/6W	CARBON	
	R1226	QRD167J-332	3.3K	1/6W	CARBON	
	R1227	QRD167J-332	3.3K	1/6W	CARBON	
	R1228	QRD167J-332	3.3K	1/6W	CARBON	
	R1229	QRD167J-622	6.2K	1/6W	CARBON	
	R1230	QRD167J-622	6.2K	1/6W	CARBON	
	R1231	QRD167J-133	13K	1/6W	CARBON	
	R1232	QRD167J-133	13K	1/6W	CARBON	
	R1233	QRD167J-474	470K	1/6W	CARBON	
	R1234	QRD167J-474	470K	1/6W	CARBON	
	R1235	QRD167J-103	10K	1/6W	CARBON	
	R1236	QRD167J-103	10K	1/6W	CARBON	
	R1237	QRD167J-102	1K	1/6W	CARBON	
	R1238	QRD167J-102	1K	1/6W	CARBON	
	R1239	QRD167J-103	10K	1/6W	CARBON	
	R1240	QRD167J-103	10K	1/6W	CARBON	
	R1241	QRD167J-303	30K	1/6W	CARBON	
	R1242	QRD167J-393	39K	1/6W	CARBON	
	R1243	QRD167J-273	27K	1/6W	CARBON	
	R1244	QRD167J-223	22K	1/6W	CARBON	
	R1245	QRD167J-104	100K	1/6W	CARBON	
	R1246	QRD167J-274	270K	1/6W	CARBON	
	R1247	QRD167J-622	6.2K	1/6W	CARBON	
	R1248	QRD167J-274	270K	1/6W	CARBON	
	R1249	QRD167J-473	47K	1/6W	CARBON	
	R1250	QRD167J-332	3.3K	1/6W	CARBON	
	R1251	QRD167J-181	180	1/6W	CARBON	
	R1252	QRD167J-183	18K	1/6W	CARBON	
	R1253	QRD167J-103	10K	1/6W	CARBON	
	R1255	QRD167J-103	10K	1/6W	CARBON	
	R1256	QRD167J-103	10K	1/6W	CARBON	
	R1257	QRD167J-103	10K	1/6W	CARBON	
	R1258	QRD167J-103	10K	1/6W	CARBON	
	R1259	QRD167J-103	10K	1/6W	CARBON	
	R1260	QRD167J-103	10K	1/6W	CARBON	
	R1261	QRD167J-103	10K	1/6W	CARBON	
	R1262	QRD167J-103	10K	1/6W	CARBON	
	R1263	QRD167J-103	10K	1/6W	CARBON	
	R1264	QRD167J-103	10K	1/6W	CARBON	
	R1265	QRD167J-103	10K	1/6W	CARBON	
	R1266	QRD167J-103	10K	1/6W	CARBON	
	R1268	QRD167J-222	2.2K	1/6W	CARBON	
	R1270	QRD167J-222	2.2K	1/6W	CARBON	
	R2001	QRD167J-750	75	1/6W	CARBON	
	R2002	QRD167J-750	75	1/6W	CARBON	
	R2005	QRD167J-750	75	1/6W	CARBON	
	R2006	QRD167J-750	75	1/6W	CARBON	
	R2007	QRD167J-750	75	1/6W	CARBON	
	R2008	QRD167J-750	75	1/6W	CARBON	
	R2011	QRD167J-750	75	1/6W	CARBON	
	R2012	QRD167J-750	75	1/6W	CARBON	
	R2013	QRD167J-750	75	1/6W	CARBON	

Δ : SAFETY PARTS

Resistors

△	ITEM	PART NUMBER	DESCRIPTION		AREA
	R2014	QRD167J-750	75	1/6W CARBON	
	R2017	QRD167J-750	75	1/6W CARBON	
	R2018	QRD167J-750	75	1/6W CARBON	
	R2021	QRD167J-100	10	1/6W CARBON	
	R2022	QRD167J-103	10K	1/6W CARBON	
	R2023	QRD167J-100	10	1/6W CARBON	
	R2024	QRD167J-103	10K	1/6W CARBON	
	R2025	QRD167J-100	10	1/6W CARBON	
	R2026	QRD167J-103	10K	1/6W CARBON	
	R2027	QRD167J-100	10	1/6W CARBON	
	R2028	QRD167J-103	10K	1/6W CARBON	
	R2029	QRD167J-100	10	1/6W CARBON	
	R2030	QRD167J-103	10K	1/6W CARBON	
	R2031	QRD167J-100	10	1/6W CARBON	
	R2032	QRD167J-103	10K	1/6W CARBON	
	R2033	QRD167J-122	1.2K	1/6W CARBON	
	R2034	QRD167J-122	1.2K	1/6W CARBON	
	R2035	QRD167J-122	1.2K	1/6W CARBON	
	R2036	QRD167J-122	1.2K	1/6W CARBON	
△	R2041	QRD14CJ-100S	10	1/4W UNF. CARBON	A
△	R2041	QRD14CJ-100S	10	1/4W UNF. CARBON	B
△	R2041	QRZ0077-100	10	1/4W FUSIBLE	C
△	R2041	QRZ0077-100	10	1/4W FUSIBLE	D
△	R2041	QRZ0077-100	10	1/4W FUSIBLE	E
△	R2042	QRD14CJ-180S	18	1/4W UNF. CARBON	
△	R2046	QRD14CJ-100S	10	1/4W UNF. CARBON	A
△	R2046	QRD14CJ-100S	10	1/4W UNF. CARBON	B
△	R2046	QRZ0077-100	10	1/4W FUSIBLE	C
△	R2046	QRZ0077-100	10	1/4W FUSIBLE	D
△	R2046	QRZ0077-100	10	1/4W FUSIBLE	E
	R2051	QRD167J-750	75	1/6W CARBON	
	R2052	QRD167J-750	75	1/6W CARBON	
	R2053	QRD167J-750	75	1/6W CARBON	
	R2054	QRD167J-750	75	1/6W CARBON	
	R2055	QRD167J-750	75	1/6W CARBON	
	R2056	QRD167J-750	75	1/6W CARBON	
	R2057	QRD167J-562	5.6K	1/6W CARBON	
	R2058	QRD167J-562	5.6K	1/6W CARBON	
	R2059	QRD167J-562	5.6K	1/6W CARBON	
	R2061	QRD167J-331	330	1/6W CARBON	
	R2062	QRD167J-331	330	1/6W CARBON	
	R2063	QRD167J-331	330	1/6W CARBON	
	R2064	QRD167J-100	10	1/6W CARBON	
	R2065	QRD167J-100	10	1/6W CARBON	
	R2066	QRD167J-100	10	1/6W CARBON	
	R2067	QRD167J-103	10K	1/6W CARBON	
	R2068	QRD167J-103	10K	1/6W CARBON	
	R2069	QRD167J-103	10K	1/6W CARBON	
	R2071	QRD167J-103	10K	1/6W CARBON	
	R2072	QRD167J-103	10K	1/6W CARBON	
	R2073	QRD167J-122	1.2K	1/6W CARBON	
	R2074	QRD167J-122	1.2K	1/6W CARBON	
	R2101	QRD167J-103	10K	1/6W CARBON	
	R2102	QRD167J-303	30K	1/6W CARBON	
	R2103	QRD167J-332	3.3K	1/6W CARBON	
	R2104	QRD167J-103	10K	1/6W CARBON	
	R2105	QRD167J-104	100K	1/6W CARBON	
	R2106	QRD167J-152	1.5K	1/6W CARBON	
	R2107	QRD167J-391	390	1/6W CARBON	
	R2108	QRD167J-472	4.7K	1/6W CARBON	
	R2109	QRD167J-221	220	1/6W CARBON	
	R2110	QRD167J-100	10	1/6W CARBON	
	R2111	QRD167J-123	12K	1/6W CARBON	
	R2112	QRD167J-220	22	1/6W CARBON	
	R2113	QRD167J-332	3.3K	1/6W CARBON	
	R2114	QRD167J-392	3.9K	1/6W CARBON	
	R2115	QRD167J-103	10K	1/6W CARBON	
	R2116	QRD167J-202	2K	1/6W CARBON	
	R2117	QRD167J-473	47K	1/6W CARBON	
	R2118	QRD167J-222	2.2K	1/6W CARBON	
	R2119	QRD167J-472	4.7K	1/6W CARBON	
	R2120	QRD167J-222	2.2K	1/6W CARBON	
	R2121	QRD167J-332	3.3K	1/6W CARBON	
	R2122	QRD167J-472	4.7K	1/6W CARBON	
	R2123	QRD167J-182	1.8K	1/6W CARBON	
	R2124	QRD167J-152	1.5K	1/6W CARBON	
	R2125	QRD167J-101	100	1/6W CARBON	
	R2126	QRD167J-473	47K	1/6W CARBON	
	R2127	QRD167J-470	47	1/6W CARBON	
	R2128	QRD167J-223	22K	1/6W CARBON	
	R2129	QRD167J-473	47K	1/6W CARBON	
△	R2131	QRD14CJ-100S	10	1/4W UNF. CARBON	A
△	R2131	QRD14CJ-100S	10	1/4W UNF. CARBON	B
△	R2131	QRZ0077-100	10	1/4W FUSIBLE	C
△	R2131	QRZ0077-100	10	1/4W FUSIBLE	D
△	R2131	QRZ0077-100	10	1/4W FUSIBLE	E
△	R2132	QRD14CJ-330S	33	1/4W UNF. CARBON	A
△	R2132	QRD14CJ-330S	33	1/4W UNF. CARBON	B
△	R2133	QRD14CJ-100S	10	1/4W UNF. CARBON	A
△	R2133	QRD14CJ-100S	10	1/4W UNF. CARBON	B
△	R2133	QRZ0077-100	10	1/4W FUSIBLE	C
△	R2133	QRZ0077-100	10	1/4W FUSIBLE	D
△	R2133	QRZ0077-100	10	1/4W FUSIBLE	E

△ : SAFETY PARTS

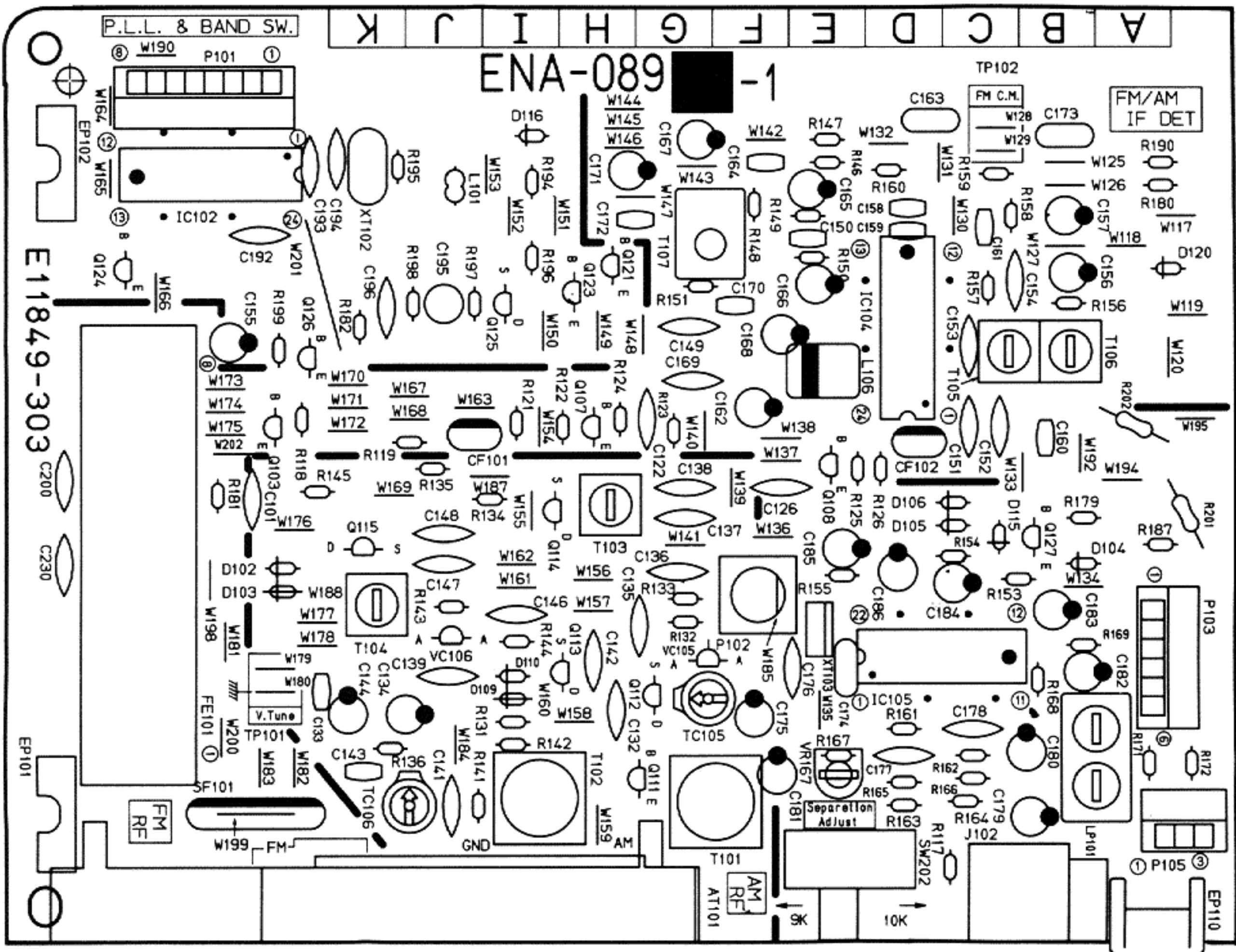
Others

△	ITEM	PART NUMBER	DESCRIPTION		AREA
		EMW10150-003	CIRCUIT BOARD		
	H001	E70945-H25	HEAT SINK		
	H002	E70306-001	HEAT SINK		
	J598	EMN00YV-213A	2P PIN JACK		
	J599	EMN00YV-213A	2P PIN JACK		
	CX651	ECX0180-000EF	RESONATOR		
	EW001	EWT011-138	TERMINAL WIRE		
	HT001	SBSE3010CC	SCREW		
	HT002	SBSB3008Z	SCREW		
	J1001	TORX174	I.C(OPTICAL JACK)		
	J1002	TORX174	I.C(OPTICAL JACK)		
	J1003	EMN00YV-212A	2P PIN JACK		
	J2001	EMD0489-009	JACK BOARD ASSY		
	J2002	EMD0489-009	JACK BOARD ASSY		
	J2003	EMD0489-009	JACK BOARD ASSY		
	J2011	EMN00YV-311A	3P PIN JACK		
	J2012	EMN00YV-311A	3P PIN JACK		
	K1001	ENZ8101-007	INDUCTOR		
	L1001	EQL4004-560	INDUCTOR		
	L1002	EQL4004-560	INDUCTOR		
	L1081	EQL4004-1R2	INDUCTOR		
	L1082	EQL4004-1R0	INDUCTOR		
	L1083	EQL4004-560	INDUCTOR		
	L1101	EQF0601-222	CERAMIC FILTER		
	L1121	EQF0601-222	CERAMIC FILTER		
	L1122	EQF0601-222	CERAMIC FILTER		
	L1123	EQF0601-222	CERAMIC FILTER		
	L1124	EQF0601-222	CERAMIC FILTER		
	L1141	EQF0601-222	CERAMIC FILTER		
	L1142	EQF0601-222	CERAMIC FILTER		
	L1143	EQF0601-222	CERAMIC FILTER		
	L1144	EQF0601-222	CERAMIC FILTER		
	L1145	EQF0601-222	CERAMIC FILTER		
	L1146	EQF0601-222	CERAMIC FILTER		
	L2101	EQL4004-330	INDUCTOR		A
	L2101	EQL4004-330	INDUCTOR		B
	L2101	EQL4004-270	INDUCTOR		C
	L2101	EQL4004-270	INDUCTOR		D
	L2101	EQL4004-270	INDUCTOR		E
	PA421	EMV5142-908	PLUG ASSY		
	PA422	EMV5142-907	PLUG ASSY (7PIN)		
	PA423	EMV5142-905	PLUG ASSY (6PIN)		
	PA424	EMV5109-006A	PLUG ASSY (6PIN)		
	PA425	EMV5109-004A	PLUG ASSY (4PIN)		
	PA657	EMV5109-007A	PLUG ASSY (7PIN)		
	PB241	EWS293-0113	SOCKET WIRE (3PIN)		
	PB243	EWS324-A920	SOCKET WIRE (4PIN)		
	PB244	EWS324-A942	SOCKET WIRE (4PIN)		
	PB301	EWS293-0130	SOCKET WIRE (3PIN)		
	PB424	EWS296-0142	SOCKET WIRE (6PIN)		
	PB651	EWS296-0135	SOCKET WIRE (6PIN)		
	PB654	EWS327-A935	SOCKET WIRE (7PIN)		
	PB655	EWS324-A912	SOCKET WIRE (4PIN)		
	PB657	EWS297-1113	SOCKET WIRE (7PIN)		
	PB658	EWS293-0135	SOCKET WIRE (3PIN)		
	PB812	EWS323-A930	SOCKET WIRE (3PIN)		
	X2101	ECX0000-503KS	RESONATOR		
	X2102	ECX1431-818DF	RESONATOR		A
	X2102	ECX1431-818DF	RESONATOR		B
	X2102	ECX1773-447DF	RESONATOR		C
	X2102	ECX1773-447DF	RESONATOR		D
	X2102	ECX1773-447DF	RESONATOR		E

△ : SAFETY PARTS

■ ENA-089 □ Tuner PC Board Ass'y

Note : ENA-089□ varies according to the areas employed. See note (1) when placing an order.



Note (1)

PC Board Ass'y	Designated Areas
ENA-089 A	the U.S.A. , Canada
ENA-089 B	Universal Type (with PAL)
ENA-089 E	Continental Europe (with PAL) Germany (with PAL) the U.K. (with PAL)
ENA-089 F	Australia (with PAL)

Transistors

Δ	ITEM	PART NUMBER	DESCRIPTION	AREA
	Q103	2SC461(B,C)	SILICON HITACHI	
	Q107	2SC535(B,C)	SILICON HITACHI	
	Q108	2SC461(B,C)	SILICON HITACHI	
	Q112	2SK301(Q,R)	F.E.T MATSUSHITA	
	Q123	DTA114YS	SILICON ROHM	
	Q124	DTA114YS	SILICON ROHM	
	Q125	2SK301(Q2)	F.E.T MATSUSHITA	
	Q126	2SC458(D)	SILICON HITACHI	
	Q127	DTC144ES	SILICON ROHM	

Δ : SIA: PICTY: PARTS:

I.C.s

Δ	ITEM	PART NUMBER	DESCRIPTION	AREA
	IC102	LC7218	I.C. SANYO	
	IC104	LA1266A	I.C. SANYO	
	IC105	LA3401	I.C. SANYO	

Δ : SAFETY PARTS

Diodes

Δ	ITEM	PART NUMBER	DESCRIPTION	AREA
	D104	1SS119	SILICON HITACHI	
	D105	1SS119	SILICON HITACHI	
	D106	1SS119	SILICON HITACHI	
	D115	1SS119	SILICON HITACHI	
	D116	1SS119	SILICON HITACHI	
	D120	1SS119	SILICON HITACHI	
	VC105	SVC342(L)	VARICAP SANYO	

Δ : SAFETY PARTS

Capacitors

Δ	ITEM	PART NUMBER	DESCRIPTION	AREA
	C101	QCF21HP-223	0.022MF 50V CERAMIC	
	C122	QCF21HP-223	0.022MF 50V CERAMIC	
	C126	QCF21HP-223	0.022MF 50V CERAMIC	
	C132	QCS21HJ-561	560PF 50V CERAMIC	
	C133	QCHB1EZ-223	0.022MF 25V CERAMIC	
	C134	QETB1EM-106	10MF 25V ELECTRO	
	C135	QCC21EM-223	0.022MF 25V CERAMIC	
	C136	QCT26CH-180	18PF 50V CERAMIC	
	C137	QCT26CH-221	220PF 50V CERAMIC	
	C138	QCT26CH-241	240PF 50V CERAMIC	
	C149	QCF21HP-223	0.022MF 50V CERAMIC	
	C150	QCHB1EZ-223	0.022MF 25V CERAMIC	
	C151	QCF21HP-223	0.022MF 50V CERAMIC	
	C152	QCF21HP-223	0.022MF 50V CERAMIC	
	C153	QCC21EM-223	0.022MF 25V CERAMIC	
	C154	QCF21HP-223	0.022MF 50V CERAMIC	
	C155	QETB1EM-227	220MF 25V ELECTRO	
	C156	QETB1HM-475	4.7MF 50V ELECTRO	
	C157	QETB1HM-474	0.47MF 50V ELECTRO	
	C158	QCB1HK-101	100PF 50V CERAMIC	
	C159	QCB1HK-101	100PF 50V CERAMIC	
	C160	QCB1HK-221	220PF 50V CERAMIC	
	C161	QCHB1EZ-223	0.022MF 25V CERAMIC	
	C162	QETB1EM-106	10MF 25V ELECTRO	
	C163	QFN81HJ-332	3300PF 50V MYLAR	
	C164	QCHB1EZ-223	0.022MF 25V CERAMIC	
	C165	QETB1HM-474	0.47MF 50V ELECTRO	
	C166	QETB1HM-225	2.2MF 50V ELECTRO	
	C167	QETB1HM-225	2.2MF 50V ELECTRO	
	C168	QETB1HM-475	4.7MF 50V ELECTRO	
	C169	QCF21HP-223	0.022MF 50V CERAMIC	
	C170	QCHB1EZ-223	0.022MF 25V CERAMIC	
	C171	QETB1EM-106	10MF 25V ELECTRO	
	C172	QCVB1CM-103	0.01MF 16V CERAMIC	
	C173	QFN81HK-223	0.022MF 50V MYLAR	
	C174	QFN81HK-473	0.047MF 50V MYLAR	
	C175	QETB1EM-106	10MF 25V ELECTRO	
	C176	QCY21HK-102	1000PF 50V CERAMIC	A
	C177	QCS21HJ-561	560PF 50V CERAMIC	B
	C177	QCS21HJ-561	560PF 50V CERAMIC	E
	C177	QCS21HJ-271	270PF 50V CERAMIC	H
	C177	QCS21HJ-271	270PF 50V CERAMIC	A
	C178	QCS21HJ-561	560PF 50V CERAMIC	B
	C178	QCS21HJ-561	560PF 50V CERAMIC	E
	C178	QCS21HJ-271	270PF 50V CERAMIC	H
	C178	QCS21HJ-271	270PF 50V CERAMIC	A
	C179	QETB1HM-225	2.2MF 50V ELECTRO	
	C180	QETB1HM-225	2.2MF 50V ELECTRO	
	C181	QETB1EM-106	10MF 25V ELECTRO	
	C182	QETB1HM-225	2.2MF 50V ELECTRO	
	C183	QETB1HM-105	1MF 50V ELECTRO	
	C184	QETB1HM-105	1MF 50V ELECTRO	
	C185	QETB1HM-225	2.2MF 50V ELECTRO	
	C186	QETB1HM-474	0.47MF 50V ELECTRO	
	C192	QCC21EM-473	0.047MF 25V CERAMIC	
	C193	QCS21HJ-180	18PF 50V CERAMIC	
	C194	QCS21HJ-180	18PF 50V CERAMIC	
	C195	QEN51HM-474	0.47MF 50V NON POLE	
	C196	QCY21HK-102	1000PF 50V CERAMIC	
	C200	QCF21HP-103	0.01MF 50V CERAMIC	
	C230	QCF21HP-103	0.01MF 50V CERAMIC	

Δ : SAFETY PARTS

Resistors

Δ	ITEM	PART NUMBER	DESCRIPTION	AREA
	R117	QRD167J-100	10 1/6W CARBON	
	R118	QRD167J-332	3.3K 1/6W CARBON	
	R119	QRD167J-221	220 1/6W CARBON	
	R121	QRD167J-391	390 1/6W CARBON	
	R122	QRD167J-272	2.7K 1/6W CARBON	
	R123	QRD167J-102	1K 1/6W CARBON	
	R124	QRD167J-681	680 1/6W CARBON	
	R125	QRD167J-332	3.3K 1/6W CARBON	
	R126	QRD167J-221	220 1/6W CARBON	
	R131	QRD167J-331	330 1/6W CARBON	
	R132	QRD167J-103	10K 1/6W CARBON	
	R133	QRD167J-473	47K 1/6W CARBON	
	R135	QRD167J-470	47 1/6W CARBON	
	R136	QRD167J-103	10K 1/6W CARBON	
	R146	QRD167J-560	56 1/6W CARBON	
	R147	QRD167J-103	10K 1/6W CARBON	
	R148	QRD167J-103	10K 1/6W CARBON	
	R149	QRD167J-223	22K 1/6W CARBON	
	R150	QRD167J-103	10K 1/6W CARBON	
	R151	QRD167J-224	220K 1/6W CARBON	
	R153	QRD167J-103	10K 1/6W CARBON	
	R154	QRD167J-103	10K 1/6W CARBON	
	R155	QRD167J-562	5.6K 1/6W CARBON	
	R156	QRD167J-822	8.2K 1/6W CARBON	
	R157	QRD167J-103	10K 1/6W CARBON	
	R158	QRD167J-183	18K 1/6W CARBON	A
	R158	QRD167J-273	27K 1/6W CARBON	B
	R158	QRD167J-273	27K 1/6W CARBON	E
	R158	QRD167J-273	27K 1/6W CARBON	H
	R159	QRD167J-561	560 1/6W CARBON	
	R160	QRD167J-123	12K 1/6W CARBON	A
	R160	QRD167J-123	12K 1/6W CARBON	B
	R160	QRD167J-273	27K 1/6W CARBON	E
	R160	QRD167J-273	27K 1/6W CARBON	H
	R161	QRD167J-124	120K 1/6W CARBON	A
	R161	QRD167J-124	120K 1/6W CARBON	B
	R161	QRD167J-184	180K 1/6W CARBON	E
	R161	QRD167J-184	180K 1/6W CARBON	H
	R162	QRD167J-124	120K 1/6W CARBON	A
	R162	QRD167J-124	120K 1/6W CARBON	B
	R162	QRD167J-184	180K 1/6W CARBON	E
	R162	QRD167J-184	180K 1/6W CARBON	H
	R163	QRD167J-332	3.3K 1/6W CARBON	
	R164	QRD167J-332	3.3K 1/6W CARBON	
	R165	QRD167J-184	180K 1/6W CARBON	A
	R165	QRD167J-184	180K 1/6W CARBON	B
	R165	QRD167J-274	270K 1/6W CARBON	E
	R165	QRD167J-274	270K 1/6W CARBON	H
	R166	QRD167J-184	180K 1/6W CARBON	A
	R166	QRD167J-184	180K 1/6W CARBON	B
	R166	QRD167J-274	270K 1/6W CARBON	E
	R166	QRD167J-274	270K 1/6W CARBON	H
	R168	QRD167J-103	10K 1/6W CARBON	
	R169	QRD167J-103	10K 1/6W CARBON	
	R171	QRD167J-682	6.8K 1/6W CARBON	
	R172	QRD167J-682	6.8K 1/6W CARBON	
	R179	QRD167J-562	5.6K 1/6W CARBON	
	R180	QRD167J-472	4.7K 1/6W CARBON	
	R181	QRD167J-222	2.2K 1/6W CARBON	
	R182	QRD167J-181	180 1/6W CARBON	
	R187	QRD167J-101	100 1/6W CARBON	
	R190	QRD167J-472	4.7K 1/6W CARBON	
	R194	QRD167J-472	4.7K 1/6W CARBON	
	R195	QRD167J-473	47K 1/6W CARBON	
	R196	QRD167J-103	10K 1/6W CARBON	
	R197	QRD167J-222	2.2K 1/6W CARBON	
	R198	QRD167J-332	3.3K 1/6W CARBON	
	R199	QRD167J-472	4.7K 1/6W CARBON	
	Δ R200	QRZ0077-270	27 1/4W FUSIBLE	B
	Δ R200	QRZ0077-270	27 1/4W FUSIBLE	E
	Δ R200	QRZ0077-270	27 1/4W FUSIBLE	H
	Δ R201	QRD145J-680S	68 1/4W UNF. CARBON	A
	Δ R201	QRD145J-680S	68 1/4W UNF. CARBON	B
	Δ R201	QRZ0062-680	68 1/4W FUSIBLE	E
	Δ R201	QRZ0062-680	68 1/4W FUSIBLE	H
	Δ R202	QRD145J-470S	47 1/4W UNF. CARBON	A
	Δ R202	QRD145J-470S	47 1/4W UNF. CARBON	B
	Δ R202	QRZ0062-220	22 1/4W FUSIBLE	E
	Δ R202	QRZ0062-470	47 1/4W FUSIBLE	H
	VR167	QVZ3518-104	100K 0.1W VARIABLE	

Δ : SAFETY PARTS

Others

Δ	ITEM	PART NUMBER	DESCRIPTION	AREA
		E11849-303(S)	CIRCUIT BOARD	
	J102	QMS3501-021	MINI JACK	
	L101	EQL4004-1R0	INDUCTOR	
	L106	EQL3001-102K	INDUCTOR	
	P101	EMV7112-008	CONNECTOR(8PIN)	

Δ : SAFETY PARTS

Others

△	ITEM	PART NUMBER	DESCRIPTION	AREA
	P103	EMV7112-006	CONNECTOR(6PIN)	B
	P105	EMV7112-003	CONNECTOR(3PIN)	
	T101	EQR1111-014	AM RF COIL	
	T103	EQR1207-015	MW OSC COIL	
	T105	EQT2140-012	I.F. TRANSFORMER	
	T106	EQT2140-013	I.F. TRANSFORMER	A B E H A B E H A B E H
	T107	ECB1560-006	CERAMIC FILTER	
	AT101	EMB41YV-401K	ANTENNA TERMINAL	
	AT101	EMB41YV-401K	ANTENNA TERMINAL	
	AT101	EMB41YV-301K	ANTENNA TERMINAL	
	AT101	EMB41YV-401K	ANTENNA TERMINAL	
	CF101	ECB2123-001R	CERAMIC FILTER	
	CF101	ECB2123-001R	CERAMIC FILTER	
	CF101	ECB2118-001R	CERAMIC FILTER	
	CF101	ECB2118-001R	CERAMIC FILTER	
	CF102	ECB2123-001R	CERAMIC FILTER	
	CF102	ECB2123-001R	CERAMIC FILTER	
	CF102	ECB2118-001R	CERAMIC FILTER	
	CF102	ECB2118-001R	CERAMIC FILTER	
	EP101	E70859-001	EARTH PLATE	

△ : SAFETY PARTS

Others

△	ITEM	PART NUMBER	DESCRIPTION	AREA
	EP102	E70859-001	EARTH PLATE	A B E H E B
	EP110	E70225-001	EARTH PLATE	
	FE101	EAF2204-001	FRONT END	
	FE101	EAF2204-001	FRONT END	
	FE101	EAF2203-003	FRONT END	
	FE101	EAF2204-001	FRONT END	
	LP101	EQF0101-002	LOW PASS FILTER	
	LP102	EQF0102-001	LOW PASS FILTER	
	SW202	QSS1201-039	SLIDE SWITCH	
	TC105	ENZ1003-006	TRIMMER	
	XT102	ECX0007-200KC	RESONATOR	
	XT103	ECX0000-456KR	RESONATOR	

△ : SAFETY PARTS

Accessories List

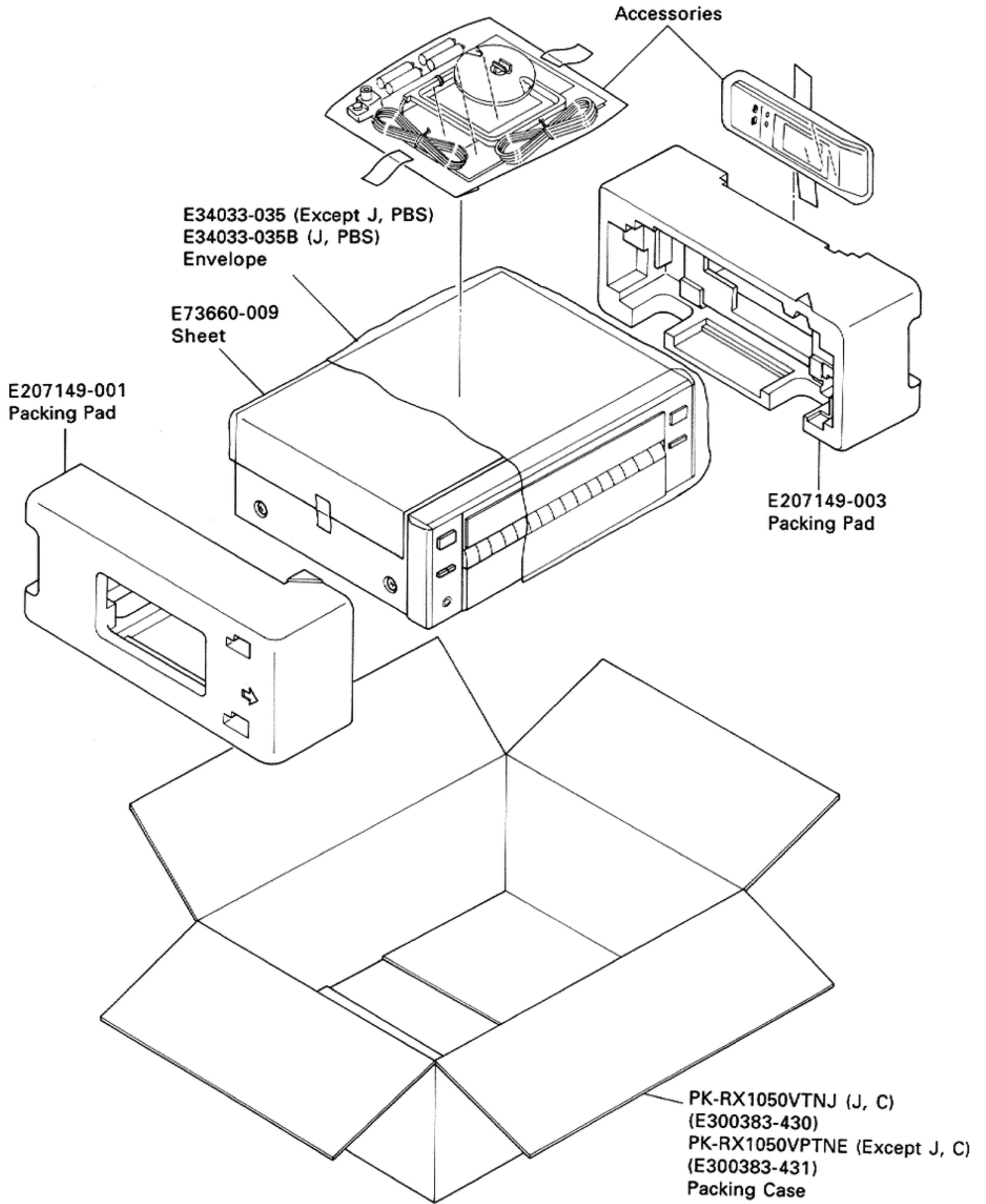
△	Part Number	Part Name	Q'ty	Description	Areas
	E30580-1774A	Instruction Book	1		J
	E30580-1778A	Instruction Book	1		Except J, PBS
	E30580-1778ABS	Instruction Book	1		PBS
	BT-20048E	Warranty Card	1		J
	BT-20025K	Warranty Card	1		C
	BT-20117	Warranty Card	1		PG
	BT20060	Warranty Card	1		PBS
	BT-20122	Audio Warranty Card	1	for New Zealand	PA
	BT-20122-1	Sticker	1	for New Zealand	PA
	BT-20108A	Service Information Card	1		J
	BT-20044G	Safety Instruction Sheet	1		J
	BT20071A	Service Center List	1		C
	BT20066A	EEC Agency	1		PBS
	QZL1008-001	FTZ Information Sheet	1		PG
	E43486-458	Instruction Sheet	1		C
△	E43486-371A	Sheet	1		PBS
△	EMC0202-001BS	AC Plug	1		PBS
△	E04056	Siemens Plug	1		PU
△	QMF51A2-6R3S	Fuse	1	F005 (T6.3A / 250V)	PU
△	E67142-T6R3	Fuse Label	1		PU
△	E35497-015	Caution Sheet	1	220V	PU
	EMZ2001-011	Adapter	1		PE, PEF, PBS
	EQB4001-012	AM Loop Antenna	1		Except PG
	E304084-001	Loop Stand	1		
	EWP502-005K	Built in Antenna	1		
	E67007-001	Wire Antenna	1		
	RM-SR1050U	Remote Controller	1		PG
	UR66EC364C	Battery Cover	1		for Warranty Card
	AM4J-2PSA	Battery	3		
	E66416-003	Envelope	1		
	E6581-4	Envelope	1	for Fuse & Fuse Label	PU
	E41202-2	Envelope	1		Except PBS
	E41202-2B	Envelope	1		PBS

The Marks for Designated Areas

△ Safety Parts

- J.....the U.S.A.
- C.....Canada
- PA.....Australia (with PAL)
- PE,PEF.....Continental Europe (with PAL)
- PG.....Germany (with PAL)
- PBS.....the U.K. (with PAL)
- PU.....Universal Type (with PAL)
- No mark indicates all areas.**

Packing Materials and Part Numbers



The Marks for Designated Areas

J.....the U.S.A.	PG.....Germany (with PAL)
C.....Caanada	PBS.....the U.K. (with PAL)
PA.....Aistralia (with PAL)	PU.....Universal Type (with PAL)
SPE,PEF...Continental Europe (with PAL)	No mark indicates all areas.

— MEMO —

— MEMO —

— MEMO —