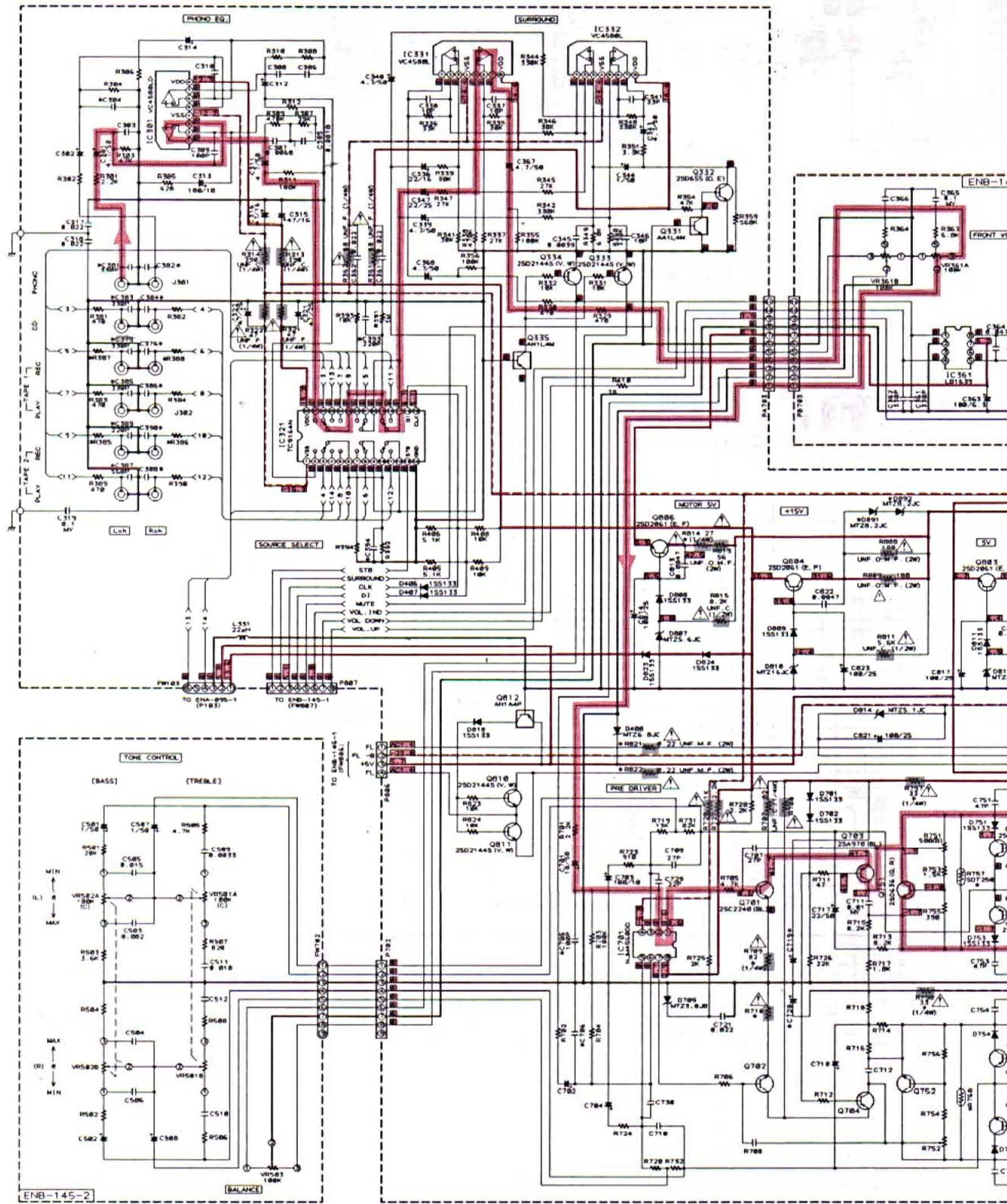


Schematic Diagrams

A B C D E F G H I J

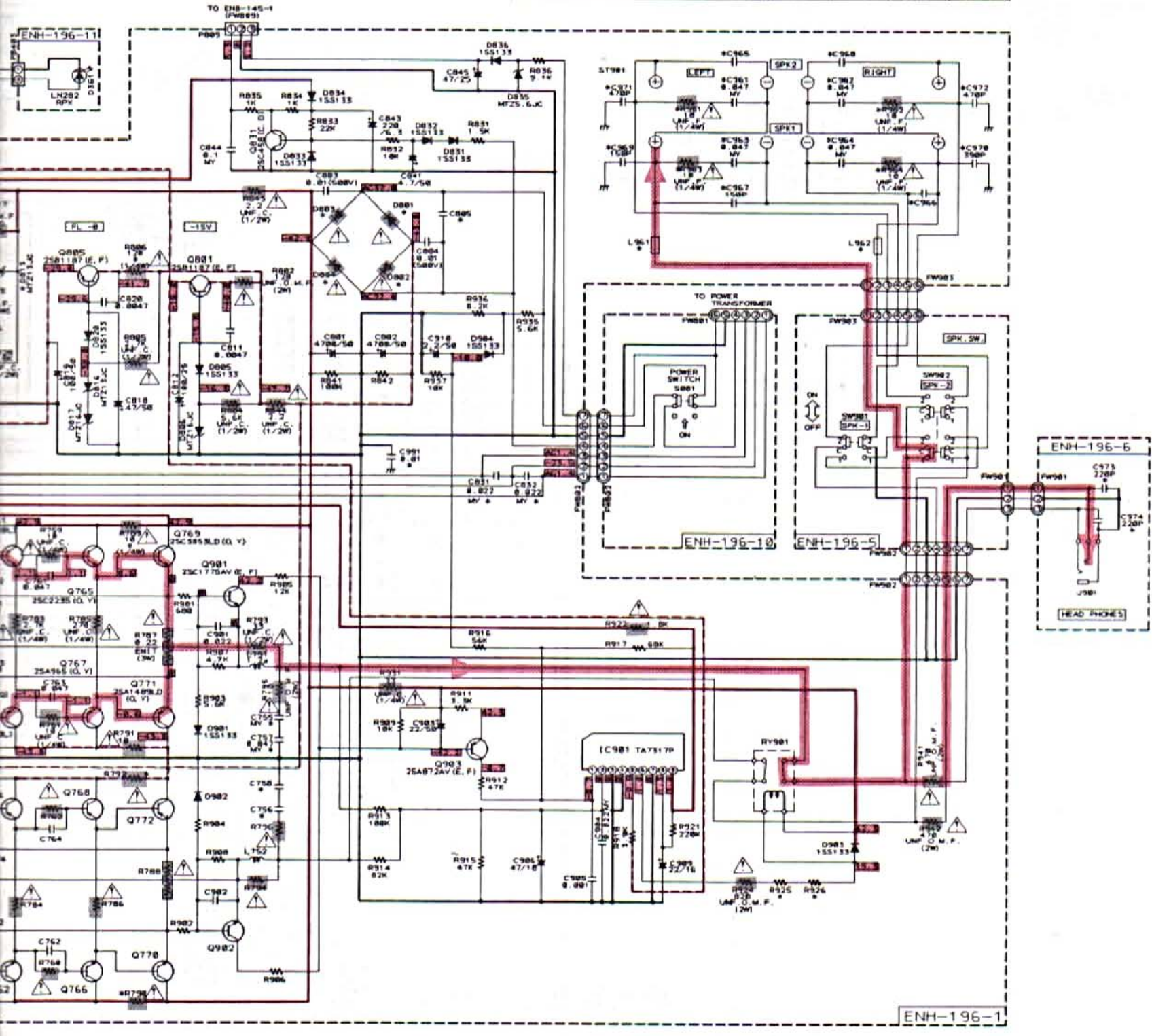
Audio Section



K L M N O P Q R S

* MARK

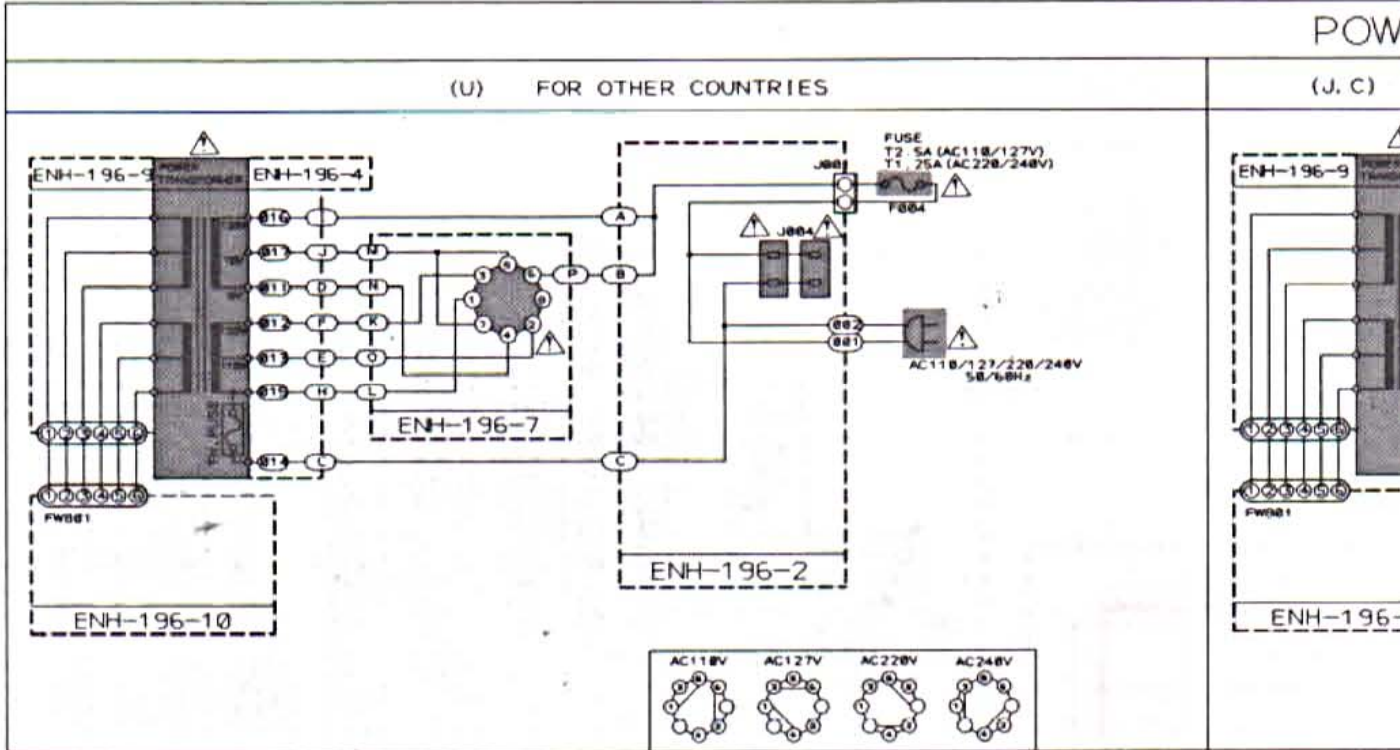
	J	C	U	EF, EN	A	BS	G
C383, 384	100P	100P	100P	100P	100P	100P	470P
C375, 376	NONE	NONE	NONE	NONE	NONE	NONE	USED
C381-398	NONE	NONE	NONE	NONE	NONE	NONE	USED
C393, 394	NONE	NONE	NONE	NONE	NONE	NONE	USED
C705, 706	USED	USED	USED	USED	USED	USED	NONE
C719, 720	47/63	47/63	47/63	47/63	47/63	47/63	47/63
C755, 756	0.022	0.047	0.047	0.047	0.047	0.047	0.047
C757, 758	SHORT	USED	USED	USED	USED	USED	USED
C805	0.01 (500V)	0.01 (500V)	0.1 MY (100V)	0.1 MY (100V)	0.1 MY (100V)	0.1 MY (100V)	0.1 MY (100V)
C831, 832	USED	NONE	NONE	USED	USED	USED	USED
C961-964	NONE	NONE	NONE	NONE	NONE	NONE	USED
C965	NONE	NONE	NONE	NONE	NONE	NONE	100P
C966	NONE	NONE	NONE	NONE	NONE	NONE	470P
C967	NONE	NONE	NONE	NONE	NONE	NONE	USED
C968	NONE	NONE	NONE	NONE	NONE	NONE	470P
C969-974	NONE	NONE	NONE	NONE	NONE	NONE	USED
C931	NONE	NONE	NONE	NONE	NONE	NONE	USED
D801-804	5V20F	5V20F	300F 25FC	300F 25FC	300F 25FC	300F 25FC	300F 25FC
D813	NONE	USED	USED	USED	USED	USED	USED
D891, 892	NONE	USED	USED	USED	USED	USED	USED
L961, 962	SHORT	SHORT	SHORT	SHORT	SHORT	SHORT	USED
M385-388	470	470	470	470	470	470	2.2K
R709, 710	UNF. C	UNF. F	UNF. F	UNF. F	UNF. F	UNF. F	UNF. F
R757, 758	NONE	NONE	USED	USED	USED	USED	USED
R789-792	UNF. C	UNF. F	UNF. F	UNF. F	UNF. F	UNF. F	UNF. F
R797-798	UNF. C	UNF. F	UNF. F	UNF. F	UNF. F	UNF. F	UNF. F
R806	UNF. C	UNF. F	UNF. F	UNF. F	UNF. F	UNF. F	UNF. F
R814	UNF. C	UNF. F	UNF. F	UNF. F	UNF. F	UNF. F	UNF. F
R817	100	100	100	100	100	100	100
R819	27	27	27	27	27	27	27
R821, 822	SHORT	USED	USED	USED	USED	USED	USED
R925	75	75	36	36	36	36	36
R926	75	75	36	36	36	36	36
R961-964	NONE	NONE	NONE	NONE	NONE	NONE	USED



■ System Control & Power Primary Section

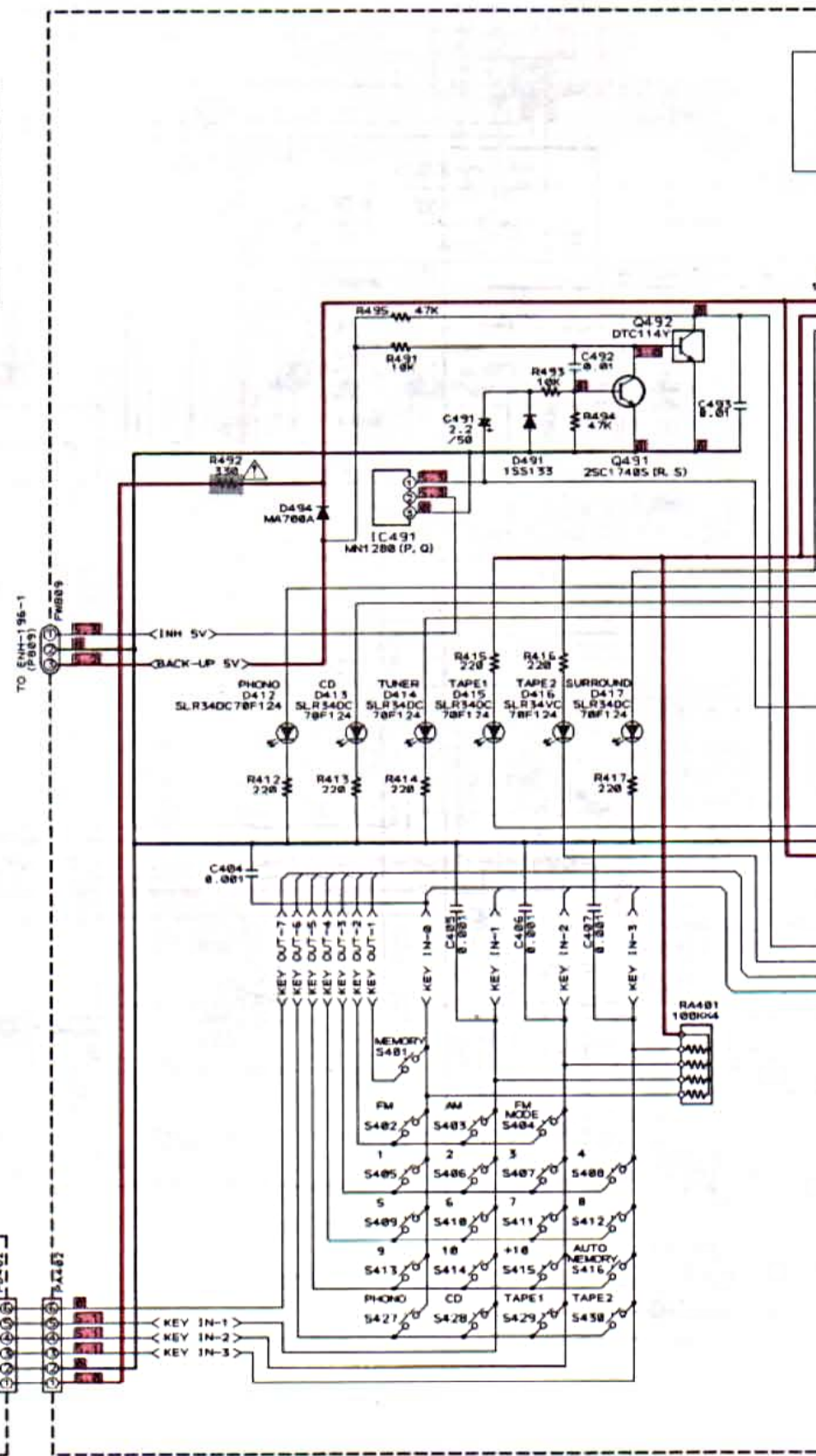
1
2
3
4
5
6
7
8
9
10
11
12
13

A B C D E F G H I

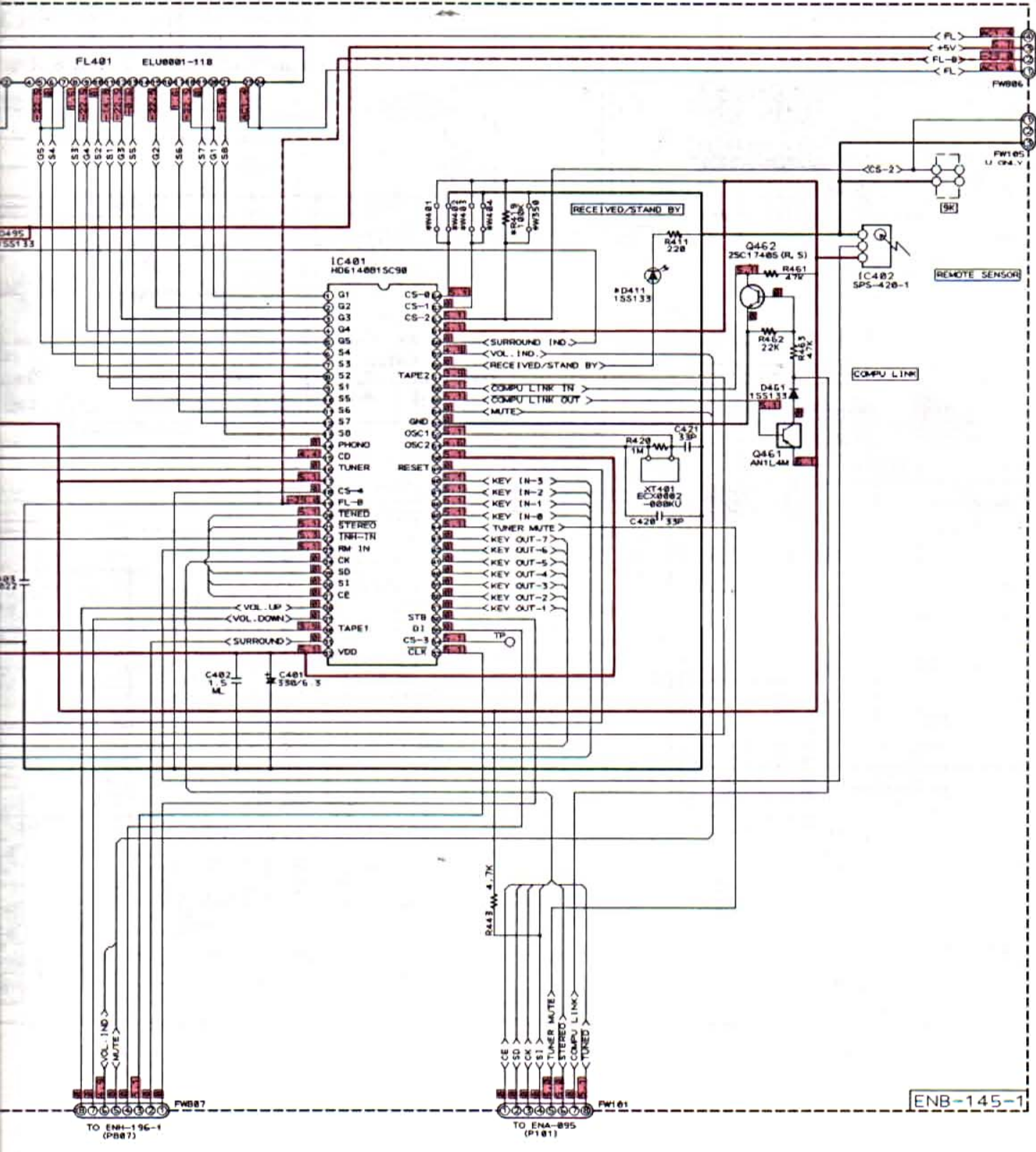
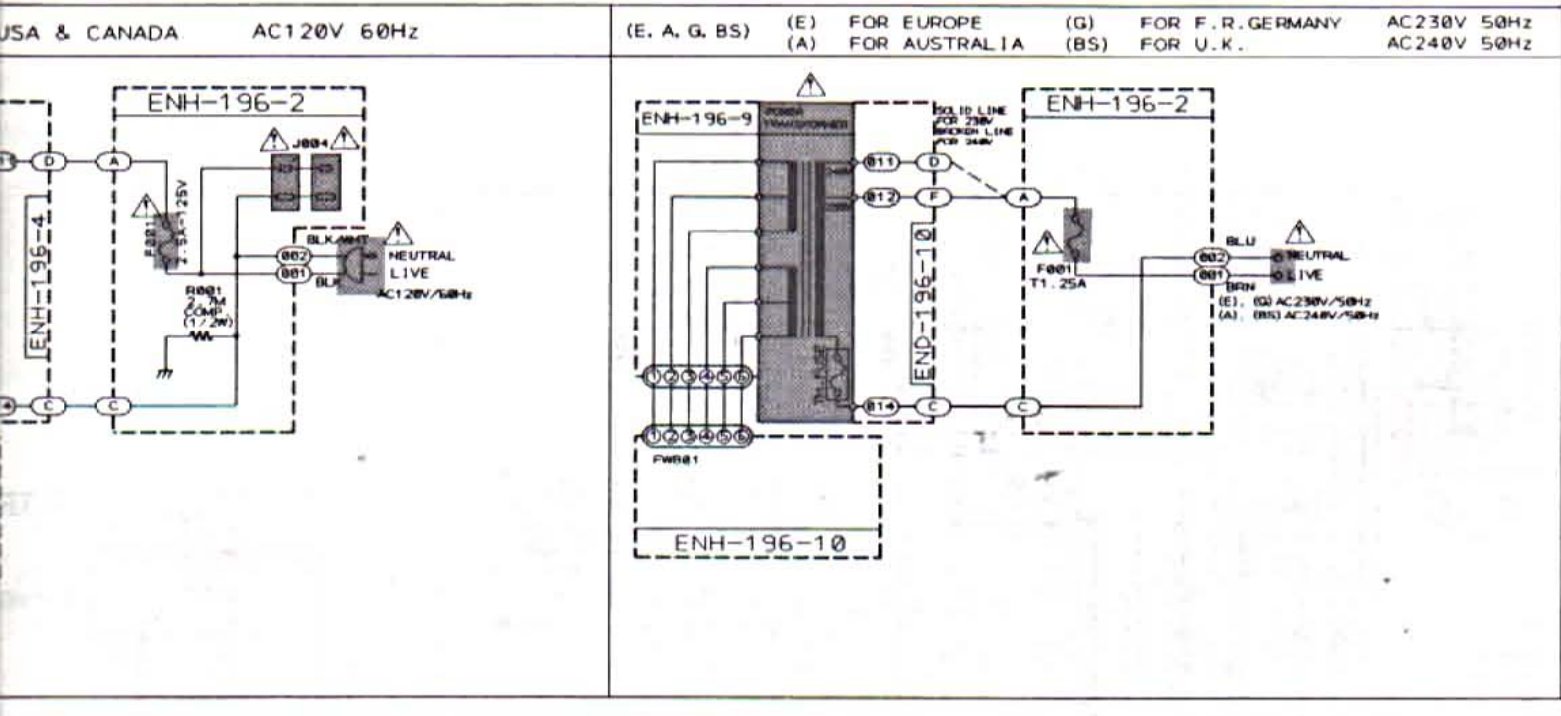


* MARK

	J. C	U	EF, EN, G	BS	A
D411	SLR54VC 78F124	SLR54VC 78F124	SLAS8BLT 78F124	SLAS8BLT 78F124	SLR54VC 78F124
R419	USED	USED	NONE	NONE	USED
R861	10	3.5	22	27	27
R863	820	820	820	910	820
R865	SHORT	SHORT	SHORT	20	20
W401	USED	NONE	NONE	NONE	NONE
W402	NONE	USED	USED	USED	USED
W403	NONE	USED	NONE	NONE	USED
W404	USED	NONE	USED	USED	USED
W550	NONE	NONE	USED	USED	NONE

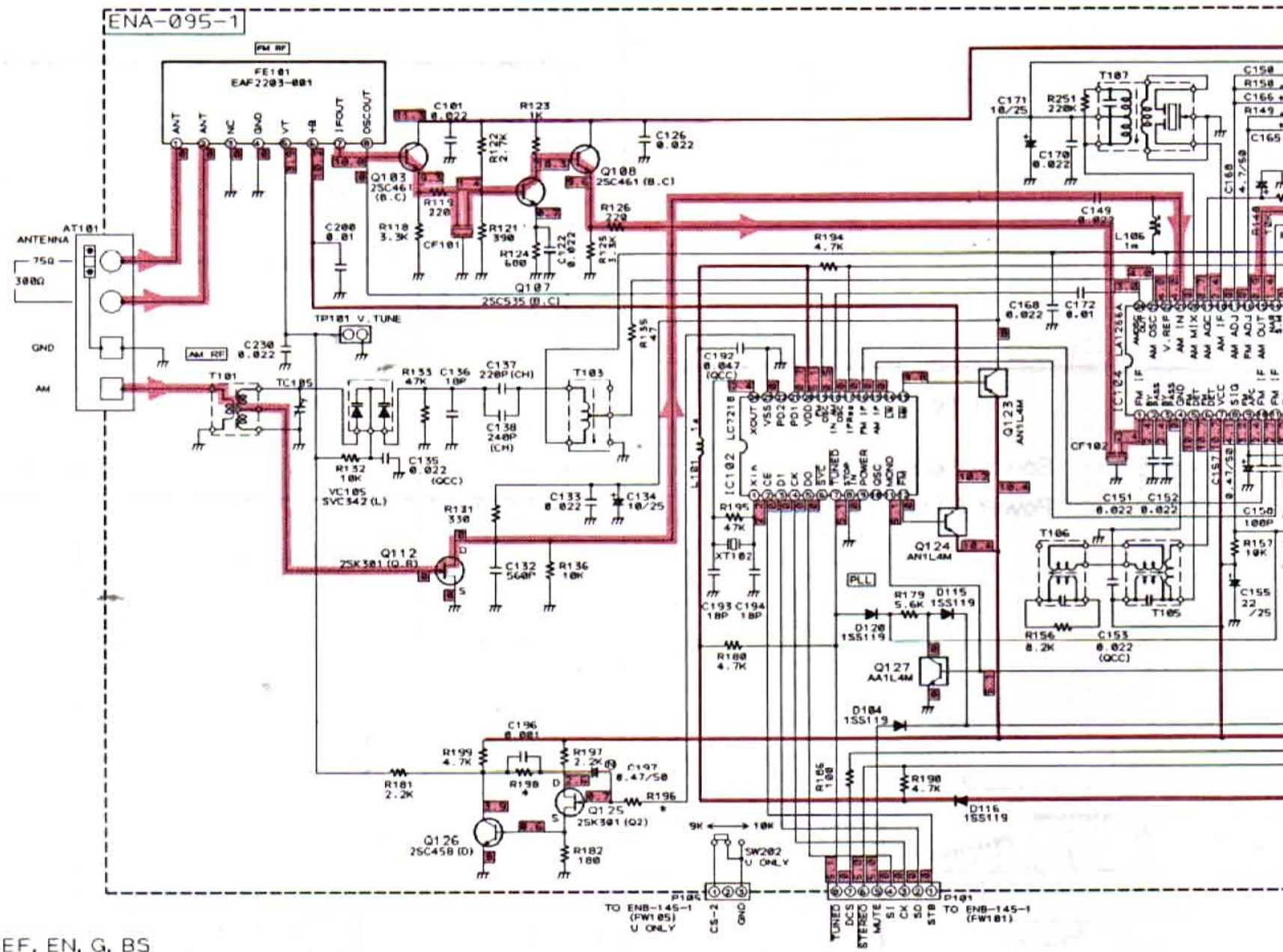


SUPPLY BLOCK

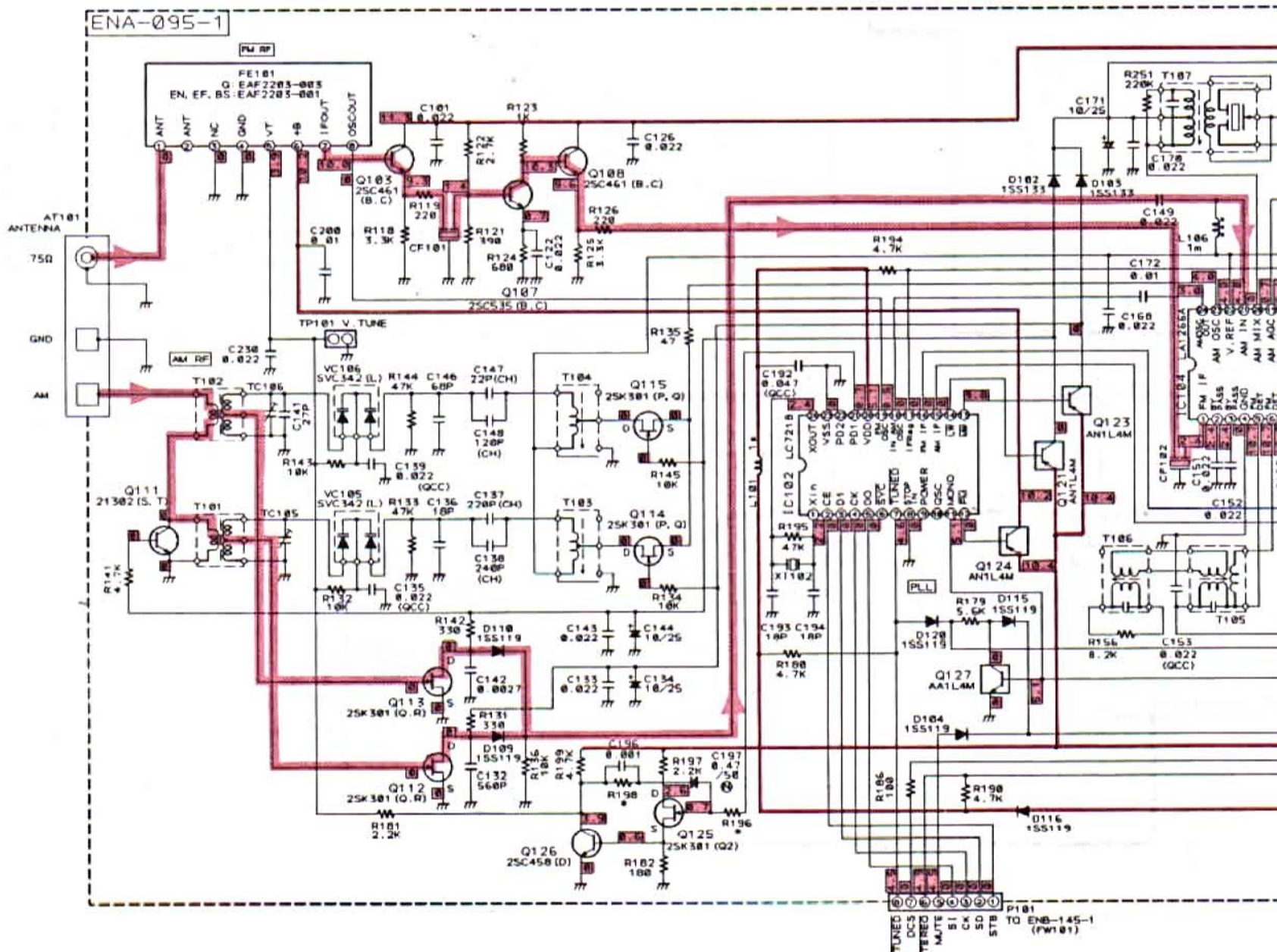


Tuner Section

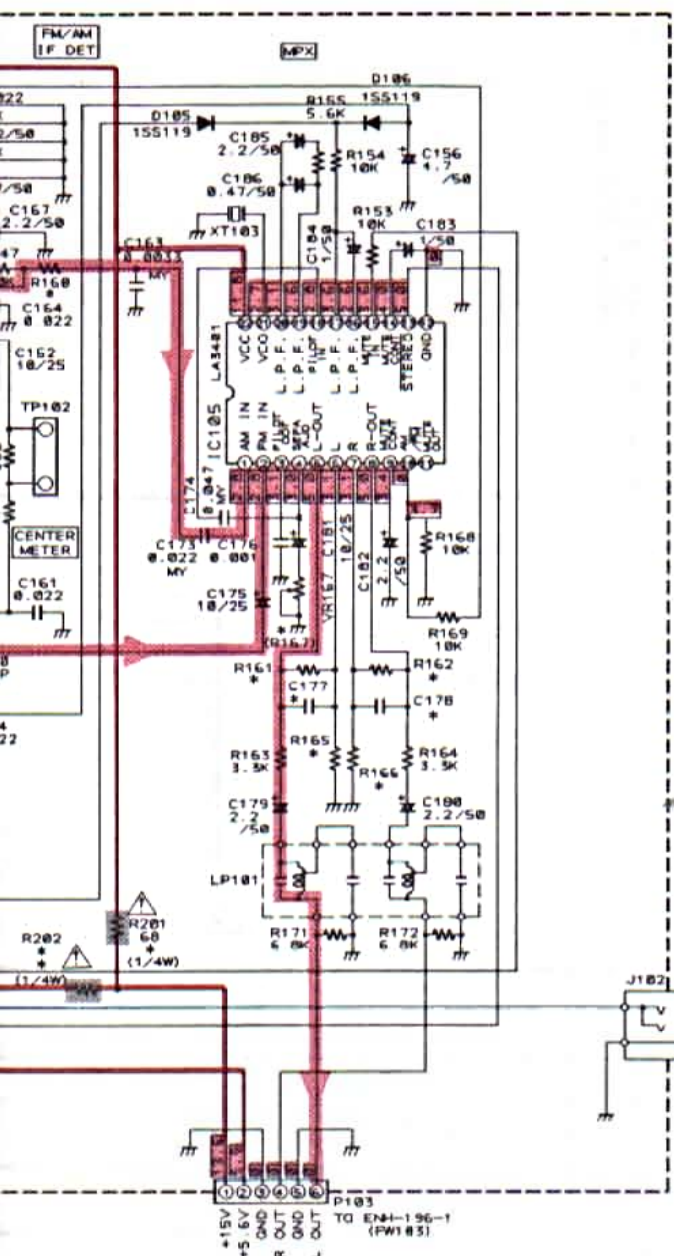
J. C. U. A



EF, EN, G, BS



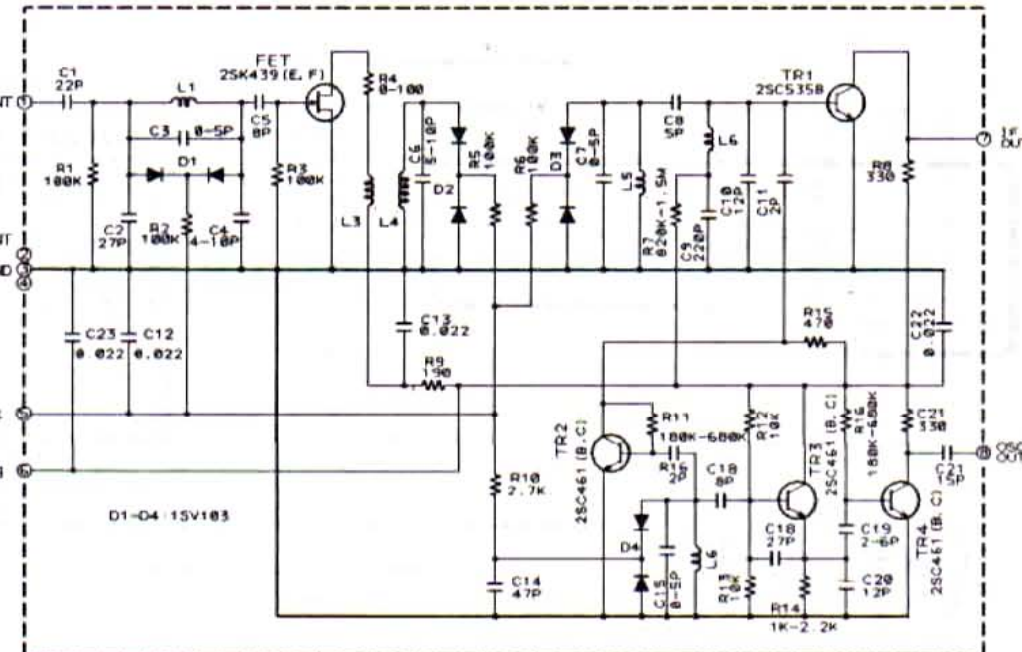
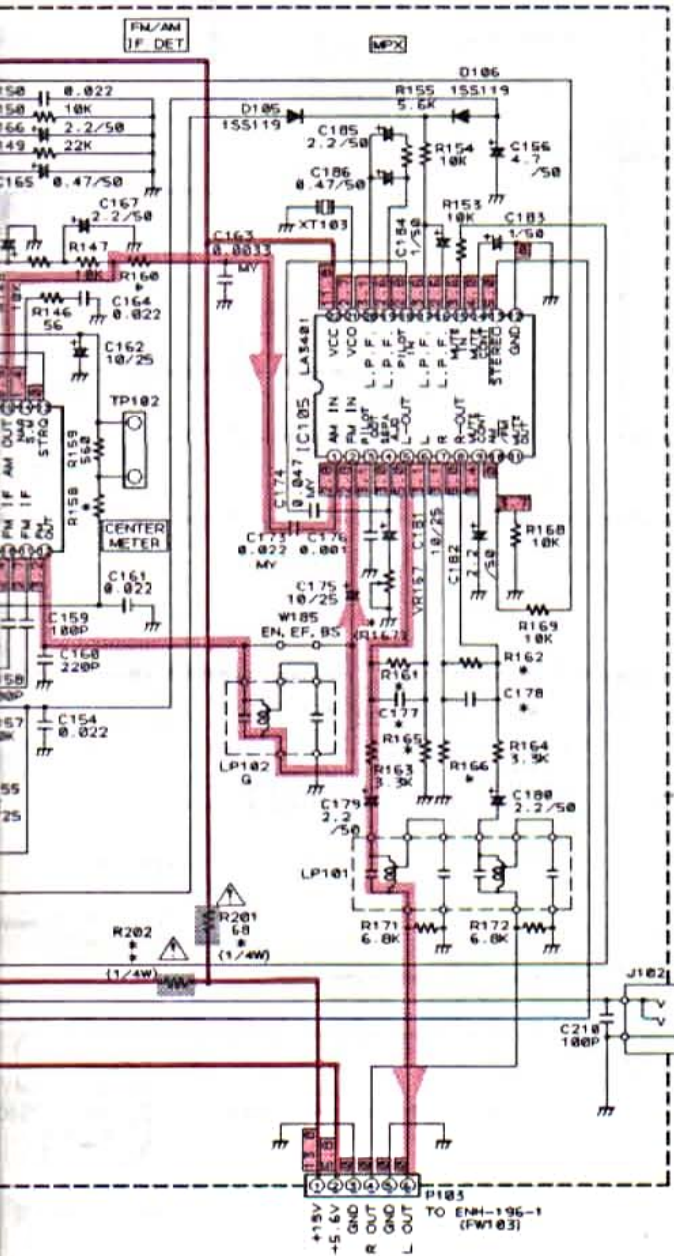
K L M N O P Q R S



* MARK

	J, C	U	A	EF, EN, BS	G
R158	10K	27K	27K	27K	27K
R160	12K	12K	27K	27K	27K
R161, 162	120K	120K	100K	100K	100K
R165, 166	100K	100K	270K	270K	270K
R167, VR167	39K	39K	100K VD	100K VD	100K VD
R196	10K	10K	10K	2.2K	2.2K
R198	3.3K	3.3K	3.3K	8.2K	8.2K
R201	UNF. C.	UNF. F.	UNF. F.	UNF. F.	UNF. F.
R202	47	47	47	47	22
	UNF. C.	UNF. F.	UNF. F.	UNF. F.	UNF. F.
C177, 178	560P	560P	270P	270P	270P

G ONLY
EAF2203-003

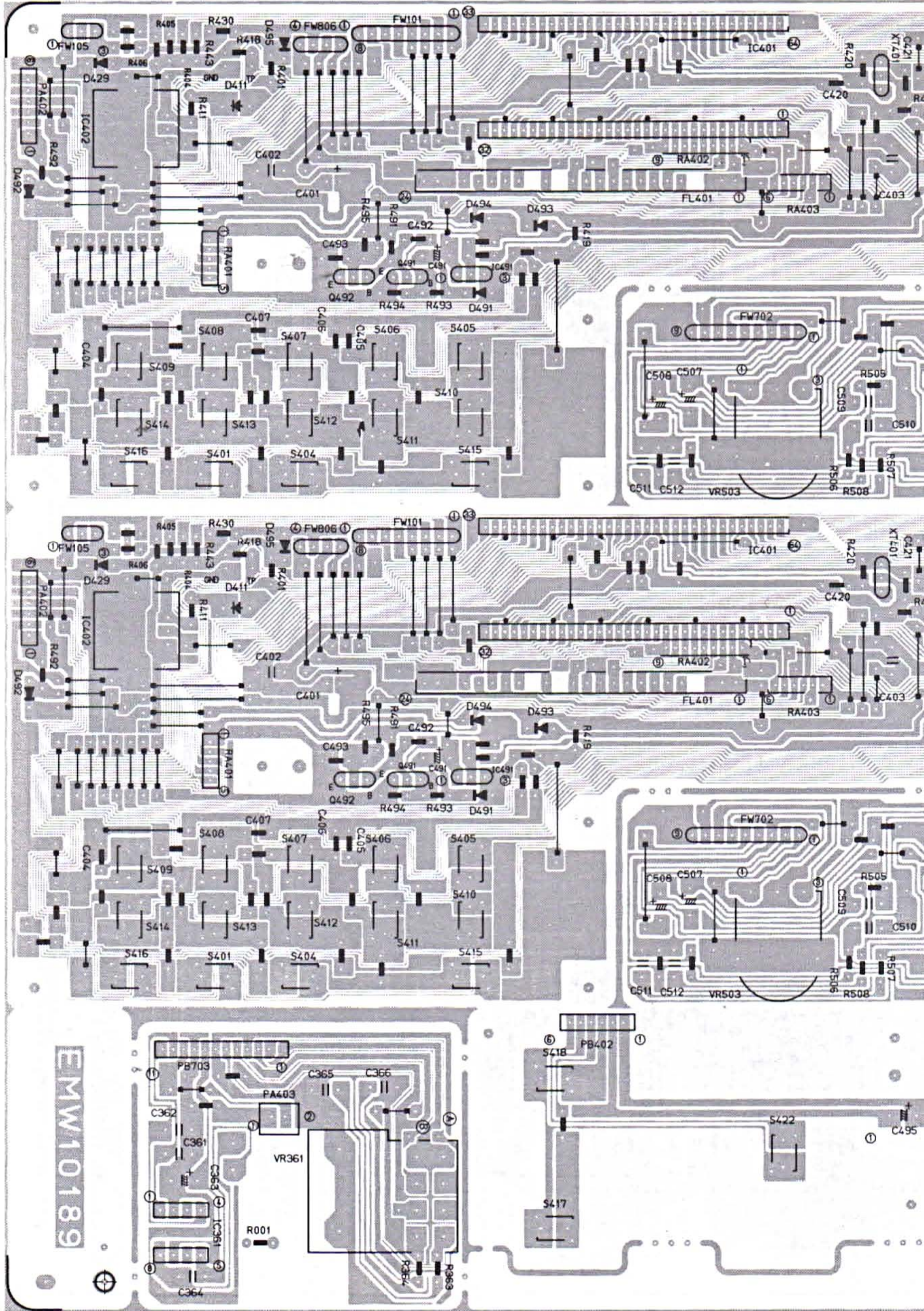


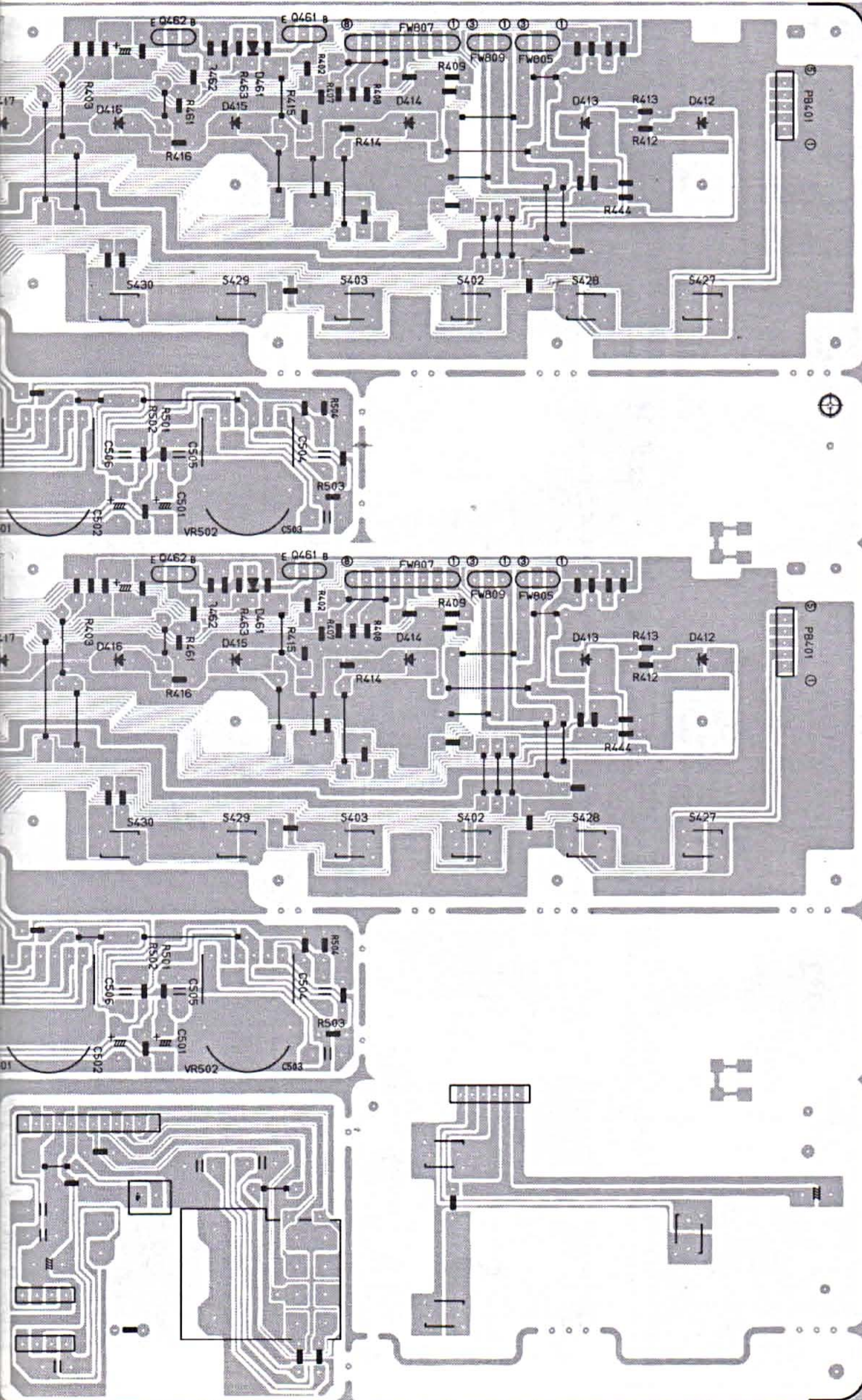
Notes:

- indicates +B power supply.
- - - indicates -B power supply.
- indicates main signal path.
- indicates surround signal path.
- shows DC voltage to the chassis with no signal input.
- When replacing the parts in the shaded area (■) and those marked with ⚠, be sure to use the designated parts to ensure safety.
This is the standard circuit diagram.
- The design and contents are subject to change without notice.

Printed Circuit Boards

■ System Control P.C. Board (ENB-145)





■ Audio & Power Primary P.C. Board (ENH-196)

