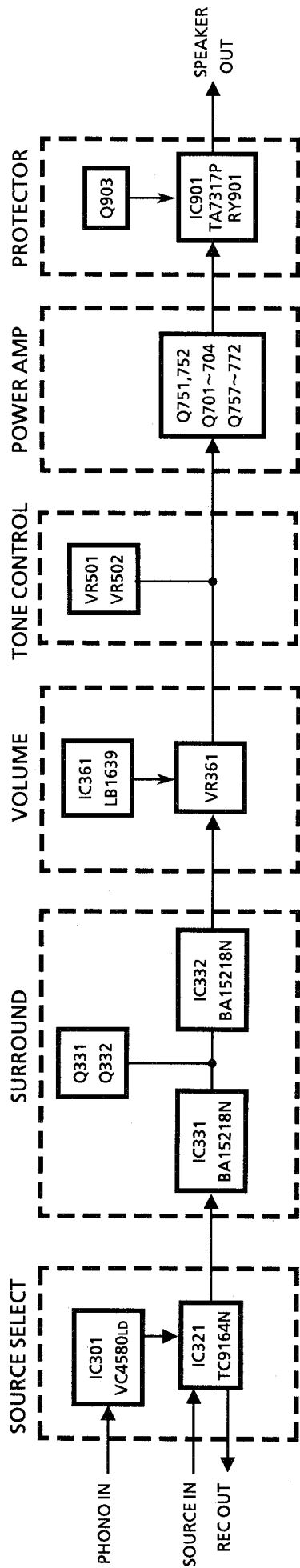
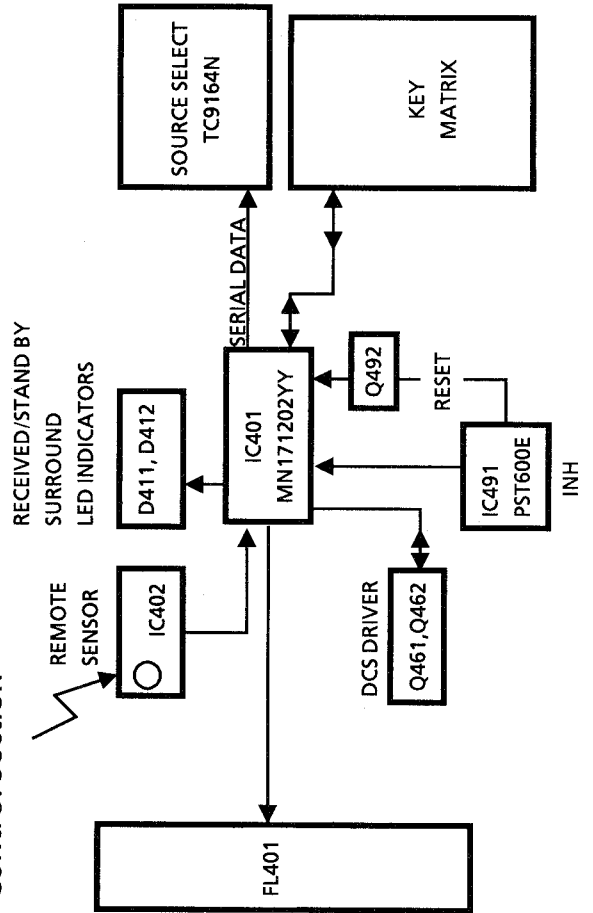


# Block Diagram

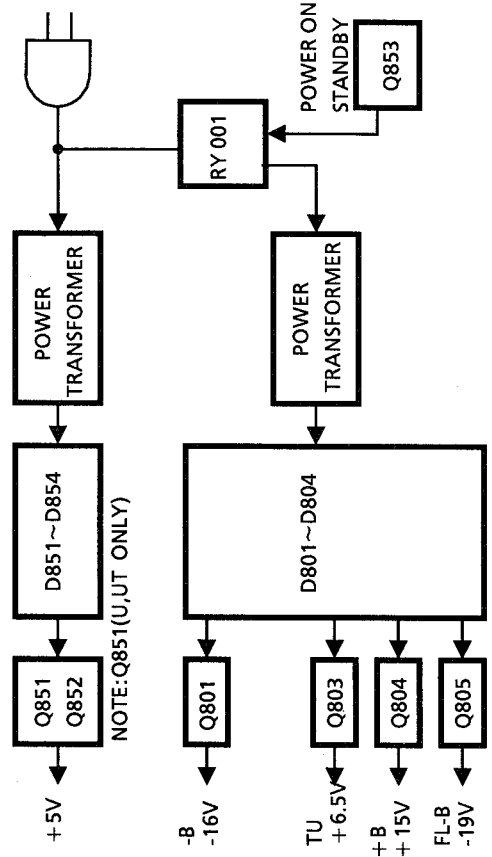
## ■ Audio Section



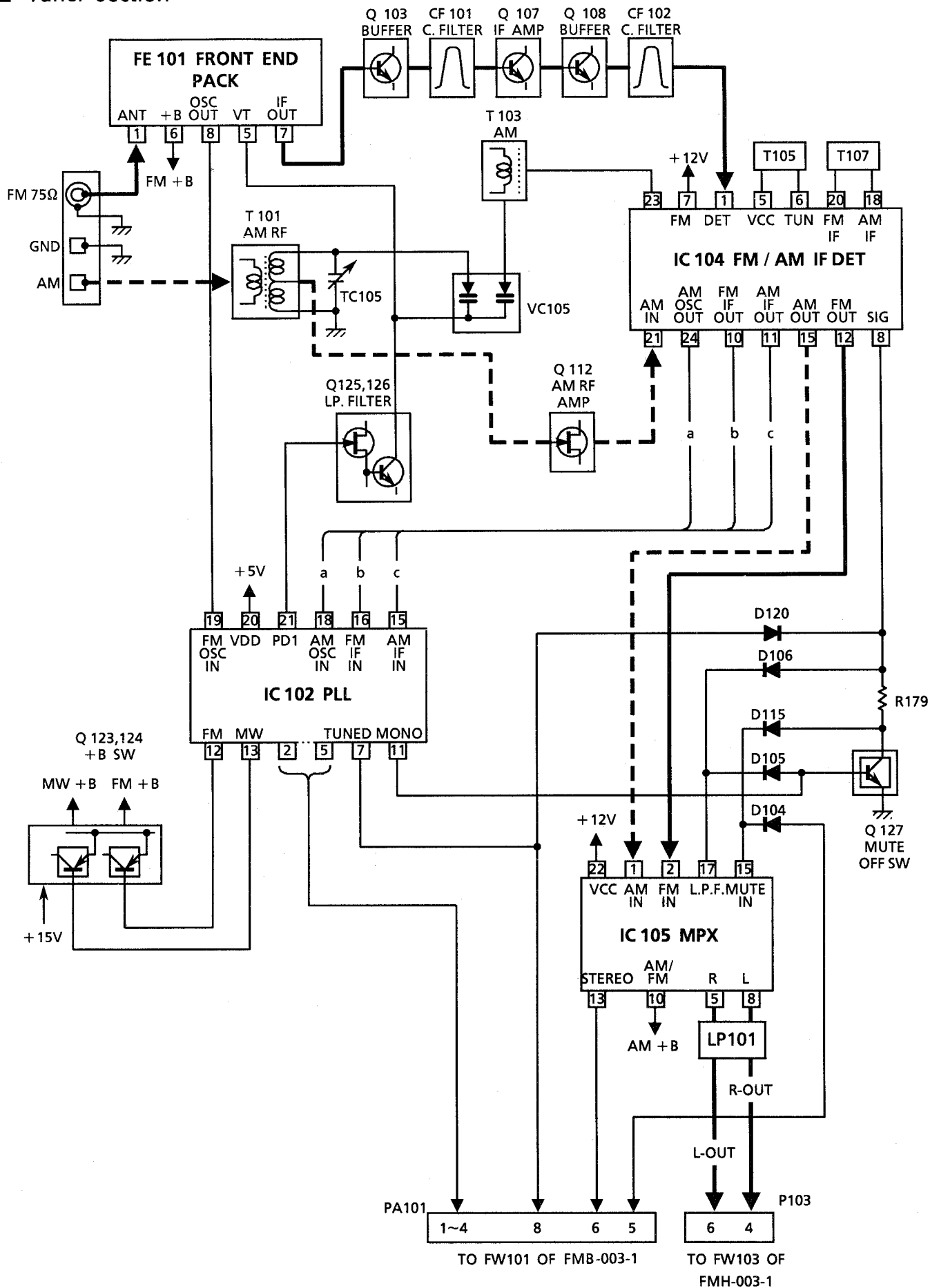
## ■ Control Section



## ■ Power Supply Section




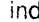


■ Tuner Section

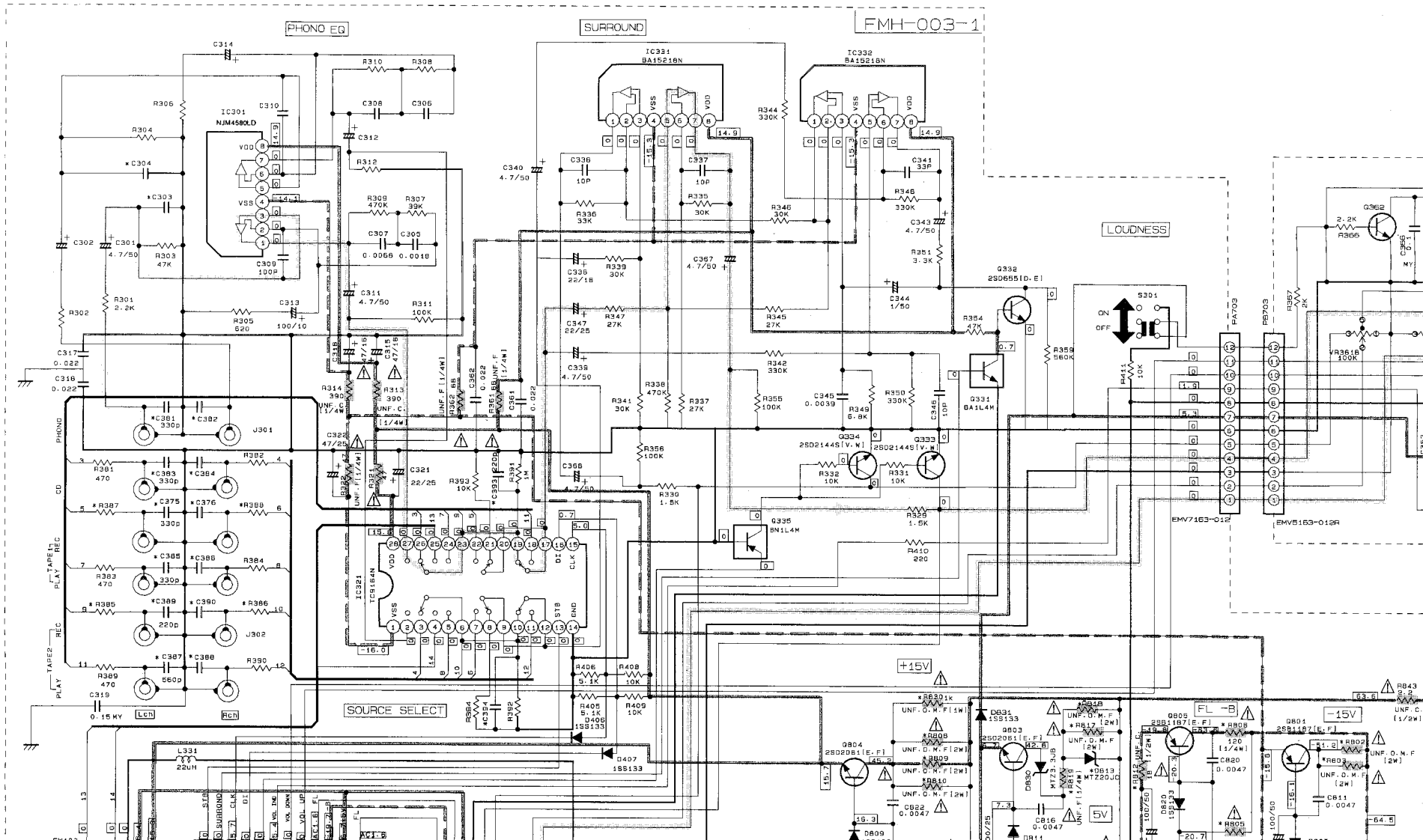


# Schematic Diagrams

## (1) Audio Section

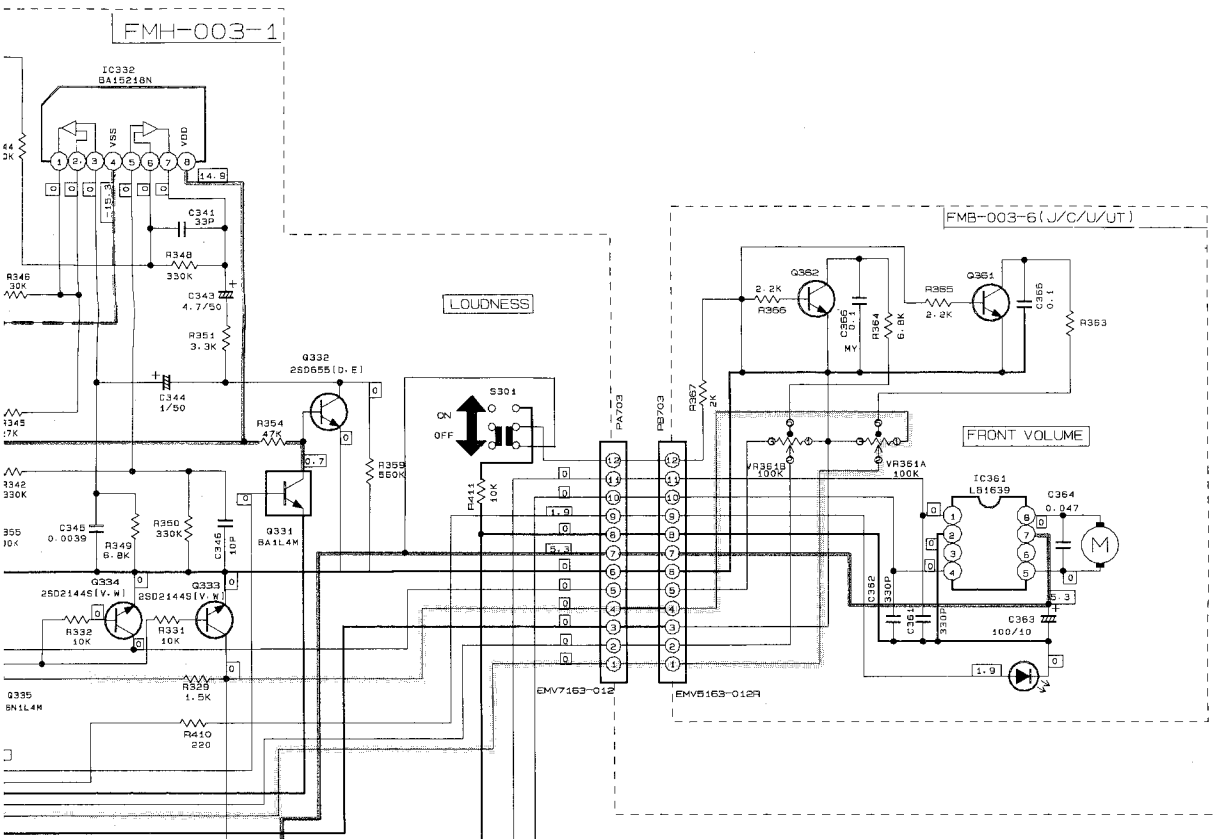
### Notes:

1.  indicates +B power supply.
2.  indicates -B power supply.
3.  indicates main path.
4. When replacing the parts in the shaft marked with , be sure to use the safety.
5. The design and contents are subject to change without notice.

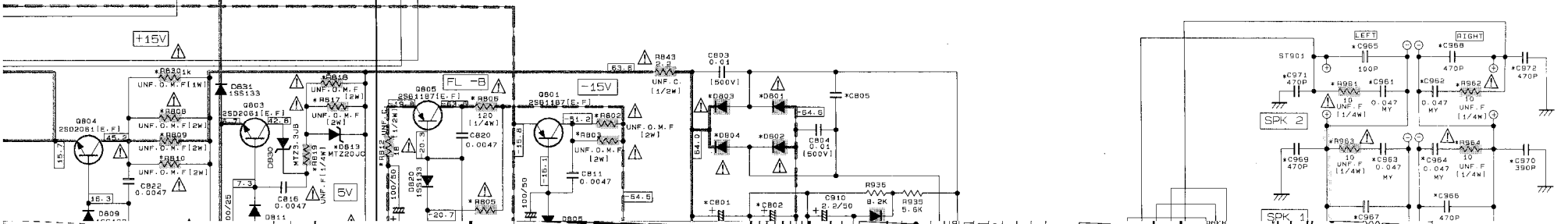


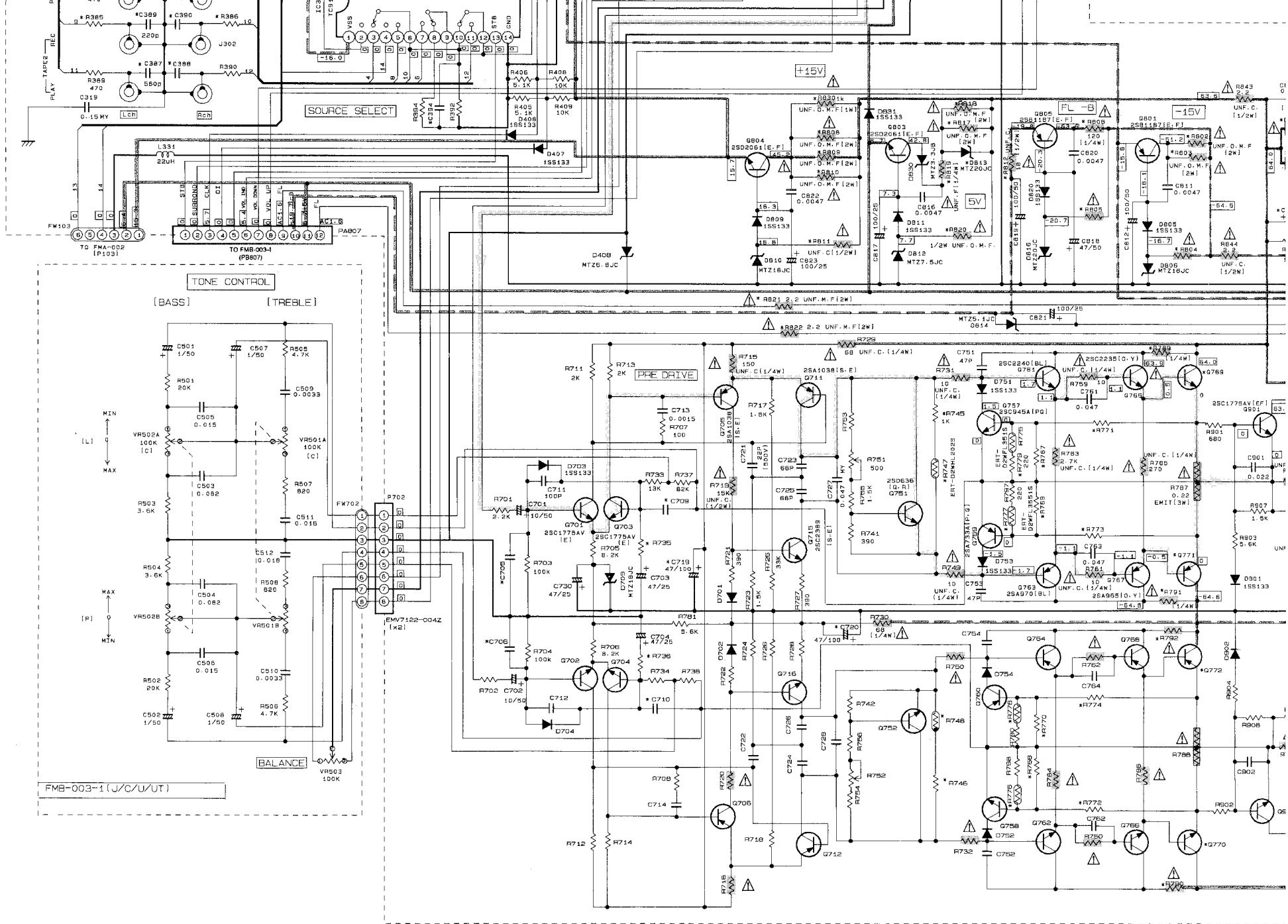
**Notes:**

1. indicates +B power supply.
2. indicates -B power supply.
3. indicates main path.
4. When replacing the parts in the shaded are ( ) and those marked with , be sure to use the designated parts to ensure safety.
5. The design and contents are subject to change without notice.

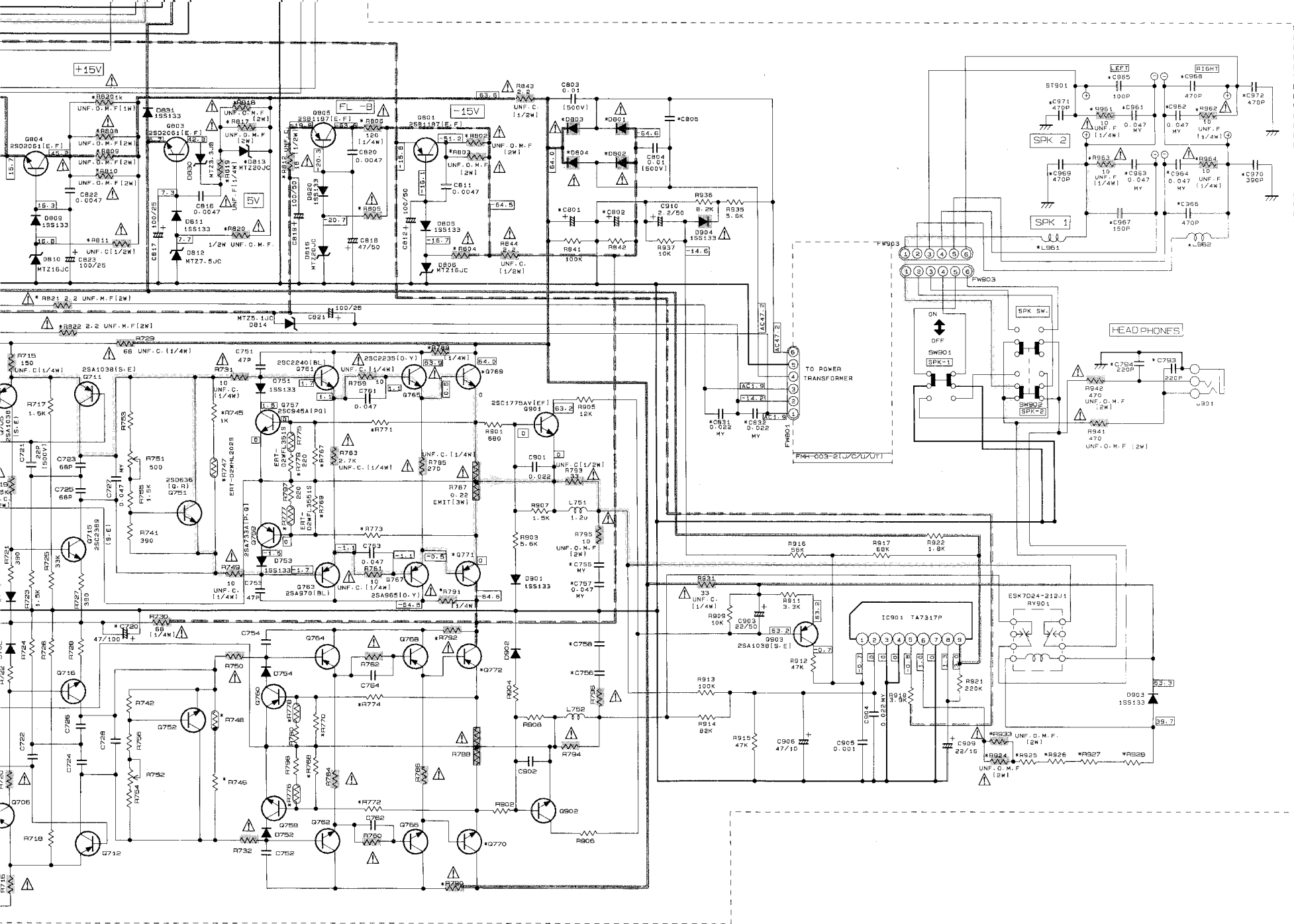


*MARK	J	C	U-UT
R395-R398	470Ω	470Ω	470Ω
R789-R792	12Ω UNF.C	10Ω UNF.F	10 UNF.F
R767-R770	56Ω	56Ω	82Ω
R771-R774	36Ω	36Ω	150Ω
R775-R778	USED	USED	NONE
R924	1.8KΩ	1.8KΩ	820Ω
R925	120Ω	120Ω	75Ω
R926	150Ω	150Ω	SHORT (W775)
R802	820Ω	820Ω	820Ω
R803	1KΩ	1KΩ	1KΩ
R804	5.6KΩ UNF.O.M.F.1W	5.6KΩ UNF.O.M.F.1W	5.6KΩ UNF.C.1/2W
R805	4.7KΩ UNF.O.M.F.1W	4.7KΩ UNF.O.M.F.1W	4.7KΩ UNF.C.1/2W
R812	USED	USED	USED
R830	USED	USED	NONE
R808	560Ω	560Ω	180Ω
R809	560Ω	560Ω	560Ω
R810	560Ω	560Ω	560Ω
R811	8.2KΩ	8.2KΩ	8.2KΩ
R817	100Ω	100Ω	120Ω
R819	SHORT (W780)	SHORT	4.7Ω
R820	8.2KΩ	8.2KΩ	8.2KΩ
R861-R864	NONE	NONE	NONE
R818	NONE	NONE	150Ω
R821-R822	2.2Ω	2.2Ω	2.2Ω
R745, R746	NONE	NONE	USED
R747, R748	NONE	NONE	ERT-02MHL2025
R833	NONE	NONE	NONE
R827, R828	SHORT (W748, W749)	SHORT	SHORT
R779, R780	SHORT (W778, W776)	SHORT	NONE
R797, R798	SHORT (W777, W779)	SHORT	NONE
R735, R736	560Ω	560Ω	560Ω
C303, C304	100P	100P	100P
C303, C304	NONE	NONE	NONE
C375-C396	NONE	NONE	NONE
C705, C706	100P	100P	100P
C719, C720	47/100	47/100	47/63
C755, C756	0.022	0.047	0.047
C757, C758	SHORT (W712, W713)	USED	USED
C865	0.01/500V	0.01/500V	0.22/180V
C831, C832	USED	NONE	NONE
C861-C864	NONE	NONE	NONE
C865-C868	NONE	NONE	NONE
C869-C872	NONE	NONE	USED
C793, C794	NONE	NONE	USED
C801, C802	8800/75	8800/75	8800/75
C709, C710	10P	10P	10P
Q769, Q770	2SD2155(LR.D)	2SD2155(LR.D)	2SC3854(LD.Y)
Q771, Q772	2SB1429(LR.D)	2SB1429(LR.D)	2SA1490(LD.Y)
D801-D804	3002FC	3002FC	300F25FC
D813	NONE	NONE	USED
L961, L962	SHORT (W709, W710)	SHORT	SHORT

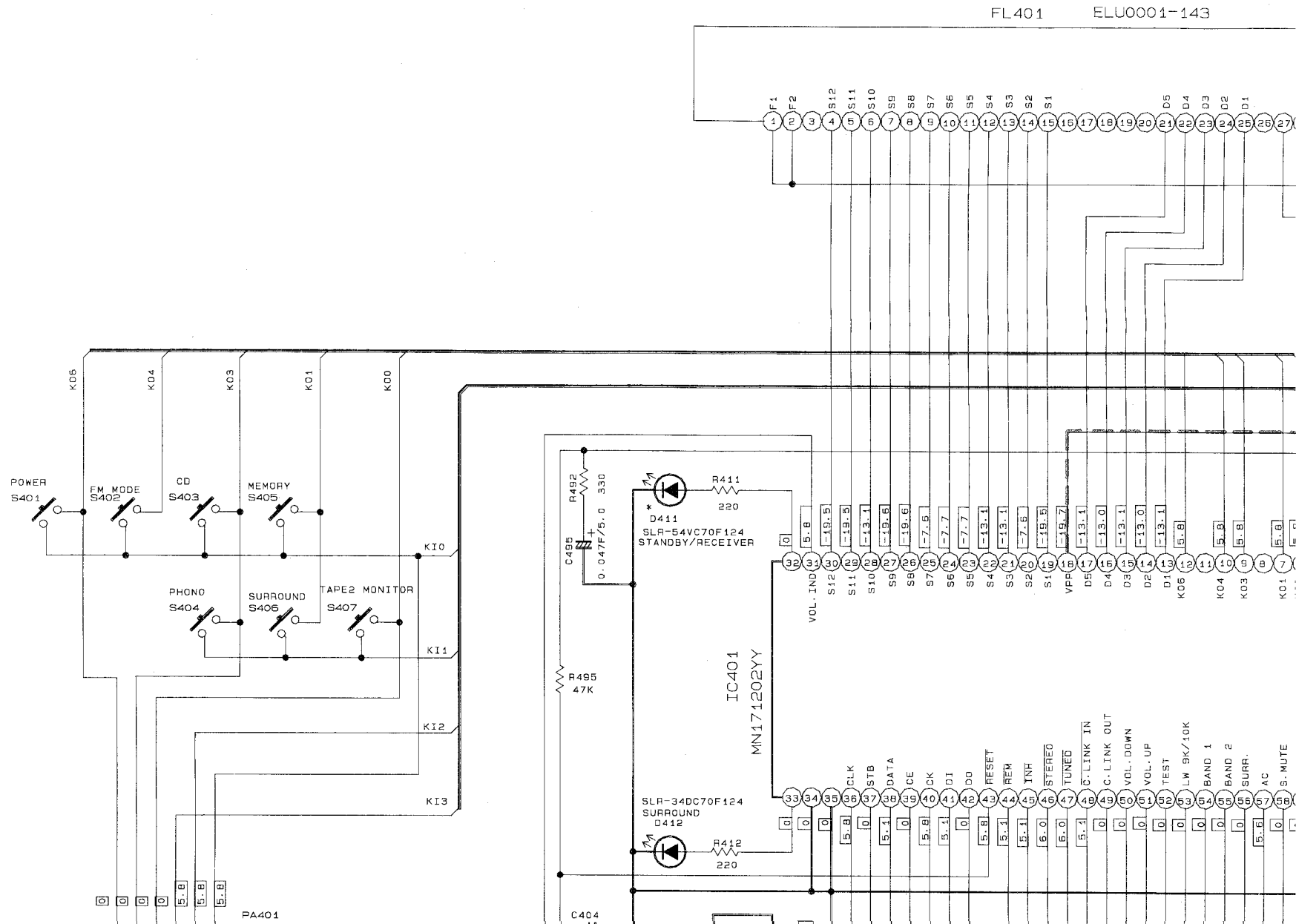


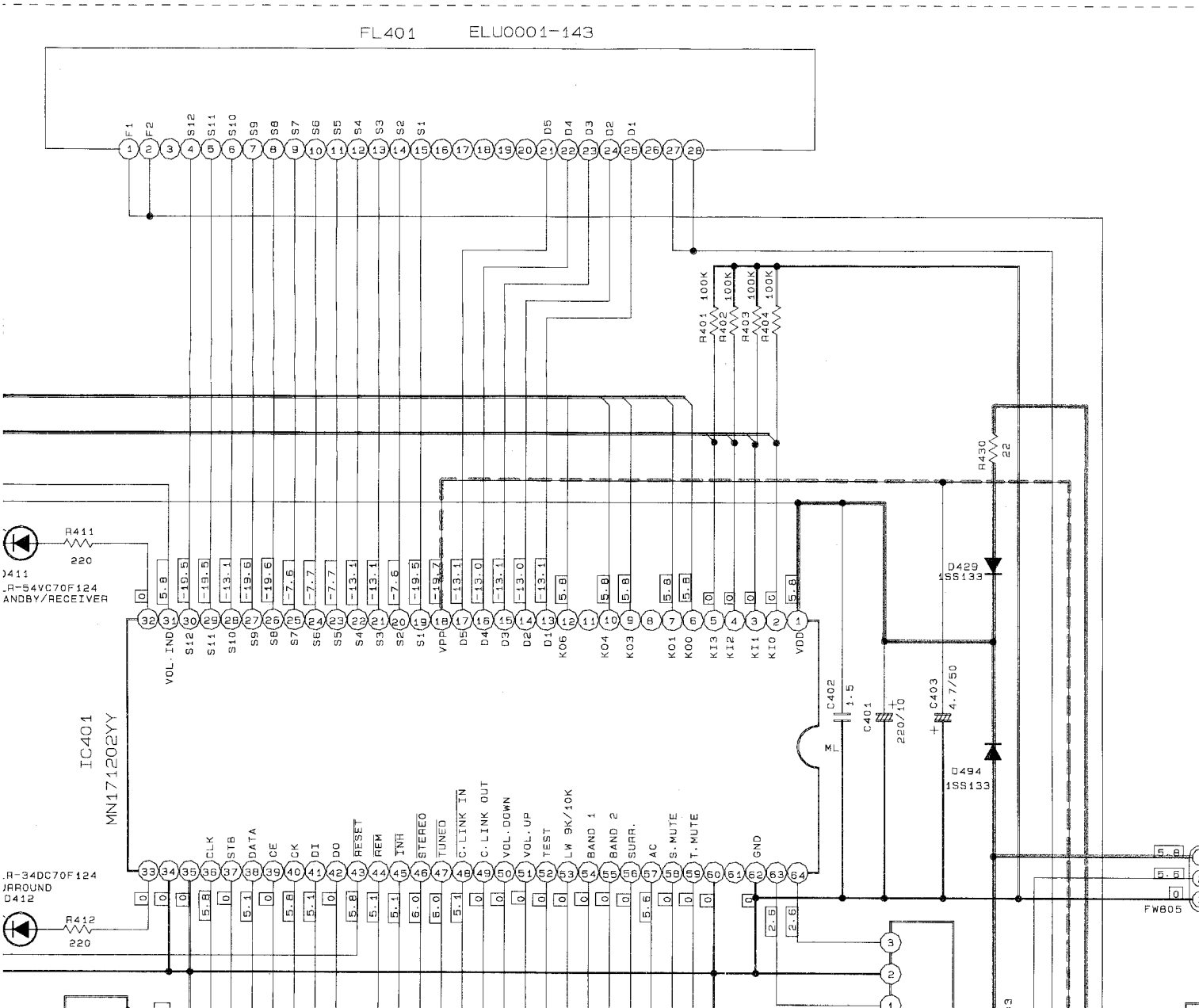


FMB-003-1 (J/C/U/UT)



(2) System Control Section



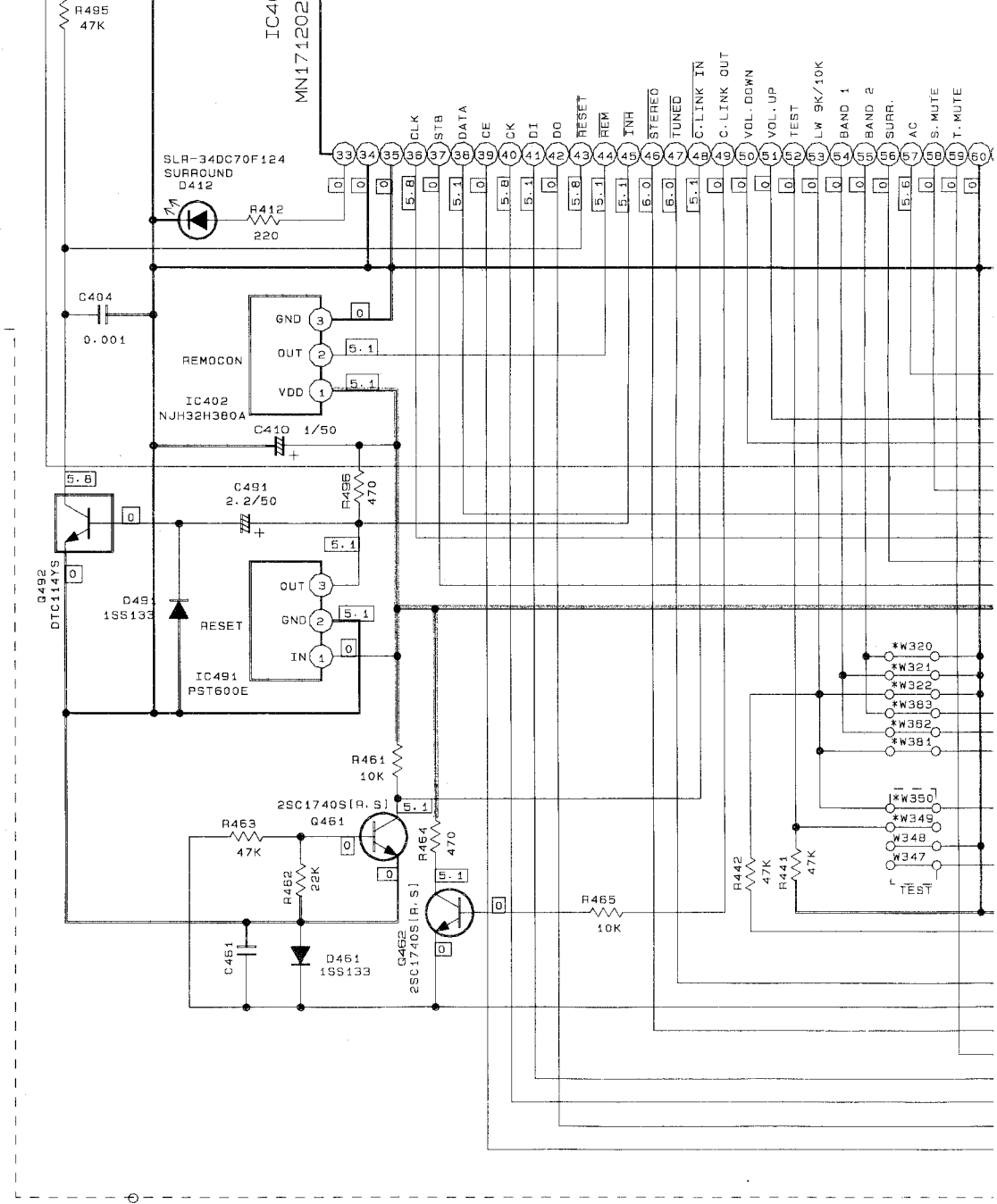
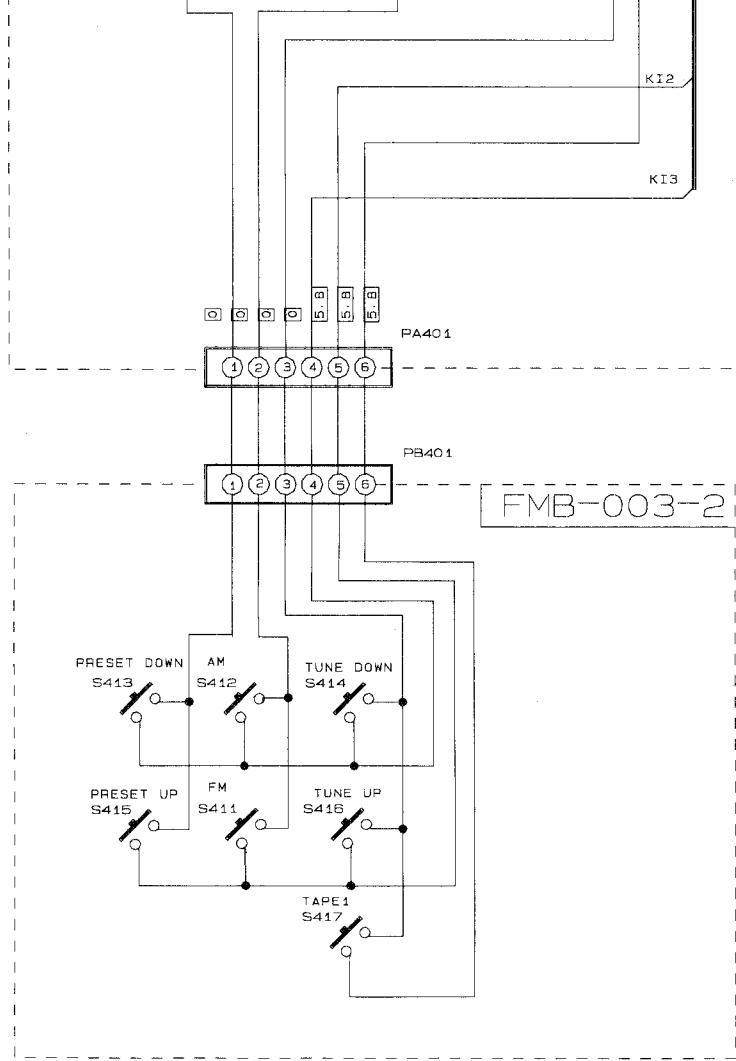


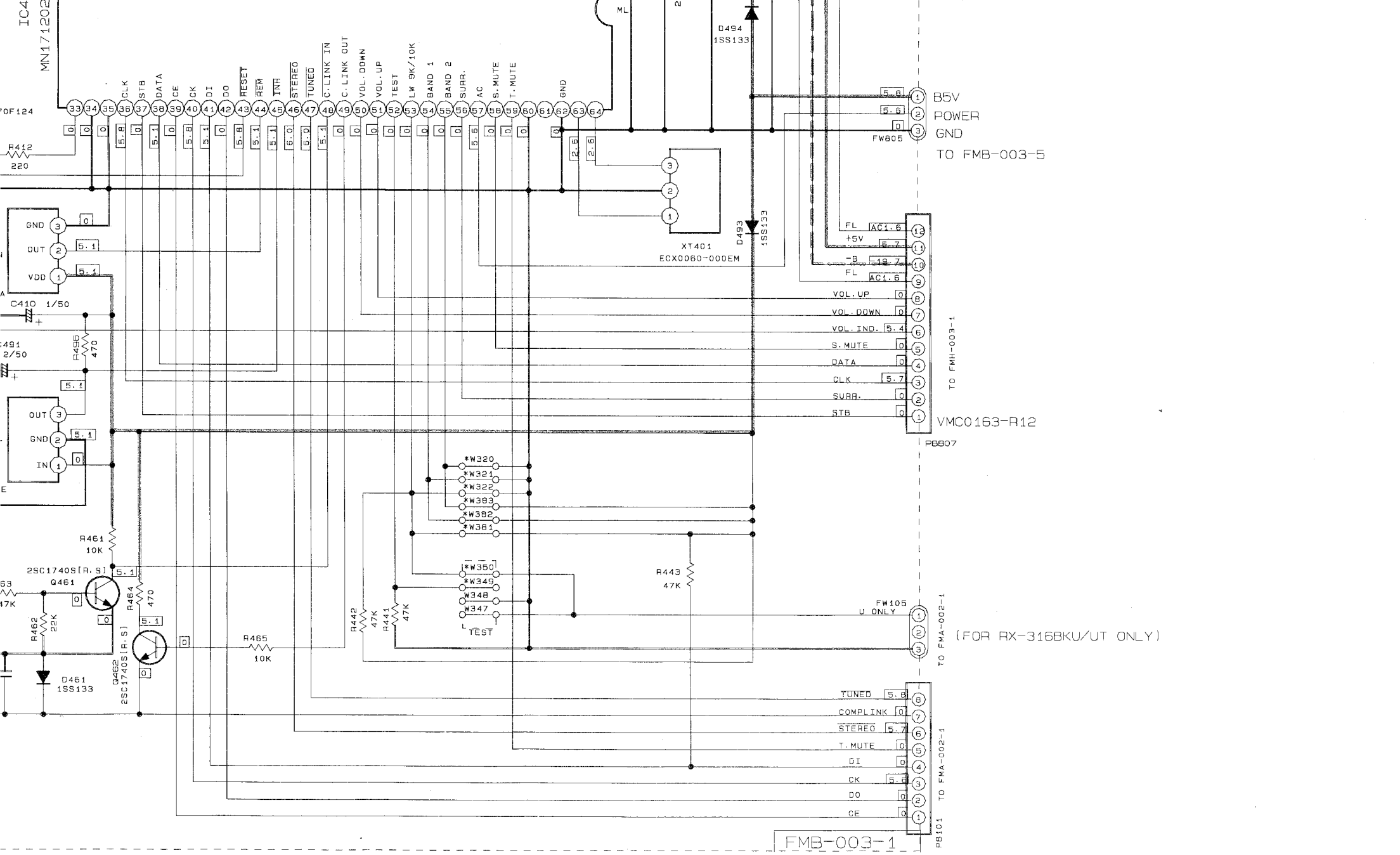
FL401 ELU0001-143

	J. C	U. UT
D411	SLR54VC 70F124	SLR54VC 70F124
W381	USED	NONE
W322	NONE	NONE
W382	NONE	USED
W321	USED	NONE
W383	NONE	NONE
W320	USED	USED

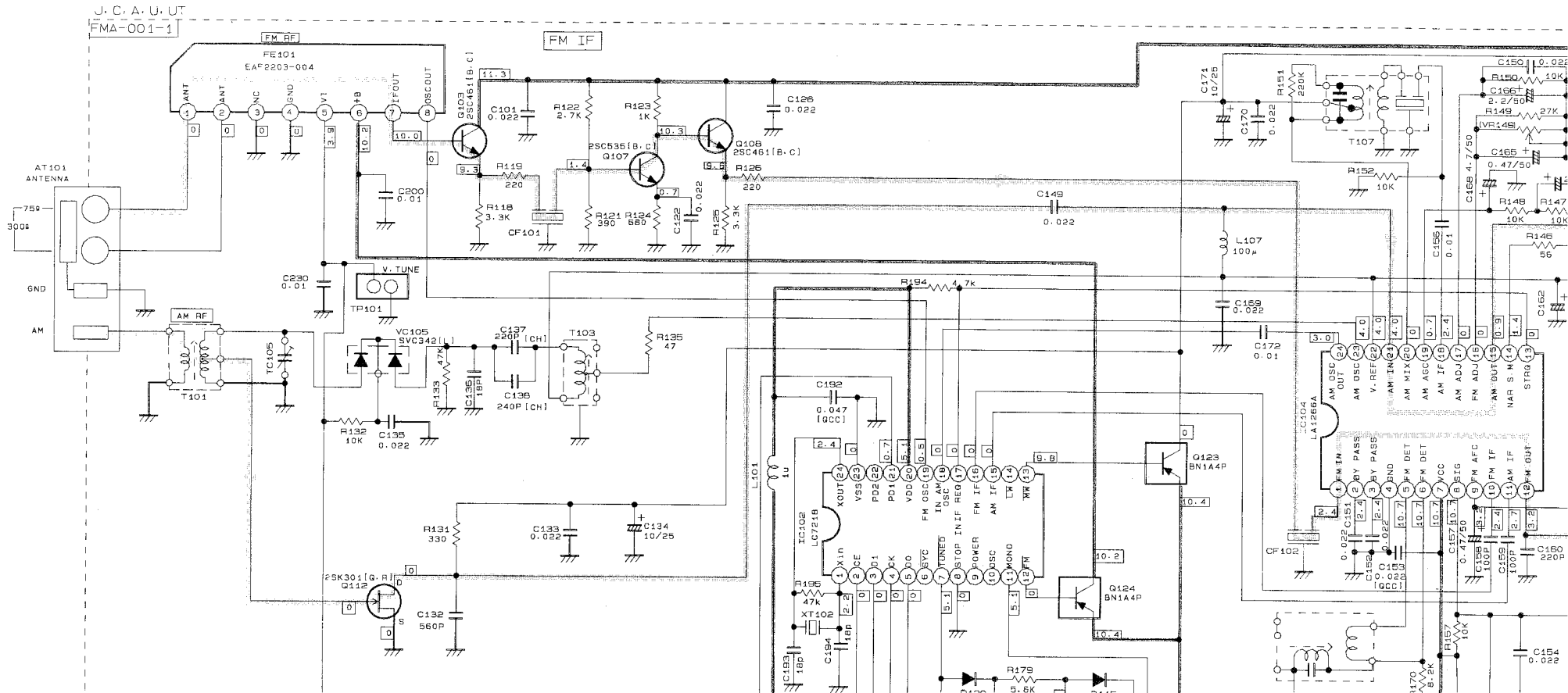
5.8  
5.8  
5.8  
1  
2  
3  
B5V  
POWER  
GND  
TO FMB-003-5

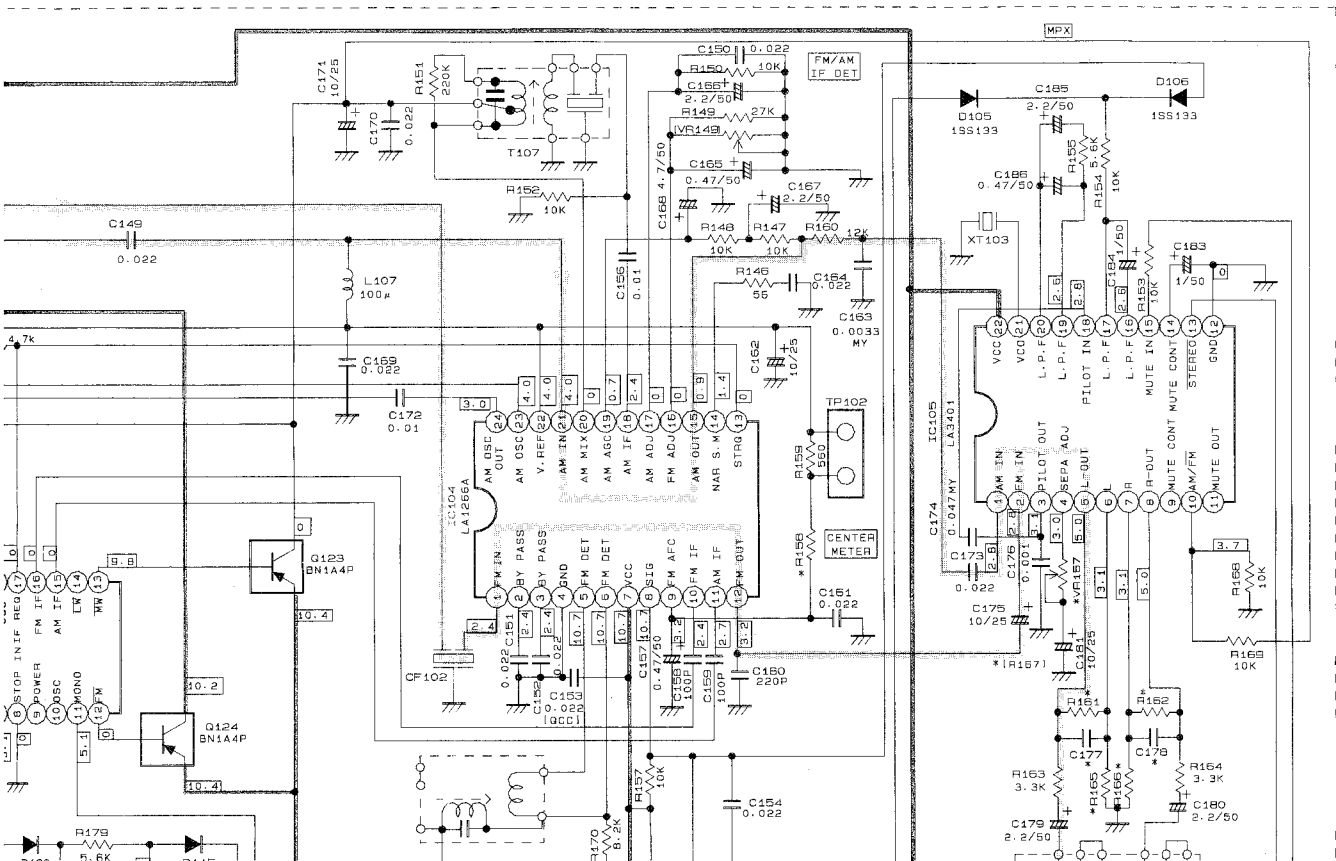






(3) Tuner Section

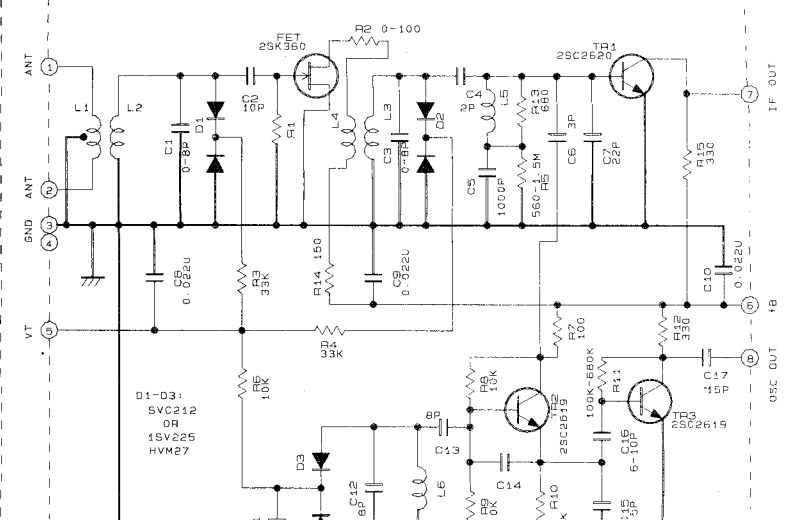


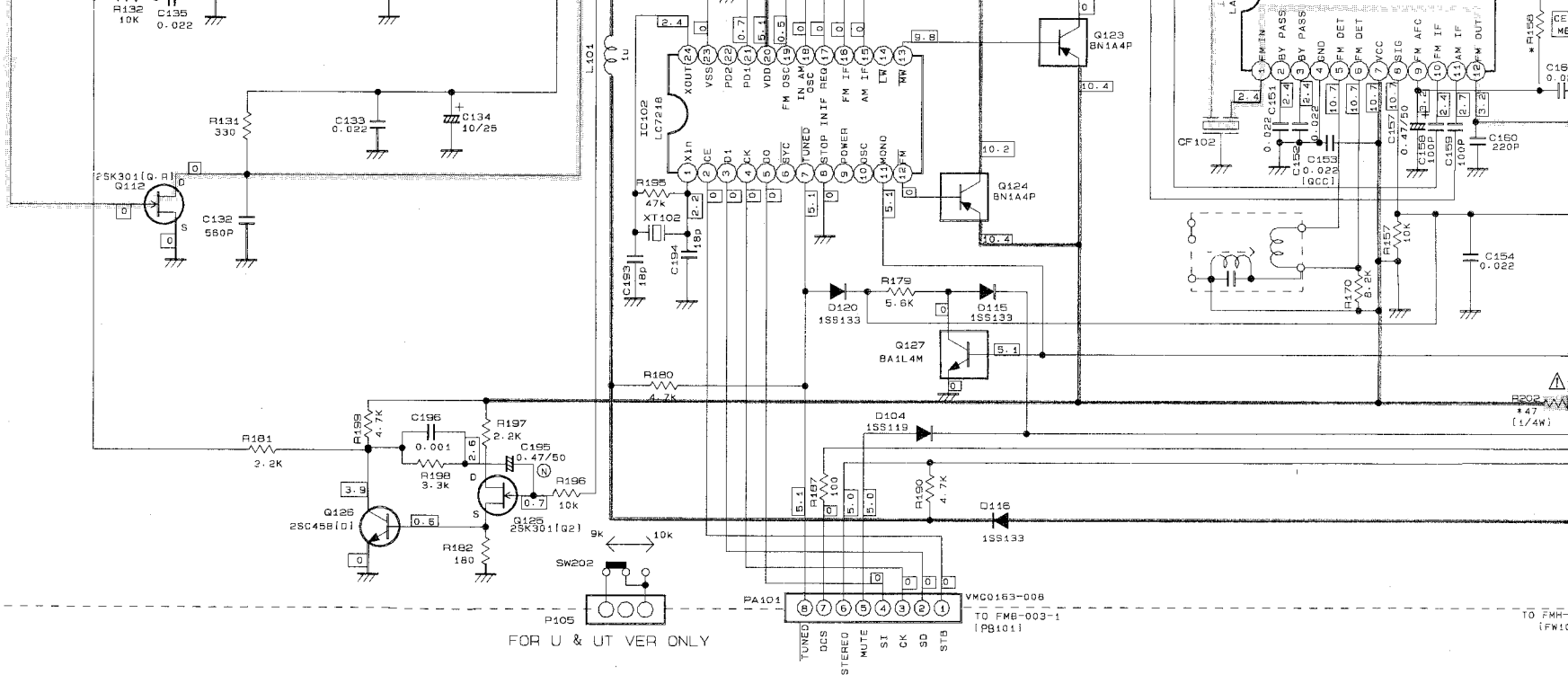


\*MARK

	L	C	A	U	UT
R159	10K	10K	33K	33K	33K
R161-162	120K	120K	180K	180K	120K
R165-166	180K	180K	270K	180K	180K
R167	47K	47K	-	47K	47K
VR167	-	-	100K	-	-
R201	UNF. C	UNF. C	UNF. F	UNF. F	UNF. F
R202	UNF. C	UNF. C	UNF. F	UNF. F	UNF. F
C177-178	560P	560P	270P	560P	560P

EAF2203-004

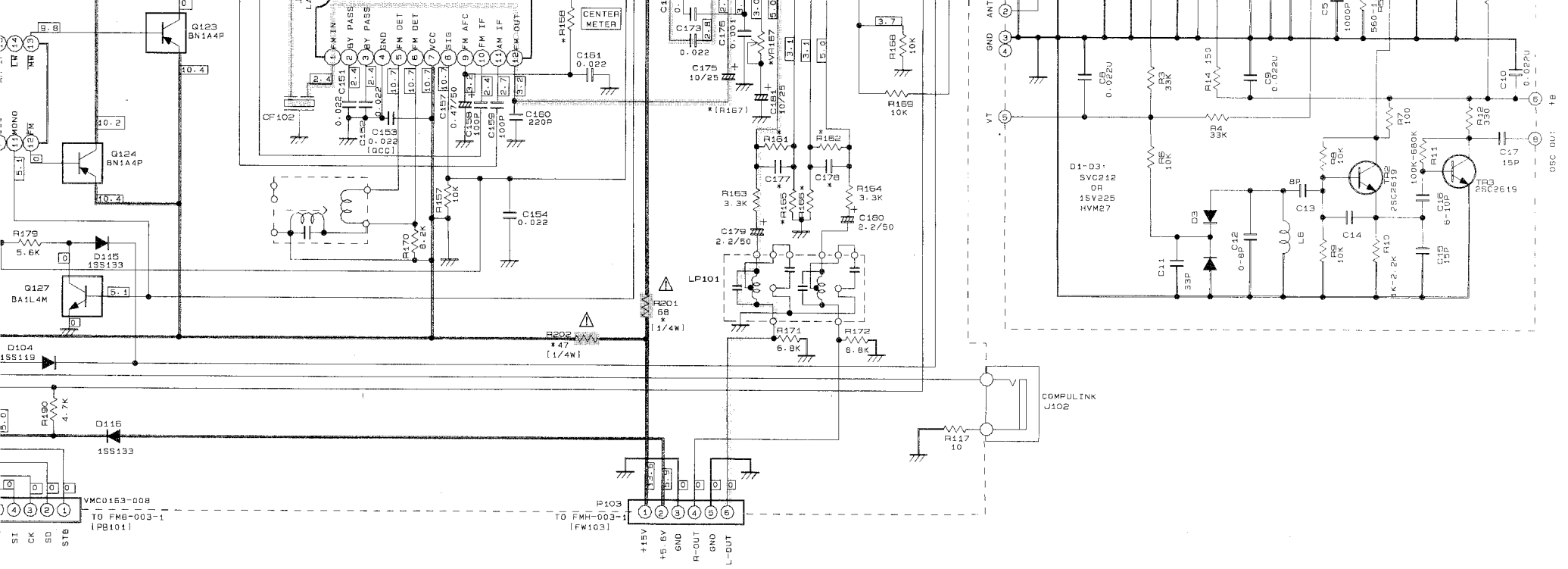




FOR U & UT VER ONLY

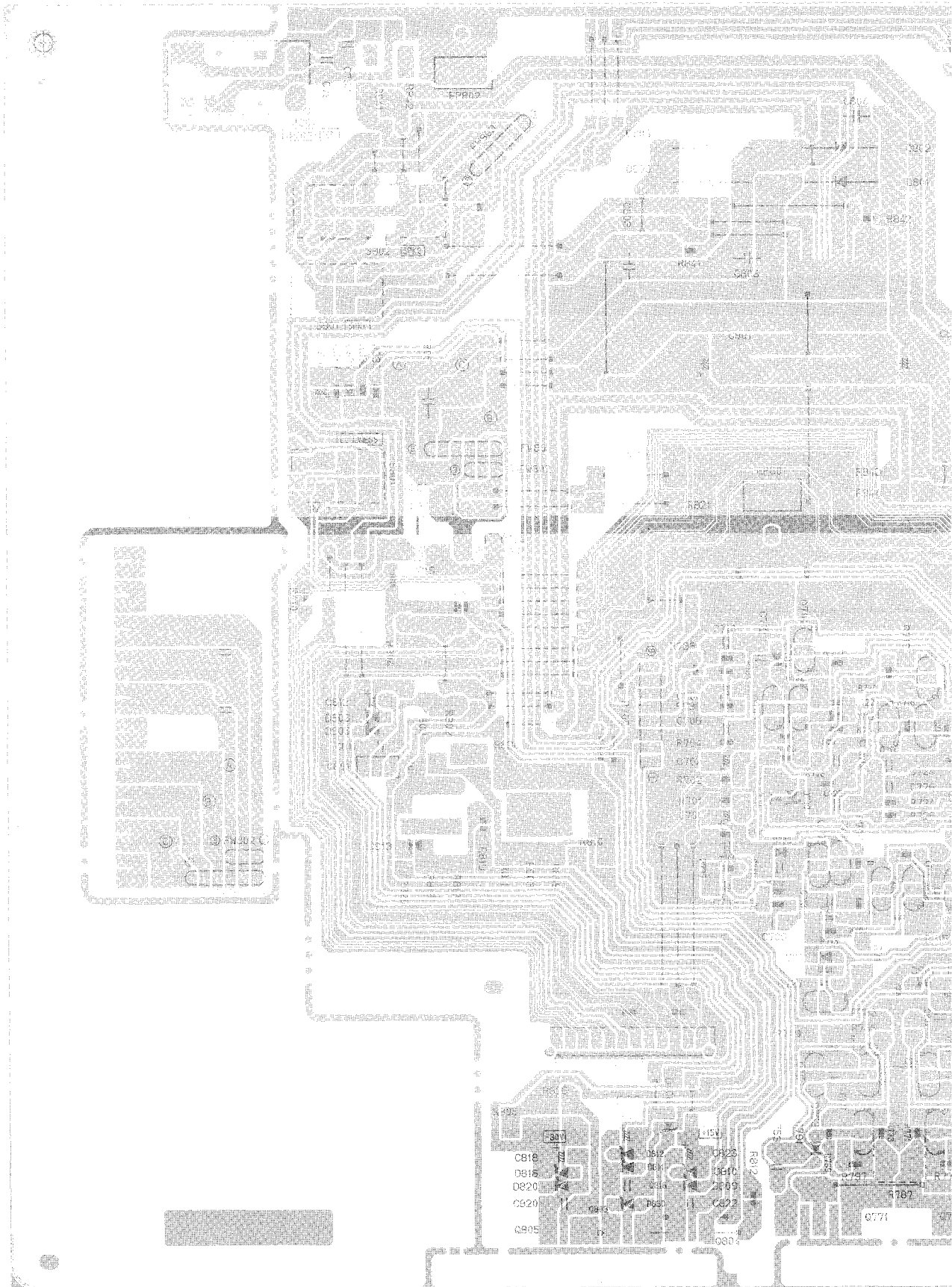
B202  
 \*47  
 (1/4W)

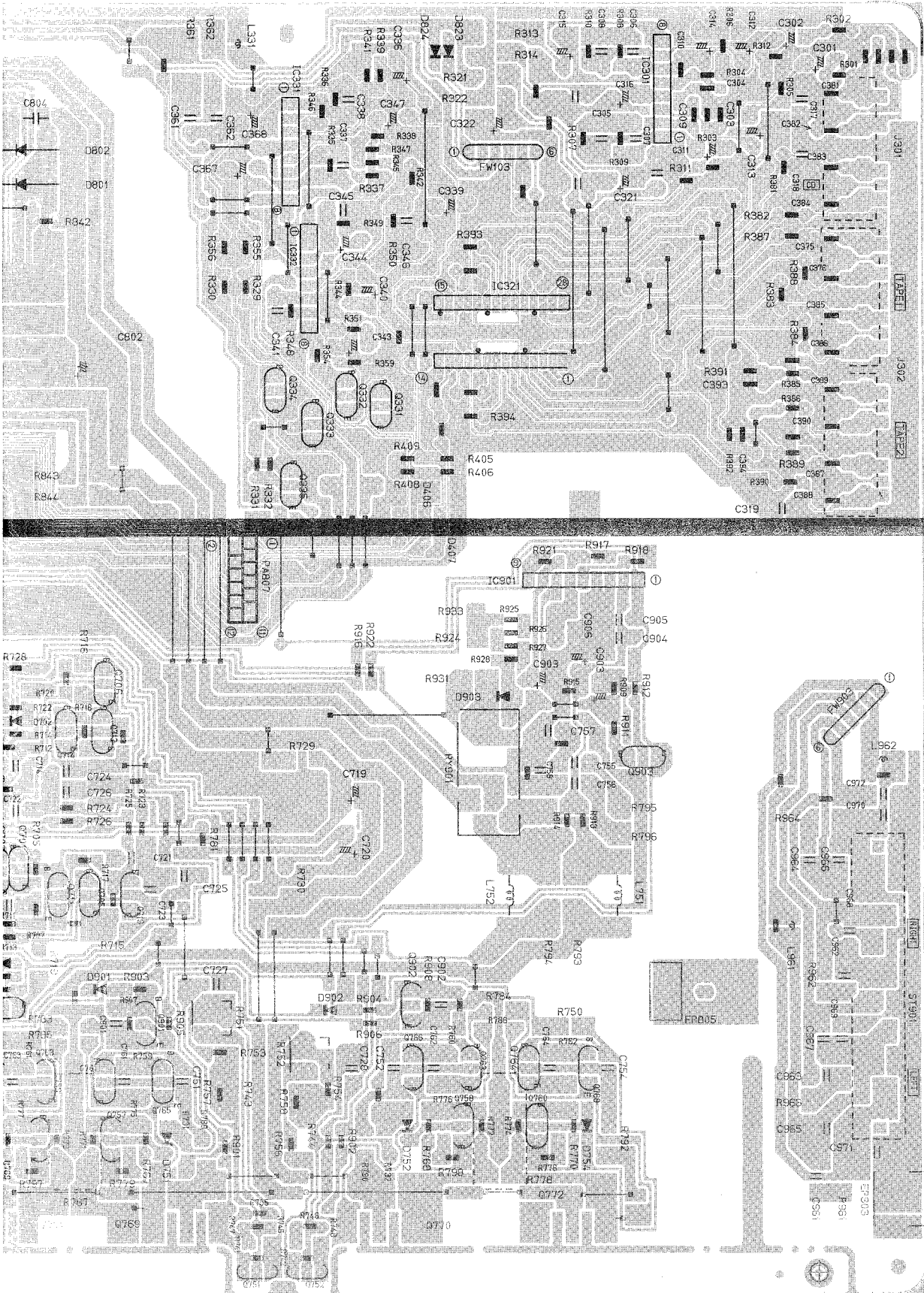
TO FMH-  
 (FMC1)



# Printed Circuit Boards

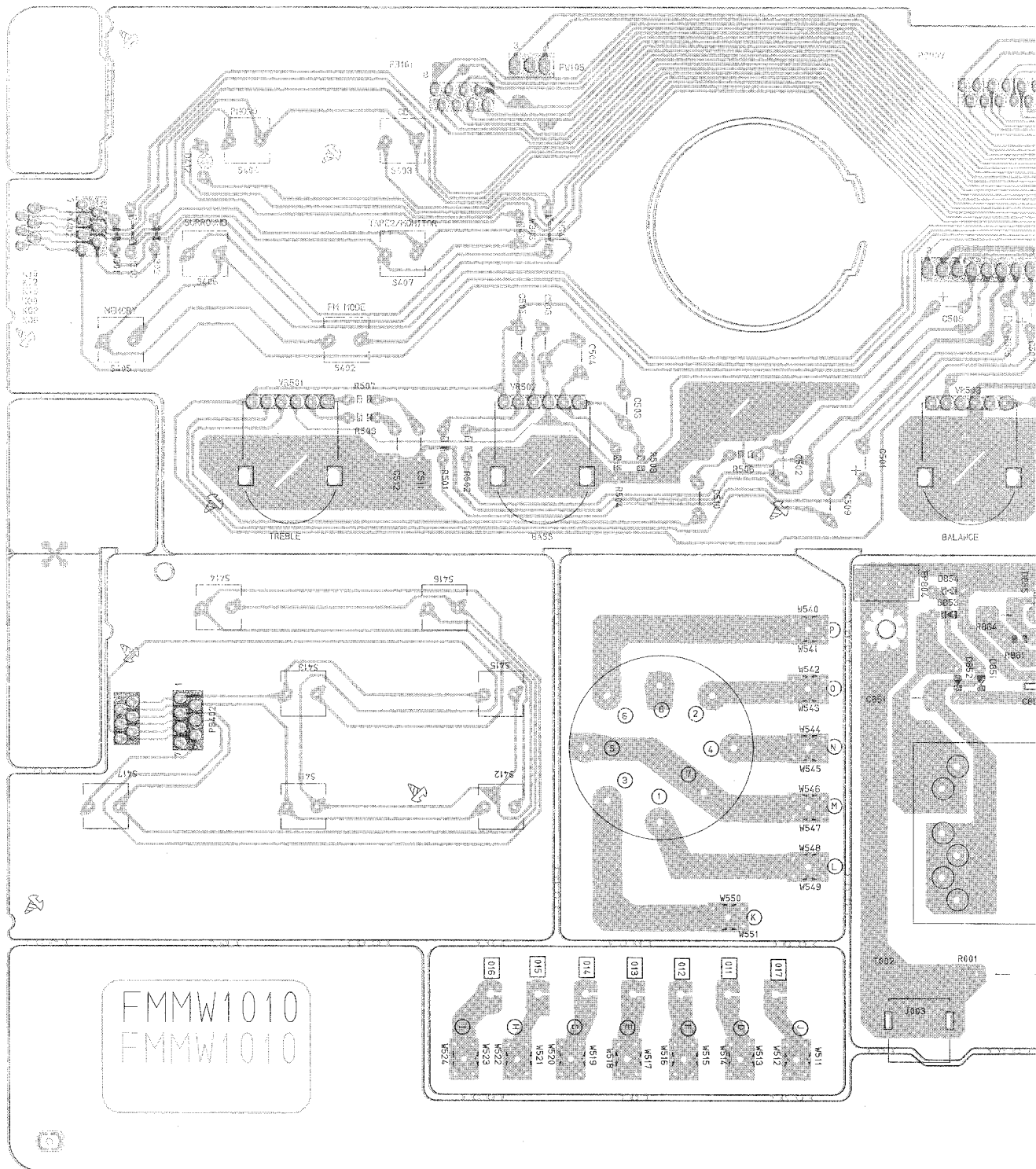
■ Amplifier & Selector PC Board (FMH-003)

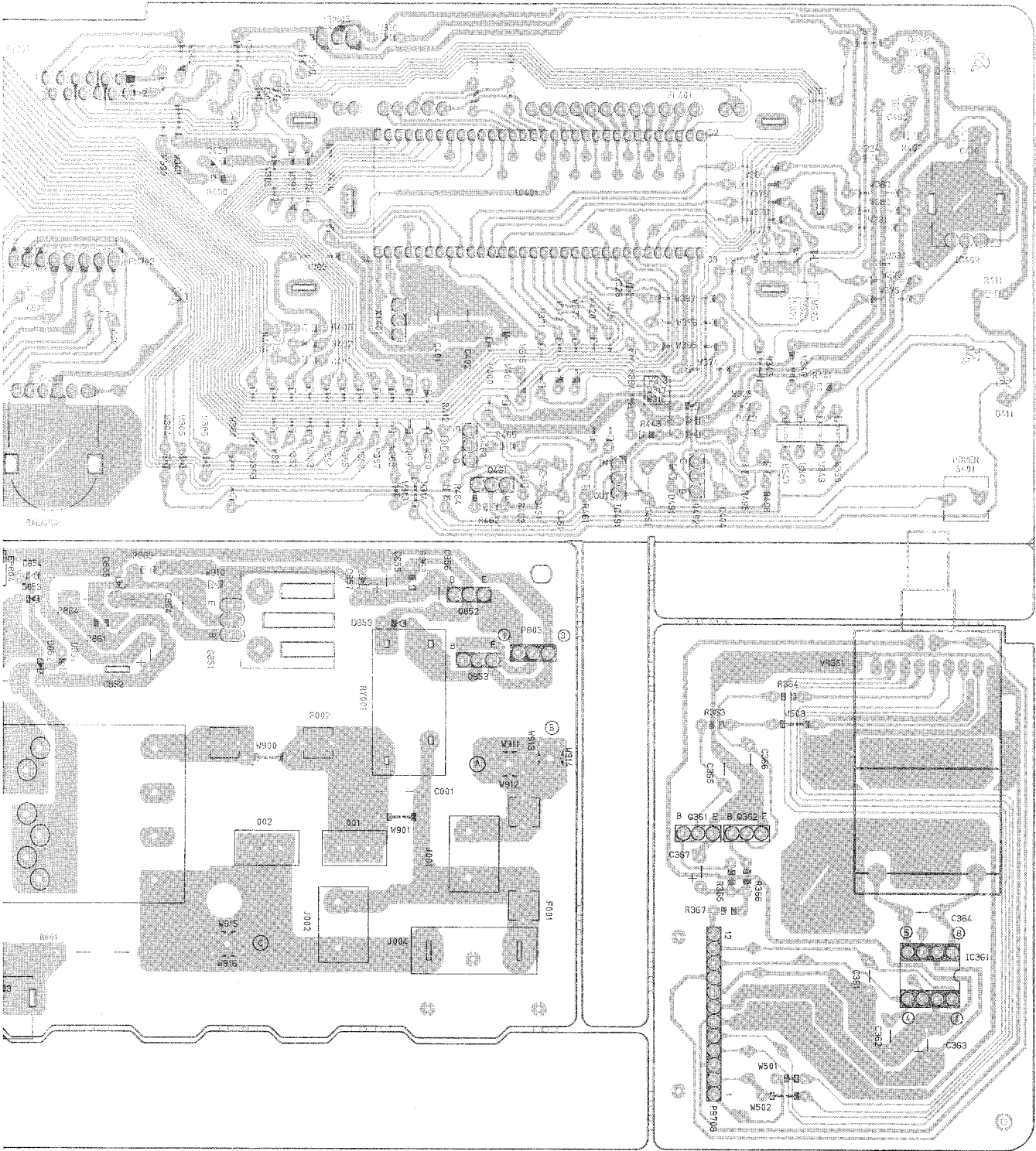






■ Front, Tone Control & Power Supply PC Board (FMB-003)





■ Tuner PC Board (FMA-002)

