

# JVC

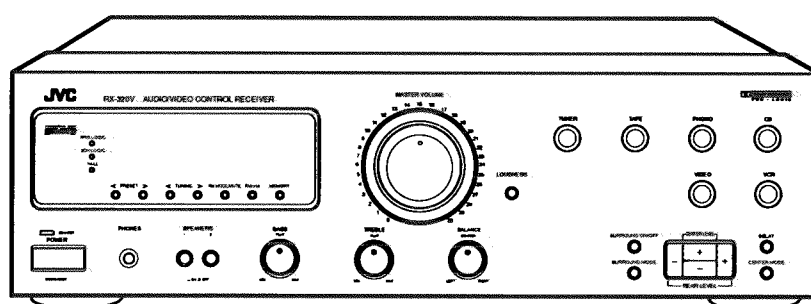
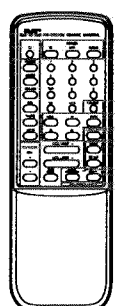
## SERVICE MANUAL

### AUDIO/VIDEO CONTROL RECEIVER

# RX-320VBK

#### Area Suffix

A	.....	Australia
BS	.....	the U.K.
EF	.....	Continental Europe Except Germany & Italy
EN	.....	Nordic Countries
G	.....	Germany
GI	.....	Italy
UB	.....	Hong Kong
US	.....	Singapore
UT	.....	Taiwan
U	.....	Universal Except All of Above



**COMPU LINK**  
 Remote  
 Control Component

## Contents

<i>Safety Precautions</i> .....	1-2	<i>Adjustment Procedures</i> .....	1-26
<i>Instruction Book</i> .....	1-3	<i>Block Diagrams</i> .....	1-29
<i>Description of Major ICs</i> .....	1-14	<i>Schematic Diagrams</i> .....	1-31
<i>Internal Connection of FL Display</i> .....	1-23	<i>Printed Circuit Boards</i> .....	1-36
<i>Disassembly Procedures</i> .....	1-24	<i>Parts List</i> .....	2-1

RX-320VBK

### **Safety Precautions**

1. The design of this product contains special hardware and many circuits and components specially for safety purposes. For continued protection, no changes should be made to the original design unless authorised in writing by the manufacturer. Replacement parts must be identical to those used in the original circuits.
2. Any unauthorised design alterations or additions will void the manufacturer's guarantee ; furthermore the manufacturer cannot accept responsibility for personal injury or property damage resulting therefrom.
3. Essential safety critical components are identified by ( $\Delta$ ) on the Parts List and by shading on the schematics ,and must never be replaced by parts other than those listed in the manual. Please note however that many electrical and mechanical parts in the product have special safety related characteristics . These characteristics are often not evident from visual inspection . Parts other than specified by the manufacturer may not have the same safety characteristics as the recommended replacement parts shown in the Parts List of the service manual and may create shock , fire , or other hazards .
4. The leads in the products are routed and dressed with ties, clamps, tubings, barriers and the like to be separated from live parts, high temperature parts, moving parts and/or sharp edges for the prevention of electric shock and fire hazard. When service is required, the original lead routing and dress should be observed, and it should be confirmed that they have been returned to normal, after re-assembling.

### **Warning**

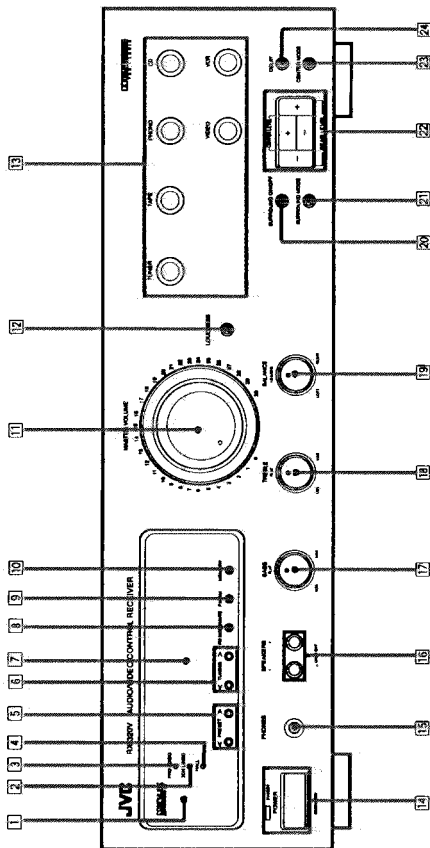
1. Service should be performed by qualified personnel only.
2. This equipment has been designed and manufactured to meet international safety standards.
3. It is the legal responsibility of the repairer to ensure that these safety standards are maintained.
4. Repairs must be made in accordance with the relevant safety standards.
5. It is essential that safety critical components are replaced by approved parts.
6. If mains voltage selector is provided, check setting for local voltage .

# Instruction Book

## Switches, Buttons and Controls

Become familiar with the buttons and controls on the RX-320VBK before use.

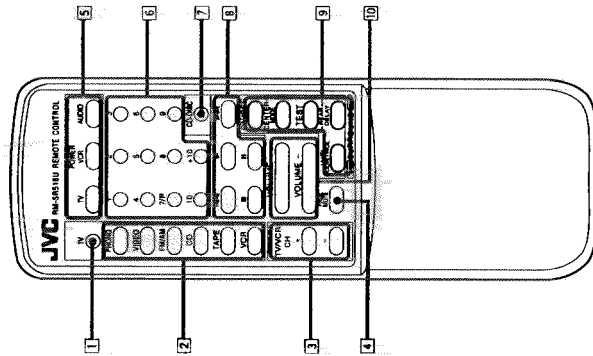
Front Panel



- 1 Remote sensor
- 2 3CH LOGIC indicator (18, 19)
- 3 PRO LOGIC indicator (18, 19)
- 4 HALL indicator (16)
- 5 PRESET buttons (<- >) (14)
- 6 TUNING buttons (<- >) (14)
- 7 Display (11)
- 8 FM MODE/MUTE button (15)
- 9 FM/AM button (14)
- 10 MEMORY button (14)
- 11 MASTER VOLUME control (12)
- 12 LOUDNESS button (13)
- 13 Source selecting buttons (TUNER, TAPE, PHONO, CD, VIDEO, VCR) (11)
- 14 POWER button and STANDBY indicator (11)
- 15 PHONES jack (13)
- 16 SPEAKERS 1/2 buttons (12)
- 17 BASS control (12)
- 18 TREBLE control (12)
- 19 BALANCE control (12)
- 20 SURROUND ON/OFF button (16, 18, 19)
- 21 SURROUND MODE button (16, 18, 19)
- 22 CENTER LEVEL/REAR LEVEL buttons (<->) (19)
- 23 CENTER MODE button (18)
- 24 DELAY button (18)

Refer to the pages in parentheses for details.

Remote Control

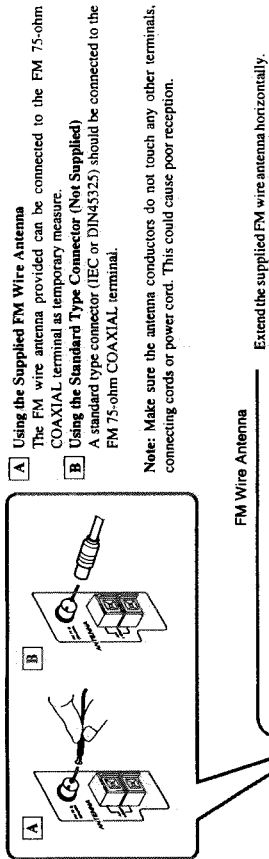


- 1 TV button (21)
- 2 Source selecting buttons (PHONO, VIDEO, FM/AM, CD, TAPE, VCR) (11, 21)
- 3 TV/VCR CH buttons (<->) (21)
- 4 FADE MUTE button (13)
- 5 POWER buttons (TV, VCR, AUDIO) (11, 21)
- 6 10 keys (14, 21)
- 7 CD-DISC button (21)
- 8 Operating buttons for JVC audio/video components (21)
- 9 Surround adjustment buttons (16, 18, 19)
- 10 VOLUME buttons (<->) (12)

Refer to the pages in parentheses for details.

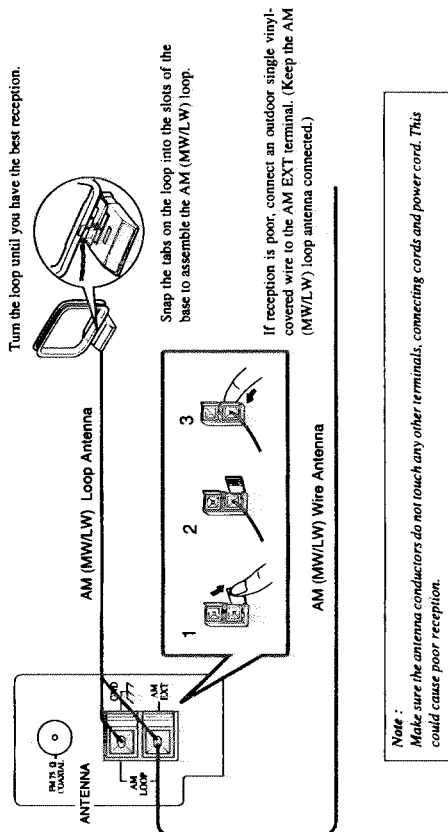
**Connecting the FM and AM (MW/LW) Antennas**

**FM Antenna Connections**



If reception is poor, connect an outdoor FM antenna.  
Before attaching a 75-ohm coaxial cable (the kind with a round wire going to the outdoor FM antenna), disconnect the supplied FM wire antenna.

**AM (MW/LW) Antenna Connections**



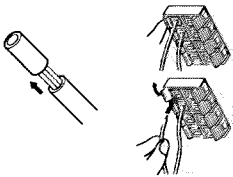
**Connecting the Speakers**

You can connect the following speakers:

- Two sets of front speakers to produce normal stereo sound
- One set of rear speakers to enjoy the surround effect
- One center speaker to produce more effective surround effect (to make human voices outstanding)

For each speaker, connect one end of the speaker signal cable (not supplied) to the speaker terminal on the rear panel and the other end to the speaker.

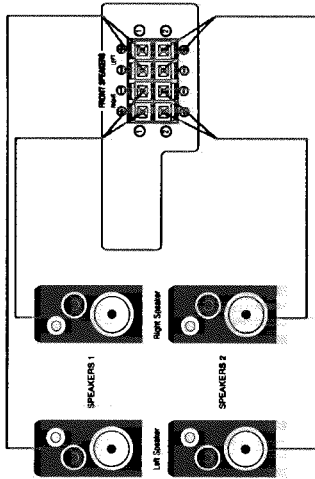
1. Open each terminal.
2. Insert the end of the speaker signal cable as shown (be sure to remove the insulation at the end of each wire first).
3. Close the terminals to clamp the speaker signal cables firmly in place.
4. Connect the black (-) and red (+) terminals on the rear panel to the black (-) and red (+) terminals marked on the speakers.



**CAUTION:**  
Use speakers with the same impedance as marked near the terminals on the rear panel.

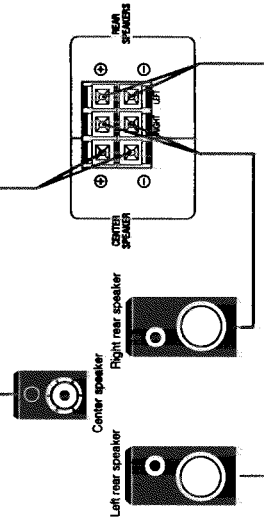
**Connecting the front speakers**

Connect the front speakers to the FRONT SPEAKERS terminals.



**Connecting the rear and center speakers**

Connect rear speakers to the REAR SPEAKERS terminals and a center speaker to the CENTER SPEAKER terminals.



**Note:**  
When you connect rear speakers, make sure that both left and right speakers are connected; otherwise, no sound will come out of the rear speakers.

**About the speaker impedance of the speakers**

**CAUTION:**  
When connecting speakers, use speakers with the same **SPEAKER IMPEDANCE** indicated by the speaker terminals.

- Notes:**
- The required speaker impedance of the front speakers differs depending on whether or not a center and/or rear speakers are connected at the same time. Since there are four possible speaker connections with the RX-320VBK, check which one fits your case and use the speaker with the impedance described below.
  - The required speaker impedance of the front speakers does not differ depending on whether both the FRONT SPEAKERS ① and FRONT SPEAKERS ② terminals are used or only one of them is used.

**CASE 1** When you connect only front speakers

Use front speakers with 4 — 16 ohm impedance.

**CASE 2** When you connect front speakers and a center speaker

Use the following speakers:

- Front speakers: 8 — 16 ohm impedance
- Center speaker: 8 — 16 ohm impedance

**CASE 3** When you connect front and rear speakers

Use the following speakers:

- Front speakers: 8 — 16 ohm impedance
- Rear speakers: 8 — 16 ohm impedance

**CASE 4** When you connect front and rear speakers as well as a center speaker

Use the following speakers:

- Front speakers: 8 — 16 ohm impedance
- Rear speakers: 8 — 16 ohm impedance
- Center speaker: 8 — 16 ohm impedance

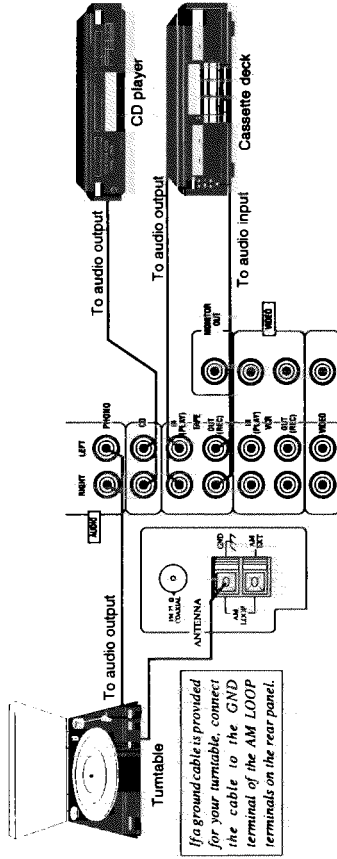
**Connecting Audio/Video Components**

You can connect the following components to the RX-320VBK using cables with RCA pin plugs.

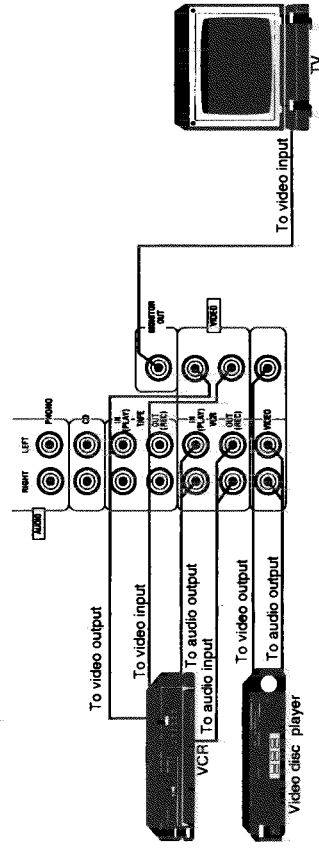
Audio Components	Video Components
<ul style="list-style-type: none"> <li>Turntable</li> <li>CD player</li> <li>Cassette deck</li> </ul>	<ul style="list-style-type: none"> <li>VCR</li> <li>Video disc player</li> <li>TV</li> </ul>

- Notes:**
- Both plugs and jacks are color-coded; the red ones are for right audio signals, the white ones for left audio signals, and yellow ones for video signals.
  - Any turntables incorporating a small-output cartridge such as an MC (moving-coil type) must be connected to the RX-320VBK through a commercial head amplifier or step-up transformer. Direct connection may result in insufficient volume.

**Audio component connections**



**Video component connections**



**CAUTION:**  
If you connect a sound-increasing device such as a graphic equalizer between the source components and the RX-320VBK, the sound output through the RX-320VBK may be distorted.

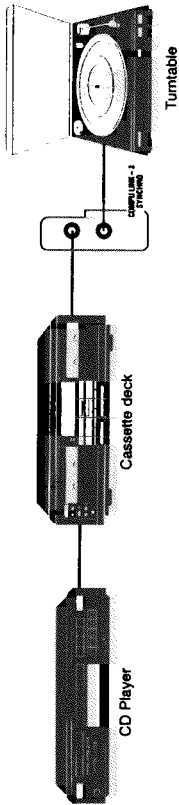
**Connecting Audio Components for the COMPU LINK-3 Remote Control System**

The COMPU LINK-3 remote control system allows you to control other JVC audio components from the RX-320VBK or vice versa. To use this system, connect your JVC audio components and the RX-320VBK with the cable (monaural mini-plug) supplied with those components.

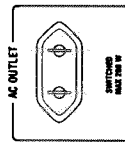
If your audio component has two COMPU LINK-3 SYNCHRO jacks, you can use either one. If it has only one COMPU LINK-3 SYNCHRO jack, connect it so that it is the last item in the series of components. (For example, the turntable in the diagram below.)

**Notes:**

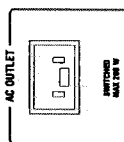
- The COMPU LINK-3 remote control system is the upgraded version of the COMPU LINK-1 and COMPU LINK-2. Even if your component has the COMPU LINK-1 or COMPU LINK-2 jacks, you can still connect it in the COMPU LINK-3 remote control system, but some functions may not work correctly.
- For more information about the COMPU LINK-3 (-1 and -2) remote control system, see page 20.



**Power Supply through the RX-320VBK to a Connected Component**



For Continental Europe



For the U.K.

You can use the AC outlet on the rear of the RX-320VBK to supply power to an audio component. This AC outlet is a "switched" outlet. So when the RX-320VBK is off (that is, in standby mode), power is not supplied through this outlet. By turning the RX-320VBK on and off, you can turn the connected component on and off at the same time.

**Notes:**

Do not use the AC outlet on the rear of the RX-320VBK to supply power to the component in the COMPU LINK remote control system; otherwise, the COMPU LINK remote control system may not work correctly.

**CAUTION:**

Do not plug the component to the AC outlet on the rear if the maximum consumption is greater than indicated by the AC outlet.

**Connecting the Power Cord**

Before plugging the RX-320VBK into an AC outlet, make sure that all connections have been made. When the power cord is connected, the STANDBY indicator above the POWER button lights up.

Keep the power cord away from the connecting cables for the TV, VCR, and antenna. The power cord may cause noise or screen interference. We recommend that you use a coaxial cable to connect the antenna, since it is well-shielded against interference.

**Notes:**

- A small amount of power is always consumed even in standby mode. To switch off the power completely, unplug the power cord from the AC outlet.
- If the power cord is unplugged or a power failure occurs, preset settings will be erased in a few days.

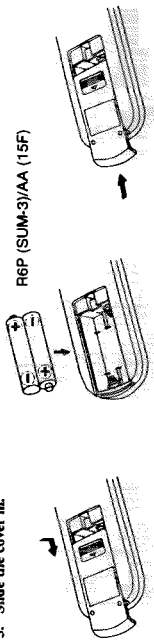
**CAUTIONS:**

- Do not touch the power cord with wet hands.
- Do not pull on the power cord to unplug the RX-320VBK. When unplugging the RX-320VBK, always grasp the plug itself so as not to damage the cord.

**Putting Batteries in the Remote Control**

Before using the remote control, put two supplied batteries first. When using the remote control, aim the remote control directly at the remote sensor on the RX-320VBK.

1. On the back of the remote control, press down on the battery cover and slide it out.
2. Insert batteries. Make sure to observe the proper polarity: (+) to (+) and (-) to (-).
3. Slide the cover in.



If the range or effectiveness of the remote control decreases, replace the batteries. Use two R6P (SUM-3)/AA (15F) type dry-cell batteries.

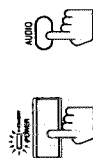
**CAUTIONS:**

- Follow these precautions to avoid leaking or cracking cells:
- Place batteries in the remote control so they match the polarity indicated: (+) to (+) and (-) to (-).
- Use the correct type of batteries. Batteries that look similar may differ in voltage.
- Always replace both batteries at the same time.
- Do not expose batteries to heat or flame.

## Basic Operations

The following operations are commonly used when you play any sound source.

### Turning the Power On and Off



To turn on the power, press the POWER button on the front panel or the AUDIO button on the remote control. The STANDBY indicator goes off.

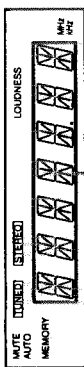
To turn off the power, press the POWER button or AUDIO button on the remote control again. The STANDBY indicator lights up.

On the front panel

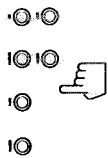
### Selecting the Source to Play

You need to select the source to listen before you start playing any source.

Press one of the source selecting buttons so that the source name appears on the display.



Selected source name appears



On the front panel

- On the front panel:**
  - TUNER** Listen to an FM or AM (MW/LW) broadcast. You can also change the source to the tuner by pressing the FM/AM button.
  - TAPE** Listen to the cassette deck connected to the TAPE jacks.
  - PHONO** Listen to a record.
  - VIDEO** Listen to the CD player.
  - VCR** View the video component connected to the VIDEO jacks. View the video component connected to the VCR jacks.



From the remote control

- From the remote control:**
  - PHONO\*** Listen to a record.
  - VIDEO** View the video component connected to the VIDEO jacks.
  - FM/AM\*** Listen to an FM or AM (MW/LW) broadcast. Each time you press the button, the band alternates between FM and AM (MW/LW).
  - CD\*** Listen to the CD player.
  - TAPE\*** Listen to the cassette deck connected to the TAPE jacks.
  - VCR** View the video component connected to the VCR jacks.

**Note:**  
\* When you press one of the source selecting buttons on the remote control marked above with an asterisk the RX-320VBK automatically turns on.

## Selecting the Front Speakers

When you have connected two sets of front speakers, you can select which to use. Pressing in the SPEAKERS 1 or SPEAKERS 2 button activates the respective set of speakers.

To use the set of speakers connected to the FRONT SPEAKERS ① terminals, press in the SPEAKERS 1 button (—ON), and press out the SPEAKERS 2 button (—OFF).

To use the set of speakers connected to the FRONT SPEAKERS ② terminals, press in the SPEAKERS 2 button (—ON), and press out the SPEAKERS 1 button (—OFF).

To use both sets of speakers, press in both the SPEAKERS 1 and 2 buttons (—ON). To use neither set of speakers, press out both the SPEAKERS 1 and 2 buttons (—OFF).

**Note:**  
When only one set of the front speakers is connected to either the FRONT SPEAKERS ① or ② terminals, do not press in both SPEAKERS 1 and 2 buttons (—ON). If you do, no sound comes out of the front speakers.

## Adjusting the Volume

On the front panel:

To increase the volume, turn the MASTER VOLUME control clockwise.

To decrease the volume, turn it counterclockwise.

From the remote control:

To increase the volume, press the VOLUME + button.

To decrease the volume, press the VOLUME - button.

### CAUTION:

Always set the MASTER VOLUME control to the minimum before starting any source. If the MASTER VOLUME control is left turned up, the sudden blast of sound energy can permanently damage your hearing and/or ruin your speakers.

## Adjusting the Front Speaker Output Balance

If the sounds you hear from the front right and left speakers are unequal, you can adjust the speaker output balance with the BALANCE control.

To decrease the left channel sound, turn the BALANCE control clockwise.

To decrease the right channel sound, turn the BALANCE control counterclockwise.

When set to the CENT

**Listening at Low Volume (Loudness)**

LOUDNESS



Human ears are not sensitive to bass at low volume. To compensate for this, the loudness function automatically boosts the bass level as you lower the volume.

To use the loudness function, press the LOUDNESS button on the front panel. The LOUDNESS indicator lights up on the display.

To turn the function off, press the LOUDNESS button again. The LOUDNESS indicator goes off.

**Muting the Sound**

MUTE



You can easily turn down the volume by pressing the FADE MUTE button on the remote control.

To mute the sound through all speakers and headphones connected Press the FADE MUTE button so that "MUTING" appears on the display and the VOLUME control turns down.

To cancel the mute, press the VOLUME + button (or the VOLUME - button) on the remote control.

**Recording a Source**

You can record any source playing through the RX-320VBK to the cassette deck connected to the TAPE jacks and the VCR connected to the VCR jacks at the same time. While recording, you can listen to the selected sound source at whatever sound and tone settings you like, without affecting the sound levels of the recording.

**Note:** The output volume level, tone adjustments, as well as surround effects cannot affect the recording.

**Listening with Headphones**

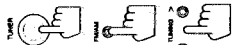
A standard pair of headphones can be connected to the PHONES jack on the front panel. Be sure to turn down the volume before connecting or putting on headphones, as high volume can damage both the headphones and your hearing.

To listen with only headphones Press out both the SPEAKERS 1 and 2 buttons (OFF).

**Receiving Radio Broadcasts**

You can browse through all the stations or use the preset function to go immediately to a particular station.

**Tuning in Stations Manually**



1. Press the TUNER button on the front panel. The last received station of the last received band is tuned in.
  2. Press the FM/AM button to select the band. Each time you press the FM/AM button, the band alternates between FM and AM (MW/LW).
  3. Press the TUNING <or> button on the front panel repeatedly until you find the frequency you want. Pressing the TUNING > button increases the frequency. Pressing the TUNING < button decreases the frequency.
- Notes:**
- You do not have to press the TUNER button to change the source to the tuner in Step 1. Pressing the FM/AM button in Step 2 can also change the source to the tuner.
  - When you hold down the TUNING < or > button, the frequency keeps changing until you press the TUNING < or > button again or a station is tuned in.
  - When a station of sufficient signal strength is tuned in, the TUNED indicator lights up on the display.
  - When an FM stereo program is received, the STEREO indicator also lights up.

**Using the Preset Tuning**

Once a station is assigned to a channel number, the station can be quickly tuned. You can preset up to 40 stations at random. In some cases, test frequencies have been already memorized for the RX-320VBK since the factory examined the preset function before shipment. This is not a malfunction. You can preset the stations you want into memory by following the presetting method.

**Storing the preset stations**



On the front panel



From the remote control

1. Tune in the station you want to preset (see above).
  2. Press the MEMORY button on the front panel. "— CH" and the MEMORY indicator appear on the display for 5 seconds.
  3. Select a channel number within the 5 seconds. On the front panel: Press the PRESET < or > button. Pressing the PRESET > button increases the channel number. Pressing the PRESET < button decreases the channel number. From the remote control: Press the 10 keys. Examples: For channel number 5, press 5. For channel number 15, press +10 then 5. For channel number 20, press +10 then 10.
- Note:** When you use the remote control, be sure that the 10 keys are activated for tuner, not for the CD. (See page 21.)

4. Press the MEMORY button again while the selected channel number is flashing on the display. The selected channel number stops flashing and the MEMORY indicator goes off, and the station is assigned to the selected channel number.

To cancel a stored preset station Storing a new station on a used number erases the previously stored one.

**CAUTION:** Preset stations may be erased when power is cut off to the RX-320VBK, as when it is unplugged from the AC outlet or a power failure occurs. If the preset stations are lost, simply set the stations again using the above procedure.

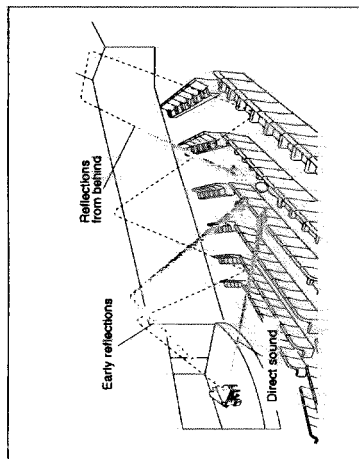


## Using the Surround Processor

The built-in surround processor provides three types of surround programs — Dolby Pro Logic, Dolby 3-Channel Logic, and JVC's Hall Surround.

### What is surround?


The sound heard in a concert hall or a movie theater consists of direct sound and indirect sound: early reflections and reflections from behind. The reflected sounds are always delayed by the distances of the ceiling and walls from the listener. These reflections are some of the most important elements of the acoustic surround.



### On JVC's Hall Surround

In order to reproduce a more realistic sound field in your listening room while playing an ordinary stereo source, JVC's Hall Surround has been designed to give you clear vocals and to create the feeling of a concert hall. The sound is reproduced through the front speakers and rear speakers.

### On Dolby Surround

Dolby Surround has been also developed to reproduce the important elements of the acoustic surround at home. To watch the soundtracks of video software bearing the mark  which includes the same encoded surround information as found in Dolby Stereo films, the RX-320VBK can provide you with 2 Dolby Surround programs (Dolby Pro Logic and Dolby 3ch Logic).

**Dolby Pro Logic:** Select this mode when the optional rear speakers are connected.  
**Dolby 3ch Logic:** Select this mode when a center speaker is connected without rear speakers.

### Notes:

- The surround processor has no effect on monaural sources.
- The surround processor cannot be used for recording.

\* Manufactured under license from Dolby Laboratories Licensing Corporation. "Dolby," the double-D symbol and "PRO LOGIC" are trademarks of Dolby Laboratories Licensing Corporation.

## Using JVC's Hall Surround

You need to connect one set of rear speakers to obtain the full effect.

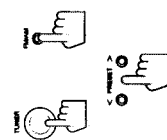


1. Press the **SURROUND ON/OFF** button (or the ON/OFF button on the remote control). One of the surround program indicators (PRO LOGIC, 3CH LOGIC, or HALL) lights up on the display.
  2. Press the **SURROUND MODE** button (or the MODE button on the remote control) repeatedly until the HALL indicator lights up on the display.
- To cancel Hall Surround, press the SURROUND ON/OFF button (or the ON/OFF button on the remote control) again.

### Note:

You can also adjust the delay time (see Step 4 on page 18) and the sound level of the rear speakers (see Step 6 on page 19) for Hall Surround. Once you have adjusted the delay time for the Hall Surround, the RX-320VBK memorizes the setting.

## Tuning in a Preset Station



- On the front panel:
1. Press the **TUNER** button (or the FM/AM button). The last received station of the last received band is tuned in.

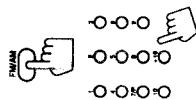
2. Press the **PRESET** < or > button to select a preset channel number. Pressing the PRESET > button changes preset channels in increasing order. Pressing the PRESET < button changes preset channels in decreasing order.

### From the remote control:

1. Press the **FM/AM** button. The last received station of the last selected band is tuned in. Each time you press the button, the band alternates between FM and AM (MW/LW).
2. Press the **10 keys** to select a preset channel number. Examples: For channel number 5, press 5. For channel number 15, press +10 then 5. For channel number 20, press +10 then 10.

### Note:

When you use the remote control, be sure that the 10 keys are activated for tuner, not for the CD. (See page 21.)



## Selecting the FM Reception Mode

You can change the FM reception mode so that reception will be improved.



When an FM stereo broadcast is hard to receive or noisy, Press the **FM MODE/MUTE** button on the front panel. The MUTE/AUTO indicator goes off on the display. Reception will be improved although you will lose the stereo effect. In this mode, you will hear noise while tuning into the stations.

### To restore stereo effect

Press the **FM MODE/MUTE** button again so that the MUTE/AUTO indicator lights up on the display. In this mode, when a program is broadcast in stereo, you will hear stereo sound; when in monaural, you will hear monaural sounds. This mode is also useful to suppress static noise between stations.

**Preparing for Dolby Surround**

The RX-320VBK memorizes two sets of Dolby Surround adjustments; one for Pro Logic and the other for 3ch Logic. However, the sound levels of center and rear speakers cannot be stored separately.

1. Press the **SURROUND ON/OFF** button (or the **ON/OFF** button on the remote control).  
One of the surround program indicators lights up on the display.

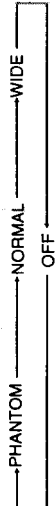


2. Press the **SURROUND MODE** button (or the **MODE** button on the remote control).  
Each time you press the button, the surround program changes as follows:



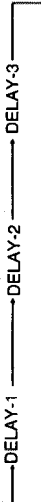
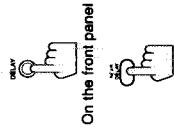
**PRO LOGIC:** Select this mode when you use the rear speakers  
**3CH LOGIC:** Select this mode when you use no rear speakers  
**HALL:** This is JVC's original surround program, and is different from Dolby Surround. To use this, see page 16.

3. Press the **CENTER MODE** button on the front panel.  
Each time you press the **CENTER MODE** button, the mode changes as follows.



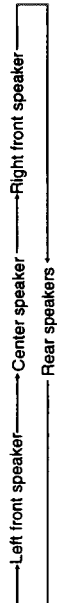
**PHANTOM:** Select this mode when you have not connected a center speaker.  
**NORMAL:** Select this mode when the size of the center speaker is smaller than that of the front speakers.  
**WIDE:** Select this mode when the size of the center speaker is the same as that of the front speakers.  
**OFF:** Select this mode to shut off the output of the center channel signal.

4. Press the **DELAY** button to set the delay time of the delayed sound.  
Each time you press the button, the delay time changes among 3 levels.



**DELAY-1:** When your distance to your rear speakers is greater than that to the front speakers.  
**DELAY-2:** When your distance to your rear speakers is almost equal to that to the front speakers.  
**DELAY-3:** When your distance to your rear speakers is less than that to the front speakers.

5. Press the **TEST** button on the remote control to check your setting.  
When you press the button, "TEST" starts flashing and a test tone comes out of the speakers in the following order:



**Notes:**

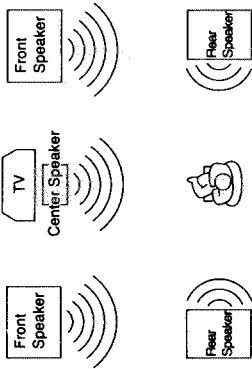
- No test tone comes out of the rear speakers when you have selected 3CH LOGIC.
- No test tone comes out of the center speaker when you select PHANTOM or OFF for the center mode.

**Speaker arrangements for Dolby Surround**

The following illustrations show how to obtain the optimum sound environment for various Dolby Surround settings. Try to find the speaker direction and location to create the optimum sound field.

**CASE 1**

When you have added a center speaker and rear speakers



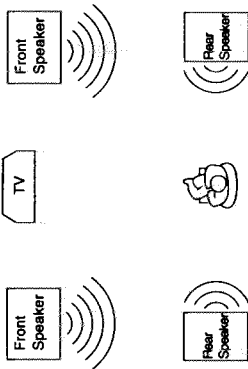
**In this case:**

1. Select PRO LOGIC.
2. Select NORMAL or WIDE for center mode.

See page 18 for more details.

**CASE 2**

When you have added rear speakers



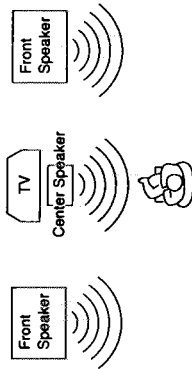
**In this case:**

1. Select PRO LOGIC.
2. Select PHANTOM for center mode.

See page 18 for more details.

**CASE 3**

When you have added a center speaker (without rear speakers)



**In this case:**

1. Select 3CH LOGIC.
2. Select NORMAL or WIDE for center mode.

See page 18 for more details.

**COMPU LINK Remote Control System**



The COMPU LINK remote control system allows you to operate IVC audio components through the remote sensor on the RX-320VBK. To use this remote control system, you need to connect IVC audio components through the COMPU LINK-3 SYNCHRO jacks (see page 9) in addition to the connections using cables with RCA pin plugs (see page 8). This remote control system allows you to use four functions listed below.

- **Remote Control through the Remote Sensor on the RX-320VBK**  
You can control all audio components through the remote sensor on the RX-320VBK using this remote control. For details, see page 21.

**Note:**  
Aim the remote control directly at the remote sensor on the RX-320VBK.

- **Automatic Source Selection**  
When you press the play (▶) button on a connected component or on its own remote control, the RX-320VBK automatically turns on and changes the source to the component. On the other hand, if you select a new source on the RX-320VBK or the remote control, the selected component begins playing immediately. In both cases, the previously selected source continues playing without sound for a few seconds.

- **Automatic Power On/Off (only possible with the COMPU LINK-3 connection)**  
Both the CD player and cassette deck turn on and off with the RX-320VBK. When you turn on the RX-320VBK, the CD player or cassette deck will turn on automatically, depending which component has been previously selected. When you turn off the RX-320VBK, both the CD player and cassette deck will turn off.

- **Synchronized Recording**  
Synchronized recording means the cassette deck starts recording as soon as a CD or record begins playing.

- To use synchronized recording, follow these steps:
- 1 Put a tape in the cassette deck, and a disc in the CD player (or a record on the turntable).
  - 2 Press the record (●) button and the pause (⏸) button on the cassette deck at the same time.
- This puts the cassette deck into recording pause.

**Note:**  
If you do not press the record (●) button and pause (⏸) button at the same time, the synchronized recording feature will not operate.

- 3 Press the play (▶) button on the CD player or on the turntable.  
The source changes on the RX-320VBK, and as soon as play starts, the cassette deck starts recording. When the play ends, the cassette deck enters recording pause, and stops 4 seconds later.

- Notes:**
- During synchronized recording, the selected source cannot be changed.
  - If your CD player is playing in program mode, a 4-second blank is recorded between tracks so that the music scan feature of your cassette deck can be used on the recorded tape.
  - If the power of any component is shut off during synchronized recording, the COMPU LINK remote control system may not operate properly. In this case, you must start again from the beginning.
  - Refer also to the manuals supplied with your CD player and cassette deck.

**6. Set the levels of the center and rear speakers.**

On the front panel:

Press the CENTER LEVEL +/- button to set the sound level of the center speaker.  
Press the REAR LEVEL +/- button to set the sound level of the rear speakers.

From the remote control:

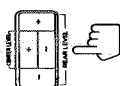
Press the CENTER +/- button while pressing the LEVEL CONTROL button to set the sound level of the center speaker.  
Press the REAR +/- button while pressing the LEVEL CONTROL button to set the sound level of the rear speakers.

**Notes:**

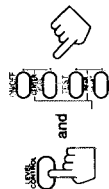
- You can adjust these levels in 1dB steps within the range of ± 10 dB. The sound levels of the left and right rear speakers will be the same.
- You cannot set the sound level of the rear speakers when you have selected 3CH LOGIC.
- You cannot set the sound level of the center speaker when you select PHANTOM or OFF for the center mode.
- Although the sound levels of the center and rear speakers can be stored, they are not stored separately for each surround program.

**7. Press the TEST button on the remote control again to finish the preparation.**

The test tone stops.



On the front panel



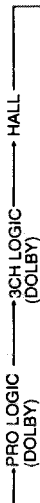
From the remote control

**Using Dolby Surround**

Once you have set the Dolby Surround adjustments you can use the same adjustments every time you want to enjoy Dolby Surround.

1. Press the SURROUND ON/OFF button (or the ON/OFF button on the remote control) so that one of the surround program indicator lights up on the display.

2. Press the SURROUND MODE button (or the MODE button on the remote control) repeatedly. If the surround program indicator (PRO LOGIC or 3CH LOGIC) you want does not light up. Each time you press the button, the display changes to show the following:



3. Play a sound source which was processed with Dolby Surround and is labeled with the DISK REMARK mark.

To cancel Dolby Surround, press the SURROUND ON/OFF button (or the ON/OFF button on the remote control) again.



**Using the Remote Control**

You can operate JVC's audio and video components with the RX-320VBK's remote control, since control signals for JVC components are preset in the remote control.  
To operate these components with the remote control, first select a source with the source selecting buttons on the remote control. Then, operate that source using the remote control.

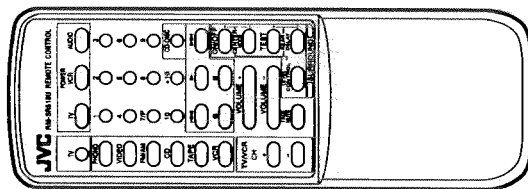
**Note:**  
If you choose a source on the front panel directly, the remote control will not operate that source. To operate a source with the remote control, the source must be selected using buttons on the remote control.

**IMPORTANT:**

- To operate JVC's audio components using this remote control:
  - You need to connect JVC audio components through the COMPU LINK-3 SYNCHRO jacks (see page 9) in addition to the connections using cables with RCA pin plugs (see page 8).
  - Aim the remote control directly at the remote sensor on the RX-320VBK.

To operate JVC's video components using this remote control:
 

- Aim the remote control directly at the remote sensor on the VCR or TV, not on the RX-320VBK.



After pressing the FM/AM button, you can perform the following operations:  
FM/AM  
1 — 10, +10  
Alternates between FM and AM (MW/LW)  
Selects a preset channel number directly

To select channel number 5, press 5. For channel number 15, press +10, then 5. For channel number 20, press +10, then 10.

After pressing the CD button, you can perform the following operations on a CD player:

- Starts playing
- Returns to the beginning of the current (or previous) track
- Skips to the beginning of the next track
- Stops playing
- Pauses

1 — 10, +10  
Selects a track number directly  
To select track number 5, press 5. For track number 15, press +10, then 5. For track number 20, press +10, then 10.

After pressing the CD-DISC button, you can perform the following operations on a CD player-changer:  
1 — 6, 7/P  
Select the number of a disc installed in a CD player-changer. Then continue to operate the CD player as described above.

**Note:**  
If you have the CD player-changer XL-MC100C and XL-MC100M, 1 — 6 buttons function as the DISC SKIP button.

- Press 2, 4, or 6 to skip to the next disc.
- Press 1, 3, or 5 to skip back to the previous disc.

After pressing the TAPE button, you can perform the following operations on a cassette deck:

- Starts playback
- Fast winds a tape from right to left
- Fast winds a tape from left to right
- Stops operation
- Pauses

After pressing the VCR button, you can perform the following operations on a VCR:

- Starts playback
- Rewinds a video tape
- Fast winds a video tape
- Stops operation
- Pauses

TV/VCR CH+/- Changes TV channels on a VCR

**Note:**  
While you are playing the source other than VCR—such as the CD player or cassette deck, you cannot operate the VCR using the remote control.

After pressing the TV button (located at the upper leftmost portion of the remote control, not the one in the POWER section), you can perform the following operations on TV:

TV/VCR CH+/- Changes TV channels

**Note:**

- When you press the TV button (located at the upper leftmost portion of the remote control, not the one in the POWER section), the TV's input mode changes to TV.
- You can also turn the VCR or TV on and off by pressing the VCR or TV button in the POWER section of the remote control.

**Troubleshooting**

Use this chart to help you solve daily operational problems. If there is any problem you cannot solve, contact your JVC service center.

PROBLEM	POSSIBLE CAUSE	SOLUTION
The display does not light up	The power cord not plugged in	Plug the power cord into an AC outlet
No sound from speakers	Speaker signal cables not connected	Check speaker wiring and reconnect if necessary
	The SPEAKERS buttons are not set correctly	Press the SPEAKERS buttons in or out correctly
	An incorrect source is selected	Select the correct source
Sound from one speaker only	Speaker signal cables are not connected properly	Check speaker wiring and reconnect if necessary
	The BALANCE control is set to one extreme	Adjust the BALANCE control properly
Continuous hiss or buzzing during FM reception	Incoming signal is too weak	Connect an outside FM antenna or contact your dealer
	The station is too far away	Select a new station
	An incorrect antenna is used	Check with your dealer to be sure you have a correct antenna
	Antennas are not connected properly	Check connections
Occasional cracking noise during FM reception	Ignition noise from automobiles	Move the antenna farther from automobile traffic
Howling during record playing	Your turntable is too close to speakers	Move speakers away from the turntable
Remote control does not work	There is an obstruction in front of the remote sensor on the RX-320VBK	Remove the obstruction
	Batteries are weak	Replace batteries

**Specifications**

**Amplifier**

Output Power	At Stereo operation Front Channels	40 watts per channel, min. RMS, driven into 4 ohms at 1 kHz with no more than 0.9% total harmonic distortion. (IEC268-3/DIN)
	At Surround operation Front Channels	30 watts per channel, min. RMS, driven into 8 ohms at 1 kHz with no more than 0.9% total harmonic distortion. (IEC268-3/DIN)
	Center channel	30 watts per channel, min. RMS, driven into 8 ohms, 40 Hz to 20 kHz with no more than 0.8% total harmonic distortion.
	Rear channels	30 watts per channel, min. RMS, driven into 8 ohms at 1 kHz with no more than 0.8% total harmonic distortion.
		10 watts per channel, min. RMS, driven into 8 ohms at 1 kHz, with no more than 0.8% total harmonic distortion.

Total Harmonic Distortion (8 ohms, 1 kHz)	0.8 %* at 30 watts output (* Measured by JVC Audio Analysis System)
Frequency Response (8 ohms)	20 Hz to 20 kHz (±1 dB) 20 Hz to 20 kHz (±1 dB)
Audio Input Sensitivity/Impedance (1 kHz)	2.5 mV/47 k ohms 200 mV/47 k ohms
Audio Output Level	200 mV
Signal-to-Noise Ratio (66 IHF/DIN)	70 dB/66 dB 87 dB/67 dB
RIAA Phono Equalization	
LOUDNESS control (Volume Control at -40 dB)	±0.5 dB (20 Hz to 20 kHz) +5 ±2dB at 100 Hz
Tone Control Range	+8 ±2dB, -8 ±2dB (at 100 Hz) +8 ±2dB, -8 ±2dB (at 10 kHz)
Video Input Sensitivity/Impedance	1 Vp-p/75 ohms
Video Output Level	1 Vp-p (at 1 Vp-p input)
Synchronization	negative
Signal-to-Noise Ratio	45 dB

**FM tuner (IHF)**

Tuning Range	87.5 MHz to 108.0 MHz
Usable Sensitivity	12.7 dBf (1.2 µV/75 ohms)
50 dB Quieting Sensitivity	16.3 dBf (1.8 µV/75 ohms) 38.3 dBf (22.5 µV/75 ohms)
Signal-to-Noise Ratio (IHF-A weighted)	80 dB at 85 dBf 75 dB at 85 dBf
Total Harmonic Distortion	0.15 % at 1 kHz 0.2 % at 1 kHz
Stereo Separation at REC OUT	40 dB at 1 kHz
Capture Ratio	1.5 dB (10 mV)
Alternate Channel Selectivity	60 dB: (±400 kHz)
Frequency Response	30 Hz to 15 kHz: (+0.5 dB, -3 dB)

**AM (MW/LW) tuner**

Tuning Range	MW: LW:	522 kHz to 1,629 kHz 144 kHz to 288 kHz
Usable Sensitivity	MW: LW:	300 µV/m 30 µV 600 µV/m
Signal-to-Noise Ratio		50 dB (100 mV/m)

**General**

Power Requirements	AC 230V <sub>~</sub> , 50 Hz
Power Consumption	190 watts 5 watts (in standby mode)
Dimensions (W x H x D)	435 x 147 x 346 mm (17 1/16 x 5 1/16 x 13 3/16 inches)
Mass	7.4 kg (16.4 lbs)

Design & specifications are subject to change without notice

# Description of Major LSIs

## ■ MN171202K8F (IC401) : SYSTEM CONTROLLER 1

### 1. Terminal Layout

VDD	1	64	OSC1
KI0	2	63	OSC2
KI1	3	62	GND
KI2	4	61	
KI3	5	60	
D1/KO0	6	59	T.MUTE
D2/KO1	7	58	LOUDNESS
D3/KO2	8	57	POWER/STANDBY LED
D4/KO3	9	56	HALL LED
D5/KO4	10	55	3CH LED
D6/KO5	11	54	PROLOGIC LED
D7/KO6	12	53	SOURCE MUTE
D8/KO7	13	52	VOL. LED
S0	14	51	VOL+
S1	15	50	VOL-
S2	16	49	COMPLINK OUT
S3	17	48	COMPLINK IN
VPP	18	47	TUNED
S4	19	46	STEREO
S5	20	45	INH IN
S6	21	44	RM IN
S7	22	43	RESET
S8	23	42	DO
S9	24	41	DI
S10	25	40	CK
S11	26	39	CE
S12	27	38	DATA
S13	28	37	STB1
S14	29	36	CLK
S15	30	35	STB2
VIDEO1	31	34	TV
VIDEO2	32	33	SOURROUND ON/OFF

### 2. Key Matrix

	KI0 (PIN2)	KI1 (PIN3)	KI2 (PIN4)	KI3 (PIN5)
KO0 (PIN6)	PHONO (S401)	CD (S402)	TUNER (S405)	TAPE (S406)
KO1 (PIN7)	VIDEO (S403)	VCR (S404)	TV (S407)	LOUDNESS (S408)
KO2 (PIN8)	BAND FM/AM (S409)	FM MODE /MUTE (S410)	FREQ. DOWN (S411)	FREQ. UP (S412)
KO3 (PIN9)	POWER (S413)	MEMORY (S414)	PRESET /DOWN (S415)	PRESET /UP (S416)
KO4 (PIN10)	SURR. (S417)	SURR. MODE (S418)	REAR LEVEL- (S419)	REAR LEVEL+ (S420)
KO5 (PIN11)	DELAY (S421)	CENTER MODE (S422)	CENTER LEVEL- (S423)	CENTER LEVEL+ (S424)

### 3. Description

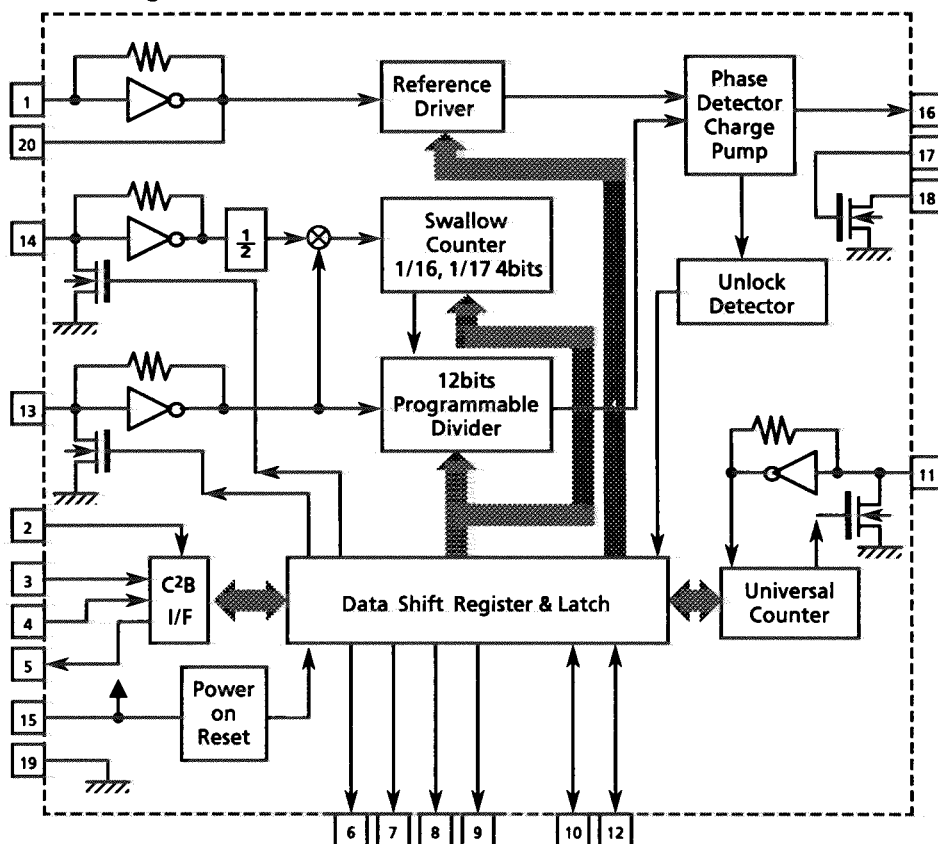
Pin No.	Symbol	I/O	Description	Pin No.	Symbol	I/O	Description
1	VDD	--	Power supply	33	SURR.ON/OFF	O	SURROUND ON/OFF control
2	KI0	I	Key matrix Input	34	TV	O	TV sound select control signal
3	KI1	I	Key matrix Input	35	STB2	O	Strobe signal to IC641,601
4	KI2	I	Key matrix Input	36	CLK	O	Clock output
5	KI3	I	Key matrix Input	37	STB1	O	Strobe signal to IC321
6	D1/KO0	O	Grid control signal/Key matrix output	38	DATA	O	Data output
7	D2/KO1	O	Grid control signal/Key matrix output	39	CE	O	Chip enable output
8	D3/KO2	O	Grid control signal/Key matrix output	40	CK	O	CLOCK signal output
9	D4/KO3	O	Grid control signal/Key matrix output	41	DI	I	Tuner data input
10	D5/KO4	O	Grid control signal/Key matrix output	42	DO	O	Tuner data output
11	D6/KO5	O	Grid control signal/Key matrix output	43	RESET	O	RESET signal input
12	D7/KO6	O	Grid control signal/Key matrix output	44	RM IN	I	Remote signal input
13	D8/KO7	O	Grid control signal/Key matrix output	45	INH IN	I	Inhibit signal input
14	S0	O	Segment control signal	46	STEREO	I	STEREO signal input
15	S1	O	Segment control signal	47	TUNED	I	TUNED signal input
16	S2	O	Segment control signal	48	COMPULINK IN	I	COMPULINK signal input
17	S3	O	Segment control signal	49	COMPULINKOUT	O	COMPLUINK signal output
18	VPP	O	Power supply	50	VOL-	O	VOL. control signal
19	S4	O	Segment control signal	51	VOL+	O	VOL. control signal
20	S5	O	Segment control signal	52	VOL LED	O	VOL. indication control
21	S6	O	Segment control signal	53	SOURCE MUET	O	SOURCE MUET control signal
22	S7	O	Segment control signal	54	PROLOGIC LED	O	PROLOGIC indication control
23	S8	O	Segment control signal	55	3CH LED	O	3CH indication control
24	S9	O	Segment control signal	56	HALL LED	O	HALL indication control
25	S10	O	Segment control signal	57	P/STANDBY LED	O	STANDBY indication control
26	S11	O	Segment control signal	58	LOUDNESS	O	LOUDNESS control signal
27	S12	O	Segment control signal	59	T.MUTE	O	TUNER MUET control signal
28	S13	O	Segment control signal	60	X1	--	GND
29	S14	O	Segment control signal	61	X2	--	Not used
30	S15	O	Segment control signal	62	VSS	--	GND
31	VIDEO1	O	Control signal to IC661	63	OSC2	--	Oscillation terminal
32	VIDEO2	O	Control signal to IC661	64	OSC1	--	Oscillation terminal

■ LC72131M (IC121) : PLL Synthesizer

1. Terminal Layout

XIN	1	20	XOUT
CE	2	19	V <sub>SS</sub>
TDATA	3	18	LPF OUT
CK	4	17	LPF IN
IFDATA	5	16	PD
FM	6	15	V <sub>DD</sub>
MW	7	14	FM OSC
LW	8	13	AM OSC
AUTO/MONO	9	12	IF REQ
POWER	10	11	FM/AM IF

2. Block Diagram



3. Pin Functions

Pin No.	Symbol	I/O	Functions	Pin No.	Symbol	I/O	Functions
1	X in	I	Crystal oscillator (7.2MHz).	11	FM/AM IF	I	Universal counter input
2	CE	I	Fix the chip enable to "H" when inputting (DI) and outputting (DO) the serial data.	12	IF REQ	O	Output the "IF-signal request" to IC102
3	TDATA	I	Receive the control data from the controller (IC201).	13	AM IN	I	Input the local oscillator signal of AM.
4	CK	I	This clock is used to synchronize data when transmitting the data of DI and DO.	14	FM IN	I	Input the local oscillator signal of FM.
5	IFDATA	O	Transmit the data from LC72131M to the controller which is synchronized with CK.	15	V <sub>DD</sub>	-	This is a terminal of power supply.
6	FM	O	It is "L" on FM mode.	16	PD	O	PLL charge pump output : When the local oscillator signal frequency is higher than the reference frequency high level signals will output. When it is lower than the reference frequency, low level signals will output. When it is same as reference frequency signals, it will be floating.
7	MW	O	It is "L" on MW mode.	17	LPF IN	I	Transistor used for the PLL active low-pass filter
8	LW	O	It is "L" on LW mode.	18	LPF OUT	O	Transistor used for the PLL active low-pass filter
9	AUTO/MONO	O	It is "L" on monaural, "H" on auto.	19	V <sub>SS</sub>	-	Connected to GND
10	POWER	O	Regulator control signal P ON "H", STANDBY "L"	20	X out	O	Crystal oscillator (7.2MHz).

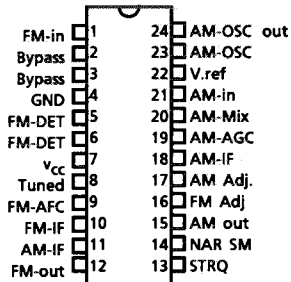
# RX-320VBK

## ■ LA1266A (IC104) : FM AM IF AMP & detector

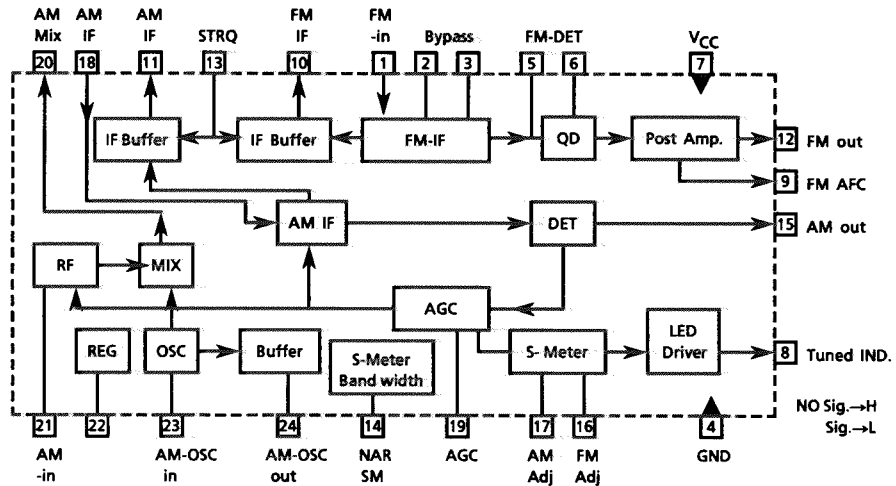
### 1. The main function descriptions

- (1) Amplify and detect of FM intermodulation frequencies.
- (2) It has local oscillator and mixer for AM, and amplify the AM-IF signal.

### 2. Top View



### 3. Block Diagram



### 4. Pin Function Description

Pin No.	Symbol	I/O	Functions and Operations
1	FM in	I	This is an input terminal of FM IF Signal.
2, 3	Bypass	--	Bypass of FM IF Amp.
4	GND	--	This is the device ground terminal.
5, 6	FM DET	--	FM detect transformer.
7	V <sub>CC</sub>	--	This is the power supply terminal.
8	Tuned	O	When the set is tuning, this terminal become "L".
9	FM AFC	O	This is an output terminal of voltage for FM - AFC.
10	FM IF out	O	When the IF REQ signal of IC251(LC7218) applies to pin13, the signal of FM IF outputs.
11	AM IF out	O	When the IF REQ signal of IC251(LC7218) applies to pin13, the signal of AM IF outputs.
12	FM out	O	FM detection output.
13	STRQ	I	The IF-signals come out from pin10 (FM-IF) or pin11 (AM-IF) while this terminal goes to "High".
14	NAR SM	--	Control the Band-width of AM signal meter.
15	AM out	O	AM detection output.
16	FM Adj	--	For adjust the stop level (or mute level) of FM..
17	AM Adj	--	For adjust the stop level (or mute level) of AM.
18	AM-IF	I	Input of AM IF Signal.
19	AM-AGC	I	This is an AGC voltage Input terminal for AM.
20	AM-MIX	O	This is an output terminal for AM mixer.
21	AM-IN	I	This is an input terminal for AM RF Signal.
22	V.REF	--	Control the Band-width of FM signal meter.
23	AM-OSC	--	This is a terminal of AM Local oscillation circuit.
24	AM-OSC out	O	AM Local Oscillation Signal output.

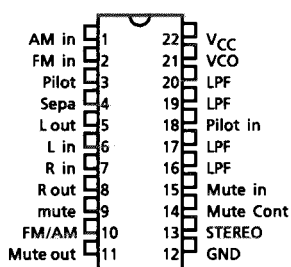


■ LA3401 (IC105) : FM MPX Detector

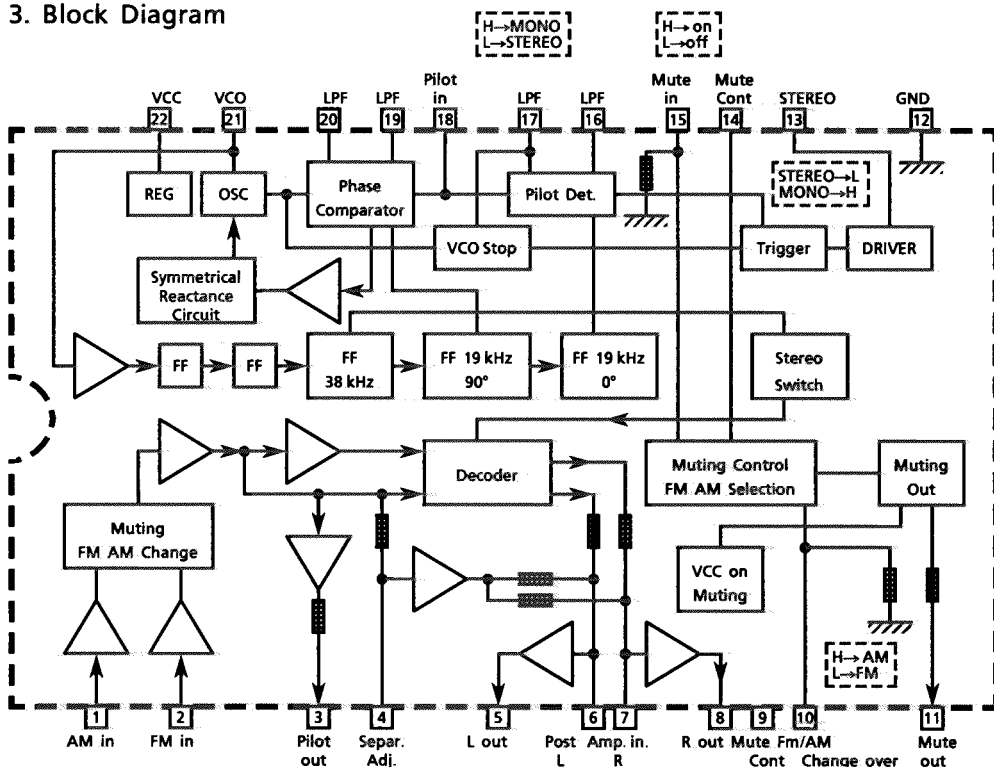
1. The main function descriptions

- (1) Detect the FM Multiplex Signal (Stereo signal).
- (2) When receiving FM Stereo Signal, it outputs the signal for indicator.
- (3) AM/FM Audio Amplifier.

2. Terminal Layout



3. Block Diagram



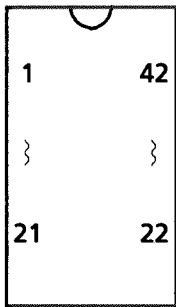
4. Pin Function Description

Pin No.	Symbol	I/O	Functions and Operations
1	AM in	I	This is an input terminal for AM detection signal.
2	FM in	I	This is an input terminal for FM detection signal.
3	Pilot out	O	Output of MPX pilot signal (Connect to Pin18).
4	Sepa. Adj.	--	Separation adjustment.
5	L. out	O	Left channel signal output.
6	L	O	Reversal output of Pin5.
7	R	O	Reversal output of Pin8.
8	R out	O	Right channel signal output
9	Mute Cont	--	The mute time is controlled by the connected capacitor when turning the power switch on.
10	FM / AM	I	Change over the FM / AM input. "H" : AM, "L" : FM
11	Mute out	--	Not use
12	GND	--	Ground terminal.
13	Stereo	O	Stereo indicator output. Stereo : "L", Mono : "H"
14	Mute Cont	--	The mute time is controlled by the connected capacitor when changing over the FM / AM .
15	Mute in	I	Mute signal input. "H" : Mute on, "L" : Mute off.
16	LPF	--	Low pass filter of pilot detector.
17	LPF	--	While this terminal goes to "H", the VCO stop.
18	Pilot in	I	Pilot input.
19	LPF	--	Low-pass filter of PLL.
20	LPF	--	Low-pass filter of PLL.
21	VCO	I	Voltage controlled oscillator terminal.
22	VCC	--	Power supply.

# RX-320VBK

## ■ LA2785 (IC601) : Dolby Pro Logic Surround Signal Processor

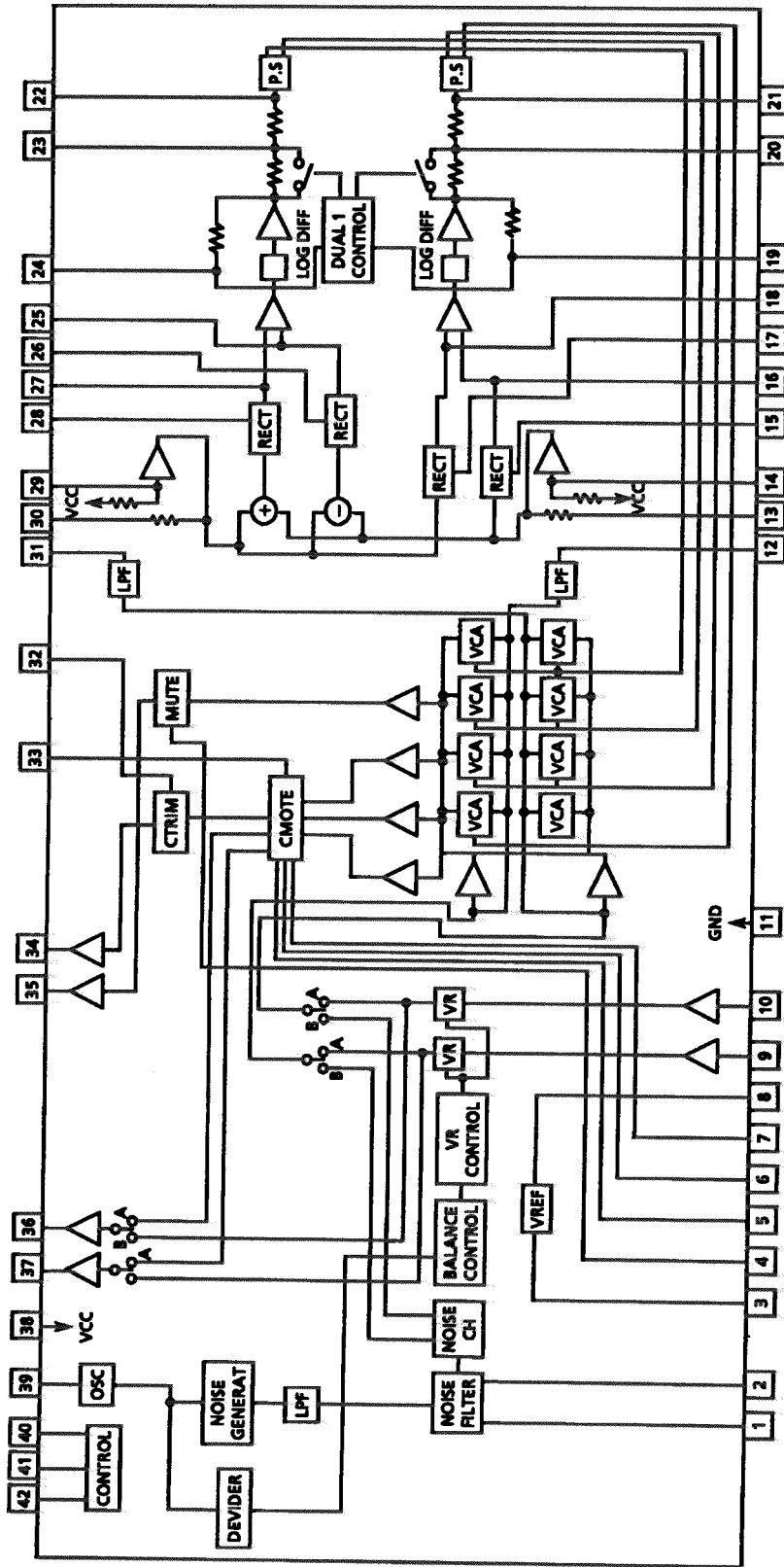
### 1. Terminal Layout



### 2. Pin Functions

Pin No	Symbol	I/O	Functions	Pin No	Symbol	I/O	Functions
1	NS-BPF1	--	Capacitor for spectrum filter in noise sequencer	22	VCS-1	--	Capacitor for time constant (in log differential area)
2	NS-BPF2	--	Capacitor for spectrum filter in noise sequencer	23	VCS-2	--	Capacitor for time constant (in log differential area)
3	VREF	--	Analog reference voltage	24	VCS-TH	--	Capacitor for time constant (in log differential area)
4	S-DC-OUT	--	Capacitor for DC-cut Sch	25	L+R RECT	--	Capacitor for Center channel detection
5	C-DC-OUT	--	Capacitor for DC-cut Cch	26	DC-CUT	--	Capacitor for DC-cut at detection circuit
6	L-DC-OUT	--	Capacitor for DC-cut Lch	27	L-R RECT	--	Capacitor for Surround channel detection
7	R-DC-OUT	--	Capacitor for DC-cut Rch	28	DC-CUT	--	Capacitor for DC-cut at detection circuit
8	VREF-BUFFER	--	VREF low impedance	29	R-BPF3	--	LPF,HPF for Right channel control circuit
9	L-IN	I	Left channel signal input	30	R-BPF2	--	LPF,HPF for Right channel control circuit
10	R-IN	I	Right channel signal input	31	R-BPF1	--	LPF,HPF for Right channel control circuit
11	GND	--	Ground	32	C-TRIM DC-CUT	--	Capacitor for DC-cut Center channel
12	L-BPF1	--	LPF,HPF for Lch control circuit	33	C-MODE-CAP	--	Capacitor for Center channel output low-pass filter
13	L-BPF2	--	LPF,HPF Left channel control circuit	34	C-OUT	O	Center signal output
14	L-BPF3	--	LPF,HPF Left channel control circuit	35	S-OUT	O	Surround signal output
15	DC-CUT	--	Capacitor for DC-cut at detection circuit	36	R-OUT	O	Right channel signal output
16	R RECT	--	Capacitor for Right channel detection	37	L-OUT	O	Left channel signal output
17	DC-CUT	--	Capacitor for DC-cut at detection circuit	38	VCC	--	power supply
18	L RECT	--	Capacitor for Left channel detection	39	OSC	--	Oscillation for noise sequencer and auto balance
19	VLR-TH	--	Capacitor for time constant (in log differential area)	40	STB	I	Strobe signal input
20	VLR-2	--	Capacitor for time constant (in log differential area)	41	DATA	I	Serial interface data input
21	VLR-1	--	Capacitor for time constant (in log differential area)	42	CLK	I	Serial interface clock

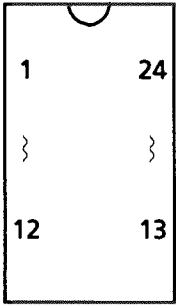
3. Block Diagram



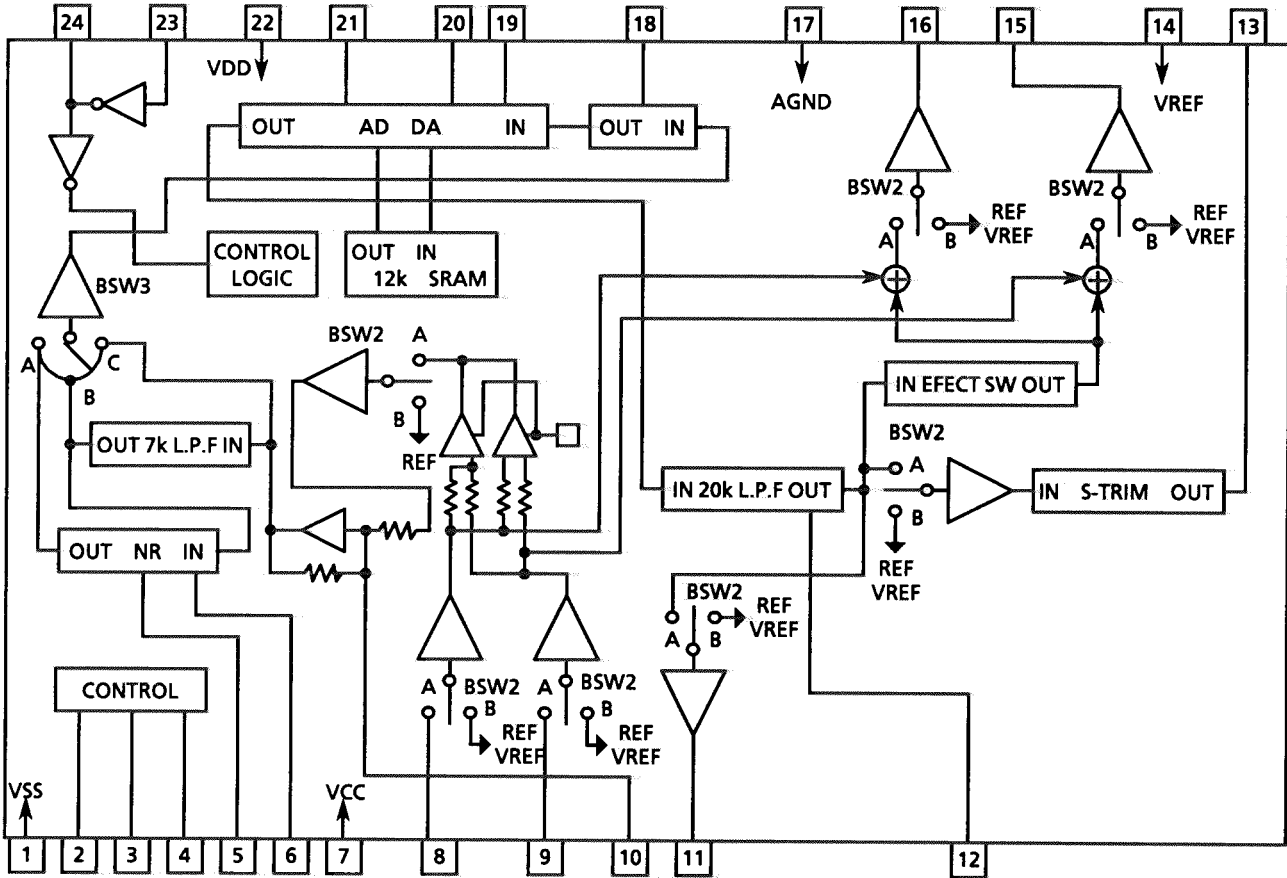
RX-320VBK

■ LV1011 (IC641) : Dolby Surround Passive Decoder

1. Terminal Layout



2. Block Diagram

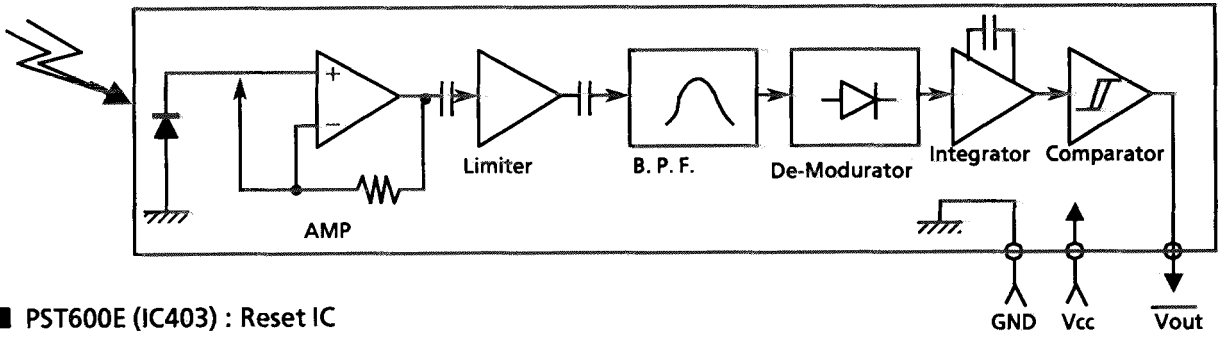


## 3. Pin Functions

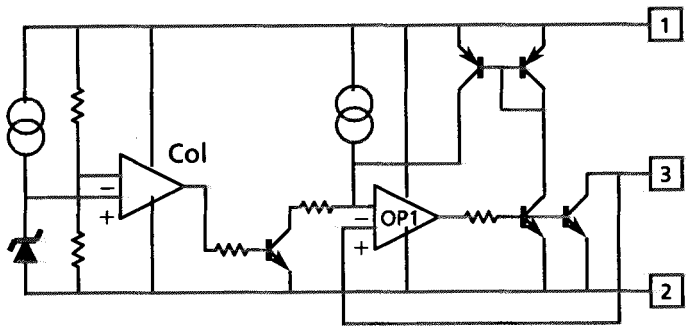
Pin No.	Symbol	I/O	Functions
1	DGND	--	Digital GND
2	CLK	I	Serial interface clock
3	DATA	I	Serial interface data input
4	STB	I	Strobe signal input
5	NR-DET	--	Capacitor for noise reduction detection
6	NR-IREF	--	Resistor for noise reduction reference current
7	VCC	--	Supply
8	L-IN	I	Left channel signal input
9	R-IN	I	Right channel signal input
10	S-IN	I	Surround signal input
11	DELAY-OUT	--	Not used
12	DC-CUT	--	Capacitor for DC-cut
13	S-OUT	O	Surround signal output
14	VREF	--	Analog reference voltage
15	R-MIX-OUT	--	Not used
16	L-MIX-OUT	--	Not used
17	ADND	--	Analog ground
18	DC-CUT	--	Capacitor for DC-cut
19	D/A	--	Capacitor for integrator
20	NOISE SHAPER	--	Capacitor for noise shaper
21	A/D	--	Capacitor for integrator
22	VDD	--	Supply for the digital section
23	OSC	--	Oscillation terminal
24	OSC	--	Oscillation terminal

# RX-320VBK

## ■ SPS-420-1 (IC402) : Remocon Module IC

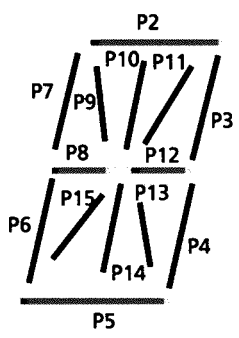
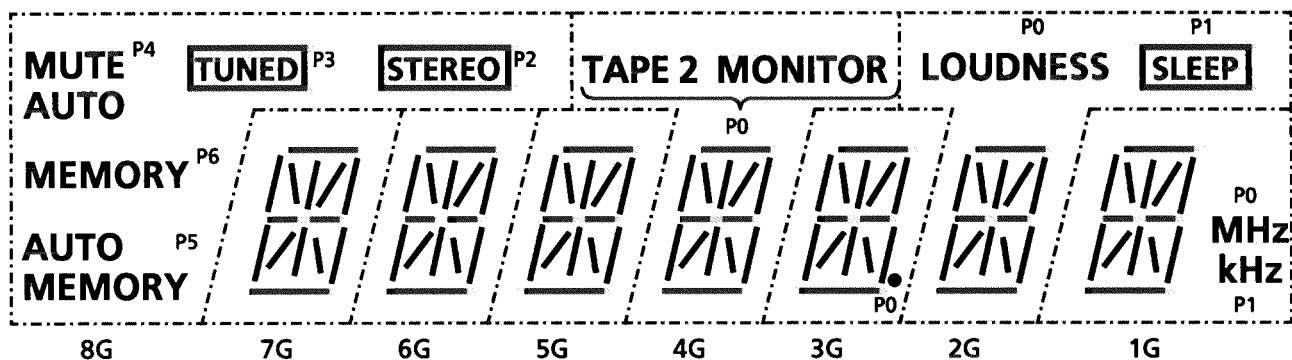


## ■ PST600E (IC403) : Reset IC



# Internal Connections of the FL Display

■ELU0001-144 : FL401



## Pin Connection

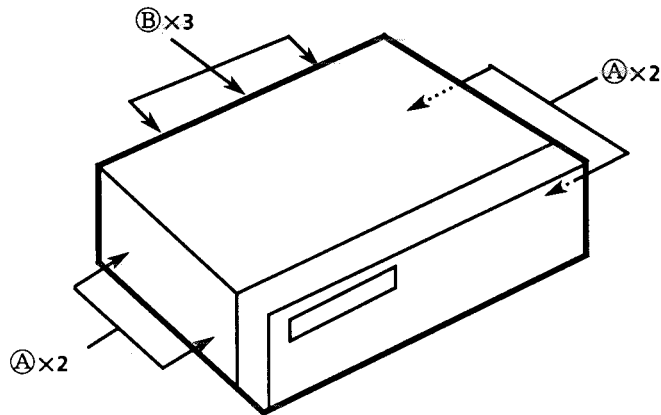
PIN NUMBER	1	2	3	4	5	6	7	8	9	10	11	12	13	14	15	16	17	18		
ELECTRODE	F1	F1	F1	NP	NP	NP	NP	NP	P15	P14	P13	P12	P11	P10	P9	P8	P7	P6		
PIN NUMBER			19	20	21	22	23	24	25	26	27	28	29	30	31	32	33	34	35	36
ELECTRODE			P5	P4	P3	P2	P1	P0	8G	7G	6G	5G	4G	3G	2G	1G	NP	F2	F2	F2

Note F : Filament, G : Grid, P : Element, NP : No Pin, NC : No Connection

## Disassembly Procedures

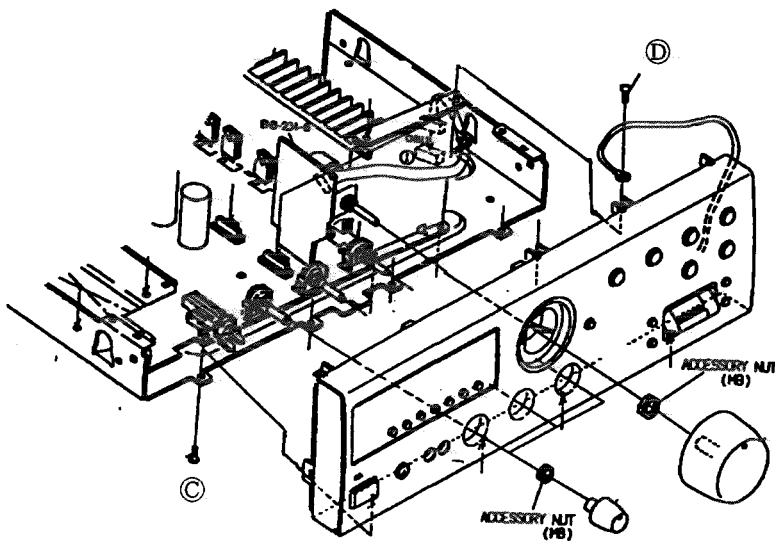
### (1) Removing the top cover

1. Remove 4 screws **A** fastening both sides of top cover, and 3 screws **B** fastening the rear side.
2. Remove the top cover.



### (2) Removing the Front panel Ass'y

1. Remove the top cover.
2. Remove the Master volume knob, bass knob, treble knob and balance knob.
3. Remove the nut fastening the Master volume knob, bass knob, treble knob and balance knob.
4. Remove the 4 screws **C** fastening bottom side of front panel ass'y.
5. Remove the 2 screws **D** fastening top side of front panel ass'y.
6. Remove it.



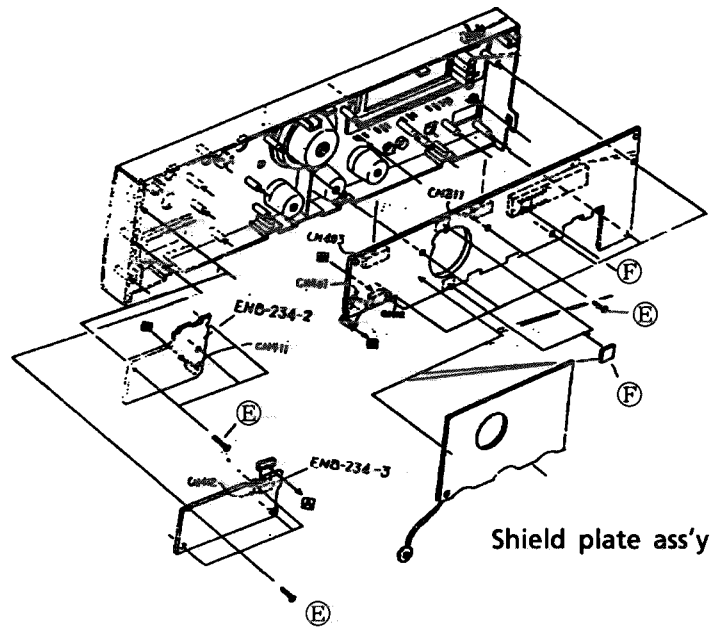
**A** .. E406308-001    **B** ... E73273-006    **C** ... SDSF3008M    **D** ... SBSG308CC



(3) Removing the Front P.C. Board

1. Removing the top cover.
2. Removing the front panel assembly.
3. Removing the shield plate ass'y.
4. Removing the 13 screws (E).
5. Remove it.

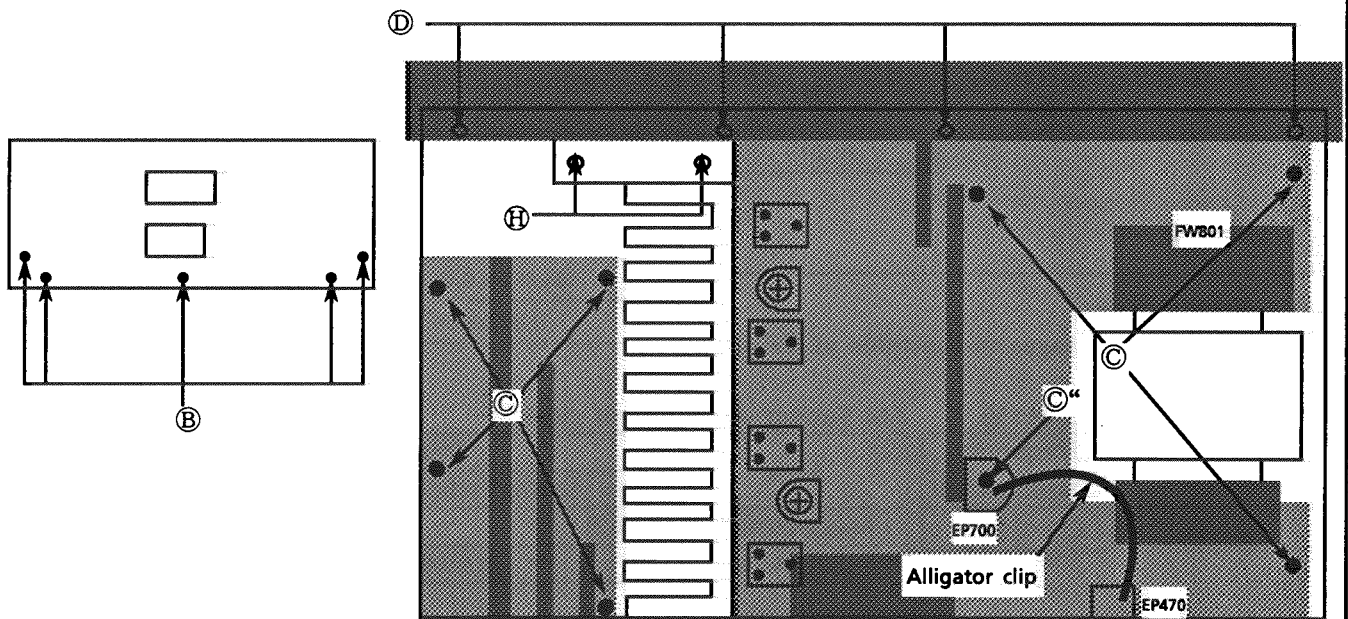
\* Assembling the 3 spacer (F)(E306805-122) fixing the shield plate ass'y.



(4) Removing the bottom cover with power trans

1. Removing the top cover.
2. Removing the 4 screws (D) and the 2 screws (H) fastening bottom side.
3. Removing the 5 screws (B) fastening rear panel.
4. Removing the 8 screws (C) and (C'') fastening same P.C. boards ass'y.
5. Cut the tie band of the FW801.
6. Remove it.

※ The screw (C) which secures the bottom cover is also used for ground.  
It is necessary to ground before checking after the bottom cover is removed.



(B) E73273-006

(C)(C'') SBSG3008CC

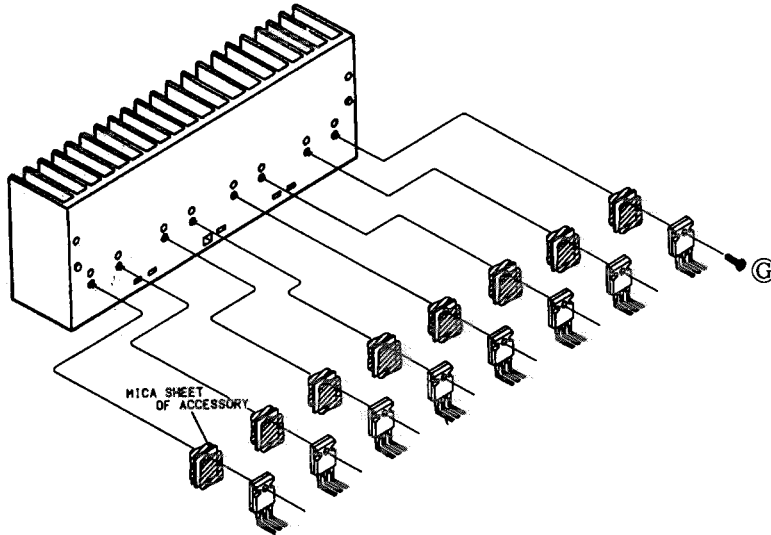
(D) SDSF3008M

(E) SDSF2608Z

(H) SDSG3008M

(5) Removing the Power Transistor

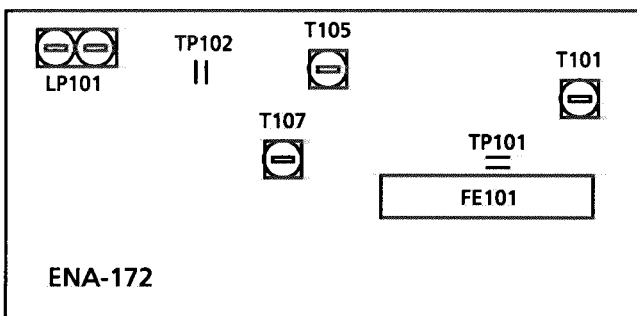
1. Remove the (1) and (4).
2. Unsolder the broken transistor.
3. Remove the some screws © fastening it.
4. Remove it.



© .. E73525-003

## ADJUSTMENT PROCEDURES

### ■ Tuner section



Tuning range

Area	Range	
	MW (kHz)	FM (MHz)
BS,EF,EN,G,GI,A	522~1629	87.5MHz~
U,UT,US,UB	531~1609	108MHz

(1) Tuning Voltage

Confirm the voltages in the table at TP101.

FM Tuning voltage (Unit : V)

Area	Frequency	
	87.5MHz	108MHz
All Area	1.6±1.0	8.0±2.0

AM Tuning voltage (Unit : V)

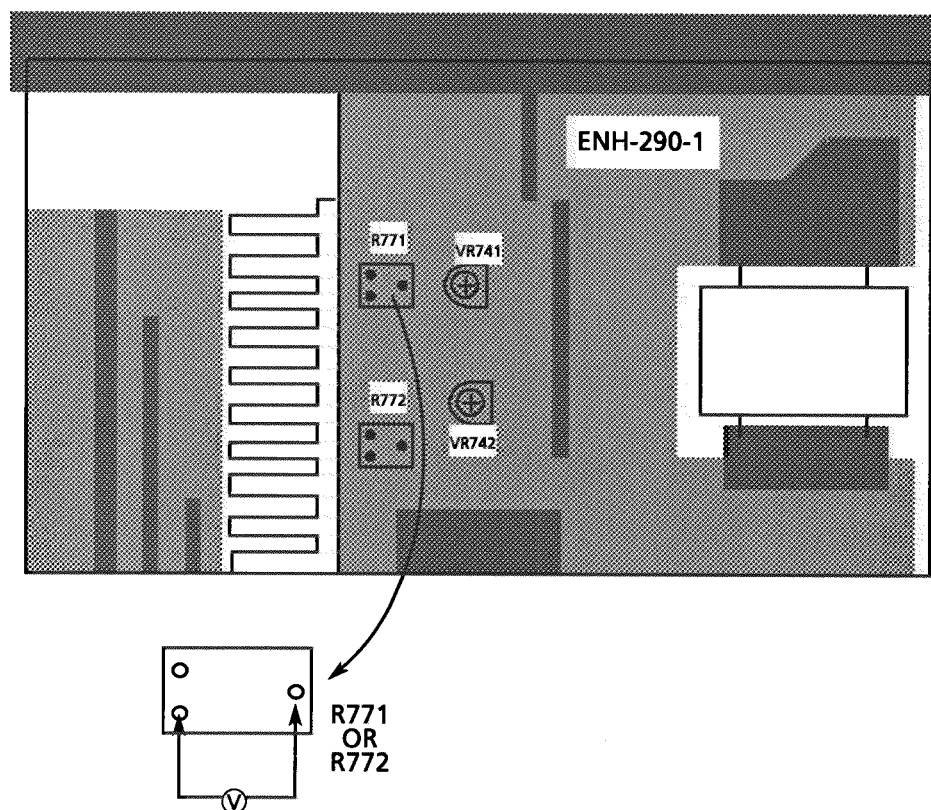
Area	Frequency (MW)						
	522KHz	530KHz	531KHz	1600KHz	1602KHz	1629KHz	1710KHz
BS,EF,EN,G,GI,A	0.9±0.2	—	—	—	—	7.5±0.8	—
U,UT,US,UB	—	—	1.0±0.2	—	7.5±0.2	—	—

(2) FM Center meter

Receive a broadcast by using the function of 'AUTO STOP'.

Adjust T105 (Detector coil) so taht the voltage at TP102 becomes 0±1.5mV.

## ■ Power Amplifier section



## ■ Idling current

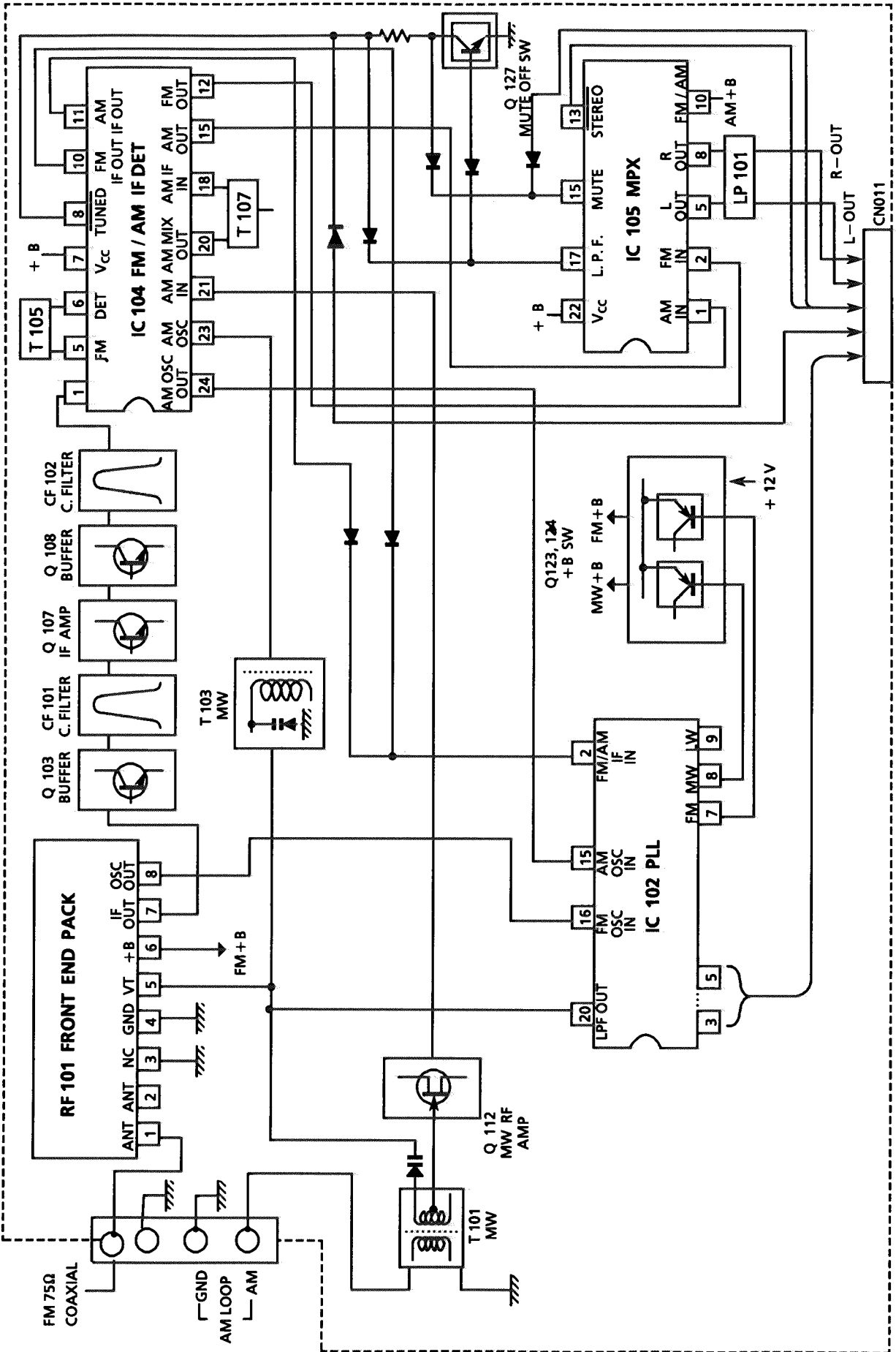
- (1) Set the volume control to minimum during this adjustment. And set surround mode "OFF".
- (2) Turn VR741 and VR742 fully counterclockwise to warm up before adjustment.  
If the heatsink is already warm from previous use the correct adjustment can not be made.
- (3) Connect a DC voltmeter to R771 resistor's leads for left channel, or to R772 for right channel.
- (4) Adjust R771 for left channel, or R772 for right channel, so that the DC voltmeter becomes 1mV~10mV.

RX-320VBK

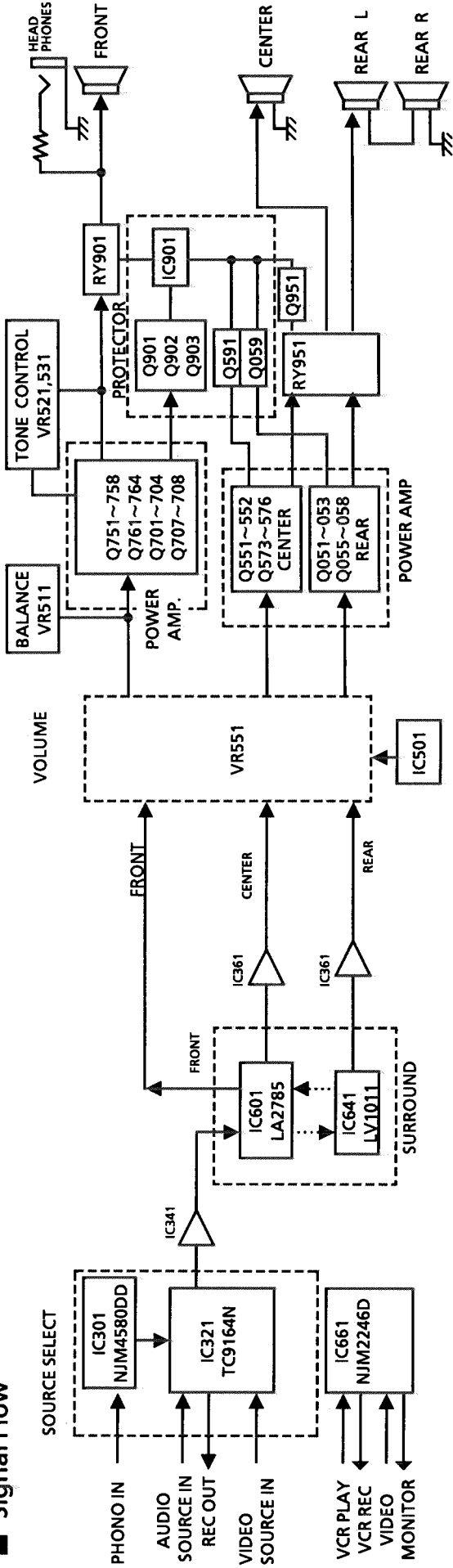
- MEMO -

Block Diagrams

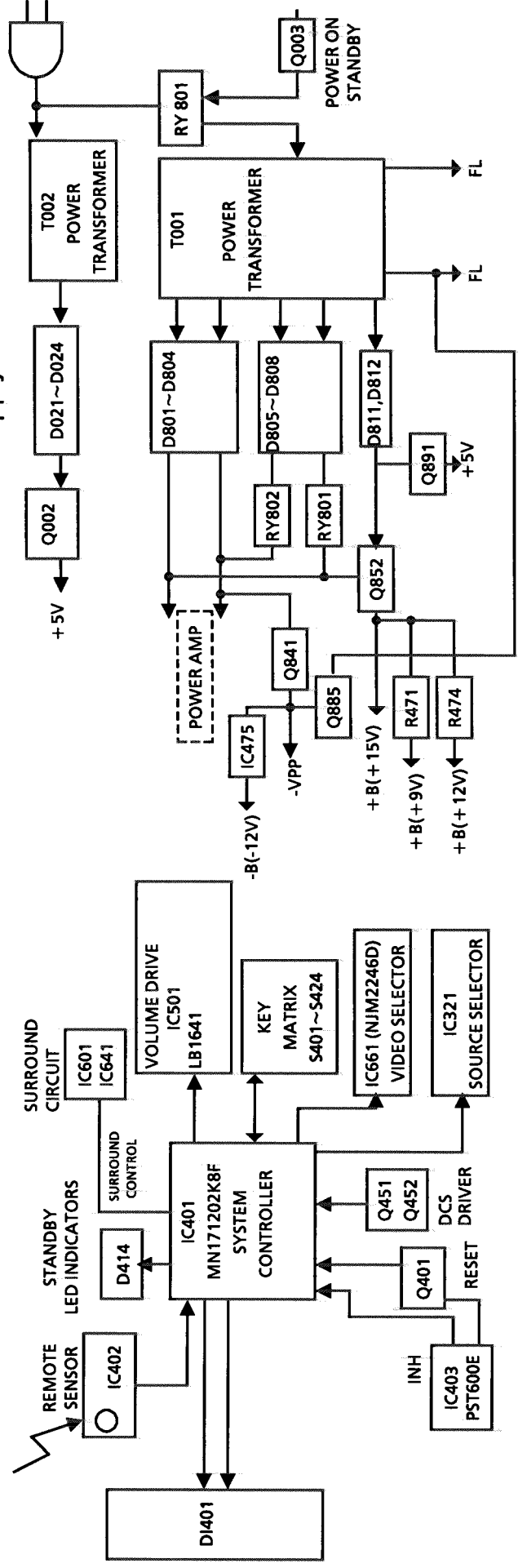
■ Tuner Section



■ Signal Flow

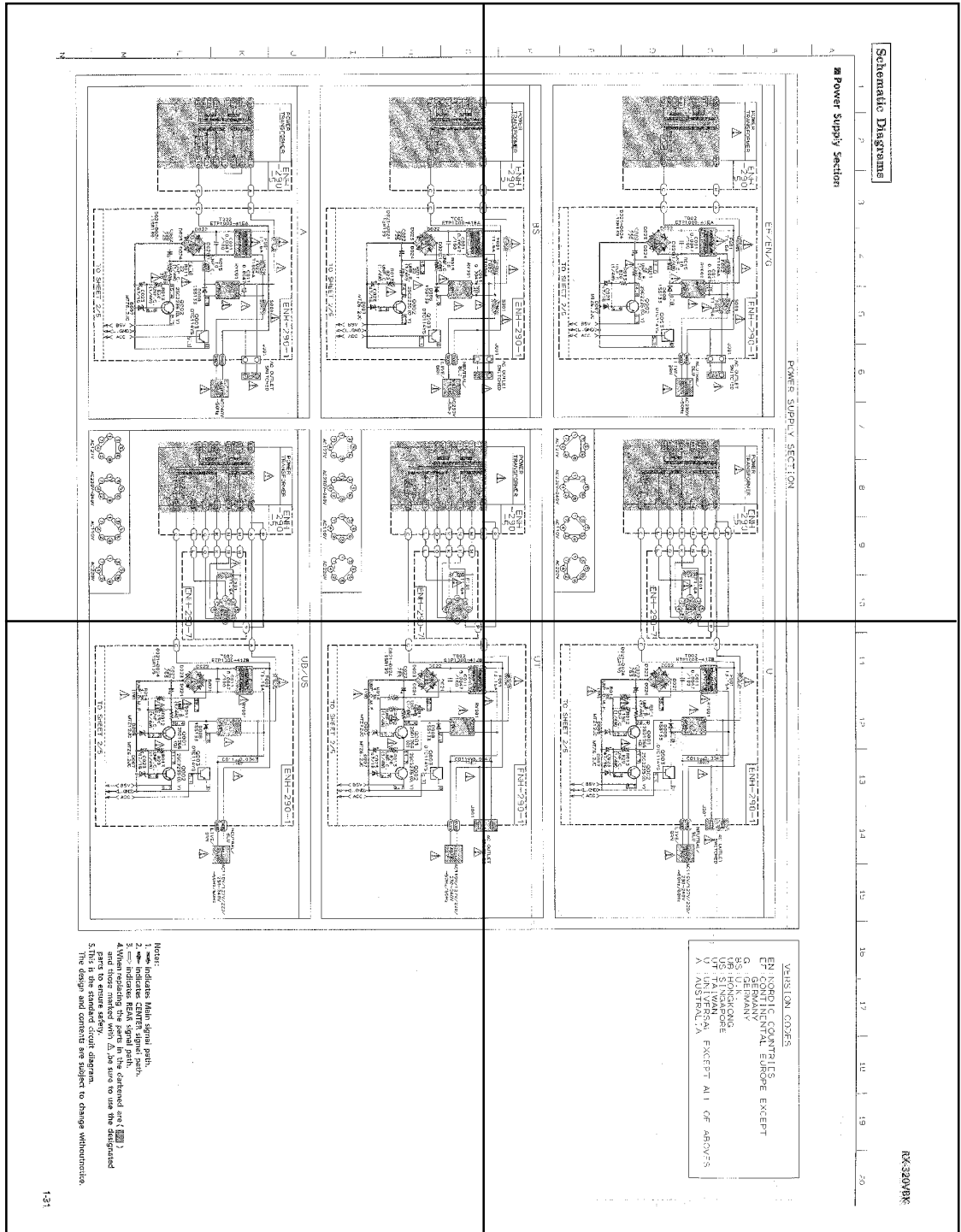


■ Control Section



P1-31-a

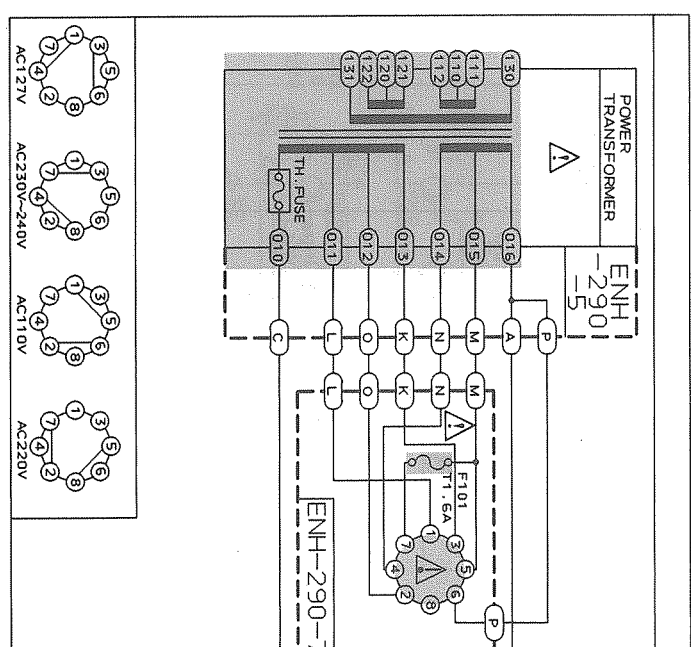
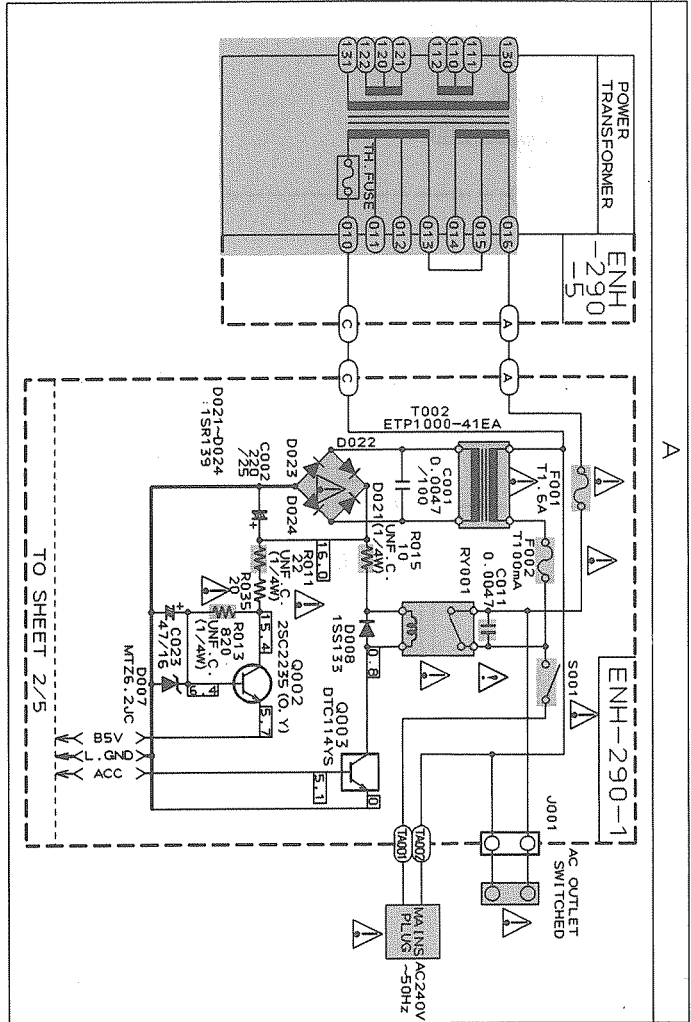
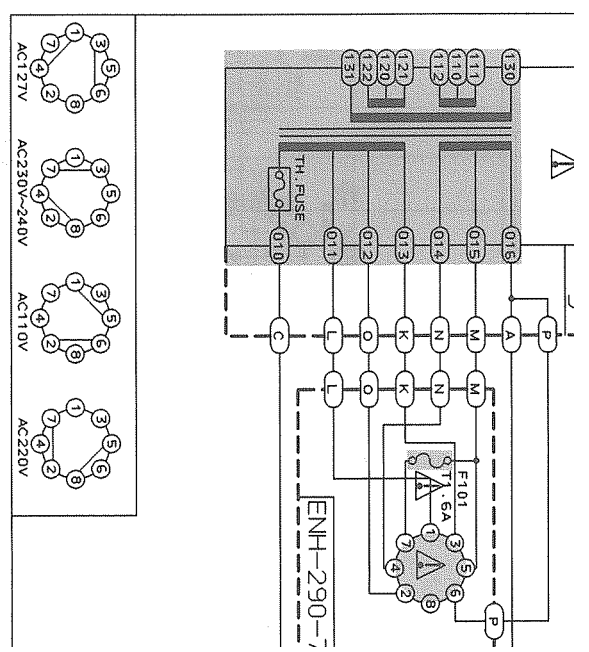
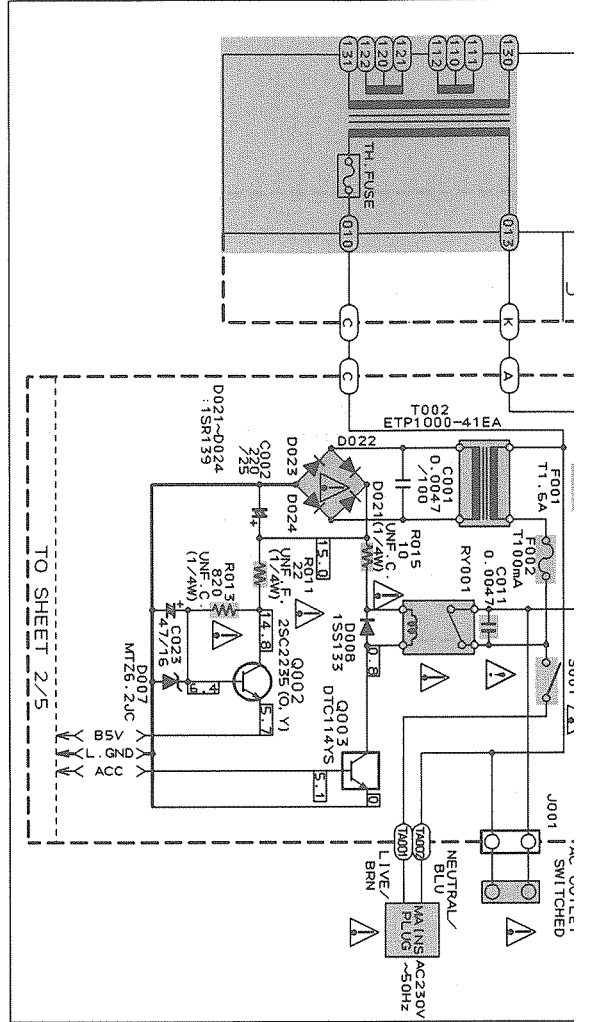
P1-31-b



P1-31-c

P1-31-d

N M L K J I H G



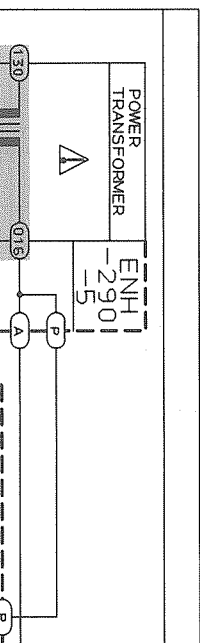
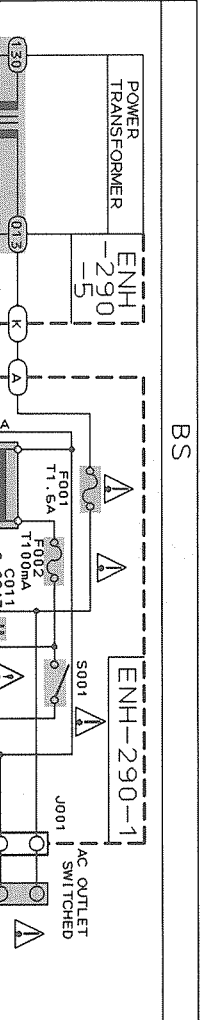
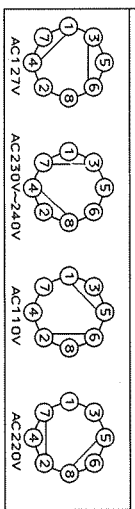
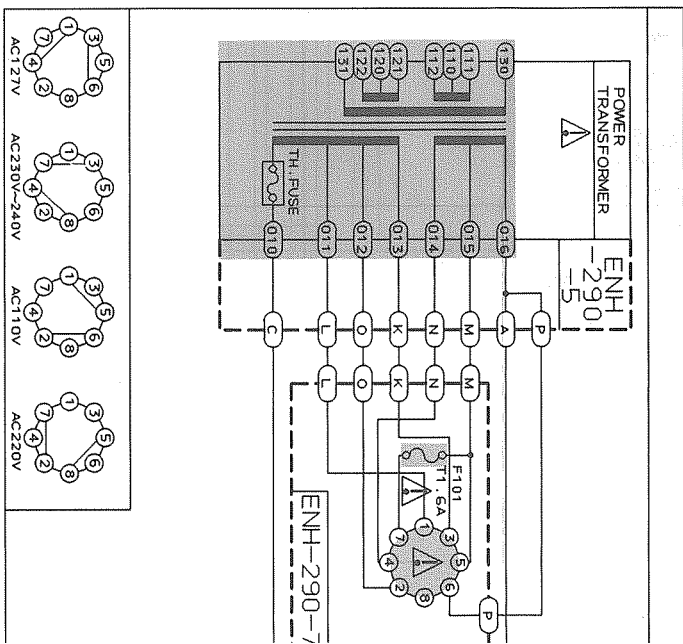
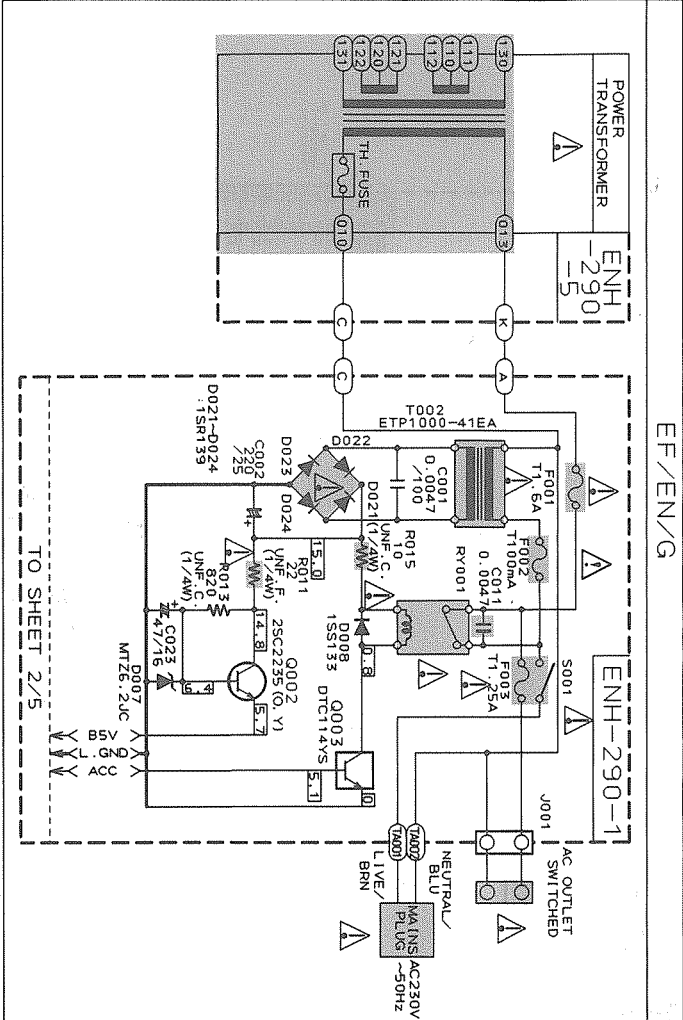


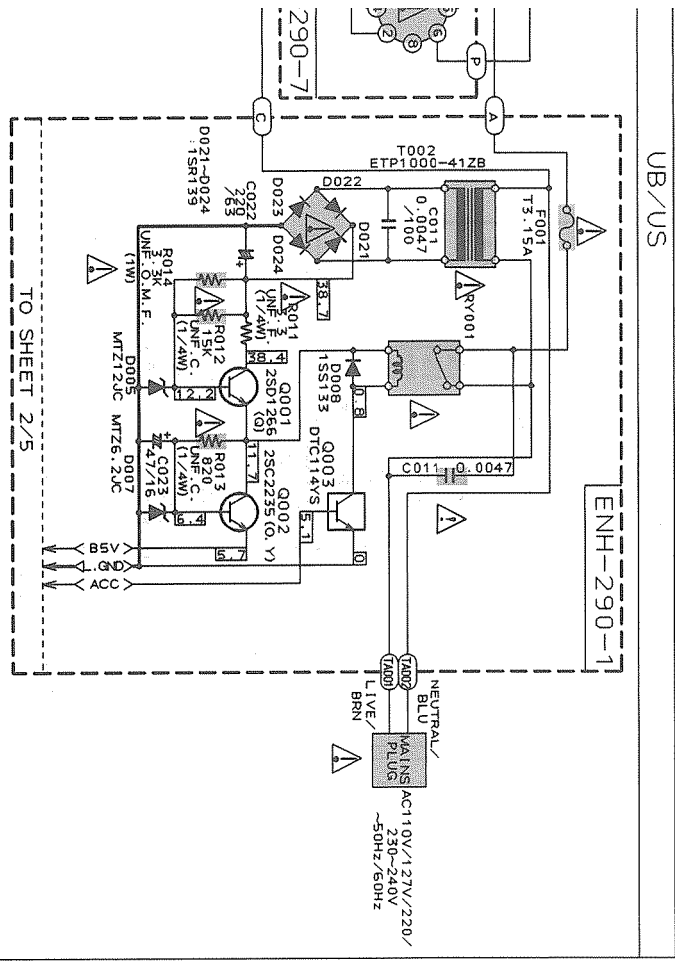
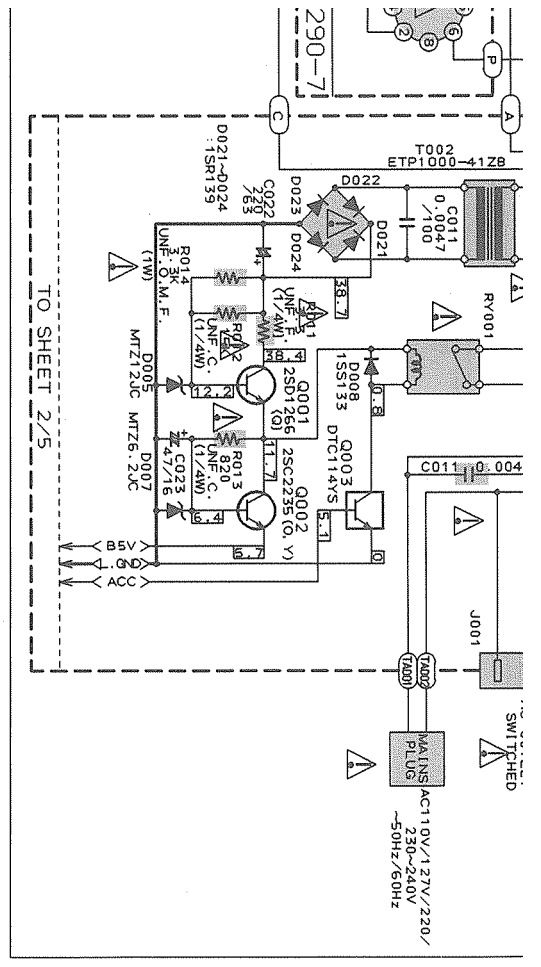
# Schematic Diagrams

1 | 2 | 3 | 4 | 5 | 6 | 7 | 8 | 9 | 10

## Power Supply Section

### POWER SUPPLY SECTION

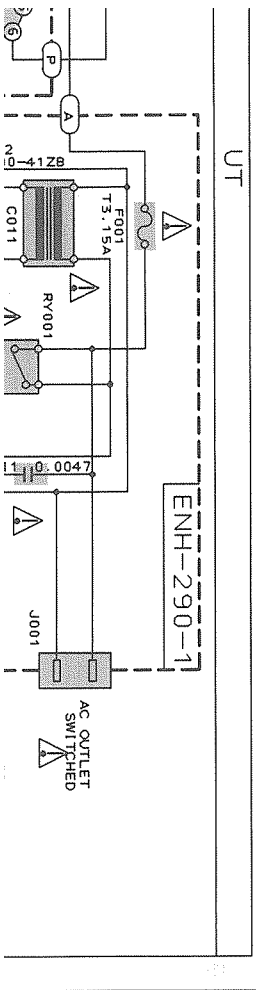
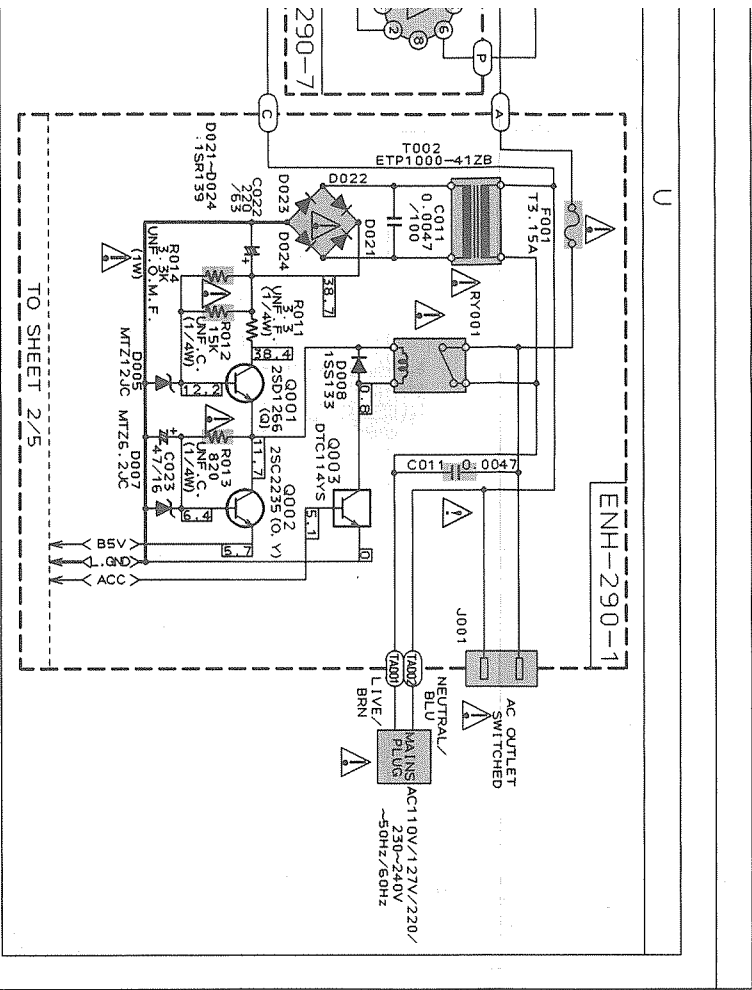




- Notes:
1.  $\Rightarrow$  indicates Main signal path.
  2.  $\Rightarrow$  indicates CENTER signal path.
  3.  $\Rightarrow$  indicates REAR signal path.
  4. When replacing the parts in the darkened are (  $\blacksquare$  ) and those marked with  $\Delta$ , be sure to use the designated parts to ensure safety.
  5. This is the standard circuit diagram.
- The design and contents are subject to change without notice.

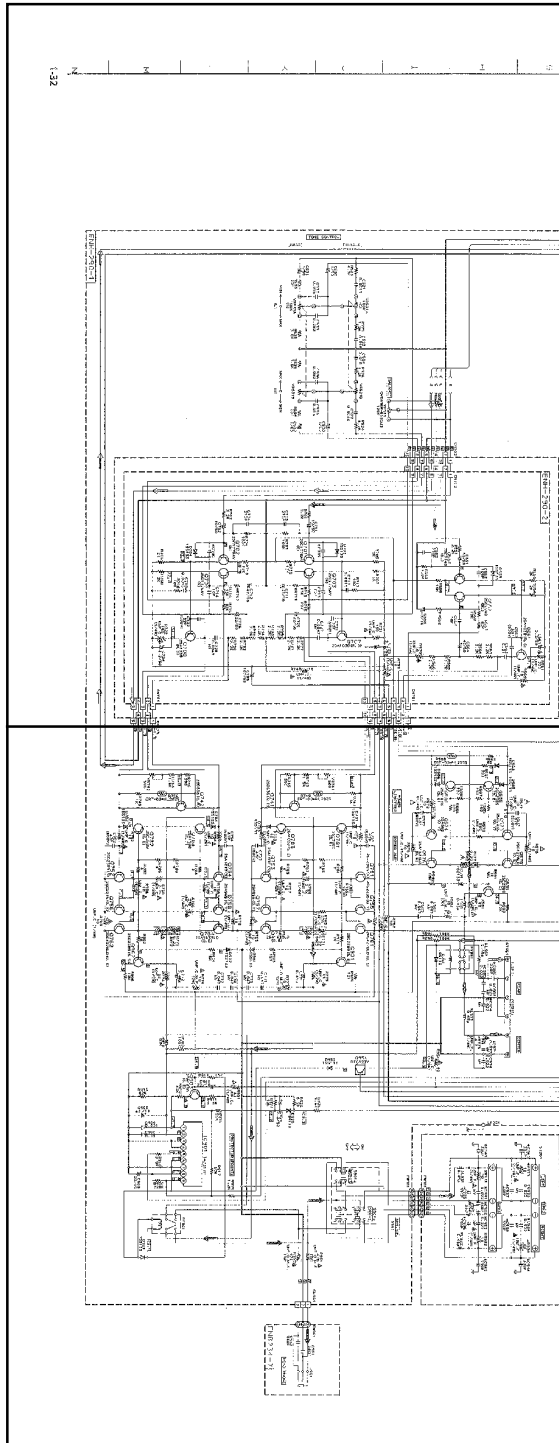
VERSION CODES  
 EN: NORDIC COUNTRIES  
 EF: CONTINENTAL EUROPE EXCEPT GERMANY  
 G: GERMANY  
 BS: U.K.  
 UB: HONGKONG  
 US: SINGAPORE  
 UT: TAIWAN  
 U: UNIVERSAL  
 A: AUSTRALIA

EXCEPT ALL OF ABOVE

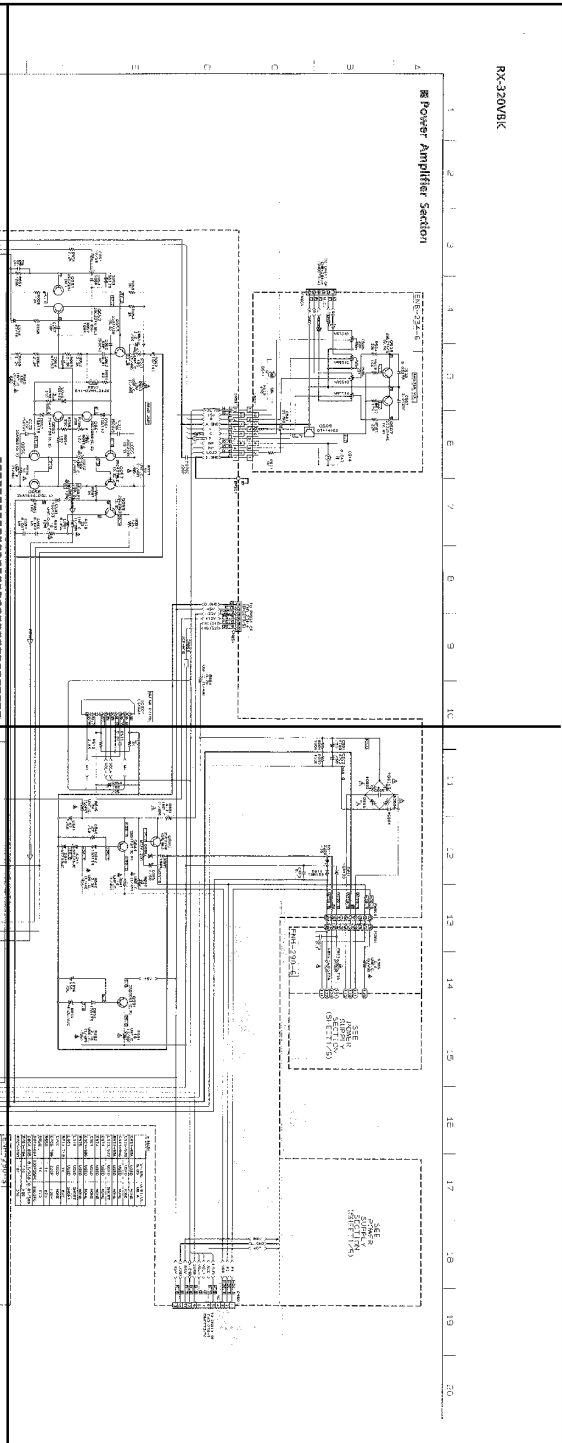




P1-32-a



P1-32-b

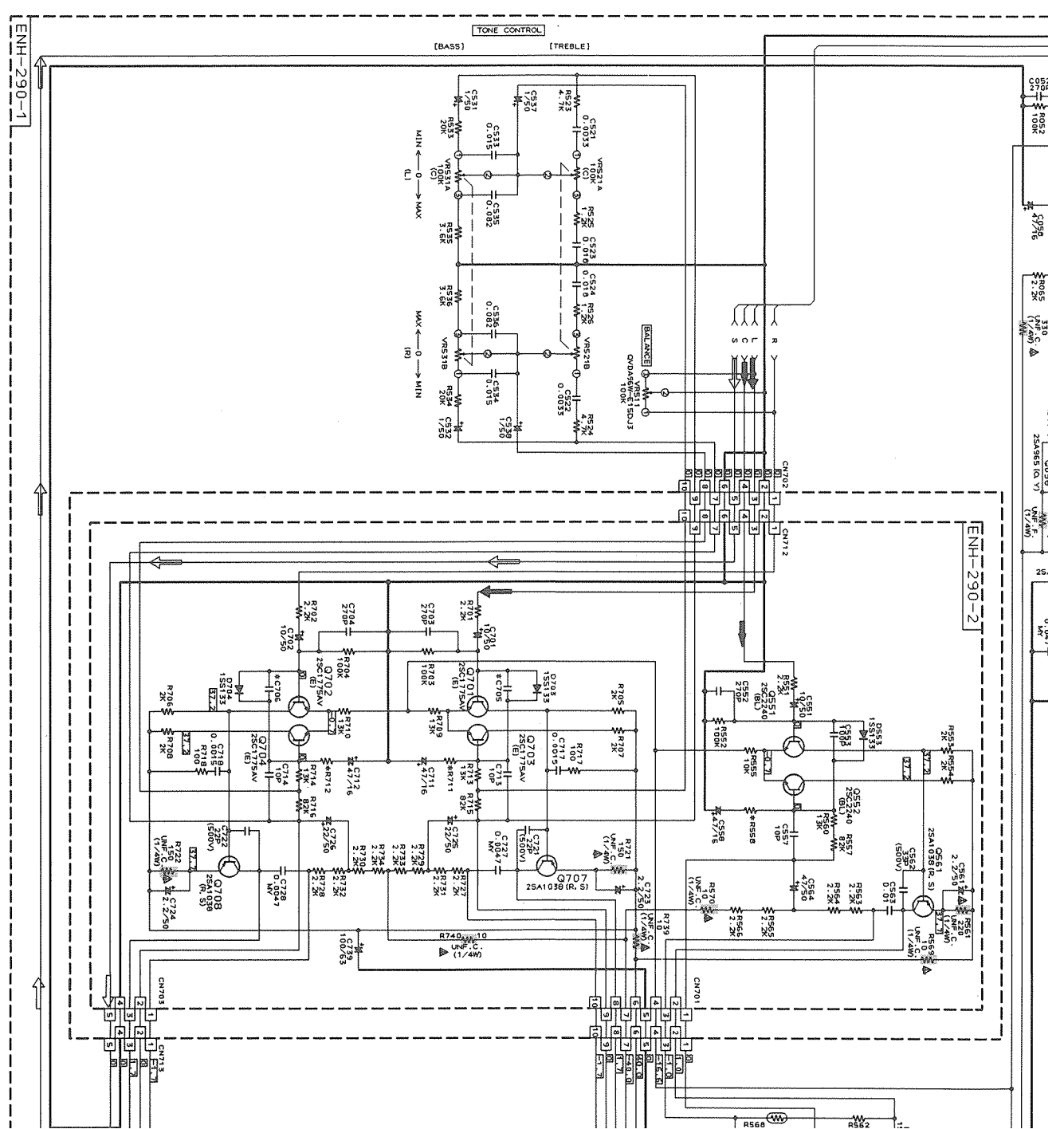


P1-32-c



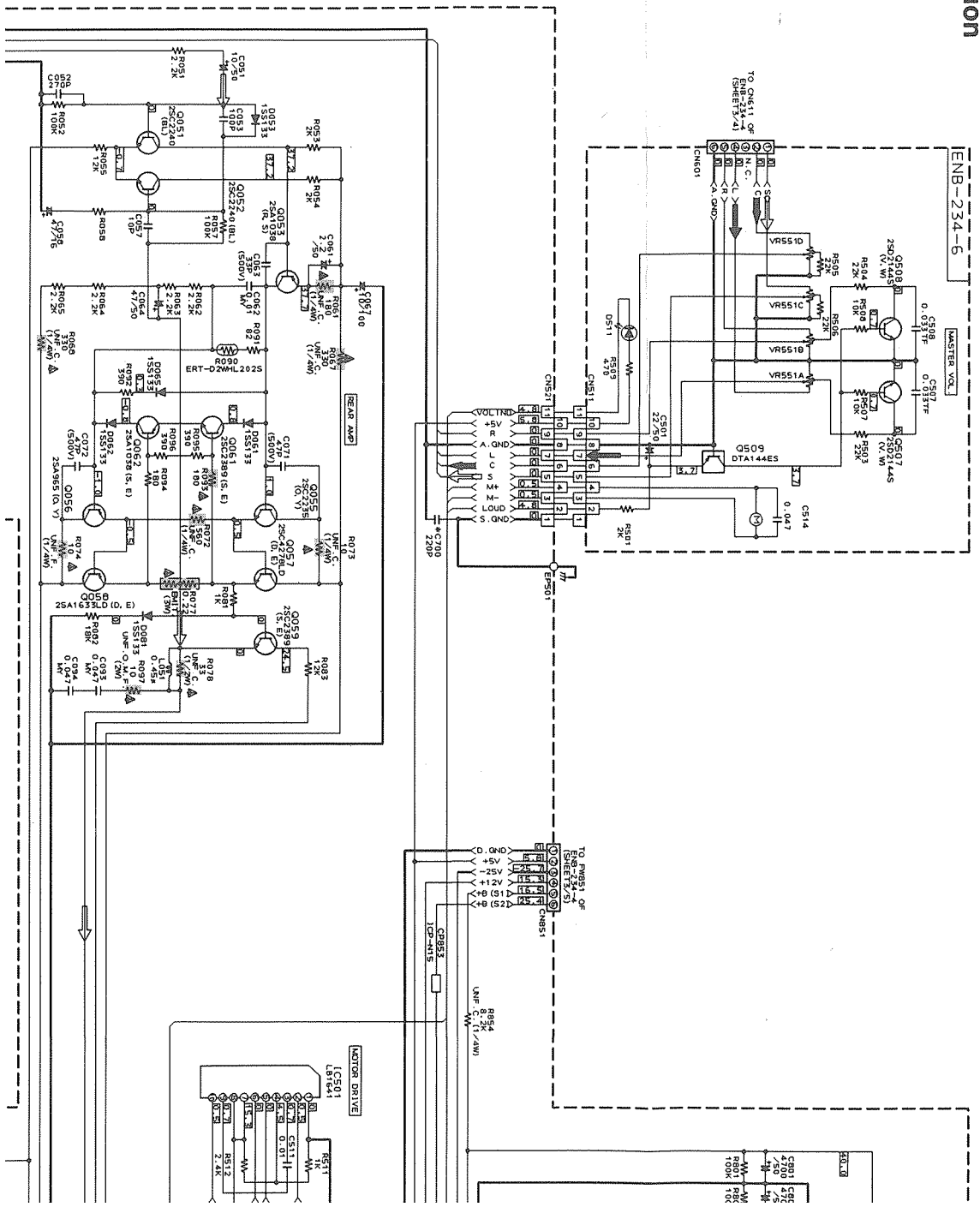
P1-32-d

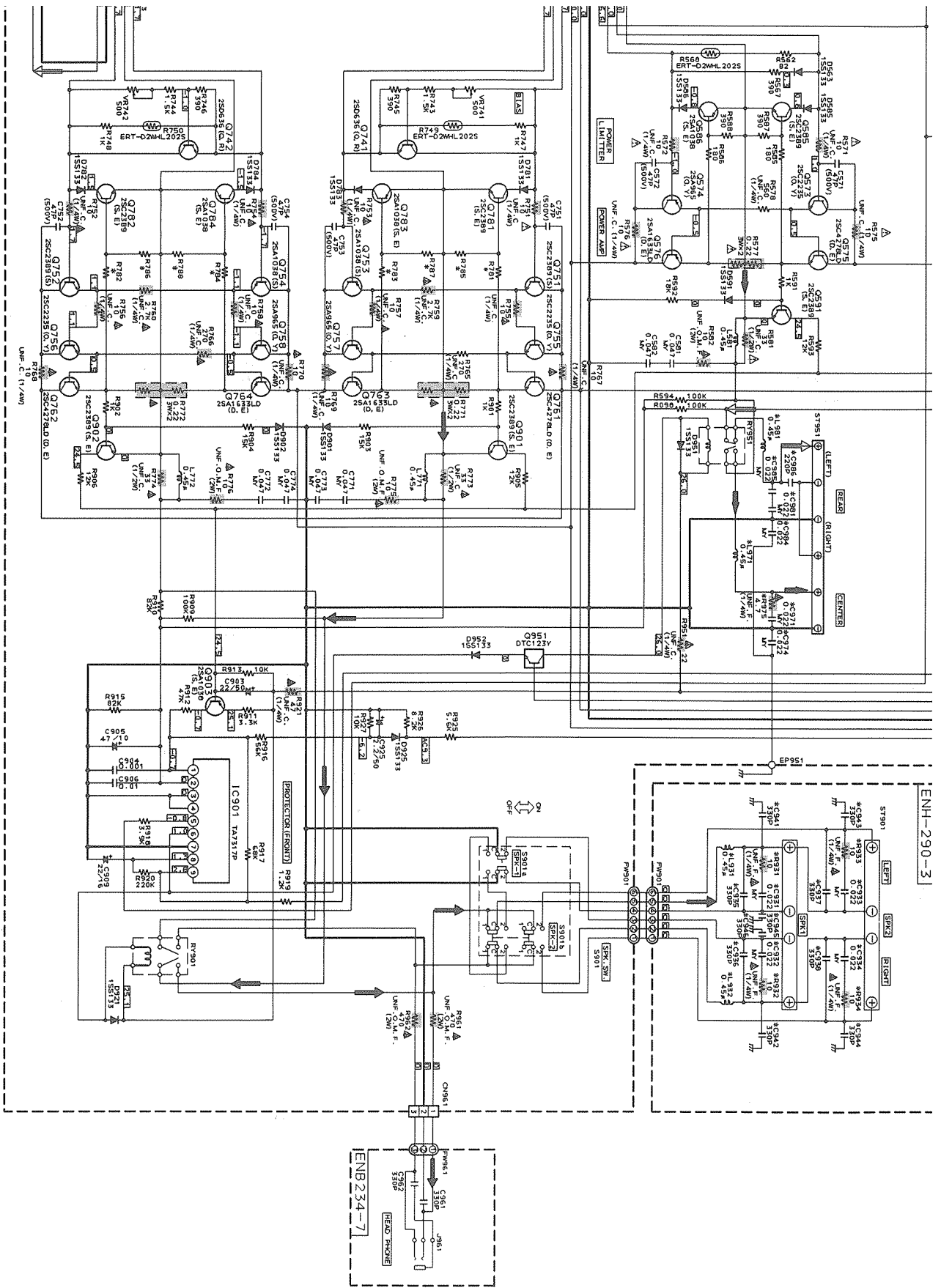




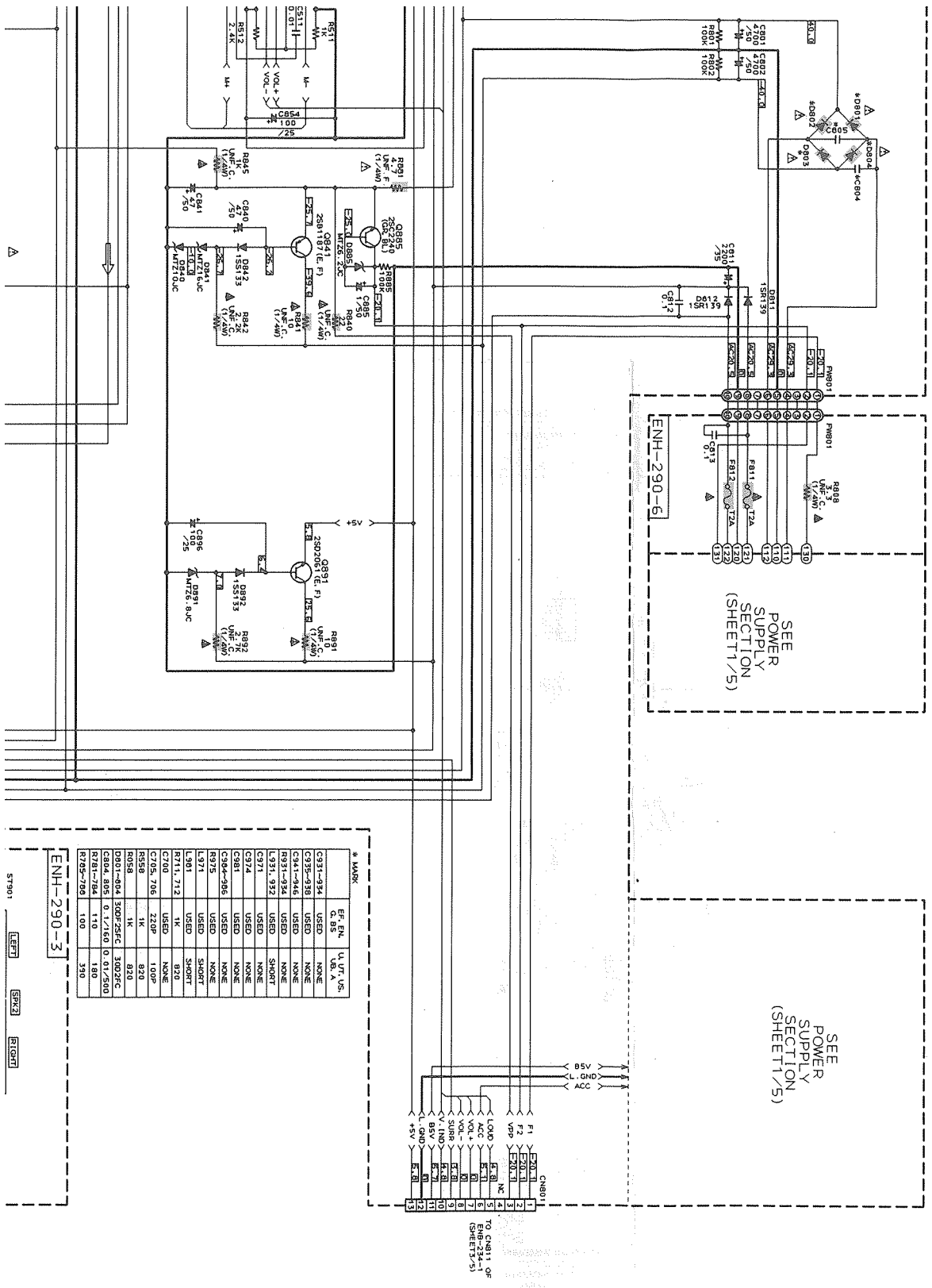
1 | 2 | 3 | 4 | 5 | 6 | 7 | 8 | 9 | 10

■ Power Amplifier Section









\* MARK

C931-934	USED	UJT, VS.
C935-938	USED	NONE
C941-944	USED	NONE
C945-948	USED	NONE
C951-954	USED	NONE
C955-958	USED	NONE
C971	USED	NONE
C972	USED	NONE
C981	USED	NONE
C984-986	USED	NONE
R975	USED	NONE
L901	USED	SHORT
R711, 712	USED	NONE
C705, 706	220P	100P
R558	1K	920
R058	1K	920
D001-004	300PZSFC	300ZFC
G004, 805	0.1/1.60	0.01/500
R081-084	100	180
R092-090	100	330

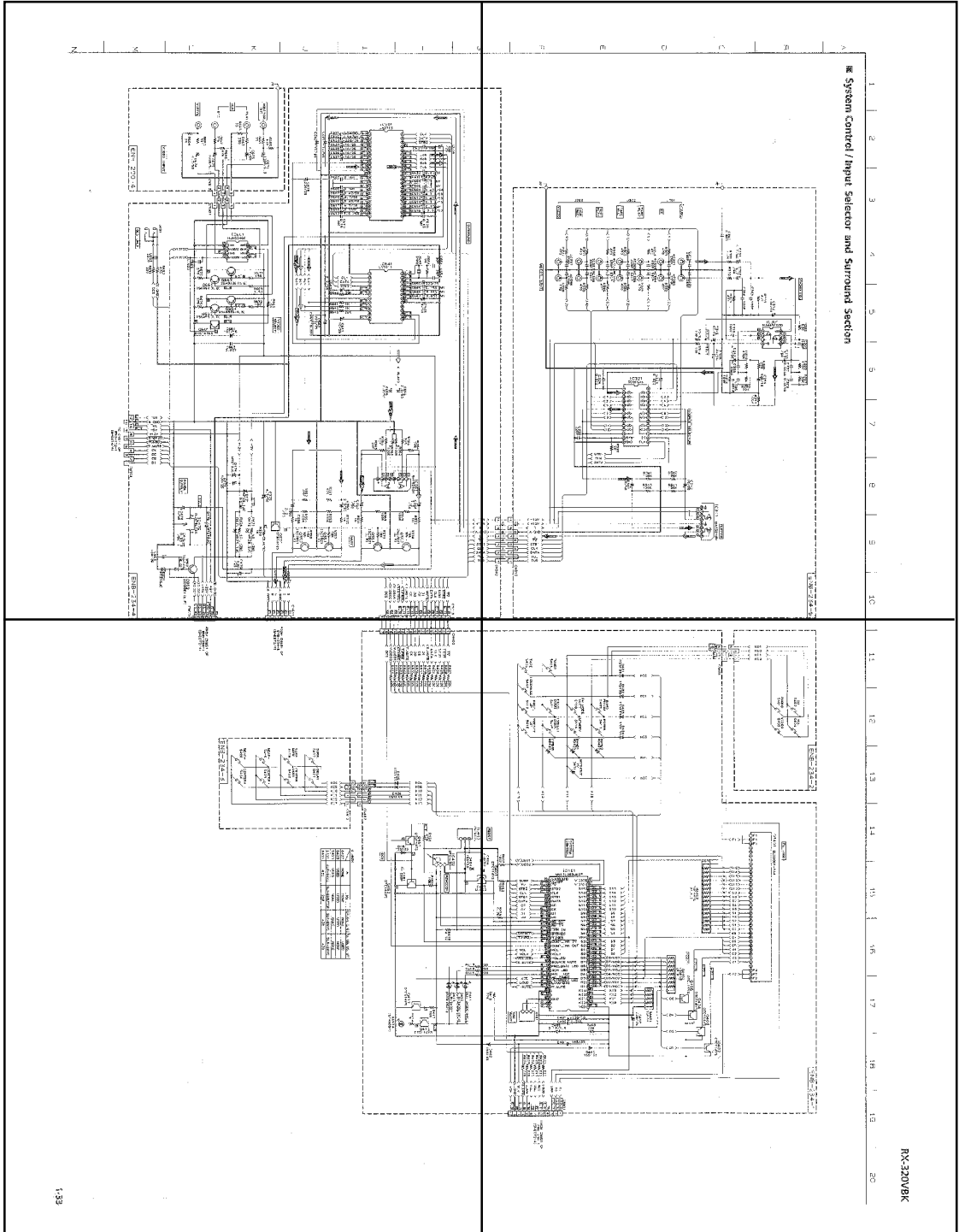
ENH-290-3

ST901 LEFT SK23 RIGHT



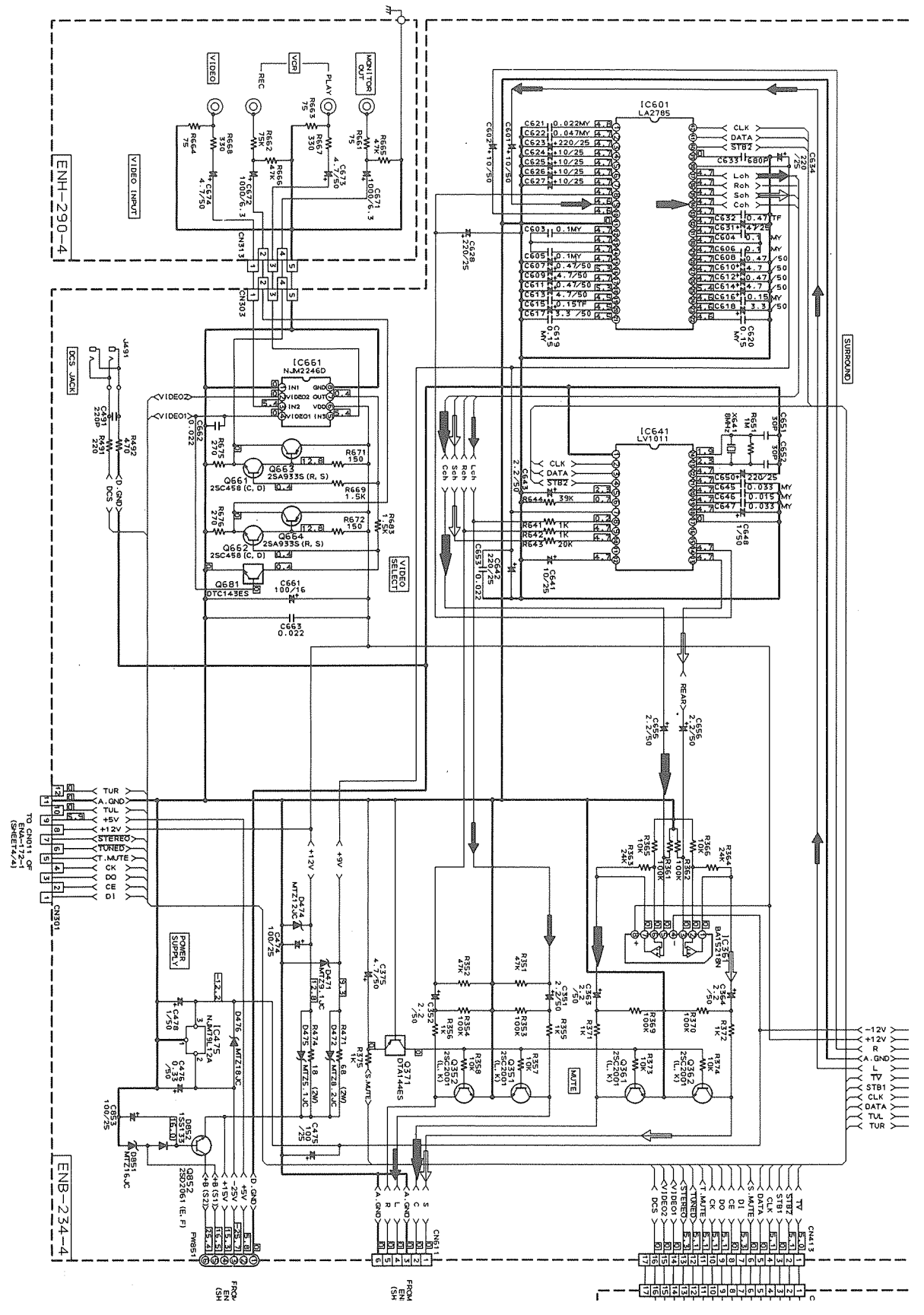
P1-33-a

P1-33-b



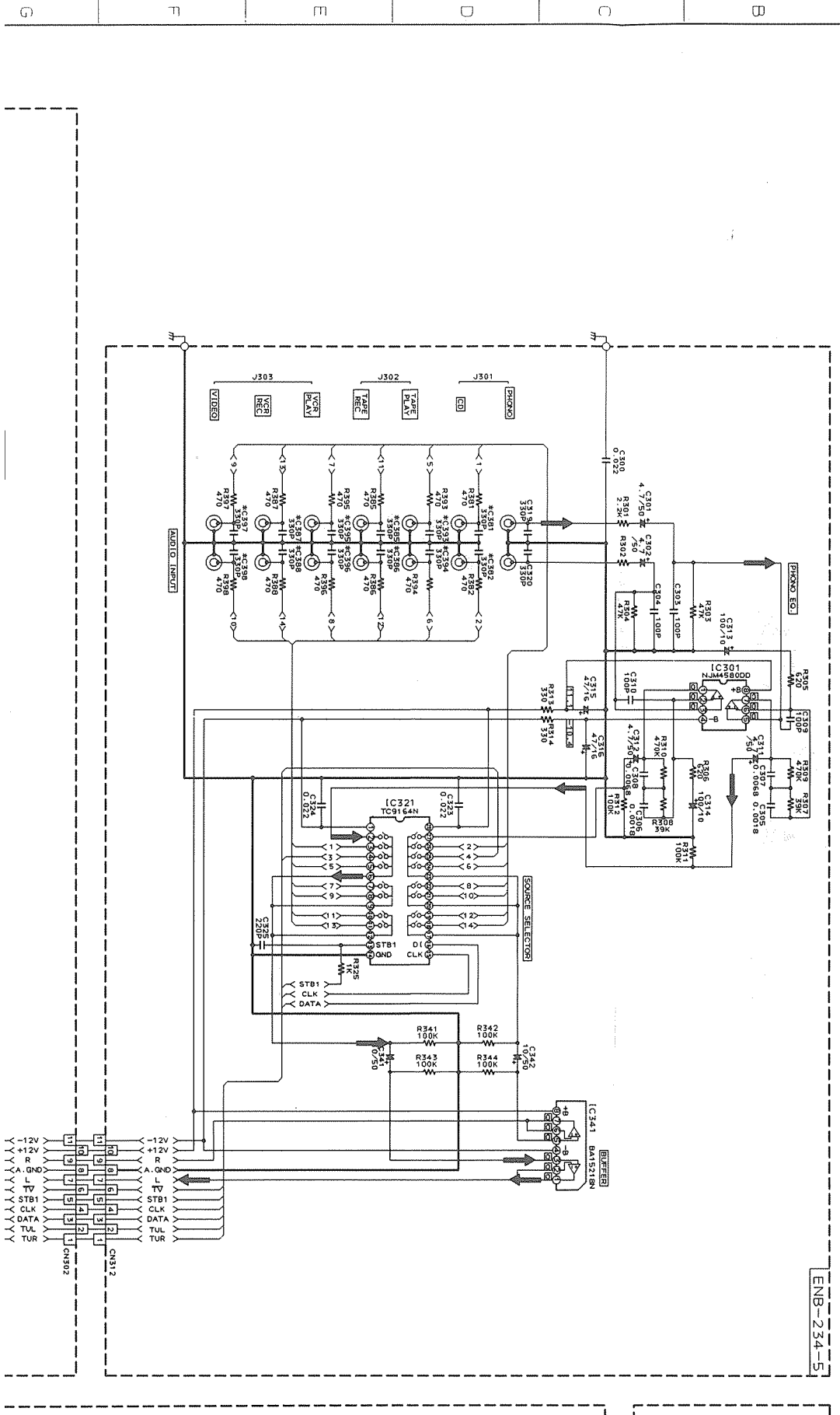
P1-33-c

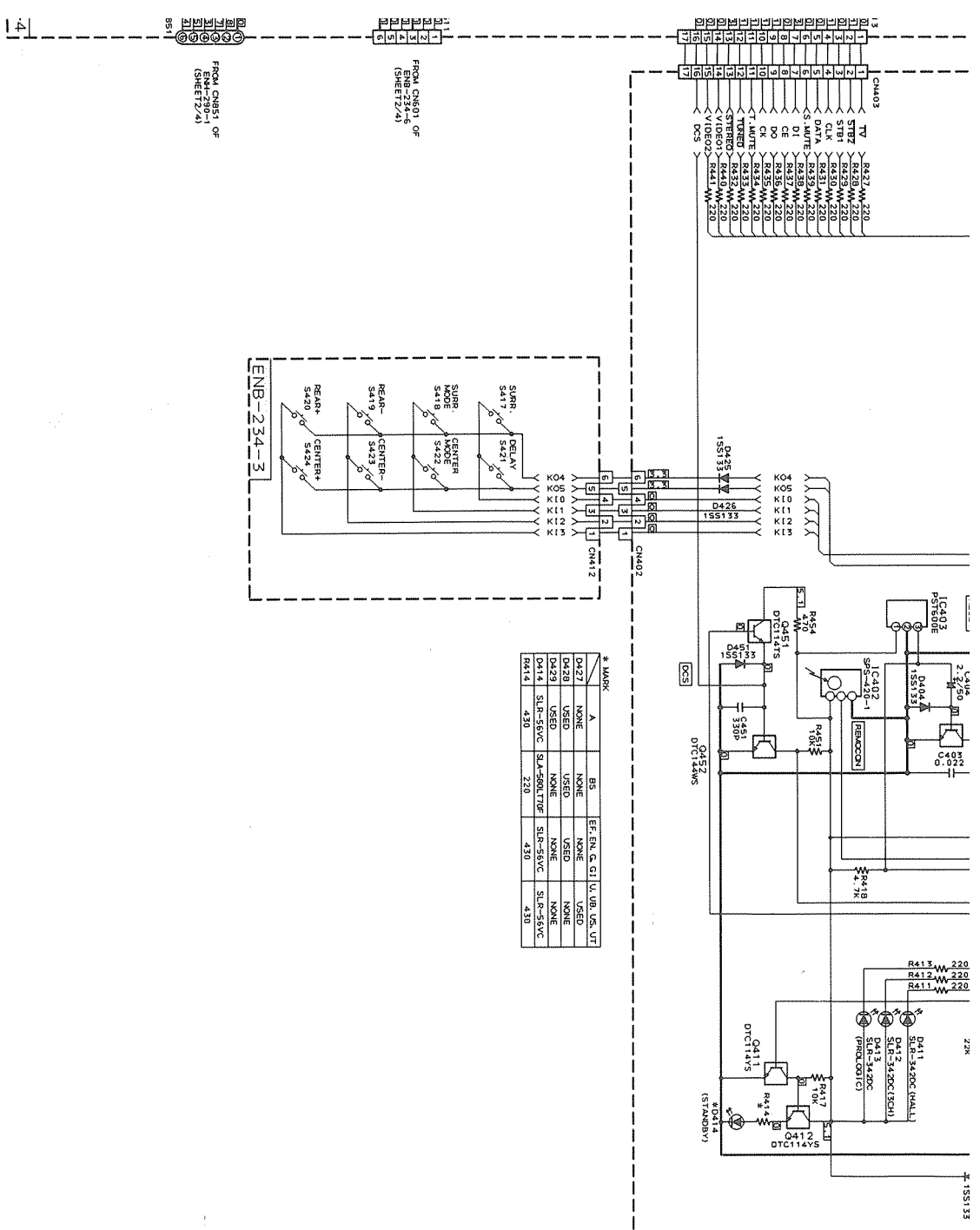
P1-33-d

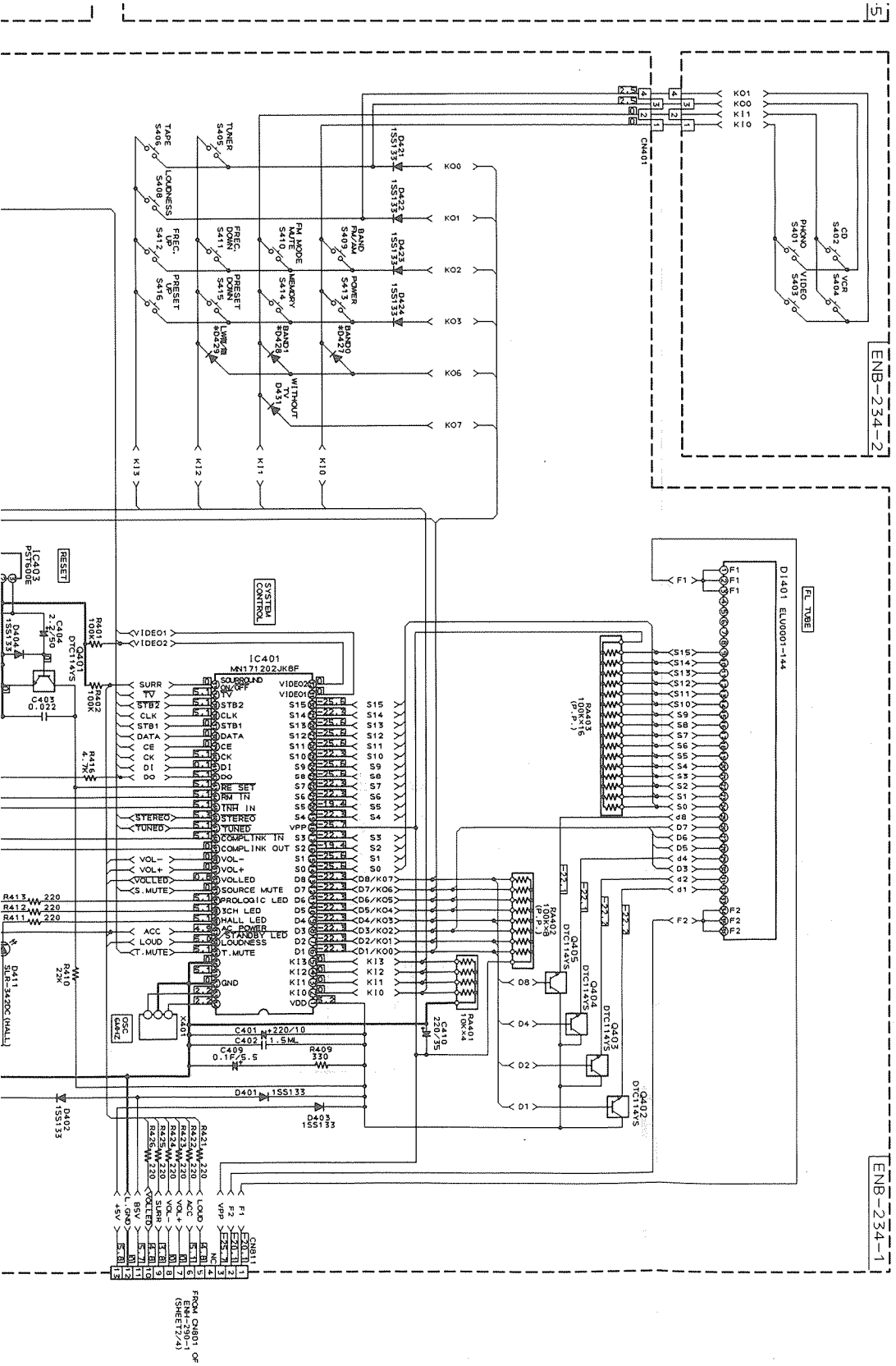


1 | 2 | 3 | 4 | 5 | 6 | 7 | 8 | 9 | 10

■ System Control / Input Selector and Surround Section



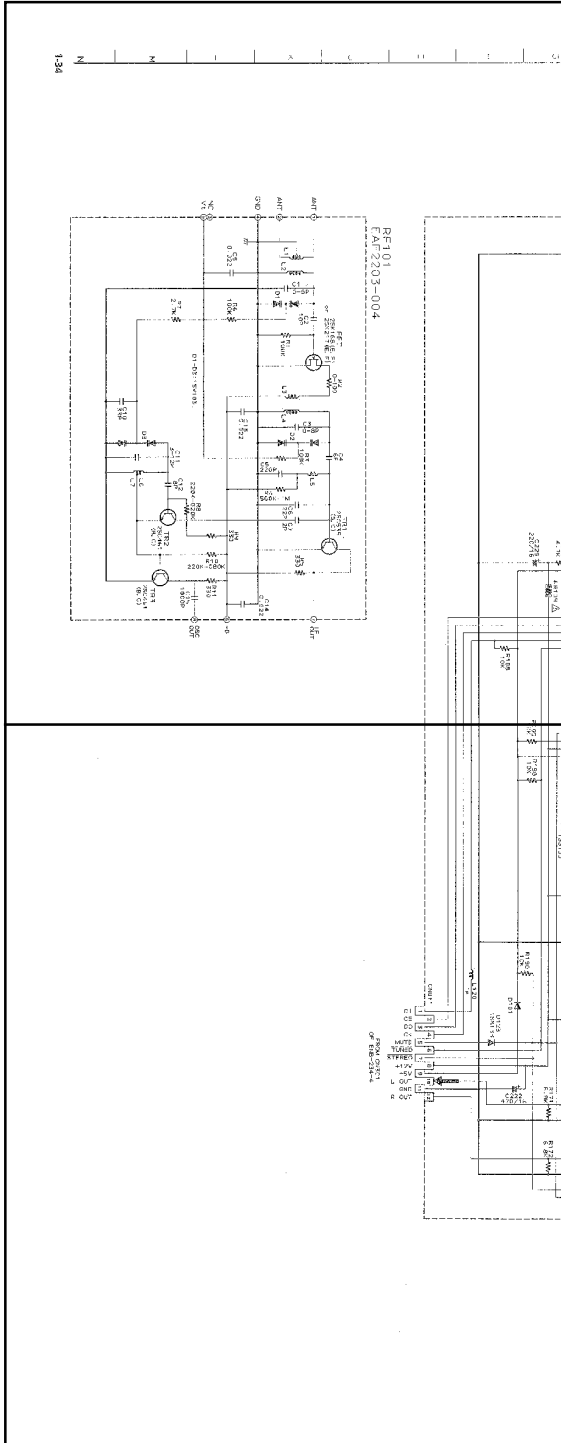






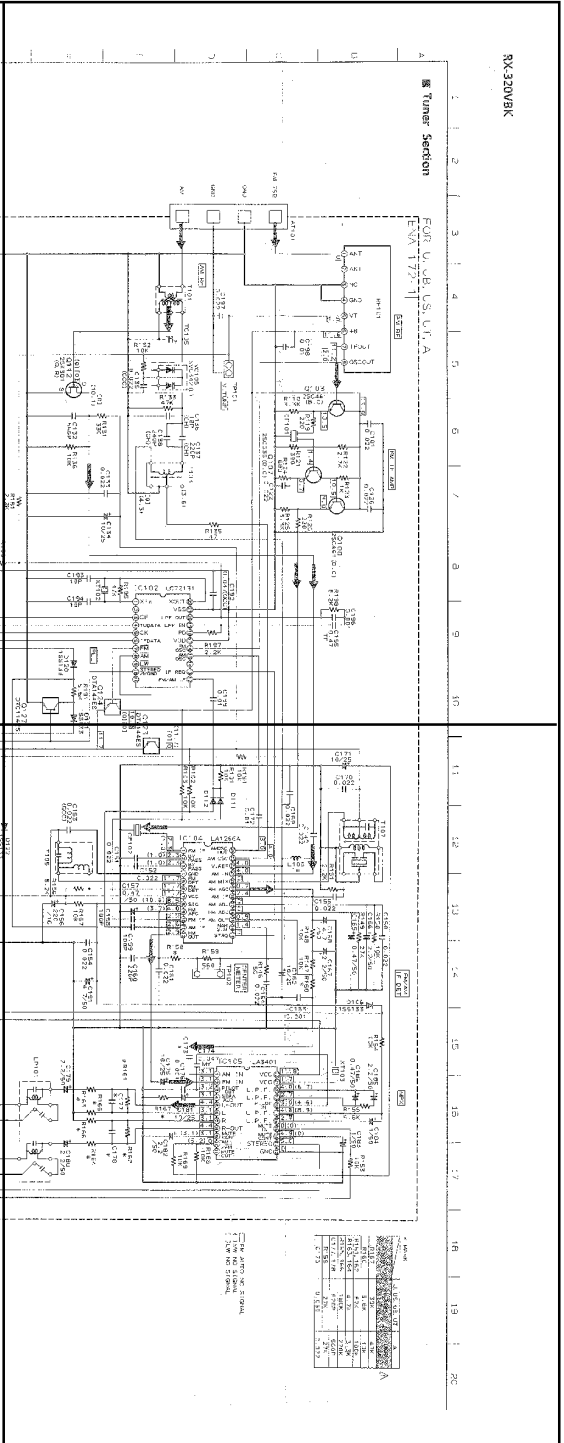


P1-34-a



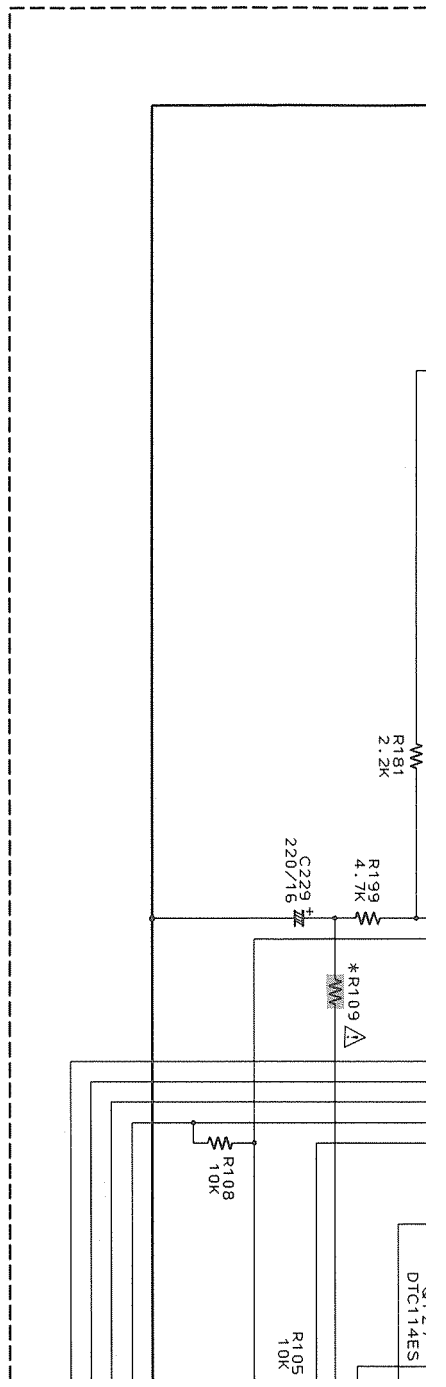
P1-34-c

P1-34-b

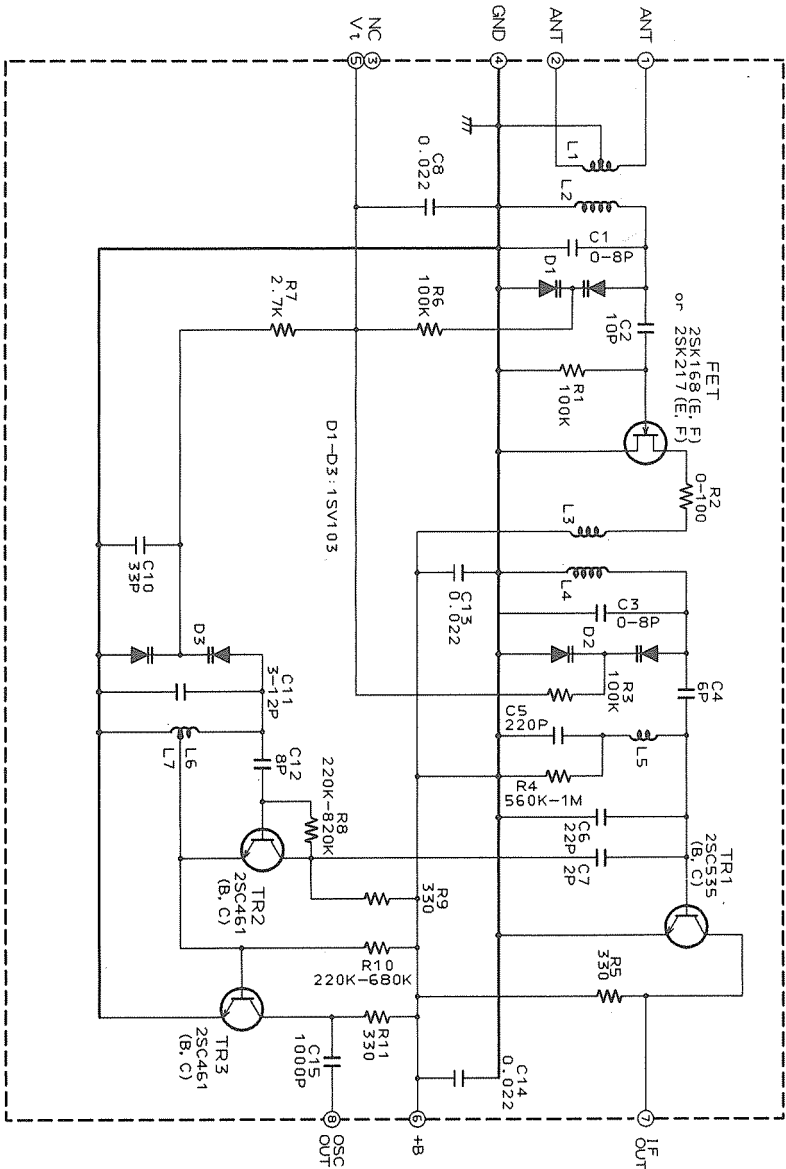


P1-34-d

G  
H  
I  
J  
K  
L  
M  
N

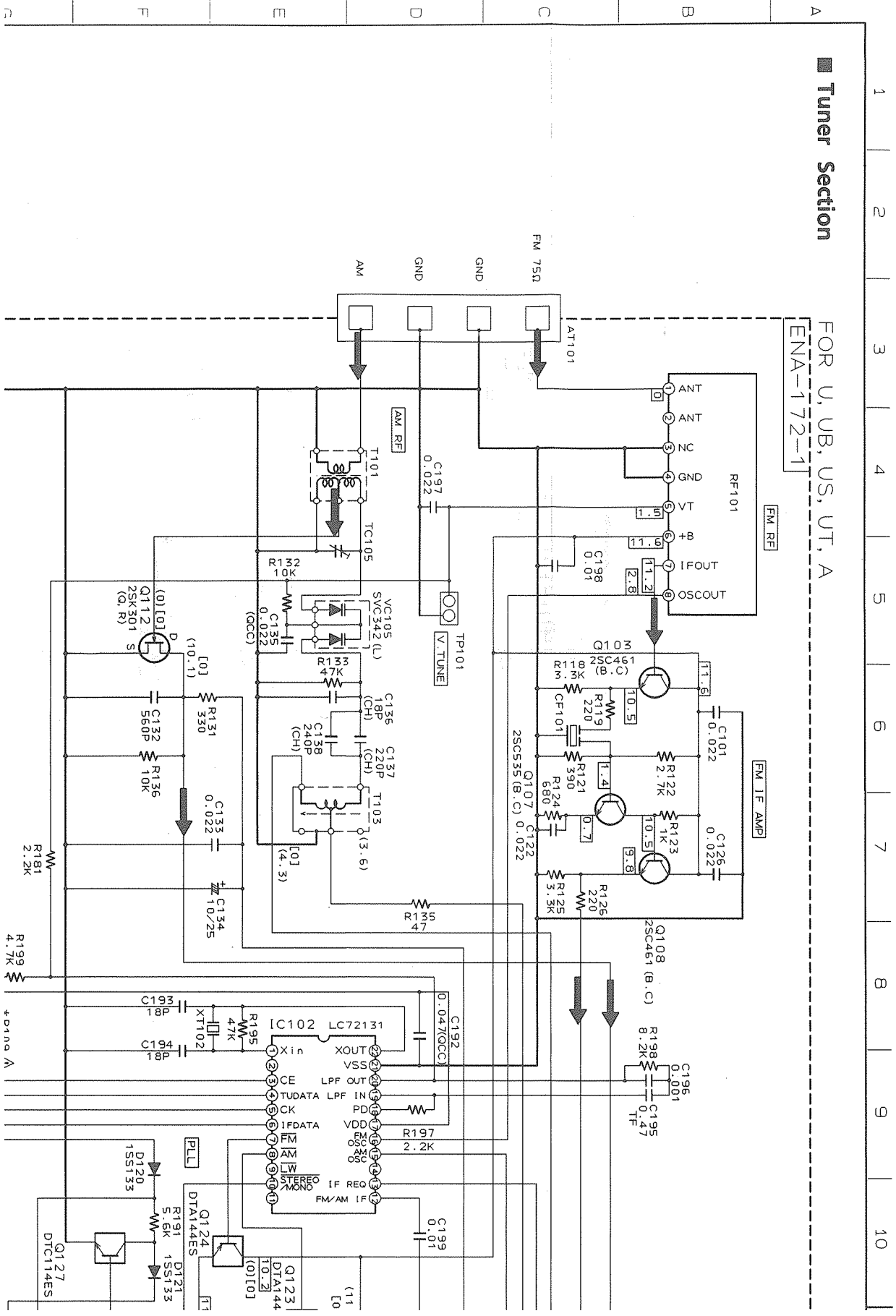


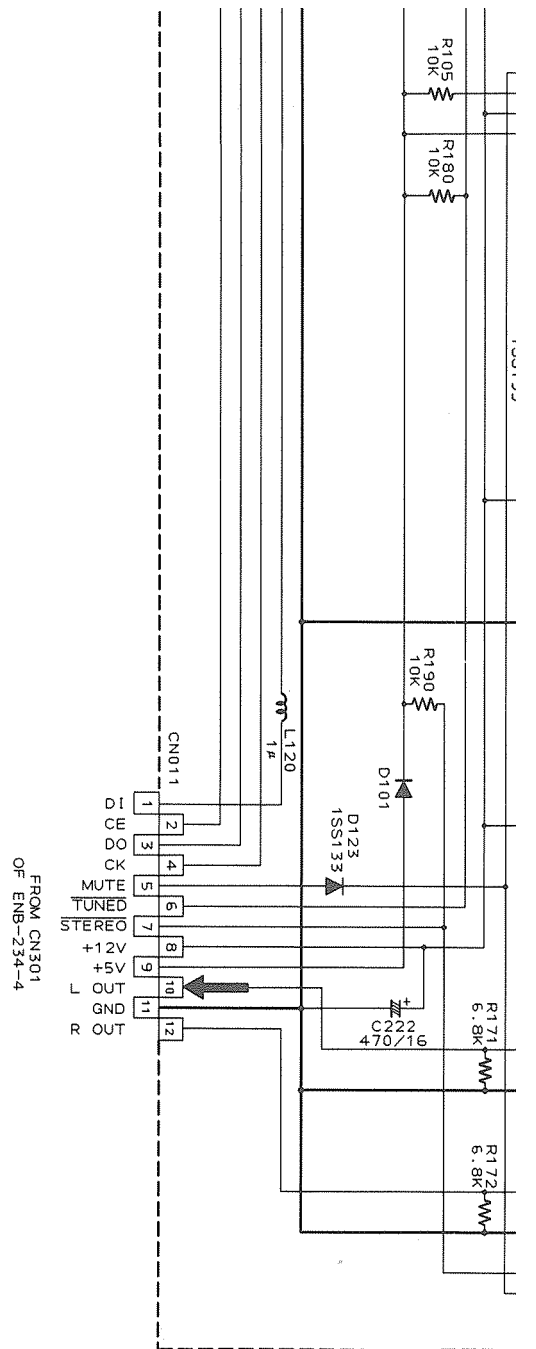
RF101  
EAF2203-004

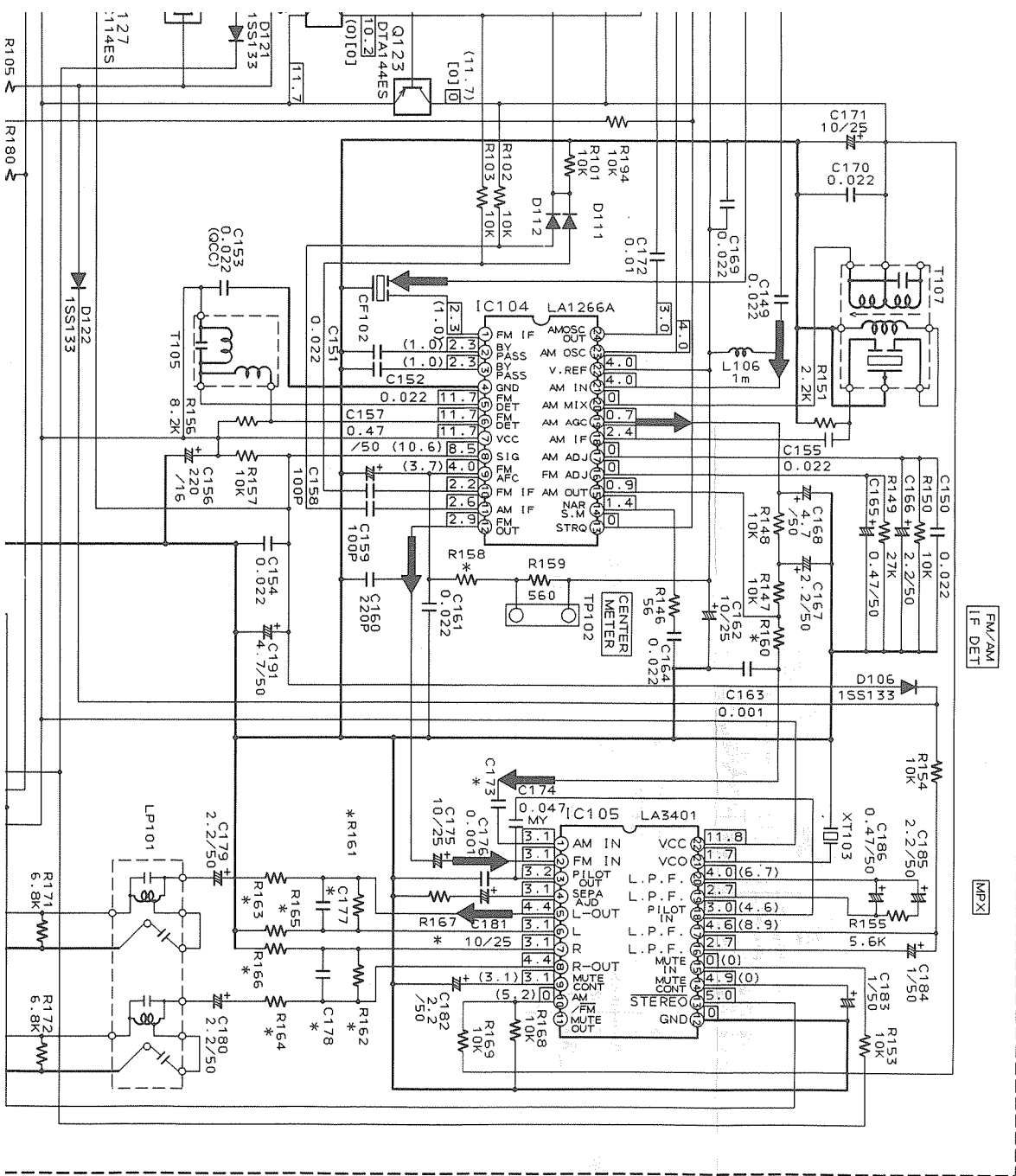


**Tuner Section**

FOR U, UB, US, UT, A  
ENA-172-1







\* MARK

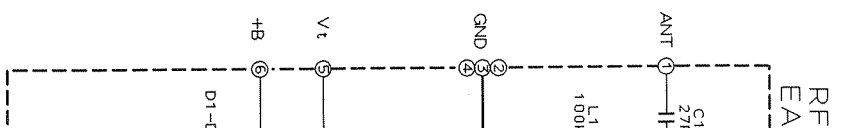
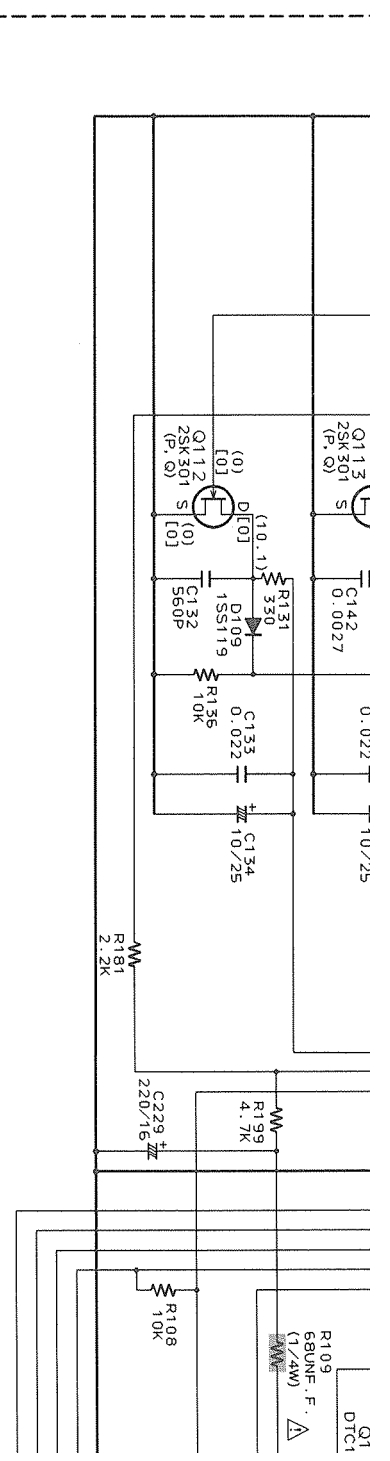
MARK	U	US	UB	UT	A	
R109	58	UNF	F	58	UNF	F
R167	39K			47K		
R160	5.6K			10K		
R161, 162	82K			100K		
R163, 164	4.7K			3.3K		
R165, 166	180K			270K		
C177, 178	820P			560P		
R158	27K			27K		
C173	0.039			0.022		

□ FM AUTO NO SIGNAL  
 ( ) MW NO SIGNAL  
 [ ] LW NO SIGNAL





G H I J K L M N



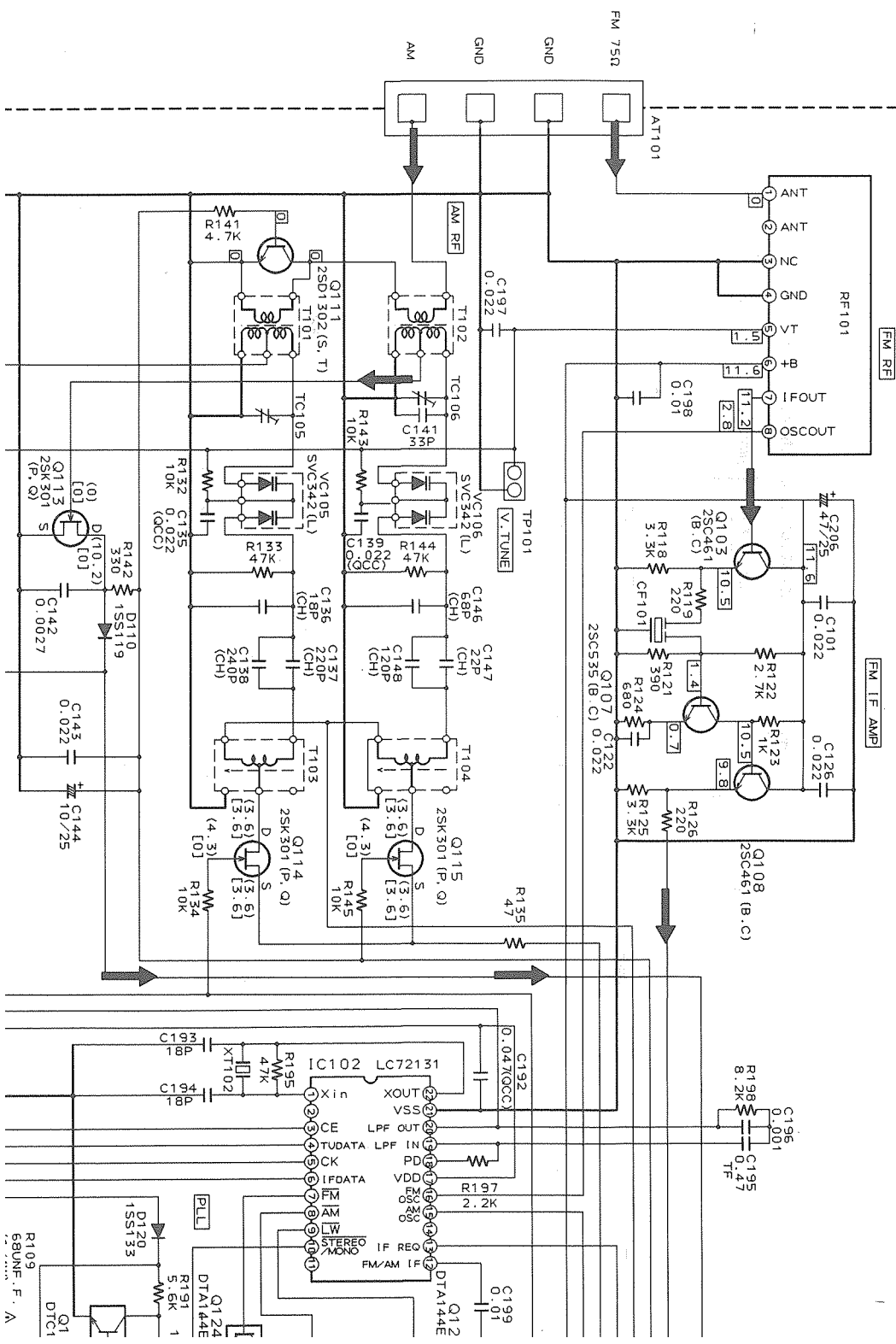
P1-35-a



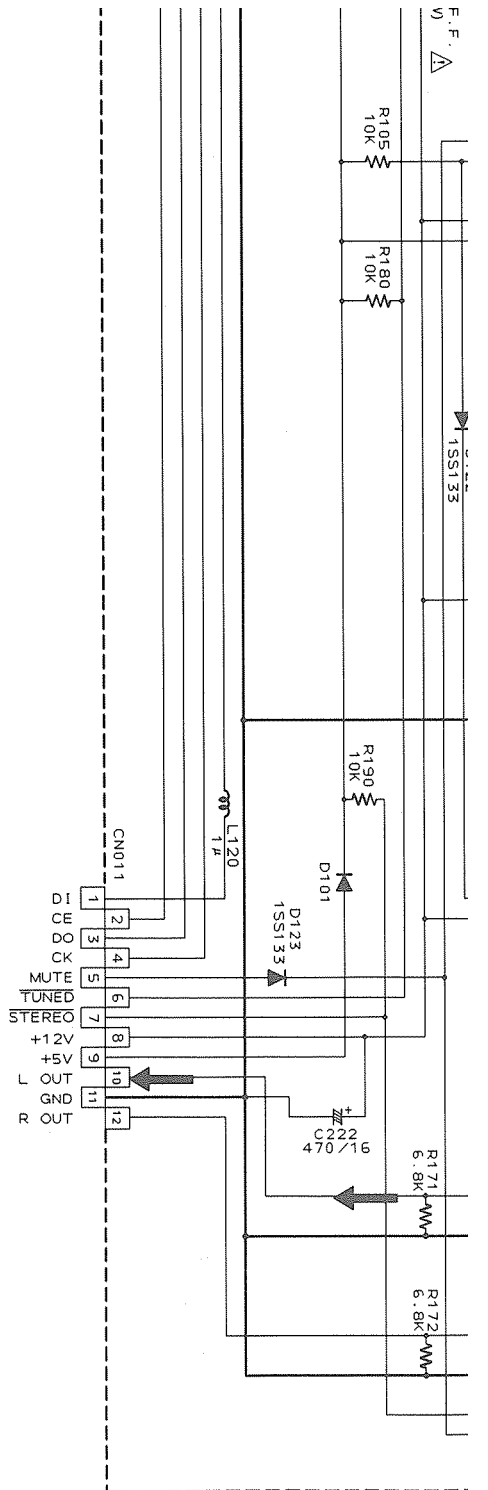
1 2 3 4 5 6 7 8 9 10

Tuner Section

FOR EF, EN, BS, G  
ENA-172-1

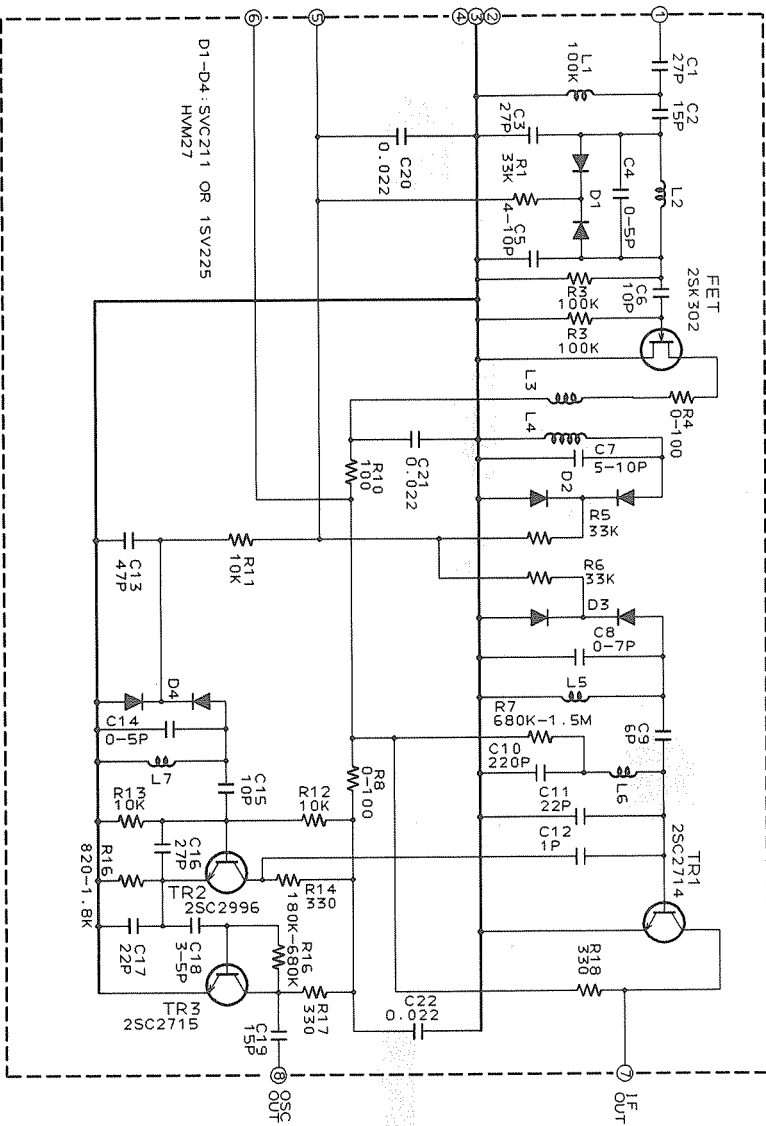


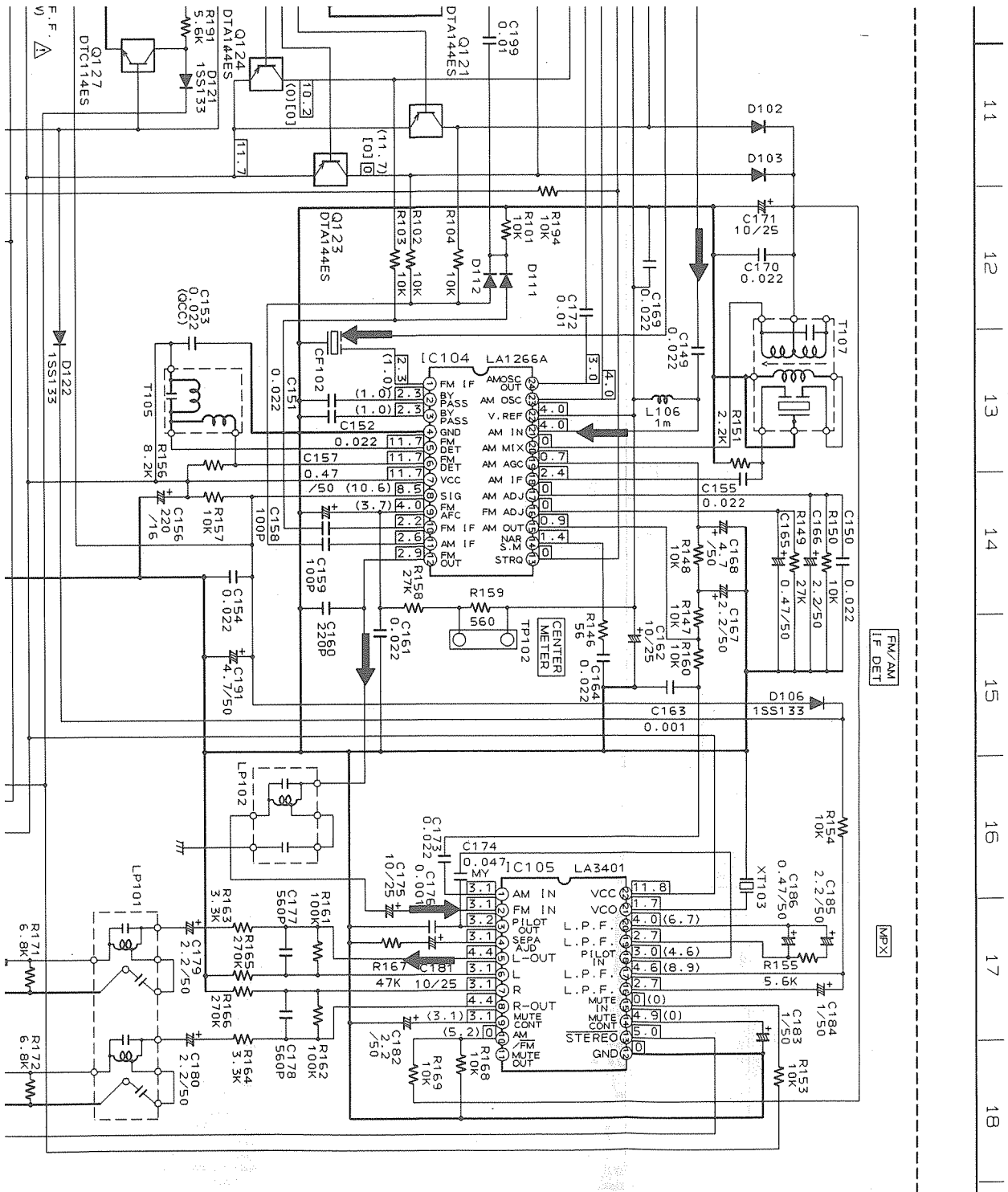
A B C D E F



RF101  
EAF2203-005

FROM CN301  
OF ENB-234-4





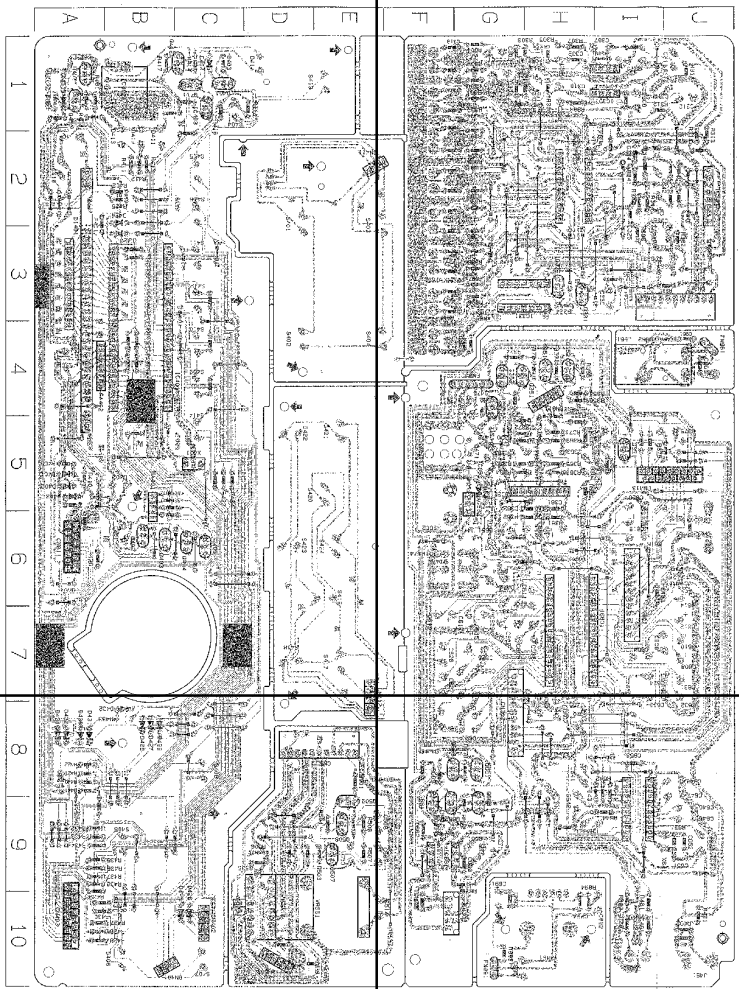
11 12 13 14 15 16 17 18 19 20



RX-320VBK

Printed Circuit Boards

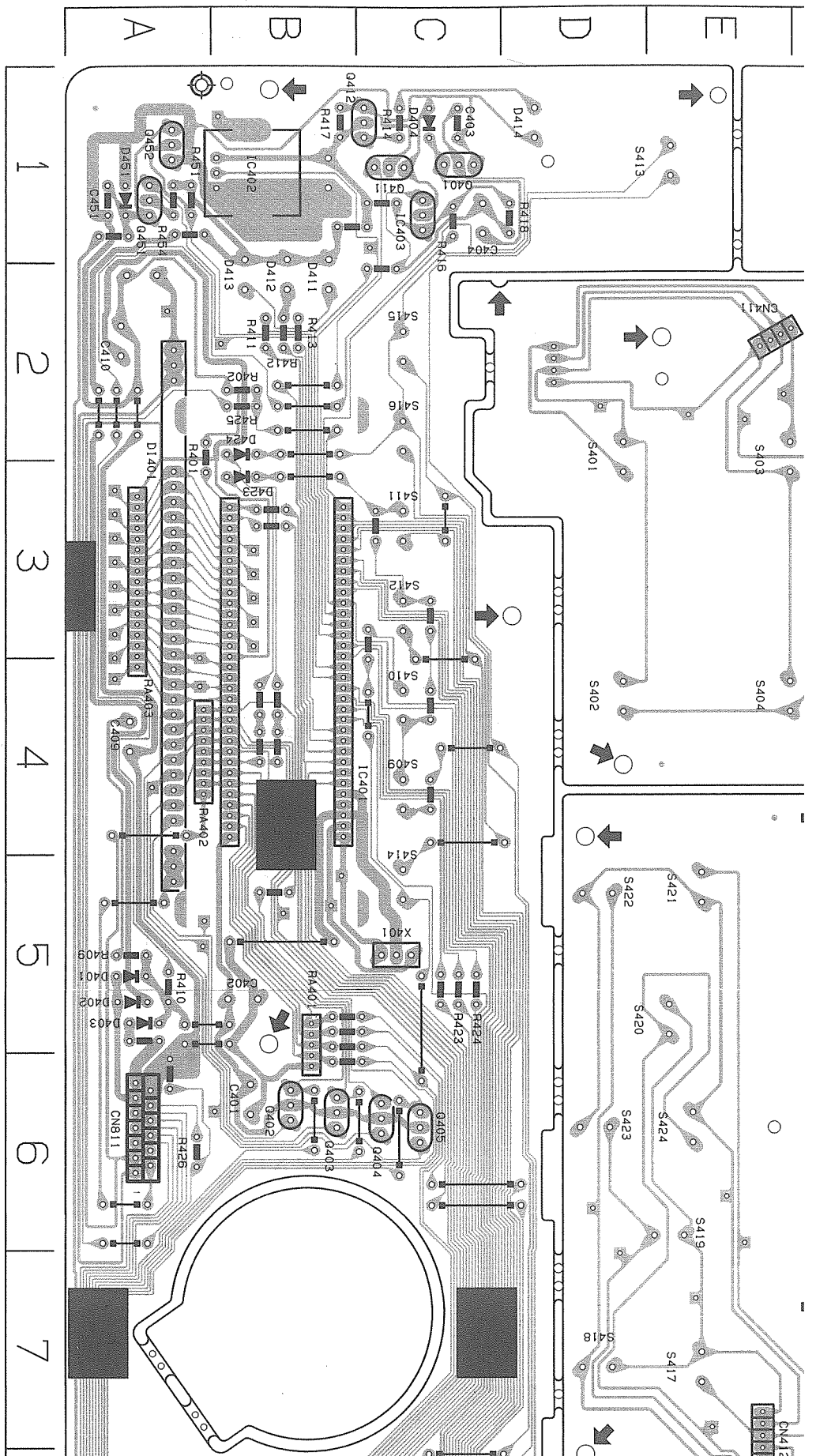
System Control / Input Selector and Surround P.C. Board (EWS-234)



Legend on U145: (EWS-234)

Symbol	X	Y	Symbol	X	Y	Symbol	X	Y	Symbol	X	Y	Symbol	X	Y	Symbol	X	Y	Symbol	X	Y	Symbol	X	Y
U1	A1	1	U2	B1	1	U3	C1	1	U4	D1	1	U5	E1	1	U6	F1	1	U7	G1	1	U8	H1	1
U9	I1	1	U10	J1	1	U11	A2	2	U12	B2	2	U13	C2	2	U14	D2	2	U15	E2	2	U16	F2	2
U17	G2	2	U18	H2	2	U19	I2	2	U20	J2	2	U21	A3	3	U22	B3	3	U23	C3	3	U24	D3	3
U25	E3	3	U26	F3	3	U27	G3	3	U28	H3	3	U29	I3	3	U30	J3	3	U31	A4	4	U32	B4	4
U33	C4	4	U34	D4	4	U35	E4	4	U36	F4	4	U37	G4	4	U38	H4	4	U39	I4	4	U40	J4	4
U41	A5	5	U42	B5	5	U43	C5	5	U44	D5	5	U45	E5	5	U46	F5	5	U47	G5	5	U48	H5	5
U49	I5	5	U50	J5	5	U51	A6	6	U52	B6	6	U53	C6	6	U54	D6	6	U55	E6	6	U56	F6	6
U57	G6	6	U58	H6	6	U59	I6	6	U60	J6	6	U61	A7	7	U62	B7	7	U63	C7	7	U64	D7	7
U65	E7	7	U66	F7	7	U67	G7	7	U68	H7	7	U69	I7	7	U70	J7	7	U71	A8	8	U72	B8	8
U73	C8	8	U74	D8	8	U75	E8	8	U76	F8	8	U77	G8	8	U78	H8	8	U79	I8	8	U80	J8	8
U81	A9	9	U82	B9	9	U83	C9	9	U84	D9	9	U85	E9	9	U86	F9	9	U87	G9	9	U88	H9	9
U89	I9	9	U90	J9	9	U91	A10	10	U92	B10	10	U93	C10	10	U94	D10	10	U95	E10	10	U96	F10	10
U97	G10	10	U98	H10	10	U99	I10	10	U100	J10	10	U101	A11	11	U102	B11	11	U103	C11	11	U104	D11	11
U105	E11	11	U106	F11	11	U107	G11	11	U108	H11	11	U109	I11	11	U110	J11	11	U111	A12	12	U112	B12	12
U113	C12	12	U114	D12	12	U115	E12	12	U116	F12	12	U117	G12	12	U118	H12	12	U119	I12	12	U120	J12	12

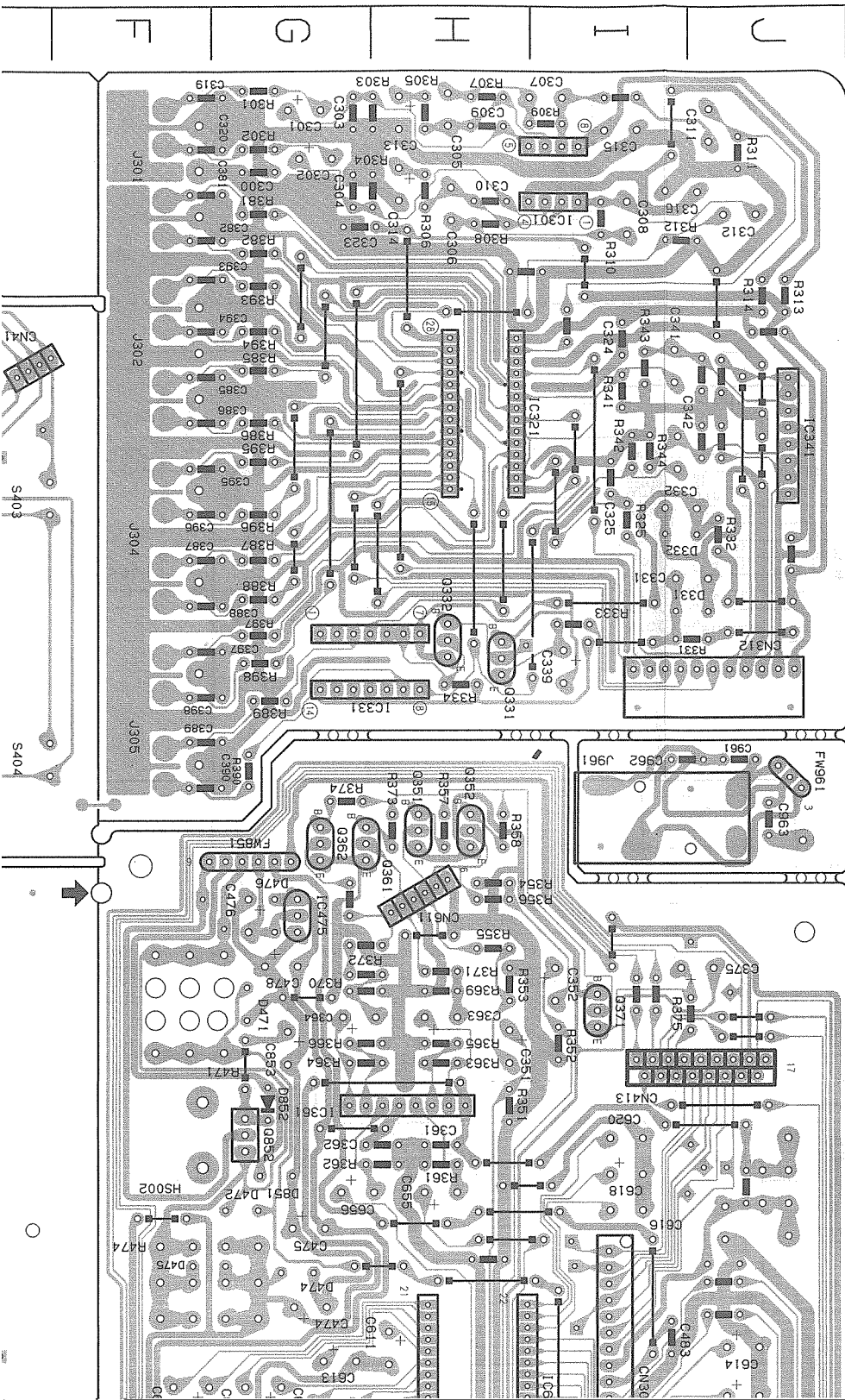
1-36

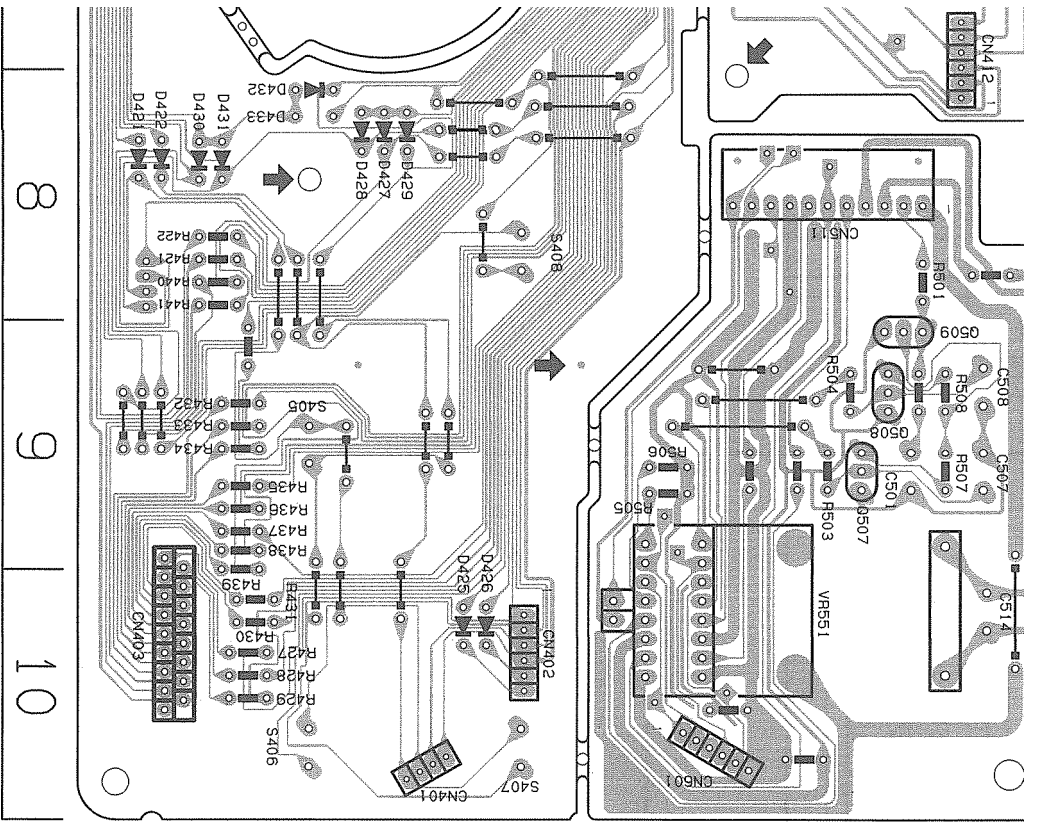


RX-320VBK

Printed Circuit Boards

■ System Control / Input Selector and Surround P.C. Board (ENB-234)





C342	2 I	C611	6 H	CN411A	2 D	J302	2 F	R343	2 I	R427	10 A	S404	4 E
C343	2 J	C612	7 J	CN412	8 E	J304	2 F	R344	2 I	R428	10 A	S405	9 B
C344	2 J	C613	6 G	CN413	5 I	J305	3 F	R345	2 J	R429	10 A	S406	10 B
C351	5 H	C614	6 J	CN511	8 E	J481	10 I	R346	2 J	R430	10 A	S407	10 C
C352	5 I	C615	7 G	CN601	10 D	J491	10 J	R351	5 H	R431	10 A	S408	8 C
C361	5 H	C616	6 I	CN611	4 H	J961	4 I	R352	5 I	R432	9 A	S409	4 C
C362	5 G	C617	7 F	CN811	6 A	L661	8 F	R353	5 H	R433	9 A	S410	4 C
C363	5 H	C618	6 I	D331	3 J	Q331	3 H	R354	4 H	R434	9 A	S411	3 C
C364	5 G	C619	7 F	D332	3 J	Q332	3 H	R355	5 H	R435	9 A	S412	3 C
C375	5 I	C620	5 I	D401	5 A	Q351	4 H	R356	4 H	R436	9 A	S413	1 E
C381	1 F	C621	8 G	D402	5 A	Q352	4 H	R357	4 H	R437	9 A	S414	5 C
C382	1 G	C622	8 G	D403	5 A	Q361	4 G	R358	4 H	R438	9 A	S415	2 C
C385	2 F	C623	7 G	D404	1 C	Q362	4 G	R361	6 H	R439	9 A	S416	2 C
C386	2 G	C624	8 F	D411	1 B	Q371	5 I	R362	6 H	R440	8 A	S417	7 E
C387	3 F	C625	7 G	D412	1 B	Q401	1 C	R363	5 H	R441	8 A	S418	7 D
C388	3 G	C626	7 G	D413	1 B	Q402	6 B	R364	5 H	R451	1 A	S419	6 E
C389	4 F	C627	7 F	D414	1 D	Q403	6 B	R365	5 H	R454	1 A	S420	5 E
C390	4 G	C628	7 F	D421	8 A	Q404	6 C	R366	5 H	R471	5 G	S421	5 E
C393	1 F	C631	7 J	D422	8 A	Q405	6 C	R369	5 H	R472	5 F	S422	5 D
C394	2 G	C632	7 J	D423	3 B	Q411	1 C	R370	5 H	R473	5 F	S423	6 D
C395	2 F	C633	7 I	D424	2 B	Q412	1 C	R371	5 H	R474	6 G	S424	6 E
C396	3 G	C634	7 I	D425	10 C	Q451	1 A	R372	5 H	R475	6 G	X401	5 C
C397	3 F	C641	8 H	D426	10 C	Q452	1 A	R373	4 H	R476	6 G	X641	9 I
C398	3 G	C642	8 H	D427	8 B	Q507	9 E	R374	4 G	R477	6 J		
C401	6 B	C643	9 H	D428	8 B	Q508	9 E	R375	5 J	R478	6 J		
C402	5 B	C645	9 J	D429	8 B	Q509	9 E	R381	1 G	R479	5 J		
C403	1 C	C646	9 J	D430	8 A	Q661	8 G	R382	1 G	R481	10 I		
C404	1 C	C647	8 J	D431	8 A	Q662	8 F	R385	2 G	R482	10 I		
C409	4 A	C648	8 J	D432	8 B	Q663	8 F	R386	2 G	R491	10 J		
C410	2 A	C650	9 J	D433	8 B	Q664	8 G	R387	3 G	R492	10 J		

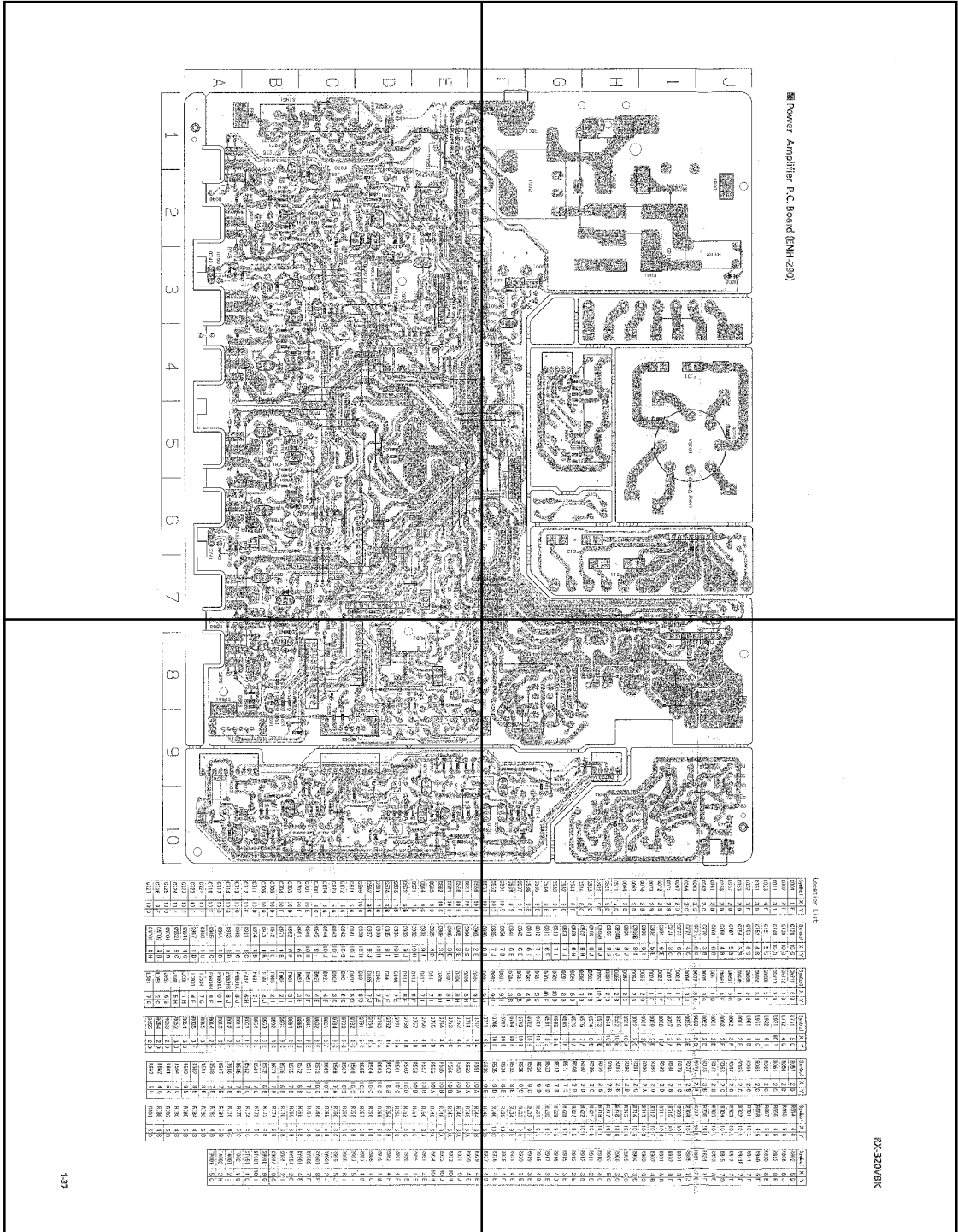






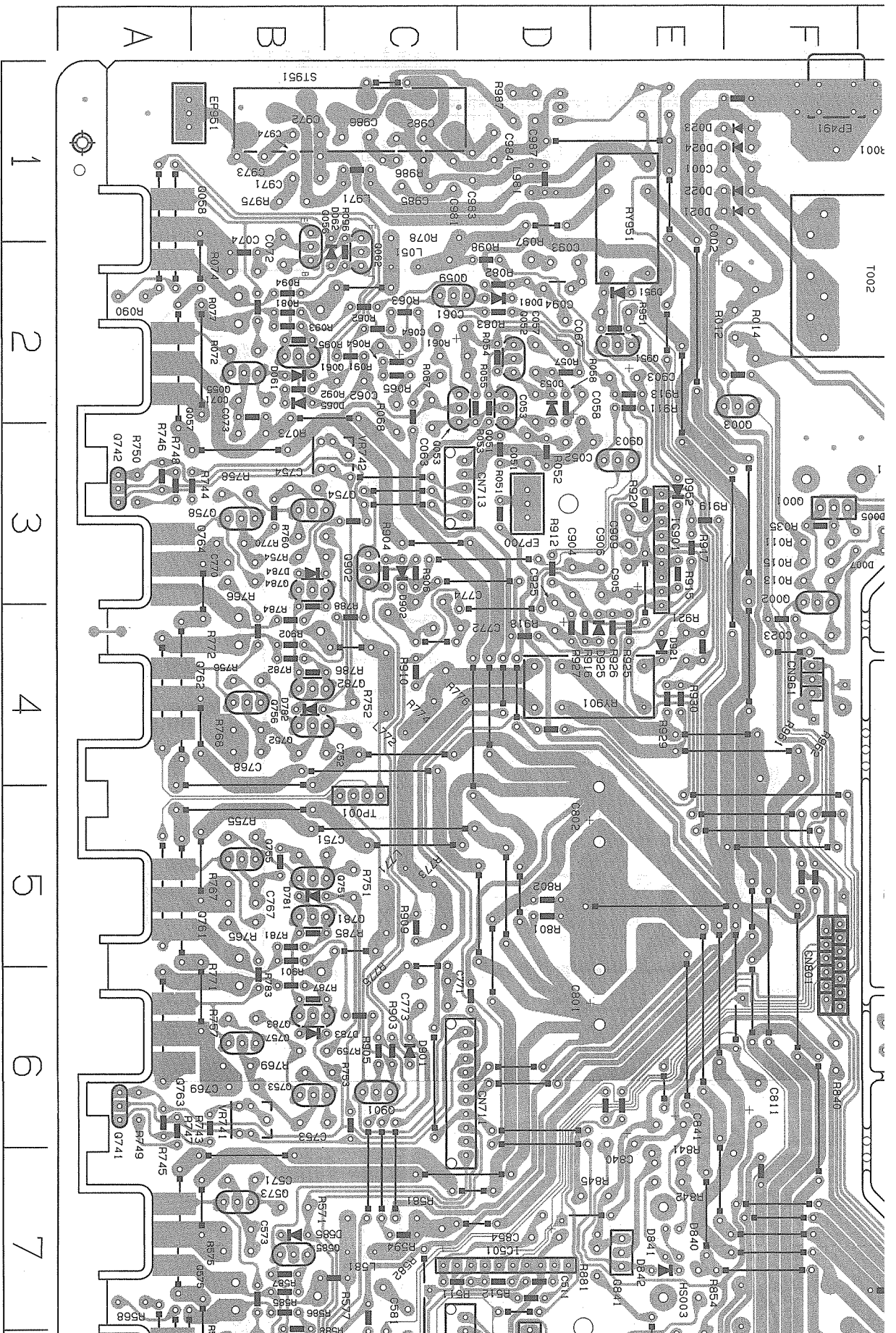
P1-37-a

P1-37-b

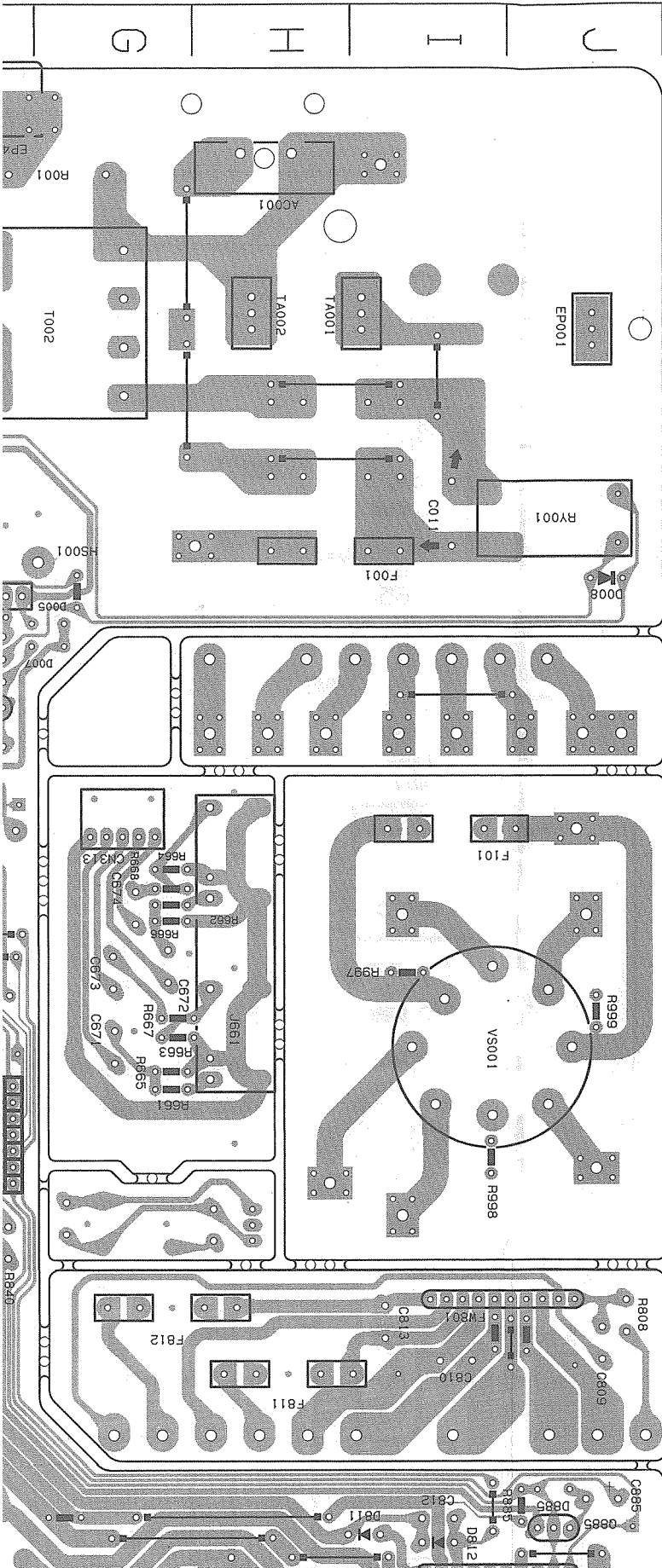


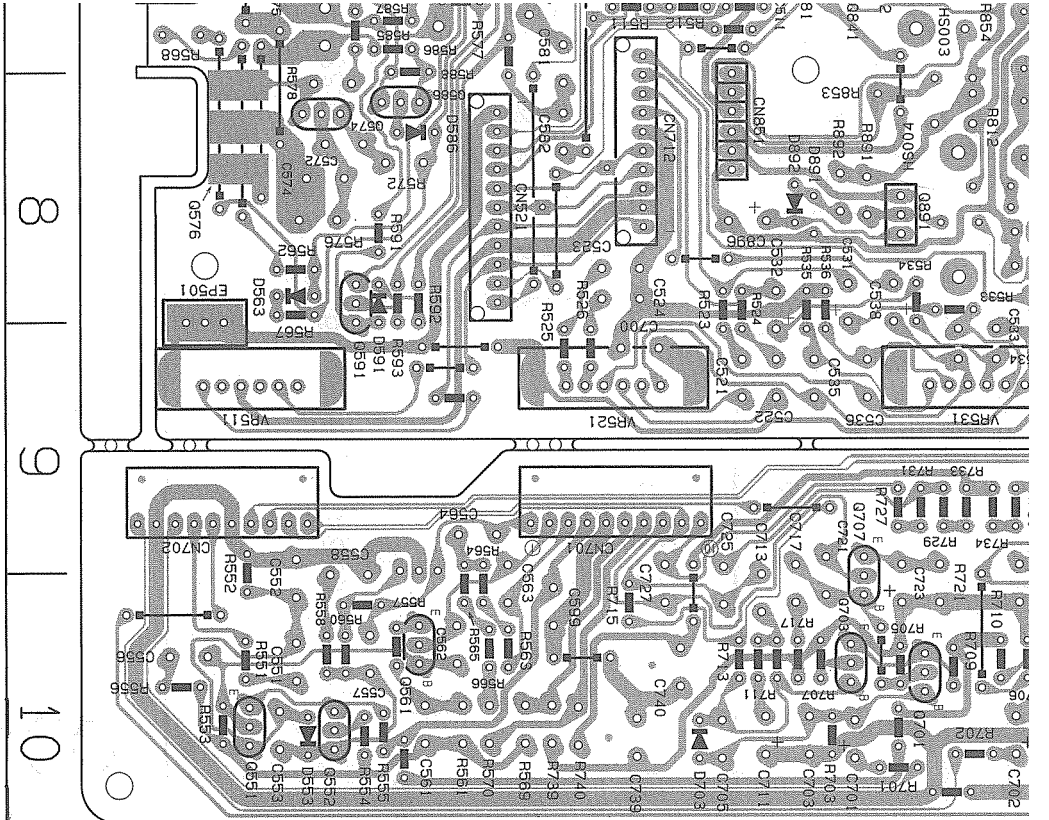
P1-37-c

P1-37-d



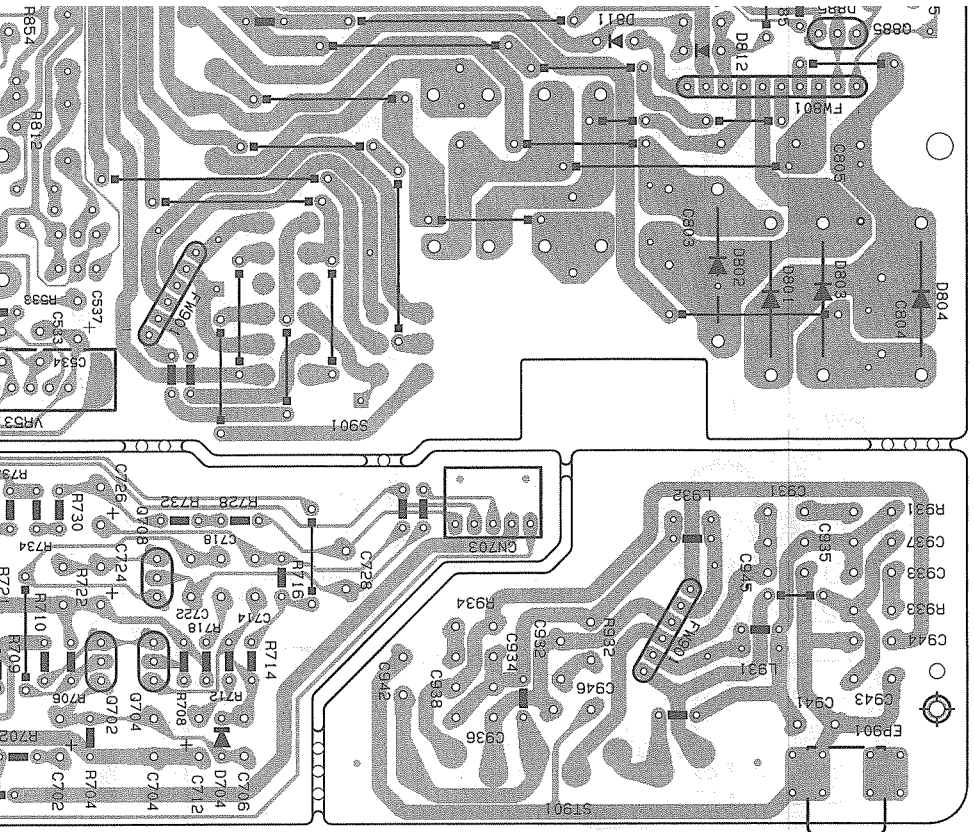
■ Power Amplifier P.C. Board (ENH-290)





C536	U/A	R903	Z/E	D804	9 J	U744	U/A	R801	U/A	K144	J/B	N722	U
C557	10 B	C904	3 D	D805	8 H	U751	5 C	R552	10 A	R745	6 A	R930	4 E
C558	10 B	C905	3 E	D806	8 H	U752	4 C	R553	10 A	R746	3 A	R931	9 J
C561	10 B	C906	3 E	D807	8 I	U753	6 C	R554	10 B	R747	6 A	R932	10 H
C562	10 C	C909	3 E	D808	8 H	U754	3 C	R555	10 B	R748	3 A	R933	10 J
C563	9 C	C925	4 D	D811	7 I	U755	5 B	R556	10 A	R749	6 A	R934	10 H
C564	9 C	C931	9 I	D812	7 I	U756	4 B	R557	10 B	R750	3 A	R951	2 E
C571	7 B	C932	10 H	D813	8 F	U757	6 B	R558	10 B	R751	5 C	R955	1 E
C572	8 B	C933	9 J	D814	8 F	U758	3 B	R560	10 B	R752	4 C	R956	1 E
C573	7 B	C934	10 H	D840	7 E	U761	5 A	R561	10 C	R753	6 C	R961	4 F
C574	8 B	C935	9 I	D841	7 E	U762	4 A	R562	8 B	R754	3 B	R962	4 F
C581	7 C	C936	10 H	D842	7 E	U763	6 A	R563	10 C	R755	5 B	R975	1 B
C582	8 C	C937	9 J	D885	7 J	U764	3 A	R564	10 C	R756	4 B	R986	1 C
C599	10 C	C938	10 H	D891	8 D	U781	5 C	R565	10 C	R757	6 B	R987	1 D
C671	5 G	C941	10 J	D892	8 D	U782	4 C	R566	10 C	R758	3 B	R997	5 I
C672	5 G	C942	10 G	D901	6 C	U783	6 C	R567	8 B	R759	6 C	R998	6 I
C673	5 G	C943	10 J	D902	3 C	U784	3 C	R568	7 A	R760	3 C	R999	5 J
C674	5 G	C944	10 J	D921	4 E	U801	8 F	R569	10 C	R765	5 B	R001	2 J
C700	9 C	C945	9 I	D925	4 E	U802	8 F	R570	10 C	R766	3 B	R801	8 F
C701	10 E	C946	10 H	D951	2 E	U841	7 E	R571	7 B	R767	5 B	R802	7 F
C702	10 F	C951	6 G	D952	3 E	U885	7 J	R572	8 B	R768	4 B	R901	4 E
C703	10 D	C952	6 H	F001	3 I	U891	8 E	R575	7 B	R769	6 B	R951	2 E
C704	10 F	C971	1 B	F002	2 I	U901	6 C	R576	8 B	R770	3 B	S001	2 I
C705	10 D	C972	1 B	F003	2 I	U902	3 C	R577	7 B	R771	6 B	S901A	9 G
C706	10 G	C973	1 B	F101	4 J	U903	3 E	R578	8 B	R772	4 B	S901B	9 G
C711	10 D	C974	1 B	F811	7 I	U951	2 E	R581	7 C	R773	5 C	ST901	10 I
C712	10 F	C981	1 C	F812	6 H	U991	1 F	R582	7 C	R774	4 C	ST951	1 C
C713	10 D	C982	1 C	F810A	6 J	U001	3 F	R585	7 B	R775	6 C	T002	1 G
C714	10 G	C983	1 D	F8801B	8 J	U011	2 F	R586	7 B	R776	4 C	TA001	2 I
C717	10 D	C984	1 D	F8901A	10 I	U013	3 F	R587	7 B	R781	5 B	TA002	2 H
C718	10 F	C985	1 C	F8901B	9 F	U014	2 F	R588	7 B	R782	4 B	TP001	5 C
C721	10 E	C986	1 C	I0501	7 C	U015	3 F	R591	8 B	R783	6 B		
C722	10 F	C987	1 D	I0901	4 E	U035	3 F	R592	8 B	R784	4 B		
C723	10 E	C988	4 G	J001	1 H	U051	3 D	R593	8 B	R785	5 B		
C724	10 F	C989	8 C	J661	5 H	U052	3 D	R594	7 C	R786	4 B		
C725	10 D	C991	9 B	J951	6 G	U053	2 D	R661	5 G	R787	6 B		
C726	9 F	CN702	9 B	L051	2 C	U054	2 D	R662	4 G	R788	4 B		
C727	10 D	CN703	9 H	L581	7 C	U055	2 D	R663	5 H	R801	5 D		

Location List



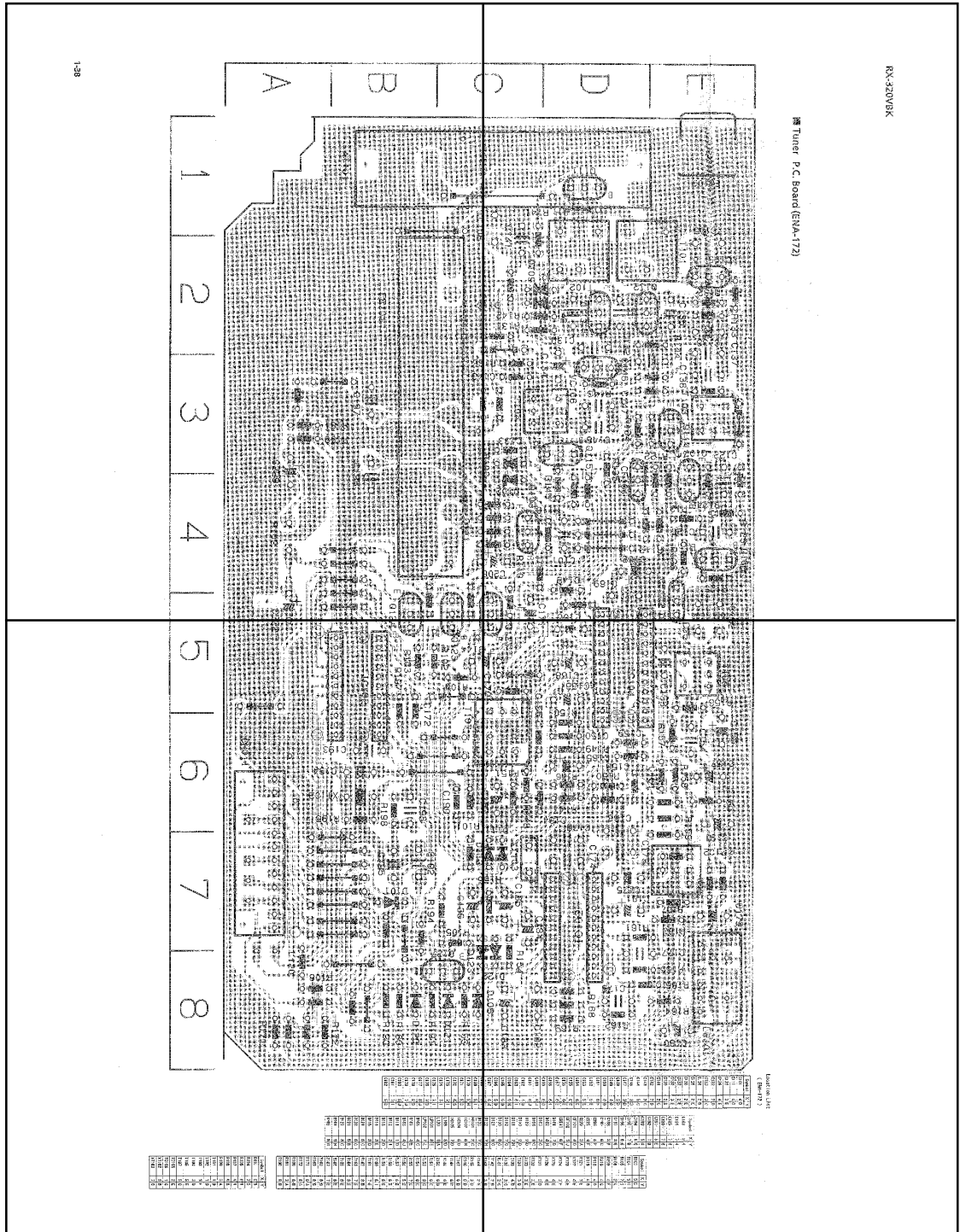
Symbol	X	Y	Symbol	X	Y	Symbol	X	Y	Symbol	X	Y	Symbol	X	Y	Symbol	X	Y			
C001	1	F	C728	10	G	CN711	6	D	L771	5	C	R057	2	D	R664	4	G	R802	5	D
C002	2	F	C739	10	D	CN712	7	D	L772	4	C	R058	2	D	R665	5	G	R808	6	J
C011	3	1	C740	10	D	CN713	3	D	L931	10	1	R061	2	C	R666	4	G	R812	8	E
C023	4	F	C751	5	C	CN801	5	F	L932	9	1	R062	2	C	R667	5	G	R820	8	E
C051	3	D	C752	4	B	CN851	8	D	L971	1	C	R063	2	C	R668	4	G	R840	6	F
C052	3	E	C753	6	C	CN891	9	B	L981	1	D	R064	2	C	R701	10	E	R841	7	E
C053	2	D	C754	3	B	CN941	1	D	0001	3	F	R065	2	C	R702	10	E	R841B	7	F
C057	2	D	C767	5	B	CN951	6	H	0002	3	F	R067	2	D	R703	10	E	R842	7	E
C058	2	D	C768	4	B	004	1	D	0003	2	F	R068	2	C	R704	10	F	R845	7	D
C061	2	D	C769	6	B	CN961	4	F	0051	2	D	R072	2	B	R705	10	F	R853	8	E
C062	2	C	C770	3	B	0005	3	G	0052	2	D	R073	3	B	R706	10	F	R854	7	E
C063	3	C	C771	6	C	D007	3	G	0053	2	D	R074	2	B	R707	10	E	R881	7	E
C064	2	C	C772	4	C	D008	3	J	0055	2	B	R077	2	B	R708	10	F	R885	7	J
C067	2	D	C773	6	C	D021	1	F	0056	2	B	R078	1	C	R709	10	E	R891	8	E
C071	2	B	C774	3	C	D022	1	F	0057	2	A	R081	2	B	R710	10	E	R892	8	E
C072	2	B	C801	6	E	D023	1	F	0058	1	A	R082	2	D	R711	10	D	R901	5	B
C073	2	B	C802	5	E	D024	1	F	0059	2	D	R083	2	D	R712	10	F	R902	4	B
C074	2	B	C803	8	1	D053	2	D	0061	2	B	R090	2	A	R713	10	D	R903	6	C
C093	2	D	C803B	8	1	D061	2	B	0062	2	C	R091	2	C	R714	10	G	R904	3	C
C094	2	D	C804	8	J	D062	2	C	0051	10	A	R092	2	B	R715	10	C	R905	6	C
C511	7	D	C804B	9	J	D065	2	B	0052	10	B	R093	2	B	R716	10	G	R906	3	C
C521	9	D	C805	8	J	D081	2	D	0055	10	B	R094	2	B	R717	10	D	R909	5	C
C522	9	D	C805B	8	J	D088	8	B	0056	10	B	R095	2	B	R718	10	F	R910	4	C
C523	8	C	C806	8	J	D553	10	B	0057	7	B	R096	2	C	R721	10	E	R911	2	E
C524	8	C	C807	8	H	D563	8	B	0074	8	B	R097	2	D	R722	10	F	R912	3	D
C531	8	E	C808	8	H	D585	7	B	0575	7	A	R098	2	D	R727	9	E	R913	2	E
C532	9	D	C809	7	J	D586	8	B	0576	8	A	R099	2	D	R728	9	F	R915	3	E
C533	9	E	C810	7	1	D591	8	B	0585	7	B	R151	7	C	R729	9	F	R916	4	D
C534	9	E	C811	6	F	D703	10	D	0586	8	B	R152	7	D	R730	9	F	R917	3	E
C535	9	D	C812	7	1	D704	10	F	0591	8	B	R1524	9	D	R731	9	E	R918	4	D
C536	9	E	C813	6	1	D781	5	C	0701	10	E	R1525	9	C	R732	9	F	R919	3	E
C537	9	F	C840	6	E	D782	4	B	0702	10	F	R1526	9	C	R733	9	E	R920	3	E
C538	8	E	C841	6	E	D783	6	B	0703	10	E	R1526	9	C	R734	9	E	R921	4	E
C551	10	B	C854	7	D	D801	9	1	0704	10	F	R1533	8	E	R739	10	C	R925	4	E
C552	10	B	C885	7	J	D802	9	1	0707	10	E	R1534	8	E	R740	10	C	R926	4	E
C553	10	B	C896	8	D	D803	9	J	0741	6	A	R1536	9	E	R743	6	B	R927	4	D
C556	10	A	C903	2	E	D804	9	J	0742	3	A	R1551	10	A	R744	3	B	R929	4	E
C557	10	B	C904	3	D	D805	8	H	0751	5	C	R1552	10	A	R745	6	A	R930	4	E
C558	10	B	C905	3	E	D806	8	H	0752	4	C	R1553	10	A	R746	3	A	R931	9	J





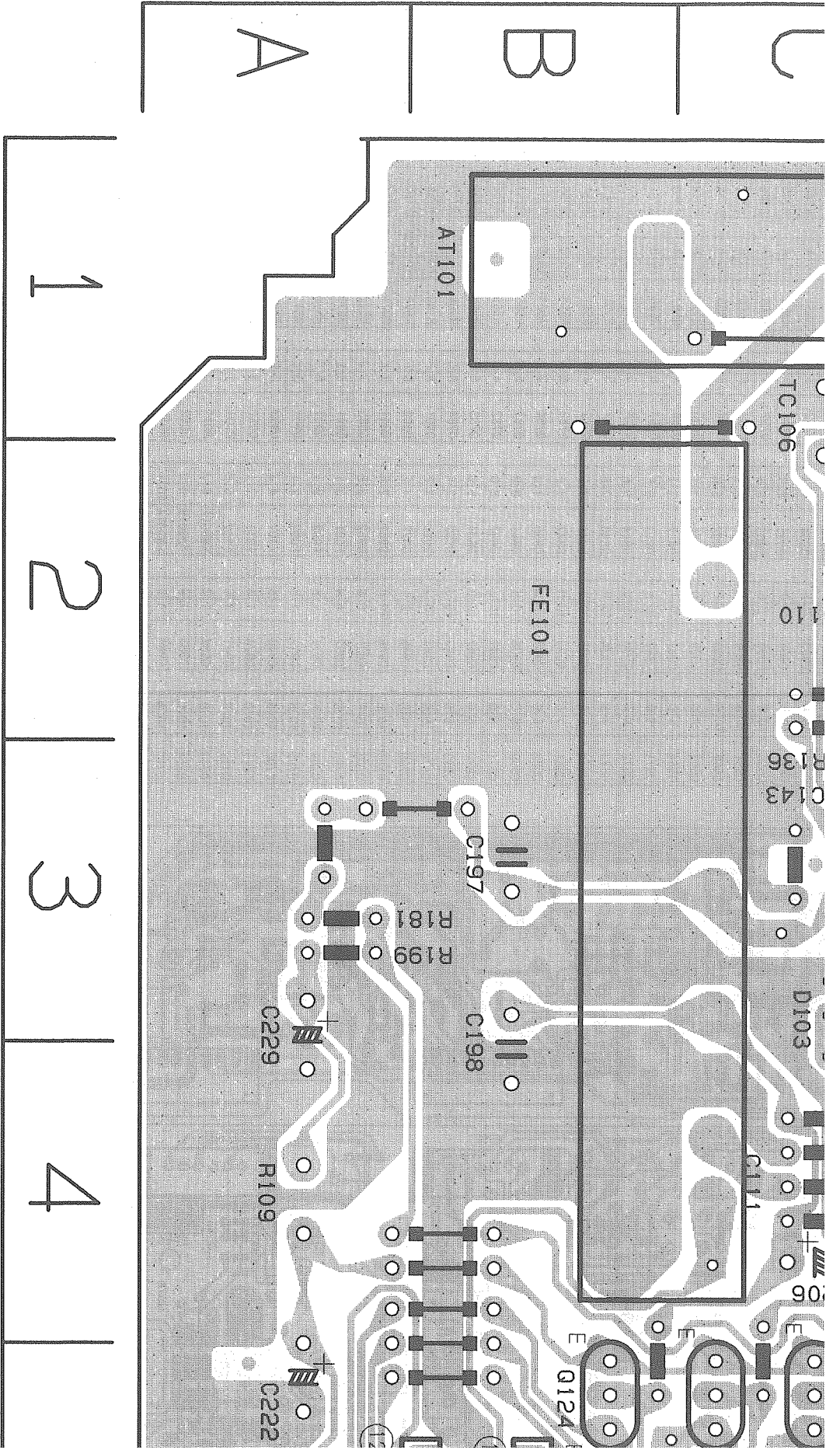
P1-38-a

P1-38-b

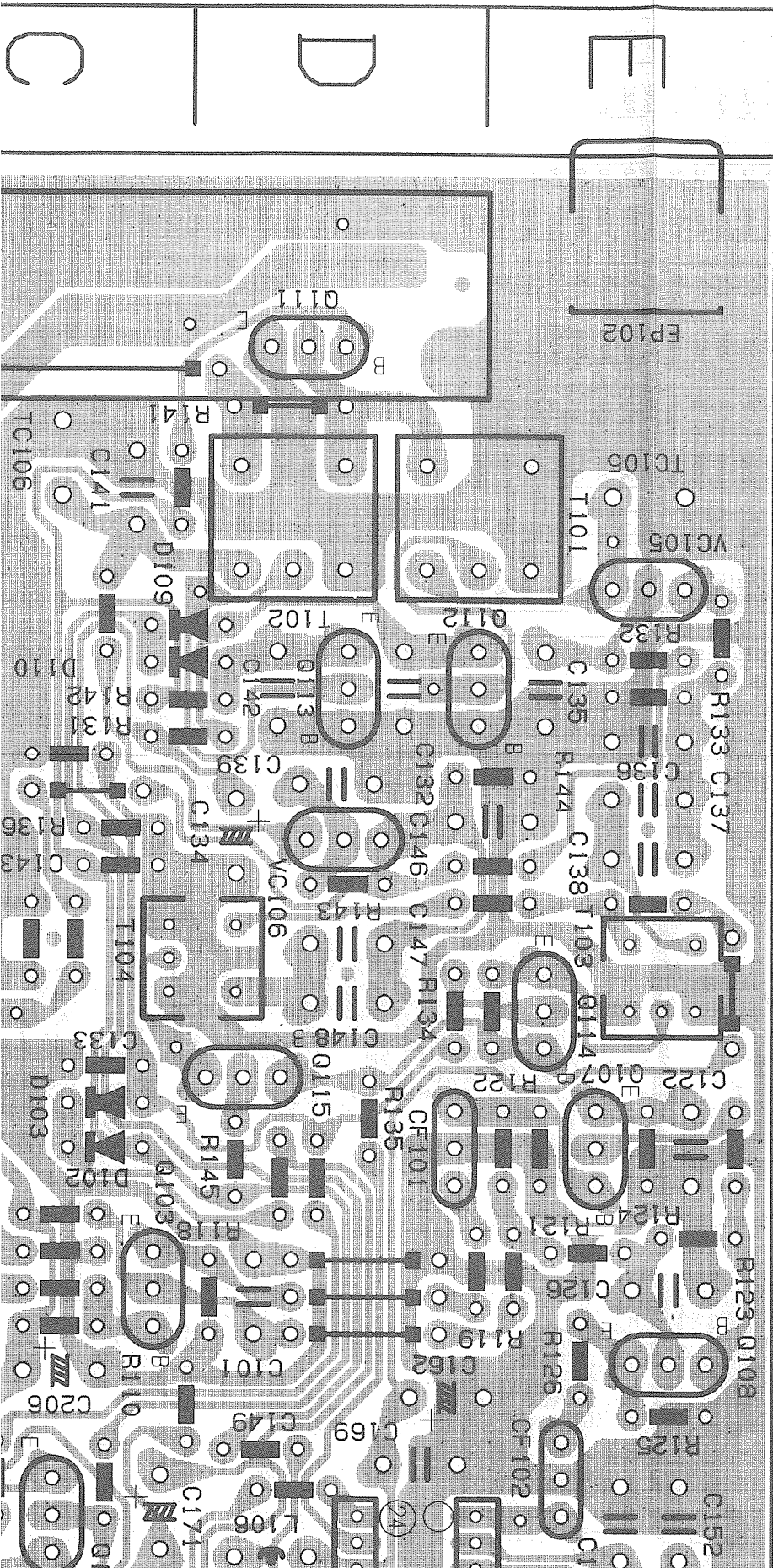


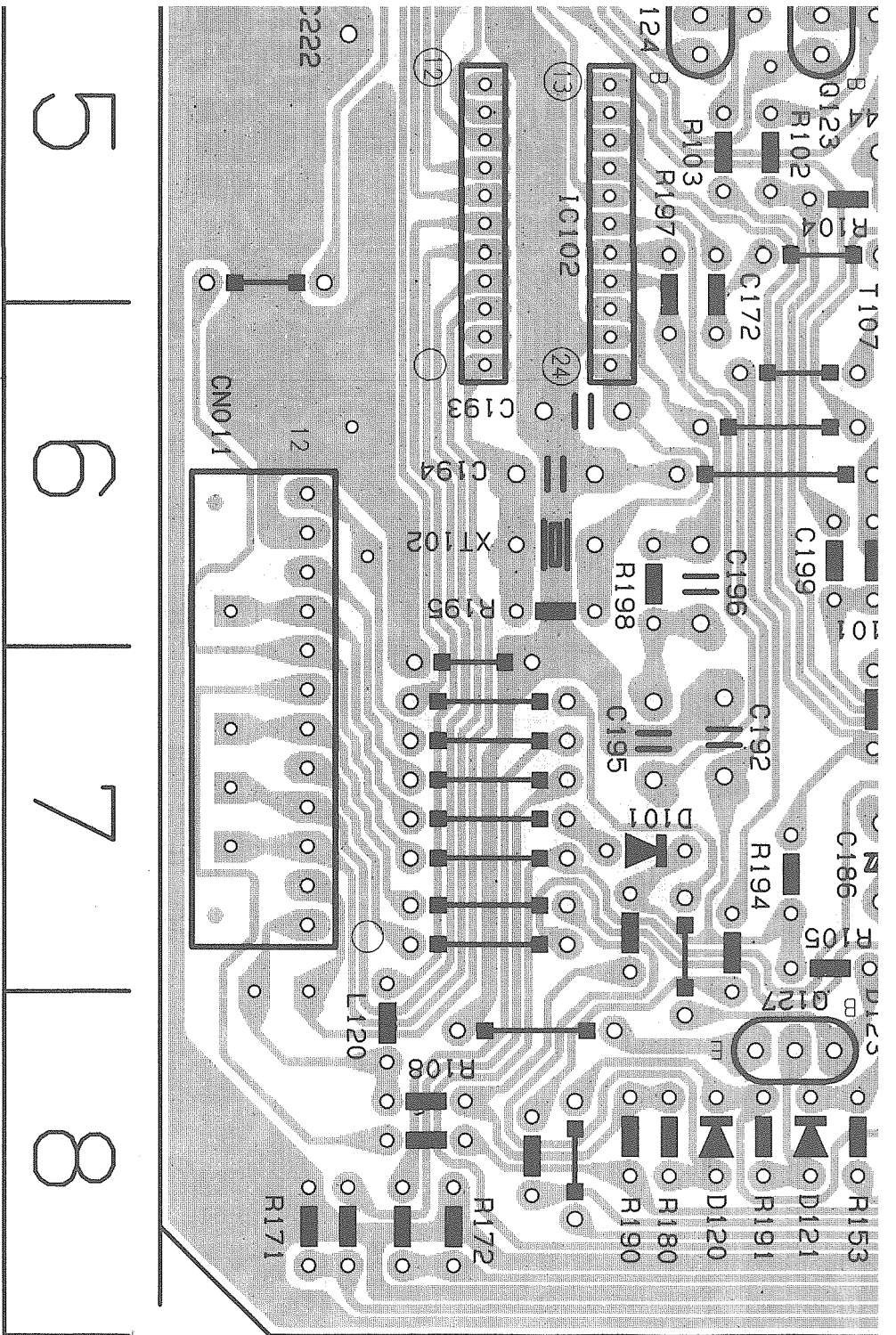
P1-38-c

P1-38-d



■ Tuner P.C. Board (ENA-172)





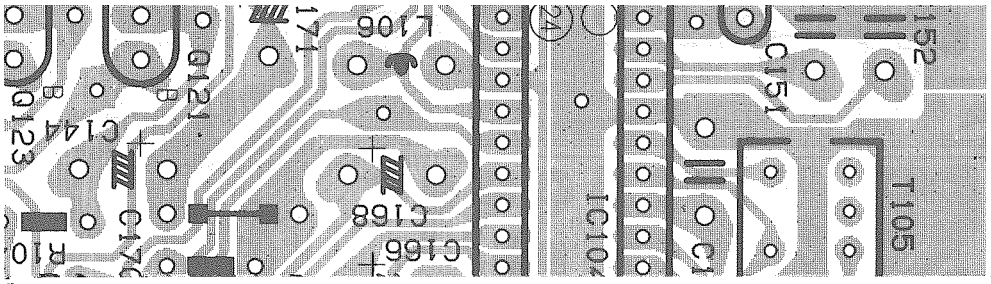
Q170	5H
C171	5C
G172	6G
G173	7I
G174	7I
G175	7I
G176	7D
G177	8J
G178	8D
G179	7J
G180	8J
G181	7I
G182	8C

IC102	6B
IC104	5D
IC105	7D
L106	5D
L120	8A
LP101	8E
LP102	7E
Q103	4C
Q108	4J
Q111	1D
Q112	2I
Q113	2D
Q114	3E
Q115	3D
Q121	5C
Q123	5C
Q124	5B
Q127	8C
R101	6H
R102	5G

R146	6D
R147	6D
R148	6C
R149	6D
R150	6D
R151	6C
R153	8C
R154	8C
R155	7C
R156	5E
R157	6E
R158	6E
R159	6E
R160	6I
R161	7E
R162	8D
R163	7E
R164	8E
R165	8E
R166	8E
R167	7E
R168	8D
R169	8D
R171	8A
R172	8A
R180	8B
R181	3A
R190	8B

Symbol	X	Y
R191	8B	
R194	7C	
R195	6B	
R197	6B	
R198	6B	
R199	3A	
T101	1D	
T102	1D	
T103	3E	
T104	3D	
T105	5E	
T107	5C	
T109	2E	
TC108	1C	
XT102	6B	
XT103	7C	

5 | 6 | 7 | 8





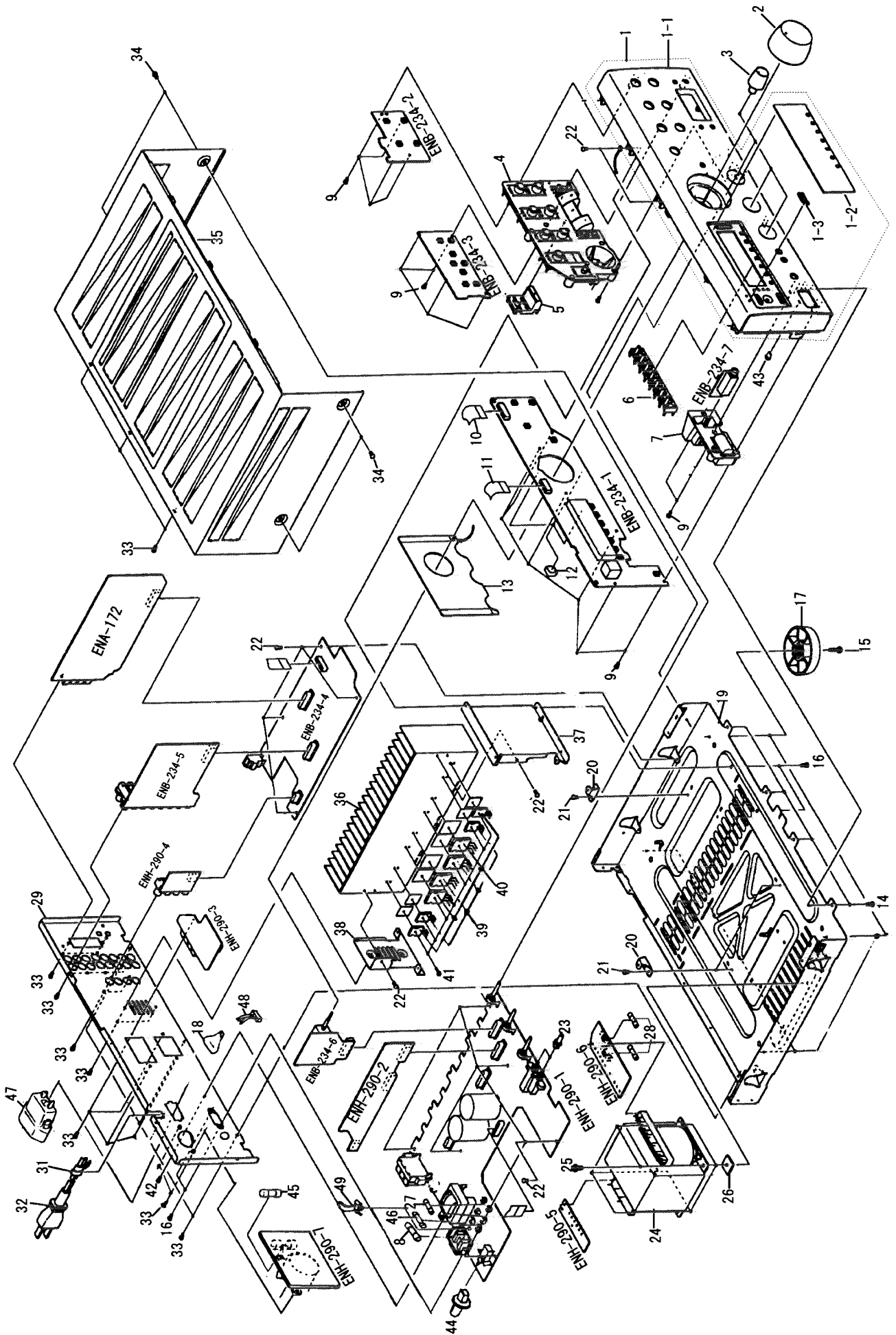
# PARTS LIST

Area Suffix	
A	..... Australia
BS	..... the U.K.
EF	..... Continental Europe Except Germany & Italy
EN	..... Nordic Countries
G	..... Germany
GI	..... Italy
UB	..... Hong Kong
US	..... Singapore
UT	..... Taiwan
U	..... Universal Except All of Above

**Note : All printed circuit board assemblies are not available as service parts.**

## Contents

General Exploded View and Parts List .....	2 - 2
Electrical Parts List .....	2 - 5
■ ENH-290 Amplifier PC Board Ass'y .....	2 - 5
■ ENB-234 FL Display PC Board Ass'y .....	2 - 12
■ ENA-172 Tuner PC Board Ass'y .....	2 - 16
Accessories List .....	2 - 19
Packing Materials and Part Numbers .....	2 - 20





## Parts List

△	Item	Parts Number	Parts Name	Q'ty	Description	Area
	1	EFP-RX320VBKE(S)	FRONT PANEL ASS'Y	1		
	1-1	E103158-004SM	FRONT PANEL	1		
	1-2	E309419-005SM	WINDOW SCREEN	1		
	1-3	VJD5429-001	JVC MARK	1		
	2	E309465-001SM	VOLUME KNOB	1		
	3	E309111-003SM	BALANCE KNOB	3		
	4	E208859-001SM	PUSH BUTTON	1	SOURCE	
	5	E409170-001SM	PUSH BUTTON	1		
	6	E309418-001SM	PUSH BUTTON	1	TUNER	
	7	E208860-001SM	POWER BUTTON	1	POWER	
△	8	QMF51A2-R10S	FUSE	1	F002	A, EF, EN, G, GI, U, UB, US, UT
△	8	QMF51E2-R10SBS	FUSE	1	F002	BS
	9	SDSF2608Z	SCREW	16		
	10	VWF1217-25TTB	FLAT WIRE ASSY	1	FW403	
	11	VWF1213-25TTB	FLAT WIRE ASSY	1	FW801	
	12	E306805-122	SPACER	3		
	13	E309955-001	SHIELD PLATE	1		
	14	SDSF3008M	WOOD SCREW	4		
	15	SBST3010Z	TAPPING SCREW	4		
	16	SDSG3008M	TAPPING SCREW	2		
	16	SDSG3008M	TAPPING SCREW	2	SC SOHET	U, UT
	17	VJF4039-00MSM	FOOT ASSY	4		
	18	E406079-001	COVER	1		BS
	19	E103157-001SM	CHASSIS BASE	1		
	20	E68587-223SM	P. W. BOARD BRACKET	3		
	21	SBST3006CC	TAPPING SCREW	3		
	22	SBSG3008CC	TAPPING SCREW	14		
	23	E407321-002SM	PUSH BUTTON	2		
△	24	ETP1200-72FAJ	POWER TRANSFORMER	1		A, U, UB, US, UT
△	24	ETP1200-72EAJ	POWER TRANSFORMER	1		BS, EF, EN, G, GI
	25	E65389-006	SPECIAL SCREW	4		
	26	E406309-002	SPACER	4		
△	27	QMF51E2-1R6J1	FUSE	1	F001	A, BS, EF, EN, G, GI
△	27	QMF51E2-3R15J1	FUSE	1	F001	U, UB, USUT
△	28	QMF51E2-2R0	FUSE	2	F811/F812	
	29	E208855-023SM	REAR PANEL	1		BS, EF, EN, G, GI
	29	E208855-024SM	REAR PANEL	1		UT
	29	E208855-025SM	REAR PANEL	1		UB, US
	29	E208855-026SM	REAR PANEL	1		A
△	31	QHS3771-108	CORD STOPPER	1		A, EF, EN, G, GI, U, UB, US, UT
△	31	QHS3771-108BS	P. W. BOARD STOPPER	1		BS
△	32	QMP25FO-244	POWER CORD	1		A
△	32	QMP39EO-200	POWER CORD	1		EF, EN, G, GI, US
△	32	QMP5530-0085BS	POWER CORD	1		BS, UB
△	32	QMP7520-200	POWER CORD	1		U, UT
	33	E73273-006	SPECIAL SCREW	22		
	33	E73273-006	SPECIAL SCREW	2	VOL. SEL.	U, UB, US, UT
	34	E406308-001	SPECIAL SCREW	4		
	35	E208858-001SM	METAL COVER	1		
	36	E309840-003SM	HEAT SINK	1		
	37	E208857-001SM	HEAT SINK BRACKET	1		
	38	E309841-001SM	HEAT SINK BRACKET	1		
	39	2SA1633LD(D, E)	SI. TRANSISTOR	4	Q763, Q764, Q058, Q576	
	40	2SC4278LD(D, E)	SI. TRANSISTOR	4	Q761, Q762, Q057, Q575	
	41	E73525-003	SCREW	8		
	42	SBST3006M	TAPPING SCREW	1		
	42	SBST3006M	TAPPING SCREW	1		BS, EF, EN, G, GI
	43	FSJD4001-002SS	INDICATOR	1		
	44	E409400-001SM	PUSH BUTTON ASSY	1		BS, EF, EN, G, GI
	45	QMF51E2-1R6J1	FUSE	1	F101	U, UB, US, UT
△	46	QMF51E2-1R25	FUSE	1	F003	EF, EN, G, GI

# RX-320VBK

## Parts List

△	Item	Parts Number	Parts Name	Q'ty	Description	Area
△	47	EMC0236-001	AC OUTLET	1		EF, EN, G, GI
△	47	EMC0237-001BS	AC OUTLET	1		BS
△	47	EMC0238-001	AC SOCKET	1		A
	48	EWS282-002	SOCKET WIRE	1		A, EF, EN, G, GI
	48	EWS282-002BS	SOCKET WIRE	1		BS
	49	E307572-001	VINYL TIE	1		
	50	E409395-001	CAUTION LABEL	1		
	-	E309384-019	UT LABEL	1		UT
	-	E407619-052	FTZ LABEL	1		G
	-	E408843-001	APROVAL LABEL	1		EN
	-	E408919-001	RATING LABEL	1		BS
	-	E75040-062	GI LABEL	1		GI
	-	E75139-003	Z LABEL	1		U
	-	QZL1031-101	LABEL	1		EF

## Electrical Parts List (ENH-290)

△	Item	Parts Number	Description	Area
		I. C. S		
	IC501	LB1641	I. C (DIGI-OTHER)	
	IC901	TA7317P	I. C (MONO-ANALOG)	
		DIODES		
	D005	MTZ12JC	ZENER DIODE	U
	D005	MTZ12JC	ZENER DIODE	UB
	D005	MTZ12JC	ZENER DIODE	US
	D005	MTZ12JC	ZENER DIODE	UT
	D007	MTZ6.2JC	ZENER DIODE	
	D008	1SS133	SI. DIODE	
	D021	1SR139-200	SI. DIODE	
	D022	1SR139-200	SI. DIODE	
	D023	1SR139-200	SI. DIODE	
	D024	1SR139-200	SI. DIODE	
	D053	1SS133	SI. DIODE	
	D061	1SS133	SI. DIODE	
	D062	1SS133	SI. DIODE	
	D065	1SS133	SI. DIODE	
	D081	1SS133	SI. DIODE	
	D553	1SS133	SI. DIODE	
	D563	1SS133	SI. DIODE	
	D585	1SS133	SI. DIODE	
	D586	1SS133	SI. DIODE	
	D591	1SS133	SI. DIODE	
	D703	1SS133	SI. DIODE	
	D704	1SS133	SI. DIODE	
	D781	1SS133	SI. DIODE	
	D782	1SS133	SI. DIODE	
	D783	1SS133	SI. DIODE	
	D784	1SS133	SI. DIODE	
△	D801	30DF2SFC	SI. DIODE	BS
△	D801	30DF2SFC	SI. DIODE	EF
△	D801	30DF2SFC	SI. DIODE	EN
△	D801	30DF2SFC	SI. DIODE	G
△	D801	30DF2SFC	SI. DIODE	GI
△	D801	30D2FC	GE. DIODE	A
△	D801	30D2FC	GE. DIODE	U
△	D801	30D2FC	GE. DIODE	UB
△	D801	30D2FC	GE. DIODE	US
△	D801	30D2FC	GE. DIODE	UT
△	D802	30DF2SFC	SI. DIODE	BS
△	D802	30DF2SFC	SI. DIODE	EF
△	D802	30DF2SFC	SI. DIODE	EN
△	D802	30DF2SFC	SI. DIODE	G
△	D802	30DF2SFC	SI. DIODE	GI
△	D802	30D2FC	GE. DIODE	A
△	D802	30D2FC	GE. DIODE	U
△	D802	30D2FC	GE. DIODE	UB
△	D802	30D2FC	GE. DIODE	US
△	D802	30D2FC	GE. DIODE	UT
△	D803	30DF2SFC	SI. DIODE	BS
△	D803	30DF2SFC	SI. DIODE	EF
△	D803	30DF2SFC	SI. DIODE	EN
△	D803	30DF2SFC	SI. DIODE	G
△	D803	30DF2SFC	SI. DIODE	GI
△	D803	30D2FC	GE. DIODE	A
△	D803	30D2FC	GE. DIODE	U
△	D803	30D2FC	GE. DIODE	UB
△	D803	30D2FC	GE. DIODE	US
△	D803	30D2FC	GE. DIODE	UT
△	D804	30DF2SFC	SI. DIODE	BS
△	D804	30DF2SFC	SI. DIODE	EF
△	D804	30DF2SFC	SI. DIODE	EN
△	D804	30DF2SFC	SI. DIODE	G
△	D804	30DF2SFC	SI. DIODE	GI
△	D804	30D2FC	GE. DIODE	A
△	D804	30D2FC	GE. DIODE	U
△	D804	30D2FC	GE. DIODE	UB
△	D804	30D2FC	GE. DIODE	US
△	D804	30D2FC	GE. DIODE	UT
	D811	1SR139-200	SI. DIODE	
	D812	1SR139-200	SI. DIODE	
	D840	MTZ10JC	ZENER DIODE	
△	D841	MTZ16JC	ZENER DIODE	
	D842	1SS133	SI. DIODE	
	D885	MTZ6.2JC	ZENER DIODE	
	D891	MTZ6.8JC	ZENER DIODE	
	D892	1SS133	SI. DIODE	
	D901	1SS133	SI. DIODE	
	D902	1SS133	SI. DIODE	
	D921	1SS133	SI. DIODE	
	D925	1SS133	SI. DIODE	
	D951	1SS133	SI. DIODE	
	D952	1SS133	SI. DIODE	
		TRANSISTORS		
	Q001	2SD1266	SI. TRANSISTOR	U
	Q001	2SD1266	SI. TRANSISTOR	UB
	Q001	2SD1266	SI. TRANSISTOR	US
	Q001	2SD1266	SI. TRANSISTOR	UT
	Q002	2SC2235 (O, Y)	SI. TRANSISTOR	
	Q003	DTC114ES	DIGITAL TRANSISTOR	
	Q051	2SC2240 (BL)	SI. TRANSISTOR	
	Q052	2SC2240 (BL)	SI. TRANSISTOR	
	Q053	2SA1038 (R, S)	SI. TRANSISTOR	
	Q055	2SC2235 (O, Y)	SI. TRANSISTOR	
	Q056	2SA965 (Y)	SI. TRANSISTOR	
	Q059	2SC2389 (S, E)	SI. TRANSISTOR	
	Q061	2SC2389 (S, E)	SI. TRANSISTOR	
	Q062	2SA1038 (R, S)	SI. TRANSISTOR	
	Q551	2SC2240 (BL)	SI. TRANSISTOR	
	Q552	2SC2240 (BL)	SI. TRANSISTOR	
	Q561	2SA1038 (R, S)	SI. TRANSISTOR	
	Q573	2SC2235 (O, Y)	SI. TRANSISTOR	
	Q574	2SA965 (Y)	SI. TRANSISTOR	
	Q585	2SC2389 (S, E)	SI. TRANSISTOR	
	Q586	2SA1038 (R, S)	SI. TRANSISTOR	
	Q591	2SC2389 (S, E)	SI. TRANSISTOR	
	Q701	2SC1775AV (F1)	SI. TRANSISTOR	
	Q702	2SC1775AV (F1)	SI. TRANSISTOR	
	Q703	2SC1775AV (F1)	SI. TRANSISTOR	
	Q704	2SC1775AV (F1)	SI. TRANSISTOR	
	Q707	2SA1038 (R, S)	SI. TRANSISTOR	
	Q708	2SA1038 (R, S)	SI. TRANSISTOR	
	Q741	2SD636	SI. TRANSISTOR	
	Q742	2SD636	SI. TRANSISTOR	
	Q751	2SC2389 (S, E)	SI. TRANSISTOR	
	Q752	2SC2389 (S, E)	SI. TRANSISTOR	
	Q753	2SA1038 (R, S)	SI. TRANSISTOR	
	Q754	2SA1038 (R, S)	SI. TRANSISTOR	
	Q755	2SC2235 (O, Y)	SI. TRANSISTOR	
	Q756	2SC2235 (O, Y)	SI. TRANSISTOR	
	Q757	2SA965 (Y)	SI. TRANSISTOR	
	Q758	2SA965 (Y)	SI. TRANSISTOR	
	Q781	2SC2389 (S, E)	SI. TRANSISTOR	
	Q782	2SC2389 (S, E)	SI. TRANSISTOR	
	Q783	2SA1038 (R, S)	SI. TRANSISTOR	
	Q784	2SA1038 (R, S)	SI. TRANSISTOR	
	Q841	2SB1187 (F, G)	SI. TRANSISTOR	
	Q885	2SC2240 (GR, BL)	SI. TRANSISTOR	
	Q891	2SD2061 (F, G)	SI. TRANSISTOR	
	Q901	2SC2389 (S, E)	SI. TRANSISTOR	
	Q902	2SC2389 (S, E)	SI. TRANSISTOR	
	Q903	2SA1038 (R, S)	SI. TRANSISTOR	
	Q951	DTC123YS	SI. TRANSISTOR	
		CAPACITORS		
	C001	QFN82AK-472	4700PF 100V METAL. MYLAR	
	C002	QETB1EM-227	220NF 25V AL E. CAP.	A
	C002	QETB1EM-227	220NF 25V AL E. CAP.	BS
	C002	QETB1EM-227	220NF 25V AL E. CAP.	EF
	C002	QETB1EM-227	220NF 25V AL E. CAP.	EN
	C002	QETB1EM-227	220NF 25V AL E. CAP.	G
	C002	QETB1EM-227	220NF 25V AL E. CAP.	GI
	C002	QETB1JM-227	220NF 63V AL E. CAP.	U
	C002	QETB1JM-227	220NF 63V AL E. CAP.	UB
	C002	QETB1JM-227	220NF 63V AL E. CAP.	US
	C002	QETB1JM-227	220NF 63V AL E. CAP.	UT

# RX-320VBK

## Electrical Parts List (ENH-290)

△	Item	Parts Number	Description	Area
△	C011	QCZ9019-472	4700PF C. CAP.	
	C023	QETB1CM-476	47MF 16V AL. E. CAP.	
	C051	QETB1HM-106	10MF 50V E. CAP.	
	C052	QCS21HJ-271A	270PF 50V CER. CAP.	
	C053	QCS21HJ-101A	100PF 50V CER. CAP.	
	C057	QCS21HJ-100	10PF 50V CER. CAP.	
	C058	QETB1CM-476	47MF 16V AL. E. CAP.	
	C061	QETB1HM-225	2.2MF 50V AL. E. CAP.	
	C062	QFLB1HJ-103	0.01MF 50V MYLAR CAP.	
	C063	QCS22HJ-330	33PF 500V CER. CAP.	
	C064	QETB1HM-476	47MF 50V E. CAP.	
	C067	QETB2AM-106	10MF 100V AL. E. CAP.	
	C071	QCS22HJ-470A	47PF 500V CER. CAP.	
	C072	QCS22HJ-470A	47PF 500V CER. CAP.	
	C093	QFLB1HJ-473	0.047MF 50V MYLAR CAP.	
	C094	QFLB1HJ-473	0.047MF 50V MYLAR CAP.	
	C511	QCHB1EZ-223	0.022MF 25V CER. CAP.	
	C521	QFLB1HJ-332	3300PF 50V MYLAR CAP.	
	C522	QFLB1HJ-332	3300PF 50V MYLAR CAP.	
	C523	QFLB1HJ-183	0.018MF 50V MYLAR CAP.	
	C524	QFLB1HJ-183	0.018MF 50V MYLAR CAP.	
	C531	QETB1HM-105	1MF 50V AL. E. CAP.	
	C532	QETB1HM-105	1MF 50V AL. E. CAP.	
	C533	QFLB1HJ-153	0.015MF 50V MYLAR CAP.	
	C534	QFLB1HJ-153	0.015MF 50V MYLAR CAP.	
	C535	QFLB1HJ-823	0.082MF 50V MYLAR CAP.	
	C536	QFLB1HJ-823	0.082MF 50V MYLAR CAP.	
	C537	QETB1HM-105	1MF 50V AL. E. CAP.	
	C538	QETB1HM-105	1MF 50V AL. E. CAP.	
	C551	QETB1HM-106	10MF 50V E. CAP.	
	C552	QCS21HJ-271A	270PF 50V CER. CAP.	
	C553	QCS21HJ-101A	100PF 50V CER. CAP.	
	C557	QCS21HJ-100	10PF 50V CER. CAP.	
	C558	QETB1CM-476	47MF 16V AL. E. CAP.	
	C561	QETB1HM-225	2.2MF 50V AL. E. CAP.	
	C562	QCS22HJ-330	33PF 500V CER. CAP.	
	C563	QFLB1HJ-103	0.01MF 50V MYLAR CAP.	
	C564	QETB1HM-476	47MF 50V E. CAP.	
	C571	QCS22HJ-470A	47PF 500V CER. CAP.	
	C572	QCS22HJ-470A	47PF 500V CER. CAP.	
	C581	QFLB1HJ-473	0.047MF 50V MYLAR CAP.	
	C582	QFLB1HJ-473	0.047MF 50V MYLAR CAP.	
	C599	QETB1HM-476	47MF 50V E. CAP.	
	C671	QETB0JM-108N	1000MF 6.3V E. CAP.	
	C672	QETB0JM-108N	1000MF 6.3V E. CAP.	
	C673	QETB1HM-475E	4.7MF 50V E. CAP.	
	C674	QETB1HM-475E	4.7MF 50V E. CAP.	
	C700	QCS21HJ-221	220PF 50V CER. CAP.	BS
	C700	QCS21HJ-221	220PF 50V CER. CAP.	EF
	C700	QCS21HJ-221	220PF 50V CER. CAP.	EN
	C700	QCS21HJ-221	220PF 50V CER. CAP.	G
	C700	QCS21HJ-221	220PF 50V CER. CAP.	GI
	C701	QETB1HM-106	10MF 50V E. CAP.	
	C702	QETB1HM-106	10MF 50V E. CAP.	
	C703	QCS21HJ-271A	270PF 50V CER. CAP.	
	C704	QCS21HJ-271A	270PF 50V CER. CAP.	
	C705	QCS21HJ-101A	100PF 50V CER. CAP.	A
	C705	QCS21HJ-101A	100PF 50V CER. CAP.	U
	C705	QCS21HJ-101A	100PF 50V CER. CAP.	UB
	C705	QCS21HJ-101A	100PF 50V CER. CAP.	US
	C705	QCS21HJ-101A	100PF 50V CER. CAP.	UT
	C705	QCS21HJ-221	220PF 50V CER. CAP.	BS
	C705	QCS21HJ-221	220PF 50V CER. CAP.	EF
	C705	QCS21HJ-221	220PF 50V CER. CAP.	EN
	C705	QCS21HJ-221	220PF 50V CER. CAP.	G
	C705	QCS21HJ-221	220PF 50V CER. CAP.	GI
	C705	QCS21HJ-221	220PF 50V CER. CAP.	UB
	C705	QCS21HJ-221	220PF 50V CER. CAP.	US
	C705	QCS21HJ-221	220PF 50V CER. CAP.	UT
	C706	QCS21HJ-101A	100PF 50V CER. CAP.	A
	C706	QCS21HJ-101A	100PF 50V CER. CAP.	U
	C706	QCS21HJ-101A	100PF 50V CER. CAP.	UB
	C706	QCS21HJ-101A	100PF 50V CER. CAP.	US
	C706	QCS21HJ-101A	100PF 50V CER. CAP.	UT
	C706	QCS21HJ-221	220PF 50V CER. CAP.	BS
	C706	QCS21HJ-221	220PF 50V CER. CAP.	EF

△	Item	Parts Number	Description	Area
	C706	QCS21HJ-221	220PF 50V CER. CAP.	EN
	C706	QCS21HJ-221	220PF 50V CER. CAP.	G
	C706	QCS21HJ-221	220PF 50V CER. CAP.	GI
	C711	QETB1CM-476	47MF 16V AL. E. CAP.	
	C712	QETB1CM-476	47MF 16V AL. E. CAP.	
	C713	QCS21HJ-100	10PF 50V CER. CAP.	
	C714	QCS21HJ-100	10PF 50V CER. CAP.	
	C717	QCY31HK-152Z	1500PF 50V CER. CAP.	
	C718	QCY31HK-152Z	1500PF 50V CER. CAP.	
	C721	QCS22HJ-220	22PF 500V CER. CAP.	
	C722	QCS22HJ-220	22PF 500V CER. CAP.	
	C723	QETB1HM-225	2.2MF 50V AL. E. CAP.	
	C724	QETB1HM-225	2.2MF 50V AL. E. CAP.	
	C725	QETB1HM-226E	22MF 50V E. CAP.	
	C726	QETB1HM-226E	22MF 50V E. CAP.	
	C727	QFLB1HJ-472	4700PF 50V MYLAR CAP.	
	C728	QFLB1HJ-472	4700PF 50V MYLAR CAP.	
	C739	QETB1JM-107	100MF 63V AL. E. CAP.	
	C751	QCS22HJ-470A	47PF 500V CER. CAP.	
	C752	QCS22HJ-470A	47PF 500V CER. CAP.	
	C753	QCS22HJ-470A	47PF 500V CER. CAP.	
	C754	QCS22HJ-470A	47PF 500V CER. CAP.	
	C771	QFLB1HJ-473	0.047MF 50V MYLAR CAP.	
	C772	QFLB1HJ-473	0.047MF 50V MYLAR CAP.	
	C773	QFLB1HJ-473	0.047MF 50V MYLAR CAP.	
	C774	QFLB1HJ-473	0.047MF 50V MYLAR CAP.	
	C801	QEZO223-478	4700MF E. CAP.	
	C802	QEZO223-478	4700MF E. CAP.	
	C804	QFN82CK-104	0.1MF 160V METAL MYLAR	
	C805	QFN82CK-104	0.1MF 160V METAL MYLAR	
	C811	QETB1VM-228N	2200MF 35V E. CAP.	
	C812	QFN82AJ-104	0.1MF 100V MYLAR CAP.	
	C813	QFN82AJ-104	0.1MF 100V MYLAR CAP.	
	C840	QETB1HM-476	47MF 50V E. CAP.	
	C841	QETB1HM-476	47MF 50V E. CAP.	
	C854	QETB1EM-107	100MF 25V AL. E. CAP.	
	C885	QETB1HM-105	1MF 50V AL. E. CAP.	
	C896	QETB1EM-107	100MF 25V AL. E. CAP.	
	C903	QETB1HM-226E	22MF 50V E. CAP.	
	C904	QCY31HK-102Z	1000PF 50V CER. CAP.	
	C905	QETB1AM-476	47MF 10V E. CAP.	
	C906	QCF21HP-103A	0.01MF 50V CER. CAP.	
	C909	QETB1CM-226	22MF 16V E. CAP.	
	C925	QETB1HM-225	2.2MF 50V AL. E. CAP.	
	C931	QFLB1HJ-223	0.022MF 50V MYLAR CAP.	BS
	C931	QFLB1HJ-223	0.022MF 50V MYLAR CAP.	EF
	C931	QFLB1HJ-223	0.022MF 50V MYLAR CAP.	EN
	C931	QFLB1HJ-223	0.022MF 50V MYLAR CAP.	G
	C931	QFLB1HJ-223	0.022MF 50V MYLAR CAP.	GI
	C932	QFLB1HJ-223	0.022MF 50V MYLAR CAP.	BS
	C932	QFLB1HJ-223	0.022MF 50V MYLAR CAP.	EF
	C932	QFLB1HJ-223	0.022MF 50V MYLAR CAP.	EN
	C932	QFLB1HJ-223	0.022MF 50V MYLAR CAP.	G
	C932	QFLB1HJ-223	0.022MF 50V MYLAR CAP.	GI
	C933	QFLB1HJ-223	0.022MF 50V MYLAR CAP.	BS
	C933	QFLB1HJ-223	0.022MF 50V MYLAR CAP.	EF
	C933	QFLB1HJ-223	0.022MF 50V MYLAR CAP.	EN
	C933	QFLB1HJ-223	0.022MF 50V MYLAR CAP.	G
	C933	QFLB1HJ-223	0.022MF 50V MYLAR CAP.	GI
	C934	QFLB1HJ-223	0.022MF 50V MYLAR CAP.	BS
	C934	QFLB1HJ-223	0.022MF 50V MYLAR CAP.	EF
	C934	QFLB1HJ-223	0.022MF 50V MYLAR CAP.	EN
	C934	QFLB1HJ-223	0.022MF 50V MYLAR CAP.	G
	C934	QFLB1HJ-223	0.022MF 50V MYLAR CAP.	GI
	C935	QCS31HJ-331Z	330PF 50V CER. CAP.	BS
	C935	QCS31HJ-331Z	330PF 50V CER. CAP.	EF
	C935	QCS31HJ-331Z	330PF 50V CER. CAP.	EN
	C935	QCS31HJ-331Z	330PF 50V CER. CAP.	G
	C935	QCS31HJ-331Z	330PF 50V CER. CAP.	GI
	C936	QCS31HJ-331Z	330PF 50V CER. CAP.	BS
	C936	QCS31HJ-331Z	330PF 50V CER. CAP.	EF
	C936	QCS31HJ-331Z	330PF 50V CER. CAP.	EN
	C936	QCS31HJ-331Z	330PF 50V CER. CAP.	G

## Electrical Parts List (ENH-290)

△	Item	Parts Number	Description	Area
	C936	QCS31HJ-331Z	330PF 50V CER. CAP.	GI
	C937	QCS31HJ-331Z	330PF 50V CER. CAP.	BS
	C937	QCS31HJ-331Z	330PF 50V CER. CAP.	EF
	C937	QCS31HJ-331Z	330PF 50V CER. CAP.	EN
	C937	QCS31HJ-331Z	330PF 50V CER. CAP.	G
	C937	QCS31HJ-331Z	330PF 50V CER. CAP.	GI
	C938	QCS31HJ-331Z	330PF 50V CER. CAP.	BS
	C938	QCS31HJ-331Z	330PF 50V CER. CAP.	EF
	C938	QCS31HJ-331Z	330PF 50V CER. CAP.	EN
	C938	QCS31HJ-331Z	330PF 50V CER. CAP.	G
	C938	QCS31HJ-331Z	330PF 50V CER. CAP.	GI
	C941	QCS31HJ-331Z	330PF 50V CER. CAP.	BS
	C941	QCS31HJ-331Z	330PF 50V CER. CAP.	EF
	C941	QCS31HJ-331Z	330PF 50V CER. CAP.	EN
	C941	QCS31HJ-331Z	330PF 50V CER. CAP.	G
	C941	QCS31HJ-331Z	330PF 50V CER. CAP.	GI
	C942	QCS31HJ-331Z	330PF 50V CER. CAP.	BS
	C942	QCS31HJ-331Z	330PF 50V CER. CAP.	EF
	C942	QCS31HJ-331Z	330PF 50V CER. CAP.	EN
	C942	QCS31HJ-331Z	330PF 50V CER. CAP.	G
	C942	QCS31HJ-331Z	330PF 50V CER. CAP.	GI
	C943	QCS31HJ-331Z	330PF 50V CER. CAP.	BS
	C943	QCS31HJ-331Z	330PF 50V CER. CAP.	EF
	C943	QCS31HJ-331Z	330PF 50V CER. CAP.	EN
	C943	QCS31HJ-331Z	330PF 50V CER. CAP.	G
	C943	QCS31HJ-331Z	330PF 50V CER. CAP.	GI
	C944	QCS31HJ-331Z	330PF 50V CER. CAP.	BS
	C944	QCS31HJ-331Z	330PF 50V CER. CAP.	EF
	C944	QCS31HJ-331Z	330PF 50V CER. CAP.	EN
	C944	QCS31HJ-331Z	330PF 50V CER. CAP.	G
	C944	QCS31HJ-331Z	330PF 50V CER. CAP.	GI
	C945	QCS31HJ-331Z	330PF 50V CER. CAP.	BS
	C945	QCS31HJ-331Z	330PF 50V CER. CAP.	EF
	C945	QCS31HJ-331Z	330PF 50V CER. CAP.	EN
	C945	QCS31HJ-331Z	330PF 50V CER. CAP.	G
	C945	QCS31HJ-331Z	330PF 50V CER. CAP.	GI
	C946	QCS31HJ-331Z	330PF 50V CER. CAP.	BS
	C946	QCS31HJ-331Z	330PF 50V CER. CAP.	EF
	C946	QCS31HJ-331Z	330PF 50V CER. CAP.	EN
	C946	QCS31HJ-331Z	330PF 50V CER. CAP.	G
	C946	QCS31HJ-331Z	330PF 50V CER. CAP.	GI
	C971	QFLB1HJ-223	0.022MF 50V MYLAR CAP.	BS
	C971	QFLB1HJ-223	0.022MF 50V MYLAR CAP.	EF
	C971	QFLB1HJ-223	0.022MF 50V MYLAR CAP.	EN
	C971	QFLB1HJ-223	0.022MF 50V MYLAR CAP.	G
	C971	QFLB1HJ-223	0.022MF 50V MYLAR CAP.	GI
	C974	QFLB1HJ-223	0.022MF 50V MYLAR CAP.	BS
	C974	QFLB1HJ-223	0.022MF 50V MYLAR CAP.	EF
	C974	QFLB1HJ-223	0.022MF 50V MYLAR CAP.	EN
	C974	QFLB1HJ-223	0.022MF 50V MYLAR CAP.	G
	C974	QFLB1HJ-223	0.022MF 50V MYLAR CAP.	GI
	C975	QFLB1HJ-223	0.022MF 50V MYLAR CAP.	GI
	C981	QFLB1HJ-223	0.022MF 50V MYLAR CAP.	BS
	C981	QFLB1HJ-223	0.022MF 50V MYLAR CAP.	EF
	C981	QFLB1HJ-223	0.022MF 50V MYLAR CAP.	EN
	C981	QFLB1HJ-223	0.022MF 50V MYLAR CAP.	G
	C981	QFLB1HJ-223	0.022MF 50V MYLAR CAP.	GI
	C984	QFLB1HJ-223	0.022MF 50V MYLAR CAP.	BS
	C984	QFLB1HJ-223	0.022MF 50V MYLAR CAP.	EF
	C984	QFLB1HJ-223	0.022MF 50V MYLAR CAP.	EN
	C984	QFLB1HJ-223	0.022MF 50V MYLAR CAP.	G
	C984	QFLB1HJ-223	0.022MF 50V MYLAR CAP.	GI
	C985	QFLB1HJ-223	0.022MF 50V MYLAR CAP.	BS
	C985	QFLB1HJ-223	0.022MF 50V MYLAR CAP.	EF
	C985	QFLB1HJ-223	0.022MF 50V MYLAR CAP.	EN
	C985	QFLB1HJ-223	0.022MF 50V MYLAR CAP.	G
	C985	QFLB1HJ-223	0.022MF 50V MYLAR CAP.	GI
	C986	QCS21HJ-221	220PF 50V CER. CAP.	BS
	C986	QCS21HJ-221	220PF 50V CER. CAP.	EF
	C986	QCS21HJ-221	220PF 50V CER. CAP.	EN
	C986	QCS21HJ-221	220PF 50V CER. CAP.	G
	C986	QCS21HJ-221	220PF 50V CER. CAP.	GI
		RESISTORS		
△	R011	QRZ0076-3R3	3.3 1/4W FUSIBLE RES.	U
△	R011	QRZ0076-3R3	3.3 1/4W FUSIBLE RES.	UB
△	R011	QRZ0076-3R3	3.3 1/4W FUSIBLE RES.	US
△	R011	QRZ0076-3R3	3.3 1/4W FUSIBLE RES.	UT
	R011	QRZ0077-220X	22 1/4W FUSIBLE RES.	A
	R011	QRZ0077-220X	22 1/4W FUSIBLE RES.	BS
	R011	QRZ0077-220X	22 1/4W FUSIBLE RES.	EF
	R011	QRZ0077-220X	22 1/4W FUSIBLE RES.	EN
	R011	QRZ0077-220X	22 1/4W FUSIBLE RES.	G
	R011	QRZ0077-220X	22 1/4W FUSIBLE RES.	GI
△	R012	QRD145J-153S	15K 1/4W UNF. CARBON R	U
△	R012	QRD145J-153S	15K 1/4W UNF. CARBON R	UB
△	R012	QRD145J-153S	15K 1/4W UNF. CARBON R	US
△	R012	QRD145J-153S	15K 1/4W UNF. CARBON R	UT
	R013	QRD14CJ-102SX	1K 1/4W UNF. CARBON R	A
	R013	QRD14CJ-821SX	820 1/4W CARBON RES.	BS
	R013	QRD14CJ-821SX	820 1/4W CARBON RES.	EF
	R013	QRD14CJ-821SX	820 1/4W CARBON RES.	EN
	R013	QRD14CJ-821SX	820 1/4W CARBON RES.	G
	R013	QRD14CJ-821SX	820 1/4W CARBON RES.	GI
	R013	QRD14CJ-821SX	820 1/4W CARBON RES.	U
	R013	QRD14CJ-821SX	820 1/4W CARBON RES.	UB
	R013	QRD14CJ-821SX	820 1/4W CARBON RES.	US
	R013	QRD14CJ-821SX	820 1/4W CARBON RES.	UT
△	R014	QRG012J-332A	3.3K 1W OXIDE METAL	U
△	R014	QRG012J-332A	3.3K 1W OXIDE METAL	UB
△	R014	QRG012J-332A	3.3K 1W OXIDE METAL	US
△	R014	QRG012J-332A	3.3K 1W OXIDE METAL	UT
△	R015	QRD14CJ-100SX	10 1/4W UNF. CARBON R	A
△	R015	QRD14CJ-100SX	10 1/4W UNF. CARBON R	BS
△	R015	QRD14CJ-100SX	10 1/4W UNF. CARBON R	EF
△	R015	QRD14CJ-100SX	10 1/4W UNF. CARBON R	EN
△	R015	QRD14CJ-100SX	10 1/4W UNF. CARBON R	G
△	R015	QRD14CJ-100SX	10 1/4W UNF. CARBON R	GI
	R035	QRD167J-200	20 1/6W CARBON RES.	A
	R051	QRD161J-222	2.2K 1/6W CARBON RES.	
	R052	QRD161J-104	100K 1/6W CARBON RES.	
	R053	QRD161J-202	2K 1/6W CARBON RES.	
	R054	QRD161J-202	2K 1/6W CARBON RES.	
	R055	QRD161J-123	12K 1/6W CARBON RES.	
	R057	QRD161J-104	100K 1/6W CARBON RES.	
	R058	QRD161J-102	1K 1/6W CARBON RES.	BS
	R058	QRD161J-102	1K 1/6W CARBON RES.	EF
	R058	QRD161J-102	1K 1/6W CARBON RES.	EN
	R058	QRD161J-102	1K 1/6W CARBON RES.	G
	R058	QRD161J-102	1K 1/6W CARBON RES.	GI
	R058	QRD161J-821	820 1/6W CARBON RES.	A
	R058	QRD161J-821	820 1/6W CARBON RES.	U
	R058	QRD161J-821	820 1/6W CARBON RES.	UB
	R058	QRD161J-821	820 1/6W CARBON RES.	US
	R058	QRD161J-821	820 1/6W CARBON RES.	UT
△	R061	QRD14CJ-181S	180 1/4W UNF. CARBON R	
	R062	QRD161J-222	2.2K 1/6W CARBON RES.	
	R063	QRD161J-222	2.2K 1/6W CARBON RES.	
	R064	QRD161J-222	2.2K 1/6W CARBON RES.	
	R065	QRD161J-222	2.2K 1/6W CARBON RES.	
△	R067	QRD14CJ-331SX	330 1/4W UNF. CARBON R	
△	R068	QRD14CJ-331SX	330 1/4W UNF. CARBON R	
△	R072	QRD14CJ-561SX	560 1/4W UNF. CARBON R	
△	R073	QRD14CJ-100SX	10 1/4W UNF. CARBON R	
△	R074	QRD14CJ-100SX	10 1/4W UNF. CARBON R	
△	R077	ERF032K-R22	0.22 3W CEM. RES.	
△	R078	QRD125J-330	33 1/2W UNF. CARBON R	
	R081	QRD161J-102	1K 1/6W CARBON RES.	
	R082	QRD161J-183	18K 1/6W CARBON RES.	
	R083	QRD161J-123	12K 1/6W CARBON RES.	
	R090	ERT-D2WHL202S	2K 1/4W NEGATIVE THE	
	R091	QRD161J-820	82 1/6W CARBON RES.	
	R092	QRD161J-391	390 1/6W CARBON RES.	
	R093	QRD161J-181	180 1/6W CARBON RES.	
	R094	QRD161J-181	180 1/6W CARBON RES.	
	R095	QRD161J-391	390 1/6W CARBON RES.	
	R096	QRD161J-391	390 1/6W CARBON RES.	

# RX-320VBK

## Electrical Parts List (ENH-290)

Δ	Item	Parts Number	Description	Area
Δ	R097	QRG022J-100A	10 2W OXIDE METAL	
	R098	QRD161J-104	100K 1/6W CARBON RES.	
	R511	QRD161J-102	1K 1/6W CARBON RES.	
	R512	QRD161J-242	2.4K 1/6W CARBON RES.	
	R523	QRD161J-472	4.7K 1/6W CARBON RES.	
	R524	QRD161J-472	4.7K 1/6W CARBON RES.	
	R525	QRD161J-122	1.2K 1/6W CARBON RES.	
	R526	QRD161J-122	1.2K 1/6W CARBON RES.	
	R533	QRD161J-203	20K 1/6W CARBON RES.	
	R534	QRD161J-203	20K 1/6W CARBON RES.	
	R535	QRD161J-362	3.6K 1/6W CARBON RES.	
	R536	QRD161J-362	3.6K 1/6W CARBON RES.	
	R551	QRD161J-222	2.2K 1/6W CARBON RES.	
	R552	QRD161J-104	100K 1/6W CARBON RES.	
	R553	QRD161J-202	2K 1/6W CARBON RES.	
	R554	QRD161J-202	2K 1/6W CARBON RES.	
	R555	QRD161J-103	10K 1/6W CARBON RES.	
	R557	QRD161J-823	82K 1/6W CARBON RES.	
	R558	QRD161J-102	1K 1/6W CARBON RES.	BS
	R558	QRD161J-102	1K 1/6W CARBON RES.	EF
	R558	QRD161J-102	1K 1/6W CARBON RES.	EN
	R558	QRD161J-102	1K 1/6W CARBON RES.	G
	R558	QRD161J-102	1K 1/6W CARBON RES.	GI
	R558	QRD161J-821	820 1/6W CARBON RES.	A
	R558	QRD161J-821	820 1/6W CARBON RES.	U
	R558	QRD161J-821	820 1/6W CARBON RES.	UB
	R558	QRD161J-821	820 1/6W CARBON RES.	US
	R558	QRD161J-821	820 1/6W CARBON RES.	UT
	R560	QRD161J-133Y	13K 1/6W CARBON RES.	
Δ	R561	QRD14CJ-221S	220 1/4W UNF. CARBON R	
	R562	QRD161J-820	82 1/6W CARBON RES.	
	R563	QRD161J-222	2.2K 1/6W CARBON RES.	
	R564	QRD161J-222	2.2K 1/6W CARBON RES.	
	R565	QRD161J-222	2.2K 1/6W CARBON RES.	
	R566	QRD161J-222	2.2K 1/6W CARBON RES.	
	R567	QRD161J-391	390 1/6W CARBON RES.	
	R568	ERT-D2WHL202S	2K 1/4W NEGATIVE THE	
Δ	R569	QRD14CJ-100SX	10 1/4W UNF. CARBON R	
Δ	R570	QRD14CJ-100SX	10 1/4W UNF. CARBON R	
Δ	R571	QRD14CJ-100SX	10 1/4W UNF. CARBON R	
Δ	R572	QRD14CJ-100SX	10 1/4W UNF. CARBON R	
Δ	R575	QRD14CJ-100SX	10 1/4W UNF. CARBON R	
Δ	R576	QRD14CJ-100SX	10 1/4W UNF. CARBON R	
Δ	R577	ERF032K-R22	0.22 3W CEM. RES.	
Δ	R578	QRD14CJ-561SX	560 1/4W UNF. CARBON R	
Δ	R581	QRD125J-330	33 1/2W UNF. CARBON R	
Δ	R582	QRG022J-100A	10 2W OXIDE METAL	
	R585	QRD161J-181	180 1/6W CARBON RES.	
	R586	QRD161J-181	180 1/6W CARBON RES.	
	R587	QRD161J-391	390 1/6W CARBON RES.	
	R588	QRD161J-391	390 1/6W CARBON RES.	
	R591	QRD161J-102	1K 1/6W CARBON RES.	
	R592	QRD161J-183	18K 1/6W CARBON RES.	
	R593	QRD161J-123	12K 1/6W CARBON RES.	
	R594	QRD161J-104	100K 1/6W CARBON RES.	
	R661	QRD161J-750	75 1/6W CARBON RES.	
	R662	QRD161J-750	75 1/6W CARBON RES.	
	R663	QRD161J-750	75 1/6W CARBON RES.	
	R664	QRD161J-750	75 1/6W CARBON RES.	
	R665	QRD161J-473	47K 1/6W CARBON RES.	
	R666	QRD161J-473	47K 1/6W CARBON RES.	
	R667	QRD161J-331	330 1/6W CARBON RES.	
	R668	QRD161J-331	330 1/6W CARBON RES.	
	R701	QRD161J-222	2.2K 1/6W CARBON RES.	
	R702	QRD161J-222	2.2K 1/6W CARBON RES.	
	R703	QRD161J-104	100K 1/6W CARBON RES.	
	R704	QRD161J-104	100K 1/6W CARBON RES.	
	R705	QRD161J-202	2K 1/6W CARBON RES.	
	R706	QRD161J-202	2K 1/6W CARBON RES.	
	R707	QRD161J-202	2K 1/6W CARBON RES.	
	R708	QRD161J-202	2K 1/6W CARBON RES.	
	R709	QRD161J-133Y	13K 1/6W CARBON RES.	
	R710	QRD161J-133Y	13K 1/6W CARBON RES.	

Δ	Item	Parts Number	Description	Area
	R711	QRD161J-102	1K 1/6W CARBON RES.	BS
	R711	QRD161J-102	1K 1/6W CARBON RES.	EF
	R711	QRD161J-102	1K 1/6W CARBON RES.	EN
	R711	QRD161J-102	1K 1/6W CARBON RES.	G
	R711	QRD161J-102	1K 1/6W CARBON RES.	GI
	R711	QRD161J-821	820 1/6W CARBON RES.	A
	R711	QRD161J-821	820 1/6W CARBON RES.	U
	R711	QRD161J-821	820 1/6W CARBON RES.	UB
	R711	QRD161J-821	820 1/6W CARBON RES.	US
	R711	QRD161J-821	820 1/6W CARBON RES.	UT
	R712	QRD161J-102	1K 1/6W CARBON RES.	BS
	R712	QRD161J-102	1K 1/6W CARBON RES.	EF
	R712	QRD161J-102	1K 1/6W CARBON RES.	EN
	R712	QRD161J-102	1K 1/6W CARBON RES.	G
	R712	QRD161J-102	1K 1/6W CARBON RES.	GI
	R712	QRD161J-821	820 1/6W CARBON RES.	A
	R712	QRD161J-821	820 1/6W CARBON RES.	U
	R712	QRD161J-821	820 1/6W CARBON RES.	UB
	R712	QRD161J-821	820 1/6W CARBON RES.	US
	R712	QRD161J-821	820 1/6W CARBON RES.	UT
	R713	QRD161J-133Y	13K 1/6W CARBON RES.	
	R714	QRD161J-133Y	13K 1/6W CARBON RES.	
	R715	QRD161J-823	82K 1/6W CARBON RES.	
	R716	QRD161J-823	82K 1/6W CARBON RES.	
	R717	QRD161J-101	100 1/6W CARBON RES.	
	R718	QRD161J-101	100 1/6W CARBON RES.	
Δ	R721	QRD14CJ-151SX	150 1/4W UNF. CARBON R	
Δ	R722	QRD14CJ-151SX	150 1/4W UNF. CARBON R	
	R727	QRD161J-222	2.2K 1/6W CARBON RES.	
	R728	QRD161J-222	2.2K 1/6W CARBON RES.	
	R729	QRD161J-222	2.2K 1/6W CARBON RES.	
	R730	QRD161J-222	2.2K 1/6W CARBON RES.	
	R731	QRD161J-222	2.2K 1/6W CARBON RES.	
	R732	QRD161J-222	2.2K 1/6W CARBON RES.	
	R733	QRD161J-222	2.2K 1/6W CARBON RES.	
	R734	QRD161J-222	2.2K 1/6W CARBON RES.	
Δ	R739	QRD14CJ-100SX	10 1/4W UNF. CARBON R	
Δ	R740	QRD14CJ-100SX	10 1/4W UNF. CARBON R	
	R743	QRD167J-152	1.5K 1/6W CARBON RES.	
	R744	QRD167J-152	1.5K 1/6W CARBON RES.	
	R745	QRD161J-391	390 1/6W CARBON RES.	
	R746	QRD161J-391	390 1/6W CARBON RES.	
	R747	QRD161J-102	1K 1/6W CARBON RES.	
	R748	QRD161J-102	1K 1/6W CARBON RES.	
	R749	ERT-D2WHL202S	2K 1/4W NEGATIVE THE	
	R750	ERT-D2WHL202S	2K 1/4W NEGATIVE THE	
Δ	R751	QRD14CJ-100SX	10 1/4W UNF. CARBON R	
Δ	R752	QRD14CJ-100SX	10 1/4W UNF. CARBON R	
Δ	R753	QRD14CJ-100SX	10 1/4W UNF. CARBON R	
Δ	R754	QRD14CJ-100SX	10 1/4W UNF. CARBON R	
Δ	R755	QRD14CJ-100SX	10 1/4W UNF. CARBON R	
Δ	R756	QRD14CJ-100SX	10 1/4W UNF. CARBON R	
Δ	R757	QRD14CJ-100SX	10 1/4W UNF. CARBON R	
Δ	R758	QRD14CJ-100SX	10 1/4W UNF. CARBON R	
Δ	R759	QRD14CJ-272S	2.7K 1/4W UNF. CARBON R	
Δ	R760	QRD14CJ-272S	2.7K 1/4W UNF. CARBON R	
Δ	R765	QRD14CJ-271S	270 1/4W UNF. CARBON R	
Δ	R766	QRD14CJ-271S	270 1/4W UNF. CARBON R	
Δ	R767	QRD14CJ-100SX	10 1/4W UNF. CARBON R	
Δ	R768	QRD14CJ-100SX	10 1/4W UNF. CARBON R	
Δ	R769	QRD14CJ-100SX	10 1/4W UNF. CARBON R	
Δ	R770	QRD14CJ-100SX	10 1/4W UNF. CARBON R	
Δ	R771	ERF032K-R22	0.22 3W CEM. RES.	
Δ	R772	ERF032K-R22	0.22 3W CEM. RES.	
Δ	R773	QRD125J-330	33 1/2W UNF. CARBON R	
Δ	R774	QRD125J-330	33 1/2W UNF. CARBON R	
Δ	R775	QRG022J-100A	10 2W OXIDE METAL	
Δ	R776	QRG022J-100A	10 2W OXIDE METAL	
	R781	QRD161J-181	180 1/6W CARBON RES.	A
	R781	QRD161J-181	180 1/6W CARBON RES.	U
	R781	QRD161J-181	180 1/6W CARBON RES.	UB
	R781	QRD161J-181	180 1/6W CARBON RES.	US
	R781	QRD161J-181	180 1/6W CARBON RES.	UT

Electrical Parts List (ENH-290)

Δ	Item	Parts Number	Description	Area
	R781	QRD167J-111	110 1/6W CARBON RES.	BS
	R781	QRD167J-111	110 1/6W CARBON RES.	EF
	R781	QRD167J-111	110 1/6W CARBON RES.	EN
	R781	QRD167J-111	110 1/6W CARBON RES.	G
	R781	QRD167J-111	110 1/6W CARBON RES.	GI
	R782	QRD161J-181	180 1/6W CARBON RES.	A
	R782	QRD161J-181	180 1/6W CARBON RES.	U
	R782	QRD161J-181	180 1/6W CARBON RES.	UB
	R782	QRD161J-181	180 1/6W CARBON RES.	US
	R782	QRD161J-181	180 1/6W CARBON RES.	UT
	R782	QRD167J-111	110 1/6W CARBON RES.	BS
	R782	QRD167J-111	110 1/6W CARBON RES.	EF
	R782	QRD167J-111	110 1/6W CARBON RES.	EN
	R782	QRD167J-111	110 1/6W CARBON RES.	G
	R782	QRD167J-111	110 1/6W CARBON RES.	GI
	R783	QRD161J-181	180 1/6W CARBON RES.	A
	R783	QRD161J-181	180 1/6W CARBON RES.	U
	R783	QRD161J-181	180 1/6W CARBON RES.	UB
	R783	QRD161J-181	180 1/6W CARBON RES.	US
	R783	QRD161J-181	180 1/6W CARBON RES.	UT
	R783	QRD167J-111	110 1/6W CARBON RES.	BS
	R783	QRD167J-111	110 1/6W CARBON RES.	EF
	R783	QRD167J-111	110 1/6W CARBON RES.	EN
	R783	QRD167J-111	110 1/6W CARBON RES.	G
	R783	QRD167J-111	110 1/6W CARBON RES.	GI
	R784	QRD161J-181	180 1/6W CARBON RES.	A
	R784	QRD161J-181	180 1/6W CARBON RES.	U
	R784	QRD161J-181	180 1/6W CARBON RES.	UB
	R784	QRD161J-181	180 1/6W CARBON RES.	US
	R784	QRD161J-181	180 1/6W CARBON RES.	UT
	R784	QRD167J-111	110 1/6W CARBON RES.	BS
	R784	QRD167J-111	110 1/6W CARBON RES.	EF
	R784	QRD167J-111	110 1/6W CARBON RES.	EN
	R784	QRD167J-111	110 1/6W CARBON RES.	G
	R784	QRD167J-111	110 1/6W CARBON RES.	GI
	R785	QRD161J-101	100 1/6W CARBON RES.	BS
	R785	QRD161J-101	100 1/6W CARBON RES.	EF
	R785	QRD161J-101	100 1/6W CARBON RES.	EN
	R785	QRD161J-101	100 1/6W CARBON RES.	G
	R785	QRD161J-101	100 1/6W CARBON RES.	GI
	R785	QRD161J-391	390 1/6W CARBON RES.	A
	R785	QRD161J-391	390 1/6W CARBON RES.	U
	R785	QRD161J-391	390 1/6W CARBON RES.	UB
	R785	QRD161J-391	390 1/6W CARBON RES.	US
	R785	QRD161J-391	390 1/6W CARBON RES.	UT
	R786	QRD161J-101	100 1/6W CARBON RES.	BS
	R786	QRD161J-101	100 1/6W CARBON RES.	EF
	R786	QRD161J-101	100 1/6W CARBON RES.	EN
	R786	QRD161J-101	100 1/6W CARBON RES.	G
	R786	QRD161J-101	100 1/6W CARBON RES.	GI
	R786	QRD161J-391	390 1/6W CARBON RES.	A
	R786	QRD161J-391	390 1/6W CARBON RES.	U
	R786	QRD161J-391	390 1/6W CARBON RES.	UB
	R786	QRD161J-391	390 1/6W CARBON RES.	US
	R786	QRD161J-391	390 1/6W CARBON RES.	UT
	R787	QRD161J-101	100 1/6W CARBON RES.	BS
	R787	QRD161J-101	100 1/6W CARBON RES.	EF
	R787	QRD161J-101	100 1/6W CARBON RES.	EN
	R787	QRD161J-101	100 1/6W CARBON RES.	G
	R787	QRD161J-101	100 1/6W CARBON RES.	GI
	R787	QRD161J-391	390 1/6W CARBON RES.	A
	R787	QRD161J-391	390 1/6W CARBON RES.	U
	R787	QRD161J-391	390 1/6W CARBON RES.	UB
	R787	QRD161J-391	390 1/6W CARBON RES.	US
	R787	QRD161J-391	390 1/6W CARBON RES.	UT
	R788	QRD161J-101	100 1/6W CARBON RES.	BS
	R788	QRD161J-101	100 1/6W CARBON RES.	EF
	R788	QRD161J-101	100 1/6W CARBON RES.	EN
	R788	QRD161J-101	100 1/6W CARBON RES.	G
	R788	QRD161J-101	100 1/6W CARBON RES.	GI
	R788	QRD161J-391	390 1/6W CARBON RES.	A
	R788	QRD161J-391	390 1/6W CARBON RES.	U
	R788	QRD161J-391	390 1/6W CARBON RES.	UB

Δ	Item	Parts Number	Description	Area
	R788	QRD161J-391	390 1/6W CARBON RES.	US
	R788	QRD161J-391	390 1/6W CARBON RES.	UT
	R801	QRD161J-104	100K 1/6W CARBON RES.	
	R802	QRD161J-104	100K 1/6W CARBON RES.	
Δ	R808	QRD14CJ-3R3S	3.3 1/4W UNF. CARBON R	
Δ	R840	QRZ0077-220X	22 1/4W FUSIBLE RES.	
Δ	R841	QRZ0077-100	10 1/4W FUSIBLE RES.	
Δ	R842	QRD14CJ-222SX	2.2K 1/4W UNF. CARBON R	
Δ	R845	QRD14CJ-102SX	1K 1/4W UNF. CARBON R	
Δ	R854	QRD14CJ-822S	8.2K 1/4W UNF. CARBON R	
Δ	R881	QRZ0077-4R7	4.7 1/4W FUSE RESISTO	
	R885	QRD161J-104	100K 1/6W CARBON RES.	
Δ	R891	QRZ0077-100	10 1/4W FUSIBLE RES.	
Δ	R892	QRD14CJ-272S	2.7K 1/4W UNF. CARBON R	
	R901	QRD161J-102	1K 1/6W CARBON RES.	
	R902	QRD161J-102	1K 1/6W CARBON RES.	
	R903	QRD167J-153	15K 1/6W CARBON RES.	
	R904	QRD167J-153	15K 1/6W CARBON RES.	
	R905	QRD161J-123	12K 1/6W CARBON RES.	
	R906	QRD161J-123	12K 1/6W CARBON RES.	
	R909	QRD161J-104	100K 1/6W CARBON RES.	
	R910	QRD161J-823	82K 1/6W CARBON RES.	
	R911	QRD167J-332	3.3K 1/6W CARBON RES.	
	R912	QRD161J-473	47K 1/6W CARBON RES.	
	R913	QRD161J-103	10K 1/6W CARBON RES.	
	R915	QRD161J-823	82K 1/6W CARBON RES.	
	R916	QRD161J-563	56K 1/6W CARBON RES.	
	R917	QRD161J-683	68K 1/6W CARBON RES.	
	R918	QRD161J-392	3.9K 1/6W CARBON RES.	
	R919	QRD161J-122	1.2K 1/6W CARBON RES.	
	R920	QRD161J-224	220K 1/6W CARBON RES.	
Δ	R921	QRD14CJ-470SX	47 1/4W UNF. CARBON R	
	R925	QRD167J-562	5.6K 1/6W CARBON RES.	
	R926	QRD167J-822	8.2K 1/6W CARBON RES.	
	R927	QRD161J-103	10K 1/6W CARBON RES.	
Δ	R931	QRZ0077-100	10 1/4W FUSIBLE RES.	BS
Δ	R931	QRZ0077-100	10 1/4W FUSIBLE RES.	EF
Δ	R931	QRZ0077-100	10 1/4W FUSIBLE RES.	EN
Δ	R931	QRZ0077-100	10 1/4W FUSIBLE RES.	G
Δ	R931	QRZ0077-100	10 1/4W FUSIBLE RES.	GI
Δ	R932	QRZ0077-100	10 1/4W FUSIBLE RES.	BS
Δ	R932	QRZ0077-100	10 1/4W FUSIBLE RES.	EF
Δ	R932	QRZ0077-100	10 1/4W FUSIBLE RES.	EN
Δ	R932	QRZ0077-100	10 1/4W FUSIBLE RES.	G
Δ	R932	QRZ0077-100	10 1/4W FUSIBLE RES.	GI
Δ	R933	QRZ0077-100	10 1/4W FUSIBLE RES.	BS
Δ	R933	QRZ0077-100	10 1/4W FUSIBLE RES.	EF
Δ	R933	QRZ0077-100	10 1/4W FUSIBLE RES.	EN
Δ	R933	QRZ0077-100	10 1/4W FUSIBLE RES.	G
Δ	R933	QRZ0077-100	10 1/4W FUSIBLE RES.	GI
Δ	R934	QRZ0077-100	10 1/4W FUSIBLE RES.	BS
Δ	R934	QRZ0077-100	10 1/4W FUSIBLE RES.	EF
Δ	R934	QRZ0077-100	10 1/4W FUSIBLE RES.	EN
Δ	R934	QRZ0077-100	10 1/4W FUSIBLE RES.	G
Δ	R934	QRZ0077-100	10 1/4W FUSIBLE RES.	GI
Δ	R951	QRD14CJ-220S	22 1/4W UNF. CARBON R	
Δ	R961	ORG022J-471A	470 2W OXIDE METAL	
Δ	R962	ORG022J-471A	470 2W OXIDE METAL	
Δ	R975	QRZ0077-4R7	4.7 1/4W FUSE RESISTO	BS
Δ	R975	QRZ0077-4R7	4.7 1/4W FUSE RESISTO	EF
Δ	R975	QRZ0077-4R7	4.7 1/4W FUSE RESISTO	EN
Δ	R975	QRZ0077-4R7	4.7 1/4W FUSE RESISTO	G
Δ	R975	QRZ0077-4R7	4.7 1/4W FUSE RESISTO	GI
	R997	QRD161J-103	10K 1/6W CARBON RES.	U
	R997	QRD161J-103	10K 1/6W CARBON RES.	UB
	R997	QRD161J-103	10K 1/6W CARBON RES.	US
	R997	QRD161J-103	10K 1/6W CARBON RES.	UT
	R998	QRD161J-103	10K 1/6W CARBON RES.	U
	R998	QRD161J-103	10K 1/6W CARBON RES.	UB
	R998	QRD161J-103	10K 1/6W CARBON RES.	US
	R998	QRD161J-103	10K 1/6W CARBON RES.	UT
	R999	QRD161J-103	10K 1/6W CARBON RES.	U
	R999	QRD161J-103	10K 1/6W CARBON RES.	UB

# RX-320VBK

## Electrical Parts List (ENH-290)

△	Item	Parts Number	Description	Area
	R999	QRD161J-103	10K 1/6W CARBON RES.	US
	R999	QRD161J-103	10K 1/6W CARBON RES.	UT
	VR511	QVDA96W-E15DJ3	100K VARIABLE RES.	
	VR521	QVDB96C-E15CJ3	100K VARIABLE RES.	
	VR531	QVDB96C-E15CJ3	100K VARIABLE RES.	
	VR741	QVPA601-501A	500 TRIMMER RES.	
	VR742	QVPA601-501A	500 TRIMMER RES.	
		OTHERS		
		EMW10626-102	PRINTED BOARD	
		QWE880-15RR	VINYL WIRE	U
		QWE880-15RR	VINYL WIRE	UB
		QWE880-15RR	VINYL WIRE	US
		QWE880-15RR	VINYL WIRE	UT
		QWE881-16RR	VINYL WIRE	A
		QWE881-16RR	VINYL WIRE	EF
		QWE881-16RR	VINYL WIRE	EN
		QWE881-16RR	VINYL WIRE	G
		QWE881-16RR	VINYL WIRE	GI
		QWE881-16RR	VINYL WIRE	U
		QWE881-16RR	VINYL WIRE	UB
		QWE881-16RR	VINYL WIRE	US
		QWE881-16RR	VINYL WIRE	UT
		QWE881-16RRBS	VINYL WIRE	BS
		QWE882-15RR	VINYL WIRE	U
		QWE882-15RR	VINYL WIRE	UB
		QWE882-15RR	VINYL WIRE	US
		QWE882-15RR	VINYL WIRE	UT
		QWE883-15RR	VINYL WIRE	U
		QWE883-15RR	VINYL WIRE	UB
		QWE883-15RR	VINYL WIRE	US
		QWE883-15RR	VINYL WIRE	UT
		QWE884-15RR	VINYL WIRE	U
		QWE884-15RR	VINYL WIRE	UB
		QWE884-15RR	VINYL WIRE	US
		QWE884-15RR	VINYL WIRE	UT
		QWE886-16RR	PIN WIRE	A
		QWE886-16RR	PIN WIRE	EF
		QWE886-16RR	PIN WIRE	EN
		QWE886-16RR	PIN WIRE	G
		QWE886-16RR	PIN WIRE	GI
		QWE886-16RR	PIN WIRE	U
		QWE886-16RR	PIN WIRE	UB
		QWE886-16RR	PIN WIRE	US
		QWE886-16RR	PIN WIRE	UT
		QWE886-16RRBS	VINYL WIRE	BS
		QWE888-15RR	VINYL WIRE	U
		QWE888-15RR	VINYL WIRE	UB
		QWE888-15RR	VINYL WIRE	US
		QWE888-15RR	VINYL WIRE	UT
		QWE889-15RR	VINYL WIRE	U
		QWE889-15RR	VINYL WIRE	UB
		QWE889-15RR	VINYL WIRE	US
		QWE889-15RR	VINYL WIRE	UT
		SBSG3008CC	TAPPING SCREW	
		SBSG3008CC	TAPPING SCREW	U
		SBSG3008CC	TAPPING SCREW	UB
		SBSG3008CC	TAPPING SCREW	US
		SBSG3008CC	TAPPING SCREW	UT
	J001	EMV5137-002	CONNECT TERMINAL	A
	J001	EMV5137-002	CONNECT TERMINAL	BS
	J001	EMV5137-002	CONNECT TERMINAL	EF
	J001	EMV5137-002	CONNECT TERMINAL	EN
	J001	EMV5137-002	CONNECT TERMINAL	G
	J001	EMV5137-002	CONNECT TERMINAL	GI
	J661	EMW00YY-406AJ1	PIN JACK	
	L051	EQL0011-R45J1	INDUCTOR	
	L581	EQL0011-R45J1	INDUCTOR	
	L771	EQL0011-R45J1	INDUCTOR	
	L772	EQL0011-R45J1	INDUCTOR	
	L931	EQL0011-R45J1	INDUCTOR	BS
	L931	EQL0011-R45J1	INDUCTOR	EF
	L931	EQL0011-R45J1	INDUCTOR	EN
	L931	EQL0011-R45J1	INDUCTOR	G

△	Item	Parts Number	Description	Area
	L931	EQL0011-R45J1	INDUCTOR	GI
	L932	EQL0011-R45J1	INDUCTOR	BS
	L932	EQL0011-R45J1	INDUCTOR	EF
	L932	EQL0011-R45J1	INDUCTOR	EN
	L932	EQL0011-R45J1	INDUCTOR	G
	L932	EQL0011-R45J1	INDUCTOR	GI
	L971	EQL0011-R45J1	INDUCTOR	BS
	L971	EQL0011-R45J1	INDUCTOR	EF
	L971	EQL0011-R45J1	INDUCTOR	EN
	L971	EQL0011-R45J1	INDUCTOR	G
	L971	EQL0011-R45J1	INDUCTOR	GI
	L981	EQL0011-R45J1	INDUCTOR	BS
	L981	EQL0011-R45J1	INDUCTOR	EF
	L981	EQL0011-R45J1	INDUCTOR	EN
	L981	EQL0011-R45J1	INDUCTOR	G
	L981	EQL0011-R45J1	INDUCTOR	GI
△	S001	QSP4C11-E01	PUSH SWITCH	EF
△	S001	QSP4C11-E01	PUSH SWITCH	EN
△	S001	QSP4C11-E01	PUSH SWITCH	G
△	S001	QSP4C11-E01	PUSH SWITCH	GI
△	S001	QSP4C11-E01BS	PUSH SWITCH	BS
	S901	QSP6002-E02J2	PUSH SWITCH	
△	T002	ETP1000-41EA	POWER TRANSFORMER	A
△	T002	ETP1000-41EA	POWER TRANSFORMER	EF
△	T002	ETP1000-41EA	POWER TRANSFORMER	EN
△	T002	ETP1000-41EA	POWER TRANSFORMER	G
△	T002	ETP1000-41EA	POWER TRANSFORMER	GI
△	T002	ETP1000-41EABS	POWER TRANSFORMER	BS
△	T002	ETP1000-41ZB	POWER TRANSFORMER	U
△	T002	ETP1000-41ZB	POWER TRANSFORMER	UB
△	T002	ETP1000-41ZB	POWER TRANSFORMER	US
△	T002	ETP1000-41ZB	POWER TRANSFORMER	UT
	AC001	QMC4001-E02S	AC OUTLET	U
	AC001	QMC4001-E02S	AC OUTLET	UT
	CN313	EMV5163-005R	CONNECTOR	
	CN521	EMV7163-011	CONNECT TERMINAL	
	CN701	EMV5163-010R	CONNECT TERMINAL	
	CN702	EMV5163-010R	CONNECT TERMINAL	
	CN703	EMV5163-005R	CONNECTOR	
	CN711	EMV7163-010	CONNECT TERMINAL	
	CN712	EMV7163-010	CONNECT TERMINAL	
	CN713	EMV7163-005	CONNECTOR	
	CN801	VMC0163-013	CONNECT TERMINAL	
	CN852	EMV7122-103	CONNECT TERMINAL	
	CN853	EMV7122-103	CONNECT TERMINAL	
	CN961	EMV7122-1P3	CONNECT TERMINAL	
	EP491	E409182-001SM	EARTH TERMINAL	
	EP501	EMZ4002-001Z	EARTH PLATE	
	EP700	EMZ4002-001Z	EARTH PLATE	
	EP901	E409182-001SM	EARTH TERMINAL	BS
	EP901	E409182-001SM	EARTH TERMINAL	EF
	EP901	E409182-001SM	EARTH TERMINAL	EN
	EP901	E409182-001SM	EARTH TERMINAL	G
	EP901	E409182-001SM	EARTH TERMINAL	GI
	FC101	EMG7331-003Z	FUSE CLIP	
	FC102	EMG7331-003Z	FUSE CLIP	
	FC111	EMG7331-003Z	FUSE CLIP	U
	FC111	EMG7331-003Z	FUSE CLIP	UB
	FC111	EMG7331-003Z	FUSE CLIP	US
	FC111	EMG7331-003Z	FUSE CLIP	UT
	FC112	EMG7331-003Z	FUSE CLIP	U
	FC112	EMG7331-003Z	FUSE CLIP	UB
	FC112	EMG7331-003Z	FUSE CLIP	US
	FC112	EMG7331-003Z	FUSE CLIP	UT
	FC201	EMG7331-003Z	FUSE CLIP	
	FC202	EMG7331-003Z	FUSE CLIP	
	FC301	EMG7331-003Z	FUSE CLIP	EF
	FC301	EMG7331-003Z	FUSE CLIP	EN
	FC301	EMG7331-003Z	FUSE CLIP	G
	FC301	EMG7331-003Z	FUSE CLIP	GI
	FC302	EMG7331-003Z	FUSE CLIP	EF
	FC302	EMG7331-003Z	FUSE CLIP	EN
	FC302	EMG7331-003Z	FUSE CLIP	G



## Electrcal Parts List (ENH-290)

△	Item	Parts Number	Description	Area
	FC302	EMG7331-003Z	FUSE CLIP	GI
	FC810	EMG7331-003Z	FUSE CLIP	
	FC811	EMG7331-003Z	FUSE CLIP	
	FC812	EMG7331-003Z	FUSE CLIP	
	FC813	EMG7331-003Z	FUSE CLIP	
	FW801	EWR3AD-13SS	FLAT WIRE ASSY	
	FW901	EWR36D-40SS	CORD	
	HS001	E70945-H40B	HEAT SINK	U
	HS001	E70945-H40B	HEAT SINK	UB
	HS001	E70945-H40B	HEAT SINK	US
	HS001	E70945-H40B	HEAT SINK	UT
	HS003	E70306-001	HEAT SINK	
△	IP853	ICP-N15	I. C. PROTECTOR	
	LA001	E67132-T3R15	FUSE LABEL	U
	LA001	E67132-T3R15	FUSE LABEL	UB
	LA001	E67132-T3R15	FUSE LABEL	US
	LA001	E67132-T3R15	FUSE LABEL	UT
	RY001	ESK1D12-119J3	RELAY	
	RY901	ESK7D24-213R	RELAY	
	RY951	ESK7D24-213R	RELAY	
	ST901	FMMJ4002-001	SPEAKER TERMINAL	
	ST951	EMB90TV-601G	SPEAKER TERMINAL	A
	ST951	EMB90TV-601G	SPEAKER TERMINAL	U
	ST951	EMB90TV-601G	SPEAKER TERMINAL	UB
	ST951	EMB90TV-601G	SPEAKER TERMINAL	US
	ST951	EMB90TV-601G	SPEAKER TERMINAL	UT
	ST951	EMB90TV-602G	SPEAKER TERMINAL	BS
	ST951	EMB90TV-602G	SPEAKER TERMINAL	EF
	ST951	EMB90TV-602G	SPEAKER TERMINAL	EN
	ST951	EMB90TV-602G	SPEAKER TERMINAL	G
	ST951	EMB90TV-602G	SPEAKER TERMINAL	GI
	TA001	EMZ4001-001	TAB	
	TA002	EMZ4001-001	TAB	
	TP001	QMV5005-004K	PLUG ASSY	
	VS001	QSR8001-E01U	ROTARY SWITCH	U
	VS001	QSR8001-E01U	ROTARY SWITCH	UB
	VS001	QSR8001-E01U	ROTARY SWITCH	US
	VS001	QSR8001-E01U	ROTARY SWITCH	UT

# RX-320VBK

## Electrical Parts List (ENB-234)

△	Item	Parts Number	Description	Area
		I. C. S		
	IC301	NJM4580DD	I. C (MONO-ANALOG)	
	IC321	TC9164N	I. C (DIGI-MOS)	
	IC341	BA15218N	I. C (MONO-ANALOG)	
	IC361	BA15218N	I. C (MONO-ANALOG)	
	IC401	MN171202K8F	I. C (MICRO-COMPUTER)	
	IC402	SPS-420-1	INFRARED DETECT UNIT	
	IC403	PST600E-T	I. C (MONO-ANALOG)	
	IC475	NJM79L12A	I. C (MONO-ANALOG)	
	IC601	LA2785	I. C (MONO-ANALOG)	
	IC641	LV1011	I. C (MONO-ANALOG)	
	IC661	NJM2246D	I. C (MONO-ANALOG)	
		DIODES		
	D401	1SS133	SI. DIODE	
	D402	1SS133	SI. DIODE	
	D403	1SS133	SI. DIODE	
	D404	1SS133	SI. DIODE	
	D411	SLR-342DCTE7	L. E. D.	
	D412	SLR-342DCTE7	L. E. D.	
	D413	SLR-342DCTE7	L. E. D.	
	D414	SLA-580LT70F124	L. E. D.	BS
	D414	SLR-56VCTB7	L. E. D.	A
	D414	SLR-56VCTB7	L. E. D.	EF
	D414	SLR-56VCTB7	L. E. D.	EN
	D414	SLR-56VCTB7	L. E. D.	G
	D414	SLR-56VCTB7	L. E. D.	GI
	D414	SLR-56VCTB7	L. E. D.	U
	D414	SLR-56VCTB7	L. E. D.	UB
	D414	SLR-56VCTB7	L. E. D.	US
	D414	SLR-56VCTB7	L. E. D.	UT
	D421	1SS133	SI. DIODE	
	D422	1SS133	SI. DIODE	
	D423	1SS133	SI. DIODE	
	D424	1SS133	SI. DIODE	
	D425	1SS133	SI. DIODE	
	D426	1SS133	SI. DIODE	
	D427	1SS133	SI. DIODE	U
	D427	1SS133	SI. DIODE	UB
	D427	1SS133	SI. DIODE	US
	D427	1SS133	SI. DIODE	UT
	D428	1SS133	SI. DIODE	A
	D428	1SS133	SI. DIODE	BS
	D428	1SS133	SI. DIODE	EF
	D428	1SS133	SI. DIODE	EN
	D428	1SS133	SI. DIODE	G
	D428	1SS133	SI. DIODE	GI
	D429	1SS133	SI. DIODE	A
	D431	1SS133	SI. DIODE	
	D451	1SS133	SI. DIODE	
	D471	MTZ9.1JC	ZENER DIODE	
	D472	MTZ8.2JC	ZENER DIODE	
	D474	MTZ12JC	ZENER DIODE	
	D475	MTZ5.1JC	ZENER DIODE	
	D476	MTZ18JC	ZENER DIODE	
	D851	MTZ16JC	ZENER DIODE	
	D852	1SS133	SI. DIODE	
		TRANSISTORS		
	Q351	2SC2001 (L, K)	SI. TRANSISTOR	
	Q352	2SC2001 (L, K)	SI. TRANSISTOR	
	Q361	2SC2001 (L, K)	SI. TRANSISTOR	
	Q362	2SC2001 (L, K)	SI. TRANSISTOR	
	Q371	DTA144ES	DIGITAL TRANSISTOR	
	Q401	DTC114YS	DIGITAL TRANSISTOR	
	Q402	DTC114YS	DIGITAL TRANSISTOR	
	Q403	DTC114YS	DIGITAL TRANSISTOR	
	Q404	DTC114YS	DIGITAL TRANSISTOR	
	Q405	DTC114YS	DIGITAL TRANSISTOR	

△	Item	Parts Number	Description	Area
	Q411	DTC114YS	DIGITAL TRANSISTOR	
	Q412	DTC114YS	DIGITAL TRANSISTOR	
	Q451	DTC114TN	DIGITAL TRANSISTOR	
	Q452	DTC144WS	DIGITAL TRANSISTOR	
	Q507	2SC2001 (L, K)	SI. TRANSISTOR	
	Q508	2SC2001 (L, K)	SI. TRANSISTOR	
	Q509	DTA144ES	DIGITAL TRANSISTOR	
	Q661	2SC458 (C, D)	SI. TRANSISTOR	
	Q662	2SC458 (C, D)	SI. TRANSISTOR	
	Q663	2SA933S (RS)	SI. TRANSISTOR	
	Q664	2SA933S (RS)	SI. TRANSISTOR	
	Q681	DTC143ES	DIGITAL TRANSISTOR	
	Q852	2SD2061 (F, G)	SI. TRANSISTOR	
		CAPACITORS		
	C300	QCHB1EZ-223	0.022MF 25V CER. CAP.	
	C301	QETB1HM-475E	4.7MF 50V E. CAP.	
	C302	QETB1HM-475E	4.7MF 50V E. CAP.	
	C303	QCB1HK-101Y	100PF 50V CER. CAP.	
	C304	QCB1HK-101Y	100PF 50V CER. CAP.	
	C305	QFN81HK-182	1800PF 50V METAL. NYLAR	
	C306	QFN81HK-182	1800PF 50V METAL. NYLAR	
	C307	QFN31HK-682Z	6800PF 50V NYLAR CAP.	
	C308	QFN31HK-682Z	6800PF 50V NYLAR CAP.	
	C309	QCB1HK-101Y	100PF 50V CER. CAP.	
	C310	QCB1HK-101Y	100PF 50V CER. CAP.	
	C311	QETB1HM-475E	4.7MF 50V E. CAP.	
	C312	QETB1HM-475E	4.7MF 50V E. CAP.	
	C313	QETB1AM-107	100MF 10V AL E. CAP.	
	C314	QETB1AM-107	100MF 10V AL E. CAP.	
	C315	QETB1CM-476	47MF 16V AL E. CAP.	
	C316	QETB1CM-476	47MF 16V AL E. CAP.	
	C319	QCB1HK-331Y	330PF 50V CER. CAP.	
	C320	QCB1HK-331Y	330PF 50V CER. CAP.	
	C323	QCHB1EZ-223	0.022MF 25V CER. CAP.	
	C324	QCHB1EZ-223	0.022MF 25V CER. CAP.	
	C325	QCB1HK-221Y	220PF 50V CER. CAP.	
	C341	QETB1HM-106	10MF 50V E. CAP.	
	C342	QETB1HM-106	10MF 50V E. CAP.	
	C351	QETB1HM-225	2.2MF 50V AL E. CAP.	
	C352	QETB1HM-225	2.2MF 50V AL E. CAP.	
	C363	QETB1HM-225	2.2MF 50V AL E. CAP.	
	C364	QETB1HM-225	2.2MF 50V AL E. CAP.	
	C375	QETB1HM-475E	4.7MF 50V E. CAP.	
	C381	QCB1HK-331Y	330PF 50V CER. CAP.	
	C382	QCB1HK-331Y	330PF 50V CER. CAP.	
	C385	QCB1HK-331Y	330PF 50V CER. CAP.	
	C386	QCB1HK-331Y	330PF 50V CER. CAP.	
	C387	QCB1HK-331Y	330PF 50V CER. CAP.	
	C388	QCB1HK-331Y	330PF 50V CER. CAP.	
	C393	QCB1HK-331Y	330PF 50V CER. CAP.	
	C394	QCB1HK-331Y	330PF 50V CER. CAP.	
	C395	QCB1HK-331Y	330PF 50V CER. CAP.	
	C396	QCB1HK-331Y	330PF 50V CER. CAP.	
	C397	QCB1HK-331Y	330PF 50V CER. CAP.	
	C398	QCB1HK-331Y	330PF 50V CER. CAP.	
	C401	QETB1AM-227	220MF 10V E. CAP.	
	C402	QCZ0202-155	1.5MF 25V CER. RES.	
	C403	QCHB1EZ-223	0.022MF 25V CER. CAP.	
	C404	QETB1HM-225	2.2MF 50V AL E. CAP.	
	C409	QAD0HZ-10AZM	AL E. CAP.	
	C410	QETB1VM-227	220MF 35V AL E. CAP.	
	C451	QCB1HK-331Y	330PF 50V CER. CAP.	
	C474	QETB1EM-107	100MF 25V AL E. CAP.	
	C475	QETB1EM-107	100MF 25V AL E. CAP.	
	C476	QEK51HM-334G	0.33MF 50V AL E. CAP.	
	C478	QETB1HM-105	1MF 50V AL E. CAP.	
	C483	QCVB1CM-103Y	0.01MF 16V CER. CAP.	

Electrical Parts List (ENB-234)

Δ	Item	Parts Number	Description	Area	
	C491	QCBB1HK-331Y	330PF 50V CER. CAP.		
	C501	QETB1HM-226E	22MF 50V E. CAP.		
	C507	QFN81HJ-333	0.033MF 50V MYLAR CAP.		
	C508	QFN81HJ-333	0.033MF 50V MYLAR CAP.		
	C514	QCF21HP-473A	0.047MF 50V CER. CAP.		
	C601	QETB1HM-105	1MF 50V AL. E. CAP.		
	C602	QETB1HM-105	1MF 50V AL. E. CAP.		
	C603	QFLB1HJ-104	0.1MF 50V MYLAR CAP.		
	C604	QFLB1HJ-104	0.1MF 50V MYLAR CAP.		
	C605	QFLB1HJ-104	0.1MF 50V MYLAR CAP.		
	C606	QFLB1HJ-104	0.1MF 50V MYLAR CAP.		
	C607	QETB1HM-474	0.47MF 50V E. CAP.		
	C608	QETB1HM-474	0.47MF 50V E. CAP.		
	C609	QETB1HM-475E	4.7MF 50V E. CAP.		
	C610	QETB1HM-475E	4.7MF 50V E. CAP.		
	C611	QETB1HM-474	0.47MF 50V E. CAP.		
	C612	QETB1HM-474	0.47MF 50V E. CAP.		
	C613	QETB1HM-475E	4.7MF 50V E. CAP.		
	C614	QETB1HM-475E	4.7MF 50V E. CAP.		
	C615	QFV81HJ-154	0.15MF 50V THIN FILM CAP.		
	C616	QFV81HJ-154	0.15MF 50V THIN FILM CAP.		
	C617	QETB1HM-335	3.3MF 50V AL. E. CAP.		
	C618	QETB1HM-335	3.3MF 50V AL. E. CAP.		
	C619	QFV81HJ-154	0.15MF 50V THIN FILM CAP.		
	C620	QFV81HJ-154	0.15MF 50V THIN FILM CAP.		
	C621	QFN81HJ-223	0.022MF 50V METAL MYLAR		
	C622	QFN81HJ-473	0.047MF 50V METAL MYLAR		
	C623	QETB1EM-227	220MF 25V AL. E. CAP.		
	C624	QETB1EM-106	10MF 25V AL. E. CAP.		
	C625	QETB1EM-106	10MF 25V AL. E. CAP.		
	C626	QETB1EM-106	10MF 25V AL. E. CAP.		
	C627	QETB1EM-106	10MF 25V AL. E. CAP.		
	C628	QETB1EM-227	220MF 25V AL. E. CAP.		
	C631	QETB1EM-476	47MF 25V AL. E. CAP.		
	C632	QFV71HJ-474ZM	0.47MF 50V THIN FILM CAP.		
	C633	QCS31HJ-681Z	680PF 50V CER. CAP.		
	C634	QETB1EM-227	220MF 25V AL. E. CAP.		
	C641	QETB1EM-106	10MF 25V AL. E. CAP.		
	C642	QETB1EM-227	220MF 25V AL. E. CAP.		
	C643	QETB1HM-225	2.2MF 50V AL. E. CAP.		
	C645	QFN81HJ-333	0.033MF 50V MYLAR CAP.		
	C646	QFN81HJ-152	1500PF 50V METAL MYLAR		
	C647	QFN81HJ-333	0.033MF 50V MYLAR CAP.		
	C648	QETB1HM-105	1MF 50V AL. E. CAP.		
	C650	QETB1EM-227	220MF 25V AL. E. CAP.		
	C651	QCSB1HJ-330Y	33PF 50V CER. CAP.		
	C652	QCSB1HJ-330Y	33PF 50V CER. CAP.		
	C653	QCHB1EZ-223	0.022MF 25V CER. CAP.		
	C655	QETB1HM-225	2.2MF 50V AL. E. CAP.		
	C656	QETB1HM-225	2.2MF 50V AL. E. CAP.		
	C661	QETB1CM-107	100MF 16V AL. E. CAP.		
	C662	QCHB1EZ-223	0.022MF 25V CER. CAP.		
	C663	QCHB1EZ-223	0.022MF 25V CER. CAP.		
	C853	QETB1EM-107	100MF 25V AL. E. CAP.		
	C961	QCBB1HK-331Y	330PF 50V CER. CAP.		
	C962	QCBB1HK-331Y	330PF 50V CER. CAP.		
	RESISTORS				
	R301	QRD161J-222	2.2K 1/6W CARBON RES.		
	R302	QRD161J-222	2.2K 1/6W CARBON RES.		
	R303	QRD161J-473	47K 1/6W CARBON RES.		
	R304	QRD161J-473	47K 1/6W CARBON RES.		
	R305	QRD161J-621	620 1/6W CARBON RES.		
	R306	QRD161J-621	620 1/6W CARBON RES.		
	R307	QRD161J-393	39K 1/6W CARBON RES.		
	R308	QRD161J-393	39K 1/6W CARBON RES.		
	R309	QRD161J-474	470K 1/6W CARBON RES.		
	R310	QRD161J-474	470K 1/6W CARBON RES.		

Δ	Item	Parts Number	Description	Area
	R311	QRD161J-104	100K 1/6W CARBON RES.	
	R312	QRD161J-104	100K 1/6W CARBON RES.	
	R313	QRD161J-331	330 1/6W CARBON RES.	
	R314	QRD161J-331	330 1/6W CARBON RES.	
	R325	QRD161J-102	1K 1/6W CARBON RES.	
	R341	QRD161J-104	100K 1/6W CARBON RES.	
	R342	QRD161J-104	100K 1/6W CARBON RES.	
	R343	QRD161J-104	100K 1/6W CARBON RES.	
	R344	QRD161J-104	100K 1/6W CARBON RES.	
	R351	QRD161J-473	47K 1/6W CARBON RES.	
	R352	QRD161J-473	47K 1/6W CARBON RES.	
	R353	QRD161J-104	100K 1/6W CARBON RES.	
	R354	QRD161J-104	100K 1/6W CARBON RES.	
	R355	QRD161J-102	1K 1/6W CARBON RES.	
	R356	QRD161J-102	1K 1/6W CARBON RES.	
	R357	QRD161J-103	10K 1/6W CARBON RES.	
	R358	QRD161J-103	10K 1/6W CARBON RES.	
	R361	QRD161J-104	100K 1/6W CARBON RES.	
	R362	QRD161J-104	100K 1/6W CARBON RES.	
	R363	QRD161J-243	24K 1/6W CARBON RES.	
	R364	QRD161J-243	24K 1/6W CARBON RES.	
	R365	QRD161J-103	10K 1/6W CARBON RES.	
	R366	QRD161J-103	10K 1/6W CARBON RES.	
	R369	QRD161J-104	100K 1/6W CARBON RES.	
	R370	QRD161J-104	100K 1/6W CARBON RES.	
	R371	QRD161J-102	1K 1/6W CARBON RES.	
	R372	QRD161J-102	1K 1/6W CARBON RES.	
	R373	QRD161J-222	2.2K 1/6W CARBON RES.	
	R374	QRD161J-222	2.2K 1/6W CARBON RES.	
	R375	QRD161J-102	1K 1/6W CARBON RES.	
	R381	QRD161J-471	470 1/6W CARBON RES.	
	R382	QRD161J-471	470 1/6W CARBON RES.	
	R385	QRD161J-471	470 1/6W CARBON RES.	
	R386	QRD161J-471	470 1/6W CARBON RES.	
	R387	QRD161J-471	470 1/6W CARBON RES.	
	R388	QRD161J-471	470 1/6W CARBON RES.	
	R393	QRD161J-471	470 1/6W CARBON RES.	
	R394	QRD161J-471	470 1/6W CARBON RES.	
	R395	QRD161J-471	470 1/6W CARBON RES.	
	R396	QRD161J-471	470 1/6W CARBON RES.	
	R397	QRD161J-471	470 1/6W CARBON RES.	
	R398	QRD161J-471	470 1/6W CARBON RES.	
	R401	QRD161J-104	100K 1/6W CARBON RES.	
	R402	QRD161J-104	100K 1/6W CARBON RES.	
	R409	QRD161J-331	330 1/6W CARBON RES.	
	R410	QRD161J-223	22K 1/6W CARBON RES.	
	R411	QRD161J-221	220 1/6W CARBON RES.	
	R412	QRD161J-221	220 1/6W CARBON RES.	
	R413	QRD161J-221	220 1/6W CARBON RES.	
	R414	QRD161J-221	220 1/6W CARBON RES.	BS
	R414	QRD161J-431	430 1/6W CARBON RES.	A
	R414	QRD161J-431	430 1/6W CARBON RES.	EF
	R414	QRD161J-431	430 1/6W CARBON RES.	EN
	R414	QRD161J-431	430 1/6W CARBON RES.	G
	R414	QRD161J-431	430 1/6W CARBON RES.	GI
	R414	QRD161J-431	430 1/6W CARBON RES.	U
	R414	QRD161J-431	430 1/6W CARBON RES.	UB
	R414	QRD161J-431	430 1/6W CARBON RES.	US
	R414	QRD161J-431	430 1/6W CARBON RES.	UT
	R416	QRD161J-472	4.7K 1/6W CARBON RES.	
	R417	QRD161J-103	10K 1/6W CARBON RES.	
	R418	QRD161J-472	4.7K 1/6W CARBON RES.	
	R421	QRD161J-221	220 1/6W CARBON RES.	
	R422	QRD161J-221	220 1/6W CARBON RES.	
	R423	QRD161J-221	220 1/6W CARBON RES.	
	R424	QRD161J-221	220 1/6W CARBON RES.	
	R425	QRD161J-221	220 1/6W CARBON RES.	

# RX-320VBK

## Electrcal Parts List (ENB-234)

△	Item	Parts Number	Description	Area
	R426	QRD161J-221	220 1/6W CARBON RES.	
	R427	QRD161J-221	220 1/6W CARBON RES.	
	R428	QRD161J-221	220 1/6W CARBON RES.	
	R429	QRD161J-221	220 1/6W CARBON RES.	
	R430	QRD161J-221	220 1/6W CARBON RES.	
	R431	QRD161J-221	220 1/6W CARBON RES.	
	R432	QRD161J-221	220 1/6W CARBON RES.	
	R433	QRD161J-221	220 1/6W CARBON RES.	
	R434	QRD161J-221	220 1/6W CARBON RES.	
	R435	QRD161J-221	220 1/6W CARBON RES.	
	R436	QRD161J-221	220 1/6W CARBON RES.	
	R437	QRD161J-221	220 1/6W CARBON RES.	
	R438	QRD161J-221	220 1/6W CARBON RES.	
	R439	QRD161J-221	220 1/6W CARBON RES.	
	R440	QRD161J-221	220 1/6W CARBON RES.	
	R441	QRD161J-221	220 1/6W CARBON RES.	
	R451	QRD161J-103	10K 1/6W CARBON RES.	
	R454	QRD161J-471	470 1/6W CARBON RES.	
△	R471	QRG022J-680AM	68 2W OXIDE METAL	
	R474	QRG022J-180AF	18 2W OXIDE METAL	
	R491	QRD161J-221	220 1/6W CARBON RES.	
	R492	QRD161J-471	470 1/6W CARBON RES.	
	R501	QRD161J-202	2K 1/6W CARBON RES.	
	R503	QRD167J-223	22K 1/6W CARBON RES.	
	R504	QRD167J-223	22K 1/6W CARBON RES.	
	R505	QRD167J-223	22K 1/6W CARBON RES.	
	R506	QRD167J-223	22K 1/6W CARBON RES.	
	R507	QRD161J-103	10K 1/6W CARBON RES.	
	R508	QRD161J-103	10K 1/6W CARBON RES.	
	R641	QRD161J-102	1K 1/6W CARBON RES.	
	R642	QRD161J-102	1K 1/6W CARBON RES.	
	R643	QRD161J-203	20K 1/6W CARBON RES.	
	R644	QRD161J-393	39K 1/6W CARBON RES.	
	R651	QRD161J-105	1M 1/6W CARBON RES.	
	R669	QRD167J-152	1.5K 1/6W CARBON RES.	
	R671	QRD167J-151	150 1/6W CARBON RES.	
	R672	QRD167J-151	150 1/6W CARBON RES.	
	R675	QRD161J-271	270 1/6W CARBON RES.	
	R676	QRD161J-271	270 1/6W CARBON RES.	
	R683	QRD167J-152	1.5K 1/6W CARBON RES.	
	RA401	QRB049J-103	10K 1/10WRES.	
	VR551	QVDC94Z-E15FJ5	100K VARIABLE RES.	
		OTHERS		
		EMW10625-003	PRINTED BOARD	
		SBSG3008CC	TAPPING SCREW	
	J301	EMN00TV-422AJ2	PIN JACK	
	J302	EMN00TV-422AJ2	PIN JACK	
	J303	EMN00TV-615AJ2	PIN JACK	
	J491	QMS3501-021	PIN JACK	
	J961	QMS6022-V01	MICROPHONE JACK	
	L661	EQL4004-R22	INDUCTOR	
	S401	ESPO001-023M	TACT SWITCH	
	S402	ESPO001-023M	TACT SWITCH	
	S403	ESPO001-023M	TACT SWITCH	
	S404	ESPO001-023M	TACT SWITCH	
	S405	ESPO001-023M	TACT SWITCH	
	S406	ESPO001-023M	TACT SWITCH	
	S408	ESPO001-023M	TACT SWITCH	
	S409	ESPO001-023M	TACT SWITCH	
	S410	ESPO001-023M	TACT SWITCH	
	S411	ESPO001-023M	TACT SWITCH	
	S412	ESPO001-023M	TACT SWITCH	
	S413	ESPO001-023M	TACT SWITCH	
	S414	ESPO001-023M	TACT SWITCH	
	S415	ESPO001-023M	TACT SWITCH	
	S416	ESPO001-023M	TACT SWITCH	
	S417	ESPO001-023M	TACT SWITCH	

△	Item	Parts Number	Description	Area
	S418	ESPO001-023M	TACT SWITCH	
	S419	ESPO001-023M	TACT SWITCH	
	S420	ESPO001-023M	TACT SWITCH	
	S421	ESPO001-023M	TACT SWITCH	
	S422	ESPO001-023M	TACT SWITCH	
	S423	ESPO001-023M	TACT SWITCH	
	S424	ESPO001-023M	TACT SWITCH	
	X401	ECXP6R0-001ZA	CRYSTAL	
	X641	ECXP8R0-001Z	CRYSTAL	
	CN301	EMV7163-012	CONNECT TERMINAL	
	CN302	EMV7163-011	CONNECT TERMINAL	
	CN303	EMV7163-005	CONNECTOR	
	CN312	EMV5163-011R	CONNECT TERMINAL	
	CN401	VMC0194-P04	CONNECT TERMINAL	
	CN402	VMC0194-S06	CONNECT TERMINAL	
	CN403	VMC0163-R17	CONNECT TERMINAL	
	CN411	VMC0194-S04	CONNECT TERMINAL	
	CN412	VMC0194-P06	CONNECT TERMINAL	
	CN413	EMV7123-017	CONNECTOR	
	CN511	EMV5163-011R	CONNECT TERMINAL	
	CN601	EWS296-0125	SOCKET WIRE ASSY	
	CN611	EMV5109-006A	CONNECT TERMINAL	
	CN811	VMC0163-R13	CONNECT TERMINAL	
	DI401	ELU0001-144	FLUORESCENT DISPLAY TUBE	
	FH001	E308270-002SM	FL HOLDER	
	FH002	E308270-002SM	FL HOLDER	
	FS483	E3400-431	FELT SPACER	
	FW851	EWR36D-35LS	FLAT WIRE ASSY	
	FW961	EWR33D-35LS	FLAT WIRE ASSY	
	HS002	E70945-H40B	HEAT SINK	
	SPO01	E3400-444	FELT SPACER	
	SPO02	E3400-444	FELT SPACER	

Electrical Parts List (ENA-172)

△	Item	Parts Number	Description	Area
		I. C. S		
	IC102	LC72131	I. C. (M)	
	IC104	LA1266A	I. C. (MONO-ANALOG)	
	IC105	LA3401	I. C. (MONO-ANALOG)	
		DIODES		
	D101	1SS133	SI. DIODE	
	D102	1SS133	SI. DIODE	BS
	D102	1SS133	SI. DIODE	EF
	D102	1SS133	SI. DIODE	EN
	D102	1SS133	SI. DIODE	G
	D102	1SS133	SI. DIODE	GI
	D103	1SS133	SI. DIODE	BS
	D103	1SS133	SI. DIODE	EF
	D103	1SS133	SI. DIODE	EN
	D103	1SS133	SI. DIODE	G
	D103	1SS133	SI. DIODE	GI
	D106	1SS133	SI. DIODE	
	D109	1SS133	SI. DIODE	BS
	D109	1SS133	SI. DIODE	EF
	D109	1SS133	SI. DIODE	EN
	D109	1SS133	SI. DIODE	G
	D109	1SS133	SI. DIODE	GI
	D110	1SS133	SI. DIODE	BS
	D110	1SS133	SI. DIODE	EF
	D110	1SS133	SI. DIODE	EN
	D110	1SS133	SI. DIODE	G
	D110	1SS133	SI. DIODE	GI
	D111	1SS133	SI. DIODE	
	D112	1SS133	SI. DIODE	
	D120	1SS133	SI. DIODE	
	D121	1SS133	SI. DIODE	
	D122	1SS133	SI. DIODE	
	D123	1SS133	SI. DIODE	
	VC105	SVC342 (L)	VARI-CAPA DIODE	
	VC106	SVC342 (L)	VARI-CAPA DIODE	BS
	VC106	SVC342 (L)	VARI-CAPA DIODE	EF
	VC106	SVC342 (L)	VARI-CAPA DIODE	EN
	VC106	SVC342 (L)	VARI-CAPA DIODE	G
	VC106	SVC342 (L)	VARI-CAPA DIODE	GI
		TRANSISTORS		
	Q103	2SC461	SI. TRANSISTOR	
	Q107	2SC535	SI. TRANSISTOR	
	Q108	2SC461	SI. TRANSISTOR	
	Q111	2SD2144S (VM)	SI. TRANSISTOR	BS
	Q111	2SD2144S (VM)	SI. TRANSISTOR	EF
	Q111	2SD2144S (VM)	SI. TRANSISTOR	EN
	Q111	2SD2144S (VM)	SI. TRANSISTOR	G
	Q111	2SD2144S (VM)	SI. TRANSISTOR	GI
	Q112	2SK301 (P, Q)	F. E. T.	
	Q113	2SK301 (P, Q)	F. E. T.	BS
	Q113	2SK301 (P, Q)	F. E. T.	EF
	Q113	2SK301 (P, Q)	F. E. T.	EN
	Q113	2SK301 (P, Q)	F. E. T.	G
	Q113	2SK301 (P, Q)	F. E. T.	GI
	Q114	2SK301 (P, Q)	F. E. T.	BS
	Q114	2SK301 (P, Q)	F. E. T.	EF
	Q114	2SK301 (P, Q)	F. E. T.	EN
	Q114	2SK301 (P, Q)	F. E. T.	G
	Q114	2SK301 (P, Q)	F. E. T.	GI
	Q115	2SK301 (P, Q)	F. E. T.	BS
	Q115	2SK301 (P, Q)	F. E. T.	EF
	Q115	2SK301 (P, Q)	F. E. T.	EN
	Q115	2SK301 (P, Q)	F. E. T.	G
	Q115	2SK301 (P, Q)	F. E. T.	GI
	Q121	DTA144ES	DIGITAL TRANSISTOR	BS
	Q121	DTA144ES	DIGITAL TRANSISTOR	EF
	Q121	DTA144ES	DIGITAL TRANSISTOR	EN
	Q121	DTA144ES	DIGITAL TRANSISTOR	G
	Q121	DTA144ES	DIGITAL TRANSISTOR	GI
	Q123	DTA144ES	DIGITAL TRANSISTOR	
	Q124	DTA144ES	DIGITAL TRANSISTOR	
	Q127	DTC144ES	DIGITAL TRANSISTOR	
		CAPACITORS		

△	Item	Parts Number	Description	Area
	C101	QCF21HP-223A	0.022MF 50V CER. CAP.	
	C122	QCF21HP-223A	0.022MF 50V CER. CAP.	
	C126	QCF21HP-223A	0.022MF 50V CER. CAP.	
	C132	QCS31HJ-561Z	560PF 50V CER. CAP.	
	C133	QCHB1EZ-223	0.022MF 25V CER. CAP.	
	C134	QETB1EM-106	10MF 25V AL. E. CAP.	
	C135	QCC21EM-223	0.022MF 25V CER. CAP.	
	C136	QCT25CH-180Z	18PF 50V CER. CAP.	
	C137	QCT26GH-221	220PF 50V CER. CAP.	
	C138	QCT26GH-241	240PF 50V CER. CAP.	
	C139	QCC21EM-223	0.022MF 25V CER. CAP.	BS
	C139	QCC21EM-223	0.022MF 25V CER. CAP.	EF
	C139	QCC21EM-223	0.022MF 25V CER. CAP.	EN
	C139	QCC21EM-223	0.022MF 25V CER. CAP.	G
	C139	QCC21EM-223	0.022MF 25V CER. CAP.	GI
	C141	QCS31HJ-330Z	33PF 50V CER. CAP.	BS
	C141	QCS31HJ-330Z	33PF 50V CER. CAP.	EF
	C141	QCS31HJ-330Z	33PF 50V CER. CAP.	EN
	C141	QCS31HJ-330Z	33PF 50V CER. CAP.	G
	C141	QCS31HJ-330Z	33PF 50V CER. CAP.	GI
	C142	QCY31HK-272Z	2700PF 50V CER. CAP.	BS
	C142	QCY31HK-272Z	2700PF 50V CER. CAP.	EF
	C142	QCY31HK-272Z	2700PF 50V CER. CAP.	EN
	C142	QCY31HK-272Z	2700PF 50V CER. CAP.	G
	C142	QCY31HK-272Z	2700PF 50V CER. CAP.	GI
	C143	QCHB1EZ-223	0.022MF 25V CER. CAP.	BS
	C143	QCHB1EZ-223	0.022MF 25V CER. CAP.	EF
	C143	QCHB1EZ-223	0.022MF 25V CER. CAP.	EN
	C143	QCHB1EZ-223	0.022MF 25V CER. CAP.	G
	C143	QCHB1EZ-223	0.022MF 25V CER. CAP.	GI
	C144	QETB1EM-106	10MF 25V AL. E. CAP.	BS
	C144	QETB1EM-106	10MF 25V AL. E. CAP.	EF
	C144	QETB1EM-106	10MF 25V AL. E. CAP.	EN
	C144	QETB1EM-106	10MF 25V AL. E. CAP.	G
	C144	QETB1EM-106	10MF 25V AL. E. CAP.	GI
	C146	QCT26GH-680	68PF 50V CER. CAP.	BS
	C146	QCT26GH-680	68PF 50V CER. CAP.	EF
	C146	QCT26GH-680	68PF 50V CER. CAP.	EN
	C146	QCT26GH-680	68PF 50V CER. CAP.	G
	C146	QCT26GH-680	68PF 50V CER. CAP.	GI
	C147	QCT25CH-220Z	22PF 50V CER. CAP.	BS
	C147	QCT25CH-220Z	22PF 50V CER. CAP.	EF
	C147	QCT25CH-220Z	22PF 50V CER. CAP.	EN
	C147	QCT25CH-220Z	22PF 50V CER. CAP.	G
	C147	QCT25CH-220Z	22PF 50V CER. CAP.	GI
	C148	QCT25CH-121	120PF 50V CER. CAP.	BS
	C148	QCT25CH-121	120PF 50V CER. CAP.	EF
	C148	QCT25CH-121	120PF 50V CER. CAP.	EN
	C148	QCT25CH-121	120PF 50V CER. CAP.	G
	C148	QCT25CH-121	120PF 50V CER. CAP.	GI
	C149	QCHB1EZ-223	0.022MF 25V CER. CAP.	
	C150	QCHB1EZ-223	0.022MF 25V CER. CAP.	
	C151	QCF21HP-223A	0.022MF 50V CER. CAP.	
	C152	QCF21HP-223A	0.022MF 50V CER. CAP.	
	C153	QCC21EM-223	0.022MF 25V CER. CAP.	
	C154	QCF21HP-223A	0.022MF 50V CER. CAP.	
	C155	QCHB1EZ-223	0.022MF 25V CER. CAP.	
	C156	QETB1EM-227	220MF 16V AL. E. CAP.	
	C157	QETB1EM-474	0.47MF 50V E. CAP.	
	C158	QCB1HK-101Y	100PF 50V CER. CAP.	
	C159	QCB1HK-101Y	100PF 50V CER. CAP.	
	C160	QCB1HK-221Y	220PF 50V CER. CAP.	
	C161	QCHB1EZ-223	0.022MF 25V CER. CAP.	
	C162	QETB1EM-106	10MF 25V AL. E. CAP.	
	C163	QFLB1HJ-102	1000PF 50V NYLAR CAP.	
	C164	QCHB1EZ-223	0.022MF 25V CER. CAP.	
	C165	QETB1EM-474	0.47MF 50V E. CAP.	
	C166	QETB1EM-225	2.2MF 50V AL. E. CAP.	
	C167	QETB1EM-225	2.2MF 50V AL. E. CAP.	
	C168	QEK51EM-475	4.7MF 50V AL. E. CAP.	
	C169	QCF21HP-223A	0.022MF 50V CER. CAP.	
	C170	QCHB1EZ-223	0.022MF 25V CER. CAP.	
	C171	QEK51EM-106	10MF 25V AL. E. CAP.	

# RX-320VBK

## Electrical Parts List (ENA-172)

Δ	Item	Parts Number	Description	Area
	C172	QCVB1CM-103Y	0.01MF 16V CER. CAP.	
	C173	QFLB1HJ-223	0.022MF 50V MYLAR CAP.	A
	C173	QFLB1HJ-223	0.022MF 50V MYLAR CAP.	BS
	C173	QFLB1HJ-223	0.022MF 50V MYLAR CAP.	EF
	C173	QFLB1HJ-223	0.022MF 50V MYLAR CAP.	EN
	C173	QFLB1HJ-223	0.022MF 50V MYLAR CAP.	G
	C173	QFLB1HJ-223	0.022MF 50V MYLAR CAP.	GI
	C173	QFLB1HJ-393	0.039MF 50V MYLAR CAP.	U
	C173	QFLB1HJ-393	0.039MF 50V MYLAR CAP.	UB
	C173	QFLB1HJ-393	0.039MF 50V MYLAR CAP.	US
	C173	QFLB1HJ-393	0.039MF 50V MYLAR CAP.	UT
	C174	QFLB1HJ-473	0.047MF 50V MYLAR CAP.	
	C175	QETB1EM-106	10MF 25V AL. E. CAP.	
	C176	QCY31HK-102Z	1000PF 50V CER. CAP.	
	C177	QCS31HJ-561Z	560PF 50V CER. CAP.	A
	C177	QCS31HJ-561Z	560PF 50V CER. CAP.	BS
	C177	QCS31HJ-561Z	560PF 50V CER. CAP.	EF
	C177	QCS31HJ-561Z	560PF 50V CER. CAP.	EN
	C177	QCS31HJ-561Z	560PF 50V CER. CAP.	G
	C177	QCS31HJ-561Z	560PF 50V CER. CAP.	GI
	C177	QCS31HJ-821Z	820PF 50V CER. CAP.	U
	C177	QCS31HJ-821Z	820PF 50V CER. CAP.	UB
	C177	QCS31HJ-821Z	820PF 50V CER. CAP.	US
	C177	QCS31HJ-821Z	820PF 50V CER. CAP.	UT
	C178	QCS31HJ-561Z	560PF 50V CER. CAP.	A
	C178	QCS31HJ-561Z	560PF 50V CER. CAP.	BS
	C178	QCS31HJ-561Z	560PF 50V CER. CAP.	EF
	C178	QCS31HJ-561Z	560PF 50V CER. CAP.	EN
	C178	QCS31HJ-561Z	560PF 50V CER. CAP.	G
	C178	QCS31HJ-561Z	560PF 50V CER. CAP.	GI
	C178	QCS31HJ-821Z	820PF 50V CER. CAP.	U
	C178	QCS31HJ-821Z	820PF 50V CER. CAP.	UB
	C178	QCS31HJ-821Z	820PF 50V CER. CAP.	US
	C178	QCS31HJ-821Z	820PF 50V CER. CAP.	UT
	C179	QETB1HM-225	2.2MF 50V AL. E. CAP.	
	C180	QETB1HM-225	2.2MF 50V AL. E. CAP.	
	C181	QETB1EM-106	10MF 25V AL. E. CAP.	
	C182	QETB1HM-225	2.2MF 50V AL. E. CAP.	
	C183	QETB1HM-105	1MF 50V AL. E. CAP.	
	C184	QETB1HM-105	1MF 50V AL. E. CAP.	
	C185	QEK51HM-225G	2.2MF 50V AL. E. CAP.	
	C186	QETB1HM-474	0.47MF 50V E. CAP.	
	C191	QETB1HM-475E	4.7MF 50V E. CAP.	
	C192	QCC21EM-473	0.047MF 25V CER. CAP.	
	C193	QCS21HJ-180A	18PF 50V CER. CAP.	
	C194	QCS21HJ-180A	18PF 50V CER. CAP.	
	C195	QFV71HJ-474ZM	0.47MF 50V THIN FILM CAP.	
	C196	QCY31HK-102Z	1000PF 50V CER. CAP.	
	C197	QCF21HP-223A	0.022MF 50V CER. CAP.	
	C198	QCF21HP-103A	0.01MF 50V CER. CAP.	
	C199	QCVB1CM-103Y	0.01MF 16V CER. CAP.	
	C206	QETB1EM-476	47MF 25V AL. E. CAP.	BS
	C206	QETB1EM-476	47MF 25V AL. E. CAP.	EF
	C206	QETB1EM-476	47MF 25V AL. E. CAP.	EN
	C206	QETB1EM-476	47MF 25V AL. E. CAP.	G
	C206	QETB1EM-476	47MF 25V AL. E. CAP.	GI
	C222	QETB1CM-477M	470MF 16V E. CAP.	
	C229	QETB1CM-227	220MF 16V AL. E. CAP.	
	TC105	ENZ1003-006	00MF TRIMMER CAPA	
	TC106	ENZ1003-006	00MF TRIMMER CAPA	BS
	TC106	ENZ1003-006	00MF TRIMMER CAPA	EF
	TC106	ENZ1003-006	00MF TRIMMER CAPA	EN
	TC106	ENZ1003-006	00MF TRIMMER CAPA	G
	TC106	ENZ1003-006	00MF TRIMMER CAPA	GI
		RESISTORS		
	R101	QRD161J-103	10K 1/6W CARBON RES.	
	R102	QRD161J-103	10K 1/6W CARBON RES.	
	R103	QRD161J-103	10K 1/6W CARBON RES.	
	R104	QRD161J-103	10K 1/6W CARBON RES.	BS
	R104	QRD161J-103	10K 1/6W CARBON RES.	EF
	R104	QRD161J-103	10K 1/6W CARBON RES.	EN
	R104	QRD161J-103	10K 1/6W CARBON RES.	G
	R104	QRD161J-103	10K 1/6W CARBON RES.	GI
	R105	QRD161J-103	10K 1/6W CARBON RES.	
	R108	QRD161J-103	10K 1/6W CARBON RES.	
	R109	QRZ0077-680	68 1/4W FUSIBLE RES.	
	R118	QRD167J-332	3.3K 1/6W CARBON RES.	
	R119	QRD161J-221	220 1/6W CARBON RES.	
	R121	QRD161J-391	390 1/6W CARBON RES.	
	R122	QRD167J-272	2.7K 1/6W CARBON RES.	
	R123	QRD161J-102	1K 1/6W CARBON RES.	
	R124	QRD161J-681	680 1/6W CARBON RES.	
	R125	QRD167J-332	3.3K 1/6W CARBON RES.	
	R126	QRD161J-221	220 1/6W CARBON RES.	
	R131	QRD161J-331	330 1/6W CARBON RES.	
	R132	QRD161J-103	10K 1/6W CARBON RES.	
	R133	QRD161J-473	47K 1/6W CARBON RES.	
	R134	QRD161J-103	10K 1/6W CARBON RES.	BS
	R134	QRD161J-103	10K 1/6W CARBON RES.	EF
	R134	QRD161J-103	10K 1/6W CARBON RES.	EN
	R134	QRD161J-103	10K 1/6W CARBON RES.	G
	R134	QRD161J-103	10K 1/6W CARBON RES.	GI
	R135	QRD161J-470	47 1/6W CARBON RES.	
	R136	QRD161J-103	10K 1/6W CARBON RES.	
	R141	QRD161J-472	4.7K 1/6W CARBON RES.	BS
	R141	QRD161J-472	4.7K 1/6W CARBON RES.	EF
	R141	QRD161J-472	4.7K 1/6W CARBON RES.	EN
	R141	QRD161J-472	4.7K 1/6W CARBON RES.	G
	R141	QRD161J-472	4.7K 1/6W CARBON RES.	GI
	R142	QRD161J-331	330 1/6W CARBON RES.	BS
	R142	QRD161J-331	330 1/6W CARBON RES.	EF
	R142	QRD161J-331	330 1/6W CARBON RES.	EN
	R142	QRD161J-331	330 1/6W CARBON RES.	G
	R142	QRD161J-331	330 1/6W CARBON RES.	GI
	R143	QRD161J-103	10K 1/6W CARBON RES.	BS
	R143	QRD161J-103	10K 1/6W CARBON RES.	EF
	R143	QRD161J-103	10K 1/6W CARBON RES.	EN
	R143	QRD161J-103	10K 1/6W CARBON RES.	G
	R143	QRD161J-103	10K 1/6W CARBON RES.	GI
	R144	QRD161J-473	47K 1/6W CARBON RES.	BS
	R144	QRD161J-473	47K 1/6W CARBON RES.	EF
	R144	QRD161J-473	47K 1/6W CARBON RES.	EN
	R144	QRD161J-473	47K 1/6W CARBON RES.	G
	R144	QRD161J-473	47K 1/6W CARBON RES.	GI
	R145	QRD161J-103	10K 1/6W CARBON RES.	BS
	R145	QRD161J-103	10K 1/6W CARBON RES.	EF
	R145	QRD161J-103	10K 1/6W CARBON RES.	EN
	R145	QRD161J-103	10K 1/6W CARBON RES.	G
	R145	QRD161J-103	10K 1/6W CARBON RES.	GI
	R146	QRD167J-560	56 1/6W CARBON RES.	
	R147	QRD161J-103	10K 1/6W CARBON RES.	
	R148	QRD161J-103	10K 1/6W CARBON RES.	
	R149	QRD161J-273	27K 1/6W CARBON RES.	
	R150	QRD161J-103	10K 1/6W CARBON RES.	
	R151	QRD161J-222	2.2K 1/6W CARBON RES.	
	R153	QRD161J-103	10K 1/6W CARBON RES.	
	R154	QRD161J-103	10K 1/6W CARBON RES.	
	R155	QRD167J-562	5.6K 1/6W CARBON RES.	
	R156	QRD167J-822	8.2K 1/6W CARBON RES.	
	R157	QRD161J-103	10K 1/6W CARBON RES.	
	R158	QRD161J-273	27K 1/6W CARBON RES.	
	R159	QRD161J-561	560 1/6W CARBON RES.	
	R160	QRD161J-103	10K 1/6W CARBON RES.	A
	R160	QRD161J-103	10K 1/6W CARBON RES.	BS
	R160	QRD161J-103	10K 1/6W CARBON RES.	EF
	R160	QRD161J-103	10K 1/6W CARBON RES.	EN
	R160	QRD161J-103	10K 1/6W CARBON RES.	G
	R160	QRD167J-562	5.6K 1/6W CARBON RES.	GI
	R160	QRD167J-562	5.6K 1/6W CARBON RES.	U
	R160	QRD167J-562	5.6K 1/6W CARBON RES.	UB
	R160	QRD167J-562	5.6K 1/6W CARBON RES.	US
	R160	QRD167J-562	5.6K 1/6W CARBON RES.	UT
	R161	QRD161J-104	100K 1/6W CARBON RES.	A
	R161	QRD161J-104	100K 1/6W CARBON RES.	BS
	R161	QRD161J-104	100K 1/6W CARBON RES.	EF
	R161	QRD161J-104	100K 1/6W CARBON RES.	EN

Δ	Item	Parts Number	Description	Area
	R105	QRD161J-103	10K 1/6W CARBON RES.	
	R108	QRD161J-103	10K 1/6W CARBON RES.	
	R109	QRZ0077-680	68 1/4W FUSIBLE RES.	
	R118	QRD167J-332	3.3K 1/6W CARBON RES.	
	R119	QRD161J-221	220 1/6W CARBON RES.	
	R121	QRD161J-391	390 1/6W CARBON RES.	
	R122	QRD167J-272	2.7K 1/6W CARBON RES.	
	R123	QRD161J-102	1K 1/6W CARBON RES.	
	R124	QRD161J-681	680 1/6W CARBON RES.	
	R125	QRD167J-332	3.3K 1/6W CARBON RES.	
	R126	QRD161J-221	220 1/6W CARBON RES.	
	R131	QRD161J-331	330 1/6W CARBON RES.	
	R132	QRD161J-103	10K 1/6W CARBON RES.	
	R133	QRD161J-473	47K 1/6W CARBON RES.	
	R134	QRD161J-103	10K 1/6W CARBON RES.	BS
	R134	QRD161J-103	10K 1/6W CARBON RES.	EF
	R134	QRD161J-103	10K 1/6W CARBON RES.	EN
	R134	QRD161J-103	10K 1/6W CARBON RES.	G
	R134	QRD161J-103	10K 1/6W CARBON RES.	GI
	R135	QRD161J-470	47 1/6W CARBON RES.	
	R136	QRD161J-103	10K 1/6W CARBON RES.	
	R141	QRD161J-472	4.7K 1/6W CARBON RES.	BS
	R141	QRD161J-472	4.7K 1/6W CARBON RES.	EF
	R141	QRD161J-472	4.7K 1/6W CARBON RES.	EN
	R141	QRD161J-472	4.7K 1/6W CARBON RES.	G
	R141	QRD161J-472	4.7K 1/6W CARBON RES.	GI
	R142	QRD161J-331	330 1/6W CARBON RES.	BS
	R142	QRD161J-331	330 1/6W CARBON RES.	EF
	R142	QRD161J-331	330 1/6W CARBON RES.	EN
	R142	QRD161J-331	330 1/6W CARBON RES.	G
	R142	QRD161J-331	330 1/6W CARBON RES.	GI
	R143	QRD161J-103	10K 1/6W CARBON RES.	BS
	R143	QRD161J-103	10K 1/6W CARBON RES.	EF
	R143	QRD161J-103	10K 1/6W CARBON RES.	EN
	R143	QRD161J-103	10K 1/6W CARBON RES.	G
	R143	QRD161J-103	10K 1/6W CARBON RES.	GI
	R144	QRD161J-473	47K 1/6W CARBON RES.	BS
	R144	QRD161J-473	47K 1/6W CARBON RES.	EF
	R144	QRD161J-473	47K 1/6W CARBON RES.	EN
	R144	QRD161J-473	47K 1/6W CARBON RES.	G
	R144	QRD161J-473	47K 1/6W CARBON RES.	GI
	R145	QRD161J-103	10K 1/6W CARBON RES.	BS
	R145	QRD161J-103	10K 1/6W CARBON RES.	EF
	R145	QRD161J-103	10K 1/6W CARBON RES.	EN
	R145	QRD161J-103	10K 1/6W CARBON RES.	G
	R145	QRD161J-103	10K 1/6W CARBON RES.	GI
	R146	QRD167J-560	56 1/6W CARBON RES.	
	R147	QRD161J-103	10K 1/6W CARBON RES.	
	R148	QRD161J-103	10K 1/6W CARBON RES.	
	R149	QRD161J-273	27K 1/6W CARBON RES.	
	R150	QRD161J-103	10K 1/6W CARBON RES.	
	R151	QRD161J-222	2.2K 1/6W CARBON RES.	
	R153	QRD161J-103	10K 1/6W CARBON RES.	
	R154	QRD161J-103	10K 1/6W CARBON RES.	
	R155	QRD167J-562	5.6K 1/6W CARBON RES.	
	R156	QRD167J-822	8.2K 1/6W CARBON RES.	
	R157	QRD161J-103	10K 1/6W CARBON RES.	
	R158	QRD161J-273	27K 1/6W CARBON RES.	
	R159	QRD161J-561	560 1/6W CARBON RES.	
	R160	QRD161J-103	10K 1/6W CARBON RES.	A
	R160	QRD161J-103	10K 1/6W CARBON RES.	BS
	R160	QRD161J-103	10K 1/6W CARBON RES.	EF
	R160	QRD161J-103	10K 1/6W CARBON RES.	EN
	R160	QRD161J-103	10K 1/6W CARBON RES.	G
	R160	QRD167J-562	5.6K 1/6W CARBON RES.	GI
	R160	QRD167J-562	5.6K 1/6W CARBON RES.	U
	R160	QRD167J-562	5.6K 1/6W CARBON RES.	UB
	R160	QRD167J-562	5.6K 1/6W CARBON RES.	US
	R160	QRD167J-562	5.6K 1/6W CARBON RES.	UT
	R161	QRD161J-104	100K 1/6W CARBON RES.	A
	R161	QRD161J-104	100K 1/6W CARBON RES.	BS
	R161	QRD161J-104	100K 1/6W CARBON RES.	EF
	R161	QRD161J-104	100K 1/6W CARBON RES.	EN

Electrical Parts List (ENA-172)

△	Item	Parts Number	Description	Area
	R161	QRD161J-104	100K 1/6W CARBON RES.	G
	R161	QRD161J-104	100K 1/6W CARBON RES.	GI
	R161	QRD161J-823	82K 1/6W CARBON RES.	U
	R161	QRD161J-823	82K 1/6W CARBON RES.	UB
	R161	QRD161J-823	82K 1/6W CARBON RES.	US
	R161	QRD161J-823	82K 1/6W CARBON RES.	UT
	R162	QRD161J-104	100K 1/6W CARBON RES.	A
	R162	QRD161J-104	100K 1/6W CARBON RES.	BS
	R162	QRD161J-104	100K 1/6W CARBON RES.	EF
	R162	QRD161J-104	100K 1/6W CARBON RES.	EN
	R162	QRD161J-104	100K 1/6W CARBON RES.	G
	R162	QRD161J-104	100K 1/6W CARBON RES.	GI
	R162	QRD161J-823	82K 1/6W CARBON RES.	U
	R162	QRD161J-823	82K 1/6W CARBON RES.	UB
	R162	QRD161J-823	82K 1/6W CARBON RES.	US
	R162	QRD161J-823	82K 1/6W CARBON RES.	UT
	R163	QRD161J-472	4.7K 1/6W CARBON RES.	U
	R163	QRD161J-472	4.7K 1/6W CARBON RES.	UB
	R163	QRD161J-472	4.7K 1/6W CARBON RES.	US
	R163	QRD161J-472	4.7K 1/6W CARBON RES.	UT
	R163	QRD167J-332	3.3K 1/6W CARBON RES.	A
	R163	QRD167J-332	3.3K 1/6W CARBON RES.	BS
	R163	QRD167J-332	3.3K 1/6W CARBON RES.	EF
	R163	QRD167J-332	3.3K 1/6W CARBON RES.	EN
	R163	QRD167J-332	3.3K 1/6W CARBON RES.	G
	R163	QRD167J-332	3.3K 1/6W CARBON RES.	GI
	R164	QRD161J-472	4.7K 1/6W CARBON RES.	U
	R164	QRD161J-472	4.7K 1/6W CARBON RES.	UB
	R164	QRD161J-472	4.7K 1/6W CARBON RES.	US
	R164	QRD161J-472	4.7K 1/6W CARBON RES.	UT
	R164	QRD167J-332	3.3K 1/6W CARBON RES.	A
	R164	QRD167J-332	3.3K 1/6W CARBON RES.	BS
	R164	QRD167J-332	3.3K 1/6W CARBON RES.	EF
	R164	QRD167J-332	3.3K 1/6W CARBON RES.	EN
	R164	QRD167J-332	3.3K 1/6W CARBON RES.	G
	R164	QRD167J-332	3.3K 1/6W CARBON RES.	GI
	R165	QRD161J-184	180K 1/6W CARBON RES.	U
	R165	QRD161J-184	180K 1/6W CARBON RES.	UB
	R165	QRD161J-184	180K 1/6W CARBON RES.	US
	R165	QRD161J-184	180K 1/6W CARBON RES.	UT
	R165	QRD161J-274	270K 1/6W CARBON RES.	A
	R165	QRD161J-274	270K 1/6W CARBON RES.	BS
	R165	QRD161J-274	270K 1/6W CARBON RES.	EF
	R165	QRD161J-274	270K 1/6W CARBON RES.	EN
	R165	QRD161J-274	270K 1/6W CARBON RES.	G
	R165	QRD161J-274	270K 1/6W CARBON RES.	GI
	R166	QRD161J-184	180K 1/6W CARBON RES.	U
	R166	QRD161J-184	180K 1/6W CARBON RES.	UB
	R166	QRD161J-184	180K 1/6W CARBON RES.	US
	R166	QRD161J-184	180K 1/6W CARBON RES.	UT
	R166	QRD161J-274	270K 1/6W CARBON RES.	A
	R166	QRD161J-274	270K 1/6W CARBON RES.	BS
	R166	QRD161J-274	270K 1/6W CARBON RES.	EF
	R166	QRD161J-274	270K 1/6W CARBON RES.	EN
	R166	QRD161J-274	270K 1/6W CARBON RES.	G
	R166	QRD161J-274	270K 1/6W CARBON RES.	GI
	R167	QRD161J-393	39K 1/6W CARBON RES.	U
	R167	QRD161J-393	39K 1/6W CARBON RES.	UB
	R167	QRD161J-393	39K 1/6W CARBON RES.	US
	R167	QRD161J-393	39K 1/6W CARBON RES.	UT
	R167	QRD161J-473	47K 1/6W CARBON RES.	A
	R167	QRD161J-473	47K 1/6W CARBON RES.	BS
	R167	QRD161J-473	47K 1/6W CARBON RES.	EF
	R167	QRD161J-473	47K 1/6W CARBON RES.	EN
	R167	QRD161J-473	47K 1/6W CARBON RES.	G
	R167	QRD161J-473	47K 1/6W CARBON RES.	GI
	R168	QRD161J-103	10K 1/6W CARBON RES.	
	R169	QRD161J-103	10K 1/6W CARBON RES.	
	R171	QRD167J-682	6.8K 1/6W CARBON RES.	
	R172	QRD167J-682	6.8K 1/6W CARBON RES.	
	R180	QRD161J-103	10K 1/6W CARBON RES.	
	R181	QRD161J-222	2.2K 1/6W CARBON RES.	
	R190	QRD161J-103	10K 1/6W CARBON RES.	

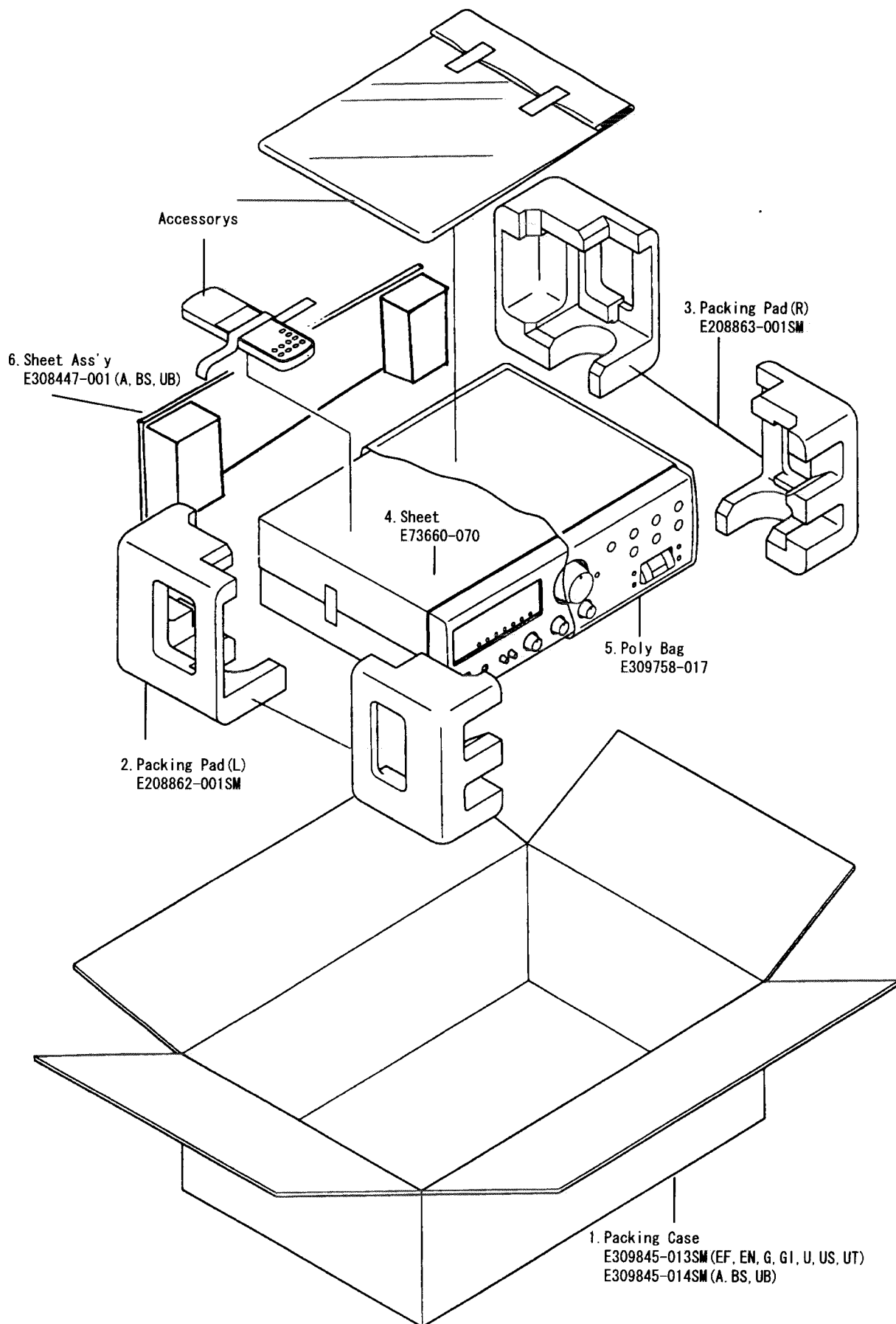
△	Item	Parts Number	Description	Area
	R191	QRD167J-562	5.6K 1/6W CARBON RES.	
	R194	QRD161J-103	10K 1/6W CARBON RES.	
	R195	QRD161J-473	47K 1/6W CARBON RES.	
	R197	QRD161J-222	2.2K 1/6W CARBON RES.	
	R198	QRD167J-822	8.2K 1/6W CARBON RES.	
	R199	QRD161J-472	4.7K 1/6W CARBON RES.	
		OTHERS		
		EMW10604-003	PRINTED BOARD	
	L106	EQL3001-102K	INDUCTOR	
	L120	EQL4007-1R0	INDUCTOR	
	T101	EQR1111-014	RF COIL	
	T102	FMQZ0001-001	RF COIL	BS
	T102	FMQZ0001-001	RF COIL	EF
	T102	FMQZ0001-001	RF COIL	EN
	T102	FMQZ0001-001	RF COIL	G
	T102	FMQZ0001-001	RF COIL	GI
	T103	EQR1207-017	RF COIL	
	T104	EQR1307-010	RF COIL	BS
	T104	EQR1307-010	RF COIL	EF
	T104	EQR1307-010	RF COIL	EN
	T104	EQR1307-010	RF COIL	G
	T104	EQR1307-010	RF COIL	GI
	T105	EQT2140-017	I.F. TRANSFORMER	
	T107	ECB1560-010	CERAMIC FILTER	
	AT101	EMB41YV-302K	ANTENNA TERMINAL	BS
	AT101	EMB41YV-302K	ANTENNA TERMINAL	EF
	AT101	EMB41YV-302K	ANTENNA TERMINAL	EN
	AT101	EMB41YV-302K	ANTENNA TERMINAL	G
	AT101	EMB41YV-302K	ANTENNA TERMINAL	GI
	AT101	FMMB10YV-401K	ANTENNA TERMINAL	A
	AT101	FMMB10YV-401K	ANTENNA TERMINAL	U
	AT101	FMMB10YV-401K	ANTENNA TERMINAL	UB
	AT101	FMMB10YV-401K	ANTENNA TERMINAL	US
	AT101	FMMB10YV-401K	ANTENNA TERMINAL	UT
	CF101	ECB2118-007R	CERAMIC FILTER	BS
	CF101	ECB2118-007R	CERAMIC FILTER	EF
	CF101	ECB2118-007R	CERAMIC FILTER	EN
	CF101	ECB2118-007R	CERAMIC FILTER	G
	CF101	ECB2118-007R	CERAMIC FILTER	GI
	CF101	ECB2123-006R	CERAMIC FILTER	A
	CF101	ECB2123-006R	CERAMIC FILTER	U
	CF101	ECB2123-006R	CERAMIC FILTER	UB
	CF101	ECB2123-006R	CERAMIC FILTER	US
	CF101	ECB2123-006R	CERAMIC FILTER	UT
	CF102	ECB2118-007R	CERAMIC FILTER	BS
	CF102	ECB2118-007R	CERAMIC FILTER	EF
	CF102	ECB2118-007R	CERAMIC FILTER	EN
	CF102	ECB2118-007R	CERAMIC FILTER	G
	CF102	ECB2118-007R	CERAMIC FILTER	GI
	CF102	ECB2123-006R	CERAMIC FILTER	A
	CF102	ECB2123-006R	CERAMIC FILTER	U
	CF102	ECB2123-006R	CERAMIC FILTER	UB
	CF102	ECB2123-006R	CERAMIC FILTER	US
	CF102	ECB2123-006R	CERAMIC FILTER	UT
	CM011	EMV5163-012R	CONNECT TERMINAL	
	FE101	EAF2203-004	FRONT END	A
	FE101	EAF2203-004	FRONT END	U
	FE101	EAF2203-004	FRONT END	UB
	FE101	EAF2203-004	FRONT END	US
	FE101	EAF2203-004	FRONT END	UT
	FE101	EAF2203-005	FRONT END	BS
	FE101	EAF2203-005	FRONT END	EF
	FE101	EAF2203-005	FRONT END	EN
	FE101	EAF2203-005	FRONT END	G
	FE101	EAF2203-005	FRONT END	GI
	LP101	EQF0101-002	LOWPASS FILTER	
	LP102	EQF0102-001	LOWPASS FILTER	BS
	LP102	EQF0102-001	LOWPASS FILTER	EF
	LP102	EQF0102-001	LOWPASS FILTER	EN
	LP102	EQF0102-001	LOWPASS FILTER	G
	LP102	EQF0102-001	LOWPASS FILTER	GI
	XT102	ECX0007-200KJ1	CRYSTAL	
	XT103	ECX0000-456KR	CERAMIC RESONATOR	

# RX-320VBK

## Accessories List

△	Item	Parts Number	Parts Name	Q'ty	Description	Area
	1	E30580-2459A	INSTRUCTION BOOK	1		EF, G, GI, BS
	1	E30580-2460A	INSTRUCTION BOOK	1		EN
	1	E30580-2461A	INSTRUCTION BOOK	1		A, U, UB, US, UT
	2	RM-SR518U	WIRE-LESS REMOTE CONTROL	1		
	3	R6PRPA-2STSA	BATTERY	1		
	4	EWP201-011	ANTENNA WIRE	1		A, U, UB, US, UT,
	4	EWP503-001	ANTENNA WIRE	1		EF, EN, G, GI, BS
	5	EQB4001-015	LOOP ANTENNA	1		
△	6	ENZ2202-001	SIEMENS PLUG	1		US
△	6	ENZ2203-001	ADAPTOR PLUG	1		U, UT
△	7	EMC0202-001BS	AC PLUG	1		BS
	8	E309758-001	POLY BAG	1		
	9	E309758-001	POLY BAG	1		
	-	BT-20066A	DISTRIBUTOR LIST	1		BS
	-	BT-20134	WARRANTY CARD	1		G
	-	BT-54003-1	WARRANTY CARD	1		BS
	-	BT-56001-1	WARRANTY CARD	1		A
	-	E43486-340A	SAFETY SHEET	1		BS
	-	E43486-371A	INSTRUCTION SHEET	1		BS





**RX-320VBK**

**JVC**

**VICTOR COMPANY OF JAPAN, LIMITED**

**AUDIO PRODUCT DIVISION, , 1644, SHIMOTSURUMA, YAMATO - SHI, KANAGAWA - KEN, 242, JAPAN**

(No. 20586U)



Printed in Japan  
9605 (S)