

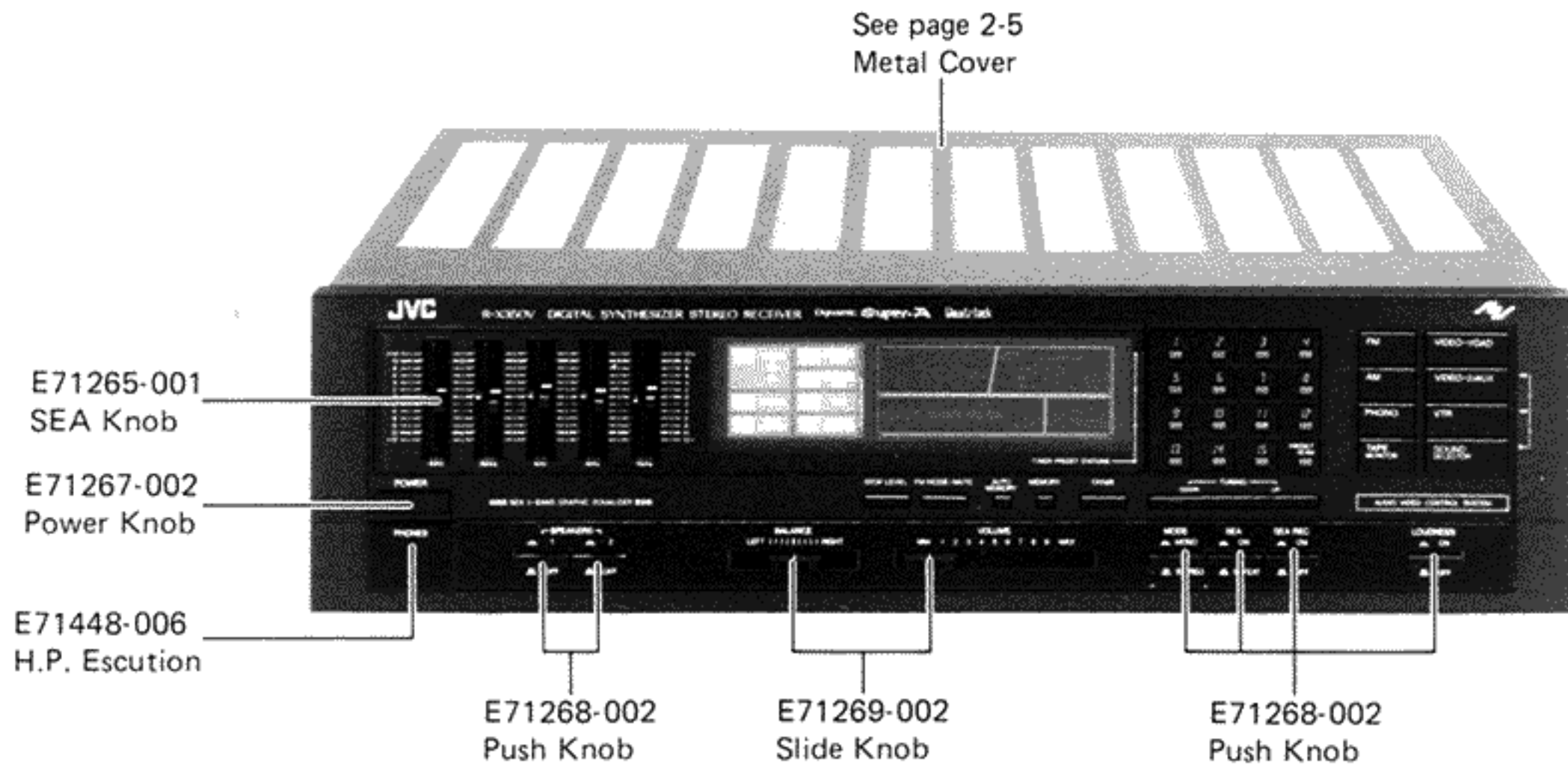
PARTS LIST

Contents

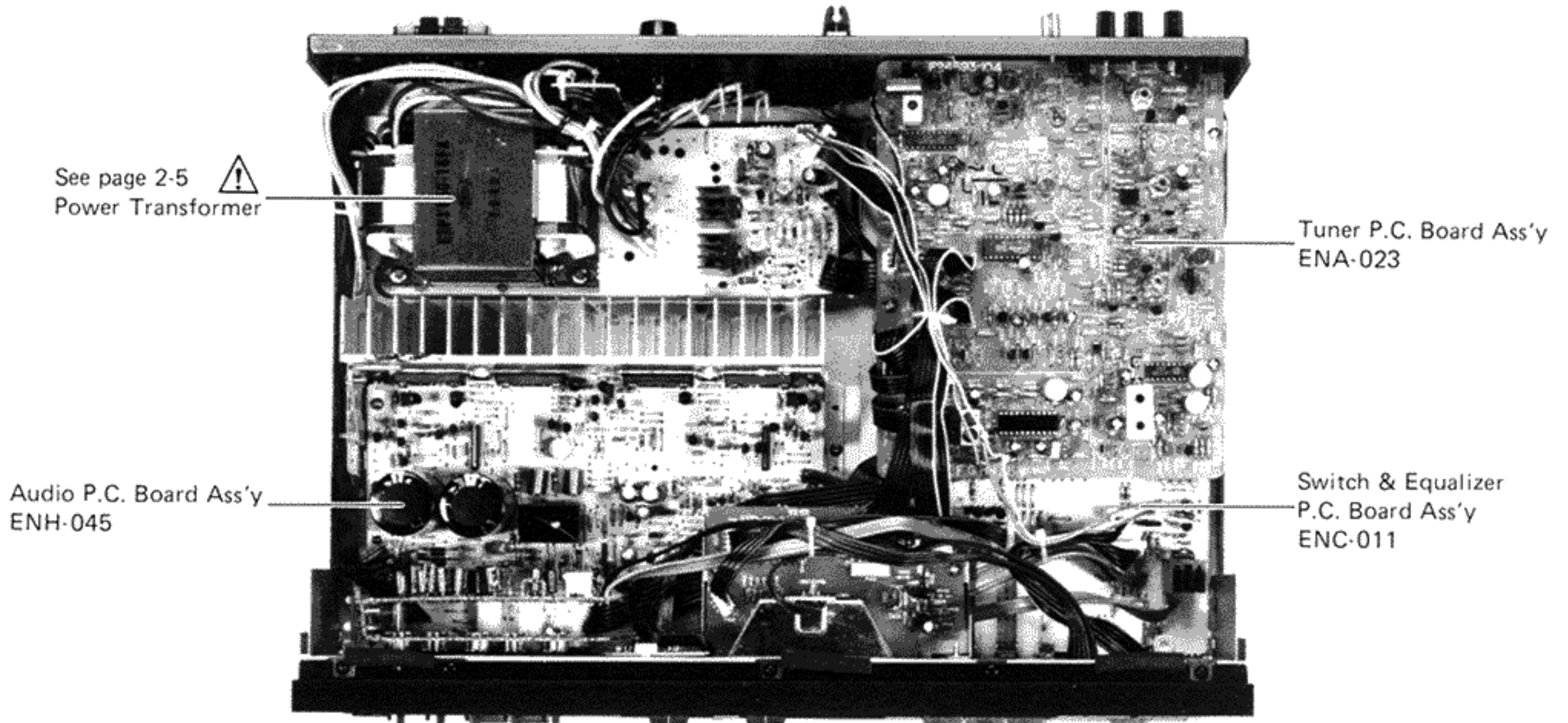
1. Main Parts Locations	2-2
2. Exploded View and Part Numbers	2-3
3. Printed Circuit Board Ass'y and Parts List	2-6
● ENA-023 <input type="checkbox"/> Tuner P.C. Board Ass'y	2-6
● ENH-045 <input type="checkbox"/> Audio P.C. Board Ass'y	2-10
● ENC-012 <input type="checkbox"/> LCD & SEA P.C. Board Ass'y	2-14
● ENC-011 <input type="checkbox"/> Switch & Equalizer P.C. Board Ass'y	2-16
● ENH-025 <input type="checkbox"/> Mojulie P.C. Board Ass'y	2-19
4. Packing Materials and Part Numbers	2-20
5. Accessories List	2-20

1. Main Parts Locations

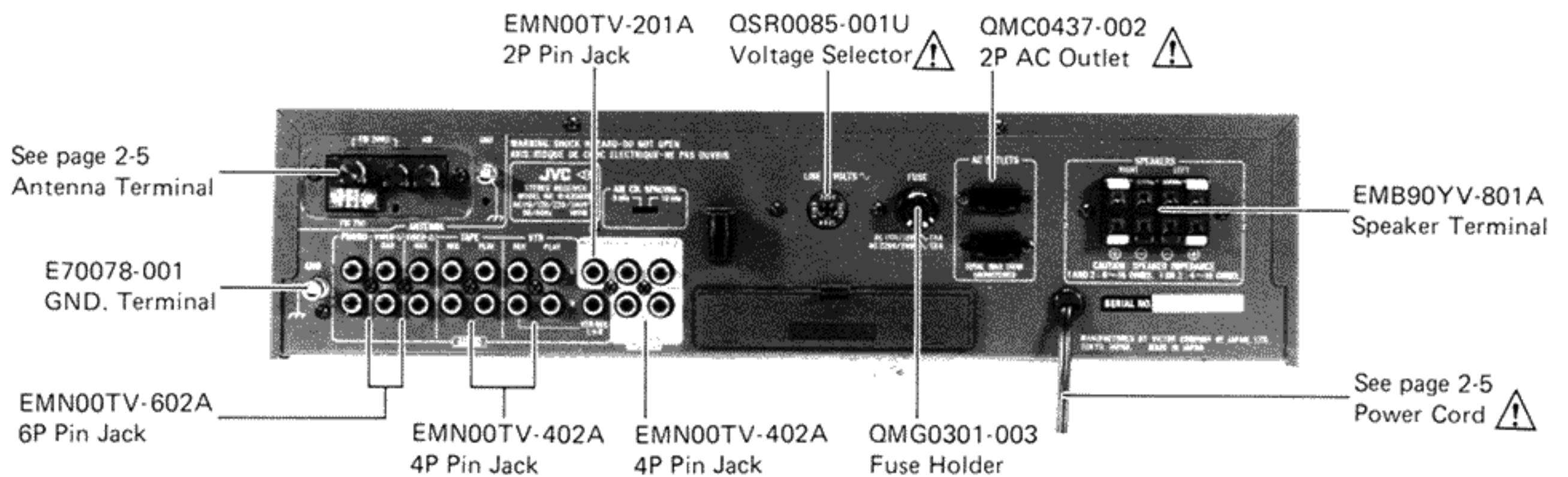
1-(1) Front View



1-(2) Top View

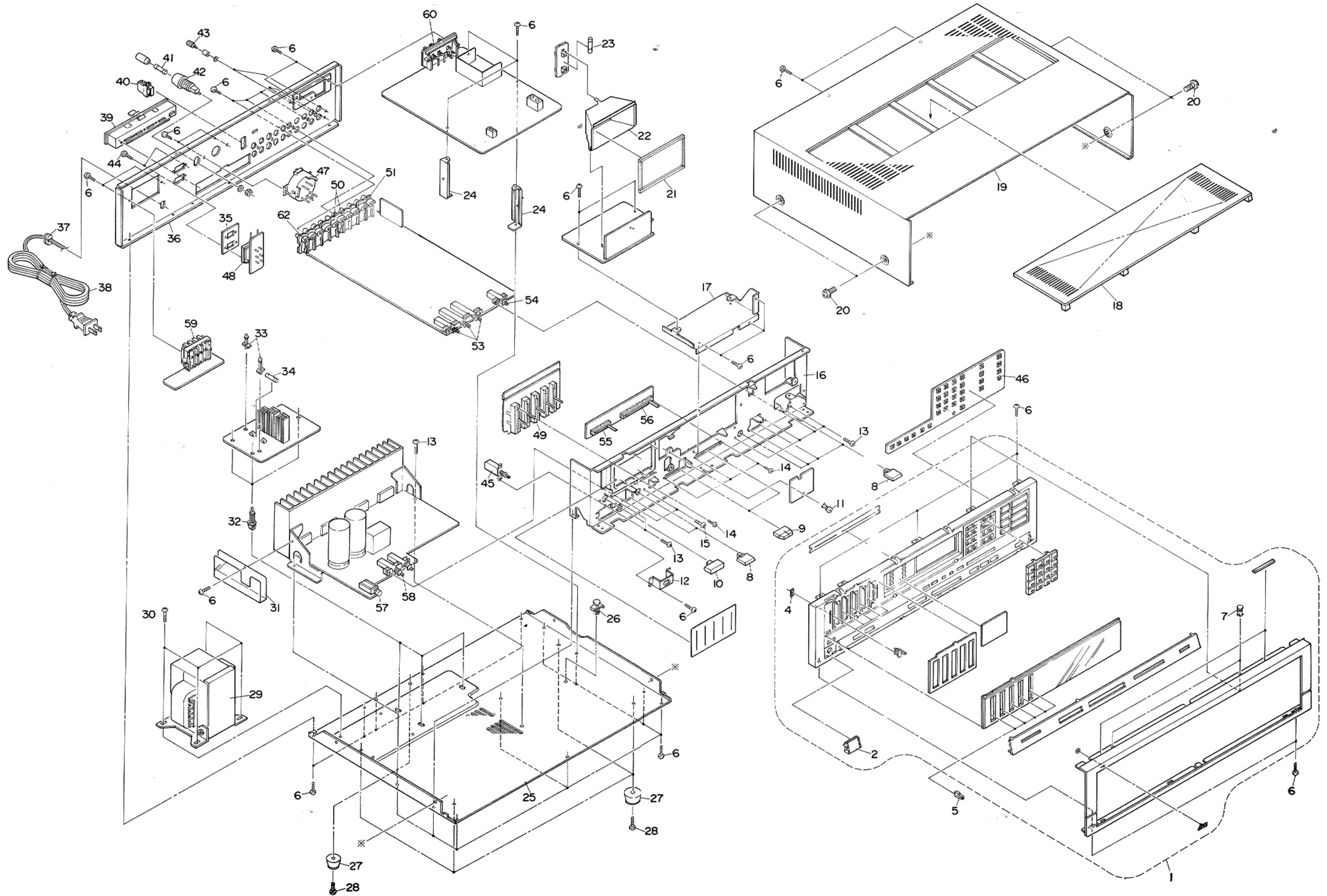


1-(3) Rear View



⚠ : Safety Parts

2. Exploded View and Part Numbers



No.	Part Number	Part Name	Q'ty	Description	Area
1	EFP-RX350VBE	Front Panel Ass'y	1		
2	E71448-006	H.P. Escutcheon	1		
3					
4	E71397-003	Spring	5		
5	E71265-002	SEA Knob	1		
6	SBSB3008N	Screw	36		
7	E48729-009	Plastic Rivet	1		
8	E71268-002	Push Knob	5		
9	E71269-002	Slide Knob	2		
10	E71267-002	Power Knob	1		
11	E48729-008	Plastic Rivet	1		
12	E71285-002	H.P. Bracket	1		
13	E65119-001	Screw	7		
14	SPST2604N	Screw	6		
15	E70053-001	Screw	2		
16	E25692-004	Front Bracket	1		
17	E303284-001	LCD Bracket	1		
18	E28362-004	Grill	1		E, BS
19	E24719-004	Metal Cover	1		J, C, U, P, PG, A, G
	E24720-002	Metal Cover	1		E, BS
20	E61660-001	Screw	3		
21	E71286-004	Sheet	1		
22	E303283-001	Lamp Holder	1		
23	ELP4101-003	Fuse Lamp	1		
24	E71278-001	C.B. Holder	3		
25	E10742-007	Chassis Base	1		
26	E300796-001	Fastener	1		
27	E47227-012	Foot	4		
28	SBSB3010N	Screw	4		
29	ETP1150-16JA	Power Transformer	1		J, C
	ETP1150-16FA	Power Transformer	1		U, P, PG
	ETP1150-16EA	Power Transformer	1		E, A, G
	ETP1150-16EABS	Power Transformer	1		BS
30	E65389-002	Ass'y Screw	4		
31	E69500-003	Sheet	1		
32	E35422-001	Fastener	3		
33	E302321-001	Fastener	2		E, A, G, BS
34	QMF61U1-4R0	Fuse	1		J, C
	QMF51A2-2R0L	Fuse	1		E, A, G
	QMF51E2-2R0SBS	Fuse	1		BS
35	E69589-002	Spacer	1		J
36	E24689-013	Rear Panel	1		J, C
	E24689-014	Rear Panel	1		U, P, PG
	E24689-015	Rear Panel	1		E, A
	E24689-016	Rear Panel	1		G
37	QHS3876-162	Cord Stopper	1		Except BS
	QHS3876-162BS	Cord Stopper	1		BS only
38	QMP1200-200	Power Cord	1		J
	QMP1900-200	Power Cord	1		C
	QMP7600-200	Power Cord	1		U, P, PG
	QMP3900-200	Power Cord	1		E, G
	QMP2560-244	Power Cord	1		A
	QMP9017-008BS	Power Cord	1		BS
39	E303323-001	Battery Case	1		Except BS
	E303323-002	Battery Case	1		BS only
40	E302334-001	Antenna Holder	1		
41	QMF51A2-2R0L	Fuse	1		U, PG
	QMF51A2-4R0S	Fuse	1		P
42	QMG0301-003	Fuse Holder	1		U, P, PG
43	E70078-001	GND Terminal	1		
44	SDSB3008N	Screw	2		J, C, U, P, PG
45	QSP1106-004	Power Switch	1		Except BS
	QSP1106-004BS	Power Switch	1		BS only
46	ESP0001-007	Push Switch	34		
47	OSR0085-001U	Voltage Selector	1		U, P, PG
48	QMC0437-002	2P AC Outlet	1		
49	QVZ5206-004	Variable Resistor	5		
50	EMN00TV-402A	4P Pin Jack	2		
51	EMN00TV-602A	6P Pin Jack	1		
52					
53	QST4361-E05	Push Switch	2		
54	QST4101-E12	Push Switch	1		
55	QVZ5307-001	Variable Resistor	1	Balance	
56	QVZ5020-001	Variable Resistor	1	Volume	
57	QMS6302-128	Head Phone Jack	1		
58	QST4261-E07	Push Switch	1		
59	EMB90YV-801A	Speaker Terminal	1		
60	E03572-016	Antenna Terminal	1		J, C, U, P, PG, A, G, E
	EMB01YV-201A	Antenna Terminal	1		G
61	EMN00TV-201A	2P Pin Jack	1		
62	EMN00TV-402A	4P Pin Jack	1		

The Marks for Designated Areas.

J U.S.A.
C Canada
E Europe
G West Germany
A Australia
P, PG U.S. Military Market
BS U.K.
U Other Countries

No mark indicates all Areas.

△ : Safety Parts

3. Printed Circuit Board Ass'y and Parts List

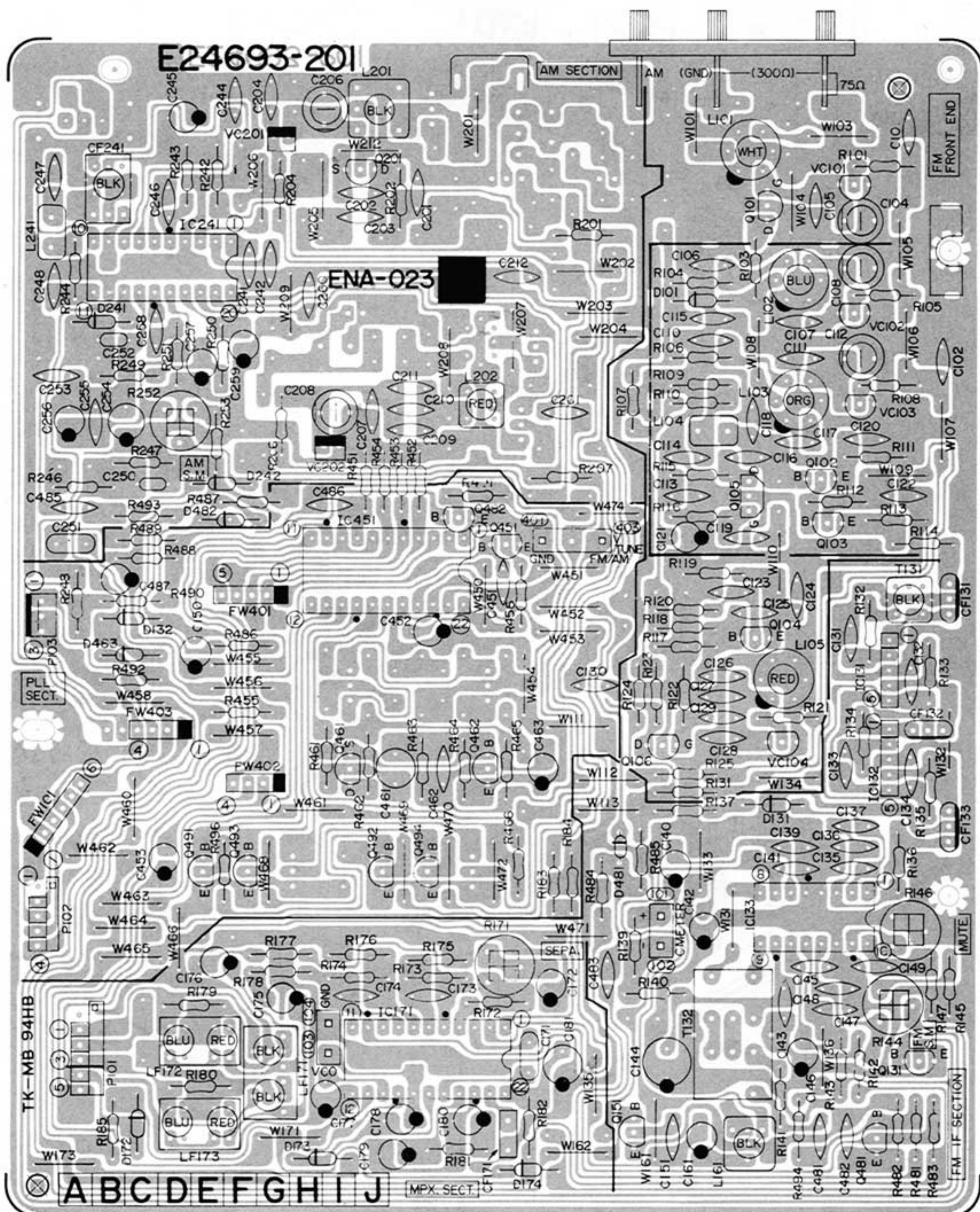
- ENA-023 Tuner P.C. Board Ass'y

Note: ENA-023 varies according to the areas employed. See note (1) when placing on order.

Note (1)

P.C. Board Ass'y	Designated Areas
ENA-023 <input type="checkbox"/> A	U.S.A. & Canada
ENA-023 <input type="checkbox"/> B	U.S. Military Market & Other Countries
ENA-023 <input type="checkbox"/> C	Europe & Australia
ENA-023 <input type="checkbox"/> E	West Germany

The Marks Designated Areas	
A	U.S.A. & Canada
B	U.S. Military Market & Other Countries
C	Europe & Australia
E	West Germany



Transistors

Item No.	Part Number	Description		VER
			Maker	
Q101	2SK359(E,F)	F.E.T.		
Q102	2SC535(B)	Silicon		
Q103	2SC461(B,C)	Silicon		
Q104	2SC461(B,C)	Silicon		
Q105	2SK161(GR)	F.E.T.		
Q106	2SK168(E)	F.E.T.		
Q131	DTC144N	Silicon		
Q151	DTC144N	Silicon		
Q201	2SK105(F,H)	F.E.T.		
Q451	DTC114YN	Silicon		
Q461	2SK105(1)	F.E.T.		
Q462	2SC1815(Y,GR)	Silicon	Toshiba	
Q481	2SC535(B)	Silicon		
Q482	2SC1815(Y,GR)	Silicon	Toshiba	
Q491	DTC144N	Silicon		
Q492	DTA114YN	Silicon		
Q493	DTC144N	Silicon		
Q494	DTA114YN	Silicon		

ICs

Item No.	Part Number	Description		VER
			Maker	
IC133	LA1235B		Sanyo	
IC171	LA3400		Sanyo	
IC241	LA1245		Sanyo	
IC451	TC9171P		Toshiba	

Diodes

Item No.	Part Number	Description		VER
			Maker	
D101	1SS108	Silicon	NEC	
D131	1S2473	Silicon		
D132	1S2473	Silicon		
D172	1S2473	Silicon		
D173	1S2473	Silicon		
D174	1S2473	Silicon		
D241	1SS108	Silicon	NEC	
D242	1S2473	Silicon		
D481	1S2222	Silicon	NEC	
D482	1S2473	Silicon		
D483	1S2473	Silicon		
VC101	SVC202(AB)	Silicon	Sanyo	
VC103	SVC202(AB)	Silicon	Sanyo	
VC104	SVC202(AB)	Silicon	Sanyo	
VC201	KV1236Z	Silicon	Toko	
VC202	KV1236Z	Silicon	Toko	

Coils

Item No.	Part Number	Description	VER
L101	EQR2304-004	RF Coil	E
L101	EQR2304-005	OSC Coil	A
L101	EQR2304-005	OSC Coil	B
L101	EQR2304-005	OSC Coil	C
L103	EQR2304-006	RF Coil	
L104	EQL3001-1R5KY	Inductor	
L105	EQR2404-004	RF Coil	
L201	EQR1111-006	RF Coil	
L202	EQR1207-003	RF Coil	
L241	EQL3001-102KY	Inductor	
T131	EQT2121-005	I.F. Transformer	
T132	EQT2140-003	I.F. Transformer	

Capacitors

Item No.	Part Number	Description			VER
C101	QCF31HP-223	0.022MF	50V	Ceramic	E
C102	QCF31HP-223	0.022MF	50V	Ceramic	
C103	QCF31HP-223	0.022MF	50V	Ceramic	
C104	ENZ1003-002			Trimmer	
C110	QCF31HP-103	0.01MF	50V	Ceramic	
C111	QCS31HJ-5R0	5.0PF	50V	Ceramic	
C112	ENZ1003-002			Trimmer	
C113	QCF31HP-103	0.01MF	50V	Ceramic	
C114	QCS31HJ-151	150PF	50V	Ceramic	
C115	QCF31HP-103	0.01MF	50V	Ceramic	
C116	QCS31HJ-5R0	5.0PF	50V	Ceramic	A
C116	QCS31HJ-5R0	5.0PF	50V	Ceramic	
C117	QCS31HJ-2R0	2.0PF	50V	Ceramic	
C118	QCS31HJ-2R0	2.0PF	50V	Ceramic	
C118	QCS31HJ-2R0	2.0PF	50V	Ceramic	B
C118	QCS31HJ-2R0	2.0PF	50V	Ceramic	C
C118	QCS31HJ-4R0	4.0PF	50V	Ceramic	E
C119	QCS31HJ-4R0	4.0PF	50V	Ceramic	
C120	QCF31HP-103	0.01MF	50V	Ceramic	
C121	QETC1CM-476	47MF	16V	Electro	
C122	QCF31HP-223	0.022MF	50V	Ceramic	
C123	QCF31HP-103	0.01MF	50V	Ceramic	
C124	QCT25UJ-100	10PF	50V	Ceramic	
C125	QCT25UJ-220	22PF	50V	Ceramic	
C126	QCS31HJ-7R0	7.0PF	50V	Ceramic	
C127	QCT25UJ-5R0	5.0PF	50V	Ceramic	
C128	QCT25UJ-5R0	5.0PF	50V	Ceramic	
C129	QCT25CH-2R0	2.0PF	50V	Ceramic	
C130	QCF31HP-103	0.01MF	50V	Ceramic	
C131	QCF31HP-223	0.022MF	50V	Ceramic	
C132	QCF31HP-223	0.022MF	50V	Ceramic	
C135	QCF31HP-223	0.022MF	50V	Ceramic	
C136	QCF31HP-223	0.022MF	50V	Ceramic	
C137	QCF31HP-223	0.022MF	50V	Ceramic	
C138	QET61HM-475	4.7MF	50V	Electro	
C139	QCS31HJ-121	120PF	50V	Ceramic	A
C139	QCS31HJ-121	120PF	50V	Ceramic	B
C139	QCS31HJ-121	120PF	50V	Ceramic	C
C139	QCS31HJ-470	47PF	50V	Ceramic	E
C140	QET61HM-225	2.2UF	50V	Electro	
C141	QCF31HP-223	0.022MF	50V	Ceramic	
C142	QET61HM-105	1MF	50V	Electro	
C143	QCF31HP-223	0.022MF	50V	Ceramic	
C144	QETC1AM-227	220MF	10V	Electro	
C145	QCF31HP-223	0.022MF	50V	Ceramic	
C146	QETC1CM-476	47MF	16V	Electro	
C147	QCF31HP-223	0.022MF	50V	Ceramic	
C148	QCF31HP-223	0.022MF	50V	Ceramic	
C149	QCF31HP-223	0.022MF	50V	Ceramic	
C150	QET61HM-105	1MF	50V	Electro	
C151	QCY31HK-102	1000PF	50V	Ceramic	E
C161	QET61EM-106	10MF	25V	Electro	
C171	QFN31HK-473	0.047MF	50V	Mylar	
C172	QET61EM-106	10MF	25V	Electro	
C173	QCS31HJ-331	330PF	50V	Ceramic	E
C173	QCS31HJ-391	390PF	50V	Ceramic	C
C173	QCS31HJ-681	680PF	50V	Ceramic	A
C173	QCS31HJ-681	680PF	50V	Ceramic	B
C174	QCS31HJ-331	330PF	50V	Ceramic	E
C174	QCS31HJ-391	390PF	50V	Ceramic	C
C174	QCS31HJ-681	680PF	50V	Ceramic	A
C174	QCS31HJ-681	680PF	50V	Ceramic	B
C175	QET61HM-475	4.7MF	50V	Electro	
C176	QET61HM-475	4.7MF	50V	Electro	

Capacitors

Item No.	Part Number	Description			VER
C177	QET61HM-105	1MF	50V	Electro	
C178	QET61HM-105	1MF	50V	Electro	
C179	QEN61HM-474	0.47MF	50V	Non Pole	
C180	QEN61HM-105	1MF	50V	Non Pole	
C181	QETC1CM-107	100MF	16V	Electro	
C201	QCF31HP-223	0.022MF	50V	Ceramic	
C202	QCS31HJ-561	560PF	50V	Ceramic	
C203	QCF31HP-223	0.022MF	50V	Ceramic	
C204	QCC31EM-473	0.047MF	25V	Ceramic	
C206	ENZ1003-006			Trimmer	
C207	QCT25CH-100	10PF	50V	Ceramic	
C208	ENZ1003-006			Trimmer	
C209	QCT25CH-221	220PF	50V	Ceramic	
C210	QCT25CH-221	220PF	50V	Ceramic	
C211	QCT25CH-560	56PF	50V	Ceramic	
C212	QCF31HP-223	0.022MF	50V	Ceramic	
C241	QCY31HK-102	1000PF	50V	Ceramic	
C242	QCF31HP-223	0.022MF	50V	Ceramic	
C244	QCF31HP-223	0.022MF	50V	Ceramic	
C245	QET61EM-106	10MF	25V	Electro	
C246	QCF31HP-223	0.022MF	50V	Ceramic	
C247	QCS31HJ-121	120PF	50V	Ceramic	
C248	QCY31HK-102	1000PF	50V	Ceramic	
C250	QFN31HK-103	0.01MF	50V	Mylar	
C251	QFN31HK-473	0.047MF	50V	Mylar	
C252	QFN31HK-103	0.01MF	50V	Mylar	
C253	QCF31HP-223	0.022MF	50V	Ceramic	
C254	QETC1CM-476	47MF	16V	Electro	
C255	QCF31HP-223	0.022MF	50V	Ceramic	
C256	QET61HM-475	4.7MF	50V	Electro	
C257	QET61HM-105	1MF	50V	Electro	
C258	QCF31HP-223	0.022MF	50V	Ceramic	
C259	QET61HM-475	4.7MF	50V	Electro	
C260	QCF31HP-223	0.022MF	50V	Ceramic	
C261	QCF31HP-223	0.022MF	50V	Ceramic	
C451	QCS31HJ-331	330PF	50V	Ceramic	
C452	QETC0JM-227	220MF	6.3V	Electro	
C453	QET61HM-474	0.47MF	50V	Electro	
C461	QEN61HM-225	2.2MF	50V	Non Pole	
C462	QCY31HK-102	1000PF	50V	Ceramic	
C463	QETC1CM-476	47MF	16V	Electro	
C481	QCS31HJ-470	47PF	50V	Ceramic	
C482	QCF31HP-223	0.022MF	50V	Ceramic	
C483	QCF31HP-223	0.022MF	50V	Ceramic	
C485	QCF31HP-223	0.022MF	50V	Ceramic	
C486	QCF31HP-223	0.022MF	50V	Ceramic	
C487	QET61HM-474	0.47MF	50V	Electro	

Resistors

Item No.	Part Number	Description			VER
R101	QRD141J-473S	47K	¼W	Carbon	
R102	QRD141J-104S	100K	¼W	Carbon	
R103	QRD141J-220S	22	¼W	Carbon	A
R103	QRD141J-220S	220	¼W	Carbon	B
R103	QRD141J-220S	22	¼W	Carbon	C
R103	QRD141J-470S	47	¼W	Carbon	E
R104	QRD141J-470S	47	¼W	Carbon	
R104	QRD141J-470S	47	¼W	Carbon	
R104	QRD141J-470S	47	¼W	Carbon	
R104	QRD141J-470S	47	¼W	Carbon	
R106	QRD141J-470S	47	¼W	Carbon	
R107	QRD141J-221S	220	¼W	Carbon	
R108	QRD141J-473S	47K	¼W	Carbon	
R109	QRD141J-332S	3.3K	¼W	Carbon	
R110	QRD141J-223S	22K	¼W	Carbon	
R111	QRD141J-102S	1K	¼W	Carbon	
R112	QRD141J-102S	1K	¼W	Carbon	
R113	QRD141J-332S	3.3K	¼W	Carbon	
R114	QRD141J-221S	220	¼W	Carbon	
R115	QRD141J-331S	330	¼W	Carbon	
R116	QRD141J-104S	100K	¼W	Carbon	
R117	QRD141J-682S	6.8K	¼W	Carbon	
R118	QRD141J-103S	10K	¼W	Carbon	
R119	QRD141J-222S	2.2K	¼W	Carbon	
R120	QRD141J-102S	1K	¼W	Carbon	
R121	QRD141J-472S	4.7K	¼W	Carbon	
R122	QRD141J-104S	100K	¼W	Carbon	
R123	QRD141J-331S	330	¼W	Carbon	
△R124	QRD145J-560S	56	¼W	Unf. Carbon	
R125	QRD141J-223S	22K	¼W	Carbon	
△R131	QRD145J-560S	56	¼W	Unf. Carbon	
R132	QRD141J-181S	180	¼W	Carbon	C
R132	QRD141J-181S	180	¼W	Carbon	E
R132	QRD141J-271S	270	¼W	Carbon	A
R132	QRD141J-271S	270	¼W	Carbon	B
R133	QRD141J-331S	330	¼W	Carbon	A
R133	QRD141J-331S	330	¼W	Carbon	B
R133	QRD141J-391S	390	¼W	Carbon	C
R133	QRD141J-391S	390	¼W	Carbon	E
R136	QRD141J-331S	330	¼W	Carbon	A
R136	QRD141J-331S	330	¼W	Carbon	B
R136	QRD141J-391S	390	¼W	Carbon	C
R136	QRD141J-391S	390	¼W	Carbon	E
R137	QRD141J-103S	10K	¼W	Carbon	
R139	QRD141J-391S	390	¼W	Carbon	
R140	QRD141J-153S	15K	¼W	Carbon	
R141	QRD141J-332S	3.3K	¼W	Carbon	
△R142	QRD145J-680S	68	¼W	Unf. Carbon	A
△R142	QRD145J-680S	68	¼W	Unf. Carbon	B
△R142	QRZ0062-680	68	¼W	Fusible	C
△R142	QRZ0062-680	68	¼W	Fusible	E
R143	QRD141J-223S	22K	¼W	Carbon	
R144	QVP4A0B-103	10K	0.1W	Variable	
R145	QRD141J-332S	3.3K	¼W	Carbon	
R146	QVP4A0B-473	10K	0.1W	Variable	
R147	QRD141J-104S	100K	¼W	Carbon	
R161	QRD141J-103S	10K	¼W	Carbon	
R171	QVP4A0B-473	47K	0.1W	Variable	
R172	QRD141J-103S	10K	¼W	Carbon	
R173	QRD141J-114S	110K	¼W	Carbon	A
R173	QRD141J-114S	110K	¼W	Carbon	B
R173	QRD141J-134S	130K	¼W	Carbon	C

△ : Safety Parts

Resistors

Item No.	Part Number	Description	VER
R173	QRD141J-154S	150K ¼W Carbon	E
R174	QRD141J-114S	110K ¼W Carbon	A
R174	QRD141J-114S	110K ¼W Carbon	B
R174	QRD141J-134S	130K ¼W Carbon	C
R174	QRD141J-154S	150K ¼W Carbon	E
R175	QRD141J-154S	150K ¼W Carbon	A
R175	QRD141J-154S	150K ¼W Carbon	B
R175	QRD141J-184S	180K ¼W Carbon	C
R175	QRD141J-184S	180K ¼W Carbon	E
R176	QRD141J-154S	150K ¼W Carbon	A
R176	QRD141J-154S	150K ¼W Carbon	B
R176	QRD141J-184S	180K ¼W Carbon	C
R176	QRD141J-184S	180K ¼W Carbon	E
R177	QRD141J-332S	3.3K ¼W Carbon	
R178	QRD141J-332S	3.3K ¼W Carbon	
R179	QRD141J-682S	6.8K ¼W Carbon	
R180	QRD141J-682S	6.8K ¼W Carbon	
R181	QRD141J-332S	3.3K ¼W Carbon	
△R182	QRD145J-680S	68 ¼W Unf. Carbon	A
△R182	QRD145J-680S	68 ¼W Unf. Carbon	B
△R182	QRZ0062-680	68 ¼W Fusible	C
△R182	QRZ0062-680	68 ¼W Fusible	E
R183	QRD141J-103S	10K ¼W Carbon	
R184	QRD141J-103S	10K ¼W Carbon	
R185	QRD141J-104S	100K ¼W Carbon	
R201	QRD141J-331S	330 ¼W Carbon	
R202	QRD141J-471S	470 ¼W Carbon	
R204	QRD141J-103S	10K ¼W Carbon	
R206	QRD141J-473S	47K ¼W Carbon	
R207	QRD141J-472S	4.7K ¼W Carbon	
R242	QRD141J-331S	330 ¼W Carbon	
R243	QRD141J-102S	1K ¼W Carbon	
R244	QRD141J-221S	220 ¼W Carbon	
R246	QRD141J-682S	6.8K ¼W Carbon	
R247	QRD141J-332S	3.3K ¼W Carbon	
△R248	QRD145J-680S	68 ¼W Unf. Carbon	A
△R248	QRD145J-680S	68 ¼W Unf. Carbon	B
△R248	QRZ0062-680	68 ¼W Fusible	C
△R248	QRZ0062-680	68 ¼W Fusible	E
R249	QRD141J-103S	10K ¼W Carbon	
R250	QRD141J-103S	10K ¼W Carbon	
R251	QRD141J-221S	220 ¼W Carbon	
R252	QVP4A0B-103	10K 0.1W Variable	
R253	QRD141J-332S	3.3K ¼W Carbon	
R451	QRD148J-275S	2.7M ¼W Carbon	
R452	QRD141J-104S	100K ¼W Carbon	
R453	QRD141J-104S	100K ¼W Carbon	
R454	QRD141J-104S	100K ¼W Carbon	
R455	QRD141J-101S	100 ¼W Carbon	
R456	QRD141J-473S	47K ¼W Carbon	
R461	QRD141J-222S	2.2K ¼W Carbon	
R462	QRD141J-102S	1K ¼W Carbon	
R463	QRD141J-152S	1.5K ¼W Carbon	
R464	QRD141J-271S	270 ¼W Carbon	
R465	QRD141J-472S	4.7K ¼W Carbon	
△R466	QRD145J-680S	68 ¼W Unf. Carbon	A
△R466	QRD145J-680S	68 ¼W Unf. Carbon	B
△R466	QRZ0062-680	68 ¼W Fusible	C
△R466	QRZ0062-680	68 ¼W Fusible	E
R481	QRD141J-104S	100K ¼W Carbon	
R482	QRD141J-221S	220 ¼W Carbon	
R483	QRD141J-332S	3.3K ¼W Carbon	
R484	QRD141J-472S	4.7K ¼W Carbon	
R485	QRD141J-223S	22K ¼W Carbon	
R486	QRD141J-472S	4.7K ¼W Carbon	
R487	QRD141J-223S	22K ¼W Carbon	
R489	QRD141J-473S	47K ¼W Carbon	

Resistors

Item No.	Part Number	Description	VER
R490	QRD141J-103S	10K ¼W Carbon	
R491	QRD141J-332S	3.3K ¼W Carbon	
R492	QRD141J-104S	100K ¼W Carbon	
R493	QRD141J-682S	6.8K ¼W Carbon	
R494	QRD141J-473S	47K ¼W Carbon	
△R495	QRD145J-220S	22 ¼W Unf. Carbon	
△R495	QRZ0062-220	22 ¼W Fusible	
△R495	QRZ0062-220	22 ¼W Fusible	
△R495	QRZ0062-220	22 ¼W Fusible	
R496	QRD141J-123S	12K ¼W Carbon	C
R496	QRD141J-123S	12K ¼W Carbon	E

△: Safety Parts

Others

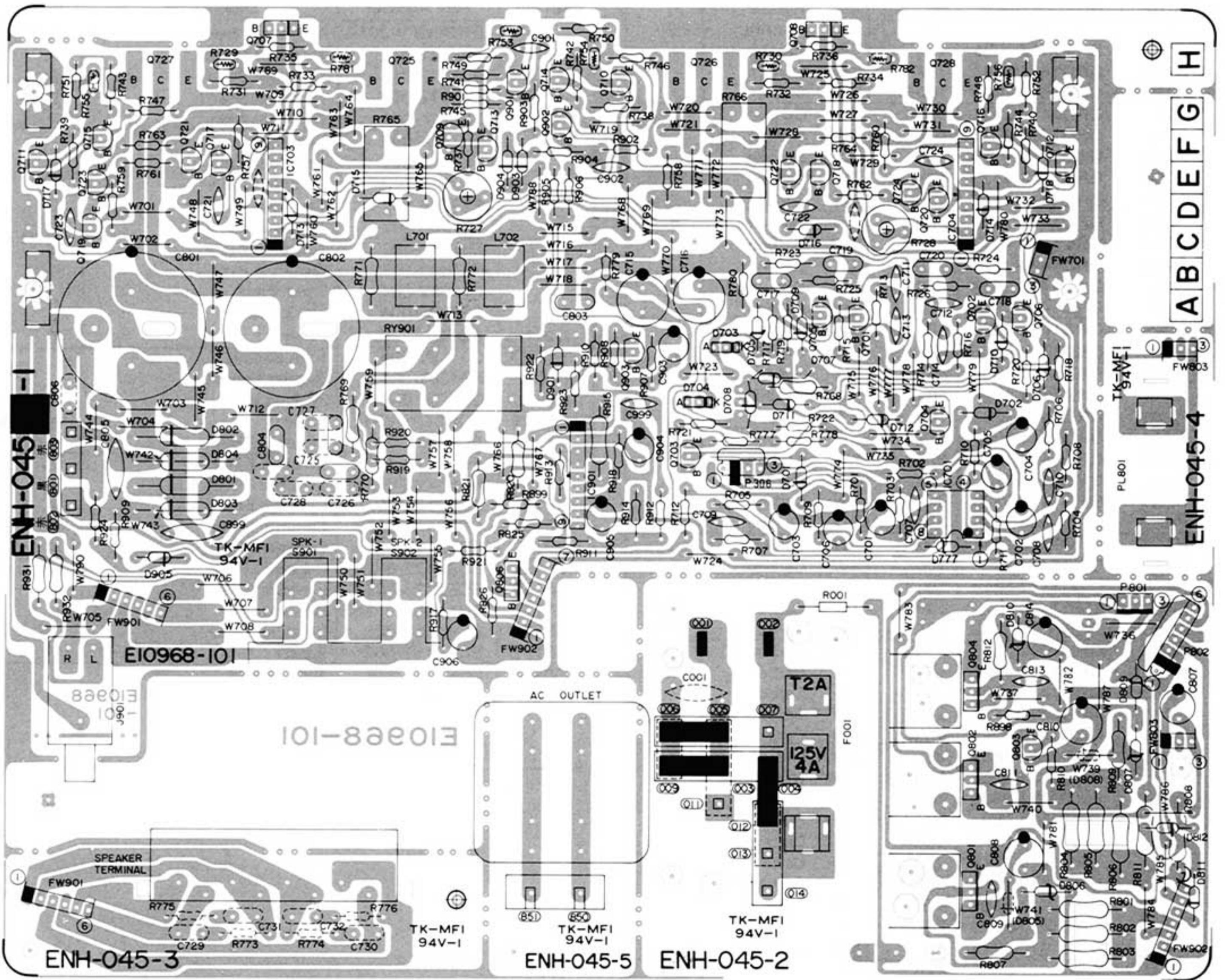
Item No.	Part Number	Description	VER
	EMB01YV-201A	Antenna Terminal	E
	E03572-016	Terminal Board	A
	E03572-016	Terminal Board	B
	E03572-016	Terminal Board	C
	E67764-002	Terminal Ass'y	
	E67764-002	Terminal Ass'y	
	E67764-002	Terminal Ass'y	A
	E67764-202	Terminal Ass'y	B
	E67764-202	Terminal Ass'y	C
	E67764-202	Terminal Ass'y	E
	E24693-103	Circuit Board	
	E70859-001	Earth Plate	
	E69328-001	Shield Cover	
L161	EQF0102-001	Filter	E
P101	E04365-005	F.W. Socket	
P102	E04365-004	Jumper Socket	
P103	QMV5005-003	3P Plug Ass'y	
BF101	EQF0101-005	Filter	E
CF131	ECB2118-001R	Ceramic Filter	C
CF131	ECB2118-001R	Ceramic Filter	E
CF131	ECB2123-002R	Ceramic Filter	A
CF131	ECB2123-002R	Ceramic Filter	B
CF133	ECB2118-001R	Ceramic Filter	C
CF133	ECB2118-001R	Ceramic Filter	E
CF133	ECB2123-002R	Ceramic Filter	A
CF133	ECB2123-002R	Ceramic Filter	B
CF171	ECX0000-456KS	Resonator	
CF241	ECB1560-001	Ceramic Filter	
LF171	EQF0101-002	Filter	
SW401	QSS1201-039	Slide Switch	B

● ENH-045 □ Audio P.C. Board Ass'y

Note: ENH-045 □ varies according to the areas employed. See note (1) when placing on order.

Note (1)

P.C. Board Ass'y	Designated Areas
ENH-045 A	U.S.A.
ENH-045 B	U.S. Military Market & Other Countries
ENH-045 C	Europe & Australia
ENH-045 DBS	U.K.
ENH-045 E	West Germany
ENH-045 G	Canada



Transistors

Item No.	Part Number	Description		VER
			Maker	
Q701	2SC2240(GR,BL)	Silicon	Toshiba	
Q702	2SC2240(GR,BL)	Silicon	Toshiba	
Q703	2SC2909(S,T)	Silicon	Sanyo	
Q704	2SC2909(S,T)	Silicon	Sanyo	
Q705	2SA970(GR,BL)	Silicon	Toshiba	
Q706	2SA970(GR,BL)	Silicon	Toshiba	
Q707	2SD636(Q,R)	Silicon	Matsushita	
Q708	2SD636(Q,R)	Silicon	Matsushita	
Q709	2SA733A(P,Q)	Silicon	NEC	
Q710	2SA733A(P,Q)	Silicon	NEC	
Q711	2SC945A(P,Q)	Silicon	NEC	
Q712	2SC945A(P,Q)	Silicon	NEC	
Q713	2SC945A(P,Q)	Silicon	NEC	
Q714	2SC945A(P,Q)	Silicon	NEC	
Q715	2SA733A(P,Q)	Silicon	NEC	
Q716	2SA733A(P,Q)	Silicon	NEC	
Q717	2SC2240(GR,BL)	Silicon	Toshiba	
Q718	2SC2240(GR,BL)	Silicon	Toshiba	
Q719	2SA970(GR,BL)	Silicon	Toshiba	
Q720	2SA970(GR,BL)	Silicon	Toshiba	
Q721	2SC2235(O,Y)	Silicon	Toshiba	
Q722	2SC2235(O,Y)	Silicon	Toshiba	
Q723	2SA965(O,Y)	Silicon	Toshiba	
Q724	2SA965(O,Y)	Silicon	Toshiba	
Q725	2SD845LB(R,O)	Silicon		
Q726	2SD845LB(R,O)	Silicon		
Q727	2SB755LB(R,O)	Silicon		
Q728	2SB755LB(R,O)	Silicon		
Q801	2SB941A(P,Q)	Silicon	Matsushita	
Q802	2SD1265A(O,P)	Silicon	Matsushita	
Q803	2SC945A(P,Q)	Silicon	NEC	
Q804	2SD1265A(O,P)	Silicon	Matsushita	
Q806	2SB941A(P,Q)	Silicon	Matsushita	C
Q806	2SB941A(P,Q)	Silicon	Matsushita	DBS
Q806	2SB941A(P,Q)	Silicon	Matsushita	E
Q901	2SC1775AV(E,F)	Silicon		
Q902	2SC1775AV(E,F)	Silicon		
Q903	2SA733A(P,Q)	Silicon	NEC	

Diodes

Item No.	Part Number	Description		VER
			Maker	
D716	1S2473	Silicon		
D717	1S2473	Silicon		
D718	1S2473	Silicon		
D777	RD3.3EB2	Silicon	NEC	C
D777	RD3.3EB2	Silicon	NEC	DBS
D777	RD3.3EB2	Silicon	NEC	E
D801	S3V20F	Silicon	Shindengen	
D802	S3V20F	Silicon	Shindengen	
D803	S3V20F	Silicon	Shindengen	
D804	S3V20F	Silicon	Shindengen	
D805	1S2473	Silicon		C
D805	1S2473	Silicon		DBS
D805	1S2473	Silicon		E
D806	RD18EB3	Silicon	NEC	
D807	RD15EB3	Silicon	NEC	
D808	1S2473	Silicon		C
D808	1S2473	Silicon		DBS
D808	1S2473	Silicon		E
D809	RD6.8EB3	Silicon	NEC	C
D809	RD6.8EB3	Silicon	NEC	DBS
D809	RD6.8EB3	Silicon	NEC	E
D810	RD5.6EB3	Silicon	NEC	
D811	1S2473	Silicon		C
D811	1S2473	Silicon		DBS
D811	1S2473	Silicon		E
D812	1SS81	Silicon	Hitachi	
D901	1S2473	Silicon		
D903	1S2473	Silicon		
D904	1S2473	Silicon		
D905	1S2473	Silicon		

Coils

Item No.	Part Number	Description	VER
L701	EQL0001-1R0	Choke Coil	
L702	EQL0001-1R0	Choke Coil	

ICs

Item No.	Part Number	Description		VER
			Maker	
IC701	NJM4560D-X		Dainichi	
IC703	VC5022-2		Sanyo	
IC704	VC5022-2		Sanyo	
IC901	TA7317P		Toshiba	

Capacitors

Item No.	Part Number	Description		VER
C001	QCZ9019-472	4700PF	Ceramic	A
C001	QCZ9019-472	4700PF	Ceramic	B
C001	QCZ9019-472	4700PF	Ceramic	C
C001	QCZ9019-472	4700PF	Ceramic	E
C001	QCZ9019-472	4700PF	Ceramic	G
C001	ECZ9019-472BS	4700PF	Ceramic	DBS
C701	QET61HM-475	4.7MF	50V Electro	
C702	QET61HM-475	4.7MF	50V Electro	
C703	QET61CM-107	100MF	16V Electro	
C704	QET61CM-107	100MF	16V Electro	
C705	QET61EM-226	22MF	25V Electro	
C706	QET61EM-226	22MF	25V Electro	
C707	QCS31HJ-101	100PF	50V Ceramic	
C708	QCS31HJ-101	100PF	50V Ceramic	
C709	QCS31HJ-150	15PF	50V Ceramic	
C710	QCS31HJ-150	15PF	50V Ceramic	
C711	QCS31HJ-121	120PF	50V Ceramic	
C712	QCS31HJ-121	120PF	50V Ceramic	
C713	QCS31HJ-220	22PF	50V Ceramic	
C714	QCS31HJ-220	22PF	50V Ceramic	
C715	QET51JM-107	100MF	63V Electro	
C716	QET51JM-107	100MF	63V Electro	
C717	QFN31HK-822	8200PF	50V Mylar	
C718	QFN31HK-822	8200PF	50V Mylar	
C719	QFN31HK-822	8200PF	50V Mylar	

Diodes

Item No.	Part Number	Description		VER
			Maker	
D701	1S2473	Silicon		
D702	1S2473	Silicon		
D703	DA203F	Silicon		
D704	DA203F	Silicon		
D705	RD5.6EB3	Silicon	NEC	
D706	RD5.6EB3	Silicon	NEC	
D707	1S2473	Silicon		
D708	1S2473	Silicon		
D709	1SS81	Silicon	Hitachi	
D710	1SS81	Silicon	Hitachi	
D711	1SS81	Silicon	Hitachi	
D712	1SS81	Silicon	Hitachi	
D713	1S2473	Silicon		
D714	1S2473	Silicon		
D715	1S2473	Silicon		

Resistors

Item No.	Part Number	Description		VER
△R804	QRG022J-271A	270	2W O.M. Film	
△R805	QRG022J-271A	270	2W O.M. Film	
△R806	QRG022J-271A	270	2W O.M. Film	
△R807	QRD125J-122		Unf. Carbon	
△R808	QRG022J-390A	39	2W O.M. Film	
△R809	QRD125J-222	2.2K	½W Unf. Carbon	
△R810	QRD145J-101S	100	¼W Unf. Carbon	G
△R810	QRZ0062-101	100	¼W Fusible	E
△R810	QRZ0062-101	100	¼W Fusible	A
△R810	QRZ0062-101	100	¼W Fusible	B
△R810	QRZ0062-101	100	¼W Fusible	C
△R810	QRZ0062-101	100	¼W Fusible	DBS
△R811	QRG022J-150A	15	2W O.M. Film	
△R812	QRD125J-332	3.3K	½W Unf. Carbon	
△R820	QRD125J-2R2		Unf. Carbon	
△R821	QRD125J-6R8	6.8	½W Unf. Carbon	
R825	QRD141J-822S	8.2K	¼W Carbon	C
R825	QRD141J-822S	8.2K	¼W Carbon	DBS
R825	QRD141J-822S	8.2K	¼W Carbon	E
R825	QRD141J-822S	8.2K	¼W Carbon	C
R826	QRD141J-222S	2.2K	¼W Carbon	DBS
R826	QRD141J-222S	2.2K	¼W Carbon	E
△R898	QRD145J-181S	180	¼W Unf. Carbon	A
△R898	QRD145J-181S	180	¼W Unf. Carbon	B
△R898	QRZ0062-181	180	¼W Fusible	C
△R898	QRZ0062-181	180	¼W Fusible	DBS
△R898	QRZ0062-181	180	¼W Fusible	E
△R898	QRZ0062-181	180	¼W Fusible	G
△R899	QRD145J-3R6S	3.6	¼W Unf. Carbon	
R901	QRD141J-681S	680	¼W Carbon	
R902	QRD141J-681S	680	¼W Carbon	
R903	QRD141J-562S	5.6K	¼W Carbon	
R904	QRD141J-562S	5.6K	¼W Carbon	
R905	QRD141J-123S	12K	¼W Carbon	
R906	QRD141J-123S	12K	¼W Carbon	
R907	QRD141J-103S	10K	¼W Carbon	
R908	QRD141J-332S	3.3K	¼W Carbon	
R909	QRD141J-472S	4.7K	¼W Carbon	
R910	QRD141J-563S	56K	¼W Carbon	
R911	QRD141J-223S	22K	¼W Carbon	
R912	QRD141J-683S	68K	¼W Carbon	
R913	QRD141J-153S	15K	¼W Carbon	
R914	QRD141J-224S	220K	¼W Carbon	
△R915	QRG022J-561A	560	2W O.M. Film	
R917	QRD141J-682S	6.8K	¼W Carbon	
R918	QRD141J-104S	100K	¼W Carbon	
R919	QRD141J-104S	100K	¼W Carbon	
R920	QRD141J-823S	82K	¼W Carbon	
R921	QRD141J-563S	56K	¼W Carbon	
R922	QRD141J-121S	120	¼W Carbon	
R923	QRD141J-121S	120	¼W Carbon	
R924	QRD141J-682S	6.8K	¼W Carbon	
△R931	QRD125J-221	220	½W Unf. Carbon	
△R932	QRD125J-221	220	½W Unf. Carbon	

△: Safety Parts

Others

Item No.	Part Number	Description	VER
△	E67764-103	Wrapping Terminal	C
△	E67764-103	Wrapping Terminal	DBS
△	E67764-103	Wrapping Terminal	E
	E67764-103	Wrapping Terminal	
	E67764-202	Wrapping Terminal	A
	E67764-202	Wrapping Terminal	G
	E67764-202	Wrapping Terminal	
	E67764-202	Wrapping Terminal	
	E67764-203	Terminal Ass'y	B
	E67764-302	Wrapping Terminal	A
	E67764-302	Wrapping Terminal	B
	E67764-302	Wrapping Terminal	G
	E65508-002	Tab	
	EMG7331-001	Fuse Clip	C
	EMG7331-001	Fuse Clip	DBS
	EMG7331-001	Fuse Clip	E
	E10968-101	Circuit Board	A
	E10968-101	Circuit Board	B
	E10968-101	Circuit Board	C
	E10968-101	Circuit Board	E
	E10968-101	Circuit Board	G
	E10968-101BS	Circuit Board	DBS
	E302256-003	Heat Sink Bracket	
	E302256-004	Heat Sink Bracket	
	E33754-001	Tie Band	G
	SBSB3008Z	Screw	
	SBSB3008Z	Screw	
	SBSB3008Z	Screw	
	SBSB3012Z	Screw	
	E302267-004	Heat Sink	
	E70945-H40B	Heat Sink	
	E70945-H40B	Heat Sink	
	E65654-001	Spacer	
	E70859-001	Earth Plate	
	E71674-001	Sheet	G
J901	QMS6302-128	Headphone Jack	
P306	E04365-003	3P Socket	
P801	QMV5005-003	3P Plug Ass'y	
P802	E04365-006	6P Connector	
RY901	ESK5D24-215	Relay	
SW901	QST4261-E07	Push Switch	

△: Safety Parts

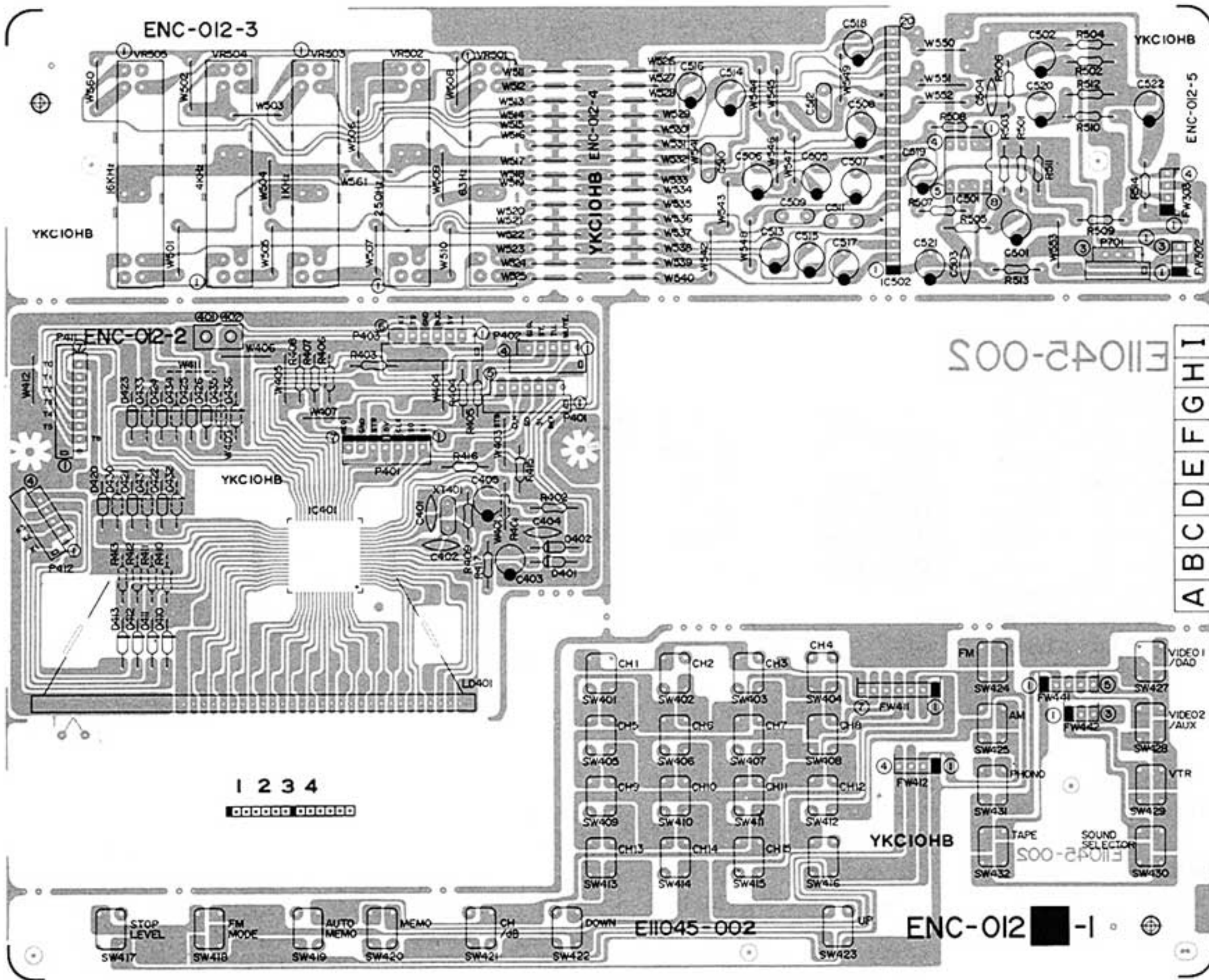
Others

Item No.	Part Number	Description	VER
	QMC0437-002	AC Socket	A
	QMC0437-002	AC Socket	B
	QMC0437-002	AC Socket	G
	E45524-002	Fuse Clip	A
	E45524-002	Fuse Clip	G
	EMB90TV-801A	Speaker Terminal	
	E67764-102	Terminal Ass'y	E
	E67764-102	Terminal Ass'y	C
	E67764-102	Terminal Ass'y	DBS
	E67764-103	Wrapping Terminal	B

● ENC-012 □ LCD & SEA P.C. Board Ass'y

Note: ENC-012 □ varies according to the areas employed. See note (1) when placing on order.
 Note (1)

P.C. Board Ass'y	Designated Areas
ENC-012 A	U.S.A. & Canada
ENC-012 B	U.S. Military Market & Other Countries
ENC-012 C	Europe, Australia, U.K. & West Germany



ICs

Item No.	Part Number	Description	VER
IC401	TC9302F-002	Maker	
IC501	NJM4560D-X	Dainichi	
IC502	SAB2-024	Alps	

Diodes

Item No.	Part Number	Description	VER
D401	1S2473	Silicon	
D402	1S2473	Silicon	
D410	1S2473	Silicon	
D411	1S2473	Silicon	
D412	1S2473	Silicon	

Diodes

Item No	Part Number	Description	VER
D413	1S2473	Silicon	
D420	1S2473	Silicon	
D421	1S2473	Silicon	
D422	1S2473	Silicon	
D423	1S2473	Silicon	
D424	1S2473	Silicon	
D425	1S2473	Silicon	
D426	1S2473	Silicon	
D430	1S2473	Silicon	B
D430	1S2473	Silicon	C
D431	1S2473	Silicon	A
D434	1S2473	Silicon	A
D434	1S2473	Silicon	B
D435	1S2473	Silicon	B

Capacitors

Item No.	Part Number	Description			VER
C401	QCS31HJ-120	12PF	50V	Ceramic	
C402	QCS31HJ-120	12PF	50V	Ceramic	
C403	QET61AM-107	100MF	10V	Electro	
C404	QCF31HP-223	0.022MF	50V	Ceramic	
C405	QET61HM-475	4.7MF	50V	Electro	
C501	QET61HM-475	4.7MF	50V	Electro	
C502	QET61HM-475	4.7MF	50V	Electro	
C503	QCS31HJ-470	47PF	50V	Ceramic	
C504	QCS31HJ-470	47PF	50V	Ceramic	
C505	QET61CM-476	47MF	16V	Electro	
C506	QET61CM-476	47MF	16V	Electro	
C507	QET61CM-476	47MF	16V	Electro	
C508	QET61CM-476	47MF	16V	Electro	
C509	QFN31HK-183	0.018MF	50V	Mylar	
C510	QFN31HK-183	0.018MF	50V	Mylar	
C511	QFN31HK-683	0.068MF	50V	Mylar	
C512	QFN31HK-683	0.068MF	50V	Mylar	
C513	QEB61HM-334	0.33MF	50V	Electro	
C514	QEB61HM-334	0.33MF	50V	Electro	
C515	QET61HM-105	1MF	50V	Electro	
C516	QET61HM-105	1MF	50V	Electro	
C517	QET61HM-475	4.7MF	50V	Electro	
C518	QET61HM-475	4.7MF	50V	Electro	
C519	QET61HM-475	4.7MF	50V	Electro	
C520	QET61HM-475	4.7MF	50V	Electro	
C521	QET61HM-226	22MF	50V	Electro	
C522	QET61EM-107	100MF	25V	Electro	

Resistors

Item No.	Part Number	Description			VER
R402	QRD141J-104S	100K	¼W	Carbon	
R403	QRD141J-222S	2.2K	¼W	Carbon	
R404	QRD141J-332S	3.3K	¼W	Carbon	
R405	QRD141J-103S	10K	¼W	Carbon	
R407	QRD141J-104S	100K	¼W	Carbon	
R408	QRD141J-104S	100K	¼W	Carbon	
R409	QRD141J-333S	33K	¼W	Carbon	
R415	QRD141J-103S	10K	¼W	Carbon	
R416	QRD141J-473S	47K	¼W	Carbon	
R417	QRD141J-102S	1K	¼W	Carbon	
R501	QRD141J-104S	100K	¼W	Carbon	
R502	QRD141J-104S	100K	¼W	Carbon	
R503	QRD141J-104S	100K	¼W	Carbon	
R504	QRD141J-104S	100K	¼W	Carbon	
R505	QRD141J-102S	1K	¼W	Carbon	
R506	QRD141J-102S	1K	¼W	Carbon	
R507	QRD141J-332S	3.3K	¼W	Carbon	
R508	QRD141J-332S	3.3K	¼W	Carbon	
R509	QRD141J-331S	330	¼W	Carbon	
R510	QRD141J-331S	330	¼W	Carbon	
R511	QRD141J-224S	220K	¼W	Carbon	
R512	QRD141J-224S	220K	¼W	Carbon	
△R513	QRD145J-330S	33	¼W	Unf. Carbon	A
△R513	QRD145J-330S	33	¼W	Unf. Carbon	B
△R513	QRZ0062-330	33	¼W	Fusible	C
△R514	QRD145J-101S	100	¼W	Unf. Carbon	A
△R514	QRD145J-101S	100	¼W	Unf. Carbon	B
△R514	QRZ0062-101	100	¼W	Fusible	C
VR501	QVZ5206-004			Variable	
VR502	QVZ5206-004			Variable	
VR503	QVZ5206-004			Variable	
VR504	QVZ5206-004			Variable	
VR505	QVZ5206-004			Variable	

Others

Item No.	Part Number	Description	VER
	E67764-002	Terminal Ass'y	A
	E11045-001	Circuit Board	
P401	QMV5005-007	7P Plug Ass'y	
P401	E04365-005	F.W. Socket	
P402	E04365-004	Jumper Socket	
P403	E04365-004	Jumper Socket	A
P403	E04365-004	Jumper Socket	C
P403	E04365-006	6P Connector	B
P411	E04365-007	F.W. Socket	
P412	E04365-004	Jumper Socket	
P701	E04365-003	3P Socket	
SW401	ESP0001-007	Push Switch	
SW402	ESP0001-007	Push Switch	
SW403	ESP0001-007	Push Switch	
SW404	ESP0001-007	Push Switch	
SW405	ESP0001-007	Push Switch	
SW406	ESP0001-007	Push Switch	
SW407	ESP0001-007	Push Switch	
SW408	ESP0001-007	Push Switch	
SW409	ESP0001-007	Push Switch	
SW410	ESP0001-007	Push Switch	
SW411	ESP0001-007	Push Switch	
SW412	ESP0001-007	Push Switch	
SW413	ESP0001-007	Push Switch	
SW414	ESP0001-007	Push Switch	
SW415	ESP0001-007	Push Switch	
SW416	ESP0001-007	Push Switch	
SW417	ESP0001-007	Push Switch	
SW418	ESP0001-007	Push Switch	
SW419	ESP0001-007	Push Switch	
SW420	ESP0001-007	Push Switch	
SW421	ESP0001-007	Push Switch	
SW422	ESP0001-007	Push Switch	
SW423	ESP0001-007	Push Switch	
SW424	ESP0001-007	Push Switch	
SW425	ESP0001-007	Push Switch	
SW427	ESP0001-007	Push Switch	
SW428	ESP0001-007	Push Switch	
SW429	ESP0001-007	Push Switch	
SW430	ESP0001-007	Push Switch	
SW431	ESP0001-007	Push Switch	
SW432	ESP0001-007	Push Switch	
XT401	ECX0007-200KC	Crystal	
LD401	ELU0002-001A,B	LCD Panel	

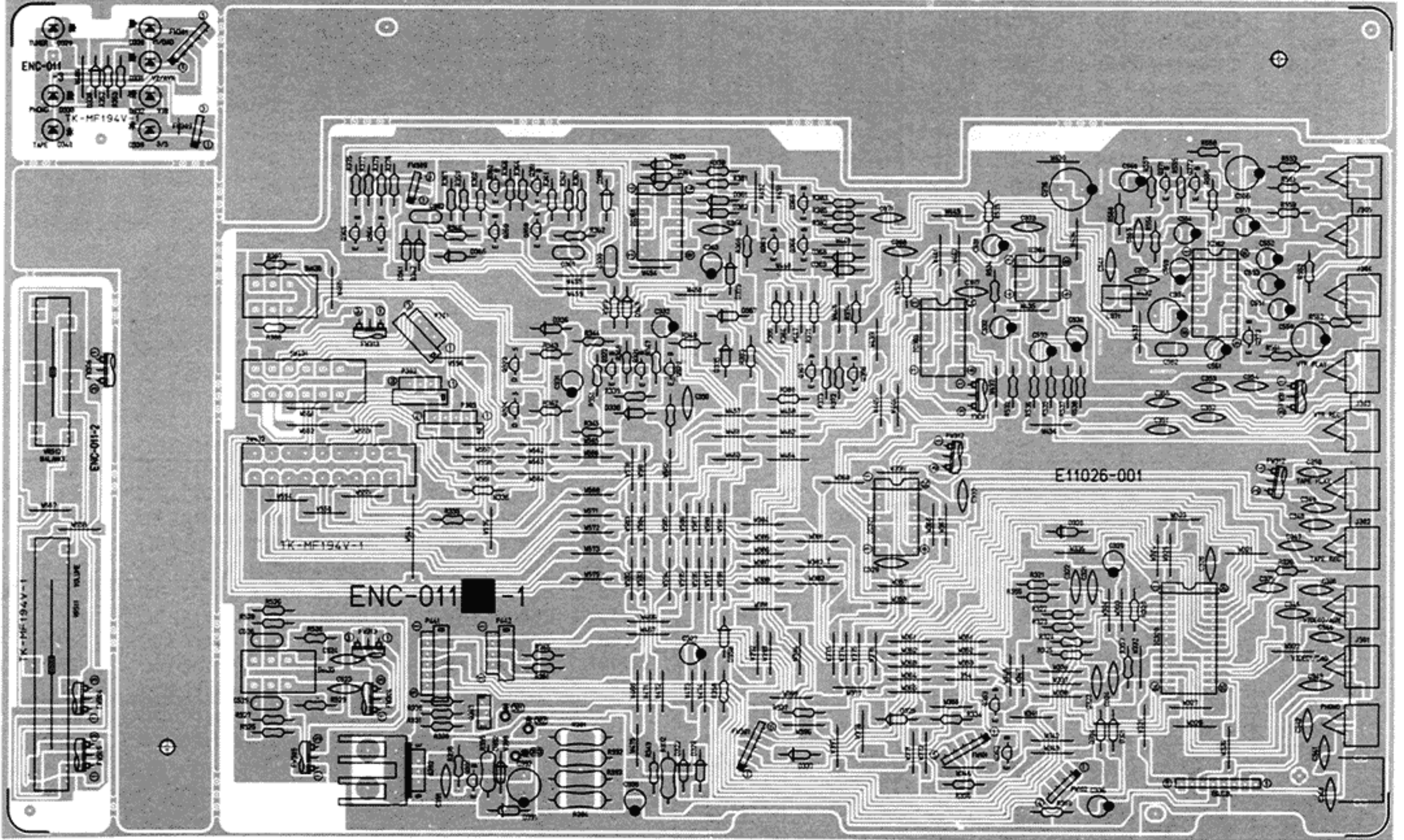
△: Safety Parts

● ENC-011 Switch & Equalizer P.C. Board Ass'y

Note: ENC-011 varies according to the areas employed. See note (1) when placing on order.

Note (1)

P.C. Board Ass'y	Designated Areas
ENC-011 <input type="checkbox"/> A	U.S.A., Canada, U.S. Military Market & Other Countries
ENC-011 <input type="checkbox"/> B	Europe, Australia & U.K.
ENC-011 <input type="checkbox"/> C	West Germany



Transistors

Item No.	Part Number	Description		VER
			Maker	
Q320	2SC945A(P,Q)	Silicon	NEC	
Q321	2SC945A(P,Q)	Silicon	NEC	
Q322	2SA733A(P,Q)	Silicon	NEC	
Q323	2SK105(H)	F.E.T.		
Q324	2SK105(H)	F.E.T.		
Q352	DTC144N	Silicon		
Q353	DTA114YN	Silicon		
Q358	2SC945A(P,Q)	Silicon	NEC	
Q359	2SC945A(P,Q)	Silicon	NEC	
Q361	2SC458(D)	Silicon	Hitachi	
Q362	2SC458(D)	Silicon	Hitachi	
Q363	2SA733A(P,Q)	Silicon	NEC	
Q364	2SA733A(P,Q)	Silicon	NEC	
Q365	2SA733A(P,Q)	Silicon	NEC	
Q366	2SA733A(P,Q)	Silicon	NEC	
Q367	2SA733A(P,Q)	Silicon	NEC	
Q368	2SC945A(P,Q)	Silicon	NEC	
C369	2SC945A(P,Q)	Silicon	NEC	
Q371	2SC458(C)	Silicon	Hitachi	
Q372	2SC458(C)	Silicon	Hitachi	
Q373	2SC458(C)	Silicon	Hitachi	
Q391	2SC945A(P,Q)	Silicon	NEC	
Q392	2SD1265A(O,P)	Silicon	Matsushita	
Q393	2SD669A(B,C)	Silicon	Hitachi	

ICs

Item No.	Part Number	Description		VER
			Maker	
IC301	NJM4558D-D		Dainichi	
IC320	LC7815H		Sanyo	
IC321	LC4066BH		Sanyo	
IC361	TC4013BP		Toshiba	
IC362	M51320P		Ryoyo	
IC363	LC4066BH		Sanyo	
IC364	M5218P		Ryoyo	

Diodes

Item No.	Part Number	Description		VER
			Maker	
D320	1S2473	Silicon		
D321	1S2473	Silicon		
D322	RD5.6EB3	Silicon	NEC	
D323	RD5.6EB3	Silicon	NEC	
D325	1S2473	Silicon		
D329	SLR-55MC50F	L.E.D.		
D330	SLR-55MC50F	L.E.D.		
D331	SLR-55MC50F	L.E.D.		
D332	SLR-55DC50F	L.E.D.		
D333	SLR-55MC50F	L.E.D.		
D334	1S2473	Silicon		
D335	1S2473	Silicon		
D336	1S2473	Silicon		
D337	1S2473	Silicon		
D338	1S2473	Silicon		
D339	SLR-55VC50F	L.E.D.		
D340	SLR-55VC50F	L.E.D.		
D341	1S2473	Silicon		
D342	1S2473	Silicon		
D343	1S2473	Silicon		
D358	1S2473	Silicon		
D359	1S2473	Silicon		
D361	1S2473	Silicon		
D362	1S2473	Silicon		
D363	1S2473	Silicon		

Diodes

Item No.	Part Number	Description		VER
			Maker	
D364	1S2473	Silicon		
D365	1S2473	Silicon		
D366	1S2473	Silicon		
D367	1S2473	Silicon		
D368	1S2473	Silicon		
D369	1S2473	Silicon		
D391	RD16EB3	Silicon	NEC	B
D392	1S2473	Silicon		C
D392	1S2473	Silicon		

Capacitors

Item No.	Part Number	Description			VER
C320	QET61HM-105	1MF	50V	Electro	
C321	QCS31HJ-101	100PF	50V	Ceramic	
C322	QCS31HJ-101	100PF	50V	Ceramic	
C323	QCS31HJ-101	100PF	50V	Ceramic	
C324	QCS31HP-103	0.01MF	50V	Ceramic	
C325	QCF31HP-223	0.022MF	50V	Ceramic	
C326	QCF31HP-223	0.022MF	50V	Ceramic	
C327	QET61EM-226	22MF	25V	Electro	
C329	QCF31HP-223	0.022MF	50V	Ceramic	
C333	QCF31HP-223	0.022MF	50V	Ceramic	
C335	QET61CM-226	22MF	16V	Electro	
C336	QET61CM-226	22MF	16V	Electro	
C339	QFN31HK-104	0.1MF	50V	Mylar	
C340	QCF31HP-223	0.023MF	50V	Ceramic	
C361	QFN31HK-103	0.01MF	50V	Mylar	
C362	QFN31HK-103	0.01MF	50V	Mylar	
C363	QETC1CM-107	100MF	16V	Electro	
C364	QCF31HP-223	0.022MF	50V	Ceramic	
C367	QCF31HP-223	0.022MF	50V	Ceramic	
C368	QCF31HP-223	0.022MF	50V	Ceramic	
C371	QCF31HP-223	0.022MF	50V	Ceramic	
C373	QCF31HP-223	0.022MF	50V	Ceramic	
C375	QCF31HP-223	0.022MF	50V	Ceramic	
C376	QETB1CM-108	1000MF	16V	Electro	
C391	QCF31HP-103	0.01MF	50V	Ceramic	
C392	QETC1EM-107	100MF	25V	Electro	
C523	QCS31HJ-181	180PF	50V	Ceramic	
C524	QCS31HJ-181	180PF	50V	Ceramic	
C525	QFN31HK-183	0.018MF	50V	Mylar	
C526	QFN31HK-183	0.018MF	50V	Mylar	
C531	QET61HM-105	1MF	50V	Electro	
C532	QET61HM-105	1MF	50V	Electro	
C533	QET61EM-106	10MF	25V	Electro	
C534	QET61EM-106	10MF	25V	Electro	
C551	QET61EM-476	47MF	25V	Electro	
C552	QET61EM-476	47MF	25V	Electro	
C553	QET61HM-475	4.7MF	50V	Electro	
C554	QET61CM-227	220MF	16V	Electro	
C555	QCS31HJ-220	22PF	50V	Ceramic	
C556	QETC1AM-477	470MF	10V	Electro	
C557	QET61EM-476	47MF	25V	Electro	
C558	QETC1AM-477	470MF	10V	Electro	
C559	QET61EM-476	47MF	25V	Electro	
C560	QET61CM-476	47MF	16V	Electro	
C561	QET61EM-106	10MF	25V	Electro	
C562	QFN31HK-104	0.1MF	50V	Mylar	

Item No.	Part Number	Description			VER
R320	QRD141J-104S	100K	¼W	Carbon	
R321	QRD141J-103S	10K	¼W	Carbon	
R322	QRD141J-103S	10K	¼W	Carbon	
R323	QRD141J-103S	10K	¼W	Carbon	
R324	QRD141J-103S	10K	¼W	Carbon	
R325	QRD141J-103S	10K	¼W	Carbon	
R326	QRD141J-225S	2.2M	¼W	Carbon	
R330	QRD141J-392S	3.9K	¼W	Carbon	
R331	QRD141J-821S	820	¼W	Carbon	
△R332	QRD125J-121	120	½W	Unf. Carbon	
R333	QRD141J-473S	47K	¼W	Carbon	
R334	QRD141J-333S	33K	¼W	Carbon	
R335	QRD141J-332S	3.3K	¼W	Carbon	
R336	QRD141J-332S	3.3K	¼W	Carbon	
R337	QRD141J-104S	100K	¼W	Carbon	
△R338	QRD145J-180S	18	¼W	Unf. Carbon	A
△R338	QRZ0062-180	18	¼W	Fusible	B
△R338	QRZ0062-180	18	¼W	Fusible	C
R339	QRD141J-473S	47K	¼W	Carbon	
R340	QRD141J-103S	10K	¼W	Carbon	
R341	QRD141J-563S	56K	¼W	Carbon	
R342	QRD141J-103S	10K	¼W	Carbon	
R343	QRD141J-103S	10K	¼W	Carbon	
R344	QRD141J-103S	10K	¼W	Carbon	
R345	QRD141J-333S	33K	¼W	Carbon	
R346	QRD141J-563S	56K	¼W	Carbon	
R347	QRD141J-473S	47K	¼W	Carbon	
R348	QRD141J-683S	68K	¼W	Carbon	
R349	QRD141J-471S	470	¼W	Carbon	
R350	QRD141J-102S	1K	¼W	Carbon	
R351	QRD141J-563S	56K	¼W	Carbon	
R352	QRD141J-102S	1K	¼W	Carbon	
R353	QRD141J-102S	1K	¼W	Carbon	
R355	QRD141J-104S	100K	¼W	Carbon	
R356	QRD141J-473S	47K	¼W	Carbon	
R357	QRD141J-102S	1K	¼W	Carbon	
R358	QRD141J-102S	1K	¼W	Carbon	
R359	QRD141J-103S	10K	¼W	Carbon	
R360	QRD141J-563S	56K	¼W	Carbon	
R361	QRD141J-103S	10K	¼W	Carbon	
R362	QRD141J-223S	22K	¼W	Carbon	
R363	QRD141J-223S	22K	¼W	Carbon	
R364	QRD141J-103S	10K	¼W	Carbon	
R365	QRD141J-103S	10K	¼W	Carbon	
R366	QRD141J-223S	22K	¼W	Carbon	
R367	QRD141J-223S	22K	¼W	Carbon	
R368	QRD141J-103S	10K	¼W	Carbon	
R369	QRD141J-153S	15K	¼W	Carbon	
R370	QRD141J-103S	10K	¼W	Carbon	
R371	QRD141J-104S	100K	¼W	Carbon	
R372	QRD141J-473S	47K	¼W	Carbon	
R373	QRD141J-103S	10K	¼W	Carbon	
R374	QRD141J-103S	10K	¼W	Carbon	
R375	QRD141J-104S	100K	¼W	Carbon	
R376	QRD141J-102S	1K	¼W	Carbon	
R377	QRD141J-102S	1K	¼W	Carbon	
R378	QRD141J-104S	100K	¼W	Carbon	
R379	QRD141J-104S	100K	¼W	Carbon	
R380	QRD141J-223S	22K	¼W	Carbon	
R381	QRD141J-104S	100K	¼W	Carbon	
R382	QRD141J-562S	5.6K	¼W	Carbon	
R383	QRD141J-562S	5.6K	¼W	Carbon	
R384	QRD141J-392S	3.9K	¼W	Carbon	
R385	QRD141J-563S	56K	¼W	Carbon	
R386	QRD141J-473S	47K	¼W	Carbon	
R387	QRD141J-332S	3.3K	¼W	Carbon	
R388	QRD141J-332S	3.3K	¼W	Carbon	
△R391	QRG022J-391A	390	2W	O.M. Film	
△R392	QRG022J-391A	390	2W	O.M. Film	
△R393	QRG022J-391A	390	2W	O.M. Film	

Resistors

Item No.	Part Number	Description			VER
△R394	QRG022J-331A	330	2W	O.M. Film	
△R395	QRD125J-222	2.2K	½W	Unf. Carbon	
△R396	QRD145J-101S	100	¼W	Unf. Carbon	A
△R396	QRZ0062-101	100	¼W	Fusible	B
△R396	QRZ0062-101	100	¼W	Fusible	C
R525	QRD141J-223S	22K	¼W	Carbon	
R526	QRD141J-223S	22K	¼W	Carbon	
R527	QRD141J-683S	68K	¼W	Carbon	
R528	QRD141J-683S	68K	¼W	Carbon	
R529	QRD141J-564S	560K	¼W	Carbon	
R530	QRD141J-564S	560K	¼W	Carbon	
R531	QRD141J-102S	1K	¼W	Carbon	
R532	QRD141J-102S	1K	¼W	Carbon	
R533	QRD141J-473S	47K	¼W	Carbon	
R534	QRD141J-473S	47K	¼W	Carbon	
R535	QRD141J-102S	1K	¼W	Carbon	
R536	QRD141J-102S	1K	¼W	Carbon	
R537	QRD141J-472S	4.7K	¼W	Carbon	
R538	QRD141J-472S	4.7K	¼W	Carbon	
R551	QRD141J-750S	75	¼W	Carbon	
R552	QRD141J-750S	75	¼W	Carbon	
R553	QRD141J-750S	75	¼W	Carbon	
R554	QRD141J-152S	1.5K	¼W	Carbon	
R555	QRD141J-683S	68K	¼W	Carbon	
R556	QRD141J-332S	3.3K	¼W	Carbon	
R557	QRD141J-473S	47K	¼W	Carbon	
R558	QRD141J-271S	270	¼W	Carbon	
R559	QRD141J-560S	56	¼W	Carbon	
R560	QRD141J-332S	3.3K	¼W	Carbon	
R561	QRD141J-271S	270	¼W	Carbon	
R562	QRD141J-750S	75	¼W	Carbon	
VR511	QVZ5020-001			Variable	
VR512	QVZ5307-001			Variable	

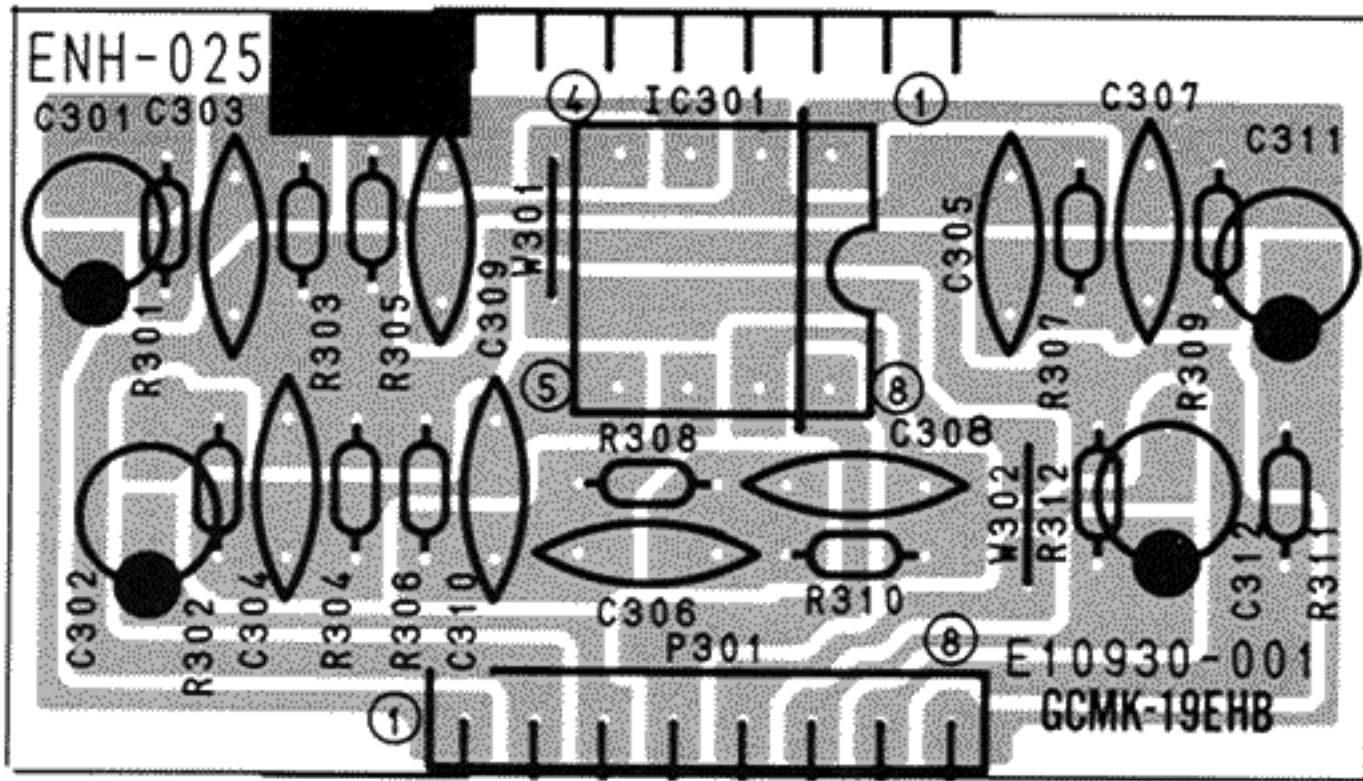
△: Safety Parts

Others

Item No.	Part Number	Description	VER
	ENH-025C	Module Unit	A
	ENH-025C	Module Unit	B
	ENH-025D	Module Unit	C
	E11026-001	Circuit Board	
	E69826-H40B	Heat Sink	
	E70225-001	Earth Plate	
	E10930-001	P.C. Board	
J301	EMN00TV-602A	6P Pin Jack	
J302	EMN00TV-402A	4P Pin Jack	
J303	EMN00TV-402A	4P Pin Jack	
J304	EMN00TV-201A	2P Pin Jack	
J305	EMN00TV-402A	4P Pin Jack	
P301	EMV5101-008B		
P302	E04365-003	3P Socket	
P303	E04365-004	Jumper Socket	
P441	E04365-005	F.W. Socket	
P442	E04365-003	3P Socket	
P701	E04365-003	3P Socket	
SW430	QST4361-E05	Push Switch	
SW433	QST4101-E12	Push Switch	

● ENH-025 □ Mojulie P.C. Board Ass'y

Note: ENH-025 varies according to the areas employed. See note (1) when placing on order.

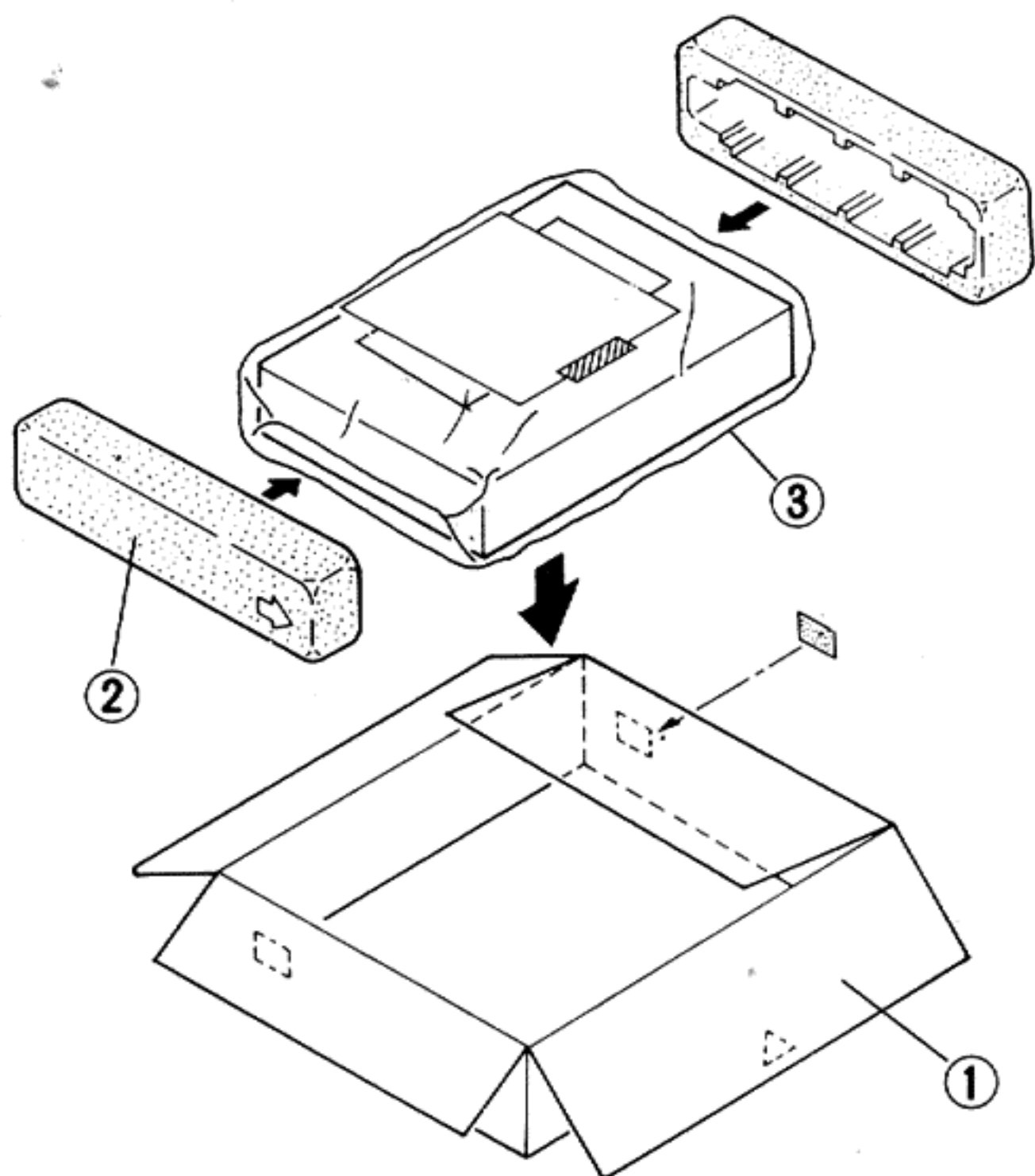


Note (1)

P.C. Board Ass'y	Designated Areas
ENH-025 C	U.S.A., Canada, Europe, Australia, U.K., U.S. Military Market & Other countries
ENH-025 D	West Germany

Item No.	Part Number	Description			VER
		IC	Maker		
IC301	NJM4558D-D	IC	JRC		
C301	QEK61EM-475	Electrolytic Capacitor	4.7 μ F	25V	
C302	QEK61EM-475	Electrolytic Capacitor	4.7 μ F	25V	
C303	QCY31HK-101	Ceramic Capacitor	100PF	50V	C
C303	QCY31HK-471	Ceramic Capacitor	470PF	50V	D
C304	QCY31HK-101	Ceramic Capacitor	100PF	50V	C
C304	QCY31HK-471	Ceramic Capacitor	470PF	50V	D
C305	QCY31HK-182	Ceramic Capacitor	1800PF	50V	
C306	QCY31HK-182	Ceramic Capacitor	1800PF	50V	
C307	QCY31HK-682	Ceramic Capacitor	6800PF	50V	
C308	QCY31HK-682	Ceramic Capacitor	6800PF	50V	
C309	QCY31HK-101	Ceramic Capacitor	100PF	50V	
C310	QCY31HK-101	Ceramic Capacitor	100PF	50V	
C311	QEK61EM-475	Electrolytic Capacitor	4.7 μ F	25V	
C312	QEK61EM-475	Electrolytic Capacitor	4.7 μ F	25V	
R301	QRD161J-222	Carbon Resistor	2.2K	1/6W	
R302	QRD161J-222	Carbon Resistor	2.2K	1/6W	
R303	QRD161J-473	Carbon Resistor	47K	1/6W	
R304	QRD161J-473	Carbon Resistor	47K	1/6W	
R305	QRD161J-621	Carbon Resistor	620	1/6W	
R306	QRD161J-621	Carbon Resistor	620	1/6W	
R307	QRD161J-393	Carbon Resistor	39K	1/6W	
R308	QRD161J-393	Carbon Resistor	39K	1/6W	
R309	QRD161J-474	Carbon Resistor	470K	1/6W	
R310	QRD161J-474	Carbon Resistor	470K	1/6W	
R311	QRD161J-104	Carbon Resistor	100K	1/6W	
R312	QRD161J-104	Carbon Resistor	100K	1/6W	
P301	EMV5101-008B E10930-001	Plug Ass'y P.C. Board Ass'y			

4. Packing Materials and Part Numbers



No.	Part Number	Part Name	Q'ty	Areas
1	PK-RX350VBE	Packing Case	1	
2	NZ-RX350VBE	Packing Pad	1	
3	E34033-017	Envelope	1	Except BS
	E34033-017B	Envelope	1	BS only

5. Accessories List

△	Part Number	Part Name	Description	Areas
	E30580-1209A	Instruction Book		Except BS
	E30580-1209ABS	Instruction Book		BS only
	E41202-2	Envelope		Except BS
	E41202-2B	Envelope		BS only
	EQB4001-008	Loop Antenna Coil		
△	E04056	Siemens Plug		U, PG
	BT20048A	Warranty Card		J, P, PG
	BT20025H	Warranty Card		C
	BT20029C	Warranty Card		A
	BT20064	Warranty Card		G
	BT20060	Warranty Card		BS
	BT20066	EEC Agency		G, BS
	BT20046B	Service Information Card		J, P, PG
	BT20071	Service Center		C
	BT20044D	Safety Instruction		J
	BT20054-005A	FTZ Information Sheet		G
	E6581-4	Envelope		U, P, PG
	E66416-003	Envelope		J
	E03614-004	Bilt-in Antenna		J, C, U, P, PG, E, A, BS
	E67007-001	Wire Antenna Ass'y		G

The Marks for Designated Areas.

J U.S.A.
 C Canada
 E Europe
 G West Germany
 A Australia
 P, PG U.S. Military Market
 BS U.K.
 U Other Countries
 No mark indicates all Areas.

△: Safety Parts