

# JVC

# SCHEMATIC DIAGRAMS

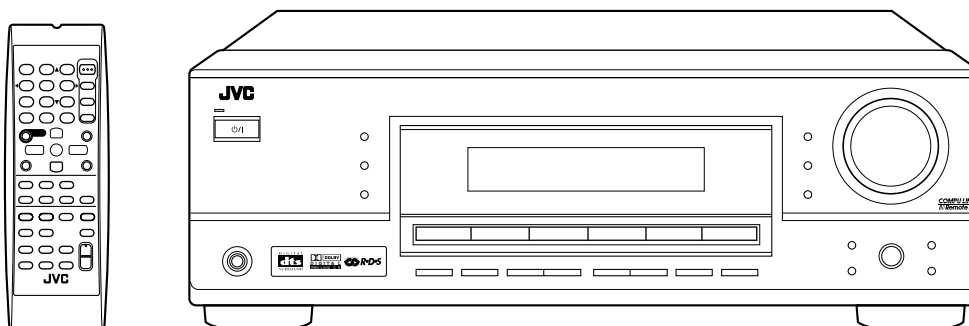
## AUDIO/VIDEO CONTROL RECEIVER

# RX-5030VBK

CD-ROM No.SML200304

**Area suffix**

E ----- Continental Europe



### Contents

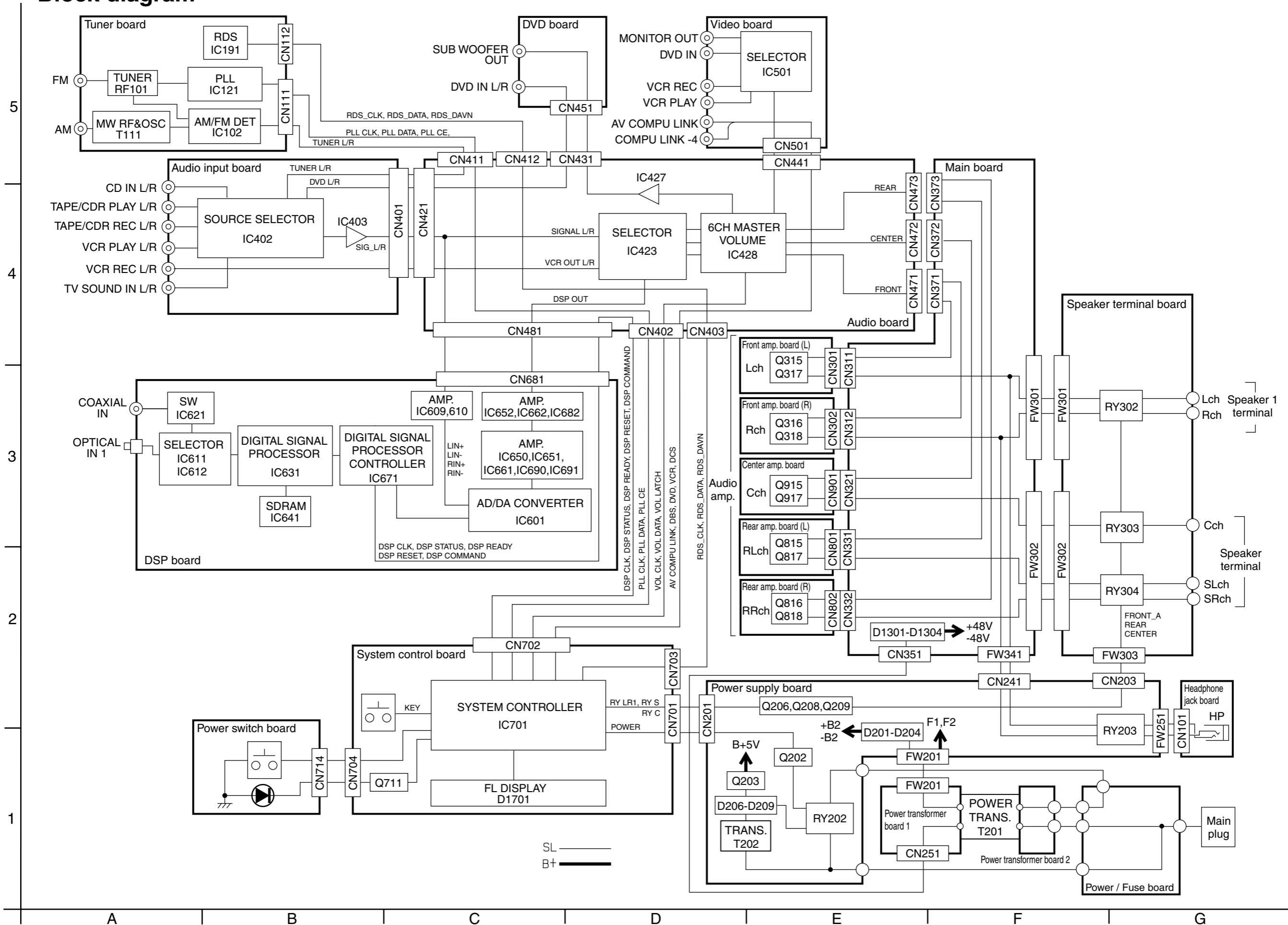
Block diagram .....	2-1
Standard schematic diagrams .....	2-2
Printed circuit boards .....	2-9 to 12

## RX-5030VBK

In regard with component parts appearing on the silk-screen printed side (parts side) of the PWB diagrams, the parts that are printed over with black such as the resistor (■), diode (⬤) and ICP (●) or identified by the "▲" mark nearby are critical for safety.

(This regulation does not correspond to J and C version.)

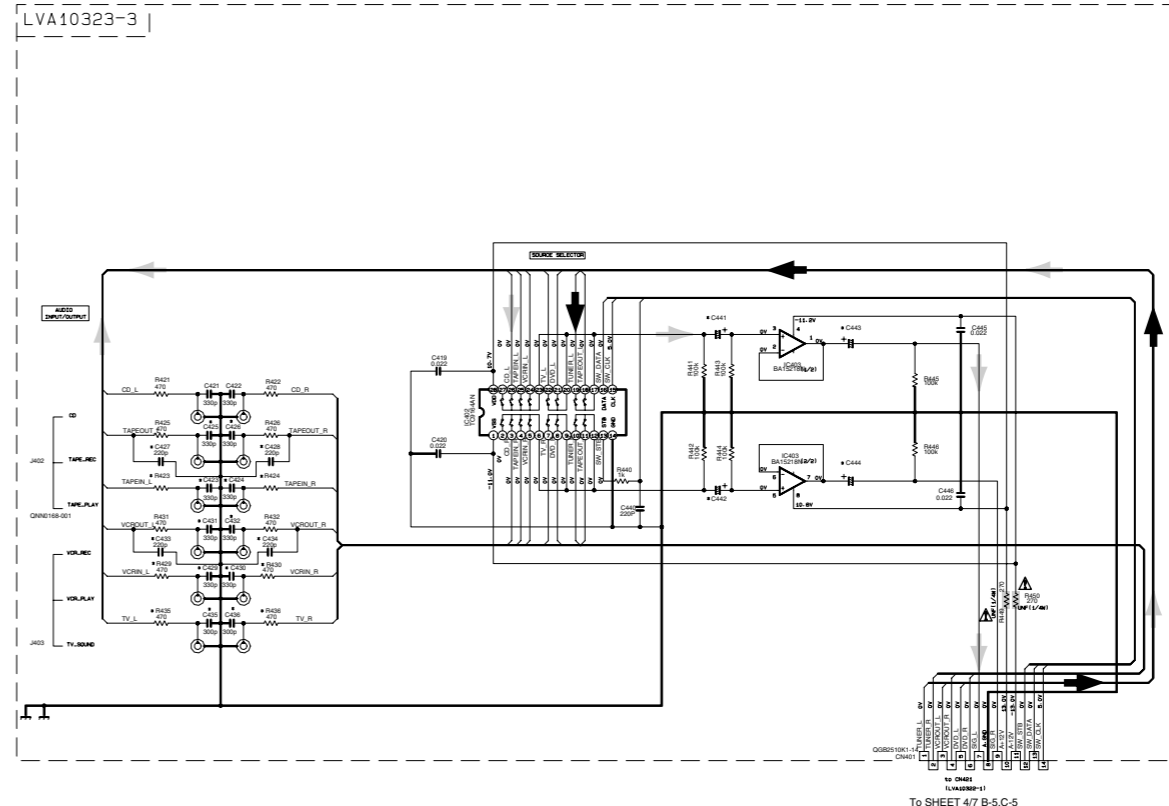
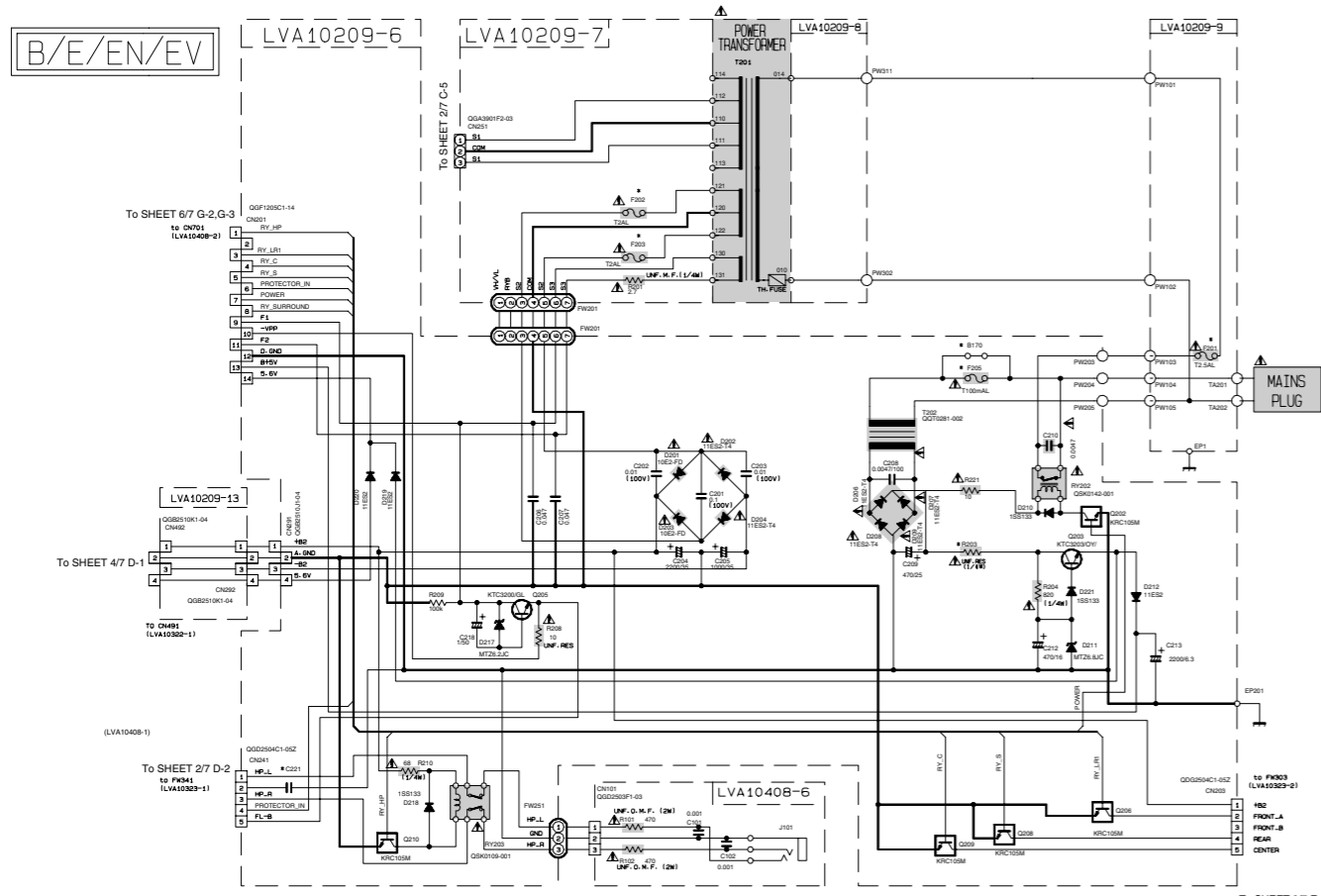
# Block diagram



# Standard schematic diagrams

## Power supply section

## Audio & Video signal input terminal section



MAIN LIST

REF	USE	USE	USE
R201	USE	USE	NONE
R202	USE	USE	NONE
C401	330P	330P	NONE
C402	330P	330P	NONE
C403	330P	330P	NONE
C404	330P	330P	NONE
C405	330P	330P	NONE
C406	330P	330P	NONE
C407	330P	330P	NONE
C408	330P	330P	NONE
C409	330P	330P	NONE
C410	330P	330P	NONE
C411	330P	330P	NONE
C412	330P	330P	NONE
C413	330P	330P	NONE
C414	330P	330P	NONE
C415	330P	330P	NONE
C416	330P	330P	NONE
C417	330P	330P	NONE
C418	330P	330P	NONE
C419	330P	330P	NONE
C420	330P	330P	NONE
C421	330P	330P	NONE
C422	330P	330P	NONE
C423	330P	330P	NONE
C424	330P	330P	NONE
C425	330P	330P	NONE
C426	330P	330P	NONE
C427	330P	330P	NONE
C428	330P	330P	NONE
C429	330P	330P	NONE
C430	330P	330P	NONE
C431	330P	330P	NONE
C432	330P	330P	NONE
C433	330P	330P	NONE
C434	330P	330P	NONE
C435	330P	330P	NONE
C436	330P	330P	NONE
C437	330P	330P	NONE
C438	330P	330P	NONE
C439	330P	330P	NONE
C440	330P	330P	NONE
C441	330P	330P	NONE
C442	330P	330P	NONE
C443	330P	330P	NONE
C444	330P	330P	NONE
C445	330P	330P	NONE
C446	330P	330P	NONE
C447	330P	330P	NONE
C448	330P	330P	NONE
C449	330P	330P	NONE
C450	330P	330P	NONE
C451	330P	330P	NONE
C452	330P	330P	NONE
C453	330P	330P	NONE
C454	330P	330P	NONE
C455	330P	330P	NONE
C456	330P	330P	NONE
C457	330P	330P	NONE
C458	330P	330P	NONE
C459	330P	330P	NONE
C460	330P	330P	NONE
C461	330P	330P	NONE
C462	330P	330P	NONE
C463	330P	330P	NONE
C464	330P	330P	NONE
C465	330P	330P	NONE
C466	330P	330P	NONE
C467	330P	330P	NONE
C468	330P	330P	NONE
C469	330P	330P	NONE
C470	330P	330P	NONE
C471	330P	330P	NONE
C472	330P	330P	NONE
C473	330P	330P	NONE
C474	330P	330P	NONE
C475	330P	330P	NONE
C476	330P	330P	NONE
C477	330P	330P	NONE
C478	330P	330P	NONE
C479	330P	330P	NONE
C480	330P	330P	NONE
C481	330P	330P	NONE
C482	330P	330P	NONE
C483	330P	330P	NONE
C484	330P	330P	NONE
C485	330P	330P	NONE
C486	330P	330P	NONE
C487	330P	330P	NONE
C488	330P	330P	NONE
C489	330P	330P	NONE
C490	330P	330P	NONE
C491	330P	330P	NONE
C492	330P	330P	NONE
C493	330P	330P	NONE
C494	330P	330P	NONE
C495	330P	330P	NONE
C496	330P	330P	NONE
C497	330P	330P	NONE
C498	330P	330P	NONE
C499	330P	330P	NONE
C500	330P	330P	NONE

MAIN LIST

REF	USE	USE	USE
D101	USE	USE	NONE
D102	USE	USE	NONE
D103	USE	USE	NONE
D104	USE	USE	NONE
D105	USE	USE	NONE
D106	USE	USE	NONE
D107	USE	USE	NONE
D108	USE	USE	NONE
D109	USE	USE	NONE
D110	USE	USE	NONE
D111	USE	USE	NONE
D112	USE	USE	NONE
D113	USE	USE	NONE
D114	USE	USE	NONE
D115	USE	USE	NONE
D116	USE	USE	NONE
D117	USE	USE	NONE
D118	USE	USE	NONE
D119	USE	USE	NONE
D120	USE	USE	NONE
D121	USE	USE	NONE
D122	USE	USE	NONE
D123	USE	USE	NONE
D124	USE	USE	NONE
D125	USE	USE	NONE
D126	USE	USE	NONE
D127	USE	USE	NONE
D128	USE	USE	NONE
D129	USE	USE	NONE
D130	USE	USE	NONE
D131	USE	USE	NONE
D132	USE	USE	NONE
D133	USE	USE	NONE
D134	USE	USE	NONE
D135	USE	USE	NONE
D136	USE	USE	NONE
D137	USE	USE	NONE
D138	USE	USE	NONE
D139	USE	USE	NONE
D140	USE	USE	NONE
D141	USE	USE	NONE
D142	USE	USE	NONE
D143	USE	USE	NONE
D144	USE	USE	NONE
D145	USE	USE	NONE
D146	USE	USE	NONE
D147	USE	USE	NONE
D148	USE	USE	NONE
D149	USE	USE	NONE
D150	USE	USE	NONE
D151	USE	USE	NONE
D152	USE	USE	NONE
D153	USE	USE	NONE
D154	USE	USE	NONE
D155	USE	USE	NONE
D156	USE	USE	NONE
D157	USE	USE	NONE
D158	USE	USE	NONE
D159	USE	USE	NONE
D160	USE	USE	NONE
D161	USE	USE	NONE
D162	USE	USE	NONE
D163	USE	USE	NONE
D164	USE	USE	NONE
D165	USE	USE	NONE
D166	USE	USE	NONE
D167	USE	USE	NONE
D168	USE	USE	NONE
D169	USE	USE	NONE
D170	USE	USE	NONE
D171	USE	USE	NONE
D172	USE	USE	NONE
D173	USE	USE	NONE
D174	USE	USE	NONE
D175	USE	USE	NONE
D176	USE	USE	NONE
D177	USE	USE	NONE
D178	USE	USE	NONE
D179	USE	USE	NONE
D180	USE	USE	NONE
D181	USE	USE	NONE
D182	USE	USE	NONE
D183	USE	USE	NONE
D184	USE	USE	NONE
D185	USE	USE	NONE
D186	USE	USE	NONE
D187	USE	USE	NONE
D188	USE	USE	NONE
D189	USE	USE	NONE
D190	USE	USE	NONE
D191	USE	USE	NONE
D192	USE	USE	NONE
D193	USE	USE	NONE
D194	USE	USE	NONE
D195	USE	USE	NONE
D196	USE	USE	NONE
D197	USE	USE	NONE
D198	USE	USE	NONE
D199	USE	USE	NONE
D200	USE	USE	NONE

J/C	B/E/EN/EV	US/TA/UA
F201	00P100C1-14	00P100C1-14
F202	00P100C1-14	00P100C1-14
F203	00P100C1-14	00P100C1-14
F204	00P100C1-14	00P100C1-14
F205	00P100C1-14	00P100C1-14
F206	00P100C1-14	00P100C1-14
F207	00P100C1-14	00P100C1-14
F208	00P100C1-14	00P100C1-14
F209	00P100C1-14	00P100C1-14
F210	00P100C1-14	00P100C1-14
F211	00P100C1-14	00P100C1-14
F212	00P100C1-14	00P100C1-14
F213	00P100C1-14	00P100C1-14
F214	00P100C1-14	00P100C1-14
F215	00P100C1-14	00P100C1-14
F216	00P100C1-14	00P100C1-14
F217	00P100C1-14	00P100C1-14
F218	00P100C1-14	00P100C1-14
F219	00P100C1-14	00P100C1-14
F220	00P100C1-14	00P100C1-14

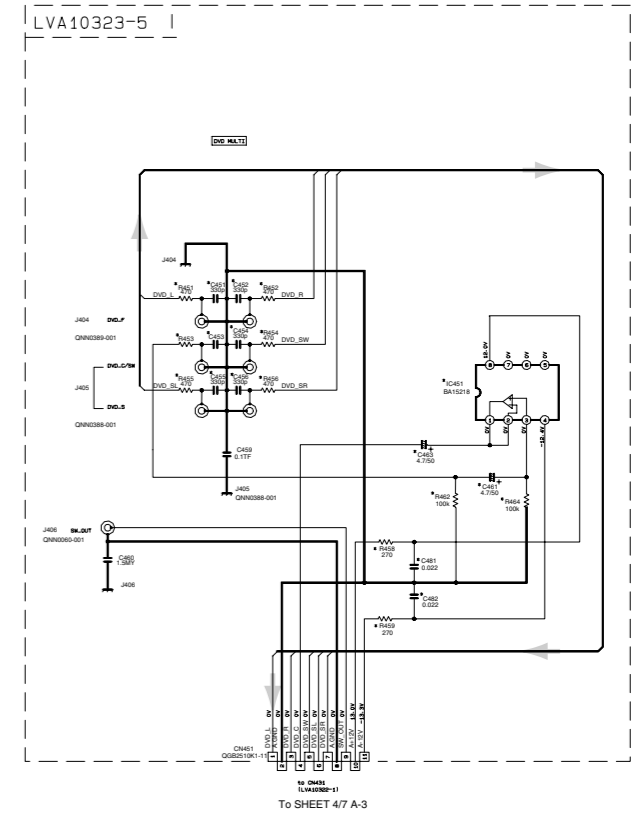
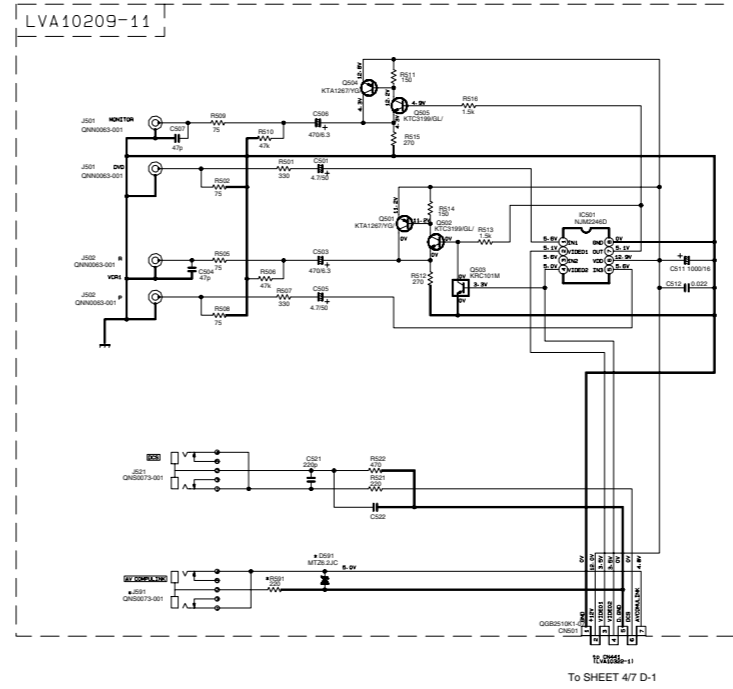
J/C	B/E/EN/EV	US/TA/UA	UP/A
R1-EP1	USE	NONE	NONE
R211-R212	NONE	NONE	USE
R213-R214	NONE	NONE	USE
R215-R216	USE	USE	NONE
R217	USE	USE	NONE
R218	USE	USE	NONE
R219	USE	USE	NONE
R220	USE	USE	NONE
R221	USE	USE	NONE
R222	USE	USE	NONE
R223	USE	USE	NONE
R224	USE	USE	NONE
R225	USE	USE	NONE
R226	USE	USE	NONE
R227	USE	USE	NONE
R228	USE	USE	NONE
R229	USE	USE	NONE
R230	USE	USE	NONE
R231	USE	USE	NONE
R232	USE	USE	NONE
R233	USE	USE	NONE
R234	USE	USE	NONE
R235	USE	USE	NONE
R236	USE	USE	NONE
R237	USE	USE	NONE
R238	USE	USE	NONE
R239	USE	USE	NONE
R240	USE	USE	NONE
R241	USE	USE	NONE
R242	USE	USE	NONE
R243	USE	USE	NONE
R244	USE	USE	NONE
R245	USE	USE	NONE
R246	USE	USE	NONE
R247	USE	USE	NONE
R248	USE	USE	NONE
R249	USE	USE	NONE
R250	USE	USE	NONE
R251	USE	USE	NONE
R252	USE	USE	NONE
R253	USE	USE	NONE
R254	USE	USE	NONE
R255	USE	USE	NONE
R256	USE	USE	NONE
R257	USE	USE	NONE
R258	USE	USE	NONE
R259	USE	USE	NONE
R260	USE	USE	NONE
R261	USE	USE	NONE
R262	USE	USE	NONE
R263	USE	USE	NONE
R264	USE	USE	NONE
R265	USE	USE	NONE
R266	USE	USE	NONE
R267	USE	USE	NONE
R268	USE	USE	NONE
R269	USE	USE	NONE
R270	USE	USE	NONE
R271	USE	USE	NONE
R272	USE	USE	NONE
R273	USE	USE	NONE
R274	USE	USE	NONE
R275	USE	USE	NONE
R276	USE	USE	NONE
R277	USE	USE	NONE
R278	USE	USE	NONE
R279	USE	USE	NONE
R280	USE	USE	NONE
R281	USE	USE	NONE
R282	USE	USE	NONE
R283	USE	USE	NONE
R284	USE	USE	NONE
R285	USE	USE	NONE
R286	USE	USE	NONE
R287	USE	USE	NONE
R288	USE	USE	NONE
R289	USE	USE	NONE
R290	USE	USE	NONE
R291	USE	USE	NONE
R292	USE	USE	NONE
R293	USE	USE	NONE
R294	USE	USE	NONE
R295	USE	USE	NONE
R296	USE	USE	NONE
R297	USE	USE	NONE
R298	USE	USE	NONE
R299	USE	USE	NONE
R300	USE	USE	NONE

SHEET No.	CIRCUIT DESCRIPTION
1/7	Power supply & Component video
2/7	Audio & Speaker terminal
3/7	Audio amplifier
4/7	Volume, Regulator & Source select
5/7	Digital signal input terminal & Surround
6/7	User control, System control & FL display
7/7	Tuner

VERSION CODES
J : U. S. A.
C : CANADA
B : U. K.
E : CONTINENTAL EUROPE
EN : NORDIC COUNTRIES
EV : EASTERN EUROPE
US : SINGAPORE
UT : TAIWAN
UJ : MILLITARY MARKET
UP : KOREA
A : AUSTRALIA

➡ Audio signal  
➡ Tuner signal

⚠ Parts are safety assurance parts. When replacing those parts make sure to use the specified one.

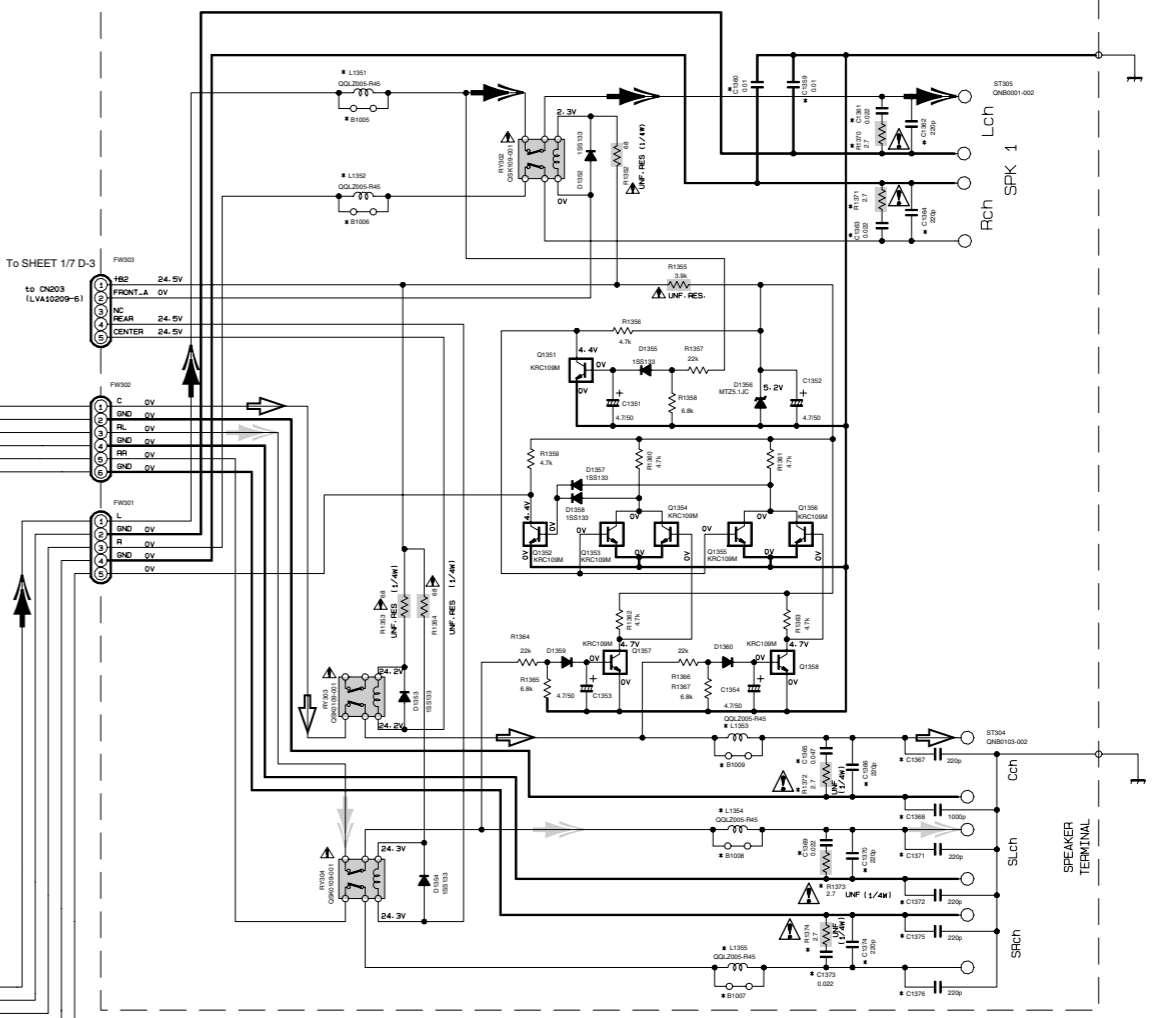
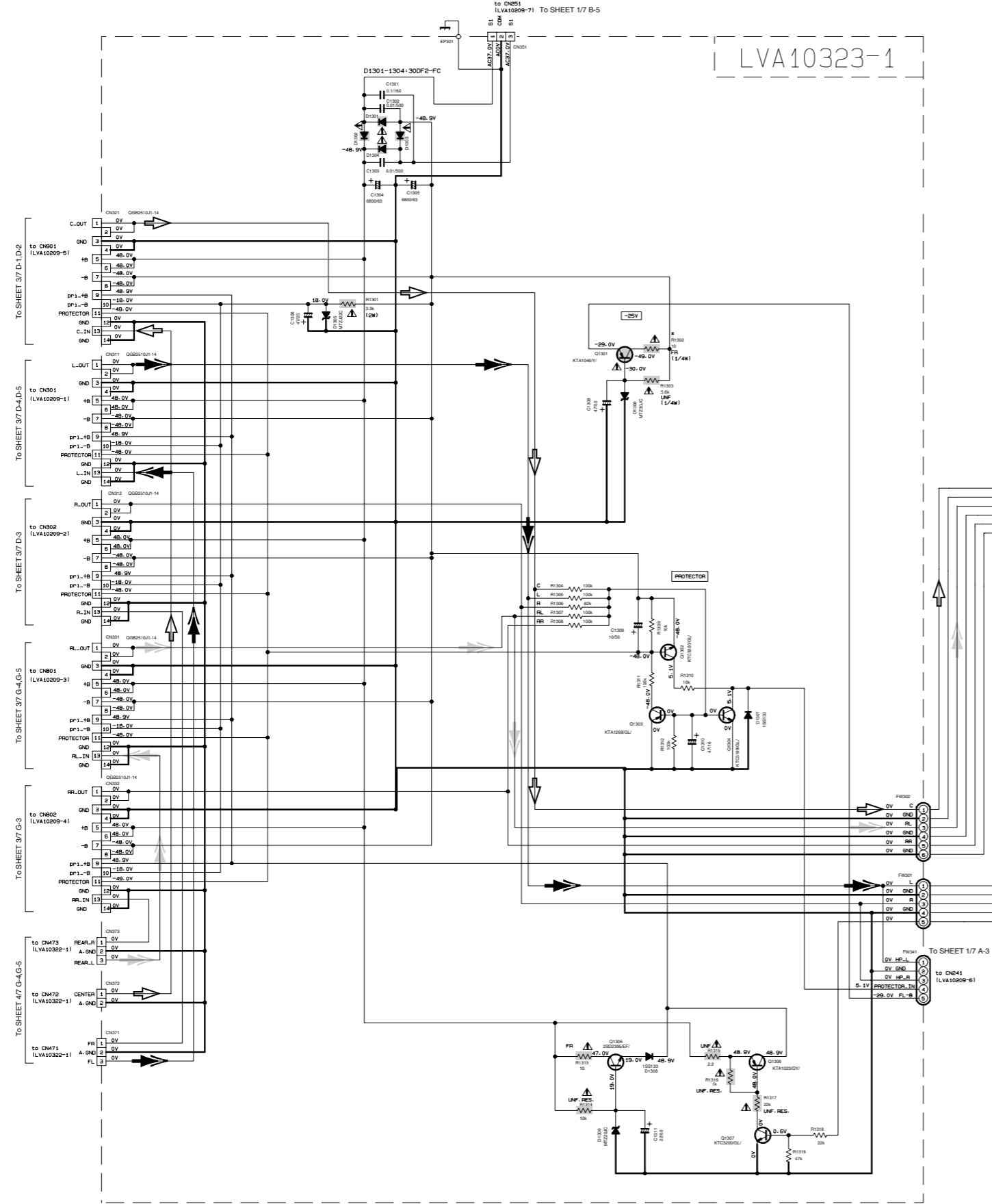


Audio & Speaker terminal section

LVA10323-1

LVA10323-2

5  
4  
3  
2  
1



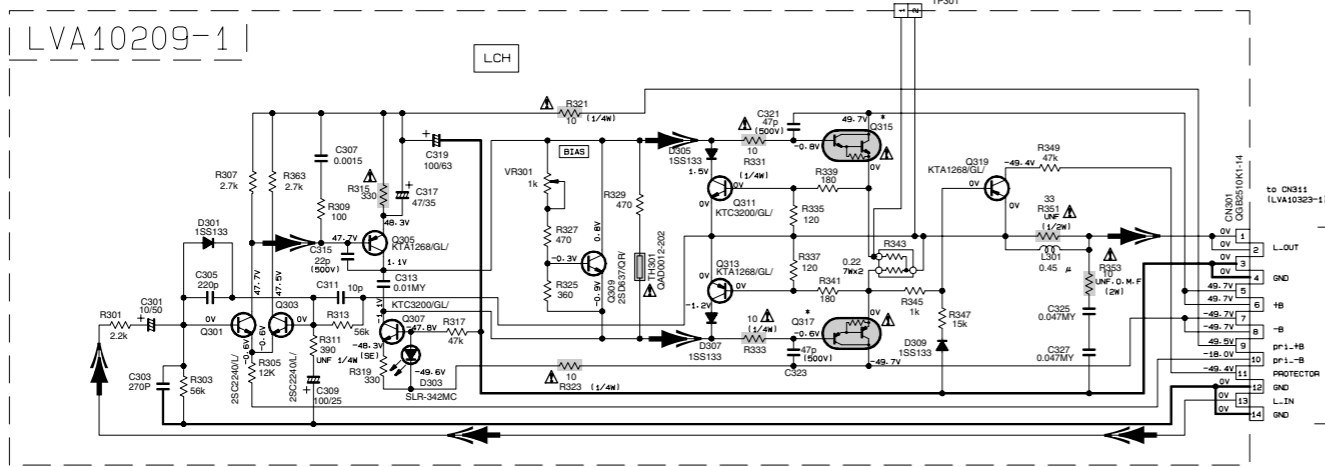
MARK LIST

MARK	J/C	B/E/V/E/V	US/PL/VA
C1359	NONE	USE	USE
C1360	NONE	USE	USE
C1361	NONE	USE	USE
C1362	NONE	USE	USE
C1363	NONE	USE	USE
C1364	NONE	USE	USE
C1365	NONE	USE	USE
C1366	NONE	USE	USE
C1367	NONE	USE	USE
C1368	NONE	USE	USE
C1369	NONE	USE	USE
C1370	NONE	USE	USE
C1371	NONE	USE	USE
C1372	NONE	USE	USE
C1373	NONE	USE	USE
C1374	NONE	USE	USE
C1375	NONE	USE	USE
C1376	NONE	USE	USE
R1370	NONE	USE	USE
R1371	NONE	USE	USE
R1372	NONE	USE	USE
R1373	NONE	USE	USE
R1374	NONE	USE	USE
L1351	NONE	USE	USE
L1352	NONE	USE	USE
L1353	NONE	USE	USE
L1354	NONE	USE	USE
L1355	NONE	USE	USE
B1009	USE	NONE	NONE
B1006	USE	NONE	NONE
B1007	USE	NONE	NONE
B1008	USE	NONE	NONE
B1009	USE	NONE	NONE

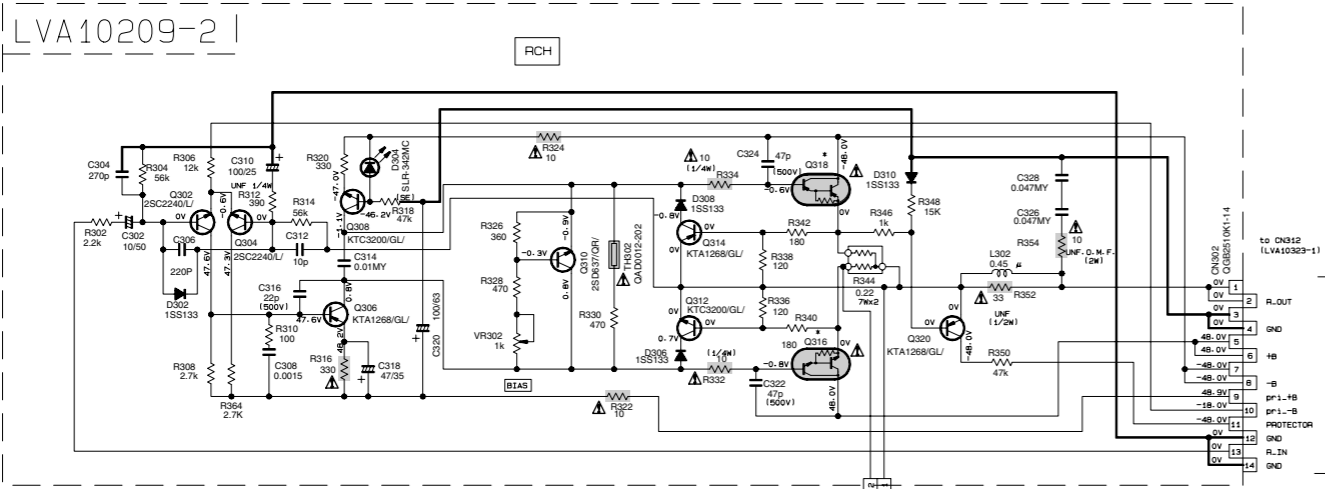
- Surround signal
- Front signal
- Center signal
- Parts are safety assurance parts. When replacing those parts make sure to use the specified one.

Audio amplifier section

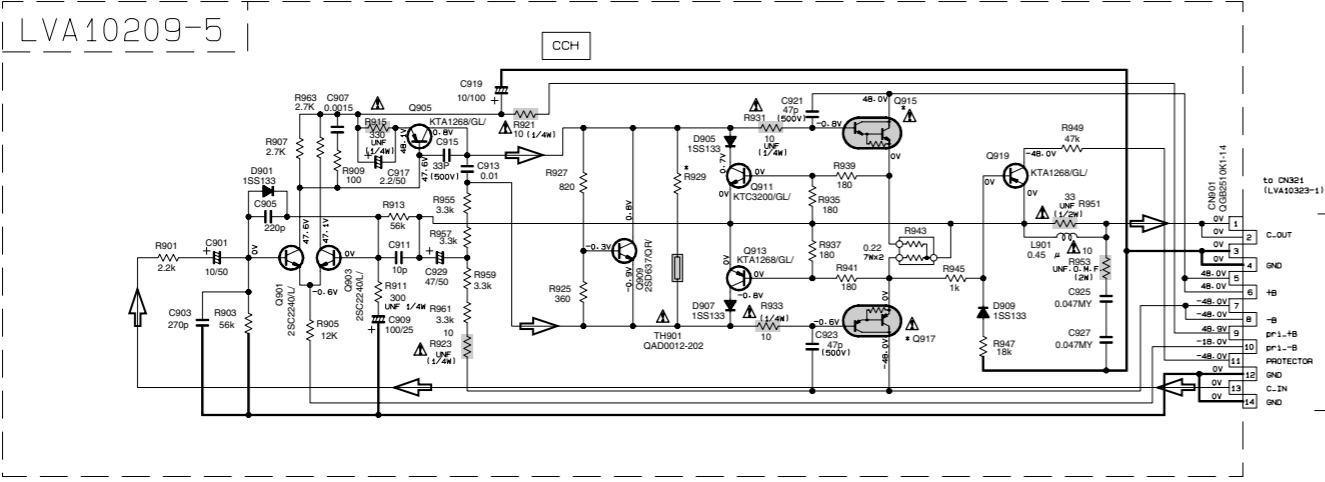
5



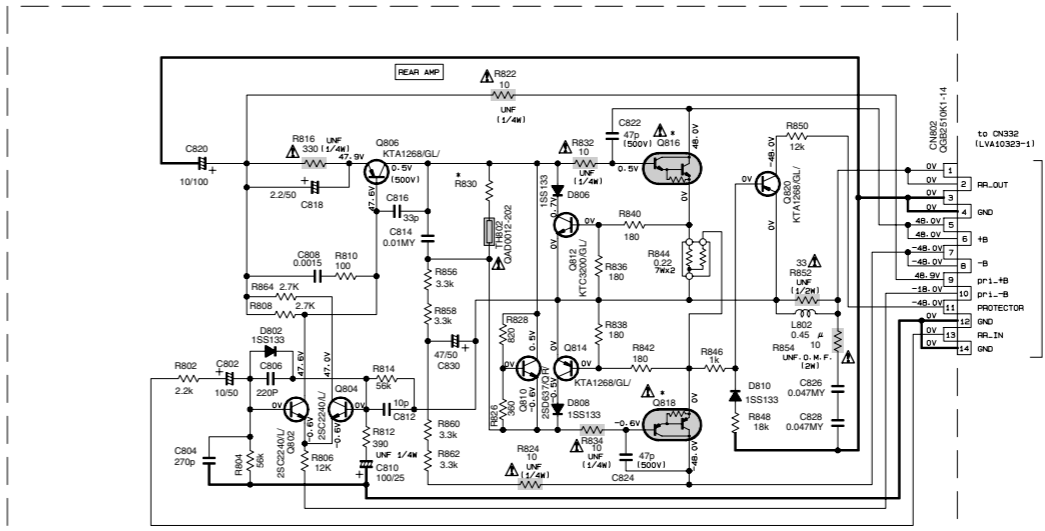
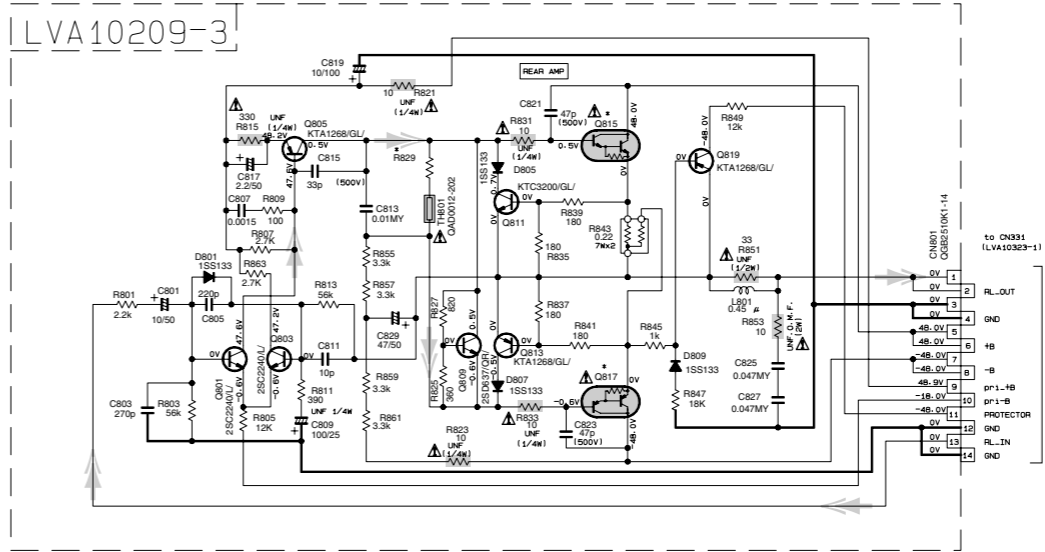
4



3



2



LVA10209-4

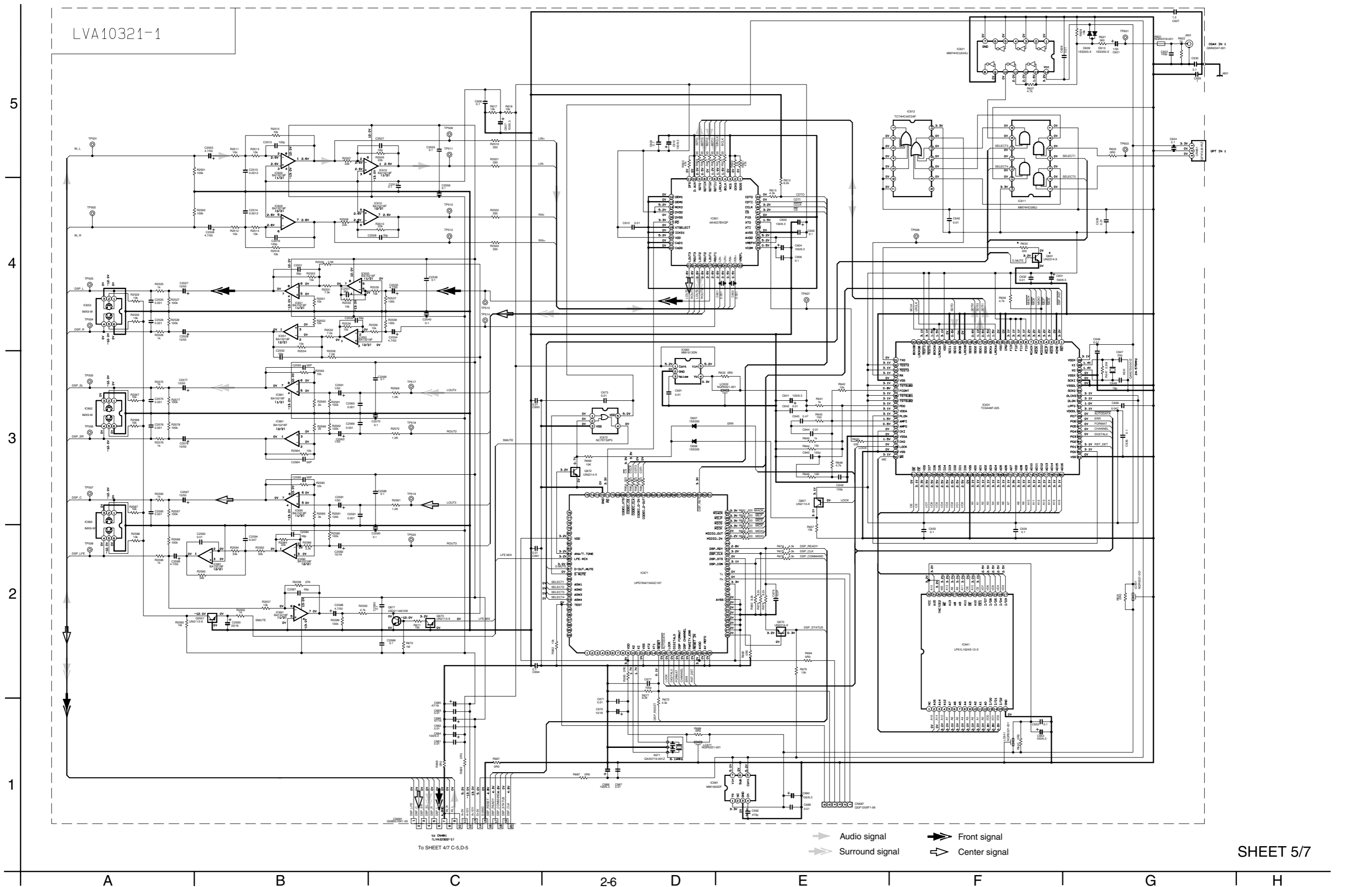
MARK LIST

	J/C	B/E/ENVV	US/UT/UJ/UP/A
Q315, Q316 Q815, Q816 Q915	2SD2389/OPY/-F6	2SD2390/OPY/-F6	2SD2390/OPY/-F6
Q317, Q318 Q817, Q818 Q917	2SB1559/OPY/-F6	2SB1560/OPY/-F6	2SB1560/OPY/-F6
R829, R830 R929	470	470	220

- Surround signal
- Front signal
- Center signal
- Parts are safety assurance parts. When replacing those parts make sure to use the specified one.



■ Digital signal input terminal & Surround section



To SHEET 4/7 C-5-D-5

➔ Audio signal  
 ➔ Surround signal  
 ➔ Front signal  
 ➔ Center signal



■ User control, System control & FL display section

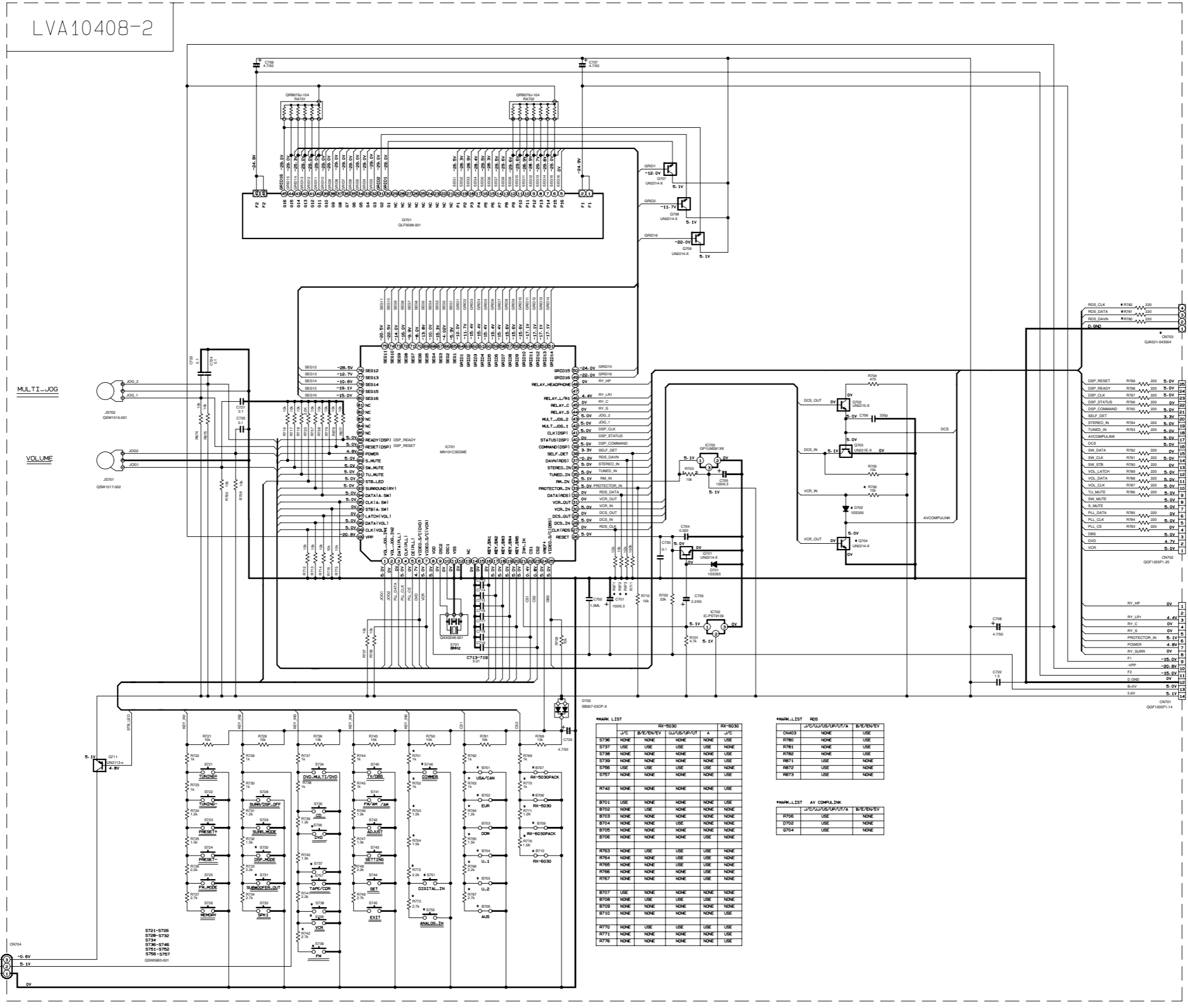
5

4

3

2

1



LVA10408-2

MULTI-JOG

VOLUME

LVA10408-3

MARK LIST

J/C	B/E/V/E/V	L/U/S/O/P/T/A	A	RX-6030	RX-6030
R796	NONE	NONE	NONE	NONE	USE
R797	USE	USE	USE	USE	NONE
R798	NONE	NONE	NONE	NONE	USE
R799	NONE	NONE	NONE	NONE	USE
R796	USE	USE	USE	USE	NONE
R797	NONE	NONE	NONE	NONE	USE
R742	NONE	NONE	NONE	NONE	USE
B701	USE	NONE	NONE	NONE	USE
B702	NONE	USE	NONE	NONE	NONE
B703	NONE	NONE	NONE	NONE	NONE
B704	NONE	NONE	USE	NONE	NONE
B705	NONE	NONE	NONE	NONE	NONE
B706	NONE	NONE	NONE	USE	NONE
B707	NONE	NONE	USE	USE	NONE
B708	NONE	USE	USE	USE	NONE
B709	NONE	NONE	NONE	NONE	NONE
B710	NONE	NONE	NONE	NONE	USE
B711	NONE	USE	USE	USE	NONE
B712	NONE	NONE	NONE	NONE	USE
B713	NONE	NONE	NONE	NONE	USE
B714	NONE	NONE	NONE	NONE	USE
B715	NONE	NONE	NONE	NONE	USE
B716	NONE	NONE	NONE	NONE	USE
B717	NONE	NONE	NONE	NONE	USE
B718	NONE	NONE	NONE	NONE	USE
B719	NONE	NONE	NONE	NONE	USE
B720	NONE	NONE	NONE	NONE	USE
B721	NONE	NONE	NONE	NONE	USE
B722	NONE	NONE	NONE	NONE	USE
B723	NONE	NONE	NONE	NONE	USE
B724	NONE	NONE	NONE	NONE	USE
B725	NONE	NONE	NONE	NONE	USE
B726	NONE	NONE	NONE	NONE	USE
B727	NONE	NONE	NONE	NONE	USE
B728	NONE	NONE	NONE	NONE	USE
B729	NONE	NONE	NONE	NONE	USE
B730	NONE	NONE	NONE	NONE	USE
B731	NONE	NONE	NONE	NONE	USE
B732	NONE	NONE	NONE	NONE	USE
B733	NONE	NONE	NONE	NONE	USE
B734	NONE	NONE	NONE	NONE	USE
B735	NONE	NONE	NONE	NONE	USE
B736	NONE	NONE	NONE	NONE	USE
B737	NONE	NONE	NONE	NONE	USE
B738	NONE	NONE	NONE	NONE	USE
B739	NONE	NONE	NONE	NONE	USE
B740	NONE	NONE	NONE	NONE	USE
B741	NONE	NONE	NONE	NONE	USE
B742	NONE	NONE	NONE	NONE	USE
B743	NONE	NONE	NONE	NONE	USE
B744	NONE	NONE	NONE	NONE	USE
B745	NONE	NONE	NONE	NONE	USE
B746	NONE	NONE	NONE	NONE	USE
B747	NONE	NONE	NONE	NONE	USE
B748	NONE	NONE	NONE	NONE	USE
B749	NONE	NONE	NONE	NONE	USE
B750	NONE	NONE	NONE	NONE	USE
B751	NONE	NONE	NONE	NONE	USE
B752	NONE	NONE	NONE	NONE	USE
B753	NONE	NONE	NONE	NONE	USE
B754	NONE	NONE	NONE	NONE	USE
B755	NONE	NONE	NONE	NONE	USE
B756	NONE	NONE	NONE	NONE	USE
B757	NONE	NONE	NONE	NONE	USE
B758	NONE	NONE	NONE	NONE	USE
B759	NONE	NONE	NONE	NONE	USE
B760	NONE	NONE	NONE	NONE	USE
B761	NONE	NONE	NONE	NONE	USE
B762	NONE	NONE	NONE	NONE	USE
B763	NONE	NONE	NONE	NONE	USE
B764	NONE	NONE	NONE	NONE	USE
B765	NONE	NONE	NONE	NONE	USE
B766	NONE	NONE	NONE	NONE	USE
B767	NONE	NONE	NONE	NONE	USE
B768	NONE	NONE	NONE	NONE	USE
B769	NONE	NONE	NONE	NONE	USE
B770	NONE	NONE	NONE	NONE	USE
B771	NONE	NONE	NONE	NONE	USE
B772	NONE	NONE	NONE	NONE	USE
B773	NONE	NONE	NONE	NONE	USE
B774	NONE	NONE	NONE	NONE	USE
B775	NONE	NONE	NONE	NONE	USE
B776	NONE	NONE	NONE	NONE	USE
B777	NONE	NONE	NONE	NONE	USE
B778	NONE	NONE	NONE	NONE	USE
B779	NONE	NONE	NONE	NONE	USE
B780	NONE	NONE	NONE	NONE	USE
B781	NONE	NONE	NONE	NONE	USE
B782	NONE	NONE	NONE	NONE	USE
B783	NONE	NONE	NONE	NONE	USE
B784	NONE	NONE	NONE	NONE	USE
B785	NONE	NONE	NONE	NONE	USE
B786	NONE	NONE	NONE	NONE	USE
B787	NONE	NONE	NONE	NONE	USE
B788	NONE	NONE	NONE	NONE	USE
B789	NONE	NONE	NONE	NONE	USE
B790	NONE	NONE	NONE	NONE	USE
B791	NONE	NONE	NONE	NONE	USE
B792	NONE	NONE	NONE	NONE	USE
B793	NONE	NONE	NONE	NONE	USE
B794	NONE	NONE	NONE	NONE	USE
B795	NONE	NONE	NONE	NONE	USE
B796	NONE	NONE	NONE	NONE	USE
B797	NONE	NONE	NONE	NONE	USE
B798	NONE	NONE	NONE	NONE	USE
B799	NONE	NONE	NONE	NONE	USE
B800	NONE	NONE	NONE	NONE	USE

MARK LIST ROS

J/C	B/E/V/E/V	L/U/S/O/P/T/A	B/E/V/E/V
CH403	NONE	NONE	USE
R780	NONE	NONE	USE
R781	NONE	NONE	USE
R782	NONE	NONE	USE
R783	USE	NONE	NONE
R784	USE	NONE	NONE
R785	USE	NONE	NONE

MARK LIST AV COMPLINK

J/C	B/E/V/E/V	L/U/S/O/P/T/A	B/E/V/E/V
R786	USE	NONE	NONE
R787	USE	NONE	NONE
R788	USE	NONE	NONE

To SHEET 47 A-5

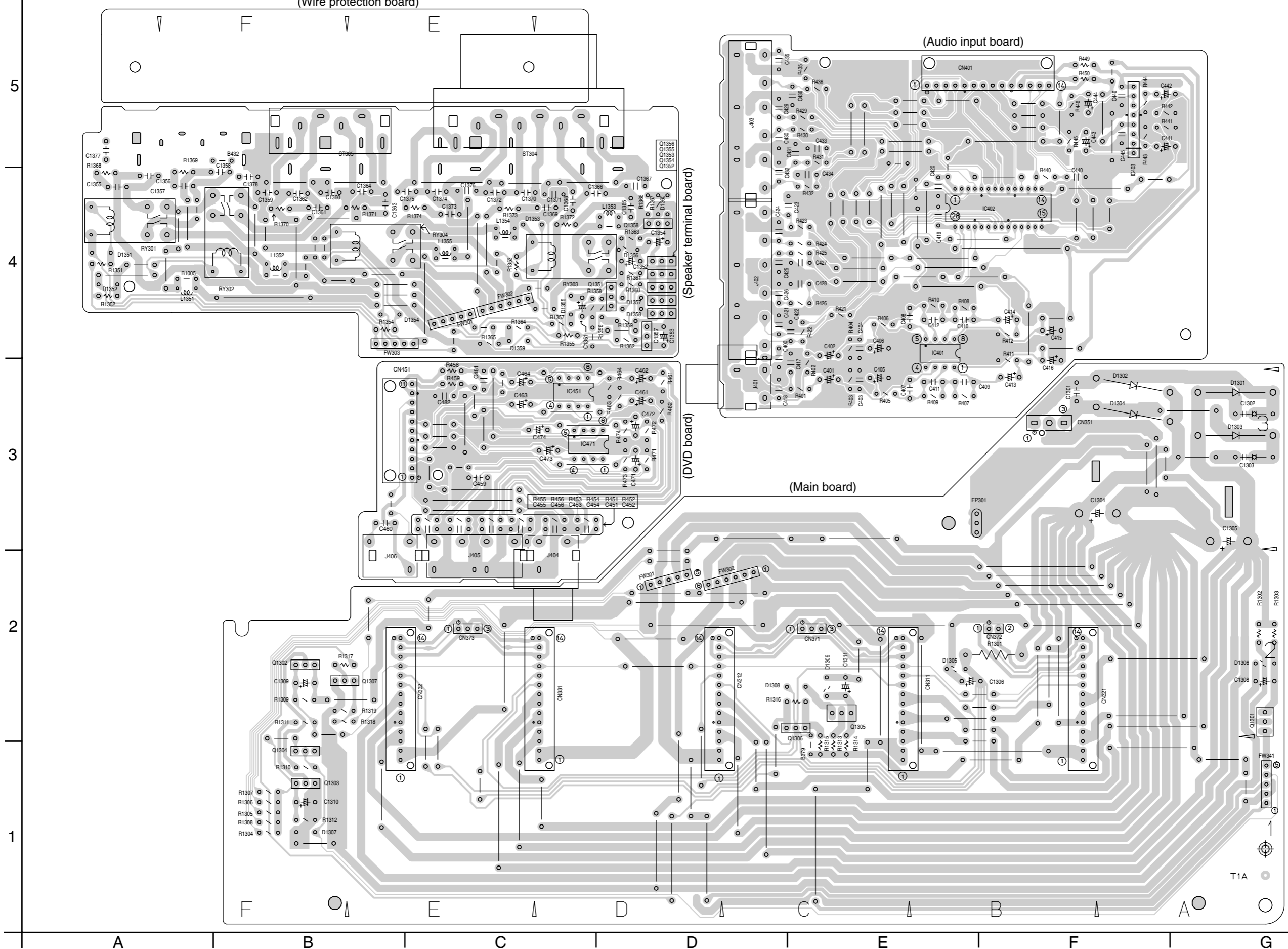
To SHEET 47 D-5-E-5

To SHEET 17 A-4



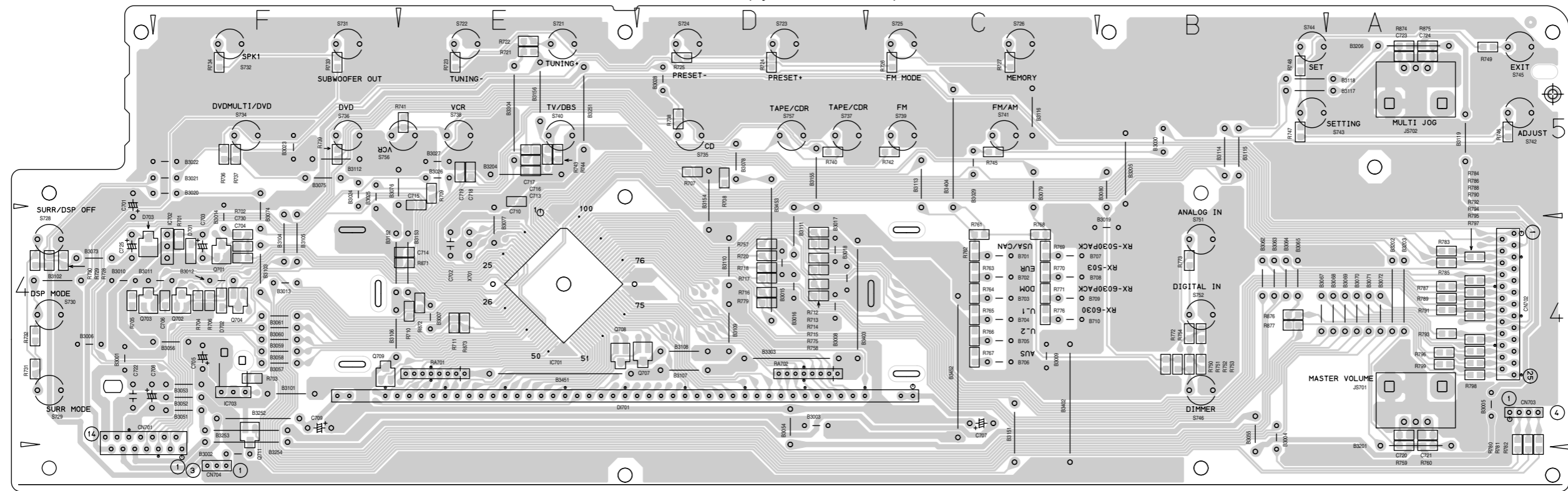
# Printed circuit boards

## ■ Main board



System control & Audio board

Reverse side  
(System control board)



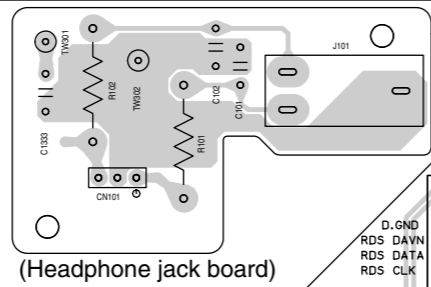
5

4

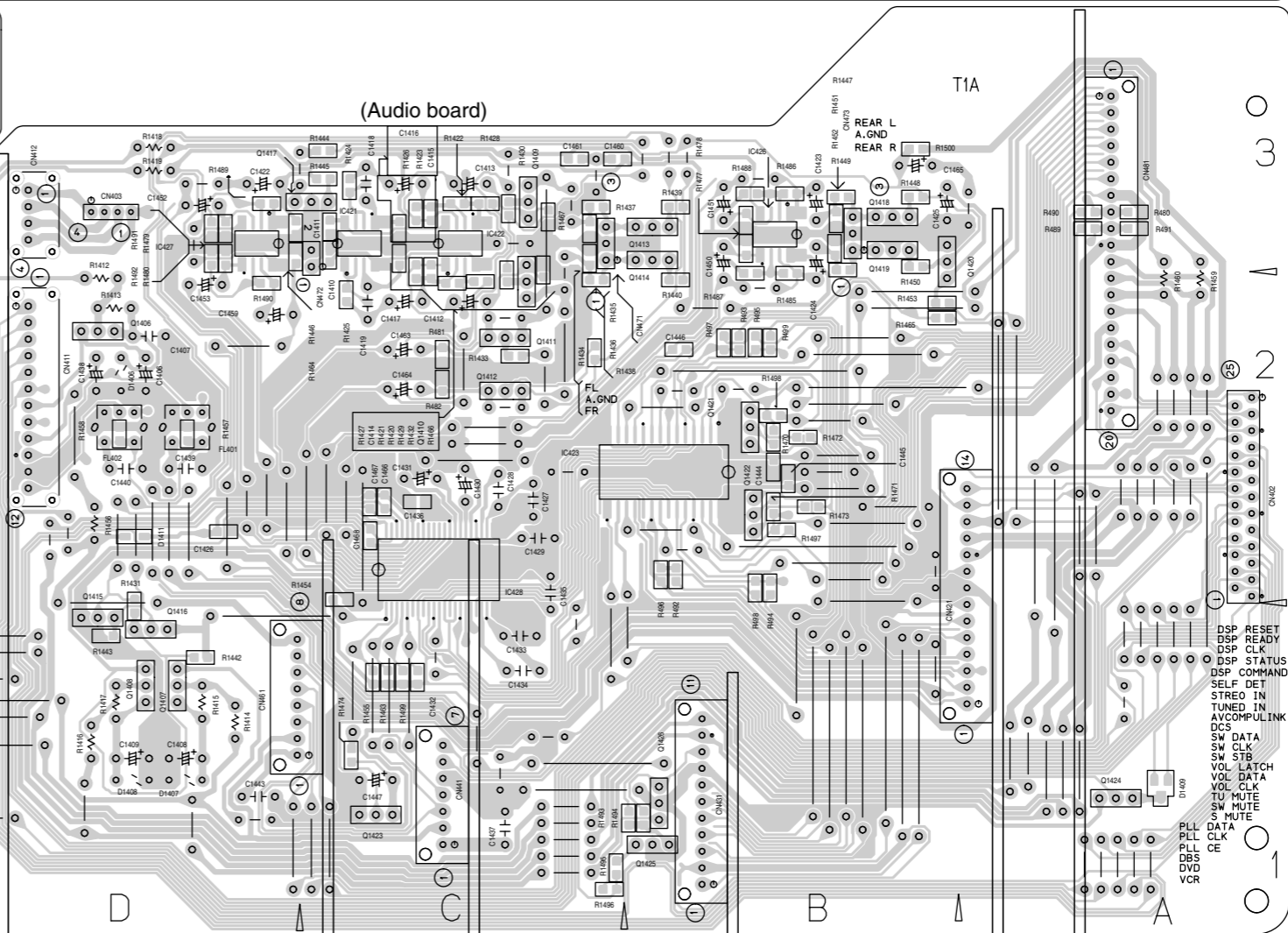
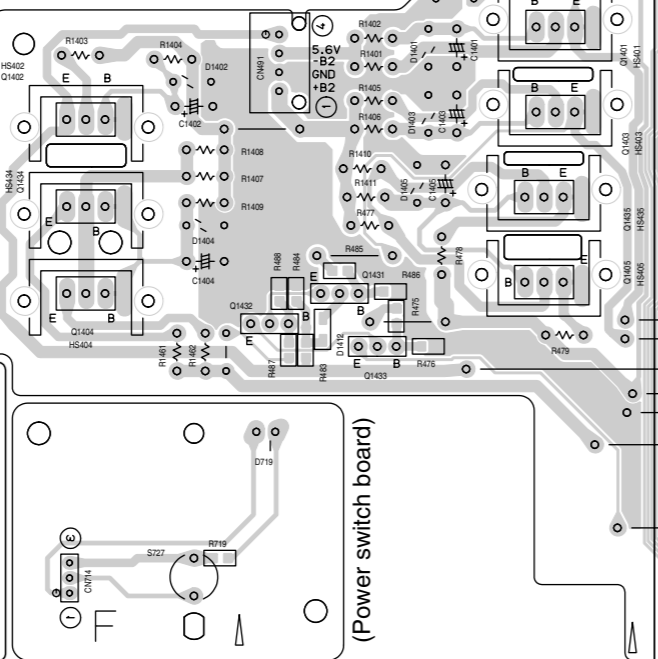
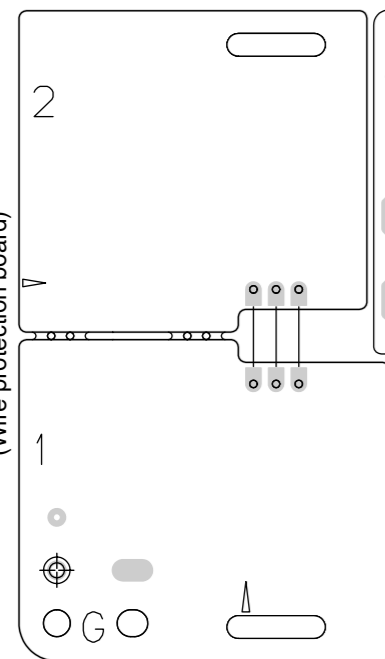
3

2

1



(Audio board)



A

B

C

2-10

D

E

F

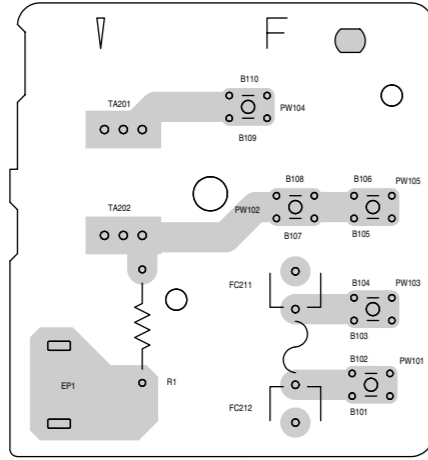
G

H

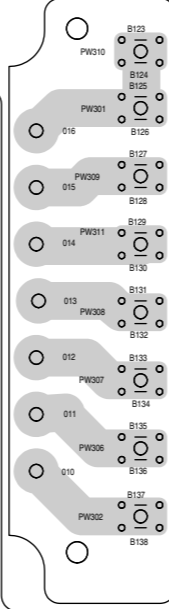
Power amp. board

5  
4  
3  
2  
1

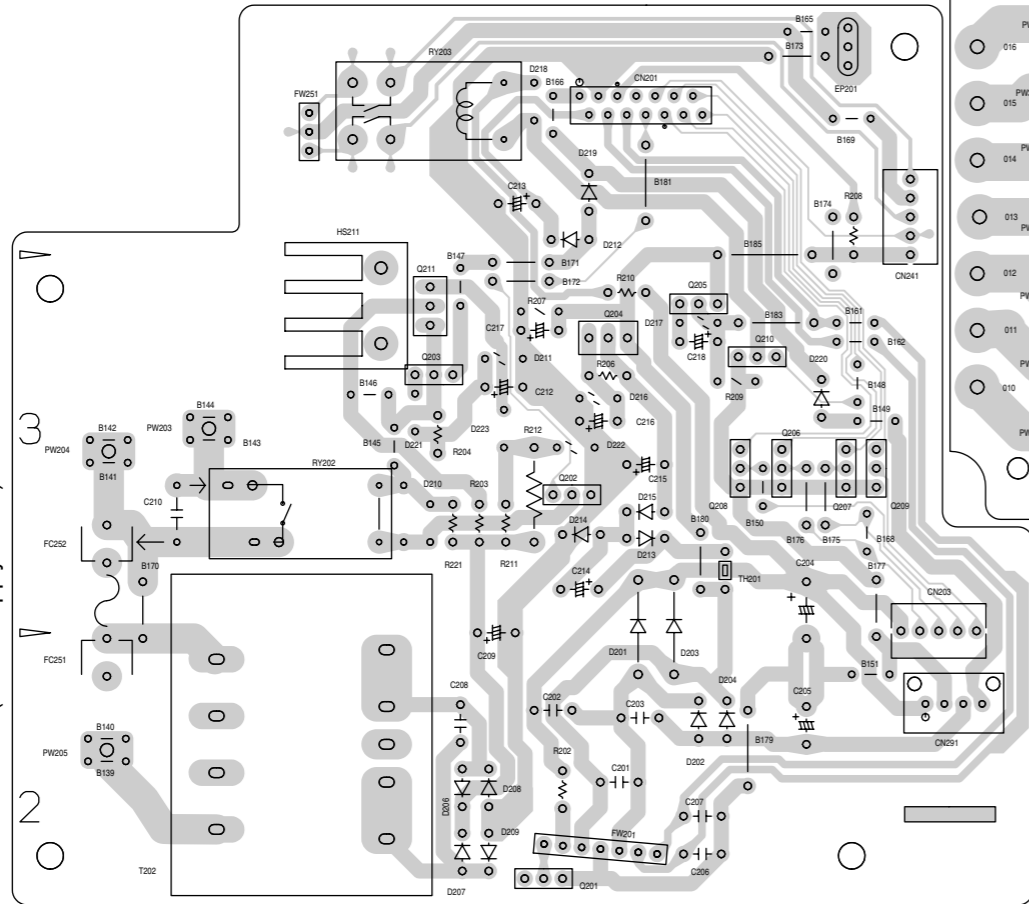
(Power / Fuse board)



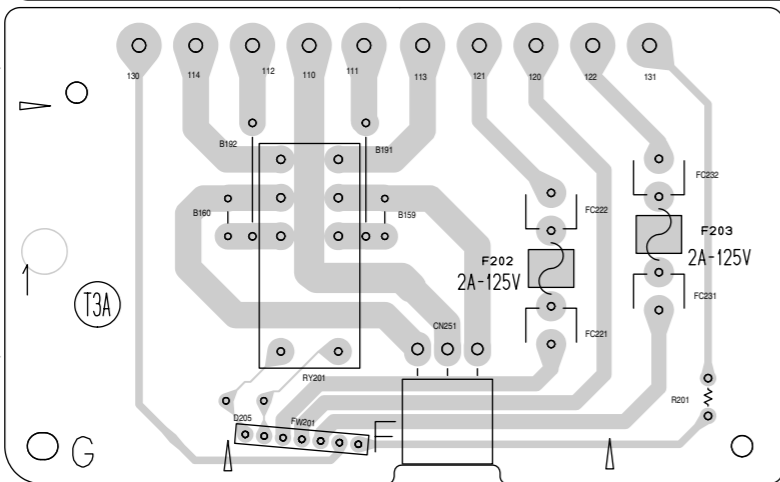
(Power transformer board 2)



(Power supply board)

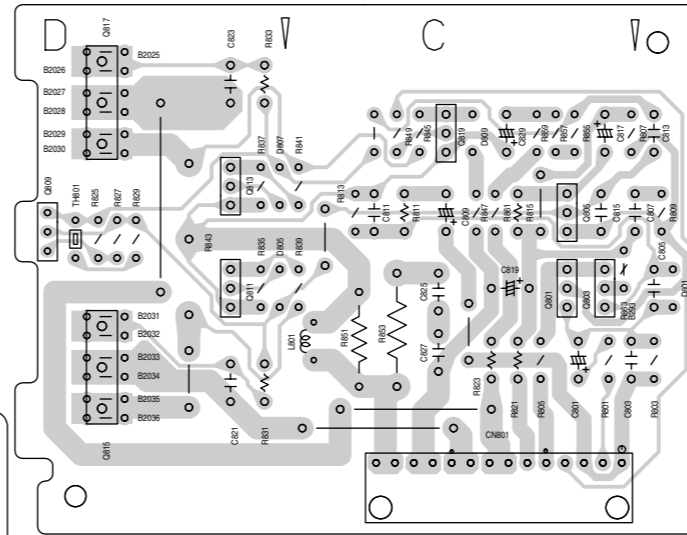


(Power transformer board 1)

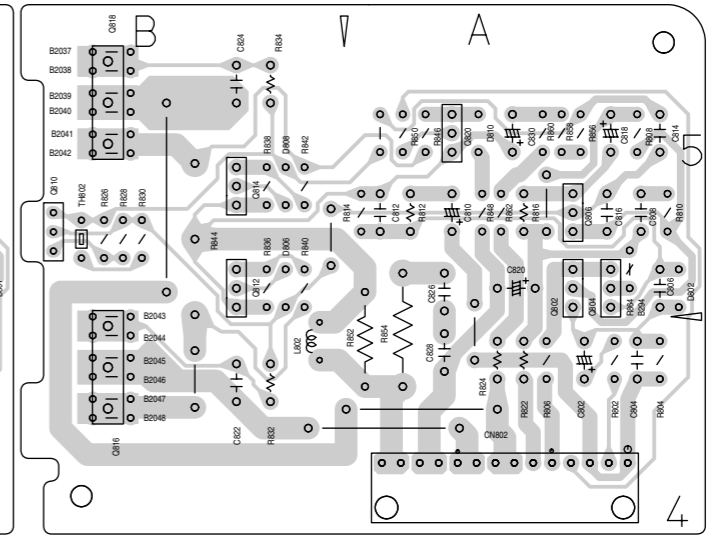


Reverse side

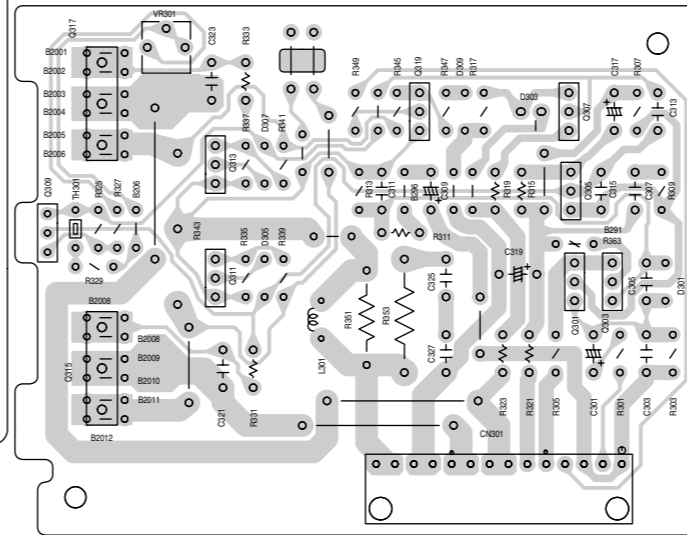
(Rear amp. board (L))



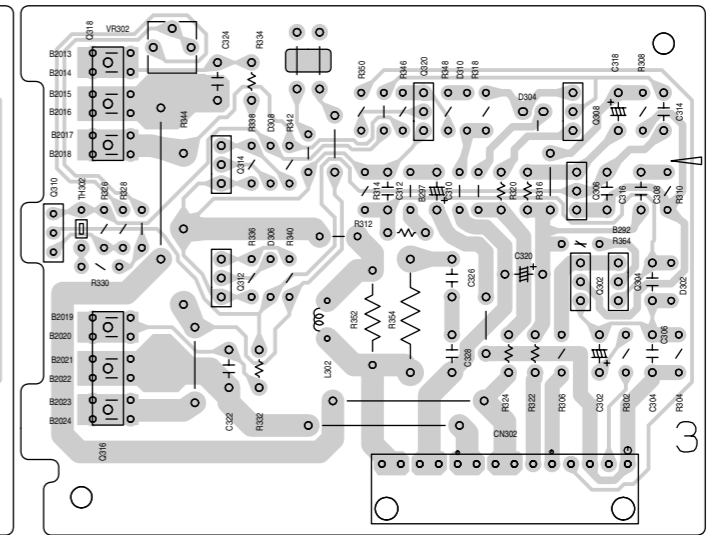
(Rear amp. board (R))



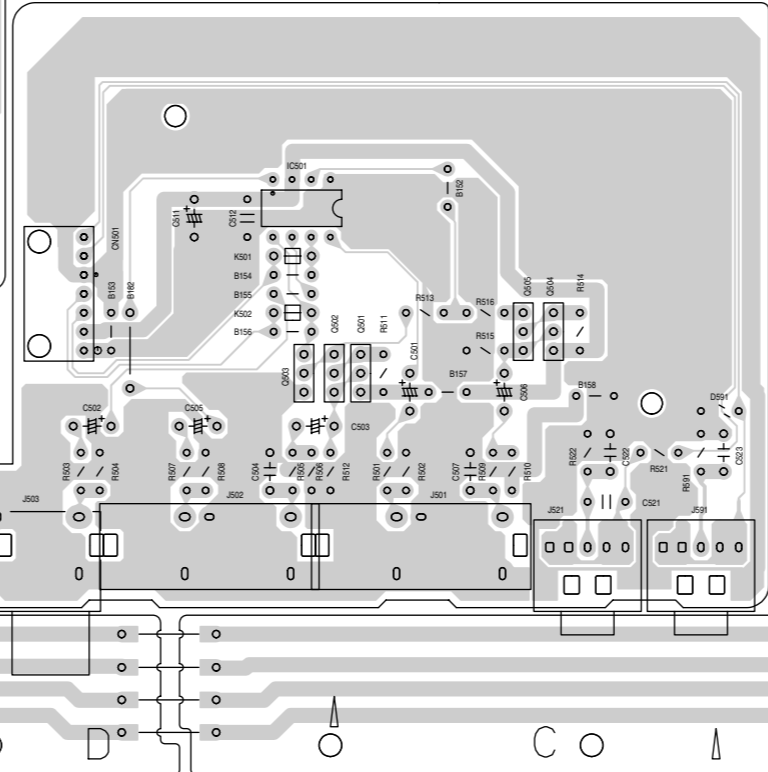
(Front amp. board (L))



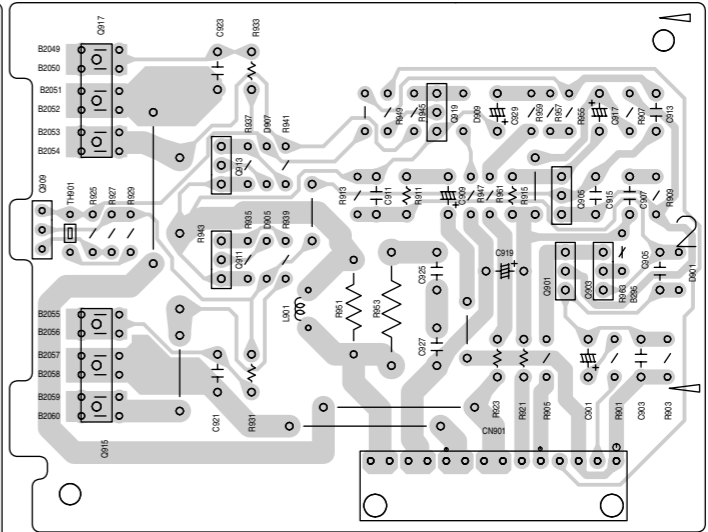
(Front amp. board (R))



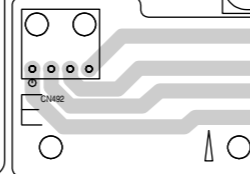
(Video board)



(Center amp. board)



(Relay board)

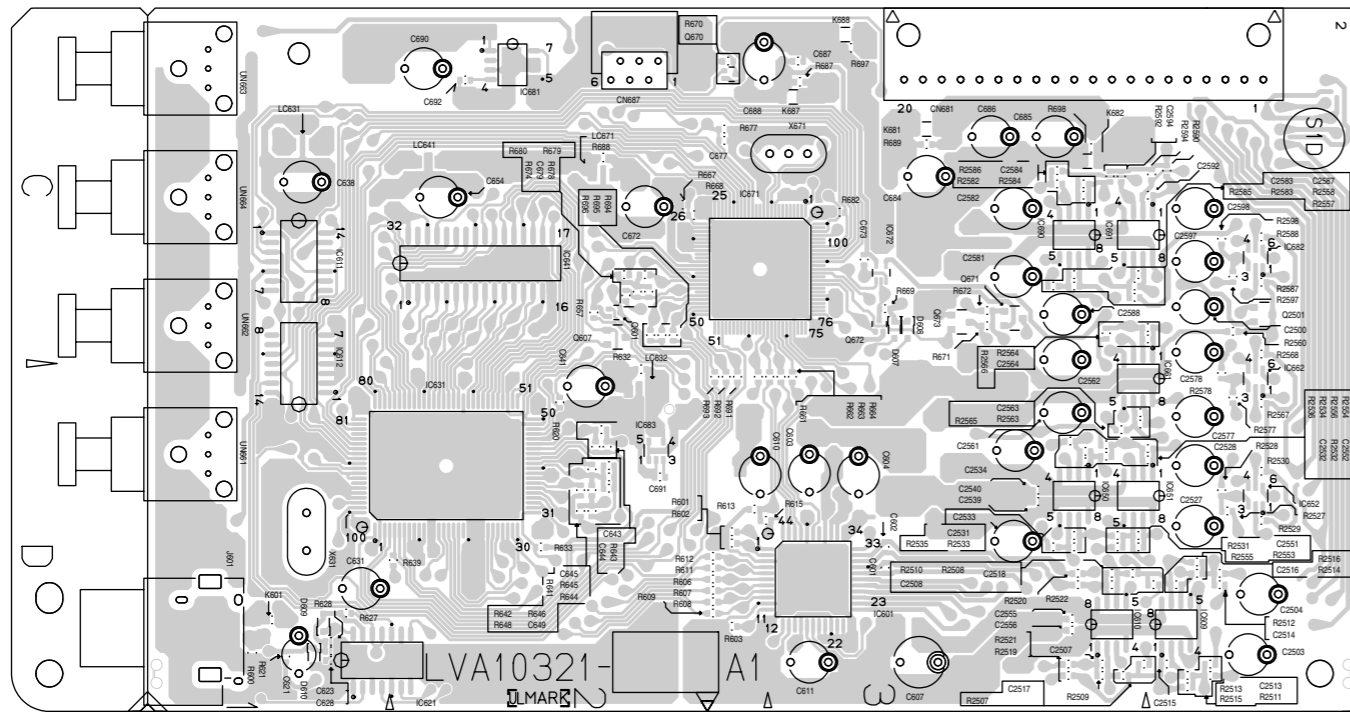


A B C D E F G

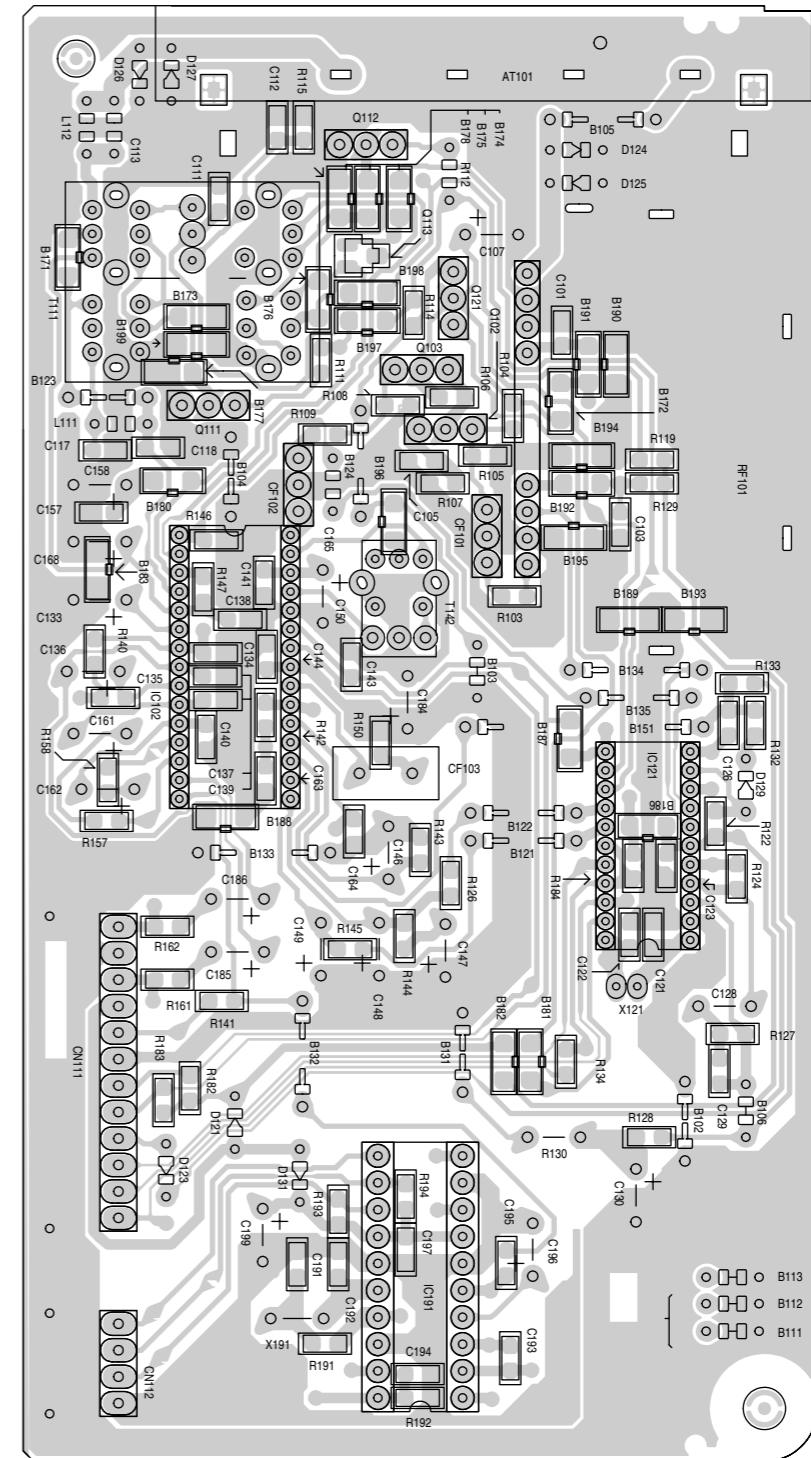
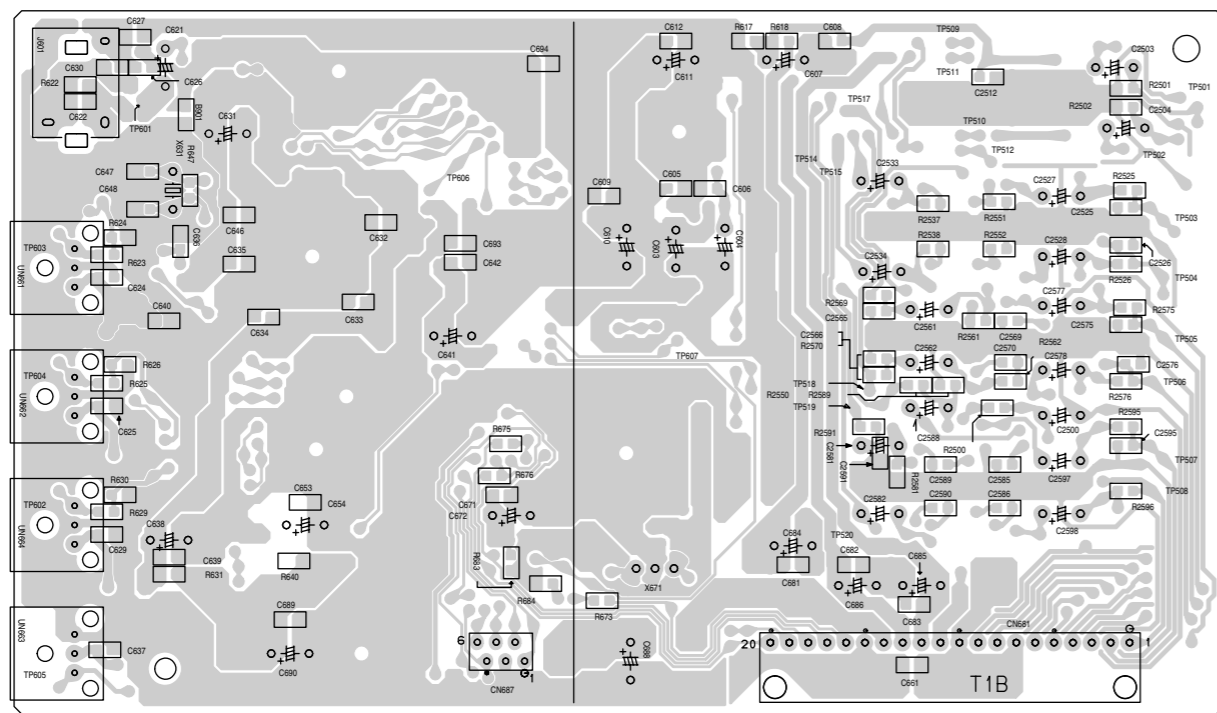
■ DSP board

■ Tuner board

Forward side



Reverse side



5

4

3

2

1

A

B

C

2-12

D

E

F

G

H

< MEMO >

RX-5030VBK

**JVC**

VICTOR COMPANY OF JAPAN, LIMITED

AV & MULTIMEDIA COMPANY 10-1, 1Chome, Ohwatari-machi, Maebashi-city, 371-8543, Japan

(No.22037SCH)



Printed in Japan  
2003/04