

# PARTS LIST

[ RX-5032VSL ]

\* All printed circuit boards and its assemblies are not available as service parts.

## Area suffix

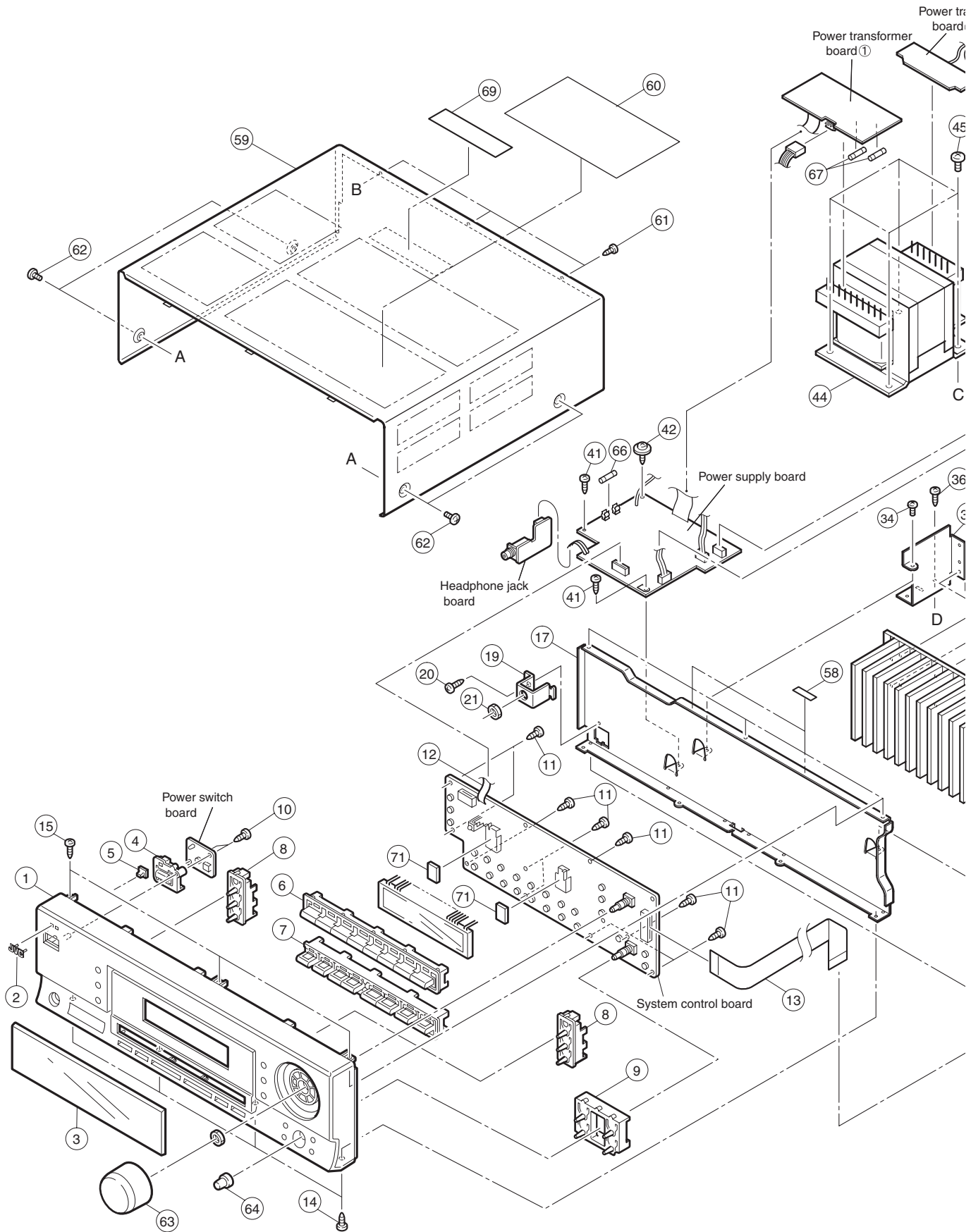
E ----- Continental Europe  
 EN ----- Northern Europe

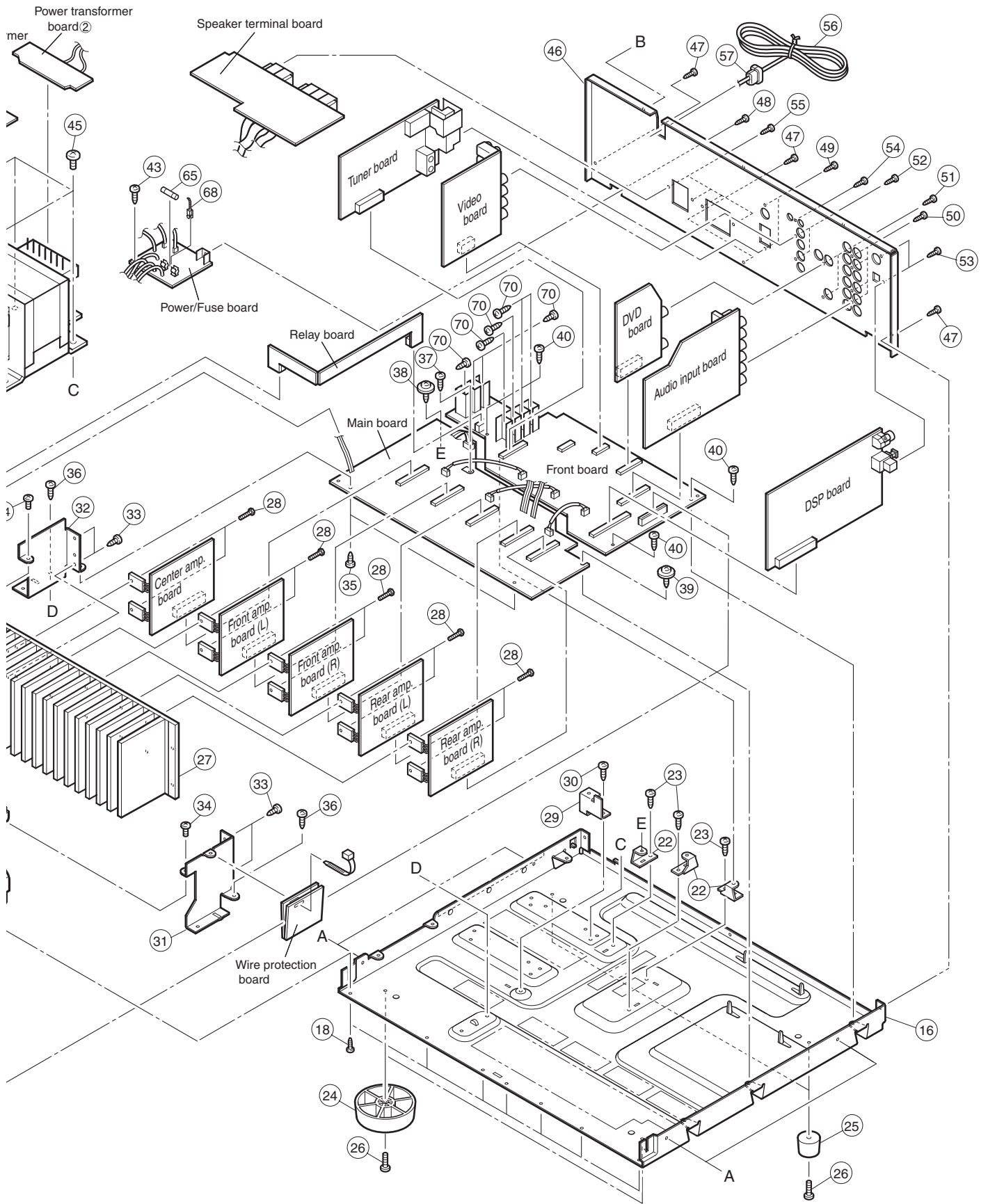
## - Contents -

|  |      |
|--|------|
| Exploded view of general assembly and parts list (Block No.M1) ..... | 3- 2 |
| Electrical parts list (Block No.01~05) .....                         | 3- 5 |
| Packing materials and accessories parts list (Block No.M3).....      | 3-15 |

# Exploded view of general assembly and parts list

Block No. M 1 M M





## General assembly

Block No. [M][1][M][M]

| Symbol No. | Part No.       | Part Name       | Description                  | Local |
|------------|----------------|-----------------|------------------------------|-------|
| 1          | LV10756-005A   | FRONT PANEL     |                              |       |
| 2          | LV43338-002A   | JVC MARK        |                              |       |
| 3          | LV34003-001A   | LENS            |                              |       |
| 4          | LV34000-002A   | PUSH BUTTON(POW |                              |       |
| 5          | LV42096-001A   | INDICATOR       |                              |       |
| 6          | LV21419-002A   | PUSH BUTTON(50) |                              |       |
| 7          | LV21421-002A   | PUSH BUTTON(FM) |                              |       |
| 8          | LV34001-002A   | 3-BUTTON        | (x2)                         |       |
| 9          | LV34002-002A   | 4-BUTTON        |                              |       |
| 10         | QYSBSF2608Z    | TAPPING SCREW   | 2.6mm x 8mm(x2)              |       |
| 11         | QYSBSF2608Z    | TAPPING SCREW   | 2.6mm x 8mm(x9)              |       |
| 12         | QUQ412-1415CJ  | FFC WIRE        |                              |       |
| 13         | QUQ412-2534CJ  | FFC WIRE        |                              |       |
| 14         | QYSDSG3006Z    | SCREW           | 3mm x 6mm(x4)                |       |
| 15         | QYSBSG3006Z    | TAP SCREW       | 3mm x 6mm(x3)                |       |
| 16         | LV10019-003A   | CHASSIS BASE    |                              |       |
| 17         | LV10458-003A   | FRONT BRACKET   |                              |       |
| 18         | QYSDSG3006Z    | SCREW           | 3mm x 6mm(x7)                |       |
| 19         | LV43304-001A   | BKT(PHONES)     |                              |       |
| 20         | QYSBSG3006Z    | TAP SCREW       | 3mm x 6mm                    |       |
| 21         | VKZ4150-001    | SPECIAL NUT     |                              |       |
| 22         | E68587-223SM   | CB BKT          | (x3)                         |       |
| 23         | QYSBST3006Z    | TAPPING SCREW   | 3mm x 6mm(x3)                |       |
| 24         | QZF6018-003    | FOOT            | (x2)                         |       |
| 25         | E47227-036     | FOOT            | (x2)                         |       |
| 26         | QYSBST3010Z    | TAPPING SCREW   | 3mm x 10mm(x4)               |       |
| 27         | LV20916-002A   | HEAT SINK       |                              |       |
| 28         | QYSBSG3012E    | SCREW           | 3mm x 12mm(x10)              |       |
| 29         | LV42098-001A   | C.B BKT         |                              |       |
| 30         | QYSBST3006Z    | TAPPING SCREW   | 3mm x 6mm                    |       |
| 31         | LV32433-001A   | H.S BRACKET(R)  |                              |       |
| 32         | LV32434-001A   | H.S BRACKET(L)  |                              |       |
| 33         | QYSBSG3008Z    | TAPPING SCREW   | 3mm x 8mm(x4)                |       |
| 34         | QYSBST3006Z    | TAPPING SCREW   | 3mm x 6mm(x2)                |       |
| 35         | QYSBSG3006Z    | TAP SCREW       | 3mm x 6mm(x2)                |       |
| 36         | QYSBST3006Z    | TAPPING SCREW   | 3mm x 6mm(x2)                |       |
| 37         | QYSBSG3006Z    | TAP SCREW       | 3mm x 6mm                    |       |
| 38         | E65923-003     | TAPPING SCREW   |                              |       |
| 39         | E65923-003     | TAPPING SCREW   |                              |       |
| 40         | QYSBSG3006Z    | TAP SCREW       | 3mm x 6mm(x3)                |       |
| 41         | QYSBSG3006Z    | TAP SCREW       | 3mm x 6mm(x2)                |       |
| 42         | E65923-003     | TAPPING SCREW   |                              |       |
| 43         | QYSBSG3006Z    | TAP SCREW       | 3mm x 6mm                    |       |
| △ 44       | QQT0365-001    | POWER TRANSF    |                              |       |
| 45         | QYSDSTL4008Z   | ASSY SCREW      | 4mm x 8mm(x4)                |       |
| 46         | LV20915-055A   | REAR PANEL      |                              |       |
| 47         | QYSBSGY3008M   | SPECIAL SCREW   | 3mm x 8mm(x3)                |       |
| 48         | QYSBSGY3008M   | SPECIAL SCREW   | 3mm x 8mm                    |       |
| 49         | QYSBSGY3008M   | SPECIAL SCREW   | 3mm x 8mm(x2)                |       |
| 50         | QYSBSGY3008M   | SPECIAL SCREW   | 3mm x 8mm(x4)                |       |
| 51         | QYSBSGY3008M   | SPECIAL SCREW   | 3mm x 8mm(x2)                |       |
| 52         | QYSBSGY3008M   | SPECIAL SCREW   | 3mm x 8mm(x2)                |       |
| 53         | QYSBSGY3008M   | SPECIAL SCREW   | 3mm x 8mm(x2)                |       |
| 54         | QYSBSGY3008M   | SPECIAL SCREW   | 3mm x 8mm                    |       |
| 55         | QYSBSGY3008M   | SPECIAL SCREW   | 3mm x 8mm(x4)                |       |
| △ 56       | QMPK250-205-JV | POWER CORD(EU)  | 2.05m BLACK                  |       |
| △ 57       | QZW0033-001    | STRAIN RELIEF   |                              |       |
| 58         | LV30225-0H3A   | SPACER          | (x2)                         |       |
| 59         | LV21422-003A   | TOP COVER       |                              |       |
| 60         | LV30077-006A   | PROTECT SHEET   |                              |       |
| 61         | QYSBSGY3008M   | SPECIAL SCREW   | 3mm x 8mm(x3)                |       |
| 62         | E406308-004    | SPECIAL SCREW   | (x4)                         |       |
| 63         | LV43463-002A   | VOL KNO ASSY    |                              |       |
| 64         | LV43458-002A   | JOG KNOB ASSY   |                              |       |
| △ 65       | QMF51W2-2R5-J8 | FUSE            | F 201 2.5A AC250V            |       |
| △ 66       | QMF51E2-R10-J1 | FUSE            | F 205 0.1A AC250V            |       |
| △ 67       | QMF51W2-2R0-J8 | FUSE            | F 202 F 203<br>2A AC250V(x2) |       |
| 68         | E307572-001    | FASTENER        |                              |       |
| 69         | E409396-003    | CAUTION LABEL   |                              |       |
| 70         | QYSBSG3008E    | TAP SCREW       | 3mm x 8mm(x7)                |       |
| 71         | LV30225-0J4A   | SPACER          | (x2)                         |       |

# Electrical parts list

## Main board

Block No. [0][1][0][0]

| △ Symbol No. | Part No. | Part Name     | Description     | Local         | △ Symbol No. | Part No.     | Part Name      | Description   | Local |
|--------------|----------|---------------|-----------------|---------------|--------------|--------------|----------------|---------------|-------|
|              | IC402    | TC9164AN      | IC              |               | C1308        | QETN1HM-476Z | E CAPACITOR    | 47uF 50V M    |       |
|              | IC403    | BA15218N      | IC              |               | C1309        | QEKC1HM-106Z | E CAPACITOR    | 10uF 50V M    |       |
| △            | Q1301    | KTA1046/Y/    | TRANSISTOR *    |               | C1310        | QEKC1CM-476Z | E CAPACITOR    | 47uF 16V M    |       |
|              | Q1302    | KTC3200/GL/-T | TRANSISTOR      |               | C1311        | QEKC1HM-226Z | E CAPACITOR    | 22uF 50V M    |       |
|              | Q1303    | KTA1268/GL/-T | TRANSISTOR      |               | C1351        | QETN1HM-475Z | E CAPACITOR    | 4.7uF 50V M   |       |
|              | Q1304    | KTC3199/GL/-T | TRANSISTOR      |               | C1352        | QEKC1HM-475Z | E CAPACITOR    | 4.7uF 50V M   |       |
|              | Q1305    | 2SD2395/EF/   | TRANSTRANSISTOR |               | C1353        | QEKC1HM-475Z | E CAPACITOR    | 4.7uF 50V M   |       |
|              | Q1306    | KTA1023/OY/-T | TRANSISTOR      |               | C1354        | QEKC1HM-475Z | E CAPACITOR    | 4.7uF 50V M   |       |
|              | Q1307    | KTC3200/GL/-T | TRANSISTOR      |               | C1359        | QFLC1HJ-223Z | M CAPACITOR    | 0.022uF 50V J |       |
|              | Q1351    | KRC109M-T     | DIGI TRANSISTOR |               | C1360        | QFLC1HJ-223Z | M CAPACITOR    | 0.022uF 50V J |       |
|              | Q1352    | KRC109M-T     | DIGI TRANSISTOR |               | C1361        | QFLC1HJ-223Z | M CAPACITOR    | 0.022uF 50V J |       |
|              | Q1353    | KRC109M-T     | DIGI TRANSISTOR |               | C1362        | QCS31HJ-221Z | C CAPACITOR    | 220pF 50V J   |       |
|              | Q1354    | KRC109M-T     | DIGI TRANSISTOR |               | C1363        | QFLC1HJ-223Z | M CAPACITOR    | 0.022uF 50V J |       |
|              | Q1355    | KRC109M-T     | DIGI TRANSISTOR |               | C1364        | QCS31HJ-221Z | C CAPACITOR    | 220pF 50V J   |       |
|              | Q1356    | KRC109M-T     | DIGI TRANSISTOR |               | C1365        | QFLC1HJ-473Z | M CAPACITOR    | 0.047uF 50V J |       |
|              | Q1357    | KRC109M-T     | DIGI TRANSISTOR |               | C1366        | QCS31HJ-221Z | C CAPACITOR    | 220pF 50V J   |       |
|              | Q1358    | KRC109M-T     | DIGI TRANSISTOR |               | C1367        | QCB1HK-221Y  | C CAPACITOR    | 220pF 50V K   |       |
| △            | D1301    | 30DF2-FC      | DIODE           |               | C1368        | QFLC1HJ-102Z | M CAPACITOR    | 1000pF 50V J  |       |
| △            | D1302    | 30DF2-FC      | DIODE           |               | C1369        | QFLC1HJ-223Z | M CAPACITOR    | 0.022uF 50V J |       |
| △            | D1303    | 30DF2-FC      | DIODE           |               | C1370        | QCS31HJ-221Z | C CAPACITOR    | 220pF 50V J   |       |
| △            | D1304    | 30DF2-FC      | DIODE           |               | C1371        | QCB1HK-221Y  | C CAPACITOR    | 220pF 50V K   |       |
|              | D1305    | MTZJ18C-T2    | Z DIODE         |               | C1372        | QCS31HJ-221Z | C CAPACITOR    | 220pF 50V J   |       |
|              | D1306    | MTZJ30C-T2    | Z DIODE         |               | C1373        | QFLC1HJ-223Z | M CAPACITOR    | 0.022uF 50V J |       |
|              | D1307    | 1SS133-T2     | SI DIODE        |               | C1374        | QCS31HJ-221Z | C CAPACITOR    | 220pF 50V J   |       |
|              | D1308    | 1SS133-T2     | SI DIODE        |               | C1375        | QCS31HJ-221Z | C CAPACITOR    | 220pF 50V J   |       |
|              | D1309    | MTZJ20C-T2    | Z DIODE         |               | C1376        | QCB1HK-221Y  | C CAPACITOR    | 220pF 50V K   |       |
|              | D1352    | 1SS133-T2     | SI DIODE        |               | R421         | QRE141J-471Y | C RESISTOR     | 470Ω 1/4W J   |       |
|              | D1353    | 1SS133-T2     | SI DIODE        |               | R422         | QRE141J-471Y | C RESISTOR     | 470Ω 1/4W J   |       |
|              | D1354    | 1SS133-T2     | SI DIODE        |               | R423         | QRE141J-222Y | C RESISTOR     | 2.2kΩ 1/4W J  |       |
|              | D1355    | 1SS133-T2     | SI DIODE        |               | R424         | QRE141J-222Y | C RESISTOR     | 2.2kΩ 1/4W J  |       |
|              | D1356    | MTZJ5.1C-T2   | Z DIODE         |               | R425         | QRE141J-471Y | C RESISTOR     | 470Ω 1/4W J   |       |
|              | D1357    | 1SS133-T2     | SI DIODE        |               | R426         | QRE141J-471Y | C RESISTOR     | 470Ω 1/4W J   |       |
|              | D1358    | 1SS133-T2     | SI DIODE        |               | R429         | QRE141J-102Y | C RESISTOR     | 1kΩ 1/4W J    |       |
|              | D1359    | 1SS133-T2     | SI DIODE        |               | R430         | QRE141J-102Y | C RESISTOR     | 1kΩ 1/4W J    |       |
|              | D1360    | 1SS133-T2     | SI DIODE        |               | R431         | QRE141J-471Y | C RESISTOR     | 470Ω 1/4W J   |       |
|              | C419     | QCBB1HK-223Y  | C CAPACITOR     | 0.022uF 50V K | R432         | QRE141J-471Y | C RESISTOR     | 470Ω 1/4W J   |       |
|              | C420     | QCBB1HK-223Y  | C CAPACITOR     | 0.022uF 50V K | R435         | QRE141J-102Y | C RESISTOR     | 1kΩ 1/4W J    |       |
|              | C421     | QCBB1HK-331Y  | C CAPACITOR     | 330pF 50V K   | R436         | QRE141J-102Y | C RESISTOR     | 1kΩ 1/4W J    |       |
|              | C422     | QCBB1HK-331Y  | C CAPACITOR     | 330pF 50V K   | R440         | QRE141J-102Y | C RESISTOR     | 1kΩ 1/4W J    |       |
|              | C423     | QCBB1HK-331Y  | C CAPACITOR     | 330pF 50V K   | R441         | QRE141J-104Y | C RESISTOR     | 100kΩ 1/4W J  |       |
|              | C424     | QCBB1HK-331Y  | C CAPACITOR     | 330pF 50V K   | R442         | QRE141J-104Y | C RESISTOR     | 100kΩ 1/4W J  |       |
|              | C425     | QCBB1HK-331Y  | C CAPACITOR     | 330pF 50V K   | R443         | QRE141J-104Y | C RESISTOR     | 100kΩ 1/4W J  |       |
|              | C426     | QCBB1HK-331Y  | C CAPACITOR     | 330pF 50V K   | R444         | QRE141J-104Y | C RESISTOR     | 100kΩ 1/4W J  |       |
|              | C427     | QCBB1HK-681Y  | C CAPACITOR     | 680pF 50V K   | R445         | QRE141J-104Y | C RESISTOR     | 100kΩ 1/4W J  |       |
|              | C428     | QCBB1HK-681Y  | C CAPACITOR     | 680pF 50V K   | R446         | QRE141J-104Y | C RESISTOR     | 100kΩ 1/4W J  |       |
|              | C429     | QCBB1HK-331Y  | C CAPACITOR     | 330pF 50V K   | △ R449       | QRJ146J-271X | UNF C RESISTOR | 270Ω 1/4W J   |       |
|              | C430     | QCBB1HK-331Y  | C CAPACITOR     | 330pF 50V K   | △ R450       | QRJ146J-271X | UNF C RESISTOR | 270Ω 1/4W J   |       |
|              | C431     | QCBB1HK-331Y  | C CAPACITOR     | 330pF 50V K   | R451         | QRE141J-471Y | C RESISTOR     | 470Ω 1/4W J   |       |
|              | C432     | QCBB1HK-331Y  | C CAPACITOR     | 330pF 50V K   | R452         | QRE141J-471Y | C RESISTOR     | 470Ω 1/4W J   |       |
|              | C433     | QCBB1HK-681Y  | C CAPACITOR     | 680pF 50V K   | △ R1301      | QRL027J-332  | OMF RESISTOR   | 3.3kΩ 2W J    |       |
|              | C434     | QCBB1HK-681Y  | C CAPACITOR     | 680pF 50V K   | △ R1302      | QRZ9005-100X | F RESISTOR     | 10Ω           |       |
|              | C435     | QCBB1HK-331Y  | C CAPACITOR     | 330pF 50V K   | △ R1303      | QRJ146J-562X | UNF C RESISTOR | 5.6kΩ 1/4W J  |       |
|              | C436     | QCBB1HK-331Y  | C CAPACITOR     | 330pF 50V K   | R1304        | QRE141J-104Y | C RESISTOR     | 100kΩ 1/4W J  |       |
|              | C440     | QCBB1HK-221Y  | C CAPACITOR     | 220pF 50V K   | R1305        | QRE141J-104Y | C RESISTOR     | 100kΩ 1/4W J  |       |
|              | C441     | QETN1EM-106Z  | E CAPACITOR     | 10uF 25V M    | R1306        | QRE141J-823Y | C RESISTOR     | 82kΩ 1/4W J   |       |
|              | C442     | QETN1EM-106Z  | E CAPACITOR     | 10uF 25V M    | R1307        | QRE141J-104Y | C RESISTOR     | 100kΩ 1/4W J  |       |
|              | C443     | QETN1EM-226Z  | E CAPACITOR     | 22uF 25V M    | R1308        | QRE141J-104Y | C RESISTOR     | 100kΩ 1/4W J  |       |
|              | C444     | QETN1EM-226Z  | E CAPACITOR     | 22uF 25V M    | R1309        | QRE141J-103Y | C RESISTOR     | 10kΩ 1/4W J   |       |
|              | C445     | QCBB1HK-223Y  | C CAPACITOR     | 0.022uF 50V K | R1310        | QRE141J-103Y | C RESISTOR     | 10kΩ 1/4W J   |       |
|              | C446     | QCBB1HK-223Y  | C CAPACITOR     | 0.022uF 50V K | R1311        | QRE141J-104Y | C RESISTOR     | 100kΩ 1/4W J  |       |
|              | C451     | QCBB1HK-331Y  | C CAPACITOR     | 330pF 50V K   | R1312        | QRE141J-104Y | C RESISTOR     | 100kΩ 1/4W J  |       |
|              | C452     | QCBB1HK-331Y  | C CAPACITOR     | 330pF 50V K   | △ R1313      | QRZ9005-100X | F RESISTOR     | 10Ω           |       |
|              | C460     | QCZ0202-155Z  | C CAPACITOR     | 1.5uF 25V Z   | △ R1314      | QRJ146J-103X | UNF C RESISTOR | 10kΩ 1/4W J   |       |
|              | C1301    | QFZ9076-104Z  | MM CAPACITOR    | 0.1uF         | △ R1315      | QRJ146J-2R2X | UNF C RESISTOR | 2.2Ω 1/4W J   |       |
|              | C1302    | QCE22HP-103   | C CAPACITOR     | 0.01uF 500V P | △ R1316      | QRJ146J-102X | UNF C RESISTOR | 1kΩ 1/4W J    |       |
|              | C1303    | QCE22HP-103   | C CAPACITOR     | 0.01uF 500V P | △ R1317      | QRJ146J-223X | UNF C RESISTOR | 22kΩ 1/4W J   |       |
|              | C1304    | QEZ0341-688   | E CAPACITER     | 6800uF        | R1318        | QRE141J-223Y | C RESISTOR     | 22kΩ 1/4W J   |       |
|              | C1305    | QEZ0341-688   | E CAPACITER     | 6800uF        | R1319        | QRE141J-473Y | C RESISTOR     | 47kΩ 1/4W J   |       |
|              | C1306    | QETN1EM-476Z  | E CAPACITOR     | 47uF 25V M    | △ R1352      | QRJ146J-680X | UNF C RESISTOR | 68Ω 1/4W J    |       |
|              |          |               |                 |               | △ R1353      | QRJ146J-680X | UNF C RESISTOR | 68Ω 1/4W J    |       |
|              |          |               |                 |               | △ R1354      | QRJ146J-680X | UNF C RESISTOR | 68Ω 1/4W J    |       |
|              |          |               |                 |               | △ R1355      | QRJ146J-392X | UNF C RESISTOR | 3.9kΩ 1/4W J  |       |
|              |          |               |                 |               | R1356        | QRE141J-472Y | C RESISTOR     | 4.7kΩ 1/4W J  |       |

| △ Symbol No. | Part No.      | Part Name       | Description  | Local | △ Symbol No. | Part No.        | Part Name       | Description   | Local |
|--------------|---------------|-----------------|--------------|-------|--------------|-----------------|-----------------|---------------|-------|
| R1357        | QRE141J-223Y  | C RESISTOR      | 22kΩ 1/4W J  |       | △ Q1407      | KTC3203/OY/-T   | TRANSISTOR      |               |       |
| R1358        | QRE141J-682Y  | C RESISTOR      | 6.8kΩ 1/4W J |       | △ Q1408      | KTA1271/OY/-T   | TRANSISTOR      |               |       |
| R1359        | QRE141J-472Y  | C RESISTOR      | 4.7kΩ 1/4W J |       | Q1413        | 2SC3576-JVC-T   | TRANSISTOR      |               |       |
| R1360        | QRE141J-472Y  | C RESISTOR      | 4.7kΩ 1/4W J |       | Q1414        | 2SC3576-JVC-T   | TRANSISTOR      |               |       |
| R1361        | QRE141J-472Y  | C RESISTOR      | 4.7kΩ 1/4W J |       | Q1417        | 2SC3576-JVC-T   | TRANSISTOR      |               |       |
| R1362        | QRE141J-472Y  | C RESISTOR      | 4.7kΩ 1/4W J |       | Q1418        | 2SC3576-JVC-T   | TRANSISTOR      |               |       |
| R1363        | QRE141J-472Y  | C RESISTOR      | 4.7kΩ 1/4W J |       | Q1419        | 2SC3576-JVC-T   | TRANSISTOR      |               |       |
| R1364        | QRE141J-223Y  | C RESISTOR      | 22kΩ 1/4W J  |       | Q1420        | KRA104M-T       | DIGI TRANSISTOR |               |       |
| R1365        | QRE141J-682Y  | C RESISTOR      | 6.8kΩ 1/4W J |       | Q1421        | 2SC3576-JVC-T   | TRANSISTOR      |               |       |
| R1366        | QRE141J-223Y  | C RESISTOR      | 22kΩ 1/4W J  |       | Q1422        | 2SC3576-JVC-T   | TRANSISTOR      |               |       |
| R1367        | QRE141J-682Y  | C RESISTOR      | 6.8kΩ 1/4W J |       | Q1423        | KRA104M-T       | DIGI TRANSISTOR |               |       |
| △ R1370      | QRJ146J-2R7X  | UNF C RESISTOR  | 2.7Ω 1/4W J  |       | Q1424        | KRA104M-T       | DIGI TRANSISTOR |               |       |
| △ R1371      | QRJ146J-2R7X  | UNF C RESISTOR  | 2.7Ω 1/4W J  |       | Q1425        | 2SC3576-JVC-T   | TRANSISTOR      |               |       |
| △ R1372      | QRJ146J-2R7X  | UNF C RESISTOR  | 2.7Ω 1/4W J  |       | Q1426        | 2SC3576-JVC-T   | TRANSISTOR      |               |       |
| △ R1373      | QRJ146J-2R7X  | UNF C RESISTOR  | 2.7Ω 1/4W J  |       | Q1431        | KRC104M-T       | TRANSISTOR      |               |       |
| △ R1374      | QRJ146J-2R7X  | UNF C RESISTOR  | 2.7Ω 1/4W J  |       | Q1432        | KRC104M-T       | TRANSISTOR      |               |       |
| L1351        | QQLZ005-R45   | COIL            | 0.45uH       |       | Q1433        | KRC104M-T       | TRANSISTOR      |               |       |
| L1352        | QQLZ005-R45   | COIL            | 0.45uH       |       | △ Q1434      | 2SD2395/EF/     | TRANTRANSISTOR  |               |       |
| L1353        | QQLZ005-R45   | COIL            | 0.45uH       |       | △ Q1435      | 2SD2395/EF/     | TRANTRANSISTOR  |               |       |
| L1354        | QQLZ005-R45   | COIL            | 0.45uH       |       | D701         | 1SS355-X        | SI DIODE        |               |       |
| L1355        | QQLZ005-R45   | COIL            | 0.45uH       |       | D703         | SB007-03CP-X    | S.K DIODE       |               |       |
| CN311        | QGB2510J1-14  | CONNECTOR       | B-B (1-14)   |       | D719         | SLR-343VC/NPQ-T | LED             |               |       |
| CN312        | QGB2510J1-14  | CONNECTOR       | B-B (1-14)   |       | D1401        | MTZJ13C-T2      | Z DIODE         |               |       |
| CN321        | QGB2510J1-14  | CONNECTOR       | B-B (1-14)   |       | D1402        | MTZJ6.2C-T2     | Z DIODE         |               |       |
| CN331        | QGB2510J1-14  | CONNECTOR       | B-B (1-14)   |       | D1403        | MTZJ5.6C-T2     | Z DIODE         |               |       |
| CN332        | QGB2510J1-14  | CONNECTOR       | B-B (1-14)   |       | D1404        | MTZJ5.6C-T2     | Z DIODE         |               |       |
| CN351        | QJK012-032403 | SKT WIRE ASSY   |              |       | D1405        | MTZJ13C-T2      | Z DIODE         |               |       |
| CN371        | QJP001-031201 | SHI CR C-B WIRE |              |       | D1406        | MTZJ10C-T2      | Z DIODE         |               |       |
| CN372        | QJP002-021201 | SHI CR C-B WIRE |              |       | D1407        | MTZJ7.5C-T2     | Z DIODE         |               |       |
| CN373        | QJP001-031201 | SHI CR C-B WIRE |              |       | D1408        | MTZJ7.5C-T2     | Z DIODE         |               |       |
| CN401        | QGB2510K1-14  | CONNECTOR       | B-B (1-14)   |       | D1409        | MA152WK-X       | DIODE           |               |       |
| CN451        | QGB2510K1-11  | CONNECTOR       | B-B (1-11)   |       | D1411        | 1SS355-X        | SI DIODE        |               |       |
| EP301        | QNZ0136-001Z  | EARTH PLATE     |              |       | D1412        | 1SS355-X        | SI DIODE        |               |       |
| FW301        | QUM215-25Z4Z4 | PARA RIBON WIRE |              |       | C101         | QDGB1HK-102Y    | C CAPACITOR     | 1000pF 50V K  |       |
| FW302        | QUM216-25Z4Z4 | PARA RIBON WIRE |              |       | C102         | QDGB1HK-102Y    | C CAPACITOR     | 1000pF 50V K  |       |
| FW303        | QUM215-28DGZ4 | PARA RIBON WIRE |              |       | C701         | QEKCOJM-107Z    | E CAPACITOR     | 100uF 6.3V M  |       |
| FW341        | QUM215-20DGZ4 | SOCKET          |              |       | C702         | QCZ0202-155Z    | C CAPACITOR     | 1.5uF 25V Z   |       |
| J402         | QNN0168-001   | PIN JACK        |              |       | C703         | QEKCH1M-225Z    | E CAPACITOR     | 2.2uF 50V M   |       |
| J403         | QNN0168-001   | PIN JACK        |              |       | C704         | NCB31CK-223X    | C CAPACITOR     | 0.022uF 16V K |       |
| J404         | QNN0389-001   | PIN JACK        |              |       | C705         | QEKCOJM-107Z    | E CAPACITOR     | 100uF 6.3V M  |       |
| J406         | QNN0060-001   | PIN JACK        |              |       | C706         | NCB21HK-331X    | C CAPACITOR     | 330pF 50V K   |       |
| △ RY302      | QSK0109-001   | RELAY           |              |       | C707         | QEKCH1M-475Z    | E CAPACITOR     | 4.7uF 50V M   |       |
| △ RY303      | QSK0109-001   | RELAY           |              |       | C708         | QEKCH1M-475Z    | E CAPACITOR     | 4.7uF 50V M   |       |
| △ RY304      | QSK0109-001   | RELAY           |              |       | C709         | QEKCH1M-475Z    | E CAPACITOR     | 4.7uF 50V M   |       |
| ST304        | QNB0103-002   | SPK TERMINAL    |              |       | C713         | NCB21HK-103X    | C CAPACITOR     | 0.01uF 50V K  |       |
| ST305        | QNB0001-002   | SPK TERMINAL    |              |       | C714         | NCB21HK-103X    | C CAPACITOR     | 0.01uF 50V K  |       |
|              |               |                 |              |       | C715         | NCB21HK-103X    | C CAPACITOR     | 0.01uF 50V K  |       |
|              |               |                 |              |       | C716         | NCB21HK-103X    | C CAPACITOR     | 0.01uF 50V K  |       |
|              |               |                 |              |       | C717         | NCB21HK-103X    | C CAPACITOR     | 0.01uF 50V K  |       |
|              |               |                 |              |       | C718         | NCB21HK-103X    | C CAPACITOR     | 0.01uF 50V K  |       |
|              |               |                 |              |       | C719         | NCB21HK-103X    | C CAPACITOR     | 0.01uF 50V K  |       |
|              |               |                 |              |       | C720         | NCB31CK-104X    | C CAPACITOR     | 0.1uF 16V K   |       |
|              |               |                 |              |       | C721         | NCB31CK-104X    | C CAPACITOR     | 0.1uF 16V K   |       |
|              |               |                 |              |       | C722         | QCZ0202-155Z    | C CAPACITOR     | 1.5uF 25V Z   |       |
|              |               |                 |              |       | C723         | NCB31CK-104X    | C CAPACITOR     | 0.1uF 16V K   |       |
|              |               |                 |              |       | C724         | NCB31CK-104X    | C CAPACITOR     | 0.1uF 16V K   |       |
|              |               |                 |              |       | C725         | QEKCH1M-475Z    | E CAPACITOR     | 4.7uF 50V M   |       |
|              |               |                 |              |       | C730         | NCB31CK-104X    | C CAPACITOR     | 0.1uF 16V K   |       |
|              |               |                 |              |       | C1401        | QETN1HM-476Z    | E CAPACITOR     | 47uF 50V M    |       |
|              |               |                 |              |       | C1402        | QETN1EM-107Z    | E CAPACITOR     | 100uF 25V M   |       |
|              |               |                 |              |       | C1403        | QETN1EM-107Z    | E CAPACITOR     | 100uF 25V M   |       |
|              |               |                 |              |       | C1404        | QETN1EM-107Z    | E CAPACITOR     | 100uF 25V M   |       |
|              |               |                 |              |       | C1405        | QETN1EM-107Z    | E CAPACITOR     | 100uF 25V M   |       |
|              |               |                 |              |       | C1406        | QETN1EM-107Z    | E CAPACITOR     | 100uF 25V M   |       |
|              |               |                 |              |       | C1407        | QCF31HZ-223Z    | C CAPACITOR     | 0.022uF 50V Z |       |
|              |               |                 |              |       | C1408        | QETN1EM-476Z    | E CAPACITOR     | 47uF 25V M    |       |
|              |               |                 |              |       | C1409        | QETN1EM-476Z    | E CAPACITOR     | 47uF 25V M    |       |
|              |               |                 |              |       | C1410        | NCB31CK-223X    | C CAPACITOR     | 0.022uF 16V K |       |
|              |               |                 |              |       | C1411        | NCB31CK-223X    | C CAPACITOR     | 0.022uF 16V K |       |
|              |               |                 |              |       | C1422        | QETN1HM-475Z    | E CAPACITOR     | 4.7uF 50V M   |       |
| △ Q1401      | KTA1046/Y/    | TRANSISTOR *    |              |       | C1423        | QEKCH1M-475Z    | E CAPACITOR     | 4.7uF 50V M   |       |
| △ Q1402      | 2SD2395/EF/   | TRANTRANSISTOR  |              |       | C1424        | QEKCH1M-475Z    | E CAPACITOR     | 4.7uF 50V M   |       |
| △ Q1403      | 2SD2395/EF/   | TRANTRANSISTOR  |              |       | C1425        | QEKCH1M-106Z    | E CAPACITOR     | 10uF 16V M    |       |
| △ Q1404      | 2SD2395/EF/   | TRANTRANSISTOR  |              |       | C1426        | NCB31CK-223X    | C CAPACITOR     | 0.022uF 16V K |       |
| △ Q1405      | 2SD2395/EF/   | TRANTRANSISTOR  |              |       | C1427        | QFVF1HJ-334Z    | MF CAPACITOR    | 0.33uF 50V J  |       |
| △ Q1406      | KTC3203/OY/-T | TRANSISTOR      |              |       | C1428        | QFLC1HJ-153Z    | M CAPACITOR     | 0.015uF 50V J |       |

Front board

Block No. [0][2][0][0]

| △ Symbol No. | Part No.      | Part Name      | Description | Local |
|--------------|---------------|----------------|-------------|-------|
| IC423        | TC9162AF-X    | IC             |             |       |
| IC427        | BA15218F-XE   | IC             |             |       |
| IC428        | M62446AFP-X   | IC             |             |       |
| IC701        | MN101C35DME   | IC             |             |       |
| IC702        | IC-PST9139-T  | IC             |             |       |
| IC703        | GP1UM281XK    | IR DETECT UNIT |             |       |
| Q701         | UN2214-X      | TRANSISTOR     |             |       |
| Q702         | UN2215-X      | TRANSISTOR     |             |       |
| Q703         | KRC109S-X     | TRANSISTOR     |             |       |
| Q707         | UN2214-X      | TRANSISTOR     |             |       |
| Q708         | UN2214-X      | TRANSISTOR     |             |       |
| Q709         | UN2214-X      | TRANSISTOR     |             |       |
| Q711         | UN2113-X      | TRANSISTOR     |             |       |
| △ Q1401      | KTA1046/Y/    | TRANSISTOR *   |             |       |
| △ Q1402      | 2SD2395/EF/   | TRANTRANSISTOR |             |       |
| △ Q1403      | 2SD2395/EF/   | TRANTRANSISTOR |             |       |
| △ Q1404      | 2SD2395/EF/   | TRANTRANSISTOR |             |       |
| △ Q1405      | 2SD2395/EF/   | TRANTRANSISTOR |             |       |
| △ Q1406      | KTC3203/OY/-T | TRANSISTOR     |             |       |

| △ Symbol No. | Part No.     | Part Name      | Description   | Local | △ Symbol No. | Part No.     | Part Name      | Description   | Local |
|--------------|--------------|----------------|---------------|-------|--------------|--------------|----------------|---------------|-------|
| C1429        | QCB31HK-822Z | C CAPACITOR    | 8200pF 50V K  |       | R741         | NRSA63J-222X | MG RESISTOR    | 2.2kΩ 1/16W J |       |
| C1430        | QETN1HM-475Z | E CAPACITOR    | 4.7uF 50V M   |       | R743         | NRSA63J-103X | MG RESISTOR    | 10kΩ 1/16W J  |       |
| C1431        | QETN1HM-475Z | E CAPACITOR    | 4.7uF 50V M   |       | R744         | NRSA63J-102X | MG RESISTOR    | 1kΩ 1/16W J   |       |
| C1432        | NCB31CK-223X | C CAPACITOR    | 0.022uF 16V K |       | R745         | NRSA63J-102X | MG RESISTOR    | 1kΩ 1/16W J   |       |
| C1433        | QFVF1HJ-334Z | MF CAPACITOR   | 0.33uF 50V J  |       | R746         | NRSA63J-122X | MG RESISTOR    | 1.2kΩ 1/16W J |       |
| C1434        | QFLC1HJ-153Z | M CAPACITOR    | 0.015uF 50V J |       | R747         | NRSA63J-152X | MG RESISTOR    | 1.5kΩ 1/16W J |       |
| C1435        | QCB31HK-822Z | C CAPACITOR    | 8200pF 50V K  |       | R748         | NRSA63J-222X | MG RESISTOR    | 2.2kΩ 1/16W J |       |
| C1436        | NCB31CK-223X | C CAPACITOR    | 0.022uF 16V K |       | R749         | NRSA63J-272X | MG RESISTOR    | 2.7kΩ 1/16W J |       |
| C1437        | QCZ0202-155Z | C CAPACITOR    | 1.5uF 25V Z   |       | R750         | NRSA63J-103X | MG RESISTOR    | 10kΩ 1/16W J  |       |
| C1438        | QETN0JM-477Z | E CAPACITOR    | 470uF 6.3V M  |       | R751         | NRSA63J-102X | MG RESISTOR    | 1kΩ 1/16W J   |       |
| C1439        | QFLC1HJ-562Z | M CAPACITOR    | 5600pF 50V J  |       | R752         | NRSA63J-102X | MG RESISTOR    | 1kΩ 1/16W J   |       |
| C1440        | QFLC1HJ-562Z | M CAPACITOR    | 5600pF 50V J  |       | R753         | NRSA63J-122X | MG RESISTOR    | 1.2kΩ 1/16W J |       |
| C1444        | NCB31CK-223X | C CAPACITOR    | 0.022uF 16V K |       | R754         | NRSA63J-152X | MG RESISTOR    | 1.5kΩ 1/16W J |       |
| C1445        | NCB31CK-223X | C CAPACITOR    | 0.022uF 16V K |       | R757         | NRSA63J-103X | MG RESISTOR    | 10kΩ 1/16W J  |       |
| C1446        | NCB31HK-221X | C CAPACITOR    | 220pF 50V K   |       | R758         | NRSA63J-103X | MG RESISTOR    | 10kΩ 1/16W J  |       |
| C1447        | QEKC1HM-475Z | E CAPACITOR    | 4.7uF 50V M   |       | R759         | NRSA63J-103X | MG RESISTOR    | 10kΩ 1/16W J  |       |
| C1453        | QETN1HM-475Z | E CAPACITOR    | 4.7uF 50V M   |       | R760         | NRSA63J-103X | MG RESISTOR    | 10kΩ 1/16W J  |       |
| C1459        | QETN1HM-475Z | E CAPACITOR    | 4.7uF 50V M   |       | R761         | NRSA63J-103X | MG RESISTOR    | 10kΩ 1/16W J  |       |
| C1460        | NCB31CK-223X | C CAPACITOR    | 0.022uF 16V K |       | R762         | NRSA63J-102X | MG RESISTOR    | 1kΩ 1/16W J   |       |
| C1461        | NCB31CK-223X | C CAPACITOR    | 0.022uF 16V K |       | R763         | NRSA63J-102X | MG RESISTOR    | 1kΩ 1/16W J   |       |
| C1463        | QETN1HM-475Z | E CAPACITOR    | 4.7uF 50V M   |       | R764         | NRSA63J-122X | MG RESISTOR    | 1.2kΩ 1/16W J |       |
| C1464        | QETN1HM-475Z | E CAPACITOR    | 4.7uF 50V M   |       | R765         | NRSA63J-152X | MG RESISTOR    | 1.5kΩ 1/16W J |       |
| C1465        | QETN1HM-106Z | E CAPACITOR    | 10uF 50V M    |       | R766         | NRSA63J-222X | MG RESISTOR    | 2.2kΩ 1/16W J |       |
| △ R101       | QRL027J-471  | OMF RESISTOR   | 470Ω 2W J     |       | R767         | NRSA63J-272X | MG RESISTOR    | 2.7kΩ 1/16W J |       |
| △ R102       | QRL027J-471  | OMF RESISTOR   | 470Ω 2W J     |       | R768         | NRSA63J-103X | MG RESISTOR    | 10kΩ 1/16W J  |       |
| R475         | NRSA63J-203X | MG RESISTOR    | 20kΩ 1/16W J  |       | R769         | NRSA63J-102X | MG RESISTOR    | 1kΩ 1/16W J   |       |
| R476         | NRSA63J-273X | MG RESISTOR    | 27kΩ 1/16W J  |       | R770         | NRSA63J-102X | MG RESISTOR    | 1kΩ 1/16W J   |       |
| R477         | QRZ9006-4R7X | F RESISTOR     | 4.7Ω          |       | R772         | NRSA63J-222X | MG RESISTOR    | 2.2kΩ 1/16W J |       |
| R478         | QRJ146J-2R2X | UNF C RESISTOR | 2.2Ω 1/4W J   |       | R773         | NRSA63J-272X | MG RESISTOR    | 2.7kΩ 1/16W J |       |
| R479         | QRJ146J-2R2X | UNF C RESISTOR | 2.2Ω 1/4W J   |       | R775         | NRSA63J-103X | MG RESISTOR    | 10kΩ 1/16W J  |       |
| R480         | NRSA63J-512X | MG RESISTOR    | 5.1kΩ 1/16W J |       | R779         | NRSA63J-103X | MG RESISTOR    | 10kΩ 1/16W J  |       |
| R483         | NRSA63J-102X | MG RESISTOR    | 1kΩ 1/16W J   |       | R780         | NRSA63J-221X | MG RESISTOR    | 220Ω 1/16W J  |       |
| R484         | NRSA63J-104X | MG RESISTOR    | 100kΩ 1/16W J |       | R781         | NRSA63J-221X | MG RESISTOR    | 220Ω 1/16W J  |       |
| R485         | NRSA63J-102X | MG RESISTOR    | 1kΩ 1/16W J   |       | R782         | NRSA63J-221X | MG RESISTOR    | 220Ω 1/16W J  |       |
| R486         | NRSA63J-104X | MG RESISTOR    | 100kΩ 1/16W J |       | R783         | NRSA63J-221X | MG RESISTOR    | 220Ω 1/16W J  |       |
| R487         | NRSA63J-102X | MG RESISTOR    | 1kΩ 1/16W J   |       | R784         | NRSA63J-221X | MG RESISTOR    | 220Ω 1/16W J  |       |
| R488         | NRSA63J-104X | MG RESISTOR    | 100kΩ 1/16W J |       | R785         | NRSA63J-221X | MG RESISTOR    | 220Ω 1/16W J  |       |
| R489         | NRSA63J-103X | MG RESISTOR    | 10kΩ 1/16W J  |       | R786         | NRSA63J-221X | MG RESISTOR    | 220Ω 1/16W J  |       |
| R490         | NRSA63J-103X | MG RESISTOR    | 10kΩ 1/16W J  |       | R787         | NRSA63J-221X | MG RESISTOR    | 220Ω 1/16W J  |       |
| R491         | NRSA63J-512X | MG RESISTOR    | 5.1kΩ 1/16W J |       | R788         | NRSA63J-221X | MG RESISTOR    | 220Ω 1/16W J  |       |
| R701         | NRSA63J-472X | MG RESISTOR    | 4.7kΩ 1/16W J |       | R789         | NRSA63J-221X | MG RESISTOR    | 220Ω 1/16W J  |       |
| R702         | NRSA63J-223X | MG RESISTOR    | 22kΩ 1/16W J  |       | R790         | NRSA63J-221X | MG RESISTOR    | 220Ω 1/16W J  |       |
| R704         | NRSA63J-471X | MG RESISTOR    | 470Ω 1/16W J  |       | R791         | NRSA63J-221X | MG RESISTOR    | 220Ω 1/16W J  |       |
| R705         | NRSA63J-103X | MG RESISTOR    | 10kΩ 1/16W J  |       | R792         | NRSA63J-221X | MG RESISTOR    | 220Ω 1/16W J  |       |
| R707         | NRSA63J-103X | MG RESISTOR    | 10kΩ 1/16W J  |       | R793         | NRSA63J-221X | MG RESISTOR    | 220Ω 1/16W J  |       |
| R708         | NRSA63J-103X | MG RESISTOR    | 10kΩ 1/16W J  |       | R794         | NRSA63J-221X | MG RESISTOR    | 220Ω 1/16W J  |       |
| R709         | NRSA63J-103X | MG RESISTOR    | 10kΩ 1/16W J  |       | R795         | NRSA63J-221X | MG RESISTOR    | 220Ω 1/16W J  |       |
| R710         | NRSA63J-103X | MG RESISTOR    | 10kΩ 1/16W J  |       | R796         | NRSA63J-221X | MG RESISTOR    | 220Ω 1/16W J  |       |
| R711         | NRSA63J-104X | MG RESISTOR    | 100kΩ 1/16W J |       | R797         | NRSA63J-221X | MG RESISTOR    | 220Ω 1/16W J  |       |
| R712         | NRSA63J-103X | MG RESISTOR    | 10kΩ 1/16W J  |       | R798         | NRSA63J-221X | MG RESISTOR    | 220Ω 1/16W J  |       |
| R713         | NRSA63J-103X | MG RESISTOR    | 10kΩ 1/16W J  |       | R799         | NRSA63J-221X | MG RESISTOR    | 220Ω 1/16W J  |       |
| R714         | NRSA63J-103X | MG RESISTOR    | 10kΩ 1/16W J  |       | R874         | NRSA63J-103X | MG RESISTOR    | 10kΩ 1/16W J  |       |
| R715         | NRSA63J-103X | MG RESISTOR    | 10kΩ 1/16W J  |       | R875         | NRSA63J-103X | MG RESISTOR    | 10kΩ 1/16W J  |       |
| R716         | NRSA63J-103X | MG RESISTOR    | 10kΩ 1/16W J  |       | R876         | NRSA63J-103X | MG RESISTOR    | 10kΩ 1/16W J  |       |
| R717         | NRSA63J-103X | MG RESISTOR    | 10kΩ 1/16W J  |       | R877         | NRSA63J-103X | MG RESISTOR    | 10kΩ 1/16W J  |       |
| R718         | NRSA63J-103X | MG RESISTOR    | 10kΩ 1/16W J  |       | △ R1401      | QRZ9005-100X | F RESISTOR     | 10Ω           |       |
| R719         | NRSA63J-221X | MG RESISTOR    | 220Ω 1/16W J  |       | △ R1402      | QRJ146J-182X | UNF C RESISTOR | 1.8kΩ 1/4W J  |       |
| R720         | NRSA63J-222X | MG RESISTOR    | 2.2kΩ 1/16W J |       | △ R1403      | QRZ9005-120X | F RESISTOR     | 12Ω           |       |
| R721         | NRSA63J-103X | MG RESISTOR    | 10kΩ 1/16W J  |       | △ R1404      | QRJ146J-272X | UNF C RESISTOR | 2.7kΩ 1/4W J  |       |
| R722         | NRSA63J-102X | MG RESISTOR    | 1kΩ 1/16W J   |       | △ R1405      | QRZ9005-120X | F RESISTOR     | 12Ω           |       |
| R723         | NRSA63J-102X | MG RESISTOR    | 1kΩ 1/16W J   |       | △ R1406      | QRK126J-682X | UNF C RESISTOR | 6.8kΩ 1/2W J  |       |
| R724         | NRSA63J-122X | MG RESISTOR    | 1.2kΩ 1/16W J |       | △ R1407      | QRZ9006-4R7X | F RESISTOR     | 4.7Ω          |       |
| R725         | NRSA63J-152X | MG RESISTOR    | 1.5kΩ 1/16W J |       | △ R1408      | QRZ9006-4R7X | F RESISTOR     | 4.7Ω          |       |
| R726         | NRSA63J-222X | MG RESISTOR    | 2.2kΩ 1/16W J |       | △ R1409      | QRJ146J-272X | UNF C RESISTOR | 2.7kΩ 1/4W J  |       |
| R727         | NRSA63J-272X | MG RESISTOR    | 2.7kΩ 1/16W J |       | △ R1410      | QRZ9006-4R7X | F RESISTOR     | 4.7Ω          |       |
| R728         | NRSA63J-103X | MG RESISTOR    | 10kΩ 1/16W J  |       | △ R1411      | QRJ146J-182X | UNF C RESISTOR | 1.8kΩ 1/4W J  |       |
| R729         | NRSA63J-102X | MG RESISTOR    | 1kΩ 1/16W J   |       | △ R1412      | QRZ9005-100X | F RESISTOR     | 10Ω           |       |
| R730         | NRSA63J-102X | MG RESISTOR    | 1kΩ 1/16W J   |       | △ R1413      | QRJ146J-102X | UNF C RESISTOR | 1kΩ 1/4W J    |       |
| R731         | NRSA63J-122X | MG RESISTOR    | 1.2kΩ 1/16W J |       | △ R1414      | QRZ9005-100X | F RESISTOR     | 10Ω           |       |
| R732         | NRSA63J-152X | MG RESISTOR    | 1.5kΩ 1/16W J |       | △ R1415      | QRJ146J-222X | UNF C RESISTOR | 2.2kΩ 1/4W J  |       |
| R733         | NRSA63J-222X | MG RESISTOR    | 2.2kΩ 1/16W J |       | △ R1416      | QRZ9005-100X | F RESISTOR     | 10Ω           |       |
| R734         | NRSA63J-272X | MG RESISTOR    | 2.7kΩ 1/16W J |       | △ R1417      | QRJ146J-222X | UNF C RESISTOR | 2.2kΩ 1/4W J  |       |
| R736         | NRSA63J-103X | MG RESISTOR    | 10kΩ 1/16W J  |       | △ R1418      | QRZ9005-680X | F RESISTOR     | 68Ω           |       |
| R737         | NRSA63J-102X | MG RESISTOR    | 1kΩ 1/16W J   |       | △ R1419      | QRZ9005-680X | F RESISTOR     | 68Ω           |       |
| R738         | NRSA63J-102X | MG RESISTOR    | 1kΩ 1/16W J   |       | R1435        | NRSA63J-154X | MG RESISTOR    | 150kΩ 1/16W J |       |
| R739         | NRSA63J-122X | MG RESISTOR    | 1.2kΩ 1/16W J |       | R1436        | NRSA63J-154X | MG RESISTOR    | 150kΩ 1/16W J |       |
| R740         | NRSA63J-152X | MG RESISTOR    | 1.5kΩ 1/16W J |       | R1437        | NRSA63J-102X | MG RESISTOR    | 1kΩ 1/16W J   |       |
|              |              |                |               |       | R1438        | NRSA63J-102X | MG RESISTOR    | 1kΩ 1/16W J   |       |

| Symbol No. | Part No.     | Part Name      | Description    | Local   | Symbol No. | Part No.        | Part Name       | Description | Local |
|------------|--------------|----------------|----------------|---------|------------|-----------------|-----------------|-------------|-------|
| R1439      | NRSA63J-103X | MG RESISTOR    | 10kΩ           | 1/16W J | S723       | QSW0683-001Z    | PUSH SW         |             |       |
| R1440      | NRSA63J-103X | MG RESISTOR    | 10kΩ           | 1/16W J | S724       | QSW0683-001Z    | PUSH SW         |             |       |
| R1444      | NRSA63J-103X | MG RESISTOR    | 10kΩ           | 1/16W J | S725       | QSW0683-001Z    | PUSH SW         |             |       |
| R1445      | NRSA63J-102X | MG RESISTOR    | 1kΩ            | 1/16W J | S726       | QSW0683-001Z    | PUSH SW         |             |       |
| R1446      | NRSA63J-104X | MG RESISTOR    | 100kΩ          | 1/16W J | S727       | QSW0683-001Z    | PUSH SW         |             |       |
| R1447      | NRSA63J-102X | MG RESISTOR    | 1kΩ            | 1/16W J | S728       | QSW0683-001Z    | PUSH SW         |             |       |
| R1448      | NRSA63J-103X | MG RESISTOR    | 10kΩ           | 1/16W J | S729       | QSW0683-001Z    | PUSH SW         |             |       |
| R1449      | NRSA63J-102X | MG RESISTOR    | 1kΩ            | 1/16W J | S730       | QSW0683-001Z    | PUSH SW         |             |       |
| R1450      | NRSA63J-103X | MG RESISTOR    | 10kΩ           | 1/16W J | S731       | QSW0683-001Z    | PUSH SW         |             |       |
| R1451      | NRSA63J-104X | MG RESISTOR    | 100kΩ          | 1/16W J | S732       | QSW0683-001Z    | PUSH SW         |             |       |
| R1452      | NRSA63J-104X | MG RESISTOR    | 100kΩ          | 1/16W J | S734       | QSW0683-001Z    | PUSH SW         |             |       |
| R1453      | NRSA63J-102X | MG RESISTOR    | 1kΩ            | 1/16W J | S735       | QSW0683-001Z    | PUSH SW         |             |       |
| R1455      | NRSA63J-104X | MG RESISTOR    | 100kΩ          | 1/16W J | S737       | QSW0683-001Z    | PUSH SW         |             |       |
| △R1456     | QRJ146J-220X | UNF C RESISTOR | 22Ω            | 1/4W J  | S740       | QSW0683-001Z    | PUSH SW         |             |       |
| R1457      | NRSA63J-472X | MG RESISTOR    | 4.7kΩ          | 1/16W J | S741       | QSW0683-001Z    | PUSH SW         |             |       |
| R1458      | NRSA63J-472X | MG RESISTOR    | 4.7kΩ          | 1/16W J | S742       | QSW0683-001Z    | PUSH SW         |             |       |
| △R1459     | QRZ9005-680X | F RESISTOR     | 68Ω            |         | S743       | QSW0683-001Z    | PUSH SW         |             |       |
| △R1460     | QRZ9005-680X | F RESISTOR     | 68Ω            |         | S744       | QSW0683-001Z    | PUSH SW         |             |       |
| R1461      | QRJ146J-2R2X | UNF C RESISTOR | 2.2Ω           | 1/4W J  | S745       | QSW0683-001Z    | PUSH SW         |             |       |
| R1462      | QRJ146J-2R2X | UNF C RESISTOR | 2.2Ω           | 1/4W J  | S746       | QSW0683-001Z    | PUSH SW         |             |       |
| R1463      | NRSA63J-104X | MG RESISTOR    | 100kΩ          | 1/16W J | S751       | QSW0683-001Z    | PUSH SW         |             |       |
| R1464      | NRSA63J-104X | MG RESISTOR    | 100kΩ          | 1/16W J | S752       | QSW0683-001Z    | PUSH SW         |             |       |
| R1465      | NRSA63J-102X | MG RESISTOR    | 1kΩ            | 1/16W J | S756       | QSW0683-001Z    | PUSH SW         |             |       |
| R1470      | NRSA63J-391X | MG RESISTOR    | 390Ω           | 1/16W J | X701       | QAX0246-001Z    | C RESONATOR     |             |       |
| R1471      | NRSA63J-391X | MG RESISTOR    | 390Ω           | 1/16W J |            |                 |                 |             |       |
| R1472      | NRSA63J-103X | MG RESISTOR    | 10kΩ           | 1/16W J |            |                 |                 |             |       |
| R1473      | NRSA63J-103X | MG RESISTOR    | 10kΩ           | 1/16W J |            |                 |                 |             |       |
| R1474      | NRSA63J-102X | MG RESISTOR    | 1kΩ            | 1/16W J |            |                 |                 |             |       |
| R1480      | NRSA63J-104X | MG RESISTOR    | 100kΩ          | 1/16W J |            |                 |                 |             |       |
| R1490      | NRSA63J-273X | MG RESISTOR    | 27kΩ           | 1/16W J |            |                 |                 |             |       |
| R1492      | NRSA63J-102X | MG RESISTOR    | 1kΩ            | 1/16W J |            |                 |                 |             |       |
| R1493      | NRSA63J-102X | MG RESISTOR    | 1kΩ            | 1/16W J |            |                 |                 |             |       |
| R1494      | NRSA63J-102X | MG RESISTOR    | 1kΩ            | 1/16W J |            |                 |                 |             |       |
| R1495      | NRSA63J-103X | MG RESISTOR    | 10kΩ           | 1/16W J |            |                 |                 |             |       |
| R1496      | NRSA63J-103X | MG RESISTOR    | 10kΩ           | 1/16W J |            |                 |                 |             |       |
| R1497      | NRSA63J-511X | MG RESISTOR    | 510Ω           | 1/16W J |            |                 |                 |             |       |
| R1498      | NRSA63J-511X | MG RESISTOR    | 510Ω           | 1/16W J |            |                 |                 |             |       |
| R1499      | NRSA63J-104X | MG RESISTOR    | 100kΩ          | 1/16W J |            |                 |                 |             |       |
| R1500      | NRSA63J-474X | MG RESISTOR    | 470kΩ          | 1/16W J |            |                 |                 |             |       |
| RA701      | QRB079J-104  | NET RESISTOR   | 100kΩ          | J       |            |                 |                 |             |       |
| RA702      | QRB079J-104  | NET RESISTOR   | 100kΩ          | J       |            |                 |                 |             |       |
| BK701      | LV42093-001A | FL HOLDER(L)   |                |         | Q202       | KRC105M-T       | DIGI TRANSISTOR |             |       |
| BK702      | LV42092-001A | FL HOLDER(R)   |                |         | Q203       | KTC3203/OY/-T   | TRANSISTOR      |             |       |
| CN101      | QGD2503F1-03 | CONNECTOR      | (1-3)          |         | Q205       | KTC3200/GL/-T   | TRANSISTOR      |             |       |
| CN402      | QGF1205C1-25 | CONNECTOR      | FFC/FPC (1-25) |         | Q206       | KRC105M-T       | DIGI TRANSISTOR |             |       |
| CN403      | QGA2001C1-04 | CONNECTOR      | W-B (1-4)      |         | Q208       | KRC105M-T       | DIGI TRANSISTOR |             |       |
| CN411      | QGB2501J1-12 | CONNECTOR      | B-B (1-12)     |         | Q209       | KRC105M-T       | DIGI TRANSISTOR |             |       |
| CN412      | QGB2501J1-04 | CONNECTOR      | B-B (1-4)      |         | Q210       | KRC105M-T       | DIGI TRANSISTOR |             |       |
| CN421      | QGB2510J1-14 | CONNECTOR      | B-B (1-14)     |         | Q301       | 2SC2240/L/-T    | TRANSISTOR      |             |       |
| CN431      | QGB2510J1-11 | CONNECTOR      | B-B (1-11)     |         | Q302       | 2SC2240/L/-T    | TRANSISTOR      |             |       |
| CN441      | QGB2510J1-07 | CONNECTOR      | B-B (1-7)      |         | Q303       | 2SC2240/L/-T    | TRANSISTOR      |             |       |
| CN471      | QGA2501C1-03 | CONNECTOR      | W-B (1-3)      |         | Q304       | 2SC2240/L/-T    | TRANSISTOR      |             |       |
| CN472      | QGA2501C1-02 | CONNECTOR      | W-B (1-2)      |         | Q305       | KTA1268/GL/-T   | TRANSISTOR      |             |       |
| CN473      | QGA2501C1-03 | CONNECTOR      | W-B (1-3)      |         | Q306       | KTA1268/GL/-T   | TRANSISTOR      |             |       |
| CN481      | QGB2510J1-20 | CONNECTOR      | B-B (1-20)     |         | Q307       | KTC3200/GL/-T   | TRANSISTOR      |             |       |
| CN491      | QGB2510J1-04 | CONNECTOR      | B-B (1-4)      |         | Q308       | KTC3200/GL/-T   | TRANSISTOR      |             |       |
| CN701      | QGF1205F1-14 | CONNECTOR      | FFC/FPC (1-14) |         | Q309       | 2SD637/QR/      | TRANSISTOR      |             |       |
| CN702      | QGF1205F1-25 | CONNECTOR      | FFC/FPC (1-25) |         | Q310       | 2SD637/QR/      | TRANSISTOR      |             |       |
| CN703      | WJS0021-003A | SKT.WIRE ASSY  |                |         | Q311       | KTC3200/GL/-T   | TRANSISTOR      |             |       |
| CN704      | WJS0020-002A | SKT.WIRE ASSY  |                |         | Q312       | KTC3200/GL/-T   | TRANSISTOR      |             |       |
| CN714      | QGA2001F1-03 | CONNECTOR      | W-B (1-3)      |         | Q313       | KTA1268/GL/-T   | TRANSISTOR      |             |       |
| DI701      | QLF0098-001  | FL TUBE        |                |         | Q314       | KTA1268/GL/-T   | TRANSISTOR      |             |       |
| EP401      | QNZ0136-001Z | EARTH PLATE    |                |         | △Q315      | 2SD2390/OPY/-F6 | TRANSISTOR      |             |       |
| FL401      | QQR0590-001  | FILTER         |                |         | △Q316      | 2SD2390/OPY/-F6 | TRANSISTOR      |             |       |
| FL402      | QQR0590-001  | FILTER         |                |         | △Q317      | 2SB1560/OPY/-F6 | TRANSISTOR      |             |       |
| HS401      | E70306-001   | HEAT SINK      |                |         | △Q318      | 2SB1560/OPY/-F6 | TRANSISTOR      |             |       |
| HS402      | E70306-001   | HEAT SINK      |                |         | Q319       | KTA1268/GL/-T   | TRANSISTOR      |             |       |
| HS403      | E70306-001   | HEAT SINK      |                |         | Q320       | KTA1268/GL/-T   | TRANSISTOR      |             |       |
| HS404      | E70306-001   | HEAT SINK      |                |         | Q501       | KTA1267/YG/-T   | TRANSISTOR      |             |       |
| HS405      | E70306-001   | HEAT SINK      |                |         | Q502       | KTC3199/GL/-T   | TRANSISTOR      |             |       |
| HS434      | E70306-001   | HEAT SINK      |                |         | Q503       | KRC101M-T       | TRANSISTOR      |             |       |
| HS435      | E70306-001   | HEAT SINK      |                |         | Q504       | KTA1267/YG/-T   | TRANSISTOR      |             |       |
| J101       | QNS0022-001  | JACK           |                |         | Q505       | KTC3199/GL/-T   | TRANSISTOR      |             |       |
| JS701      | QSW1017-002  | JOG VOLUME     |                |         | Q801       | 2SC2240/L/-T    | TRANSISTOR      |             |       |
| JS702      | QSW1016-001  | ROTARY ENCODER |                |         | Q802       | 2SC2240/L/-T    | TRANSISTOR      |             |       |
| S721       | QSW0683-001Z | PUSH SW        |                |         | Q803       | 2SC2240/L/-T    | TRANSISTOR      |             |       |
| S722       | QSW0683-001Z | PUSH SW        |                |         | Q804       | 2SC2240/L/-T    | TRANSISTOR      |             |       |

## Power amp. board

Block No. [0][3][0][0]

| Symbol No. | Part No.        | Part Name       | Description | Local |
|------------|-----------------|-----------------|-------------|-------|
| PW101      | QUB112-14PPPP   | SIN TWIST WIRE  |             |       |
| PW102      | QUB116-16PPPP   | PIN WIRE        |             |       |
| PW103      | QUB112-34PPPP   | SIN TWIST WIRE  |             |       |
| PW104      | QUB111-34PPPP   | SIN TWIST WIRE  |             |       |
| PW105      | QUB116-26PPPP   | SIN TWIST WIRE  |             |       |
| IC501      | NJM2246D        | IC              |             |       |
| Q202       | KRC105M-T       | DIGI TRANSISTOR |             |       |
| Q203       | KTC3203/OY/-T   | TRANSISTOR      |             |       |
| Q205       | KTC3200/GL/-T   | TRANSISTOR      |             |       |
| Q206       | KRC105M-T       | DIGI TRANSISTOR |             |       |
| Q208       | KRC105M-T       | DIGI TRANSISTOR |             |       |
| Q209       | KRC105M-T       | DIGI TRANSISTOR |             |       |
| Q210       | KRC105M-T       | DIGI TRANSISTOR |             |       |
| Q301       | 2SC2240/L/-T    | TRANSISTOR      |             |       |
| Q302       | 2SC2240/L/-T    | TRANSISTOR      |             |       |
| Q303       | 2SC2240/L/-T    | TRANSISTOR      |             |       |
| Q304       | 2SC2240/L/-T    | TRANSISTOR      |             |       |
| Q305       | KTA1268/GL/-T   | TRANSISTOR      |             |       |
| Q306       | KTA1268/GL/-T   | TRANSISTOR      |             |       |
| Q307       | KTC3200/GL/-T   | TRANSISTOR      |             |       |
| Q308       | KTC3200/GL/-T   | TRANSISTOR      |             |       |
| Q309       | 2SD637/QR/      | TRANSISTOR      |             |       |
| Q310       | 2SD637/QR/      | TRANSISTOR      |             |       |
| Q311       | KTC3200/GL/-T   | TRANSISTOR      |             |       |
| Q312       | KTC3200/GL/-T   | TRANSISTOR      |             |       |
| Q313       | KTA1268/GL/-T   | TRANSISTOR      |             |       |
| Q314       | KTA1268/GL/-T   | TRANSISTOR      |             |       |
| △Q315      | 2SD2390/OPY/-F6 | TRANSISTOR      |             |       |
| △Q316      | 2SD2390/OPY/-F6 | TRANSISTOR      |             |       |
| △Q317      | 2SB1560/OPY/-F6 | TRANSISTOR      |             |       |
| △Q318      | 2SB1560/OPY/-F6 | TRANSISTOR      |             |       |
| Q319       | KTA1268/GL/-T   | TRANSISTOR      |             |       |
| Q320       | KTA1268/GL/-T   | TRANSISTOR      |             |       |
| Q501       | KTA1267/YG/-T   | TRANSISTOR      |             |       |
| Q502       | KTC3199/GL/-T   | TRANSISTOR      |             |       |
| Q503       | KRC101M-T       | TRANSISTOR      |             |       |
| Q504       | KTA1267/YG/-T   | TRANSISTOR      |             |       |
| Q505       | KTC3199/GL/-T   | TRANSISTOR      |             |       |
| Q801       | 2SC2240/L/-T    | TRANSISTOR      |             |       |
| Q802       | 2SC2240/L/-T    | TRANSISTOR      |             |       |
| Q803       | 2SC2240/L/-T    | TRANSISTOR      |             |       |
| Q804       | 2SC2240/L/-T    | TRANSISTOR      |             |       |



| △ Symbol No. | Part No.        | Part Name   | Description   | Local | △ Symbol No. | Part No.     | Part Name   | Description   | Local |
|--------------|-----------------|-------------|---------------|-------|--------------|--------------|-------------|---------------|-------|
| Q805         | KTA1268/GL-T    | TRANSISTOR  |               |       | C302         | QEHR1HM-106Z | E CAPACITOR | 10uF 50V M    |       |
| Q806         | KTA1268/GL-T    | TRANSISTOR  |               |       | C303         | QCS31HJ-271Z | C CAPACITOR | 270pF 50V J   |       |
| Q809         | 2SD637/QR/      | TRANSISTOR  |               |       | C304         | QCS31HJ-271Z | C CAPACITOR | 270pF 50V J   |       |
| Q810         | 2SD637/QR/      | TRANSISTOR  |               |       | C305         | QCS31HJ-221Z | C CAPACITOR | 220pF 50V J   |       |
| Q811         | KTC3200/GL-T    | TRANSISTOR  |               |       | C306         | QCS31HJ-221Z | C CAPACITOR | 220pF 50V J   |       |
| Q812         | KTC3200/GL-T    | TRANSISTOR  |               |       | C307         | QCB31HK-152Z | C CAPACITOR | 1500pF 50V K  |       |
| Q813         | KTA1268/GL-T    | TRANSISTOR  |               |       | C308         | QCB31HK-152Z | C CAPACITOR | 1500pF 50V K  |       |
| Q814         | KTA1268/GL-T    | TRANSISTOR  |               |       | C309         | QETN1EM-107Z | E CAPACITOR | 100uF 25V M   |       |
| △ Q815       | 2SD2390/OPY/-F6 | TRANSISTOR  |               |       | C310         | QETN1EM-107Z | E CAPACITOR | 100uF 25V M   |       |
| △ Q816       | 2SD2390/OPY/-F6 | TRANSISTOR  |               |       | C311         | QCS31HJ-100Z | C CAPACITOR | 10pF 50V J    |       |
| △ Q817       | 2SB1560/OPY/-F6 | TRANSISTOR  |               |       | C312         | QCS31HJ-100Z | C CAPACITOR | 10pF 50V J    |       |
| △ Q818       | 2SB1560/OPY/-F6 | TRANSISTOR  |               |       | C313         | QFLC1HJ-103Z | M CAPACITOR | 0.01uF 50V J  |       |
| Q819         | KTA1268/GL-T    | TRANSISTOR  |               |       | C314         | QFLC1HJ-103Z | M CAPACITOR | 0.01uF 50V J  |       |
| Q820         | KTA1268/GL-T    | TRANSISTOR  |               |       | C315         | QCS32HJ-220Z | C CAPACITOR | 22pF 500V J   |       |
| Q901         | 2SC2240/L-T     | TRANSISTOR  |               |       | C316         | QCS32HJ-220Z | C CAPACITOR | 22pF 500V J   |       |
| Q903         | 2SC2240/L-T     | TRANSISTOR  |               |       | C317         | QEHR1VM-476Z | E CAPACITOR | 47uF 35V M    |       |
| Q905         | KTA1268/GL-T    | TRANSISTOR  |               |       | C318         | QEHR1VM-476Z | E CAPACITOR | 47uF 35V M    |       |
| Q909         | 2SD637/QR/      | TRANSISTOR  |               |       | C319         | QETN1JM-107Z | E CAPACITOR | 100uF 63V M   |       |
| Q911         | KTC3200/GL-T    | TRANSISTOR  |               |       | C320         | QETN1JM-107Z | E CAPACITOR | 100uF 63V M   |       |
| Q913         | KTA1268/GL-T    | TRANSISTOR  |               |       | C321         | QCS32HJ-470Z | C CAPACITOR | 47pF 500V J   |       |
| △ Q915       | 2SD2390/OPY/-F6 | TRANSISTOR  |               |       | C322         | QCS32HJ-470Z | C CAPACITOR | 47pF 500V J   |       |
| △ Q917       | 2SB1560/OPY/-F6 | TRANSISTOR  |               |       | C323         | QCS32HJ-470Z | C CAPACITOR | 47pF 500V J   |       |
| Q919         | KTA1268/GL-T    | TRANSISTOR  |               |       | C324         | QCS32HJ-470Z | C CAPACITOR | 47pF 500V J   |       |
|              |                 |             |               |       | C325         | QFLC1HJ-473Z | M CAPACITOR | 0.047uF 50V J |       |
| △ D201       | 10E2-FD         | DIODE       |               |       | C326         | QFLC1HJ-473Z | M CAPACITOR | 0.047uF 50V J |       |
| △ D202       | 11ES2-T4        | DIODE       |               |       | C327         | QFLC1HJ-473Z | M CAPACITOR | 0.047uF 50V J |       |
| △ D203       | 10E2-FD         | DIODE       |               |       | C328         | QFLC1HJ-473Z | M CAPACITOR | 0.047uF 50V J |       |
| △ D204       | 11ES2-T4        | DIODE       |               |       | C501         | QKQC1HM-475Z | E CAPACITOR | 4.7uF 50V M   |       |
| △ D206       | 11ES2-T4        | DIODE       |               |       | C503         | QETN0JM-477Z | E CAPACITOR | 470uF 6.3V M  |       |
| △ D207       | 11ES2-T4        | DIODE       |               |       | C504         | QCS31HJ-470Z | C CAPACITOR | 47pF 50V J    |       |
| △ D208       | 11ES2-T4        | DIODE       |               |       | C505         | QKQC1HM-475Z | E CAPACITOR | 4.7uF 50V M   |       |
| △ D209       | 11ES2-T4        | DIODE       |               |       | C506         | QETN0JM-477Z | E CAPACITOR | 470uF 6.3V M  |       |
| D210         | 1SS133-T2       | SI DIODE    |               |       | C507         | QCS31HJ-470Z | C CAPACITOR | 47pF 50V J    |       |
| D211         | MTZJ6.8C-T2     | Z DIODE     |               |       | C511         | QETN1CM-108Z | E CAPACITOR | 1000uF 16V M  |       |
| D212         | 11ES2-T4        | DIODE       |               |       | C512         | QCB31HK-223Y | C CAPACITOR | 0.022uF 50V K |       |
| D217         | MTZJ6.2C-T2     | Z DIODE     |               |       | C521         | QCB31HK-221Y | C CAPACITOR | 220pF 50V K   |       |
| D218         | 1SS133-T2       | SI DIODE    |               |       | C522         | QCZ0202-155Z | C CAPACITOR | 1.5uF 25V Z   |       |
| D219         | 11ES2-T4        | DIODE       |               |       | C801         | QEHR1HM-106Z | E CAPACITOR | 10uF 50V M    |       |
| D220         | 11ES2-T4        | DIODE       |               |       | C802         | QEHR1HM-106Z | E CAPACITOR | 10uF 50V M    |       |
| D221         | 1SS133-T2       | SI DIODE    |               |       | C803         | QCS31HJ-271Z | C CAPACITOR | 270pF 50V J   |       |
| D301         | 1SS133-T2       | SI DIODE    |               |       | C804         | QCS31HJ-271Z | C CAPACITOR | 270pF 50V J   |       |
| D302         | 1SS133-T2       | SI DIODE    |               |       | C805         | QCS31HJ-221Z | C CAPACITOR | 220pF 50V J   |       |
| D303         | SLR-342MC-T     | LED         |               |       | C806         | QCS31HJ-221Z | C CAPACITOR | 220pF 50V J   |       |
| D304         | SLR-342MC-T     | LED         |               |       | C807         | QCB31HK-152Z | C CAPACITOR | 1500pF 50V K  |       |
| D305         | 1SS133-T2       | SI DIODE    |               |       | C808         | QCB31HK-152Z | C CAPACITOR | 1500pF 50V K  |       |
| D306         | 1SS133-T2       | SI DIODE    |               |       | C809         | QETN1EM-107Z | E CAPACITOR | 100uF 25V M   |       |
| D307         | 1SS133-T2       | SI DIODE    |               |       | C810         | QETN1EM-107Z | E CAPACITOR | 100uF 25V M   |       |
| D308         | 1SS133-T2       | SI DIODE    |               |       | C811         | QCS31HJ-100Z | C CAPACITOR | 10pF 50V J    |       |
| D309         | 1SS133-T2       | SI DIODE    |               |       | C812         | QCS31HJ-100Z | C CAPACITOR | 10pF 50V J    |       |
| D310         | 1SS133-T2       | SI DIODE    |               |       | C813         | QFLC1HJ-103Z | M CAPACITOR | 0.01uF 50V J  |       |
| D801         | 1SS133-T2       | SI DIODE    |               |       | C814         | QFLC1HJ-103Z | M CAPACITOR | 0.01uF 50V J  |       |
| D802         | 1SS133-T2       | SI DIODE    |               |       | C815         | QCS32HJ-330Z | C CAPACITOR | 33pF 500V J   |       |
| D805         | 1SS133-T2       | SI DIODE    |               |       | C816         | QCS32HJ-330Z | C CAPACITOR | 33pF 500V J   |       |
| D806         | 1SS133-T2       | SI DIODE    |               |       | C817         | QEHR1HM-225Z | E CAPACITOR | 2.2uF 50V M   |       |
| D807         | 1SS133-T2       | SI DIODE    |               |       | C818         | QEHR1HM-225Z | E CAPACITOR | 2.2uF 50V M   |       |
| D808         | 1SS133-T2       | SI DIODE    |               |       | C819         | QEHR2AM-106Z | E CAPACITOR | 10uF 100V M   |       |
| D809         | 1SS133-T2       | SI DIODE    |               |       | C820         | QEHR2AM-106Z | E CAPACITOR | 10uF 100V M   |       |
| D810         | 1SS133-T2       | SI DIODE    |               |       | C821         | QCS32HJ-470Z | C CAPACITOR | 47pF 500V J   |       |
| D901         | 1SS133-T2       | SI DIODE    |               |       | C822         | QCS32HJ-470Z | C CAPACITOR | 47pF 500V J   |       |
| D905         | 1SS133-T2       | SI DIODE    |               |       | C823         | QCS32HJ-470Z | C CAPACITOR | 47pF 500V J   |       |
| D907         | 1SS133-T2       | SI DIODE    |               |       | C824         | QCS32HJ-470Z | C CAPACITOR | 47pF 500V J   |       |
| D909         | 1SS133-T2       | SI DIODE    |               |       | C825         | QFLC1HJ-473Z | M CAPACITOR | 0.047uF 50V J |       |
|              |                 |             |               |       | C826         | QFLC1HJ-473Z | M CAPACITOR | 0.047uF 50V J |       |
|              |                 |             |               |       | C827         | QFLC1HJ-473Z | M CAPACITOR | 0.047uF 50V J |       |
| C201         | QFLC2AJ-104Z    | M CAPACITOR | 0.1uF 100V J  |       | C828         | QFLC1HJ-473Z | M CAPACITOR | 0.047uF 50V J |       |
| C202         | QFLC2AJ-104Z    | M CAPACITOR | 0.1uF 100V J  |       | C829         | QETN1HM-476Z | E CAPACITOR | 47uF 50V M    |       |
| C203         | QFLC2AJ-104Z    | M CAPACITOR | 0.1uF 100V J  |       | C830         | QETN1HM-476Z | E CAPACITOR | 47uF 50V M    |       |
| C204         | QETM1VM-228     | E CAPACITOR | 2200uF 35V M  |       | C901         | QEHR1HM-106Z | E CAPACITOR | 10uF 50V M    |       |
| C205         | QETM1VM-108     | E CAPACITOR | 1000uF 35V M  |       | C903         | QCS31HJ-271Z | C CAPACITOR | 270pF 50V J   |       |
| C206         | QFLC1HJ-473Z    | M CAPACITOR | 0.047uF 50V J |       | C905         | QCS31HJ-221Z | C CAPACITOR | 220pF 50V J   |       |
| C207         | QFLC1HJ-473Z    | M CAPACITOR | 0.047uF 50V J |       | C907         | QCB31HK-152Z | C CAPACITOR | 1500pF 50V K  |       |
| C208         | QFLC2AJ-472Z    | M CAPACITOR | 4700pF 100V J |       | C909         | QETN1EM-107Z | E CAPACITOR | 100uF 25V M   |       |
| C209         | QETN1EM-477Z    | E CAPACITOR | 470uF 25V M   |       | C911         | QCS31HJ-100Z | C CAPACITOR | 10pF 50V J    |       |
| C210         | QCZ9104-472     | C CAPACITOR | 4700pF        |       | C913         | QFLC1HJ-103Z | M CAPACITOR | 0.01uF 50V J  |       |
| C212         | QETN1CM-477Z    | E CAPACITOR | 470uF 16V M   |       | C915         | QCS32HJ-330Z | C CAPACITOR | 33pF 500V J   |       |
| C213         | QETM0JM-228     | E CAPACITOR | 2200uF 6.3V M |       | C917         | QEHR1HM-225Z | E CAPACITOR | 2.2uF 50V M   |       |
| C218         | QETN1HM-105Z    | E CAPACITOR | 1uF 50V M     |       | C919         | QEHR2AM-106Z | E CAPACITOR | 10uF 100V M   |       |
| C221         | QCB31HK-471Y    | C CAPACITOR | 470pF 50V K   |       | C921         | QCS32HJ-470Z | C CAPACITOR | 47pF 500V J   |       |
| C301         | QEHR1HM-106Z    | E CAPACITOR | 10uF 50V M    |       |              |              |             |               |       |

| △ Symbol No. | Part No.     | Part Name      | Description   | Local | △ Symbol No. | Part No.     | Part Name      | Description  | Local |
|--------------|--------------|----------------|---------------|-------|--------------|--------------|----------------|--------------|-------|
| C923         | QCS32HJ-470Z | C CAPACITOR    | 47pF 500V J   |       | R513         | QRE141J-152Y | C RESISTOR     | 1.5kΩ 1/4W J |       |
| C925         | QFLC1HJ-473Z | M CAPACITOR    | 0.047uF 50V J |       | R514         | QRE141J-151Y | C RESISTOR     | 150Ω 1/4W J  |       |
| C927         | QFLC1HJ-473Z | M CAPACITOR    | 0.047uF 50V J |       | R515         | QRE141J-271Y | C RESISTOR     | 270Ω 1/4W J  |       |
| C929         | QETN1HM-476Z | E CAPACITOR    | 47uF 50V M    |       | R516         | QRE141J-152Y | C RESISTOR     | 1.5kΩ 1/4W J |       |
| △ R201       | QRJ146J-2R7X | UNF C RESISTOR | 2.7Ω 1/4W J   |       | R521         | QRE141J-221Y | C RESISTOR     | 220Ω 1/4W J  |       |
| △ R203       | QRJ146J-100X | UNF C RESISTOR | 10Ω 1/4W J    |       | R522         | QRE141J-471Y | C RESISTOR     | 470Ω 1/4W J  |       |
| △ R204       | QRJ146J-821X | UNF C RESISTOR | 820Ω 1/4W J   |       | R801         | QRE141J-222Y | C RESISTOR     | 2.2kΩ 1/4W J |       |
| △ R208       | QRJ146J-100X | UNF C RESISTOR | 10Ω 1/4W J    |       | R802         | QRE141J-222Y | C RESISTOR     | 2.2kΩ 1/4W J |       |
| R209         | QRE141J-104Y | C RESISTOR     | 100kΩ 1/4W J  |       | R803         | QRE141J-563Y | C RESISTOR     | 56kΩ 1/4W J  |       |
| △ R210       | QRJ146J-680X | UNF C RESISTOR | 68Ω 1/4W J    |       | R804         | QRE141J-563Y | C RESISTOR     | 56kΩ 1/4W J  |       |
| △ R221       | QRJ146J-100X | UNF C RESISTOR | 10Ω 1/4W J    |       | R805         | QRE141J-123Y | C RESISTOR     | 12kΩ 1/4W J  |       |
| R301         | QRE141J-222Y | C RESISTOR     | 2.2kΩ 1/4W J  |       | R806         | QRE141J-123Y | C RESISTOR     | 12kΩ 1/4W J  |       |
| R302         | QRE141J-222Y | C RESISTOR     | 2.2kΩ 1/4W J  |       | R807         | QRE141J-272Y | C RESISTOR     | 2.7kΩ 1/4W J |       |
| R303         | QRE141J-563Y | C RESISTOR     | 56kΩ 1/4W J   |       | R808         | QRE141J-272Y | C RESISTOR     | 2.7kΩ 1/4W J |       |
| R304         | QRE141J-563Y | C RESISTOR     | 56kΩ 1/4W J   |       | R809         | QRE141J-101Y | C RESISTOR     | 100Ω 1/4W J  |       |
| R305         | QRE141J-123Y | C RESISTOR     | 12kΩ 1/4W J   |       | R810         | QRE141J-101Y | C RESISTOR     | 100Ω 1/4W J  |       |
| R306         | QRE141J-123Y | C RESISTOR     | 12kΩ 1/4W J   |       | R811         | QRJ146J-391X | UNF C RESISTOR | 390Ω 1/4W J  |       |
| R307         | QRE141J-272Y | C RESISTOR     | 2.7kΩ 1/4W J  |       | R812         | QRJ146J-391X | UNF C RESISTOR | 390Ω 1/4W J  |       |
| R308         | QRE141J-272Y | C RESISTOR     | 2.7kΩ 1/4W J  |       | R813         | QRE141J-563Y | C RESISTOR     | 56kΩ 1/4W J  |       |
| R309         | QRE141J-101Y | C RESISTOR     | 100Ω 1/4W J   |       | R814         | QRE141J-563Y | C RESISTOR     | 56kΩ 1/4W J  |       |
| R310         | QRE141J-101Y | C RESISTOR     | 100Ω 1/4W J   |       | △ R815       | QRJ146J-331X | UNF C RESISTOR | 330Ω 1/4W J  |       |
| R311         | QRJ146J-391X | UNF C RESISTOR | 390Ω 1/4W J   |       | △ R816       | QRJ146J-331X | UNF C RESISTOR | 330Ω 1/4W J  |       |
| R312         | QRJ146J-391X | UNF C RESISTOR | 390Ω 1/4W J   |       | △ R821       | QRJ146J-100X | UNF C RESISTOR | 10Ω 1/4W J   |       |
| R313         | QRE141J-563Y | C RESISTOR     | 56kΩ 1/4W J   |       | △ R822       | QRJ146J-100X | UNF C RESISTOR | 10Ω 1/4W J   |       |
| R314         | QRE141J-563Y | C RESISTOR     | 56kΩ 1/4W J   |       | △ R823       | QRJ146J-100X | UNF C RESISTOR | 10Ω 1/4W J   |       |
| △ R315       | QRJ146J-331X | UNF C RESISTOR | 330Ω 1/4W J   |       | △ R824       | QRJ146J-100X | UNF C RESISTOR | 10Ω 1/4W J   |       |
| △ R316       | QRJ146J-331X | UNF C RESISTOR | 330Ω 1/4W J   |       | R825         | QRE141J-361Y | C RESISTOR     | 360Ω 1/4W J  |       |
| R317         | QRE141J-473Y | C RESISTOR     | 47kΩ 1/4W J   |       | R826         | QRE141J-361Y | C RESISTOR     | 360Ω 1/4W J  |       |
| R318         | QRE141J-473Y | C RESISTOR     | 47kΩ 1/4W J   |       | R827         | QRE141J-821Y | C RESISTOR     | 820Ω 1/4W J  |       |
| R319         | QRJ146J-331X | UNF C RESISTOR | 330Ω 1/4W J   |       | R828         | QRE141J-821Y | C RESISTOR     | 820Ω 1/4W J  |       |
| R320         | QRJ146J-331X | UNF C RESISTOR | 330Ω 1/4W J   |       | R829         | QRE141J-471Y | C RESISTOR     | 470Ω 1/4W J  |       |
| △ R321       | QRJ146J-100X | UNF C RESISTOR | 10Ω 1/4W J    |       | R830         | QRE141J-471Y | C RESISTOR     | 470Ω 1/4W J  |       |
| △ R322       | QRJ146J-100X | UNF C RESISTOR | 10Ω 1/4W J    |       | △ R831       | QRJ146J-100X | UNF C RESISTOR | 10Ω 1/4W J   |       |
| △ R323       | QRJ146J-100X | UNF C RESISTOR | 10Ω 1/4W J    |       | △ R832       | QRJ146J-100X | UNF C RESISTOR | 10Ω 1/4W J   |       |
| △ R324       | QRJ146J-100X | UNF C RESISTOR | 10Ω 1/4W J    |       | △ R833       | QRJ146J-100X | UNF C RESISTOR | 10Ω 1/4W J   |       |
| R325         | QRE141J-361Y | C RESISTOR     | 360Ω 1/4W J   |       | △ R834       | QRJ146J-100X | UNF C RESISTOR | 10Ω 1/4W J   |       |
| R326         | QRE141J-361Y | C RESISTOR     | 360Ω 1/4W J   |       | R835         | QRE141J-181Y | C RESISTOR     | 180Ω 1/4W J  |       |
| R327         | QRE141J-471Y | C RESISTOR     | 470Ω 1/4W J   |       | R836         | QRE141J-181Y | C RESISTOR     | 180Ω 1/4W J  |       |
| R328         | QRE141J-471Y | C RESISTOR     | 470Ω 1/4W J   |       | R837         | QRE141J-181Y | C RESISTOR     | 180Ω 1/4W J  |       |
| R329         | QRE141J-471Y | C RESISTOR     | 470Ω 1/4W J   |       | R838         | QRE141J-181Y | C RESISTOR     | 180Ω 1/4W J  |       |
| R330         | QRE141J-471Y | C RESISTOR     | 470Ω 1/4W J   |       | R839         | QRE141J-181Y | C RESISTOR     | 180Ω 1/4W J  |       |
| △ R331       | QRJ146J-100X | UNF C RESISTOR | 10Ω 1/4W J    |       | R840         | QRE141J-181Y | C RESISTOR     | 180Ω 1/4W J  |       |
| △ R332       | QRJ146J-100X | UNF C RESISTOR | 10Ω 1/4W J    |       | R841         | QRE141J-181Y | C RESISTOR     | 180Ω 1/4W J  |       |
| △ R333       | QRJ146J-100X | UNF C RESISTOR | 10Ω 1/4W J    |       | R842         | QRE141J-181Y | C RESISTOR     | 180Ω 1/4W J  |       |
| △ R334       | QRJ146J-100X | UNF C RESISTOR | 10Ω 1/4W J    |       | R843         | QRZ0218-R22  | EMIT.RESISTOR  | 0.22Ω        |       |
| R335         | QRE141J-121Y | C RESISTOR     | 120Ω 1/4W J   |       | R844         | QRZ0218-R22  | EMIT.RESISTOR  | 0.22Ω        |       |
| R336         | QRE141J-121Y | C RESISTOR     | 120Ω 1/4W J   |       | R845         | QRE141J-102Y | C RESISTOR     | 1kΩ 1/4W J   |       |
| R337         | QRE141J-121Y | C RESISTOR     | 120Ω 1/4W J   |       | R846         | QRE141J-102Y | C RESISTOR     | 1kΩ 1/4W J   |       |
| R338         | QRE141J-121Y | C RESISTOR     | 120Ω 1/4W J   |       | R847         | QRE141J-183Y | C RESISTOR     | 18kΩ 1/4W J  |       |
| R339         | QRE141J-181Y | C RESISTOR     | 180Ω 1/4W J   |       | R848         | QRE141J-183Y | C RESISTOR     | 18kΩ 1/4W J  |       |
| R340         | QRE141J-181Y | C RESISTOR     | 180Ω 1/4W J   |       | R849         | QRE141J-123Y | C RESISTOR     | 12kΩ 1/4W J  |       |
| R341         | QRE141J-181Y | C RESISTOR     | 180Ω 1/4W J   |       | R850         | QRE141J-123Y | C RESISTOR     | 12kΩ 1/4W J  |       |
| R342         | QRE141J-181Y | C RESISTOR     | 180Ω 1/4W J   |       | △ R851       | QRJ125J-330  | UNF C RESISTOR | 33Ω 1/2W J   |       |
| R343         | QRZ0218-R22  | EMIT.RESISTOR  | 0.22Ω         |       | △ R852       | QRJ125J-330  | UNF C RESISTOR | 33Ω 1/2W J   |       |
| R344         | QRZ0218-R22  | EMIT.RESISTOR  | 0.22Ω         |       | △ R853       | QRL027J-100  | OMF RESISTOR   | 10Ω 2W J     |       |
| R345         | QRE141J-102Y | C RESISTOR     | 1kΩ 1/4W J    |       | △ R854       | QRL027J-100  | OMF RESISTOR   | 10Ω 2W J     |       |
| R346         | QRE141J-102Y | C RESISTOR     | 1kΩ 1/4W J    |       | R855         | QRE141J-332Y | C RESISTOR     | 3.3kΩ 1/4W J |       |
| R347         | QRE141J-153Y | C RESISTOR     | 15kΩ 1/4W J   |       | R856         | QRE141J-332Y | C RESISTOR     | 3.3kΩ 1/4W J |       |
| R348         | QRE141J-153Y | C RESISTOR     | 15kΩ 1/4W J   |       | R857         | QRE141J-332Y | C RESISTOR     | 3.3kΩ 1/4W J |       |
| R349         | QRE141J-473Y | C RESISTOR     | 47kΩ 1/4W J   |       | R858         | QRE141J-332Y | C RESISTOR     | 3.3kΩ 1/4W J |       |
| R350         | QRE141J-473Y | C RESISTOR     | 47kΩ 1/4W J   |       | R859         | QRE141J-332Y | C RESISTOR     | 3.3kΩ 1/4W J |       |
| △ R351       | QRJ125J-330  | UNF C RESISTOR | 33Ω 1/2W J    |       | R860         | QRE141J-332Y | C RESISTOR     | 3.3kΩ 1/4W J |       |
| △ R352       | QRJ125J-330  | UNF C RESISTOR | 33Ω 1/2W J    |       | R861         | QRE141J-332Y | C RESISTOR     | 3.3kΩ 1/4W J |       |
| △ R353       | QRL027J-100  | OMF RESISTOR   | 10Ω 2W J      |       | R862         | QRE141J-332Y | C RESISTOR     | 3.3kΩ 1/4W J |       |
| △ R354       | QRL027J-100  | OMF RESISTOR   | 10Ω 2W J      |       | R863         | QRE141J-272Y | C RESISTOR     | 2.7kΩ 1/4W J |       |
| R363         | QRE141J-272Y | C RESISTOR     | 2.7kΩ 1/4W J  |       | R864         | QRE141J-272Y | C RESISTOR     | 2.7kΩ 1/4W J |       |
| R364         | QRE141J-272Y | C RESISTOR     | 2.7kΩ 1/4W J  |       | R901         | QRE141J-222Y | C RESISTOR     | 2.2kΩ 1/4W J |       |
| R501         | QRE141J-331Y | C RESISTOR     | 330Ω 1/4W J   |       | R903         | QRE141J-563Y | C RESISTOR     | 56kΩ 1/4W J  |       |
| R502         | QRE141J-750Y | C RESISTOR     | 75Ω 1/4W J    |       | R905         | QRE141J-123Y | C RESISTOR     | 12kΩ 1/4W J  |       |
| R505         | QRE141J-750Y | C RESISTOR     | 75Ω 1/4W J    |       | R907         | QRE141J-272Y | C RESISTOR     | 2.7kΩ 1/4W J |       |
| R506         | QRE141J-473Y | C RESISTOR     | 47kΩ 1/4W J   |       | R909         | QRE141J-101Y | C RESISTOR     | 100Ω 1/4W J  |       |
| R507         | QRE141J-331Y | C RESISTOR     | 330Ω 1/4W J   |       | R911         | QRJ146J-301X | UNF C RESISTOR | 300Ω 1/4W J  |       |
| R508         | QRE141J-750Y | C RESISTOR     | 75Ω 1/4W J    |       | R913         | QRE141J-563Y | C RESISTOR     | 56kΩ 1/4W J  |       |
| R509         | QRE141J-750Y | C RESISTOR     | 75Ω 1/4W J    |       | △ R915       | QRJ146J-331X | UNF C RESISTOR | 330Ω 1/4W J  |       |
| R510         | QRE141J-473Y | C RESISTOR     | 47kΩ 1/4W J   |       | △ R921       | QRJ146J-100X | UNF C RESISTOR | 10Ω 1/4W J   |       |
| R511         | QRE141J-151Y | C RESISTOR     | 150Ω 1/4W J   |       | △ R923       | QRJ146J-100X | UNF C RESISTOR | 10Ω 1/4W J   |       |
| R512         | QRE141J-271Y | C RESISTOR     | 270Ω 1/4W J   |       | R925         | QRE141J-361Y | C RESISTOR     | 360Ω 1/4W J  |       |
|              |              |                |               |       | R927         | QRE141J-821Y | C RESISTOR     | 820Ω 1/4W J  |       |

| △ Symbol No. | Part No. | Part Name     | Description     | Local          | △ Symbol No. | Part No.        | Part Name       | Description    | Local |
|--------------|----------|---------------|-----------------|----------------|--------------|-----------------|-----------------|----------------|-------|
|              | R929     | QRE141J-471Y  | C RESISTOR      | 470Ω 1/4W J    | IC611        | MM74HC08SJ-X    | IC              |                |       |
| △            | R931     | QRJ146J-100X  | UNF C RESISTOR  | 10Ω 1/4W J     | IC612        | TC74HC4072AF-X  | IC              |                |       |
| △            | R933     | QRJ146J-100X  | UNF C RESISTOR  | 10Ω 1/4W J     | IC621        | MM74HCU04SJ-X   | IC              |                |       |
|              | R935     | QRE141J-181Y  | C RESISTOR      | 180Ω 1/4W J    | IC631        | TC9446F-025     | IC              |                |       |
|              | R937     | QRE141J-181Y  | C RESISTOR      | 180Ω 1/4W J    | IC641        | LP61L1024S-12-X | IC              |                |       |
|              | R939     | QRE141J-181Y  | C RESISTOR      | 180Ω 1/4W J    | IC650        | BA15218F-XE     | IC              |                |       |
|              | R941     | QRE141J-181Y  | C RESISTOR      | 180Ω 1/4W J    | IC651        | BA15218F-XE     | IC              |                |       |
|              | R943     | QRZ0218-R22   | EMIT.RESISTOR   | 0.22Ω          | IC652        | IMX9-W          | TRANSISTOR      |                |       |
|              | R945     | QRE141J-102Y  | C RESISTOR      | 1kΩ 1/4W J     | IC661        | BA15218F-XE     | IC              |                |       |
|              | R947     | QRE141J-183Y  | C RESISTOR      | 18kΩ 1/4W J    | IC662        | IMX9-W          | TRANSISTOR      |                |       |
|              | R949     | QRE141J-473Y  | C RESISTOR      | 47kΩ 1/4W J    | IC671        | UPD784215AGC167 | IC(MICRO C ROM) |                |       |
| △            | R951     | QRJ125J-330   | UNF C RESISTOR  | 33Ω 1/2W J     | IC672        | NC7ST32P5-X     | IC(DIGITAL)     |                |       |
| △            | R953     | QRL027J-100   | OMF RESISTOR    | 10Ω 2W J       | IC681        | MM1563DF-X      | IC              | 3.3V Regulator |       |
|              | R955     | QRE141J-332Y  | C RESISTOR      | 3.3kΩ 1/4W J   | IC682        | IMX9-W          | TRANSISTOR      |                |       |
|              | R957     | QRE141J-332Y  | C RESISTOR      | 3.3kΩ 1/4W J   | IC683        | MM1613DN-X      | IC              |                |       |
|              | R959     | QRE141J-332Y  | C RESISTOR      | 3.3kΩ 1/4W J   | IC690        | BA15218F-XE     | IC              |                |       |
|              | R961     | QRE141J-332Y  | C RESISTOR      | 3.3kΩ 1/4W J   | IC691        | BA15218F-XE     | IC              |                |       |
|              | R963     | QRE141J-272Y  | C RESISTOR      | 2.7kΩ 1/4W J   |              |                 |                 |                |       |
|              | VR301    | QVP0008-102Z  | TRIM RESISTOR   | 1kΩ            | Q607         | UN2113-X        | TRANSISTOR      |                |       |
|              | VR302    | QVP0008-102Z  | TRIM RESISTOR   | 1kΩ            | Q670         | DTC114YE-X      | TRANSISTOR      |                |       |
|              |          |               |                 |                | Q671         | 2SD2114K/VW/-X  | TRANSISTOR      |                |       |
|              | L301     | QQLZ005-R45   | COIL            | 0.45uH         | Q672         | DTC114YE-X      | TRANSISTOR      |                |       |
|              | L302     | QQLZ005-R45   | COIL            | 0.45uH         | Q673         | UN2113-X        | TRANSISTOR      |                |       |
|              | L801     | QQLZ005-R45   | COIL            | 0.45uH         | Q2501        | UN2113-X        | TRANSISTOR      |                |       |
|              | L802     | QQLZ005-R45   | COIL            | 0.45uH         |              |                 |                 |                |       |
|              | L901     | QQLZ005-R45   | COIL            | 0.45uH         | D607         | 1SS355-X        | SI DIODE        |                |       |
| △            | T202     | QQT0281-002   | POWER TRANSF    |                | D608         | 1SS355-X        | SI DIODE        |                |       |
|              |          |               |                 |                | D609         | 1SS355-X        | SI DIODE        |                |       |
|              |          |               |                 |                | D610         | 1SS355-X        | SI DIODE        |                |       |
|              | CN201    | QGF1205C1-14  | CONNECTOR       | FFC/FPC (1-14) | C601         | NCB31HK-102X    | C CAPACITOR     | 1000pF 50V K   |       |
|              | CN203    | QGD2504C1-05Z | CONNECTOR       | (1-5)          | C602         | NCB31HK-102X    | C CAPACITOR     | 1000pF 50V K   |       |
|              | CN241    | QGD2504C1-05Z | CONNECTOR       | (1-5)          | C603         | QEKC0JM-107Z    | E CAPACITOR     | 100uF 6.3V M   |       |
|              | CN251    | QGA3901F2-03  | CONNECTOR       | W-B (1-3)      | C604         | QEKC0JM-107Z    | E CAPACITOR     | 100uF 6.3V M   |       |
|              | CN291    | QGB2510J1-04  | CONNECTOR       | B-B (1-4)      | C605         | NCF31CZ-104X    | C CAPACITOR     | 0.1uF 16V Z    |       |
|              | CN292    | QGB2510K1-04  | CONNECTOR       | B-B (1-4)      | C606         | NCF31CZ-104X    | C CAPACITOR     | 0.1uF 16V Z    |       |
|              | CN301    | QGB2510K1-14  | CONNECTOR       | B-B (1-14)     | C607         | QEKC1CM-107Z    | E CAPACITOR     | 100uF 16V M    |       |
|              | CN302    | QGB2510K1-14  | CONNECTOR       | B-B (1-14)     | C608         | NCF31CZ-104X    | C CAPACITOR     | 0.1uF 16V Z    |       |
|              | CN492    | QGB2510K1-04  | CONNECTOR       | B-B (1-4)      | C609         | NCF31CZ-104X    | C CAPACITOR     | 0.1uF 16V Z    |       |
|              | CN501    | QGB2510K1-07  | CONNECTOR       | B-B (1-7)      | C610         | QEKC0JM-107Z    | E CAPACITOR     | 100uF 6.3V M   |       |
|              | CN801    | QGB2510K1-14  | CONNECTOR       | B-B (1-14)     | C611         | QEKC0JM-107Z    | E CAPACITOR     | 100uF 6.3V M   |       |
|              | CN802    | QGB2510K1-14  | CONNECTOR       | B-B (1-14)     | C612         | NCB31CK-103X    | C CAPACITOR     | 0.01uF 16V K   |       |
|              | CN901    | QGB2510K1-14  | CONNECTOR       | B-B (1-14)     | C621         | QEKC1HM-105Z    | E CAPACITOR     | 1uF 50V M      |       |
|              | EP1      | E409182-001SM | GRAND TERMINAL  |                | C622         | NCS31HJ-101X    | C CAPACITOR     | 100pF 50V J    |       |
|              | EP201    | QNZ0136-001Z  | EARTH PLATE     |                | C624         | NCF31CZ-104X    | C CAPACITOR     | 0.1uF 16V Z    |       |
|              | FC211    | QNG0020-001Z  | FUSE CLIP       |                | C626         | NCF31AZ-105X    | C CAPACITOR     | 1uF 10V Z      |       |
|              | FC212    | QNG0020-001Z  | FUSE CLIP       |                | C627         | NCF31AZ-105X    | C CAPACITOR     | 1uF 10V Z      |       |
|              | FC221    | QNG0020-001Z  | FUSE CLIP       |                | C628         | NCB31CK-103X    | C CAPACITOR     | 0.01uF 16V K   |       |
|              | FC222    | QNG0020-001Z  | FUSE CLIP       |                | C630         | NCF31AZ-105X    | C CAPACITOR     | 1uF 10V Z      |       |
|              | FC231    | QNG0020-001Z  | FUSE CLIP       |                | C631         | QEKC0JM-107Z    | E CAPACITOR     | 100uF 6.3V M   |       |
|              | FC232    | QNG0020-001Z  | FUSE CLIP       |                | C632         | NCB31CK-103X    | C CAPACITOR     | 0.01uF 16V K   |       |
|              | FC251    | QNG0020-001Z  | FUSE CLIP       |                | C633         | NCF31CZ-104X    | C CAPACITOR     | 0.1uF 16V Z    |       |
|              | FC252    | QNG0020-001Z  | FUSE CLIP       |                | C634         | NCF31CZ-104X    | C CAPACITOR     | 0.1uF 16V Z    |       |
|              | FW201    | QUM217-14Z4Z4 | PARA RIBON WIRE |                | C635         | NCF31CZ-104X    | C CAPACITOR     | 0.1uF 16V Z    |       |
|              | FW251    | QUM213-08DGZ4 | PARA RIBON WIRE |                | C636         | NCB31CK-473X    | C CAPACITOR     | 0.047uF 16V K  |       |
|              | J501     | QNN0011-001   | PIN JACK        |                | C638         | QEKC0JM-107Z    | E CAPACITOR     | 100uF 6.3V M   |       |
|              | J502     | QNN0011-001   | PIN JACK        |                | C639         | NCB31CK-103X    | C CAPACITOR     | 0.01uF 16V K   |       |
|              | J521     | QNS0073-001   | JACK            |                | C640         | NCB31CK-103X    | C CAPACITOR     | 0.01uF 16V K   |       |
| △            | RY202    | QSK0142-001   | RELAY           |                | C641         | QEKC0JM-107Z    | E CAPACITOR     | 100uF 6.3V M   |       |
| △            | RY203    | QSK0109-001   | RELAY           |                | C642         | NCB31CK-103X    | C CAPACITOR     | 0.01uF 16V K   |       |
|              | TA201    | QNZ0079-001Z  | TAB             |                | C643         | NCB31AK-474X    | C CAPACITOR     | 0.47uF 10V K   |       |
|              | TA202    | QNZ0079-001Z  | TAB             |                | C644         | NCB31CK-103X    | C CAPACITOR     | 0.01uF 16V K   |       |
| △            | TH301    | QAD0012-202   | THERMISTOR      | 2kΩ            | C645         | NCS31HJ-101X    | C CAPACITOR     | 100pF 50V J    |       |
| △            | TH302    | QAD0012-202   | THERMISTOR      | 2kΩ            | C646         | NCB31CK-103X    | C CAPACITOR     | 0.01uF 16V K   |       |
| △            | TH801    | QAD0012-202   | THERMISTOR      | 2kΩ            | C647         | NCS31HJ-220X    | C CAPACITOR     | 22pF 50V J     |       |
| △            | TH802    | QAD0012-202   | THERMISTOR      | 2kΩ            | C648         | NCS31HJ-180X    | C CAPACITOR     | 18pF 50V J     |       |
| △            | TH901    | QAD0012-202   | THERMISTOR      | 2kΩ            | C649         | NCS31HJ-121X    | C CAPACITOR     | 120pF 50V J    |       |
|              |          |               |                 |                | C653         | NCB31CK-104X    | C CAPACITOR     | 0.1uF 16V K    |       |
|              |          |               |                 |                | C654         | QEKC0JM-107Z    | E CAPACITOR     | 100uF 6.3V M   |       |
|              |          |               |                 |                | C661         | NCB31CK-103X    | C CAPACITOR     | 0.01uF 16V K   |       |
|              |          |               |                 |                | C671         | NCB31CK-103X    | C CAPACITOR     | 0.01uF 16V K   |       |
|              |          |               |                 |                | C672         | QEKC0JM-107Z    | E CAPACITOR     | 100uF 6.3V M   |       |
|              |          |               |                 |                | C673         | NCB31CK-103X    | C CAPACITOR     | 0.01uF 16V K   |       |
|              |          |               |                 |                | C677         | NCS31HJ-101X    | C CAPACITOR     | 100pF 50V J    |       |
|              |          |               |                 |                | C679         | NCS31HJ-101X    | C CAPACITOR     | 100pF 50V J    |       |
|              |          |               |                 |                | C681         | NCB31CK-103X    | C CAPACITOR     | 0.01uF 16V K   |       |
|              |          |               |                 |                | C682         | NCB31CK-103X    | C CAPACITOR     | 0.01uF 16V K   |       |
|              |          |               |                 |                | C683         | NCB31CK-103X    | C CAPACITOR     | 0.01uF 16V K   |       |

## DSP board

Block No. [0][4][0][0]

| △ Symbol No. | Part No. | Part Name   | Description | Local |
|--------------|----------|-------------|-------------|-------|
|              | IC601    | AK4527BVQP  | IC          |       |
|              | IC609    | BA15218F-XE | IC          |       |
|              | IC610    | BA15218F-XE | IC          |       |

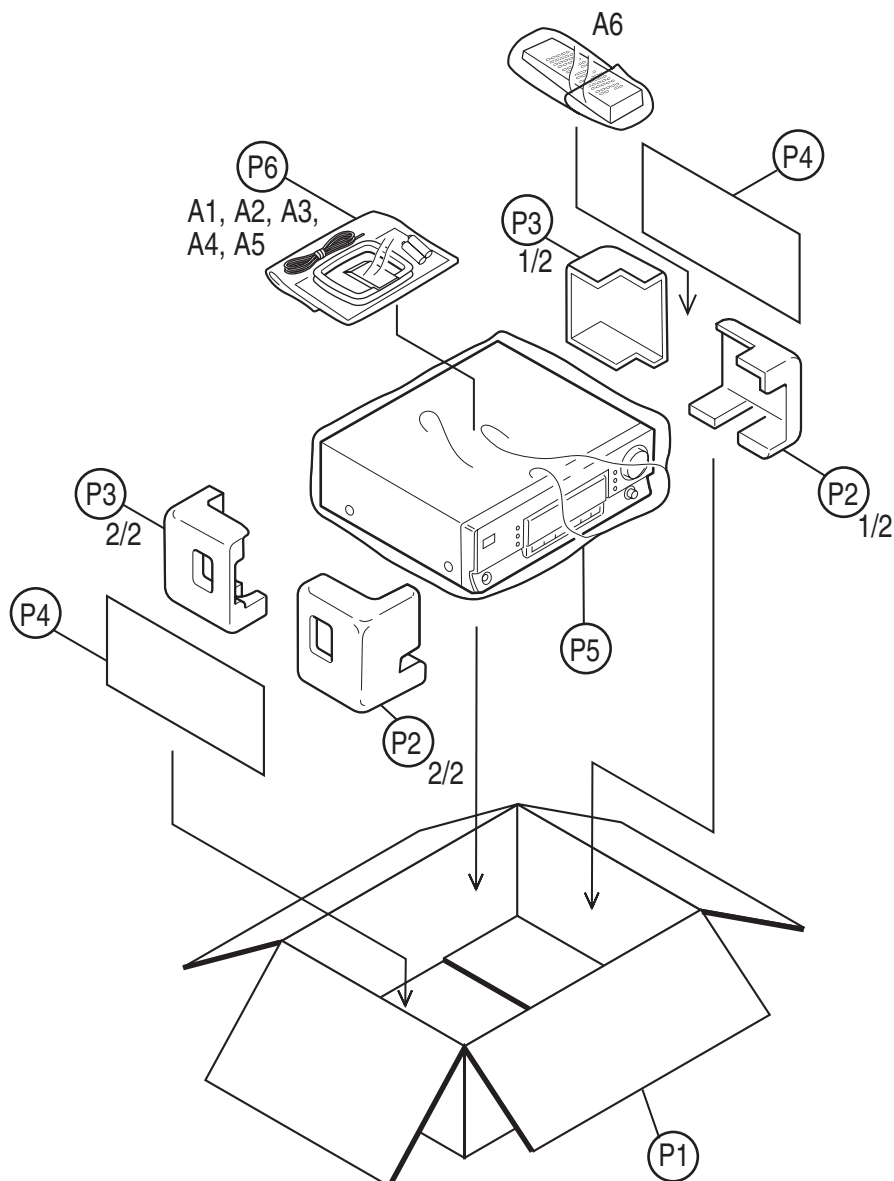
| △ Symbol No. | Part No.     | Part Name   | Description   | Local | △ Symbol No. | Part No.     | Part Name   | Description   | Local |
|--------------|--------------|-------------|---------------|-------|--------------|--------------|-------------|---------------|-------|
| C684         | QEKC0JM-107Z | E CAPACITOR | 100uF 6.3V M  |       | R620         | NRSA63J-221X | MG RESISTOR | 220Ω 1/16W J  |       |
| C685         | QEKC1CM-476Z | E CAPACITOR | 47uF 16V M    |       | R621         | NRSA63J-561X | MG RESISTOR | 560Ω 1/16W J  |       |
| C686         | QEKC1CM-476Z | E CAPACITOR | 47uF 16V M    |       | R622         | NRSA63J-750X | MG RESISTOR | 75Ω 1/16W J   |       |
| C687         | NCB31CK-103X | C CAPACITOR | 0.01uF 16V K  |       | R623         | NRSA63J-0R0X | MG RESISTOR | 0Ω 1/16W J    |       |
| C688         | QEKC0JM-107Z | E CAPACITOR | 100uF 6.3V M  |       | R627         | NRSA63J-472X | MG RESISTOR | 4.7kΩ 1/16W J |       |
| C689         | NCB31CK-103X | C CAPACITOR | 0.01uF 16V K  |       | R628         | NRSA63J-333X | MG RESISTOR | 33kΩ 1/16W J  |       |
| C690         | QEKC0JM-107Z | E CAPACITOR | 100uF 6.3V M  |       | R631         | NRSA63J-0R0X | MG RESISTOR | 0Ω 1/16W J    |       |
| C691         | NCB31HK-103X | C CAPACITOR | 0.01uF 50V K  |       | R632         | NRSA63J-0R0X | MG RESISTOR | 0Ω 1/16W J    |       |
| C692         | NCS31HJ-471X | C CAPACITOR | 470pF 50V J   |       | R639         | NRSA63J-472X | MG RESISTOR | 4.7kΩ 1/16W J |       |
| C693         | NCB31CK-103X | C CAPACITOR | 0.01uF 16V K  |       | R640         | NRSA63J-0R0X | MG RESISTOR | 0Ω 1/16W J    |       |
| C694         | NCF31CZ-104X | C CAPACITOR | 0.1uF 16V Z   |       | R641         | NRSA63F-102X | MG RESISTOR | 1kΩ 1/16W F   |       |
| C2500        | QEKC1CM-226Z | E CAPACITOR | 22uF 16V M    |       | R642         | NRSA63J-103X | MG RESISTOR | 10kΩ 1/16W J  |       |
| C2503        | QETN1HM-475Z | E CAPACITOR | 4.7uF 50V M   |       | R643         | NRSA63J-101X | MG RESISTOR | 100Ω 1/16W J  |       |
| C2504        | QETN1HM-475Z | E CAPACITOR | 4.7uF 50V M   |       | R644         | NRSA63J-153X | MG RESISTOR | 15kΩ 1/16W J  |       |
| C2507        | NCS31HJ-330X | C CAPACITOR | 33pF 50V J    |       | R645         | NRSA63F-102X | MG RESISTOR | 1kΩ 1/16W F   |       |
| C2508        | NCS31HJ-330X | C CAPACITOR | 33pF 50V J    |       | R646         | NRSA63J-103X | MG RESISTOR | 10kΩ 1/16W J  |       |
| C2512        | NCF31CZ-104X | C CAPACITOR | 0.1uF 16V Z   |       | R647         | NRSA63J-225X | MG RESISTOR | 2.2MΩ 1/16W J |       |
| C2513        | NCB31HK-122X | C CAPACITOR | 1200pF 50V K  |       | R648         | NRSA63J-472X | MG RESISTOR | 4.7kΩ 1/16W J |       |
| C2514        | NCB31HK-122X | C CAPACITOR | 1200pF 50V K  |       | R657         | NRSA63J-103X | MG RESISTOR | 10kΩ 1/16W J  |       |
| C2515        | NCS31HJ-121X | C CAPACITOR | 120pF 50V J   |       | R661         | NRSA63J-221X | MG RESISTOR | 220Ω 1/16W J  |       |
| C2516        | NCS31HJ-121X | C CAPACITOR | 120pF 50V J   |       | R662         | NRSA63J-221X | MG RESISTOR | 220Ω 1/16W J  |       |
| C2525        | NCB31HK-102X | C CAPACITOR | 1000pF 50V K  |       | R663         | NRSA63J-221X | MG RESISTOR | 220Ω 1/16W J  |       |
| C2526        | NCB31HK-102X | C CAPACITOR | 1000pF 50V K  |       | R664         | NRSA63J-221X | MG RESISTOR | 220Ω 1/16W J  |       |
| C2527        | QETN1HM-106Z | E CAPACITOR | 10uF 50V M    |       | R668         | NRSA63J-0R0X | MG RESISTOR | 0Ω 1/16W J    |       |
| C2528        | QETN1HM-106Z | E CAPACITOR | 10uF 50V M    |       | R669         | NRSA63J-103X | MG RESISTOR | 10kΩ 1/16W J  |       |
| C2531        | NCS31HJ-560X | C CAPACITOR | 56pF 50V J    |       | R670         | NRSA63J-103X | MG RESISTOR | 10kΩ 1/16W J  |       |
| C2532        | NCS31HJ-560X | C CAPACITOR | 56pF 50V J    |       | R671         | NRSA63J-103X | MG RESISTOR | 10kΩ 1/16W J  |       |
| C2533        | QETN1HM-475Z | E CAPACITOR | 4.7uF 50V M   |       | R672         | NRSA63J-105X | MG RESISTOR | 1MΩ 1/16W J   |       |
| C2534        | QETN1HM-475Z | E CAPACITOR | 4.7uF 50V M   |       | R673         | NRSA63J-432X | MG RESISTOR | 4.3kΩ 1/16W J |       |
| C2539        | NCF31CZ-104X | C CAPACITOR | 0.1uF 16V Z   |       | R674         | NRSA63J-432X | MG RESISTOR | 4.3kΩ 1/16W J |       |
| C2540        | NCF31CZ-104X | C CAPACITOR | 0.1uF 16V Z   |       | R675         | NRSA63J-432X | MG RESISTOR | 4.3kΩ 1/16W J |       |
| C2551        | NCS31HJ-560X | C CAPACITOR | 56pF 50V J    |       | R676         | NRSA63J-432X | MG RESISTOR | 4.3kΩ 1/16W J |       |
| C2552        | NCS31HJ-560X | C CAPACITOR | 56pF 50V J    |       | R677         | NRSA63J-822X | MG RESISTOR | 8.2kΩ 1/16W J |       |
| C2555        | NCF31CZ-104X | C CAPACITOR | 0.1uF 16V Z   |       | R678         | NRSA63J-822X | MG RESISTOR | 8.2kΩ 1/16W J |       |
| C2556        | NCF31CZ-104X | C CAPACITOR | 0.1uF 16V Z   |       | R679         | NRSA63J-822X | MG RESISTOR | 8.2kΩ 1/16W J |       |
| C2561        | QETN1HM-105Z | E CAPACITOR | 1uF 50V M     |       | R680         | NRSA63J-822X | MG RESISTOR | 8.2kΩ 1/16W J |       |
| C2562        | QETN1HM-105Z | E CAPACITOR | 1uF 50V M     |       | R682         | NRSA63J-103X | MG RESISTOR | 10kΩ 1/16W J  |       |
| C2563        | NCS31HJ-560X | C CAPACITOR | 56pF 50V J    |       | R683         | NRSA63J-0R0X | MG RESISTOR | 0Ω 1/16W J    |       |
| C2564        | NCS31HJ-560X | C CAPACITOR | 56pF 50V J    |       | R684         | NRSA63J-0R0X | MG RESISTOR | 0Ω 1/16W J    |       |
| C2565        | NCB31HK-102X | C CAPACITOR | 1000pF 50V K  |       | R687         | NRSA63J-0R0X | MG RESISTOR | 0Ω 1/16W J    |       |
| C2566        | NCB31HK-102X | C CAPACITOR | 1000pF 50V K  |       | R688         | NRSA63J-0R0X | MG RESISTOR | 0Ω 1/16W J    |       |
| C2569        | NCF31CZ-104X | C CAPACITOR | 0.1uF 16V Z   |       | R689         | NRSA63J-0R0X | MG RESISTOR | 0Ω 1/16W J    |       |
| C2570        | NCF31CZ-104X | C CAPACITOR | 0.1uF 16V Z   |       | R691         | NRSA63J-221X | MG RESISTOR | 220Ω 1/16W J  |       |
| C2575        | NCB31HK-102X | C CAPACITOR | 1000pF 50V K  |       | R692         | NRSA63J-221X | MG RESISTOR | 220Ω 1/16W J  |       |
| C2576        | NCB31HK-102X | C CAPACITOR | 1000pF 50V K  |       | R693         | NRSA63J-221X | MG RESISTOR | 220Ω 1/16W J  |       |
| C2577        | QETN1HM-106Z | E CAPACITOR | 10uF 50V M    |       | R694         | NRSA63J-221X | MG RESISTOR | 220Ω 1/16W J  |       |
| C2578        | QETN1HM-106Z | E CAPACITOR | 10uF 50V M    |       | R695         | NRSA63J-221X | MG RESISTOR | 220Ω 1/16W J  |       |
| C2581        | QETN1HM-105Z | E CAPACITOR | 1uF 50V M     |       | R696         | NRSA63J-221X | MG RESISTOR | 220Ω 1/16W J  |       |
| C2582        | QETN1CM-106Z | E CAPACITOR | 10uF 16V M    |       | R697         | NRSA63J-0R0X | MG RESISTOR | 0Ω 1/16W J    |       |
| C2583        | NCS31HJ-560X | C CAPACITOR | 56pF 50V J    |       | R698         | NRSA63J-0R0X | MG RESISTOR | 0Ω 1/16W J    |       |
| C2584        | NCS31HJ-560X | C CAPACITOR | 56pF 50V J    |       | R2500        | NRSA63J-102X | MG RESISTOR | 1kΩ 1/16W J   |       |
| C2585        | NCF31CZ-104X | C CAPACITOR | 0.1uF 16V Z   |       | R2501        | NRSA63J-104X | MG RESISTOR | 100kΩ 1/16W J |       |
| C2586        | NCF31CZ-104X | C CAPACITOR | 0.1uF 16V Z   |       | R2502        | NRSA63J-104X | MG RESISTOR | 100kΩ 1/16W J |       |
| C2587        | NCS31HJ-560X | C CAPACITOR | 56pF 50V J    |       | R2507        | NRSA63J-223X | MG RESISTOR | 22kΩ 1/16W J  |       |
| C2588        | QETN1HM-475Z | E CAPACITOR | 4.7uF 50V M   |       | R2508        | NRSA63J-223X | MG RESISTOR | 22kΩ 1/16W J  |       |
| C2589        | NCF31CZ-104X | C CAPACITOR | 0.1uF 16V Z   |       | R2509        | NRSA63J-223X | MG RESISTOR | 22kΩ 1/16W J  |       |
| C2590        | NCF31CZ-104X | C CAPACITOR | 0.1uF 16V Z   |       | R2510        | NRSA63J-223X | MG RESISTOR | 22kΩ 1/16W J  |       |
| C2591        | NCB31HK-102X | C CAPACITOR | 1000pF 50V K  |       | R2511        | NRSA63J-103X | MG RESISTOR | 10kΩ 1/16W J  |       |
| C2592        | NCB31HK-103X | C CAPACITOR | 0.01uF 50V K  |       | R2512        | NRSA63J-103X | MG RESISTOR | 10kΩ 1/16W J  |       |
| C2594        | NCB31CK-473X | C CAPACITOR | 0.047uF 16V K |       | R2513        | NRSA63J-103X | MG RESISTOR | 10kΩ 1/16W J  |       |
| C2595        | NCB31HK-102X | C CAPACITOR | 1000pF 50V K  |       | R2514        | NRSA63J-103X | MG RESISTOR | 10kΩ 1/16W J  |       |
| C2597        | QETN1HM-106Z | E CAPACITOR | 10uF 50V M    |       | R2515        | NRSA63J-103X | MG RESISTOR | 10kΩ 1/16W J  |       |
| C2598        | QETN1HM-475Z | E CAPACITOR | 4.7uF 50V M   |       | R2516        | NRSA63J-103X | MG RESISTOR | 10kΩ 1/16W J  |       |
|              |              |             |               |       | R2519        | NRSA63J-331X | MG RESISTOR | 330Ω 1/16W J  |       |
| R600         | NRSA63J-0R0X | MG RESISTOR | 0Ω 1/16W J    |       | R2520        | NRSA63J-331X | MG RESISTOR | 330Ω 1/16W J  |       |
| R601         | NRSA63J-473X | MG RESISTOR | 47kΩ 1/16W J  |       | R2521        | NRSA63J-331X | MG RESISTOR | 330Ω 1/16W J  |       |
| R602         | NRSA63J-473X | MG RESISTOR | 47kΩ 1/16W J  |       | R2522        | NRSA63J-331X | MG RESISTOR | 330Ω 1/16W J  |       |
| R603         | NRSA63J-473X | MG RESISTOR | 47kΩ 1/16W J  |       | R2525        | NRSA63J-102X | MG RESISTOR | 1kΩ 1/16W J   |       |
| R606         | NRSA63J-221X | MG RESISTOR | 220Ω 1/16W J  |       | R2526        | NRSA63J-102X | MG RESISTOR | 1kΩ 1/16W J   |       |
| R607         | NRSA63J-221X | MG RESISTOR | 220Ω 1/16W J  |       | R2527        | NRSA63J-104X | MG RESISTOR | 100kΩ 1/16W J |       |
| R608         | NRSA63J-221X | MG RESISTOR | 220Ω 1/16W J  |       | R2528        | NRSA63J-104X | MG RESISTOR | 100kΩ 1/16W J |       |
| R609         | NRSA63J-221X | MG RESISTOR | 220Ω 1/16W J  |       | R2529        | NRSA63J-103X | MG RESISTOR | 10kΩ 1/16W J  |       |
| R611         | NRSA63J-221X | MG RESISTOR | 220Ω 1/16W J  |       | R2530        | NRSA63J-103X | MG RESISTOR | 10kΩ 1/16W J  |       |
| R612         | NRSA63J-221X | MG RESISTOR | 220Ω 1/16W J  |       | R2531        | NRSA63J-752X | MG RESISTOR | 7.5kΩ 1/16W J |       |
| R613         | NRSA63J-822X | MG RESISTOR | 8.2kΩ 1/16W J |       | R2532        | NRSA63J-752X | MG RESISTOR | 7.5kΩ 1/16W J |       |
| R615         | NRSA63J-432X | MG RESISTOR | 4.3kΩ 1/16W J |       | R2533        | NRSA63J-103X | MG RESISTOR | 10kΩ 1/16W J  |       |
| R617         | NRSA63J-103X | MG RESISTOR | 10kΩ 1/16W J  |       | R2534        | NRSA63J-103X | MG RESISTOR | 10kΩ 1/16W J  |       |
| R618         | NRSA63J-103X | MG RESISTOR | 10kΩ 1/16W J  |       | R2535        | NRSA63J-103X | MG RESISTOR | 10kΩ 1/16W J  |       |



| Symbol No. | Part No.     | Part Name    | Description   | Local |
|------------|--------------|--------------|---------------|-------|
| R150       | NRSA02J-331X | MG RESISTOR  | 330Ω 1/10W J  |       |
| R157       | NRSA02J-272X | MG RESISTOR  | 2.7kΩ 1/10W J |       |
| R158       | NRSA02J-272X | MG RESISTOR  | 2.7kΩ 1/10W J |       |
| R161       | NRSA02J-102X | MG RESISTOR  | 1kΩ 1/10W J   |       |
| R162       | NRSA02J-102X | MG RESISTOR  | 1kΩ 1/10W J   |       |
| R182       | NRSA02J-103X | MG RESISTOR  | 10kΩ 1/10W J  |       |
| R183       | NRSA02J-103X | MG RESISTOR  | 10kΩ 1/10W J  |       |
| R184       | NRSA02J-103X | MG RESISTOR  | 10kΩ 1/10W J  |       |
| R191       | NRSA02J-102X | MG RESISTOR  | 1kΩ 1/10W J   |       |
| R192       | NRSA02J-474X | MG RESISTOR  | 470kΩ 1/10W J |       |
| R193       | NRSA02J-103X | MG RESISTOR  | 10kΩ 1/10W J  |       |
| R194       | NRSA02J-103X | MG RESISTOR  | 10kΩ 1/10W J  |       |
| L112       | QQL231K-2R7Y | COIL         | 2.7uH K       |       |
| T111       | QQR0871-001  | COIL BLOCK   |               |       |
| T142       | QQR0973-001  | IFT          |               |       |
| AT101      | QNB0014-001  | ANT TERMINAL |               |       |
| BK1        | LV31618-001A | SHIELD BKT   |               |       |
| CF101      | QAX0704-001Z | C.FILTER     |               |       |
| CF102      | QAX0704-001Z | C.FILTER     |               |       |
| CF103      | QAX0519-001Z | C FILTER     |               |       |
| CN111      | QGB2501K2-12 | CONNECTOR    | B-B (1-12)    |       |
| CN112      | QGB2501K1-04 | CONNECTOR    | B-B (1-4)     |       |
| RF101      | QAU0119-001  | FRONT END    |               |       |
| X121       | QAX0402-001  | CRYSTAL      |               |       |
| X191       | QAX0263-001Z | CRYSTAL      |               |       |

# Packing materials and accessories parts list

Block No. M 3 M M



## Packing and accessories

Block No. M3MM

| △ Symbol No. | Part No.     | Part Name   | Description                 | Local      | △ Symbol No. | Part No.     | Part Name | Description | Local |
|--------------|--------------|-------------|-----------------------------|------------|--------------|--------------|-----------|-------------|-------|
| A 1          | LVT0984-008B | INST BOOK   | GER,FRE,DUT                 | 5032V SLE  | P 4          | LV32034-003A | SHEET     | (x2)        |       |
| A 1          | LVT0984-009B | INST BOOK   | SWE,FIN,DAN,GER,FRE,SPA,ITA | 5032V SLEN | P 5          | QPC06507015P | ENVELOPE  | 65cm x 70cm |       |
| A 2          | EWP503-001C  | ANT.WIRE    |                             |            | P 6          | QPA02503505P | POLY BAG  | 25cm x 35cm |       |
| A 3          | QAL0014-001  | AM LOOP ANT |                             |            |              |              |           |             |       |
| A 4          | BT-54013-5   | W.CARD      |                             |            |              |              |           |             |       |
| A 5          | -----        | BATTERY     | (x2)                        |            |              |              |           |             |       |
| A 6          | RM-SRX5032R  | REMOCON     |                             |            |              |              |           |             |       |
| P 1          | LV20983-054A | CARTON BOX  |                             |            |              |              |           |             |       |
| P 2          | LV21429-001A | CUSHION     |                             |            |              |              |           |             |       |
| P 3          | LV21430-002A | CUSHION     |                             |            |              |              |           |             |       |