

JVC

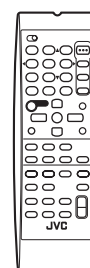
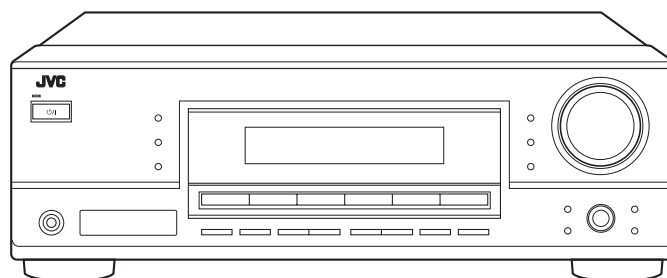
SERVICE MANUAL

AUDIO/VIDEO CONTROL RECEIVER

RX-5040B

Area suffix

UJ ----- U.S.Military



AV COMPU LINK

TABLE OF CONTENTS

1	PRECAUTION	1-3
2	SPECIFIC SERVICE INSTRUCTIONS	1-4
3	DISASSEMBLY	1-5
4	ADJUSTMENT	1-12
5	TROUBLESHOOTING	1-13

SPECIFICATION

Amplifier			
Output Power	At Stereo operation	Front channels	100 W*1 per channel, min. RMS, driven into 8 Ω, at 1 kHz with no more than 0.8% total harmonic distortion (IEC268-3/DIN).
	At Surround operation	Front channels	100 W per channel, min. RMS, driven into 8 Ω, at 1 kHz with no more than 0.8% total harmonic distortion.
		Center channel	100 W, min. RMS, driven into 8 Ω, at 1 kHz with no more than 0.8% total harmonic distortion.
		Surround channels	100 W per channel, min. RMS, driven into 8 Ω, at 1 kHz with no more than 0.8% total harmonic distortion.
Audio	Audio Input Sensitivity/Impedance (1 kHz)	CD, TAPE/CDR, VCR, TV SOUND, DVD:220 mV/47 kΩ	
	Audio Input (DIGITAL IN)*2	Coaxial	DIGITAL 1 (DVD):0.5 V(p-p)/75 Ω
	Audio Input Sensitivity/Impedance (1 kHz)	Optical	DIGITAL 2 (CD):-21 dBm to -15 dBm (660 nm ±30 nm)
	Recording Output Level	TAPE/CDR, VCR:220 mV	
	Signal-to-Noise Ratio('66 IHF/DIN)	CD, TAPE/CDR, VCR, TV SOUND, DVD:87 dB/62 dB	
	Frequency Response (8 Ω)	CD, TAPE/CDR, VCR, TV SOUND, DVD:20 Hz to 50 kHz (+1 dB, -3 dB)	
	Equalization (5 bands)	63 Hz, 250 Hz, 1 kHz, 4 kHz, 16 kHz:±8 dB (in 2 dB steps)	
Video	Video Input Sensitivity/Impedance	Composite video	DVD, VCR:1 V(p-p)/75 Ω
	Video Output Level	Composite video	VCR, MONITOR OUT:1 V(p-p)/75 Ω
	Synchronization	Negative	
	Signal-to-Noise Ratio	45 dB	
FM tuner (IHF)			
Tuning Range		87.50 MHz to 108.00 MHz	
Usable Sensitivity		Monaural:12.8 dBf (1.2 μV/75 Ω)	
50 dB Quieting Sensitivity		Monaural:16.0 dBf (1.7 μV/75 Ω) Stereo:37.5 dBf (20.5 μV/75 Ω)	
Stereo Separation at OUT (REC)		35 dB at 1 kHz	
AM tuner			
Tuning Range		531 kHz to 1 602 kHz (at 9 kHz intervals) 530 kHz to 1 600 kHz (at 10 kHz intervals)	
General			
Power Requirements		AC 110 V/127 V/220 V/230 V - 240 V , adjustable with the voltage selector, 50 Hz/60 Hz	
Power Consumption		210 W (at operation) 4.5 W (in standby mode)	
Dimensions (W × H × D)		435 mm × 146.5 mm × 369.5 mm	
Mass		8.0 kg	

*1: Measured on AC 110 V, 127 V, 220 V, and 240 V

*2: Corresponding to Linear PCM, Dolby Digital, and DTS Digital Surround (with sampling frequency -32 kHz, 44.1 kHz, 48 kHz)
Designs and specifications are subject to change without notice.

SECTION 1 PRECAUTION

1.1 Safety Precautions

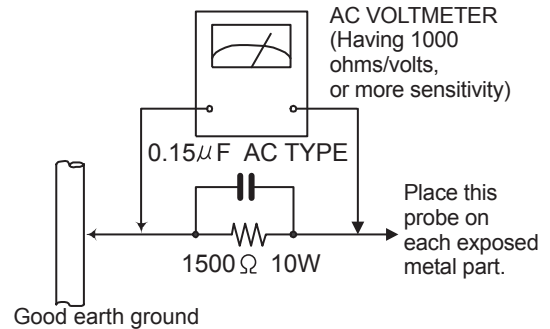
- (1) This design of this product contains special hardware and many circuits and components specially for safety purposes. For continued protection, no changes should be made to the original design unless authorized in writing by the manufacturer. Replacement parts must be identical to those used in the original circuits. Services should be performed by qualified personnel only.
- (2) Alterations of the design or circuitry of the product should not be made. Any design alterations of the product should not be made. Any design alterations or additions will void the manufacturer's warranty and will further relieve the manufacturer of responsibility for personal injury or property damage resulting therefrom.
- (3) Many electrical and mechanical parts in the products have special safety-related characteristics. These characteristics are often not evident from visual inspection nor can the protection afforded by them necessarily be obtained by using replacement components rated for higher voltage, wattage, etc. Replacement parts which have these special safety characteristics are identified in the Parts List of Service Manual. Electrical components having such features are identified by shading on the schematics and by (Δ) on the Parts List in the Service Manual. The use of a substitute replacement which does not have the same safety characteristics as the recommended replacement parts shown in the Parts List of Service Manual may create shock, fire, or other hazards.
- (4) The leads in the products are routed and dressed with ties, clamps, tubings, barriers and the like to be separated from live parts, high temperature parts, moving parts and/or sharp edges for the prevention of electric shock and fire hazard. When service is required, the original lead routing and dress should be observed, and it should be confirmed that they have been returned to normal, after reassembling.
- (5) Leakage shock hazard testing

After reassembling the product, always perform an isolation check on the exposed metal parts of the product (antenna terminals, knobs, metal cabinet, screw heads, headphone jack, control shafts, etc.) to be sure the product is safe to operate without danger of electrical shock. Do not use a line isolation transformer during this check.

 - Plug the AC line cord directly into the AC outlet. Using a "Leakage Current Tester", measure the leakage current from each exposed metal part of the cabinet, particularly any exposed metal part having a return path to the chassis, to a known good earth ground. Any leakage current must not exceed 0.5mA AC (r.m.s.).
 - Alternate check method
Plug the AC line cord directly into the AC outlet. Use an AC voltmeter having, 1,000 Ω per volt or more sensitivity in the following manner. Connect a 1,500 Ω 10W resistor paralleled by a 0.15 μ F AC-type capacitor between an exposed metal part and a known good earth ground. Measure the AC voltage across the resistor with the AC

voltmeter.

Move the resistor connection to each exposed metal part, particularly any exposed metal part having a return path to the chassis, and measure the AC voltage across the resistor. Now, reverse the plug in the AC outlet and repeat each measurement. Voltage measured any must not exceed 0.75 V AC (r.m.s.). This corresponds to 0.5 mA AC (r.m.s.).



1.2 Warning

- (1) This equipment has been designed and manufactured to meet international safety standards.
- (2) It is the legal responsibility of the repairer to ensure that these safety standards are maintained.
- (3) Repairs must be made in accordance with the relevant safety standards.
- (4) It is essential that safety critical components are replaced by approved parts.
- (5) If mains voltage selector is provided, check setting for local voltage.

1.3 Caution

Burrs formed during molding may be left over on some parts of the chassis.
Therefore, pay attention to such burrs in the case of pre-forming repair of this system.

1.4 Critical parts for safety

In regard with component parts appearing on the silk-screen printed side (parts side) of the PWB diagrams, the parts that are printed over with black such as the resistor (\blacksquare), diode (\blacksquare) and ICP (\bullet) or identified by the " Δ " mark nearby are critical for safety. When replacing them, be sure to use the parts of the same type and rating as specified by the manufacturer. (This regulation does not Except the J and C version)

SECTION 2 SPECIFIC SERVICE INSTRUCTIONS

This service manual does not describe SPECIFIC SERVICE INSTRUCTIONS.

SECTION 3 DISASSEMBLY

3.1 Removing the top cover (See Fig.1)

- (1) From the right and left sides of the main body, remove the four screws **A** attaching the top cover.
- (2) From the back side of the main body, remove the three screws **B** attaching the top cover.
- (3) Remove the top cover in the direction of the arrow 2 while extending the lower sections of the top cover in the direction of the arrow 1.

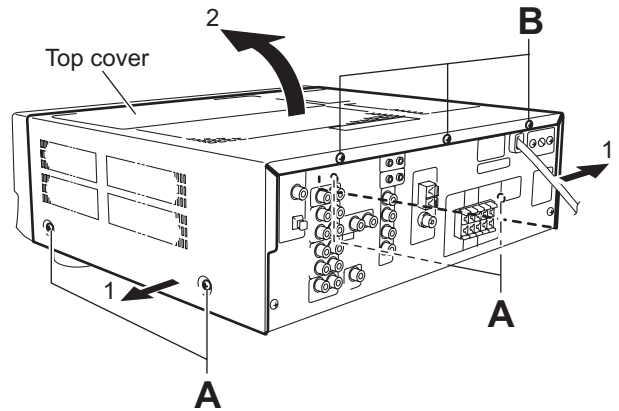


Fig.1

3.2 Removing the front panel assembly (See Figs.2 and 3)

- Prior to performing the following procedures, remove the top cover.
- (1) Disconnect the card wire from the connector [CN402](#) on the front board. (See Fig.2.)
 - (2) Disconnect the card wire from the connector [CN201](#) on the main board. (See Fig.2.)
 - (3) Remove the tie band and wire protection board fixing the card wire. (See Fig.2.)
 - (4) Remove the three screws **C** attaching the front panel assembly. (See Fig.2.)
 - (5) From the bottom side of the main body, remove the four screws **D** attaching the front panel assembly. (See Fig.3.)
 - (6) Remove the front panel assembly in the direction of the arrow. (See Fig.3.)

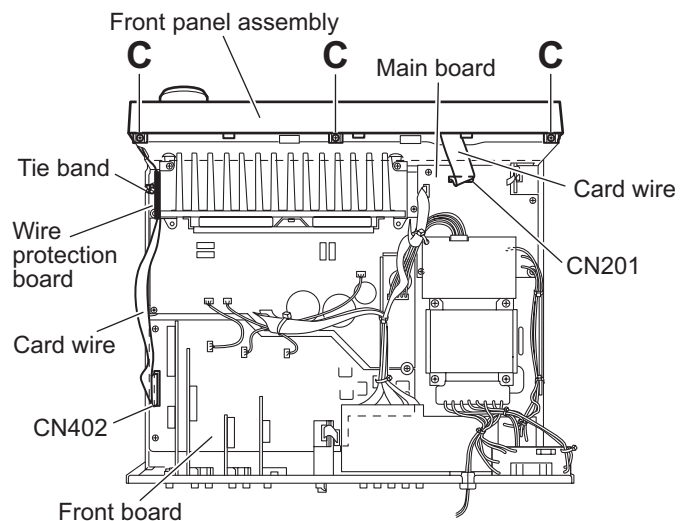


Fig.2

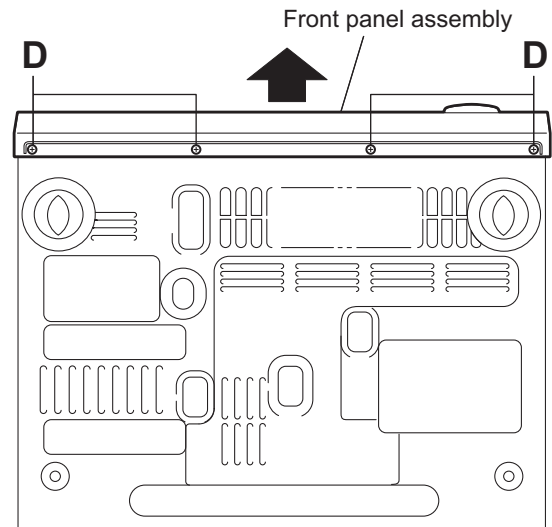


Fig.3

3.3 Removing the rear panel (See Fig.4)

- Prior to performing the following procedures, remove the top cover.
 - (1) From the back side of the main body, remove the strain relief from the rear panel in the direction of the arrow.
 - (2) Remove the twenty-one screws **E** attaching the rear panel.
 - (3) Remove the two screws **F** attaching the rear panel.

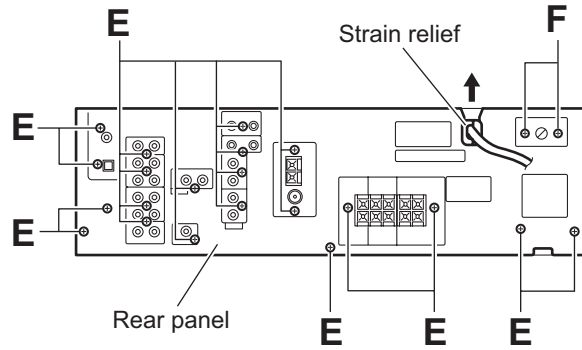


Fig.4

3.4 Removing the tuner (See Figs.5 and 6)

- Prior to performing the following procedures, remove the top cover.
 - (1) From the back side of the main body, remove the two screws **G** attaching the tuner to the rear panel. (See Fig.5.)
 - (2) From the top side of the main body, disconnect the card wire from the connector [CN411](#) on the front board. (See Fig.6.)
 - (3) Take out the tuner.

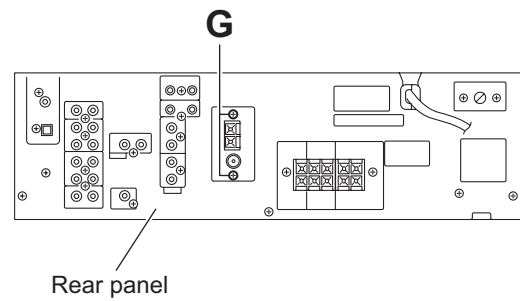


Fig.5

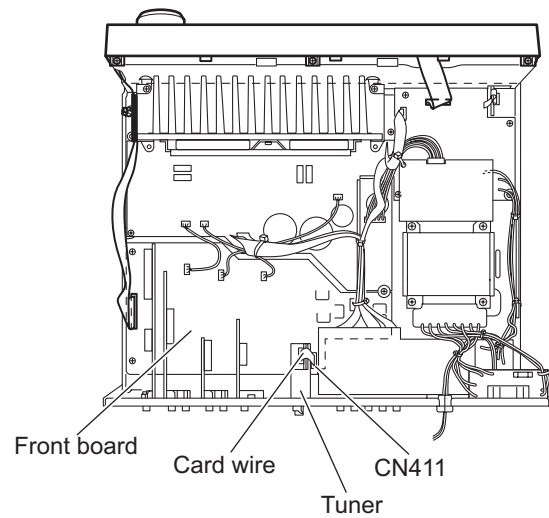


Fig.6

3.5 Removing the DSP board, audio input board, DVD board and video board (See Fig.7)

- Prior to performing the following procedure, remove the top cover and rear panel.
 - (1) From the top side of the main body, disconnect the DSP board from the connector [CN481](#) and [CN482](#) on the front board.
 - (2) Disconnect the audio input board from the connector [CN421](#) on the front board.
 - (3) Disconnect the DVD board from the connector [CN431](#) on the front board.
 - (4) Disconnect the video board from the connector [CN441](#) on the front board.

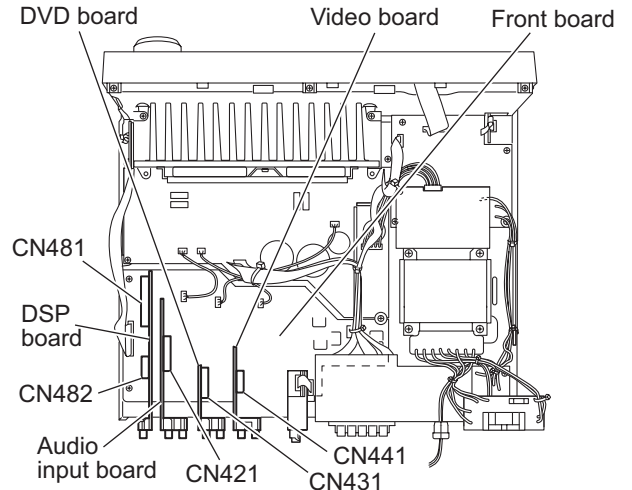


Fig.7

3.6 Removing the front board (See Fig.8)

- Prior to performing the following procedures, remove the top cover, rear panel, DSP board, audio input board, DVD board, video board and tuner.
 - (1) From the top side of the main body, disconnect the card wire from the connector [CN402](#) on the front board.
 - (2) Disconnect the relay board from the connectors ([CN291](#), [CN491](#)) on the main board and front board.
 - (3) Disconnect the wires from the connectors ([CN471](#), [CN472](#), [CN473](#)) on the front board.
 - (4) Remove the two screws **H** attaching the front board.
 - (5) Loosen the screw **J** attaching the front board.
 - (6) Take out the front board from the main body.

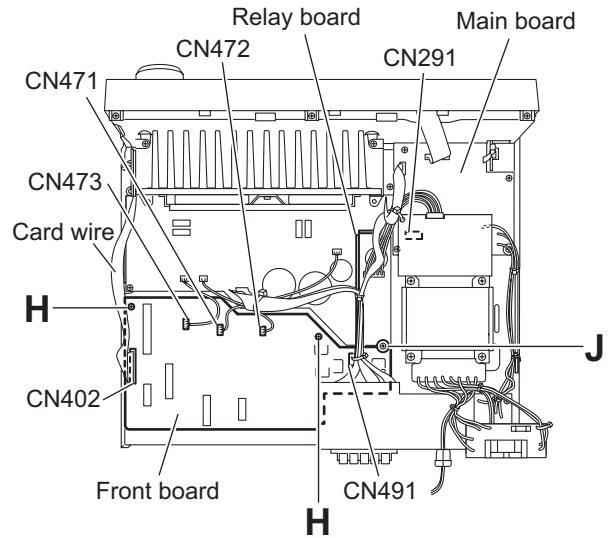


Fig.8

3.7 Removing the speaker terminal board (See Fig.9)

- Prior to performing the following procedure, remove the top cover and rear panel.

From the top side of the main body, remove the solders from the soldered sections **a** on the speaker terminal board.

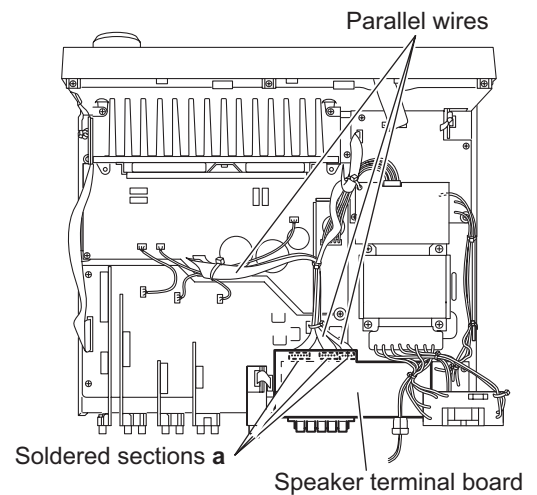
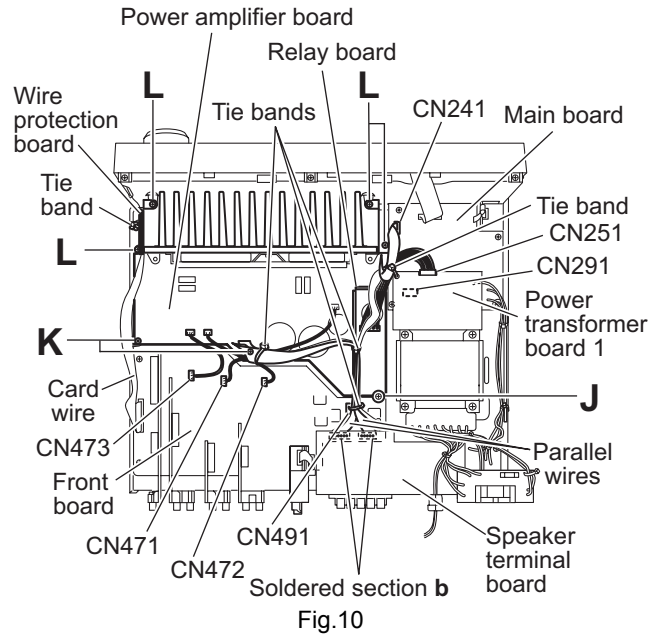


Fig.9

3.8 Removing the power amplifier board (See Fig.10)

- Prior to performing the following procedures, remove the top cover.
 - (1) From the top side of the main body, remove the tie bands fixing the wires.
 - (2) Remove the tie band and wire protection board fixing the card wire.
 - (3) Remove the solders from the soldered section **b** on the speaker terminal board attaching the parallel wires.
 - (4) Disconnect the relay board from the connectors (CN291, CN491) on the main board and front board.
 - (5) Disconnect the parallel wire from the connector CN241 on the main board.
 - (6) Disconnect the wire from the connector CN251 on the power transformer board 1.
 - (7) Disconnect the wires from the connectors (CN471, CN472, CN473) on the front board.
 - (8) Remove the screw **J**, two screws **K** and four screws **L** attaching the power amplifier board.
 - (9) Take out the power amplifier board from the main body.

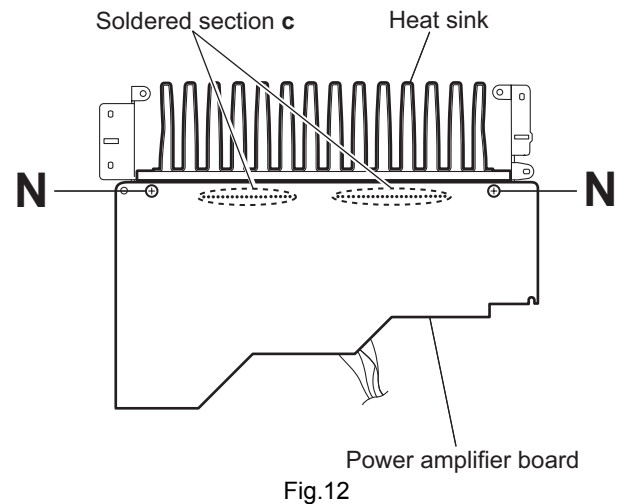
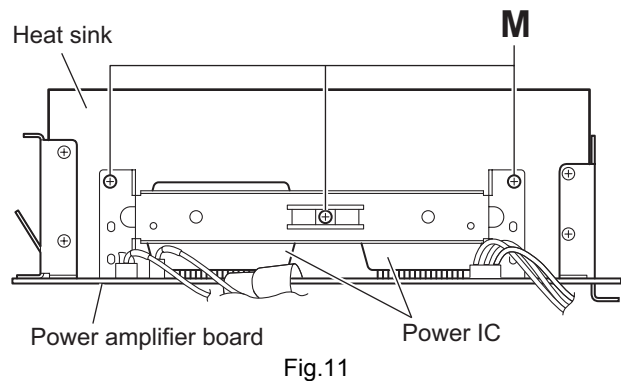


3.9 Removing the heat sink (See Figs.11 and 12)

- Prior to performing the following procedures, remove the top cover and power amplifier board.
 - (1) Remove the three screws **M** attaching the heat sink. (See Fig.11)
 - (2) From the reverse side of the power amplifier board, remove the two screws **N** attaching the heat sink. (See Fig.12)

3.10 Removing the power ICs (See Figs.12)

- Prior to performing the following procedures, remove the top cover, power amplifier board and heat sink.
 - (1) From the reverse side of the power amplifier board, remove the solders from the soldered sections **c** on the power amplifier board.
 - (2) Remove the power ICs from the forward side of the power amplifier board.



3.11 Removing the voltage selector board (See Figs.13 and 14)

- Prior to performing the following procedure, remove the top cover.
 - (1) From the back side of the main body, remove the two screws **P** attaching the voltage selector board. (See Fig.13)
 - (2) Remove the solders from the soldered sections **d** on the power transformer board 2. (See Fig.14)
 - (3) Remove the tie band fixing the wires. (See Fig.14)
 - (4) Take out the voltage selector board.

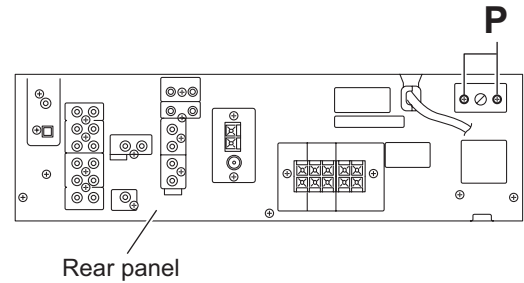


Fig.13

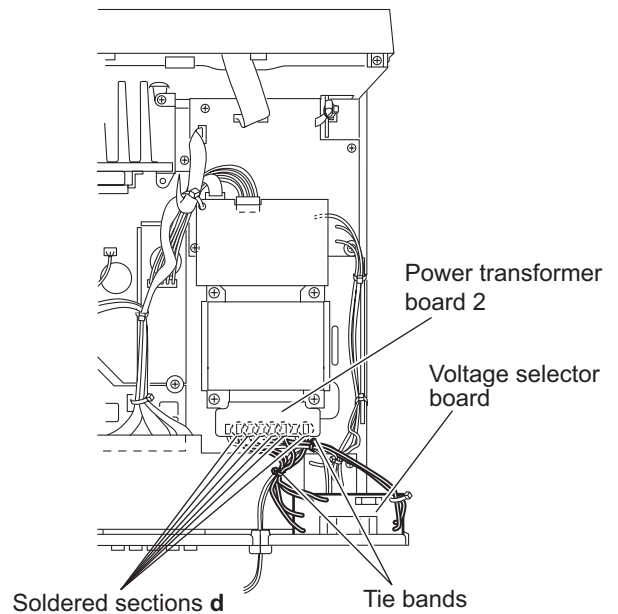


Fig.14

3.12 Removing the power transformer (See Fig.15)

- Prior to performing the following procedures, remove the top cover and voltage selector board.
 - (1) From the top side of the main body, remove the tie bands fixing the wires.
 - (2) Remove the solders from the soldered section **e** on the power transformer board 1.
 - (3) Remove the solders from the soldered sections **f** on the power transformer board 2.
 - (4) Disconnect the wire from the connector **CN251** on the power transformer board 1.
 - (5) Remove the four screws **Q** attaching the power transformer.
 - (6) Take out the power transformer from the main body.

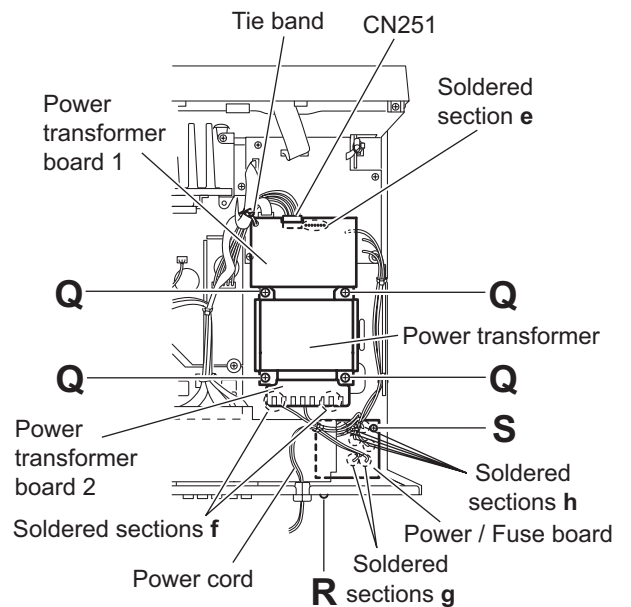


Fig.15

3.13 Removing the power/fuse board (See Fig.15)

- Prior to performing the following procedures, remove the top cover and voltage selector board.
 - (1) From the back and top sides of the main body, remove the screw **R** and screw **S** attaching the power/fuse board.
 - (2) Remove the solders from the soldered sections **g** attaching the power cord.
 - (3) From the reverse side of the power/fuse board, remove the solders from the soldered sections **h** attaching the wires.

3.14 Removing the main board (See Fig.16)

- Prior to performing the following procedures, remove the top cover.
- (1) From the top side of the main body, disconnect the parallel wires from the connectors (CN203, CN241) on the main board.
- (2) Disconnect the card wire from the connector CN201 on the main board.
- (3) Disconnect the relay board from the connector CN291 on the main board.
- (4) Remove the tie band fixing the parallel wire.
- (5) Disconnect the parallel wire from the connector CN101 on the headphone jack board.
- (6) Remove the solders from the soldered section i on the power transformer board 1.
- (7) Remove the three screws T and screw U attaching the main board.
- (8) From the reverse side of the main board, remove the solders from the soldered sections j attaching the wires.

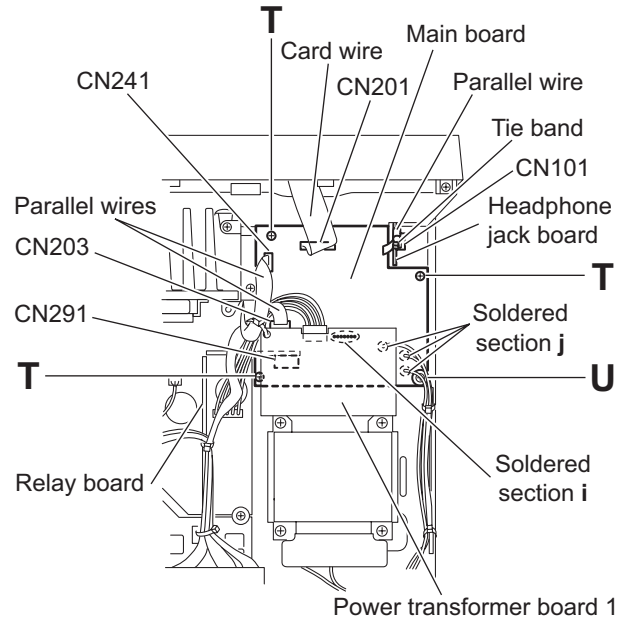


Fig. 16

3.15 Removing the headphone jack board (See Figs.16 and 17)

- Prior to performing the following procedures, remove the top cover and front panel assembly.
- (1) From the top side of the main body, remove the tie band fixing the parallel wire. (See Fig. 16)
- (2) Disconnect the parallel wire from the connector CN101 on the headphone jack board. (See Fig. 16)
- (3) From the front side of the main body, remove the special nut and screw V attaching the bracket (phones) to the front bracket. (See Fig. 17)

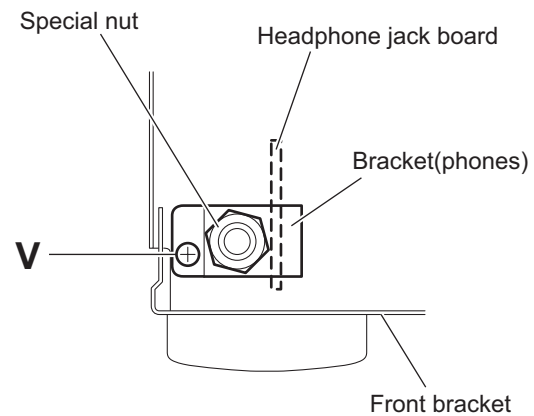


Fig. 17

3.16 Removing the system control board and power switch board (See Figs.18 and 19)

- Prior to performing the following procedures, remove the top cover and front panel assembly.
 - (1) Pull out the volume and jog knobs from the front side of the front panel assembly, remove the nut attaching the system control board. (See Fig.18)
 - (2) From the back side of the front panel assembly, remove the nine screws **W** attaching the system control board. (See Fig.19)
 - (3) Disconnect the parallel wire from the connector **CN714** on the power switch board. (See Fig.19)
 - (4) Take out the system control board from the front panel assembly.
 - (5) Remove the two screws **X** attaching the power switch board. (See Fig.19)
 - (6) Take out the power switch board from the front panel assembly.

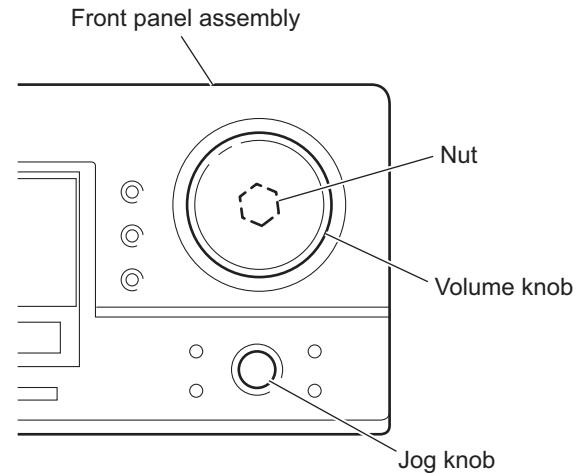


Fig.18

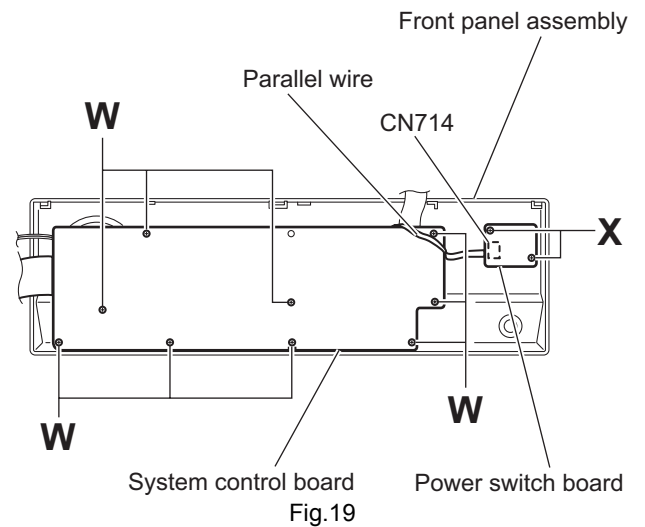


Fig.19

SECTION 4 ADJUSTMENT

This service manual does not describe ADJUSTMENT.

SECTION 5 TROUBLESHOOTING

This service manual does not describe TROUBLESHOOTING.



JVC

Victor Company of Japan, Limited
AV & MULTIMEDIA COMPANY AUDIO/VIDEO SYSTEMS CATEGORY 10-1,1chome,Ohwatari-machi,Maebashi-city,371-8543,Japan

(No.MB269)

JVC

SCHEMATIC DIAGRAMS

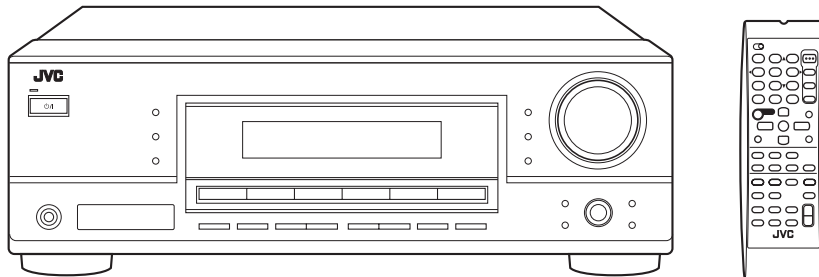
AUDIO/VIDEO CONTROL RECEIVER

RX-5040B

CD-ROM No.SML200406

Area suffix

UJ ----- U.S.Military



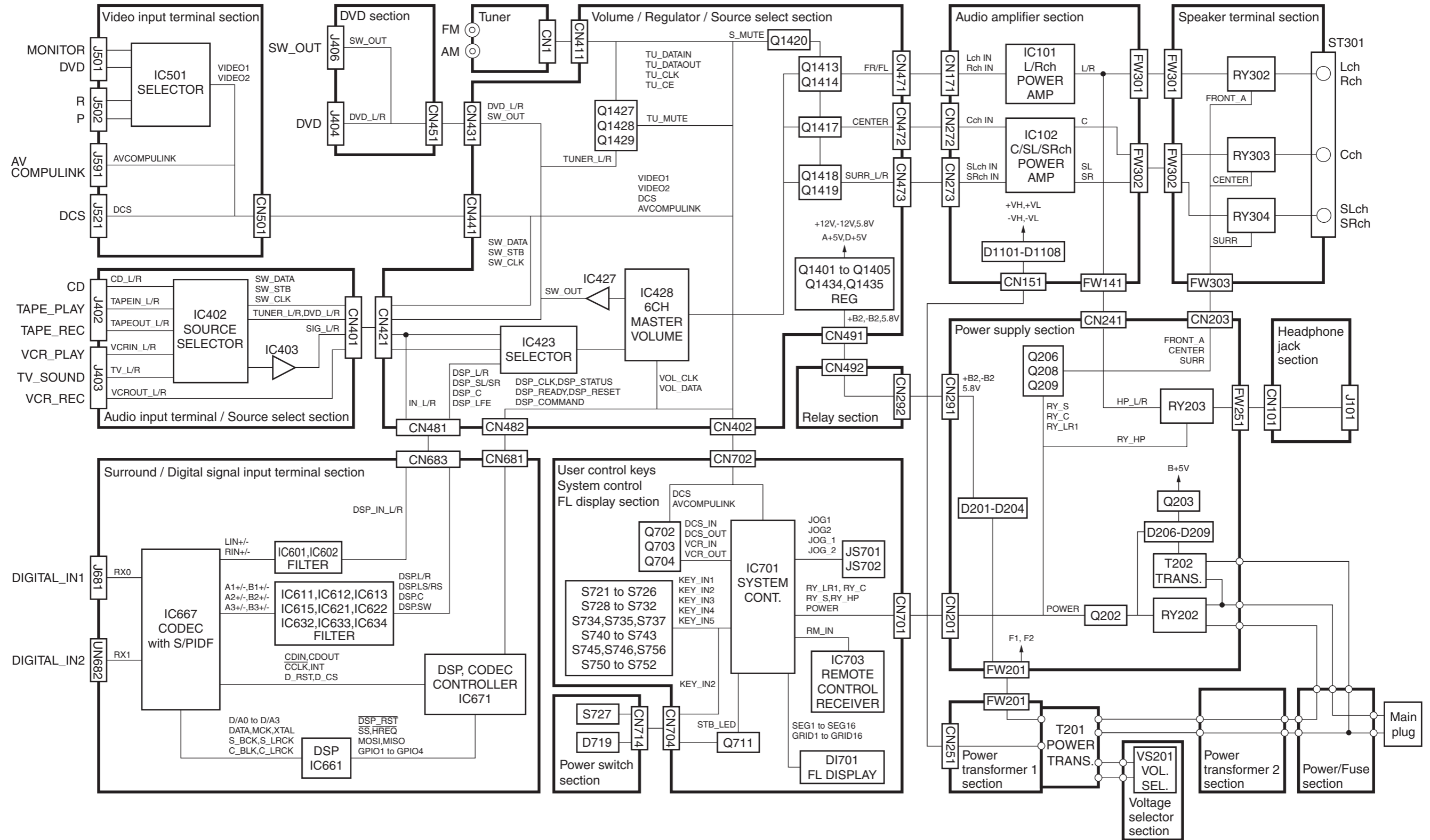
Contents

Block diagram	2-1
Standard schematic diagrams	2-2
Printed circuit boards	2-8 to 11

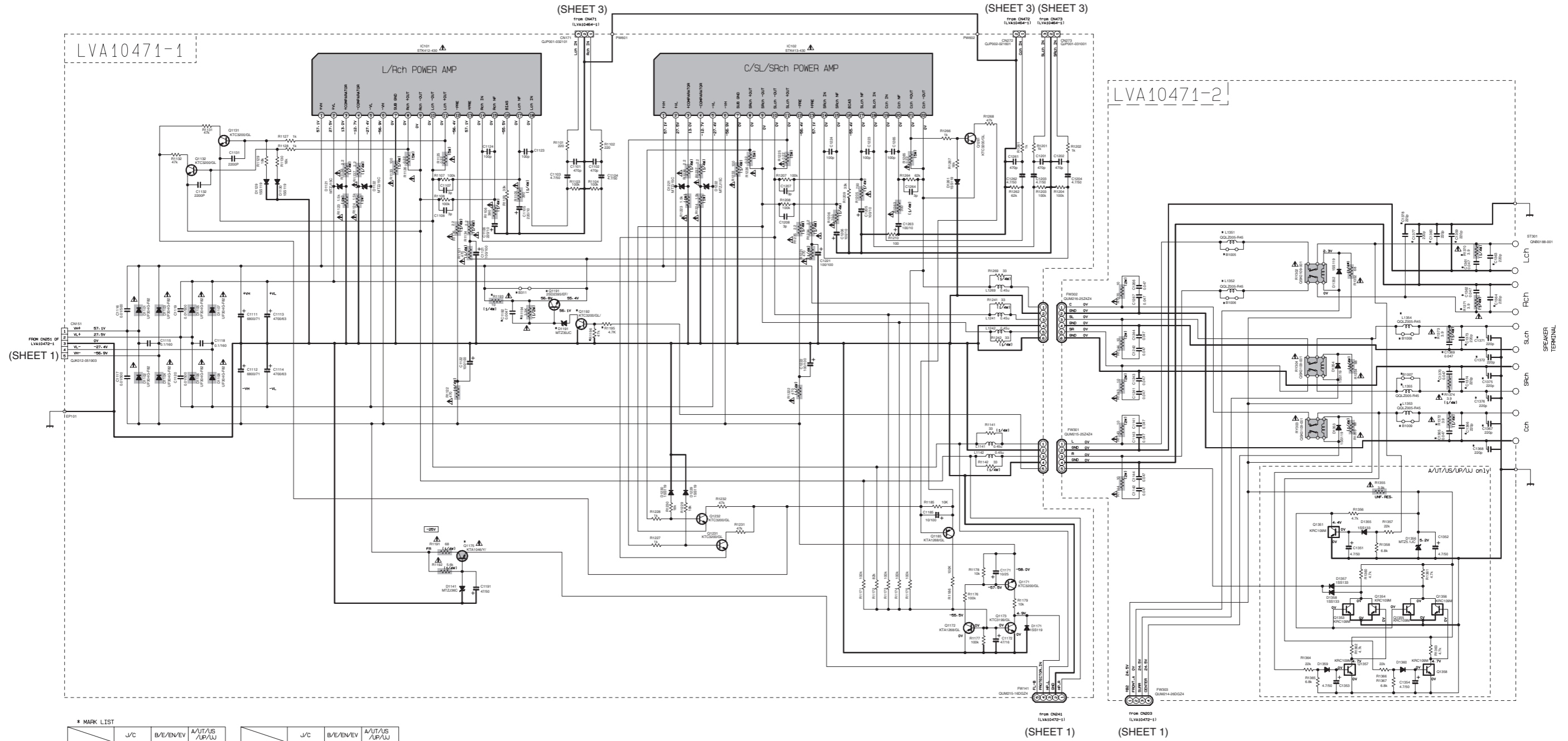
In regard with component parts appearing on the silk-screen printed side (parts side) of the PWB diagrams, the parts that are printed over with black such as the resistor (■), diode (▬) and ICP (●) or identified by the "▲" mark nearby are critical for safety.

(This regulation does not correspond to J and C version.)

Block diagram



■ Audio amplifier section



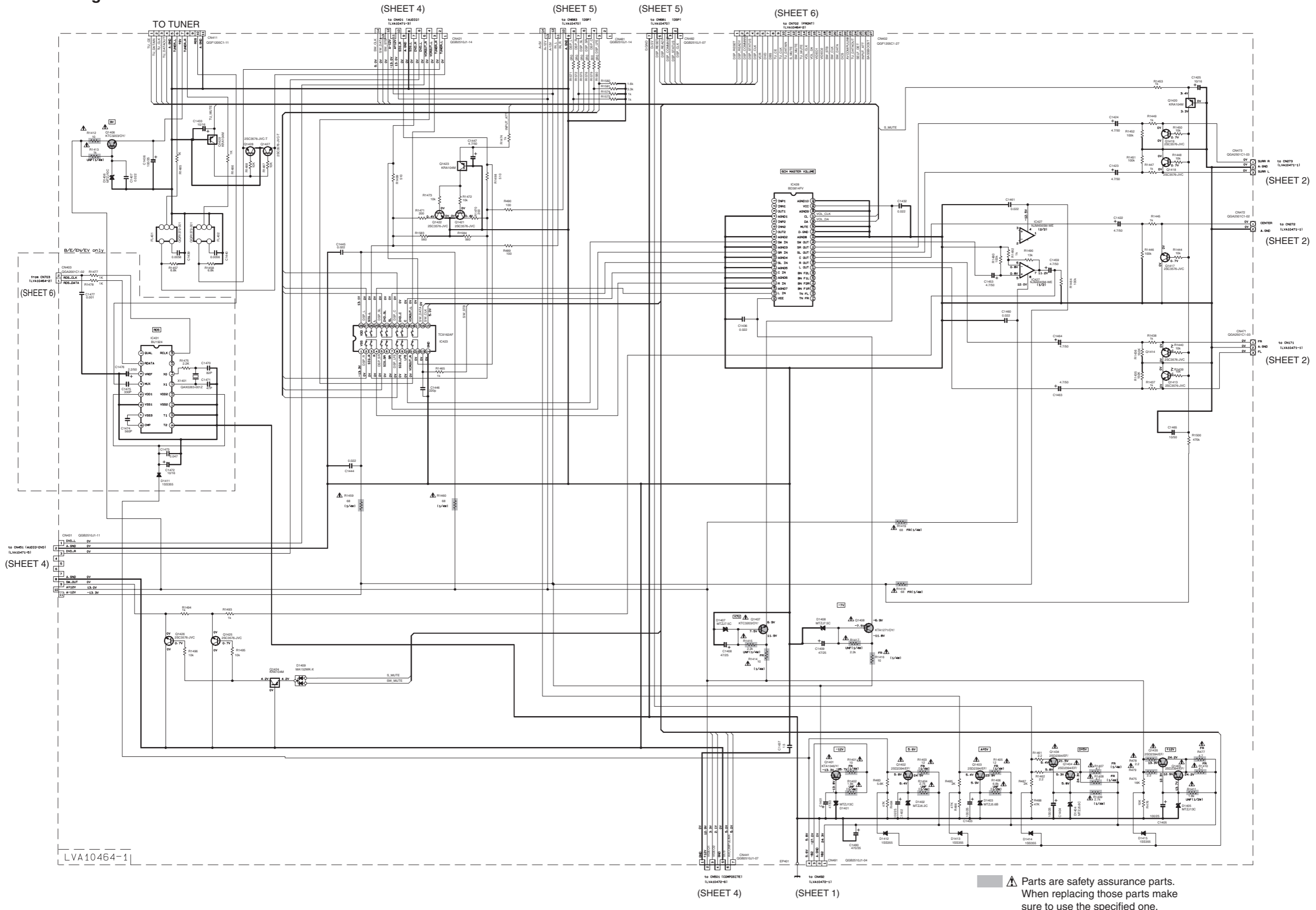
* MARK LIST

	J/C	B/E/EN/EV	A/UT/US/UP/UJ
B1005	USE	NONE	NONE
B1006	USE	NONE	NONE
B1007	USE	NONE	NONE
B1008	USE	NONE	NONE
B1009	USE	NONE	NONE
L1351	NONE	USE	USE
L1352	NONE	USE	USE
L1353	NONE	USE	USE
L1354	NONE	USE	USE
L1355	NONE	USE	USE
R1370-R1371	NONE	USE	USE
C1361-C1362	NONE	USE	USE
C1363-C1364	NONE	USE	USE
C1365-C1377	NONE	USE	USE
C1360-C1378	NONE	USE	USE
R1373-R1374	NONE	USE	USE
C1369-C1370	NONE	USE	USE
C1373-C1374	NONE	USE	USE
C1372-C1375	NONE	USE	USE
C1371-C1376	NONE	USE	USE
R1372	NONE	USE	USE
C1365	NONE	USE	USE
C1366	NONE	USE	USE
C1367	NONE	NONE	NONE
C1368	NONE	USE	USE

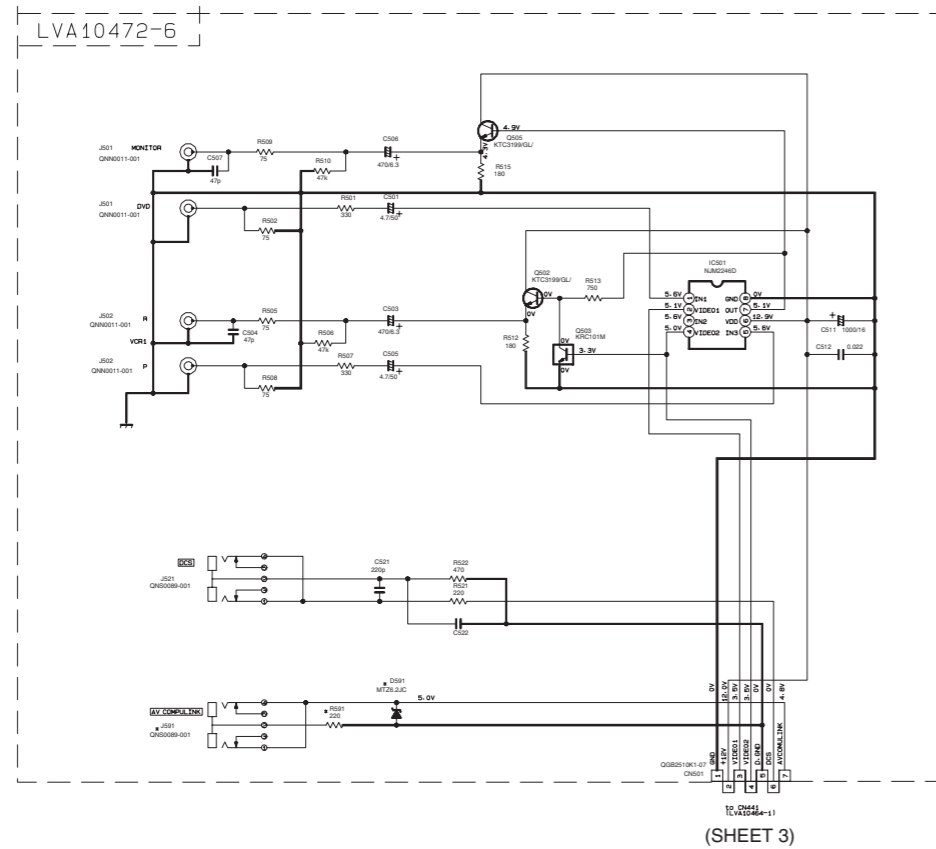
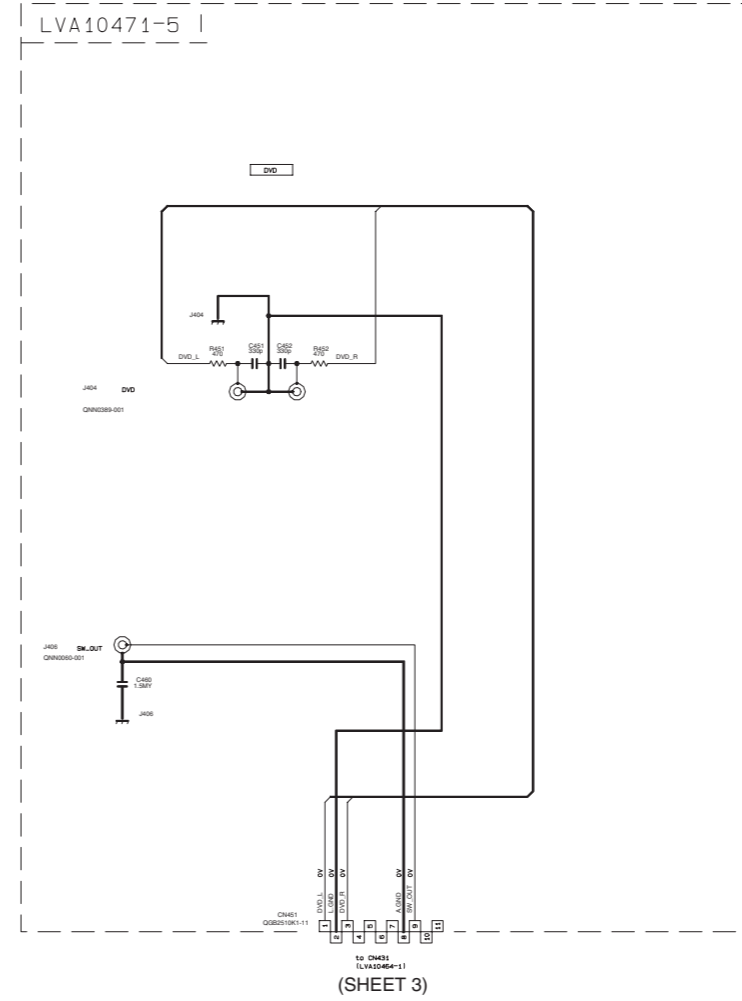
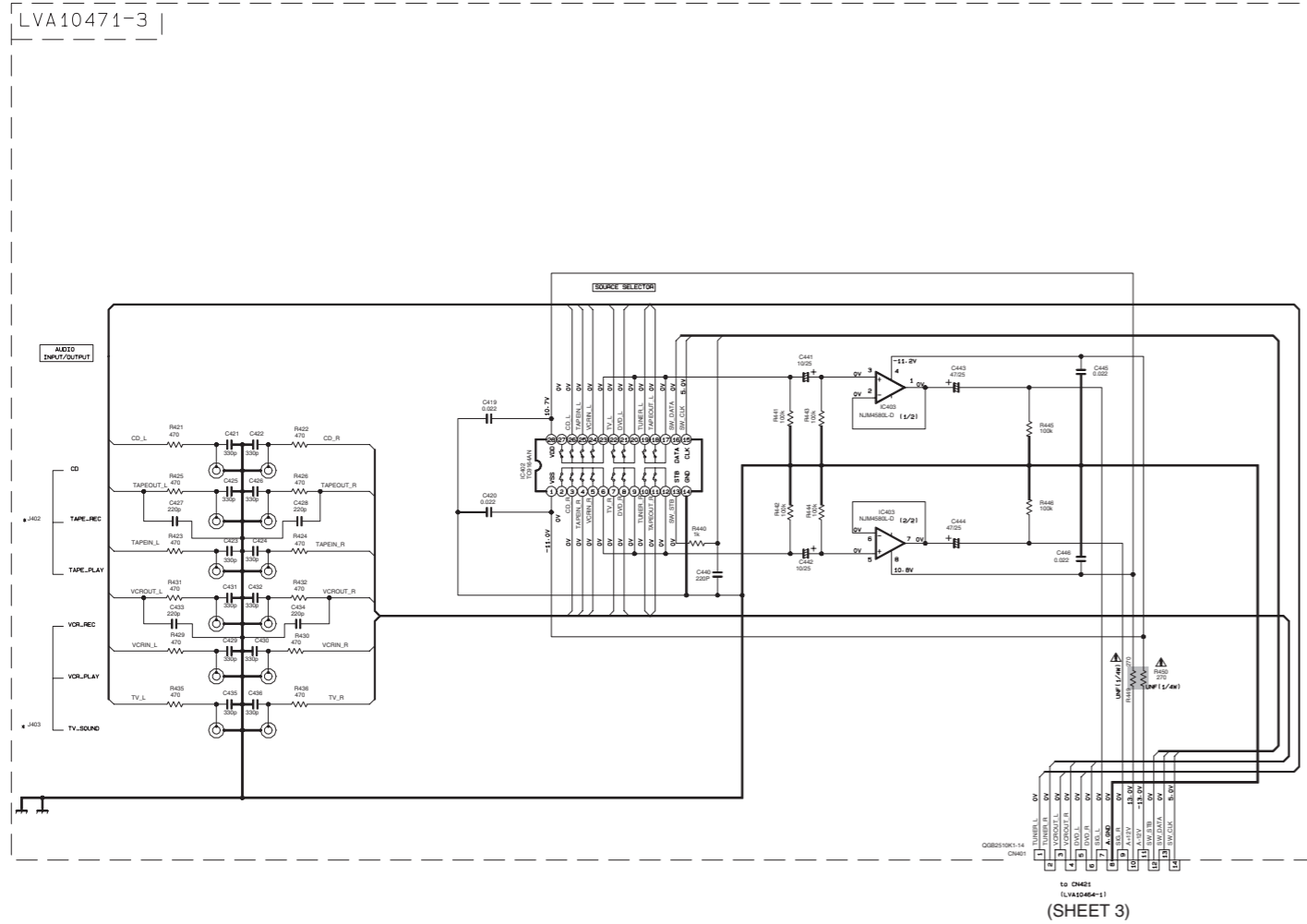
	J/C	B/E/EN/EV	A/UT/US/UP/UJ
B311	USE	USE	NONE
G1191	NONE	NONE	USE
G1192	NONE	NONE	USE
D1191	NONE	NONE	USE
R1193-R1196	NONE	NONE	USE
C1192	NONE	NONE	USE

▲ Parts are safety assurance parts. When replacing those parts make sure to use the specified one.

■ Volume / Regulator / Source select section



■ Audio, Video signal input terminal / Source select section

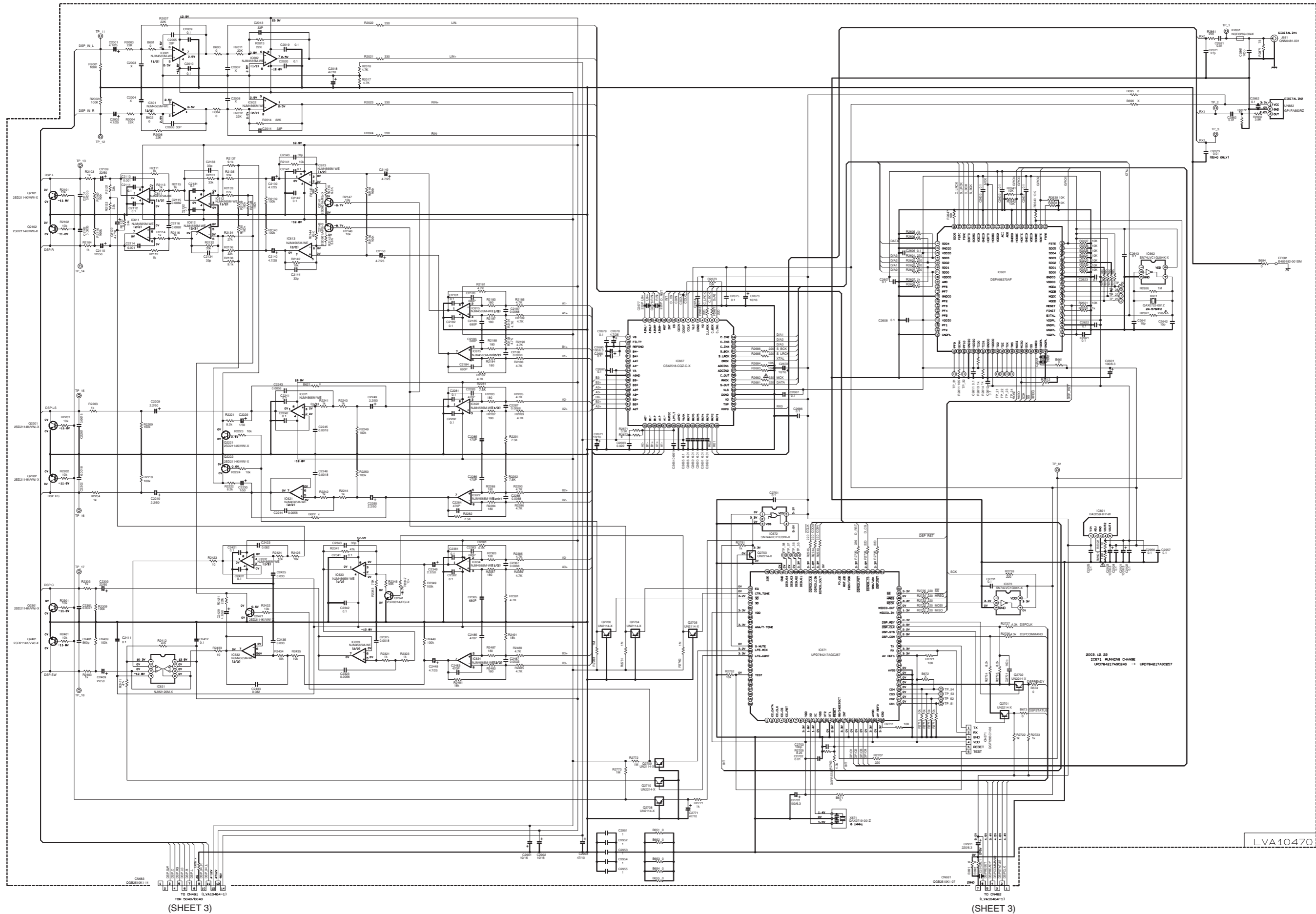


MARK LIST

	J/C	USE/ST/VA/PA/A	B/E/EN/VEY
IC81		USE	NONE
IC82		USE	NONE
IC83		USE	NONE
J402, J403	QND158-001	QND478-001	

⚠ Parts are safety assurance parts. When replacing those parts make sure to use the specified one.

Surround / Digital signal input terminal section

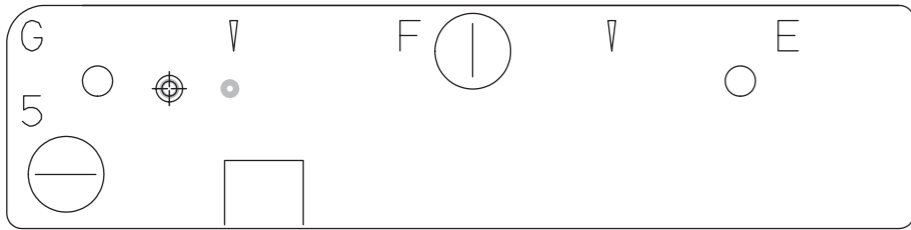


(SHEET 3)

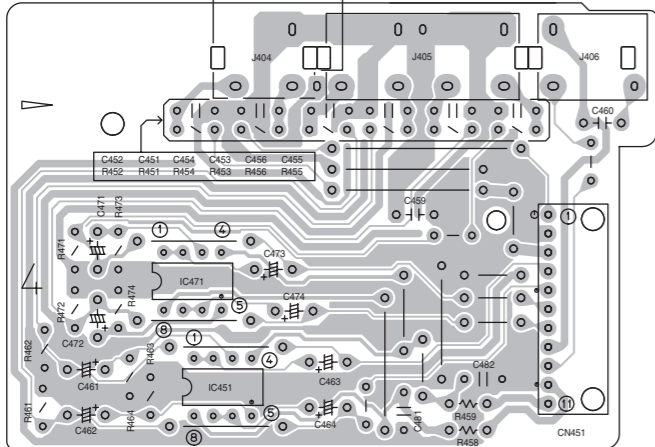
(SHEET 3)

■ Main board

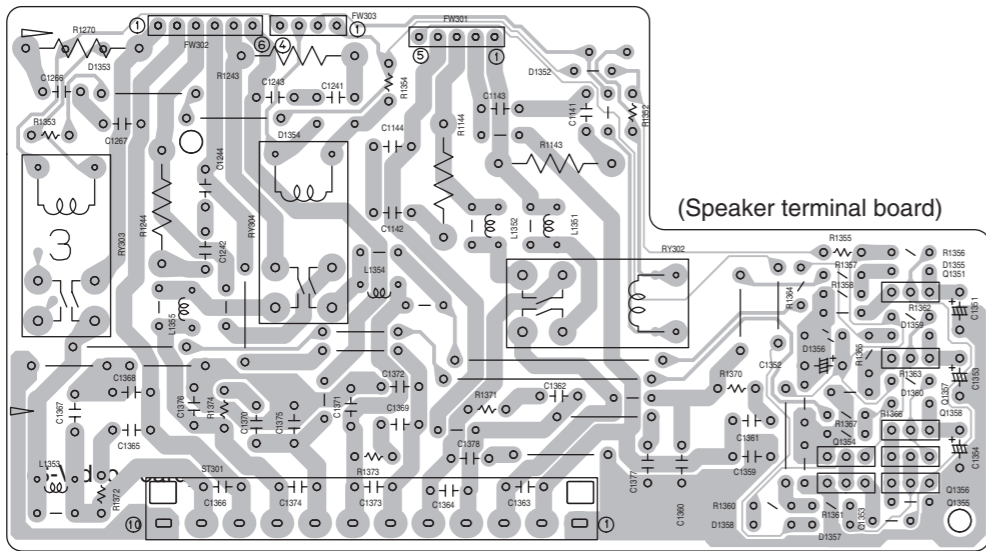
(Support board)



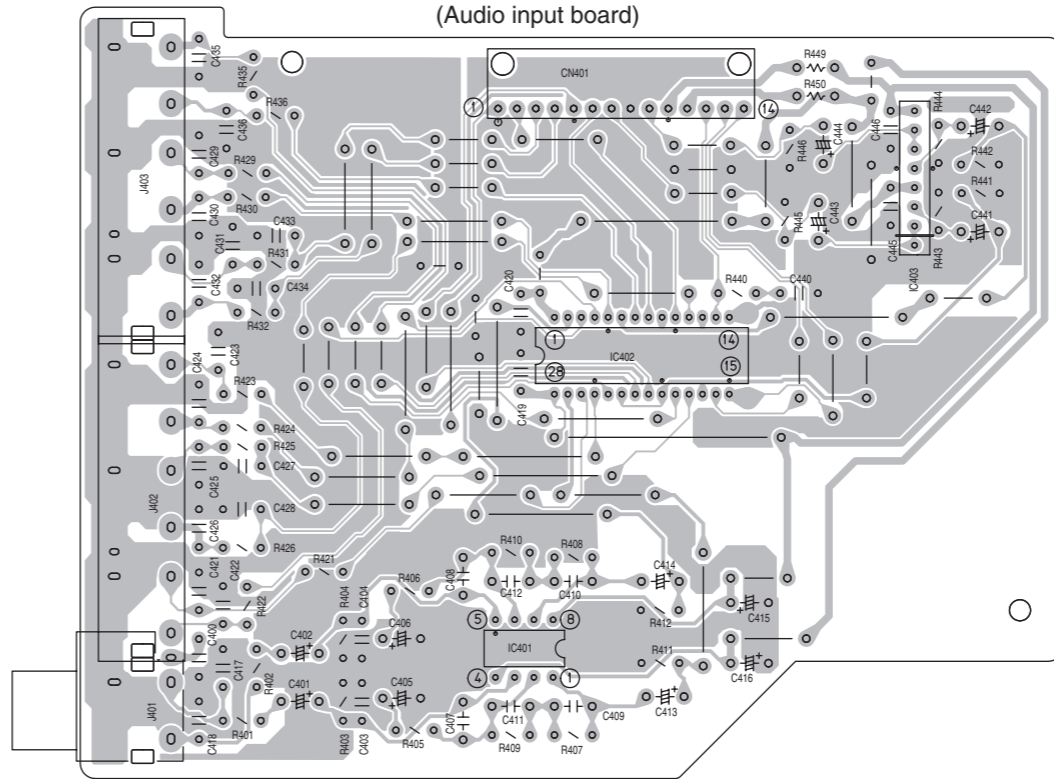
(DVD board)



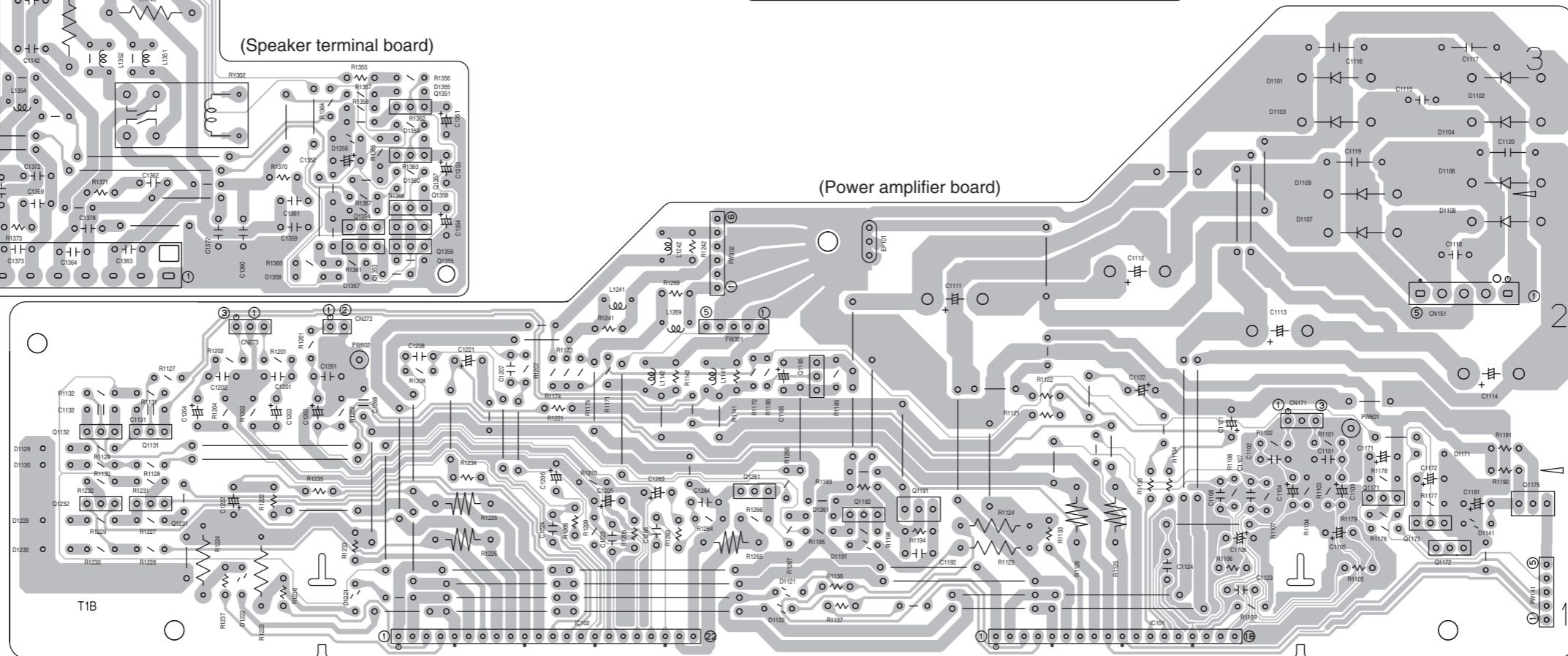
(Speaker terminal board)



(Audio input board)

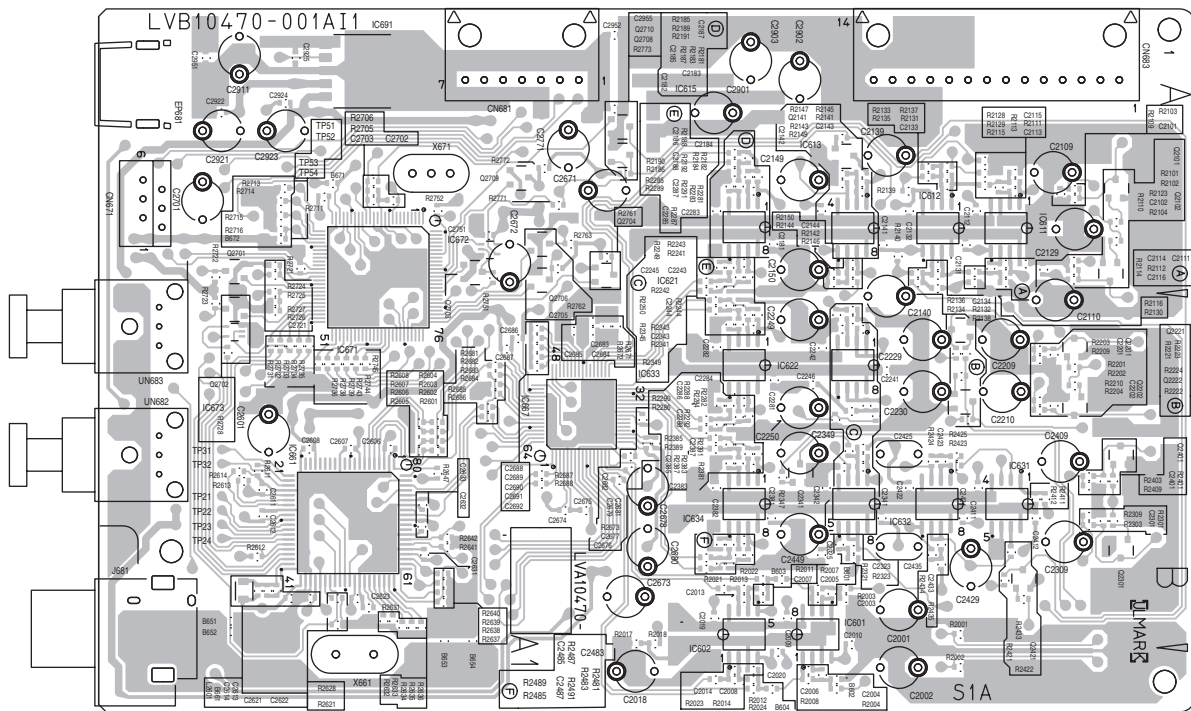


(Power amplifier board)

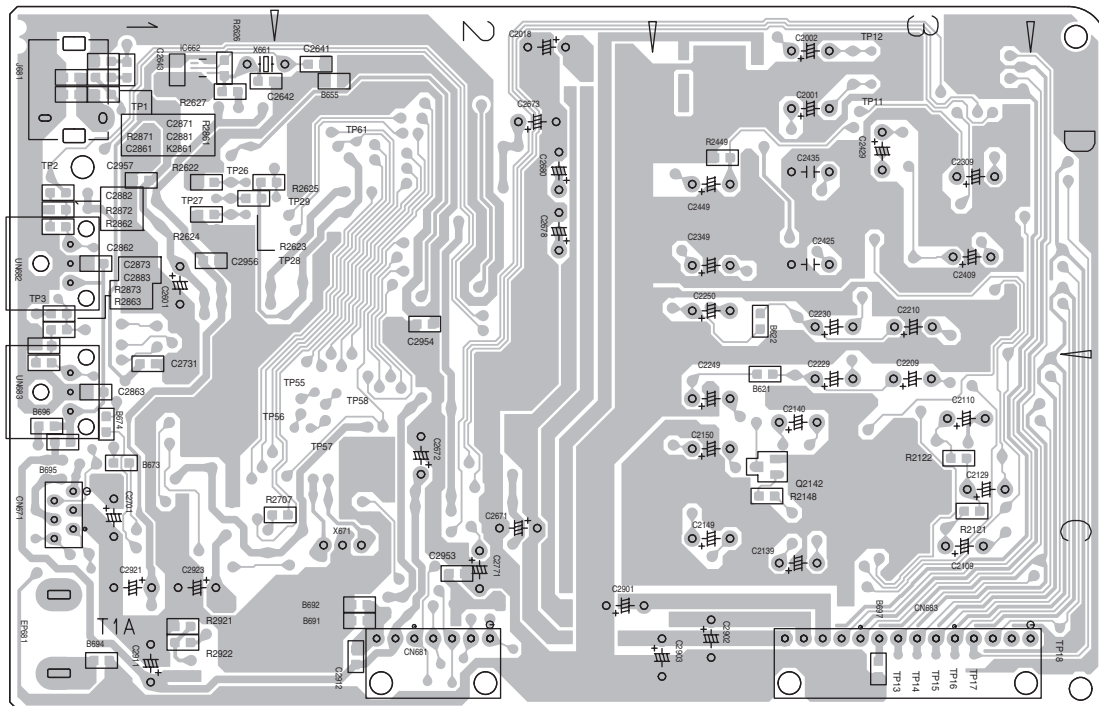


■ DSP board

Forward side



Reverse side



JVC

Victor Company of Japan, Limited

AV & MULTIMEDIA COMPANY AUDIO/VIDEO SYSTEMS CATEGORY 10-1, 1chome, Ohwatari-machi, Maebashi-city, 371-8543, Japan

(No.MB269SCH)



Printed in Japan
WPC

PARTS LIST

[RX-5040B]

* All printed circuit boards and its assemblies are not available as service parts.

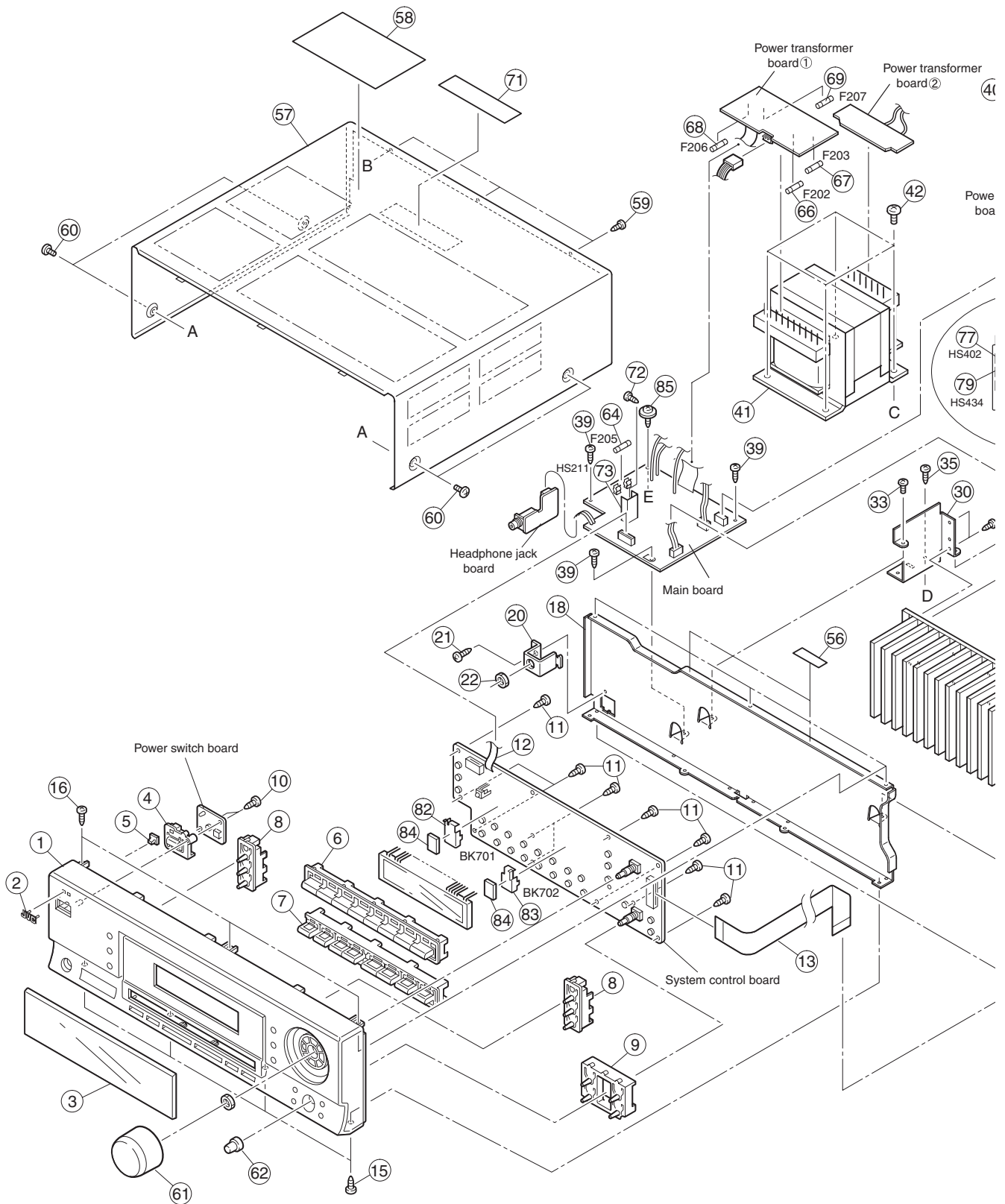
Area suffix
UJ ----- U.S.Military

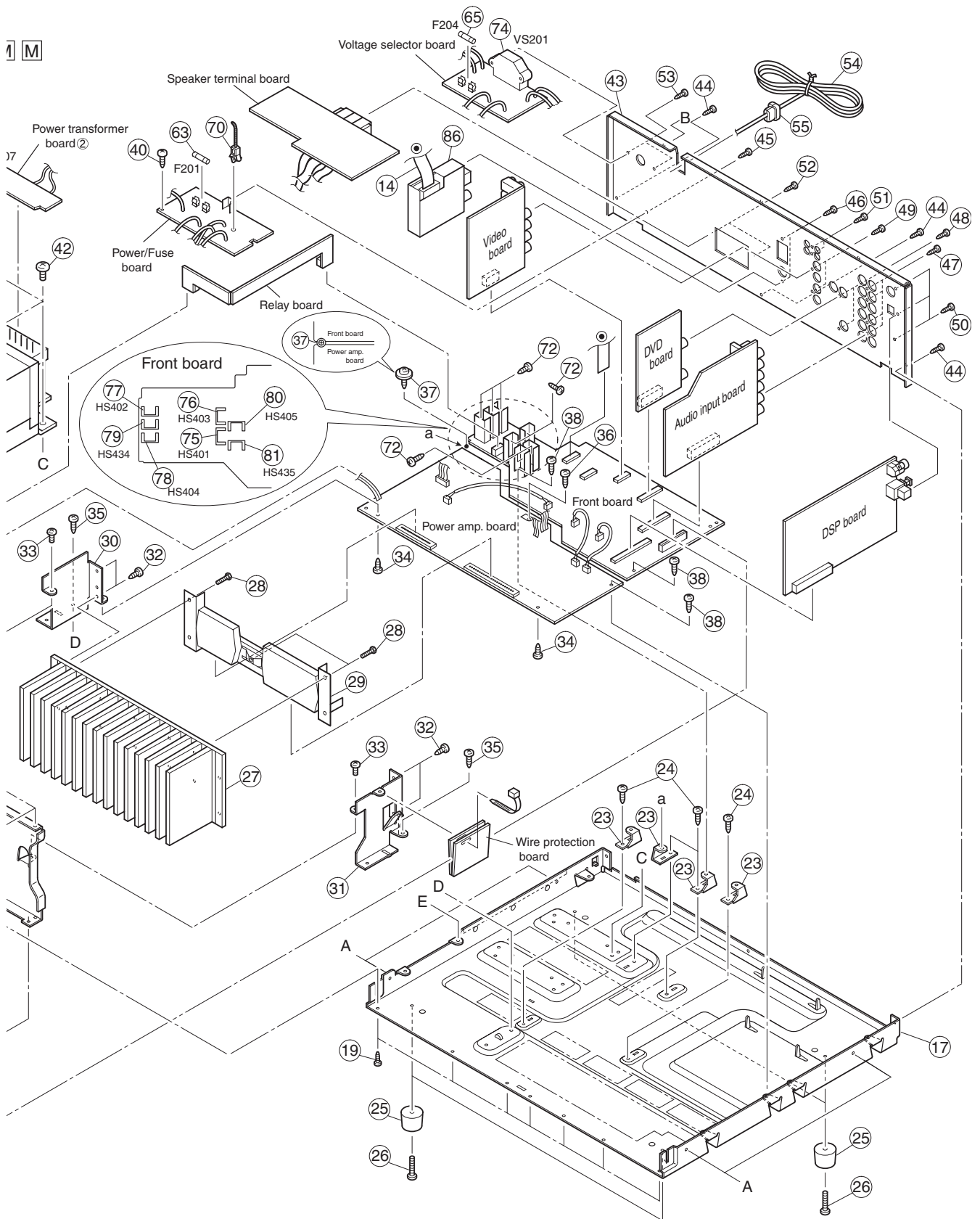
- Contents -

Exploded view of general assembly and parts list (Block No.M1) 3- 2
Electrical parts list (Block No.01~04) 3- 6
Packing materials and accessories parts list (Block No.M3)..... 3-15

Exploded view of general assembly and parts list

Block No. **M 1 M M**





General Assembly

Block No. [M][1][M][M]

△	Symbol No.	Part No.	Part Name	Description	Local
	1	LV10756-022A	FRONT PANEL		
	2	LV43338-001A	JVC MARK		
	3	LV34003-001A	LENS		
	4	LV34000-001A	PUSH BUTTON(POW		
	5	LV42096-001A	INDICATOR		
	6	LV21419-001A	PUSH BUTTON(50)		
	7	LV21421-001A	PUSH BUTTON(FM)		
	8	LV34001-001A	3-BUTTON	(x2)	
	9	LV34002-001A	4-BUTTON		
	10	QYSBSF2608Z	TAP SCREW	M2.6 x 8mm(x2)	
	11	QYSBSF2608Z	TAP SCREW	M2.6 x 8mm(x9)	
	12	QUQ412-1415CJ	FFC WIRE		
	13	QUQ412-2729CJ	FFC WIRE		
	14	QUQ412-1110CJ	FFC WIRE		
	15	QYSDSG3008Z	TAP SCREW	M3 x 8mm(x4)	
	16	QYSBSG3008Z	TAP SCREW	M3 x 8mm(x3)	
	17	LV10873-002A	CHASSIS BASE		
	18	LV10458-003A	FRONT BRACKET		
	19	QYSDSG3008Z	TAP SCREW	M3 x 8mm(x7)	
	20	LV43304-001A	BKT(PHONES)		
	21	QYSBSG3008Z	TAP SCREW	M3 x 8mm	
	22	VKZ4150-001	SPECIAL NUT		
	23	E68587-223SM	CB BKT	(x4)	
	24	QYSBST3006Z	TAP SCREW	M3 x 6mm(x4)	
	25	E47227-036	FOOT	(x4)	
	26	QYSBST3010Z	TAP SCREW	M3 x 10mm(x4)	
	27	LV20916-003A	HEAT SINK		
	28	QYSBSG3012Z	TAP SCREW	M3 x 12mm(x3)	
	29	LV34704-001A	PACK BRACKET		
	30	LV34705-001A	H.S BRACKET(L)		
	31	LV34706-001A	H.S BRACKET(R)		
	32	QYSBSG3008Z	TAP SCREW	M3 x 8mm(x4)	
	33	QYSBST3006Z	TAP SCREW	M3 x 6mm(x2)	
	34	QYSBSG3008Z	TAP SCREW	M3 x 8mm(x2)	
	35	QYSBST3006Z	TAP SCREW	M3 x 6mm(x2)	
	36	QYSBSG3008Z	TAP SCREW	M3 x 8mm	
	37	E65923-003	TAPPING SCREW		
	38	QYSBSG3008Z	TAP SCREW	M3 x 8mm(x3)	
	39	QYSBSG3008Z	TAP SCREW	M3 x 8mm(x3)	
	40	QYSBSG3008Z	TAP SCREW	M3 x 8mm	
△	41	QQT0422-001	POWER TRANSF		
	42	QYSDSTL4008Z	TAP SCREW	M4 x 8mm(x4)	
	43	LV20915-074A	REAR PANEL		
	44	QYSBSGY3008M	TAP SCREW	M3 x 8mm(x3)	
	45	QYSBSGY3008M	TAP SCREW	M3 x 8mm	
	46	QYSBSGY3008M	TAP SCREW	M3 x 8mm(x2)	
	47	QYSBSGY3008M	TAP SCREW	M3 x 8mm(x4)	
	48	QYSBSGY3008M	TAP SCREW	M3 x 8mm(x2)	
	49	QYSBSGY3008M	TAP SCREW	M3 x 8mm(x2)	
	50	QYSBSGY3008M	TAP SCREW	M3 x 8mm(x3)	
	51	QYSBSGY3008M	TAP SCREW	M3 x 8mm(x2)	
	52	QYSBSGY3008M	TAP SCREW	M3 x 8mm(x2)	
	53	QYSBSGY3008M	TAP SCREW	M3 x 8mm(x2)	
△	54	QMPK250-205-JV	POWER CORD(EU)	2.05m BLACK	
△	55	QZW0033-001	STRAIN RELIEF		
	56	LV30225-0H3A	SPACER	(x2)	
	57	LV21649-003A/S/	TOP COVER		
	58	LV30077-004A	PROTECT SHEET		
	59	QYSBSGY3008M	TAP SCREW	M3 x 8mm(x3)	
	60	E406308-003	SPECIAL SCREW	(x4)	
	61	LV43463-001A	VOL KNOB ASSY		
	62	LV43458-001A	JOG KNOB ASSY		
△	63	QMF51W2-5R0-J8	FUSE	F201 5A AC250V	
△	64	QMF51E2-R10-J1	FUSE	F205 0.1A AC250V	
△	65	QMF51W2-2R5-J8	FUSE	F204 2.5A AC250V	
△	66	QMF51W2-2R0-J8	FUSE	F202 2A AC250V	
△	67	QMF51W2-2R0-J8	FUSE	F203 2A AC250V	
△	68	QMF51W2-5R0-J8	FUSE	F206 5A AC250V	
△	69	QMF51W2-5R0-J8	FUSE	F207 5A AC250V	
	70	E307572-001	FASTENER		
	71	E409396-003	CAUTION LABEL		
	72	QYSBSG3008E	TAP SCREW	M3 x 8mm(x8)	
	73	E70945-H40B	HEAT SINK	HS 211	
△	74	QSW0812-001	VOLTAGE SWITCH	VS 201	

△	Symbol No.	Part No.	Part Name	Description	Local
	75	E70306-001	HEAT SINK	HS 401	
	76	E70306-001	HEAT SINK	HS 403	
	77	E70306-001	HEAT SINK	HS 402	
	78	E70306-001	HEAT SINK	HS 404	
	79	E70306-001	HEAT SINK	HS 434	
	80	E70306-001	HEAT SINK	HS 405	
	81	E70306-001	HEAT SINK	HS 435	
	82	LV42093-001A	FL HOLDER(L)	BK 701	
	83	LV42092-001A	FL HOLDER(R)	BK 702	
	84	LV30225-0S7A	SPACER	(x2)	
	85	E65923-003	TAPPING SCREW		
	86	QAU0346-001	TUNER	TU 1	

Electrical parts list

Main board

Block No. [0][1][0][0]

△ Symbol No.	Part No.	Part Name	Description	Local
IC501	NJM2246D	IC		
Q202	KRC105M-T	DIGI TRANSISTOR		
△ Q203	KTC3203/OY/-T	TRANSISTOR		
Q205	KTC3200/GL/-T	TRANSISTOR		
Q206	KRC105M-T	DIGI TRANSISTOR		
Q208	KRC105M-T	DIGI TRANSISTOR		
Q209	KRC105M-T	DIGI TRANSISTOR		
Q210	KRC105M-T	DIGI TRANSISTOR		
△ Q211	2SD2395/EF/	TRANSTRANSISTOR		
Q502	KTC3199/GL/-T	TRANSISTOR		
Q503	KRC1010M-T	TRANSISTOR		
Q505	KTC3199/GL/-T	TRANSISTOR		
△ D201	10DDA20-FD	DIODE		
△ D202	11ES2-T4	DIODE		
△ D203	10DDA20-FD	DIODE		
△ D204	11ES2-T4	DIODE		
△ D206	11ES2-T4	DIODE		
△ D207	11ES2-T4	DIODE		
△ D208	11ES2-T4	DIODE		
△ D209	11ES2-T4	DIODE		
D210	1SS133-T2	DIODE		
D211	MTZJ6.8C-T2	Z DIODE		
D212	11ES2-T4	DIODE		
D217	MTZJ8.2C-T2	Z DIODE		
D218	1SS133-T2	DIODE		
D219	11ES2-T4	DIODE		
D220	11ES2-T4	DIODE		
D221	1SS133-T2	DIODE		
D222	MTZJ12C-T2	Z DIODE		
D223	1SS133-T2	DIODE		
D591	MTZJ6.2C-T2	Z DIODE		
C201	QFLC2AJ-104Z	M CAPACITOR	0.1uF 100V J	
C202	QFLC2AJ-104Z	M CAPACITOR	0.1uF 100V J	
C203	QFLC2AJ-104Z	M CAPACITOR	0.1uF 100V J	
C204	QETM1VM-228	E CAPACITOR	2200uF 35V M	
C205	QETM1VM-108	E CAPACITOR	1000uF 35V M	
C206	QFLC1HJ-473Z	M CAPACITOR	0.047uF 50V J	
C207	QFLC1HJ-473Z	M CAPACITOR	0.047uF 50V J	
C208	QFLC2AJ-472Z	M CAPACITOR	4700pF 100V J	
C209	QETM1JM-477	E CAPACITOR	470uF 63V M	
△ C210	QCZ9104-472	C CAPACITOR	4700pF	
C212	QETN1CM-477Z	E CAPACITOR	470uF 16V M	
C213	QETN0JM-228Z	E CAPACITOR	2200uF 6.3V M	
C218	QETN1HM-105Z	E CAPACITOR	1uF 50V M	
C501	QEKC1HM-475Z	E CAPACITOR	4.7uF 50V M	
C503	QETN0JM-477Z	E CAPACITOR	470uF 6.3V M	
C504	QCS31HJ-470Z	C CAPACITOR	47pF 50V J	
C505	QEKC1HM-475Z	E CAPACITOR	4.7uF 50V M	
C506	QETN0JM-477Z	E CAPACITOR	470uF 6.3V M	
C507	QCS31HJ-470Z	C CAPACITOR	47pF 50V J	
C511	QETN1CM-108Z	E CAPACITOR	1000uF 16V M	
C512	QCB1HK-223Y	C CAPACITOR	0.022uF 50V K	
C521	QCB1HK-221Y	C CAPACITOR	220pF 50V K	
C522	QCZ0202-155Z	C CAPACITOR	1.5uF 25V Z	
△ R201	QRJ146J-2R2X	UNF C RESISTOR	2.2Ω 1/4W J	
△ R203	QRJ146J-3R9X	UNF C RESISTOR	3.9Ω 1/4W J	
△ R204	QRJ146J-821X	UNF C RESISTOR	820Ω 1/4W J	
△ R208	QRJ146J-100X	UNF C RESISTOR	10Ω 1/4W J	
R209	QRE141J-104Y	C RESISTOR	100kΩ 1/4W J	
△ R210	QRJ146J-680X	UNF C RESISTOR	68Ω 1/4W J	
△ R211	QRJ146J-153X	UNF C RESISTOR	15kΩ 1/4W J	
△ R212	QRL017J-332	OMF RESISTOR	3.3kΩ 1W J	
R501	QRE141J-331Y	C RESISTOR	330Ω 1/4W J	
R502	QRE141J-750Y	C RESISTOR	75Ω 1/4W J	
R505	QRE141J-750Y	C RESISTOR	75Ω 1/4W J	
R506	QRE141J-473Y	C RESISTOR	47kΩ 1/4W J	
R507	QRE141J-331Y	C RESISTOR	330Ω 1/4W J	
R508	QRE141J-750Y	C RESISTOR	75Ω 1/4W J	

△ Symbol No.	Part No.	Part Name	Description	Local
R509	QRE141J-750Y	C RESISTOR	75Ω 1/4W J	
R510	QRE141J-473Y	C RESISTOR	47kΩ 1/4W J	
R512	QRE141J-181Y	C RESISTOR	180Ω 1/4W J	
R513	QRE141J-751Y	C RESISTOR	750Ω 1/4W J	
R515	QRE141J-181Y	C RESISTOR	180Ω 1/4W J	
R521	QRE141J-221Y	C RESISTOR	220Ω 1/4W J	
R522	QRE141J-471Y	C RESISTOR	470Ω 1/4W J	
R591	QRE141J-221Y	C RESISTOR	220Ω 1/4W J	
△ T202	QQT0281-004	POWER TRANSF		
CN201	QGF1205C1-14	CONNECTOR	FFC/FPC (1-14)	
CN203	QGD2504C1-04Z	CONNECTOR	(1-4)	
CN241	QGD2504C1-05Z	CONNECTOR	(1-5)	
CN251	QGA3901F2-05	CONNECTOR	W-B (1-5)	
CN291	QGB2510J1-04	CONNECTOR	B-B (1-4)	
CN292	QGB2510K1-04	CONNECTOR	B-B (1-4)	
CN492	QGB2510K1-04	CONNECTOR	B-B (1-4)	
CN501	QGB2510K1-07	CONNECTOR	B-B (1-7)	
EP1	E409182-001SM	GRAND TERMINAL		
EP201	QNZ0136-001Z	EARTH PLATE		
FC211	QNG0020-001Z	FUSE CLIP		
FC212	QNG0020-001Z	FUSE CLIP		
FC221	QNG0020-001Z	FUSE CLIP		
FC222	QNG0020-001Z	FUSE CLIP		
FC231	QNG0020-001Z	FUSE CLIP		
FC232	QNG0020-001Z	FUSE CLIP		
FC241	QNG0020-001Z	FUSE CLIP		
FC242	QNG0020-001Z	FUSE CLIP		
FC251	QNG0020-001Z	FUSE CLIP		
FC252	QNG0020-001Z	FUSE CLIP		
FC261	QNG0020-001Z	FUSE CLIP		
FC262	QNG0020-001Z	FUSE CLIP		
FC271	QNG0020-001Z	FUSE CLIP		
FC272	QNG0020-001Z	FUSE CLIP		
FW201	QUM215-14Z4Z4	PARA RIBON WIRE		
FW251	QUM213-08DGZ4	PARA RIBON WIRE		
J501	QNN0011-001	PIN JACK		
J502	QNN0011-001	PIN JACK		
J521	QNS0089-001	3.5 JACK		
J591	QNS0089-001	3.5 JACK		
PW101	QUB112-14PPPP	SIN TWIST WIRE		
PW102	QUB116-16PPPP	PIN WIRE		
PW103	QUB112-26PPPP	SIN TWIST WIRE		
PW104	QUB111-30PPPP	SIN TWIST WIRE		
PW105	QUB116-30PPPP	SIN TWIST WIRE		
PW306	QUB118-14PPPP	SIN TWIST WIRE		
PW307	QUB116-16PPPP	PIN WIRE		
PW308	QUB112-14PPPP	SIN TWIST WIRE		
PW309	QUB118-14PPPP	SIN TWIST WIRE		
PW310	QUB112-12PPPP	SIN TWIST WIRE		
PW311	QUB111-14PPPP	SIN TWIST WIRE		
△ RY202	QSK0142-001	RELAY		
△ RY203	QSK0109-001	RELAY		
TA201	QNZ0079-001Z	TAB		
TA202	QNZ0079-001Z	TAB		

Power amp. board

Block No. [0][2][0][0]

△ Symbol No.	Part No.	Part Name	Description	Local
△ IC101	STK412-430	POWER I.C		
△ IC102	STK413-430	IC		
IC402	TC9164AN	IC		
IC403	NJM4580L-D	IC		
Q1131	KTC3200/GL/-T	TRANSISTOR		
Q1132	KTC3200/GL/-T	TRANSISTOR		
Q1171	KTC3200/GL/-T	TRANSISTOR		
Q1172	KTA1268/GL/-T	TRANSISTOR		
Q1173	KTC3199/GL/-T	TRANSISTOR		

△ Symbol No.	Part No.	Part Name	Description	Local	△ Symbol No.	Part No.	Part Name	Description	Local
△ Q1175	KTA1046/Y/	TRANSISTOR			C1106	QETN1AM-227Z	E CAPACITOR	220uF 10V M	
Q1185	KTA1268/GL/-T	TRANSISTOR			C1107	QCS31HJ-3R0Z	C CAPACITOR	3pF 50V J	
Q1191	2SD2395/EF/	TRANSTRANSISTOR			C1108	QCS31HJ-3R0Z	C CAPACITOR	3pF 50V J	
Q1192	KTC3200/GL/-T	TRANSISTOR			C1111	QEZ0679-688	E CAPACITOR	6800uF	
Q1231	KTC3200/GL/-T	TRANSISTOR			C1112	QEZ0679-688	E CAPACITOR	6800uF	
Q1232	KTC3200/GL/-T	TRANSISTOR			C1113	QEZ0691-478	E CAPACITER	4700uF	
Q1261	KTC3200/GL/-T	TRANSISTOR			C1114	QEZ0691-478	E CAPACITER	4700uF	
Q1351	KRC109M-T	DIGI TRANSISTOR			C1115	QFZ9076-104Z	MM CAPACITOR	0.1uF	
Q1353	KRC109M-T	DIGI TRANSISTOR			C1116	QCE22HP-103	C CAPACITOR	0.01uF 500V P	
Q1354	KRC109M-T	DIGI TRANSISTOR			C1117	QCE22HP-103	C CAPACITOR	0.01uF 500V P	
Q1355	KRC109M-T	DIGI TRANSISTOR			C1118	QFZ9076-104Z	MM CAPACITOR	0.1uF	
Q1356	KRC109M-T	DIGI TRANSISTOR			C1119	QCE22HP-103	C CAPACITOR	0.01uF 500V P	
Q1357	KRC109M-T	DIGI TRANSISTOR			C1120	QCE22HP-103	C CAPACITOR	0.01uF 500V P	
Q1358	KRC109M-T	DIGI TRANSISTOR			C1121	QETN2AM-107Z	E CAPACITOR	100uF 100V M	
△ D1101	UF304G-F82	FR DIOAE			C1122	QETN2AM-107Z	E CAPACITOR	100uF 100V M	
△ D1102	UF304G-F82	FR DIOAE			C1123	QCS31HJ-101Z	C CAPACITOR	100pF 50V J	
△ D1103	UF304G-F82	FR DIOAE			C1124	QCS31HJ-101Z	C CAPACITOR	100pF 50V J	
△ D1104	UF304G-F82	FR DIOAE			C1131	QCBB1HK-222Y	C CAPACITOR	2200pF 50V K	
△ D1105	UF304G-F82	FR DIOAE			C1132	QCBB1HK-222Y	C CAPACITOR	2200pF 50V K	
△ D1106	UF304G-F82	FR DIOAE			C1141	QFLC1HJ-473Z	M CAPACITOR	0.047uF 50V J	
△ D1107	UF304G-F82	FR DIOAE			C1142	QFLC1HJ-473Z	M CAPACITOR	0.047uF 50V J	
△ D1108	UF304G-F82	FR DIOAE			C1143	QFLC1HJ-473Z	M CAPACITOR	0.047uF 50V J	
D1121	MTZJ15C-T2	Z DIODE			C1144	QFLC1HJ-473Z	M CAPACITOR	0.047uF 50V J	
D1122	MTZJ15C-T2	Z DIODE			C1171	QEKC1EM-106Z	E CAPACITOR	10uF 25V M	
D1129	1SS119-041-T2	DIODE			C1172	QEKC1CM-476Z	E CAPACITOR	47uF 16V M	
D1130	1SS119-041-T2	DIODE			C1185	QETN2AM-106Z	E CAPACITOR	10uF 100V M	
D1141	MTZJ36C-T2	Z DIODE			C1191	QETN1HM-476Z	E CAPACITOR	47uF 50V M	
D1171	1SS119-041-T2	DIODE			C1192	QCF31HZ-472Z	C CAPACITOR	4700pF 50V Z	
D1191	MTZJ30C-T2	Z DIODE			C1201	QFLC1HJ-471Z	M CAPACITOR	470pF 50V J	
D1221	MTZJ15C-T2	Z DIODE			C1202	QFLC1HJ-471Z	M CAPACITOR	470pF 50V J	
D1222	MTZJ15C-T2	Z DIODE			C1203	QENC1HM-475Z	BP E CAPACITOR	4.7uF 50V M	
D1229	1SS119-041-T2	DIODE			C1204	QENC1HM-475Z	BP E CAPACITOR	4.7uF 50V M	
D1230	1SS119-041-T2	DIODE			C1205	QETN1AM-107Z	E CAPACITOR	100uF 10V M	
D1261	1SS119-041-T2	DIODE			C1206	QETN1AM-107Z	E CAPACITOR	100uF 10V M	
D1352	1SS119-041-T2	DIODE			C1207	QCS31HJ-3R0Z	C CAPACITOR	3pF 50V J	
D1353	1SS119-041-T2	DIODE			C1208	QCS31HJ-3R0Z	C CAPACITOR	3pF 50V J	
D1354	1SS119-041-T2	DIODE			C1221	QETN2AM-107Z	E CAPACITOR	100uF 100V M	
D1355	1SS133-T2	DIODE			C1222	QETN2AM-107Z	E CAPACITOR	100uF 100V M	
D1356	MTZJ5.1C-T2	Z DIODE			C1223	QCS31HJ-101Z	C CAPACITOR	100pF 50V J	
D1357	1SS133-T2	DIODE			C1224	QCS31HJ-101Z	C CAPACITOR	100pF 50V J	
D1358	1SS133-T2	DIODE			C1241	QFLC1HJ-473Z	M CAPACITOR	0.047uF 50V J	
D1359	1SS133-T2	DIODE			C1242	QFLC1HJ-473Z	M CAPACITOR	0.047uF 50V J	
D1360	1SS133-T2	DIODE			C1243	QFLC1HJ-473Z	M CAPACITOR	0.047uF 50V J	
C419	QCBB1HK-223Y	C CAPACITOR	0.022uF 50V K		C1244	QFLC1HJ-473Z	M CAPACITOR	0.047uF 50V J	
C420	QCBB1HK-223Y	C CAPACITOR	0.022uF 50V K		C1261	QFLC1HJ-471Z	M CAPACITOR	470pF 50V J	
C421	QCBB1HK-331Y	C CAPACITOR	330pF 50V K		C1262	QENC1HM-475Z	BP E CAPACITOR	4.7uF 50V M	
C422	QCBB1HK-331Y	C CAPACITOR	330pF 50V K		C1263	QETN1AM-107Z	E CAPACITOR	100uF 10V M	
C423	QCBB1HK-331Y	C CAPACITOR	330pF 50V K		C1264	QCS31HJ-3R0Z	C CAPACITOR	3pF 50V J	
C424	QCBB1HK-331Y	C CAPACITOR	330pF 50V K		C1265	QCS31HJ-101Z	C CAPACITOR	100pF 50V J	
C425	QCBB1HK-331Y	C CAPACITOR	330pF 50V K		C1266	QFLC1HJ-473Z	M CAPACITOR	0.047uF 50V J	
C426	QCBB1HK-331Y	C CAPACITOR	330pF 50V K		C1267	QFLC1HJ-473Z	M CAPACITOR	0.047uF 50V J	
C427	QCBB1HK-221Y	C CAPACITOR	220pF 50V K		C1268	QCBB1HK-223Y	C CAPACITOR	0.022uF 50V K	
C428	QCBB1HK-221Y	C CAPACITOR	220pF 50V K		C1351	QETN1HM-475Z	E CAPACITOR	4.7uF 50V M	
C429	QCBB1HK-331Y	C CAPACITOR	330pF 50V K		C1352	QEKC1HM-475Z	E CAPACITOR	4.7uF 50V M	
C430	QCBB1HK-331Y	C CAPACITOR	330pF 50V K		C1353	QEKC1HM-475Z	E CAPACITOR	4.7uF 50V M	
C431	QCBB1HK-331Y	C CAPACITOR	330pF 50V K		C1354	QEKC1HM-475Z	E CAPACITOR	4.7uF 50V M	
C432	QCBB1HK-331Y	C CAPACITOR	330pF 50V K		C1359	QCS32HJ-221Z	C CAPACITOR	220pF 500V J	
C433	QCBB1HK-221Y	C CAPACITOR	220pF 50V K		C1360	QCS32HJ-221Z	C CAPACITOR	220pF 500V J	
C434	QCBB1HK-221Y	C CAPACITOR	220pF 50V K		C1361	QFLC1HJ-473Z	M CAPACITOR	0.047uF 50V J	
C435	QCBB1HK-331Y	C CAPACITOR	330pF 50V K		C1362	QFLC1HJ-473Z	M CAPACITOR	0.047uF 50V J	
C436	QCBB1HK-331Y	C CAPACITOR	330pF 50V K		C1363	QCS32HJ-221Z	C CAPACITOR	220pF 500V J	
C440	QCBB1HK-221Y	C CAPACITOR	220pF 50V K		C1364	QCS32HJ-221Z	C CAPACITOR	220pF 500V J	
C441	QETN1EM-106Z	E CAPACITOR	10uF 25V M		C1365	QFLC1HJ-473Z	M CAPACITOR	0.047uF 50V J	
C442	QETN1EM-106Z	E CAPACITOR	10uF 25V M		C1366	QCS32HJ-221Z	C CAPACITOR	220pF 500V J	
C443	QETN1EM-476Z	E CAPACITOR	47uF 25V M		C1367	QCS32HJ-221Z	C CAPACITOR	220pF 500V J	
C444	QETN1EM-476Z	E CAPACITOR	47uF 25V M		C1368	QCS32HJ-221Z	C CAPACITOR	220pF 500V J	
C445	QCBB1HK-223Y	C CAPACITOR	0.022uF 50V K		C1369	QFLC1HJ-473Z	M CAPACITOR	0.047uF 50V J	
C446	QCBB1HK-223Y	C CAPACITOR	0.022uF 50V K		C1370	QFLC1HJ-473Z	M CAPACITOR	0.047uF 50V J	
C451	QCBB1HK-331Y	C CAPACITOR	330pF 50V K		C1371	QCS32HJ-221Z	C CAPACITOR	220pF 500V J	
C452	QCBB1HK-331Y	C CAPACITOR	330pF 50V K		C1372	QCS32HJ-221Z	C CAPACITOR	220pF 500V J	
C460	QCZ0202-155Z	C CAPACITOR	1.5uF 25V Z		C1373	QCS32HJ-221Z	C CAPACITOR	220pF 500V J	
C1101	QFLC1HJ-471Z	M CAPACITOR	470pF 50V J		C1374	QCS32HJ-221Z	C CAPACITOR	220pF 500V J	
C1102	QFLC1HJ-471Z	M CAPACITOR	470pF 50V J		C1375	QCS32HJ-221Z	C CAPACITOR	220pF 500V J	
C1103	QENC1HM-475Z	BP E CAPACITOR	4.7uF 50V M		C1376	QCS32HJ-221Z	C CAPACITOR	220pF 500V J	
C1104	QENC1HM-475Z	BP E CAPACITOR	4.7uF 50V M		C1377	QCS32HJ-221Z	C CAPACITOR	220pF 500V J	
C1105	QETN1AM-227Z	E CAPACITOR	220uF 10V M		C1378	QCS32HJ-221Z	C CAPACITOR	220pF 500V J	
					R421	QRE141J-471Y	C RESISTOR	470Ω 1/4W J	
					R422	QRE141J-471Y	C RESISTOR	470Ω 1/4W J	

△ Symbol No.	Part No.	Part Name	Description	Local	△ Symbol No.	Part No.	Part Name	Description	Local
R423	QRE141J-471Y	C RESISTOR	470Ω 1/4W J		△ R1221	QRJ146J-471X	UNF C RESISTOR	470Ω 1/4W J	
R424	QRE141J-471Y	C RESISTOR	470Ω 1/4W J		△ R1222	QRJ146J-471X	UNF C RESISTOR	470Ω 1/4W J	
R425	QRE141J-471Y	C RESISTOR	470Ω 1/4W J		△ R1223	QRL017J-152	OMF RESISTOR	1.5kΩ 1W J	
R426	QRE141J-471Y	C RESISTOR	470Ω 1/4W J		△ R1224	QRL017J-152	OMF RESISTOR	1.5kΩ 1W J	
R429	QRE141J-471Y	C RESISTOR	470Ω 1/4W J		△ R1225	QRZ0224-R22	EMIT RESISTOR	0.22Ω	
R430	QRE141J-471Y	C RESISTOR	470Ω 1/4W J		△ R1226	QRZ0224-R22	EMIT RESISTOR	0.22Ω	
R431	QRE141J-471Y	C RESISTOR	470Ω 1/4W J		R1227	QRE141J-102Y	C RESISTOR	1kΩ 1/4W J	
R432	QRE141J-471Y	C RESISTOR	470Ω 1/4W J		R1228	QRE141J-102Y	C RESISTOR	1kΩ 1/4W J	
R435	QRE141J-471Y	C RESISTOR	470Ω 1/4W J		R1229	QRE141J-183Y	C RESISTOR	18kΩ 1/4W J	
R436	QRE141J-471Y	C RESISTOR	470Ω 1/4W J		R1230	QRE141J-183Y	C RESISTOR	18kΩ 1/4W J	
R440	QRE141J-102Y	C RESISTOR	1kΩ 1/4W J		R1231	QRE141J-473Y	C RESISTOR	47kΩ 1/4W J	
R441	QRE141J-104Y	C RESISTOR	100kΩ 1/4W J		R1232	QRE141J-473Y	C RESISTOR	47kΩ 1/4W J	
R442	QRE141J-104Y	C RESISTOR	100kΩ 1/4W J		△ R1233	QRJ146J-101X	UNF C RESISTOR	100Ω 1/4W J	
R443	QRE141J-104Y	C RESISTOR	100kΩ 1/4W J		△ R1234	QRJ146J-2R2X	UNF C RESISTOR	2.2Ω 1/4W J	
R444	QRE141J-104Y	C RESISTOR	100kΩ 1/4W J		△ R1235	QRJ146J-2R2X	UNF C RESISTOR	2.2Ω 1/4W J	
R445	QRE141J-104Y	C RESISTOR	100kΩ 1/4W J		△ R1236	QRJ146J-2R2X	UNF C RESISTOR	2.2Ω 1/4W J	
R446	QRE141J-104Y	C RESISTOR	100kΩ 1/4W J		△ R1237	QRJ146J-2R2X	UNF C RESISTOR	2.2Ω 1/4W J	
△ R449	QRJ146J-271X	UNF C RESISTOR	270Ω 1/4W J		R1241	QRJ146J-330X	UNF C RESISTOR	33Ω 1/4W J	
△ R450	QRJ146J-271X	UNF C RESISTOR	270Ω 1/4W J		R1242	QRJ146J-330X	UNF C RESISTOR	33Ω 1/4W J	
R451	QRE141J-471Y	C RESISTOR	470Ω 1/4W J		△ R1243	QRL027J-100	OMF RESISTOR	10Ω 2W J	
R452	QRE141J-471Y	C RESISTOR	470Ω 1/4W J		△ R1244	QRL027J-100	OMF RESISTOR	10Ω 2W J	
R1101	QRE141J-221Y	C RESISTOR	220Ω 1/4W J		R1261	QRE141J-102Y	C RESISTOR	1kΩ 1/4W J	
R1102	QRE141J-221Y	C RESISTOR	220Ω 1/4W J		R1262	QRE141J-623Y	C RESISTOR	62kΩ 1/4W J	
R1103	QRE141J-104Y	C RESISTOR	100kΩ 1/4W J		△ R1263	QRJ146J-301X	UNF C RESISTOR	300Ω 1/4W J	
R1104	QRE141J-104Y	C RESISTOR	100kΩ 1/4W J		R1264	QRE141J-623Y	C RESISTOR	62kΩ 1/4W J	
△ R1105	QRJ146J-391X	UNF C RESISTOR	390Ω 1/4W J		△ R1265	QRZ0224-R22	EMIT RESISTOR	0.22Ω	
△ R1106	QRJ146J-391X	UNF C RESISTOR	390Ω 1/4W J		R1266	QRE141J-102Y	C RESISTOR	1kΩ 1/4W J	
R1107	QRE141J-104Y	C RESISTOR	100kΩ 1/4W J		R1267	QRE141J-183Y	C RESISTOR	18kΩ 1/4W J	
R1108	QRE141J-104Y	C RESISTOR	100kΩ 1/4W J		R1268	QRE141J-473Y	C RESISTOR	47kΩ 1/4W J	
R1109	QRE141J-333Y	C RESISTOR	33kΩ 1/4W J		R1269	QRJ146J-330X	UNF C RESISTOR	33Ω 1/4W J	
△ R1121	QRJ146J-471X	UNF C RESISTOR	470Ω 1/4W J		△ R1270	QRL027J-100	OMF RESISTOR	10Ω 2W J	
△ R1122	QRJ146J-471X	UNF C RESISTOR	470Ω 1/4W J		△ R1352	QRJ146J-680X	UNF C RESISTOR	68Ω 1/4W J	
△ R1123	QRL017J-152	OMF RESISTOR	1.5kΩ 1W J		△ R1353	QRJ146J-680X	UNF C RESISTOR	68Ω 1/4W J	
△ R1124	QRL017J-152	OMF RESISTOR	1.5kΩ 1W J		△ R1354	QRJ146J-680X	UNF C RESISTOR	68Ω 1/4W J	
△ R1125	QRZ0224-R22	EMIT RESISTOR	0.22Ω		△ R1355	QRJ146J-392X	UNF C RESISTOR	3.9kΩ 1/4W J	
△ R1126	QRZ0224-R22	EMIT RESISTOR	0.22Ω		R1356	QRE141J-472Y	C RESISTOR	4.7kΩ 1/4W J	
R1127	QRE141J-102Y	C RESISTOR	1kΩ 1/4W J		R1357	QRE141J-223Y	C RESISTOR	22kΩ 1/4W J	
R1128	QRE141J-102Y	C RESISTOR	1kΩ 1/4W J		R1358	QRE141J-682Y	C RESISTOR	6.8kΩ 1/4W J	
R1129	QRE141J-183Y	C RESISTOR	18kΩ 1/4W J		R1360	QRE141J-472Y	C RESISTOR	4.7kΩ 1/4W J	
R1130	QRE141J-183Y	C RESISTOR	18kΩ 1/4W J		R1361	QRE141J-472Y	C RESISTOR	4.7kΩ 1/4W J	
R1131	QRE141J-473Y	C RESISTOR	47kΩ 1/4W J		R1362	QRE141J-472Y	C RESISTOR	4.7kΩ 1/4W J	
R1132	QRE141J-473Y	C RESISTOR	47kΩ 1/4W J		R1363	QRE141J-472Y	C RESISTOR	4.7kΩ 1/4W J	
△ R1133	QRJ146J-101X	UNF C RESISTOR	100Ω 1/4W J		R1364	QRE141J-223Y	C RESISTOR	22kΩ 1/4W J	
△ R1134	QRJ146J-2R2X	UNF C RESISTOR	2.2Ω 1/4W J		R1365	QRE141J-682Y	C RESISTOR	6.8kΩ 1/4W J	
△ R1135	QRJ146J-2R2X	UNF C RESISTOR	2.2Ω 1/4W J		R1366	QRE141J-223Y	C RESISTOR	22kΩ 1/4W J	
△ R1136	QRJ146J-2R2X	UNF C RESISTOR	2.2Ω 1/4W J		R1367	QRE141J-682Y	C RESISTOR	6.8kΩ 1/4W J	
△ R1137	QRJ146J-2R2X	UNF C RESISTOR	2.2Ω 1/4W J		△ R1370	QRJ146J-3R9X	UNF C RESISTOR	3.9Ω 1/4W J	
R1141	QRJ146J-330X	UNF C RESISTOR	33Ω 1/4W J		△ R1371	QRJ146J-3R9X	UNF C RESISTOR	3.9Ω 1/4W J	
R1142	QRJ146J-330X	UNF C RESISTOR	33Ω 1/4W J		△ R1372	QRJ146J-3R9X	UNF C RESISTOR	3.9Ω 1/4W J	
△ R1143	QRL027J-100	OMF RESISTOR	10Ω 2W J		△ R1373	QRJ146J-3R9X	UNF C RESISTOR	3.9Ω 1/4W J	
△ R1144	QRL027J-100	OMF RESISTOR	10Ω 2W J		△ R1374	QRJ146J-3R9X	UNF C RESISTOR	3.9Ω 1/4W J	
R1171	QRE141J-104Y	C RESISTOR	100kΩ 1/4W J		L1141	QQLZ005-R45	COIL	0.45uH	
R1172	QRE141J-823Y	C RESISTOR	82kΩ 1/4W J		L1142	QQLZ005-R45	COIL	0.45uH	
R1173	QRE141J-104Y	C RESISTOR	100kΩ 1/4W J		L1241	QQLZ005-R45	COIL	0.45uH	
R1174	QRE141J-104Y	C RESISTOR	100kΩ 1/4W J		L1242	QQLZ005-R45	COIL	0.45uH	
R1175	QRE141J-104Y	C RESISTOR	100kΩ 1/4W J		L1269	QQLZ005-R45	COIL	0.45uH	
R1176	QRE141J-104Y	C RESISTOR	100kΩ 1/4W J		L1351	QQLZ005-R45	COIL	0.45uH	
R1177	QRE141J-104Y	C RESISTOR	100kΩ 1/4W J		L1352	QQLZ005-R45	COIL	0.45uH	
R1178	QRE141J-103Y	C RESISTOR	10kΩ 1/4W J		L1353	QQLZ005-R45	COIL	0.45uH	
R1179	QRE141J-103Y	C RESISTOR	10kΩ 1/4W J		L1354	QQLZ005-R45	COIL	0.45uH	
R1185	QRE141J-103Y	C RESISTOR	10kΩ 1/4W J		L1355	QQLZ005-R45	COIL	0.45uH	
R1186	QRE141J-104Y	C RESISTOR	100kΩ 1/4W J						
△ R1191	QRZ9005-680X	F RESISTOR	68Ω		CN151	QJK012-051903	WIRE		
△ R1192	QRJ146J-562X	UNF C RESISTOR	5.6kΩ 1/4W J		CN171	QJP001-031801	SHI CR C-B WIRE		
△ R1193	QRZ9005-100X	FUSI RESISTOR	10Ω		CN272	QJP002-021201	SHI CR C-B WIRE		
△ R1194	QRK126J-332X	UNF C RESISTOR	3.3kΩ 1/2W J		CN273	QJP001-031001	SHI CR C-B WIRE		
R1195	QRE141J-472Y	C RESISTOR	4.7kΩ 1/4W J		CN401	QGB2510K1-14	CONNECTOR	B-B (1-14)	
R1196	QRE141J-473Y	C RESISTOR	47kΩ 1/4W J		CN451	QGB2510K1-11	CONNECTOR	B-B (1-11)	
R1201	QRE141J-102Y	C RESISTOR	1kΩ 1/4W J		EP101	QNZ0136-001Z	EARTH PLATE		
R1202	QRE141J-102Y	C RESISTOR	1kΩ 1/4W J		FW141	QUM215-16DGGZ4	WIRE		
R1203	QRE141J-104Y	C RESISTOR	100kΩ 1/4W J		FW301	QUM215-25Z4Z4	PARA RIBON WIRE		
R1204	QRE141J-104Y	C RESISTOR	100kΩ 1/4W J		FW302	QUM216-25Z4Z4	PARA RIBON WIRE		
△ R1205	QRJ146J-751X	UNF C RESISTOR	750Ω 1/4W J		FW303	QUM214-26DGGZ4	PARA RIBON WIRE		
△ R1206	QRJ146J-751X	UNF C RESISTOR	750Ω 1/4W J		J402	QNN0478-001	SURROUND JACK		
R1207	QRE141J-104Y	C RESISTOR	100kΩ 1/4W J		J403	QNN0478-001	SURROUND JACK		
R1208	QRE141J-104Y	C RESISTOR	100kΩ 1/4W J		J404	QNN0389-001	PIN JACK		
R1209	QRE141J-333Y	C RESISTOR	33kΩ 1/4W J		J406	QNN060-001	PIN JACK		
R1210	QRE141J-101Y	C RESISTOR	100Ω 1/4W J						

△ Symbol No.	Part No.	Part Name	Description	Local	△ Symbol No.	Part No.	Part Name	Description	Local
PW601	QUB220-22HPHP	BOARD-IN--WIRE			C703	QEKC1HM-225Z	E CAPACITOR	2.2uF 50V M	
△ RY302	QSK0109-001	RELAY			C704	NCB31CK-223X	C CAPACITOR	0.022uF 16V K	
△ RY303	QSK0109-001	RELAY			C705	QEKC0JM-107Z	E CAPACITOR	100uF 6.3V M	
△ RY304	QSK0109-001	RELAY			C706	NCB21HK-331X	C CAPACITOR	330pF 50V K	
ST301	QNB0188-001	SPEAKER TERMINA			C707	QEKC1HM-475Z	E CAPACITOR	4.7uF 50V M	

Front board

Block No. [0][3][0][0]

△ Symbol No.	Part No.	Part Name	Description	Local	△ Symbol No.	Part No.	Part Name	Description	Local
IC423	TC9162AF-X	IC			C710	NCB21HK-104X	C CAPACITOR	0.1uF 50V K	
IC427	NJM4565M-WE	IC			C713	NCB21HK-103X	C CAPACITOR	0.01uF 50V K	
IC428	BD3814FV-X	IC			C714	NCB21HK-103X	C CAPACITOR	0.01uF 50V K	
IC701	MN101C35DMW	IC(1-TIME)			C715	NCB21HK-103X	C CAPACITOR	0.01uF 50V K	
IC702	IC-PST9139-T	IC			C716	NCB21HK-103X	C CAPACITOR	0.01uF 50V K	
IC703	GP1UM281XKVF	IR DETECT UNIT	38kHz		C717	NCB21HK-103X	C CAPACITOR	0.01uF 50V K	
Q701	UN2214-X	TRANSISTOR			C718	NCB21HK-103X	C CAPACITOR	0.01uF 50V K	
Q702	UN2215-X	TRANSISTOR			C719	NCB21HK-103X	C CAPACITOR	0.01uF 50V K	
Q703	KRC109S-X	TRANSISTOR			C720	NCB31CK-104X	C CAPACITOR	0.1uF 16V K	
Q704	UN2214-X	TRANSISTOR			C721	NCB31CK-104X	C CAPACITOR	0.1uF 16V K	
Q707	UN2214-X	TRANSISTOR			C722	QCZ0202-155Z	C CAPACITOR	1.5uF 25V Z	
Q708	UN2214-X	TRANSISTOR			C723	NCB31CK-104X	C CAPACITOR	0.1uF 16V K	
Q709	UN2214-X	TRANSISTOR			C724	NCB31CK-104X	C CAPACITOR	0.1uF 16V K	
Q711	UN2113-X	TRANSISTOR			C725	QEKC1HM-475Z	E CAPACITOR	4.7uF 50V M	
△ Q1401	KTA1046/Y/	TRANSISTOR			C730	NCB31CK-104X	C CAPACITOR	0.1uF 16V K	
△ Q1402	2SD2394/EF/	TRANSISTOR			C731	NCB21HK-104X	C CAPACITOR	0.1uF 50V K	
△ Q1403	2SD2394/EF/	TRANSISTOR			C1401	QETN1HM-476Z	E CAPACITOR	47uF 50V M	
△ Q1404	2SD2394/EF/	TRANSISTOR			C1402	QETN1EM-107Z	E CAPACITOR	100uF 25V M	
△ Q1405	2SD2394/EF/	TRANSISTOR			C1403	QETN1EM-107Z	E CAPACITOR	100uF 25V M	
△ Q1406	KTC3203/OY/-T	TRANSISTOR			C1404	QETN1EM-107Z	E CAPACITOR	100uF 25V M	
△ Q1407	KTC3203/OY/-T	TRANSISTOR			C1405	QETN1EM-107Z	E CAPACITOR	100uF 25V M	
△ Q1408	KTA1271/OY/-T	TRANSISTOR			C1406	QETN1EM-107Z	E CAPACITOR	100uF 25V M	
Q1413	2SC3576-JVC-T	TRANSISTOR			C1407	QCF31HZ-223Z	C CAPACITOR	0.022uF 50V Z	
Q1414	2SC3576-JVC-T	TRANSISTOR			C1408	QETN1EM-476Z	E CAPACITOR	47uF 25V M	
Q1417	2SC3576-JVC-T	TRANSISTOR			C1409	QETN1EM-476Z	E CAPACITOR	47uF 25V M	
Q1418	2SC3576-JVC-T	TRANSISTOR			C1422	QETN1HM-475Z	E CAPACITOR	4.7uF 50V M	
Q1419	2SC3576-JVC-T	TRANSISTOR			C1423	QEKC1HM-475Z	E CAPACITOR	4.7uF 50V M	
Q1420	KRA104M-T	DIGI TRANSISTOR			C1424	QEKC1HM-475Z	E CAPACITOR	4.7uF 50V M	
Q1421	2SC3576-JVC-T	TRANSISTOR			C1425	QEKC1CM-106Z	E CAPACITOR	10uF 16V M	
Q1422	2SC3576-JVC-T	TRANSISTOR			C1432	NCB31CK-223X	C CAPACITOR	0.022uF 16V K	
Q1423	KRA104M-T	DIGI TRANSISTOR			C1433	QETN1CM-106Z	E CAPACITOR	10uF 16V M	
Q1424	KRA104M-T	DIGI TRANSISTOR			C1436	NCB31CK-223X	C CAPACITOR	0.022uF 16V K	
Q1425	2SC3576-JVC-T	TRANSISTOR			C1437	QCZ0202-155Z	C CAPACITOR	1.5uF 25V Z	
Q1426	2SC3576-JVC-T	TRANSISTOR			C1439	QFLC1HJ-562Z	M CAPACITOR	5600pF 50V J	
Q1427	2SC3576-JVC-T	TRANSISTOR			C1440	QFLC1HJ-562Z	M CAPACITOR	5600pF 50V J	
Q1428	2SC3576-JVC-T	TRANSISTOR			C1444	NCB31CK-223X	C CAPACITOR	0.022uF 16V K	
Q1429	KRA104M-T	DIGI TRANSISTOR			C1445	NCB31CK-223X	C CAPACITOR	0.022uF 16V K	
△ Q1434	2SD2394/EF/	TRANSISTOR			C1446	NCB31HK-221X	C CAPACITOR	220pF 50V K	
△ Q1435	2SD2394/EF/	TRANSISTOR			C1447	QEKC1HM-475Z	E CAPACITOR	4.7uF 50V M	
D701	1SS355-X	SI DIODE			C1453	QETN1HM-475Z	E CAPACITOR	4.7uF 50V M	
D702	1SS355-X	SI DIODE			C1459	QETN1HM-475Z	E CAPACITOR	4.7uF 50V M	
D703	SB007-03CP-X	SB DIODE			C1460	NCB31CK-223X	C CAPACITOR	0.022uF 16V K	
D719	SLR-343VC/NPQ-T	LED			C1461	NCB31CK-223X	C CAPACITOR	0.022uF 16V K	
D1401	MTZJ13C-T2	Z DIODE			C1463	QETN1HM-475Z	E CAPACITOR	4.7uF 50V M	
D1402	MTZJ6.2C-T2	Z DIODE			C1464	QETN1HM-475Z	E CAPACITOR	4.7uF 50V M	
D1403	MTZJ5.6B-T2	Z DIODE			C1465	QENC1HM-106Z	BP E CAPACITOR	10uF 50V M	
D1404	MTZJ5.6C-T2	Z DIODE			C1480	QETN1VM-477Z	E CAPACITOR	470uF 35V M	
D1405	MTZJ13C-T2	Z DIODE			△ R101	QRL027J-471	OMF RESISTOR	470Ω 2W J	
D1406	MTZJ10C-T2	Z DIODE			R102	QRL027J-471	OMF RESISTOR	470Ω 2W J	
D1407	MTZJ7.5C-T2	Z DIODE			R475	NRSA63J-163X	MG RESISTOR	16kΩ 1/16W J	
D1408	MTZJ7.5C-T2	Z DIODE			R476	NRSA63J-103X	MG RESISTOR	10kΩ 1/16W J	
D1409	MA152WK-X	SI DIODE			△ R477	QRZ9006-4R7X	F.RESISTOR	4.7Ω 1/4W J	
D1412	1SS355-X	SI DIODE			△ R478	QRJ146J-2R2X	UNF C RESISTOR	2.2Ω 1/4W J	
D1413	1SS355-X	SI DIODE			△ R479	QRJ146J-2R2X	UNF C RESISTOR	2.2Ω 1/4W J	
D1414	1SS355-X	SI DIODE			R483	NRSA63J-562X	MG RESISTOR	5.6kΩ 1/16W J	
D1415	1SS355-X	SI DIODE			R484	NRSA63J-473X	MG RESISTOR	47kΩ 1/16W J	
C101	QCBB1HK-331Y	C CAPACITOR	330pF 50V K		R485	NRSA63J-202X	MG RESISTOR	2kΩ 1/16W J	
C102	QCBB1HK-331Y	C CAPACITOR	330pF 50V K		R486	NRSA63J-473X	MG RESISTOR	47kΩ 1/16W J	
C701	QEKC0JM-107Z	E CAPACITOR	100uF 6.3V M		R487	NRSA63J-202X	MG RESISTOR	2kΩ 1/16W J	
C702	QCZ0202-155Z	C CAPACITOR	1.5uF 25V Z		R488	NRSA63J-473X	MG RESISTOR	47kΩ 1/16W J	
					R489	NRSA63J-101X	MG RESISTOR	100Ω 1/16W J	
					R490	NRSA63J-101X	MG RESISTOR	100Ω 1/16W J	
					R701	NRSA63J-472X	MG RESISTOR	4.7kΩ 1/16W J	
					R702	NRSA63J-223X	MG RESISTOR	22kΩ 1/16W J	
					R704	NRSA63J-471X	MG RESISTOR	470Ω 1/16W J	
					R705	NRSA63J-103X	MG RESISTOR	10kΩ 1/16W J	
					R706	NRSA63J-103X	MG RESISTOR	10kΩ 1/16W J	
					R707	NRSA63J-103X	MG RESISTOR	10kΩ 1/16W J	
					R708	NRSA63J-103X	MG RESISTOR	10kΩ 1/16W J	
					R709	NRSA63J-103X	MG RESISTOR	10kΩ 1/16W J	

△ Symbol No.	Part No.	Part Name	Description	Local	△ Symbol No.	Part No.	Part Name	Description	Local
R710	NRSA63J-103X	MG RESISTOR	10kΩ 1/16W J		R876	NRSA63J-103X	MG RESISTOR	10kΩ 1/16W J	
R711	NRSA63J-104X	MG RESISTOR	100kΩ 1/16W J		R877	NRSA63J-103X	MG RESISTOR	10kΩ 1/16W J	
R712	NRSA63J-103X	MG RESISTOR	10kΩ 1/16W J		R878	NRSA63J-103X	MG RESISTOR	10kΩ 1/16W J	
R713	NRSA63J-103X	MG RESISTOR	10kΩ 1/16W J		R879	NRSA63J-221X	MG RESISTOR	220Ω 1/16W J	
R715	NRSA63J-103X	MG RESISTOR	10kΩ 1/16W J		R880	NRSA63J-221X	MG RESISTOR	220Ω 1/16W J	
R716	NRSA63J-103X	MG RESISTOR	10kΩ 1/16W J		R881	NRSA63J-221X	MG RESISTOR	220Ω 1/16W J	
R717	NRSA63J-103X	MG RESISTOR	10kΩ 1/16W J		R882	NRSA63J-221X	MG RESISTOR	220Ω 1/16W J	
R718	NRSA63J-103X	MG RESISTOR	10kΩ 1/16W J		R883	NRSA63J-221X	MG RESISTOR	220Ω 1/16W J	
R719	NRSA63J-221X	MG RESISTOR	220Ω 1/16W J		R884	NRSA63J-221X	MG RESISTOR	220Ω 1/16W J	
R720	NRSA63J-222X	MG RESISTOR	2.2kΩ 1/16W J		△ R1401	QRZ9005-100X	FUSI RESISTOR	10Ω	
R721	NRSA63J-103X	MG RESISTOR	10kΩ 1/16W J		△ R1402	QRJ146J-182X	UNF C RESISTOR	1.8kΩ 1/4W J	
R722	NRSA63J-102X	MG RESISTOR	1kΩ 1/16W J		△ R1403	QRZ9005-120X	FUSI RESISTOR	12Ω	
R723	NRSA63J-102X	MG RESISTOR	1kΩ 1/16W J		△ R1404	QRJ146J-272X	UNF C RESISTOR	2.7kΩ 1/4W J	
R724	NRSA63J-122X	MG RESISTOR	1.2kΩ 1/16W J		△ R1405	QRZ9005-120X	FUSI RESISTOR	12Ω	
R725	NRSA63J-152X	MG RESISTOR	1.5kΩ 1/16W J		△ R1406	QRK126J-682X	UNF C RESISTOR	6.8kΩ 1/2W J	
R726	NRSA63J-222X	MG RESISTOR	2.2kΩ 1/16W J		△ R1407	QRZ9006-4R7X	F.RESISTOR	4.7Ω 1/4W J	
R727	NRSA63J-272X	MG RESISTOR	2.7kΩ 1/16W J		△ R1408	QRZ9006-4R7X	F.RESISTOR	4.7Ω 1/4W J	
R728	NRSA63J-103X	MG RESISTOR	10kΩ 1/16W J		△ R1409	QRJ146J-272X	UNF C RESISTOR	2.7kΩ 1/4W J	
R729	NRSA63J-102X	MG RESISTOR	1kΩ 1/16W J		△ R1410	QRZ9006-4R7X	F.RESISTOR	4.7Ω 1/4W J	
R730	NRSA63J-102X	MG RESISTOR	1kΩ 1/16W J		△ R1411	QRJ146J-182X	UNF C RESISTOR	1.8kΩ 1/4W J	
R731	NRSA63J-122X	MG RESISTOR	1.2kΩ 1/16W J		△ R1412	QRZ9005-100X	FUSI RESISTOR	10Ω	
R732	NRSA63J-152X	MG RESISTOR	1.5kΩ 1/16W J		△ R1413	QRJ146J-102X	UNF C RESISTOR	1kΩ 1/4W J	
R733	NRSA63J-222X	MG RESISTOR	2.2kΩ 1/16W J		△ R1414	QRZ9005-100X	FUSI RESISTOR	10Ω	
R734	NRSA63J-272X	MG RESISTOR	2.7kΩ 1/16W J		△ R1415	QRJ146J-222X	UNF C RESISTOR	2.2kΩ 1/4W J	
R736	NRSA63J-103X	MG RESISTOR	10kΩ 1/16W J		△ R1416	QRZ9005-100X	FUSI RESISTOR	10Ω	
R737	NRSA63J-102X	MG RESISTOR	1kΩ 1/16W J		△ R1417	QRJ146J-222X	UNF C RESISTOR	2.2kΩ 1/4W J	
R738	NRSA63J-102X	MG RESISTOR	1kΩ 1/16W J		△ R1418	QRZ9005-680X	F RESISTOR	68Ω	
R739	NRSA63J-122X	MG RESISTOR	1.2kΩ 1/16W J		△ R1419	QRZ9005-680X	F RESISTOR	68Ω	
R740	NRSA63J-152X	MG RESISTOR	1.5kΩ 1/16W J		R1435	NRSA63J-154X	MG RESISTOR	150kΩ 1/16W J	
R741	NRSA63J-222X	MG RESISTOR	2.2kΩ 1/16W J		R1436	NRSA63J-154X	MG RESISTOR	150kΩ 1/16W J	
R743	NRSA63J-103X	MG RESISTOR	10kΩ 1/16W J		R1437	NRSA63J-102X	MG RESISTOR	1kΩ 1/16W J	
R744	NRSA63J-102X	MG RESISTOR	1kΩ 1/16W J		R1438	NRSA63J-102X	MG RESISTOR	1kΩ 1/16W J	
R745	NRSA63J-102X	MG RESISTOR	1kΩ 1/16W J		R1439	NRSA63J-103X	MG RESISTOR	10kΩ 1/16W J	
R746	NRSA63J-122X	MG RESISTOR	1.2kΩ 1/16W J		R1440	NRSA63J-103X	MG RESISTOR	10kΩ 1/16W J	
R747	NRSA63J-152X	MG RESISTOR	1.5kΩ 1/16W J		R1444	NRSA63J-103X	MG RESISTOR	10kΩ 1/16W J	
R748	NRSA63J-222X	MG RESISTOR	2.2kΩ 1/16W J		R1445	NRSA63J-102X	MG RESISTOR	1kΩ 1/16W J	
R749	NRSA63J-272X	MG RESISTOR	2.7kΩ 1/16W J		R1446	NRSA63J-104X	MG RESISTOR	100kΩ 1/16W J	
R750	NRSA63J-103X	MG RESISTOR	10kΩ 1/16W J		R1447	NRSA63J-102X	MG RESISTOR	1kΩ 1/16W J	
R751	NRSA63J-102X	MG RESISTOR	1kΩ 1/16W J		R1448	NRSA63J-103X	MG RESISTOR	10kΩ 1/16W J	
R752	NRSA63J-102X	MG RESISTOR	1kΩ 1/16W J		R1449	NRSA63J-102X	MG RESISTOR	1kΩ 1/16W J	
R753	NRSA63J-122X	MG RESISTOR	1.2kΩ 1/16W J		R1450	NRSA63J-103X	MG RESISTOR	10kΩ 1/16W J	
R754	NRSA63J-152X	MG RESISTOR	1.5kΩ 1/16W J		R1451	NRSA63J-104X	MG RESISTOR	100kΩ 1/16W J	
R757	NRSA63J-103X	MG RESISTOR	10kΩ 1/16W J		R1452	NRSA63J-104X	MG RESISTOR	100kΩ 1/16W J	
R758	NRSA63J-103X	MG RESISTOR	10kΩ 1/16W J		R1453	NRSA63J-102X	MG RESISTOR	1kΩ 1/16W J	
R759	NRSA63J-103X	MG RESISTOR	10kΩ 1/16W J		R1457	NRSA63J-682X	MG RESISTOR	6.8kΩ 1/16W J	
R760	NRSA63J-103X	MG RESISTOR	10kΩ 1/16W J		R1458	NRSA63J-682X	MG RESISTOR	6.8kΩ 1/16W J	
R761	NRSA63J-103X	MG RESISTOR	10kΩ 1/16W J		△ R1459	QRZ9005-680X	F RESISTOR	68Ω	
R762	NRSA63J-102X	MG RESISTOR	1kΩ 1/16W J		△ R1460	QRZ9005-680X	F RESISTOR	68Ω	
R763	NRSA63J-102X	MG RESISTOR	1kΩ 1/16W J		R1461	QRJ146J-2R2X	UNF C RESISTOR	2.2Ω 1/4W J	
R764	NRSA63J-122X	MG RESISTOR	1.2kΩ 1/16W J		R1462	QRJ146J-2R2X	UNF C RESISTOR	2.2Ω 1/4W J	
R765	NRSA63J-152X	MG RESISTOR	1.5kΩ 1/16W J		R1464	NRSA63J-104X	MG RESISTOR	100kΩ 1/16W J	
R768	NRSA63J-103X	MG RESISTOR	10kΩ 1/16W J		R1465	NRSA63J-102X	MG RESISTOR	1kΩ 1/16W J	
R769	NRSA63J-102X	MG RESISTOR	1kΩ 1/16W J		R1470	NRSA63J-201X	MG RESISTOR	200Ω 1/16W J	
R770	NRSA63J-102X	MG RESISTOR	1kΩ 1/16W J		R1471	NRSA63J-201X	MG RESISTOR	200Ω 1/16W J	
R772	NRSA63J-222X	MG RESISTOR	2.2kΩ 1/16W J		R1472	NRSA63J-103X	MG RESISTOR	10kΩ 1/16W J	
R773	NRSA63J-272X	MG RESISTOR	2.7kΩ 1/16W J		R1473	NRSA63J-103X	MG RESISTOR	10kΩ 1/16W J	
R775	NRSA63J-103X	MG RESISTOR	10kΩ 1/16W J		R1474	NRSA63J-102X	MG RESISTOR	1kΩ 1/16W J	
R778	NRSA63J-392X	MG RESISTOR	3.9kΩ 1/16W J		R1480	NRSA63J-104X	MG RESISTOR	100kΩ 1/16W J	
R779	NRSA63J-103X	MG RESISTOR	10kΩ 1/16W J		R1485	NRSA63J-102X	MG RESISTOR	1kΩ 1/16W J	
R783	NRSA63J-221X	MG RESISTOR	220Ω 1/16W J		R1486	NRSA63J-102X	MG RESISTOR	1kΩ 1/16W J	
R784	NRSA63J-221X	MG RESISTOR	220Ω 1/16W J		R1487	NRSA63J-103X	MG RESISTOR	10kΩ 1/16W J	
R785	NRSA63J-221X	MG RESISTOR	220Ω 1/16W J		R1488	NRSA63J-103X	MG RESISTOR	10kΩ 1/16W J	
R786	NRSA63J-221X	MG RESISTOR	220Ω 1/16W J		R1490	NRSA63J-133X	MG RESISTOR	13kΩ 1/16W J	
R787	NRSA63J-221X	MG RESISTOR	220Ω 1/16W J		R1492	NRSA63J-102X	MG RESISTOR	1kΩ 1/16W J	
R788	NRSA63J-221X	MG RESISTOR	220Ω 1/16W J		R1493	NRSA63J-102X	MG RESISTOR	1kΩ 1/16W J	
R790	NRSA63J-221X	MG RESISTOR	220Ω 1/16W J		R1494	NRSA63J-102X	MG RESISTOR	1kΩ 1/16W J	
R791	NRSA63J-221X	MG RESISTOR	220Ω 1/16W J		R1495	NRSA63J-103X	MG RESISTOR	10kΩ 1/16W J	
R792	NRSA63J-221X	MG RESISTOR	220Ω 1/16W J		R1496	NRSA63J-103X	MG RESISTOR	10kΩ 1/16W J	
R794	NRSA63J-221X	MG RESISTOR	220Ω 1/16W J		R1498	NRSA63J-511X	MG RESISTOR	510Ω 1/16W J	
R795	NRSA63J-221X	MG RESISTOR	220Ω 1/16W J		R1499	NRSA63J-511X	MG RESISTOR	510Ω 1/16W J	
R796	NRSA63J-221X	MG RESISTOR	220Ω 1/16W J		R1500	NRSA63J-474X	MG RESISTOR	470kΩ 1/16W J	
R797	NRSA63J-221X	MG RESISTOR	220Ω 1/16W J		R1571	NRSA63J-0R0X	MG RESISTOR	0Ω 1/16W J	
R798	NRSA63J-221X	MG RESISTOR	220Ω 1/16W J		R1572	NRSA63J-0R0X	MG RESISTOR	0Ω 1/16W J	
R799	NRSA63J-221X	MG RESISTOR	220Ω 1/16W J		R1573	NRSA63J-102X	MG RESISTOR	1kΩ 1/16W J	
R871	NRSA63J-103X	MG RESISTOR	10kΩ 1/16W J		R1574	NRSA63J-102X	MG RESISTOR	1kΩ 1/16W J	
R872	NRSA63J-103X	MG RESISTOR	10kΩ 1/16W J		R1575	NRSA63J-0R0X	MG RESISTOR	0Ω 1/16W J	
R874	NRSA63J-103X	MG RESISTOR	10kΩ 1/16W J		R1576	NRSA63J-0R0X	MG RESISTOR	0Ω 1/16W J	
R875	NRSA63J-103X	MG RESISTOR	10kΩ 1/16W J		R1579	NRSA63J-301X	MG RESISTOR	300Ω 1/16W J	

△ Symbol No.	Part No.	Part Name	Description	Local	△ Symbol No.	Part No.	Part Name	Description	Local
R1580	NRSA63J-0R0X	MG RESISTOR	0Ω 1/16W J		IC634	NJM4565M-WE	IC		
R1581	NRSA63J-332X	MG RESISTOR	3.3kΩ 1/16W J		IC661	DSPA56370AF	IC		
R1582	NRSA63J-162X	MG RESISTOR	1.6kΩ 1/16W J		IC662	SN74LVC1GU04K-X	IC		
R1583	NRSA63J-561X	MG RESISTOR	560Ω 1/16W J		IC667	CS42518-CQZ-C-W	IC		
R1584	NRSA63J-561X	MG RESISTOR	560Ω 1/16W J		IC671	UPD784217AGC266	IC		
					IC672	SN74AHCT1G32K-X	IC		
CN101	QGD2504C1-03Z	CONNECTOR	(1-3)		IC673	SN74LVC1G04K-X	IC		
CN402	QGF1205C1-27	CONNECTOR	FFC/FPC (1-27)		IC691	BA3259HFP-W	IC		
CN411	QGF1205C1-11	CONNECTOR	FFC/FPC (1-11)						
CN421	QGB2510J1-14	CONNECTOR	B-B (1-14)		Q2101	2SD2114K/VW/-X	TRANSISTOR		
CN431	QGB2510J1-11	CONNECTOR	B-B (1-11)		Q2102	2SD2114K/VW/-X	TRANSISTOR		
CN441	QGB2510J1-07	CONNECTOR	B-B (1-7)		Q2141	2SD601A/RS/-X	TRANSISTOR		
CN471	QGA2501C1-03	CONNECTOR	W-B (1-3)		Q2142	2SD601A/RS/-X	TRANSISTOR		
CN472	QGA2501C1-02	CONNECTOR	W-B (1-2)		Q2201	2SD2114K/VW/-X	TRANSISTOR		
CN473	QGA2501C1-03	CONNECTOR	W-B (1-3)		Q2202	2SD2114K/VW/-X	TRANSISTOR		
CN481	QGB2510J1-14	CONNECTOR	B-B (1-14)		Q2221	2SD2114K/VW/-X	TRANSISTOR		
CN482	QGB2510J1-07	CONNECTOR	B-B (1-7)		Q2222	2SD2114K/VW/-X	TRANSISTOR		
CN491	QGB2510J1-04	CONNECTOR	B-B (1-4)		Q2301	2SD2114K/VW/-X	TRANSISTOR		
CN701	QGF1205F1-14	CONNECTOR	FFC/FPC (1-14)		Q2341	2SD601A/RS/-X	TRANSISTOR		
CN702	QGF1205F1-27	CONNECTOR	FFC/FPC (1-27)		Q2401	2SD2114K/VW/-X	TRANSISTOR		
CN704	WJS0020-002A	SKT.WIRE ASSY			Q2421	2SD2114K/VW/-X	TRANSISTOR		
CN714	QGA2001F1-03	CONNECTOR	W-B (1-3)		Q2701	UN2214-X	TRANSISTOR		
DI701	QLF0132-001	FL TUBE			Q2702	UN2214-X	TRANSISTOR		
EP401	QNZ0136-001Z	EARTH PLATE			Q2703	UN2214-X	TRANSISTOR		
FL401	QQR1372-001	LPF			Q2704	UN2114-X	TRANSISTOR		
FL402	QQR1372-001	LPF			Q2705	UN2114-X	TRANSISTOR		
J101	QNS0022-001	JACK			Q2706	UN2114-X	TRANSISTOR		
JS701	QSW1017-002	JOG VOLUME			Q2708	UN2114-X	TRANSISTOR		
JS702	QSW1051-001	ROTARY ENCODER			Q2709	UN2114-X	TRANSISTOR		
PW501	QUB220-18DMHP	SIN TWIST WIRE			Q2710	UN2214-X	TRANSISTOR		
PW502	QUB220-12DMHP	SIN TWIST WIRE							
S721	QSW0683-001Z	PUSH SW			C2001	QETN1EM-475Z	E CAPACITOR	4.7uF 25V M	
S722	QSW0683-001Z	PUSH SW			C2002	QETN1EM-475Z	E CAPACITOR	4.7uF 25V M	
S723	QSW0683-001Z	PUSH SW			C2005	NDC31HJ-330X	C CAPACITOR	33pF 50V J	
S724	QSW0683-001Z	PUSH SW			C2006	NDC31HJ-330X	C CAPACITOR	33pF 50V J	
S725	QSW0683-001Z	PUSH SW			C2009	NCF31CZ-104X	C CAPACITOR	0.1uF 16V Z	
S726	QSW0683-001Z	PUSH SW			C2010	NCF31CZ-104X	C CAPACITOR	0.1uF 16V Z	
S727	QSW0683-001Z	PUSH SW			C2013	NDC31HJ-330X	C CAPACITOR	33pF 50V J	
S728	QSW0683-001Z	PUSH SW			C2014	NDC31HJ-330X	C CAPACITOR	33pF 50V J	
S729	QSW0683-001Z	PUSH SW			C2018	QETN1AM-476Z	E CAPACITOR	47uF 10V M	
S730	QSW0683-001Z	PUSH SW			C2019	NCF31CZ-104X	C CAPACITOR	0.1uF 16V Z	
S731	QSW0683-001Z	PUSH SW			C2020	NCF31CZ-104X	C CAPACITOR	0.1uF 16V Z	
S732	QSW0683-001Z	PUSH SW			C2101	NCB31HK-332X	C CAPACITOR	3300pF 50V K	
S734	QSW0683-001Z	PUSH SW			C2102	NCB31HK-332X	C CAPACITOR	3300pF 50V K	
S735	QSW0683-001Z	PUSH SW			C2109	QETN1HM-226Z	E CAPACITOR	22uF 50V M	
S737	QSW0683-001Z	PUSH SW			C2110	QETN1HM-226Z	E CAPACITOR	22uF 50V M	
S740	QSW0683-001Z	PUSH SW			C2111	NCF31CZ-104X	C CAPACITOR	0.1uF 16V Z	
S741	QSW0683-001Z	PUSH SW			C2112	NCF31CZ-104X	C CAPACITOR	0.1uF 16V Z	
S742	QSW0683-001Z	PUSH SW			C2113	NCB31HK-102X	C CAPACITOR	1000pF 50V K	
S743	QSW0683-001Z	PUSH SW			C2114	NCB31HK-102X	C CAPACITOR	1000pF 50V K	
S745	QSW0683-001Z	PUSH SW			C2115	NCB31HK-822X	C CAPACITOR	8200pF 50V K	
S746	QSW0683-001Z	PUSH SW			C2116	NCB31HK-822X	C CAPACITOR	8200pF 50V K	
S750	QSW0683-001Z	PUSH SW			C2129	QETN1HM-475Z	E CAPACITOR	4.7uF 50V M	
S751	QSW0683-001Z	PUSH SW			C2131	NCF31CZ-104X	C CAPACITOR	0.1uF 16V Z	
S752	QSW0683-001Z	PUSH SW			C2132	NCF31CZ-104X	C CAPACITOR	0.1uF 16V Z	
S756	QSW0683-001Z	PUSH SW			C2133	NDC31HJ-330X	C CAPACITOR	33pF 50V J	
X701	QAX0246-001Z	C RESONATOR	8.00MHz		C2134	NDC31HJ-330X	C CAPACITOR	33pF 50V J	
					C2139	QETN1EM-475Z	E CAPACITOR	4.7uF 25V M	
					C2140	QETN1EM-475Z	E CAPACITOR	4.7uF 25V M	
					C2141	NCF31CZ-104X	C CAPACITOR	0.1uF 16V Z	
					C2142	NCF31CZ-104X	C CAPACITOR	0.1uF 16V Z	
					C2143	NDC31HJ-330X	C CAPACITOR	33pF 50V J	
					C2144	NDC31HJ-330X	C CAPACITOR	33pF 50V J	
					C2149	QETN1EM-475Z	E CAPACITOR	4.7uF 25V M	
					C2150	QETN1EM-475Z	E CAPACITOR	4.7uF 25V M	
					C2181	NCF31CZ-104X	C CAPACITOR	0.1uF 16V Z	
					C2182	NCF31CZ-104X	C CAPACITOR	0.1uF 16V Z	
					C2183	NCB31HK-681X	C CAPACITOR	680pF 50V K	
					C2184	NCB31HK-681X	C CAPACITOR	680pF 50V K	
					C2185	NCB31HK-681X	C CAPACITOR	680pF 50V K	
					C2186	NCB31HK-681X	C CAPACITOR	680pF 50V K	
					C2187	NCB31HK-682X	C CAPACITOR	6800pF 50V K	
					C2188	NCB31HK-682X	C CAPACITOR	6800pF 50V K	
					C2201	NCB31HK-182X	C CAPACITOR	1800pF 50V K	
					C2202	NCB31HK-182X	C CAPACITOR	1800pF 50V K	
					C2209	QETN1HM-225Z	E CAPACITOR	2.2uF 50V M	
					C2210	QETN1HM-225Z	E CAPACITOR	2.2uF 50V M	
					C2229	QETN1HM-105Z	E CAPACITOR	1uF 50V M	

DSP board

Block No. [0][4][0][0]

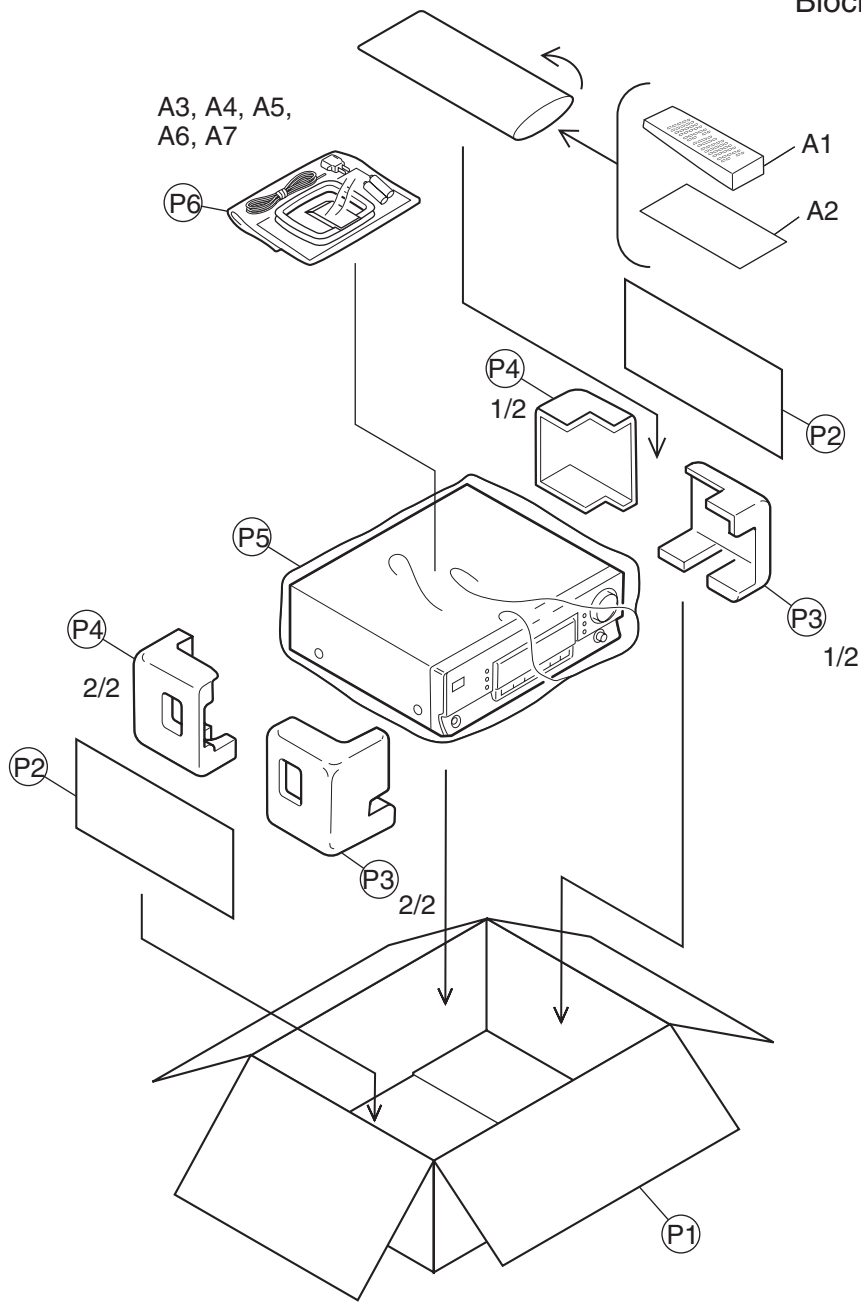
△ Symbol No.	Part No.	Part Name	Description	Local
IC601	NJM4565M-WE	IC		
IC602	NJM4565M-WE	IC		
IC611	NJM4565M-WE	IC		
IC612	NJM4565M-WE	IC		
IC613	NJM4565M-WE	IC		
IC615	NJM4565M-WE	IC		
IC621	NJM4565M-WE	IC		
IC622	NJM4565M-WE	IC		
IC631	NJM2120M-X	IC		
IC632	NJM4565M-WE	IC		
IC633	NJM4565M-WE	IC		

△ Symbol No.	Part No.	Part Name	Description	Local	△ Symbol No.	Part No.	Part Name	Description	Local
C2230	QETN1HM-105Z	E CAPACITOR	1uF 50V M		C2687	NCF31CZ-104X	C CAPACITOR	0.1uF 16V Z	
C2241	NCF31CZ-104X	C CAPACITOR	0.1uF 16V Z		C2688	NCB31CK-103X	C CAPACITOR	0.01uF 16V K	
C2242	NCF31CZ-104X	C CAPACITOR	0.1uF 16V Z		C2689	NCB31CK-103X	C CAPACITOR	0.01uF 16V K	
C2243	NCB31HK-562X	C CAPACITOR	5600pF 50V K		C2690	NCB31CK-103X	C CAPACITOR	0.01uF 16V K	
C2244	NCB31HK-562X	C CAPACITOR	5600pF 50V K		C2691	NCB31CK-103X	C CAPACITOR	0.01uF 16V K	
C2245	NCB31HK-182X	C CAPACITOR	1800pF 50V K		C2692	NCB31CK-103X	C CAPACITOR	0.01uF 16V K	
C2246	NCB31HK-182X	C CAPACITOR	1800pF 50V K		C2701	QETN0JM-107Z	E CAPACITOR	100uF 6.3V M	
C2249	QETN1HM-225Z	E CAPACITOR	2.2uF 50V M		C2702	NCB31CK-103X	C CAPACITOR	0.01uF 16V K	
C2250	QETN1HM-225Z	E CAPACITOR	2.2uF 50V M		C2703	NDC31HJ-101X	C CAPACITOR	100pF 50V J	
C2281	NCF31CZ-104X	C CAPACITOR	0.1uF 16V Z		C2721	NDC31HJ-101X	C CAPACITOR	100pF 50V J	
C2282	NCF31CZ-104X	C CAPACITOR	0.1uF 16V Z		C2731	NCF31CZ-104X	C CAPACITOR	0.1uF 16V Z	
C2283	NCB31HK-471X	C CAPACITOR	470pF 50V K		C2751	NCF31CZ-104X	C CAPACITOR	0.1uF 16V Z	
C2284	NCB31HK-471X	C CAPACITOR	470pF 50V K		C2771	QETN1AM-476Z	E CAPACITOR	47uF 10V M	
C2285	NCB31HK-471X	C CAPACITOR	470pF 50V K		C2861	NDC31HJ-101X	C CAPACITOR	100pF 50V J	
C2286	NCB31HK-471X	C CAPACITOR	470pF 50V K		C2862	NCF31CZ-104X	C CAPACITOR	0.1uF 16V Z	
C2287	NCB31HK-682X	C CAPACITOR	6800pF 50V K		C2871	NDC31HJ-270X	C CAPACITOR	27pF 50V J	
C2288	NCB31HK-682X	C CAPACITOR	6800pF 50V K		C2873	NCB31CK-103X	C CAPACITOR	0.01uF 16V K	
C2301	NCB31HK-272X	C CAPACITOR	2700pF 50V K		C2881	NCB31CK-103X	C CAPACITOR	0.01uF 16V K	
C2309	QETN1HM-226Z	E CAPACITOR	22uF 50V M		C2882	NCB31CK-103X	C CAPACITOR	0.01uF 16V K	
C2323	NCB31HK-562X	C CAPACITOR	5600pF 50V K		C2901	QETN1CM-106Z	E CAPACITOR	10uF 16V M	
C2325	NCB31HK-182X	C CAPACITOR	1800pF 50V K		C2902	QETN1CM-106Z	E CAPACITOR	10uF 16V M	
C2341	NCF31CZ-104X	C CAPACITOR	0.1uF 16V Z		C2903	QETN1AM-476Z	E CAPACITOR	47uF 10V M	
C2342	NCF31CZ-104X	C CAPACITOR	0.1uF 16V Z		C2911	QETN0JM-227Z	E CAPACITOR	220uF 6.3V M	
C2343	NDC31HJ-330X	C CAPACITOR	33pF 50V J		C2912	NCF31CZ-104X	C CAPACITOR	0.1uF 16V Z	
C2349	QETN1HM-225Z	E CAPACITOR	2.2uF 50V M		C2921	QETN0JM-107Z	E CAPACITOR	100uF 6.3V M	
C2381	NCF31CZ-104X	C CAPACITOR	0.1uF 16V Z		C2922	NCF31CZ-104X	C CAPACITOR	0.1uF 16V Z	
C2382	NCF31CZ-104X	C CAPACITOR	0.1uF 16V Z		C2923	QETN0JM-107Z	E CAPACITOR	100uF 6.3V M	
C2383	NCB31HK-681X	C CAPACITOR	680pF 50V K		C2924	NCF31CZ-104X	C CAPACITOR	0.1uF 16V Z	
C2385	NCB31HK-681X	C CAPACITOR	680pF 50V K		C2925	NCF31CZ-104X	C CAPACITOR	0.1uF 16V Z	
C2387	NCB31HK-682X	C CAPACITOR	6800pF 50V K		C2951	NCF31AZ-105X	C CAPACITOR	1uF 10V Z	
C2401	NCB31HK-561X	C CAPACITOR	560pF 50V K		C2952	NCF31AZ-105X	C CAPACITOR	1uF 10V Z	
C2409	QETN1HM-226Z	E CAPACITOR	22uF 50V M		C2953	NCF31AZ-105X	C CAPACITOR	1uF 10V Z	
C2411	NCF31CZ-104X	C CAPACITOR	0.1uF 16V Z		C2954	NCF31AZ-105X	C CAPACITOR	1uF 10V Z	
C2412	NCF31CZ-104X	C CAPACITOR	0.1uF 16V Z		C2955	NCF31AZ-105X	C CAPACITOR	1uF 10V Z	
C2421	NCF31CZ-104X	C CAPACITOR	0.1uF 16V Z		C2956	NCF31CZ-104X	C CAPACITOR	0.1uF 16V Z	
C2422	NCF31CZ-104X	C CAPACITOR	0.1uF 16V Z		C2957	NCF31CZ-104X	C CAPACITOR	0.1uF 16V Z	
C2423	NCB31CK-823X	C CAPACITOR	0.082uF 16V K						
C2425	QFN31HJ-333Z	M CAPACITOR	0.033uF 50V J		R2001	NRSA63J-104X	MG RESISTOR	100kΩ 1/16W J	
C2429	QETN1HM-475Z	E CAPACITOR	4.7uF 50V M		R2002	NRSA63J-104X	MG RESISTOR	100kΩ 1/16W J	
C2433	NCB31CK-823X	C CAPACITOR	0.082uF 16V K		R2003	NRSA63J-223X	MG RESISTOR	22kΩ 1/16W J	
C2435	QFN31HJ-333Z	M CAPACITOR	0.033uF 50V J		R2004	NRSA63J-223X	MG RESISTOR	22kΩ 1/16W J	
C2449	QETN1EM-475Z	E CAPACITOR	4.7uF 25V M		R2007	NRSA63J-223X	MG RESISTOR	22kΩ 1/16W J	
C2483	NCB31HK-471X	C CAPACITOR	470pF 50V K		R2008	NRSA63J-223X	MG RESISTOR	22kΩ 1/16W J	
C2485	NCB31HK-471X	C CAPACITOR	470pF 50V K		R2011	NRSA63J-223X	MG RESISTOR	22kΩ 1/16W J	
C2487	NCB31HK-332X	C CAPACITOR	3300pF 50V K		R2012	NRSA63J-223X	MG RESISTOR	22kΩ 1/16W J	
C2601	QETN0JM-107Z	E CAPACITOR	100uF 6.3V M		R2013	NRSA63J-223X	MG RESISTOR	22kΩ 1/16W J	
C2606	NCF31CZ-104X	C CAPACITOR	0.1uF 16V Z		R2014	NRSA63J-223X	MG RESISTOR	22kΩ 1/16W J	
C2607	NCF31CZ-104X	C CAPACITOR	0.1uF 16V Z		R2017	NRSA63J-472X	MG RESISTOR	4.7kΩ 1/16W J	
C2608	NCF31CZ-104X	C CAPACITOR	0.1uF 16V Z		R2018	NRSA63J-472X	MG RESISTOR	4.7kΩ 1/16W J	
C2611	NCF31CZ-104X	C CAPACITOR	0.1uF 16V Z		R2021	NRSA63J-331X	MG RESISTOR	330Ω 1/16W J	
C2612	NCF31CZ-104X	C CAPACITOR	0.1uF 16V Z		R2022	NRSA63J-331X	MG RESISTOR	330Ω 1/16W J	
C2613	NCF31CZ-104X	C CAPACITOR	0.1uF 16V Z		R2023	NRSA63J-331X	MG RESISTOR	330Ω 1/16W J	
C2614	NCB31HK-102X	C CAPACITOR	1000pF 50V K		R2024	NRSA63J-331X	MG RESISTOR	330Ω 1/16W J	
C2621	NCF31CZ-104X	C CAPACITOR	0.1uF 16V Z		R2101	NRSA63J-103X	MG RESISTOR	10kΩ 1/16W J	
C2622	NCF31CZ-104X	C CAPACITOR	0.1uF 16V Z		R2102	NRSA63J-103X	MG RESISTOR	10kΩ 1/16W J	
C2623	NCF31CZ-104X	C CAPACITOR	0.1uF 16V Z		R2103	NRSA63J-102X	MG RESISTOR	1kΩ 1/16W J	
C2631	NCF31CZ-104X	C CAPACITOR	0.1uF 16V Z		R2104	NRSA63J-102X	MG RESISTOR	1kΩ 1/16W J	
C2632	NCF31CZ-104X	C CAPACITOR	0.1uF 16V Z		R2109	NRSA63J-104X	MG RESISTOR	100kΩ 1/16W J	
C2633	NCF31CZ-104X	C CAPACITOR	0.1uF 16V Z		R2110	NRSA63J-104X	MG RESISTOR	100kΩ 1/16W J	
C2641	NDC31HJ-100X	C CAPACITOR	10pF 50V J		R2111	NRSA63J-102X	MG RESISTOR	1kΩ 1/16W J	
C2642	NDC31HJ-100X	C CAPACITOR	10pF 50V J		R2112	NRSA63J-102X	MG RESISTOR	1kΩ 1/16W J	
C2643	NCF31CZ-104X	C CAPACITOR	0.1uF 16V Z		R2113	NRSA63J-102X	MG RESISTOR	1kΩ 1/16W J	
C2671	QETN1CM-106Z	E CAPACITOR	10uF 16V M		R2114	NRSA63J-102X	MG RESISTOR	1kΩ 1/16W J	
C2672	QETN1CM-106Z	E CAPACITOR	10uF 16V M		R2115	NRSA63J-102X	MG RESISTOR	1kΩ 1/16W J	
C2673	QETN1CM-106Z	E CAPACITOR	10uF 16V M		R2116	NRSA63J-102X	MG RESISTOR	1kΩ 1/16W J	
C2674	NCF31CZ-104X	C CAPACITOR	0.1uF 16V Z		R2121	NRSA63J-333X	MG RESISTOR	33kΩ 1/16W J	
C2675	NCF31CZ-104X	C CAPACITOR	0.1uF 16V Z		R2122	NRSA63J-333X	MG RESISTOR	33kΩ 1/16W J	
C2676	NCB31HK-221X	C CAPACITOR	220pF 50V K		R2123	NRSA63J-243X	MG RESISTOR	24kΩ 1/16W J	
C2677	NCB31HK-221X	C CAPACITOR	220pF 50V K		R2128	NRSA63J-104X	MG RESISTOR	100kΩ 1/16W J	
C2678	QETN1EM-475Z	E CAPACITOR	4.7uF 25V M		R2129	NRSA63J-104X	MG RESISTOR	100kΩ 1/16W J	
C2679	NCF31CZ-104X	C CAPACITOR	0.1uF 16V Z		R2130	NRSA63J-104X	MG RESISTOR	100kΩ 1/16W J	
C2680	QETN0JM-107Z	E CAPACITOR	100uF 6.3V M		R2131	NRSA63J-333X	MG RESISTOR	33kΩ 1/16W J	
C2681	NCF31CZ-104X	C CAPACITOR	0.1uF 16V Z		R2132	NRSA63J-333X	MG RESISTOR	33kΩ 1/16W J	
C2682	NCF31CZ-104X	C CAPACITOR	0.1uF 16V Z		R2133	NRSA63J-273X	MG RESISTOR	27kΩ 1/16W J	
C2683	NCB31CK-223X	C CAPACITOR	0.022uF 16V K		R2134	NRSA63J-273X	MG RESISTOR	27kΩ 1/16W J	
C2684	NCB31HK-102X	C CAPACITOR	1000pF 50V K		R2135	NRSA63J-333X	MG RESISTOR	33kΩ 1/16W J	
C2685	NCF31CZ-104X	C CAPACITOR	0.1uF 16V Z		R2136	NRSA63J-333X	MG RESISTOR	33kΩ 1/16W J	
C2686	NCF31CZ-104X	C CAPACITOR	0.1uF 16V Z		R2137	NRSA63J-912X	MG RESISTOR	9.1kΩ 1/16W J	

Symbol No.	Part No.	Part Name	Description	Local
R2744	NRSA63J-221X	MG RESISTOR	220Ω 1/16W J	
R2745	NRSA63J-221X	MG RESISTOR	220Ω 1/16W J	
R2751	NRSA63J-102X	MG RESISTOR	1kΩ 1/16W J	
R2752	NRSA63J-103X	MG RESISTOR	10kΩ 1/16W J	
R2761	NRSA63J-105X	MG RESISTOR	1MΩ 1/16W J	
R2762	NRSA63J-105X	MG RESISTOR	1MΩ 1/16W J	
R2763	NRSA63J-105X	MG RESISTOR	1MΩ 1/16W J	
R2771	NRSA63J-102X	MG RESISTOR	1kΩ 1/16W J	
R2772	NRSA63J-105X	MG RESISTOR	1MΩ 1/16W J	
R2773	NRSA63J-105X	MG RESISTOR	1MΩ 1/16W J	
R2861	NRSA63J-221X	MG RESISTOR	220Ω 1/16W J	
R2862	NRSA63J-392X	MG RESISTOR	3.9kΩ 1/16W J	
R2871	NRSA63J-750X	MG RESISTOR	75Ω 1/16W J	
R2872	NRSA63J-102X	MG RESISTOR	1kΩ 1/16W J	
R2921	NRSA63J-182X	MG RESISTOR	1.8kΩ 1/16W J	
R2922	NRSA63J-112X	MG RESISTOR	1.1kΩ 1/16W J	
CN681	QGB2510K1-07	CONNECTOR	B-B (1-7)	
CN683	QGB2510K1-14	CONNECTOR	B-B (1-14)	
EP681	E409182-001SM	GRAND TERMINAL		
J681	QNN0481-001	SURROUND JACK		
K2861	NQR0269-004X	FERRITE BEADS		
UN682	GP1FA553RZ	OPT RECEIVER		
X661	QAX0722-001Z	CRYSTAL	24.576MHz	
X671	QAX0719-001Z	C RESONATOR	6.144MHz	

Packing materials and accessories parts list

Block No. M 3 M M



Packing and Accessories

Block No. M[3]M[M]

△ Symbol No.	Part No.	Part Name	Description	Local
A 1	RM-SRX5040J	REMOCON		
A 2	LV30256-014A	SHEET		
A 3	-----	BATTERY	(x2)	
A 4	LVT1140-003A	INST BOOK	ENG	
A 5	EWP503-001C	ANT.WIRE		
A 6	QAL0014-001	AM LOOP ANT		
△ A 7	QAM0112-002	PLUG ADAPTOR		
P 1	LV21650-010A	CARTON BOX		
P 2	LV32034-009A	SHEET	(x2)	
P 3	LV21634-003A	CUSHION		
P 4	LV21635-002A	CUSHION		
P 5	QPC06507015P	POLY BAG	65cm x 70cm	
P 6	QPA02503505P	POLY BAG	25cm x 35cm	