

# JVC

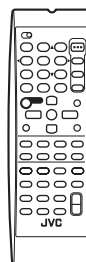
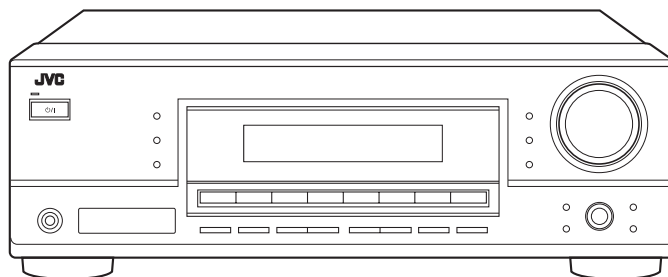
## SERVICE MANUAL

### AUDIO/VIDEO CONTROL RECEIVER

# RX-5042S

Area suffix

J ..... U.S.A.  
C ..... Canada



### TABLE OF CONTENTS

1	PRECAUTION.....	1-3
2	SPECIFIC SERVICE INSTRUCTIONS.....	1-5
3	DISASSEMBLY.....	1-6
4	ADJUSTMENT.....	1-13
5	TROUBLESHOOTING.....	1-14

# SPECIFICATION

<b>Amplifier</b>		
<b>Output Power</b>		
At Stereo operation	Front channels	100 W per channel, min. RMS, driven into 8 $\Omega$ , 40 Hz to 20 kHz with no more than 0.8% total harmonic distortion.
At Surround operation	Front channels	100 W per channel, min. RMS, driven into 8 $\Omega$ , at 1 kHz with no more than 0.8% total harmonic distortion.
	Center channel	100 W, min. RMS, driven into 8 $\Omega$ , at 1 kHz with no more than 0.8% total harmonic distortion.
	Surround channels	100 W per channel, min. RMS, driven into 8 $\Omega$ , at 1 kHz with no more than 0.8% total harmonic distortion.
<b>Audio</b>		
Audio Input Sensitivity/ Impedance (1 kHz)	CD, TAPE/CDR, VCR, TV SOUND, DVD:220 mV/47 k $\Omega$	
Audio Input (DIGITAL IN)*	Coaxial	DIGITAL 1 (DVD):0.5 V(p-p)/75 $\Omega$
	Optical	DIGITAL 2 (CD):-21 dBm to -15 dBm (660 nm $\pm$ 30 nm)
* Corresponding to Linear PCM, Dolby Digital, and DTS Digital Surround (with sampling frequency-32 kHz, 44.1 kHz, 48 kHz)		
Recording Output Level	TAPE/CDR, VCR:220 mV	
Signal-to-Noise Ratio('66 IHF/'78 IHF)	CD, TAPE/CDR, VCR, TV SOUND, DVD:87 dB/74 dB	
Frequency Response (8 $\Omega$ )	CD, TAPE/CDR, VCR, TV SOUND, DVD:20 Hz to 50 kHz (+1 dB, -3 dB)	
Bass Boost	+3 dB $\pm$ 1 dB at 100 Hz (Only for RX-6040B/RX-6042S)	
Equalization (5 bands)	63 Hz, 250 Hz, 1 kHz, 4 kHz, 16 kHz ( $\pm$ 8 dB in 2 dB steps)	
<b>Video</b>		
Video Input Sensitivity/Impedance	Composite video:DVD, VCR	1 V(p-p)/75 $\Omega$
Video Output Level	Composite video:VCR, MONITOR OUT	1 V(p-p)/75 $\Omega$
Synchronization	Negative	
Signal-to-Noise Ratio	45 dB	
<b>FM tuner (IHF)</b>		
Tuning Range	87.5 MHz to 108.0 MHz	
Usable Sensitivity	Monaural:12.8 dBf (1.2 $\mu$ V/75 $\Omega$ )	
50 dB Quieting Sensitivity	Monaural:16.0 dBf (1.7 $\mu$ V/75 $\Omega$ )	
	Stereo:37.5 dBf (20.5 $\mu$ V/75 $\Omega$ )	
Stereo Separation at OUT (REC)	35 dB at 1 kHz	
<b>AM tuner</b>		
Tuning Range	530 kHz to 1 710 kHz	
<b>General</b>		
Power Requirements	AC 120V , 60 Hz	
Power Consumption	200 W/260 VA (at operation):2 W (in standby mode)	
Dimensions (W $\times$ H $\times$ D)	435 mm $\times$ 146.5 mm $\times$ 369.5 mm (17 3/16 in. $\times$ 5 13/16 in. $\times$ 14 5/8 in.)	
Mass	7.5 kg (16.6 lbs)	

Designs and specifications are subject to change without notice.

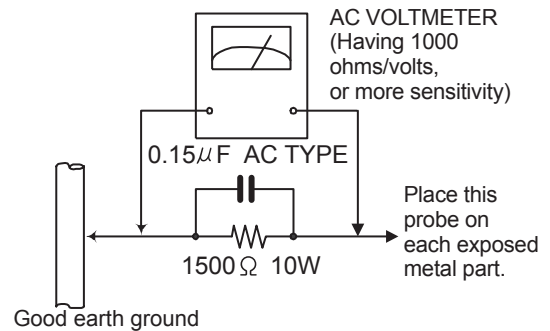
# SECTION 1 PRECAUTION

## 1.1 Safety Precautions

- (1) This design of this product contains special hardware and many circuits and components specially for safety purposes. For continued protection, no changes should be made to the original design unless authorized in writing by the manufacturer. Replacement parts must be identical to those used in the original circuits. Services should be performed by qualified personnel only.
- (2) Alterations of the design or circuitry of the product should not be made. Any design alterations of the product should not be made. Any design alterations or additions will void the manufacturer's warranty and will further relieve the manufacturer of responsibility for personal injury or property damage resulting therefrom.
- (3) Many electrical and mechanical parts in the products have special safety-related characteristics. These characteristics are often not evident from visual inspection nor can the protection afforded by them necessarily be obtained by using replacement components rated for higher voltage, wattage, etc. Replacement parts which have these special safety characteristics are identified in the Parts List of Service Manual. Electrical components having such features are identified by shading on the schematics and by ( $\Delta$ ) on the Parts List in the Service Manual. The use of a substitute replacement which does not have the same safety characteristics as the recommended replacement parts shown in the Parts List of Service Manual may create shock, fire, or other hazards.
- (4) The leads in the products are routed and dressed with ties, clamps, tubings, barriers and the like to be separated from live parts, high temperature parts, moving parts and/or sharp edges for the prevention of electric shock and fire hazard. When service is required, the original lead routing and dress should be observed, and it should be confirmed that they have been returned to normal, after reassembling.
- (5) Leakage shock hazard testing  
After reassembling the product, always perform an isolation check on the exposed metal parts of the product (antenna terminals, knobs, metal cabinet, screw heads, headphone jack, control shafts, etc.) to be sure the product is safe to operate without danger of electrical shock. Do not use a line isolation transformer during this check.
  - Plug the AC line cord directly into the AC outlet. Using a "Leakage Current Tester", measure the leakage current from each exposed metal part of the cabinet, particularly any exposed metal part having a return path to the chassis, to a known good earth ground. Any leakage current must not exceed 0.5mA AC (r.m.s.).
  - Alternate check method  
Plug the AC line cord directly into the AC outlet. Use an AC voltmeter having, 1,000 $\Omega$  per volt or more sensitivity in the following manner. Connect a 1,500 $\Omega$  10W resistor paralleled by a 0.15 $\mu$ F AC-type capacitor between an exposed metal part and a known good earth ground. Measure the AC voltage across the resistor with the AC

voltmeter.

Move the resistor connection to each exposed metal part, particularly any exposed metal part having a return path to the chassis, and measure the AC voltage across the resistor. Now, reverse the plug in the AC outlet and repeat each measurement. Voltage measured any must not exceed 0.75 V AC (r.m.s.). This corresponds to 0.5 mA AC (r.m.s.).



## 1.2 Warning

- (1) This equipment has been designed and manufactured to meet international safety standards.
- (2) It is the legal responsibility of the repairer to ensure that these safety standards are maintained.
- (3) Repairs must be made in accordance with the relevant safety standards.
- (4) It is essential that safety critical components are replaced by approved parts.
- (5) If mains voltage selector is provided, check setting for local voltage.

## 1.3 Caution

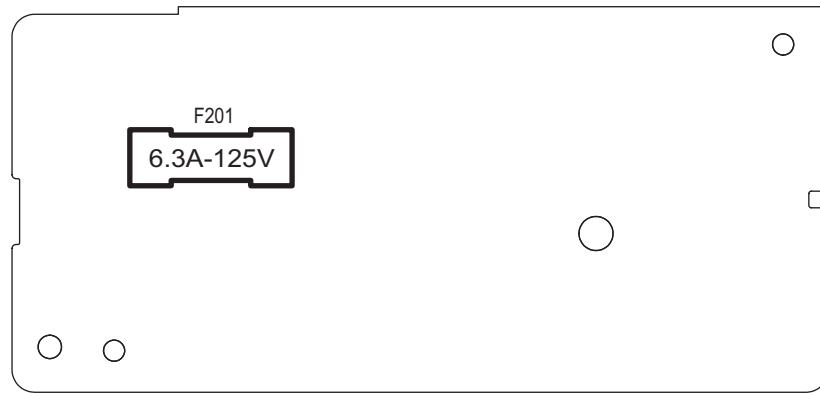
**Burrs formed during molding may be left over on some parts of the chassis.**  
**Therefore, pay attention to such burrs in the case of pre-forming repair of this system.**

## 1.4 Critical parts for safety

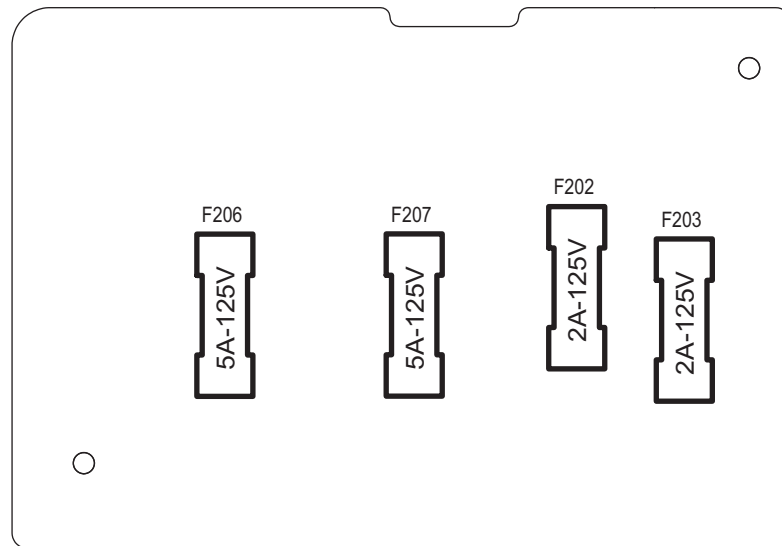
In regard with component parts appearing on the silk-screen printed side (parts side) of the PWB diagrams, the parts that are printed over with black such as the resistor (  $\blacksquare$  ), diode (  $\blacksquare$  ) and ICP (  $\bullet$  ) or identified by the " $\Delta$ " mark nearby are critical for safety. When replacing them, be sure to use the parts of the same type and rating as specified by the manufacturer.  
(This regulation does not Except the J and C version)

## 1.5 Importance administering point on the safety

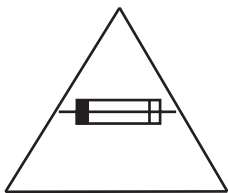
Primary part  
(Power / Fuse board)



Secondary parts  
(Power transformer board 1)



For USA and Canada / pour Etats - Unis d' Amérique et Canada



Caution: For continued protection against risk of fire, replace only with same type 6.3A/125V for F201, 2A/125V for F202 and F203, 5 A/125 V for F206 and F207.

This symbol specifies type of fast operating fuse.

Précaution: Pour éviter risques de feux, remplacez le fusible de sûreté de F201 comme le même type que 6,3 A/125 V, 2 A/125 V pour F202 et F203, et 5 A/125 V pour F206 et F207.

Ce sont des fusibles sûretés qui fonctionnent rapide.

**SECTION 2**  
**SPECIFIC SERVICE INSTRUCTIONS**

This service manual does not describe SPECIFIC SERVICE INSTRUCTIONS.

## SECTION 3 DISASSEMBLY

### 3.1 Removing the top cover (See Fig.1)

- (1) From the right and left sides of the main body, remove the four screws **A** attaching the top cover.
- (2) From the back side of the main body, remove the three screws **B** attaching the top cover.
- (3) Remove the top cover in the direction of the arrow 2 while extending the lower sections of the top cover in the direction of the arrow 1.

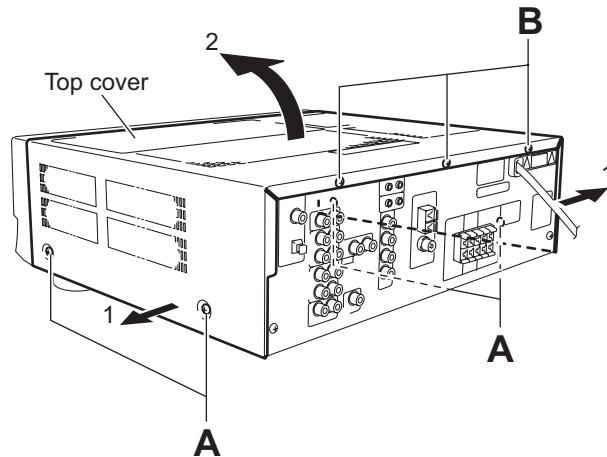


Fig.1

### 3.2 Removing the front panel assembly (See Figs.2 and 3)

- Prior to performing the following procedures, remove the top cover.
- (1) Disconnect the card wire from the connector [CN402](#) on the front board. (See Fig.2.)
- (2) Disconnect the card wire from the connector [CN201](#) on the power supply board. (See Fig.2.)
- (3) Remove the tie band and remove the wire protection board fixing the card wire. (See Fig.2.)
- (4) Remove the three screws **C** attaching the front panel assembly. (See Fig.2.)
- (5) From the bottom side of the main body, remove the four screws **D** attaching the front panel assembly. (See Fig.3.)
- (6) Remove the front panel assembly in the direction of the arrow. (See Fig.3.)

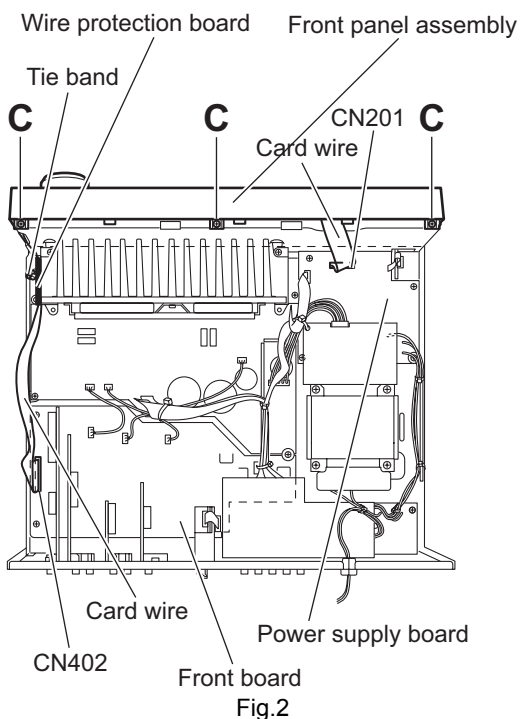


Fig.2

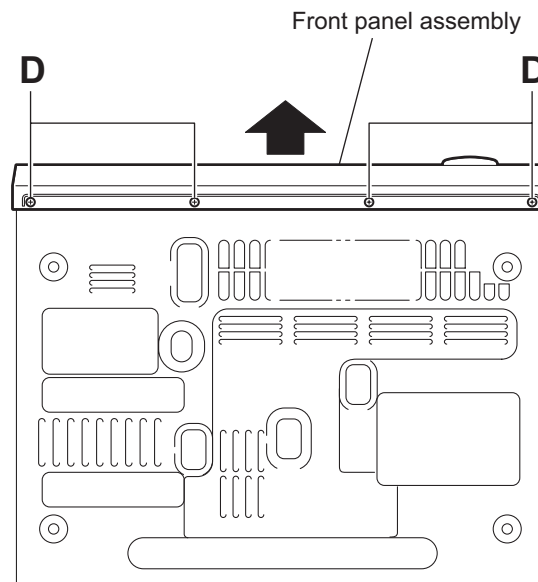


Fig.3

### 3.3 Removing the rear panel (See Fig.4)

- Prior to performing the following procedures, remove the top cover.
  - (1) From the back side of the main body, remove the strain relief from the rear panel in the direction of the arrow.
  - (2) Remove the twenty-one screws **E** attaching the rear panel.

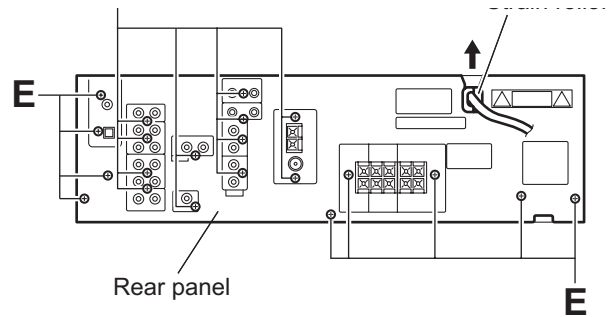


Fig.4

### 3.4 Removing the tuner (See Fig.5)

- Prior to performing the following procedures, remove the top cover.
  - (1) Disconnect the card wire from the connector [CN411](#) on the front board.
  - (2) Take out the tuner.

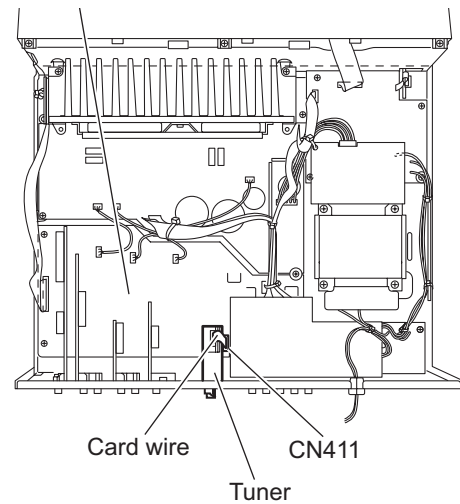


Fig.5

### 3.5 Removing the DSP board, audio input board, DVD board and video board (See Fig.6)

- Prior to performing the following procedures, remove the top cover and rear panel.
  - (1) From the top side of the main body, disconnect the DSP board from the connector [CN481](#) and [CN482](#) on the front board.
  - (2) Disconnect the audio input board from the connector [CN421](#) on the front board.
  - (3) Disconnect the DVD board from the connector [CN431](#) on the front board.
  - (4) Disconnect the video board from the connector [CN441](#) on the front board.

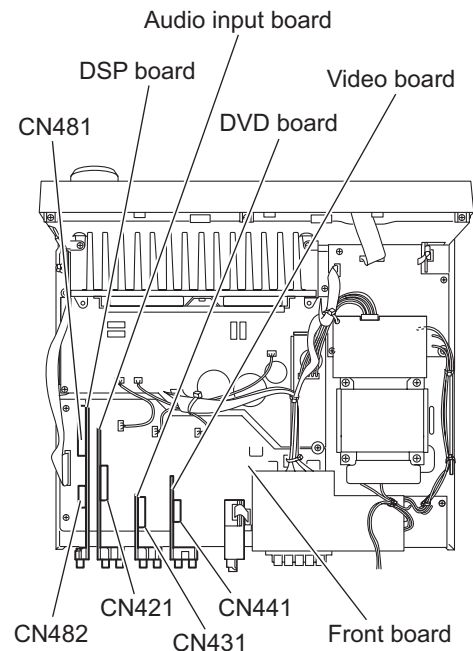


Fig.6

### 3.6 Removing the front board (See Fig.7)

- Prior to performing the following procedures, remove the top cover, rear panel, DSP board, audio input board, DVD board, video board and tuner.
  - (1) From the top side of the main body, disconnect the card wire from the connector [CN402](#) on the front board.
  - (2) Disconnect the relay board from the connectors ([CN291](#), [CN491](#)) on the power supply board and front board.
  - (3) Disconnect the wires from the connectors [CN471](#), [CN472](#) and [CN473](#) on the front board.
  - (4) Remove the two screws **F** attaching the front board.
  - (5) Loosen the screw **G** attaching the front board.
  - (6) Take out the front board from the main body.

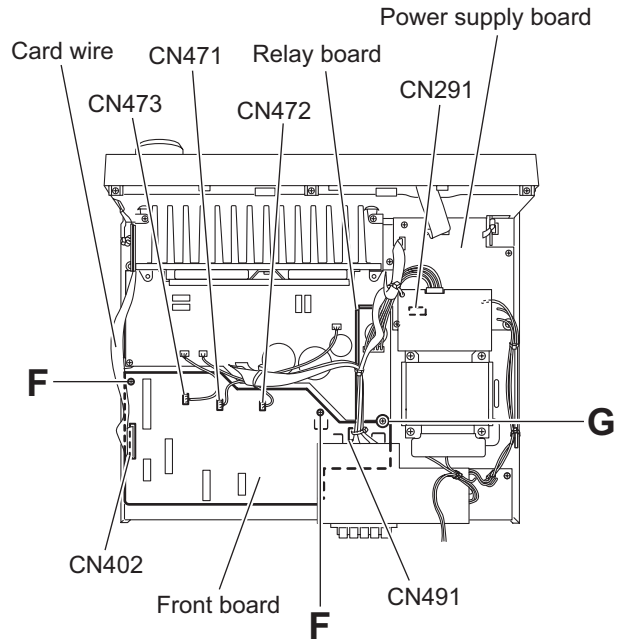


Fig.7

### 3.7 Removing the speaker terminal board (See Fig.8)

- Prior to performing the following procedure, remove the top cover and rear panel.

From the top side of the main body, remove the solders from the soldered sections **a** on the speaker terminal board.

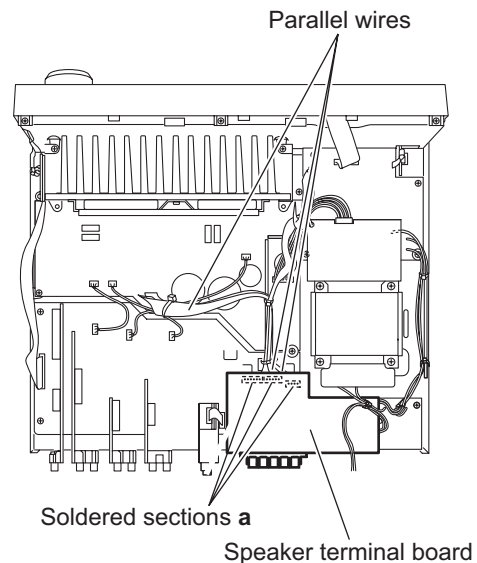


Fig.8



### 3.8 Removing the main board (See Fig.9)

- Prior to performing the following procedures, remove the top cover.
- (1) From the top side of the main body, remove the tie bands fixing the wires.
- (2) Remove the tie band and remove the wire protection board fixing the card wire.
- (3) Remove the solders from the soldered sections **b** on the speaker terminal board attaching the parallel wires.
- (4) Disconnect the relay board from the connectors (CN291, CN491) on the power supply board and front board.
- (5) Disconnect the parallel wire from the connector CN241 on the power supply board.
- (6) Disconnect the wire from the connector CN251 on the power transformer board 1.
- (7) Disconnect the wires from the connectors CN471, CN472 and CN473 on the front board.
- (8) Remove the screw **G**, two screws **H** and four screws **J** attaching the main board.
- (9) Take out the main board from the main body.

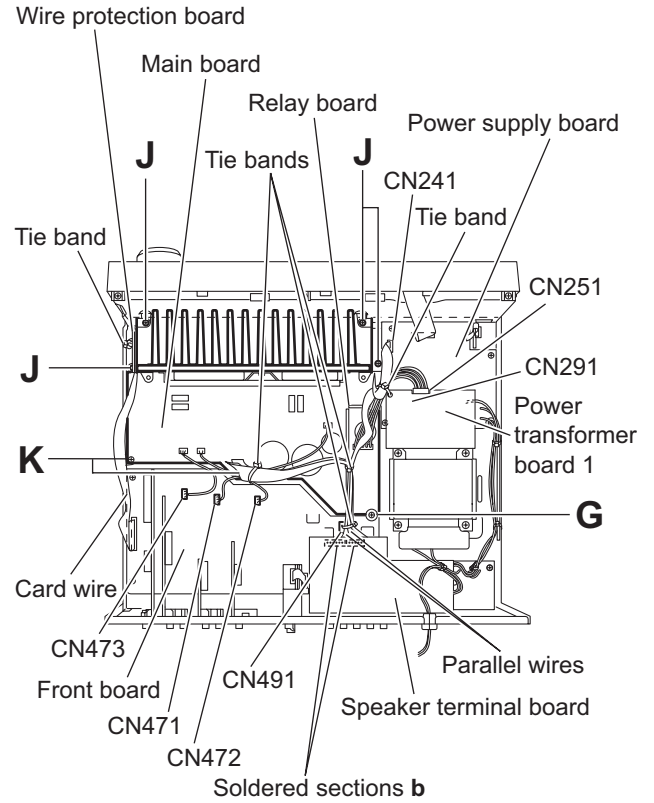


Fig.9

### 3.9 Removing the heat sink (See Figs.10 and 11)

- Prior to performing the following procedures, remove the top cover and main board.
- (1) Remove the three screws **K** attaching the heat sink. (See Fig.10.)
- (2) From the reverse side of the main board, remove the two screws **L** attaching the heat sink. (See Fig.11.)

### 3.10 Removing the power ICs (See Figs.11)

- Prior to performing the following procedures, remove the top cover, main board and heat sink.
- (1) From the reverse side of the main board, remove the solders from the soldered sections **c** on the main board.
- (2) Take out the power ICs.

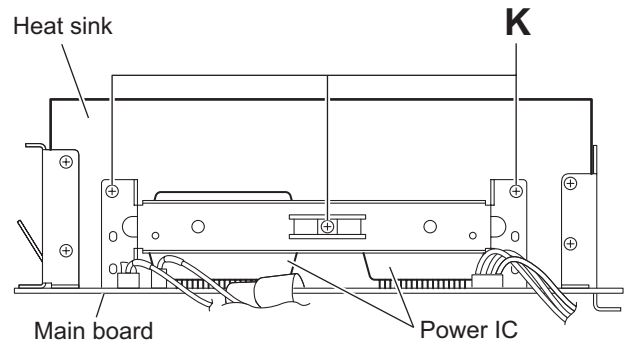


Fig.10

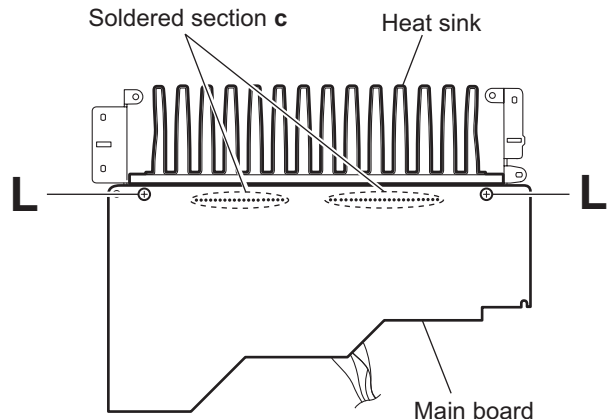


Fig.11

### 3.11 Removing the power transformer (See Fig.12)

- Prior to performing the following procedures, remove the top cover.
  - (1) From the top side of the main body, remove the tie bands fixing the wires.
  - (2) Remove the solders from the soldered section **d** on the power transformer board 1.
  - (3) Remove the solders from the soldered sections **e** on the power transformer board 2.
  - (4) Disconnect the wire from the connector [CN251](#) on the power transformer board 1.
  - (5) Remove the four screws **M** attaching the power transformer.
  - (6) Take out the power transformer from the main body.

### 3.12 Removing the power/fuse board (See Fig.12)

- Prior to performing the following procedures, remove the top cover.
  - (1) From the back and top sides of the main body, remove the screw **N** and screw **P** attaching the power/fuse board.
  - (2) Remove the solders from the soldered sections **f** attaching the power cord.
  - (3) From the reverse side of the power/fuse board, remove the solders from the soldered sections **g** attaching the wires.

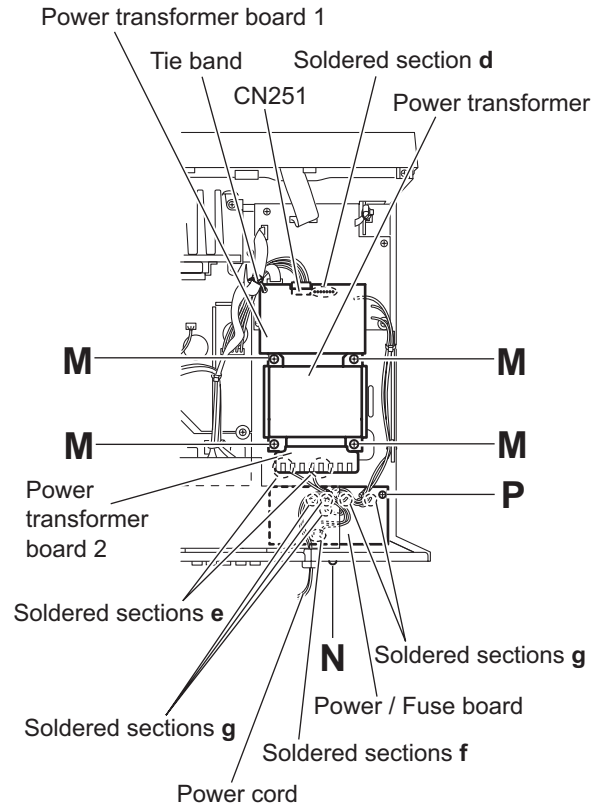


Fig.12

### 3.13 Removing the power supply board (See Fig.13)

- Prior to performing the following procedures, remove the top cover.
- (1) From the top side of the main body, disconnect the parallel wires from the connectors [CN203](#) and [CN241](#) on the power supply board.
- (2) Disconnect the card wire from the connector [CN201](#) on the power supply board.
- (3) Disconnect the relay board from the connector [CN291](#) on the power supply board.
- (4) Remove the tie band fixing the parallel wire.
- (5) Disconnect the parallel wire from the connector [CN101](#) on the headphone jack board.
- (6) Remove the solders from the soldered section **d** on the power transformer board 1.
- (7) Remove the three screws **Q** and screw **R** attaching the power supply board.
- (8) From the reverse side of the power supply board, remove the solders from the soldered sections **h** attaching the wires.

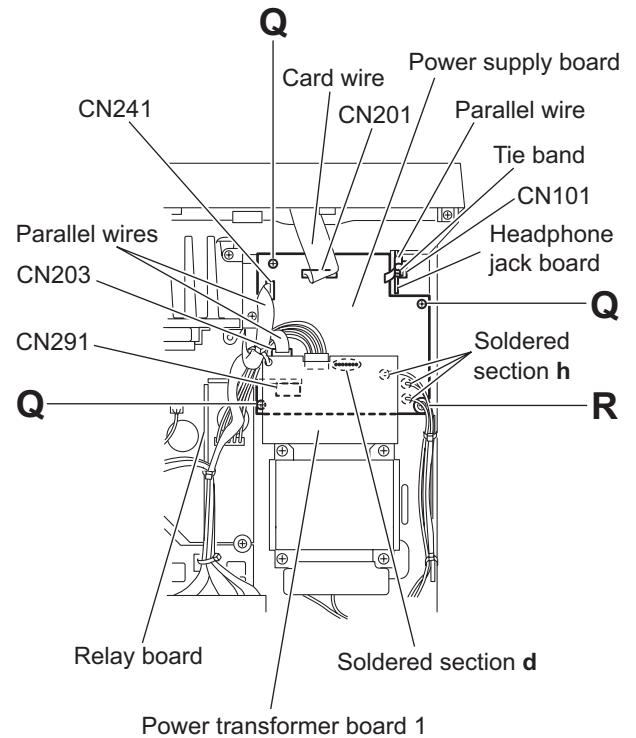


Fig.13

### 3.14 Removing the headphone jack board (See Figs.13 and 14)

- Prior to performing the following procedures, remove the top cover and front panel assembly.
- (1) From the top side of the main body, remove the tie band fixing the parallel wire. (See Fig.13)
- (2) Disconnect the parallel wire from the connector [CN101](#) on the headphone jack board. (See Fig.13)
- (3) From the front side of the main body, remove the special nut and screw **S** attaching the bracket (phones) to the front bracket. (See Fig.14)

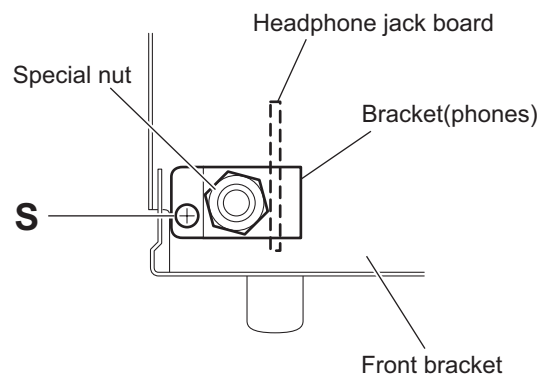


Fig.14

### 3.15 Removing the system control board and power switch board (See Figs.15 and 16)

- Prior to performing the following procedures, remove the top cover and front panel assembly.
  - (1) Pull out the volume and jog knobs from the front side of the front panel assembly, remove the nut attaching the system control board. (See Fig.15)
  - (2) From the back side of the front panel assembly, remove the nine screws **T** attaching the system control board. (See Fig.16)
  - (3) Disconnect the parallel wire from the connector [CN714](#) on the power switch board. (See Fig.16)
  - (4) Take out the system control board from the front panel assembly.
  - (5) Remove the two screws **U** attaching the power switch board. (See Fig.16)
  - (6) Take out the power switch board from the front panel assembly.

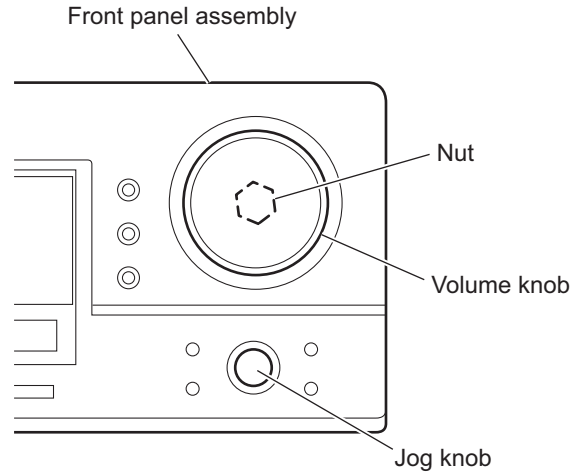


Fig.15

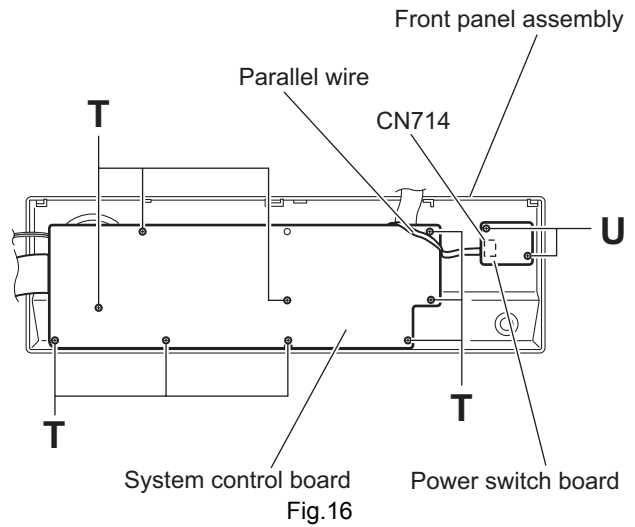


Fig.16

## **SECTION 4 ADJUSTMENT**

This service manual does not describe ADJUSTMENT.

## **SECTION 5 TROUBLESHOOTING**

This service manual does not describe TROUBLESHOOTING.





**JVC**

VICTOR COMPANY OF JAPAN, LIMITED

AV & MULTIMEDIA COMPANY AUDIO/VIDEO SYSTEMS CATEGORY 10-1,1chome,Ohwatari-machi,Maebashi-city,371-8543,Japan

(No.MB171)



Printed in Japan  
WPC



# JVC

## SCHEMATIC DIAGRAMS

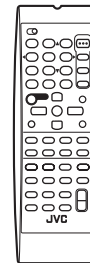
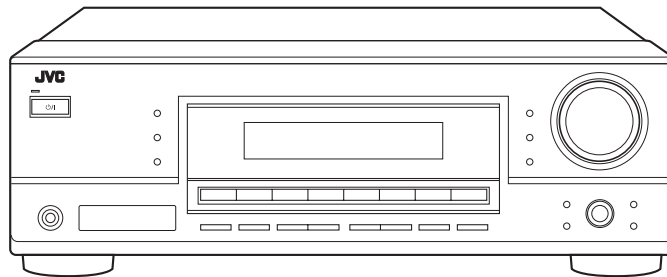
### AUDIO/VIDEO CONTROL RECEIVER

# RX-5042S

CD-ROM No.SML200403

Area suffix

J ----- U.S.A.  
C ----- Canada



**AV COMPU LINK**

### Contents

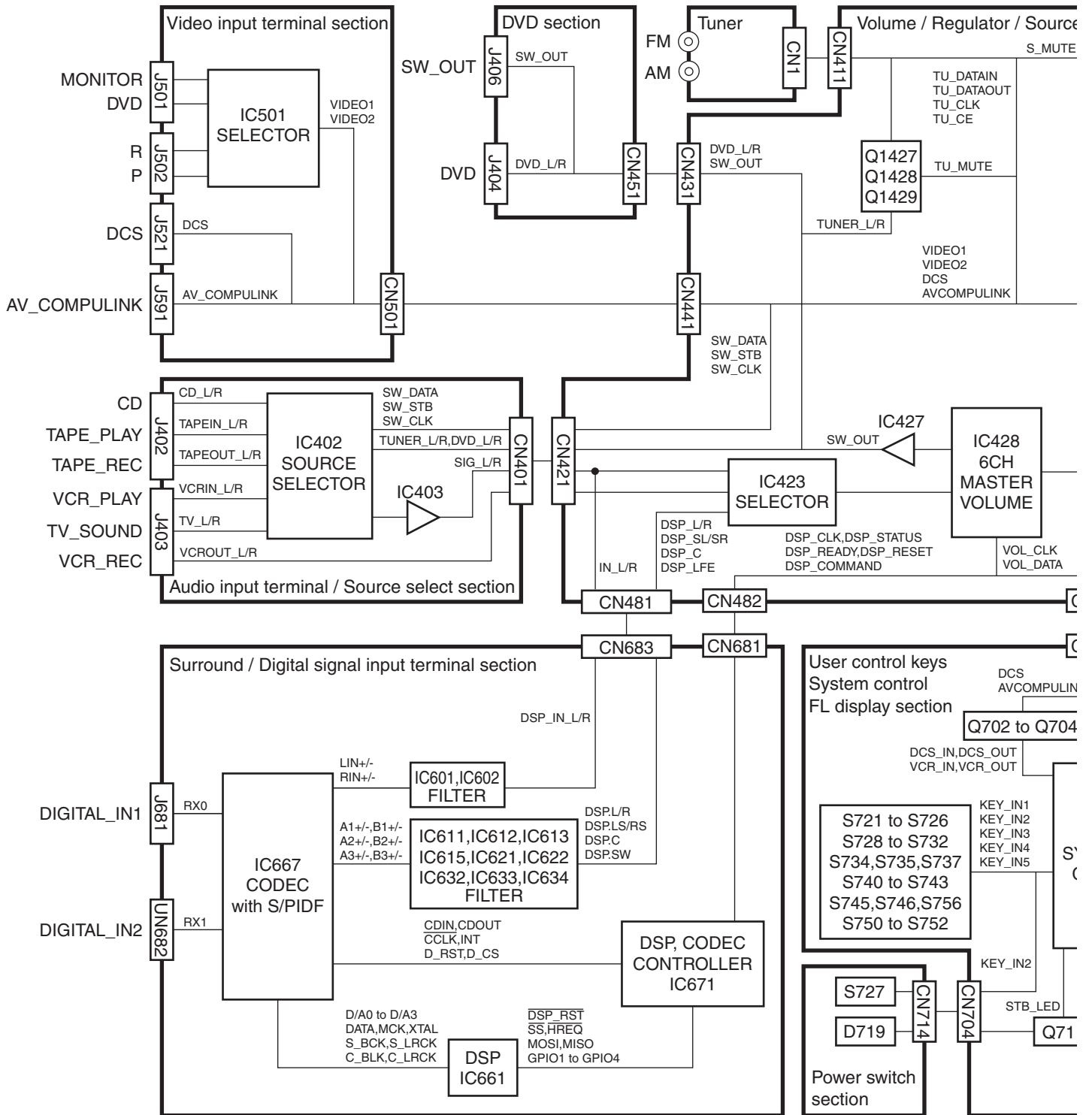
Block diagram .....	2-1
Standard schematic diagrams .....	2-3
Printed circuit boards .....	2-15 to 21

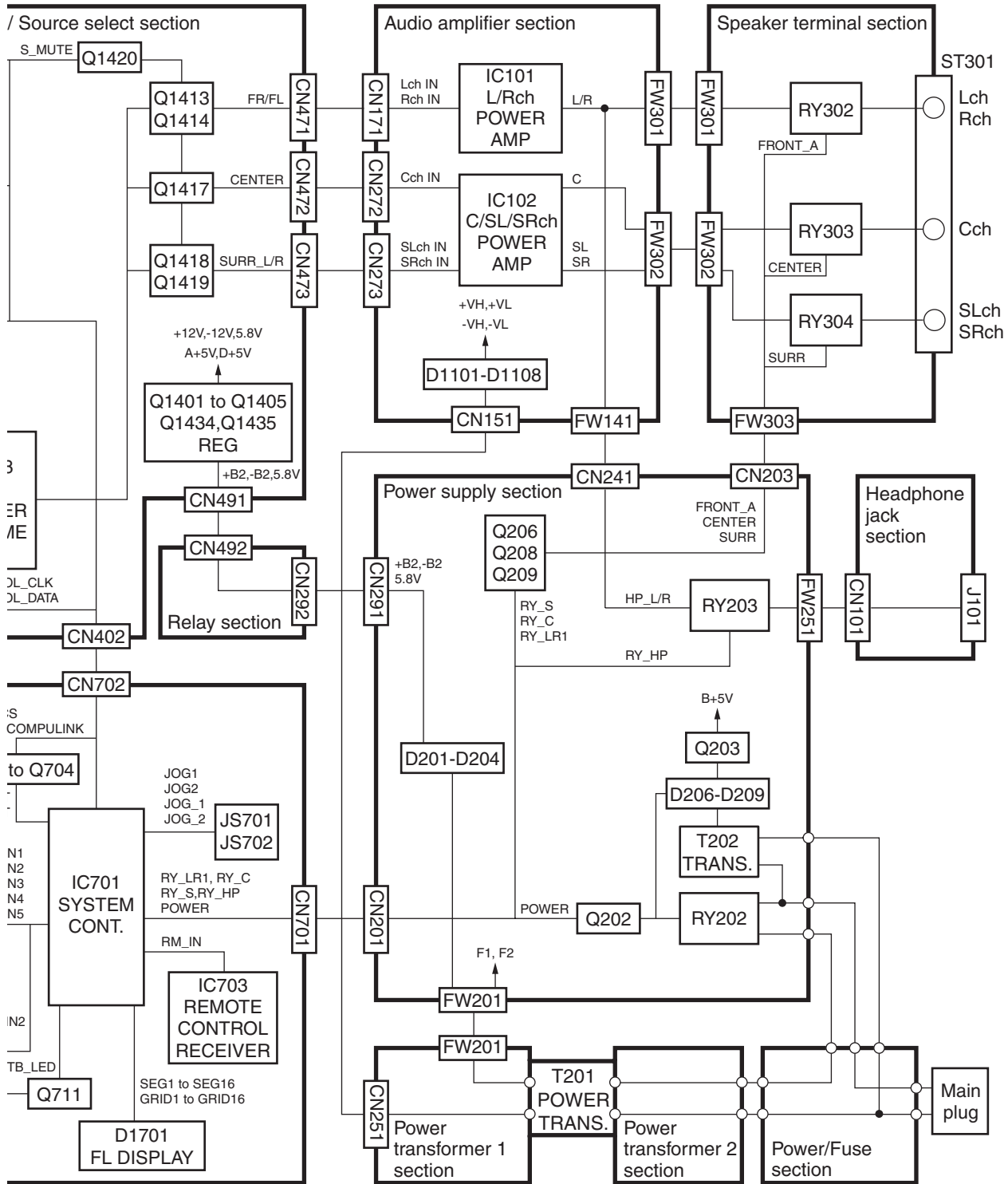
In regard with component parts appearing on the silk-screen printed side (parts side) of the PWB diagrams, the parts that are printed over with black such as the resistor (■), diode (▬) and ICP (●) or identified by the "▲" mark nearby are critical for safety.

(This regulation does not correspond to J and C version.)

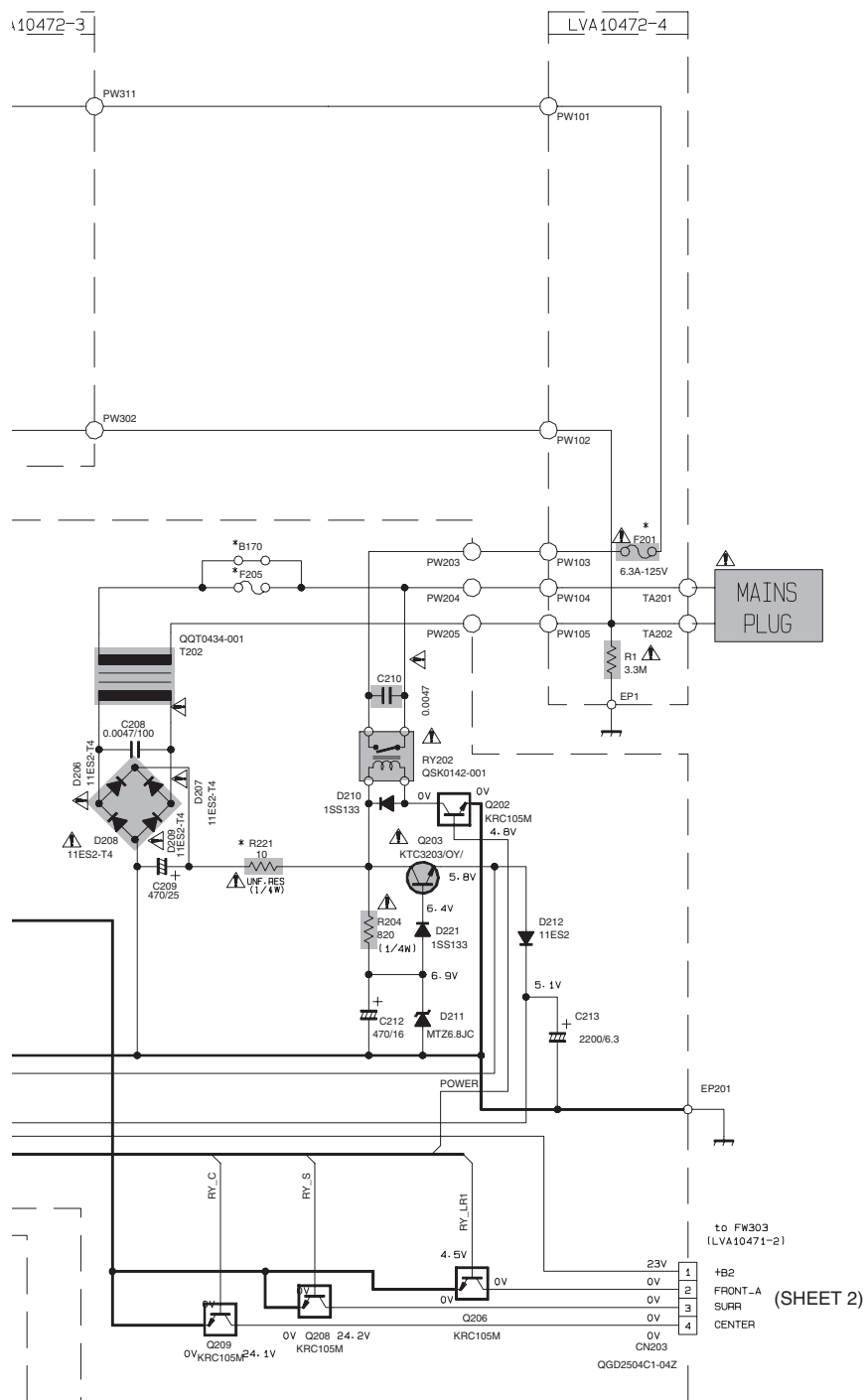
< MEMO >

# Block diagram





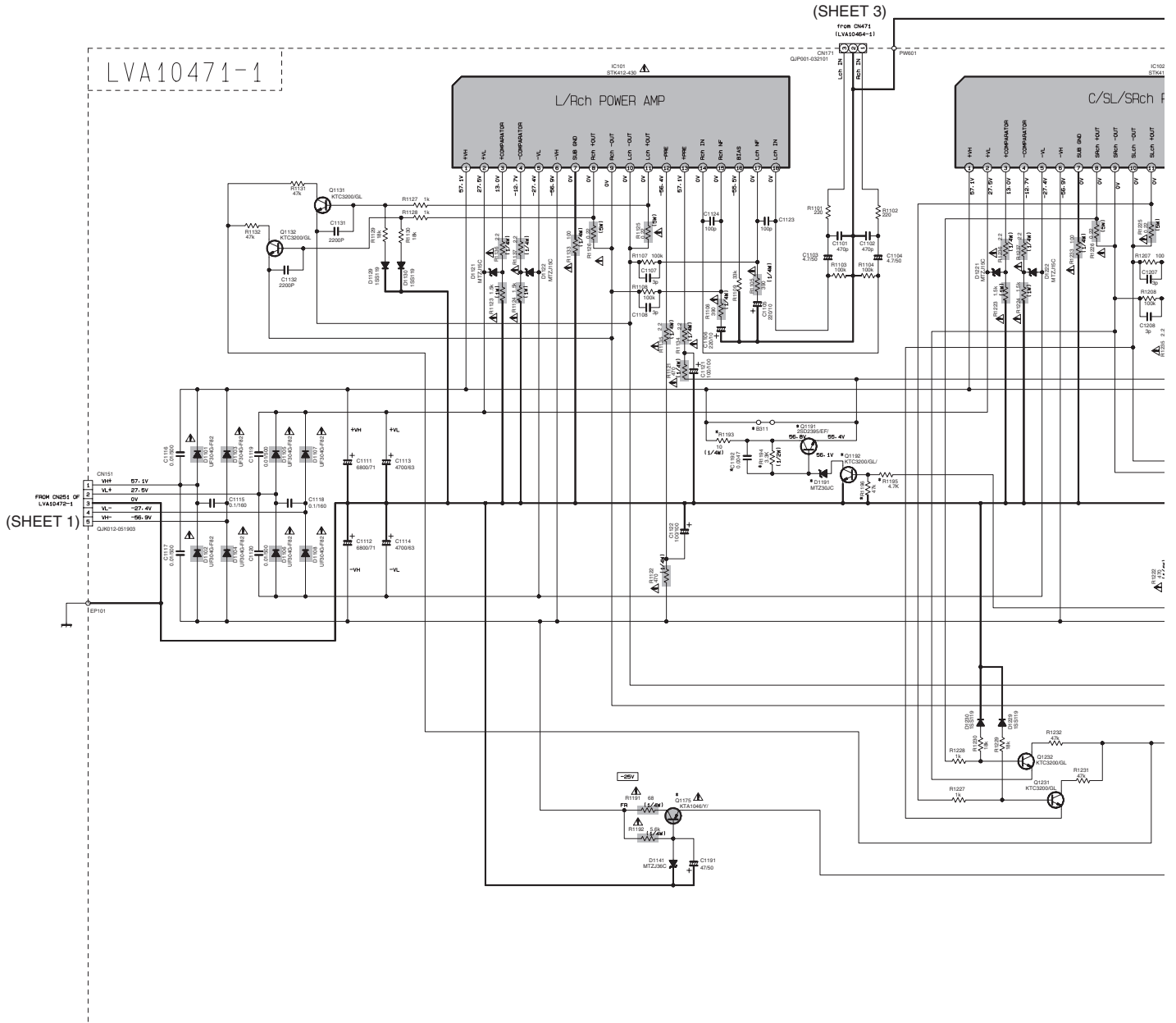




SHEET NUMBER	CIRCUIT DIScription
1	PRIMARY (J/C/B/E/EN/EV)
2	AUDIO AMP
3	VOLUME / REGULATOR / SOURCE SELECT IC
4	AUDIO-VIDEO SIGNAL INPUT TERMINAL / SOURCE SELECT IC
5	SURROUND IC / DIGITAL SIGNAL INPUT TERMINAL
6	USER CONTROL KEYS / SYSTEMCONTROL LSI / FL DISPLAY

▲ Parts are safety assurance parts.  
When replacing those parts make sure to use the specified one.

# Audio amplifier section

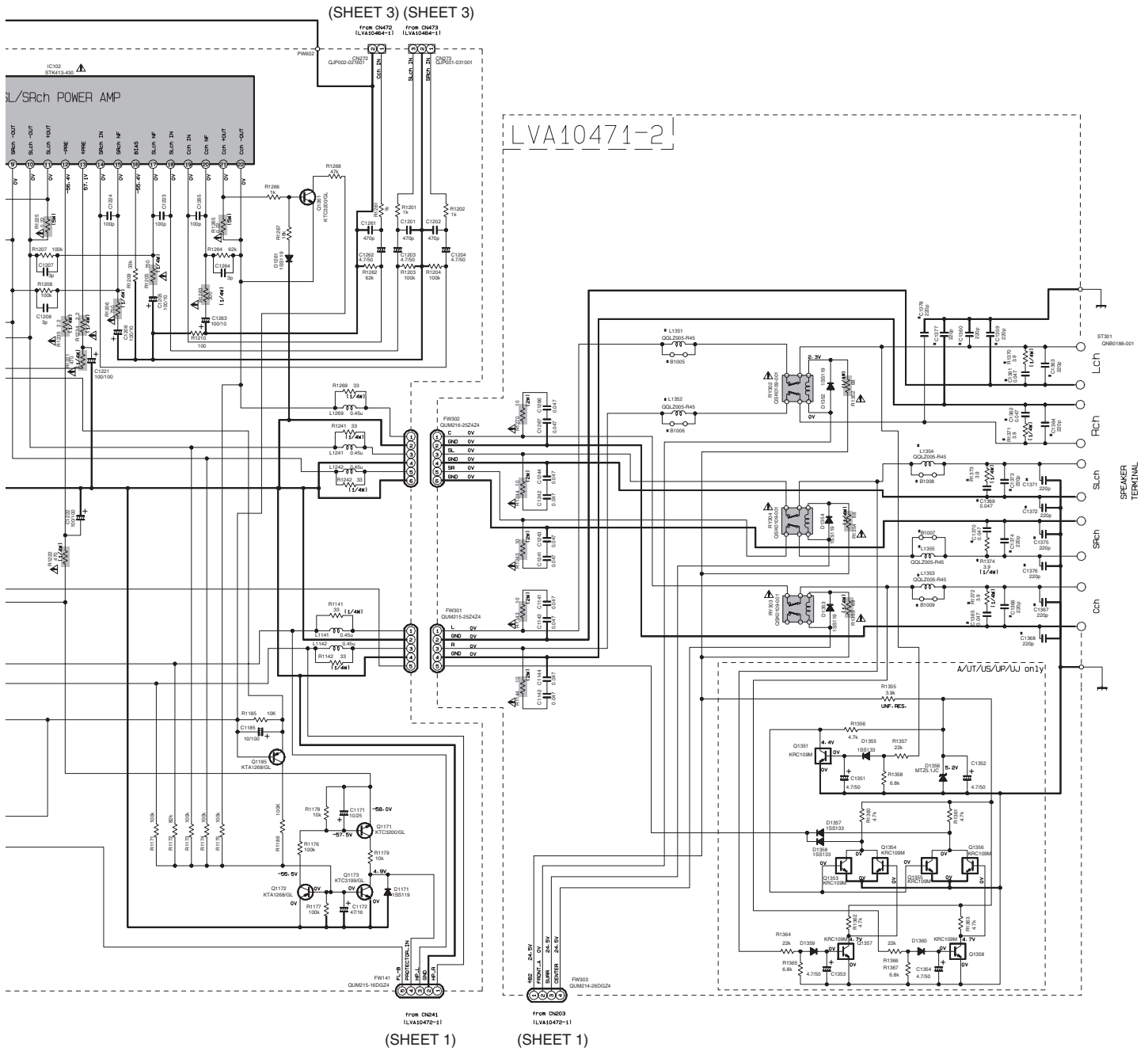


\* MARK LIST

	J/C	B/E/EN/EV	A/UT/US /UP/UJ
B1005	USE	NONE	NONE
B1006	USE	NONE	NONE
B1007	USE	NONE	NONE
B1008	USE	NONE	NONE
B1009	USE	NONE	NONE
L1351	NONE	USE	USE
L1352	NONE	USE	USE
L1353	NONE	USE	USE
L1354	NONE	USE	USE
L1355	NONE	USE	USE
R1370-R1371	NONE	USE	USE
C1361-C1362	NONE	USE	USE
C1363-C1364	NONE	USE	USE
C1369-C1377	NONE	USE	USE
C1360-C1378	NONE	USE	USE
R1373-R1374	NONE	USE	USE
C1369-C1370	NONE	USE	USE
C1373-C1374	NONE	USE	USE
C1372-C1375	NONE	USE	USE
C1371-C1376	NONE	USE	USE
R1372	NONE	USE	USE
C1365	NONE	USE	USE
C1366	NONE	USE	USE
C1367	NONE	NONE	NONE
C1368	NONE	USE	USE

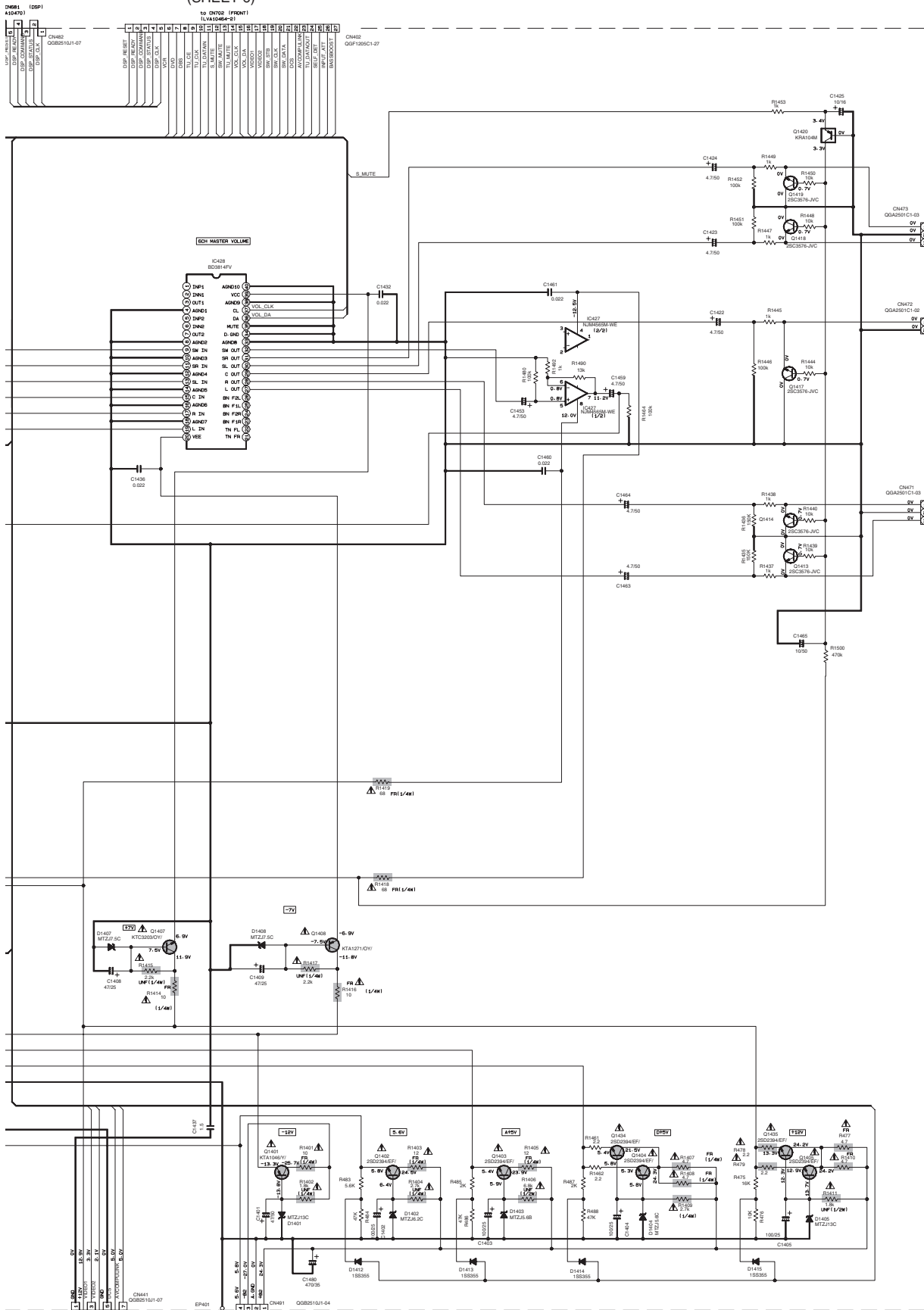
	J/C	B/E/EN/EV	A/UT/US /UP/UJ
B311	USE	USE	NONE
Q1191	NONE	NONE	USE
Q1192	NONE	NONE	USE
D1191	NONE	NONE	USE
R1193-R1196	NONE	NONE	USE
C1192	NONE	NONE	USE





⚠ Parts are safety assurance parts.  
When replacing those parts make  
sure to use the specified one.





(SHEET 2)

(SHEET 2)

(SHEET 2)

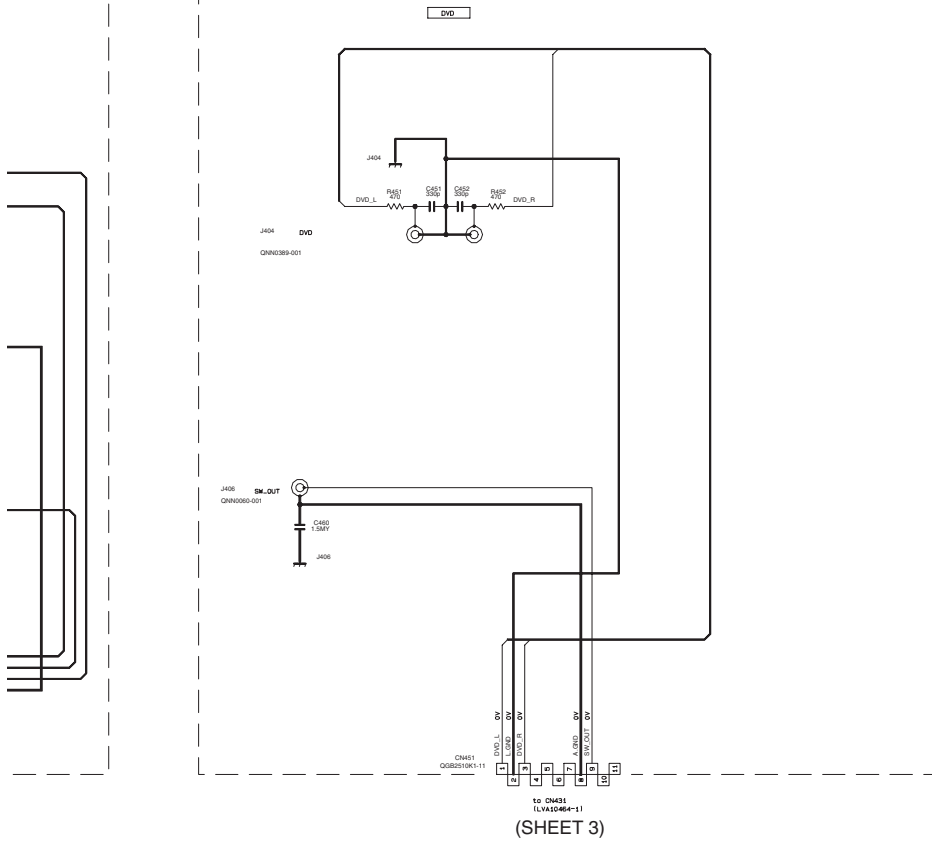
(SHEET 4)

(SHEET 1)

⚠ Parts are safety assurance parts.  
When replacing those parts make  
sure to use the specified one.



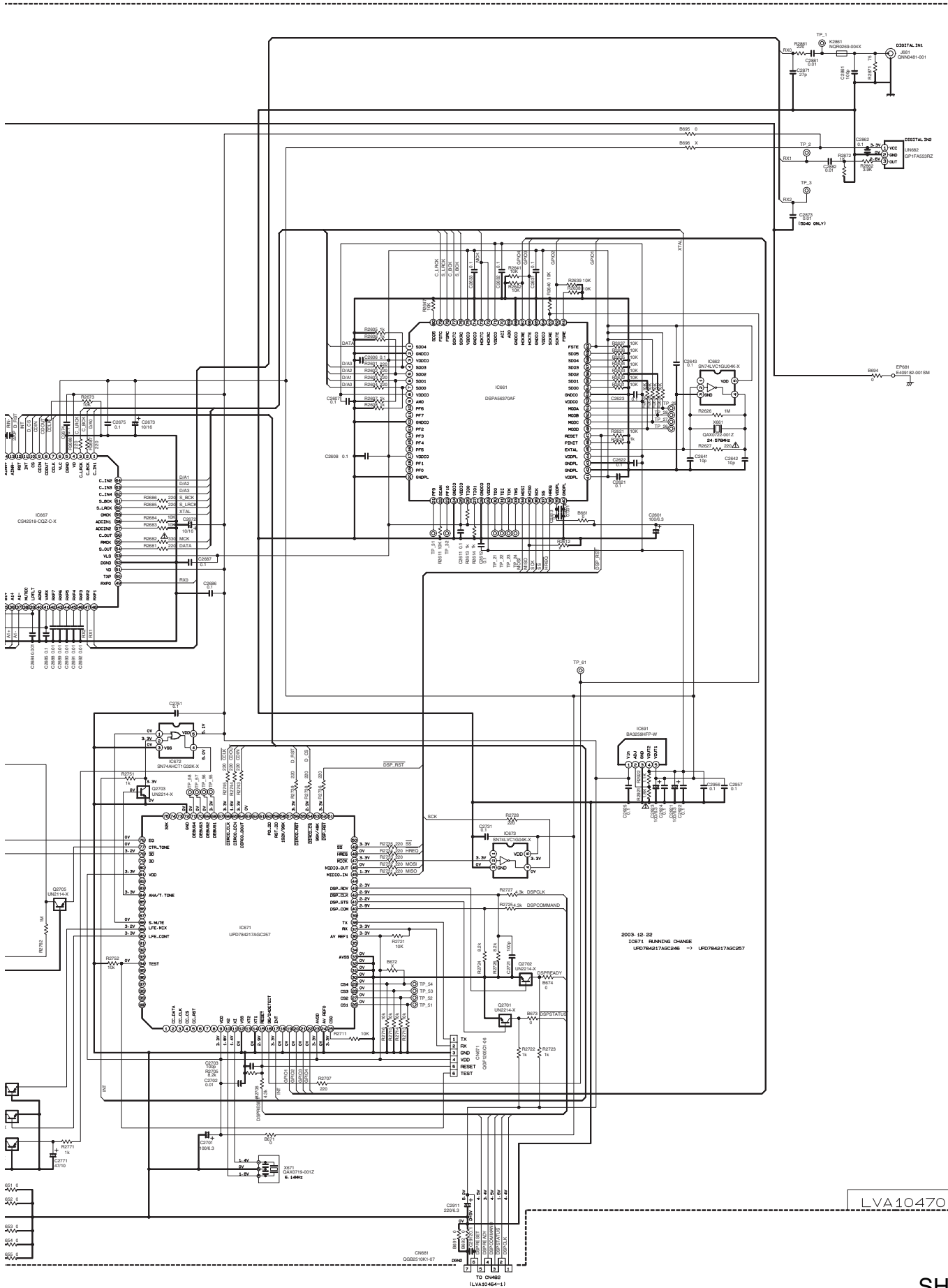
LVA10471-5 I



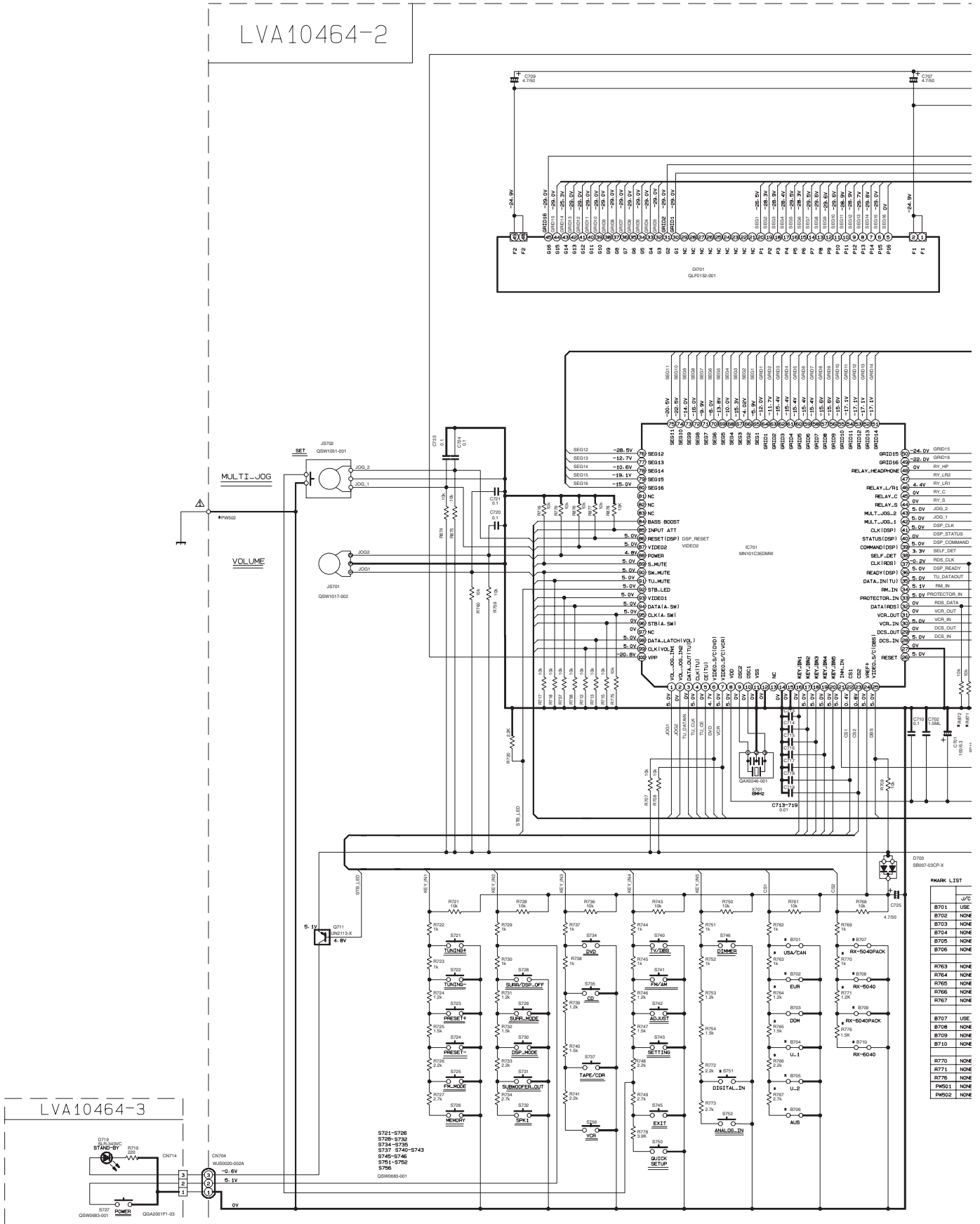
MARK LIST			
	J/C	USE/UT/ALL/UP/A	8/E/20/VE/Y
J501			
R501	USE	USE	NONE
C501			
J402, J403	QNN0168-001	QNN0478-001	

▲ Parts are safety assurance parts.  
When replacing those parts make  
sure to use the specified one.

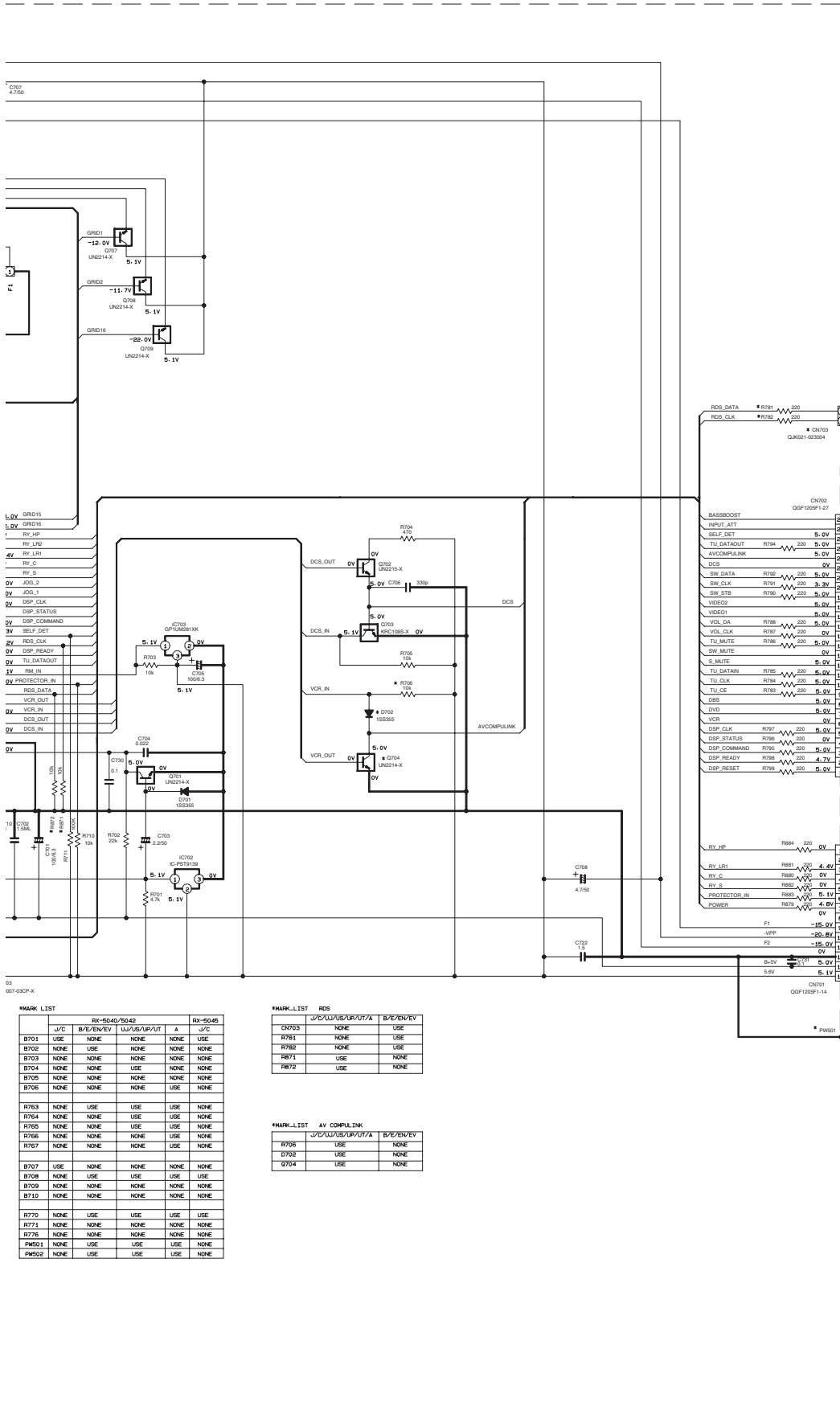




# User control keys / System control / FL display section







to CH403  
ILVA10464-11  
(SHEET 3)

to CH402  
ILVA10464-11  
(SHEET 3)

to CH801  
ILVA10472-11  
(SHEET 1)

\*MARK LIST

	RV-8040/8042	RV-8045			
J/C	B/E/EN/VE	U/A/G/R/P/UT	A	J/C	
B701	USE	NONE	NONE	NONE	USE
B702	NONE	USE	NONE	NONE	NONE
B703	NONE	NONE	NONE	NONE	NONE
B704	NONE	NONE	USE	NONE	NONE
B705	NONE	NONE	NONE	NONE	NONE
B706	NONE	NONE	NONE	USE	NONE
B707	NONE	USE	USE	USE	NONE
B708	NONE	NONE	USE	USE	NONE
B709	NONE	NONE	NONE	USE	NONE
B710	NONE	NONE	NONE	NONE	NONE
B711	NONE	USE	USE	USE	USE
B712	NONE	NONE	NONE	NONE	NONE
B713	NONE	NONE	NONE	NONE	NONE
B714	NONE	NONE	NONE	NONE	NONE
B715	NONE	NONE	NONE	NONE	NONE
B716	NONE	NONE	NONE	NONE	NONE
B717	NONE	NONE	NONE	NONE	NONE
B718	NONE	NONE	NONE	NONE	NONE
B719	NONE	NONE	NONE	NONE	NONE
B720	NONE	NONE	NONE	NONE	NONE
B721	NONE	NONE	NONE	NONE	NONE
B722	NONE	NONE	NONE	NONE	NONE
B723	NONE	NONE	NONE	NONE	NONE
B724	NONE	NONE	NONE	NONE	NONE
B725	NONE	NONE	NONE	NONE	NONE
B726	NONE	NONE	NONE	NONE	NONE
B727	NONE	NONE	NONE	NONE	NONE
B728	NONE	NONE	NONE	NONE	NONE
B729	NONE	NONE	NONE	NONE	NONE
B730	NONE	NONE	NONE	NONE	NONE
B731	NONE	NONE	NONE	NONE	NONE
B732	NONE	NONE	NONE	NONE	NONE
B733	NONE	NONE	NONE	NONE	NONE
B734	NONE	NONE	NONE	NONE	NONE
B735	NONE	NONE	NONE	NONE	NONE
B736	NONE	NONE	NONE	NONE	NONE
B737	NONE	NONE	NONE	NONE	NONE
B738	NONE	NONE	NONE	NONE	NONE
B739	NONE	NONE	NONE	NONE	NONE
B740	NONE	NONE	NONE	NONE	NONE
B741	NONE	NONE	NONE	NONE	NONE
B742	NONE	NONE	NONE	NONE	NONE
B743	NONE	NONE	NONE	NONE	NONE
B744	NONE	NONE	NONE	NONE	NONE
B745	NONE	NONE	NONE	NONE	NONE
B746	NONE	NONE	NONE	NONE	NONE
B747	NONE	NONE	NONE	NONE	NONE
B748	NONE	NONE	NONE	NONE	NONE
B749	NONE	NONE	NONE	NONE	NONE
B750	NONE	NONE	NONE	NONE	NONE
B751	NONE	NONE	NONE	NONE	NONE
B752	NONE	NONE	NONE	NONE	NONE

\*MARK LIST RES

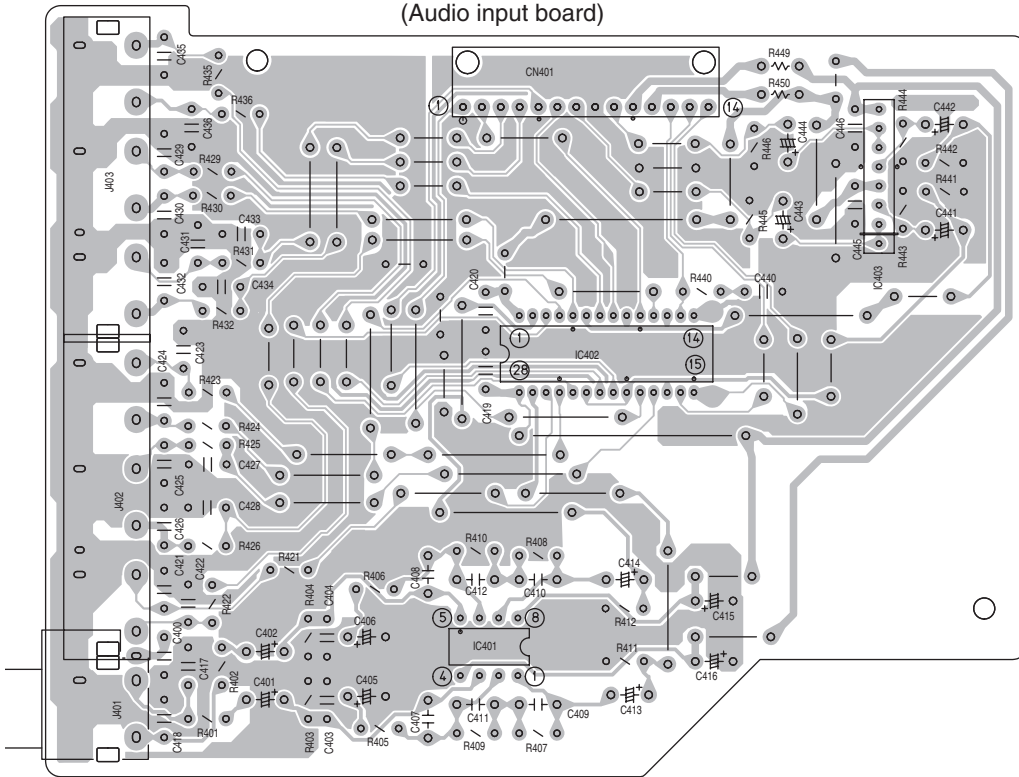
	J/C/U/L/S/B/R/P/O/A	B/E/EN/VE
CN703	NONE	USE
R781	NONE	USE
R782	NONE	USE
R783	USE	NONE
R784	USE	NONE

\*MARK LIST AV COMPLINK

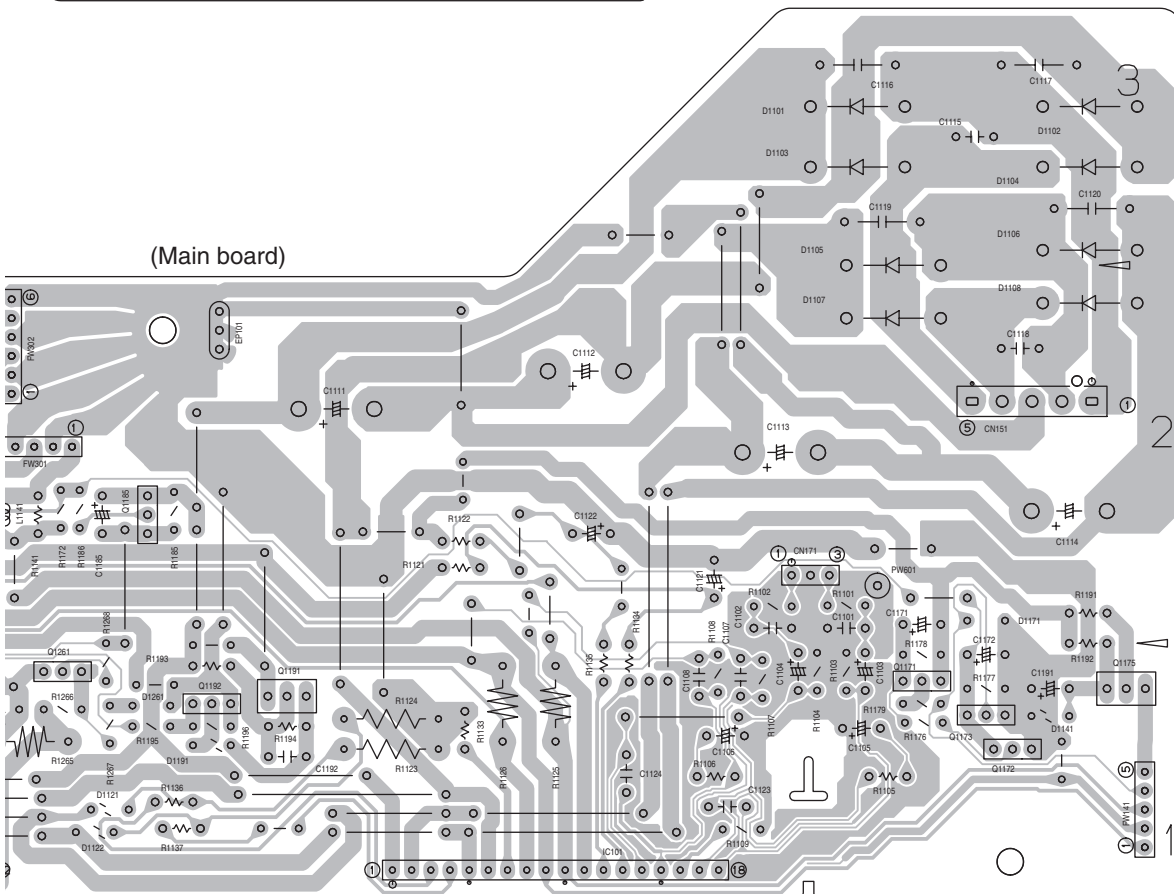
	J/C/U/L/S/B/R/P/O/A	B/E/EN/VE
R706	USE	NONE
D702	USE	NONE
Q704	USE	NONE



(Audio input board)

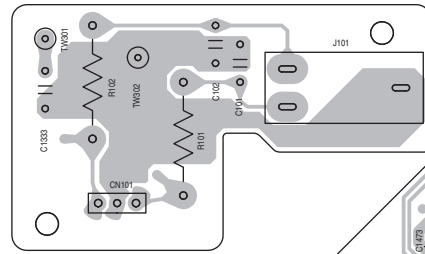
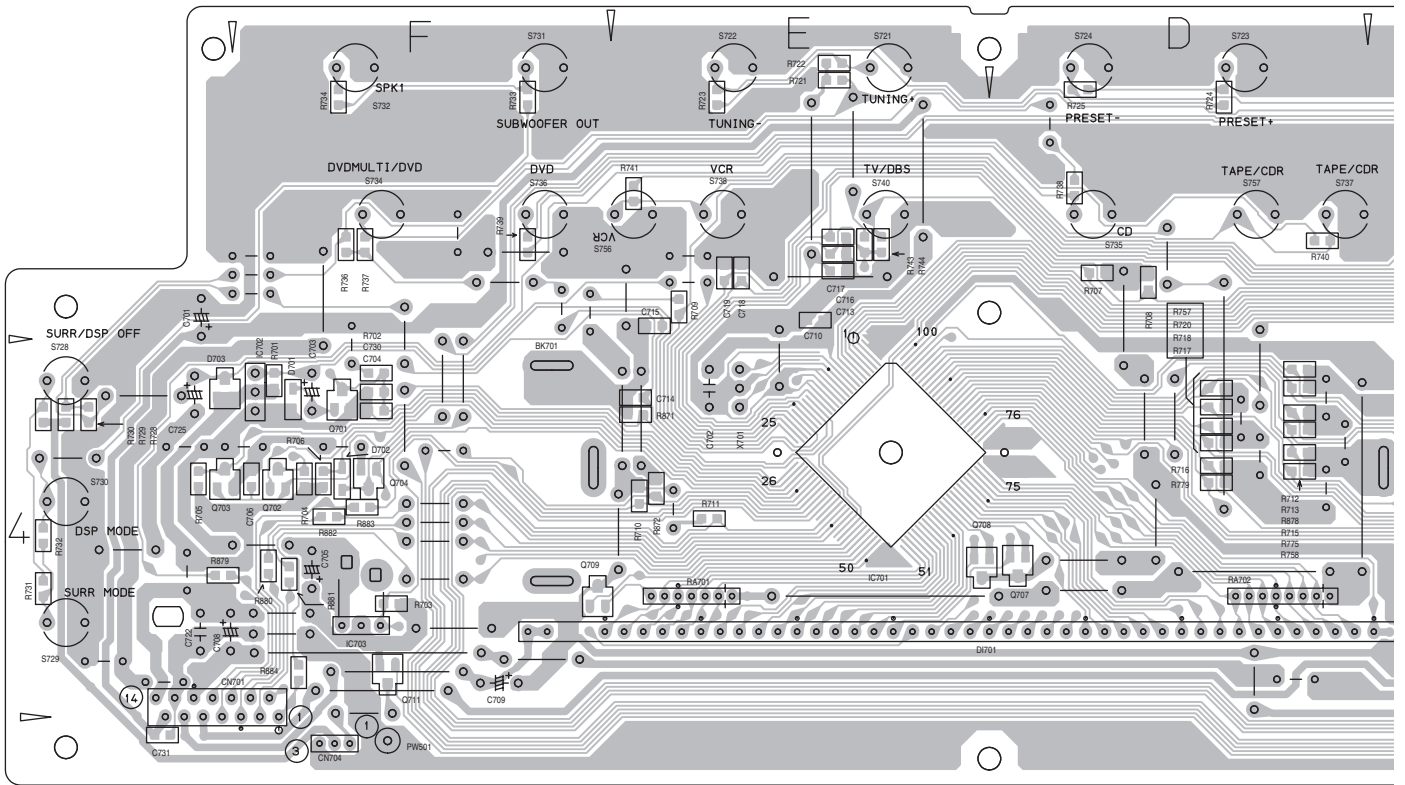


(Main board)



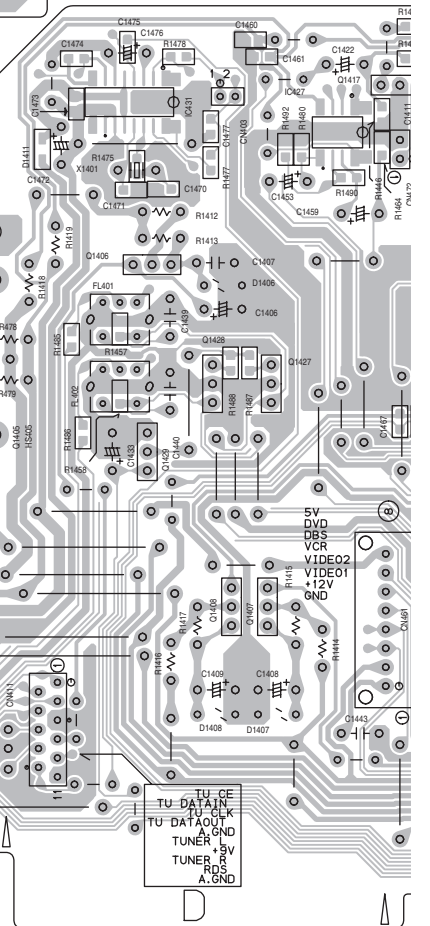
■ Front board

(System control board)

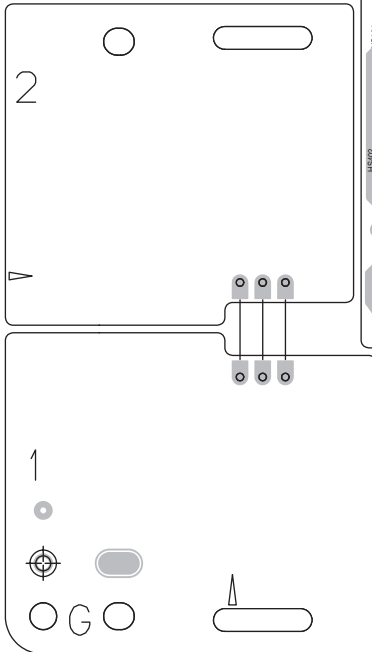


(Headphone jack board)

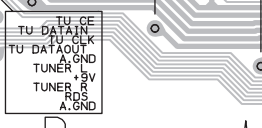
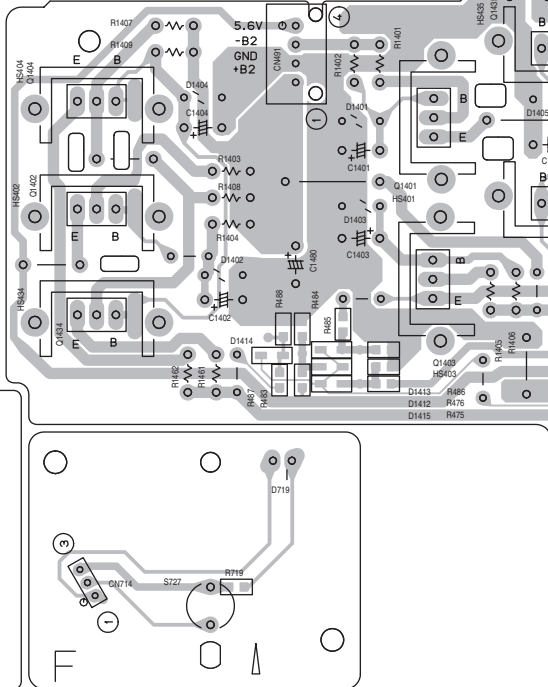
(Front board)



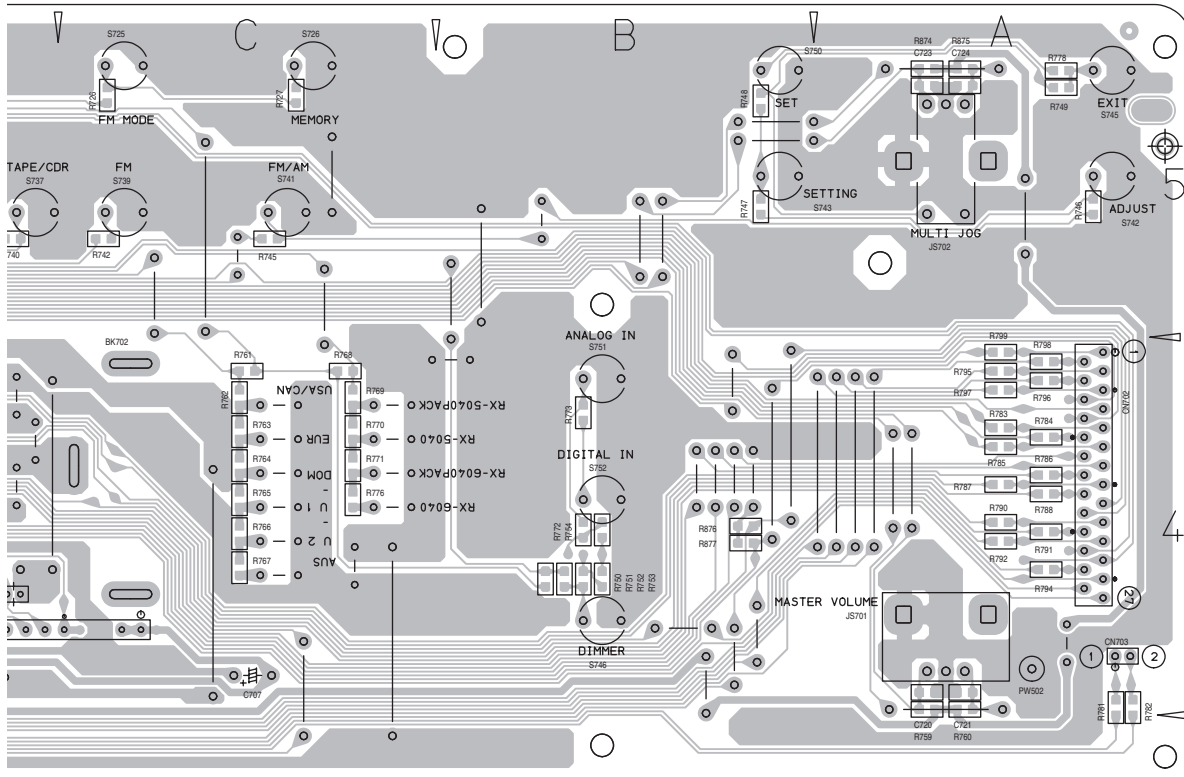
(Wire protection board)



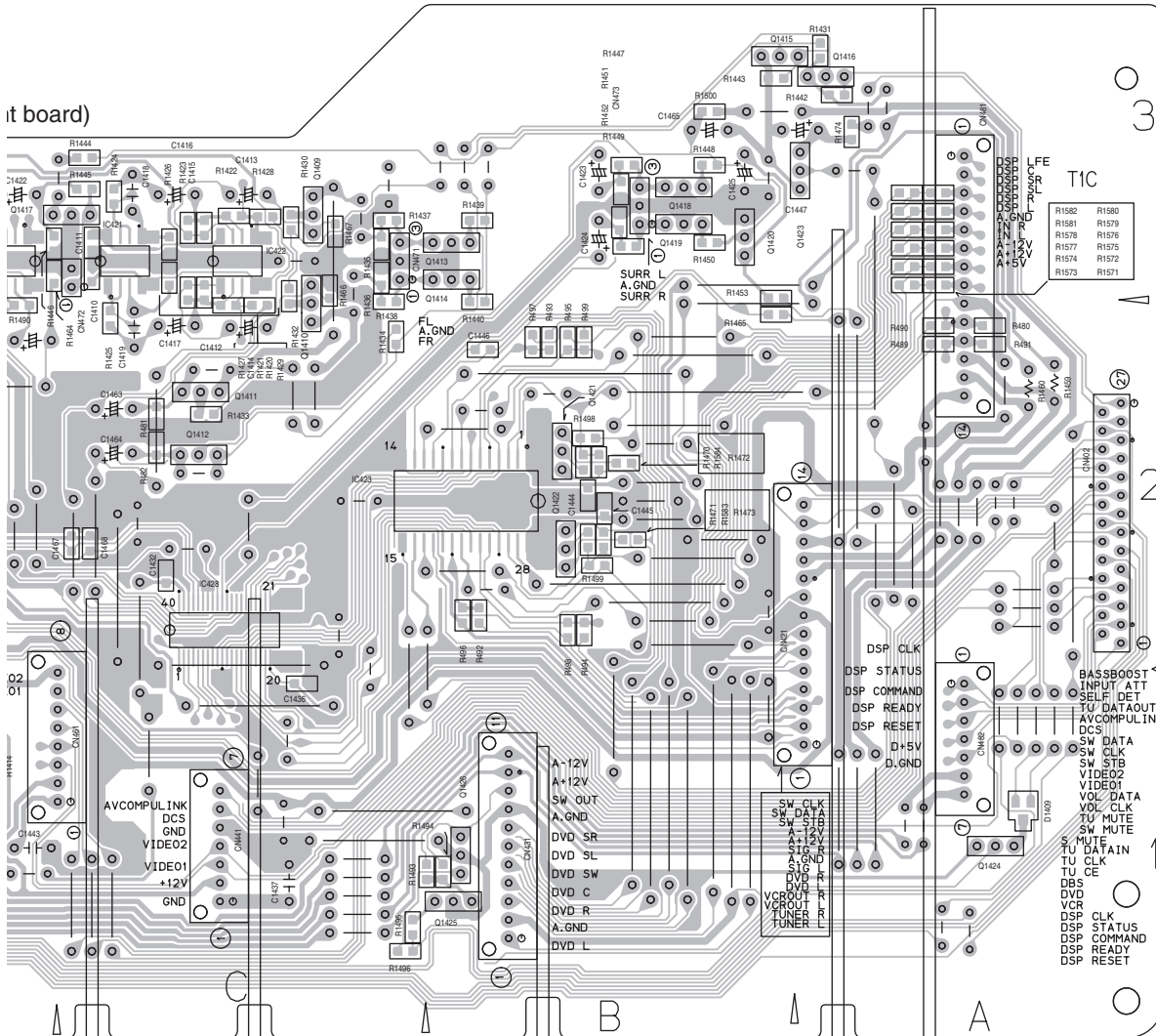
(Power switch board)



ard)

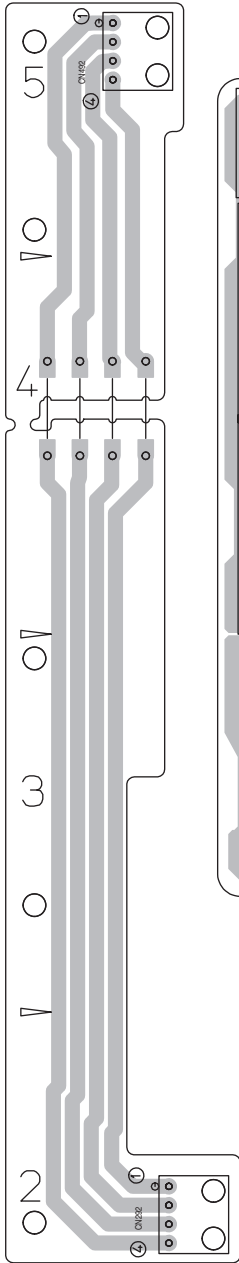


it board)

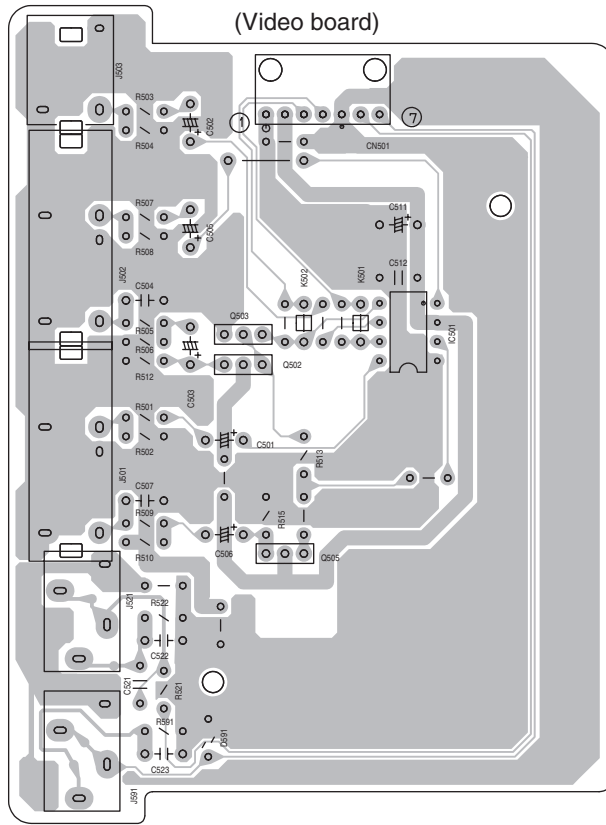


# Power amplifier board

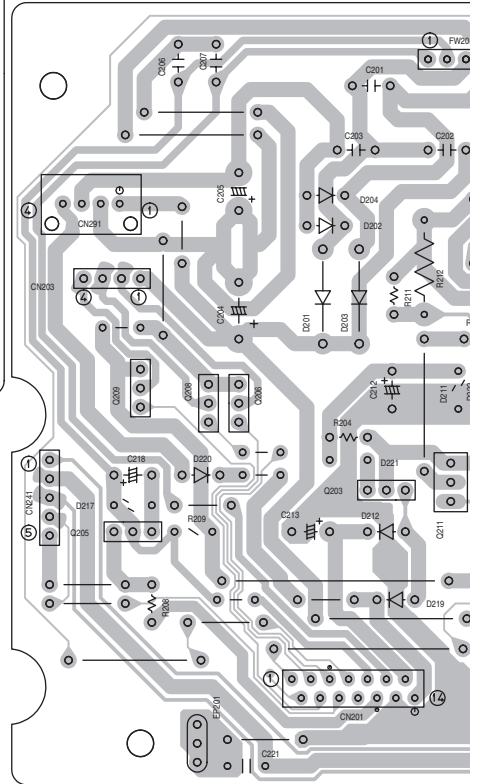
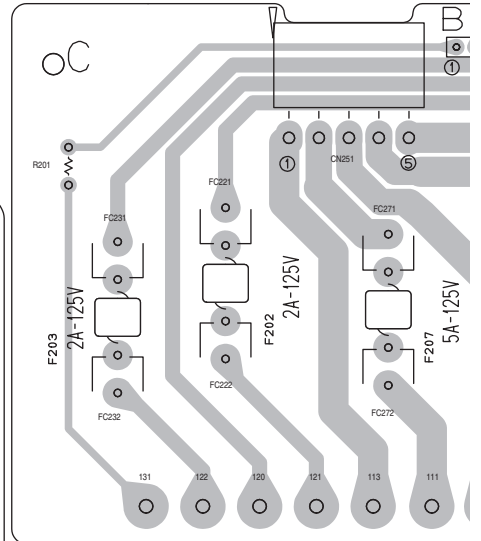
(Relay board)



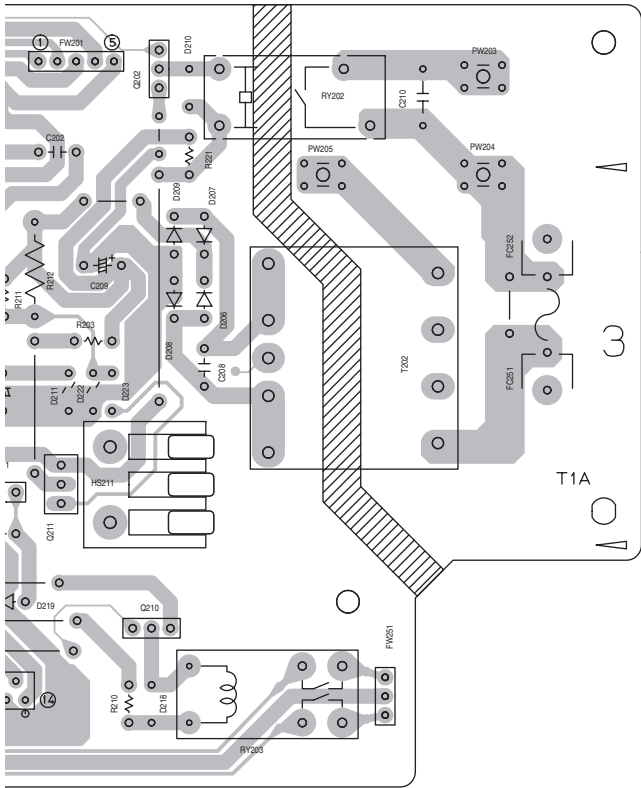
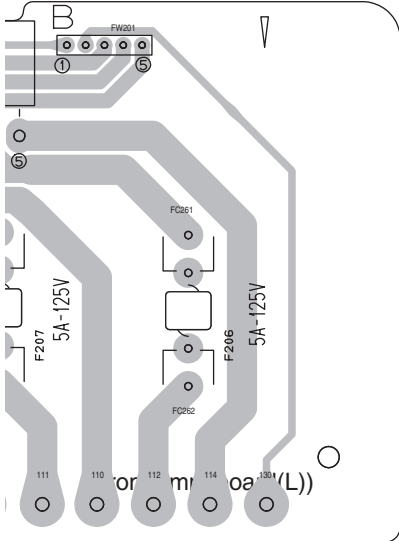
(Video board)



(Power transformer b

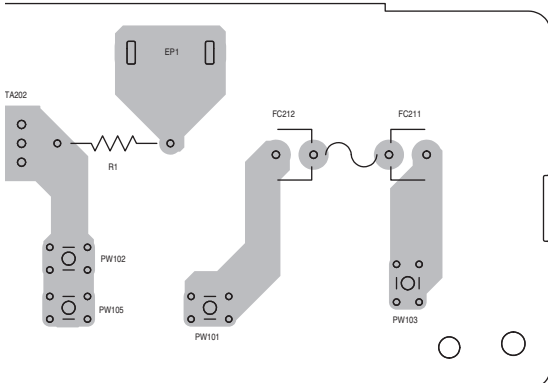


Transformer board 1)



Supply board)

(Power / Fuse board)







< MEMO >

**JVC**

**VICTOR COMPANY OF JAPAN, LIMITED**

AV & MULTIMEDIA COMPANY AUDIO/VIDEO SYSTEMS CATEGORY 10-1, 1chome, Ohwatari-machi, Maebashi-city, 371-8543, Japan

(No.MB171SCH)



Printed in Japan  
WPC

# PARTS LIST

[ RX-5042S ]

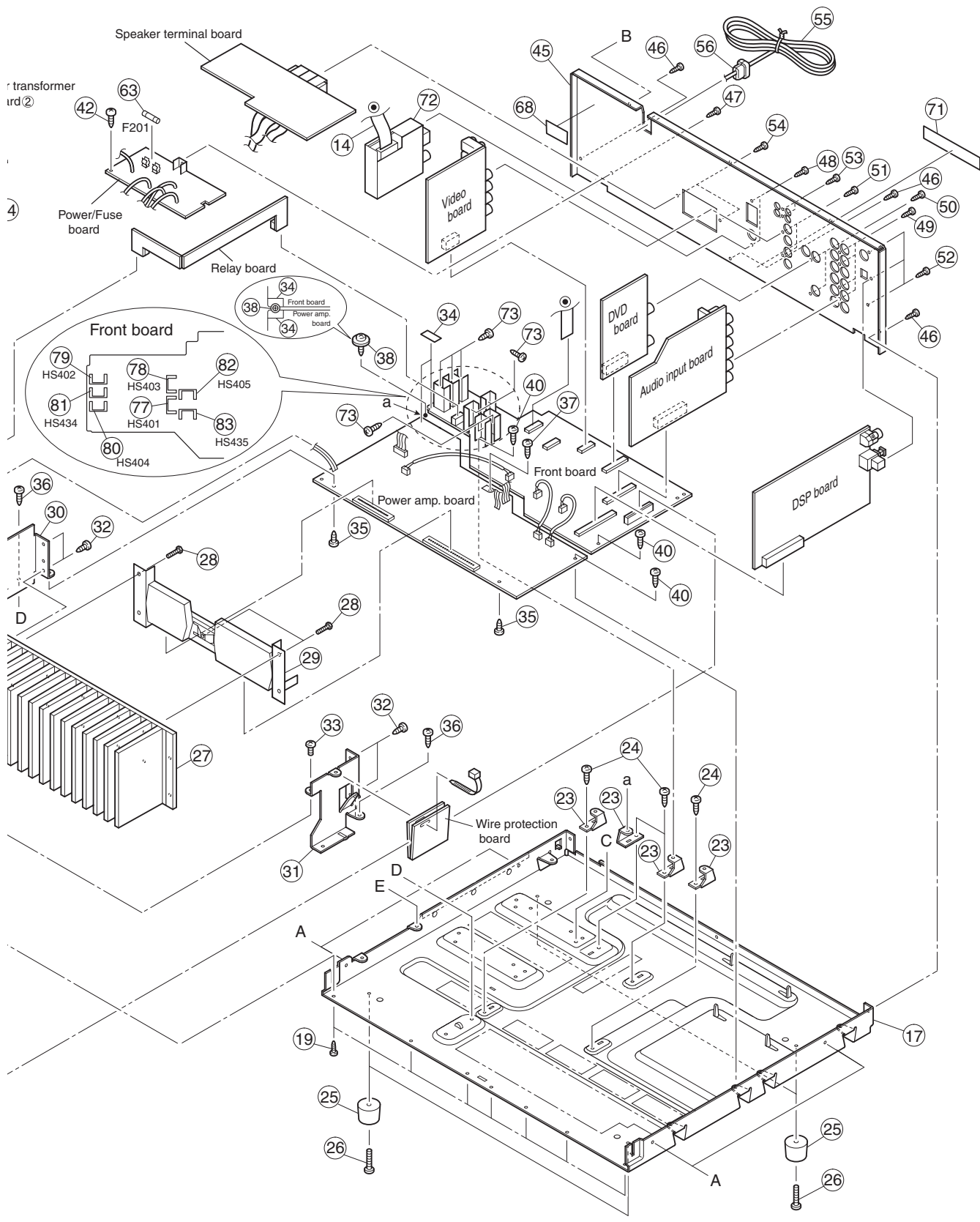
\* All printed circuit boards and its assemblies are not available as service parts.

Area suffix	
J	U.S.A.
C	Canada

- Contents -

Exploded view of general assembly and parts list (Block No.M1)	3- 2
Electrical parts list (Block No.01~04)	3- 5
Packing materials and accessories parts list (Block No.M3)	3-14





# General Assembly

## Block No. [M][1][M][M]

Symbol No.	Part No.	Part Name	Description	Local
1	LV10756-023A	FRONT PANEL		
2	LV43338-002A	JVC MARK		
3	LV34003-001A	LENS		
4	LV34000-002A	PUSH BUTTON(POW)		
5	LV42096-001A	INDICATOR		
6	LV21419-002A	PUSH BUTTON(50)		
7	LV21421-002A	PUSH BUTTON(FM)		
8	LV34001-002A	3-BUTTON	(x2)	
9	LV34002-002A	4-BUTTON		
10	QYSBSF2608Z	TAPPING SCREW	2.6mm x 8mm(x2)	
11	QYSBSF2608Z	TAPPING SCREW	2.6mm x 8mm(x9)	
12	QUQ412-1415CJ	FFC WIRE		
13	QUQ412-2729CJ	FFC WIRE		
14	QUQ412-1110CJ	FFC WIRE		
15	QYSDSG3008Z	TAP SCREW	M3 x 8mm(x4)	
16	QYSBSG3008Z	TAPPING SCREW	3mm x 8mm(x3)	
17	LV10873-002A	CHASSIS BASE		
18	LV10458-003A	FRONT BRACKET		
19	QYSDSG3008Z	TAP SCREW	M3 x 8mm(x7)	
20	LV43304-001A	BKT(PHONES)		
21	QYSBSG3008Z	TAPPING SCREW	3mm x 8mm	
22	VKZ4150-001	SPECIAL NUT		
23	E68587-223SM	CB BKT	(x4)	
24	QYSBST3006Z	TAPPING SCREW	3mm x 6mm(x4)	
25	E47227-036	FOOT	(x4)	
26	QYSBST3010Z	TAPPING SCREW	3mm x 10mm(x4)	
27	LV20916-003A	HEAT SINK		
28	QYSBSG3012Z	TAP SCREW	M3 x 12mm(x3)	
29	LV34704-001A	PACK BRACKET		
30	LV34705-001A	H.S BRACKET(L)		
31	LV34706-001A	H.S BRACKET(R)		
32	QYSBSG3008Z	TAPPING SCREW	3mm x 8mm(x4)	
33	QYSBST3006Z	TAPPING SCREW	3mm x 6mm(x2)	
34	LV30225-0S9A	SPACER	(x2)	
35	QYSBSG3008Z	TAPPING SCREW	3mm x 8mm(x2)	
36	QYSBST3006Z	TAPPING SCREW	3mm x 6mm(x2)	
37	QYSBSG3008Z	TAPPING SCREW	3mm x 8mm	
38	E65923-003	TAPPING SCREW		
39	E65923-003	TAPPING SCREW		
40	QYSBSG3008Z	TAPPING SCREW	3mm x 8mm(x3)	
41	QYSBSG3008Z	TAPPING SCREW	3mm x 8mm(x3)	
42	QYSBSG3008Z	TAPPING SCREW	3mm x 8mm	
△ 43	QQT0420-001	POWER TRANSF		
44	QYSDSTL4008Z	ASSY SCREW	4mm x 8mm(x4)	
45	LV20915-076A	REAR PANEL		
46	QYSBSGY3008M	SPECIAL SCREW	3mm x 8mm(x3)	
47	QYSBSGY3008M	SPECIAL SCREW	3mm x 8mm	
48	QYSBSGY3008M	SPECIAL SCREW	3mm x 8mm(x2)	
49	QYSBSGY3008M	SPECIAL SCREW	3mm x 8mm(x4)	
50	QYSBSGY3008M	SPECIAL SCREW	3mm x 8mm(x2)	
51	QYSBSGY3008M	SPECIAL SCREW	3mm x 8mm(x2)	
52	QYSBSGY3008M	SPECIAL SCREW	3mm x 8mm(x3)	
53	QYSBSGY3008M	SPECIAL SCREW	3mm x 8mm(x2)	
54	QYSBSGY3008M	SPECIAL SCREW	3mm x 8mm(x2)	
△ 55	QMPD420-200-JV	POWER CORD(US/CA)	2m BLACK	
△ 56	QZW0033-001	STRAIN RELIEF		
57	LV30225-0H3A	SPACER	(x2)	
58	LV21649-004A/S/	TOP COVER		
59	QYSBSGY3008M	SPECIAL SCREW	3mm x 8mm(x3)	
60	E406308-004	SPECIAL SCREW	(x4)	
61	LV43463-002A	VOL KNO ASSY		
62	LV43458-002A	JOG KNOB ASSY		
△ 63	QMF51U1-6R3-J8	FUSE	F201 6.3A AC125V	
△ 64	QMF51U1-2R0-J8	FUSE	F202 2A AC125V	
△ 65	QMF51U1-2R0-J8	FUSE	F203 2A AC125V	
△ 66	QMF51U1-5R0-J8	FUSE	F206 5A AC125V	
△ 67	QMF51U1-5R0-J8	FUSE	F207 5A AC125V	
68	LV42388-001A	FUSE CAUTION	(x2)	
70	E409396-003	CAUTION LABEL		
71	LV43835-002A	EMC LABEL		5042S C
72	QAU0346-001	TUNER		
73	QYSBSG3008E	TAPPING SCREW	3mm x 8mm(x7)	

Symbol No.	Part No.	Part Name	Description	Local
74	LV30225-0S7A	SPACER	(x2)	
75	LV42093-001A	FL HOLDER(L)	BK701	
76	LV42092-001A	FL HOLDER(R)	BK702	
77	E70306-001	HEAT SINK	HS401	
78	E70306-001	HEAT SINK	HS402	
79	E70306-001	HEAT SINK	HS403	
80	E70306-001	HEAT SINK	HS404	
81	E70306-001	HEAT SINK	HS405	
82	E70306-001	HEAT SINK	HS434	
83	E70306-001	HEAT SINK	HS435	

# Electrical parts list

## Power amp. board

Block No. [0][1][0][0]

△ Symbol No.	Part No.	Part Name	Description	Local
△ IC101	STK412-430	IC		
△ IC102	STK413-430	IC		
IC402	TC9164AN	IC		
IC403	NJM4580L-D	IC		
Q1131	KTC3200/GL-T	TRANSISTOR		
Q1132	KTC3200/GL-T	TRANSISTOR		
Q1171	KTC3200/GL-T	TRANSISTOR		
Q1172	KTA1268/GL-T	TRANSISTOR		
Q1173	KTC3199/GL-T	TRANSISTOR		
△ Q1175	KTA1046/Y/	TRANSISTOR		
Q1185	KTA1268/GL-T	TRANSISTOR		
Q1231	KTC3200/GL-T	TRANSISTOR		
Q1232	KTC3200/GL-T	TRANSISTOR		
Q1261	KTC3200/GL-T	TRANSISTOR		
△ D1101	UF304G-F82	FR DIOAE		
△ D1102	UF304G-F82	FR DIOAE		
△ D1103	UF304G-F82	FR DIOAE		
△ D1104	UF304G-F82	FR DIOAE		
△ D1105	UF304G-F82	FR DIOAE		
△ D1106	UF304G-F82	FR DIOAE		
△ D1107	UF304G-F82	FR DIOAE		
△ D1108	UF304G-F82	FR DIOAE		
D1121	MTZJ15C-T2	Z DIODE		
D1122	MTZJ15C-T2	Z DIODE		
D1129	1SS119-041-T2	DIODE		
D1130	1SS119-041-T2	DIODE		
D1141	MTZJ36C-T2	Z DIODE		
D1171	1SS119-041-T2	DIODE		
D1221	MTZJ15C-T2	Z DIODE		
D1222	MTZJ15C-T2	Z DIODE		
D1229	1SS119-041-T2	DIODE		
D1230	1SS119-041-T2	DIODE		
D1261	1SS119-041-T2	DIODE		
D1352	1SS119-041-T2	DIODE		
D1353	1SS119-041-T2	DIODE		
D1354	1SS119-041-T2	DIODE		
C419	QCBB1HK-223Y	C CAPACITOR	0.022uF 50V K	
C420	QCBB1HK-223Y	C CAPACITOR	0.022uF 50V K	
C421	QCBB1HK-331Y	C CAPACITOR	330pF 50V K	
C422	QCBB1HK-331Y	C CAPACITOR	330pF 50V K	
C423	QCBB1HK-331Y	C CAPACITOR	330pF 50V K	
C424	QCBB1HK-331Y	C CAPACITOR	330pF 50V K	
C425	QCBB1HK-331Y	C CAPACITOR	330pF 50V K	
C426	QCBB1HK-331Y	C CAPACITOR	330pF 50V K	
C427	QCBB1HK-221Y	C CAPACITOR	220pF 50V K	
C428	QCBB1HK-221Y	C CAPACITOR	220pF 50V K	
C429	QCBB1HK-331Y	C CAPACITOR	330pF 50V K	
C430	QCBB1HK-331Y	C CAPACITOR	330pF 50V K	
C431	QCBB1HK-331Y	C CAPACITOR	330pF 50V K	
C432	QCBB1HK-331Y	C CAPACITOR	330pF 50V K	
C433	QCBB1HK-221Y	C CAPACITOR	220pF 50V K	
C434	QCBB1HK-221Y	C CAPACITOR	220pF 50V K	
C435	QCBB1HK-331Y	C CAPACITOR	330pF 50V K	
C436	QCBB1HK-331Y	C CAPACITOR	330pF 50V K	
C440	QCBB1HK-221Y	C CAPACITOR	220pF 50V K	
C441	QETN1EM-106Z	E CAPACITOR	10uF 25V M	
C442	QETN1EM-106Z	E CAPACITOR	10uF 25V M	
C443	QETN1EM-476Z	E CAPACITOR	47uF 25V M	
C444	QETN1EM-476Z	E CAPACITOR	47uF 25V M	
C445	QCBB1HK-223Y	C CAPACITOR	0.022uF 50V K	
C446	QCBB1HK-223Y	C CAPACITOR	0.022uF 50V K	
C451	QCBB1HK-331Y	C CAPACITOR	330pF 50V K	
C452	QCBB1HK-331Y	C CAPACITOR	330pF 50V K	
C460	QCZ0202-155Z	C CAPACITOR	1.5uF 25V Z	
C1101	QFLC1HJ-471Z	M CAPACITOR	470pF 50V J	
C1102	QFLC1HJ-471Z	M CAPACITOR	470pF 50V J	
C1103	QENC1HM-475Z	BP E CAPACITOR	4.7uF 50V M	
C1104	QENC1HM-475Z	BP E CAPACITOR	4.7uF 50V M	
C1105	QETN1AM-227Z	E CAPACITOR	220uF 10V M	

△ Symbol No.	Part No.	Part Name	Description	Local
C1106	QETN1AM-227Z	E CAPACITOR	220uF 10V M	
C1107	QCS31HJ-3R0Z	C CAPACITOR	3pF 50V J	
C1108	QCS31HJ-3R0Z	C CAPACITOR	3pF 50V J	
C1111	QEZO679-688	E CAPACITOR	6800uF	
C1112	QEZO679-688	E CAPACITOR	6800uF	
C1113	QEZO691-478	E CAPACITER	4700uF	
C1114	QEZO691-478	E CAPACITER	4700uF	
C1115	QFZ9076-104Z	MM CAPACITOR	0.1uF	
C1116	QCE22HP-103	C CAPACITOR	0.01uF 500V P	
C1117	QCE22HP-103	C CAPACITOR	0.01uF 500V P	
C1118	QFZ9076-104Z	MM CAPACITOR	0.1uF	
C1119	QCE22HP-103	C CAPACITOR	0.01uF 500V P	
C1120	QCE22HP-103	C CAPACITOR	0.01uF 500V P	
C1121	QETN2AM-107Z	E CAPACITOR	100uF 100V M	
C1122	QETN2AM-107Z	E CAPACITOR	100uF 100V M	
C1123	QCS31HJ-101Z	C CAPACITOR	100pF 50V J	
C1124	QCS31HJ-101Z	C CAPACITOR	100pF 50V J	
C1131	QCBB1HK-222Y	C CAPACITOR	2200pF 50V K	
C1132	QCBB1HK-222Y	C CAPACITOR	2200pF 50V K	
C1141	QFLC1HJ-473Z	M CAPACITOR	0.047uF 50V J	
C1142	QFLC1HJ-473Z	M CAPACITOR	0.047uF 50V J	
C1143	QFLC1HJ-473Z	M CAPACITOR	0.047uF 50V J	
C1144	QFLC1HJ-473Z	M CAPACITOR	0.047uF 50V J	
C1171	QEKC1EM-106Z	E CAPACITOR	10uF 25V M	
C1172	QEKC1CM-476Z	E CAPACITOR	47uF 16V M	
C1185	QETN2AM-106Z	E CAPACITOR	10uF 100V M	
C1191	QETN1HM-476Z	E CAPACITOR	47uF 50V M	
C1201	QFLC1HJ-471Z	M CAPACITOR	470pF 50V J	
C1202	QFLC1HJ-471Z	M CAPACITOR	470pF 50V J	
C1203	QENC1HM-475Z	BP E CAPACITOR	4.7uF 50V M	
C1204	QENC1HM-475Z	BP E CAPACITOR	4.7uF 50V M	
C1205	QETN1AM-107Z	E CAPACITOR	100uF 10V M	
C1206	QETN1AM-107Z	E CAPACITOR	100uF 10V M	
C1207	QCS31HJ-3R0Z	C CAPACITOR	3pF 50V J	
C1208	QCS31HJ-3R0Z	C CAPACITOR	3pF 50V J	
C1221	QETN2AM-107Z	E CAPACITOR	100uF 100V M	
C1222	QETN2AM-107Z	E CAPACITOR	100uF 100V M	
C1223	QCS31HJ-101Z	C CAPACITOR	100pF 50V J	
C1224	QCS31HJ-101Z	C CAPACITOR	100pF 50V J	
C1241	QFLC1HJ-473Z	M CAPACITOR	0.047uF 50V J	
C1242	QFLC1HJ-473Z	M CAPACITOR	0.047uF 50V J	
C1243	QFLC1HJ-473Z	M CAPACITOR	0.047uF 50V J	
C1244	QFLC1HJ-473Z	M CAPACITOR	0.047uF 50V J	
C1261	QFLC1HJ-471Z	M CAPACITOR	470pF 50V J	
C1262	QENC1HM-475Z	BP E CAPACITOR	4.7uF 50V M	
C1263	QETN1AM-107Z	E CAPACITOR	100uF 10V M	
C1264	QCS31HJ-3R0Z	C CAPACITOR	3pF 50V J	
C1265	QCS31HJ-101Z	C CAPACITOR	100pF 50V J	
C1266	QFLC1HJ-473Z	M CAPACITOR	0.047uF 50V J	
C1267	QFLC1HJ-473Z	M CAPACITOR	0.047uF 50V J	
R421	QRE141J-471Y	C RESISTOR	470Ω 1/4W J	
R422	QRE141J-471Y	C RESISTOR	470Ω 1/4W J	
R423	QRE141J-471Y	C RESISTOR	470Ω 1/4W J	
R424	QRE141J-471Y	C RESISTOR	470Ω 1/4W J	
R425	QRE141J-471Y	C RESISTOR	470Ω 1/4W J	
R426	QRE141J-471Y	C RESISTOR	470Ω 1/4W J	
R429	QRE141J-471Y	C RESISTOR	470Ω 1/4W J	
R430	QRE141J-471Y	C RESISTOR	470Ω 1/4W J	
R431	QRE141J-471Y	C RESISTOR	470Ω 1/4W J	
R432	QRE141J-471Y	C RESISTOR	470Ω 1/4W J	
R435	QRE141J-471Y	C RESISTOR	470Ω 1/4W J	
R436	QRE141J-471Y	C RESISTOR	470Ω 1/4W J	
R440	QRE141J-102Y	C RESISTOR	1kΩ 1/4W J	
R441	QRE141J-104Y	C RESISTOR	100kΩ 1/4W J	
R442	QRE141J-104Y	C RESISTOR	100kΩ 1/4W J	
R443	QRE141J-104Y	C RESISTOR	100kΩ 1/4W J	
R444	QRE141J-104Y	C RESISTOR	100kΩ 1/4W J	
R445	QRE141J-104Y	C RESISTOR	100kΩ 1/4W J	
R446	QRE141J-104Y	C RESISTOR	100kΩ 1/4W J	
△ R449	QRJ146J-271X	UNF C RESISTOR	270Ω 1/4W J	
△ R450	QRJ146J-271X	UNF C RESISTOR	270Ω 1/4W J	
R451	QRE141J-471Y	C RESISTOR	470Ω 1/4W J	
R452	QRE141J-471Y	C RESISTOR	470Ω 1/4W J	
R1101	QRE141J-221Y	C RESISTOR	220Ω 1/4W J	
R1102	QRE141J-221Y	C RESISTOR	220Ω 1/4W J	

△ Symbol No.	Part No.	Part Name	Description	Local	△ Symbol No.	Part No.	Part Name	Description	Local
R1103	QRE141J-104Y	C RESISTOR	100kΩ 1/4W J		R1267	QRE141J-183Y	C RESISTOR	18kΩ 1/4W J	
R1104	QRE141J-104Y	C RESISTOR	100kΩ 1/4W J		R1268	QRE141J-473Y	C RESISTOR	47kΩ 1/4W J	
△ R1105	QRJ146J-391X	UNF C RESISTOR	390Ω 1/4W J		R1269	QRJ146J-330X	UNF C RESISTOR	33Ω 1/4W J	
△ R1106	QRJ146J-391X	UNF C RESISTOR	390Ω 1/4W J		△ R1270	QRL027J-100	OMF RESISTOR	10Ω 2W J	
R1107	QRE141J-104Y	C RESISTOR	100kΩ 1/4W J		△ R1352	QRJ146J-680X	UNF C RESISTOR	68Ω 1/4W J	
R1108	QRE141J-104Y	C RESISTOR	100kΩ 1/4W J		△ R1353	QRJ146J-680X	UNF C RESISTOR	68Ω 1/4W J	
R1109	QRE141J-333Y	C RESISTOR	33kΩ 1/4W J		△ R1354	QRJ146J-680X	UNF C RESISTOR	68Ω 1/4W J	
△ R1121	QRJ146J-471X	UNF C RESISTOR	470Ω 1/4W J		L1141	QQLZ005-R45	COIL	0.45uH	
△ R1122	QRJ146J-471X	UNF C RESISTOR	470Ω 1/4W J		L1142	QQLZ005-R45	COIL	0.45uH	
△ R1123	QRL017J-152	OMF RESISTOR	1.5kΩ 1W J		L1241	QQLZ005-R45	COIL	0.45uH	
△ R1124	QRL017J-152	OMF RESISTOR	1.5kΩ 1W J		L1242	QQLZ005-R45	COIL	0.45uH	
△ R1125	QRZ0224-R22	EMIT RESISTOR	0.22Ω		L1269	QQLZ005-R45	COIL	0.45uH	
△ R1126	QRZ0224-R22	EMIT RESISTOR	0.22Ω		CN151	QJK012-051903	WIRE		
R1127	QRE141J-102Y	C RESISTOR	1kΩ 1/4W J		CN171	QJP001-032101	SHI CR C-B WIRE		
R1128	QRE141J-102Y	C RESISTOR	1kΩ 1/4W J		CN272	QJP002-021601	SHI CR C-B WIRE		
R1129	QRE141J-183Y	C RESISTOR	18kΩ 1/4W J		CN273	QJP001-031001	SHI CR C-B WIRE		
R1130	QRE141J-183Y	C RESISTOR	18kΩ 1/4W J		CN401	QGB2510K1-14	CONNECTOR	B-B (1-14)	
R1131	QRE141J-473Y	C RESISTOR	47kΩ 1/4W J		CN451	QGB2510K1-11	CONNECTOR	B-B (1-11)	
R1132	QRE141J-473Y	C RESISTOR	47kΩ 1/4W J		EP101	QNZ0136-001Z	EARTH PLATE		
△ R1133	QRJ146J-101X	UNF C RESISTOR	100Ω 1/4W J		FW141	QUM215-16DGZ4	WIRE		
△ R1134	QRJ146J-2R2X	UNF C RESISTOR	2.2Ω 1/4W J		FW301	QUM215-25Z4Z4	PARA RIBON WIRE		
△ R1135	QRJ146J-2R2X	UNF C RESISTOR	2.2Ω 1/4W J		FW302	QUM216-25Z4Z4	PARA RIBON WIRE		
△ R1136	QRJ146J-2R2X	UNF C RESISTOR	2.2Ω 1/4W J		FW303	QUM214-26DGZ4	PARA RIBON WIRE		
△ R1137	QRJ146J-2R2X	UNF C RESISTOR	2.2Ω 1/4W J		J402	QNN0168-001	PIN JACK		
R1141	QRJ146J-330X	UNF C RESISTOR	33Ω 1/4W J		J403	QNN0168-001	PIN JACK		
R1142	QRJ146J-330X	UNF C RESISTOR	33Ω 1/4W J		J404	QNN0389-001	PIN JACK		
△ R1143	QRL027J-100	OMF RESISTOR	10Ω 2W J		J406	QNN0060-001	PIN JACK		
△ R1144	QRL027J-100	OMF RESISTOR	10Ω 2W J		PW601	QUB220-26HPHP	WIRE		
R1171	QRE141J-104Y	C RESISTOR	100kΩ 1/4W J		△ RY302	QSK0109-001	RELAY		
R1172	QRE141J-823Y	C RESISTOR	82kΩ 1/4W J		△ RY303	QSK0109-001	RELAY		
R1173	QRE141J-104Y	C RESISTOR	100kΩ 1/4W J		△ RY304	QSK0109-001	RELAY		
R1174	QRE141J-104Y	C RESISTOR	100kΩ 1/4W J		ST301	QNB0188-001	SPEAKER TERMINA		
R1175	QRE141J-104Y	C RESISTOR	100kΩ 1/4W J						
R1176	QRE141J-104Y	C RESISTOR	100kΩ 1/4W J						
R1177	QRE141J-104Y	C RESISTOR	100kΩ 1/4W J						
R1178	QRE141J-103Y	C RESISTOR	10kΩ 1/4W J						
R1179	QRE141J-103Y	C RESISTOR	10kΩ 1/4W J						
R1185	QRE141J-103Y	C RESISTOR	10kΩ 1/4W J						
R1186	QRE141J-104Y	C RESISTOR	100kΩ 1/4W J						
△ R1191	QRZ9005-680X	F RESISTOR	68Ω						
△ R1192	QRJ146J-562X	UNF C RESISTOR	5.6kΩ 1/4W J						
R1201	QRE141J-102Y	C RESISTOR	1kΩ 1/4W J						
R1202	QRE141J-102Y	C RESISTOR	1kΩ 1/4W J						
R1203	QRE141J-104Y	C RESISTOR	100kΩ 1/4W J						
R1204	QRE141J-104Y	C RESISTOR	100kΩ 1/4W J						
△ R1205	QRJ146J-751X	UNF C RESISTOR	750Ω 1/4W J						
△ R1206	QRJ146J-751X	UNF C RESISTOR	750Ω 1/4W J						
R1207	QRE141J-104Y	C RESISTOR	100kΩ 1/4W J						
R1208	QRE141J-104Y	C RESISTOR	100kΩ 1/4W J						
R1209	QRE141J-333Y	C RESISTOR	33kΩ 1/4W J						
R1210	QRE141J-101Y	C RESISTOR	100Ω 1/4W J						
△ R1221	QRJ146J-471X	UNF C RESISTOR	470Ω 1/4W J						
△ R1222	QRJ146J-471X	UNF C RESISTOR	470Ω 1/4W J						
△ R1223	QRL017J-152	OMF RESISTOR	1.5kΩ 1W J						
△ R1224	QRL017J-152	OMF RESISTOR	1.5kΩ 1W J						
△ R1225	QRZ0224-R22	EMIT RESISTOR	0.22Ω						
△ R1226	QRZ0224-R22	EMIT RESISTOR	0.22Ω						
R1227	QRE141J-102Y	C RESISTOR	1kΩ 1/4W J						
R1228	QRE141J-102Y	C RESISTOR	1kΩ 1/4W J						
R1229	QRE141J-183Y	C RESISTOR	18kΩ 1/4W J						
R1230	QRE141J-183Y	C RESISTOR	18kΩ 1/4W J						
R1231	QRE141J-473Y	C RESISTOR	47kΩ 1/4W J						
R1232	QRE141J-473Y	C RESISTOR	47kΩ 1/4W J						
△ R1233	QRJ146J-101X	UNF C RESISTOR	100Ω 1/4W J						
△ R1234	QRJ146J-2R2X	UNF C RESISTOR	2.2Ω 1/4W J						
△ R1235	QRJ146J-2R2X	UNF C RESISTOR	2.2Ω 1/4W J						
△ R1236	QRJ146J-2R2X	UNF C RESISTOR	2.2Ω 1/4W J						
△ R1237	QRJ146J-2R2X	UNF C RESISTOR	2.2Ω 1/4W J						
R1241	QRJ146J-330X	UNF C RESISTOR	33Ω 1/4W J						
R1242	QRJ146J-330X	UNF C RESISTOR	33Ω 1/4W J						
△ R1243	QRL027J-100	OMF RESISTOR	10Ω 2W J						
△ R1244	QRL027J-100	OMF RESISTOR	10Ω 2W J						
R1261	QRE141J-102Y	C RESISTOR	1kΩ 1/4W J						
R1262	QRE141J-623Y	C RESISTOR	62kΩ 1/4W J						
△ R1263	QRJ146J-301X	UNF C RESISTOR	300Ω 1/4W J						
R1264	QRE141J-623Y	C RESISTOR	62kΩ 1/4W J						
△ R1265	QRZ0224-R22	EMIT RESISTOR	0.22Ω						
R1266	QRE141J-102Y	C RESISTOR	1kΩ 1/4W J						

## Front board

Block No. [0][2][0][0]

△ Symbol No.	Part No.	Part Name	Description	Local
IC423	TC9162AF-X	IC		
IC427	NJM4565M-WE	IC		
IC428	BD3814FV-X	IC		
IC701	MN101C35DMW	IC(1-TIME)		
IC702	IC-PST9139-T	IC		
IC703	GP1UM281XK	IR DETECT UNIT	38kHz	
Q701	UN2214-X	TRANSISTOR		
Q702	UN2215-X	TRANSISTOR		
Q703	KRC109S-X	TRANSISTOR		
Q704	UN2214-X	TRANSISTOR		
Q707	UN2214-X	TRANSISTOR		
Q708	UN2214-X	TRANSISTOR		
Q709	UN2214-X	TRANSISTOR		
Q711	UN2113-X	TRANSISTOR		
△ Q1401	KTA1046/Y/	TRANSISTOR		
△ Q1402	2SD2394/EF/	TRANSISTOR		
△ Q1403	2SD2394/EF/	TRANSISTOR		
△ Q1404	2SD2394/EF/	TRANSISTOR		
△ Q1405	2SD2394/EF/	TRANSISTOR		
△ Q1406	KTC3203/OY/-T	TRANSISTOR		
△ Q1407	KTC3203/OY/-T	TRANSISTOR		
△ Q1408	KTA1271/OY/-T	TRANSISTOR		
Q1413	2SC3576-JVC-T	TRANSISTOR		
Q1414	2SC3576-JVC-T	TRANSISTOR		
Q1417	2SC3576-JVC-T	TRANSISTOR		
Q1418	2SC3576-JVC-T	TRANSISTOR		
Q1419	2SC3576-JVC-T	TRANSISTOR		
Q1420	KRA104M-T	DIGI TRANSISTOR		
Q1421	2SC3576-JVC-T	TRANSISTOR		
Q1422	2SC3576-JVC-T	TRANSISTOR		
Q1423	KRA104M-T	DIGI TRANSISTOR		
Q1424	KRA104M-T	DIGI TRANSISTOR		
Q1425	2SC3576-JVC-T	TRANSISTOR		



△ Symbol No.	Part No.	Part Name	Description	Local	△ Symbol No.	Part No.	Part Name	Description	Local
Q1426	2SC3576-JVC-T	TRANSISTOR			C1464	QETN1HM-475Z	E CAPACITOR	4.7uF 50V M	
Q1427	2SC3576-JVC-T	TRANSISTOR			C1465	QENC1HM-106Z	BP E CAPACITOR	10uF 50V M	
Q1428	2SC3576-JVC-T	TRANSISTOR			C1480	QETN1VM-477Z	E CAPACITOR	470uF 35V M	
Q1429	KRA104M-T	DIGI TRANSISTOR							
△ Q1434	2SD2394/EF/	TRANSISTOR			△ R101	QRL027J-471	OMF RESISTOR	470Ω 2W J	
△ Q1435	2SD2394/EF/	TRANSISTOR			△ R102	QRL027J-471	OMF RESISTOR	470Ω 2W J	
D701	1SS355-X	SI DIODE			R475	NRSA63J-163X	MG RESISTOR	16kΩ 1/16W J	
D702	1SS355-X	SI DIODE			R476	NRSA63J-103X	MG RESISTOR	10kΩ 1/16W J	
D703	SB007-03CP-X	SB DIODE			△ R477	QRZ9006-4R7X	FUSI RESISTOR	4.7Ω 1/4W J	
D719	SLR-343VC/NPQ-T	LED			△ R478	QRJ146J-2R2X	UNF C RESISTOR	2.2Ω 1/4W J	
D1401	MTZJ13C-T2	Z DIODE			△ R479	QRJ146J-2R2X	UNF C RESISTOR	2.2Ω 1/4W J	
D1402	MTZJ6.2C-T2	Z DIODE			R483	NRSA63J-562X	MG RESISTOR	5.6kΩ 1/16W J	
D1403	MTZJ5.6B-T2	Z DIODE			R484	NRSA63J-473X	MG RESISTOR	47kΩ 1/16W J	
D1404	MTZJ5.6C-T2	Z DIODE			R485	NRSA63J-202X	MG RESISTOR	2kΩ 1/16W J	
D1405	MTZJ13C-T2	Z DIODE			R486	NRSA63J-473X	MG RESISTOR	47kΩ 1/16W J	
D1406	MTZJ10C-T2	Z DIODE			R487	NRSA63J-202X	MG RESISTOR	2kΩ 1/16W J	
D1407	MTZJ7.5C-T2	Z DIODE			R488	NRSA63J-473X	MG RESISTOR	47kΩ 1/16W J	
D1408	MTZJ7.5C-T2	Z DIODE			R489	NRSA63J-101X	MG RESISTOR	100Ω 1/16W J	
D1409	MA152WK-X	SI DIODE			R490	NRSA63J-101X	MG RESISTOR	100Ω 1/16W J	
D1412	1SS355-X	SI DIODE			R491	NRSA63J-512X	MG RESISTOR	5.1kΩ 1/16W J	
D1413	1SS355-X	SI DIODE			R701	NRSA63J-472X	MG RESISTOR	4.7kΩ 1/16W J	
D1414	1SS355-X	SI DIODE			R702	NRSA63J-223X	MG RESISTOR	22kΩ 1/16W J	
D1415	1SS355-X	SI DIODE			R704	NRSA63J-471X	MG RESISTOR	470Ω 1/16W J	
C101	QCBB1HK-331Y	C CAPACITOR	330pF 50V K		R705	NRSA63J-103X	MG RESISTOR	10kΩ 1/16W J	
C102	QCBB1HK-331Y	C CAPACITOR	330pF 50V K		R706	NRSA63J-103X	MG RESISTOR	10kΩ 1/16W J	
C701	QEKCOJM-107Z	E CAPACITOR	100uF 6.3V M		R707	NRSA63J-103X	MG RESISTOR	10kΩ 1/16W J	
C702	QCZ0202-155Z	C CAPACITOR	1.5uF 25V Z		R708	NRSA63J-103X	MG RESISTOR	10kΩ 1/16W J	
C703	QEKC1HM-225Z	E CAPACITOR	2.2uF 50V M		R709	NRSA63J-103X	MG RESISTOR	10kΩ 1/16W J	
C704	NCB31CK-223X	C CAPACITOR	0.022uF 16V K		R710	NRSA63J-103X	MG RESISTOR	10kΩ 1/16W J	
C705	QEKCOJM-107Z	E CAPACITOR	100uF 6.3V M		R711	NRSA63J-104X	MG RESISTOR	100kΩ 1/16W J	
C706	NCB21HK-331X	C CAPACITOR	330pF 50V K		R712	NRSA63J-103X	MG RESISTOR	10kΩ 1/16W J	
C707	QEKC1HM-475Z	E CAPACITOR	4.7uF 50V M		R713	NRSA63J-103X	MG RESISTOR	10kΩ 1/16W J	
C708	QEKC1HM-475Z	E CAPACITOR	4.7uF 50V M		R715	NRSA63J-103X	MG RESISTOR	10kΩ 1/16W J	
C709	QEKC1HM-475Z	E CAPACITOR	4.7uF 50V M		R716	NRSA63J-103X	MG RESISTOR	10kΩ 1/16W J	
C713	NCB21HK-103X	C CAPACITOR	0.01uF 50V K		R717	NRSA63J-103X	MG RESISTOR	10kΩ 1/16W J	
C714	NCB21HK-103X	C CAPACITOR	0.01uF 50V K		R718	NRSA63J-103X	MG RESISTOR	10kΩ 1/16W J	
C715	NCB21HK-103X	C CAPACITOR	0.01uF 50V K		R719	NRSA63J-221X	MG RESISTOR	220Ω 1/16W J	
C716	NCB21HK-103X	C CAPACITOR	0.01uF 50V K		R720	NRSA63J-222X	MG RESISTOR	2.2kΩ 1/16W J	
C717	NCB21HK-103X	C CAPACITOR	0.01uF 50V K		R721	NRSA63J-103X	MG RESISTOR	10kΩ 1/16W J	
C718	NCB21HK-103X	C CAPACITOR	0.01uF 50V K		R722	NRSA63J-102X	MG RESISTOR	1kΩ 1/16W J	
C719	NCB21HK-103X	C CAPACITOR	0.01uF 50V K		R723	NRSA63J-102X	MG RESISTOR	1kΩ 1/16W J	
C720	NCB31CK-104X	C CAPACITOR	0.1uF 16V K		R724	NRSA63J-122X	MG RESISTOR	1.2kΩ 1/16W J	
C721	NCB31CK-104X	C CAPACITOR	0.1uF 16V K		R725	NRSA63J-152X	MG RESISTOR	1.5kΩ 1/16W J	
C722	QCZ0202-155Z	C CAPACITOR	1.5uF 25V Z		R726	NRSA63J-222X	MG RESISTOR	2.2kΩ 1/16W J	
C723	NCB31CK-104X	C CAPACITOR	0.1uF 16V K		R727	NRSA63J-272X	MG RESISTOR	2.7kΩ 1/16W J	
C724	NCB31CK-104X	C CAPACITOR	0.1uF 16V K		R728	NRSA63J-103X	MG RESISTOR	10kΩ 1/16W J	
C725	QEKC1HM-475Z	E CAPACITOR	4.7uF 50V M		R729	NRSA63J-102X	MG RESISTOR	1kΩ 1/16W J	
C730	NCB31CK-104X	C CAPACITOR	0.1uF 16V K		R730	NRSA63J-102X	MG RESISTOR	1kΩ 1/16W J	
C1401	QETN1HM-476Z	E CAPACITOR	47uF 50V M		R731	NRSA63J-122X	MG RESISTOR	1.2kΩ 1/16W J	
C1402	QETN1EM-107Z	E CAPACITOR	100uF 25V M		R732	NRSA63J-152X	MG RESISTOR	1.5kΩ 1/16W J	
C1403	QETN1EM-107Z	E CAPACITOR	100uF 25V M		R733	NRSA63J-222X	MG RESISTOR	2.2kΩ 1/16W J	
C1404	QETN1EM-107Z	E CAPACITOR	100uF 25V M		R734	NRSA63J-272X	MG RESISTOR	2.7kΩ 1/16W J	
C1405	QETN1EM-107Z	E CAPACITOR	100uF 25V M		R736	NRSA63J-103X	MG RESISTOR	10kΩ 1/16W J	
C1406	QETN1EM-107Z	E CAPACITOR	100uF 25V M		R737	NRSA63J-102X	MG RESISTOR	1kΩ 1/16W J	
C1407	QCF31HZ-223Z	C CAPACITOR	0.022uF 50V Z		R738	NRSA63J-102X	MG RESISTOR	1kΩ 1/16W J	
C1408	QETN1EM-476Z	E CAPACITOR	47uF 25V M		R739	NRSA63J-122X	MG RESISTOR	1.2kΩ 1/16W J	
C1409	QETN1EM-476Z	E CAPACITOR	47uF 25V M		R740	NRSA63J-152X	MG RESISTOR	1.5kΩ 1/16W J	
C1422	QETN1HM-475Z	E CAPACITOR	4.7uF 50V M		R741	NRSA63J-222X	MG RESISTOR	2.2kΩ 1/16W J	
C1423	QEKC1HM-475Z	E CAPACITOR	4.7uF 50V M		R743	NRSA63J-103X	MG RESISTOR	10kΩ 1/16W J	
C1424	QEKC1HM-475Z	E CAPACITOR	4.7uF 50V M		R744	NRSA63J-102X	MG RESISTOR	1kΩ 1/16W J	
C1425	QEKC1CM-106Z	E CAPACITOR	10uF 16V M		R745	NRSA63J-102X	MG RESISTOR	1kΩ 1/16W J	
C1432	NCB31CK-223X	C CAPACITOR	0.022uF 16V K		R746	NRSA63J-122X	MG RESISTOR	1.2kΩ 1/16W J	
C1433	QETN1CM-106Z	E CAPACITOR	10uF 16V M		R747	NRSA63J-152X	MG RESISTOR	1.5kΩ 1/16W J	
C1436	NCB31CK-223X	C CAPACITOR	0.022uF 16V K		R748	NRSA63J-222X	MG RESISTOR	2.2kΩ 1/16W J	
C1437	QCZ0202-155Z	C CAPACITOR	1.5uF 25V Z		R749	NRSA63J-272X	MG RESISTOR	2.7kΩ 1/16W J	
C1439	QFLC1HJ-562Z	M CAPACITOR	5600pF 50V J		R750	NRSA63J-103X	MG RESISTOR	10kΩ 1/16W J	
C1440	QFLC1HJ-562Z	M CAPACITOR	5600pF 50V J		R751	NRSA63J-102X	MG RESISTOR	1kΩ 1/16W J	
C1444	NCB31CK-223X	C CAPACITOR	0.022uF 16V K		R752	NRSA63J-102X	MG RESISTOR	1kΩ 1/16W J	
C1445	NCB31CK-223X	C CAPACITOR	0.022uF 16V K		R753	NRSA63J-122X	MG RESISTOR	1.2kΩ 1/16W J	
C1446	NCB31HK-221X	C CAPACITOR	220pF 50V K		R754	NRSA63J-152X	MG RESISTOR	1.5kΩ 1/16W J	
C1447	QEKC1HM-475Z	E CAPACITOR	4.7uF 50V M		R757	NRSA63J-103X	MG RESISTOR	10kΩ 1/16W J	
C1453	QETN1HM-475Z	E CAPACITOR	4.7uF 50V M		R758	NRSA63J-103X	MG RESISTOR	10kΩ 1/16W J	
C1459	QETN1HM-475Z	E CAPACITOR	4.7uF 50V M		R759	NRSA63J-103X	MG RESISTOR	10kΩ 1/16W J	
C1460	NCB31CK-223X	C CAPACITOR	0.022uF 16V K		R760	NRSA63J-103X	MG RESISTOR	10kΩ 1/16W J	
C1461	NCB31CK-223X	C CAPACITOR	0.022uF 16V K		R761	NRSA63J-103X	MG RESISTOR	10kΩ 1/16W J	
C1463	QETN1HM-475Z	E CAPACITOR	4.7uF 50V M		R762	NRSA63J-102X	MG RESISTOR	1kΩ 1/16W J	
					R768	NRSA63J-103X	MG RESISTOR	10kΩ 1/16W J	
					R769	NRSA63J-102X	MG RESISTOR	1kΩ 1/16W J	

△ Symbol No.	Part No.	Part Name	Description	Local	△ Symbol No.	Part No.	Part Name	Description	Local
R772	NRSA63J-222X	MG RESISTOR	2.2kΩ 1/16W J		R1472	NRSA63J-103X	MG RESISTOR	10kΩ 1/16W J	
R773	NRSA63J-272X	MG RESISTOR	2.7kΩ 1/16W J		R1473	NRSA63J-103X	MG RESISTOR	10kΩ 1/16W J	
R775	NRSA63J-103X	MG RESISTOR	10kΩ 1/16W J		R1474	NRSA63J-102X	MG RESISTOR	1kΩ 1/16W J	
R778	NRSA63J-392X	MG RESISTOR	3.9kΩ 1/16W J		R1480	NRSA63J-104X	MG RESISTOR	100kΩ 1/16W J	
R779	NRSA63J-103X	MG RESISTOR	10kΩ 1/16W J		R1485	NRSA63J-102X	MG RESISTOR	1kΩ 1/16W J	
R783	NRSA63J-221X	MG RESISTOR	220Ω 1/16W J		R1486	NRSA63J-102X	MG RESISTOR	1kΩ 1/16W J	
R784	NRSA63J-221X	MG RESISTOR	220Ω 1/16W J		R1487	NRSA63J-103X	MG RESISTOR	10kΩ 1/16W J	
R785	NRSA63J-221X	MG RESISTOR	220Ω 1/16W J		R1488	NRSA63J-103X	MG RESISTOR	10kΩ 1/16W J	
R786	NRSA63J-221X	MG RESISTOR	220Ω 1/16W J		R1490	NRSA63J-133X	MG RESISTOR	13kΩ 1/16W J	
R787	NRSA63J-221X	MG RESISTOR	220Ω 1/16W J		R1492	NRSA63J-102X	MG RESISTOR	1kΩ 1/16W J	
R788	NRSA63J-221X	MG RESISTOR	220Ω 1/16W J		R1493	NRSA63J-102X	MG RESISTOR	1kΩ 1/16W J	
R790	NRSA63J-221X	MG RESISTOR	220Ω 1/16W J		R1494	NRSA63J-102X	MG RESISTOR	1kΩ 1/16W J	
R791	NRSA63J-221X	MG RESISTOR	220Ω 1/16W J		R1495	NRSA63J-103X	MG RESISTOR	10kΩ 1/16W J	
R792	NRSA63J-221X	MG RESISTOR	220Ω 1/16W J		R1496	NRSA63J-103X	MG RESISTOR	10kΩ 1/16W J	
R794	NRSA63J-221X	MG RESISTOR	220Ω 1/16W J		R1498	NRSA63J-511X	MG RESISTOR	510Ω 1/16W J	
R795	NRSA63J-221X	MG RESISTOR	220Ω 1/16W J		R1499	NRSA63J-511X	MG RESISTOR	510Ω 1/16W J	
R796	NRSA63J-221X	MG RESISTOR	220Ω 1/16W J		R1500	NRSA63J-474X	MG RESISTOR	470kΩ 1/16W J	
R797	NRSA63J-221X	MG RESISTOR	220Ω 1/16W J		R1571	NRSA63J-0R0X	MG RESISTOR	0Ω 1/16W J	
R798	NRSA63J-221X	MG RESISTOR	220Ω 1/16W J		R1572	NRSA63J-0R0X	MG RESISTOR	0Ω 1/16W J	
R799	NRSA63J-221X	MG RESISTOR	220Ω 1/16W J		R1573	NRSA63J-102X	MG RESISTOR	1kΩ 1/16W J	
R871	NRSA63J-103X	MG RESISTOR	10kΩ 1/16W J		R1574	NRSA63J-102X	MG RESISTOR	1kΩ 1/16W J	
R872	NRSA63J-103X	MG RESISTOR	10kΩ 1/16W J		R1575	NRSA63J-0R0X	MG RESISTOR	0Ω 1/16W J	
R874	NRSA63J-103X	MG RESISTOR	10kΩ 1/16W J		R1576	NRSA63J-0R0X	MG RESISTOR	0Ω 1/16W J	
R875	NRSA63J-103X	MG RESISTOR	10kΩ 1/16W J		R1579	NRSA63J-301X	MG RESISTOR	300Ω 1/16W J	
R876	NRSA63J-103X	MG RESISTOR	10kΩ 1/16W J		R1580	NRSA63J-0R0X	MG RESISTOR	0Ω 1/16W J	
R877	NRSA63J-103X	MG RESISTOR	10kΩ 1/16W J		R1581	NRSA63J-332X	MG RESISTOR	3.3kΩ 1/16W J	
R878	NRSA63J-103X	MG RESISTOR	10kΩ 1/16W J		R1582	NRSA63J-162X	MG RESISTOR	1.6kΩ 1/16W J	
R879	NRSA63J-221X	MG RESISTOR	220Ω 1/16W J		R1583	NRSA63J-561X	MG RESISTOR	560Ω 1/16W J	
R880	NRSA63J-221X	MG RESISTOR	220Ω 1/16W J		R1584	NRSA63J-561X	MG RESISTOR	560Ω 1/16W J	
R881	NRSA63J-221X	MG RESISTOR	220Ω 1/16W J		RA701	QRB069J-104	NET RESISTOR	100kΩ J	
R882	NRSA63J-221X	MG RESISTOR	220Ω 1/16W J		RA702	QRB079J-104	NET RESISTOR	100kΩ J	
R883	NRSA63J-221X	MG RESISTOR	220Ω 1/16W J						
R884	NRSA63J-221X	MG RESISTOR	220Ω 1/16W J		CN101	QGD2504C1-03Z	CONNECTOR	(1-3)	
△ R1401	QRZ9005-100X	F RESISTOR	10Ω		CN402	QGF1205C1-27	CONNECTOR	FFC/FPC (1-27)	
△ R1402	QRJ146J-182X	UNF C RESISTOR	1.8kΩ 1/4W J		CN411	QGF1205C1-11	CONNECTOR	FFC/FPC (1-11)	
△ R1403	QRZ9005-120X	FUSI RESISTOR	12Ω		CN421	QGB2510J1-14	CONNECTOR	B-B (1-14)	
△ R1404	QRJ146J-272X	UNF C RESISTOR	2.7kΩ 1/4W J		CN431	QGB2510J1-11	CONNECTOR	B-B (1-11)	
△ R1405	QRZ9005-120X	FUSI RESISTOR	12Ω		CN441	QGB2510J1-07	CONNECTOR	B-B (1-7)	
△ R1406	QRK126J-682X	UNF C RESISTOR	6.8kΩ 1/2W J		CN471	QGA2501C1-03	CONNECTOR	W-B (1-3)	
△ R1407	QRZ9006-4R7X	FUSI RESISTOR	4.7Ω 1/4W J		CN472	QGA2501C1-02	CONNECTOR	W-B (1-2)	
△ R1408	QRZ9006-4R7X	FUSI RESISTOR	4.7Ω 1/4W J		CN473	QGA2501C1-03	CONNECTOR	W-B (1-3)	
△ R1409	QRJ146J-272X	UNF C RESISTOR	2.7kΩ 1/4W J		CN481	QGB2510J1-14	CONNECTOR	B-B (1-14)	
△ R1410	QRZ9006-4R7X	FUSI RESISTOR	4.7Ω 1/4W J		CN482	QGB2510J1-07	CONNECTOR	B-B (1-7)	
△ R1411	QRJ146J-182X	UNF C RESISTOR	1.8kΩ 1/4W J		CN491	QGB2510J1-04	CONNECTOR	B-B (1-4)	
△ R1412	QRZ9005-100X	F RESISTOR	10Ω		CN701	QGF1205F1-14	CONNECTOR	FFC/FPC (1-14)	
△ R1413	QRJ146J-102X	UNF C RESISTOR	1kΩ 1/4W J		CN702	QGF1205F1-27	CONNECTOR	FFC/FPC (1-27)	
△ R1414	QRZ9005-100X	F RESISTOR	10Ω		CN704	WJS0020-002A	SKT.WIRE ASSY		
△ R1415	QRJ146J-222X	UNF C RESISTOR	2.2kΩ 1/4W J		CN714	QGA2001F1-03	CONNECTOR	W-B (1-3)	
△ R1416	QRZ9005-100X	F RESISTOR	10Ω		DI701	QLF0132-001	FL TUBE		
△ R1417	QRJ146J-222X	UNF C RESISTOR	2.2kΩ 1/4W J		EP401	QNZ0136-001Z	EARTH PLATE		
△ R1418	QRZ9005-680X	F RESISTOR	68Ω		FL401	QQR1372-001	LPF		
△ R1419	QRZ9005-680X	F RESISTOR	68Ω		FL402	QQR1372-001	LPF		
R1435	NRSA63J-154X	MG RESISTOR	150kΩ 1/16W J		J101	QNS0022-001	JACK		
R1436	NRSA63J-154X	MG RESISTOR	150kΩ 1/16W J		JS701	QSW1017-002	JOG VOLUME		
R1437	NRSA63J-102X	MG RESISTOR	1kΩ 1/16W J		JS702	QSW1051-001	ROTARY ENCODER		
R1438	NRSA63J-102X	MG RESISTOR	1kΩ 1/16W J		S721	QSW0683-001Z	PUSH SW		
R1439	NRSA63J-103X	MG RESISTOR	10kΩ 1/16W J		S722	QSW0683-001Z	PUSH SW		
R1440	NRSA63J-103X	MG RESISTOR	10kΩ 1/16W J		S723	QSW0683-001Z	PUSH SW		
R1444	NRSA63J-103X	MG RESISTOR	10kΩ 1/16W J		S724	QSW0683-001Z	PUSH SW		
R1445	NRSA63J-102X	MG RESISTOR	1kΩ 1/16W J		S725	QSW0683-001Z	PUSH SW		
R1446	NRSA63J-104X	MG RESISTOR	100kΩ 1/16W J		S726	QSW0683-001Z	PUSH SW		
R1447	NRSA63J-102X	MG RESISTOR	1kΩ 1/16W J		S727	QSW0683-001Z	PUSH SW		
R1448	NRSA63J-103X	MG RESISTOR	10kΩ 1/16W J		S728	QSW0683-001Z	PUSH SW		
R1449	NRSA63J-102X	MG RESISTOR	1kΩ 1/16W J		S729	QSW0683-001Z	PUSH SW		
R1450	NRSA63J-103X	MG RESISTOR	10kΩ 1/16W J		S730	QSW0683-001Z	PUSH SW		
R1451	NRSA63J-104X	MG RESISTOR	100kΩ 1/16W J		S731	QSW0683-001Z	PUSH SW		
R1452	NRSA63J-104X	MG RESISTOR	100kΩ 1/16W J		S732	QSW0683-001Z	PUSH SW		
R1453	NRSA63J-102X	MG RESISTOR	1kΩ 1/16W J		S734	QSW0683-001Z	PUSH SW		
R1457	NRSA63J-682X	MG RESISTOR	6.8kΩ 1/16W J		S735	QSW0683-001Z	PUSH SW		
R1458	NRSA63J-682X	MG RESISTOR	6.8kΩ 1/16W J		S737	QSW0683-001Z	PUSH SW		
△ R1459	QRZ9005-680X	F RESISTOR	68Ω		S740	QSW0683-001Z	PUSH SW		
△ R1460	QRZ9005-680X	F RESISTOR	68Ω		S741	QSW0683-001Z	PUSH SW		
R1461	QRJ146J-2R2X	UNF C RESISTOR	2.2Ω 1/4W J		S742	QSW0683-001Z	PUSH SW		
R1462	QRJ146J-2R2X	UNF C RESISTOR	2.2Ω 1/4W J		S743	QSW0683-001Z	PUSH SW		
R1464	NRSA63J-104X	MG RESISTOR	100kΩ 1/16W J		S745	QSW0683-001Z	PUSH SW		
R1465	NRSA63J-102X	MG RESISTOR	1kΩ 1/16W J		S746	QSW0683-001Z	PUSH SW		
R1470	NRSA63J-201X	MG RESISTOR	200Ω 1/16W J		S750	QSW0683-001Z	PUSH SW		
R1471	NRSA63J-201X	MG RESISTOR	200Ω 1/16W J		S751	QSW0683-001Z	PUSH SW		

△ Symbol No.	Part No.	Part Name	Description	Local
S752	QSW0683-001Z	PUSH SW		
S756	QSW0683-001Z	PUSH SW		
X701	QAX0246-001Z	C RESONATOR	8.00MHz	

## Main board

Block No. [0][3][0][0]

△ Symbol No.	Part No.	Part Name	Description	Local
IC501	NJM2246D	IC		
Q202	KRC105M-T	DIGI TRANSISTOR		
△ Q203	KTC3203/OY/-T	TRANSISTOR		
Q205	KTC3200/GL/-T	TRANSISTOR		
Q206	KRC105M-T	DIGI TRANSISTOR		
Q208	KRC105M-T	DIGI TRANSISTOR		
Q209	KRC105M-T	DIGI TRANSISTOR		
Q210	KRC105M-T	DIGI TRANSISTOR		
Q502	KTC3199/GL/-T	TRANSISTOR		
Q503	KRC101M-T	TRANSISTOR		
Q505	KTC3199/GL/-T	TRANSISTOR		
△ D201	10DDA20-FD	DIODE		
△ D202	11ES2-T4	DIODE		
△ D203	10DDA20-FD	DIODE		
△ D204	11ES2-T4	DIODE		
△ D206	11ES2-T4	DIODE		
△ D207	11ES2-T4	DIODE		
△ D208	11ES2-T4	DIODE		
△ D209	11ES2-T4	DIODE		
D210	1SS133-T2	DIODE		
D211	MTZJ6.8C-T2	Z DIODE		
D212	11ES2-T4	DIODE		
D217	MTZJ8.2C-T2	Z DIODE		
D218	1SS133-T2	DIODE		
D219	11ES2-T4	DIODE		
D220	11ES2-T4	DIODE		
D221	1SS133-T2	DIODE		
D591	MTZJ6.2C-T2	Z DIODE		
C201	QFLC2AJ-104Z	M CAPACITOR	0.1uF 100V J	
C202	QFLC2AJ-104Z	M CAPACITOR	0.1uF 100V J	
C203	QFLC2AJ-104Z	M CAPACITOR	0.1uF 100V J	
C204	QETM1VM-228	E CAPACITOR	2200uF 35V M	
C205	QETM1VM-108	E CAPACITOR	1000uF 35V M	
C206	QFLC1HJ-473Z	M CAPACITOR	0.047uF 50V J	
C207	QFLC1HJ-473Z	M CAPACITOR	0.047uF 50V J	
C208	QFLC2AJ-472Z	M CAPACITOR	4700pF 100V J	
C209	QETN1EM-477Z	E CAPACITOR	470uF 25V M	
△ C210	QCZ9104-472	C CAPACITOR	4700pF	
C212	QETN1CM-477Z	E CAPACITOR	470uF 16V M	
C213	QETM0JM-228	E CAPACITOR	2200uF 6.3V M	
C218	QETN1HM-105Z	E CAPACITOR	1uF 50V M	
C501	QEK1HM-475Z	E CAPACITOR	4.7uF 50V M	
C503	QETN0JM-477Z	E CAPACITOR	470uF 6.3V M	
C504	QCS31HJ-470Z	C CAPACITOR	47pF 50V J	
C505	QEK1HM-475Z	E CAPACITOR	4.7uF 50V M	
C506	QETN0JM-477Z	E CAPACITOR	470uF 6.3V M	
C507	QCS31HJ-470Z	C CAPACITOR	47pF 50V J	
C511	QETN1CM-108Z	E CAPACITOR	1000uF 16V M	
C512	QCBB1HK-223Y	C CAPACITOR	0.022uF 50V K	
C521	QCBB1HK-221Y	C CAPACITOR	220pF 50V K	
C522	QCZ0202-155Z	C CAPACITOR	1.5uF 25V Z	
△ R1	QRZ9037-335	COMP RESISTOR	3.3MΩ 1/2W K	
△ R201	QRJ146J-2R2X	UNF C RESISTOR	2.2Ω 1/4W J	
△ R204	QRJ146J-821X	UNF C RESISTOR	820Ω 1/4W J	
△ R208	QRJ146J-100X	UNF C RESISTOR	10Ω 1/4W J	
R209	QRE141J-104Y	C RESISTOR	100kΩ 1/4W J	
△ R210	QRJ146J-680X	UNF C RESISTOR	68Ω 1/4W J	
△ R221	QRJ146J-100X	UNF C RESISTOR	10Ω 1/4W J	
R501	QRE141J-331Y	C RESISTOR	330Ω 1/4W J	
R502	QRE141J-750Y	C RESISTOR	75Ω 1/4W J	
R505	QRE141J-750Y	C RESISTOR	75Ω 1/4W J	

△ Symbol No.	Part No.	Part Name	Description	Local
R506	QRE141J-473Y	C RESISTOR	47kΩ 1/4W J	
R507	QRE141J-331Y	C RESISTOR	330Ω 1/4W J	
R508	QRE141J-750Y	C RESISTOR	75Ω 1/4W J	
R509	QRE141J-750Y	C RESISTOR	75Ω 1/4W J	
R510	QRE141J-473Y	C RESISTOR	47kΩ 1/4W J	
R512	QRE141J-181Y	C RESISTOR	180Ω 1/4W J	
R513	QRE141J-751Y	C RESISTOR	750Ω 1/4W J	
R515	QRE141J-181Y	C RESISTOR	180Ω 1/4W J	
R521	QRE141J-221Y	C RESISTOR	220Ω 1/4W J	
R522	QRE141J-471Y	C RESISTOR	470Ω 1/4W J	
R591	QRE141J-221Y	C RESISTOR	220Ω 1/4W J	

△ T202	QQT0434-001	POWER TRANSF		
CN201	QGF1205C1-14	CONNECTOR	FFC/FPC (1-14)	
CN203	QGD2504C1-04Z	CONNECTOR	(1-4)	
CN241	QGD2504C1-05Z	CONNECTOR	(1-5)	
CN251	QGA3901F2-05	CONNECTOR	W-B (1-5)	
CN291	QGB2510J1-04	CONNECTOR	B-B (1-4)	
CN292	QGB2510K1-04	CONNECTOR	B-B (1-4)	
CN492	QGB2510K1-04	CONNECTOR	B-B (1-4)	
CN501	QGB2510K1-07	CONNECTOR	B-B (1-7)	
EP1	E409182-001SM	GRAND TERMINAL		
EP201	QNZ0136-001Z	EARTH PLATE		
FC211	QNG0020-001Z	FUSE CLIP		
FC212	QNG0020-001Z	FUSE CLIP		
FC221	QNG0020-001Z	FUSE CLIP		
FC222	QNG0020-001Z	FUSE CLIP		
FC231	QNG0020-001Z	FUSE CLIP		
FC232	QNG0020-001Z	FUSE CLIP		
FC261	QNG0020-001Z	FUSE CLIP		
FC262	QNG0020-001Z	FUSE CLIP		
FC271	QNG0020-001Z	FUSE CLIP		
FC272	QNG0020-001Z	FUSE CLIP		
FW201	QUM215-14Z4Z4	PARA RIBON WIRE		
FW251	QUM213-08DGZ4	PARA RIBON WIRE		
J501	QNN0011-001	PIN JACK		
J502	QNN0011-001	PIN JACK		
J521	QNS0089-001	3.5 JACK		
J591	QNS0089-001	3.5 JACK		
PW101	QUB112-14PPPP	SIN TWIST WIRE		
PW102	QUB116-16PPPP	PIN WIRE		
PW103	QUB112-26PPPP	SIN TWIST WIRE		
PW104	QUB111-30PPPP	SIN TWIST WIRE		
PW105	QUB116-30PPPP	SIN TWIST WIRE		
△ RY202	QSK0142-001	RELAY		
△ RY203	QSK0109-001	RELAY		
TA201	QNZ0079-001Z	TAB		
TA202	QNZ0079-001Z	TAB		

## DSP board

Block No. [0][4][0][0]

△ Symbol No.	Part No.	Part Name	Description	Local
IC601	NJM4565M-WE	IC		
IC602	NJM4565M-WE	IC		
IC611	NJM4565M-WE	IC		
IC612	NJM4565M-WE	IC		
IC613	NJM4565M-WE	IC		
IC615	NJM4565M-WE	IC		
IC621	NJM4565M-WE	IC		
IC622	NJM4565M-WE	IC		
IC631	NJM2120M-X	IC		
IC632	NJM4565M-WE	IC		
IC633	NJM4565M-WE	IC		
IC634	NJM4565M-WE	IC		
IC661	DSPA56370AF	IC		
IC662	SN74LVC1GU04K-X	IC		
IC667	CS42518-CQZ-C-X	IC(DIGITAL)		
IC671	UPD784217AGC257	IC(FLASH MICOM)		
IC672	SN74AHCT1G32K-X	IC		
IC673	SN74LVC1G04K-X	IC		
IC691	BA3259HFP-W	IC		

△ Symbol No.	Part No.	Part Name	Description	Local	△ Symbol No.	Part No.	Part Name	Description	Local
Q2101	2SD2114K/VW/-X	TRANSISTOR			C2250	QETN1HM-225Z	E CAPACITOR	2.2uF 50V M	
Q2102	2SD2114K/VW/-X	TRANSISTOR			C2281	NCF31CZ-104X	C CAPACITOR	0.1uF 16V Z	
Q2141	2SD601A/RS/-X	TRANSISTOR			C2282	NCF31CZ-104X	C CAPACITOR	0.1uF 16V Z	
Q2142	2SD601A/RS/-X	TRANSISTOR			C2283	NCB31HK-471X	C CAPACITOR	470pF 50V K	
Q2201	2SD2114K/VW/-X	TRANSISTOR			C2284	NCB31HK-471X	C CAPACITOR	470pF 50V K	
Q2202	2SD2114K/VW/-X	TRANSISTOR			C2285	NCB31HK-471X	C CAPACITOR	470pF 50V K	
Q2221	2SD2114K/VW/-X	TRANSISTOR			C2286	NCB31HK-471X	C CAPACITOR	470pF 50V K	
Q2222	2SD2114K/VW/-X	TRANSISTOR			C2287	NCB31HK-682X	C CAPACITOR	6800pF 50V K	
Q2301	2SD2114K/VW/-X	TRANSISTOR			C2288	NCB31HK-682X	C CAPACITOR	6800pF 50V K	
Q2341	2SD601A/RS/-X	TRANSISTOR			C2301	NCB31HK-272X	C CAPACITOR	2700pF 50V K	
Q2401	2SD2114K/VW/-X	TRANSISTOR			C2309	QETN1HM-226Z	E CAPACITOR	22uF 50V M	
Q2421	2SD2114K/VW/-X	TRANSISTOR			C2323	NCB31HK-562X	C CAPACITOR	5600pF 50V K	
Q2701	UN2214-X	TRANSISTOR			C2325	NCB31HK-182X	C CAPACITOR	1800pF 50V K	
Q2702	UN2214-X	TRANSISTOR			C2341	NCF31CZ-104X	C CAPACITOR	0.1uF 16V Z	
Q2703	UN2214-X	TRANSISTOR			C2342	NCF31CZ-104X	C CAPACITOR	0.1uF 16V Z	
Q2704	UN2114-X	TRANSISTOR			C2343	NDC31HJ-330X	C CAPACITOR	33pF 50V J	
Q2705	UN2114-X	TRANSISTOR			C2349	QETN1HM-225Z	E CAPACITOR	2.2uF 50V M	
Q2706	UN2114-X	TRANSISTOR			C2381	NCF31CZ-104X	C CAPACITOR	0.1uF 16V Z	
Q2708	UN2114-X	TRANSISTOR			C2382	NCF31CZ-104X	C CAPACITOR	0.1uF 16V Z	
Q2709	UN2114-X	TRANSISTOR			C2383	NCB31HK-681X	C CAPACITOR	680pF 50V K	
Q2710	UN2214-X	TRANSISTOR			C2385	NCB31HK-681X	C CAPACITOR	680pF 50V K	
					C2387	NCB31HK-682X	C CAPACITOR	6800pF 50V K	
C2001	QETN1EM-475Z	E CAPACITOR	4.7uF 25V M		C2401	NCB31HK-561X	C CAPACITOR	560pF 50V K	
C2002	QETN1EM-475Z	E CAPACITOR	4.7uF 25V M		C2409	QETN1HM-226Z	E CAPACITOR	22uF 50V M	
C2005	NDC31HJ-330X	C CAPACITOR	33pF 50V J		C2411	NCF31CZ-104X	C CAPACITOR	0.1uF 16V Z	
C2006	NDC31HJ-330X	C CAPACITOR	33pF 50V J		C2412	NCF31CZ-104X	C CAPACITOR	0.1uF 16V Z	
C2009	NCF31CZ-104X	C CAPACITOR	0.1uF 16V Z		C2421	NCF31CZ-104X	C CAPACITOR	0.1uF 16V Z	
C2010	NCF31CZ-104X	C CAPACITOR	0.1uF 16V Z		C2422	NCF31CZ-104X	C CAPACITOR	0.1uF 16V Z	
C2013	NDC31HJ-330X	C CAPACITOR	33pF 50V J		C2423	NCB31CK-823X	C CAPACITOR	0.082uF 16V K	
C2014	NDC31HJ-330X	C CAPACITOR	33pF 50V J		C2425	QFN31HJ-333Z	M CAPACITOR	0.033uF 50V J	
C2018	QETN1AM-476Z	E CAPACITOR	47uF 10V M		C2429	QETN1HM-475Z	E CAPACITOR	4.7uF 50V M	
C2019	NCF31CZ-104X	C CAPACITOR	0.1uF 16V Z		C2433	NCB31CK-823X	C CAPACITOR	0.082uF 16V K	
C2020	NCF31CZ-104X	C CAPACITOR	0.1uF 16V Z		C2435	QFN31HJ-333Z	M CAPACITOR	0.033uF 50V J	
C2101	NCB31HK-332X	C CAPACITOR	3300pF 50V K		C2449	QETN1EM-475Z	E CAPACITOR	4.7uF 25V M	
C2102	NCB31HK-332X	C CAPACITOR	3300pF 50V K		C2483	NCB31HK-471X	C CAPACITOR	470pF 50V K	
C2109	QETN1HM-226Z	E CAPACITOR	22uF 50V M		C2485	NCB31HK-471X	C CAPACITOR	470pF 50V K	
C2110	QETN1HM-226Z	E CAPACITOR	22uF 50V M		C2487	NCB31HK-332X	C CAPACITOR	3300pF 50V K	
C2111	NCF31CZ-104X	C CAPACITOR	0.1uF 16V Z		C2601	QETN0JM-107Z	E CAPACITOR	100uF 6.3V M	
C2112	NCF31CZ-104X	C CAPACITOR	0.1uF 16V Z		C2606	NCF31CZ-104X	C CAPACITOR	0.1uF 16V Z	
C2113	NCB31HK-102X	C CAPACITOR	1000pF 50V K		C2607	NCF31CZ-104X	C CAPACITOR	0.1uF 16V Z	
C2114	NCB31HK-102X	C CAPACITOR	1000pF 50V K		C2608	NCF31CZ-104X	C CAPACITOR	0.1uF 16V Z	
C2115	NCB31HK-822X	C CAPACITOR	8200pF 50V K		C2611	NCF31CZ-104X	C CAPACITOR	0.1uF 16V Z	
C2116	NCB31HK-822X	C CAPACITOR	8200pF 50V K		C2612	NCF31CZ-104X	C CAPACITOR	0.1uF 16V Z	
C2129	QETN1HM-475Z	E CAPACITOR	4.7uF 50V M		C2613	NCF31CZ-104X	C CAPACITOR	0.1uF 16V Z	
C2131	NCF31CZ-104X	C CAPACITOR	0.1uF 16V Z		C2614	NCB31HK-102X	C CAPACITOR	1000pF 50V K	
C2132	NCF31CZ-104X	C CAPACITOR	0.1uF 16V Z		C2621	NCF31CZ-104X	C CAPACITOR	0.1uF 16V Z	
C2133	NDC31HJ-330X	C CAPACITOR	33pF 50V J		C2622	NCF31CZ-104X	C CAPACITOR	0.1uF 16V Z	
C2134	NDC31HJ-330X	C CAPACITOR	33pF 50V J		C2623	NCF31CZ-104X	C CAPACITOR	0.1uF 16V Z	
C2139	QETN1EM-475Z	E CAPACITOR	4.7uF 25V M		C2631	NCF31CZ-104X	C CAPACITOR	0.1uF 16V Z	
C2140	QETN1EM-475Z	E CAPACITOR	4.7uF 25V M		C2632	NCF31CZ-104X	C CAPACITOR	0.1uF 16V Z	
C2141	NCF31CZ-104X	C CAPACITOR	0.1uF 16V Z		C2633	NCF31CZ-104X	C CAPACITOR	0.1uF 16V Z	
C2142	NCF31CZ-104X	C CAPACITOR	0.1uF 16V Z		C2641	NDC31HJ-100X	C CAPACITOR	10pF 50V J	
C2143	NDC31HJ-330X	C CAPACITOR	33pF 50V J		C2642	NDC31HJ-100X	C CAPACITOR	10pF 50V J	
C2144	NDC31HJ-330X	C CAPACITOR	33pF 50V J		C2643	NCF31CZ-104X	C CAPACITOR	0.1uF 16V Z	
C2149	QETN1EM-475Z	E CAPACITOR	4.7uF 25V M		C2671	QETN1CM-106Z	E CAPACITOR	10uF 16V M	
C2150	QETN1EM-475Z	E CAPACITOR	4.7uF 25V M		C2672	QETN1CM-106Z	E CAPACITOR	10uF 16V M	
C2181	NCF31CZ-104X	C CAPACITOR	0.1uF 16V Z		C2673	QETN1CM-106Z	E CAPACITOR	10uF 16V M	
C2182	NCF31CZ-104X	C CAPACITOR	0.1uF 16V Z		C2674	NCF31CZ-104X	C CAPACITOR	0.1uF 16V Z	
C2183	NCB31HK-681X	C CAPACITOR	680pF 50V K		C2675	NCF31CZ-104X	C CAPACITOR	0.1uF 16V Z	
C2184	NCB31HK-681X	C CAPACITOR	680pF 50V K		C2676	NCB31HK-221X	C CAPACITOR	220pF 50V K	
C2185	NCB31HK-681X	C CAPACITOR	680pF 50V K		C2677	NCB31HK-221X	C CAPACITOR	220pF 50V K	
C2186	NCB31HK-681X	C CAPACITOR	680pF 50V K		C2678	QETN1EM-475Z	E CAPACITOR	4.7uF 25V M	
C2187	NCB31HK-682X	C CAPACITOR	6800pF 50V K		C2679	NCF31CZ-104X	C CAPACITOR	0.1uF 16V Z	
C2188	NCB31HK-682X	C CAPACITOR	6800pF 50V K		C2680	QETN0JM-107Z	E CAPACITOR	100uF 6.3V M	
C2201	NCB31HK-182X	C CAPACITOR	1800pF 50V K		C2681	NCF31CZ-104X	C CAPACITOR	0.1uF 16V Z	
C2202	NCB31HK-182X	C CAPACITOR	1800pF 50V K		C2682	NCF31CZ-104X	C CAPACITOR	0.1uF 16V Z	
C2209	QETN1HM-225Z	E CAPACITOR	2.2uF 50V M		C2683	NCB31CK-223X	C CAPACITOR	0.022uF 16V K	
C2210	QETN1HM-225Z	E CAPACITOR	2.2uF 50V M		C2684	NCB31HK-102X	C CAPACITOR	1000pF 50V K	
C2229	QETN1HM-105Z	E CAPACITOR	1uF 50V M		C2685	NCF31CZ-104X	C CAPACITOR	0.1uF 16V Z	
C2230	QETN1HM-105Z	E CAPACITOR	1uF 50V M		C2686	NCF31CZ-104X	C CAPACITOR	0.1uF 16V Z	
C2241	NCF31CZ-104X	C CAPACITOR	0.1uF 16V Z		C2687	NCF31CZ-104X	C CAPACITOR	0.1uF 16V Z	
C2242	NCF31CZ-104X	C CAPACITOR	0.1uF 16V Z		C2688	NCB31CK-103X	C CAPACITOR	0.01uF 16V K	
C2243	NCB31HK-562X	C CAPACITOR	5600pF 50V K		C2689	NCB31CK-103X	C CAPACITOR	0.01uF 16V K	
C2244	NCB31HK-562X	C CAPACITOR	5600pF 50V K		C2691	NCB31CK-103X	C CAPACITOR	0.01uF 16V K	
C2245	NCB31HK-182X	C CAPACITOR	1800pF 50V K		C2692	NCB31CK-103X	C CAPACITOR	0.01uF 16V K	
C2246	NCB31HK-182X	C CAPACITOR	1800pF 50V K		C2701	QETN0JM-107Z	E CAPACITOR	100uF 6.3V M	
C2249	QETN1HM-225Z	E CAPACITOR	2.2uF 50V M		C2702	NCB31CK-103X	C CAPACITOR	0.01uF 16V K	

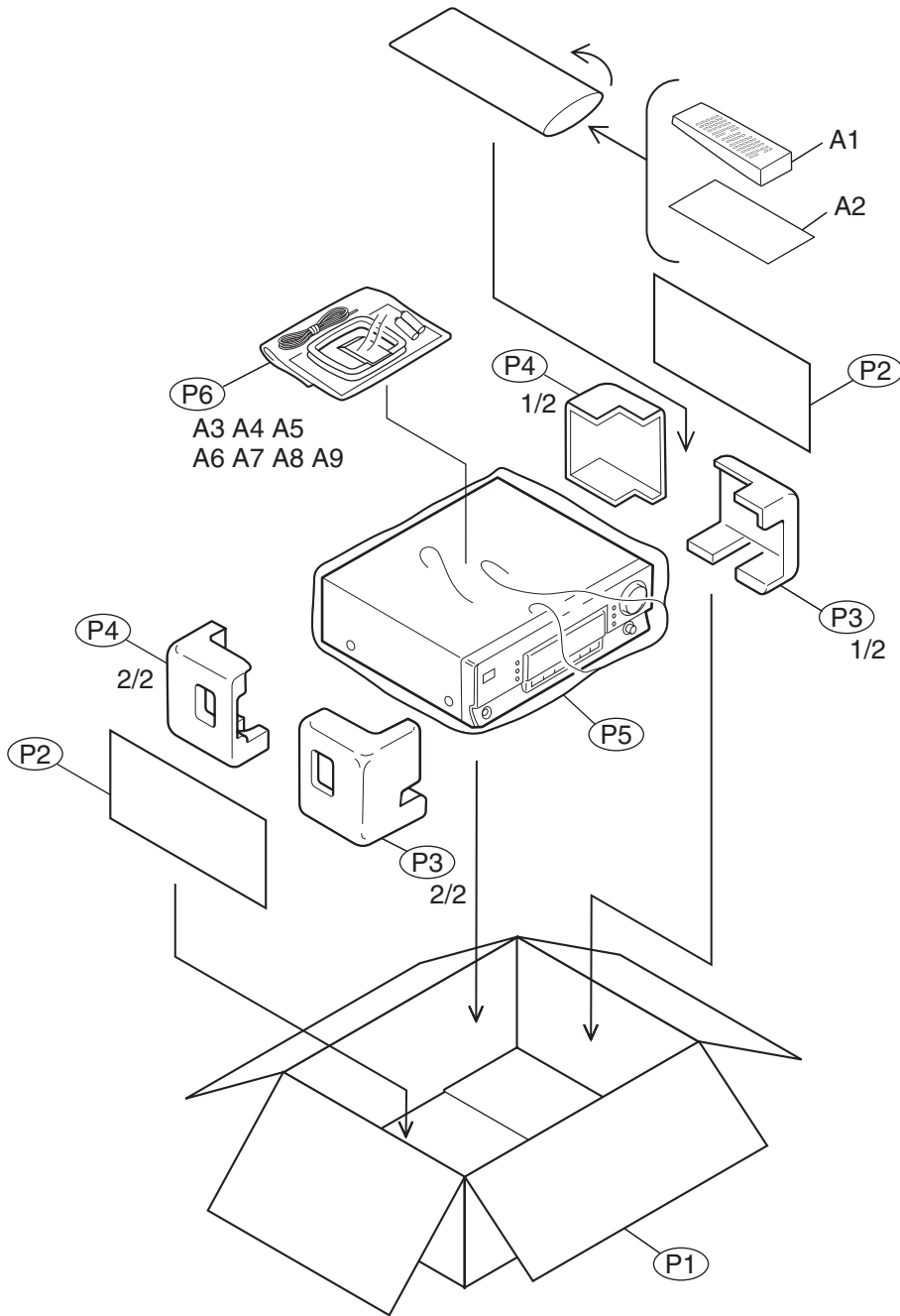
△ Symbol No.	Part No.	Part Name	Description	Local	△ Symbol No.	Part No.	Part Name	Description	Local
C2703	NDC31HJ-101X	C CAPACITOR	100pF 50V J		R2146	NRSA63J-562X	MG RESISTOR	5.6kΩ 1/16W J	
C2721	NDC31HJ-101X	C CAPACITOR	100pF 50V J		R2147	NRSA63J-103X	MG RESISTOR	10kΩ 1/16W J	
C2731	NCF31CZ-104X	C CAPACITOR	0.1uF 16V Z		R2148	NRSA63J-103X	MG RESISTOR	10kΩ 1/16W J	
C2751	NCF31CZ-104X	C CAPACITOR	0.1uF 16V Z		R2149	NRSA63J-104X	MG RESISTOR	100kΩ 1/16W J	
C2771	QETN1AM-476Z	E CAPACITOR	47uF 10V M		R2150	NRSA63J-104X	MG RESISTOR	100kΩ 1/16W J	
C2861	NDC31HJ-101X	C CAPACITOR	100pF 50V J		R2181	NRSA63J-472X	MG RESISTOR	4.7kΩ 1/16W J	
C2862	NCF31CZ-104X	C CAPACITOR	0.1uF 16V Z		R2182	NRSA63J-472X	MG RESISTOR	4.7kΩ 1/16W J	
C2871	NDC31HJ-270X	C CAPACITOR	27pF 50V J		R2183	NRSA63J-181X	MG RESISTOR	180Ω 1/16W J	
C2873	NCB31CK-103X	C CAPACITOR	0.01uF 16V K		R2184	NRSA63J-181X	MG RESISTOR	180Ω 1/16W J	
C2881	NCB31CK-103X	C CAPACITOR	0.01uF 16V K		R2185	NRSA63J-472X	MG RESISTOR	4.7kΩ 1/16W J	
C2882	NCB31CK-103X	C CAPACITOR	0.01uF 16V K		R2186	NRSA63J-472X	MG RESISTOR	4.7kΩ 1/16W J	
C2901	QETN1CM-106Z	E CAPACITOR	10uF 16V M		R2187	NRSA63J-181X	MG RESISTOR	180Ω 1/16W J	
C2902	QETN1CM-106Z	E CAPACITOR	10uF 16V M		R2188	NRSA63J-181X	MG RESISTOR	180Ω 1/16W J	
C2903	QETN1AM-476Z	E CAPACITOR	47uF 10V M		R2189	NRSA63J-472X	MG RESISTOR	4.7kΩ 1/16W J	
C2911	QETN0JM-227Z	E CAPACITOR	220uF 6.3V M		R2190	NRSA63J-472X	MG RESISTOR	4.7kΩ 1/16W J	
C2912	NCF31CZ-104X	C CAPACITOR	0.1uF 16V Z		R2191	NRSA63J-472X	MG RESISTOR	4.7kΩ 1/16W J	
C2921	QETN0JM-107Z	E CAPACITOR	100uF 6.3V M		R2192	NRSA63J-472X	MG RESISTOR	4.7kΩ 1/16W J	
C2922	NCF31CZ-104X	C CAPACITOR	0.1uF 16V Z		R2201	NRSA63J-103X	MG RESISTOR	10kΩ 1/16W J	
C2923	QETN0JM-107Z	E CAPACITOR	100uF 6.3V M		R2202	NRSA63J-103X	MG RESISTOR	10kΩ 1/16W J	
C2924	NCF31CZ-104X	C CAPACITOR	0.1uF 16V Z		R2203	NRSA63J-102X	MG RESISTOR	1kΩ 1/16W J	
C2925	NCF31CZ-104X	C CAPACITOR	0.1uF 16V Z		R2204	NRSA63J-102X	MG RESISTOR	1kΩ 1/16W J	
C2951	NCF31AZ-105X	C CAPACITOR	1uF 10V Z		R2209	NRSA63J-104X	MG RESISTOR	100kΩ 1/16W J	
C2952	NCF31AZ-105X	C CAPACITOR	1uF 10V Z		R2210	NRSA63J-104X	MG RESISTOR	100kΩ 1/16W J	
C2953	NCF31AZ-105X	C CAPACITOR	1uF 10V Z		R2221	NRSA63J-822X	MG RESISTOR	8.2kΩ 1/16W J	
C2954	NCF31AZ-105X	C CAPACITOR	1uF 10V Z		R2222	NRSA63J-822X	MG RESISTOR	8.2kΩ 1/16W J	
C2955	NCF31AZ-105X	C CAPACITOR	1uF 10V Z		R2223	NRSA63J-103X	MG RESISTOR	10kΩ 1/16W J	
C2956	NCF31CZ-104X	C CAPACITOR	0.1uF 16V Z		R2224	NRSA63J-103X	MG RESISTOR	10kΩ 1/16W J	
C2957	NCF31CZ-104X	C CAPACITOR	0.1uF 16V Z		R2241	NRSA63J-102X	MG RESISTOR	1kΩ 1/16W J	
R2001	NRSA63J-104X	MG RESISTOR	100kΩ 1/16W J		R2242	NRSA63J-102X	MG RESISTOR	1kΩ 1/16W J	
R2002	NRSA63J-104X	MG RESISTOR	100kΩ 1/16W J		R2243	NRSA63J-102X	MG RESISTOR	1kΩ 1/16W J	
R2003	NRSA63J-223X	MG RESISTOR	22kΩ 1/16W J		R2244	NRSA63J-102X	MG RESISTOR	1kΩ 1/16W J	
R2004	NRSA63J-223X	MG RESISTOR	22kΩ 1/16W J		R2249	NRSA63J-104X	MG RESISTOR	100kΩ 1/16W J	
R2007	NRSA63J-223X	MG RESISTOR	22kΩ 1/16W J		R2250	NRSA63J-104X	MG RESISTOR	100kΩ 1/16W J	
R2008	NRSA63J-223X	MG RESISTOR	22kΩ 1/16W J		R2281	NRSA63J-752X	MG RESISTOR	7.5kΩ 1/16W J	
R2011	NRSA63J-223X	MG RESISTOR	22kΩ 1/16W J		R2282	NRSA63J-752X	MG RESISTOR	7.5kΩ 1/16W J	
R2012	NRSA63J-223X	MG RESISTOR	22kΩ 1/16W J		R2283	NRSA63J-181X	MG RESISTOR	180Ω 1/16W J	
R2013	NRSA63J-223X	MG RESISTOR	22kΩ 1/16W J		R2284	NRSA63J-181X	MG RESISTOR	180Ω 1/16W J	
R2014	NRSA63J-223X	MG RESISTOR	22kΩ 1/16W J		R2285	NRSA63J-472X	MG RESISTOR	4.7kΩ 1/16W J	
R2017	NRSA63J-472X	MG RESISTOR	4.7kΩ 1/16W J		R2286	NRSA63J-472X	MG RESISTOR	4.7kΩ 1/16W J	
R2018	NRSA63J-472X	MG RESISTOR	4.7kΩ 1/16W J		R2287	NRSA63J-181X	MG RESISTOR	180Ω 1/16W J	
R2021	NRSA63J-331X	MG RESISTOR	330Ω 1/16W J		R2288	NRSA63J-181X	MG RESISTOR	180Ω 1/16W J	
R2022	NRSA63J-331X	MG RESISTOR	330Ω 1/16W J		R2289	NRSA63J-472X	MG RESISTOR	4.7kΩ 1/16W J	
R2023	NRSA63J-331X	MG RESISTOR	330Ω 1/16W J		R2290	NRSA63J-472X	MG RESISTOR	4.7kΩ 1/16W J	
R2024	NRSA63J-331X	MG RESISTOR	330Ω 1/16W J		R2291	NRSA63J-752X	MG RESISTOR	7.5kΩ 1/16W J	
R2101	NRSA63J-103X	MG RESISTOR	10kΩ 1/16W J		R2292	NRSA63J-752X	MG RESISTOR	7.5kΩ 1/16W J	
R2102	NRSA63J-103X	MG RESISTOR	10kΩ 1/16W J		R2301	NRSA63J-103X	MG RESISTOR	10kΩ 1/16W J	
R2103	NRSA63J-102X	MG RESISTOR	1kΩ 1/16W J		R2303	NRSA63J-102X	MG RESISTOR	1kΩ 1/16W J	
R2104	NRSA63J-102X	MG RESISTOR	1kΩ 1/16W J		R2309	NRSA63J-104X	MG RESISTOR	100kΩ 1/16W J	
R2109	NRSA63J-104X	MG RESISTOR	100kΩ 1/16W J		R2321	NRSA63J-102X	MG RESISTOR	1kΩ 1/16W J	
R2110	NRSA63J-104X	MG RESISTOR	100kΩ 1/16W J		R2323	NRSA63J-102X	MG RESISTOR	1kΩ 1/16W J	
R2111	NRSA63J-102X	MG RESISTOR	1kΩ 1/16W J		R2341	NRSA63J-473X	MG RESISTOR	47kΩ 1/16W J	
R2112	NRSA63J-102X	MG RESISTOR	1kΩ 1/16W J		R2343	NRSA63J-753X	MG RESISTOR	75kΩ 1/16W J	
R2113	NRSA63J-102X	MG RESISTOR	1kΩ 1/16W J		R2345	NRSA63J-303X	MG RESISTOR	30kΩ 1/16W J	
R2114	NRSA63J-102X	MG RESISTOR	1kΩ 1/16W J		R2347	NRSA63J-103X	MG RESISTOR	10kΩ 1/16W J	
R2115	NRSA63J-102X	MG RESISTOR	1kΩ 1/16W J		R2349	NRSA63J-104X	MG RESISTOR	100kΩ 1/16W J	
R2116	NRSA63J-102X	MG RESISTOR	1kΩ 1/16W J		R2381	NRSA63J-472X	MG RESISTOR	4.7kΩ 1/16W J	
R2121	NRSA63J-333X	MG RESISTOR	33kΩ 1/16W J		R2383	NRSA63J-181X	MG RESISTOR	180Ω 1/16W J	
R2122	NRSA63J-333X	MG RESISTOR	33kΩ 1/16W J		R2385	NRSA63J-472X	MG RESISTOR	4.7kΩ 1/16W J	
R2123	NRSA63J-243X	MG RESISTOR	24kΩ 1/16W J		R2387	NRSA63J-181X	MG RESISTOR	180Ω 1/16W J	
R2128	NRSA63J-104X	MG RESISTOR	100kΩ 1/16W J		R2389	NRSA63J-472X	MG RESISTOR	4.7kΩ 1/16W J	
R2129	NRSA63J-104X	MG RESISTOR	100kΩ 1/16W J		R2391	NRSA63J-472X	MG RESISTOR	4.7kΩ 1/16W J	
R2130	NRSA63J-104X	MG RESISTOR	100kΩ 1/16W J		R2401	NRSA63J-103X	MG RESISTOR	10kΩ 1/16W J	
R2131	NRSA63J-333X	MG RESISTOR	33kΩ 1/16W J		R2403	NRSA63J-102X	MG RESISTOR	1kΩ 1/16W J	
R2132	NRSA63J-333X	MG RESISTOR	33kΩ 1/16W J		R2409	NRSA63J-104X	MG RESISTOR	100kΩ 1/16W J	
R2133	NRSA63J-273X	MG RESISTOR	27kΩ 1/16W J		R2411	NRSA63J-473X	MG RESISTOR	47kΩ 1/16W J	
R2134	NRSA63J-273X	MG RESISTOR	27kΩ 1/16W J		R2412	NRSA63J-473X	MG RESISTOR	47kΩ 1/16W J	
R2135	NRSA63J-333X	MG RESISTOR	33kΩ 1/16W J		R2421	NRSA63J-222X	MG RESISTOR	2.2kΩ 1/16W J	
R2136	NRSA63J-333X	MG RESISTOR	33kΩ 1/16W J		R2422	NRSA63J-103X	MG RESISTOR	10kΩ 1/16W J	
R2137	NRSA63J-912X	MG RESISTOR	9.1kΩ 1/16W J		R2423	NRSA63J-100X	MG RESISTOR	10Ω 1/16W J	
R2138	NRSA63J-912X	MG RESISTOR	9.1kΩ 1/16W J		R2424	NRSA63J-103X	MG RESISTOR	10kΩ 1/16W J	
R2139	NRSA63J-104X	MG RESISTOR	100kΩ 1/16W J		R2425	NRSA63J-103X	MG RESISTOR	10kΩ 1/16W J	
R2140	NRSA63J-104X	MG RESISTOR	100kΩ 1/16W J		R2433	NRSA63J-100X	MG RESISTOR	10Ω 1/16W J	
R2141	NRSA63J-103X	MG RESISTOR	10kΩ 1/16W J		R2434	NRSA63J-103X	MG RESISTOR	10kΩ 1/16W J	
R2142	NRSA63J-103X	MG RESISTOR	10kΩ 1/16W J		R2435	NRSA63J-103X	MG RESISTOR	10kΩ 1/16W J	
R2143	NRSA63J-683X	MG RESISTOR	68kΩ 1/16W J		R2449	NRSA63J-104X	MG RESISTOR	100kΩ 1/16W J	
R2144	NRSA63J-683X	MG RESISTOR	68kΩ 1/16W J		R2481	NRSA63J-183X	MG RESISTOR	18kΩ 1/16W J	
R2145	NRSA63J-562X	MG RESISTOR	5.6kΩ 1/16W J		R2483	NRSA63J-181X	MG RESISTOR	180Ω 1/16W J	
					R2485	NRSA63J-472X	MG RESISTOR	4.7kΩ 1/16W J	

△ Symbol No.	Part No.	Part Name	Description	Local	△ Symbol No.	Part No.	Part Name	Description	Local
R2487	NRSA63J-181X	MG RESISTOR	180Ω 1/16W J		R2772	NRSA63J-105X	MG RESISTOR	1MΩ 1/16W J	
R2489	NRSA63J-472X	MG RESISTOR	4.7kΩ 1/16W J		R2773	NRSA63J-105X	MG RESISTOR	1MΩ 1/16W J	
R2491	NRSA63J-183X	MG RESISTOR	18kΩ 1/16W J		R2861	NRSA63J-221X	MG RESISTOR	220Ω 1/16W J	
R2601	NRSA63J-221X	MG RESISTOR	220Ω 1/16W J		R2862	NRSA63J-392X	MG RESISTOR	3.9kΩ 1/16W J	
R2602	NRSA63J-221X	MG RESISTOR	220Ω 1/16W J		R2871	NRSA63J-750X	MG RESISTOR	75Ω 1/16W J	
R2603	NRSA63J-221X	MG RESISTOR	220Ω 1/16W J		R2872	NRSA63J-102X	MG RESISTOR	1kΩ 1/16W J	
R2604	NRSA63J-221X	MG RESISTOR	220Ω 1/16W J		R2921	NRSA63J-222X	MG RESISTOR	2.2kΩ 1/16W J	
R2605	NRSA63J-102X	MG RESISTOR	1kΩ 1/16W J		R2922	NRSA63J-112X	MG RESISTOR	1.1kΩ 1/16W J	
R2606	NRSA63J-102X	MG RESISTOR	1kΩ 1/16W J		CN681	QGB2510K1-07	CONNECTOR	B-B (1-7)	
R2607	NRSA63J-102X	MG RESISTOR	1kΩ 1/16W J		CN683	QGB2510K1-14	CONNECTOR	B-B (1-14)	
R2608	NRSA63J-102X	MG RESISTOR	1kΩ 1/16W J		EP681	E409182-001SM	GRAND TERMINAL		
R2611	NRSA63J-103X	MG RESISTOR	10kΩ 1/16W J		J681	QNN0481-001	SURROUND JACK		
R2613	NRSA63J-102X	MG RESISTOR	1kΩ 1/16W J		K2861	NQR0269-004X	FERRITE BEADS		
R2614	NRSA63J-102X	MG RESISTOR	1kΩ 1/16W J		UN682	GP1FA553RZ	OPT RECEIVER		
R2621	NRSA63J-103X	MG RESISTOR	10kΩ 1/16W J		X661	QAX0722-001Z	CRYSTAL	24.576MHz	
R2622	NRSA63J-103X	MG RESISTOR	10kΩ 1/16W J		X671	QAX0719-001Z	C RESONATOR	6.144MHz	
R2623	NRSA63J-103X	MG RESISTOR	10kΩ 1/16W J						
R2624	NRSA63J-103X	MG RESISTOR	10kΩ 1/16W J						
R2625	NRSA63J-103X	MG RESISTOR	10kΩ 1/16W J						
R2626	NRSA63J-105X	MG RESISTOR	1MΩ 1/16W J						
R2627	NRSA63J-101X	MG RESISTOR	100Ω 1/16W J						
R2628	NRSA63J-102X	MG RESISTOR	1kΩ 1/16W J						
R2631	NRSA63J-103X	MG RESISTOR	10kΩ 1/16W J						
R2632	NRSA63J-103X	MG RESISTOR	10kΩ 1/16W J						
R2633	NRSA63J-103X	MG RESISTOR	10kΩ 1/16W J						
R2634	NRSA63J-103X	MG RESISTOR	10kΩ 1/16W J						
R2635	NRSA63J-103X	MG RESISTOR	10kΩ 1/16W J						
R2636	NRSA63J-103X	MG RESISTOR	10kΩ 1/16W J						
R2637	NRSA63J-103X	MG RESISTOR	10kΩ 1/16W J						
R2638	NRSA63J-103X	MG RESISTOR	10kΩ 1/16W J						
R2639	NRSA63J-103X	MG RESISTOR	10kΩ 1/16W J						
R2640	NRSA63J-103X	MG RESISTOR	10kΩ 1/16W J						
R2641	NRSA63J-103X	MG RESISTOR	10kΩ 1/16W J						
R2642	NRSA63J-103X	MG RESISTOR	10kΩ 1/16W J						
R2647	NRSA63J-103X	MG RESISTOR	10kΩ 1/16W J						
R2671	NRSA63J-332X	MG RESISTOR	3.3kΩ 1/16W J						
R2673	NRSA63J-103X	MG RESISTOR	10kΩ 1/16W J						
R2681	NRSA63J-221X	MG RESISTOR	220Ω 1/16W J						
R2682	NRSA63J-221X	MG RESISTOR	220Ω 1/16W J						
R2683	NRSA63J-103X	MG RESISTOR	10kΩ 1/16W J						
R2684	NRSA63J-103X	MG RESISTOR	10kΩ 1/16W J						
R2685	NRSA63J-221X	MG RESISTOR	220Ω 1/16W J						
R2686	NRSA63J-221X	MG RESISTOR	220Ω 1/16W J						
R2687	NRSA63J-221X	MG RESISTOR	220Ω 1/16W J						
R2688	NRSA63J-221X	MG RESISTOR	220Ω 1/16W J						
R2705	NRSA63J-822X	MG RESISTOR	8.2kΩ 1/16W J						
R2706	NRSA63J-432X	MG RESISTOR	4.3kΩ 1/16W J						
R2707	NRSA63J-221X	MG RESISTOR	220Ω 1/16W J						
R2711	NRSA63J-103X	MG RESISTOR	10kΩ 1/16W J						
R2713	NRSA63J-103X	MG RESISTOR	10kΩ 1/16W J						
R2714	NRSA63J-103X	MG RESISTOR	10kΩ 1/16W J						
R2715	NRSA63J-103X	MG RESISTOR	10kΩ 1/16W J						
R2716	NRSA63J-103X	MG RESISTOR	10kΩ 1/16W J						
R2721	NRSA63J-103X	MG RESISTOR	10kΩ 1/16W J						
R2722	NRSA63J-102X	MG RESISTOR	1kΩ 1/16W J						
R2723	NRSA63J-102X	MG RESISTOR	1kΩ 1/16W J						
R2724	NRSA63J-822X	MG RESISTOR	8.2kΩ 1/16W J						
R2725	NRSA63J-432X	MG RESISTOR	4.3kΩ 1/16W J						
R2726	NRSA63J-822X	MG RESISTOR	8.2kΩ 1/16W J						
R2727	NRSA63J-432X	MG RESISTOR	4.3kΩ 1/16W J						
R2728	NRSA63J-221X	MG RESISTOR	220Ω 1/16W J						
R2731	NRSA63J-221X	MG RESISTOR	220Ω 1/16W J						
R2732	NRSA63J-221X	MG RESISTOR	220Ω 1/16W J						
R2733	NRSA63J-221X	MG RESISTOR	220Ω 1/16W J						
R2734	NRSA63J-221X	MG RESISTOR	220Ω 1/16W J						
R2735	NRSA63J-221X	MG RESISTOR	220Ω 1/16W J						
R2736	NRSA63J-221X	MG RESISTOR	220Ω 1/16W J						
R2738	NRSA63J-221X	MG RESISTOR	220Ω 1/16W J						
R2739	NRSA63J-221X	MG RESISTOR	220Ω 1/16W J						
R2743	NRSA63J-221X	MG RESISTOR	220Ω 1/16W J						
R2744	NRSA63J-221X	MG RESISTOR	220Ω 1/16W J						
R2745	NRSA63J-221X	MG RESISTOR	220Ω 1/16W J						
R2751	NRSA63J-102X	MG RESISTOR	1kΩ 1/16W J						
R2752	NRSA63J-103X	MG RESISTOR	10kΩ 1/16W J						
R2761	NRSA63J-105X	MG RESISTOR	1MΩ 1/16W J						
R2762	NRSA63J-105X	MG RESISTOR	1MΩ 1/16W J						
R2763	NRSA63J-105X	MG RESISTOR	1MΩ 1/16W J						
R2771	NRSA63J-102X	MG RESISTOR	1kΩ 1/16W J						

**<MEMO>**

# Packing materials and accessories parts list

Block No. M 3 M M





## Packing and Accessories

Block No. [M][3][M][M]

△ Symbol No.	Part No.	Part Name	Description	Local
A 1	RM-SRX5040J	REMOCON		
A 2	LV30256-014A	SHEET		
A 3	-----	BATTERY	(x2)	
A 4	LVT1140-002A	INST BOOK	ENG FRE	5042S C
A 4	LVT1140-001A	INST BOOK	ENG	5042S J
A 5	EWP503-001C	ANT.WIRE		
A 6	QAL0014-001	AM LOOP ANT		
A 7	YU20333	SAFETY INST.		
A 8	BT-52006-2	WARRANTY CARD		5042S C
A 9	BT-51034-1	J=REGIST CARD		5042S J
P 1	LV21650-004A	CARTON BOX		
P 2	LV32034-009A	SHEET	(x2)	
P 3	LV21634-003A	CUSHION		
P 4	LV21635-002A	CUSHION		
P 5	QPC06507015P	POLY BAG	65cm x 70cm	
P 6	QPA02503505P	POLY BAG	25cm x 35cm	