

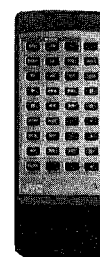
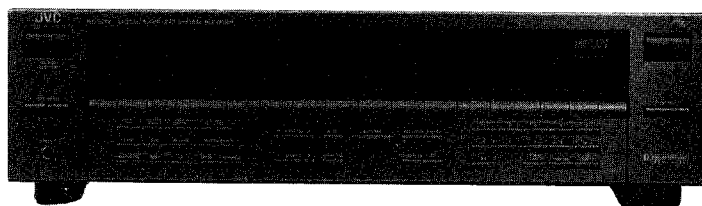
JVC

SERVICE MANUAL

DIGITAL SURROUND SYSTEM RECEIVER

RX-506VBK RX-507VTN

〒103東京都中央区日本橋本町4-9-14
日本ビクター株式会社
サービス部 部品管理課



COMPU LINK
/// Remote ///
Control Component

Contents

Safety Precaution	1-2	Power Amplifier Adjustment Procedures ..	1-37
Instruction Book	1-3	Surround Adjustment Procedures	1-37
Description of Major ICs	1-24	Block Diagrams	1-38
Internal Block Diagram		Schematic Diagrams	Insertion
of Other ICs	1-30	Printed Circuit Boards	Insertion
Internal Wiring of FL Display	1-34	Connection Diagram	Insertion
Disassembly Procedures	1-35	Parts List	Insertion
FM/AM Tuner Alignment Procedures	1-36		

Safety Precautions

1. The design of this product contains special hardware and many circuits and components specially for safety purposes. For continued protection, no changes should be made to the original design unless authorized in writing by the manufacturer. Replacement parts must be identical to those used in the original circuits. Services should be performed by qualified personnel only.
2. Alterations of the design or circuitry of the product should not be made. Any design alterations of the product should not be made. Any design alterations or additions will void the manufacturer's warranty and will further relieve the manufacture of responsibility for personal injury or property damage resulting therefrom.
3. Many electrical and mechanical parts in the products have special safety-related characteristics. These characteristics are often not evident from visual inspection nor can the protection afforded by them necessarily be obtained by using replacement components rated for higher voltage, wattage, etc. Replacement parts which have these special safety characteristics are identified in the Parts List of Service Manual. Electrical components having such features are identified by shading on the schematics and by (Δ) on the Parts List in the Service Manual. The use of a substitute replacement which does not have the same safety characteristics as the recommended replacement parts shown in the Parts List of Service Manual may create shock, fire, or other hazards.
4. The leads in the products are routed and dressed with ties, clamps, tubings, barriers and the like to be separated from live parts, high temperature parts, moving parts and/or sharp edges for the prevention of electric shock and fire hazard. When service is required, the original lead routing and dress should be observed, and it should be confirmed that they have been returned to normal, after re-assembling.

5. Leakage current check (Electrical shock hazard testing)

After re-assembling the product, always perform an isolation check on the exposed metal parts of the product (antenna terminals, knobs, metal cabinet, screw heads, headphone jack, control shafts, etc.) to be sure the product is safe to operate without danger of electrical shock.

Do not use a line isolation transformer during this check.

- Plug the AC line cord directly into the AC outlet. Using a "Leakage Current Tester", measure the leakage current from each exposed metal parts of the cabinet, particularly any exposed metal part having a return path to the chassis, to a known good earth ground. Any leakage current must not exceed 0.5mA AC (r.m.s.).

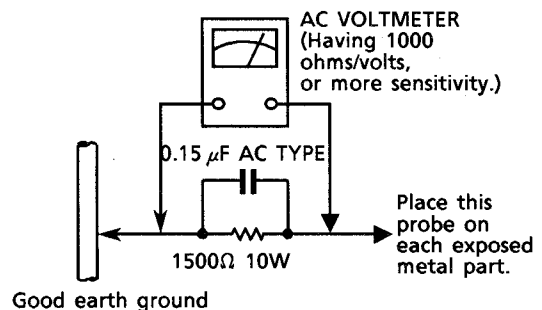
- Alternate check method

Plug the AC line cord directly into the AC outlet. Use an AC voltmeter having, 1,000 ohms per volt or more sensitivity in the following manner. Connect a 1,500 Ω 10 W resistor paralleled by a 0.15 μ F AC-type capacitor between an exposed metal part and a known good earth ground.

Measure the AC voltage across the resistor with the AC voltmeter.

Move the resistor connection to each exposed metal part, particularly any exposed metal part having a return path to the chassis, and measure the AC voltage across the resistor.

Now, reverse the plug in the AC outlet and repeat each measurement. Any voltage measured must not exceed 0.75 V AC (r.m.s.). This corresponds to 0.5 mA AC (r.m.s.).



Warning

1. This equipment has been designed and manufactured to meet international safety standards.
2. It is the legal responsibility of the repairer to ensure that these safety standards are maintained.
3. Repairs must be made in accordance with the relevant safety standards.
4. It is essential that safety critical components are replaced by approved parts.
5. If mains voltage selector is provided, check setting for local voltage.

Specifications

AMPLIFIER SECTION

Output power (CD IN → SP. OUT) : (For the U.S.A. and Canada) 80 watts per channel, min. RMS, both channels driven into 8 ohms from 20 Hz to 20 kHz, with no more than 0.03% total harmonic distortion. (For other areas) 70 watts per channel, min. RMS, both channels driven, into 8 ohms from 20Hz to 20kHz, with no more than 0.03% total harmonic distortion. 70 watts per channel, min. RMS, both channels driven, into 8 ohms at 1kHz(DIN).

Rear channels 20 watters per channel, min. RMS, into 8 ohms at 1kHz, with no more than 0.7%** total harmonic distortion.

Intermodulation distortion : 0.03% at 80 watts

Input sensitivity / impedance
PHONO : 2.5mV / 47k ohms
TAPE 1 PLAY, CD : 200mV / 47k ohms
TAPE 2 PLAY, VIDEO
VCR PLAY

Recording output level : 200mV

Frequency response
PHONO (RIAA equalization) : 20 Hz — 20kHz ± 0.5dB
TAPE 1 PLAY, CD : 10 Hz — 30kHz ± 1dB
TAPE 2 PLAY, VIDEO
VCR PLAY

Signal-to-noise ratio
PHONO : 71dB ('66IHF)
78 dB ('78 IHF, REC OUT)
66 dB (DIN)
TAPE 1 PLAY, TAPE2 PLAY, CD : 91 dB ('66IHF), 85 dB ('78 IHF)
VIDEO VCR PLAY : 67dB (DIN)

S. E. A. graphic equalizer
Center frequencies : 63Hz, 160Hz, 400Hz, 1kHz, 2.5kHz, 6.3kHz, 16kHz
Control range : ± 10dB

FM TUNER SECTION (IHF)

Tuning range : 87.5 MHz — 108.0 MHz
Usable sensitivity : Mono 10.8 dBf (0.95 μ V / 75 ohms)
50 dB quieting sensitivity : Mono 16.3dBf (1.8 μ V / 75 ohms)
Stereo 38.3 dBf (22.5 μ V / 75 ohms)
Signal-to-noise ratio : Mono 80 dB (IHF-A net, at 85dBf)
Stereo 73 dB
Total harmonic distortion (1 kHz) : Mono 0.15%
Stereo 0.2%
Frequency response : 30Hz — 15kHz, (+ 0.5 dB, -3 dB)
Capture ratio (at 85 dBf) : 1.5 dB
Alternate channel selectivity : 60 dB (± 400kHz)
IF response ratio : 85dB (at 98 MHz)
Stereo separation : 40 dB (at 1 kHz)

AM TUNER SECTION

MW

Tuning range

Area	Channel space	
	9kHz	10kHz
U.S.A. Canada	—	530kHz~1710kHz
Continental Europe, U.K.	522kHz~1629kHz	—
Italy	522kHz~1629kHz	—
Australia	522kHz~1629kHz	—
Other Area	531kHz~1602kHz	530kHz~1600kHz

Sensitivity

Loop antenna : 300 μ V / m*
External antenna : 30 μ V*
Signal-to-noise ratio : 50 dB* (100mV / m)
Selectivity : 25 dB* (± 9kHz, ± 10 kHz)

LW

Tuning range

Area	Channel Space (1kHz)
U.S.A. Canada	—
Continental Europe, U.K.	144kHz~353kHz
Italy	144kHz~290kHz
Australia	—
Other Area	—

Sensitivity

Loop antenna : 600 μ V / m at 245kHz
External antenna : 100 μ V at 245kHz
Signal-to-noise ratio (100 mV / m) : 50dB at 245kHz
Selectivity : 32dB ± 9kHz at 245kHz

VIDEO SECTION

Output signal level : 1 V_{p-p} (at 1 V_{p-p} input)
(VCR REC, MONITOR OUT)
Impedance : 75 ohms, unbalanced
Synchronization : Negative
Signal-to-noise ratio : 45dB
Crosstalk : 45dB (3.58MHz)

GENERAL

Dimensions : 17-3/16" × 5" × 13"
(W×H×D) (435 × 127 × 329 mm)
Weight : 17.7 lbs. (8 kg)

* Measured at 1,000 kHz or 999kHz

** Measured by JVC Audio Analytic System

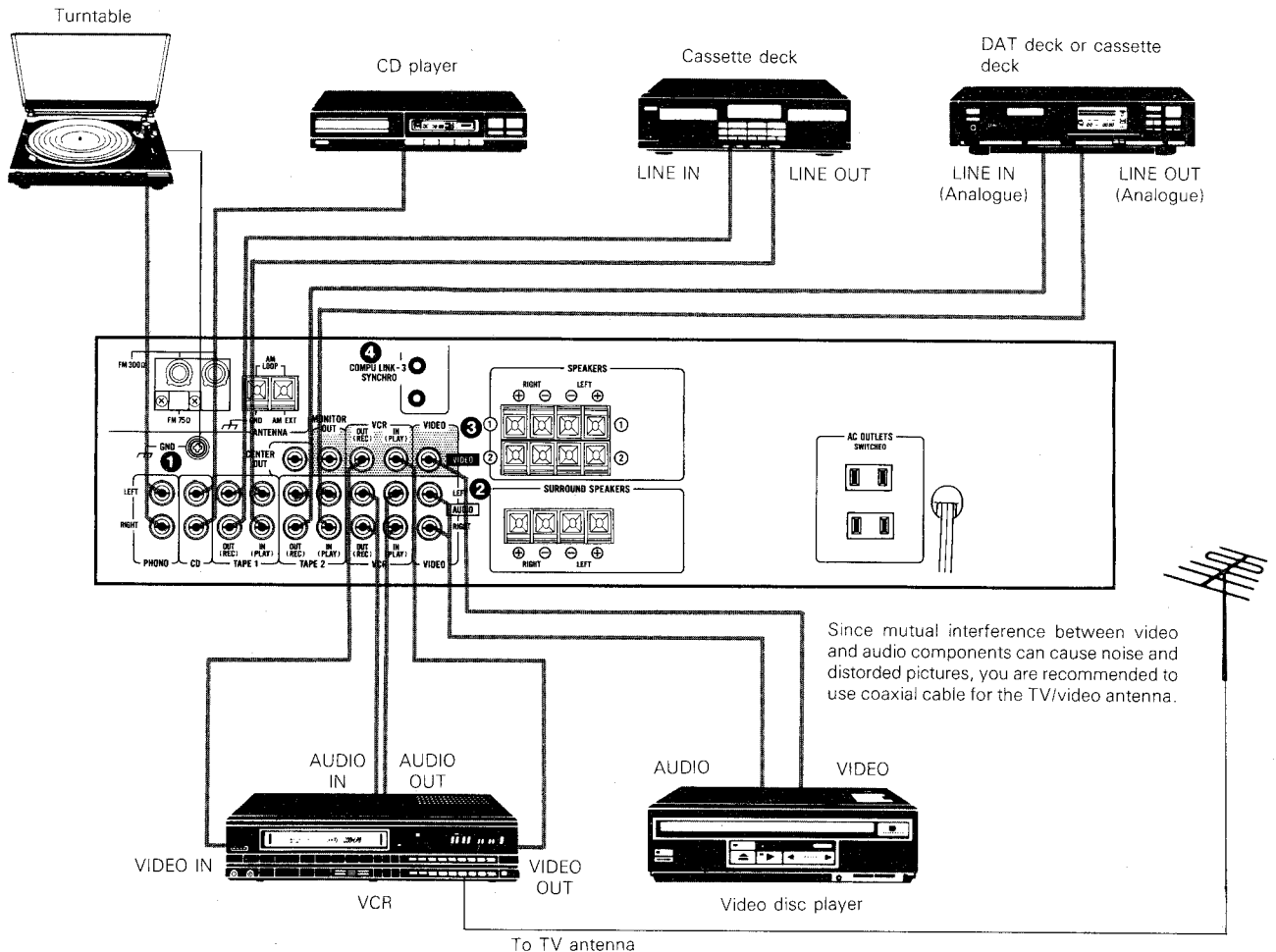
Design and specifications subject to change without notice.

POWER SPECIFICATIONS

Area	Line Voltage & Frequency	Power Consumption
U.S.A. Canada	AC120V~, 60Hz	230 watts, 310 VA
Continental Europe	AC230V~, 50Hz	210 watts
U.K. Australia	AC240V~, 50Hz	470 watts
Other Area	AC110/127/220/240V~, ,selectable, 50/60Hz	210 watts

Source Component Connections

Switch the power off when connecting any cables.



- ① GND
 - ② AUDIO terminals (PHONO, CD, TAPE 1, TAPE 2, VCR, VIDEO)
 - ③ VIDEO terminals (VCR, VIDEO)
 - ④ COMPU LINK-3/SYNCHRO terminals
- Connect to JVC components provided with COMPU LINK-3/SYNCHRO terminals for the COMPU LINK control system function.

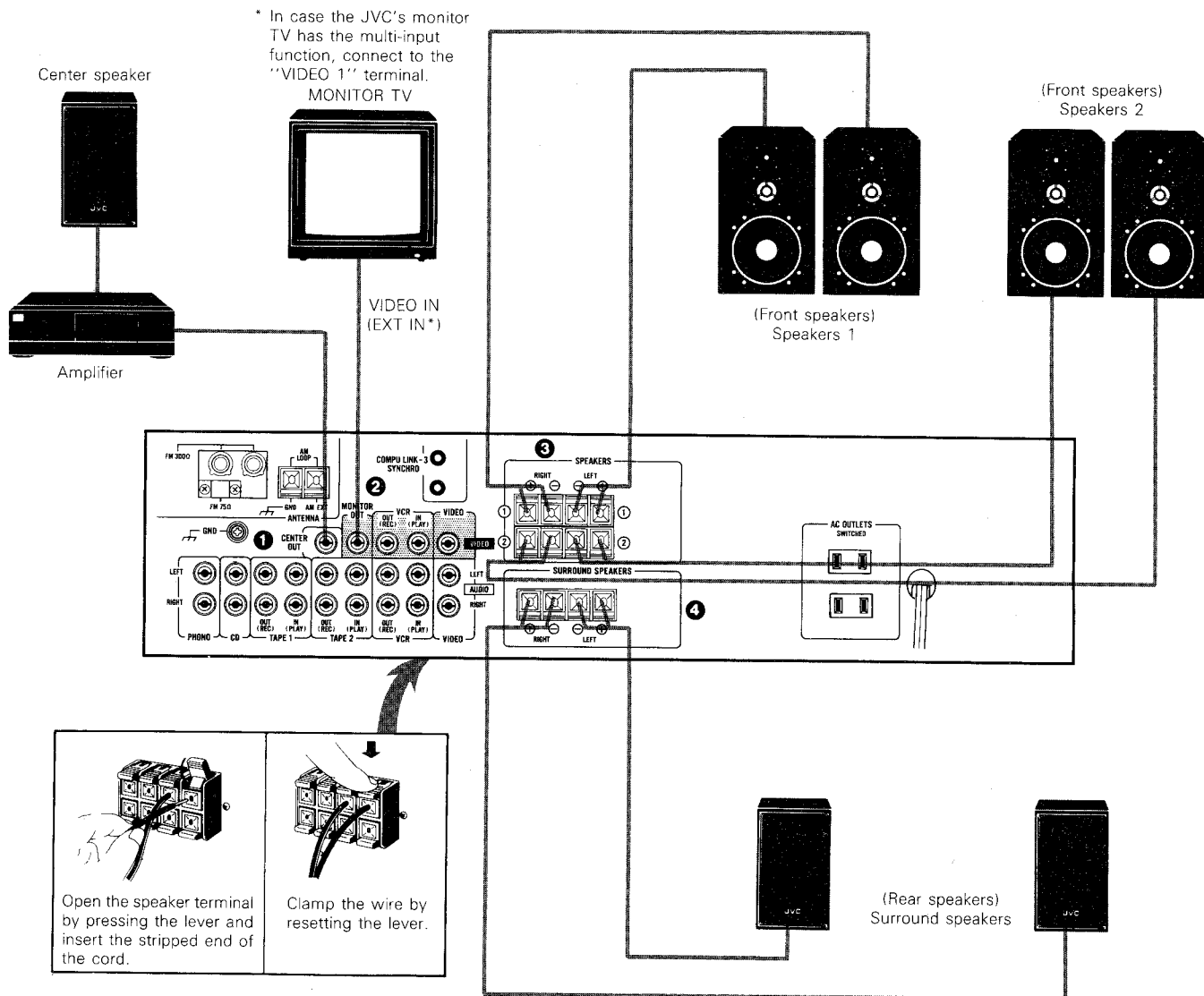
COMPU LINK Remote Control System

COMPU LINK is a computer-linked system by which individual JVC audio and/or video components are controlled via a computer. For further details, see page 18.

Notes:

- When connecting components, connect their left and right channels correctly. If channels are reversed, the stereo effect will be degraded.
- The AC OUTLETS do not supply power when the power switch is turned off. Do not connect equipment requiring more than the outlet's rated value.
- Do not connect the remote cable when connecting the JVC cassette deck having COMPU LINK-3/SYNCHRO terminals to the TAPE 2 terminals.
- When a JVC DAT deck having COMPU LINK-3/SYNCHRO terminals is used, be sure to connect it to the TAPE 2 terminals and also connect the remote cable.
- Connect a turntables using a moving magnetic (MM) type cartridges to the PHONO terminals.

Monitor Component Connections



- 1 CENTER OUT terminals
 - To reproduce signals on CENTER channel (when playing back with Dolby Pro Logic Surround), connect an amplifier to this terminal, and then connect a speaker to the amplifier.
- 2 MONITOR OUT terminal
 - Connect the VIDEO INPUT terminal of a TV.
- 3 SPEAKERS 1, 2 terminals
- 4 SURROUND SPEAKERS terminals.

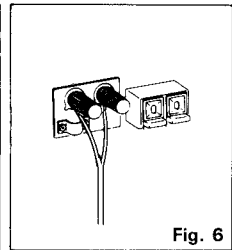
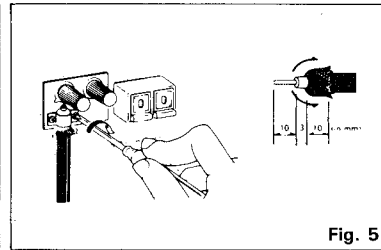
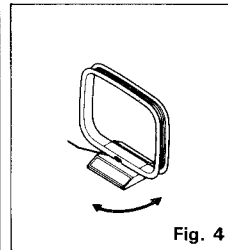
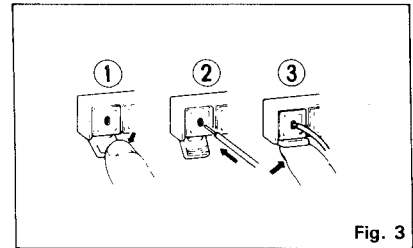
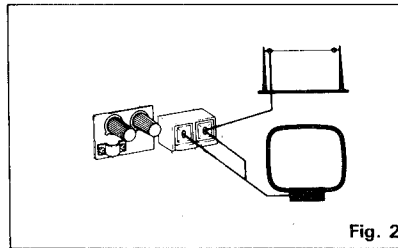
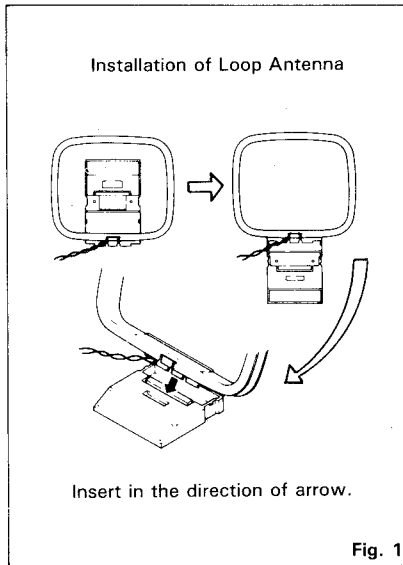
CAUTION:

Don't connect any equipment such as a TV with a speaker that is already connected to this receiver.

Notes:

- Connect speakers with the correct polarity: (+) to (+) and (-) to (-). Reversed polarity will degrade the stereo effect. Be careful to prevent adjacent speaker wires from touching each other.
- Use speakers with the correct impedance. The correct impedance is indicated on the rear panel of the receiver.
- When using surround speakers, be sure to connect both the right and left speakers, connecting only one speaker will not generate sound.

Antennas



AM antennas

Figure 1: How to assemble the AM loop antenna

Figure 2: AM loop antenna

This antenna is for the reception of local AM broadcasts.

Figure 2: AM external antenna

If AM reception is unsatisfactory, connect an external AM antenna (single-wire antenna) to the AM EXT terminal.

Figure 3: Connection of AM antenna

- ① Open antenna terminals levers.
- ② Plug cords into the terminals.
- ③ Close the levers.

Figure 4: Noise and interference

Change the direction of the loop antenna, or re-install it in a better position if the reception is noisy.

Notes:

- If the provided loop antenna is not connected or an uninsulated antenna wire touches the rear panel, it will be impossible to receive AM broadcasts.
- When installing an external AM antenna, leave the AM loop antenna connected.

FM antennas

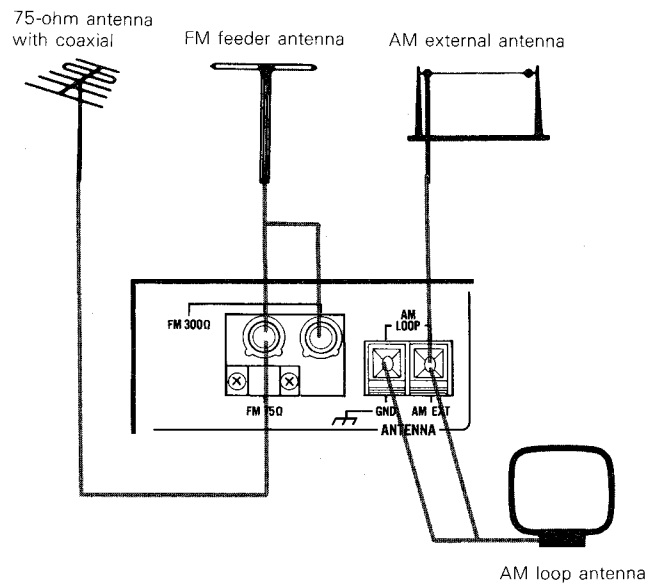
Figure 5: 75-ohm FM antenna with coaxial

Loosen the screws on the bracket and insert the cable through the ring from below. Connect the stripped core to the upper terminal then tighten the ring. The ring is the antenna ground.

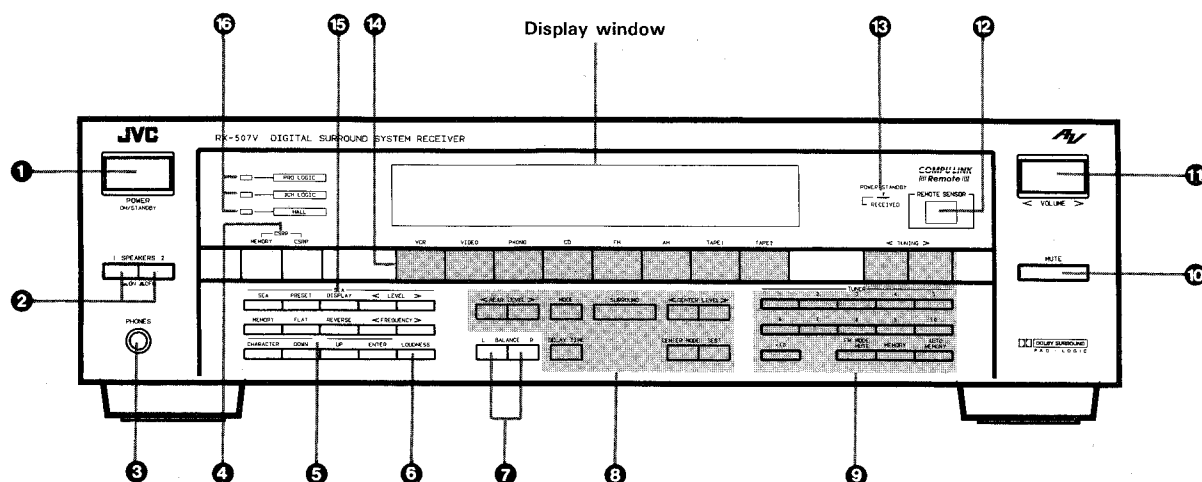
Figure 6: FM Feeder antenna

Connect to the FM 300 Ω terminal. Make sure the feeder antenna wires do not touch any other terminals.

Antenna Connections



Front Panel



1 POWER (ON/STANDBY)

Press this button to turn the power ON. Press again to turn the power off and activate the STANDBY mode. The STANDBY indicator will light.

A small amount of power (5 watts) is consumed in the STANDBY mode. To turn the power off completely, disconnect the power cord from the wall outlet. Preset data is retained in memory while the power cord is plugged into the wall outlet. If the power cord is disconnected or a power failure occurs, data is retained for two or three days.

2 SPEAKERS 1, 2

Turns speakers 1 and 2 ON or OFF.

3 PHONES

Plug headphones into this jack. If you want to hear from the headphones alone, turn OFF speakers 1 and 2.

4 CSRP

COMPU LINK SOURCE RELATED PRESET SYSTEM feature

CSRP: Turns the CSRP feature ON or OFF.

MEMORY: Stores CSRP data in memory.

5 CHARACTER INPUT

Use the following keys to assign titles or other data to the S.E.A. patterns or to TUNER channels you have preset.

- CHARACTER
- DOWN, UP
- ENTER
- LOUDNESS

For details, see "Entering Characters"

6 LOUDNESS

Turns LOUDNESS ON or OFF. The ON position makes up for loss of the human auditory sensation when the sound volume is low.

7 BALANCE L, R

Adjusts the volume balance between "L" left and right speakers.

8 DIGITAL SURROUND

Use these keys when you playback with a surround sound effect.

- REAR LEVEL
- MODE
- SURROUND
- CENTER LEVEL
- DELAY TIME
- CENTER MODE
- TEST

9 TUNER

Use the following keys to listen to AM or FM broadcasts:

- MEMORY
- TUNING <, >
- AUTO MEMORY
- 1-10, +10 (Tuner numeric keys)
- FM MODE/MUTE

For details, see "Listening to AM or FM broadcasts"

10 MUTE

Turns sound ON or OFF temporarily.

11 VOLUME <, >

Adjusts the volume of sound from the speakers or headphones.

12 REMOTE SENSOR

Receives signals from the remote control unit.

13 RECEIVED and POWER STANDBY indicator

Lights when signals are received from the remote control unit or when the machine is in the STANDBY mode.

14 SOURCE

Use the following keys to select sources:

- VCR
 - VIDEO
 - PHONO
 - CD
 - FM
 - AM
 - TAPE 1
 - TAPE 2
- (alternates between ON and OFF)

15 SEA

Use the following keys for the S.E.A. Graphic Equalizer:

- SEA
- FLAT
- REVERSE
- DISPLAY
- MEMORY
- PRESET
- LEVEL <, >
- FREQUENCY <, >

For details, see "Using the S.E.A. graphic equalizer"

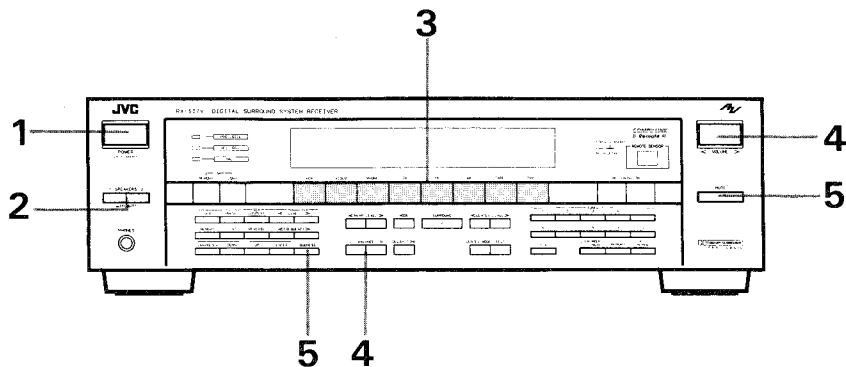
16 Surround mode indicator

Shows the surround mode selected.

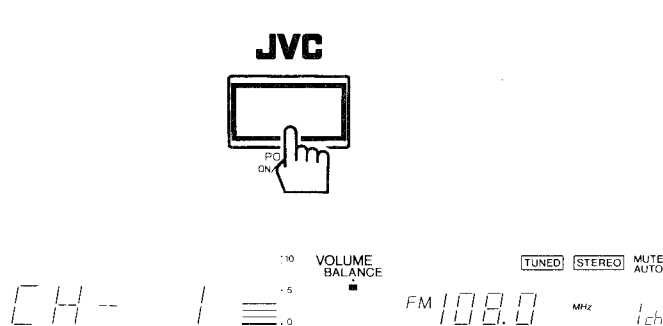
Basic Operation

— Before Operating —

Before plugging the power cord into an AC outlet, check to be sure the individual components are connected correctly.



1. Turn the POWER key to ON.

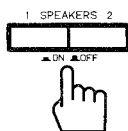


The display window lights up.

Note:

If a malfunction occurs when the power is ON, unplug the power cord and then plug it in again.

2. Select a speaker system by pressing one of the SPEAKERS keys.



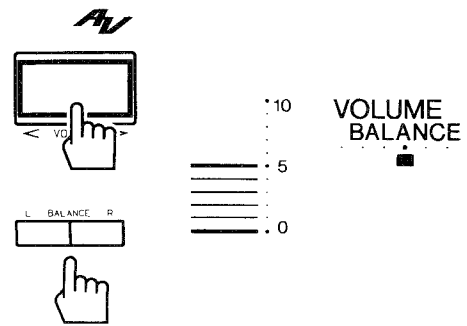
Note:

If speakers are not connected to both SPEAKERS 1 and 2 terminals, do not turn ON both speaker systems as that would suppress sound output.

3. Press one of the SOURCE keys for the desired source.



4. Adjust the VOLUME and BALANCE keys to your taste.



Note:

These keys vary their settings while they are being pressed. The display normally shows VOLUME. It will change to BALANCE for about 5 seconds when the BALANCE keys are pressed.

Important! Listening to an extremely loud sound may cause a hearing defect. Adjust the volume properly. Especially when using headphones, avoid listening to an extremely loud sound.

5. Press the LOUDNESS and MUTE keys as needed.

- Press to make up for loss of the human auditory sensation when the sound volume is low.



- Press to temporarily cancel sound output.

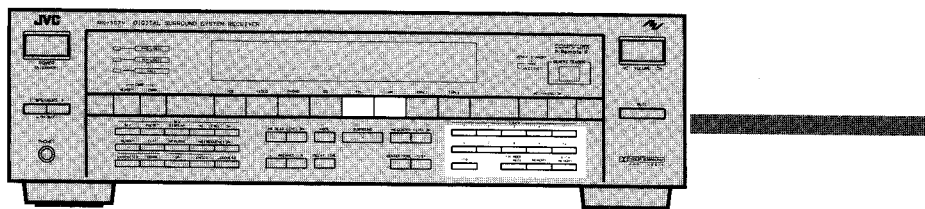


To release it press the MUTE key again.

Note:

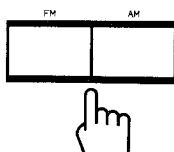
The MUTE key is reset when the VOLUME or BALANCE keys are pressed.

Listening to AM or FM Broadcasts

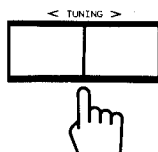


■ Selecting a Station

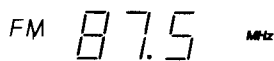
1. Press the AM or FM key.



2. Use the TUNING keys to find a station.

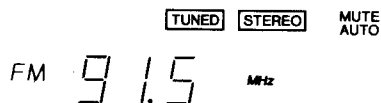


Each time the TUNING keys are pressed, the frequency is varied in steps of 10 kHz for AM and 0.1 MHz for FM. The setting will vary continuously while the keys are pressed and held.



Auto-tuning starts when the TUNING keys are released and stops when a station is tuned. To halt auto-tuning, press a TUNING key.

3. The TUNED indicator will light when a station is tuned in correctly.



Adjust the antenna if the indicator does not light.

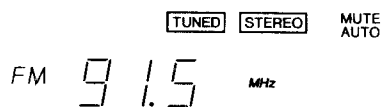
- While tuning in an FM station, press the FM MODE/MUTE key to light the MUTE/AUTO indicator, this cuts out inter station noise while tuning.
- The STEREO indicator will light when an FM stereo station is tuned in correctly.

If the FM stereo station is weak and noisy, press the FM MODE/MUTE key again to turn off the MUTE/AUTO indicator to improve reception (broadcast becomes monaural).

■ Presetting Stations

You can preset a total of 40 AM and FM station (CH 1 through CH 40).

1. Tune in the desired station with the TUNING keys.



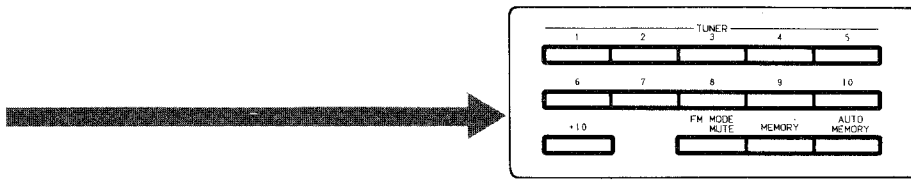
2. Press the MEMORY key to light its indicator.



3. Enter the channel number with numeric keys while the indicator is on (for about 5 seconds).



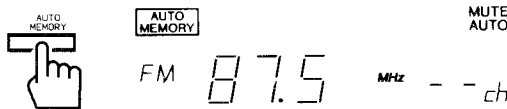
- If the indicator turns off before you enter the channel number, press the MEMORY key again.
4. Repeat this procedure to preset other channels.



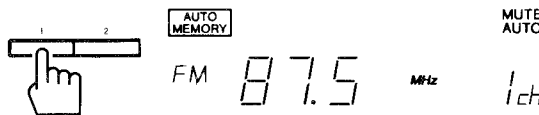
■ AUTO MEMORY

The auto-memory feature scans frequencies upward and presets stations as they are tuned, in ascending channel number order.

- Using the TUNING keys, select the frequency from which you want auto-memory to start (the lower-limit frequency).
- Press the AUTO MEMORY key to light its indicator.

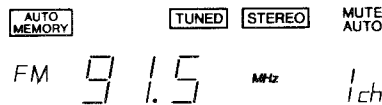


Enter the starting channel number with the numeric keys while the indicator is on (about 5 seconds).

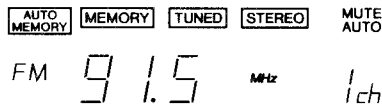


- If the indicator turns off before you enter the channel number, press the AUTO MEMORY key again.
- The auto-memory feature starts scanning frequencies upward.

The TUNED indicator will light when a station is tuned, with the channel number blinking (for about 5 seconds).



- The presetting is complete when the MEMORY indicator is lit.



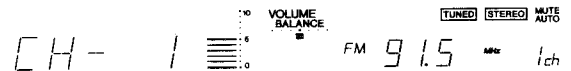
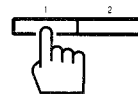
This continues until the upper-limit frequency is reached or all 40 channels are filled.

Note:

If you do not want to preset a station, resume scanning by pressing the AUTO MEMORY key while the channel number is blinking. To halt the auto-memory feature, press any TUNER key other than the AUTO MEMORY key.

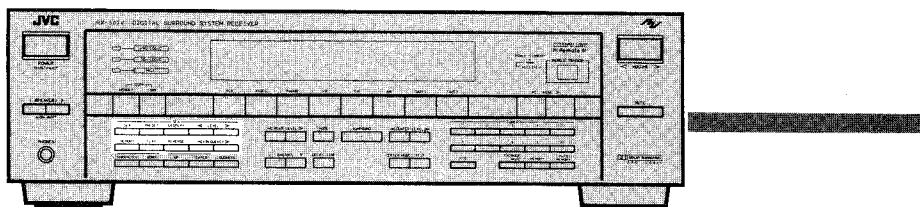
■ Recalling preset channels

- Press numeric keys to select a preset channel.



- To indicate numbers 1 through 10, simply press the appropriate keys.
 - To indicate numbers over 10, press the appropriate combination of keys.
- Examples;
- To indicate 17, press "+10", then "7".
 - To indicate 20, press "+10", then "10".
 - To indicate 26, press "+10" twice, then "6".
 - To indicate 40, press "+10" three times, then "10".

Using the S.E.A. Graphic Equalizer



The S.E.A. Graphic Equalizer breaks down the audible frequency range into seven bands. Each band of tones can be adjusted as desired by the listener. Thus allowing you to make the necessary adjustments in the precisely appropriate frequency bands.

- *You can customize the sound to your taste.
- *You can correct subtle frequency to suit the acoustic characteristics of your listening room.
- *You can compensate for the conditions of audio equipment.

S.E.A. preset patterns

A total of 10 preset patterns can be used: 5 programmed preset patterns, and 5 manual patterns which you create (SEA-A through E).

— Programmed preset pattern features —

HEAVY:

For music with a heavy beat.

CLEAR:

For crisp, clear sound with transparent highs.

SOFT:

For background music, at low volume level.

MOVIE:

For TV, VCR, and videodisc sound.

VOCAL:

For music that is chiefly vocal, or speech.

- After recalling these pattern, you can further change each frequency band to suit yourself. However, since they are representative patterns, the original, stored pattern will be unchanged.

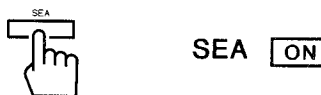
Preset Pattern Frequency Responses (Unit: dB)

Frequency band Preset pattern	63Hz	160Hz	400Hz	1kHz	2.5kHz	6.3kHz	16kHz
HEAVY	+10	+2	-2	0	0	+2	+4
CLEAR	+4	-4	0	+4	+2	+4	+6
SOFT	+2	0	0	0	0	-2	-6
MOVIE	+6	+2	0	0	-2	0	+2
VOCAL	-2	-2	+2	+4	+2	0	+2
SEA-A							
SEA-B							
SEA-C							
SEA-D							
SEA-E							

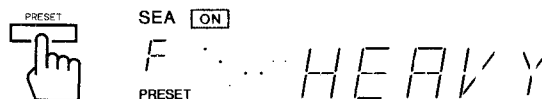
Note: To assign titles to the preset patterns, see "Entering Characters".

■ Recalling a preset pattern

1. Press the SEA key.

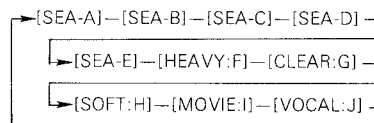


2. Call a preset pattern with the PRESET keys.



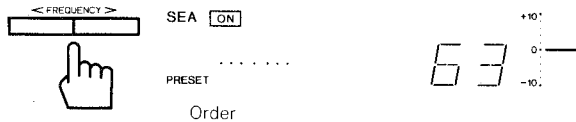
Display shows the title of recalled pattern.

Order

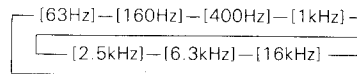


■ Creating an S.E.A. pattern

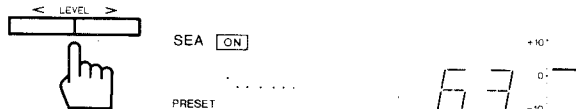
1. Press the SEA key.
2. Press the FREQUENCY keys to call the desired frequency.



Order



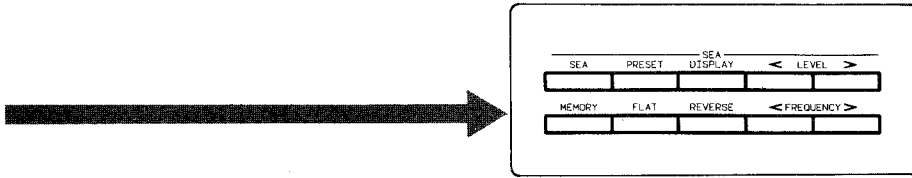
3. Press the LEVEL keys to adjust the S.E.A. level.



Repeat Step 1 ~ 3 for each additional frequency desired.

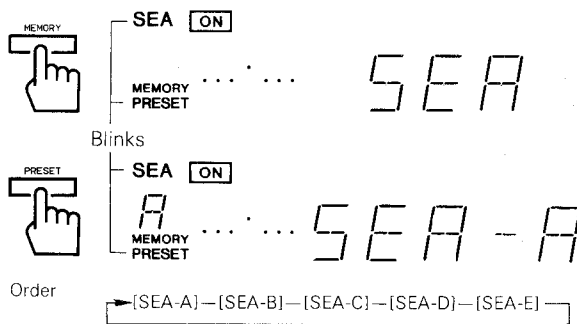
Note:

When a frequency has been called, press the LEVEL keys while the frequency is displayed (about 3 seconds). If the display is cleared before you press the LEVEL keys, it can be recalled by pressing either FREQUENCY key.



■ Presetting Manual Patterns

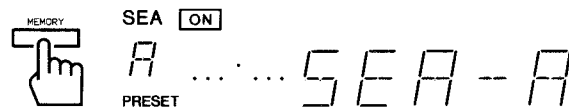
1. Create an S.E.A. pattern to preset as instructed in "Creating an S.E.A. pattern".
2. Press MEMORY key to light its indicator. Call one of the patterns to store (SEA-A through E) by pressing the PRESET keys while the indicator is on (about 5 seconds).



Note:

Press the MEMORY key again if the indicator turns off before you press the PRESET keys.

3. Press the MEMORY key again while the indicator is on (about 5 seconds). Memory presetting is complete when the MEMORY indicator turns off.



The preset SEA patterns can each be given a five-character title. See the section "Entering Characters" for further details.

- The SEA key enable you to compare the sound corrected by S.E.A. with the original (not corrected) sound during procedure creating S.E.A. pattern. Pressing the SEA key to turn the S.E.A. OFF offers you the sound not corrected. When press SEA key again the S.E.A. pattern being created could be recalled, and corrected sound would be heard.

S.E.A. recording
The sound corrected by S.E.A. can be recorded on the tape deck connected to the TAPE 1 and VCR terminals.

- To flatten the SEA characteristics



FLAT

Pressing the FLAT key while a pattern is yet to be preset will clear it. Be careful not to press the FLAT key inadvertently.

- To reverse the polarity of the S.E.A. characteristics



The S.E.A. pattern is displayed in ascending frequency order

Press again to return to the original polarity.

- To confirm the current S.E.A. setting



The S.E.A. pattern is displayed in ascending frequency

Frequency band responses

63 Hz: Raise to emphasize the very low base response of organs, drums, and contrabass. When de-emphasized, eliminated unclear response at low frequencies.

160 Hz: Emphasize to obtain a more expanded low sound. De-emphasize to eliminate unclear sound caused by large or nearly empty listening rooms.

400 Hz: This frequency range is the base on which music is constructed. Emphasize to put real punch in your music.

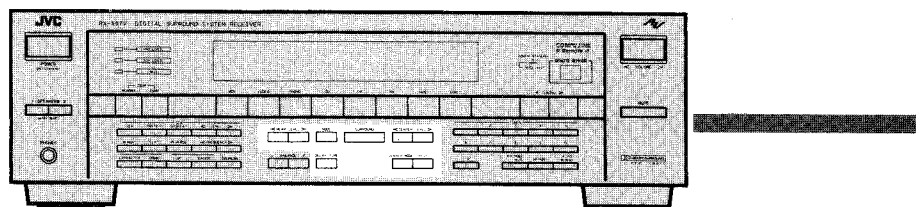
1 kHz: Most effective in emphasizing or de-emphasizing the human voice.

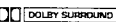
2.5 kHz: The human hearing is most sensitive to this frequency. If the music sounds hard or metallic, de-emphasize it.

6.3 kHz: This frequency band varies the tonal expression, influencing the subtleties of the music.

16 kHz: Boosting this frequency range suitably adds to the delicacy of highs, with cymbals and triangles resounding in a more ear-pleasing manner, and provides a feeling of extension.

Playing Back with a Surround-sound Effect



The soundtracks of the video software bearing  mark includes the same encoded surround information as found in the Dolby Stereo films.

As the receiver incorporates a DOLBY PRO LOGIC SURROUND decoder circuit, you can get the Dolby Stereo theatre's ambience and effect, when watching these video sources at home.

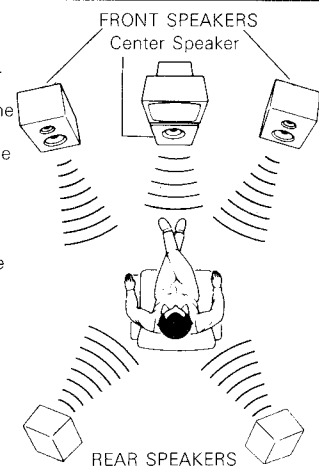
Dolby Pro Logic Surround decoder provides:

- Four primary sound channels — LEFT, RIGHT, SURROUND and additional CENTER channel.
 - Adaptive Matrix to actively derive each channel.
- The result is that Dolby Pro Logic Surround has the effect of widening the useful listening area and enhancing directional effects.

Now you can fully enjoy all the Dolby Surround software available.

SPEAKER LAYOUT EXAMPLE

- It is recommended that antimagnetic speakers be installed near the TV monitor.
- No output is available from the CENTER OUT terminal when sources are played back in the HALL mode.
- The center speaker is not required if you have selected the PHANTOM mode with the CENTER MODE key.
- The rear speakers are not required if you have selected DOLBY 3CH LOGIC with the MODE key.



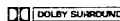
1. Set the SURROUND key to ON.

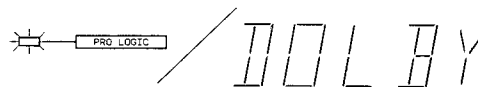


2. Press the MODE key to select the Surround mode: DOLBY PRO LOGIC SURROUND, DOLBY 3CH LOGIC, or HALL.

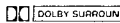


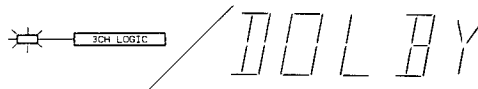
• **DOLBY PRO LOGIC SURROUND**

Select this mode when you use video software with the  mark.



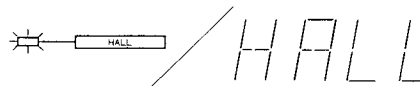
• **DOLBY 3CH LOGIC**

Select this mode when you use video software with the  mark with the rear speakers unconnected.



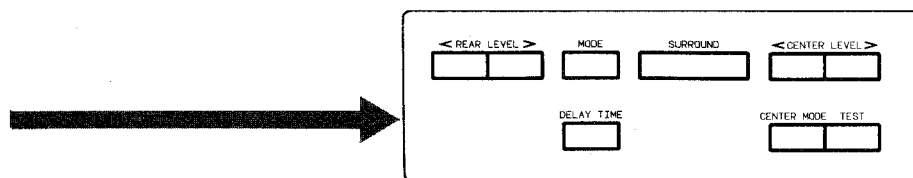
• **HALL**

Select this mode when you use ordinary stereo source.
— This mode produces the expanding surround sound effect such as you would experience in a music hall.



Each time the MODE key is pressed, the Surround mode changes as follows:

DOLBY PRO LOGIC SURROUND ▷ DOLBY 3CH LOGIC ▷ HALL ▷ (back to the beginning)



- Press the CENTER MODE key to select the center channel mode when the DOLBY PRO LOGIC SURROUND or DOLBY 3CH LOGIC mode is selected.



There are four center channel modes:

• **PHANTOM:**

PHANTOM

Select this mode when not using the center speaker.

- Center channel signals are distributed between the front left and right speakers with an equal level.
- Dolby 3ch Logic does not have a PHANTOM mode.

• **NORMAL:**

NORMAL

Select this mode when using a compact speaker (which has difficulty reproducing low frequencies) to reproduce center channel signals.

- Center channel signals are reproduced through the center speaker, with low frequencies being cut off.
- Low-frequency center channel signals are reproduced from the front left and right speakers.

• **WIDE:**

WIDE

Select this mode when using a speaker similar to the front speakers to reproduce center channel signals.

- Center channel signals are reproduced through the center speaker as they are.

• **OFF:**

OFF

The CENTER channel output can be set to off.

Each time the CENTER MODE key is pressed, the center channel mode changes as follows:

PHANTOM ► NORMAL ► WIDE ► OFF ► (back to the beginning)

- Playback the source.

Notes:

- The input signal balance is adjusted to be equal automatically by the Auto-Input Balance circuit incorporated in the receiver.
- Playing back with the center channel mode set to "OFF" enables you to check the left and right balance of the signals input to the receiver.
- Even better surround sound effect can be enjoyed by making the adjustment described on the next page.
- A monaural source signal is not output through the rear speakers even if Surround is used.

DOLBY PRO LOGIC SURROUND **DOLBY SURROUND**

- Manufactured under license from Dolby Laboratories Licensing Corporation. Additionally licensed under one or more of the following patents: U.S. Numbers 3,632,886, 3,746,792 and 3,959,590; Canadian Numbers 1,004,603 and 1,037,877. "DOLBY" and double D symbol are trademarks of Dolby Laboratories Licensing Corporation.

■ Adjustment

Make the following adjustment to get maximum out of the surround sound effect:

There are two items to be adjusted.

- Output Level balance
- Delay Time

Adjusting the output level balance

1. Select the DOLBY PRO LOGIC SURROUND or DOLBY 3CH LOGIC mode with MODE key.
2. Press the TEST key to turn the test tone ON.



3. You can hear the test tone clockwise through left-center-right-surround repeatedly.
Test tones are repeatedly output in the order left, center and right in the DOLBY 3CH LOGIC mode.
Adjust the test tone to the same level with the REAR LEVEL keys and CENTER LEVEL key.



You can set the rear level and the center level up to ± 20 dB.

Notes:

- Center level adjustment is not required if the PHANTOM mode has been selected.
- Output level balance adjustment will be made easier by using the remote control unit.

Adjusting the Delay Time

Set the Delay Time for the rear speaker sound with respect to the front speaker sound using the DELAY TIME key.

Each time you press the key, the delay time changes in the following order:

1 ► 2 ► 3 ► (back to the beginning)

Setting advice:

Compare the distances between the front speakers and the listener and the rear speakers and the listener.

If the position of the rear speakers, compared to the front speakers, is

very far → set 1

about the same → set 2

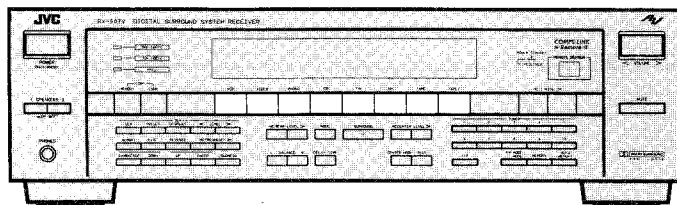
very close → set 3

After you have made an initial setting, make additional adjustments while listening to the source sound.

Note:

The Delay Time is stored in each mode until you make another change.

Recording



■ Recording

1. Press the SOURCE key for the desired source.
2. Operate the corresponding source equipment.

<If you select PHONO>



Turntable and tape deck can be operated.

Notes:

The surround sound is recorded as a normal stereo sound even if it is recorded with the SURROUND key is ON.

■ Three-Head Tape Decks

If you have a three-head tape deck, you can use it to monitor the sound being recorded. Connect the tape deck to the TAPE 2 terminals and proceed as follows:

1. Start recording the source onto the TAPE 2 deck.

When the TAPE 2 MONITOR indicator is off, you hear the sound of the source playing through the speakers.

2. Press the TAPE 2 key.



Now you hear the sound of the recording immediately as it is made on the tape.

- By pressing the TAPE 2 key on and off, you can compare the sound quality of the source with the quality of the tape recording being made.

Note:

Set the recording level from the tape deck. It can not be set with the VOLUME control of this machine.

■ Dubbing Tapes

Connect one tape deck to the TAPE 1 terminals, the other tape deck to the TAPE 2 terminals.

<To record from TAPE 1 to TAPE 2>

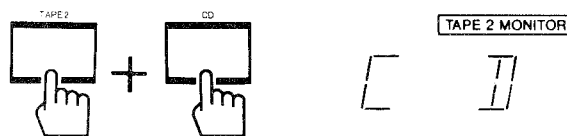
1. Press the TAPE 1 key.



2. Play back the TAPE 1 deck and record with the TAPE 2 deck.

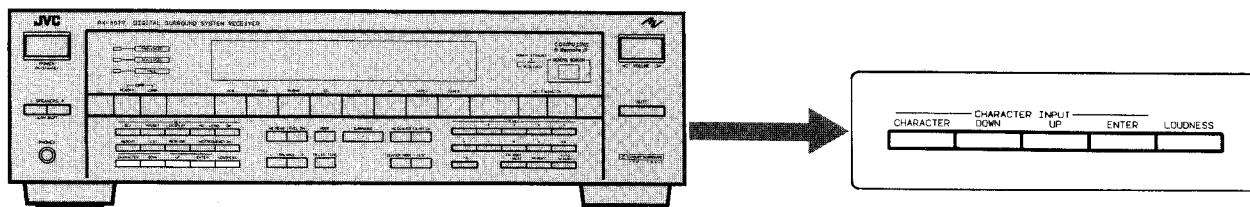
<To record from TAPE 2 to TAPE 1>

1. Press the TAPE 2 key and a SOURCE key other than TAPE 1.



2. Play back the TAPE 2 deck and record with the TAPE 1 deck.

Entering Characters

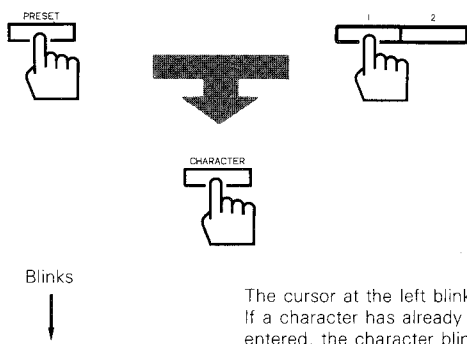


You can name the S.E.A. manual preset patterns (SEA A to E) and the TUNER preset channels (CH 1 to 20) as you wish. Up to five characters can be entered for SEA, four for TUNER.

1. Specify a S.E.A. manual preset pattern or a TUNER preset channel, then press the CHARACTER key.

<To specify a S.E.A. pattern>
Use the S.E.A. PRESET keys.

<To specify a Tuner Preset Channel>
Use the numeric keys.

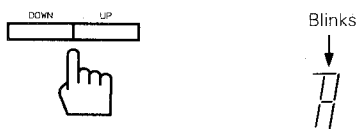


The cursor at the left blinks.
If a character has already been entered, the character blinks.

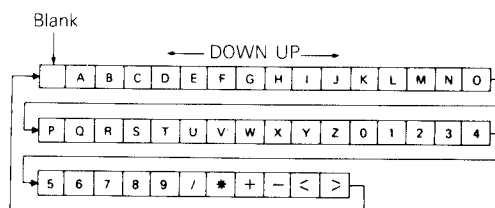
Note:

When a preset S.E.A. pattern has been called, press the CHARACTER key while the pattern is displayed (about 3 seconds). If the display is cleared before you press the CHARACTER key, press either PRESET key.

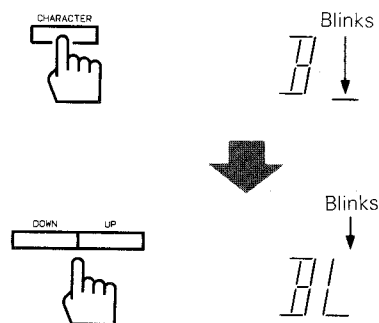
2. Select the appropriate characters with the UP and DOWN keys.



Alphanumeric character order.

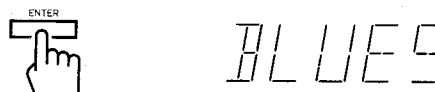


3. Press the CHARACTER key to move to the next position. Repeat steps 2 and 3.

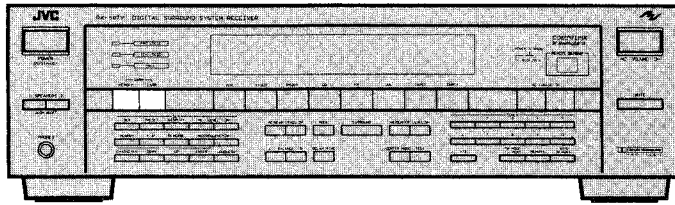


- To alter the characters, move the blinking cursor to the desired character for correction using the CHARACTER key.

4. When the entry is complete, press the ENTER key to store it in memory.



Running the CSRP (Compu Link Source Related Preset System) Feature



CSRP is the state-of-the-art electronic feature that presets volume, balance, and other control settings. This feature lets you invoke preset control settings by simply pressing a SOURCE key without repeating many settings each time sources are changed.

The following controls can be preset on each SOURCE key (except TAPE 2):

- VOLUME
- BALANCE
- LOUDNESS ON/OFF
- SEA ON/OFF
- S.E.A. preset pattern
- SURROUND ON/OFF
- SURROUND MODE
- SURROUND DELAY TIME
- SURROUND REAR LEVEL

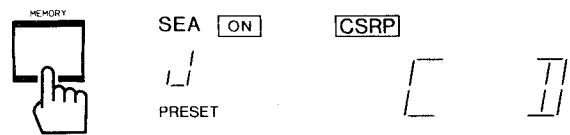
When the CSRP key is turned ON or when the power is switched on with the CSRP key ON, the display will show the data settings on the currently selected SOURCE key in sequence with the indicator blinking rapidly. The blinking indicator changes to a continuously lit state when the display is complete. Subsequently, a similar display occurs each time an additional source is selected.

Note:

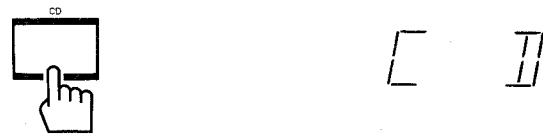
Sources can be preset regardless of whether the CSRP key is ON or OFF, but when a source is to be preset with the CSRP key OFF, do not turn it ON until the presetting is complete. If the CSRP key were turned ON before the presetting is complete, the current data settings would be recalled to override the presetting in progress.

Presetting Procedure

- Before proceeding, set the preset state.
1. Press the MEMORY key to blink its indicator.



2. Press the SOURCE key for the source to be preset (VCR, VIDEO, PHONO, CD, FM, AM, or TAPE 1) while the indicator is blinking (about 5 seconds).



When the presetting is complete, the display will show preset data in the following order with the indicator blinking rapidly:

VOLUME, BALANCE, LOUDNESS ON/OFF → SEA (ON/OFF, preset pattern) → SURROUND (ON/OFF, MODE, DELAY TIME, REAR LEVEL)

Note:

Press the MEMORY key again if the indicator stops blinking before you press a SOURCE key. Even with the SEA key ON, the SEA PRESET indicator will blink when the MEMORY key is pressed if an S.E.A. preset pattern has not been previously selected. In this case, select an S.E.A. preset pattern and retry this operation.

- Repeat this operation for each additional source to be preset.

COMPU LINK Remote Control System



JVC's exclusive "COMPU LINK" remote control system connects equipment with JVC COMPU LINK-3/SYNCHRO terminals to the remote control system. The equipment can be controlled from the remote control unit, or other functions (such as automatic source selection and synchronized recording) can be used.

Automatic source selection

Pressing SOURCE keys will automatically put the corresponding source equipment into the PLAY mode. When the PLAY key on source equipment is pressed, the corresponding SOURCE key is automatically set to that source. Other source equipment shuts down about 5 seconds later.

Synchronized recording

Synchronized recording permits a tape deck to start recording automatically in synchronism with a CD player or turntable. Set the tape deck in the REC/PAUSE mode and press the PLAY key on the CD player or turntable. The tape deck will enter the recording mode automatically, starting synchronized recording. Synchronized recording stops automatically after the CD player or turntable has stopped and the tape deck has entered the REC/MUTE mode for about 4 seconds. For details, refer to the tape deck instructions.

CD auto-changer with COMPU LINK-3 SYNCHRO terminal

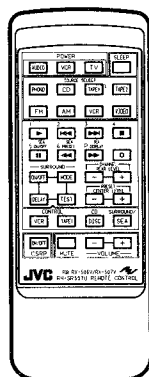
You can turn on/off the CD auto-changer along with the RX-507VTN/RX-506VBK by connecting the COMPU LINK-3 SYNCHRO terminal of the CD auto-changer to the RX-507VTN/RX-506VBK. For details, refer to the CD Auto-Changer Instructions.

Notes:

- COMPU LINK remote control does not work on the tape deck connected to the TAPE 2 terminals. If you connect a tape deck to the TAPE 2 terminals, disconnect the remote control cable.
- If the power for any connected equipment is shut off during synchronized recording, the system will not operate properly. In this case, you must start all over again.
- During synchronized recording the SOURCE key will lock in either the CD or PHONO position. This is to prevent you from accidentally stopping the recording or changing to any other source. To change to another source you must first stop synchronized recording.
- If you program track numbers on a CD player or CD auto-changer and use synchronized recording, a blank space about 4 seconds long will be left between recordings. This permits music scanning.

Inserting Batteries in the Remote Control Unit

The RM-SR507U remote control unit require two size AAA (1.5 V) batteries.

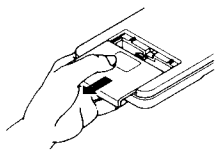
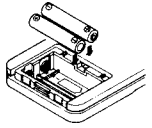
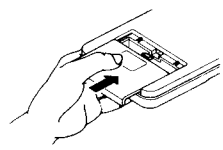


Important Notes About Batteries

- If the range of the remote control unit seems shortened, the batteries may be old. Try inserting new batteries.
- Observe the polarity of the batteries when loading them.
- Do not use one new battery with one old batteries.
- Be sure to use batteries of the same brand. Batteries may vary in voltage even through they look alike.
- If the remote control unit will not be used for a long time, remove the batteries.

CAUTION:

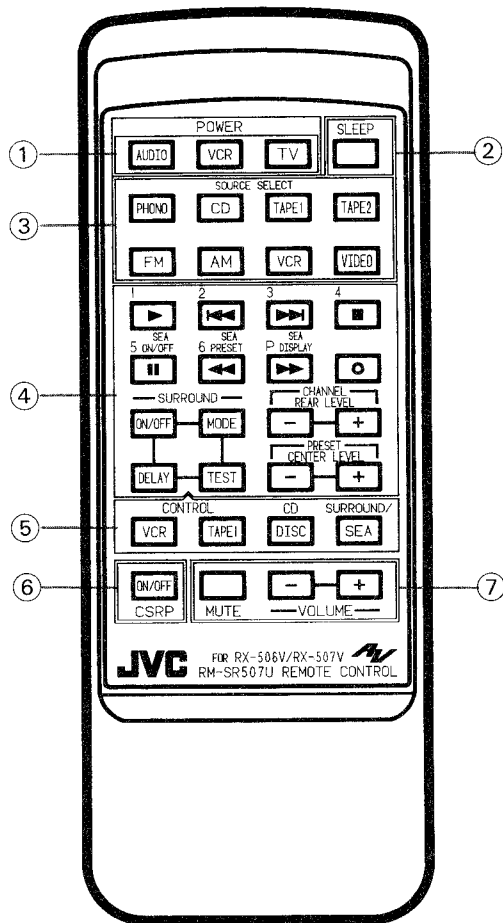
Do not heat batteries or attempt to dispose of them by burning.

1. Remove the rear cover of the remote control unit by pressing down gently while sliding it out.
 
2. Insert the batteries, making sure that their position matches that of the diagram inside the remote.
 
3. Replace the rear cover.
 

Operation with the Remote Control Unit

Aim the signals at the REMOTE SENSOR on the receiver.

- Aim the remote control unit at a video equipment to use (such as TV, VCR).



- The remote control unit provided control the receiver and JVC's audio visual gear from a remote place via the Compu Link Remote Control System.
- Direct the transmitter window of the remote control unit at target equipment within a distance of 7 meters. Take care to avoid obstacles between the transmitter and the target. Press keys slowly and positively, making sure the desired functions result.
- The key markings on the transmitter may not match those on the equipment. Check the markings.
The remote control unit cannot control equipment functions they do not support. Older equipment may not be receptive to their input.
- Check for connection of the COMPU LINK-3/SYNCHRO terminals on the remote equipment by a remote cable.
- The operation of each key on the remote control unit is clearly displayed on the receiver.
For specific procedures, refer to the instructions for the particular equipment.
- Switch on the power to all the equipment required before starting operation. The POWER key on the remote control unit can switch on the power to the AUDIO receiver, TV and VCR.

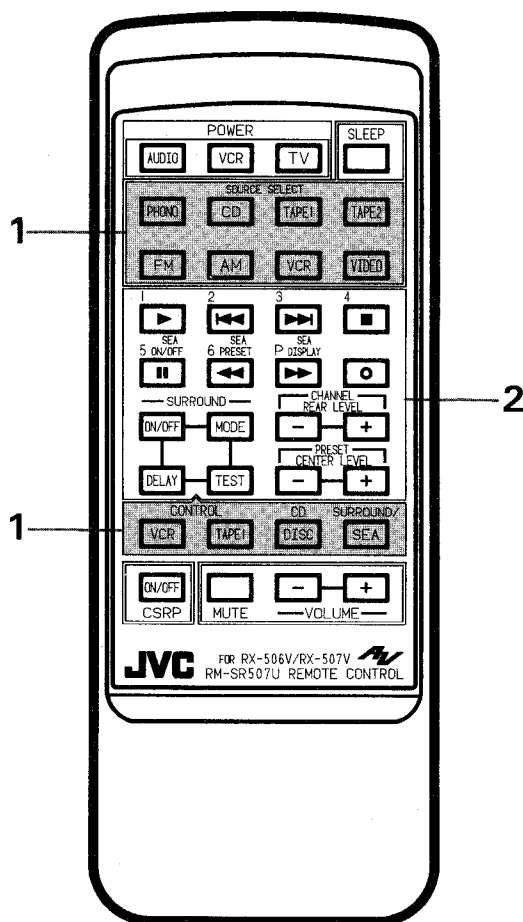
■ Name of Parts and Their Functions

- POWER**
AUDIO: Press to change the power for the receiver ON or STANDBY.
VCR: Press to turn on or off the power to JVC's VCR.
TV: Press to turn on or off the power to JVC's TV receiver.
- SLEEP**
Use this control when you want to set the SLEEP TIMER.
- SOURCE SELECT**
Press to change the source selected for input to the receiver. Different functions are assigned to the Selectable Function keys depending on the source.
- Selectable Function keys**
These keys function in the mode selected with SOURCE SELECT keys or Function Mode Select keys.
- Function Mode Select**
Press to select the equipment you wish to operate. Different functions are assigned to the Selectable Function keys depending on the equipment. Pressing these buttons does not change the source selected for input to the receiver.
- CSRP ON/OFF:** Turns CSRP ON or OFF.
- VOLUME (-, +)**
Press to adjust the output sound level.
MUTE
Press to turn the output sound ON or OFF temporarily.

■ How to use the Selectable Function keys

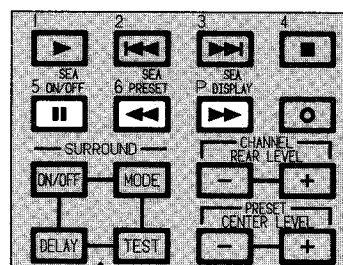
Basic Operation

1. Select the function mode with the Function Mode Select keys or SOURCE SELECT keys.
 - SOURCE SELECT keys also change the source input to the receiver.
 - Use a Function Mode Select key (VCR or TAPE 1) to operate an equipment while you are listening to the sound of another source, for example, to have a tape deck standby while playing a CD.
2. Use the Function Mode Select keys.



– Operating the S.E.A. graphic equalizer

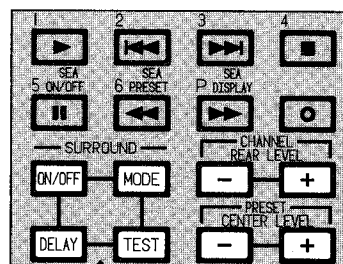
1. Press the SEA key of the Function Mode Select keys.
2. Use the Selectable Function keys.



- SEA ON/OFF: Turn the S.E.A. ON or OFF.
 SEA PRESET: Calls an S.E.A. preset pattern.
 SEA DISPLAY: Displays current S.E.A. setting.

– Operating the surround sound effect

1. Press the SURROUND key of the function Mode Select keys.
2. Use the Selectable Function keys.

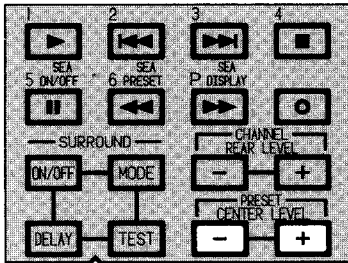


- ON/OFF: Turns the surround sound effect ON/OFF.
 MODE: Selects the surround mode.
 DELAY: Sets the delay time for the surround channel.
 TEST: Turns the test tone ON/OFF.
 REAR LEVEL: Sets the output level of the surround channel.
 CENTER LEVEL: Sets the output level of the center channel.

– Operating the source unit

FM/AM broadcast

1. Press the FM or AM key of the SOURCE SELECT keys.
2. Use the Selectable Function keys.

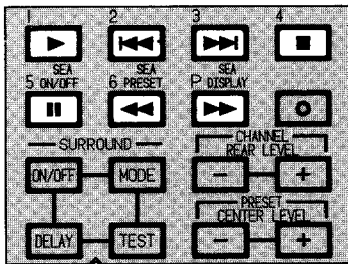


PRESET

- + : Scans to higher preset channels.
- : Scans to lower preset channels.

CD

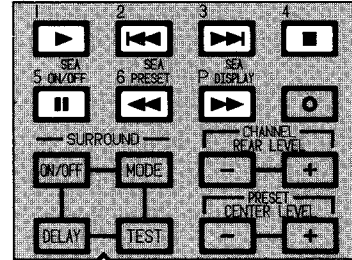
1. Press the CD key of the SOURCE SELECT keys.
2. Use the Selectable Function keys.



- ▶ : Starts play.
- : Stops operation.
- ◀ : Skips to the beginning of the previous track.
- ▶ : Skips to the beginning of the next track.
- ⏸ : Stops play temporarily. To release it, press ▶.
- ◀ : Moves backward quickly during play.
- ▶ : Moves forward quickly during play.

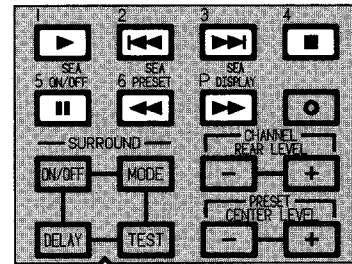
CD Auto-changer

1. Press the CD DISC key of the Function Select keys.
2. Use the Selectable Function keys.



1~6, P : Select the disc number.

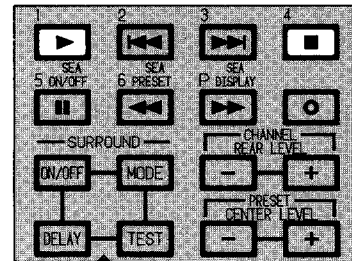
3. Press the CD key of the SOURCE SELECT keys.
4. Use the Selectable Function keys.



- ▶ : Starts play.
- : Stops operation.
- ◀ : Skips to the beginning of the previous track.
- ▶ : Skips to the beginning of the next track.
- ⏸ : Stops play temporarily. To release it, press ▶.
- ◀ : Moves backward quickly during play.
- ▶ : Moves forward quickly during play.

Turntable

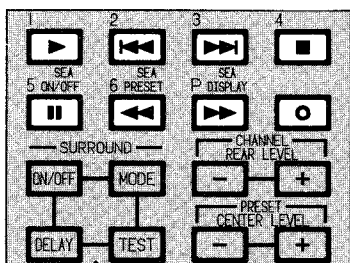
1. Press the PHONO key of the SOURCE SELECT keys.
2. Use the Selectable Function keys.



- ▶ : Starts play.
- : Stops play

Cassette Deck (TAPE 1)

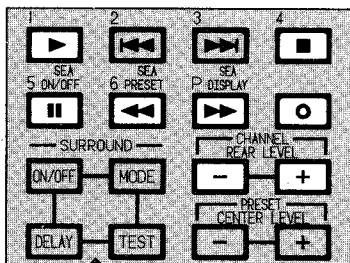
1. Press the TAPE 1 key of the SOURCE SELECT or Function Select keys.
2. Use the Selectable Function keys.



- ▶ : Starts playback.
- : Stops operation.
- ◀ : Skips to the beginning of the previous tune.
- ▶ : Skips to the beginning of the next tune.
- || : Stops playback/recording temporarily. To release it, press ▶.
- ◀ : Fast winds the tape from right to left.
- ▶ : Fast winds the tape from left to right.
- : Press together with ▶ to start recording. Press together with || to enter record-pause mode.

VCR

1. Press the VCR key of the SOURCE SELECT or Function Select keys.
2. Use the Selectable Function keys.



- ▶ : Starts playback.
- : Stops operation.
- || : Stops playback/recording temporarily and enters the pause/still mode. To release it, press ▶.
- ◀ : Rewinds video tape.
- ▶ : Fast-forwards video tape.
- : Press together with ▶ to start recording. Press together with || to enter record-standby mode.

CHANNEL

- + : Scans to higher channels.
- : Scans to lower channels.

Cassette Deck (TAPE 2) or VIDEO

1. Press the TAPE 2 or VIDEO key of the SOURCE SELECT keys.
2. A cassette deck connected to the TAPE 2 terminal and a video disc player cannot be operated with the remote control unit. Use the switches or buttons on the apparatus.

Using the SLEEP timer

The sleep timer shuts off the receiver (to enter the STANDBY mode) when the preset time intervals have elapsed.

1. Press the SLEEP key to set the timer setting mode.

SLEEP

2. Each time the SLEEP key is pressed subsequently, the timer can be set up to 80 minutes, in 10-minute multiples.

SLEEP ← continuously lit.

-- 60 --

↑ turn off after about 3 seconds.

3. After the minute display turns off, press the SLEEP key once more to display the remaining time in minutes.

Description of Major ICs

■ LC6514B-4131 (IC421) : Tuner Controller

1. Terminal Layout

KEY IN 12	1	42	KEY IN 11
KEY IN 13	2	41	KEY IN 10
INT	3	40	VDD
COMPULINK IN 2	4	39	HOLD
NC	5	38	Vpp
SI	6	37	TUNER MUTE
CK	7	36	D8
SD	8	35	D7
STB	9	34	G1
COMPULINK OUT 2	10	33	G2 (KEY OUT 15)
TUNED	11	32	G3 (KEY OUT 14)
STEREO	12	31	G4 (KEY OUT 13)
NC	13	30	G5 (KEY OUT 12)
NC	14	29	G6 (KEY OUT 11)
S17	15	28	G7 (KEY OUT 10)
S18	16	27	S24
S19	17	26	S23
S20	18	25	S22
RESET	19	24	S21
TEST	20	23	OSC2
Vss	21	22	OSC1

2. Key Matrix

	IN 10 (pin 41)	IN 11 (pin42)	IN 12 (pin1)	IN 13 (pin2)
OUT10 (pin28)	---	MEMORY	AUTO MEMORY	---
OUT11 (pin29)	FM	AM	---	MODE
OUT12 (pin30)	TUNING UP	TUNING DOWN	---	---
OUT13 (pin31)	1	2	3	4
OUT14 (pin32)	5	6	7	8
OUT15 (pin33)	9	10	+ 10	---

3. Pin Functions

Pin No.	Symbol	I/O	Function and Operation	Pin No.	Symbol	I/O	Function and Operation
1	KEY IN 12	I	Key matrix input	22	OSC1	--	Oscillation input
2	KEY IN 13	I	"	23	OSC2	--	Oscillation output
3	INT	--	Pull up (+ 5V)	24	S21	O	FL segment output
4	COM. IN2	I	Compulink signal input	25	S22	O	"
5	NC	--	Non connection	26	S23	O	"
6	SI	I	Data input (from IC102)	27	S24	O	"
7	CK	O	System clock output (to IC102)	28	G7 (K.O.10)	O	FL grid output (Key matrix output)
8	SD	O	Data output (to IC102)	29	G6 (K.O.11)	O	" (Key matrix output)
9	STB	O	Chip enable (to IC102)	30	G5 (K.O.12)	O	" (Key matrix output)
10	COM. OUT2	O	Compulink signal output	31	G4 (K.O.13)	O	" (Key matrix output)
11	TUNED	I	"TUNED" signal input (from IC104)	32	G3 (K.O.14)	O	" (Key matrix output)
12	STEREO	I	"STEREO" signal input (from IC105)	33	G2 (K.O.15)	O	" (Key matrix output)
13	NC	--	Non connection	34	G1	O	"
14	NC	--	Non connection	35	D7	O	Version select signal
15	S17	O	FL segment output	36	D8	O	Version select signal
16	S18	O	"	37	TUN. MUTE	O	Tuner muting
17	S19	O	"	38	Vpp	--	FL display power supply
18	S20	O	"	39	HOLD	I	Input signal for backup
19	RESET	I	Reset signal input	40	VDD	--	Power supply (+ 5V)
20	TEST	I	Pull down	41	KEY IN 10	I	Key matrix input
21	Vss	--	GND	42	KEY IN 11	I	"

■ MN171202JPK(IC401) : System Controller

1. Terminal Layout

VDD	1	64	OSC1
VIDEO 1	2	63	OSC2
VIDEO 2	3	62	GND
KEY OUT 10	4	61	NC
KEY OUT 9	5	60	GND
KEY OUT 8	6	59	POWER
KEY OUT 7	7	58	RESET OUT
KEY OUT 6	8	57	HOLD OUT
KEY OUT 5	9	56	TUNER MUTE
KEY OUT 4	10	55	MUTE
KEY OUT 3	11	54	PRO LOGIC
KEY OUT 2	12	53	3CH LOGIC
KEY OUT 1	13	52	HALL IND
S1	14	51	STAND BY
S2	15	50	HALL OUT
S3	16	49	SURROUND
S4	17	48	COMPULINK OUT
VPP	18	47	COMPULINK IN
S5	19	46	INH IN
S6	20	45	REMOTE
S7	21	44	TEST
S8	22	43	RESET IN
S9	23	42	DATA1
S10	24	41	STB1
S11	25	40	CLK1
S12	26	39	STB2
S13	27	38	STB3
S14	28	37	G
S15	29	36	CLK2
S16	30	35	DATA2
KEY IN 0	31	34	KEYIN3
KEY IN 1	32	33	KEYIN2

MN171202JPK

2. Key Matrix

	KEY IN0 (pin31)	KEY IN1 (pin32)	KEY IN2 (pin33)	KEY IN3 (pin34)
KEY OUT 1 (pin13)	POWER	MUTE	LOUDNESS	MODE
KEY OUT 2 (pin12)	BALANCE L	BALANCE R	VOLUME +	VOLUME -
KEY OUT 3 (pin11)	PHONO	CD	TAPE1	TAPE2
KEY OUT 4 (pin10)	VCR	VIDEO	CSRP ON/OFF	CSRP MEMORY
KEY OUT 5 (pin9)	CHARACTOR	CHAR DOWN	CHAR UP	ENTER
KEY OUT 6 (pin8)	SEA FLAT	SEA REVERSE	SEA MEMORY	SEA DISPLAY
KEY OUT 7 (pin7)	SEA FLEQ -	SEA FLEQ +	SEA PRESET	SEA ON/OFF
KEY OUT 8 (pin6)	SEA LEVEL -	SEA LEVEL +	SURROUND ON/OFF	CENTER -
KEY OUT 9 (pin5)	REAR LEVEL -	REAR LEVEL +	DELAY TIME	CENTER +
KEY OUT 10 (pin4)	CENTER MODE	TEST	-	-

3. Pin Function Description

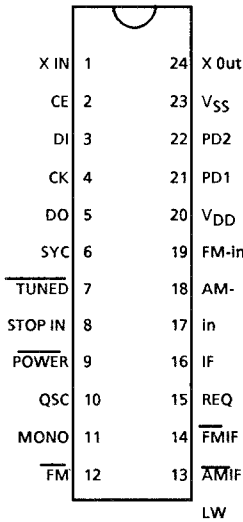
Pin NO.	symbol	I/O	Function and Operations	Pin NO.	symbol	I/O	Function and Operations
1	VDD	--	Power supply	33	KEYIN2	I	Key matrix input
2	VIDEO1	O	Video switch control signal	34	KEYIN3	I	"
3	VIDEO2	O	"	35	DATA2	I	Data output (To IC504)
4	KEY O10	O	FL grid control output (KEY OUT 10)	36	CLK2	O	Clock out (To IC504)
5	KEY O9	O	" (KEY OUT 9)	37	G	O	Surround circuit control signal
6	KEY O8	O	" (KEY OUT 8)	38	STB3	O	Strobe signal output (To IC652)
7	KEY O7	O	" (KEY OUT 7)	39	STB2	O	Strobe signal output (To IC341)
8	KEY O6	O	" (KEY OUT 6)	40	CLK1	O	Clock output (To IC321,341,361,652)
9	KEY O5	O	" (KEY OUT 5)	41	STB1	O	Strobe signal output (To IC321,361)
10	KEY O4	O	" (KEY OUT 4)	42	DATA1	O	Data output (To IC321,341,361,652)
11	KEY O3	O	" (KEY OUT 3)	43	RESET IN	I	Reset signal input
12	KEY O2	O	" (KEY OUT 2)	44	TEST	--	TEST pin
13	KEY O1	O	" (KEY OUT 1)	45	REMOTE	I	Remote control signal input
14	S1	O	FL segment control output	46	INH IN	I	Inhibit signal input
15	S2	O	"	47	COM. IN	I	Compulink signal input
16	S3	O	"	48	COM. OUT	O	Compulink signal output
17	S4	O	"	49	SURROUND	O	Surround on/off control signal
18	Vpp	--	Power supply for FL Display	50	HALL OUT	O	When using HALL mode, this is "H"
19	S5	O	FL segment control output	51	STAND BY	O	Indicator drive
20	S6	O	"	52	HALL IND	O	Indicator drive
21	S7	O	"	53	3CH LOGIC	O	Mode control signal
22	S8	O	"	54	PRO LOGIC	O	Mode control signal
23	S9	O	"	55	MUTE	O	Output mute control signal
24	S10	O	"	56	TUNER MUTE	O	This is "H", when source is except tuner.
25	S11	O	"	57	HOLD OUT	O	Output signal for backup (to IC421)
26	S12	O	"	58	RESET OUT	O	Reset signal is output.
27	S13	O	"	59	POWER	O	This signal turns the primary relay on.
28	S14	O	"	60	GND	--	Connected to GND
29	S15	O	"	61	NC	--	Non connection
30	S16	O	"	62	GND	--	Connected to GND
31	KEYIN0	I	Key matrix input	63	OSC2	--	Clock oscillation output
32	KEYIN1	I	"	64	OSC1	--	Clock oscillation input

■ LC7218 (IC102) : PLL Synthesizer

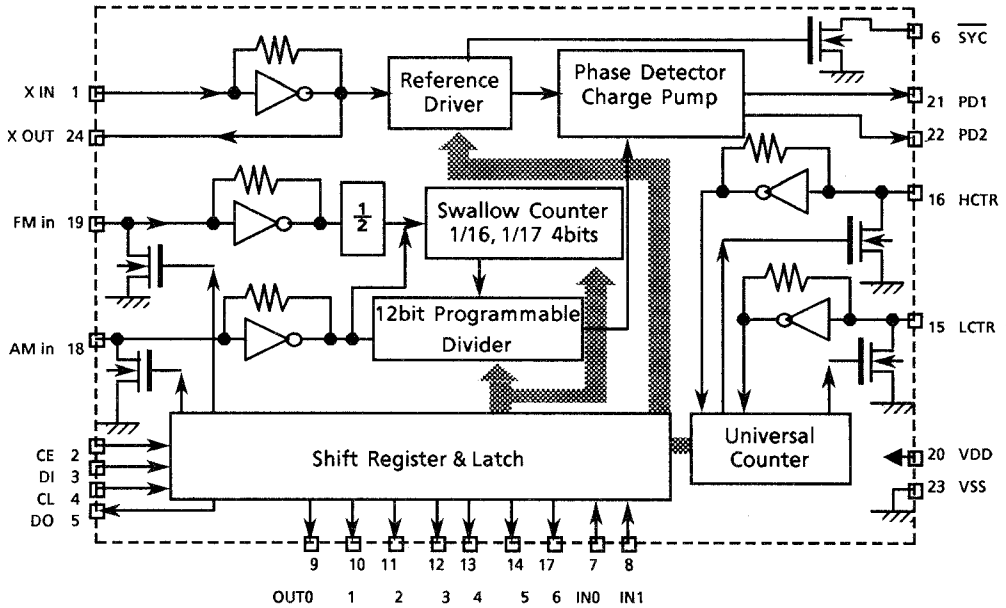
1. The main function descriptions

- (1) It makes the local oscillation frequency by the control data from IC421.
- (2) Decode the control signal and transmit the signal for receiving conditions.
- (3) For the best tuning, count the internal-frequency and transmit the data to IC421.

2. Terminal Layout



3. Block Diagram



4. Pin Function Description

Pin No.	Symbol	I/O	Functions and Operations
1,24	X in , X out	I/O	Crystal oscillator (7.2MHz).
2	CE	I	Fix the chip enable to "H" when inputting (DI) and outputting (DO) the serial data.
3	DI	I	Receive the control data from the controller (IC421).
4	CL	I	This clock is used to synchronize data when transmitting the data of DI and DO.
5	DO	O	Transmit the data from LC7218 to the controller which is synchronized with CL.
6	SYC	--	Not used.
7	TUNED	I	Receive the tuned signal from IC104 (LA1266A).
8	STOP IN	--	Not used.
9	POWER	--	Non connection
10	QSC	--	ON mode with "H" and OFF mode with "L". (Non connection)
11	MONO	O	It is "H" on FM-monaural, "L" on FM-Stereo.
12	FM	O	It is "L" on FM mode.
13	MW	O	It is "L" on MW mode.
14	LW	O	It is "L" on LW mode.
15	AM-IF	I	Universal counter input for AM-IF from IC104 (LA1266A).
16	FM-IF	I	Universal counter input for FM-IF from IC104(LA1266A).
17	IF REQ	O	Output the "IF-signal request" to IC104 when the pin-7 (tuned in) go to "H".
18	AM in	I	Input the local oscillation signal of AM.
19	FM in	I	Input the local oscillation signal of FM.
20	V _{DD}	--	Power supply terminal.
21	PD1	O	PLL charge pump output: When the local oscillation signal frequency is higher than the reference frequency high level signals will output. When it is lower than the reference frequency, low level signals will output. When it is same as reference frequency signals, it will be floating.
22	PD2	--	Non connection
23	V _{SS}	--	Power supply.

■ LA1266A (IC104) : FM AM IF AMP & detector

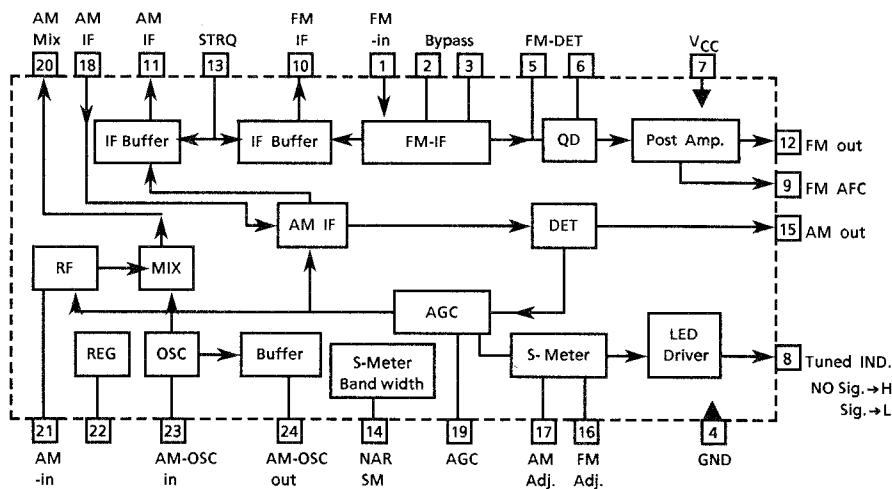
1. The main function descriptions

- (1) Amplify and detect of FM intermodulation frequencies.
- (2) It has local oscillator and mixer for AM, and amplify the AM-IF signal.

2. Top View

FM-in	1	24	AM-OSC out
BYPASS	2	23	AM-OSC
BYPASS	3	22	V.ref
GND	4	21	AM-in
FM-DET	5	20	AM-Mix
FM-DET	6	19	AM-AGC
V _{CC}	7	18	AM-IF
SIG	8	17	AM Adj.
FM-AFC	9	16	FM Adj.
FM-IF	10	15	AM out
AM-IF	11	14	NAR SM
FM-OUT	12	13	STRQ

3. Block Diagram



4. Pin Function Description

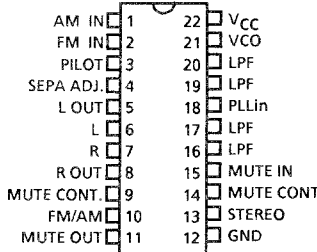
Pin No.	Symbol	I/O	Functions and Operations
1	FM in	I	Input terminal for FM signal.
2,3	BYPASS	--	Bypass of FM IF Amp.
4	GND	--	Device ground terminal.
5,6	FM DET	--	FM detect transformer.
7	V _{CC}	--	Power supply terminal.
8	SIG	O	When the set is tuning, this terminal become "L".
9	FM AFC	O	Output terminal of voltage for FM - AFC.
10	FM IF	O	When the signal of IF REQ of IC102(LC7218) applied to pin17, the signal of FM IF does output.
11	AM IF	O	When the signal of IF REQ of IC102(LC7218) applied to pin17, the signal of AM IF does output.
12	FM OUT	O	FM detection output.
13	STRQ	I	The IF-signals come out from pin10 (FM-IF) or pin11 (AM-IF) while this terminal going to "High".
14	NAR SM	--	Control the Band-width of signal meter.
15	AM out	O	AM detection output.
16	FM Adj.	--	FM stop level (or mute level) adjust.
17	AM Adj.	--	AM stop level (or mute level) adjust.
18	AM-IF	I	AM IF Signal input.
19	AM-AGC	I	AGC voltage Input terminal for AM.
20	AM-MIX	O	Output terminal for AM mixer.
21	AM-IN	I	Input terminal for AM RF Signal.
22	V.REF	--	Band-width control of FM signal meter.
23	AM-OSC	--	AM Local oscillation circuit.
24	AM-OSC OUT	O	AM Local Oscillation Signal output.

■ LA3401 (IC105) : FM MPX Detector

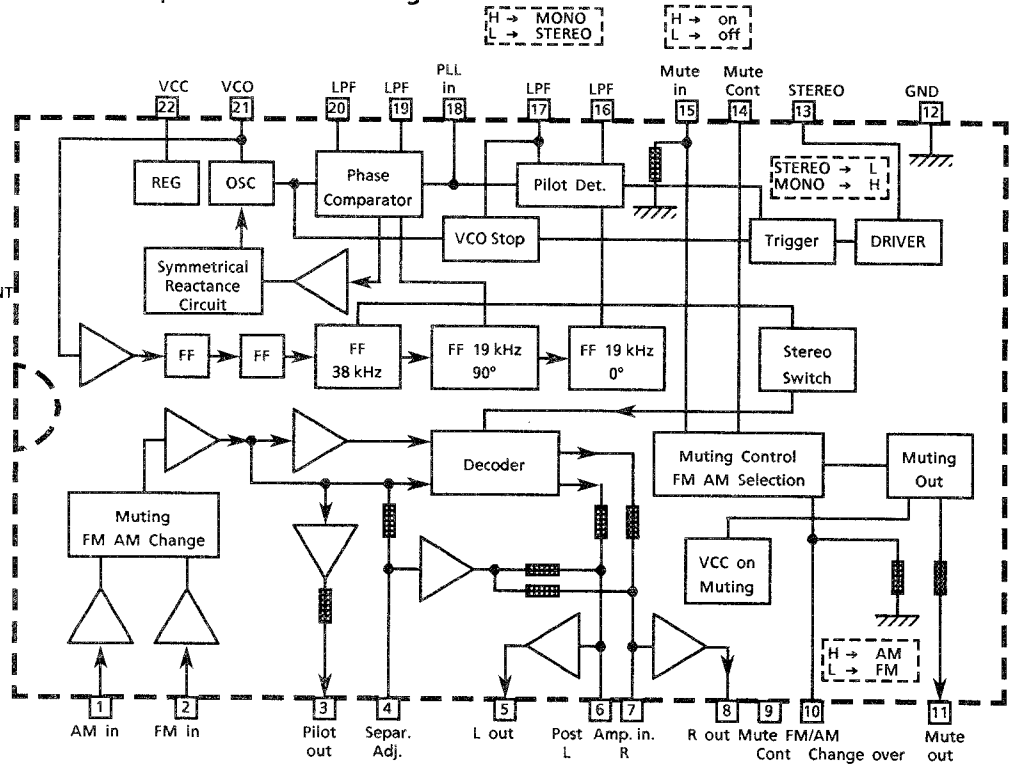
1. The main function descriptions

- (1) Detect the FM Multiplex Signal (Stereo signal).
- (2) When receiving FM Stereo Signal, it outputs the signal for indicator.
- (3) AM / FM Audio Amplifier.

2. Terminal Layout



3. Top View & Block Diagram



3. Pin Function Description

Pin No.	Symbol	I/O	Functions and Operations
1	AM in	I	Input terminal for AM detection signal.
2	FM in	I	Input terminal for FM detection signal.
3	PILOT OUT	O	Output of MPX pilot signal (Connect to Pin18).
4	SEPA. ADJ.	--	Separation adjustment.
5	L-out	O	Left channel signal output.
6	L	O	Reversal output of Pin5.
7	R	O	Reversal output of Pin8.
8	R-out	O	Right channel signal output
9	MUTE CONT	--	The mute time is controlled by the connected capacitor when turning the power switch on.
10	FM / AM	I	Change over the FM / AM input. "H" : AM, "L" : FM
11	Mute out	--	Not used
12	GND	--	Ground terminal.
13	STEREO	O	Stereo indicator output. Stereo : "L", Mono : "H"
14	MUTE CONT	--	The mute time is controlled by the connected capacitor when changing over the FM / AM .
15	MUTE IN	I	Mute signal input. "H" : Mute on, "L" : Mute off.
16	LPF	--	Low pass filter of pilot detector.
17	LPF	--	While this terminal goes to "H", the VCO stop.
18	PILOT IN	I	PLL input.
19	LPF	--	Low-pass filter of PLL.
20	LPF	--	Low-pass filter of PLL.
21	VCO	I	Voltage controlled oscillator terminal.
22	V _{CC}	--	Power supply.

■ M50198P(IC651) : Digital Delay IC

1. Explanation of the operation

Audio signal is input to LPF1 to reduce the high frequency components. The output from LPF1 is coded to 1 bit signal by ADM modulator and comparator with inside .This digital signal is input to main control logic. And this signal obtain various effect,and is written in SRAM .At the same time main control logic read the data from SRAM ,and input it to ADM demodulator .The ADM demodulator converts 1bit signal to analog signal.The analog signal is input to LPF2 to reduce the suprius components,and output to Pin 13.

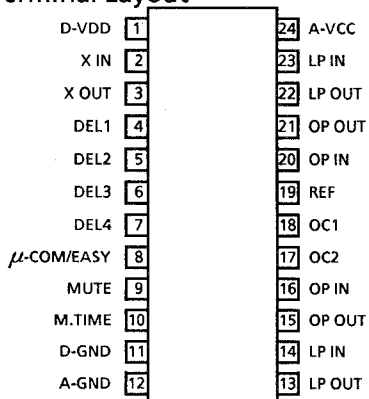
LPF1 Reject the high frequency components which is contained the input signal and unnecessary.

LPF2 Reject the suprius components which is generated by the ADM demodulation by using with comparator.

OP1,CC1 For ADM modulator.

OP2,CC2 For ADM demodulator.

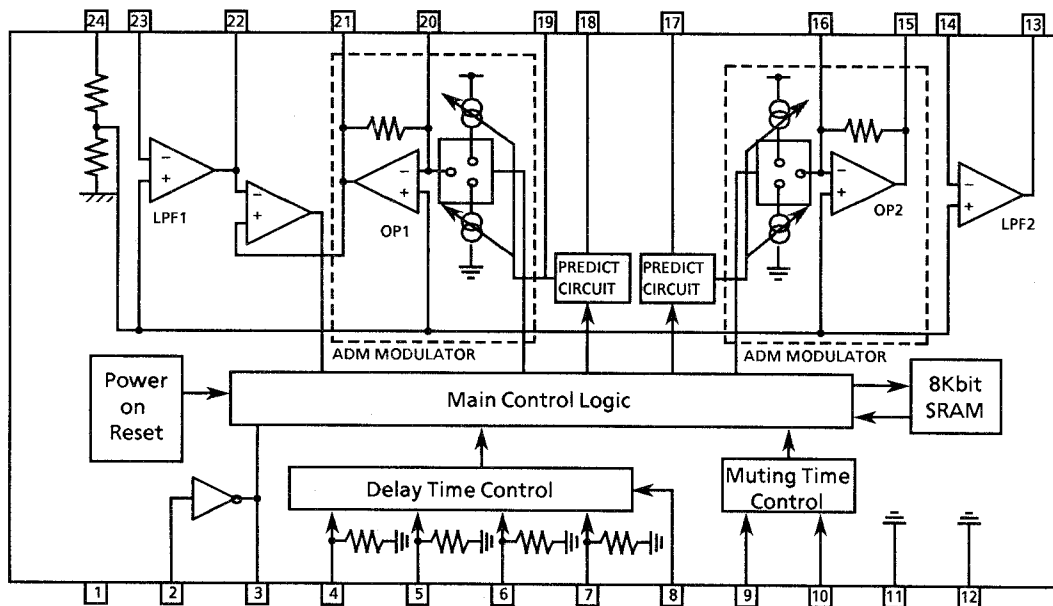
2. Terminal Layout



3.P in function

Pin No	Symbol	Function	Pin No	Symbol	Function
1	D-VDD	Power Supply	13	LP OUT	Output of LPF
2	X IN	Oscillation Terminal	14	LP IN	Input of LPF
3	X OUT	Oscillation Terminal	15	OP OUT	Integrator output
4	DEL1	Delay time control	16	OP IN	Integrator input
5	DEL2	∕	17	OC2	Current control
6	DEL3	∕	18	OC1	∕
7	DEL4	∕	19	REF	1/2 Vcc
8	∕COM/EASY	Connected to GND	20	OP IN	Integrator input
9	MUTE	∕	21	OP OUT	Integrator output
10	M.TIME	∕	22	LP OUT	Output of LPF
11	D-GND	∕	23	LP IN	Input of LPF
12	A-GND	∕	24	A-VCC	Power supply

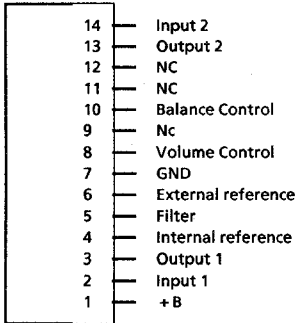
4. Block Diagram



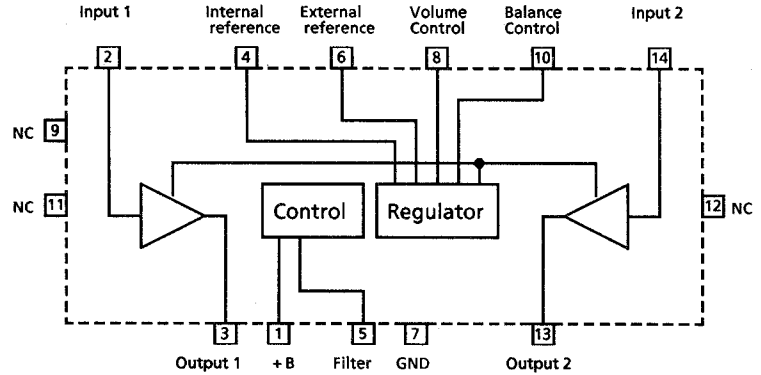
Internal Block Diagram of Other ICs

■ M51523AL (IC672) : Electric volume

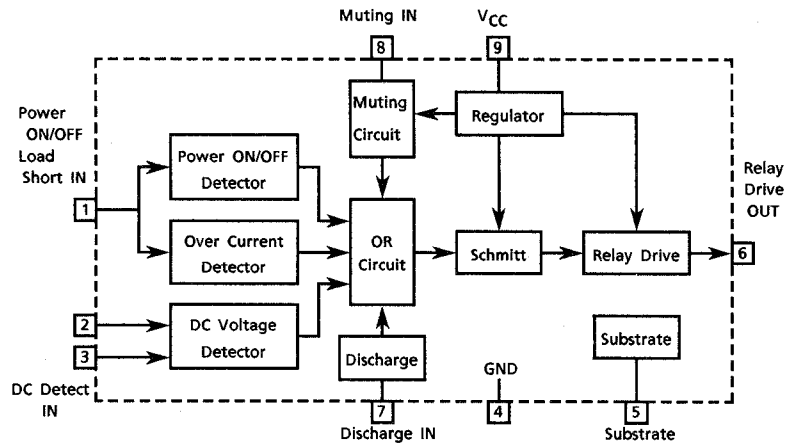
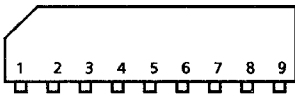
1. Terminal Layout



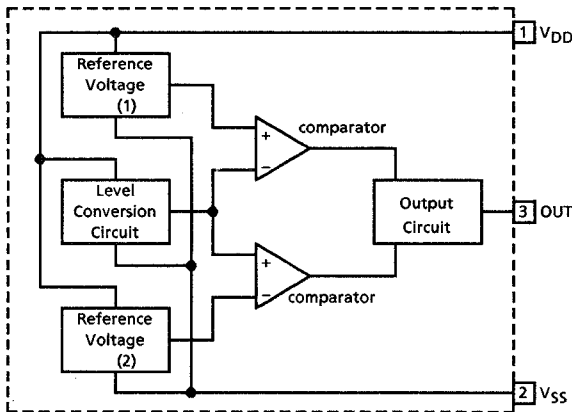
2. Block Diagram



■ TA7317P (IC901) : Protector



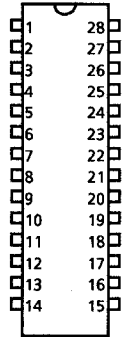
■ MN1281(P.Q) (IC491) : Reset IC



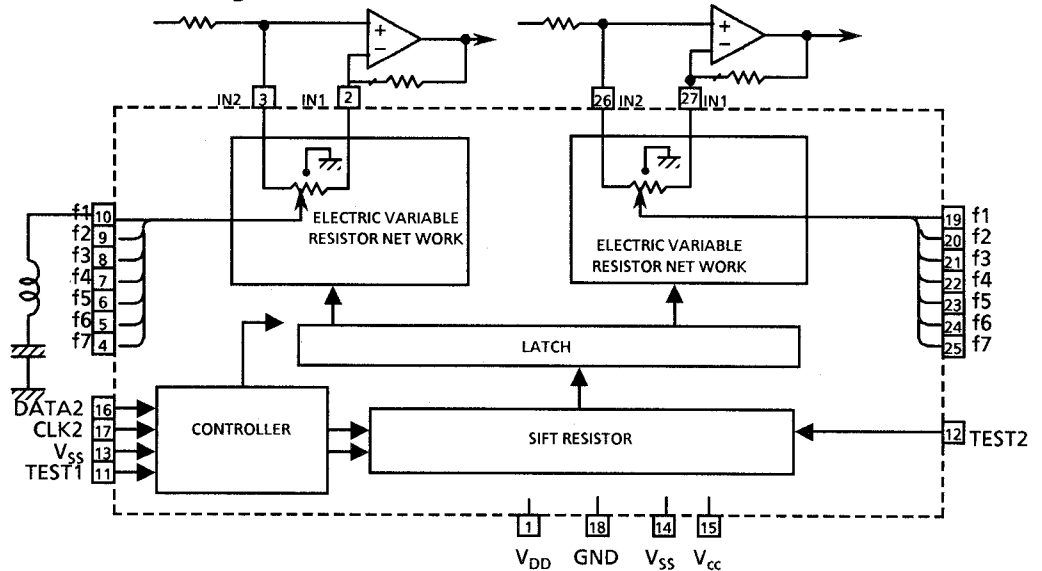
Pin No.	Pin Name	Functions
1	V _{DD}	Power supply
2	V _{SS}	Ground
3	OUT	Reset signal output : Low level is output when resetting : High level is output when cancelling the reset.

■ LC7522(IC504) : Variable Resistor for SEA Control

1. Terminal Layout



2. Block Diagram



3. Pin Functions

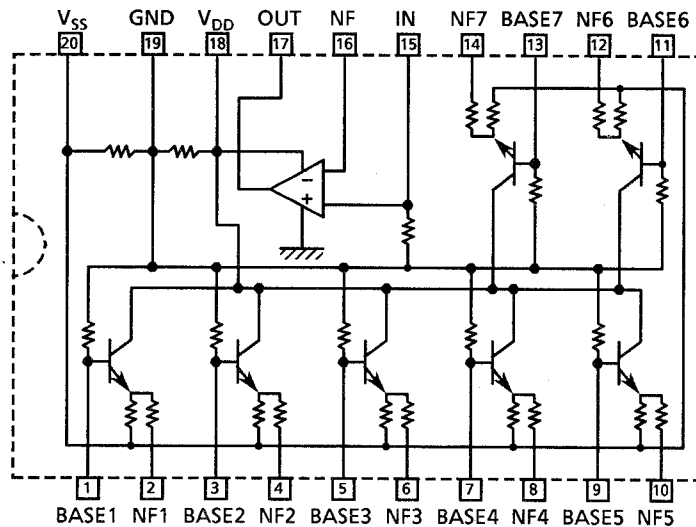
Pin No.	Pin Name	Functions
1	V _{DD}	Power supply +7V for audio signal
18	GND	Ground .
14	V _{SS}	Power supply -7V for audio signal.
15	V _{CC}	Power supply +5V
2,27	IN 1	Audio signal input
3, 26	IN 2	The inversion signal of the operational amplifier inputs to IN 1 normally. The non-inversion signal of the operational amplifier inputs to IN 2 normally.
16	DATA2	Data input from the CPU. Schmitt inverter type
17	CLK2	Clock signal input from the CPU. Schmitt inverter type
4~10 19~25	f1~f7	For connect to band-pass filter. f1~f7x2 (Left and Right)
11	TEST 1	Non connection
12	TEST 2	Non connection
13	V _{SS}	Connected to GND
28	NC	Non connection

■ LA3607S (IC501,502) : S.E.A. Graphic Equalizer

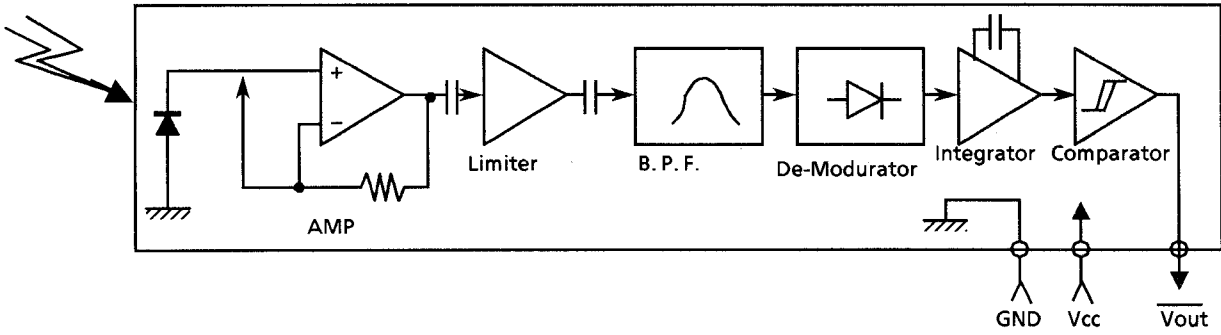
1. Functions

It makes inductive characteristic instead of coil.

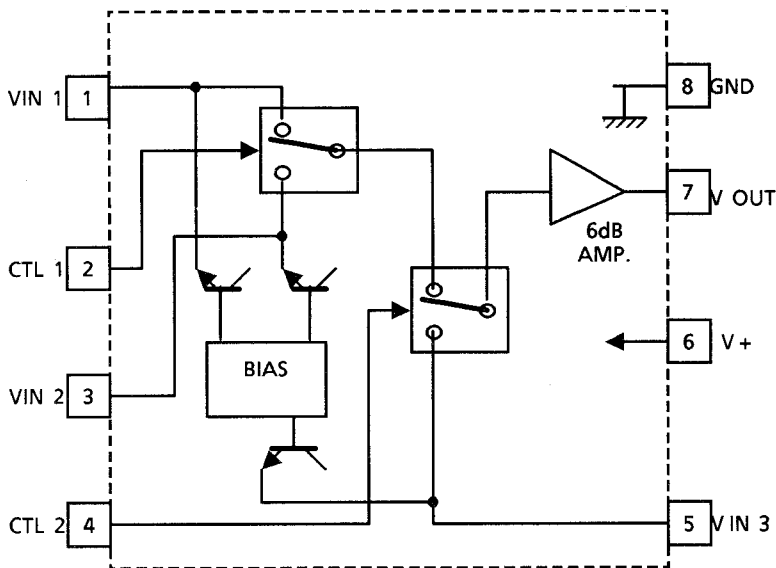
2. Block Diagram



■ SPS-420-1 (IC402) : Remocon Module IC



■ NJM2246D (IC561) : Video Switch

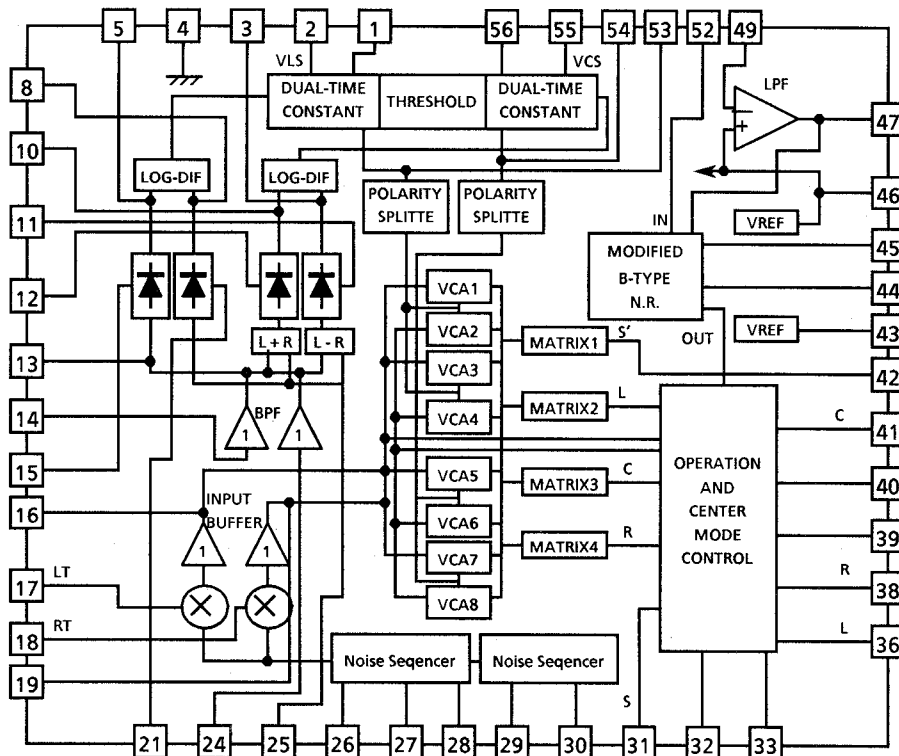


Control Signal — Output Signal

CTL 1	CTL 2	Output
L	L	VIN 1
H	L	VIN 2
L/H	H	VIN 3

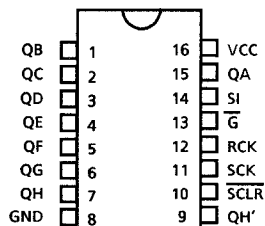
■ NJM2175L (IC611) : Dolby Pro Logic

1. Block Diagram



■ TC74HC595AP (IC652) : Shift register

1. Terminal Layout



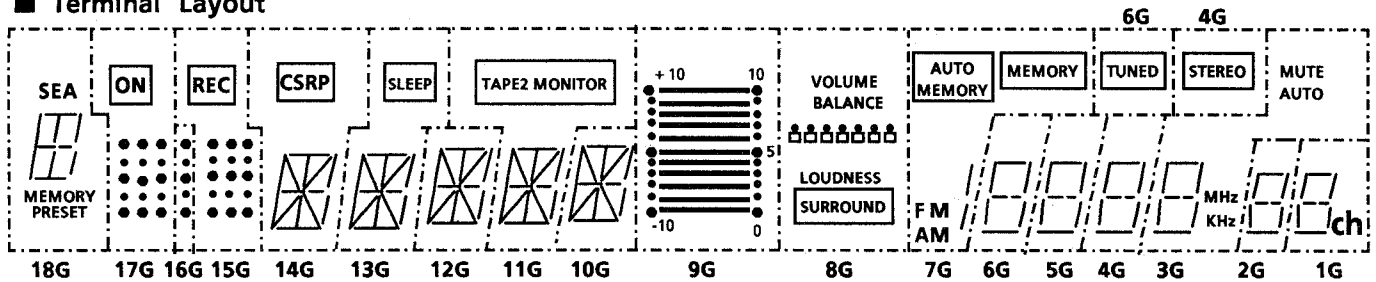
2. Function Table

Inputs					Functions
SI	SCK	SCLR	RCK	G-bar	
X	X	X	X	H	Output (QA-QH) disable.
X	X	X	X	L	Output (QA-QH) enable.
X	X	L	X	X	Shift register is cleared.
L		H	X	X	Condition of shift register in initial stage is "L". In the other stages, data from the former stage is stored.
H		H	X	X	Condition of shift register in initial stage is "H". In the other stages, data from the former stage is stored.
X		H	X	X	Shift register does not change.
X	X	X		X	Shift register data is stored in the storage register.
X	X	X		X	Shift register does not change.

X : Don't care

Internal Wiring of FL Display (FL401:ELU0001-097)

Terminal Layout

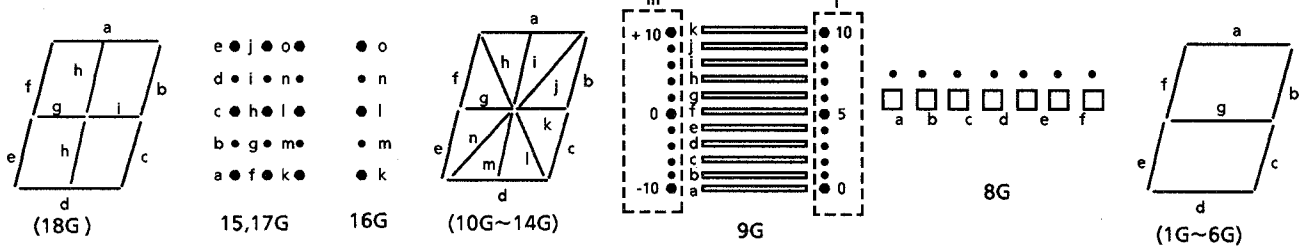


Terminal Connection

Notes : F (Filament), G (Grid), P (Anode), NP (No Pin)

Terminal No.	1	2	3	4	5	6	7	8	9	10	11	12	13	14	15	16	17	18	19	20	21	22	23
IC401 Pin No.	-	-	-	-	4	17	30	5	19	27	26	6	28	16	7	25	21	8	20	24	9	22	23
Electrode	F	F	NP	NC	G16 G18	P (S4)	P (S16)	17G	P (S5)	P (S13)	P (S12)	G15	P (S14)	P (S3)	G14	P (S11)	P (S7)	G13	P (S6)	P (S10)	G12	P (S8)	P (S9)
Terminal No.	24	25	26	27	28	29	30	31	32	33	34	35	36	37	38	39	40	41	42	43	44	45	46
IC401 Pin No.	15	14	29	-	10	11	-	-	-	-	12	13	-	-	-	-	-	-	-	-	-	-	-
Electrode	P (S2)	P (S1)	P (S15)	NP	G11	G10	NC	NC	NC	NC	G9	G8	NC	NC	NP	NP	NP	NP	NP	NP	NP	NP	NP
Terminal No.	47	48	49	50	51	52	53	54	55	56	57	58	59	60	61	62	63	64	65	66	67	68	-
IC421 Pin No.	-	-	-	-	28	29	30	31	16	17	26	32	27	25	33	18	24	34	15	-	-	-	-
Electrode	NP	NP	NP	NP	G7	G6	G5	G4	P (S18)	P (S19)	P (S23)	G3	P (S24)	P (S22)	G2	P (S20)	P (S21)	G1	P (S17)	NP	F	F	-

Internal Connection



SOURCE SECTION

	18G	17G	16G	15G	14G	13G	12G	11G	10G	9G	8G
S1	a	j	-	j	a	a	a	a	a	-	BALANCE
S2	b	o	-	o	b	b	b	b	b	-	●●●●●●
S3	-	b	l	b	c	c	c	c	c	f	LOUDNESS
S4	SEA PRESET	k	-	k	d	d	d	d	d	a	SURROUND
S5	d	f	-	f	e	e	e	e	e	b	a
S6	-	c	m	c	f	f	f	f	f	i	d
S7	g	h	-	h	g	g	g	g	g	h	c
S9	h	i	-	i	h	h	h	h	h	k	f
S9	-	d	n	d	i	i	i	i	i	l	g
S10	f	n	-	n	j	j	j	j	j	j	e
S11	i	m	-	m	k	k	k	k	k	g	b
S12	e	l	-	l	l	l	l	l	l	d	-
S13	-	a	k	a	m	m	m	m	m	c	-
S14	c	g	-	g	n	n	n	n	n	e	-
S15	-	e	o	e	CSRP	SLEEP	-	TAPE2 MONITOR	-	-	VOLUME
S16	MEMORY	ON	-	REC	-	-	●	-	-	m	-

TUNER SECTION

	7G	6G	5G	4G	3G	2G	1G
S17	-	TUNED	●	STEREO	MUTE AUTO	-	ch
S18	AUTO MEMORY	a	a	a	-	a	a
S19	-	b	b	b	MHz	c	c
S20	MEMORY	c	c	c	KHz	c	c
S21	-	d	d	d	g	d	d
S22	FM	e	e	e	c, f	e	e
S23	AM	f	f	f	b, e	f	f
S24	/	g	g	g	a, d	g	g

Disassembly Procedures

Notes:

1. Be careful that the capacitor C801, C802 do not hit any forces when upsetting the unit.
2. Set the pattern(foil) side up when installing the headphone P.C. Board (END-087-13).

■ Removing the Top Cover

1. Remove the 4 screws fastening both sides of the Top Cover, and the 2 screws fastening the rear side.
2. Remove the Top Cover.

■ Removing the Bottom Cover

1. Remove the 15 screws ⑤ .
2. Remove the Bottom Cover.

■ Removing the Front Panel

1. Remove the 3 screws ④ fastening top of the Front Panel, and the 4 screws ⑥ fastening bottom of the Front Panel.
2. Remove the Front Panel.

Note : When installing the Front Panel, be careful about Q404. (Fig5)

■ Removing the Tuner P.C. Board

1. Remove the 6 screws ③, ③ and ④.
2. Take it out.

■ Removing the Power Transistor

1. Remove the bottom Cover
2. Unsolder the broken transistor.
3. Remove the screw fastening it.
4. Remove it.

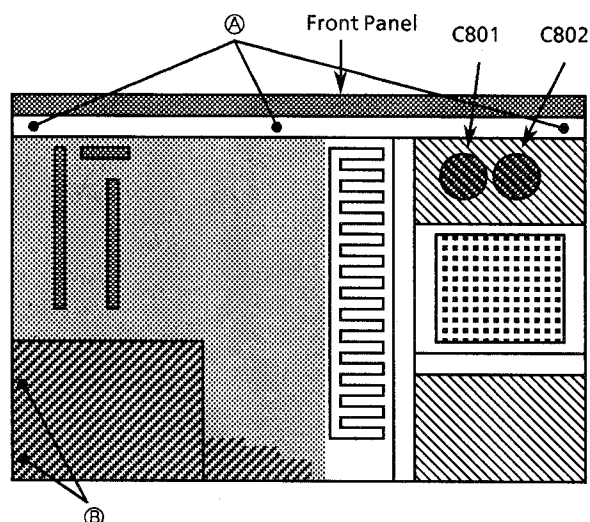


Fig 1. Top View

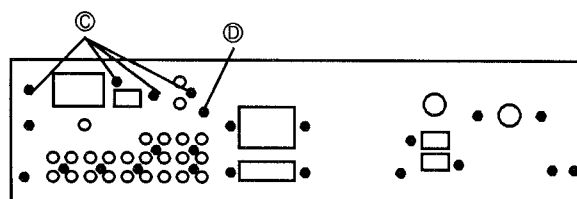


Fig 2. Rear View

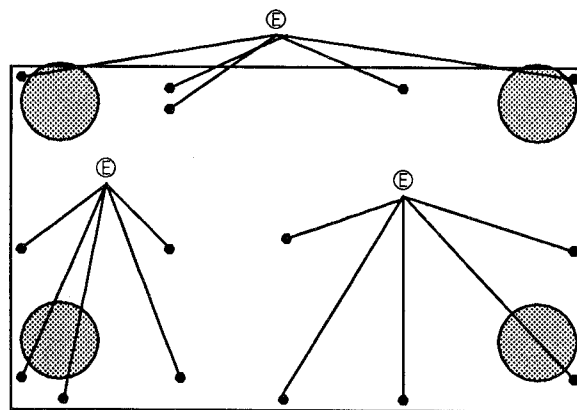


Fig 3. Bottom Cover

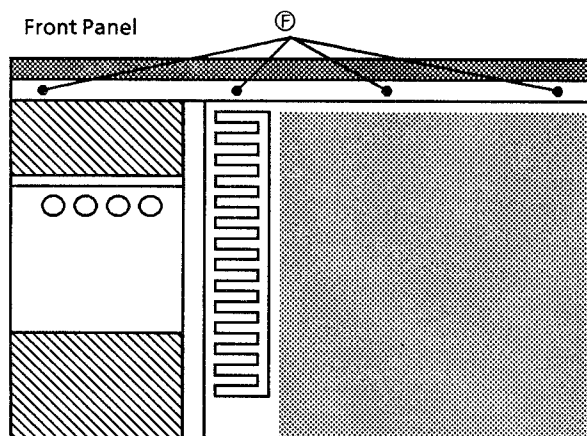


Fig 4. Bottom View

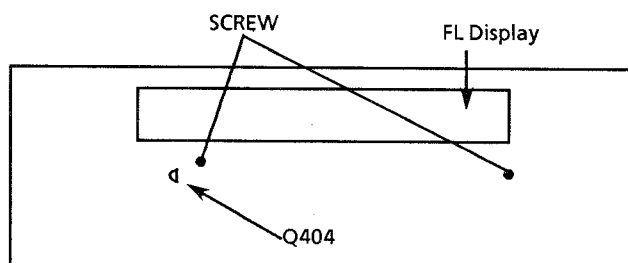
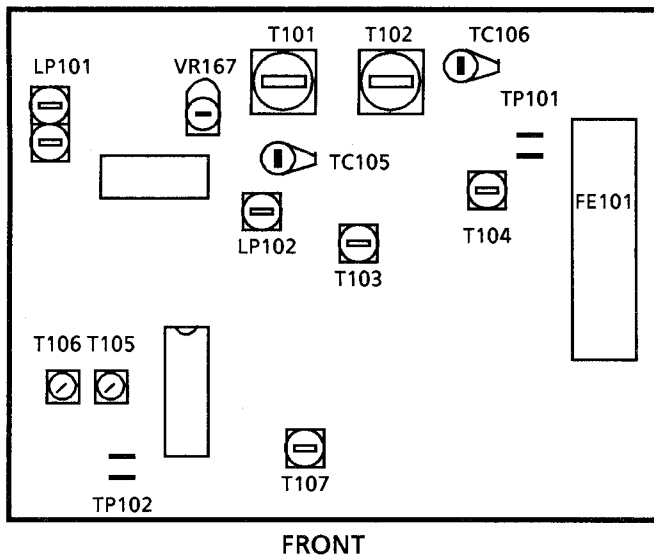


Fig 5. Front P.C. Board (END-087-10)

FM/AM Tuner Alignment Procedures



1. FM section

■ FM oscillator :

- (1) Set the frequency display to "108.0MHz".
- (2) Confirm the FM inter-station noise is received.
- (3) Confirm the voltage of test point "TP101" becomes $8.0V \pm 2.0V$.
- (4) Set the frequency display to "87.5MHz" and confirm the voltage of test point "TP101" becomes $0.6V \sim 2.6V$.

■ FM detector coil : T105, T106

- (1) Connect a digital voltmeter to test point "TP102", and receive to "100.1MHz" signal with SSG ATT 70 dB.
- (2) Adjust T105 so that the digital voltmeter reads $0 \pm 1.5mV$.
- (3) At the same time, Adjust T106 so that the distortion of the output is minimised.

■ FM separation: VR167

(For continental Europe, Germany, Australia and the U.K.)

- (1) Receive a stereo signal.
- (2) Adjust VR 167 so that channel separation becomes maximum.

2. MW section

Note: () : Australia, the U.K. and Continental Europe
 { } : Other countries
 Channel space 9kHz
 [] : Other countries
 Channel space 10kHz

■ MW oscillator : T103

- (1) Set the frequency display to (522kHz) {531kHz} [530kHz] and confirm the voltage of test point TP101 becomes $0.9V \pm 0.2V$.
- (2) Set the frequency display to (1629kHz) {1602kHz} [1600kHz] and confirm the voltage of test point TP101 becomes $(7.5V \pm 0.8V)$ { $7.2V \pm 0.7V$ } [$7.2 \pm 0.7V$].
- (3) If its voltage exceeds the allowance, adjust T103 to obtain the voltage.

■ MW antenna coil : T101

- (1) Connect a loop antenna to the "AM Loop" terminal on the rear panel.
- (2) Adjust T101 to obtain the best receiving sensitivity on 600kHz or 603kHz.

■ MW antenna trimmer : TC105

- (1) Adjust TC105 to obtain the best receiving sensitivity on 1400kHz or 1404kHz.

3. LW section (for RX-506VLBK, 507VLTN)

Note: [] for Italy

■ LW oscillation : T104

- (1) Set the frequency display to 144kHz and adjust T104 so that the voltage of TP101 becomes $0.8 \pm 0.4V$ [$0.8V \pm 0.1V$].
- (2) Set the frequency display to 353kHz [290kHz] and confirm the voltage of test point TP101 becomes $7.7V \pm 0.6V$ [$5.7V \pm 0.5$].

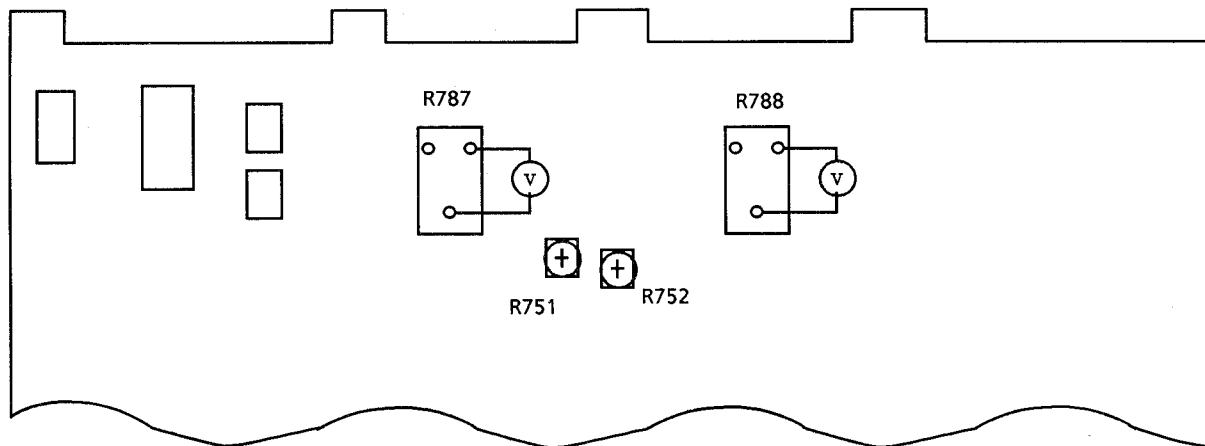
■ LW antenna coil : T102

- (1) Connect a loop antenna to the "AM Loop" terminal on the rear panel.
- (2) Adjust T102 to obtain the best receiving sensitivity on 164kHz [164kHz].

■ LW antenna trimmer : TC106

- (1) Adjust TC106 to obtain the best receiving sensitivity on 353kHz [245kHz].

Power Amplifier Adjustment Procedures



■ Idling Current

- (1) Set the volume control to minimum during this adjustment.
- (2) Turn R751 and R752 fully counterclockwise before the power switch on.
- (3) Always start from cold, and allow 5 minutes to warm up before adjustment. If the heatsink is already warm from previous use the correct adjustment can not be made.
- (5) Connect a DC voltmeter to R787 resistor's leads for left channel, or to R788 for right channel.
- (6) Adjust R751 for left channel, or R752 for right channel, so that the DC voltmeter becomes 2mV ~ 7mV

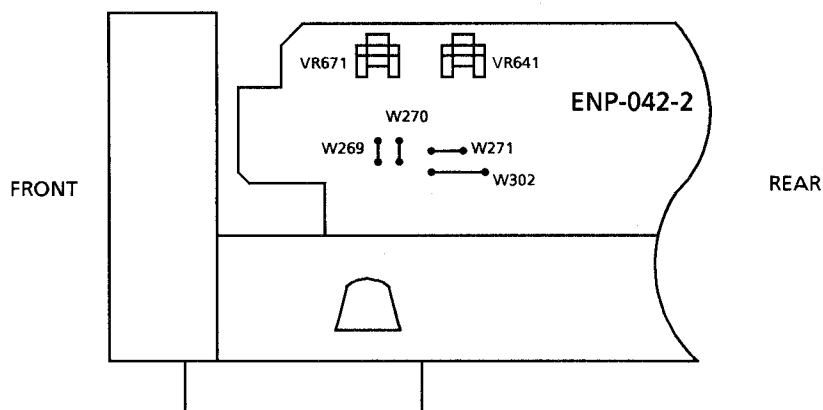
Surround Adjustment Procedures

■ Input balance (At center off mode)

- (1) Connect a voltmeter to the speaker terminal (L or R).
- (2) Connect W271 to W302.
- (3) Input a monaural signal.
- (4) Adjust VR641 to minimize speaker output.

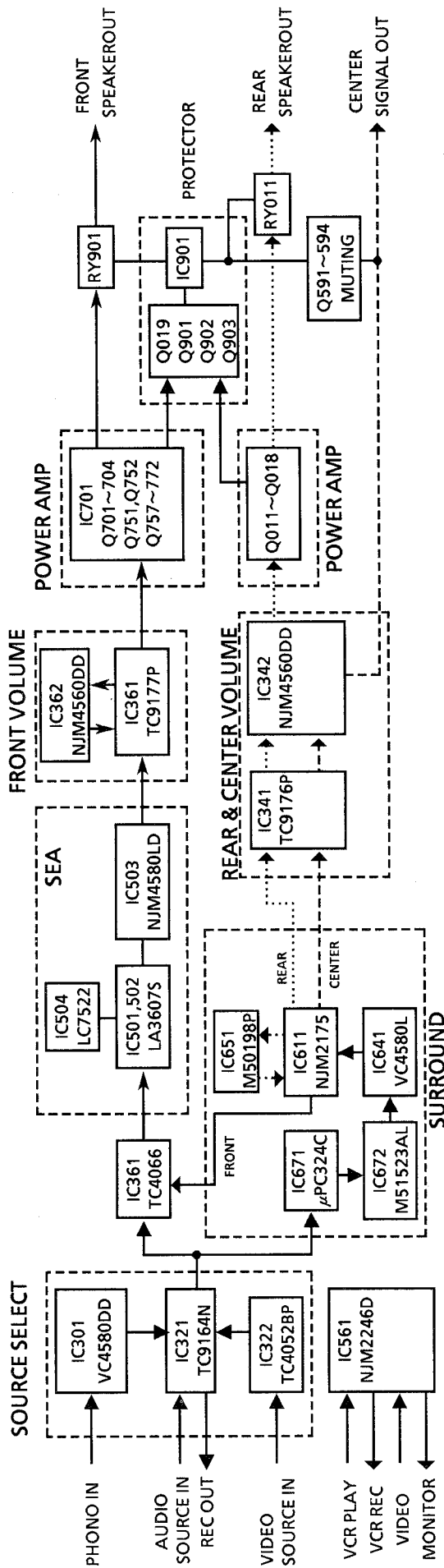
■ DC offset (At center off mode)

- (1) Connect a voltmeter to W269 and W270.
- (2) Input a monaural signal.
- (3) Adjust VR671 to minimize the voltage between W269 and W270 (within $\pm 50\text{mV}$).

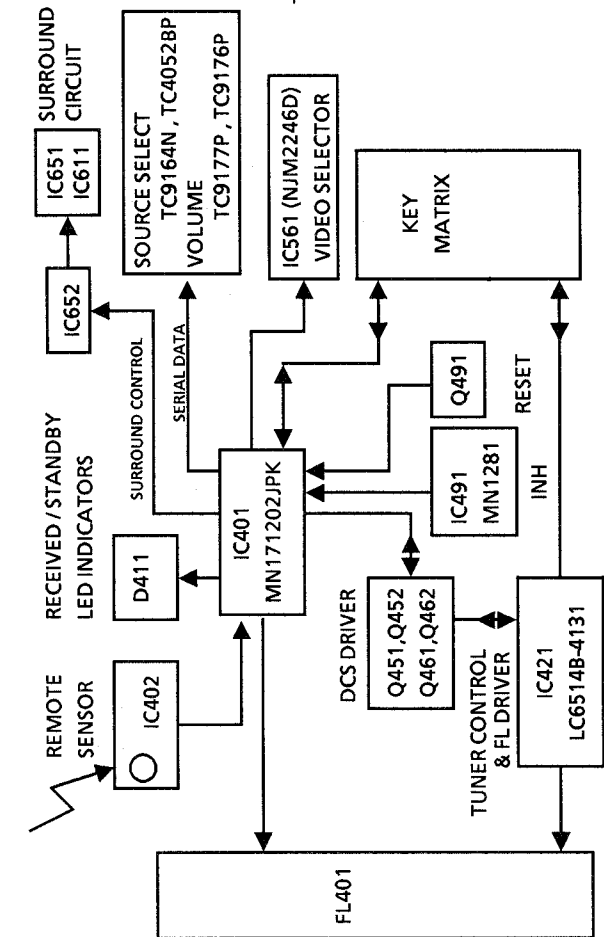


Block Diagrams

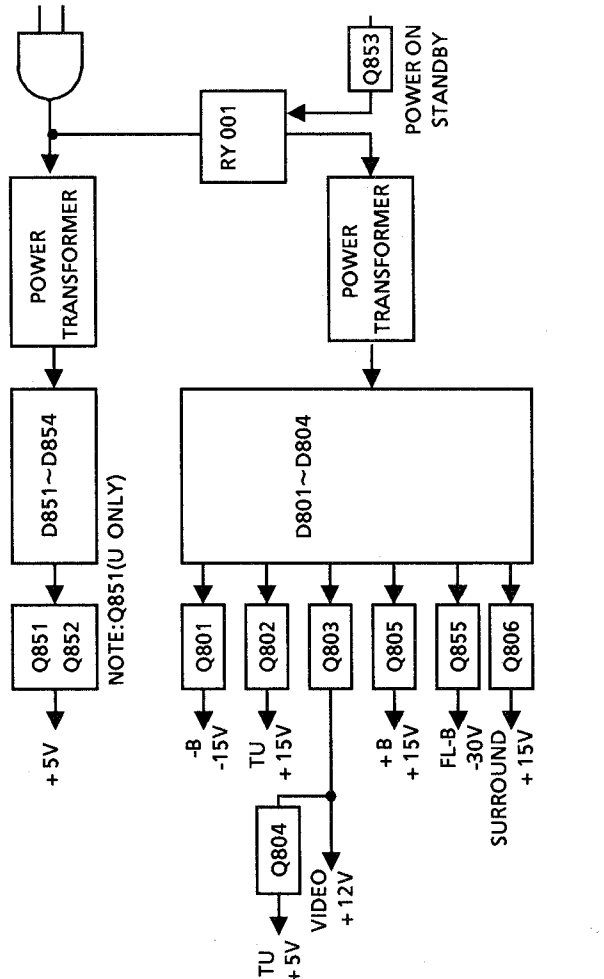
Signal Flow



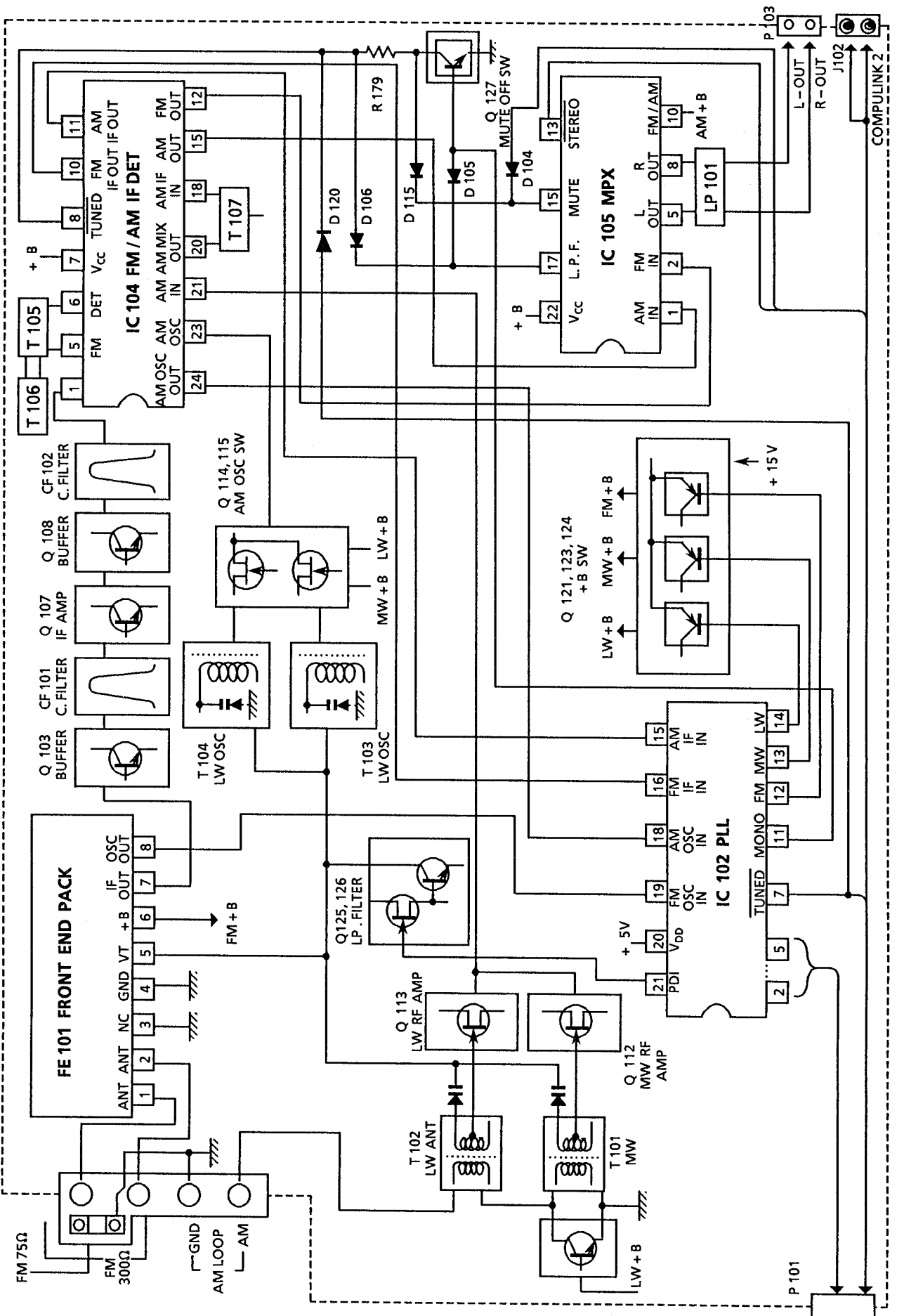
Control Section



Power Supply Section

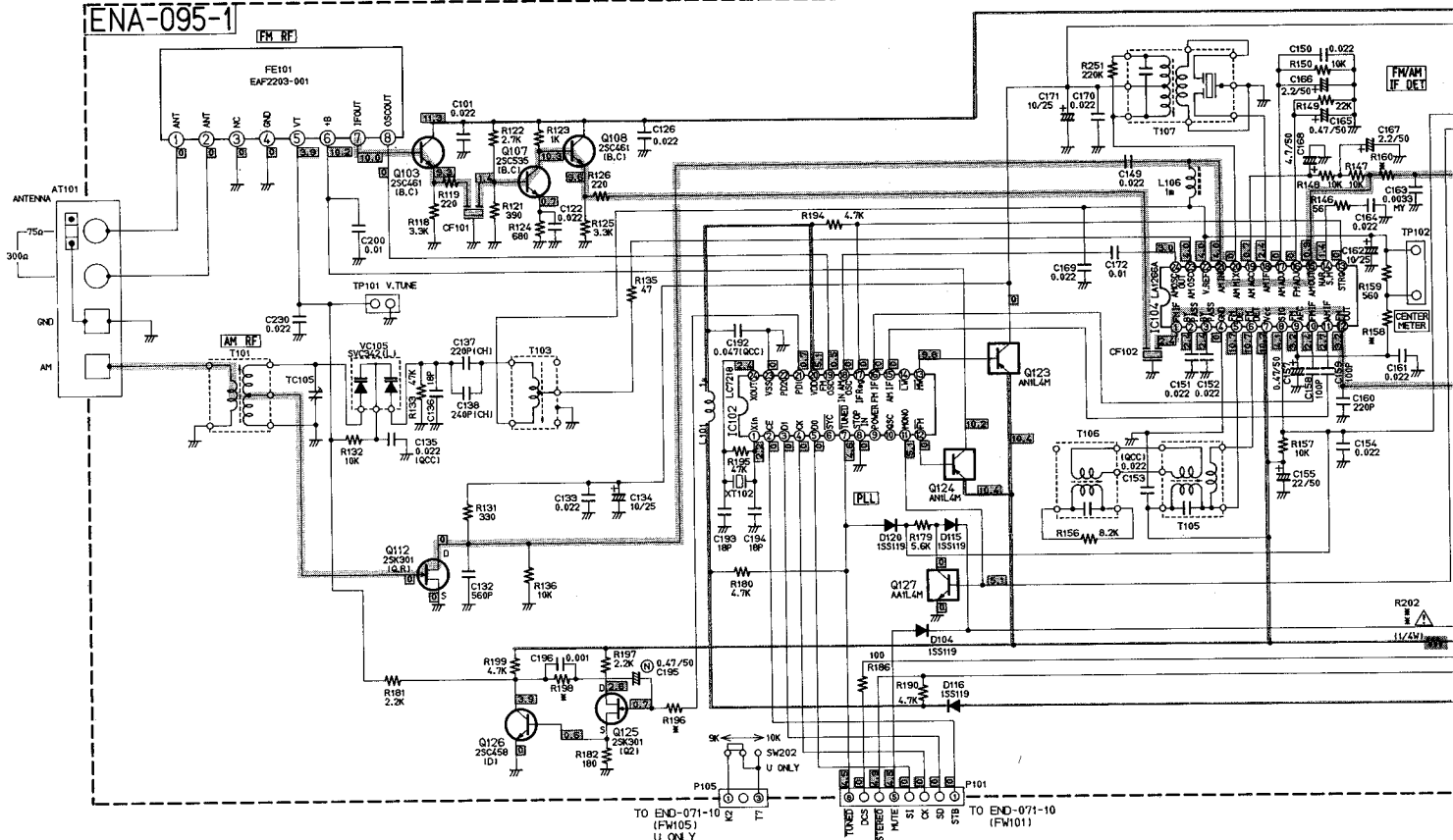


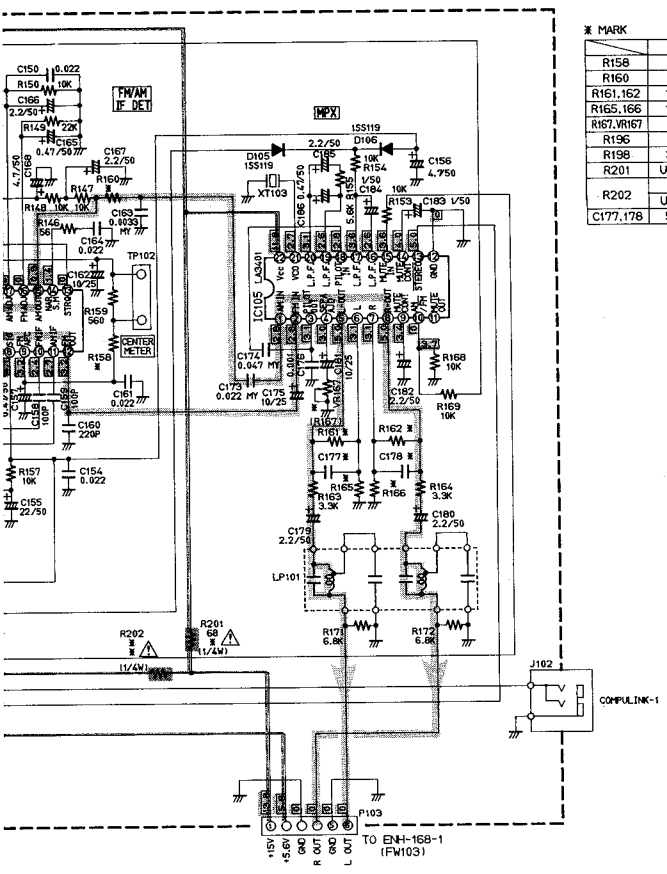
■ Tuner Section



Schematic Diagram (1) Tuner Section

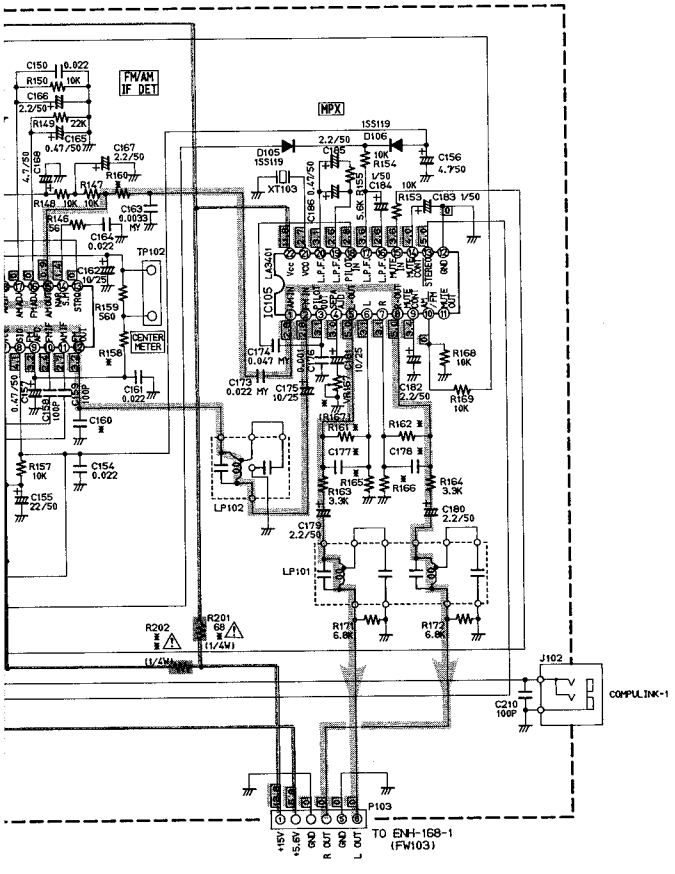
J.C.U.A





* MARK

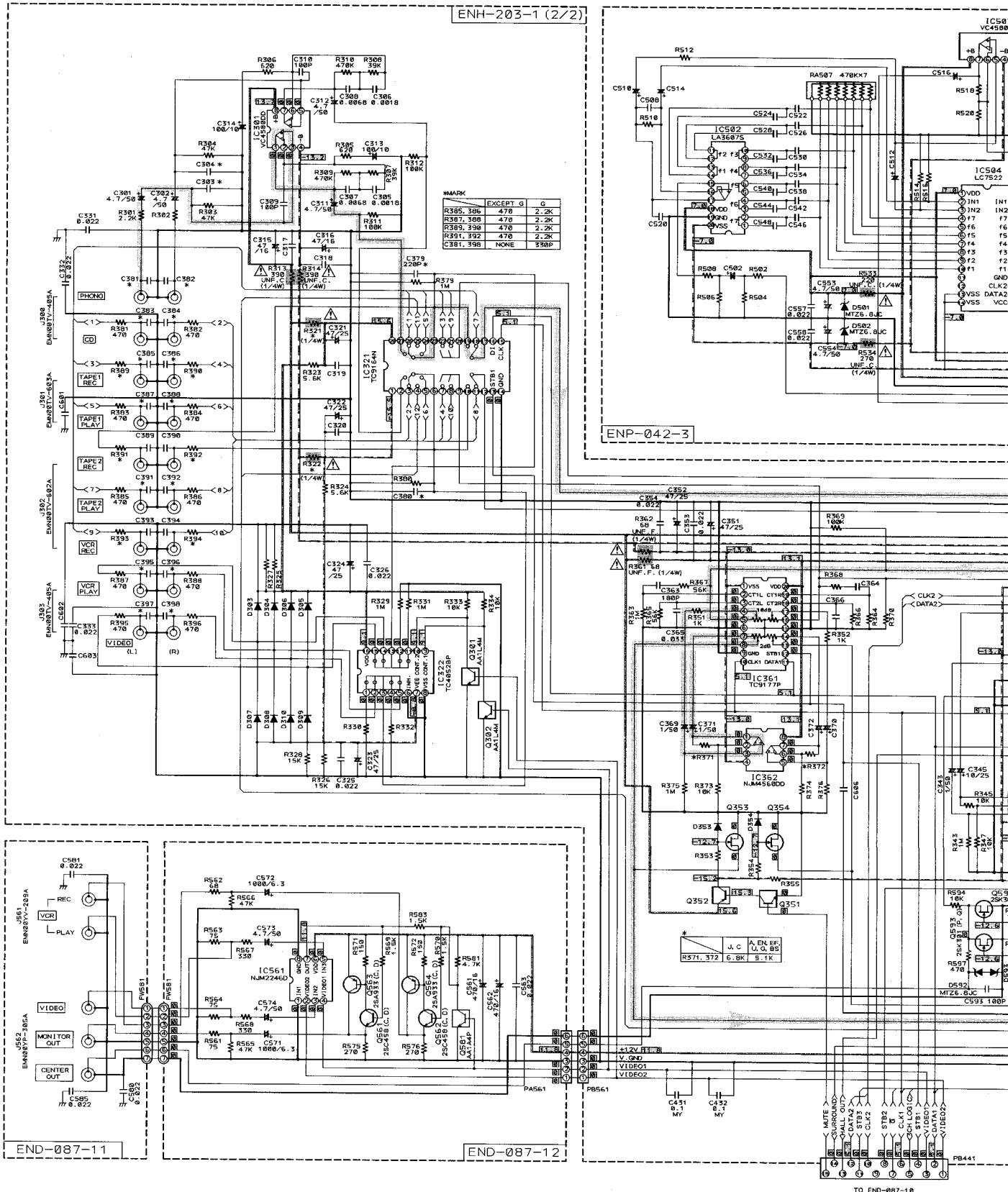
	J.C	U	A	L.E.L.B.S.L.G
R158	18K	27K	27K	27K
R160	12K	12K	22K	22K
R161,162	120K	120K	180K	180K
R165,166	180K	180K	270K	270K
R167,VR167	39K	39K	100K VR	100K VR
R196	10K	10K	10K	2.2K
R198	3.3K	3.3K	3.3K	8.2K
R201	UNF.C.	UNF.C.	UNF.F.	UNF.F.
R202	47	47	47	22
	UNF.C.	UNF.C.	UNF.F.	UNF.F.
C177,178	560P	560P	270P	270P

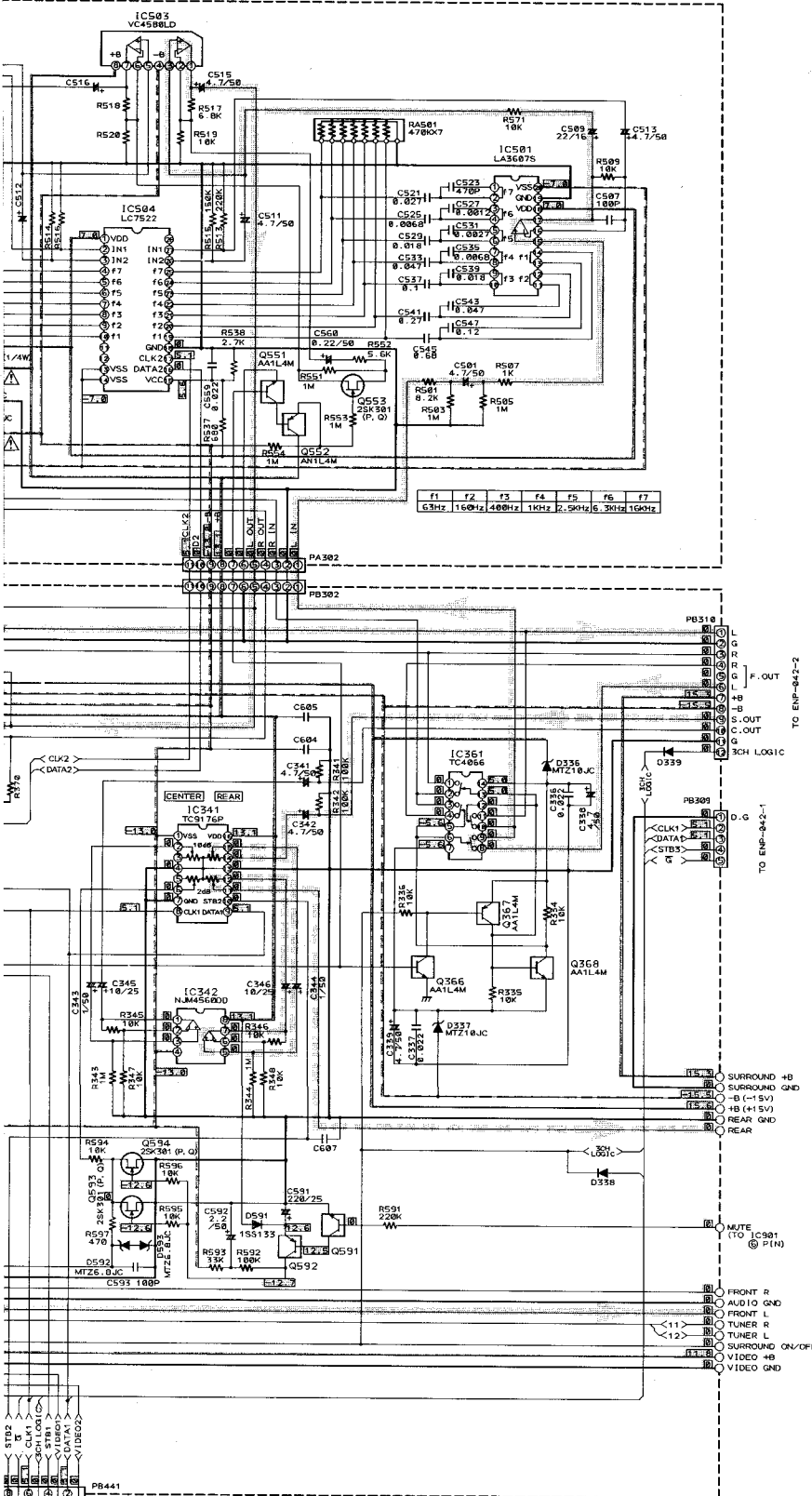


Notes:

1. — indicates +B power supply.
2. - - - indicates -B power supply.
3. [Solid line] indicates main signal path.
4. [Dashed line] indicates surround signal path.
5. [Shaded area] shows DC voltage to the chassis with no signal input.
6. When replacing the parts in the shaded area ([Shaded area]) and those marked with Δ , be sure to use the designated parts to ensure safety. This is the standard circuit diagram.
7. The design and contents are subject to change without notice.

(2) Source Selector, SEA & Volume Section

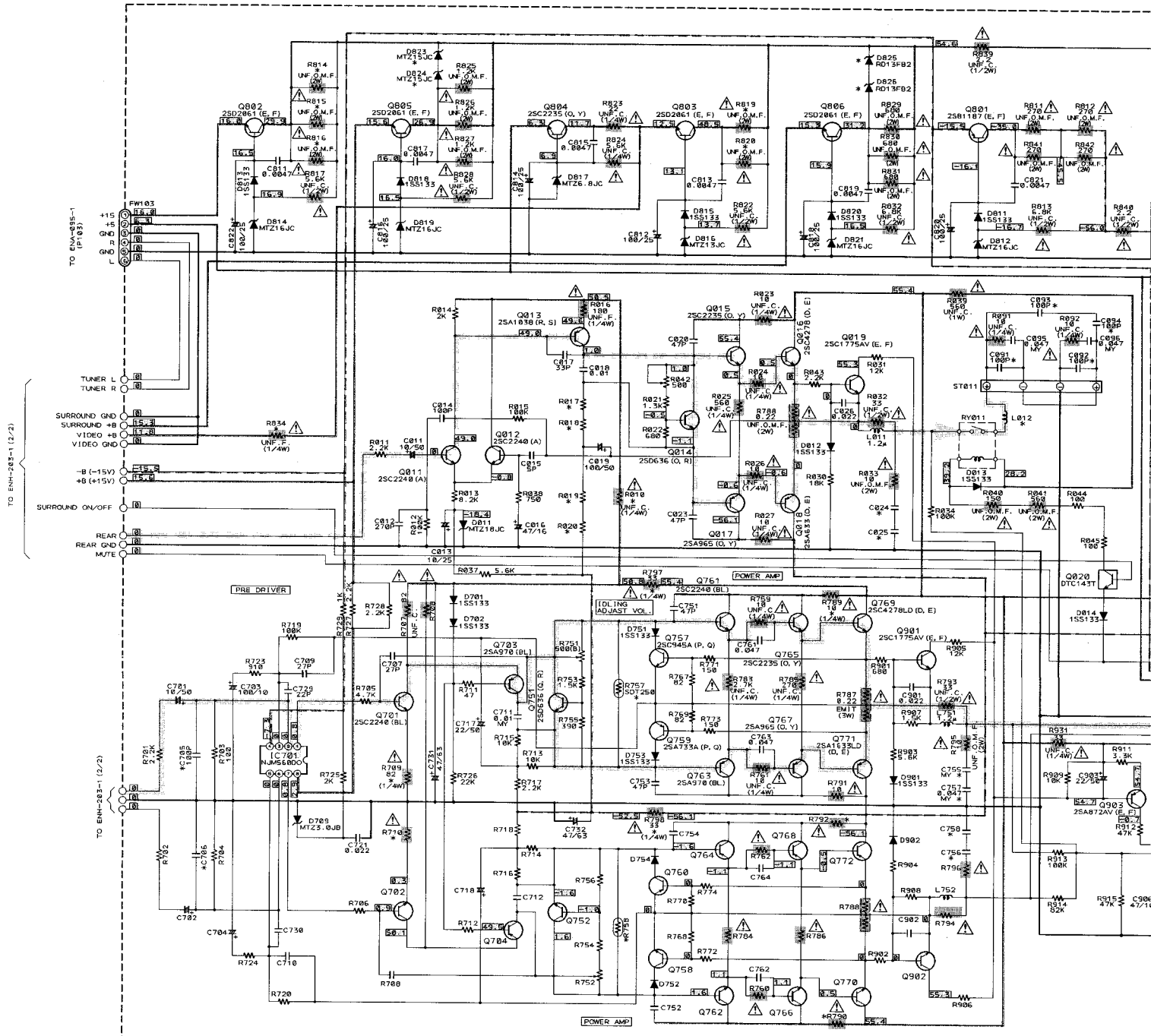




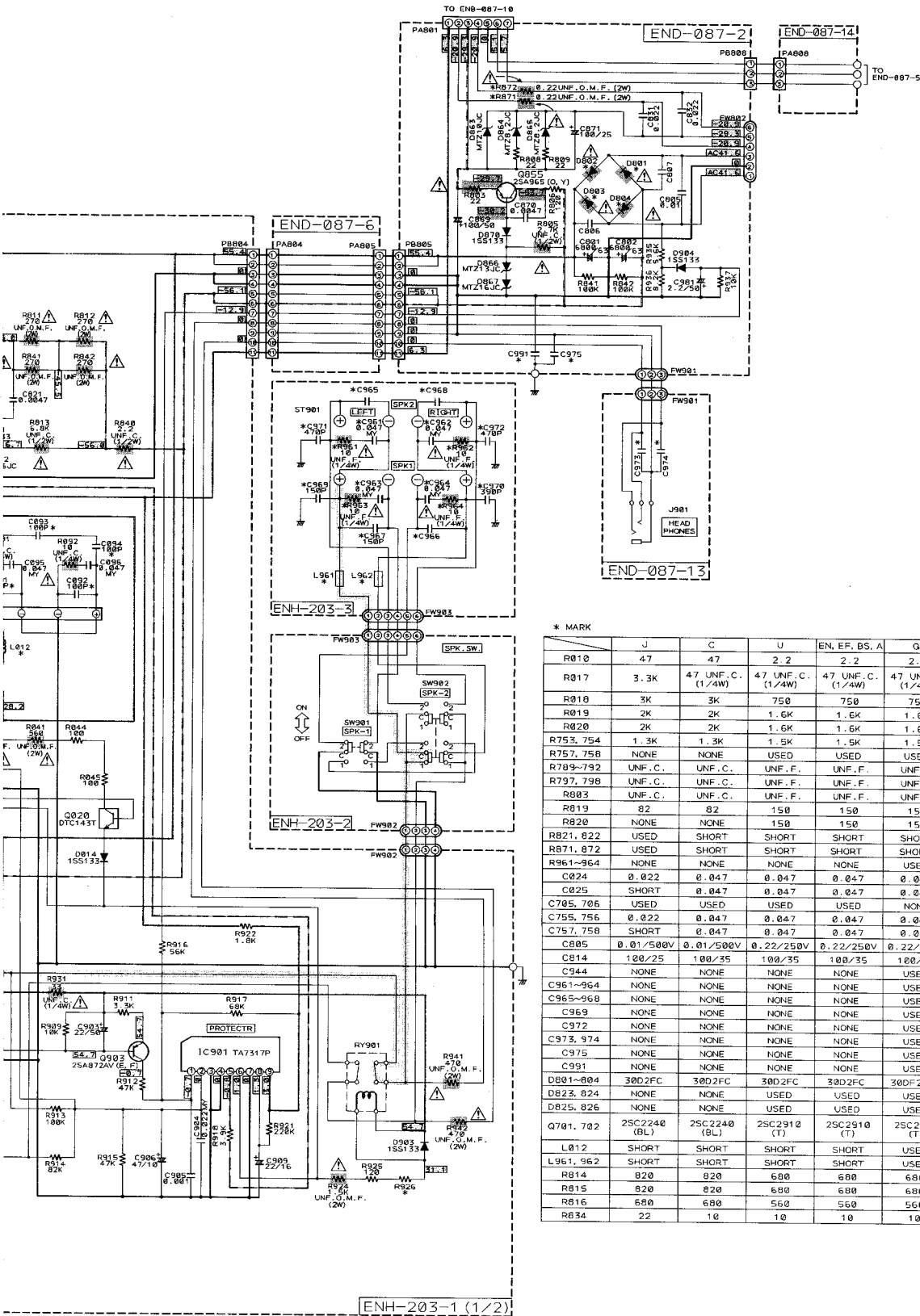
Notes:

1. ——— indicates +B power supply.
2. - - - - - indicates -B power supply.
3. [Hatched Box] indicates main signal path.
4. [Dotted Box] indicates surround signal path.
5. [Shaded Box] shows DC voltage to the chassis with no signal input.
6. When replacing the parts in the shaded area ([Shaded Box]) and those marked with Δ , be sure to use the designated parts to ensure safety. This is the standard circuit diagram.
7. The design and contents are subject to change without notice.

(3) Power Supply & Power Amplifier Section



- Notes
1. —
 2. —
 3. —
 4. —



* MARK

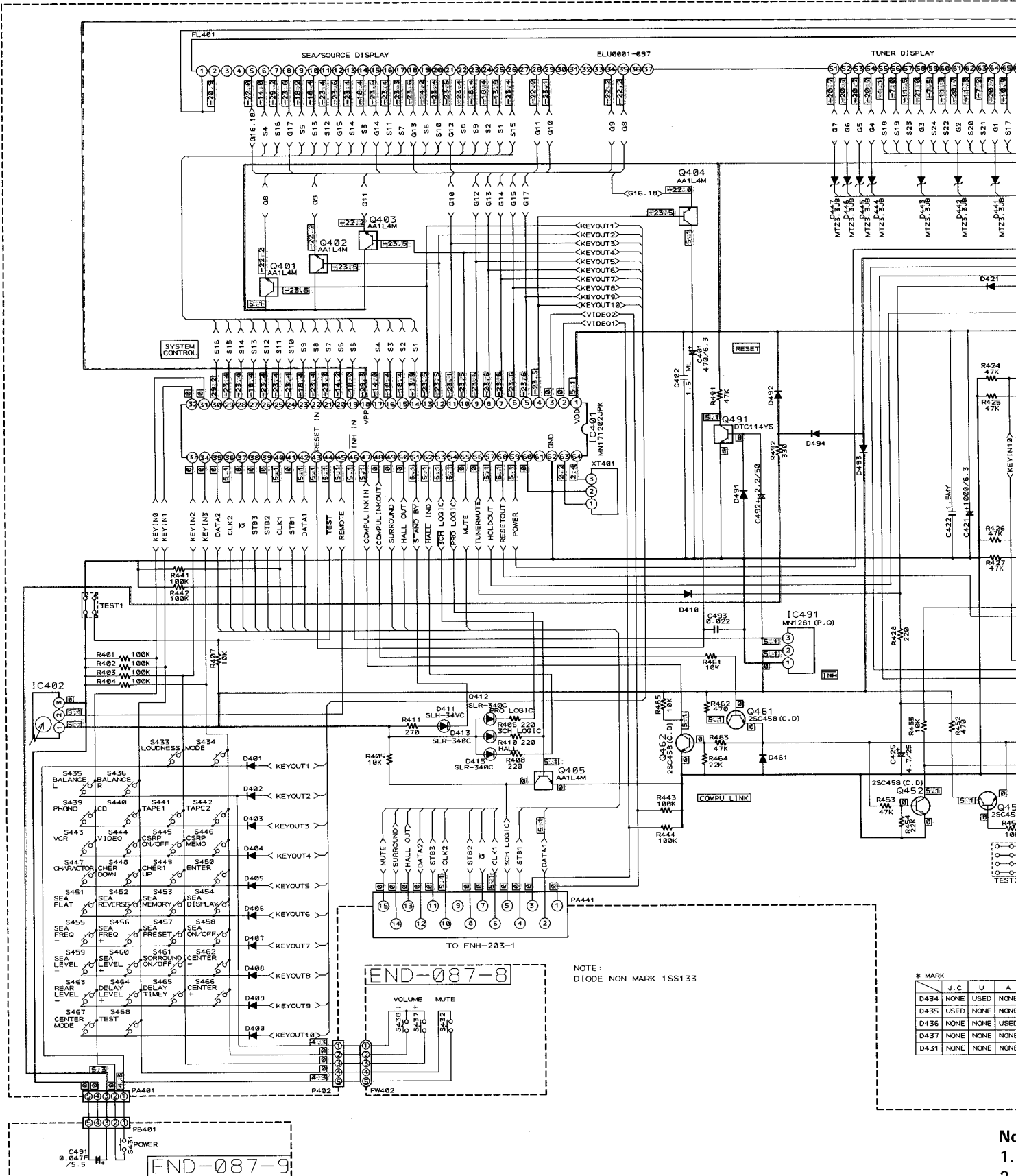
	J	C	U	EN, EF, BS, A	G
R010	47	47	2.2	2.2	2.2
R017	3.3K	47 UNF. C. (1/4W)	47 UNF. C. (1/4W)	47 UNF. C. (1/4W)	47 UNF. C. (1/4W)
R018	3K	3K	750	750	750
R019	2K	2K	1.6K	1.6K	1.6K
R020	2K	2K	1.6K	1.6K	1.6K
R753, 754	1.3K	1.3K	1.5K	1.5K	1.5K
R757, 758	NONE	NONE	USED	USED	USED
R789-792	UNF. C.	UNF. C.	UNF. F.	UNF. F.	UNF. F.
R797, 798	UNF. C.	UNF. C.	UNF. F.	UNF. F.	UNF. F.
R803	UNF. C.	UNF. C.	UNF. F.	UNF. F.	UNF. F.
R819	82	82	150	150	150
R820	NONE	NONE	150	150	150
R821, 822	USED	SHORT	SHORT	SHORT	SHORT
R871, 872	USED	SHORT	SHORT	SHORT	SHORT
R961-964	NONE	NONE	NONE	NONE	USED
C024	0.022	0.047	0.047	0.047	0.047
C025	SHORT	0.047	0.047	0.047	0.047
C705, 706	USED	USED	USED	USED	NONE
C755, 756	0.022	0.047	0.047	0.047	0.047
C757, 758	SHORT	0.047	0.047	0.047	0.047
C805	0.01/500V	0.01/500V	0.22/250V	0.22/250V	0.22/250V
C814	100/25	100/35	100/35	100/35	100/35
C944	NONE	NONE	NONE	NONE	USED
C961-964	NONE	NONE	NONE	NONE	USED
C965-968	NONE	NONE	NONE	NONE	USED
C969	NONE	NONE	NONE	NONE	USED
C972	NONE	NONE	NONE	NONE	USED
C973, 974	NONE	NONE	NONE	NONE	USED
C975	NONE	NONE	NONE	NONE	USED
C991	NONE	NONE	NONE	NONE	USED
D801-804	30D2FC	30D2FC	30D2FC	30D2FC	30DF25FC
D823, 824	NONE	NONE	USED	USED	USED
D825, 826	NONE	NONE	USED	USED	USED
Q701, 702	25C2240 (BL)	25C2240 (BL)	25C2910 (T)	25C2910 (T)	25C2910 (T)
L012	SHORT	SHORT	SHORT	SHORT	USED
L951, 952	SHORT	SHORT	SHORT	SHORT	USED
R814	820	820	680	680	680
R815	820	820	680	680	680
R816	680	680	560	560	560
R834	22	10	10	10	10

Notes:

1. ——— indicates +B power supply.
2. - - - - - indicates -B power supply.
3. [Symbol] indicates main signal path.
4. [Symbol] indicates surround signal path.

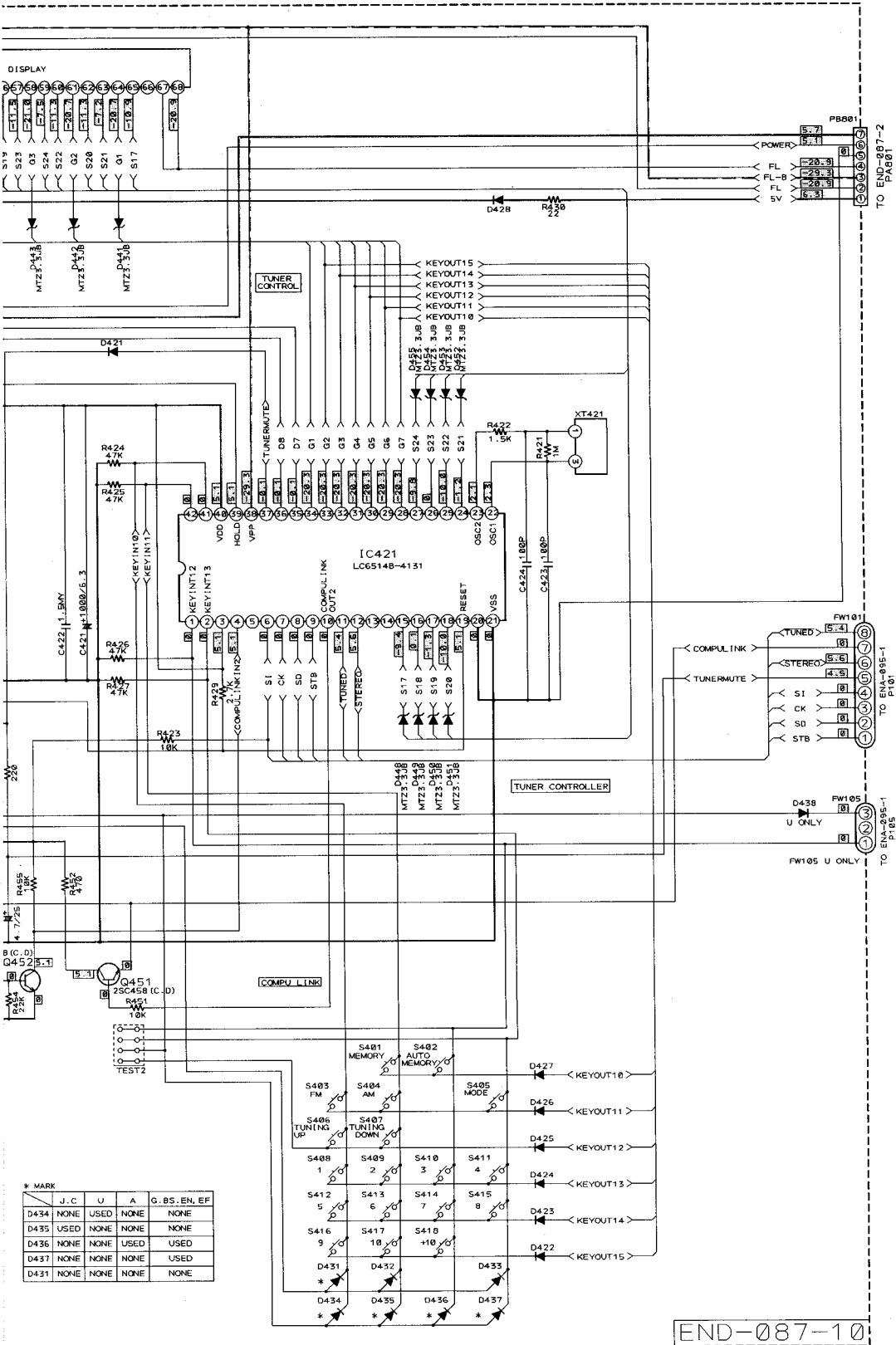
5. [Symbol] shows DC voltage to the chassis with no signal input.
6. When replacing the parts in the shaded area ([Symbol]) and those marked with Δ , be sure to use the designated parts to ensure safety. This is the standard circuit diagram.
7. The design and contents are subject to change without notice.

(4) Front Section



NOTE: DIODE NON MARK 1SS133

* MARK	J.C	U	A
D434	NONE	USED	NONE
D435	USED	NONE	NONE
D436	NONE	NONE	USED
D437	NONE	NONE	USED
D431	NONE	NONE	NONE



* MARK

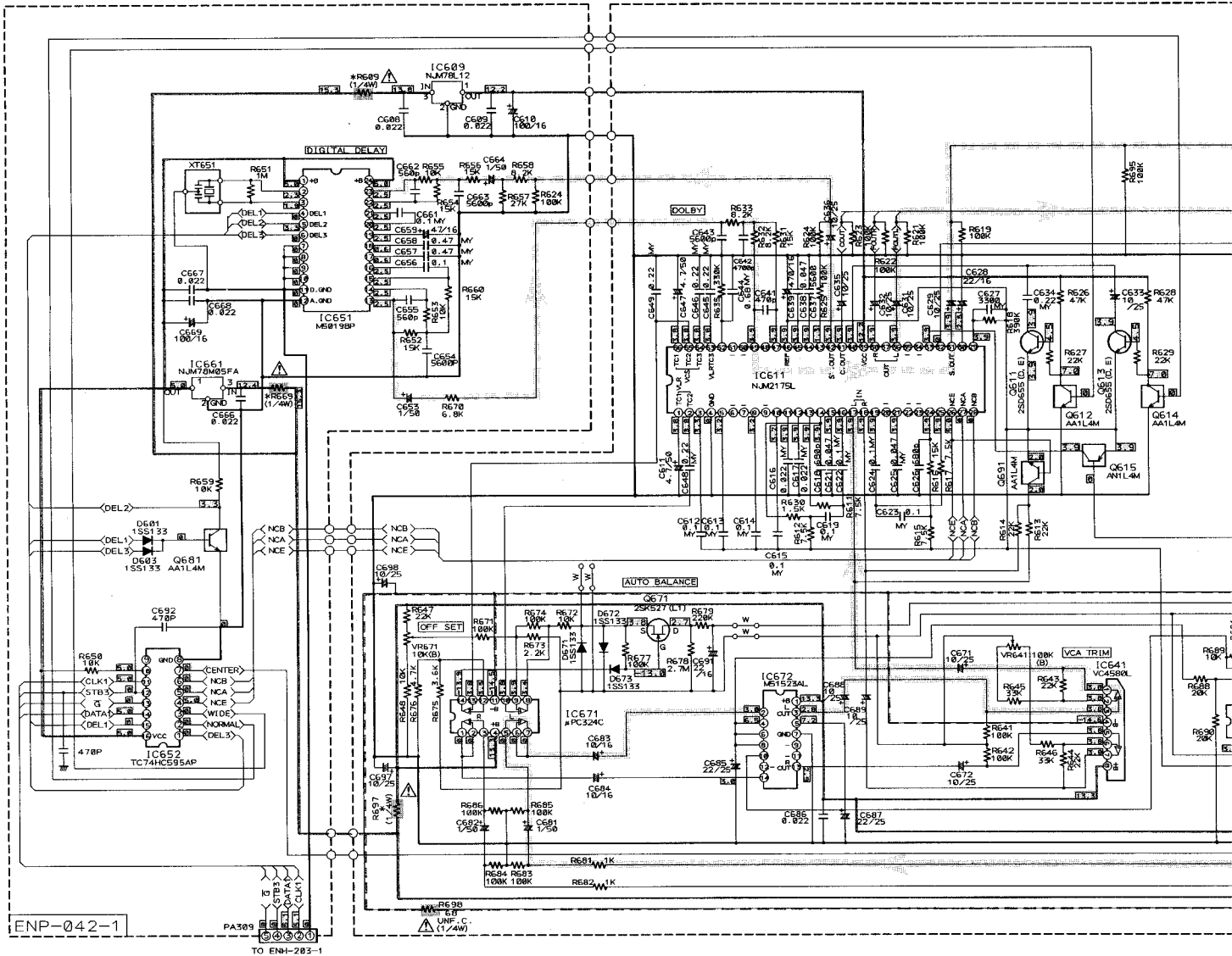
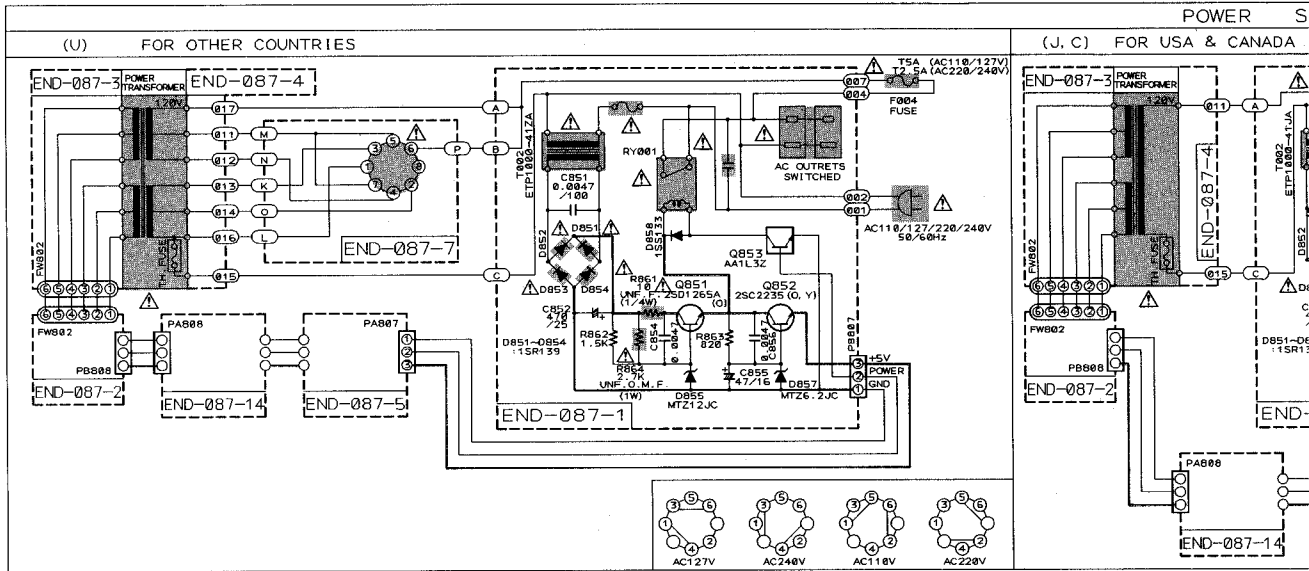
	J.C.	U	A	G.B.S.EN.EF
D434	NONE	USED	NONE	NONE
D435	USED	NONE	NONE	NONE
D436	NONE	NONE	USED	USED
D437	NONE	NONE	NONE	USED
D431	NONE	NONE	NONE	NONE

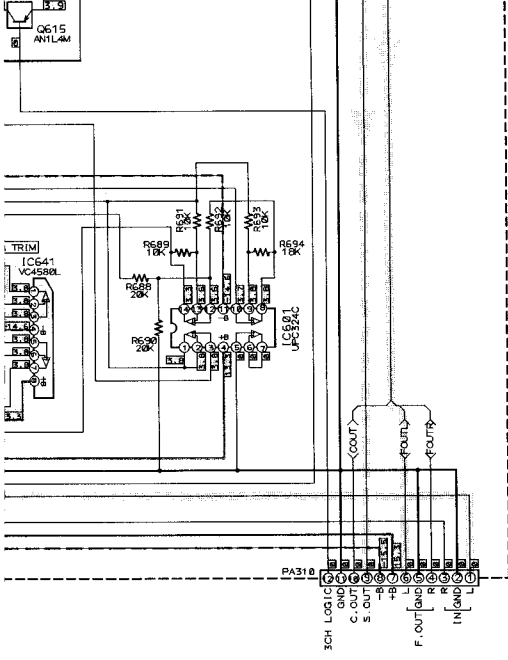
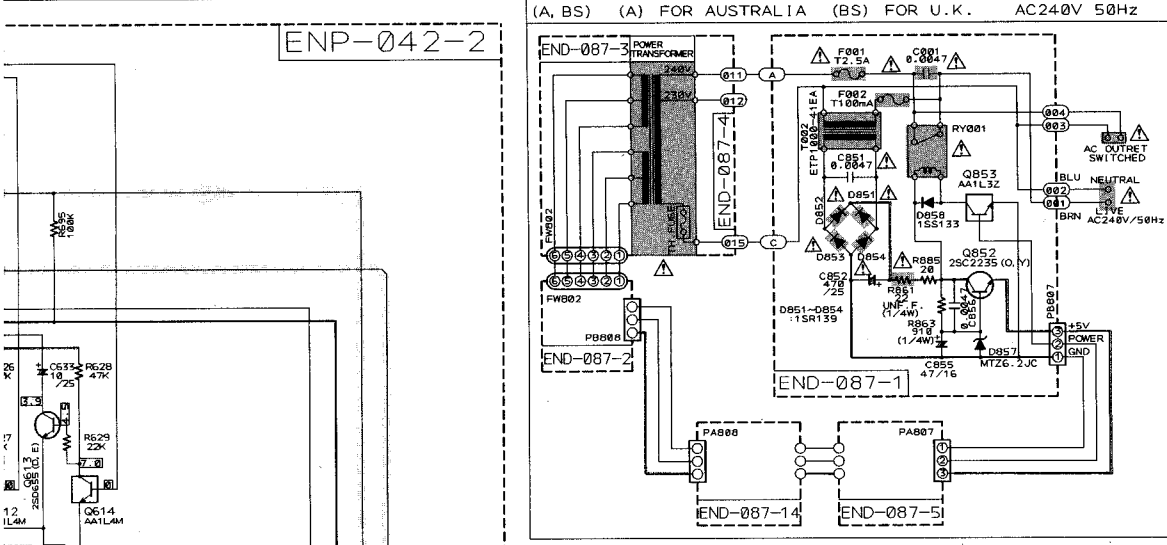
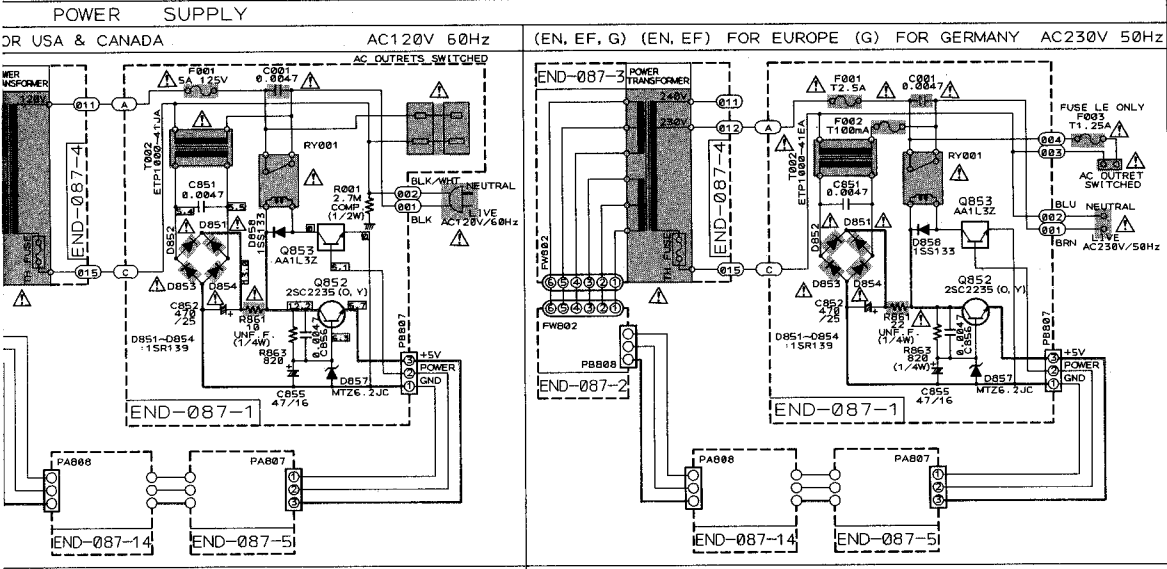
END-087-10

Notes:

1. — indicates +B power supply.
2. - - - - - indicates -B power supply.
3. ——— indicates main signal path.
4. ——— indicates surround signal path.
5. [Shaded Area] shows DC voltage to the chassis with no signal input.
6. When replacing the parts in the shaded area ([Shaded Area]) and those marked with Δ, be sure to use the designated parts to ensure safety. This is the standard circuit diagram.
7. The design and contents are subject to change without notice.

(5) Power Primary & Surround Section

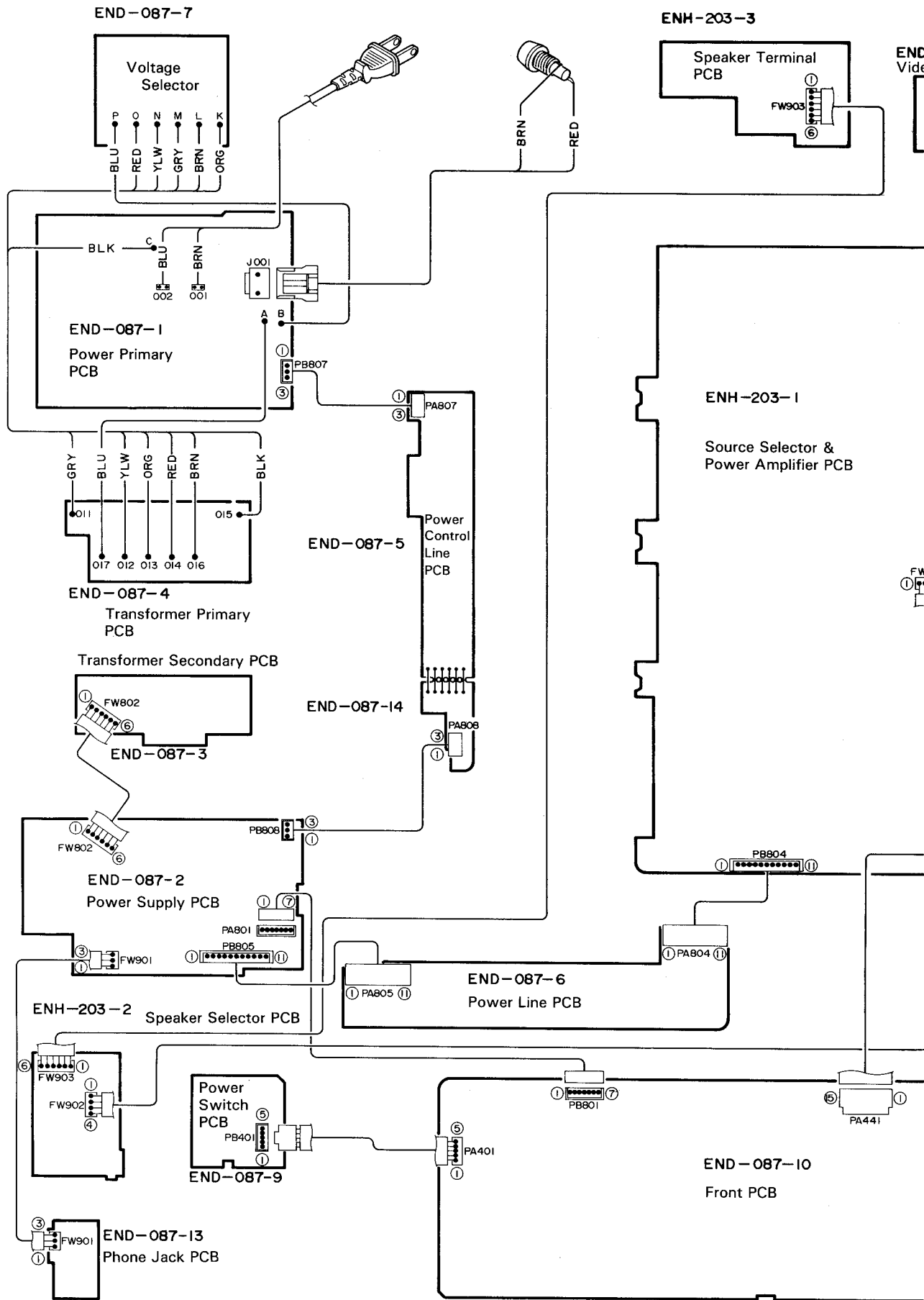


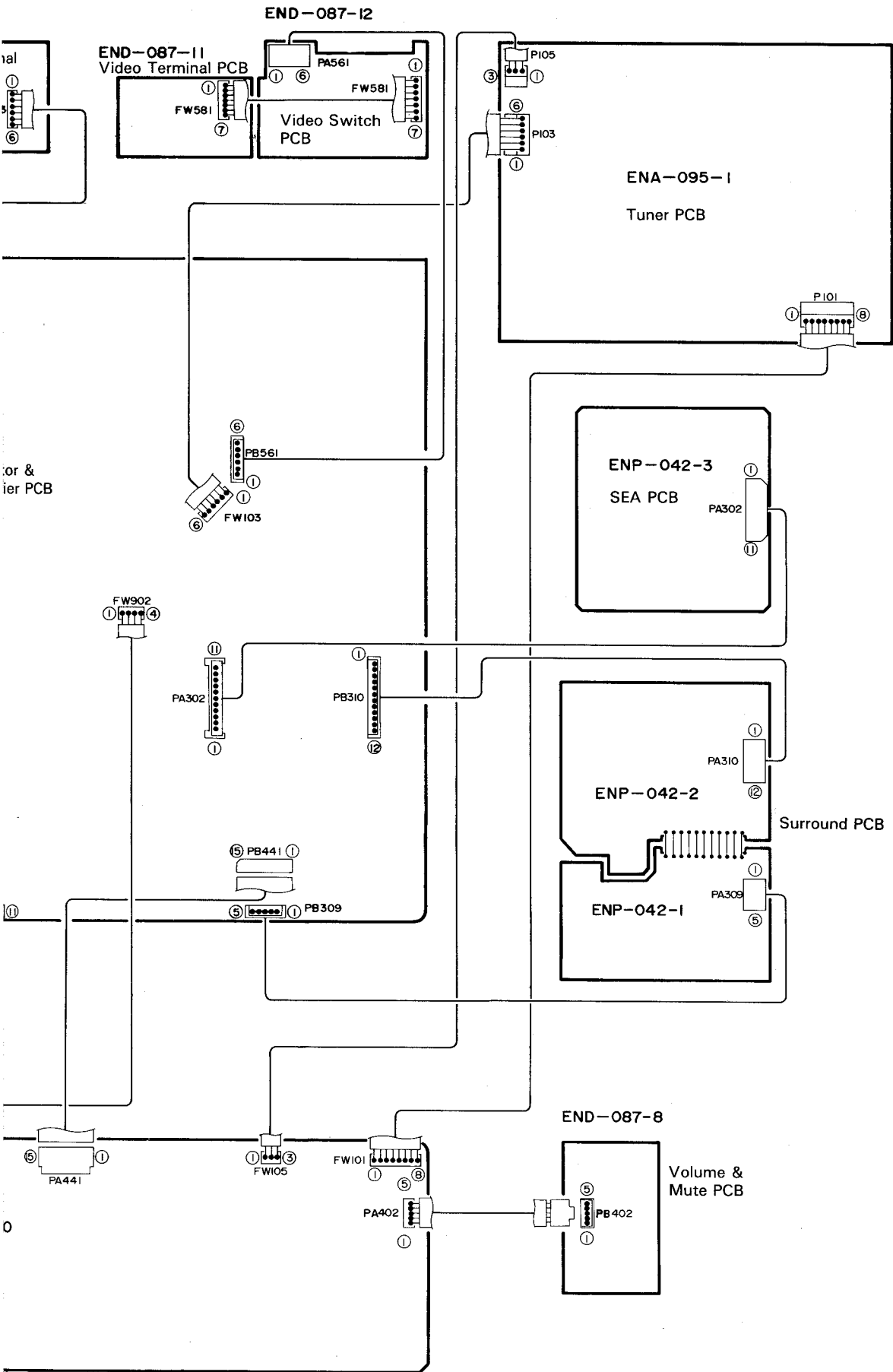


	J	other
R609	68 UNF.C.	56 UNF.F.
R669	68 UNF.C.	56 UNF.F.
R697	68 UNF.C.	56 UNF.F.

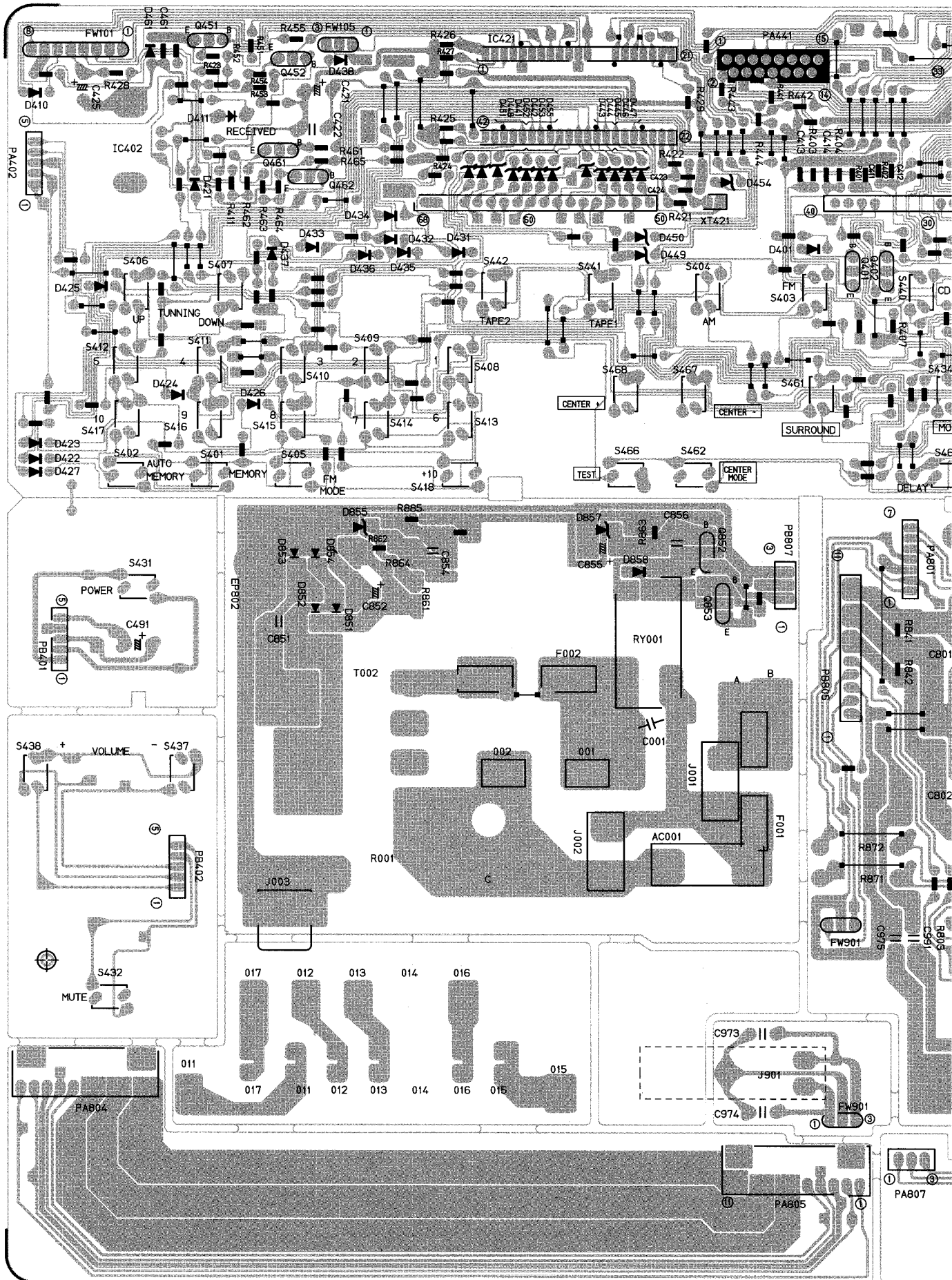
- Notes:**
1. — indicates +B power supply.
 2. - - - indicates -B power supply.
 3. [Shaded area] indicates main signal path.
 4. [Dotted area] indicates surround signal path.
 5. [Box with diagonal lines] shows DC voltage to the chassis with no signal input.
 6. When replacing the parts in the shaded area ([Shaded area]) and those marked with Δ , be sure to use the designated parts to ensure safety. This is the standard circuit diagram.
 7. The design and contents are subject to change without notice.

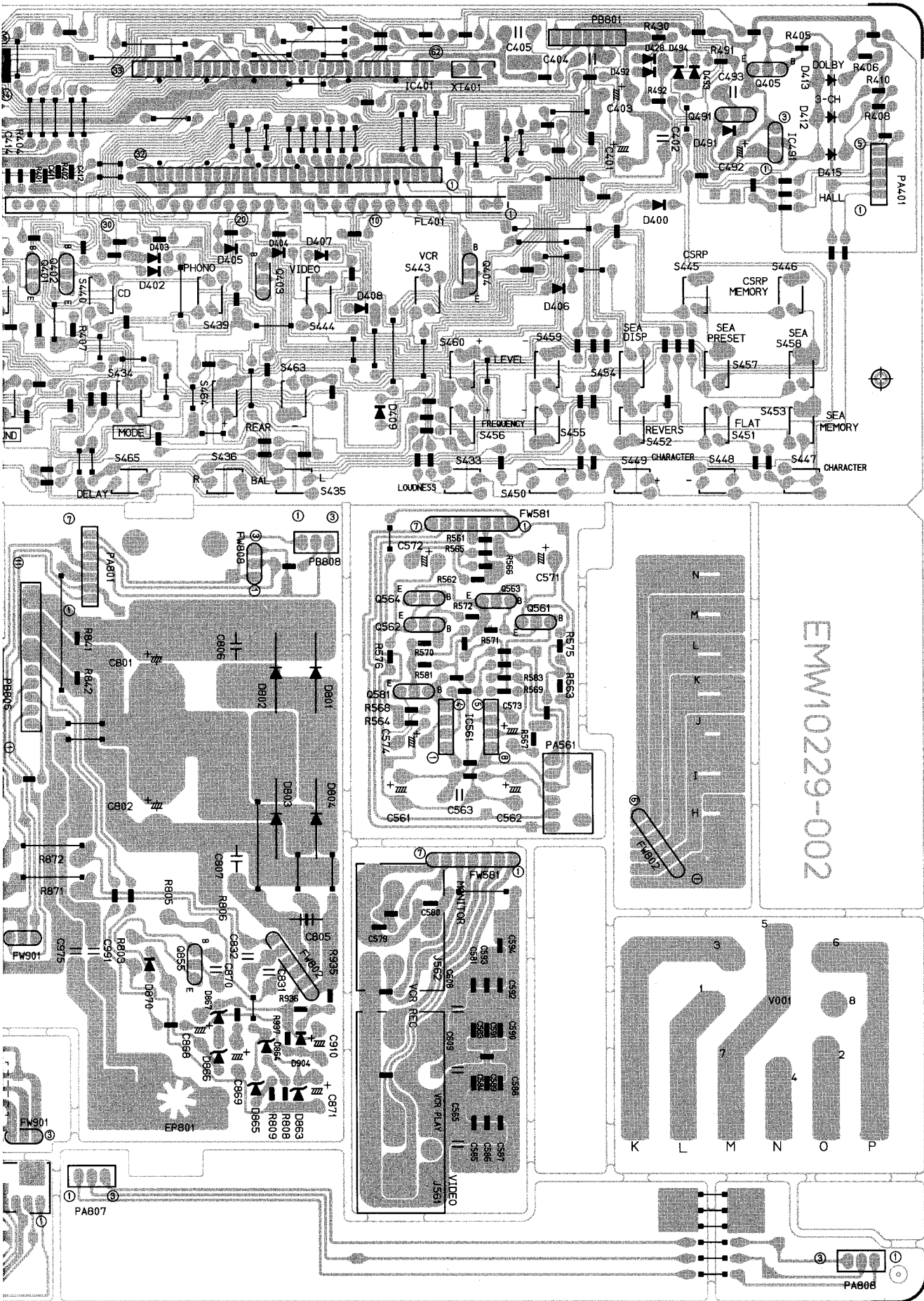
Connection Diagram



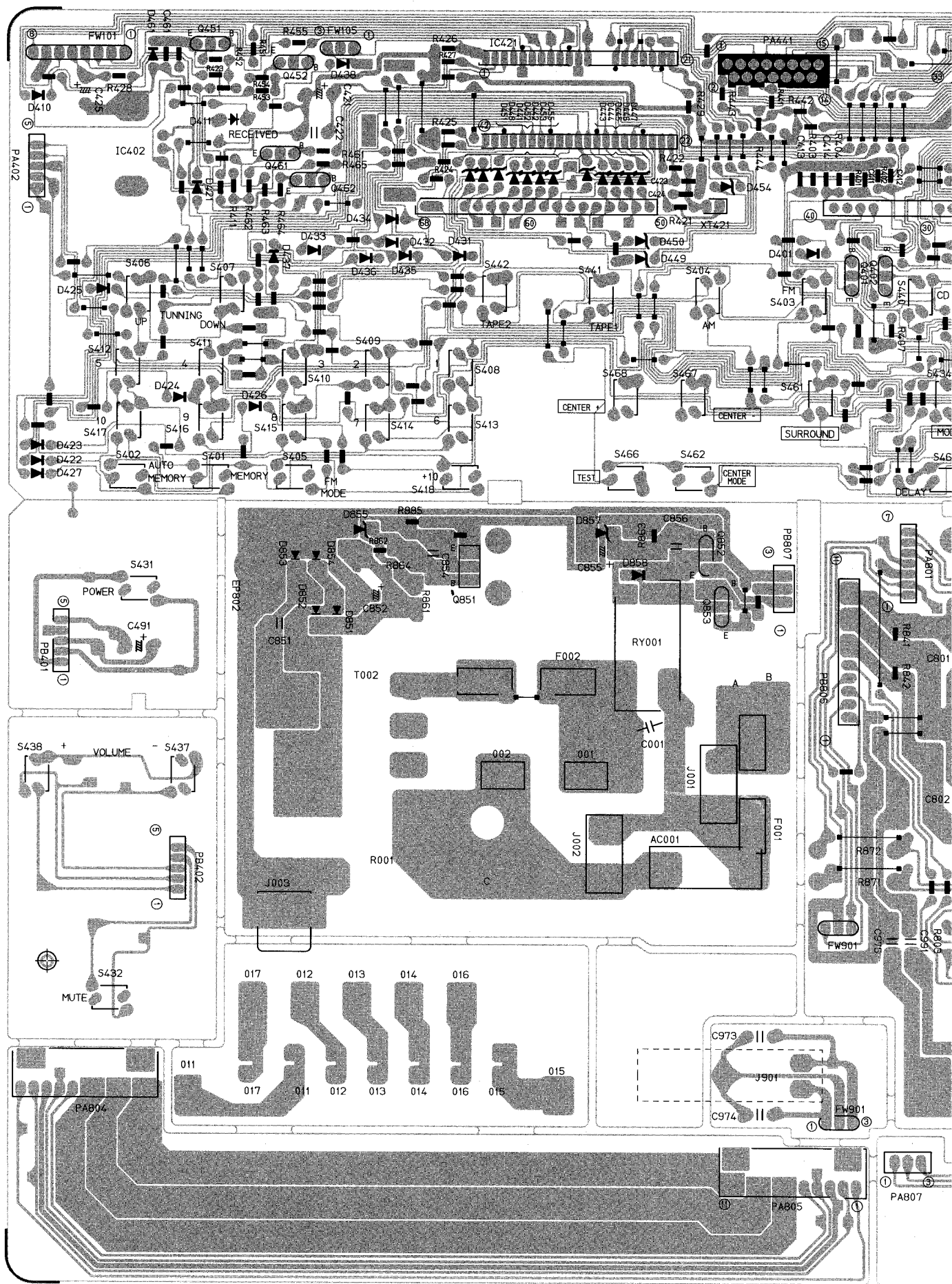


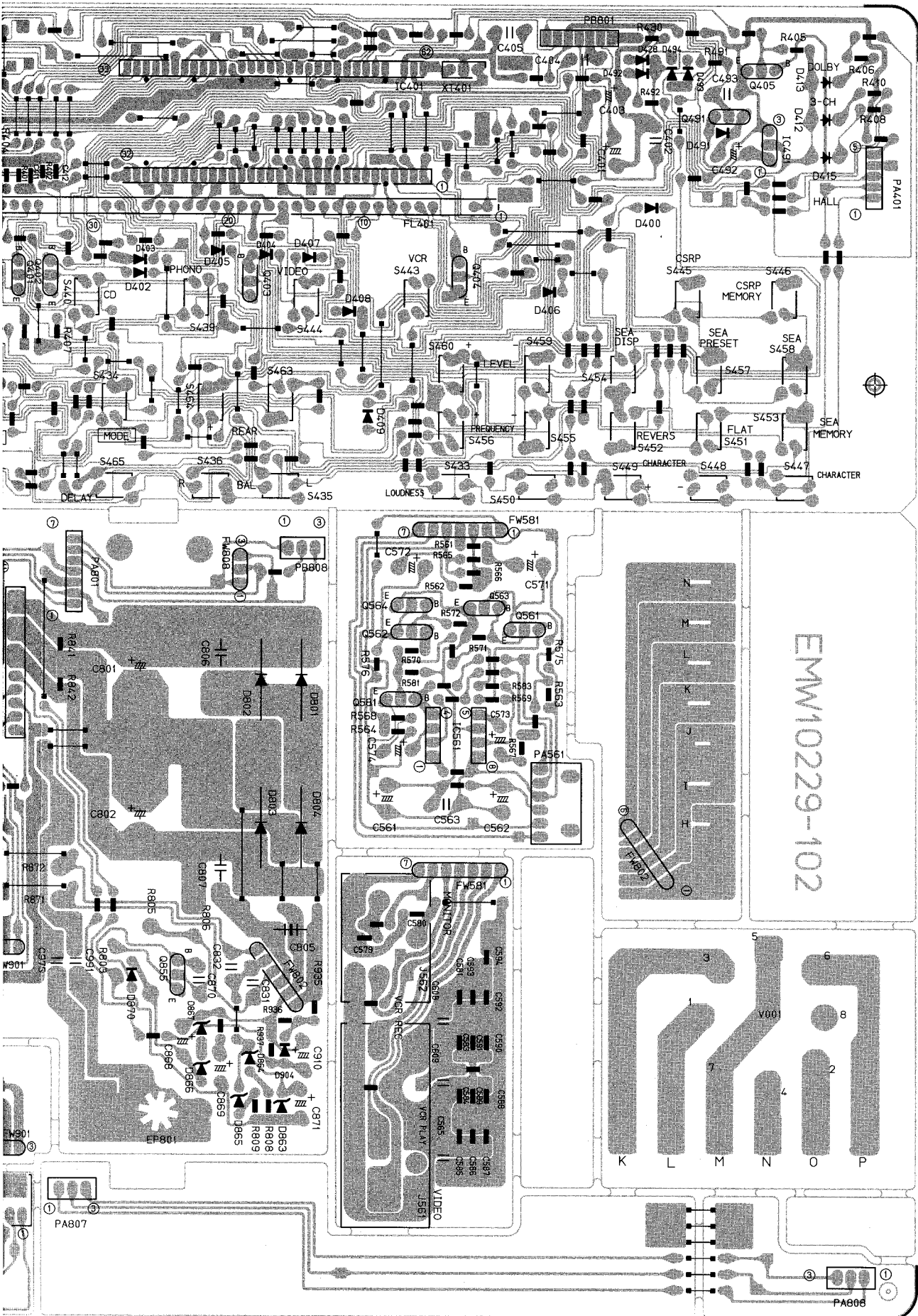
Printed Circuit Boards (1) Front & Power Primary PCB (END-087) Version: Except Universal





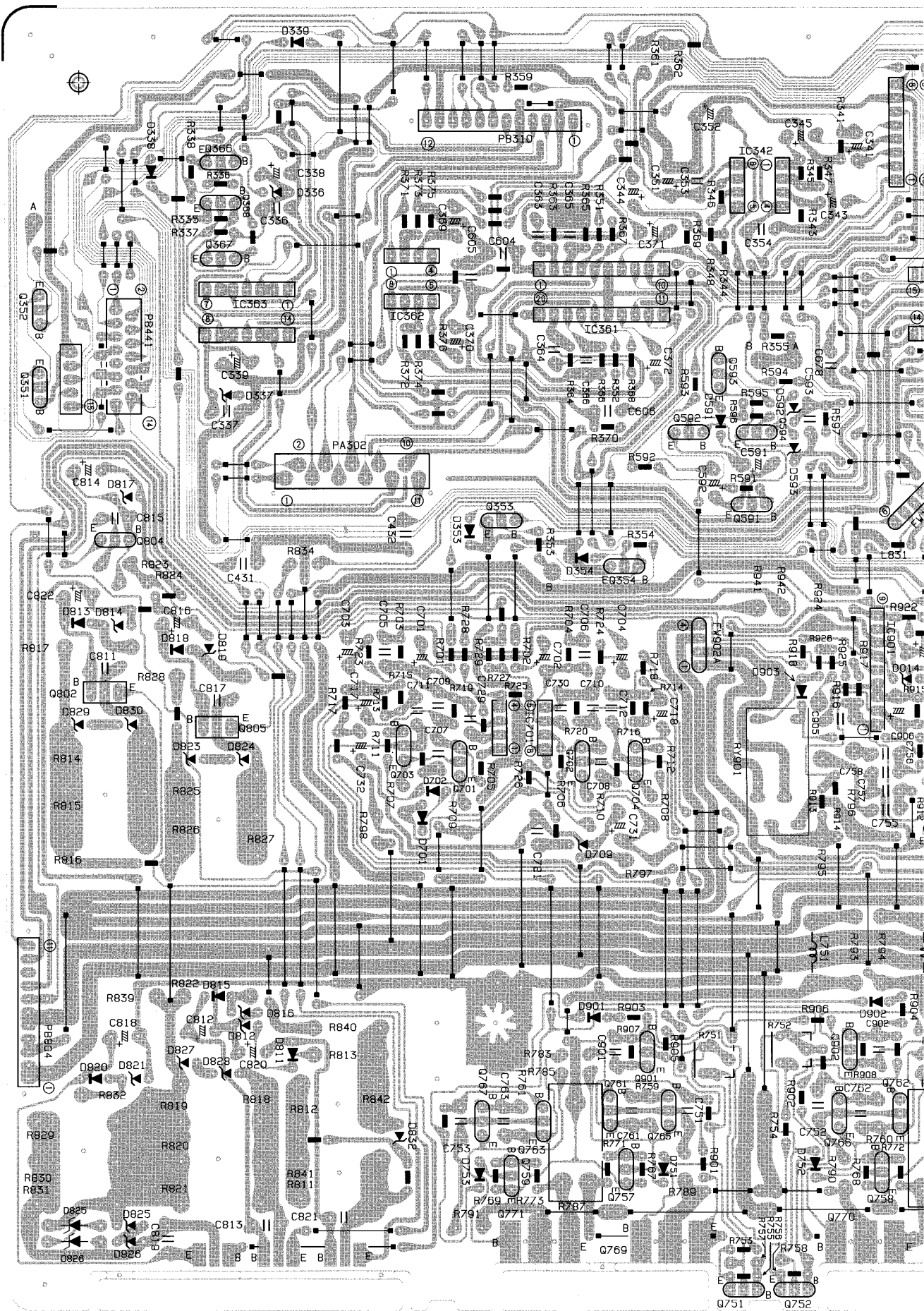
(2) Front & Power Primary PCB (END-087) Version: Universal



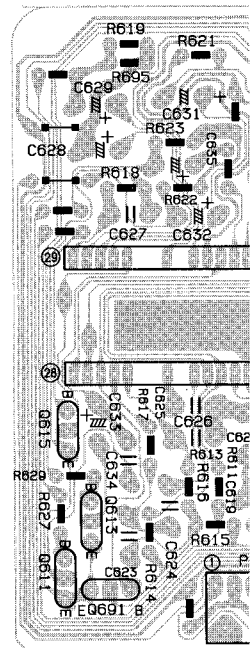
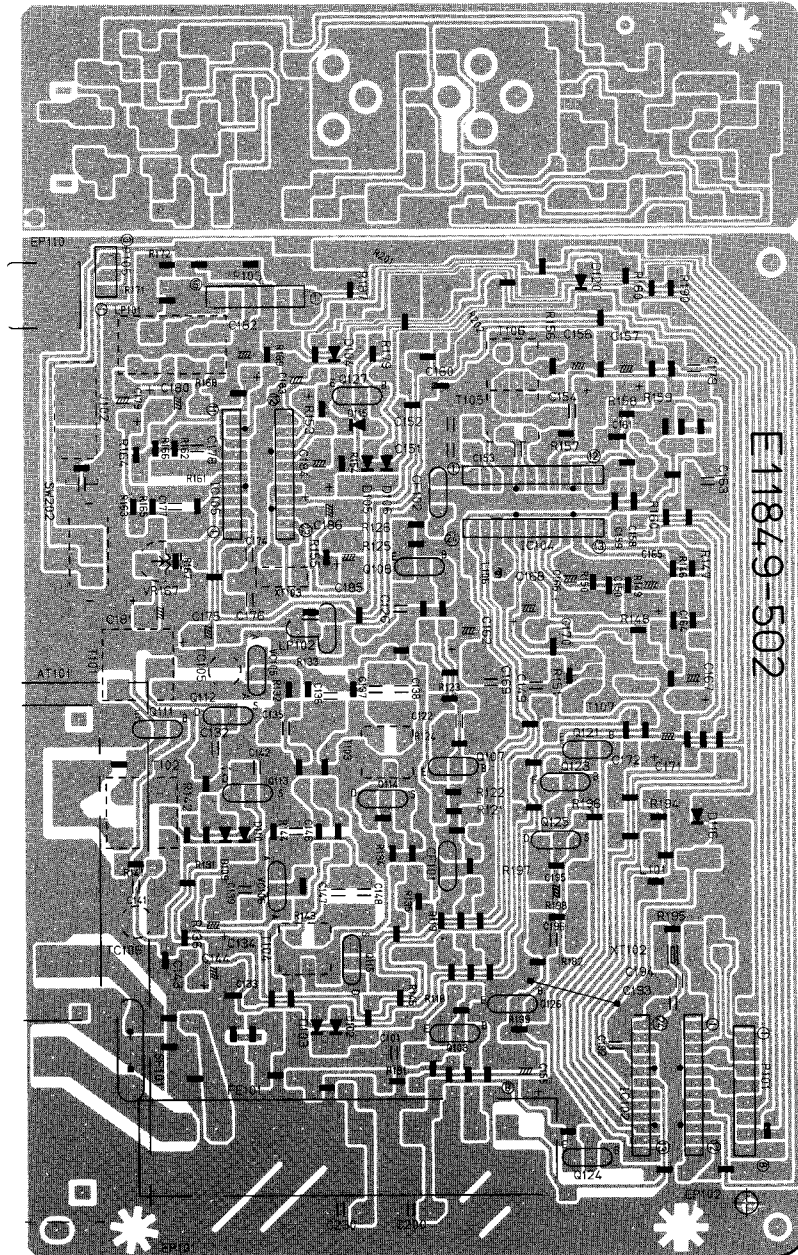


EMW10229-102

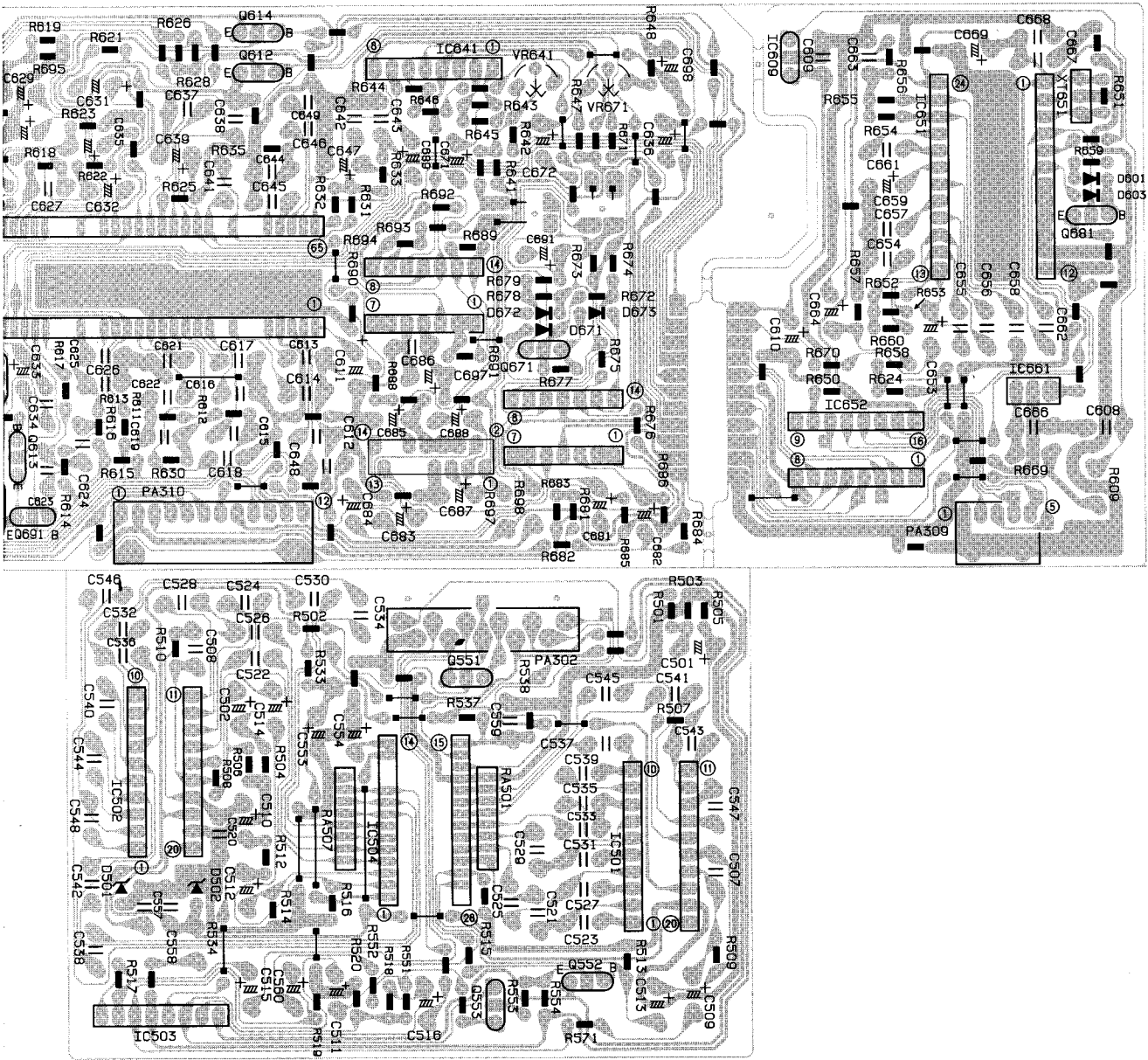
(3) Source Selector, Power Supply & Power Amplifier PCB (ENH-203)



(4) Tuner PCB (ENA-095)



(5) SEA & Surround PCB (ENP-042)

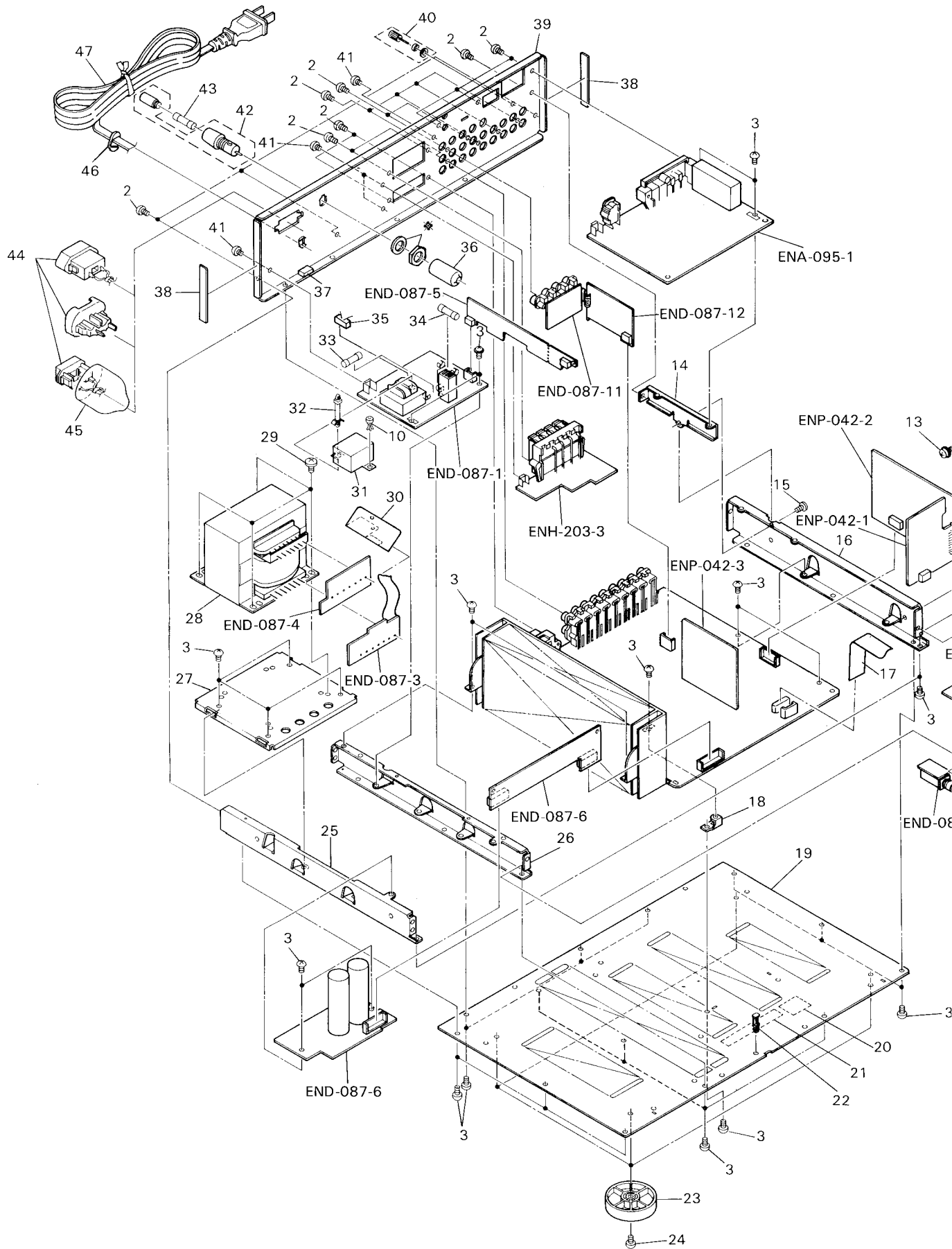


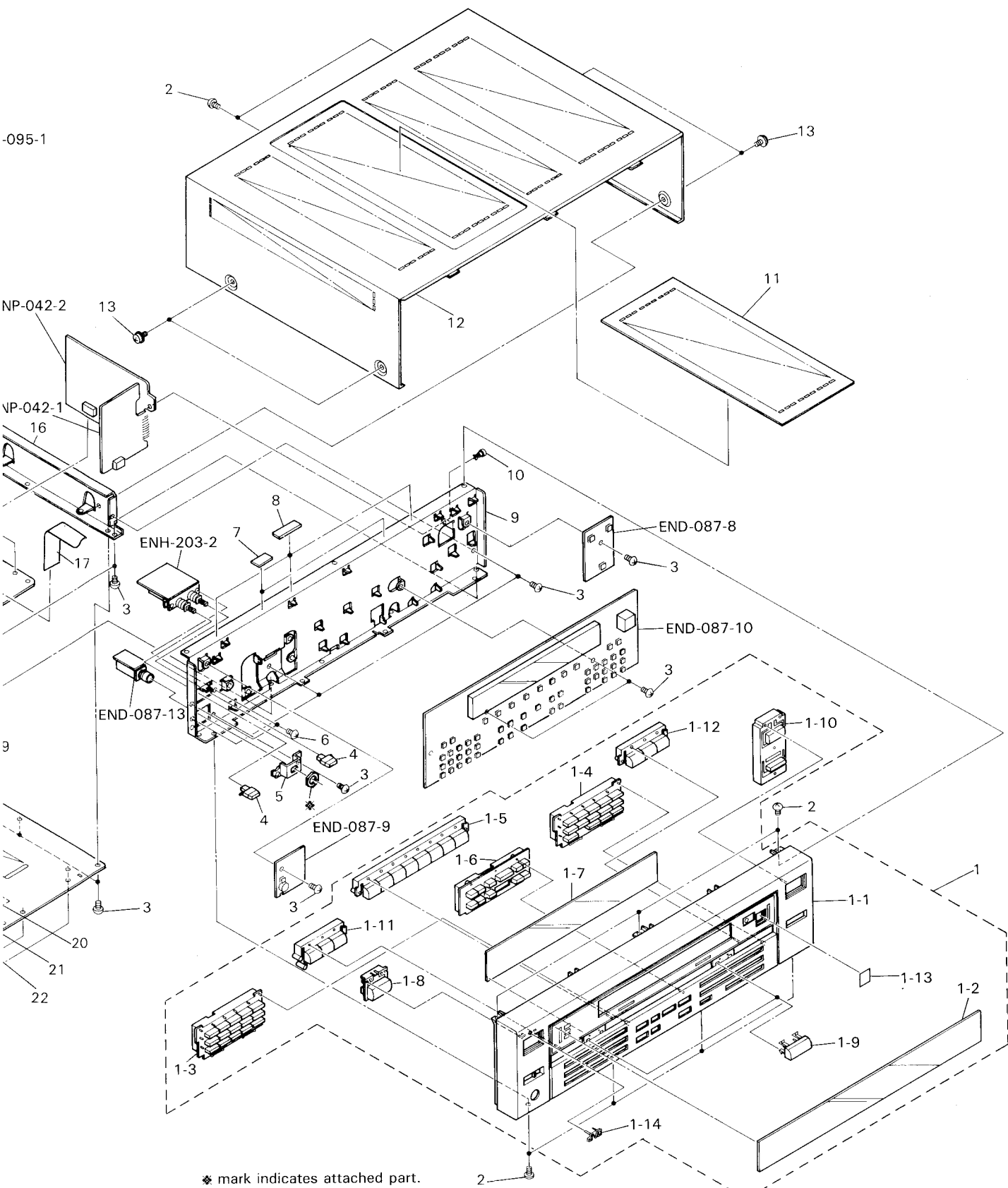
PARTS LIST

Contents

General Exploded View and Parts List	2-3
Printed Circuit Board Ass'y and Parts List	2-7
■ ENH-203 <input type="checkbox"/> Source Selector , Power Supply & Power Amplifier PC Board Ass'y	2-7
■ END-087 <input type="checkbox"/> Front & Power Primary PC Board Ass'y	2-12
■ ENP-042 <input type="checkbox"/> SEA & Surround PC Board Ass'y	2-15
■ ENA-095 <input type="checkbox"/> Tuner PC Board Ass'y	2-17
Accessories List	2-19
Packing Materials and Part Numbers	2-20

General Exploded View and Parts List





✳ mark indicates attached part.

■ Parts List

⚠	Item	Part Number	Part Name	Q'ty	Description	Areas
	1	EFP-RX506VBKE	Front Panel Ass'y	1		Except A
	1-1	EFP-RX506VBKA	Front Panel Ass'y	1		A
	1-2	E102364-017SM	Front Panel	1		
		E206962-011SM	Window Screen	1		A
		E206962-012SM	Window Screen	1		Except A
	1-3	E206964-004SS	Preset Button	1	Right	
	1-4	E206964-003SS	Push Button	1	Left	
	1-5	E206965-002SM	Source Button	1		
	1-6	E206966-005SS	Push Button	1		
	1-7	E306679-007SM	FL Screen	1		
	1-8	E307173-001SM	Power Button	1		
	1-9	E307729-002SS	Cap	2		
	1-10	E307230-005SS	Volume Knob	1		
	1-11	E307231-005SM	Push Button	1	Left	
	1-12	E307232-005SM	Push Button	1	Right	
	1-13	E72436-006	Screen	1		
	1-14	E72968-001	JVC Mark	1		
	2	SBSG3008M	Screw	26		
	3	SBSG3008CC	Screw	39		
	4	E406334-002SS	Speaker Button	2		
	5	E75143-001SM	Headphone Bracket	1		
	6	SBST3006CC	Screw	2		
	7	E306805-015	Felt Spacer	2		
	8	EXO020008N80S02	Felt Spacer	3		
	9	E102372-001SM	Front Bracket	1		
	10	E48729-008	Plastic Rivet	2		Except A
		E48729-008	Plastic Rivet	1		A
	11	E307233-001SM	Grill	1		
	12	E207049-005	Metal Cover	1		
	13	E61660-004	Special Screw	4		
	14	E307353-001SM	Bracket	1		
	15	SDSG3008CC	Screw	1		
	16	E206957-001SM	Side Bracket	1	Right	
	17	EWR615E-25TTJ2	Flat Cord	1		
	18	E68587-009	Bracket	1		
	19	E102371-003SM	Bottom Base	1		
	20	E70115-002	Caution Label	1		
	21	E74925-001	Dolby Sheet	1		
	22	E406587-001	Fastener	1		
	23	VJF4039-00F	Foot	4		
	24	SBST3010Z	Screw	4	for Foot	
	25	E206956-001SM	Side Bracket	1	Left	
	26	E206958-003SM	Center Bracket	1		
	27	E206959-001SM	Trans Bracket	1		
⚠	28	ETP1200-48EAJ	Power Transformer	1		Except BS
⚠	29	ETP1200-48EAJBS	Power Transformer	1		BS
	30	E65389-004	Special Screw	4	for Trans	
	31	E307530-001SM	Protect Sheet	1		
	32	E406528-001	Cover	1		Except A
		E306232-002	Fastener	1		Except A
⚠	33	QMF51E2-R10J1	Fuse	1	F002	Except BS
⚠		QMF51E2-R10J1BS	Fuse	1	F002	BS
⚠	34	QMF51E2-2R5J1	Fuse	1	F001	Except BS
⚠		QMF51E2-2R5J1BS	Fuse	1	F001	BS
	35	EWS282-003	Socket Wire	1		
	36	E69291-001	Fuse Cover	1		EN, EF
	37	E306805-023	Spacer	1		
	38	EXO085010R10S	Felt Spacer	2		
	39	E206960-035SM	Rear Panel	1		EN, EF
		E206960-036SM	Rear Panel	1		G

⚠: Safety Parts

△	Item	Part Number	Part Name	Q'ty	Description	Areas
		E206960-037SM	Rear Panel	1		A
	40	E206960-030SM	Rear Panel	1		BS
	41	E70078-003	GND. Terminal	1		
		SBST3006M	Screw	2		Except G
		SBST3006M	Screw	4		G
△	42	QMG0301-003	Fuse Holder	1		EN, EF
△	43	QMF51E2-1R125J1	Fuse	1		EN, EF
△	44	EMC0236-001	AC Socket	1		EN, EF, G
△		EMC0237-001BS	AC Socket	1		BS
△		EMC0233-001	AC Socket	1		A
△	45	E406079-001	AC Outlet Cover	1		BS
△	46	QHS3876-162	Cord Stopper	1		Except BS
△		QHS3876-162BS	Cord Stopper	1		BS
△	47	QMP2560-244	Power Cord	1		A
△		QMP3900-200	Power Cord	1		EN, EF
△		QMP39A0-200	Power Cord	1		G
△		QMP9017-008BS	Power Cord	1		BS
	-	E61029-005	Number Label	1		EN, EF, BS
	-	E70027-001	Approval Label	1		EN
	-	QZL10301-101	SEV Label	1		EF

△: Safety Parts

The Marks Designated Areas

A.....Australia

G.....Germany

EF.....Continental Europe

EN.....Scandinavia

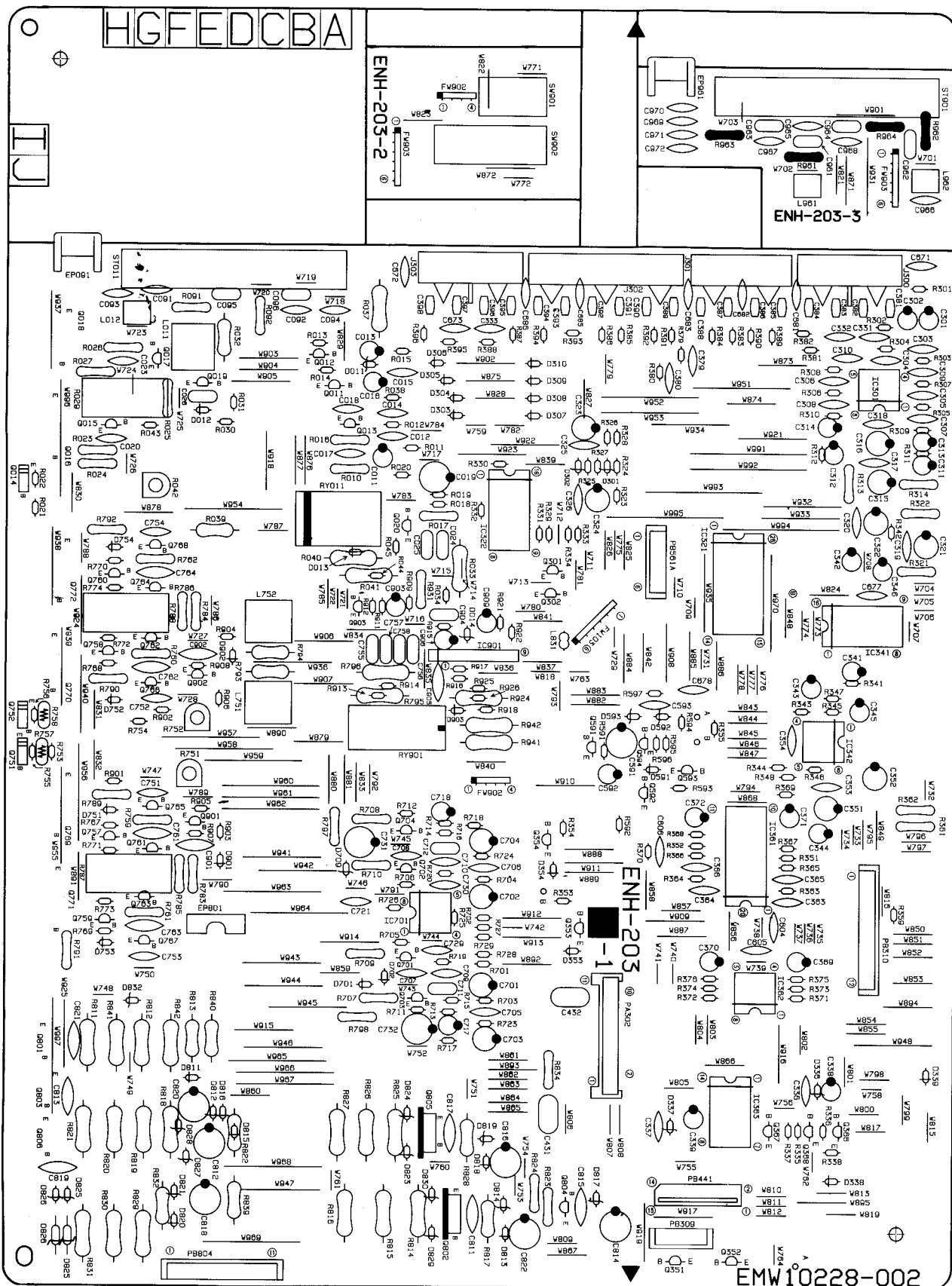
BS.....the U.K.

No mark indicates all areas.

Printed Circuit Board Ass'y and Parts List

■ ENH-203 □ Source Selector , Power Supply & Power Amplifier PC Board Ass'y

Note : ENH-203 □ varies according to the areas employed. See note (1) when placing an order.



Note (1)

PC Board Ass'y	Designated Areas
ENH-203 D	Continental Europe, Scandinavia
ENH-203 E	Australia
ENH-203 F	the U.K.
ENH-203 G	Germany

Transistors

ITEM	PART NUMBER	DESCRIPTION	AREA
Q011	2SC2240(BL)	SILICON TOSHIBA	
Q012	2SC2240(BL)	SILICON TOSHIBA	
Q013	2SA1038(R,S)	SILICON ROHM	
Q014	2SD636(Q,R)	SILICON MATSUSHITA	
Q015	2SC2235(O,Y)	SILICON TOSHIBA	
Q016	2SC4278LD(D,E)	SILICON ROHM	
Q017	2SA965(O,Y)	SILICON TOSHIBA	
Q018	2SA1633LD(D,E)	SILICON ROHM	
Q019	2SC1775AV(E,F)	SILICON HITACHI	
Q020	DTC143TS	SILICON ROHM	
Q301	AA1L4M	SILICON NEC	
Q302	AA1L4M	SILICON NEC	
Q351	AA1L4M	SILICON NEC	
Q352	AN1L4M	SILICON NEC	
Q353	2SK105(F,H)	F.E.T	
Q354	2SK105(F,H)	F.E.T	
Q366	AA1L4M	SILICON NEC	
Q367	AN1L4M	SILICON NEC	
Q368	AA1L4M	SILICON NEC	
Q591	AA1L4M	SILICON NEC	
Q592	AN1L4M	SILICON NEC	
Q593	2SK301(P,Q)	F.E.T MATSUSHITA	
Q594	2SK301(P,Q)	F.E.T MATSUSHITA	
Q701	2SC2910(T)	SILICON SANYO	
Q702	2SC2910(T)	SILICON SANYO	
Q703	2SA970(BL)	SILICON TOSHIBA	
Q704	2SA970(BL)	SILICON TOSHIBA	
Q751	2SD636(Q,R)	SILICON MATSUSHITA	
Q752	2SD636(Q,R)	SILICON MATSUSHITA	
Q757	2SC945A(P,Q)	SILICON NEC	
Q758	2SC945A(P,Q)	SILICON NEC	
Q759	2SA733A(P,Q)	SILICON NEC	
Q760	2SA733A(P,Q)	SILICON NEC	
Q761	2SC2240(BL)	SILICON TOSHIBA	
Q762	2SC2240(BL)	SILICON TOSHIBA	
Q763	2SA970(BL)	SILICON TOSHIBA	
Q764	2SA970(BL)	SILICON TOSHIBA	
Q765	2SC2235(O,Y)	SILICON TOSHIBA	
Q766	2SC2235(O,Y)	SILICON TOSHIBA	
Q767	2SA965(O,Y)	SILICON TOSHIBA	
Q768	2SA965(O,Y)	SILICON TOSHIBA	
Q769	2SC4278LD(D,E)	SILICON ROHM	
Q770	2SC4278LD(D,E)	SILICON ROHM	
Q771	2SA1633LD(D,E)	SILICON ROHM	
Q772	2SA1633LD(D,E)	SILICON ROHM	
Q801	2SB1187F(E,F)	SILICON ROHM	
Q802	2SD2061(E,F)	SILICON ROHM	
Q803	2SD2061(E,F)	SILICON ROHM	
Q804	2SC2235(O,Y)	SILICON TOSHIBA	
Q805	2SD2061(E,F)	SILICON ROHM	
Q806	2SD2061(E,F)	SILICON ROHM	
Q901	2SC1775AV(E,F)	SILICON HITACHI	
Q902	2SC1775AV(E,F)	SILICON HITACHI	
Q903	2SA872AV(D,E)	SILICON HITACHI	

△ : SAFETY PARTS

I.C.s

ITEM	PART NUMBER	DESCRIPTION	AREA
IC301	VC4580DD	I.C. DAINICHI	
IC321	TC9164N	I.C. TOSHIBA	
IC322	TC4052BP	I.C. TOSHIBA	
IC341	TC9176P	I.C. TOSHIBA	
IC342	NJM4560DD	I.C. DAINICHI	
IC361	TC9177P	I.C. TOSHIBA	
IC362	NJM4560DD	I.C. DAINICHI	
IC363	TC4066BP	I.C. TOSHIBA	
IC701	NJM4560DD	I.C. DAINICHI	
IC901	TA7317P	I.C. TOSHIBA	

△ : SAFETY PARTS

Diodes

ITEM	PART NUMBER	DESCRIPTION	AREA
D011	MTZ18JC	ZENER ROHM	
D012	1SS133	SILICON ROHM	
D013	1SS133	SILICON ROHM	
D014	1SS133	SILICON ROHM	
D303	1SS133	SILICON ROHM	
D304	1SS133	SILICON ROHM	
D305	1SS133	SILICON ROHM	
D306	1SS133	SILICON ROHM	
D307	1SS133	SILICON ROHM	
D308	1SS133	SILICON ROHM	
D309	1SS133	SILICON ROHM	
D310	1SS133	SILICON ROHM	
D336	MTZ11JC	ZENER ROHM	
D337	MTZ10JC	ZENER ROHM	
D338	1SS133	SILICON ROHM	
D339	1SS133	SILICON ROHM	
D353	1SS133	SILICON ROHM	
D354	1SS133	SILICON ROHM	
D591	1SS133	SILICON ROHM	
D592	MTZ6.BJC	ZENER ROHM	
D593	MTZ6.BJC	ZENER ROHM	
D701	1SS133	SILICON ROHM	
D702	1SS133	SILICON ROHM	
D709	MTZ3.OJB	ZENER ROHM	
D751	1SS133	SILICON ROHM	
D752	1SS133	SILICON ROHM	
D753	1SS133	SILICON ROHM	
D754	1SS133	SILICON ROHM	
D811	1SS133	SILICON ROHM	
D812	MTZ16JC	ZENER ROHM	
D813	1SS133	SILICON ROHM	
D814	MTZ16JC	ZENER ROHM	
D815	1SS133	SILICON ROHM	
D816	MTZ13JC	ZENER ROHM	
D817	MTZ6.BJC	ZENER ROHM	
D818	1SS133	SILICON ROHM	
D819	MTZ16JC	ZENER ROHM	
D820	1SS133	SILICON ROHM	
D821	MTZ16JC	ZENER ROHM	
D823	MTZ15JC	ZENER ROHM	
D824	MTZ15JC	ZENER ROHM	
D825	RD13FB2	ZENER	
D826	RD13FB2	ZENER	
D901	1SS133	SILICON ROHM	
D902	1SS133	SILICON ROHM	
D903	1SS133	SILICON ROHM	

△ : SAFETY PARTS

Capacitors

ITEM	PART NUMBER	DESCRIPTION	AREA
C011	QETB1HM-106	10MF 50V ELECTRO	
C012	QCS21HJ-271	270PF 50V CERAMIC	
C013	QETB1EM-106	10MF 25V ELECTRO	
C014	QCS21HJ-101	100PF 50V CERAMIC	
C015	QCS21HJ-5R0	5PF 50V CERAMIC	
C016	QETB1CM-476	47MF 16V ELECTRO	
C017	QCS22HJ-330	33PF 500V CERAMIC	
C018	QFV81HJ-103	0.01MF 50V T.FILM	
C019	QETB1HM-226	22MF 50V ELECTRO	
C020	QCS22HJ-470A	47PF 500V CERAMIC	
C023	QCS22HJ-470A	47PF 500V CERAMIC	
C024	QFLB1HK-473	0.047MF 50V MYLAR	
C025	QFLB1HK-473	0.047MF 50V MYLAR	
C026	QCF21HP-223	0.022MF 50V CERAMIC	
C091	QCS21HJ-101	100PF 50V CERAMIC	G
C092	QCS21HJ-101	100PF 50V CERAMIC	G
C093	QCS21HJ-101	100PF 50V CERAMIC	G
C094	QCS21HJ-101	100PF 50V CERAMIC	G
C095	QFLB1HK-473	0.047MF 50V MYLAR	G
C096	QFLB1HK-473	0.047MF 50V MYLAR	G
C301	QETB1HM-475	4.7MF 50V ELECTRO	
C302	QETB1HM-475	4.7MF 50V ELECTRO	
C303	QCS21HJ-101	100PF 50V CERAMIC	
C304	QCS21HJ-101	100PF 50V CERAMIC	
C305	QCY21HK-182	1800PF 50V CERAMIC	
C306	QCY21HK-182	1800PF 50V CERAMIC	
C307	QCY21HK-682	6800PF 50V CERAMIC	
C308	QCY21HK-682	6800PF 50V CERAMIC	
C309	QCS21HJ-101	100PF 50V CERAMIC	
C310	QCS21HJ-101	100PF 50V CERAMIC	
C311	QETB1HM-475	4.7MF 50V ELECTRO	
C312	QETB1HM-475	4.7MF 50V ELECTRO	
C313	QETB1AM-107	100MF 10V ELECTRO	
C314	QETB1AM-107	100MF 10V ELECTRO	
C315	QETB1CM-476	47MF 16V ELECTRO	
C316	QETB1CM-476	47MF 16V ELECTRO	
C319	QCF21HP-223	0.022MF 50V CERAMIC	
C320	QCF21HP-223	0.022MF 50V CERAMIC	
C321	QETB1EM-476	47MF 25V ELECTRO	
C322	QETB1EM-476	47MF 25V ELECTRO	
C323	QETB1EM-476	47MF 25V ELECTRO	
C324	QETB1EM-476	47MF 25V ELECTRO	
C325	QCF21HP-223	0.022MF 50V CERAMIC	
C326	QCF21HP-223	0.022MF 50V CERAMIC	
C331	QCF21HP-223	0.022MF 50V CERAMIC	

△ : SAFETY PARTS

Capacitors

ITEM	PART NUMBER	DESCRIPTION	AREA
C332	QCF21HP-223	0.022MF 50V CERAMIC	
C333	QCF21HP-223	0.022MF 50V CERAMIC	
C336	QCF21HP-223	0.022MF 50V CERAMIC	
C337	QCF21HP-223	0.022MF 50V CERAMIC	
C338	QETB1HM-475	4.7MF 50V ELECTRO	
C339	QETB1HM-475	4.7MF 50V ELECTRO	
C341	QETB1HM-475	4.7MF 50V ELECTRO	
C342	QETB1HM-475	4.7MF 50V ELECTRO	
C343	QETB1HM-105	1MF 50V ELECTRO	
C344	QETB1HM-105	1MF 50V ELECTRO	
C345	QETB1EM-106	10MF 25V ELECTRO	
C346	QETB1EM-106	10MF 25V ELECTRO	
C351	QETB1EM-476	47MF 25V ELECTRO	
C352	QETB1EM-476	47MF 25V ELECTRO	
C353	QCF21HP-223	0.022MF 50V CERAMIC	
C354	QCF21HP-223	0.022MF 50V CERAMIC	
C363	QCS21HJ-181	180PF 50V CERAMIC	
C364	QCS21HJ-181	180PF 50V CERAMIC	
C365	QFLB1HK-333	0.033MF 50V MYLAR	
C366	QFLB1HK-333	0.033MF 50V MYLAR	
C369	QETB1HM-105	1MF 50V ELECTRO	
C370	QETB1HM-105	1MF 50V ELECTRO	
C371	QETB1EM-106	10MF 25V ELECTRO	
C372	QETB1EM-106	10MF 25V ELECTRO	
C379	QCS21HJ-221	220PF 50V CERAMIC	
C380	QCS21HJ-221	220PF 50V CERAMIC	
C381	QCBB1HK-331	330PF 50V CERAMIC	G
C382	QCBB1HK-331	330PF 50V CERAMIC	G
C383	QCBB1HK-331	330PF 50V CERAMIC	G
C384	QCBB1HK-331	330PF 50V CERAMIC	G
C385	QCBB1HK-331	330PF 50V CERAMIC	G
C386	QCBB1HK-331	330PF 50V CERAMIC	G
C387	QCBB1HK-331	330PF 50V CERAMIC	G
C388	QCBB1HK-331	330PF 50V CERAMIC	G
C389	QCBB1HK-331	330PF 50V CERAMIC	G
C390	QCBB1HK-331	330PF 50V CERAMIC	G
C391	QCBB1HK-331	330PF 50V CERAMIC	G
C392	QCBB1HK-331	330PF 50V CERAMIC	G
C393	QCBB1HK-331	330PF 50V CERAMIC	G
C394	QCBB1HK-331	330PF 50V CERAMIC	G
C395	QCBB1HK-331	330PF 50V CERAMIC	G
C396	QCBB1HK-331	330PF 50V CERAMIC	G
C397	QCBB1HK-331	330PF 50V CERAMIC	G
C398	QCBB1HK-331	330PF 50V CERAMIC	G
C431	QFLB1HJ-104	0.1MF 50V MYLAR	
C432	QFLB1HJ-104	0.1MF 50V MYLAR	
C591	QETB1EM-227	220MF 25V ELECTRO	
C592	QETB1HM-225	2.2MF 50V ELECTRO	
C593	QCS21HJ-101	100PF 50V CERAMIC	
C604	QCF21HP-223	0.022MF 50V CERAMIC	
C605	QCF21HP-223	0.022MF 50V CERAMIC	
C673	QCF21HP-223	0.022MF 50V CERAMIC	
C701	QETB1HM-106	10MF 50V ELECTRO	
C702	QETB1HM-106	10MF 50V ELECTRO	
C703	QETB1AM-107	100MF 10V ELECTRO	
C704	QETB1AM-107	100MF 10V ELECTRO	
C705	QCS21HJ-101	100PF 50V CERAMIC	D
C705	QCS21HJ-101	100PF 50V CERAMIC	E
C705	QCS21HJ-101	100PF 50V CERAMIC	F
C706	QCS21HJ-101	100PF 50V CERAMIC	D
C706	QCS21HJ-101	100PF 50V CERAMIC	E
C706	QCS21HJ-101	100PF 50V CERAMIC	F
C707	QCS21HJ-270	27PF 50V CERAMIC	
C708	QCS21HJ-270	27PF 50V CERAMIC	
C709	QCS21HJ-270	27PF 50V CERAMIC	
C710	QCS21HJ-270	27PF 50V CERAMIC	
C711	QFLB1HK-103	0.01MF 50V MYLAR	
C712	QFLB1HK-103	0.01MF 50V MYLAR	
C717	QETB1HM-226	22MF 50V ELECTRO	
C718	QETB1HM-226	22MF 50V ELECTRO	
C721	QCF21HP-223	0.022MF 50V CERAMIC	
C729	QCS21HJ-220	22PF 50V CERAMIC	
C730	QCS21HJ-220	22PF 50V CERAMIC	
C731	QETB1JM-476	47MF 63V ELECTRO	
C732	QETB1JM-476	47MF 63V ELECTRO	
C751	QCS22HJ-470A	47PF 500V CERAMIC	
C752	QCS22HJ-470A	47PF 500V CERAMIC	
C753	QCS22HJ-470A	47PF 500V CERAMIC	
C754	QCS22HJ-470A	47PF 500V CERAMIC	
C755	QFLB1HK-473	0.047MF 50V MYLAR	
C756	QFLB1HK-473	0.047MF 50V MYLAR	
C757	QFLB1HK-473	0.047MF 50V MYLAR	
C758	QFLB1HK-473	0.047MF 50V MYLAR	
C761	QCF21HP-473	0.047MF 50V CERAMIC	
C762	QCF21HP-473	0.047MF 50V CERAMIC	
C763	QCF21HP-473	0.047MF 50V CERAMIC	
C764	QCF21HP-473	0.047MF 50V CERAMIC	
C811	QCF21HP-472	4700PF 50V CERAMIC	
C812	QETB1EM-107	100MF 25V ELECTRO	
C813	QCF21HP-472	4700PF 50V CERAMIC	
C814	QETB1EM-107	100MF 25V ELECTRO	
C815	QCF21HP-472	4700PF 50V CERAMIC	
C816	QETB1EM-107	100MF 25V ELECTRO	
C817	QCF21HP-472	4700PF 50V CERAMIC	
C818	QETB1EM-107	100MF 25V ELECTRO	

Δ SAFETY PARTS

Capacitors

ITEM	PART NUMBER	DESCRIPTION	AREA
C819	QCF21HP-472	4700PF 50V CERAMIC	
C820	QETB1EM-107	100MF 25V ELECTRO	
C821	QCF21HP-472	4700PF 50V CERAMIC	
C822	QETB1EM-107	100MF 25V ELECTRO	
C901	QCF21HP-223	0.022MF 50V CERAMIC	
C902	QCF21HP-223	0.022MF 50V CERAMIC	
C903	QETB1HM-226	22MF 50V ELECTRO	
C904	QFLB1HK-223	0.022MF 50V MYLAR	
C905	QCY21HK-102	1000PF 50V CERAMIC	
C906	QETB1AM-476	47MF 10V ELECTRO	
C909	QETB1CM-226	22MF 16V ELECTRO	
C961	QFLB1HK-473	0.047MF 50V MYLAR	G
C962	QFLB1HK-473	0.047MF 50V MYLAR	G
C963	QFLB1HK-473	0.047MF 50V MYLAR	G
C964	QFLB1HK-473	0.047MF 50V MYLAR	G
C965	QCS21HJ-391	390PF 50V CERAMIC	G
C966	QCS21HJ-101	100PF 50V CERAMIC	G
C967	QCS21HJ-471	470PF 50V CERAMIC	G
C968	QCS21HJ-390	39PF 50V CERAMIC	G
C969	QCS21HJ-331	330PF 50V CERAMIC	G
C970	QCS21HJ-331	330PF 50V CERAMIC	G
C971	QCS21HJ-331	330PF 50V CERAMIC	G
C972	QCS21HJ-331	330PF 50V CERAMIC	G

Δ SAFETY PARTS

Resistors

ITEM	PART NUMBER	DESCRIPTION	AREA
R010	QRD14CJ-2R2S	2.2 1/4W UNF. CARBON	
R011	QRD167J-222	2.2K 1/6W CARBON	
R012	QRD167J-184	180K 1/6W CARBON	
R013	QRD167J-822	8.2K 1/6W CARBON	
R014	QRD167J-202	2K 1/6W CARBON	
R015	QRD167J-104	100K 1/6W CARBON	
R016	QRZ0077-181	180 1/4W FUSIBLE	
R017	QRD14CJ-432S	4.3K 1/4W UNF. CARBON	
R018	QRD167J-751	750 1/6W CARBON	
R019	QRD167J-162	1.6K 1/6W CARBON	
R020	QRD167J-162	1.6K 1/6W CARBON	
R021	QRD167J-132	1.3K 1/6W CARBON	
R022	QRD167J-681	680 1/6W CARBON	
R023	QRD14CJ-100S	10 1/4W UNF. CARBON	
R024	QRD14CJ-100S	10 1/4W UNF. CARBON	
R025	QRD14CJ-561S	560 1/4W UNF. CARBON	
R026	QRD14CJ-100S	10 1/4W UNF. CARBON	
R027	QRD14CJ-100S	10 1/4W UNF. CARBON	
R029	ERF032K-R22	0.22 3W CEMENT	
R030	QRD167J-183	18K 1/6W CARBON	
R031	QRD167J-123	12K 1/6W CARBON	
R032	QRD125J-330	33 1/2W UNF. CARBON	
R033	QRG022J-100A	10 2W O.M. FILM	
R034	QRD167J-104	100K 1/6W CARBON	
R037	QRG022J-562A	5.6K 2W O.M. FILM	
R038	QRD167J-751	750 1/6W CARBON	
R039	QRG012J-561A	560 1W O.M. FILM	
R040	QRG022J-151A	150 2W O.M. FILM	
R041	QRG022J-561A	560 2W O.M. FILM	
R042	QVPA601-501A	500 VARIABLE	
R043	QRD167J-222	2.2K 1/6W CARBON	
R044	QRD167J-101	100 1/6W CARBON	
R045	QRD167J-101	100 1/6W CARBON	
R091	QRZ0077-100	10 1/4W FUSIBLE	G
R092	QRZ0077-100	10 1/4W FUSIBLE	G
R301	QRD167J-222	2.2K 1/6W CARBON	
R302	QRD167J-222	2.2K 1/6W CARBON	
R303	QRD167J-473	47K 1/6W CARBON	
R304	QRD167J-473	47K 1/6W CARBON	
R305	QRD167J-621	620 1/6W CARBON	
R306	QRD167J-621	620 1/6W CARBON	
R307	QRD167J-393	39K 1/6W CARBON	
R308	QRD167J-393	39K 1/6W CARBON	
R309	QRD167J-474	470K 1/6W CARBON	
R310	QRD167J-474	470K 1/6W CARBON	
R311	QRD167J-104	100K 1/6W CARBON	
R312	QRD167J-104	100K 1/6W CARBON	
R313	QRZ0077-391	390 1/4W FUSIBLE	
R314	QRZ0077-391	390 1/4W FUSIBLE	
R321	QRZ0077-680	68 1/4W FUSIBLE	
R322	QRZ0077-680	68 1/4W FUSIBLE	
R323	QRD167J-562	5.6K 1/6W CARBON	
R324	QRD167J-562	5.6K 1/6W CARBON	
R325	QRD167J-153	15K 1/6W CARBON	
R326	QRD167J-153	15K 1/6W CARBON	
R327	QRD167J-153	15K 1/6W CARBON	
R328	QRD167J-153	15K 1/6W CARBON	
R329	QRD167J-105	1M 1/6W CARBON	
R330	QRD167J-105	1M 1/6W CARBON	
R331	QRD167J-105	1M 1/6W CARBON	
R332	QRD167J-105	1M 1/6W CARBON	
R333	QRD167J-103	10K 1/6W CARBON	
R334	QRD167J-103	10K 1/6W CARBON	
R335	QRD167J-103	10K 1/6W CARBON	
R336	QRD167J-103	10K 1/6W CARBON	

Δ SAFETY PARTS

Resistors

△	ITEM	PART NUMBER	DESCRIPTION			AREA
	R917	QRD167J-683	68K	1/6W	CARBON	
	R918	QRD167J-392	3.9K	1/6W	CARBON	
	R921	QRD167J-224	220K	1/6W	CARBON	
	R922	QRD167J-182	1.8K	1/6W	CARBON	
△	R924	QRG022J-821AM	820	2W	O.M.FILM	
	R925	QRD167J-161	160	1/6W	CARBON	
	R926	QRD167J-181	180	1/6W	CARBON	
△	R931	QRD14CJ-330S	33	1/4W	UNF.CARBON	
△	R941	QRG022J-471A	470	2W	O.M.FILM	
△	R942	QRG022J-471A	470	2W	O.M.FILM	
△	R961	QRZ0077-100	10	1/4W	FUSIBLE	G
△	R962	QRZ0077-100	10	1/4W	FUSIBLE	G
△	R963	QRZ0077-100	10	1/4W	FUSIBLE	G
△	R964	QRZ0077-100	10	1/4W	FUSIBLE	G

△ : SAFETY PARTS

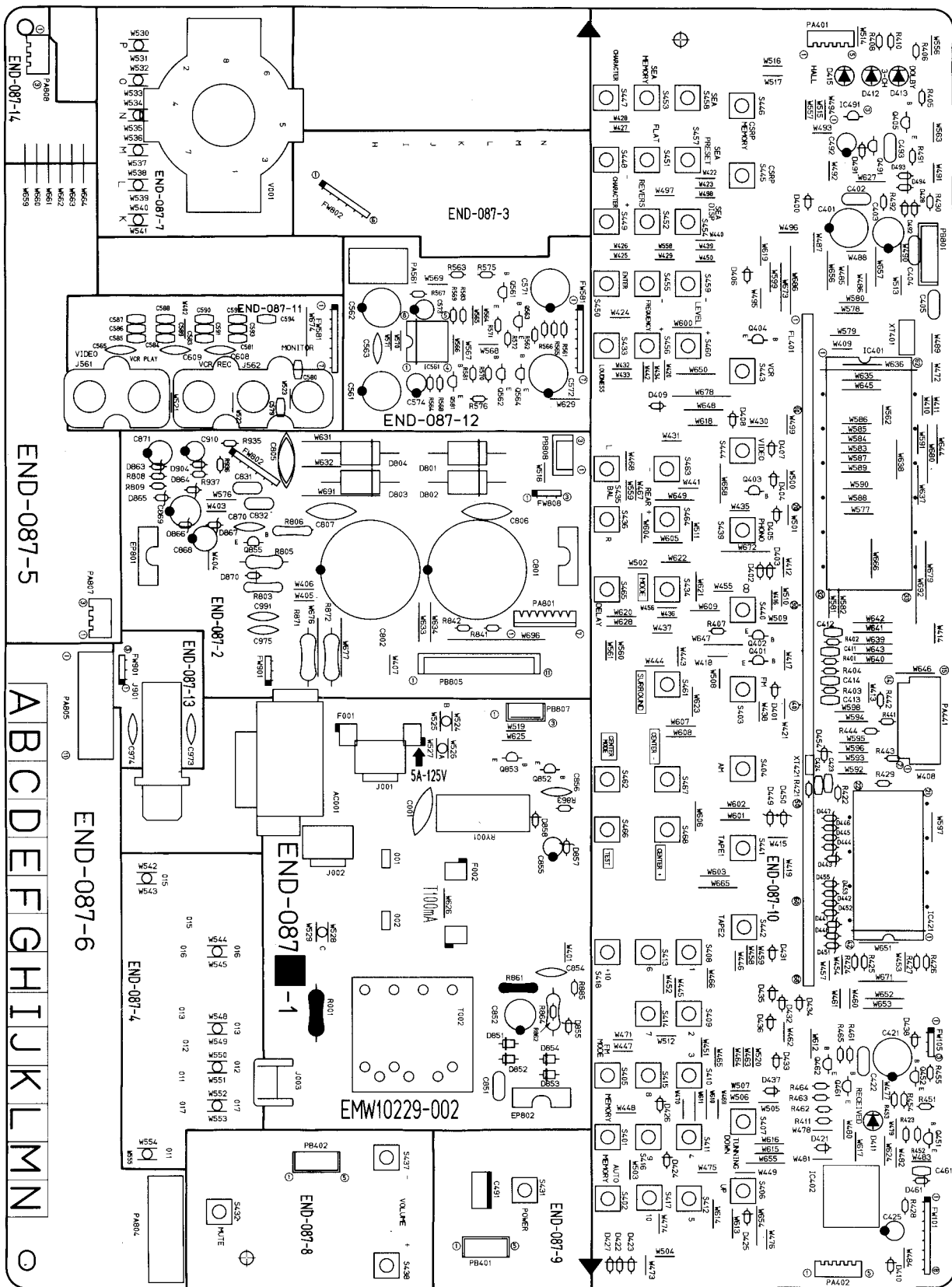
Others

△	ITEM	PART NUMBER	DESCRIPTION			AREA
		EMW10228-002	PRINTED BOARD			
		E307226-003	HEAT SINK			
		E307307-001	HEAT SINK BRACKET			
		E307351-001	P.W.BOARD BRACKET			
		E73525-003	SCREW			
		GBSG3008CC	SCREW			
		SBSG3008CC	SCREW			
	J300	EMN00TV-414AJ2	4P PIN JACK			
	J301	EMN00TV-413AJ2	4P PIN JACK			
	J302	EMN00TV-611AJ2	6P PIN JACK			
	J303	EMN00TV-414AJ2	4P PIN JACK			
	L011	EQL0001-1R0	INDUCTOR			
	L012	EQL0001-R45	INDUCTOR			G
	L751	EQL0001-1R0	INDUCTOR			
	L752	EQL0001-1R0	INDUCTOR			
	L831	EQL4007-220	INDUCTOR			
	L961	EQL0001-R45	INDUCTOR			G
	L962	EQL0001-R45	INDUCTOR			G
	EP091	E70225-002	EARTH PLATE			
	EP801	E70859-001	EARTH PLATE			
	EP961	E70225-002	EARTH PLATE			G
	FW103	EWR36B-20LST	FLAT WIRE(6PIN)			
	FW902	EWR34B-50SST	FLAT WIRE(4PIN)			
	FW903	EWR36B-60SST	FLAT WIRE(6PIN)			
	HS802	E70306-001	HEAT SINK			
	PA302	EMV5140-011	PLUG ASSY(11PIN)			
	PB309	EMV5125-005	PLUG ASSY(5PIN)			
	PB310	EMV5125-012	PLUG ASSY(12PIN)			
	PB441	EMV7123-015	CONNECTOR(15PIN)			
	PB561	EMV5125-006	PLUG ASSY(6PIN)			
	PB804	EMV5125-011	PLUG ASSY(11PIN)			
	RY011	ESK1D12-117M	RELAY			
	RY901	ESK7D24-2120	RELAY			
	ST011	EMB90YV-401A	SPEAKER TERMINAL(REAR)			
	ST901	EMB90TV-B01A	SPEAKER TERMINAL(FRONT)			
	SW901	QST4231-E01J2	PUSH SWITCH(SPK 1)			
	SW902	QST4231-E01J2	PUSH SWITCH(SPK 2)			

△ : SAFETY PARTS

■ END-087 □ Front & Power Primary PC Board Ass'y

Note : END-087 □ varies according to the areas employed. See note (1) when placing an order.



Note (1)

PC Board Ass'y	Designated Areas
END-087 D	Continental Europe , Scandinavia
END-087 E	Australia
END-087 F BS	the U.K.
END-087 G	Germany

Transistors

Δ	ITEM	PART NUMBER	DESCRIPTION	AREA
	Q401	AA1L4M	SILICON NEC	
	Q402	AA1L4M	SILICON NEC	
	Q403	AA1L4M	SILICON NEC	
	Q404	DTC144ES	SILICON ROHM	
	Q405	AA1L4M	SILICON NEC	
	Q451	2SC458(C,D)	SILICON HITACHI	
	Q452	2SC458(C,D)	SILICON HITACHI	
	Q461	2SC458(C,D)	SILICON HITACHI	
	Q462	2SC458(C,D)	SILICON HITACHI	
	Q491	DTC114YS	SILICON ROHM	
	Q561	2SC458(C,D)	SILICON HITACHI	
	Q562	2SC458(C,D)	SILICON HITACHI	
	Q563	2SA933S(R,S)	SILICON ROHM	
	Q564	2SA933S(R,S)	SILICON ROHM	
	Q581	AA1A4P	SILICON NEC	
	Q852	2SC2235(O,Y)	SILICON TOSHIBA	
	Q853	AA1L3Z	SILICON NEC	
	Q855	2SA965(O,Y)	SILICON TOSHIBA	

Δ : SAFETY PARTS

I.C.s

Δ	ITEM	PART NUMBER	DESCRIPTION	AREA
	IC401	MN171202JPK	I.C. MATSUSHITA	
	IC402	SPS-420-1	I.C. SANYO	
	IC421	LC6514B-4131	I.C. SANYO	
	IC491	MN1281(P,Q)	I.C. MATSUSHITA	
	IC561	NJM2246D	I.C. DAINICHI	

Δ : SAFETY PARTS

Diodes

Δ	ITEM	PART NUMBER	DESCRIPTION	AREA
	D400	1SS133	SILICON ROHM	
	D401	1SS133	SILICON ROHM	
	D402	1SS133	SILICON ROHM	
	D403	1SS133	SILICON ROHM	
	D404	1SS133	SILICON ROHM	
	D405	1SS133	SILICON ROHM	
	D406	1SS133	SILICON ROHM	
	D407	1SS133	SILICON ROHM	
	D408	1SS133	SILICON ROHM	
	D409	1SS133	SILICON ROHM	
	D410	1SS133	SILICON ROHM	
	D411	SLH-34VC50F124	L.E.D. ROHM	
	D412	SLR-34DC50F124	L.E.D. ROHM	
	D413	SLR-34DC50F124	L.E.D. ROHM	
	D415	SLR-34DC50F124	L.E.D. ROHM	
	D421	1SS133	SILICON ROHM	
	D422	1SS133	SILICON ROHM	
	D423	1SS133	SILICON ROHM	
	D424	1SS133	SILICON ROHM	
	D425	1SS133	SILICON ROHM	
	D426	1SS133	SILICON ROHM	
	D427	1SS133	SILICON ROHM	
	D428	1SS133	SILICON ROHM	
	D432	1SS133	SILICON ROHM	
	D433	1SS133	SILICON ROHM	
	D436	1SS133	SILICON ROHM	
	D437	1SS133	SILICON ROHM	
	D437	1SS133	SILICON ROHM	D FBS G
	D437	1SS133	SILICON ROHM	
	D441	MTZ3.3JB	ZENER ROHM	
	D442	MTZ3.3JB	ZENER ROHM	
	D443	MTZ3.3JB	ZENER ROHM	
	D444	MTZ3.3JB	ZENER ROHM	
	D445	MTZ3.3JB	ZENER ROHM	
	D446	MTZ3.3JB	ZENER ROHM	
	D447	MTZ3.3JB	ZENER ROHM	
	D448	MTZ3.3JB	ZENER ROHM	
	D449	MTZ3.3JB	ZENER ROHM	
	D450	MTZ3.3JB	ZENER ROHM	
	D451	MTZ3.3JB	ZENER ROHM	

Δ : SAFETY PARTS

Diodes

Δ	ITEM	PART NUMBER	DESCRIPTION	AREA
	D452	MTZ3.3JB	ZENER ROHM	
	D453	MTZ3.3JB	ZENER ROHM	
	D454	MTZ3.3JB	ZENER ROHM	
	D455	MTZ3.3JB	ZENER ROHM	
	D461	1SS133	SILICON ROHM	
	D491	1SS133	SILICON ROHM	
	D492	1SS133	SILICON ROHM	
	D493	1SS133	SILICON ROHM	
	D494	1SS133	SILICON ROHM	
	D801	30D2FC	SILICON NIHONINTER	D E
	D801	30D2FC	SILICON NIHONINTER	FBS
	D801	30D2FC	SILICON NIHONINTER	G
	D801	30DF2SFC	SILICON NIHONINTER	D E
	D802	30D2FC	SILICON NIHONINTER	FBS
	D802	30D2FC	SILICON NIHONINTER	G
	D803	30D2FC	SILICON NIHONINTER	D E
	D803	30D2FC	SILICON NIHONINTER	FBS
	D803	30D2FC	SILICON NIHONINTER	G
	D803	30DF2SFC	SILICON NIHONINTER	D E
	D804	30D2FC	SILICON NIHONINTER	FBS
	D804	30D2FC	SILICON NIHONINTER	G
	D804	30DF2SFC	SILICON NIHONINTER	D E
	D851	1SR139-200	SILICON ROHM	
	D852	1SR139-200	SILICON ROHM	
	D853	1SR139-200	SILICON ROHM	
	D854	1SR139-200	SILICON ROHM	
	D857	MTZ6.2JC	ZENER ROHM	
	D858	1SS133	SILICON ROHM	
	D863	MTZ10JC	ZENER ROHM	
	D864	MTZ8.2JC	ZENER ROHM	
	D865	MTZ8.2JC	ZENER ROHM	
	D866	MTZ13JC	ZENER ROHM	
	D867	MTZ16JC	ZENER ROHM	
	D870	1SS133	SILICON ROHM	
	D904	1SS133	SILICON ROHM	

Δ : SAFETY PARTS

Capacitors

Δ	ITEM	PART NUMBER	DESCRIPTION	AREA
	C001	QCZ9019-472	4700PF CERAMIC	D
	C001	QCZ9019-472	4700PF CERAMIC	E
	C001	QCZ9019-472BS	4700PF CERAMIC	FBS
	C001	QCZ9019-472	4700PF CERAMIC	G
	C401	EET0602-477T	470MF ELECTRO	
	C402	QCZ0202-155	1.5MF 25V CERAMIC	
	C411	QCGB1HK-102	1000PF 50V CERAMIC	
	C412	QCGB1HK-102	1000PF 50V CERAMIC	
	C413	QCGB1HK-102	1000PF 50V CERAMIC	
	C414	QCGB1HK-102	1000PF 50V CERAMIC	
	C421	EEZ0601-108	1000MF ELECTRO	
	C422	QCZ0202-155	1.5MF 25V CERAMIC	
	C423	QCB1HK-101	100PF 50V CERAMIC	
	C424	QCB1HK-101	100PF 50V CERAMIC	
	C425	QEK51EM-475G	4.7MF 25V ELECTRO	
	C491	QEAD0HZ-479A	47000MF ELECTRO	
	C492	QETB1HM-225	2.2MF 50V ELECTRO	
	C493	QCF21HP-223	0.022MF 50V CERAMIC	
	C561	QETB1CM-477	470MF 16V ELECTRO	
	C562	QETB1CM-477	470MF 16V ELECTRO	
	C563	QCF21HP-223	0.022MF 50V CERAMIC	
	C571	EEZ0601-108	1000MF ELECTRO	
	C572	EEZ0601-108	1000MF ELECTRO	
	C573	QETB1HM-475	4.7MF 50V ELECTRO	
	C574	QETB1HM-475	4.7MF 50V ELECTRO	
	C580	QCHB1EZ-223	0.022MF 25V CERAMIC	
	C581	QCHB1EZ-223	0.022MF 25V CERAMIC	
	C585	QCHB1EZ-223	0.022MF 25V CERAMIC	
	C801	EEW6311-878E	8700MF ELECTRO	
	C802	EEW6311-878E	8700MF ELECTRO	
	C805	QFN82CK-104	0.1MF 160V MYLAR	
	C806	QCE22HP-103	0.01MF 500V CERAMIC	
	C807	QCE22HP-103	0.01MF 500V CERAMIC	
	C831	QFLB1HK-223	0.022MF 50V MYLAR	
	C832	QFLB1HK-223	0.022MF 50V MYLAR	
	C851	QFN82AK-472	4700PF 100V MYLAR	
	C852	QETB1EM-227	220MF 25V ELECTRO	
	C855	QETB1CM-476	47MF 16V ELECTRO	
	C856	QCF21HP-472	4700PF 50V CERAMIC	
	C869	EET3502-107E	100MF ELECTRO	
	C870	QCF21HP-472	4700PF 50V CERAMIC	
	C871	QETB1EM-107	100MF 25V ELECTRO	
	C910	QETB1HM-225	2.2MF 50V ELECTRO	
	C973	QCS21HJ-101	100PF 50V CERAMIC	G
	C974	QCS21HJ-101	100PF 50V CERAMIC	G
	C975	QCF21HP-103	0.01MF 50V CERAMIC	G
	C991	QCF21HP-103	0.01MF 50V CERAMIC	G

Δ : SAFETY PARTS

Resistors

Δ	ITEM	PART NUMBER	DESCRIPTION	AREA
	R401	QRD167J-104	100K 1/6W CARBON	
	R402	QRD167J-104	100K 1/6W CARBON	
	R403	QRD167J-104	100K 1/6W CARBON	
	R404	QRD167J-104	100K 1/6W CARBON	
	R405	QRD167J-103	10K 1/6W CARBON	
	R406	QRD167J-221	220 1/6W CARBON	
	R407	QRD167J-103	10K 1/6W CARBON	
	R408	QRD167J-221	220 1/6W CARBON	
	R410	QRD167J-221	220 1/6W CARBON	
	R411	QRD167J-271	270 1/6W CARBON	
	R421	QRD167J-105	1M 1/6W CARBON	
	R422	QRD167J-152	1.5K 1/6W CARBON	
	R423	QRD167J-103	10K 1/6W CARBON	
	R424	QRD167J-473	47K 1/6W CARBON	
	R425	QRD167J-473	47K 1/6W CARBON	
	R426	QRD167J-473	47K 1/6W CARBON	
	R427	QRD167J-473	47K 1/6W CARBON	
	R428	QRD167J-221	220 1/6W CARBON	
	R429	QRD167J-272	2.7K 1/6W CARBON	
	R430	QRD167J-220	22 1/6W CARBON	
	R441	QRD167J-104	100K 1/6W CARBON	
	R442	QRD167J-104	100K 1/6W CARBON	
	R443	QRD167J-104	100K 1/6W CARBON	
	R444	QRD167J-104	100K 1/6W CARBON	
	R451	QRD167J-103	10K 1/6W CARBON	
	R452	QRD167J-471	470 1/6W CARBON	
	R453	QRD167J-473	47K 1/6W CARBON	
	R454	QRD167J-223	22K 1/6W CARBON	
	R455	QRD167J-103	10K 1/6W CARBON	
	R461	QRD167J-103	10K 1/6W CARBON	
	R462	QRD167J-471	470 1/6W CARBON	
	R463	QRD167J-473	47K 1/6W CARBON	
	R464	QRD167J-223	22K 1/6W CARBON	
	R465	QRD167J-103	10K 1/6W CARBON	
	R491	QRD167J-473	47K 1/6W CARBON	
	R492	QRD167J-331	330 1/6W CARBON	
	R561	QRD167J-750	75 1/6W CARBON	
	R562	QRD167J-680	68 1/6W CARBON	
	R563	QRD167J-750	75 1/6W CARBON	
	R564	QRD167J-750	75 1/6W CARBON	
	R565	QRD167J-473	47K 1/6W CARBON	
	R566	QRD167J-473	47K 1/6W CARBON	
	R567	QRD167J-331	330 1/6W CARBON	
	R568	QRD167J-331	330 1/6W CARBON	
	R569	QRD167J-152	1.5K 1/6W CARBON	
	R570	QRD167J-152	1.5K 1/6W CARBON	
	R571	QRD167J-151	150 1/6W CARBON	
	R572	QRD167J-151	150 1/6W CARBON	
	R575	QRD167J-271	270 1/6W CARBON	
	R576	QRD167J-271	270 1/6W CARBON	
	R581	QRD167J-473	47K 1/6W CARBON	
	R583	QRD167J-152	1.5K 1/6W CARBON	
Δ	R803	QRZ0077-220	22 1/4W FUSIBLE	
Δ	R805	QRD125J-272	2.7K UNF. CARBON	
Δ	R806	QRD14CJ-121S	120 1/4W UNF. CARBON	
	R808	QRD167J-220	22 1/6W CARBON	
	R809	QRD167J-220	22 1/6W CARBON	
	R841	QRD167J-104	100K 1/6W CARBON	
	R842	QRD167J-104	100K 1/6W CARBON	
Δ	R861	QRZ0077-220	22 1/4W FUSIBLE	
Δ	R863	QRV144F-8200	1/4W M.FILM	D
Δ	R863	QRV144F-9100	1/4W M.FILM	E
Δ	R863	QRV144F-9100	1/4W M.FILM	FBS
Δ	R863	QRV144F-8200	1/4W M.FILM	G
	R885	QRD167J-200	20 1/6W CARBON	E
	R885	QRD167J-200	20 1/6W CARBON	FBS
	R935	QRD167J-562	5.6K 1/6W CARBON	
	R936	QRD167J-822	8.2K 1/6W CARBON	
	R937	QRD167J-103	10K 1/6W CARBON	

Δ : SAFETY PARTS

Others

Δ	ITEM	PART NUMBER	DESCRIPTION	AREA
		E306692-001	SHIELD COVER	
		E3400-444	FELT SPACER	
		E65508-002	TAB	
		E67132-T2R5	FUSE LABEL	
		VMZ0087-001	FUSE CLIP	
		EMW10229-002	PRINTED BOARD	D
Δ		ETP1000-41EA	POWER TRANSFORMER	D
		EMW10229-002	PRINTED BOARD	E
Δ		ETP1000-41EA	POWER TRANSFORMER	E
		EMW10229-002BS	PRINTED BOARD	FBS
Δ		ETP1000-41EABS	POWER TRANSFORMER	FBS
		EMW10229-002	PRINTED BOARD	G
Δ		ETP1000-41EA	POWER TRANSFORMER	G
	J002	EMV5137-002	PLUG ASSY[2PIN(F003)]	
	J003	E70225-001	EARTH PLATE	

Δ : SAFETY PARTS

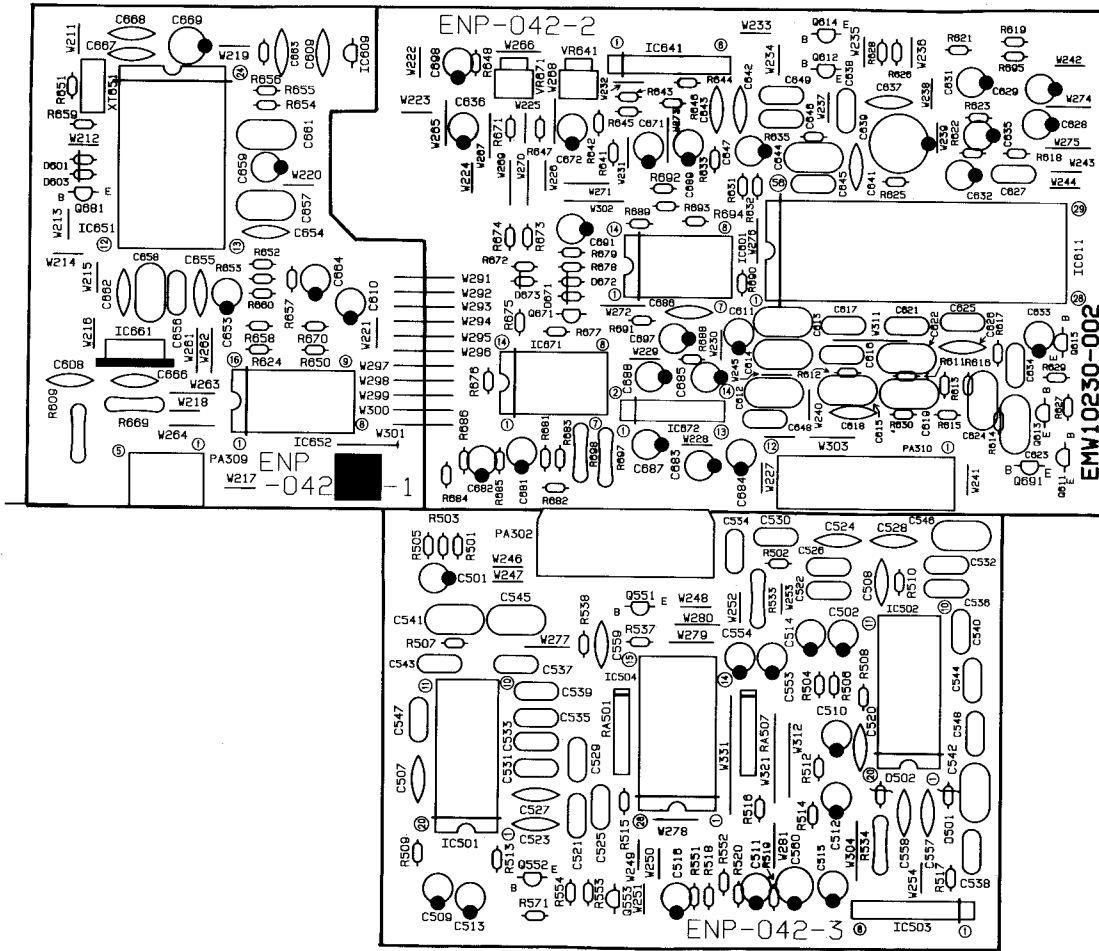
Others

Δ	ITEM	PART NUMBER	DESCRIPTION	AREA
	J561	EMN00YP-209A	2P PIN JACK	
	J562	EMN00YP-305A	3P PIN JACK	
	J901	QMS6A40-021	HEADPHONE JACK	
	S401	ESP0001-018	TACT SWITCH(MEMORY)	
	S402	ESP0001-018	TACT SWITCH(AUTO MEMORY)	
	S403	ESP0001-018	TACT SWITCH(FM)	
	S404	ESP0001-018	TACT SWITCH(AM)	
	S405	ESP0001-018	TACT SWITCH(MODE)	
	S406	ESP0001-018	TACT SWITCH(TUNING UP)	
	S407	ESP0001-018	TACT SWITCH(TUNING DOWN)	
	S408	ESP0001-018	TACT SWITCH(1)	
	S409	ESP0001-018	TACT SWITCH(2)	
	S410	ESP0001-018	TACT SWITCH(3)	
	S411	ESP0001-018	TACT SWITCH(4)	
	S412	ESP0001-018	TACT SWITCH(5)	
	S413	ESP0001-018	TACT SWITCH(6)	
	S414	ESP0001-018	TACT SWITCH(7)	
	S415	ESP0001-018	TACT SWITCH(8)	
	S416	ESP0001-018	TACT SWITCH(9)	
	S417	ESP0001-018	TACT SWITCH(10)	
	S418	ESP0001-018	TACT SWITCH(+10)	
	S431	ESP0001-018	TACT SWITCH(POWER)	
	S432	ESP0001-018	TACT SWITCH(MUTE)	
	S433	ESP0001-018	TACT SWITCH(LOUDNESS)	
	S434	ESP0001-018	TACT SWITCH(MODE)	
	S435	ESP0001-018	TACT SWITCH(BALANCE L)	
	S436	ESP0001-018	TACT SWITCH(BALANCE R)	
	S437	ESP0001-018	TACT SWITCH(VOLUME UP)	
	S438	ESP0001-018	TACT SWITCH(VOLUME DOWN)	
	S439	ESP0001-018	TACT SWITCH(PHONO)	
	S440	ESP0001-018	TACT SWITCH(CD)	
	S441	ESP0001-018	TACT SWITCH(TAPE 1)	
	S442	ESP0001-018	TACT SWITCH(TAPE 2)	
	S443	ESP0001-018	TACT SWITCH(VCR)	
	S444	ESP0001-018	TACT SWITCH(VIBRO)	
	S445	ESP0001-018	TACT SWITCH(CSRP ON/OFF)	
	S446	ESP0001-018	TACT SWITCH(CSRP MEMO)	
	S447	ESP0001-018	TACT SWITCH(CHARACTOR)	
	S448	ESP0001-018	TACT SWITCH(CHARACTOR DOWN)	
	S449	ESP0001-018	TACT SWITCH(CHARACTOR UP)	
	S450	ESP0001-018	TACT SWITCH(ENTER)	
	S451	ESP0001-018	TACT SWITCH(SEA FLAT)	
	S452	ESP0001-018	TACT SWITCH(SEA REVERSE)	
	S453	ESP0001-018	TACT SWITCH(SEA MEMORY)	
	S454	ESP0001-018	TACT SWITCH(SEA DISPLAY)	
	S455	ESP0001-018	TACT SWITCH(SEA FREQ(-))	
	S456	ESP0001-018	TACT SWITCH(SEA FREQ(+))	
	S457	ESP0001-018	TACT SWITCH(SEA PRESET)	
	S458	ESP0001-018	TACT SWITCH(SEA ON/OFF)	
	S459	ESP0001-018	TACT SWITCH(SEA LEVEL(-))	
	S460	ESP0001-018	TACT SWITCH(SEA LEVEL(+))	
	S461	ESP0001-018	TACT SWITCH(SERROUND ON/OFF)	
	S462	ESP0001-018	TACT SWITCH(CENTER(-))	
	S463	ESP0001-018	TACT SWITCH(REAR LEVEL(-))	
	S464	ESP0001-018	TACT SWITCH(DILAY LEVEL(+))	
	S465	ESP0001-018	TACT SWITCH(DILAY TIME)	
	S466	ESP0001-018	TACT SWITCH(CENTER(+))	
	S467	ESP0001-018	TACT SWITCH(CENTER MODE)	
	S468	ESP0001-018	TACT SWITCH(TEST)	
	EP801	E70859-001	EARTH PLATE	G
	EP802	E70859-001	EARTH PLATE	
	FL401	ELU0001-097	FL TUBE	
	FW101	EWR38B-25LST	FLAT WIRE(8PIN)	
	FW581	EWR37B-13SST	FLAT WIRE(7PIN)	
	FW802	EWR36B-20SST	FLAT WIRE(6PIN)	
	FW901	EWR33B-08SST	FLAT WIRE(3PIN)	
	PA401	VMC0194-PO5	MALE CONNECTOR(5PIN)	
	PA402	VMC0194-PO5	MALE CONNECTOR(5PIN)	
	PA441	EMV7123-015R	CONNECTOR(15PIN)	
	PA561	EMV7125-006R	CONNECTOR(6PIN)	
	PA801	EMS257-A104	SOCKET WIRE(7PIN)	
	PA804	EMV7125-011R	CONNECTOR(11PIN)	
	PA805	EMV7125-011R	CONNECTOR(11PIN)	
	PA807	VMC0178-003	CONNECT TERMINAL(3PIN)	
	PA808	VMC0178-003	CONNECT TERMINAL(3PIN)	
	PB401	VMC0194-S05	FEMALE CONNECTOR(5PIN)	
	PB402	VMC0194-S05	FEMALE CONNECTOR(5PIN)	
	PB801	EMV5109-007A	PLUG ASSY(7PIN)	
	PB805	EMV5125-011	PLUG ASSY(11PIN)	
	PB807	VMC0177-003	CONNECT TERMINAL(3PIN)	
	PB808	VMC0177-003	CONNECT TERMINAL(3PIN)	
	RY001	ESK1D12-118J1	RELAY	D
	RY001	ESK1D12-118J1	RELAY	E
	RY001	ESK1D12-118J1BS	RELAY	FBS
	RY001	ESK1D12-118J1	RELAY	G
	XT401	ECX0060-000EM	RESONATOR	
	XT421	ECX0001-000KS	RESONATOR	

Δ : SAFETY PARTS

■ ENP-042 □ SEA & Surround PC Board Ass'y

Note : ENP-042 □ varies according to the areas employed. See note (1) when placing an order.



Note (1)

PC Board Ass'y	Designated Areas
ENP-042 C	Continental Europe , the U.K. Scandinavia , Australia
ENP-042 D	Germany

Transistors

ITEM	PART NUMBER	DESCRIPTION	AREA
Q551	AA1L4M	SILICON NEC	
Q552	AN1L4M	SILICON NEC	
Q553	2SK301(P,Q)	F.E.T MATSUSHITA	
Q611	2SD655(D,E)	SILICON HITACHI	
Q612	AA1L4M	SILICON NEC	
Q613	2SD655(D,E)	SILICON HITACHI	
Q614	AA1L4M	SILICON NEC	
Q615	AN1L4M	SILICON NEC	
Q671	2SK523(L1)T	F.E.T	
Q681	AA1L4M	SILICON NEC	
Q691	AA1L4M	SILICON NEC	

△ : SAFETY PARTS

I.C.s

ITEM	PART NUMBER	DESCRIPTION	AREA
IC501	LA3607S	I.C. SANYO	
IC502	LA3607S	I.C. SANYO	
IC503	VC4580L	I.C. DAINICHI	
IC504	LC7522	I.C. SANYO	
IC601	UPC324C	I.C. NEC	
IC609	RC78L12A	I.C. DAINICHI	
IC611	NJM2175L	I.C. DAINICHI	
IC641	VC4580L	I.C. DAINICHI	
IC651	M50198P	I.C. MITSUBISHI	
IC652	TC74HC595AP	I.C. TOSHIBA	
IC661	NJM78M05FD	I.C. DAINICHI	
IC671	UPC324C	I.C. NEC	
IC672	M51523AL	I.C. MITSUBISHI	

△ : SAFETY PARTS

Diodes

ITEM	PART NUMBER	DESCRIPTION	AREA
D501	MTZ6.8JC	ZENER ROHM	
D502	MTZ6.8JC	ZENER ROHM	
D601	1SS133	SILICON ROHM	
D603	1SS133	SILICON ROHM	
D671	1SS133	SILICON ROHM	

△ : SAFETY PARTS

Diodes

Δ	ITEM	PART NUMBER	DESCRIPTION	AREA
	D672	1SS133	SILICON ROHM	
	D673	1SS133	SILICON ROHM	

Δ : SAFETY PARTS

Capacitors

Δ	ITEM	PART NUMBER	DESCRIPTION	AREA
	C501	QETB1HM-475	4.7MF 50V ELECTRO	
	C502	QETB1HM-475	4.7MF 50V ELECTRO	
	C507	QCS21HJ-101	100PF 50V CERAMIC	
	C508	QCS21HJ-101	100PF 50V CERAMIC	
	C509	QETB1CM-226	22MF 16V ELECTRO	
	C510	QETB1CM-226	22MF 16V ELECTRO	
	C511	QETB1HM-475	4.7MF 50V ELECTRO	
	C512	QETB1HM-475	4.7MF 50V ELECTRO	
	C513	QETB1HM-475	4.7MF 50V ELECTRO	
	C514	QETB1HM-475	4.7MF 50V ELECTRO	
	C515	QETB1HM-475	4.7MF 50V ELECTRO	
	C516	QETB1HM-475	4.7MF 50V ELECTRO	
	C521	QFLB1HK-272	2700PF 50V MYLAR	
	C522	QFLB1HK-272	2700PF 50V MYLAR	
	C523	QCS21HJ-471	470PF 50V CERAMIC	
	C524	QCS21HJ-471	470PF 50V CERAMIC	
	C525	QFLB1HK-682	6800PF 50V MYLAR	
	C526	QFLB1HK-682	6800PF 50V MYLAR	
	C527	QCY21HK-122	1200PF 50V CERAMIC	
	C528	QCY21HK-122	1200PF 50V CERAMIC	
	C529	QFLB1HK-183	0.018MF 50V MYLAR	
	C530	QFLB1HK-183	0.018MF 50V MYLAR	
	C531	QFLB1HK-272	2700PF 50V MYLAR	
	C532	QFLB1HK-272	2700PF 50V MYLAR	
	C533	QFLB1HK-473	0.047MF 50V MYLAR	
	C534	QFLB1HK-473	0.047MF 50V MYLAR	
	C535	QFLB1HK-682	6800PF 50V MYLAR	
	C536	QFLB1HK-682	6800PF 50V MYLAR	
	C537	QFLB1HK-104	0.1MF 50V MYLAR	
	C538	QFLB1HK-104	0.1MF 50V MYLAR	
	C539	QFLB1HK-183	0.018MF 50V MYLAR	
	C540	QFLB1HK-183	0.018MF 50V MYLAR	
	C541	QFV81HJ-274	0.27MF 50V T.FILM	
	C542	QFV81HJ-274	0.27MF 50V T.FILM	
	C543	QFLB1HK-473	0.047MF 50V MYLAR	
	C544	QFLB1HK-473	0.047MF 50V MYLAR	
	C545	QFV81HJ-684	0.68MF 50V T.FILM	
	C546	QFV81HJ-684	0.68MF 50V T.FILM	
	C547	QFV81HJ-124	0.12MF 50V T.FILM	
	C548	QFV81HJ-124	0.12MF 50V T.FILM	
	C553	QETB1HM-475	4.7MF 50V ELECTRO	
	C554	QETB1HM-475	4.7MF 50V ELECTRO	
	C557	QCF21HP-223	0.022MF 50V CERAMIC	
	C558	QCF21HP-223	0.022MF 50V CERAMIC	
	C559	QCF21HP-223	0.022MF 50V CERAMIC	
	C560	QEK51HM-224G	0.22MF 50V ELECTRO	
	C608	QCF21HP-223	0.022MF 50V CERAMIC	
	C609	QCF21HP-223	0.022MF 50V CERAMIC	
	C610	QETB1CM-107	100MF 16V ELECTRO	
	C611	QETB1HM-475	4.7MF 50V ELECTRO	
	C612	QFLB1HK-104	0.1MF 50V MYLAR	
	C613	QFLB1HK-104	0.1MF 50V MYLAR	
	C614	QFLB1HK-104	0.1MF 50V MYLAR	
	C615	QFLB1HK-104	0.1MF 50V MYLAR	
	C616	QFLB1HJ-223	0.022MF 50V MYLAR	
	C617	QFLB1HJ-223	0.022MF 50V MYLAR	
	C618	QCS21HJ-681	680PF 50V CERAMIC	
	C619	QFLB1HJ-104	0.1MF 50V MYLAR	
	C621	QFLB1HJ-473	0.047MF 50V MYLAR	
	C622	QFLB1HJ-104	0.1MF 50V MYLAR	
	C623	QFLB1HJ-104	0.1MF 50V MYLAR	
	C624	QFLB1HJ-104	0.1MF 50V MYLAR	
	C625	QFLB1HJ-473	0.047MF 50V MYLAR	
	C626	QCS21HJ-681	680PF 50V CERAMIC	
	C627	QFLB1HJ-332	3300PF 50V MYLAR	
	C628	QETB1CM-226	22MF 16V ELECTRO	
	C629	QETB1EM-106	10MF 25V ELECTRO	
	C631	QETB1EM-106	10MF 25V ELECTRO	
	C632	QETB1EM-106	10MF 25V ELECTRO	
	C633	QETB1EM-106	10MF 25V ELECTRO	
	C634	QFV81HJ-224	0.22MF 50V T.FILM	
	C635	QETB1EM-106	10MF 25V ELECTRO	
	C636	QETB1EM-106	10MF 25V ELECTRO	
	C637	QCY21HK-562	5600PF 50V CERAMIC	
	C638	QFLB1HK-473	0.047MF 50V MYLAR	
	C639	QETB1CM-477	470MF 16V ELECTRO	
	C641	QCS21HJ-471	470PF 50V CERAMIC	
	C642	QCY21HK-472	4700PF 50V CERAMIC	
	C643	QCY21HK-562	5600PF 50V CERAMIC	
	C644	QFV81HJ-684	0.68MF 50V T.FILM	

Δ : SAFETY PARTS

Capacitors

Δ	ITEM	PART NUMBER	DESCRIPTION	AREA
	C645	QFV81HJ-224	0.22MF 50V T.FILM	
	C646	QFV81HJ-224	0.22MF 50V T.FILM	
	C647	QETB1HM-475	4.7MF 50V ELECTRO	
	C648	QFV81HJ-224	0.22MF 50V T.FILM	
	C649	QFV81HJ-224	0.22MF 50V T.FILM	
	C653	QEB51EM-475	4.7MF 25V LLC ELECTR	
	C654	QCY21HK-562	5600PF 50V CERAMIC	
	C655	QCS21HJ-561	560PF 50V CERAMIC	
	C656	QFLB1HK-104	0.1MF 50V MYLAR	
	C657	QFV81HJ-474	0.47MF 50V T.FILM	
	C658	QFV81HJ-474	0.47MF 50V T.FILM	
	C659	QETB1CM-476	47MF 16V ELECTRO	
	C661	QFLB1HK-104	0.1MF 50V MYLAR	
	C662	QCS21HJ-821	820PF 50V CERAMIC	
	C663	QCY21HK-332	3300PF 50V CERAMIC	
	C664	QEB51EM-475	4.7MF 25V LLC ELECTR	
	C666	QCF21HP-223	0.022MF 50V CERAMIC	
	C667	QCF21HP-223	0.022MF 50V CERAMIC	
	C668	QCF21HP-223	0.022MF 50V CERAMIC	
	C670	QETB1CM-107	100MF 16V ELECTRO	
	C671	QETB1EM-106	10MF 25V ELECTRO	
	C672	QETB1EM-106	10MF 25V ELECTRO	
	C681	QETB1HM-105	1MF 50V ELECTRO	
	C682	QETB1HM-105	1MF 50V ELECTRO	
	C683	QETB1EM-106	10MF 25V ELECTRO	
	C684	QETB1EM-106	10MF 25V ELECTRO	
	C685	QEK51EM-226	22MF 25V ELECTRO	
	C686	QCF21HP-223	0.022MF 50V CERAMIC	
	C687	QETB1EM-226	22MF 25V ELECTRO	
	C688	QETB1EM-106	10MF 25V ELECTRO	
	C689	QETB1EM-106	10MF 25V ELECTRO	
	C691	QEB51EM-226	22MF 25V LLC ELECTR	
	C692	QCS21HJ-471	470PF 50V CERAMIC	
	C697	QETB1EM-106	10MF 25V ELECTRO	
	C698	QETB1EM-106	10MF 25V ELECTRO	

Δ : SAFETY PARTS

Resistors

Δ	ITEM	PART NUMBER	DESCRIPTION	AREA
	R501	QRD167J-243	24K 1/6W CARBON	
	R502	QRD167J-243	24K 1/6W CARBON	
	R503	QRD167J-275	2.7M 1/6W CARBON	
	R504	QRD167J-275	2.7M 1/6W CARBON	
	R505	QRD167J-275	2.7M 1/6W CARBON	
	R506	QRD167J-275	2.7M 1/6W CARBON	
	R507	QRD167J-102	1K 1/6W CARBON	
	R508	QRD167J-102	1K 1/6W CARBON	
	R509	QRD167J-103	10K 1/6W CARBON	
	R510	QRD167J-103	10K 1/6W CARBON	
	R511	QRD167J-103	10K 1/6W CARBON	
	R512	QRD167J-103	10K 1/6W CARBON	
	R513	QRD167J-224	220K 1/6W CARBON	
	R514	QRD167J-224	220K 1/6W CARBON	
	R515	QRD167J-154	150K 1/6W CARBON	
	R516	QRD167J-154	150K 1/6W CARBON	
	R517	QRD167J-682	6.8K 1/6W CARBON	
	R518	QRD167J-682	6.8K 1/6W CARBON	
	R519	QRD167J-103	10K 1/6W CARBON	
	R520	QRD167J-103	10K 1/6W CARBON	
	R533	QRD14CJ-221S	220 1/4W UNF. CARBON	
	R534	QRD14CJ-271S	270 1/4W UNF. CARBON	
	R537	QRD167J-681	680 1/6W CARBON	
	R538	QRD167J-272	2.7K 1/6W CARBON	
	R551	QRD167J-105	1M 1/6W CARBON	
	R552	QRD167J-562	5.6K 1/6W CARBON	
	R553	QRD167J-105	1M 1/6W CARBON	
	R554	QRD167J-105	1M 1/6W CARBON	
	R609	QRZ0077-560	56 1/4W FUSIBLE	
	R611	QRD167J-752	7.5K 1/6W CARBON	
	R612	QRD167J-752	7.5K 1/6W CARBON	
	R613	QRD167J-223	22K 1/6W CARBON	
	R614	QRD167J-223	22K 1/6W CARBON	
	R615	QRD167J-752	7.5K 1/6W CARBON	
	R616	QRD167J-153	15K 1/6W CARBON	
	R617	QRD167J-752	7.5K 1/6W CARBON	
	R618	QRD167J-394	390K 1/6W CARBON	
	R619	QRD167J-104	100K 1/6W CARBON	
	R621	QRD167J-104	100K 1/6W CARBON	
	R622	QRD167J-104	100K 1/6W CARBON	
	R623	QRD167J-104	100K 1/6W CARBON	
	R624	QRD167J-104	100K 1/6W CARBON	
	R625	QRD167J-104	100K 1/6W CARBON	
	R626	QRD167J-473	47K 1/6W CARBON	
	R627	QRD167J-223	22K 1/6W CARBON	
	R628	QRD167J-473	47K 1/6W CARBON	
	R629	QRD167J-223	22K 1/6W CARBON	
	R630	QRD167J-153	15K 1/6W CARBON	
	R631	QRD167J-153	15K 1/6W CARBON	
	R632	QRD167J-822	8.2K 1/6W CARBON	

Δ : SAFETY PARTS

Resistors

ITEM	PART NUMBER	DESCRIPTION	AREA
R633	QRD167J-822	8.2K 1/6W CARBON	
R635	QRD167J-334	330K 1/6W CARBON	
R641	QRD167J-104	100K 1/6W CARBON	
R642	QRD167J-104	100K 1/6W CARBON	
R643	QRD167J-223	22K 1/6W CARBON	
R644	QRD167J-223	22K 1/6W CARBON	
R645	QRD167J-333	33K 1/6W CARBON	
R646	QRD167J-333	33K 1/6W CARBON	
R647	QRD167J-223	22K 1/6W CARBON	
R648	QRD167J-103	10K 1/6W CARBON	
R650	QRD167J-103	10K 1/6W CARBON	
R651	QRD167J-105	1M 1/6W CARBON	
R652	QRD167J-153	15K 1/6W CARBON	
R653	QRD167J-103	10K 1/6W CARBON	
R654	QRD167J-153	15K 1/6W CARBON	
R655	QRD167J-153	15K 1/6W CARBON	
R656	QRD167J-153	15K 1/6W CARBON	
R657	QRD167J-273	27K 1/6W CARBON	
R658	QRD167J-822	8.2K 1/6W CARBON	
R659	QRD167J-473	47K 1/6W CARBON	
R660	QRD167J-153	15K 1/6W CARBON	
R669	QRZ0077-560	56 1/4W FUSIBLE	
R670	QRD167J-682	6.8K 1/6W CARBON	
R671	QRD167J-104	100K 1/6W CARBON	
R672	QRD167J-103	10K 1/6W CARBON	
R673	QRD167J-222	2.2K 1/6W CARBON	
R674	QRD167J-104	100K 1/6W CARBON	
R675	QRD167J-472	4.7K 1/6W CARBON	
R676	QRD167J-473	47K 1/6W CARBON	
R677	QRD167J-104	100K 1/6W CARBON	
R678	QRD167J-222	2.2K 1/6W CARBON	
R679	QRD167J-224	220K 1/6W CARBON	
R681	QRD167J-333	33K 1/6W CARBON	
R682	QRD167J-333	33K 1/6W CARBON	
R683	QRD167J-274	270K 1/6W CARBON	

△ USA/FETY PARTS

Resistors

ITEM	PART NUMBER	DESCRIPTION	AREA
R684	QRD167J-274	270K 1/6W CARBON	
R685	QRD167J-274	270K 1/6W CARBON	
R686	QRD167J-274	270K 1/6W CARBON	
R688	QRD167J-203	20K 1/6W CARBON	
R689	QRD167J-103	10K 1/6W CARBON	
R690	QRD167J-203	20K 1/6W CARBON	
R691	QRD167J-103	10K 1/6W CARBON	
R692	QRD167J-103	10K 1/6W CARBON	
R693	QRD167J-103	10K 1/6W CARBON	
R694	QRD167J-183	18K 1/6W CARBON	
R695	QRD167J-104	100K 1/6W CARBON	
R697	QRZ0077-560	56 1/4W FUSIBLE	
R698	QRD14CJ-680S	68 1/4W UNF. CARBON	
RA501	QRB079J-474	470K 1/10W R.NETWORK	
RA502	QRB079J-474	470K 1/10W R.NETWORK	
VR641	QVPA603-104AZ	100K VARIABLE	
VR671	QVPA603-103A	10K VARIABLE	

△ USA/FETY PARTS

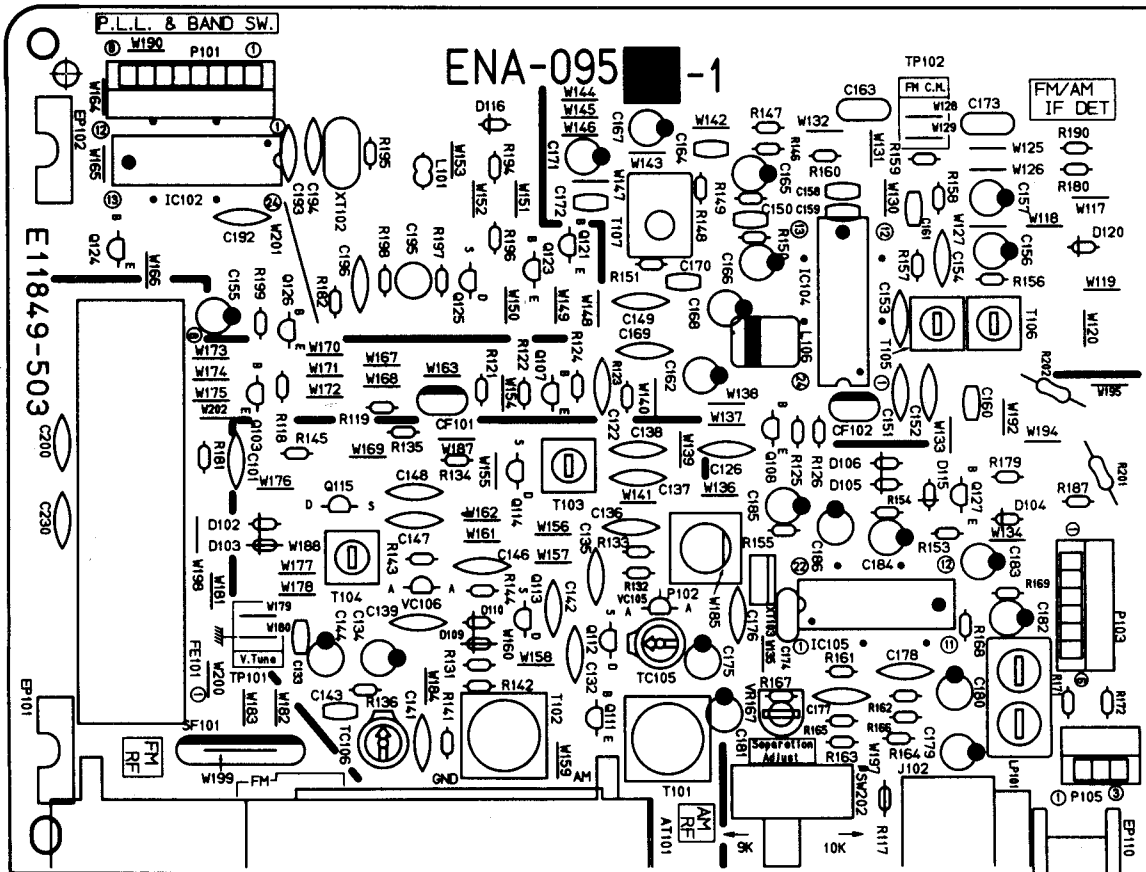
Others

ITEM	PART NUMBER	DESCRIPTION	AREA
	EMW10230-002(S)	PRINTED BOARD	
	E3400-431	SPACER	
PA302	EMV7140-L11R	CONNECTOR(11PIN)	
PA309	EMV7125-005R	CONNECTOR(5PIN)	
PA310	EMV7125-012R	CONNECTOR(12PIN)	
XT651	ECX0003-270KM	RESONATOR	

△ USA/FETY PARTS

■ ENA-095 □ Tuner PC Board Ass'y

Note : ENA-095 □ varies according to the areas employed. See note (1) when placing an order.



Note (1)

PC Board Ass'y	Designated Areas
ENA-095 J	Australia
ENA-095 K	Continental Europe, Scandinavia, the U.K.
ENA-095 N	Germany

Transistors

ITEM	PART NUMBER	DESCRIPTION	AREA
Q103	2SC461(B,C)	SILICON HITACHI	
Q107	2SC535(B,C)	SILICON HITACHI	
Q108	2SC461(B,C)	SILICON HITACHI	
Q111	2SD1302(S,T)	SILICON MATSUSHITA	K
Q111	2SD1302(S,T)	SILICON MATSUSHITA	N
Q112	2SK301(Q,R)	F.E.T MATSUSHITA	
Q113	2SK301(Q,R)	F.E.T MATSUSHITA	K
Q113	2SK301(Q,R)	F.E.T MATSUSHITA	N
Q114	2SK301(P,Q)	F.E.T MATSUSHITA	K
Q114	2SK301(P,Q)	F.E.T MATSUSHITA	N
Q115	2SK301(P,Q)	F.E.T MATSUSHITA	K
Q115	2SK301(P,Q)	F.E.T MATSUSHITA	N
Q121	AN1A4P	SILICON NEC	K
Q121	AN1A4P	SILICON NEC	N
Q123	AN1A4P	SILICON NEC	
Q124	AN1A4P	SILICON NEC	
Q125	2SK301(Q2)	F.E.T MATSUSHITA	
Q126	2SC458(D)	SILICON HITACHI	
Q127	AA1L4M	SILICON NEC	

I.C.s

ITEM	PART NUMBER	DESCRIPTION	AREA
IC102	LC7218	I.C. SANYO	
IC104	LA1266A	I.C. SANYO	
IC105	LA3401	I.C. SANYO	

△ : SAFETY PARTS

Diodes

ITEM	PART NUMBER	DESCRIPTION	AREA
D102	1SS119	SILICON HITACHI	K
D102	1SS119	SILICON HITACHI	N
D103	1SS119	SILICON HITACHI	K
D103	1SS119	SILICON HITACHI	N
D104	1SS119	SILICON HITACHI	
D105	1SS119	SILICON HITACHI	
D106	1SS119	SILICON HITACHI	
D109	1SS119	SILICON HITACHI	K
D109	1SS119	SILICON HITACHI	N
D110	1SS119	SILICON HITACHI	K
D110	1SS119	SILICON HITACHI	N
D115	1SS119	SILICON HITACHI	
D116	1SS119	SILICON HITACHI	
D120	1SS119	SILICON HITACHI	
VC105	SVC342(L)	VARICAP SANYO	
VC106	SVC342(L)	VARICAP SANYO	K
VC106	SVC342(L)	VARICAP SANYO	N

△ : SAFETY PARTS

Capacitors

ITEM	PART NUMBER	DESCRIPTION	AREA
C101	QCF21HP-223	0.022MF 50V CERAMIC	
C122	QCF21HP-223	0.022MF 50V CERAMIC	
C126	QCF21HP-223	0.022MF 50V CERAMIC	
C132	QCS21HJ-561	560PF 50V CERAMIC	
C133	QCHB1EZ-223	0.022MF 25V CERAMIC	
C134	QETB1EM-106	10MF 25V ELECTRO	
C135	QCC21EM-223	0.022MF 25V CERAMIC	
C136	QCT26CH-180	18PF 50V CERAMIC	
C137	QCT26CH-221	220PF 50V CERAMIC	
C138	QCT26CH-241	240PF 50V CERAMIC	
C139	QCC21EM-223	0.022MF 25V CERAMIC	K
C139	QCC21EM-223	0.022MF 25V CERAMIC	N
C141	QCS21HJ-270	27PF 50V CERAMIC	K
C141	QCS21HJ-270	27PF 50V CERAMIC	N
C142	QCY21HK-272	2700PF 50V CERAMIC	K

△ : SAFETY PARTS

Capacitors

ITEM	PART NUMBER	DESCRIPTION	AREA
C142	QCY21HK-272	2700PF 50V CERAMIC	N
C143	QCHB1EZ-223	0.022MF 25V CERAMIC	K
C143	QCHB1EZ-223	0.022MF 25V CERAMIC	N
C144	QETB1EM-106	10MF 25V ELECTRO	K
C144	QETB1EM-106	10MF 25V ELECTRO	N
C146	QCT26CH-680	68PF 50V CERAMIC	K
C146	QCT26CH-680	68PF 50V CERAMIC	N
C147	QCT26CH-220	22PF 50V CERAMIC	K
C147	QCT26CH-220	22PF 50V CERAMIC	N
C148	QCT26CH-121	120PF 50V CERAMIC	K
C148	QCT26CH-121	120PF 50V CERAMIC	N
C149	QCF21HP-223	0.022MF 50V CERAMIC	
C150	QCHB1EZ-223	0.022MF 25V CERAMIC	
C151	QCF21HP-223	0.022MF 50V CERAMIC	
C152	QCF21HP-223	0.022MF 50V CERAMIC	
C153	QCC21EM-223	0.022MF 25V CERAMIC	
C154	QCF21HP-223	0.022MF 50V CERAMIC	
C155	QETB1EM-226	22MF 25V ELECTRO	
C156	QETB1HM-475	4.7MF 50V ELECTRO	
C157	QETB1HM-474	0.47MF 50V ELECTRO	
C158	QCBB1HK-101	100PF 50V CERAMIC	
C159	QCBB1HK-101	100PF 50V CERAMIC	
C160	QCBB1HK-221	220PF 50V CERAMIC	J
C160	QCBB1HK-101	100PF 50V CERAMIC	K
C160	QCBB1HK-221	220PF 50V CERAMIC	N
C161	QCHB1EZ-223	0.022MF 25V CERAMIC	
C162	QETB1EM-106	10MF 25V ELECTRO	
C163	QFLB1HJ-332	3300PF 50V MYLAR	
C164	QCHB1EZ-223	0.022MF 25V CERAMIC	
C165	QETB1HM-474	0.47MF 50V ELECTRO	
C166	QETB1HM-225	2.2MF 50V ELECTRO	
C167	QETB1HM-225	2.2MF 50V ELECTRO	
C168	QETB1HM-475	4.7MF 50V ELECTRO	
C169	QCF21HP-223	0.022MF 50V CERAMIC	
C170	QCHB1EZ-223	0.022MF 25V CERAMIC	
C171	QETB1EM-106	10MF 25V ELECTRO	
C172	QCVB1CM-103	0.01MF 16V CERAMIC	
C173	QFLB1HK-223	0.022MF 50V MYLAR	
C174	QFLB1HK-473	0.047MF 50V MYLAR	
C175	QETB1EM-106	10MF 25V ELECTRO	
C176	QCY21HK-102	1000PF 50V CERAMIC	
C177	QCS21HJ-271	270PF 50V CERAMIC	
C178	QCS21HJ-271	270PF 50V CERAMIC	
C179	QETB1HM-225	2.2MF 50V ELECTRO	
C180	QETB1HM-225	2.2MF 50V ELECTRO	
C181	QETB1EM-106	10MF 25V ELECTRO	
C182	QETB1HM-225	2.2MF 50V ELECTRO	
C183	QETB1HM-105	1MF 50V ELECTRO	
C184	QETB1HM-105	1MF 50V ELECTRO	
C185	QETB1HM-225	2.2MF 50V ELECTRO	
C186	QETB1HM-474	0.47MF 50V ELECTRO	
C192	QCC21EM-473	0.047MF 25V CERAMIC	
C193	QCS21HJ-180	18PF 50V CERAMIC	
C194	QCS21HJ-180	18PF 50V CERAMIC	
C195	QEN51HM-474	0.47MF 50V NON POLE	
C196	QCY21HK-102	1000PF 50V CERAMIC	
C230	QCF21HP-103	0.01MF 50V CERAMIC	
C240	QCBB1HK-101	100PF 50V CERAMIC	N

△ : SAFETY PARTS

Resistors

ITEM	PART NUMBER	DESCRIPTION	AREA
R117	QRD167J-100	10 1/6W CARBON	
R118	QRD167J-332	3.3K 1/6W CARBON	
R119	QRD167J-221	220 1/6W CARBON	
R121	QRD167J-391	390 1/6W CARBON	
R122	QRD167J-272	2.7K 1/6W CARBON	
R123	QRD167J-102	1K 1/6W CARBON	
R124	QRD167J-681	680 1/6W CARBON	
R125	QRD167J-332	3.3K 1/6W CARBON	
R126	QRD167J-221	220 1/6W CARBON	
R131	QRD167J-331	330 1/6W CARBON	
R132	QRD167J-103	10K 1/6W CARBON	
R133	QRD167J-473	47K 1/6W CARBON	
R134	QRD167J-103	10K 1/6W CARBON	K
R134	QRD167J-103	10K 1/6W CARBON	N
R135	QRD167J-470	47 1/6W CARBON	
R136	QRD167J-103	10K 1/6W CARBON	
R141	QRD167J-472	4.7K 1/6W CARBON	K
R141	QRD167J-472	4.7K 1/6W CARBON	N
R142	QRD167J-331	330 1/6W CARBON	K
R142	QRD167J-331	330 1/6W CARBON	N
R143	QRD167J-103	10K 1/6W CARBON	K
R143	QRD167J-103	10K 1/6W CARBON	N
R144	QRD167J-473	47K 1/6W CARBON	K
R144	QRD167J-473	47K 1/6W CARBON	N
R145	QRD167J-103	10K 1/6W CARBON	K
R145	QRD167J-103	10K 1/6W CARBON	N
R146	QRD167J-560	56 1/6W CARBON	
R147	QRD167J-103	10K 1/6W CARBON	
R148	QRD167J-103	10K 1/6W CARBON	
R149	QRD167J-273	27K 1/6W CARBON	

△ : SAFETY PARTS

Resistors

△	ITEM	PART NUMBER	DESCRIPTION	AREA
	R150	QRD167J-103	10K 1/6W CARBON	
	R151	QRD167J-224	220K 1/6W CARBON	
	R153	QRD167J-103	10K 1/6W CARBON	
	R154	QRD167J-103	10K 1/6W CARBON	
	R155	QRD167J-562	5.6K 1/6W CARBON	
	R156	QRD167J-822	8.2K 1/6W CARBON	
	R157	QRD167J-103	10K 1/6W CARBON	
	R158	QRD167J-333	33K 1/6W CARBON	
	R159	QRD167J-561	560 1/6W CARBON	
	R160	QRD167J-273	27K 1/6W CARBON	
	R161	QRD167J-184	180K 1/6W CARBON	
	R162	QRD167J-184	180K 1/6W CARBON	
	R163	QRD167J-332	3.3K 1/6W CARBON	
	R164	QRD167J-332	3.3K 1/6W CARBON	
	R165	QRD167J-274	270K 1/6W CARBON	
	R166	QRD167J-274	270K 1/6W CARBON	
	R168	QRD167J-103	10K 1/6W CARBON	
	R169	QRD167J-103	10K 1/6W CARBON	
	R171	QRD167J-682	6.8K 1/6W CARBON	
	R172	QRD167J-682	6.8K 1/6W CARBON	
	R179	QRD167J-562	5.6K 1/6W CARBON	
	R180	QRD167J-472	4.7K 1/6W CARBON	
	R181	QRD167J-222	2.2K 1/6W CARBON	
	R182	QRD167J-181	180 1/6W CARBON	
	R187	QRD167J-101	100 1/6W CARBON	
	R190	QRD167J-472	4.7K 1/6W CARBON	
	R194	QRD167J-472	4.7K 1/6W CARBON	
	R195	QRD167J-473	47K 1/6W CARBON	
	R196	QRD167J-103	10K 1/6W CARBON	J
	R196	QRD167J-222	2.2K 1/6W CARBON	K
	R196	QRD167J-222	2.2K 1/6W CARBON	N
	R197	QRD167J-222	2.2K 1/6W CARBON	
	R198	QRD167J-332	3.3K 1/6W CARBON	J
	R198	QRD167J-822	8.2K 1/6W CARBON	K
	R198	QRD167J-822	8.2K 1/6W CARBON	N
	R199	QRD167J-472	4.7K 1/6W CARBON	
△	R201	QRZ0062-680	68 1/4W FUSIBLE	
△	R202	QRZ0062-470	47 1/4W FUSIBLE	J
△	R202	QRZ0062-470	47 1/4W FUSIBLE	K
△	R202	QRZ0062-220	22 1/4W FUSIBLE	N
	VR167	QVPE601-104	100K 0.15W VARIABLE	

△: SAFETY PARTS

Others

△	ITEM	PART NUMBER	DESCRIPTION	AREA
	J102	E11849-502(S)	PRINTED BOARD	
	L101	QMS3501-021	MINI JACK(CORPULINK)	
	L106	EQL4007-1ROT	INDUCTOR	
	L106	EQL3001-102K	INDUCTOR	
	P101	EMV7112-008	CONNECTOR(8PIN)	
	P103	EMV7112-006	CONNECTOR(6PIN)	
	T101	EQR1111-014	AM RF COIL	
	T102	EQR1111-005	AM RF COIL	K
	T102	EQR1111-005	AM RF COIL	N
	T103	EQR1207-015	MW OSC COIL	
	T104	EQR1307-009	LW OSC COIL	K
	T104	EQR1307-009	LW OSC COIL	N
	T105	EQT2140-012	I.F. TRANSFORMER	
	T106	EQT2140-013	I.F. TRANSFORMER	
	T107	ECB1560-006	CERAMIC FILTER	
	AT101	EMB41YV-401K	ANTENNA TERMINAL	J
	AT101	EMB41YV-301K	ANTENNA TERMINAL	K
	AT101	EMB41YV-301K	ANTENNA TERMINAL	N
	CF101	ECB2118-007R	CERAMIC FILTER	
	CF102	ECB2118-007R	CERAMIC FILTER	
	EP101	E70859-001	EARTH PLATE	
	EP102	E70859-001	EARTH PLATE	
	EP110	E70225-001	EARTH PLATE	
	FE101	EAF2203-001	FRONT END	J
	FE101	EAF2203-001	FRONT END	K
	FE101	EAF2203-003	FRONT END	N
	LP101	EQF0101-002	LOW PASS FILTER	
	LP102	EQF0102-001	LOW PASS FILTER	N
	TC105	ENZ1003-006	TRIMMER	
	TC106	ENZ1003-006	TRIMMER	K
	TC106	ENZ1003-006	TRIMMER	N
	XT102	ECX0007-200KC	RESONATOR	
	XT103	ECX0000-456KR	RESONATOR	

△: SAFETY PARTS

Accessories List

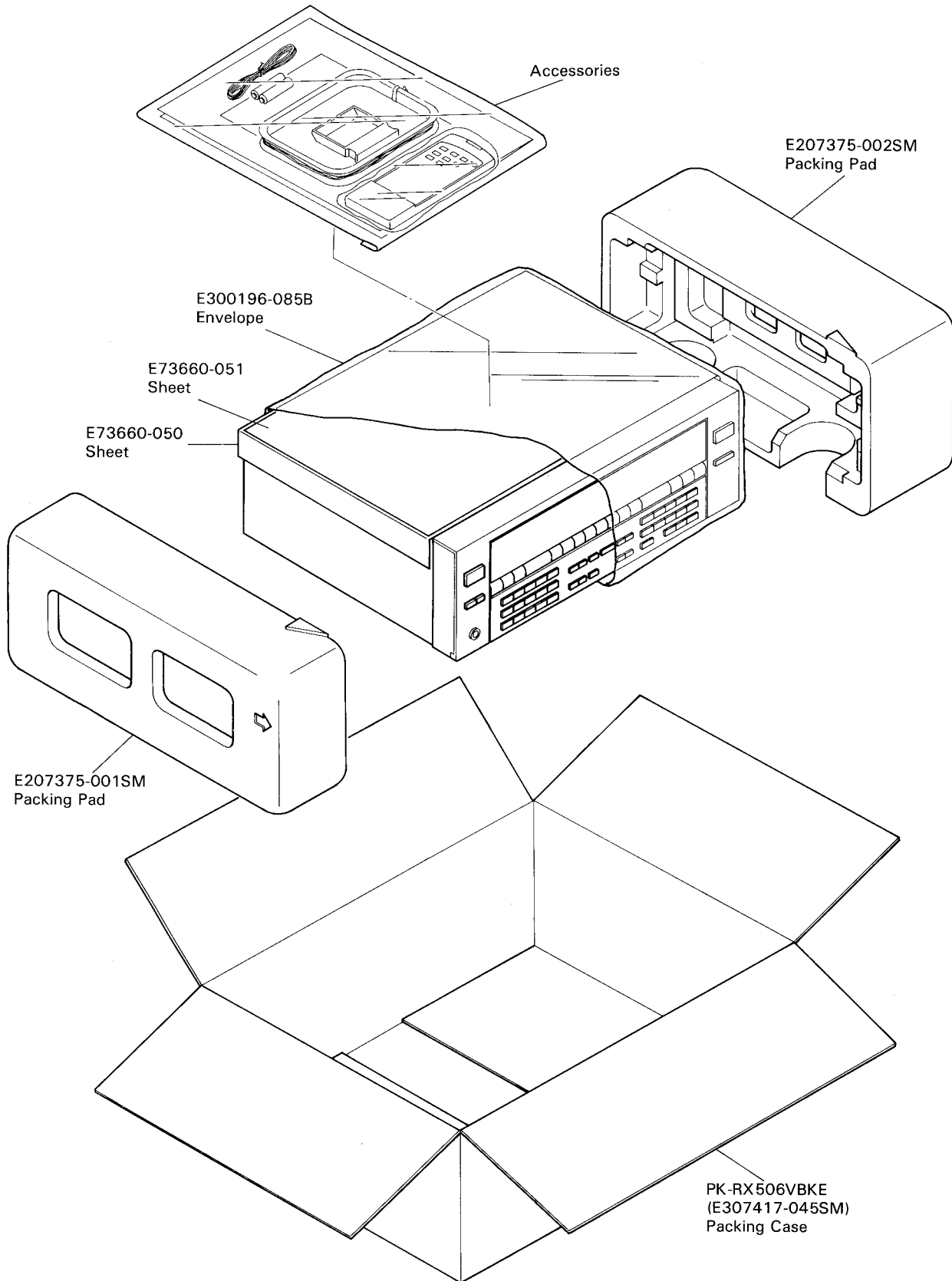
△	Part Number	Part Name	Q'ty	Description	Areas
	E30580-1812A	Instruction Book	1		Except BS
	E30580-1812ABS	Instruction Book	1		BS
	BT-20117	Warranty Card	1		G
	BT20060	Warranty Card	1		BS
	BT-20122	Warranty Card	1		A
	BT-20122-1	Sticker	1		A
	BT20066A	EEC Agency	1		BS
	E43486-340A	Safety Sheet	1		BS
	E43486-371A	Sheet	1		BS
	QZL1008-001	FTZ Information Sheet	1		G
	EQB4001-015	AM Loop Antenna	1		
	EWP502-001	Built in Antenna	1		Except G
	E67007-001	Wire Antenna	1		G
	EMC0202-001BS	AC Plug	1		BS
	WMZ2001-011	Adapter	1		EN, EF, BS
	RM-SR507U	Remote Controller	1		
	UM-4NJ-2PSA	Battery	1		
	QPGA025-03505B	Envelope	1		

△: Safety Parts

The Marks Designated Areas

- A.....Australia
- G.....Germany
- EF.....Continental Europe
- EN.....Scandinavia
- BS.....the U.K.
- No mark indicates all areas.

Packing Materials and Part Numbers



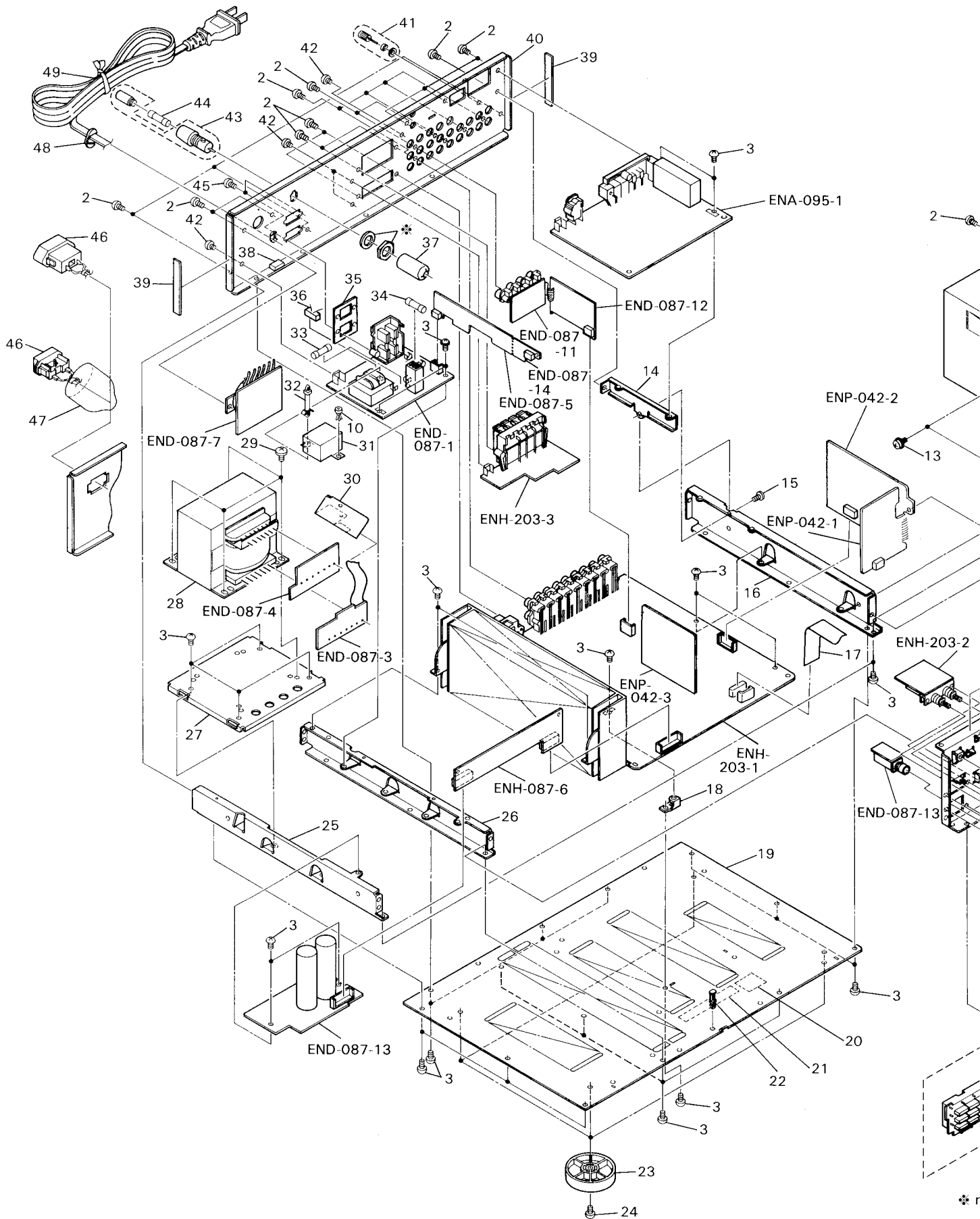
The Marks Designated Areas	
A.....Australia	EN.....Scandinavia
G.....Germany	BS.....the U.K.
EF.....Continental Europe	No mark indicates all areas.

PARTS LIST

Contents

General Exploded View and Parts List	3-3
Printed Circuit Board Ass'y and Parts List	3-7
■ ENH-203 <input type="checkbox"/> Source Selector , Power Supply & Power Amplifier PC Board Ass'y	3-7
■ ENA-095 <input type="checkbox"/> Tuner PC Board Ass'y	3-12
■ END-087 <input type="checkbox"/> Front & Power Primary PC Board Ass'y	3-15
■ ENP-042 <input type="checkbox"/> SEA & Surround PC Board Ass'y	3-20
Accessories List	3-23
Packing Materials and Part Numbers	3-24

General Exploded View and Parts List



■ Parts List

⚠	Item	Part Number	Part Name	Q'ty	Description	Areas
	1	EFP-RX507VTNU	Front Panel Ass'y	1		J, C, U
	1-1	EFP-RX507VTNE	Front Panel Ass'y	1		EN, EF, G, BS
	1-2	E102364-016SM	Front Panel	1		
	1-2	E206962-009SM	Window Screen	1		J, C, U
	1-2	E206962-010SM	Window Screen	1		EN, EF, G, BS
	1-3	E206964-002SS	Preset Button	1	Right	
	1-4	E206964-001SS	Push Button	1	Left	
	1-5	E206965-001SM	Source Button	1		
	1-6	E206966-004SS	Push Button	1	Surround	
	1-7	E306679-007SM	FL Screen	1		
	1-8	E307173-002SM	Power Button	1		
	1-9	E307229-001SS	Cap	2		
	1-10	E307230-004SS	Volume Button	1		
	1-11	E307231-004SM	Push Button	1	Left	
	1-12	E307232-004SM	Push Button	1	Right	
	1-13	E72436-006	Screen	1		
	1-14	E72968-001	JVC Mark	1		
	2	SBSG3008M	Screw	26		Except U
		SBSG3008M	Screw	28		U
	3	SBSG3008CC	Screw	39		
	4	E406334-001SS	Speaker Button	2		
	5	E75143-001SM	Headphone Bracket	1		
	6	SBST3006CC	Screw	2		
	7	E306805-015	Felt Spacer	2		
	8	EXO020008N80S02	Felt Spacer	3		
	9	E102372-001SM	Front Bracket	1		
	10	E48729-008	Plastic Rivet	1		J, C, U
		E48729-008	Plastic Rivet	2		EN, EF, G, BS
	11	E307233-001SM	Grill	1		Except J, C
	12	E206967-223	Metal Cover	1		J, C
	13	E207049-006	Metal Cover	1		Except J, C
	14	E61660-004	Special Screw	4		
	15	E307353-001SM	Bracket	1		
	15	SDSG3008CC	Screw	1		
	16	E206957-001SM	Side Bracket	1	Right	
	17	EWR615E-25TTJ2	Flat Cord	1		
	18	E68587-009	Bracket	1		
	19	E102371-003SM	Bottom Base	1		
	20	E70281-001	Caution Label	1		J
		E70115-002	Caution Label	1		Except J
	21	E74925-001	Dolby Sheet	1		
	22	E406587-001	Fastener	1		
	23	VJF4039-00E	Foot	4		
	24	SBST3010Z	Screw	4	for Foot	
	25	E206956-001SM	Side Bracket	1	Left	
	26	E206958-003SM	Center Bracket	1		
	27	E206959-001SM	Trans Bracket	1		
⚠	28	ETP1200-48JAJ	Power Transformer	1		J, C
⚠		ETP1200-48FAJ	Power Transformer	1		U
⚠		ETP1200-48EAJ	Power Transformer	1		EN, EF, G
⚠	29	ETP1200-48EAJBS	Power Transformer	1		BS
	30	E65389-004	Special Screw	4	for Trans	
	31	E307530-001SM	Protect Sheet	1		Except J, C
	32	E406528-001	Cover	1		EN, EF, G, BS
	32	E306232-002	Fastener	1		EN, EF, G, BS
⚠	33	QMF51E2-R10J1	Fuse	1	F002	U, EN, EF, G
⚠		QMF51E2-R10J1BS	Fuse	1	F002	BS
⚠	34	QMF51U1-5R0S	Fuse	1	F001	J, C
⚠		QMF51E2-2R5J1	Fuse	1	F001	EN, EF, G
⚠		QMF51E2-2R5J1BS	Fuse	1	F001	BS

⚠: Safety Parts

⚠	Item	Part Number	Part Name	Q'ty	Description	Areas
	35	E69589-008	Spacer	1		J
	36	EWS282-001	Socket Wire	1		U
		EWS282-003	Socket Wire	1		EN, EF, G
		EWS282-004BS	Socket Wire	1		BS
	37	E69291-001	Fuse Cover	1		U, EN, EF
	38	E306805-023	Spacer	1		EN, EF, BS, G
	39	EXO085010R10S	Felt Spacer	2		
	40	E206960-031SM	Rear Panel	1		J, C
		E206960-032SM	Rear Panel	1		U
		E206960-033SM	Rear Panel	1		EN, EF
		E206960-034SM	Rear Panel	1		G, BS
	—	E306019-011	Rating Label	1	Made in Malaysia	G
	—	E306019-112	Rating Label	1		U
	41	E70078-003	GND. Terminal	1		
	42	SBST3006M	Screw	2		G
		SBST3006M	Screw	4		Except G
⚠	43	QMG0301-003	Fuse Holder	1		U, EN, EF
⚠	44	QMF51E2-2R5J1	Fuse	1		U
⚠		QMF51E2-1R2511	Fuse	1		EN, EF
	45	SDSG3008M	Screw	2		J, C, U
⚠	46	EMC0236-001	AC Socket	1		EN, EF, G
⚠		EMC0237-001BS	AC Socket	1		BS
	47	E406079-001	AC Outlet Cover	1		BS
⚠	48	QHS3876-162	Cord Stopper	1		Except BS
⚠		QHS3876-162BS	Cord Stopper	1		BS
⚠	49	QMP1480-200	Power Cord	1		J, C
⚠		QMP7520-200	Power Cord	1		U
⚠		QMP3900-200	Power Cord	1		EN, EF
⚠		QMP39A0-200	Power Cord	1		G
⚠		QMP9017-008BS	Power Cord	1		BS
	—	E61029-005	Number Label	1		
	—	E70027-001	Approval Label	1		EN
	—	QZL1031-101	SEV Label	1		EF
	—	QZL1001-001	UL Label	1		J
	—	E45858-002	CSA Label	1		C
	—	E67199-001	Caution Label	1		J
	—	E65507-001	Caution Label	1		C

⚠: Safety Parts

The Marks Designated Areas

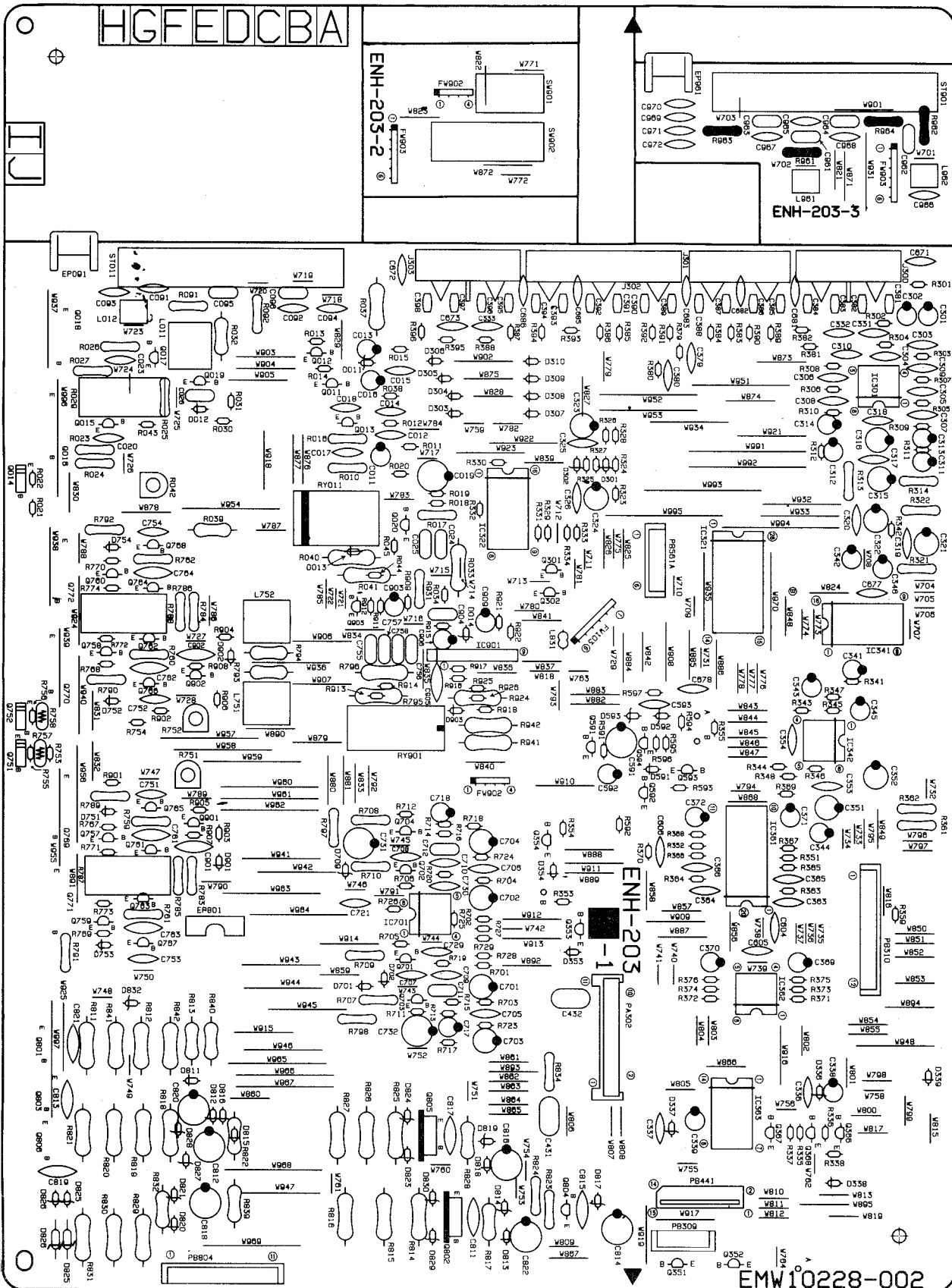
J.....the U.S.A.
C.....Canada
A.....Australia
EF.....Continental Europe
EN.....Scandinavia

G.....Germany
BS.....the U.K.
U.....Universal Type
No mark indicates all areas.

Printed Circuit Board Ass'y and Parts List

■ ENH-203 □ Source Selector , Power Supply & Power Amplifier PC Board Ass'y

Note : ENH-203 □ varies according to the areas employed. See note (1) when placing an order.



Note (1)

PC Board Ass'y	Designated Areas
ENH-203 A	the U.S.A.
ENH-203 B	Canada
ENH-203 C	Universal Type
ENH-203 D	Continental Europe , Scandinavia
ENH-203 F	the U.K.
ENH-203 G	Germany

Transistors

Δ	ITEM	PART NUMBER	DESCRIPTION	AREA
	Q011	2SC2240(BL)	SILICON TOSHIBA	
	Q012	2SC2240(BL)	SILICON TOSHIBA	
	Q013	2SA1038(R,S)	SILICON ROHM	
	Q014	2SD636(Q,R)	SILICON MATSUSHITA	
	Q015	2SC2235(O,Y)	SILICON TOSHIBA	
	Q016	2SC4278LD(D,E)	SILICON ROHM	
	Q017	2SA965(O,Y)	SILICON TOSHIBA	
	Q018	2SA1633LD(D,E)	SILICON ROHM	
	Q019	2SC1775AV(E,F)	SILICON HITACHI	
	Q020	DTC143TS	SILICON ROHM	
	Q301	AA1L4M	SILICON NEC	
	Q302	AA1L4M	SILICON NEC	
	Q351	AA1L4M	SILICON NEC	
	Q352	AN1L4M	SILICON NEC	
	Q353	2SK105(F,H)	F.E.T	
	Q354	2SK105(F,H)	F.E.T	
	Q366	AA1L4M	SILICON NEC	
	Q367	AN1L4M	SILICON NEC	
	Q368	AA1L4M	SILICON NEC	
	Q591	AA1L4M	SILICON NEC	
	Q592	AN1L4M	SILICON NEC	
	Q593	2SK301(P,Q)	F.E.T MATSUSHITA	
	Q594	2SK301(P,Q)	F.E.T MATSUSHITA	
	Q701	2SC2240(BL)	SILICON TOSHIBA	A
	Q701	2SC2240(BL)	SILICON TOSHIBA	B
	Q701	2SC2910(T)	SILICON SANYO	C
	Q701	2SC2910(T)	SILICON SANYO	D
	Q701	2SC2910(T)	SILICON SANYO	F
	Q701	2SC2910(T)	SILICON SANYO	G
	Q702	2SC2240(BL)	SILICON TOSHIBA	A
	Q702	2SC2240(BL)	SILICON TOSHIBA	B
	Q702	2SC2910(T)	SILICON SANYO	C
	Q702	2SC2910(T)	SILICON SANYO	D
	Q702	2SC2910(T)	SILICON SANYO	F
	Q702	2SC2910(T)	SILICON SANYO	G
	Q703	2SA970(BL)	SILICON TOSHIBA	
	Q704	2SA970(BL)	SILICON TOSHIBA	
	Q751	2SD636(Q,R)	SILICON MATSUSHITA	
	Q752	2SD636(Q,R)	SILICON MATSUSHITA	
	Q757	2SC945A(P,Q)	SILICON NEC	
	Q758	2SC945A(P,Q)	SILICON NEC	
	Q759	2SA733A(P,Q)	SILICON NEC	
	Q760	2SA733A(P,Q)	SILICON NEC	
	Q761	2SC2240(BL)	SILICON TOSHIBA	
	Q762	2SC2240(BL)	SILICON TOSHIBA	
	Q763	2SA970(BL)	SILICON TOSHIBA	
	Q764	2SA970(BL)	SILICON TOSHIBA	
	Q765	2SC2235(O,Y)	SILICON TOSHIBA	
	Q766	2SC2235(O,Y)	SILICON TOSHIBA	
	Q767	2SA965(O,Y)	SILICON TOSHIBA	
	Q768	2SA965(O,Y)	SILICON TOSHIBA	
	Q769	2SC4278LD(D,E)	SILICON ROHM	
	Q770	2SC4278LD(D,E)	SILICON ROHM	
	Q771	2SA1633LD(D,E)	SILICON ROHM	
	Q772	2SA1633LD(D,E)	SILICON ROHM	
	Q801	2SB1187F(E,F)	SILICON ROHM	
	Q802	2SD2061(E,F)	SILICON ROHM	
	Q803	2SD2061F(E,F)	SILICON ROHM	
	Q804	2SC2235(O,Y)	SILICON TOSHIBA	
	Q805	2SD2061(E,F)	SILICON ROHM	
	Q806	2SD2061F(E,F)	SILICON ROHM	
	Q901	2SC1775AV(E,F)	SILICON HITACHI	
	Q902	2SC1775AV(E,F)	SILICON HITACHI	
	Q903	2SA872AV(D,E)	SILICON HITACHI	

Δ : SAFETY PARTS

I.C.s

Δ	ITEM	PART NUMBER	DESCRIPTION	AREA
	IC301	VC4580DD	I.C. DAINICHI	
	IC321	TC9164N	I.C. TOSHIBA	
	IC322	TC4052BP	I.C. TOSHIBA	
	IC341	TC9176P	I.C. TOSHIBA	
	IC342	NJM4560DD	I.C. DAINICHI	
	IC361	TC9177P	I.C. TOSHIBA	
	IC362	NJM4560DD	I.C. DAINICHI	
	IC363	TC4066BP	I.C. TOSHIBA	
	IC701	NJM4560DD	I.C. DAINICHI	
	IC901	TA7317P	I.C. TOSHIBA	

Δ : SAFETY PARTS

Diodes

Δ	ITEM	PART NUMBER	DESCRIPTION	AREA
	D011	MTZ1BJC	ZENER ROHM	
	D012	1SS133	SILICON ROHM	
	D013	1SS133	SILICON ROHM	
	D014	1SS133	SILICON ROHM	
	D303	1SS133	SILICON ROHM	
	D304	1SS133	SILICON ROHM	
	D305	1SS133	SILICON ROHM	
	D306	1SS133	SILICON ROHM	
	D307	1SS133	SILICON ROHM	
	D308	1SS133	SILICON ROHM	
	D309	1SS133	SILICON ROHM	
	D310	1SS133	SILICON ROHM	
	D336	MTZ11JC	ZENER ROHM	
	D337	MTZ10JC	ZENER ROHM	
	D338	1SS133	SILICON ROHM	
	D339	1SS133	SILICON ROHM	
	D353	1SS133	SILICON ROHM	
	D354	1SS133	SILICON ROHM	
	D591	1SS133	SILICON ROHM	
	D592	MTZ6.8JC	ZENER ROHM	
	D593	MTZ6.8JC	ZENER ROHM	
	D701	1SS133	SILICON ROHM	
	D702	1SS133	SILICON ROHM	
	D709	MTZ3.0JB	ZENER ROHM	
	D751	1SS133	SILICON ROHM	
	D752	1SS133	SILICON ROHM	
	D753	1SS133	SILICON ROHM	
	D754	1SS133	SILICON ROHM	
	D811	1SS133	SILICON ROHM	
	D812	MTZ16JC	ZENER ROHM	
	D813	1SS133	SILICON ROHM	
	D814	MTZ16JC	ZENER ROHM	
	D815	1SS133	SILICON ROHM	
	D816	MTZ13JC	ZENER ROHM	
	D817	MTZ6.8JC	ZENER ROHM	
	D818	1SS133	SILICON ROHM	
	D819	MTZ16JC	ZENER ROHM	
	D820	1SS133	SILICON ROHM	
	D821	MTZ16JC	ZENER ROHM	
	D823	MTZ15JC	ZENER ROHM	C
	D823	MTZ15JC	ZENER ROHM	D
	D823	MTZ15JC	ZENER ROHM	F
	D823	MTZ15JC	ZENER ROHM	G
	D824	MTZ15JC	ZENER ROHM	C
	D824	MTZ15JC	ZENER ROHM	D
	D824	MTZ15JC	ZENER ROHM	F
	D824	MTZ15JC	ZENER ROHM	G
	D825	RD13FB2	ZENER ROHM	B
	D825	RD13FB2	ZENER ROHM	C
	D825	RD13FB2	ZENER ROHM	D
	D825	RD13FB2	ZENER ROHM	F
	D825	RD13FB2	ZENER ROHM	G
	D826	RD13FB2	ZENER ROHM	B
	D826	RD13FB2	ZENER ROHM	C
	D826	RD13FB2	ZENER ROHM	D
	D826	RD13FB2	ZENER ROHM	F
	D826	RD13FB2	ZENER ROHM	G
	D901	1SS133	SILICON ROHM	
	D902	1SS133	SILICON ROHM	
	D903	1SS133	SILICON ROHM	

Δ : SAFETY PARTS

Capacitors

Δ	ITEM	PART NUMBER	DESCRIPTION	AREA
	C011	QETB1HM-106	10MF 50V ELECTRO	
	C012	QCS21HJ-271	270PF 50V CERAMIC	
	C013	QETB1EM-106	10MF 25V ELECTRO	
	C014	QCS21HJ-101	100PF 50V CERAMIC	
	C015	QCS21HJ-SR0	5PF 50V CERAMIC	
	C016	QETB1CM-476	47MF 16V ELECTRO	
	C017	QCS22HJ-330	33PF 500V CERAMIC	
	C018	QFV81HJ-103	0.01MF 50V T.FILM	
	C019	QETB1HM-226	22MF 50V ELECTRO	
	C020	QCS22HJ-470A	47PF 500V CERAMIC	

Capacitors

Δ	ITEM	PART NUMBER	DESCRIPTION	AREA
	C023	QCS22HJ-470A	47PF 500V CERAMIC	
	C024	QFLB1HK-223	0.022MF 50V MYLAR	A
	C024	QFLB1HK-473	0.047MF 50V MYLAR	B
	C024	QFLB1HK-473	0.047MF 50V MYLAR	C
	C024	QFLB1HK-473	0.047MF 50V MYLAR	D
	C024	QFLB1HK-473	0.047MF 50V MYLAR	F
	C024	QFLB1HK-473	0.047MF 50V MYLAR	G
	C025	QFLB1HK-473	0.047MF 50V MYLAR	B
	C025	QFLB1HK-473	0.047MF 50V MYLAR	C
	C025	QFLB1HK-473	0.047MF 50V MYLAR	D
	C025	QFLB1HK-473	0.047MF 50V MYLAR	F
	C025	QFLB1HK-473	0.047MF 50V MYLAR	G
	C026	QCF21HP-223	0.022MF 50V CERAMIC	
	C091	QCS21HJ-101	100PF 50V CERAMIC	G
	C092	QCS21HJ-101	100PF 50V CERAMIC	G
	C093	QCS21HJ-101	100PF 50V CERAMIC	G
	C094	QCS21HJ-101	100PF 50V CERAMIC	G
	C095	QFLB1HK-473	0.047MF 50V MYLAR	G
	C096	QFLB1HK-473	0.047MF 50V MYLAR	G
	C301	QETB1HM-475	4.7MF 50V ELECTRO	
	C302	QETB1HM-475	4.7MF 50V ELECTRO	
	C303	QCS21HJ-101	100PF 50V CERAMIC	G
	C304	QCS21HJ-101	100PF 50V CERAMIC	G
	C305	QCY21HK-182	1800PF 50V CERAMIC	G
	C306	QCY21HK-182	1800PF 50V CERAMIC	G
	C307	QCY21HK-682	6800PF 50V CERAMIC	G
	C308	QCY21HK-682	6800PF 50V CERAMIC	G
	C309	QCS21HJ-101	100PF 50V CERAMIC	G
	C310	QCS21HJ-101	100PF 50V CERAMIC	G
	C311	QETB1HM-475	4.7MF 50V ELECTRO	
	C312	QETB1HM-475	4.7MF 50V ELECTRO	
	C313	QETB1AM-107	100MF 10V ELECTRO	
	C314	QETB1AM-107	100MF 10V ELECTRO	
	C315	QETB1CM-476	47MF 16V ELECTRO	
	C316	QETB1CM-476	47MF 16V ELECTRO	
	C319	QCF21HP-223	0.022MF 50V CERAMIC	
	C320	QCF21HP-223	0.022MF 50V CERAMIC	
	C321	QETB1EM-476	47MF 25V ELECTRO	
	C322	QETB1EM-476	47MF 25V ELECTRO	
	C323	QETB1EM-476	47MF 25V ELECTRO	
	C324	QETB1EM-476	47MF 25V ELECTRO	
	C325	QCF21HP-223	0.022MF 50V CERAMIC	
	C326	QCF21HP-223	0.022MF 50V CERAMIC	
	C331	QCF21HP-223	0.022MF 50V CERAMIC	
	C332	QCF21HP-223	0.022MF 50V CERAMIC	
	C333	QCF21HP-223	0.022MF 50V CERAMIC	
	C336	QCF21HP-223	0.022MF 50V CERAMIC	
	C337	QCF21HP-223	0.022MF 50V CERAMIC	
	C338	QETB1HM-475	4.7MF 50V ELECTRO	
	C339	QETB1HM-475	4.7MF 50V ELECTRO	
	C341	QETB1HM-475	4.7MF 50V ELECTRO	
	C342	QETB1HM-475	4.7MF 50V ELECTRO	
	C343	QETB1HM-105	1MF 50V ELECTRO	
	C344	QETB1HM-105	1MF 50V ELECTRO	
	C345	QETB1EM-106	10MF 25V ELECTRO	
	C346	QETB1EM-106	10MF 25V ELECTRO	
	C351	QETB1EM-476	47MF 25V ELECTRO	
	C352	QETB1EM-476	47MF 25V ELECTRO	
	C353	QCF21HP-223	0.022MF 50V CERAMIC	
	C354	QCF21HP-223	0.022MF 50V CERAMIC	
	C363	QCS21HJ-181	180PF 50V CERAMIC	
	C364	QCS21HJ-181	180PF 50V CERAMIC	
	C365	QFLB1HK-333	0.033MF 50V MYLAR	
	C366	QFLB1HK-333	0.033MF 50V MYLAR	
	C369	QETB1HM-105	1MF 50V ELECTRO	
	C370	QETB1HM-105	1MF 50V ELECTRO	
	C371	QETB1EM-106	10MF 25V ELECTRO	
	C372	QETB1EM-106	10MF 25V ELECTRO	
	C379	QCS21HJ-221	220PF 50V CERAMIC	
	C380	QCS21HJ-221	220PF 50V CERAMIC	
	C381	QCBB1HK-331	330PF 50V CERAMIC	G
	C382	QCBB1HK-331	330PF 50V CERAMIC	G
	C383	QCBB1HK-331	330PF 50V CERAMIC	G
	C384	QCBB1HK-331	330PF 50V CERAMIC	G
	C385	QCBB1HK-331	330PF 50V CERAMIC	G
	C386	QCBB1HK-331	330PF 50V CERAMIC	G
	C387	QCBB1HK-331	330PF 50V CERAMIC	G
	C388	QCBB1HK-331	330PF 50V CERAMIC	G
	C389	QCBB1HK-331	330PF 50V CERAMIC	G
	C390	QCBB1HK-331	330PF 50V CERAMIC	G
	C391	QCBB1HK-331	330PF 50V CERAMIC	G
	C392	QCBB1HK-331	330PF 50V CERAMIC	G
	C393	QCBB1HK-331	330PF 50V CERAMIC	G
	C394	QCBB1HK-331	330PF 50V CERAMIC	G
	C395	QCBB1HK-331	330PF 50V CERAMIC	G
	C396	QCBB1HK-331	330PF 50V CERAMIC	G
	C397	QCBB1HK-331	330PF 50V CERAMIC	G
	C398	QCBB1HK-331	330PF 50V CERAMIC	G
	C431	QFLB1HJ-104	0.1MF 50V MYLAR	
	C432	QFLB1HJ-104	0.1MF 50V MYLAR	
	C591	QETB1EM-227	220MF 25V ELECTRO	
	C592	QETB1HM-225	2.2MF 50V ELECTRO	
	C593	QCS21HJ-101	100PF 50V CERAMIC	
	C604	QCF21HP-223	0.022MF 50V CERAMIC	
	C605	QCF21HP-223	0.022MF 50V CERAMIC	

Capacitors

Δ	ITEM	PART NUMBER	DESCRIPTION	AREA
	C673	QCF21HP-223	0.022MF 50V CERAMIC	
	C701	QETB1HM-106	10MF 50V ELECTRO	
	C702	QETB1HM-106	10MF 50V ELECTRO	
	C703	QETB1AM-107	100MF 10V ELECTRO	
	C704	QETB1AM-107	100MF 10V ELECTRO	
	C705	QCS21HJ-101	100PF 50V CERAMIC	A
	C705	QCS21HJ-101	100PF 50V CERAMIC	B
	C705	QCS21HJ-101	100PF 50V CERAMIC	C
	C705	QCS21HJ-101	100PF 50V CERAMIC	D
	C705	QCS21HJ-101	100PF 50V CERAMIC	F
	C706	QCS21HJ-101	100PF 50V CERAMIC	A
	C706	QCS21HJ-101	100PF 50V CERAMIC	B
	C706	QCS21HJ-101	100PF 50V CERAMIC	C
	C706	QCS21HJ-101	100PF 50V CERAMIC	D
	C706	QCS21HJ-101	100PF 50V CERAMIC	F
	C707	QCS21HJ-270	27PF 50V CERAMIC	
	C708	QCS21HJ-270	27PF 50V CERAMIC	
	C709	QCS21HJ-270	27PF 50V CERAMIC	
	C710	QCS21HJ-270	27PF 50V CERAMIC	
	C711	QFLB1HK-103	0.01MF 50V MYLAR	
	C712	QFLB1HK-103	0.01MF 50V MYLAR	
	C717	QETB1HM-226	22MF 50V ELECTRO	
	C718	QETB1HM-226	22MF 50V ELECTRO	
	C721	QCF21HP-223	0.022MF 50V CERAMIC	
	C729	QCS21HJ-220	22PF 50V CERAMIC	
	C730	QCS21HJ-220	22PF 50V CERAMIC	
	C731	QETB1JM-476	47MF 63V ELECTRO	
	C732	QETB1JM-476	47MF 63V ELECTRO	
	C751	QCS22HJ-470A	47PF 500V CERAMIC	
	C752	QCS22HJ-470A	47PF 500V CERAMIC	
	C753	QCS22HJ-470A	47PF 500V CERAMIC	
	C754	QCS22HJ-470A	47PF 500V CERAMIC	
	C755	QFLB1HK-223	0.022MF 50V MYLAR	A
	C755	QFLB1HK-473	0.047MF 50V MYLAR	B
	C755	QFLB1HK-473	0.047MF 50V MYLAR	C
	C755	QFLB1HK-473	0.047MF 50V MYLAR	D
	C755	QFLB1HK-473	0.047MF 50V MYLAR	F
	C755	QFLB1HK-473	0.047MF 50V MYLAR	G
	C756	QFLB1HK-223	0.022MF 50V MYLAR	A
	C756	QFLB1HK-473	0.047MF 50V MYLAR	B
	C756	QFLB1HK-473	0.047MF 50V MYLAR	C
	C756	QFLB1HK-473	0.047MF 50V MYLAR	D
	C756	QFLB1HK-473	0.047MF 50V MYLAR	F
	C756	QFLB1HK-473	0.047MF 50V MYLAR	G
	C757	QFLB1HK-473	0.047MF 50V MYLAR	B
	C757	QFLB1HK-473	0.047MF 50V MYLAR	C
	C757	QFLB1HK-473	0.047MF 50V MYLAR	D
	C757	QFLB1HK-473	0.047MF 50V MYLAR	F
	C757	QFLB1HK-473	0.047MF 50V MYLAR	G
	C758	QFLB1HK-473	0.047MF 50V MYLAR	B
	C758	QFLB1HK-473	0.047MF 50V MYLAR	C
	C758	QFLB1HK-473	0.047MF 50V MYLAR	D
	C758	QFLB1HK-473	0.047MF 50V MYLAR	F
	C758	QFLB1HK-473	0.047MF 50V MYLAR	G
	C761	QCF21HP-473	0.047MF 50V CERAMIC	
	C762	QCF21HP-473	0.047MF 50V CERAMIC	
	C763	QCF21HP-473	0.047MF 50V CERAMIC	
	C764	QCF21HP-473	0.047MF 50V CERAMIC	
	C811	QCF21HP-472	4700PF 50V CERAMIC	
	C812	QETB1EM-107	100MF 25V ELECTRO	
	C813	QCF21HP-472	4700PF 50V CERAMIC	
	C814	QETB1EM-107	100MF 25V ELECTRO	
	C815	QCF21HP-472	4700PF 50V CERAMIC	
	C816	QETB1EM-107	100MF 25V ELECTRO	
	C817	QCF21HP-472	4700PF 50V CERAMIC	
	C818	QETB1EM-107	100MF 25V ELECTRO	
	C819	QCF21HP-472	4700PF 50V CERAMIC	
	C820	QETB1EM-107	100MF 25V ELECTRO	
	C821	QCF21HP-472	4700PF 50V CERAMIC	
	C822	QETB1EM-107	100MF 25V ELECTRO	
	C901	QCF21HP-223	0.022MF 50V CERAMIC	
	C902	QCF21HP-223	0.022MF 50V CERAMIC	
	C903	QETB1HM-226	22MF 50V ELECTRO	
	C904	QFLB1HK-223	0.022MF 50V MYLAR	
	C905	QCY21HK-102	1000PF 50V CERAMIC	
	C906	QETB1AM-476	47MF 10V ELECTRO	
	C909	QETB1CM-226	22MF 16V ELECTRO	
	C961	QFLB1HK-473	0.047MF 50V MYLAR	G
	C962	QFLB1HK-473	0.047MF 50V MYLAR	G
	C963	QFLB1HK-473	0.047MF 50V MYLAR	G
	C964	QFLB1HK-473	0.047MF 50V MYLAR	G
	C965	QCS21HJ-391	390PF 50V CERAMIC	G
	C966	QCS21HJ-101	100PF 50V CERAMIC	G
	C967	QCS21HJ-471	470PF 50V CERAMIC	G
	C968	QCS21HJ-390	39PF 50V CERAMIC	G
	C969	QCS21HJ-331	330PF 50V CERAMIC	G
	C970	QCS21HJ-331	330PF 50V CERAMIC	G
	C971	QCS21HJ-331	330PF 50V CERAMIC	G
	C972	QCS21HJ-331	330PF 50V CERAMIC	G

Δ SAFETY PARTS

Resistors

Δ	ITEM	PART NUMBER	DESCRIPTION			AREA
Δ	R010	QRD14CJ-470S	47	1/4W	UNF. CARBON	A
Δ	R010	QRD14CJ-470S	47	1/4W	UNF. CARBON	B
Δ	R010	QRD14CJ-2R2S	2.2	1/4W	UNF. CARBON	C
Δ	R010	QRD14CJ-2R2S	2.2	1/4W	UNF. CARBON	D
Δ	R010	QRD14CJ-2R2S	2.2	1/4W	UNF. CARBON	F
Δ	R010	QRD14CJ-2R2S	2.2	1/4W	UNF. CARBON	G
	R011	QRD167J-222	2.2K	1/6W	CARBON	
	R012	QRD167J-184	180K	1/6W	CARBON	
	R013	QRD167J-822	8.2K	1/6W	CARBON	
	R014	QRD167J-202	2K	1/6W	CARBON	
	R015	QRD167J-104	100K	1/6W	CARBON	
Δ	R016	QRZ0077-181	180	1/4W	FUSIBLE	
	R017	QRD167J-332	3.3K	1/6W	CARBON	A
	R017	QRD167J-332	3.3K	1/6W	CARBON	B
Δ	R017	QRD14CJ-432S	4.3K	1/4W	UNF. CARBON	C
Δ	R017	QRD14CJ-432S	4.3K	1/4W	UNF. CARBON	D
Δ	R017	QRD14CJ-432S	4.3K	1/4W	UNF. CARBON	F
Δ	R017	QRD14CJ-432S	4.3K	1/4W	UNF. CARBON	G
	R018	QRD167J-302	3K	1/6W	CARBON	A
	R018	QRD167J-302	3K	1/6W	CARBON	B
	R018	QRD167J-751	750	1/6W	CARBON	C
	R018	QRD167J-751	750	1/6W	CARBON	D
	R018	QRD167J-751	750	1/6W	CARBON	F
	R018	QRD167J-751	750	1/6W	CARBON	G
	R019	QRD167J-202	2K	1/6W	CARBON	A
	R019	QRD167J-202	2K	1/6W	CARBON	B
	R019	QRD167J-162	1.6K	1/6W	CARBON	C
	R019	QRD167J-162	1.6K	1/6W	CARBON	D
	R019	QRD167J-162	1.6K	1/6W	CARBON	F
	R019	QRD167J-162	1.6K	1/6W	CARBON	G
	R020	QRD167J-202	2K	1/6W	CARBON	A
	R020	QRD167J-202	2K	1/6W	CARBON	B
	R020	QRD167J-162	1.6K	1/6W	CARBON	C
	R020	QRD167J-162	1.6K	1/6W	CARBON	D
	R020	QRD167J-162	1.6K	1/6W	CARBON	F
	R020	QRD167J-162	1.6K	1/6W	CARBON	G
	R021	QRD167J-132	1.3K	1/6W	CARBON	
	R022	QRD167J-681	680	1/6W	CARBON	
Δ	R023	QRD14CJ-100S	10	1/4W	UNF. CARBON	
Δ	R024	QRD14CJ-100S	10	1/4W	UNF. CARBON	
Δ	R025	QRD14CJ-561S	560	1/4W	UNF. CARBON	
Δ	R026	QRD14CJ-100S	10	1/4W	UNF. CARBON	
Δ	R027	QRD14CJ-100S	10	1/4W	UNF. CARBON	
Δ	R029	ERF032K-R22	0.22	3W	CEMENT	
Δ	R030	QRD167J-183	18K	1/6W	CARBON	
	R031	QRD167J-123	12K	1/6W	CARBON	
Δ	R032	QRD125J-330	33	1/2W	UNF. CARBON	
Δ	R033	QRG022J-100A	10	2W	O.M. FILM	
	R034	QRD167J-104	100K	1/6W	CARBON	
Δ	R037	QRG022J-562A	5.6K	2W	O.M. FILM	
	R038	QRD167J-751	750	1/6W	CARBON	
Δ	R039	QRG012J-561A	560	1W	O.M. FILM	
Δ	R040	QRG022J-151A	150	2W	O.M. FILM	
Δ	R041	QRG022J-561A	560	2W	O.M. FILM	
Δ	R042	QVPA601-501A	500		VARIABLE	
	R043	QRD167J-222	2.2K	1/6W	CARBON	
	R044	QRD167J-101	100	1/6W	CARBON	
	R045	QRD167J-101	100	1/6W	CARBON	
Δ	R091	QRZ0077-100	10	1/4W	FUSIBLE	
Δ	R092	QRZ0077-100	10	1/4W	FUSIBLE	G
	R301	QRD167J-222	2.2K	1/6W	CARBON	
	R302	QRD167J-222	2.2K	1/6W	CARBON	
	R303	QRD167J-473	47K	1/6W	CARBON	
	R304	QRD167J-473	47K	1/6W	CARBON	
	R305	QRD167J-621	620	1/6W	CARBON	
	R306	QRD167J-621	620	1/6W	CARBON	
	R307	QRD167J-393	39K	1/6W	CARBON	
	R308	QRD167J-393	39K	1/6W	CARBON	
	R309	QRD167J-474	470K	1/6W	CARBON	
	R310	QRD167J-474	470K	1/6W	CARBON	
	R311	QRD167J-104	100K	1/6W	CARBON	
	R312	QRD167J-104	100K	1/6W	CARBON	
Δ	R313	QRZ0077-391	390	1/4W	FUSIBLE	
Δ	R314	QRZ0077-391	390	1/4W	FUSIBLE	
Δ	R321	QRZ0077-680	68	1/4W	FUSIBLE	
Δ	R322	QRZ0077-680	68	1/4W	FUSIBLE	
	R323	QRD167J-562	5.6K	1/6W	CARBON	
	R324	QRD167J-562	5.6K	1/6W	CARBON	
	R325	QRD167J-153	15K	1/6W	CARBON	
	R326	QRD167J-153	15K	1/6W	CARBON	
	R327	QRD167J-153	15K	1/6W	CARBON	
	R328	QRD167J-153	15K	1/6W	CARBON	
	R329	QRD167J-105	1M	1/6W	CARBON	
	R330	QRD167J-105	1M	1/6W	CARBON	
	R331	QRD167J-105	1M	1/6W	CARBON	
	R332	QRD167J-105	1M	1/6W	CARBON	
	R333	QRD167J-103	10K	1/6W	CARBON	
	R334	QRD167J-103	10K	1/6W	CARBON	
	R335	QRD167J-103	10K	1/6W	CARBON	
	R336	QRD167J-103	10K	1/6W	CARBON	
	R337	QRD167J-103	10K	1/6W	CARBON	
	R338	QRD167J-473	47K	1/6W	CARBON	
	R341	QRD167J-104	100K	1/6W	CARBON	
	R342	QRD167J-104	100K	1/6W	CARBON	
	R343	QRD167J-105	1M	1/6W	CARBON	

Resistors

Δ	ITEM	PART NUMBER	DESCRIPTION			AREA
	R344	QRD167J-105	1M	1/6W	CARBON	
	R345	QRD167J-103	10K	1/6W	CARBON	
	R346	QRD167J-103	10K	1/6W	CARBON	
	R347	QRD167J-103	10K	1/6W	CARBON	
	R348	QRD167J-103	10K	1/6W	CARBON	
	R351	QRD167J-102	1K	1/6W	CARBON	
	R352	QRD167J-102	1K	1/6W	CARBON	
	R353	QRD167J-103	10K	1/6W	CARBON	
	R354	QRD167J-103	10K	1/6W	CARBON	
	R355	QRD167J-103	10K	1/6W	CARBON	
	R359	QRD167J-563	56K	1/6W	CARBON	
Δ	R361	QRZ0077-680	68	1/4W	FUSIBLE	
Δ	R362	QRZ0077-680	68	1/4W	FUSIBLE	
	R363	QRD167J-105	1M	1/6W	CARBON	
	R364	QRD167J-105	1M	1/6W	CARBON	
	R365	QRD167J-563	56K	1/6W	CARBON	
	R366	QRD167J-563	56K	1/6W	CARBON	
	R367	QRD167J-563	56K	1/6W	CARBON	
	R368	QRD167J-563	56K	1/6W	CARBON	
	R369	QRD167J-104	100K	1/6W	CARBON	
	R370	QRD167J-104	100K	1/6W	CARBON	
	R371	QRD167J-682	6.8K	1/6W	CARBON	A
	R371	QRD167J-682	6.8K	1/6W	CARBON	B
	R371	QRD167J-512	5.1K	1/6W	CARBON	C
	R371	QRD167J-512	5.1K	1/6W	CARBON	D
	R371	QRD167J-512	5.1K	1/6W	CARBON	F
	R371	QRD167J-512	5.1K	1/6W	CARBON	G
	R372	QRD167J-682	6.8K	1/6W	CARBON	A
	R372	QRD167J-682	6.8K	1/6W	CARBON	B
	R372	QRD167J-512	5.1K	1/6W	CARBON	C
	R372	QRD167J-512	5.1K	1/6W	CARBON	D
	R372	QRD167J-512	5.1K	1/6W	CARBON	F
	R372	QRD167J-512	5.1K	1/6W	CARBON	G
	R373	QRD167J-103	10K	1/6W	CARBON	
	R374	QRD167J-103	10K	1/6W	CARBON	
	R375	QRD167J-105	1M	1/6W	CARBON	
	R376	QRD167J-105	1M	1/6W	CARBON	
	R379	QRD167J-105	1M	1/6W	CARBON	
	R380	QRD167J-105	1M	1/6W	CARBON	
	R381	QRD167J-471	470	1/6W	CARBON	
	R382	QRD167J-471	470	1/6W	CARBON	
	R383	QRD167J-471	470	1/6W	CARBON	
	R384	QRD167J-471	470	1/6W	CARBON	
	R385	QRD167J-471	470	1/6W	CARBON	A
	R385	QRD167J-471	470	1/6W	CARBON	B
	R385	QRD167J-471	470	1/6W	CARBON	C
	R385	QRD167J-471	470	1/6W	CARBON	D
	R385	QRD167J-471	470	1/6W	CARBON	F
	R385	QRD167J-222	2.2K	1/6W	CARBON	G
	R386	QRD167J-471	470	1/6W	CARBON	A
	R386	QRD167J-471	470	1/6W	CARBON	B
	R386	QRD167J-471	470	1/6W	CARBON	C
	R386	QRD167J-471	470	1/6W	CARBON	D
	R386	QRD167J-471	470	1/6W	CARBON	F
	R386	QRD167J-222	2.2K	1/6W	CARBON	G
	R387	QRD167J-471	470	1/6W	CARBON	A
	R387	QRD167J-471	470	1/6W	CARBON	B
	R387	QRD167J-471	470	1/6W	CARBON	C
	R387	QRD167J-471	470	1/6W	CARBON	D
	R387	QRD167J-471	470	1/6W	CARBON	F
	R387	QRD167J-222	2.2K	1/6W	CARBON	G
	R388	QRD167J-471	470	1/6W	CARBON	A
	R388	QRD167J-471	470	1/6W	CARBON	B
	R388	QRD167J-471	470	1/6W	CARBON	C
	R388	QRD167J-471	470	1/6W	CARBON	D
	R388	QRD167J-471	470	1/6W	CARBON	F
	R388	QRD167J-222	2.2K	1/6W	CARBON	G
	R389	QRD167J-471	470	1/6W	CARBON	A
	R389	QRD167J-471	470	1/6W	CARBON	B
	R389	QRD167J-471	470	1/6W	CARBON	C
	R389	QRD167J-471	470	1/6W	CARBON	D
	R389	QRD167J-471	470	1/6W	CARBON	F
	R389	QRD167J-222	2.2K	1/6W	CARBON	G
	R392	QRD167J-471	470	1/6W	CARBON	A
	R392	QRD167J-471	470	1/6W	CARBON	B
	R392	QRD167J-471	470	1/6W	CARBON	C
	R392	QRD167J-471	470	1/6W	CARBON	D
	R392	QRD167J-471	470	1/6W	CARBON	F
	R392	QRD167J-222	2.2K	1/6W	CARBON	G
	R393	QRD167J-471	470	1/6W	CARBON	A
	R393	QRD167J-471	470	1/6W	CARBON	B
	R393	QRD167J-471	470	1/6W	CARBON	C
	R393	QRD167J-471	470	1/6W	CARBON	D

Resistors

Δ	ITEM	PART NUMBER	DESCRIPTION			AREA
	R393	QRD167J-471	470	1/6W	CARBON	F
	R393	QRD167J-222	2.2K	1/6W	CARBON	G
	R394	QRD167J-471	470	1/6W	CARBON	A
	R394	QRD167J-471	470	1/6W	CARBON	B
	R394	QRD167J-471	470	1/6W	CARBON	C
	R394	QRD167J-471	470	1/6W	CARBON	D
	R394	QRD167J-471	470	1/6W	CARBON	F
	R394	QRD167J-222	2.2K	1/6W	CARBON	G
	R395	QRD167J-471	470	1/6W	CARBON	
	R396	QRD167J-471	470	1/6W	CARBON	
	R591	QRD167J-224	220K	1/6W	CARBON	
	R592	QRD167J-104	100K	1/6W	CARBON	
	R593	QRD167J-333	33K	1/6W	CARBON	
	R594	QRD167J-103	10K	1/6W	CARBON	
	R595	QRD167J-103	10K	1/6W	CARBON	
	R596	QRD167J-103	10K	1/6W	CARBON	
	R597	QRD167J-471	470	1/6W	CARBON	
	R701	QRD167J-222	2.2K	1/6W	CARBON	
	R702	QRD167J-222	2.2K	1/6W	CARBON	
	R703	QRD167J-104	100K	1/6W	CARBON	
	R704	QRD167J-104	100K	1/6W	CARBON	
	R705	QRD167J-472	4.7K	1/6W	CARBON	
	R706	QRD167J-472	4.7K	1/6W	CARBON	
	R707	QRD14CJ-820S	82	1/4W	UNF. CARBON	
	R708	QRD14CJ-820S	82	1/4W	UNF. CARBON	
	R709	QRD14CJ-820S	82	1/4W	UNF. CARBON	
	R710	QRD14CJ-820S	82	1/4W	UNF. CARBON	
	R711	QRD167J-470	47	1/6W	CARBON	
	R712	QRD167J-470	47	1/6W	CARBON	
	R713	QRD167J-153	15K	1/6W	CARBON	
	R714	QRD167J-153	15K	1/6W	CARBON	
	R715	QRD167J-153	15K	1/6W	CARBON	
	R716	QRD167J-153	15K	1/6W	CARBON	
	R717	QRD167J-332	3.3K	1/6W	CARBON	
	R718	QRD167J-332	3.3K	1/6W	CARBON	
	R719	QRD167J-104	100K	1/6W	CARBON	
	R720	QRD167J-104	100K	1/6W	CARBON	
	R723	QRD167J-132	1.3K	1/6W	CARBON	
	R724	QRD167J-132	1.3K	1/6W	CARBON	
	R725	QRD167J-202	2K	1/6W	CARBON	
	R726	QRV144F-2202	22K	1/4W	M. FILM	
	R727	QRD167J-222	2.2K	1/6W	CARBON	
	R728	QRD167J-102	1K	1/6W	CARBON	
	R729	QRD167J-222	2.2K	1/6W	CARBON	
	R751	QVPA601-501A	500		VARIABLE	
	R752	QVPA601-501A	500		VARIABLE	
	R753	QRD167J-132	1.3K	1/6W	CARBON	A
	R753	QRD167J-132	1.3K	1/6W	CARBON	B
	R753	QRD167J-152	1.5K	1/6W	CARBON	C
	R753	QRD167J-152	1.5K	1/6W	CARBON	D
	R753	QRD167J-152	1.5K	1/6W	CARBON	F
	R753	QRD167J-152	1.5K	1/6W	CARBON	G
	R754	QRD167J-132	1.3K	1/6W	CARBON	A
	R754	QRD167J-132	1.3K	1/6W	CARBON	B
	R754	QRD167J-152	1.5K	1/6W	CARBON	C
	R754	QRD167J-152	1.5K	1/6W	CARBON	D
	R754	QRD167J-152	1.5K	1/6W	CARBON	F
	R754	QRD167J-152	1.5K	1/6W	CARBON	G
	R755	QRD167J-391	390	1/6W	CARBON	
	R756	QRD167J-391	390	1/6W	CARBON	
	R757	SDT250			NEGATIVE	C
	R757	SDT250			NEGATIVE	D
	R757	SDT250			NEGATIVE	F
	R757	SDT250			NEGATIVE	G
	R758	SDT250			NEGATIVE	C
	R758	SDT250			NEGATIVE	D
	R758	SDT250			NEGATIVE	F
	R758	SDT250			NEGATIVE	G
	R759	QRD14CJ-100S	10	1/4W	UNF. CARBON	
	R760	QRD14CJ-100S	10	1/4W	UNF. CARBON	
	R761	QRD14CJ-100S	10	1/4W	UNF. CARBON	
	R762	QRD14CJ-100S	10	1/4W	UNF. CARBON	
	R767	QRD167J-151	150	1/6W	CARBON	
	R768	QRD167J-151	150	1/6W	CARBON	
	R769	QRD167J-151	150	1/6W	CARBON	
	R770	QRD167J-151	150	1/6W	CARBON	
	R771	QRD167J-151	150	1/6W	CARBON	
	R772	QRD167J-151	150	1/6W	CARBON	
	R773	QRD167J-151	150	1/6W	CARBON	
	R774	QRD167J-151	150	1/6W	CARBON	
	R783	QRD14CJ-272S	2.7K	1/4W	UNF. CARBON	
	R784	QRD14CJ-272S	2.7K	1/4W	UNF. CARBON	
	R785	QRD14CJ-271S	270	1/4W	UNF. CARBON	
	R786	QRD14CJ-271S	270	1/4W	UNF. CARBON	
	R787	ERF032K-R22	0.22	3W	CEMENT	
	R788	ERF032K-R22	0.22	3W	CEMENT	
	R789	QRD14CJ-100S	10	1/4W	UNF. CARBON	A
	R789	QRD14CJ-100S	10	1/4W	UNF. CARBON	B
	R789	QRZ0077-100	10	1/4W	FUSIBLE	C
	R789	QRZ0077-100	10	1/4W	FUSIBLE	D
	R789	QRZ0077-100	10	1/4W	FUSIBLE	F
	R789	QRZ0077-100	10	1/4W	FUSIBLE	G
	R790	QRD14CJ-100S	10	1/4W	UNF. CARBON	A
	R790	QRD14CJ-100S	10	1/4W	UNF. CARBON	B
	R790	QRZ0077-100	10	1/4W	FUSIBLE	C

Resistors

Δ	ITEM	PART NUMBER	DESCRIPTION			AREA
	R790	QRZ0077-100	10	1/4W	FUSIBLE	D
	R790	QRZ0077-100	10	1/4W	FUSIBLE	F
	R790	QRZ0077-100	10	1/4W	FUSIBLE	G
	R791	QRD14CJ-100S	10	1/4W	UNF. CARBON	A
	R791	QRD14CJ-100S	10	1/4W	UNF. CARBON	B
	R791	QRZ0077-100	10	1/4W	FUSIBLE	C
	R791	QRZ0077-100	10	1/4W	FUSIBLE	D
	R791	QRZ0077-100	10	1/4W	FUSIBLE	F
	R791	QRZ0077-100	10	1/4W	FUSIBLE	G
	R792	QRD14CJ-100S	10	1/4W	UNF. CARBON	A
	R792	QRD14CJ-100S	10	1/4W	UNF. CARBON	B
	R792	QRZ0077-100	10	1/4W	FUSIBLE	C
	R792	QRZ0077-100	10	1/4W	FUSIBLE	D
	R792	QRZ0077-100	10	1/4W	FUSIBLE	F
	R792	QRZ0077-100	10	1/4W	FUSIBLE	G
	R793	QRD125J-330	33	1/2W	UNF. CARBON	
	R794	QRD125J-330	33	1/2W	UNF. CARBON	
	R795	QRG022J-100A	10	2W	O.M. FILM	
	R796	QRG022J-100A	10	2W	O.M. FILM	
	R797	QRD14CJ-680S	68	1/4W	UNF. CARBON	A
	R797	QRD14CJ-680S	68	1/4W	UNF. CARBON	B
	R797	QRZ0077-330	33	1/4W	FUSIBLE	C
	R797	QRZ0077-330	33	1/4W	FUSIBLE	D
	R797	QRZ0077-330	33	1/4W	FUSIBLE	F
	R797	QRZ0077-330	33	1/4W	FUSIBLE	G
	R798	QRD14CJ-181S	180	1/4W	UNF. CARBON	A
	R798	QRD14CJ-181S	180	1/4W	UNF. CARBON	B
	R798	QRZ0077-330	33	1/4W	FUSIBLE	C
	R798	QRZ0077-330	33	1/4W	FUSIBLE	D
	R798	QRZ0077-330	33	1/4W	FUSIBLE	F
	R798	QRZ0077-330	33	1/4W	FUSIBLE	G
	R811	QRG022J-271A	270	2W	O.M. FILM	
	R812	QRG022J-271A	270	2W	O.M. FILM	
	R813	QRD125J-682	6.8K	1/2W	UNF. CARBON	
	R814	QRG022J-821AM	820	2W	O.M. FILM	A
	R814	QRG022J-821AM	820	2W	O.M. FILM	B
	R814	QRG022J-681A	680	2W	O.M. FILM	C
	R814	QRG022J-681A	680	2W	O.M. FILM	D
	R814	QRG022J-681A	680	2W	O.M. FILM	F
	R814	QRG022J-681A	680	2W	O.M. FILM	G
	R815	QRG022J-821AM	820	2W	O.M. FILM	A
	R815	QRG022J-821AM	820	2W	O.M. FILM	B
	R815	QRG022J-681A	680	2W	O.M. FILM	C
	R815	QRG022J-681A	680	2W	O.M. FILM	D
	R815	QRG022J-681A	680	2W	O.M. FILM	F
	R815	QRG022J-681A	680	2W	O.M. FILM	G
	R816	QRG022J-681A	680	2W	O.M. FILM	A
	R816	QRG022J-681A	680	2W	O.M. FILM	B
	R816	QRG022J-561A	560	2W	O.M. FILM	C
	R816	QRG022J-561A	560	2W	O.M. FILM	D
	R816	QRG022J-561A	560	2W	O.M. FILM	F
	R816	QRG022J-561A	560	2W	O.M. FILM	G
	R817	QRD125J-682	6.8K	1/2W	UNF. CARBON	
	R819	QRG022J-820A	82	2W	O.M. FILM	A
	R819	QRG022J-820A	82	2W	O.M. FILM	B
	R819	QRG022J-151A	150	2W	O.M. FILM	C
	R819	QRG022J-151A	150	2W	O.M. FILM	D
	R819	QRG022J-151A	150	2W	O.M. FILM	F
	R819	QRG022J-151A	150	2W	O.M. FILM	G
	R820	QRG022J-151A	150	2W	O.M. FILM	C
	R820	QRG022J-151A	150	2W	O.M. FILM	D
	R820	QRG022J-151A	150	2W	O.M. FILM	F
	R820	QRG022J-151A	150	2W	O.M. FILM	G
	R822	QRD125J-562	5.6K	1/2W	UNF. CARBON	
	R823	QRD14CJ-220S	22	1/4W	UNF. CARBON	
	R824	QRD14CJ-562S	5.6K	1/4W	UNF. CARBON	
	R825	QRG022J-122A	1.2K	2W	O.M. FILM	
	R826	QRG022J-122A	1.2K	2W	O.M. FILM	
	R827	QRG022J-122A	1.2K	2W	O.M. FILM	
	R828	QRD125J-562	5.6K	1/2W	UNF. CARBON	
	R829	QRG022J-681A	680	2W	O.M. FILM	
	R830	QRG022J-681A	680	2W	O.M. FILM	
	R831	QRG022J-681A	680	2W	O.M. FILM	
	R832	QRD125J-562	5.6K	1/2W	UNF. CARBON	
	R834	QRZ0077-220	22	1/4W	FUSIBLE	A
	R834	QRZ0077-100	10	1/4W	FUSIBLE	B
	R834	QRZ0077-100	10	1/4W	FUSIBLE	C
	R834	QRZ0077-100	10	1/4W	FUSIBLE	D
	R834	QRZ0077-100	10	1/4W	FUSIBLE	F
	R834	QRZ0077-100	10	1/4W	FUSIBLE	G
	R839	QRD125J-2R2	2.2	1/2W	UNF. CARBON	
	R840	QRD125J-2R2	2.2	1/2W	UNF. CARBON	
	R841	QRG022J-271A	270	2W	O.M. FILM	
	R842	QRG022J-271A	270	2W	O.M. FILM	
	R901	QRD167J-681	680	1/6W	CARBON	
	R902	QRD167J-681	680	1/6W	CARBON	
	R903	QRD167J-562	5.6K	1/6W	CARBON	
	R904	QRD167J-562	5.6K	1/6W	CARBON	
	R905	QRD167J-123	12K	1/6W	CARBON	
	R906	QRD167J-123	12K	1/6W	CARBON	
	R907	QRD167J-152	1.5K	1/6W	CARBON	
	R908	QRD167J-152	1.5K	1/6W	CARBON	
	R909	QRD167J-103	10K	1/6W	CARBON	
	R911	QRD167J-332	3.3K	1/6W	CARBON	
	R912	QRD167J-473	47K	1/6W	CARBON	

Δ - SAFETY PARTS

Resistors

ITEM	PART NUMBER	DESCRIPTION	AREA
R913	QRD167J-104	100K 1/6W CARBON	
R914	QRD167J-823	82K 1/6W CARBON	
R915	QRD167J-473	47K 1/6W CARBON	
R916	QRD167J-563	56K 1/6W CARBON	
R917	QRD167J-683	68K 1/6W CARBON	
R918	QRD167J-392	3.9K 1/6W CARBON	
R921	QRD167J-224	220K 1/6W CARBON	
R922	QRD167J-182	1.8K 1/6W CARBON	
R924	QRG022J-122A	1.2K 2W O.M.FILM	A
R924	QRG022J-122A	1.2K 2W O.M.FILM	B
R924	QRG022J-821AM	820 2W O.M.FILM	C
R924	QRG022J-821AM	820 2W O.M.FILM	D
R924	QRG022J-821AM	820 2W O.M.FILM	F
R924	QRG022J-821AM	820 2W O.M.FILM	G
R925	QRD167J-221	220 1/6W CARBON	A
R925	QRD167J-221	220 1/6W CARBON	B
R925	QRD167J-161	160 1/6W CARBON	C
R925	QRD167J-161	160 1/6W CARBON	D
R925	QRD167J-161	160 1/6W CARBON	F
R925	QRD167J-161	160 1/6W CARBON	G
R926	QRD167J-221	220 1/6W CARBON	A
R926	QRD167J-221	220 1/6W CARBON	B
R926	QRD167J-181	180 1/6W CARBON	C
R926	QRD167J-181	180 1/6W CARBON	D
R926	QRD167J-181	180 1/6W CARBON	F
R926	QRD167J-181	180 1/6W CARBON	G
R926	QRD167J-181	180 1/6W CARBON	
R931	QRD14CJ-330S	33 1/4W UNF. CARBON	
R941	QRG022J-471A	470 2W O.M.FILM	
R942	QRG022J-471A	470 2W O.M.FILM	
R961	QRZ0077-100	10 1/4W FUSIBLE	G
R962	QRZ0077-100	10 1/4W FUSIBLE	G
R963	QRZ0077-100	10 1/4W FUSIBLE	G
R964	QRZ0077-100	10 1/4W FUSIBLE	G

△ IS SAFETY PARTS

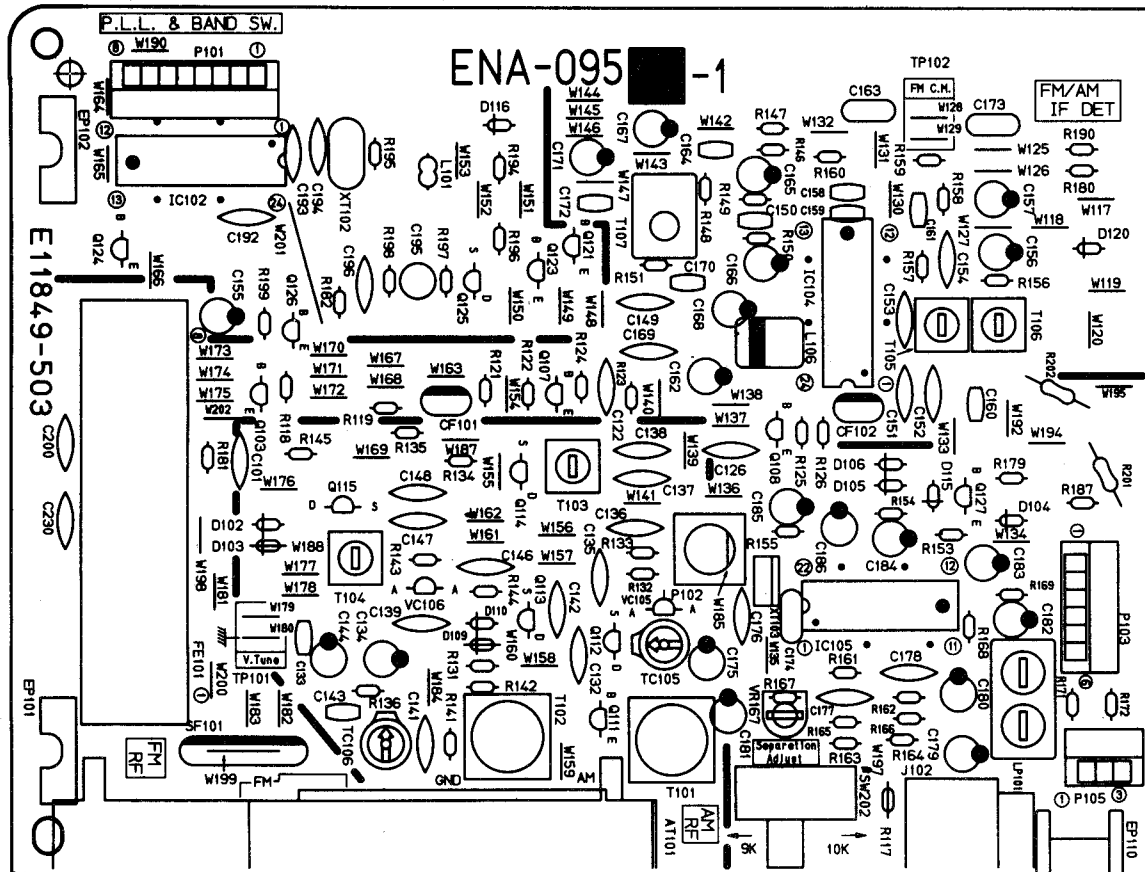
Others

ITEM	PART NUMBER	DESCRIPTION	AREA
	EMW10228-002	PRINTED BOARD	
	E307226-003	HEAT SINK	
	E307307-001	HEAT SINK BRACKET	
	E307351-001	P.W.BOARD BRACKET	
	E73525-003	SCREW	
	GBSG3008CC	SCREW	
	SBSG3008CC	SCREW	
J300	EMN00TV-414AJ2	4P PIN JACK	
J301	EMN00TV-413AJ2	4P PIN JACK	
J302	EMN00TV-611AJ2	6P PIN JACK	
J303	EMN00TV-414AJ2	4P PIN JACK	
L011	EQL0001-1R0	INDUCTOR	
L012	EQL0001-R45	INDUCTOR	G
L751	EQL0001-1R0	INDUCTOR	
L752	EQL0001-1R0	INDUCTOR	
L831	EQL4007-220	INDUCTOR	
L961	EQL0001-R45	INDUCTOR	G
L962	EQL0001-R45	INDUCTOR	G
EP091	E70225-002	EARTH PLATE	G
EP801	E70859-001	EARTH PLATE	
EP961	E70225-002	EARTH PLATE	G
FW103	EWR368-20LST	FLAT WIRE(6PIN)	
FW902	EWR348-S0SST	FLAT WIRE(4PIN)	
FW903	EWR368-60SST	FLAT WIRE(6PIN)	
HS802	E70306-001	HEAT SINK	
PA302	EMV5140-011	PLUG ASSY(11PIN)	
PB309	EMV5125-005	PLUG ASSY(5PIN)	
PB310	EMV5125-012	PLUG ASSY(12PIN)	
PB441	EMV7123-015	CONNECTOR(15PIN)	
PB561	EMV5125-006	PLUG ASSY(6PIN)	
PB804	EMV5125-011	PLUG ASSY(11PIN)	
RY011	ESK1D12-116M	RELAY	A
RY011	ESK1D12-116M	RELAY	B
RY011	ESK1D12-116M	RELAY	C
RY011	ESK1D12-117M	RELAY	D
RY011	ESK1D12-117M	RELAY	F
RY011	ESK1D12-117M	RELAY	G
RY901	ESK7D24-2120	RELAY	
ST011	EMB90YV-401A	SPEAKER TERMINAL(REAR)	
ST901	EMB90TV-801A	SPEAKER TERMINAL(FRONT)	
SW901	QST4231-E01J2	PUSH SWITCH(SPK 1)	
SW902	QST4231-E01J2	PUSH SWITCH(SPK 2)	

△ IS SAFETY PARTS

■ ENA-095 □ Tuner PC Board Ass'y

Note : ENA-095 □ varies according to the areas employed. See note (1) when placing an order.



Note (1)

PC Board Ass'y	Designated Areas
ENA-095 H	the U.S.A. , Canada
ENA-095 I	Universal Type
ENA-095 K	Continental Europe , Scandinavia , the U.K.
ENA-095 N	Germany

Transistors

Δ	ITEM	PART NUMBER	DESCRIPTION		AREA
	Q103	2SC461(B,C)	SILICON	HITACHI	
	Q107	2SC535(B,C)	SILICON	HITACHI	
	Q108	2SC461(B,C)	SILICON	HITACHI	
	Q111	2SD1302(S,T)	SILICON	MATSUSHITA	K
	Q111	2SD1302(S,T)	SILICON	MATSUSHITA	N
	Q112	2SK301(Q,R)	F.E.T	MATSUSHITA	
	Q113	2SK301(Q,R)	F.E.T	MATSUSHITA	K
	Q113	2SK301(Q,R)	F.E.T	MATSUSHITA	N
	Q114	2SK301(P,Q)	F.E.T	MATSUSHITA	K
	Q114	2SK301(P,Q)	F.E.T	MATSUSHITA	N
	Q115	2SK301(P,Q)	F.E.T	MATSUSHITA	K
	Q115	2SK301(P,Q)	F.E.T	MATSUSHITA	N
	Q121	AN1A4P	SILICON	NEC	K
	Q121	AN1A4P	SILICON	NEC	N
	Q123	AN1A4P	SILICON	NEC	
	Q124	AN1A4P	SILICON	NEC	
	Q125	2SK301(Q2)	F.E.T	MATSUSHITA	
	Q126	2SC458(D)	SILICON	HITACHI	
	Q127	AA1L4M	SILICON	NEC	

Δ : SAFETY PARTS

I.C.s

Δ	ITEM	PART NUMBER	DESCRIPTION		AREA
	IC102	LC7218	I.C.	SANYO	
	IC104	LA1266A	I.C.	SANYO	
	IC105	LA3401	I.C.	SANYO	

Δ : SAFETY PARTS

Diodes

Δ	ITEM	PART NUMBER	DESCRIPTION		AREA
	D102	1SS119	SILICON	HITACHI	K
	D102	1SS119	SILICON	HITACHI	N
	D103	1SS119	SILICON	HITACHI	K
	D103	1SS119	SILICON	HITACHI	N
	D104	1SS119	SILICON	HITACHI	
	D105	1SS119	SILICON	HITACHI	
	D106	1SS119	SILICON	HITACHI	
	D109	1SS119	SILICON	HITACHI	K
	D109	1SS119	SILICON	HITACHI	N
	D110	1SS119	SILICON	HITACHI	K
	D110	1SS119	SILICON	HITACHI	N
	D115	1SS119	SILICON	HITACHI	
	D116	1SS119	SILICON	HITACHI	
	D120	1SS119	SILICON	HITACHI	
	VC105	SVC342(L)	VARICAP	SANYO	
	VC106	SVC342(L)	VARICAP	SANYO	K
	VC106	SVC342(L)	VARICAP	SANYO	N

Δ : SAFETY PARTS

Capacitors

Δ	ITEM	PART NUMBER	DESCRIPTION		AREA
	C101	QCF21HP-223	0.022MF	50V CERAMIC	
	C122	QCF21HP-223	0.022MF	50V CERAMIC	
	C126	QCF21HP-223	0.022MF	50V CERAMIC	
	C132	QCS21HJ-561	560PF	50V CERAMIC	
	C133	QCHB1EZ-223	0.022MF	25V CERAMIC	
	C134	QETB1EM-106	10MF	25V ELECTRO	
	C135	QCC21EM-223	0.022MF	25V CERAMIC	
	C136	QCT26CH-180	18PF	50V CERAMIC	
	C137	QCT26CH-221	220PF	50V CERAMIC	
	C138	QCT26CH-241	240PF	50V CERAMIC	
	C139	QCC21EM-223	0.022MF	25V CERAMIC	K
	C139	QCC21EM-223	0.022MF	25V CERAMIC	N
	C141	QCS21HJ-270	27PF	50V CERAMIC	K
	C141	QCS21HJ-270	27PF	50V CERAMIC	N
	C142	QCY21HK-272	2700PF	50V CERAMIC	K

Capacitors

Δ	ITEM	PART NUMBER	DESCRIPTION			AREA
	C142	QCY21HK-272	2700PF	50V CERAMIC	N	
	C143	QCHB1EZ-223	0.022MF	25V CERAMIC	K	
	C143	QCHB1EZ-223	0.022MF	25V CERAMIC	N	
	C144	QETB1EM-106	10MF	25V ELECTRO	K	
	C144	QETB1EM-106	10MF	25V ELECTRO	N	
	C146	QCT26CH-680	68PF	50V CERAMIC	K	
	C146	QCT26CH-680	68PF	50V CERAMIC	N	
	C147	QCT26CH-220	22PF	50V CERAMIC	K	
	C147	QCT26CH-220	22PF	50V CERAMIC	N	
	C148	QCT26CH-121	120PF	50V CERAMIC	K	
	C148	QCT26CH-121	120PF	50V CERAMIC	N	
	C149	QCF21HP-223	0.022MF	50V CERAMIC		
	C150	QCHB1EZ-223	0.022MF	25V CERAMIC		
	C151	QCF21HP-223	0.022MF	50V CERAMIC		
	C152	QCF21HP-223	0.022MF	50V CERAMIC		
	C153	QCC21EM-223	0.022MF	25V CERAMIC		
	C154	QCF21HP-223	0.022MF	50V CERAMIC		
	C155	QETB1EM-226	22MF	25V ELECTRO		
	C156	QETB1HM-475	4.7MF	50V ELECTRO		
	C157	QETB1HM-474	0.47MF	50V ELECTRO		
	C158	QCBB1HK-101	100PF	50V CERAMIC		
	C159	QCBB1HK-101	100PF	50V CERAMIC		
	C160	QCBB1HK-221	220PF	50V CERAMIC	H	
	C160	QCBB1HK-221	220PF	50V CERAMIC	I	
	C160	QCBB1HK-101	100PF	50V CERAMIC	K	
	C160	QCBB1HK-221	220PF	50V CERAMIC	N	
	C161	QCHB1EZ-223	0.022MF	25V CERAMIC		
	C162	QETB1EM-106	10MF	25V ELECTRO		
	C163	QFLB1HJ-332	3300PF	50V MYLAR		
	C164	QCHB1EZ-223	0.022MF	25V CERAMIC		
	C165	QETB1HM-474	0.47MF	50V ELECTRO		
	C166	QETB1HM-225	2.2MF	50V ELECTRO		
	C167	QETB1HM-225	2.2MF	50V ELECTRO		
	C168	QETB1HM-475	4.7MF	50V ELECTRO		
	C169	QCF21HP-223	0.022MF	50V CERAMIC		
	C170	QCHB1EZ-223	0.022MF	25V CERAMIC		
	C171	QETB1EM-106	10MF	25V ELECTRO		
	C172	QCVB1CM-103	0.01MF	16V CERAMIC		
	C173	QFLB1HK-223	0.022MF	50V MYLAR		
	C174	QFLB1HK-473	0.047MF	50V MYLAR		
	C175	QETB1EM-106	10MF	25V ELECTRO		
	C176	QCY21HK-102	1000PF	50V CERAMIC	H	
	C177	QCS21HJ-561	560PF	50V CERAMIC	I	
	C177	QCS21HJ-561	560PF	50V CERAMIC	K	
	C177	QCS21HJ-271	270PF	50V CERAMIC	N	
	C177	QCS21HJ-271	270PF	50V CERAMIC		
	C178	QCS21HJ-561	560PF	50V CERAMIC	H	
	C178	QCS21HJ-561	560PF	50V CERAMIC	I	
	C178	QCS21HJ-271	270PF	50V CERAMIC	K	
	C178	QCS21HJ-271	270PF	50V CERAMIC	N	
	C179	QETB1HM-225	2.2MF	50V ELECTRO		
	C180	QETB1HM-225	2.2MF	50V ELECTRO		
	C181	QETB1EM-106	10MF	25V ELECTRO		
	C182	QETB1HM-225	2.2MF	50V ELECTRO		
	C183	QETB1HM-105	1MF	50V ELECTRO		
	C184	QETB1HM-105	1MF	50V ELECTRO		
	C185	QETB1HM-225	2.2MF	50V ELECTRO		
	C186	QETB1HM-474	0.47MF	50V ELECTRO		
	C192	QCC21EM-473	0.047MF	25V CERAMIC		
	C193	QCS21HJ-180	18PF	50V CERAMIC		
	C194	QCS21HJ-180	18PF	50V CERAMIC		
	C195	QEN51HM-474	0.47MF	50V NON POLE		
	C196	QCY21HK-102	1000PF	50V CERAMIC		
	C230	QCF21HP-103	0.01MF	50V CERAMIC		
	C240	QCBB1HK-101	100PF	50V CERAMIC	N	

Δ : SAFETY PARTS

Resistors

Δ	ITEM	PART NUMBER	DESCRIPTION			AREA
	R117	QRD167J-100	10	1/6W CARBON		
	R118	QRD167J-332	3.3K	1/6W CARBON		
	R119	QRD167J-221	220	1/6W CARBON		
	R121	QRD167J-391	390	1/6W CARBON		
	R122	QRD167J-272	2.7K	1/6W CARBON		
	R123	QRD167J-102	1K	1/6W CARBON		
	R124	QRD167J-681	680	1/6W CARBON		
	R125	QRD167J-332	3.3K	1/6W CARBON		
	R126	QRD167J-221	220	1/6W CARBON		
	R131	QRD167J-331	330	1/6W CARBON		
	R132	QRD167J-103	10K	1/6W CARBON		
	R133	QRD167J-473	47K	1/6W CARBON		
	R134	QRD167J-103	10K	1/6W CARBON	K	
	R134	QRD167J-103	10K	1/6W CARBON	N	
	R135	QRD167J-470	47	1/6W CARBON		
	R136	QRD167J-103	10K	1/6W CARBON		
	R141	QRD167J-472	4.7K	1/6W CARBON	K	
	R141	QRD167J-472	4.7K	1/6W CARBON	N	
	R142	QRD167J-331	330	1/6W CARBON	K	
	R142	QRD167J-331	330	1/6W CARBON	N	
	R143	QRD167J-103	10K	1/6W CARBON	K	
	R143	QRD167J-103	10K	1/6W CARBON	N	
	R144	QRD167J-473	47K	1/6W CARBON	K	
	R144	QRD167J-473	47K	1/6W CARBON	N	
	R145	QRD167J-103	10K	1/6W CARBON	K	

Resistors

△	ITEM	PART NUMBER	DESCRIPTION			AREA
	R145	QRD167J-103	10K	1/6W	CARBON	N
	R146	QRD167J-560	56	1/6W	CARBON	
	R147	QRD167J-103	10K	1/6W	CARBON	
	R148	QRD167J-103	10K	1/6W	CARBON	
	R149	QRD167J-273	27K	1/6W	CARBON	
	R150	QRD167J-103	10K	1/6W	CARBON	
	R151	QRD167J-224	220K	1/6W	CARBON	
	R153	QRD167J-103	10K	1/6W	CARBON	
	R154	QRD167J-103	10K	1/6W	CARBON	
	R155	QRD167J-562	5.6K	1/6W	CARBON	
	R156	QRD167J-822	8.2K	1/6W	CARBON	
	R157	QRD167J-103	10K	1/6W	CARBON	
	R158	QRD167J-183	18K	1/6W	CARBON	H
	R158	QRD167J-333	33K	1/6W	CARBON	I
	R158	QRD167J-333	33K	1/6W	CARBON	K
	R158	QRD167J-333	33K	1/6W	CARBON	N
	R159	QRD167J-561	560	1/6W	CARBON	
	R160	QRD167J-123	12K	1/6W	CARBON	H
	R160	QRD167J-123	12K	1/6W	CARBON	I
	R160	QRD167J-273	27K	1/6W	CARBON	K
	R160	QRD167J-273	27K	1/6W	CARBON	N
	R161	QRD167J-124	120K	1/6W	CARBON	H
	R161	QRD167J-124	120K	1/6W	CARBON	I
	R161	QRD167J-184	180K	1/6W	CARBON	K
	R161	QRD167J-184	180K	1/6W	CARBON	N
	R162	QRD167J-124	120K	1/6W	CARBON	H
	R162	QRD167J-124	120K	1/6W	CARBON	I
	R162	QRD167J-184	180K	1/6W	CARBON	K
	R162	QRD167J-184	180K	1/6W	CARBON	N
	R163	QRD167J-332	3.3K	1/6W	CARBON	
	R164	QRD167J-332	3.3K	1/6W	CARBON	
	R165	QRD167J-184	180K	1/6W	CARBON	H
	R165	QRD167J-184	180K	1/6W	CARBON	I
	R165	QRD167J-274	270K	1/6W	CARBON	K
	R165	QRD167J-274	270K	1/6W	CARBON	N
	R166	QRD167J-184	180K	1/6W	CARBON	H
	R166	QRD167J-184	180K	1/6W	CARBON	I
	R166	QRD167J-274	270K	1/6W	CARBON	K
	R166	QRD167J-274	270K	1/6W	CARBON	N
	R167	QRD167J-473	47K	1/6W	CARBON	H
	R167	QRD167J-473	47K	1/6W	CARBON	I
	R168	QRD167J-103	10K	1/6W	CARBON	
	R169	QRD167J-103	10K	1/6W	CARBON	
	R171	QRD167J-682	6.8K	1/6W	CARBON	
	R172	QRD167J-682	6.8K	1/6W	CARBON	
	R179	QRD167J-562	5.6K	1/6W	CARBON	
	R180	QRD167J-472	4.7K	1/6W	CARBON	
	R181	QRD167J-222	2.2K	1/6W	CARBON	
	R182	QRD167J-181	180	1/6W	CARBON	
	R187	QRD167J-101	100	1/6W	CARBON	
	R190	QRD167J-472	4.7K	1/6W	CARBON	
	R194	QRD167J-472	4.7K	1/6W	CARBON	
	R195	QRD167J-473	47K	1/6W	CARBON	
	R196	QRD167J-103	10K	1/6W	CARBON	H
	R196	QRD167J-103	10K	1/6W	CARBON	I
	R196	QRD167J-222	2.2K	1/6W	CARBON	K
	R196	QRD167J-222	2.2K	1/6W	CARBON	N
	R197	QRD167J-222	2.2K	1/6W	CARBON	
	R198	QRD167J-332	3.3K	1/6W	CARBON	H
	R198	QRD167J-332	3.3K	1/6W	CARBON	I
	R198	QRD167J-822	8.2K	1/6W	CARBON	K
	R198	QRD167J-822	8.2K	1/6W	CARBON	N
	R199	QRD167J-472	4.7K	1/6W	CARBON	
△	R201	QRD145J-680S	68	1/4W	UNF. CARBON	H
△	R201	QRZ0062-680	68	1/4W	FUSIBLE	I
△	R201	QRZ0062-680	68	1/4W	FUSIBLE	K
△	R201	QRZ0062-680	68	1/4W	FUSIBLE	N
△	R202	QRD145J-470S	47	1/4W	UNF. CARBON	H
△	R202	QRZ0062-470	47	1/4W	FUSIBLE	I
△	R202	QRZ0062-470	47	1/4W	FUSIBLE	K
△	R202	QRZ0062-220	22	1/4W	FUSIBLE	N
	VR167	QVPE601-104	100K	0.15W	VARIABLE	K
	VR167	QVPE601-104	100K	0.15W	VARIABLE	N

△ : SAFETY PARTS

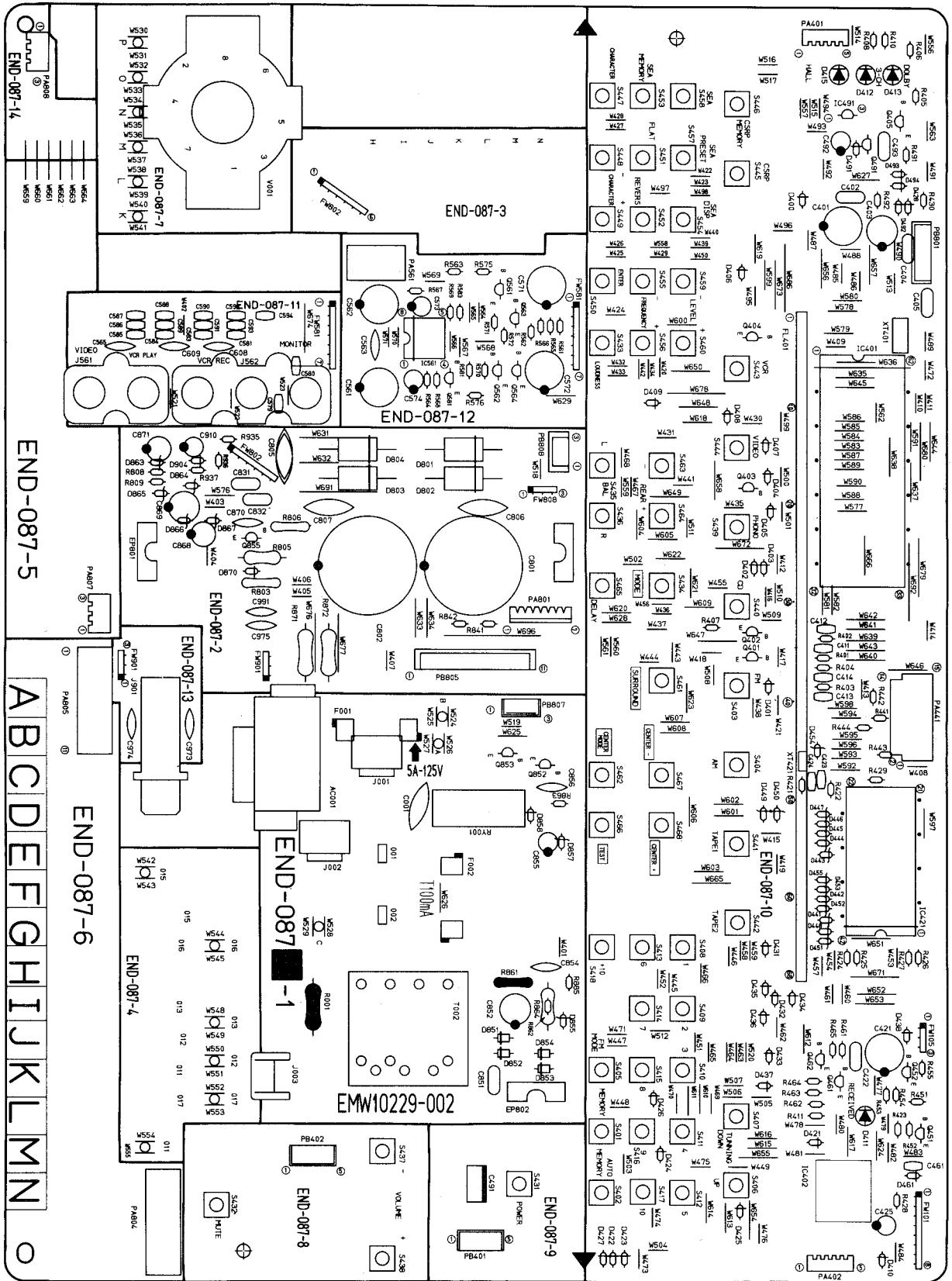
Others

△	ITEM	PART NUMBER	DESCRIPTION		AREA
		E11849-502(S)	PRINTED BOARD		
	J102	QMS3501-021	MINI JACK (COMPLINK)		
	L101	EQL4007-1R0T	INDUCTOR		
	L106	EQL3001-102K	INDUCTOR		
	P101	EMV7112-008	CONNECTOR (8PIN)		
	P103	EMV7112-006	CONNECTOR (6PIN)		
	P105	EMV7112-003	CONNECTOR (3PIN)		I
	T101	EQR1111-014	AM RF COIL		
	T102	EQR1111-005	AM RF COIL		K
	T102	EQR1111-005	AM RF COIL		N
	T103	EQR1207-015	MW OSC COIL		
	T104	EQR1307-009	LW OSC COIL		K
	T104	EQR1307-009	LW OSC COIL		N
	T105	EQT2140-012	I.F. TRANSFORMER		
	T106	EQT2140-013	I.F. TRANSFORMER		
	T107	ECB1560-006	CERAMIC FILTER		
	AT101	EMB41YV-401K	ANTENNA TERMINAL		H
	AT101	EMB41YV-401K	ANTENNA TERMINAL		I
	AT101	EMB41YV-301K	ANTENNA TERMINAL		K
	AT101	EMB41YV-301K	ANTENNA TERMINAL		N
	CF101	ECB2123-006R	CERAMIC FILTER		H
	CF101	ECB2123-006R	CERAMIC FILTER		I
	CF101	ECB2118-007R	CERAMIC FILTER		K
	CF101	ECB2118-007R	CERAMIC FILTER		N
	CF102	ECB2123-006R	CERAMIC FILTER		H
	CF102	ECB2123-006R	CERAMIC FILTER		I
	CF102	ECB2118-007R	CERAMIC FILTER		K
	CF102	ECB2118-007R	CERAMIC FILTER		N
	EP101	E70859-001	EARTH PLATE		
	EP102	E70859-001	EARTH PLATE		
	EP110	E70225-001	EARTH PLATE		
	FE101	EAF2203-001	FRONT END		H
	FE101	EAF2203-001	FRONT END		I
	FE101	EAF2203-001	FRONT END		K
	FE101	EAF2203-003	FRONT END		N
	LP101	EQF0101-002	LOW PASS FILTER		
	LP102	EQF0102-001	LOW PASS FILTER		N
	SW202	QSS1201-039	SLIDE SWITCH (CANCEL SPACE)		I
	TC105	ENZ1003-006	TRIMMER		
	TC106	ENZ1003-006	TRIMMER		K
	TC106	ENZ1003-006	TRIMMER		N
	XT102	ECX0007-200KC	RESONATOR		
	XT103	ECX0000-456KR	RESONATOR		

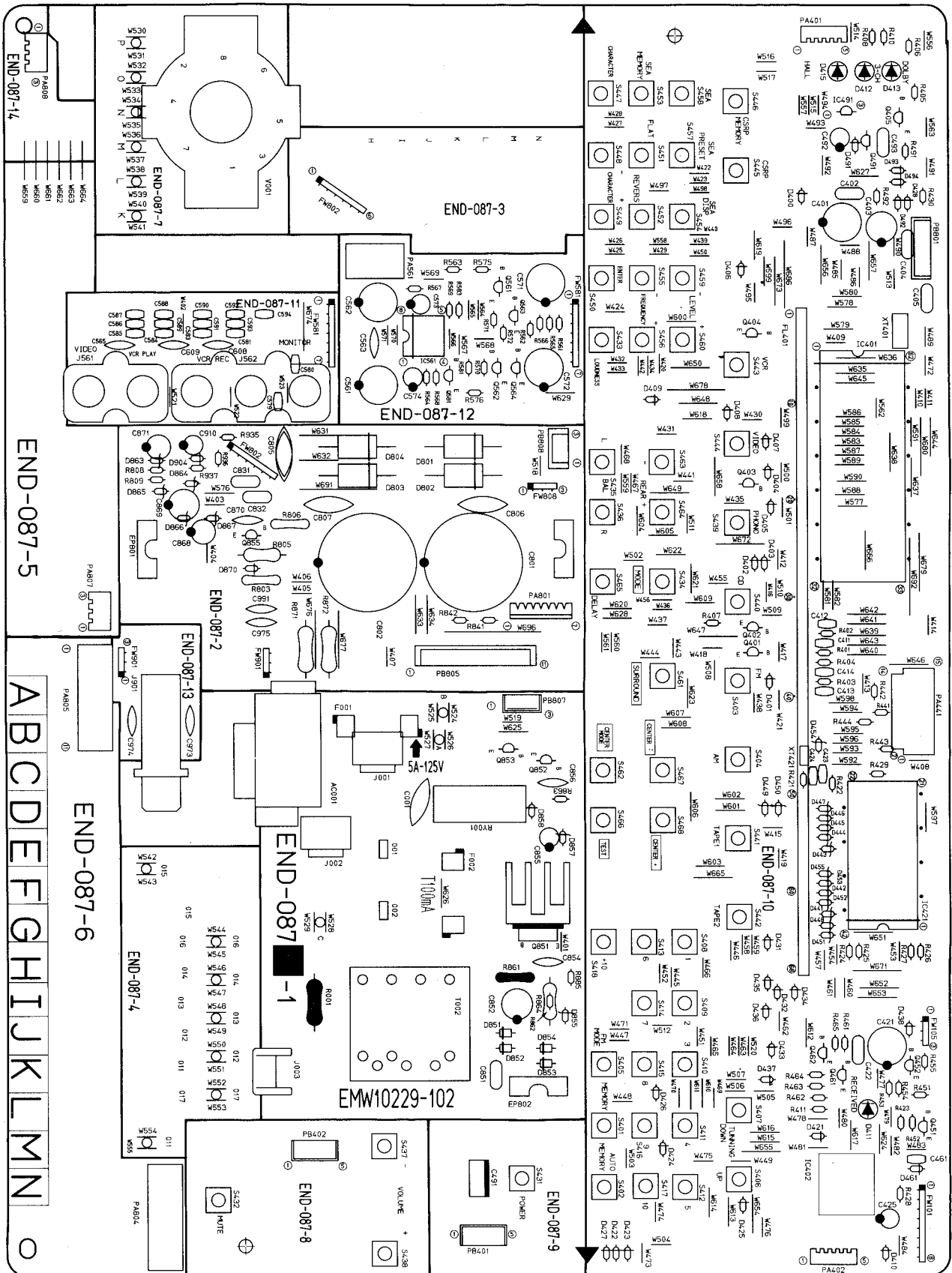
△ : SAFETY PARTS

■ END-087 □ Front & Power Primary PC Board Ass'y

Note : END-087 □ varies according to the areas employed. See note (1) when placing an order.



■ END-087C Front & Power Primary PC Board Ass'y (Only for Universal Type)



Note (1)

PC Board Ass'y	Designated Areas
END-087 A	the U.S.A.
END-087 B	Canada
END-087 C	Universal Type
END-087 D	Continental Europe , Scandinavia
END-087 F BS	the U.K.
END-087 G	Germany

Transistors

Δ	ITEM	PART NUMBER	DESCRIPTION	AREA
	Q401	AA1L4M	SILICON NEC	
	Q402	AA1L4M	SILICON NEC	
	Q403	AA1L4M	SILICON NEC	
	Q404	DTC144ES	SILICON ROHM	
	Q405	AA1L4M	SILICON NEC	
	Q451	2SC458(C,D)	SILICON HITACHI	
	Q452	2SC458(C,D)	SILICON HITACHI	
	Q461	2SC458(C,D)	SILICON HITACHI	
	Q462	2SC458(C,D)	SILICON HITACHI	
	Q491	DTC114YS	SILICON ROHM	
	Q561	2SC458(C,D)	SILICON HITACHI	
	Q562	2SC458(C,D)	SILICON HITACHI	
	Q563	2SA933S(R,S)	SILICON ROHM	
	Q564	2SA933S(R,S)	SILICON ROHM	
	Q581	AA1A4P	SILICON NEC	
	Q851	2SD1266(Q)	SILICON MATSUSHITA	C
	Q852	2SC2235(O,Y)	SILICON TOSHIBA	
	Q853	AA1L3Z	SILICON NEC	
	Q855	2SA965(O,Y)	SILICON TOSHIBA	

Δ : SAFETY PARTS

I.C.s

Δ	ITEM	PART NUMBER	DESCRIPTION	AREA
	IC401	MN171202JPK	I.C. MATSUSHITA	
	IC402	SPS-420-1	I.C. SANYO	
	IC421	LC65148-4131	I.C. SANYO	
	IC491	MN1281(P,Q)	I.C. MATSUSHITA	
	IC561	NJM2246D	I.C. DAINICHI	

Δ : SAFETY PARTS

Diodes

Δ	ITEM	PART NUMBER	DESCRIPTION	AREA
	D400	1SS133	SILICON ROHM	
	D401	1SS133	SILICON ROHM	
	D402	1SS133	SILICON ROHM	
	D403	1SS133	SILICON ROHM	
	D404	1SS133	SILICON ROHM	
	D405	1SS133	SILICON ROHM	
	D406	1SS133	SILICON ROHM	
	D407	1SS133	SILICON ROHM	
	D408	1SS133	SILICON ROHM	
	D409	1SS133	SILICON ROHM	
	D410	1SS133	SILICON ROHM	
	D411	SLH-34VC50F124	L.E.D. ROHM	
	D412	SLR-34DC50F124	L.E.D. ROHM	
	D413	SLR-34DC50F124	L.E.D. ROHM	
	D415	SLR-34DC50F124	L.E.D. ROHM	
	D421	1SS133	SILICON ROHM	
	D422	1SS133	SILICON ROHM	
	D423	1SS133	SILICON ROHM	
	D424	1SS133	SILICON ROHM	
	D425	1SS133	SILICON ROHM	
	D426	1SS133	SILICON ROHM	
	D427	1SS133	SILICON ROHM	
	D428	1SS133	SILICON ROHM	
	D432	1SS133	SILICON ROHM	
	D433	1SS133	SILICON ROHM	
	D434	1SS133	SILICON ROHM	C
	D435	1SS133	SILICON ROHM	A
	D435	1SS133	SILICON ROHM	B
	D436	1SS133	SILICON ROHM	D
	D436	1SS133	SILICON ROHM	FBS
	D436	1SS133	SILICON ROHM	G
	D437	1SS133	SILICON ROHM	D
	D437	1SS133	SILICON ROHM	FBS
	D437	1SS133	SILICON ROHM	G
	D438	1SS133	SILICON ROHM	C
	D441	MTZ3.3JB	ZENER ROHM	
	D442	MTZ3.3JB	ZENER ROHM	
	D443	MTZ3.3JB	ZENER ROHM	
	D444	MTZ3.3JB	ZENER ROHM	
	D445	MTZ3.3JB	ZENER ROHM	

Diodes

Δ	ITEM	PART NUMBER	DESCRIPTION	AREA
	D446	MTZ3.3JB	ZENER ROHM	
	D447	MTZ3.3JB	ZENER ROHM	
	D448	MTZ3.3JB	ZENER ROHM	
	D449	MTZ3.3JB	ZENER ROHM	
	D450	MTZ3.3JB	ZENER ROHM	
	D451	MTZ3.3JB	ZENER ROHM	
	D452	MTZ3.3JB	ZENER ROHM	
	D453	MTZ3.3JB	ZENER ROHM	
	D454	MTZ3.3JB	ZENER ROHM	
	D455	MTZ3.3JB	ZENER ROHM	
	D461	1SS133	SILICON ROHM	
	D491	1SS133	SILICON ROHM	
	D492	1SS133	SILICON ROHM	
	D493	1SS133	SILICON ROHM	
	D494	1SS133	SILICON ROHM	
	D801	30D2FC	SILICON NIHONINTER	A
	D801	30D2FC	SILICON NIHONINTER	B
	D801	30D2FC	SILICON NIHONINTER	C
	D801	30D2FC	SILICON NIHONINTER	D
	D801	30D2FC	SILICON NIHONINTER	FBS
	D801	30DF2SFC	SILICON NIHONINTER	G
	D802	30D2FC	SILICON NIHONINTER	A
	D802	30D2FC	SILICON NIHONINTER	B
	D802	30D2FC	SILICON NIHONINTER	C
	D802	30D2FC	SILICON NIHONINTER	D
	D802	30D2FC	SILICON NIHONINTER	FBS
	D802	30DF2SFC	SILICON NIHONINTER	G
	D803	30D2FC	SILICON NIHONINTER	A
	D803	30D2FC	SILICON NIHONINTER	B
	D803	30D2FC	SILICON NIHONINTER	C
	D803	30D2FC	SILICON NIHONINTER	D
	D803	30D2FC	SILICON NIHONINTER	FBS
	D803	30DF2SFC	SILICON NIHONINTER	G
	D804	30D2FC	SILICON NIHONINTER	A
	D804	30D2FC	SILICON NIHONINTER	B
	D804	30D2FC	SILICON NIHONINTER	C
	D804	30D2FC	SILICON NIHONINTER	D
	D804	30D2FC	SILICON NIHONINTER	FBS
	D804	30DF2SFC	SILICON NIHONINTER	G
	D851	1SR139-200	SILICON ROHM	
	D852	1SR139-200	SILICON ROHM	
	D853	1SR139-200	SILICON ROHM	
	D854	1SR139-200	SILICON ROHM	
	D855	MTZ12JC	ZENER ROHM	C
	D857	MTZ6.2JC	ZENER ROHM	
	D858	1SS133	SILICON ROHM	
	D863	MTZ10JC	ZENER ROHM	
	D864	MTZ8.2JC	ZENER ROHM	
	D865	MTZ8.2JC	ZENER ROHM	
	D866	MTZ13JC	ZENER ROHM	
	D867	MTZ16JC	ZENER ROHM	
	D870	1SS133	SILICON ROHM	
	D904	1SS133	SILICON ROHM	

Δ : SAFETY PARTS

Capacitors

Δ	ITEM	PART NUMBER	DESCRIPTION	AREA
	C001	QCZ9019-472	4700PF CERAMIC	A
	C001	QCZ9019-472	4700PF CERAMIC	B
	C001	QCZ9019-472	4700PF CERAMIC	C
	C001	QCZ9019-472	4700PF CERAMIC	D
	C001	QCZ9019-472BS	4700PF CERAMIC	FBS
	C001	QCZ9019-472	4700PF CERAMIC	G
	C401	EET0602-477T	470MF ELECTRO	
	C402	QCZ0202-155	1.5MF 25V CERAMIC	
	C411	QCGB1HK-102	1000PF 50V CERAMIC	
	C412	QCGB1HK-102	1000PF 50V CERAMIC	
	C413	QCGB1HK-102	1000PF 50V CERAMIC	
	C414	QCGB1HK-102	1000PF 50V CERAMIC	
	C421	EEZ0601-108	1000MF ELECTRO	
	C422	QCZ0202-155	1.5MF 25V CERAMIC	
	C423	QCB1HK-101	100PF 50V CERAMIC	
	C424	QCB1HK-101	100PF 50V CERAMIC	
	C425	QEK51EM-475G	4.7MF 25V ELECTRO	
	C491	QEAD0HZ-479A	47000MF ELECTRO	
	C492	QETB1HM-225	2.2MF 50V ELECTRO	
	C493	QCF21HP-223	0.022MF 50V CERAMIC	
	C561	QETB1CM-477	470MF 16V ELECTRO	
	C562	QETB1CM-477	470MF 16V ELECTRO	
	C563	QCF21HP-223	0.022MF 50V CERAMIC	
	C571	EEZ0601-108	1000MF ELECTRO	
	C572	EEZ0601-108	1000MF ELECTRO	
	C573	QETB1HM-475	4.7MF 50V ELECTRO	
	C574	QETB1HM-475	4.7MF 50V ELECTRO	
	C580	QCHB1EZ-223	0.022MF 25V CERAMIC	
	C581	QCHB1EZ-223	0.022MF 25V CERAMIC	
	C585	QCHB1EZ-223	0.022MF 25V CERAMIC	
	C801	EEW6311-878E	8700MF ELECTRO	
	C802	EEW6311-878E	8700MF ELECTRO	
	C805	QCE22HP-103	0.01MF 500V CERAMIC	A
	C805	QCE22HP-103	0.01MF 500V CERAMIC	B
	C805	QFN82CK-104	0.1MF 160V MYLAR	C

Capacitors

Δ	ITEM	PART NUMBER	DESCRIPTION	AREA
	C805	QFN82CK-104	0.1MF 160V MYLAR	D
	C805	QFN82CK-104	0.1MF 160V MYLAR	FBS
	C805	QFN82CK-104	0.1MF 160V MYLAR	G
	C806	QCE22HP-103	0.01MF 500V CERAMIC	
	C807	QCE22HP-103	0.01MF 500V CERAMIC	
	C831	QFLB1HK-223	0.022MF 50V MYLAR	A
	C831	QFLB1HK-223	0.022MF 50V MYLAR	D
	C831	QFLB1HK-223	0.022MF 50V MYLAR	FBS
	C831	QFLB1HK-223	0.022MF 50V MYLAR	G
	C832	QFLB1HK-223	0.022MF 50V MYLAR	A
	C832	QFLB1HK-223	0.022MF 50V MYLAR	D
	C832	QFLB1HK-223	0.022MF 50V MYLAR	FBS
	C832	QFLB1HK-223	0.022MF 50V MYLAR	G
	C851	QFN82AK-472	4700PF 100V MYLAR	
	C852	QETB1EM-227	220MF 25V ELECTRO	A
	C852	QETB1EM-227	220MF 25V ELECTRO	B
	C852	QETB1EM-227	220MF 25V ELECTRO	C
	C852	QETB1EM-227	220MF 25V ELECTRO	D
	C852	QETB1EM-227	220MF 25V ELECTRO	FBS
	C852	QETB1EM-227	220MF 25V ELECTRO	G
	C854	QCF21HP-472	4700PF 50V CERAMIC	C
	C855	QETB1CM-476	47MF 16V ELECTRO	
	C856	QCF21HP-472	4700PF 50V CERAMIC	
	C869	EET3502-107E	100MF ELECTRO	
	C870	QCF21HP-472	4700PF 50V CERAMIC	
	C871	QETB1EM-107	100MF 25V ELECTRO	
	C910	QETB1HM-225	2.2MF 50V ELECTRO	
	C973	QCS21HJ-101	100PF 50V CERAMIC	G
	C974	QCS21HJ-101	100PF 50V CERAMIC	G
	C975	QCF21HP-103	0.01MF 50V CERAMIC	G
	C991	QCF21HP-103	0.01MF 50V CERAMIC	G

Δ IS A SAFETY PARTS

Resistors

Δ	ITEM	PART NUMBER	DESCRIPTION	AREA
	R803	QRD14CJ-220S	22 1/4W UNF. CARBON	B
	R803	QRZ0077-220	22 1/4W FUSIBLE	C
	R803	QRZ0077-220	22 1/4W FUSIBLE	D
	R803	QRZ0077-220	22 1/4W FUSIBLE	FBS
	R803	QRZ0077-220	22 1/4W FUSIBLE	G
	R805	QRD125J-272	2.7K 1/2W UNF. CARBON	
	R806	QRD14CJ-121S	120 1/4W UNF. CARBON	
	R808	QRD167J-220	22 1/6W CARBON	
	R809	QRD167J-220	22 1/6W CARBON	
	R841	QRD167J-104	100K 1/6W CARBON	
	R842	QRD167J-104	100K 1/6W CARBON	
	R861	QRD14CJ-100S	10 1/4W UNF. CARBON	A
	R861	QRD14CJ-100S	10 1/4W UNF. CARBON	B
	R861	QRZ0076-3R3	3.3 1/4W FUSIBLE	C
	R861	QRZ0077-220	22 1/4W FUSIBLE	D
	R861	QRZ0077-220	22 1/4W FUSIBLE	FBS
	R861	QRZ0077-220	22 1/4W FUSIBLE	G
	R862	QRV144F-1502	15K 1/4W M. FILM	C
	R863	QRD167J-821	820 1/6W CARBON	A
	R863	QRD167J-821	820 1/6W CARBON	B
	R863	QRD167J-821	820 1/6W CARBON	C
	R863	QRV144F-8200	1/4W M. FILM	D
	R863	QRV144F-9100	1/4W M. FILM	FBS
	R863	QRV144F-8200	1/4W M. FILM	G
	R864	QRG012J-332A	3.3K 1W O.M. FILM	C
	R871	QRX022J-R22A	0.22 2W M. FILM	A
	R872	QRX022J-R22A	0.22 2W M. FILM	A
	R885	QRD167J-200	20 1/6W CARBON	FBS
	R935	QRD167J-562	5.6K 1/6W CARBON	
	R936	QRD167J-822	8.2K 1/6W CARBON	
	R937	QRD167J-103	10K 1/6W CARBON	

Δ IS A SAFETY PARTS

Resistors

Δ	ITEM	PART NUMBER	DESCRIPTION	AREA
	R001	QRC128K-275EM	2.7M 1/2W COMPOSI	A
	R001	QRC128K-275EM	2.7M 1/2W COMPOSI	B
	R401	QRD167J-104	100K 1/6W CARBON	
	R402	QRD167J-104	100K 1/6W CARBON	
	R403	QRD167J-104	100K 1/6W CARBON	
	R404	QRD167J-104	100K 1/6W CARBON	
	R405	QRD167J-103	10K 1/6W CARBON	
	R406	QRD167J-221	220 1/6W CARBON	
	R407	QRD167J-103	10K 1/6W CARBON	
	R408	QRD167J-221	220 1/6W CARBON	
	R410	QRD167J-221	220 1/6W CARBON	
	R411	QRD167J-271	270 1/6W CARBON	
	R421	QRD167J-105	1M 1/6W CARBON	
	R422	QRD167J-152	1.5K 1/6W CARBON	
	R423	QRD167J-103	10K 1/6W CARBON	
	R424	QRD167J-473	47K 1/6W CARBON	
	R425	QRD167J-473	47K 1/6W CARBON	
	R426	QRD167J-473	47K 1/6W CARBON	
	R427	QRD167J-473	47K 1/6W CARBON	
	R428	QRD167J-221	220 1/6W CARBON	
	R429	QRD167J-272	2.7K 1/6W CARBON	
	R430	QRD167J-220	22 1/6W CARBON	
	R441	QRD167J-104	100K 1/6W CARBON	
	R442	QRD167J-104	100K 1/6W CARBON	
	R443	QRD167J-104	100K 1/6W CARBON	
	R444	QRD167J-104	100K 1/6W CARBON	
	R451	QRD167J-103	10K 1/6W CARBON	
	R452	QRD167J-471	470 1/6W CARBON	
	R453	QRD167J-473	47K 1/6W CARBON	
	R454	QRD167J-223	22K 1/6W CARBON	
	R455	QRD167J-103	10K 1/6W CARBON	
	R461	QRD167J-103	10K 1/6W CARBON	
	R462	QRD167J-471	470 1/6W CARBON	
	R463	QRD167J-473	47K 1/6W CARBON	
	R464	QRD167J-223	22K 1/6W CARBON	
	R465	QRD167J-103	10K 1/6W CARBON	
	R491	QRD167J-473	47K 1/6W CARBON	
	R492	QRD167J-331	330 1/6W CARBON	
	R561	QRD167J-750	75 1/6W CARBON	
	R562	QRD167J-680	68 1/6W CARBON	
	R563	QRD167J-750	75 1/6W CARBON	
	R564	QRD167J-750	75 1/6W CARBON	
	R565	QRD167J-473	47K 1/6W CARBON	
	R566	QRD167J-473	47K 1/6W CARBON	
	R567	QRD167J-331	330 1/6W CARBON	
	R568	QRD167J-331	330 1/6W CARBON	
	R569	QRD167J-152	1.5K 1/6W CARBON	
	R570	QRD167J-152	1.5K 1/6W CARBON	
	R571	QRD167J-151	150 1/6W CARBON	
	R572	QRD167J-151	150 1/6W CARBON	
	R575	QRD167J-271	270 1/6W CARBON	
	R576	QRD167J-271	270 1/6W CARBON	
	R581	QRD167J-473	47K 1/6W CARBON	
	R583	QRD167J-152	1.5K 1/6W CARBON	
	R803	QRD14CJ-220S	22 1/4W UNF. CARBON	A

Others

Δ	ITEM	PART NUMBER	DESCRIPTION	AREA
		E306692-001	SHIELD COVER	
		E3400-444	FELT SPACER	
		E65508-002	TAB	
		EMW10229-002	PRINTED BOARD	A
		ETP1000-41JA	POWER TRANSFORMER	A
		QMCA002-E02S	AC OUTLET	A
		VMZ0087-001	FUSE CLIP	A
		EMW10229-002	PRINTED BOARD	B
		ETP1000-41JA	POWER TRANSFORMER	B
		QMCA002-E02S	AC OUTLET	B
		VMZ0087-001	FUSE CLIP	B
		EMW10229-102	PRINTED BOARD	C
		ETP1000-41ZB	POWER TRANSFORMER	C
		E70945-H40B	HEAT SINK	C
		QMCA002-E01S	AC OUTLET	C
		QSRO085-018	VOLTAGE SELECTOR	C
		SBSG3010CC	SCREW	C
		VMZ0087-001	FUSE CLIP	C
		EMW10229-002	PRINTED BOARD	D
		ETP1000-41EA	POWER TRANSFORMER	D
		E67132-T2R5	FUSE LABEL	D
		VMZ0087-001	FUSE CLIP	D
		EMW10229-002BS	PRINTED BOARD	FBS
		ETP1000-41EABS	POWER TRANSFORMER	FBS
		E67132-T2R5	FUSE LABEL	FBS
		VMZ0087-001	FUSE CLIP	FBS
		EMW10229-002	PRINTED BOARD	G
		ETP1000-41EA	POWER TRANSFORMER	G
		E67132-T2R5	FUSE LABEL	G
		VMZ0087-001	FUSE CLIP	G
	J001	EMV5137-002	PLUG ASSY[2PIN(F004)]	C
	J002	EMV5137-002	PLUG ASSY[2PIN(F003)]	D
	J002	EMV5137-002	PLUG ASSY[2PIN(F003)]	FBS
	J002	EMV5137-002	PLUG ASSY[2PIN(F003)]	G
	J003	E70225-001	EARTH PLATE	
	J561	EMNOOYP-209A	2P PIN JACK	
	J562	EMNOOYP-305A	3P PIN JACK	
	J901	QMS640-021	HEADPHONE JACK	
	S401	ESPO001-018	TACT SWITCH(MEMORY)	
	S402	ESPO001-018	TACT SWITCH(AUTO MEMORY)	
	S403	ESPO001-018	TACT SWITCH(FM)	
	S404	ESPO001-018	TACT SWITCH(AM)	
	S405	ESPO001-018	TACT SWITCH(MODE)	
	S406	ESPO001-018	TACT SWITCH(TUNING UP)	
	S407	ESPO001-018	TACT SWITCH(TUNING DOWN)	
	S408	ESPO001-018	TACT SWITCH(1)	
	S409	ESPO001-018	TACT SWITCH(2)	
	S410	ESPO001-018	TACT SWITCH(3)	
	S411	ESPO001-018	TACT SWITCH(4)	
	S412	ESPO001-018	TACT SWITCH(5)	
	S413	ESPO001-018	TACT SWITCH(6)	
	S414	ESPO001-018	TACT SWITCH(7)	
	S415	ESPO001-018	TACT SWITCH(8)	
	S416	ESPO001-018	TACT SWITCH(9)	
	S417	ESPO001-018	TACT SWITCH(10)	

Others

△	ITEM	PART NUMBER	DESCRIPTION	AREA
	S418	ESP0001-018	TACT SWITCH(+10)	
	S431	ESP0001-018	TACT SWITCH(POWER)	
	S432	ESP0001-018	TACT SWITCH(MUTE)	
	S433	ESP0001-018	TACT SWITCH(LOUDNESS)	
	S434	ESP0001-018	TACT SWITCH(MODE)	
	S435	ESP0001-018	TACT SWITCH(BALANCE L)	
	S436	ESP0001-018	TACT SWITCH(BALANCE R)	
	S437	ESP0001-018	TACT SWITCH(VOLUME UP)	
	S438	ESP0001-018	TACT SWITCH(VOLUME DOWN)	
	S439	ESP0001-018	TACT SWITCH(PHONO)	
	S440	ESP0001-018	TACT SWITCH(CD)	
	S441	ESP0001-018	TACT SWITCH(TAPE 1)	
	S442	ESP0001-018	TACT SWITCH(TAPE 2)	
	S443	ESP0001-018	TACT SWITCH(VCR)	
	S444	ESP0001-018	TACT SWITCH(VIDEO)	
	S445	ESP0001-018	TACT SWITCH(CSRP ON/OFF)	
	S446	ESP0001-018	TACT SWITCH(CSRP MEMO)	
	S447	ESP0001-018	TACT SWITCH(CHARACTER)	
	S448	ESP0001-018	TACT SWITCH(CHARACTER DOWN)	
	S449	ESP0001-018	TACT SWITCH(CHARACTER UP)	
	S450	ESP0001-018	TACT SWITCH(ENTER)	
	S451	ESP0001-018	TACT SWITCH(SEA FLAT)	
	S452	ESP0001-018	TACT SWITCH(SEA REVERSE)	
	S453	ESP0001-018	TACT SWITCH(SEA MEMORY)	
	S454	ESP0001-018	TACT SWITCH(SEA DISPLAY)	
	S455	ESP0001-018	TACT SWITCH[SEA FREQ(-)]	
	S456	ESP0001-018	TACT SWITCH[SEA FREQ(+)]	
	S457	ESP0001-018	TACT SWITCH(SEA PRESET)	
	S458	ESP0001-018	TACT SWITCH(SEA ON/OFF)	
	S459	ESP0001-018	TACT SWITCH[SEA LEVEL(-)]	
	S460	ESP0001-018	TACT SWITCH[SEA LEVEL(+)]	
	S461	ESP0001-018	TACT SWITCH(SORROUND ON/OFF)	
	S462	ESP0001-018	TACT SWITCH[CENTER(-)]	
	S463	ESP0001-018	TACT SWITCH[REAR LEVEL(-)]	
	S464	ESP0001-018	TACT SWITCH[DELAY LEVEL(+)]	

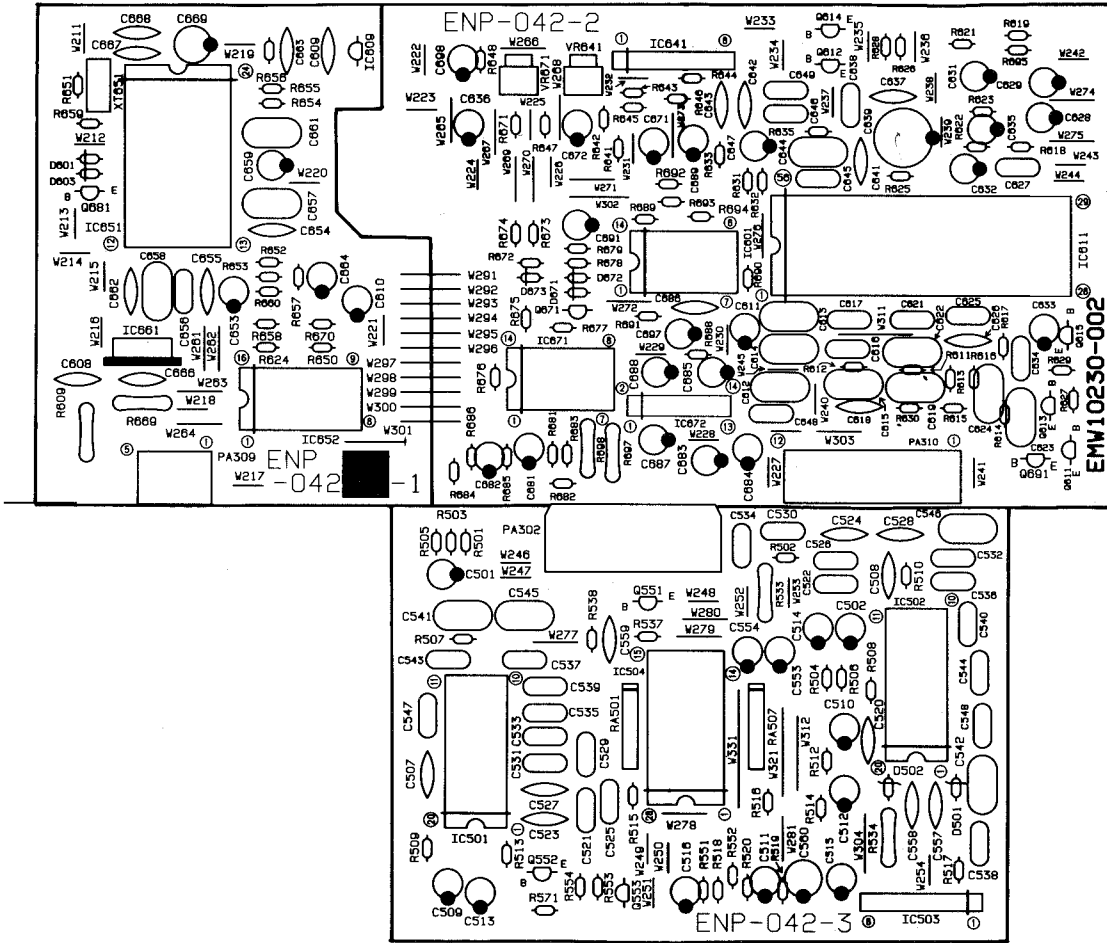
Others

△	ITEM	PART NUMBER	DESCRIPTION	AREA
	S465	ESP0001-018	TACT SWITCH(DILAY TIME)	
	S466	ESP0001-018	TACT SWITCH(CENTER(+))	
	S467	ESP0001-018	TACT SWITCH(CENTER MODE)	
	S468	ESP0001-018	TACT SWITCH(TEST)	
	EP801	E70859-001	EARTH PLATE	G
	EP802	E70859-001	EARTH PLATE	
	FL401	ELU0001-097	FL TUBE	
	FW101	EWR38B-25LST	FLAT WIRE(8PIN)	
	FW105	EWR33B-35LST	FLAT WIRE(3PIN)	C
	FW581	EWR37B-13SST	FLAT WIRE(7PIN)	
	FW802	EWR36B-20SST	FLAT WIRE(6PIN)	
	FW901	EWR33B-08SST	FLAT WIRE(3PIN)	
	PA401	VMC0194-P05	MALE CONNECTOR(5PIN)	
	PA402	VMC0194-P05	MALE CONNECTOR(5PIN)	
	PA441	EMV7123-015R	CONNECTOR(15PIN)	
	PA561	EMV7125-006R	CONNECTOR(6PIN)	
	PA801	EWS257-A104	SOCKET WIRE(7PIN)	
	PA804	EMV7125-011R	CONNECTOR(11PIN)	
	PA805	EMV7125-011R	CONNECTOR(11PIN)	
	PA807	VMC0178-003	CONNECT TERMINAL(3PIN)	
	PA808	VMC0178-003	CONNECT TERMINAL(3PIN)	
	PB401	VMC0194-S05	FEMALE CONNECTOR(5PIN)	
	PB402	VMC0194-S05	FEMALE CONNECTOR(5PIN)	
	PB801	EMV5109-007A	PLUG ASSY(7PIN)	
	PB805	EMV5125-011	PLUG ASSY(11PIN)	
	PB807	VMC0177-003	CONNECT TERMINAL(3PIN)	
	PB808	VMC0177-003	CONNECT TERMINAL(3PIN)	
	RY001	ESK1D12-118J1	RELAY	A
	RY001	ESK1D12-118J1	RELAY	B
	RY001	ESK1D12-118J1	RELAY	C
	RY001	ESK1D12-118J1	RELAY	D
	RY001	ESK1D12-118J1BS	RELAY	FBS
	RY001	ESK1D12-118J1	RELAY	G
	XT401	ECX0060-000EM	RESONATOR	
	XT421	ECX0001-000KS	RESONATOR	

△ : SIA/FIB/TV/ PARTS

■ ENP-042 □ SEA & Surround PC Board Ass'y

Note : ENP-042 □ varies according to the areas employed. See note (1) when placing an order.



Note (1)

PC Board Ass'y	Designated Areas
ENP-042 A	the U.S.A.
ENP-042 B	Canada
ENP-042 C	Universal Type, the U.K., Continental Europe, Scandinavia
ENP-042 D	Germany

Transistors

ITEM	PART NUMBER	DESCRIPTION	AREA
Q551	AA1L4M	SILICON NEC	
Q552	AN1L4M	SILICON NEC	
Q553	2SK301(P,Q)	F.E.T MATSUSHITA	
Q611	2SD655(D,E)	SILICON HITACHI	
Q612	AA1L4M	SILICON NEC	
Q613	2SD655(D,E)	SILICON HITACHI	
Q614	AA1L4M	SILICON NEC	
Q615	AN1L4M	SILICON NEC	
Q671	2SK523(L1)T	F.E.T	
Q681	AA1L4M	SILICON NEC	
Q691	AA1L4M	SILICON NEC	

△ SAFETY PARTS

I.C.s

ITEM	PART NUMBER	DESCRIPTION	AREA
IC501	LA3607S	I.C. SANYO	
IC502	LA3607S	I.C. SANYO	
IC503	VC4580L	I.C. DAINICHI	
IC504	LC7522	I.C. SANYO	
IC601	UPC324C	I.C. NEC	
IC609	RC78L12A	I.C. DAINICHI	
IC611	NJM2175L	I.C. DAINICHI	
IC641	VC4580L	I.C. DAINICHI	
IC651	M50198P	I.C. MITSUBISHI	
IC652	TC74HC595AP	I.C. TOSHIBA	
IC661	NJM78M05FD	I.C. DAINICHI	
IC671	UPC324C	I.C. NEC	
IC672	M51523AL	I.C. MITSUBISHI	

△ SAFETY PARTS

Diodes

ITEM	PART NUMBER	DESCRIPTION	AREA
D501	MTZ6.8JC	ZENER ROHM	
D502	MTZ6.8JC	ZENER ROHM	
D601	1SS133	SILICON ROHM	
D603	1SS133	SILICON ROHM	
D671	1SS133	SILICON ROHM	
D672	1SS133	SILICON ROHM	
D673	1SS133	SILICON ROHM	

△ SAFETY PARTS

Capacitors

ITEM	PART NUMBER	DESCRIPTION	AREA
C501	QETB1HM-475	4.7MF 50V ELECTRO	
C502	QETB1HM-475	4.7MF 50V ELECTRO	
C507	QCS21HJ-101	100PF 50V CERAMIC	
C508	QCS21HJ-101	100PF 50V CERAMIC	
C509	QETB1CM-226	22MF 16V ELECTRO	
C510	QETB1CM-226	22MF 16V ELECTRO	
C511	QETB1HM-475	4.7MF 50V ELECTRO	
C512	QETB1HM-475	4.7MF 50V ELECTRO	
C513	QETB1HM-475	4.7MF 50V ELECTRO	
C514	QETB1HM-475	4.7MF 50V ELECTRO	
C515	QETB1HM-475	4.7MF 50V ELECTRO	
C516	QETB1HM-475	4.7MF 50V ELECTRO	
C521	QFLB1HK-272	2700PF 50V MYLAR	
C522	QFLB1HK-272	2700PF 50V MYLAR	
C523	QCS21HJ-471	470PF 50V CERAMIC	
C524	QCS21HJ-471	470PF 50V CERAMIC	
C525	QFLB1HK-682	6800PF 50V MYLAR	
C526	QFLB1HK-682	6800PF 50V MYLAR	
C527	QCY21HK-122	1200PF 50V CERAMIC	
C528	QCY21HK-122	1200PF 50V CERAMIC	
C529	QFLB1HK-183	0.018MF 50V MYLAR	
C530	QFLB1HK-183	0.018MF 50V MYLAR	
C531	QFLB1HK-272	2700PF 50V MYLAR	
C532	QFLB1HK-272	2700PF 50V MYLAR	
C533	QFLB1HK-473	0.047MF 50V MYLAR	
C534	QFLB1HK-473	0.047MF 50V MYLAR	
C535	QFLB1HK-682	6800PF 50V MYLAR	
C536	QFLB1HK-682	6800PF 50V MYLAR	
C537	QFLB1HK-104	0.1MF 50V MYLAR	
C538	QFLB1HK-104	0.1MF 50V MYLAR	
C539	QFLB1HK-183	0.018MF 50V MYLAR	
C540	QFLB1HK-183	0.018MF 50V MYLAR	
C541	QFV81HJ-274	0.27MF 50V T.FILM	
C542	QFV81HJ-274	0.27MF 50V T.FILM	
C543	QFLB1HK-473	0.047MF 50V MYLAR	
C544	QFLB1HK-473	0.047MF 50V MYLAR	
C545	QFV81HJ-684	0.68MF 50V T.FILM	
C546	QFV81HJ-684	0.68MF 50V T.FILM	
C547	QFV81HJ-124	0.12MF 50V T.FILM	
C548	QFV81HJ-124	0.12MF 50V T.FILM	
C553	QETB1HM-475	4.7MF 50V ELECTRO	
C554	QETB1HM-475	4.7MF 50V ELECTRO	
C557	QCF21HP-223	0.022MF 50V CERAMIC	
C558	QCF21HP-223	0.022MF 50V CERAMIC	
C559	QCF21HP-223	0.022MF 50V CERAMIC	
C560	QEK51HM-224G	0.22MF 50V ELECTRO	
C608	QCF21HP-223	0.022MF 50V CERAMIC	
C609	QCF21HP-223	0.022MF 50V CERAMIC	
C610	QETB1CM-107	100MF 16V ELECTRO	
C611	QETB1HM-475	4.7MF 50V ELECTRO	
C612	QFLB1HK-104	0.1MF 50V MYLAR	
C613	QFLB1HK-104	0.1MF 50V MYLAR	
C614	QFLB1HK-104	0.1MF 50V MYLAR	
C615	QFLB1HK-104	0.1MF 50V MYLAR	
C616	QFLB1HJ-223	0.022MF 50V MYLAR	
C617	QFLB1HJ-223	0.022MF 50V MYLAR	
C618	QCS21HJ-681	680PF 50V CERAMIC	
C619	QFLB1HJ-104	0.1MF 50V MYLAR	
C621	QFLB1HJ-473	0.047MF 50V MYLAR	
C622	QFLB1HJ-104	0.1MF 50V MYLAR	
C623	QFLB1HJ-104	0.1MF 50V MYLAR	
C624	QFLB1HJ-104	0.1MF 50V MYLAR	
C625	QFLB1HJ-473	0.047MF 50V MYLAR	
C626	QCS21HJ-681	680PF 50V CERAMIC	
C627	QFLB1HJ-332	3300PF 50V MYLAR	
C628	QETB1CM-226	22MF 16V ELECTRO	
C629	QETB1EM-106	10MF 25V ELECTRO	
C631	QETB1EM-106	10MF 25V ELECTRO	
C632	QETB1EM-106	10MF 25V ELECTRO	
C633	QETB1EM-106	10MF 25V ELECTRO	
C634	QFV81HJ-224	0.22MF 50V T.FILM	
C635	QETB1EM-106	10MF 25V ELECTRO	
C636	QETB1EM-106	10MF 25V ELECTRO	
C637	QCY21HK-562	5600PF 50V CERAMIC	
C638	QFLB1HK-473	0.047MF 50V MYLAR	
C639	QETB1CM-477	470MF 16V ELECTRO	
C641	QCS21HJ-471	470PF 50V CERAMIC	
C642	QCY21HK-472	4700PF 50V CERAMIC	
C643	QCY21HK-562	5600PF 50V CERAMIC	
C644	QFV81HJ-684	0.68MF 50V T.FILM	
C645	QFV81HJ-224	0.22MF 50V T.FILM	
C646	QFV81HJ-224	0.22MF 50V T.FILM	
C647	QETB1HM-475	4.7MF 50V ELECTRO	
C648	QFV81HJ-224	0.22MF 50V T.FILM	
C649	QFV81HJ-224	0.22MF 50V T.FILM	
C653	QEB51EM-475	4.7MF 25V LLC ELECTR	
C654	QCY21HK-562	5600PF 50V CERAMIC	
C655	QCS21HJ-561	560PF 50V CERAMIC	
C656	QFLB1HK-104	0.1MF 50V MYLAR	
C657	QFV81HJ-474	0.47MF 50V T.FILM	
C658	QFV81HJ-474	0.47MF 50V T.FILM	
C659	QETB1CM-476	47MF 16V ELECTRO	
C661	QFLB1HK-104	0.1MF 50V MYLAR	
C662	QCS21HJ-821	820PF 50V CERAMIC	
C663	QCY21HK-332	3300PF 50V CERAMIC	

Capacitors

ITEM	PART NUMBER	DESCRIPTION	AREA
C664	QEB51EM-475	4.7MF 25V LLC ELECTR	
C666	QCF21HP-223	0.022MF 50V CERAMIC	
C667	QCF21HP-223	0.022MF 50V CERAMIC	
C668	QCF21HP-223	0.022MF 50V CERAMIC	
C670	QETB1CM-107	100MF 16V ELECTRO	
C671	QETB1EM-106	10MF 25V ELECTRO	
C672	QETB1EM-106	10MF 25V ELECTRO	
C681	QETB1HM-105	1MF 50V ELECTRO	
C682	QETB1HM-105	1MF 50V ELECTRO	
C683	QETB1EM-106	10MF 25V ELECTRO	
C684	QETB1EM-106	10MF 25V ELECTRO	
C685	QEK51EM-226	22MF 25V ELECTRO	
C686	QCF21HP-223	0.022MF 50V CERAMIC	
C687	QETB1EM-226	22MF 25V ELECTRO	
C688	QETB1EM-106	10MF 25V ELECTRO	
C689	QETB1EM-106	10MF 25V ELECTRO	
C691	QEB51EM-226	22MF 25V LLC ELECTR	
C692	QCS21HJ-471	470PF 50V CERAMIC	
C697	QETB1EM-106	10MF 25V ELECTRO	
C698	QETB1EM-106	10MF 25V ELECTRO	

△ : ISAPETY PARTS.

Resistors

ITEM	PART NUMBER	DESCRIPTION	AREA
R501	QRD167J-243	24K 1/6W CARBON	
R502	QRD167J-243	24K 1/6W CARBON	
R503	QRD167J-275	2.7K 1/6W CARBON	
R504	QRD167J-275	2.7M 1/6W CARBON	
R505	QRD167J-275	2.7M 1/6W CARBON	
R506	QRD167J-275	2.7M 1/6W CARBON	
R507	QRD167J-102	1K 1/6W CARBON	
R508	QRD167J-102	1K 1/6W CARBON	
R509	QRD167J-103	10K 1/6W CARBON	
R510	QRD167J-103	10K 1/6W CARBON	
R511	QRD167J-103	10K 1/6W CARBON	
R512	QRD167J-103	10K 1/6W CARBON	
R513	QRD167J-224	220K 1/6W CARBON	
R514	QRD167J-224	220K 1/6W CARBON	
R515	QRD167J-154	150K 1/6W CARBON	
R516	QRD167J-154	150K 1/6W CARBON	
R517	QRD167J-682	6.8K 1/6W CARBON	
R518	QRD167J-682	6.8K 1/6W CARBON	
R519	QRD167J-103	10K 1/6W CARBON	
R520	QRD167J-103	10K 1/6W CARBON	
△ R533	QRD14CJ-221S	220 1/4W UNF. CARBON	
△ R534	QRD14CJ-271S	270 1/4W UNF. CARBON	
R537	QRD167J-681	680 1/6W CARBON	
R538	QRD167J-272	2.7K 1/6W CARBON	
R551	QRD167J-105	1M 1/6W CARBON	
R552	QRD167J-562	5.6K 1/6W CARBON	
R553	QRD167J-105	1M 1/6W CARBON	
R554	QRD167J-105	1M 1/6W CARBON	
△ R609	QRD14CJ-680S	68 1/4W UNF. CARBON	A
△ R609	QRZ0077-560	56 1/4W FUSIBLE	B
△ R609	QRZ0077-560	56 1/4W FUSIBLE	C
△ R609	QRZ0077-560	56 1/4W FUSIBLE	D
R611	QRD167J-752	7.5K 1/6W CARBON	
R612	QRD167J-752	7.5K 1/6W CARBON	
R613	QRD167J-223	22K 1/6W CARBON	
R614	QRD167J-223	22K 1/6W CARBON	
R615	QRD167J-752	7.5K 1/6W CARBON	
R616	QRD167J-153	15K 1/6W CARBON	
R617	QRD167J-752	7.5K 1/6W CARBON	
R618	QRD167J-394	390K 1/6W CARBON	
R619	QRD167J-104	100K 1/6W CARBON	
R621	QRD167J-104	100K 1/6W CARBON	
R622	QRD167J-104	100K 1/6W CARBON	
R623	QRD167J-104	100K 1/6W CARBON	
R624	QRD167J-104	100K 1/6W CARBON	
R625	QRD167J-104	100K 1/6W CARBON	
R626	QRD167J-473	47K 1/6W CARBON	
R627	QRD167J-223	22K 1/6W CARBON	
R628	QRD167J-473	47K 1/6W CARBON	
R629	QRD167J-223	22K 1/6W CARBON	
R630	QRD167J-153	15K 1/6W CARBON	
R631	QRD167J-153	15K 1/6W CARBON	
R632	QRD167J-822	8.2K 1/6W CARBON	
R633	QRD167J-822	8.2K 1/6W CARBON	
R635	QRD167J-334	330K 1/6W CARBON	
R641	QRD167J-104	100K 1/6W CARBON	
R642	QRD167J-104	100K 1/6W CARBON	
R643	QRD167J-223	22K 1/6W CARBON	
R644	QRD167J-223	22K 1/6W CARBON	
R645	QRD167J-333	33K 1/6W CARBON	
R646	QRD167J-333	33K 1/6W CARBON	
R647	QRD167J-223	22K 1/6W CARBON	
R648	QRD167J-103	10K 1/6W CARBON	
R650	QRD167J-103	10K 1/6W CARBON	
R651	QRD167J-105	1M 1/6W CARBON	
R652	QRD167J-153	15K 1/6W CARBON	
R653	QRD167J-103	10K 1/6W CARBON	
R654	QRD167J-153	15K 1/6W CARBON	
R655	QRD167J-153	15K 1/6W CARBON	
R656	QRD167J-153	15K 1/6W CARBON	

Resistors

△	ITEM	PART NUMBER	DESCRIPTION			AREA
	R657	QRD167J-273	27K	1/6W	CARBON	
	R658	QRD167J-822	8.2K	1/6W	CARBON	
	R659	QRD167J-473	47K	1/6W	CARBON	
	R660	QRD167J-153	15K	1/6W	CARBON	
△	R669	QRD14CJ-680S	68	1/4W	UNF. CARBON	A
△	R669	QRZ0077-560	56	1/4W	FUSIBLE	B
△	R669	QRZ0077-560	56	1/4W	FUSIBLE	C
△	R669	QRZ0077-560	56	1/4W	FUSIBLE	D
	R670	QRD167J-682	6.8K	1/6W	CARBON	
	R671	QRD167J-104	100K	1/6W	CARBON	
	R672	QRD167J-103	10K	1/6W	CARBON	
	R673	QRD167J-222	2.2K	1/6W	CARBON	
	R674	QRD167J-104	100K	1/6W	CARBON	
	R675	QRD167J-472	4.7K	1/6W	CARBON	
	R676	QRD167J-473	47K	1/6W	CARBON	
	R677	QRD167J-104	100K	1/6W	CARBON	
	R678	QRD167J-475	4.7M	1/6W	CARBON	
	R679	QRD167J-224	220K	1/6W	CARBON	
	R681	QRD167J-333	33K	1/6W	CARBON	
	R682	QRD167J-333	33K	1/6W	CARBON	
	R683	QRD167J-274	270K	1/6W	CARBON	
	R684	QRD167J-274	270K	1/6W	CARBON	
	R685	QRD167J-274	270K	1/6W	CARBON	
	R686	QRD167J-274	270K	1/6W	CARBON	
	R688	QRD167J-203	20K	1/6W	CARBON	
	R689	QRD167J-103	10K	1/6W	CARBON	
	R690	QRD167J-203	20K	1/6W	CARBON	
	R691	QRD167J-103	10K	1/6W	CARBON	
	R692	QRD167J-103	10K	1/6W	CARBON	
	R693	QRD167J-103	10K	1/6W	CARBON	
	R694	QRD167J-183	18K	1/6W	CARBON	
	R695	QRD167J-104	100K	1/6W	CARBON	
△	R697	QRD14CJ-680S	68	1/4W	UNF. CARBON	A
△	R697	QRZ0077-560	56	1/4W	FUSIBLE	B
△	R697	QRZ0077-560	56	1/4W	FUSIBLE	C
△	R697	QRZ0077-560	56	1/4W	FUSIBLE	D
△	R698	QRD14CJ-680S	68	1/4W	UNF. CARBON	
	RA501	QRB079J-474	470K	1/10W	R.NETWORK	
	RA502	QRB079J-474	470K	1/10W	R.NETWORK	
	VR641	QVPA603-104AZ	100K		VARIABLE	
	VR671	QVPA603-103A	10K		VARIABLE	

△ (FIFTY) PARTS

Others

△	ITEM	PART NUMBER	DESCRIPTION		AREA
		EMW10230-002(S)	PRINTED BOARD		
		E3400-431	SPACER		
	PA302	EMV7140-L11R	CONNECTOR(11PIN)		
	PA309	EMV7125-005R	CONNECTOR(5PIN)		
	PA310	EMV7125-012R	CONNECTOR(12PIN)		
	XT651	ECX0003-270KM	RESONATOR		

△ (FIFTY) PARTS

Accessories List

△	Part Number	Part Name	Q'ty	Description	Areas
✓	E30580-1811A E30580-1812A E30580-1812ABS BT-20117 BT20060	Instruction Book Instruction Book Instruction Book Warranty Card Warranty Card	1 1 1 1 1		J Except J , BS BS G BS
	BT20025K BT-20048E BT-20108A E66416-003 BT20066A	Warranty Card Warranty Card Service Information Envelope EEC Agency	1 1 1 1 1		C J J J BS
	BT20071A BT-20044G E43486-340A E43486-371A QZL1008-001	Service Center List Safety Sheet Safety Sheet Sheet FTZ Information Sheet	1 1 1 1 1		C J BS BS G
✓	EQB4001-015 EWP502-001 E67007-001 EMC0202-001BS EMZ2001-011	AM Loop Antenna Built in Antenna Wire Antenna AC Plug Adapter	1 1 1 1 1		Except G G BS EN , EF , BS
△	QMF51E2-5R0J1 E67142-T5R0 QPGA005-00703 E04056 E35497-015	Fuse Fuse Label Envelope Siemens Plug Caution Sheet	1 1 1 1 1	for Fuse Label 220V	U U U U U
✓	RM-SR507U UM-4NJ-2PSA R03BPA-2STSA QPGA025-03505B	Remote Controller Battery Battery Envelope	1 1 1 1		Except C C

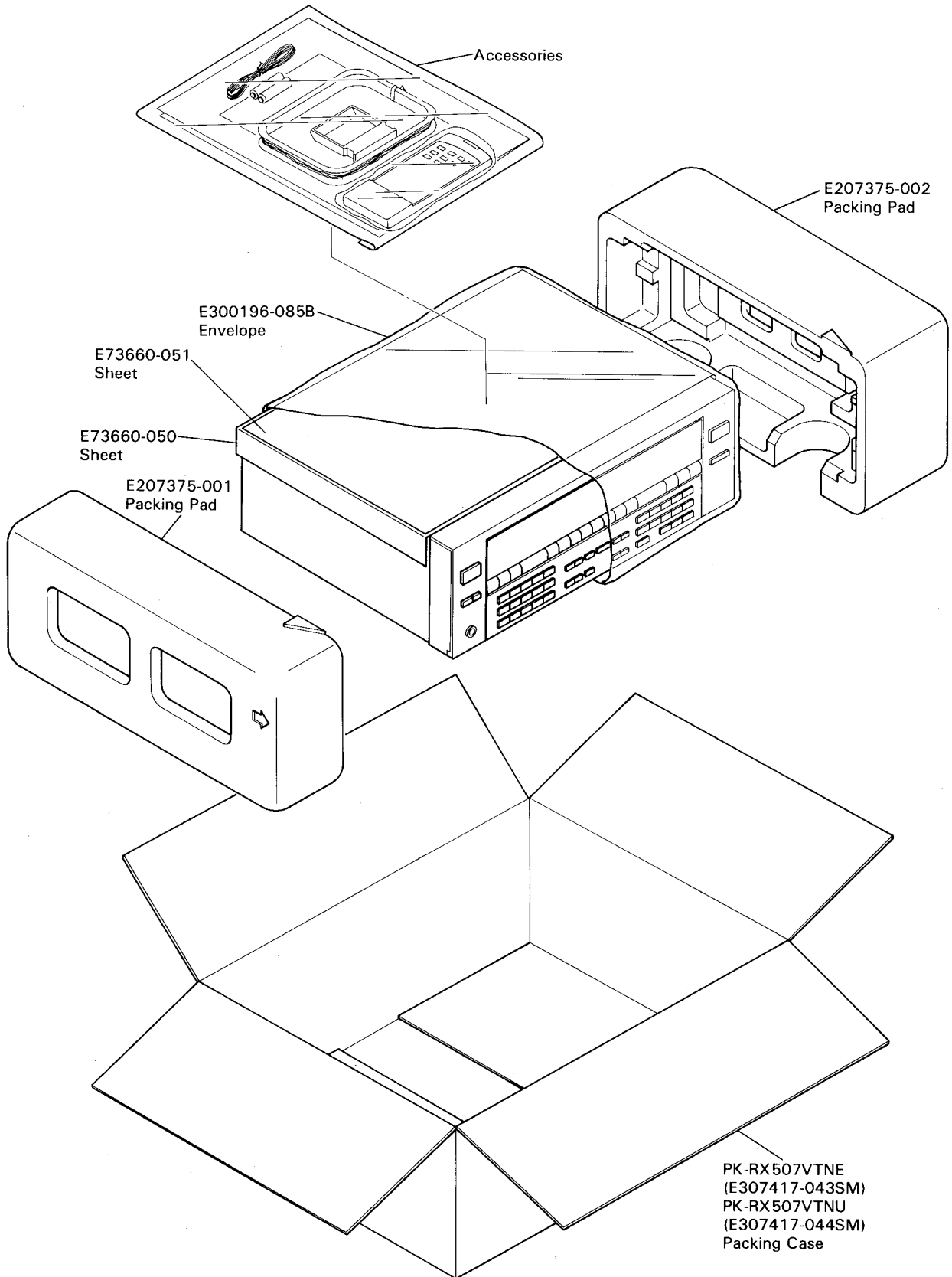
△: Safety Parts

The Marks Designated Areas

J.....the U.S.A.
C.....Canada
A.....Australia
EF.....Continental Europe
EN.....Scandinavia

G.....Germany
BS.....the U.K.
U.....Universal Type
No mark indicates all areas.

Packing Materials and Part Numbers



The Marks Designated Areas

J.....the U.S.A.	G.....Germany
C.....Canada	BS.....the U.K.
A.....Australia	U.....Universal Type
EF.....Continental Europe	No mark indicates all areas.
EN.....Scandinavia	

RX-506VBK
RX-507VTN

JVC

VICTOR COMPANY OF JAPAN, LIMITED
AV ACCESSORY DIVISION, YAMATO PLANT, 1644, SHIMOTSURUMA, YAMATO-SHI, KANAGAWA-KEN, 242, JAPAN