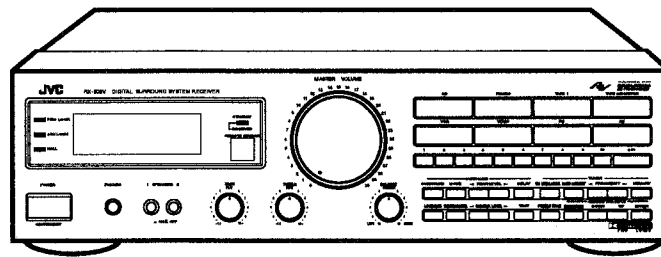
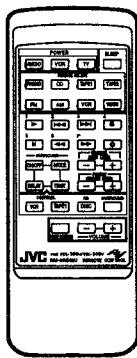


JVC

SERVICE MANUAL

STEREO RECEIVER

RX-508VBK RX-509VTN



COMPU LINK
Remote
Control Component

Note :RX-508VBK and RX-509VTN are completely the same in their structure, except for their outlook colours.

Contents

Safety Precautions	1-2	Adjustment Procedures(Tuner)	1-40
Instruction Book	1-3	Power Amplifier Adjustment	
Description of Major ICs	1-30	Procedures	1-41
Internal Block Diagram		Block Diagrams	1-42
of Other ICs	1-36	Schematic Diagrams	Insertion
Internal Connection		Printed Circuit Boards	Insertion
of the FL Display	1-38	Parts List	Separate-volume Insertion
Disassembly Procedures	1-39		

〒108 東京都中央区日本橋本町4-8-1
日本ビクター株式会社
サービス部 部品管理課

Safety Precautions

1. The design of this product contains special hardware and many circuits and components specially for safety purposes. For continued protection, no changes should be made to the original design unless authorized in writing by the manufacturer. Replacement parts must be identical to those used in the original circuits. Services should be performed by qualified personnel only.
2. Alterations of the design or circuitry of the product should not be made. Any design alterations of the product should not be made. Any design alterations or additions will void the manufacturer's warranty and will further relieve the manufacturer of responsibility for personal injury or property damage resulting therefrom.
3. Many electrical and mechanical parts in the products have special safety-related characteristics. These characteristics are often not evident from visual inspection nor can the protection afforded by them necessarily be obtained by using replacement components rated for higher voltage, wattage, etc. Replacement parts which have these special safety characteristics are identified in the Parts List of Service Manual. Electrical components having such features are identified by shading on the schematics and by (Δ) on the Parts List in the Service Manual. The use of a substitute replacement which does not have the same safety characteristics as the recommended replacement parts shown in the Parts List of Service Manual may create shock, fire, or other hazards.
4. The leads in the products are routed and dressed with ties, clamps, tubings, barriers and the like to be separated from live parts, high temperature parts, moving parts and/or sharp edges for the prevention of electric shock and fire hazard. When service is required, the original lead routing and dress should be observed, and it should be confirmed that they have been returned to normal, after re-assembling.

5. Leakage current check (Electrical shock hazard testing)

After re-assembling the product, always perform an isolation check on the exposed metal parts of the product (antenna terminals, knobs, metal cabinet, screw heads, headphone jack, control shafts, etc.) to be sure the product is safe to operate without danger of electrical shock.

Do not use a line isolation transformer during this check.

- Plug the AC line cord directly into the AC outlet. Using a "Leakage Current Tester", measure the leakage current from each exposed metal parts of the cabinet, particularly any exposed metal part having a return path to the chassis, to a known good earth ground. Any leakage current must not exceed 0.5mA AC (r.m.s.).

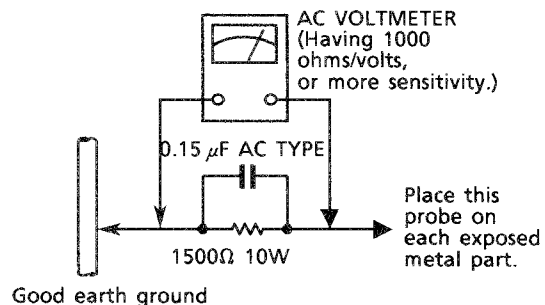
● Alternate check method

Plug the AC line cord directly into the AC outlet. Use an AC voltmeter having, 1,000 ohms per volt or more sensitivity in the following manner. Connect a 1,500 Ω 10 W resistor paralleled by a 0.15 μ F AC-type capacitor between an exposed metal part and a known good earth ground.

Measure the AC voltage across the resistor with the AC voltmeter.

Move the resistor connection to each exposed metal part, particularly any exposed metal part having a return path to the chassis, and measure the AC voltage across the resistor.

Now, reverse the plug in the AC outlet and repeat each measurement. Any voltage measured must not exceed 0.75 V AC (r.m.s.). This corresponds to 0.5 mA AC (r.m.s.).



Warning

1. This equipment has been designed and manufactured to meet international safety standards.
2. It is the legal responsibility of the repairer to ensure that these safety standards are maintained.
3. Repairs must be made in accordance with the relevant safety standards.
4. It is essential that safety critical components are replaced by approved parts.
5. If mains voltage selector is provided, check setting for local voltage.

Specifications

Amplifier

Output Power	80 watts per channel, min. RMS, both channels driven into 8 ohms from 20 Hz to 20 kHz with no more than 0.06 % total harmonic distortion.
Front Channel	20 watts, min. RMS, into 8 ohms at 1 kHz, with no more than 0.7% total harmonic distortion
Center channel	4-channel operation
Rear channel	20 watts per channel, min. RMS, both channels driven into 8 ohms at 1kHz, with no more than 0.7% total harmonic distortion
	5-channel operation
	Total of 10 watts, min. RMS, into 8 ohms at 1kHz, with no more than 0.7% total harmonic distortion
	0.06 %* at 80 watts output
Total Harmonic Distortion (8 ohms, 1 kHz)	0.06 % at 80 watts output
Intermodulation Distortion	
Frequency Response (8 ohms) PHONO CD / TAPE 1 / TAPE 2	20 Hz to 20 kHz (±0.5 dB) 10 Hz to 30 kHz (±1 dB)
Signal-to-Noise Ratio (66 IHF / 78 IHF) PHONO CD / TAPE 1 / TAPE 2	70 dB / 78 dB (REC OUT) 91 dB / 80 dB
RIAA Phono Equalization	±0.5 dB (20 Hz to 20 kHz)
Input Sensitivity / Impedance (1 kHz) PHONO CD / TAPE 1 / TAPE 2	2.5 mV / 47 k ohms 250 mV / 47 k ohms
Output Level TAPE 1 / TAPE 2	250 mV
Tone Control Range	BASS (at 100 Hz) ±8 dB TREBLE (at 10 kHz) ±8 dB

FM Tuner (IHF)

Tuning Range	87.5 MHz to 108.0 MHz
Usable Sensitivity	10.8 dBf (0.95 μV / 75 ohms)
50 dB Quieting Sensitivity Monaural Stereo	16.3 dBf (1.8 μV / 75 ohms) 38.3 dBf (22.5 μV / 75 ohms)
Signal-to-Noise Ratio (IHF-A weighted) Monaural Stereo	80 dB at 85 dBf 73 dB at 85 dBf
Total Harmonic Distortion Monaural Stereo	0.15 % at 1 kHz 0.2 % at 1 kHz
Stereo Separation at REC OUT	40 dB at 1 kHz
Capture Ratio	1.5 dB (10 mV / 300 ohms)
Alternate Channel Selectivity	60 dB; (±400 kHz)
Frequency Response	30 Hz to 15 kHz; (+0.5 dB, -3 dB)

AM Tuner

Tuning Range	530 kHz to 1,710 kHz
Usable Sensitivity Loop antenna External antenna	300 μV/m at 1,000 kHz 30 μV at 1,000 kHz
Signal-to-Noise Ratio	50 dB (100mV / m, at 1,000 kHz)
Selectivity	25 dB (±10 kHz)

General

Power Requirements	AC 120V ~, 60 Hz
Power Consumption	210 watts, 290 VA
Dimensions (W x H x D)	17.3/16 x 5 x 13.7/16 inches 435 x 126 x 341 mm
Weight	20.3 lbs (9.2 kg)

*Measured by JVC Audio Analysis System
Designs & specifications subject to change without notice

Introduction

Thank you for purchasing the JVC RX-509VTN receiver. We hope it will be a valued addition to your audio system. Be sure to read these instructions carefully before installing and operating the receiver.

Features

- Monitor recording quality
- Remote control
- Sleep timer
- Preset radio stations
- Dolby Pro Logic Surround

About This Manual

This manual gives you the basic information you need to install and use your receiver. It explains everything you need to know from turning the power switch on to basic troubleshooting. Please consult your JVC dealer if you have further questions about the receiver.

The following conventions are used in this manual:

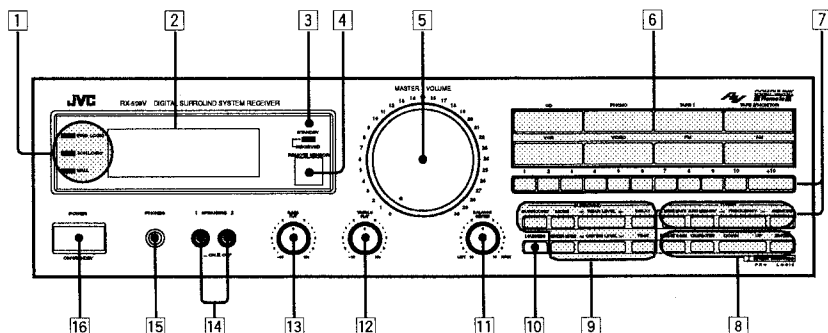
- Controls, buttons, and connection points on the back of the receiver are indicated with capital letters, like this: **POWER** button, **AUDIO** jacks
- Messages that appear in the display window are indicated with capital letters and in quotes, like this: "TUNED"
- Instructions that you need to follow to get the correct results are labeled **IMPORTANT!**
- Helpful information is labeled **NOTE:**
- To avoid electric shock to yourself or damage to the receiver, read the information labeled **CAUTION!**

Contents

WARNINGS	inside front cover
INTRODUCTION	1
Features	1
About This Manual	1
CONTENTS	2
SWITCHES AND CONTROLS	3
Receiver	3
Remote Control	3
INSTALLATION	4
Cautions	4
Connecting Stereo Components	5
Connecting Speakers	8
Connecting an AM Antenna	10
Connecting an FM Antenna	11
Connecting the Power	12
OPERATION OUTLINE	13
Basic Operation Reference	13
SELECTING THE SOURCE	14
Listening or Viewing	14
Recording	14
RECEIVING AN AM/FM BROADCAST	15
Tuning	15
Selecting an FM Reception Mode	15
Presetting Tuned Frequencies	16
Assigning Names to Preset Stations	18
ADJUSTING THE VOLUME AND TONE	19
Adjusting the Volume	19
Adjusting the Tone	20
Using the Sleep Timer	20
USING THE SURROUND PROCESSOR	21
Overview	21
Selecting a Sound Effect	22
Adjusting the Surround Sound Effect	23
OPERATING SOURCE COMPONENTS	24
COMPU LINK Remote Control System	24
Using the Remote Control	25
TROUBLESHOOTING	27
SPECIFICATIONS	28
JVC SERVICE CENTERS	30
WARRANTY	inside back cover

Switches and Controls

Familiarize yourself with the main switches and controls on your JVC RX-509VTN receiver.

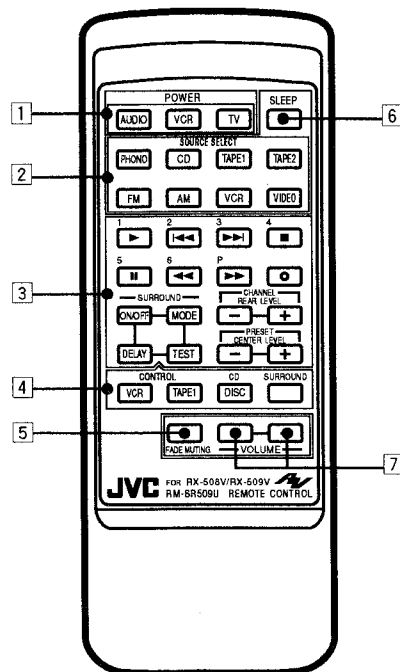


Receiver

- 1 SURROUND indicator
- 2 Display window
- 3 RECEIVED/POWER STANDBY indicator
- 4 REMOTE SENSOR window
- 5 MASTER VOLUME control
- 6 SOURCE SELECT buttons
- 7 TUNER buttons
- 8 CHARACTER INPUT buttons
- 9 SURROUND processor buttons
- 10 LOUDNESS switch
- 11 BALANCE control
- 12 TREBLE control
- 13 BASS control
- 14 SPEAKERS buttons
- 15 PHONES jack
- 16 POWER switch

Remote Control

- 1 POWER switch
- 2 SOURCE SELECT buttons
- 3 Buttons for operating components
- 4 CONTROL buttons
- 5 FADE MUTING button
- 6 SLEEP button
- 7 VOLUME adjuster



Installation

This section explains how to connect the receiver to other stereo equipment and speakers, and how to connect the power supply.

⚠ Cautions

Before Installation

⚠ **CAUTION!** Before installing your receiver:

- Make sure your hands are dry.
- Turn the power off to all components.
- Read the installation instructions for all components you are going to connect.

Positioning the Receiver

⚠ **CAUTION!**

- Install the receiver in a location that is level and protected from moisture.
- The temperature around the receiver must be between 23° and 104° F (-5° and 40° C).
- Make sure there is good ventilation around the receiver. Poor ventilation could cause overheating and damage the receiver.

Making Power Connections

⚠ **CAUTION!**

- Do not handle the power cord with wet hands.
- Do not pull on the power cord to unplug the receiver. Always grab the plug directly so as not to damage the cord.

Handling the Receiver

⚠ **CAUTION!**

- Do not insert any metal object into the receiver.
- Do not disassemble the receiver or remove screws, covers, or cabinet.
- Do not expose the receiver to rain or moisture.

Connecting Stereo Components

Before Starting

You can connect the following components to the receiver:

Audio components

- Turntable
- CD player
- Two tape decks

Video components

- VCR
- Video disc player
- TV

IMPORTANT! The left channel of any audio component must be connected to the left-channel jack of the receiver, and the right channel to the right-channel jack. If they are reversed, the stereophonic image will not be correct.

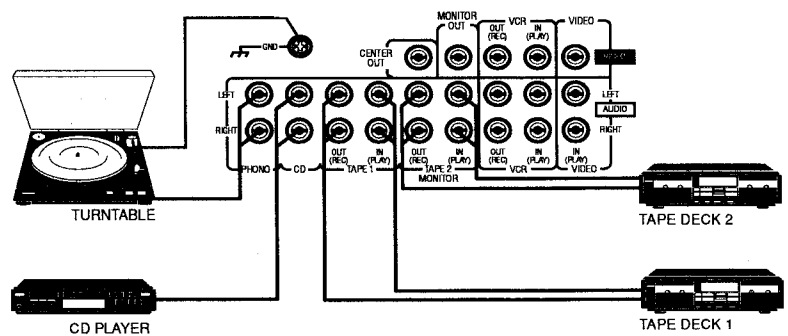
NOTE: To ensure correct connections, insert the red plug into the right channel.

Basic Connections for Audio Equipment

Connect stereo components to the amplifier using cables with RCA PIN plugs. If you are connecting a tape deck, connect the output jacks on the tape deck to the jacks marked IN (PLAY) on the receiver, and the input jacks to those marked OUT (REC).

NOTES:

- Any turntables incorporating a small-output cartridge such as an MC (moving-coil type) must be connected to this amplifier through a commercial head amplifier or step-up transformer. Direct connection may result in insufficient volume.
- If a ground cable is fitted to your turntable, connect the cable to the screw marked GND on the rear panel.



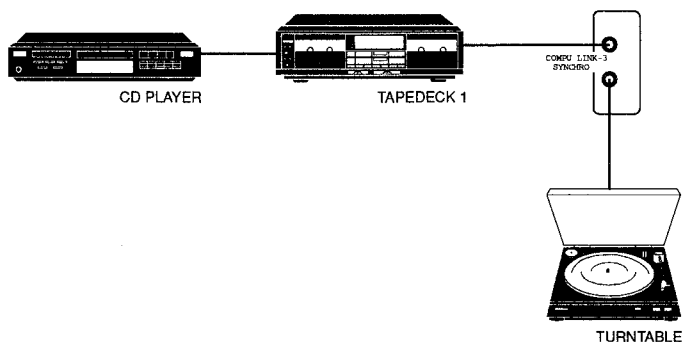
COMPU LINK-3 Connections

COMPU LINK-3 SYNCHRO jacks on the back of the receiver connect the COMPU LINK remote control system. This system connects other JVC audio components with the receiver to make listening and recording more convenient. To use this system, attach the cables provided with your JVC components to the COMPU LINK-3 SYNCHRO jacks on the rear panel of each component. Then connect the cables to the receiver.

NOTES:

- *COMPU LINK-3 is an upgraded version of COMPU LINK-1. If your equipment provides COMPU LINK-1 jacks, you can still connect your equipment, but slight imperfections may result. Automatic Power ON/OFF, for example, may not always function properly.*
- *Refer to page 24 for details about the COMPU LINK remote control system.*

⚠ **CAUTION!** Do not connect Tape Deck 2 to the COMPU LINK jacks. It may cause the COMPU LINK system to malfunction.

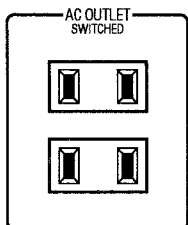


Other Audio Connections

Use the socket on the back of the receiver to connect the power supply of any audio components. By pressing the POWER switch on the remote control, you can turn the receiver, and all connected components, on or off at the same time.

In the United States, AC outlets have a capacity of 150 watts.

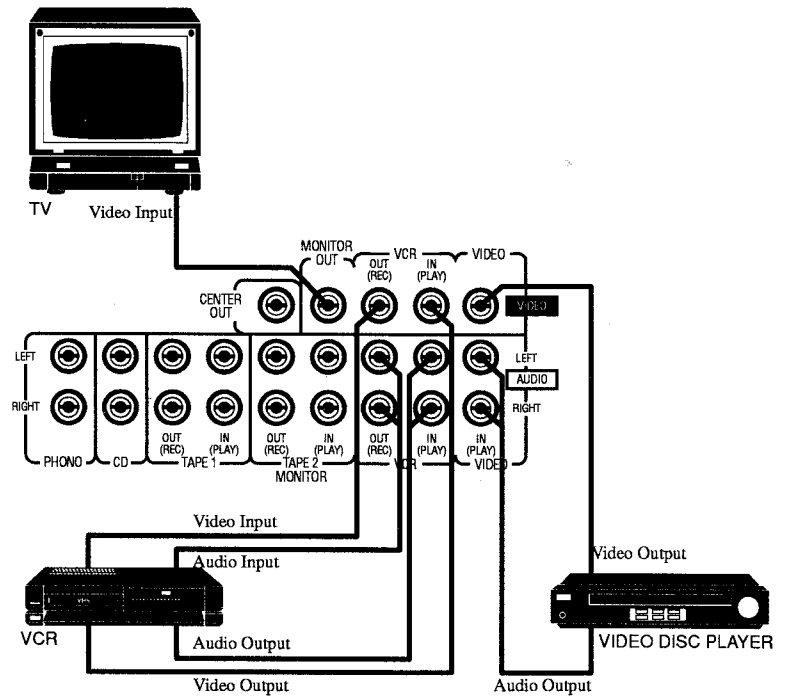
⚠ **CAUTION!** Do not connect any components that consume more power than the capacity of the AC outlet. This capacity is indicated below the socket on the back of the receiver.



Basic Connections for Video Components

Connect the audio signal jacks of your video components to the AUDIO jacks on the receiver. Connect the video signal (composite) jacks to the VIDEO jacks. If you are connecting a VCR, connect the output jacks on the VCR to the jacks marked IN (PLAY) on the receiver, and the input jacks to those marked OUT (REC).

NOTE: Keep the connecting cables for your TV, VCR, and antenna away from the power cord leading from the back of the receiver. The power cord may cause noise or screen interference. We recommend that you use coaxial cable to connect the antenna, since it is well-shielded against interference.



Connecting Speakers

Before Starting

You can connect the following combinations of speakers:

- two pairs of front speakers to produce normal stereo sound
- one pair of rear speakers to produce the surround sound effect
- one center speaker for more effective surround sound

⚠ **CAUTION!** Use speakers with the impedance marked near the terminals.

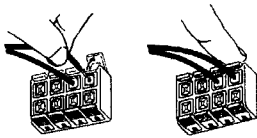
Connecting Speakers

To connect each speaker, follow these steps:

Step 1 Open each terminal on the back of the receiver and insert the end of the speaker wire, as shown.

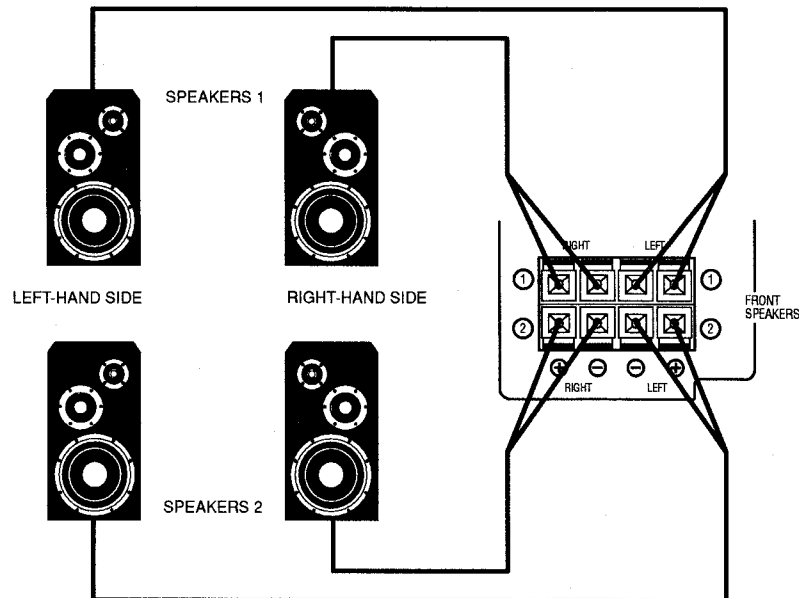
Step 2 Close the terminals to clamp the speaker wires in place, as shown.

NOTE: Use the wire supplied with the speakers.



Connecting the Front Speakers

Connect the front speakers to the FRONT SPEAKERS terminals. Up to two sets of front speakers can be connected.



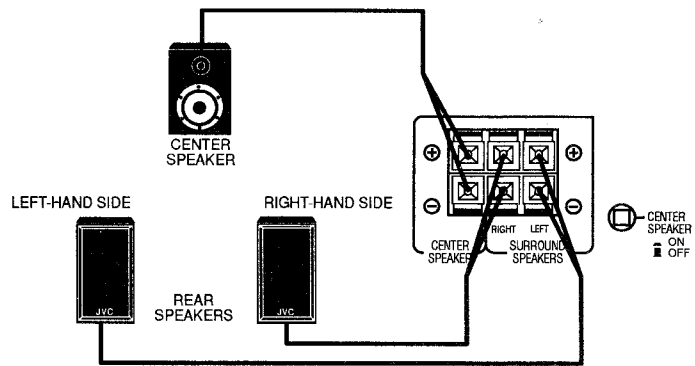
Connecting the Rear Speakers and Center Speakers

Connect the rear speakers to the SURROUND SPEAKERS terminals. Connect the center speaker to the CENTER SPEAKER terminals.

IMPORTANT! Check the position of the CENTER SPEAKER switch on the back of the receiver. When the center speaker is connected to the receiver, set the switch to the "in" position (☐). When no center speaker is connected to the CENTER SPEAKER terminals, set the switch to the "out" position (■). If the switch is in the wrong position, either you will hear no sound from the center speaker, or you will get an incorrect sound effect.

⚠ **CAUTION!** You must turn the POWER switch OFF before setting the CENTER SPEAKER switch either "in" or "out".

IMPORTANT! When the CENTER SPEAKER switch is set to the "in" (☐) position, make sure that both rear speakers are connected. Otherwise, you will hear no sound from the rear speakers.



NOTE: It is recommended to use an antimagnetic speaker for the center speaker. Position the center speaker near the TV monitor.

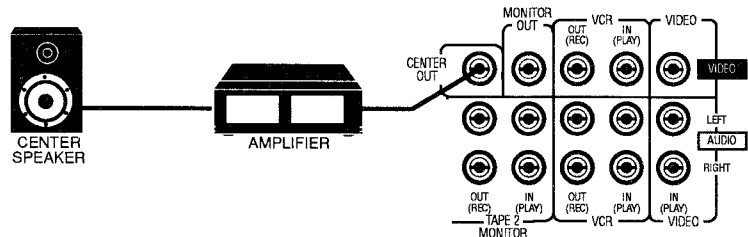
Increasing Power for the Center Speaker

To increase power for the center speaker, you can use a separate amplifier.

Step 1 Connect the input terminals of the power amplifier to the CENTER OUT terminal on the back of the receiver.

Step 2 Connect the center speaker to the speaker terminals of the connected amplifier.

IMPORTANT! Make sure the CENTER SPEAKER switch is in the "out" position (■).



Connecting an AM Antenna

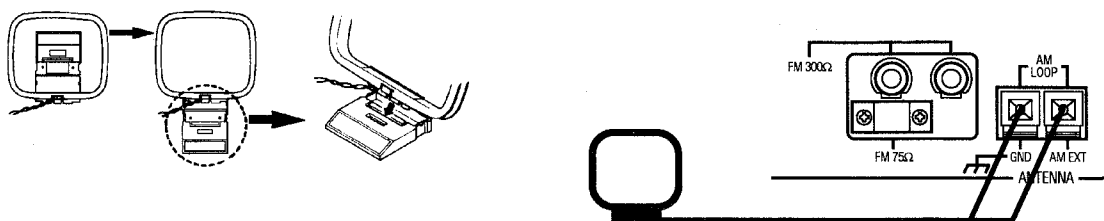
Before Starting

One AM loop antenna is supplied with your receiver.

Basic Connections

To connect the AM loop antenna to the AM LOOP terminals, follow these steps:

- Step 1** Open each terminal and insert one of the two ends of the AM antenna wire.
- Step 2** Close the terminals to clamp the antenna wires in place.
- Step 3** Stand the AM loop antenna on its own base, as shown. Set it on any flat surface.



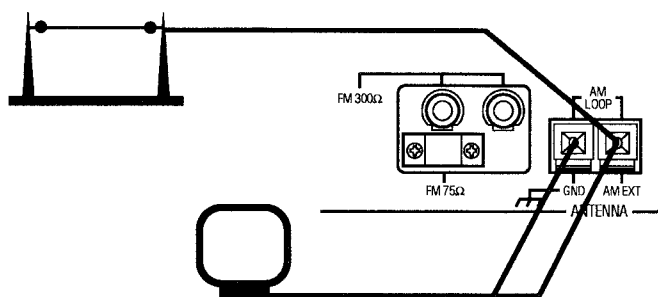
AM Outdoor Antenna

If your AM broadcast reception is unsatisfactory, you should connect an AM outdoor antenna in addition to the loop antenna. The antenna wire should be 16 to 40 feet (5 to 13 meters) long.

Connect one end of the outdoor single vinyl-covered antenna wire to the AM LOOP terminal marked AM EXT.

IMPORTANT! The AM loop antenna must be installed to receive AM broadcasts. Do not disconnect the loop antenna when installing an outdoor antenna.

IMPORTANT! Except for the connection, make sure no uninsulated antenna wire touches the rear panel of the receiver. Otherwise, the receiver might not pick up AM broadcasts.



Connecting an FM Antenna

Before Starting

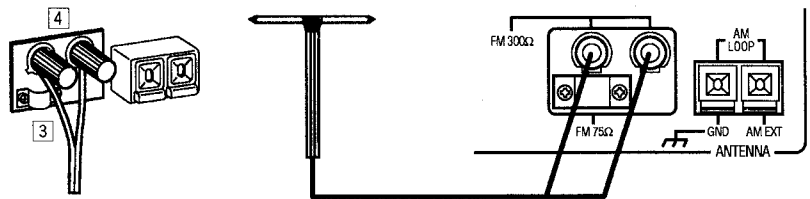
A temporary FM antenna and cable is supplied with your receiver. If reception with this antenna is not satisfactory, you may consider purchasing a 300-ohm feeder-cable antenna or a 75-ohm coaxial-cable antenna:

⚠ CAUTION! Before connecting the new FM antenna, disconnect any other FM antenna.

Connecting the Temporary FM Antenna

To connect the supplied antenna, follow these steps:

- Step 1** Loosen the cap on the 300/75-ohm terminal on the back of the receiver.
- Step 2** Loosen the cap on the 300-ohm terminal on the back of the receiver.
- Step 3** Connect the antenna by inserting one wire behind each cap.
- Step 4** Tighten the caps on both terminals.



Connecting a 300-Ohm FM Antenna

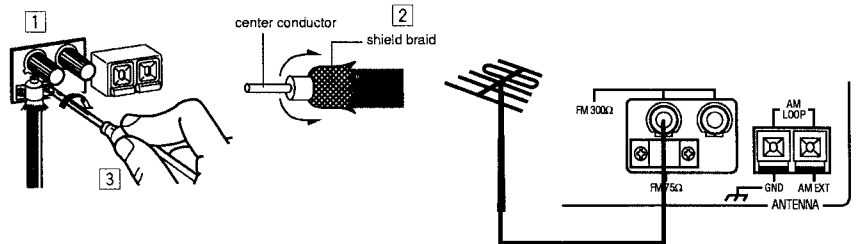
To connect a 300-ohm feeder-cable antenna, use the same steps as for the temporary FM antenna.

Connecting a 75-Ohm FM Antenna

To connect a 75-ohm coaxial-cable antenna, follow these steps.

- Step 1** Unscrew the cap and bracket screw on the 300/75-ohm terminal. Insert the round antenna cable from below.
- Step 2** Make sure the shield braid on the cable contacts the bracket, and the center conductor of the cable contacts the 300/75-ohm terminal.
- Step 3** Tighten the bracket screws and the cap on the 300/75-ohm terminal.

IMPORTANT! Make sure the antenna conductors do not touch any other terminals on the receiver. This could cause poor reception.



Connecting the Power

Connecting the Power Supply

After checking all connections, insert the power cord plug into an outlet.

When the power supply is connected correctly, the POWER STANDBY indicator lights on the front of the receiver. A small amount of power (5 watts) is consumed under these conditions, even if the receiver is turned off. To shut off the power completely, unplug the power cord from the outlet.

⚠ CAUTION!

- Do not handle the power cord with wet hands.
- Do not pull on the power cord to unplug the receiver. Always grasp the plug directly so as not to damage the cord.
- Do not plug the power cord into a socket until all components are connected correctly.

IMPORTANT! *If the power cord is disconnected or a power failure occurs, the receiver settings in memory are retained for 2 or 3 days.*

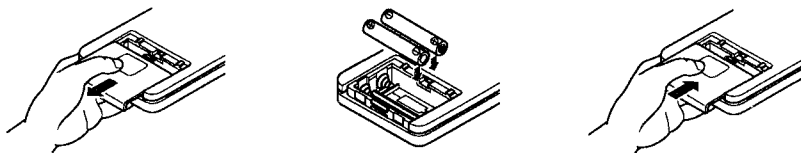
Inserting Batteries into the Remote Control

The remote control requires two batteries (supplied). To insert batteries, follow these steps:

Step 1 On the back side of the remote control, press down on the battery cover and slide it out.

Step 2 Insert batteries. Make sure to observe the proper polarity: (+) to (+) and (-) to (-).

Step 3 Slide the cover in.



Replacing Batteries

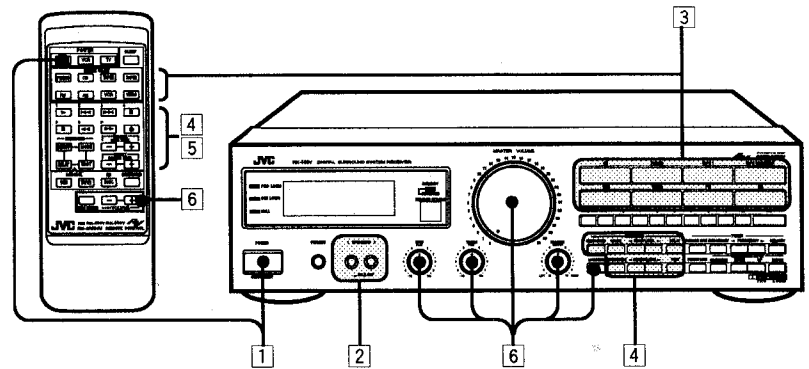
If the range or effectiveness of the remote control decreases, replace the batteries. Use two (2) AAA (24F) dry-cell batteries of the R03/UM-4 type.

⚠ CAUTION! Follow these precautions to avoid leaking or cracking cells:

- Place batteries in the remote control so they match the polarity indicated: (+) to (+) and (-) to (-).
- Use the correct type of batteries. Batteries that look similar may differ in voltage.
- Always replace both batteries at the same time.
- Do not expose batteries to heat or flame.

Operation Outline

Basic Operation Reference



1 Turn on the power

Push the POWER switch to turn on the receiver. The display lights:



NOTE: Pushing the POWER switch again turns off the power and lights the STANDBY light.

2 Select speakers (page 19)

Use the SPEAKERS switch to choose between the two sets of speakers. To use your headphones, insert the headphone plug into the PHONES jack on the receiver.

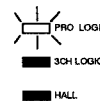
3 Choose an audio source (page 14)

To choose an audio source, press one of the SOURCE selector buttons on the receiver, or press one of the SOURCE SELECT buttons on the remote control.



4 Turn the surround sound effect on or off (pages 21-23)

To turn the surround sound effect on or off, press the SURROUND button. When the surround processor is activated, one of the effect program indicators (PRO LOGIC, 3CH LOGIC, or HALL) lights up.



5 Operate the audio source (pages 24-26)

Refer to the manual provided with each component. If your JVC components are connected to the COMPU LINK jack of the receiver, you can operate them using the remote control.

6 Adjust volume and tone (pages 19-20)

Rotate the MASTER VOLUME control on the receiver or press the VOLUME button on the remote control to adjust volume. See pages 19-20 for other ways to change the volume or tone.

Selecting the Source



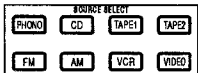
Listening or Viewing

Press one of the SOURCE buttons on the receiver or the remote control.

CD*	Listen to the CD player.
PHONO*	Listen to a record.
TAPE 1*	Listen to the tape deck connected to the TAPE 1 jacks.
TAPE 2 MONITOR	Listen to the tape deck connected to the TAPE 2 jacks.
VCR	View a TV program or pre-recorded video tape.
VIDEO	View a video disc.
FM*	Listen to an FM broadcast.
AM*	Listen to an AM broadcast.

IMPORTANT! The TAPE 2 MONITOR button has a different function from other source selector buttons, because it allows you to monitor the quality of the recording. For more details, see Monitoring below.

***NOTE:** On the remote, when you press one of the SOURCE buttons marked above with an asterisk, the receiver automatically turns ON (even if it was OFF before).



Recording

The source being played is automatically selected as the source to be recorded. While recording, you can listen to the selected source at any desired volume and tone settings.

NOTE: Volume and Tone adjustments and the surround sound effect do not affect recording.

IMPORTANT! When recording from TAPE 2 to TAPE 1, press the TAPE 2 MONITOR button and another button other than TAPE 1.

Monitoring

Using the Monitor feature, you can compare the sound quality of the source to the sound quality of the recording being made.

To use the Monitor feature while recording onto a cassette deck connected to the TAPE 2 jacks, follow these steps:

Step 1 Press the TAPE 2 MONITOR button.

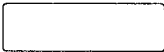
The "TAPE 2 MONITOR" light appears and you can listen to the sound of the cassette deck connected to the TAPE 2 jacks. You are now hearing the quality of the recording, not the quality of the source.

Step 2 Press the TAPE 2 MONITOR button again.

This turns off the "TAPE 2 MONITOR" light, and the speakers play the previously selected source.

NOTE: If the cassette deck has three heads, you can hear the sound of the recording at the same time as it records on the tape.

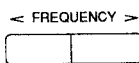
TAPE 2 MONITOR



Receiving an AM/FM Broadcast

To receive an AM/FM broadcast, select either AM or FM using the AM button or FM button. Then tune to the precise frequency using the FREQUENCY buttons.

Tuning



Tune to the frequency of a desired station using the FREQUENCY buttons. Pressing the right button increases the frequency, and pressing the left button decreases the frequency. Tapping the FREQUENCY button once changes the frequency in steps of 10 kHz for AM and 0.1 MHz for FM.

There are two tuning modes: Manual and Automatic.

Manual Tuning

If you know the frequency of a desired station, hold down the FREQUENCY button to start the frequency changing quickly. Release the FREQUENCY button near the desired station and tap it repeatedly until you arrive at the correct frequency.

Automatic Tuning

If you want to scan frequencies for a desired station, hold down the FREQUENCY button to start the frequency changing quickly. When you release the FREQUENCY button, the frequency continues to change until it reaches a station.

When a station is correctly tuned, the "TUNED" light appears on the display window.

Once a tuned frequency is preset, it can be directly recalled using the TUNER buttons. For details, see pages 16-17.

NOTE: When you use automatic tuning, weak stations are ignored. To pick up weak stations, use manual tuning.



IMPORTANT! If the receiver is tuned to a station but the "TUNED" light does not appear, try rotating the antenna for better reception.

Selecting an FM Reception Mode

Pressing the FM MODE/MUTE switch switches between these modes.

The "MUTE-AUTO" light appears in the display window. You hear either stereo sound or monaural sound, depending on the broadcast. If it is a stereo broadcast, the "STEREO" light appears. This mode is also useful for suppressing static "noise" between stations.

The "MUTE-AUTO" light disappears. You hear monaural sound even if a broadcast is in stereo. This mode is also useful when a stereo broadcast is noisy because of a weak signal.

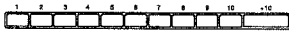
NOTE: Using the Automatic Tuning mode, the sound of a broadcast with a weak signal may be muted. In this case, select the monaural mode.



Presetting Tuned Frequencies

You can preset up to 40 radio stations by assigning channel numbers (1 through 40) to them. Once a station is preset, you can listen to it by entering the preset number using the TUNER buttons on the receiver, or the PRESET buttons of the remote. There are two ways to preset: manual or automatic.

Assigning Channel Numbers



To choose numbers from 1 through 10, press the appropriate TUNER buttons. To choose numbers from 11 through 40, press the +10 key and one other button. For example:

To choose 17	Press +10, then 7.
To choose 20	Press +10, then 10.
To choose 25	Press +10 twice, then 5.
To choose 40	Press +10 three times, then 10.

Your channel number will appear.



NOTE: You can also tune using the remote control. First press the AM or FM button on the remote, then enter the channel number using the PRESET buttons (+ and -) on the remote. Press + to increase the selected number, and press - to lower the selected number.

Manual Presetting

MEMORY



To use manual presetting to assign channel numbers to your favorite stations, follow these steps:

- Step 1** Tune to a station. If necessary, follow the procedure on page 15.
- Step 2** Press the MEMORY button.
The "MEMORY" light appears in the display window.
- Step 3** Using the TUNER buttons, enter a number (1 through 40). This number is the channel number you are assigning to the station.
IMPORTANT! You must enter the channel number while the "MEMORY" light is on. You have about 5 seconds to do this. If the light disappears before you enter the channel number, press the MEMORY button again.
- Step 4** When the MEMORY light disappears and the channel number is displayed, presetting is completed.

Automatic Presetting

AUTO MEMORY



To use automatic presetting to preset up to 40 stations automatically, follow these steps:

- Step 1** Press the SOURCE selector button to select AM or FM.
- Step 2** Using the TUNING buttons, move to the lowest frequency from which you want scanning to begin.
- Step 3** Press the AUTO MEMORY button.
- The "AUTO MEMORY" light appears in the display window.
- Step 4** Using the TUNER buttons, enter a channel number (1 through 40) to the first tuned station. From that point, scanning starts and stations are assigned channel numbers in ascending order.

IMPORTANT! You must enter the channel number while the "AUTO MEMORY" light appears. If this light disappears before you enter the channel number, press the AUTO MEMORY button again.

Frequencies are scanned in ascending order. When a station is tuned in, scanning stops and the "TUNED" light and preset number appear. The station is preset about 4 seconds later and the "MEMORY" light appears. If you do not want to preset this station, press the AUTO MEMORY button within 4 seconds. Scanning restarts without presetting that station.

When the MEMORY light disappears, scanning continues until one of the following occurs:

- Another station is tuned in
- The upper limit of the tuning range is reached
- All 40 channel numbers have been assigned

When Auto Presetting is completed, the last preset station is received.

NOTE: To stop scanning at any time, press either TUNING button once.

Searching for a Preset Station

PRESET SCAN



When you lose the preset number of a desired station, use the Preset Scan function to find the station. Follow these steps:

- Step 1** Press the PRESET SCAN button.
- The receiver runs upward in sequence through the preset channels. You will hear the sound of each channel for 4 seconds while the corresponding channel number blinks.
- Step 2** When you find the desired station, press the PRESET SCAN button again.
- Scanning stops.

NOTE: Scanning ends when one cycle of 40 channels is completed. The receiver returns to the previous station.

Assigning Names to Preset Stations

Entering Title Characters

You can assign a title of up to four characters (for example, a station name) to each preset station (1-20). When a preset station is called, its title is displayed in the display window along with its channel number.

After selecting the preset channel (1-20), enter title characters as follows:

CHARACTER



Step 1 Press the CHARACTER button.

The cursor appears at the first character position.

IMPORTANT! You must press the CHARACTER button while a preset number appears. You have about 2 seconds to do this. If the display returns to tuning frequencies before you press the CHARACTER button, select the preset channel again.



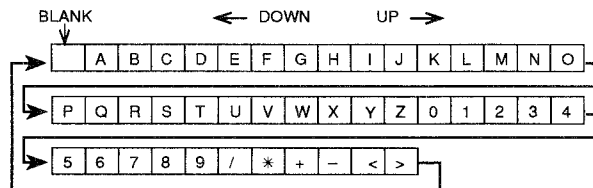
If a title has already been assigned, the first character blinks. If you are not changing this character, press the CHARACTER button.

CHARACTER INPUT
DOWN UP



Step 2 Using the DOWN and UP buttons, select the character to be entered.

You can choose from the characters shown below. Pressing the DOWN or UP button selects the next character in the sequence.



Step 3 When the desired character appears, press the CHARACTER button.

The cursor moves to the next character position. You can enter up to four characters by repeating Steps 2 and 3.



ENTER



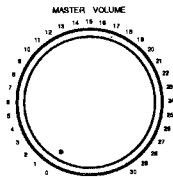
Step 4 Press the ENTER button to save the selected characters.



Adjusting the Volume and Tone

Adjusting the Volume

Using the MASTER VOLUME Control



Use the MASTER VOLUME control to adjust the volume from the left and right speakers. Rotating the dial to the right increases the volume. The volume from the speakers and the headphones increases simultaneously.

NOTE: Volume can also be adjusted using the remote control. Press the VOLUME button marked + to increase the volume, or the VOLUME button marked - to decrease the volume.

⚠ CAUTION! Listening to extremely loud sound may damage your hearing. Be especially careful when using headphones.

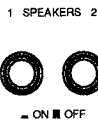
Muting the Sound



Press the FADE MUTING button on the remote control to decrease the volume easily when you receive a phone call or a visitor.

IMPORTANT! If you are listening at very high volume, you may need to press FADE MUTING a second or third time to reduce volume completely.

Selecting the Speakers



Pushing in SPEAKER button 1 or 2 activates that pair of speakers. Pressing either button again deactivates that pair of speakers. When the button is in, that pair is activated. You can listen to both pairs, pair 1, pair 2, or neither pair.

IMPORTANT! If only one set of speakers is connected, pressing "in" both speaker buttons will produce no sound.

Listening to Headphones

PHONES



Insert the headphone plug into the PHONES jack. To limit sound to the headphones (no sound from the speakers), press SPEAKER buttons 1 and 2 to deactivate all speakers.

⚠ CAUTION! To avoid hearing damage, turn the volume down before plugging in the headphones, then gradually increase the volume.

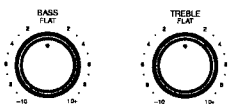
Adjusting the Left-Right Balance



Use the BALANCE control to adjust the balance between the left and right channels. Rotating the dial to the right increases the right-channel volume, and rotating it to the left increases the left-channel volume. The BALANCE control affects both sets of speakers and the headphones.

Adjusting the Tone

Adjusting Bass and Treble



Use the BASS control to adjust low pitches and the TREBLE control to adjust high pitches. Turn either control to the right for intensified pitch. Set both controls at the FLAT position for normal listening.

Listening at Low Volume

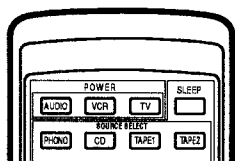
LOUDNESS



Human ears are not sensitive to low-frequency sounds at low volume. To compensate for this, the loudness function automatically boosts the bass level as you lower the volume.

To use the loudness function, press the LOUDNESS switch. The "LOUDNESS" indicator lights in the display window. Press the switch again to turn the feature off.

Using the Sleep Timer



The sleep timer lets you listen to any program for up to 80 minutes before it automatically shuts off. The receiver goes back to standby mode (off) after the time period that you specify. To use the sleep timer:

Step 1 Press the SLEEP button on the remote control.

"SLEEP" appears in the display window.

IMPORTANT! You have 5 seconds to proceed to the next step. If you wait more than 5 seconds, return to step 1.

Step 2 Press the SLEEP button again to set the timer.

Each time you press the SLEEP button, the time limit is extended 10 more minutes. You can set up to 80 minutes.

Step 3 Stop when you reach the desired time period.

The set time indicator disappears after a few seconds. The receiver will automatically return to standby mode (off) after the time period you specified.

NOTES:

- After setting the sleep timer, you can change sources as often as you wish within the specified time period.
- After setting the sleep timer, you can check the remaining time in minutes by pressing the SLEEP button. You can extend the time period further, in 10-minute increments, by pressing the SLEEP button again.

Using the Surround Processor

The built-in surround processor enables you to enjoy a 3-dimensional sound effect.


Overview

Types of Sound Effects

The surround sound processor provides three types of sound effects — Dolby Pro Logic Surround, Dolby 3-Channel logic, and JVC's Hall surround — so that you can experiment with a variety of sources and surround sound effects.

IMPORTANT! *The surround processor has no effect on monaural (non-stereo) sources.*

• What is Dolby Pro Logic Surround?

The soundtracks of video software bearing the  **DOLBY SURROUND** mark* include the same encoded surround information as found in Dolby Stereo films. The Dolby Pro Logic Surround decoder is a consumer version of the decoding process used in professional Dolby Stereo equipment, and it lets you recreate the theater ambience and effects of Dolby Stereo at home.

Dolby Pro Logic Surround decoder provides these features:

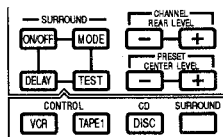
- four primary sound channels – Left, Right, Surround, and additional Center channel
- adaptive matrix to actively derive each channel

The result is that Dolby Pro Logic Surround has the effect of widening the useful listening area and enhancing directional effects, while at the same time locking center channel information onscreen for the home audience.

*Manufactured under license from Dolby Laboratories Licensing Corporation. Additionally licensed under one or more of the following patents: U.S. number 3,959,590; Canadian numbers 1,004,603 and 1,037,877. "Dolby", "Pro Logic", and the double-D symbol are trademarks of Dolby Laboratories Licensing Corporation.

Turning On or Off the Surround Processor

To operate the surround processor, press the SURROUND button on the receiver. One of the surround program indicators lights. Then press the desired operation buttons.



NOTE: *You can also operate the surround processor with the remote control. Press the SURROUND button in the CONTROL section of the remote, then the surround ON/OFF button on the remote. Then press the desired operation buttons.*

Selecting a Sound Effect


Selecting a Program

MODE



The surround processor provides three types of sound effects.

"PRO LOGIC" To play a source marked  **DOLBY SURROUND** The sound will be reproduced through the front speakers, center speaker and rear speakers.

"3CH LOGIC" To play a source marked  **DOLBY SURROUND** when you are not using rear speakers. The sound is reproduced through the front speakers and center speaker.

"HALL" To play an ordinary stereo source with one of JVC's surround sound effects, resembling acoustics such as those in a music hall, for example. The sound is reproduced through the front speakers and rear speakers.

To select one of these programs, use the MODE button. Each time you press the button, one of the surround program indicators will light up in the following cycle:

"PRO LOGIC" > "3CH LOGIC" > "HALL" > begins the cycle again

Selecting a Center Channel Mode

CENTER MODE



When you select PRO LOGIC or 3CH LOGIC program, you must also select a center channel mode. The following modes are available:

"PHANTOM" Use this mode when no center speaker is used. The entire center channel is reproduced through the front speakers. 3CH LOGIC doesn't have this mode.

"NORMAL" Use this mode when the center speaker is smaller than the front speaker. The bass frequencies in the center channel are reproduced through the front speakers.

"WIDE" Use this mode when the center speaker is as large as the front speaker. The entire center channel is reproduced through the center speaker.

"OFF" The center channel is muted.

To select one of these modes, use the CENTER MODE button on the receiver. Each time you press the button, one of the center channel modes will appear in the display window in the following cycle:

"PHANTOM" > "NORMAL" > "WIDE" > "OFF" > begins the cycle again

Adjusting the Surround Sound Effect

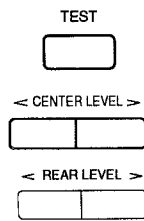
The surround processor requires the following two adjustments to produce the maximum surround sound effect:

- center channel level and rear channel level
- delay time

NOTE: With conventional surround processors, you must adjust the input signal balance. The RX-509TN, however, adjusts this balance automatically. When you set the center mode to "OFF", you can check the effect of this automatic balancing.

After selecting "PRO LOGIC" program, make adjustment as follows:

Adjusting Center Channel Level and Rear Channel Level



Step 1 Press the TEST button.

The test tone will move clockwise from speaker to speaker.

Step 2 Adjust the center channel level using the CENTER LEVEL buttons. Adjust the rear channel level using the REAR LEVEL buttons.

You can adjust these levels in 2 dB units within a range of ± 20 dB. The sound levels of the left and right speakers should be the same.

Step 3 Press the TEST button.

The test tone will cease.

NOTES:

- If "PHANTOM" is selected as the center channel mode, the CENTER LEVEL button is disabled.
- When you are not using rear speakers, you can adjust the center channel level after selecting "3CH LOGIC" program. In this case, the REAR LEVEL button is disabled.
- It is convenient to use the remote while sitting in your listening position.

Adjusting Delay Time



Use the DELAY TIME buttons to compensate for variations in the distance between your listening position and different sets of speakers. Delay time can be set in 3 steps.

"DELAY-1" When the distance to your surround speakers is greater than the distance to your main speakers.

"DELAY-2" When the distance to your surround speakers is almost equal to the distance to your main speakers.

"DELAY-3" When the distance to your surround speakers is less than the distance to your main speakers.

NOTE: You can customize the "DELAY TIME" settings for "HALL" program.

Operating Source Components



COMPU LINK Remote Control System

The COMPU LINK remote control system lets you operate the receiver and JVC components from the remote supplied with this receiver. Control signals for JVC audio components are preset in the receiver's remote control.

Connecting the COMPU LINK-3 SYNCHRO jacks on the back of the receiver will allow you to use the four functions listed in the left column.

Remote Control

You can control all components via the REMOTE SENSOR on the receiver using the receiver's remote control. For details, see page 25.

IMPORTANT! Point the remote control directly at the REMOTE SENSOR on the receiver.

Automatic Source Selection

When you *press play* on a component or the remote, the component begins playing immediately. On the other hand, if you select a *new source* on the receiver or the remote, the component begins playing immediately, but the previously selected source continues playing without sound for a few seconds.

Synchronized Recording

Synchronized recording means the tape deck starts recording as soon as a CD or record begins playing. To use synchronized recording, follow these steps:

Step 1 Put a tape in the deck, and a disc in the CD player or on the turntable.

Step 2 Press the REC and PAUSE button on the tape deck at the same time. This puts the tape deck in the REC/PAUSE state.

IMPORTANT! If you do not press the REC button and PAUSE button together, the synchronized recording feature will not operate.

Step 3 Press the PLAY button on the CD player or turntable.

As soon as the disc starts playing, the tape deck starts recording. When the disc ends, the tape deck switches back to the REC/PAUSE mode, and stops 4 seconds later.

NOTES:

- During synchronized recording, the CD or PHONO button is activated. Other SOURCE buttons are disabled to prevent recording failure.
- If your CD player is operated in the PROGRAM mode, a 4-second mute is recorded between tracks to enable the music scan feature of your tape deck to work.
- If the power of any component is shut off during synchronized recording, the system will not operate properly. In this case, you must start again with step 1.

Automatic Power ON/OFF

The CD player and cassette deck turn on and off along with the receiver. When you turn on the receiver (using either the remote or the receiver's POWER switch), the CD player or cassette deck will turn on automatically, depending which component was previously selected.

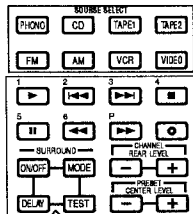
NOTE: This function has been added to COMPU LINK-3 (Enhanced COMPU LINK), an upgraded version of COMPU LINK-1. Refer to your JVC component manual for details.

Using the Remote Control

By connecting the COMPU LINK jack to this receiver, you can operate the audio stereo component with this receiver's remote control. In addition, if your VCR is a JVC product, you can operate it with this receiver's remote control.

NOTE: The VCR does not work with the COMPU LINK remote control system. When you operate the VCR, you must aim the remote control at the VCR instead of the receiver.

Operating the Component Already Selected



Select a source with the SOURCE SELECT buttons on the remote control. Operate that source using the buttons just below the SOURCE SELECT buttons.

IMPORTANT! If you choose a source on the receiver directly, the remote control will not operate that source. To operate a source with the remote control, the source must be selected using the remote control.

IMPORTANT! When you select CD or TAPE 1 on the remote control, the component will turn on and start playing automatically.

Turntable

After pressing the PHONO button, you can perform the following operations on the remote:

- ▶ Starts playing
- Stops playing

CD Player

After pressing the CD button, you can perform the following operations on the remote:

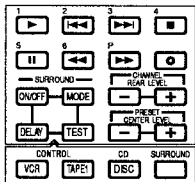
- ▶ Starts playing
- ◀◀ Skips to the beginning of the previous track
- ▶▶ Skips to the beginning of the next track
- Stops playing
- || Stops playing temporarily. To release it, press ▶
- ◀◀ Moves backward quickly during play
- ▶▶ Moves forward quickly during play

Cassette Deck

After pressing the TAPE 1 button, you can perform the following operations on the remote:

- ▶ Starts playback
- ◀◀ Skips to the beginning of the previous tune
- ▶▶ Skips to the beginning of the next tune
- Stops operation
- || Stops playback or recording temporarily. To release it, press ▶
- ◀◀ Fast wind the tape from right to left
- ▶▶ Fast wind the tape from left to right
- Press together with ▶ to start recording
- Press together with || to enter record-standby mode

Operating the Component Not Currently Selected

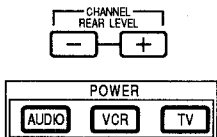


When you want to operate one component while listening to another component (e.g., recording from a CD), use the buttons in the CONTROL section of the remote control. The CONTROL buttons allow you to use the operation buttons for the new component without affecting the component already playing.

VCR

After pressing VCR (in the CONTROL section of the remote control), you can perform the following operations on the remote:

- ▶ Starts playback
- Stops operation
- ⏸ Stops playback temporarily or freezes the picture. To release it, press ▶
- ◀◀ Rewinds video tape
- ▶▶ Fast winds video tape
- Press together with ▶ to start recording
- Press together with ⏸ to enter record-standby mode
- + - Scans to higher or lower TV channels



NOTE: You can also turn the VCR and TV on and off by pressing the VCR or TV button in the POWER section of the remote control.

IMPORTANT! Aim the remote control at the VCR or TV, not at the receiver.

Cassette Deck

Pressing TAPE 1 in the CONTROL section of the remote allows you to perform the same functions as pressing TAPE 1 in the SOURCE SELECT section of the remote.

CD Player-Changer

After pressing the CD DISC button in the CONTROL section of the remote, you can perform the following operations on the remote:

- 1-6, P** Select the number of the disk installed in the CD player-changer. Then continue to operate the CD player as shown on Page 25.

Troubleshooting

Use this chart to help you solve everyday operational problems. If there is any problem you cannot solve, contact your JVC service center.

PROBLEM	POSSIBLE CAUSE	SOLUTION
Display window does not light up	Power cord not plugged in	Plug power cord into AC socket
No sound from speakers	Speaker wires not connected	Check speaker wiring and reconnect if necessary
	SPEAKERS buttons not set correctly	Push the SPEAKERS buttons in or out as desired
	Incorrect SOURCE button was pressed	Select the correct audio source
Sound from one speaker only	Speaker wires not connected properly	Check speaker wiring and reconnect if necessary
	Balance control is set to one extreme	Adjust BALANCE control so that both speakers have sound
Continuous hiss or buzzing during FM reception	Incoming signal is too weak	Adjust antenna
	Station is too far away	Select a new station
	Incorrect antenna used	Check with your dealer to be sure you have the correct antenna
	Antenna not connected properly	Check connections
Occasional cracking noise during FM reception	Ignition noise from automobiles	Move the antenna farther from automobile traffic
Howling during record playing	Turntable too close to speaker	Move speakers away from turntable
Remote control does not work	There is an obstruction in front of the REMOTE SENSOR on the receiver	Remove the obstruction
	Batteries are weak	Replace batteries

Description of Major ICs

■ MN171202JPZ(IC401) : System Controller

1. Terminal Layout

VDD	1	64	OSC
KIN0	2	63	OSC
KIN1	3	62	GND
KIN2	4	61	NC
KIN3	5	60	GND
D1	6	59	T.MUTE
D2	7	58	LOUDNESS
D3	8	57	AC
D4	9	56	HALL LED
D5	10	55	3CH LOGIC
D6	11	54	PROLOGIC LED
D7	12	53	RECEIVED
D8	13	52	VOL LED
KOUT8	14	51	VOL +
KOUT9	15	50	VOL -
KOUT10	16	49	COMPULINK OUT
KOUT11	17	48	COMPULINK IN
VPP	18	47	TUNED
S0	19	46	STEREO
S1	20	45	INH IN
S2	21	44	RM IN
S3	22	43	RESET
S4	23	42	DO
S5	24	41	DI
S6	25	40	CK
S7	26	39	CE
S8	27	38	DATA
S9	28	37	STB1
S10	29	36	CLK
S11	30	35	STB2
S12	31	34	S15
S13	32	33	S14

2. Key Matrix

	KEY IN0 (pin2)	KEY IN1 (pin3)	KEY IN2 (pin4)	KEY IN3 (pin5)
KEY OUT 0 (pin6)	TAPE1	TAPE2 MONITOR	FM	AM
KEY OUT 1 (pin7)	7	8	9	10
KEY OUT 2 (pin8)	+ 10	MEMORY	ENTER	-
KEY OUT 3 (pin9)	FM MODE	AUTO MEMORY	F. DOWN	F. UP
KEY OUT 4 (pin10)	P SCAN	CHARACTER	CHARACTER DOWN	CHARACTER UP
KEY OUT 5 (pin11)	CD	PHONO	VCR	VIDEO
KEY OUT 6 (pin12)	1	2	3	4
KEY OUT 7 (pin13)	5	6	DELAY	TEST
KEY OUT 8 (pin14)	SURR.	SURR. MODE	REAR -	REAR +
KEY OUT 9 (pin15)	LOUD.	CENTER MODE	CENTER -	CENTER +
KEY OUT 10 (pin16)	POWER	-		

3. Terminal Description

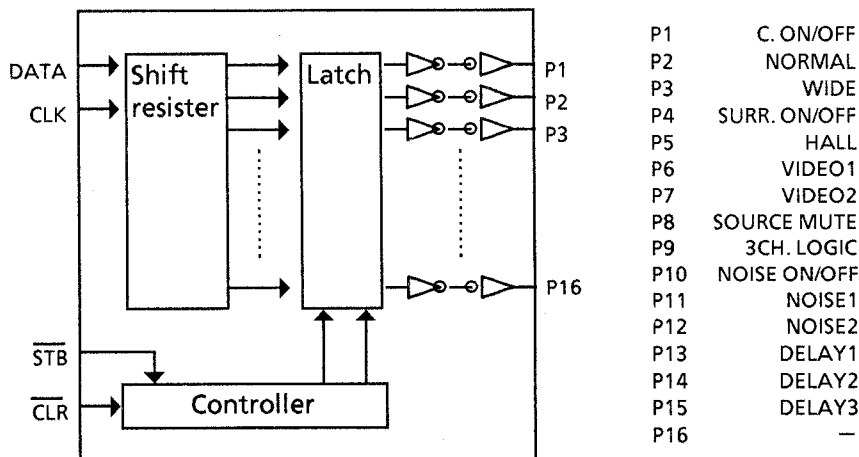
Pin NO.	symbol	I/O	Function and Operations	Pin NO.	symbol	I/O	Function and Operations
1	VDD	--	Power supply	33	S14	O	FL segment control output
2	KIN0	I		34	S15	O	FL segment control output
3	KIN1	I	Key matrix input	35	STB2	O	Strobe signal output (To IC605)
4	KIN2	I	Key matrix input	36	CLK	O	Clock for data transmission (To IC605)
5	KIN3	I	Key matrix input	37	STB1	O	Strobe signal (To IC341, 321)
6	D1	O	FL grid control output (Key matrix out0)	38	DATA	O	Data output (To IC605, 341, 321)
7	D2	O	FL grid control output (Key matrix out1)	39	CE	O	Chip select signal (To IC102)
8	D3	O	FL grid control output (Key matrix out2)	40	CK	O	Clock output (To IC102)
9	D4	O	FL grid control output (Key matrix out3)	41	DI	I	Data from PLL synthesizer (From IC102)
10	D5	O	FL grid control output (Key matrix out4)	42	DO	O	PLL synthesizer control data (To IC102)
11	D6	O	FL grid control output (Key matrix out5)	43	RESET	I	Reset signal input
12	D7	O	FL grid control output (Key matrix out6)	44	RM IN	I	Remote control signal input
13	D8	O	FL grid control output (Key matrix out7)	45	INH IN	I	Inhibit signal input
14	KOUT8	O	Key matrix output	46	STEREO	I	Stereo indication signal input
15	KOUT9	O	Key matrix output	47	TUNED	I	Tuned indication signal input
16	KOUT10	O	Key matrix output	48	COMP.IN	I	DCS signal input
17	KOUT11	O	Key matrix output	49	COMP.OUT	O	DCS signal output
18	VPP	--	Power supply for FL Display	50	VOL -	O	Volume control signal
19	S0	O	FL segment control output	51	VOL +	O	Volume control signal
20	S1	O	FL segment control output	52	VOL LED	O	Indicator drive
21	S2	O	FL segment control output	53	RECEIVED	O	Indicator drive
22	S3	O	FL segment control output	54	PRO.LED	O	Indicator drive
23	S4	O	FL segment control output	55	3CH LED	O	Indicator drive
24	S5	O	FL segment control output	56	HALL LED	O	Indicator drive
25	S6	O	FL segment control output	57	AC	O	Power primary control signal
26	S7	O	FL segment control output	58	LOUDNESS	O	Loudness control signal
27	S8	O	FL segment control output	59	T.MUTE	O	Tuner muting control
28	S9	O	FL segment control output	60	GND	--	Connected to GND
29	S10	O	FL segment control output	61	NC	--	Non connection
30	S11	O	FL segment control output	62	GND	--	GND
31	S12	O	FL segment control output	63	OSC	--	Clock oscillation output
32	S13	O	FL segment control output	64	OSC	--	Clock oscillation input

■ NJU3715L (IC605) : 16-BIT Serial-parallel converter

1. Terminal layout

VIDEO2	1	22	VDD
SOURCE MUTE	2	21	VIDEO1
3CH LOGIC	3	20	HALL
NOISE ON/OFF	4	19	S. ON/OFF
NOISE 1	5	18	WIDE
VSS	6	17	NORMAL
NOISE2	7	16	C. ON/OFF
DELAY1	8	15	CLR
DELAY2	9	14	STB
DELAY3	10	13	CLK
NC	11	12	DATA

2. Internal Block Diagram



3. Terminal Description

Pin No.	Function
1~5, 7~11, 16~21	Parallel data output
12	Serial data input
13	Clock input (When this terminal is set low level, all of the output become low.)
14	Strobe signal input
15	Clear signal input

4. Function

CLK	STB	CLR	Function
X	X	L	All the data stored in the latch circuit are eliminated. (The data in the shift register are not eliminated.)
	H	H	Data are inputted synchronizing the rising edge of the clock.
L	L	H	The data in the shift register are transmitted to the latch circuit. The data outputted from parallel outputs.
	L	H	The data in the shift register are shifted synchronizing the rising edge of the clock. (The data outputted from the latch circuit are changed.)

5. Function Table

SURROUND MODE

MODE	Port of IC605					
	SURROUND ON/OFF	3ch LOGIC	HALL OUT	PRO LOGIC LED	3ch LOGIC LED	HALL LED
PRO LOGIC	H	L	L	L	H	H
3CH LOGIC	H	H	L	H	L	H
HALL	H	L	H	H	H	L
OFF	L	L	L	H	H	H

VOLUME CONTROL

MODE	Port of IC605		
	VOLUME UP	VOLUME DOWN	VOLUME LED
UP	H	L	L
DOWN	L	H	L
STOP	L	L	L
MUTE	L	H	BLINKING

VIDEO CONTROL

MODE	Port of IC605	
	VIDEO 1	VIDEO 2
VCR	H	H
VIDEO	L	H
EXCEPT VCR, VIDEO	L	L
STAND BY	L	L

CENTER MODE

MODE	Port of IC605		
	CENTER ON/OFF	NORMAL	WIDE
PHANTOM	H	H	H
NORMAL	H	L	H
WIDE	H	H	L
OFF	L	L	L

TEST TONE

MODE (NOISE OUT)	Port of IC605	
	NOISE 1	NOISE 2
L-ch	L	L
C-ch	L	H
R-ch	H	L
S-ch	H	H

DELAY TIME

MODE	Port of IC605		
	DELAY 1	DELAY 2	DELAY 3
DELAY-1	H	L	L
DELAY-2	L	H	L
DELAY-3	L	L	H

DOLBY TEST

MODE	Port of IC605
	NOISE ON/OFF
ON	L
OFF	H

LOUDNESS

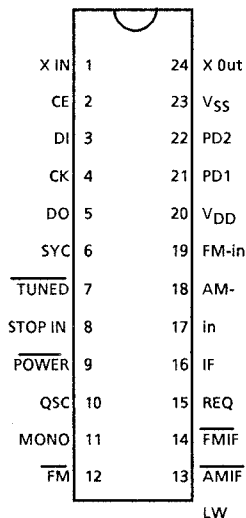
MODE	Port of IC605
	LOUDNESS
ON	L
OFF	H

■ LC7218 (IC102) : PLL Synthesizer

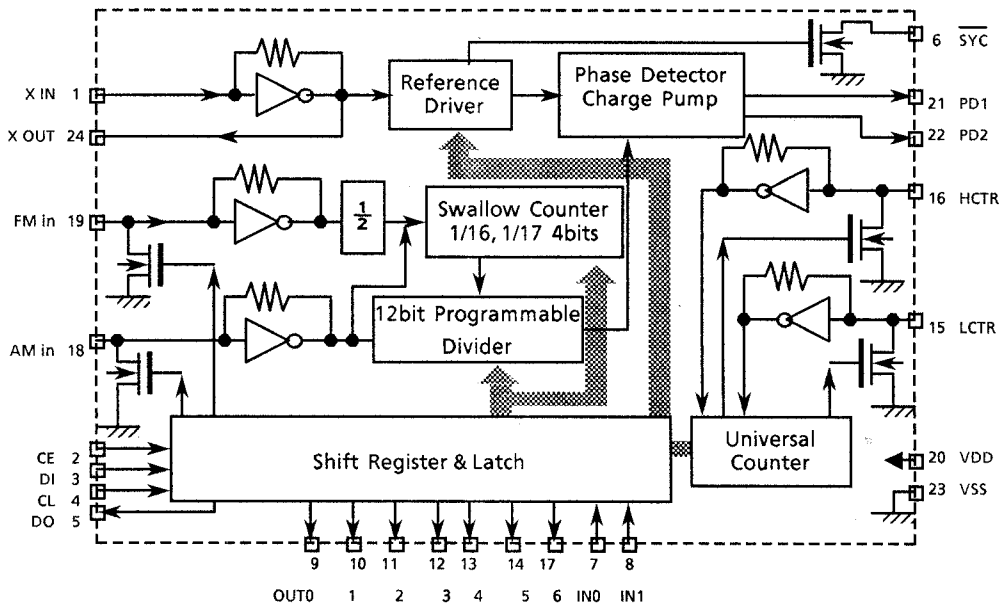
1. The main function descriptions

- (1) It makes the local oscillation frequency by the control data from IC401.
- (2) Decode the control signal and transmit the signal for receiving conditions.
- (3) For the best tuning, count the internal-frequency and transmit the data to IC401.

2. Terminal Layout



3. Block Diagram



4. Pin Function Description

Pin No.	Symbol	I/O	Functions and Operations
1,24	X in, X out	I/O	Crystal oscillator (7.2MHz).
2	CE	I	Fix the chip enable to "H" when inputting (DI) and outputting (DO) the serial data.
3	DI	I	Receive the control data from the controller (IC401).
4	CL	I	This clock is used to synchronize data when transmitting the data of DI and DO.
5	DO	O	Transmit the data from LC7218 to the controller which is synchronized with CL.
6	SYC	--	Not used.
7	TUNED	I	Receive the tuned signal from IC104 (LA1266A).
8	STOP IN	--	Not used.
9	POWER	--	Non connection
10	QSC	--	ON mode with "H" and OFF mode with "L". (Non connection)
11	MONO	O	It is "H" on FM-monaural, "L" on FM-Stereo.
12	FM	O	It is "L" on FM mode.
13	MW	O	It is "L" on MW mode.
14	LW	O	It is "L" on LW mode.
15	AM-IF	I	Universal counter input for AM-IF from IC104 (LA1266A).
16	FM-IF	I	Universal counter input for FM-IF from IC104(LA1266A).
17	IF REQ	O	Output the "IF-signal request" to IC104 when the pin-7 (tuned in) go to "H".
18	AM in	I	Input the local oscillator signal of AM.
19	FM in	I	Input the local oscillator signal of FM.
20	V _{DD}	--	Power supply terminal.
21	PD1	O	PLL charge pump output: When the local oscillator signal frequency is higher than the reference frequency high level signals will output. When it is lower than the reference frequency, low level signals will output. When it is same as reference frequency signals, it will be floating.
22	PD2	--	Non connection
23	V _{SS}	--	Power supply.

■ LA1266A (IC104) : FM AM IF AMP & detector

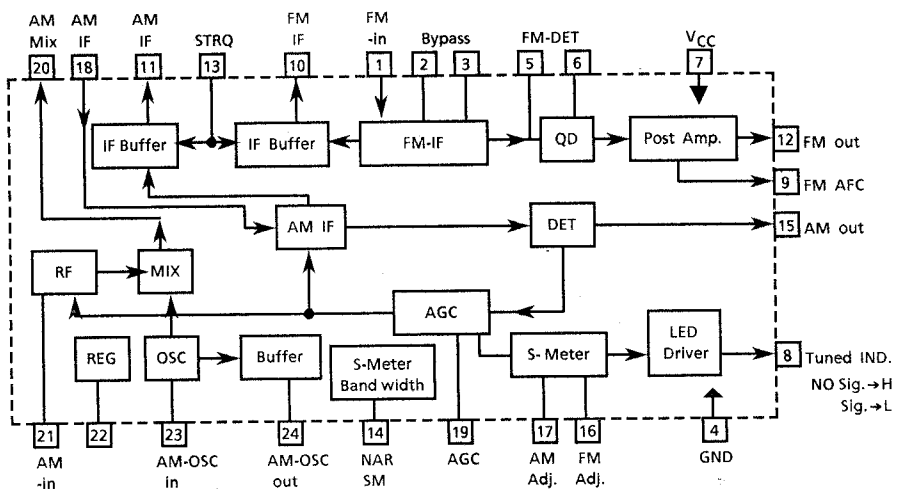
1. The main function descriptions

- (1) Amplify and detect of FM intermodulation frequencies.
- (2) It has local oscillator and mixer for AM, and amplify the AM-IF signal.

2. Top View

FM-in	1	24	AM-OSC out
BYPASS	2	23	AM-OSC
BYPASS	3	22	V.ref
GND	4	21	AM-in
FM-DET	5	20	AM-Mix
FM-DET	6	19	AM-AGC
V _{CC}	7	18	AM-IF
SIG	8	17	AM Adj.
FM-AFC	9	16	FM Adj.
FM-IF	10	15	AM out
AM-IF	11	14	NAR SM
FM-OUT	12	13	STRQ

3. Block Diagram



4. Pin Function Description

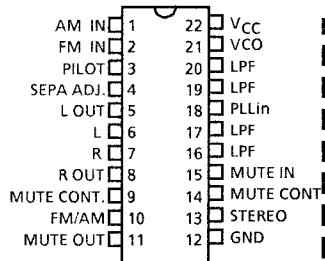
Pin No.	Symbol	I/O	Functions and Operations
1	FM in	I	Input terminal for FM signal.
2,3	BYPASS	--	Bypass of FM IF Amp.
4	GND	--	Device ground terminal.
5,6	FM DET	--	FM detect transformer.
7	V _{CC}	--	Power supply terminal.
8	SIG	O	When the set is tuning, this terminal becomes "L".
9	FM AFC	O	Output terminal of voltage for FM - AFC.
10	FM IF	O	When the signal of IF REQ of IC102(LC7218) applied to pin17, the signal of FM IF does output.
11	AM IF	O	When the signal of IF REQ of IC102(LC7218) applied to pin17, the signal of AM IF does output.
12	FM OUT	O	FM detection output.
13	STRQ	I	The IF-signals come out from pin10 (FM-IF) or pin11 (AM-IF) while this terminal going to "High".
14	NAR SM	--	Control the Band-width of signal meter.
15	AM out	O	AM detection output.
16	FM Adj.	--	FM stop level (or mute level) adjust.
17	AM Adj.	--	AM stop level (or mute level) adjust.
18	AM-IF	I	AM IF Signal input.
19	AM-AGC	I	AGC voltage Input terminal for AM.
20	AM-MIX	O	Output terminal for AM mixer.
21	AM-IN	I	Input terminal for AM RF Signal.
22	V.REF	--	Band-width control of FM signal meter.
23	AM-OSC	--	AM Local oscillation circuit.
24	AM-OSC OUT	O	AM Local Oscillation Signal output.

■ LA3401 (IC105) : FM MPX Detector

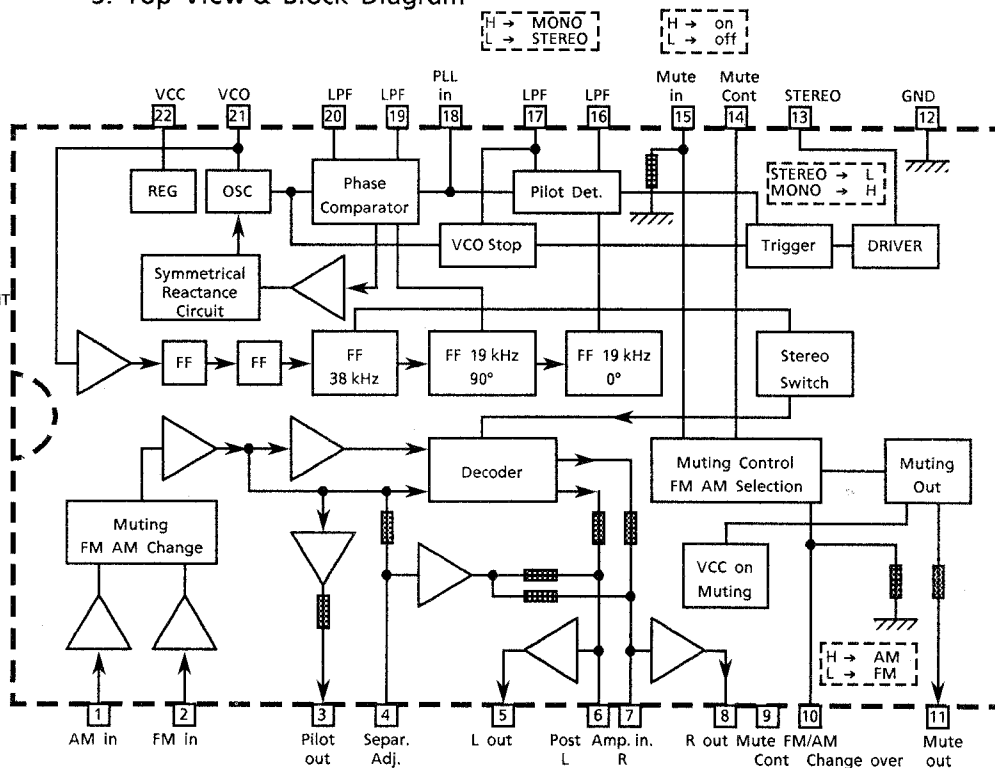
1. The main function descriptions

- (1) Detect the FM Multiplex Signal (Stereo signal).
- (2) When receiving FM Stereo Signal, it outputs the signal for indicator.
- (3) AM/FM Audio Amplifier.

2. Terminal Layout



3. Top View & Block Diagram



4. Pin Function Description

Pin No.	Symbol	I/O	Functions and Operations
1	AM in	I	Input terminal for AM detection signal.
2	FM in	I	Input terminal for FM detection signal.
3	PILOT OUT	O	Output of MPX pilot signal (Connect to Pin18).
4	SEPA. ADJ.	--	Separation adjustment.
5	L-out	O	Left channel signal output.
6	L	O	Reversal output of Pin5.
7	R	O	Reversal output of Pin8.
8	R-out	O	Right channel signal output
9	MUTE CONT	--	The mute time is controlled by the connected capacitor when turning the power switch on.
10	FM / AM	I	Change over the FM / AM input. "H" : AM, "L" : FM
11	Mute out	---	Not used
12	GND	--	Ground terminal.
13	STEREO	O	Stereo indicator output. Stereo : "L", Mono : "H"
14	MUTE CONT	--	The mute time is controlled by the connected capacitor when changing over the FM / AM .
15	MUTE IN	I	Mute signal input. "H" : Mute on, "L" : Mute off.
16	LPF	--	Low pass filter of pilot detector.
17	LPF	--	While this terminal goes to "H", the VCO stop.
18	PILOT IN	I	PLL input.
19	LPF	--	Low-pass filter of PLL.
20	LPF	--	Low-pass filter of PLL.
21	VCO	I	Voltage controlled oscillator terminal.
22	V _{CC}	--	Power supply.

■ M50198P(IC602) : Digital Delay IC

1. Explanation of the operation

Audio signal is input to LPF1 to reduce the high frequency components. The output from LPF1 is coded to 1 bit signal by ADM modulator and comparator with inside .This digital signal is input to main control logic. And this signal obtain various effect,and is written in SRAM .At the same time main control logic read the data from SRAM ,and input it to ADM demodulator .The ADM demodulator converts 1bit signal to analog signal.The analog signal is input to LPF2 to reduce the suprius components,and output to Pin 13.

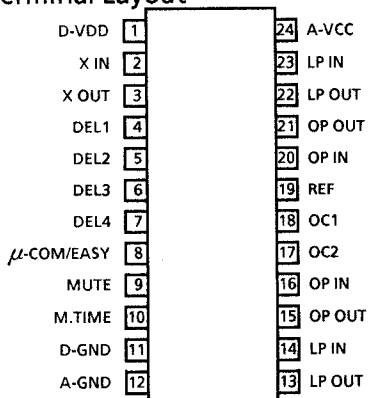
LPF1 Reject the high frequency components which is contained the input signal and unnecessary.

LPF2 Reject the suprius components which is generated by the ADM demodulation by using with comparator.

OP1,CC1 For ADM modulator.

OP2,CC2 For ADM demodulator.

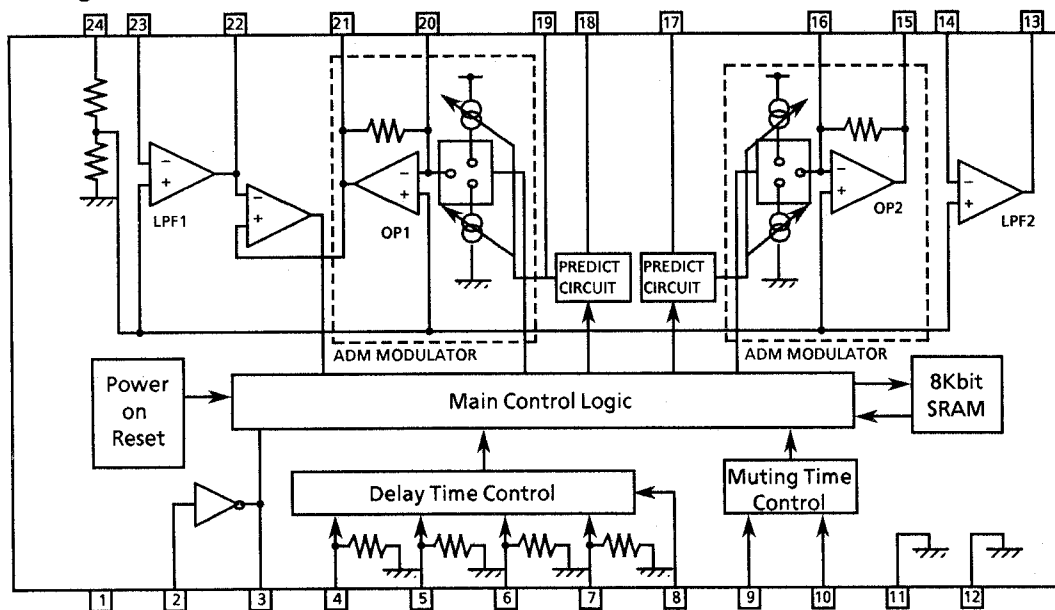
2. Terminal Layout



3.P in function

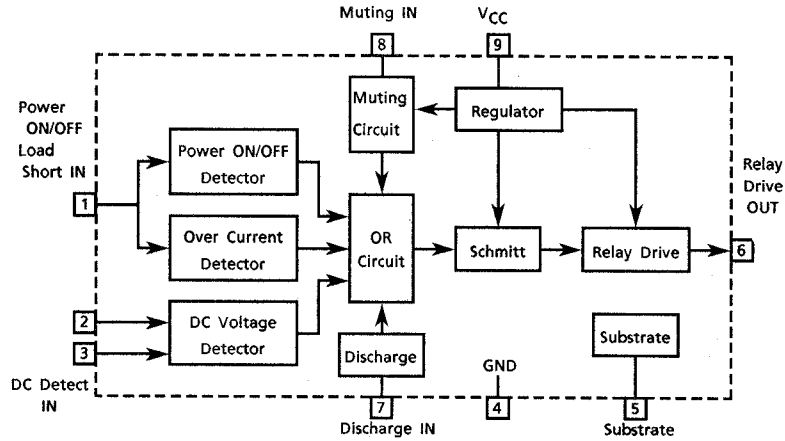
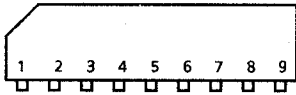
Pin No	Symbol	Function	Pin No	Symbol	Function
1	D-VDD	Power Supply	13	LP OUT	Output of LPF
2	X IN	Oscillation Terminal	14	LP IN	Input of LPF
3	X OUT	Oscillation Terminal	15	OP OUT	Integrator output
4	DEL1	Delay time control	16	OP IN	Integrator input
5	DEL2	"	17	OC2	Current control
6	DEL3	"	18	OC1	"
7	DEL4	"	19	REF	1/2 Vcc
8	μ-COM/EASY	Connected to GND	20	OP IN	Integrator input
9	MUTE	"	21	OP OUT	Integrator output
10	M.TIME	"	22	LP OUT	Output of LPF
11	D-GND	"	23	LP IN	Input of LPF
12	A-GND	"	24	A-VCC	Power supply

4. Block Diagram

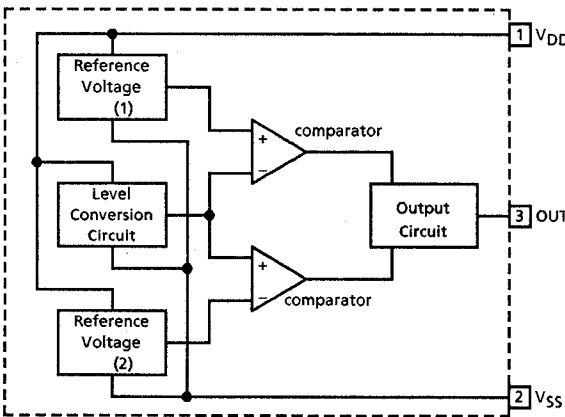


Internal Block Diagram of Other ICs

■ TA7317P (IC901) : Protector

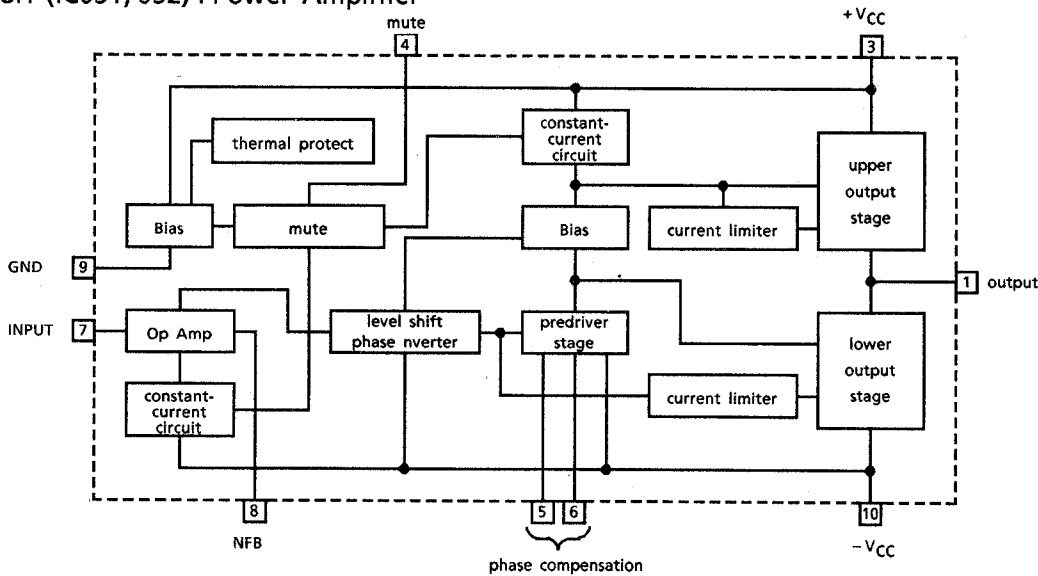


■ MN1281(P,Q) (IC403) : Reset IC

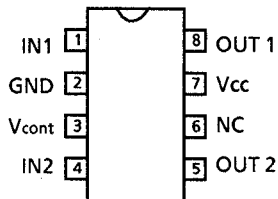


Pin No.	Pin Name	Functions
1	V _{DD}	Power supply
2	V _{SS}	Ground
3	OUT	Reset signal output : Low level is output when resetting : High level is output when cancelling the reset.

■ μPC1188H (IC051, 052) : Power Amplifier

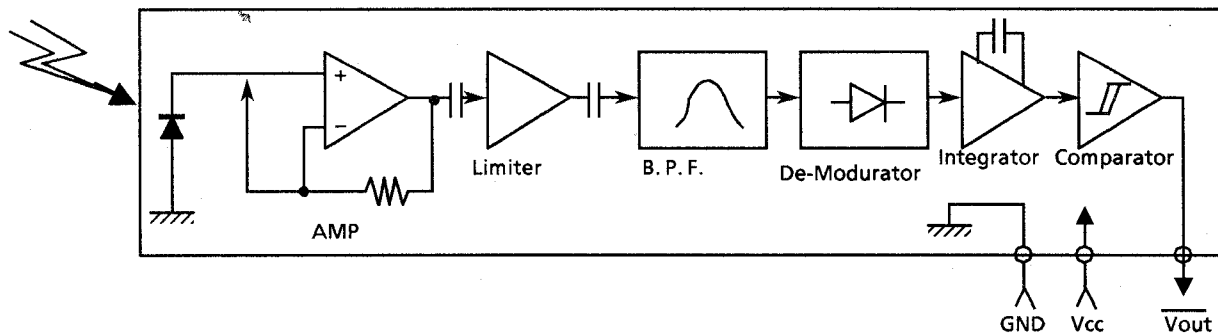


■ LB1639-CV (IC361) : Motor Driver

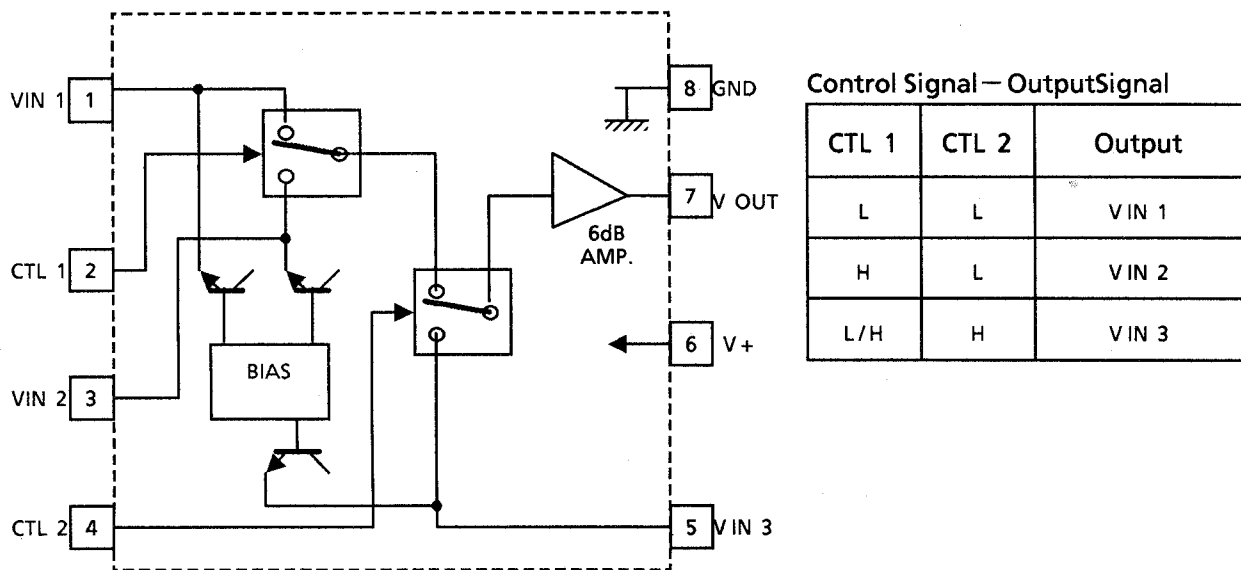


IN 1	IN 2	OUT 1	OUT 2	MOTOR
H	L	H	L	CLOCKWISE
L	H	L	H	COUNTER-CLOCKWISE
H	H	OFF	OFF	WAITING
L	L	OFF	OFF	WAITING

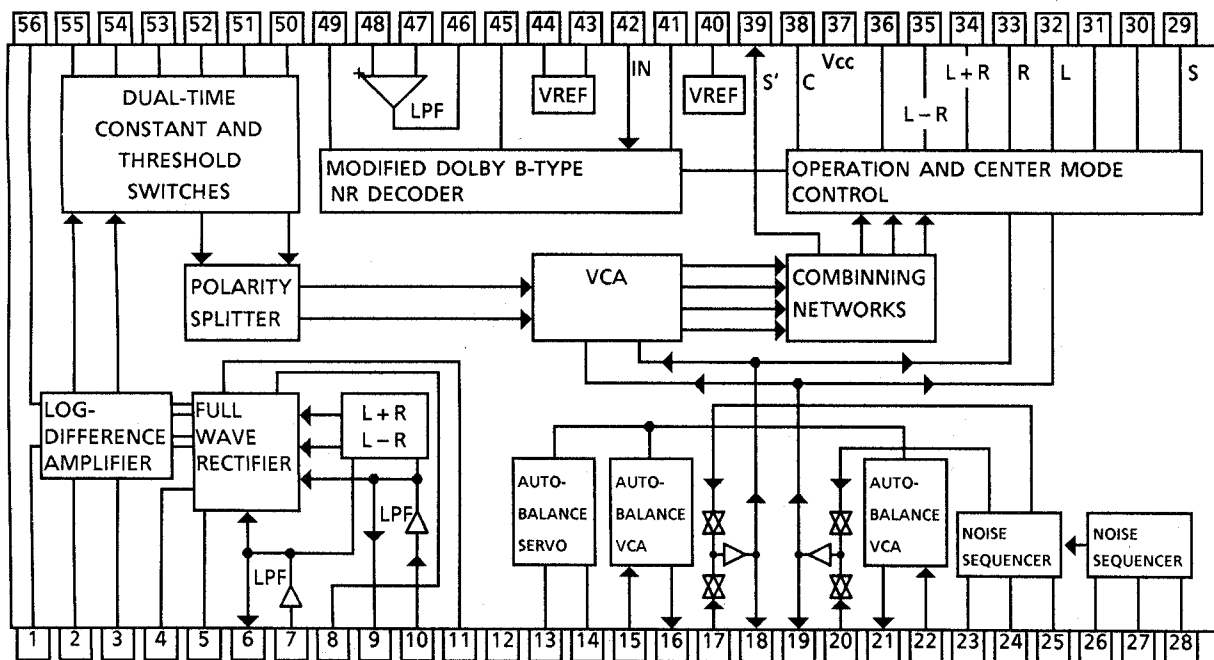
■ SPS-420-1 (IC402) : Remocon Module IC



■ NJM2246D (IC561) : Video Switch

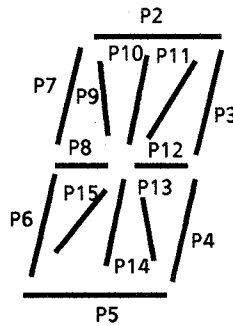
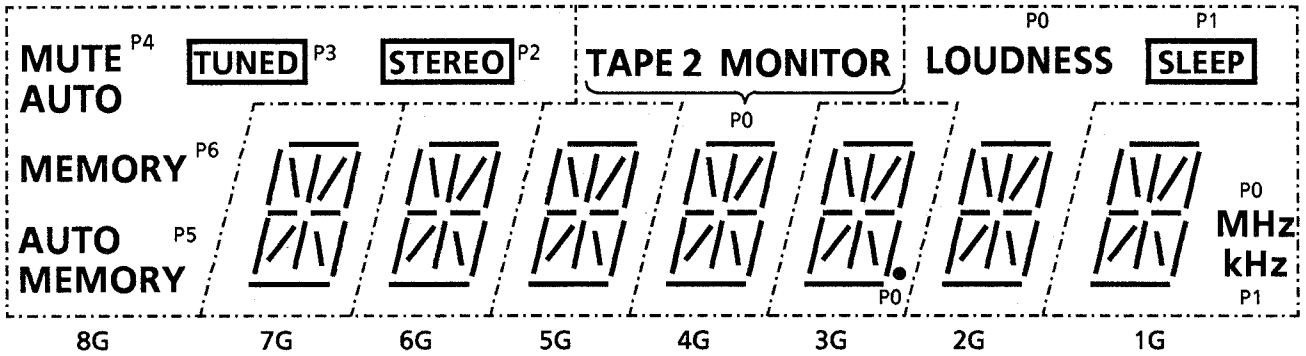


■ NJM2177L (IC601) : Dolby Pro Logic



Internal Connections of the FL Display

■ ELU0001-144 : FL401



Pin Connection

PIN NUMBER	1	2	3	4	5	6	7	8	9	10	11	12	13	14	15	16	17	18		
ELECTRODE	F1	F1	F1	NP	NP	NP	NP	NP	P15	P14	P13	P12	P11	P10	P9	P8	P7	P6		
PIN NUMBER			19	20	21	22	23	24	25	26	27	28	29	30	31	32	33	34	35	36
ELECTRODE			P5	P4	P3	P2	P1	P0	8G	7G	6G	5G	4G	3G	2G	1G	NP	F2	F2	F2

Note F : Filament, G : Grid, P : Element, NP : No Pin, NC : No Connection

Disassembly Procedures

■ Removing the Top Cover

1. Remove the 4 screws fastening both sides of the top cover, and the 2 screws fastening the rear side.
2. Remove the top cover.

■ Removing the Bottom Cover

1. Remove the 15 screws ⑥.
2. Remove the bottom cover.

■ Removing the Front Panel

1. Remove the 3 screws ① fastening top of the front panel, and the 3 screws ② fastening bottom of the front panel.
2. Remove the master volume knob.
3. Remove the front panel disconnecting some wires.

■ Removing the Tuner P.C. Board

1. Remove the 6 screws ③, ④ and ⑤.
2. Take it out.

■ Removing the Power Transistor

1. Remove the bottom cover
2. Unsolder the broken transistor.
3. Remove the screw fastening it.
4. Remove it.

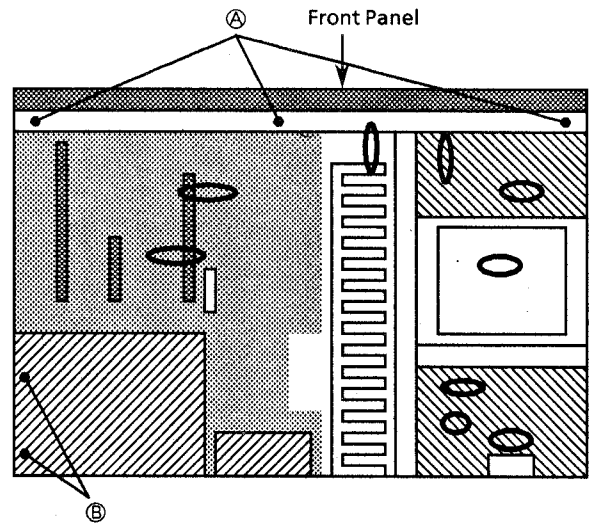


Fig 1. Top View

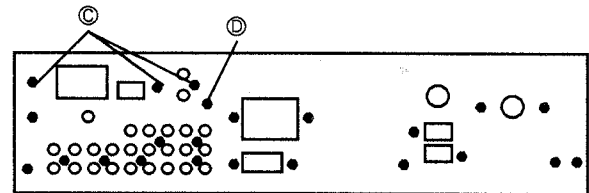


Fig 2. Rear View

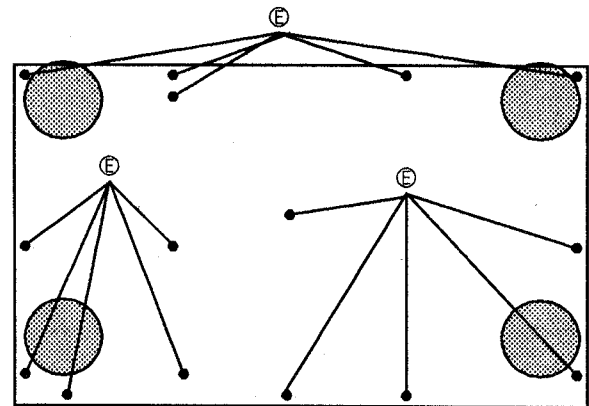


Fig 3. Bottom Cover

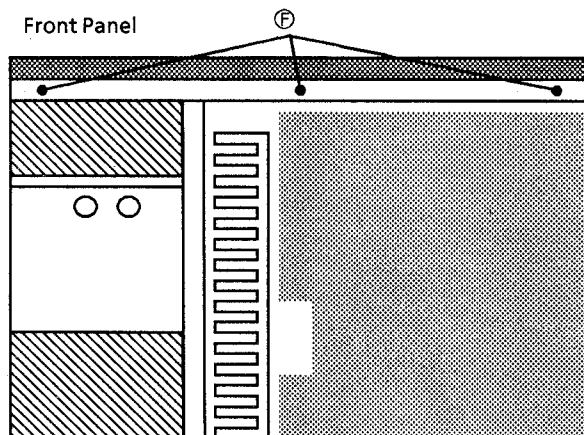
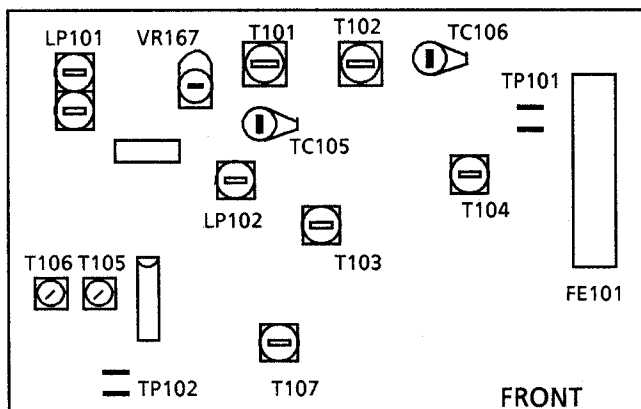


Fig 4. Bottom View

Adjustment Procedures ■ Tuner section

Tuning range

Area	Range		
	LW (kHz)	MW (kHz)	FM (MHz)
East Europe	144~353	522~1629	64.0~74.0 87.5~108
Continental Europe, the U.K.			
the U.S.A., Canada			
Australia			
Universal type(AM Channel space 9kHz)			
Universal type(AM Channel space 10kHz)			
			87.5~108



(1) Tuning voltage

Confirm the voltages in the table below at TP101. If the voltages are not satisfied, replace T101 and T103 for MW, T102 and T104 for LW or FE101 for FM.

FM Tuning voltage (Unit : V)

Area	Frequency			
	64.0MHz	74.0MHz	87.5MHz	108MHz
East Europe	—	—	—	—
the U.K., Continental Europe, U.S.A., Canada, Australia, Universal	—	—	1.6 ± 1.0 (V)	8.0 ± 2.0 (V)

AM Tuning voltage (Unit : V)

Area	Frequency (MW)							Frequency (LW)		
	522KHz	530KHz	531KHz	1600KHz	1602KHz	1629KHz	1710KHz	144kHz	290kHz	353kHz
East Europe	—	—	—	—	—	—	—	—	—	—
the U.K., Continental Europe	0.9 ± 0.2	—	—	—	—	7.5 ± 0.8	—	0.8 ± 0.4	—	7.7 ± 0.6
U.S.A., Canada	—	0.9 ± 0.2	—	—	—	—	8.0 ± 0.8	—	—	—
Australia	0.9 ± 0.2	—	—	—	—	7.5 ± 0.8	—	—	—	—
Universal (Chanel space 9kHz)	—	—	0.9 ± 0.2	—	7.2 ± 0.7	—	—	—	—	—
Universal (Chanel space 10kHz)	—	0.9 ± 0.2	—	7.2 ± 0.7	—	—	—	—	—	—

(2) FM center meter

Receive a broadcast by using the function of 'AUTO STOP'.

Adjust T105 (detector coil) so that the voltage at TP102 becomes 0 ± 1.5mV.

(T106 is used to minimize the distortion of output on the production line.)

(3) FM separation

Receive a stereo signal.

Adjust VR 167 so that channel separation becomes maximum.

(4) MW Tracking

Adjust T101 (antenna coil) to obtain the best receiving sensitivity on 600kHz or 603kHz.

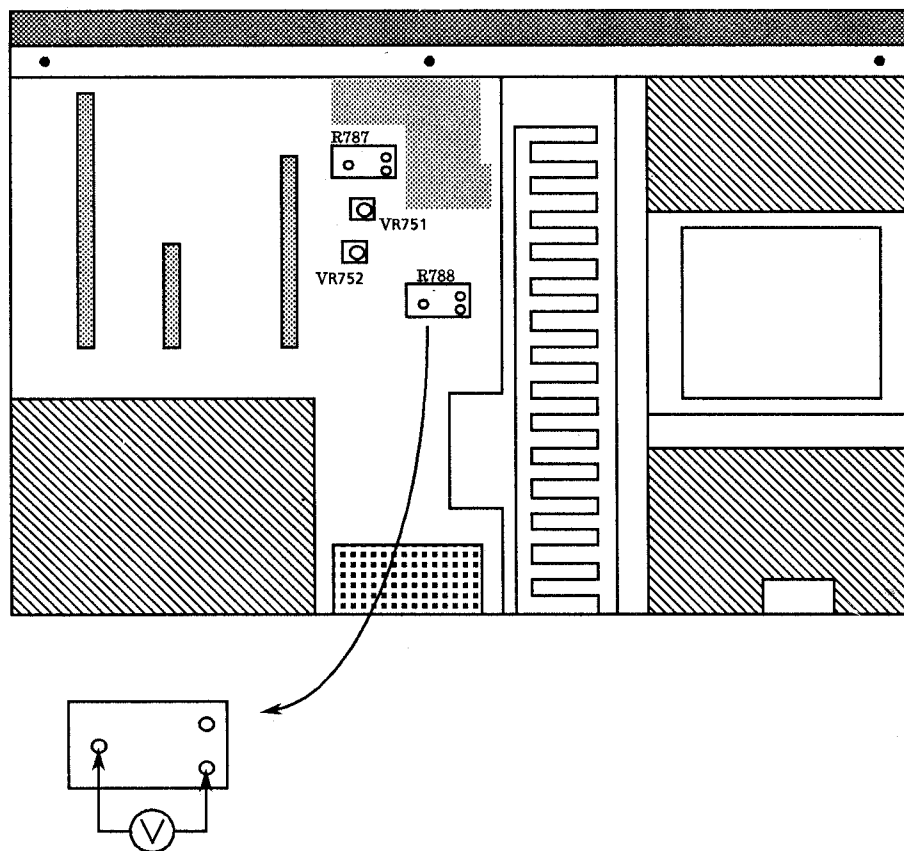
Adjust TC105 (antenna trimmer) to obtain the best receiving sensitivity on 1400kHz or 1404kHz.

(5) LW Tracking

Adjust T102 (antenna coil) to obtain the best receiving sensitivity on 164kHz.

Adjust TC106 (antenna trimmer) to obtain the best receiving sensitivity on 353kHz or 245kHz.

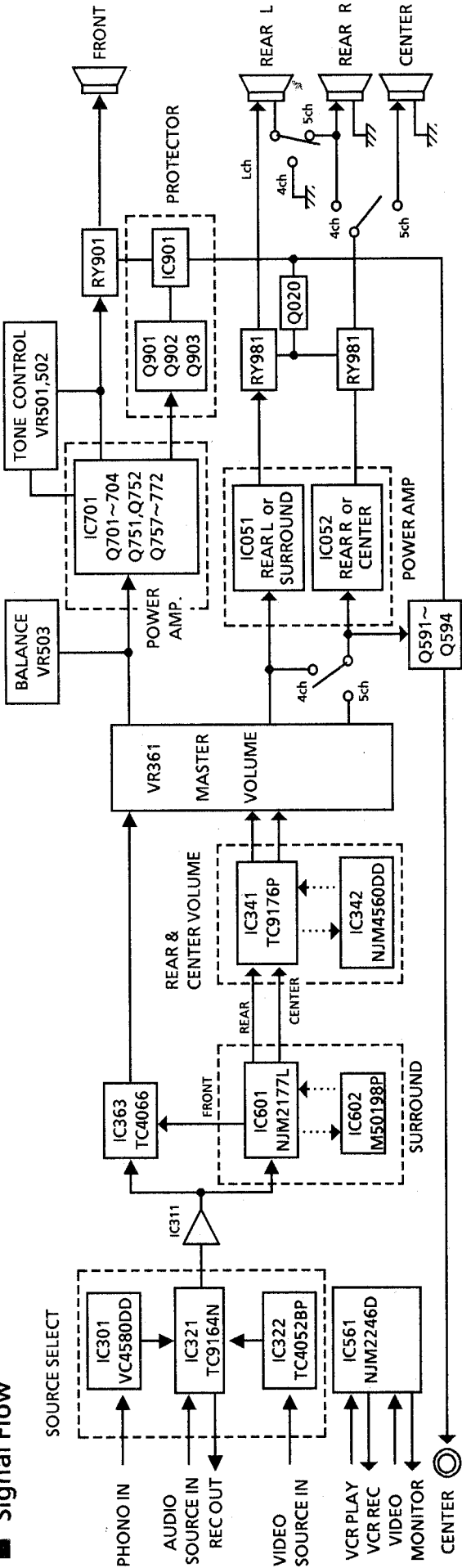
Power Amplifier Adjustment Procedures



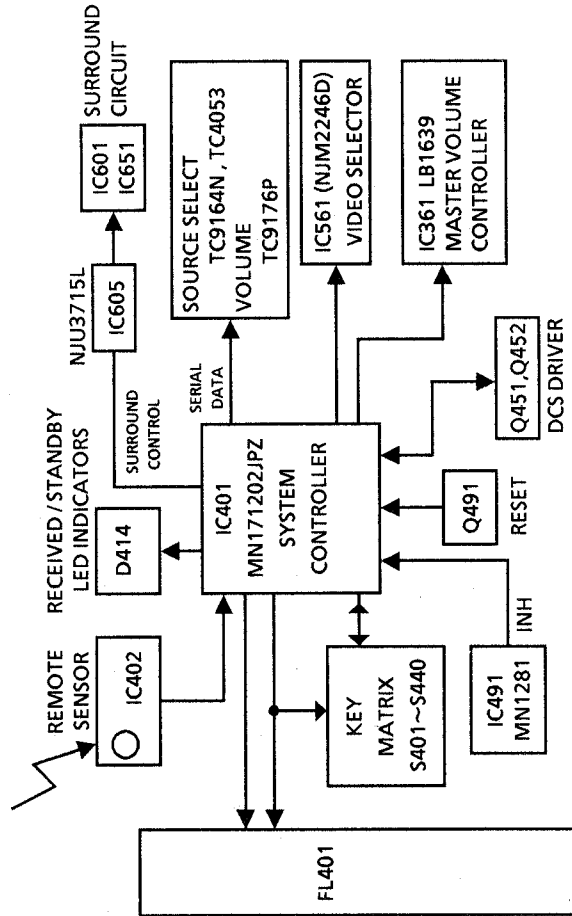
■ Idling Current

- (1) Set the volume control to minimum during this adjustment.
- (2) Turn VR751 and VR752 fully counterclockwise before the power switch on.
- (3) Always start from cold, and allow 5 minutes to warm up before adjustment. If the heatsink is already warm from previous use the correct adjustment can not be made.
- (5) Connect a DC voltmeter to R787 resistor's leads for left channel, or to R788 for right channel.
- (6) Adjust VR751 for left channel, or VR752 for right channel, so that the DC voltmeter becomes 2mV ~ 7mV

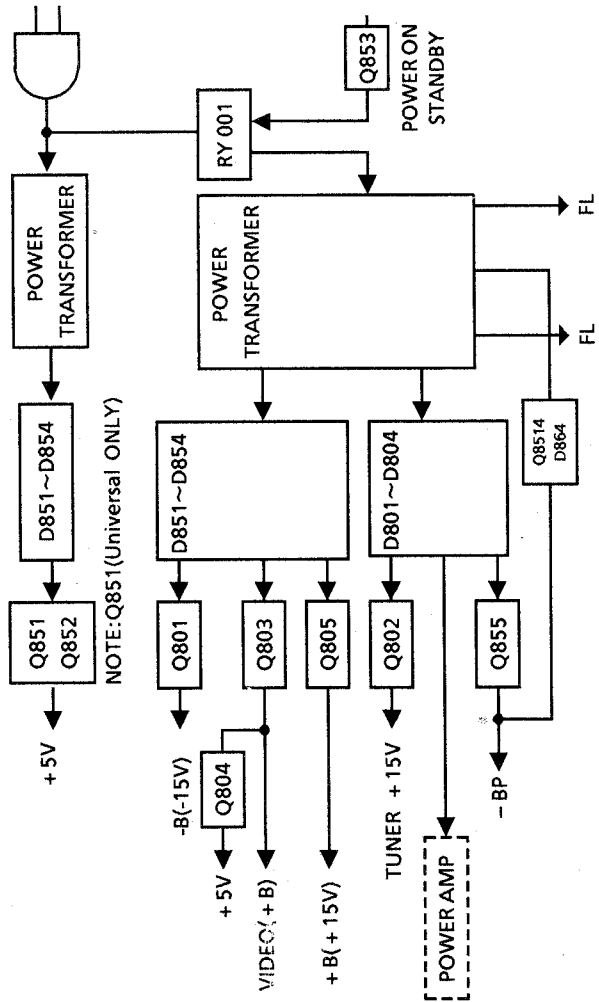
■ Signal Flow



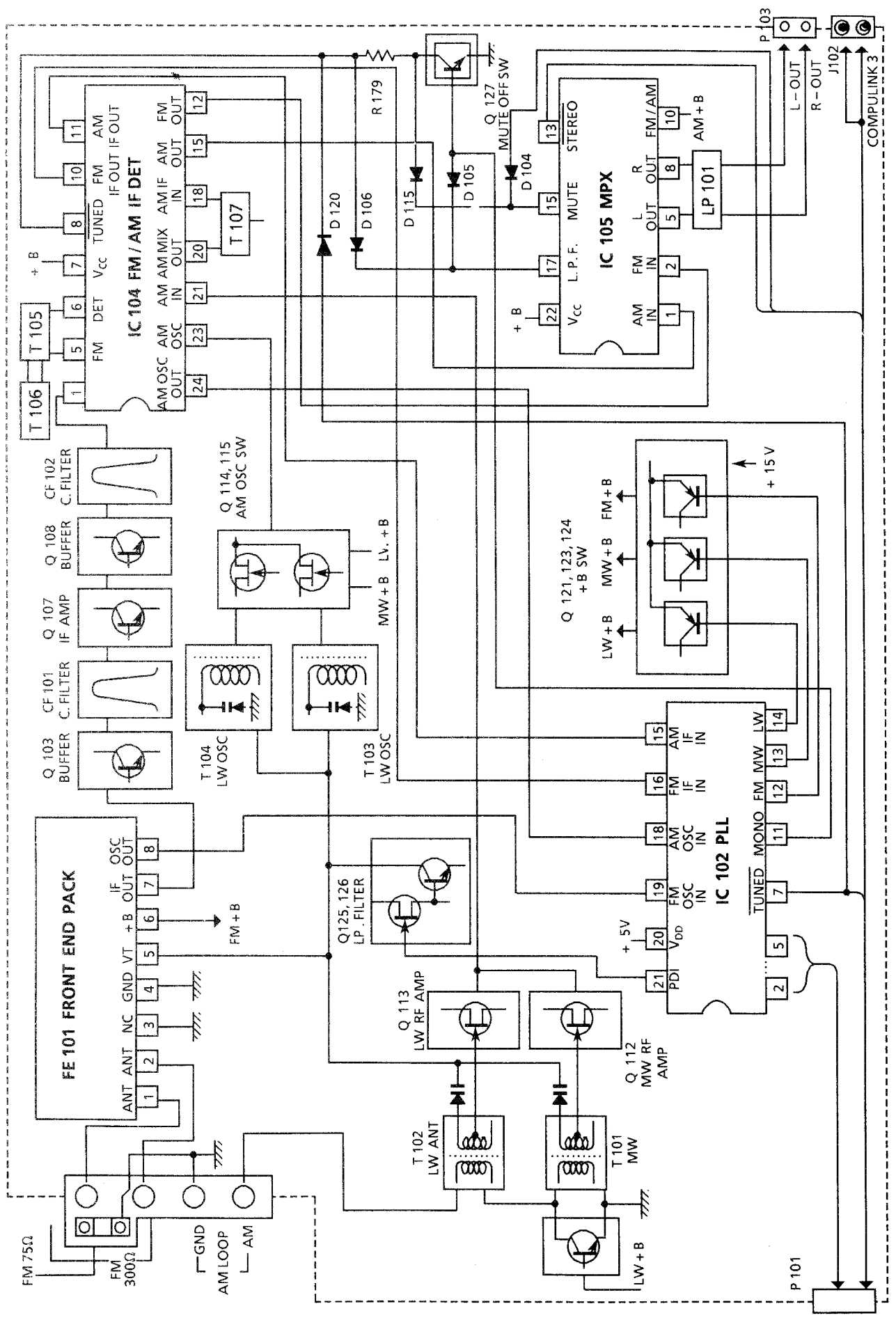
■ Control Section



■ Power Supply Section

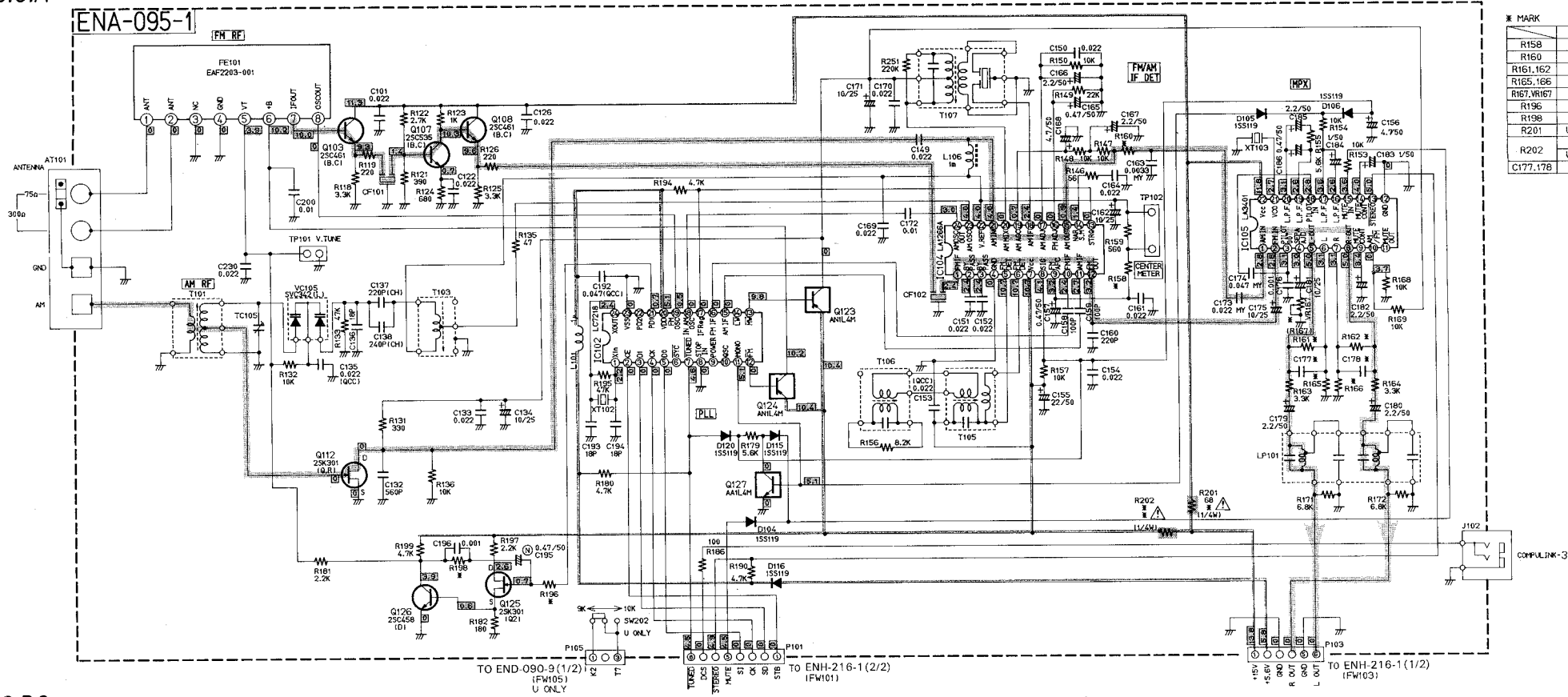


Tuner Section



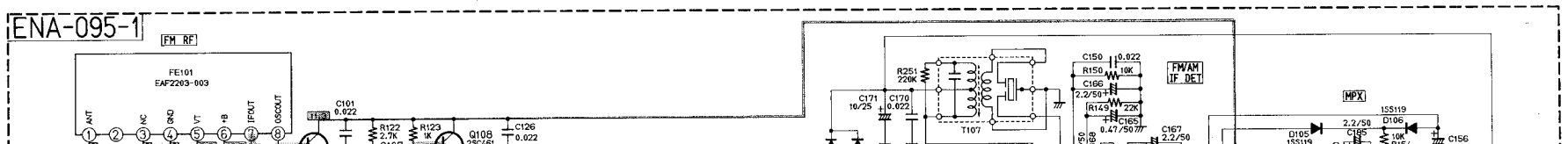
Schematic Diagram ■ Tuner Section

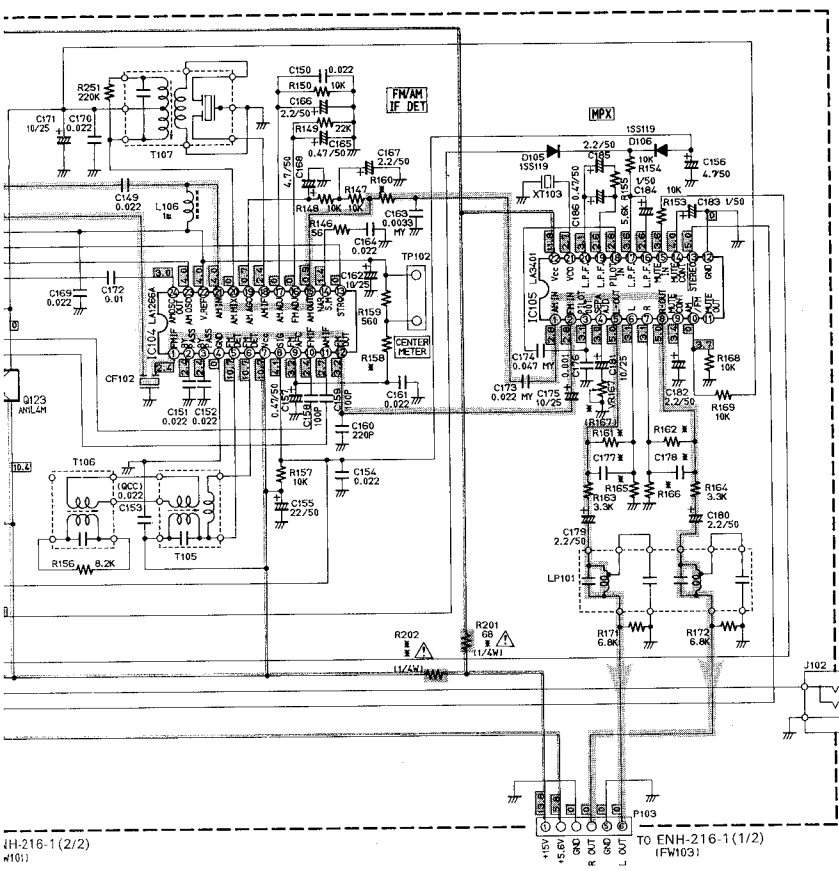
J.C.U.A



* MARK	J.C
R158	18K
R160	12K
R161,162	120K
R165,166	180K
R167,VR167	39K
R196	10K
R198	3.3K
R201	UNF.C.
R202	47
	UNF.C.
C177,178	560P

E.G.B.S

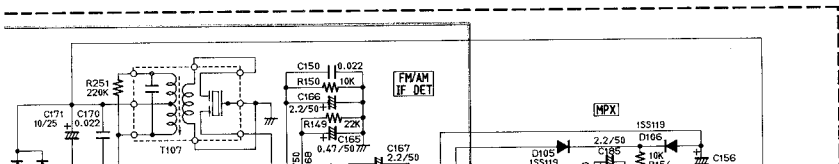


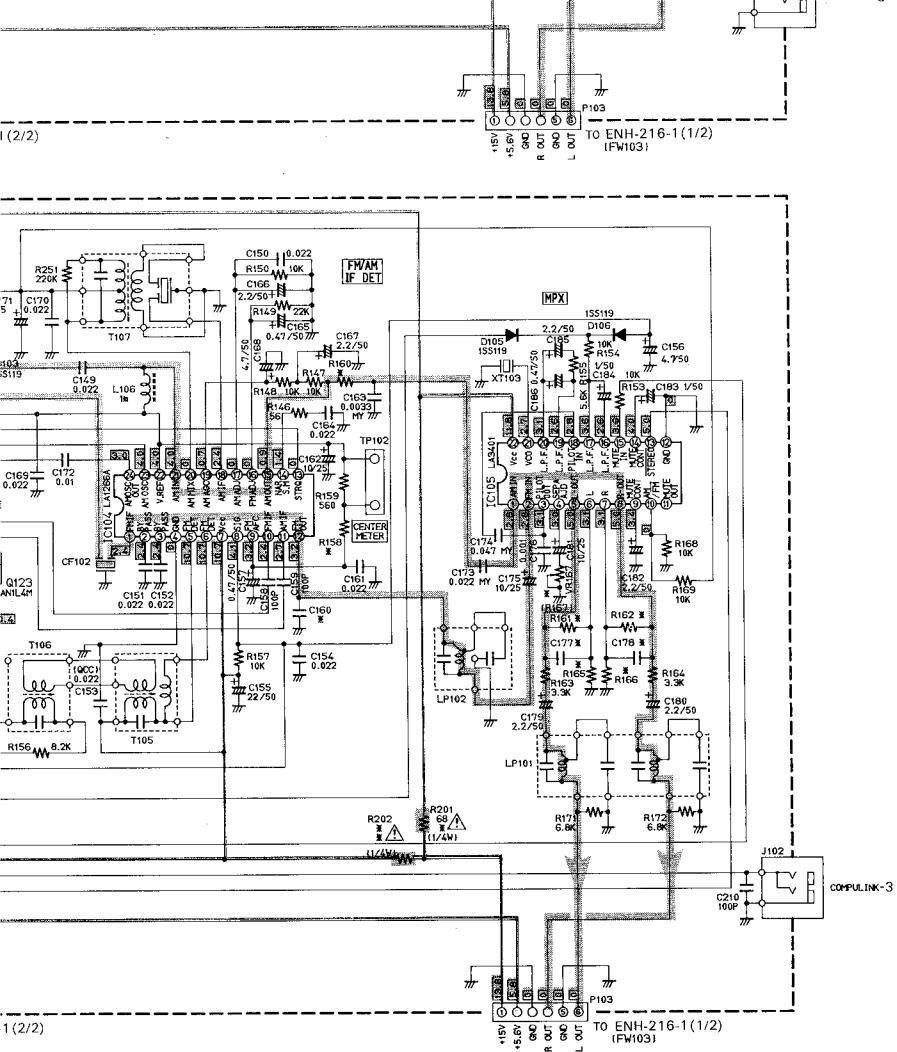


* MARK

	J.C	U	A	LE.LBS.LG
R158	18K	27K	27K	27K
R160	12K	12K	22K	22K
R161,162	120K	120K	180K	180K
R165,166	180K	180K	270K	270K
R167,VR167	39K	39K	100K VR	100K VR
R196	10K	10K	10K	2.2K
R198	3.3K	3.3K	3.3K	8.2K
R201	UNF.C.	UNF.C.	UNF.F.	UNF.F.
R202	47	47	47	22
	UNF.C.	UNF.C.	UNF.F.	UNF.F.
C177,178	560P	560P	270P	270P

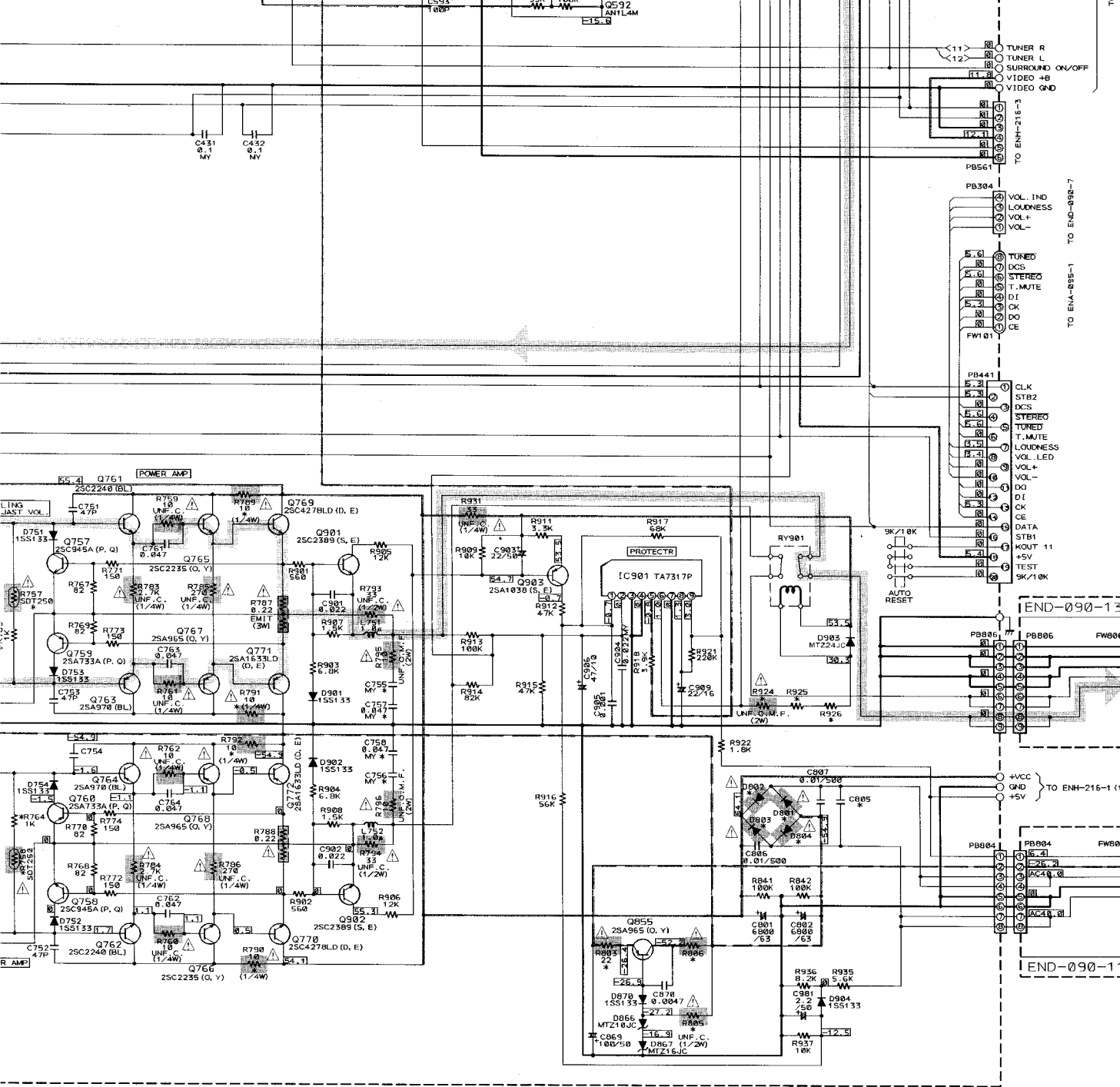
COMP.LINK-3





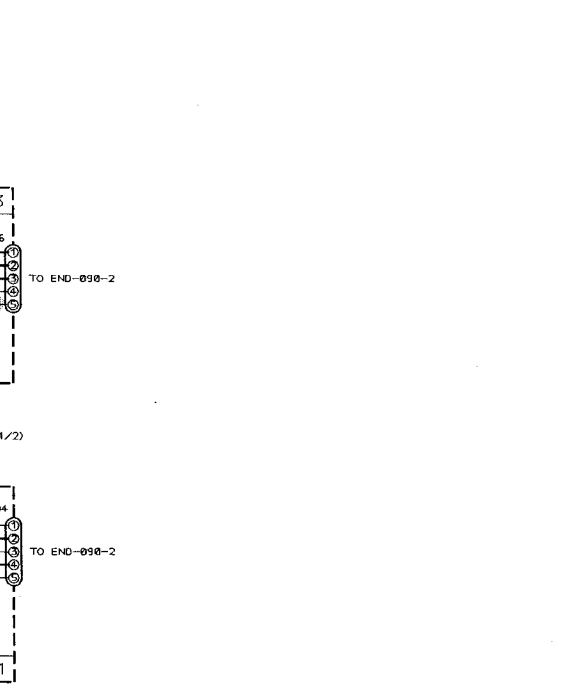
Notes:

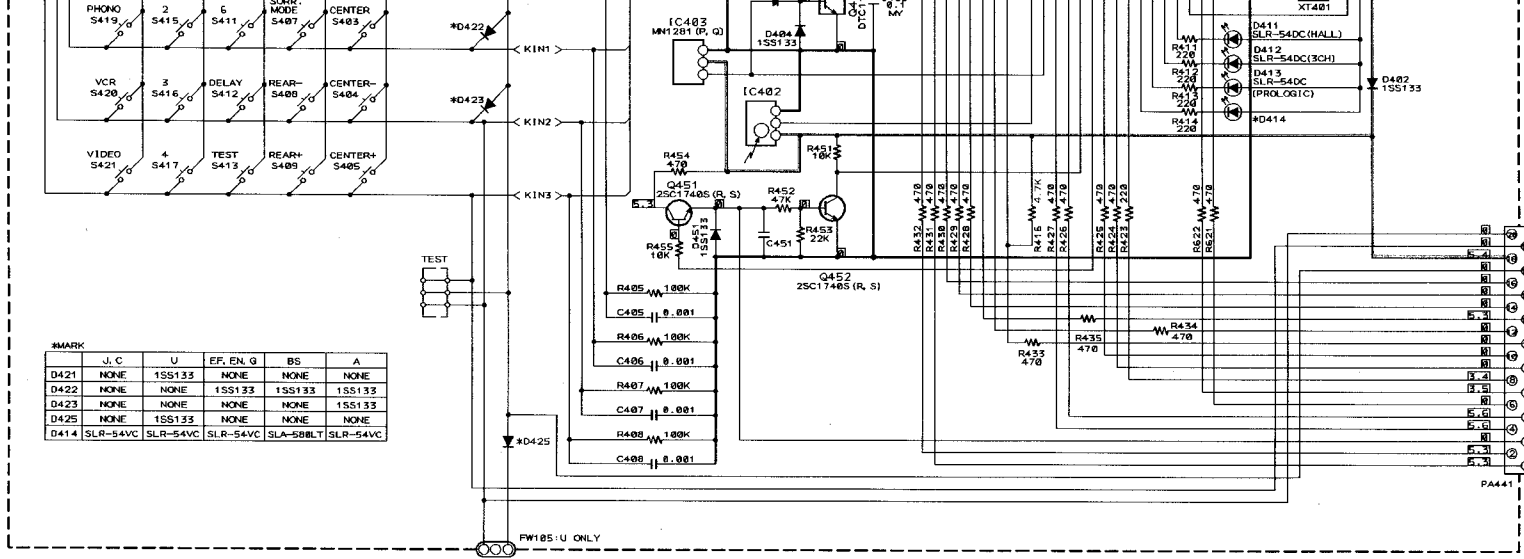
1. ——— indicates +B power supply.
2. - - - - - indicates -B power supply.
3. ■■■■■ indicates main signal path.
4. ■■■■■ indicates surround signal path.
5. When replacing the parts in the shaded area (■■■■■) and those marked with Δ , be sure to use the designated parts to ensure safety. This is the standard circuit diagram.
6. The design and contents are subject to change without notice.



* MARK

	J	C	U, UT	EN, EF, BS, A	G
R753, 754	1.3K	1.3K	1.5K	1.5K	1.5K
R757, 758	NONE	NONE	USED	USED	USED
R789-792	UNF. C.	UNF. C.	UNF. F.	UNF. F.	UNF. F.
R803	UNF. C.	UNF. C.	UNF. F.	UNF. F.	UNF. F.
C705, 706	USED	USED	USED	USED	NONE
C755, 756	0.022	0.047	0.047	0.047	0.047
C757, 758	SHORT	0.047	0.047	0.047	0.047
Q701, 702	2SC2240 (BL)	2SC2240 (BL)	2SC2910 (T)	2SC2910 (T)	2SC2910 (T)
C731, 732	NONE	NONE	NONE	NONE	NONE
R924	1.2K	1.2K	820	820	820
R925	220	220	160	SHORT	SHORT
R926	100	100	180	SHORT	SHORT
R803	UNF. C.	UNF. C.	UNF. F.	UNF. F.	UNF. F.
R805	3.9K	3.9K	3.9K	2.7K	2.7K
R806	390	390	390	18	18
	UNF. C.	UNF. C.	UNF. C.	UNF. F.	UNF. F.
R797	68	68	220	220	220
	UNF. C.	UNF. F.	UNF. F.	UNF. F.	UNF. F.
R798	180	180	220	220	220
	UNF. C.	UNF. C.	UNF. F.	UNF. F.	UNF. F.
R723, 724	750	750	580	820	820
C805	0.01/500	0.1/160	0.1/160	0.1/160	0.1/160
C801, 802	8700/63	8700/63	8700/56	8700/56	8700/56
D801~804	30D2FC	30D2FC	30D2FC	30D2FC	30D2FC
R305, 306	510	510	620	620	620
R763, 764	NONE	NONE	USED	USED	USED

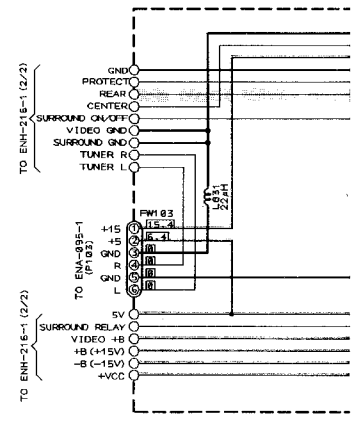




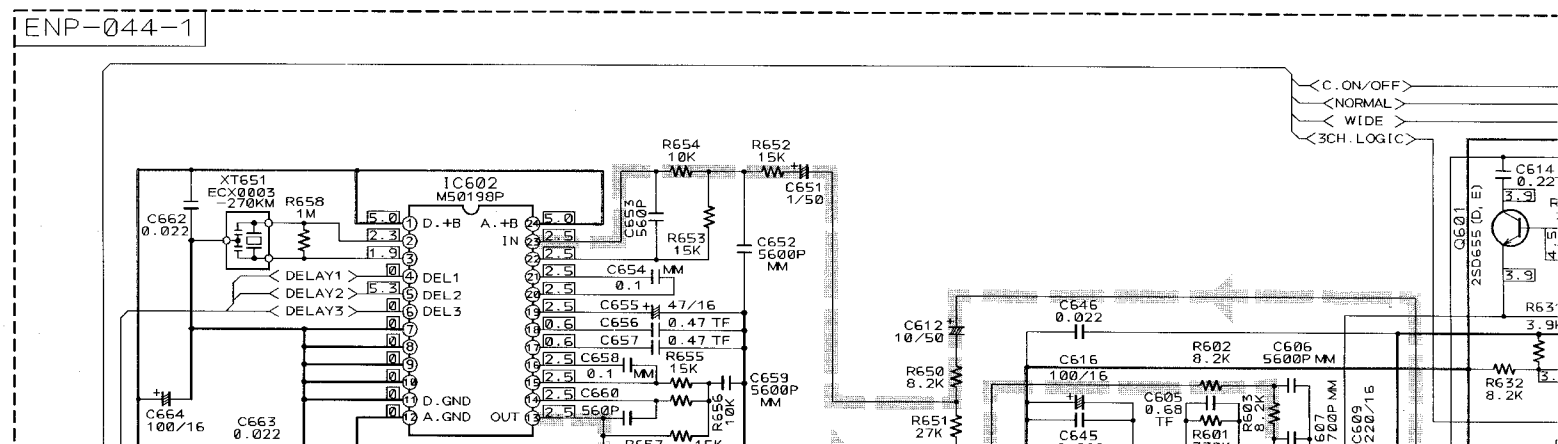
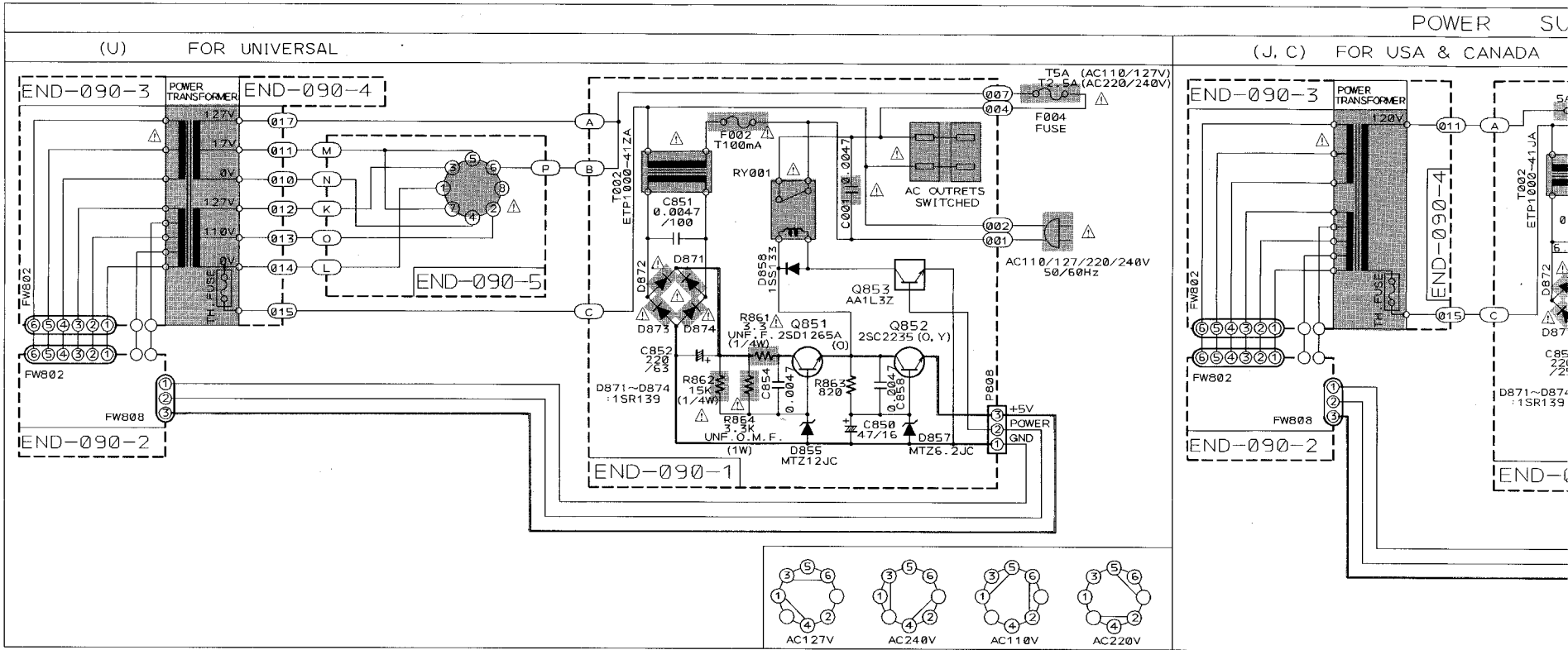
#MARK	J, C	U	EF, EN, G	BS	A
D421	NONE	1SS133	NONE	NONE	NONE
D422	NONE	NONE	1SS133	1SS133	1SS133
D423	NONE	NONE	NONE	NONE	1SS133
D425	NONE	1SS133	NONE	NONE	NONE
D414	SLR-54VC	SLR-54VC	SLR-54VC	SLA-588LT	SLR-54VC

* MARK

	J	C	U, UT	EN, EF, BS, A	G
R091~096	NONE	NONE	NONE	NONE	USED
R011	12 UNF. C.	10 UNF. F.	10 UNF. F.	10 UNF. F.	10 UNF. F.
R016	12 UNF. C.	10 UNF. F.	10 UNF. F.	10 UNF. F.	10 UNF. F.
R019	UNF. C.	UNF. C.	UNF. F.	UNF. F.	UNF. F.
R025	12 UNF. C.	10 UNF. F.	10 UNF. F.	10 UNF. F.	10 UNF. F.
R030	6.8K	6.8K	5.6K	3.3K	3.3K
R031, 032	680	680	680	220	220
R033	680	680	560	NONE	NONE
R034	22 UNF. C.	10 UNF. F.	10 UNF. F.	10 UNF. F.	10 UNF. F.
R961~964	NONE	NONE	NONE	NONE	USED
C087~089	NONE	NONE	NONE	NONE	USED
C091~093	NONE	NONE	NONE	NONE	USED
C057	0.01/500	0.01/500	0.01/500	0.01/500	0.1/100
C059	0.047/100	0.047/100	0.047/100	0.047/100	0.1/100
C061, 064	0.022	0.047	0.047	0.047	0.047
C062, 063	SHORT	0.047	0.047	0.047	0.047
C961~964	NONE	NONE	NONE	NONE	USED
C965~968	NONE	NONE	NONE	NONE	USED
C969~972	NONE	NONE	NONE	NONE	USED
C973, 974	NONE	NONE	NONE	NONE	USED
C975	NONE	NONE	NONE	NONE	USED
C991	NONE	NONE	NONE	NONE	USED
D051~054	30D2FC	30D2FC	30D2FC	30D2FC	30DF2SFC
L051~053	NONE	NONE	NONE	NONE	USED
F051, 052	4A-125V	4A-125V	T4A	T4A	T4A



Power Primary & Surround Section



POWER SUPPLY

(J, C) FOR USA & CANADA

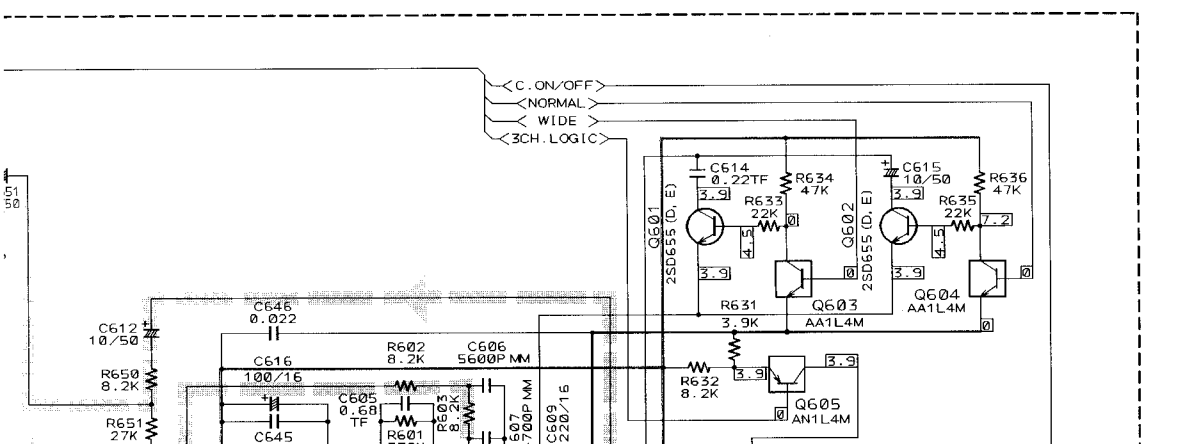
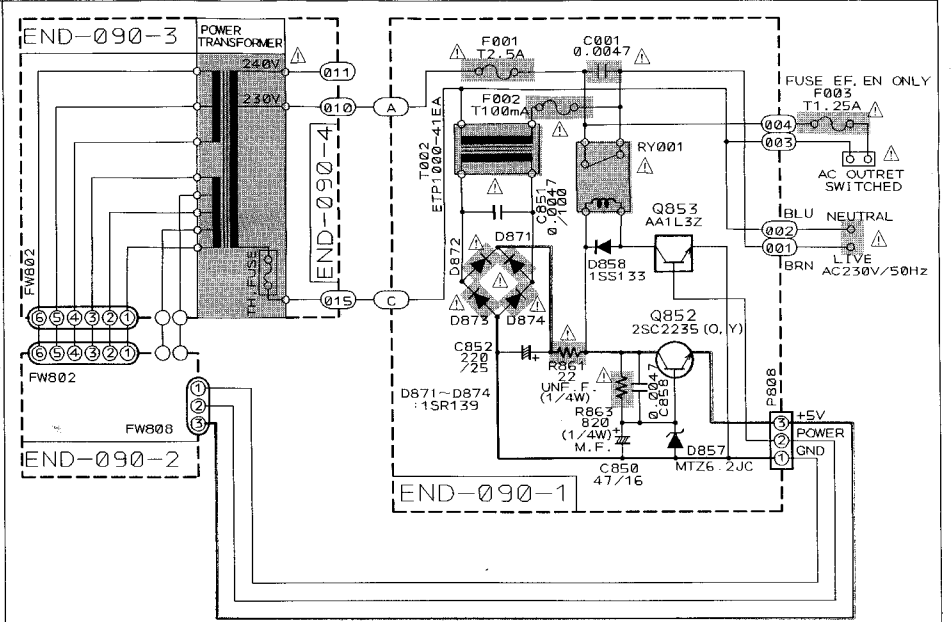
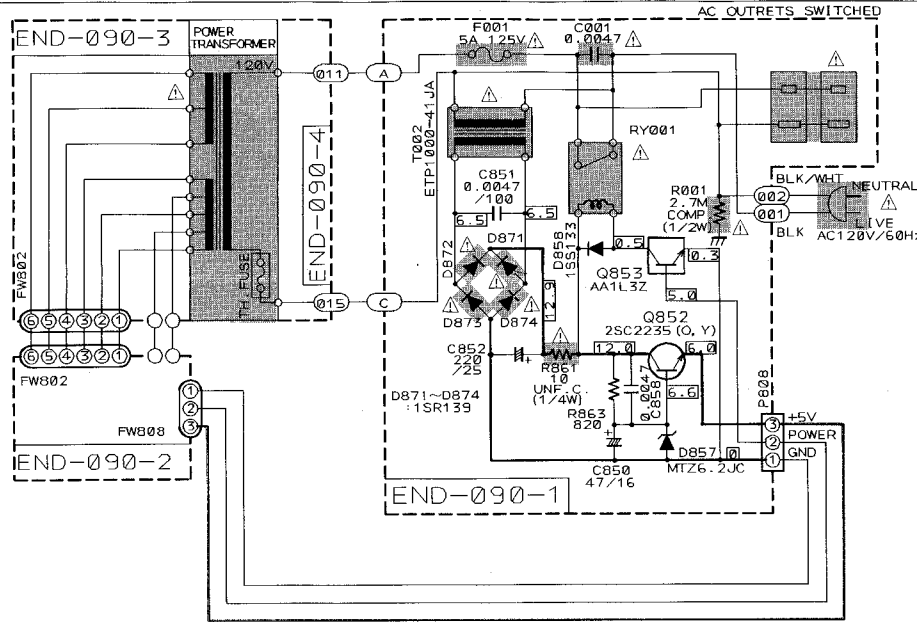
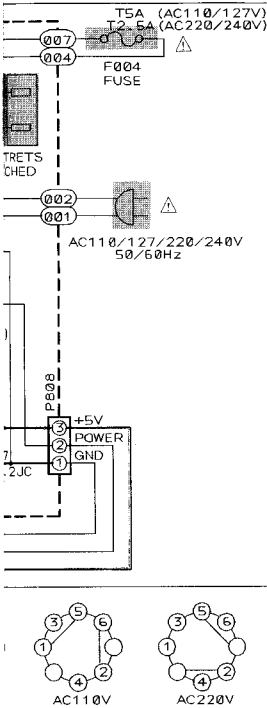
AC120V 60Hz

(EN, EF, G)

(EN) FOR SCANDINAVIA
(EF) FOR CONTINENTAL EUROPE

(G) FOR GERMANY

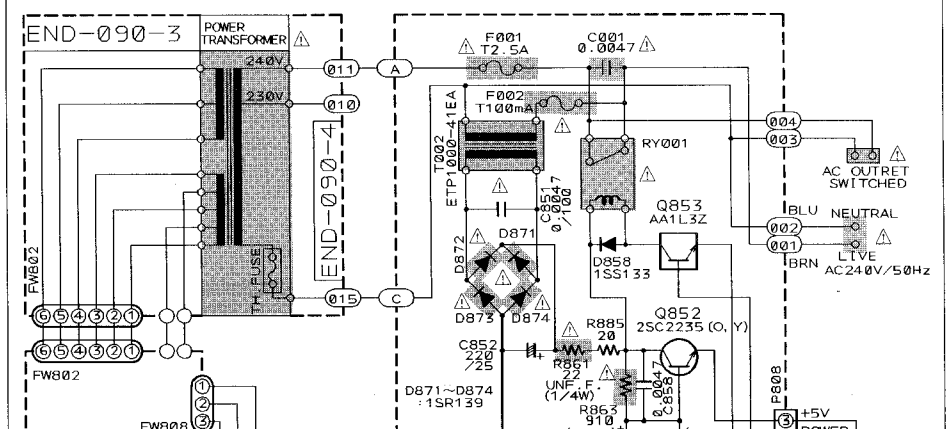
AC230V 50Hz

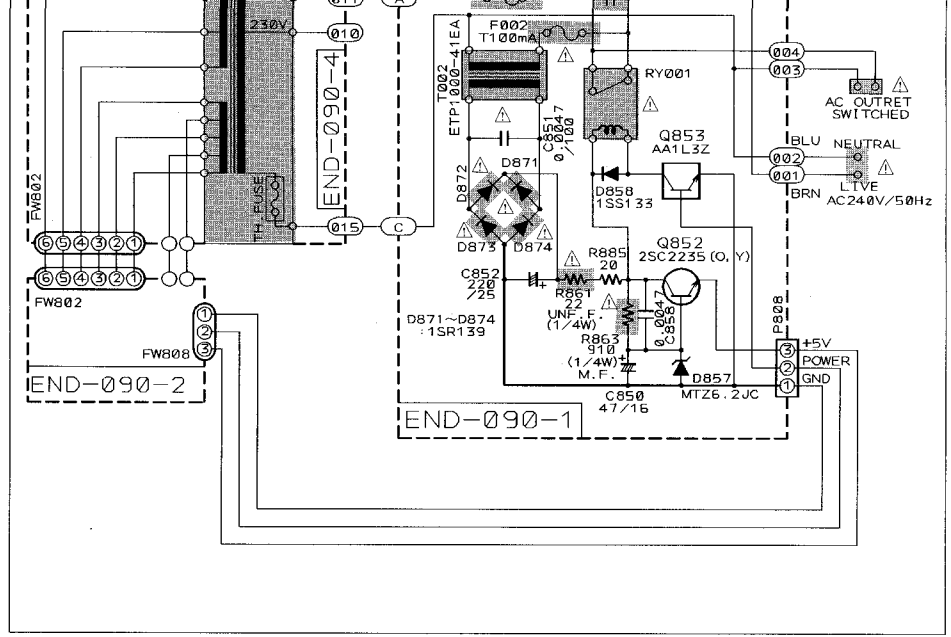
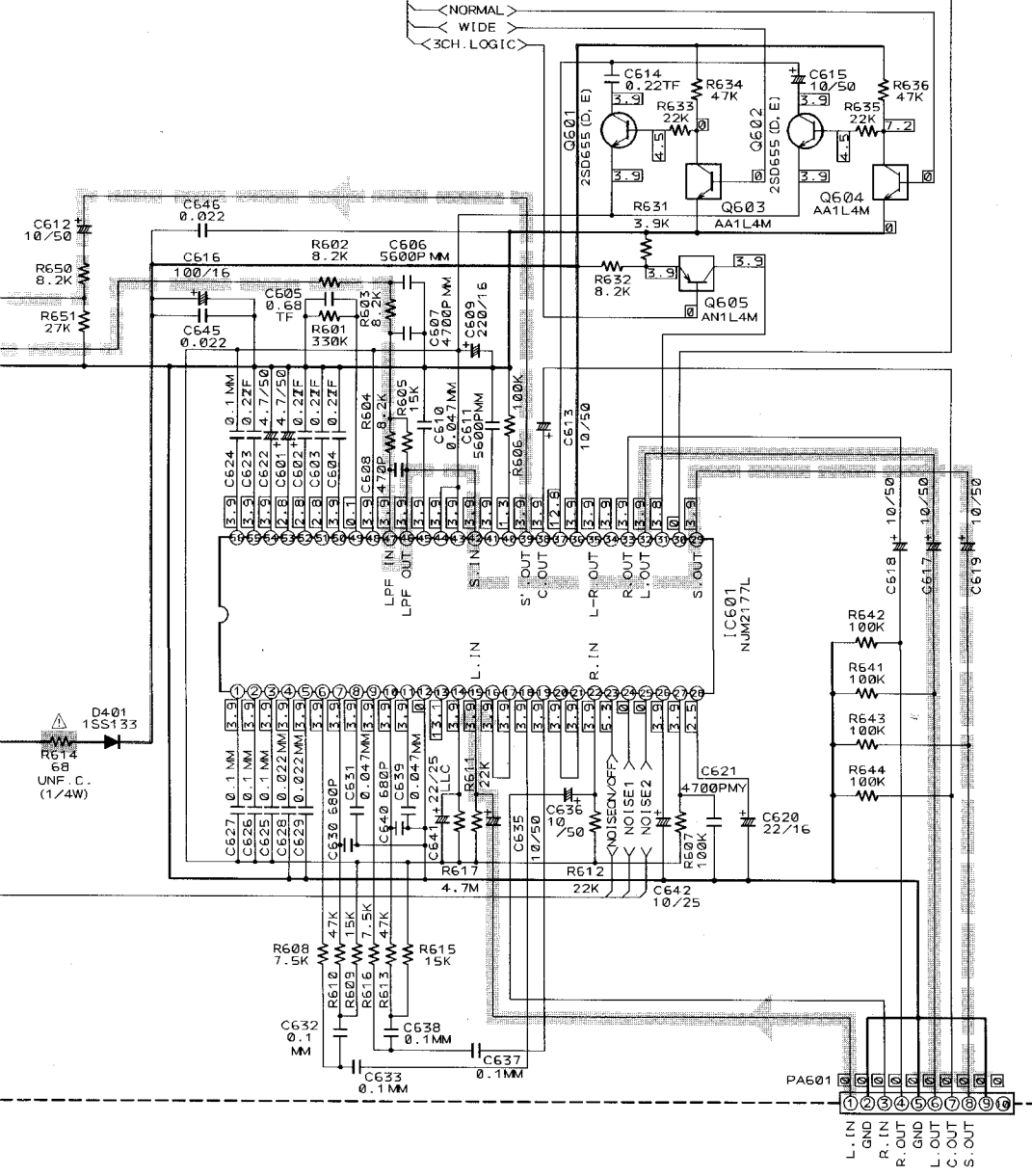


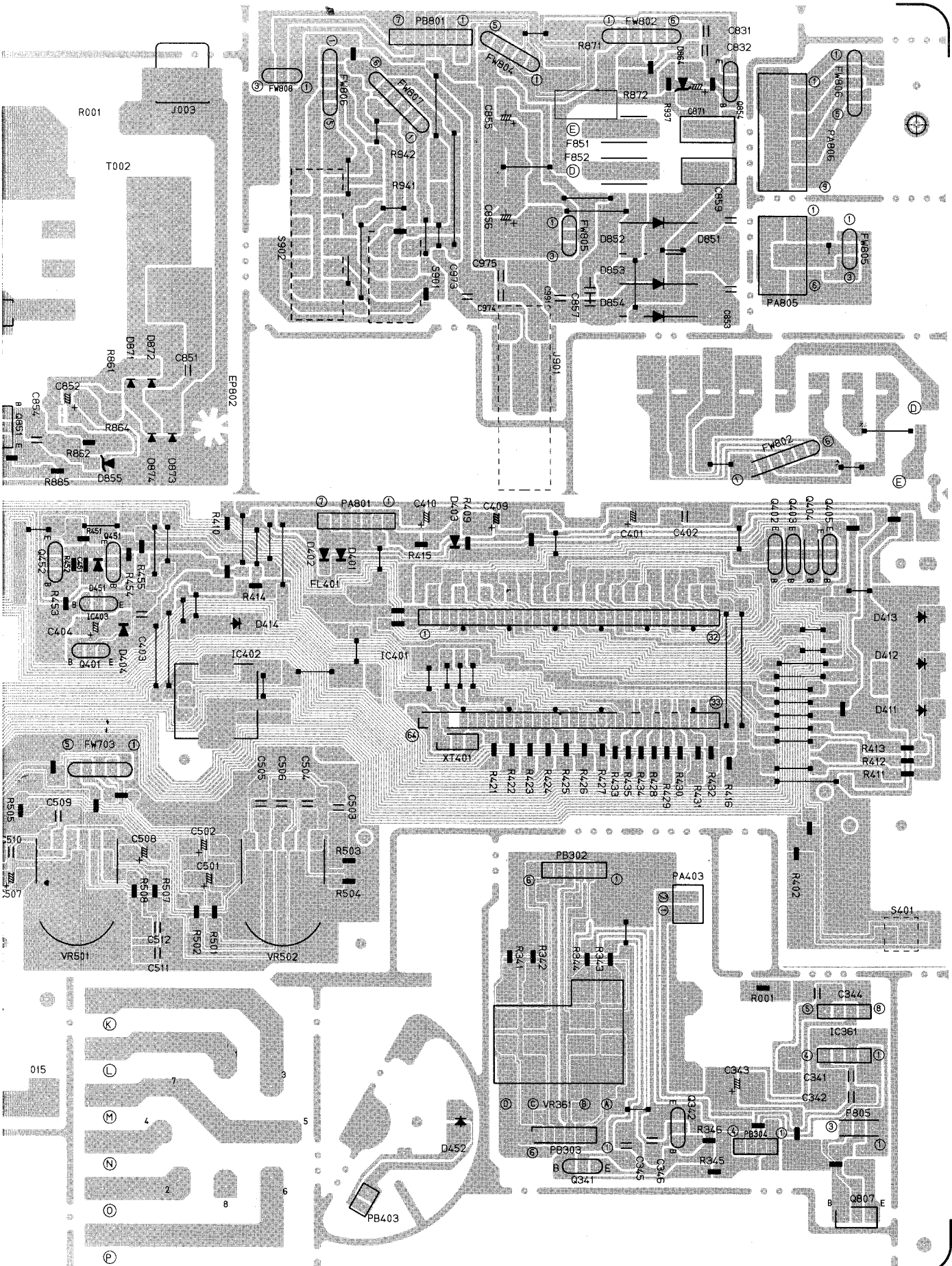
(A, BS)

(A) FOR AUSTRALIA (BS) FOR U.K.

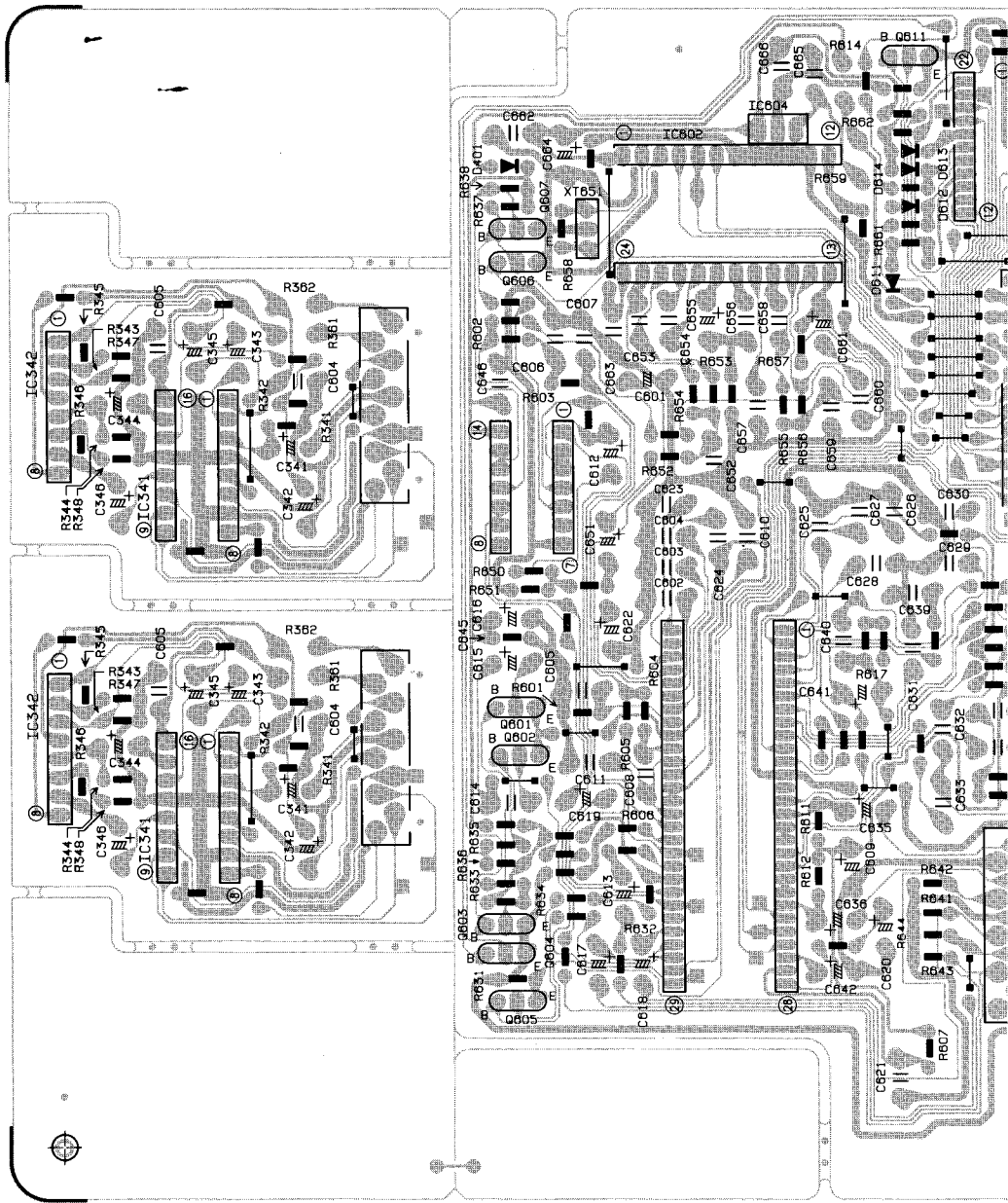
AC240V 50Hz

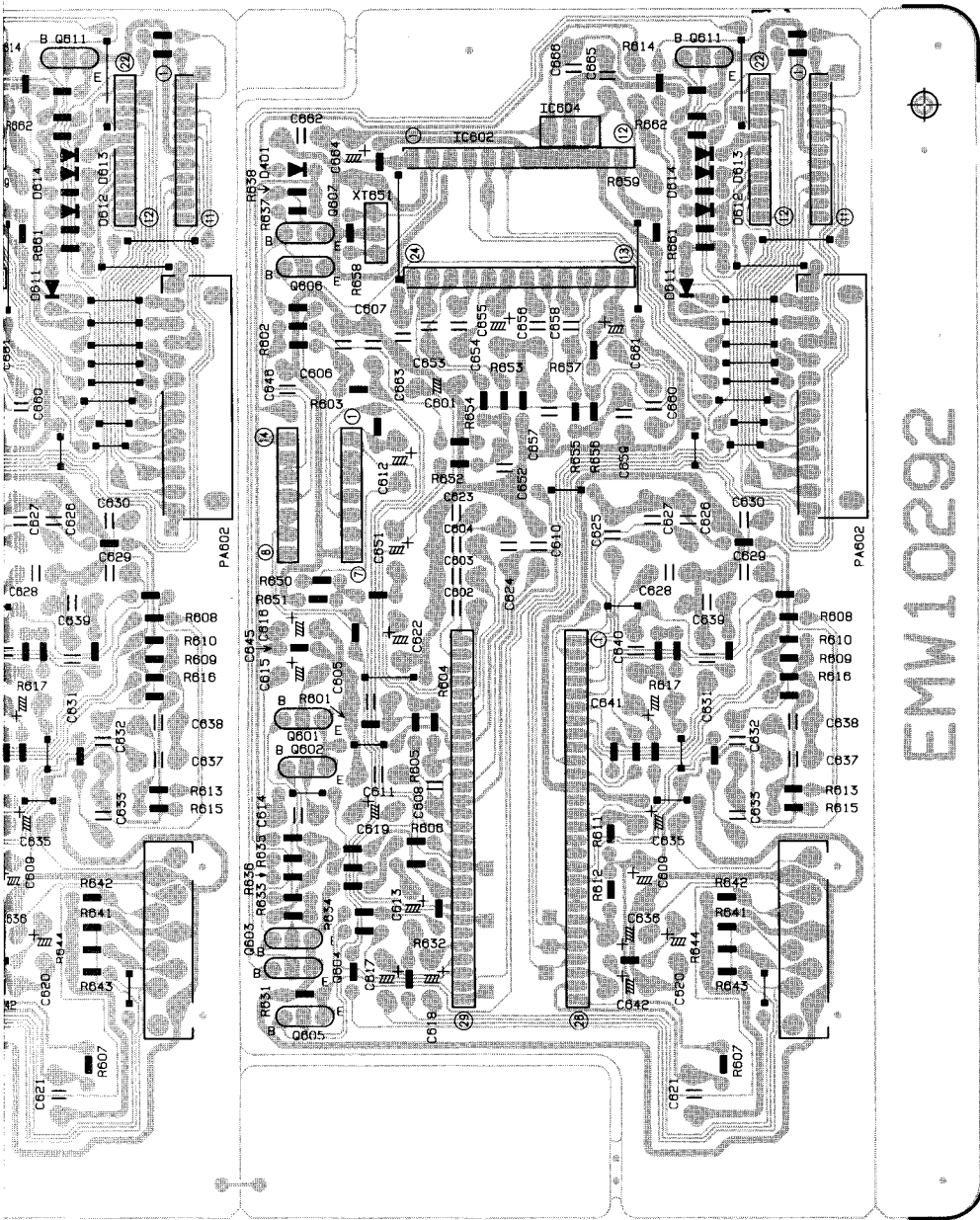






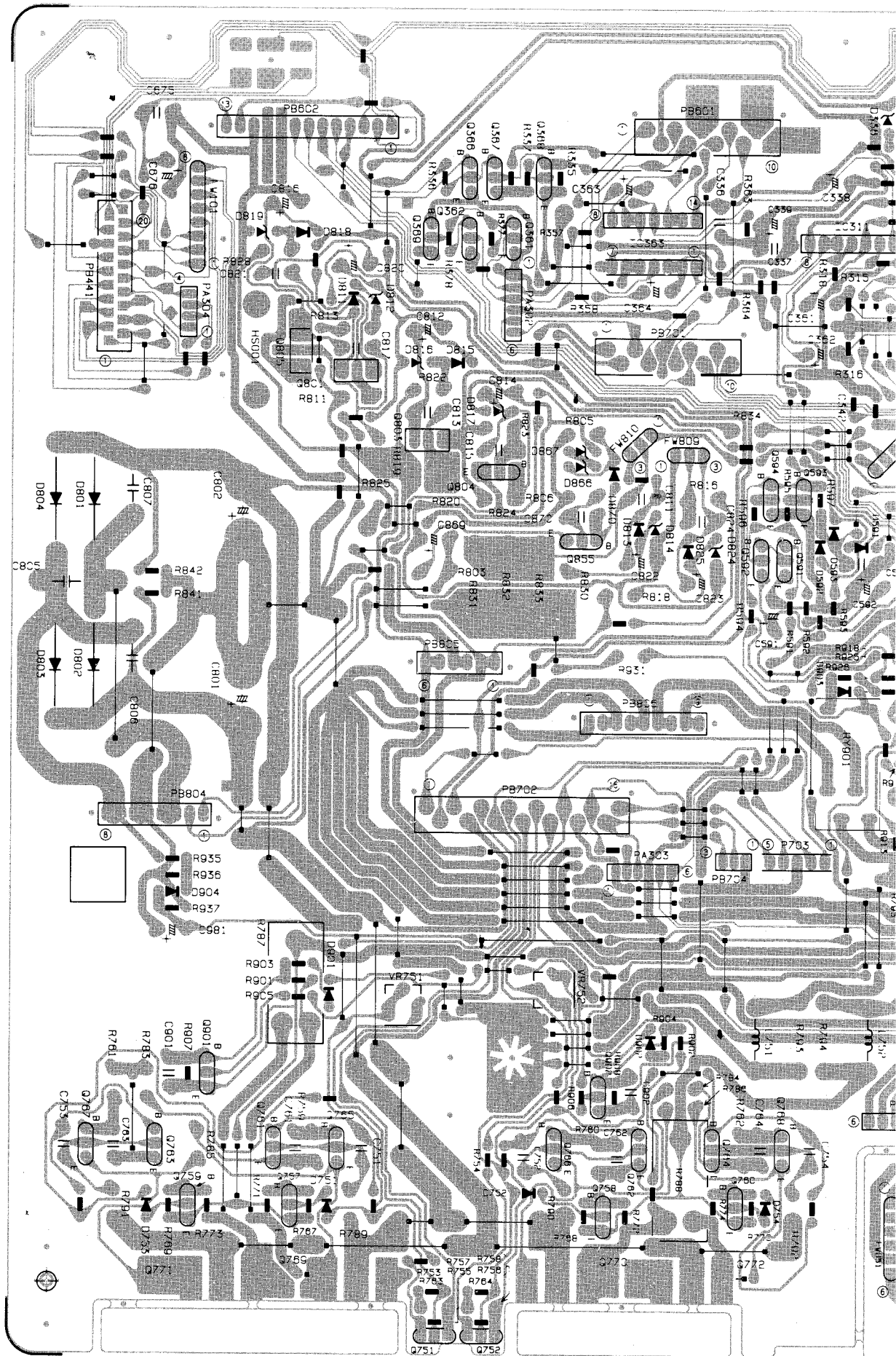
Surround PCB (ENP-044)



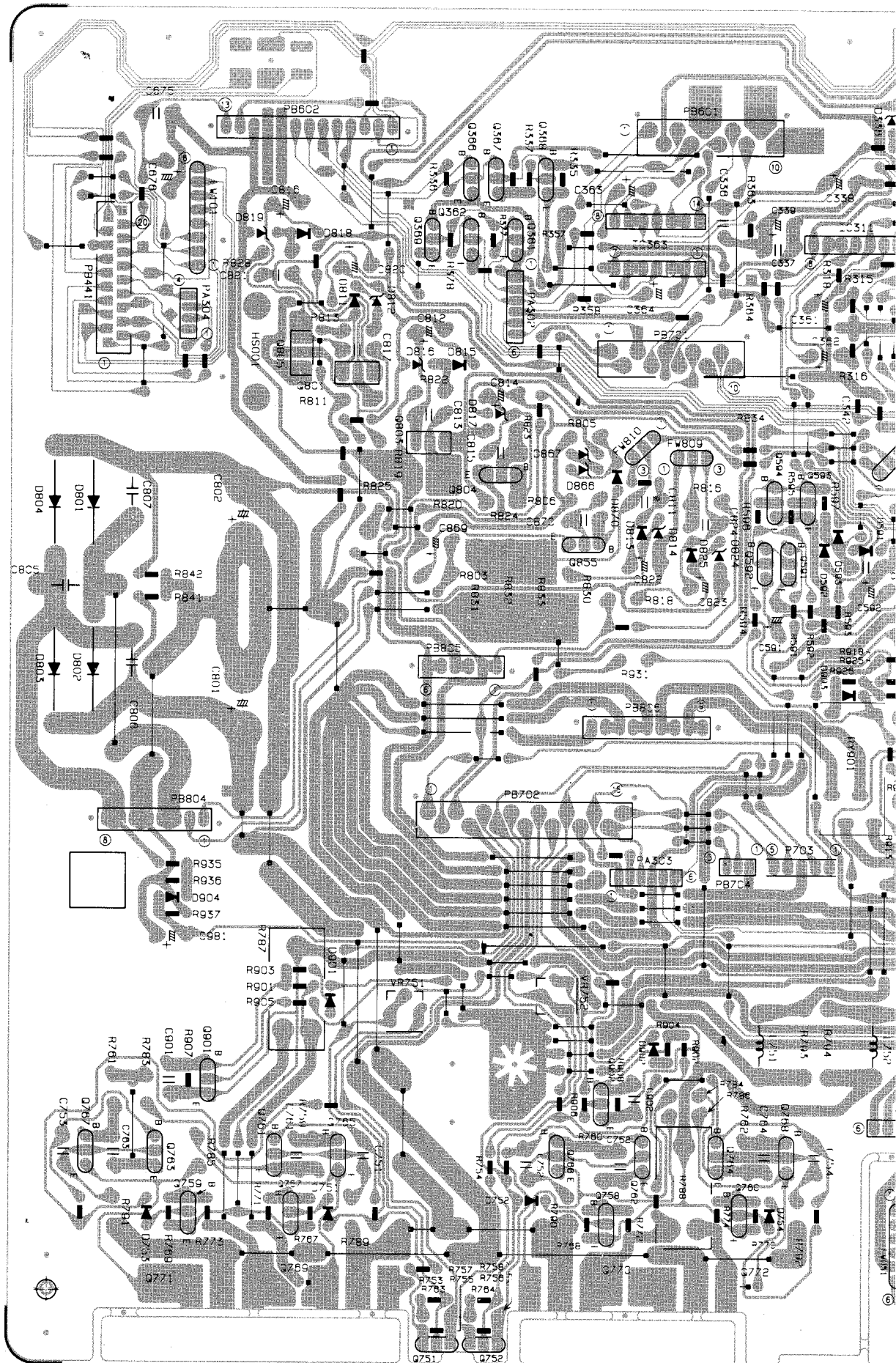


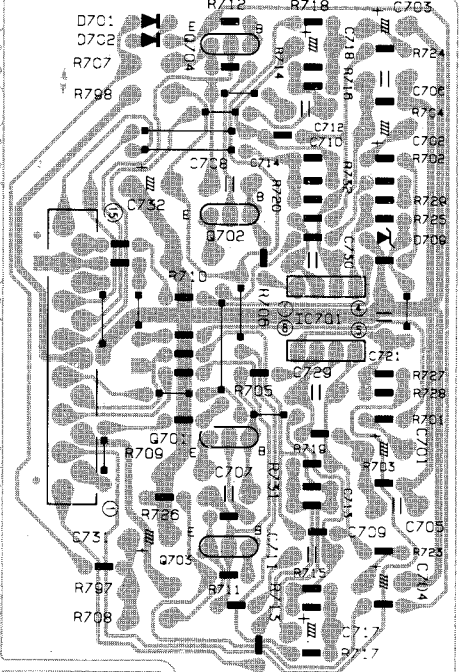
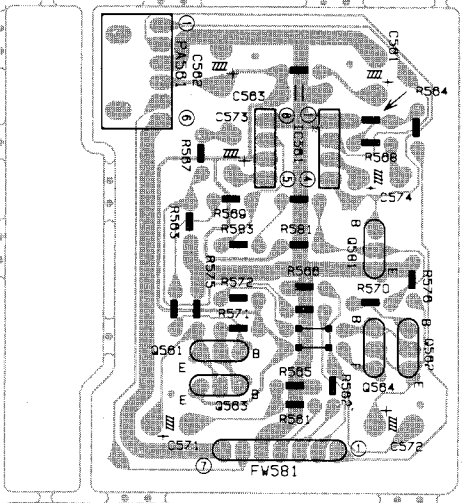
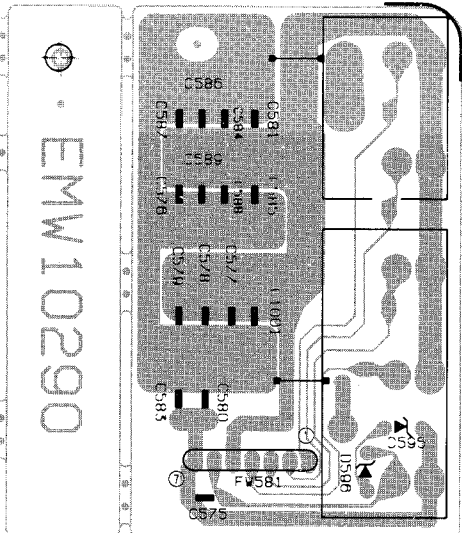
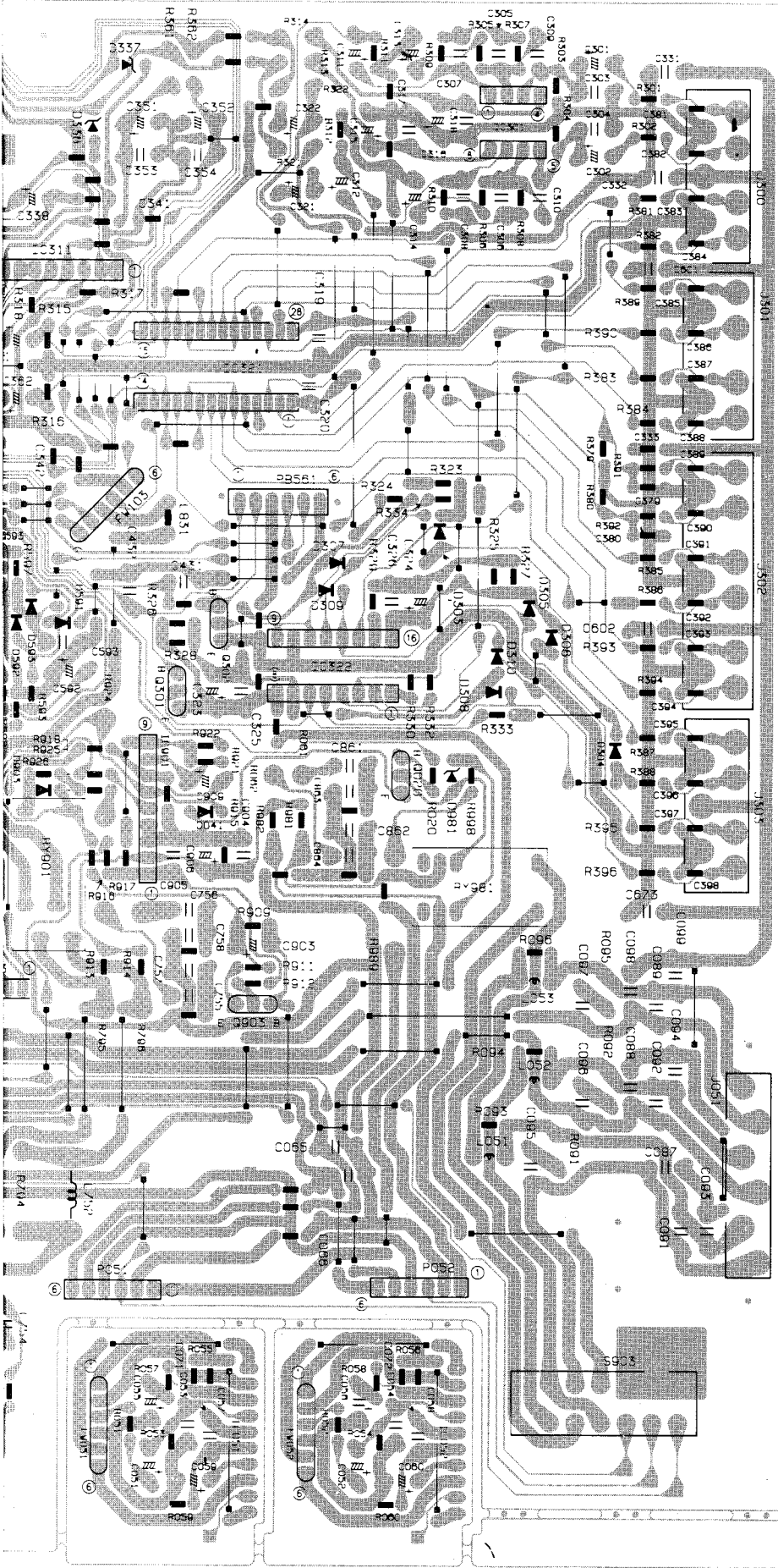
EMW10292

■ Source Selector, Power Supply & Power Amplifier PCB (ENH-216)



■ Source Selector, Power Supply & Power Amplifier PCB(ENH-216)





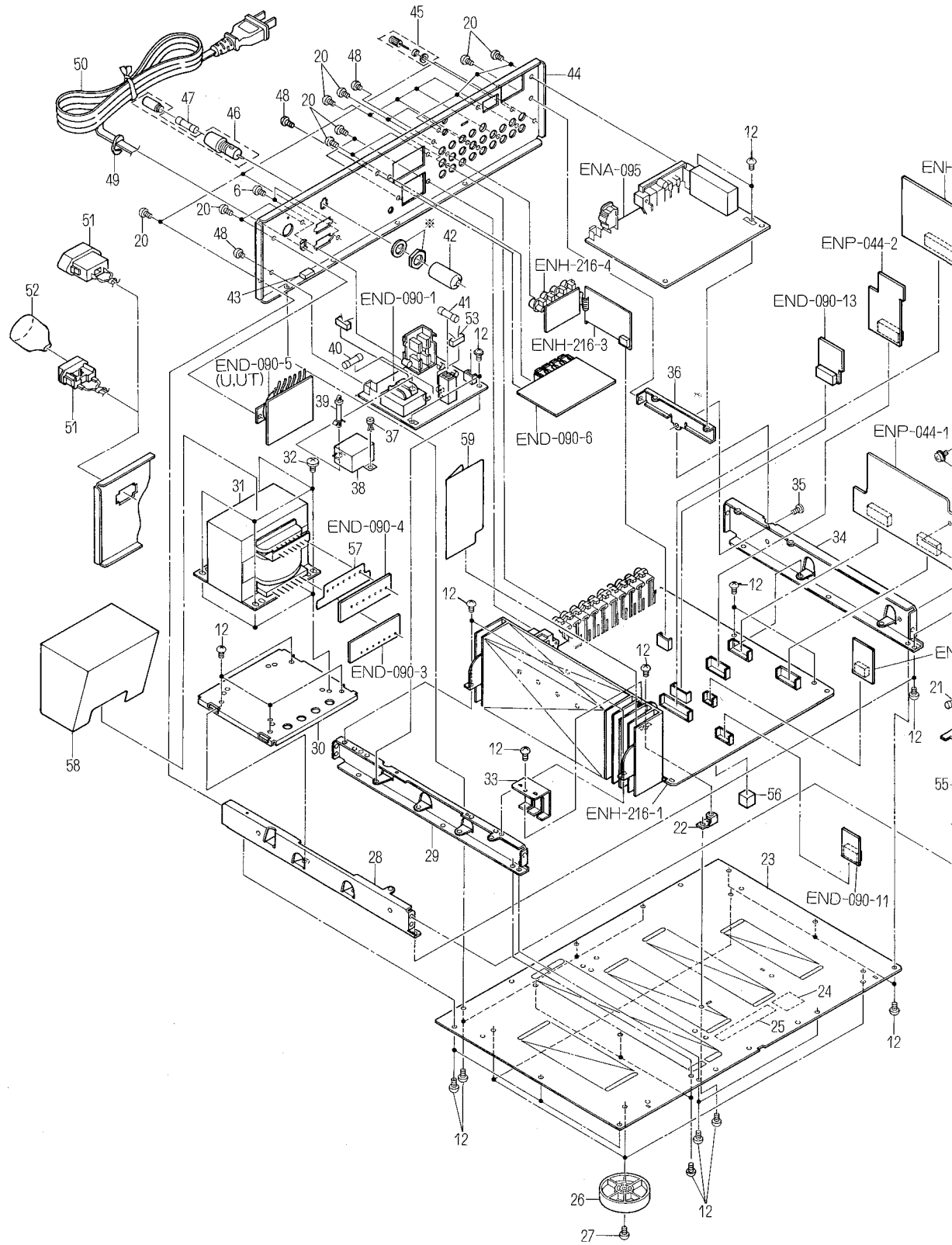
PARTS LIST

Note : All printed circuit boards and its assemblies are not available as service parts.

Contents

General Exploded View and Parts List	2-3
Printed Circuit Board Ass'y and Parts List	2-9
■ ENH-216 <input type="checkbox"/> Source Selector , Power Supply & Power Amplifier PC Board Ass'y	2-9
■ END-090 <input type="checkbox"/> Front & Power Primary PC Board Ass'y	2-14
■ ENP-044 <input type="checkbox"/> Surround PC Board Ass'y	2-18
■ ENA-095 <input type="checkbox"/> Tuner PC Board Ass'y	2-20
Accessories List	2-23
Packing Materials and Part Numbers	2-24

General Exploded View and Parts List



■ Parts List

△	Item	Part Number	Part Name	Q'ty	Description	Areas
	1	EFP-RX508VBKU(S)	FRONT PANEL ASSY	1		A
		EFP-RX508VBKU(S)	FRONT PANEL ASSY	1		U
		EFP-RX508VBKU(S)	FRONT PANEL ASSY	1		UT
		EFP-RX508VBKE(S)	FRONT PANEL ASSY	1		BS
		EFP-RX508VBKE(S)	FRONT PANEL ASSY	1		EF
		EFP-RX508VBKE(S)	FRONT PANEL ASSY	1		EN
	1-1	EFP-RX508VBKE(S)	FRONT PANEL ASSY	1		G
		E102647-015SM	FRONT PANEL	1		A
		E102647-015SM	FRONT PANEL	1		U
		E102647-015SM	FRONT PANEL	1		UT
		E102647-016SM	FRONT PANEL	1		BS
		E102647-016SM	FRONT PANEL	1		EF
		E102647-016SM	FRONT PANEL	1		EN
		E102647-016SM	FRONT PANEL	1		G
	1-2	E308268-004SM	WINDOW SCREEN	1		
	1-3	E72436-006	SCREEN	1		
	1-4	VJD5429-001	JVC MARK	1		
	2	E308266-002	VOLUME KNOB	1		
	3	SDSF2608Z	SCREW	10		
	4	EWS142-008H	SOCKET WIRE	1		
	5	E308267-002SM	TONE KNOB	3		
	6	SDSG3008M	SCREW	6		U
		SDSG3008M	SCREW	2		UT
		SDSG3008M	SCREW	2		
	7	E407320-002SM	PUSH BUTTON	1	POWER	
	8	E207677-002SM	PUSH BUTTON	1	SOURCE	
	9	E207679-002SM	PUSH BUTTON	1	10 KEY	
	10	E207680-002SM	PUSH BUTTON	1	SURROUND	
	11	EWR120E-32TT	FLAT WIRE	1	FW441	
	12	SBSG3008CC	SCREW	35		
	13	E407323-001SM	HEADPHONE BRACKET	1		
	14	E407321-002SM	PUSH BUTTON	2		
	15	SBST3006CC	SCREW	2		
	16	E102649-001SM	FRONT BRACKET	1		
	17	E307233-001	PROTECTOR	1		
	18	E207049-005	METAL COVER	1		
	19	E61660-004	SPECIAL SCREW	4	FOR METAL COVER	
	20	SBSG3008M	SCREW	18		
		SBSG3008M	SCREW	2		U
		SBSG3008M	SCREW	2		UT
△	21	QMF51E2-4R0J1	FUSE	2	F851, F852 (T4.0A/250V)	A
△		QMF51E2-4R0J1BS	FUSE	2	F851, F852 (T4.0A/250V)	BS
△		QMF51E2-4R0J1	FUSE	2	F851, F852 (T4.0A/250V)	EF
△		QMF51E2-4R0J1	FUSE	2	F851, F852 (T4.0A/250V)	EN
△		QMF51E2-4R0J1	FUSE	2	F851, F852 (T4.0A/250V)	G
△		QMF51E2-4R0J1	FUSE	2	F851, F852 (T4.0A/250V)	U
△		QMF51E2-4R0J1	FUSE	2	F851, F852 (T4.0A/250V)	UT
	22	E68587-009	BRACKET	1		
	23	E102371-004SM	BOTTOM PLATE	1		
	24	E70115-002	CAUTION LABEL	1		
	25	E74925-001	DOLBY SHEET	1		U
		E74925-001	DOLBY SHEET	1		UT
	26	VJF4039-00F	FOOT	4		A
		E406379-003SS	FOOT	4		BS
		E406379-003SS	FOOT	4		EF

⚠	Item	Part Number	Part Name	Q'ty	Description	Areas
		E406379-003SS	FOOT	4		EN
		E406379-003SS	FOOT	4		G
		VJF4039-00F	FOOT	4		U
		VJF4039-00F	FOOT	4		UT
	27	SBST3010Z	SCREW	4	FOR FOOT	
	28	E206956-001SM	SIDE BRACKET	1	LEFT	
	29	E206958-004SM	CENTER BRACKET	1		
	30	E206959-002SM	TRANSFORMER BRACKET	1		
⚠	31	ETP1200-59EAJ	POWER TRANSFORMER	1		A
⚠		ETP1200-59EAJBS	POWER TRANSFORMER	1		BS
⚠		ETP1200-59EAJ	POWER TRANSFORMER	1		EF
⚠		ETP1200-59EAJ	POWER TRANSFORMER	1		EN
⚠		ETP1200-59EAJ	POWER TRANSFORMER	1		G
⚠		ETP1200-59FAJ	POWER TRANSFORMER	1		U
⚠		ETP1200-59FAJ	POWER TRANSFORMER	1		UT
	32	E65389-004	SPECIAL SCREW	4	FOR POWER TRANSFORMER	
	33	E407408-001SM	LEAF SPRING	1		
	34	E206957-001SM	SIDE BRACKET	1	RIGHT	
	35	SDSG3008CC	SCREW	1		
	36	E307353-001SM	BRACKET	1		
	37	E48729-008	PLASTIC RIVET	1		
		E48729-008	PLASTIC RIVET	1		A
		E48729-008	PLASTIC RIVET	1		BS
		E48729-008	PLASTIC RIVET	1		EF
		E48729-008	PLASTIC RIVET	1		EN
		E48729-008	PLASTIC RIVET	1		G
	38	E406528-003	PRIMARY COVER	1		A
		E406528-003	PRIMARY COVER	1		BS
		E406528-003	PRIMARY COVER	1		EF
		E406528-003	PRIMARY COVER	1		EN
		E406528-003	PRIMARY COVER	1		G
	39	E306232-002	FASTENER	1		A
		E306232-002	FASTENER	1		BS
		E306232-002	FASTENER	1		EF
		E306232-002	FASTENER	1		EN
⚠		E306232-002	FASTENER	1		G
⚠	40	QMF51E2-R10J1	FUSE	1	F002 (T100mA/250V)	A
⚠		QMF51E2-R10J1	FUSE	1	F002 (T100mA/250V)	EF
⚠		QMF51E2-R10J1	FUSE	1	F002 (T100mA/250V)	EN
⚠		QMF51E2-R10J1	FUSE	1	F002 (T100mA/250V)	G
⚠		QMF51E2-R10J1	FUSE	1	F002 (T100mA/250V)	U
⚠		QMF51E2-R10J1	FUSE	1	F002 (T100mA/250V)	UT
⚠		QMF51E2-R10J1BS	FUSE	1	F002 (T100mA/250V)	BS
⚠	41	QMF51E2-2R5J1	FUSE	1	F001 (T2.5A/250V)	A
⚠		QMF51E2-2R5J1	FUSE	1	F001 (T2.5A/250V)	EF
⚠		QMF51E2-2R5J1	FUSE	1	F001 (T2.5A/250V)	EN
⚠		QMF51E2-2R5J1	FUSE	1	F001 (T2.5A/250V)	G
⚠		QMF51E2-2R5J1BS	FUSE	1	F001 (T2.5A/250V)	BS
	42	E69291-001	FUSE COVER	1		EF
		E69291-001	FUSE COVER	1		EN
		E69291-001	FUSE COVER	1		U
		E69291-001	FUSE COVER	1		UT
	43	E306805-023	SPACER	1		A
		E306805-023	SPACER	1		BS
		E306805-023	SPACER	1		EF

⚠	Item	Part Number	Part Name	Q'ty	Description	Areas
	44	E306805-023	SPACER	1		EN
		E306805-023	SPACER	1		G
		E207681-013SM	REAR PANEL	1		U
		E207681-013SM	REAR PANEL	1		UT
		E207681-014SM	REAR PANEL	1		EF
		E207681-014SM	REAR PANEL	1		EN
		E207681-015SM	REAR PANEL	1		BS
		E207681-015SM	REAR PANEL	1		G
		E207681-016SM	REAR PANEL	1		A
	45	E70078-003	GND TERMINAL	1		
	46	QMG0301-003	FUSE HOLDER	1		EF
		QMG0301-003	FUSE HOLDER	1		EN
		QMG0301-003	FUSE HOLDER	1		U
		QMG0301-003	FUSE HOLDER	1		UT
⚠	47	QMF51E2-1R25J1	FUSE	1	(T1.25A/250V)	EF
⚠		QMF51E2-1R25J1	FUSE	1	(T1.25A/250V)	EN
⚠		QMF51E2-2R5J1	FUSE	1	(T2.5A/250V)	U
⚠		QMF51E2-2R5J1	FUSE	1	(T2.5A/250V)	UT
	48	SBST3006M	SCREW	2		
⚠	49	SBST3006M	SCREW	1		G
⚠		QHS3876-162	CORD STOPPER	1		A
⚠		QHS3876-162	CORD STOPPER	1		EF
⚠		QHS3876-162	CORD STOPPER	1		EN
⚠	50	QHS3876-162	CORD STOPPER	1		G
⚠		QHS3876-162	CORD STOPPER	1		U
⚠		QHS3876-162BS	CORD STOPPER	1		UT
⚠		QMP25F0-244	POWER CORD	1		BS
⚠		QMP3900-200	POWER CORD	1		A
⚠	51	QMP3900-200	POWER CORD	1		EF
⚠		QMP39A0-200	POWER CORD	1		EN
⚠		QMP5530-0085BS	POWER CORD	1		G
⚠		QMP7520-200	POWER CORD	1		BS
⚠		QMP7520-200	POWER CORD	1		U
⚠		QMP7520-200	POWER CORD	1		UT
⚠	52	EMC0236-001	AC OUTLET	1		EF
⚠		EMC0236-001	AC OUTLET	1		EN
⚠		EMC0236-001	AC OUTLET	1		G
⚠		EMC0237-001BS	AC OUTLET	1		BS
⚠		EMC0238-001	AC OUTLET	1		A
	53	E406079-001	AC OUTLET COVER	1		
	53	EWS282-001	SOCKET WIRE	1		BS
		EWS282-001	SOCKET WIRE	1		U
		EWS282-002	SOCKET WIRE	1		UT
		EWS282-002	SOCKET WIRE	1		A
		EWS282-002	SOCKET WIRE	1		EF
		EWS282-002	SOCKET WIRE	1		EN
	54	EWS282-002	SOCKET WIRE	1		G
		EWS282-002BS	SOCKET WIRE	1		BS
	54	E308522-025	RATING LABEL	1		UT
	55	E306805-076	SPACER	1		
	56	E306805-077	SPACER	1		
	57	E407574-001SM	PROTECT SHEET	1		
	58	E308542-001SM	PROTECT COVER	1		
	59	E407571-001SM	PROTECT COVER	1		
	-	E61029-005	NUMBER LABEL	1		
	-	QZL1031-101	LABEL	1		EF

△	Item	Part Number	Part Name	Q'ty	Description	Areas
	—	E70027-001	LABEL	1		EN
	—	E308410-002	RATING LABEL	1		G
	—	E75139-003	Z LABEL	1	MADE IN MALAYSIA	U

△ SAFETY PARTS

The Marks for Designated Areas

A	Australia	EN	Scandinavia	EF	Continental Europe
BS	the U.K.	G	Germany		
U	Universal Type	UT	Taiwan	No mark indicates all areas.	

※ Other FOOTs must be also exchanged after exchanging one or more FOOTs of this model which is for EN, EF or G version and with its serial number is under ○○○○○ 500.

Note (1)

PC Board Ass'y	Designated Areas
ENH-216 C	Universal Type, Taiwan
ENH-216 D	Scandinavia Continental Europe
ENH-216 E	Australia
ENH-216 F	the U.K.
ENH-216 G	Germany

I. C. S.

ITEM	PART NUMBER	DESCRIPTION	AREA
IC051	UPC1188H	I.C. NEC	
IC052	UPC1188H	I.C. NEC	
IC301	VC4580DD	I.C. DAINICHI	
IC311	BA15218N	I.C. ROHM	
IC321	TC9164N	I.C. TOSHIBA	
IC322	TC4053BP	I.C. TOSHIBA	
IC363	TC4066BP	I.C. TOSHIBA	
IC561	NJM2246D	I.C. DAINICHI	
IC701	NJM4560DD	I.C. DAINICHI	
IC901	TA7317P	I.C. TOSHIBA	

△ : SAFETY PARTS

TRANSISTORS

ITEM	PART NUMBER	DESCRIPTION	AREA
Q020	2SC2240(GR,BL)	SILICON TOSHIBA	
Q301	AA1L4M	SILICON NEC	
Q302	AA1L4M	SILICON NEC	
Q361	2SD2144S(VW)	SILICON ROHM	
Q362	2SD2144S(VW)	SILICON ROHM	
Q366	AA1L4M	SILICON NEC	
Q367	AA1L4M	SILICON NEC	
Q368	AA1L4M	SILICON NEC	
Q369	AA1L4M	SILICON NEC	
Q561	2SC458(C,D)	SILICON HITACHI	
Q562	2SC458(C,D)	SILICON HITACHI	
Q563	2SA933S(R,S)	SILICON ROHM	
Q564	2SA933S(R,S)	SILICON ROHM	
Q581	AA1A4P	SILICON NEC	
Q591	AA1L4M	SILICON NEC	
Q592	DTA144ES	SILICON ROHM	
Q593	2SK301(P,Q)	F.E.T MATSUSHITA	
Q594	2SK301(P,Q)	F.E.T MATSUSHITA	
Q701	2SC2910(T)	SILICON SANYO	
Q702	2SC2910(T)	SILICON SANYO	
Q703	2SA970(BL)	SILICON TOSHIBA	
Q704	2SA970(BL)	SILICON TOSHIBA	
Q751	2SD636(Q,R)	SILICON MATSUSHITA	
Q752	2SD636(Q,R)	SILICON MATSUSHITA	
Q757	2SC945A(P,Q)	SILICON NEC	
Q758	2SC945A(P,Q)	SILICON NEC	
Q759	2SA733A(P,Q)	SILICON NEC	
Q760	2SA733A(P,Q)	SILICON NEC	
Q761	2SC2240(BL)	SILICON TOSHIBA	
Q762	2SC2240(BL)	SILICON TOSHIBA	
Q763	2SA970(BL)	SILICON TOSHIBA	
Q764	2SA970(BL)	SILICON TOSHIBA	
Q765	2SC2235(O,Y)	SILICON TOSHIBA	
Q766	2SC2235(O,Y)	SILICON TOSHIBA	
Q767	2SA965(O,Y)	SILICON 0062	
Q768	2SA965(O,Y)	SILICON 0062	
Q769	2SC4278LD(O,E)	SILICON ROHM	C
Q769	2SC3855LD(O,Y)	SILICON SANKEN	D
Q769	2SC3855LD(O,Y)	SILICON SANKEN	E
Q769	2SC3855LD(O,Y)	SILICON SANKEN	F
Q769	2SC3855LD(O,Y)	SILICON SANKEN	G
Q770	2SC4278LD(O,E)	SILICON ROHM	D
Q770	2SC3855LD(O,Y)	SILICON SANKEN	C
Q770	2SC3855LD(O,Y)	SILICON SANKEN	E
Q770	2SC3855LD(O,Y)	SILICON SANKEN	F
Q770	2SC3855LD(O,Y)	SILICON SANKEN	G
Q771	2SA1633LD(O,E)	SILICON ROHM	C
Q771	2SA1491LD(O,Y)	SILICON SANKEN	D
Q771	2SA1491LD(O,Y)	SILICON SANKEN	E
Q771	2SA1491LD(O,Y)	SILICON SANKEN	F
Q771	2SA1491LD(O,Y)	SILICON SANKEN	G
Q772	2SA1633LD(O,E)	SILICON ROHM	C
Q772	2SA1491LD(O,Y)	SILICON SANKEN	D
Q772	2SA1491LD(O,Y)	SILICON SANKEN	E
Q772	2SA1491LD(O,Y)	SILICON SANKEN	F
Q772	2SA1491LD(O,Y)	SILICON SANKEN	G
Q801	2SB1187(E,F)	SILICON ROHM	
Q802	2SD2061(E,F)	SILICON ROHM	
Q803	2SD2061(E,F)	SILICON ROHM	
Q804	2SC2235(O,Y)	SILICON TOSHIBA	
Q805	2SD2061(E,F)	SILICON ROHM	
Q855	2SA965(O,Y)	SILICON 0062	
Q901	2SC2389(S,E)	SILICON ROHM	
Q902	2SC2389(S,E)	SILICON ROHM	
Q903	2SA1038(S,E)	SILICON ROHM	

△ : SAFETY PARTS

DIODES

ITEM	PART NUMBER	DESCRIPTION	AREA
D041	1SS133	SILICON ROHM	
D303	1SS133	SILICON ROHM	
D304	1SS133	SILICON ROHM	
D305	1SS133	SILICON ROHM	
D306	1SS133	SILICON ROHM	
D307	1SS133	SILICON ROHM	
D308	1SS133	SILICON ROHM	
D309	1SS133	SILICON ROHM	
D310	1SS133	SILICON ROHM	
D336	MTZ11JC	ZENER ROHM	
D337	MTZ10JC	ZENER ROHM	
D591	1SS133	SILICON ROHM	
D595	MTZ16JC	ZENER ROHM	
D596	MTZ16JC	ZENER ROHM	
D701	1SS133	SILICON ROHM	
D702	1SS133	SILICON ROHM	
D709	MTZ3.0JB	ZENER ROHM	
D751	1SS133	SILICON ROHM	
D752	1SS133	SILICON ROHM	
D753	1SS133	SILICON ROHM	
D754	1SS133	SILICON ROHM	
D801	30D2FC	SILICON NIHONINTER	C
D801	30D2FC	SILICON NIHONINTER	D
D801	30D2FC	SILICON NIHONINTER	E
D801	30D2FC	SILICON NIHONINTER	F
D801	30DF2SFC	SILICON NIHONINTER	G
D802	30D2FC	SILICON NIHONINTER	C
D802	30D2FC	SILICON NIHONINTER	D
D802	30D2FC	SILICON NIHONINTER	E
D802	30D2FC	SILICON NIHONINTER	F
D802	30DF2SFC	SILICON NIHONINTER	G
D803	30D2FC	SILICON NIHONINTER	C
D803	30D2FC	SILICON NIHONINTER	D
D803	30D2FC	SILICON NIHONINTER	E
D803	30D2FC	SILICON NIHONINTER	F
D803	30DF2SFC	SILICON NIHONINTER	G
D804	30D2FC	SILICON NIHONINTER	C
D804	30D2FC	SILICON NIHONINTER	D
D804	30D2FC	SILICON NIHONINTER	E
D804	30D2FC	SILICON NIHONINTER	F
D804	30DF2SFC	SILICON NIHONINTER	G
D811	1SS133	SILICON ROHM	
D812	MTZ16JC	ZENER ROHM	
D813	1SS133	SILICON ROHM	
D814	MTZ16JC	ZENER ROHM	
D815	1SS133	SILICON ROHM	
D816	MTZ13JC	ZENER ROHM	
D817	MTZ6.8JC	ZENER ROHM	
D818	1SS133	SILICON ROHM	
D819	MTZ16JC	ZENER ROHM	
D824	MTZ6.2JC	ZENER ROHM	
D825	1SS133	SILICON ROHM	
D866	MTZ10JC	ZENER ROHM	
D867	MTZ16JC	ZENER ROHM	
D870	1SS133	SILICON ROHM	
D901	1SS133	SILICON ROHM	
D902	1SS133	SILICON ROHM	
D903	MTZ24JC	ZENER ROHM	
D904	1SS133	SILICON ROHM	
D981	MTZ12JC	ZENER ROHM	

△ : SAFETY PARTS

CAPACITORS

Δ	ITEM	PART NUMBER	DESCRIPTION		AREA
	C051	QEHC1HM-475	4.7MF	50V ELECTRO	
	C052	QEHC1HM-475	4.7MF	50V ELECTRO	
	C053	QCY21HK-222	2200PF	50V CERAMIC	
	C054	QCY21HK-222	2200PF	50V CERAMIC	
	C055	QEHC1CM-226	22MF	16V ELECTRO	
	C056	QEHC1CM-226	22MF	16V ELECTRO	
	C057	QCS21HJ-470	47PF	50V CERAMIC	
	C058	QCS21HJ-470	47PF	50V CERAMIC	
	C059	QEHB1HM-476	47MF	50V ELECTRO	
	C060	QEHB1HM-476	47MF	50V ELECTRO	
	C065	QFV81HJ-474	0.47MF	50V T.FILM	
	C066	QFV81HJ-474	0.47MF	50V T.FILM	
	C087	QCF21HP-473	0.047MF	50V CERAMIC	G
	C088	QCF21HP-473	0.047MF	50V CERAMIC	G
	C089	QCS21HJ-101	100PF	50V CERAMIC	G
	C091	QCS21HJ-331	330PF	50V CERAMIC	G
	C092	QCS21HJ-331	330PF	50V CERAMIC	G
	C093	QCS21HJ-101	100PF	50V CERAMIC	G
	C094	QCS21HJ-101	100PF	50V CERAMIC	G
	C095	QFLB1HK-473	0.047MF	50V MYLAR	G
	C096	QFLB1HK-473	0.047MF	50V MYLAR	G
	C097	QFLB1HK-473	0.047MF	50V MYLAR	G
	C098	QCF21HP-473	0.047MF	50V CERAMIC	G
	C099	QCS21HJ-101	100PF	50V CERAMIC	G
	C301	QETB1HM-475	4.7MF	50V ELECTRO	
	C302	QETB1HM-475	4.7MF	50V ELECTRO	
	C303	QCS21HJ-101	100PF	50V CERAMIC	
	C304	QCS21HJ-101	100PF	50V CERAMIC	
	C305	QCY21HK-182	1800PF	50V CERAMIC	
	C306	QCY21HK-182	1800PF	50V CERAMIC	
	C307	QCY21HK-682	6800PF	50V CERAMIC	
	C308	QCY21HK-682	6800PF	50V CERAMIC	
	C309	QCS21HJ-101	100PF	50V CERAMIC	
	C310	QCS21HJ-101	100PF	50V CERAMIC	
	C311	QETB1HM-475	4.7MF	50V ELECTRO	
	C312	QETB1HM-475	4.7MF	50V ELECTRO	
	C313	QETB1AM-107	100MF	10V ELECTRO	
	C314	QETB1AM-107	100MF	10V ELECTRO	
	C315	QETB1CM-476	47MF	16V ELECTRO	
	C316	QETB1CM-476	47MF	16V ELECTRO	
	C319	QCF21HP-223	0.022MF	50V CERAMIC	
	C320	QCF21HP-223	0.022MF	50V CERAMIC	
	C321	QETB1EM-226	22MF	25V ELECTRO	
	C322	QETB1EM-226	22MF	25V ELECTRO	
	C323	QETB1EM-226	22MF	25V ELECTRO	
	C324	QETB1EM-226	22MF	25V ELECTRO	
	C325	QCF21HP-223	0.022MF	50V CERAMIC	
	C326	QCF21HP-223	0.022MF	50V CERAMIC	
	C331	QCF21HP-223	0.022MF	50V CERAMIC	
	C332	QCF21HP-223	0.022MF	50V CERAMIC	
	C333	QCHB1EZ-223	0.022MF	25V CERAMIC	
	C336	QCF21HP-223	0.022MF	50V CERAMIC	
	C337	QCF21HP-223	0.022MF	50V CERAMIC	
	C338	QETB1HM-475	4.7MF	50V ELECTRO	
	C339	QETB1HM-475	4.7MF	50V ELECTRO	
	C351	QETB1EM-226	22MF	25V ELECTRO	
	C352	QETB1EM-226	22MF	25V ELECTRO	
	C353	QCF21HP-223	0.022MF	50V CERAMIC	
	C354	QCF21HP-223	0.022MF	50V CERAMIC	
	C361	QETB1EM-106	10MF	25V ELECTRO	
	C362	QETB1EM-106	10MF	25V ELECTRO	
	C363	QETB1HM-106	10MF	50V ELECTRO	
	C364	QETB1HM-106	10MF	50V ELECTRO	
	C379	QCB1HK-221	220PF	50V CERAMIC	
	C380	QCB1HK-221	220PF	50V CERAMIC	
	C381	QCB1HK-331	330PF	50V CERAMIC	G
	C382	QCB1HK-331	330PF	50V CERAMIC	G
	C383	QCB1HK-331	330PF	50V CERAMIC	G
	C384	QCB1HK-331	330PF	50V CERAMIC	G
	C385	QCB1HK-331	330PF	50V CERAMIC	G
	C386	QCB1HK-331	330PF	50V CERAMIC	G
	C387	QCB1HK-331	330PF	50V CERAMIC	G
	C388	QCB1HK-331	330PF	50V CERAMIC	G
	C389	QCB1HK-331	330PF	50V CERAMIC	G
	C390	QCB1HK-331	330PF	50V CERAMIC	G
	C391	QCB1HK-331	330PF	50V CERAMIC	G
	C392	QCB1HK-331	330PF	50V CERAMIC	G
	C393	QCB1HK-331	330PF	50V CERAMIC	G
	C394	QCB1HK-331	330PF	50V CERAMIC	G
	C395	QCB1HK-331	330PF	50V CERAMIC	G
	C396	QCB1HK-331	330PF	50V CERAMIC	G
	C397	QCB1HK-331	330PF	50V CERAMIC	G
	C398	QCB1HK-331	330PF	50V CERAMIC	G
	C431	QFLB1HJ-104	0.1MF	50V MYLAR	
	C432	QFLB1HJ-104	0.1MF	50V MYLAR	
	C561	QETB1CM-477	470MF	16V ELECTRO	
	C562	QETB1CM-477	470MF	16V ELECTRO	
	C563	QCF21HP-223	0.022MF	50V CERAMIC	
	C571	EEZ0601-108	1000MF	ELECTRO	
	C572	EEZ0601-108	1000MF	ELECTRO	
	C573	QETB1HM-475	4.7MF	50V ELECTRO	
	C574	QETB1HM-475	4.7MF	50V ELECTRO	
	C580	QCHB1EZ-223	0.022MF	25V CERAMIC	
	C581	QCHB1EZ-223	0.022MF	25V CERAMIC	
	C585	QCHB1EZ-223	0.022MF	25V CERAMIC	

Δ : SAFETY PARTS

CAPACITORS

Δ	ITEM	PART NUMBER	DESCRIPTION		AREA
	C591	QETB1EM-227	220MF	25V ELECTRO	
	C592	QETB1HM-225	2.2MF	50V ELECTRO	
	C593	QCS21HJ-101	100PF	50V CERAMIC	
	C673	QCF21HP-223	0.022MF	50V CERAMIC	
	C675	QFLB1HJ-682	6800PF	50V MYLAR	
	C701	QETB1HM-106	10MF	50V ELECTRO	
	C702	QETB1HM-106	10MF	50V ELECTRO	
	C703	QETB1AM-107	100MF	10V ELECTRO	
	C704	QETB1AM-107	100MF	10V ELECTRO	
	C705	QCS21HJ-101	100PF	50V CERAMIC	C
	C705	QCS21HJ-101	100PF	50V CERAMIC	D
	C705	QCS21HJ-101	100PF	50V CERAMIC	E
	C706	QCS21HJ-101	100PF	50V CERAMIC	F
	C706	QCS21HJ-101	100PF	50V CERAMIC	C
	C706	QCS21HJ-101	100PF	50V CERAMIC	D
	C706	QCS21HJ-101	100PF	50V CERAMIC	E
	C706	QCS21HJ-101	100PF	50V CERAMIC	F
	C707	QCS21HJ-270	27PF	50V CERAMIC	
	C708	QCS21HJ-270	27PF	50V CERAMIC	
	C709	QCSB1HJ-270	27PF	50V CERAMIC	
	C710	QCSB1HJ-270	27PF	50V CERAMIC	
	C711	QFLB1HJ-103	0.01MF	50V MYLAR	
	C712	QFLB1HJ-103	0.01MF	50V MYLAR	
	C713	QCSB1HJ-390	39PF	50V CERAMIC	
	C714	QCSB1HJ-390	39PF	50V CERAMIC	
	C717	QETB1HM-226	22MF	50V ELECTRO	
	C718	QETB1HM-226	22MF	50V ELECTRO	
	C721	QCF21HP-223	0.022MF	50V CERAMIC	
	C729	QCS21HJ-220	22PF	50V CERAMIC	
	C730	QCS21HJ-220	22PF	50V CERAMIC	
	C751	QCS22HJ-470A	47PF	500V CERAMIC	
	C752	QCS22HJ-470A	47PF	500V CERAMIC	
	C753	QCS22HJ-470A	47PF	500V CERAMIC	
	C754	QCS22HJ-470A	47PF	500V CERAMIC	
	C755	QFLB1HK-473	0.047MF	50V MYLAR	
	C756	QFLB1HK-473	0.047MF	50V MYLAR	
	C757	QFLB1HK-473	0.047MF	50V MYLAR	
	C758	QFLB1HK-473	0.047MF	50V MYLAR	
	C761	QCF21HP-473	0.047MF	50V CERAMIC	
	C762	QCF21HP-473	0.047MF	50V CERAMIC	
	C763	QCF21HP-473	0.047MF	50V CERAMIC	
	C764	QCF21HP-473	0.047MF	50V CERAMIC	
	C801	EEW6315-878E	8700MF	ELECTRO	C
	C801	EEW5614-878E	8700MF	ELECTRO	D
	C801	EEW5614-878E	8700MF	ELECTRO	E
	C801	EEW5614-878E	8700MF	ELECTRO	F
	C801	EEW5614-878E	8700MF	ELECTRO	G
	C802	EEW6315-878E	8700MF	ELECTRO	C
	C802	EEW5614-878E	8700MF	ELECTRO	D
	C802	EEW5614-878E	8700MF	ELECTRO	E
	C802	EEW5614-878E	8700MF	ELECTRO	F
	C802	EEW5614-878E	8700MF	ELECTRO	G
	C805	QFN82CK-104	0.1MF	160V MYLAR	
	C806	QCE22HP-103	0.01MF	500V CERAMIC	
	C807	QCE22HP-103	0.01MF	500V CERAMIC	
	C811	QCF21HP-472	4700PF	50V CERAMIC	
	C812	QETB1EM-476	47MF	25V ELECTRO	
	C813	QCF21HP-472	4700PF	50V CERAMIC	
	C814	QETB1EM-476	47MF	25V ELECTRO	
	C815	QCF21HP-472	4700PF	50V CERAMIC	
	C816	QETB1EM-107	100MF	25V ELECTRO	
	C817	QCF21HP-472	4700PF	50V CERAMIC	
	C820	QETB1EM-107	100MF	25V ELECTRO	
	C821	QCF21HP-472	4700PF	50V CERAMIC	
	C822	QETB1EM-107	100MF	25V ELECTRO	
	C823	QETB1EM-107	100MF	25V ELECTRO	
	C824	QCF21HP-472	4700PF	50V CERAMIC	
	C861	QFLB1HK-473	0.047MF	50V MYLAR	
	C862	QFLB1HK-473	0.047MF	50V MYLAR	
	C863	QFLB1HK-473	0.047MF	50V MYLAR	
	C864	QFLB1HK-473	0.047MF	50V MYLAR	
	C869	QETB1HM-107	100MF	50V ELECTRO	
	C870	QCF21HP-472	4700PF	50V CERAMIC	
	C901	QCF21HP-223	0.022MF	50V CERAMIC	
	C902	QCF21HP-223	0.022MF	50V CERAMIC	
	C903	QETB1HM-226	22MF	50V ELECTRO	
	C904	QFLB1HJ-223	0.022MF	50V MYLAR	
	C905	QCY21HK-102	1000PF	50V CERAMIC	
	C906	QETB1AM-476	47MF	10V ELECTRO	
	C909	QETB1CM-226	22MF	16V ELECTRO	
	C981	QETB1HM-225	2.2MF	50V ELECTRO	

Δ : SAFETY PARTS

RESISTORS

Δ	ITEM	PART NUMBER	DESCRIPTION	AREA
	R020	QRD167J-102	1K 1/6W CARBON	
	R051	QRD167J-222	2.2K 1/6W CARBON	
	R052	QRD167J-222	2.2K 1/6W CARBON	
	R053	QRD167J-104	100K 1/6W CARBON	
	R054	QRD167J-104	100K 1/6W CARBON	
	R055	QRD167J-104	100K 1/6W CARBON	
	R056	QRD167J-104	100K 1/6W CARBON	
	R057	QRD167J-182	1.8K 1/6W CARBON	
	R058	QRD167J-182	1.8K 1/6W CARBON	
	R059	QRD167J-104	100K 1/6W CARBON	
	R060	QRD167J-104	100K 1/6W CARBON	
Δ	R061	QRD125J-100	10 1/2W UNF. CARBON	
Δ	R062	QRD125J-100	10 1/2W UNF. CARBON	
Δ	R091	QRZ0077-100	10 1/4W FUSIBLE	G
Δ	R092	QRZ0077-100	10 1/4W FUSIBLE	G
	R093	QRD167J-100	10 1/6W CARBON	G
	R094	QRD167J-100	10 1/6W CARBON	G
Δ	R095	QRZ0077-100	10 1/4W FUSIBLE	G
	R096	QRD167J-100	10 1/6W CARBON	G
	R301	QRD167J-222	2.2K 1/6W CARBON	
	R302	QRD167J-222	2.2K 1/6W CARBON	
	R303	QRD167J-473	47K 1/6W CARBON	
	R304	QRD167J-473	47K 1/6W CARBON	
	R305	QRD167J-621	620 1/6W CARBON	
	R306	QRD167J-621	620 1/6W CARBON	
	R307	QRD167J-393	39K 1/6W CARBON	
	R308	QRD167J-393	39K 1/6W CARBON	
	R309	QRD167J-474	470K 1/6W CARBON	
	R310	QRD167J-474	470K 1/6W CARBON	
	R311	QRD167J-104	100K 1/6W CARBON	
	R312	QRD167J-104	100K 1/6W CARBON	
Δ	R313	QRZ0077-391	390 1/4W FUSIBLE	
Δ	R314	QRZ0077-391	390 1/4W FUSIBLE	
	R315	QRD167J-104	100K 1/6W CARBON	
	R316	QRD167J-104	100K 1/6W CARBON	
	R317	QRD167J-104	100K 1/6W CARBON	
	R318	QRD167J-104	100K 1/6W CARBON	
Δ	R321	QRZ0077-680	68 1/4W FUSIBLE	
Δ	R322	QRZ0077-680	68 1/4W FUSIBLE	
	R323	QRD167J-562	5.6K 1/6W CARBON	
	R324	QRD167J-562	5.6K 1/6W CARBON	
	R325	QRD167J-153	15K 1/6W CARBON	
	R326	QRD167J-153	15K 1/6W CARBON	
	R327	QRD167J-153	15K 1/6W CARBON	
	R328	QRD167J-153	15K 1/6W CARBON	
	R329	QRD167J-105	1M 1/6W CARBON	
	R330	QRD167J-105	1M 1/6W CARBON	
	R332	QRD167J-105	1M 1/6W CARBON	
	R333	QRD167J-103	10K 1/6W CARBON	
	R334	QRD167J-103	10K 1/6W CARBON	
	R335	QRD167J-103	10K 1/6W CARBON	
	R336	QRD167J-103	10K 1/6W CARBON	
	R337	QRD167J-103	10K 1/6W CARBON	
	R357	QRD167J-152	1.5K 1/6W CARBON	
	R358	QRD167J-152	1.5K 1/6W CARBON	
Δ	R361	QRZ0077-680	68 1/4W FUSIBLE	
Δ	R362	QRZ0077-680	68 1/4W FUSIBLE	
	R363	QRD167J-474	470K 1/6W CARBON	
	R364	QRD167J-474	470K 1/6W CARBON	
	R377	QRD167J-103	10K 1/6W CARBON	
	R378	QRD167J-103	10K 1/6W CARBON	
	R379	QRD167J-105	1M 1/6W CARBON	
	R380	QRD167J-105	1M 1/6W CARBON	
	R381	QRD167J-471	470 1/6W CARBON	
	R382	QRD167J-471	470 1/6W CARBON	
	R383	QRD167J-471	470 1/6W CARBON	
	R384	QRD167J-471	470 1/6W CARBON	
	R385	QRD167J-471	470 1/6W CARBON	C
	R385	QRD167J-471	470 1/6W CARBON	D
	R385	QRD167J-471	470 1/6W CARBON	E
	R385	QRD167J-471	470 1/6W CARBON	F
	R385	QRD167J-222	2.2K 1/6W CARBON	G
	R386	QRD167J-471	470 1/6W CARBON	C
	R386	QRD167J-471	470 1/6W CARBON	D
	R386	QRD167J-471	470 1/6W CARBON	E
	R386	QRD167J-471	470 1/6W CARBON	F
	R386	QRD167J-222	2.2K 1/6W CARBON	G
	R387	QRD167J-471	470 1/6W CARBON	C
	R387	QRD167J-471	470 1/6W CARBON	D
	R387	QRD167J-471	470 1/6W CARBON	E
	R387	QRD167J-471	470 1/6W CARBON	F
	R387	QRD167J-222	2.2K 1/6W CARBON	G
	R388	QRD167J-471	470 1/6W CARBON	C
	R388	QRD167J-471	470 1/6W CARBON	D
	R388	QRD167J-471	470 1/6W CARBON	E
	R388	QRD167J-471	470 1/6W CARBON	F
	R388	QRD167J-222	2.2K 1/6W CARBON	G
	R389	QRD167J-471	470 1/6W CARBON	C
	R389	QRD167J-471	470 1/6W CARBON	D
	R389	QRD167J-471	470 1/6W CARBON	E
	R389	QRD167J-471	470 1/6W CARBON	F
	R389	QRD167J-222	2.2K 1/6W CARBON	G
	R390	QRD167J-471	470 1/6W CARBON	C
	R390	QRD167J-471	470 1/6W CARBON	D
	R390	QRD167J-471	470 1/6W CARBON	E

Δ : SAFETY PARTS

RESISTORS

Δ	ITEM	PART NUMBER	DESCRIPTION	AREA
	R390	QRD167J-471	470 1/6W CARBON	F
	R390	QRD167J-222	2.2K 1/6W CARBON	G
	R391	QRD167J-471	470 1/6W CARBON	C
	R391	QRD167J-471	470 1/6W CARBON	D
	R391	QRD167J-471	470 1/6W CARBON	E
	R391	QRD167J-471	470 1/6W CARBON	F
	R391	QRD167J-222	2.2K 1/6W CARBON	G
	R392	QRD167J-471	470 1/6W CARBON	C
	R392	QRD167J-471	470 1/6W CARBON	D
	R392	QRD167J-471	470 1/6W CARBON	E
	R392	QRD167J-471	470 1/6W CARBON	F
	R392	QRD167J-222	2.2K 1/6W CARBON	G
	R393	QRD167J-471	470 1/6W CARBON	C
	R393	QRD167J-471	470 1/6W CARBON	D
	R393	QRD167J-471	470 1/6W CARBON	E
	R393	QRD167J-471	470 1/6W CARBON	F
	R393	QRD167J-222	2.2K 1/6W CARBON	G
	R394	QRD167J-471	470 1/6W CARBON	C
	R394	QRD167J-471	470 1/6W CARBON	D
	R394	QRD167J-471	470 1/6W CARBON	E
	R394	QRD167J-222	2.2K 1/6W CARBON	F
	R395	QRD167J-471	470 1/6W CARBON	G
	R396	QRD167J-471	470 1/6W CARBON	G
	R561	QRD167J-750	75 1/6W CARBON	
	R562	QRD167J-680	68 1/6W CARBON	
	R563	QRD167J-750	75 1/6W CARBON	
	R564	QRD167J-750	75 1/6W CARBON	
	R565	QRD167J-473	47K 1/6W CARBON	
	R566	QRD167J-473	47K 1/6W CARBON	
	R567	QRD167J-331	330 1/6W CARBON	
	R568	QRD167J-331	330 1/6W CARBON	
	R569	QRD167J-152	1.5K 1/6W CARBON	
	R570	QRD167J-152	1.5K 1/6W CARBON	
	R571	QRD167J-151	150 1/6W CARBON	
	R572	QRD167J-151	150 1/6W CARBON	
	R575	QRD167J-271	270 1/6W CARBON	
	R576	QRD167J-271	270 1/6W CARBON	
	R581	QRD167J-473	47K 1/6W CARBON	
	R583	QRD167J-152	1.5K 1/6W CARBON	
	R591	QRD167J-224	220K 1/6W CARBON	
	R592	QRD167J-104	100K 1/6W CARBON	
	R593	QRD167J-333	33K 1/6W CARBON	
	R594	QRD167J-103	10K 1/6W CARBON	
	R595	QRD167J-103	10K 1/6W CARBON	
	R596	QRD167J-103	10K 1/6W CARBON	
	R597	QRD167J-471	470 1/6W CARBON	
	R701	QRD167J-222	2.2K 1/6W CARBON	
	R702	QRD167J-222	2.2K 1/6W CARBON	
	R703	QRD167J-104	100K 1/6W CARBON	
	R704	QRD167J-104	100K 1/6W CARBON	
	R705	QRD167J-472	4.7K 1/6W CARBON	
	R706	QRD167J-472	4.7K 1/6W CARBON	
Δ	R707	QRD14CJ-820S	82 1/4W UNF. CARBON	
Δ	R708	QRD14CJ-820S	82 1/4W UNF. CARBON	
Δ	R709	QRD14CJ-820S	82 1/4W UNF. CARBON	
Δ	R710	QRD14CJ-820S	82 1/4W UNF. CARBON	
	R711	QRD167J-470	47 1/6W CARBON	
	R712	QRD167J-470	47 1/6W CARBON	
	R713	QRD167J-153	15K 1/6W CARBON	
	R714	QRD167J-153	15K 1/6W CARBON	
	R715	QRD167J-153	15K 1/6W CARBON	
	R716	QRD167J-153	15K 1/6W CARBON	
	R717	QRD167J-332	3.3K 1/6W CARBON	
	R718	QRD167J-332	3.3K 1/6W CARBON	
	R719	QRD167J-133	13K 1/6W CARBON	
	R720	QRD167J-133	13K 1/6W CARBON	
	R723	QRD167J-681	680 1/6W CARBON	C
	R723	QRD167J-821	820 1/6W CARBON	D
	R723	QRD167J-821	820 1/6W CARBON	E
	R723	QRD167J-821	820 1/6W CARBON	F
	R723	QRD167J-821	820 1/6W CARBON	G
	R724	QRD167J-681	680 1/6W CARBON	C
	R724	QRD167J-821	820 1/6W CARBON	D
	R724	QRD167J-821	820 1/6W CARBON	E
	R724	QRD167J-821	820 1/6W CARBON	F
	R724	QRD167J-821	820 1/6W CARBON	G
	R725	QRD167J-202	2K 1/6W CARBON	
Δ	R726	QRV144F-2202	22K 1/4W M.F. FILM	
	R727	QRD167J-222	2.2K 1/6W CARBON	
Δ	R728	QRV144F-1001	1K 1/4W M.F. FILM	
	R729	QRD167J-102	1K 1/6W CARBON	
	R731	QRD167J-823	82K 1/6W CARBON	
	R732	QRD167J-823	82K 1/6W CARBON	
	R753	QRD167J-152	1.5K 1/6W CARBON	
	R754	QRD167J-152	1.5K 1/6W CARBON	
	R755	QRD167J-391	390 1/6W CARBON	
	R756	QRD167J-391	390 1/6W CARBON	
	R757	ERT-D2WHL202S	2K 1/4W THERMISTOR	
	R758	ERT-D2WHL202S	2K 1/4W THERMISTOR	
Δ	R759	QRD14CJ-100S	10 1/4W UNF. CARBON	
Δ	R760	QRD14CJ-100S	10 1/4W UNF. CARBON	
Δ	R761	QRD14CJ-100S	10 1/4W UNF. CARBON	
Δ	R762	QRD14CJ-100S	10 1/4W UNF. CARBON	
	R763	QRD167J-102	1K 1/6W CARBON	

Δ : SAFETY PARTS

RESISTORS

Δ	ITEM	PART NUMBER	DESCRIPTION	AREA
	R764	QRD167J-102	1K 1/6W CARBON	
	R767	QRD167J-151	150 1/6W CARBON	C
	R767	QRD167J-101	100 1/6W CARBON	D
	R767	QRD167J-101	100 1/6W CARBON	E
	R767	QRD167J-101	100 1/6W CARBON	F
	R767	QRD167J-101	100 1/6W CARBON	G
	R768	QRD167J-151	150 1/6W CARBON	C
	R768	QRD167J-101	100 1/6W CARBON	D
	R768	QRD167J-101	100 1/6W CARBON	E
	R768	QRD167J-101	100 1/6W CARBON	F
	R768	QRD167J-101	100 1/6W CARBON	G
	R769	QRD167J-151	150 1/6W CARBON	C
	R769	QRD167J-101	100 1/6W CARBON	D
	R769	QRD167J-101	100 1/6W CARBON	E
	R769	QRD167J-101	100 1/6W CARBON	F
	R769	QRD167J-101	100 1/6W CARBON	G
	R770	QRD167J-151	150 1/6W CARBON	C
	R770	QRD167J-101	100 1/6W CARBON	D
	R770	QRD167J-101	100 1/6W CARBON	E
	R770	QRD167J-101	100 1/6W CARBON	F
	R770	QRD167J-101	100 1/6W CARBON	G
	R771	QRD167J-151	150 1/6W CARBON	C
	R772	QRD167J-151	150 1/6W CARBON	C
	R773	QRD167J-151	150 1/6W CARBON	C
	R774	QRD167J-151	150 1/6W CARBON	C
Δ	R783	QRD14CJ-272S	2.7K 1/4W UNF. CARBON	
Δ	R784	QRD14CJ-272S	2.7K 1/4W UNF. CARBON	
Δ	R785	QRD14CJ-271S	270 1/4W UNF. CARBON	
Δ	R786	QRD14CJ-271S	270 1/4W UNF. CARBON	
Δ	R787	ERF032K-R22	0.22 3W CEMENT	
Δ	R788	ERF032K-R22	0.22 3W CEMENT	
Δ	R789	QRZ0077-100	10 1/4W FUSIBLE	
Δ	R790	QRZ0077-100	10 1/4W FUSIBLE	
Δ	R791	QRZ0077-100	10 1/4W FUSIBLE	
Δ	R792	QRZ0077-100	10 1/4W FUSIBLE	
Δ	R793	QRD125J-330	33 1/2W UNF. CARBON	
Δ	R794	QRD125J-330	33 1/2W UNF. CARBON	
Δ	R795	QRG022J-100A	10 2W O.M.FILM	
Δ	R796	QRG022J-100A	10 2W O.M.FILM	
Δ	R797	QRZ0077-330	33 1/4W FUSIBLE	C
Δ	R797	QRZ0077-221	220 1/4W FUSIBLE	D
Δ	R797	QRZ0077-221	220 1/4W FUSIBLE	E
Δ	R797	QRZ0077-221	220 1/4W FUSIBLE	F
Δ	R797	QRZ0077-221	220 1/4W FUSIBLE	G
Δ	R798	QRZ0077-330	33 1/4W FUSIBLE	C
Δ	R798	QRZ0077-221	220 1/4W FUSIBLE	D
Δ	R798	QRZ0077-221	220 1/4W FUSIBLE	E
Δ	R798	QRZ0077-221	220 1/4W FUSIBLE	F
Δ	R798	QRZ0077-221	220 1/4W FUSIBLE	G
Δ	R803	QRZ0077-220	22 1/4W FUSIBLE	
	R805	QRD12CJ-392S	3.9K 1/2W R.NETWORK	C
	R805	QRD12CJ-272S	2.7K 1/2W R.NETWORK	D
	R805	QRD12CJ-272S	2.7K 1/2W R.NETWORK	E
	R805	QRD12CJ-272S	2.7K 1/2W R.NETWORK	F
	R805	QRD12CJ-272S	2.7K 1/2W R.NETWORK	G
Δ	R806	QRD14CJ-391S	390 1/4W UNF. CARBON	C
Δ	R806	QRZ0077-100	10 1/4W FUSIBLE	D
Δ	R806	QRZ0077-100	10 1/4W FUSIBLE	E
Δ	R806	QRZ0077-100	10 1/4W FUSIBLE	F
Δ	R806	QRZ0077-100	10 1/4W FUSIBLE	G
Δ	R811	QRZ0077-100	10 1/4W FUSIBLE	
Δ	R813	QRD14CJ-122S	1.2K 1/4W UNF. CARBON	
Δ	R816	QRZ0077-100	10 1/4W FUSIBLE	
Δ	R818	QRD14CJ-332S	3.3K 1/4W UNF. CARBON	
Δ	R819	QRZ0077-100	10 1/4W FUSIBLE	
Δ	R822	QRD14CJ-272S	2.7K 1/4W UNF. CARBON	
Δ	R823	QRD14CJ-220S	22 1/4W UNF. CARBON	
Δ	R824	QRD14CJ-562S	5.6K 1/4W UNF. CARBON	
Δ	R825	QRZ0077-100	10 1/4W FUSIBLE	
Δ	R828	QRD14CJ-122S	1.2K 1/4W UNF. CARBON	
	R830	QRD12CJ-562S	5.6K 1/2W R.NETWORK	C
	R830	QRD12CJ-332S	3.3K 1/2W R.NETWORK	D
	R830	QRD12CJ-332S	3.3K 1/2W R.NETWORK	E
	R830	QRD12CJ-332S	3.3K 1/2W R.NETWORK	F
	R830	QRD12CJ-332S	3.3K 1/2W R.NETWORK	G
Δ	R831	QRG022J-681A	680 2W O.M.FILM	C
Δ	R831	QRG022J-221A	220 2W O.M.FILM	D
Δ	R831	QRG022J-221A	220 2W O.M.FILM	E
Δ	R831	QRG022J-221A	220 2W O.M.FILM	F
Δ	R831	QRG022J-221A	220 2W O.M.FILM	G
Δ	R832	QRG022J-681A	680 2W O.M.FILM	C
Δ	R832	QRG022J-221A	220 2W O.M.FILM	D
Δ	R832	QRG022J-221A	220 2W O.M.FILM	E
Δ	R832	QRG022J-221A	220 2W O.M.FILM	F
Δ	R832	QRG022J-221A	220 2W O.M.FILM	G
Δ	R833	QRG022J-561A	560 2W O.M.FILM	C
Δ	R834	QRZ0077-100	10 1/4W FUSIBLE	
	R841	QRD167J-104	100K 1/6W CARBON	
	R842	QRD167J-104	100K 1/6W CARBON	
	R901	QRD167J-561	560 1/6W CARBON	
	R902	QRD167J-561	560 1/6W CARBON	
	R903	QRD167J-682	6.8K 1/6W CARBON	
	R904	QRD167J-682	6.8K 1/6W CARBON	
	R905	QRD167J-123	12K 1/6W CARBON	
	R906	QRD167J-123	12K 1/6W CARBON	

Δ : SAFETY PARTS

RESISTORS

Δ	ITEM	PART NUMBER	DESCRIPTION	AREA
	R907	QRD167J-152	1.5K 1/6W CARBON	
	R908	QRD167J-152	1.5K 1/6W CARBON	
	R909	QRD167J-103	10K 1/6W CARBON	
	R911	QRD167J-332	3.3K 1/6W CARBON	
	R912	QRD167J-473	47K 1/6W CARBON	
	R913	QRD167J-104	100K 1/6W CARBON	
	R914	QRD167J-823	82K 1/6W CARBON	
	R915	QRD167J-473	47K 1/6W CARBON	
	R916	QRD167J-563	56K 1/6W CARBON	
	R917	QRD167J-683	68K 1/6W CARBON	
	R918	QRD167J-392	3.9K 1/6W CARBON	
	R921	QRD167J-224	220K 1/6W CARBON	
	R922	QRD167J-182	1.8K 1/6W CARBON	
Δ	R924	QRG022J-821AM	820 2W O.M.FILM	
	R925	QRD167J-161	160 1/6W CARBON	C
	R926	QRD167J-181	180 1/6W CARBON	C
Δ	R931	QRD14CJ-330S	33 1/4W UNF. CARBON	
	R935	QRD167J-562	5.6K 1/6W CARBON	
	R936	QRD167J-822	8.2K 1/6W CARBON	
	R937	QRD167J-103	10K 1/6W CARBON	
	R981	QRD167J-104	100K 1/6W CARBON	
	R982	QRD167J-823	82K 1/6W CARBON	
Δ	R989	QRG022J-221A	220 2W O.M.FILM	
	VR751	QVPA601-501A	500 VARIABLE	
	VR752	QVPA601-501A	500 VARIABLE	

Δ : SAFETY PARTS

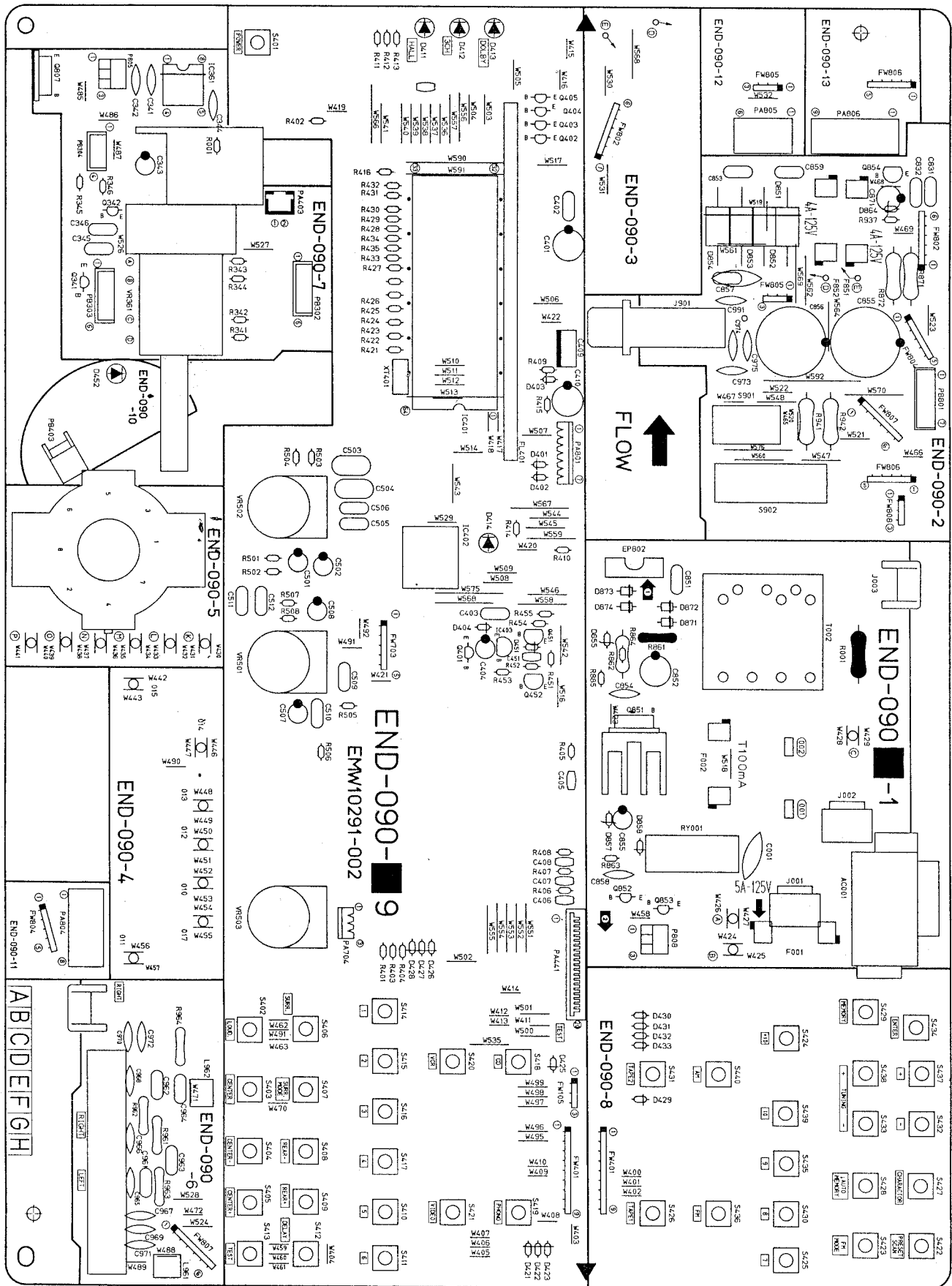
OTHERS

Δ	ITEM	PART NUMBER	DESCRIPTION	AREA
		E307307-001SM	HEAT SINK BRACKET	
		E307351-001SM	P.W.BOARD BRACKET	
		E307351-002SM	P.W.BOARD BRACKET	
		E308274-001	HEAT SINK	
		E73525-003	SCREW	
		GBSG3008CC	SCREW	
		SBSG3008CC	SCREW	
	J051	EMB90TV-601G	SPEAKER TERMINAL	
	J300	EMN00TV-414AJ2	4P PIN JACK (PHONO, CD)	
	J301	EMN00TV-413AJ2	4P PIN JACK (TAPE 1 REC/PLAY)	
	J302	EMN00TV-611AJ2	6P PIN JACK (TAPE 2 REC/PLAY)	
	J303	EMN00TV-414AJ2	4P PIN JACK (VCR PLAY, VIDEO)	
	J561	EMN00YP-209A	2P PIN JACK (VCR REC/PLAY)	
	J562	EMN00YP-305A	3P PIN JACK (VIDEO, MONITOR OUT, CENTER)	
	L051	EQL0001-R45	INDUCTOR	G
	L052	EQL0001-R45	INDUCTOR	G
	L053	EQL0001-R45	INDUCTOR	G
	L751	EQL0001-1R0	INDUCTOR	
	L752	EQL0001-1R0	INDUCTOR	
	L831	EQL4007-220	INDUCTOR	
	P703	EMV7122-005	CONNECTOR (5PIN)	
	P999	VMC0107-003	CONNECT TERMINAL (4ch → 5ch)	
	S903	QSP6002-E01TJ2	PUSH SWITCH	
	EP801	E70859-001	EARTH PLATE	
	FW051	EWR36B-08LST	FLAT WIRE (6PIN) REAR Lch AMP	
	FW052	EWR36B-08LST	FLAT WIRE (6PIN) REAR Rch AMP	
	FW101	EWR38B-25LST	FLAT WIRE (8PIN) TO TUNER PCB	
	FW103	EWR36B-20LST	FLAT WIRE (6PIN) TO TUNER PCB	
	FW581	EWR37B-13SST	FLAT WIRE (7PIN) VIDEO TERMINAL PCB	
	FW809	EWR33B-30LST	FLAT WIRE (3PIN) ENH-216-7	
	FW810	EWR33B-30SST	FLAT WIRE (3PIN) ENH-216-1,-7	
	HS805	E70306-001	HEAT SINK	
	JT050	EMV7122-103	CONNECTOR (3PIN) PART OF P051	
	JT051	EMV7122-103	CONNECTOR (3PIN) PART OF P051	
	JT052	EMV7122-103	CONNECTOR (3PIN) PART OF P052	
	JT053	EMV7122-103	CONNECTOR (3PIN) PART OF P052	
	PA302	EWS296-0124	SOCKET WIRE (6PIN) TO MASTER VOLUME	
	PA303	EWS296-0134	SOCKET WIRE (6PIN) FROM MASTER VOLUME	
	PA304	EWS264-A430	SOCKET WIRE (4PIN) VOLUME CONTROL	
	PA561	EMV7125-006R	CONNECTOR (6PIN) VIDEO SELECTOR	
	PA702	EMV7140-L15R	CONNECTOR (15PIN) PRE-DRIVER	
	PB441	EMV7123-020	CONNECTOR (20PIN) TO FRONT PCB	
	PB561	EMV5125-006	PLUG ASSY (6PIN) TO VIDEO SELECTOR	
	PB601	EMV5140-010	PLUG ASSY (10PIN) TO SURROUND PCB	
	PB602	EMV5125-013	PLUG ASSY (13PIN) TO SURROUND PCB	
	PB701	EMV5140-010	PLUG ASSY (10PIN) TO ENP-044-2	
	PB702	EMV5140-015	PLUG ASSY (15PIN) TO PRE-DRIVER	
	PB704	EMV5109-003A	PLUG ASSY (3PIN) BALANCE	
	PB804	EMV5125-008	PLUG ASSY (8PIN) TO END-090-11	
	PB805	EMV5125-006	PLUG ASSY (6PIN) TO END-090-12	
	PB806	EMV5125-009	PLUG ASSY (9PIN) TO END-090-13	
	RY901	ESK7D24-2120	RELAY	
	RY981	ESK8D12-212M	RELAY	

Δ : SAFETY PARTS

■ END-090 □ Front & Power Primary PC Board Ass'y

Note : END-090 □ varies according to the areas employed. See note (1) when placing an order.



Note (1)

PC Board Ass'y	Designated Areas
END-090 C	Universal Type, Taiwan
END-090 D	Scandinavia Continental Europe
END-090 E	Australia
END-090 F BS	the U.K.
END-090 G	Germany

TRANSISTORS

ITEM	PART NUMBER	DESCRIPTION	AREA
Q341	2SD2144S(VW)	SILICON ROHM	
Q342	2SD2144S(VW)	SILICON ROHM	
Q401	DTC114YS	SILICON ROHM	
Q402	DTC114YS	SILICON ROHM	
Q403	DTC114YS	SILICON ROHM	
Q404	DTC114YS	SILICON ROHM	
Q405	DTC114YS	SILICON ROHM	
Q451	2SC1740S(R,S)	SILICON ROHM	
Q452	2SC1740S(R,S)	SILICON ROHM	
Q807	2SD2061(E,F)	SILICON ROHM	
Q851	2SD1266(Q)	SILICON MATSUSHITA	C
Q852	2SC2235(O,Y)	SILICON TOSHIBA	
Q853	AA1L3Z	SILICON NEC	
Q854	2SC2240(GR,BL)	SILICON TOSHIBA	

△ : SAFETY PARTS

I. C. S.

ITEM	PART NUMBER	DESCRIPTION	AREA
IC361	LB1639-CV	I.C. SANYO	
IC401	MN171202JPZ	I.C. MATSUSHITA	
IC402	SPS-420-1	I.C. SANYO	
IC403	MN1281(P,Q)	I.C. MATSUSHITA	

△ : SAFETY PARTS

DIODES

ITEM	PART NUMBER	DESCRIPTION	AREA
D401	1SS133	SILICON ROHM	
D402	1SS133	SILICON ROHM	
D403	1SS133	SILICON ROHM	
D404	1SS133	SILICON ROHM	
D411	SLR-34DC50F124	L.E.D. ROHM	
D412	SLR-34DC50F124	L.E.D. ROHM	
D413	SLR-34DC50F124	L.E.D. ROHM	
D414	SLR-54VC50F124	L.E.D. ROHM	C
D414	SLR-54VC50F124	L.E.D. ROHM	D
D414	SLR-54VC50F124	L.E.D. ROHM	E
D414	SLA-580LT70F124	L.E.D. ROHM	FBS
D414	SLR-54VC50F124	L.E.D. ROHM	G
D421	1SS133	SILICON ROHM	C
D422	1SS133	SILICON ROHM	D
D422	1SS133	SILICON ROHM	E
D422	1SS133	SILICON ROHM	FBS
D422	1SS133	SILICON ROHM	G
D423	1SS133	SILICON ROHM	E
D425	1SS133	SILICON ROHM	C
D426	1SS133	SILICON ROHM	
D427	1SS133	SILICON ROHM	
D428	1SS133	SILICON ROHM	
D429	1SS133	SILICON ROHM	
D430	1SS133	SILICON ROHM	
D431	1SS133	SILICON ROHM	
D432	1SS133	SILICON ROHM	
D433	1SS133	SILICON ROHM	
D451	1SS133	SILICON ROHM	
D452	LN282RPX	L.E.D.	
D851	30D2FC	SILICON NIHONINTER	C
D851	30D2FC	SILICON NIHONINTER	D
D851	30D2FC	SILICON NIHONINTER	E
D851	30D2FC	SILICON NIHONINTER	FBS
D851	30DF2SFC	SILICON NIHONINTER	G
D852	30D2FC	SILICON NIHONINTER	C
D852	30D2FC	SILICON NIHONINTER	D
D852	30D2FC	SILICON NIHONINTER	E
D852	30D2FC	SILICON NIHONINTER	FBS
D852	30DF2SFC	SILICON NIHONINTER	G
D853	30D2FC	SILICON NIHONINTER	C
D853	30D2FC	SILICON NIHONINTER	D
D853	30D2FC	SILICON NIHONINTER	E
D853	30D2FC	SILICON NIHONINTER	FBS
D853	30DF2SFC	SILICON NIHONINTER	G
D854	30D2FC	SILICON NIHONINTER	C

△ : SAFETY PARTS

DIODES

ITEM	PART NUMBER	DESCRIPTION	AREA
D854	30D2FC	SILICON NIHONINTER	D
D854	30D2FC	SILICON NIHONINTER	E
D854	30DF2SFC	SILICON NIHONINTER	FBS
D854	30DF2SFC	SILICON NIHONINTER	G
D855	MTZ12JC	ZENER ROHM	C
D857	MTZ5.2JC	ZENER ROHM	
D858	1SS133	SILICON ROHM	
D864	MTZ5.6JC	ZENER ROHM	
D871	1SR139-200	SILICON ROHM	
D872	1SR139-200	SILICON ROHM	
D873	1SR139-200	SILICON ROHM	
D874	1SR139-200	SILICON ROHM	

△ : SAFETY PARTS

CAPACITORS

ITEM	PART NUMBER	DESCRIPTION	AREA
C001	QCZ9019-472	4700PF CERAMIC	C
C001	QCZ9019-472	4700PF CERAMIC	D
C001	QCZ9019-472	4700PF CERAMIC	E
C001	QCZ9019-472BS	4700PF CERAMIC	FBS
C001	QCZ9019-472	4700PF CERAMIC	G
C341	QCY21HK-331	330PF 50V CERAMIC	
C342	QCY21HK-331	330PF 50V CERAMIC	
C343	QETB0JM-107	100MF 6.3V ELECTRO	
C344	QCF21HP-473	0.047MF 50V CERAMIC	
C345	QFLB1HJ-333	0.033MF 50V MYLAR	
C346	QFLB1HJ-333	0.033MF 50V MYLAR	
C401	QEK51AM-227	220MF 10V ELECTRO	
C402	QCZ0202-155	1.5MF 25V CERAMIC	
C403	QCF21HP-223	0.022MF 50V CERAMIC	
C404	QEK51HM-225G	2.2MF 50V ELECTRO	
C405	QCGB1HK-102	1000PF 50V CERAMIC	
C406	QCGB1HK-102	1000PF 50V CERAMIC	
C407	QCGB1HK-102	1000PF 50V CERAMIC	
C408	QCGB1HK-102	1000PF 50V CERAMIC	
C409	QEAD0HZ-479A	47000MF ELECTRO	
C501	QEK51HM-105G	1MF 50V ELECTRO	
C502	QEK51HM-105G	1MF 50V ELECTRO	
C503	QFLB1HJ-823	0.082MF 50V MYLAR	
C504	QFLB1HJ-823	0.082MF 50V MYLAR	
C505	QFLB1HJ-153	0.015MF 50V MYLAR	
C506	QFLB1HJ-153	0.015MF 50V MYLAR	
C507	QEK51HM-105G	1MF 50V ELECTRO	
C508	QEK51HM-105G	1MF 50V ELECTRO	
C509	QFLB1HJ-332	3300PF 50V MYLAR	
C510	QFLB1HJ-332	3300PF 50V MYLAR	
C511	QFLB1HJ-183	0.018MF 50V MYLAR	
C512	QFLB1HJ-183	0.018MF 50V MYLAR	
C831	QFLB1HJ-223	0.022MF 50V MYLAR	G
C832	QFLB1HJ-223	0.022MF 50V MYLAR	G
C850	QETB1CM-476	47MF 16V ELECTRO	
C851	QFN82AK-472	4700PF 100V MYLAR	
C852	QETB1JM-227	220MF 63V ELECTRO	C
C852	QETB1EM-227	220MF 25V ELECTRO	D
C852	QETB1EM-227	220MF 25V ELECTRO	E
C852	QETB1EM-227	220MF 25V ELECTRO	FBS
C852	QETB1EM-227	220MF 25V ELECTRO	G
C853	QFN82AJ-104	0.1MF 100V MYLAR	
C854	QCF21HP-472	4700PF 50V CERAMIC	C
C855	EET3503-478E	4700MF ELECTRO	
C856	EET3503-478E	4700MF ELECTRO	
C857	QCE22HP-103	0.01MF 500V CERAMIC	C
C857	QCE22HP-103	0.01MF 500V CERAMIC	D
C857	QCE22HP-103	0.01MF 500V CERAMIC	E
C857	QCE22HP-103	0.01MF 500V CERAMIC	FBS
C857	QFN82AJ-104	0.1MF 100V MYLAR	G
C858	QCF21HP-472	4700PF 50V CERAMIC	
C859	QFN82AJ-473	0.047MF 100V MYLAR	C
C859	QFN82AJ-473	0.047MF 100V MYLAR	D
C859	QFN82AJ-473	0.047MF 100V MYLAR	E
C859	QFN82AJ-473	0.047MF 100V MYLAR	FBS
C859	QFN82AJ-104	0.1MF 100V MYLAR	G
C871	QETB1EM-107	100MF 25V ELECTRO	
C961	QFLB1HJ-473	0.047MF 50V MYLAR	G
C962	QFLB1HJ-473	0.047MF 50V MYLAR	G
C963	QFLB1HJ-473	0.047MF 50V MYLAR	G
C964	QFLB1HJ-473	0.047MF 50V MYLAR	G
C965	QCS21HJ-331	330PF 50V CERAMIC	G
C966	QCS21HJ-331	330PF 50V CERAMIC	G
C967	QCS21HJ-331	330PF 50V CERAMIC	G
C968	QCS21HJ-331	330PF 50V CERAMIC	G
C969	QCS21HJ-331	330PF 50V CERAMIC	G
C970	QCS21HJ-331	330PF 50V CERAMIC	G
C971	QCS21HJ-331	330PF 50V CERAMIC	G
C972	QCS21HJ-331	330PF 50V CERAMIC	G
C973	QCS21HJ-331	330PF 50V CERAMIC	G
C974	QCS21HJ-331	330PF 50V CERAMIC	G
C975	QCF21HP-103	0.01MF 50V CERAMIC	G
C991	QCF21HP-103	0.01MF 50V CERAMIC	G

△ : SAFETY PARTS

RESISTORS

△	ITEM	PART NUMBER	DESCRIPTION	AREA
	R002	QRD167J-104	100K 1/6W CARBON	
	R341	QRD167J-223	22K 1/6W CARBON	
	R342	QRD167J-223	22K 1/6W CARBON	
	R343	QRD167J-223	22K 1/6W CARBON	
	R344	QRD167J-223	22K 1/6W CARBON	
	R345	QRD167J-222	2.2K 1/6W CARBON	
	R346	QRD167J-222	2.2K 1/6W CARBON	
	R347	QRD167J-103	10K 1/6W CARBON	
	R348	QRD167J-103	10K 1/6W CARBON	
	R349	QRD167J-273	27K 1/6W CARBON	
	R350	QRD167J-273	27K 1/6W CARBON	
	R401	QRD167J-104	100K 1/6W CARBON	
	R402	QRD167J-104	100K 1/6W CARBON	
	R403	QRD167J-104	100K 1/6W CARBON	
	R404	QRD167J-104	100K 1/6W CARBON	
	R405	QRD167J-104	100K 1/6W CARBON	
	R406	QRD167J-104	100K 1/6W CARBON	
	R407	QRD167J-104	100K 1/6W CARBON	
	R408	QRD167J-104	100K 1/6W CARBON	
	R409	QRD167J-331	330 1/6W CARBON	
	R410	QRD167J-223	22K 1/6W CARBON	
	R411	QRD167J-221	220 1/6W CARBON	
	R412	QRD167J-221	220 1/6W CARBON	
	R413	QRD167J-221	220 1/6W CARBON	
	R414	QRD167J-221	220 1/6W CARBON	C
	R414	QRD167J-221	220 1/6W CARBON	D
	R414	QRD167J-221	220 1/6W CARBON	E
	R414	QRD167J-122	1.2K 1/6W CARBON	FBS
	R414	QRD167J-221	220 1/6W CARBON	G
	R415	QRD167J-220	22 1/6W CARBON	
	R416	QRD167J-472	4.7K 1/6W CARBON	
	R421	QRD167J-471	470 1/6W CARBON	
	R422	QRD167J-471	470 1/6W CARBON	
	R423	QRD167J-221	220 1/6W CARBON	
	R424	QRD167J-471	470 1/6W CARBON	
	R425	QRD167J-471	470 1/6W CARBON	
	R426	QRD167J-471	470 1/6W CARBON	
	R427	QRD167J-471	470 1/6W CARBON	
	R428	QRD167J-471	470 1/6W CARBON	
	R429	QRD167J-471	470 1/6W CARBON	
	R430	QRD167J-471	470 1/6W CARBON	
	R431	QRD167J-471	470 1/6W CARBON	
	R432	QRD167J-471	470 1/6W CARBON	
	R433	QRD167J-471	470 1/6W CARBON	
	R434	QRD167J-471	470 1/6W CARBON	
	R435	QRD167J-471	470 1/6W CARBON	
	R451	QRD167J-103	10K 1/6W CARBON	
	R452	QRD167J-473	47K 1/6W CARBON	
	R453	QRD167J-223	22K 1/6W CARBON	
	R454	QRD167J-471	470 1/6W CARBON	
	R455	QRD167J-103	10K 1/6W CARBON	
	R501	QRD167J-203	20K 1/6W CARBON	
	R502	QRD167J-203	20K 1/6W CARBON	
	R503	QRD167J-362	3.6K 1/6W CARBON	
	R504	QRD167J-362	3.6K 1/6W CARBON	
	R505	QRD167J-472	4.7K 1/6W CARBON	
	R506	QRD167J-472	4.7K 1/6W CARBON	
	R507	QRD167J-152	1.5K 1/6W CARBON	
	R508	QRD167J-152	1.5K 1/6W CARBON	
△	R861	QRZ0076-3R3	3.3 1/4W FUSIBLE	C
△	R861	QRZ0077-220	22 1/4W FUSIBLE	D
△	R861	QRZ0077-220	22 1/4W FUSIBLE	E
△	R861	QRZ0077-220	22 1/4W FUSIBLE	FBS
△	R861	QRZ0077-220	22 1/4W FUSIBLE	G
△	R862	QRV144F-1502	15K 1/4W M.FILM	C
△	R863	QRD167J-821	820 1/6W CARBON	C
△	R863	QRV144F-8200	1/4W M.FILM	D
△	R863	QRV144F-9100	1/4W M.FILM	E
△	R863	QRV144F-9100	1/4W M.FILM	FBS
△	R863	QRV144F-8200	1/4W M.FILM	G
△	R864	GRG012J-332A	3.3K 1W O.M.FILM	C
△	R871	GRX022J-R22A	0.22 2W M.FILM	G
△	R872	GRX022J-R22A	0.22 2W M.FILM	C
	R885	QRD167J-200	20 1/6W CARBON	E
	R885	QRD167J-200	20 1/6W CARBON	FBS
	R937	QRD167J-104	100K 1/6W CARBON	
△	R941	QRG022J-471A	470 2W O.M.FILM	G
△	R942	QRG022J-471A	470 2W O.M.FILM	G
△	R961	QRZ0077-100	10 1/4W FUSIBLE	G
△	R962	QRZ0077-100	10 1/4W FUSIBLE	G
△	R963	QRZ0077-100	10 1/4W FUSIBLE	G
△	R964	QRZ0077-100	10 1/4W FUSIBLE	G
	VR361	QVDC91B-E15EJ3	100K VARIABLE	
	VR501	QVDB92C-E15CJ3	100K VARIABLE	
	VR502	QVDB92C-E15CJ3	100K VARIABLE	
	VR503	QVDA92W-E15EJ3	100K VARIABLE	

△ : SAFETY PARTS

OTHERS

△	ITEM	PART NUMBER	DESCRIPTION	AREA
		EMB90TV-801A	SPEAKER TERMINAL	
		EMV5103-002B	PLUG ASSY	
		E308270-001	FL HOLDER	
		E3400-431	FELT SPACER	
		E3400-444	FELT SPACER	
		E65508-002	TAB	
		QST4241-E05J2	PUSH SWITCH	
		QWE350-34DD	WIRE	
		QWE351-32DD	WIRE	
		VMZ0087-001	FUSE CLIP	
△		ETP1000-41ZB	POWER TRANSFORMER	C
		E70945-H40B	HEAT SINK	C
		QMCA002-E01S	AC OUTLET	C
△		QSR0085-018	VOLTAGE SELECTOR	C
		SBST3008CC	SCREW	C
		VMZ0087-001	FUSE CLIP	C
△		ETP1000-41EA	POWER TRANSFORMER	D
		E67132-T2R5	FUSE LABEL	D
		VMZ0087-001	FUSE CLIP	D
△		ETP1000-41EA	POWER TRANSFORMER	E
		E67132-T2R5	FUSE LABEL	E
		VMZ0087-001	FUSE CLIP	E
△		ETP1000-41EABS	POWER TRANSFORMER	FBS
		E67132-T2R5	FUSE LABEL	FBS
		VMZ0087-001	FUSE CLIP	FBS
△		ETP1000-41EA	POWER TRANSFORMER	G
		E67132-T2R5	FUSE LABEL	G
		E70225-001	EARTH PLATE	G
		VMZ0087-001	FUSE CLIP	G
	F851	E67132-T4R0	FUSE LABEL	
	F852	E67132-T4R0	FUSE LABEL	
	J001	EMV5137-002	PLUG ASSY(2PIN) FUSE	C
	J002	EMV5137-002	PLUG ASSY(2PIN) TRANS-OUTLET	D
	J002	EMV5137-002	PLUG ASSY(2PIN) TRANS-OUTLET	E
	J002	EMV5137-002	PLUG ASSY(2PIN) TRANS-OUTLET	FBS
	J002	EMV5137-002	PLUG ASSY(2PIN) TRANS-OUTLET	G
	J003	E70225-001	EARTH PLATE	
	J901	QMS6A40-021	HEADPHONE JACK	
	L961	EQL0001-R45	INDUCTOR	G
	L962	EQL0001-R45	INDUCTOR	G
	P805	EMV7122-103	CONNECTOR(3PIN) TO END-090-7	
	P808	EMV7122-103	CONNECTOR(3PIN) END-090-1	
	S401	ESP0001-023M	TACT SWITCH(PWR)	
	S402	ESP0001-023M	TACT SWITCH(LOUD.)	
	S403	ESP0001-023M	TACT SWITCH(CENTER)	
	S404	ESP0001-023M	TACT SWITCH(CENTER -)	
	S405	ESP0001-023M	TACT SWITCH(CENTER +)	
	S406	ESP0001-023M	TACT SWITCH(SURR.)	
	S407	ESP0001-023M	TACT SWITCH(SURR. MODE)	
	S408	ESP0001-023M	TACT SWITCH(REAR -)	
	S409	ESP0001-023M	TACT SWITCH(REAR +)	
	S410	ESP0001-023M	TACT SWITCH(5)	
	S411	ESP0001-023M	TACT SWITCH(6)	
	S412	ESP0001-023M	TACT SWITCH(DELAY)	
	S413	ESP0001-023M	TACT SWITCH(TEST)	
	S414	ESP0001-023M	TACT SWITCH(1)	
	S415	ESP0001-023M	TACT SWITCH(2)	
	S416	ESP0001-023M	TACT SWITCH(3)	
	S417	ESP0001-023M	TACT SWITCH(4)	
	S418	ESP0001-023M	TACT SWITCH(CD)	
	S419	ESP0001-023M	TACT SWITCH(PHONO)	
	S420	ESP0001-023M	TACT SWITCH(VCR)	
	S421	ESP0001-023M	TACT SWITCH(VIDEO)	
	S422	ESP0001-023M	TACT SWITCH(PRESET SCAN)	
	S423	ESP0001-023M	TACT SWITCH(FM MODE)	
	S424	ESP0001-023M	TACT SWITCH(+10)	
	S425	ESP0001-023M	TACT SWITCH(7)	
	S426	ESP0001-023M	TACT SWITCH(TAPE 1)	
	S427	ESP0001-023M	TACT SWITCH(CHARACTOR)	
	S428	ESP0001-023M	TACT SWITCH(AUTO MEMORY)	
	S429	ESP0001-023M	TACT SWITCH(MEMORY)	
	S430	ESP0001-023M	TACT SWITCH(8)	
	S431	ESP0001-023M	TACT SWITCH(TAPE 2)	
	S432	ESP0001-023M	TACT SWITCH(-)	
	S433	ESP0001-023M	TACT SWITCH(TUNING -)	
	S434	ESP0001-023M	TACT SWITCH(CENTER)	
	S435	ESP0001-023M	TACT SWITCH(9)	
	S436	ESP0001-023M	TACT SWITCH(FM)	
	S437	ESP0001-023M	TACT SWITCH(+)	
	S438	ESP0001-023M	TACT SWITCH(TUNING +)	
	S439	ESP0001-023M	TACT SWITCH(10)	
	S440	ESP0001-023M	TACT SWITCH(AM)	
	EP802	E70859-001	EARTH PLATE	
	FL401	ELU0001-144	FL TUBE	
	FW105	EWR33B-45LST	FLAT WIRE(3PIN) TO TUNER	C
	FW401	EWR39B-20SST	FLAT WIRE(5PIN) KEY MATRIX	
	FW703	EWR35B-45LST	FLAT WIRE(3PIN) TONE CONTROL	
	FW802	EWR36B-20SST	FLAT WIRE(6PIN) POWER SECONDARY	
	FW804	EWR35B-40SST	FLAT WIRE(5PIN) TO END-090-11	
	FW805	EWR33B-45SST	FLAT WIRE(3PIN) TO END-090-12	
	FW806	EWR35B-45SST	FLAT WIRE(5PIN) TO END-090-13	
	FW807	EWR36B-50SST	FLAT WIRE(6PIN) SPEAKER TERMINAL	
	FW808	EWR33B-20LST	FLAT WIRE(3PIN) POWER CONTROL	
	PA403	EMV5103-002A	PLUG ASSY(2PIN) VOLUME INDICATOR	
	PA441	EMV7123-020	CONNECTOR(20PIN) FRONT PCB	

△ : SAFETY PARTS

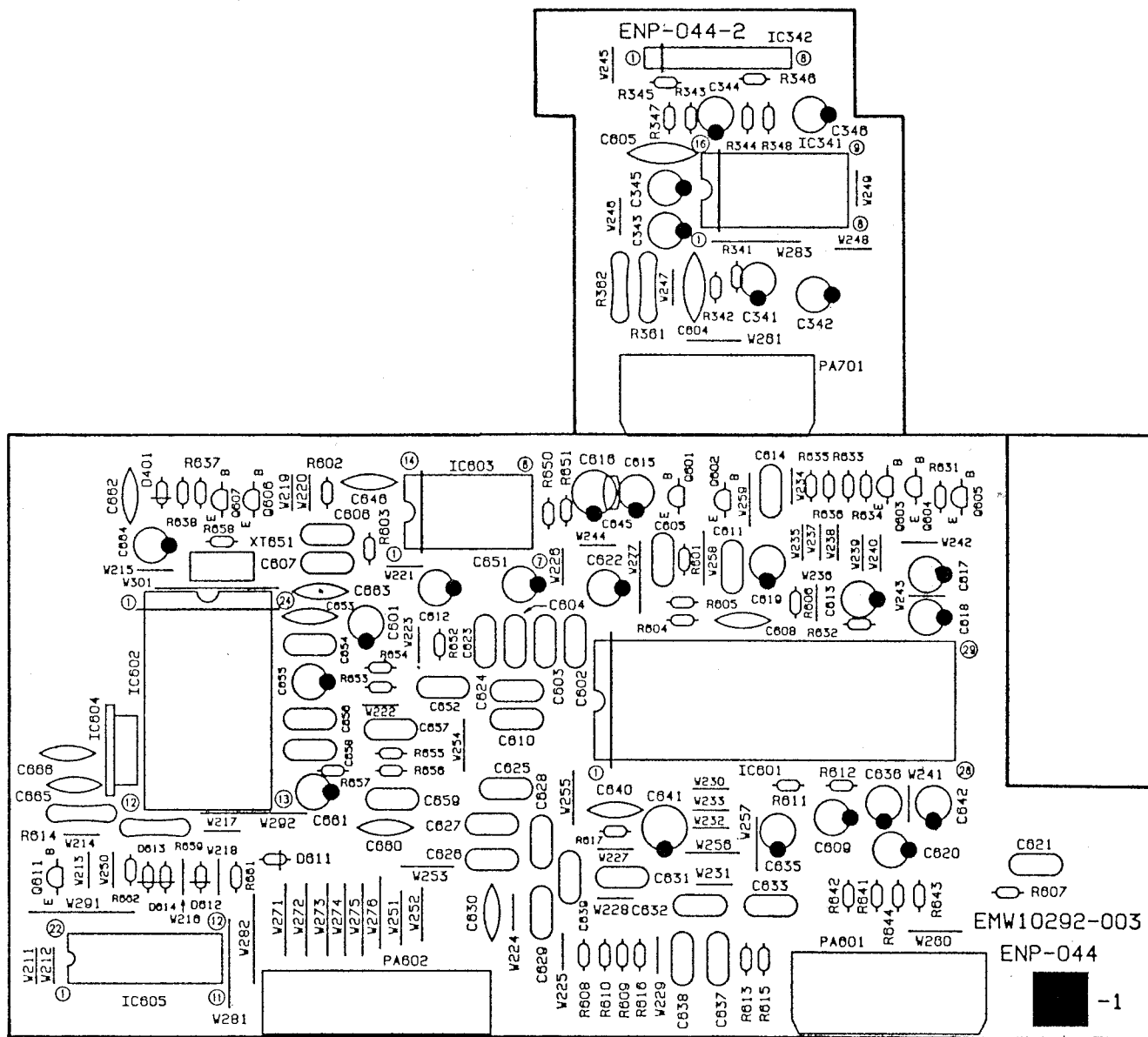
OTHERS

Δ	ITEM	PART NUMBER	DESCRIPTION	AREA
	PA704	EWS293-0145	SOCKET WIRE(3PIN) FRONT PCB	
	PA801	EWS267-A424	SOCKET WIRE(7PIN) FRONT PCB	
	PA804	EMV7125-008R	CONNECTOR(8PIN) END-090-11	
	PA805	EMV7125-006R	CONNECTOR(6PIN) END-090-12	
	PA806	EMV7125-009R	CONNECTOR(9PIN) END-090-13	
	PB302	EMV5109-006A	PLUG ASSY(6PIN) MASTER VOLUME IN	
	PB303	EMV5109-006A	PLUG ASSY(6PIN) MASTER VOLUME OUT	
	PB304	EMV5109-004A	PLUG ASSY(4PIN) VOLUME CONTROL	
	PB801	EMV5109-007A	PLUG ASSY(7PIN) TO FRONT PCB	
	RY001	ESK1D12-118J1	RELAY	C
	RY001	ESK1D12-118J1	RELAY	D
	RY001	ESK1D12-118J1	RELAY	E
	RY001	ESK1D12-118J1BS	RELAY	FBS
	RY001	ESK1D12-118J1	RELAY	G
	XT401	ECX0060-000EM	RESONATOR	

Δ SAFETY PARTS

■ ENP-044 □ Surround PC Board Ass'y

Note : ENP-044 □ varies according to the areas employed. See note (1) when placing an order.



Note (1)

PC Board Ass'y	Designated Areas
ENP-044 [E]	Australia, the U.K. Scandinavia Continental Europe Universal Type, Taiwan
ENP-044 [F]	Germany

I. C. S.

ITEM	PART NUMBER	DESCRIPTION	AREA
IC341	TC9176P	I.C. TOSHIBA	
IC342	VC4580L	I.C. DAINICHI	
IC601	NJM2177L	I.C. DAINICHI	
IC602	M50198P	I.C. MITSUBISHI	
IC604	NJM78M05FD	I.C. DAINICHI	
IC605	NJU3715L	I.C. DAINICHI	

△ : SAFETY PARTS

TRANSISTORS

ITEM	PART NUMBER	DESCRIPTION	AREA
Q601	2SD655(D,E)	SILICON HITACHI	
Q602	2SD655(D,E)	SILICON HITACHI	
Q603	AA1L4M	SILICON NEC	
Q604	DTC144ES	SILICON ROHM	
Q605	AN1L4M	SILICON NEC	

△ : SAFETY PARTS

DIODES

ITEM	PART NUMBER	DESCRIPTION	AREA
D401	1SS133	SILICON ROHM	

△ : SAFETY PARTS

CAPACITORS

△	ITEM	PART NUMBER	DESCRIPTION		AREA
	C341	QETB1HM-475	4.7MF	50V ELECTRO	
	C342	QETB1HM-475	4.7MF	50V ELECTRO	
	C343	QETB1HM-105	1MF	50V ELECTRO	
	C344	QETB1HM-105	1MF	50V ELECTRO	
	C345	QETB1EM-106	10MF	25V ELECTRO	
	C346	QETB1EM-106	10MF	25V ELECTRO	
	C347	QCF21HP-223	0.022MF	50V CERAMIC	
	C348	QCF21HP-223	0.022MF	50V CERAMIC	
	C601	QETB1HM-475	4.7MF	50V ELECTRO	
	C602	QFV81HJ-224	0.22MF	50V T.FILM	
	C603	QFV81HJ-224	0.22MF	50V T.FILM	
	C604	QFV81HJ-224	0.22MF	50V T.FILM	
	C605	QFV81HJ-684	0.68MF	50V T.FILM	
	C606	QFLB1HJ-562	5600PF	50V MYLAR	
	C607	QFLB1HJ-472	4700PF	50V MYLAR	
	C608	QCS21HJ-471	470PF	50V CERAMIC	
	C609	QETB1CM-227	220MF	16V ELECTRO	
	C610	QFLB1HJ-473	0.047MF	50V MYLAR	
	C611	QFLB1HJ-562	5600PF	50V MYLAR	
	C612	QETB1HM-106	10MF	50V ELECTRO	
	C613	QETB1HM-106	10MF	50V ELECTRO	
	C614	QFV81HJ-224	0.22MF	50V T.FILM	
	C615	QETB1HM-106	10MF	50V ELECTRO	
	C616	QETB1CM-107	100MF	16V ELECTRO	
	C617	QETB1HM-106	10MF	50V ELECTRO	
	C618	QETB1HM-106	10MF	50V ELECTRO	
	C619	QETB1HM-106	10MF	50V ELECTRO	
	C620	QETB1CM-226	22MF	16V ELECTRO	
	C621	QFN81HJ-472	4700PF	50V MYLAR	
	C622	QETB1HM-475	4.7MF	50V ELECTRO	
	C623	QFV81HJ-224	0.22MF	50V T.FILM	
	C624	QFLB1HJ-104	0.1MF	50V MYLAR	
	C625	QFLB1HJ-104	0.1MF	50V MYLAR	
	C626	QFLB1HJ-104	0.1MF	50V MYLAR	
	C627	QFLB1HJ-104	0.1MF	50V MYLAR	
	C628	QFLB1HJ-223	0.022MF	50V MYLAR	
	C629	QFLB1HJ-223	0.022MF	50V MYLAR	
	C630	QCY21HK-681	680PF	50V CERAMIC	
	C631	QFLB1HJ-473	0.047MF	50V MYLAR	
	C632	QFLB1HJ-104	0.1MF	50V MYLAR	
	C633	QFLB1HJ-104	0.1MF	50V MYLAR	
	C635	QETB1HM-106	10MF	50V ELECTRO	
	C636	QETB1HM-106	10MF	50V ELECTRO	
	C637	QFLB1HJ-104	0.1MF	50V MYLAR	
	C638	QFLB1HJ-104	0.1MF	50V MYLAR	
	C639	QFLB1HJ-473	0.047MF	50V MYLAR	
	C640	QCY21HK-681	680PF	50V CERAMIC	
	C641	QEB51EM-226	22MF	25V LLC ELECTRO	
	C642	QETB1EM-106	10MF	25V ELECTRO	
	C645	QCHB1EZ-223	0.022MF	25V CERAMIC	
	C646	QCF21HP-223	0.022MF	50V CERAMIC	
	C649	QCY21HK-561	560PF	50V CERAMIC	
	C651	QETB1HM-105	1MF	50V ELECTRO	
	C652	QFLB1HJ-562	5600PF	50V MYLAR	
	C653	QCY21HK-561	560PF	50V CERAMIC	
	C654	QFLB1HJ-104	0.1MF	50V MYLAR	
	C655	QETB1CM-476	47MF	16V ELECTRO	
	C656	QFV81HJ-474	0.47MF	50V T.FILM	
	C657	QFV81HJ-474	0.47MF	50V T.FILM	
	C658	QFLB1HJ-104	0.1MF	50V MYLAR	
	C659	QFLB1HJ-562	5600PF	50V MYLAR	
	C660	QCS21HJ-561	560PF	50V CERAMIC	
	C661	QETB1HM-105	1MF	50V ELECTRO	
	C662	QCF21HP-223	0.022MF	50V CERAMIC	
	C663	QCF21HP-223	0.022MF	50V CERAMIC	
	C664	QETB1CM-107	100MF	16V ELECTRO	
	C665	QCF21HP-223	0.022MF	50V CERAMIC	
	C666	QCF21HP-223	0.022MF	50V CERAMIC	

△ : SAFETY PARTS

RESISTORS

△	ITEM	PART NUMBER	DESCRIPTION		AREA
	R341	QRD167J-104	100K	1/6W CARBON	
	R342	QRD167J-104	100K	1/6W CARBON	
	R343	QRD167J-105	1M	1/6W CARBON	
	R344	QRD167J-105	1M	1/6W CARBON	
	R345	QRD167J-333	33K	1/6W CARBON	
	R346	QRD167J-333	33K	1/6W CARBON	
	R347	QRD167J-103	10K	1/6W CARBON	
	R348	QRD167J-103	10K	1/6W CARBON	
△	R361	QRZ0077-680	68	1/4W FUSIBLE	
△	R362	QRZ0077-680	68	1/4W FUSIBLE	
	R601	QRD167J-334	330K	1/6W CARBON	
	R602	QRD167J-822	8.2K	1/6W CARBON	
	R603	QRD167J-822	8.2K	1/6W CARBON	
	R604	QRD167J-822	8.2K	1/6W CARBON	
	R605	QRD167J-153	15K	1/6W CARBON	
	R606	QRD167J-104	100K	1/6W CARBON	
	R607	QRD167J-104	100K	1/6W CARBON	
	R608	QRD167J-752	7.5K	1/6W CARBON	
	R609	QRD167J-153	15K	1/6W CARBON	
	R610	QRD167J-473	47K	1/6W CARBON	
	R611	QRD167J-223	22K	1/6W CARBON	
	R612	QRD167J-223	22K	1/6W CARBON	
	R613	QRD167J-473	47K	1/6W CARBON	
△	R614	QRD14CJ-680S	68	1/4W UNF. CARBON	
	R615	QRD167J-153	15K	1/6W CARBON	
	R616	QRD167J-752	7.5K	1/6W CARBON	
	R617	QRD167J-475	4.7M	1/6W CARBON	
	R631	QRD167J-392	3.9K	1/6W CARBON	
	R632	QRD167J-822	8.2K	1/6W CARBON	
	R633	QRD167J-223	22K	1/6W CARBON	
	R634	QRD167J-473	47K	1/6W CARBON	
	R635	QRD167J-223	22K	1/6W CARBON	
	R636	QRD167J-473	47K	1/6W CARBON	
	R641	QRD167J-103	10K	1/6W CARBON	
	R642	QRD167J-103	10K	1/6W CARBON	
	R643	QRD167J-104	100K	1/6W CARBON	
	R644	QRD167J-104	100K	1/6W CARBON	
	R650	QRD167J-822	8.2K	1/6W CARBON	
	R651	QRD167J-273	27K	1/6W CARBON	
	R652	QRD167J-153	15K	1/6W CARBON	
	R653	QRD167J-153	15K	1/6W CARBON	
	R654	QRD167J-103	10K	1/6W CARBON	
	R655	QRD167J-153	15K	1/6W CARBON	
	R656	QRD167J-103	10K	1/6W CARBON	
	R657	QRD167J-153	15K	1/6W CARBON	
	R658	QRD167J-105	1M	1/6W CARBON	
△	R659	QRD14CJ-680S	68	1/4W UNF. CARBON	

△ : SAFETY PARTS

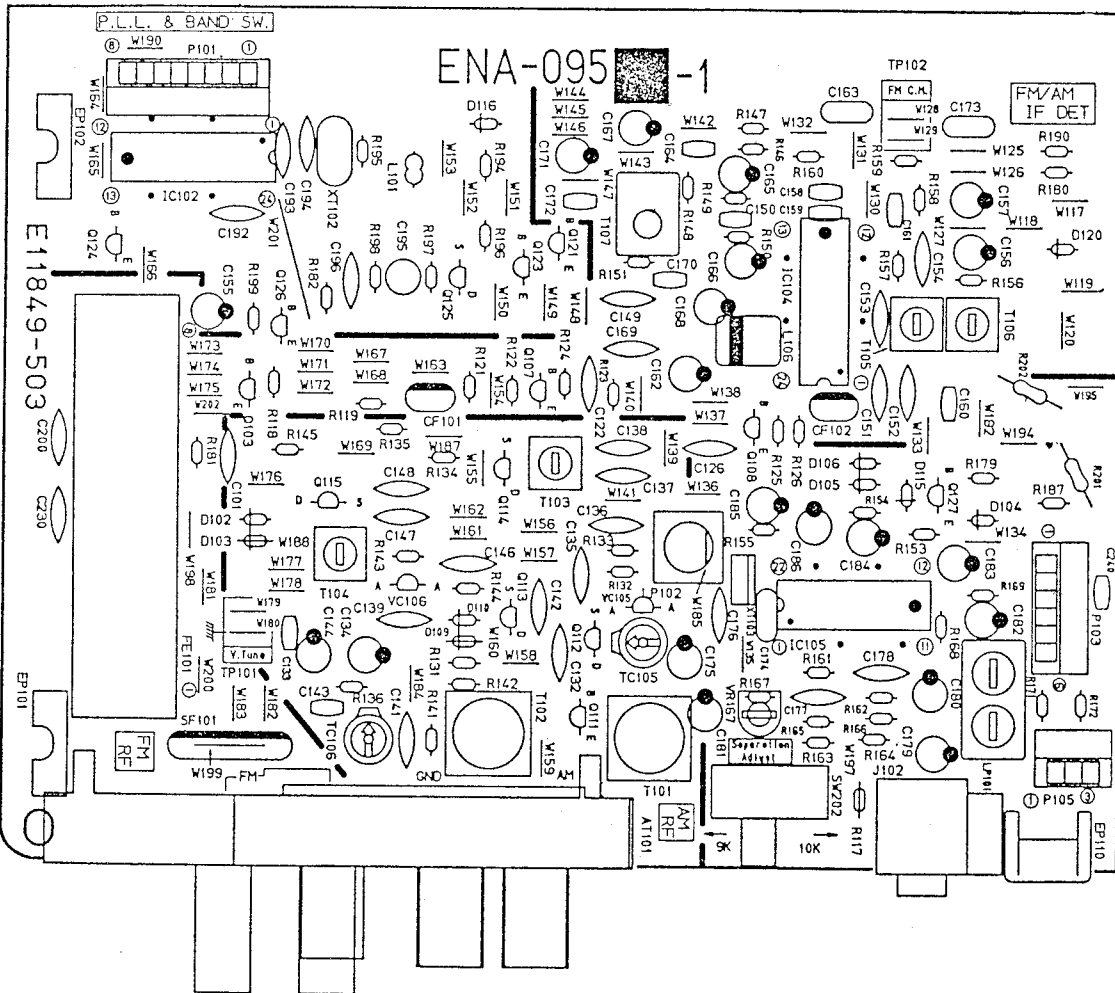
OTHERS

△	ITEM	PART NUMBER	DESCRIPTION		AREA
	PA601	QWE351-09DD	WIRE		
	PA602	EMV7140-L10R	CONNECTOR(10PIN) SOUND PATH		
	PA701	EMV7125-013R	CONNECTOR(13PIN) SURROUND CONTROL		
	XT651	EMV7140-L10R	CONNECTOR(10PIN) SURROUND LEVEL		
		ECX0003-270KM	RESONATOR		

△ : SAFETY PARTS

■ ENA-095 □ Tuner PC Board Ass'y

Note : ENA-095 □ varies according to the areas employed. See note (1) when placing an order.



Note (1)

PC Board Ass'y	Designated Areas
ENA-095 I	Universal Type, Taiwan
ENA-095 J	Australia
ENA-095 K	Scandinavia, the U.K. Continental Europe
ENA-095 N	Germany

TRANSISTORS

ITEM	PART NUMBER	DESCRIPTION	AREA
Q103	2SC461(B,C)	SILICON HITACHI	
Q107	2SC535(B,C)	SILICON HITACHI	
Q108	2SC461(B,C)	SILICON HITACHI	
Q111	2SD1302(S,T)	SILICON MATSUSHITA	K
Q111	2SD1302(S,T)	SILICON MATSUSHITA	N
Q112	2SK301(Q,R)	F.E.T MATSUSHITA	
Q113	2SK301(Q,R)	F.E.T MATSUSHITA	K
Q113	2SK301(Q,R)	F.E.T MATSUSHITA	N
Q114	2SK301(P,Q)	F.E.T MATSUSHITA	K
Q114	2SK301(P,Q)	F.E.T MATSUSHITA	N
Q115	2SK301(P,Q)	F.E.T MATSUSHITA	K
Q115	2SK301(P,Q)	F.E.T MATSUSHITA	N
Q121	AN1A4P	SILICON NEC	K
Q121	AN1A4P	SILICON NEC	N
Q123	AN1A4P	SILICON NEC	

△ : SAFETY PARTS

TRANSISTORS

ITEM	PART NUMBER	DESCRIPTION	AREA
Q124	AN1A4P	SILICON NEC	
Q125	2SK301(Q2)	F.E.T MATSUSHITA	
Q126	2SC458(D)	SILICON HITACHI	
Q127	AA1L4M	SILICON NEC	

I. C. S.

ITEM	PART NUMBER	DESCRIPTION	AREA
IC102	LC7218	I.C. SANYO	
IC104	LA1266A	I.C. SANYO	
IC105	LA3401	I.C. SANYO	

DIODES

ITEM	PART NUMBER	DESCRIPTION	AREA
D102	1SS119	SILICON HITACHI	K
D102	1SS119	SILICON HITACHI	N
D103	1SS119	SILICON HITACHI	K
D103	1SS119	SILICON HITACHI	N
D104	1SS119	SILICON HITACHI	
D105	1SS119	SILICON HITACHI	
D106	1SS119	SILICON HITACHI	
D109	1SS119	SILICON HITACHI	K
D109	1SS119	SILICON HITACHI	N
D110	1SS119	SILICON HITACHI	K

△ : SAFETY PARTS

DIODES

△	ITEM	PART NUMBER	DESCRIPTION	AREA
	D110	1SS119	SILICON HITACHI	N
	D115	1SS119	SILICON HITACHI	
	D116	1SS119	SILICON HITACHI	
	D120	1SS119	SILICON HITACHI	
	VC105	SVC342(L)	VARICAP SANYO	
	VC106	SVC342(L)	VARICAP SANYO	K
	VC106	SVC342(L)	VARICAP SANYO	N

△ : SAFETY PARTS

CAPACITORS

△	ITEM	PART NUMBER	DESCRIPTION	AREA
	C101	QCF21HP-223	0.022MF 50V CERAMIC	
	C122	QCF21HP-223	0.022MF 50V CERAMIC	
	C126	QCF21HP-223	0.022MF 50V CERAMIC	
	C132	QCS21HJ-561	560PF 50V CERAMIC	
	C133	QCHB1EZ-223	0.022MF 25V CERAMIC	
	C134	QETB1EM-106	10MF 25V ELECTRO	
	C135	QCC21EM-223	0.022MF 25V CERAMIC	
	C136	QCT26CH-180	18PF 50V CERAMIC	
	C137	QCT26CH-221	220PF 50V CERAMIC	
	C138	QCT26CH-241	240PF 50V CERAMIC	
	C139	QCC21EM-223	0.022MF 25V CERAMIC	K
	C139	QCC21EM-223	0.022MF 25V CERAMIC	N
	C141	QCS21HJ-270	27PF 50V CERAMIC	K
	C141	QCS21HJ-270	27PF 50V CERAMIC	N
	C142	QCY21HK-272	2700PF 50V CERAMIC	K
	C142	QCY21HK-272	2700PF 50V CERAMIC	N
	C143	QCHB1EZ-223	0.022MF 25V CERAMIC	K
	C143	QCHB1EZ-223	0.022MF 25V CERAMIC	N
	C144	QETB1EM-106	10MF 25V ELECTRO	K
	C144	QETB1EM-106	10MF 25V ELECTRO	N
	C146	QCT26CH-680	68PF 50V CERAMIC	K
	C146	QCT26CH-680	68PF 50V CERAMIC	N
	C147	QCT26CH-220	22PF 50V CERAMIC	K
	C147	QCT26CH-220	22PF 50V CERAMIC	N
	C148	QCT26CH-121	120PF 50V CERAMIC	K
	C148	QCT26CH-121	120PF 50V CERAMIC	N
	C149	QCF21HP-223	0.022MF 50V CERAMIC	
	C150	QCHB1EZ-223	0.022MF 25V CERAMIC	
	C151	QCF21HP-223	0.022MF 50V CERAMIC	
	C152	QCF21HP-223	0.022MF 50V CERAMIC	
	C153	QCC21EM-223	0.022MF 25V CERAMIC	
	C154	QCF21HP-223	0.022MF 50V CERAMIC	
	C155	QETB1EM-226	22MF 25V ELECTRO	
	C156	QETB1HM-475	4.7MF 50V ELECTRO	
	C157	QETB1HM-474	0.47MF 50V ELECTRO	
	C158	QCB1HK-101	100PF 50V CERAMIC	
	C159	QCB1HK-101	100PF 50V CERAMIC	
	C160	QCB1HK-221	220PF 50V CERAMIC	I
	C160	QCB1HK-221	220PF 50V CERAMIC	J
	C160	QCB1HK-101	100PF 50V CERAMIC	K
	C160	QCB1HK-221	220PF 50V CERAMIC	N
	C161	QCHB1EZ-223	0.022MF 25V CERAMIC	
	C162	QETB1EM-106	10MF 25V ELECTRO	
	C163	QFLB1HJ-332	3300PF 50V MYLAR	
	C164	QCHB1EZ-223	0.022MF 25V CERAMIC	
	C165	QETB1HM-474	0.47MF 50V ELECTRO	
	C166	QETB1HM-225	2.2MF 50V ELECTRO	
	C167	QETB1HM-225	2.2MF 50V ELECTRO	
	C168	QETB1HM-475	4.7MF 50V ELECTRO	
	C169	QCF21HP-223	0.022MF 50V CERAMIC	
	C170	QCHB1EZ-223	0.022MF 25V CERAMIC	
	C171	QETB1EM-106	10MF 25V ELECTRO	
	C172	QCVB1CM-103	0.01MF 16V CERAMIC	
	C173	QFLB1HK-223	0.022MF 50V MYLAR	
	C174	QFLB1HK-473	0.047MF 50V MYLAR	
	C175	QETB1EM-106	10MF 25V ELECTRO	
	C176	QCY21HK-102	1000PF 50V CERAMIC	
	C177	QCS21HJ-561	560PF 50V CERAMIC	I
	C177	QCS21HJ-271	270PF 50V CERAMIC	J
	C177	QCS21HJ-271	270PF 50V CERAMIC	K
	C177	QCS21HJ-271	270PF 50V CERAMIC	N
	C178	QCS21HJ-561	560PF 50V CERAMIC	I
	C178	QCS21HJ-271	270PF 50V CERAMIC	J
	C178	QCS21HJ-271	270PF 50V CERAMIC	K
	C178	QCS21HJ-271	270PF 50V CERAMIC	N
	C179	QETB1HM-225	2.2MF 50V ELECTRO	
	C180	QETB1HM-225	2.2MF 50V ELECTRO	
	C181	QETB1EM-106	10MF 25V ELECTRO	
	C182	QETB1HM-225	2.2MF 50V ELECTRO	
	C183	QETB1HM-105	1MF 50V ELECTRO	
	C184	QETB1HM-105	1MF 50V ELECTRO	
	C185	QETB1HM-225	2.2MF 50V ELECTRO	
	C186	QETB1HM-474	0.47MF 50V ELECTRO	
	C192	QCC21EM-473	0.047MF 25V CERAMIC	
	C193	QCS21HJ-180	18PF 50V CERAMIC	
	C194	QCS21HJ-180	18PF 50V CERAMIC	
	C195	QEN51HM-474	0.47MF 50V NON POLE	
	C196	QCY21HK-102	1000PF 50V CERAMIC	
	C230	QCF21HP-103	0.01MF 50V CERAMIC	
	C240	QCB1HK-101	100PF 50V CERAMIC	N

△ : SAFETY PARTS

RESISTORS

△	ITEM	PART NUMBER	DESCRIPTION	AREA
	R117	QRD167J-100	10 1/6W CARBON	
	R118	QRD167J-332	3.3K 1/6W CARBON	
	R119	QRD161J-221	220 1/6W CARBON	
	R121	QRD167J-391	390 1/6W CARBON	
	R122	QRD167J-272	2.7K 1/6W CARBON	
	R123	QRD167J-102	1K 1/6W CARBON	
	R124	QRD167J-681	680 1/6W CARBON	
	R125	QRD167J-332	3.3K 1/6W CARBON	
	R126	QRD161J-221	220 1/6W CARBON	
	R131	QRD167J-331	330 1/6W CARBON	
	R132	QRD167J-103	10K 1/6W CARBON	
	R133	QRD167J-473	47K 1/6W CARBON	
	R134	QRD167J-103	10K 1/6W CARBON	K
	R134	QRD167J-103	10K 1/6W CARBON	N
	R135	QRD167J-470	47 1/6W CARBON	
	R136	QRD167J-103	10K 1/6W CARBON	
	R141	QRD167J-472	4.7K 1/6W CARBON	K
	R141	QRD167J-472	4.7K 1/6W CARBON	N
	R142	QRD167J-331	330 1/6W CARBON	K
	R142	QRD167J-331	330 1/6W CARBON	N
	R143	QRD167J-103	10K 1/6W CARBON	K
	R143	QRD167J-103	10K 1/6W CARBON	N
	R144	QRD167J-473	47K 1/6W CARBON	K
	R144	QRD167J-473	47K 1/6W CARBON	N
	R145	QRD167J-103	10K 1/6W CARBON	K
	R145	QRD167J-103	10K 1/6W CARBON	N
	R146	QRD167J-560	56 1/6W CARBON	
	R147	QRD167J-103	10K 1/6W CARBON	
	R148	QRD167J-103	10K 1/6W CARBON	
	R149	QRD167J-273	27K 1/6W CARBON	
	R150	QRD167J-103	10K 1/6W CARBON	
	R151	QRD167J-224	220K 1/6W CARBON	
	R153	QRD167J-103	10K 1/6W CARBON	
	R154	QRD167J-103	10K 1/6W CARBON	
	R155	QRD167J-562	5.6K 1/6W CARBON	
	R156	QRD167J-822	8.2K 1/6W CARBON	
	R157	QRD167J-103	10K 1/6W CARBON	
	R158	QRD167J-333	33K 1/6W CARBON	
	R159	QRD167J-561	560 1/6W CARBON	
	R160	QRD167J-123	12K 1/6W CARBON	I
	R160	QRD167J-273	27K 1/6W CARBON	J
	R160	QRD167J-273	27K 1/6W CARBON	K
	R160	QRD167J-273	27K 1/6W CARBON	N
	R161	QRD167J-124	120K 1/6W CARBON	I
	R161	QRD167J-184	180K 1/6W CARBON	J
	R161	QRD167J-184	180K 1/6W CARBON	K
	R161	QRD167J-184	180K 1/6W CARBON	N
	R162	QRD167J-124	120K 1/6W CARBON	I
	R162	QRD167J-184	180K 1/6W CARBON	J
	R162	QRD167J-184	180K 1/6W CARBON	K
	R162	QRD167J-184	180K 1/6W CARBON	N
	R163	QRD167J-332	3.3K 1/6W CARBON	
	R164	QRD167J-332	3.3K 1/6W CARBON	
	R165	QRD167J-184	180K 1/6W CARBON	I
	R165	QRD167J-274	270K 1/6W CARBON	J
	R165	QRD167J-274	270K 1/6W CARBON	K
	R165	QRD167J-274	270K 1/6W CARBON	N
	R166	QRD167J-274	270K 1/6W CARBON	K
	R166	QRD167J-274	270K 1/6W CARBON	N
	R167	QRD167J-473	47K 1/6W CARBON	I
	R168	QRD167J-103	10K 1/6W CARBON	
	R169	QRD167J-103	10K 1/6W CARBON	
	R171	QRD167J-682	6.8K 1/6W CARBON	
	R172	QRD167J-682	6.8K 1/6W CARBON	
	R179	QRD167J-562	5.6K 1/6W CARBON	
	R180	QRD167J-472	4.7K 1/6W CARBON	
	R181	QRD167J-222	2.2K 1/6W CARBON	
	R182	QRD167J-181	180 1/6W CARBON	
	R187	QRD167J-101	100 1/6W CARBON	
	R190	QRD167J-472	4.7K 1/6W CARBON	
	R194	QRD167J-472	4.7K 1/6W CARBON	
	R195	QRD167J-473	47K 1/6W CARBON	
	R196	QRD167J-103	10K 1/6W CARBON	I
	R196	QRD167J-103	10K 1/6W CARBON	J
	R196	QRD167J-222	2.2K 1/6W CARBON	K
	R196	QRD167J-222	2.2K 1/6W CARBON	N
	R197	QRD167J-222	2.2K 1/6W CARBON	
	R198	QRD167J-332	3.3K 1/6W CARBON	I
	R198	QRD167J-332	3.3K 1/6W CARBON	J
	R198	QRD167J-822	8.2K 1/6W CARBON	K
	R198	QRD167J-822	8.2K 1/6W CARBON	N
	R199	QRD167J-472	4.7K 1/6W CARBON	
	△ R201	QRZ0062-680	68 1/4W FUSIBLE	
	△ R202	QRZ0062-470	47 1/4W FUSIBLE	I
	△ R202	QRZ0062-470	47 1/4W FUSIBLE	J
	△ R202	QRZ0062-470	47 1/4W FUSIBLE	K
	△ R202	QRZ0062-220	22 1/4W FUSIBLE	N
	VR167	QVPE601-104	100K 0.15W VARIABLE	J
	VR167	QVPE601-104	100K 0.15W VARIABLE	K
	VR167	QVPE601-104	100K 0.15W VARIABLE	N

△ : SAFETY PARTS

OTHERS

△	ITEM	PART NUMBER	DESCRIPTION	AREA
	J102	QMS3501-021	MINI JACK(COMPULINK)	
	L101	EQL4007-1R0T	INDUCTOR	
	L106	EQL3001-102K	INDUCTOR	
	P101	EMV7112-008	CONNECTOR(8PIN) CONTROL	
	P103	EMV7112-006	CONNECTOR(8PIN) BATTERY	
	P105	EMV7112-003	CONNECTOR(3PIN) CHANNEL SPACE	I
	T101	EQR1111-014	AM RF COIL	
	T102	EQR1111-005	AM RF COIL	K
	T102	EQR1111-005	AM RF COIL	N
	T103	EQR1207-015	MW OSC COIL	
	T104	EQR1307-009	LW OSC COIL	K
	T104	EQR1307-009	LW OSC COIL	N
	T105	EQT2140-012	I.F. TRANSFORMER	
	T106	EQT2140-013	I.F. TRANSFORMER	
	T107	ECB1560-006	CERAMIC FILTER	
	AT101	EMB41YV-401K	ANTENNA TERMINAL	I
	AT101	EMB41YV-401K	ANTENNA TERMINAL	J
	AT101	EMB41YV-301K	ANTENNA TERMINAL	K
	AT101	EMB41YV-301K	ANTENNA TERMINAL	N
	CF101	ECB2123-006R	CERAMIC FILTER	I
	CF101	ECB2118-007R	CERAMIC FILTER	J
	CF101	ECB2118-007R	CERAMIC FILTER	K
	CF101	ECB2118-007R	CERAMIC FILTER	N
	CF102	ECB2123-006R	CERAMIC FILTER	I
	CF102	ECB2118-007R	CERAMIC FILTER	J
	CF102	ECB2118-007R	CERAMIC FILTER	K
	CF102	ECB2118-007R	CERAMIC FILTER	N
	EP101	E70859-001	EARTH PLATE	
	EP102	E70859-001	EARTH PLATE	
	EP110	E70225-001	EARTH PLATE	
	FE101	EAF2203-001	FRONT END	I
	FE101	EAF2203-001	FRONT END	J
	FE101	EAF2203-001	FRONT END	K
	FE101	EAF2203-003	FRONT END	N
	LP101	EQF0101-002	LOW PASS FILTER	
	LP102	EQF0102-001	LOW PASS FILTER	N
	SW202	QSS1201-039	SLIDE SWITCH(CHANNEL SPACE)	I
	TC105	ENZ1003-006	TRIMMER	
	TC106	ENZ1003-006	TRIMMER	K
	TC106	ENZ1003-006	TRIMMER	N
	XT102	ECX0007-200KC	RESONATOR	
	XT103	ECX0000-456KR	RESONATOR	

△ : SAFETY PARTS

Accessories List

⚠	Part Number	Part Name	Q'ty	Description	Areas
	E30580-1926A	INSTRUCTION BOOK	1		A
	E30580-1926A	INSTRUCTION BOOK	1		EF
	E30580-1926A	INSTRUCTION BOOK	1		G
	E30580-1926ABS	INSTRUCTION BOOK	1		BS
	E30580-1934A	INSTRUCTION BOOK	1		EN
	E30580-1935A	INSTRUCTION BOOK	1		U
	E30580-1935A	INSTRUCTION BOOK	1		UT
	BT20060	WARRANTY CARD	1		BS
	BT-20134	WARRANTY CARD	1		G
	BT20066A	WARRANTY CARD	1		BS
	BT-20122	AUDIO WARRANTY CARD	1		A
	BT-20122-1	LTD STICKER	1		A
	E35497-015	CAUTION SHEET	1	220V	U
	E35497-015	CAUTION SHEET	1	220V	UT
⚠	QMF51E2-5R0J1	FUSE	1	(T5.0A / 250V)	U
⚠	QMF51E2-5R0J1	FUSE	1	(T5.0A / 250V)	UT
	E67142-T5R0	FUSE LABEL	1		U
	E67142-T5R0	FUSE LABEL	1		UT
⚠	E04056	SIEMENS PLUG	1		U
⚠	E04056	SIEMENS PLUG	1		UT
	EWP502-001	BILT-IN ANTENNA	1		A
	EWP502-001	BILT-IN ANTENNA	1		BS
	EWP502-001	BILT-IN ANTENNA	1		EF
	EWP502-001	BILT-IN ANTENNA	1		EN
	EWP502-001	BILT-IN ANTENNA	1		U
	EWP502-001	BILT-IN ANTENNA	1		UT
	E67007-001	ANTENNA WIRE	1		G
	QZL1008-001	FTZ INFORMATION SHEET	1		G
⚠	EMC0202-001BS	AC PLUG	1		BS
	E43486-340A	SAFETY SHEET	1		BS
	E43486-371A	INSTRUCTION SHEET	1		BS
	EMZ2001-012	AC ADAPTOR	1		BS
	EMZ2001-012	AC ADAPTOR	1		EF
	EMZ2001-012	AC ADAPTOR	1		EN
	RM-SR509U	REMOTE CONTROLLER	1		
	EQB4001-015	LOOP ANTENNA	1		
	R03BPA-2STSA	BATTERY	1		
	QPGA005-00703	ENVELOPE	1	FOR FUSE & FUSE LABEL	U
	QPGA005-00703	ENVELOPE	1	FOR FUSE & FUSE LABEL	UT
	QPGA025-03505B	ENVELOPE	1	FOR INSTRUCTION BOOK	

⚠ SAFETY PARTS

The Marks for Designated Areas

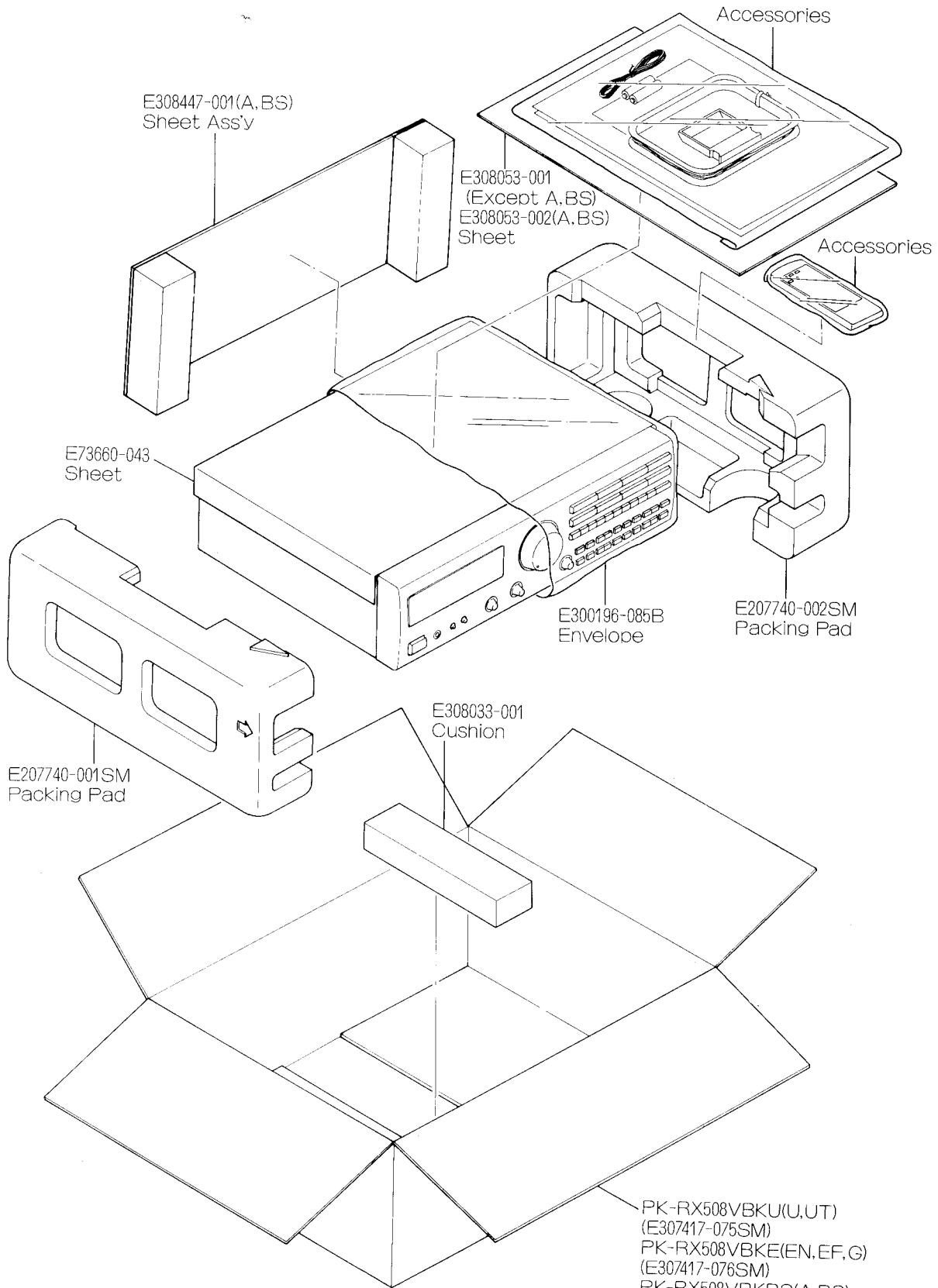
A Australia
 G Germany
 U Universal Type

EN Scandinavia
 BS the U.K.
 UT Taiwan

EF Continental Europe

No mark indicates all areas.

Packing Materials and Part Numbers



The Marks for Designated Areas			
A	Australia	
EF	Continental Europe	EN
G	Germany Scandinavia
U	Universal Type	BS
		 the U.K.
			UT
		 Taiwan
No mark indicates all areas.			

PK-RX508VBKU(U,UT)
 (E307417-075SM)
 PK-RX508VBKE(EN,EF,G)
 (E307417-076SM)
 PK-RX508VBKBS(A,BS)
 (E307417-077SM)
 Packing Case

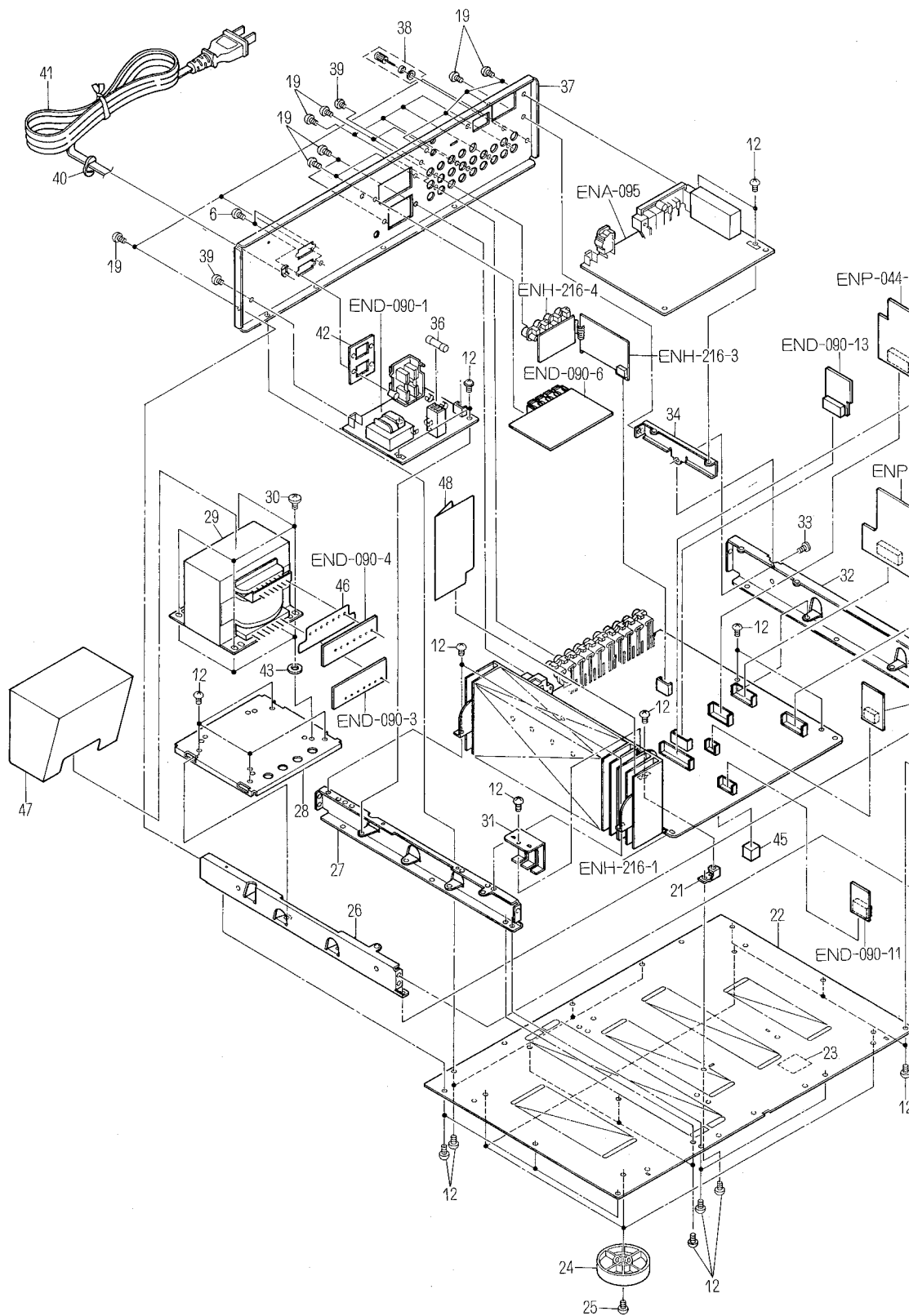
PARTS LIST

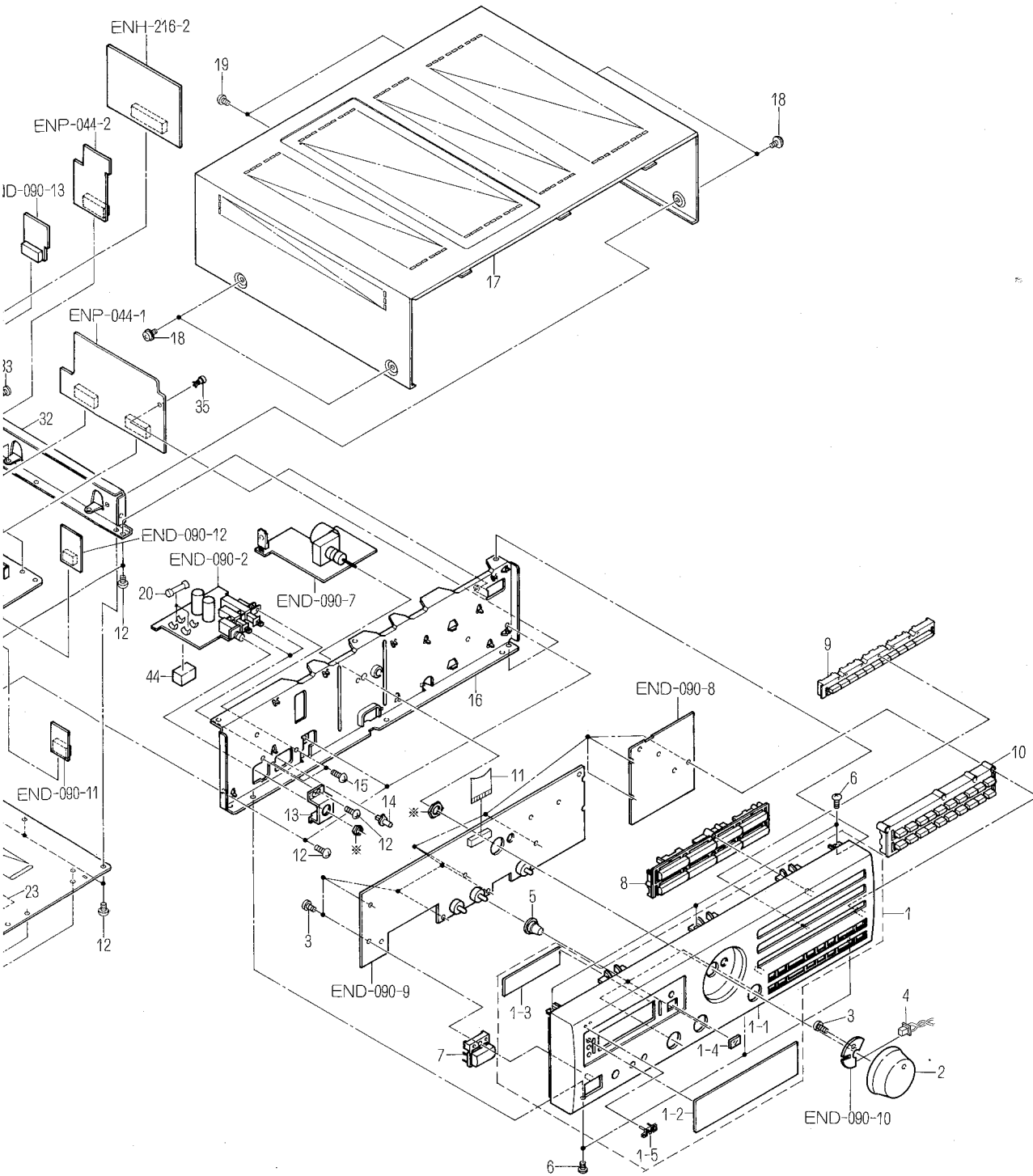
Note : All printed circuit boards and its assemblies are not available as service parts.

Contents

General Exploded View and Parts List	3-3
Printed Circuit Board Ass'y and Parts List	3-7
■ ENH-216 <input type="checkbox"/> Source Selector , Power Supply & Power Amplifier PC Board Ass'y	3-7
■ END-090 <input type="checkbox"/> Front & Power Primary PC Board Ass'y	3-11
■ ENP-044 <input type="checkbox"/> Surround PC Board Ass'y	3-14
■ ENA-095 <input checked="" type="checkbox"/> Tuner PC Board Ass'y	3-16
Accessories List	3-18
Packing Materials and Part Numbers	3-19

General Exploded View and Parts List






*mark indicates attached part.

■ Parts List

△	Item	Part Number	Part Name	Q'ty	Description	Areas
	1	EFP-RX509VTNJ (S)	FRONT PANEL ASSY	1		
	1-1	E102647-013SM	FRONT PANEL	1		
	1-2	E308268-006SM	WINDOW SCREEN	1		
	1-3	E407322-001SM	FL SCREEN	1		
	1-4	E72436-006	SCREEN	1		
	1-5	VJD5429-001	JVC MARK	1		
	2	E308266-003SM	VOLUME KNOB	1		
	3	SDSF2608Z	SCREW	10		
	4	EWS142-008H	SOCKET WIRE	1		
	5	E308267-001SM	TONE KNOB	3		
	6	SDSG3008M	SCREW	6		
		SDSG3008M	SCREW	2		J
		SDSG3008M	SCREW	2		C
	7	E407320-001SM	PUSH BUTTON	1	POWER	
	8	E207677-001SM	PUSH BUTTON	1	SOURCE	
	9	E207679-001SM	PUSH BUTTON	1	10 KEY	
	10	E207680-001SM	PUSH BUTTON	1	SURROUND	
	11	EWR120E-32TT	FLAT WIRE	1	FW441	
	12	SBSG3008CC	SCREW	35		
	13	E407323-001SM	HEADPHONE BRACKET	1		
	14	E407321-001SM	SPEAKER BUTTON	2		
	15	SBST3006CC	SCREW	2		
	16	E102649-001SM	FRONT BRACKET	1		
	17	E206967-223	METAL COVER	1		
	18	E61660-004	SPECIAL SCREW	4	FOR METAL COVER	
△	19	SBSG3008M	SCREW	18		
	20	QMF0007-4R0J1	FUSE	2	F851, F852 (T4.0A/125V)	
	21	E68587-009	BRACKET	1		
	22	E102371-004SM	BOTTOM BASE	1		
	23	E70281-001	CAUTION LABEL	1		J
	24	E70115-002	CAUTION LABEL	1		C
	25	VJF4039-00E	FOOT	4		
	26	SBST3010Z	SCREW	4	FOR FOOT	
	27	E206956-001SM	SIDE BRACKET	1	LEFT	
	28	E206958-004SM	CENTER BRACKET	1		
△	29	E206959-002SM	TRANSFORMER BRACKET	1		
	30	ETP1200-59JAJ	POWER TRANSFORMER	1		
	31	E65389-004	SPECIAL SCREW	4	FOR POWER TRANSFORMER	
	32	E407408-001SM	LEAF SPRING	1		
	33	E206957-001SM	SIDE BRACKET	1	RIGHT	
	34	SDSG3008CC	SCREW	1		
	35	E307353-001SM	BRACKET	1		
	36	E48729-008	PLASTIC RIVET	1		
△	37	QMF0007-5R0J1	FUSE	1	F001 (T5.0A/125V)	
	38	E207681-009SM	REAR PANEL	1		
	39	E70078-003	GND TERMINAL	1		
	40	SBST3006M	SCREW	2		
△	41	QHS3876-162	CORD STOPPER	1		
△	42	QMP1480-200	POWER CORD	1		
	43	E69589-008	SPACER	1		J
	44	E73968-002	SPACER	4		
	45	E306805-076	SPACER	1		
	46	E306805-077	SPACER	1		
	47	E407574-001SM	PROTECT SHEET	1		
	48	E308542-001SM	PROTECT COVER	1		C

	Item	Part Number	Part Name	Q'ty	Description	Areas
	48	E407571-001SM	PROTECT COVER	1		
	—	E61029-005	NUMBER LABEL	1		
	—	E67199-001	CAUTION LABEL	1		J
	—	E65507-001	CAUTION LABEL	1		C
	—	E45858-002	LABEL	1		C

 SAFETY PARTS

The Marks for Designated Areas

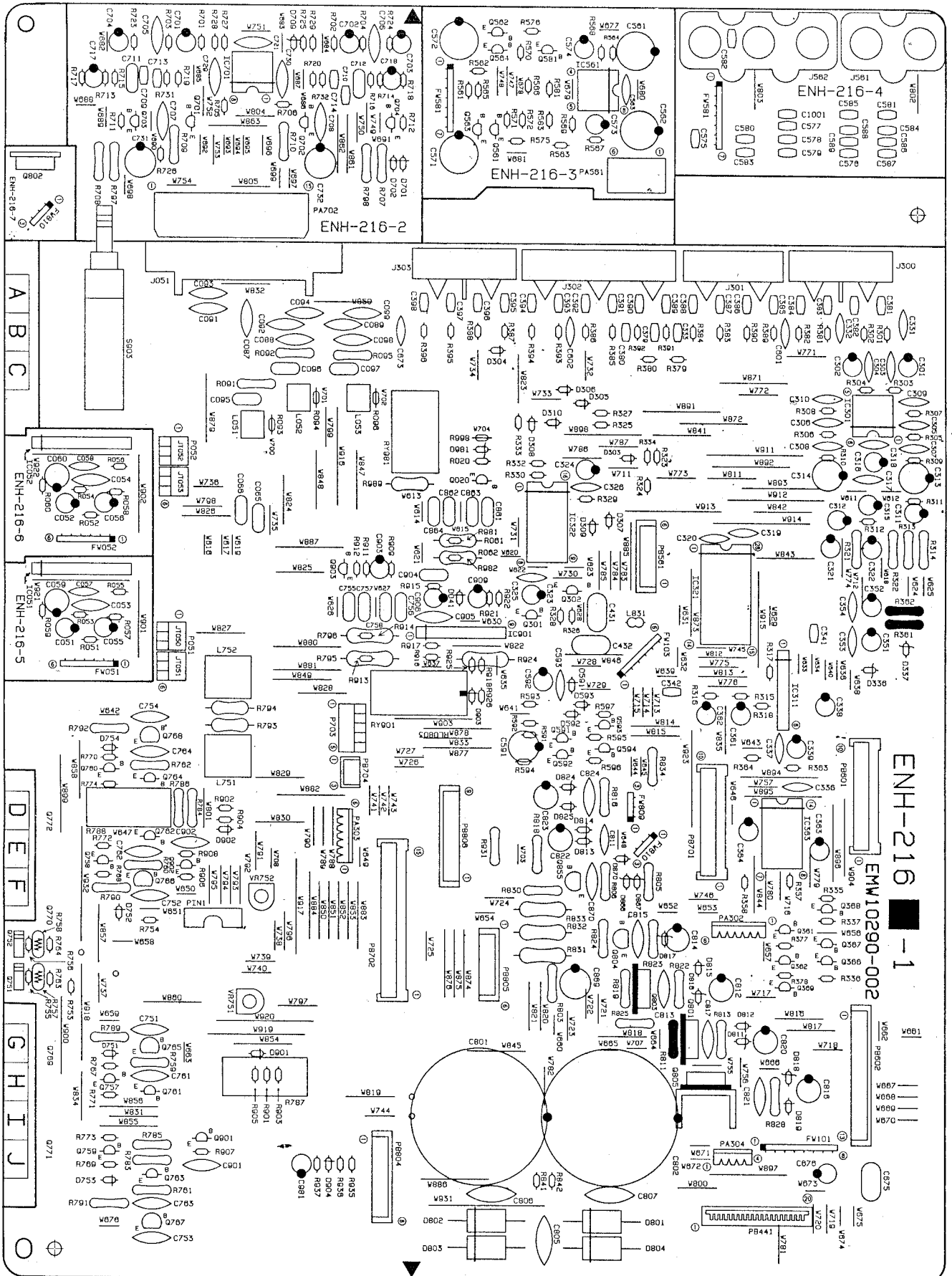
J the U.S.A. C Canada

No mark indicates all areas.

Printed Circuit Board Ass'y and Parts List

■ ENH-216 □ Source Selector, Power Sply & Power Amplifier PC Board Ass'y

Note: ENH-216 □ varies according to the areas employed. See note (1) when placing an order.



Note (1)

PC Board Ass'y	Designated Areas
ENH-216 A	the U.S.A.
ENH-216 B	Canada

TRANSISTORS

ITEM	PART NUMBER	DESCRIPTION	AREA
Q020	2SC2240(GR,BL)	SILICON TOSHIBA	
Q301	AA1L4M	SILICON NEC	
Q302	AA1L4M	SILICON NEC	
Q361	2SD2144S(VW)	SILICON ROHM	
Q362	2SD2144S(VW)	SILICON ROHM	
Q366	AA1L4M	SILICON NEC	
Q367	AA1L4M	SILICON NEC	
Q368	AA1L4M	SILICON NEC	
Q369	AA1L4M	SILICON NEC	
Q561	2SC458(C,D)	SILICON HITACHI	
Q562	2SC458(C,D)	SILICON HITACHI	
Q563	2SA933S(R,S)	SILICON ROHM	
Q564	2SA933S(R,S)	SILICON ROHM	
Q581	AA1A4P	SILICON NEC	
Q591	AA1L4M	SILICON NEC	
Q592	AA1L4M	SILICON NEC	
Q593	2SK301(P,Q)	F.E.T MATSUSHITA	
Q594	2SK301(P,Q)	F.E.T MATSUSHITA	
Q701	2SC2240(BL)	SILICON TOSHIBA	
Q702	2SC2240(BL)	SILICON TOSHIBA	
Q703	2SA970(BL)	SILICON TOSHIBA	
Q704	2SA970(BL)	SILICON TOSHIBA	
Q751	2SD636(Q,R)	SILICON MATSUSHITA	
Q752	2SD636(Q,R)	SILICON MATSUSHITA	
Q757	2SC945A(P,Q)	SILICON NEC	
Q758	2SC945A(P,Q)	SILICON NEC	
Q759	2SA733A(P,Q)	SILICON NEC	
Q760	2SA733A(P,Q)	SILICON NEC	
Q761	2SC2240(BL)	SILICON TOSHIBA	
Q762	2SC2240(BL)	SILICON TOSHIBA	
Q763	2SA970(BL)	SILICON TOSHIBA	
Q764	2SA970(BL)	SILICON TOSHIBA	
Q765	2SC2235(O,Y)	SILICON TOSHIBA	
Q766	2SC2235(O,Y)	SILICON TOSHIBA	
Q767	2SA965(O,Y)	SILICON TOSHIBA	
Q768	2SA965(O,Y)	SILICON TOSHIBA	
Q769	2SC4278LD(D,E)	SILICON ROHM	
Q770	2SC4278LD(D,E)	SILICON ROHM	
Q771	2SA1633LD(D,E)	SILICON ROHM	
Q772	2SA1633LD(D,E)	SILICON ROHM	
Q801	2SB1187(E,F)	SILICON ROHM	
Q802	2SD2061(E,F)	SILICON ROHM	
Q803	2SD2061(E,F)	SILICON ROHM	
Q804	2SC2235(O,Y)	SILICON TOSHIBA	
Q805	2SD2061(E,F)	SILICON ROHM	
Q855	2SA965(O,Y)	SILICON TOSHIBA	
Q901	2SC2389(S,E)	SILICON ROHM	
Q902	2SC2389(S,E)	SILICON ROHM	
Q903	2SA1038(S,E)	SILICON ROHM	

△ : SAFETY PARTS

I. C. S.

ITEM	PART NUMBER	DESCRIPTION	AREA
IC051	UPC1188H	I.C. NEC	
IC052	UPC1188H	I.C. NEC	
IC301	VC4580DD	I.C. DAINICHI	
IC311	BA15218N	I.C. ROHM	
IC321	TC9164N	I.C. TOSHIBA	
IC322	TC4053BP	I.C. TOSHIBA	
IC365	TC4066BP	I.C. TOSHIBA	
IC561	NJM2246D	I.C. DAINICHI	
IC701	NJM4560DD	I.C. DAINICHI	
IC901	TA7317P	I.C. TOSHIBA	

△ : SAFETY PARTS

DIODES

ITEM	PART NUMBER	DESCRIPTION	AREA
D041	1SS133	SILICON ROHM	
D303	1SS133	SILICON ROHM	
D304	1SS133	SILICON ROHM	
D305	1SS133	SILICON ROHM	
D306	1SS133	SILICON ROHM	
D307	1SS133	SILICON ROHM	
D308	1SS133	SILICON ROHM	
D309	1SS133	SILICON ROHM	
D310	1SS133	SILICON ROHM	
D336	MTZ11JC	ZENER ROHM	

△ : SAFETY PARTS

DIODES

ITEM	PART NUMBER	DESCRIPTION	AREA
D337	MTZ10JC	ZENER ROHM	
D591	1SS133	SILICON ROHM	
D595	MTZ16JC	ZENER ROHM	
D596	MTZ16JC	ZENER ROHM	
D701	1SS133	SILICON ROHM	
D702	1SS133	SILICON ROHM	
D709	MTZ3.0JB	ZENER ROHM	
D751	1SS133	SILICON ROHM	
D752	1SS133	SILICON ROHM	
D753	1SS133	SILICON ROHM	
D754	1SS133	SILICON ROHM	
D801	30D2FC	SILICON NIHONINTER	
D802	30D2FC	SILICON NIHONINTER	
D803	30D2FC	SILICON NIHONINTER	
D804	30D2FC	SILICON NIHONINTER	
D811	1SS133	SILICON ROHM	
D812	MTZ16JC	ZENER ROHM	
D813	1SS133	SILICON ROHM	
D814	MTZ16JC	ZENER ROHM	
D815	1SS133	SILICON ROHM	
D816	MTZ13JC	ZENER ROHM	
D817	MTZ6.8JC	ZENER ROHM	
D818	1SS133	SILICON ROHM	
D819	MTZ16JC	ZENER ROHM	
D824	MTZ6.2JC	ZENER ROHM	
D825	1SS133	SILICON ROHM	
D866	MTZ10JC	ZENER ROHM	
D867	MTZ16JC	ZENER ROHM	
D870	1SS133	SILICON ROHM	
D901	1SS133	SILICON ROHM	
D902	1SS133	SILICON ROHM	
D903	MTZ24JC	ZENER ROHM	
D904	1SS133	SILICON ROHM	
D981	MTZ12JC	ZENER ROHM	

△ : SAFETY PARTS

CAPACITORS

ITEM	PART NUMBER	DESCRIPTION	AREA
C051	QEHC1HM-475	4.7MF 50V ELECTRO	
C052	QEHC1HM-475	4.7MF 50V ELECTRO	
C053	QCY21HK-222	2200PF 50V CERAMIC	
C054	QCY21HK-222	2200PF 50V CERAMIC	
C055	QEHC1CM-226	22MF 16V ELECTRO	
C056	QEHC1CM-226	22MF 16V ELECTRO	
C057	QCS21HJ-470	47PF 50V CERAMIC	
C058	QCS21HJ-470	47PF 50V CERAMIC	
C059	QEH81HM-476	47MF 50V ELECTRO	
C060	QEH81HM-476	47MF 50V ELECTRO	
C065	QFV81HJ-474	0.47MF 50V T.FILM	
C066	QFV81HJ-474	0.47MF 50V T.FILM	
C301	QETB1HM-475	4.7MF 50V ELECTRO	
C302	QETB1HM-475	4.7MF 50V ELECTRO	
C303	QCS21HJ-101	100PF 50V CERAMIC	
C304	QCS21HJ-101	100PF 50V CERAMIC	
C305	QCY21HK-182	1800PF 50V CERAMIC	
C306	QCY21HK-182	1800PF 50V CERAMIC	
C307	QCY21HK-682	6800PF 50V CERAMIC	
C308	QCY21HK-682	6800PF 50V CERAMIC	
C309	QCS21HJ-101	100PF 50V CERAMIC	
C310	QCS21HJ-101	100PF 50V CERAMIC	
C311	QETB1HM-475	4.7MF 50V ELECTRO	
C312	QETB1HM-475	4.7MF 50V ELECTRO	
C313	QETB1AM-107	100MF 10V ELECTRO	
C314	QETB1AM-107	100MF 10V ELECTRO	
C315	QETB1CM-476	47MF 16V ELECTRO	
C316	QETB1CM-476	47MF 16V ELECTRO	
C319	QCF21HP-223	0.022MF 50V CERAMIC	
C320	QCF21HP-223	0.022MF 50V CERAMIC	
C321	QETB1EM-226	22MF 25V ELECTRO	
C322	QETB1EM-226	22MF 25V ELECTRO	
C323	QETB1EM-226	22MF 25V ELECTRO	
C324	QETB1EM-226	22MF 25V ELECTRO	
C325	QCF21HP-223	0.022MF 50V CERAMIC	
C326	QCF21HP-223	0.022MF 50V CERAMIC	
C331	QCF21HP-223	0.022MF 50V CERAMIC	
C332	QCF21HP-223	0.022MF 50V CERAMIC	
C333	QCHB1EZ-223	0.022MF 25V CERAMIC	
C336	QCF21HP-223	0.022MF 50V CERAMIC	
C337	QCF21HP-223	0.022MF 50V CERAMIC	
C338	QETB1HM-475	4.7MF 50V ELECTRO	
C339	QETB1HM-475	4.7MF 50V ELECTRO	
C351	QETB1EM-226	22MF 25V ELECTRO	
C352	QETB1EM-226	22MF 25V ELECTRO	
C353	QCF21HP-223	0.022MF 50V CERAMIC	
C354	QCF21HP-223	0.022MF 50V CERAMIC	
C361	QETB1EM-106	10MF 25V ELECTRO	
C362	QETB1EM-106	10MF 25V ELECTRO	
C363	QETB1HM-106	10MF 50V ELECTRO	
C364	QETB1HM-106	10MF 50V ELECTRO	
C379	QCB81HK-221	220PF 50V CERAMIC	
C380	QCB81HK-221	220PF 50V CERAMIC	

△ : SAFETY PARTS

CAPACITORS

Δ	ITEM	PART NUMBER	DESCRIPTION			AREA
	C431	QFLB1HJ-104	0.1MF	50V	MYLAR	
	C432	QFLB1HJ-104	0.1MF	50V	MYLAR	
	C561	QETB1CM-477	470MF	16V	ELECTRO	
	C562	QETB1CM-477	470MF	16V	ELECTRO	
	C563	QCF21HP-223	0.022MF	50V	CERAMIC	
	C571	EEZ0601-108	1000MF		ELECTRO	
	C572	EEZ0601-108	1000MF		ELECTRO	
	C573	QETB1HM-475	4.7MF	50V	ELECTRO	
	C574	QETB1HM-475	4.7MF	50V	ELECTRO	
	C580	QCHB1EZ-223	0.022MF	25V	CERAMIC	
	C581	QCHB1EZ-223	0.022MF	25V	CERAMIC	
	C585	QCHB1EZ-223	0.022MF	25V	CERAMIC	
	C591	QETB1EM-227	220MF	25V	ELECTRO	
	C592	QETB1HM-225	2.2MF	50V	ELECTRO	
	C593	QCS21HJ-101	100PF	50V	CERAMIC	
	C673	QCF21HP-223	0.022MF	50V	CERAMIC	
	C675	QFLB1HJ-682	6800PF	50V	MYLAR	
	C701	QETB1HM-106	10MF	50V	ELECTRO	
	C702	QETB1HM-106	10MF	50V	ELECTRO	
	C703	QETB1AM-107	100MF	10V	ELECTRO	
	C704	QETB1AM-107	100MF	10V	ELECTRO	
	C705	QCS21HJ-101	100PF	50V	CERAMIC	
	C706	QCS21HJ-101	100PF	50V	CERAMIC	
	C707	QCS21HJ-270	27PF	50V	CERAMIC	
	C708	QCS21HJ-270	27PF	50V	CERAMIC	
	C709	QCSB1HJ-270	27PF	50V	CERAMIC	
	C710	QCSB1HJ-270	27PF	50V	CERAMIC	
	C711	QFLB1HJ-103	0.01MF	50V	MYLAR	
	C712	QFLB1HJ-103	0.01MF	50V	MYLAR	
	C713	QCSB1HJ-390	39PF	50V	CERAMIC	
	C714	QCSB1HJ-390	39PF	50V	CERAMIC	
	C717	QETB1HM-226	22MF	50V	ELECTRO	
	C718	QETB1HM-226	22MF	50V	ELECTRO	
	C721	QCF21HP-223	0.022MF	50V	CERAMIC	
	C729	QCS21HJ-220	22PF	50V	CERAMIC	
	C730	QCS21HJ-220	22PF	50V	CERAMIC	
	C751	QCS22HJ-470A	47PF	500V	CERAMIC	
	C752	QCS22HJ-470A	47PF	500V	CERAMIC	
	C753	QCS22HJ-470A	47PF	500V	CERAMIC	
	C754	QCS22HJ-470A	47PF	500V	CERAMIC	
	C755	QFLB1HJ-223	0.022MF	50V	MYLAR	A
	C755	QFLB1HK-473	0.047MF	50V	MYLAR	B
	C756	QFLB1HJ-223	0.022MF	50V	MYLAR	A
	C756	QFLB1HK-473	0.047MF	50V	MYLAR	B
	C757	QFLB1HK-473	0.047MF	50V	MYLAR	B
	C758	QFLB1HK-473	0.047MF	50V	MYLAR	B
	C761	QCF21HP-473	0.047MF	50V	CERAMIC	
	C762	QCF21HP-473	0.047MF	50V	CERAMIC	
	C763	QCF21HP-473	0.047MF	50V	CERAMIC	
	C764	QCF21HP-473	0.047MF	50V	CERAMIC	
	C801	EEW6315-878E	8700MF		ELECTRO	
	C802	EEW6315-878E	8700MF		ELECTRO	
	C805	QCE22HP-103	0.01MF	500V	CERAMIC	
	C806	QCE22HP-103	0.01MF	500V	CERAMIC	
	C807	QCE22HP-103	0.01MF	500V	CERAMIC	
	C811	QCF21HP-472	4700PF	50V	CERAMIC	
	C812	QETB1EM-476	47MF	25V	ELECTRO	
	C813	QCF21HP-472	4700PF	50V	CERAMIC	
	C814	QETB1EM-476	47MF	25V	ELECTRO	
	C815	QCF21HP-472	4700PF	50V	CERAMIC	
	C816	QETB1EM-107	100MF	25V	ELECTRO	
	C817	QCF21HP-472	4700PF	50V	CERAMIC	
	C820	QETB1EM-107	100MF	25V	ELECTRO	
	C821	QCF21HP-472	4700PF	50V	CERAMIC	
	C822	QETB1EM-107	100MF	25V	ELECTRO	
	C823	QETB1EM-107	100MF	25V	ELECTRO	
	C824	QCF21HP-472	4700PF	50V	CERAMIC	
	C861	QFLB1HJ-223	0.022MF	50V	MYLAR	A
	C861	QFLB1HK-473	0.047MF	50V	MYLAR	B
	C862	QFLB1HK-473	0.047MF	50V	MYLAR	B
	C863	QFLB1HK-473	0.047MF	50V	MYLAR	B
	C864	QFLB1HJ-223	0.022MF	50V	MYLAR	A
	C864	QFLB1HK-473	0.047MF	50V	MYLAR	B
	C869	QETB1HM-107	100MF	50V	ELECTRO	
	C870	QCF21HP-472	4700PF	50V	CERAMIC	
	C901	QCF21HP-223	0.022MF	50V	CERAMIC	
	C902	QCF21HP-223	0.022MF	50V	CERAMIC	
	C903	QETB1HM-226	22MF	50V	ELECTRO	
	C904	QFLB1HJ-223	0.022MF	50V	MYLAR	
	C905	QCY21HK-102	1000PF	50V	CERAMIC	
	C906	QETB1AM-476	47MF	10V	ELECTRO	
	C909	QETB1CM-226	22MF	16V	ELECTRO	
	C981	QETB1HM-225	2.2MF	50V	ELECTRO	

Δ : SAFETY PARTS

RESISTORS

Δ	ITEM	PART NUMBER	DESCRIPTION			AREA
	R020	QRD167J-102	1K	1/6W	CARBON	
	R051	QRD167J-222	2.2K	1/6W	CARBON	
	R052	QRD167J-222	2.2K	1/6W	CARBON	
	R053	QRD167J-104	100K	1/6W	CARBON	
	R054	QRD167J-104	100K	1/6W	CARBON	
	R055	QRD167J-104	100K	1/6W	CARBON	
	R056	QRD167J-104	100K	1/6W	CARBON	
	R057	QRD167J-182	1.8K	1/6W	CARBON	
	R058	QRD167J-182	1.8K	1/6W	CARBON	
	R059	QRD167J-104	100K	1/6W	CARBON	
	R060	QRD167J-104	100K	1/6W	CARBON	
	R061	QRD125J-100	10	1/2W	UNF. CARBON	
	R062	QRD125J-100	10	1/2W	UNF. CARBON	
	R301	QRD167J-222	2.2K	1/6W	CARBON	
	R302	QRD167J-222	2.2K	1/6W	CARBON	
	R303	QRD167J-473	47K	1/6W	CARBON	
	R304	QRD167J-473	47K	1/6W	CARBON	
	R305	QRD167J-511	510	1/6W	CARBON	
	R306	QRD167J-511	510	1/6W	CARBON	
	R307	QRD167J-393	39K	1/6W	CARBON	
	R308	QRD167J-393	39K	1/6W	CARBON	
	R309	QRD167J-474	470K	1/6W	CARBON	
	R310	QRD167J-474	470K	1/6W	CARBON	
	R311	QRD167J-104	100K	1/6W	CARBON	
	R312	QRD167J-104	100K	1/6W	CARBON	
	R313	QRZ0077-391	390	1/4W	FUSIBLE	
	R314	QRZ0077-391	390	1/4W	FUSIBLE	
	R315	QRD167J-104	100K	1/6W	CARBON	
	R316	QRD167J-104	100K	1/6W	CARBON	
	R317	QRD167J-104	100K	1/6W	CARBON	
	R318	QRD167J-104	100K	1/6W	CARBON	
	R321	QRZ0077-680	68	1/4W	FUSIBLE	
	R322	QRZ0077-680	68	1/4W	FUSIBLE	
	R323	QRD167J-562	5.6K	1/6W	CARBON	
	R324	QRD167J-562	5.6K	1/6W	CARBON	
	R325	QRD167J-153	15K	1/6W	CARBON	
	R326	QRD167J-153	15K	1/6W	CARBON	
	R327	QRD167J-153	15K	1/6W	CARBON	
	R328	QRD167J-153	15K	1/6W	CARBON	
	R329	QRD167J-105	1M	1/6W	CARBON	
	R330	QRD167J-105	1M	1/6W	CARBON	
	R332	QRD167J-105	1M	1/6W	CARBON	
	R333	QRD167J-103	10K	1/6W	CARBON	
	R334	QRD167J-103	10K	1/6W	CARBON	
	R335	QRD167J-103	10K	1/6W	CARBON	
	R336	QRD167J-103	10K	1/6W	CARBON	
	R337	QRD167J-103	10K	1/6W	CARBON	
	R357	QRD167J-152	1.5K	1/6W	CARBON	
	R358	QRD167J-152	1.5K	1/6W	CARBON	
	R361	QRZ0077-680	68	1/4W	FUSIBLE	
	R362	QRZ0077-680	68	1/4W	FUSIBLE	
	R363	QRD167J-474	470K	1/6W	CARBON	
	R364	QRD167J-474	470K	1/6W	CARBON	
	R377	QRD167J-103	10K	1/6W	CARBON	
	R378	QRD167J-103	10K	1/6W	CARBON	
	R379	QRD167J-105	1M	1/6W	CARBON	
	R380	QRD167J-105	1M	1/6W	CARBON	
	R381	QRD167J-471	470	1/6W	CARBON	
	R382	QRD167J-471	470	1/6W	CARBON	
	R383	QRD167J-471	470	1/6W	CARBON	
	R384	QRD167J-471	470	1/6W	CARBON	
	R385	QRD167J-471	470	1/6W	CARBON	
	R386	QRD167J-471	470	1/6W	CARBON	
	R387	QRD167J-471	470	1/6W	CARBON	
	R388	QRD167J-471	470	1/6W	CARBON	
	R389	QRD167J-471	470	1/6W	CARBON	
	R390	QRD167J-471	470	1/6W	CARBON	
	R391	QRD167J-471	470	1/6W	CARBON	
	R392	QRD167J-471	470	1/6W	CARBON	
	R393	QRD167J-471	470	1/6W	CARBON	
	R394	QRD167J-471	470	1/6W	CARBON	
	R395	QRD167J-471	470	1/6W	CARBON	
	R396	QRD167J-471	470	1/6W	CARBON	
	R561	QRD167J-750	75	1/6W	CARBON	
	R562	QRD167J-680	68	1/6W	CARBON	
	R563	QRD167J-750	75	1/6W	CARBON	
	R564	QRD167J-750	75	1/6W	CARBON	
	R565	QRD167J-473	47K	1/6W	CARBON	
	R566	QRD167J-473	47K	1/6W	CARBON	
	R567	QRD167J-331	330	1/6W	CARBON	
	R568	QRD167J-331	330	1/6W	CARBON	
	R569	QRD167J-152	1.5K	1/6W	CARBON	
	R570	QRD167J-152	1.5K	1/6W	CARBON	
	R571	QRD167J-151	150	1/6W	CARBON	
	R572	QRD167J-151	150	1/6W	CARBON	
	R575	QRD167J-271	270	1/6W	CARBON	
	R576	QRD167J-271	270	1/6W	CARBON	
	R581	QRD167J-473	47K	1/6W	CARBON	
	R583	QRD167J-152	1.5K	1/6W	CARBON	
	R591	QRD167J-224	220K	1/6W	CARBON	
	R592	QRD167J-104	100K	1/6W	CARBON	
	R593	QRD167J-333	33K	1/6W	CARBON	
	R594	QRD167J-103	10K	1/6W	CARBON	
	R595	QRD167J-103	10K	1/6W	CARBON	
	R596	QRD167J-103	10K	1/6W	CARBON	

Δ : SAFETY PARTS

RESISTORS

Δ	ITEM	PART NUMBER	DESCRIPTION			AREA
	R597	QRD167J-471	470	1/6W	CARBON	
	R701	QRD167J-222	2.2K	1/6W	CARBON	
	R702	QRD167J-222	2.2K	1/6W	CARBON	
	R703	QRD167J-104	100K	1/6W	CARBON	
	R704	QRD167J-104	100K	1/6W	CARBON	
	R705	QRD167J-472	4.7K	1/6W	CARBON	
	R706	QRD167J-472	4.7K	1/6W	CARBON	
Δ	R707	QRD14CJ-820S	82	1/4W	UNF. CARBON	
Δ	R708	QRD14CJ-820S	82	1/4W	UNF. CARBON	
Δ	R709	QRD14CJ-820S	82	1/4W	UNF. CARBON	
Δ	R710	QRD14CJ-820S	82	1/4W	UNF. CARBON	
	R711	QRD167J-470	47	1/6W	CARBON	
	R712	QRD167J-470	47	1/6W	CARBON	
	R713	QRD167J-153	15K	1/6W	CARBON	
	R714	QRD167J-153	15K	1/6W	CARBON	
	R715	QRD167J-153	15K	1/6W	CARBON	
	R716	QRD167J-153	15K	1/6W	CARBON	
	R717	QRD167J-332	3.3K	1/6W	CARBON	
	R718	QRD167J-332	3.3K	1/6W	CARBON	
	R719	QRD167J-133	13K	1/6W	CARBON	
	R720	QRD167J-133	13K	1/6W	CARBON	
	R723	QRD167J-751	750	1/6W	CARBON	
	R724	QRD167J-751	750	1/6W	CARBON	
	R725	QRD167J-202	2K	1/6W	CARBON	
Δ	R726	QRV144F-2202	22K	1/4W	M. FILM	
	R727	QRD167J-222	2.2K	1/6W	CARBON	
Δ	R728	QRV144F-1001	1K	1/4W	M. FILM	
	R729	QRD167J-102	1K	1/6W	CARBON	
	R731	QRD167J-823	82K	1/6W	CARBON	
	R732	QRD167J-823	82K	1/6W	CARBON	
	R753	QRD167J-132	1.3K	1/6W	CARBON	
	R754	QRD167J-132	1.3K	1/6W	CARBON	
	R755	QRD167J-391	390	1/6W	CARBON	
	R756	QRD167J-391	390	1/6W	CARBON	
Δ	R759	QRD14CJ-100S	10	1/4W	UNF. CARBON	
Δ	R760	QRD14CJ-100S	10	1/4W	UNF. CARBON	
Δ	R761	QRD14CJ-100S	10	1/4W	UNF. CARBON	
Δ	R762	QRD14CJ-100S	10	1/4W	UNF. CARBON	
	R767	QRD167J-121	120	1/6W	CARBON	
	R768	QRD167J-121	120	1/6W	CARBON	
	R769	QRD167J-121	120	1/6W	CARBON	
	R770	QRD167J-121	120	1/6W	CARBON	
	R771	QRD167J-151	150	1/6W	CARBON	
	R772	QRD167J-151	150	1/6W	CARBON	
	R773	QRD167J-151	150	1/6W	CARBON	
	R774	QRD167J-151	150	1/6W	CARBON	
Δ	R783	QRD14CJ-272S	2.7K	1/4W	UNF. CARBON	
Δ	R784	QRD14CJ-272S	2.7K	1/4W	UNF. CARBON	
Δ	R785	QRD14CJ-271S	270	1/4W	UNF. CARBON	
Δ	R786	QRD14CJ-271S	270	1/4W	UNF. CARBON	
	R787	ERF032K-R22	0.22	3W	CEMENT	
	R788	ERF032K-R22	0.22	3W	CEMENT	
	R789	QRD14CJ-100S	10	1/4W	UNF. CARBON	
	R790	QRD14CJ-100S	10	1/4W	UNF. CARBON	
	R791	QRD14CJ-100S	10	1/4W	UNF. CARBON	
	R792	QRD14CJ-100S	10	1/4W	UNF. CARBON	
	R793	QRD125J-330	33	1/2W	UNF. CARBON	
	R794	QRD125J-330	33	1/2W	UNF. CARBON	
	R795	QRG022J-100A	10	2W	O.M. FILM	
	R796	QRG022J-100A	10	2W	O.M. FILM	
	R797	QRD14CJ-680S	68	1/4W	UNF. CARBON	A
	R797	QRZ0077-680	68	1/4W	FUSIBLE	B
	R798	QRD14CJ-181S	180	1/4W	UNF. CARBON	
	R803	QRD14CJ-220S	22	1/4W	UNF. CARBON	
	R805	QRD12CJ-562S	5.6K	1/2W	R. NETWORK	A
	R805	QRD12CJ-392S	3.9K	1/2W	R. NETWORK	B
	R806	QRD14CJ-391S	390	1/4W	UNF. CARBON	
	R811	QRD14CJ-120S	12	1/4W	UNF. CARBON	A
	R811	QRZ0077-100	10	1/4W	FUSIBLE	B
	R813	QRD14CJ-122S	1.2K	1/4W	UNF. CARBON	
	R816	QRD14CJ-120S	12	1/4W	UNF. CARBON	A
	R816	QRZ0077-100	10	1/4W	FUSIBLE	B
	R818	QRD14CJ-332S	3.3K	1/4W	UNF. CARBON	A
	R819	QRG012J-820A	82	1W	O.M. FILM	A
	R819	QRD14CJ-100S	10	1/4W	UNF. CARBON	B
	R822	QRD14CJ-272S	2.7K	1/4W	UNF. CARBON	
	R823	QRD14CJ-220S	22	1/4W	UNF. CARBON	
	R824	QRD14CJ-562S	5.6K	1/4W	UNF. CARBON	
	R825	QRD14CJ-120S	12	1/4W	UNF. CARBON	A
	R825	QRZ0077-100	10	1/4W	FUSIBLE	B
	R828	QRD14CJ-122S	1.2K	1/4W	UNF. CARBON	
	R830	QRD12CJ-682S	6.8K	1/2W	R. NETWORK	
	R831	QRG022J-681A	680	2W	O.M. FILM	
	R832	QRG022J-681A	680	2W	O.M. FILM	
	R833	QRG022J-681A	680	2W	O.M. FILM	
	R834	QRD14CJ-220S	22	1/4W	UNF. CARBON	A
	R834	QRZ0077-100	10	1/4W	FUSIBLE	B
	R841	QRD167J-104	100K	1/6W	CARBON	
	R842	QRD167J-104	100K	1/6W	CARBON	
	R901	QRD167J-561	560	1/6W	CARBON	
	R902	QRD167J-561	560	1/6W	CARBON	
	R903	QRD167J-682	6.8K	1/6W	CARBON	
	R904	QRD167J-682	6.8K	1/6W	CARBON	
	R905	QRD167J-123	12K	1/6W	CARBON	
	R906	QRD167J-123	12K	1/6W	CARBON	

Δ : SAFETY PARTS

RESISTORS

Δ	ITEM	PART NUMBER	DESCRIPTION			AREA
	R907	QRD167J-152	1.5K	1/6W	CARBON	
	R908	QRD167J-152	1.5K	1/6W	CARBON	
	R909	QRD167J-103	10K	1/6W	CARBON	
	R911	QRD167J-332	3.3K	1/6W	CARBON	
	R912	QRD167J-473	47K	1/6W	CARBON	
	R913	QRD167J-104	100K	1/6W	CARBON	
	R914	QRD167J-823	82K	1/6W	CARBON	
	R915	QRD167J-473	47K	1/6W	CARBON	
	R916	QRD167J-563	56K	1/6W	CARBON	
	R917	QRD167J-683	68K	1/6W	CARBON	
	R918	QRD167J-392	3.9K	1/6W	CARBON	
	R921	QRD167J-224	220K	1/6W	CARBON	
	R922	QRD167J-182	1.8K	1/6W	CARBON	
Δ	R924	QRG022J-122A	1.2K	2W	O.M. FILM	
	R925	QRD161J-221	220	1/6W	CARBON	
	R926	QRD167J-101	100	1/6W	CARBON	
Δ	R931	QRD14CJ-330S	33	1/4W	UNF. CARBON	
	R935	QRD167J-562	5.6K	1/6W	CARBON	
	R936	QRD167J-822	8.2K	1/6W	CARBON	
	R937	QRD167J-103	10K	1/6W	CARBON	
	R981	QRD167J-104	100K	1/6W	CARBON	
	R982	QRD167J-823	82K	1/6W	CARBON	
Δ	R989	QRG022J-221A	220	2W	O.M. FILM	
	VR751	QVPA601-501A	500		VARIABLE	
	VR752	QVPA601-501A	500		VARIABLE	

Δ : SAFETY PARTS

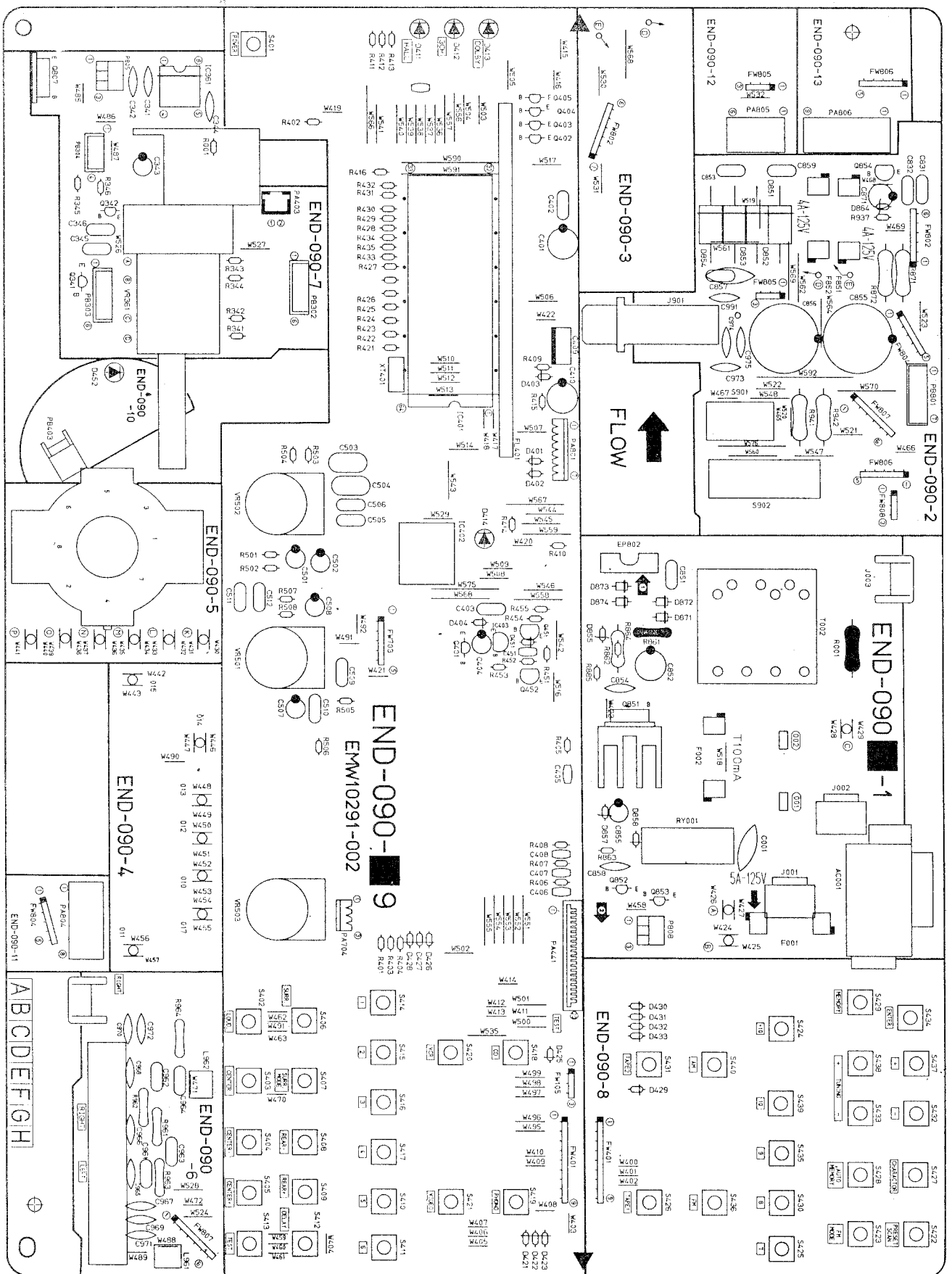
OTHERS

Δ	ITEM	PART NUMBER	DESCRIPTION			AREA
		E307307-001SM	HEAT SINK BRACKET			
		E307351-001SM	P.W. BOARD BRACKET			
		E307351-002SM	P.W. BOARD BRACKET			
		E308274-001	HEAT SINK			
		E73525-003	SCREW			
		GBSG3008CC	SCREW			
		QWE350-16PP	WIRE			
		QWE351-16DP	WIRE			
		QWE370-09DD	WIRE			
		QWE372-18DP	WIRE			
		QWE375-20DD	WIRE			
		QWE379-18DP	WIRE			
		QXTF500-015	TUBE			
		SBSG3008CC	SCREW			
	J051	EMB90TV-601G	SPEAKER TERMINAL			
	J300	EMN00TV-414AJ2	4P PIN JACK (PHONO, CD)			
	J301	EMN00TV-413AJ2	4P PIN JACK (TAPE 1 REC/PLAY)			
	J302	EMN00TV-611AJ2	6P PIN JACK (TAPE 2 REC/PLAY)			
	J303	EMN00TV-414AJ2	4P PIN JACK (VCR PLAY, VIDEO)			
	J561	EMN00YP-209A	2P PIN JACK (VCR REC/PLAY)			
	J562	EMN00YP-305A	3P PIN JACK (VIDEO, MONITOR OUT, CENTER)			
	L751	EGL0001-1R0	INDUCTOR			
	L752	EGL0001-1R0	INDUCTOR			
	L831	EGL4007-220	INDUCTOR			
	P703	EMV7122-005	CONNECTOR (5PIN)			
	P999	VMC0107-003	CONNECT TERMINAL (4ch ← 5ch)			
	S903	QSP6002-E01TJ2	PUSH SWITCH			
	EP801	E70859-001	EARTH PLATE			
	FW051	EWR36B-08LST	FLAT WIRE (6PIN) REAR Lch AMP			
	FW052	EWR36B-08LST	FLAT WIRE (6PIN) REAR Rch AMP			
	FW101	EWR38B-25LST	FLAT WIRE (8PIN) TO TUNER PCB			
	FW103	EWR36B-20LST	FLAT WIRE (6PIN) TO TUNER PCB			
	FW581	EWR37B-13SST	FLAT WIRE (7PIN) VIDEO TERMINAL PCB			
	FW809	EWR33B-30LST	FLAT WIRE (3PIN) ENH-216-7			
	FW810	EWR33B-30SST	FLAT WIRE (3PIN) ENH-216-1, -7			
	HS805	E70306-001	HEAT SINK			
	JT050	EMV7122-103	CONNECTOR (3PIN) PART OF P051			
	JT051	EMV7122-103	CONNECTOR (3PIN) PART OF P051			
	JT052	EMV7122-103	CONNECTOR (3PIN) PART OF P052			
	JT053	EMV7122-103	CONNECTOR (3PIN) PART OF P052			
	PA302	EWS296-0124	SOCKET WIRE (6PIN) TO MASTER VOLUME			
	PA303	EWS296-0134	SOCKET WIRE (6PIN) FROM MASTER VOLUME			
	PA304	EWS264-A430	SOCKET WIRE (4PIN) VOLUME CONTROL			
	PA561	EMV7125-006R	CONNECTOR (6PIN) VIDEO SELECTOR			
	PA702	EMV7140-L15R	CONNECTOR (15PIN) PRE-DRIVER			
	PB441	EMV7123-020	CONNECTOR (20PIN) TO FRONT PCB			
	PB561	EMV5125-006	PLUG ASSY (6PIN) TO VIDEO SELECTOR			
	PB601	EMV5140-010	PLUG ASSY (10PIN) TO SURROUND PCB			
	PB602	EMV5125-013	PLUG ASSY (13PIN) TO SURROUND PCB			
	PB701	EMV5140-010	PLUG ASSY (10PIN) TO ENP-044-2			
	PB702	EMV5140-015	PLUG ASSY (15PIN) TO PRE-DRIVER			
	PB704	EMV5109-003A	PLUG ASSY (3PIN) BALANCE			
	PB804	EMV5125-008	PLUG ASSY (8PIN) TO END-090-11			
	PB805	EMV5125-006	PLUG ASSY (6PIN) TO END-090-12			
	PB806	EMV5125-009	PLUG ASSY (9PIN) TO END-090-13			
	RY901	ESK7D24-2120	RELAY			
	RY981	ESK8D12-212M	RELAY			

Δ : SAFETY PARTS

■ END-090 □ Front & Power Primary PC Board Ass'y

Note : END-090 □ varies according to the areas employed. See note (1) when placing an order.



Note (1)

PC Board Ass'y	Designated Areas
END-090 [A]	the U.S.A.
END-090 [B]	Canada

TRANSISTORS

ITEM	PART NUMBER	DESCRIPTION	AREA
Q341	2SD2144S(VW)	SILICON ROHM	
Q342	2SD2144S(VW)	SILICON ROHM	
Q401	DTC114YS	SILICON ROHM	
Q402	DTC114YS	SILICON ROHM	
Q403	DTC114YS	SILICON ROHM	
Q404	DTC114YS	SILICON ROHM	
Q405	DTC114YS	SILICON ROHM	
Q451	2SC1740S(R,S)	SILICON ROHM	
Q452	2SC1740S(R,S)	SILICON ROHM	
Q807	2SD2061(E,F)	SILICON ROHM	
Q852	2SC2235(O,Y)	SILICON TOSHIBA	
Q853	AA1L3Z	SILICON NEC	
Q854	2SC2240(GR,BL)	SILICON TOSHIBA	

△ : SAFETY PARTS

I. C. S.

ITEM	PART NUMBER	DESCRIPTION	AREA
IC361	LB1639-CV	I.C. SANYO	
IC401	MN171202JPZ	I.C. MATSUSHITA	
IC402	SPS-420-1	I.C. SANYO	
IC403	MN1281(P,Q)	I.C. MATSUSHITA	

△ : SAFETY PARTS

DIODES

ITEM	PART NUMBER	DESCRIPTION	AREA
D401	1SS133	SILICON ROHM	
D402	1SS133	SILICON ROHM	
D403	1SS133	SILICON ROHM	
D404	1SS133	SILICON ROHM	
D411	SLR-34DC50F124	L.E.D. ROHM	
D412	SLR-34DC50F124	L.E.D. ROHM	
D413	SLR-34DC50F124	L.E.D. ROHM	
D414	SLR-54VC50F124	L.E.D. ROHM	
D426	1SS133	SILICON ROHM	
D427	1SS133	SILICON ROHM	
D428	1SS133	SILICON ROHM	
D429	1SS133	SILICON ROHM	
D430	1SS133	SILICON ROHM	
D431	1SS133	SILICON ROHM	
D432	1SS133	SILICON ROHM	
D433	1SS133	SILICON ROHM	
D451	1SS133	SILICON ROHM	
D452	LN282RPX	L.E.D.	
D851	30D2FC	SILICON NIHONINTER	
D852	30D2FC	SILICON NIHONINTER	
D853	30D2FC	SILICON NIHONINTER	
D854	30D2FC	SILICON NIHONINTER	
D857	MTZ6.2JC	ZENER ROHM	
D858	1SS133	SILICON ROHM	
D864	MTZ5.6JC	ZENER ROHM	
D871	1SR139-200	SILICON ROHM	
D872	1SR139-200	SILICON ROHM	
D873	1SR139-200	SILICON ROHM	
D874	1SR139-200	SILICON ROHM	

△ : SAFETY PARTS

CAPACITORS

ITEM	PART NUMBER	DESCRIPTION	AREA
C001	QCZ9019-472	4700PF CERAMIC	
C341	QCY21HK-331	330PF 50V CERAMIC	
C342	QCY21HK-331	330PF 50V CERAMIC	
C343	QETB0JM-107	100MF 6.3V ELECTRO	
C344	QCF21HP-473	0.047MF 50V CERAMIC	
C345	QFLB1HJ-333	0.033MF 50V MYLAR	
C346	QFLB1HJ-333	0.033MF 50V MYLAR	
C401	QEK51AM-227	220MF 10V ELECTRO	
C402	QCZ0202-155	1.5MF 25V CERAMIC	
C403	QCF21HP-223	0.022MF 50V CERAMIC	
C404	QEK51HM-225G	2.2MF 50V ELECTRO	
C405	QCGB1HK-102	1000PF 50V CERAMIC	
C406	QCGB1HK-102	1000PF 50V CERAMIC	
C407	QCGB1HK-102	1000PF 50V CERAMIC	
C408	QCGB1HK-102	1000PF 50V CERAMIC	

△ : SAFETY PARTS

CAPACITORS

ITEM	PART NUMBER	DESCRIPTION	AREA
C409	QEADOHZ-479A	47000MF ELECTRO	
C501	QEK51HM-105G	1MF 50V ELECTRO	
C502	QEK51HM-105G	1MF 50V ELECTRO	
C503	QFLB1HJ-823	0.082MF 50V MYLAR	
C504	QFLB1HJ-823	0.082MF 50V MYLAR	
C505	QFLB1HJ-153	0.015MF 50V MYLAR	
C506	QFLB1HJ-153	0.015MF 50V MYLAR	
C507	QEK51HM-105G	1MF 50V ELECTRO	
C508	QEK51HM-105G	1MF 50V ELECTRO	
C509	QFLB1HJ-332	3300PF 50V MYLAR	
C510	QFLB1HJ-332	3300PF 50V MYLAR	
C511	QFLB1HJ-183	0.018MF 50V MYLAR	
C512	QFLB1HJ-183	0.018MF 50V MYLAR	
C831	QFLB1HJ-223	0.022MF 50V MYLAR	A
C832	QFLB1HJ-223	0.022MF 50V MYLAR	A
C850	QETB1CM-476	47MF 16V ELECTRO	
C851	QFN82AK-472	4700PF 100V MYLAR	
C852	QETB1EM-227	220MF 25V ELECTRO	
C855	EET3503-478E	4700MF ELECTRO	
C856	EET3503-478E	4700MF ELECTRO	
C857	QCE22HP-103	0.01MF 500V CERAMIC	
C858	QCF21HP-472	4700PF 50V CERAMIC	
C859	QFN82AJ-473	0.047MF 100V MYLAR	
C871	QETB1EM-107	100MF 25V ELECTRO	

△ : SAFETY PARTS

RESISTORS

ITEM	PART NUMBER	DESCRIPTION	AREA
R001	QRC128K-275EM	2.7M 1/2W COMPOSI	
R002	QRD167J-104	100K 1/6W CARBON	
R341	QRD167J-223	22K 1/6W CARBON	
R342	QRD167J-223	22K 1/6W CARBON	
R343	QRD167J-223	22K 1/6W CARBON	
R344	QRD167J-223	22K 1/6W CARBON	
R345	QRD167J-222	2.2K 1/6W CARBON	
R346	QRD167J-222	2.2K 1/6W CARBON	
R347	QRD167J-103	10K 1/6W CARBON	
R348	QRD167J-103	10K 1/6W CARBON	
R349	QRD167J-273	27K 1/6W CARBON	
R350	QRD167J-273	27K 1/6W CARBON	
R401	QRD167J-104	100K 1/6W CARBON	
R402	QRD167J-104	100K 1/6W CARBON	
R403	QRD167J-104	100K 1/6W CARBON	
R404	QRD167J-104	100K 1/6W CARBON	
R405	QRD167J-104	100K 1/6W CARBON	
R406	QRD167J-104	100K 1/6W CARBON	
R407	QRD167J-104	100K 1/6W CARBON	
R408	QRD167J-104	100K 1/6W CARBON	
R409	QRD167J-331	330 1/6W CARBON	
R410	QRD167J-223	22K 1/6W CARBON	
R411	QRD161J-221	220 1/6W CARBON	
R412	QRD161J-221	220 1/6W CARBON	
R413	QRD161J-221	220 1/6W CARBON	
R414	QRD161J-221	220 1/6W CARBON	
R415	QRD167J-220	22 1/6W CARBON	
R416	QRD167J-472	4.7K 1/6W CARBON	
R421	QRD167J-471	470 1/6W CARBON	
R422	QRD167J-471	470 1/6W CARBON	
R423	QRD161J-221	220 1/6W CARBON	
R424	QRD167J-471	470 1/6W CARBON	
R425	QRD167J-471	470 1/6W CARBON	
R426	QRD167J-471	470 1/6W CARBON	
R427	QRD167J-471	470 1/6W CARBON	
R428	QRD167J-471	470 1/6W CARBON	
R429	QRD167J-471	470 1/6W CARBON	
R430	QRD167J-471	470 1/6W CARBON	
R431	QRD167J-471	470 1/6W CARBON	
R432	QRD167J-471	470 1/6W CARBON	
R433	QRD167J-471	470 1/6W CARBON	
R434	QRD167J-471	470 1/6W CARBON	
R435	QRD167J-471	470 1/6W CARBON	
R451	QRD167J-103	10K 1/6W CARBON	
R452	QRD167J-473	47K 1/6W CARBON	
R453	QRD167J-223	22K 1/6W CARBON	
R454	QRD167J-471	470 1/6W CARBON	
R455	QRD167J-103	10K 1/6W CARBON	
R501	QRD167J-203	20K 1/6W CARBON	
R502	QRD167J-203	20K 1/6W CARBON	
R503	QRD167J-362	3.6K 1/6W CARBON	
R504	QRD167J-362	3.6K 1/6W CARBON	
R505	QRD167J-472	4.7K 1/6W CARBON	
R506	QRD167J-472	4.7K 1/6W CARBON	
R507	QRD167J-152	1.5K 1/6W CARBON	
R508	QRD167J-152	1.5K 1/6W CARBON	
R861	QRD14CJ-100S	10 1/4W UNF. CARBON	
R863	QRD167J-821	820 1/6W CARBON	
R871	QRX022J-R22A	0.22 2W M.FILM	
R872	QRX022J-R22A	0.22 2W M.FILM	
R937	QRD167J-104	100K 1/6W CARBON	
R941	QRG022J-471A	470 2W O.M.FILM	
R942	QRG022J-471A	470 2W O.M.FILM	
VR361	QVDC91B-E15EJ3	100K VARIABLE	
VR501	QVDB92C-E15CJ3	100K VARIABLE	
VR502	QVDB92C-E15CJ3	100K VARIABLE	
VR503	QVDA92W-E15EJ3	100K VARIABLE	

△ : SAFETY PARTS

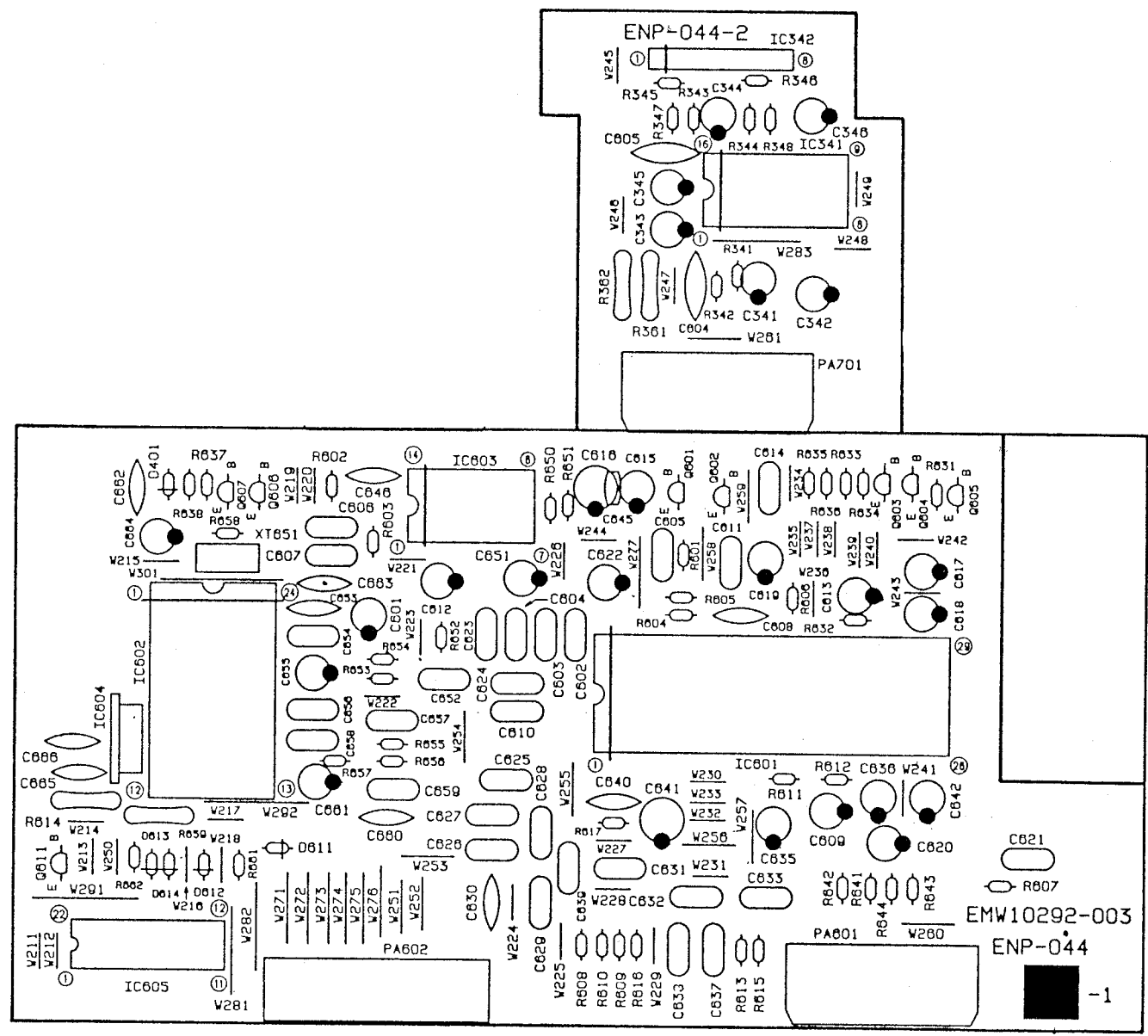
OTHERS

△	ITEM	PART NUMBER	DESCRIPTION	AREA
△		EMB90TV-801A	SPEAKER TERMINAL	
		EMV5103-002B	PLUG ASSY	
		ETP1000-41JA	POWER TRANSFORMER	
		E308270-001	FL HOLDER	
		E3400-431	FELT SPACER	
		E3400-444	FELT SPACER	
		E65508-002	TAB	
△		QMCA002-E02S	AC OUTLET	
		QST4241-E05J2	PUSH SWITCH	
		QWE350-34DD	WIRE	
		QWE351-32DD	WIRE	
		VMZ0087-001	FUSE CLIP	
J003		E70225-001	EARTH PLATE	
J901		QMS6A40-021	HEADPHONE JACK	
P805		EMV7122-103	CONNECTOR(3PIN) TO END-090-7	
P808		EMV7122-103	CONNECTOR(3PIN) END-090-1	
S401		ESP0001-023M	TACT SWITCH(POWER)	
S402		ESP0001-023M	TACT SWITCH(LOUD)	
S403		ESP0001-023M	TACT SWITCH(CENTER)	
S404		ESP0001-023M	TACT SWITCH(CENTER -)	
S405		ESP0001-023M	TACT SWITCH(CENTER +)	
S406		ESP0001-023M	TACT SWITCH(SURR.)	
S407		ESP0001-023M	TACT SWITCH(SURR. MODE)	
S408		ESP0001-023M	TACT SWITCH(REAR -)	
S409		ESP0001-023M	TACT SWITCH(REAR +)	
S410		ESP0001-023M	TACT SWITCH(5)	
S411		ESP0001-023M	TACT SWITCH(6)	
S412		ESP0001-023M	TACT SWITCH(OE LAY)	
S413		ESP0001-023M	TACT SWITCH(TEST)	
S414		ESP0001-023M	TACT SWITCH(1)	
S415		ESP0001-023M	TACT SWITCH(2)	
S416		ESP0001-023M	TACT SWITCH(3)	
S417		ESP0001-023M	TACT SWITCH(4)	
S418		ESP0001-023M	TACT SWITCH(CD)	
S419		ESP0001-023M	TACT SWITCH(PHONO)	
S420		ESP0001-023M	TACT SWITCH(VCR)	
S421		ESP0001-023M	TACT SWITCH(VIDEO)	
S422		ESP0001-023M	TACT SWITCH(PRESET SCAN)	
S423		ESP0001-023M	TACT SWITCH(FM MODE)	
S424		ESP0001-023M	TACT SWITCH(+10)	
S425		ESP0001-023M	TACT SWITCH(7)	
S426		ESP0001-023M	TACT SWITCH(TAPE 1)	
S427		ESP0001-023M	TACT SWITCH(CHARACTOR)	
S428		ESP0001-023M	TACT SWITCH(AUTO MEMORY)	
S429		ESP0001-023M	TACT SWITCH(MEMORY)	
S430		ESP0001-023M	TACT SWITCH(8)	
S431		ESP0001-023M	TACT SWITCH(TAPE 2)	
S432		ESP0001-023M	TACT SWITCH(-)	
S433		ESP0001-023M	TACT SWITCH(TUNING -)	
S434		ESP0001-023M	TACT SWITCH(ENTER)	
S435		ESP0001-023M	TACT SWITCH(9)	
S436		ESP0001-023M	TACT SWITCH(FM)	
S437		ESP0001-023M	TACT SWITCH(+)	
S438		ESP0001-023M	TACT SWITCH(TUNING +)	
S439		ESP0001-023M	TACT SWITCH(10)	
S440		ESP0001-023M	TACT SWITCH(AM)	
EP802		E70859-001	EARTH PLATE	
FL401		ELU0001-144	FL TUBE	
FW401		EWR39B-20SST	FLAT WIRE(9PIN) KEY MATRIX	
FW703		EWR35B-45LST	FLAT WIRE(5PIN) TONE CONTROL	
FW802		EWR36B-20SST	FLAT WIRE(6PIN) POWER SECONDARY	
FW804		EWR35B-40SST	FLAT WIRE(5PIN) TO END-090-11	
FW805		EWR33B-45SST	FLAT WIRE(3PIN) TO END-090-12	
FW806		EWR35B-45SST	FLAT WIRE(5PIN) TO END-090-13	
FW807		EWR36B-50SST	FLAT WIRE(6PIN) SPEAKER TERMINAL	
FW808		EWR33B-20LST	FLAT WIRE(3PIN) POWER CONTROL	
PA403		EMV5103-002A	PLUG ASSY(2PIN) VOLUME INDICATOR	
PA441		EMV7123-020	CONNECTOR(20PIN) FRONT PCB	
PA704		EWS293-0145	SOCKET WIRE(3PIN) FRONT PCB	
PA801		EWS267-A424	SOCKET WIRE(7PIN) FRONT PCB	
PA804		EMV7125-008R	CONNECTOR(8PIN) END-090-11	
PA805		EMV7125-006R	CONNECTOR(6PIN) END-090-12	
PA806		EMV7125-009R	CONNECTOR(9PIN) END-090-13	
PB302		EMV5109-006A	PLUG ASSY(6PIN) MASTER VOLUME IN	
PB303		EMV5109-006A	PLUG ASSY(6PIN) MASTER VOLUME OUT	
PB304		EMV5109-004A	PLUG ASSY(4PIN) VOLUME CONTROL	
PB801		EMV5109-007A	PLUG ASSY(7PIN) TO FRONT PCB	
RY001		ESK1D12-118J1	RELAY	
XT401		ECX0060-000EM	RESONATOR	

△ : SAFETY PARTS

■ ENP-044 □ Surround PC Board Ass'y

Note : ENP-044 □ varies according to the areas employed. See note (1) when placing an order.



Note (1)

PC Board Ass'y	Designated Areas
ENP-044 C	the U.S.A.
ENP-044 D	Canada

TRANSISTORS

ITEM	PART NUMBER	DESCRIPTION	AREA
Q601	2SD655(D,E)	SILICON HITACHI	
Q602	2SD655(D,E)	SILICON HITACHI	
Q603	AA1L4M	SILICON NEC	
Q604	DTC144ES	SILICON ROHM	
Q605	AN1L4M	SILICON NEC	

△ : SAFETY PARTS

I. C. S.

ITEM	PART NUMBER	DESCRIPTION	AREA
IC341	TC9176P	I.C. TOSHIBA	
IC342	VC4580L	I.C. DAINICHI	
IC601	NJM2177L	I.C. DAINICHI	
IC602	M50198P	I.C. MITSUBISHI	
IC604	NJM78M05FD	I.C. DAINICHI	
IC605	NJU3715L	I.C. DAINICHI	

△ : SAFETY PARTS

DIODES

ITEM	PART NUMBER	DESCRIPTION	AREA
D401	1SS133	SILICON ROHM	

△ : SAFETY PARTS

CAPACITORS

△	ITEM	PART NUMBER	DESCRIPTION			AREA
	C341	QETB1HM-475	4.7MF	50V	ELECTRO	
	C342	QETB1HM-475	4.7MF	50V	ELECTRO	
	C343	QETB1HM-105	1MF	50V	ELECTRO	
	C344	QETB1HM-105	1MF	50V	ELECTRO	
	C345	QETB1EM-106	10MF	25V	ELECTRO	
	C346	QETB1EM-106	10MF	25V	ELECTRO	
	C347	QCF21HP-223	0.022MF	50V	CERAMIC	
	C348	QCF21HP-223	0.022MF	50V	CERAMIC	
	C601	QETB1HM-475	4.7MF	50V	ELECTRO	
	C602	QFV81HJ-224	0.22MF	50V	T.FILM	
	C603	QFV81HJ-224	0.22MF	50V	T.FILM	
	C604	QFV81HJ-224	0.22MF	50V	T.FILM	
	C605	QFV81HJ-684	0.68MF	50V	T.FILM	
	C606	QFLB1HJ-562	5600PF	50V	MYLAR	
	C607	QFLB1HJ-472	4700PF	50V	MYLAR	
	C608	QCS21HJ-471	470PF	50V	CERAMIC	
	C609	QETB1CM-227	220MF	16V	ELECTRO	
	C610	QFLB1HJ-473	0.047MF	50V	MYLAR	
	C611	QFLB1HJ-562	5600PF	50V	MYLAR	
	C612	QETB1HM-106	10MF	50V	ELECTRO	
	C613	QETB1HM-106	10MF	50V	ELECTRO	
	C614	QFV81HJ-224	0.22MF	50V	T.FILM	
	C615	QETB1HM-106	10MF	50V	ELECTRO	
	C616	QETB1CM-107	100MF	16V	ELECTRO	
	C617	QETB1HM-106	10MF	50V	ELECTRO	
	C618	QETB1HM-106	10MF	50V	ELECTRO	
	C619	QETB1HM-106	10MF	50V	ELECTRO	
	C620	QETB1CM-226	22MF	16V	ELECTRO	
	C621	QFN81HJ-472	4700PF	50V	MYLAR	
	C622	QETB1HM-475	4.7MF	50V	ELECTRO	
	C623	QFV81HJ-224	0.22MF	50V	T.FILM	
	C624	QFLB1HJ-104	0.1MF	50V	MYLAR	
	C625	QFLB1HJ-104	0.1MF	50V	MYLAR	
	C626	QFLB1HJ-104	0.1MF	50V	MYLAR	
	C627	QFLB1HJ-104	0.1MF	50V	MYLAR	
	C628	QFLB1HJ-223	0.022MF	50V	MYLAR	
	C629	QFLB1HJ-223	0.022MF	50V	MYLAR	
	C630	QCY21HK-681	680PF	50V	CERAMIC	
	C631	QFLB1HJ-473	0.047MF	50V	MYLAR	
	C632	QFLB1HJ-104	0.1MF	50V	MYLAR	
	C633	QFLB1HJ-104	0.1MF	50V	MYLAR	
	C635	QETB1HM-106	10MF	50V	ELECTRO	
	C636	QETB1HM-106	10MF	50V	ELECTRO	
	C637	QFLB1HJ-104	0.1MF	50V	MYLAR	
	C638	QFLB1HJ-104	0.1MF	50V	MYLAR	
	C639	QFLB1HJ-473	0.047MF	50V	MYLAR	
	C640	QCY21HK-681	680PF	50V	CERAMIC	
	C641	QEB51EM-226	22MF	25V	LLC ELECTRO	0
	C642	QETB1EM-106	10MF	25V	ELECTRO	
	C645	QCHB1EZ-223	0.022MF	25V	CERAMIC	
	C646	QCF21HP-223	0.022MF	50V	CERAMIC	
	C649	QCY21HK-561	560PF	50V	CERAMIC	
	C651	QETB1HM-105	1MF	50V	ELECTRO	
	C652	QFLB1HJ-562	5600PF	50V	MYLAR	
	C653	QCY21HK-561	560PF	50V	CERAMIC	
	C654	QFLB1HJ-104	0.1MF	50V	MYLAR	
	C655	QETB1CM-476	47MF	16V	ELECTRO	
	C656	QFV81HJ-474	0.47MF	50V	T.FILM	
	C657	QFV81HJ-474	0.47MF	50V	T.FILM	
	C658	QFLB1HJ-104	0.1MF	50V	MYLAR	
	C659	QFLB1HJ-562	5600PF	50V	MYLAR	
	C660	QCS21HJ-561	560PF	50V	CERAMIC	
	C661	QETB1HM-105	1MF	50V	ELECTRO	
	C662	QCF21HP-223	0.022MF	50V	CERAMIC	
	C663	QCF21HP-223	0.022MF	50V	CERAMIC	
	C664	QETB1CM-107	100MF	16V	ELECTRO	
	C665	QCF21HP-223	0.022MF	50V	CERAMIC	
	C666	QCF21HP-223	0.022MF	50V	CERAMIC	

△ : SAFETY PARTS

RESISTORS

△	ITEM	PART NUMBER	DESCRIPTION			AREA
	R341	QRD167J-104	100K	1/6W	CARBON	
	R342	QRD167J-104	100K	1/6W	CARBON	
	R343	QRD167J-105	1M	1/6W	CARBON	
	R344	QRD167J-105	1M	1/6W	CARBON	
	R345	QRD167J-333	33K	1/6W	CARBON	
	R346	QRD167J-333	33K	1/6W	CARBON	
	R347	QRD167J-103	10K	1/6W	CARBON	
	R348	QRD167J-103	10K	1/6W	CARBON	
△	R361	QRZ0077-680	68	1/4W	FUSIBLE	
△	R362	QRZ0077-680	68	1/4W	FUSIBLE	
	R601	QRD167J-334	330K	1/6W	CARBON	
	R602	QRD167J-822	8.2K	1/6W	CARBON	
	R603	QRD167J-822	8.2K	1/6W	CARBON	
	R604	QRD167J-822	8.2K	1/6W	CARBON	
	R605	QRD167J-153	15K	1/6W	CARBON	
	R606	QRD167J-104	100K	1/6W	CARBON	
	R607	QRD167J-104	100K	1/6W	CARBON	
	R608	QRD167J-752	7.5K	1/6W	CARBON	
	R609	QRD167J-153	15K	1/6W	CARBON	
	R610	QRD167J-473	47K	1/6W	CARBON	
	R611	QRD167J-223	22K	1/6W	CARBON	
	R612	QRD167J-223	22K	1/6W	CARBON	
	R613	QRD167J-473	47K	1/6W	CARBON	
△	R614	QRD14CJ-680S	68	1/4W	UNF. CARBON	
	R615	QRD167J-153	15K	1/6W	CARBON	
	R616	QRD167J-752	7.5K	1/6W	CARBON	
	R617	QRD167J-475	4.7M	1/6W	CARBON	
	R631	QRD167J-392	3.9K	1/6W	CARBON	
	R632	QRD167J-822	8.2K	1/6W	CARBON	
	R633	QRD167J-223	22K	1/6W	CARBON	
	R634	QRD167J-473	47K	1/6W	CARBON	
	R635	QRD167J-223	22K	1/6W	CARBON	
	R636	QRD167J-473	47K	1/6W	CARBON	
	R641	QRD167J-103	10K	1/6W	CARBON	
	R642	QRD167J-103	10K	1/6W	CARBON	
	R643	QRD167J-104	100K	1/6W	CARBON	
	R644	QRD167J-104	100K	1/6W	CARBON	
	R650	QRD167J-822	8.2K	1/6W	CARBON	
	R651	QRD167J-273	27K	1/6W	CARBON	
	R652	QRD167J-153	15K	1/6W	CARBON	
	R653	QRD167J-153	15K	1/6W	CARBON	
	R654	QRD167J-103	10K	1/6W	CARBON	
	R655	QRD167J-153	15K	1/6W	CARBON	
	R656	QRD167J-103	10K	1/6W	CARBON	
	R657	QRD167J-153	15K	1/6W	CARBON	
△	R658	QRD167J-105	1M	1/6W	CARBON	
△	R659	QRD14CJ-680S	68	1/4W	UNF. CARBON	

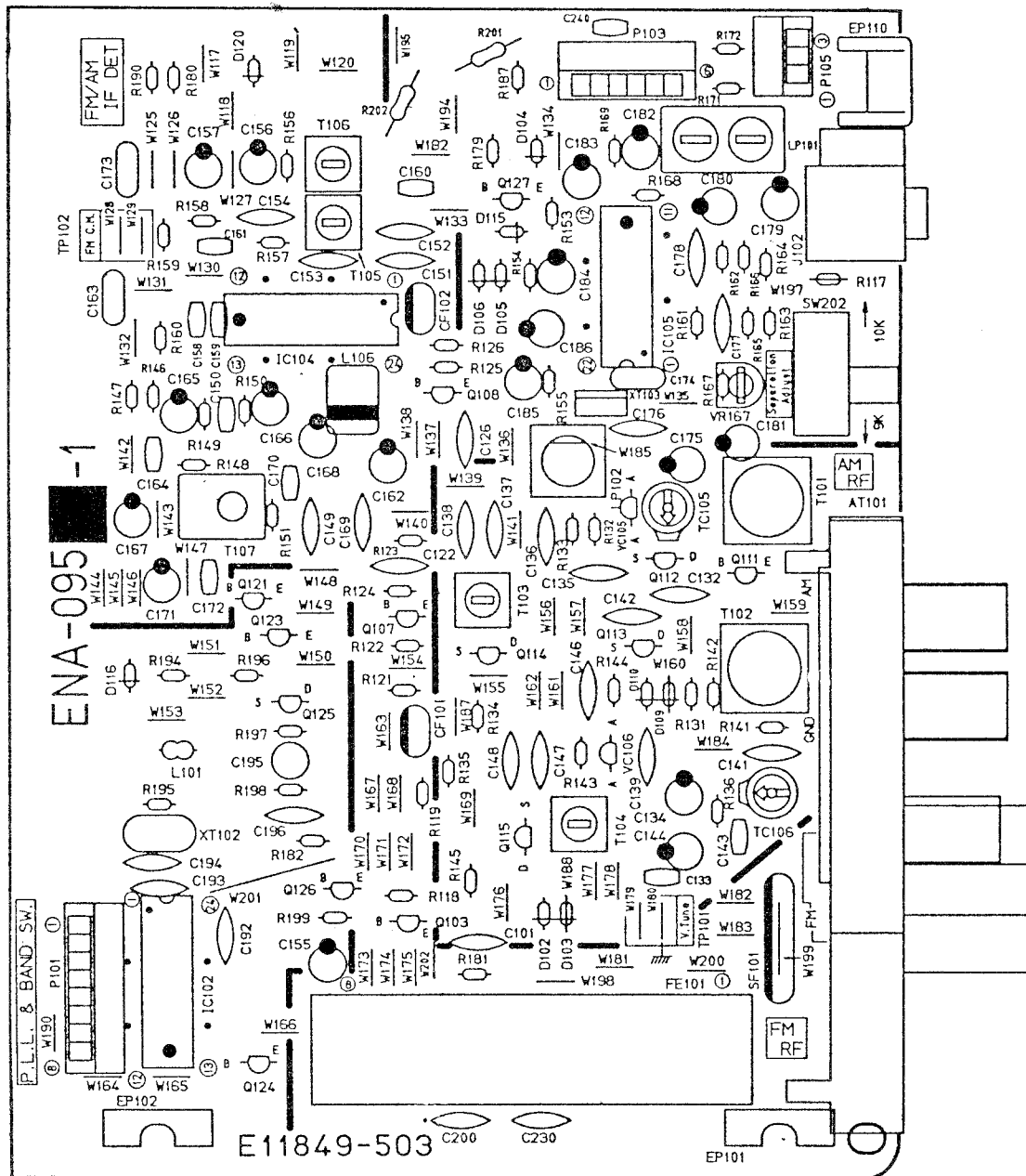
△ : SAFETY PARTS

OTHERS

△	ITEM	PART NUMBER	DESCRIPTION			AREA
		QWE351-09DD	WIRE			
	PA601	EMV7140-L10R	CONNECTOR(10PIN) SOUND PATH			
	PA602	EMV7125-013R	CONNECTOR(13PIN) SURROUND CONTROL			
	PA701	EMV7140-L10R	CONNECTOR(10PIN) SURROUND LEVEL			
	XT651	ECX0003-270KM	RESONATOR			

△ : SAFETY PARTS

■ ENA-095 [H] Tuner PC Board Ass'y



TRANSISTORS

△	ITEM	PART NUMBER	DESCRIPTION	AREA
	Q103	2SC461(B,C)	SILICON HITACHI	
	Q107	2SC535(B,C)	SILICON HITACHI	
	Q108	2SC461(B,C)	SILICON HITACHI	
	Q112	2SK301(Q,R)	F.E.T MATSUSHITA	
	Q123	AN1A4P	SILICON NEC	
	Q124	AN1A4P	SILICON NEC	
	Q125	2SK301(Q2)	F.E.T MATSUSHITA	
	Q126	2SC458(D)	SILICON HITACHI	
	Q127	AA1L4M	SILICON NEC	

△ : SAFETY PARTS

DIODES

△	ITEM	PART NUMBER	DESCRIPTION	AREA
	D104	1SS119	SILICON HITACHI	
	D105	1SS119	SILICON HITACHI	
	D106	1SS119	SILICON HITACHI	
	D115	1SS119	SILICON HITACHI	
	D116	1SS119	SILICON HITACHI	
	D120	1SS119	SILICON HITACHI	
	VC105	SVC342(L)	VARICAP SANYO	

△ : SAFETY PARTS

I. C. S.

△	ITEM	PART NUMBER	DESCRIPTION	AREA
	IC102	LC7218	I.C. SANYO	
	IC104	LA1266A	I.C. SANYO	
	IC105	LA3401	I.C. SANYO	

△ : SAFETY PARTS

CAPACITORS

Δ	ITEM	PART NUMBER	DESCRIPTION			AREA
	C101	QCF21HP-223	0.022MF	50V	CERAMIC	
	C122	QCF21HP-223	0.022MF	50V	CERAMIC	
	C126	QCF21HP-223	0.022MF	50V	CERAMIC	
	C132	QCS21HJ-561	560PF	50V	CERAMIC	
	C133	QCHB1EZ-223	0.022MF	25V	CERAMIC	
	C134	QETB1EM-106	10MF	25V	ELECTRO	
	C135	QCC21EM-223	0.022MF	25V	CERAMIC	
	C136	QCT26CH-180	18PF	50V	CERAMIC	
	C137	QCT26CH-221	220PF	50V	CERAMIC	
	C138	QCT26CH-241	240PF	50V	CERAMIC	
	C149	QCF21HP-223	0.022MF	50V	CERAMIC	
	C150	QCHB1EZ-223	0.022MF	25V	CERAMIC	
	C151	QCF21HP-223	0.022MF	50V	CERAMIC	
	C152	QCF21HP-223	0.022MF	50V	CERAMIC	
	C153	QCC21EM-223	0.022MF	25V	CERAMIC	
	C154	QCF21HP-223	0.022MF	50V	CERAMIC	
	C155	QETB1EM-226	22MF	25V	ELECTRO	
	C156	QETB1HM-475	4.7MF	50V	ELECTRO	
	C157	QETB1HM-474	0.47MF	50V	ELECTRO	
	C158	QCBB1HK-101	100PF	50V	CERAMIC	
	C159	QCBB1HK-101	100PF	50V	CERAMIC	
	C160	QCBB1HK-221	220PF	50V	CERAMIC	
	C161	QCHB1EZ-223	0.022MF	25V	CERAMIC	
	C162	QETB1EM-106	10MF	25V	ELECTRO	
	C163	QFLB1HJ-332	3300PF	50V	MYLAR	
	C164	QCHB1EZ-223	0.022MF	25V	CERAMIC	
	C165	QETB1HM-474	0.47MF	50V	ELECTRO	
	C166	QETB1HM-225	2.2MF	50V	ELECTRO	
	C167	QETB1HM-225	2.2MF	50V	ELECTRO	
	C168	QETB1HM-475	4.7MF	50V	ELECTRO	
	C169	QCF21HP-223	0.022MF	50V	CERAMIC	
	C170	QCHB1EZ-223	0.022MF	25V	CERAMIC	
	C171	QETB1EM-106	10MF	25V	ELECTRO	
	C172	QCVB1CM-103	0.01MF	16V	CERAMIC	
	C173	QFLB1HK-223	0.022MF	50V	MYLAR	
	C174	QFLB1HK-473	0.047MF	50V	MYLAR	
	C175	QETB1EM-106	10MF	25V	ELECTRO	
	C176	QCY21HK-102	1000PF	50V	CERAMIC	
	C177	QCS21HJ-561	560PF	50V	CERAMIC	
	C178	QCS21HJ-561	560PF	50V	CERAMIC	
	C179	QETB1HM-225	2.2MF	50V	ELECTRO	
	C180	QETB1HM-225	2.2MF	50V	ELECTRO	
	C181	QETB1EM-106	10MF	25V	ELECTRO	
	C182	QETB1HM-225	2.2MF	50V	ELECTRO	
	C183	QETB1HM-105	1MF	50V	ELECTRO	
	C184	QETB1HM-105	1MF	50V	ELECTRO	
	C185	QETB1HM-225	2.2MF	50V	ELECTRO	
	C186	QETB1HM-474	0.47MF	50V	ELECTRO	
	C192	QCC21EM-473	0.047MF	25V	CERAMIC	
	C193	QCS21HJ-180	18PF	50V	CERAMIC	
	C194	QCS21HJ-180	18PF	50V	CERAMIC	
	C195	QEN51HM-474	0.47MF	50V	NON POLE	
	C196	QCY21HK-102	1000PF	50V	CERAMIC	
	C230	QCF21HP-103	0.01MF	50V	CERAMIC	

Δ : SAFETY PARTS

RESISTORS

Δ	ITEM	PART NUMBER	DESCRIPTION			AREA
	R117	QRD167J-100	10	1/6W	CARBON	
	R118	QRD167J-332	3.3K	1/6W	CARBON	
	R119	QRD161J-221	220	1/6W	CARBON	
	R121	QRD167J-391	390	1/6W	CARBON	
	R122	QRD167J-272	2.7K	1/6W	CARBON	
	R123	QRD167J-102	1K	1/6W	CARBON	
	R124	QRD167J-681	680	1/6W	CARBON	
	R125	QRD167J-332	3.3K	1/6W	CARBON	
	R126	QRD161J-221	220	1/6W	CARBON	
	R131	QRD167J-331	330	1/6W	CARBON	
	R132	QRD167J-103	10K	1/6W	CARBON	
	R133	QRD167J-473	47K	1/6W	CARBON	
	R135	QRD167J-470	47	1/6W	CARBON	
	R136	QRD167J-103	10K	1/6W	CARBON	
	R146	QRD167J-560	56	1/6W	CARBON	
	R147	QRD167J-103	10K	1/6W	CARBON	
	R148	QRD167J-103	10K	1/6W	CARBON	
	R149	QRD167J-273	27K	1/6W	CARBON	
	R150	QRD167J-103	10K	1/6W	CARBON	
	R151	QRD167J-224	220K	1/6W	CARBON	
	R153	QRD167J-103	10K	1/6W	CARBON	
	R154	QRD167J-103	10K	1/6W	CARBON	
	R155	QRD167J-562	5.6K	1/6W	CARBON	
	R156	QRD167J-822	8.2K	1/6W	CARBON	
	R157	QRD167J-103	10K	1/6W	CARBON	
	R158	QRD167J-183	18K	1/6W	CARBON	
	R159	QRD167J-561	560	1/6W	CARBON	
	R160	QRD167J-123	12K	1/6W	CARBON	
	R161	QRD167J-124	120K	1/6W	CARBON	
	R162	QRD167J-124	120K	1/6W	CARBON	
	R163	QRD167J-332	3.3K	1/6W	CARBON	
	R164	QRD167J-332	3.3K	1/6W	CARBON	
	R165	QRD167J-184	180K	1/6W	CARBON	
	R166	QRD167J-184	180K	1/6W	CARBON	
	R167	QRD167J-473	47K	1/6W	CARBON	

Δ : SAFETY PARTS

RESISTORS

Δ	ITEM	PART NUMBER	DESCRIPTION			AREA
	R168	QRD167J-103	10K	1/6W	CARBON	
	R169	QRD167J-103	10K	1/6W	CARBON	
	R171	QRD167J-682	6.8K	1/6W	CARBON	
	R172	QRD167J-682	6.8K	1/6W	CARBON	
	R179	QRD167J-562	5.6K	1/6W	CARBON	
	R180	QRD167J-472	4.7K	1/6W	CARBON	
	R181	QRD167J-222	2.2K	1/6W	CARBON	
	R182	QRD167J-181	180	1/6W	CARBON	
	R187	QRD167J-101	100	1/6W	CARBON	
	R190	QRD167J-472	4.7K	1/6W	CARBON	
	R194	QRD167J-472	4.7K	1/6W	CARBON	
	R195	QRD167J-473	47K	1/6W	CARBON	
	R196	QRD167J-103	10K	1/6W	CARBON	
	R197	QRD167J-222	2.2K	1/6W	CARBON	
	R198	QRD167J-332	3.3K	1/6W	CARBON	
	R199	QRD167J-472	4.7K	1/6W	CARBON	
Δ	R201	QRD145J-680S	68	1/4W	UNF. CARBON	
Δ	R202	QRD145J-470S	47	1/4W	UNF. CARBON	

Δ : SAFETY PARTS

OTHERS

Δ	ITEM	PART NUMBER	DESCRIPTION			AREA
	J102	QMS3501-021	MINI JACK (COMPULINK)			
	L101	EQL4007-1ROT	INDUCTOR			
	L106	EQL3001-102K	INDUCTOR			
	P101	EMV7112-008	CONNECTOR (8PIN) CONTROL			
	P103	EMV7112-006	CONNECTOR (8PIN) BATTERY			
	T101	EQR1111-014	AM RF COIL			
	T103	EQR1207-015	MW OSC COIL			
	T105	EQT2140-012	I.F. TRANSFORMER			
	T106	EQT2140-013	I.F. TRANSFORMER			
	T107	ECB1560-006	CERAMIC FILTER			
	AT101	EMB41YV-401K	ANTENNA TERMINAL			
	CF101	ECB2123-006R	CERAMIC FILTER			
	CF102	ECB2123-006R	CERAMIC FILTER			
	EP101	E70859-001	EARTH PLATE			
	EP102	E70859-001	EARTH PLATE			
	EP110	E70225-001	EARTH PLATE			
	FE101	EAF2203-001	FRONT END			
	LP101	EQF0101-002	LOW PASS FILTER			
	TC105	ENZ1003-006	TRIMMER			
	XT102	ECX0007-200KC	RESONATOR			
	XT103	ECX0000-456KR	RESONATOR			

Δ : SAFETY PARTS

Accessories List

Part Number	Part Name	Q'ty	Description	Areas
E30580-1925A	INSTRUCTION BOOK	1		J
E30580-1926A	INSTRUCTION BOOK	1		C
BT-20025K	WARRANTY CARD	1		C
BT20071A	SERVICE CENTER LIST	1		C
BT-20044G	SAFETY INSTRUCTION SHEET	1		J
BT-51006-1	SAFETY REGISTRATION CARD	1		J
RM-SR509U	REMOTE CONTROLLER	1		
EWP502-001	BILT-IN ANTENNA	1		
EQB4001-015	AM LOOP ANTENNA	1		
R03BPA-2STSA	BATTERY	1		
QPGA025-03505B	ENVELOPE	1	FOR INSTRUCTION BOOK	

⚠ SAFETY PARTS

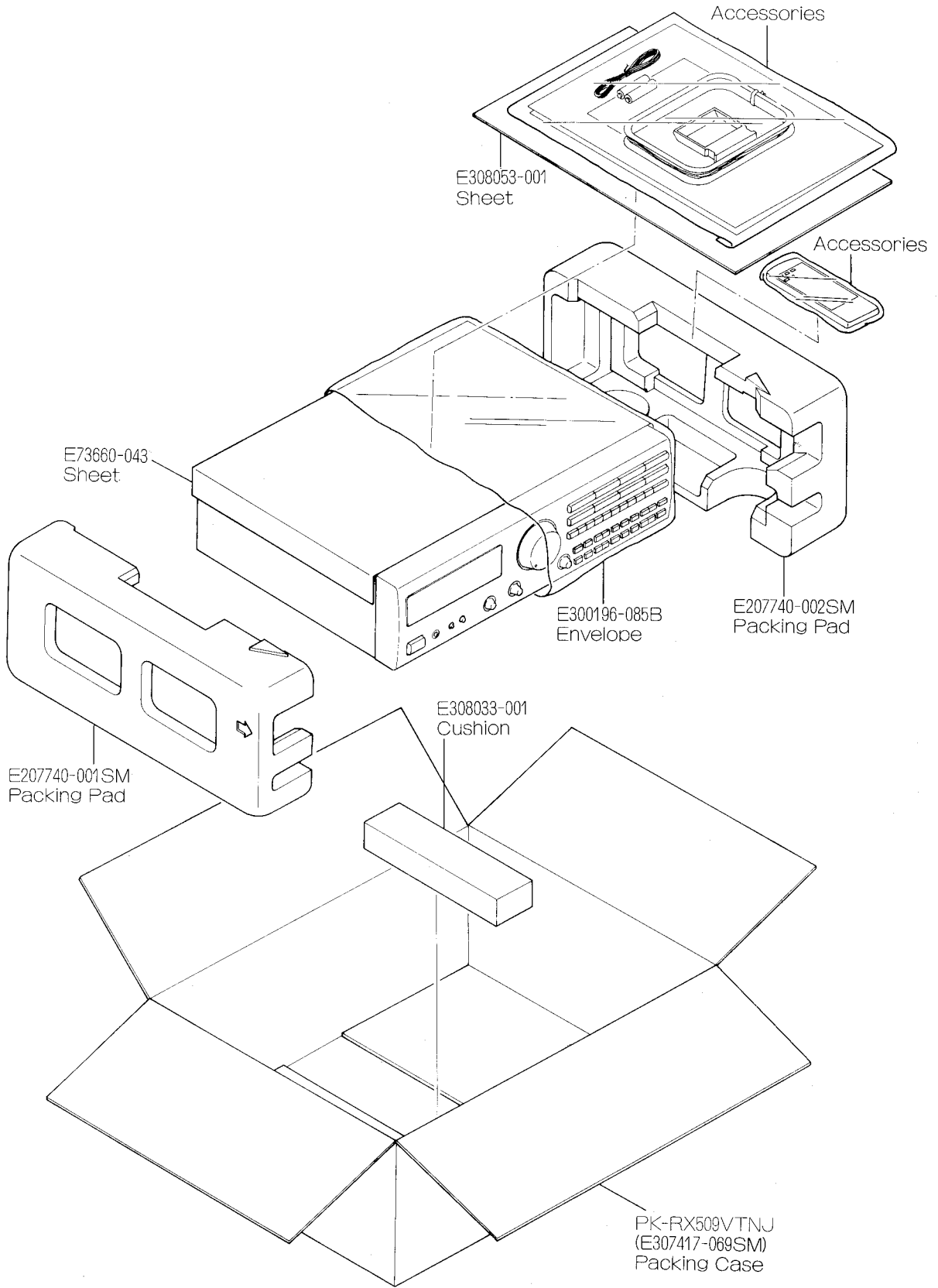
The Marks for Designated Areas

J the U.S.A.

C Canada

No mark indicates all areas.

Packing Materials and Part Numbers



RX-508VBK
RX-509VTN

JVC

VICTOR COMPANY OF JAPAN, LIMITED

AUDIO PRODUCTS DIVISION, YAMATO PLANT, 1644, SIMOTSURUMA, YAMATO-SHI, KANAGAWA-KEN, 242, JAPAN

(No. 20376)



Printed in Japan