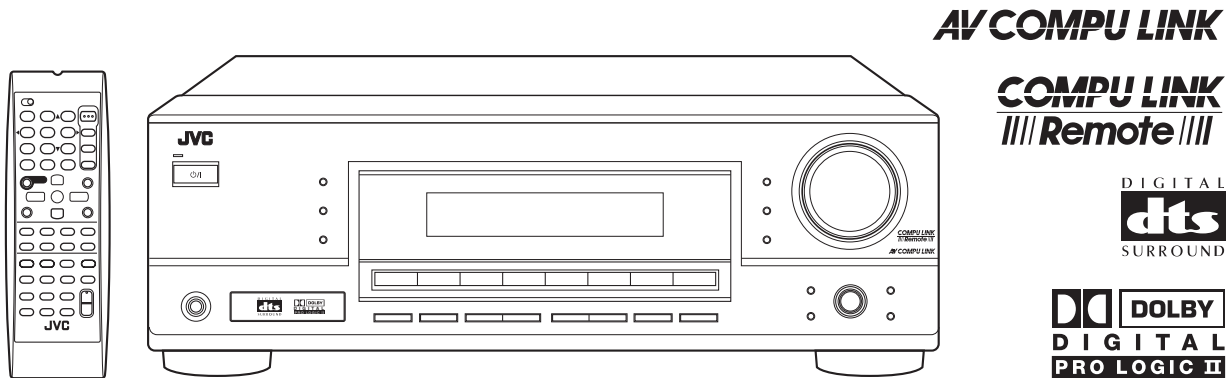


# JVC

## SERVICE MANUAL

### AUDIO/VIDEO CONTROL RECEIVER

# RX-6032VSL



**AV COMPU LINK**

**COMPU LINK**  
*Remote*

DIGITAL  
**dts**  
 SURROUND

**DOLBY**  
 DIGITAL  
 PRO LOGIC II

**Area suffix**

C ----- Canada

### TABLE OF CONTENTS

1	Important Safety Precautions .....	1-2
2	Disassembly method .....	1-4
3	Adjustment.....	1-12
4	Description of major ICs.....	1-13

## SECTION 1

### Important Safety Precautions

#### 1.1 Safety Precautions

- (1) This design of this product contains special hardware and many circuits and components specially for safety purposes. For continued protection, no changes should be made to the original design unless authorized in writing by the manufacturer. Replacement parts must be identical to those used in the original circuits. Services should be performed by qualified personnel only.
- (2) Alterations of the design or circuitry of the product should not be made. Any design alterations of the product should not be made. Any design alterations or additions will void the manufacturer's warranty and will further relieve the manufacturer of responsibility for personal injury or property damage resulting therefrom.
- (3) Many electrical and mechanical parts in the products have special safety-related characteristics. These characteristics are often not evident from visual inspection nor can the protection afforded by them necessarily be obtained by using replacement components rated for higher voltage, wattage, etc. Replacement parts which have these special safety characteristics are identified in the Parts List of Service Manual. Electrical components having such features are identified by shading on the schematics and by ( $\Delta$ ) on the Parts List in the Service Manual. The use of a substitute replacement which does not have the same safety characteristics as the recommended replacement parts shown in the Parts List of Service Manual may create shock, fire, or other hazards.
- (4) The leads in the products are routed and dressed with ties, clamps, tubings, barriers and the like to be separated from live parts, high temperature parts, moving parts and/or sharp edges for the prevention of electric shock and fire hazard. When service is required, the original lead routing and dress should be observed, and it should be confirmed that they have been returned to normal, after reassembling.
- (5) Leakage shock hazard testing)
 

After reassembling the product, always perform an isolation check on the exposed metal parts of the product (antenna terminals, knobs, metal cabinet, screw heads, headphone jack, control shafts, etc.) to be sure the product is safe to operate without danger of electrical shock. Do not use a line isolation transformer during this check.

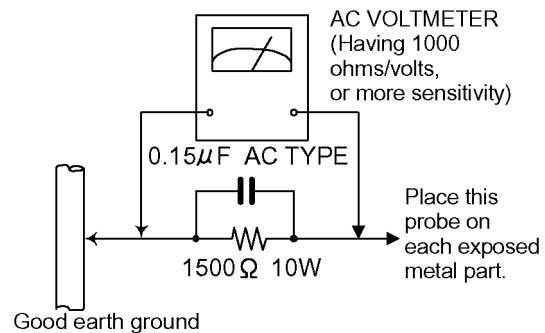
  - Plug the AC line cord directly into the AC outlet. Using a "Leakage Current Tester", measure the leakage current from each exposed metal parts of the cabinet, particularly any exposed metal part having a return path to the chassis, to a known good earth ground. Any leakage current must not exceed 0.5mA AC (r.m.s.).
  - Alternate check method
 

Plug the AC line cord directly into the AC outlet. Use an AC voltmeter having, 1,000 ohms per volt or more sensitivity in the following manner. Connect a 1,500 ohm 10W resistor paralleled by a 0.15  $\mu$ F AC-type capacitor between an

exposed metal part and a known good earth ground.

Measure the AC voltage across the resistor with the AC voltmeter.

Move the resistor connection to each exposed metal part, particularly any exposed metal part having a return path to the chassis, and measure the AC voltage across the resistor. Now, reverse the plug in the AC outlet and repeat each measurement. Voltage measured any must not exceed 0.75 V AC (r.m.s.). This corresponds to 0.5 mA AC (r.m.s.).



#### 1.2 Warning

- (1) This equipment has been designed and manufactured to meet international safety standards.
- (2) It is the legal responsibility of the repairer to ensure that these safety standards are maintained.
- (3) Repairs must be made in accordance with the relevant safety standards.
- (4) It is essential that safety critical components are replaced by approved parts.
- (5) If mains voltage selector is provided, check setting for local voltage.

#### 1.3 Caution

**Burrs formed during molding may be left over on some parts of the chassis.**

**Therefore, pay attention to such burrs in the case of pre-forming repair of this system.**

#### 1.4 Critical parts for safety

In regard with component parts appearing on the silk-screen printed side (parts side) of the PWB diagrams, the parts that are printed over with black such as the resistor (■), diode (▣) and ICP (●) or identified by the " $\Delta$ " mark nearby are critical for safety.

When replacing them, be sure to use the parts of the same type and rating as specified by the manufacturer. (Except the JC version)



## SECTION 2

### Disassembly method

#### 2.1 Removing the top cover (See Fig.1)

- (1) From the right and left sides of the main body, remove the four screws **A** attaching the top cover.
- (2) From the back side of the main body, remove the three screws **B** attaching the top cover.
- (3) Remove the top cover in the direction of the arrow 2 while extending the lower sections of the top cover in the direction of the arrow 1.

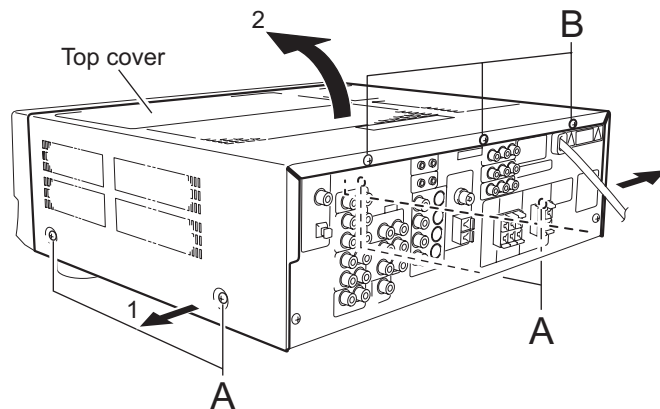


Fig.1

#### 2.2 Removing the front panel assembly (See Figs.2 and 3)

- Prior to performing the following procedure, remove the top cover.

  - (1) Disconnect the card wire from the connector CN402 on the audio board. (See Fig.2)
  - (2) Disconnect the card wire from the connector CN201 on the power supply board. (See Fig.2)
  - (3) Remove the tie band and wire protection board fixing the card wire. (See Fig.2)
  - (4) Remove the three screws **C** attaching the front panel assembly. (See Fig.2)
  - (5) From the bottom side of the main body, remove the four screws **D** attaching the front panel assembly. (See Fig.3)
  - (6) Remove the front panel assembly in the direction of the arrow. (See Fig.3)

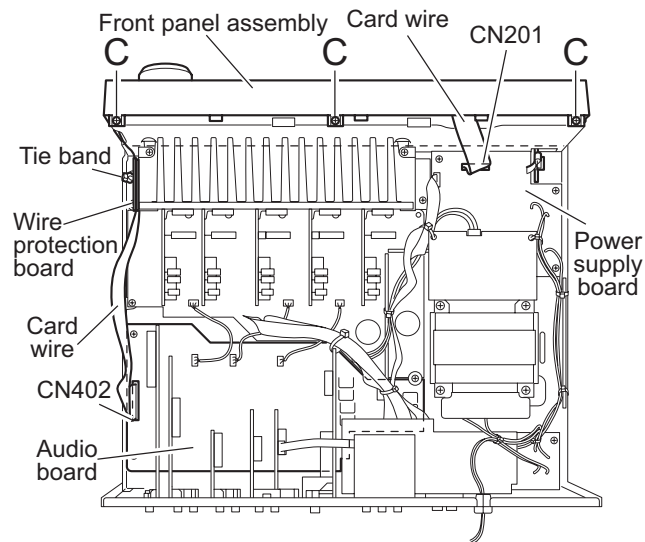


Fig.2

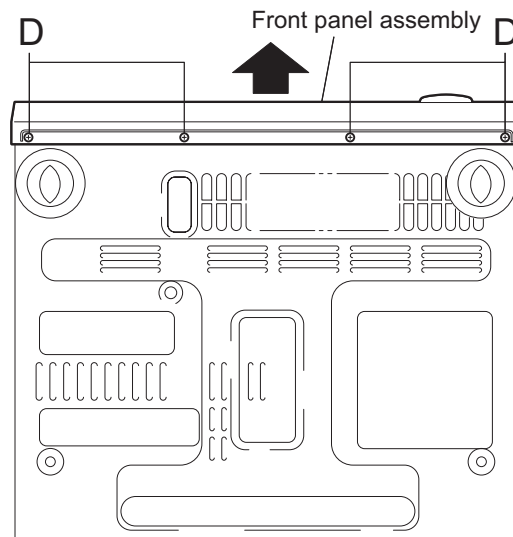


Fig.3

### 2.3 Removing the rear panel (See Fig.4)

- Prior to performing the following procedure, remove the top cover.
- (1) From the back side of the main body, remove the strain relief from the rear panel in the direction of the arrow.
- (2) Remove the twenty-five screws **E** and four screws **F** attaching the rear panel.

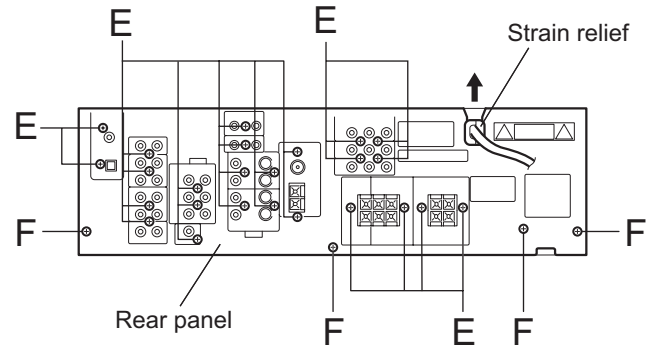


Fig.4

### 2.4 Removing the component board (See Figs.5 and 6)

- Prior to performing the following procedure, remove the top cover.
- (1) From the top side of the main body, disconnect the parallel wire from the connector CN511 on the S Video board. (See Fig.5)
- (2) From the back side of the main body, remove the four screws **G** attaching the component board. (See Fig.6)

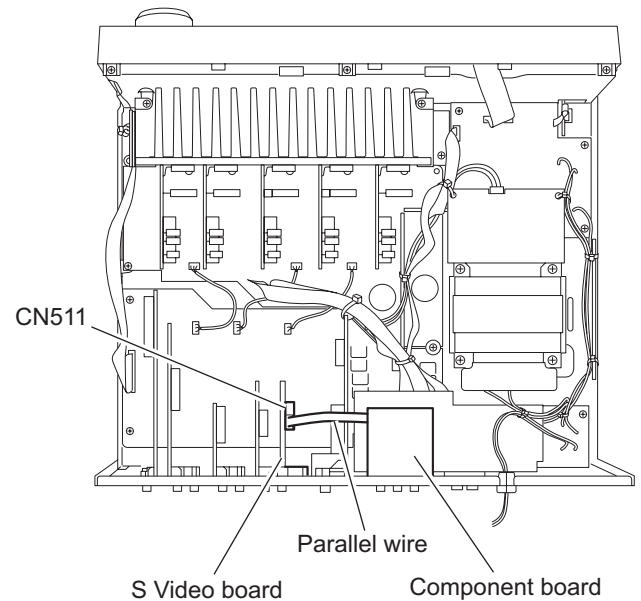


Fig.5

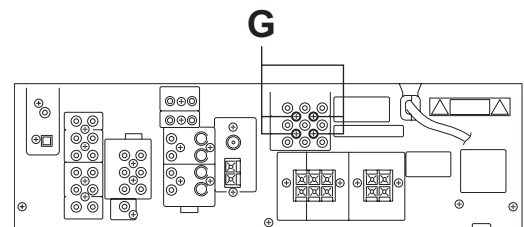
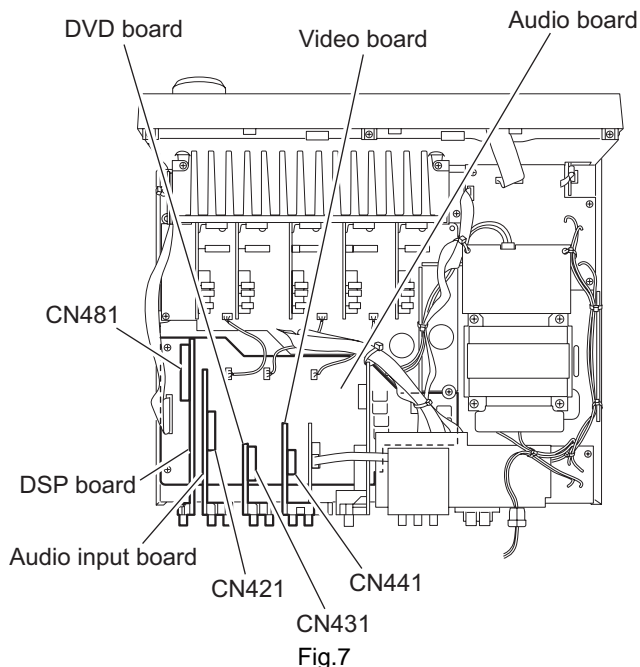


Fig.6

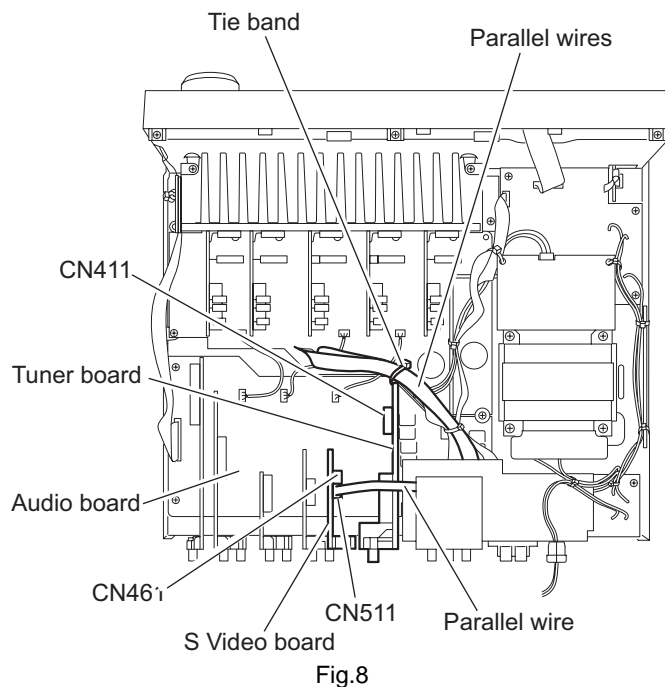
## 2.5 Removing the DSP board, audio input board, DVD board and video board (See Fig.7)

- Prior to performing the following procedure, remove the top cover and rear panel.
  - (1) From the top side of the main body, disconnect the DSP board from the connector CN481 on the audio board.
  - (2) Disconnect the audio input board from the connector CN421 on the audio board.
  - (3) Disconnect the DVD board from the connector CN431 on the audio board.
  - (4) Disconnect the video board from the connector CN441 on the audio board.



## 2.6 Removing the S Video board and tuner board (See Fig.8)

- Prior to performing the following procedure, remove the top cover and rear panel.
  - (1) From the top side of the main body, disconnect the parallel wire from the connector CN511 on the S Video board.
  - (2) Disconnect the S Video board from the connector CN461 on the audio board.
  - (3) Remove the tie band fixing the parallel wires, disconnect the tuner board from the connector CN411 on the audio board.



## 2.7 Removing the audio board (See Fig.9)

- Prior to performing the following procedure, remove the top cover, rear panel, component video board, DSP board, audio input board, DVD board, video board, S Video board and tuner board.
- (1) From the top side of the main body, disconnect the card wire from the connector CN402 on the audio board.
  - (2) Disconnect the relay board from the connectors (CN291, CN491) on the power supply board and audio board.
  - (3) Disconnect the wires from the connectors CN471, CN472 and CN473 on the audio board.
  - (4) Remove the three screws **H** attaching the audio board.
  - (5) Loosen the screw **J** attaching the audio board.

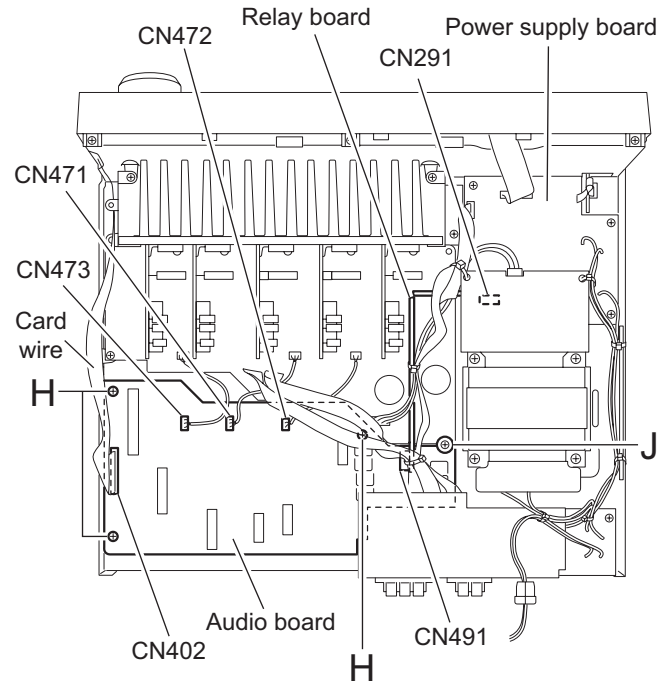


Fig.9

## 2.8 Removing the speaker terminal board (See Fig.10)

- Prior to performing the following procedure, remove the top cover and rear panel.
- (1) From the top side of the main body, remove the solders from the soldered sections a on the speaker terminal board.

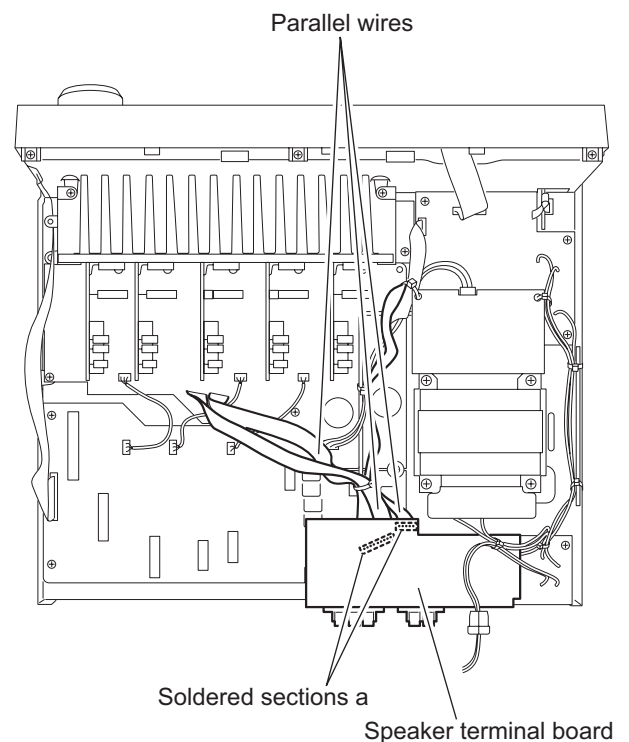


Fig.10

## 2.9 Removing the main board (See Fig.11)

- Prior to performing the following procedure, remove the top cover.
- (1) From the top side of the main body, remove the tie bands fixing the wires.
- (2) Remove the tie band and wire protection board fixing the card wire.
- (3) Remove the solders from the soldered section b on the speaker terminal board attaching the parallel wires.
- (4) Disconnect the relay board from the connectors (CN291, CN491) on the power supply board and audio board.
- (5) Disconnect the parallel wire from the connector CN241 on the power supply board.
- (6) Disconnect the wire from the connector CN251 on the power transformer board 1.
- (7) Disconnect the wires from the connectors CN471, CN472 and CN473 on the audio board.
- (8) Remove the screw **J**, two screws **K** and four screws **L** attaching the main board.
- (9) Take out the main board.

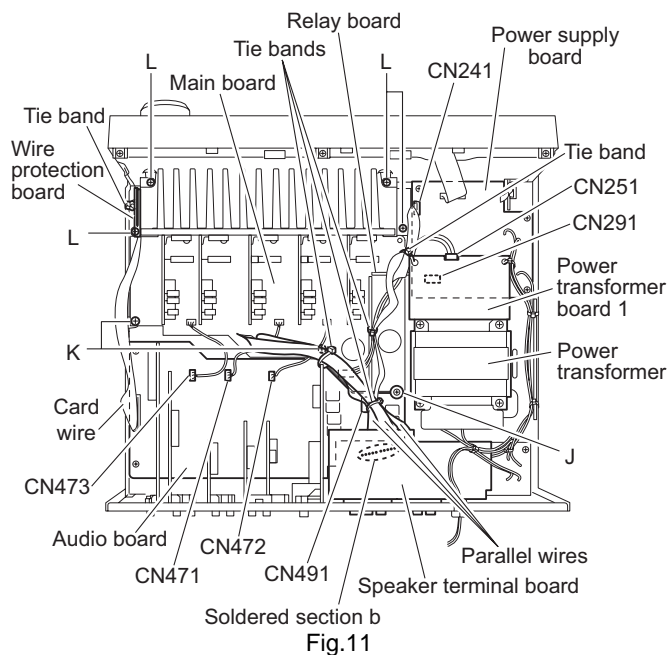


Fig.11

## 2.10 Removing the heat sink (See Figs.12 and 13)

- Prior to performing the following procedure, remove the top cover and main board.
- (1) Remove the ten screws **M** attaching the heat sink. (See Fig.12)
- (2) From the reverse side of the main board, remove the two screws **N** attaching the heat sink. (See Fig.13)

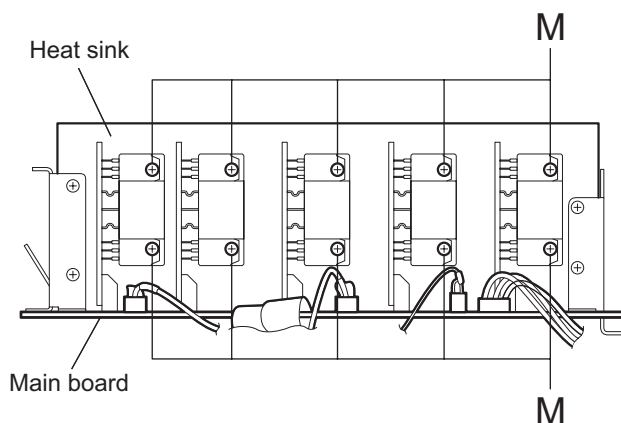


Fig.12

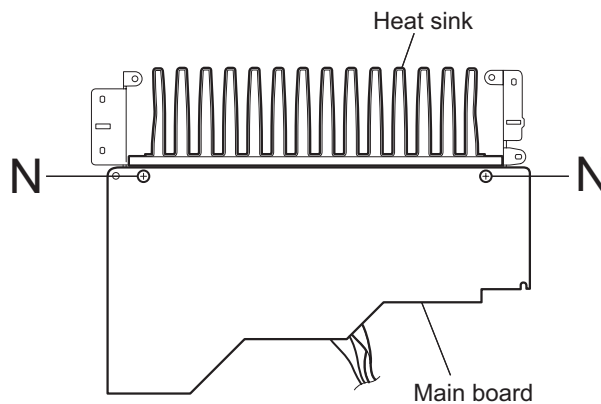


Fig.13



## 2.11 Removing the center amp. board, front amp. boards (L/R) and rear amp. boards (L/R) (See Figs.12 and 14)

- Prior to performing the following procedure, remove the top cover and main board.
  - (1) Remove the ten screws **M** attaching the heat sink. (See Fig.12)
  - (2) Disconnect the center amp. board from the connector CN321 on the main board. (See Fig.14)
  - (3) Disconnect the front amp. board (L) from the connector CN311 on the main board. (See Fig.14)
  - (4) Disconnect the front amp. board (R) from the connector CN312 on the main board. (See Fig.14)
  - (5) Disconnect the rear amp. board (L) from the connector CN331 on the main board. (See Fig.14)
  - (6) Disconnect the rear amp. board (R) from the connector CN332 on the main board. (See Fig.14)

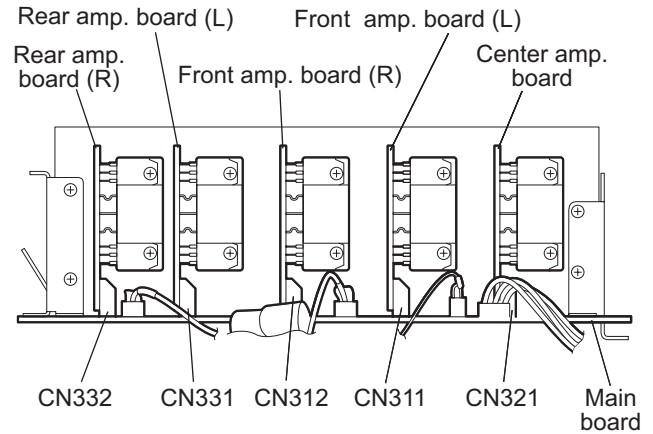


Fig.14

## 2.12 Removing the power transformer (See Fig.15)

- Prior to performing the following procedure, remove the top cover.
  - (1) From the top side of the main body, remove the tie bands fixing the wires.
  - (2) Remove the solders from the soldered section c on the power transformer board 1.
  - (3) Remove the solders from the soldered sections d on the power transformer board 2.
  - (4) Disconnect the wire from the connector CN251 on the power transformer board 1.
  - (5) Remove the four screws **P** attaching the power transformer.

## 2.13 Removing the power/fuse board (See Fig.15)

- Prior to performing the following procedure, remove the top cover.
  - (1) From the back and top sides of the main body, remove the screw **Q** and screw **R** attaching the power/fuse board.
  - (2) Remove the solders from the soldered sections e attaching the power cord.
  - (3) From the reverse side of the power/fuse board, remove the solders from the soldered sections f attaching the wires.

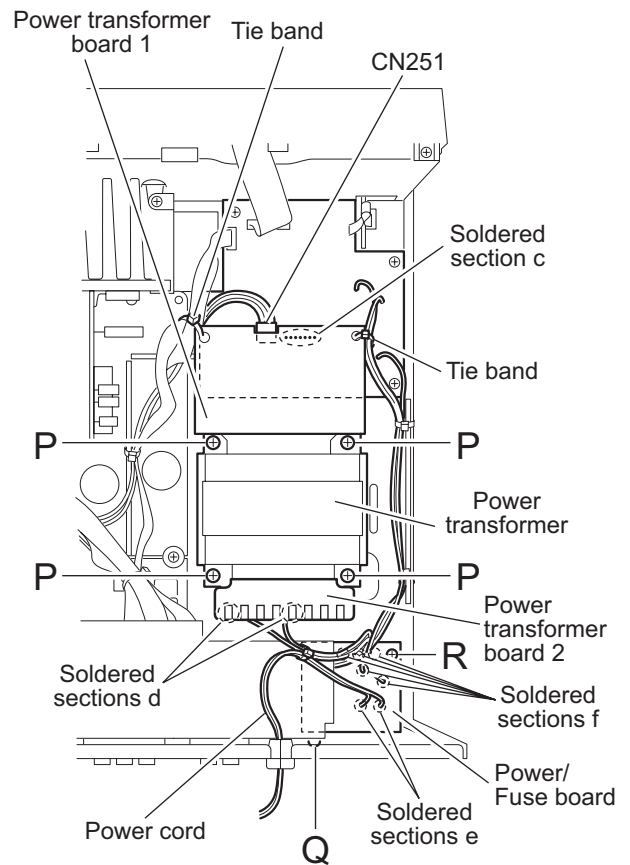


Fig.15

## 2.14 Removing the power supply board (See Fig.16)

- Prior to performing the following procedure, remove the top cover.
- (1) From the top side of the main body, disconnect the parallel wires from the connectors CN203 and CN241 on the power supply board.
- (2) Disconnect the card wire from the connector CN201 on the power supply board.
- (3) Disconnect the relay board from the connector CN291 on the power supply board.
- (4) Disconnect the parallel wire from the connector CN101 on the headphone jack board.
- (5) Remove the solders from the soldered section c on the power transformer board 1.
- (6) Remove the three screws **S** attaching the power supply board.
- (7) Remove the power supply board from the hook g of the chassis base bracket in the direction of the arrow, take out the power supply board.
- (8) Turn over the power supply board, remove the solders from the soldered sections h attaching the wires.

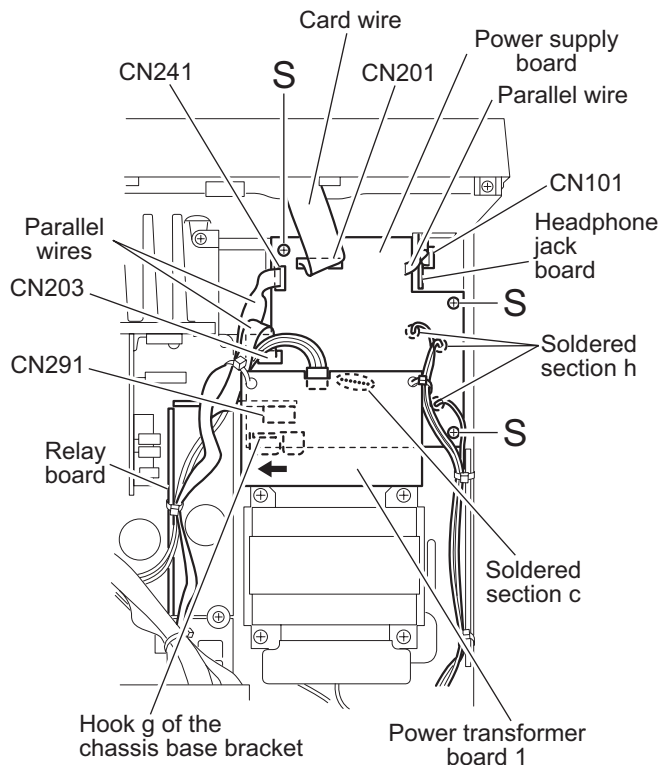


Fig.16

## 2.15 Removing the headphone jack board (See Figs.16 and 17)

- Prior to performing the following procedure, remove the top cover and front panel assembly.
- (1) From the top side of the main body, disconnect the parallel wire from the connector CN101 on the headphone jack board. (See Fig.16)
- (2) From the front side of the main body, remove the nut and screw **T** attaching the Bracket(phones) to the chassis base. (See Fig.17)

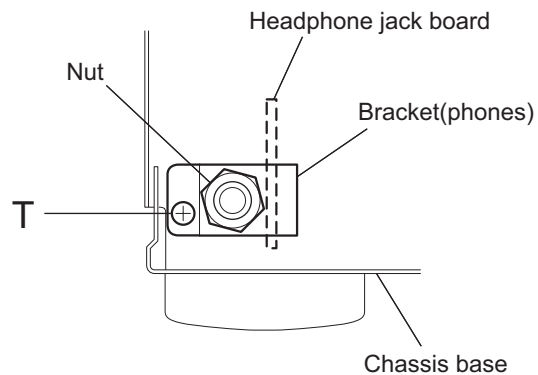


Fig.17

## 2.16 Removing the system control board and power switch board (See Figs.18 and 19)

- Prior to performing the following procedure, remove the top cover and front panel assembly.
  - (1) Pull out the volume and jog knobs from the front side of the front panel assembly, remove the nut attaching the system control board. (See Fig.18)
  - (2) From the back side of the front panel assembly, remove the nine screws **U** attaching the system control board. (See Fig.19)
  - (3) Remove the solders of the soldered section *i* on the system control board and disconnect the parallel wire. (See Fig.19)
  - (4) Remove the two screws **V** attaching the power switch board. (See Fig.19)

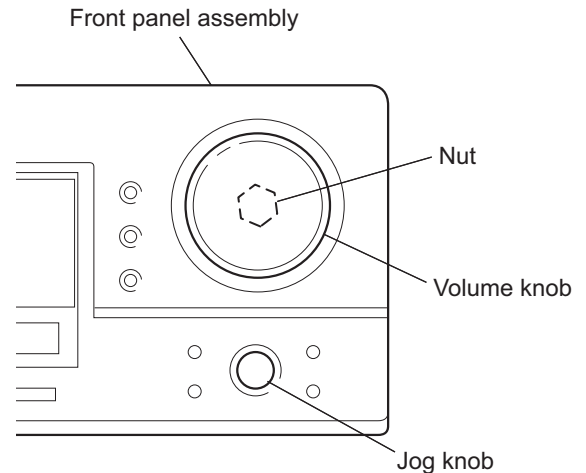


Fig.18

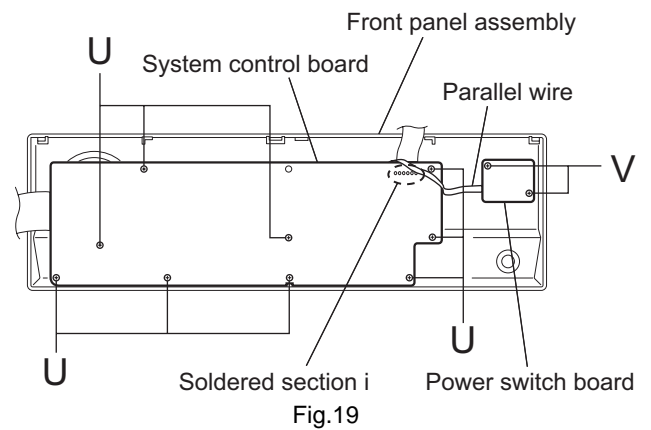


Fig.19

## SECTION 3 Adjustment

### 3.1 Tuner section

#### 3.1.1 Tuner range

FM: 87.5MHz~108.0MHz

AM (MW): 530kHz~1710kHz

### 3.2 Power amplifier section

#### 3.2.1 Adjustment of idling current

Measurement location: TP301 (Lch), TP302 (Rch)

Adjustment part: VR301 (Lch), VR302 (Rch)

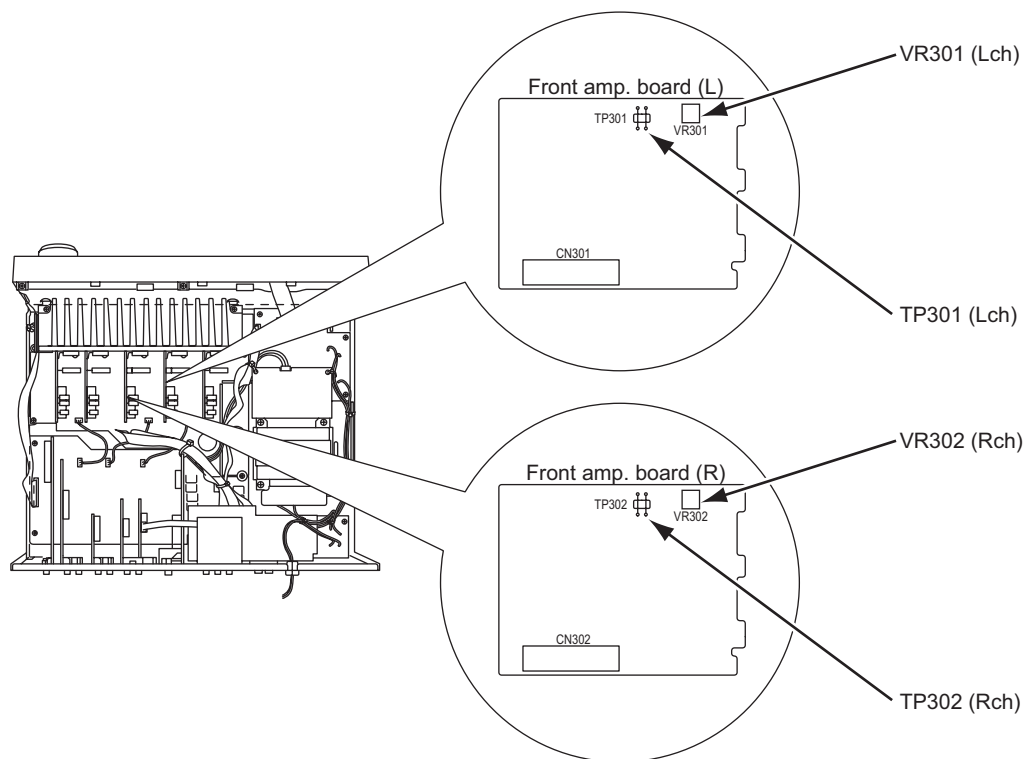
#### Attention:

**This adjustment does not obtain a correct adjustment value immediately after the amplifier is used (state that an internal temperature has risen). Please adjust immediately after using the amplifier after turning off the power supply of the amplifier and falling an internal temperature.**

#### 3.2.2 Adjustment method

- (1) Set the volume control to minimum during this adjustment. (No signal & No load)
- (2) Set the surround mode OFF.
- (3) Turn VR301 and VR302 fully counterclockwise to warm up before adjustment.  
If the heat sink is already warm from previous use the correct adjustment can not be made.
- (4) For L-ch, connect a DC voltmeter between TP301's B216 and B217 (Lch) and, connect it between TP302's B218 and B219 (Rch).
- (5) Adjust the VR301 (Lch) and VR302 (Rch) so that the DC voltmeter indicates 2.0mV immediately after turning the power on.

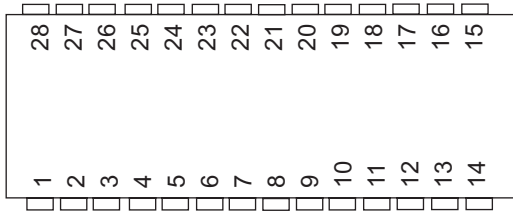
\* It is not abnormal though the idling current might not become 0mA even if it is finished to turn variable resistance (VR301, VR302) in the direction of counterclockwise.



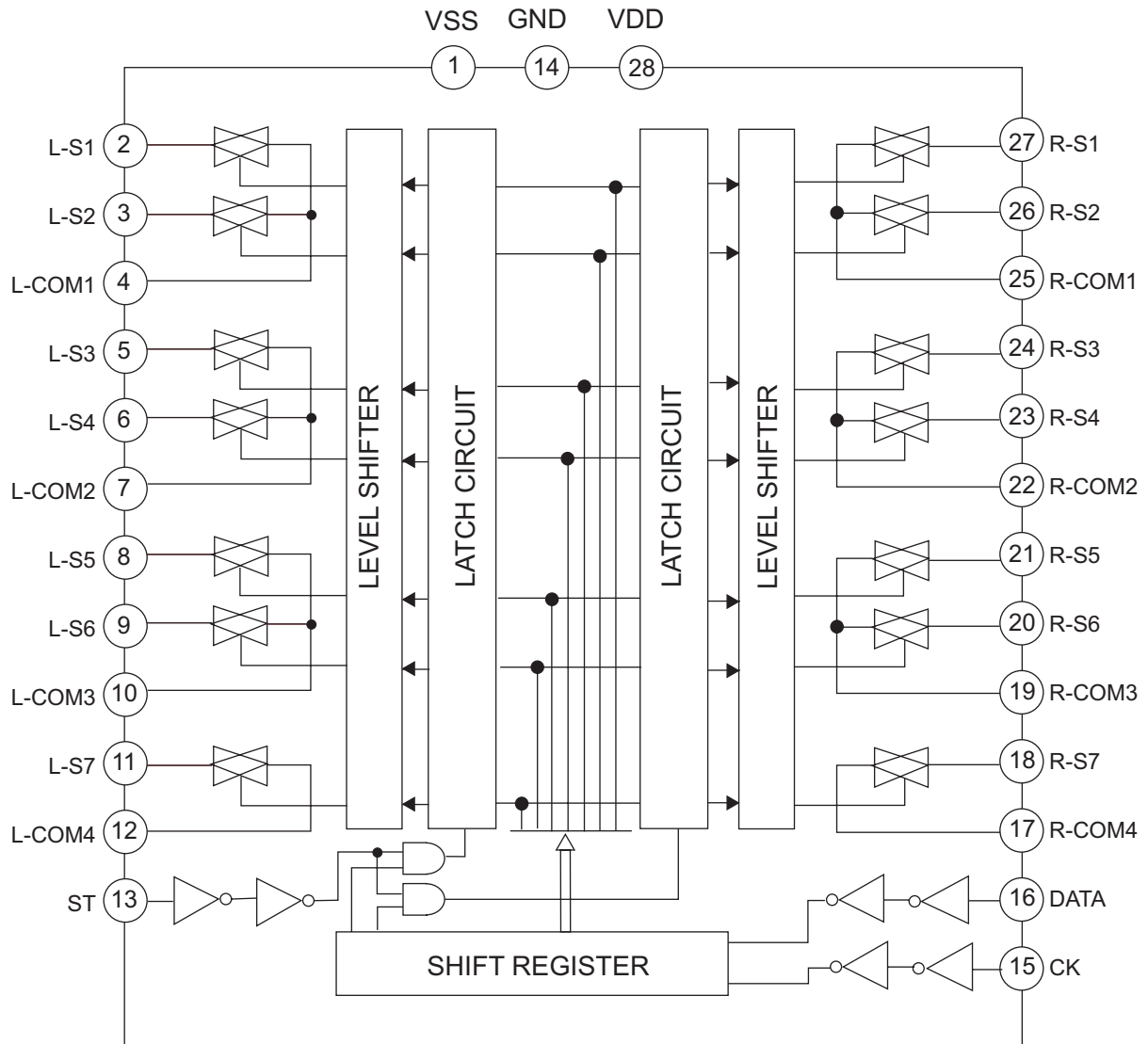
## SECTION 4 Description of major ICs

### 4.1 TC9162AF-X (IC423): Analog switch

- Pin layout

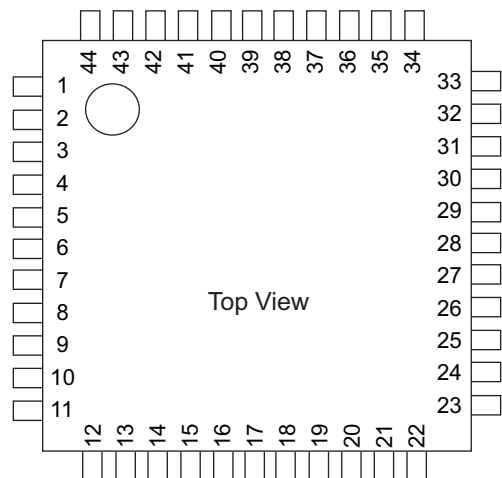


- Block diagram



## 4.2 AK4527BVQP (IC601): A/D, D/A converter

- Pin layout



- Pin function

No.	Symbol	I/O	Function
1	SDOS	I	SDTO Source Select Pin (Note 1) "L" : Internal ADC output, "H" : DAUX input
2	OSKS	I	Control Mode Select Pin "L" : 3-wire Serial, "H" : I2C Bus
3	MIS	-	Soft Mute Pin (Note 1) Connect to GND When this pin goes to "H" soft mute cycle is initialized. When returning to "L", the output mute releases.
4	BICK	I	Audio Serial Data Clock Pin
5	LRCK	I/O	Input Channel Clock Pin
6	SDTI1	I	DAC1 Audio Serial Data Input Pin
7	SDTI2	I	DAC2 Audio Serial Data Input Pin
8	SDTI3	I	DAC3 Audio Serial Data Input Pin
9	SDTO	O	Audio Serial Data Output Pin
10	D,AUX	-	Sub Audio Serial Data Input Pin, Connect to GND
11	DFS	-	Double Speed Sampling Mode Pin (Note 1) "L" : Normal Speed, "H" : Double Speed
12	DEMI	-	Connect to GND No internal bonding.
13	DEMO	-	Zero Input Detect Enable Pin, Connect to GND "L" : mode 7 (disable) at parallel mode, - zero detect mode is selectable by DZFM2-0 bits at serial mode. - H : mode 0 (DZF is AND of all six channels)
14	MCKO	-	Output Buffer Power supply Pin, 2.7V~5.5V
15	DVDD	I	Digital Power Supply Pin, 4.5V~5.5V
16	DVSS	-	De-emphasis Pin, 0V
17	$\overline{\text{PD}}$	I	Power-Down & Reset Pin When "L", the AK4527B is powered-down and the control registers are reset to default state. If the state of P/S or CAD0-1 changes, then the AK4527B must be reset by PDN.
18	XTS	-	Test Pin, Connect to GND This pin should be connected to DVSS.
19	ICKS	-	Connect to GND No internal bonding.
20	ADIF	-	Analog Input Format Select Pin, Digital Power Supply H : Full-differential input "L" : Single-ended input

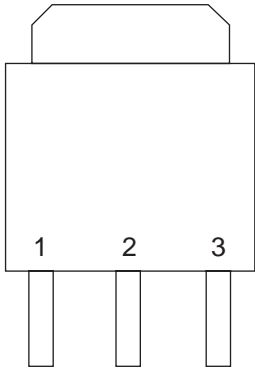
No.	Symbol	I/O	Function
21	CAD1	-	Chip Address 1 Pin, Connect to GND
22	CAD0	O	Chip Address 0 Pin, Connect to GND
23	LOUT3	O	DAC3 Lch Analog Output Pin
24	ROUT3	O	DAC3 Rch Analog Output Pin
25	LOUT2	O	DAC2 Lch Analog Output Pin
26	ROUT2	O	DAC2 Rch Analog Output Pin
27	LOUT1	O	DAC1 Lch Analog Output Pin
28	ROUT1	O	DAC1 Rch Analog Output Pin
29	LIN-	I	Lch Analog Negative Input Pin
30	LIN+	I	Lch Analog Positive Input Pin
31	RIN-	I	Rch Analog Negative Input Pin
32	RIN+	I	Rch Analog Positive Input Pin
33	VREFL	-	Zero Input Detect 2 Pin (Note 2), Non Connect When the input data of the group 1 follow total 8192LRCK cycles with "0" input data, this pin goes to "H".
	OVF	O	Analog Input Overflow Detect Pin (Note 3) This pin goes to "H" if the analog input of Lch or Rch is overflows.
34	VCOM	O	Common Voltage Output Pin, AVDD/2 Large external capacitor around 2.2uF is used to reduce power-supply noise.
35	VREFH	-	Positive Voltage Reference Input Pin, AVDD
36	AVDD	-	Analog Power Supply Pin, 4.5V~5.5V
37	AVSS	-	Analog Ground Pin, 0V
38	XTI	-	Zero Input Detect 1 Pin (Note 2) Non connect When the input data of the group 1 follow total 8192 LRCK cycles with "0" input data, this pin goes to "H".
39	XTO	I	Master Clock Input Pin
40	P1S	-	Parallel / Serial Select Pin "L" : Serial control mode, "H" : Parallel control mode
41	$\overline{\text{CS}}$	I	Audio Data Interface Format 0 Pin in parallel mode
	CSN	I	Chip select pin in 3-wire serial control mode This pin should be connected to DVDD at I2C bus control mode
42	DIF1	I	Audio Data Interface Format 1 Pin in parallel mode
	SCL/CCLK	I	Control Data Clock Pin in serial control mode I2C = "L" : CCLK(3-wire Serial), I2C = "H" : SCL(I2C Bus)
43	LOOP0	I	Loopback Mode 0 Pin in parallel control mode Enables digital loop-back from ADC to 3 DACs.
	SAD/CDTI	I/O	Control Data Input Pin in serial control mode I2C = "L" : CDTI(3-wire Serial), I2C = "H" : SDA(I2C Bus)
44	CTD	I	Loopback Mode 1 Pin (Note 1) Enable all 3 DAC channels to be input from SDTI.

**Note:**

- (1) SDOS, SMUTE, DFS, and LOOP1 pins are ORed with register data if P/S = "L".
- (2) The group 1 and 2 can be selected by DZFM2-0 bit if P/S = "L" and DZFME = "L".
- (3) This pin becomes OVF pin if OVFE bit is set to "1" at serial control mode.
- (4) All input pins should not be left floating.

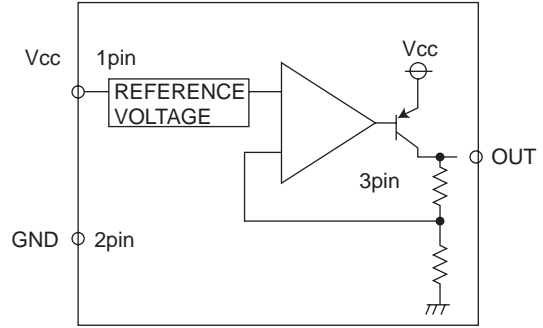
**4.3 BA033FP-X (IC681) : Regulator**

- Pin layout



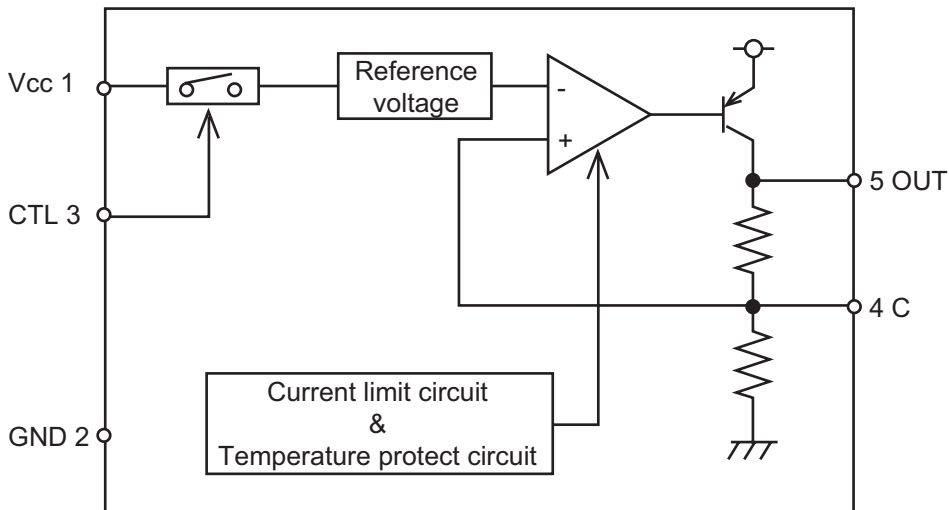
1pin Vcc  
 2pin (FIN) GND  
 3pin OUT

- Block Diagram



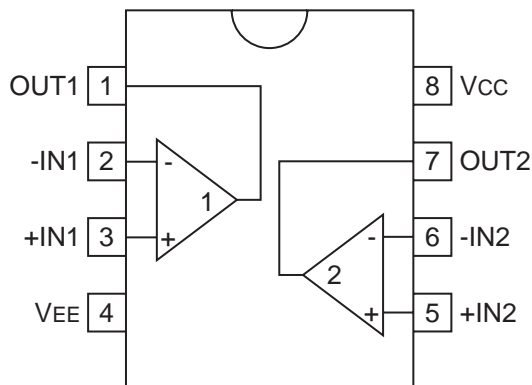
**4.4 BA033LBSG-W (IC683): Regulator**

- Block diagram



**4.5 BA15218 (IC451) : Ope. Amp.**

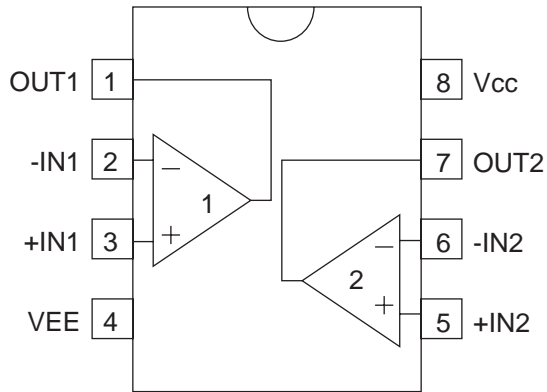
- Pin layout / Block diagram



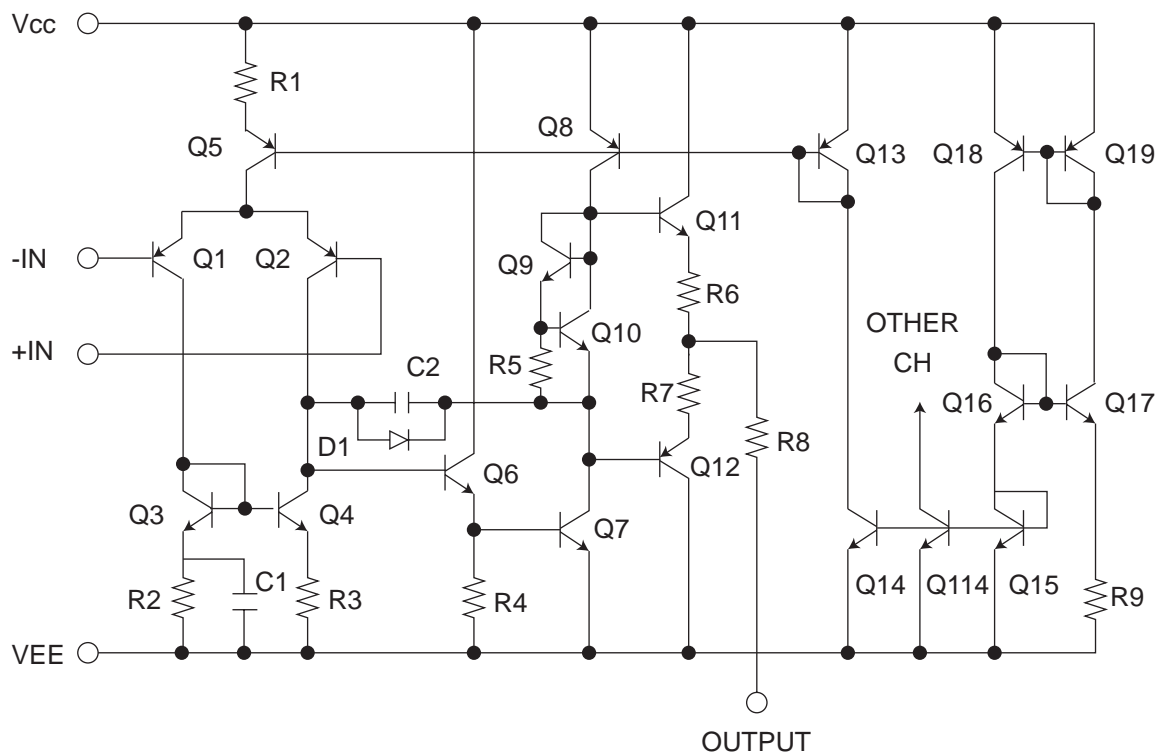


**4.6 BA15218F-XE (IC412, IC422, IC427, IC609, IC610, IC650, IC651, IC661, IC690, IC691) : Dual operational amplifier**

- Pin layout

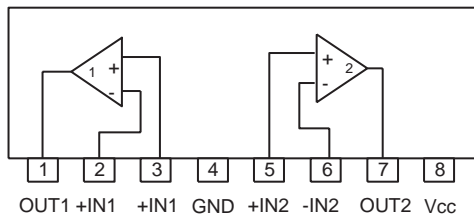


- Block diagram



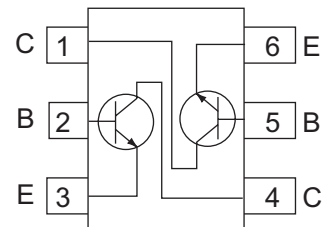
**4.7 BA15218N (IC403) : Dual Ope. Amp.**

- Pin layout & Block diagram



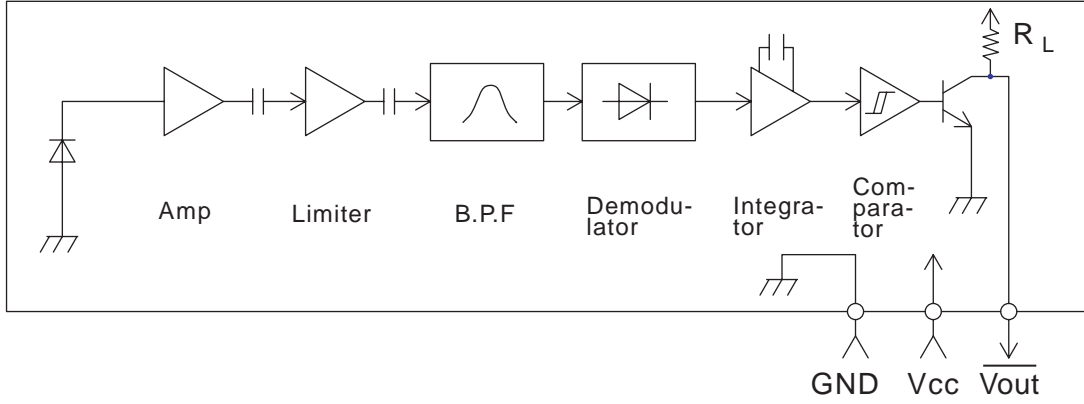
**4.8 IMX9-W (IC652, IC662, IC682): Driver**

- Pin layout & Block diagram



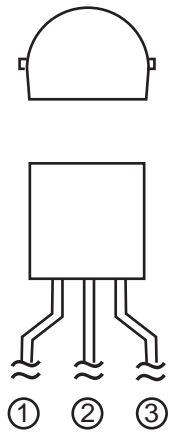
**4.9 GP1UM281X (IC703) : Dual operation amplifier**

- Block diagram

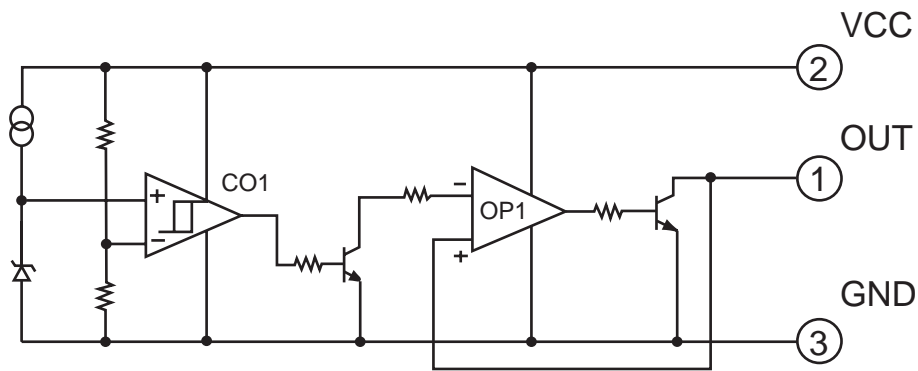


**4.10 IC-PST9139-T(IC702) : System reset**

- Terminal layout

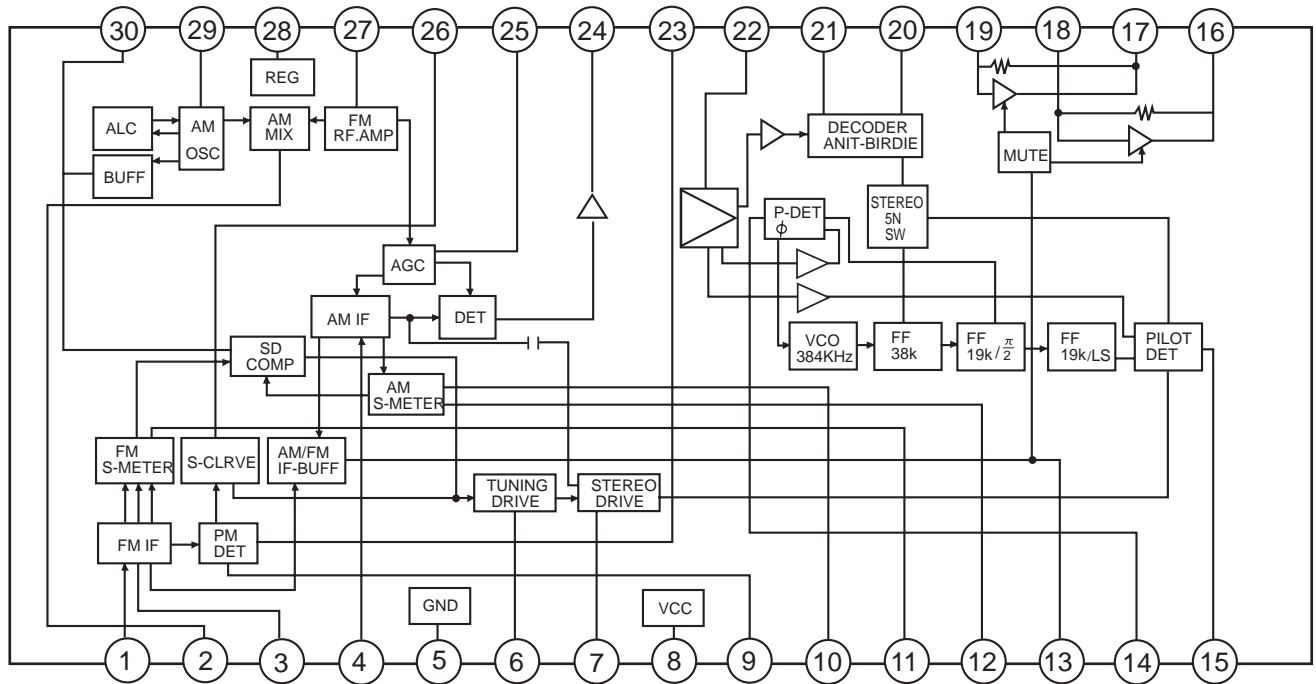


- Block diagram



#### 4.11 LA1838 (IC102): FM AM IF Amp. & Detector, FM MPX decoder

##### • Block Diagram



##### • Pin Function

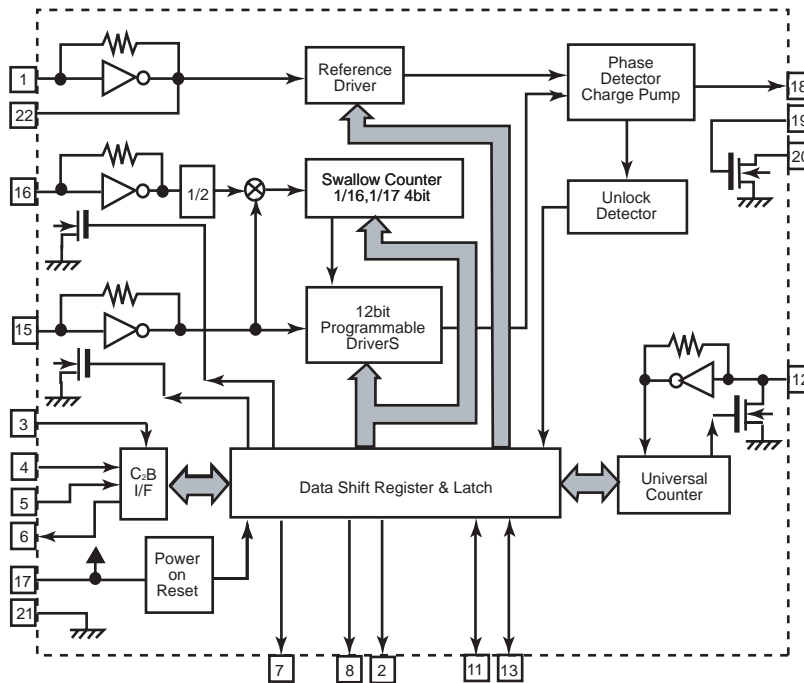
Pin No.	Symbol	I/O	Function
1	FM IN	I	This is an input terminal of FM IF signal.
2	AM MIX	O	This is an out put terminal for AM mixer.
3	FM IF	I	Bypass of FM IF
4	AM IF	I	Input of AM IF Signal.
5	GND	-	This is the device ground terminal.
6	TUNED	O	When the set is tuning, this terminal becomes "L".
7	STEREO	O	Stereo indicator output. Stereo "L", Mono: "H"
8	VCC	-	This is the power supply terminal.
9	FM DET	-	FM detect transformer.
10	AM SD	-	This is a terminal of AM ceramic filter.
11	FM VSM	O	Adjust FM SD sensitivity.
12	AM VSM	O	Adjust AM SD sensitivity.
13	MUTE	I/O	When the signal of IF REQ of IC121(LC72131) appear, the signal of FM/AM IF output. //Muting control input.
14	FM/AM	I	Change over the FM/AM input. "H" :FM, "L" : AM
15	MONO/ST	O	Stereo : "H", Mono: "L"
16	L OUT	O	Left channel signal output.
17	R OUT	O	Right channel signal output.
18	L IN	I	Input terminal of the Left channel post AMP.
19	R IN	I	Input terminal of the Right channel post AMP.
20	RO	O	Mpx Right channel signal output.
21	LO	O	Mpx Left channel signal output.
22	MPX IN	I	Mpx input terminal
23	FM OUT	O	FM detection output.
24	AM DET	O	AM detection output.
25	AM AGC	I	This is an AGC voltage input terminal for AM
26	AFC	-	This is an output terminal of voltage for FM-AFC.
27	AM RF	I	AM RF signal input.
28	REG	O	Register value between pin 26 and pin28 besides the frequency width of the input signal.
29	AM OSC	-	This is a terminal of AM Local oscillation circuit.
30	OSC BUFFER	O	AM Local oscillation Signal output.

4.12 LC72136N (IC121) : PLL frequency synthesizer

- Pin layout

XT	1	22	XT
FM/AM	2	21	GND
CE	3	20	LPFOUT
DI	4	19	LPFIN
CLOCK	5	18	PD
DO	6	17	VCC
FM/ST/VCO	7	16	FMIN
AM/FM	8	15	AMIN
	9	14	
	10	13	IFCONT
SDIN	11	12	IFIN

- Block diagram



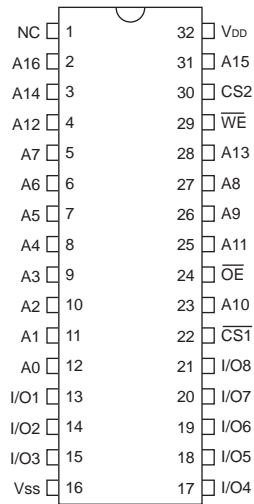
- Pin function

Pin No.	Symbol	I/O	Function
1	XT	I	X'tal oscillator connect (75kHz)
2	FM/AM	O	LOW:FM mode
3	CE	I	When data output/input for 4pin(input) and 6pin(output): H
4	DI	I	Input for receive the serial data from controller
5	CLOCK	I	Sync signal input use
6	DO	O	Data output for Controller Output port
7	FM/ST/VCO	O	Low: MW mode
8	AM/FM	O	Open state after the power on reset
9	LW	I/O	Input/output port
10	MW	I/O	Input/output port
11	SDIN	I/O	Data input/output
12	IFIN	I	IF counter signal input

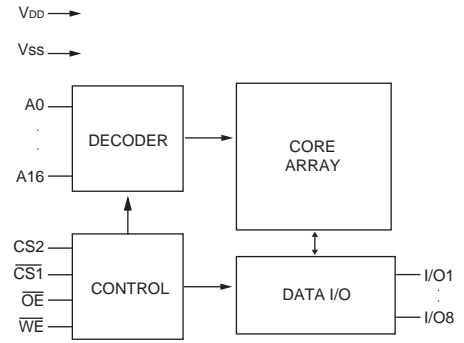
Pin No.	Symbol	I/O	Function
13	IFCONT	O	IF signal output
14		-	Not use
15	AMIN	I	AM Local OSC signal output
16	FMIN	I	FM Local OSC signal input
17	VCC	-	Power supply(VDD=4.5-5.5V) When power ON:Reset circuit move
18	PD	O	PLL charge pump output (H: Local OSC frequency Height than Reference frequency. L: Low Agreement: Height impedance)
19	LPFIN	I	Input for active lowpassfilter of PLL
20	LPFOUT	O	Output for active lowpassfilter of PLL
21	GND	-	Connected to GND
22	XT	I	X'tal oscillator(75KHz)

**4.13 LP61L1024S-12-X (IC641) : SRAM**

- Pin layout



- Block diagram

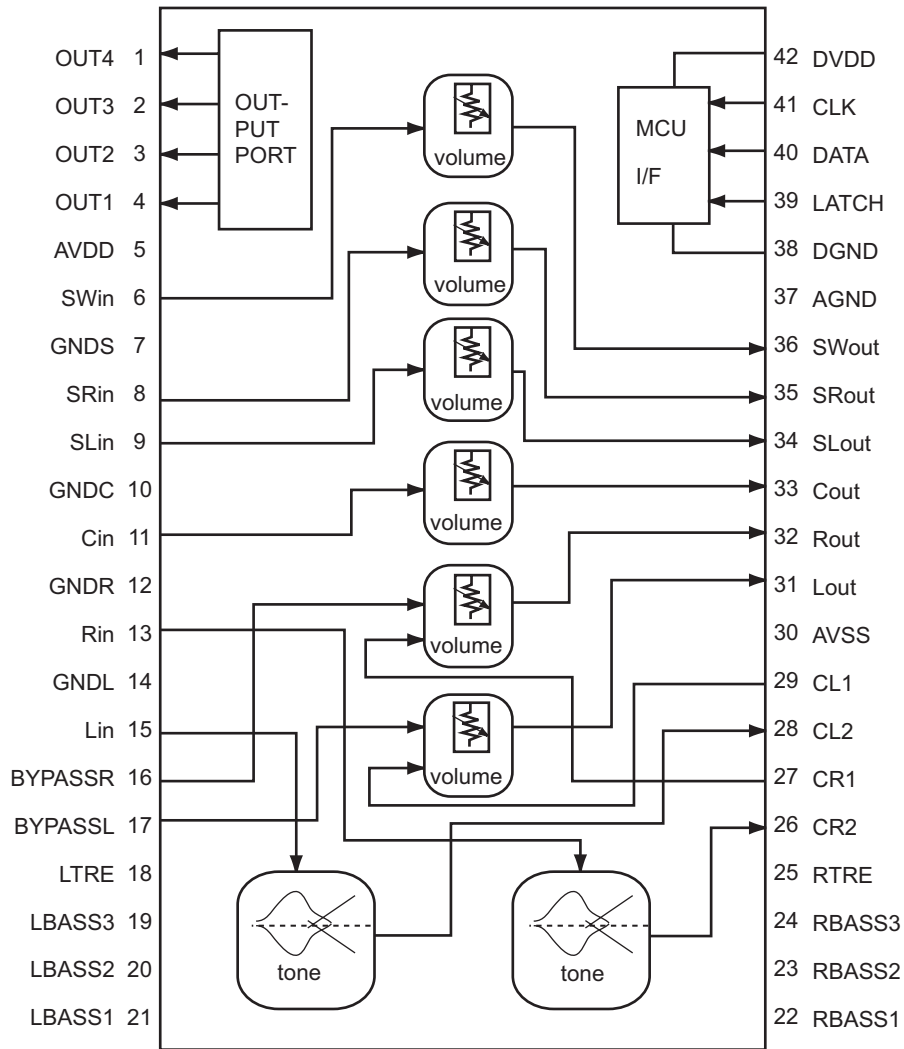


- Pin function

SYMBOL	DESCRIPTION
A0 - A16	Address Input
I/O1 - I/O8	Data Input/Output
$\overline{CS1}$ , CS2	Chip Select Inputs
$\overline{WE}$	Write Enable Input
$\overline{OE}$	Output Enable Input
VDD	Power Supply
V <sub>SS</sub>	Ground
NC	No Connection

4.14 M62446AFP-X (IC428): 6 channel electronic volume

- Pin layout & Block diagram

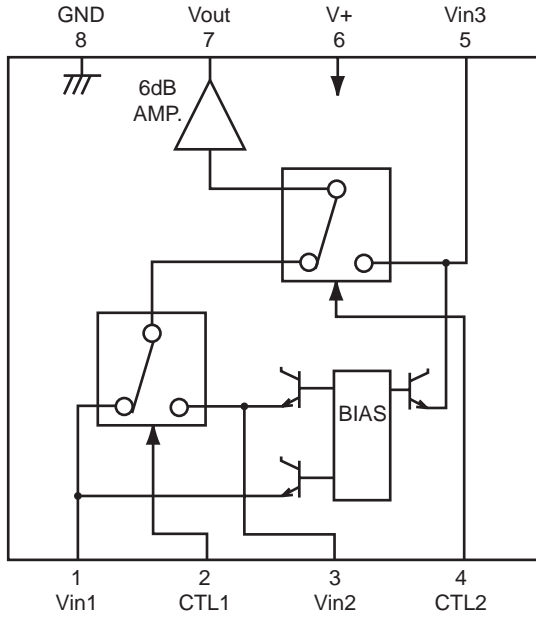


- Pin function

Pin No.	Symbol	I/O	Function
1	OUT4	O	PORT output 4
2	OUT3	O	PORT output 3
3	OUT2	O	PORT output 2
4	OUT1	O	PORT output 1
5	AVDD	-	Analog positive power supply terminal
6	SWin	I	Volume input
7	GNDS	-	Ground terminal
8	SRin	I	Volume input
9	SLin	I	Volume input
10	GNDC	-	Ground terminal
11	Cin	I	Volume input
12	GNDR	-	Ground terminal
13	Rin	I	Tone input
14	GNDL	-	Ground terminal
15	Lin	I	Tone input
16	BYPASSR	I	R channel volume input
17	BYPASSL	I	L channel volume input
18	LTRE	I	Tone treble frequency adjusting terminal
19	LBASS3	I	Tone bass frequency adjusting terminal
20	LBASS2	I	Tone bass frequency adjusting terminal
21	LBASS1	I	Tone bass frequency adjusting terminal
22	RBASS1	I	Tone bass frequency adjusting terminal
23	RBASS2	I	Tone bass frequency adjusting terminal
24	RBASS3	I	Tone bass frequency adjusting terminal
25	RTRE	I	Tone treble frequency adjusting terminal
26	CR2	O	Tone output terminal
27	CR1	I	R channel volume input
28	CL2	O	Tone output terminal
29	CL1	I	L channel volume input
30	AVSS	-	Analog negative power supply terminal
31	Lout	O	L channel output
32	Rout	O	R channel output
33	Cout	O	Volume output
34	SLout	O	Volume output
35	SRout	O	Volume output
36	SWout	O	Volume output
37	AGND	-	Analog ground terminal
38	DGND	-	Digital ground terminal
39	LATCH	I	Latch input terminal
40	DATA	I	Data input terminal
41	CLK	I	Data transfer clock input terminal
42	DVDD	-	Digital power supply terminal

**4.15 NJM2246D (IC501, IC551, IC552) : Video switch**

- Pin layout & Block diagram

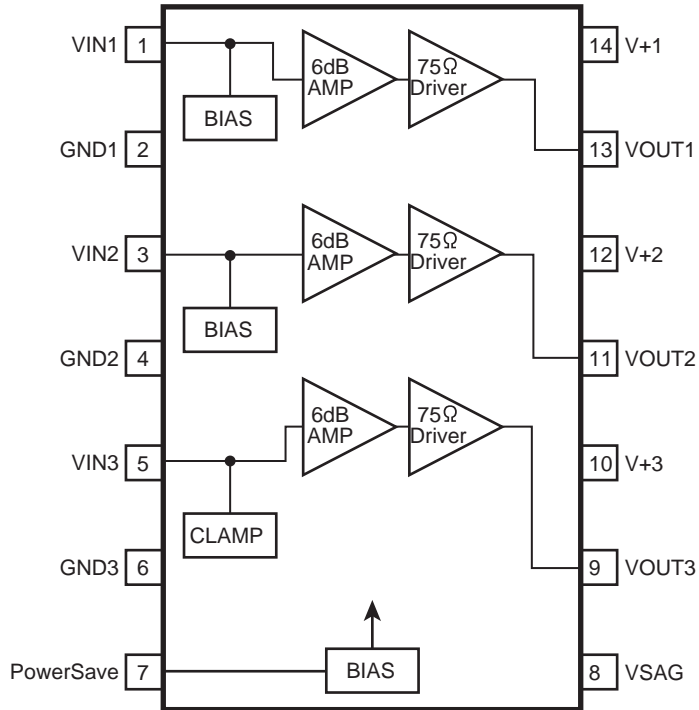


Control input - output signal

CTL 1	CTL 2	Output
L	L	VIN 1
H	L	VIN 2
L/H	H	VIN 3

**4.16 NJM2580M-X (IC582) : Video amp.**

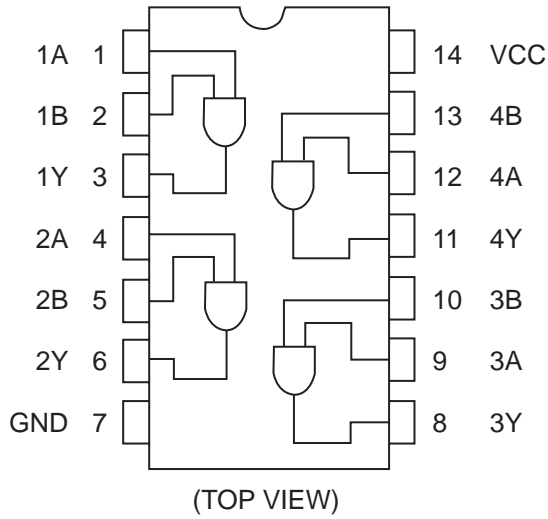
- Block diagram





**4.17 TC74HC08AF-X(IC611) : AND gate**

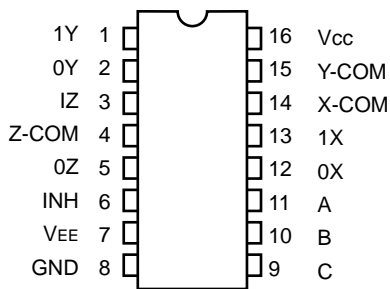
- Block diagram



- Truth table

A	B	Y
L	L	L
L	H	L
H	L	L
H	H	H

**4.18 TC74HC4053AF-X (IC581) : Multiplexer**

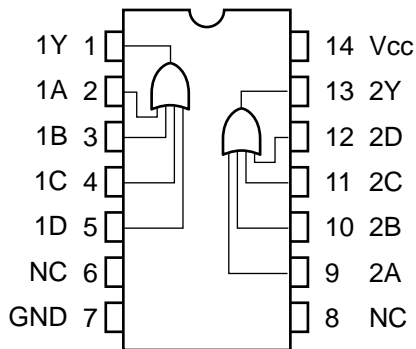


CONTROL INPUTS			
INHIBIT	C	B	A
L	L	L	K
L	L	L	H
L	L	H	K
L	L	H	H
L	H	L	K
L	H	L	H
L	H	H	K
L	H	H	H
H	X	X	X

X : Don't care.

**4.19 TC74HC4072AF-X (IC612) : OR gate**

- Block diagram



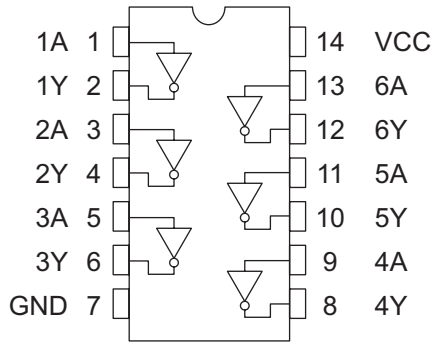
- Truth table

A	B	C	D	Y
H	X	X	X	H
X	H	X	X	H
X	X	H	X	H
X	X	X	H	H
L	L	L	L	L

X : Don't care

**4.20 TC74HCU04AF-W(IC621): Inverter**

- Pin layout

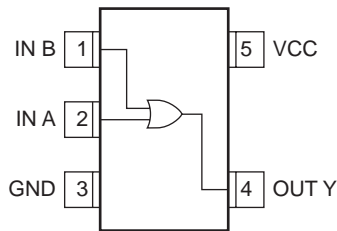


- Truth table

A	Y
L	H
H	L

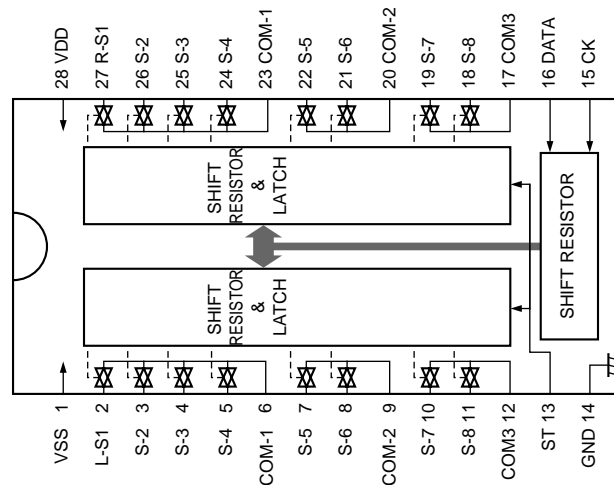
**4.21 TC7SET32FU-X (IC672) : Z-input or gate**

- Pin layout & Block diagram



**4.22 TC9164AN (IC402) : Analog switch**

- Pin layout & Block Diagram



#### 4.23 TC9446F-025 (IC631): Digital signal processor for dolby digital (AC-3) / DTS audio decode

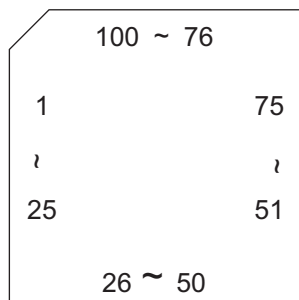
##### • Pin Function

Pin No.	Symbol	I/O	Function
1	RST	I	Reset signal input terminal (L:reset H: normal operation)
2	MIMD	I	Microcomputer interface mode selection input terminal (L:serial H:IC bus)
3	MICS	I	Microcomputer interface chip select input terminal
4	MILP	I	Microcomputer interface latch pulse input
5	MIDIO	I/O	Microcomputer interface data I/O terminal
6	MICK	I	Microcomputer interface clock input terminal
7	MIACK	O	Microcomputer interface acknowledge output terminal
8~11	FI0~3	I	Flag input terminal 0~3
12	IRQ	I	Interrupt input terminal
13	VSS	-	Digital ground terminal
14	LRCKA	I	Audio interface LR clock input terminal A
15	BCKA	I	Audio interface bit clock input terminal A
16~18	SDO0~2	O	Audio interface data output terminal 0
19	SD03	-	Non connect
20	LRCKB	I	Audio interface LR clock input terminal B
21	BCKB	I	Audio interface bit clock input terminal B
22	SDT0	I	Audio interface data input terminal 0
23	SDT1	I	Audio interface data input terminal 1
24	VDD	-	Power supply for digital circuit
25	LRCKOA	O	Audio interface LR clock output terminal A
26	BCKOA	O	Audio interface bit clock output terminal A
27, 28	TEST0,1	I	Test input terminal 0/1 (L:test H: normal operation)
29~30	LRCKOBBCKOB	-	Non connect
31	TXO	O	SPDIF Output
32, 33	TEST2,3	I	Test input terminal (L:test H: normal operation)
34	RX	I	SPDIF input terminal
35	VSS	-	Ground terminal for digital circuit
36	TSTSUB0	I	Test sub input terminal 0 (L:test H: normal operation)
37	FCONT	O	VCO Frequency control output terminal
38, 39	TSTSUB1TSTSUB2	I	Test sub input terminal 12 (L:test H: normal operation)
40	PDO	O	Phase detect signal output terminal
41	VDDA	-	Power supply for analog circuit
42	PLON	I	Clock selection input terminal (L:external clock H:VCO clock)
43	AMPI	I	amplifier input terminal for LPF
44	AMPO	O	amplifier output terminal for LPF
45	CKI	I	External clock input terminal
46	VSSA	-	Ground terminal for analog circuit
47	CKO	O	DIR Clock output terminal
48	LOCK	O	VCO Lock output terminal
49	VSS	-	Ground terminal for digital circuit
50	WR	O	External SRAM writing signal output terminal
51	OE	O	External SRAM output enable signal output terminal
52	CE	O	External SRAM chip enable signal output terminal
53	VDD	-	Power supply terminal for digital circuit
54~61	IO7~0	I/O	External SRAM data I/O terminal 7~0
62	VSS	-	Ground terminal for digital circuit
63~70	AD0~7	O	External SRAM address output terminal 0~7
71	VDD	-	Power supply terminal for digital circuit
72~80	AD8~16	O	External SRAM address output terminal 8~16
81	VSS	-	round terminal for digital circuit
82~89	PO0~7	O	General purpose output terminal 0~7
90	VDDDL	-	Power supply terminal for DLL
91	LPFO	O	LPF output terminal for DLL
92, 93	DLON,DLCKS	I	Refer to the undermentioned table
94	SCKO	-	Non connect
95	VSSDL	-	Ground terminal for DLL
96	SCKI	I	External system clock input terminal
97	VSSX	-	Ground terminal for oscillation circuit
98, 99	XO,XI	I/O	Oscillation I/O terminal
100	VDDX	-	Power supply terminal for oscillation circuit

DLCKS terminal	DLON terminal	DLL clock setting
L	L	SCKI input (DLL circuit OFF)
L	H	Four times XI clock
H	L	Three times XI clock
H	H	Six times XI clock

#### 4.24 UPD784215AGC167 (IC671): Digital signal controller

- Pin layout



- Pin function

Pin No.	Symbol	I/O	Function
1~8		-	Non connect
9	VDD	-	Power supply terminal
10	X2	O	Connecting the crystal oscillator for system main clock
11	X1	I	Connecting the crystal oscillator for system main clock
12	VSS	-	Connect to GND
13	XT2	O	Connecting the crystal oscillator for system sub clock
14	XT1	I	Connecting the crystal oscillator for system sub clock
15	RESET	I	System reset signal input
16	AUTODATA	I	Output of DSP to general-purpose port
17	LOCK	I	Output of DSP to general-purpose port
18	DIGITAL0	I	Output of DSP to general-purpose port
19	FORMAT	I	Output of DSP to general-purpose port
20	CHANNEL	I	Output of DSP to general-purpose port
21	ERR	I	Output of DSP to general-purpose port
22	REST IN	I	Reset signal input
23	AVDD	-	Power supply terminal
24	AVREF0	-	Connect to GND
25		-	Connect to GND
26		-	Connect to GND
27		-	Connect to GND
28		-	Connect to GND
29		-	Connect to GND
30		-	Connect to GND
31		-	Connect to GND
32		-	Connect to GND
33	AVSS	-	Connect to GND
34,35		-	Non connect
36	AV REF1	-	Power supply terminal
37	RX	-	Not use
38	TX	-	Not use
39		-	Non connect
40	DSPCOM	I	Communication port from IC701
41	DSPSTS	O	Status communication port to IC701
42	DSPCLK	I	Clock input from IC701
43	DSPRDY	I	Ready signal input from IC701
44		-	Non connect

Pin No.	Symbol	I/O	Function
45	MIDIO IN	I/O	Interface I/O terminal with microcomputer
46	MIDIO OUT	I/O	Interface I/O terminal with microcomputer
47	MICK	O	Interface I/O terminal with microcomputer of clock signal
48	MICS	O	Interface I/O terminal with microcomputer of chip select
49	MILP	O	Interface I/O terminal with microcomputer
50	MIACK	O	Interface I/O terminal with microcomputer
51		-	Non connect
52		-	Non connect
53	DSPRST	O	Reset signal output of DSP
54-63		-	Non connect
64	CODEC OUT	I/O	Interface I/O terminal with microcomputer
65	CODEC IN	I/O	Interface I/O terminal with microcomputer
66	CODEC CLK	O	Interface I/O terminal with microcomputer of clock signal
67	CODEC CS	O	Interface I/O terminal with microcomputer of chip select
68	CODEC XTS	-	Non connect
69		-	Non connect
70		-	Non connect
71	PD	O	Reset signal output
72	GND	-	Connect to GND
73		-	Non connect
74		-	Non connect
75		-	Non connect
76		-	Non connect
77		-	Non connect
78		-	Non connect
79		-	Non connect
80		-	Non connect
81	VDD	-	Power supply
82		-	Non connect
83		-	Non connect
84	ANAT-TONE	O	Test tone control
85	LEF-MIX	O	Control at output destination of LFE channel
86		-	Non connect
87	D.MUTE	O	Mute of the digital out terminal is controlled
88	S.MUTE	O	Mute of the audio signal is controlled
89		O	Non connect
90	ASW1	O	Selection of digital input selector
91	ASW2	-	Selection of digital input selector
92	ASW3	-	Selection of digital input selector
93	ASW4	-	Selection of digital input selector
94	TEST	-	Test terminal
95		-	Non connect
96		-	Non connect
97		-	Non connect
98		-	Non connect
99		-	Non connect
100		-	Non connect



VICTOR COMPANY OF JAPAN, LIMITED  
AV & MULTIMEDIA COMPANY 10-1,1chome,Ohwatari-machi,Maebashi-city,371-8543,Japan

(No.22012)

# JVC

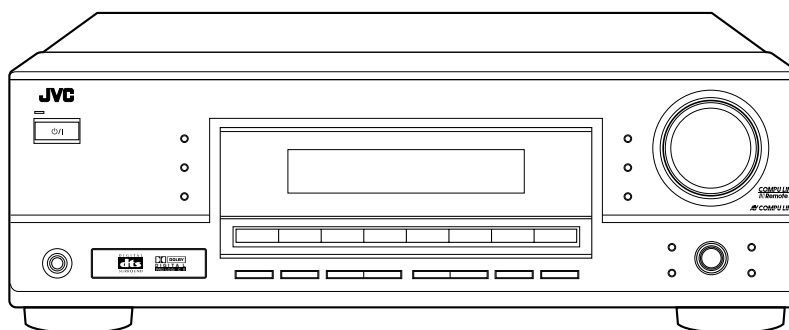
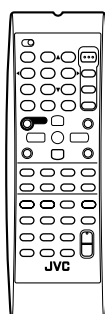
# SCHEMATIC DIAGRAMS

## AUDIO/VIDEO CONTROL RECEIVER

# RX-6032VSL

CD-ROM No.SML200303

Area suffix C ----- Canada
-------------------------------



**AV COMPU LINK**

**COMPU LINK**  
*Remote*

DIGITAL  
**ds**  
SURROUND

**DD DOLBY**  
**DIGITAL**  
**PRO LOGIC II**

### Contents

Block diagram .....	2-1
Standard schematic diagrams .....	2-2
Printed circuit boards .....	2-10~14

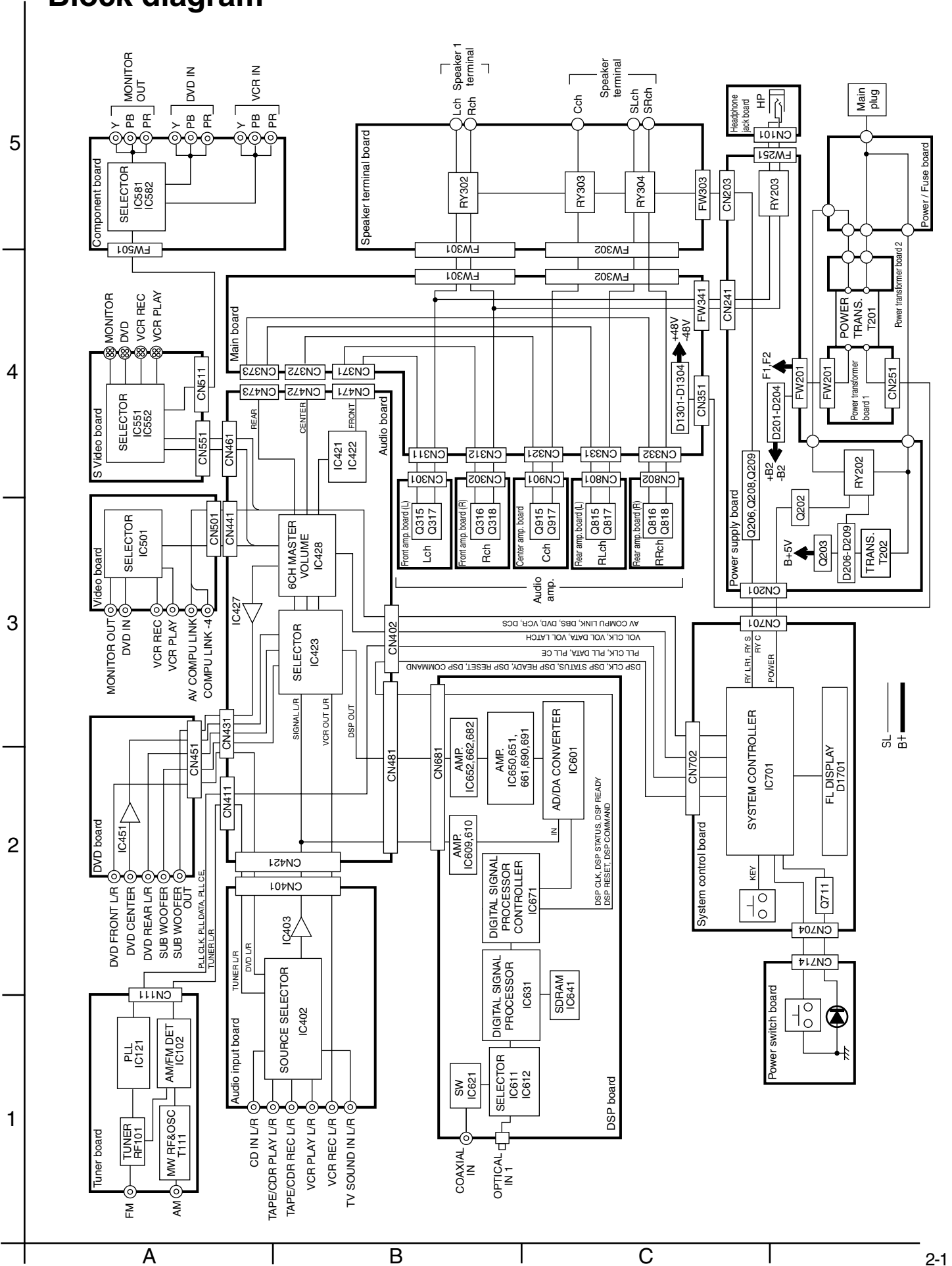
## RX-6032VSL

In regard with component parts appearing on the silk-screen printed side (parts side) of the PWB diagrams, the parts that are printed over with black such as the resistor (■), diode (⬤) and ICP (●) or identified by the "▲" mark nearby are critical for safety.

(This regulation does not correspond to J and C version.)

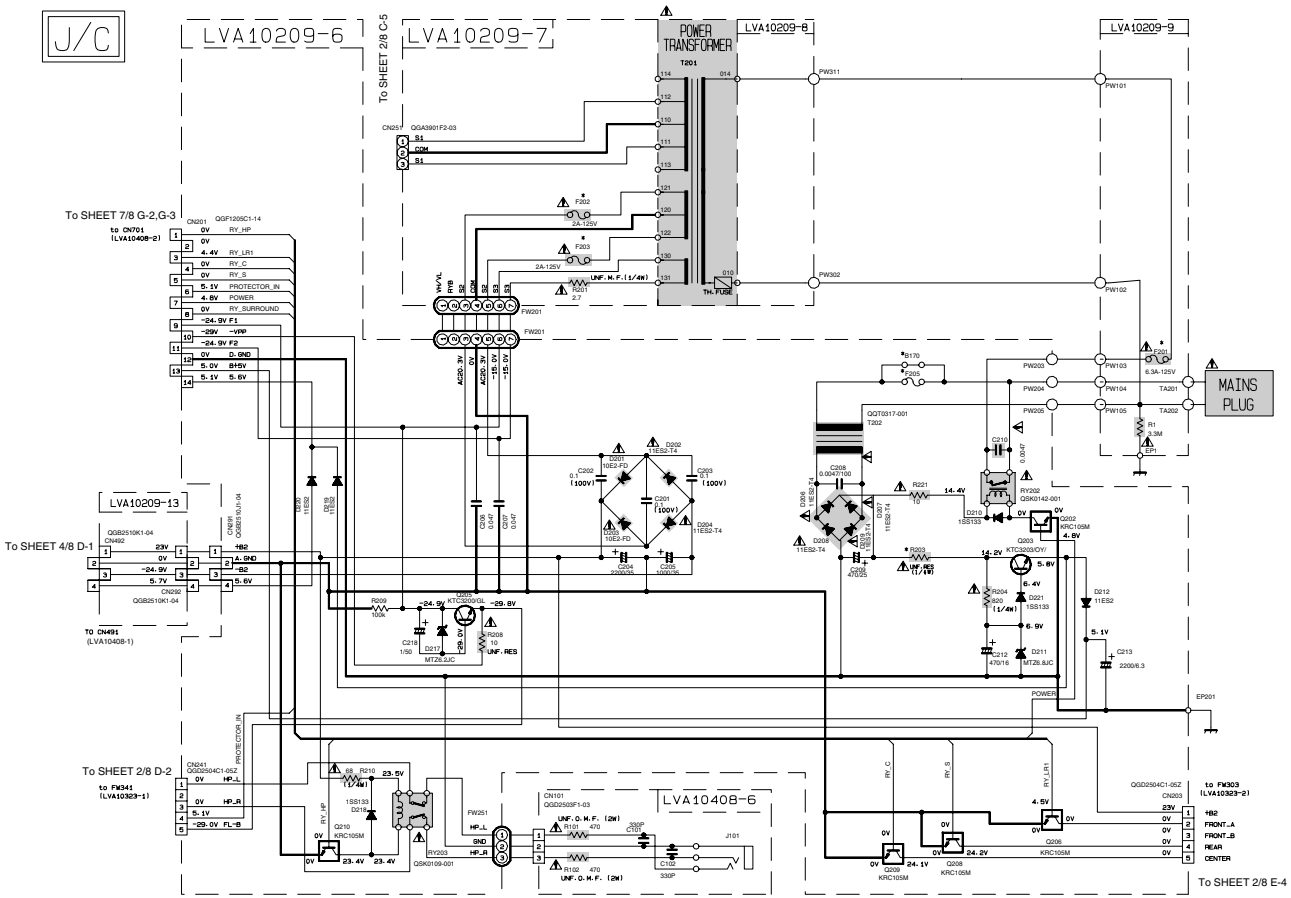


# Block diagram



# Standard schematic diagrams

## Power supply section



J/C	B/E/EN/TV	US/UT/AJ	
F201	06F5111-093-JB (6.3A-125V)	06F5112-093-JB (2.5A-250V)	06F5112-093-JB (5A-250V)
F202-F203	06F5111-093-JB (5A-125V)	06F5112-093-JB (5A-250V)	06F5112-093-JB (5A-250V)
F204	NONE	NONE	06F5112-093-JB (5A-250V)
F205	NONE	06F5112-093-JB (5A-250V)	06F5112-093-JB (5A-250V)
B170	USE	NONE	NONE
VS01	NONE	NONE	USE

J/C	B/E/EN/TV	US/UT/AJ	UP/A	
R1-EP1	USE	NONE	NONE	NONE
R211-R212	USE	NONE	NONE	USE
D202-D203	NONE	NONE	NONE	USE
D211-B145	USE	USE	NONE	NONE
R201-B145	USE	USE	NONE	NONE
R203	10	10	3.9	3.9
T202	0QT0817-001	0QT0811-002	0QT0811-004	0QT0811-004
C209	470/25	470/25	470/63	470/63
R201	5.7	4.7	5.6	5.6
C1324	330P	0.001	330P	330P
C1332	330P	0.001	330P	330P
C221	NONE	USE	NONE	NONE

⚠ Parts are safety assurance parts. When replacing those parts make sure to use the specified one.

SHEET No.	CIRCUIT DESCRIPTION
1 / 8	Power supply & Component video
2 / 8	Audio & Speaker terminal
3 / 8	Audio amplifier
4 / 8	Volume, Regulator & Source select
5 / 8	Audio & Video signal input terminal
6 / 8	Digital signal input terminal & Sourround
7 / 8	User control, System control & FL display
8 / 8	Tuner

VERSION CODES
J : U. S. A.
C : CANADA
B : U. K.
E : CONTINENTAL EUROPE
EN : NORDIC COUNTRIES
EV : EASTERN EUROPE
US : SINGAPORE
UT : TAIWAN
UJ : MILLITARY MARKET
UP : KOREA
A : AUSTRALIA

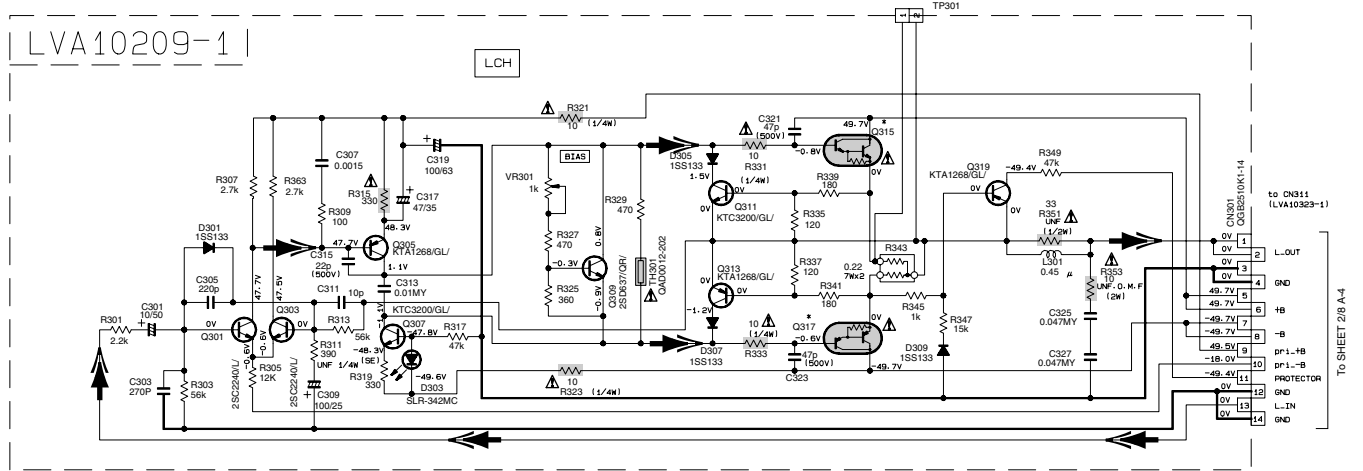




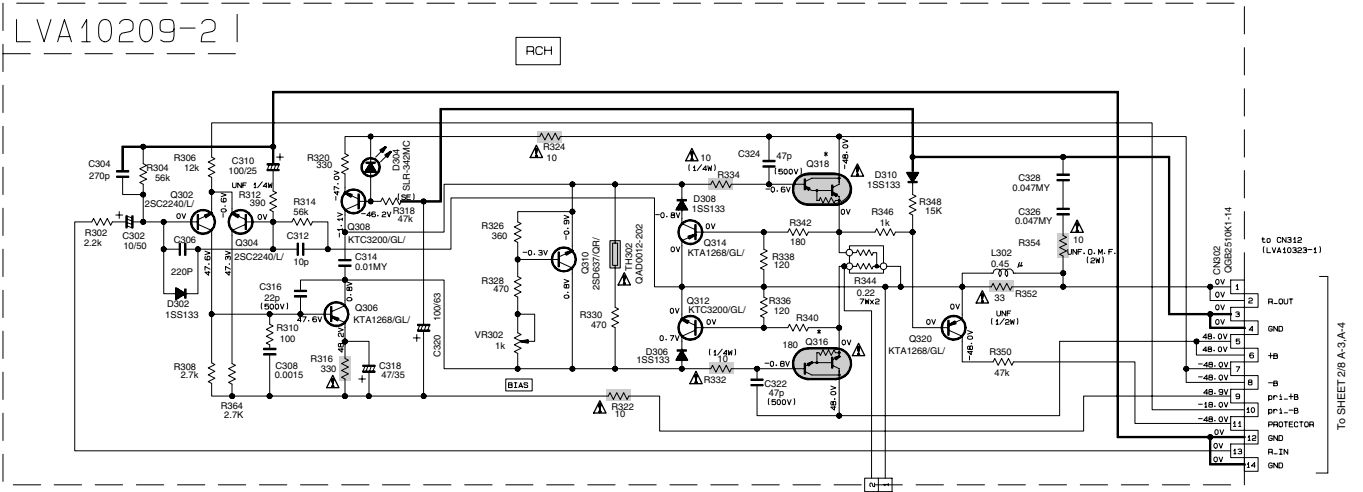


**Audio amplifier section**

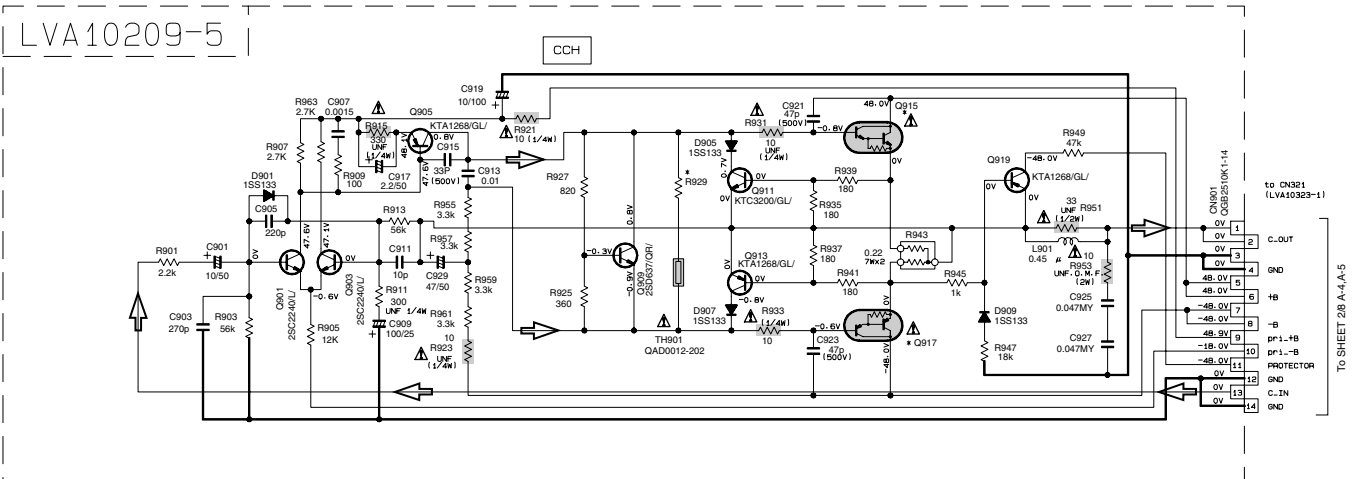
5



4



3



2

1

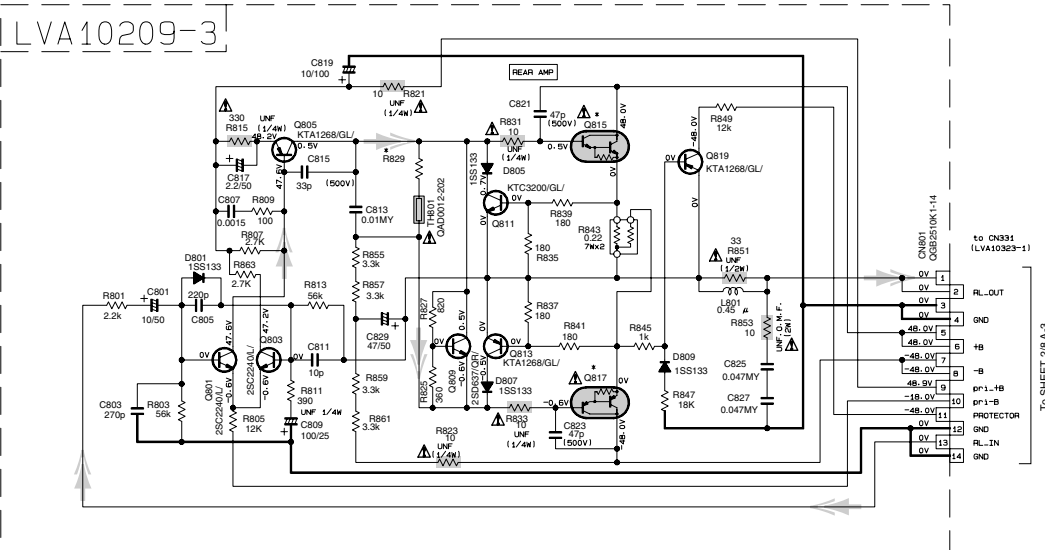
- ➡ Surround signal
- ➡ Front signal
- ➡ Center signal

⚠ Parts are safe  
When replacing  
sure to use the

LVA10209-3

3 CN311  
VA10323-1

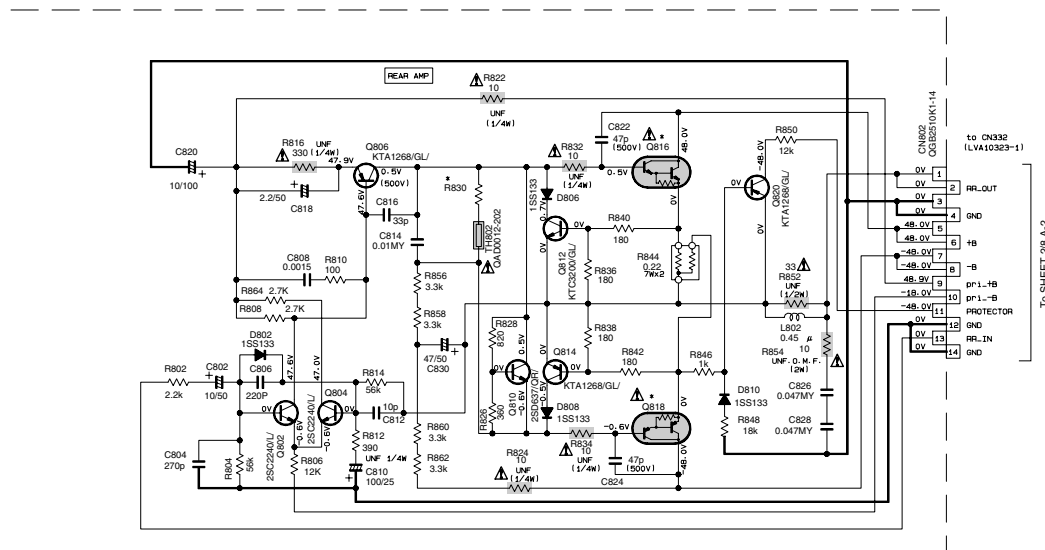
L.OUT  
GND  
+B  
-B  
pr1.-+B  
pr1.-B  
PROTECTOR  
GND  
L.IN  
GND



TO SHEET 2/8 A-3

3 CN312  
VA10323-1

-.OUT  
ND  
ND  
3  
3  
+1.-+B  
+1.-B  
PROTECTOR  
ND  
-.IN  
ND



TO SHEET 2/8 A-2

LVA10209-4

3 CN321  
VA10323-1

-.OUT  
ND  
ND  
3  
3  
+1.-+B  
+1.-B  
PROTECTOR  
ND  
-.IN  
ND

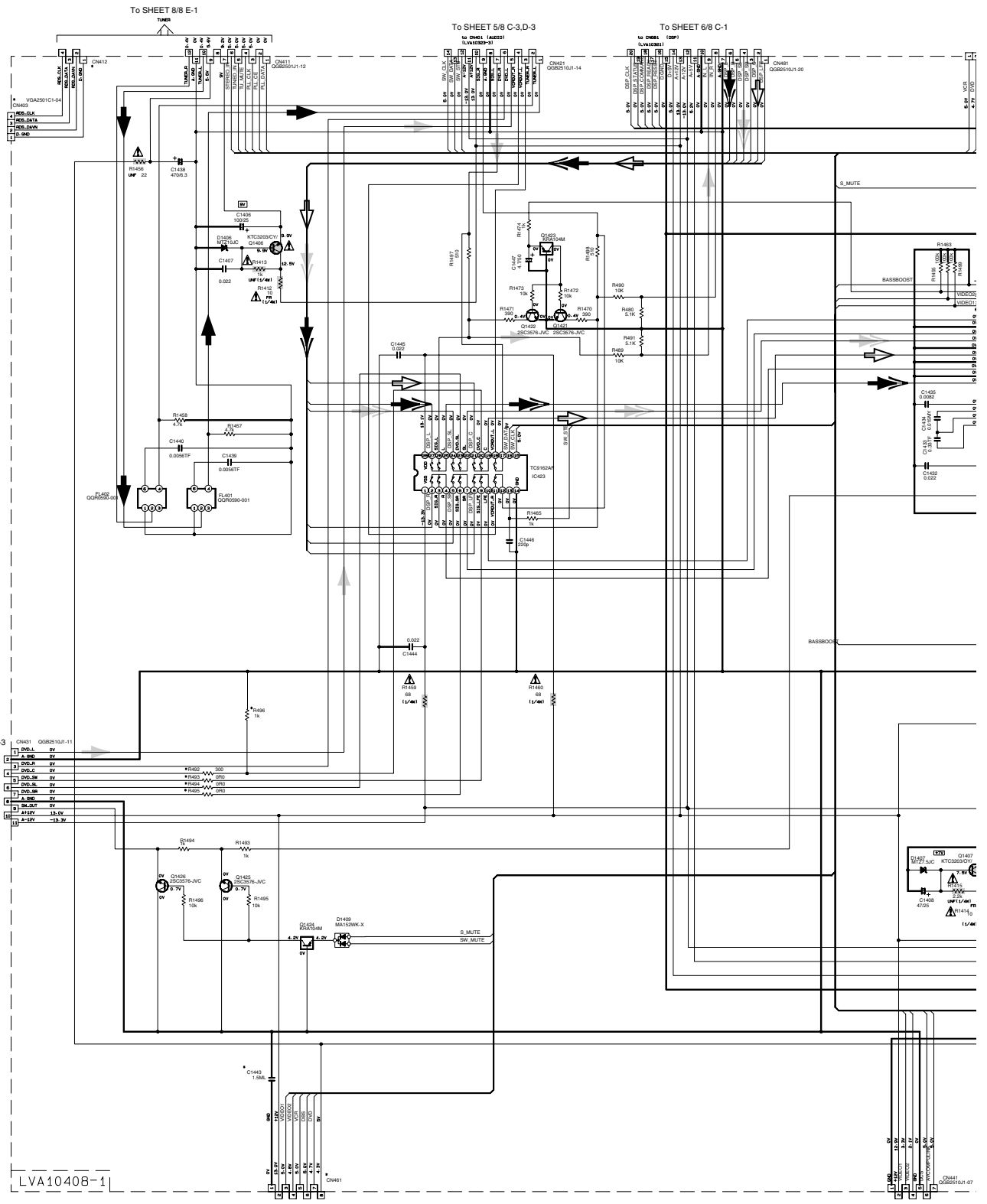
\*MARK LIST

	J/C	B/E/EN/EV	US/UT/UJ/UP/A
Q315, Q316 Q815, Q816 Q915	2SD2389/OPY/-F6	2SD2390/OPY/-F6	2SD2390/OPY/-F6
Q317, Q318 Q817, Q818 Q917	2SB1559/OPY/-F6	2SB1560/OPY/-F6	2SB1560/OPY/-F6
R829, R830 R929	470	470	220

are safety assurance parts.  
replacing those parts make  
) use the specified one.

Volume, Regulator & Source select section

5  
4  
3  
2  
1



- ➡ Audio signal
- ➡ Tuner signal
- ➡ Surround signal
- ➡ Front signal
- ➡ Center signal
- ⚠ Parts are safety assurance parts. When replacing those parts make sure to use the specified one.

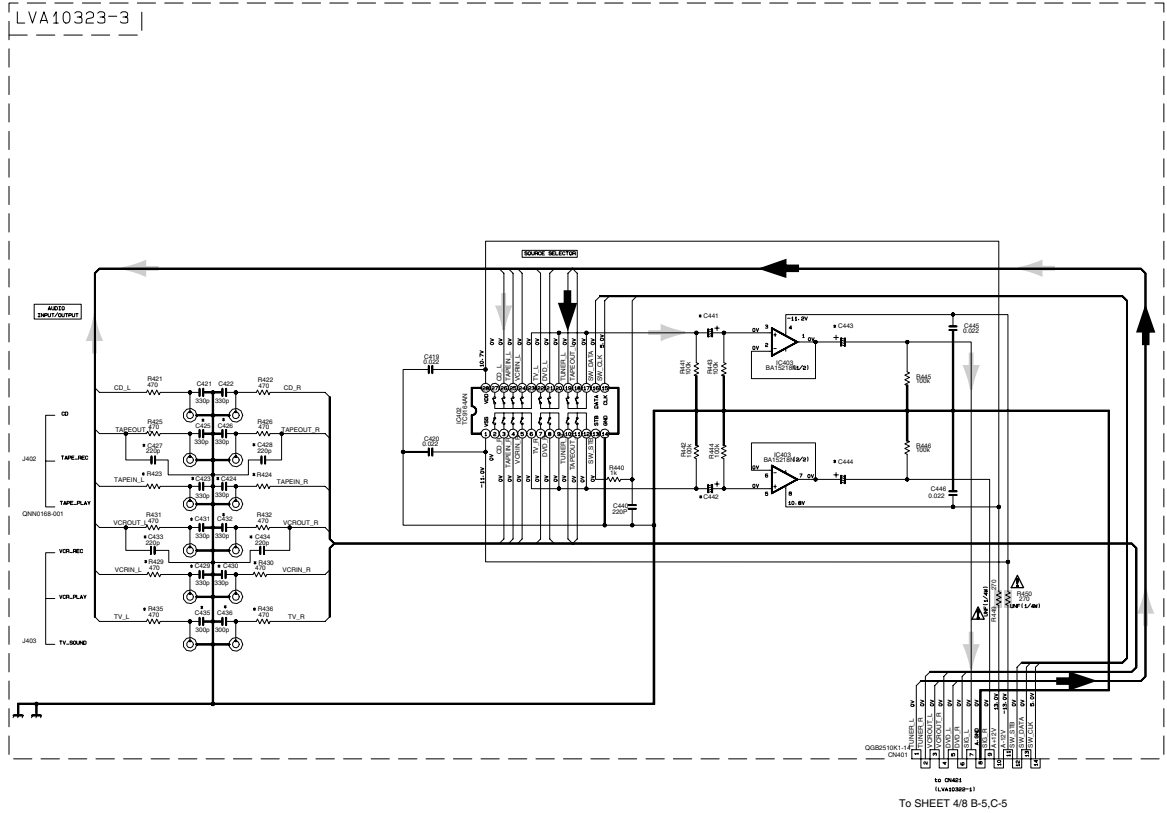




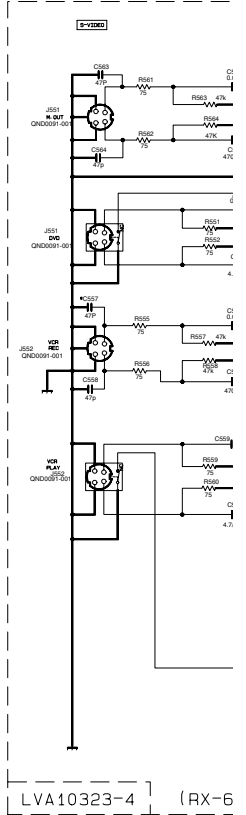
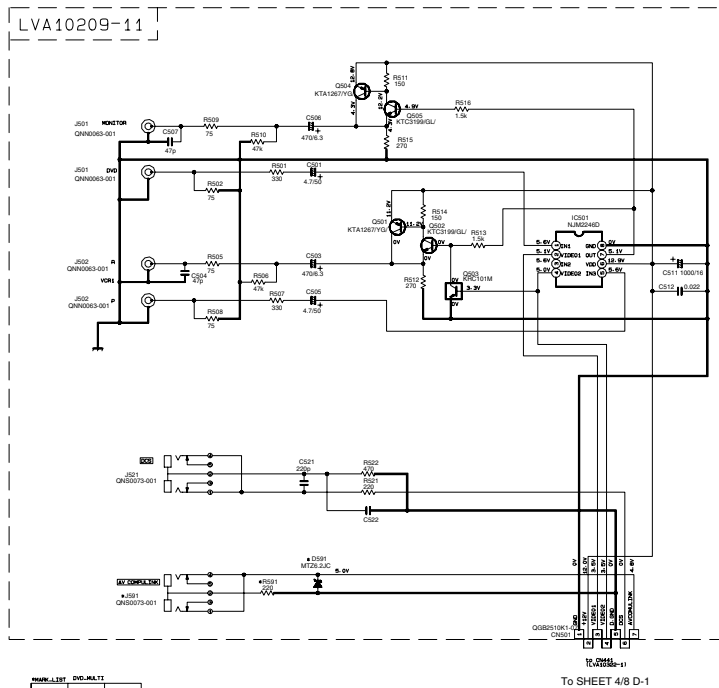
■ Audio & Video signal input terminal section

5

4



3



2

1

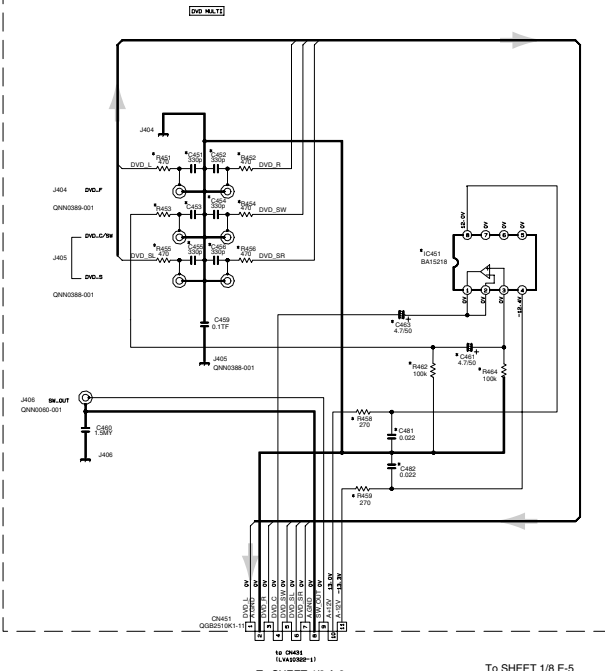
MARK LIST	J/C	US/V/CA/J/PA	S/E/DE/VE
J501	USE	USE	NONE
R501	USE	USE	NONE
C501	USE	USE	NONE
C489	330P	330P	NONE
C484	330P	330P	NONE
C485	330P	330P	NONE
C486	330P	330P	NONE
C487	800P	800P	800P
C488	330P	330P	800P
C489	330P	330P	NONE
C490	330P	330P	NONE
C511	330P	330P	NONE
C492	330P	330P	NONE
C493	330P	330P	800P
C494	800P	800P	800P
C495	330P	330P	NONE
C496	330P	330P	NONE
C497	330P	330P	NONE
R492	47Ω	47Ω	2.7K
R494	47Ω	47Ω	2.7K
R495	47Ω	47Ω	1K
R496	47Ω	47Ω	1K
C441-C443	4.7/20	10/20	10/20
C443-C444	4.7/20	20/20	20/20
C460	USE	USE	NONE
R483	47Ω	47Ω	1K
C483	330P	330P	800P

MARK LIST	DIG-MULTI	RP-9030
C481	NONE	USE
R481	NONE	USE
R482	NONE	USE
R483	NONE	USE
R484	NONE	USE
R485	NONE	USE
R486	NONE	USE
R487	NONE	USE
R488	NONE	USE
R489	NONE	USE
R490	NONE	USE
R491	NONE	USE
R492	NONE	USE
R493	NONE	USE
R494	NONE	USE
R495	NONE	USE
R496	NONE	USE
R497	NONE	USE
R498	NONE	USE
R499	NONE	USE
R500	NONE	USE
R501	NONE	USE
R502	NONE	USE
R503	NONE	USE
R504	NONE	USE
R505	NONE	USE
R506	NONE	USE
R507	NONE	USE
R508	NONE	USE
R509	NONE	USE
R510	NONE	USE
R511	NONE	USE
R512	NONE	USE
R513	NONE	USE
R514	NONE	USE
R515	NONE	USE
R516	NONE	USE
R517	NONE	USE
R518	NONE	USE
R519	NONE	USE
R520	NONE	USE
R521	NONE	USE
R522	NONE	USE
R523	NONE	USE
R524	NONE	USE
R525	NONE	USE
R526	NONE	USE
R527	NONE	USE
R528	NONE	USE
R529	NONE	USE
R530	NONE	USE
R531	NONE	USE
R532	NONE	USE
R533	NONE	USE
R534	NONE	USE
R535	NONE	USE
R536	NONE	USE
R537	NONE	USE
R538	NONE	USE
R539	NONE	USE
R540	NONE	USE
R541	NONE	USE
R542	NONE	USE
R543	NONE	USE
R544	NONE	USE
R545	NONE	USE
R546	NONE	USE
R547	NONE	USE
R548	NONE	USE
R549	NONE	USE
R550	NONE	USE
R551	NONE	USE
R552	NONE	USE
R553	NONE	USE
R554	NONE	USE
R555	NONE	USE
R556	NONE	USE
R557	NONE	USE
R558	NONE	USE
R559	NONE	USE
R560	NONE	USE
R561	NONE	USE
R562	NONE	USE
R563	NONE	USE
R564	NONE	USE
R565	NONE	USE
R566	NONE	USE
R567	NONE	USE
R568	NONE	USE
R569	NONE	USE
R570	NONE	USE
R571	NONE	USE
R572	NONE	USE
R573	NONE	USE
R574	NONE	USE
R575	NONE	USE
R576	NONE	USE
R577	NONE	USE
R578	NONE	USE
R579	NONE	USE
R580	NONE	USE
R581	NONE	USE
R582	NONE	USE
R583	NONE	USE
R584	NONE	USE
R585	NONE	USE
R586	NONE	USE
R587	NONE	USE
R588	NONE	USE
R589	NONE	USE
R590	NONE	USE
R591	NONE	USE
R592	NONE	USE
R593	NONE	USE
R594	NONE	USE
R595	NONE	USE
R596	NONE	USE
R597	NONE	USE
R598	NONE	USE
R599	NONE	USE
R600	NONE	USE
R601	NONE	USE
R602	NONE	USE
R603	NONE	USE
R604	NONE	USE
R605	NONE	USE
R606	NONE	USE
R607	NONE	USE
R608	NONE	USE
R609	NONE	USE
R610	NONE	USE
R611	NONE	USE
R612	NONE	USE
R613	NONE	USE
R614	NONE	USE
R615	NONE	USE
R616	NONE	USE
R617	NONE	USE
R618	NONE	USE
R619	NONE	USE
R620	NONE	USE
R621	NONE	USE
R622	NONE	USE
R623	NONE	USE
R624	NONE	USE
R625	NONE	USE
R626	NONE	USE
R627	NONE	USE
R628	NONE	USE
R629	NONE	USE
R630	NONE	USE
R631	NONE	USE
R632	NONE	USE
R633	NONE	USE
R634	NONE	USE
R635	NONE	USE
R636	NONE	USE
R637	NONE	USE
R638	NONE	USE
R639	NONE	USE
R640	NONE	USE
R641	NONE	USE
R642	NONE	USE
R643	NONE	USE
R644	NONE	USE
R645	NONE	USE
R646	NONE	USE
R647	NONE	USE
R648	NONE	USE
R649	NONE	USE
R650	NONE	USE
R651	NONE	USE
R652	NONE	USE
R653	NONE	USE
R654	NONE	USE
R655	NONE	USE
R656	NONE	USE
R657	NONE	USE
R658	NONE	USE
R659	NONE	USE
R660	NONE	USE
R661	NONE	USE
R662	NONE	USE
R663	NONE	USE
R664	NONE	USE
R665	NONE	USE
R666	NONE	USE
R667	NONE	USE
R668	NONE	USE
R669	NONE	USE
R670	NONE	USE
R671	NONE	USE
R672	NONE	USE
R673	NONE	USE
R674	NONE	USE
R675	NONE	USE
R676	NONE	USE
R677	NONE	USE
R678	NONE	USE
R679	NONE	USE
R680	NONE	USE
R681	NONE	USE
R682	NONE	USE
R683	NONE	USE
R684	NONE	USE
R685	NONE	USE
R686	NONE	USE
R687	NONE	USE
R688	NONE	USE
R689	NONE	USE
R690	NONE	USE
R691	NONE	USE
R692	NONE	USE
R693	NONE	USE
R694	NONE	USE
R695	NONE	USE
R696	NONE	USE
R697	NONE	USE
R698	NONE	USE
R699	NONE	USE
R700	NONE	USE

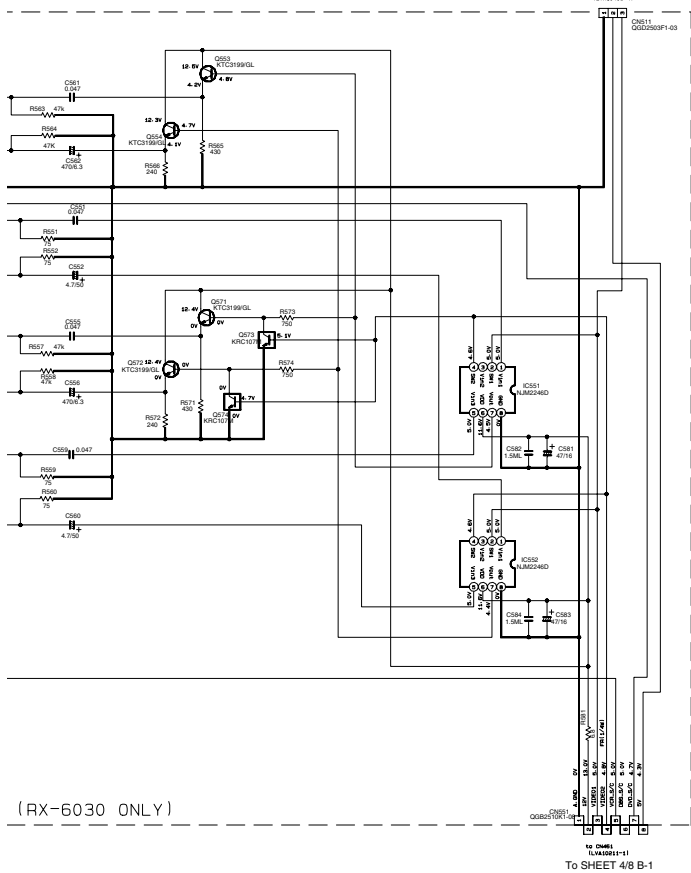
➔ Audio signal  
➔ Tuner signal

⚠ Parts are safety assurance parts. When replacing those parts make sure to use the specified one.

LVA10323-5



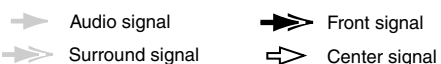
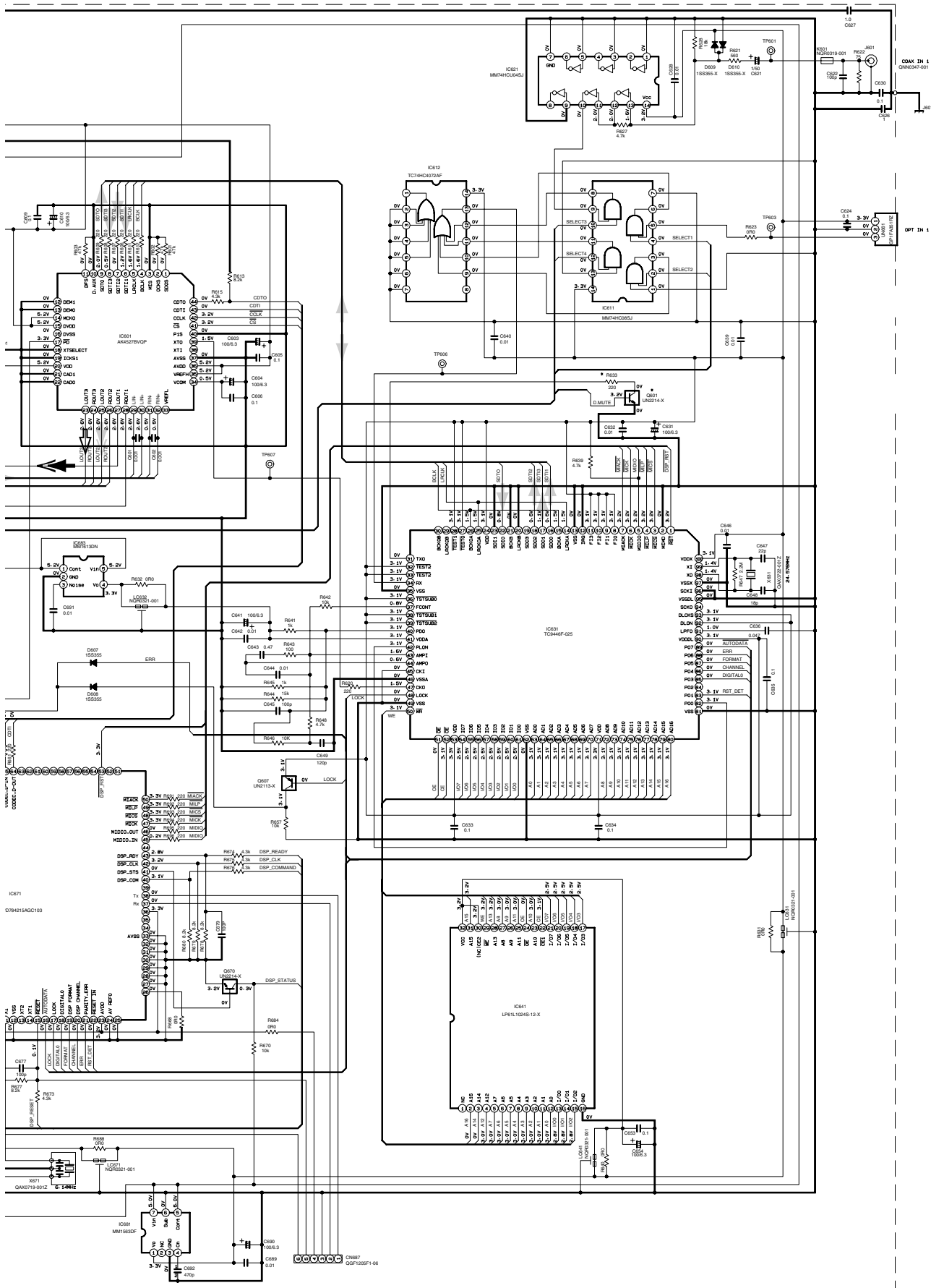
To SHEET 1/8 E-5



(RX-6030 ONLY)

To SHEET 4/8 B-1





■ User control, System control & FL display section

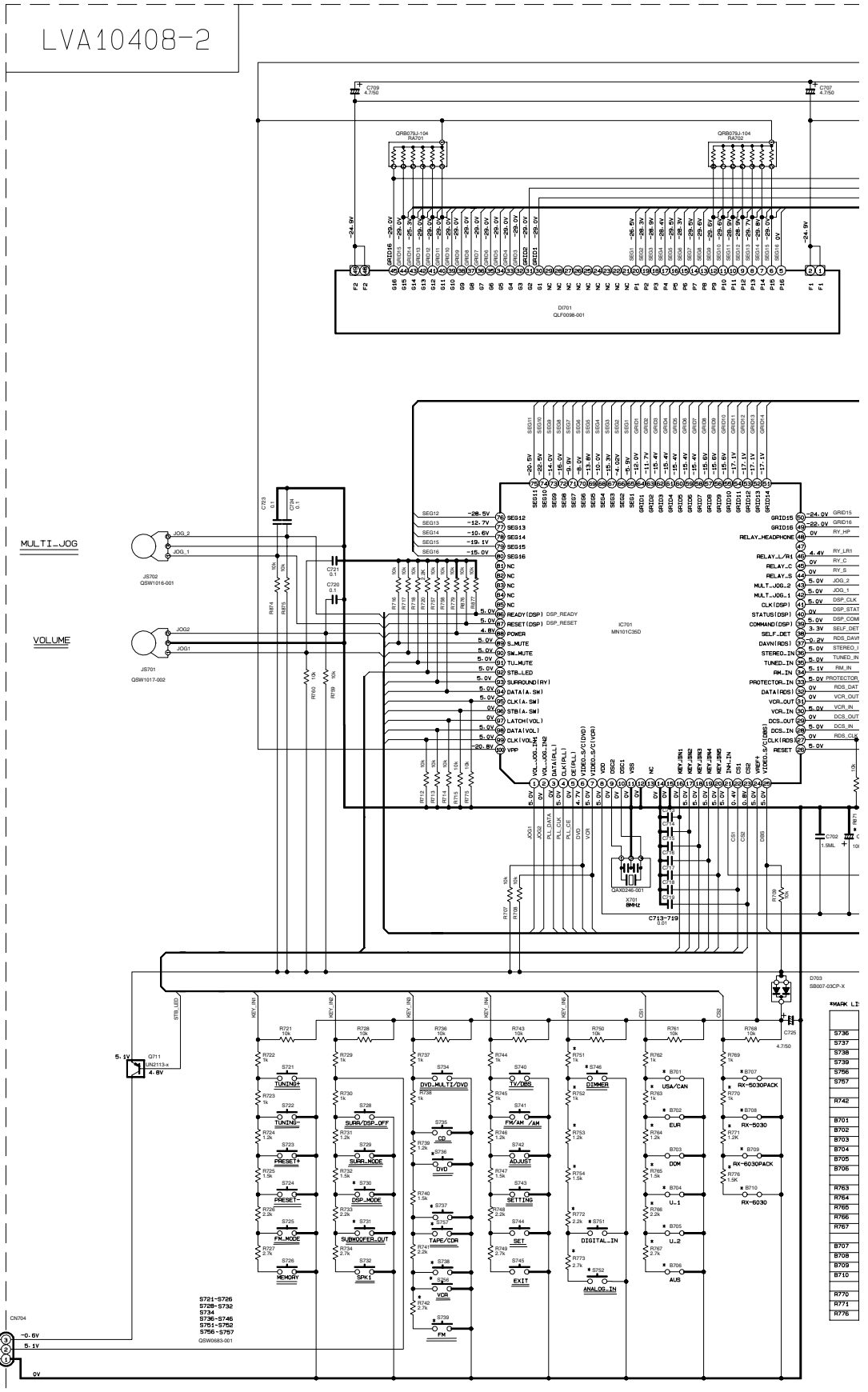
5

4

3

2

1





■ Tuner section

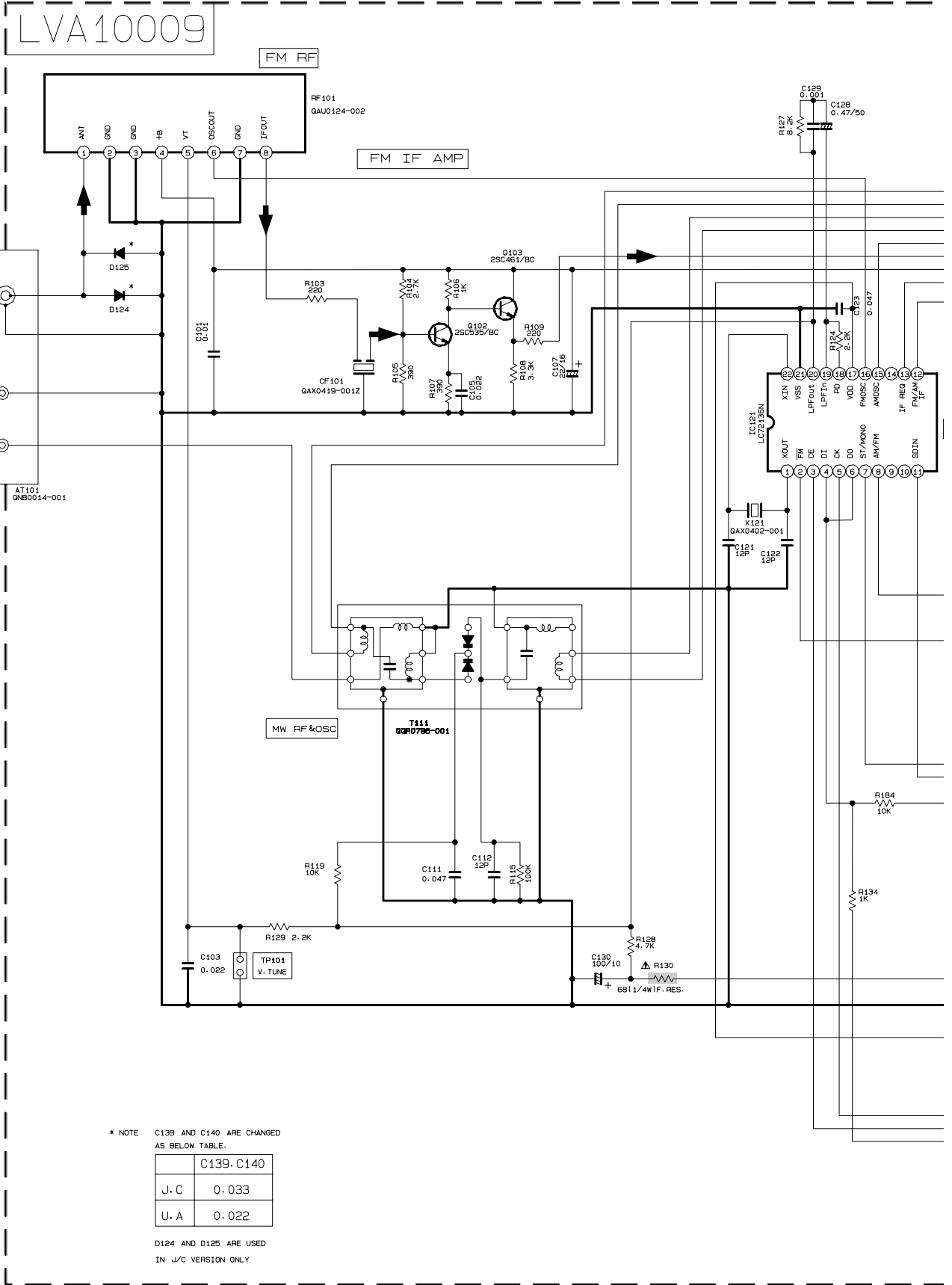
5

4

3

2

1



\* NOTE C139 AND C140 ARE CHANGED AS BELOW TABLE.

	C139. C140
J. C	0.033
U. A	0.022

D124 AND D125 ARE USED IN J/C VERSION ONLY.



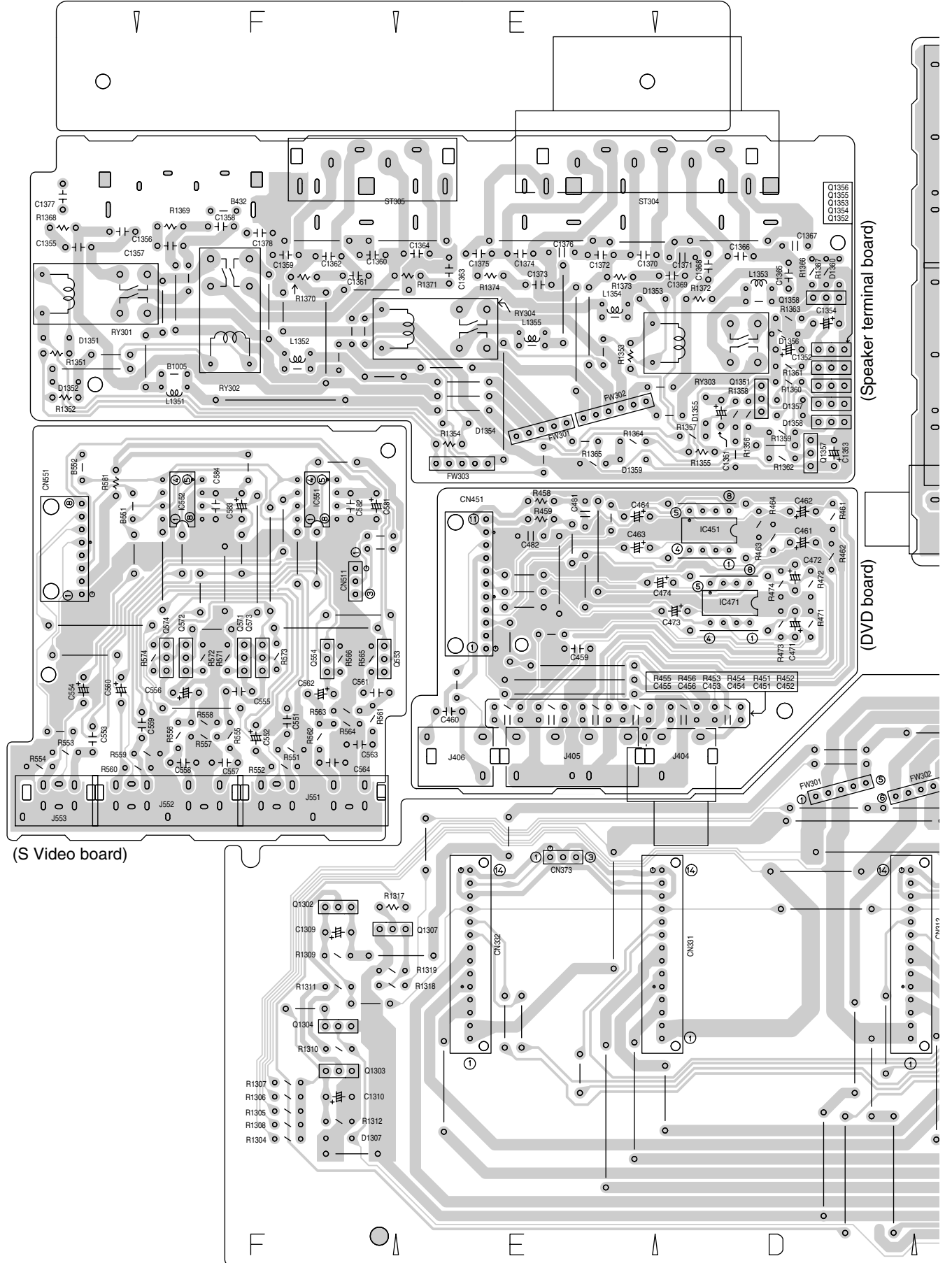


# Printed circuit boards

## ■ Main board

Reverse side

(Wire protection board)



5

4

3

2

1

A

B

C

D



System control & Audio board

Reverse  
(System contr

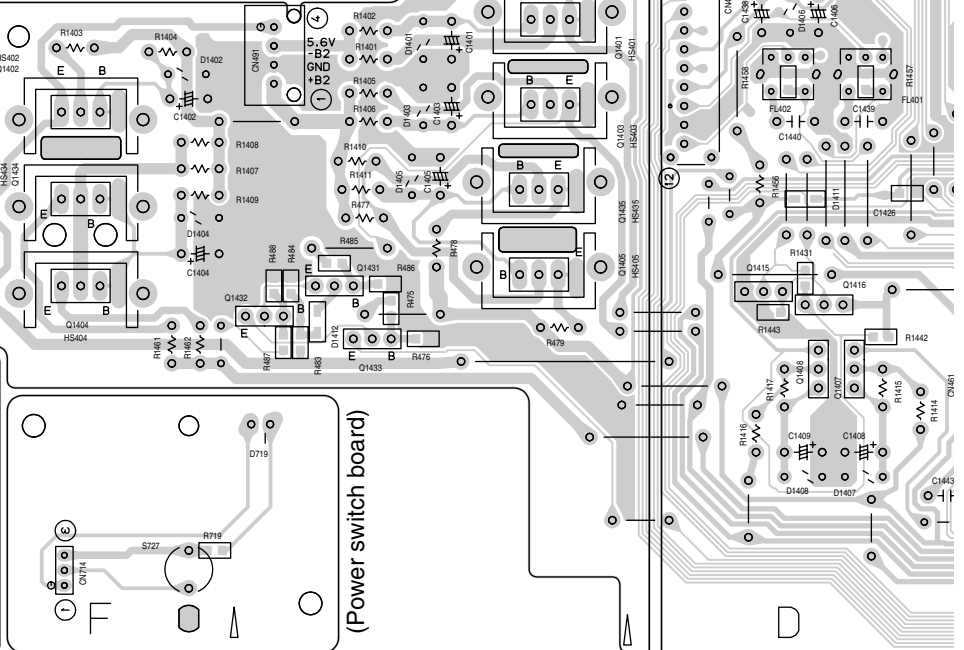
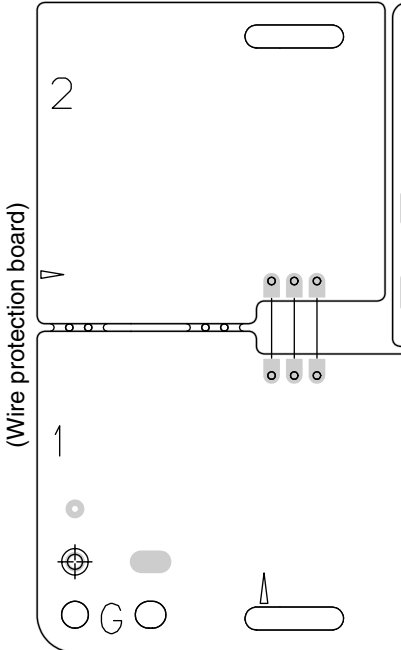
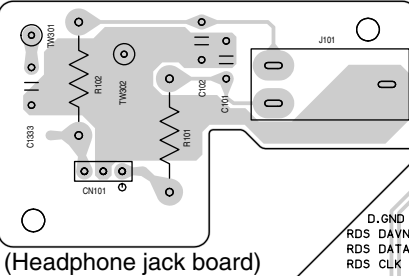
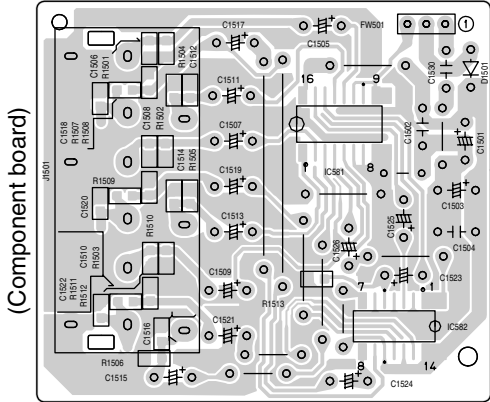
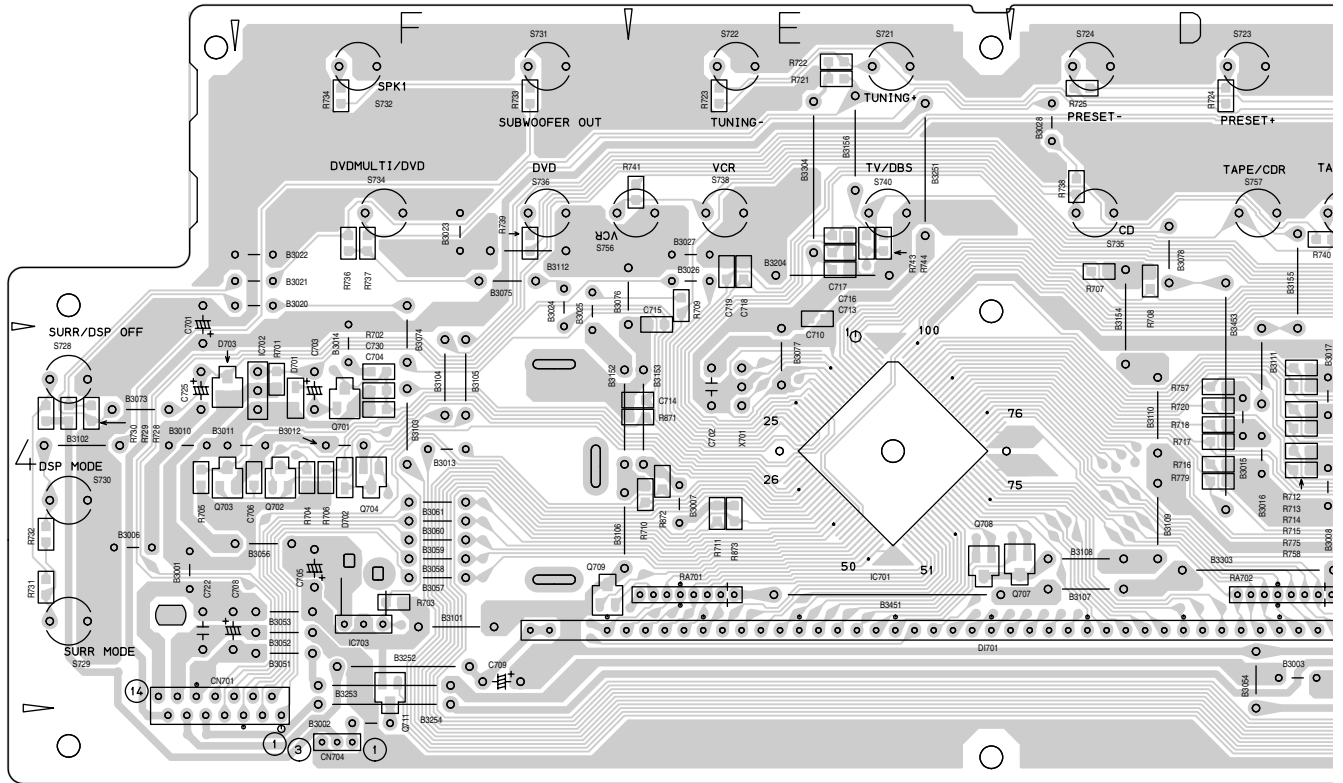
5

4

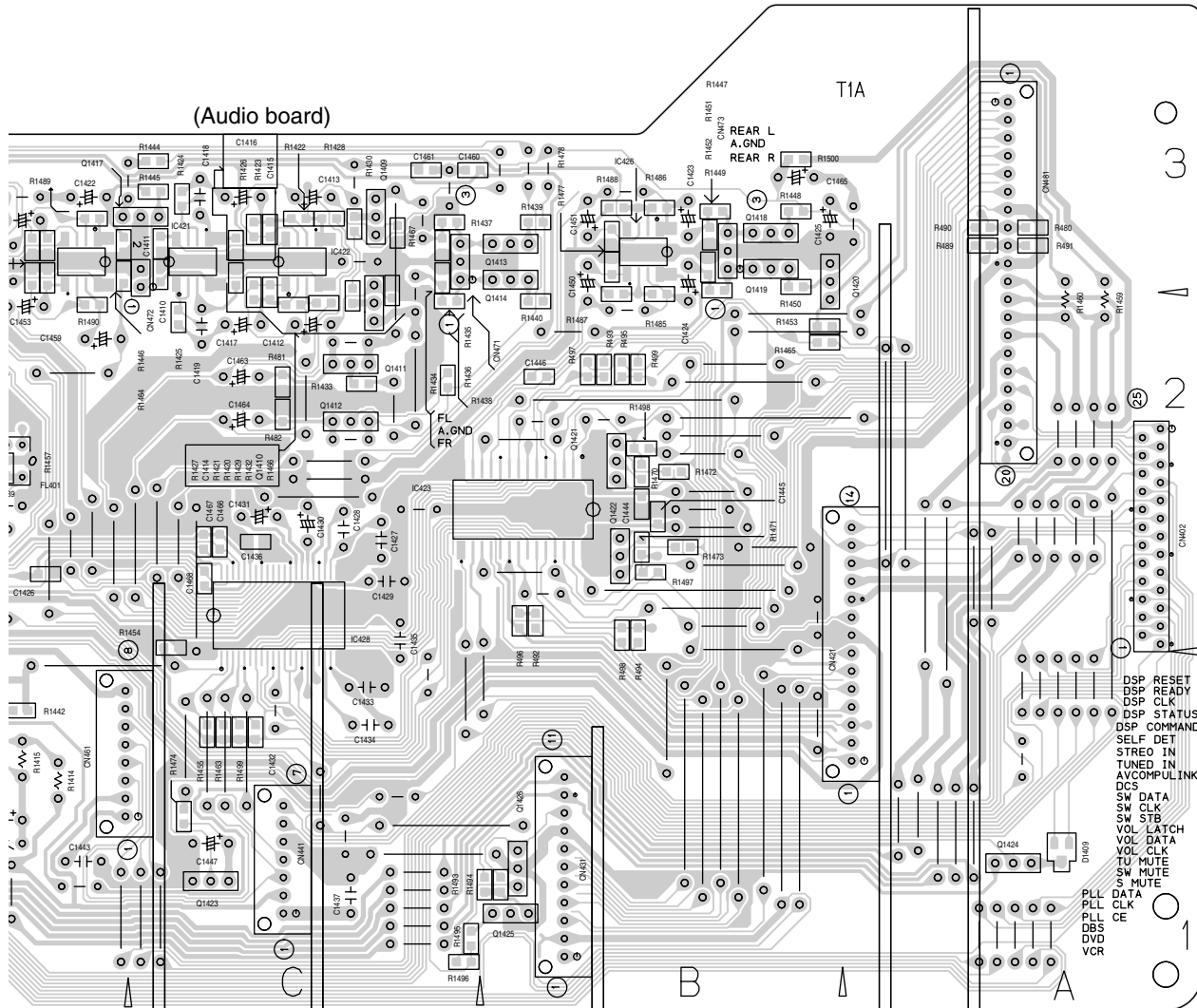
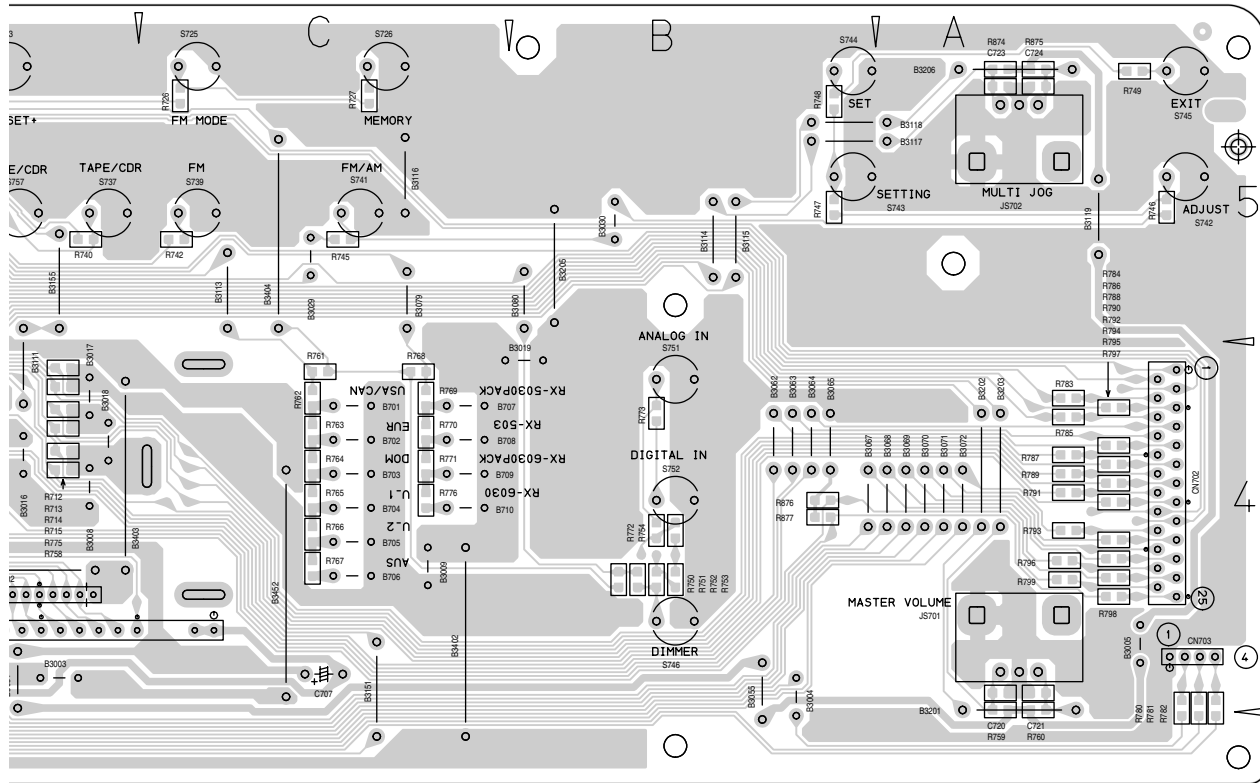
3

2

1

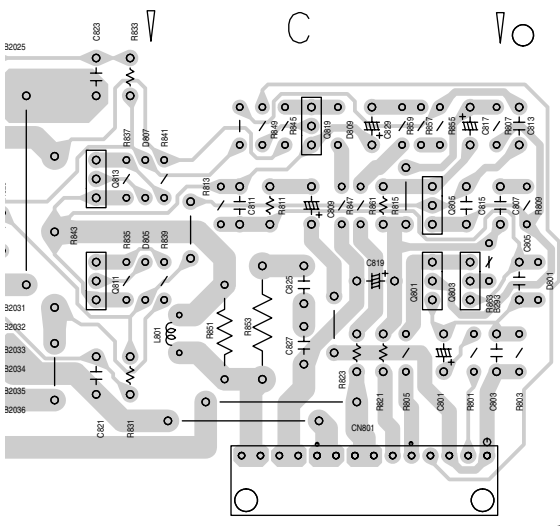


reverse side  
 (remote control board)

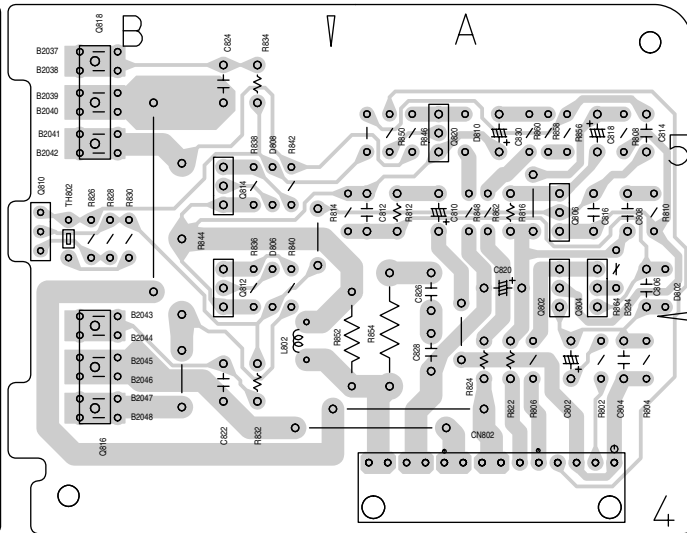




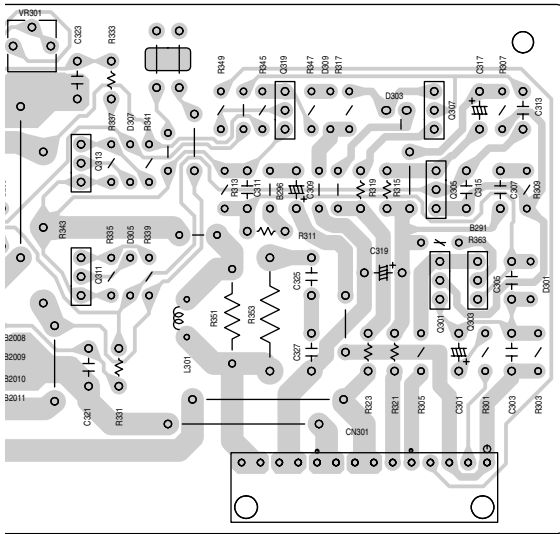
e (Rear amp. board (L))



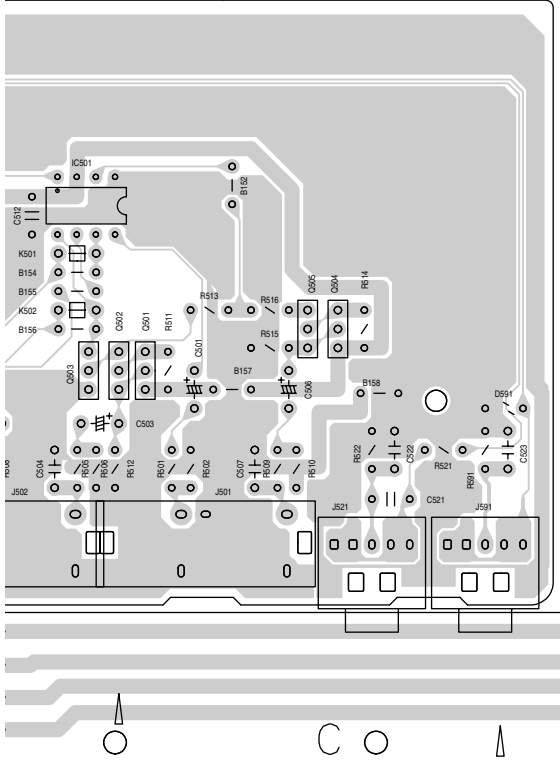
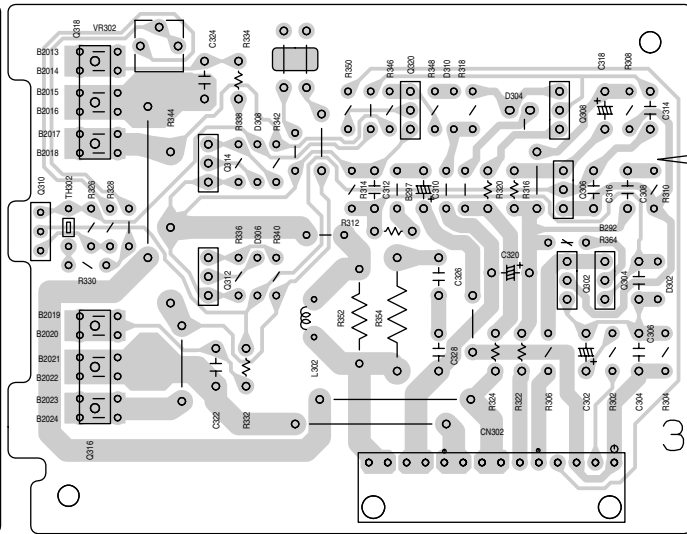
(Rear amp. board (R))



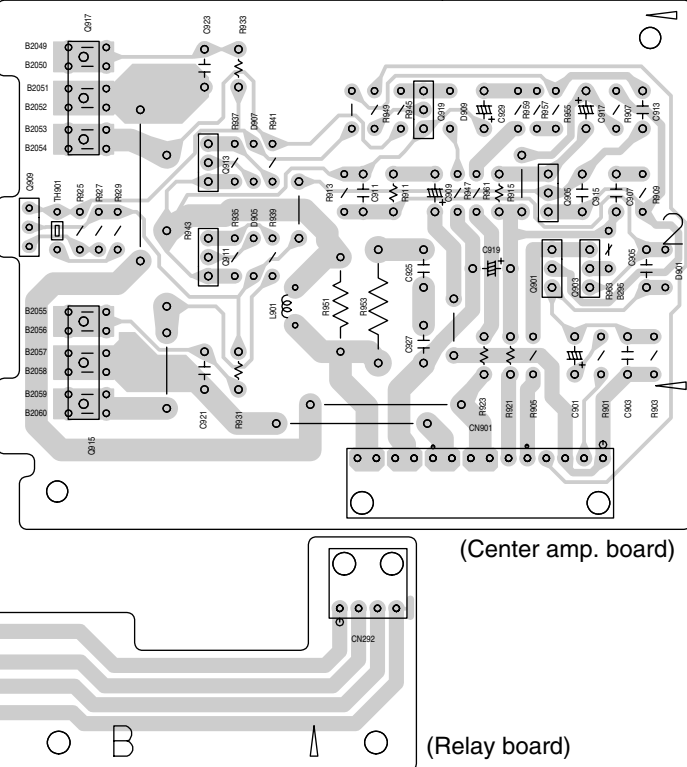
(Front amp. board (L))



(Front amp. board (R))



(Center amp. board)



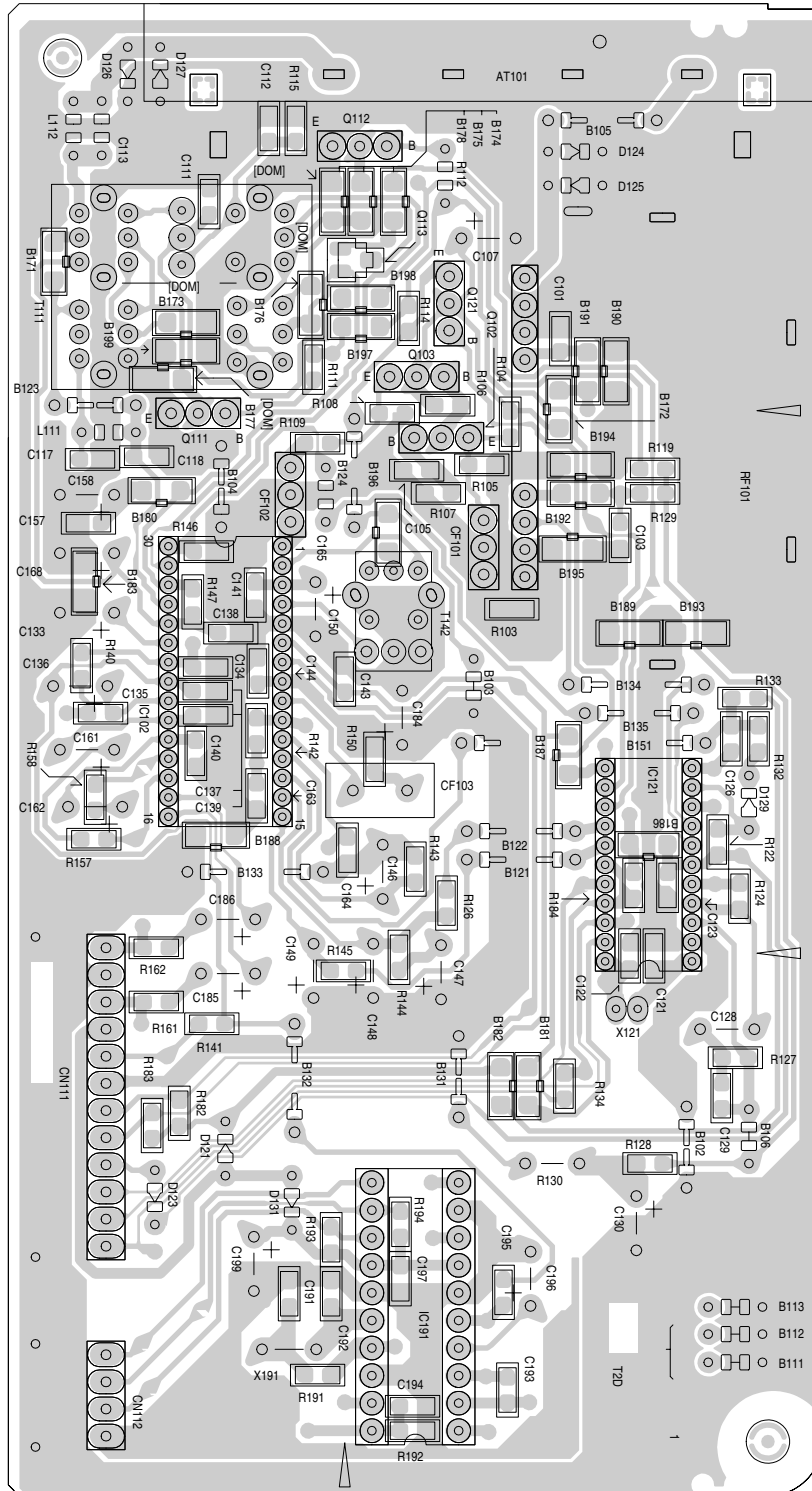
(Relay board)





■ Tuner board

5  
4  
3  
2  
1



A B C

RX-6032VSL

**JVC**

**VICTOR COMPANY OF JAPAN, LIMITED**

AV & MULTIMEDIA COMPANY 10-1, 1Chome, Ohwatari-machi, Maebashi-city, 371-8543, Japan

(No.22012SCH)



Printed in Japan  
2003/03

# PARTS LIST

[ RX-6032VSL ]

\* All printed circuit boards and its assemblies are not available as service parts.

Area suffix

C ----- Canada

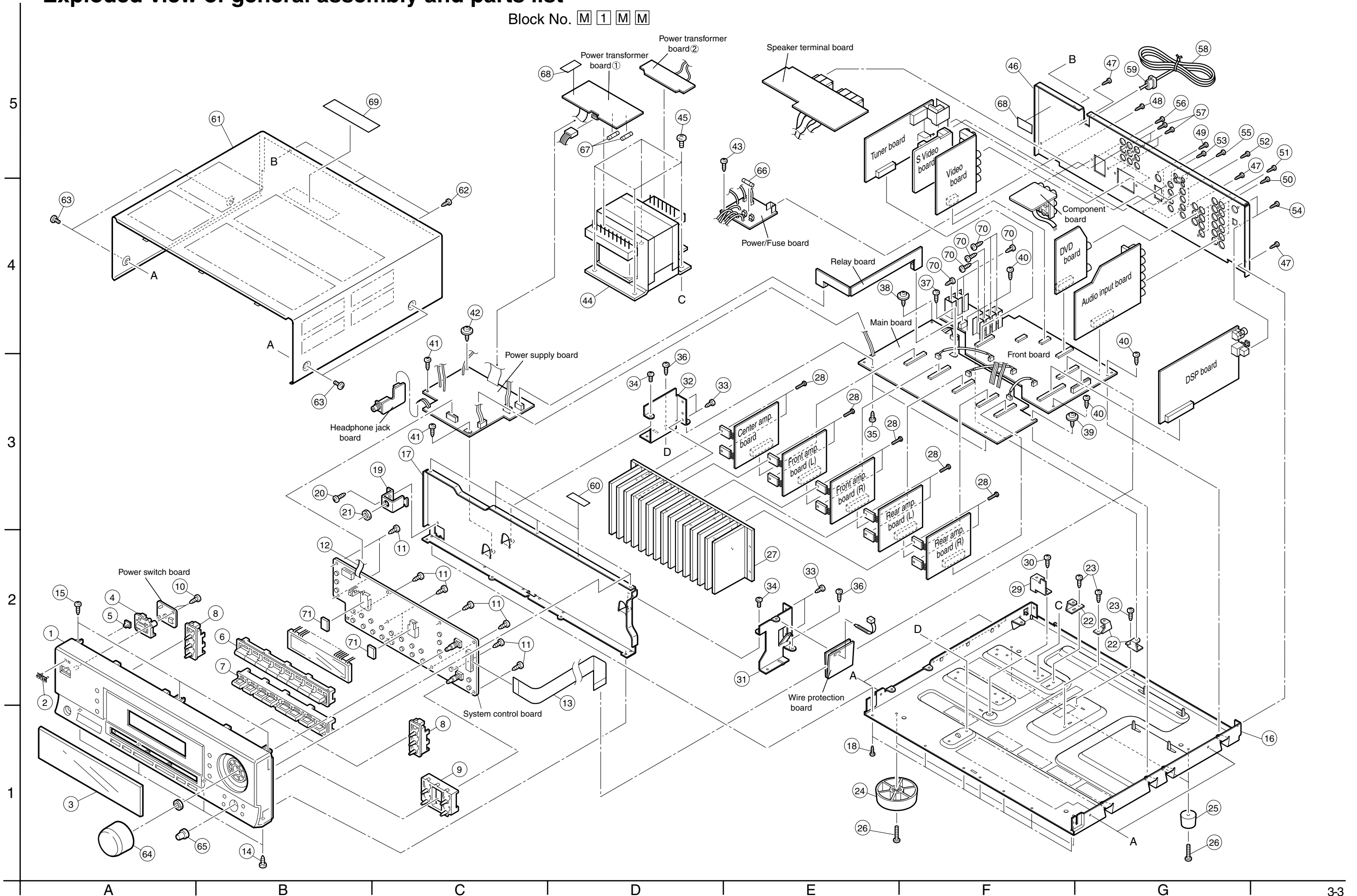
## - Contents -

Exploded view of general assembly and parts list (Block No.M1) .....	3- 3
Electrical parts list (Block No.01~05) .....	3- 5
Packing materials and accessories parts list (Block No.M3,M5) .....	3- 20

< MEMO >

# Exploded view of general assembly and parts list

Block No. **M 1 M M**



## ■ Parts list (General assembly)

Block No. M1MM

△	Item	Parts number	Parts name	Q'ty	Description	Area
	1	LV10756-008A	FRONT PANEL	1	RX-6032VSLC	
	2	LV43338-002A	JVC MARK	1	SL MODEL	
	3	LV34003-001A	LENS	1		
	4	LV34000-002A	PUSH BUTTON(POW	1	SL MODEL	
	5	LV42096-001A	INDICATOR	1	POWER	
	6	LV21420-002A	PUSH BUTTON	1	SOURCE	
	7	LV21421-002A	PUSH BUTTON(FM)	1	FM	
	8	LV34001-002A	3-BUTTON	2	SURROUND,INPUT	
	9	LV34002-002A	4-BUTTON	1	SET	
	10	QYSBSF2608Z	T.SCREW	2	FRONT C.B	
	11	QYSBSF2608Z	T.SCREW	9	FRONT C.B FL	
	12	QUQ412-1415CJ	FFC WIRE	1		
	13	QUQ412-2534CJ	FFC WIRE	1		
	14	QYSDSG3006Z	SCREW	4	FRONT D	
	15	QYSBSG3006Z	T.SCREW	3	FRONT U	
	16	LV10019-003A	CHASSIS BASE	1		
	17	LV10458-003A	FRONT BRACKET	1		
	18	QYSDSG3006Z	SCREW	7	C.B-F.B	
	19	LV43304-001A	BKT(PHONES)	1		
	20	QYSBSG3006Z	T.SCREW	1	H.P BKT-F.B	
	21	VKZ4150-001	SPECIAL NUT	1	H.P	
	22	E68587-223SM	CB BKT	3		
	23	QYSBST3006Z	T.SCREW	3	C.B-BKT	
	24	QZF6018-003	FOOT	2		
	25	E47227-036	FOOT	2		
	26	QYSBST3010Z	T.SCREW	4	FOOT	
	27	LV20916-002A	HEAT SINK	1	NEW TYPE	
	28	QYSBSG3012E	SCREW	10	TR	
	29	LV42098-001A	C.B BKT	1	PRI/SEC C.B	
	30	QYSBST3006Z	T.SCREW	1	C.B BKT	
	31	LV32433-001A	H.S BRACKET(R)	1		
	32	LV32434-001A	H.S BRACKET(L)	1		
	33	QYSBSG3008Z	T.SCREW	4	H.S-BKT	
	34	QYSBST3006Z	T.SCREW	2	H.S BKT-F.BKT	
	35	QYSBSG3006Z	T.SCREW	2	H.S BKT	
	36	QYSBST3006Z	T.SCREW	2	H.S BKT-CHASSIS	
	37	QYSBSG3006Z	T.SCREW	1	M.C.B	
	38	E65923-003	TAPPING SCREW	1		
	39	E65923-003	TAPPING SCREW	1	M.C.B	
	40	QYSBSG3006Z	T.SCREW	3	H.S-C.B	
	41	QYSBSG3006Z	T.SCREW	2	P.C.B	
	42	E65923-003	TAPPING SCREW	1	P.C.B	
	43	QYSBSG3006Z	T.SCREW	1	C.B-CHASSIS	
△	44	QQT0318-001	POWER TRANS.	1		
	45	QYSDSTL4008Z	SPECIAL SCREW	4	P.TRANS	
	46	LV20915-065A	REAR PANEL	1	RX-6032VJ	
	47	QYSBSGY3008M	SPECIAL SCREW	3	R.P-C.BASE	
	48	QYSBSGY3008M	SPECIAL SCREW	1	R.P-	

## ■ Parts list (General assembly)

Block No. M1MM

△	Item	Parts number	Parts name	Q'ty	Description	Area
	49	QYSBSGY3008M	SPECIAL SCREW	2	TUNER	
	50	QYSBSGY3008M	SPECIAL SCREW	4	INPUT	
	51	QYSBSGY3008M	SPECIAL SCREW	3	DVD/SUB WOOFER	
	52	QYSBSGY3008M	SPECIAL SCREW	2	VIDEO	
	53	QYSBSGY3008M	SPECIAL SCREW	2	S VIDEO	
	54	QYSBSGY3008M	SPECIAL SCREW	2	DIGITAL	
	55	QYSBSGY3008M	SPECIAL SCREW	2	COMP C.B	
	56	QYSBSGY3008M	SPECIAL SCREW	4	SPK C.B	
	57	QYSBSGY3008M	SPECIAL SCREW	4	COMPONENT VIDEO	
△	58	QMPD420-200-JV	POWER CORD	1		
△	59	QZW0033-001	STRAIN RELIEF	1		
	60	LV30225-0H3A	SPACER	2		
	61	LV21422-003A	TOP COVER	1		
	62	QYSBSGY3008M	SPECIAL SCREW	3		
	63	E406308-004	SPECIAL SCREW	4		
	64	LV43463-002A	VOL KNO ASSY	1		
	65	LV43458-002A	JOG KNOB ASSY	1		
△	66	QMF51U1-6R3-J8	FUSE	1	F 201	
△	67	QMF51U1-2R0-J8	FUSE	2	F 202 F 203	
	68	LV42388-001A	FUSE CAUTION	2		
	69	E409396-003	CAUTION LABEL	1		
	70	QYSBSG3008E	T.SCREW	7		
	71	LV30225-0J4A	SPACER	2		

## ■ Electrical parts list (Main board)

Block No. 01

▲	Item	Parts number	Parts name	Remarks	Area	▲	Item	Parts number	Parts name	Remarks	Area	
	C 419	QCBB1HK-223Y	C CAPACITOR	.022MF 10% 50V			C1302	QCE22HP-103	C CAPACITOR	.010MF +100:-0%		
	C 420	QCBB1HK-223Y	C CAPACITOR	.022MF 10% 50V			C1303	QCE22HP-103	C CAPACITOR	.010MF +100:-0%		
	C 421	QCBB1HK-331Y	C CAPACITOR	330PF 10% 50V			C1304	QEZO341-688	E CAPACITER	6800MF		
	C 422	QCBB1HK-331Y	C CAPACITOR	330PF 10% 50V			C1305	QEZO341-688	E CAPACITER	6800MF		
	C 423	QCBB1HK-331Y	C CAPACITOR	330PF 10% 50V			C1306	QETN1EM-476Z	E CAPACITOR	47MF 20% 25V		
	C 424	QCBB1HK-331Y	C CAPACITOR	330PF 10% 50V			C1308	QETN1HM-476Z	E CAPACITOR	47MF 20% 50V		
	C 425	QCBB1HK-331Y	C CAPACITOR	330PF 10% 50V			C1309	QEKC1HM-106Z	E CAPACITOR	10MF 20% 50V		
	C 426	QCBB1HK-331Y	C CAPACITOR	330PF 10% 50V			C1310	QEKC1CM-476Z	E CAPACITOR	47MF 20% 16V		
	C 427	QCBB1HK-221Y	C CAPACITOR	220PF 10% 50V			C1311	QEKC1HM-226Z	E CAPACITOR	22MF 20% 50V		
	C 428	QCBB1HK-221Y	C CAPACITOR	220PF 10% 50V			C1351	QETN1HM-475Z	E CAPACITOR	4.7MF 20% 50V		
	C 429	QCBB1HK-331Y	C CAPACITOR	330PF 10% 50V			C1352	QEKC1HM-475Z	E CAPACITOR	4.7MF 20% 50V		
	C 430	QCBB1HK-331Y	C CAPACITOR	330PF 10% 50V			C1353	QEKC1HM-475Z	E CAPACITOR	4.7MF 20% 50V		
	C 431	QCBB1HK-331Y	C CAPACITOR	330PF 10% 50V			C1354	QEKC1HM-475Z	E CAPACITOR	4.7MF 20% 50V		
	C 432	QCBB1HK-331Y	C CAPACITOR	330PF 10% 50V			▲	D1301	30DF2-FC	DIODE		
	C 433	QCBB1HK-221Y	C CAPACITOR	220PF 10% 50V			▲	D1302	30DF2-FC	DIODE		
	C 434	QCBB1HK-221Y	C CAPACITOR	220PF 10% 50V			▲	D1303	30DF2-FC	DIODE		
	C 435	QCBB1HK-331Y	C CAPACITOR	330PF 10% 50V			▲	D1304	30DF2-FC	DIODE		
	C 436	QCBB1HK-331Y	C CAPACITOR	330PF 10% 50V			D1305	MTZJ18C-T2	Z.DIODE			
	C 440	QCBB1HK-221Y	C CAPACITOR	220PF 10% 50V			D1306	MTZJ30C-T2	ZENER DIODE			
	C 441	QETN1HM-475Z	E CAPACITOR	4.7MF 20% 50V			D1307	1SS133-T2	SI DIODE			
	C 442	QETN1HM-475Z	E CAPACITOR	4.7MF 20% 50V			D1308	1SS133-T2	SI DIODE			
	C 443	QETN1HM-475Z	E CAPACITOR	4.7MF 20% 50V			D1309	MTZJ20C-T2	Z.DIODE			
	C 444	QETN1HM-475Z	E CAPACITOR	4.7MF 20% 50V			D1352	1SS133-T2	SI DIODE			
	C 445	QCBB1HK-223Y	C CAPACITOR	.022MF 10% 50V			D1353	1SS133-T2	SI DIODE			
	C 446	QCBB1HK-223Y	C CAPACITOR	.022MF 10% 50V			D1354	1SS133-T2	SI DIODE			
	C 451	QCBB1HK-331Y	C CAPACITOR	330PF 10% 50V			D1355	1SS133-T2	SI DIODE			
	C 452	QCBB1HK-331Y	C CAPACITOR	330PF 10% 50V			D1356	MTZJ5.1C-T2	ZENER DIODE			
	C 453	QCBB1HK-331Y	C CAPACITOR	FOR 6030			D1357	1SS133-T2	SI DIODE			
	C 454	QCBB1HK-331Y	C CAPACITOR	FOR 6030			D1358	1SS133-T2	SI DIODE			
	C 455	QCBB1HK-331Y	C CAPACITOR	FOR 6030			D1359	1SS133-T2	SI DIODE			
	C 456	QCBB1HK-331Y	C CAPACITOR	FOR 6030			D1360	1SS133-T2	SI DIODE			
	C 460	QCZ0202-155Z	ML C CAPACITOR	1.5MF			EP301	QNZ0136-001Z	EARTH PLATE			
	C 461	QETN1HM-475Z	E CAPACITOR	FOR 6030			FW301	QUM215-25Z4Z4	PARA RIBON WIRE			
	C 463	QETN1HM-475Z	E CAPACITOR	FOR 6030			FW302	QUM216-25Z4Z4	FLAT WIRE			
	C 481	QCBB1HK-223Y	C CAPACITOR	FOR 6030			FW303	QUM215-28DGZ4	PARA RIBON WIRE			
	C 482	QCBB1HK-223Y	C CAPACITOR	FOR 6030			FW341	QUM215-20DGZ4	SOCKET			
	C 551	QDX31EM-473Z	C CAPACITOR				IC402	TC9164AN	IC			
	C 552	QEKC1HM-475Z	E CAPACITOR	4.7MF 20% 50V			IC403	BA15218N	IC			
	C 555	QDX31EM-473Z	C CAPACITOR				IC451	BA15218	IC	FOR 6030		
	C 556	QETN0JM-477Z	E CAPACITOR	470MF 20% 6.3V			IC551	NJM2246D	IC			
	C 557	QCS31HJ-470Z	C CAPACITOR	47PF 5% 50V			IC552	NJM2246D	IC			
	C 558	QCS31HJ-470Z	C CAPACITOR	47PF 5% 50V			J 402	QNN0168-001	PIN JACK	CD.TAPE(R/P)		
	C 559	QDX31EM-473Z	C CAPACITOR				J 403	QNN0168-001	PIN JACK	VCR(R/P),DBS		
	C 560	QEKC1HM-475Z	E CAPACITOR	4.7MF 20% 50V			J 404	QNN0389-001	PIN JACK	DVD FL/FR		
	C 561	QDX31EM-473Z	C CAPACITOR				J 405	QNN0388-001	PIN JACK	FOR 6030		
	C 562	QETN0JM-477Z	E CAPACITOR	470MF 20% 6.3V			J 406	QNN0060-001	PIN JACK			
	C 563	QCS31HJ-470Z	C CAPACITOR	47PF 5% 50V			J 551	QND0091-001	S JACK	M.OUT.DVD		
	C 564	QCS31HJ-470Z	C CAPACITOR	47PF 5% 50V			J 552	QND0091-001	S JACK	VCR(R/P)		
	C 581	QEKC1CM-476Z	E CAPACITOR	47MF 20% 16V			Q 553	KTC3199/GL/-T	TRANSISTOR			
	C 582	QCZ0202-155Z	ML C CAPACITOR	1.5MF			Q 554	KTC3199/GL/-T	TRANSISTOR			
	C 583	QEKC1CM-476Z	E CAPACITOR	47MF 20% 16V			Q 571	KTC3199/GL/-T	TRANSISTOR			
	C 584	QCZ0202-155Z	ML C CAPACITOR	1.5MF			Q 572	KTC3199/GL/-T	TRANSISTOR			
	CN311	QGB2510J1-14	CONNECTOR				Q 573	KRC107M-T	D.TRANSISTOR			
	CN312	QGB2510J1-14	CONNECTOR				Q 574	KRC107M-T	D.TRANSISTOR			
	CN321	QGB2510J1-14	CONNECTOR				▲	Q1301	KTA1046/Y/	TRANSISTOR		
	CN331	QGB2510J1-14	CONNECTOR				Q1302	KTC3200/GL/-T	TRANSISTOR			
	CN332	QGB2510J1-14	CONNECTOR				Q1303	KTA1268/GL/-T	TRANSISTOR			
	CN351	QJK012-032403	SKT WIRE ASSY				Q1304	KTC3199/GL/-T	TRANSISTOR			
	CN371	QJP001-031201	SHI CR C-B WIRE				Q1305	2SD2395/EF/	TRANSISTOR			
	CN372	QJP002-021201	SHI CR C-B WIRE				Q1306	KTA1023/OY/-T	TRANSISTOR			
	CN373	QJP001-031201	SHI CR C-B WIRE				Q1307	KTC3200/GL/-T	TRANSISTOR			
	CN401	QGB2510K1-14	CONNECTOR				Q1351	KRC109M-T	D.TRANSISTOR			
	CN451	QGB2510K1-11	CONNECTOR				Q1352	KRC109M-T	D.TRANSISTOR			
	CN511	QGD2503F1-03	SOCKET				Q1353	KRC109M-T	D.TRANSISTOR			
	CN551	QGB2510K1-08	CONNECTOR				Q1354	KRC109M-T	D.TRANSISTOR			
	C1301	QFZ9076-104Z	MM CAPACITOR	.10MF			Q1355	KRC109M-T	D.TRANSISTOR			

## ■ Electrical parts list (Main board)

Block No. 01

△	Item	Parts number	Parts name	Remarks	Area
	Q1356	KRC109M-T	D.TRANSISTOR		
	Q1357	KRC109M-T	D.TRANSISTOR		
	Q1358	KRC109M-T	D.TRANSISTOR		
	R 421	QRE141J-471Y	C RESISTOR	470 5% 1/4W	
	R 422	QRE141J-471Y	C RESISTOR	470 5% 1/4W	
	R 423	QRE141J-471Y	C RESISTOR	470 5% 1/4W	
	R 424	QRE141J-471Y	C RESISTOR	470 5% 1/4W	
	R 425	QRE141J-471Y	C RESISTOR	470 5% 1/4W	
	R 426	QRE141J-471Y	C RESISTOR	470 5% 1/4W	
	R 429	QRE141J-471Y	C RESISTOR	470 5% 1/4W	
	R 430	QRE141J-471Y	C RESISTOR	470 5% 1/4W	
	R 431	QRE141J-471Y	C RESISTOR	470 5% 1/4W	
	R 432	QRE141J-471Y	C RESISTOR	470 5% 1/4W	
	R 435	QRE141J-471Y	C RESISTOR	470 5% 1/4W	
	R 436	QRE141J-471Y	C RESISTOR	470 5% 1/4W	
	R 440	QRE141J-102Y	C RESISTOR	1.0K 5% 1/4W	
	R 441	QRE141J-104Y	C RESISTOR	100K 5% 1/4W	
	R 442	QRE141J-104Y	C RESISTOR	100K 5% 1/4W	
	R 443	QRE141J-104Y	C RESISTOR	100K 5% 1/4W	
	R 444	QRE141J-104Y	C RESISTOR	100K 5% 1/4W	
	R 445	QRE141J-104Y	C RESISTOR	100K 5% 1/4W	
	R 446	QRE141J-104Y	C RESISTOR	100K 5% 1/4W	
△	R 449	QRJ146J-271X	UNF C RESISTOR	270 5% 1/4W	
△	R 450	QRJ146J-271X	UNF C RESISTOR	270 5% 1/4W	
	R 451	QRE141J-471Y	C RESISTOR	470 5% 1/4W	
	R 452	QRE141J-471Y	C RESISTOR	470 5% 1/4W	
	R 453	QRE141J-471Y	C RESISTOR	FOR 6030	
	R 454	QRE141J-471Y	C RESISTOR	FOR 6030	
	R 455	QRE141J-471Y	C RESISTOR	FOR 6030	
	R 456	QRE141J-471Y	C RESISTOR	FOR 6030	
	R 458	QRJ146J-271X	UNF C RESISTOR	FOR 6030	
	R 459	QRJ146J-271X	UNF C RESISTOR	FOR 6030	
	R 462	QRE141J-104Y	C RESISTOR	FOR 6030	
	R 464	QRE141J-104Y	C RESISTOR	FOR 6030	
	R 551	QRE141J-750Y	C RESISTOR	75 5% 1/4W	
	R 552	QRE141J-750Y	C RESISTOR	75 5% 1/4W	
	R 555	QRE141J-750Y	C RESISTOR	75 5% 1/4W	
	R 556	QRE141J-750Y	C RESISTOR	75 5% 1/4W	
	R 557	QRE141J-473Y	C RESISTOR	47K 5% 1/4W	
	R 558	QRE141J-473Y	C RESISTOR	47K 5% 1/4W	
	R 559	QRE141J-750Y	C RESISTOR	75 5% 1/4W	
	R 560	QRE141J-750Y	C RESISTOR	75 5% 1/4W	
	R 561	QRE141J-750Y	C RESISTOR	75 5% 1/4W	
	R 562	QRE141J-750Y	C RESISTOR	75 5% 1/4W	
	R 563	QRE141J-473Y	C RESISTOR	47K 5% 1/4W	
	R 564	QRE141J-473Y	C RESISTOR	47K 5% 1/4W	
	R 565	QRE141J-431Y	C RESISTOR	430 5% 1/4W	
	R 566	QRE141J-241Y	C RESISTOR	240 5% 1/4W	
	R 571	QRE141J-431Y	C RESISTOR	430 5% 1/4W	
	R 572	QRE141J-241Y	C RESISTOR	240 5% 1/4W	
	R 573	QRE141J-751Y	C RESISTOR	750 5% 1/4W	
	R 574	QRE141J-751Y	C RESISTOR	750 5% 1/4W	
	R 581	QRJ146J-6R8X	UNF C RESISTOR	6.8 5% 1/4W	
△	RY302	QSK0109-001	RELAY		
△	RY303	QSK0109-001	RELAY		
△	RY304	QSK0109-001	RELAY		
△	R1301	QRL027J-332	UNF.OMF.RES.	3.3K 5% 1/2W	
△	R1302	QRZ9005-100X	F RESISTOR	10 1/4W	
△	R1303	QRJ146J-562X	UNF C RESISTOR	5.6K 5% 1/4W	
	R1304	QRE141J-104Y	C RESISTOR	100K 5% 1/4W	
	R1305	QRE141J-104Y	C RESISTOR	100K 5% 1/4W	
	R1306	QRE141J-823Y	C RESISTOR	82K 5% 1/4W	
	R1307	QRE141J-104Y	C RESISTOR	100K 5% 1/4W	
	R1308	QRE141J-104Y	C RESISTOR	100K 5% 1/4W	
	R1309	QRE141J-103Y	C RESISTOR	10K 5% 1/4W	
	R1310	QRE141J-103Y	C RESISTOR	10K 5% 1/4W	

△	Item	Parts number	Parts name	Remarks	Area
	R1311	QRE141J-104Y	C RESISTOR	100K 5% 1/4W	
	R1312	QRE141J-104Y	C RESISTOR	100K 5% 1/4W	
△	R1313	QRZ9005-100X	F RESISTOR	10 1/4W	
△	R1314	QRJ146J-103X	UNF C RESISTOR	10K 5% 1/4W	
△	R1315	QRJ146J-2R2X	UNF C RESISTOR	2.2 5% 1/4W	
△	R1316	QRJ146J-102X	UNF C RESISTOR	1.0K 5% 1/4W	
△	R1317	QRJ146J-223X	UNF C RESISTOR	22K 5% 1/4W	
	R1318	QRE141J-223Y	C RESISTOR	22K 5% 1/4W	
	R1319	QRE141J-473Y	C RESISTOR	47K 5% 1/4W	
△	R1352	QRJ146J-680X	UNF C RESISTOR	68 5% 1/4W	
△	R1353	QRJ146J-680X	UNF C RESISTOR	68 5% 1/4W	
△	R1354	QRJ146J-680X	UNF C RESISTOR	68 5% 1/4W	
△	R1355	QRJ146J-392X	UNF C RESISTOR	3.9K 5% 1/4W	
	R1356	QRE141J-472Y	C RESISTOR	4.7K 5% 1/4W	
	R1357	QRE141J-223Y	C RESISTOR	22K 5% 1/4W	
	R1358	QRE141J-682Y	C RESISTOR	6.8K 5% 1/4W	
	R1359	QRE141J-472Y	C RESISTOR	4.7K 5% 1/4W	
	R1360	QRE141J-472Y	C RESISTOR	4.7K 5% 1/4W	
	R1361	QRE141J-472Y	C RESISTOR	4.7K 5% 1/4W	
	R1362	QRE141J-472Y	C RESISTOR	4.7K 5% 1/4W	
	R1363	QRE141J-472Y	C RESISTOR	4.7K 5% 1/4W	
	R1364	QRE141J-223Y	C RESISTOR	22K 5% 1/4W	
	R1365	QRE141J-682Y	C RESISTOR	6.8K 5% 1/4W	
	R1366	QRE141J-223Y	C RESISTOR	22K 5% 1/4W	
	R1367	QRE141J-682Y	C RESISTOR	6.8K 5% 1/4W	
	ST304	QNB0103-002	SPK TERMINAL	5030/6030 C/R	
	ST305	QNB0001-002	SPK TERMINAL	5030/6030 FRONT	



## ■ Electrical parts list (Front board)

Block No. 02

△	Item	Parts number	Parts name	Remarks	Area	△	Item	Parts number	Parts name	Remarks	Area
	BK701	LV42093-001A	FL HOLDER(L)				C1426	NCB31CK-223X	C CAPACITOR		
	BK702	LV42092-001A	FL HOLDER(R)				C1427	QFVF1HJ-334Z	MF CAPACITOR	.33MF 5% 50V	
	C 101	QCBB1HK-331Y	C CAPACITOR	330PF 10% 50V			C1428	QFLC1HJ-153Z	M CAPACITOR	.015MF 5% 50V	
	C 102	QCBB1HK-331Y	C CAPACITOR	330PF 10% 50V			C1429	QCB31HK-822Z	C CAPACITOR	8200PF 10% 50V	
	C 701	QEKC0JM-107Z	E CAPACITOR	100MF 20% 6.3V			C1430	QETN1HM-475Z	E CAPACITOR	4.7MF 20% 50V	
	C 702	QCZ0202-155Z	ML C CAPACITOR	1.5MF			C1431	QETN1HM-475Z	E CAPACITOR	4.7MF 20% 50V	
	C 703	QEKC1HM-225Z	E CAPACITOR	2.2MF 20% 50V			C1432	NCB31CK-223X	C CAPACITOR		
	C 704	NCB31CK-223X	C CAPACITOR				C1433	QFVF1HJ-334Z	MF CAPACITOR	.33MF 5% 50V	
	C 705	QEKC0JM-107Z	E CAPACITOR	100MF 20% 6.3V			C1434	QFLC1HJ-153Z	M CAPACITOR	.015MF 5% 50V	
	C 706	NCB21HK-331X	C CAPACITOR				C1435	QCB31HK-822Z	C CAPACITOR	8200PF 10% 50V	
	C 707	QEKC1HM-475Z	E CAPACITOR	4.7MF 20% 50V			C1436	NCB31CK-223X	C CAPACITOR		
	C 708	QEKC1HM-475Z	E CAPACITOR	4.7MF 20% 50V			C1437	QCZ0202-155Z	ML C CAPACITOR	1.5MF	
	C 709	QEKC1HM-475Z	E CAPACITOR	4.7MF 20% 50V			C1438	QETN0JM-477Z	E CAPACITOR	470MF 20% 6.3V	
	C 713	NCB21HK-103X	C CAPACITOR				C1439	QFLC1HJ-562Z	M CAPACITOR	5600PF 5% 50V	
	C 714	NCB21HK-103X	C CAPACITOR				C1440	QFLC1HJ-562Z	M CAPACITOR	5600PF 5% 50V	
	C 715	NCB21HK-103X	C CAPACITOR				C1443	QCZ0202-155Z	ML C CAPACITOR	S-VIDEO 6030	
	C 716	NCB21HK-103X	C CAPACITOR				C1444	NCB31CK-223X	C CAPACITOR		
	C 717	NCB21HK-103X	C CAPACITOR				C1445	NCB31CK-223X	C CAPACITOR		
	C 718	NCB21HK-103X	C CAPACITOR				C1446	NCB31HK-221X	C CAPACITOR		
	C 719	NCB21HK-103X	C CAPACITOR				C1447	QEKC1HM-475Z	E CAPACITOR	4.7MF 20% 50V	
	C 720	NCB31CK-104X	C CAPACITOR				C1453	QETN1HM-475Z	E CAPACITOR	4.7MF 20% 50V	
	C 721	NCB31CK-104X	C CAPACITOR				C1459	QETN1HM-475Z	E CAPACITOR	4.7MF 20% 50V	
	C 722	QCZ0202-155Z	ML C CAPACITOR	1.5MF			C1460	NCB31CK-223X	C CAPACITOR		
	C 723	NCB31CK-104X	C CAPACITOR				C1461	NCB31CK-223X	C CAPACITOR		
	C 724	NCB31CK-104X	C CAPACITOR				C1463	QETN1HM-475Z	E CAPACITOR	4.7MF 20% 50V	
	C 725	QEKC1HM-475Z	E CAPACITOR	4.7MF 20% 50V			C1464	QETN1HM-475Z	E CAPACITOR	4.7MF 20% 50V	
	C 730	NCB31CK-104X	C CAPACITOR				C1465	QETN1HM-106Z	E CAPACITOR	10MF 20% 50V	
	CN101	QGD2503F1-03	SOCKET				C1501	QEKC1AM-476Z	E CAPACITOR	FOR 6030	
	CN402	QGF1205C1-25	CONNECTOR				C1502	QCF31HZ-103Z	C CAPACITOR	FOR 6030	
	CN411	QGB2501J1-12	CONNECTOR				C1503	QETN1AM-107Z	E CAPACITOR	FOR 6030	
	CN421	QGB2510J1-14	CONNECTOR				C1504	QCF31HZ-103Z	C CAPACITOR	FOR 6030	
	CN431	QGB2510J1-11	CONNECTOR				C1505	QEKC1AM-476Z	E CAPACITOR	FOR 6030	
	CN441	QGB2510J1-07	CONNECTOR				C1506	NCS31HJ-470X	C CAPACITOR	FOR 6030	
	CN461	QGB2510J1-08	CONNECTOR	S-VIDEO 6030			C1507	QEKC1HM-475Z	E CAPACITOR	FOR 6030	
	CN471	QGA2501C1-03	3P CONNECTOR				C1508	NCS31HJ-470X	C CAPACITOR	FOR 6030	
	CN472	QGA2501C1-02	2P CONNECTOR				C1509	QEKC1HM-475Z	E CAPACITOR	FOR 6030	
	CN473	QGA2501C1-03	3P CONNECTOR				C1510	NCS31HJ-470X	C CAPACITOR	FOR 6030	
	CN481	QGB2510J1-20	CONNECTOR				C1511	QEKC1AM-476Z	E CAPACITOR	FOR 6030	
	CN491	QGB2510J1-04	CONNECTOR				C1512	NCS31HJ-470X	C CAPACITOR	FOR 6030	
	CN701	QGF1205F1-14	CONNECTOR				C1513	QEKC1HM-475Z	E CAPACITOR	FOR 6030	
	CN702	QGF1205F1-25	CONNECTOR				C1514	NCS31HJ-470X	C CAPACITOR	FOR 6030	
	CN704	WJS0020-002A	SKT.WIRE ASS'Y				C1515	QEKC1HM-475Z	E CAPACITOR	FOR 6030	
	CN714	QGA2001F1-03	CONNECTOR				C1516	NCS31HJ-470X	C CAPACITOR	FOR 6030	
	C1401	QETN1HM-476Z	E CAPACITOR	47MF 20% 50V			C1517	QETN0JM-477Z	E CAPACITOR	FOR 6030	
	C1402	QETN1EM-107Z	E CAPACITOR	100MF 20% 25V			C1518	NCS31HJ-101X	C CAPACITOR	FOR 6030	
	C1403	QETN1EM-107Z	E CAPACITOR	100MF 20% 25V			C1519	QETN1AM-107Z	E CAPACITOR	FOR 6030	
	C1404	QETN1EM-107Z	E CAPACITOR	100MF 20% 25V			C1520	NCS31HJ-101X	C CAPACITOR	FOR 6030	
	C1405	QETN1EM-107Z	E CAPACITOR	100MF 20% 25V			C1521	QETN1AM-107Z	E CAPACITOR	FOR 6030	
	C1406	QETN1EM-107Z	E CAPACITOR	100MF 20% 25V			C1522	NCS31HJ-101X	C CAPACITOR	FOR 6030	
	C1407	QCF31HZ-223Z	C CAPACITOR	.022MF +80:-20%			C1523	QEKC1AM-107Z	E CAPACITOR	FOR 6030	
	C1408	QETN1EM-476Z	E CAPACITOR	47MF 20% 25V			C1524	QEKC1CM-226Z	E CAPACITOR	FOR 6030	
	C1409	QETN1EM-476Z	E CAPACITOR	47MF 20% 25V			C1525	QEKC1AM-476Z	E CAPACITOR	FOR 6030	
	C1410	NCB31CK-223X	C CAPACITOR				C1526	QEKC1AM-476Z	E CAPACITOR	FOR 6030	
	C1411	NCB31CK-223X	C CAPACITOR				C1530	QCZ0202-155Z	ML C CAPACITOR	FOR 6030	
	C1412	QETN1HM-475Z	E CAPACITOR	4.7MF 20% 50V			D 701	1SS355-X	DIODE		
	C1413	QETN1HM-475Z	E CAPACITOR	4.7MF 20% 50V			D 702	1SS355-X	DIODE	AVCOMPULINK	
	C1414	NCS31HJ-101X	C CAPACITOR				D 703	SB007-03CP-X	S.K DIODE		
	C1415	NCS31HJ-101X	C CAPACITOR				D 719	SLR-343VC/NPQ-T	LED		
	C1416	QETN1HM-474Z	E CAPACITOR	.47MF 20% 50V			D1701	QLF0098-001	FL TUBE		
	C1417	QETN1HM-474Z	E CAPACITOR	.47MF 20% 50V			D1401	MTZJ13C-T2	ZENER DIODE		
	C1418	QFLC1HJ-223Z	M CAPACITOR	.022MF 5% 50V			D1402	MTZJ6.2C-T2	ZENER DIODE		
	C1419	QFLC1HJ-223Z	M CAPACITOR	.022MF 5% 50V			D1403	MTZJ5.6C-T2	ZENER DIODE		
	C1422	QETN1HM-475Z	E CAPACITOR	4.7MF 20% 50V			D1404	MTZJ5.6C-T2	ZENER DIODE		
	C1423	QEKC1HM-475Z	E CAPACITOR	4.7MF 20% 50V			D1405	MTZJ13C-T2	ZENER DIODE		
	C1424	QEKC1HM-475Z	E CAPACITOR	4.7MF 20% 50V			D1406	MTZJ10C-T2	Z.DIODE		
	C1425	QEKC1CM-106Z	E CAPACITOR	10MF 20% 16V			D1407	MTZJ7.5C-T2	ZENER DIODE		

## ■ Electrical parts list (Front board)

Block No. 02

△	Item	Parts number	Parts name	Remarks	Area	△	Item	Parts number	Parts name	Remarks	Area
	D1408	MTZJ7.5C-T2	ZENER DIODE				Q1433	KRC104M-T	D.TRANSISTOR		
	D1409	MA152WK-X	SI DIODE				Q1434	2SD2395/EF/	TRANSISTOR		
	D1411	1SS355-X	DIODE			△	Q1435	2SD2395/EF/	TRANSISTOR		
	D1412	1SS355-X	DIODE			△	R 101	QRL027J-471	UNF OMF.RES.	470 5% 1/2W	
	D1501	11ES2-T4	DIODE	FOR 6030		△	R 102	QRL027J-471	UNF OMF.RES.	470 5% 1/2W	
	EP401	QNZ0136-001Z	EARTH PLATE				R 475	NRSA63J-203X	MG RESISTOR		
	FL401	QQR0590-001	FILTER				R 476	NRSA63J-273X	MG RESISTOR		
	FL402	QQR0590-001	FILTER				R 477	QRZ9006-4R7X	F RESISTOR	4.7 1/4W	
	FW501	QUM213-10DGZ4	PARA RIBON WIRE	FOR 6030			R 478	QRJ146J-2R2X	UNF C RESISTOR	2.2 5% 1/4W	
	HS401	E70306-001	HEAT SINK				R 479	QRJ146J-2R2X	UNF C RESISTOR	2.2 5% 1/4W	
	HS402	E70306-001	HEAT SINK				R 480	NRSA63J-512X	MG RESISTOR		
	HS403	E70306-001	HEAT SINK				R 481	NRSA63J-104X	MG RESISTOR		
	HS404	E70306-001	HEAT SINK				R 482	NRSA63J-104X	MG RESISTOR		
	HS405	E70306-001	HEAT SINK				R 483	NRSA63J-102X	MG RESISTOR		
	HS434	E70306-001	HEAT SINK				R 484	NRSA63J-104X	MG RESISTOR		
	HS435	E70306-001	HEAT SINK				R 485	NRSA63J-102X	MG RESISTOR		
	IC421	BA15218F-XE	IC				R 486	NRSA63J-104X	MG RESISTOR		
	IC422	BA15218F-XE	IC				R 487	NRSA63J-102X	MG RESISTOR		
	IC423	TC9162AF-X	IC				R 488	NRSA63J-104X	MG RESISTOR		
	IC427	BA15218F-XE	IC				R 489	NRSA63J-103X	MG RESISTOR		
	IC428	M62446AFP-X	IC				R 490	NRSA63J-103X	MG RESISTOR		
	IC581	MM74HC4053SJ-X	I.C	FOR 6030			R 491	NRSA63J-512X	MG RESISTOR		
	IC582	NJM2580M-X	I.C	FOR 6030			R 492	NRSA63J-301X	MG RESISTOR	DVD MULTI 6030	
	IC701	MN101C35DME	IC				R 493	NRSA63J-0R0X	MG RESISTOR	DVD MULTI 6030	
	IC702	IC-PST9139-T	IC				R 494	NRSA63J-0R0X	MG RESISTOR	DVD MULTI 6030	
	IC703	GP1UM281XK	IR DETECT UNIT				R 495	NRSA63J-0R0X	MG RESISTOR	DVD MULTI 6030	
	J 101	QNS0022-001	JACK				R 496	NRSA63J-102X	MG RESISTOR	DVD MULTI 6030	
	JS701	QSW1017-002	JOG VOLUME				R 701	NRSA63J-472X	MG RESISTOR		
	JS702	QSW1016-001	ROTARY ENCODER				R 702	NRSA63J-223X	MG RESISTOR		
	J1501	QNN0391-001	PIN JACK	FOR 6030			R 704	NRSA63J-471X	MG RESISTOR		
	Q 701	UN2214-X	TRANSISTOR				R 705	NRSA63J-103X	MG RESISTOR		
	Q 702	UN2215-X	TRANSISTOR				R 706	NRSA63J-103X	MG RESISTOR	AVCOMPULINK	
	Q 703	DTC144WKA-X	TRANSISTOR				R 707	NRSA63J-103X	MG RESISTOR		
	Q 704	UN2214-X	TRANSISTOR	AVCOMPULINK			R 708	NRSA63J-103X	MG RESISTOR		
	Q 707	UN2214-X	TRANSISTOR				R 709	NRSA63J-103X	MG RESISTOR		
	Q 708	UN2214-X	TRANSISTOR				R 710	NRSA63J-103X	MG RESISTOR		
	Q 709	UN2214-X	TRANSISTOR				R 711	NRSA63J-104X	MG RESISTOR		
	Q 711	UN2113-X	TRANSISTOR				R 712	NRSA63J-103X	MG RESISTOR		
△	Q1401	KTA1046/Y/	TRANSISTOR				R 713	NRSA63J-103X	MG RESISTOR		
△	Q1402	2SD2395/EF/	TRANSISTOR				R 714	NRSA63J-103X	MG RESISTOR		
△	Q1403	2SD2395/EF/	TRANSISTOR				R 715	NRSA63J-103X	MG RESISTOR		
△	Q1404	2SD2395/EF/	TRANSISTOR				R 716	NRSA63J-103X	MG RESISTOR		
△	Q1405	2SD2395/EF/	TRANSISTOR				R 717	NRSA63J-103X	MG RESISTOR		
△	Q1406	KTC3203/OY/-T	TRANSISTOR				R 718	NRSA63J-103X	MG RESISTOR		
△	Q1407	KTC3203/OY/-T	TRANSISTOR				R 719	NRSA63J-221X	MG RESISTOR		
△	Q1408	KTA1271/OY/-T	TRANSISTOR				R 720	NRSA63J-222X	MG RESISTOR		
	Q1409	2SK301/PQ/-T	FET				R 721	NRSA63J-103X	MG RESISTOR		
	Q1410	2SK301/PQ/-T	FET				R 722	NRSA63J-102X	MG RESISTOR		
	Q1411	2SK301/PQ/-T	FET				R 723	NRSA63J-102X	MG RESISTOR		
	Q1412	2SK301/PQ/-T	FET				R 724	NRSA63J-122X	MG RESISTOR		
	Q1413	2SC3576-JVC-T	TRANSISTOR				R 725	NRSA63J-152X	MG RESISTOR		
	Q1414	2SC3576-JVC-T	TRANSISTOR				R 726	NRSA63J-222X	MG RESISTOR		
	Q1415	KRA104M-T	D.TRANSISTOR				R 727	NRSA63J-272X	MG RESISTOR		
	Q1416	KRC104M-T	D.TRANSISTOR				R 728	NRSA63J-103X	MG RESISTOR		
	Q1417	2SC3576-JVC-T	TRANSISTOR				R 729	NRSA63J-102X	MG RESISTOR		
	Q1418	2SC3576-JVC-T	TRANSISTOR				R 730	NRSA63J-102X	MG RESISTOR		
	Q1419	2SC3576-JVC-T	TRANSISTOR				R 731	NRSA63J-122X	MG RESISTOR		
	Q1420	KRA104M-T	D.TRANSISTOR				R 732	NRSA63J-152X	MG RESISTOR		
	Q1421	2SC3576-JVC-T	TRANSISTOR				R 733	NRSA63J-222X	MG RESISTOR		
	Q1422	2SC3576-JVC-T	TRANSISTOR				R 734	NRSA63J-272X	MG RESISTOR		
	Q1423	KRA104M-T	D.TRANSISTOR				R 736	NRSA63J-103X	MG RESISTOR		
	Q1424	KRA104M-T	D.TRANSISTOR				R 737	NRSA63J-102X	MG RESISTOR		
	Q1425	2SC3576-JVC-T	TRANSISTOR				R 738	NRSA63J-102X	MG RESISTOR		
	Q1426	2SC3576-JVC-T	TRANSISTOR				R 739	NRSA63J-122X	MG RESISTOR		
	Q1431	KRC104M-T	D.TRANSISTOR				R 740	NRSA63J-152X	MG RESISTOR		
	Q1432	KRC104M-T	D.TRANSISTOR				R 741	NRSA63J-222X	MG RESISTOR		

## ■ Electrical parts list (Front board)

Block No. 02

△	Item	Parts number	Parts name	Remarks	Area	△	Item	Parts number	Parts name	Remarks	Area
	R 742	NRSA63J-272X	MG RESISTOR	FOR S739(6030)			R1415	QRJ146J-222X	UNF C RESISTOR	2.2K 5% 1/4W	
	R 743	NRSA63J-103X	MG RESISTOR				R1416	QRZ9005-100X	F RESISTOR	10 1/4W	
	R 744	NRSA63J-102X	MG RESISTOR				R1417	QRJ146J-222X	UNF C RESISTOR	2.2K 5% 1/4W	
	R 745	NRSA63J-102X	MG RESISTOR				R1418	QRZ9005-680X	F RESISTOR	68 1/4W	
	R 746	NRSA63J-122X	MG RESISTOR				R1419	QRZ9005-680X	F RESISTOR	68 1/4W	
	R 747	NRSA63J-152X	MG RESISTOR				R1420	NRSA63J-103X	MG RESISTOR		
	R 748	NRSA63J-222X	MG RESISTOR				R1421	NRSA63J-272X	MG RESISTOR		
	R 749	NRSA63J-272X	MG RESISTOR				R1422	NRSA63J-103X	MG RESISTOR		
	R 750	NRSA63J-103X	MG RESISTOR				R1423	NRSA63J-272X	MG RESISTOR		
	R 751	NRSA63J-102X	MG RESISTOR				R1424	NRSA63J-472X	MG RESISTOR		
	R 752	NRSA63J-102X	MG RESISTOR				R1425	NRSA63J-472X	MG RESISTOR		
	R 753	NRSA63J-122X	MG RESISTOR				R1426	NRSA63J-513X	MG RESISTOR		
	R 754	NRSA63J-152X	MG RESISTOR				R1427	NRSA63J-513X	MG RESISTOR		
	R 757	NRSA63J-103X	MG RESISTOR				R1428	NRSA63J-103X	MG RESISTOR		
	R 758	NRSA63J-103X	MG RESISTOR				R1429	NRSA63J-103X	MG RESISTOR		
	R 759	NRSA63J-103X	MG RESISTOR				R1430	NRSA63J-103X	MG RESISTOR		
	R 760	NRSA63J-103X	MG RESISTOR				R1431	NRSA63J-103X	MG RESISTOR		
	R 761	NRSA63J-103X	MG RESISTOR				R1432	NRSA63J-103X	MG RESISTOR		
	R 762	NRSA63J-102X	MG RESISTOR				R1433	NRSA63J-103X	MG RESISTOR		
	R 768	NRSA63J-103X	MG RESISTOR				R1434	NRSA63J-103X	MG RESISTOR		
	R 769	NRSA63J-102X	MG RESISTOR				R1435	NRSA63J-154X	MG RESISTOR		
	R 770	NRSA63J-102X	MG RESISTOR				R1436	NRSA63J-154X	MG RESISTOR		
	R 771	NRSA63J-122X	MG RESISTOR				R1437	NRSA63J-102X	MG RESISTOR		
	R 772	NRSA63J-222X	MG RESISTOR				R1438	NRSA63J-102X	MG RESISTOR		
	R 773	NRSA63J-272X	MG RESISTOR				R1439	NRSA63J-103X	MG RESISTOR		
	R 775	NRSA63J-103X	MG RESISTOR				R1440	NRSA63J-103X	MG RESISTOR		
	R 776	NRSA63J-152X	MG RESISTOR				R1442	NRSA63J-104X	MG RESISTOR	FOR 6030	
	R 779	NRSA63J-103X	MG RESISTOR				R1443	NRSA63J-103X	MG RESISTOR		
	R 783	NRSA63J-221X	MG RESISTOR				R1444	NRSA63J-103X	MG RESISTOR		
	R 784	NRSA63J-221X	MG RESISTOR				R1445	NRSA63J-102X	MG RESISTOR		
	R 785	NRSA63J-221X	MG RESISTOR				R1446	NRSA63J-104X	MG RESISTOR		
	R 786	NRSA63J-221X	MG RESISTOR				R1447	NRSA63J-102X	MG RESISTOR		
	R 787	NRSA63J-221X	MG RESISTOR				R1448	NRSA63J-103X	MG RESISTOR		
	R 788	NRSA63J-221X	MG RESISTOR				R1449	NRSA63J-102X	MG RESISTOR		
	R 789	NRSA63J-221X	MG RESISTOR				R1450	NRSA63J-103X	MG RESISTOR		
	R 790	NRSA63J-221X	MG RESISTOR				R1451	NRSA63J-104X	MG RESISTOR		
	R 791	NRSA63J-221X	MG RESISTOR				R1452	NRSA63J-104X	MG RESISTOR		
	R 792	NRSA63J-221X	MG RESISTOR				R1453	NRSA63J-102X	MG RESISTOR		
	R 793	NRSA63J-221X	MG RESISTOR				R1455	NRSA63J-104X	MG RESISTOR		
	R 794	NRSA63J-221X	MG RESISTOR				△ R1456	QRJ146J-220X	UNF C RESISTOR	22 5% 1/4W	
	R 795	NRSA63J-221X	MG RESISTOR				R1457	NRSA63J-472X	MG RESISTOR		
	R 796	NRSA63J-221X	MG RESISTOR				R1458	NRSA63J-472X	MG RESISTOR		
	R 797	NRSA63J-221X	MG RESISTOR				△ R1459	QRZ9005-680X	F RESISTOR	68 1/4W	
	R 798	NRSA63J-221X	MG RESISTOR				△ R1460	QRZ9005-680X	F RESISTOR	68 1/4W	
	R 799	NRSA63J-221X	MG RESISTOR				R1461	QRJ146J-2R2X	UNF C RESISTOR	2.2 5% 1/4W	
	R 871	NRSA63J-103X	MG RESISTOR				R1462	QRJ146J-2R2X	UNF C RESISTOR	2.2 5% 1/4W	
	R 872	NRSA63J-103X	MG RESISTOR				R1463	NRSA63J-104X	MG RESISTOR		
	R 873	NRSA63J-103X	MG RESISTOR				R1464	NRSA63J-104X	MG RESISTOR		
	R 874	NRSA63J-103X	MG RESISTOR				R1465	NRSA63J-102X	MG RESISTOR		
	R 875	NRSA63J-103X	MG RESISTOR				R1466	NRSA63J-104X	MG RESISTOR		
	R 876	NRSA63J-103X	MG RESISTOR				R1467	NRSA63J-104X	MG RESISTOR		
	R 877	NRSA63J-103X	MG RESISTOR				R1470	NRSA63J-391X	MG RESISTOR		
△	R1401	QRZ9005-100X	F RESISTOR	10 1/4W			R1471	NRSA63J-391X	MG RESISTOR		
△	R1402	QRJ146J-182X	UNF C RESISTOR	1.8K 5% 1/4W			R1472	NRSA63J-103X	MG RESISTOR		
△	R1403	QRZ9005-120X	F RESISTOR	12 1/4W			R1473	NRSA63J-103X	MG RESISTOR		
△	R1404	QRJ146J-272X	UNF C RESISTOR	2.7K 5% 1/4W			R1474	NRSA63J-102X	MG RESISTOR		
△	R1405	QRZ9005-120X	F RESISTOR	12 1/4W			R1480	NRSA63J-104X	MG RESISTOR		
△	R1406	QRK126J-682X	C RESISTOR	6.8K 5% 1/2W			R1490	NRSA63J-273X	MG RESISTOR		
△	R1407	QRZ9006-4R7X	F RESISTOR	4.7 1/4W			R1492	NRSA63J-102X	MG RESISTOR		
△	R1408	QRZ9006-4R7X	F RESISTOR	4.7 1/4W			R1493	NRSA63J-102X	MG RESISTOR		
△	R1409	QRJ146J-272X	UNF C RESISTOR	2.7K 5% 1/4W			R1494	NRSA63J-102X	MG RESISTOR		
△	R1410	QRZ9006-4R7X	F RESISTOR	4.7 1/4W			R1495	NRSA63J-103X	MG RESISTOR		
△	R1411	QRJ146J-182X	UNF C RESISTOR	1.8K 5% 1/4W			R1496	NRSA63J-103X	MG RESISTOR		
△	R1412	QRZ9005-100X	F RESISTOR	10 1/4W			R1497	NRSA63J-511X	MG RESISTOR		
△	R1413	QRJ146J-102X	UNF C RESISTOR	1.0K 5% 1/4W			R1498	NRSA63J-511X	MG RESISTOR		
△	R1414	QRZ9005-100X	F RESISTOR	10 1/4W			R1499	NRSA63J-104X	MG RESISTOR		

## ■ Electrical parts list (Front board)

Block No. 02

△	Item	Parts number	Parts name	Remarks	Area
	R1500	NRSA63J-474X	MG RESISTOR		
	R1501	NRSA63J-750X	MG RESISTOR	FOR 6030	
	R1502	NRSA63J-750X	MG RESISTOR	FOR 6030	
	R1503	NRSA63J-750X	MG RESISTOR	FOR 6030	
	R1504	NRSA63J-750X	MG RESISTOR	FOR 6030	
	R1505	NRSA63J-750X	MG RESISTOR	FOR 6030	
	R1506	NRSA63J-750X	MG RESISTOR	FOR 6030	
	R1507	NRSA63J-750X	MG RESISTOR	FOR 6030	
	R1508	NRSA63J-473X	MG RESISTOR	FOR 6030	
	R1509	NRSA63J-750X	MG RESISTOR	FOR 6030	
	R1510	NRSA63J-473X	MG RESISTOR	FOR 6030	
	R1511	NRSA63J-750X	MG RESISTOR	FOR 6030	
	R1512	NRSA63J-473X	MG RESISTOR	FOR 6030	
	R1513	NRSA63J-105X	MG RESISTOR	FOR 6030	
	S 721	QSW0683-001Z	PUSH SWITCH	TUNING+	
	S 722	QSW0683-001Z	PUSH SWITCH	TUNING-	
	S 723	QSW0683-001Z	PUSH SWITCH	PRESET+	
	S 724	QSW0683-001Z	PUSH SWITCH	PRESET-	
	S 725	QSW0683-001Z	PUSH SWITCH	FM MODE	
	S 726	QSW0683-001Z	PUSH SWITCH	MEMORY	
	S 727	QSW0683-001Z	PUSH SWITCH	POWER	
	S 728	QSW0683-001Z	PUSH SWITCH	SURR/DSP-OFF	
	S 729	QSW0683-001Z	PUSH SWITCH	SURR MODE	
	S 730	QSW0683-001Z	PUSH SWITCH	DSP MODE	
	S 731	QSW0683-001Z	PUSH SWITCH	SUBWOOFER	
	S 732	QSW0683-001Z	PUSH SWITCH	SPK1	
	S 734	QSW0683-001Z	PUSH SWITCH	DVD(6030)	
	S 735	QSW0683-001Z	PUSH SWITCH	CD(7020)	
	S 736	QSW0683-001Z	PUSH SWITCH	DVD(6030)	
	S 738	QSW0683-001Z	PUSH SWITCH	VCR(6030)	
	S 739	QSW0683-001Z	PUSH SWITCH	FM(6030)	
	S 740	QSW0683-001Z	PUSH SWITCH	TV/DBS(COM)	
	S 741	QSW0683-001Z	PUSH SWITCH	AM(6030)	
	S 742	QSW0683-001Z	PUSH SWITCH	ADJUST	
	S 743	QSW0683-001Z	PUSH SWITCH	SETTING	
	S 744	QSW0683-001Z	PUSH SWITCH	SET	
	S 745	QSW0683-001Z	PUSH SWITCH	EXIT	
	S 746	QSW0683-001Z	PUSH SWITCH	DIMMER	
	S 751	QSW0683-001Z	PUSH SWITCH	DIGITAL	
	S 752	QSW0683-001Z	PUSH SWITCH	ANALOG	
	S 757	QSW0683-001Z	PUSH SWITCH	TAPE/CDR(6020)	
	X 701	QAX0246-001Z	C RESONATOR		

■ Electrical parts list (Power amp. board)      Block No. 03

△	Item	Parts number	Parts name	Remarks	Area	△	Item	Parts number	Parts name	Remarks	Area
	C 201	QFLC2AJ-104Z	M CAPACITOR	.10MF 5% 100V			C 816	QCS32HJ-330Z	C CAPACITOR	33PF 5% 500V	
	C 202	QFLC2AJ-104Z	M CAPACITOR	.10MF 5% 100V			C 817	QEHR1HM-225Z	E CAPACITOR	2.2MF 20% 50V	
	C 203	QFLC2AJ-104Z	M CAPACITOR	.10MF 5% 100V			C 818	QEHR1HM-225Z	E CAPACITOR	2.2MF 20% 50V	
	C 204	QETM1VM-228	E CAPACITOR	2200MF 20% 35V			C 819	QEHR2AM-106Z	E CAPACITOR	10MF 20% 100V	
	C 205	QETM1VM-108	E CAPACITOR	1000MF 20% 35V			C 820	QEHR2AM-106Z	E CAPACITOR	10MF 20% 100V	
	C 206	QFLC1HJ-473Z	M CAPACITOR	.047MF 5% 50V			C 821	QCS32HJ-470Z	C CAPACITOR	47PF 5% 500V	
	C 207	QFLC1HJ-473Z	M CAPACITOR	.047MF 5% 50V			C 822	QCS32HJ-470Z	C CAPACITOR	47PF 5% 500V	
	C 208	QFLC2AJ-472Z	M CAPACITOR	4700PF 5% 100V			C 823	QCS32HJ-470Z	C CAPACITOR	47PF 5% 500V	
	C 209	QETN1EM-477Z	E CAPACITOR	470MF 20% 25V			C 824	QCS32HJ-470Z	C CAPACITOR	47PF 5% 500V	
△	C 210	QCZ9104-472	C.CAPACITOR	4700PF			C 825	QFLC1HJ-473Z	M CAPACITOR	.047MF 5% 50V	
	C 212	QETN1CM-477Z	E CAPACITOR	470MF 20% 16V			C 826	QFLC1HJ-473Z	M CAPACITOR	.047MF 5% 50V	
	C 213	QETM0JM-228	E CAPACITOR	2200MF 20% 6.3V			C 827	QFLC1HJ-473Z	M CAPACITOR	.047MF 5% 50V	
	C 218	QETN1HM-105Z	E CAPACITOR	1.0MF 20% 50V			C 828	QFLC1HJ-473Z	M CAPACITOR	.047MF 5% 50V	
	C 301	QEHR1HM-106Z	E CAPACITOR	10MF 20% 50V			C 829	QETN1HM-476Z	E CAPACITOR	47MF 20% 50V	
	C 302	QEHR1HM-106Z	E CAPACITOR	10MF 20% 50V			C 830	QETN1HM-476Z	E CAPACITOR	47MF 20% 50V	
	C 303	QCS31HJ-271Z	C CAPACITOR	270PF 5% 50V			C 901	QEHR1HM-106Z	E CAPACITOR	10MF 20% 50V	
	C 304	QCS31HJ-271Z	C CAPACITOR	270PF 5% 50V			C 903	QCS31HJ-271Z	C CAPACITOR	270PF 5% 50V	
	C 305	QCS31HJ-221Z	C CAPACITOR	220PF 5% 50V			C 905	QCS31HJ-221Z	C CAPACITOR	220PF 5% 50V	
	C 306	QCS31HJ-221Z	C CAPACITOR	220PF 5% 50V			C 907	QCB31HK-152Z	C CAPACITOR	1500PF 10% 50V	
	C 307	QCB31HK-152Z	C CAPACITOR	1500PF 10% 50V			C 909	QETN1EM-107Z	E CAPACITOR	100MF 20% 25V	
	C 308	QCB31HK-152Z	C CAPACITOR	1500PF 10% 50V			C 911	QCS31HJ-100Z	C CAPACITOR	10PF 5% 50V	
	C 309	QETN1EM-107Z	E CAPACITOR	100MF 20% 25V			C 913	QFLC1HJ-103Z	M CAPACITOR	.010MF 5% 50V	
	C 310	QETN1EM-107Z	E CAPACITOR	100MF 20% 25V			C 915	QCS32HJ-330Z	C CAPACITOR	33PF 5% 500V	
	C 311	QCS31HJ-100Z	C CAPACITOR	10PF 5% 50V			C 917	QEHR1HM-225Z	E CAPACITOR	2.2MF 20% 50V	
	C 312	QCS31HJ-100Z	C CAPACITOR	10PF 5% 50V			C 919	QEHR2AM-106Z	E CAPACITOR	10MF 20% 100V	
	C 313	QFLC1HJ-103Z	M CAPACITOR	.010MF 5% 50V			C 921	QCS32HJ-470Z	C CAPACITOR	47PF 5% 500V	
	C 314	QFLC1HJ-103Z	M CAPACITOR	.010MF 5% 50V			C 923	QCS32HJ-470Z	C CAPACITOR	47PF 5% 500V	
	C 315	QCS32HJ-220Z	C CAPACITOR	22PF 5% 500V			C 925	QFLC1HJ-473Z	M CAPACITOR	.047MF 5% 50V	
	C 316	QCS32HJ-220Z	C CAPACITOR	22PF 5% 500V			C 927	QFLC1HJ-473Z	M CAPACITOR	.047MF 5% 50V	
	C 317	QEHR1VM-476Z	E CAPACITOR	47MF 20% 35V			C 929	QETN1HM-476Z	E CAPACITOR	47MF 20% 50V	
	C 318	QEHR1VM-476Z	E CAPACITOR	47MF 20% 35V			CN201	QGF1205C1-14	CONNECTOR		
	C 319	QETN1JM-107Z	E CAPACITOR	100MF 20% 63V			CN203	QGD2504C1-05Z	CONNECTOR		
	C 320	QETN1JM-107Z	E CAPACITOR	100MF 20% 63V			CN241	QGD2504C1-05Z	CONNECTOR		
	C 321	QCS32HJ-470Z	C CAPACITOR	47PF 5% 500V			CN251	QGA3901F2-03	CONNECTOR		
	C 322	QCS32HJ-470Z	C CAPACITOR	47PF 5% 500V			CN291	QGB2510J1-04	CONNECTOR		
	C 323	QCS32HJ-470Z	C CAPACITOR	47PF 5% 500V			CN292	QGB2510K1-04	CONNECTOR		
	C 324	QCS32HJ-470Z	C CAPACITOR	47PF 5% 500V			CN301	QGB2510K1-14	CONNECTOR		
	C 325	QFLC1HJ-473Z	M CAPACITOR	.047MF 5% 50V			CN302	QGB2510K1-14	CONNECTOR		
	C 326	QFLC1HJ-473Z	M CAPACITOR	.047MF 5% 50V			CN492	QGB2510K1-04	CONNECTOR		
	C 327	QFLC1HJ-473Z	M CAPACITOR	.047MF 5% 50V			CN501	QGB2510K1-07	CONNECTOR		
	C 328	QFLC1HJ-473Z	M CAPACITOR	.047MF 5% 50V			CN801	QGB2510K1-14	CONNECTOR		
	C 501	QEKC1HM-475Z	E CAPACITOR	4.7MF 20% 50V			CN802	QGB2510K1-14	CONNECTOR		
	C 503	QETN0JM-477Z	E CAPACITOR	470MF 20% 6.3V			CN901	QGB2510K1-14	CONNECTOR		
	C 504	QCS31HJ-470Z	C CAPACITOR	47PF 5% 50V			△	D 201	10E2-FD	DIODE	
	C 505	QEKC1HM-475Z	E CAPACITOR	4.7MF 20% 50V			△	D 202	11ES2-T4	DIODE	
	C 506	QETN0JM-477Z	E CAPACITOR	470MF 20% 6.3V			△	D 203	10E2-FD	DIODE	
	C 507	QCS31HJ-470Z	C CAPACITOR	47PF 5% 50V			△	D 204	11ES2-T4	DIODE	
	C 511	QETN1CM-108Z	E CAPACITOR	1000MF 20% 16V			△	D 206	11ES2-T4	DIODE	
	C 512	QCB1HK-223Y	C CAPACITOR	.022MF 10% 50V			△	D 207	11ES2-T4	DIODE	
	C 521	QCB1HK-221Y	C CAPACITOR	220PF 10% 50V			△	D 208	11ES2-T4	DIODE	
	C 522	QCZ0202-155Z	ML C CAPACITOR	1.5MF			△	D 209	11ES2-T4	DIODE	
	C 801	QEHR1HM-106Z	E CAPACITOR	10MF 20% 50V				D 210	1SS133-T2	SI DIODE	
	C 802	QEHR1HM-106Z	E CAPACITOR	10MF 20% 50V				D 211	MTZJ6.8C-T2	ZENER DIODE	
	C 803	QCS31HJ-271Z	C CAPACITOR	270PF 5% 50V				D 212	11ES2-T4	DIODE	
	C 804	QCS31HJ-271Z	C CAPACITOR	270PF 5% 50V				D 217	MTZJ6.2C-T2	ZENER DIODE	
	C 805	QCS31HJ-221Z	C CAPACITOR	220PF 5% 50V				D 218	1SS133-T2	SI DIODE	
	C 806	QCS31HJ-221Z	C CAPACITOR	220PF 5% 50V				D 219	11ES2-T4	DIODE	
	C 807	QCB31HK-152Z	C CAPACITOR	1500PF 10% 50V				D 220	11ES2-T4	DIODE	
	C 808	QCB31HK-152Z	C CAPACITOR	1500PF 10% 50V				D 221	1SS133-T2	SI DIODE	
	C 809	QETN1EM-107Z	E CAPACITOR	100MF 20% 25V				D 301	1SS133-T2	SI DIODE	
	C 810	QETN1EM-107Z	E CAPACITOR	100MF 20% 25V				D 302	1SS133-T2	SI DIODE	
	C 811	QCS31HJ-100Z	C CAPACITOR	10PF 5% 50V				D 303	SLR-342MC-T	LED	
	C 812	QCS31HJ-100Z	C CAPACITOR	10PF 5% 50V				D 304	SLR-342MC-T	LED	
	C 813	QFLC1HJ-103Z	M CAPACITOR	.010MF 5% 50V				D 305	1SS133-T2	SI DIODE	
	C 814	QFLC1HJ-103Z	M CAPACITOR	.010MF 5% 50V				D 306	1SS133-T2	SI DIODE	
	C 815	QCS32HJ-330Z	C CAPACITOR	33PF 5% 500V				D 307	1SS133-T2	SI DIODE	

## ■ Electrical parts list (Power amp. board)

Block No. 03

△	Item	Parts number	Parts name	Remarks	Area	△	Item	Parts number	Parts name	Remarks	Area
	D 308	1SS133-T2	SI DIODE				Q 319	KTA1268/GL-T	TRANSISTOR		
	D 309	1SS133-T2	SI DIODE				Q 320	KTA1268/GL-T	TRANSISTOR		
	D 310	1SS133-T2	SI DIODE				Q 501	KTA1267/YG-T	TRANSISTOR		
	D 591	MTZJ6.2C-T2	ZENER DIODE				Q 502	KTC3199/GL-T	TRANSISTOR		
	D 801	1SS133-T2	SI DIODE				Q 503	KRC101M-T	TRANSISTOR		
	D 802	1SS133-T2	SI DIODE				Q 504	KTA1267/YG-T	TRANSISTOR		
	D 805	1SS133-T2	SI DIODE				Q 505	KTC3199/GL-T	TRANSISTOR		
	D 806	1SS133-T2	SI DIODE				Q 801	2SC2240/L-T	TRANSISTOR		
	D 807	1SS133-T2	SI DIODE				Q 802	2SC2240/L-T	TRANSISTOR		
	D 808	1SS133-T2	SI DIODE				Q 803	2SC2240/L-T	TRANSISTOR		
	D 809	1SS133-T2	SI DIODE				Q 804	2SC2240/L-T	TRANSISTOR		
	D 810	1SS133-T2	SI DIODE				Q 805	KTA1268/GL-T	TRANSISTOR		
	D 901	1SS133-T2	SI DIODE				Q 806	KTA1268/GL-T	TRANSISTOR		
	D 905	1SS133-T2	SI DIODE				Q 809	2SD637/QR/	TRANSISTOR		
	D 907	1SS133-T2	SI DIODE				Q 810	2SD637/QR/	TRANSISTOR		
	D 909	1SS133-T2	SI DIODE				Q 811	KTC3200/GL-T	TRANSISTOR		
	EP 1	E409182-001SM	GRAND TERMINAL				Q 812	KTC3200/GL-T	TRANSISTOR		
	EP201	QNZ0136-001Z	EARTH PLATE				Q 813	KTA1268/GL-T	TRANSISTOR		
	FC211	QNG0020-001Z	FUSE CLIP	F201			Q 814	KTA1268/GL-T	TRANSISTOR		
	FC212	QNG0020-001Z	FUSE CLIP	F201		△	Q 815	2SD2389/OPY/-F6	TRANSISTOR		
	FC221	QNG0020-001Z	FUSE CLIP	F202		△	Q 816	2SD2389/OPY/-F6	TRANSISTOR		
	FC222	QNG0020-001Z	FUSE CLIP	F202		△	Q 817	2SB1559/OPY/-F6	TRANSISTOR		
	FC231	QNG0020-001Z	FUSE CLIP	F203		△	Q 818	2SB1559/OPY/-F6	TRANSISTOR		
	FC232	QNG0020-001Z	FUSE CLIP	F203			Q 819	KTA1268/GL-T	TRANSISTOR		
	FW201	QUM217-14Z4Z4	PARA RIBON WIRE				Q 820	KTA1268/GL-T	TRANSISTOR		
	FW251	QUM213-08DGZ4	PARA RIBON WIRE				Q 901	2SC2240/L-T	TRANSISTOR		
	IC501	NJM2246D	IC				Q 903	2SC2240/L-T	TRANSISTOR		
	J 501	QNN0011-001	PIN JACK	M.OUT.DVD			Q 905	KTA1268/GL-T	TRANSISTOR		
	J 502	QNN0011-001	PIN JACK	VCR(R/P)			Q 909	2SD637/QR/	TRANSISTOR		
	J 521	QNS0073-001	JACK				Q 911	KTC3200/GL-T	TRANSISTOR		
	J 591	QNS0073-001	JACK				Q 913	KTA1268/GL-T	TRANSISTOR		
	L 301	QQLZ005-R45	INDUCTOR			△	Q 915	2SD2389/OPY/-F6	TRANSISTOR		
	L 302	QQLZ005-R45	INDUCTOR			△	Q 917	2SB1559/OPY/-F6	TRANSISTOR		
	L 801	QQLZ005-R45	INDUCTOR				Q 919	KTA1268/GL-T	TRANSISTOR		
	L 802	QQLZ005-R45	INDUCTOR			△	R 1	QRZ9037-335	F RESISTOR	3.3M 1/0W	
	L 901	QQLZ005-R45	INDUCTOR			△	R 201	QRJ146J-2R7X	UNF C RESISTOR	2.7 5% 1/4W	
	PW101	QUB112-14PPPP	SIN TWIST WIRE	WITH PW311		△	R 203	QRJ146J-100X	UNF C RESISTOR	10 5% 1/4W	
	PW102	QUB116-16PPPP	PIN WIRE	WITH PW302		△	R 204	QRJ146J-821X	UNF C RESISTOR	820 5% 1/4W	
	PW103	QUB112-34PPPP	SIN TWIST WIRE	WITH PW203		△	R 208	QRJ146J-100X	UNF C RESISTOR	10 5% 1/4W	
	PW104	QUB111-34PPPP	SIN TWIST WIRE	WITH PW204			R 209	QRE141J-104Y	C RESISTOR	100K 5% 1/4W	
	PW105	QUB116-26PPPP	SIN TWIST WIRE	WITH PW205		△	R 210	QRJ146J-680X	UNF C RESISTOR	68 5% 1/4W	
	Q 202	KRC105M-T	D.TRANSISTOR			△	R 221	QRJ146J-100X	UNF C RESISTOR	10 5% 1/4W	
	Q 203	KTC3203/OY/-T	TRANSISTOR				R 301	QRE141J-222Y	C RESISTOR	2.2K 5% 1/4W	
	Q 205	KTC3200/GL/-T	TRANSISTOR				R 302	QRE141J-222Y	C RESISTOR	2.2K 5% 1/4W	
	Q 206	KRC105M-T	D.TRANSISTOR				R 303	QRE141J-563Y	C RESISTOR	56K 5% 1/4W	
	Q 208	KRC105M-T	D.TRANSISTOR				R 304	QRE141J-563Y	C RESISTOR	56K 5% 1/4W	
	Q 209	KRC105M-T	D.TRANSISTOR				R 305	QRE141J-123Y	C RESISTOR	12K 5% 1/4W	
	Q 210	KRC105M-T	D.TRANSISTOR				R 306	QRE141J-123Y	C RESISTOR	12K 5% 1/4W	
	Q 301	2SC2240/L-T	TRANSISTOR				R 307	QRE141J-272Y	C RESISTOR	2.7K 5% 1/4W	
	Q 302	2SC2240/L-T	TRANSISTOR				R 308	QRE141J-272Y	C RESISTOR	2.7K 5% 1/4W	
	Q 303	2SC2240/L-T	TRANSISTOR				R 309	QRE141J-101Y	C RESISTOR	100 5% 1/4W	
	Q 304	2SC2240/L-T	TRANSISTOR				R 310	QRE141J-101Y	C RESISTOR	100 5% 1/4W	
	Q 305	KTA1268/GL/-T	TRANSISTOR				R 311	QRJ146J-391X	UNF C RESISTOR	390 5% 1/4W	
	Q 306	KTA1268/GL/-T	TRANSISTOR				R 312	QRJ146J-391X	UNF C RESISTOR	390 5% 1/4W	
	Q 307	KTC3200/GL/-T	TRANSISTOR				R 313	QRE141J-563Y	C RESISTOR	56K 5% 1/4W	
	Q 308	KTC3200/GL/-T	TRANSISTOR				R 314	QRE141J-563Y	C RESISTOR	56K 5% 1/4W	
	Q 309	2SD637/QR/	TRANSISTOR			△	R 315	QRJ146J-331X	UNF C RESISTOR	330 5% 1/4W	
	Q 310	2SD637/QR/	TRANSISTOR			△	R 316	QRJ146J-331X	UNF C RESISTOR	330 5% 1/4W	
	Q 311	KTC3200/GL/-T	TRANSISTOR				R 317	QRE141J-473Y	C RESISTOR	47K 5% 1/4W	
	Q 312	KTC3200/GL/-T	TRANSISTOR				R 318	QRE141J-473Y	C RESISTOR	47K 5% 1/4W	
	Q 313	KTA1268/GL/-T	TRANSISTOR				R 319	QRJ146J-331X	UNF C RESISTOR	330 5% 1/4W	
	Q 314	KTA1268/GL/-T	TRANSISTOR				R 320	QRJ146J-331X	UNF C RESISTOR	330 5% 1/4W	
△	Q 315	2SD2389/OPY/-F6	TRANSISTOR			△	R 321	QRJ146J-100X	UNF C RESISTOR	10 5% 1/4W	
△	Q 316	2SD2389/OPY/-F6	TRANSISTOR			△	R 322	QRJ146J-100X	UNF C RESISTOR	10 5% 1/4W	
△	Q 317	2SB1559/OPY/-F6	TRANSISTOR			△	R 323	QRJ146J-100X	UNF C RESISTOR	10 5% 1/4W	
△	Q 318	2SB1559/OPY/-F6	TRANSISTOR			△	R 324	QRJ146J-100X	UNF C RESISTOR	10 5% 1/4W	

■ Electrical parts list (Power amp. board) Block No. 03

△	Item	Parts number	Parts name	Remarks	Area	△	Item	Parts number	Parts name	Remarks	Area
	R 325	QRE141J-361Y	C RESISTOR	360 5% 1/4W			R 822	QRJ146J-100X	UNF C RESISTOR	10 5% 1/4W	
	R 326	QRE141J-361Y	C RESISTOR	360 5% 1/4W			R 823	QRJ146J-100X	UNF C RESISTOR	10 5% 1/4W	
	R 327	QRE141J-471Y	C RESISTOR	470 5% 1/4W			R 824	QRJ146J-100X	UNF C RESISTOR	10 5% 1/4W	
	R 328	QRE141J-471Y	C RESISTOR	470 5% 1/4W			R 825	QRE141J-361Y	C RESISTOR	360 5% 1/4W	
	R 329	QRE141J-471Y	C RESISTOR	470 5% 1/4W			R 826	QRE141J-361Y	C RESISTOR	360 5% 1/4W	
	R 330	QRE141J-471Y	C RESISTOR	470 5% 1/4W			R 827	QRE141J-821Y	C RESISTOR	820 5% 1/4W	
△	R 331	QRJ146J-100X	UNF C RESISTOR	10 5% 1/4W			R 828	QRE141J-821Y	C RESISTOR	820 5% 1/4W	
△	R 332	QRJ146J-100X	UNF C RESISTOR	10 5% 1/4W			R 829	QRE141J-471Y	C RESISTOR	470 5% 1/4W	
△	R 333	QRJ146J-100X	UNF C RESISTOR	10 5% 1/4W			R 830	QRE141J-471Y	C RESISTOR	470 5% 1/4W	
△	R 334	QRJ146J-100X	UNF C RESISTOR	10 5% 1/4W		△	R 831	QRJ146J-100X	UNF C RESISTOR	10 5% 1/4W	
	R 335	QRE141J-121Y	C RESISTOR	120 5% 1/4W		△	R 832	QRJ146J-100X	UNF C RESISTOR	10 5% 1/4W	
	R 336	QRE141J-121Y	C RESISTOR	120 5% 1/4W		△	R 833	QRJ146J-100X	UNF C RESISTOR	10 5% 1/4W	
	R 337	QRE141J-121Y	C RESISTOR	120 5% 1/4W		△	R 834	QRJ146J-100X	UNF C RESISTOR	10 5% 1/4W	
	R 338	QRE141J-121Y	C RESISTOR	120 5% 1/4W			R 835	QRE141J-181Y	C RESISTOR	180 5% 1/4W	
	R 339	QRE141J-181Y	C RESISTOR	180 5% 1/4W			R 836	QRE141J-181Y	C RESISTOR	180 5% 1/4W	
	R 340	QRE141J-181Y	C RESISTOR	180 5% 1/4W			R 837	QRE141J-181Y	C RESISTOR	180 5% 1/4W	
	R 341	QRE141J-181Y	C RESISTOR	180 5% 1/4W			R 838	QRE141J-181Y	C RESISTOR	180 5% 1/4W	
	R 342	QRE141J-181Y	C RESISTOR	180 5% 1/4W			R 839	QRE141J-181Y	C RESISTOR	180 5% 1/4W	
	R 343	QRZ0218-R22	C RESISTOR	1/2W			R 840	QRE141J-181Y	C RESISTOR	180 5% 1/4W	
	R 344	QRZ0218-R22	C RESISTOR	1/2W			R 841	QRE141J-181Y	C RESISTOR	180 5% 1/4W	
	R 345	QRE141J-102Y	C RESISTOR	1.0K 5% 1/4W			R 842	QRE141J-181Y	C RESISTOR	180 5% 1/4W	
	R 346	QRE141J-102Y	C RESISTOR	1.0K 5% 1/4W			R 843	QRZ0218-R22	C RESISTOR	1/2W	
	R 347	QRE141J-153Y	C RESISTOR	15K 5% 1/4W			R 844	QRZ0218-R22	C RESISTOR	1/2W	
	R 348	QRE141J-153Y	C RESISTOR	15K 5% 1/4W			R 845	QRE141J-102Y	C RESISTOR	1.0K 5% 1/4W	
	R 349	QRE141J-473Y	C RESISTOR	47K 5% 1/4W			R 846	QRE141J-102Y	C RESISTOR	1.0K 5% 1/4W	
	R 350	QRE141J-473Y	C RESISTOR	47K 5% 1/4W			R 847	QRE141J-183Y	C RESISTOR	18K 5% 1/4W	
△	R 351	QRJ125J-330	UNF.C.RESISTOR	33 5% 1/2W			R 848	QRE141J-183Y	C RESISTOR	18K 5% 1/4W	
△	R 352	QRJ125J-330	UNF.C.RESISTOR	33 5% 1/2W			R 849	QRE141J-123Y	C RESISTOR	12K 5% 1/4W	
△	R 353	QRL027J-100	UNF.OMF.RES.	10 5% 1/2W			R 850	QRE141J-123Y	C RESISTOR	12K 5% 1/4W	
△	R 354	QRL027J-100	UNF.OMF.RES.	10 5% 1/2W		△	R 851	QRJ125J-330	UNF.C.RESISTOR	33 5% 1/2W	
	R 363	QRE141J-272Y	C RESISTOR	2.7K 5% 1/4W		△	R 852	QRJ125J-330	UNF.C.RESISTOR	33 5% 1/2W	
	R 364	QRE141J-272Y	C RESISTOR	2.7K 5% 1/4W		△	R 853	QRL027J-100	UNF.OMF.RES.	10 5% 1/2W	
	R 501	QRE141J-331Y	C RESISTOR	330 5% 1/4W		△	R 854	QRL027J-100	UNF.OMF.RES.	10 5% 1/2W	
	R 502	QRE141J-750Y	C RESISTOR	75 5% 1/4W			R 855	QRE141J-332Y	C RESISTOR	3.3K 5% 1/4W	
	R 505	QRE141J-750Y	C RESISTOR	75 5% 1/4W			R 856	QRE141J-332Y	C RESISTOR	3.3K 5% 1/4W	
	R 506	QRE141J-473Y	C RESISTOR	47K 5% 1/4W			R 857	QRE141J-332Y	C RESISTOR	3.3K 5% 1/4W	
	R 507	QRE141J-331Y	C RESISTOR	330 5% 1/4W			R 858	QRE141J-332Y	C RESISTOR	3.3K 5% 1/4W	
	R 508	QRE141J-750Y	C RESISTOR	75 5% 1/4W			R 859	QRE141J-332Y	C RESISTOR	3.3K 5% 1/4W	
	R 509	QRE141J-750Y	C RESISTOR	75 5% 1/4W			R 860	QRE141J-332Y	C RESISTOR	3.3K 5% 1/4W	
	R 510	QRE141J-473Y	C RESISTOR	47K 5% 1/4W			R 861	QRE141J-332Y	C RESISTOR	3.3K 5% 1/4W	
	R 511	QRE141J-151Y	C RESISTOR	150 5% 1/4W			R 862	QRE141J-332Y	C RESISTOR	3.3K 5% 1/4W	
	R 512	QRE141J-271Y	C RESISTOR	270 5% 1/4W			R 863	QRE141J-272Y	C RESISTOR	2.7K 5% 1/4W	
	R 513	QRE141J-152Y	C RESISTOR	1.5K 5% 1/4W			R 864	QRE141J-272Y	C RESISTOR	2.7K 5% 1/4W	
	R 514	QRE141J-151Y	C RESISTOR	150 5% 1/4W			R 901	QRE141J-222Y	C RESISTOR	2.2K 5% 1/4W	
	R 515	QRE141J-271Y	C RESISTOR	270 5% 1/4W			R 903	QRE141J-563Y	C RESISTOR	56K 5% 1/4W	
	R 516	QRE141J-152Y	C RESISTOR	1.5K 5% 1/4W			R 905	QRE141J-123Y	C RESISTOR	12K 5% 1/4W	
	R 521	QRE141J-221Y	C RESISTOR	220 5% 1/4W			R 907	QRE141J-272Y	C RESISTOR	2.7K 5% 1/4W	
	R 522	QRE141J-471Y	C RESISTOR	470 5% 1/4W			R 909	QRE141J-101Y	C RESISTOR	100 5% 1/4W	
	R 591	QRE141J-221Y	C RESISTOR	220 5% 1/4W			R 911	QRJ146J-301X	UNF C RESISTOR	300 5% 1/4W	
	R 801	QRE141J-222Y	C RESISTOR	2.2K 5% 1/4W			R 913	QRE141J-563Y	C RESISTOR	56K 5% 1/4W	
	R 802	QRE141J-222Y	C RESISTOR	2.2K 5% 1/4W		△	R 915	QRJ146J-331X	UNF C RESISTOR	330 5% 1/4W	
	R 803	QRE141J-563Y	C RESISTOR	56K 5% 1/4W		△	R 921	QRJ146J-100X	UNF C RESISTOR	10 5% 1/4W	
	R 804	QRE141J-563Y	C RESISTOR	56K 5% 1/4W		△	R 923	QRJ146J-100X	UNF C RESISTOR	10 5% 1/4W	
	R 805	QRE141J-123Y	C RESISTOR	12K 5% 1/4W			R 925	QRE141J-361Y	C RESISTOR	360 5% 1/4W	
	R 806	QRE141J-123Y	C RESISTOR	12K 5% 1/4W			R 927	QRE141J-821Y	C RESISTOR	820 5% 1/4W	
	R 807	QRE141J-272Y	C RESISTOR	2.7K 5% 1/4W			R 929	QRE141J-471Y	C RESISTOR	470 5% 1/4W	
	R 808	QRE141J-272Y	C RESISTOR	2.7K 5% 1/4W		△	R 931	QRJ146J-100X	UNF C RESISTOR	10 5% 1/4W	
	R 809	QRE141J-101Y	C RESISTOR	100 5% 1/4W		△	R 933	QRJ146J-100X	UNF C RESISTOR	10 5% 1/4W	
	R 810	QRE141J-101Y	C RESISTOR	100 5% 1/4W			R 935	QRE141J-181Y	C RESISTOR	180 5% 1/4W	
	R 811	QRJ146J-391X	UNF C RESISTOR	390 5% 1/4W			R 937	QRE141J-181Y	C RESISTOR	180 5% 1/4W	
	R 812	QRJ146J-391X	UNF C RESISTOR	390 5% 1/4W			R 939	QRE141J-181Y	C RESISTOR	180 5% 1/4W	
	R 813	QRE141J-563Y	C RESISTOR	56K 5% 1/4W			R 941	QRE141J-181Y	C RESISTOR	180 5% 1/4W	
	R 814	QRE141J-563Y	C RESISTOR	56K 5% 1/4W			R 943	QRZ0218-R22	C RESISTOR	1/2W	
△	R 815	QRJ146J-331X	UNF C RESISTOR	330 5% 1/4W			R 945	QRE141J-102Y	C RESISTOR	1.0K 5% 1/4W	
△	R 816	QRJ146J-331X	UNF C RESISTOR	330 5% 1/4W			R 947	QRE141J-183Y	C RESISTOR	18K 5% 1/4W	
△	R 821	QRJ146J-100X	UNF C RESISTOR	10 5% 1/4W			R 949	QRE141J-473Y	C RESISTOR	47K 5% 1/4W	

## ■ Electrical parts list (Power amp. board)

Block No. 03

△	Item	Parts number	Parts name	Remarks	Area
△	R 951	QRJ125J-330	UNF.C.RESISTOR	33 5% 1/2W	
△	R 953	QRL027J-100	UNF.OMF.RES.	10 5% 1/2W	
	R 955	QRE141J-332Y	C RESISTOR	3.3K 5% 1/4W	
	R 957	QRE141J-332Y	C RESISTOR	3.3K 5% 1/4W	
	R 959	QRE141J-332Y	C RESISTOR	3.3K 5% 1/4W	
	R 961	QRE141J-332Y	C RESISTOR	3.3K 5% 1/4W	
	R 963	QRE141J-272Y	C RESISTOR	2.7K 5% 1/4W	
△	RY202	QSK0142-001	RELAY		
△	RY203	QSK0109-001	RELAY		
△	T 202	QQT0317-001	POWER TRANSF		
	TA201	QNZ0079-001Z	TAB		
	TA202	QNZ0079-001Z	TAB		
△	TH301	QAD0012-202	BATTERY PACK		
△	TH302	QAD0012-202	BATTERY PACK		
△	TH801	QAD0012-202	BATTERY PACK		
△	TH802	QAD0012-202	BATTERY PACK		
△	TH901	QAD0012-202	BATTERY PACK		
	VR301	QVP0008-102Z	SEMI V RESISTOR		
	VR302	QVP0008-102Z	SEMI V RESISTOR		



## ■ Electrical parts list (DSP board)

Block No. 04

△	Item	Parts number	Parts name	Remarks	Area	△	Item	Parts number	Parts name	Remarks	Area
	C 601	NCB31HK-102X	C CAPACITOR				C2514	NCB31HK-122X	C CAPACITOR		
	C 602	NCB31HK-102X	C CAPACITOR				C2515	NCS31HJ-121X	C CAPACITOR		
	C 603	QEKC0JM-107Z	E CAPACITOR	100MF 20% 6.3V			C2516	NCS31HJ-121X	C CAPACITOR		
	C 604	QEKC0JM-107Z	E CAPACITOR	100MF 20% 6.3V			C2525	NCB31HK-102X	C CAPACITOR		
	C 605	NCF31CZ-104X	C CAPACITOR				C2526	NCB31HK-102X	C CAPACITOR		
	C 606	NCF31CZ-104X	C CAPACITOR				C2527	QETN1HM-106Z	E CAPACITOR	10MF 20% 50V	
	C 607	QEKC1CM-107Z	E CAPACITOR	100MF 20% 16V			C2528	QETN1HM-106Z	E CAPACITOR	10MF 20% 50V	
	C 608	NCF31CZ-104X	C CAPACITOR				C2531	NCS31HJ-560X	C CAPACITOR		
	C 609	NCF31CZ-104X	C CAPACITOR				C2532	NCS31HJ-560X	C CAPACITOR		
	C 610	QEKC0JM-107Z	E CAPACITOR	100MF 20% 6.3V			C2533	QETN1HM-475Z	E CAPACITOR	4.7MF 20% 50V	
	C 611	QEKC0JM-107Z	E CAPACITOR	100MF 20% 6.3V			C2534	QETN1HM-475Z	E CAPACITOR	4.7MF 20% 50V	
	C 612	NCB31CK-103X	C CAPACITOR				C2539	NCF31CZ-104X	C CAPACITOR		
	C 621	QEKC1HM-105Z	E CAPACITOR	1.0MF 20% 50V			C2540	NCF31CZ-104X	C CAPACITOR		
	C 622	NCS31HJ-101X	C CAPACITOR				C2551	NCS31HJ-560X	C CAPACITOR		
	C 624	NCF31CZ-104X	C CAPACITOR				C2552	NCS31HJ-560X	C CAPACITOR		
	C 626	NCF31AZ-105X	C CAPACITOR				C2555	NCF31CZ-104X	C CAPACITOR		
	C 627	NCF31AZ-105X	C CAPACITOR	K603			C2556	NCF31CZ-104X	C CAPACITOR		
	C 628	NCB31CK-103X	C CAPACITOR				C2561	QETN1HM-105Z	E CAPACITOR	1.0MF 20% 50V	
	C 630	NCF31AZ-105X	C CAPACITOR				C2562	QETN1HM-105Z	E CAPACITOR	1.0MF 20% 50V	
	C 631	QEKC0JM-107Z	E CAPACITOR	100MF 20% 6.3V			C2563	NCS31HJ-560X	C CAPACITOR		
	C 632	NCB31CK-103X	C CAPACITOR				C2564	NCS31HJ-560X	C CAPACITOR		
	C 633	NCF31CZ-104X	C CAPACITOR				C2565	NCB31HK-102X	C CAPACITOR		
	C 634	NCF31CZ-104X	C CAPACITOR				C2566	NCB31HK-102X	C CAPACITOR		
	C 635	NCF31CZ-104X	C CAPACITOR				C2569	NCF31CZ-104X	C CAPACITOR		
	C 636	NCB31CK-473X	C CAPACITOR				C2570	NCF31CZ-104X	C CAPACITOR		
	C 638	QEKC0JM-107Z	E CAPACITOR	100MF 20% 6.3V			C2575	NCB31HK-102X	C CAPACITOR		
	C 639	NCB31CK-103X	C CAPACITOR				C2576	NCB31HK-102X	C CAPACITOR		
	C 640	NCB31CK-103X	C CAPACITOR				C2577	QETN1HM-106Z	E CAPACITOR	10MF 20% 50V	
	C 641	QEKC0JM-107Z	E CAPACITOR	100MF 20% 6.3V			C2578	QETN1HM-106Z	E CAPACITOR	10MF 20% 50V	
	C 642	NCB31CK-103X	C CAPACITOR				C2581	QETN1HM-105Z	E CAPACITOR	1.0MF 20% 50V	
	C 643	NCB31AK-474X	C CAPACITOR				C2582	QETN1CM-106Z	E CAPACITOR	10MF 20% 16V	
	C 644	NCB31CK-103X	C CAPACITOR				C2583	NCS31HJ-560X	C CAPACITOR		
	C 645	NCS31HJ-101X	C CAPACITOR				C2584	NCS31HJ-560X	C CAPACITOR		
	C 646	NCB31CK-103X	C CAPACITOR				C2585	NCF31CZ-104X	C CAPACITOR		
	C 647	NCS31HJ-220X	C CAPACITOR				C2586	NCF31CZ-104X	C CAPACITOR		
	C 648	NCS31HJ-180X	C CAPACITOR				C2587	NCS31HJ-560X	C CAPACITOR		
	C 649	NCS31HJ-121X	C CAPACITOR				C2588	QETN1HM-475Z	E CAPACITOR	4.7MF 20% 50V	
	C 653	NCB31CK-104X	C CAPACITOR				C2589	NCF31CZ-104X	C CAPACITOR		
	C 654	QEKC0JM-107Z	E CAPACITOR	100MF 20% 6.3V			C2590	NCF31CZ-104X	C CAPACITOR		
	C 661	NCB31CK-103X	C CAPACITOR				C2591	NCB31HK-102X	C CAPACITOR		
	C 671	NCB31CK-103X	C CAPACITOR				C2592	NCB31HK-103X	C CAPACITOR		
	C 672	QEKC0JM-107Z	E CAPACITOR	100MF 20% 6.3V			C2594	NCB31CK-473X	C CAPACITOR		
	C 673	NCB31CK-103X	C CAPACITOR				C2595	NCB31HK-102X	C CAPACITOR		
	C 677	NCS31HJ-101X	C CAPACITOR				C2597	QETN1HM-106Z	E CAPACITOR	10MF 20% 50V	
	C 679	NCS31HJ-101X	C CAPACITOR				C2598	QETN1HM-475Z	E CAPACITOR	4.7MF 20% 50V	
	C 681	NCB31CK-103X	C CAPACITOR				D 607	1SS355-X	DIODE		
	C 682	NCB31CK-103X	C CAPACITOR				D 608	1SS355-X	DIODE		
	C 683	NCB31CK-103X	C CAPACITOR				D 609	1SS355-X	DIODE		
	C 684	QEKC0JM-107Z	E CAPACITOR	100MF 20% 6.3V			D 610	1SS355-X	DIODE		
	C 685	QEKC1CM-476Z	E CAPACITOR	47MF 20% 16V			IC601	AK4527BVQP	IC		
	C 686	QEKC1CM-476Z	E CAPACITOR	47MF 20% 16V			IC609	BA15218F-XE	IC		
	C 687	NCB31CK-103X	C CAPACITOR				IC610	BA15218F-XE	IC		
	C 688	QEKC0JM-107Z	E CAPACITOR	100MF 20% 6.3V			IC611	MM74HC08SJ-X	IC		
	C 689	NCB31CK-103X	C CAPACITOR				IC612	TC74HC4072AF-X	IC		
	C 690	QEKC0JM-107Z	E CAPACITOR	100MF 20% 6.3V			IC621	MM74HC04SJ-X	IC		
	C 691	NCB31HK-103X	C CAPACITOR				IC631	TC9446F-025	IC		
	C 692	NCS31HJ-471X	C CAPACITOR				IC641	LP61L1024S-12-X	IC		
	C 693	NCB31CK-103X	C CAPACITOR				IC650	BA15218F-XE	IC		
	C 694	NCF31CZ-104X	C CAPACITOR				IC651	BA15218F-XE	IC		
	CN681	QGB2510K1-20	B TO B CONNE				IC652	IMX9-W	TRANSISTOR		
	C2500	QEKC1CM-226Z	E CAPACITOR	22MF 20% 16V			IC661	BA15218F-XE	IC		
	C2503	QETN1HM-475Z	E CAPACITOR	4.7MF 20% 50V			IC662	IMX9-W	TRANSISTOR		
	C2504	QETN1HM-475Z	E CAPACITOR	4.7MF 20% 50V			IC671	UPD784215AGC167	IC(MICRO C ROM)		
	C2507	NCS31HJ-330X	C CAPACITOR				IC672	NC7ST32P5-X	IC(DIGITAL)		
	C2508	NCS31HJ-330X	C CAPACITOR				IC681	MM1563DF-X	IC		
	C2512	NCF31CZ-104X	C CAPACITOR				IC682	IMX9-W	TRANSISTOR		
	C2513	NCB31HK-122X	C CAPACITOR								

## ■ Electrical parts list (DSP board)

Block No. 04

△	Item	Parts number	Parts name	Remarks	Area
	IC683	MM1613DN-X	IC		
	IC690	BA15218F-XE	IC		
	IC691	BA15218F-XE	IC		
	J 601	QNN0347-001	PIN JACK		
	K 601	NQR0269-004X	FERRITE BEADS		
	Q 607	UN2113-X	TRANSISTOR		
	Q 670	DTC114YE-X	TRANSISTOR		
	Q 671	2SD2114K/VW/-X	CHIP TRANSISTOR		
	Q 672	DTC114YE-X	TRANSISTOR		
	Q 673	UN2113-X	TRANSISTOR		
	Q2501	UN2113-X	TRANSISTOR		
	R 600	NRSA63J-0R0X	MG RESISTOR		
	R 601	NRSA63J-473X	MG RESISTOR		
	R 602	NRSA63J-473X	MG RESISTOR		
	R 603	NRSA63J-473X	MG RESISTOR		
	R 606	NRSA63J-221X	MG RESISTOR		
	R 607	NRSA63J-221X	MG RESISTOR		
	R 608	NRSA63J-221X	MG RESISTOR		
	R 609	NRSA63J-221X	MG RESISTOR		
	R 611	NRSA63J-221X	MG RESISTOR		
	R 612	NRSA63J-221X	MG RESISTOR		
	R 613	NRSA63J-822X	MG RESISTOR		
	R 615	NRSA63J-432X	MG RESISTOR		
	R 617	NRSA63J-103X	MG RESISTOR		
	R 618	NRSA63J-103X	MG RESISTOR		
	R 620	NRSA63J-221X	MG RESISTOR		
	R 621	NRSA63J-561X	MG RESISTOR		
	R 622	NRSA63J-750X	MG RESISTOR		
	R 623	NRSA63J-0R0X	MG RESISTOR		
	R 627	NRSA63J-472X	MG RESISTOR		
	R 628	NRSA63J-333X	MG RESISTOR		
	R 631	NRSA63J-0R0X	MG RESISTOR		
	R 632	NRSA63J-0R0X	MG RESISTOR		
	R 639	NRSA63J-472X	MG RESISTOR		
	R 640	NRSA63J-0R0X	MG RESISTOR		
	R 641	NRSA63F-102X	MG RESISTOR		
	R 642	NRSA63J-103X	MG RESISTOR		
	R 643	NRSA63J-101X	MG RESISTOR		
	R 644	NRSA63J-153X	MG RESISTOR		
	R 645	NRSA63F-102X	MG RESISTOR		
	R 646	NRSA63J-103X	MG RESISTOR		
	R 647	NRSA63J-225X	MG RESISTOR		
	R 648	NRSA63J-472X	MG RESISTOR		
	R 657	NRSA63J-103X	MG RESISTOR		
	R 661	NRSA63J-221X	MG RESISTOR		
	R 662	NRSA63J-221X	MG RESISTOR		
	R 663	NRSA63J-221X	MG RESISTOR		
	R 664	NRSA63J-221X	MG RESISTOR		
	R 668	NRSA63J-0R0X	MG RESISTOR		
	R 669	NRSA63J-103X	MG RESISTOR		
	R 670	NRSA63J-103X	MG RESISTOR		
	R 671	NRSA63J-103X	MG RESISTOR		
	R 672	NRSA63J-105X	MG RESISTOR		
	R 673	NRSA63J-432X	MG RESISTOR		
	R 674	NRSA63J-432X	MG RESISTOR		
	R 675	NRSA63J-432X	MG RESISTOR		
	R 676	NRSA63J-432X	MG RESISTOR		
	R 677	NRSA63J-822X	MG RESISTOR		
	R 678	NRSA63J-822X	MG RESISTOR		
	R 679	NRSA63J-822X	MG RESISTOR		
	R 680	NRSA63J-822X	MG RESISTOR		
	R 682	NRSA63J-103X	MG RESISTOR		
	R 683	NRSA63J-0R0X	MG RESISTOR		
	R 684	NRSA63J-0R0X	MG RESISTOR		
	R 687	NRSA63J-0R0X	MG RESISTOR		
	R 688	NRSA63J-0R0X	MG RESISTOR		

△	Item	Parts number	Parts name	Remarks	Area
	R 689	NRSA63J-0R0X	MG RESISTOR		
	R 691	NRSA63J-221X	MG RESISTOR		
	R 692	NRSA63J-221X	MG RESISTOR		
	R 693	NRSA63J-221X	MG RESISTOR		
	R 694	NRSA63J-221X	MG RESISTOR		
	R 695	NRSA63J-221X	MG RESISTOR		
	R 696	NRSA63J-221X	MG RESISTOR		
	R 697	NRSA63J-0R0X	MG RESISTOR		
	R 698	NRSA63J-0R0X	MG RESISTOR		
	R2500	NRSA63J-102X	MG RESISTOR		
	R2501	NRSA63J-104X	MG RESISTOR		
	R2502	NRSA63J-104X	MG RESISTOR		
	R2507	NRSA63J-223X	MG RESISTOR		
	R2508	NRSA63J-223X	MG RESISTOR		
	R2509	NRSA63J-223X	MG RESISTOR		
	R2510	NRSA63J-223X	MG RESISTOR		
	R2511	NRSA63J-103X	MG RESISTOR		
	R2512	NRSA63J-103X	MG RESISTOR		
	R2513	NRSA63J-103X	MG RESISTOR		
	R2514	NRSA63J-103X	MG RESISTOR		
	R2515	NRSA63J-103X	MG RESISTOR		
	R2516	NRSA63J-103X	MG RESISTOR		
	R2519	NRSA63J-331X	MG RESISTOR		
	R2520	NRSA63J-331X	MG RESISTOR		
	R2521	NRSA63J-331X	MG RESISTOR		
	R2522	NRSA63J-331X	MG RESISTOR		
	R2525	NRSA63J-102X	MG RESISTOR		
	R2526	NRSA63J-102X	MG RESISTOR		
	R2527	NRSA63J-104X	MG RESISTOR		
	R2528	NRSA63J-104X	MG RESISTOR		
	R2529	NRSA63J-103X	MG RESISTOR		
	R2530	NRSA63J-103X	MG RESISTOR		
	R2531	NRSA63J-752X	MG RESISTOR		
	R2532	NRSA63J-752X	MG RESISTOR		
	R2533	NRSA63J-103X	MG RESISTOR		
	R2534	NRSA63J-103X	MG RESISTOR		
	R2535	NRSA63J-103X	MG RESISTOR		
	R2536	NRSA63J-103X	MG RESISTOR		
	R2537	NRSA63J-104X	MG RESISTOR		
	R2538	NRSA63J-104X	MG RESISTOR		
	R2550	NRSA63J-272X	MG RESISTOR		
	R2551	NRSA63J-103X	MG RESISTOR		
	R2552	NRSA63J-103X	MG RESISTOR		
	R2553	NRSA63J-153X	MG RESISTOR		
	R2554	NRSA63J-153X	MG RESISTOR		
	R2555	NRSA63J-752X	MG RESISTOR		
	R2556	NRSA63J-752X	MG RESISTOR		
	R2557	NRSA63J-103X	MG RESISTOR		
	R2558	NRSA63J-273X	MG RESISTOR		
	R2560	NRSA63J-105X	MG RESISTOR		
	R2561	NRSA63J-104X	MG RESISTOR		
	R2562	NRSA63J-104X	MG RESISTOR		
	R2563	NRSA63J-103X	MG RESISTOR		
	R2564	NRSA63J-103X	MG RESISTOR		
	R2565	NRSA63J-202X	MG RESISTOR		
	R2566	NRSA63J-202X	MG RESISTOR		
	R2567	NRSA63J-103X	MG RESISTOR		
	R2568	NRSA63J-103X	MG RESISTOR		
	R2569	NRSA63J-122X	MG RESISTOR		
	R2570	NRSA63J-122X	MG RESISTOR		
	R2575	NRSA63J-102X	MG RESISTOR		
	R2576	NRSA63J-102X	MG RESISTOR		
	R2577	NRSA63J-104X	MG RESISTOR		
	R2578	NRSA63J-104X	MG RESISTOR		
	R2581	NRSA63J-104X	MG RESISTOR		
	R2582	NRSA63J-104X	MG RESISTOR		

## ■ Electrical parts list (DSP board)

Block No. 04

△	Item	Parts number	Parts name	Remarks	Area
	R2583	NRSA63J-123X	MG RESISTOR		
	R2584	NRSA63J-223X	MG RESISTOR		
	R2585	NRSA63J-302X	MG RESISTOR		
	R2586	NRSA63J-332X	MG RESISTOR		
	R2587	NRSA63J-103X	MG RESISTOR		
	R2588	NRSA63J-103X	MG RESISTOR		
	R2589	NRSA63J-104X	MG RESISTOR		
	R2590	NRSA63J-333X	MG RESISTOR		
	R2591	NRSA63J-122X	MG RESISTOR		
	R2592	NRSA63J-333X	MG RESISTOR		
	R2594	NRSA63J-333X	MG RESISTOR		
	R2595	NRSA63J-102X	MG RESISTOR		
	R2596	NRSA63J-102X	MG RESISTOR		
	R2597	NRSA63J-104X	MG RESISTOR		
	R2598	NRSA63J-104X	MG RESISTOR		
	UN661	GP1FA351RZ	OPT RECEIVER		
	X 631	QAX0722-001Z	CRYSTAL		
	X 671	QAX0719-001Z	1COSCIALLATOR		

## ■ Electrical parts list (Tuner board)

Block No. 05

△	Item	Parts number	Parts name	Remarks	Area
	AT101	QNB0014-001	ANT TERMINAL		
	BK 1	LV31618-001A	SHIELD BKT		
	C 101	NCB21HK-103X	C CAPACITOR	C/M B	
	C 103	NCB21HK-223X	C CAPACITOR	C/M B	
	C 105	NCB21HK-223X	C CAPACITOR	C/M B	
	C 107	QEK1CM-226Z	E CAPACITOR	22MF 20% 16V	
	C 111	NCB21HK-473X	C CAPACITOR	C/M B	
	C 112	NDC21HJ-120X	C CAPACITOR	C/M B	
	C 121	NDC21HJ-120X	C CAPACITOR	C/M B	
	C 122	NDC21HJ-120X	C CAPACITOR	C/M B	
	C 123	NCB21HK-473X	C CAPACITOR	C/M B	
	C 126	NCS21HJ-101X	C CAPACITOR	C/M B	
	C 128	QENC1HM-474Z	NP E CAPACITOR	.47MF 20% 50V	
	C 129	NCB21HK-102X	C CAPACITOR	C/M B	
	C 130	QEK1AM-107Z	E CAPACITOR	100MF 20% 10V	
	C 133	QEK1CM-226Z	E CAPACITOR	22MF 20% 16V	
	C 134	NCB21HK-222X	C CAPACITOR	C/M B	
	C 135	NCB21HK-223X	C CAPACITOR	C/M B	
	C 136	QEK1HM-105Z	E CAPACITOR	1.0MF 20% 50V	
	C 137	NCB21HK-331X	C CAPACITOR	C/M B	
	C 138	NCB21HK-473X	C CAPACITOR	C/M B	
	C 139	NCB21HK-333X	C CAPACITOR	C/M B	
	C 140	NCB21HK-333X	C CAPACITOR	C/M B	
	C 141	NCB21HK-473X	C CAPACITOR	C/M B	
	C 143	NCB21HK-223X	C CAPACITOR	C/M B	
	C 144	NCB21HK-473X	C CAPACITOR	C/M B	
	C 146	QEK1HM-105Z	E CAPACITOR	1.0MF 20% 50V	
	C 147	QEK1HM-105Z	E CAPACITOR	1.0MF 20% 50V	
	C 148	QEK1HM-224Z	E CAPACITOR	.22MF 20% 50V	
	C 149	QEK1HM-105Z	E CAPACITOR	1.0MF 20% 50V	
	C 150	QEK1CM-226Z	E CAPACITOR	22MF 20% 16V	
	C 156	QDGB1HK-102Y	C CAPACITOR	C/M B	
	C 157	NCB21HK-473X	C CAPACITOR	C/M B	
	C 158	QEK1CM-226Z	E CAPACITOR	22MF 20% 16V	
	C 161	QEK1CM-106Z	E CAPACITOR	10MF 20% 16V	
	C 162	QEK1CM-106Z	E CAPACITOR	10MF 20% 16V	
	C 163	NCB21HK-223X	C CAPACITOR	C/M B	
	C 164	NCB21HK-473X	C CAPACITOR	C/M B	
	C 168	QEK1HM-105Z	E CAPACITOR	1.0MF 20% 50V	
	C 184	QEK1CM-107Z	E CAPACITOR	100MF 20% 16V	
	C 185	QEK1CM-106Z	E CAPACITOR	10MF 20% 16V	
	C 186	QEK1CM-106Z	E CAPACITOR	10MF 20% 16V	
	CF101	QAX0419-001Z	C FILTER		
	CF102	QAX0604-001Z	C FILTER		
	CF103	QAX0519-001Z	C FILTER		
	CN111	QGB2501K2-12	CONNECTOR		
	D 121	1SS133-T2	SI DIODE		
	D 123	1SS133-T2	SI DIODE		
	D 124	1SS133-T2	SI DIODE		
	D 125	1SS133-T2	SI DIODE		
	D 129	1SS133-T2	SI DIODE		
	IC102	LA1838	IC		
	IC121	LC72136N	IC		
	Q 102	2SC535/BC-T	TRANSISTOR		
	Q 103	2SC461/BC-T	TRANSISTOR		
	Q 121	KRA103M-T	TRANSISTOR	FM+B	
	R 103	NRSA02J-221X	MG RESISTOR	C/M B	
	R 104	NRSA02J-272X	MG RESISTOR	C/M B	
	R 105	NRSA02J-391X	MG RESISTOR	C/M B	
	R 106	NRSA02J-102X	MG RESISTOR	C/M B	
	R 107	NRSA02J-391X	MG RESISTOR	C/M B	
	R 108	NRSA02J-332X	MG RESISTOR	C/M B	
	R 109	NRSA02J-221X	MG RESISTOR	C/M B	
	R 115	NRSA02J-104X	MG RESISTOR	C/M B	
	R 119	NRSA02J-103X	MG RESISTOR	C/M B	
	R 122	NRSA02J-472X	MG RESISTOR	C/M B	

△	Item	Parts number	Parts name	Remarks	Area
	R 124	NRSA02J-222X	MG RESISTOR	C/M B	
	R 126	NRSA02J-562X	MG RESISTOR	C/M B	
	R 127	NRSA02J-822X	MG RESISTOR	C/M B	
	R 128	NRSA02J-472X	MG RESISTOR	C/M B	
	R 129	NRSA02J-222X	MG RESISTOR	C/M B	
	R 130	QRZ9005-680X	F RESISTOR	68 1/4W	
	R 132	NRSA02J-393X	MG RESISTOR	C/M B	
	R 133	NRSA02J-392X	MG RESISTOR	C/M B	
	R 134	NRSA02J-102X	MG RESISTOR	C/M B	
	R 140	NRSA02J-183X	MG RESISTOR	C/M B	
	R 141	NRSA02J-102X	MG RESISTOR	C/M B	
	R 142	NRSA02J-470X	MG RESISTOR	C/M B	
	R 143	NRSA02J-562X	MG RESISTOR	C/M B	
	R 144	NRSA02J-332X	MG RESISTOR	C/M B	
	R 145	NRSA02J-103X	MG RESISTOR	C/M B	
	R 146	NRSA02J-392X	MG RESISTOR	C/M B	
	R 147	NRSA02J-332X	MG RESISTOR	C/M B	
	R 150	NRSA02J-331X	MG RESISTOR	C/M B	
	R 157	NRSA02J-682X	MG RESISTOR	C/M B	
	R 158	NRSA02J-682X	MG RESISTOR	C/M B	
	R 161	NRSA02J-102X	MG RESISTOR	C/M B	
	R 162	NRSA02J-102X	MG RESISTOR	C/M B	
	R 182	NRSA02J-103X	MG RESISTOR		
	R 183	NRSA02J-103X	MG RESISTOR		
	R 184	NRSA02J-103X	MG RESISTOR		
	RF101	QAU0124-002	FRONT END		
	T 111	QQR0796-001	COIL BLOCK		
	T 142	QQR0973-001	IFT		
	X 121	QAX0402-001	CRYSTAL		

< MEMO >

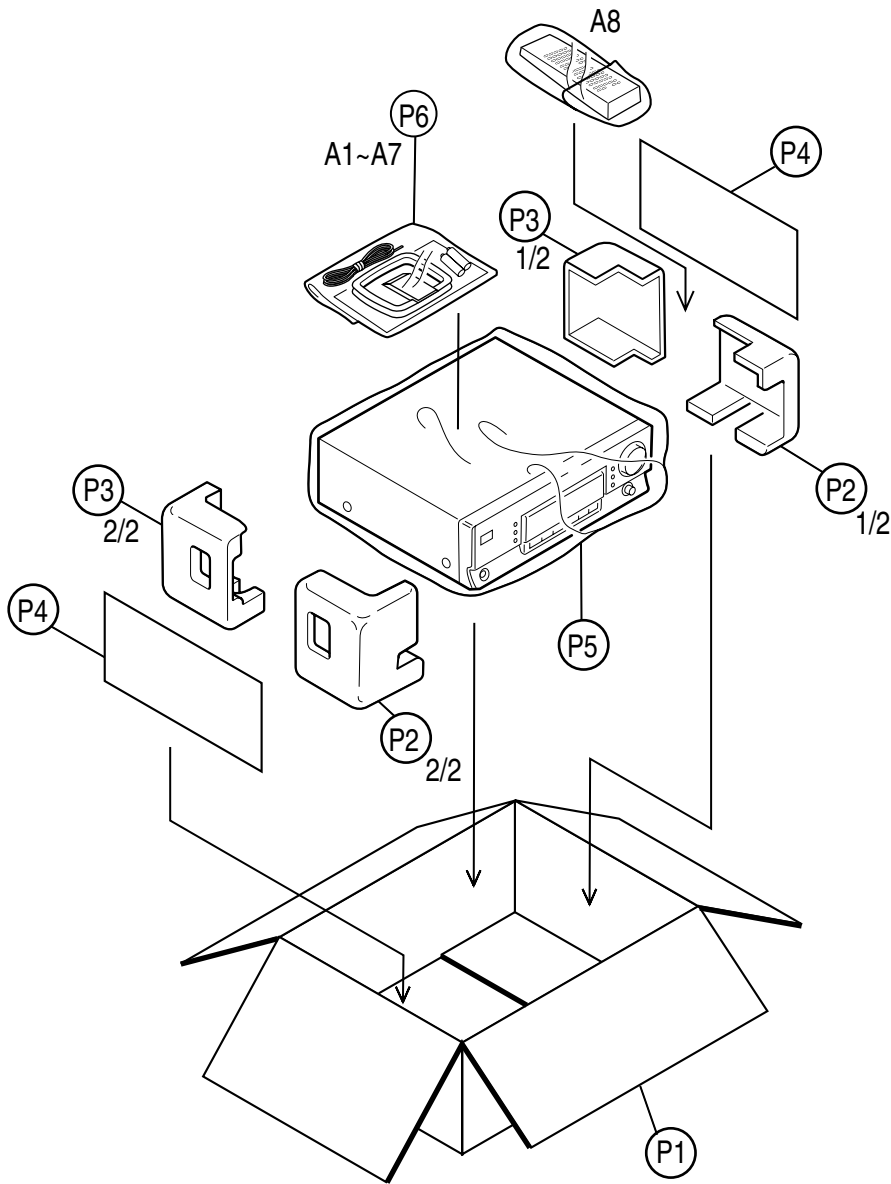
# Packing materials and accessories parts list

Block No. 

M	3	M	M
---	---	---	---


Block No. 

M	5	M	M
---	---	---	---




**■ Parts list (Packing)**

Block No. M3MM

	Item	Parts number	Parts name	Q'ty	Description	Area
	P 1	LV20983-058A	CARTON BOX	1	RX-6032VJ	
	P 2	LV21429-001A	CUSHION	1		
	P 3	LV21430-002A	CUSHION	1		
	P 4	LV32034-003A	SHEET	2		
	P 5	QPC06507015P	POLY BAG	1		
	P 6	QPA02503505P	POLY BAG	1		

**■ Parts list (Accessories)**

Block No. M5MM

	Item	Parts number	Parts name	Q'ty	Description	Area
	A 1	LVT0984-002B	INST BOOK	1	ENG,FRE	
	A 2	EWP503-001C	ANT.WIRE	1		
	A 3	QAL0014-001	AM LOOP ANT	1		
	A 4	YU20333	SAFETY INST.	1		
	A 5	BT-52006-2	WARRANTY CARD	1		
	A 6	BT-20071B	JVC CENTER LIST	1		
	A 7	-----	BATTERY	2		
	A 8	RM-SRX6032J	REMOCON	1		