

JVC

SERVICE MANUAL

AUDIO/VIDEO CONTROL RECEIVER

RX-6040B

Area suffix	
J	U.S.A.
C	Canada

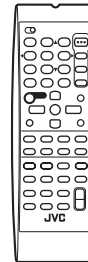
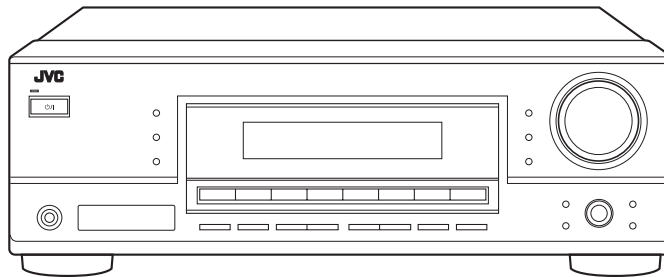


TABLE OF CONTENTS

1	PRECAUTION	1-3
2	SPECIFIC SERVICE INSTRUCTIONS	1-5
3	DISASSEMBLY	1-6
4	ADJUSTMENT	1-14
5	TROUBLESHOOTING	1-15

SPECIFICATION

Amplifier		
Output Power		
At Stereo operation	Front channels	100 W per channel, min. RMS, driven into 8 Ω, 40 Hz to 20 kHz with no more than 0.8% total harmonic distortion.
At Surround operation	Front channels	100 W per channel, min. RMS, driven into 8 Ω, at 1 kHz with no more than 0.8% total harmonic distortion.
	Center channel	100 W, min. RMS, driven into 8 Ω, at 1 kHz with no more than 0.8% total harmonic distortion.
	Surround channels	100 W per channel, min. RMS, driven into 8 Ω, at 1 kHz with no more than 0.8% total harmonic distortion.
Audio		
Audio Input Sensitivity/Impedance (1 kHz)	CD, TAPE/CDR, VCR, TV SOUND, DVD:220 mV/47 kΩ	
Audio Input (DIGITAL IN)*	Coaxial	DIGITAL 1 (DVD):0.5 V(p-p)/75 Ω
	Optical	DIGITAL 2 (CD), DIGITAL 3 (TV):-21 dBm to -15 dBm (660 nm ±30 nm)
* Corresponding to Linear PCM, Dolby Digital, and DTS Digital Surround (with sampling frequency-32 kHz, 44.1 kHz, 48 kHz)		
Recording Output Level	TAPE/CDR, VCR:220 mV	
Signal-to-Noise Ratio ('66 IHF/'78 IHF)	CD, TAPE/CDR, VCR, TV SOUND, DVD:87 dB/74 dB	
Frequency Response (8 Ω)	CD, TAPE/CDR, VCR, TV SOUND, DVD:20 Hz to 50 kHz (+1 dB, -3 dB)	
Bass Boost	+3 dB ±1 dB at 100 Hz	
Equalization (5 bands)	63 Hz, 250 Hz, 1 kHz, 4 kHz, 16 kHz:±8 dB (in 2 dB steps)	
Video		
Video Input Sensitivity/Impedance	Composite video:DVD, VCR	1 V(p-p)/75 Ω
	S-video:DVD, VCR	(Y: luminance):1 V(p-p)/75 Ω
		(C: chrominance, burst):0.286 V(p-p)/75 Ω
ComponentDVD, VCR	(Y: luminance):1 V(p-p)/75 Ω	
	(PB, PR):0.7 V(p-p)/75 Ω	
Video Output Level	Composite video:VCR, MONITOR OUT	1 V(p-p)/75 Ω
	S-video:VCR, MONITOR OUT	(Y: luminance):1 V(p-p)/75 Ω
		:0.286 V(p-p)/75 Ω (C: chrominance, burst)
ComponentMONITOR OUT	(Y: luminance):1 V(p-p)/75 Ω	
	(PB, PR)0.7 V(p-p)/75 Ω	
Synchronization	Negative	
Signal-to-Noise Ratio	45 dB	
FM tuner (IHF)		
Tuning Range	87.5 MHz to 108.0 MHz	
Usable Sensitivity	Monaural:12.8 dBf (1.2 -V/75 Ω)	
50 dB Quieting Sensitivity	Monaural:16.0 dBf (1.7 -V/75 Ω)	
	Stereo:37.5 dBf (20.5 -V/75 Ω)	
Stereo Separation at OUT (REC)	35 dB at 1 kHz	
AM tuner		
Tuning Range	530 kHz to 1 710 kHz	
General		
Power Requirements	AC 120V , 60 Hz	
Power Consumption	180 W/230 VA (at operation), 2 W (in standby mode)	
Dimensions (W × H × D)	435 mm × 146.5 mm × 409.5 mm (17 3/16 in. × 5 13/16 in. × 16 1/8 in.)	
Mass	8.8 kg (19.5 lbs)	

Designs and specifications are subject to change without notice.

SECTION 1 PRECAUTION

1.1 Safety Precautions

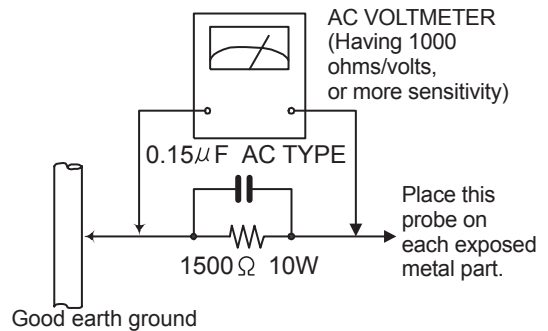
- (1) This design of this product contains special hardware and many circuits and components specially for safety purposes. For continued protection, no changes should be made to the original design unless authorized in writing by the manufacturer. Replacement parts must be identical to those used in the original circuits. Services should be performed by qualified personnel only.
- (2) Alterations of the design or circuitry of the product should not be made. Any design alterations of the product should not be made. Any design alterations or additions will void the manufacturers warranty and will further relieve the manufacture of responsibility for personal injury or property damage resulting therefrom.
- (3) Many electrical and mechanical parts in the products have special safety-related characteristics. These characteristics are often not evident from visual inspection nor can the protection afforded by them necessarily be obtained by using replacement components rated for higher voltage, wattage, etc. Replacement parts which have these special safety characteristics are identified in the Parts List of Service Manual. Electrical components having such features are identified by shading on the schematics and by (Δ) on the Parts List in the Service Manual. The use of a substitute replacement which does not have the same safety characteristics as the recommended replacement parts shown in the Parts List of Service Manual may create shock, fire, or other hazards.
- (4) The leads in the products are routed and dressed with ties, clamps, tubings, barriers and the like to be separated from live parts, high temperature parts, moving parts and/or sharp edges for the prevention of electric shock and fire hazard. When service is required, the original lead routing and dress should be observed, and it should be confirmed that they have been returned to normal, after reassembling.
- (5) Leakage shock hazard testing

After reassembling the product, always perform an isolation check on the exposed metal parts of the product (antenna terminals, knobs, metal cabinet, screw heads, headphone jack, control shafts, etc.) to be sure the product is safe to operate without danger of electrical shock. Do not use a line isolation transformer during this check.

- Plug the AC line cord directly into the AC outlet. Using a "Leakage Current Tester", measure the leakage current from each exposed metal parts of the cabinet, particularly any exposed metal part having a return path to the chassis, to a known good earth ground. Any leakage current must not exceed 0.5mA AC (r.m.s.).
- Alternate check method
Plug the AC line cord directly into the AC outlet. Use an AC voltmeter having, 1,000 Ω per volt or more sensitivity in the following manner. Connect a 1,500 Ω 10W resistor paralleled by a 0.15 μ F AC-type capacitor between an exposed metal part and a known good earth ground. Measure the AC voltage across the resistor with the AC

voltmeter.

Move the resistor connection to each exposed metal part, particularly any exposed metal part having a return path to the chassis, and measure the AC voltage across the resistor. Now, reverse the plug in the AC outlet and repeat each measurement. Voltage measured any must not exceed 0.75 V AC (r.m.s.). This corresponds to 0.5 mA AC (r.m.s.).



1.2 Warning

- (1) This equipment has been designed and manufactured to meet international safety standards.
- (2) It is the legal responsibility of the repairer to ensure that these safety standards are maintained.
- (3) Repairs must be made in accordance with the relevant safety standards.
- (4) It is essential that safety critical components are replaced by approved parts.
- (5) If mains voltage selector is provided, check setting for local voltage.

1.3 Caution

Burrs formed during molding may be left over on some parts of the chassis.

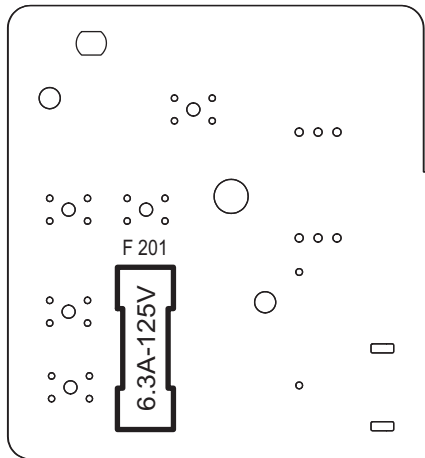
Therefore, pay attention to such burrs in the case of preforming repair of this system.

1.4 Critical parts for safety

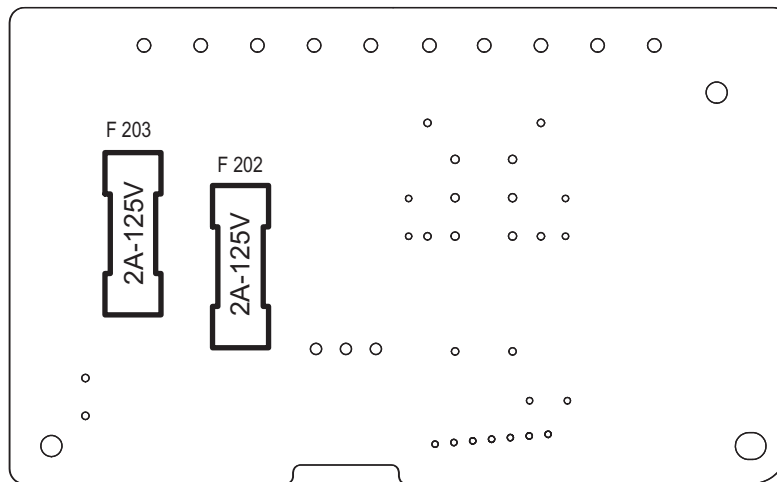
In regard with component parts appearing on the silk-screen printed side (parts side) of the PWB diagrams, the parts that are printed over with black such as the resistor (\blacksquare), diode (\blacksquare) and ICP (\bullet) or identified by the " Δ " mark nearby are critical for safety. When replacing them, be sure to use the parts of the same type and rating as specified by the manufacturer. (This regulation dose not Except the J and C version)

1.5 Importance administering point on the safety

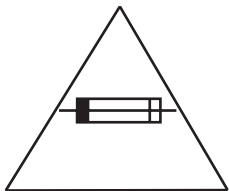
Primary part



Secondary parts



For USA and Canada / pour États - Unis d' Amérique et Canada



Caution: For continued protection against risk of fire, replace only with same type 6.3A/125V for F201, 2A/125V for F202 and F203.

This symbol specifies type of fast operating fuse.

Précaution: Pour éviter risques de feux, remplacez le fusible de sûreté de F201 comme le même type que 6.3A/125V, et 2A/125V pour F202 et F203. Ce sont des fusibles sûretés qui fonctionnent rapide.

SECTION 2
SPECIFIC SERVICE INSTRUCTIONS

This service manual does not describe SPECIFIC SERVICE INSTRUCTIONS.

SECTION 3 DISASSEMBLY

3.1 Removing the top cover (See Fig.1)

- (1) From the right and left sides of the main body, remove the four screws **A** attaching the top cover.
- (2) From the back side of the main body, remove the three screws **B** attaching the top cover.
- (3) Remove the top cover in the direction of the arrow 2 while extending the lower sections of the top cover in the direction of the arrow 1.

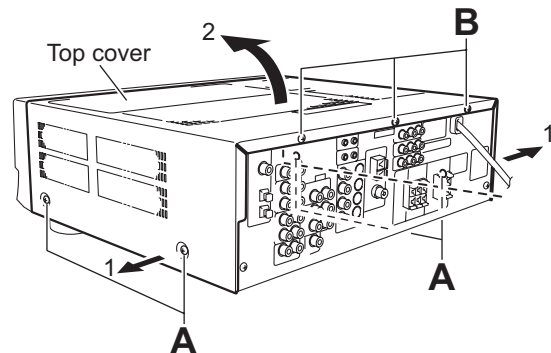


Fig.1

3.2 Removing the front panel assembly (See Figs.2 and 3)

- Prior to performing the following procedure, remove the top cover.

 - (1) Disconnect the card wire from the connector [CN402](#) on the audio board. (See Fig.2)
 - (2) Disconnect the card wire from the connector [CN201](#) on the power supply board. (See Fig.2)
 - (3) Remove the tie bands. (See Fig.2)
 - (4) Remove the wire protection board fixing the card wire. (See Fig.2)
 - (5) Remove the three screws **C** attaching the front panel assembly. (See Fig.2)
 - (6) From the bottom side of the main body, remove the four screws **D** attaching the front panel assembly. (See Fig.3)
 - (7) Remove the front panel assembly in the direction of the arrow. (See Fig.3)

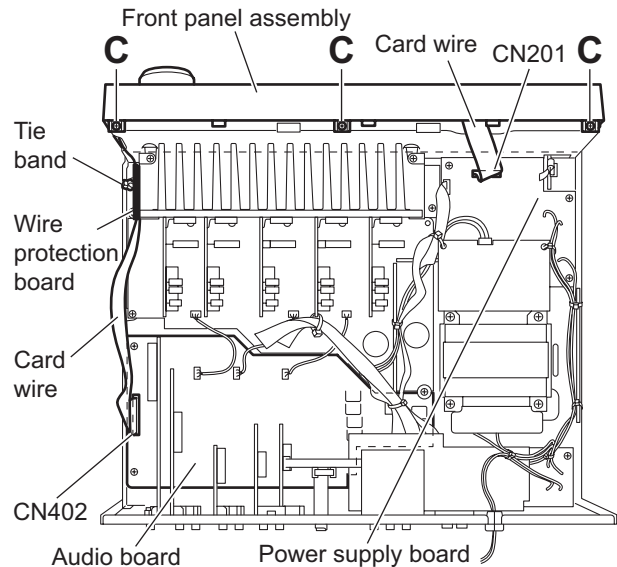


Fig.2

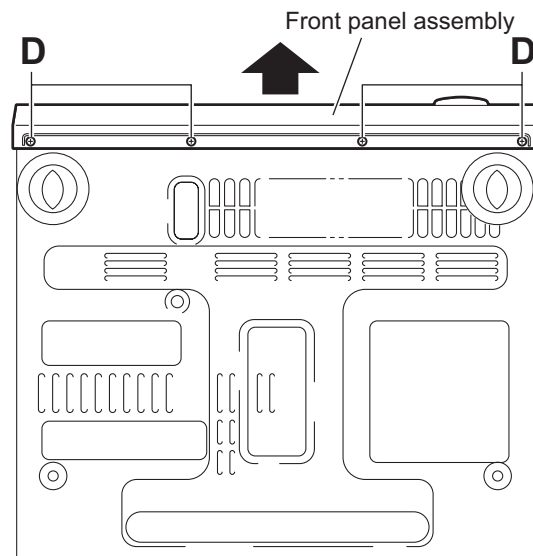


Fig.3

3.3 Removing the rear panel (See Fig.4)

- Prior to performing the following procedure, remove the top cover.
 - (1) From the back side of the main body, remove the strain relief from the rear panel in the direction of the arrow.
 - (2) Remove the twenty-seven screws **E** and four screws **F** attaching the rear panel.

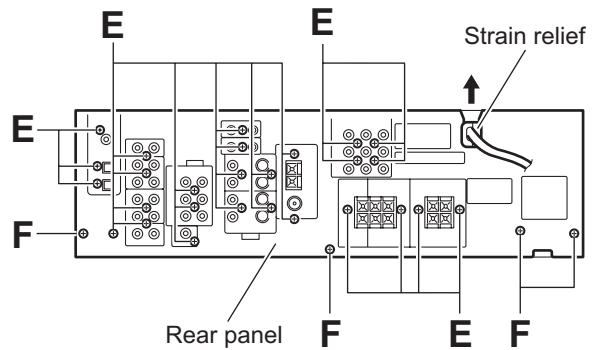


Fig.4

3.4 Removing the component board and tuner unit (See Figs.5 and 6)

- Prior to performing the following procedure, remove the top cover.
 - (1) From the top side of the main body, disconnect the parallel wire from the connector **CN511** on the S-Video board. (See Fig.5)
 - (2) From the back side of the main body, remove the four screws **G** attaching the component board. (See Fig.6)
 - (3) From the top side of the main body, disconnect the card wire from the connector **CN1** on the tuner unit. (See Fig.5)
 - (4) From the back side of the main body, remove the two screws **H** attaching the tuner unit. (See Fig.6)

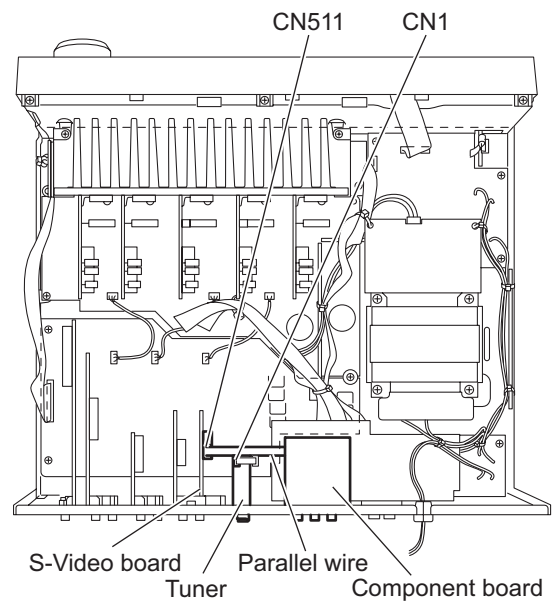


Fig.5

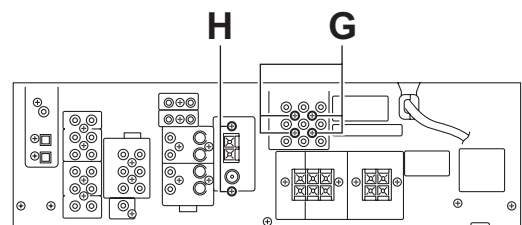


Fig.6

3.5 Removing the DSP board, audio input board, DVD board and video board (See Fig.7)

- Prior to performing the following procedure, remove the top cover and rear panel.
 - (1) From the top side of the main body, Remove the tie band.
 - (2) Disconnect the DSP board from the connector [CN481](#) on the audio board.
 - (3) Disconnect the audio input board from the connector [CN421](#) on the audio board.
 - (4) Disconnect the DVD board from the connector [CN431](#) on the audio board.
 - (5) Disconnect the video board from the connector [CN441](#) on the audio board.

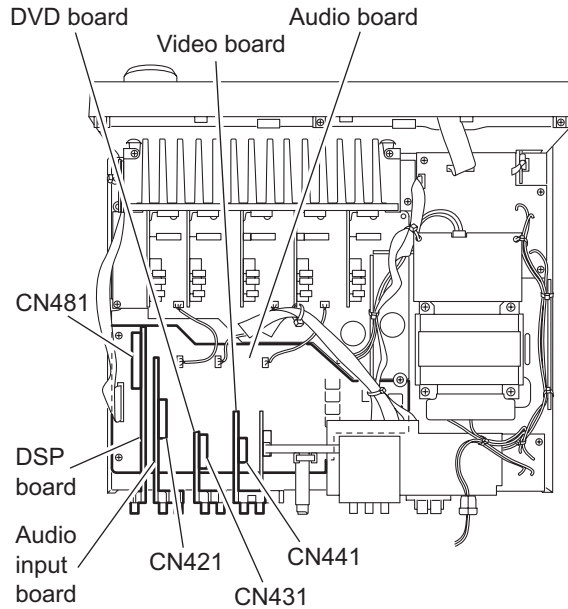


Fig.7

3.6 Removing the S-Video board (See Fig.8)

- Prior to performing the following procedure, remove the top cover and rear panel.
 - (1) From the top side of the main body, disconnect the parallel wire from the connector [CN511](#) on the S-Video board.
 - (2) Disconnect the S-Video board from the connector [CN461](#) on the audio board.

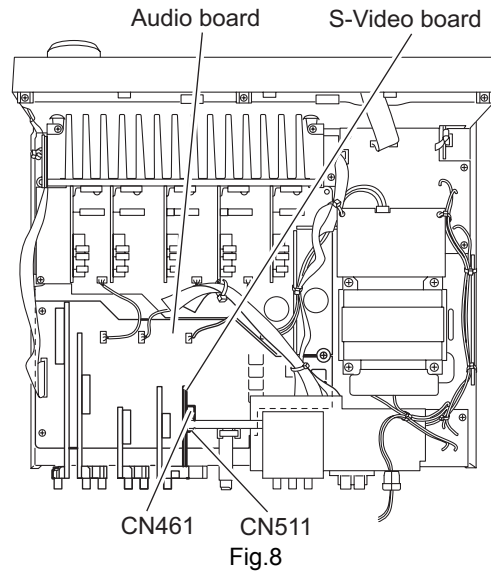
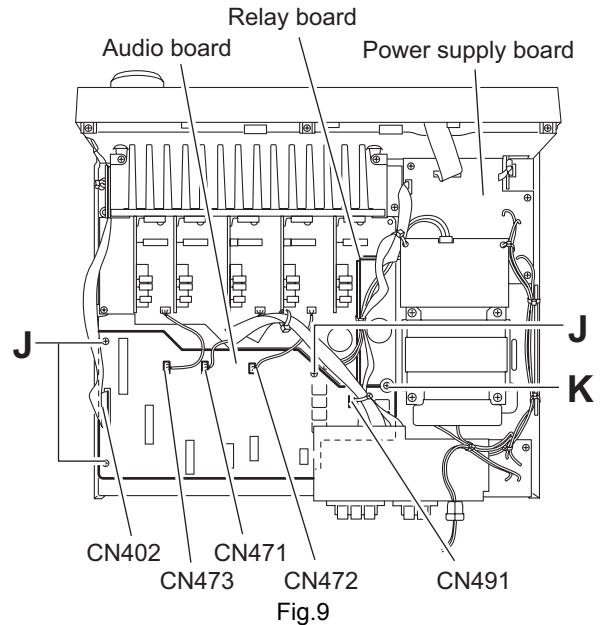


Fig.8

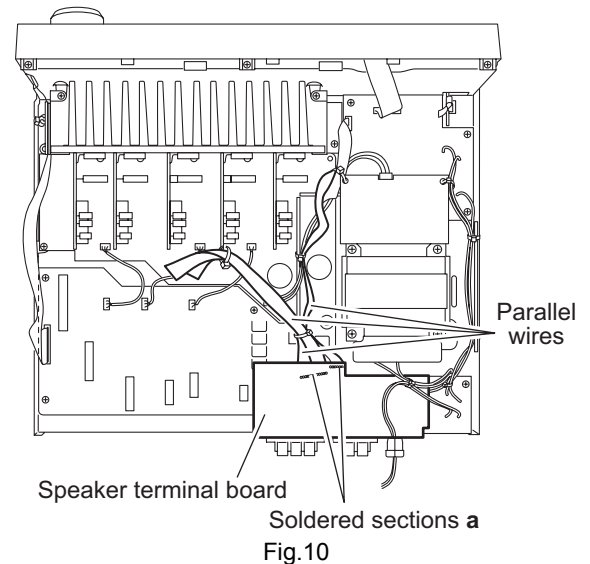
3.7 Removing the audio board (See Fig.9)

- Prior to performing the following procedure, remove the top cover, rear panel, component video board, DSP board, audio input board, DVD board, video board, S-Video board and tuner unit.
 - (1) From the top side of the main body, disconnect the card wire from the connector [CN402](#) on the audio board.
 - (2) Disconnect the relay board from the connector [CN491](#) on the audio board.
 - (3) Disconnect the wires from the connectors [CN471](#), [CN472](#) and [CN473](#) on the audio board.
 - (4) Remove the three screws **J** attaching the audio board.
 - (5) Loosen the screw **K** attaching the audio board.



3.8 Removing the speaker terminal board (See Fig.10)

- Prior to performing the following procedure, remove the top cover and rear panel.
 - (1) From the top side of the main body, remove the solders from the soldered sections **a** on the speaker terminal board.



3.9 Removing the main board (See Fig.11)

- Prior to performing the following procedure, remove the top cover.
- (1) From the top side of the main body, remove the tie bands fixing the wires.
- (2) Remove the tie band and wire protection board fixing the card wire.
- (3) Remove the solders from the soldered section **b** on the speaker terminal board attaching the parallel wires.
- (4) Disconnect the relay board from the connectors (CN291, CN491) on the power supply board and audio board.
- (5) Disconnect the parallel wire from the connector CN241 on the power supply board.
- (6) Disconnect the wire from the connector CN251 on the power transformer board 1.
- (7) Disconnect the wires from the connectors CN471, CN472 and CN473 on the audio board.
- (8) Remove the screw **L**, two screws **M** and four screws **N** attaching the main board.
- (9) Take out the main board.

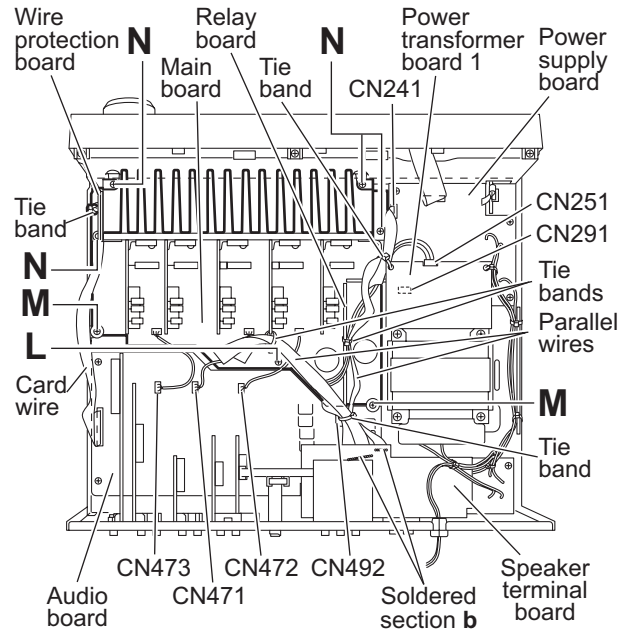


Fig.11

3.10 Removing the heat sink (See Figs.12 and 13)

- Prior to performing the following procedure, remove the top cover and main board.
- (1) Remove the ten screws **P** attaching the heat sink. (See Fig.12)
- (2) From the reverse side of the main board, remove the two screws **Q** attaching the heat sink. (See Fig.13)

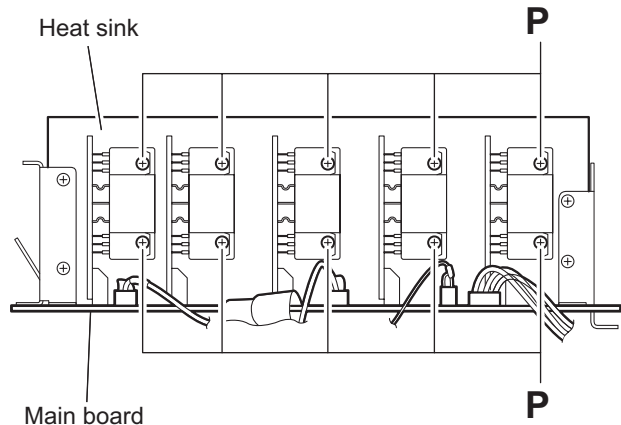


Fig.12

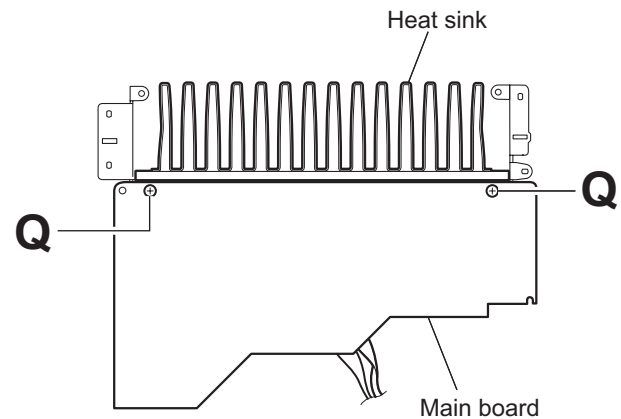


Fig.13

3.11 Removing the center amp. board, front amp. boards (L/R) and rear amp. boards (L/R)
(See Figs.12 and 14)

- Prior to performing the following procedure, remove the top cover and main board.
 - (1) Remove the ten screws **P** attaching the heat sink. (See Fig.12)
 - (2) Disconnect the center amp. board from the connector [CN321](#) on the main board. (See Fig.14)
 - (3) Disconnect the front amp. board (L) from the connector [CN311](#) on the main board. (See Fig.14)
 - (4) Disconnect the front amp. board (R) from the connector [CN312](#) on the main board. (See Fig.14)
 - (5) Disconnect the rear amp. board (L) from the connector [CN331](#) on the main board. (See Fig.14)
 - (6) Disconnect the rear amp. board (R) from the connector [CN332](#) on the main board. (See Fig.14)

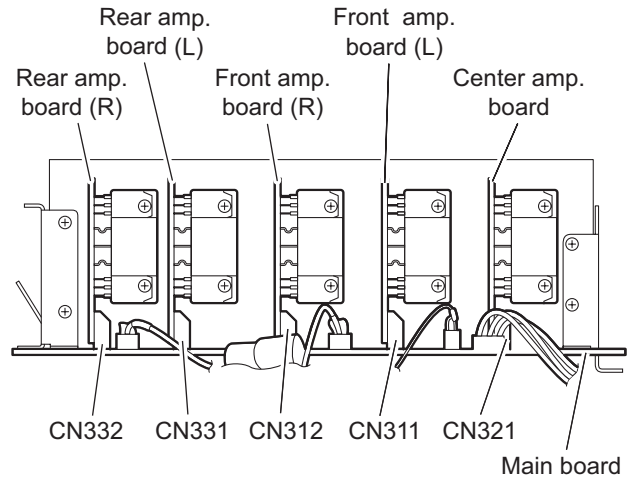


Fig.14

3.12 Removing the power transformer
(See Fig.15)

- Prior to performing the following procedure, remove the top cover.
 - (1) From the top side of the main body, remove the tie bands fixing the wires.
 - (2) Remove the solders from the soldered section **c** on the power transformer board 1.
 - (3) Remove the solders from the soldered sections **d** on the power transformer board 2.
 - (4) Disconnect the wire from the connector [CN251](#) on the power transformer board 1.
 - (5) Remove the four screws **R** attaching the power transformer.

3.13 Removing the power/fuse board
(See Fig.15)

- Prior to performing the following procedure, remove the top cover.
 - (1) From the back and top sides of the main body, remove the screw **S** and screw **T** attaching the power/fuse board.
 - (2) Remove the solders from the soldered sections **e** attaching the power cord.
 - (3) From the reverse side of the power/fuse board, remove the solders from the soldered sections **f** attaching the wires.

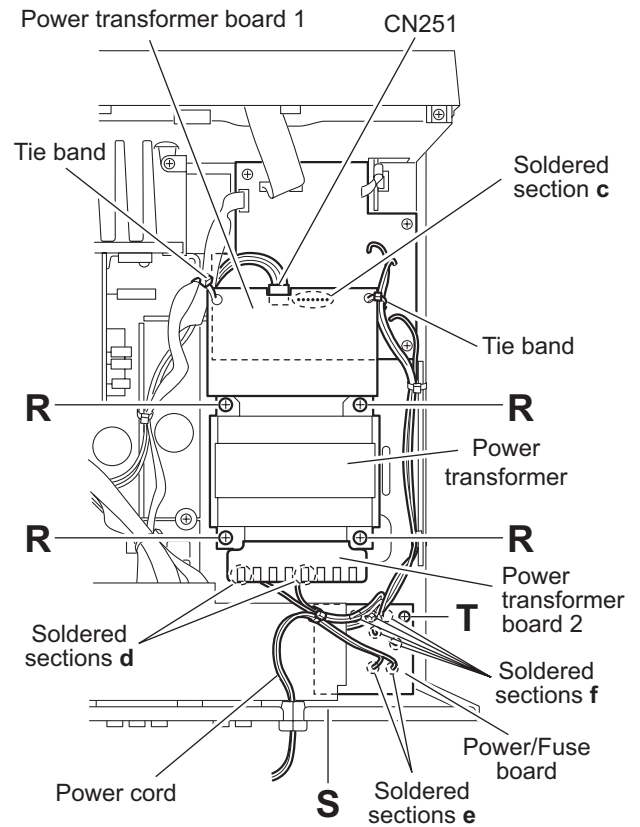


Fig.15

3.14 Removing the power supply board (See Fig.16)

- Prior to performing the following procedure, remove the top cover.
- (1) From the top side of the main body, disconnect the parallel wires from the connectors [CN203](#) and [CN241](#) on the power supply board.
- (2) Disconnect the card wire from the connector [CN201](#) on the power supply board.
- (3) Disconnect the relay board from the connector [CN291](#) on the power supply board.
- (4) Disconnect the parallel wire from the connector [CN101](#) on the headphone jack board.
- (5) Remove the solders from the soldered section **c** on the power transformer board 1.
- (6) Remove the two screws **U** and the screw **V** attaching the power supply board.
- (7) Remove the power supply board from the hook **g** of the chassis base bracket in the direction of the arrow, take out the power supply board.
- (8) Turn over the power supply board, remove the solders from the soldered sections **h** attaching the wires.

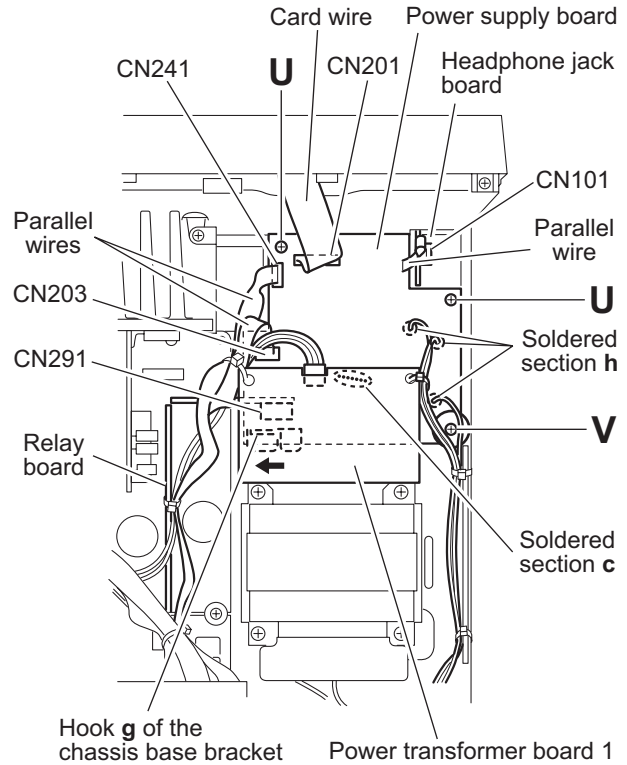


Fig.16

3.15 Removing the headphone jack board (See Figs.16 and 17)

- Prior to performing the following procedure, remove the top cover and front panel assembly.
- (1) From the top side of the main body, disconnect the parallel wire from the connector [CN101](#) on the headphone jack board. (See Fig.16)
- (2) From the front side of the main body, remove the nut and screw **W** attaching the bracket(phones) to the chassis base. (See Fig.17)

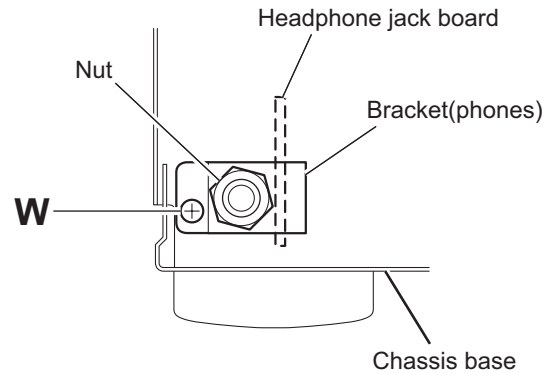


Fig.17

3.16 Removing the system control board and power switch board (See Figs.18 and 19)

- Prior to performing the following procedure, remove the top cover and front panel assembly.
 - (1) Pull out the volume and jog knobs from the front side of the front panel assembly, remove the nut attaching the system control board. (See Fig.18)
 - (2) From the back side of the front panel assembly, remove the nine screws **X** attaching the system control board. (See Fig.19)
 - (3) Remove the solders of the soldered section **j** on the system control board and disconnect the parallel wire. (See Fig.19)
 - (4) Remove the two screws **Y** attaching the power switch board. (See Fig.19)

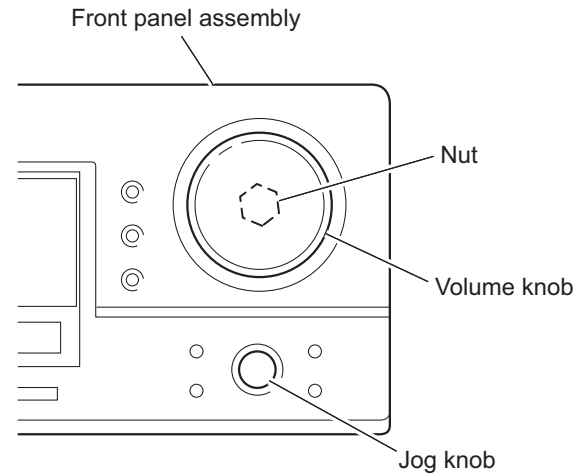


Fig.18

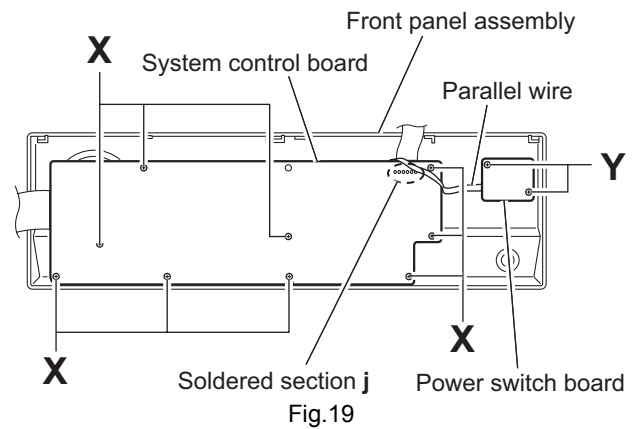


Fig.19

SECTION 4 ADJUSTMENT

4.1 Tuner section

4.1.1 Tuner range

FM : 87.5 MHz to 108.0 MHz

AM : 530 kHz to 1710 kHz

4.2 Power amplifier section

4.2.1 Adjustment of idling current

Measurement location : [TP301](#) (Lch) , [TP302](#) (Rch)

Adjustment part : [VR301](#) (Lch) , [VR302](#) (Rch)

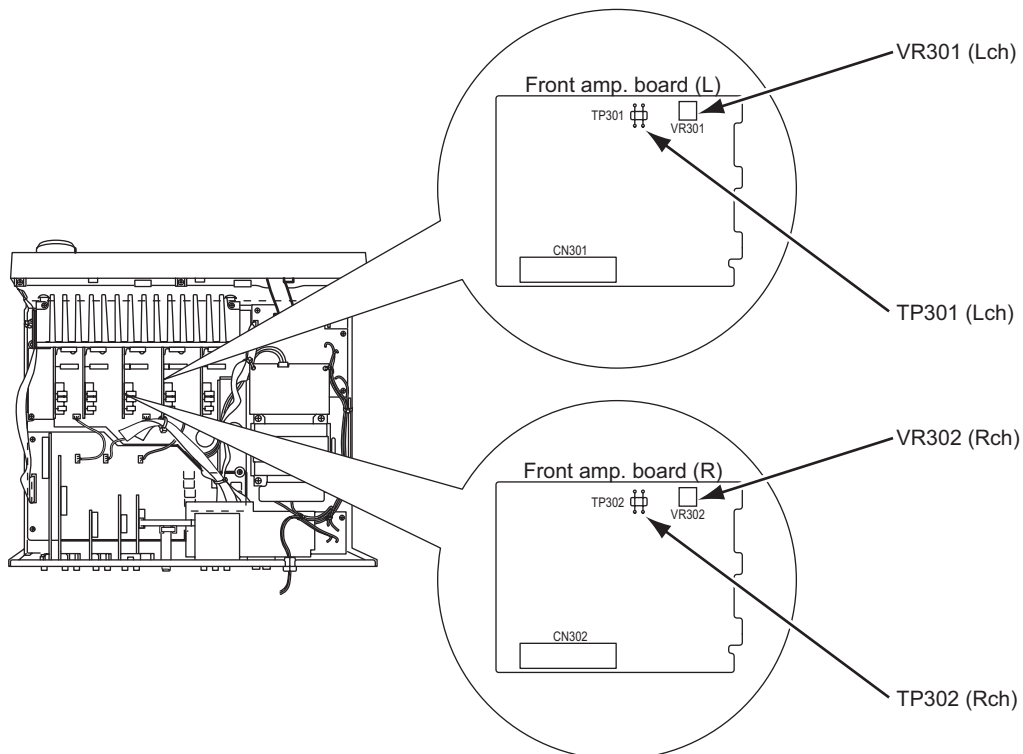
Attention :

This adjustment does not obtain a correct adjustment value immediately after the amplifier is used (state that an internal temperature has risen).

Please adjust immediately after using the amplifier after turning off the power supply of the amplifier and falling an internal temperature.

Adjustment method

- (1) Set the volume control to minimum during this adjustment. (No signal & No load)
 - (2) Set the surround mode OFF.
 - (3) Turn [VR301](#) and [VR302](#) fully counterclockwise to warm up before adjustment.
If the heat sink is already warm from previous use the correct adjustment can not be made.
 - (4) For L-ch, connect a DC voltmeter between [TP301](#)'s [B216](#) and [B217](#) (Lch) and, connect it between [TP302](#)'s [B218](#) and [B219](#) (Rch).
 - (5) Adjust the [VR301](#) (Lch) and [VR302](#) (Rch) so that the DC voltmeter indicates 2.0mV immediately after turning the power on.
- It is not abnormal though the idling current might not become 0mA even if it is finished to turn variable resistance ([VR301](#), [VR302](#)) in the direction of counterclockwise.



SECTION 5 TROUBLESHOOTING

This service manual does not describe TROUBLESHOOTING.



JVC

VICTOR COMPANY OF JAPAN, LIMITED

AV & MULTIMEDIA COMPANY AUDIO/VIDEO SYSTEMS CATEGORY 10-1,1chome,Ohwatari-machi,Maebashi-city,371-8543,Japan

(No.MB159)



Printed in Japan
WPC

JVC

SCHEMATIC DIAGRAMS

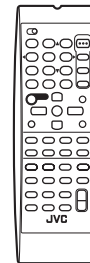
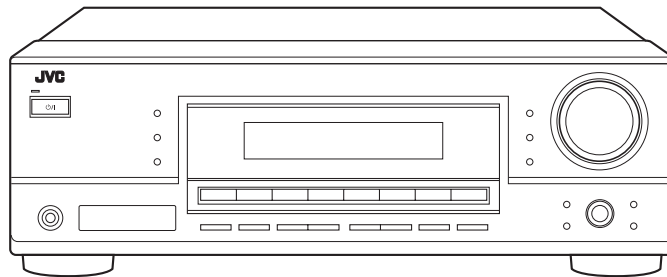
AUDIO/VIDEO CONTROL RECEIVER

RX-6040B

CD-ROM No.SML200402

Area suffix

J ----- U.S.A.
C ----- Canada



AV COMPU LINK

Contents

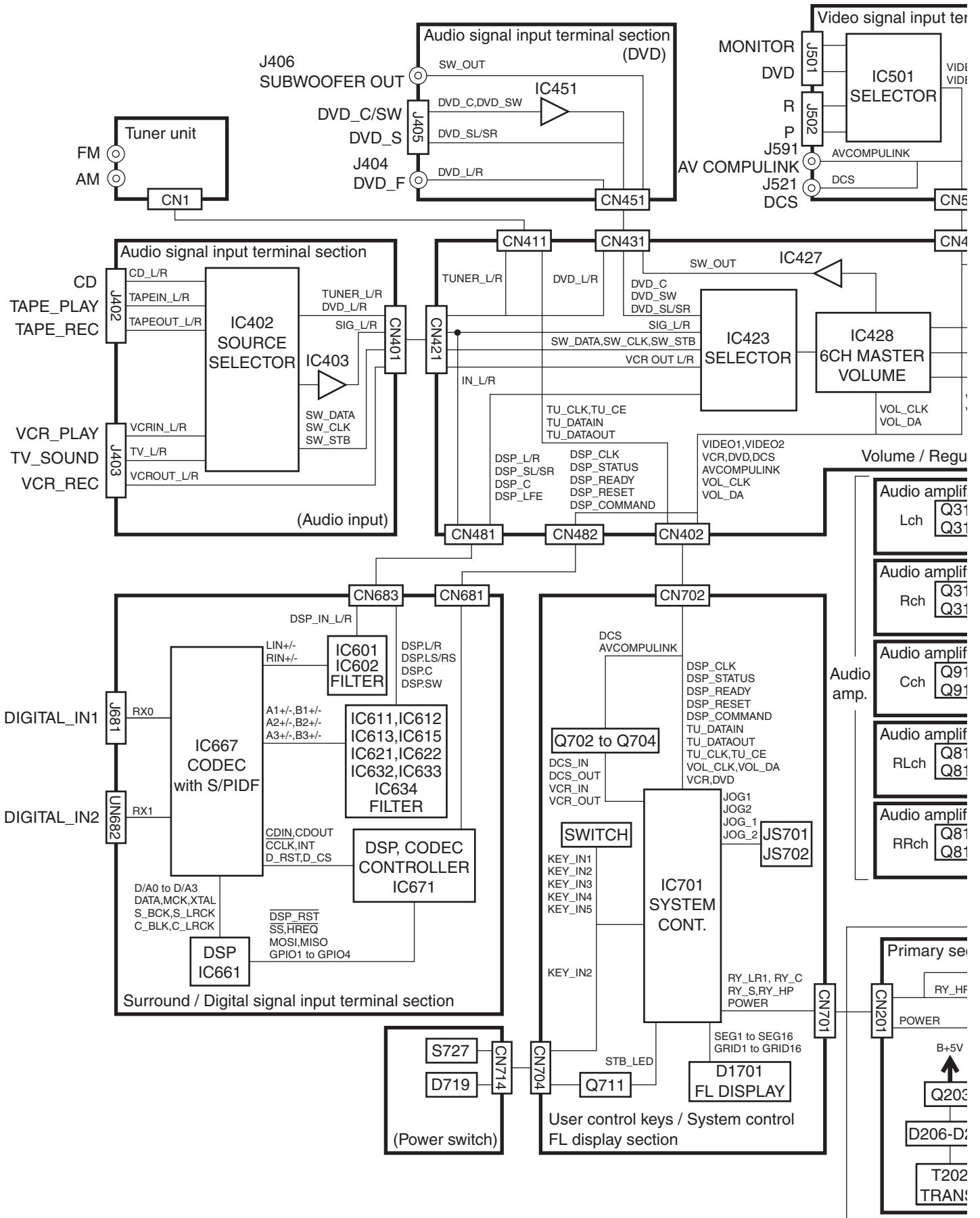
Block diagram	2-1
Standard schematic diagrams	2-3
Printed circuit boards	2-19 to 25

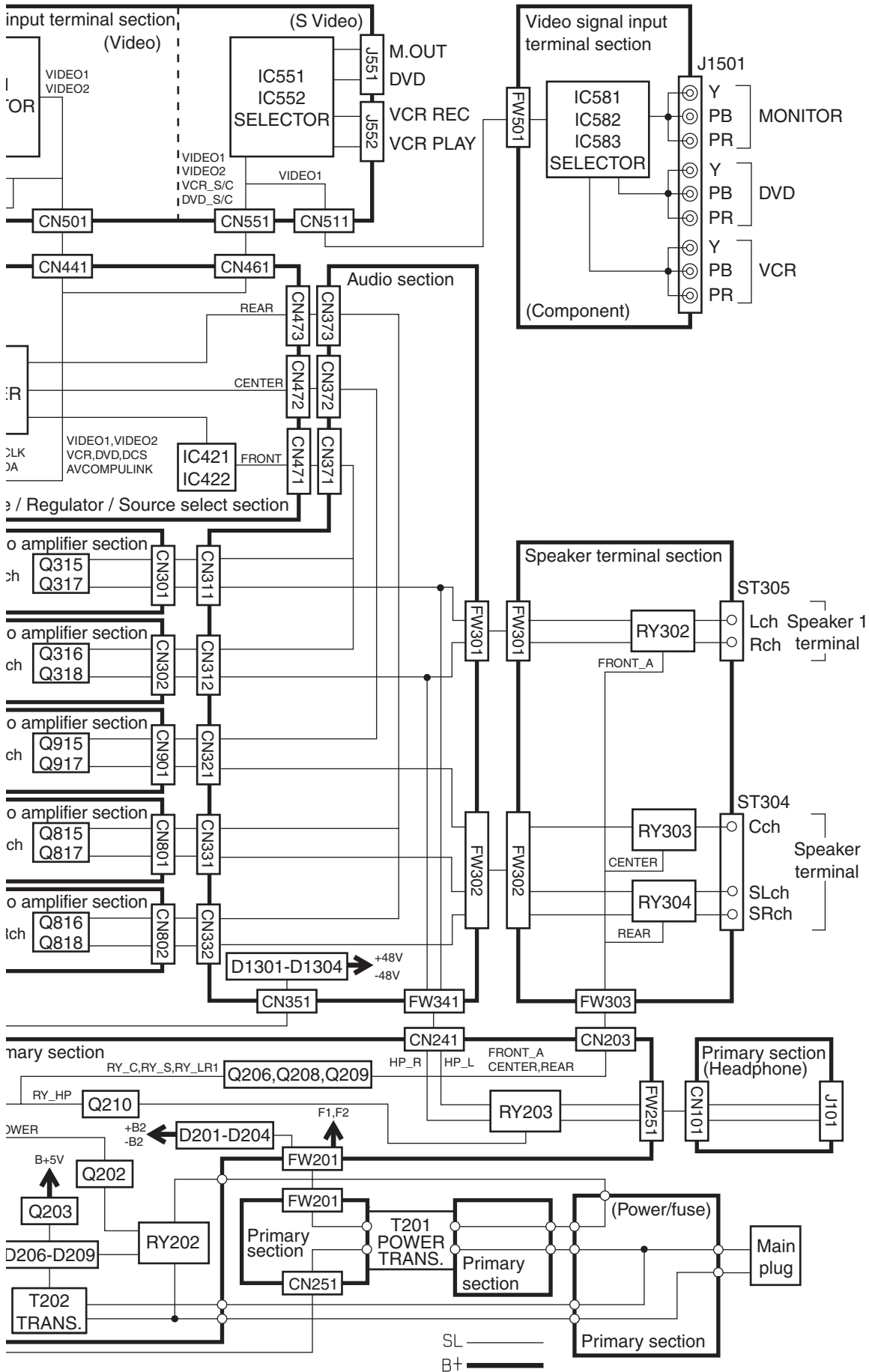
In regard with component parts appearing on the silk-screen printed side (parts side) of the PWB diagrams, the parts that are printed over with black such as the resistor (■), diode (▬) and ICP (●) or identified by the "▲" mark nearby are critical for safety.

(This regulation does not correspond to J and C version.)

< MEMO >

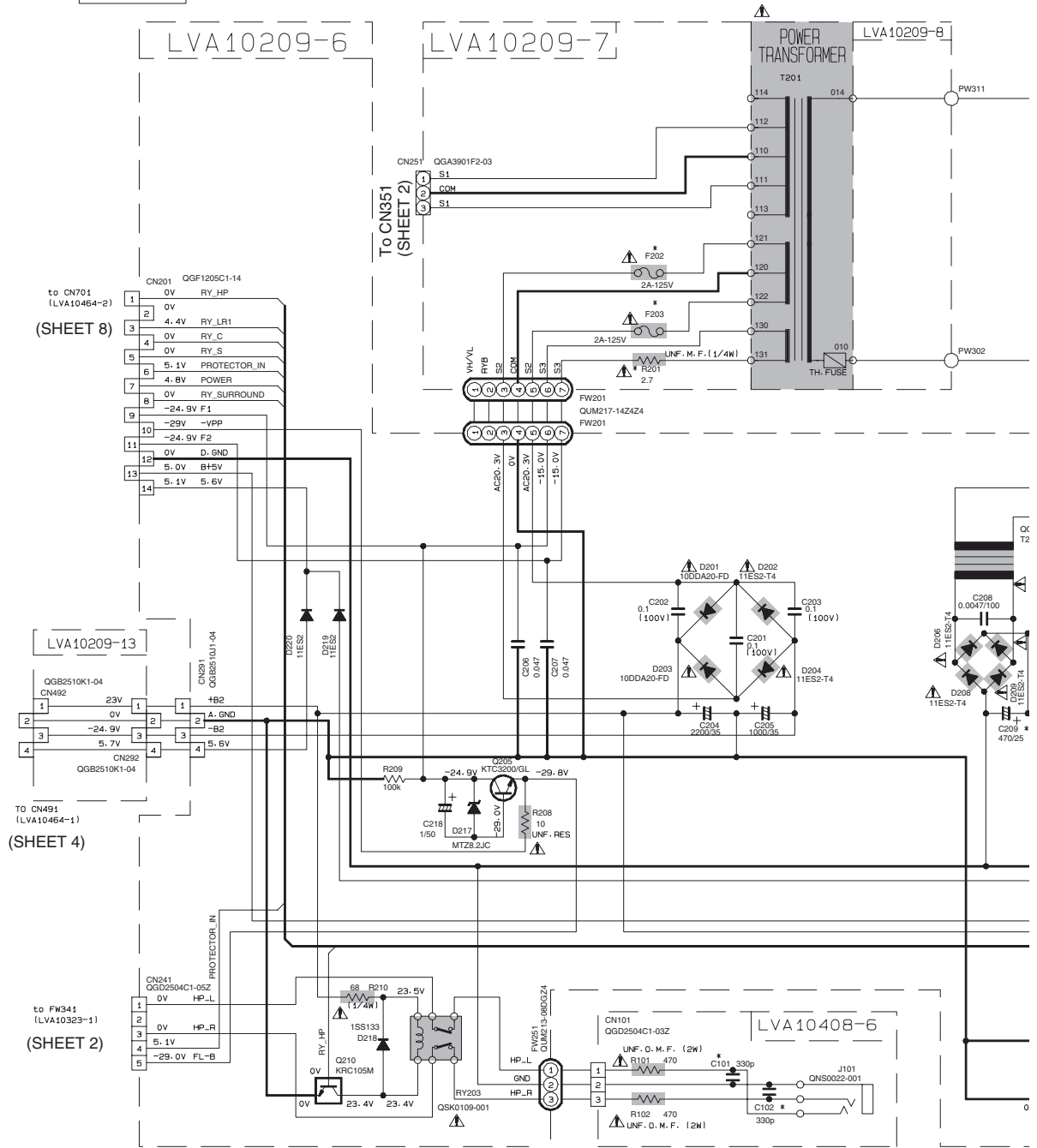
Block diagram





Standard schematic diagrams

Primary section



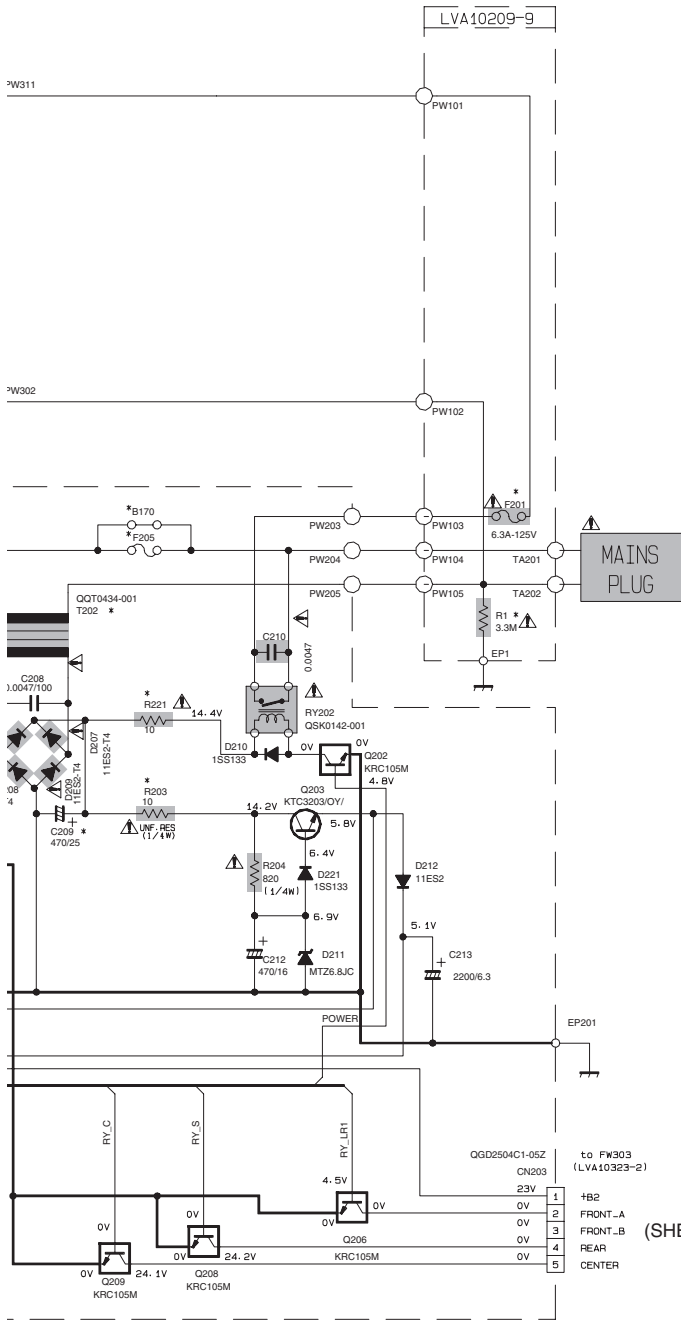
	J/C	E/EN/EA	US
F201	GNFS1U1-2R0-B (1.5A-250V)	GNFS1K2-2R0-B (1.5A-250V)	GNFS1K2-2R0-B (1.5A-250V)
F202, F203	GNFS1U1-2R0-B (1.5A-250V)	GNFS1K2-2R0-B (1.5A-250V)	GNFS1K2-2R0-B (1.5A-250V)
F204	NONE	NONE	GNFS1K2-2R0-B (1.5A-250V)
F205	NONE	GNFS1E2-4R0-B (100A-250V)	GNFS1E2-4R0-B (100A-250V)
B170	USE	NONE	NONE
V5201	NONE	NONE	USE

	J/C	E/EN/EA	US	A
R1	USE	NONE	NONE	NONE
R11, R12	USE	NONE	NONE	NONE
R202, R203	NONE	NONE	USE	USE
G211-B145	USE	USE	NONE	NONE
R201	USE	USE	NONE	NONE
R202	10	10	5.6	5.6
R203	0.001	0.001	0.001	0.001
C209	470/25	470/25	470/63	470/63
R201	2.7	2.7	5.6	5.6
C101	330P	0.001	330P	330P
C102	330P	0.001	330P	330P
C201	NONE	USE	NONE	NONE

VERSION CODES

J : U. S. A.
 C : CANADA
 E : CONTINENTAL EUROPE
 EN : NORTHERN EUROPE
 EV : EASTERN EUROPE
 US : SINGAPORE
 A : AUSTRALIA

SHEET NUMBER	CIRCUIT DIScription
1	PRIMARY (J/C/E/EN/EA)
2	AUDIO / SPEAKER TERMINAL
3	AUDIO AMP
4	VOLUME / REGULATOR / SOURCE
5	AUDIO SIGNAL INPUT TERMINAL
6	VIDEO SIGNAL INPUT TERMINAL
7	SURROUND IC / DIGITAL SIGNAL
8	USER CONTROL KEYS / SYSTEM



(SHEET 2)

DESCRIPTION
/E/EN/EV)
/ER TERMINAL
ILATOR / SOURCE SELECT IC
INPUT TERMINAL / SOURCE SELECT IC
INPUT TERMINAL
/DIGITAL SIGNAL INPUT TERMINAL
KEYS / SYSTEMCONTROL LSI / FL DISPLAY

▲ Parts are safety assurance parts. When replacing those parts make sure to use the specified one.

Audio / Speaker terminal section

(SHEET 1)

LVA10323-1

(SHEET 3)

(SHEET 3)

(SHEET 3)

(SHEET 3)

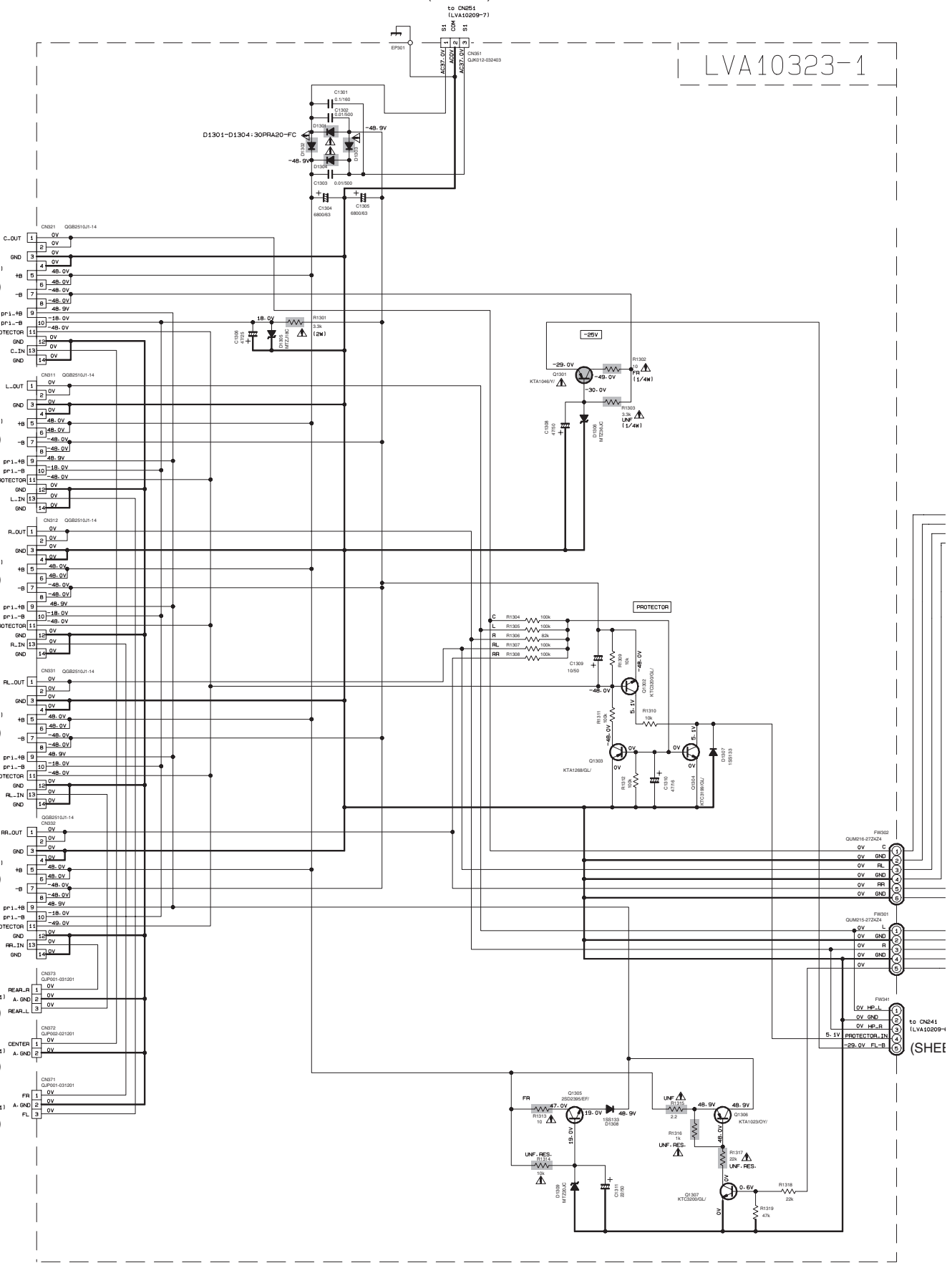
(SHEET 3)

(SHEET 4)

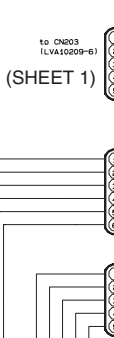
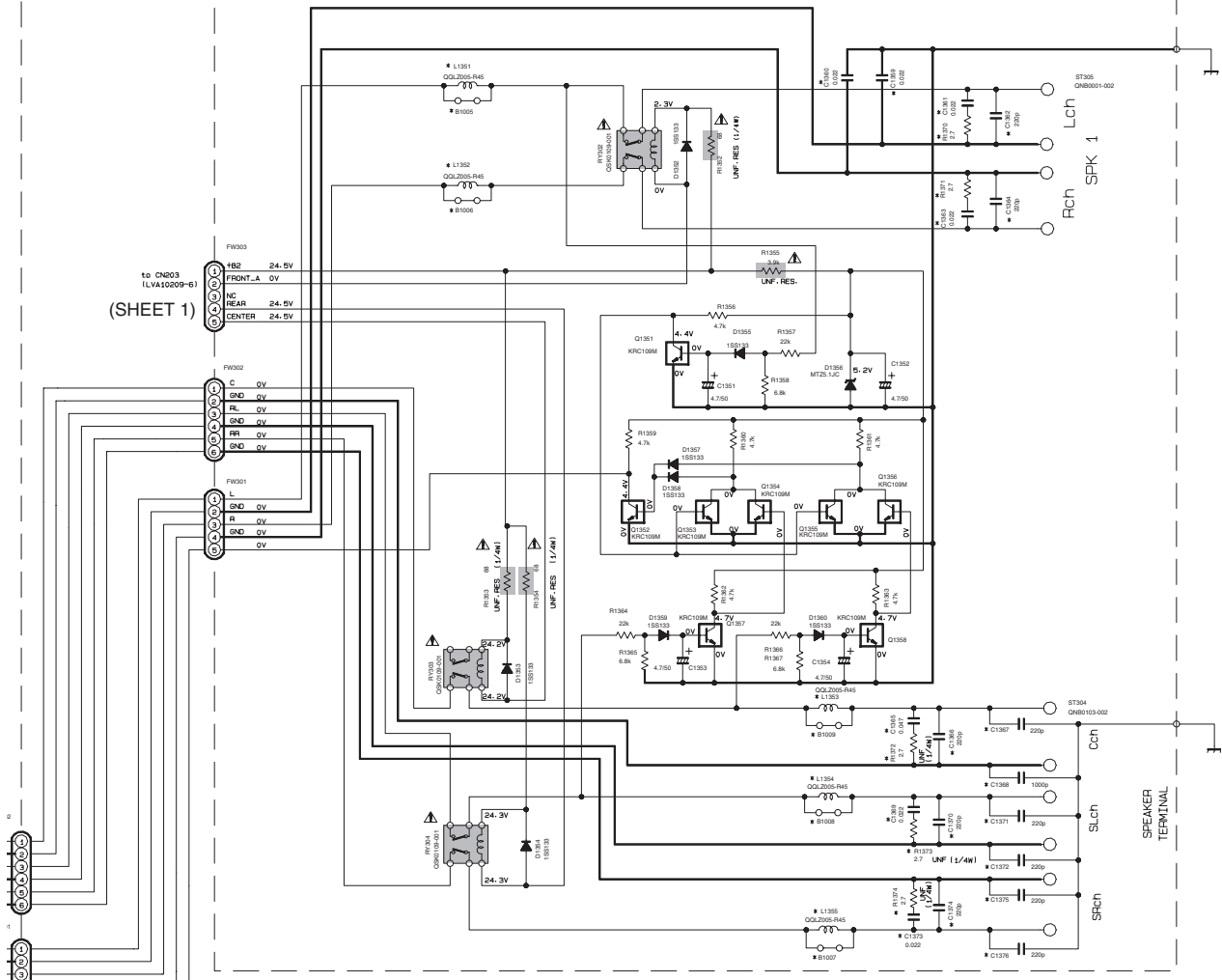
(SHEET 4)

(SHEET 4)

(SHEET 4)



LVA10323-2

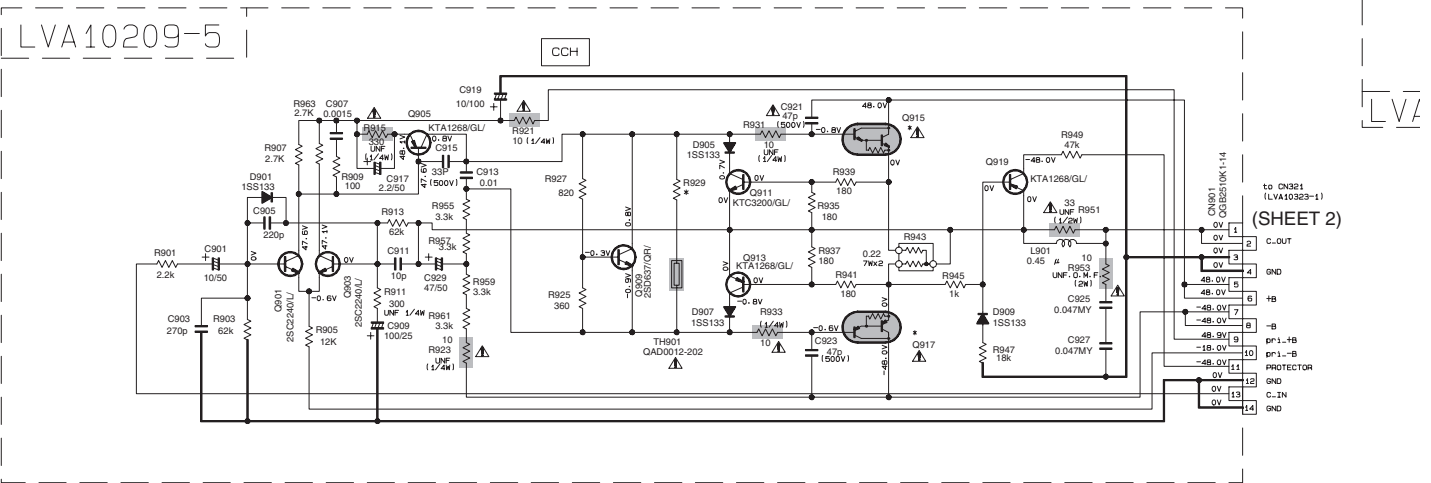
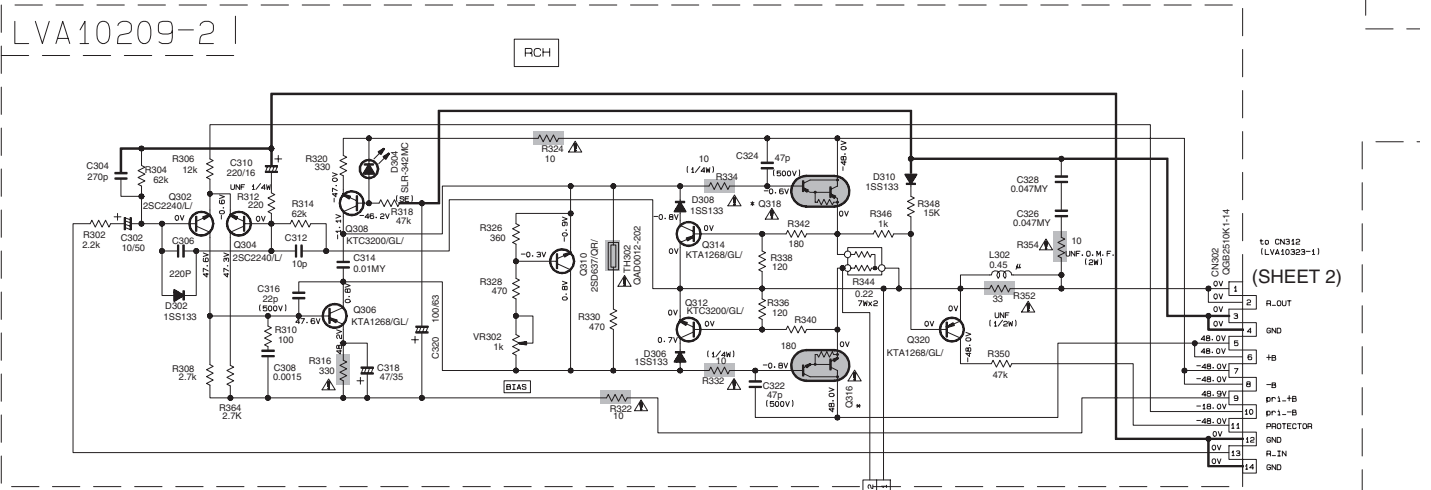
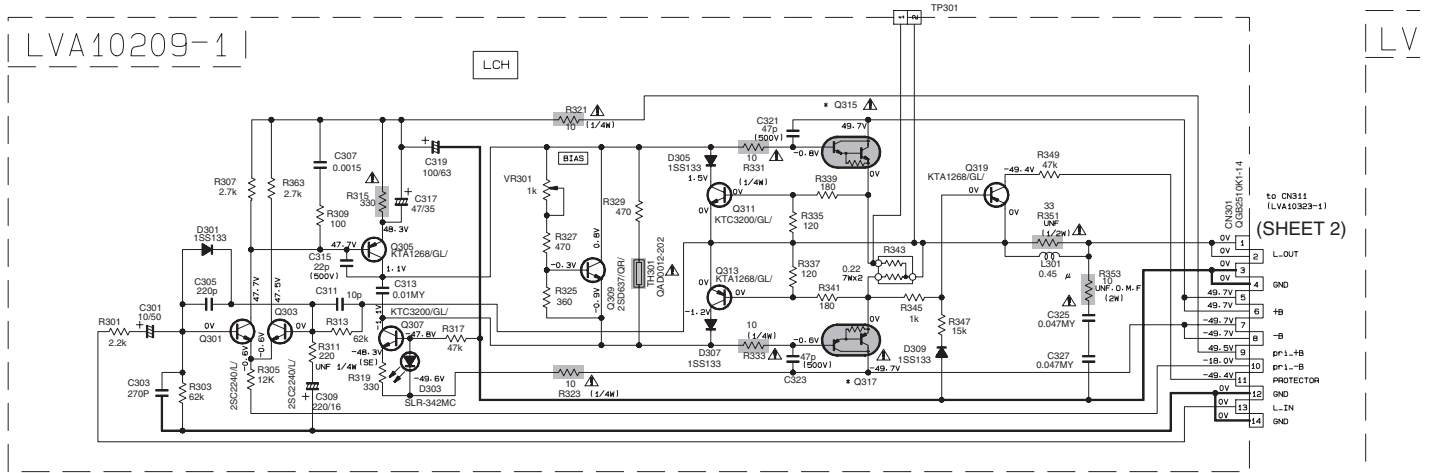


MARK LIST

	J/C	B/E/EN/EV	US/UT/LJ	CU/CA
C1359	NONE	USE	USE	
C1360	NONE	USE	USE	
C1361	NONE	USE	USE	
C1362	NONE	USE	USE	
C1363	NONE	USE	USE	
C1364	NONE	USE	USE	
C1365	NONE	USE	USE	
C1366	NONE	USE	USE	
C1367	NONE	USE	USE	
C1368	NONE	USE	USE	
C1369	NONE	USE	USE	
C1370	NONE	USE	USE	
C1371	NONE	USE	USE	
C1372	NONE	USE	USE	
C1373	NONE	USE	USE	
C1374	NONE	USE	USE	
C1375	NONE	USE	USE	
C1376	NONE	USE	USE	
R1370	NONE	USE	USE	
R1371	NONE	USE	USE	
R1372	NONE	USE	USE	
R1373	NONE	USE	USE	
R1374	NONE	USE	USE	
L1351	NONE	USE	USE	
L1352	NONE	USE	USE	
L1353	NONE	USE	USE	
L1354	NONE	USE	USE	
L1355	NONE	USE	USE	
B1005	USE	NONE	NONE	
B1006	USE	NONE	NONE	
B1007	USE	NONE	NONE	
B1008	USE	NONE	NONE	
B1009	USE	NONE	NONE	

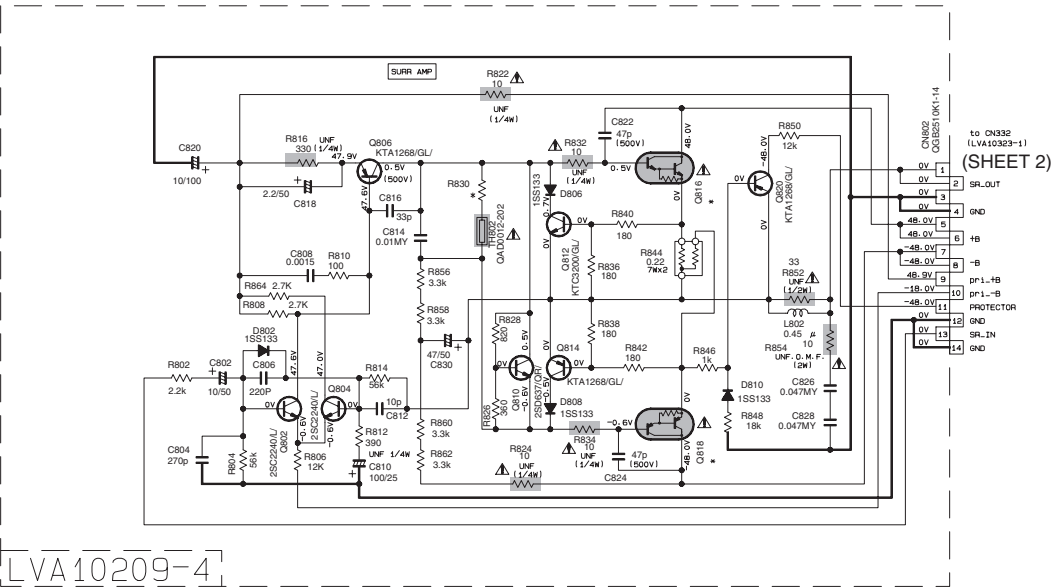
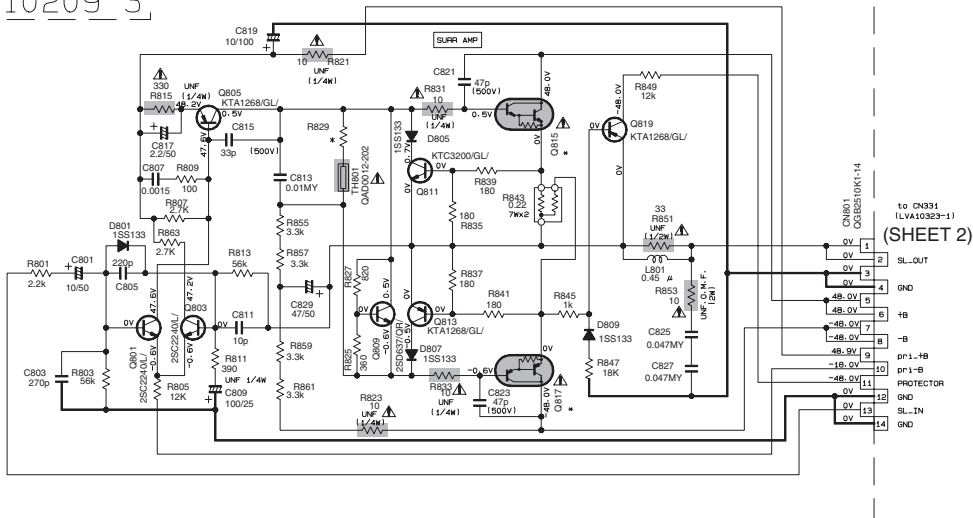
⚠ Parts are safety assurance parts. When replacing those parts make sure to use the specified one.

■ Audio amplifier section



▲ Parts are When rep sure to us

LVA10209-3



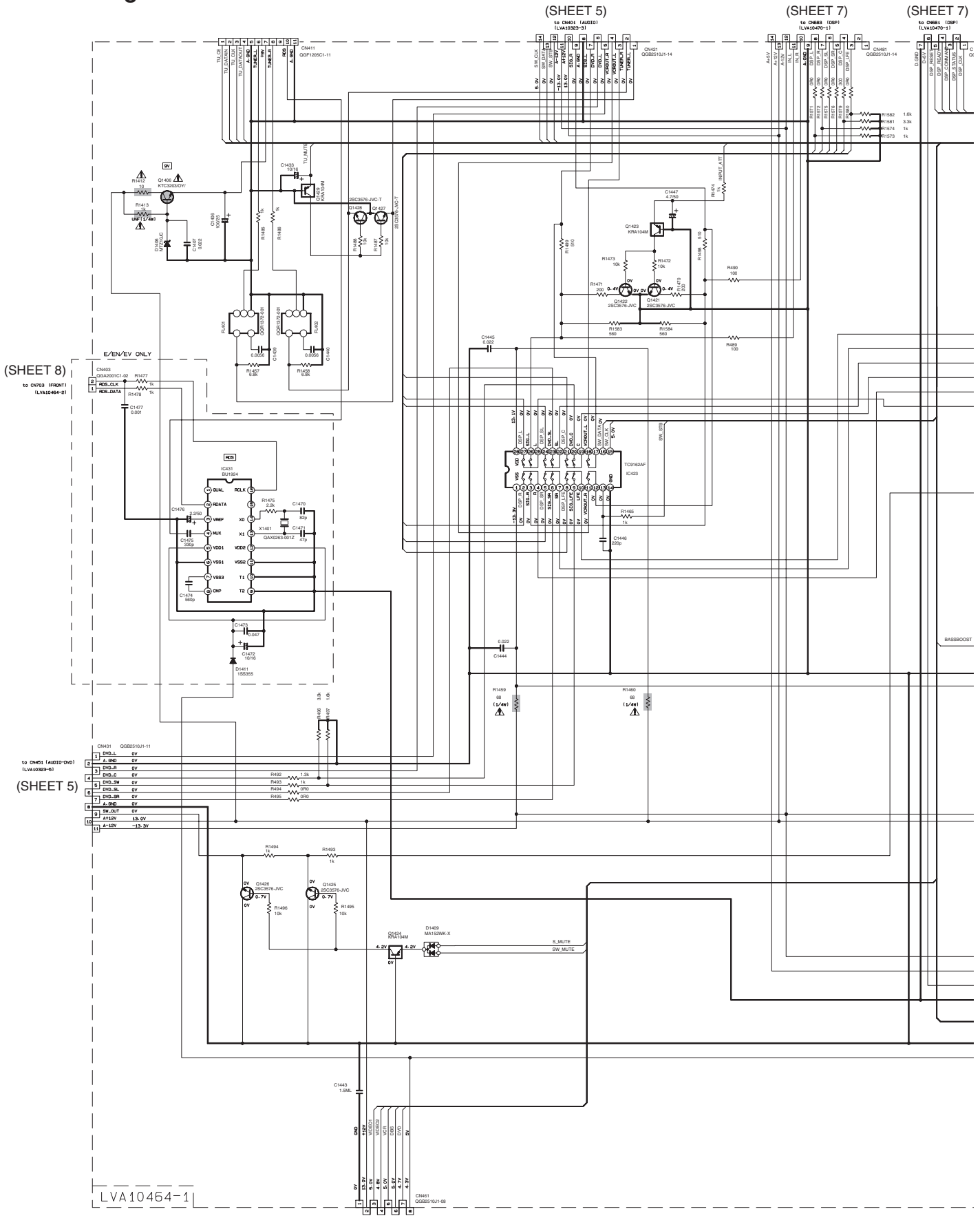
LVA10209-4

MARK LIST

	J/C	E/EN/EV	US/A
Q315- Q316 Q815- Q816 Q915	2SD2389/OPY/-F6	2SD2390/OPY/-F6	2SD2390/OPY/-F6
Q317- Q318 Q817- Q818 Q917	2SB1559/OPY/-F6	2SB1560/OPY/-F6	2SB1560/OPY/-F6
R829- R830 R929	470	470	220

parts are safety assurance parts.
When replacing those parts make
sure to use the specified one.

Volume / Regulator / Source select section



(SHEET 5)
to CH01 (A8101)
LVA10383-31

(SHEET 7)
to CH03 (G0P)
LVA10470-11

(SHEET 7)
to CH01 (G0P)
LVA10470-11

(SHEET 8)
to CH03 (FRONT)
LVA10464-21

(SHEET 5)
to CH01 (A8101-DND)
LVA10383-51

LVA10464-1

(SHEET 6)
to CH01 (S-VIDEO)
LVA10383-41

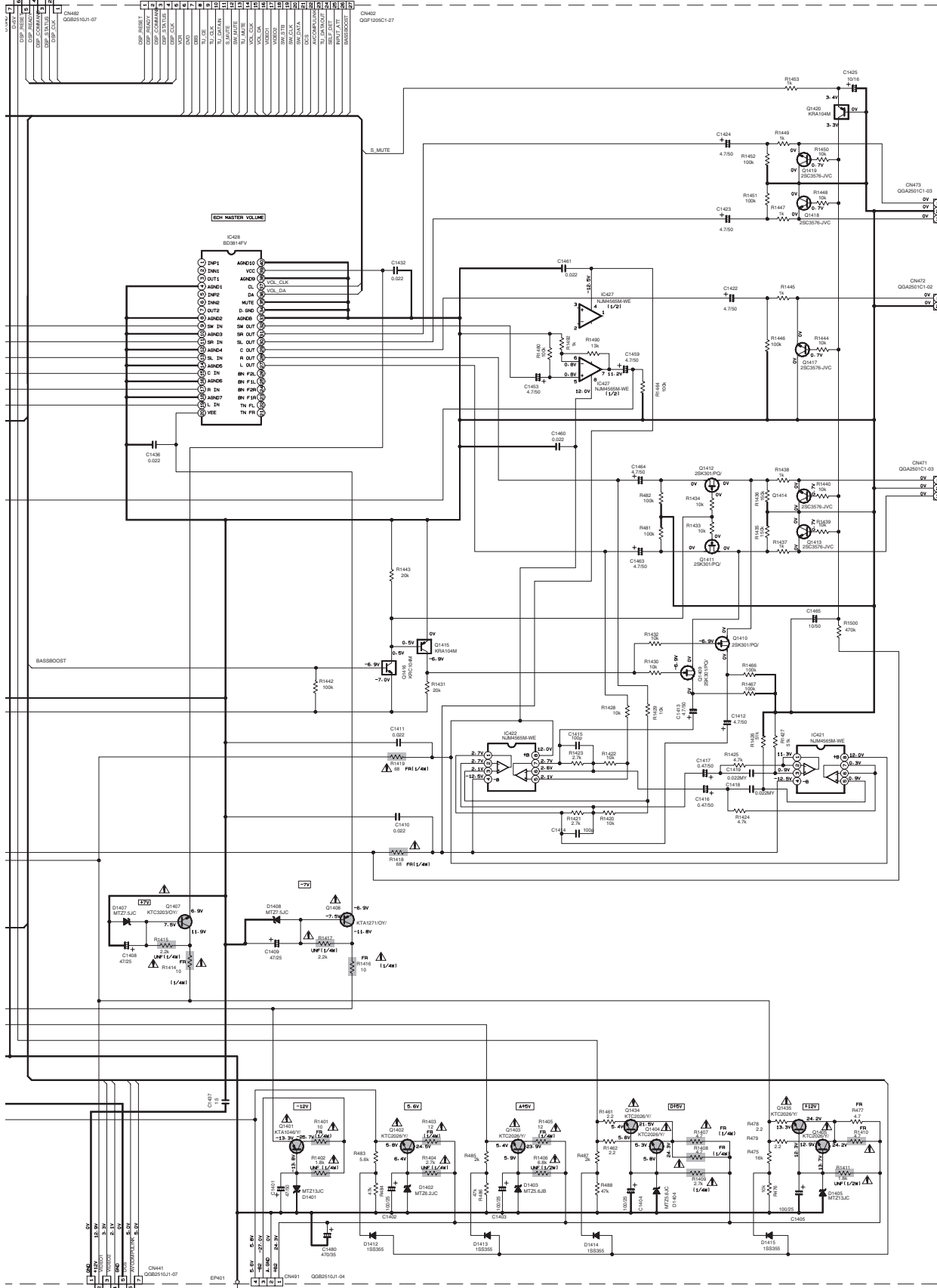
⚠ Parts are safety assurance parts.
When replacing those parts make
sure to use the specified one.

SHEET 7)

(SHEET 8)

to CN65 (OSP)
(LVA10470-11)

to CN76 (FRONT)
(LVA10464-11)



(SHEET 6)

(SHEET 1)

(SHEET 2)

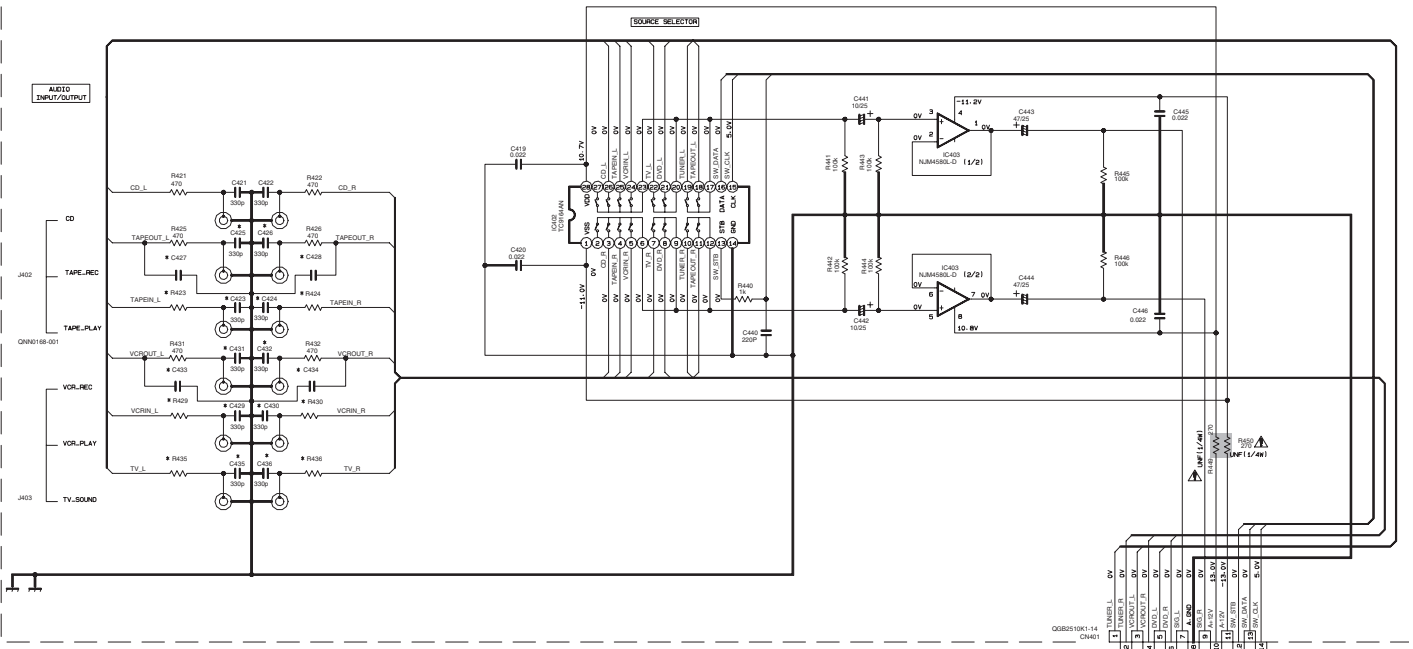
(SHEET 2)

(SHEET 2)

SHEET 4

Audio signal input terminal section

LVA10323-3



QB85 1001-14
C441

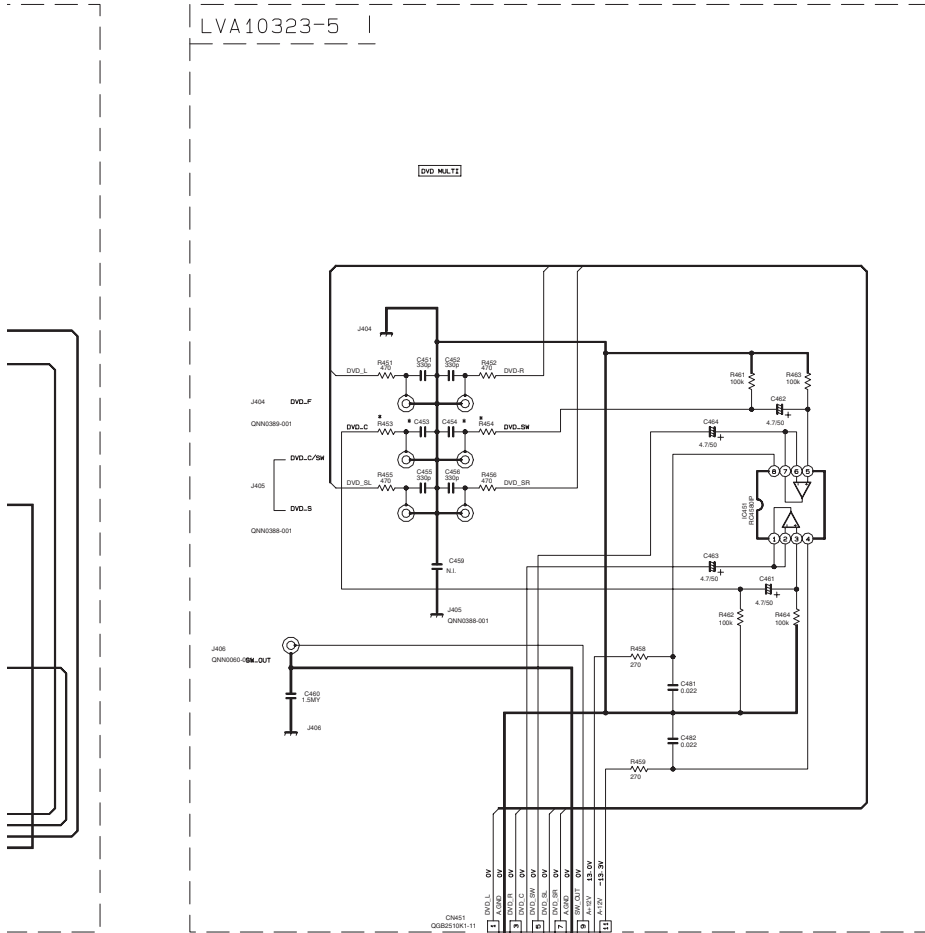
to QN41
(LVA10464-1)
(SHEET 4)

MARK LIST


MARK	U/C	U/S/U/L/PA/A	B/E/EN/EV
C423	330P	330P	NONE
C424	330P	330P	NONE
C425	330P	330P	NONE
C426	330P	330P	NONE
C427	220P	220P	680P
C428	220P	220P	680P
C429	330P	330P	NONE
C430	330P	330P	NONE
C431	330P	330P	NONE
C432	220P	220P	680P
C433	220P	220P	680P
C434	220P	220P	680P
C435	330P	330P	NONE
C436	330P	330P	NONE
R423	470	470	2.2K
R424	470	470	2.2K
R425	470	470	1K
R426	470	470	1K
R427	470	470	1K
R428	470	470	1K
R429	470	470	1K
R430	470	470	1K
R431	470	470	1K
R432	470	470	1K
R433	470	470	1K
R434	470	470	1K
R435	470	470	1K
R436	470	470	1K
R437	470	470	1K
R438	470	470	1K
R439	470	470	1K
R440	470	470	1K
R441	100K	100K	100K
R442	100K	100K	100K
R443	100K	100K	100K
R444	100K	100K	100K
R445	100K	100K	100K
R446	100K	100K	100K
C441	1000	1000	1000
C442	1000	1000	1000
C443	4700	4700	4700
C444	4700	4700	4700
C445	0.022	0.022	0.022
C446	0.022	0.022	0.022

LVA10323-5 |

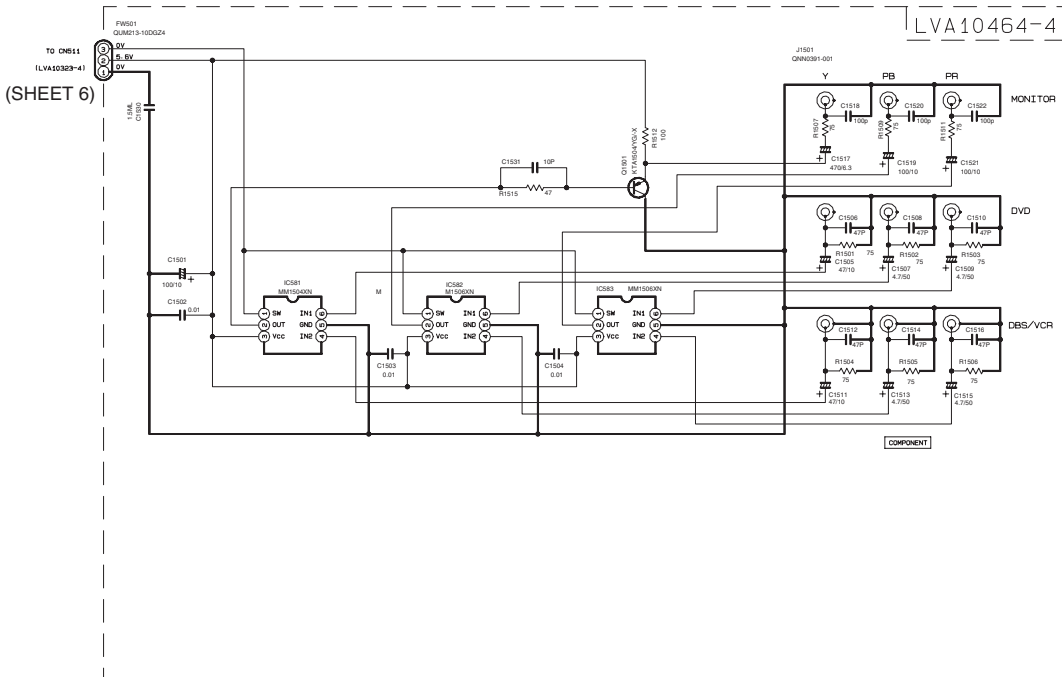
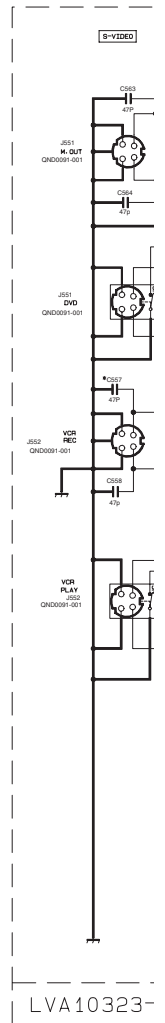
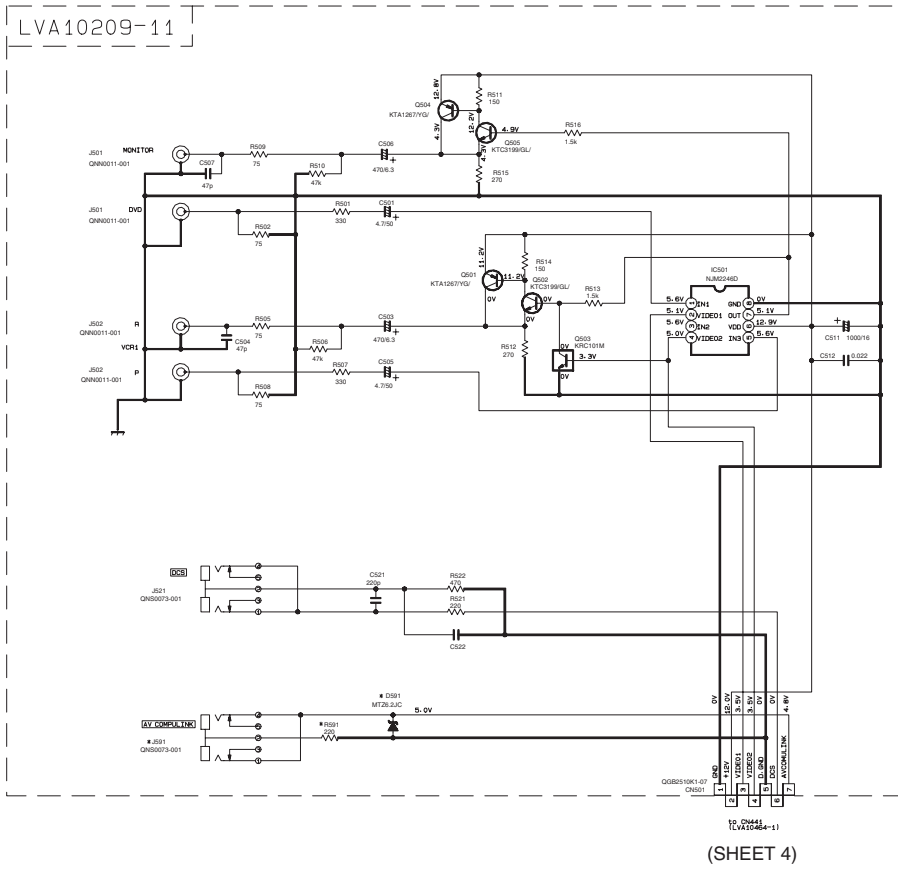
[DVD M.L.T.]



to CH431
(LVA10464-11)
(SHEET 4)

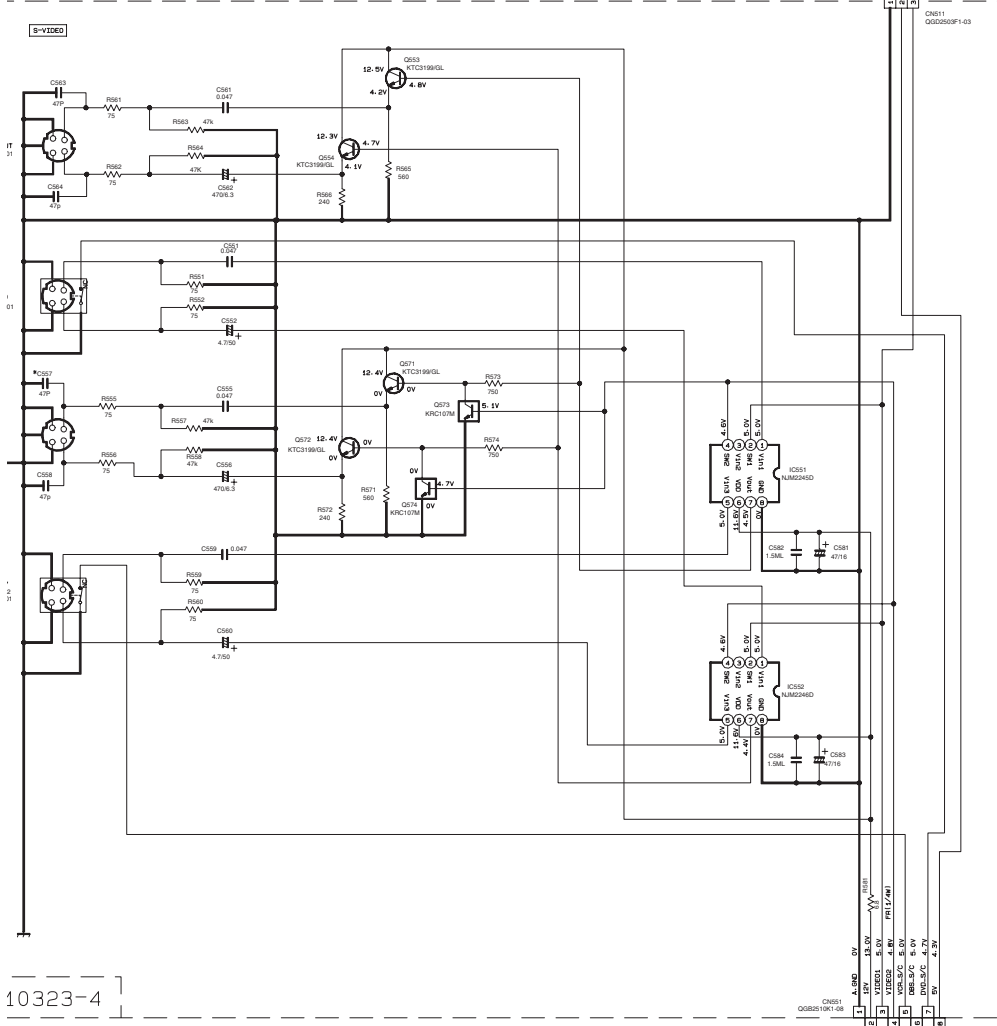
 Parts are safety assurance parts.
When replacing those parts make
sure to use the specified one.

Video signal input terminal section



(SHEET 6)

TO PH01
LVA10464-1



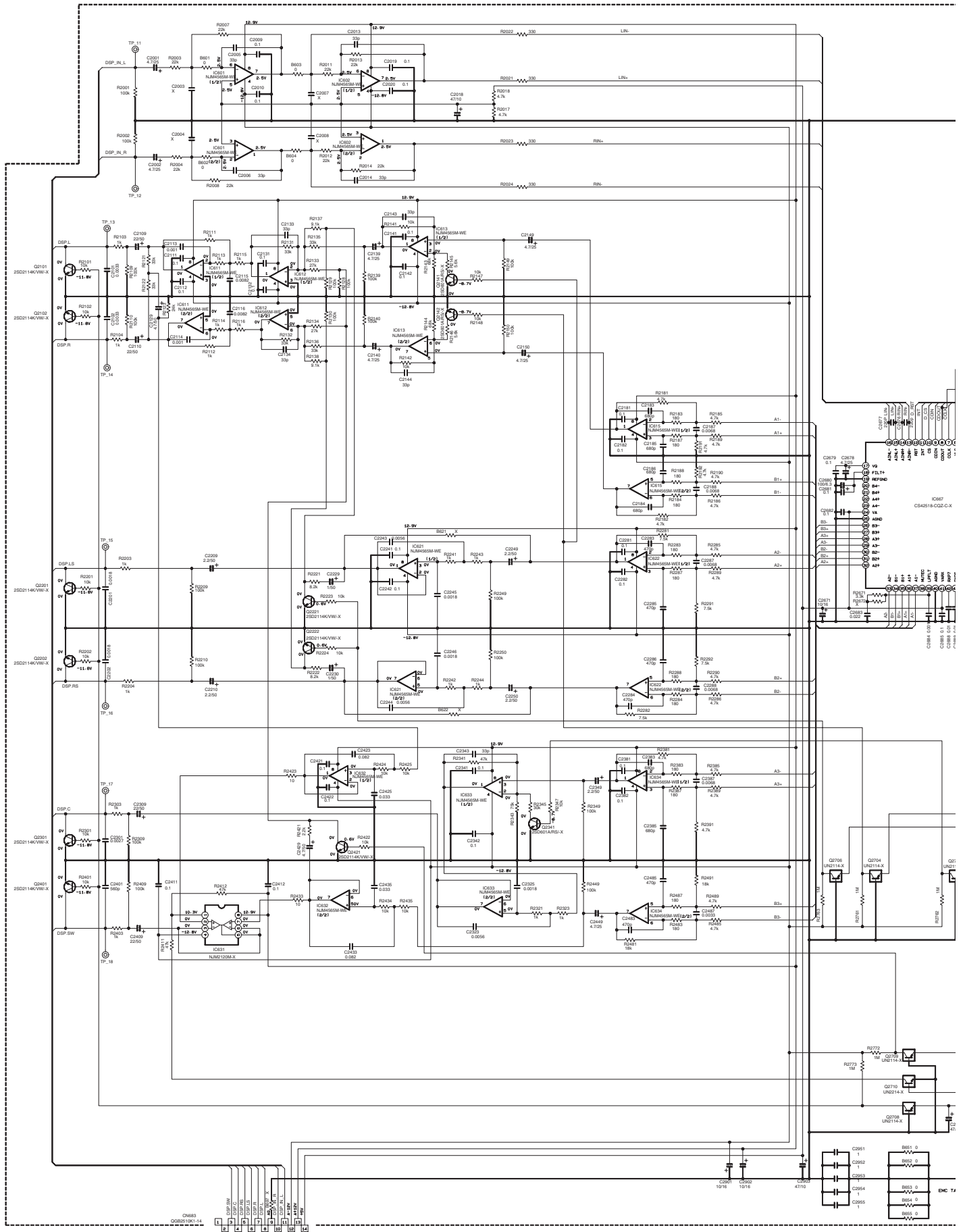
10323-4

(SHEET 4)

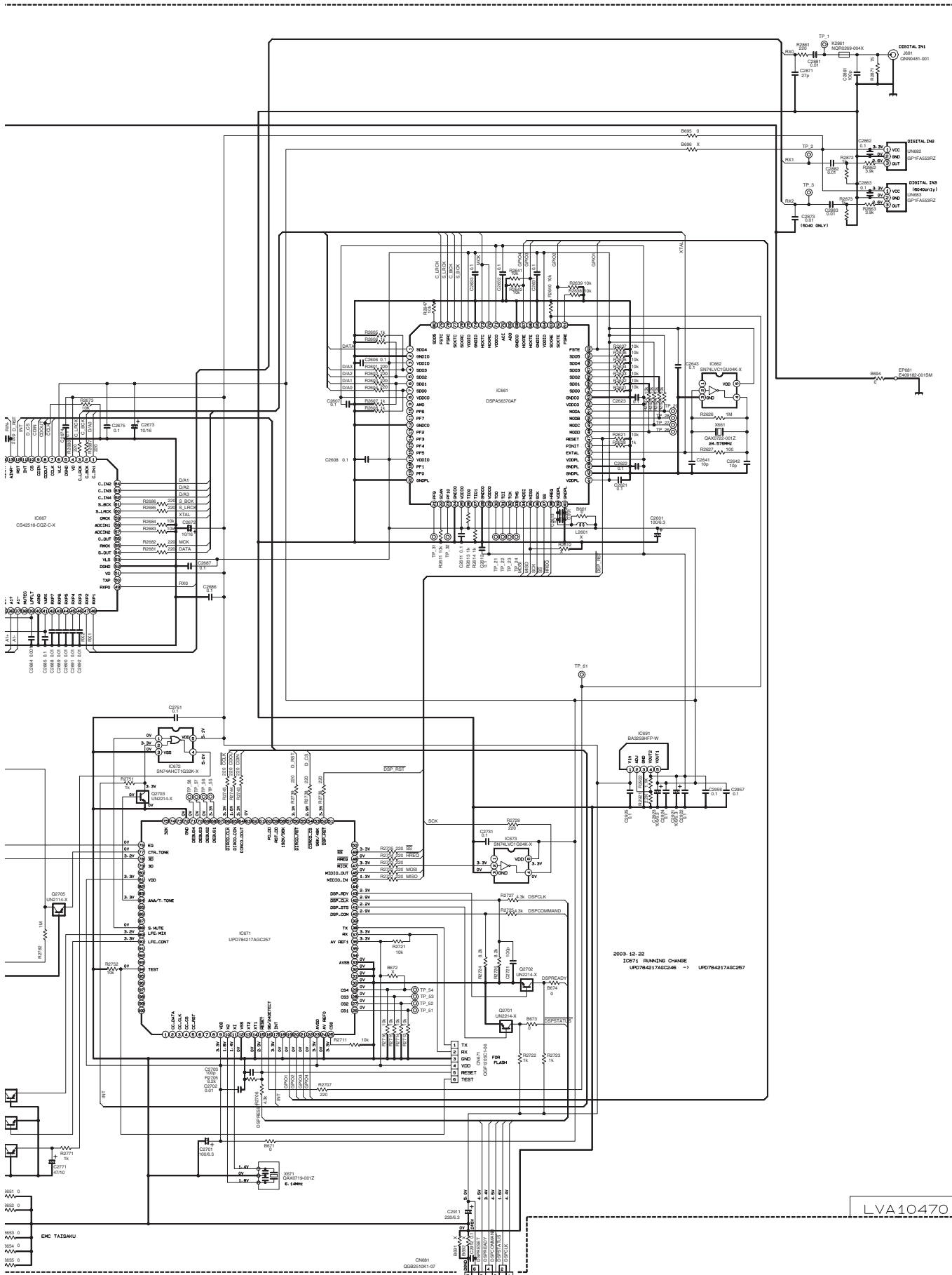
MARK LIST

MARK	J/C	US/IT/UK/JP/A	B/E/EN/EV
PH01	USE	USE	NONE
PH01			
CS01			

Surround / Digital signal input terminal section



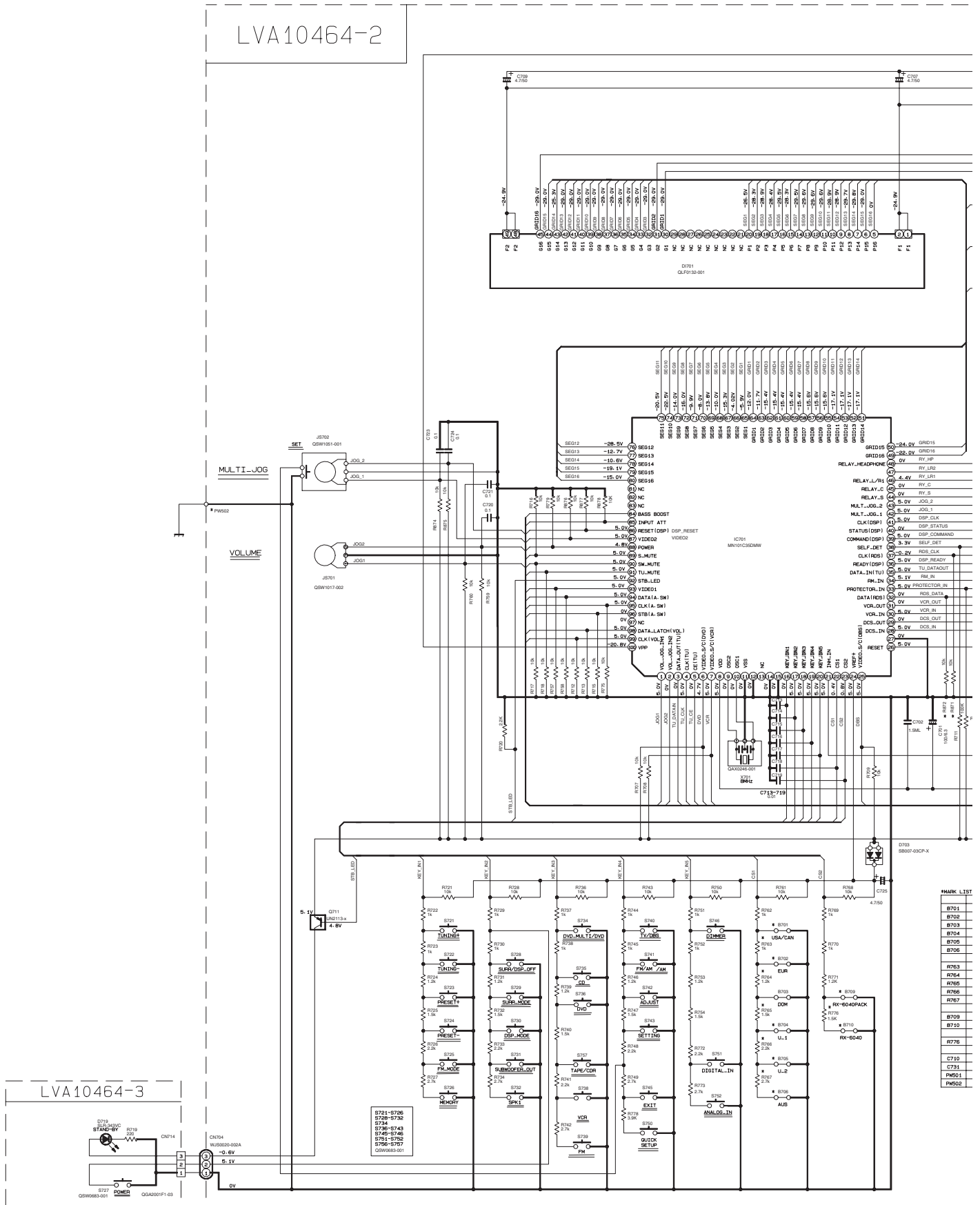
(SHEET 4)

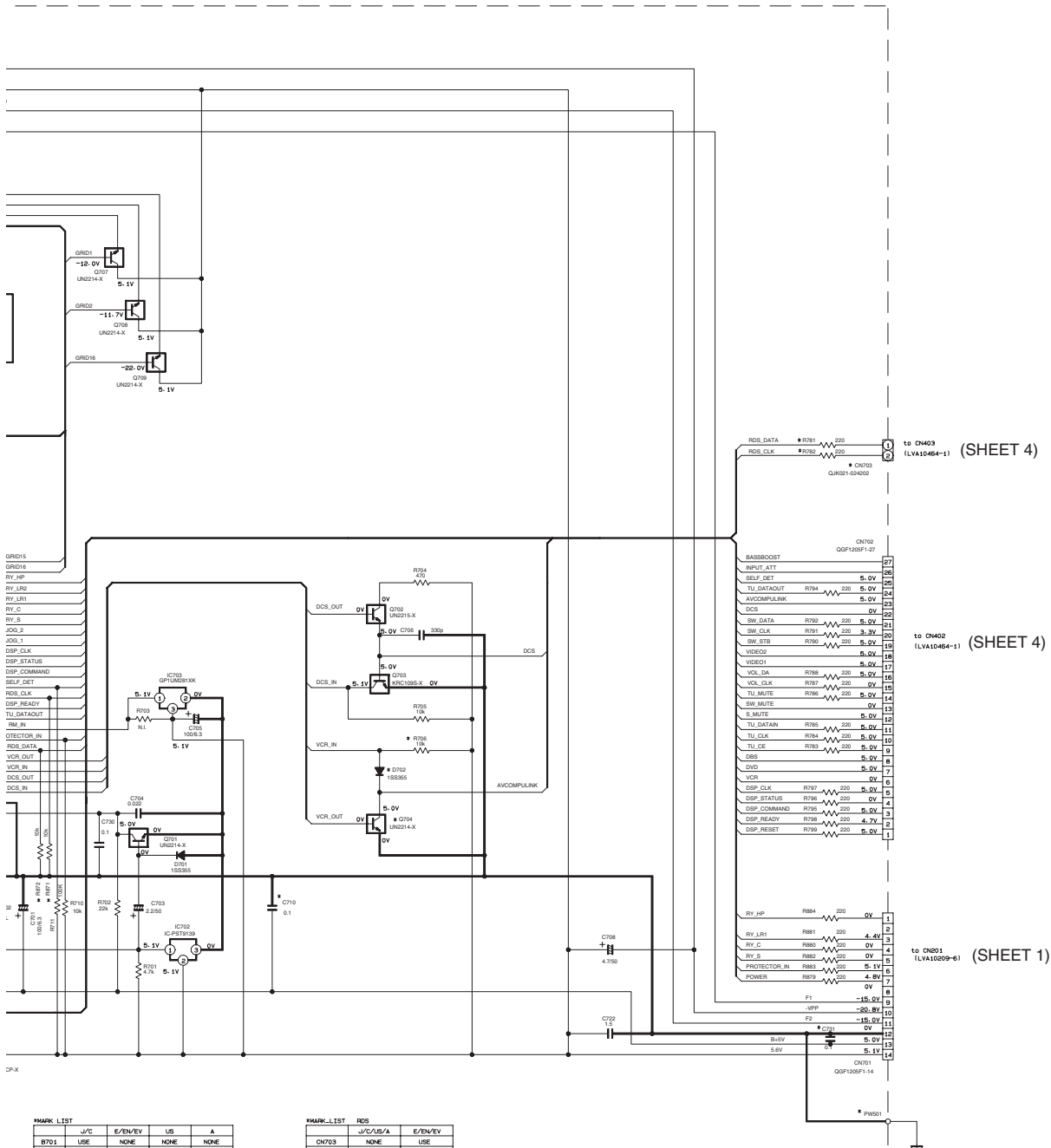


LVA10470

8003.12.20
100% BURNING CHANGE
UFO784217AGC246 → UFO784217AGC257

■ User control keys / System control / FL display section





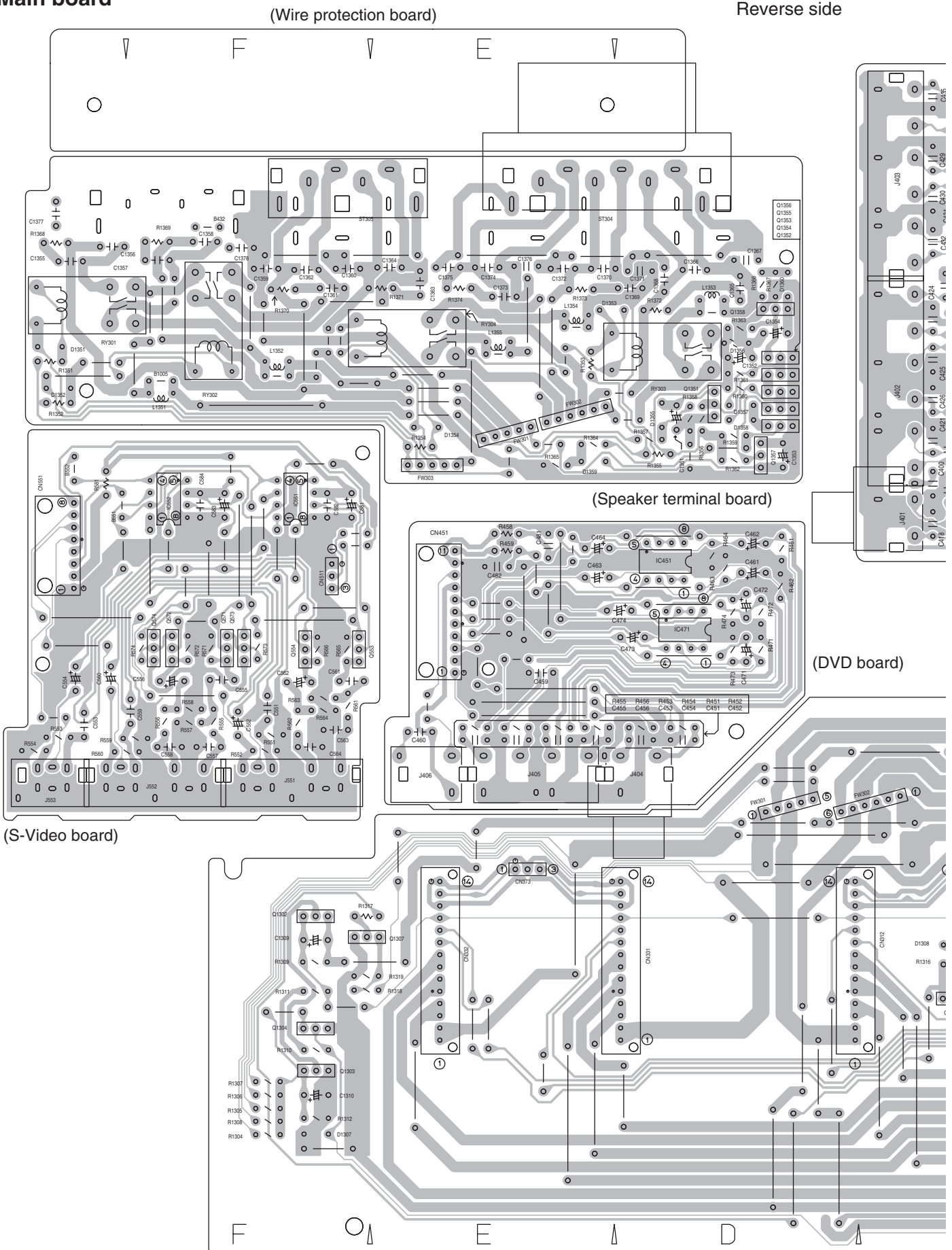
MARK LIST	J/C	E/EN/VEV	USE	A
B701	USE	NONE	NONE	NONE
B702	NONE	USE	NONE	NONE
B703	NONE	NONE	NONE	NONE
B704	NONE	NONE	USE	NONE
B705	NONE	NONE	NONE	NONE
B706	NONE	NONE	NONE	USE
B763	NONE	USE	USE	USE
B764	NONE	NONE	USE	USE
B765	NONE	NONE	USE	USE
B766	NONE	NONE	NONE	USE
B767	NONE	NONE	NONE	USE
B709	NONE	NONE	NONE	NONE
B710	USE	USE	USE	USE
B776	USE	USE	USE	USE
C710	NONE	USE	USE	USE
C791	NONE	USE	USE	USE
FMS01	NONE	USE	USE	USE
FMS02	NONE	USE	USE	USE

MARK LIST	RDS	J/C	E/EN/VEV
CN703	NONE	USE	USE
R781	NONE	USE	USE
R782	NONE	USE	USE
R781	USE	NONE	NONE
R782	USE	NONE	NONE

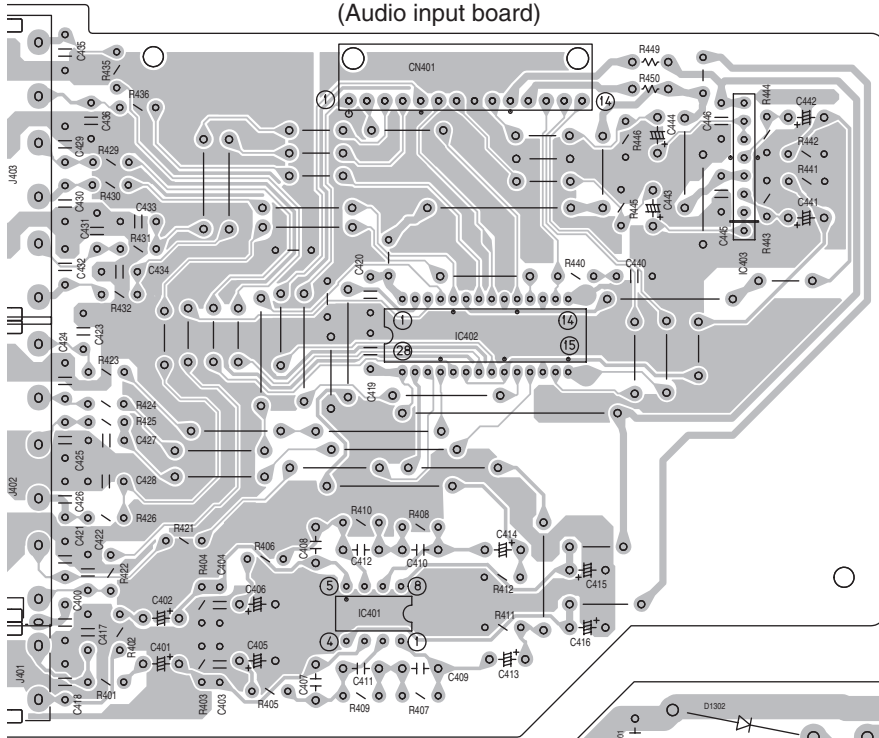
MARK LIST	AV COMPULNK	J/C	E/EN/VEV
R706	USE	NONE	NONE
D702	USE	NONE	NONE
B704	USE	NONE	NONE

Printed circuit boards

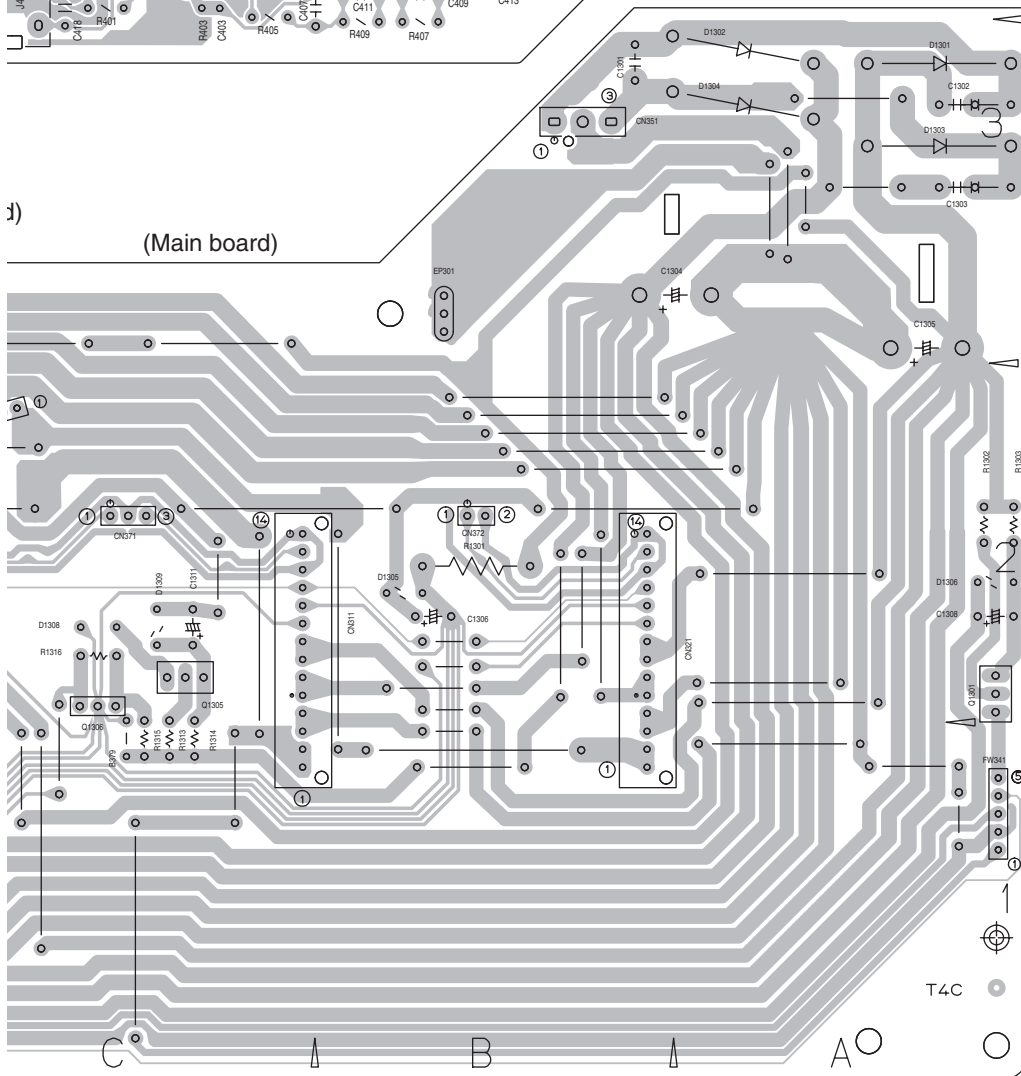
■ Main board



(Audio input board)

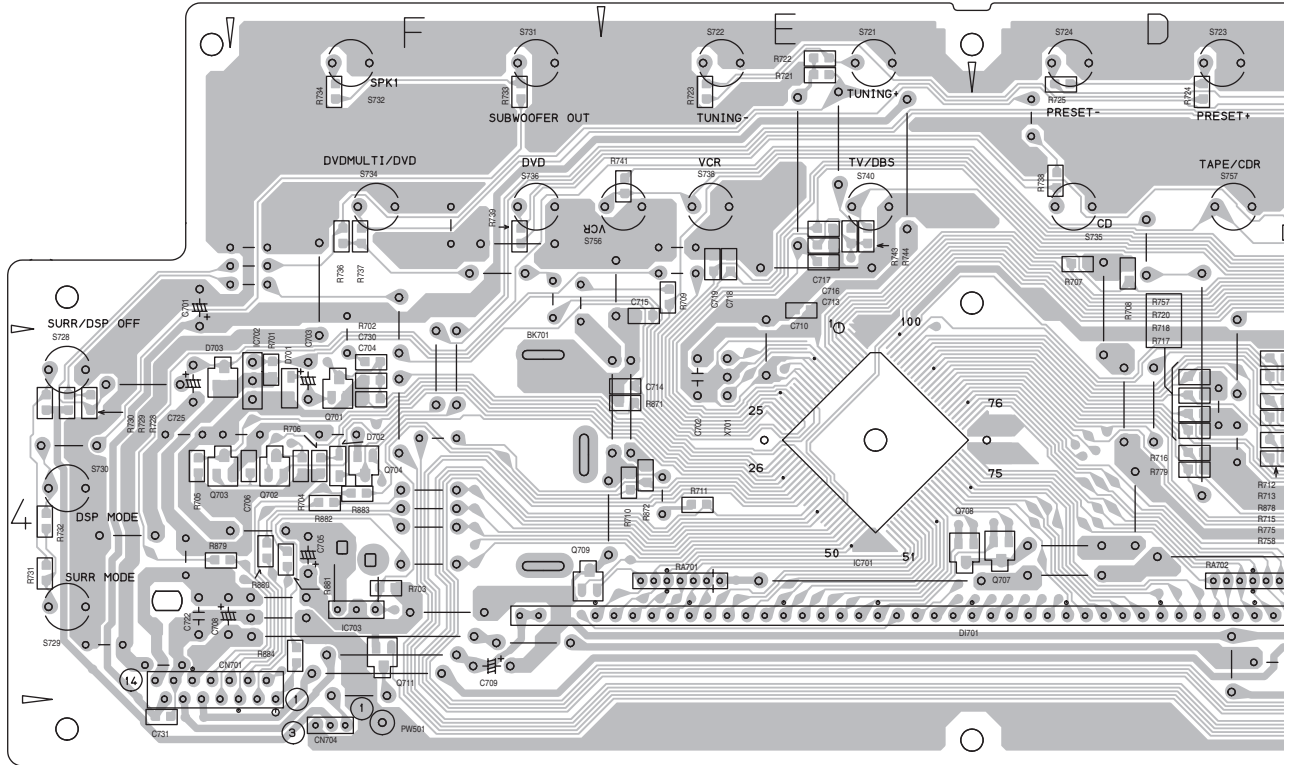


d) (Main board)

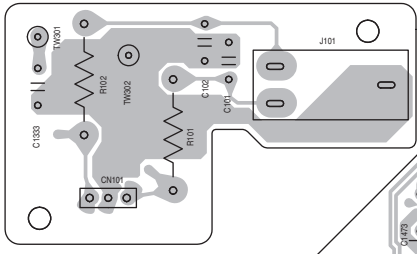
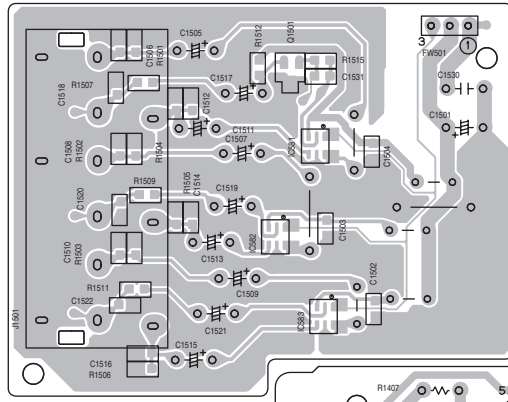


■ Front board

Reverse side
(System control board)

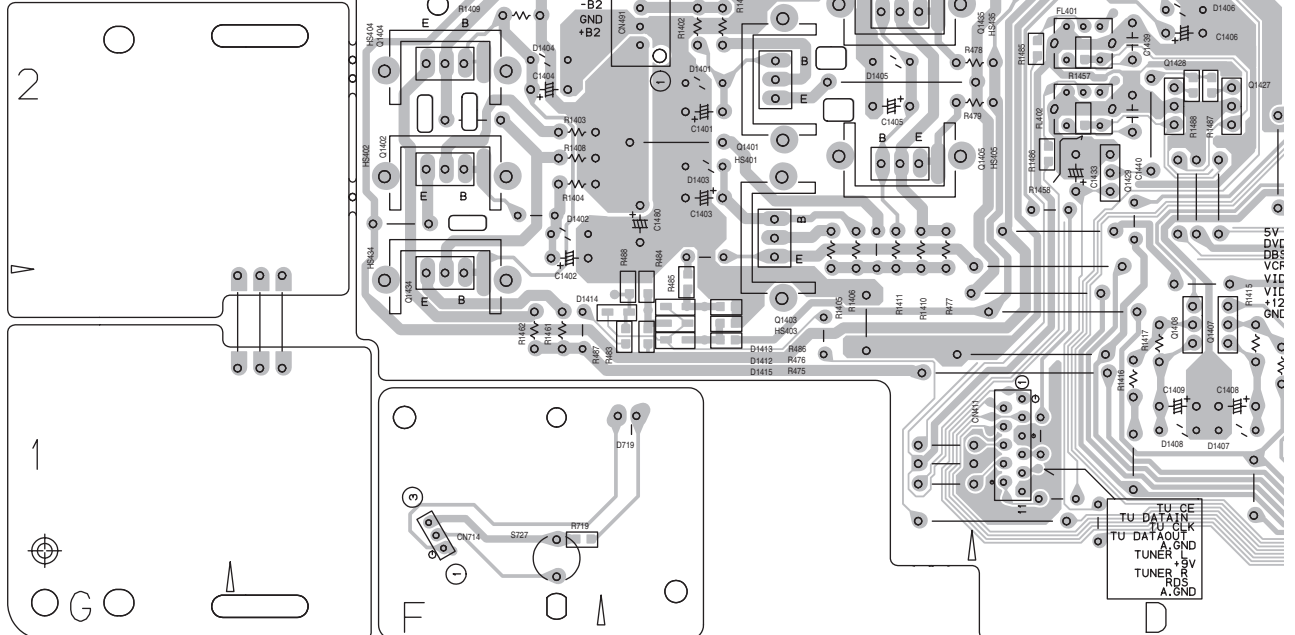


(Component board)



(Headphone jack board)

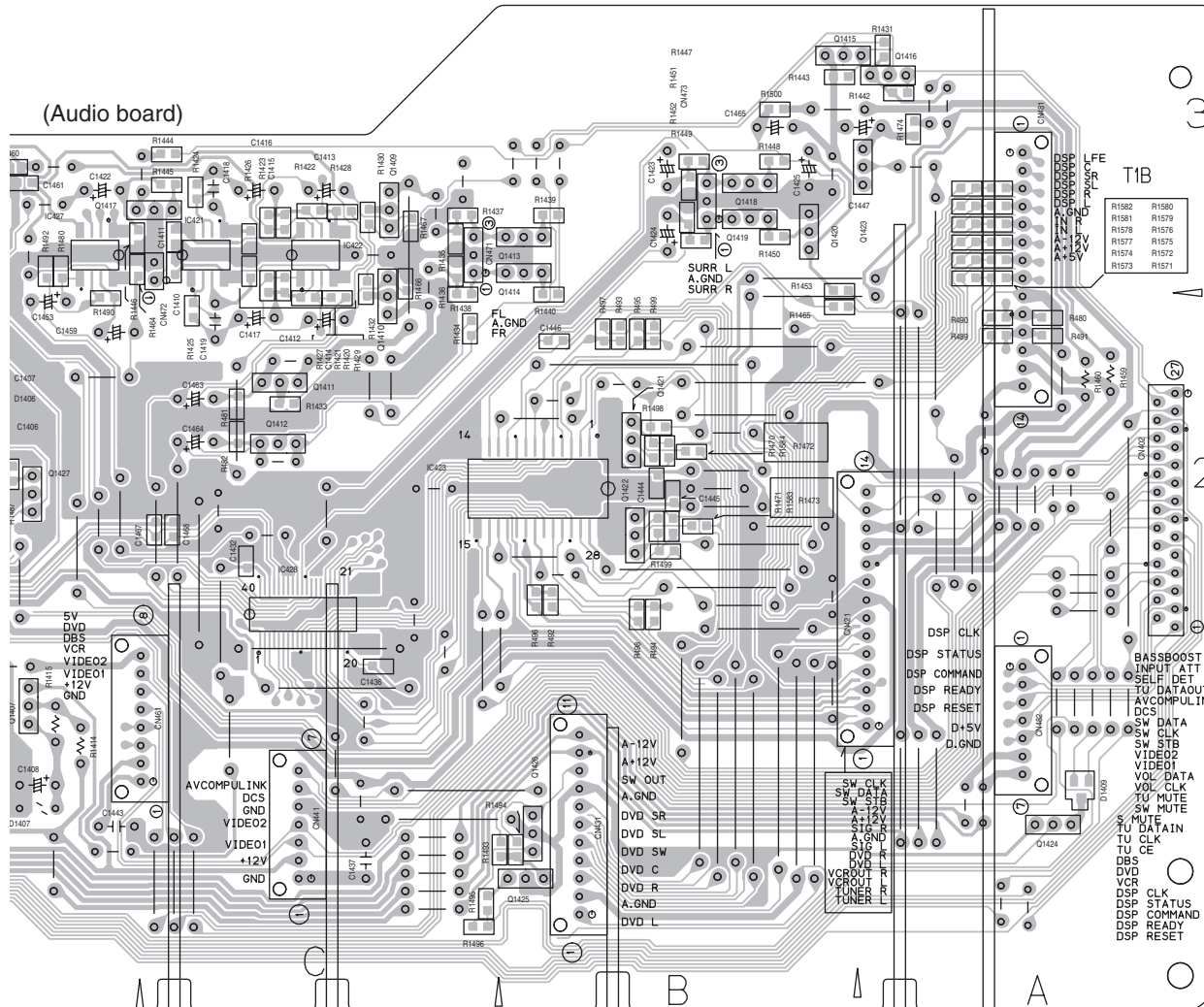
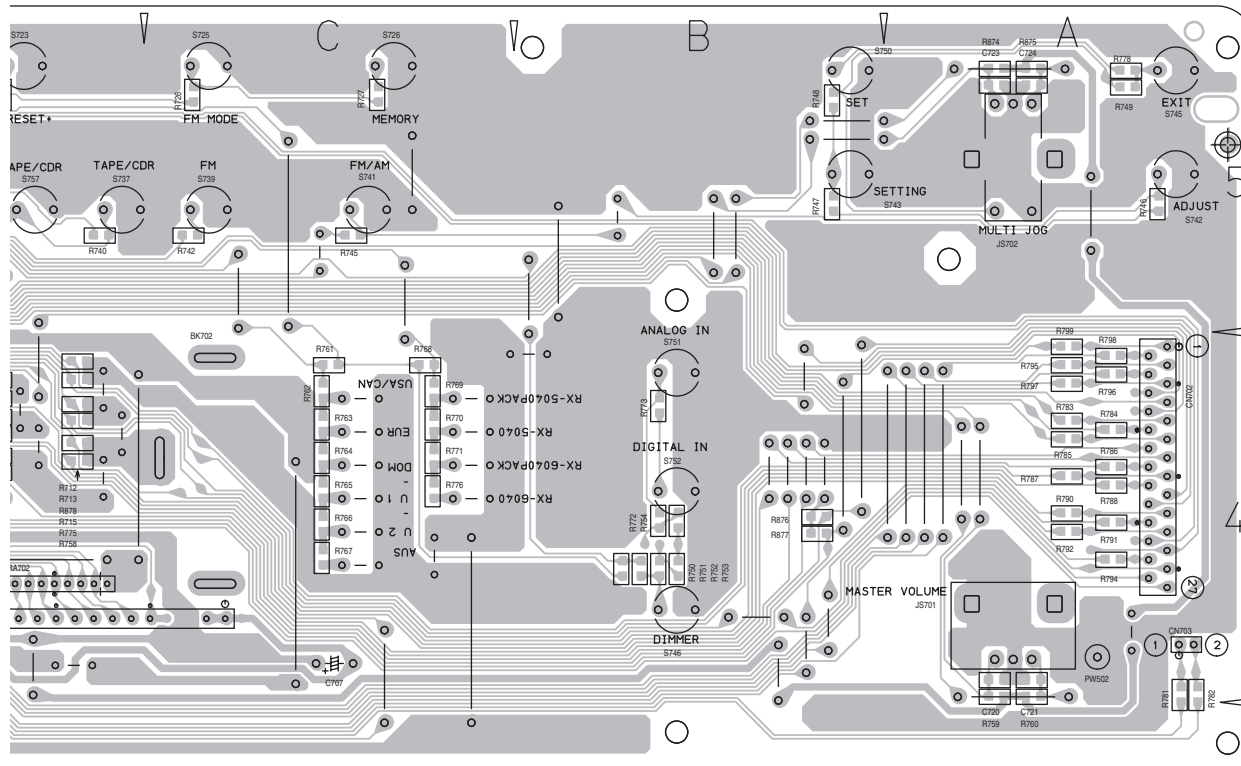
(Au)



(Wire protection board)

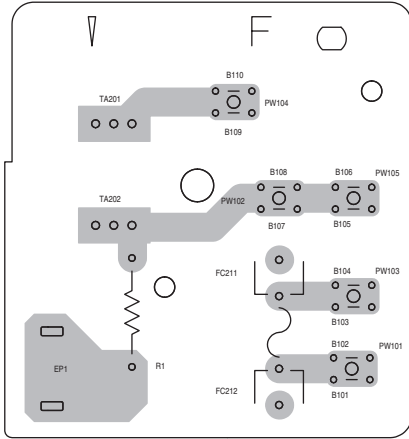
(Power switch board)

le
board)

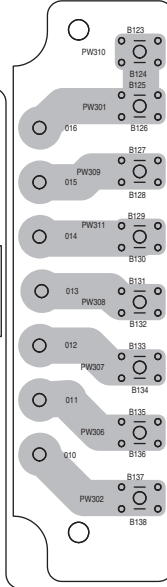


Power amp. board

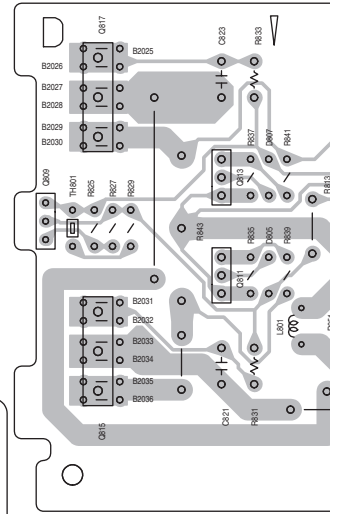
(Power / Fuse board)



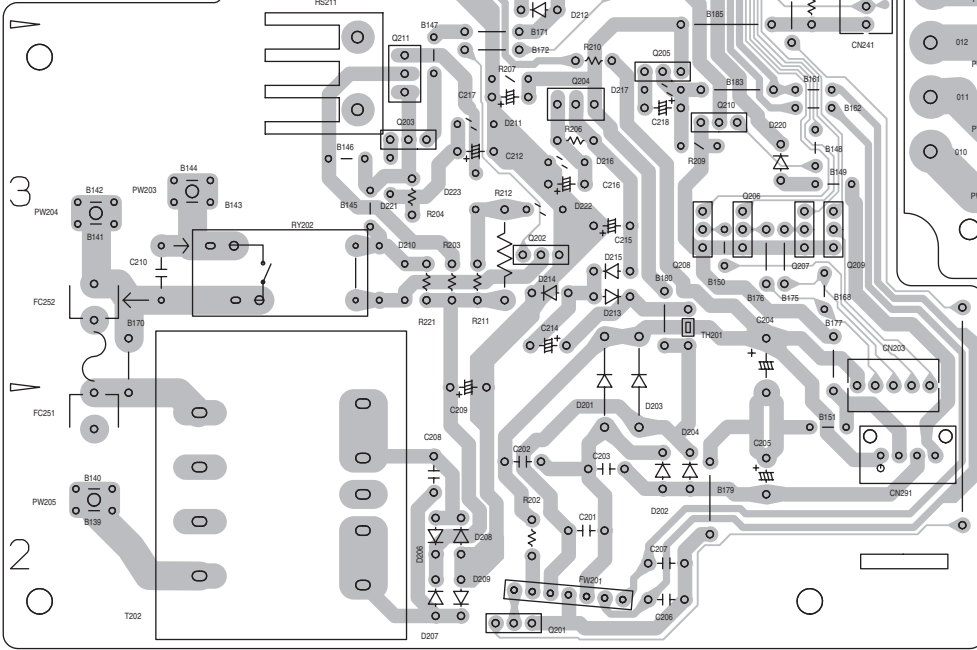
(Power transformer board 1)



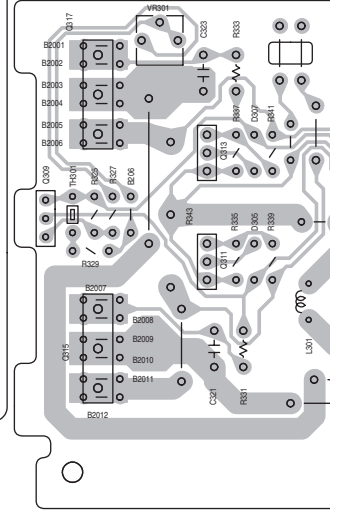
Reverse side (Rear amp)



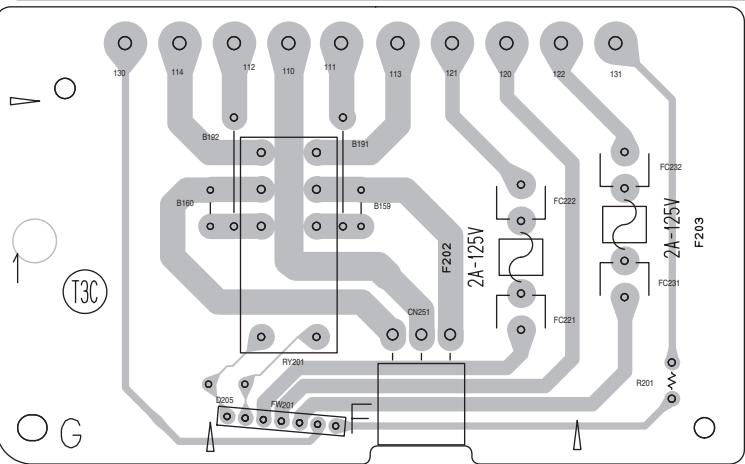
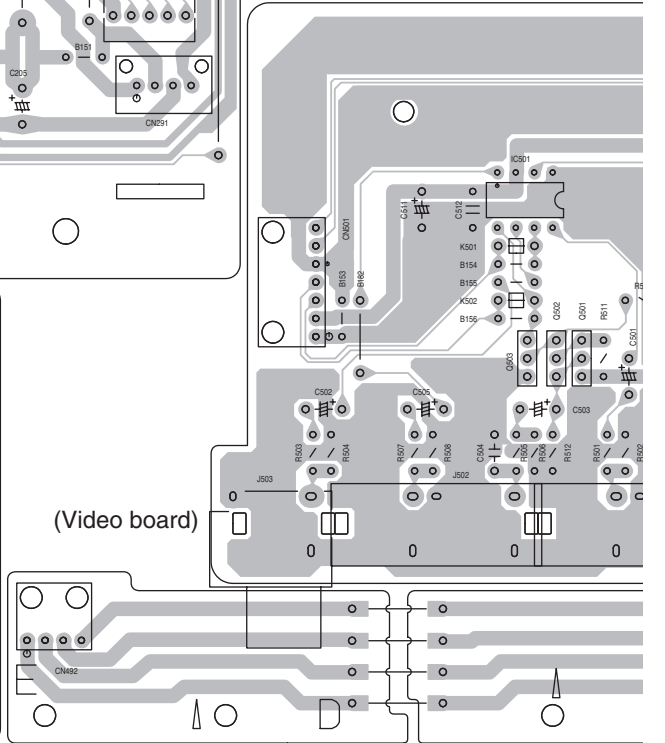
(Power supply board)



(Front amp)

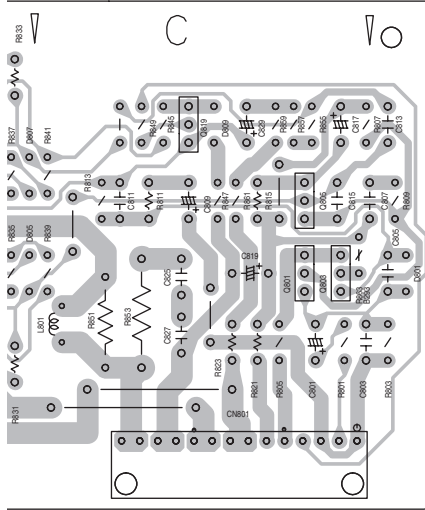


(Video board)

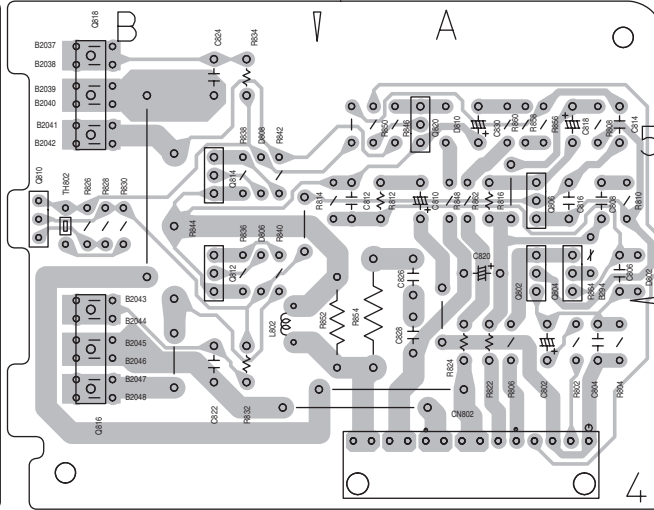


(Power transformer board 2)

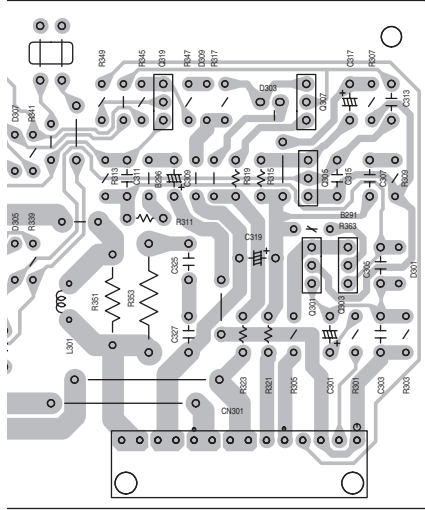
ear amp. board(L)



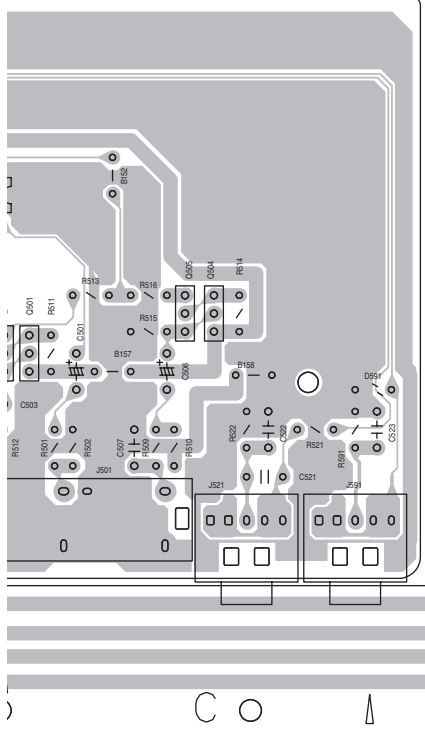
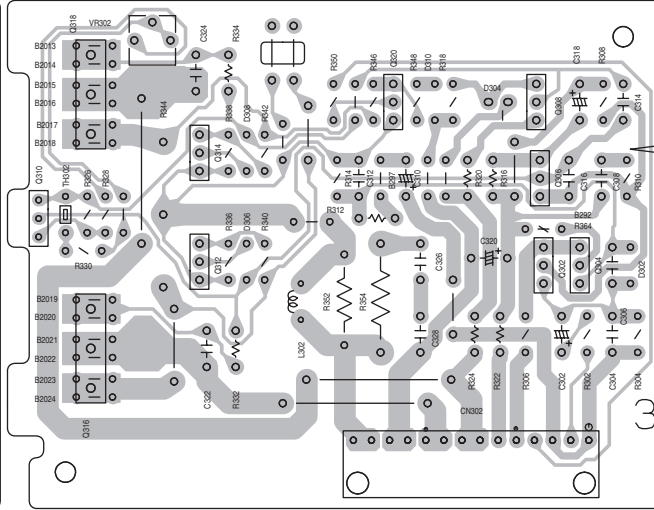
(Rear amp. board(R))



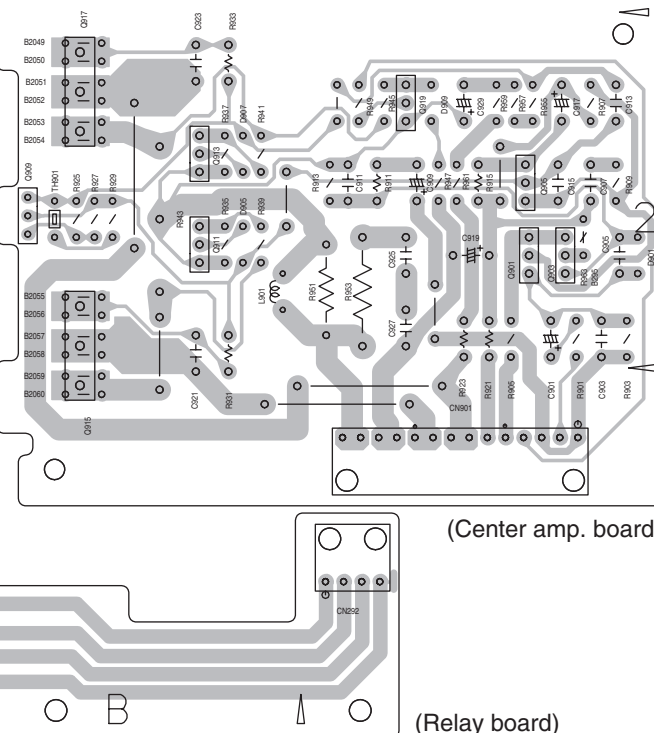
ront amp. board(L)



(Front amp. board(R))



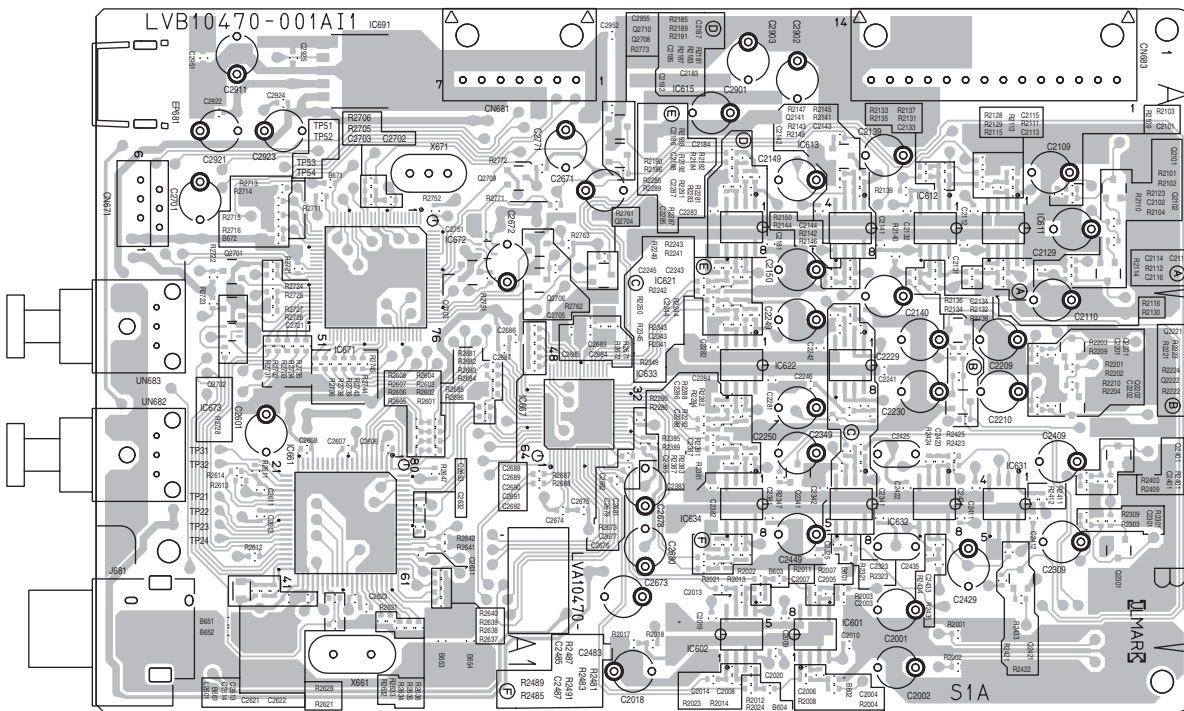
(Center amp. board)



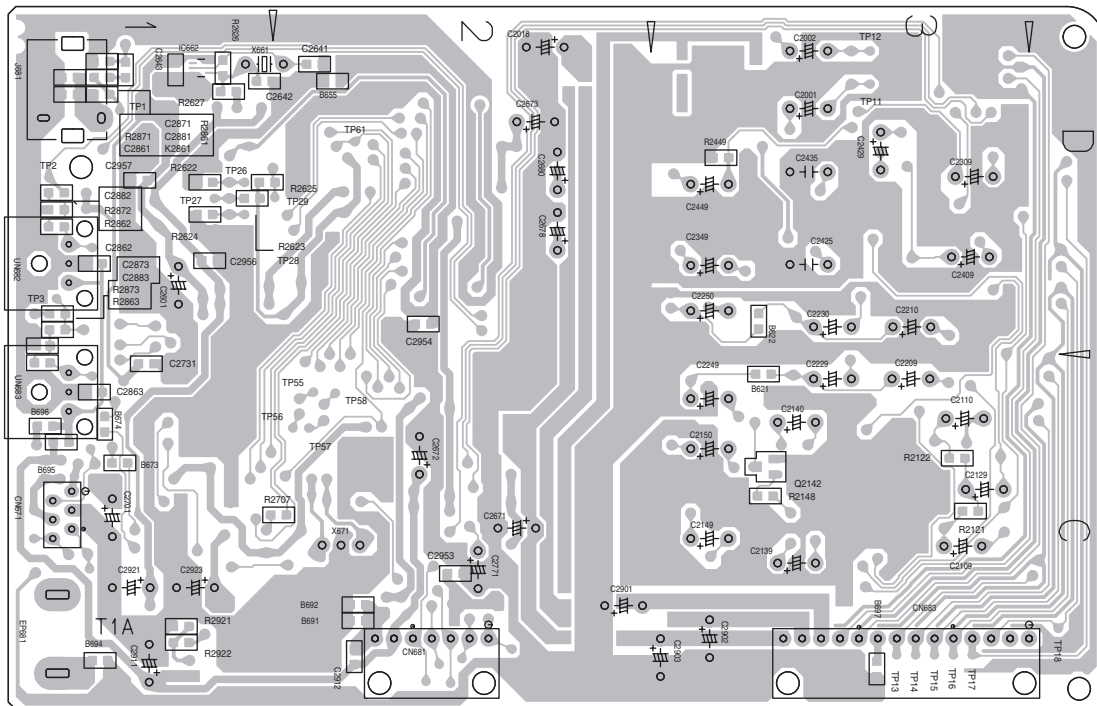
(Relay board)

■ DSP board

Forward side



Reverse side



< MEMO >

JVC

VICTOR COMPANY OF JAPAN, LIMITED

AV & MULTIMEDIA COMPANY AUDIO/VIDEO SYSTEMS CATEGORY 10-1, 1chome, Ohwatari-machi, Maebashi-city, 371-8543, Japan

(No.MB159SCH)



Printed in Japan
WPC

PARTS LIST

[RX-6040B]

* All printed circuit boards and its assemblies are not available as service parts.

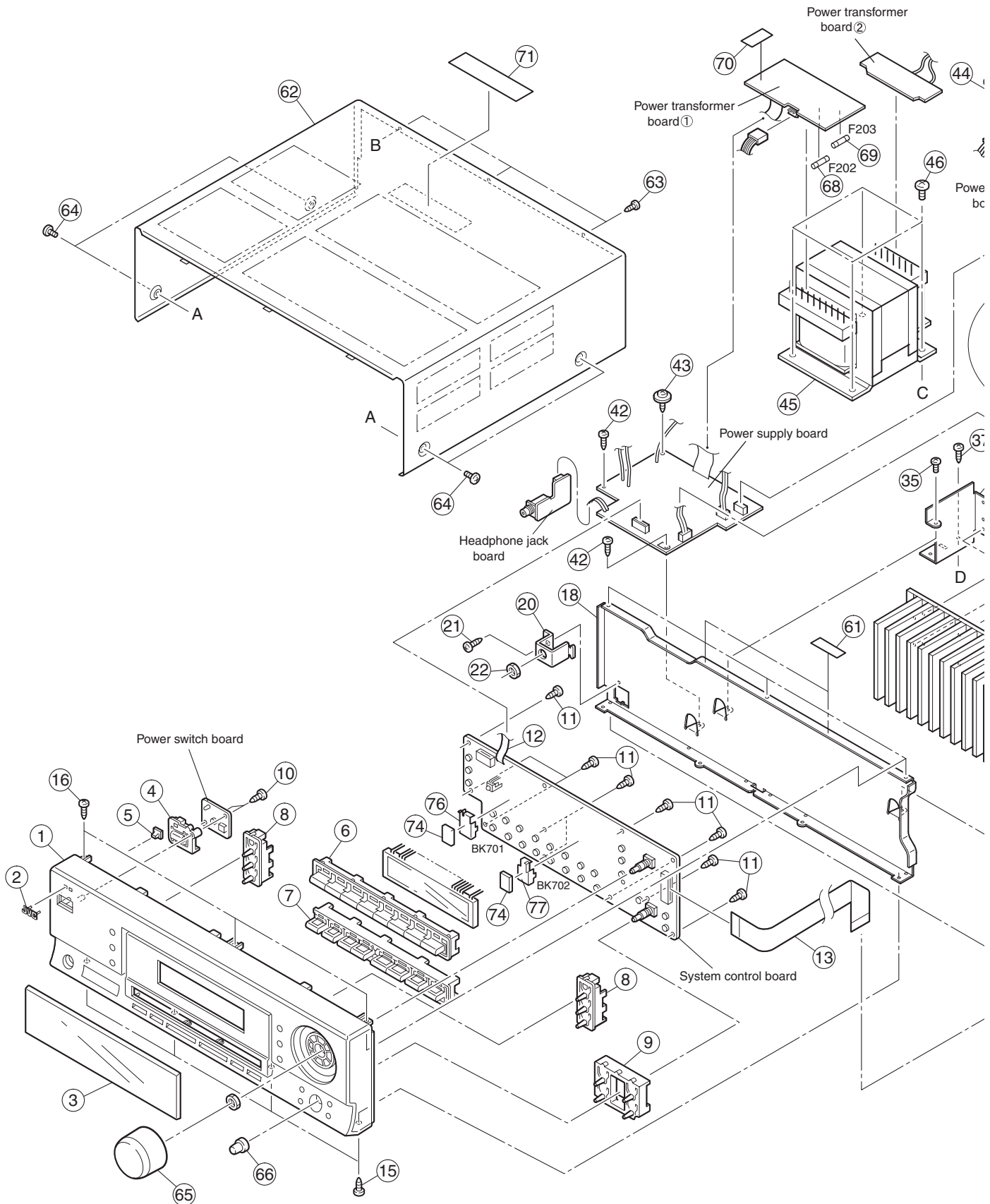
Area suffix	
J	U.S.A.
C	Canada

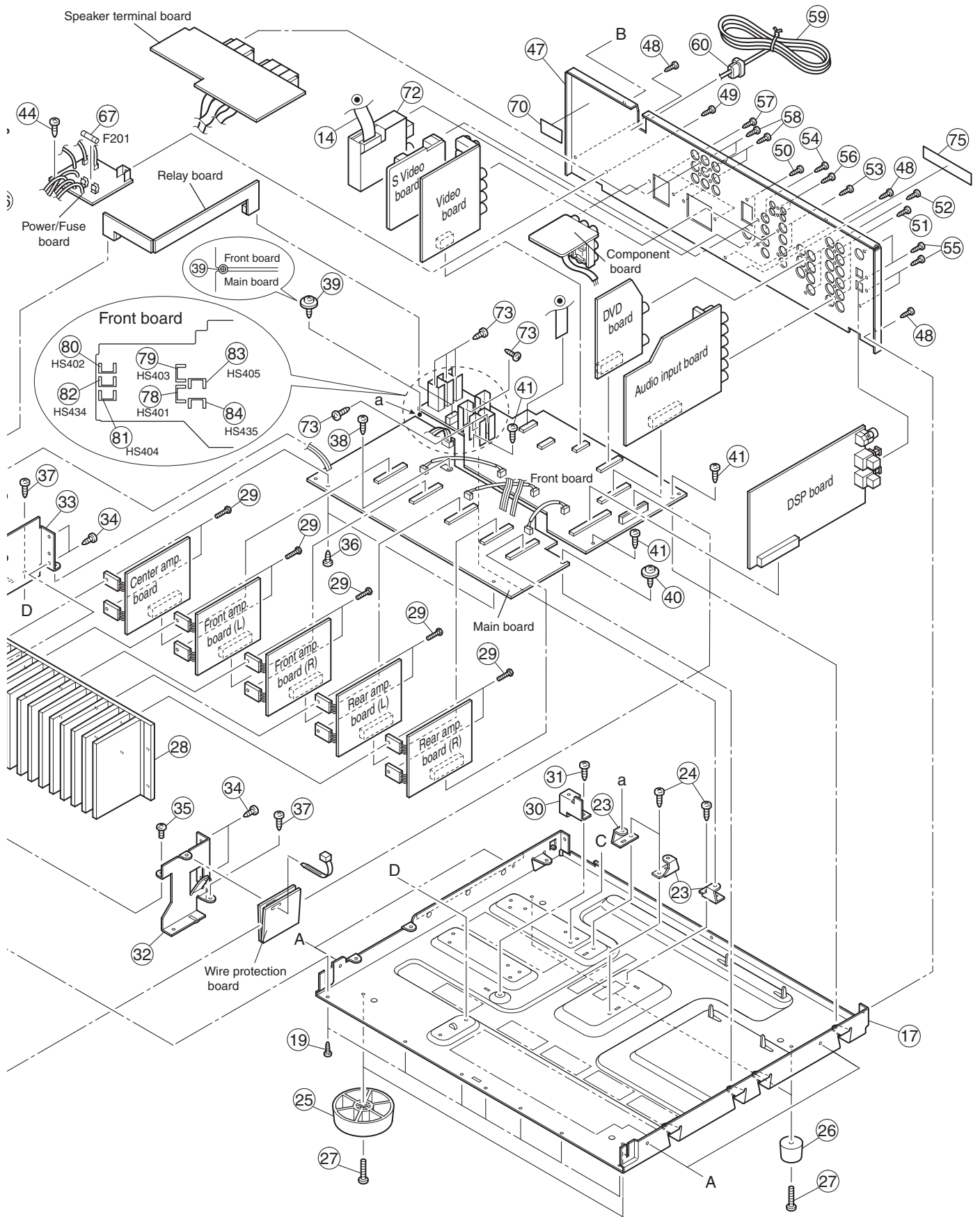
- Contents -

Exploded view of general assembly and parts list (Block No.M1)	3-2
Electrical parts list (Block No.01~04)	3-5
Packing materials and accessories parts list (Block No.M3)	3-16

Exploded view of general assembly and parts list

Block No. M 1 M M





General assembly

Block No. [M][1][M][M]

△ Symbol No.	Part No.	Part Name	Description	Local
1	LV10756-009A	FRONT PANEL		
2	LV43338-001A	JVC MARK		
3	LV34003-001A	LENS		
4	LV34000-001A	PUSH BUTTON(POW)		
5	LV42096-001A	INDICATOR		
6	LV21420-001A	PUSH BUTTON		
7	LV21421-001A	PUSH BUTTON(FM)		
8	LV34001-001A	3-BUTTON	(x2)	
9	LV34002-001A	4-BUTTON		
10	QYSBSF2608Z	TAPPING SCREW	2.6mm x 8mm(x2)	
11	QYSBSF2608Z	TAPPING SCREW	2.6mm x 8mm(x9)	
12	QUQ412-1415CJ	FFC WIRE		
13	QUQ412-2734CJ	FFC WIRE		
14	QUQ412-1110CJ	FFC WIRE		
15	QYSBSG3008Z	TAPPING SCREW	3mm x 8mm(x4)	
16	QYSBSG3008Z	TAPPING SCREW	3mm x 8mm(x3)	
17	LV10019-003A	CHASSIS BASE		
18	LV10458-003A	FRONT BRACKET		
19	QYSBSG3008Z	TAPPING SCREW	3mm x 8mm(x7)	
20	LV43304-001A	BKT(PHONES)		
21	QYSBSG3008Z	TAPPING SCREW	3mm x 8mm	
22	VKZ4150-001	SPECIAL NUT		
23	E68587-223SM	CB BKT	(x3)	
24	QYSBST3006Z	TAPPING SCREW	3mm x 6mm(x3)	
25	QZF6018-001	FOOT	60mm x 18mm(x2)	
26	E47227-036	FOOT	(x2)	
27	QYSBST3010Z	TAPPING SCREW	3mm x 10mm(x4)	
28	LV20916-002A	HEAT SINK		
29	QYSBSG3012E	SCREW	3mm x 12mm(x10)	
30	LV42098-001A	C.B BKT		
31	QYSBST3006Z	TAPPING SCREW	3mm x 6mm	
32	LV32433-001A	H.S BRACKET(R)		
33	LV32434-001A	H.S BRACKET(L)		
34	QYSBSG3008Z	TAPPING SCREW	3mm x 8mm(x4)	
35	QYSBST3006Z	TAPPING SCREW	3mm x 6mm(x2)	
36	QYSBSG3008Z	TAPPING SCREW	3mm x 8mm(x2)	
37	QYSBST3006Z	TAPPING SCREW	3mm x 6mm(x2)	
38	QYSBSG3008Z	TAPPING SCREW	3mm x 8mm	
39	E65923-003	TAPPING SCREW		
40	E65923-003	TAPPING SCREW		
41	QYSBSG3008Z	TAPPING SCREW	3mm x 8mm(x3)	
42	QYSBSG3008Z	TAPPING SCREW	3mm x 8mm(x2)	
43	E65923-003	TAPPING SCREW		
44	QYSBSG3008Z	TAPPING SCREW	3mm x 8mm	
△ 45	QQT0427-001	POWER TRANSF		
46	QYSDSTL4008Z	ASSY SCREW	4mm x 8mm(x4)	
47	LV20915-083A	REAR PANEL		
48	QYSBSGY3008M	SPECIAL SCREW	3mm x 8mm(x3)	
49	QYSBSGY3008M	SPECIAL SCREW	3mm x 8mm	
50	QYSBSGY3008M	SPECIAL SCREW	3mm x 8mm(x2)	
51	QYSBSGY3008M	SPECIAL SCREW	3mm x 8mm(x4)	
52	QYSBSGY3008M	SPECIAL SCREW	3mm x 8mm(x3)	
53	QYSBSGY3008M	SPECIAL SCREW	3mm x 8mm(x2)	
54	QYSBSGY3008M	SPECIAL SCREW	3mm x 8mm(x2)	
55	QYSBSGY3008M	SPECIAL SCREW	3mm x 8mm(x4)	
56	QYSBSGY3008M	SPECIAL SCREW	3mm x 8mm(x2)	
57	QYSBSGY3008M	SPECIAL SCREW	3mm x 8mm(x4)	
58	QYSBSGY3008M	SPECIAL SCREW	3mm x 8mm(x4)	
△ 59	QMPD420-200-JV	POWER CORD(US/CA)	2m BLACK	
△ 60	QZW0033-001	STRAIN RELIEF		
61	LV30225-0H3A	SPACER	(x2)	
62	LV21422-005A/S/	TOP COVER		
63	QYSBSGY3008M	SPECIAL SCREW	3mm x 8mm(x3)	
64	E406308-003	SPECIAL SCREW	(x4)	
65	LV43463-001A	VOL KNOB ASSY		
66	LV43458-001A	JOG KNOB ASSY		
△ 67	QMF51U1-6R3-J8	FUSE	F201 6.3A AC125V	
△ 68	QMF51U1-2R0-J8	FUSE	F202 2A AC125V	
△ 69	QMF51U1-2R0-J8	FUSE	F203 2A AC125V	
70	LV42388-001A	FUSE CAUTION	(x2)	
71	E409396-003	CAUTION LABEL		
72	QAU0346-001	TUNER		
73	QYSBSG3008E	TAPPING SCREW	3mm x 8mm(x7)	

△ Symbol No.	Part No.	Part Name	Description	Local
74	LV30225-0S7A	SPACER	(x2)	
75	LV43835-002A	EMC LABEL		C
76	LV42093-001A	FL HOLDER(L)		
77	LV42092-001A	FL HOLDER(R)		
78	E70306-001	HEAT SINK	HS401	
79	E70306-001	HEAT SINK	HS403	
80	E70306-001	HEAT SINK	HS402	
81	E70306-001	HEAT SINK	HS404	
82	E70306-001	HEAT SINK	HS434	
83	E70306-001	HEAT SINK	HS405	
84	E70306-001	HEAT SINK	HS435	

Electrical parts list

Main board

Block No. [0][1][0][0]

△ Symbol No.	Part No.	Part Name	Description	Local
IC402	TC9164AN	IC		
IC403	NJM4580L-D	IC		
IC451	RC4580IP	IC		
IC551	NJM2245D	IC		
IC552	NJM2246D	IC		
Q553	KTC3199/GL-T	TRANSISTOR		
Q554	KTC3199/GL-T	TRANSISTOR		
Q571	KTC3199/GL-T	TRANSISTOR		
Q572	KTC3199/GL-T	TRANSISTOR		
Q573	KRC107M-T	DIGI TRANSISTOR		
Q574	KRC107M-T	DIGI TRANSISTOR		
△ Q1301	KTA1046/Y/	TRANSISTOR		
Q1302	KTC3200/GL-T	TRANSISTOR		
Q1303	KTA1268/GL-T	TRANSISTOR		
Q1304	KTC3199/GL-T	TRANSISTOR		
Q1305	2SD2395/EF/	TRANSTRANSISTOR		
Q1306	KTA1023/OY-T	TRANSISTOR		
Q1307	KTC3200/GL-T	TRANSISTOR		
Q1351	KRC109M-T	DIGI TRANSISTOR		
Q1352	KRC109M-T	DIGI TRANSISTOR		
Q1353	KRC109M-T	DIGI TRANSISTOR		
Q1354	KRC109M-T	DIGI TRANSISTOR		
Q1355	KRC109M-T	DIGI TRANSISTOR		
Q1356	KRC109M-T	DIGI TRANSISTOR		
Q1357	KRC109M-T	DIGI TRANSISTOR		
Q1358	KRC109M-T	DIGI TRANSISTOR		
△ D1301	30PRA20-FC	SI DIODE		
△ D1302	30PRA20-FC	SI DIODE		
△ D1303	30PRA20-FC	SI DIODE		
△ D1304	30PRA20-FC	SI DIODE		
D1305	MTZJ18C-T2	Z DIODE		
D1306	MTZJ36C-T2	Z DIODE		
D1307	1SS133-T2	DIODE		
D1308	1SS133-T2	DIODE		
D1309	MTZJ20C-T2	Z DIODE		
D1352	1SS133-T2	DIODE		
D1353	1SS133-T2	DIODE		
D1354	1SS133-T2	DIODE		
D1355	1SS133-T2	DIODE		
D1356	MTZJ5.1C-T2	Z DIODE		
D1357	1SS133-T2	DIODE		
D1358	1SS133-T2	DIODE		
D1359	1SS133-T2	DIODE		
D1360	1SS133-T2	DIODE		
C419	QCBB1HK-223Y	C CAPACITOR	0.022uF 50V K	
C420	QCBB1HK-223Y	C CAPACITOR	0.022uF 50V K	
C421	QCBB1HK-331Y	C CAPACITOR	330pF 50V K	
C422	QCBB1HK-331Y	C CAPACITOR	330pF 50V K	
C423	QCBB1HK-331Y	C CAPACITOR	330pF 50V K	
C424	QCBB1HK-331Y	C CAPACITOR	330pF 50V K	
C425	QCBB1HK-331Y	C CAPACITOR	330pF 50V K	
C426	QCBB1HK-331Y	C CAPACITOR	330pF 50V K	
C427	QCBB1HK-221Y	C CAPACITOR	220pF 50V K	
C428	QCBB1HK-221Y	C CAPACITOR	220pF 50V K	
C429	QCBB1HK-331Y	C CAPACITOR	330pF 50V K	
C430	QCBB1HK-331Y	C CAPACITOR	330pF 50V K	
C431	QCBB1HK-331Y	C CAPACITOR	330pF 50V K	
C432	QCBB1HK-331Y	C CAPACITOR	330pF 50V K	
C433	QCBB1HK-221Y	C CAPACITOR	220pF 50V K	
C434	QCBB1HK-221Y	C CAPACITOR	220pF 50V K	
C435	QCBB1HK-331Y	C CAPACITOR	330pF 50V K	
C436	QCBB1HK-331Y	C CAPACITOR	330pF 50V K	
C440	QCBB1HK-221Y	C CAPACITOR	220pF 50V K	
C441	QETN1EM-106Z	E CAPACITOR	10uF 25V M	
C442	QETN1EM-106Z	E CAPACITOR	10uF 25V M	
C443	QETN1EM-476Z	E CAPACITOR	47uF 25V M	
C444	QETN1EM-476Z	E CAPACITOR	47uF 25V M	
C445	QCBB1HK-223Y	C CAPACITOR	0.022uF 50V K	
C446	QCBB1HK-223Y	C CAPACITOR	0.022uF 50V K	

△ Symbol No.	Part No.	Part Name	Description	Local
C451	QCBB1HK-331Y	C CAPACITOR	330pF 50V K	
C452	QCBB1HK-331Y	C CAPACITOR	330pF 50V K	
C453	QCBB1HK-331Y	C CAPACITOR	330pF 50V K	
C454	QCBB1HK-331Y	C CAPACITOR	330pF 50V K	
C455	QCBB1HK-331Y	C CAPACITOR	330pF 50V K	
C456	QCBB1HK-331Y	C CAPACITOR	330pF 50V K	
C460	QCZ0202-155Z	C CAPACITOR	1.5uF 25V Z	
C461	QETN1HM-475Z	E CAPACITOR	4.7uF 50V M	
C462	QETN1HM-475Z	E CAPACITOR	4.7uF 50V M	
C463	QETN1HM-475Z	E CAPACITOR	4.7uF 50V M	
C464	QETN1HM-475Z	E CAPACITOR	4.7uF 50V M	
C481	QCBB1HK-223Y	C CAPACITOR	0.022uF 50V K	
C482	QCBB1HK-223Y	C CAPACITOR	0.022uF 50V K	
C551	QDX31EM-473Z	C CAPACITOR	0.047uF 25V M	
C552	QEKC1HM-475Z	E CAPACITOR	4.7uF 50V M	
C555	QDX31EM-473Z	C CAPACITOR	0.047uF 25V M	
C556	QETN0JM-477Z	E CAPACITOR	470uF 6.3V M	
C557	QCS31HJ-470Z	C CAPACITOR	47pF 50V J	
C558	QCS31HJ-470Z	C CAPACITOR	47pF 50V J	
C559	QDX31EM-473Z	C CAPACITOR	0.047uF 25V M	
C560	QEKC1HM-475Z	E CAPACITOR	4.7uF 50V M	
C561	QDX31EM-473Z	C CAPACITOR	0.047uF 25V M	
C562	QETN0JM-477Z	E CAPACITOR	470uF 6.3V M	
C563	QCS31HJ-470Z	C CAPACITOR	47pF 50V J	
C564	QCS31HJ-470Z	C CAPACITOR	47pF 50V J	
C581	QEKC1CM-476Z	E CAPACITOR	47uF 16V M	
C582	QCZ0202-155Z	C CAPACITOR	1.5uF 25V Z	
C583	QEKC1CM-476Z	E CAPACITOR	47uF 16V M	
C584	QCZ0202-155Z	C CAPACITOR	1.5uF 25V Z	
C1301	QFZ9076-104Z	MM CAPACITOR	0.1uF	
C1302	QCE22HP-103	C CAPACITOR	0.01uF 500V P	
C1303	QCE22HP-103	C CAPACITOR	0.01uF 500V P	
C1304	QEZ0341-688	E CAPACITER	6800uF	
C1305	QEZ0341-688	E CAPACITER	6800uF	
C1306	QETN1EM-476Z	E CAPACITOR	47uF 25V M	
C1308	QETN1HM-476Z	E CAPACITOR	47uF 50V M	
C1309	QEKC1HM-106Z	E CAPACITOR	10uF 50V M	
C1310	QEKC1CM-476Z	E CAPACITOR	47uF 16V M	
C1311	QEKC1HM-226Z	E CAPACITOR	22uF 50V M	
C1351	QETN1HM-475Z	E CAPACITOR	4.7uF 50V M	
C1352	QEKC1HM-475Z	E CAPACITOR	4.7uF 50V M	
C1353	QEKC1HM-475Z	E CAPACITOR	4.7uF 50V M	
C1354	QEKC1HM-475Z	E CAPACITOR	4.7uF 50V M	
R421	QRE141J-471Y	C RESISTOR	470Ω 1/4W J	
R422	QRE141J-471Y	C RESISTOR	470Ω 1/4W J	
R423	QRE141J-471Y	C RESISTOR	470Ω 1/4W J	
R424	QRE141J-471Y	C RESISTOR	470Ω 1/4W J	
R425	QRE141J-471Y	C RESISTOR	470Ω 1/4W J	
R426	QRE141J-471Y	C RESISTOR	470Ω 1/4W J	
R429	QRE141J-471Y	C RESISTOR	470Ω 1/4W J	
R430	QRE141J-471Y	C RESISTOR	470Ω 1/4W J	
R431	QRE141J-471Y	C RESISTOR	470Ω 1/4W J	
R432	QRE141J-471Y	C RESISTOR	470Ω 1/4W J	
R435	QRE141J-471Y	C RESISTOR	470Ω 1/4W J	
R436	QRE141J-471Y	C RESISTOR	470Ω 1/4W J	
R440	QRE141J-102Y	C RESISTOR	1kΩ 1/4W J	
R441	QRE141J-104Y	C RESISTOR	100kΩ 1/4W J	
R442	QRE141J-104Y	C RESISTOR	100kΩ 1/4W J	
R443	QRE141J-104Y	C RESISTOR	100kΩ 1/4W J	
R444	QRE141J-104Y	C RESISTOR	100kΩ 1/4W J	
R445	QRE141J-104Y	C RESISTOR	100kΩ 1/4W J	
R446	QRE141J-104Y	C RESISTOR	100kΩ 1/4W J	
△ R449	QRJ146J-271X	UNF C RESISTOR	270Ω 1/4W J	
△ R450	QRJ146J-271X	UNF C RESISTOR	270Ω 1/4W J	
R451	QRE141J-471Y	C RESISTOR	470Ω 1/4W J	
R452	QRE141J-471Y	C RESISTOR	470Ω 1/4W J	
R453	QRE141J-471Y	C RESISTOR	470Ω 1/4W J	
R454	QRE141J-471Y	C RESISTOR	470Ω 1/4W J	
R455	QRE141J-471Y	C RESISTOR	470Ω 1/4W J	
R456	QRE141J-471Y	C RESISTOR	470Ω 1/4W J	
R458	QRJ146J-271X	UNF C RESISTOR	270Ω 1/4W J	
R459	QRJ146J-271X	UNF C RESISTOR	270Ω 1/4W J	
R461	QRE141J-104Y	C RESISTOR	100kΩ 1/4W J	
R462	QRE141J-104Y	C RESISTOR	100kΩ 1/4W J	
R463	QRE141J-104Y	C RESISTOR	100kΩ 1/4W J	

△ Symbol No.	Part No.	Part Name	Description	Local
R464	QRE141J-104Y	C RESISTOR	100kΩ 1/4W J	
R551	QRE141J-750Y	C RESISTOR	75Ω 1/4W J	
R552	QRE141J-750Y	C RESISTOR	75Ω 1/4W J	
R555	QRE141J-750Y	C RESISTOR	75Ω 1/4W J	
R556	QRE141J-750Y	C RESISTOR	75Ω 1/4W J	
R557	QRE141J-473Y	C RESISTOR	47kΩ 1/4W J	
R558	QRE141J-473Y	C RESISTOR	47kΩ 1/4W J	
R559	QRE141J-750Y	C RESISTOR	75Ω 1/4W J	
R560	QRE141J-750Y	C RESISTOR	75Ω 1/4W J	
R561	QRE141J-750Y	C RESISTOR	75Ω 1/4W J	
R562	QRE141J-750Y	C RESISTOR	75Ω 1/4W J	
R563	QRE141J-473Y	C RESISTOR	47kΩ 1/4W J	
R564	QRE141J-473Y	C RESISTOR	47kΩ 1/4W J	
R565	QRE141J-561Y	C RESISTOR	560Ω 1/4W J	
R566	QRE141J-241Y	C RESISTOR	240Ω 1/4W J	
R571	QRE141J-561Y	C RESISTOR	560Ω 1/4W J	
R572	QRE141J-241Y	C RESISTOR	240Ω 1/4W J	
R573	QRE141J-751Y	C RESISTOR	750Ω 1/4W J	
R574	QRE141J-751Y	C RESISTOR	750Ω 1/4W J	
△ R581	QRJ146J-6R8X	UNF C RESISTOR	6.8kΩ 1/4W J	
△ R1301	QRL027J-332	OMF RESISTOR	3.3kΩ 2W J	
△ R1302	QRZ9005-100X	F RESISTOR	10Ω	
△ R1303	QRJ146J-332X	UNF C RESISTOR	3.3kΩ 1/4W J	
R1304	QRE141J-104Y	C RESISTOR	100kΩ 1/4W J	
R1305	QRE141J-104Y	C RESISTOR	100kΩ 1/4W J	
R1306	QRE141J-823Y	C RESISTOR	82kΩ 1/4W J	
R1307	QRE141J-104Y	C RESISTOR	100kΩ 1/4W J	
R1308	QRE141J-104Y	C RESISTOR	100kΩ 1/4W J	
R1309	QRE141J-103Y	C RESISTOR	10kΩ 1/4W J	
R1310	QRE141J-103Y	C RESISTOR	10kΩ 1/4W J	
R1311	QRE141J-104Y	C RESISTOR	100kΩ 1/4W J	
R1312	QRE141J-104Y	C RESISTOR	100kΩ 1/4W J	
△ R1313	QRZ9005-100X	F RESISTOR	10Ω	
△ R1314	QRJ146J-103X	UNF C RESISTOR	10kΩ 1/4W J	
△ R1315	QRJ146J-2R2X	UNF C RESISTOR	2.2kΩ 1/4W J	
△ R1316	QRJ146J-102X	UNF C RESISTOR	1kΩ 1/4W J	
△ R1317	QRJ146J-223X	UNF C RESISTOR	22kΩ 1/4W J	
R1318	QRE141J-223Y	C RESISTOR	22kΩ 1/4W J	
R1319	QRE141J-473Y	C RESISTOR	47kΩ 1/4W J	
△ R1352	QRJ146J-680X	UNF C RESISTOR	68Ω 1/4W J	
△ R1353	QRJ146J-680X	UNF C RESISTOR	68Ω 1/4W J	
△ R1354	QRJ146J-680X	UNF C RESISTOR	68Ω 1/4W J	
△ R1355	QRJ146J-392X	UNF C RESISTOR	3.9kΩ 1/4W J	
R1356	QRE141J-472Y	C RESISTOR	4.7kΩ 1/4W J	
R1357	QRE141J-223Y	C RESISTOR	22kΩ 1/4W J	
R1358	QRE141J-682Y	C RESISTOR	6.8kΩ 1/4W J	
R1359	QRE141J-472Y	C RESISTOR	4.7kΩ 1/4W J	
R1360	QRE141J-472Y	C RESISTOR	4.7kΩ 1/4W J	
R1361	QRE141J-472Y	C RESISTOR	4.7kΩ 1/4W J	
R1362	QRE141J-472Y	C RESISTOR	4.7kΩ 1/4W J	
R1363	QRE141J-472Y	C RESISTOR	4.7kΩ 1/4W J	
R1364	QRE141J-223Y	C RESISTOR	22kΩ 1/4W J	
R1365	QRE141J-682Y	C RESISTOR	6.8kΩ 1/4W J	
R1366	QRE141J-223Y	C RESISTOR	22kΩ 1/4W J	
R1367	QRE141J-682Y	C RESISTOR	6.8kΩ 1/4W J	
CN311	QGB2510J1-14	CONNECTOR	B-B (1-14)	
CN312	QGB2510J1-14	CONNECTOR	B-B (1-14)	
CN321	QGB2510J1-14	CONNECTOR	B-B (1-14)	
CN331	QGB2510J1-14	CONNECTOR	B-B (1-14)	
CN332	QGB2510J1-14	CONNECTOR	B-B (1-14)	
CN351	QJK012-032403	SKT WIRE ASSY		
CN371	QJP001-031201	SHI CR C-B WIRE		
CN372	QJP002-021201	SHI CR C-B WIRE		
CN373	QJP001-031201	SHI CR C-B WIRE		
CN401	QGB2510K1-14	CONNECTOR	B-B (1-14)	
CN451	QGB2510K1-11	CONNECTOR	B-B (1-11)	
CN511	QGD2503F1-03	CONNECTOR	(1-3)	
CN551	QGB2510K1-08	CONNECTOR	B-B (1-8)	
EP301	QNZ0136-001Z	EARTH PLATE		
FW301	QUM215-2724Z4	PARA RIBON WIRE		
FW302	QUM216-2724Z4	PARA RIBON WIRE		
FW303	QUM215-28DGZ4	PARA RIBON WIRE		
FW341	QUM215-20DGZ4	SOCKET		
J402	QNN0168-001	PIN JACK		
J403	QNN0168-001	PIN JACK		
J404	QNN0389-001	PIN JACK		
J405	QNN0388-001	PIN JACK		

△ Symbol No.	Part No.	Part Name	Description	Local
J406	QNN0060-001	PIN JACK		
J551	QND0091-001	S JACK		
J552	QND0091-001	S JACK		
△ RY302	QSK0109-001	RELAY		
△ RY303	QSK0109-001	RELAY		
△ RY304	QSK0109-001	RELAY		
ST304	QNB0103-002	SPK TERMINAL		
ST305	QNB0001-002	SPK TERMINAL		

Front board

Block No. [0][2][0][0]

△ Symbol No.	Part No.	Part Name	Description	Local
IC421	NJM4565M-WE	IC		
IC422	NJM4565M-WE	IC		
IC423	TC9162AF-X	IC		
IC427	NJM4565M-WE	IC		
IC428	BD3814FV-X	IC		
IC581	MM1504XN-X	IC		
IC582	MM1506XN-X	IC		
IC583	MM1506XN-X	IC		
IC701	MN101C35DMW	IC(1-TIME)		
IC702	IC-PST9139-T	IC		
IC703	GP1UM281XK	IR DETECT UNIT	38kHz	
Q701	UN2214-X	TRANSISTOR		
Q702	UN2215-X	TRANSISTOR		
Q703	KRC109S-X	TRANSISTOR		
Q704	UN2214-X	TRANSISTOR		
Q707	UN2214-X	TRANSISTOR		
Q708	UN2214-X	TRANSISTOR		
Q709	UN2214-X	TRANSISTOR		
Q711	UN2113-X	TRANSISTOR		
△ Q1401	KTA1046/Y/	TRANSISTOR		
△ Q1402	KTC2026/Y/	TRANSISTOR		
△ Q1403	KTC2026/Y/	TRANSISTOR		
△ Q1404	KTC2026/Y/	TRANSISTOR		
△ Q1405	KTC2026/Y/	TRANSISTOR		
△ Q1406	KTC3203/OY/-T	TRANSISTOR		
△ Q1407	KTC3203/OY/-T	TRANSISTOR		
△ Q1408	KTA1271/OY/-T	TRANSISTOR		
Q1409	2SK301/PQ/-T	TRANSISTOR		
Q1410	2SK301/PQ/-T	TRANSISTOR		
Q1411	2SK301/PQ/-T	TRANSISTOR		
Q1412	2SK301/PQ/-T	TRANSISTOR		
Q1413	2SC3576-JVC-T	TRANSISTOR		
Q1414	2SC3576-JVC-T	TRANSISTOR		
Q1415	KRA104M-T	DIGI TRANSISTOR		
Q1416	KRC104M-T	TRANSISTOR		
Q1417	2SC3576-JVC-T	TRANSISTOR		
Q1418	2SC3576-JVC-T	TRANSISTOR		
Q1419	2SC3576-JVC-T	TRANSISTOR		
Q1420	KRA104M-T	DIGI TRANSISTOR		
Q1421	2SC3576-JVC-T	TRANSISTOR		
Q1422	2SC3576-JVC-T	TRANSISTOR		
Q1423	KRA104M-T	DIGI TRANSISTOR		
Q1424	KRA104M-T	DIGI TRANSISTOR		
Q1425	2SC3576-JVC-T	TRANSISTOR		
Q1426	2SC3576-JVC-T	TRANSISTOR		
Q1427	2SC3576-JVC-T	TRANSISTOR		
Q1428	2SC3576-JVC-T	TRANSISTOR		
Q1429	KRA104M-T	DIGI TRANSISTOR		
△ Q1434	KTC2026/Y/	TRANSISTOR		
△ Q1435	KTC2026/Y/	TRANSISTOR		
Q1501	KTA1504/YG/-X	SI TRANSISTOR		
D701	1SS355-X	SI DIODE		
D702	1SS355-X	SI DIODE		
D703	SB007-03CP-X	SB DIODE		
D719	SLR-343VC/NPQ-T	LED		
D1401	MTZJ13C-T2	Z DIODE		
D1402	MTZJ6.2C-T2	Z DIODE		
D1403	MTZJ5.6B-T2	Z DIODE		

△ Symbol No.	Part No.	Part Name	Description	Local	△ Symbol No.	Part No.	Part Name	Description	Local
D1404	MTZJ5.6C-T2	Z DIODE			C1501	QEKC1AM-107Z	E CAPACITOR	100uF 10V M	
D1405	MTZJ13C-T2	Z DIODE			C1502	NCB31HK-103X	C CAPACITOR	0.01uF 50V K	
D1406	MTZJ10C-T2	Z DIODE			C1503	NCB31HK-103X	C CAPACITOR	0.01uF 50V K	
D1407	MTZJ7.5C-T2	Z DIODE			C1504	NCB31HK-103X	C CAPACITOR	0.01uF 50V K	
D1408	MTZJ7.5C-T2	Z DIODE			C1505	QEKC1AM-476Z	E CAPACITOR	47uF 10V M	
D1409	MA152WK-X	SI DIODE			C1506	NDC31HJ-470X	C CAPACITOR	47pF 50V J	
D1412	1SS355-X	SI DIODE			C1507	QEKC1HM-475Z	E CAPACITOR	4.7uF 50V M	
D1413	1SS355-X	SI DIODE			C1508	NDC31HJ-470X	C CAPACITOR	47pF 50V J	
D1414	1SS355-X	SI DIODE			C1509	QEKC1HM-475Z	E CAPACITOR	4.7uF 50V M	
D1415	1SS355-X	SI DIODE			C1510	NDC31HJ-470X	C CAPACITOR	47pF 50V J	
C101	QCBB1HK-331Y	C CAPACITOR	330pF 50V K		C1511	QEKC1AM-476Z	E CAPACITOR	47uF 10V M	
C102	QCBB1HK-331Y	C CAPACITOR	330pF 50V K		C1512	NDC31HJ-470X	C CAPACITOR	47pF 50V J	
C701	QEKC0JM-107Z	E CAPACITOR	100uF 6.3V M		C1513	QEKC1HM-475Z	E CAPACITOR	4.7uF 50V M	
C702	QCZ0202-155Z	C CAPACITOR	1.5uF 25V Z		C1514	NDC31HJ-470X	C CAPACITOR	47pF 50V J	
C703	QEKC1HM-225Z	E CAPACITOR	2.2uF 50V M		C1515	QEKC1HM-475Z	E CAPACITOR	4.7uF 50V M	
C704	NCB31CK-223X	C CAPACITOR	0.022uF 16V K		C1516	NDC31HJ-470X	C CAPACITOR	47pF 50V J	
C705	QEKC0JM-107Z	E CAPACITOR	100uF 6.3V M		C1517	QETN0JM-477Z	E CAPACITOR	470uF 6.3V M	
C706	NCB21HK-331X	C CAPACITOR	330pF 50V K		C1518	NDC31HJ-101X	C CAPACITOR	100pF 50V J	
C707	QEKC1HM-475Z	E CAPACITOR	4.7uF 50V M		C1519	QETN1AM-107Z	E CAPACITOR	100uF 10V M	
C708	QEKC1HM-475Z	E CAPACITOR	4.7uF 50V M		C1520	NDC31HJ-101X	C CAPACITOR	100pF 50V J	
C709	QEKC1HM-475Z	E CAPACITOR	4.7uF 50V M		C1521	QETN1AM-107Z	E CAPACITOR	100uF 10V M	
C713	NCB21HK-103X	C CAPACITOR	0.01uF 50V K		C1522	NDC31HJ-101X	C CAPACITOR	100pF 50V J	
C714	NCB21HK-103X	C CAPACITOR	0.01uF 50V K		C1530	QCZ0202-155Z	C CAPACITOR	1.5uF 25V Z	
C715	NCB21HK-103X	C CAPACITOR	0.01uF 50V K		C1531	NDC31HJ-100X	C CAPACITOR	10pF 50V J	
C716	NCB21HK-103X	C CAPACITOR	0.01uF 50V K		△ R101	QRL027J-471	OMF RESISTOR	470Ω 2W J	
C717	NCB21HK-103X	C CAPACITOR	0.01uF 50V K		△ R102	QRL027J-471	OMF RESISTOR	470Ω 2W J	
C718	NCB21HK-103X	C CAPACITOR	0.01uF 50V K		R475	NRSA63J-163X	MG RESISTOR	16kΩ 1/16W J	
C719	NCB21HK-103X	C CAPACITOR	0.01uF 50V K		R476	NRSA63J-103X	MG RESISTOR	10kΩ 1/16W J	
C720	NCB31CK-104X	C CAPACITOR	0.1uF 16V K		△ R477	QRZ9006-4R7X	FUSI RESISTOR	4.7Ω 1/4W J	
C721	NCB31CK-104X	C CAPACITOR	0.1uF 16V K		△ R478	QRJ146J-2R2X	UNF C RESISTOR	2.2Ω 1/4W J	
C722	QCZ0202-155Z	C CAPACITOR	1.5uF 25V Z		△ R479	QRJ146J-2R2X	UNF C RESISTOR	2.2Ω 1/4W J	
C723	NCB31CK-104X	C CAPACITOR	0.1uF 16V K		R481	NRSA63J-104X	MG RESISTOR	100kΩ 1/16W J	
C724	NCB31CK-104X	C CAPACITOR	0.1uF 16V K		R482	NRSA63J-104X	MG RESISTOR	100kΩ 1/16W J	
C725	QEKC1HM-475Z	E CAPACITOR	4.7uF 50V M		R483	NRSA63J-562X	MG RESISTOR	5.6kΩ 1/16W J	
C730	NCB31CK-104X	C CAPACITOR	0.1uF 16V K		R484	NRSA63J-473X	MG RESISTOR	47kΩ 1/16W J	
C1401	QETN1HM-476Z	E CAPACITOR	47uF 50V M		R485	NRSA63J-202X	MG RESISTOR	2kΩ 1/16W J	
C1402	QETN1EM-107Z	E CAPACITOR	100uF 25V M		R486	NRSA63J-473X	MG RESISTOR	47kΩ 1/16W J	
C1403	QETN1EM-107Z	E CAPACITOR	100uF 25V M		R487	NRSA63J-202X	MG RESISTOR	2kΩ 1/16W J	
C1404	QETN1EM-107Z	E CAPACITOR	100uF 25V M		R488	NRSA63J-473X	MG RESISTOR	47kΩ 1/16W J	
C1405	QETN1EM-107Z	E CAPACITOR	100uF 25V M		R489	NRSA63J-101X	MG RESISTOR	100Ω 1/16W J	
C1406	QETN1EM-107Z	E CAPACITOR	100uF 25V M		R490	NRSA63J-101X	MG RESISTOR	100Ω 1/16W J	
C1407	QCF31HZ-223Z	C CAPACITOR	0.022uF 50V Z		R492	NRSA63J-132X	MG RESISTOR	1.3kΩ 1/16W J	
C1408	QETN1EM-476Z	E CAPACITOR	47uF 25V M		R493	NRSA63J-102X	MG RESISTOR	1kΩ 1/16W J	
C1409	QETN1EM-476Z	E CAPACITOR	47uF 25V M		R494	NRSA63J-0R0X	MG RESISTOR	0Ω 1/16W J	
C1410	NCB31CK-223X	C CAPACITOR	0.022uF 16V K		R495	NRSA63J-0R0X	MG RESISTOR	0Ω 1/16W J	
C1411	NCB31CK-223X	C CAPACITOR	0.022uF 16V K		R496	NRSA63J-332X	MG RESISTOR	3.3kΩ 1/16W J	
C1412	QETN1HM-475Z	E CAPACITOR	4.7uF 50V M		R497	NRSA63J-162X	MG RESISTOR	1.6kΩ 1/16W J	
C1413	QETN1HM-475Z	E CAPACITOR	4.7uF 50V M		R701	NRSA63J-472X	MG RESISTOR	4.7kΩ 1/16W J	
C1414	NDC31HJ-101X	C CAPACITOR	100pF 50V J		R702	NRSA63J-223X	MG RESISTOR	22kΩ 1/16W J	
C1415	NDC31HJ-101X	C CAPACITOR	100pF 50V J		R704	NRSA63J-471X	MG RESISTOR	470Ω 1/16W J	
C1416	QETN1HM-474Z	E CAPACITOR	0.47uF 50V M		R705	NRSA63J-103X	MG RESISTOR	10kΩ 1/16W J	
C1417	QETN1HM-474Z	E CAPACITOR	0.47uF 50V M		R706	NRSA63J-103X	MG RESISTOR	10kΩ 1/16W J	
C1418	QFLC1HJ-223Z	M CAPACITOR	0.022uF 50V J		R707	NRSA63J-103X	MG RESISTOR	10kΩ 1/16W J	
C1419	QFLC1HJ-223Z	M CAPACITOR	0.022uF 50V J		R708	NRSA63J-103X	MG RESISTOR	10kΩ 1/16W J	
C1422	QETN1HM-475Z	E CAPACITOR	4.7uF 50V M		R709	NRSA63J-103X	MG RESISTOR	10kΩ 1/16W J	
C1423	QEKC1HM-475Z	E CAPACITOR	4.7uF 50V M		R710	NRSA63J-103X	MG RESISTOR	10kΩ 1/16W J	
C1424	QEKC1HM-475Z	E CAPACITOR	4.7uF 50V M		R711	NRSA63J-104X	MG RESISTOR	100kΩ 1/16W J	
C1425	QEKC1CM-106Z	E CAPACITOR	10uF 16V M		R712	NRSA63J-103X	MG RESISTOR	10kΩ 1/16W J	
C1432	NCB31CK-223X	C CAPACITOR	0.022uF 16V K		R713	NRSA63J-103X	MG RESISTOR	10kΩ 1/16W J	
C1433	QETN1CM-106Z	E CAPACITOR	10uF 16V M		R715	NRSA63J-103X	MG RESISTOR	10kΩ 1/16W J	
C1436	NCB31CK-223X	C CAPACITOR	0.022uF 16V K		R716	NRSA63J-103X	MG RESISTOR	10kΩ 1/16W J	
C1437	QCZ0202-155Z	C CAPACITOR	1.5uF 25V Z		R717	NRSA63J-103X	MG RESISTOR	10kΩ 1/16W J	
C1439	QFLC1HJ-562Z	M CAPACITOR	5600pF 50V J		R718	NRSA63J-103X	MG RESISTOR	10kΩ 1/16W J	
C1440	QFLC1HJ-562Z	M CAPACITOR	5600pF 50V J		R719	NRSA63J-221X	MG RESISTOR	220Ω 1/16W J	
C1443	QCZ0202-155Z	C CAPACITOR	1.5uF 25V Z		R720	NRSA63J-222X	MG RESISTOR	2.2kΩ 1/16W J	
C1444	NCB31CK-223X	C CAPACITOR	0.022uF 16V K		R721	NRSA63J-103X	MG RESISTOR	10kΩ 1/16W J	
C1445	NCB31CK-223X	C CAPACITOR	0.022uF 16V K		R722	NRSA63J-102X	MG RESISTOR	1kΩ 1/16W J	
C1446	NCB31HK-221X	C CAPACITOR	220pF 50V K		R723	NRSA63J-102X	MG RESISTOR	1kΩ 1/16W J	
C1447	QEKC1HM-475Z	E CAPACITOR	4.7uF 50V M		R724	NRSA63J-122X	MG RESISTOR	1.2kΩ 1/16W J	
C1453	QETN1HM-475Z	E CAPACITOR	4.7uF 50V M		R725	NRSA63J-152X	MG RESISTOR	1.5kΩ 1/16W J	
C1459	QETN1HM-475Z	E CAPACITOR	4.7uF 50V M		R726	NRSA63J-222X	MG RESISTOR	2.2kΩ 1/16W J	
C1460	NCB31CK-223X	C CAPACITOR	0.022uF 16V K		R727	NRSA63J-272X	MG RESISTOR	2.7kΩ 1/16W J	
C1461	NCB31CK-223X	C CAPACITOR	0.022uF 16V K		R728	NRSA63J-103X	MG RESISTOR	10kΩ 1/16W J	
C1463	QETN1HM-475Z	E CAPACITOR	4.7uF 50V M		R729	NRSA63J-102X	MG RESISTOR	1kΩ 1/16W J	
C1464	QETN1HM-475Z	E CAPACITOR	4.7uF 50V M		R730	NRSA63J-102X	MG RESISTOR	1kΩ 1/16W J	
C1465	QENC1HM-106Z	BP E CAPACITOR	10uF 50V M		R731	NRSA63J-122X	MG RESISTOR	1.2kΩ 1/16W J	
C1480	QETN1VM-477Z	E CAPACITOR	470uF 35V M		R732	NRSA63J-152X	MG RESISTOR	1.5kΩ 1/16W J	

△ Symbol No.	Part No.	Part Name	Description	Local	△ Symbol No.	Part No.	Part Name	Description	Local
R733	NRSA63J-222X	MG RESISTOR	2.2kΩ 1/16W J		△ R1414	QRZ9005-100X	F RESISTOR	10Ω	
R734	NRSA63J-272X	MG RESISTOR	2.7kΩ 1/16W J		△ R1415	QRJ146J-222X	UNF C RESISTOR	2.2kΩ 1/4W J	
R736	NRSA63J-103X	MG RESISTOR	10kΩ 1/16W J		△ R1416	QRZ9005-100X	F RESISTOR	10Ω	
R737	NRSA63J-102X	MG RESISTOR	1kΩ 1/16W J		△ R1417	QRJ146J-222X	UNF C RESISTOR	2.2kΩ 1/4W J	
R738	NRSA63J-102X	MG RESISTOR	1kΩ 1/16W J		△ R1418	QRZ9005-680X	F RESISTOR	68Ω	
R739	NRSA63J-122X	MG RESISTOR	1.2kΩ 1/16W J		△ R1419	QRZ9005-680X	F RESISTOR	68Ω	
R740	NRSA63J-152X	MG RESISTOR	1.5kΩ 1/16W J		R1420	NRSA63J-103X	MG RESISTOR	10kΩ 1/16W J	
R741	NRSA63J-222X	MG RESISTOR	2.2kΩ 1/16W J		R1421	NRSA63J-272X	MG RESISTOR	2.7kΩ 1/16W J	
R742	NRSA63J-272X	MG RESISTOR	2.7kΩ 1/16W J		R1422	NRSA63J-103X	MG RESISTOR	10kΩ 1/16W J	
R743	NRSA63J-103X	MG RESISTOR	10kΩ 1/16W J		R1423	NRSA63J-272X	MG RESISTOR	2.7kΩ 1/16W J	
R744	NRSA63J-102X	MG RESISTOR	1kΩ 1/16W J		R1424	NRSA63J-472X	MG RESISTOR	4.7kΩ 1/16W J	
R745	NRSA63J-102X	MG RESISTOR	1kΩ 1/16W J		R1425	NRSA63J-472X	MG RESISTOR	4.7kΩ 1/16W J	
R746	NRSA63J-122X	MG RESISTOR	1.2kΩ 1/16W J		R1426	NRSA63J-513X	MG RESISTOR	51kΩ 1/16W J	
R747	NRSA63J-152X	MG RESISTOR	1.5kΩ 1/16W J		R1427	NRSA63J-513X	MG RESISTOR	51kΩ 1/16W J	
R748	NRSA63J-222X	MG RESISTOR	2.2kΩ 1/16W J		R1428	NRSA63J-103X	MG RESISTOR	10kΩ 1/16W J	
R749	NRSA63J-272X	MG RESISTOR	2.7kΩ 1/16W J		R1429	NRSA63J-103X	MG RESISTOR	10kΩ 1/16W J	
R750	NRSA63J-103X	MG RESISTOR	10kΩ 1/16W J		R1430	NRSA63J-103X	MG RESISTOR	10kΩ 1/16W J	
R751	NRSA63J-102X	MG RESISTOR	1kΩ 1/16W J		R1431	NRSA63J-203X	MG RESISTOR	20kΩ 1/16W J	
R752	NRSA63J-102X	MG RESISTOR	1kΩ 1/16W J		R1432	NRSA63J-103X	MG RESISTOR	10kΩ 1/16W J	
R753	NRSA63J-122X	MG RESISTOR	1.2kΩ 1/16W J		R1433	NRSA63J-103X	MG RESISTOR	10kΩ 1/16W J	
R754	NRSA63J-152X	MG RESISTOR	1.5kΩ 1/16W J		R1434	NRSA63J-103X	MG RESISTOR	10kΩ 1/16W J	
R757	NRSA63J-103X	MG RESISTOR	10kΩ 1/16W J		R1435	NRSA63J-154X	MG RESISTOR	150kΩ 1/16W J	
R758	NRSA63J-103X	MG RESISTOR	10kΩ 1/16W J		R1436	NRSA63J-154X	MG RESISTOR	150kΩ 1/16W J	
R759	NRSA63J-103X	MG RESISTOR	10kΩ 1/16W J		R1437	NRSA63J-102X	MG RESISTOR	1kΩ 1/16W J	
R760	NRSA63J-103X	MG RESISTOR	10kΩ 1/16W J		R1438	NRSA63J-102X	MG RESISTOR	1kΩ 1/16W J	
R761	NRSA63J-103X	MG RESISTOR	10kΩ 1/16W J		R1439	NRSA63J-103X	MG RESISTOR	10kΩ 1/16W J	
R762	NRSA63J-102X	MG RESISTOR	1kΩ 1/16W J		R1440	NRSA63J-103X	MG RESISTOR	10kΩ 1/16W J	
R766	NRSA63J-103X	MG RESISTOR	10kΩ 1/16W J		R1442	NRSA63J-104X	MG RESISTOR	100kΩ 1/16W J	
R769	NRSA63J-102X	MG RESISTOR	1kΩ 1/16W J		R1443	NRSA63J-203X	MG RESISTOR	20kΩ 1/16W J	
R770	NRSA63J-102X	MG RESISTOR	1kΩ 1/16W J		R1444	NRSA63J-103X	MG RESISTOR	10kΩ 1/16W J	
R771	NRSA63J-122X	MG RESISTOR	1.2kΩ 1/16W J		R1445	NRSA63J-102X	MG RESISTOR	1kΩ 1/16W J	
R772	NRSA63J-222X	MG RESISTOR	2.2kΩ 1/16W J		R1446	NRSA63J-104X	MG RESISTOR	100kΩ 1/16W J	
R773	NRSA63J-272X	MG RESISTOR	2.7kΩ 1/16W J		R1447	NRSA63J-102X	MG RESISTOR	1kΩ 1/16W J	
R775	NRSA63J-103X	MG RESISTOR	10kΩ 1/16W J		R1448	NRSA63J-103X	MG RESISTOR	10kΩ 1/16W J	
R776	NRSA63J-152X	MG RESISTOR	1.5kΩ 1/16W J		R1449	NRSA63J-102X	MG RESISTOR	1kΩ 1/16W J	
R778	NRSA63J-392X	MG RESISTOR	3.9kΩ 1/16W J		R1450	NRSA63J-103X	MG RESISTOR	10kΩ 1/16W J	
R779	NRSA63J-103X	MG RESISTOR	10kΩ 1/16W J		R1451	NRSA63J-104X	MG RESISTOR	100kΩ 1/16W J	
R783	NRSA63J-221X	MG RESISTOR	220Ω 1/16W J		R1452	NRSA63J-104X	MG RESISTOR	100kΩ 1/16W J	
R784	NRSA63J-221X	MG RESISTOR	220Ω 1/16W J		R1453	NRSA63J-102X	MG RESISTOR	1kΩ 1/16W J	
R785	NRSA63J-221X	MG RESISTOR	220Ω 1/16W J		R1457	NRSA63J-682X	MG RESISTOR	6.8kΩ 1/16W J	
R786	NRSA63J-221X	MG RESISTOR	220Ω 1/16W J		R1458	NRSA63J-682X	MG RESISTOR	6.8kΩ 1/16W J	
R787	NRSA63J-221X	MG RESISTOR	220Ω 1/16W J		△ R1459	QRZ9005-680X	F RESISTOR	68Ω	
R788	NRSA63J-221X	MG RESISTOR	220Ω 1/16W J		△ R1460	QRZ9005-680X	F RESISTOR	68Ω	
R790	NRSA63J-221X	MG RESISTOR	220Ω 1/16W J		△ R1461	QRJ146J-2R2X	UNF C RESISTOR	2.2Ω 1/4W J	
R791	NRSA63J-221X	MG RESISTOR	220Ω 1/16W J		△ R1462	QRJ146J-2R2X	UNF C RESISTOR	2.2Ω 1/4W J	
R792	NRSA63J-221X	MG RESISTOR	220Ω 1/16W J		R1464	NRSA63J-104X	MG RESISTOR	100kΩ 1/16W J	
R794	NRSA63J-221X	MG RESISTOR	220Ω 1/16W J		R1465	NRSA63J-102X	MG RESISTOR	1kΩ 1/16W J	
R795	NRSA63J-221X	MG RESISTOR	220Ω 1/16W J		R1466	NRSA63J-104X	MG RESISTOR	100kΩ 1/16W J	
R796	NRSA63J-221X	MG RESISTOR	220Ω 1/16W J		R1467	NRSA63J-104X	MG RESISTOR	100kΩ 1/16W J	
R797	NRSA63J-221X	MG RESISTOR	220Ω 1/16W J		R1470	NRSA63J-201X	MG RESISTOR	200Ω 1/16W J	
R798	NRSA63J-221X	MG RESISTOR	220Ω 1/16W J		R1471	NRSA63J-201X	MG RESISTOR	200Ω 1/16W J	
R799	NRSA63J-221X	MG RESISTOR	220Ω 1/16W J		R1472	NRSA63J-103X	MG RESISTOR	10kΩ 1/16W J	
R871	NRSA63J-103X	MG RESISTOR	10kΩ 1/16W J		R1473	NRSA63J-103X	MG RESISTOR	10kΩ 1/16W J	
R872	NRSA63J-103X	MG RESISTOR	10kΩ 1/16W J		R1474	NRSA63J-102X	MG RESISTOR	1kΩ 1/16W J	
R874	NRSA63J-103X	MG RESISTOR	10kΩ 1/16W J		R1480	NRSA63J-104X	MG RESISTOR	100kΩ 1/16W J	
R875	NRSA63J-103X	MG RESISTOR	10kΩ 1/16W J		R1485	NRSA63J-102X	MG RESISTOR	1kΩ 1/16W J	
R876	NRSA63J-103X	MG RESISTOR	10kΩ 1/16W J		R1486	NRSA63J-102X	MG RESISTOR	1kΩ 1/16W J	
R877	NRSA63J-103X	MG RESISTOR	10kΩ 1/16W J		R1487	NRSA63J-103X	MG RESISTOR	10kΩ 1/16W J	
R878	NRSA63J-103X	MG RESISTOR	10kΩ 1/16W J		R1488	NRSA63J-103X	MG RESISTOR	10kΩ 1/16W J	
R879	NRSA63J-221X	MG RESISTOR	220Ω 1/16W J		R1490	NRSA63J-133X	MG RESISTOR	13kΩ 1/16W J	
R880	NRSA63J-221X	MG RESISTOR	220Ω 1/16W J		R1492	NRSA63J-102X	MG RESISTOR	1kΩ 1/16W J	
R881	NRSA63J-221X	MG RESISTOR	220Ω 1/16W J		R1493	NRSA63J-102X	MG RESISTOR	1kΩ 1/16W J	
R882	NRSA63J-221X	MG RESISTOR	220Ω 1/16W J		R1494	NRSA63J-102X	MG RESISTOR	1kΩ 1/16W J	
R883	NRSA63J-221X	MG RESISTOR	220Ω 1/16W J		R1495	NRSA63J-103X	MG RESISTOR	10kΩ 1/16W J	
R884	NRSA63J-221X	MG RESISTOR	220Ω 1/16W J		R1496	NRSA63J-103X	MG RESISTOR	10kΩ 1/16W J	
△ R1401	QRZ9005-100X	F RESISTOR	10Ω		R1498	NRSA63J-511X	MG RESISTOR	510Ω 1/16W J	
△ R1402	QRJ146J-182X	UNF C RESISTOR	1.8kΩ 1/4W J		R1499	NRSA63J-511X	MG RESISTOR	510Ω 1/16W J	
△ R1403	QRZ9005-120X	FUSI RESISTOR	12Ω		R1500	NRSA63J-474X	MG RESISTOR	470kΩ 1/16W J	
△ R1404	QRJ146J-272X	UNF C RESISTOR	2.7kΩ 1/4W J		R1501	NRSA63J-750X	MG RESISTOR	75Ω 1/16W J	
△ R1405	QRZ9005-120X	FUSI RESISTOR	12Ω		R1502	NRSA63J-750X	MG RESISTOR	75Ω 1/16W J	
△ R1406	QRK126J-682X	UNF C RESISTOR	6.8kΩ 1/2W J		R1503	NRSA63J-750X	MG RESISTOR	75Ω 1/16W J	
△ R1407	QRZ9006-4R7X	FUSI RESISTOR	4.7Ω 1/4W J		R1504	NRSA63J-750X	MG RESISTOR	75Ω 1/16W J	
△ R1408	QRZ9006-4R7X	FUSI RESISTOR	4.7Ω 1/4W J		R1505	NRSA63J-750X	MG RESISTOR	75Ω 1/16W J	
△ R1409	QRJ146J-272X	UNF C RESISTOR	2.7kΩ 1/4W J		R1506	NRSA63J-750X	MG RESISTOR	75Ω 1/16W J	
△ R1410	QRZ9006-4R7X	FUSI RESISTOR	4.7Ω 1/4W J		R1507	NRSA63J-750X	MG RESISTOR	75Ω 1/16W J	
△ R1411	QRJ146J-182X	UNF C RESISTOR	1.8kΩ 1/4W J		R1509	NRSA63J-750X	MG RESISTOR	75Ω 1/16W J	
△ R1412	QRZ9005-100X	F RESISTOR	10Ω		R1511	NRSA63J-750X	MG RESISTOR	75Ω 1/16W J	
△ R1413	QRJ146J-102X	UNF C RESISTOR	1kΩ 1/4W J		R1512	NRSA63J-101X	MG RESISTOR	100Ω 1/16W J	

△ Symbol No.	Part No.	Part Name	Description	Local
R1515	NRSA63J-470X	MG RESISTOR	47Ω 1/16W J	
R1571	NRSA63J-0R0X	MG RESISTOR	0Ω 1/16W J	
R1572	NRSA63J-0R0X	MG RESISTOR	0Ω 1/16W J	
R1573	NRSA63J-102X	MG RESISTOR	1kΩ 1/16W J	
R1574	NRSA63J-102X	MG RESISTOR	1kΩ 1/16W J	
R1575	NRSA63J-0R0X	MG RESISTOR	0Ω 1/16W J	
R1576	NRSA63J-0R0X	MG RESISTOR	0Ω 1/16W J	
R1579	NRSA63J-301X	MG RESISTOR	300Ω 1/16W J	
R1580	NRSA63J-0R0X	MG RESISTOR	0Ω 1/16W J	
R1581	NRSA63J-332X	MG RESISTOR	3.3kΩ 1/16W J	
R1582	NRSA63J-162X	MG RESISTOR	1.6kΩ 1/16W J	
R1583	NRSA63J-561X	MG RESISTOR	560Ω 1/16W J	
R1584	NRSA63J-561X	MG RESISTOR	560Ω 1/16W J	
CN101	QGD2504C1-03Z	CONNECTOR	(1-3)	
CN402	QGF1205C1-27	CONNECTOR	FFC/FPC (1-27)	
CN411	QGF1205C1-11	CONNECTOR	FFC/FPC (1-11)	
CN421	QGB2510J1-14	CONNECTOR	B-B (1-14)	
CN431	QGB2510J1-11	CONNECTOR	B-B (1-11)	
CN441	QGB2510J1-07	CONNECTOR	B-B (1-7)	
CN461	QGB2510J1-08	CONNECTOR	B-B (1-8)	
CN471	QGA2501C1-03	CONNECTOR	W-B (1-3)	
CN472	QGA2501C1-02	CONNECTOR	W-B (1-2)	
CN473	QGA2501C1-03	CONNECTOR	W-B (1-3)	
CN481	QGB2510J1-14	CONNECTOR	B-B (1-14)	
CN482	QGB2510J1-07	CONNECTOR	B-B (1-7)	
CN491	QGB2510J1-04	CONNECTOR	B-B (1-4)	
CN701	QGF1205F1-14	CONNECTOR	FFC/FPC (1-14)	
CN702	QGF1205F1-27	CONNECTOR	FFC/FPC (1-27)	
CN704	WJS0020-002A	SKT.WIRE ASSY		
CN714	QGA2001F1-03	CONNECTOR	W-B (1-3)	
DI701	QLF0132-001	FL TUBE		
EP401	QNZ0136-001Z	EARTH PLATE		
FL401	QQR1372-001	LPF		
FL402	QQR1372-001	LPF		
FW501	QUM213-10DGZ4	PARA RIBON WIRE		
J101	QNS0022-001	JACK		
J1501	QNN0391-001	PIN JACK		
JS701	QSW1017-002	JOG VOLUME		
JS702	QSW1051-001	ROTARY ENCODER		
S721	QSW0683-001Z	PUSH SW		
S722	QSW0683-001Z	PUSH SW		
S723	QSW0683-001Z	PUSH SW		
S724	QSW0683-001Z	PUSH SW		
S725	QSW0683-001Z	PUSH SW		
S726	QSW0683-001Z	PUSH SW		
S727	QSW0683-001Z	PUSH SW		
S728	QSW0683-001Z	PUSH SW		
S729	QSW0683-001Z	PUSH SW		
S730	QSW0683-001Z	PUSH SW		
S731	QSW0683-001Z	PUSH SW		
S732	QSW0683-001Z	PUSH SW		
S734	QSW0683-001Z	PUSH SW		
S735	QSW0683-001Z	PUSH SW		
S736	QSW0683-001Z	PUSH SW		
S738	QSW0683-001Z	PUSH SW		
S739	QSW0683-001Z	PUSH SW		
S740	QSW0683-001Z	PUSH SW		
S741	QSW0683-001Z	PUSH SW		
S742	QSW0683-001Z	PUSH SW		
S743	QSW0683-001Z	PUSH SW		
S745	QSW0683-001Z	PUSH SW		
S746	QSW0683-001Z	PUSH SW		
S750	QSW0683-001Z	PUSH SW		
S751	QSW0683-001Z	PUSH SW		
S752	QSW0683-001Z	PUSH SW		
S757	QSW0683-001Z	PUSH SW		
X701	QAX0246-001Z	C RESONATOR	8.00MHz	

Power amp. board

Block No. [0][3][0][0]

△ Symbol No.	Part No.	Part Name	Description	Local
IC501	NJM2246D	IC		
Q202	KRC105M-T	DIGI TRANSISTOR		
△ Q203	KTC3203/OY/-T	TRANSISTOR		
Q205	KTC3200/GL/-T	TRANSISTOR		
Q206	KRC105M-T	DIGI TRANSISTOR		
Q208	KRC105M-T	DIGI TRANSISTOR		
Q209	KRC105M-T	DIGI TRANSISTOR		
Q210	KRC105M-T	DIGI TRANSISTOR		
Q301	2SC2240/L/-T	TRANSISTOR		
Q302	2SC2240/L/-T	TRANSISTOR		
Q303	2SC2240/L/-T	TRANSISTOR		
Q304	2SC2240/L/-T	TRANSISTOR		
Q305	KTA1268/GL/-T	TRANSISTOR		
Q306	KTA1268/GL/-T	TRANSISTOR		
Q307	KTC3200/GL/-T	TRANSISTOR		
Q308	KTC3200/GL/-T	TRANSISTOR		
Q309	2SD637/QR/	TRANSISTOR		
Q310	2SD637/QR/	TRANSISTOR		
Q311	KTC3200/GL/-T	TRANSISTOR		
Q312	KTC3200/GL/-T	TRANSISTOR		
Q313	KTA1268/GL/-T	TRANSISTOR		
Q314	KTA1268/GL/-T	TRANSISTOR		
△ Q315	2SD2389/OPY/-F6	TRANSISTOR		
△ Q316	2SD2389/OPY/-F6	TRANSISTOR		
△ Q317	2SB1559/OPY/-F6	TRANSISTOR		
△ Q318	2SB1559/OPY/-F6	TRANSISTOR		
Q319	KTA1268/GL/-T	TRANSISTOR		
Q320	KTA1268/GL/-T	TRANSISTOR		
Q501	KTA1267/YG/-T	TRANSISTOR		
Q502	KTC3199/GL/-T	TRANSISTOR		
Q503	KRC101M-T	TRANSISTOR		
Q504	KTA1267/YG/-T	TRANSISTOR		
Q505	KTC3199/GL/-T	TRANSISTOR		
Q801	2SC2240/L/-T	TRANSISTOR		
Q802	2SC2240/L/-T	TRANSISTOR		
Q803	2SC2240/L/-T	TRANSISTOR		
Q804	2SC2240/L/-T	TRANSISTOR		
Q805	KTA1268/GL/-T	TRANSISTOR		
Q806	KTA1268/GL/-T	TRANSISTOR		
Q809	2SD637/QR/	TRANSISTOR		
Q810	2SD637/QR/	TRANSISTOR		
Q811	KTC3200/GL/-T	TRANSISTOR		
Q812	KTC3200/GL/-T	TRANSISTOR		
Q813	KTA1268/GL/-T	TRANSISTOR		
Q814	KTA1268/GL/-T	TRANSISTOR		
△ Q815	2SD2389/OPY/-F6	TRANSISTOR		
△ Q816	2SD2389/OPY/-F6	TRANSISTOR		
△ Q817	2SB1559/OPY/-F6	TRANSISTOR		
△ Q818	2SB1559/OPY/-F6	TRANSISTOR		
Q819	KTA1268/GL/-T	TRANSISTOR		
Q820	KTA1268/GL/-T	TRANSISTOR		
Q901	2SC2240/L/-T	TRANSISTOR		
Q903	2SC2240/L/-T	TRANSISTOR		
Q905	KTA1268/GL/-T	TRANSISTOR		
Q909	2SD637/QR/	TRANSISTOR		
Q911	KTC3200/GL/-T	TRANSISTOR		
Q913	KTA1268/GL/-T	TRANSISTOR		
△ Q915	2SD2389/OPY/-F6	TRANSISTOR		
△ Q917	2SB1559/OPY/-F6	TRANSISTOR		
Q919	KTA1268/GL/-T	TRANSISTOR		
△ D201	10DDA20-FD	DIODE		
△ D202	11ES2-T4	DIODE		
△ D203	10DDA20-FD	DIODE		
△ D204	11ES2-T4	DIODE		
△ D206	11ES2-T4	DIODE		
△ D207	11ES2-T4	DIODE		
△ D208	11ES2-T4	DIODE		
△ D209	11ES2-T4	DIODE		
D210	1SS133-T2	DIODE		
D211	MTZJ6.8C-T2	Z DIODE		
D212	11ES2-T4	DIODE		
D217	MTZJ8.2C-T2	Z DIODE		

△ Symbol No.	Part No.	Part Name	Description	Local	△ Symbol No.	Part No.	Part Name	Description	Local
D218	1SS133-T2	DIODE			C522	QCZ0202-155Z	C CAPACITOR	1.5uF 25V Z	
D219	11ES2-T4	DIODE			C801	QEHR1HM-106Z	E CAPACITOR	10uF 50V M	
D220	11ES2-T4	DIODE			C802	QEHR1HM-106Z	E CAPACITOR	10uF 50V M	
D221	1SS133-T2	DIODE			C803	QCS31HJ-271Z	C CAPACITOR	270pF 50V J	
D301	1SS133-T2	DIODE			C804	QCS31HJ-271Z	C CAPACITOR	270pF 50V J	
D302	1SS133-T2	DIODE			C805	QCS31HJ-221Z	C CAPACITOR	220pF 50V J	
D303	SLR-342MC-T	LED I.M			C806	QCS31HJ-221Z	C CAPACITOR	220pF 50V J	
D304	SLR-342MC-T	LED I.M			C807	QCB31HK-152Z	C CAPACITOR	1500pF 50V K	
D305	1SS133-T2	DIODE			C808	QCB31HK-152Z	C CAPACITOR	1500pF 50V K	
D306	1SS133-T2	DIODE			C809	QETN1EM-107Z	E CAPACITOR	100uF 25V M	
D307	1SS133-T2	DIODE			C810	QETN1EM-107Z	E CAPACITOR	100uF 25V M	
D308	1SS133-T2	DIODE			C811	QCS31HJ-100Z	C CAPACITOR	10pF 50V J	
D309	1SS133-T2	DIODE			C812	QCS31HJ-100Z	C CAPACITOR	10pF 50V J	
D310	1SS133-T2	DIODE			C813	QFLC1HJ-103Z	M CAPACITOR	0.01uF 50V J	
D591	MTZJ6.2C-T2	Z DIODE			C814	QFLC1HJ-103Z	M CAPACITOR	0.01uF 50V J	
D801	1SS133-T2	DIODE			C815	QCS32HJ-330Z	C CAPACITOR	33pF 500V J	
D802	1SS133-T2	DIODE			C816	QCS32HJ-330Z	C CAPACITOR	33pF 500V J	
D805	1SS133-T2	DIODE			C817	QEHR1HM-225Z	E CAPACITOR	2.2uF 50V M	
D806	1SS133-T2	DIODE			C818	QEHR1HM-225Z	E CAPACITOR	2.2uF 50V M	
D807	1SS133-T2	DIODE			C819	QEHR2AM-106Z	E CAPACITOR	10uF 100V M	
D808	1SS133-T2	DIODE			C820	QEHR2AM-106Z	E CAPACITOR	10uF 100V M	
D809	1SS133-T2	DIODE			C821	QCS32HJ-470Z	C CAPACITOR	47pF 500V J	
D810	1SS133-T2	DIODE			C822	QCS32HJ-470Z	C CAPACITOR	47pF 500V J	
D901	1SS133-T2	DIODE			C823	QCS32HJ-470Z	C CAPACITOR	47pF 500V J	
D905	1SS133-T2	DIODE			C824	QCS32HJ-470Z	C CAPACITOR	47pF 500V J	
D907	1SS133-T2	DIODE			C825	QFLC1HJ-473Z	M CAPACITOR	0.047uF 50V J	
D909	1SS133-T2	DIODE			C826	QFLC1HJ-473Z	M CAPACITOR	0.047uF 50V J	
					C827	QFLC1HJ-473Z	M CAPACITOR	0.047uF 50V J	
					C828	QFLC1HJ-473Z	M CAPACITOR	0.047uF 50V J	
C201	QFLC2AJ-104Z	M CAPACITOR	0.1uF 100V J		C829	QETN1HM-476Z	E CAPACITOR	47uF 50V M	
C202	QFLC2AJ-104Z	M CAPACITOR	0.1uF 100V J		C830	QETN1HM-476Z	E CAPACITOR	47uF 50V M	
C203	QFLC2AJ-104Z	M CAPACITOR	0.1uF 100V J		C901	QEHR1HM-106Z	E CAPACITOR	10uF 50V M	
C204	QETM1VM-228	E CAPACITOR	2200uF 35V M		C903	QCS31HJ-271Z	C CAPACITOR	270pF 50V J	
C205	QETM1VM-108	E CAPACITOR	1000uF 35V M		C905	QCS31HJ-221Z	C CAPACITOR	220pF 50V J	
C206	QFLC1HJ-473Z	M CAPACITOR	0.047uF 50V J		C907	QCB31HK-152Z	C CAPACITOR	1500pF 50V K	
C207	QFLC1HJ-473Z	M CAPACITOR	0.047uF 50V J		C909	QETN1EM-107Z	E CAPACITOR	100uF 25V M	
△ C208	QFLC2AJ-472Z	M CAPACITOR	4700pF 100V J		C911	QCS31HJ-100Z	C CAPACITOR	10pF 50V J	
C209	QETN1EM-477Z	E CAPACITOR	470uF 25V M		C913	QFLC1HJ-103Z	M CAPACITOR	0.01uF 50V J	
△ C210	QCZ9104-472	C CAPACITOR	4700pF		C915	QCS32HJ-330Z	C CAPACITOR	33pF 500V J	
C212	QETN1CM-477Z	E CAPACITOR	470uF 16V M		C917	QEHR1HM-225Z	E CAPACITOR	2.2uF 50V M	
C213	QETM0JM-228	E CAPACITOR	2200uF 6.3V M		C919	QEHR2AM-106Z	E CAPACITOR	10uF 100V M	
C218	QETN1HM-105Z	E CAPACITOR	1uF 50V M		C921	QCS32HJ-470Z	C CAPACITOR	47pF 500V J	
C301	QEHR1HM-106Z	E CAPACITOR	10uF 50V M		C923	QCS32HJ-470Z	C CAPACITOR	47pF 500V J	
C302	QEHR1HM-106Z	E CAPACITOR	10uF 50V M		C925	QFLC1HJ-473Z	M CAPACITOR	0.047uF 50V J	
C303	QCS31HJ-271Z	C CAPACITOR	270pF 50V J		C927	QFLC1HJ-473Z	M CAPACITOR	0.047uF 50V J	
C304	QCS31HJ-271Z	C CAPACITOR	270pF 50V J		C929	QETN1HM-476Z	E CAPACITOR	47uF 50V M	
C305	QCS31HJ-221Z	C CAPACITOR	220pF 50V J						
C306	QCS31HJ-221Z	C CAPACITOR	220pF 50V J						
C307	QCB31HK-152Z	C CAPACITOR	1500pF 50V K		△ R1	QRZ9037-335	COMP RESISTOR	3.3MΩ 1/2W K	
C308	QCB31HK-152Z	C CAPACITOR	1500pF 50V K		△ R201	QRJ146J-2R7X	UNF C RESISTOR	2.7Ω 1/4W J	
C309	QETN1CM-227Z	E CAPACITOR	220uF 16V M		△ R203	QRJ146J-100X	UNF C RESISTOR	10Ω 1/4W J	
C310	QETN1CM-227Z	E CAPACITOR	220uF 16V M		△ R204	QRJ146J-821X	UNF C RESISTOR	820Ω 1/4W J	
C311	QCS31HJ-100Z	C CAPACITOR	10pF 50V J		△ R208	QRJ146J-100X	UNF C RESISTOR	10Ω 1/4W J	
C312	QCS31HJ-100Z	C CAPACITOR	10pF 50V J		R209	QRE141J-104Y	C RESISTOR	100kΩ 1/4W J	
C313	QFLC1HJ-103Z	M CAPACITOR	0.01uF 50V J		△ R210	QRJ146J-680X	UNF C RESISTOR	68Ω 1/4W J	
C314	QFLC1HJ-103Z	M CAPACITOR	0.01uF 50V J		△ R221	QRJ146J-100X	UNF C RESISTOR	10Ω 1/4W J	
C315	QCS32HJ-220Z	C CAPACITOR	22pF 500V J		R301	QRE141J-222Y	C RESISTOR	2.2kΩ 1/4W J	
C316	QCS32HJ-220Z	C CAPACITOR	22pF 500V J		R302	QRE141J-222Y	C RESISTOR	2.2kΩ 1/4W J	
C317	QEHR1VM-476Z	E CAPACITOR	47uF 35V M		R303	QRE141J-623Y	C RESISTOR	62kΩ 1/4W J	
C318	QEHR1VM-476Z	E CAPACITOR	47uF 35V M		R304	QRE141J-623Y	C RESISTOR	62kΩ 1/4W J	
C319	QETN1JM-107Z	E CAPACITOR	100uF 63V M		R305	QRE141J-123Y	C RESISTOR	12kΩ 1/4W J	
C320	QETN1JM-107Z	E CAPACITOR	100uF 63V M		R306	QRE141J-123Y	C RESISTOR	12kΩ 1/4W J	
C321	QCS32HJ-470Z	C CAPACITOR	47pF 500V J		R307	QRE141J-272Y	C RESISTOR	2.7kΩ 1/4W J	
C322	QCS32HJ-470Z	C CAPACITOR	47pF 500V J		R308	QRE141J-272Y	C RESISTOR	2.7kΩ 1/4W J	
C323	QCS32HJ-470Z	C CAPACITOR	47pF 500V J		R309	QRE141J-101Y	C RESISTOR	100Ω 1/4W J	
C324	QCS32HJ-470Z	C CAPACITOR	47pF 500V J		R310	QRE141J-101Y	C RESISTOR	100Ω 1/4W J	
C325	QFLC1HJ-473Z	M CAPACITOR	0.047uF 50V J		△ R311	QRJ146J-221X	UNF C RESISTOR	220Ω 1/4W J	
C326	QFLC1HJ-473Z	M CAPACITOR	0.047uF 50V J		△ R312	QRJ146J-221X	UNF C RESISTOR	220Ω 1/4W J	
C327	QFLC1HJ-473Z	M CAPACITOR	0.047uF 50V J		R313	QRE141J-623Y	C RESISTOR	62kΩ 1/4W J	
C328	QFLC1HJ-473Z	M CAPACITOR	0.047uF 50V J		R314	QRE141J-623Y	C RESISTOR	62kΩ 1/4W J	
C501	QEKC1HM-475Z	E CAPACITOR	4.7uF 50V M		△ R315	QRJ146J-331X	UNF C RESISTOR	330Ω 1/4W J	
C503	QETN0JM-477Z	E CAPACITOR	470uF 6.3V M		△ R316	QRJ146J-331X	UNF C RESISTOR	330Ω 1/4W J	
C504	QCS31HJ-470Z	C CAPACITOR	47pF 50V J		R317	QRE141J-473Y	C RESISTOR	47kΩ 1/4W J	
C505	QEKC1HM-475Z	E CAPACITOR	4.7uF 50V M		R318	QRE141J-473Y	C RESISTOR	47kΩ 1/4W J	
C506	QETN0JM-477Z	E CAPACITOR	470uF 6.3V M		△ R319	QRJ146J-331X	UNF C RESISTOR	330Ω 1/4W J	
C507	QCS31HJ-470Z	C CAPACITOR	47pF 50V J		△ R320	QRJ146J-331X	UNF C RESISTOR	330Ω 1/4W J	
C511	QETN1CM-108Z	E CAPACITOR	1000uF 16V M		△ R321	QRJ146J-100X	UNF C RESISTOR	10Ω 1/4W J	
C512	QCB31HK-223Y	C CAPACITOR	0.022uF 50V K		△ R322	QRJ146J-100X	UNF C RESISTOR	10Ω 1/4W J	
C521	QCB31HK-221Y	C CAPACITOR	220pF 50V K		△ R323	QRJ146J-100X	UNF C RESISTOR	10Ω 1/4W J	

△ Symbol No.	Part No.	Part Name	Description	Local	△ Symbol No.	Part No.	Part Name	Description	Local
△ R324	QRJ146J-100X	UNF C RESISTOR	10Ω 1/4W J		△ R833	QRJ146J-100X	UNF C RESISTOR	10Ω 1/4W J	
R325	QRE141J-361Y	C RESISTOR	360Ω 1/4W J		△ R834	QRJ146J-100X	UNF C RESISTOR	10Ω 1/4W J	
R326	QRE141J-361Y	C RESISTOR	360Ω 1/4W J		R835	QRE141J-181Y	C RESISTOR	180Ω 1/4W J	
R327	QRE141J-471Y	C RESISTOR	470Ω 1/4W J		R836	QRE141J-181Y	C RESISTOR	180Ω 1/4W J	
R328	QRE141J-471Y	C RESISTOR	470Ω 1/4W J		R837	QRE141J-181Y	C RESISTOR	180Ω 1/4W J	
R329	QRE141J-471Y	C RESISTOR	470Ω 1/4W J		R838	QRE141J-181Y	C RESISTOR	180Ω 1/4W J	
R330	QRE141J-471Y	C RESISTOR	470Ω 1/4W J		R839	QRE141J-181Y	C RESISTOR	180Ω 1/4W J	
△ R331	QRJ146J-100X	UNF C RESISTOR	10Ω 1/4W J		R840	QRE141J-181Y	C RESISTOR	180Ω 1/4W J	
△ R332	QRJ146J-100X	UNF C RESISTOR	10Ω 1/4W J		R841	QRE141J-181Y	C RESISTOR	180Ω 1/4W J	
△ R333	QRJ146J-100X	UNF C RESISTOR	10Ω 1/4W J		R842	QRE141J-181Y	C RESISTOR	180Ω 1/4W J	
△ R334	QRJ146J-100X	UNF C RESISTOR	10Ω 1/4W J		R843	QRZ0218-R22	EMIT RESISTOR	0.22Ω	
R335	QRE141J-121Y	C RESISTOR	120Ω 1/4W J		R844	QRZ0218-R22	EMIT RESISTOR	0.22Ω	
R336	QRE141J-121Y	C RESISTOR	120Ω 1/4W J		R845	QRE141J-102Y	C RESISTOR	1kΩ 1/4W J	
R337	QRE141J-121Y	C RESISTOR	120Ω 1/4W J		R846	QRE141J-102Y	C RESISTOR	1kΩ 1/4W J	
R338	QRE141J-121Y	C RESISTOR	120Ω 1/4W J		R847	QRE141J-183Y	C RESISTOR	18kΩ 1/4W J	
R339	QRE141J-181Y	C RESISTOR	180Ω 1/4W J		R848	QRE141J-183Y	C RESISTOR	18kΩ 1/4W J	
R340	QRE141J-181Y	C RESISTOR	180Ω 1/4W J		R849	QRE141J-123Y	C RESISTOR	12kΩ 1/4W J	
R341	QRE141J-181Y	C RESISTOR	180Ω 1/4W J		R850	QRE141J-123Y	C RESISTOR	12kΩ 1/4W J	
R342	QRE141J-181Y	C RESISTOR	180Ω 1/4W J		△ R851	QRJ125J-330	UNF C RESISTOR	33Ω 1/2W J	
R343	QRZ0218-R22	EMIT RESISTOR	0.22Ω		△ R852	QRJ125J-330	UNF C RESISTOR	33Ω 1/2W J	
R344	QRZ0218-R22	EMIT RESISTOR	0.22Ω		△ R853	QRL027J-100	OMF RESISTOR	10Ω 2W J	
R345	QRE141J-102Y	C RESISTOR	1kΩ 1/4W J		△ R854	QRL027J-100	OMF RESISTOR	10Ω 2W J	
R346	QRE141J-102Y	C RESISTOR	1kΩ 1/4W J		R855	QRE141J-332Y	C RESISTOR	3.3kΩ 1/4W J	
R347	QRE141J-153Y	C RESISTOR	15kΩ 1/4W J		R856	QRE141J-332Y	C RESISTOR	3.3kΩ 1/4W J	
R348	QRE141J-153Y	C RESISTOR	15kΩ 1/4W J		R857	QRE141J-332Y	C RESISTOR	3.3kΩ 1/4W J	
R349	QRE141J-473Y	C RESISTOR	47kΩ 1/4W J		R858	QRE141J-332Y	C RESISTOR	3.3kΩ 1/4W J	
R350	QRE141J-473Y	C RESISTOR	47kΩ 1/4W J		R859	QRE141J-332Y	C RESISTOR	3.3kΩ 1/4W J	
△ R351	QRJ125J-330	UNF C RESISTOR	33Ω 1/2W J		R860	QRE141J-332Y	C RESISTOR	3.3kΩ 1/4W J	
△ R352	QRJ125J-330	UNF C RESISTOR	33Ω 1/2W J		R861	QRE141J-332Y	C RESISTOR	3.3kΩ 1/4W J	
△ R353	QRL027J-100	OMF RESISTOR	10Ω 2W J		R862	QRE141J-332Y	C RESISTOR	3.3kΩ 1/4W J	
△ R354	QRL027J-100	OMF RESISTOR	10Ω 2W J		R863	QRE141J-272Y	C RESISTOR	2.7kΩ 1/4W J	
R363	QRE141J-272Y	C RESISTOR	2.7kΩ 1/4W J		R864	QRE141J-272Y	C RESISTOR	2.7kΩ 1/4W J	
R364	QRE141J-272Y	C RESISTOR	2.7kΩ 1/4W J		R901	QRE141J-222Y	C RESISTOR	2.2kΩ 1/4W J	
R501	QRE141J-331Y	C RESISTOR	330Ω 1/4W J		R903	QRE141J-623Y	C RESISTOR	62kΩ 1/4W J	
R502	QRE141J-750Y	C RESISTOR	75Ω 1/4W J		R905	QRE141J-123Y	C RESISTOR	12kΩ 1/4W J	
R505	QRE141J-750Y	C RESISTOR	75Ω 1/4W J		R907	QRE141J-272Y	C RESISTOR	2.7kΩ 1/4W J	
R506	QRE141J-473Y	C RESISTOR	47kΩ 1/4W J		R909	QRE141J-101Y	C RESISTOR	100Ω 1/4W J	
R507	QRE141J-331Y	C RESISTOR	330Ω 1/4W J		△ R911	QRJ146J-301X	UNF C RESISTOR	300Ω 1/4W J	
R508	QRE141J-750Y	C RESISTOR	75Ω 1/4W J		R913	QRE141J-623Y	C RESISTOR	62kΩ 1/4W J	
R509	QRE141J-750Y	C RESISTOR	75Ω 1/4W J		△ R915	QRJ146J-331X	UNF C RESISTOR	330Ω 1/4W J	
R510	QRE141J-473Y	C RESISTOR	47kΩ 1/4W J		△ R921	QRJ146J-100X	UNF C RESISTOR	10Ω 1/4W J	
R511	QRE141J-151Y	C RESISTOR	150Ω 1/4W J		△ R923	QRJ146J-100X	UNF C RESISTOR	10Ω 1/4W J	
R512	QRE141J-271Y	C RESISTOR	270Ω 1/4W J		R925	QRE141J-361Y	C RESISTOR	360Ω 1/4W J	
R513	QRE141J-152Y	C RESISTOR	1.5kΩ 1/4W J		R927	QRE141J-821Y	C RESISTOR	820Ω 1/4W J	
R514	QRE141J-151Y	C RESISTOR	150Ω 1/4W J		R929	QRE141J-471Y	C RESISTOR	470Ω 1/4W J	
R515	QRE141J-271Y	C RESISTOR	270Ω 1/4W J		△ R931	QRJ146J-100X	UNF C RESISTOR	10Ω 1/4W J	
R516	QRE141J-152Y	C RESISTOR	1.5kΩ 1/4W J		△ R933	QRJ146J-100X	UNF C RESISTOR	10Ω 1/4W J	
R521	QRE141J-221Y	C RESISTOR	220Ω 1/4W J		R935	QRE141J-181Y	C RESISTOR	180Ω 1/4W J	
R522	QRE141J-471Y	C RESISTOR	470Ω 1/4W J		R937	QRE141J-181Y	C RESISTOR	180Ω 1/4W J	
R591	QRE141J-221Y	C RESISTOR	220Ω 1/4W J		R939	QRE141J-181Y	C RESISTOR	180Ω 1/4W J	
R801	QRE141J-222Y	C RESISTOR	2.2kΩ 1/4W J		R941	QRE141J-181Y	C RESISTOR	180Ω 1/4W J	
R802	QRE141J-222Y	C RESISTOR	2.2kΩ 1/4W J		R943	QRZ0218-R22	EMIT RESISTOR	0.22Ω	
R803	QRE141J-563Y	C RESISTOR	56kΩ 1/4W J		R945	QRE141J-102Y	C RESISTOR	1kΩ 1/4W J	
R804	QRE141J-563Y	C RESISTOR	56kΩ 1/4W J		R947	QRE141J-183Y	C RESISTOR	18kΩ 1/4W J	
R805	QRE141J-123Y	C RESISTOR	12kΩ 1/4W J		R949	QRE141J-473Y	C RESISTOR	47kΩ 1/4W J	
R806	QRE141J-123Y	C RESISTOR	12kΩ 1/4W J		△ R951	QRJ125J-330	UNF C RESISTOR	33Ω 1/2W J	
R807	QRE141J-272Y	C RESISTOR	2.7kΩ 1/4W J		△ R953	QRL027J-100	OMF RESISTOR	10Ω 2W J	
R808	QRE141J-272Y	C RESISTOR	2.7kΩ 1/4W J		R955	QRE141J-332Y	C RESISTOR	3.3kΩ 1/4W J	
R809	QRE141J-101Y	C RESISTOR	100Ω 1/4W J		R957	QRE141J-332Y	C RESISTOR	3.3kΩ 1/4W J	
R810	QRE141J-101Y	C RESISTOR	100Ω 1/4W J		R959	QRE141J-332Y	C RESISTOR	3.3kΩ 1/4W J	
△ R811	QRJ146J-391X	UNF C RESISTOR	390Ω 1/4W J		R961	QRE141J-332Y	C RESISTOR	3.3kΩ 1/4W J	
△ R812	QRJ146J-391X	UNF C RESISTOR	390Ω 1/4W J		R963	QRE141J-272Y	C RESISTOR	2.7kΩ 1/4W J	
R813	QRE141J-563Y	C RESISTOR	56kΩ 1/4W J		VR301	QVP0008-102Z	TRIM RESISTOR	1kΩ	
R814	QRE141J-563Y	C RESISTOR	56kΩ 1/4W J		VR302	QVP0008-102Z	TRIM RESISTOR	1kΩ	
△ R815	QRJ146J-331X	UNF C RESISTOR	330Ω 1/4W J		L301	QQLZ005-R45	COIL	0.45uH	
△ R816	QRJ146J-331X	UNF C RESISTOR	330Ω 1/4W J		L302	QQLZ005-R45	COIL	0.45uH	
△ R821	QRJ146J-100X	UNF C RESISTOR	10Ω 1/4W J		L801	QQLZ005-R45	COIL	0.45uH	
△ R822	QRJ146J-100X	UNF C RESISTOR	10Ω 1/4W J		L802	QQLZ005-R45	COIL	0.45uH	
△ R823	QRJ146J-100X	UNF C RESISTOR	10Ω 1/4W J		L901	QQLZ005-R45	COIL	0.45uH	
△ R824	QRJ146J-100X	UNF C RESISTOR	10Ω 1/4W J		△ T202	QQT0434-001	POWER TRANSF		
R825	QRE141J-361Y	C RESISTOR	360Ω 1/4W J		CN201	QGF1205C1-14	CONNECTOR	FFC/FPC (1-14)	
R826	QRE141J-361Y	C RESISTOR	360Ω 1/4W J		CN203	QGD2504C1-05Z	CONNECTOR	(1-5)	
R827	QRE141J-821Y	C RESISTOR	820Ω 1/4W J		CN241	QGD2504C1-05Z	CONNECTOR	(1-5)	
R828	QRE141J-821Y	C RESISTOR	820Ω 1/4W J		CN251	QGA3901F2-03	CONNECTOR	W-B (1-3)	
R829	QRE141J-471Y	C RESISTOR	470Ω 1/4W J		CN291	QGB2510J1-04	CONNECTOR	B-B (1-4)	
R830	QRE141J-471Y	C RESISTOR	470Ω 1/4W J		CN292	QGB2510K1-04	CONNECTOR	B-B (1-4)	
△ R831	QRJ146J-100X	UNF C RESISTOR	10Ω 1/4W J						
△ R832	QRJ146J-100X	UNF C RESISTOR	10Ω 1/4W J						

△ Symbol No.	Part No.	Part Name	Description	Local	△ Symbol No.	Part No.	Part Name	Description	Local
CN301	QGB2510K1-14	CONNECTOR	B-B (1-14)		Q2702	UN2214-X	TRANSISTOR		
CN302	QGB2510K1-14	CONNECTOR	B-B (1-14)		Q2703	UN2214-X	TRANSISTOR		
CN492	QGB2510K1-04	CONNECTOR	B-B (1-4)		Q2704	UN2114-X	TRANSISTOR		
CN501	QGB2510K1-07	CONNECTOR	B-B (1-7)		Q2705	UN2114-X	TRANSISTOR		
CN801	QGB2510K1-14	CONNECTOR	B-B (1-14)		Q2706	UN2114-X	TRANSISTOR		
CN802	QGB2510K1-14	CONNECTOR	B-B (1-14)		Q2708	UN2114-X	TRANSISTOR		
CN901	QGB2510K1-14	CONNECTOR	B-B (1-14)		Q2709	UN2114-X	TRANSISTOR		
EP1	E409182-001SM	GRAND TERMINAL			Q2710	UN2214-X	TRANSISTOR		
EP201	QNZ0136-001Z	EARTH PLATE							
FC211	QNG0020-001Z	FUSE CLIP			C2001	QETN1EM-475Z	E CAPACITOR	4.7uF 25V M	
FC212	QNG0020-001Z	FUSE CLIP			C2002	QETN1EM-475Z	E CAPACITOR	4.7uF 25V M	
FC221	QNG0020-001Z	FUSE CLIP			C2005	NDC31HJ-330X	C CAPACITOR	33pF 50V J	
FC222	QNG0020-001Z	FUSE CLIP			C2006	NDC31HJ-330X	C CAPACITOR	33pF 50V J	
FC231	QNG0020-001Z	FUSE CLIP			C2009	NCF31CZ-104X	C CAPACITOR	0.1uF 16V Z	
FC232	QNG0020-001Z	FUSE CLIP			C2010	NCF31CZ-104X	C CAPACITOR	0.1uF 16V Z	
FW201	QUM217-14Z4Z4	PARA RIBON WIRE			C2013	NDC31HJ-330X	C CAPACITOR	33pF 50V J	
FW251	QUM213-08DGZ4	PARA RIBON WIRE			C2014	NDC31HJ-330X	C CAPACITOR	33pF 50V J	
J501	QNN0011-001	PIN JACK			C2018	QETN1AM-476Z	E CAPACITOR	47uF 10V M	
J502	QNN0011-001	PIN JACK			C2019	NCF31CZ-104X	C CAPACITOR	0.1uF 16V Z	
J521	QNS0073-001	JACK			C2020	NCF31CZ-104X	C CAPACITOR	0.1uF 16V Z	
J591	QNS0073-001	JACK			C2101	NCB31HK-332X	C CAPACITOR	3300pF 50V K	
PW101	QUB112-14PPPP	SIN TWIST WIRE			C2102	NCB31HK-332X	C CAPACITOR	3300pF 50V K	
PW102	QUB116-16PPPP	PIN WIRE			C2109	QETN1HM-226Z	E CAPACITOR	22uF 50V M	
PW103	QUB112-34PPPP	SIN TWIST WIRE			C2110	QETN1HM-226Z	E CAPACITOR	22uF 50V M	
PW104	QUB111-34PPPP	SIN TWIST WIRE			C2111	NCF31CZ-104X	C CAPACITOR	0.1uF 16V Z	
PW105	QUB116-26PPPP	SIN TWIST WIRE			C2112	NCF31CZ-104X	C CAPACITOR	0.1uF 16V Z	
△ RY202	QSK0142-001	RELAY			C2113	NCB31HK-102X	C CAPACITOR	1000pF 50V K	
△ RY203	QSK0109-001	RELAY			C2114	NCB31HK-102X	C CAPACITOR	1000pF 50V K	
TA201	QNZ0079-001Z	TAB			C2115	NCB31HK-822X	C CAPACITOR	8200pF 50V K	
TA202	QNZ0079-001Z	TAB			C2116	NCB31HK-822X	C CAPACITOR	8200pF 50V K	
△ TH301	QAD0012-202	THERMISTOR	2kΩ L		C2129	QETN1HM-475Z	E CAPACITOR	4.7uF 50V M	
△ TH302	QAD0012-202	THERMISTOR	2kΩ L		C2131	NCF31CZ-104X	C CAPACITOR	0.1uF 16V Z	
△ TH801	QAD0012-202	THERMISTOR	2kΩ L		C2132	NCF31CZ-104X	C CAPACITOR	0.1uF 16V Z	
△ TH802	QAD0012-202	THERMISTOR	2kΩ L		C2133	NDC31HJ-330X	C CAPACITOR	33pF 50V J	
△ TH901	QAD0012-202	THERMISTOR	2kΩ L		C2134	NDC31HJ-330X	C CAPACITOR	33pF 50V J	

DSP board

Block No. [0][4][0][0]

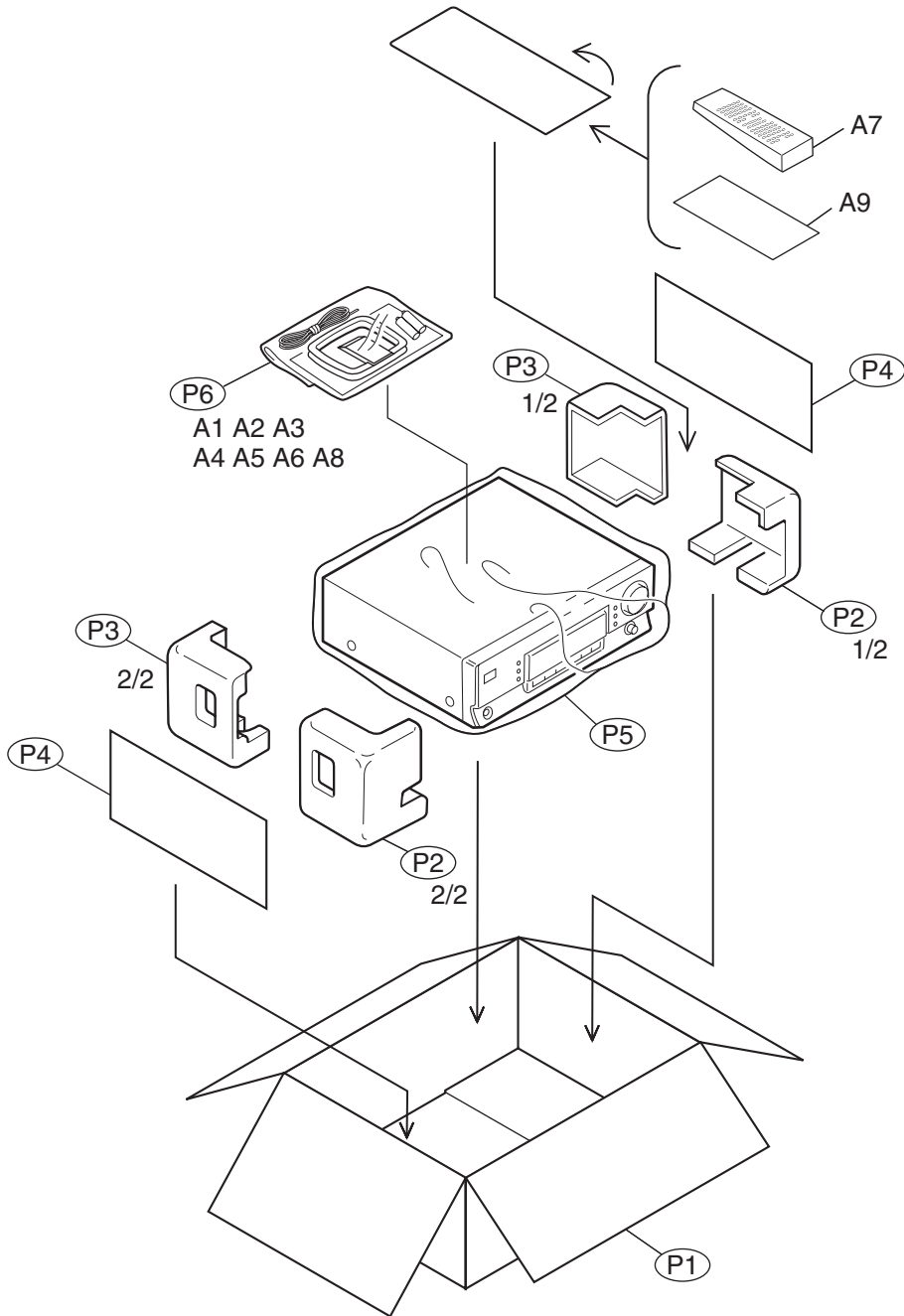
△ Symbol No.	Part No.	Part Name	Description	Local	△ Symbol No.	Part No.	Part Name	Description	Local
IC601	NJM4565M-WE	IC			C2181	NCF31CZ-104X	C CAPACITOR	0.1uF 16V Z	
IC602	NJM4565M-WE	IC			C2182	NCF31CZ-104X	C CAPACITOR	0.1uF 16V Z	
IC611	NJM4565M-WE	IC			C2183	NCB31HK-681X	C CAPACITOR	680pF 50V K	
IC612	NJM4565M-WE	IC			C2184	NCB31HK-681X	C CAPACITOR	680pF 50V K	
IC613	NJM4565M-WE	IC			C2185	NCB31HK-681X	C CAPACITOR	680pF 50V K	
IC615	NJM4565M-WE	IC			C2186	NCB31HK-681X	C CAPACITOR	680pF 50V K	
IC621	NJM4565M-WE	IC			C2187	NCB31HK-682X	C CAPACITOR	6800pF 50V K	
IC622	NJM4565M-WE	IC			C2188	NCB31HK-682X	C CAPACITOR	6800pF 50V K	
IC631	NJM2120M-X	IC			C2201	NCB31HK-182X	C CAPACITOR	1800pF 50V K	
IC632	NJM4565M-WE	IC			C2202	NCB31HK-182X	C CAPACITOR	1800pF 50V K	
IC633	NJM4565M-WE	IC			C2209	QETN1HM-225Z	E CAPACITOR	2.2uF 50V M	
IC634	NJM4565M-WE	IC			C2210	QETN1HM-225Z	E CAPACITOR	2.2uF 50V M	
IC661	DSPA56370AF	IC			C2229	QETN1HM-105Z	E CAPACITOR	1uF 50V M	
IC662	SN74LVC1GU04K-X	IC			C2230	QETN1HM-105Z	E CAPACITOR	1uF 50V M	
IC667	CS42518-CQZ-C-X	IC(DIGITAL)			C2241	NCF31CZ-104X	C CAPACITOR	0.1uF 16V Z	
IC671	UPD784217AGC257	IC(FLASH MICOM)			C2242	NCF31CZ-104X	C CAPACITOR	0.1uF 16V Z	
IC672	SN74AHCT1G32K-X	IC			C2243	NCB31HK-562X	C CAPACITOR	5600pF 50V K	
IC673	SN74LVC1G04K-X	IC			C2244	NCB31HK-562X	C CAPACITOR	5600pF 50V K	
IC691	BA3259HFP-W	IC			C2245	NCB31HK-182X	C CAPACITOR	1800pF 50V K	
Q2101	2SD2114K/VV/-X	TRANSISTOR			C2246	NCB31HK-182X	C CAPACITOR	1800pF 50V K	
Q2102	2SD2114K/VV/-X	TRANSISTOR			C2249	QETN1HM-225Z	E CAPACITOR	2.2uF 50V M	
Q2141	2SD601A/RS/-X	TRANSISTOR			C2250	QETN1HM-225Z	E CAPACITOR	2.2uF 50V M	
Q2142	2SD601A/RS/-X	TRANSISTOR			C2281	NCF31CZ-104X	C CAPACITOR	0.1uF 16V Z	
Q2201	2SD2114K/VV/-X	TRANSISTOR			C2282	NCF31CZ-104X	C CAPACITOR	0.1uF 16V Z	
Q2202	2SD2114K/VV/-X	TRANSISTOR			C2283	NCB31HK-471X	C CAPACITOR	470pF 50V K	
Q2221	2SD2114K/VV/-X	TRANSISTOR			C2284	NCB31HK-471X	C CAPACITOR	470pF 50V K	
Q2222	2SD2114K/VV/-X	TRANSISTOR			C2285	NCB31HK-471X	C CAPACITOR	470pF 50V K	
Q2301	2SD2114K/VV/-X	TRANSISTOR			C2286	NCB31HK-471X	C CAPACITOR	470pF 50V K	
Q2341	2SD601A/RS/-X	TRANSISTOR			C2287	NCB31HK-682X	C CAPACITOR	6800pF 50V K	
Q2401	2SD2114K/VV/-X	TRANSISTOR			C2288	NCB31HK-682X	C CAPACITOR	6800pF 50V K	
Q2421	2SD2114K/VV/-X	TRANSISTOR			C2301	NCB31HK-272X	C CAPACITOR	2700pF 50V K	
Q2701	UN2214-X	TRANSISTOR			C2309	QETN1HM-226Z	E CAPACITOR	22uF 50V M	
					C2323	NCB31HK-562X	C CAPACITOR	5600pF 50V K	
					C2325	NCB31HK-182X	C CAPACITOR	1800pF 50V K	
					C2341	NCF31CZ-104X	C CAPACITOR	0.1uF 16V Z	

△ Symbol No.	Part No.	Part Name	Description	Local	△ Symbol No.	Part No.	Part Name	Description	Local
C2342	NCF31CZ-104X	C CAPACITOR	0.1uF 16V Z		C2903	QETN1AM-476Z	E CAPACITOR	47uF 10V M	
C2343	NDC31HJ-330X	C CAPACITOR	33pF 50V J		C2911	QETN0JM-227Z	E CAPACITOR	220uF 6.3V M	
C2349	QETN1HM-225Z	E CAPACITOR	2.2uF 50V M		C2912	NCF31CZ-104X	C CAPACITOR	0.1uF 16V Z	
C2381	NCF31CZ-104X	C CAPACITOR	0.1uF 16V Z		C2921	QETN0JM-107Z	E CAPACITOR	100uF 6.3V M	
C2382	NCF31CZ-104X	C CAPACITOR	0.1uF 16V Z		C2922	NCF31CZ-104X	C CAPACITOR	0.1uF 16V Z	
C2383	NCB31HK-681X	C CAPACITOR	680pF 50V K		C2923	QETN0JM-107Z	E CAPACITOR	100uF 6.3V M	
C2385	NCB31HK-681X	C CAPACITOR	680pF 50V K		C2924	NCF31CZ-104X	C CAPACITOR	0.1uF 16V Z	
C2387	NCB31HK-682X	C CAPACITOR	680pF 50V K		C2925	NCF31CZ-104X	C CAPACITOR	0.1uF 16V Z	
C2401	NCB31HK-561X	C CAPACITOR	560pF 50V K		C2951	NCF31AZ-105X	C CAPACITOR	1uF 10V Z	
C2409	QETN1HM-226Z	E CAPACITOR	22uF 50V M		C2952	NCF31AZ-105X	C CAPACITOR	1uF 10V Z	
C2411	NCF31CZ-104X	C CAPACITOR	0.1uF 16V Z		C2953	NCF31AZ-105X	C CAPACITOR	1uF 10V Z	
C2412	NCF31CZ-104X	C CAPACITOR	0.1uF 16V Z		C2954	NCF31AZ-105X	C CAPACITOR	1uF 10V Z	
C2421	NCF31CZ-104X	C CAPACITOR	0.1uF 16V Z		C2955	NCF31AZ-105X	C CAPACITOR	1uF 10V Z	
C2422	NCF31CZ-104X	C CAPACITOR	0.1uF 16V Z		C2956	NCF31CZ-104X	C CAPACITOR	0.1uF 16V Z	
C2423	NCB31CK-823X	C CAPACITOR	0.082uF 16V K		C2957	NCF31CZ-104X	C CAPACITOR	0.1uF 16V Z	
C2425	QFN31HJ-333Z	M CAPACITOR	0.033uF 50V J		R2001	NRSA63J-104X	MG RESISTOR	100kΩ 1/16W J	
C2429	QETN1HM-475Z	E CAPACITOR	4.7uF 50V M		R2002	NRSA63J-104X	MG RESISTOR	100kΩ 1/16W J	
C2433	NCB31CK-823X	C CAPACITOR	0.082uF 16V K		R2003	NRSA63J-223X	MG RESISTOR	22kΩ 1/16W J	
C2435	QFN31HJ-333Z	M CAPACITOR	0.033uF 50V J		R2004	NRSA63J-223X	MG RESISTOR	22kΩ 1/16W J	
C2449	QETN1EM-475Z	E CAPACITOR	4.7uF 25V M		R2007	NRSA63J-223X	MG RESISTOR	22kΩ 1/16W J	
C2483	NCB31HK-471X	C CAPACITOR	470pF 50V K		R2008	NRSA63J-223X	MG RESISTOR	22kΩ 1/16W J	
C2485	NCB31HK-471X	C CAPACITOR	470pF 50V K		R2011	NRSA63J-223X	MG RESISTOR	22kΩ 1/16W J	
C2487	NCB31HK-332X	C CAPACITOR	3300pF 50V K		R2012	NRSA63J-223X	MG RESISTOR	22kΩ 1/16W J	
C2601	QETN0JM-107Z	E CAPACITOR	100uF 6.3V M		R2013	NRSA63J-223X	MG RESISTOR	22kΩ 1/16W J	
C2606	NCF31CZ-104X	C CAPACITOR	0.1uF 16V Z		R2014	NRSA63J-223X	MG RESISTOR	22kΩ 1/16W J	
C2607	NCF31CZ-104X	C CAPACITOR	0.1uF 16V Z		R2017	NRSA63J-472X	MG RESISTOR	4.7kΩ 1/16W J	
C2608	NCF31CZ-104X	C CAPACITOR	0.1uF 16V Z		R2018	NRSA63J-472X	MG RESISTOR	4.7kΩ 1/16W J	
C2611	NCF31CZ-104X	C CAPACITOR	0.1uF 16V Z		R2021	NRSA63J-331X	MG RESISTOR	330Ω 1/16W J	
C2612	NCF31CZ-104X	C CAPACITOR	0.1uF 16V Z		R2022	NRSA63J-331X	MG RESISTOR	330Ω 1/16W J	
C2613	NCF31CZ-104X	C CAPACITOR	0.1uF 16V Z		R2023	NRSA63J-331X	MG RESISTOR	330Ω 1/16W J	
C2614	NCB31HK-102X	C CAPACITOR	1000pF 50V K		R2024	NRSA63J-331X	MG RESISTOR	330Ω 1/16W J	
C2621	NCF31CZ-104X	C CAPACITOR	0.1uF 16V Z		R2101	NRSA63J-103X	MG RESISTOR	10kΩ 1/16W J	
C2622	NCF31CZ-104X	C CAPACITOR	0.1uF 16V Z		R2102	NRSA63J-103X	MG RESISTOR	10kΩ 1/16W J	
C2623	NCF31CZ-104X	C CAPACITOR	0.1uF 16V Z		R2103	NRSA63J-102X	MG RESISTOR	1kΩ 1/16W J	
C2631	NCF31CZ-104X	C CAPACITOR	0.1uF 16V Z		R2104	NRSA63J-102X	MG RESISTOR	1kΩ 1/16W J	
C2632	NCF31CZ-104X	C CAPACITOR	0.1uF 16V Z		R2109	NRSA63J-104X	MG RESISTOR	100kΩ 1/16W J	
C2633	NCF31CZ-104X	C CAPACITOR	0.1uF 16V Z		R2110	NRSA63J-104X	MG RESISTOR	100kΩ 1/16W J	
C2641	NDC31HJ-100X	C CAPACITOR	10pF 50V J		R2111	NRSA63J-102X	MG RESISTOR	1kΩ 1/16W J	
C2642	NDC31HJ-100X	C CAPACITOR	10pF 50V J		R2112	NRSA63J-102X	MG RESISTOR	1kΩ 1/16W J	
C2643	NCF31CZ-104X	C CAPACITOR	0.1uF 16V Z		R2113	NRSA63J-102X	MG RESISTOR	1kΩ 1/16W J	
C2671	QETN1CM-106Z	E CAPACITOR	10uF 16V M		R2114	NRSA63J-102X	MG RESISTOR	1kΩ 1/16W J	
C2672	QETN1CM-106Z	E CAPACITOR	10uF 16V M		R2115	NRSA63J-102X	MG RESISTOR	1kΩ 1/16W J	
C2673	QETN1CM-106Z	E CAPACITOR	10uF 16V M		R2116	NRSA63J-102X	MG RESISTOR	1kΩ 1/16W J	
C2674	NCF31CZ-104X	C CAPACITOR	0.1uF 16V Z		R2121	NRSA63J-333X	MG RESISTOR	33kΩ 1/16W J	
C2675	NCF31CZ-104X	C CAPACITOR	0.1uF 16V Z		R2122	NRSA63J-333X	MG RESISTOR	33kΩ 1/16W J	
C2676	NCB31HK-221X	C CAPACITOR	220pF 50V K		R2123	NRSA63J-243X	MG RESISTOR	24kΩ 1/16W J	
C2677	NCB31HK-221X	C CAPACITOR	220pF 50V K		R2128	NRSA63J-104X	MG RESISTOR	100kΩ 1/16W J	
C2678	QETN1EM-475Z	E CAPACITOR	4.7uF 25V M		R2129	NRSA63J-104X	MG RESISTOR	100kΩ 1/16W J	
C2679	NCF31CZ-104X	C CAPACITOR	0.1uF 16V Z		R2130	NRSA63J-104X	MG RESISTOR	100kΩ 1/16W J	
C2680	QETN0JM-107Z	E CAPACITOR	100uF 6.3V M		R2131	NRSA63J-333X	MG RESISTOR	33kΩ 1/16W J	
C2681	NCF31CZ-104X	C CAPACITOR	0.1uF 16V Z		R2132	NRSA63J-333X	MG RESISTOR	33kΩ 1/16W J	
C2682	NCF31CZ-104X	C CAPACITOR	0.1uF 16V Z		R2133	NRSA63J-273X	MG RESISTOR	27kΩ 1/16W J	
C2683	NCB31CK-223X	C CAPACITOR	0.022uF 16V K		R2134	NRSA63J-273X	MG RESISTOR	27kΩ 1/16W J	
C2684	NCB31HK-102X	C CAPACITOR	1000pF 50V K		R2135	NRSA63J-333X	MG RESISTOR	33kΩ 1/16W J	
C2685	NCF31CZ-104X	C CAPACITOR	0.1uF 16V Z		R2136	NRSA63J-333X	MG RESISTOR	33kΩ 1/16W J	
C2686	NCF31CZ-104X	C CAPACITOR	0.1uF 16V Z		R2137	NRSA63J-912X	MG RESISTOR	9.1kΩ 1/16W J	
C2687	NCF31CZ-104X	C CAPACITOR	0.1uF 16V Z		R2138	NRSA63J-912X	MG RESISTOR	9.1kΩ 1/16W J	
C2688	NCB31CK-103X	C CAPACITOR	0.01uF 16V K		R2139	NRSA63J-104X	MG RESISTOR	100kΩ 1/16W J	
C2689	NCB31CK-103X	C CAPACITOR	0.01uF 16V K		R2140	NRSA63J-104X	MG RESISTOR	100kΩ 1/16W J	
C2690	NCB31CK-103X	C CAPACITOR	0.01uF 16V K		R2141	NRSA63J-103X	MG RESISTOR	10kΩ 1/16W J	
C2691	NCB31CK-103X	C CAPACITOR	0.01uF 16V K		R2142	NRSA63J-103X	MG RESISTOR	10kΩ 1/16W J	
C2692	NCB31CK-103X	C CAPACITOR	0.01uF 16V K		R2143	NRSA63J-683X	MG RESISTOR	68kΩ 1/16W J	
C2701	QETN0JM-107Z	E CAPACITOR	100uF 6.3V M		R2144	NRSA63J-683X	MG RESISTOR	68kΩ 1/16W J	
C2702	NCB31CK-103X	C CAPACITOR	0.01uF 16V K		R2145	NRSA63J-562X	MG RESISTOR	5.6kΩ 1/16W J	
C2703	NDC31HJ-101X	C CAPACITOR	100pF 50V J		R2146	NRSA63J-562X	MG RESISTOR	5.6kΩ 1/16W J	
C2721	NDC31HJ-101X	C CAPACITOR	100pF 50V J		R2147	NRSA63J-103X	MG RESISTOR	10kΩ 1/16W J	
C2731	NCF31CZ-104X	C CAPACITOR	0.1uF 16V Z		R2148	NRSA63J-103X	MG RESISTOR	10kΩ 1/16W J	
C2751	NCF31CZ-104X	C CAPACITOR	0.1uF 16V Z		R2149	NRSA63J-104X	MG RESISTOR	100kΩ 1/16W J	
C2771	QETN1AM-476Z	E CAPACITOR	47uF 10V M		R2150	NRSA63J-104X	MG RESISTOR	100kΩ 1/16W J	
C2861	NDC31HJ-101X	C CAPACITOR	100pF 50V J		R2181	NRSA63J-472X	MG RESISTOR	4.7kΩ 1/16W J	
C2862	NCF31CZ-104X	C CAPACITOR	0.1uF 16V Z		R2182	NRSA63J-472X	MG RESISTOR	4.7kΩ 1/16W J	
C2863	NCF31CZ-104X	C CAPACITOR	0.1uF 16V Z		R2183	NRSA63J-181X	MG RESISTOR	180Ω 1/16W J	
C2871	NDC31HJ-270X	C CAPACITOR	27pF 50V J		R2184	NRSA63J-181X	MG RESISTOR	180Ω 1/16W J	
C2881	NCB31CK-103X	C CAPACITOR	0.01uF 16V K		R2185	NRSA63J-472X	MG RESISTOR	4.7kΩ 1/16W J	
C2882	NCB31CK-103X	C CAPACITOR	0.01uF 16V K		R2186	NRSA63J-472X	MG RESISTOR	4.7kΩ 1/16W J	
C2883	NCB31CK-103X	C CAPACITOR	0.01uF 16V K		R2187	NRSA63J-181X	MG RESISTOR	180Ω 1/16W J	
C2901	QETN1CM-106Z	E CAPACITOR	10uF 16V M		R2188	NRSA63J-181X	MG RESISTOR	180Ω 1/16W J	
C2902	QETN1CM-106Z	E CAPACITOR	10uF 16V M						

△ Symbol No.	Part No.	Part Name	Description	Local
EP681	E409182-001SM	GRAND TERMINAL		
J681	QNN0481-001	SURROUND JACK		
K2861	NQR0269-004X	FERRITE BEADS		
UN682	GP1FA553RZ	OPT RECEIVER		
UN683	GP1FA553RZ	OPT RECEIVER		
X661	QAX0722-001Z	CRYSTAL	24.576MHz	
X671	QAX0719-001Z	C RESONATOR	6.144MHz	

Packing materials and accessories parts list

Block No. M 3 M M



Packing and accessories

Block No. [M][3][M][M]

△ Symbol No.	Part No.	Part Name	Description	Local
A 1	LVT1140-002A	INST BOOK	ENG FRE	C
A 1	LVT1140-001A	INST BOOK	ENG	J
A 2	-----	BATTERY	(x2)	
A 3	EWP503-001C	ANT.WIRE		
A 4	QAL0014-001	AM LOOP ANT		
A 5	YU20333	SAFETY INST.		
A 6	BT-52006-2	WARRANTY CARD		C
A 7	RM-SRX6040J	REMOCON		
A 8	BT-51034-1	J=REGIST CARD		J
A 9	LV30256-014A	SHEET		
P 1	LV21633-007A	CARTON BOX		
P 2	LV21634-003A	PACKING PAD(F)		
P 3	LV21635-002A	PACKING PAD(R)		
P 4	LV32034-008A	SHEET	(x2)	
P 5	QPC06507015P	POLY BAG	65cm x 70cm	
P 6	QPA02503505P	POLY BAG	25cm x 35cm	