

JVC

SCHEMATIC DIAGRAMS

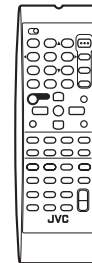
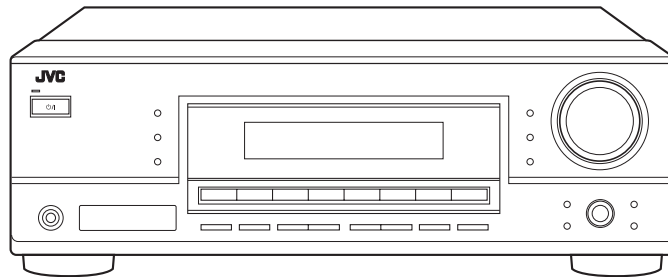
AUDIO/VIDEO CONTROL RECEIVER

RX-6042S

CD-ROM No.SML200403

Area suffix

E ----- Continental Europe
EN ----- Northern Europe
EV ----- Eastern Europe



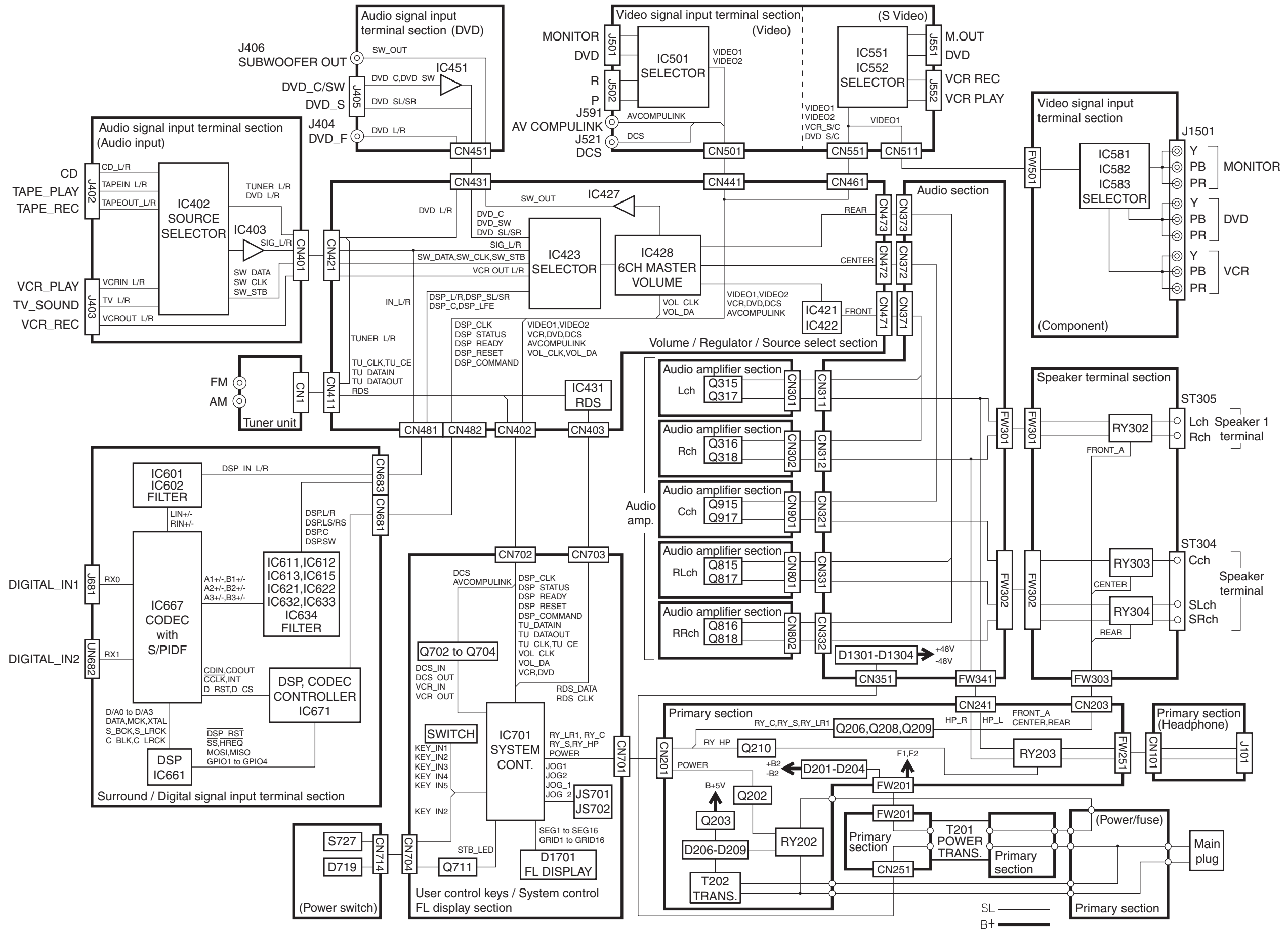
Contents

Block diagram	2-1
Standard schematic diagrams	2-2
Printed circuit boards	2-10 to 13

In regard with component parts appearing on the silk-screen printed side (parts side) of the PWB diagrams, the parts that are printed over with black such as the resistor (■), diode (▬) and ICP (●) or identified by the "▲" mark nearby are critical for safety.

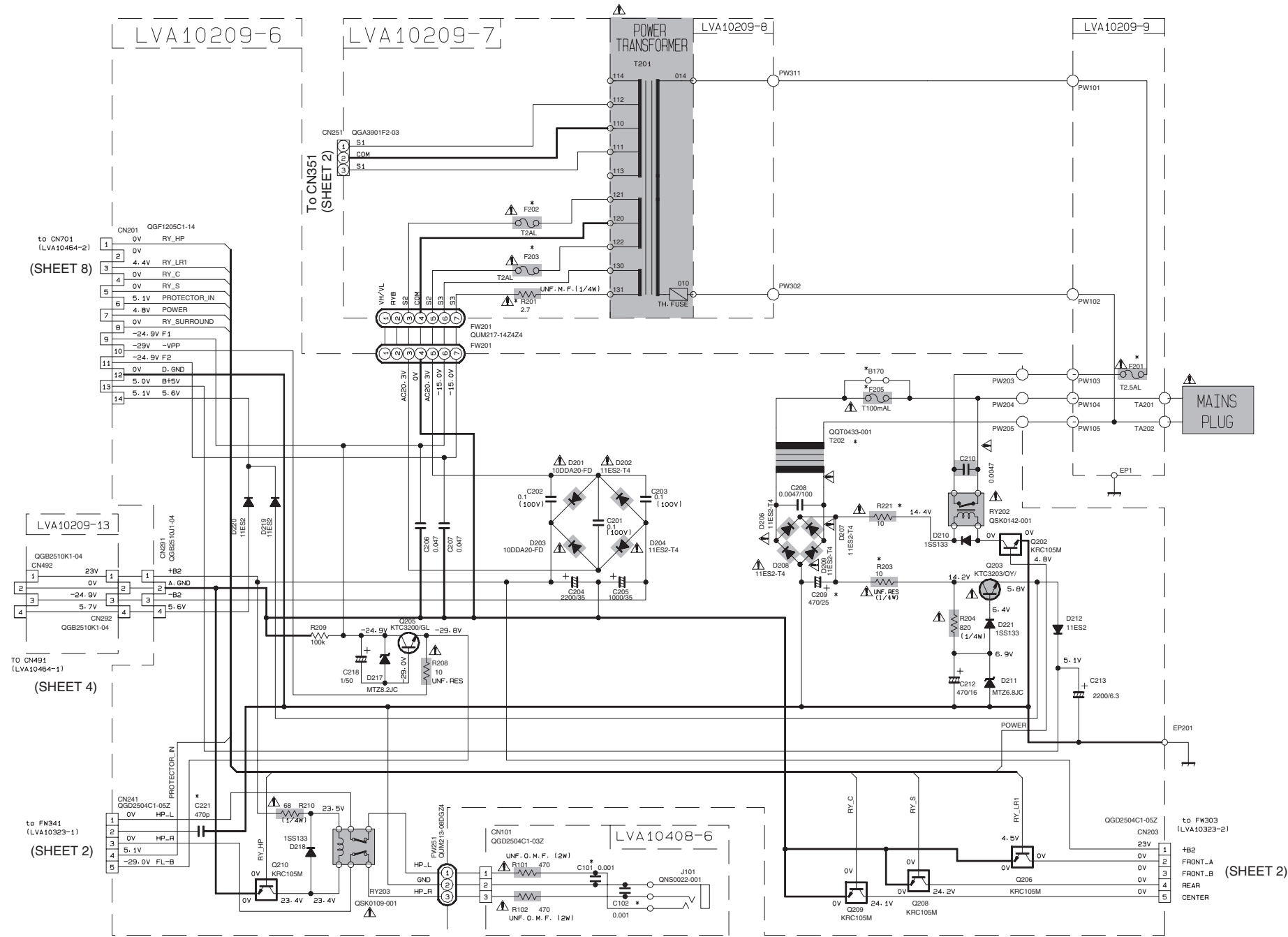
(This regulation does not correspond to J and C version.)

Block diagram



Standard schematic diagrams

Primary section



	J/C	E/EN/EV/A	US
F01	DPF511-812-B (1.5A-250V)	DPF514-280-B (2.5A-250V)	DPF512-280-B (1A-250V)
F02, F03	DPF511-280-B (1A-250V)	DPF514-280-B (2A-250V)	DPF512-280-B (1A-250V)
F04	NONE	NONE	DPF512-280-B (1A-250V)
F05	NONE	DPF512-210-J1 (100mA-250V)	DPF512-210-J2 (100mA-250V)
B170	USE	NONE	NONE
VS01	NONE	NONE	USE

	J/C	E/EN/EV	US	A
R1	USE	NONE	NONE	NONE
R11-R12	Q920-0020	NONE	USE	USE
R11-R14	USE	USE	NONE	NONE
R203	10	10	3.9	3.9
T02	QGT0434-001	QGT0433-001	QGT0081-004	QGT0081-004
C209	470/25	470/25	470/25	470/25
R012	2.7	2.7	5.6	5.6
C101	330P	0.001	330P	330P
C102	330P	0.001	330P	330P
C051	NONE	USE	NONE	NONE

VERSION CODES

J : U. S. A.
 C : CANADA
 E : CONTINENTAL EUROPE
 EN : NORTHERN EUROPE
 EV : EASTERN EUROPE
 US : SINGAPORE
 A : AUSTRALIA

SHEET NUMBER	CIRCUIT DISCRIPTION
1	PRIMARY (J/C/E/EN/EV)
2	AUDIO / SPEAKER TERMINAL
3	AUDIO AMP
4	VOLUME / REGULATOR / SOURCE SELECT IC
5	AUDIO SIGNAL INPUT TERMINAL / SOURCE SELECT IC
6	VIDEO SIGNAL INPUT TERMINAL
7	SURROUND IC / DIGITAL SIGNAL INPUT TERMINAL
8	USER CONTROL KEYS / SYSTEMCONTROL LST / FL DISPLAY

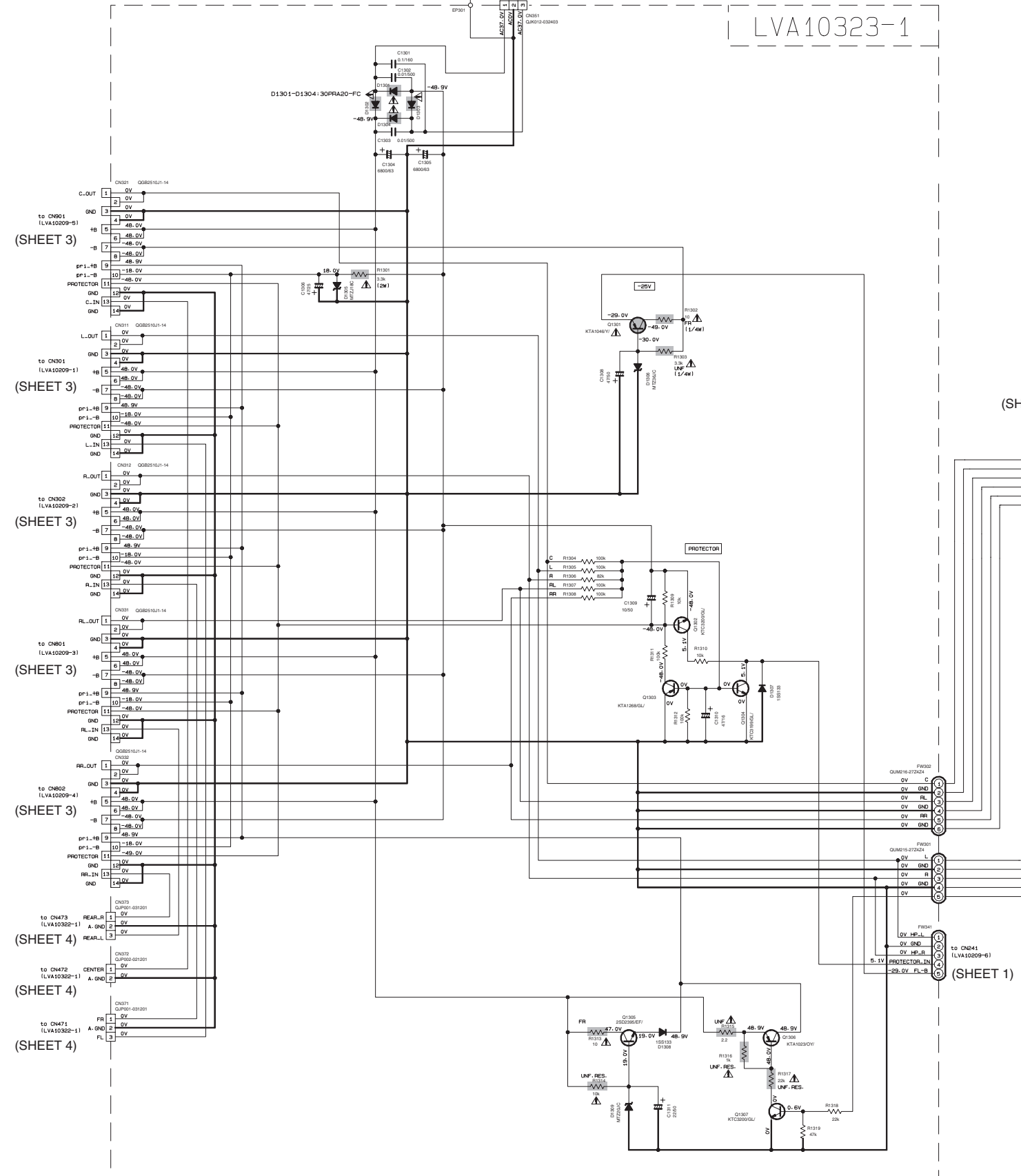
▲ Parts are safety assurance parts. When replacing those parts make sure to use the specified one.

Audio / Speaker terminal section

(SHEET 1)

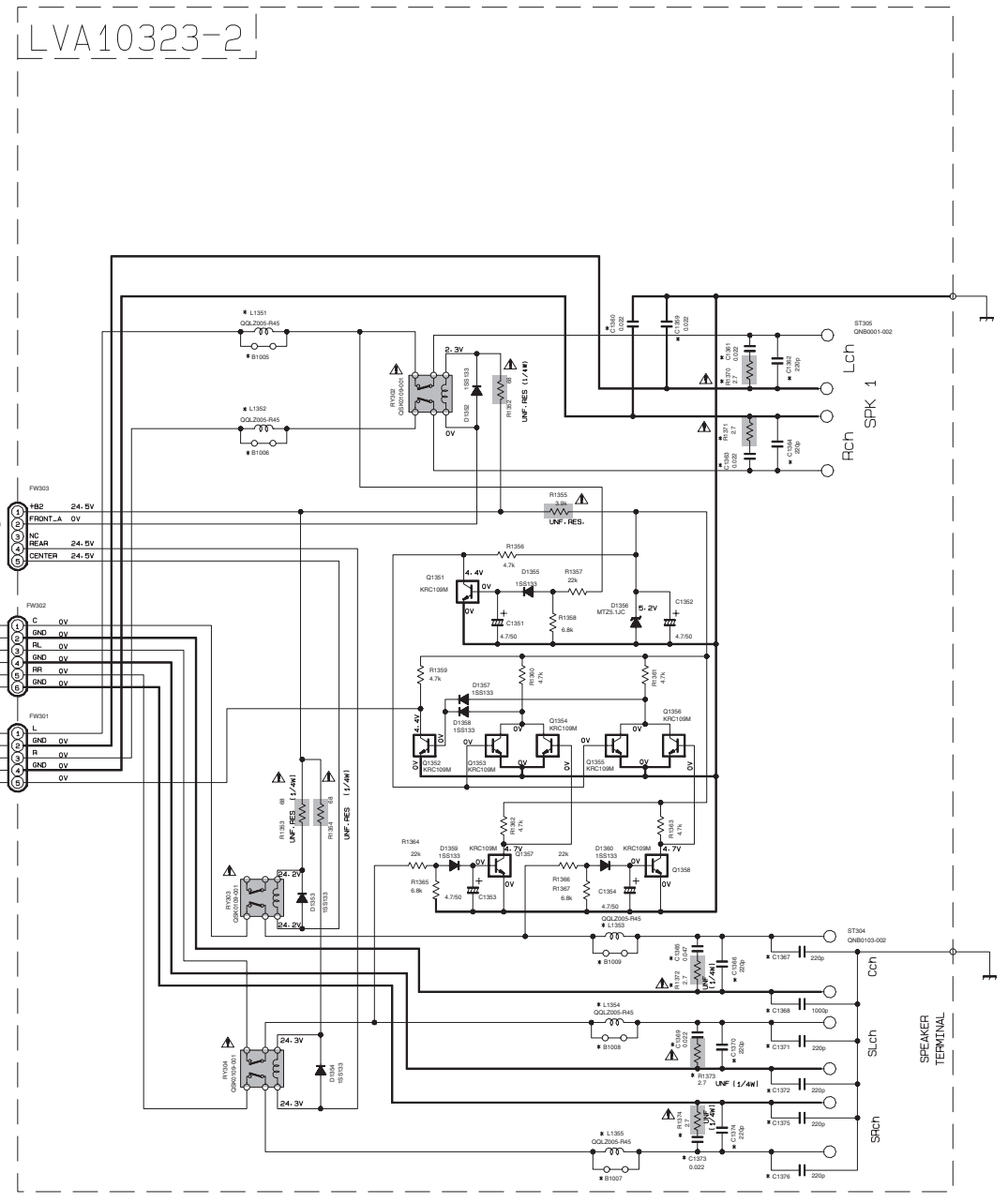
LVA10323-1

LVA10323-2



(SHEET 1)

(SHEET 1)



(SHEET 3)

(SHEET 3)

(SHEET 3)

(SHEET 3)

(SHEET 3)

(SHEET 4)

(SHEET 4)

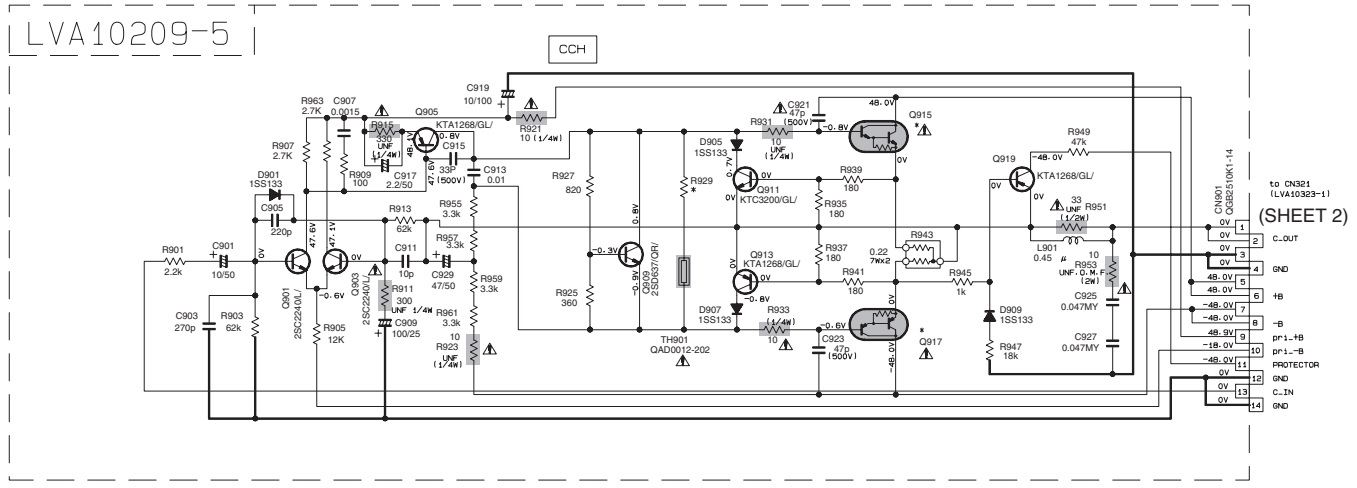
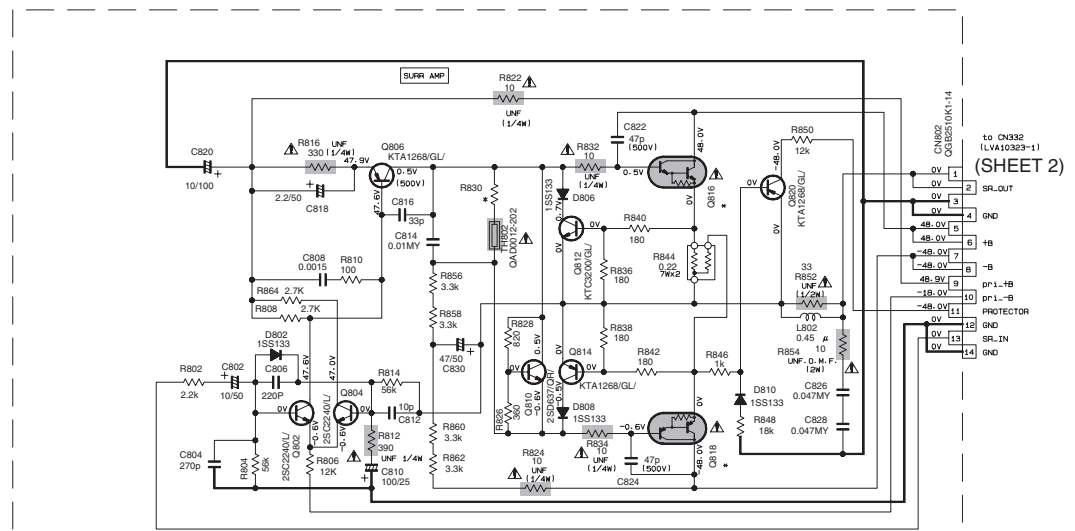
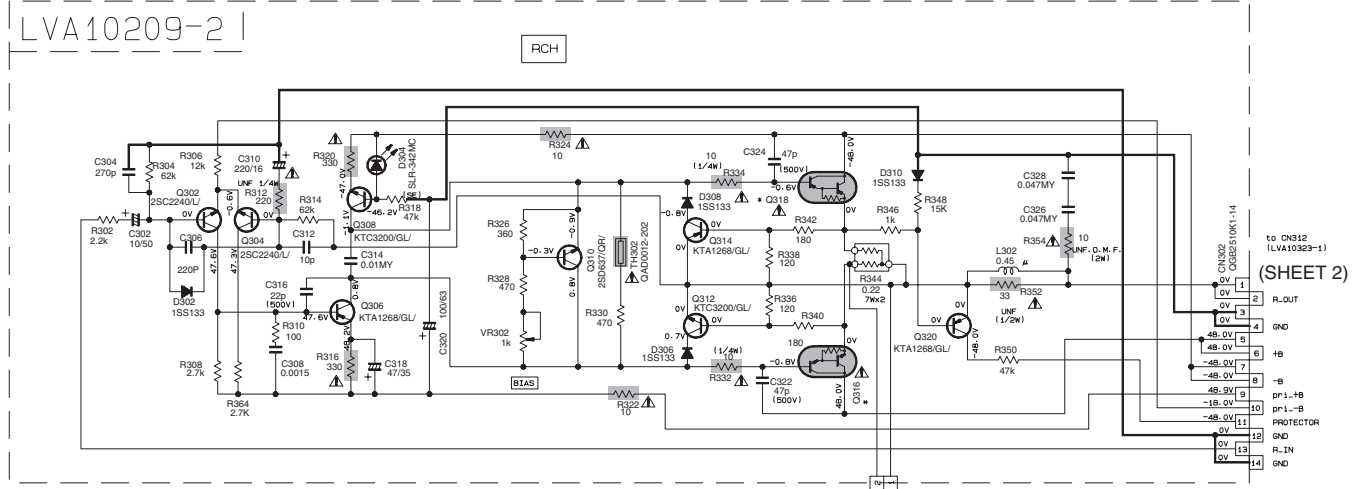
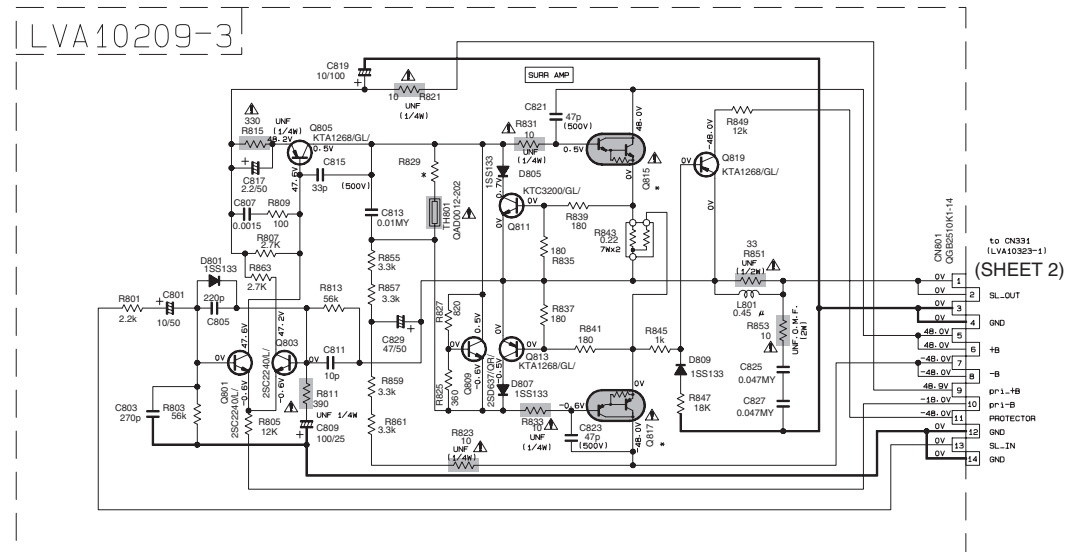
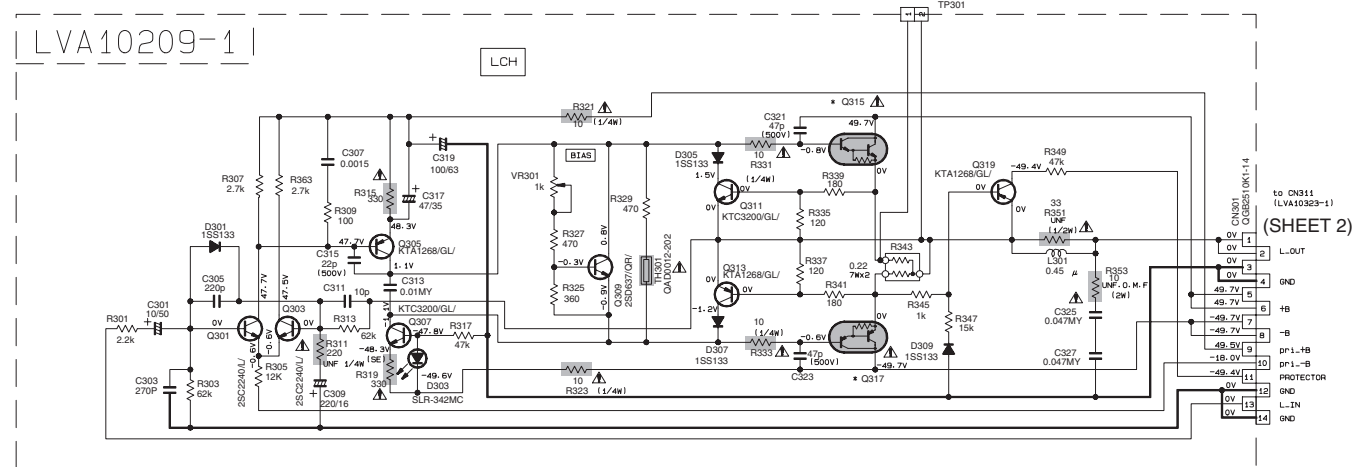
(SHEET 4)

MARK LIST

MARK	Q/C	B/E/DN/EV	US/UT/AJ	△/P/A
C1369	NONE	USE	USE	
C1360	NONE	USE	USE	
C1361	NONE	USE	USE	
C1362	NONE	USE	USE	
C1363	NONE	USE	USE	
C1364	NONE	USE	USE	
C1365	NONE	USE	USE	
C1366	NONE	USE	USE	
C1367	NONE	USE	USE	
C1368	NONE	USE	USE	
C1369	NONE	USE	USE	
C1370	NONE	USE	USE	
C1371	NONE	USE	USE	
C1372	NONE	USE	USE	
C1373	NONE	USE	USE	
C1374	NONE	USE	USE	
C1375	NONE	USE	USE	
C1376	NONE	USE	USE	
C1377	NONE	USE	USE	
C1378	NONE	USE	USE	
C1379	NONE	USE	USE	
R1370	NONE	USE	USE	
R1371	NONE	USE	USE	
R1372	NONE	USE	USE	
R1373	NONE	USE	USE	
R1374	NONE	USE	USE	
L1351	NONE	USE	USE	
L1352	NONE	USE	USE	
L1353	NONE	USE	USE	
L1354	NONE	USE	USE	
L1355	NONE	USE	USE	
B1005	USE	NONE	NONE	
B1006	USE	NONE	NONE	
B1007	USE	NONE	NONE	
B1008	USE	NONE	NONE	
B1009	USE	NONE	NONE	

△ Parts are safety assurance parts.
When replacing those parts make sure to use the specified one.

■ Audio amplifier section

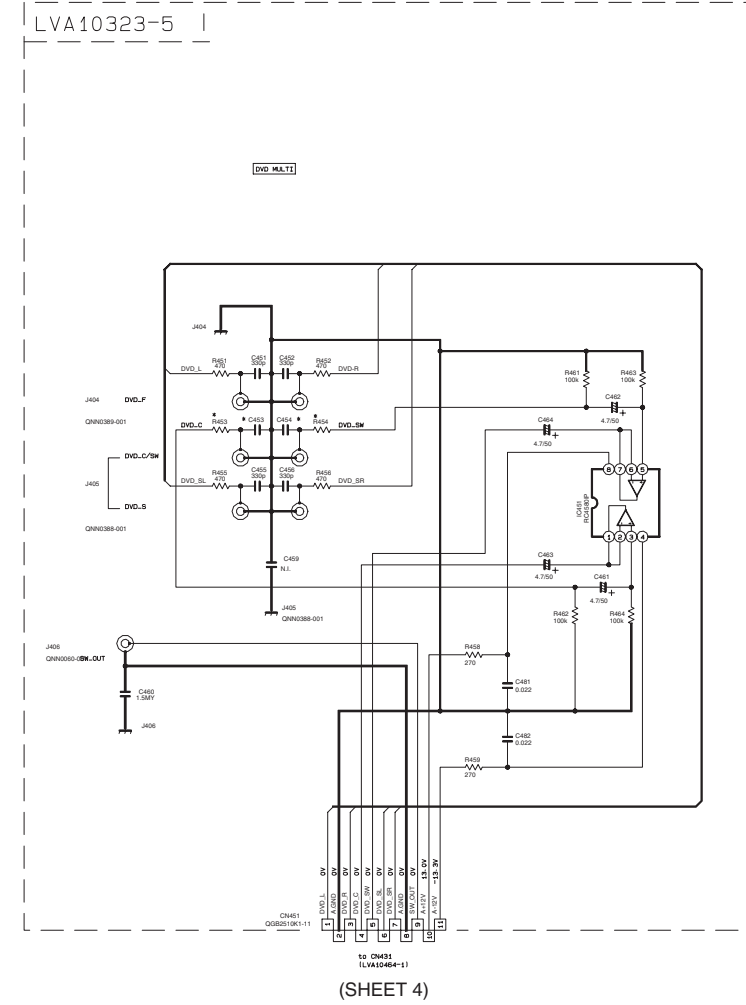
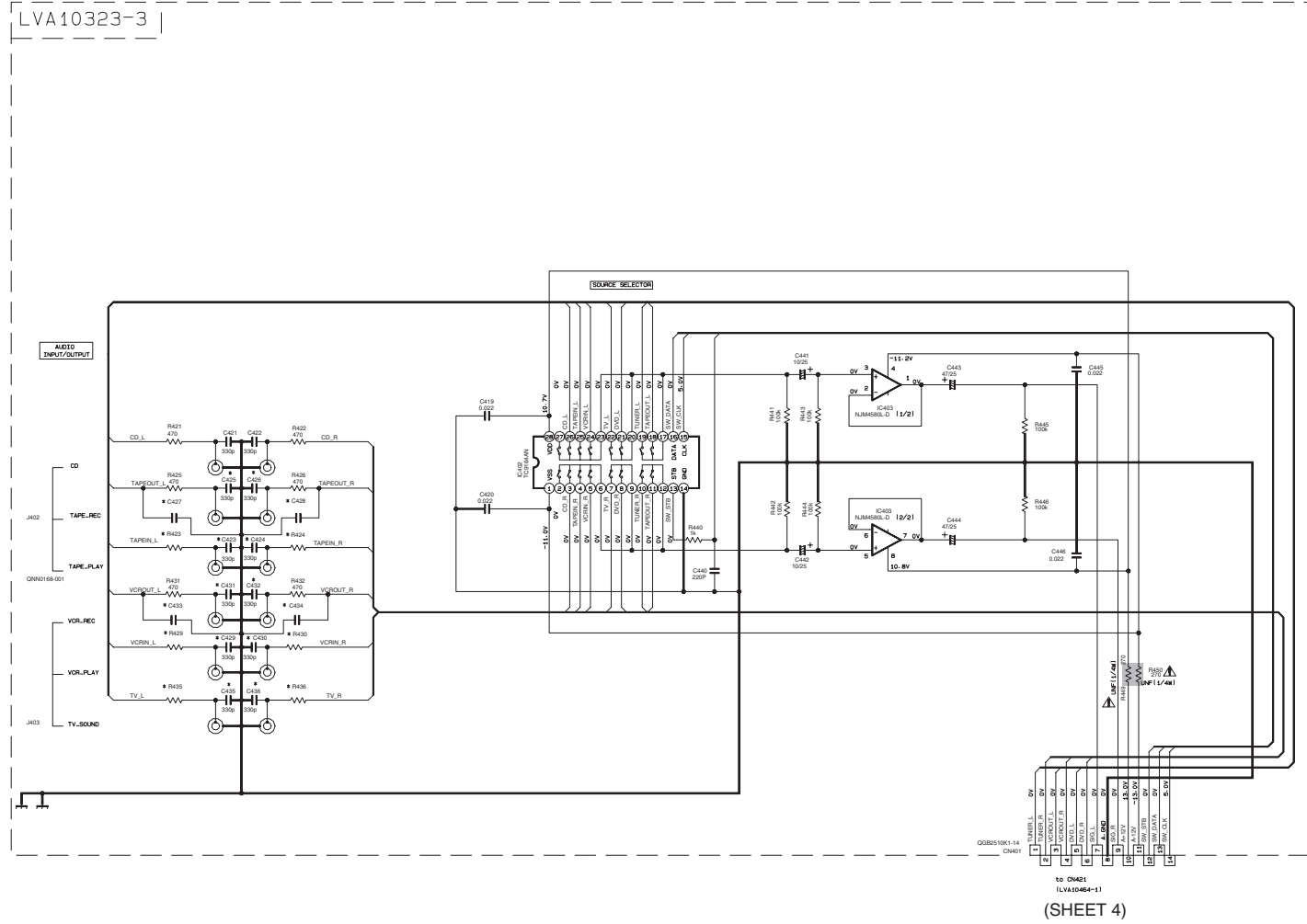


MARK LIST

	J/C	E/EN/EV	US/A
Q315- Q316	2SD2389/OPY/-F6	2SD2390/OPY/-F6	2SD2390/OPY/-F6
Q317- Q318	2SB1559/OPY/-F6	2SB1560/OPY/-F6	2SB1560/OPY/-F6
Q815- Q816	2SD2389/OPY/-F6	2SD2390/OPY/-F6	2SD2390/OPY/-F6
Q817- Q818	2SB1559/OPY/-F6	2SB1560/OPY/-F6	2SB1560/OPY/-F6
Q915	2SD2389/OPY/-F6	2SD2390/OPY/-F6	2SD2390/OPY/-F6
Q917	2SB1559/OPY/-F6	2SB1560/OPY/-F6	2SB1560/OPY/-F6
RB29- RB30	470	470	220
R929	470	470	220

▲ Parts are safety assurance parts. When replacing those parts make sure to use the specified one.

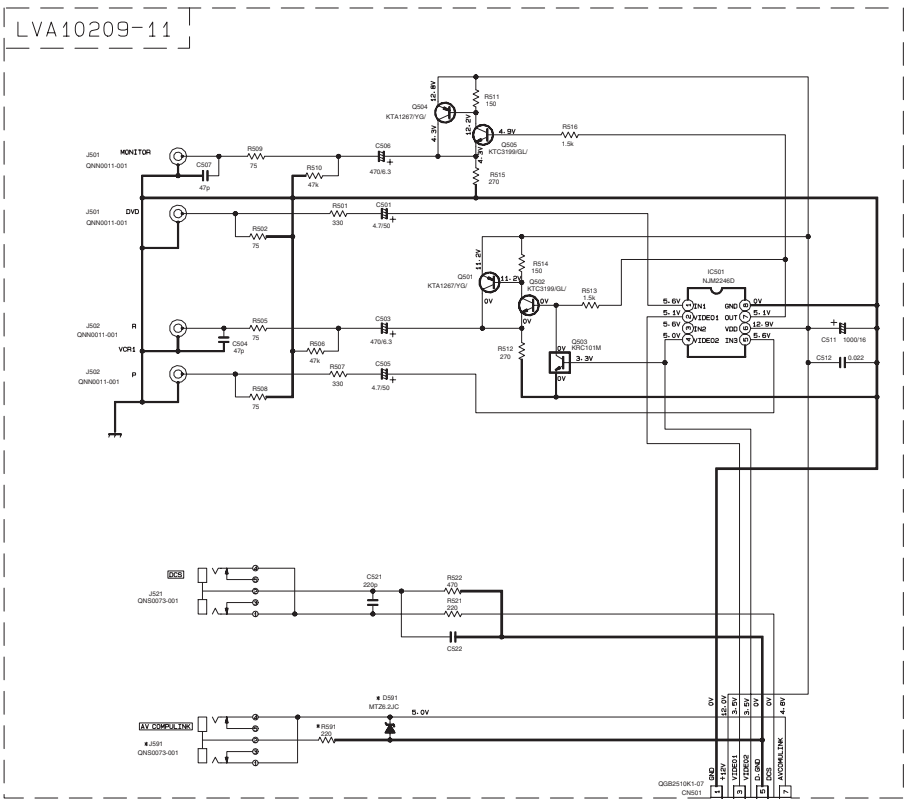
■ Audio signal input terminal section



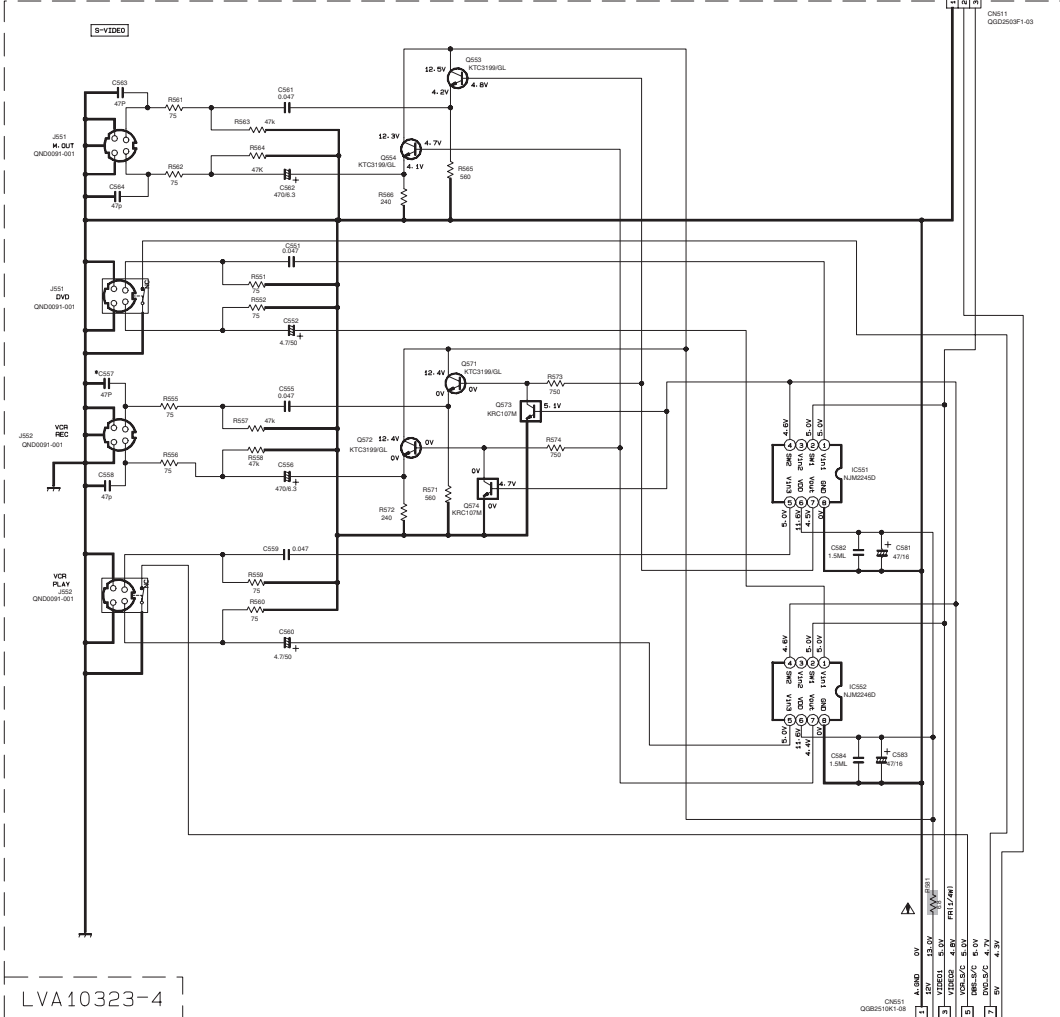
MARK LIST	μC	US/UT/UL/UP/VA	B/E/EN/VEY
C423	330P	330P	NONE
C424	330P	330P	NONE
C425	330P	330P	NONE
C426	330P	330P	NONE
C427	200P	200P	680P
C428	330P	330P	680P
C429	330P	330P	NONE
C430	330P	330P	NONE
C431	330P	330P	NONE
C432	330P	330P	NONE
C433	200P	200P	680P
C434	200P	200P	680P
C435	330P	330P	NONE
C436	330P	330P	NONE
R423	47Ω	47Ω	5.2K
R424	47Ω	47Ω	5.2K
R429	47Ω	47Ω	1K
R430	47Ω	47Ω	1K
R435	47Ω	47Ω	1K
R436	47Ω	47Ω	1K
R437			
R438			
R439			
R440			
R441			
R442			
R443			
R444			
C453	330P	330P	660P
C454	330P	330P	660P

⚠ Parts are safety assurance parts.
When replacing those parts make sure to use the specified one.

Video signal input terminal section

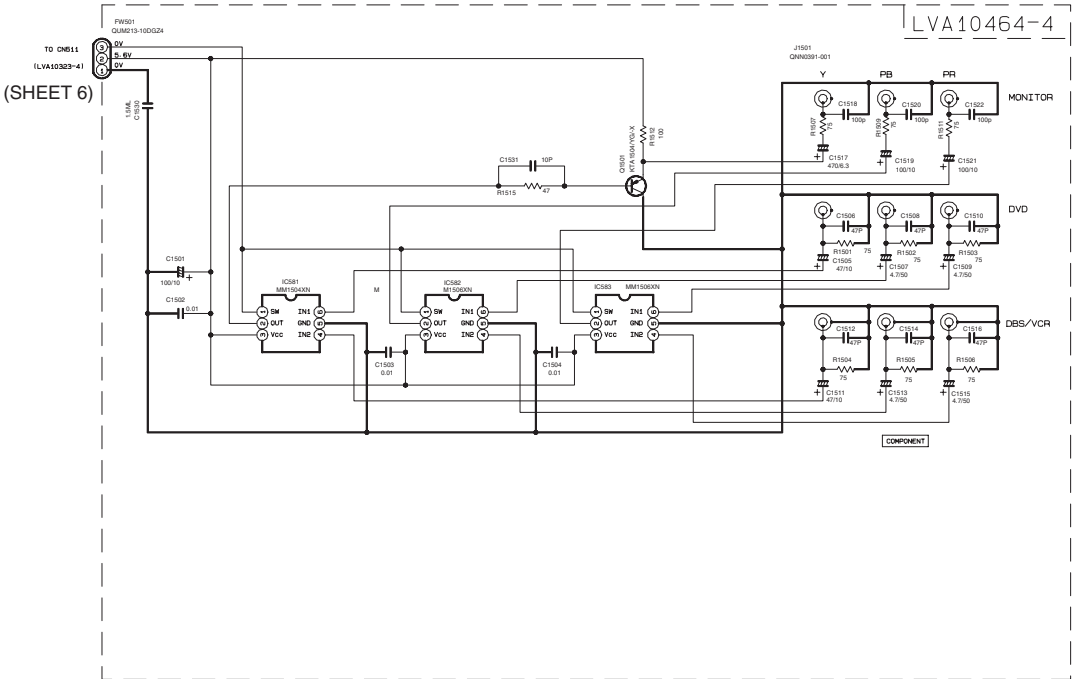


(SHEET 4)



(SHEET 6)

(SHEET 4)



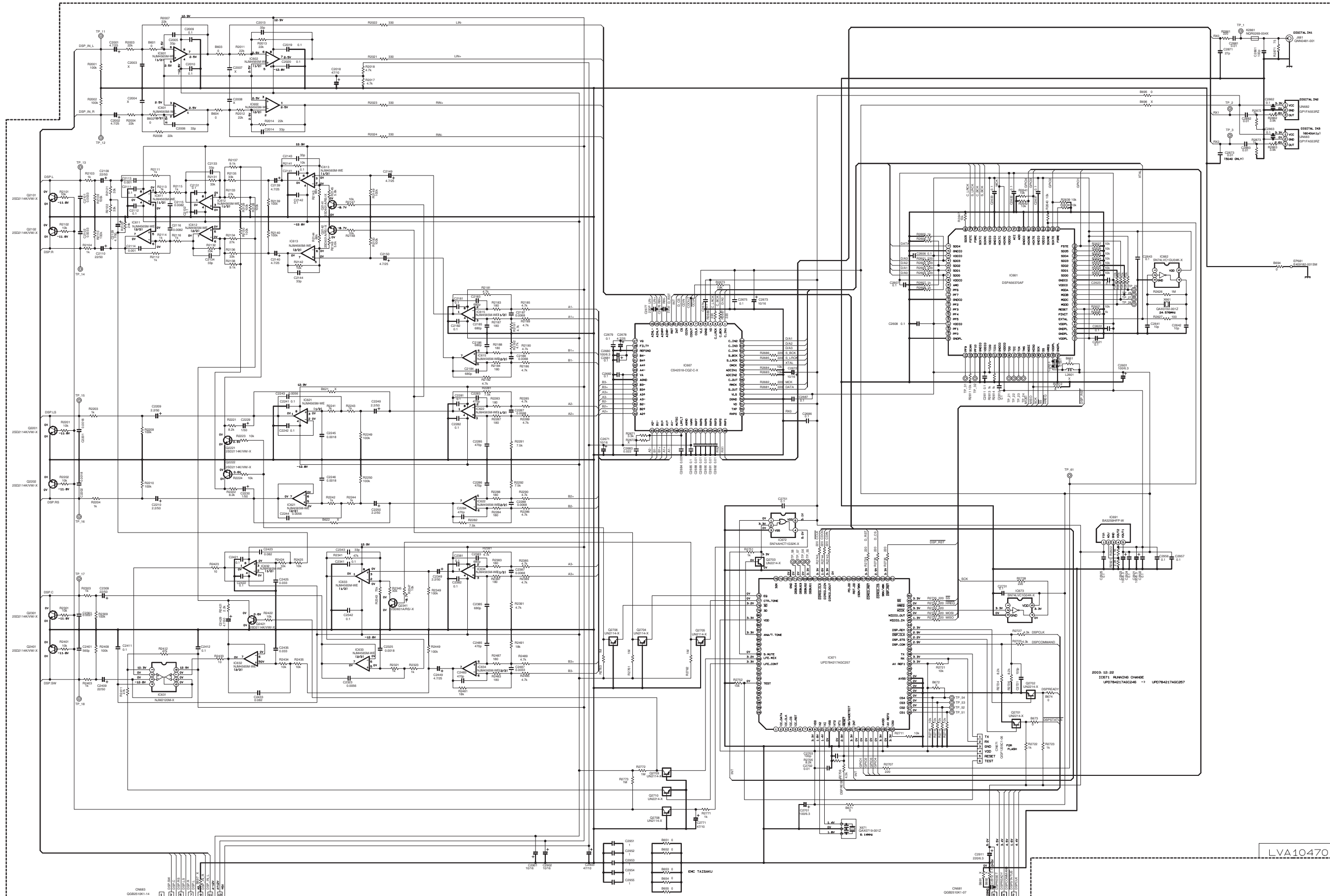
(SHEET 6)

MARK LIST

	J/C	US/UK/AU/EV/A	B/E/EV/EV
J581	USE	USE	NONE
R581	USE	USE	NONE
C581	USE	USE	NONE

Parts are safety assurance parts. When replacing those parts make sure to use the specified one.

Surround / Digital signal input terminal section



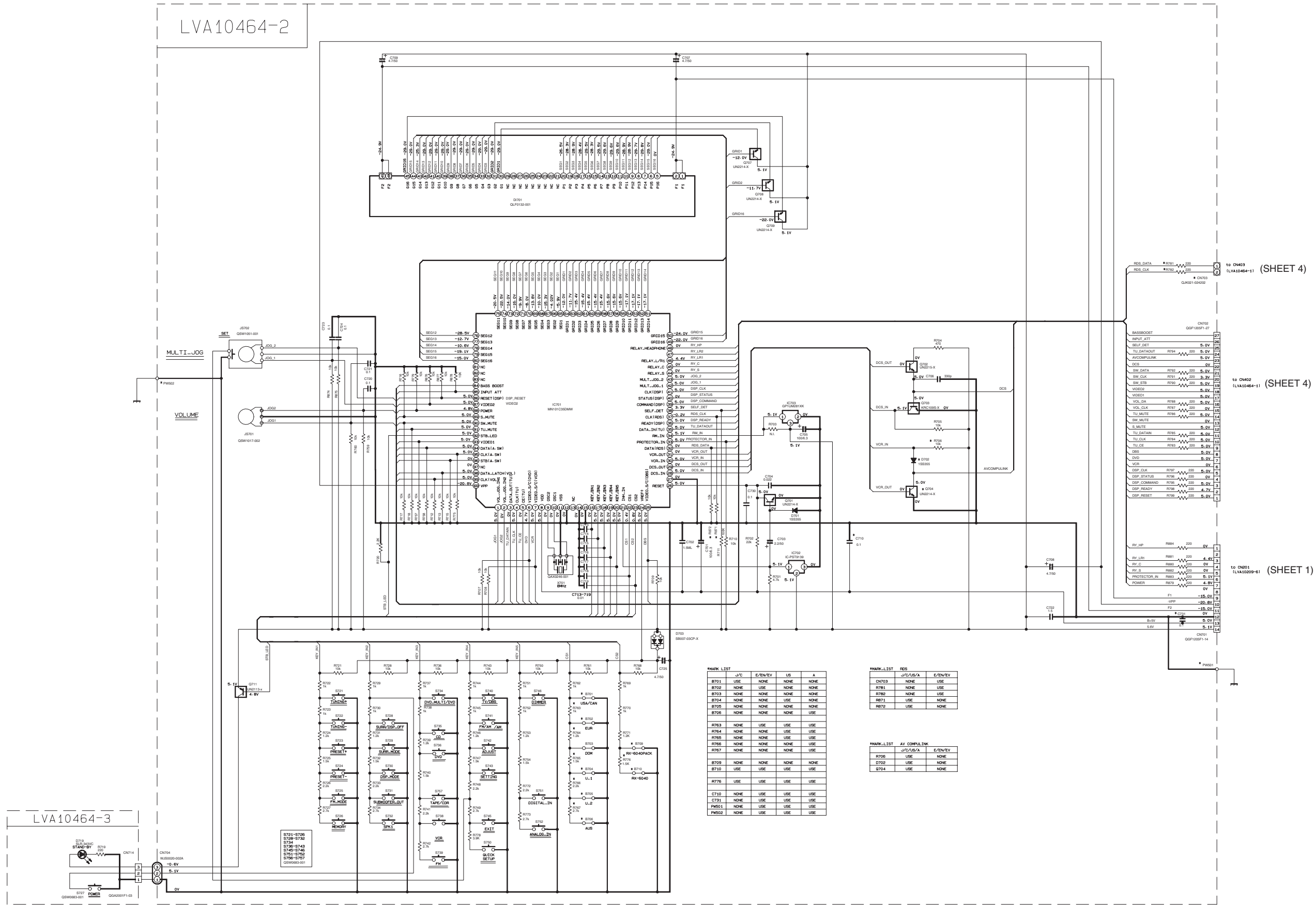
TO CH481 OF LVA10470-1 (SHEET 4)

TO CH482 OF LVA10470-1 (SHEET 4)

LVA10470

2003.12.26
IC871 PLANKING CHANGE
UP07842176C246 → UP07842176C267

■ User control keys / System control / FL display section



MARK LIST

J/C	E/EN/VEY	US	A
B701	USE	NONE	NONE
B702	NONE	USE	NONE
B703	NONE	NONE	NONE
B704	NONE	NONE	NONE
B705	NONE	NONE	NONE
B706	NONE	NONE	USE
B707	NONE	NONE	NONE
B708	NONE	USE	USE
B709	NONE	NONE	USE
B710	NONE	NONE	USE
B711	NONE	NONE	USE
B712	NONE	NONE	USE
B713	NONE	NONE	USE
B714	NONE	NONE	USE
B715	NONE	NONE	USE
B716	NONE	NONE	USE
B717	NONE	NONE	USE
B718	NONE	NONE	USE
B719	NONE	NONE	USE
B720	NONE	NONE	USE
B721	NONE	NONE	USE
B722	NONE	NONE	USE
B723	NONE	NONE	USE
B724	NONE	NONE	USE
B725	NONE	NONE	USE
B726	NONE	NONE	USE
B727	NONE	NONE	USE
B728	NONE	NONE	USE
B729	NONE	NONE	USE
B730	NONE	NONE	USE
B731	NONE	NONE	USE
B732	NONE	NONE	USE
B733	NONE	NONE	USE
B734	NONE	NONE	USE
B735	NONE	NONE	USE
B736	NONE	NONE	USE
B737	NONE	NONE	USE
B738	NONE	NONE	USE
B739	NONE	NONE	USE
B740	NONE	NONE	USE
B741	NONE	NONE	USE
B742	NONE	NONE	USE
B743	NONE	NONE	USE
B744	NONE	NONE	USE
B745	NONE	NONE	USE
B746	NONE	NONE	USE
B747	NONE	NONE	USE
B748	NONE	NONE	USE
B749	NONE	NONE	USE
B750	NONE	NONE	USE
B751	NONE	NONE	USE
B752	NONE	NONE	USE
B753	NONE	NONE	USE
B754	NONE	NONE	USE
B755	NONE	NONE	USE
B756	NONE	NONE	USE
B757	NONE	NONE	USE
B758	NONE	NONE	USE
B759	NONE	NONE	USE
B760	NONE	NONE	USE
B761	NONE	NONE	USE
B762	NONE	NONE	USE
B763	NONE	NONE	USE
B764	NONE	NONE	USE
B765	NONE	NONE	USE
B766	NONE	NONE	USE
B767	NONE	NONE	USE
B768	NONE	NONE	USE
B769	NONE	NONE	USE
B770	NONE	NONE	USE
B771	NONE	NONE	USE
B772	NONE	NONE	USE
B773	NONE	NONE	USE
B774	NONE	NONE	USE
B775	NONE	NONE	USE
B776	NONE	NONE	USE
B777	NONE	NONE	USE
B778	NONE	NONE	USE
B779	NONE	NONE	USE
B780	NONE	NONE	USE
B781	NONE	NONE	USE
B782	NONE	NONE	USE
B783	NONE	NONE	USE
B784	NONE	NONE	USE
B785	NONE	NONE	USE
B786	NONE	NONE	USE
B787	NONE	NONE	USE
B788	NONE	NONE	USE
B789	NONE	NONE	USE
B790	NONE	NONE	USE
B791	NONE	NONE	USE
B792	NONE	NONE	USE
B793	NONE	NONE	USE
B794	NONE	NONE	USE
B795	NONE	NONE	USE
B796	NONE	NONE	USE
B797	NONE	NONE	USE
B798	NONE	NONE	USE
B799	NONE	NONE	USE
B800	NONE	NONE	USE

MARK LIST RES

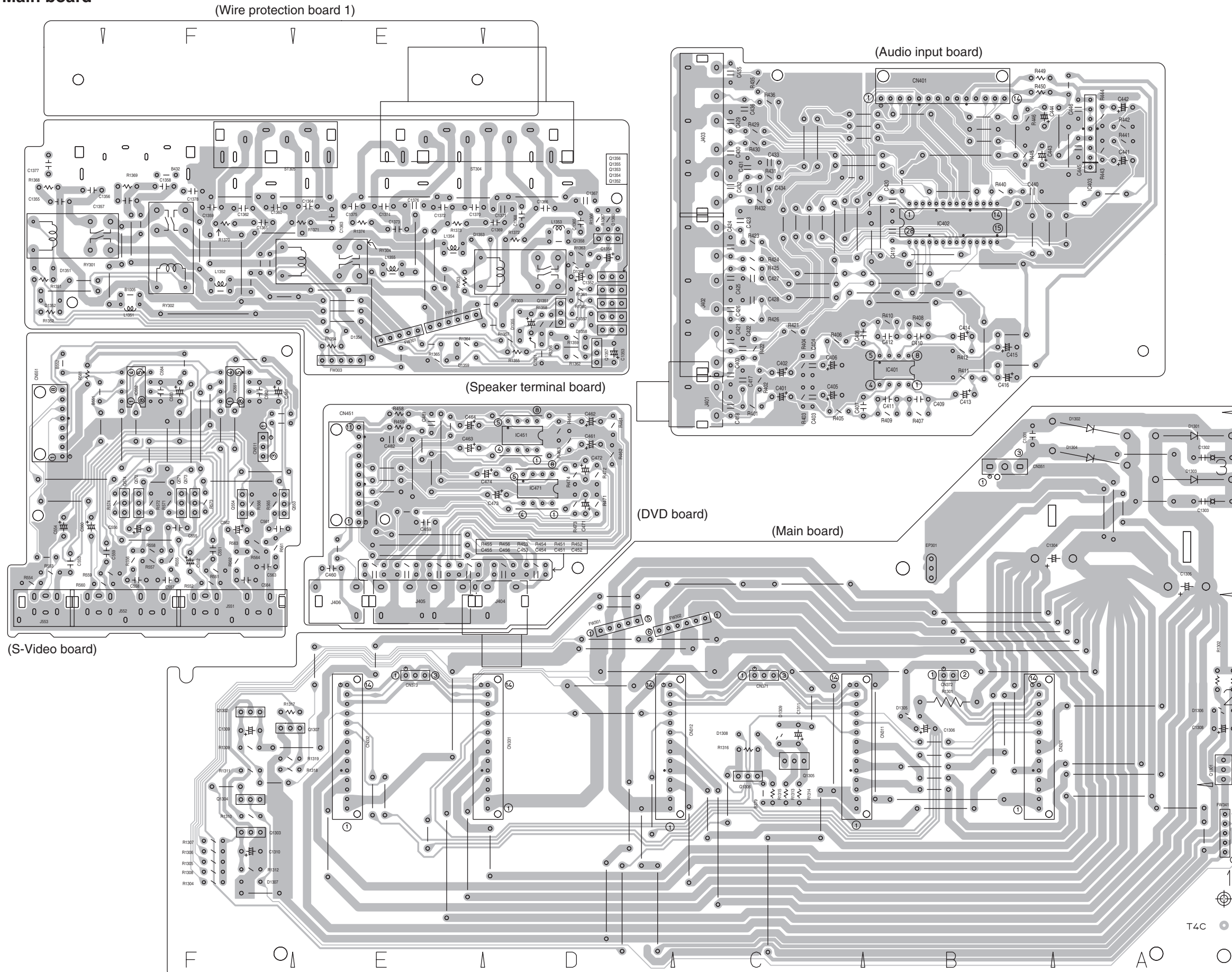
J/C/US/A	E/EN/VEY
CN703	NONE USE
R701	NONE USE
R702	NONE USE
R703	NONE USE
R704	NONE USE
R705	NONE USE
R706	NONE USE
R707	NONE USE
R708	NONE USE
R709	NONE USE
R710	NONE USE
R711	NONE USE
R712	NONE USE
R713	NONE USE
R714	NONE USE
R715	NONE USE
R716	NONE USE
R717	NONE USE
R718	NONE USE
R719	NONE USE
R720	NONE USE
R721	NONE USE
R722	NONE USE
R723	NONE USE
R724	NONE USE
R725	NONE USE
R726	NONE USE
R727	NONE USE
R728	NONE USE
R729	NONE USE
R730	NONE USE
R731	NONE USE
R732	NONE USE
R733	NONE USE
R734	NONE USE
R735	NONE USE
R736	NONE USE
R737	NONE USE
R738	NONE USE
R739	NONE USE
R740	NONE USE
R741	NONE USE
R742	NONE USE
R743	NONE USE
R744	NONE USE
R745	NONE USE
R746	NONE USE
R747	NONE USE
R748	NONE USE
R749	NONE USE
R750	NONE USE
R751	NONE USE
R752	NONE USE
R753	NONE USE
R754	NONE USE
R755	NONE USE
R756	NONE USE
R757	NONE USE
R758	NONE USE
R759	NONE USE
R760	NONE USE
R761	NONE USE
R762	NONE USE
R763	NONE USE
R764	NONE USE
R765	NONE USE
R766	NONE USE
R767	NONE USE
R768	NONE USE
R769	NONE USE
R770	NONE USE
R771	NONE USE
R772	NONE USE
R773	NONE USE
R774	NONE USE
R775	NONE USE
R776	NONE USE
R777	NONE USE
R778	NONE USE
R779	NONE USE
R780	NONE USE
R781	NONE USE
R782	NONE USE
R783	NONE USE
R784	NONE USE
R785	NONE USE
R786	NONE USE
R787	NONE USE
R788	NONE USE
R789	NONE USE
R790	NONE USE
R791	NONE USE
R792	NONE USE
R793	NONE USE
R794	NONE USE
R795	NONE USE
R796	NONE USE
R797	NONE USE
R798	NONE USE
R799	NONE USE
R800	NONE USE

MARK LIST AV COMPLINK

J/C/US/A	E/EN/VEY
R705	USE NONE
D709	USE NONE
G704	USE NONE

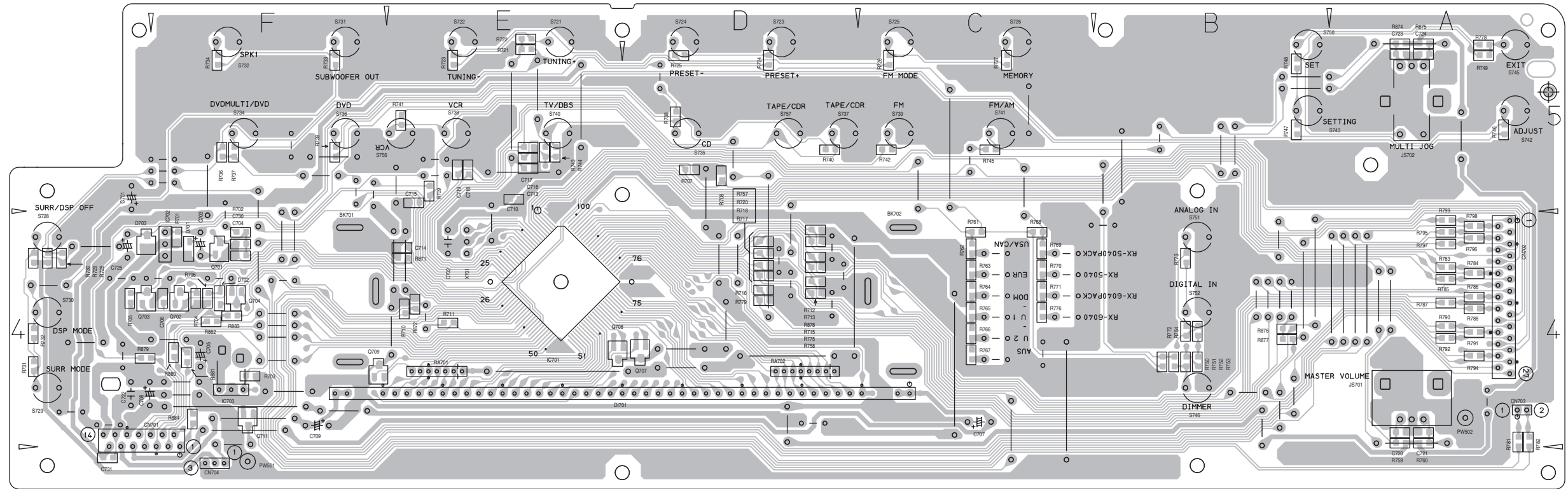
Printed circuit boards

■ Main board

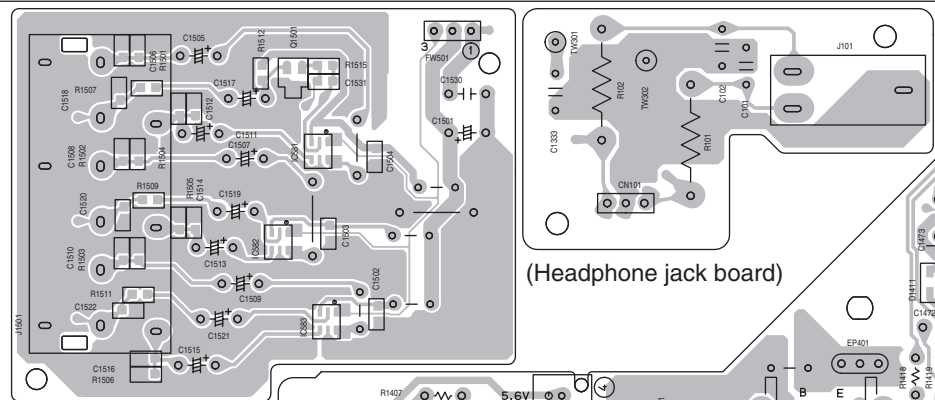


■ Front board

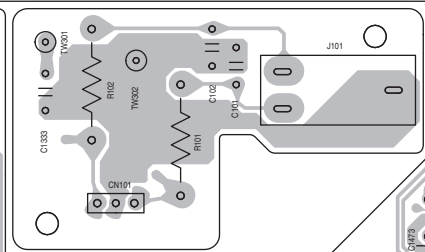
(System control board)



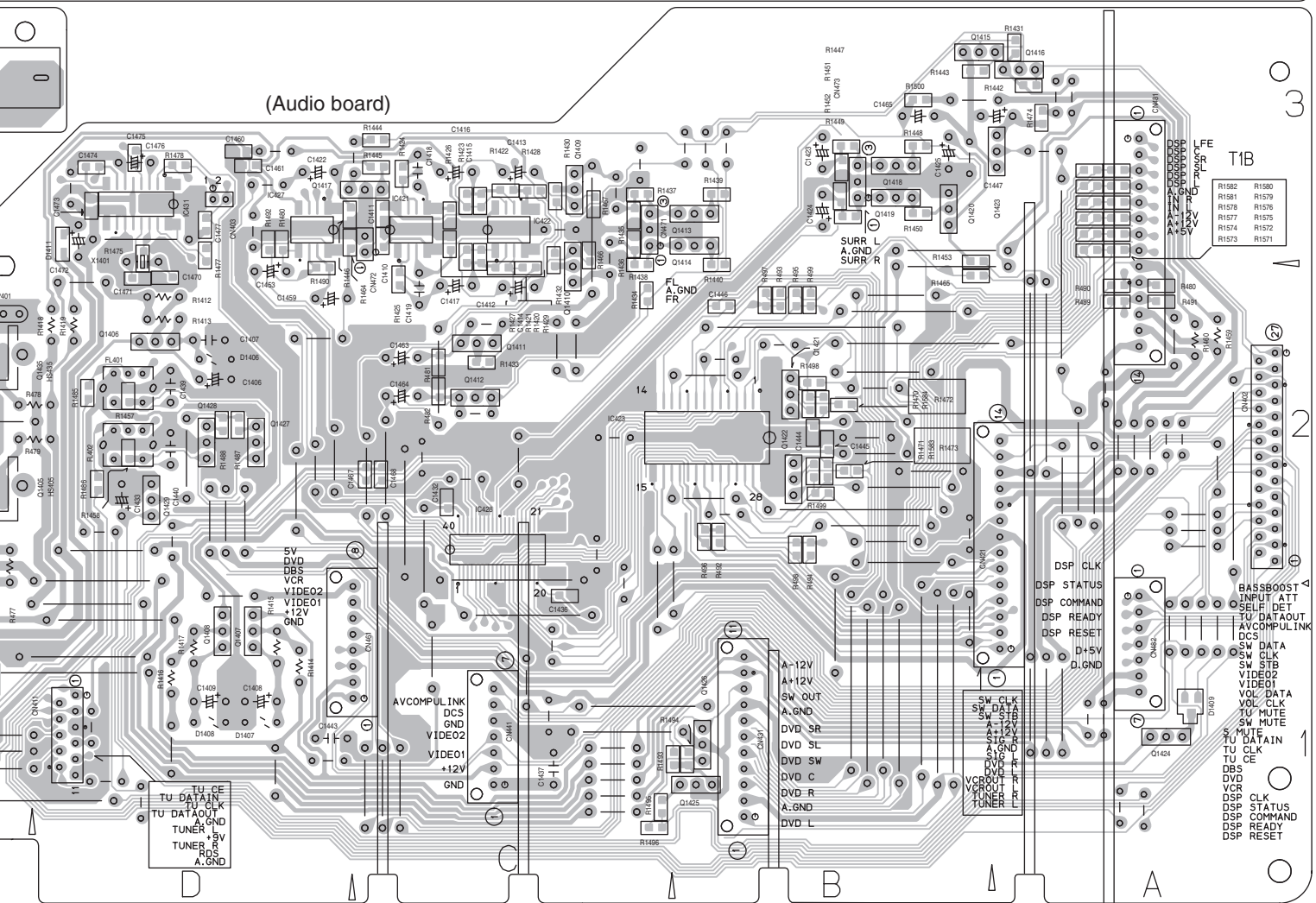
(Component board)



(Headphone jack board)

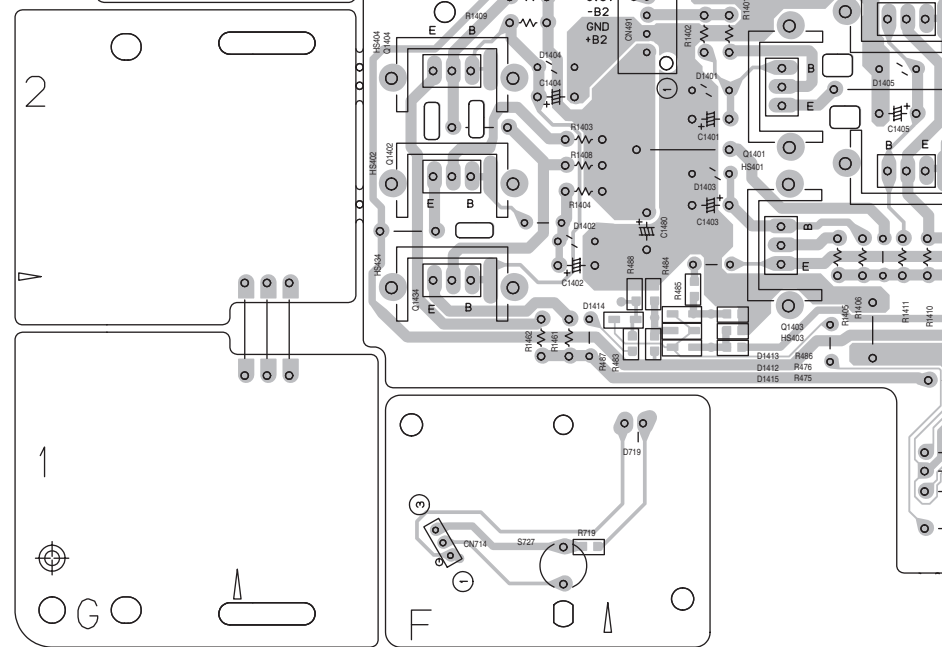


(Audio board)

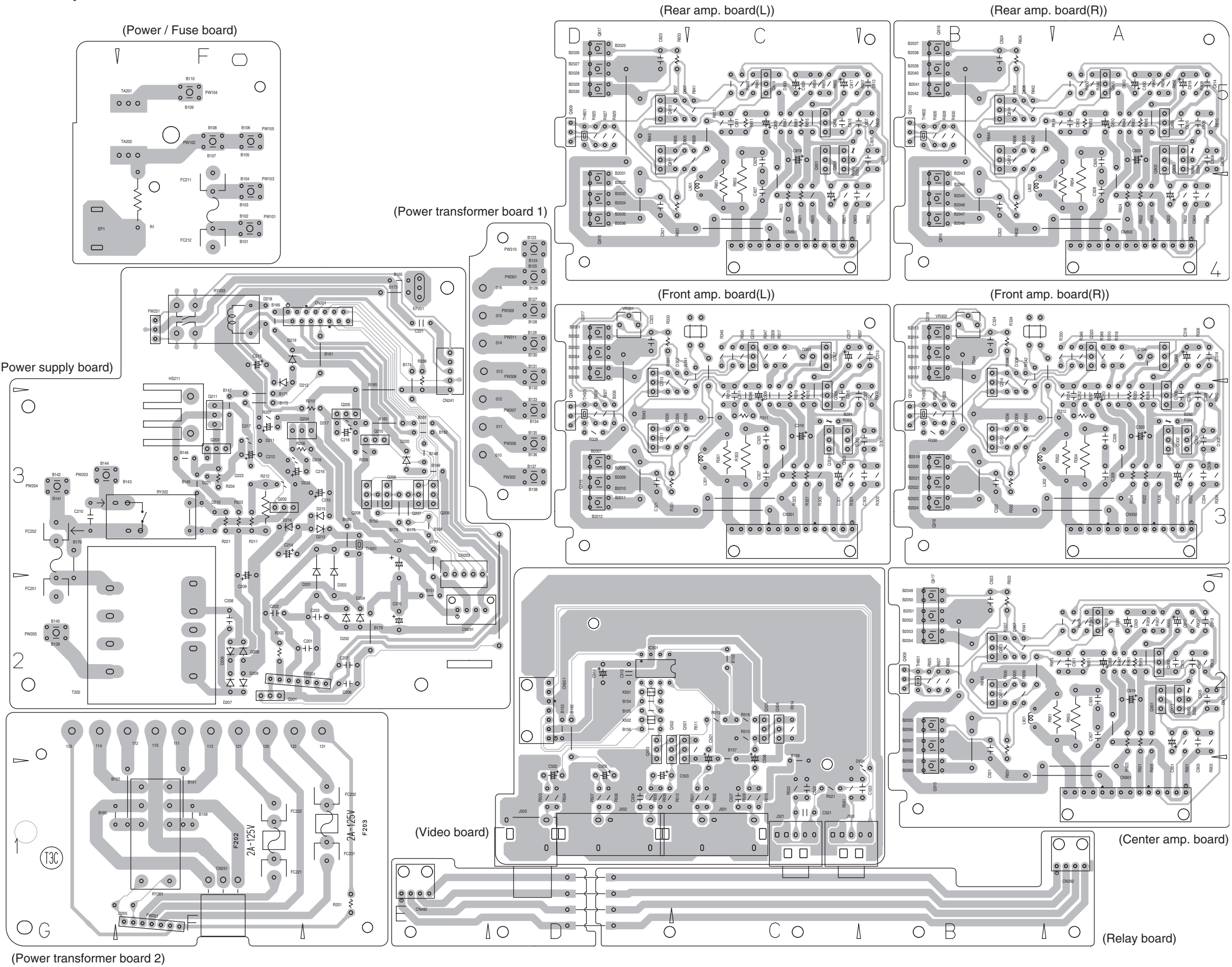


(Wire protection board 2)

(Power switch board)

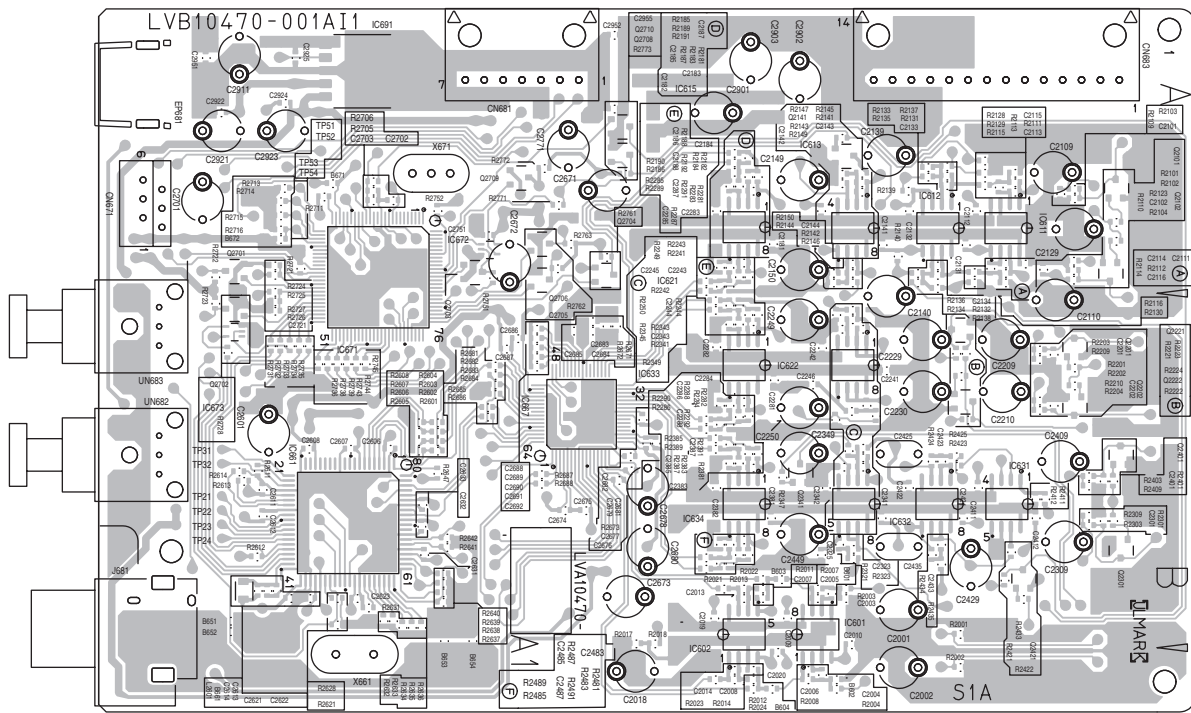


■ Power amp. board

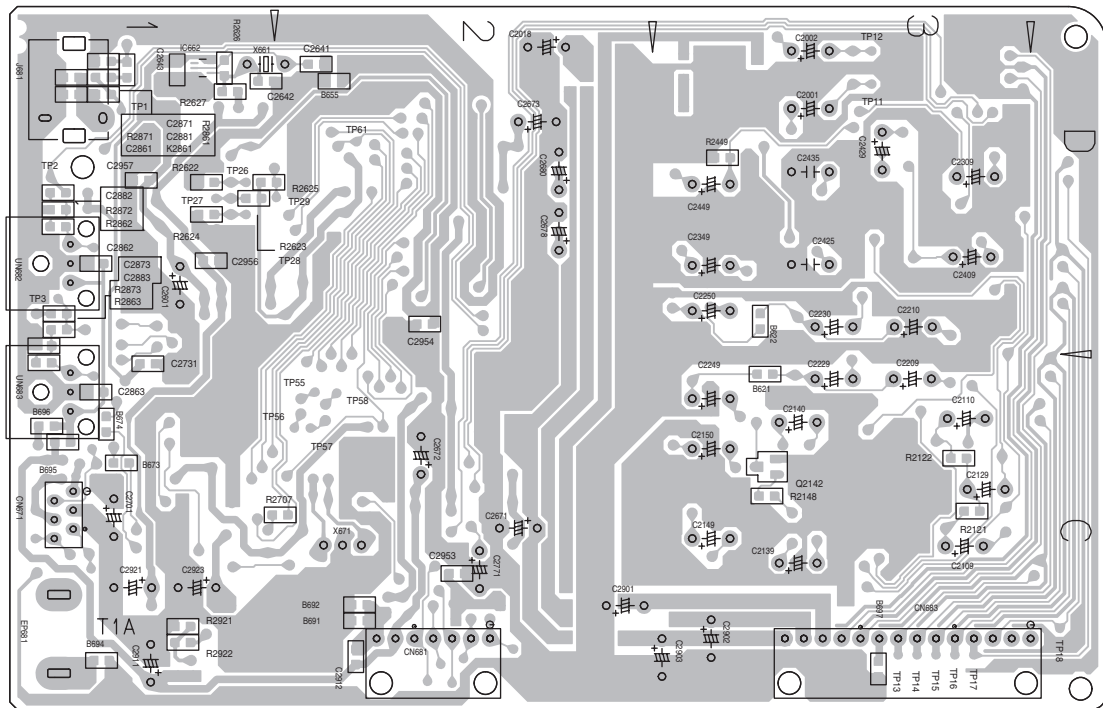


■ DSP board

Forward side



Reverse side



JVC

VICTOR COMPANY OF JAPAN, LIMITED

AV & MULTIMEDIA COMPANY AUDIO/VIDEO SYSTEMS CATEGORY 10-1, 1chome, Ohwatari-machi, Maebashi-city, 371-8543, Japan

(No.MB167SCH)



Printed in Japan
WPC