

JVC

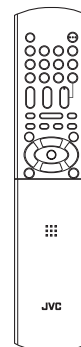
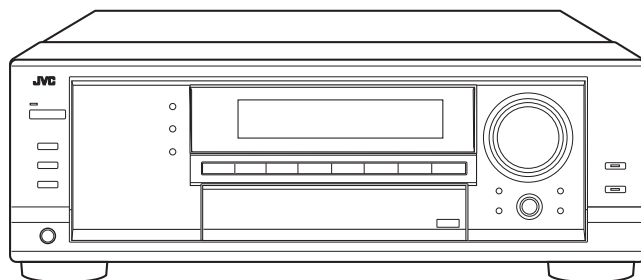
SERVICE MANUAL

AUDIO/VIDEO CONTROL RECEIVER

RX-7040B

Area suffix

J ----- U.S.A.
C ----- Canada



DOLBY
DIGITAL EX
PRO LOGIC II

dts 96 ES
24 NEO:6

CONVERTER

K2
TECHNOLOGY

COMPU LINK
Remote

AV COMPU LINK

TABLE OF CONTENTS

1	PRECAUTION.....	1-3
2	SPECIFIC SERVICE INSTRUCTIONS.....	1-5
3	DISASSEMBLY	1-6
4	ADJUSTMENT	1-13
5	TROUBLESHOOTING	1-14

SPECIFICATION

Amplifier		
Output Power		
At Stereo Operation	Front ch	130 W per channel, min. RMS, driven into 8 Ω, 20 Hz to 20 kHz, with no more than 0.08% total harmonic distortion.
At Surround Operation	Front ch	130 W per channel, min. RMS, driven into 8 Ω at 1 kHz, with no more than 0.8% total harmonic distortion.
	Center ch	130 W, min. RMS, driven into 8 Ω at 1 kHz, with no more than 0.8% total harmonic distortion.
	Surround ch	130 W per channel, min. RMS, driven into 8 Ω at 1 kHz, with no more than 0.8% total harmonic distortion.
	Surround Back ch	130 W, min. RMS, driven into 8 Ω at 1 kHz, with no more than 0.8% total harmonic distortion.
Audio		
Audio Input Sensitivity/ Impedance (1 kHz)		DVD IN, VCR IN, TV SOUND/DBS IN : 200 mV/47 kΩ CD IN, TAPE/CDR IN : 200 mV/47 kΩ
Audio Input (DIGITAL IN)*	Coaxial	DIGITAL 1 (DVD) : 0.5 V(p-p)/75 Ω
	Optical	DIGITAL 2 (CD), DIGITAL 3 (TV), DIGITAL 4 (CDR) : -21 dBm to -15 dBm (660 nm ±30 nm)
* Corresponding to Linear PCM, Dolby Digital, and DTS (with sampling frequency-32 kHz, 44.1 kHz, 48 kHz).		
Audio Output Level		SUBWOOFER OUT : 1 V
Recording Output Level		VCR OUT, TAPE/CDR OUT : 200 mV
Digital Output Optical DIGITAL OUT		Signal wave length : 660 nm Output level : -21 dBm to -15 dBm
Signal-to-Noise Ratio ('66 IHF/'78 IHF)		DVD IN, VCR IN, TV SOUND/DBS IN : 87 dB/80 dB CD IN, TAPE/CDR IN : 87 dB/80 dB
Frequency Response (8 Ω)		DVD IN, VCR IN, TV SOUND/DBS IN : 20 Hz to 100 kHz (+1 dB, -3 dB) CD IN, TAPE/CDR IN : 20 Hz to 100 kHz (+1 dB, -3 dB)
Bass Boost		+6 dB ±1.0 dB at 100 Hz
Equalization		63 Hz, 250 Hz, 1 kHz, 4 kHz, 16 kHz (±8 dB) (in 2 dB steps)
Video		
Video Input Sensitivity/Impedance	Composite Video : DVD IN, VCR IN, TV SOUND/DBS IN	1 V(p-p)/75 Ω
	S-video : DVD IN, VCR IN, TV SOUND/DBS IN	(Y: luminance) : 1 V(p-p)/75 Ω (C: chrominance, burst) : 0.286 V(p-p)/75 Ω
	Component Video DVD IN, DBS (VCR) IN : DVD IN, DBS (VCR) IN	(Y: luminance) : 1 V(p-p)/75 Ω (PB/PR) : 0.7 V(p-p)/75 Ω
Video Output Level	Composite Video : VCR OUT, MONITOR OUT	1 V(p-p)/75 Ω
	S-video : VCR OUT, MONITOR OUT	(Y: luminance) : 1 V(p-p)/75 Ω (C: chrominance, burst) : 0.286 V(p-p)/75 Ω
	Component Video : MONITOR OUT	(Y: luminance) : 1 V(p-p)/75 Ω (PB/PR) : 0.7 V(p-p)/75 Ω
Synchronization		Negative
Signal-to-Noise Ratio		45 dB
FM tuner (IHF)		
Tuning Range		87.5 MHz to 108.0 MHz
Usable Sensitivity		Monaural : 12.8 dBf (1.2 μV/75 Ω)
50 dB Quieting Sensitivity	Monaural : 16.0 dBf (1.7 μV/75 Ω)	
	Stereo : 37.5 dBf (20.5 μV/75 Ω)	
Stereo Separation at OUT (REC)		35 dB at 1 kHz
AM tuner		
Tuning Range		530 kHz to 1 710 kHz
General		
Power Requirements		AC 120V , 60 Hz
Power Consumption		320 W/440 VA (at operation), 2 W (in standby mode)
Dimensions (W × H × D)		435 mm × 157 mm × 425 mm (17 3/16 in. × 6 3/16 in. × 16 3/4 in.)
Mass		12.1 kg (26.7 lbs)

Designs & specifications are subject to change without notice.

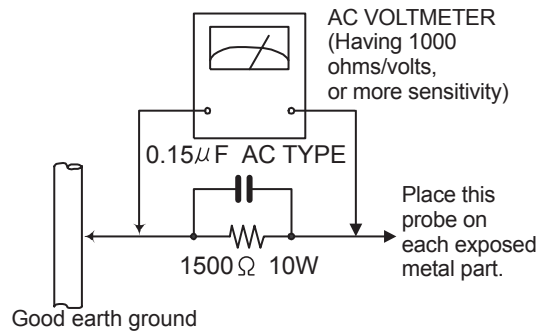
SECTION 1 PRECAUTION

1.1 Safety Precautions

- (1) This design of this product contains special hardware and many circuits and components specially for safety purposes. For continued protection, no changes should be made to the original design unless authorized in writing by the manufacturer. Replacement parts must be identical to those used in the original circuits. Services should be performed by qualified personnel only.
- (2) Alterations of the design or circuitry of the product should not be made. Any design alterations of the product should not be made. Any design alterations or additions will void the manufacturer's warranty and will further relieve the manufacturer of responsibility for personal injury or property damage resulting therefrom.
- (3) Many electrical and mechanical parts in the products have special safety-related characteristics. These characteristics are often not evident from visual inspection nor can the protection afforded by them necessarily be obtained by using replacement components rated for higher voltage, wattage, etc. Replacement parts which have these special safety characteristics are identified in the Parts List of Service Manual. Electrical components having such features are identified by shading on the schematics and by (Δ) on the Parts List in the Service Manual. The use of a substitute replacement which does not have the same safety characteristics as the recommended replacement parts shown in the Parts List of Service Manual may create shock, fire, or other hazards.
- (4) The leads in the products are routed and dressed with ties, clamps, tubings, barriers and the like to be separated from live parts, high temperature parts, moving parts and/or sharp edges for the prevention of electric shock and fire hazard. When service is required, the original lead routing and dress should be observed, and it should be confirmed that they have been returned to normal, after reassembling.
- (5) Leakage shock hazard testing
After reassembling the product, always perform an isolation check on the exposed metal parts of the product (antenna terminals, knobs, metal cabinet, screw heads, headphone jack, control shafts, etc.) to be sure the product is safe to operate without danger of electrical shock. Do not use a line isolation transformer during this check.
 - Plug the AC line cord directly into the AC outlet. Using a "Leakage Current Tester", measure the leakage current from each exposed metal part of the cabinet, particularly any exposed metal part having a return path to the chassis, to a known good earth ground. Any leakage current must not exceed 0.5mA AC (r.m.s.).
 - Alternate check method
Plug the AC line cord directly into the AC outlet. Use an AC voltmeter having, 1,000 Ω per volt or more sensitivity in the following manner. Connect a 1,500 Ω 10W resistor paralleled by a 0.15 μ F AC-type capacitor between an exposed metal part and a known good earth ground. Measure the AC voltage across the resistor with the AC

voltmeter.

Move the resistor connection to each exposed metal part, particularly any exposed metal part having a return path to the chassis, and measure the AC voltage across the resistor. Now, reverse the plug in the AC outlet and repeat each measurement. Voltage measured any must not exceed 0.75 V AC (r.m.s.). This corresponds to 0.5 mA AC (r.m.s.).



1.2 Warning

- (1) This equipment has been designed and manufactured to meet international safety standards.
- (2) It is the legal responsibility of the repairer to ensure that these safety standards are maintained.
- (3) Repairs must be made in accordance with the relevant safety standards.
- (4) It is essential that safety critical components are replaced by approved parts.
- (5) If mains voltage selector is provided, check setting for local voltage.

1.3 Caution

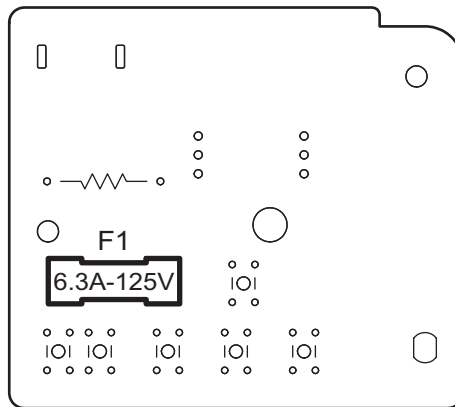
Burrs formed during molding may be left over on some parts of the chassis.
Therefore, pay attention to such burrs in the case of pre-forming repair of this system.

1.4 Critical parts for safety

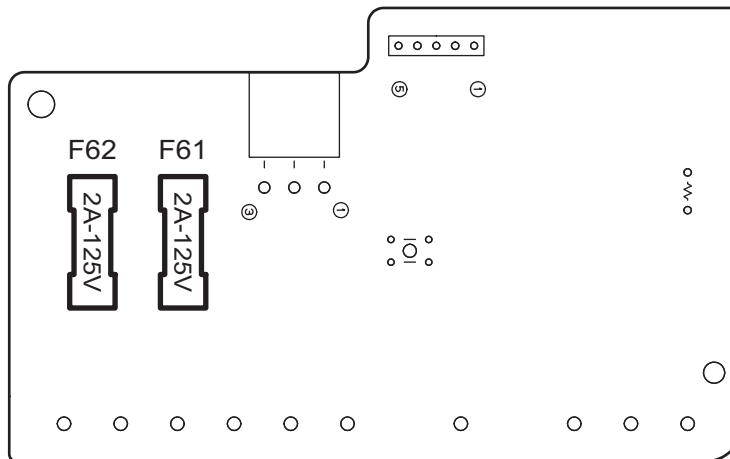
In regard with component parts appearing on the silk-screen printed side (parts side) of the PWB diagrams, the parts that are printed over with black such as the resistor (\blacksquare), diode (\blacksquare) and ICP (\bullet) or identified by the " Δ " mark nearby are critical for safety. When replacing them, be sure to use the parts of the same type and rating as specified by the manufacturer. (This regulation does not Except the J and C version)

1.5 Importance administering point on the safety

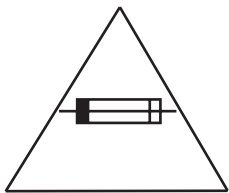
Power / fuse board



Power trans 1 board



For USA and Canada / pour États - Unis d' Amérique et Canada



Caution: For continued protection against risk of fire, replace only with same type 6.3A/125V for F1, 2A/125V for F61 and F62.

This symbol specifies type of fast operating fuse.

Précaution: Pour éviter risques de feux, remplacez le fusible de sûreté de F1 comme le même type que 6.3A/125V, et 2A/125V pour F61 et F62.

Ce sont des fusibles sûretés qui fonctionnent rapide.

SECTION 2
SPECIFIC SERVICE INSTRUCTIONS

This service manual does not describe SPECIFIC SERVICE INSTRUCTIONS.

SECTION 3 DISASSEMBLY

3.1 Removing the top cover (See Fig.1)

- (1) From the right and left sides of the main body, remove the four screws **A** attaching the top cover.
- (2) From the back side of the main body, remove the three screws **B** attaching the top cover.
- (3) Remove the top cover in the direction of the arrow 2 while extending the lower sections of the top cover in the direction of the arrow 1.

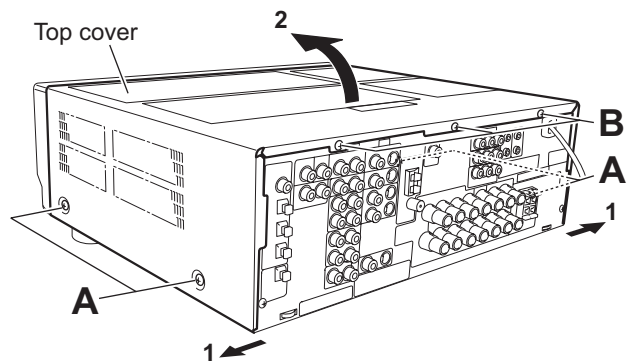


Fig.1

3.2 Removing the front panel assembly (See Figs.2 and 3)

- Prior to performing the following procedures, remove the top cover.
 - (1) Disconnect the card wire from the connector [CN400](#) on the micon board. (See Fig.2)
 - (2) Disconnect the card wire from the connector [CN402](#) on the power supply board. (See Fig.2)
 - (3) Remove the tie band and wire protection board fixing the card wire. (See Fig.2)
 - (4) Remove the three screws **C** attaching the front panel assembly. (See Fig.2)
 - (5) From the bottom side of the main body, remove the four screws **D** attaching the front panel assembly. (See Fig.3)
 - (6) Remove the front panel assembly in the direction of the arrow. (See Fig.3)

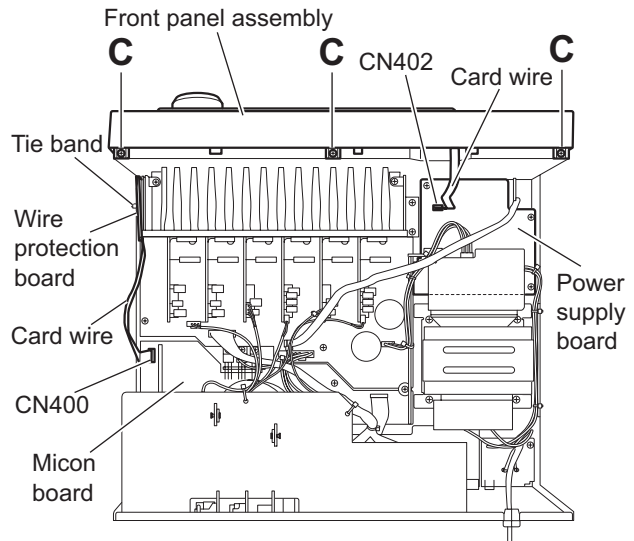


Fig.2

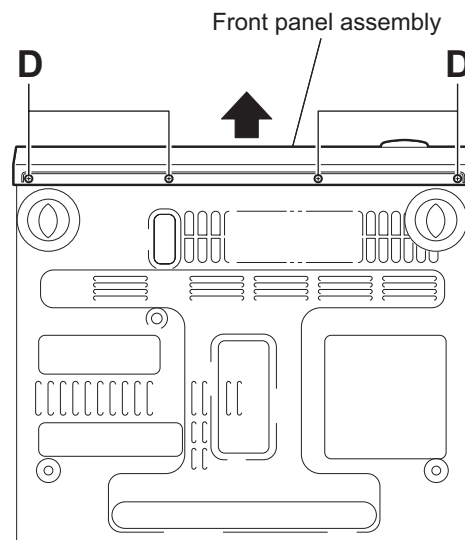


Fig.3

3.3 Removing the rear panel (See Fig.4)

- Prior to performing the following procedures, remove the top cover.
- (1) From the back side of the main body, remove the strain relief from the rear panel in the direction of the arrow.
- (2) Remove the twenty-nine screws **E**, two screws **F** and three screws **G** attaching the rear panel.

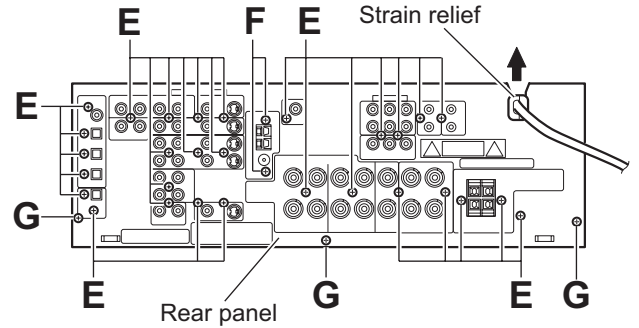


Fig.4

3.4 Removing the I/O board (See Fig.5)

- Prior to performing the following procedures, remove the top cover and rear panel.
- (1) Remove the two plastic rivets in the direction of the arrow from the top side of the main body, remove the stopper boards in the direction of the arrow.
- (2) Remove the tie bands bundling the wires.
- (3) Disconnect the wire from the connector [CN722](#) on the center board.
- (4) Disconnect the wire from the connector [CN714](#) on the front board(L).
- (5) Disconnect the wire from the connector [CN717](#) on the surround back board.
- (6) Disconnect the wire from the connector [CN719](#) on the front board(R).
- (7) Disconnect the wire from the connector [CN723](#) on the main board.
- (8) Disconnect the connectors ([CN205](#), [CN381](#), [CN501](#)) on the I/O board in an upward direction.

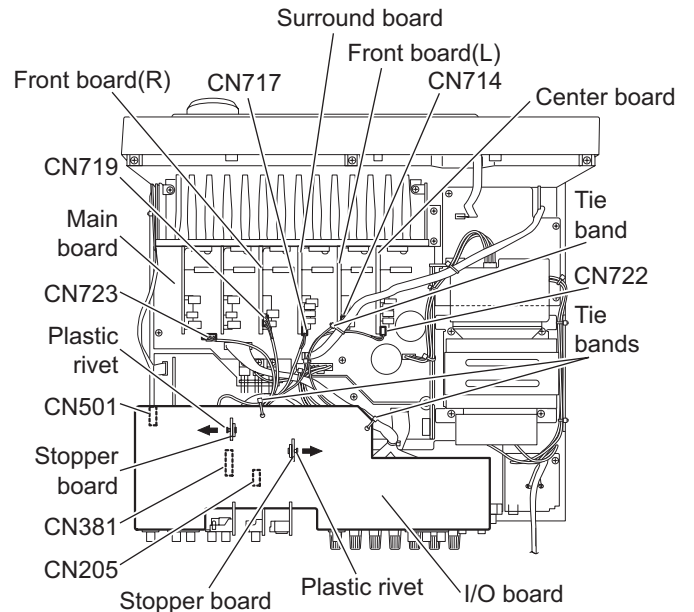


Fig.5

3.5 Removing the tuner, DSP board, audio board, video board and S-video board (See Fig.6)

- Prior to performing the following procedures, remove the top cover, rear panel and I/O board.
- (1) Disconnect the card wire from the connector [CN314](#) on the audio board from the top side of the main body, take out the tuner.
- (2) Disconnect the DSP board from the connector [CN601](#) on the micon board.
- (3) Disconnect the audio board from the connectors ([CN101](#), [CN303](#)) on the micon board.
- (4) Disconnect the video board from the connector [CN201](#) on the micon board.
- (5) Disconnect the S-video board from the connector [CN241](#) on the micon board.

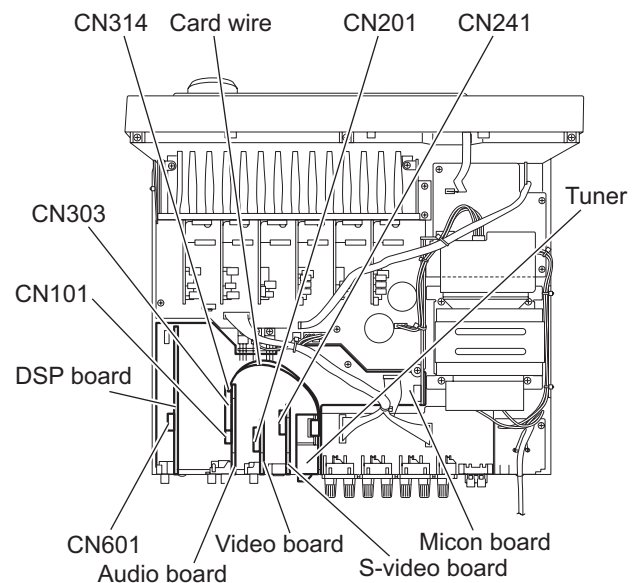


Fig.6

3.6 Removing the micon board (See Fig.7)

- Prior to performing the following procedures, remove the top cover, rear panel, I/O board, tuner, DSP board, audio board, video board and S-video board.
- (1) From the top side of the main body, disconnect the card wire from the connector [CN400](#) on the micon board.
- (2) Disconnect the relay board from the connectors [CN81](#) on the micon board.
- (3) Disconnect the parallel wire from the connectors [CN931](#) and [CN932](#) on the micon board.
- (4) Disconnect the parallel wire from the connector [CN831](#) on the main board.
- (5) Remove the three screws **H** attaching the micon board.
- (6) Remove the three screws **J** attaching the transistors ([Q931](#), [Q941](#), [Q981](#)) to the chassis base.
- (7) Loosen the screw **K** attaching the micon board.

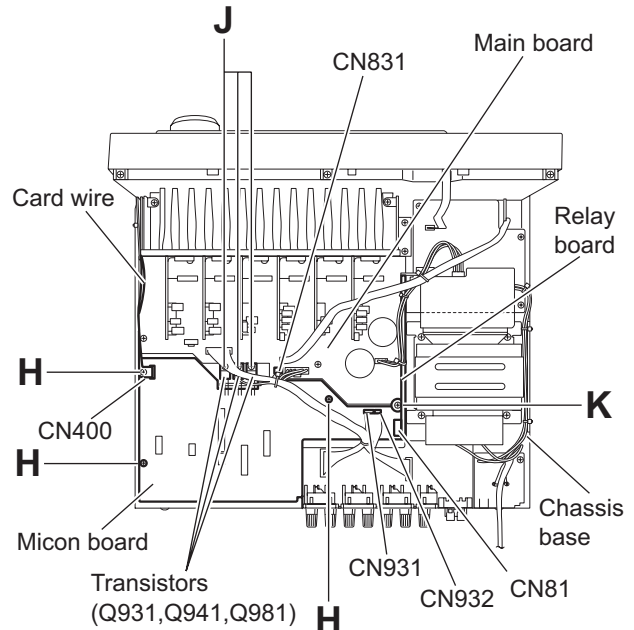


Fig.7

3.7 Removing the speaker board (See Fig.8)

- Prior to performing the following procedures, remove the top cover and rear panel.
- (1) From the top side of the main body, remove the tie band bundling the wires.
- (2) Disconnect the wires from the connectors ([CN813](#), [CN814](#)) on the main board.
- (3) Disconnect the parallel wire from the connectors ([CN931](#), [CN932](#)) on the micon board.
- (4) Take out the speaker board in the direction of the arrow.

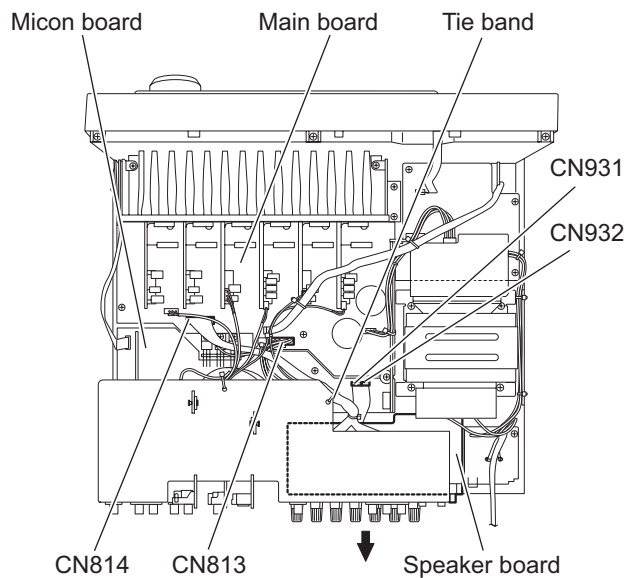


Fig.8

3.8 Removing the main board (See Fig.9)

- Prior to performing the following procedures, remove the top cover.
- (1) From the top side of the main body, remove the tie bands bundling the wires.
- (2) Remove the tie band and wire protection board bundling the card wire.
- (3) Disconnect the wire from the connector [CN811](#) on the power transformer board 1.
- (4) Disconnect the relay board from the connectors ([CN71](#), [CN81](#)) on the power supply board and micon board.
- (5) Disconnect the parallel wires from the connectors ([CN831](#), [CN881](#)) on the main board.
- (6) Disconnect the wires from the connectors ([CN723](#), [CN813](#), [CN814](#)) on the main board.
- (7) Disconnect the wire from the connector [CN722](#) on the center board.
- (8) Disconnect the wire from the connector [CN714](#) on the front board(L).
- (9) Disconnect the wire from the connector [CN717](#) on the surround back board.
- (10) Disconnect the wire from the connector [CN719](#) on the front board(R).
- (11) Remove the screw **K**, four screws **L**, two screws **M** and two screws **N** attaching the main board.
- (12) Take out the main board.

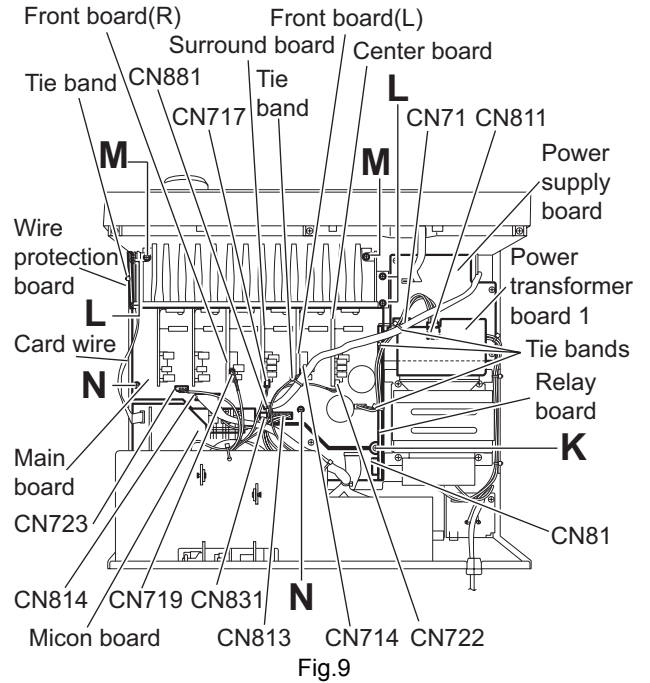


Fig.9

3.9 Removing the heat sink (See Figs.10 and 11)

- Prior to performing the following procedures, remove the top cover and main board.
- (1) From the reverse side of the main board, remove the two screws **P** attaching the main board to the heat sink. (See Fig.10)
- (2) Disconnect the connectors ([CN701-CN706](#)) on the main board, remove the main board. (See Fig.10)
- (3) Remove the twelve screws **Q** attaching the heat sink. (See Fig.11)

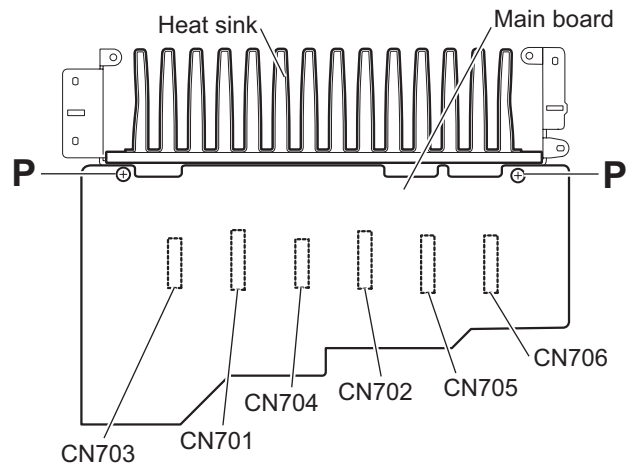


Fig.10

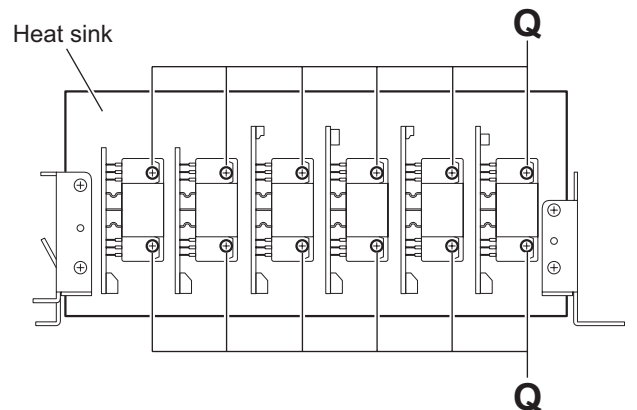
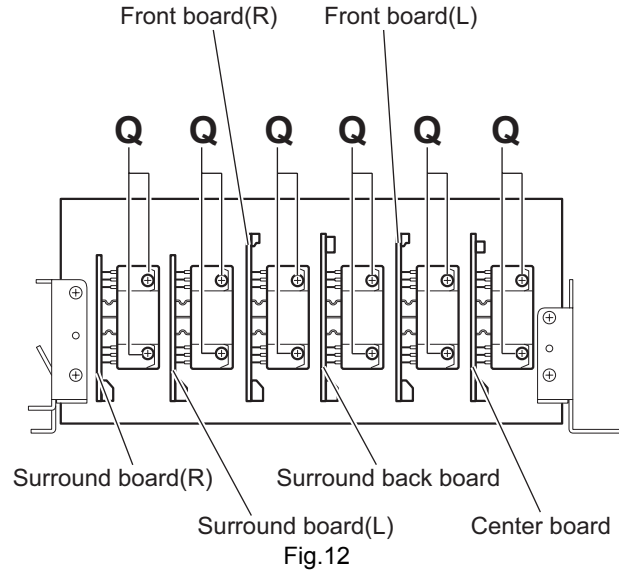


Fig.11

3.10 Removing the center board, surround back board, front boards (L/R) and surround boards (L/R) (See Figs.10 and 12)

- Prior to performing the following procedures, remove the top cover and main board.
- (1) From the reverse side of the main board, remove the two screws **P** attaching the main board to the heat sink. (See Fig.10)
- (2) Disconnect the connectors (CN701 to CN706) on the main board, remove the main board. (See Fig.10)
- (3) Remove the two screws **Q** attaching the center board. (See Fig.12)
- (4) Remove the two screws **Q** attaching the front board(L). (See Fig.12)
- (5) Remove the two screws **Q** attaching the surround back board. (See Fig.12)
- (6) Remove the two screws **Q** attaching the front board(R). (See Fig.12)
- (7) Remove the two screws **Q** attaching the surround board(L). (See Fig.12)
- (8) Remove the two screws **Q** attaching the surround board(R). (See Fig.12)



3.11 Removing the power transformer (See Fig.13)

- Prior to performing the following procedures, remove the top cover.
- (1) From the top side of the main body, remove the tie band bundling the wires.
- (2) Disconnect the wire from the connectors (CN55, CN811) on the power transformer board 1.
- (3) Remove the solders from the soldered sections **a** on the power transformer board 2.
- (4) Remove the four screws **R** attaching the power transformer.

3.12 Removing the power/fuse board (See Fig.13)

- Prior to performing the following procedures, remove the top cover.
- (1) From the back and top sides of the main body, remove the screw **S** and screw **T** attaching the power/fuse board.
- (2) Remove the solders from the soldered sections **b** attaching the power cord.
- (3) From the reverse side of the power/fuse board, remove the solders from the soldered sections **c** attaching the wires.

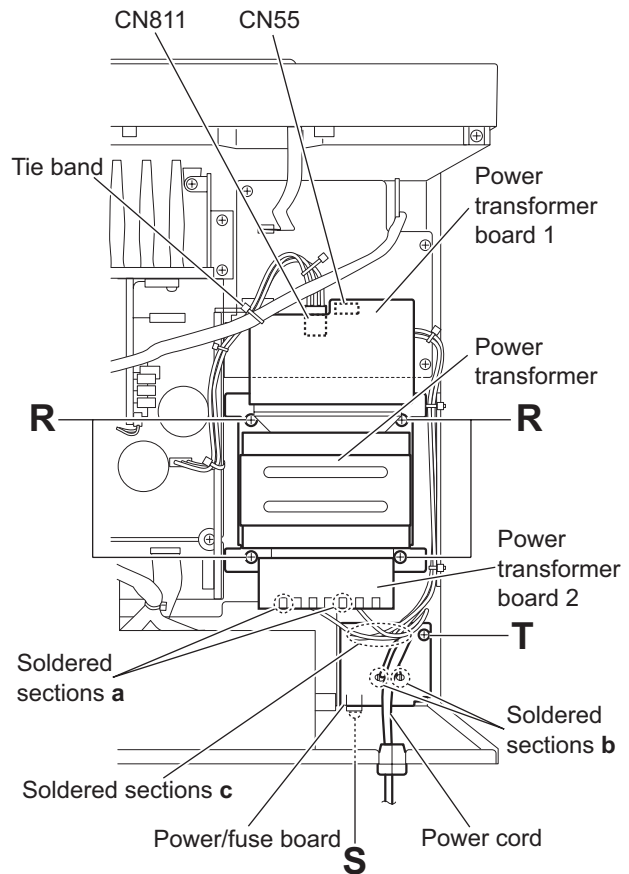


Fig.13

3.13 Removing the power supply board (See Fig.14)

- Prior to performing the following procedures, remove the top cover.
- (1) From the top side of the main body, disconnect the parallel wires from the connector [CN55](#) on the power transformer board 1.
- (2) Disconnect the card wire from the connector [CN402](#) on the power supply board.
- (3) Disconnect the relay board from the connector [CN71](#) on the power supply board.
- (4) Remove the three screws **U** attaching the power supply board.
- (5) Remove the power supply board from the hook **d** of the chassis base bracket in the direction of the arrow, take out the power supply board.
- (6) Turn over the power supply board, remove the solders from the soldered sections **e** attaching the wires.

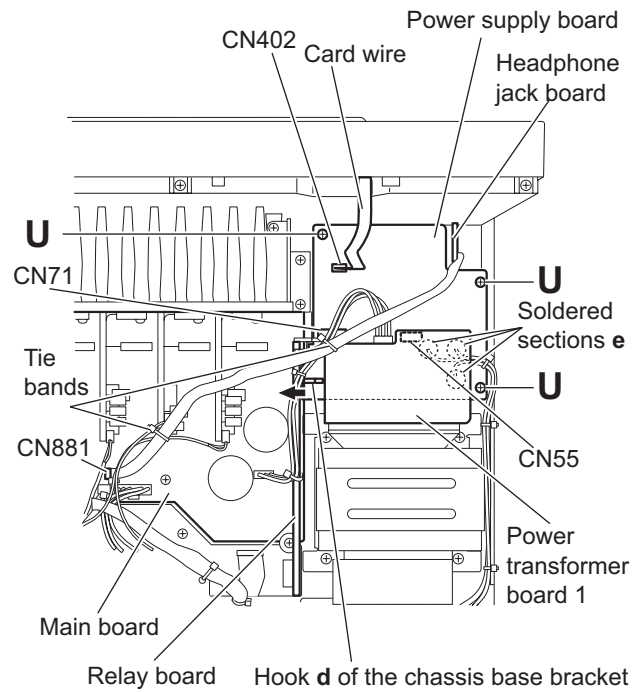


Fig.14

3.14 Removing the headphone jack board (See Figs.14 and 15)

- Prior to performing the following procedures, remove the top cover and front panel assembly.
- (1) From the top side of the main body, remove the tie bands attaching the parallel wire. (See Fig.14)
- (2) Disconnect the parallel wire from the connector [CN881](#) on the main board. (See Fig.14)
- (3) From the front side of the main body, remove the nut and screw **V** attaching the headphone bracket to the front bracket. (See Fig.15)
- (4) Remove the three screws **U** attaching the power supply board. (See Fig.14)
- (5) Take out the headphone jack board from the inside of the chassis base while lifting the power supply board.

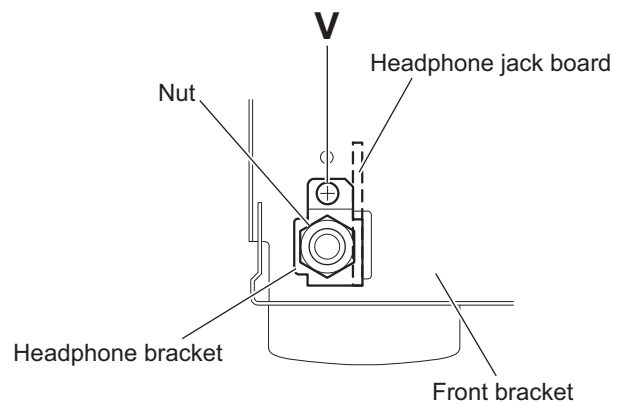


Fig.15

3.15 Removing the switch board (See Fig.16)

- Prior to performing the following procedures, remove the top cover and front panel assembly.
- (1) From the back side of the front panel assembly, remove the two screws **W** attaching the switch board.
- (2) Take out the switch board, disconnect the wire from the connector [CN432](#) on the switch board.

3.16 Removing the power switch board (See Fig.16)

- Prior to performing the following procedures, remove the top cover and front panel assembly.
- (1) From the back side of the front panel assembly, remove the two screws **X** attaching the power switch board.
- (2) Take out the power switch board, disconnect the wire from the connector [CN430](#) on the power switch board.

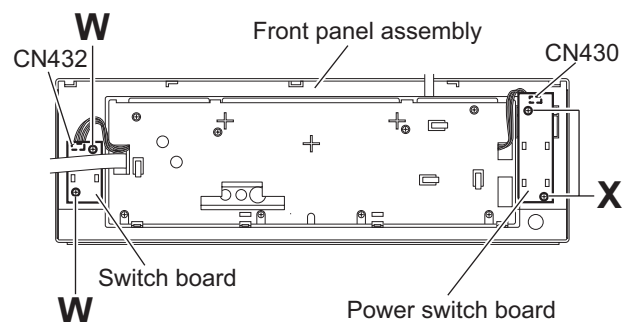


Fig.16

3.17 Removing the front key & system control board (See Figs.17 to 20)

- Prior to performing the following procedures, remove the top cover, front panel assembly, switch board and power switch board.
 - (1) Pull out the volume and jog knobs from the front side of the front panel assembly, remove the nut attaching the front key & system control board. (See Fig.17)
 - (2) From the back side of the front panel assembly, remove the eight screws **Y** attaching the sub panel assembly. (See Fig.18)
 - (3) Remove the sub panel assembly while releasing the claws **f** in the direction of the arrow. (See Figs.18 and 19)
 - (4) Release the claws **g** attaching the front key & system control board in the direction of the arrow and take out the front key & system control board. (See Fig.20)

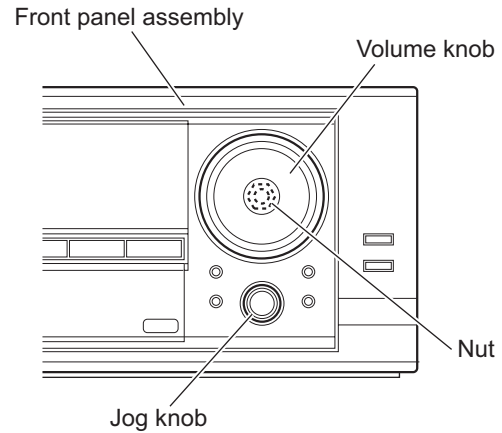


Fig.17

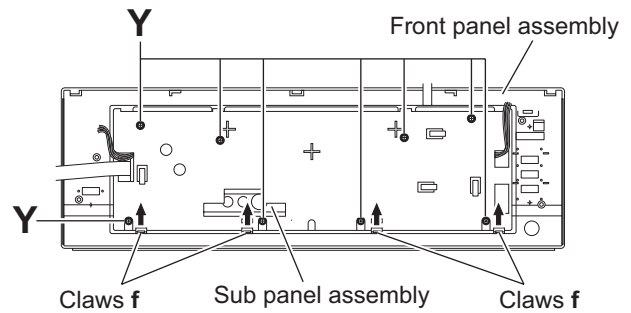


Fig.18

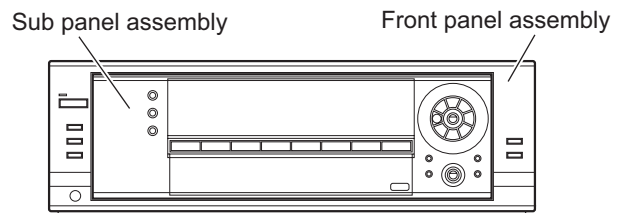


Fig.19

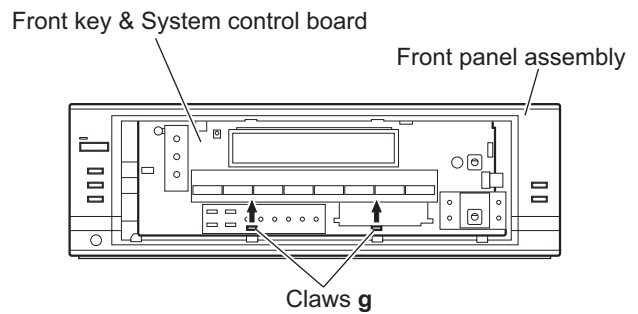


Fig.20

SECTION 4 ADJUSTMENT

4.1 Adjustment method

■ Tuner section

1. Tuner range

FM 87.5MHz to 108.0MHz

AM 530kHz to 1710kHz

■ Power amplifier section

Adjustment of idling current

Measurement location [B2204-B2205](#) (Lch), [B2213-B2214](#) (Rch)

Adjustment part [VR787](#) (Lch), [VR788](#) (Rch)

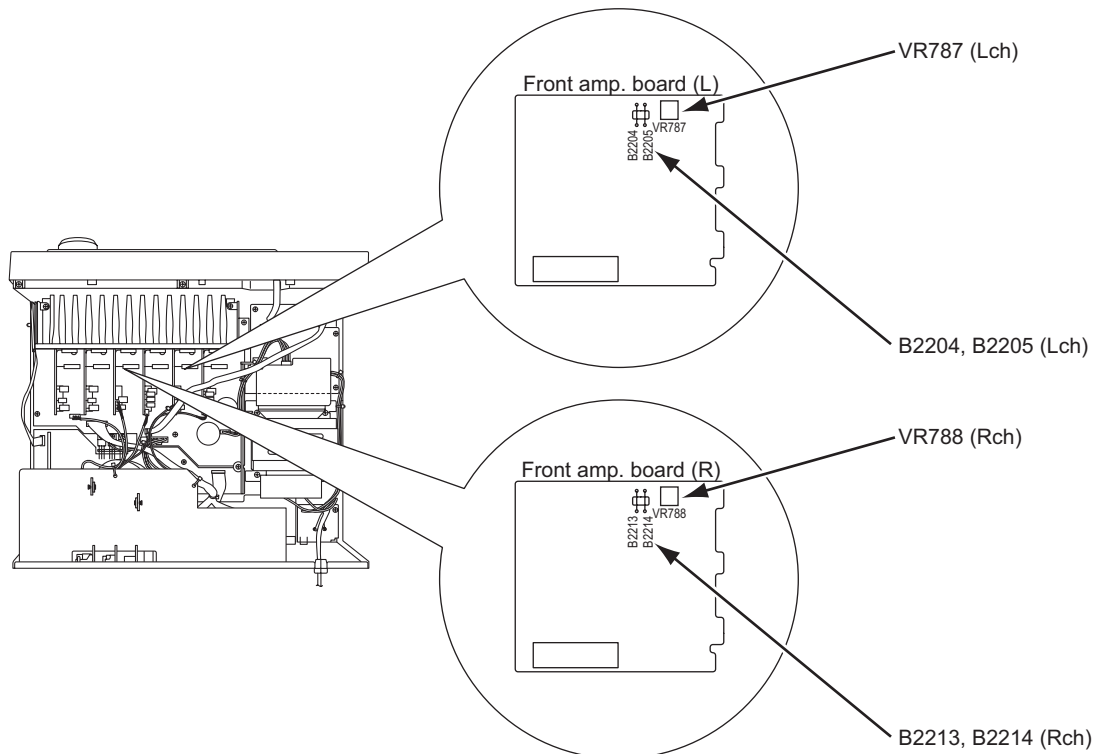
Attention:

This adjustment does not obtain a correct adjustment value immediately after the amplifier is used (state that an internal temperature has risen). Please adjust immediately after using the amplifier after turning off the power supply of the amplifier and falling an internal temperature.

<Adjustment method>

- (1) Set the volume control to minimum during this adjustment. (No signal & No load)
- (2) Set the surround mode OFF.
- (3) Turn [VR787](#) and [VR788](#) fully counterclockwise to warm up before adjustment.
If the heat sink is already warm from previous use the correct adjustment can not be made.
- (4) For L-ch, connect a DC voltmeter between [B2204](#) and [B2205](#) (Lch) and, connect it between [B2213](#) and [B2214](#) (Rch).
- (5) 30 minutes later after power on, adjust [VR787](#) for Lch, or [VR788](#) for Rch so that the DC voltmeter value has 1mV to 10mV.

- It is not abnormal though the idling current might not become 0mA even if it is finished to turn variable resistance ([VR787](#), [VR788](#)) in the direction of counterclockwise.



SECTION 5 TROUBLESHOOTING

5.1 Self-diagnose function

This model incorporates the following self-diagnostic functions.

1. PROTECTOR

- The PROTECTOR IN port detects errors such as speaker overcurrent and DC voltage output errors (Active: L). Immediately after detection, all relays are switched off and the alarm display as shown below (blinking at intervals of 0.5 sec. ON and 0.5 sec. OFF) is displayed in the lower part of the FL matrix.

During the alarm display, all other FL and LED segments are turned off.

OVERLOAD

- The overload status can be canceled by switching the power off. When the power is switched on again, the unit is turned on in the same abnormal status as before. Lower the volume level for 10 steps for protection. (If the previous volume level was between 0 and 9, lower it to 0).
- The detection by the protector is not performed for 4 seconds after power on.

2. Supply voltage error detection

- When the power is switched on, the supply voltage at the A/D input port (pins 2 to 5 and 7) is monitored and, when an error is detected continuously for 1 second, the unit immediately enters the standby mode.
- When the power is switched on again, the unit is turned on in the same abnormal status as before.
- The supply voltage error detection is not performed for 4 seconds after power on.
- The following table shows the error detection thresholds.

	At abnormal state (Low voltage)	At normal state	At abnormal state (High voltage)
Pin 2	Analog value : 0 - 2.2 Digital value : 000 - 1C0	Analog value : 2.2 - 2.8 Digital value : 1C1 - 240	Analog value : 2.8 - 5.0 Digital value : 241 - 3FF
Pin 3	Analog value : 0 - 2.2 Digital value : 000 - 1C0	Analog value : 2.2 - 2.8 Digital value : 1C1 - 240	Analog value : 2.8 - 5.0 Digital value : 241 - 3FF
Pin 4	Analog value : 0 - 2.2 Digital value : 000 - 1C0	Analog value : 2.2 - 2.8 Digital value : 1C1 - 240	Analog value : 2.8 - 5.0 Digital value : 241 - 3FF
Pin 5	Analog value : 0 - 2.2 Digital value : 000 - 1C0	Analog value : 2.2 - 2.8 Digital value : 1C1 - 240	Analog value : 2.8 - 5.0 Digital value : 241 - 3FF
Pin 7	Analog value : 0 - 2.2 Digital value : 000 - 1C0	Analog value : 2.2 - 2.8 Digital value : 1C1 - 240	Analog value : 2.8 - 5.0 Digital value : 241 - 3FF



JVC

VICTOR COMPANY OF JAPAN, LIMITED

AV & MULTIMEDIA COMPANY AUDIO/VIDEO SYSTEMS CATEGORY 10-1,1chome,Ohwatari-machi,Maebashi-city,371-8543,Japan

(No.MB170)



Printed in Japan
WPC

JVC

SCHEMATIC DIAGRAMS

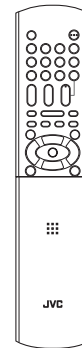
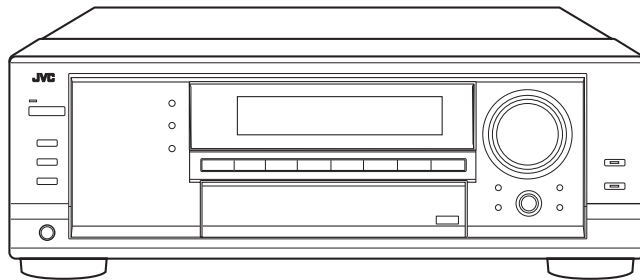
AUDIO/VIDEO CONTROL RECEIVER

RX-7040B

CD-ROM No.SML200403

Area suffix

J ----- U.S.A.
C ----- Canada



DD DOLBY
DIGITAL • EX
PRO LOGIC II

dts 96 24 ES
24 NEO:6

CC
CONVERTER

K2
TECHNOLOGY

COMPU LINK
Remote

AV COMPU LINK

Contents

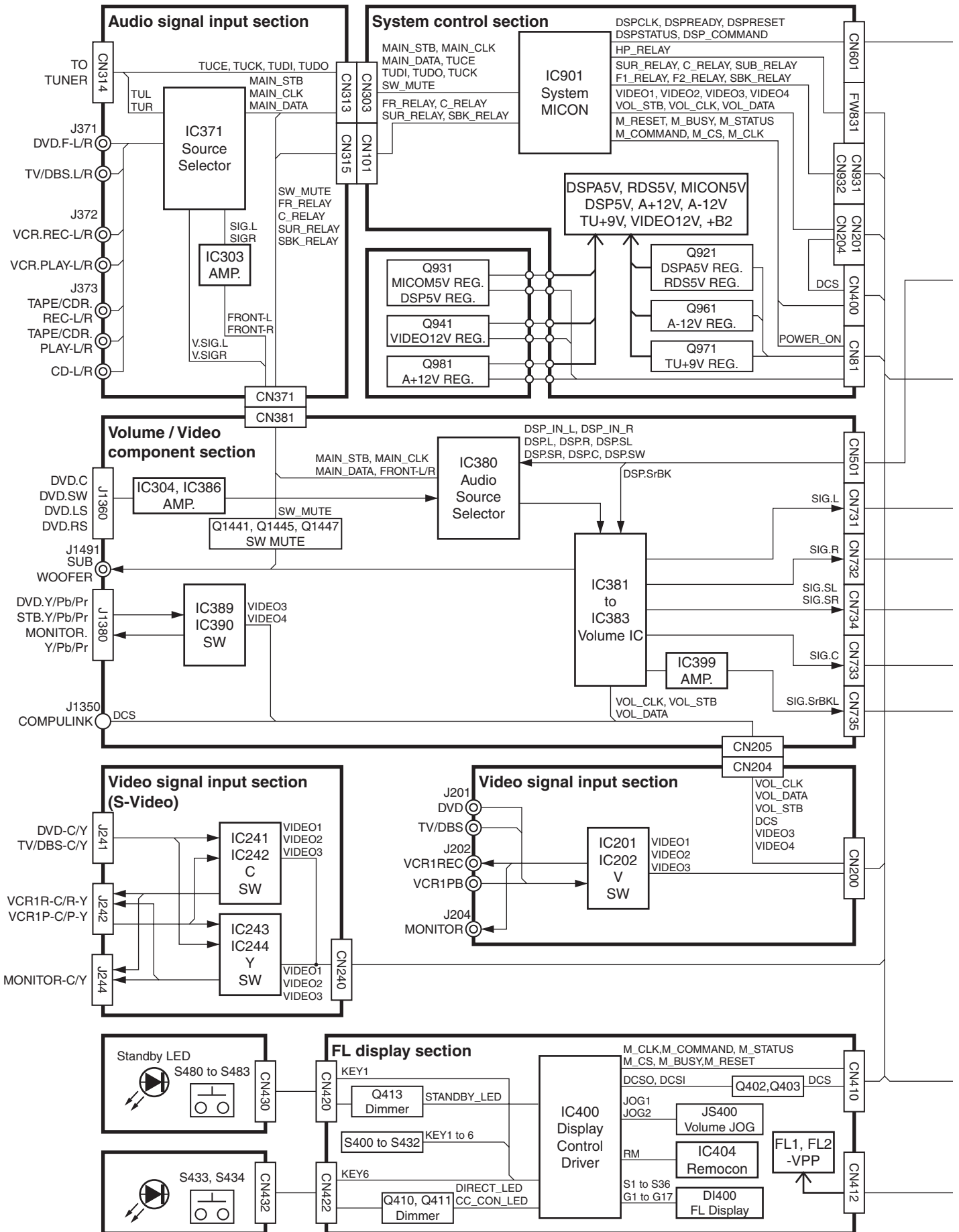
Block diagram	2-1
Standard schematic diagrams	2-3
Printed circuit boards	2-23 to 33

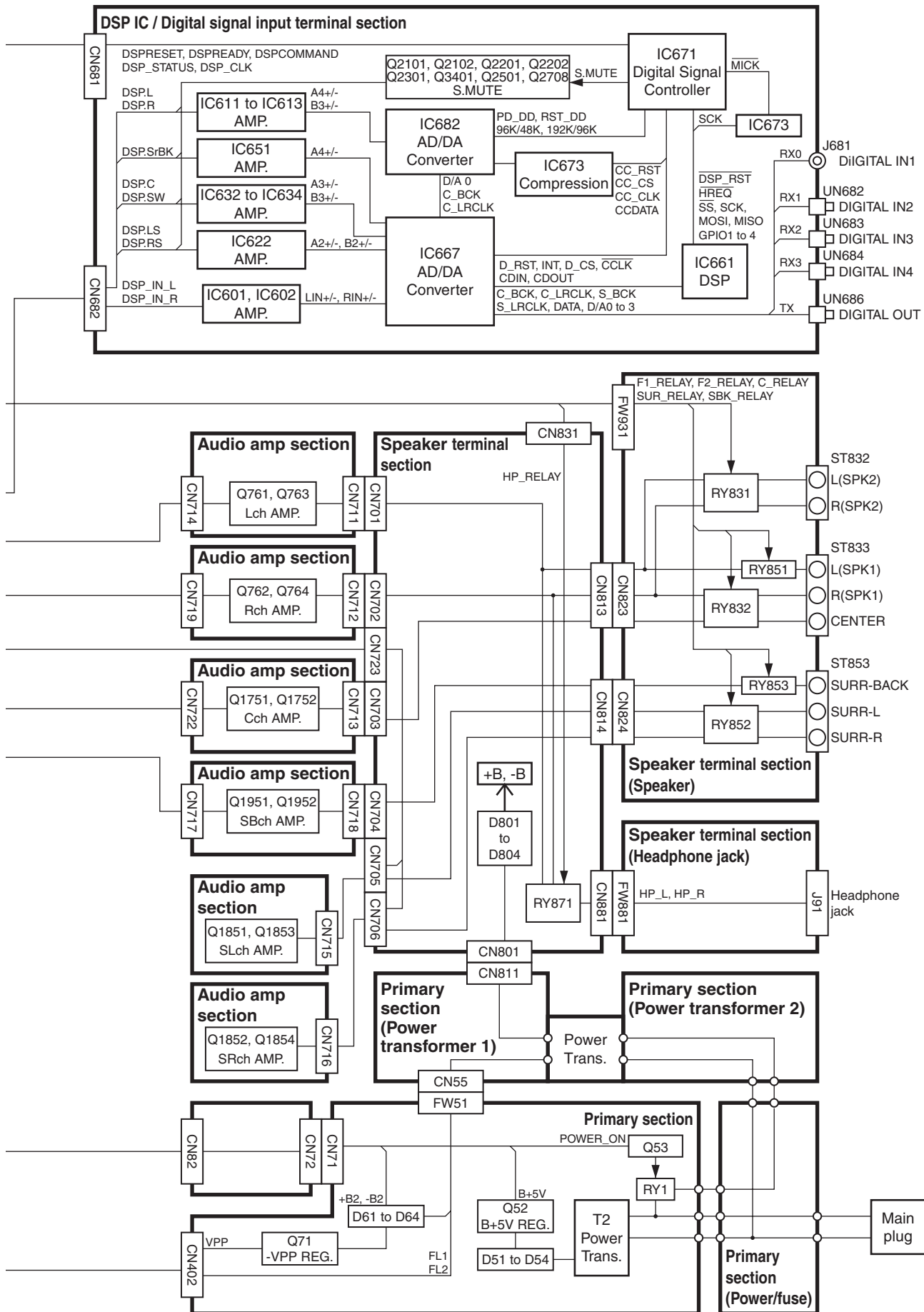
In regard with component parts appearing on the silk-screen printed side (parts side) of the PWB diagrams, the parts that are printed over with black such as the resistor (■), diode (▬) and ICP (●) or identified by the "▲" mark nearby are critical for safety.

(This regulation does not correspond to J and C version.)

< MEMO >

Block diagram

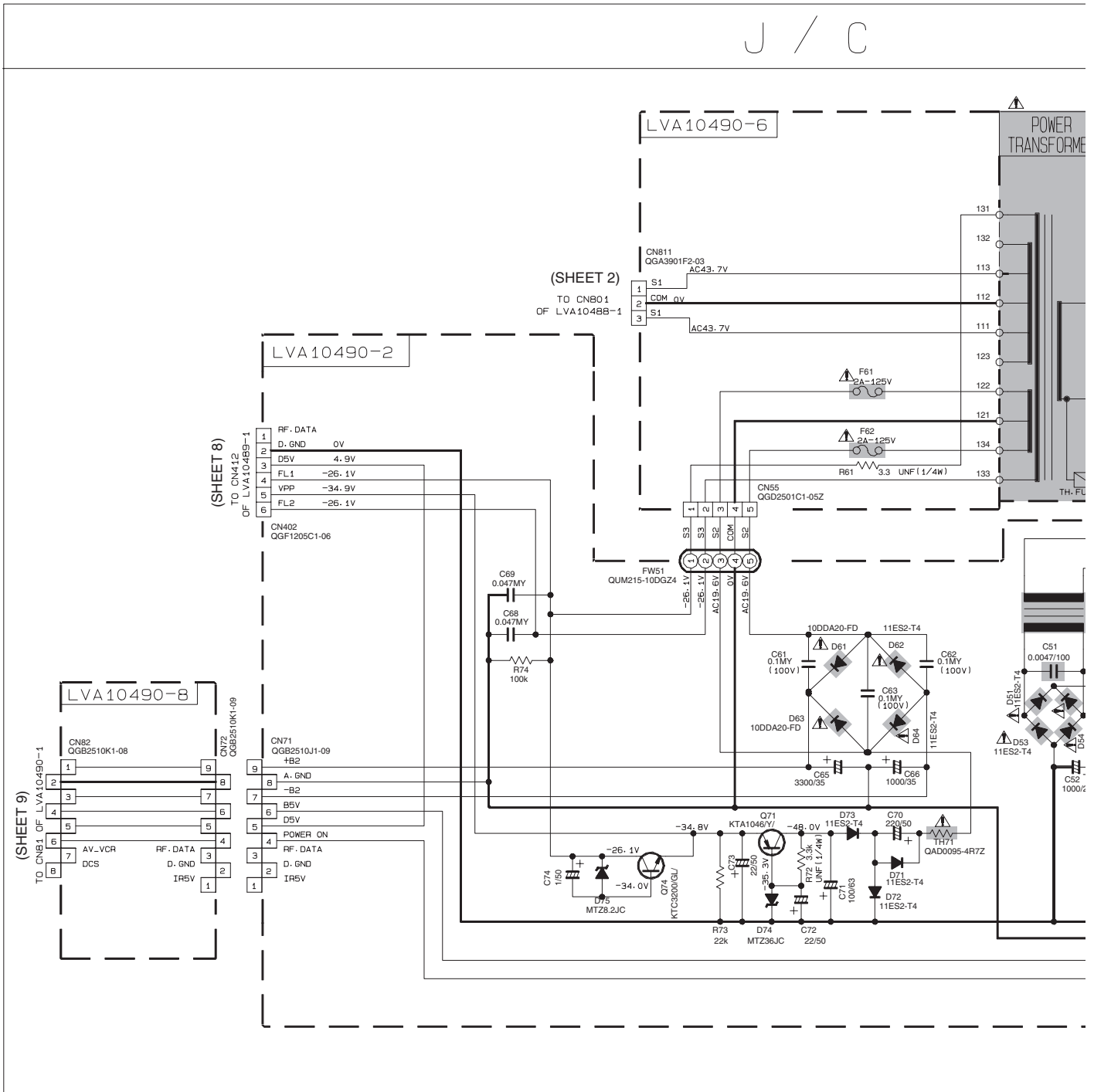




Standard schematic diagrams

Primary section

J / C

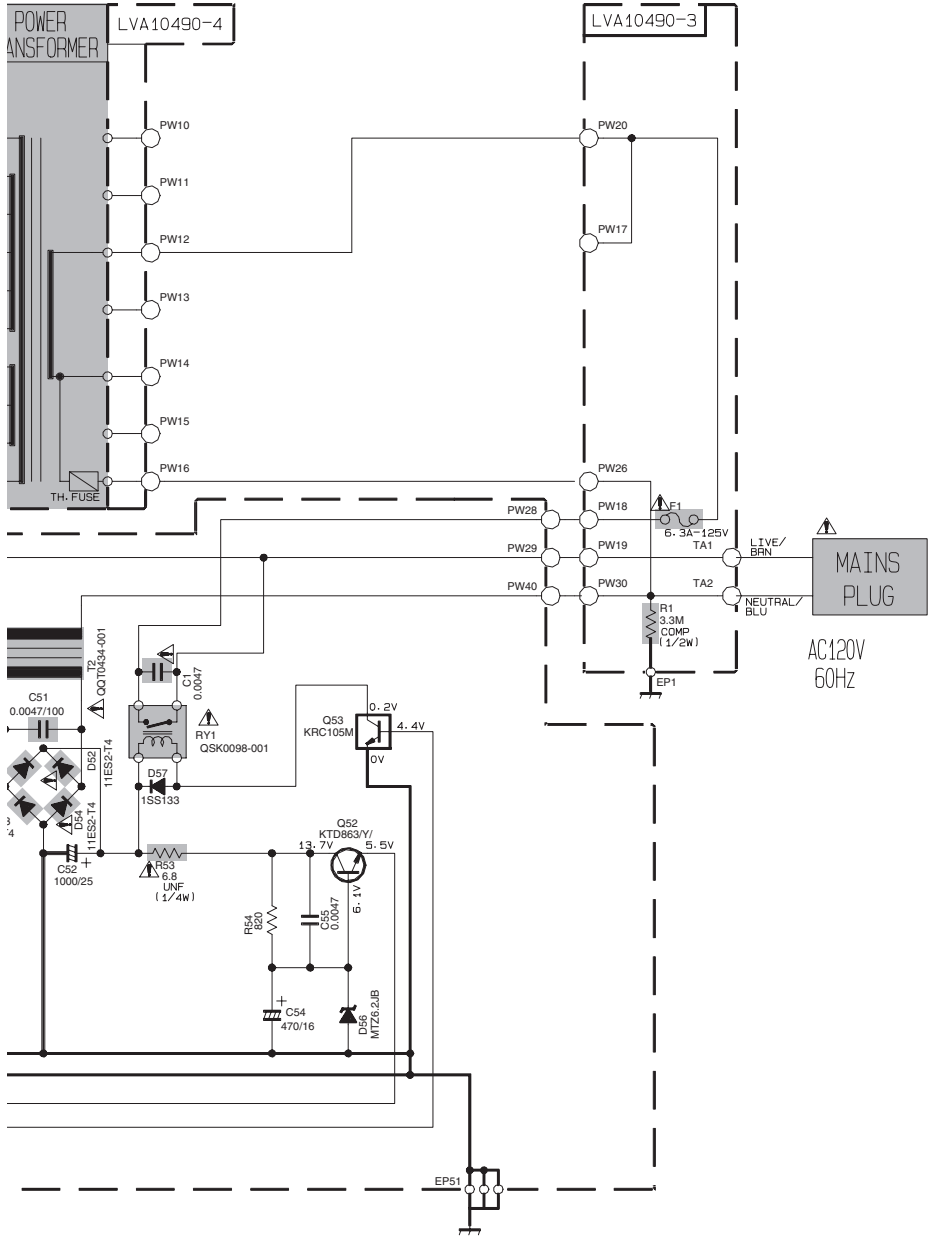


	J/C	US	UPA/F/A	B/E/EN/EV
F1	QMS1U1-8R3-JB	QMS1M2-3R15-JB	QMS1M2-3R15-JB	QMS1M2-3R15-JB
F2	NONE	QMS1M2-3R15-J1	QMS1M2-3R15-J1	QMS1M2-3R15-J1
F4	NONE	QMS1M2-3R15-JB	NONE	NONE
F5A, F6B	QMS1U1-2R0-JB	QMS1M2-2R0-JB	QMS1M2-2R0-JB	QMS1M2-2R0-JB
V51	NONE	USE	NONE	NONE
T3	QST0A3H-001	QST02B1-004	QST02B1-004	QST0A3H-001
Q91	NONE	USE	USE	NONE
Q99	NONE	USE	USE	NONE
R1	USE	NONE	NONE	NONE
RES1, RES2	NONE	USE	USE	NONE
RE1	3.3	B.2	B.2	B.2
C52	1000/25	470/23	470/23	1000/25
C93	NONE	USE	USE	NONE
C91	NONE	NONE	NONE	USE


VERSION CODES
J : U. S. A.
C : CANADA
B : U. K.
E : CONTINENTAL EUROPE
EN : NORTHERN EUROPE
EV : EASTERN EUROPE
US : SINGAPORE
UP : KOREA
UF : CHINA
A : AUSTRALIA

SHEET NUMBER	CIRCUIT DESCRIPTION
1	PRIMARY
2	SPEAKER TERMINAL
3	AUDIO AMP (FRONT CHANNEL)
4	AUDIO AMP (CENTER, SURR, S-BACK CHANNEL)
5	AUDIO SIGNAL INPUT
6	VIDEO SIGNAL INPUT
7	VOLUME / VIDEO COMPONENT
8	FL DISPLAY
9	SYSTEM CONTROL
10	DSP

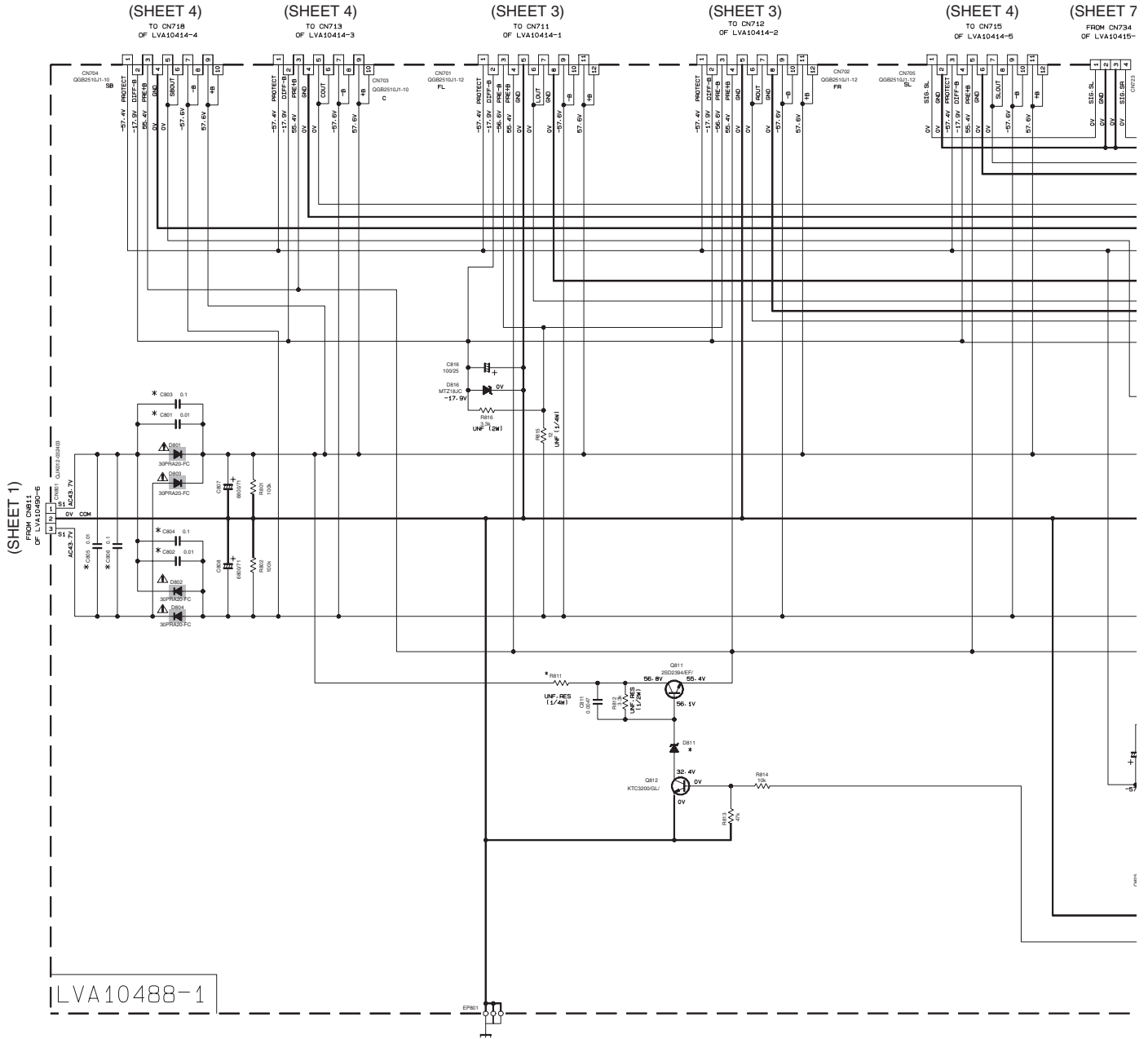
NOTES
 1. VOLTAGES ARE CONDITION ---
 2. UNLESS OTHERWISE ALL RESISTOR ALL CAPACITORS ALL CAPACITORS ALL E. CAPACITORS



TAGES ARE DC-MEASURED WITH A DIGITAL VOLT METER WITHOUT INPUT SIGNAL.
 DITION --- COLD START. POWER ON. FM. SURROUND OFF. VOL 30
 ESS OTHERWISE SPECIFIED.
 L RESISTORS ARE 1/6W ±5% CARBON RESISTOR.
 L CAPACITORS ARE 50V CERAMIC CAPACITOR.
 L RESISTANCE VALUES ARE IN OHM (Ω).
 L CAPACITANCE VALUES ARE IN uF (μF).
 L E. CAPACITORS ARE SHOWN IN THE FORM OF CAPACITANCE(uF)/RATED VOLTAGE(V).

 Parts are safety assurance parts.
 When replacing those parts make
 sure to use the specified one.

Speaker terminal section

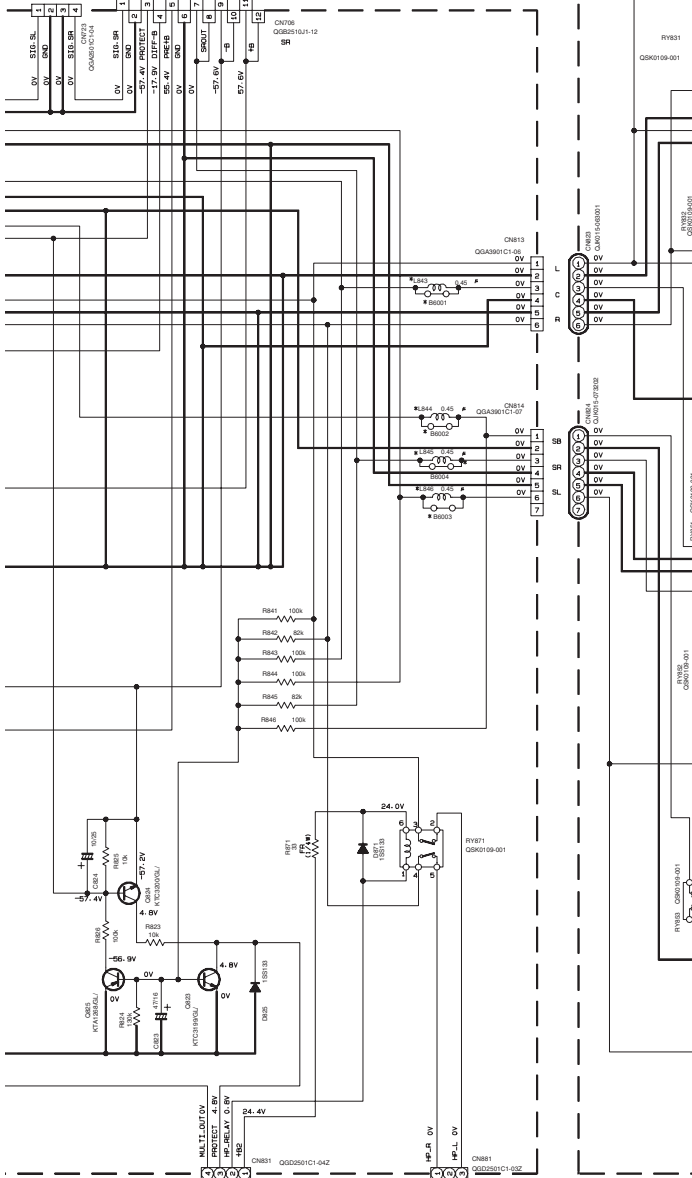


*MARK

	U/C	US/JP/UK/A	B/E/EN/VEV
DB11	MT224JC	MT215JC	MT220JC
RB11	15	12	12
CB01-CB02, CB05	USE	NONE	NONE
CB03-CB04, CB06	NONE	USE	USE
LB43-LB45	NONE	USE	USE
BE001-BE004	USE	NONE	NONE
ST833	QNB0079-001	QNB0079-001	QNB0079-001
ST853	QNB0105-002	QNB0111-001	QNB0111-001
RB33, RB34	NONE	USE	USE
RB37, RB38	NONE	USE	USE
RB57	5.6K	10K	6.6K
RB60, RB63, RB69	USE	NONE	USE
RB85	NONE	USE	USE
RB87-RB89	NONE	USE	USE
CB33-CB49	NONE	USE	USE
CB51	NONE	USE	USE
CB83-CB93	NONE	USE	USE
CB95-CB98	NONE	USE	USE
CB94, CB99	NONE	USE	USE
C91, C92	NONE	USE	USE

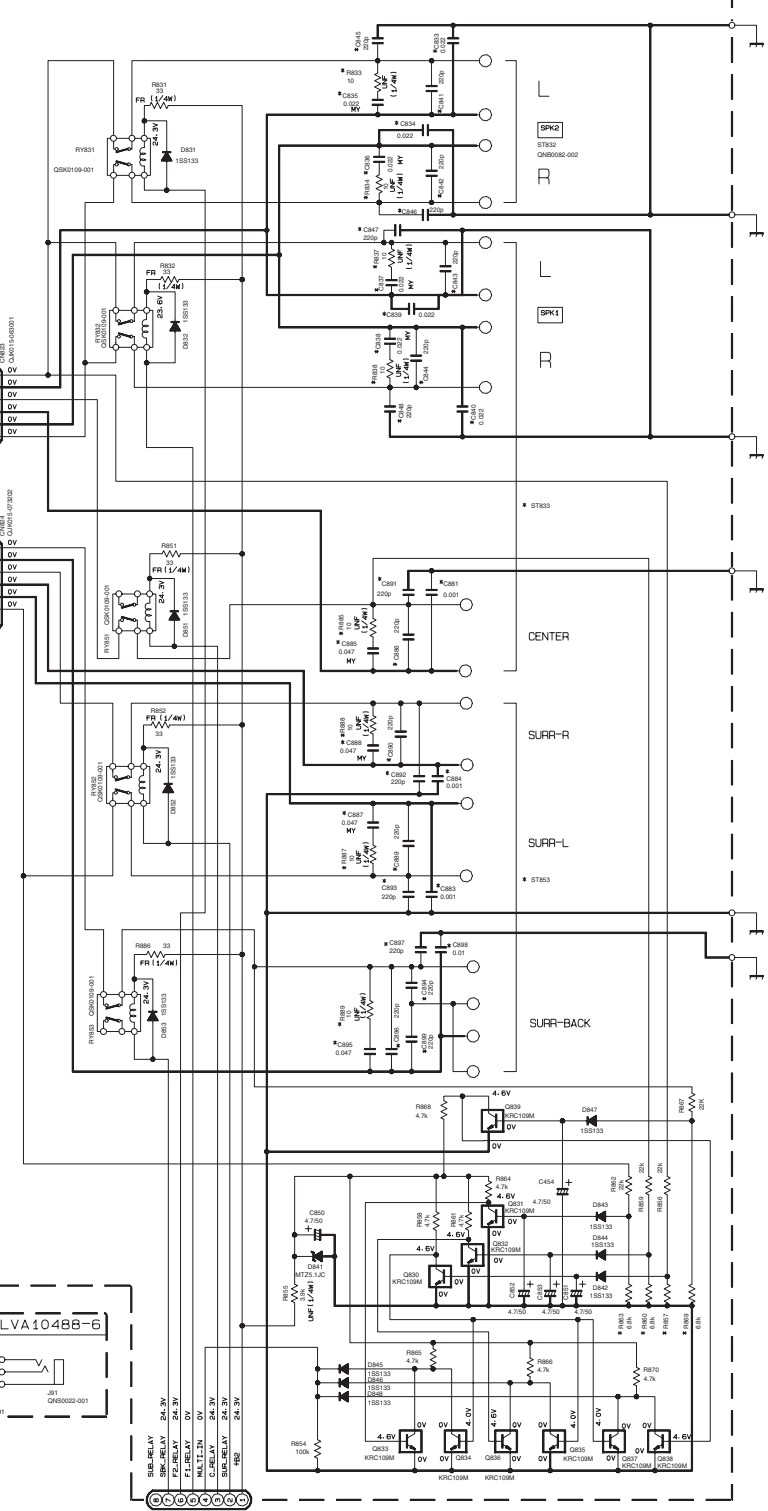
⚠ Parts are safety assurance parts.
When replacing those parts make sure to use the specified one.

(SHEET 7) (SHEET 7)
 FROM CN734 OF LVA10415-1 TO CN716 OF LVA10414-6



FROM FW931 OF LVA10488-1 (SHEET 9)

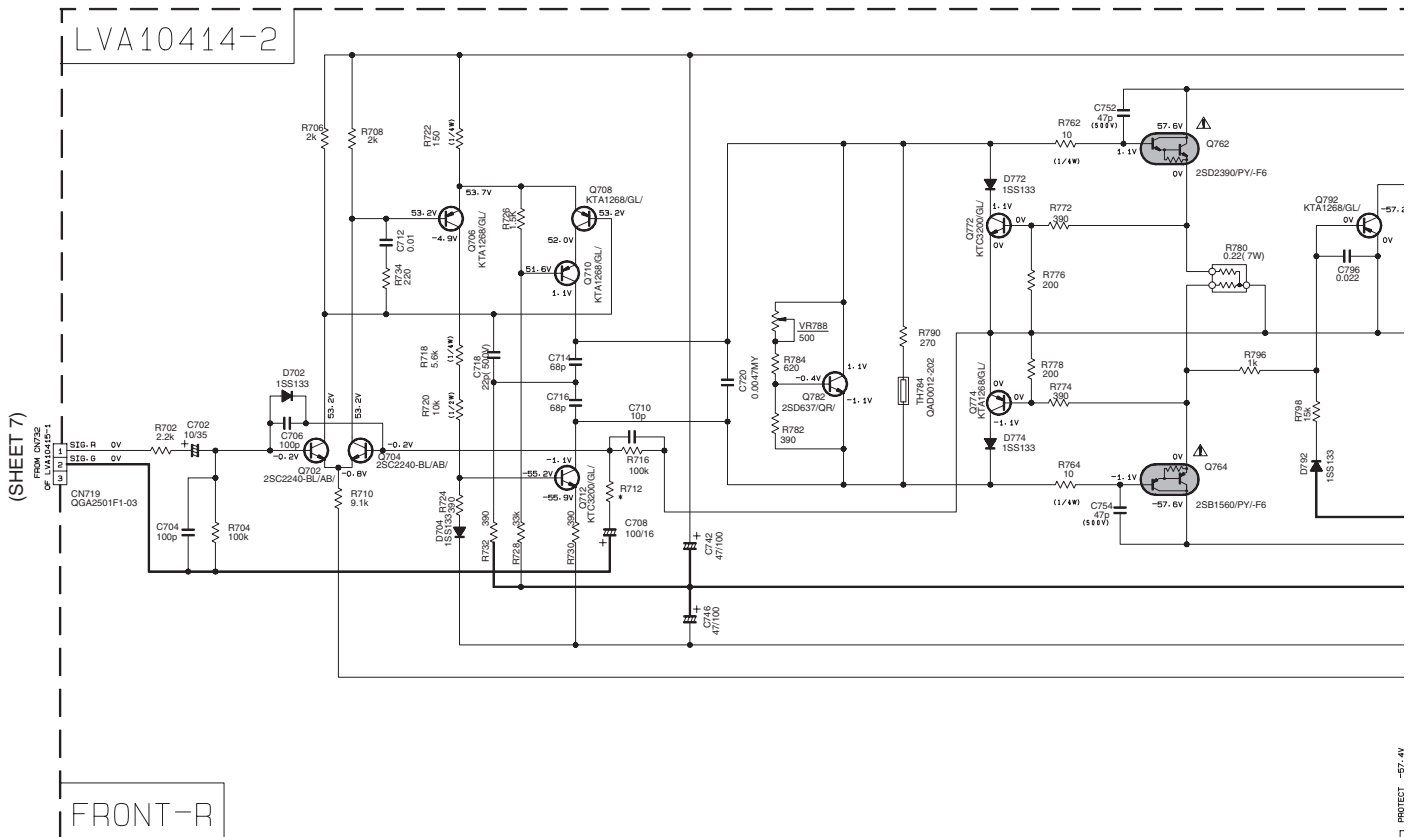
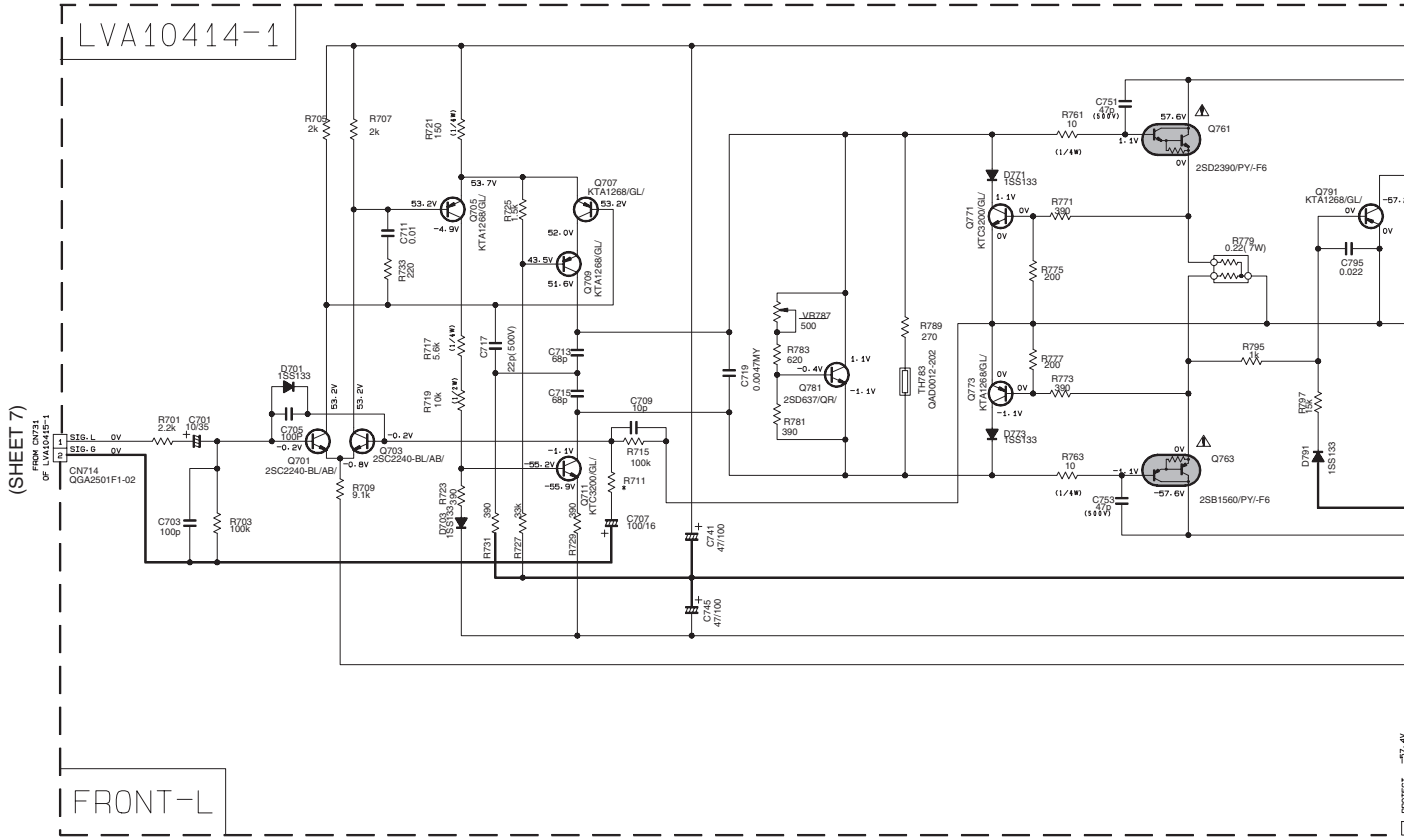
LVA10488-3

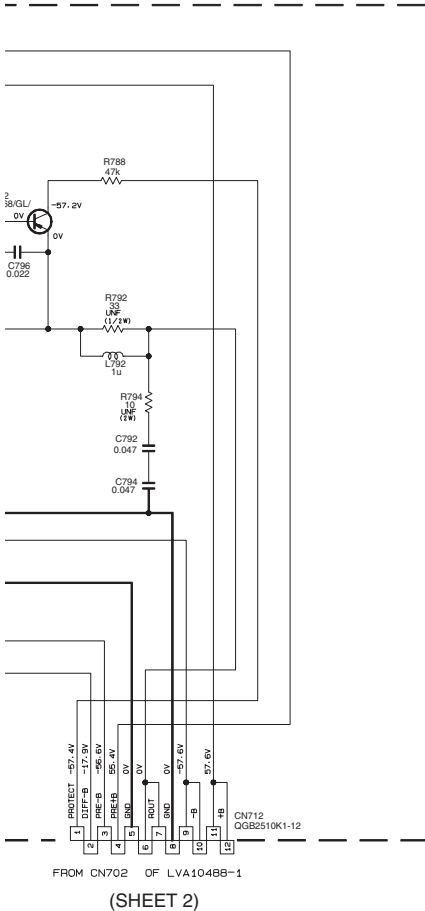
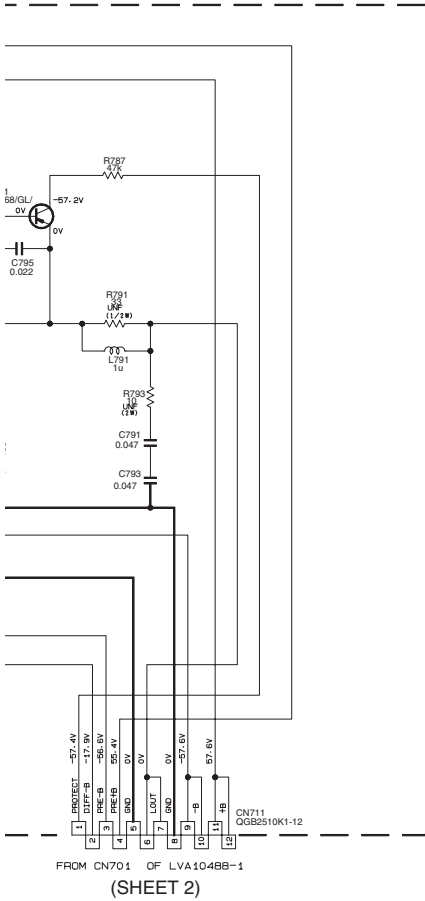


FROM CN314CN352 OF LVA10490-1 (SHEET 9)

is.
ke

■ Audio amp section (1/2)



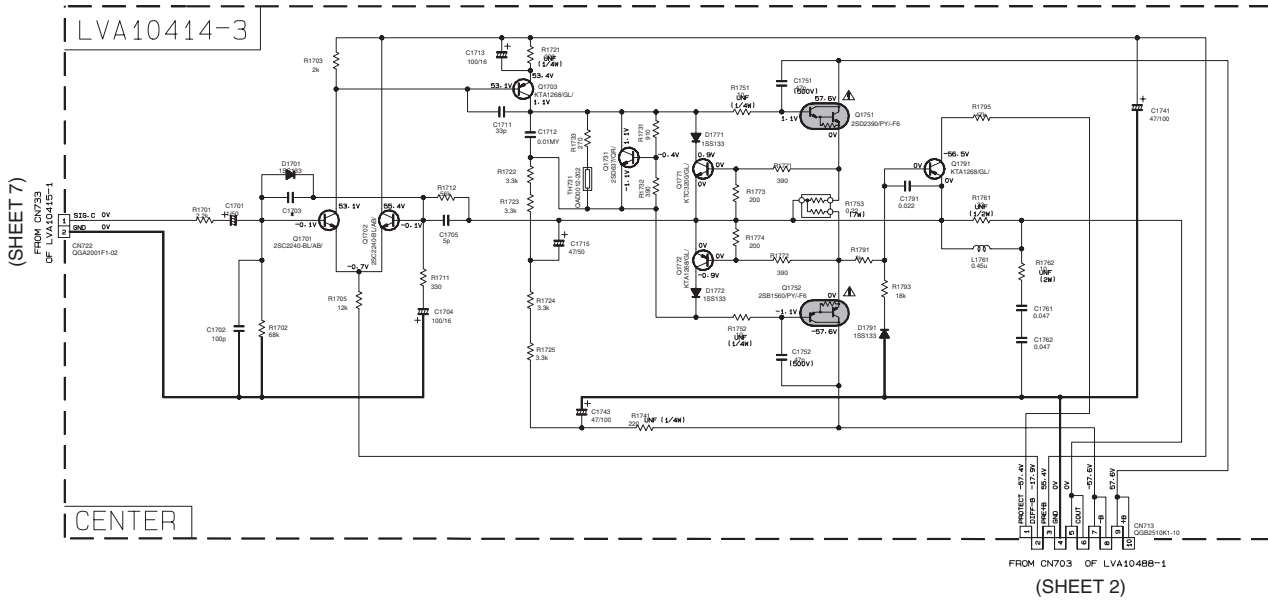


* MARK

	J/C	EXCEPT J/C
R711-R712	560	620

▲ Parts are safety assurance parts.
When replacing those parts make sure to use the specified one.

■ Audio amp section (2/2)



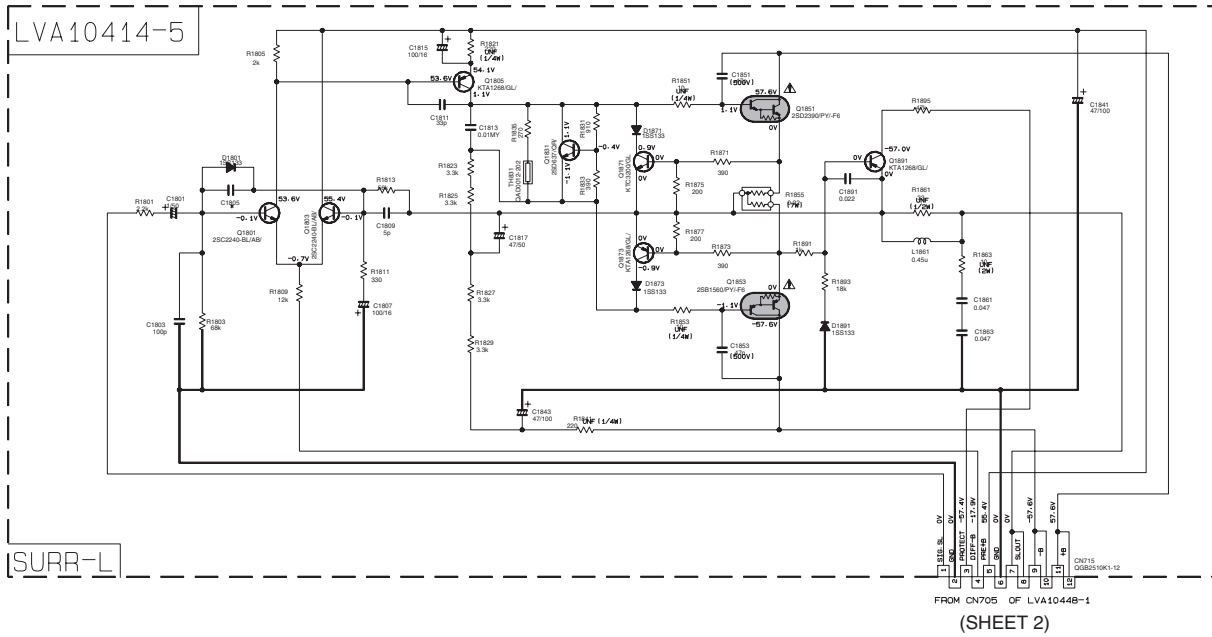
(SHEET 7)
FROM CN733
OF LVA10415-1

(SHEET 7)
FROM CN735
OF LVA10415-1

CENTER

FROM CN703 OF LVA1048B-1

(SHEET 2)



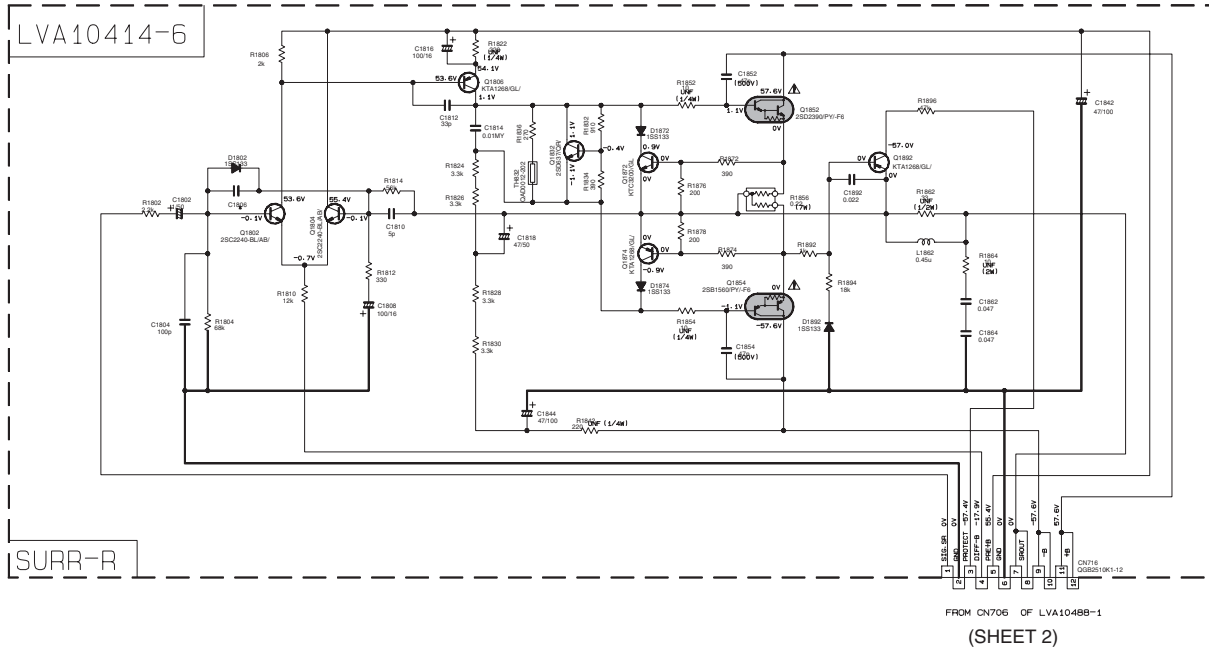
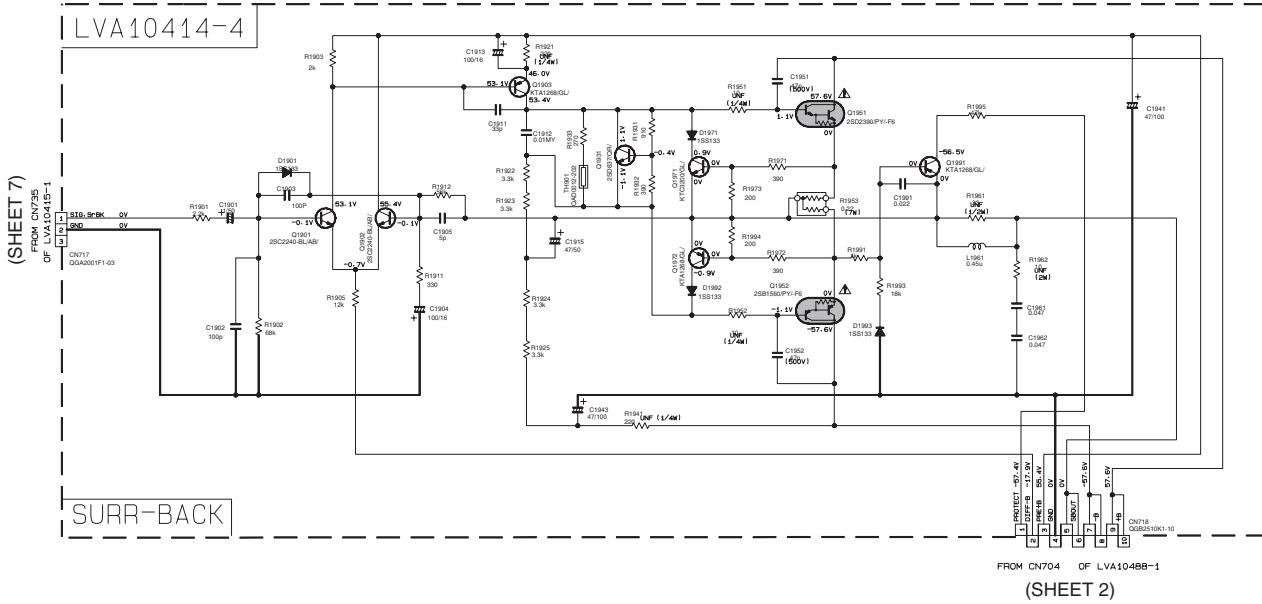
LVA10414-5

SURR-L

FROM CN705 OF LVA1044B-1

(SHEET 2)

▲ Parts are safety
When replacing
sure to use the :

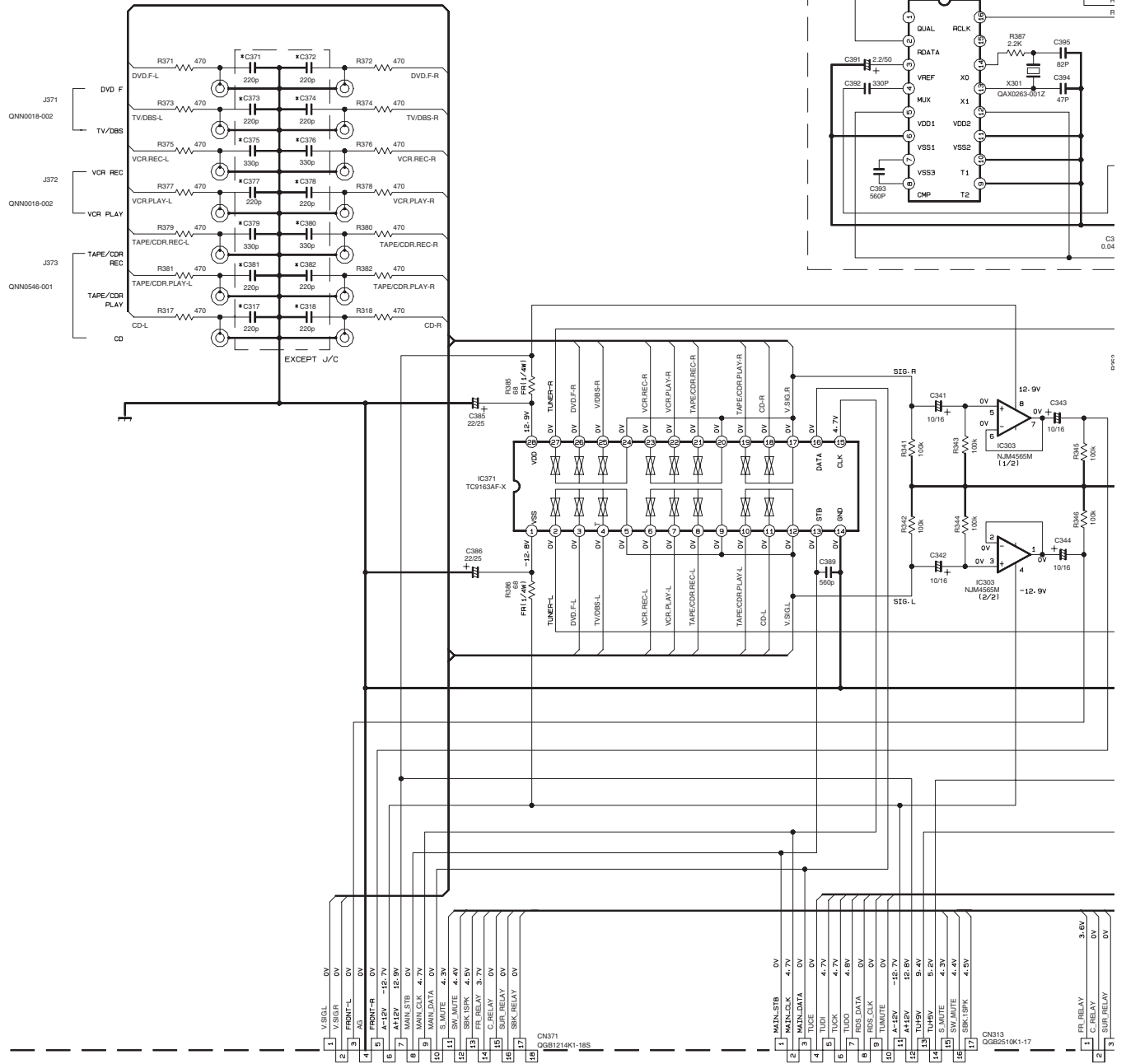


For safety assurance parts.
Replacing those parts make
use the specified one.

*MARK	J/C	EXCEPT J/C
C1703-C1805-C1806	100p	220p

Audio signal input section

LVA10489-5



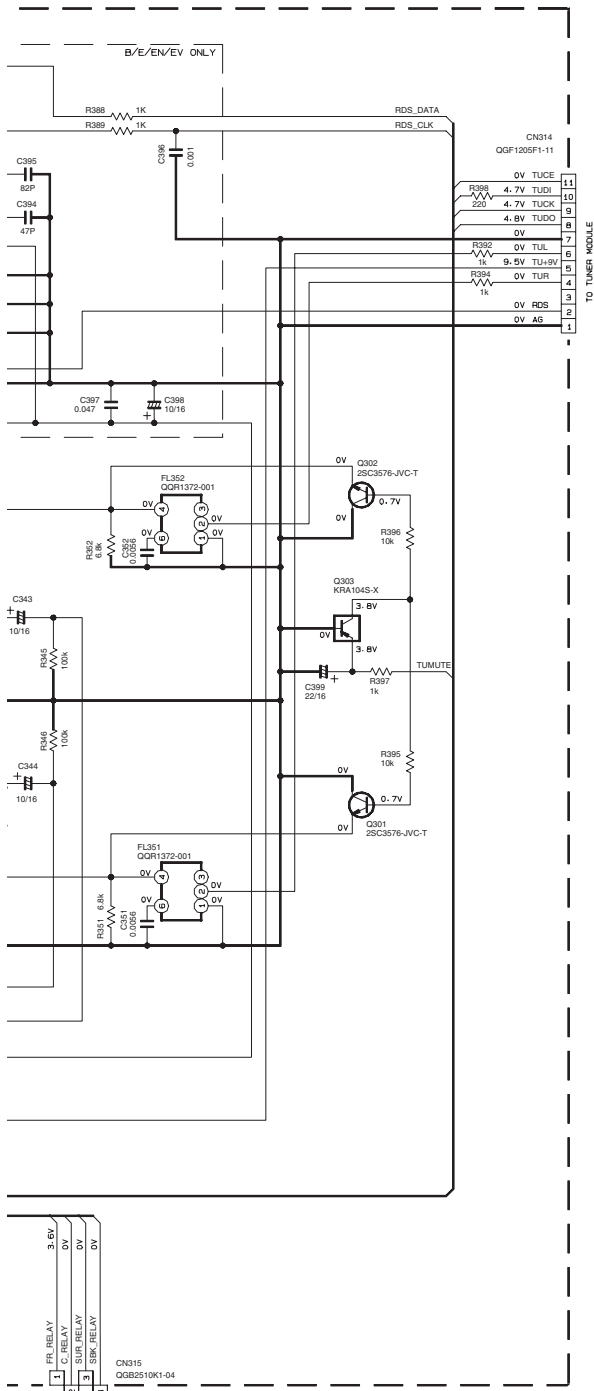
TO CN381
OF LVA10415-1
(SHEET 7)

TO CN303
OF LVA10490-1
(SHEET 9)

TO CN
OF LVA1
(SHEET 9)

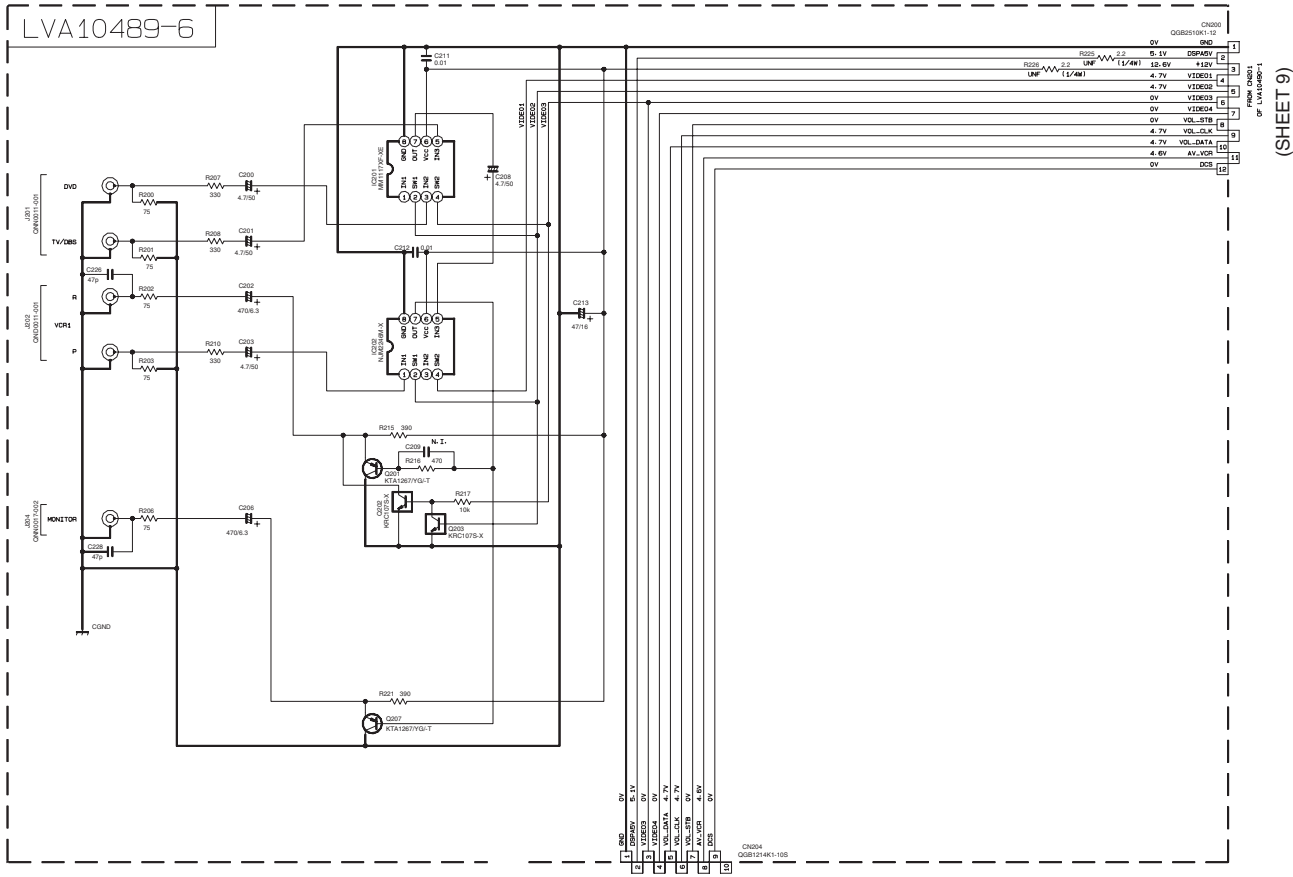
AUDIO I/O	J/C	EXCEPT J/C
C317-C318	NONE	USE
C371-C382	NONE	USE

RDS	B/E/EN/EV	EXCEPT B/E/EN/EV
IC372	USE	NONE
R387-R389	USE	NONE
C391-C395	USE	NONE
X301	USE	NONE

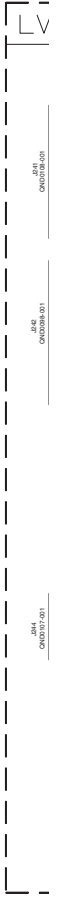


(SHEET 9)

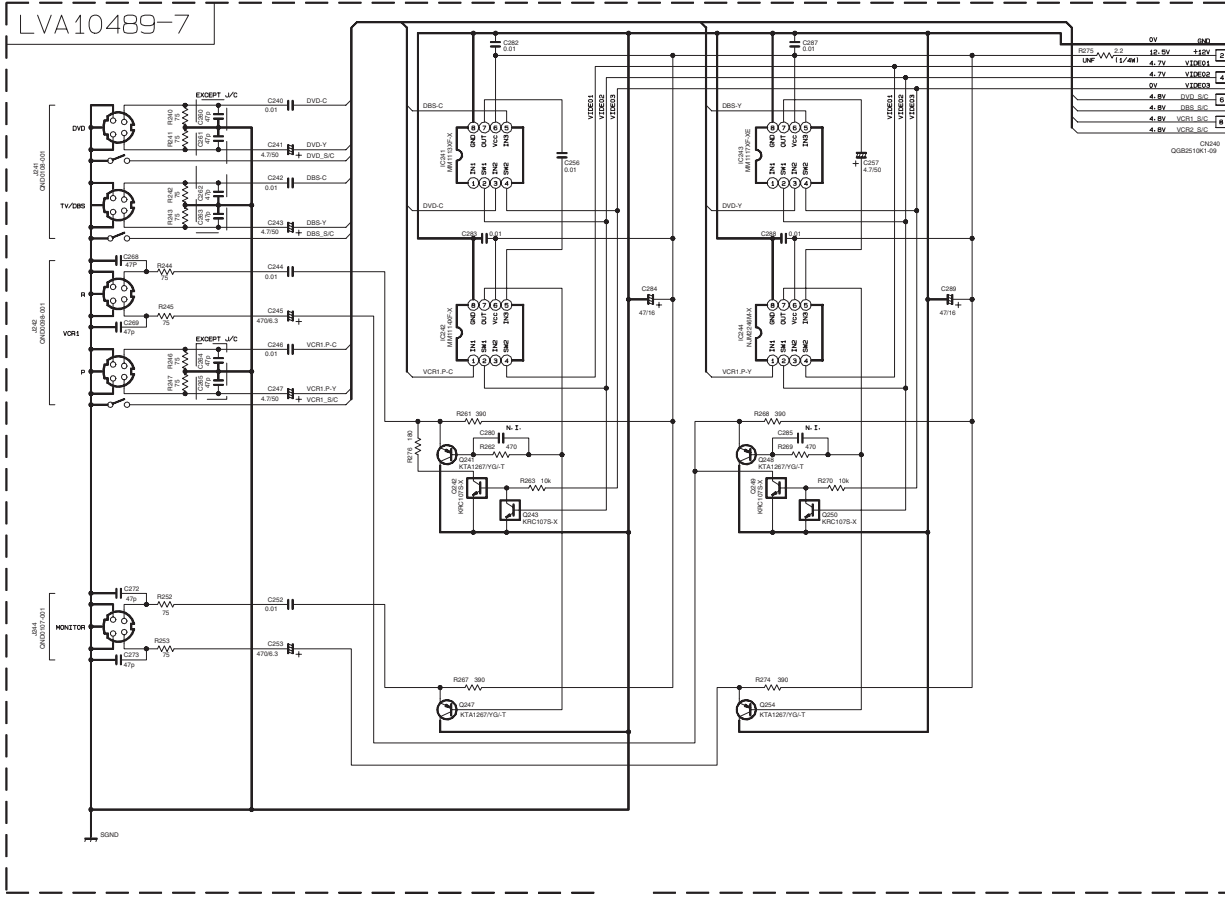
Video signal input section



(SHEET 7)



LVA10489-7



	J/C	EXCEPT J/C
C260-C265	NONE	USE

0V	500	1
R272	11/241	12.5V +12V
WF	11/241	4.7V VIDEO1
		4.7V VIDEO2
		0V VIDEO3
		4.5V VCR1-S/C
		4.5V OBS-S/C
		4.5V VCR1-S/C
		4.5V VCR2-S/C
		0V
		0V

FROM SHEET 8 OF LVA10489-7
(SHEET 9)

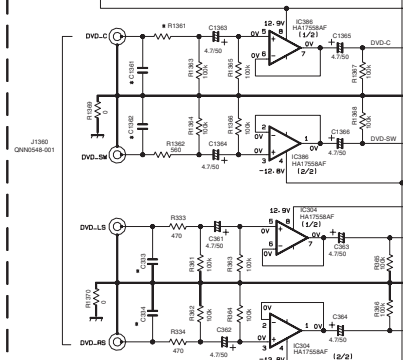
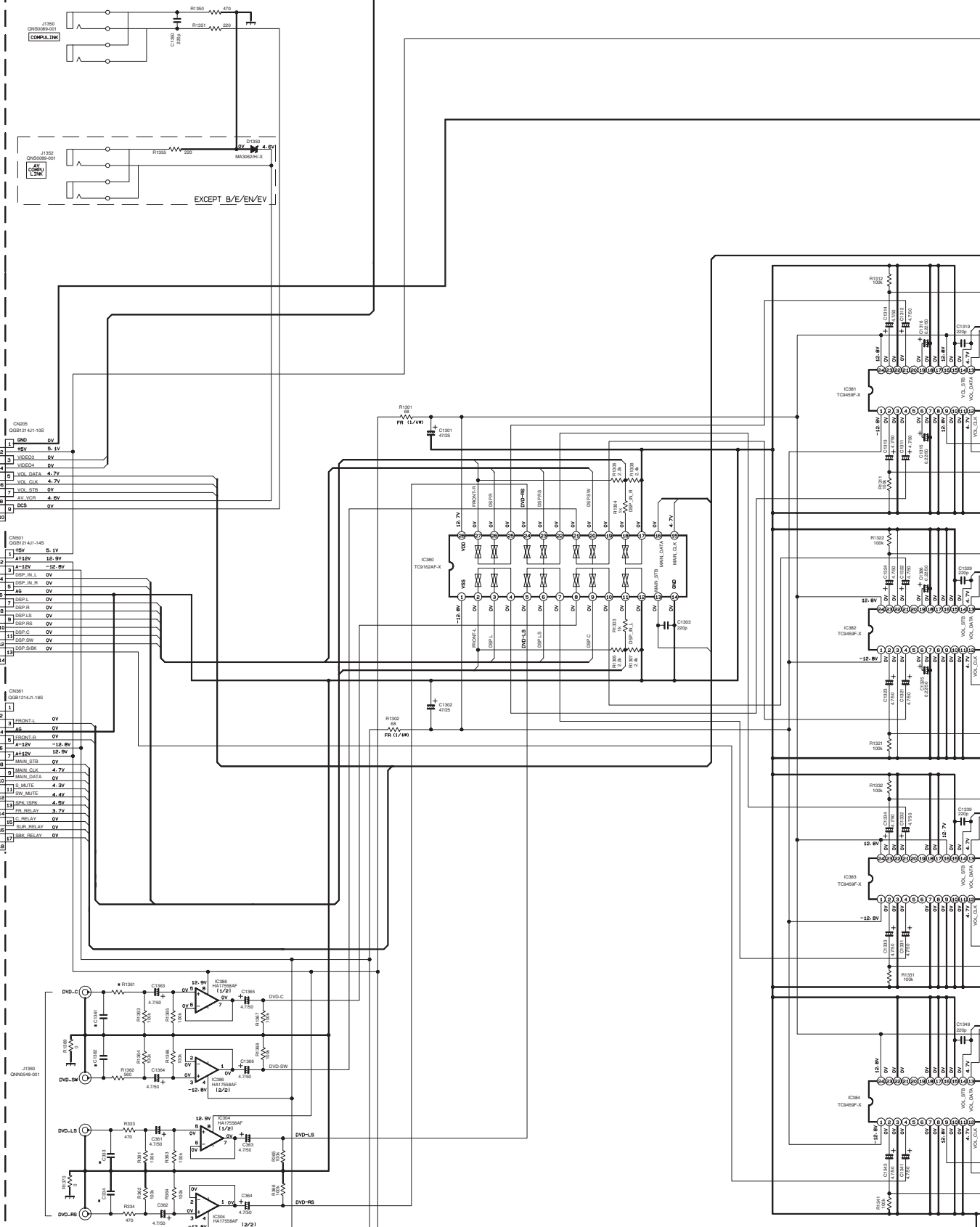
Volume / Video Component section

LVA10415-1

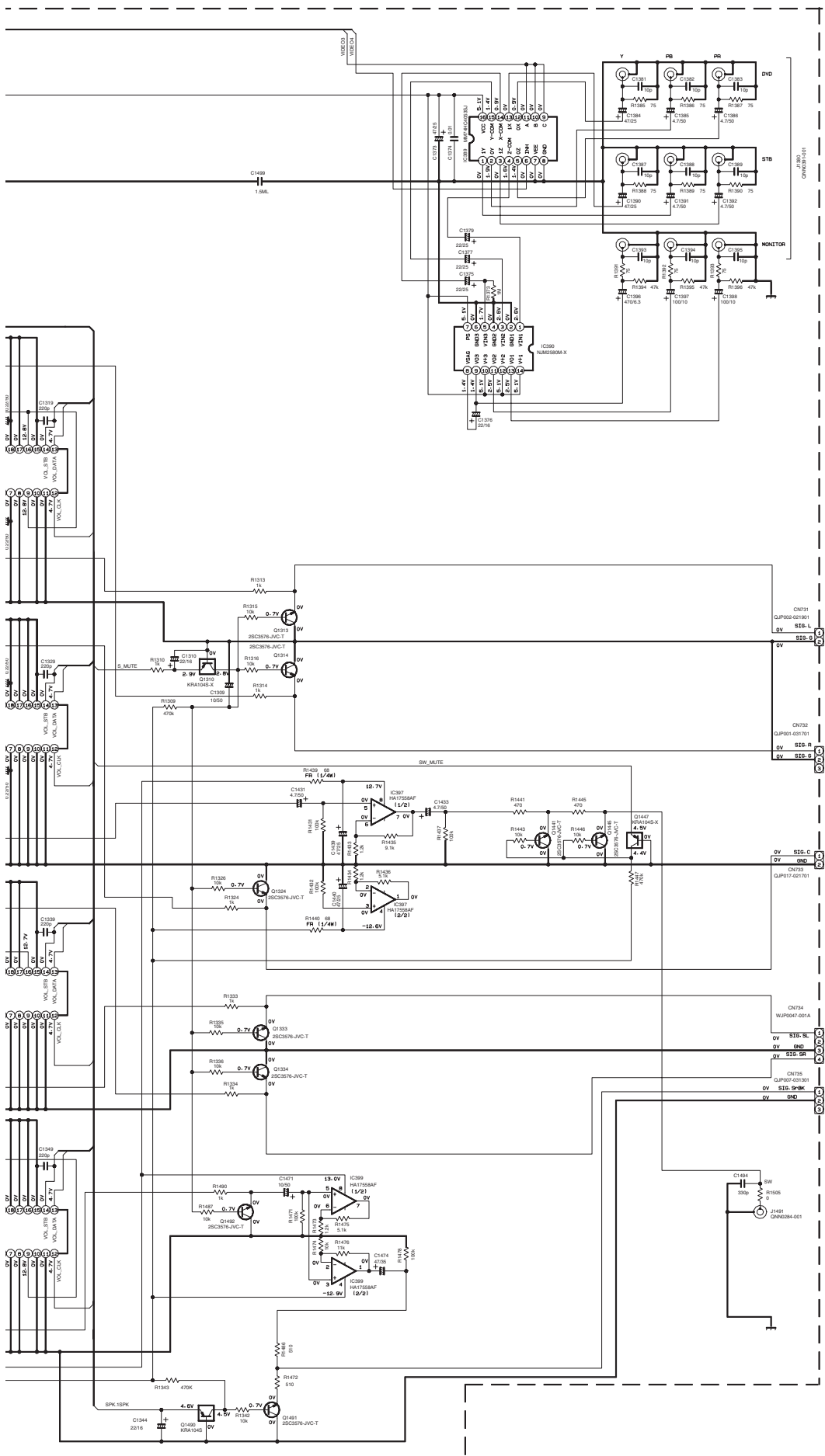
(SHEET 6)
TO BOARD
OF LVA10415-1

(SHEET 10)
TO BOARD
OF LVA10415-1

(SHEET 5)
TO BOARD
OF LVA10415-1



* MARK	LC	EXCEPT LC	AV COMPLINK	EXCEPT E/VEV/B
C333 - C334	390p	680p	J1305	NONE
C1361 - C1362	390p	680p	R1395	NONE
R1361	500	1k	D1350	NONE



TO CN714
OF LVA10414-1
(SHEET 3)

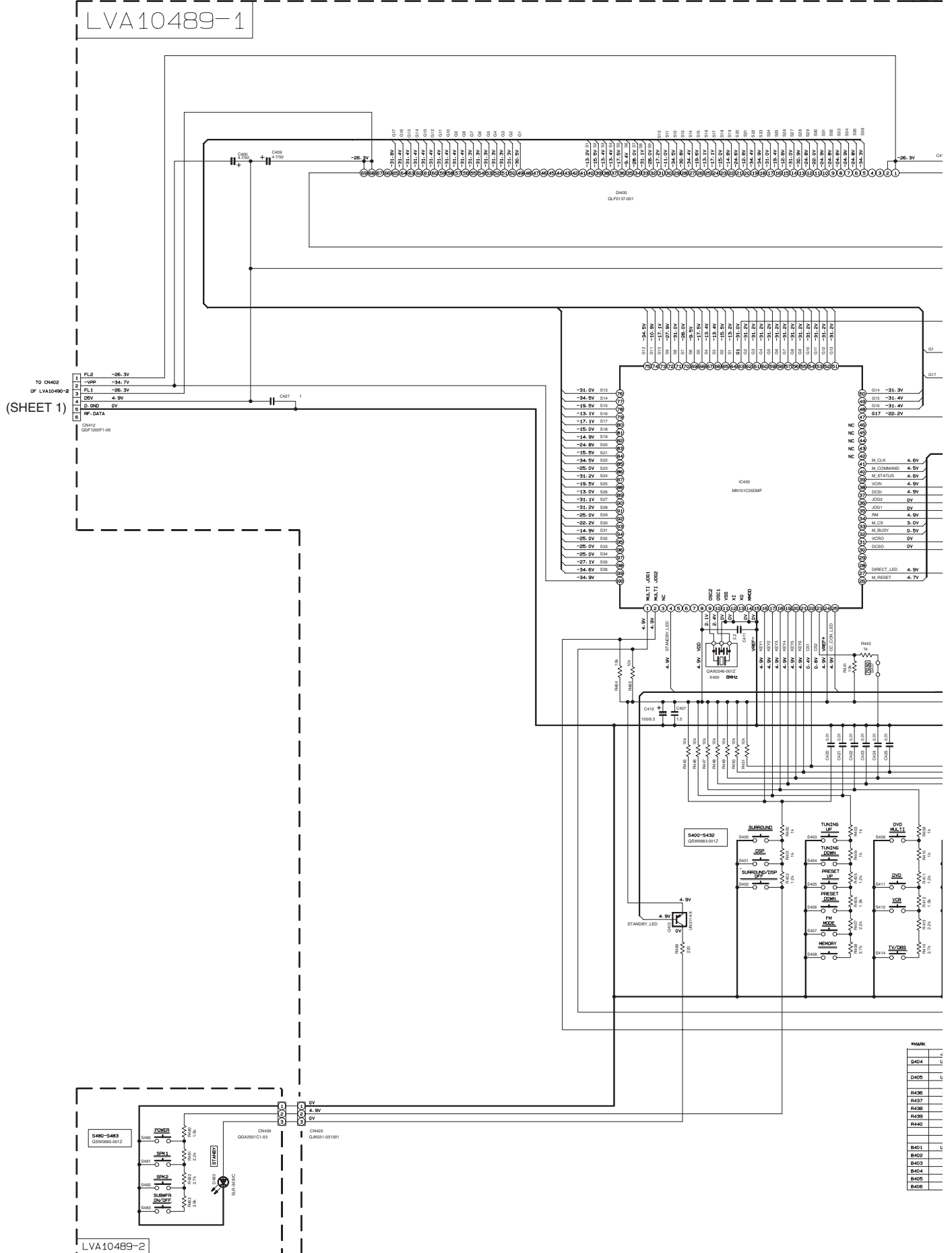
TO CN715
OF LVA10414-2
(SHEET 3)

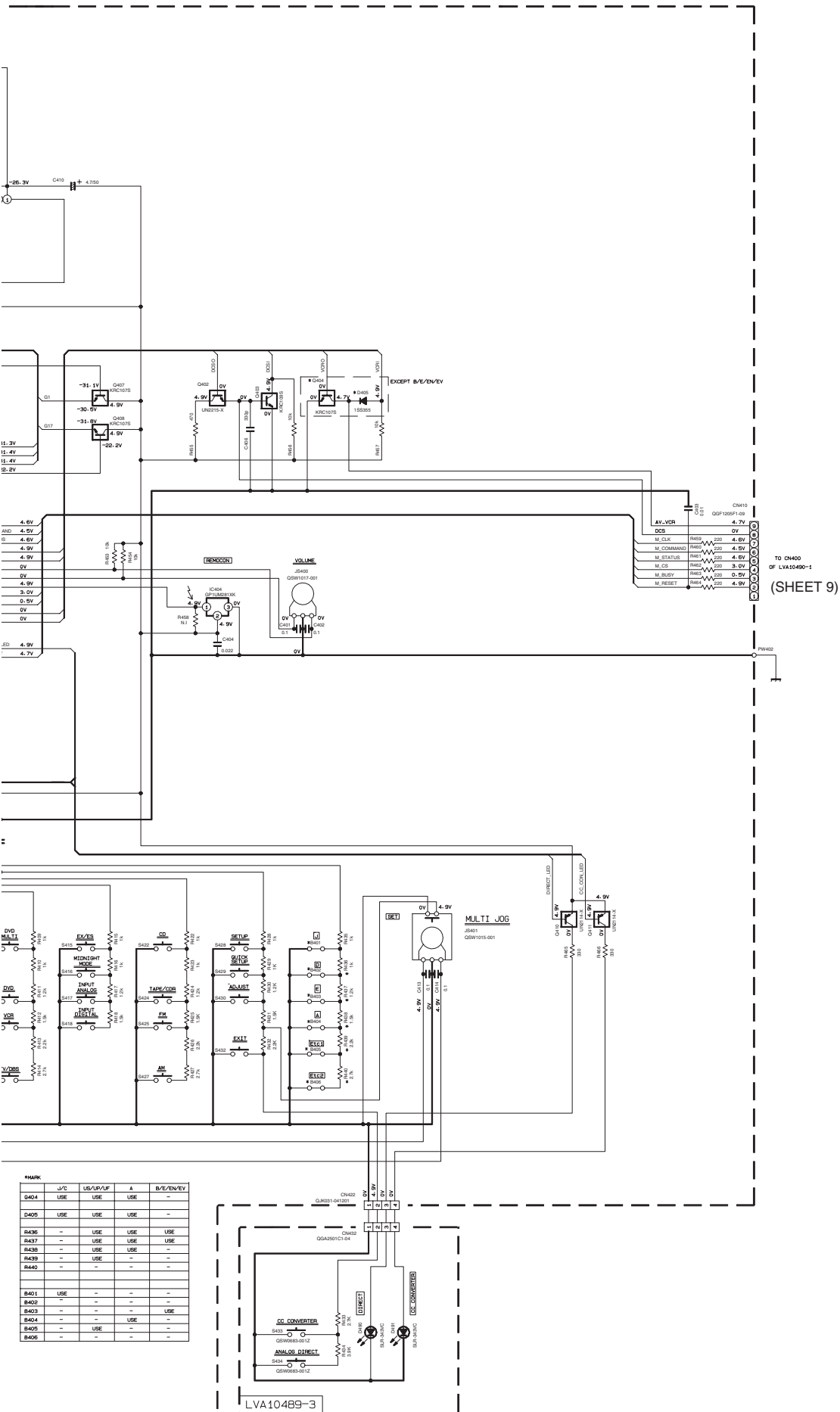
TO CN722
OF LVA10414-3
(SHEET 4)

TO CN723
OF LVA10414-1
(SHEET 2)

TO CN717
OF LVA10414-4
(SHEET 4)

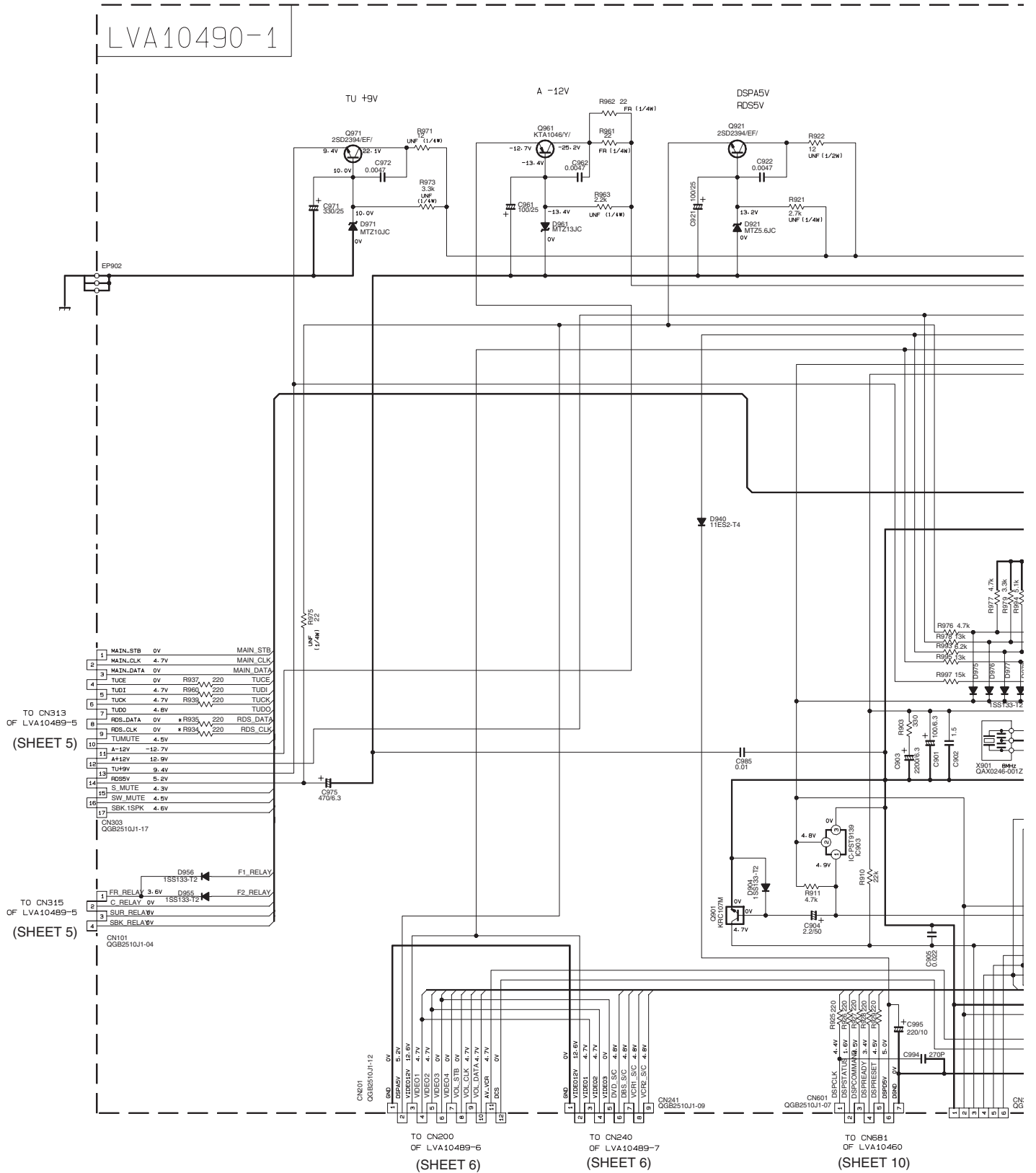
FL display section

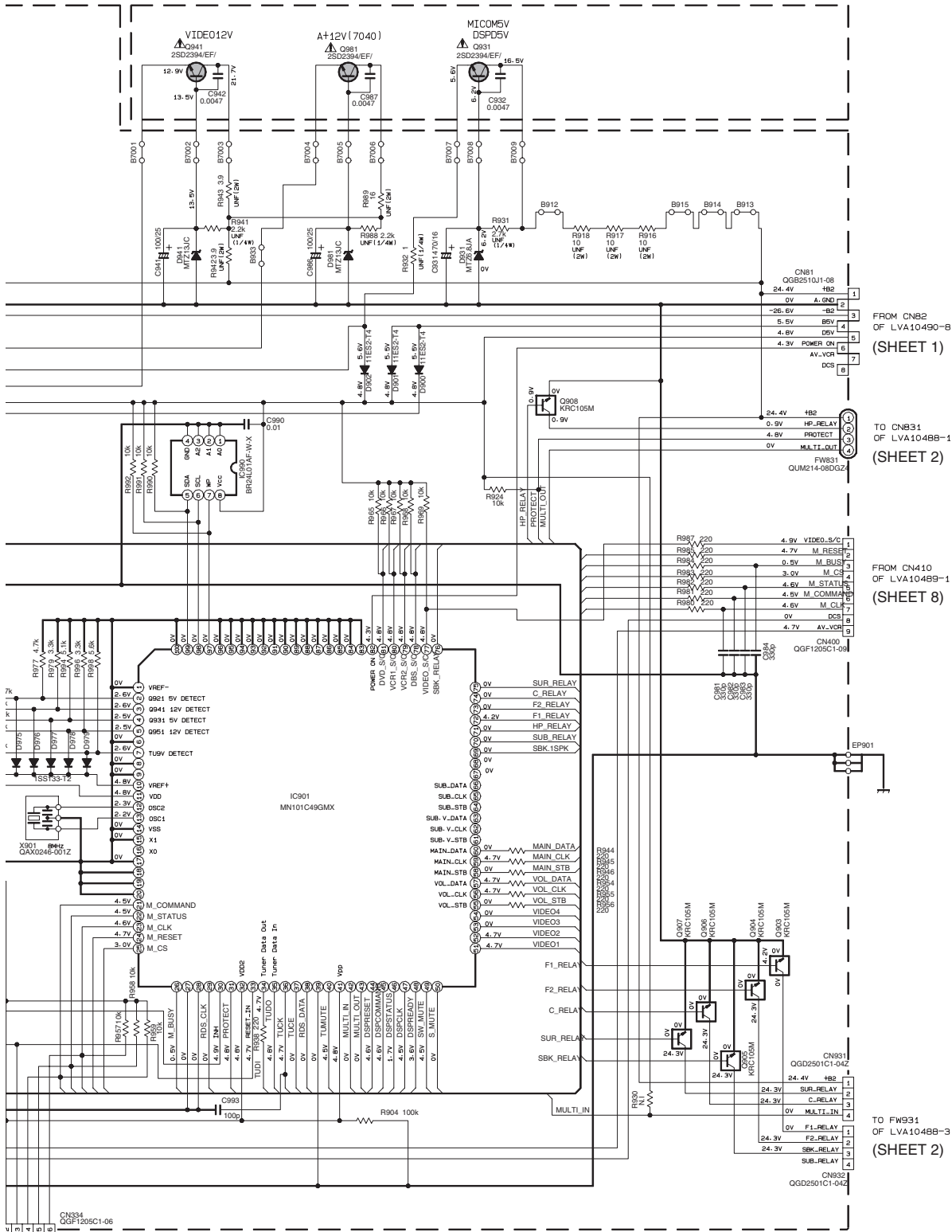




SHEET 8

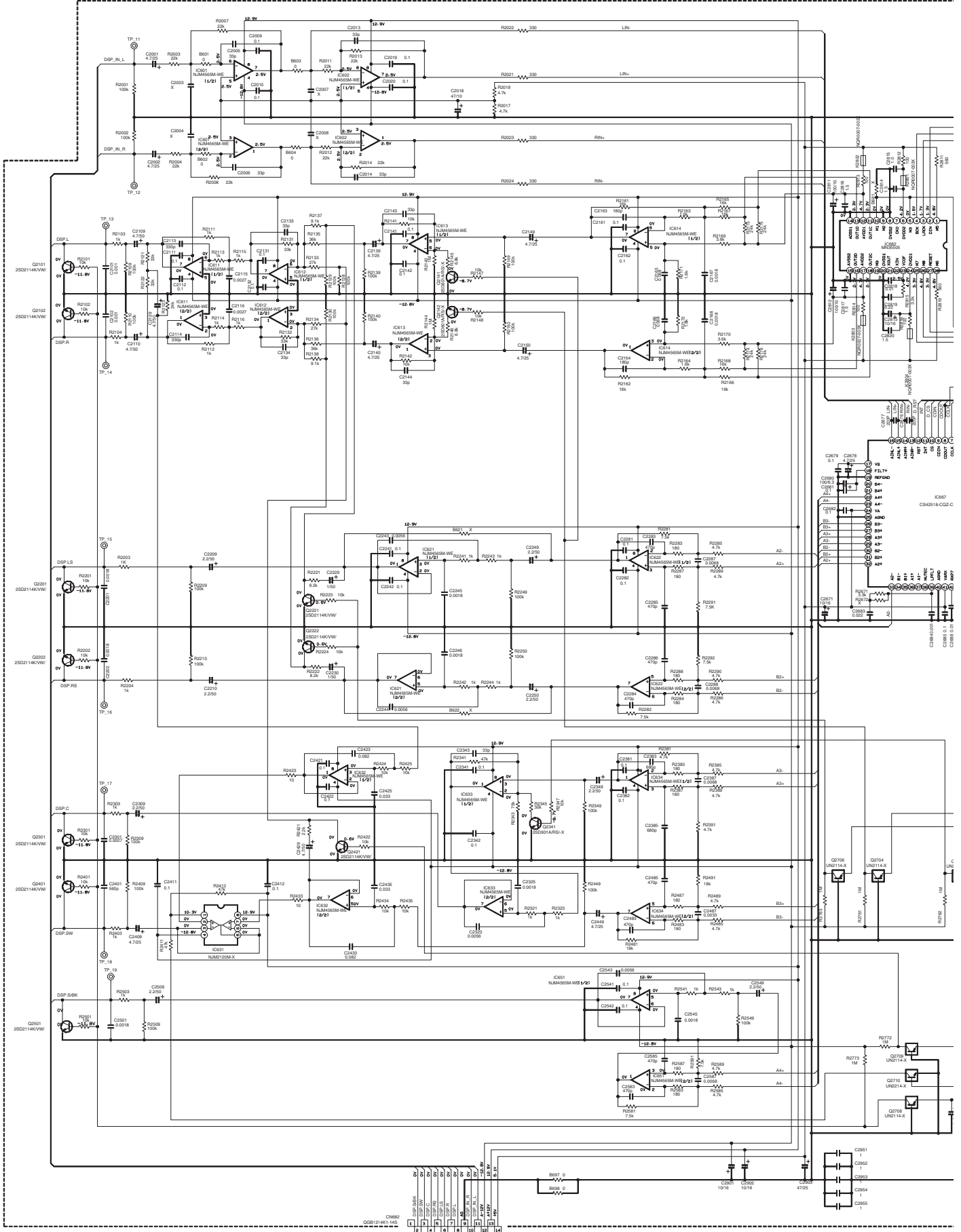
System control section



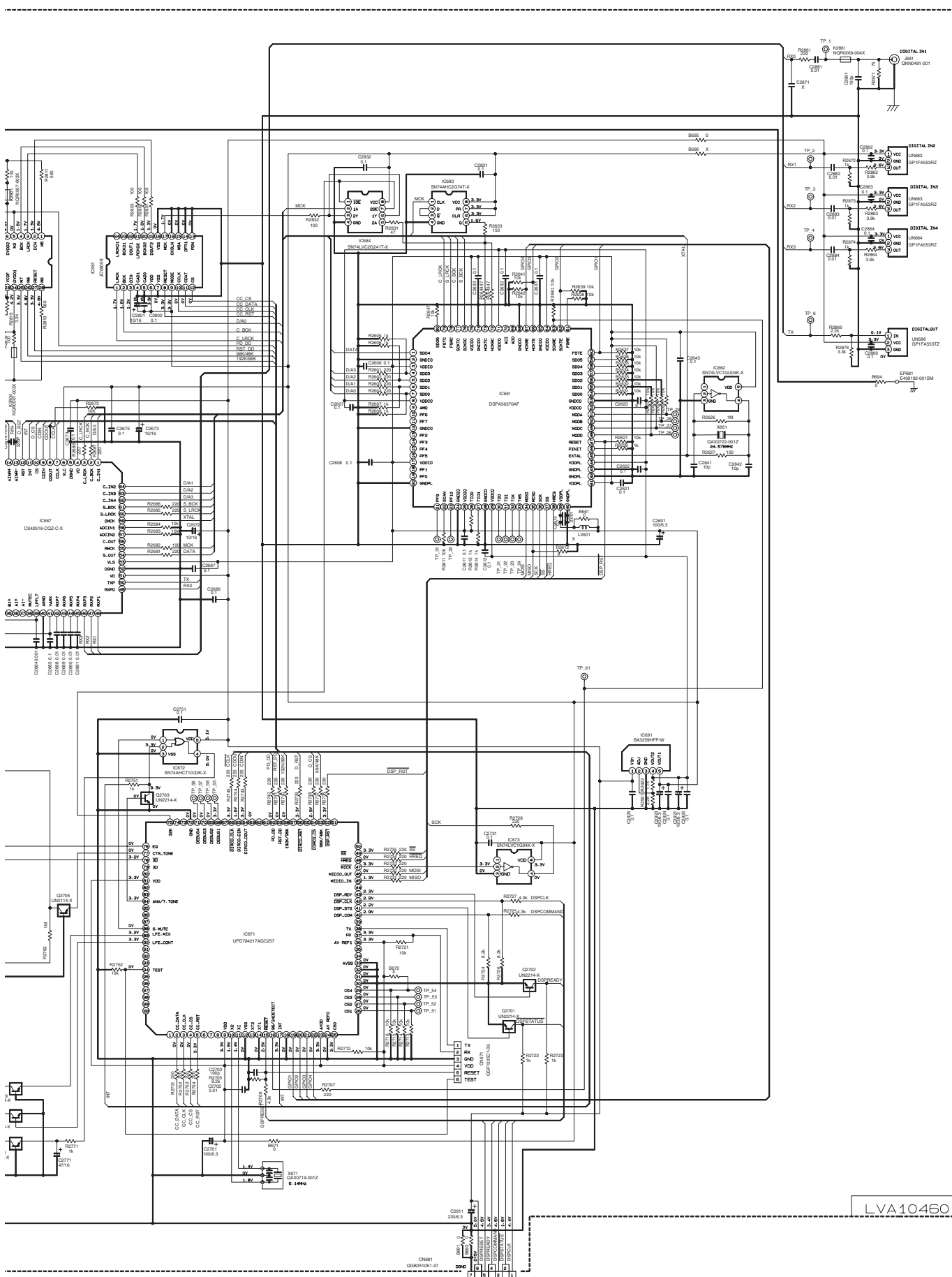


Parts are safety assurance parts.
 When replacing those parts make
 sure to use the specified one.

DSP section



TO CH01
OF LV10410-1
(SHEET 7)

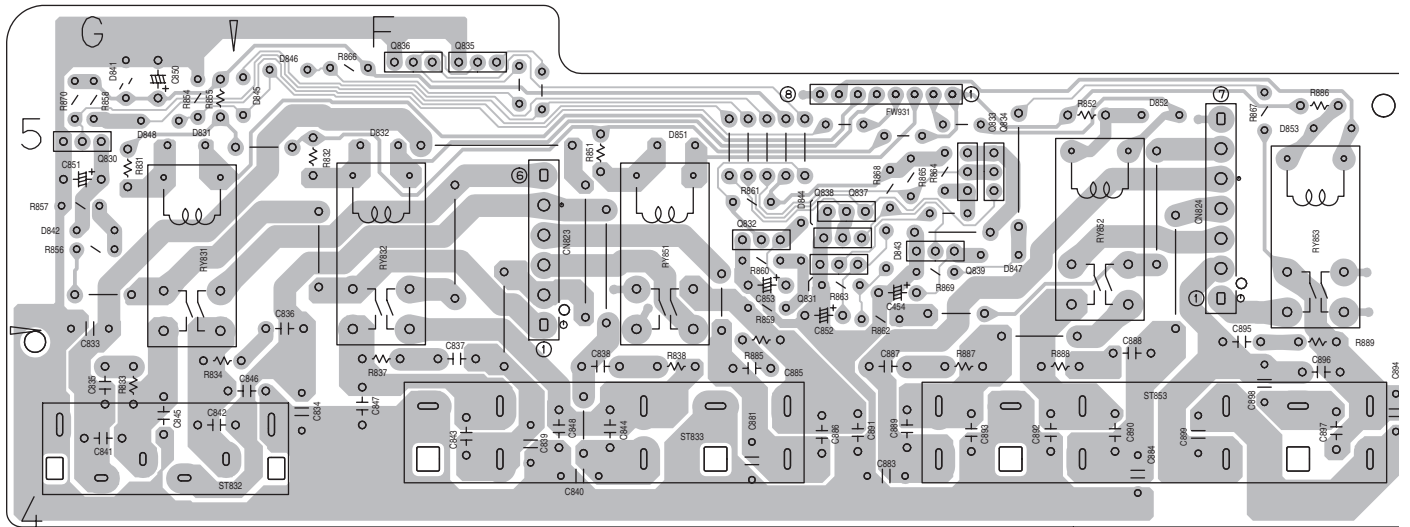


LVA10460

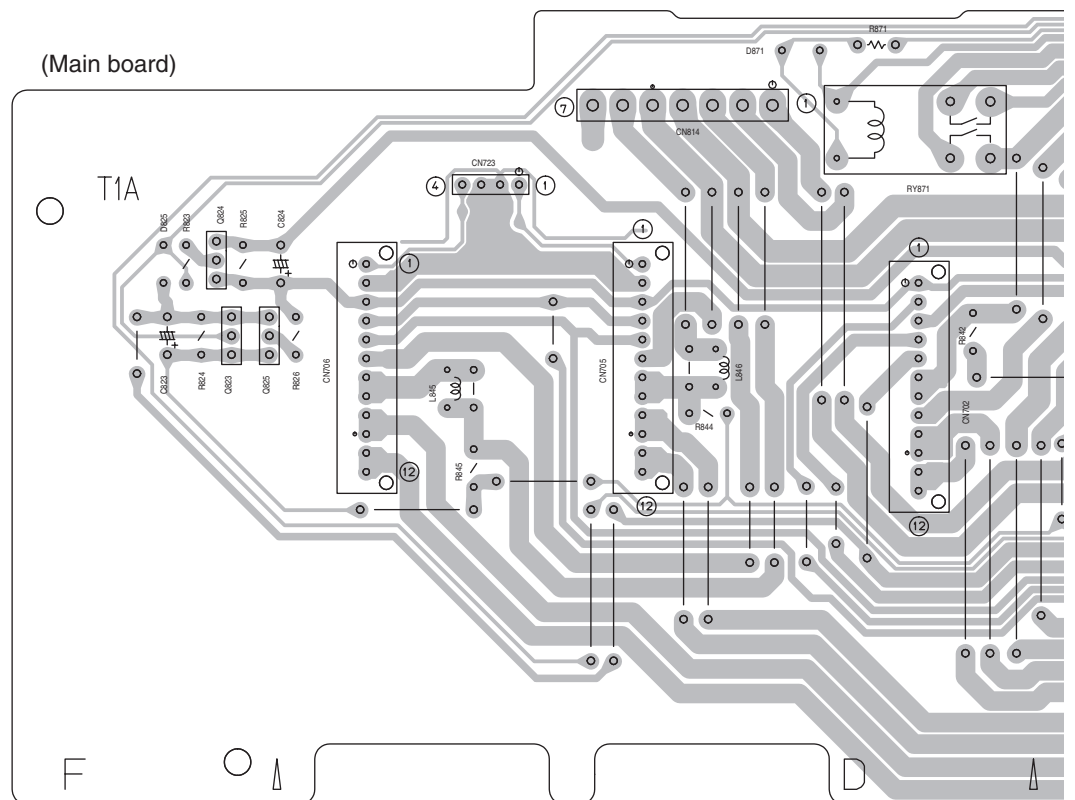
Printed circuit boards

■ Main board

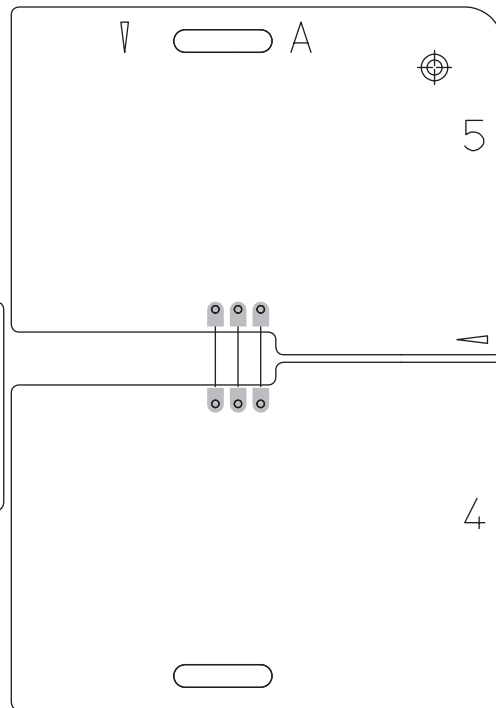
(Speaker board)



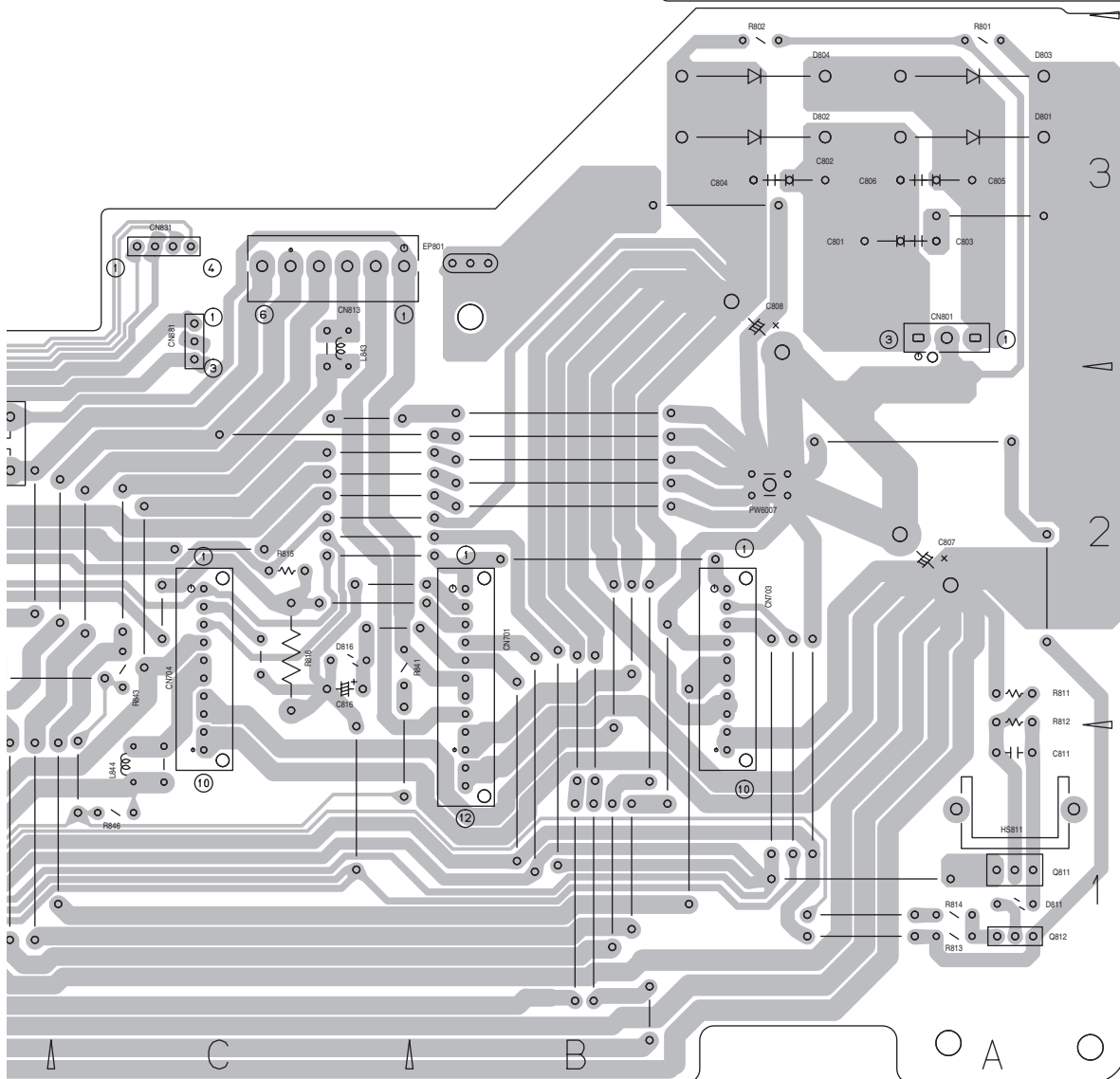
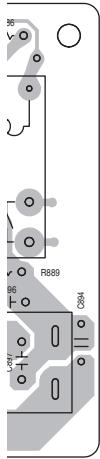
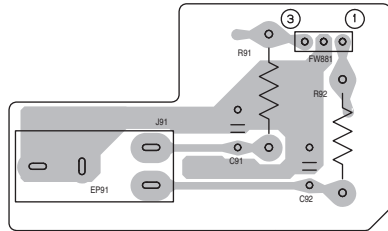
(Main board)



(Wire protection board)

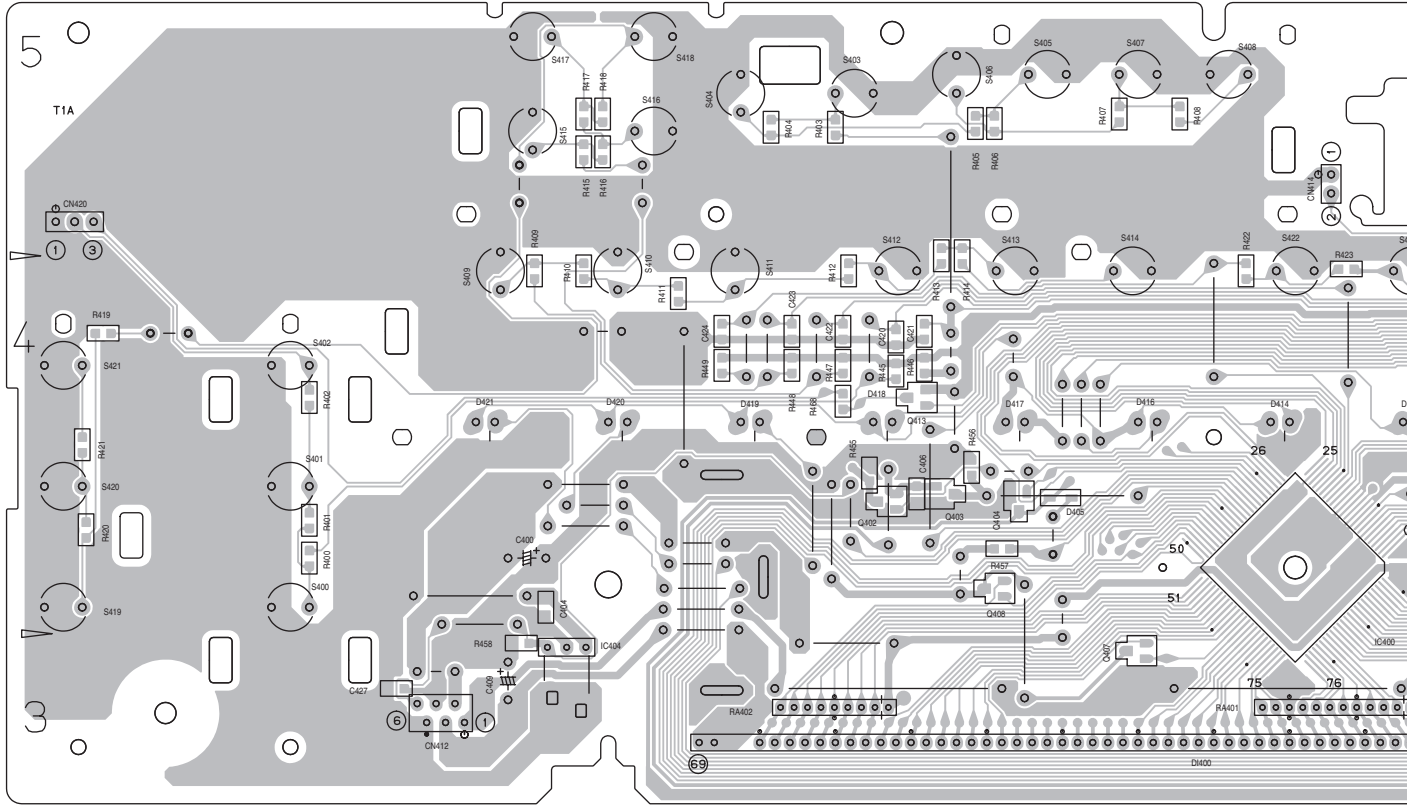


(Headphone jack board)

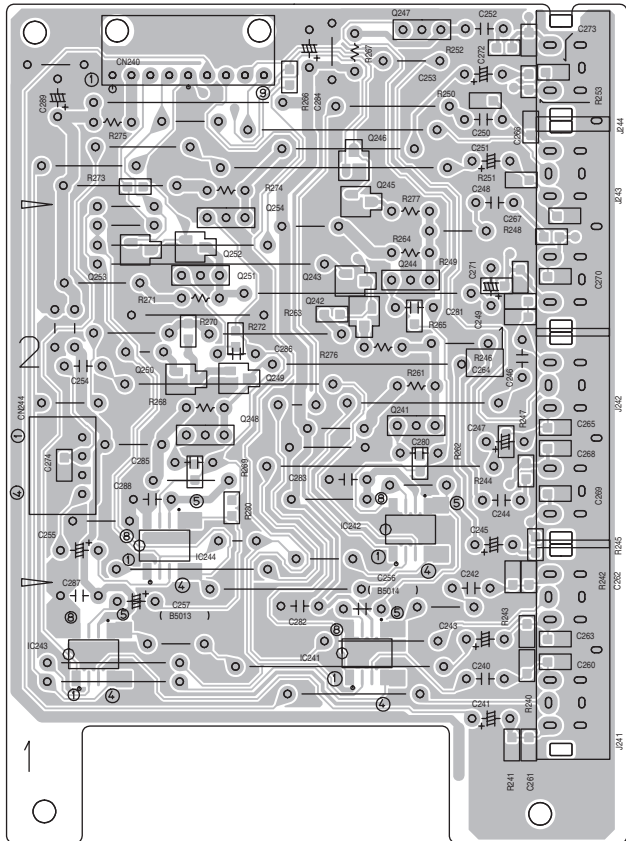


■ Front board

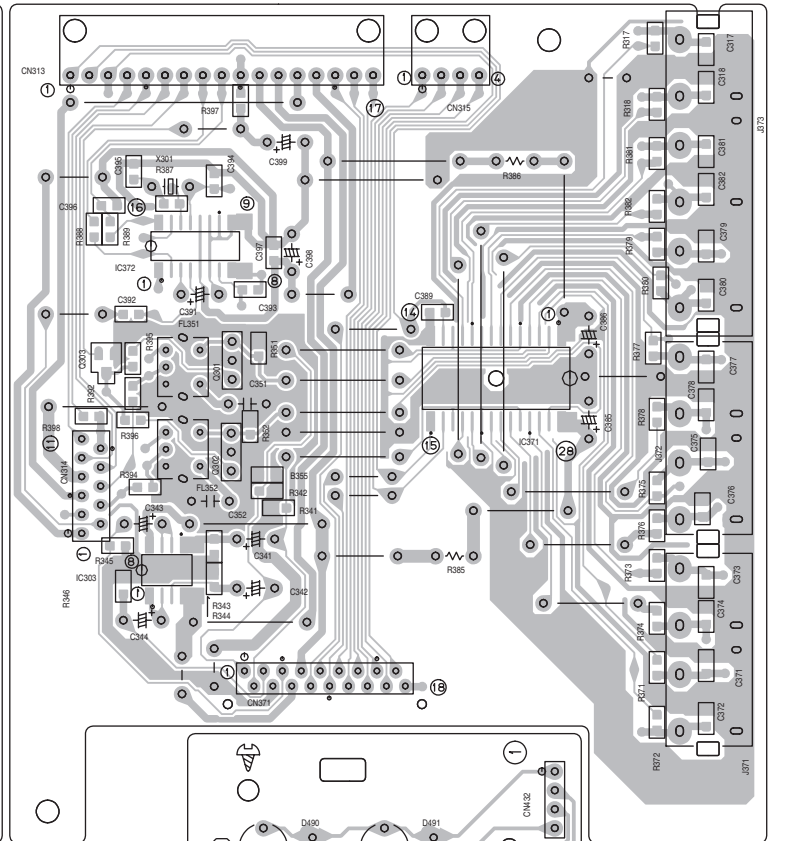
(Front key & System control board)



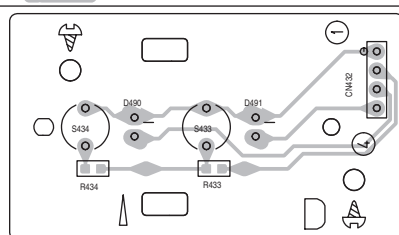
(S-video board)

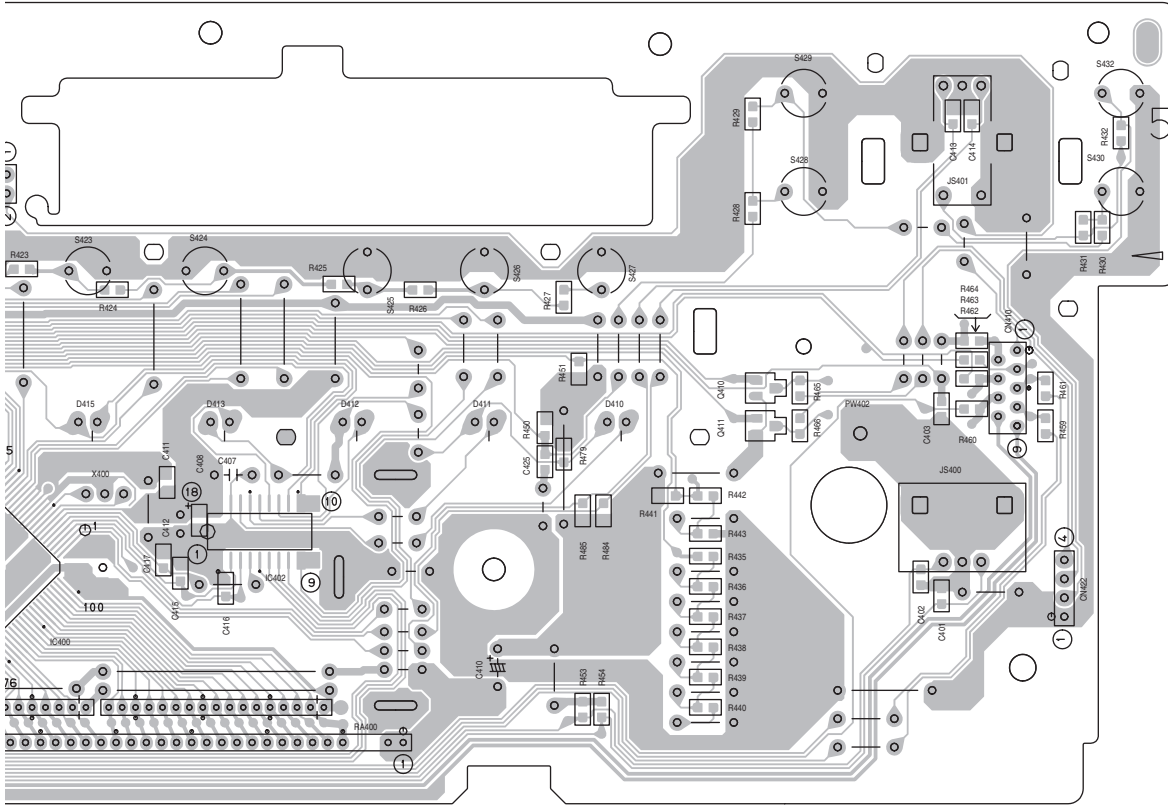


(Audio board)

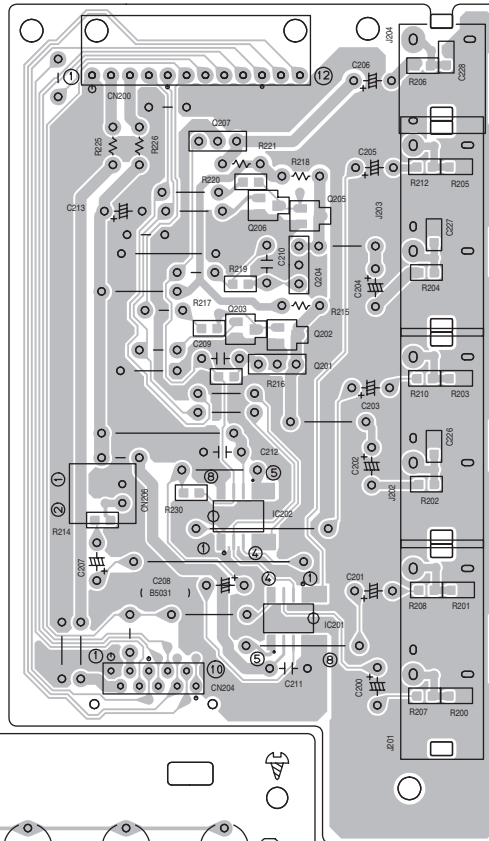


(Switch board)

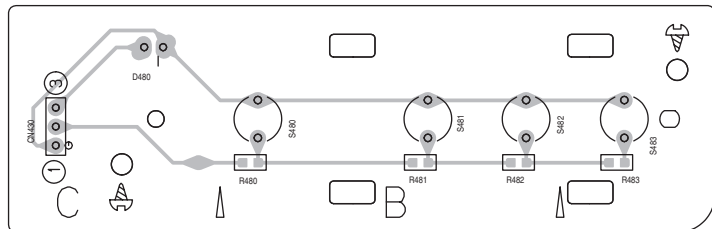




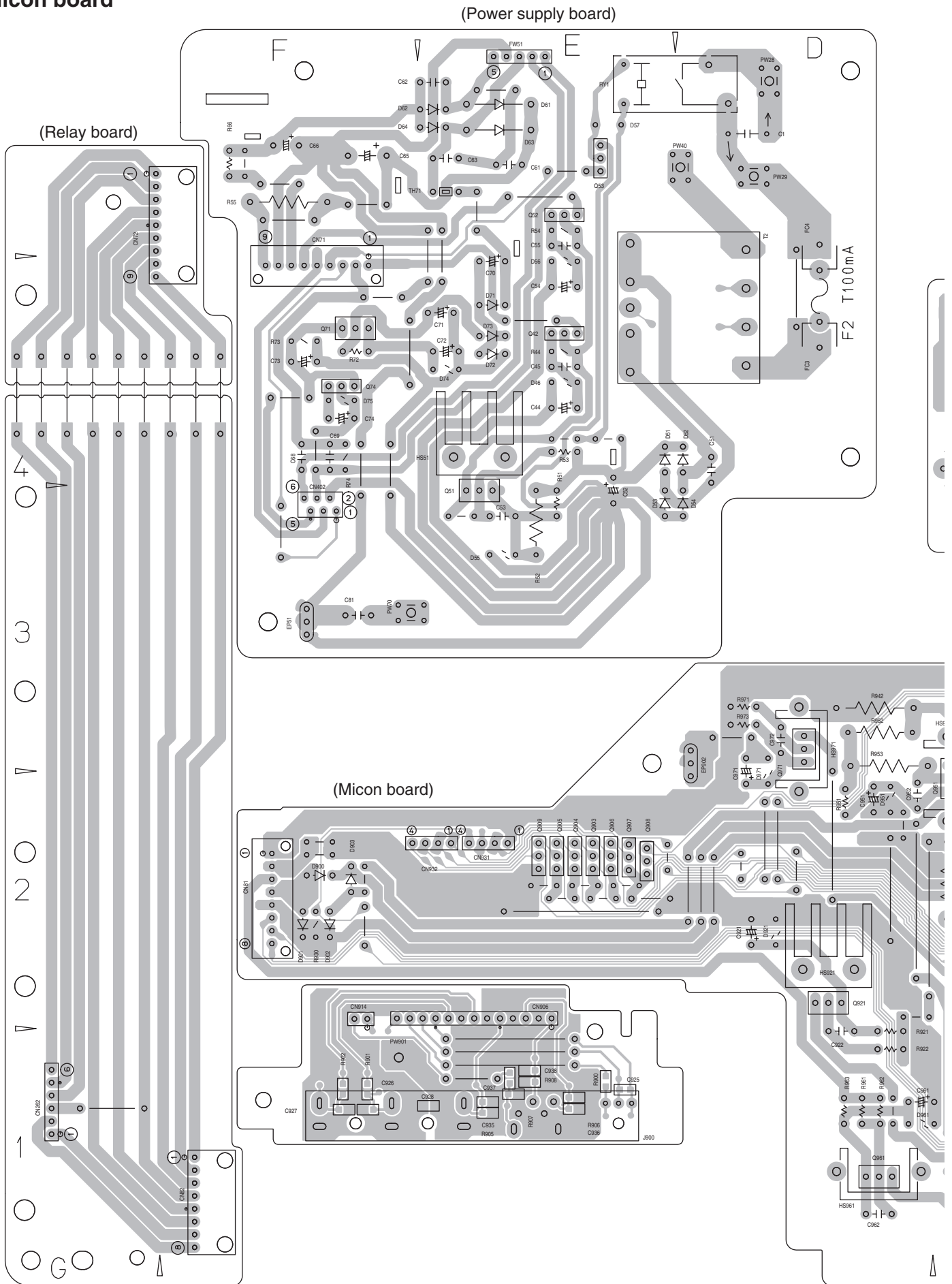
(Video board)



(Power switch board)

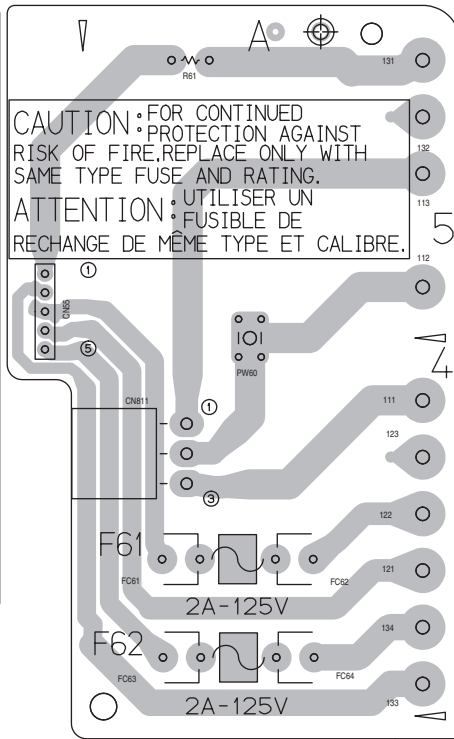
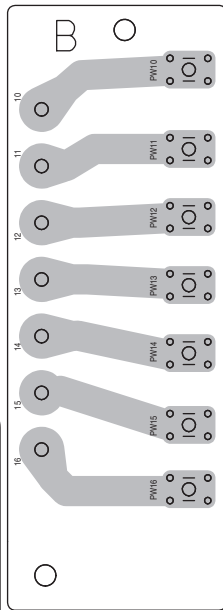


■ Micon board

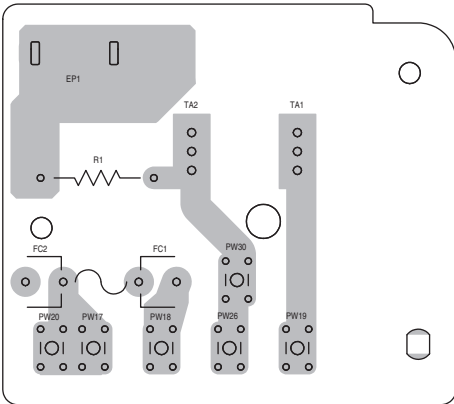


(Power trans 2 board)

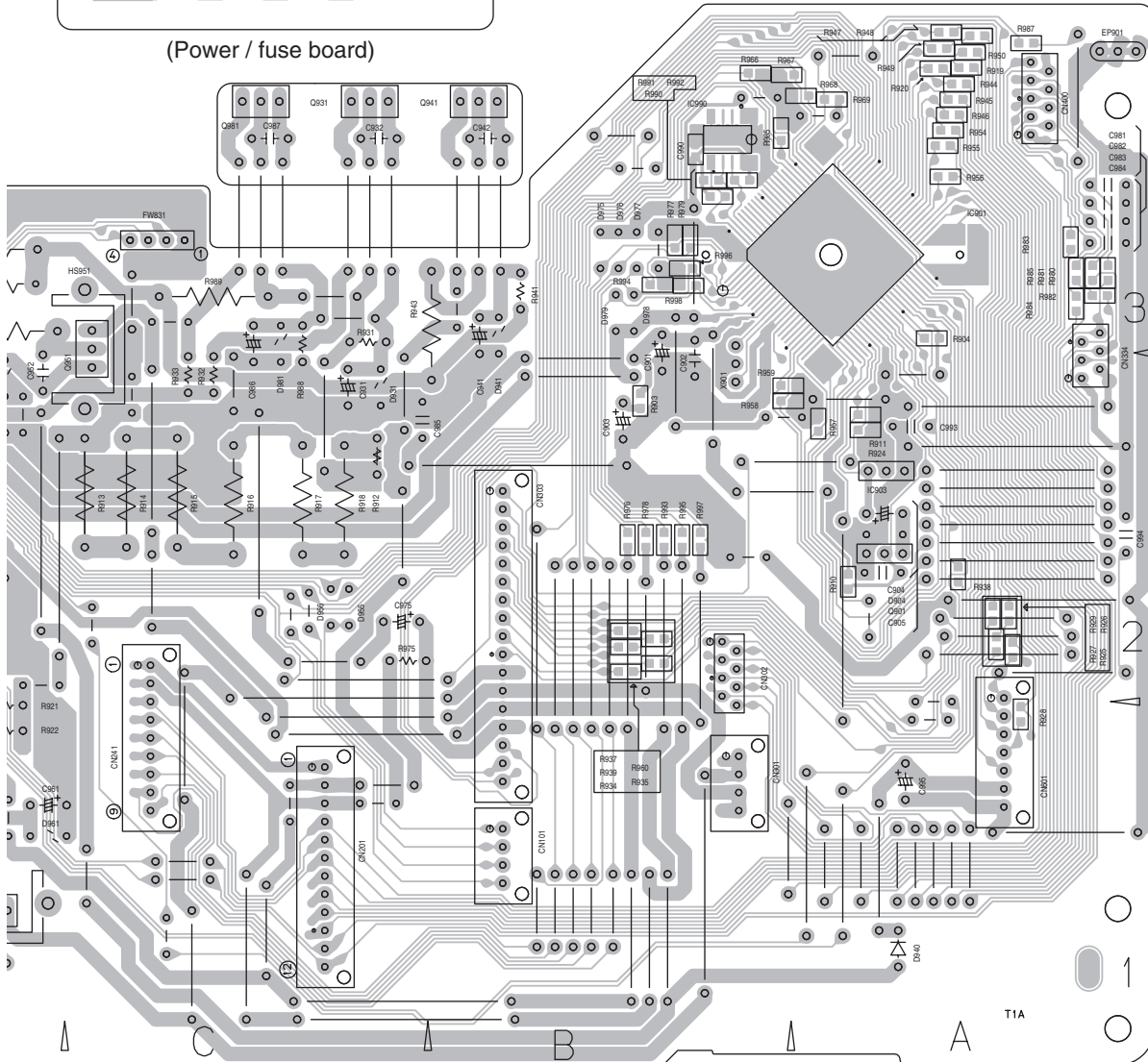
(Power trans 1 board)



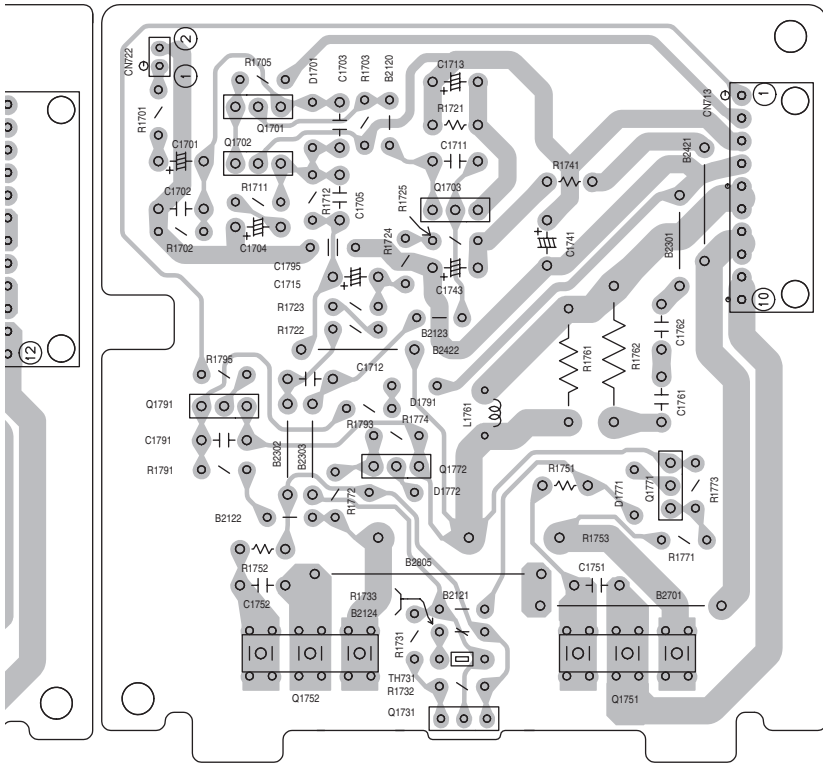
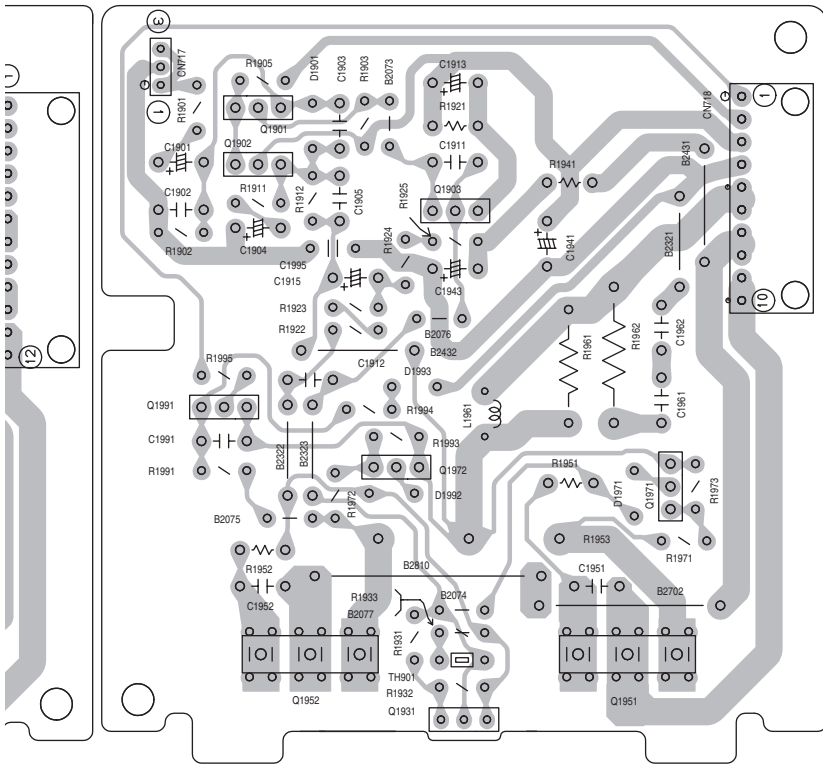
CAUTION: FOR CONTINUED PROTECTION AGAINST RISK OF FIRE, REPLACE ONLY WITH SAME TYPE FUSE AND RATING.
ATTENTION: UTILISER UN FUSIBLE DE RECHANGE DE MEME TYPE ET CALIBRE.



(Power / fuse board)



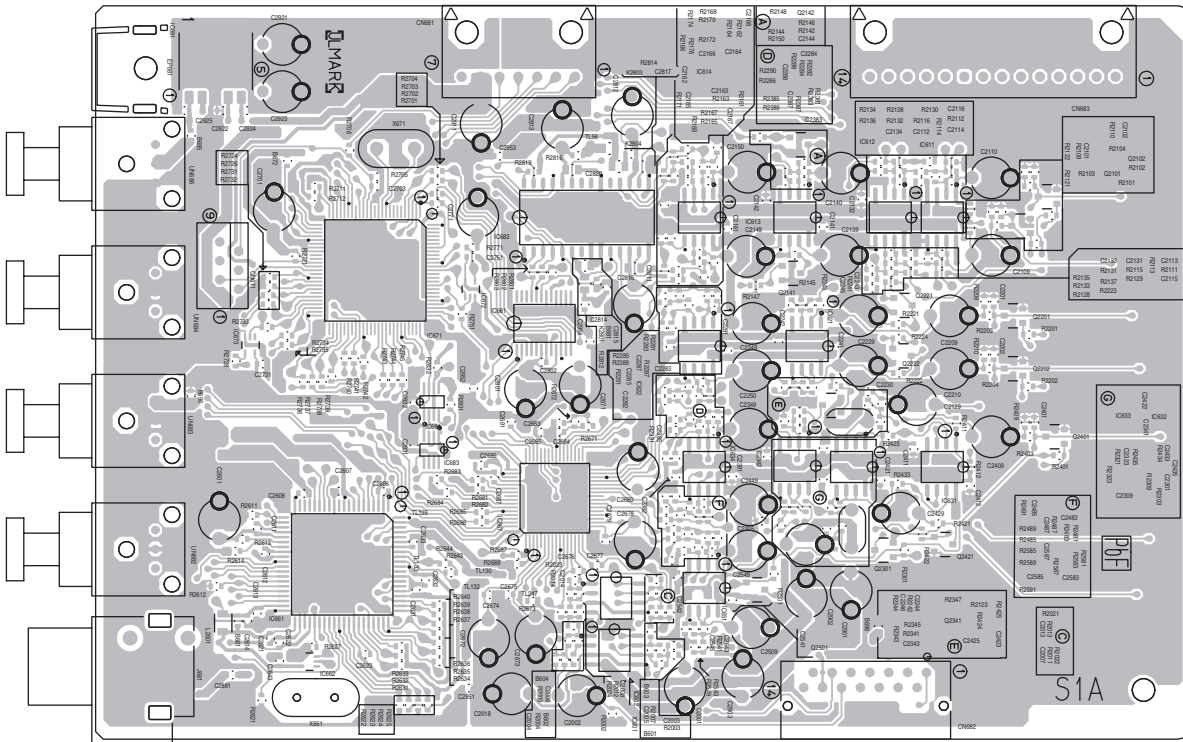
(Surround back board)



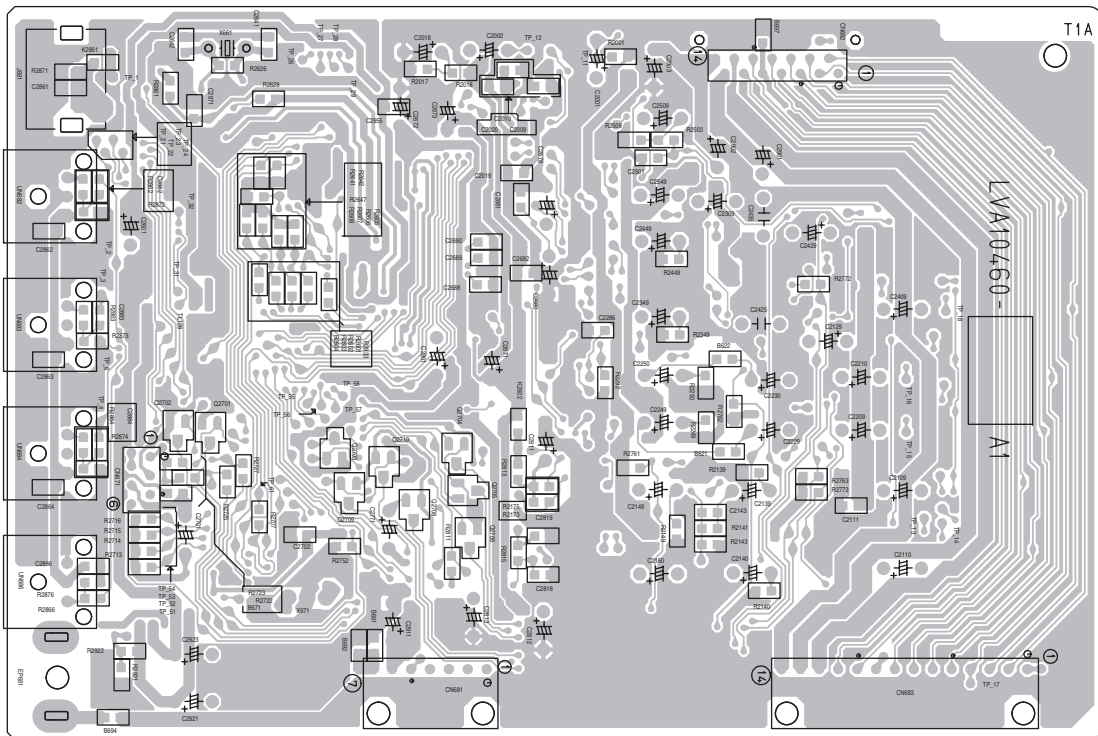
(Center board)

■ DSP board

Forward side



Reverse side



< MEMO >

JVC

VICTOR COMPANY OF JAPAN, LIMITED

AV & MULTIMEDIA COMPANY AUDIO/VIDEO SYSTEMS CATEGORY 10-1, 1chome, Ohwatari-machi, Maebashi-city, 371-8543, Japan

(No.MB170SCH)



Printed in Japan
WPC

PARTS LIST

[RX-7040B]

* All printed circuit boards and its assemblies are not available as service parts.

Area suffix

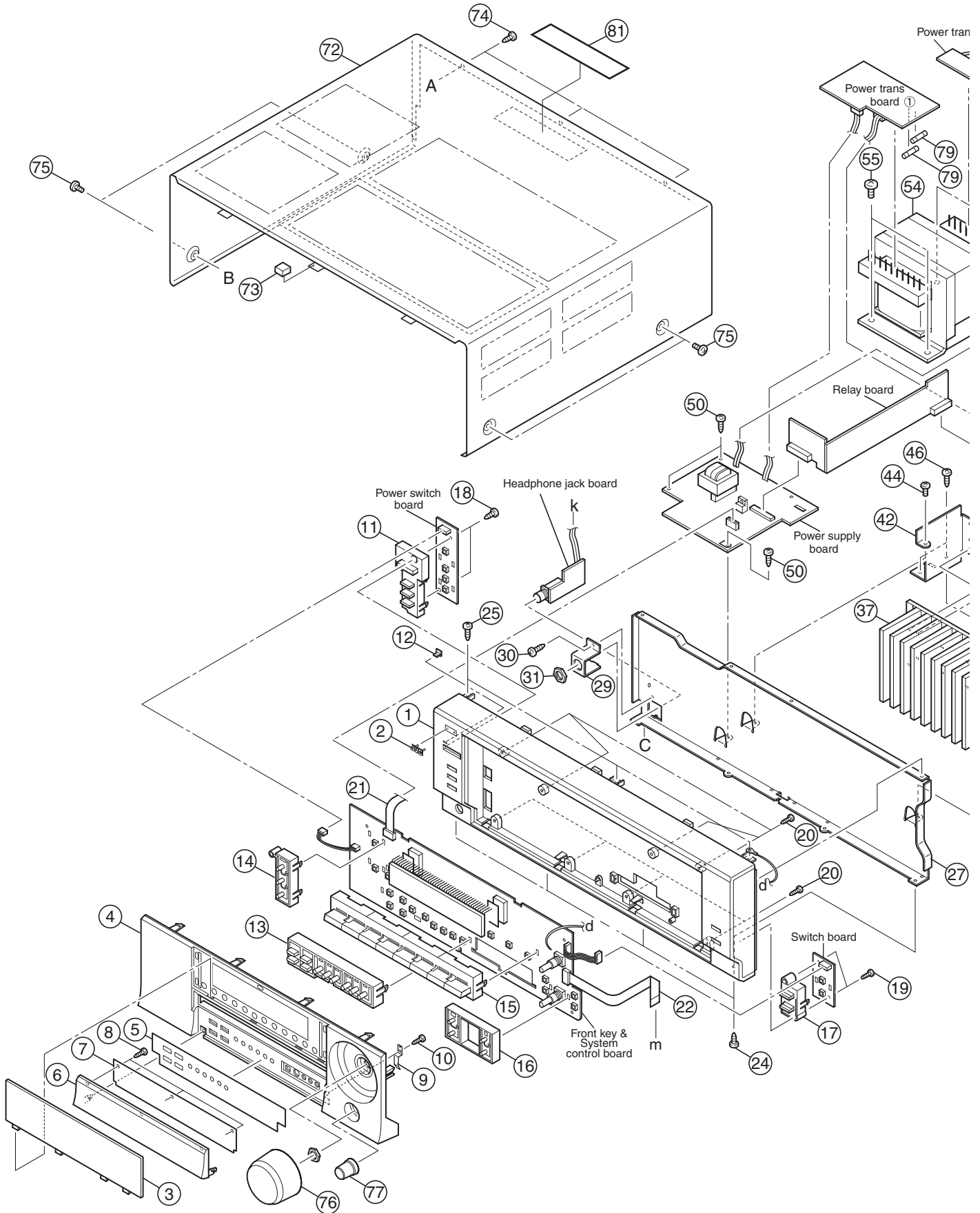
J ----- U.S.A.
C ----- Canada

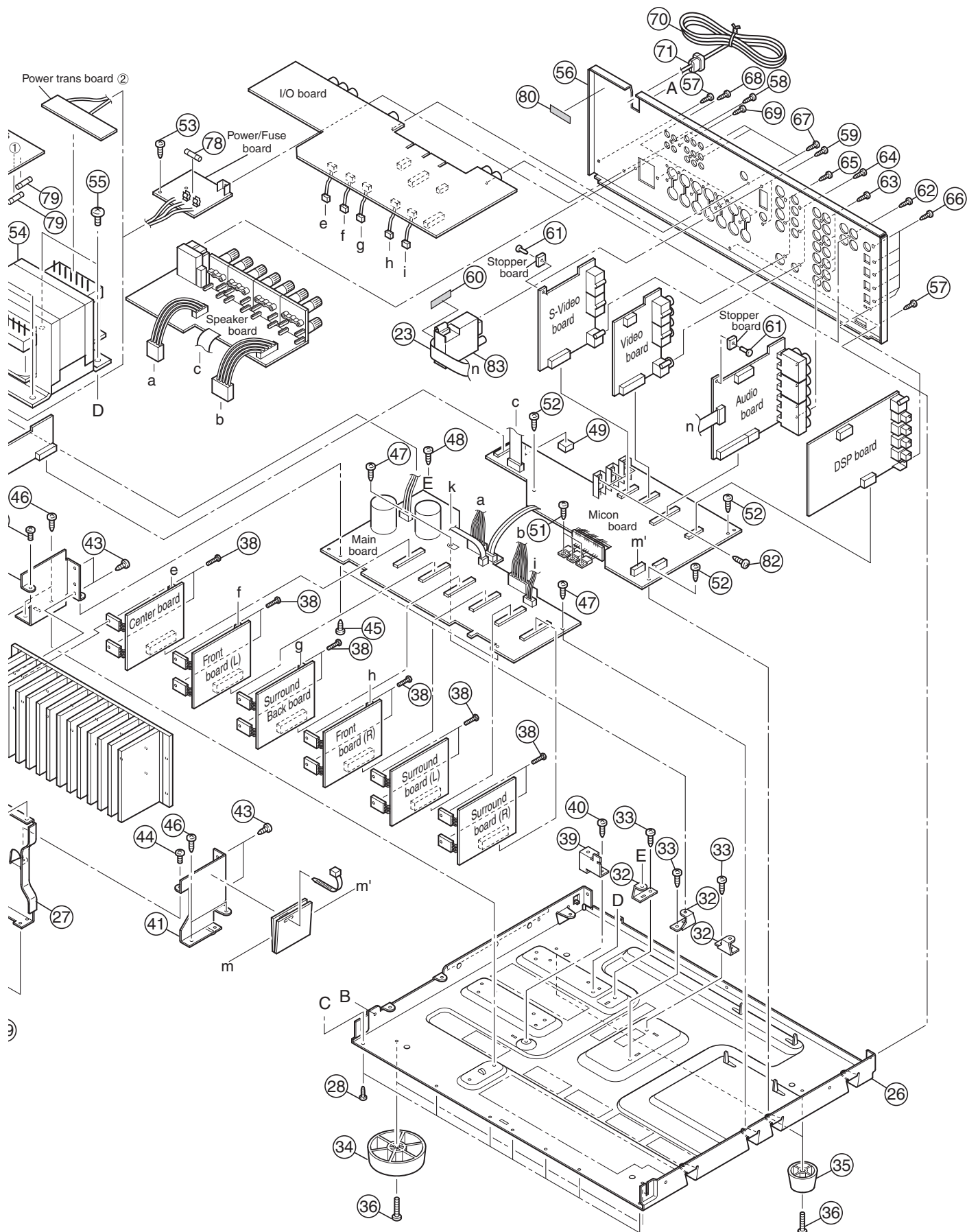
- Contents -

Exploded view of general assembly and parts list (Block No.M1)	3- 2
Electrical parts list (Block No.01~06)	3- 5
Packing materials and accessories parts list (Block No.M3)	3-17

Exploded view of general assembly and parts list

Block No. M 1 M M





General assembly

Block No. [M][1][M][M]

△ Symbol No.	Part No.	Part Name	Description	Local
1	LV10469-029A	FRONT PANEL		
2	LV43338-001A	JVC MARK		
3	LV21438-001A	LENS		
4	LV10767-003A	SUB PANEL		
5	LV34032-001A	CONTROL PLATE		
6	LV21437-005A	SEALING DOOR		
7	LV34086-001A	DOOR COVER		
8	QYSPSGU2030M	SCREW	2mm x 3mm(x3)	
9	LV43357-001A	DOOR SPRING		
10	QYSBSF2608Z	TAPPING SCREW	2.6mm x 8mm	
11	LV20939-003A	PUSH BUTTON		
12	LV42096-001A	INDICATOR		
13	LV21442-001A	P.BUTTON(TUNER)		
14	LV21439-001A	P.BUTTON(DSP)		
15	LV21440-001A	P.BUTTON(SOURCE)		
16	LV21443-001A	P.BUTTON(ADJUST)		
17	LV32486-001A	P.BUTTON ASSY		
18	QYSBSF2610Z	SCREW	2.6mm x 10mm(x2)	
19	QYSBSF2610Z	SCREW	2.6mm x 10mm(x2)	
20	QYSBSF2610Z	SCREW	2.6mm x 10mm(x8)	
21	QUQ412-0617CJ	FFC WIRE		
22	QUQ412-0930DJ	FFC WIRE		
23	QUQ412-1118DJ	FFC WIRE		
24	QYSDSG3006Z	SCREW	3mm x 6mm(x4)	
25	QYSBSG3006Z	TAPPING SCREW	3mm x 6mm(x3)	
26	LV10019-007A	CHASSIS BASE		
27	LV10471-002A	FRONT BRACKET		
28	QYSDSG3006Z	SCREW	3mm x 6mm(x7)	
29	LV42094-003A	H.P BKT		
30	QYSBSG3006Z	TAPPING SCREW	3mm x 6mm	
31	VKZ4150-001	SPECIAL NUT		
32	E68587-223SM	CB BKT	(x3)	
33	QYSBST3006Z	TAPPING SCREW	3mm x 6mm(x3)	
34	QZF6018-001	FOOT	60mm x 18mm(x2)	
35	E47227-036	FOOT	(x2)	
36	QYSBST3010Z	TAPPING SCREW	3mm x 10mm(x4)	
37	LV21444-001A	HEAT SINK		
38	QYSBSG3012E	SCREW	3mm x 12mm(x12)	
39	LV42098-001A	C.B BKT		
40	QYSBST3006Z	TAPPING SCREW	3mm x 6mm	
41	LV32433-001A	H.S BRACKET(R)		
42	LV32434-001A	H.S BRACKET(L)		
43	QYSBSG3008Z	TAPPING SCREW	3mm x 8mm(x4)	
44	QYSBST3006Z	TAPPING SCREW	3mm x 6mm(x2)	
45	QYSBSG3006Z	TAPPING SCREW	3mm x 6mm(x2)	
46	QYSBST3006Z	TAPPING SCREW	3mm x 6mm(x4)	
47	QYSBSG3006Z	TAPPING SCREW	3mm x 6mm(x2)	
48	E65923-003	TAPPING SCREW		
49	LV30225-0B2A	SPACER		
50	QYSBSG3006Z	TAPPING SCREW	3mm x 6mm(x3)	
51	QYSBSG3008M	TAPPING SCREW	3mm x 8mm(x3)	
52	QYSBSG3006Z	TAPPING SCREW	3mm x 6mm(x3)	
53	QYSBSG3006Z	TAPPING SCREW	3mm x 6mm	
△ 54	QQT0435-001	POWER TRANSF		
55	QYSDSTL4008Z	ASSY SCREW	4mm x 8mm(x4)	
56	LV10768-031A	REAR PANEL		
57	QYSBSGY3008M	SPECIAL SCREW	3mm x 8mm(x3)	
58	QYSBSGY3008M	SPECIAL SCREW	3mm x 8mm	
59	QYSBST3006M	TAPPING SCREW	3mm x 6mm(x2)	
60	LV30225-011A	SPACER		
61	FMYH4004-001	PLASTIC RIVET	(x2)	
62	QYSBSGY3008M	SPECIAL SCREW	3mm x 8mm	
63	QYSBSGY3008M	SPECIAL SCREW	3mm x 8mm(x4)	
64	QYSBSGY3008M	SPECIAL SCREW	3mm x 8mm(x3)	
65	QYSBSGY3008M	SPECIAL SCREW	3mm x 8mm(x3)	
66	QYSBSGY3008M	SPECIAL SCREW	3mm x 8mm(x6)	
67	QYSBSGY3008M	SPECIAL SCREW	3mm x 8mm(x3)	
68	QYSBSGY3008M	SPECIAL SCREW	3mm x 8mm(x6)	
69	QYSBSGY3008M	SPECIAL SCREW	3mm x 8mm(x2)	
△ 70	QMPD420-200-JV	POWER CORD (US/CA)	2m BLACK	
△ 71	QZW0033-001	STRAIN RELIEF		
72	LV20038-011A	TOP COVER		
73	LV30225-088A	SPACER		

△ Symbol No.	Part No.	Part Name	Description	Local
74	QYSBSGY3008M	SPECIAL SCREW	3mm x 8mm(x3)	
75	E406308-003	SPECIAL SCREW	(x4)	
76	LV43463-001A	VOL KNOB ASSY		
77	LV43458-001A	JOG KNOB ASSY		
△ 78	QMF51U1-6R3-J8	FUSE	F1 6.3A AC125V	
△ 79	QMF51U1-2R0-J8	FUSE	F61 F62 2A AC125V(x2)	
80	LV43517-001A	FUSE CAUTION		
81	E409396-003	CAUTION LABEL		7040BC
81	E409394-001	CAUTION LABEL		7040BJ
82	QYSBSG3008E	TAPPING SCREW	3mm x 8mm(x3)	
83	QAU0346-001	TUNER		

Electrical parts list

Main board

Block No. [0][1][0][0]

△ Symbol No.	Part No.	Part Name	Description	Local
	Q811	2SD2394/EF/	TRANSISTOR	
	Q812	KTC3200/GL/-T	TRANSISTOR	
	Q823	KTC3199/GL/-T	TRANSISTOR	
	Q824	KTC3200/GL/-T	TRANSISTOR	
	Q825	KTA1268/GL/-T	TRANSISTOR	
	Q830	KRC109M-T	DIGI TRANSISTOR	
	Q831	KRC109M-T	DIGI TRANSISTOR	
	Q832	KRC109M-T	DIGI TRANSISTOR	
	Q833	KRC109M-T	DIGI TRANSISTOR	
	Q834	KRC109M-T	DIGI TRANSISTOR	
	Q835	KRC109M-T	DIGI TRANSISTOR	
	Q836	KRC109M-T	DIGI TRANSISTOR	
	Q837	KRC109M-T	DIGI TRANSISTOR	
	Q838	KRC109M-T	DIGI TRANSISTOR	
	Q839	KRC109M-T	DIGI TRANSISTOR	
△ D801	30PRA20-FC	SI DIODE		
△ D802	30PRA20-FC	SI DIODE		
△ D803	30PRA20-FC	SI DIODE		
△ D804	30PRA20-FC	SI DIODE		
	D811	MTZJ24C-T2	Z DIODE	
	D816	MTZJ18C-T2	Z DIODE	
	D825	1SS133-T2	DIODE	
	D831	1SS133-T2	DIODE	
	D832	1SS133-T2	DIODE	
	D841	MTZJ5.1C-T2	Z DIODE	
	D842	1SS133-T2	DIODE	
	D843	1SS133-T2	DIODE	
	D844	1SS133-T2	DIODE	
	D845	1SS133-T2	DIODE	
	D846	1SS133-T2	DIODE	
	D847	1SS133-T2	DIODE	
	D848	1SS133-T2	DIODE	
	D851	1SS133-T2	DIODE	
	D852	1SS133-T2	DIODE	
	D853	1SS133-T2	DIODE	
	D871	1SS133-T2	DIODE	
	C454	QETN1HM-475Z	E CAPACITOR	4.7uF 50V M
	C801	QCE22HP-103	C CAPACITOR	0.01uF 500V P
	C802	QCE22HP-103	C CAPACITOR	0.01uF 500V P
	C805	QCE22HP-103	C CAPACITOR	0.01uF 500V P
	C807	QEZO679-688	E CAPACITOR	6800uF
	C808	QEZO679-688	E CAPACITOR	6800uF
	C811	QCF31HZ-472Z	C CAPACITOR	4700pF 50V Z
	C816	QETN1EM-107Z	E CAPACITOR	100uF 25V M
	C823	QETN1CM-476Z	E CAPACITOR	47uF 16V M
	C824	QETN1EM-106Z	E CAPACITOR	10uF 25V M
	C850	QETN1HM-475Z	E CAPACITOR	4.7uF 50V M
	C851	QETN1HM-475Z	E CAPACITOR	4.7uF 50V M
	C852	QETN1HM-475Z	E CAPACITOR	4.7uF 50V M
	C853	QETN1HM-475Z	E CAPACITOR	4.7uF 50V M
	R91	QRL027J-471	OMF RESISTOR	470Ω 2W J
	R92	QRL027J-471	OMF RESISTOR	470Ω 2W J
	R801	QRE141J-104Y	C RESISTOR	100kΩ 1/4W J
	R802	QRE141J-104Y	C RESISTOR	100kΩ 1/4W J
	R811	QRJ146J-150X	UNF C RESISTOR	15Ω 1/4W J
	R812	QRK126J-332X	UNF C RESISTOR	3.3kΩ 1/2W J
	R813	QRE141J-473Y	C RESISTOR	47kΩ 1/4W J
	R814	QRE141J-103Y	C RESISTOR	10kΩ 1/4W J
	R815	QRJ146J-120X	UNF C RESISTOR	12Ω 1/4W J
	R816	QRL027J-332	OMF RESISTOR	3.3kΩ 2W J
	R823	QRE141J-103Y	C RESISTOR	10kΩ 1/4W J
	R824	QRE141J-134Y	C RESISTOR	130kΩ 1/4W J
	R825	QRE141J-103Y	C RESISTOR	10kΩ 1/4W J
	R826	QRE141J-104Y	C RESISTOR	100kΩ 1/4W J
	R831	QRZ9005-330X	FUSI RESISTOR	33Ω
	R832	QRZ9005-330X	FUSI RESISTOR	33Ω
	R841	QRE141J-104Y	C RESISTOR	100kΩ 1/4W J
	R842	QRE141J-823Y	C RESISTOR	82kΩ 1/4W J
	R843	QRE141J-104Y	C RESISTOR	100kΩ 1/4W J

△ Symbol No.	Part No.	Part Name	Description	Local
R844	QRE141J-104Y	C RESISTOR	100kΩ 1/4W J	
R845	QRE141J-823Y	C RESISTOR	82kΩ 1/4W J	
R846	QRE141J-104Y	C RESISTOR	100kΩ 1/4W J	
R851	QRZ9005-330X	FUSI RESISTOR	33Ω	
R852	QRZ9005-330X	FUSI RESISTOR	33Ω	
R854	QRE141J-104Y	C RESISTOR	100kΩ 1/4W J	
R855	QRJ146J-392X	UNF C RESISTOR	3.9kΩ 1/4W J	
R856	QRE141J-223Y	C RESISTOR	22kΩ 1/4W J	
R857	QRE141J-682Y	C RESISTOR	6.8kΩ 1/4W J	
R858	QRE141J-472Y	C RESISTOR	4.7kΩ 1/4W J	
R859	QRE141J-223Y	C RESISTOR	22kΩ 1/4W J	
R860	QRE141J-682Y	C RESISTOR	6.8kΩ 1/4W J	
R861	QRE141J-472Y	C RESISTOR	4.7kΩ 1/4W J	
R862	QRE141J-223Y	C RESISTOR	22kΩ 1/4W J	
R863	QRE141J-682Y	C RESISTOR	6.8kΩ 1/4W J	
R864	QRE141J-472Y	C RESISTOR	4.7kΩ 1/4W J	
R865	QRE141J-472Y	C RESISTOR	4.7kΩ 1/4W J	
R866	QRE141J-472Y	C RESISTOR	4.7kΩ 1/4W J	
R867	QRE141J-223Y	C RESISTOR	22kΩ 1/4W J	
R868	QRE141J-472Y	C RESISTOR	4.7kΩ 1/4W J	
R869	QRE141J-682Y	C RESISTOR	6.8kΩ 1/4W J	
R870	QRE141J-472Y	C RESISTOR	4.7kΩ 1/4W J	
R871	QRZ9005-330X	FUSI RESISTOR	33Ω	
R886	QRZ9005-330X	FUSI RESISTOR	33Ω	
CN701	QGB2510J1-12	CONNECTOR	B-B (1-12)	
CN702	QGB2510J1-12	CONNECTOR	B-B (1-12)	
CN703	QGB2510J1-10	CONNECTOR	B-B (1-10)	
CN704	QGB2510J1-10	CONNECTOR	B-B (1-10)	
CN705	QGB2510J1-12	CONNECTOR	B-B (1-12)	
CN706	QGB2510J1-12	CONNECTOR	B-B (1-12)	
CN723	QGA2501C1-04	CONNECTOR	W-B (1-4)	
CN801	QJK012-032403	SKT WIRE ASSY		
CN813	QGA3901C1-06	CONNECTOR	W-B (1-6)	
CN814	QGA3901C1-07	CONNECTOR	W-B (1-7)	
CN823	QJK015-063001	C-B WIRE ASSY		
CN824	QJK015-073202	SKT WIRE ASSY		
CN831	QGD2501C1-04Z	CONNECTOR	(1-4)	
CN881	QGD2501C1-03Z	CONNECTOR	(1-3)	
EP91	E406523-001SM	GND BKT		
EP801	QNZ0136-001Z	EARTH PLATE		
FW881	QUM213-40DGZ4	PARA RIBON WIRE		
FW931	QUM218-08DGZ4	PARA RIBON WIRE		
J91	QNS0022-001	JACK		
RY831	QSK0109-001	RELAY		
RY832	QSK0109-001	RELAY		
RY851	QSK0109-001	RELAY		
RY852	QSK0109-001	RELAY		
RY853	QSK0109-001	RELAY		
RY871	QSK0109-001	RELAY		
ST832	QNB0082-002	SPK TERMINAL		
ST833	QNB0078-001	SPK TERMINAL		
ST853	QNB0105-002	SPK TERMINAL		

Front board

Block No. [0][2][0][0]

△ Symbol No.	Part No.	Part Name	Description	Local
PW402	QUB131-18DMPP	CONNECTOR		
IC201	MM1117XF-XE	IC		
IC202	NJM2246M-X	IC		
IC241	MM1113XF-X	IC		
IC242	MM1114XF-X	IC		
IC243	MM1117XF-XE	IC		
IC244	NJM2246M-X	IC		
IC303	NJM4565M-WE	IC		
IC371	TC9163AF-X	IC		
IC400	MN101C35DMF	IC		

△ Symbol No.	Part No.	Part Name	Description	Local	△ Symbol No.	Part No.	Part Name	Description	Local
IC404	GP1UM281XK	IR DETECT UNIT	38kHz		C404	NCB31EK-223X	C CAPACITOR	0.022uF 25V K	
Q201	KTA1267/YG/-T	TRANSISTOR			C406	NCB31HK-331X	C CAPACITOR	330pF 50V K	
Q202	KRC107S-X	DIGI TRANSISTOR			C407	QCZ0202-155Z	C CAPACITOR	1.5uF 25V Z	
Q203	KRC107S-X	DIGI TRANSISTOR			C409	QEK1HM-475Z	E CAPACITOR	4.7uF 50V M	
Q207	KTA1267/YG/-T	TRANSISTOR			C410	QEK1HM-475Z	E CAPACITOR	4.7uF 50V M	
Q241	KTA1267/YG/-T	TRANSISTOR			C411	NCB21AK-225X	C CAPACITOR	2.2uF 10V K	
Q242	KRC107S-X	DIGI TRANSISTOR			C412	QEKJ0JM-107Z	E CAPACITOR	100uF 6.3V M	
Q243	KRC107S-X	DIGI TRANSISTOR			C413	NCB31CK-104X	C CAPACITOR	0.1uF 16V K	
Q247	KTA1267/YG/-T	TRANSISTOR			C414	NCB31CK-104X	C CAPACITOR	0.1uF 16V K	
Q248	KTA1267/YG/-T	TRANSISTOR			C420	NCB31HK-103X	C CAPACITOR	0.01uF 50V K	
Q249	KRC107S-X	DIGI TRANSISTOR			C421	NCB31HK-103X	C CAPACITOR	0.01uF 50V K	
Q250	KRC107S-X	DIGI TRANSISTOR			C422	NCB31HK-103X	C CAPACITOR	0.01uF 50V K	
Q254	KTA1267/YG/-T	TRANSISTOR			C423	NCB31HK-103X	C CAPACITOR	0.01uF 50V K	
Q301	2SC3576-JVC-T	TRANSISTOR			C424	NCB31HK-103X	C CAPACITOR	0.01uF 50V K	
Q302	2SC3576-JVC-T	TRANSISTOR			C425	NCB31HK-103X	C CAPACITOR	0.01uF 50V K	
Q303	KRA104S-X	DIGI TRANSISTOR			C427	NCF31AZ-105X	C CAPACITOR	1uF 10V Z	
Q402	UN2215-X	TRANSISTOR			R200	NRSA63J-750X	MG RESISTOR	75Ω 1/16W J	
Q403	KRC109S-X	TRANSISTOR			R201	NRSA63J-750X	MG RESISTOR	75Ω 1/16W J	
Q404	KRC107S-X	DIGI TRANSISTOR			R202	NRSA63J-750X	MG RESISTOR	75Ω 1/16W J	
Q407	KRC107S-X	DIGI TRANSISTOR			R203	NRSA63J-750X	MG RESISTOR	75Ω 1/16W J	
Q408	KRC107S-X	DIGI TRANSISTOR			R206	NRSA63J-750X	MG RESISTOR	75Ω 1/16W J	
Q410	UN2114-X	TRANSISTOR			R207	NRSA63J-331X	MG RESISTOR	330Ω 1/16W J	
Q411	UN2114-X	TRANSISTOR			R208	NRSA63J-331X	MG RESISTOR	330Ω 1/16W J	
Q413	UN2114-X	TRANSISTOR			R210	NRSA63J-331X	MG RESISTOR	330Ω 1/16W J	
D405	1SS355-X	SI DIODE			R215	QRE123J-391X	C RESISTOR	390Ω 1/2W J	
D480	SLR-343VC/NPQ-T	LED			R216	NRSA63J-471X	MG RESISTOR	470Ω 1/16W J	
D490	SLR-343VC/NPQ-T	LED			R217	NRSA63J-103X	MG RESISTOR	10kΩ 1/16W J	
D491	SLR-343VC/NPQ-T	LED			R221	QRE123J-391X	C RESISTOR	390Ω 1/2W J	
C200	QETN1HM-475Z	E CAPACITOR	4.7uF 50V M		R225	QRJ146J-2R2X	UNF C RESISTOR	2.2Ω 1/4W J	
C201	QETN1HM-475Z	E CAPACITOR	4.7uF 50V M		R226	QRJ146J-2R2X	UNF C RESISTOR	2.2Ω 1/4W J	
C202	QETN0JM-477Z	E CAPACITOR	470uF 6.3V M		R240	NRSA63J-750X	MG RESISTOR	75Ω 1/16W J	
C203	QETN1HM-475Z	E CAPACITOR	4.7uF 50V M		R241	NRSA63J-750X	MG RESISTOR	75Ω 1/16W J	
C206	QETN0JM-477Z	E CAPACITOR	470uF 6.3V M		R242	NRSA63J-750X	MG RESISTOR	75Ω 1/16W J	
C208	QETN1HM-475Z	E CAPACITOR	4.7uF 50V M		R243	NRSA63J-750X	MG RESISTOR	75Ω 1/16W J	
C211	QCF31HZ-103Z	C CAPACITOR	0.01uF 50V Z		R244	NRSA63J-750X	MG RESISTOR	75Ω 1/16W J	
C212	QCF31HZ-103Z	C CAPACITOR	0.01uF 50V Z		R245	NRSA63J-750X	MG RESISTOR	75Ω 1/16W J	
C213	QETN1CM-476Z	E CAPACITOR	47uF 16V M		R246	NRSA63J-750X	MG RESISTOR	75Ω 1/16W J	
C226	NDC31HJ-470X	C CAPACITOR	47pF 50V J		R247	NRSA63J-750X	MG RESISTOR	75Ω 1/16W J	
C228	NDC31HJ-470X	C CAPACITOR	47pF 50V J		R252	NRSA63J-750X	MG RESISTOR	75Ω 1/16W J	
C240	QCF31HZ-103Z	C CAPACITOR	0.01uF 50V Z		R253	NRSA63J-750X	MG RESISTOR	75Ω 1/16W J	
C241	QETN1HM-475Z	E CAPACITOR	4.7uF 50V M		R261	QRE123J-391X	C RESISTOR	390Ω 1/2W J	
C242	QCF31HZ-103Z	C CAPACITOR	0.01uF 50V Z		R262	NRSA63J-471X	MG RESISTOR	470Ω 1/16W J	
C243	QETN1HM-475Z	E CAPACITOR	4.7uF 50V M		R263	NRSA63J-103X	MG RESISTOR	10kΩ 1/16W J	
C244	QCF31HZ-103Z	C CAPACITOR	0.01uF 50V Z		R267	QRE123J-391X	C RESISTOR	390Ω 1/2W J	
C245	QETN0JM-477Z	E CAPACITOR	470uF 6.3V M		R268	QRE123J-391X	C RESISTOR	390Ω 1/2W J	
C246	QCF31HZ-103Z	C CAPACITOR	0.01uF 50V Z		R269	NRSA63J-471X	MG RESISTOR	470Ω 1/16W J	
C247	QETN1HM-475Z	E CAPACITOR	4.7uF 50V M		R270	NRSA63J-103X	MG RESISTOR	10kΩ 1/16W J	
C252	QCF31HZ-103Z	C CAPACITOR	0.01uF 50V Z		R274	QRE123J-391X	C RESISTOR	390Ω 1/2W J	
C253	QETN0JM-477Z	E CAPACITOR	470uF 6.3V M		R275	QRJ146J-2R2X	UNF C RESISTOR	2.2Ω 1/4W J	
C256	QCF31HZ-103Z	C CAPACITOR	0.01uF 50V Z		R276	QRJ146J-181X	UNF C RESISTOR	180Ω 1/4W J	
C257	QETN1HM-475Z	E CAPACITOR	4.7uF 50V M		R317	NRSA63J-471X	MG RESISTOR	470Ω 1/16W J	
C268	NDC31HJ-470X	C CAPACITOR	47pF 50V J		R318	NRSA63J-471X	MG RESISTOR	470Ω 1/16W J	
C269	NDC31HJ-470X	C CAPACITOR	47pF 50V J		R341	NRSA63J-104X	MG RESISTOR	100kΩ 1/16W J	
C272	NDC31HJ-470X	C CAPACITOR	47pF 50V J		R342	NRSA63J-104X	MG RESISTOR	100kΩ 1/16W J	
C273	NDC31HJ-470X	C CAPACITOR	47pF 50V J		R343	NRSA63J-104X	MG RESISTOR	100kΩ 1/16W J	
C282	QCF31HZ-103Z	C CAPACITOR	0.01uF 50V Z		R344	NRSA63J-104X	MG RESISTOR	100kΩ 1/16W J	
C283	QCF31HZ-103Z	C CAPACITOR	0.01uF 50V Z		R345	NRSA63J-104X	MG RESISTOR	100kΩ 1/16W J	
C284	QETN1CM-476Z	E CAPACITOR	47uF 16V M		R346	NRSA63J-104X	MG RESISTOR	100kΩ 1/16W J	
C287	QCF31HZ-103Z	C CAPACITOR	0.01uF 50V Z		R351	NRSA63J-682X	MG RESISTOR	6.8kΩ 1/16W J	
C288	QCF31HZ-103Z	C CAPACITOR	0.01uF 50V Z		R352	NRSA63J-682X	MG RESISTOR	6.8kΩ 1/16W J	
C289	QETN1CM-476Z	E CAPACITOR	47uF 16V M		R371	NRSA63J-471X	MG RESISTOR	470Ω 1/16W J	
C341	QETN1CM-106Z	E CAPACITOR	10uF 16V M		R372	NRSA63J-471X	MG RESISTOR	470Ω 1/16W J	
C342	QETN1CM-106Z	E CAPACITOR	10uF 16V M		R373	NRSA63J-471X	MG RESISTOR	470Ω 1/16W J	
C343	QETN1CM-106Z	E CAPACITOR	10uF 16V M		R374	NRSA63J-471X	MG RESISTOR	470Ω 1/16W J	
C344	QETN1CM-106Z	E CAPACITOR	10uF 16V M		R375	NRSA63J-471X	MG RESISTOR	470Ω 1/16W J	
C351	QFLC1HJ-562Z	M CAPACITOR	5600pF 50V J		R376	NRSA63J-471X	MG RESISTOR	470Ω 1/16W J	
C352	QFLC1HJ-562Z	M CAPACITOR	5600pF 50V J		R377	NRSA63J-471X	MG RESISTOR	470Ω 1/16W J	
C385	QETN1EM-226Z	E CAPACITOR	22uF 25V M		R378	NRSA63J-471X	MG RESISTOR	470Ω 1/16W J	
C386	QETN1EM-226Z	E CAPACITOR	22uF 25V M		R379	NRSA63J-471X	MG RESISTOR	470Ω 1/16W J	
C389	NCB31HK-561X	C CAPACITOR	560pF 50V K		R380	NRSA63J-471X	MG RESISTOR	470Ω 1/16W J	
C399	QETN1CM-226Z	E CAPACITOR	22uF 16V M		R381	NRSA63J-471X	MG RESISTOR	470Ω 1/16W J	
C400	QEK1HM-475Z	E CAPACITOR	4.7uF 50V M		R382	NRSA63J-471X	MG RESISTOR	470Ω 1/16W J	
C401	NCB31CK-104X	C CAPACITOR	0.1uF 16V K		R385	QRZ9005-680X	F RESISTOR	68Ω	
C402	NCB31CK-104X	C CAPACITOR	0.1uF 16V K		R386	QRZ9005-680X	F RESISTOR	68Ω	
C403	NCB31HK-103X	C CAPACITOR	0.01uF 50V K		R392	NRSA63J-102X	MG RESISTOR	1kΩ 1/16W J	
					R394	NRSA63J-102X	MG RESISTOR	1kΩ 1/16W J	
					R395	NRSA63J-103X	MG RESISTOR	10kΩ 1/16W J	

△ Symbol No.	Part No.	Part Name	Description	Local	△ Symbol No.	Part No.	Part Name	Description	Local
R396	NRSA63J-103X	MG RESISTOR	10kΩ 1/16W J		CN422	QJK031-04120I	SIN ID C-B WIRE		
R397	NRSA63J-102X	MG RESISTOR	1kΩ 1/16W J		CN430	QGA2501C1-03	CONNECTOR	W-B (1-3)	
R398	NRSA63J-221X	MG RESISTOR	220Ω 1/16W J		CN432	QGA2501C1-04	CONNECTOR	W-B (1-4)	
R400	NRSA63J-102X	MG RESISTOR	1kΩ 1/16W J		DI400	QLF0137-001	FL TUBE		
R401	NRSA63J-102X	MG RESISTOR	1kΩ 1/16W J		FL351	QQR1372-001	LPF		
R402	NRSA63J-122X	MG RESISTOR	1.2kΩ 1/16W J		FL352	QQR1372-001	LPF		
R403	NRSA63J-102X	MG RESISTOR	1kΩ 1/16W J		FS400	LV30225-0S7A	SPACER		
R404	NRSA63J-102X	MG RESISTOR	1kΩ 1/16W J		FS401	LV30225-0S7A	SPACER		
R405	NRSA63J-122X	MG RESISTOR	1.2kΩ 1/16W J		J201	QNN0011-001	PIN JACK		
R406	NRSA63J-152X	MG RESISTOR	1.5kΩ 1/16W J		J202	QNN0011-001	PIN JACK		
R407	NRSA63J-222X	MG RESISTOR	2.2kΩ 1/16W J		J204	QNN0017-002	PIN JACK		
R408	NRSA63J-272X	MG RESISTOR	2.7kΩ 1/16W J		J241	QND0108-001	S-CONNECTOR		
R409	NRSA63J-102X	MG RESISTOR	1kΩ 1/16W J		J242	QND0098-001	DIN CONNECTOR		
R410	NRSA63J-102X	MG RESISTOR	1kΩ 1/16W J		J244	QND0107-001	S JACK		
R411	NRSA63J-122X	MG RESISTOR	1.2kΩ 1/16W J		J371	QNN0018-002	PIN JACK		
R412	NRSA63J-152X	MG RESISTOR	1.5kΩ 1/16W J		J372	QNN0018-002	PIN JACK		
R413	NRSA63J-222X	MG RESISTOR	2.2kΩ 1/16W J		J373	QNN0546-001	PIN JACK		
R414	NRSA63J-272X	MG RESISTOR	2.7kΩ 1/16W J		JS400	QSW1017-001	JOG VOLUME		
R415	NRSA63J-102X	MG RESISTOR	1kΩ 1/16W J		JS401	QSW1015-001	ROTARY ENCODER		
R416	NRSA63J-102X	MG RESISTOR	1kΩ 1/16W J		S400	QSW0683-001Z	PUSH SW		
R417	NRSA63J-122X	MG RESISTOR	1.2kΩ 1/16W J		S401	QSW0683-001Z	PUSH SW		
R418	NRSA63J-152X	MG RESISTOR	1.5kΩ 1/16W J		S402	QSW0683-001Z	PUSH SW		
R422	NRSA63J-102X	MG RESISTOR	1kΩ 1/16W J		S403	QSW0683-001Z	PUSH SW		
R423	NRSA63J-102X	MG RESISTOR	1kΩ 1/16W J		S404	QSW0683-001Z	PUSH SW		
R424	NRSA63J-122X	MG RESISTOR	1.2kΩ 1/16W J		S405	QSW0683-001Z	PUSH SW		
R425	NRSA63J-152X	MG RESISTOR	1.5kΩ 1/16W J		S406	QSW0683-001Z	PUSH SW		
R426	NRSA63J-222X	MG RESISTOR	2.2kΩ 1/16W J		S407	QSW0683-001Z	PUSH SW		
R427	NRSA63J-272X	MG RESISTOR	2.7kΩ 1/16W J		S408	QSW0683-001Z	PUSH SW		
R428	NRSA63J-102X	MG RESISTOR	1kΩ 1/16W J		S409	QSW0683-001Z	PUSH SW		
R429	NRSA63J-102X	MG RESISTOR	1kΩ 1/16W J		S411	QSW0683-001Z	PUSH SW		
R430	NRSA63J-122X	MG RESISTOR	1.2kΩ 1/16W J		S412	QSW0683-001Z	PUSH SW		
R431	NRSA63J-152X	MG RESISTOR	1.5kΩ 1/16W J		S414	QSW0683-001Z	PUSH SW		
R432	NRSA63J-222X	MG RESISTOR	2.2kΩ 1/16W J		S415	QSW0683-001Z	PUSH SW		
R433	NRSA63J-272X	MG RESISTOR	2.7kΩ 1/16W J		S416	QSW0683-001Z	PUSH SW		
R434	NRSA63J-392X	MG RESISTOR	3.9kΩ 1/16W J		S417	QSW0683-001Z	PUSH SW		
R435	NRSA63J-102X	MG RESISTOR	1kΩ 1/16W J		S418	QSW0683-001Z	PUSH SW		
R441	NRSA63J-103X	MG RESISTOR	10kΩ 1/16W J		S422	QSW0683-001Z	PUSH SW		
R442	NRSA63J-102X	MG RESISTOR	1kΩ 1/16W J		S424	QSW0683-001Z	PUSH SW		
R445	NRSA63J-103X	MG RESISTOR	10kΩ 1/16W J		S425	QSW0683-001Z	PUSH SW		
R446	NRSA63J-103X	MG RESISTOR	10kΩ 1/16W J		S427	QSW0683-001Z	PUSH SW		
R447	NRSA63J-103X	MG RESISTOR	10kΩ 1/16W J		S428	QSW0683-001Z	PUSH SW		
R448	NRSA63J-103X	MG RESISTOR	10kΩ 1/16W J		S429	QSW0683-001Z	PUSH SW		
R449	NRSA63J-103X	MG RESISTOR	10kΩ 1/16W J		S430	QSW0683-001Z	PUSH SW		
R450	NRSA63J-103X	MG RESISTOR	10kΩ 1/16W J		S432	QSW0683-001Z	PUSH SW		
R451	NRSA63J-103X	MG RESISTOR	10kΩ 1/16W J		S433	QSW0683-001Z	PUSH SW		
R453	NRSA63J-103X	MG RESISTOR	10kΩ 1/16W J		S434	QSW0683-001Z	PUSH SW		
R454	NRSA63J-103X	MG RESISTOR	10kΩ 1/16W J		S480	QSW0683-001Z	PUSH SW		
R455	NRSA63J-471X	MG RESISTOR	470Ω 1/16W J		S481	QSW0683-001Z	PUSH SW		
R456	NRSA63J-103X	MG RESISTOR	10kΩ 1/16W J		S482	QSW0683-001Z	PUSH SW		
R457	NRSA63J-103X	MG RESISTOR	10kΩ 1/16W J		S483	QSW0683-001Z	PUSH SW		
R459	NRSA63J-221X	MG RESISTOR	220Ω 1/16W J		X400	QAX0246-001Z	C RESONATOR	8.00MHz	
R460	NRSA63J-221X	MG RESISTOR	220Ω 1/16W J						
R461	NRSA63J-221X	MG RESISTOR	220Ω 1/16W J						
R462	NRSA63J-221X	MG RESISTOR	220Ω 1/16W J						
R463	NRSA63J-221X	MG RESISTOR	220Ω 1/16W J						
R464	NRSA63J-221X	MG RESISTOR	220Ω 1/16W J						
R465	NRSA63J-331X	MG RESISTOR	330Ω 1/16W J						
R466	NRSA63J-331X	MG RESISTOR	330Ω 1/16W J						
R468	NRSA63J-221X	MG RESISTOR	220Ω 1/16W J						
R480	NRSA63J-152X	MG RESISTOR	1.5kΩ 1/16W J						
R481	NRSA63J-222X	MG RESISTOR	2.2kΩ 1/16W J						
R482	NRSA63J-272X	MG RESISTOR	2.7kΩ 1/16W J						
R483	NRSA63J-392X	MG RESISTOR	3.9kΩ 1/16W J						
R484	NRSA63J-103X	MG RESISTOR	10kΩ 1/16W J						
R485	NRSA63J-103X	MG RESISTOR	10kΩ 1/16W J						
BK400	LV42092-001A	FL HOLDER(R)							
BK401	LV42093-001A	FL HOLDER(L)							
CN200	QGB2510K1-12	CONNECTOR	B-B (1-12)						
CN204	QGB1214K1-10S	CONNECTOR	B-B (1-10)						
CN240	QGB2510K1-09	CONNECTOR	B-B (1-9)						
CN313	QGB2510K1-17	CONNECTOR	B-B (1-17)						
CN314	QGF1205F1-11	CONNECTOR	FFC/FPC (1-11)						
CN315	QGB2510K1-04	CONNECTOR	B-B (1-4)						
CN371	QGB1214K1-18S	CONNECTOR	B-B (1-18)						
CN410	QGF1205F1-09	CONNECTOR	FFC/FPC (1-9)						
CN412	QGF1205F1-06	CONNECTOR	FFC/FPC (1-6)						
CN420	QJK031-031301	C-B WIRE ASSY							

Micon board

Block No. [0][3][0][0]

△ Symbol No.	Part No.	Part Name	Description	Local
PW12	QUB111-16PPPP	WIRE		
PW16	QUB116-16PPPP	PIN WIRE		
PW18	QUB112-28PPPP	SIN TWIST WIRE		
PW19	QUB111-28PPPP	SIN TWIST WIRE		
PW30	QUB116-28PPPP	SIN TWIST WIRE		
IC901	MN101C49GMX	IC		
IC903	IC-PST9139-T	IC		
IC990	BR24L01AF-W-X	IC		
Q52	KTD863/Y/-T	TRANSISTOR		
Q53	KRC105M-T	DIGI TRANSISTOR		
Q71	KTA1046/Y/	TRANSISTOR		
Q74	KTC3200/GL/-T	TRANSISTOR		
Q901	KRC107M-T	DIGI TRANSISTOR		
Q903	KRC105M-T	DIGI TRANSISTOR		
Q904	KRC105M-T	DIGI TRANSISTOR		

△ Symbol No.	Part No.	Part Name	Description	Local	△ Symbol No.	Part No.	Part Name	Description	Local
Q905	KRC105M-T	DIGI TRANSISTOR			C981	QCBB1HK-331Y	C CAPACITOR	330pF 50V K	
Q906	KRC105M-T	DIGI TRANSISTOR			C982	QCBB1HK-331Y	C CAPACITOR	330pF 50V K	
Q907	KRC105M-T	DIGI TRANSISTOR			C983	QCBB1HK-331Y	C CAPACITOR	330pF 50V K	
Q908	KRC105M-T	DIGI TRANSISTOR			C984	QCBB1HK-331Y	C CAPACITOR	330pF 50V K	
Q921	2SD2394/EF/	TRANSISTOR			C985	QCBB1HK-103Y	C CAPACITOR	0.01uF 50V K	
△ Q931	2SD2394/EF/	TRANSISTOR			C986	QETN1EM-107Z	E CAPACITOR	100uF 25V M	
△ Q941	2SD2394/EF/	TRANSISTOR			C987	QCF31HZ-472Z	C CAPACITOR	4700pF 50V Z	
Q961	KTA1046/Y/	TRANSISTOR			C990	NCB31CK-103X	C CAPACITOR	0.01uF 16V K	
Q971	2SD2394/EF/	TRANSISTOR			C993	QCBB1HK-101Y	C CAPACITOR	100pF 50V K	
△ Q981	2SD2394/EF/	TRANSISTOR			C994	QCBB1HK-271Y	C CAPACITOR	270pF 50V K	
					C995	QETN1AM-227Z	E CAPACITOR	220uF 10V M	
△ D51	11ES2-T4	DIODE			△ R1	QRZ9037-335	COMP RESISTOR	3.3MΩ 1/2W K	
△ D52	11ES2-T4	DIODE			△ R53	QRJ146J-6R8X	UNF C RESISTOR	6.8Ω 1/4W J	
△ D53	11ES2-T4	DIODE			R54	QRE141J-821Y	C RESISTOR	820Ω 1/4W J	
△ D54	11ES2-T4	DIODE			R61	QRJ146J-3R3X	UNF C RESISTOR	3.3Ω 1/4W J	
D56	MTZJ6.2B-T2	Z DIODE			R72	QRJ146J-332X	UNF C RESISTOR	3.3kΩ 1/4W J	
D57	1SS133-T2	DIODE			R73	QRE141J-223Y	C RESISTOR	22kΩ 1/4W J	
△ D61	10DDA20-FD	DIODE			R74	QRE141J-104Y	C RESISTOR	100kΩ 1/4W J	
△ D62	11ES2-T4	DIODE			R903	NRSA63J-331X	MG RESISTOR	330Ω 1/16W J	
△ D63	10DDA20-FD	DIODE			R904	NRSA63J-104X	MG RESISTOR	100kΩ 1/16W J	
△ D64	11ES2-T4	DIODE			R910	NRSA63J-223X	MG RESISTOR	22kΩ 1/16W J	
D71	11ES2-T4	DIODE			R911	NRSA63J-472X	MG RESISTOR	4.7kΩ 1/16W J	
D72	11ES2-T4	DIODE			R916	QRL027J-100	OMF RESISTOR	10Ω 2W J	
D73	11ES2-T4	DIODE			R917	QRL027J-100	OMF RESISTOR	10Ω 2W J	
D74	MTZJ36C-T2	Z DIODE			R918	QRL027J-100	OMF RESISTOR	10Ω 2W J	
D75	MTZJ8.2C-T2	Z DIODE			R921	QRJ146J-272X	UNF C RESISTOR	2.7kΩ 1/4W J	
D900	11ES2-T4	DIODE			R922	QRK126J-120X	UNF C RESISTOR	12Ω 1/2W J	
D901	11ES2-T4	DIODE			R924	NRSA63J-103X	MG RESISTOR	10kΩ 1/16W J	
D902	11ES2-T4	DIODE			R925	NRSA63J-221X	MG RESISTOR	220Ω 1/16W J	
D904	1SS133-T2	DIODE			R926	NRSA63J-221X	MG RESISTOR	220Ω 1/16W J	
D921	MTZJ5.6C-T2	Z DIODE			R927	NRSA63J-221X	MG RESISTOR	220Ω 1/16W J	
D931	MTZJ6.8A-T2	Z DIODE			R928	NRSA63J-221X	MG RESISTOR	220Ω 1/16W J	
D940	11ES2-T4	DIODE			R929	NRSA63J-221X	MG RESISTOR	220Ω 1/16W J	
D941	MTZJ13C-T2	Z DIODE			R931	QRJ146J-272X	UNF C RESISTOR	2.7kΩ 1/4W J	
D955	1SS133-T2	DIODE			R932	QRJ146J-1R0X	UNF C RESISTOR	1Ω 1/4W J	
D956	1SS133-T2	DIODE			R937	NRSA63J-221X	MG RESISTOR	220Ω 1/16W J	
D961	MTZJ13C-T2	Z DIODE			R938	NRSA63J-221X	MG RESISTOR	220Ω 1/16W J	
D971	MTZJ10C-T2	Z DIODE			R939	NRSA63J-221X	MG RESISTOR	220Ω 1/16W J	
D975	1SS133-T2	DIODE			R941	QRJ146J-222X	UNF C RESISTOR	2.2kΩ 1/4W J	
D976	1SS133-T2	DIODE			R942	QRT027J-3R9	MF RESISTOR	3.9Ω 2W J	
D977	1SS133-T2	DIODE			R943	QRT027J-3R9	MF RESISTOR	3.9Ω 2W J	
D978	1SS133-T2	DIODE			R944	NRSA63J-221X	MG RESISTOR	220Ω 1/16W J	
D979	1SS133-T2	DIODE			R945	NRSA63J-221X	MG RESISTOR	220Ω 1/16W J	
D981	MTZJ13C-T2	Z DIODE			R946	NRSA63J-221X	MG RESISTOR	220Ω 1/16W J	
△ C1	QCZ9104-472	C CAPACITOR	4700pF		R954	NRSA63J-221X	MG RESISTOR	220Ω 1/16W J	
C51	QFLC2AJ-472Z	M CAPACITOR	4700pF 100V J		R955	NRSA63J-221X	MG RESISTOR	220Ω 1/16W J	
C52	QETM1EM-108	E CAPACITOR	1000uF 25V M		R956	NRSA63J-221X	MG RESISTOR	220Ω 1/16W J	
C54	QETN1CM-477Z	E CAPACITOR	470uF 16V M		R957	NRSA63J-103X	MG RESISTOR	10kΩ 1/16W J	
C55	QCF31HZ-472Z	C CAPACITOR	4700pF 50V Z		R958	NRSA63J-103X	MG RESISTOR	10kΩ 1/16W J	
C61	QFN32AJ-104Z	M CAPACITOR	0.1uF 100V J		R959	NRSA63J-103X	MG RESISTOR	10kΩ 1/16W J	
C62	QFN32AJ-104Z	M CAPACITOR	0.1uF 100V J		R960	NRSA63J-221X	MG RESISTOR	220Ω 1/16W J	
C63	QFN32AJ-104Z	M CAPACITOR	0.1uF 100V J		R961	QRZ9005-220X	FUSI RESISTOR	22Ω	
C65	QETM1VM-338	E CAPACITOR	3300uF 35V M		R962	QRZ9005-220X	FUSI RESISTOR	22Ω	
C66	QETM1VM-108	E CAPACITOR	1000uF 35V M		R963	QRJ146J-222X	UNF C RESISTOR	2.2kΩ 1/4W J	
C68	QFLC1HJ-473Z	M CAPACITOR	0.047uF 50V J		R965	NRSA63J-103X	MG RESISTOR	10kΩ 1/16W J	
C69	QFLC1HJ-473Z	M CAPACITOR	0.047uF 50V J		R966	NRSA63J-103X	MG RESISTOR	10kΩ 1/16W J	
C70	QETN1HM-227Z	E CAPACITOR	220uF 50V M		R967	NRSA63J-103X	MG RESISTOR	10kΩ 1/16W J	
C71	QETN1JM-107Z	E CAPACITOR	100uF 63V M		R968	NRSA63J-103X	MG RESISTOR	10kΩ 1/16W J	
C72	QETN1HM-226Z	E CAPACITOR	22uF 50V M		R969	NRSA63J-103X	MG RESISTOR	10kΩ 1/16W J	
C73	QETN1HM-226Z	E CAPACITOR	22uF 50V M		R971	QRJ146J-120X	UNF C RESISTOR	12Ω 1/4W J	
C74	QETN1HM-105Z	E CAPACITOR	1uF 50V M		R973	QRJ146J-332X	UNF C RESISTOR	3.3kΩ 1/4W J	
C901	QETN0JM-107Z	E CAPACITOR	100uF 6.3V M		R975	QRJ146J-220X	UNF C RESISTOR	22Ω 1/4W J	
C902	QCZ0202-155Z	C CAPACITOR	1.5uF 25V Z		R976	NRSA63J-472X	MG RESISTOR	4.7kΩ 1/16W J	
C903	QETN0JM-228Z	E CAPACITOR	2200uF 6.3V M		R977	NRSA63J-472X	MG RESISTOR	4.7kΩ 1/16W J	
C904	QETN1HM-225Z	E CAPACITOR	2.2uF 50V M		R978	NRSA63J-133X	MG RESISTOR	13kΩ 1/16W J	
C905	QDVB1EZ-223Y	C CAPACITOR	0.022uF 25V Z		R979	NRSA63J-332X	MG RESISTOR	3.3kΩ 1/16W J	
C921	QETN1EM-107Z	E CAPACITOR	100uF 25V M		R980	NRSA63J-221X	MG RESISTOR	220Ω 1/16W J	
C922	QCF31HZ-472Z	C CAPACITOR	4700pF 50V Z		R981	NRSA63J-221X	MG RESISTOR	220Ω 1/16W J	
C931	QETN1CM-477Z	E CAPACITOR	470uF 16V M		R982	NRSA63J-221X	MG RESISTOR	220Ω 1/16W J	
C932	QCF31HZ-472Z	C CAPACITOR	4700pF 50V Z		R983	NRSA63J-221X	MG RESISTOR	220Ω 1/16W J	
C941	QETN1EM-107Z	E CAPACITOR	100uF 25V M		R984	NRSA63J-221X	MG RESISTOR	220Ω 1/16W J	
C942	QCF31HZ-472Z	C CAPACITOR	4700pF 50V Z		R985	NRSA63J-221X	MG RESISTOR	220Ω 1/16W J	
C961	QETN1EM-107Z	E CAPACITOR	100uF 25V M		R987	NRSA63J-221X	MG RESISTOR	220Ω 1/16W J	
C962	QCF31HZ-472Z	C CAPACITOR	4700pF 50V Z		R988	QRJ146J-222X	UNF C RESISTOR	2.2kΩ 1/4W J	
C971	QETN1EM-337Z	E CAPACITOR	330uF 25V M		R989	QRL027J-160	OMF RESISTOR	16Ω 2W J	
C972	QCF31HZ-472Z	C CAPACITOR	4700pF 50V Z		R990	NRSA63J-103X	MG RESISTOR	10kΩ 1/16W J	
C975	QETN0JM-477Z	E CAPACITOR	470uF 6.3V M		R991	NRSA63J-103X	MG RESISTOR	10kΩ 1/16W J	

△ Symbol No.	Part No.	Part Name	Description	Local	△ Symbol No.	Part No.	Part Name	Description	Local
R992	NRSA63J-103X	MG RESISTOR	10kΩ	1/16W J	Q792	KTA1268/GL/-T	TRANSISTOR		
R993	NRSA63J-622X	MG RESISTOR	6.2kΩ	1/16W J	Q1701	2SC2240-BL/AB/T	TRANSISTOR		
R994	NRSA63J-512X	MG RESISTOR	5.1kΩ	1/16W J	Q1702	2SC2240-BL/AB/T	TRANSISTOR		
R995	NRSA63J-133X	MG RESISTOR	13kΩ	1/16W J	Q1703	KTA1268/GL/-T	TRANSISTOR		
R996	NRSA63J-332X	MG RESISTOR	3.3kΩ	1/16W J	Q1731	2SD637/QR/	TRANSISTOR		
R997	NRSA63J-153X	MG RESISTOR	15kΩ	1/16W J	△ Q1751	2SD2390/PY/-F6	TRANSISTOR		
R998	NRSA63J-562X	MG RESISTOR	5.6kΩ	1/16W J	△ Q1752	2SB1560/PY/-F6	TRANSISTOR		
△ T2	QQT0434-001	POWER TRANSF			Q1771	KTC3200/GL/-T	TRANSISTOR		
CN55	QGD2501C1-05Z	CONNECTOR	(1-5)		Q1772	KTA1268/GL/-T	TRANSISTOR		
CN71	QGB2510J1-09	CONNECTOR	B-B (1-9)		Q1791	KTA1268/GL/-T	TRANSISTOR		
CN72	QGB2510K1-09	CONNECTOR	B-B (1-9)		Q1801	2SC2240-BL/AB/T	TRANSISTOR		
CN81	QGB2510J1-08	CONNECTOR	B-B (1-8)		Q1802	2SC2240-BL/AB/T	TRANSISTOR		
CN82	QGB2510K1-08	CONNECTOR	B-B (1-8)		Q1803	2SC2240-BL/AB/T	TRANSISTOR		
CN101	QGB2510J1-04	CONNECTOR	B-B (1-4)		Q1804	2SC2240-BL/AB/T	TRANSISTOR		
CN201	QGB2510J1-12	CONNECTOR	B-B (1-12)		Q1805	KTA1268/GL/-T	TRANSISTOR		
CN241	QGB2510J1-09	CONNECTOR	B-B (1-9)		Q1806	KTA1268/GL/-T	TRANSISTOR		
CN303	QGB2510J1-17	CONNECTOR	B-B (1-17)		Q1831	2SD637/QR/	TRANSISTOR		
CN400	QGF1205C1-09	CONNECTOR	FFC/FPC (1-9)		Q1832	2SD637/QR/	TRANSISTOR		
CN402	QGF1205C1-06	CONNECTOR	FFC/FPC (1-6)		△ Q1851	2SD2390/PY/-F6	TRANSISTOR		
CN601	QGB2510J1-07	CONNECTOR	B-B (1-7)		△ Q1852	2SD2390/PY/-F6	TRANSISTOR		
CN811	QGA3901F2-03	CONNECTOR	W-B (1-3)		△ Q1853	2SB1560/PY/-F6	TRANSISTOR		
CN931	QGD2501C1-04Z	CONNECTOR	(1-4)		△ Q1854	2SB1560/PY/-F6	TRANSISTOR		
CN932	QGD2501C1-04Z	CONNECTOR	(1-4)		Q1871	KTC3200/GL/-T	TRANSISTOR		
EP1	E409182-001SM	GRAND TERMINAL			Q1872	KTC3200/GL/-T	TRANSISTOR		
EP51	QNZ0136-001Z	EARTH PLATE			Q1873	KTA1268/GL/-T	TRANSISTOR		
EP901	QNZ0136-001Z	EARTH PLATE			Q1874	KTA1268/GL/-T	TRANSISTOR		
EP902	QNZ0136-001Z	EARTH PLATE			Q1891	KTA1268/GL/-T	TRANSISTOR		
FC1	QNG0020-001Z	FUSE CLIP			Q1892	KTA1268/GL/-T	TRANSISTOR		
FC2	QNG0020-001Z	FUSE CLIP			Q1901	2SC2240-BL/AB/T	TRANSISTOR		
FC61	QNG0020-001Z	FUSE CLIP			Q1902	2SC2240-BL/AB/T	TRANSISTOR		
FC62	QNG0020-001Z	FUSE CLIP			Q1903	KTA1268/GL/-T	TRANSISTOR		
FC63	QNG0020-001Z	FUSE CLIP			Q1931	2SD637/QR/	TRANSISTOR		
FC64	QNG0020-001Z	FUSE CLIP			△ Q1951	2SD2390/PY/-F6	TRANSISTOR		
FW51	QUM215-10DGZ4	PARA RIBON WIRE			△ Q1952	2SB1560/PY/-F6	TRANSISTOR		
FW831	QUM214-08DGZ4	PARA RIBON WIRE			Q1971	KTC3200/GL/-T	TRANSISTOR		
HS921	E70945-H40B	HEAT SINK			Q1972	KTA1268/GL/-T	TRANSISTOR		
HS961	E70306-001	HEAT SINK			Q1991	KTA1268/GL/-T	TRANSISTOR		
HS971	E70306-001	HEAT SINK			D701	1SS133-T2	DIODE		
△ RY1	QSK0098-001	RELAY			D702	1SS133-T2	DIODE		
TA1	QNZ0079-001Z	TAB			D703	1SS133-T2	DIODE		
TA2	QNZ0079-001Z	TAB			D704	1SS133-T2	DIODE		
△ TH71	QAD0095-4R7Z	P THERMISTOR	4.7Ω M		D771	1SS133-T2	DIODE		
X901	QAX0246-001Z	C RESONATOR	8.00MHz		D772	1SS133-T2	DIODE		
					D773	1SS133-T2	DIODE		
					D774	1SS133-T2	DIODE		
					D791	1SS133-T2	DIODE		
					D792	1SS133-T2	DIODE		
					D1701	1SS133-T2	DIODE		
					D1771	1SS133-T2	DIODE		
					D1772	1SS133-T2	DIODE		
					D1791	1SS133-T2	DIODE		
					D1801	1SS133-T2	DIODE		
					D1802	1SS133-T2	DIODE		
					D1871	1SS133-T2	DIODE		
					D1872	1SS133-T2	DIODE		
					D1873	1SS133-T2	DIODE		
					D1874	1SS133-T2	DIODE		
					D1891	1SS133-T2	DIODE		
					D1892	1SS133-T2	DIODE		
					D1901	1SS133-T2	DIODE		
					D1971	1SS133-T2	DIODE		
					D1992	1SS133-T2	DIODE		
					D1993	1SS133-T2	DIODE		
					C701	QTE1V06-106Z	E CAPACITOR	10uF 35V	
					C702	QTE1V06-106Z	E CAPACITOR	10uF 35V	
					C703	QCS31HJ-101Z	C CAPACITOR	100pF 50V J	
					C704	QCS31HJ-101Z	C CAPACITOR	100pF 50V J	
					C705	QCS31HJ-101Z	C CAPACITOR	100pF 50V J	
					C706	QCS31HJ-101Z	C CAPACITOR	100pF 50V J	
					C707	QETN1CM-107Z	E CAPACITOR	100uF 16V M	
					C708	QETN1CM-107Z	E CAPACITOR	100uF 16V M	
					C709	QCS31HJ-100Z	C CAPACITOR	10pF 50V J	
					C710	QCS31HJ-100Z	C CAPACITOR	10pF 50V J	
					C711	QFLC1HJ-103Z	M CAPACITOR	0.01uF 50V J	
					C712	QFLC1HJ-103Z	M CAPACITOR	0.01uF 50V J	
					C713	QCS31HJ-680Z	C CAPACITOR	68pF 50V J	

Power board

Block No. [0][4][0][0]

△ Symbol No.	Part No.	Part Name	Description	Local
Q701	2SC2240-BL/AB/T	TRANSISTOR		
Q702	2SC2240-BL/AB/T	TRANSISTOR		
Q703	2SC2240-BL/AB/T	TRANSISTOR		
Q704	2SC2240-BL/AB/T	TRANSISTOR		
Q705	KTA1268/GL/-T	TRANSISTOR		
Q706	KTA1268/GL/-T	TRANSISTOR		
Q707	KTA1268/GL/-T	TRANSISTOR		
Q708	KTA1268/GL/-T	TRANSISTOR		
Q709	KTA1268/GL/-T	TRANSISTOR		
Q710	KTA1268/GL/-T	TRANSISTOR		
Q711	KTC3200/GL/-T	TRANSISTOR		
Q712	KTC3200/GL/-T	TRANSISTOR		
△ Q761	2SD2390/PY/-F6	TRANSISTOR		
△ Q762	2SD2390/PY/-F6	TRANSISTOR		
△ Q763	2SB1560/PY/-F6	TRANSISTOR		
△ Q764	2SB1560/PY/-F6	TRANSISTOR		
Q771	KTC3200/GL/-T	TRANSISTOR		
Q772	KTC3200/GL/-T	TRANSISTOR		
Q773	KTA1268/GL/-T	TRANSISTOR		
Q774	KTA1268/GL/-T	TRANSISTOR		
Q781	2SD637/QR/	TRANSISTOR		
Q782	2SD637/QR/	TRANSISTOR		
Q791	KTA1268/GL/-T	TRANSISTOR		

△ Symbol No.	Part No.	Part Name	Description	Local	△ Symbol No.	Part No.	Part Name	Description	Local
C714	QCS31HJ-680Z	C CAPACITOR	68pF 50V J		C1941	QETN2AM-476Z	E CAPACITOR	47uF 100V M	
C715	QCS31HJ-680Z	C CAPACITOR	68pF 50V J		C1943	QETN2AM-476Z	E CAPACITOR	47uF 100V M	
C716	QCS31HJ-680Z	C CAPACITOR	68pF 50V J		C1951	QCS32HJ-470Z	C CAPACITOR	47pF 500V J	
C717	QCS32HJ-220Z	C CAPACITOR	22pF 500V J		C1952	QCS32HJ-470Z	C CAPACITOR	47pF 500V J	
C718	QCS32HJ-220Z	C CAPACITOR	22pF 500V J		C1961	QFLC1HJ-473Z	M CAPACITOR	0.047uF 50V J	
C719	QFLC1HJ-472Z	M CAPACITOR	4700pF 50V J		C1962	QFLC1HJ-473Z	M CAPACITOR	0.047uF 50V J	
C720	QFLC1HJ-472Z	M CAPACITOR	4700pF 50V J		C1991	QCF31HZ-223Z	C CAPACITOR	0.022uF 50V Z	
C741	QETN2AM-476Z	E CAPACITOR	47uF 100V M		R701	QRE141J-222Y	C RESISTOR	2.2kΩ 1/4W J	
C742	QETN2AM-476Z	E CAPACITOR	47uF 100V M		R702	QRE141J-222Y	C RESISTOR	2.2kΩ 1/4W J	
C745	QETN2AM-476Z	E CAPACITOR	47uF 100V M		R703	QRE141J-104Y	C RESISTOR	100kΩ 1/4W J	
C746	QETN2AM-476Z	E CAPACITOR	47uF 100V M		R704	QRE141J-104Y	C RESISTOR	100kΩ 1/4W J	
C751	QCS32HJ-470Z	C CAPACITOR	47pF 500V J		R705	QRE141J-202Y	C RESISTOR	2kΩ 1/4W J	
C752	QCS32HJ-470Z	C CAPACITOR	47pF 500V J		R706	QRE141J-202Y	C RESISTOR	2kΩ 1/4W J	
C753	QCS32HJ-470Z	C CAPACITOR	47pF 500V J		R707	QRE141J-202Y	C RESISTOR	2kΩ 1/4W J	
C754	QCS32HJ-470Z	C CAPACITOR	47pF 500V J		R708	QRE141J-202Y	C RESISTOR	2kΩ 1/4W J	
C791	QFLC1HJ-473Z	M CAPACITOR	0.047uF 50V J		R709	QRE141J-912Y	C RESISTOR	9.1kΩ 1/4W J	
C792	QFLC1HJ-473Z	M CAPACITOR	0.047uF 50V J		R710	QRE141J-912Y	C RESISTOR	9.1kΩ 1/4W J	
C793	QFLC1HJ-473Z	M CAPACITOR	0.047uF 50V J		R711	QRE141J-561Y	C RESISTOR	560Ω 1/4W J	
C794	QFLC1HJ-473Z	M CAPACITOR	0.047uF 50V J		R712	QRE141J-561Y	C RESISTOR	560Ω 1/4W J	
C795	QCF31HZ-223Z	C CAPACITOR	0.022uF 50V Z		R715	QRE141J-104Y	C RESISTOR	100kΩ 1/4W J	
C796	QCF31HZ-223Z	C CAPACITOR	0.022uF 50V Z		R716	QRE141J-104Y	C RESISTOR	100kΩ 1/4W J	
C1701	QETN1HM-105Z	E CAPACITOR	1uF 50V M		R717	QRJ146J-562X	UNF C RESISTOR	5.6kΩ 1/4W J	
C1702	QCS31HJ-101Z	C CAPACITOR	100pF 50V J		R718	QRJ146J-562X	UNF C RESISTOR	5.6kΩ 1/4W J	
C1703	QCS31HJ-101Z	C CAPACITOR	100pF 50V J		R719	QRK126J-103X	UNF C RESISTOR	10kΩ 1/2W J	
C1704	QETN1CM-107Z	E CAPACITOR	100uF 16V M		R720	QRK126J-103X	UNF C RESISTOR	10kΩ 1/2W J	
C1705	QCS31HJ-5R0Z	C CAPACITOR	5pF 50V J		R721	QRJ146J-151X	UNF C RESISTOR	150Ω 1/4W J	
C1711	QCS32HJ-330Z	C CAPACITOR	33pF 500V J		R722	QRJ146J-151X	UNF C RESISTOR	150Ω 1/4W J	
C1712	QFLC1HJ-103Z	M CAPACITOR	0.01uF 50V J		R723	QRE141J-391Y	C RESISTOR	390Ω 1/4W J	
C1713	QETN1CM-107Z	E CAPACITOR	100uF 16V M		R724	QRE141J-391Y	C RESISTOR	390Ω 1/4W J	
C1715	QETN1HM-476Z	E CAPACITOR	47uF 50V M		R725	QRE141J-152Y	C RESISTOR	1.5kΩ 1/4W J	
C1741	QETN2AM-476Z	E CAPACITOR	47uF 100V M		R726	QRE141J-152Y	C RESISTOR	1.5kΩ 1/4W J	
C1743	QETN2AM-476Z	E CAPACITOR	47uF 100V M		R727	QRE141J-333Y	C RESISTOR	33kΩ 1/4W J	
C1751	QCS32HJ-470Z	C CAPACITOR	47pF 500V J		R728	QRE141J-333Y	C RESISTOR	33kΩ 1/4W J	
C1752	QCS32HJ-470Z	C CAPACITOR	47pF 500V J		R729	QRE141J-391Y	C RESISTOR	390Ω 1/4W J	
C1761	QFLC1HJ-473Z	M CAPACITOR	0.047uF 50V J		R730	QRE141J-391Y	C RESISTOR	390Ω 1/4W J	
C1762	QFLC1HJ-473Z	M CAPACITOR	0.047uF 50V J		R731	QRE141J-391Y	C RESISTOR	390Ω 1/4W J	
C1791	QCF31HZ-223Z	C CAPACITOR	0.022uF 50V Z		R732	QRE141J-391Y	C RESISTOR	390Ω 1/4W J	
C1801	QETN1HM-105Z	E CAPACITOR	1uF 50V M		R733	QRE141J-221Y	C RESISTOR	220Ω 1/4W J	
C1802	QETN1HM-105Z	E CAPACITOR	1uF 50V M		R734	QRE141J-221Y	C RESISTOR	220Ω 1/4W J	
C1803	QCS31HJ-101Z	C CAPACITOR	100pF 50V J		R761	QRJ146J-100X	UNF C RESISTOR	10Ω 1/4W J	
C1804	QCS31HJ-101Z	C CAPACITOR	100pF 50V J		R762	QRJ146J-100X	UNF C RESISTOR	10Ω 1/4W J	
C1805	QCS31HJ-101Z	C CAPACITOR	100pF 50V J		R763	QRJ146J-100X	UNF C RESISTOR	10Ω 1/4W J	
C1806	QCS31HJ-101Z	C CAPACITOR	100pF 50V J		R764	QRJ146J-100X	UNF C RESISTOR	10Ω 1/4W J	
C1807	QETN1CM-107Z	E CAPACITOR	100uF 16V M		R771	QRE141J-391Y	C RESISTOR	390Ω 1/4W J	
C1808	QETN1CM-107Z	E CAPACITOR	100uF 16V M		R772	QRE141J-391Y	C RESISTOR	390Ω 1/4W J	
C1809	QCS31HJ-5R0Z	C CAPACITOR	5pF 50V J		R773	QRE141J-391Y	C RESISTOR	390Ω 1/4W J	
C1810	QCS31HJ-5R0Z	C CAPACITOR	5pF 50V J		R774	QRE141J-391Y	C RESISTOR	390Ω 1/4W J	
C1811	QCS32HJ-330Z	C CAPACITOR	33pF 500V J		R775	QRE141J-201Y	C RESISTOR	200Ω 1/4W J	
C1812	QCS32HJ-330Z	C CAPACITOR	33pF 500V J		R776	QRE141J-201Y	C RESISTOR	200Ω 1/4W J	
C1813	QFLC1HJ-103Z	M CAPACITOR	0.01uF 50V J		R777	QRE141J-201Y	C RESISTOR	200Ω 1/4W J	
C1814	QFLC1HJ-103Z	M CAPACITOR	0.01uF 50V J		R778	QRE141J-201Y	C RESISTOR	200Ω 1/4W J	
C1815	QETN1CM-107Z	E CAPACITOR	100uF 16V M		R779	QRZ0218-R22	EMIT RESISTOR	0.22Ω	
C1816	QETN1CM-107Z	E CAPACITOR	100uF 16V M		R780	QRZ0218-R22	EMIT RESISTOR	0.22Ω	
C1817	QETN1HM-476Z	E CAPACITOR	47uF 50V M		R781	QRE141J-391Y	C RESISTOR	390Ω 1/4W J	
C1818	QETN1HM-476Z	E CAPACITOR	47uF 50V M		R782	QRE141J-391Y	C RESISTOR	390Ω 1/4W J	
C1841	QETN2AM-476Z	E CAPACITOR	47uF 100V M		R783	QRE141J-621Y	C RESISTOR	620Ω 1/4W J	
C1842	QETN2AM-476Z	E CAPACITOR	47uF 100V M		R784	QRE141J-621Y	C RESISTOR	620Ω 1/4W J	
C1843	QETN2AM-476Z	E CAPACITOR	47uF 100V M		R787	QRE141J-473Y	C RESISTOR	47kΩ 1/4W J	
C1844	QETN2AM-476Z	E CAPACITOR	47uF 100V M		R788	QRE141J-473Y	C RESISTOR	47kΩ 1/4W J	
C1851	QCS32HJ-470Z	C CAPACITOR	47pF 500V J		R789	QRE141J-221Y	C RESISTOR	220Ω 1/4W J	
C1852	QCS32HJ-470Z	C CAPACITOR	47pF 500V J		R790	QRE141J-221Y	C RESISTOR	220Ω 1/4W J	
C1853	QCS32HJ-470Z	C CAPACITOR	47pF 500V J		R791	QRJ125J-330	UNF C RESISTOR	33Ω 1/2W J	
C1854	QCS32HJ-470Z	C CAPACITOR	47pF 500V J		R792	QRJ125J-330	UNF C RESISTOR	33Ω 1/2W J	
C1861	QFLC1HJ-473Z	M CAPACITOR	0.047uF 50V J		R793	QRL027J-100	OMF RESISTOR	10Ω 2W J	
C1862	QFLC1HJ-473Z	M CAPACITOR	0.047uF 50V J		R794	QRL027J-100	OMF RESISTOR	10Ω 2W J	
C1863	QFLC1HJ-473Z	M CAPACITOR	0.047uF 50V J		R795	QRE141J-102Y	C RESISTOR	1kΩ 1/4W J	
C1864	QFLC1HJ-473Z	M CAPACITOR	0.047uF 50V J		R796	QRE141J-102Y	C RESISTOR	1kΩ 1/4W J	
C1891	QCF31HZ-223Z	C CAPACITOR	0.022uF 50V Z		R797	QRE141J-153Y	C RESISTOR	15kΩ 1/4W J	
C1892	QCF31HZ-223Z	C CAPACITOR	0.022uF 50V Z		R798	QRE141J-153Y	C RESISTOR	15kΩ 1/4W J	
C1901	QETN1HM-105Z	E CAPACITOR	1uF 50V M		R1701	QRE141J-222Y	C RESISTOR	2.2kΩ 1/4W J	
C1902	QCS31HJ-101Z	C CAPACITOR	100pF 50V J		R1702	QRE141J-683Y	C RESISTOR	68kΩ 1/4W J	
C1903	QCS31HJ-101Z	C CAPACITOR	100pF 50V J		R1703	QRE141J-202Y	C RESISTOR	2kΩ 1/4W J	
C1904	QETN1CM-107Z	E CAPACITOR	100uF 16V M		R1705	QRE141J-123Y	C RESISTOR	12kΩ 1/4W J	
C1905	QCS31HJ-5R0Z	C CAPACITOR	5pF 50V J		R1711	QRE141J-331Y	C RESISTOR	330Ω 1/4W J	
C1911	QCS32HJ-330Z	C CAPACITOR	33pF 500V J		R1712	QRE141J-563Y	C RESISTOR	56kΩ 1/4W J	
C1912	QFLC1HJ-103Z	M CAPACITOR	0.01uF 50V J		R1721	QRJ146J-221X	UNF C RESISTOR	220Ω 1/4W J	
C1913	QETN1CM-107Z	E CAPACITOR	100uF 16V M		R1722	QRE141J-332Y	C RESISTOR	3.3kΩ 1/4W J	
C1915	QETN1HM-476Z	E CAPACITOR	47uF 50V M						

△ Symbol No.	Part No.	Part Name	Description	Local	△ Symbol No.	Part No.	Part Name	Description	Local
R1446	NRSA63J-103X	MG RESISTOR	10kΩ 1/16W J		Q2704	UN2114-X	TRANSISTOR		
R1447	NRSA63J-474X	MG RESISTOR	470kΩ 1/16W J		Q2705	UN2114-X	TRANSISTOR		
R1471	NRSA63J-104X	MG RESISTOR	100kΩ 1/16W J		Q2706	UN2114-X	TRANSISTOR		
R1472	NRSA63J-511X	MG RESISTOR	510Ω 1/16W J		Q2708	UN2114-X	TRANSISTOR		
R1473	NRSA63J-122X	MG RESISTOR	1.2kΩ 1/16W J		Q2709	UN2114-X	TRANSISTOR		
R1474	NRSA63J-103X	MG RESISTOR	10kΩ 1/16W J		Q2710	UN2214-X	TRANSISTOR		
R1475	NRSA63J-512X	MG RESISTOR	5.1kΩ 1/16W J						
R1476	NRSA63J-113X	MG RESISTOR	11kΩ 1/16W J		C2001	QETN1EM-475Z	E CAPACITOR	4.7uF 25V M	
R1478	NRSA63J-104X	MG RESISTOR	100kΩ 1/16W J		C2002	QETN1EM-475Z	E CAPACITOR	4.7uF 25V M	
R1486	NRSA63J-511X	MG RESISTOR	510Ω 1/16W J		C2005	NDC31HJ-330X	C CAPACITOR	33pF 50V J	
R1487	NRSA63J-103X	MG RESISTOR	10kΩ 1/16W J		C2006	NDC31HJ-330X	C CAPACITOR	33pF 50V J	
R1490	NRSA63J-102X	MG RESISTOR	1kΩ 1/16W J		C2009	NCF31CZ-104X	C CAPACITOR	0.1uF 16V Z	
R1505	NRSA63J-0R0X	MG RESISTOR	0Ω 1/16W J		C2010	NCF31CZ-104X	C CAPACITOR	0.1uF 16V Z	
					C2013	NDC31HJ-330X	C CAPACITOR	33pF 50V J	
CN205	QGB1214J1-10S	CONNECTOR	B-B (1-10)		C2014	NDC31HJ-330X	C CAPACITOR	33pF 50V J	
CN381	QGB1214J1-18S	CONNECTOR	B-B (1-18)		C2018	QETN1AM-476Z	E CAPACITOR	47uF 10V M	
CN501	QGB1214J1-14S	CONNECTOR	B-B (1-14)		C2019	NCF31CZ-104X	C CAPACITOR	0.1uF 16V Z	
CN731	QJP002-021901	SHI CR C-B WIRE			C2020	NCF31CZ-104X	C CAPACITOR	0.1uF 16V Z	
CN732	QJP001-031701	SHI CR C-B WIRE			C2101	NCB31HK-102X	C CAPACITOR	1000pF 50V K	
CN733	QJP017-021701	SHI CR C-B WIRE			C2102	NCB31HK-102X	C CAPACITOR	1000pF 50V K	
CN734	WJP0047-001A	E-SH C WIRE C-B			C2109	QETN1HM-475Z	E CAPACITOR	4.7uF 50V M	
CN735	QJP007-031301	CONNECTOR			C2110	QETN1HM-475Z	E CAPACITOR	4.7uF 50V M	
J1350	QNS0089-001	3.5 JACK			C2111	NCF31CZ-104X	C CAPACITOR	0.1uF 16V Z	
J1352	QNS0089-001	3.5 JACK			C2112	NCF31CZ-104X	C CAPACITOR	0.1uF 16V Z	
J1360	QNN0548-001	4PIN JACK ASSY			C2113	NCB31HK-331X	C CAPACITOR	330pF 50V K	
J1380	QNN0391-001	PIN JACK			C2114	NCB31HK-331X	C CAPACITOR	330pF 50V K	
J1491	QNN0284-001	PIN JACK			C2115	NCB31HK-272X	C CAPACITOR	2700pF 50V K	

DSP board

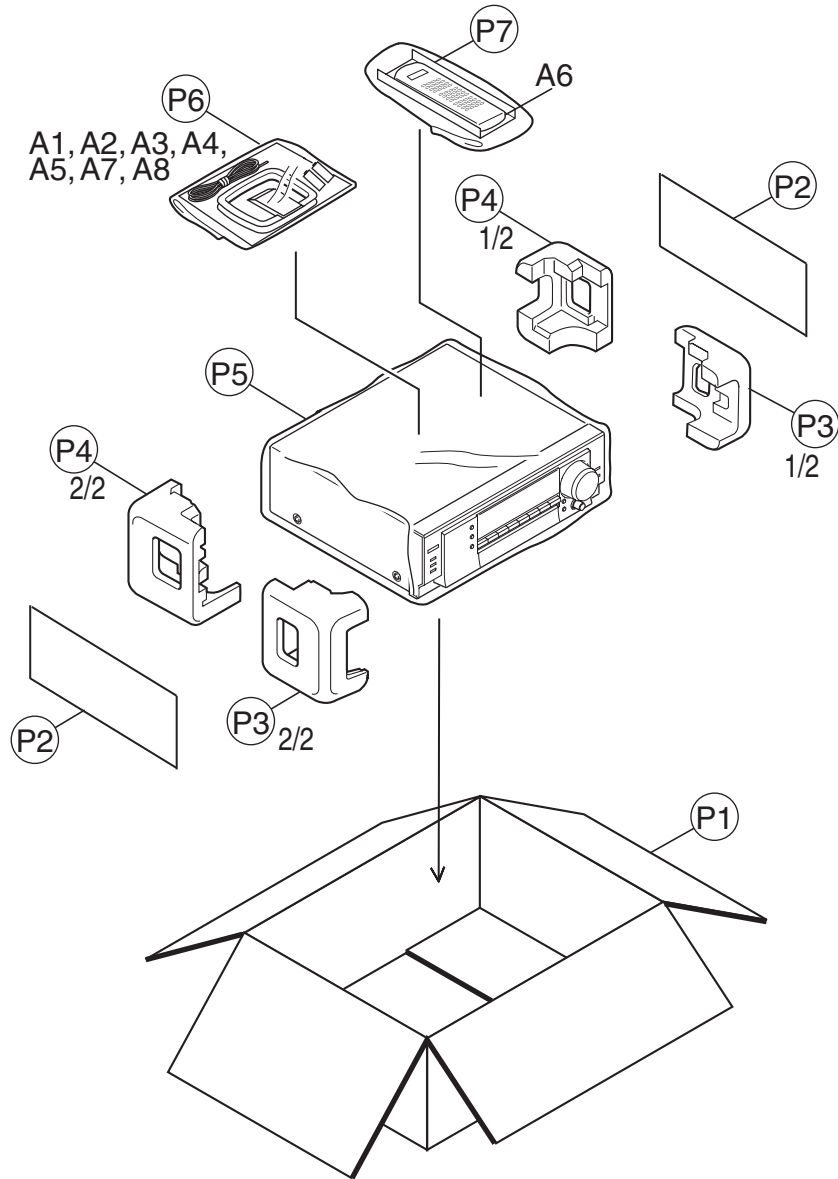
Block No. [0][6][0][0]

△ Symbol No.	Part No.	Part Name	Description	Local	△ Symbol No.	Part No.	Part Name	Description	Local
IC601	NJM4565M-WE	IC			C2139	QETN1EM-475Z	E CAPACITOR	4.7uF 25V M	
IC602	NJM4565M-WE	IC			C2140	QETN1EM-475Z	E CAPACITOR	4.7uF 25V M	
IC611	NJM4565M-WE	IC			C2141	NCF31CZ-104X	C CAPACITOR	0.1uF 16V Z	
IC612	NJM4565M-WE	IC			C2142	NCF31CZ-104X	C CAPACITOR	0.1uF 16V Z	
IC613	NJM4565M-WE	IC			C2143	NDC31HJ-330X	C CAPACITOR	33pF 50V J	
IC614	NJM4565M-WE	IC			C2144	NDC31HJ-330X	C CAPACITOR	33pF 50V J	
IC621	NJM4565M-WE	IC			C2149	QETN1EM-475Z	E CAPACITOR	4.7uF 25V M	
IC622	NJM4565M-WE	IC			C2150	QETN1EM-475Z	E CAPACITOR	4.7uF 25V M	
IC631	NJM2120M-X	IC			C2161	NCF31CZ-104X	C CAPACITOR	0.1uF 16V Z	
IC632	NJM4565M-WE	IC			C2162	NCF31CZ-104X	C CAPACITOR	0.1uF 16V Z	
IC633	NJM4565M-WE	IC			C2163	NDC31HJ-181X	C CAPACITOR	180pF 50V J	
IC634	NJM4565M-WE	IC			C2164	NDC31HJ-181X	C CAPACITOR	180pF 50V J	
IC651	NJM4565M-WE	IC			C2165	NCB31CK-683X	C CAPACITOR	0.068uF 16V K	
IC661	DSPA56370AF	IC			C2166	NCB31CK-683X	C CAPACITOR	0.068uF 16V K	
IC662	SN74LVC1GU04K-X	IC			C2167	NCB31HK-182X	C CAPACITOR	1800pF 50V K	
IC667	CS42518-CQZ-C-X	IC(DIGITAL)			C2168	NCB31HK-182X	C CAPACITOR	1800pF 50V K	
IC671	UPD784217AGC257	IC(FLASH MICOM)			C2201	NCB31HK-182X	C CAPACITOR	1800pF 50V K	
IC672	SN74AHC1G32K-X	IC			C2202	NCB31HK-182X	C CAPACITOR	1800pF 50V K	
IC673	SN74LVC1G04K-X	IC			C2209	QETN1HM-225Z	E CAPACITOR	2.2uF 50V M	
IC681	JCV8009-W	IC			C2210	QETN1HM-225Z	E CAPACITOR	2.2uF 50V M	
IC682	MN35505-X	IC			C2229	QETN1HM-105Z	E CAPACITOR	1uF 50V M	
IC683	SN74AHC2G74T-X	IC			C2230	QETN1HM-105Z	E CAPACITOR	1uF 50V M	
IC684	SN74LVC2G241T-X	IC			C2241	NCF31CZ-104X	C CAPACITOR	0.1uF 16V Z	
IC691	BA3259HFP-W	IC			C2242	NCF31CZ-104X	C CAPACITOR	0.1uF 16V Z	
Q2101	2SD2114K/VW/-X	TRANSISTOR			C2243	NCB31HK-562X	C CAPACITOR	5600pF 50V K	
Q2102	2SD2114K/VW/-X	TRANSISTOR			C2244	NCB31HK-562X	C CAPACITOR	5600pF 50V K	
Q2141	2SD601A/RS/-X	TRANSISTOR			C2245	NCB31HK-182X	C CAPACITOR	1800pF 50V K	
Q2142	2SD601A/RS/-X	TRANSISTOR			C2246	NCB31HK-182X	C CAPACITOR	1800pF 50V K	
Q2201	2SD2114K/VW/-X	TRANSISTOR			C2249	QETN1HM-225Z	E CAPACITOR	2.2uF 50V M	
Q2202	2SD2114K/VW/-X	TRANSISTOR			C2250	QETN1HM-225Z	E CAPACITOR	2.2uF 50V M	
Q2221	2SD2114K/VW/-X	TRANSISTOR			C2281	NCF31CZ-104X	C CAPACITOR	0.1uF 16V Z	
Q2222	2SD2114K/VW/-X	TRANSISTOR			C2282	NCF31CZ-104X	C CAPACITOR	0.1uF 16V Z	
Q2301	2SD2114K/VW/-X	TRANSISTOR			C2283	NCB31HK-471X	C CAPACITOR	470pF 50V K	
Q2341	2SD601A/RS/-X	TRANSISTOR			C2284	NCB31HK-471X	C CAPACITOR	470pF 50V K	
Q2401	2SD2114K/VW/-X	TRANSISTOR			C2285	NCB31HK-471X	C CAPACITOR	470pF 50V K	
Q2421	2SD2114K/VW/-X	TRANSISTOR			C2286	NCB31HK-471X	C CAPACITOR	470pF 50V K	
Q2501	2SD2114K/VW/-X	TRANSISTOR			C2287	NCB31HK-682X	C CAPACITOR	6800pF 50V K	
Q2701	UN2214-X	TRANSISTOR			C2288	NCB31HK-682X	C CAPACITOR	6800pF 50V K	
Q2702	UN2214-X	TRANSISTOR			C301	NCB31HK-272X	C CAPACITOR	2700pF 50V K	
Q2703	UN2214-X	TRANSISTOR			C309	QETN1HM-225Z	E CAPACITOR	2.2uF 50V M	
					C323	NCB31HK-562X	C CAPACITOR	5600pF 50V K	
					C325	NCB31HK-182X	C CAPACITOR	1800pF 50V K	
					C341	NCF31CZ-104X	C CAPACITOR	0.1uF 16V Z	
					C342	NCF31CZ-104X	C CAPACITOR	0.1uF 16V Z	
					C343	NDC31HJ-330X	C CAPACITOR	33pF 50V J	

Symbol No.	Part No.	Part Name	Description	Local
R2714	NRSA63J-103X	MG RESISTOR	10kΩ 1/16W J	
R2715	NRSA63J-103X	MG RESISTOR	10kΩ 1/16W J	
R2716	NRSA63J-103X	MG RESISTOR	10kΩ 1/16W J	
R2721	NRSA63J-103X	MG RESISTOR	10kΩ 1/16W J	
R2722	NRSA63J-102X	MG RESISTOR	1kΩ 1/16W J	
R2723	NRSA63J-102X	MG RESISTOR	1kΩ 1/16W J	
R2724	NRSA63J-822X	MG RESISTOR	8.2kΩ 1/16W J	
R2725	NRSA63J-432X	MG RESISTOR	4.3kΩ 1/16W J	
R2726	NRSA63J-822X	MG RESISTOR	8.2kΩ 1/16W J	
R2727	NRSA63J-432X	MG RESISTOR	4.3kΩ 1/16W J	
R2728	NRSA63J-221X	MG RESISTOR	220Ω 1/16W J	
R2731	NRSA63J-221X	MG RESISTOR	220Ω 1/16W J	
R2732	NRSA63J-221X	MG RESISTOR	220Ω 1/16W J	
R2733	NRSA63J-221X	MG RESISTOR	220Ω 1/16W J	
R2734	NRSA63J-221X	MG RESISTOR	220Ω 1/16W J	
R2735	NRSA63J-221X	MG RESISTOR	220Ω 1/16W J	
R2736	NRSA63J-221X	MG RESISTOR	220Ω 1/16W J	
R2737	NRSA63J-221X	MG RESISTOR	220Ω 1/16W J	
R2738	NRSA63J-221X	MG RESISTOR	220Ω 1/16W J	
R2739	NRSA63J-221X	MG RESISTOR	220Ω 1/16W J	
R2740	NRSA63J-221X	MG RESISTOR	220Ω 1/16W J	
R2741	NRSA63J-221X	MG RESISTOR	220Ω 1/16W J	
R2742	NRSA63J-221X	MG RESISTOR	220Ω 1/16W J	
R2743	NRSA63J-221X	MG RESISTOR	220Ω 1/16W J	
R2744	NRSA63J-221X	MG RESISTOR	220Ω 1/16W J	
R2745	NRSA63J-221X	MG RESISTOR	220Ω 1/16W J	
R2751	NRSA63J-102X	MG RESISTOR	1kΩ 1/16W J	
R2752	NRSA63J-103X	MG RESISTOR	10kΩ 1/16W J	
R2761	NRSA63J-105X	MG RESISTOR	1MΩ 1/16W J	
R2762	NRSA63J-105X	MG RESISTOR	1MΩ 1/16W J	
R2763	NRSA63J-105X	MG RESISTOR	1MΩ 1/16W J	
R2771	NRSA63J-102X	MG RESISTOR	1kΩ 1/16W J	
R2772	NRSA63J-105X	MG RESISTOR	1MΩ 1/16W J	
R2773	NRSA63J-105X	MG RESISTOR	1MΩ 1/16W J	
R2801	NRSA63J-101X	MG RESISTOR	100Ω 1/16W J	
R2802	NRSA63J-101X	MG RESISTOR	100Ω 1/16W J	
R2803	NRSA63J-101X	MG RESISTOR	100Ω 1/16W J	
R2811	NRSA63J-561X	MG RESISTOR	560Ω 1/16W J	
R2812	NRSA63J-101X	MG RESISTOR	100Ω 1/16W J	
R2813	NRSA63J-101X	MG RESISTOR	100Ω 1/16W J	
R2814	NRSA63J-101X	MG RESISTOR	100Ω 1/16W J	
R2815	NRSA63J-332X	MG RESISTOR	3.3kΩ 1/16W J	
R2816	NRSA63J-101X	MG RESISTOR	100Ω 1/16W J	
R2819	NRSA63J-561X	MG RESISTOR	560Ω 1/16W J	
R2831	NRSA63J-470X	MG RESISTOR	47Ω 1/16W J	
R2832	NRSA63J-221X	MG RESISTOR	220Ω 1/16W J	
R2833	NRSA63J-221X	MG RESISTOR	220Ω 1/16W J	
R2861	NRSA63J-221X	MG RESISTOR	220Ω 1/16W J	
R2862	NRSA63J-392X	MG RESISTOR	3.9kΩ 1/16W J	
R2863	NRSA63J-392X	MG RESISTOR	3.9kΩ 1/16W J	
R2864	NRSA63J-392X	MG RESISTOR	3.9kΩ 1/16W J	
R2866	NRSA63J-222X	MG RESISTOR	2.2kΩ 1/16W J	
R2871	NRSA63J-750X	MG RESISTOR	75Ω 1/16W J	
R2872	NRSA63J-102X	MG RESISTOR	1kΩ 1/16W J	
R2873	NRSA63J-102X	MG RESISTOR	1kΩ 1/16W J	
R2874	NRSA63J-102X	MG RESISTOR	1kΩ 1/16W J	
R2876	NRSA63J-332X	MG RESISTOR	3.3kΩ 1/16W J	
R2921	NRSA63J-182X	MG RESISTOR	1.8kΩ 1/16W J	
R2922	NRSA63J-112X	MG RESISTOR	1.1kΩ 1/16W J	
CN671	QGF1205C1-06	CONNECTOR	FFC/FPC (1-6)	
CN681	QGB2510K1-07	CONNECTOR	B-B (1-7)	
CN682	QGB1214K1-14S	CONNECTOR	B-B (1-14)	
EP681	E409182-001SM	GRAND TERMINAL		
J681	QNN0481-001	SURROUND JACK		
K2801	NQR0007-003X	FERRITE BEADS		
K2802	NQR0007-003X	FERRITE BEADS		
K2803	NQR0007-003X	FERRITE BEADS		
K2804	NQR0007-003X	FERRITE BEADS		
K2861	NQR0269-004X	FERRITE BEADS		
UN682	GP1FA553RZ	OPT RECEIVER		
UN683	GP1FA553RZ	OPT RECEIVER		
UN684	GP1FA553RZ	OPT RECEIVER		
UN686	GP1FA553TZ	OPT TRANSMITTER		
X661	QAX0722-001Z	CRYSTAL	24.576MHz	
X671	QAX0719-001Z	C RESONATOR	6.144MHz	

Packing materials and accessories parts list

Block No. M 3 M M



Packing and accessories

Block No. M 3 M M

△ Symbol No.	Part No.	Part Name	Description	Local	△ Symbol No.	Part No.	Part Name	Description	Local
A 1	LVT1170-002A	INST BOOK	ENG,FRE	7040BC	P 4	LV20948-002A	PACKING PAD(R)		
A 1	LVT1170-001B	INST BOOK	ENG	7040BJ	P 5	QPC06507015P	POLY BAG	65cm x 70cm	
A 2	EWP503-001C	ANT.WIRE			P 6	QPA02503505P	POLY BAG	25cm x 35cm	
A 3	QAL0014-001	AM LOOP ANT			P 7	LV35186-001A	CARTON SPACER		
A 4	BT-51034-1	REGISTER CARD		7040BJ					
A 5	YU20333	SAFETY INST.		7040BJ					
A 6	RM-SRX7040J	REMOCON							
A 7	-----	BATTERY	(x2)						
A 8	BT-52006-2	WARRANTY CARD		7040BC					
P 1	LV21445-015A	CARTON BOX							
P 2	LV32034-004A	SHEET	(x2)						
P 3	LV20947-001A	PACKING PAD(F)							