

064

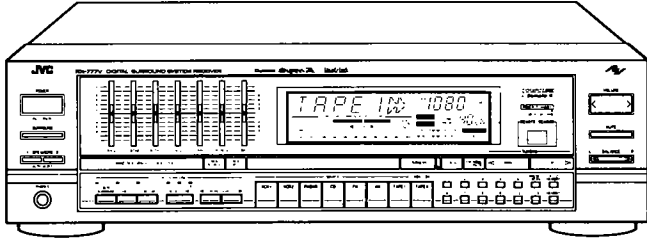
RX-777VBK
RX-777VSBK
RX-777VLBK

JVC

SERVICE MANUAL

COMPUTER CONTROLLED RECEIVER

MODEL No. **RX-777VBK**
RX-777VSBK
RX-777VLBK



Contents

Safety Precautions	1-2	Internal Wiring of LCD	1-30
Instruction Book	1-3	Remote Control Unit (RM-SR777)	1-32
Removal Procedures	1-15	Connection Diagram	1-35
FM/MW/LW Tuner Alignment Procedures	1-16	Block Diagram	Insertion
Power Amplifier Idling Current Adjustment	1-17	Schematic Diagrams	Insertion
Internal Block Diagrams of ICs	1-18	Parts List	Separate Volume Insertion

Safety Precautions

1. The design of this product contains special hardware and many circuits and components specially for safety purposes. For continued protection, no changes should be made to the original design unless authorized in writing by the manufacturer. Replacement parts must be identical to those used in the original circuits. Service should be performed by qualified personnel only.
2. Alterations of the design or circuitry of the product should not be made. Any design alterations of the product should not be made. Any design alterations or additions will void the manufacturer's warranty and will further relieve the manufacturer of responsibility for personal injury or property damage resulting therefrom.
3. Many electrical and mechanical parts in the product have special safety-related characteristics. These characteristics are often not evident from visual inspection nor can the protection afforded by them necessarily be obtained by using replacement components rated for higher voltage, wattage, etc. Replacement parts which have these special safety characteristics are identified in the Parts List of Service Manual. Electrical components having such features are identified by shading on the schematics and by (\triangle) on the Parts List in the Service Manual. The use of a substitute replacement which does not have the same safety characteristics as the recommended replacement part shown in the Parts List of Service Manual may create shock, fire, or other hazards.
4. The leads in the products are routed and dressed with ties, clamps, tubings, barriers and the like to be separated from live parts, high temperature parts, moving parts and/or sharp edges for the prevention of electric shock and fire hazard. When service is required, the original lead routing and dress should be observed, and it should be confirmed that they have been returned to normal, after re-assembling.
5. Leakage current check (Electrical shock hazard testing)
After re-assembling the product, always perform an isolation check on the exposed metal parts of the product (antenna terminals, knobs, metal cabinet, screw heads, headphone jack, control shafts, etc.) to be sure the product is safe to operate without danger of electrical shock.

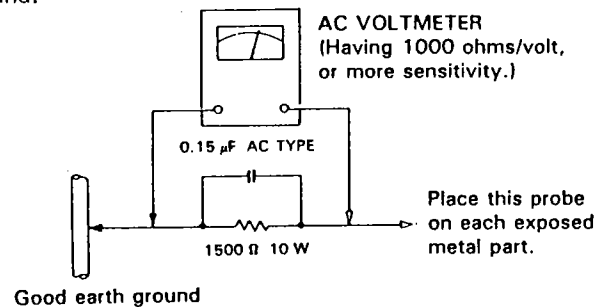
Do not use a line isolation transformer during this check.

- Plug the AC line cord directly into the AC outlet. Using a "Leakage Current Tester", measure the leakage current from each exposed metal part of the cabinet, particularly any exposed metal part having a return path to the chassis, to a known good earth ground. Any leakage current must not exceed 0.5 mA AC (r.m.s.).
- Alternate check method

Plug the AC line cord directly into the AC outlet. Use an AC voltmeter having 1,000 ohms per volt or more sensitivity in the following manner. Connect a 1,500 Ω 10 W resistor paralleled by a 0.15 μ F AC-type capacitor between an exposed metal part and a known good earth ground.

Measure the AC voltage across the resistor with the AC voltmeter.

Move the resistor connection to each exposed metal part, particularly any exposed metal part having a return path to the chassis, and measure the AC voltage across the resistor. Now, reverse the plug in the AC outlet and repeat each measurement. Any voltage measured must not exceed 0.75 V AC (r.m.s.). This corresponds to 0.5 mA AC (r.m.s.).



Warning

1. This equipment has been designed and manufactured to meet international safety standards.
2. It is the legal responsibility of the repairer to ensure that these safety standards are maintained.
3. Repairs must be made in accordance with the relevant safety standards.
4. It is essential that safety critical components are replaced by approved parts.
5. If mains voltage selector is provided, check setting for local voltage.

Instruction Book

SPECIFICATIONS

AMPLIFIER SECTION

Output power:

(CD IN → SP. OUT)

2-channel operation : **80 watts per channel, min, RMS, both channels driven into 8 ohms from 20 Hz to 20 kHz, with no more than 0.007 % total harmonic distortion**
80 watts per channel, min, RMS, both channels driven into 8 ohms at 1 kHz, with no more than 0.003 %** total harmonic distortion

4-channel operation

Front channel : **75 watts per channel, min, RMS, both channels driven into 8 ohms from 20 Hz to 20 kHz, with no more than 0.007 % total harmonic distortion**

Rear channel : 7 watts per channel, min, RMS, both channels driven into 8 ohms at 1 kHz, with no more than 0.7 % total harmonic distortion

Total harmonic distortion : 0.003 %** at 80 watts (1 kHz, 8 ohms)

Intermodulation distortion : 0.007 % at 80 watts

Input sensitivity/impedance

PHONO : 2.5 mV/47 kohms

TAPE 1 PLAY, : 220 mV/45 kohms

TAPE 2 PLAY,

CD, VCR 1 PLAY,

VCR 2 PLAY

Recording output level : 220 mV

Frequency response

PHONO

(RIAA equalization) : 20 Hz – 20 kHz ±0.5 dB

CD, TAPE 1, : 5 Hz – 50 kHz +0 dB/-1 dB

TAPE 2, VCR 1,

VCR 2

S.E.A. graphic equalizer

Center frequencies : 63 Hz, 160 Hz, 400 Hz, 1 kHz,
2.5 kHz, 6.3 kHz, 16 kHz

Control range : ±10 dB

Signal-to-noise ratio

PHONO : 71 dB ('66 IHF), 78 dB ('78 IHF)

CD, TAPE 1, : 100 dB ('66 IHF), 85 dB ('78 IHF)

TAPE 2, VCR 1,

VCR 2

FM TUNER SECTION (IHF)

Tuning range : 87.5 MHz – 108.0 MHz

Usable sensitivity : Mono 10.8 dBf, 0.9 μV/75 ohms

50 dB quieting : Mono 16.3 dBf, 1.8 μV/75 ohms

Stereo 38.3 dBf, 22.5 μV/75 ohms

Signal-to-noise ratio : Mono 82 dB

Stereo 73 dB (A-net)

Total harmonic

distortion 1 kHz : Mono 0.15 %

Stereo 0.2 %

Frequency response : 30 Hz – 15 kHz +0.5 dB/-3 dB

Capture ratio : 1.5 dB

Alternate channel : 70 dB ±400 kHz

selectivity

Image response ratio : 56 dB at 98 MHz

IF response ratio : 85 dB at 98 MHz

Stereo separation : 40 dB at 1 kHz

AM TUNER SECTION (IHF)

Tuning range : 530 kHz – 1,710 kHz

Sensitivity : 30 μV* (external),

300 μV/m* (loop antenna)

Signal-to-noise ratio : 50 dB* (100 mV/m)

Selectivity : 38 dB ±10 kHz

Image response ratio : 40 dB*

IF response ratio : 65 dB

Total harmonic : 0.5 % (100 mV/m)

distortion

VIDEO SECTION

Output signal level : 1 Vp-p (at 1 Vp-p input)

(VCR 1 REC,

VCR 2 REC,

MONITOR OUT)

Impedance : 75 ohms, unbalanced

Synchronization : Negative

Signal-to-noise ratio : 45 dB

Crosstalk : 45 dB (3.58 MHz)

GENERAL

Power requirements : AC 120 V~, 60 Hz

Power consumption : 325 watts, 425 VA

Dimensions : 17-3/16" x 5" x 15-1/8"

(W x H x D) (435 x 126 x 383 mm)

Weight : 19.9 lbs (9.0 kg)

* Measured at 1,000 kHz for IHF.

** Measured by JVC Audio Analysis System.

Design and specifications subject to change without notice.

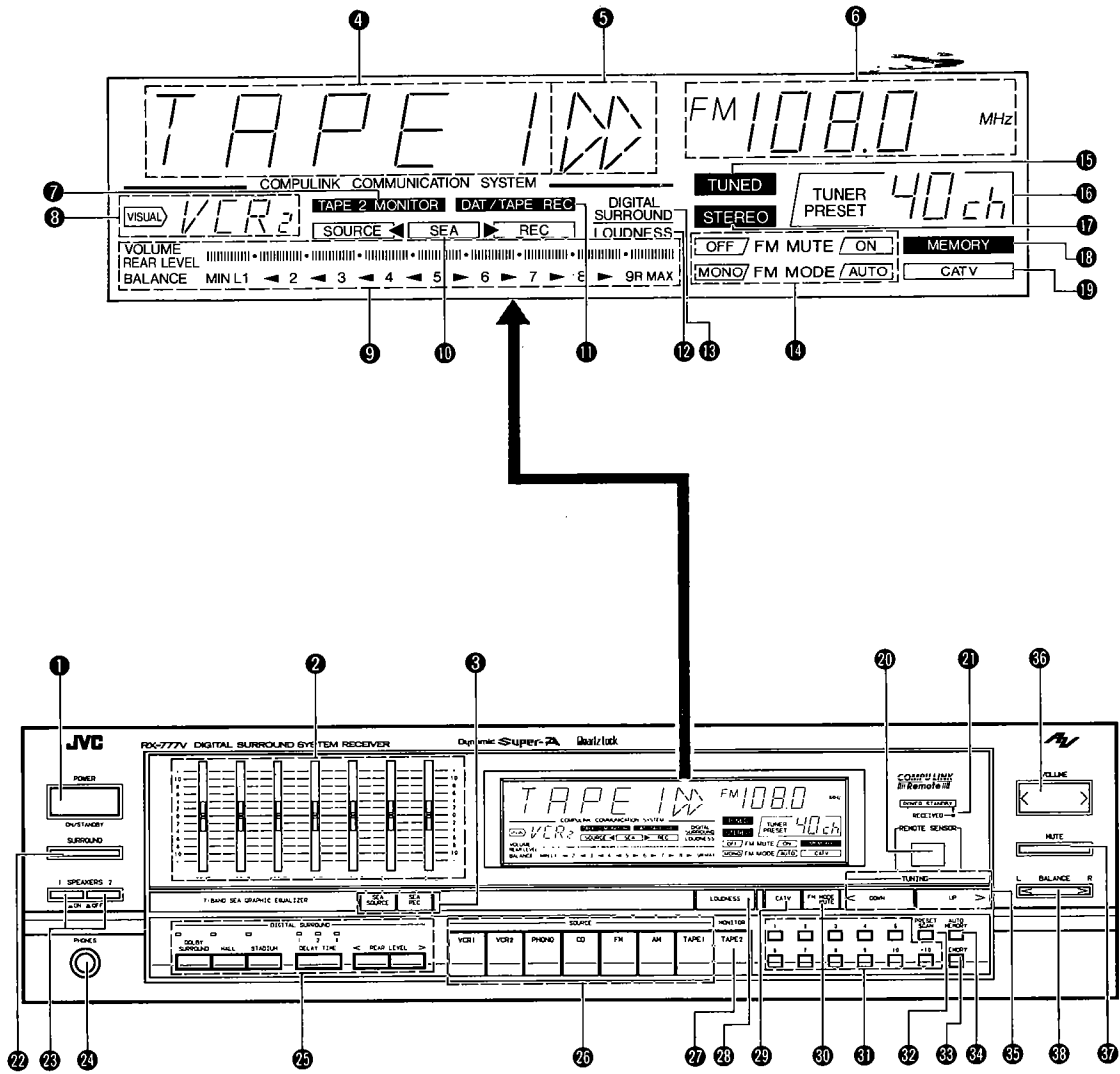


Fig. 13

JVC

SERVICE MANUAL

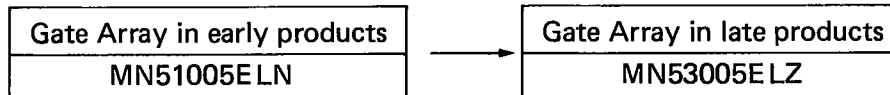
COMPUTER CONTROLLED RECEIVER

MODEL No. **RX-777VBK**
RX-777VSBK
RX-777VLBK

Supplement

Notice of the Change of Parts:

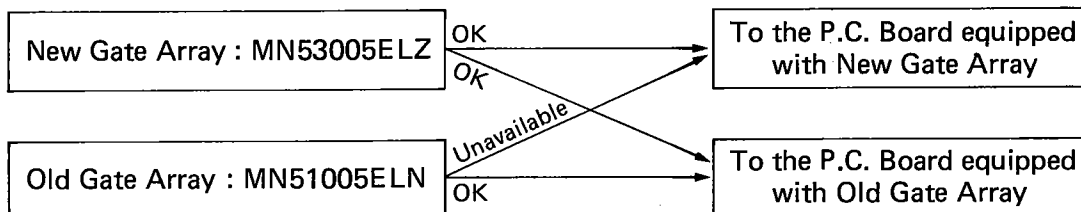
In mid course of production of the Remote Control Unit (RM-SR777), an accessory of the RX-777VBK/VSBK/VLBK, the Gate Array (IC2) installed in the RM-SR777 has been changed as follows:



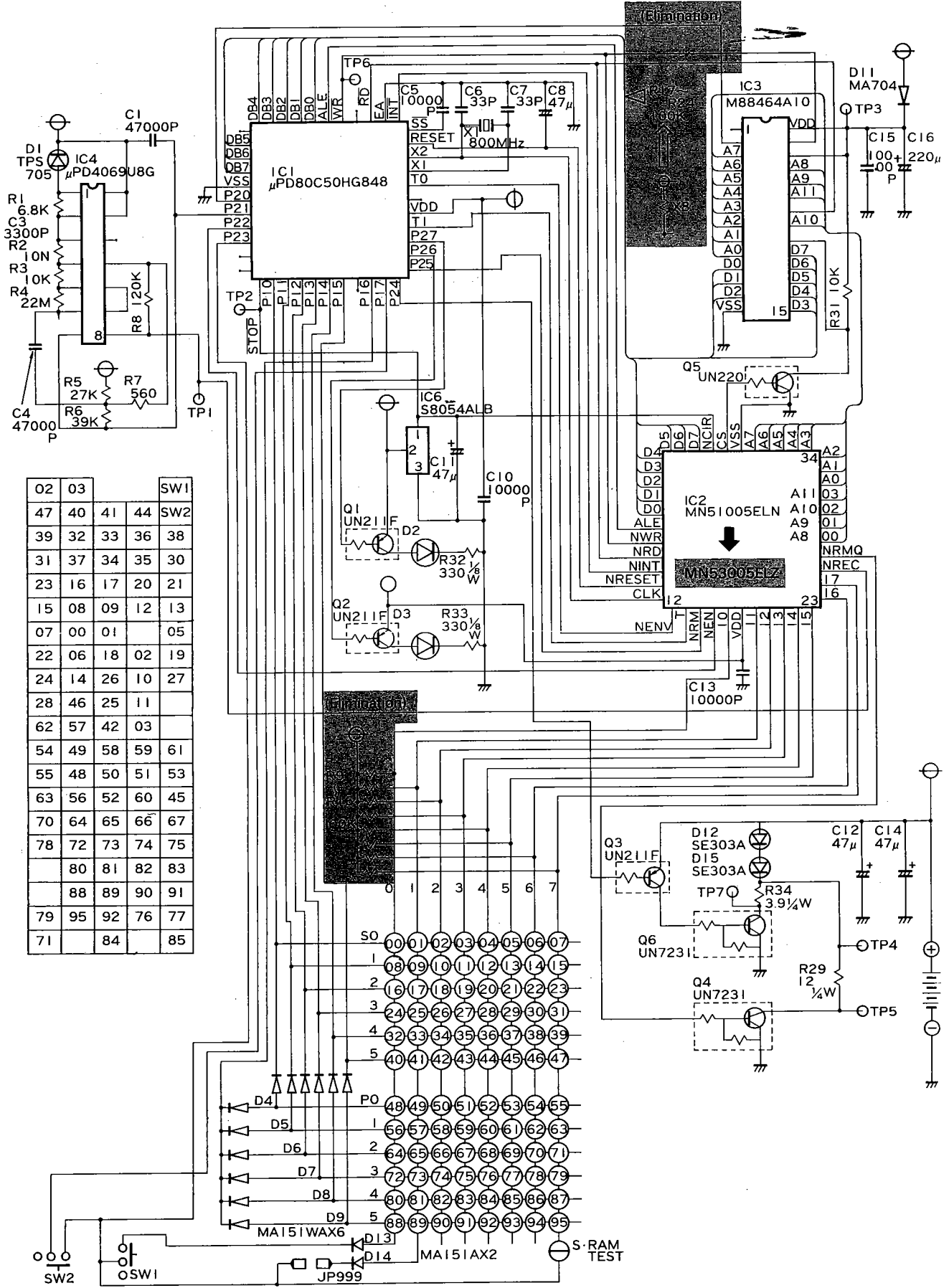
Since there are no resistors built in the previous Gate Array, the P.C. board of early products of the RM-SR777 is equipped with 16 resistors.

On the other hand, there are no resistors installed in the P.C. board of late products since resistors are built in the new Gate Array.

■ **Replaceability of New and Old Gate Arrays**



Remote Control Unit (RM-SR777)



02	03	SW1	
47	40	41	44
39	32	33	36
31	37	34	35
23	16	17	20
15	08	09	12
07	00	01	05
22	06	18	02
24	14	26	10
28	46	25	11
62	57	42	03
54	49	58	59
55	48	50	51
63	56	52	60
70	64	65	66
78	72	73	74
	80	81	82
	88	89	90
79	95	92	76
71		84	85

FRONT PANEL

1 POWER

ON: Press to turn the power on. To turn the power off, press again. Even when the power is turned off, the POWER STANDBY indicator remains lit unless the receiver is unplugged from the wall outlet.

STANDBY: Even when indicators other than POWER STANDBY are not lit, the memory circuit operates and preset and source select data, etc. are not lost and cannot be altered by accident as long as the power cord is plugged into an AC outlet. This is called the POWER STANDBY mode. The preset data and the source select data are maintained even in the case of a power failure or when the power is not applied does not exceed a couple of days.

Notes:

- Even in the POWER STANDBY mode, this receiver consumes a small amount of electricity (2 watts). To shut off the power completely, disconnect the power cord.
- **POWER STANDBY indicator:**
Connecting the power plug to the AC wall outlet causes this indicator to light, indicating that the unit has been set to the POWER STANDBY mode.
- When the power is tuned on, the operation buttons may not work correctly and abnormal indications may appear. If this happens, unplug the power cord from the AC outlet and insert it again.

2 7-BAND SEA GRAPHIC EQUALIZER

The built-in graphic equalizer divides the audio spectrum into seven frequency bands with center frequencies from 63 Hz to 16 kHz at intervals of 4/3 octave.

When the S.E.A. level is set to "0" (center position), the frequency response is flat. The response can be varied by ± 10 dB by raising or lowering the knob.

63 Hz: Raise to emphasize the very low bass response of organs, drums, and contrabass. It produces stable and solid sound with emphasis and eliminates the unclear response at low frequencies when de-emphasized.

160 Hz: Emphasize to obtain a more expanded low frequency sound. De-emphasize to eliminate unclear sound caused by large or nearly empty listening rooms.

400 Hz: This frequency range is the base on which music is constructed. Emphasize to really put a punch in your music.

1 kHz: Most effective in emphasizing or de-emphasizing the human voice. Emphasize to cause the vocalist to be brought to the foreground, or de-emphasize to cause it to recede into the background.

2.5 kHz: The human ear is most sensitive to this frequency. If the music sounds hard or metallic, de-emphasize it.

6.3 kHz: Boost to add clarity to winds and strings. This frequency band varies the tonal expression, and has most influence on the subtleties of the music.

16 kHz: Boosting this frequency range properly adds to the delicacy of highs, with cymbals and triangles resounding in a more ear-pleasing manner, and provides a feeling of extension. This frequency band can also be used to compensate for cartridge response since most moving-magnet cartridges have their resonance peaks in the frequency range from 10 kHz to 20 kHz.

3 SEA

SEA SOURCE: Press this button to listen to S.E.A.-compensated sound.

SEA REC: Press this button to record S.E.A.-compensated signals.


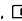
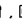



Note:

- S.E.A.-compensated sound is not available to the TAPE 2 REC, SURROUND SPEAKERS and REAR PRE OUT terminals.

4 SOURCE OPERATION indicator

This shows the audio signal selected with the source selectors, to be output from the speakers or recorded. When the MUTE button is pressed to cut the sound, "MUTE" is displayed. Pressing the button again will release the MUTE function and the source indication will be restored. When the MUTE button on the remote control unit is pressed, the display shows "MUTE"; when it is pressed again, "OFF" will be displayed. When the TAPE 2 button of the remote control unit is pressed, "ON" or "OFF" is shown: when the 10-KEY keypad is used "1" - "10", "+10" and "0" are shown in the display.

5 Operation symbol indicator

When any of the , , , , , and  buttons of the remote control unit is pressed, the corresponding indicator lights. (See page 24.)

6 FM/AM indicator

The "FM" indicator lights during FM broadcast reception, and "AM" lights during AM broadcast reception, while the frequency being received is also displayed.

7 TAPE 2 MONITOR indicator

When the TAPE 2 button has been pressed, this indicator lights.

8 VISUAL indicator

This shows when a video signal has been selected with the VIDEO source selectors, for playback or recording.

9 VOLUME/REAR LEVEL/BALANCE indicator

Normally the "VOLUME" indicator lights and the volume of the speaker or headphone sound corresponding to that set with the VOLUME buttons is displayed by the bar graph indicators.

When the REAR LEVEL buttons is pressed, the "REAR LEVEL" indicator lights, and the REAR PRE OUT level and rear speaker volume will be indicated as a proportion of the front speaker volume.

When the BALANCE button is pressed, the "BALANCE" indicator lights and the balance between the left and right channels will be indicated by the arrows.

The "REAR LEVEL" and "BALANCE" indications will last for about 5 seconds, and then the "VOLUME" display resumes.

Note:

- Even when the REAR LEVEL is set to minimum, there will be low level output sound, and the leftmost bar of the VOLUME indicator will be lit.

10 SEA indicator

When the SEA SOURCE button is pressed, "SOURCE" lights to show that the S.E.A. is processing the signals fed to the speakers or headphones.

When the SEA REC button is pressed, "REC" lights to show that the S.E.A. is processing the signals output from the REC OUT terminals.

11 DAT/TAPE REC indicator

This indicator lights for about 5 seconds when the DAT (Digital Audio Tape) deck or cassette deck enters the record mode under the control of the remote control unit.

12 LOUDNESS indicator

When the LOUDNESS button has been pressed, this indicator lights.

13 DIGITAL SURROUND indicator

This indicator lights when the SURROUND button is pressed to activate the surround mode.

14 FM MUTE/FM MODE indicator

These indicators show "AUTO/ON" or "MONO/OFF" according to the setting of the FM MODE/MUTE button.

15 TUNED indicator

When tuned to the center frequency of a broadcast, this indicator lights.

16 TUNER PRESET indicator

This shows the preset channel selected by the 10-KEY buttons, for a total of 40 FM and AM stations. It also shows the station number while programming or monitoring programmed broadcasts.

17 STEREO indicator

When an FM stereo broadcast is being received, this indicator lights. When the MODE indicator shows "MONO", it will not light even if a stereo FM broadcast is received. If you wish to receive the broadcast in stereo, press the FM MODE/MUTE button so that "AUTO" is shown.

18 MEMORY indicator

This indicator lights for about five seconds when the MEMORY button is pressed to on, and for one second when a frequency is stored in memory during auto memory operation.

19 CATV indicator

When the CATV button is pressed to on, this indicator lights to show that the receiver is set to receive CATV programs.

20 REMOTE SENSOR

This window receives signals from the remote control unit. Do not obstruct it.

21 RECEIVED/POWER STANDBY indicator

This indicator lights when a signal is received from the remote control unit. It remains lit continuously when the POWER button is off, to show that the receiver is in the POWER STANDBY mode.

22 SURROUND

Press this button when surround sound is required; the "DIGITAL SURROUND" indicator lights.

When the surround sound is not required, press this button again; the indicator goes out.

Note:

- With the SURROUND button set to off, no sound will be output from the rear speakers connected the SURROUND SPEAKERS terminals.

23 SPEAKERS

SPEAKERS 1: Press to switch the speakers connected to the SPEAKERS 1 terminals on or off.

SPEAKERS 2: Press to switch the speakers connected to the SPEAKERS 2 terminals on or off.

Note:

- When speakers are connected to only one set of SPEAKERS terminals, press only the SPEAKERS button of the system connected; If both buttons are pressed, sound will not be heard from either speaker system. When two pairs of speakers are connected and either or both the SPEAKERS buttons are pressed, sound will be heard from the speakers selected.

● **PHONES (Headphone jack)**

Plug stereo headphones into this jack for private listening and to monitor recording. If you want to listen to sound from the headphones only, press the SPEAKERS buttons to OFF.

● **DIGITAL SURROUND**

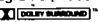
When the surround sound effect is required, first press the SURROUND button, then press any of the following buttons. The indicator above the selected button will light.


DOLBY SURROUND: Press this button when playing back a program source encoded with Dolby Surround sound. Dynamic and three-dimensional surround sound (as in a movie theater) will be obtained.

HALL: When this button is pressed while listening to a normal stereo source, the sound field will be expanded and a surround sound effect with a hall ambience will be obtained.

STADIUM: When this button is pressed while listening to a normal stereo source, a dynamic surround sound effect with the feeling of a stadium is obtained.

● **DOLBY SURROUND***

Many video programs (video tapes and video discs) available today have a  mark showing that they have been transcribed with a Dolby Stereo soundtrack. The soundtrack of these movies includes exactly the same surround sound information as the films you see in movie theaters. As the RX-777VBK/VSBK incorporates a Dolby Surround decoder circuit, you can get a similar effect to that in a movie theater equipped with Dolby Stereo, in your home. The RX-777VBK/VSBK will turn your listening room into a home movie theater!

* Manufactured under license from Dolby Laboratories Licensing Corporation. Additionally licensed under one or more of the following patents: U.S. Numbers 3,632,886, 3,746,792 and 3,959,590. "DOLBY" and the double-D symbol  are trademarks of Dolby Laboratories Licensing Corporation

DELAY TIME: This button is used to adjust the duration of reverberations so that the surround sound signal components included in the program source match the response of your listening room

Each time this button is pressed, the delay time setting is changed in the order [1 → 2 → 3]. The indicator above the number selected number will light.

1. Select this position when the listeners and the rear speakers are relatively distant from the front speakers.
2. Normally set to this position. (First select this position and play the source, then, adjust to find the most effective position for the program source.)
3. Select this position when the listeners and the rear speakers are relatively close to the front speakers.

REAR LEVEL: Adjust the level of the signal output to the REAR PRE OUT terminals and the rear speakers relative to that of the front speakers with these buttons. Press the > button to increase the relative volume level and press the < button to decrease it. The set level is shown in the display for about 5 seconds.

● **SOURCE**

— VIDEO —

VCR 1: Press this button to watch and listen to the source from the VCR connected to the VCR 1 terminals.

VCR 2: Press this button to watch and listen to the source from the VCR connected to the VCR 2 terminals.

— AUDIO —

PHONO: Press to listen to a turntable connected to the PHONO terminals.

CD: Press this button to listen to a compact disc player connected to the CD terminals.

FM: Press this button to listen to an FM broadcast.

AM: Press this button to listen to an AM broadcast.

TAPE 1: Press to listen to a tape deck connected to the TAPE 1 terminals.

● **MONITOR**

TAPE 2: Press this button to listen to a tape deck connected to the TAPE 2 terminals. If this button is pressed again, it will release this function so that the source selected by another source selected button can be heard.

● **LOUDNESS**

Press this button to compensate for the ear's lower sensitivity at low listening levels.

● **CATV**

Use this button when a separate CATV Antenna Control Unit is used. When connecting the CATV cable to receive CATV programs or if the FM antenna is connected to "CATV IN" of the CATV Antenna Control Unit for the reception of FM broadcasts, push this button so that the CATV indicator lights. Even when the CATV indicator is not lit, you can listen to broadcasts received by the antenna connected to the EXT. FM IN terminal of the CATV antenna control unit. CATV button functions can also be stored in each preset station together with the frequency.

● **FM MODE/MUTE**

For normal FM reception, for the automatic elimination of interstation noise, press this button so that FM MODE "AUTO" and FM MUTE "ON" light in the display.

When receiving a weak or noisy FM stereo broadcast, press this button so that FM MODE "MONO" and FM MUTE "OFF" light; the broadcast will be heard in mono but reception will be clearer.

● **TUNER 10-KEY (1 to 10, +10)**

Up to 40 FM and AM broadcast frequencies can be preset in this receiver's memory. After presetting, select the desired channel by inputting the preset channel number with these buttons. When selecting a preset channel numbered "1" to "10", just press the corresponding numeric button. When selecting preset channels numbered "11" or above, first press the +10 button the required number of times, then press a button from 1 to 10.

For example, to select preset channel 35, first press the +10 key three times, then press 5. Or, to select preset channel "40", press +10 key three times, then 10.

When the desired preset channel is recalled, the display shows the preset channel number and the frequency.

● **PRESET SCAN**

This lets you scan preset channels to find a broadcast you want to listen to. When the PRESET SCAN button is pressed, preset scanning starts. If you have tuned to the current station using the 10-KEY keypad, the tuner scan to the next higher preset channel and the broadcast is received for about 4 seconds with the preset channel number blinking. It then tunes to higher preset channels in sequence. When it reaches the top preset channel, it goes to the bottom channel and scans up until it reaches the original channel, at which point it stops.

If you have tuned to the current station in any other way scanning will start from preset channel 1 and finish after preset channel 40 has been received, then the broadcast being received before preset scanning was started will be heard again. When you hear a broadcast you want to listen to, press the PRESET SCAN button again to stop preset scanning.

● **MEMORY**

Press this button, and the MEMORY indicator will light to show that it is ready to receive a memory setting. Pressing the station select button while the MEMORY indicator is lit (for about five seconds) store the station in the specified memory. At this time, the channel number is shown in the display.

● **AUTO MEMORY**

Press this button and one of the PRESET CHANNEL numeric keys to scan and preset to broadcasts automatically. Starting from the frequency being displayed, the tuner will scan to higher frequencies until a broadcast is received. The TUNED indicator will light and the channel number you have pressed earlier will flicker for 3 seconds. If you do not wish to store this frequency in memory, press this button within 4 seconds, and scanning will start again. Otherwise, the MEMORY indicator and channel number will light together and the frequency will be stored in the channel memory, after which up-scanning will continue. This process continues until the preset channel with the highest frequency is stored in memory. If the frequency reaches its upper limit, the auto memory function stops and the channel number with the highest frequency in the memory will be shown. If the upper limit of the frequency band is reached before this happens, the upper limit frequency is shown. Otherwise when this process ends, the last frequency tuned to and its corresponding channel number are displayed.

Note:

- To cancel the auto memory function, press any of the buttons in the tuner section other than the AUTO MEMORY button.

● **TUNING DOWN/UP**

DOWN (<): Press this button to tune to a lower frequency.

UP (>): Press this button to tune to a higher frequency.

Holding either button pressed for more than 1 second and then releasing it starts auto tuning. When a broadcast is received, tuning will stop. If either button is held down, scanning will continue even when a broadcast is received. In auto tuning, pressing either button stops scanning. When tuning toward higher frequencies, if the upper limit frequency is reached, the frequency will change to the lower limit and then auto tuning restarts in the direction of increasing frequencies. When tuning toward lower frequencies, if the lower limit is reached, the frequency will change to the upper limit and auto tuning restarts in the direction of lower frequencies. The same operation is also performed in AM tuning.

Each time these buttons are tapped, the FM frequency will change in 100 kHz steps, and the AM frequency in 10 kHz steps.

② VOLUME

Adjust the volume of speakers or headphones with this button. Press the > (up) side once to increase the volume by one step, and the < (down) side once to decrease it by one step; this level is shown by the VOLUME indicator. Holding down either side of this button will cause the volume to rise or fall continuously.

③ MUTE

Press this button and the MUTE indicator will light and

the sound will be muted instantaneously. To restore the volume to its original level, press this button again, or press the BALANCE or VOLUME button.

④ BALANCE

Use to adjust the balance between the left and right speakers. Tap the L side to shift the balance to the left by one step and the R side to shift to the right. Holding the button pressed changes the balance continuously. The BALANCE indicator in the display shows the current balance setting.

Notes:

- Connect the video and audio signal cords of the video unit to the **AUDIO** and **VIDEO** terminals of this unit. If a unit other than a video unit is connected, connect it to the **AUDIO** terminals only.

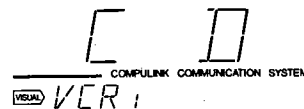


Fig. 14

OPERATION

Before use

Connect each component correctly, and then plug the power cord into an AC wall outlet.

Basic operation

1. Press the POWER button to on.
2. Select the speaker system with the SPEAKERS buttons.
3. Proceed through the steps described below, as required.
4. Adjust the volume and the balance to your requirement.
5. Use the SEA buttons to obtain the tone you want to hear.
6. When a surround sound effect is required, press the SURROUND button and related buttons. (Refer to page 13.)

Presetting to selected stations (FM, AM or CATV)

There are two ways to preset stations using the TUNING buttons: A. AUTO TUNING/MANUAL TUNING, B. AUTO MEMORY FUNCTION.

A. — AUTO TUNING/MANUAL TUNING —

- (Refer to ② TUNING DOWN/UP buttons.)
1. Press the FM or AM button.
When tuning to a CATV FM broadcast, press the FM button, then the CATV button.
 2. Tune to a station by pressing the TUNING DOWN/UP button for auto tuning or tapping it for manual tuning.
 3. Press the MEMORY button so that the MEMORY indicator lights.
 4. Press any of the TUNER 10-KEY keypad buttons to be stored in memory as the preset channel number.
 5. Perform the same pre-tuning procedure (steps 2, 3, 4) for the remaining channels.
Up to 40 stations can be preset for FM and AM stations in total.

B. — How to operate the AUTO MEMORY FUNCTION —

- (Refer to ③ AUTO MEMORY button.)
1. Press the FM or AM button.
When tuning to a CATV FM broadcast, press the FM button, then the CATV button.
 2. Display the frequency from which scanning is to start using the TUNING DOWN/UP button.
 3. Press the AUTO MEMORY button and one of the 10-KEY buttons. The MEMORY indicator flickers and auto scanning starts from the displayed frequency towards higher frequencies. When a broadcast is received, the TUNED indicator lights and the selected station number flashes. If you do not press the AUTO MEMORY button again, the MEMORY indicator and the channel number light together and the frequency is stored in memory. This continues until the preset channel with the highest number has a frequency in its memory or auto scanning reaches the highest frequency.

Listening to broadcasts

1. Press the FM or AM button so that the "FM" or "AM" is displayed in the SOURCE OPERATION indicator.
2. Select the desired preset channel by pressing the TUNER 10-KEY buttons. The channel number corresponding to the buttons pressed is shown in the display.

Notes:

- Adjust the antenna so that the "TUNED" indicator is lit.
- When FM broadcast signals are too weak to be received satisfactorily, press the FM MODE/MUTE button so "MONO/OFF" is shown.
- For the reception of AM broadcasts, set the loop antenna to the position where reception is best.
- Before listening to broadcasts, first preset the stations correctly; if they are not pre-tuning accurately, reception will be noisy.

Listening to records

1. Press the PHONO button so that the "PHONO" is displayed in the SOURCE OPERATION indicator.
2. Operate the turntable as described in its operation manual.

Notes:

- Use a turntable with an MM (moving magnet) cartridge.
- If your turntable has a separate ground lead, connect it to the rear panel GND terminal.

Listening to CD

1. Press the CD button so that the "CD" is displayed in the SOURCE OPERATION indicator.
2. Operate the CD player as described in its operation manual.

Listening to tapes

1. Press the TAPE 1 or 2 button so that the "TAPE 1" is displayed in the SOURCE OPERATION indicator or the "TAPE 2 MONITOR" indicator lights.
2. Operate the tape deck for playback as described in its operation manual.

Watching and listening to VCR 1 (VCR 2)

1. Press the VCR 1 (VCR 2) button so that the SOURCE OPERATION and VISUAL indicators light and "VCR 1" ("VCR 2") is shown with each one.
2. Operate the video unit as described in its operation manual.

Listening to another audio source, while watching VCR 1 (VCR 2) (Fig. 14)

When you want to listen to an audio source while watching VCR 1 (VCR 2), press the ④ VIDEO SOURCE button to watch a video source (such as VCR 1) and then the ⑤ AUDIO SOURCE button to hear an audio source (such as a CD). By doing so, you can enjoy the picture of VCR 1 and the sound of a CD.

Recording tapes

— Recording from records —

1. Press the PHONO button so that the "PHONO" is displayed in the SOURCE OPERATION indicator.
2. Operate the turntable.
3. Operate the tape deck for recording.

— Recording from other sources (CD, FM, AM, VCR 1, VCR 2) —

Press the button corresponding to the source to be recorded. All other operations are identical to those when recording from records.

Notes:

- The sound you hear from the speakers or headphones is the source sound (record playback sound in this case), not the signal recorded on the tape.

— How to operate the monitor while recording onto a tape deck —

1. Connect a 3-head tape deck to the TAPE 2 terminals.
2. Make sure that the signal cords are connected to the PLAY and REC terminals, and remove the remote cable connected to the tape deck.
3. Select the source from which you want to record by depressing the corresponding SOURCE select button.
4. Operate the tape deck for recording as described in its operation manual.
5. By playing the source component, you can record on the tape deck.
6. While recording on the tape deck, the recorded sound can be heard by pressing the TAPE 2 button on the front panel or remote control unit.

Tape dubbing

To perform tape dubbing, two tape recorders should be connected, one to the TAPE 1 terminals (called the "No. 1" tape deck) and another to the TAPE 2 (called the "No. 2" tape deck).

— Dubbing from deck No. 1 to deck No. 2 —

1. Press the TAPE 1 button. Sound can be monitored through speakers or headphones.
2. Operate the No. 2 tape deck for recording.
3. Operate the No. 1 tape deck for playback.

— Dubbing from deck No. 2 to deck No. 1 —

1. Press the TAPE 2 button. Sound can be monitored through speakers or headphones.
2. Operate the No. 1 tape deck for recording.
3. Operate the No. 2 tape deck for playback.

Notes:

- When dubbing from the tape deck (connected to the TAPE 2 terminals) onto the other tape deck, select a button other than "TAPE 1".
- When dubbing the SOUND signal from the No. 2 tape deck to VCR 1 or VCR 2, use a selector other than "VCR 1" or "VCR 2".
- While playing back a tape on the tape deck (connected to the TAPE 2 terminals), you cannot record other source sounds onto components connected to the REC terminals of TAPE 1, VCR 1 and VCR 2.
- During dubbing, S.E.A. recording onto TAPE 2 is impossible.
- Dubbing is possible between any of TAPE 1, VCR 1 and VCR 2, and S.E.A. recording is also possible.
- Dubbing from VCR 1 to VCR 2 or from VCR 2 to VCR 1 is also possible. In this case, press the source side button (VCR 1 or VCR 2).

Using stereo headphones

Stereo headphones can be plugged into the front panel PHONES jack. The signal from this jack is independent of the speakers.

1. Plug the stereo headphones into the PHONES jack for private listening.
2. To listen through headphones while listening to the speakers, press the appropriate SPEAKERS button to ON ().

Note:


- Pull out the headphone plug when not in use.

How to perform surround sound play

Place the front and rear speaker systems appropriately referring to "Examples of Speaker Placement in Surround Sound System" on page 14.

1. Press the SURROUND button so that the "DIGITAL SURROUND" indicator lights.
2. Press the desired surround selector mode button (DOLBY SURROUND, HALL or STADIUM).

Note:

- When playing a video program source with a  mark on its case, press the DOLBY SURROUND button, and when playing back a normal stereo source, press the HALL or STADIUM button.

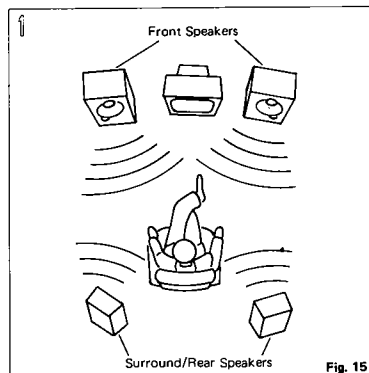
3. Set the delay time appropriately with the DELAY TIME buttons.
4. Play back the program source.
5. Adjust the overall volume level of the front and rear speakers with the VOLUME button, then adjust the relative volume of the rear speakers with the REAR LEVEL buttons.

Notes:

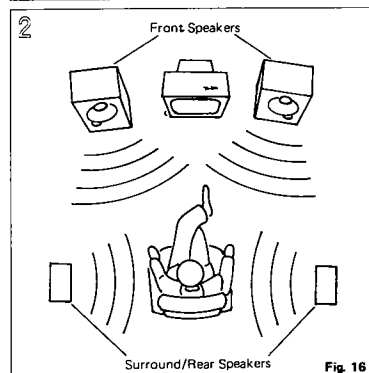
- For details of buttons and indicators in the above operations, refer to the description of the "Front Panel" section.
- When playing back or recording in the DOLBY SURROUND mode, be sure to set the SEA buttons to OFF to obtain the original information included in the program correctly.

EXAMPLES OF SPEAKER PLACEMENT IN SURROUND SOUND SYSTEM

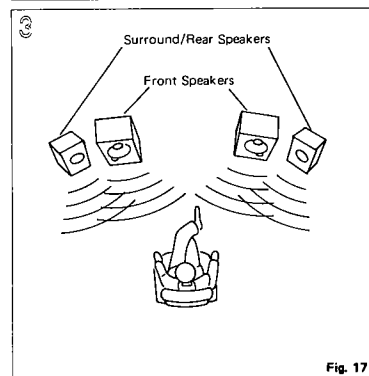
The following diagrams are typical examples for surround sound reproduction.



1. A standard speaker arrangement for surround sound reproduction. This configuration gives most effective surround sound with enriched "presence". Most suitable for playing program sources encoded with Dolby Surround sound.



2. Place the surround speakers at the left and right sides of the listening position. With this configuration, the separation between the front and rear may be slightly decreased, however, the extension of the sound field will be much wider. With this placement, set the surround speakers so they are higher than listeners' ears and direct them slightly downward to get a wider sound field.



3. Place four speakers in front of the listening position. Although the feeling of movement will be slightly decreased when playing video programs, it gives more natural width to the sound field. This is suitable when you want a stable sound field (or "presence"), especially when playing normal stereo audio sources.

Note:

- If the walls are made of hard wood or plaster, when the surround speakers are placed facing towards the walls (reversing the placement illustrated in the above examples 2 or 3), a more favorable effect may be obtained.

Movie programs, etc. encoded with the Dolby Surround system are produced so that the volume balance between the front channels and the surround channels is set by the producer of the individual movie. For this reason, it is recommended that you do not set the level of the surround channel too high, to obtain a Dolby Surround sound effect which is closer to that intended.

REMOTE CONTROL UNIT (RM-SR777/RM-SR777S)

Refer to page 23 and keep it open.

(RM-SR777 only)

The RM-SR777 remote control unit can be programmed to perform up to 48 operations of other remote control units, even from other manufacturers, so that it can be used in place of these other remote controls. For more details, refer to page 18.

1 USE/LEARN switch

When programming the remote control, set this switch to the LEARN position. Later, when recalling functions, set it to USE.

2 ERROR indicator (Red)

This indicator lights when checking memorized key functions, or when a key is pressed by mistake.

3 SEND/LEARN indicator (Green)

In the normal operation mode (with the USE/LEARN switch set to USE), this indicator lights to show that a command has been transmitted.

In the LEARN mode, programming should be performed while this indicator is blinking. It goes out when the operation has been completed.

4 1/2 (Learning key mode select switch)

The "A" to "X" keys can be programmed with a maximum of 24 functions independently with this switch set to 1 and 2, for a total of 48 functions.

5 Learning keys

Each of these 24 keys can be programmed with the functions of another remote control. With two switch setting, up to 48 functions can be held in the memory of this remote control unit.

(Common to RM-SR777/RM-SR777S)

6 POWER

AUDIO: Press this button to switch the RX-777VBK/RX-777VSBK's power on or off.

TV: For use with a TV. Press this button to switch the TV's power on or off.

VCR: For use with a VCR. Press this button to switch the VCR's power on or off.

Notes:

- Provided one of JVC-specified VCRs and TVs is used, it can be remote-controlled.
- Before operating the television or VCR by remote control, be sure to read the television or VCR instruction manual carefully.

7 SLEEP (SLEEP TIMER)

When this button is pressed, its indicator lights. Each time this button is pressed, the sleep timer's setting increases in 10-minute increments up to 80 minutes. The time set is shown on the display of the RX-777VBK/RX-777VSBK.

Note:

- The sleep timer set time and the time remaining before power will be switched off are shown in the display.

8 PLAY MODE

Press one of these buttons to select a JVC CD AUTO CHANGER.

CONTINUE: Press this button to listen to compact discs loaded in the CD magazine in numerical order regardless of the programmed playback setting.

PRGM: Press this button to listen to the compact discs in programmed order.

MAG. PRGM: Press this button to listen to the compact discs in the order of the program previously stored for each magazine. When any play MODE button is pressed, "MODE" is shown in the display.

9 CD CHANGER

These buttons are for use when a disc or track number is to be specified. After pressing one of these buttons, specify the disc or track number with the 10-KEY buttons.

DISC: To specify a disc No., press this button then press the 10-KEY buttons (1 - 7/P) corresponding to the disc. When the 10-KEY buttons are pressed, "-1-" ... "-P-" will be shown in the display.

TRACK: To specify a track No., press this button first then press 10-KEY buttons (1 - 10, +10, 0) corresponding to the track. When the 10-KEY buttons are pressed, "1", ... "10", "+10", "0" will be shown in the display.

Notes:

- To play a compact disc, press 9 > button.
- For details of the CD auto changer, refer to its instruction book.

10 FM

Press this button to listen to an FM broadcast.

11 AM

Press this button to listen to an AM broadcast.

12 VCR 1

Press this button to play (listen to and watch) a VCR connected to the VCR 1 terminals.

13 VCR 2

Press this button to play (listen to and watch) the VCR connected to the VCR 2 terminals.

14 TV CH

Press this button then use 10-KEY buttons (1 - 9, 0) to select the channel.

15 10-KEY (1 - 10, 0, +10)

These buttons are used for direct access to FM/AM preset channels, or TV channels or VCR channels, as well as to select the track No. of compact discs, the disc No. of the CD changer or the tune number of DAT tape.

FM/AM: After the 10 FM or 11 AM button has been pressed, select the required preset channel. The 0 button is not used at this time. When selecting preset channel 10 or higher, first press the +10 button the required number of times, then one of the 1 to 10 buttons. (See Ex. 1)

CD/DAT: After pressing the 9 CD or 9 DAT button select the track No. or tune No. to be listened to or to be programmed.

When selecting a track, or tune with a number of 10 or higher, first press the +10 button the required number of times, then one of the 1 to 10 buttons. (See Ex. 1)

Notes:

- With certain CD players and DAT decks, the track or tune number is selected using buttons from 1 to 9 and 0. In such a case, to select "6" (for example), press 6. To select "23", press 2, then 3.
- For details of operation, refer to the instruction book provided with the CD player or DAT deck.

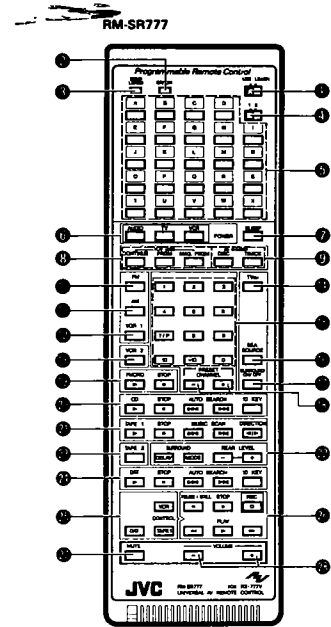


Fig. 22

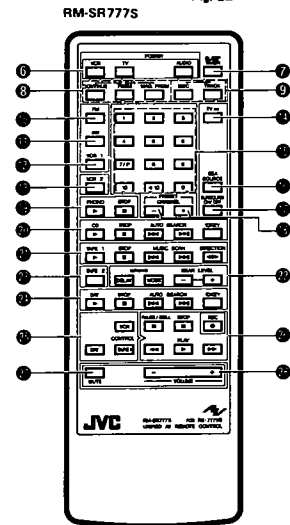


Fig. 23

< Examples 1 >

- 5: Press [5].
- 10: Press [10].
- 17: Press [+10] once, then press [7].
- 20: Press [+10] once, then press [10].
- 25: Press [+10] twice, then press [5].

TV/VCR 1: After pressing the [TV CH] or [VCR 1] button, select the required channel using buttons [1] to [9] and [0]. Depending on the VCR or TV used, it may be necessary to press the [0] button first to select a one-digit number. (See Ex. 2)

Note:

- For details of operation, refer to the instruction book of the VCR or TV.

< Examples 2 >

- 4: Press [4]. Or, press [0] then [4].
- 13: Press [1], then [3].

● **SEA SOURCE**

Press this button to listen to the source with S.E.A. compensation. When the SEA SOURCE button is pressed, "ON" is shown and the "SOURCE" indicator lights; when it is pressed again, "OFF" is shown and "SOURCE" goes out.

● **SURROUND ON/OFF**

Press this button to switch the SURROUND function "ON" and "OFF". When the SURROUND ON/OFF button is pressed once, "ON" is shown and "DIGITAL SURROUND" indicator lights in the display; when it is pressed again, "OFF" is shown and "DIGITAL SURROUND" goes out.

● **PRESET CHANNEL** [PRESET], [PRESET]

When the FM, AM, TV CH or VCR 1 button has been pressed; preset stations or TV channels can be selected by using these buttons to scan the available stations or channels in either direction.

● **PHONO**

PHONO [PHONO]: Press this button to switch the source to "PHONO" and to start playing a record.
STOP [STOP]: Press this button to stop playing the record.

Note:

- When the [PHONO] or [STOP] button is pressed, the corresponding symbol is shown in the display.

● **CD**

CD [CD]: Press this button to switch the source to "CD" and to start playing a compact disc.
STOP [STOP]: Press this button to stop playing the compact disc.

AUTO SEARCH:

[REVERSE]: Press this button to move the pickup back to the beginning of the current tune. Each time the button is pressed, the pickup will skip to the beginning of the previous tune. Keeping this button pressed causes the pickup to skip back continuously.

[NEXT]: Press this button to move the pickup to the beginning of the next tune. Each time this button is pressed, the pickup moves forward by one tune. Keeping this button pressed causes the pickup to skip forward continuously.

10 KEY: Press this button to use the [10-KEY] buttons to select the CD track No.

Note:

- When the [PHONO], [CD], [REVERSE] or [NEXT] button is pressed, the corresponding symbol is shown in the display.

● **TAPE 1**

TAPE 1 [TAPE 1]: Press this button to switch the source to "TAPE 1" and to start playing a tape in the TAPE 1 cassette deck.

STOP [STOP]: Press this button to stop the cassette deck.

MUSIC SCAN:

[REVERSE]: Press this button to select the tune by fast-winding the tape from right to left.

[NEXT]: Press this button to select the tune by fast-winding the tape from left to right.

DIRECTION [DIRECTION]: Press this button to change the direction of tape travel.

Note:

- When the [PHONO], [CD], [REVERSE] or [NEXT] button is pressed, the corresponding symbol is shown in the display.

● **SURROUND**

For the surround sound effect, first press [SURROUND ON/OFF] button to activate surround sound circuit, then use these buttons.

[DELAY]: Each time this button is pressed, the delay time setting is changed in the order [1] → [2] → [3].

[MODE]: Each time this button is pressed, the surround mode is changed in the order [DOLBY SURROUND] → [HALL] → [STADIUM].

The display shows [DOLBY] → [HALL] → [STADIUM] in order.

REAR LEVEL [REAR LEVEL], [REAR LEVEL]: Adjust the relative volume of the rear speakers with these buttons. Press the [REAR LEVEL+] button to increase the volume, and press the [REAR LEVEL-] button decrease it.

Note:

- Setting using these buttons will be shown in the display, in the same way as when operating the front panel controls. For details, refer to the description of the front panel.

● **TAPE 2**

Press this button to listen to the source connected to the TAPE 2 terminals, and press it again to disengage the source.

Note:

- The operating indications "ON" or "OFF" will be shown in the display.

● **DAT**

DAT [DAT]: Press this button to start a digital audio tape.
STOP [STOP]: Press this button to stop a digital audio tape.

AUTO SEARCH:

[REVERSE]: Press this button to select the beginning of the current tune.

[NEXT]: Press this button to select the beginning of the next tune.

10-KEY: Press this button to use the [10-KEY] buttons to select a DAT track.

Notes:

- Connect a DAT deck to the TAPE 2 terminals of the receiver.

- When operating the DAT deck, press [TAPE 2] button first, then press [DAT] operation buttons, or [CONTROL/DAT] buttons ([REVERSE], [NEXT]).

- When the [REVERSE], [CD], [REVERSE] or [NEXT] button is pressed, the corresponding symbol is shown in the display.

- The [REVERSE] and [NEXT] buttons of this unit have the same function as the [REVERSE] and [NEXT] buttons on the DAT deck.

● **CONTROL**

VCR: Press this button to operate the VCR connected to the VCR 1 or 2 terminals.

TAPE 1: Press this button to operate the cassette deck connected to the TAPE 1 terminals.

DAT: Press this button to operate the digital audio tape deck connected to the TAPE 2 terminals.

● **TAPE 1/VCR/DAT CONTROL**

PAUSE/STILL [PAUSE/STILL]: Press this button to pause during playback or recording. To release, press the [PLAY] button.

STOP [STOP]: Press this button to stop operation.

REC [REC]: Press the [PLAY] button while pressing this button to start recording.

When TAPE 1 or DAT is selected, the "DAT/TAPE REC" indicator lights for about 5 seconds.

[REVERSE]: For a cassette deck or DAT deck: Press this button to quickly wind the tape from right to left.

For a VCR: Press this button to set from the stop mode to the rewind mode. During playback, press this button for high-speed playback in the reverse direction (Shuttle search).

PLAY [PLAY]: Press this button to play a tape.

[NEXT]: For a cassette deck or DAT deck: Press this button to quickly wind the tape from left to right.

For a VCR: Press this button to transfer from the stop mode to the fast-forward mode. During playback, press this button for high-speed playback in the forward direction (Shuttle search).

Note:

- The symbols corresponding to the buttons [REVERSE], [CD], [REVERSE] and [NEXT] will be shown in the display. They are not shown in the case of a VCR.

● **MUTE**

Press this button to instantly mute the sound. To return the volume to its original level, press this button again, or press the [BALANCE] or [VOLUME] button.

Note:

- The operating indications of VOL "+", VOL "-" and "MUTE", "OFF" will be shown in the display.

● **VOLUME** [VOLUME], [VOLUME]

Press the [VOLUME+] button to increase the volume and the [VOLUME-] button to decrease it.

Batteries

● **How to install batteries (Fig. 18/19)**

1. Slide the cover of the battery case in the direction of the arrow to remove it.

2. Install the batteries with the correct polarity. (It is recommended that the batteries with a longer service life are used for the RM-SR777.)

The following batteries are required for the remote control unit.

- * RM-SR777 (provided with the RX-777VBK): "AAA" x 4
- * RM-SR777S (provided with the RX-777VSBK): "AA" x 2

3. Re-install the cover of the battery case.

● **How to use the batteries**

Improper use of the batteries can cause leakage or damage. So, take the following precautions:

1. Install batteries with their polarities properly placed.
2. Do not mix new and used batteries.
3. Use the same brand and type of batteries because otherwise the voltages may differ slightly.
4. If the remote control unit will not be used for a long time remove the batteries. Also, follow the instructions on the batteries.

● **When to replace batteries**

When the distance from which you can use the remote control unit becomes shorter, replace both batteries.

Notes:

- If the remote control is used too near the receiver during AM reception, it may cause interference.
- The remote control can normally be used up to about 8 m (26 ft) from the receiver.
- When replacing the batteries for the RM-SR777, do it in less than 3 minutes or the contents of memory will be lost.

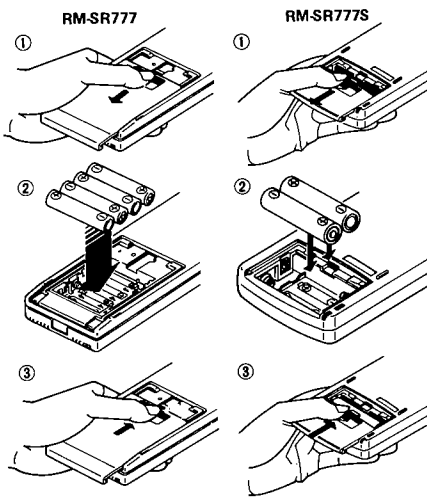


Fig. 18

Fig. 19

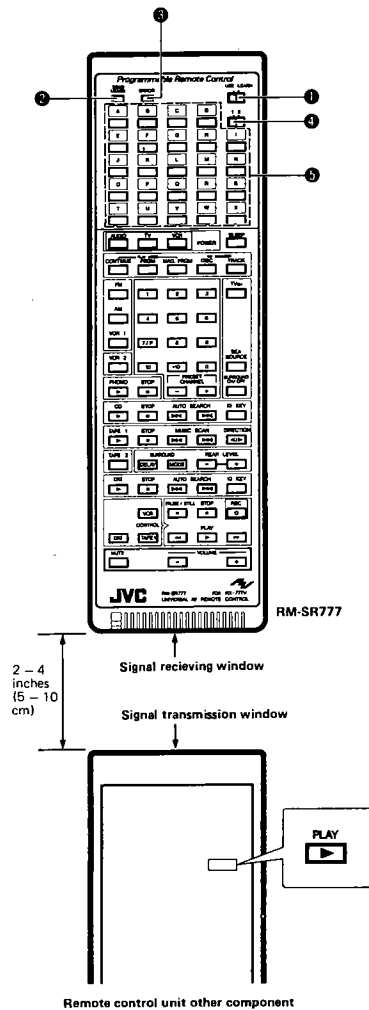


Fig. 20

How to program key functions (RM-SR777)

The functions of remote control units from other manufacturers can be memorized (programmed) by the RM-SR777. Learning buttons "A" to "X" can be programmed with up to 24 key functions, with the mode select switch 1 set to 1 and 2, for a total of 48 key functions.

Example: For button "A", Mode 1, to memorize the "PLAY" control function of a remote control unit.

1. Select Mode 1 with 1 Mode select switch.
2. Set the 1 USE/LEARN switch to the LEARN position.
3. Put the two remote controls on a table with the transmission window of the remote control the functions of which are to be learned against the signal receiving window at the rear of the RM-SR777. Leave a distance of about 2 - 4 inches (5 - 10 cm) between them.
4. Press button "A" of the RM-SR777 and release it. The SEND/LEARN indicator will blink. (If 3 ERROR indicator lights at the same time, a function has already been memorized in 1 "A". At this time, if the button is depressed continuously, the previously memorized function will be erased and it will be ready to memorize the new function. If the previous function is still required, select another button, 4 "B" to "X".)
5. While the SEND/LEARN indicator is blinking (for about 10 seconds), press the button of the other remote control unit the function of which is to be memorized ("PLAY" in this case).

When memorizing a setting, both the ERROR and SEND/LEARN indicators light. If the ERROR indicator goes out and only the SEND/LEARN indicator remains lit, it shows that the memorizing operation has been completed.

Keep pressing the button of the other remote control unit while the ERROR indicator is lit.

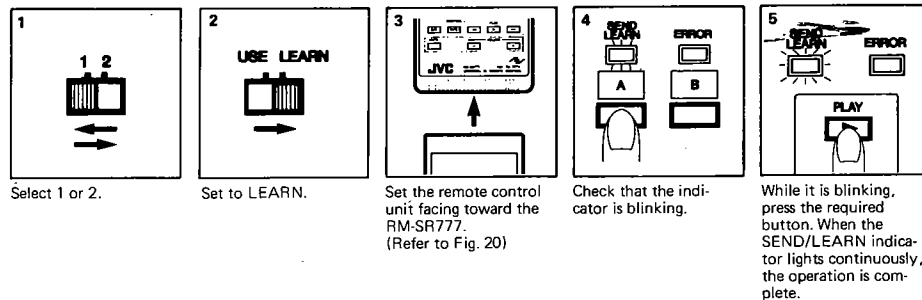
At this time, if the SEND/LEARN indicator does not blink and only the ERROR indicator lights, the operation has not been completed. After the indicator goes out, retry the operation from step 4.

6. To memorize other functions into other learning buttons of the RM-SR777, repeat steps 4 and 5 after the SEND/LEARN indicator has gone out.
7. To operate these buttons after the memorizing operation is complete, set the 1 USE/LEARN switch to the USE position. Also, when functions have been memorized in both Modes 1 and 2, first set 1 mode select switch to the required mode, then press the desired button.

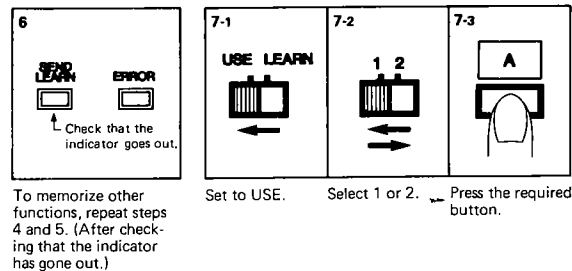
Notes:

- In step 4, if the ERROR indicator lights when one of the learning buttons is pressed, it shows that the incorrect button has been pressed. Select another button.
- In step 5, be sure to perform the memorizing operation while the SEND/LEARN indicator is blinking (for about 10 seconds). After the indicator goes out, the memorizing operation is impossible. In such a case, repeat operations from step 4.
- With certain remote control units, functions may not be memorized correctly by the RM-SR777.

How to memorize



How to operate



CAUTION:

If two or more of the learning buttons in which the functions have already been programmed are pressed simultaneously, there will be no operation.
 Example: After programming the REC key function into the "A" button, and the PLAY key function into the "B" button, if buttons "A" and "B" are pressed simultaneously, recording will not start.
 When programming a function requiring two buttons to be pressed at the same time, such as REC + PLAY, or REC + PAUSE, press the two buttons simultaneously in Step 5 to store the two functions in one of the learning buttons.
 • When programming two or more functions into one button, pay special attention during the operation in Step 7-3. If PLAY functions are programmed, the contents of the recorded tape will be erased when the button is pressed.

Indicator lighting

: Blinks : Lights continuously : Does not light

Button on RM-SR777	Button on other remote control	SEND/LEARN indicator	ERROR indicator	Status
Step 4 	—			Button in which no function has been memorized
Step 4 	—			Button in which a function has been memorized
—	Step 5 			While memorizing a setting
				Memorizing complete
				Memorizing incomplete
	—			Incorrect button is pressed

How to use the function seals and template (Fig. 21)

The function identification seals and the template are provided for use with the RM-SR777.
 Use them referring to Fig. 21, as required.

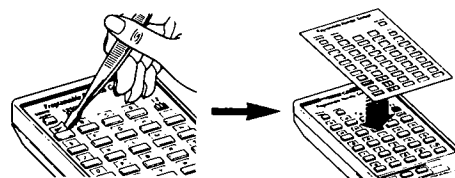


Fig. 21

OPERATION WITH THE REMOTE CONTROL UNIT (RM-SR777/RM-SR777S)

Refer to page 23 for the diagrams.

- A "COMPU LINK" component (such as an amplifier, receiver, tuner, CD player, cassette deck, turntable or DAT deck) has one or two COMPU LINK-1/SYNCHRO jacks on its rear panel.
 - The RM-SR777/RM-SR777S Remote Control Unit can be used to operate any "COMPU LINK" components connected to the receiver, without you having to press any front panel buttons.
 - For example, when the CD player "PLAY" button on the remote control unit is pressed, the CD player starts playing automatically while the previous program source component stops automatically.
 - Point the RM-SR777/RM-SR777S at the REMOTE SENSOR window of the receiver (RX-777VBK/RX-777VSBK) when using it.
- If the signal from the RM-SR777/RM-SR777S requires two or more components to operate simultaneously, the operation may be slightly delayed.
- If this happens, keep the button depressed until the required components begin operation.
- Certain other components receive signals directly from the remote control; if these are too far from the receiver, it may be difficult for them to detect signals from the RM-SR777/RM-SR777S.
- In this case, point the RM-SR777/RM-SR777S at the remote sensors of these components, and press the button again.
- Since the RM-SR777/RM-SR777S does not have buttons for the programming of preset stations or CD tracks, programming the tuner or CD player, etc. must be performed using the receiver or CD player's front panel buttons.

To listen to an FM or AM broadcast (Fig. 24)

1. **FM** or **AM**: Pressing this button (FM or AM) sets the **10-KEY** buttons (**1** - **10** , **10**) to the FM or AM mode.
 2. **10-KEY** (**1** - **10** , **10**): For preset channels that the tuner is programmed to receive, check the number of the required channel, and press the button corresponding to that channel.
- For operation of the 10 KEY-buttons, refer to the item **10-KEY** in the "Remote Control Unit" section.
3. **PRESET CHANNEL** (**1** , **2**): These buttons are to access adjacent channels below and above the current channel.

To watch and listen to a VCR (Fig. 25)

- Press the POWER button of the VCR to ON.
 - Point the top (transmission window) of the RM-SR777/RM-SR777S at the VCR's remote sensor.
1. Press the **VCR 1** or **VCR 2** button.
- Note:**
- The **10-KEY** and **PRESET CHANNEL** (**1** , **2**) buttons are set to the VCR mode automatically.
2. **10-KEY** (**1** - **9** , **0**) (When you select VCR with the remote control):
Press the required button to select the VCR channel.
For operation of the 10-KEY buttons, refer to the item **10-KEY** in the "Remote Control Unit" section.

3. **PRESET CHANNEL** (**1** , **2**): To move to a lower or higher channel. Each time you press the button, the channel below or above the current channel is selected.

To watch and listen to TV (Fig. 25)

Turn the power of the required component ON.

1. **TVCH**: When this button is pressed, the TV mode is engaged.

Note:

- The **10-KEY** and **PRESET CHANNEL** (**1** , **2**) buttons are automatically set to the TV mode.

2. **10-KEY** (**1** - **9** , **0**) (When you select TV with the remote control):
Press the button corresponding to the required TV channel. For operation of the 10-KEY buttons, refer to the item **10-KEY** in the "Remote Control Unit" section.
3. **PRESET CHANNEL** (**1** , **2**): To tune to a lower or higher channel. Each time you press the button, the channel below or above the current channel will be received.

Note:

- When listening to TV sound via the RX-777VBK/VSBK, connect the audio output jacks of the TV to any unused **AUDIO** terminals, and select the source corresponding to the terminals used for TV sound.

To play turntable or cassette deck (Fig. 26)

1. **PHONO** (**1**) or **TAPE 1** (**1**): Pressing the button switches the source selector automatically to "PHONO" or "TAPE 1", depending on the button you press, and playback starts.
2. **STOP** (**1**) or **STOP** (**1**): Pressing this button stops the turntable or cassette deck.
3. **MUSIC SCAN** (**1**): Press this button to perform music scanning with the tape running to the left.
MUSIC SCAN (**1**): Press this button to perform music scanning with the tape running to the right.
• Each time these are pressed, the next tune is accessed; when they are kept pressed, the tape is fast-wound in the direction indicated.
4. **DIRECTION** (**1**): Press this button to change the direction in which the tape is running.

To play CD or DAT (Fig. 27)

1. **CD** (**1**) or **DAT** (**1**): To select a track of a CD or a tune of a DAT using its number, press this button first and then press the **10-KEY** (**1** - **10** , **10** , **0**) buttons to input the required number.
 1. **CD** (**1**) or **DAT** (**1**): Pressing this button starts playback.
- Note:**
- To listen to music with a DAT deck connected to the TAPE 2 terminals, press **TAPE 2** button first and press **DAT** (**1**) button.
2. **STOP** (**1**) or **STOP** (**1**): Press this button to stop playing.

3. **AUTO SEARCH** (**1** or **1**): Pressing this button interrupts the selection being played and returns to the start of that selection.
AUTO SEARCH (**1** or **1**): Pressing this button interrupts the music and moves to the start of the next selection.

Note:

- Press once to advance to the next selection. To fast forward, keep this button depressed.

CD AUTO CHANGER operation (Fig. 28)

1. **PLAY MODE**

CONTINUE: Pressing this button plays the discs in the magazine sequentially, starting with Disc 1, regardless of the program.

PRGM: Press this button to play the discs in the programmed order.

MAG. PRGM: Set a magazine in place and press this button; the discs will be played back in the sequence programmed for the magazine.

If the MAG.PRGM function does not operate with your CD auto changer, consult the instruction book of the CD auto changer.

2. **CD CHANGER**

Pressing the **DISC** or **TRACK** button assigns the **10-KEY** buttons for use in operating the CD changer.

(For operation of the 10-KEY buttons, refer to item **10-KEY** in the "Remote Control Unit" section.)

DISC + 10 KEY (**1** - **10**): Press this button to specify a disc by its number in the magazine. In the case, press the **DISC** button before operating the 10-KEY buttons.

TRACK + 10 KEY (**1** - **10** , **10**): Press this key to specify a track by its number in the magazine. In the case, press the **TRACK** button before operating the 10-KEY buttons.

Note:

- For details, consult the instruction book of the CD auto changer.

How to use the CONTROL buttons (**1** and **1**) (Fig. 29)

When operating the TAPE 1 cassette deck, DAT deck or VCR, each component can be controlled separately in a following way.

1. Press the required source button (**TAPE 1** , **DAT** or **VCR**) among **CONTROL** buttons.
2. After pressing one of **CONTROL** buttons, operate the deck using **TAPE 1/VCR/DAT CONTROL** buttons as follows:
 - **PLAY** (**1**): Press this button to play a tape. When the **PLAY** button of the TAPE 1, VCR or DAT is pressed, the source component selected previously will not stop. To stop it, press the corresponding **STOP** button.
 - **REW** or **FF**: Press these buttons to rewind/fast-forward tape; when fully wound, the auto play or auto rewind functions of the TAPE 1, VCR or DAT will be activated.
 - **REC** (**1**): Press the **PLAY** button while pressing this button to start recording.
 - **PAUSE/STILL** (**1**): Press this button to pause during playback or recording. To release this function, press the **PLAY** button.
 - **STOP** (**1**): Press this button to stop operation.

Note:

- When JVC VCRs are connected to VCR 1 and VCR 2, they will be controlled at the same time by the VCR control buttons. Be especially careful when recording.

How to operate synchronized recording

1. Press ● CONTROL [TAPE] button.
2. Using ● TAPE 1/VCR/DAT CONTROL buttons, set the tape deck to the record-pause mode.

Note:

- When setting the deck to the REC/PAUSE mode, press ● REC [] and ● PAUSE/STILL [] buttons simultaneously. If ● PLAY [] button is used, synchronized recording is impossible.
3. Press ● PHONO [] or ● CD [] button corresponding to the source required to be recorded, to start recording on the tape deck automatically.

How to play surround sound (Fig. 30)

1. ● SURROUND ON/OFF: Press this button to activate the surround sound function.
2. ● SURROUND:
 - [MODE] : Press this button to select the desired surround mode (from DOLBY SURROUND, HALL and STADIUM).
 - [DELAY] : Press this button to select the appropriate delay time setting (from 1 to 3).
3. ● REAR LEVEL [] [] : Using these buttons, set the volume of the rear speakers (relative to the front speaker volume).

Note:

- For more details of the function of each button, refer to the description in the "Remote Control Unit" section.

CAUTIONS:

- When playing a DAT deck, connect it to the TAPE 2 terminals. (Also connect the remote cable between the DAT deck and this unit.) To start, press the TAPE 2 button then press the DAT CONTROL button.
- Even if the source is changed from the DAT deck to other equipment while the DAT deck is playing, the DAT deck will not stop operation. The opposite is also the case; when the source is changed from other equipment to the DAT deck, the other equipment will not stop operation.
- In order to assure proper operation, the buttons of the RMSR777/RMSR777S should be firmly pressed and its corresponding response confirmed.



COMPU LINK REMOTE CONTROL SYSTEM

"COMPU LINK" Remote Control System is a system which has been originated and developed by JVC (Victor Company of Japan, Limited). The remote control units provided with your COMPU LINK remote control components employ this system. By operating the remote control unit in your hand, you can not only control each component of your COMPU LINK component but also enjoy such complicating performances as automatic source selection and synchronized recording without any difficulty. Please operate the JVC remote control unit yourself, and you will find how excellent this system is. The following are the brief explanations of its major performances.

1. Remote controlling of each component (Fig. 31)

- Functions corresponding to the following buttons can be generated by the remote control unit:

Cassette deck:	PLAY, STOP, MUSIC SCAN, FAST FORWARD, REWIND, PAUSE and RECORD
CD player:	PLAY, STOP, AUTO SEARCH, and TRACK NO. SELECT
CD auto changer:	PLAY MODE (CONTINUE, PROGRAM, MAGAZINE PROGRAM) and DISC NO. SELECT
Turntable:	START and STOP
Tuning control:	PRESET CHANNEL NO. SELECT

2. Automatic-source selection (Fig. 32)

If the attached remote cable is used to connect this unit to other JVC components with COMPU LINK-1/SYNCHRO terminals, sources can be switched with just one touch of this unit's source selector buttons and the corresponding component will start to play automatically. The source select button of the remote control unit or the corresponding component's PLAY button can also be used. When switching from one component to another, such as a cassette deck, turntable or CD player, the previous component will stop playing after about five seconds.

3. Synchronized recording (Fig. 33)

Synchronized recording refers to the process whereby the cassette deck automatically starts recording in synchronization with the CD player or turntable. Set the cassette deck to the REC/PAUSE mode following the procedure in its instruction manual. For synchronized recording from a CD player, push the PLAY button of the CD player. The cassette deck enters the record mode the moment the CD player starts and synchronized recording commences. Synchronized recording stops automatically when the CD player stops playing.

To cancel synchronized recording, push the STOP button of the CD player, turntable or cassette deck.

Notes:

- When the REC/PAUSE mode is set by pushing PAUSE after depressing the REC and PLAY buttons simultaneously, synchronized recording is not possible. For details, refer to your cassette deck's instruction manual.
- You can program the order of recording tracks you wish to hear. For details, refer to the instruction book of the CD player.
- During synchronized recording, the blank gaps of about 4 seconds are automatically made between tunes. By utilizing these gaps, the music scanning is made possible.
- Abnormal operation will result if the power supply of any of the components is interrupted during synchronized recording. If this happens, push the component's PLAY button again to restart.
- Check that the COMPU LINK-1/SYNCHRO terminal of each component is connected with the remote cable provided. Be sure to read the instruction manual of each component carefully.
- Do not connect the remote cable when the cassette deck is connected to the TAPE 2 terminals.
- The source is locked to the CD or PHONO position during synchronized recording to avoid stopping or changing to another source accidentally. To change the source, you must first cancel synchronized recording.
- When performing synchronized recording from CD or PHONO to a DAT deck, the source selector will not be locked.

TROUBLESHOOTING

What appears to be a malfunction may not always be serious.

Make sure first . . .

No sound and no illumination

Is the AC plug connected properly?

No sound from speakers

Are the speaker cords connected?

Are the SPEAKERS buttons pressed?

Sound from one speaker only

Are the speaker cords connected correctly? Is the BALANCE control set to one extreme or the other?

Continuous hiss or buzzing during FM reception

The incoming signal may be too weak.

Use the correct antenna.

Occasional crackling noise during FM reception.

This may be automobile ignition noise. Move antenna as far away from the road as possible.

Loud hum during record playing

Is the turntable grounded?

Try to change the cord path.

Howling during record playing

Is the turntable too close to a speaker?

Removal Procedures

■ Removing the Top Cover

1. Remove the four screws on both sides.
2. Remove the two screws located on the top of the rear panel.
3. Slightly open both sides of the top cover, to the left and right, and raise the rear panel. Then slowly lift it up and straight forward.

■ Removing the Front Panel

1. Remove the top cover.
2. Remove three plastic rivets on the upper part of the front panel and three screws from the lower part.
3. Remove the front panel.

■ Removing the SEA PCB (Fig. 1)

1. Remove the front panel.
2. Pull out seven SEA knobs.
3. Remove five screws (A) securing the SEA PCB.

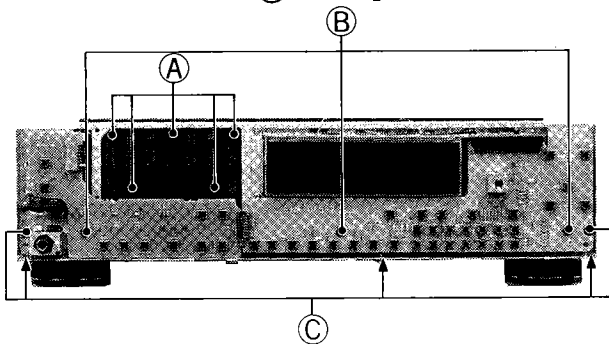


Fig. 1

■ Removing the Front Switch PCB

1. Remove the front panel.
2. Pull off three plastic rivets (B) fixing the front switch PCB.
3. Lift up the front switch PCB and pull it off toward you from the connectors. (See Fig. 2.)

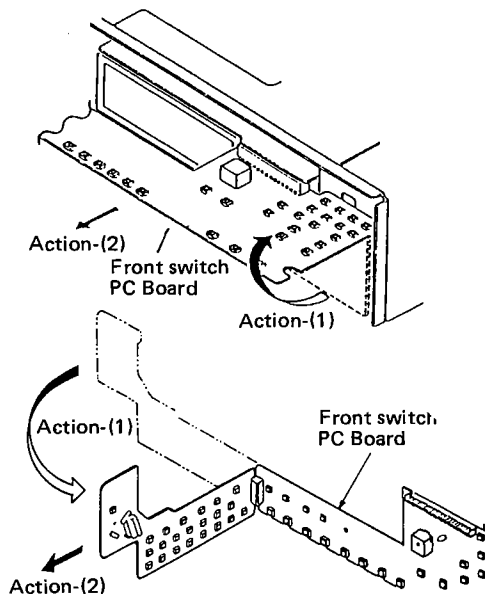


Fig. 2

■ Removing the LCD PCB (Fig. 1, 3)

1. Remove the front switch PCB.
2. Remove five screws (C) securing the front bracket.
3. Remove two plastic rivets (D), and draw out the front bracket in little.
4. Remove four plastic rivets (E) securing the LCD PCB.

■ Removing the Power Transistors

1. Remove the top cover.
2. Demount the bottom cover by removing 13 screws from the bottom.
3. Unsolder the power transistors.
4. Remove the screws holding the power transistors using a wrench having a diagonal length of 5.5 mm.

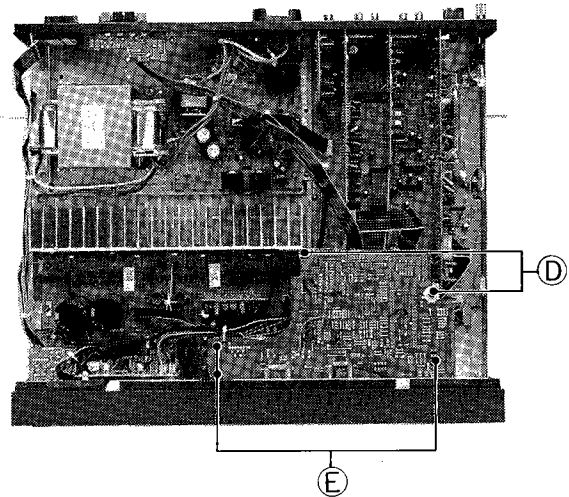
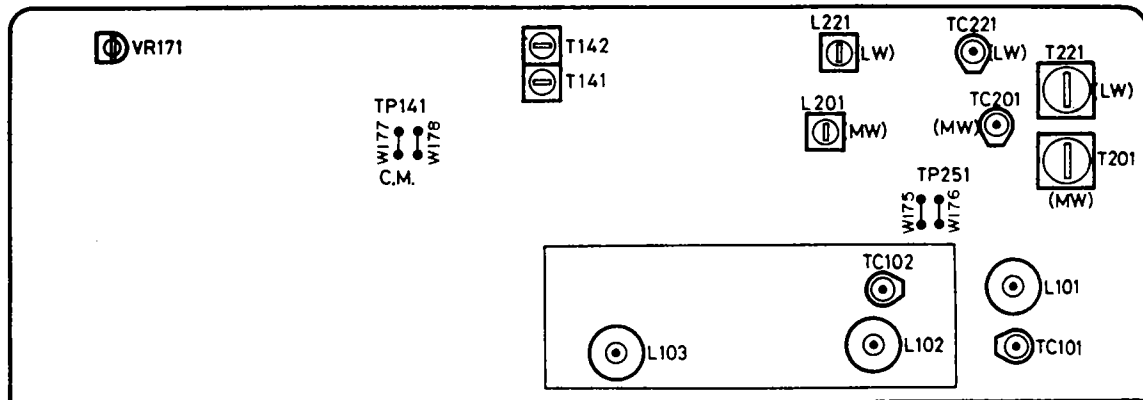


Fig. 3

FM/MW/LW Tuner Alignment Procedures



■ Front-end Section

FM oscillator coil: L103

1. Set the frequency display to "108.0 MHz" and the FM MODE switch to the "MONO" position.
2. Confirm the FM inter-station noise is received.
3. Adjust L103 so that the voltage of test point "TP251" becomes $8.3 \text{ V} \pm 0.1 \text{ V}$.
4. Set the frequency display to "87.5 MHz" and confirm that the output of test point "TP251" is $1.5 \sim 2.2 \text{ V}$.

FM antenna coil: L101, L102

5. Adjust L101 and L102 to obtain the maximum sensitivity at 89.9 MHz.

FM antenna trimmer: TC101, TC102

6. Adjust TC101 and TC102 to obtain the maximum sensitivity at 105.9 MHz.
7. Repeat the above adjustments of L101, L102, TC101 and TC102.

Note: After adjustment, confirm that the Band Cover is in the following range (for West Germany only).
 Lower edge: 87.5 MHz (+0 Hz, -300 kHz)
 Higher edge: 108.0 MHz (+500 Hz, -0 kHz)

■ IF Detection and MPX

FM detector coil: T131, T132

1. Connect a center-meter or a digital voltmeter to test point "TP141 (W177-W178)", and receive to 100.1 MHz signal in the condition of SSG ATT 70 dB.
2. Adjust T141 so that the center-meter indicates "0" or the digital voltmeter reads $0 \pm 1.5 \text{ mV}$.
3. At the same time, adjust T142 so that the distortion is minimized.

Stereo Separation: VR171 (for Continental Europe, U.K. and Australia)

4. Tune in a 98.1 MHz stereo signal.
5. Adjust VR171 so that the channel separation becomes maximum.

■ LW Section

LW oscillator coil: L221

1. Set the frequency display to 144 kHz.
2. Adjust L221 to obtain $1.0 \pm 0.1 \text{ V}$ at test point "TP251".
3. Set the frequency display to 353 kHz and confirm that the voltage at test point "TP251" is $7.2 \text{ V} \pm 1.2 \text{ V}$.

LW antenna coil: T221

4. Connect a loop antenna to the "AM LOOP" terminal on the rear panel.
5. Adjust T221 to obtain the best receiving sensitivity on 164 kHz.

LW antenna trimmer: TC221

6. Adjust TC221 to obtain the best receiving sensitivity on 353 kHz.
7. Repeat the above adjustments of T221, TC221.

Note: After this alignment, confirm the MW section alignment.

■ MW Section

Note: () ; 9 kHz step, [] ; 10 kHz step

MW oscillator coil: L201

1. Set the frequency display, adjust L201 to obtain 522 kHz and confirm that the output of test point "TP251" is $1.1 \text{ V} \pm 0.1 \text{ V}$.
2. Set the frequency display to 1629 kHz and confirm that the output of test point "TP251" is $7.5 \text{ V} \pm 0.8 \text{ V}$.

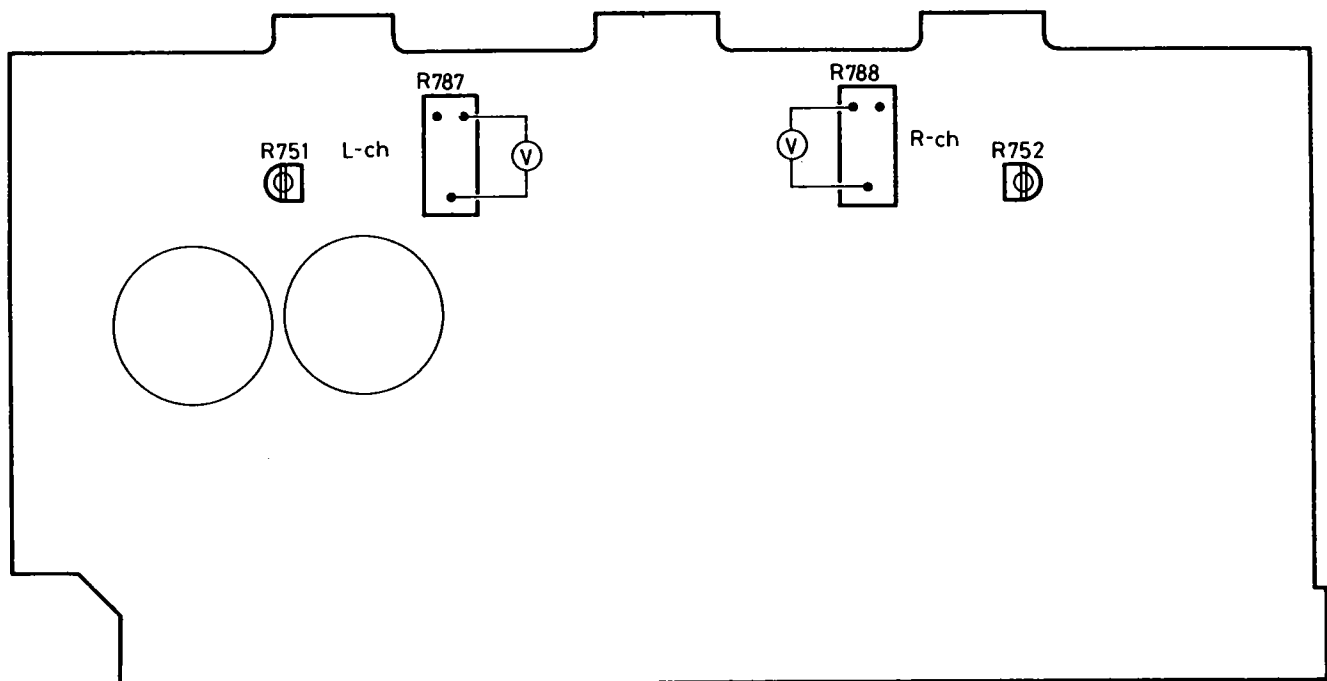
MW antenna coil: T201

3. Connect a loop antenna to the "AM LOOP" terminal on the rear panel.
4. Adjust T201 to obtain the best receiving sensitivity on 603 kHz.

MW antenna trimmer: TC201

5. Adjust TC201 to obtain the best receiving sensitivity on 1404 kHz.

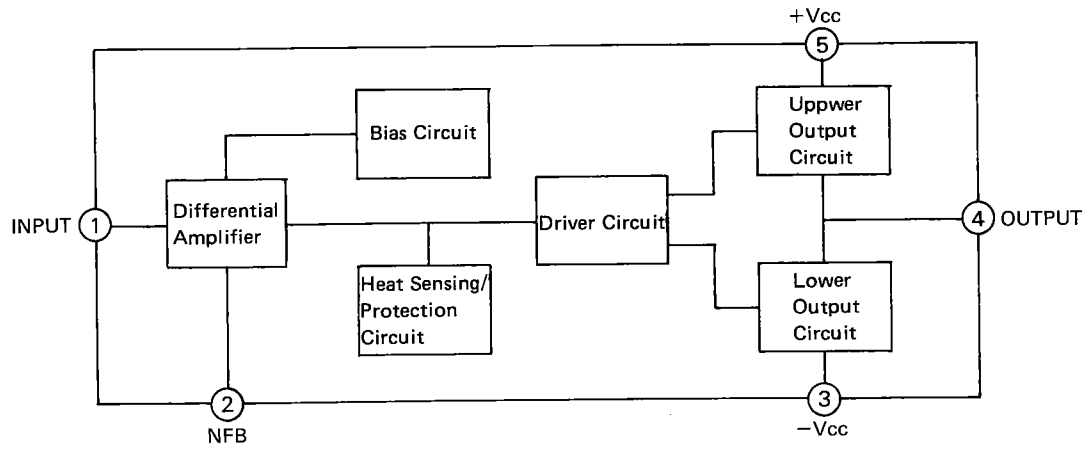
Power Amplifier Idling Current Adjustment



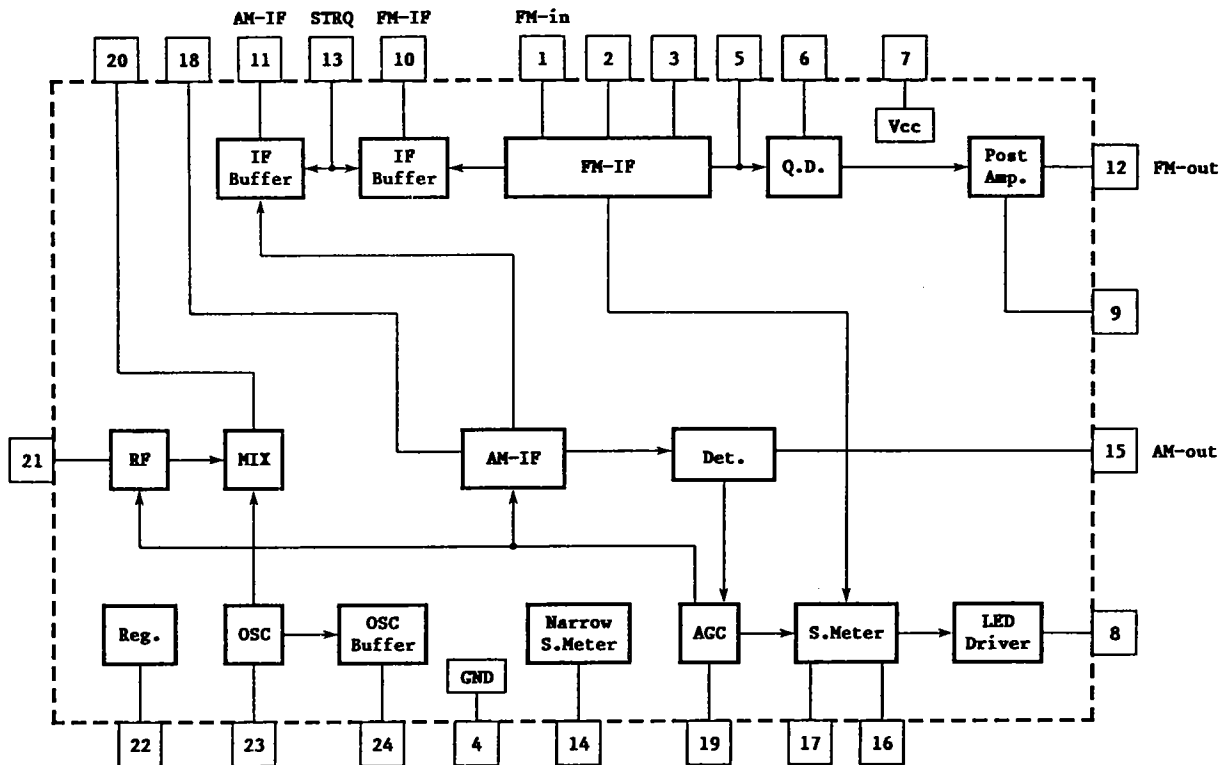
1. Turn R751 and R752 fully counterclockwise before the power switch "ON".
2. Allow the set warm up at least 5 minutes before adjustment.
3. Must keep the heat-sink to prevent overheating before adjustment.
4. Set the volume control to minimum during this adjustment.
5. Connect a digital voltmeter to R787 resistor's leads for left channel, or to R788's leads for right channel.
6. Adjust R751 for left channel, or R752 for right channel, so that the digital voltmeter reads 3~5 mV.

Internal Block Diagrams of ICs

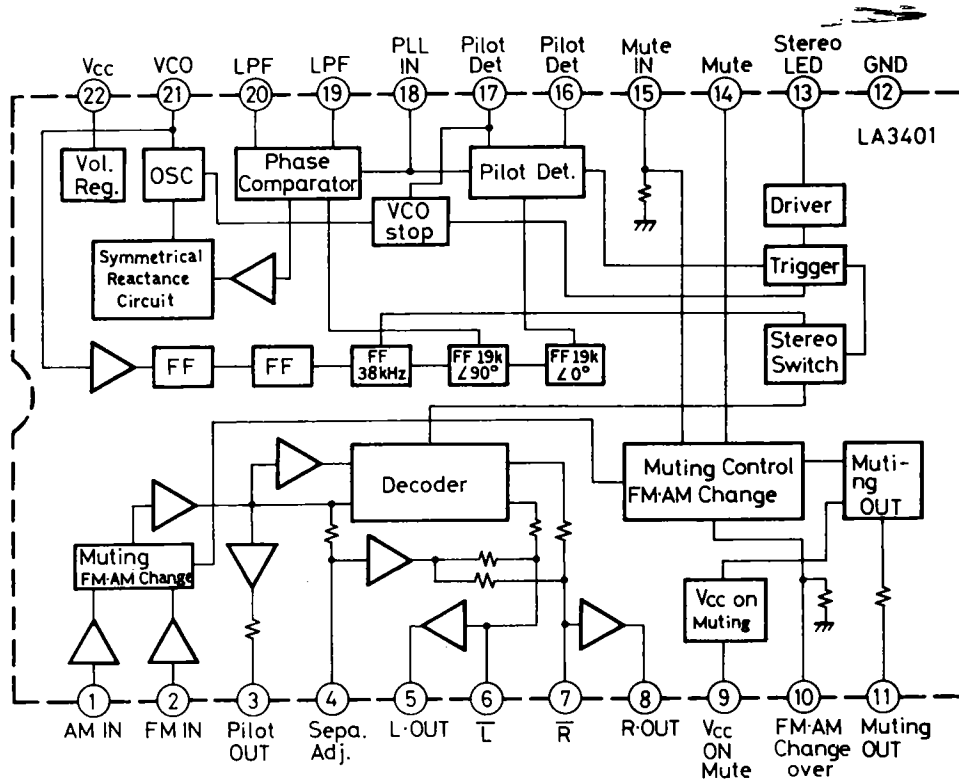
■ UPC1238V (IC011, IC012)



■ LA1266A (IC101)

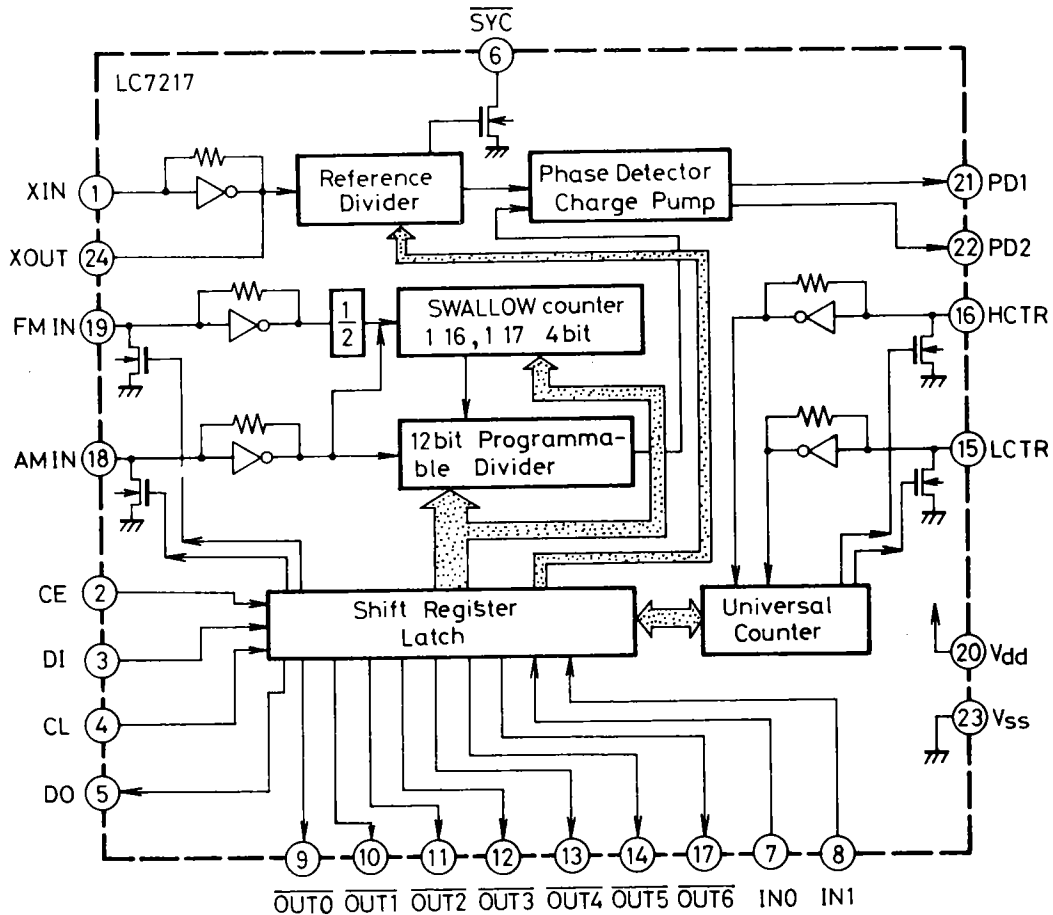


■ LA3401 (IC171)



■ LC7217 (IC251): PLL Synthesizer

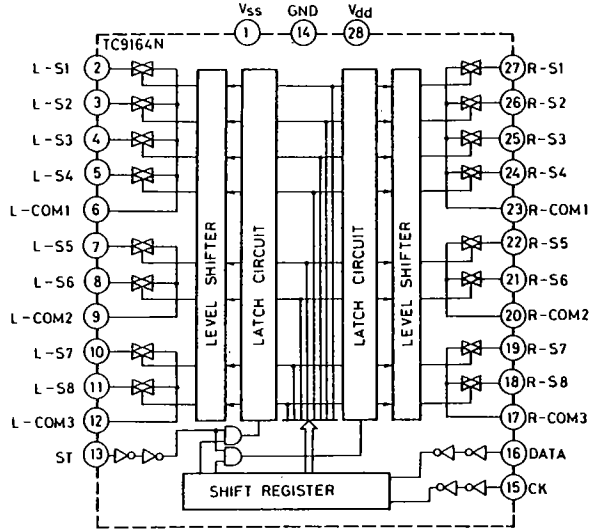
(1) Internal Block Diagram



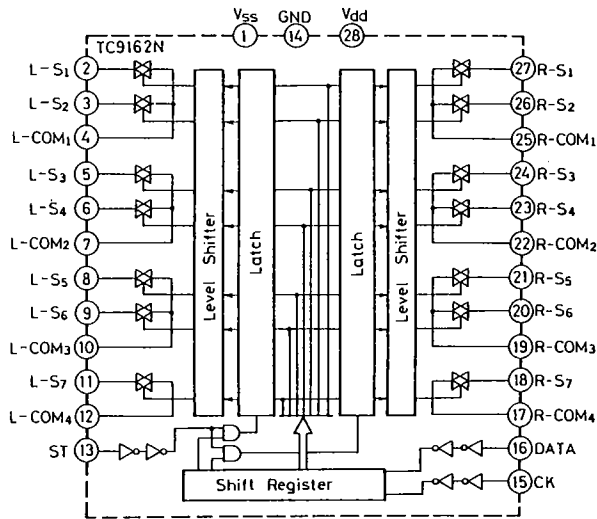
(2) Pin Functions

Symbol	Pin No.	Details	Function	I/O
XIN XOUT	1 24	X'tal OSC	• Crystal oscillator (7.2 MHz)	I O
FM IN	19	Local oscillator signal input	• FM IN is selected for serial data input: DV = 1 is assigned. • Input frequency is 10~130 MHz (125 mVrms min.). • The signal passes through the built-in pre-scaler (1/2) and is transmitted to the swallow counter.	I
AM IN	18	Local oscillator signal input	• AM IN is selected for serial data input: DV = 0 is assigned. • When serial data is input: SP = 1 is assigned: • Input frequency is 2~40 MHz (125 mVrms min.). • The signal is transmitted to the swallow counter without passing through the built-in pre-scaler (1/2). • When serial data is input: SP = 0 is assigned: • Input frequency is 0.5~10 MHz (125 mVrms min.). • The signal is transmitted directly to the 12-bit programmable divider.	I
PD1 PD2	21 22	Charge pump output	• PLL charge pump output. • When the local oscillator signal frequency divided by N results in a frequency higher than the reference frequency, high level signals are output from PD 1 and PD 2. • When it is lower than the reference frequency, low level signals are output.	O
SYC	6	Controller clock	• This is the controller clock output pin and a 400 kHz signal (duty 66%) is output after the power is turned ON.	O (N-ch open drain)
VDD	20	Power supply	• Power supply pin for LC7217. It supplies 4.5~6.5 V when the PLL circuit is activated.	—
VSS	23	Ground	• GND pin of LC7217.	—
CE	2	Chip enable	• This pin goes high when serial data is input (DI) to LC7217 or output from it.	I
CL	4	Clock	• This clock is used to synchronize data when serial data is input (DI) to or output (DO) from LC7217.	I
DI	3	Input data	• Input pin for serial data which is transmitted from the controller to LC7217. • A total of 36 bits of data should be input for initialization.	I
DO	5	Output data	• Output pin for serial data transmitted from LC7217 to the controller. • A total of 24 bits can be output from the internal shift register in synchronized with CL.	O (N-ch open drain)
OUT 0 OUT 1 OUT 2 OUT 3 OUT 4 OUT 5 OUT 6	9 10 11 12 13 14 17	Output port	• Latches O0~O6 of the serial data transmitted from the controller, and inverts the data to output it in parallel. • OUT 0 can output the time base for clock (8 Hz). (When TB = 1.) • OUT 1 and OUT 2 are complementary outputs. • OUT 0, OUT 3, OUT 4, OUT 5 and OUT 6 are N-ch open drain outputs (up to 13 V).	O
IN 0 IN 1	7 8	Input port	• The data at input ports IN 0, IN 1 is converted from parallel to serial, and can be output from output pin DO.	I
HCTR	16	General purpose measurement signal input pin	• With serial data input: SC = 1, HCTR is selected. • The signal is transmitted to the general-purpose counter (20-bit binary counter) via a 1/8 divider internally. • For this, the value of the general-purpose counter becomes 1/8 of the actual frequency which is input to the HCTR pin. • The measured results can be output from the MSB of the general-purpose counter via output pin DO.	I
LCTR	15	General purpose counter frequency input pin	• With serial data input: SC = 0, LCTR is selected. • At this time, if serial data is input: SF = 1; • The signal is transmitted directly to the general-purpose counter without passing through the internal 1/8 divider. • If serial data is input SF = 0: • Input frequency is 1 Hz ~ 20 kHz (VIH = 0.7 VDD min., VIL = 0.3 VDD max.). • The measurement periods of 1-cycle and 2-cycle can be selected; when 2-cycle is selected, the input frequency is 2 Hz ~ 20 kHz. (GT = 1/0 : 2/1 period)	I

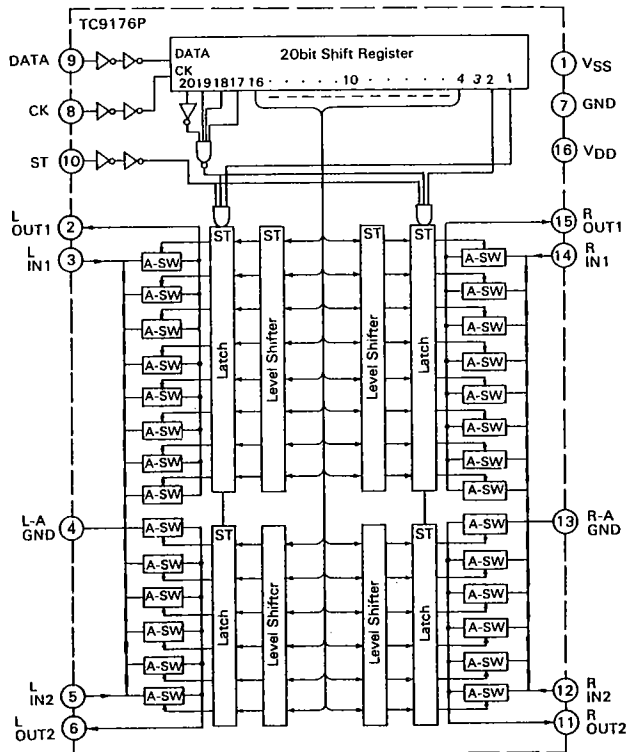
■ TC9164N (IC302)



■ TC9162N (IC391)

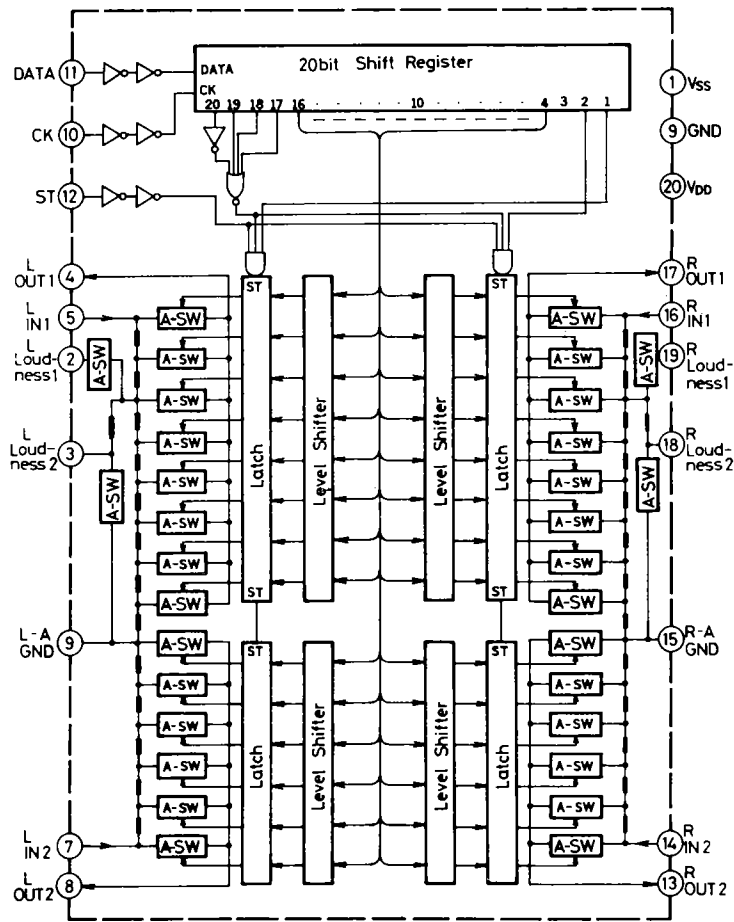


■ TC9176P (IC373)



■ TC9177P (IC371)

(1) Block Diagram

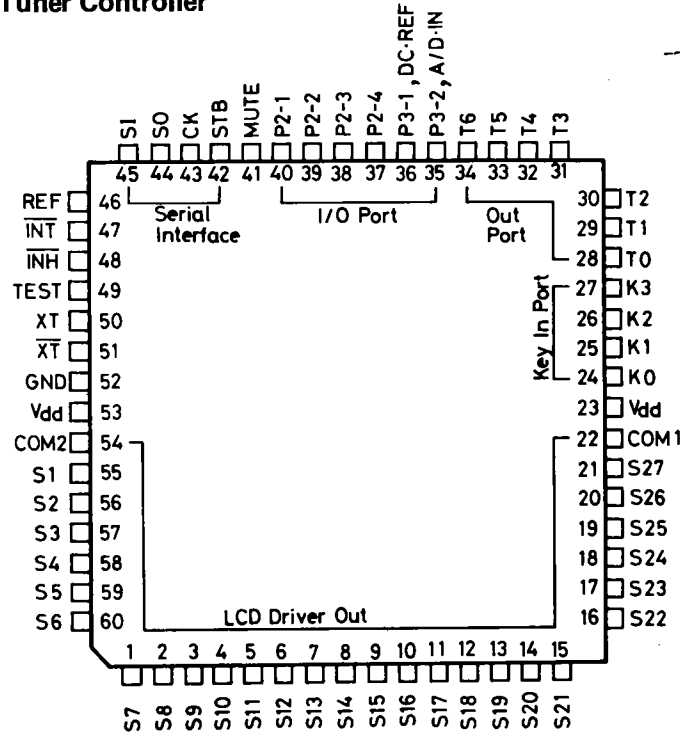


(2) Pin Functions

Pin No.	Symbol	Function
1	VSS	(-) Power Supply
2	L - Loudness 1	Terminal for Loudness (L-ch)
3	L - Loudness 2	Terminal for Loudness (L-ch)
4	L - OUT 1	10 dB Step Attenuator Output
5	L - IN 1	10 dB Attenuator Input
6	A - GND	Ground (Power Supply)
7	L - IN 2	2 dB Attenuator Input
8	L - OUT 2	2 dB Step Attenuator Output
9	GND	Ground (Signal)
10	CK	Clock Input
11	DATA	Data Input
12	ST	Strobe Input
13	R - OUT 2	2 dB Step Attenuator Output
14	R - IN 2	2 dB Attenuator Input
15	A - GND	Ground (Power Supply)
16	R - IN 1	10 dB Attenuator Input
17	R - OUT 1	10 dB Step Attenuator Output
18	R - Loudness 2	Terminal for Loudness (R-ch)
19	R - Loudness 1	Terminal for Loudness (R-ch)
20	VDD	(+) Power Supply

■ TC9306F-028BS (IC421): Tuner Controller

(1) External Diagram

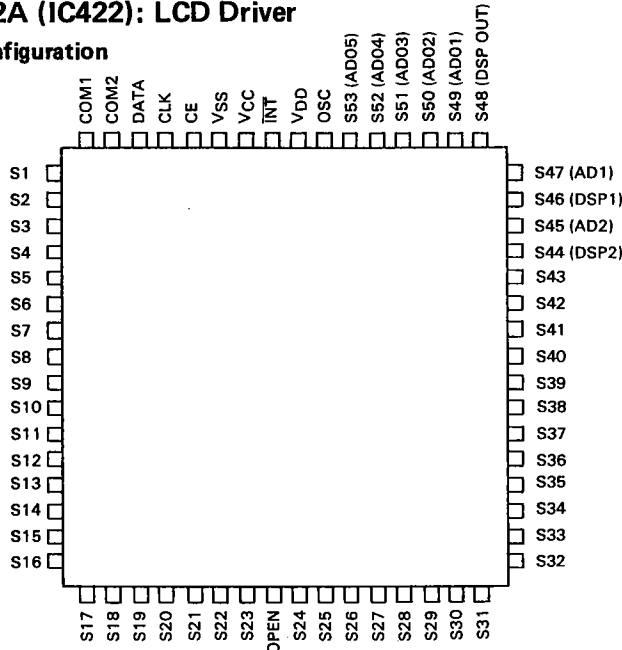


(2) Pin functions

Pin No.	Symbol	Name	I/O	Terminal Function
55~60 1~21	SEG.1 ~ SEG.27	Segment 1 ~ Segment 27	O	Drive the LCD segment.
22	COM 1	Common 1	O	Drive the common 1 of the LCD.
54	COM 2	Common 2	O	Drive the common 2 of the LCD.
24	K0	Key in 0	I	Key input
25	K1	Key in 1	I	Key input
26	K2	Key in 2	I	Key input
27	K3	Key in 3	I	Key input
28	T0	Key out 0	O	Key output
29	T1	Key out 1	O	Key output
30	T2	Key out 2	O	Key output
31	T3	Key out 3	O	Key output
32	T4	Key out 4	O	Key output
33	T5	Key out 5	O	Key output
34	T6	Key out 6	O	Key output
35	A/D IN	A/D input or TUNED input	I	Input for signal meter or input for TUNED indicator
36	DC REF	DC reference	I	Reference voltage for A/D
37	P2-4	Key out 7	O	Key output
38	P2-3	DCS IN	I	Input for Direct Call System
39	P2-2	DCS OUT	O	Output for Direct Call System
40	P2-1	STEREO IN	I	Input for stereo indicator
41	MUTE	MUTE	O	"H" output when muting is turned ON.
42	STB	STB	O	Serial Data Bus (Connect to LC7217.)
43	CK	CK	O	Serial Data Bus (Connect to LC7217.)
44	SO	SO	O	Serial Data Bus (Connect to LC7217.)
45	SI	SI	I	Serial Data Bus (Connect to LC7217.)
46	REF	REF	O	Output for PLL reference frequency
47	INT	INT	I	Initialized at "L" level.
48	INH	INH	I	State of inhibit at "L" level
49	TEST	TEST	-	Terminal of crystal oscillator (7.2 MHz)
50	XT	XT	-	Terminal of crystal oscillator (7.2 MHz)
51	XT	XT	-	Terminal of crystal oscillator (7.2 MHz)
52	GND	GND	-	Ground
23, 53	VDD	VDD	-	+5 V (Connecting inside)

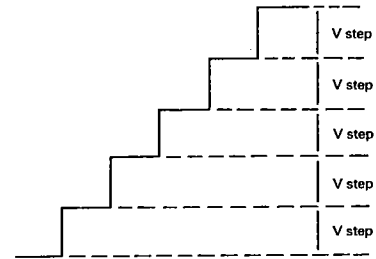
■ LC7582A (IC422): LCD Driver

(1) Pin Configuration

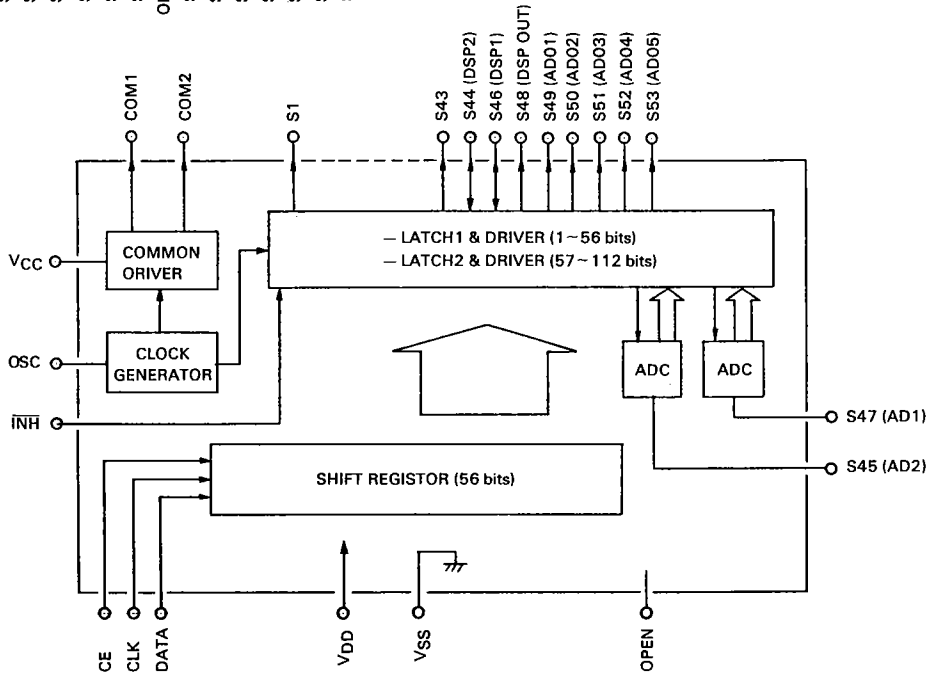


(2) Step Voltage Differential

Input voltage of S45 (AD2) and S47 (AD1)



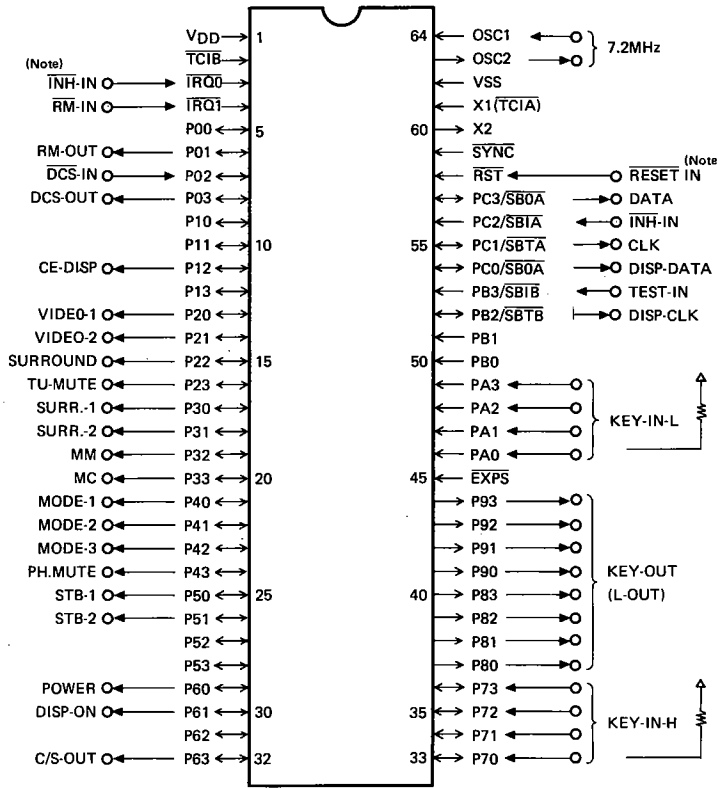
(3) Block Diagram



(4) Terminal Description

- S1 ~ S43 : Segment output terminals
- S46 (DSP1), S44 (SDP2) : Segment output or DSP input terminals
- S47 (AD1), S45 (AD2) : Segment output or AD input terminals
- S48 (DSP OUT) : Segment output or ADS output terminal
- S49 ~ S53 (AD0 ~ 5) : Segment output or AD output terminals
- COM1, 2 : Common output terminals (Only COM1 is used at the time of 1/1 duty, at which time COM2 is open.)
- OSC : Oscillator terminal
- CE, CLK, DATA : Input terminals for serial data transmission
- VDD, Vcc : Power supply terminal
- INH : Input terminal for extinguishing and lighting the display
(Effective only for the output driver. Therefore, serial data can be sent during extinguishing and lighting.)
- OPEN : Unconnected

■ MN17581JSL1 (IC441): System Controller



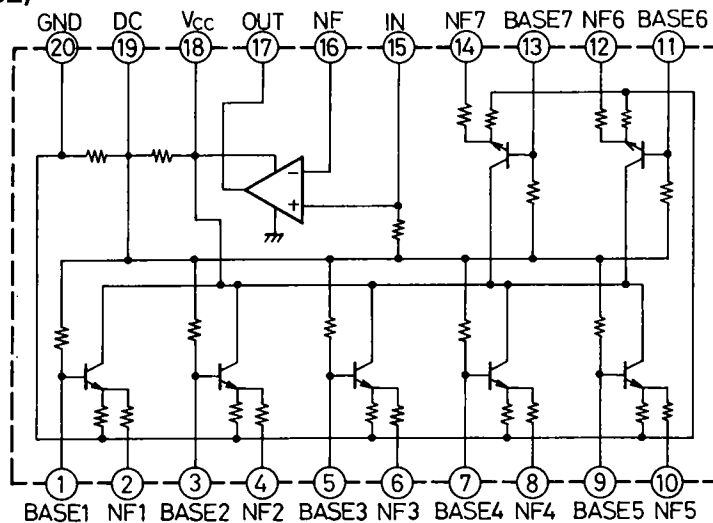
Note: TRQO and PC2/SB1A may be connected and used.

(2) Pin Functions

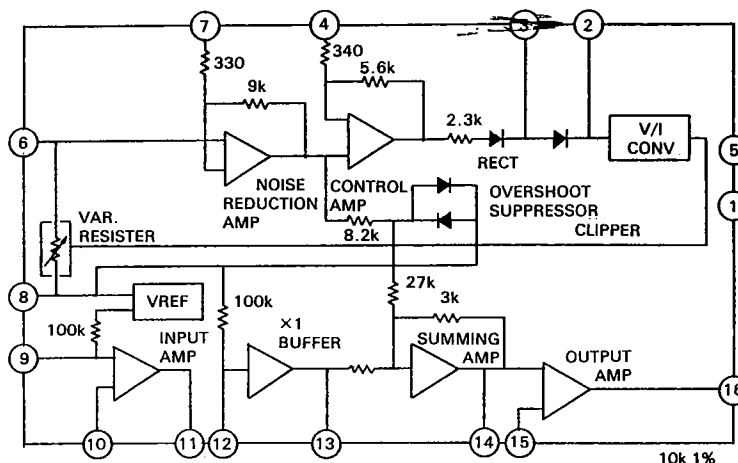
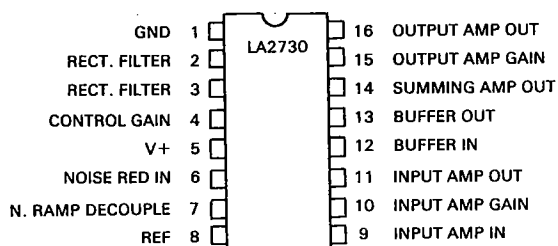
Pin No.	Port	Input/Output Name	I/O	Function	Off	Back-up	
1	VDD	—	I	5V			
2	TCIB	—	I	GND			
3	IRQ0	INH-IN	I	L=AC off; enters back up mode			
4	IRQ1	RM-IN	I	Remote control input			
5	P00	—			L	L	
6	P01	RM-OUT	O	Remote control IND, ON	L	L	
7	P02	DCS-IN	I	DCS input, Input at negative logic	L	L	
8	P03	DCS-OUT	O	DCS output	L	L	
9	P10	—					
10	P11	—					
11	P12	CE-DISP	O	CE of LC7582 (display driver)	L	L	
12	P13	—					
13	P20	VIDEO-1	O	VIDEO signal switching	L	L	
14	P21	VIDEO-2	O	VIDEO signal switching	L	L	
15	P22	SURROUND	O	H=SURROUND ON	L	L	
16	P23	TU-MUTE	O	H=TUNER MUTE (at times other than that of the source tuner)	L	L	
17	P30	SURR. 1	O	Surround switching	L	L	
18	P31	SURR. 2	O	Surround switching	L	L	
19	P32	SURR. 3	O	Surround switching	L	L	
20	P33	SURR. 4	O	Surround switching	L	L	
21	P40	MODE-1	O	Surround mode switching	H=MODE 1	L	L
22	P41	MODE-2	O		H=MODE 2	L	L
23	P42	MODE-3	O		H=MODE 3	L	L
24	P43	—					
25	P50	STB-1	O	STB of analog switch VOL.	L	L	
26	P51	STB-2	O	STB of analog switch VOL.	L	L	
27	P52	—					
28	P53	—	O		L	L	
29	P60	POWER	O	H=AC (POWER) ON	L	L	

Pin No.	Port	Input/Output Name	I/O	Function	Off	Back-up
30	P61	DISP-ON	O	H=display on (INH of the TUBER and LC7582)	L	L
31	P62	—				
32	P63	C/S-OUT	O	Chip select output, L output	L	L
33	P70	KEY-IN-H	I	KEY input, L take-in		L
34	P71	KEY-IN-H	I	KEY input, L take-in		L
35	P72	KEY-IN-H	I	KEY input, L take-in		L
36	P73	KEY-IN-H	I	KEY input, L take-in		L
37	P80	KEY-OUT	O	KEY output, L output		L
38	P81	KEY-OUT	O	KEY output, L output		L
39	P82	KEY-OUT	O	KEY output, L output		L
40	P83	KEY-OUT	O	KEY output, L output		L
41	P90	KEY-OUT	O	KEY output, L output		L
42	P91	KEY-OUT	O	KEY output, L output		L
43	P92	KEY-OUT	O	KEY output, L output		L
44	P93	KEY-OUT	O	KEY output, L output		L
45	EXPS	—	I	OPEN	—	—
46	PA0	KEY-IN-L	I	KEY input, L take-in		
47	PA1	KEY-IN-L	I	KEY input, L take-in		
48	PA2	KEY-IN-L	I	KEY input, L take-in		
49	PA3	KEY-IN-L	I	KEY input, L take-in		
50	PB0	—			L	L
51	PB1	—				
52	PB2/SBTB	DISP-CLK	O	S-CLK of LC7582 and C.C.S.	L	L
53	PB3/SBIB	TEST-IN	I	H=TEST MODE	L	L
54	PC0/SBOB	DISP-DATA	O	S-DATA of LC7582 and C.C.S.	L	L
55	PC1/SBTA	DISP-CLK	O	S-CLK of analog switch, VOL.	L	L
56	PC2/SBIA	INH-IN	I	L=AC off; enters back-up mode	—	—
57	PC3/SBOA	INH-DATA	O	S-DATA of analog switch, VOL.	L	L
58	RST	RESET	I	RESET input		
59	SYNC	—	O	OPEN		
60	X2(TCIA)	—	I	OPEN		
61	X1	—	O	Pull up		
62	Vss	—	I	GND		
63	OSC2	—	O	7.2 MHz RESONATOR		
64	OSC1	—	I	7.2 MHz RESONATOR		

■ LA3607S (IC501, IC502)

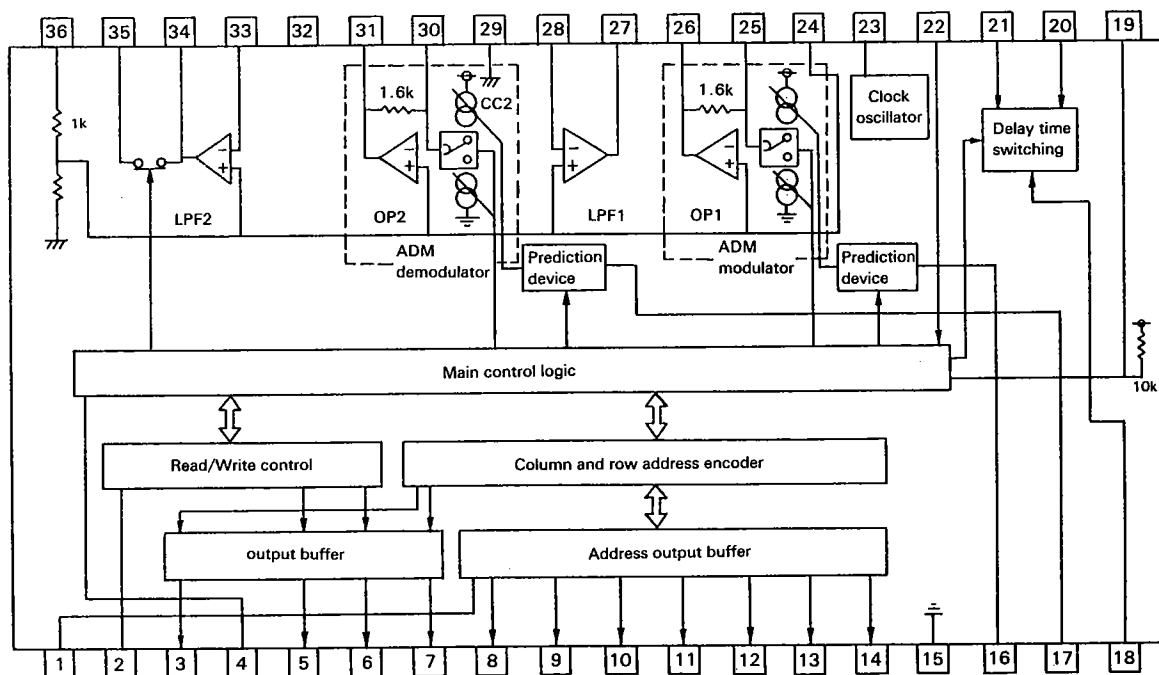
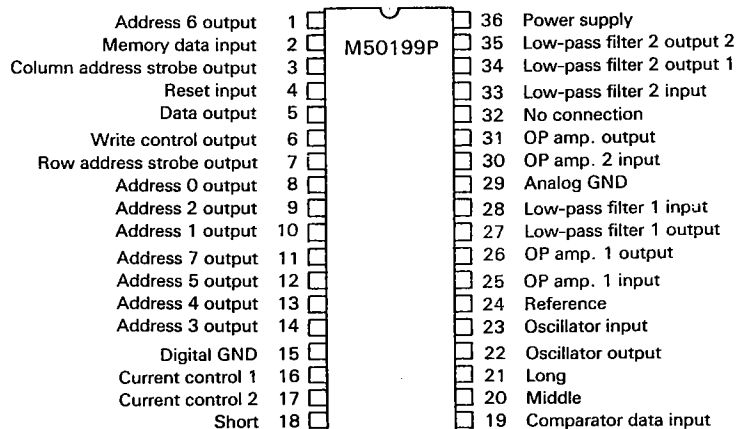


■ LA2730 (IC681): Dolby "B" Noise Reduction



■ M50199P (IC661): Digital Delay

(1) Pin Connection Diagram (Top View)

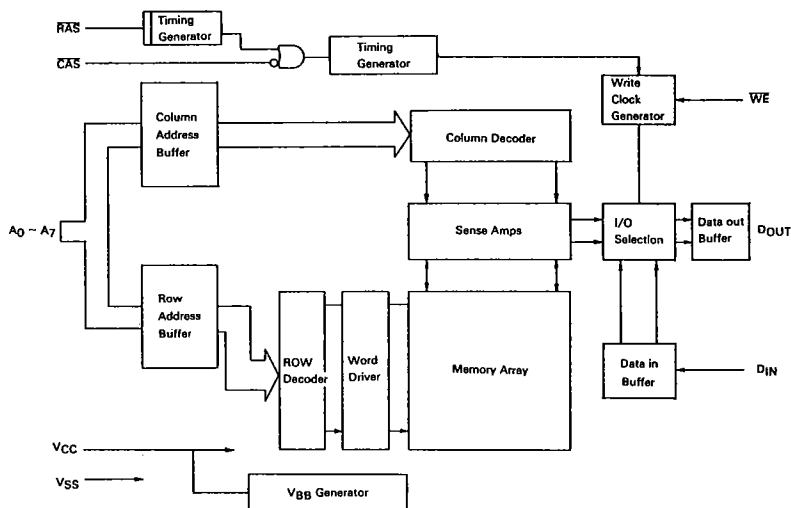


(2) Pin Name

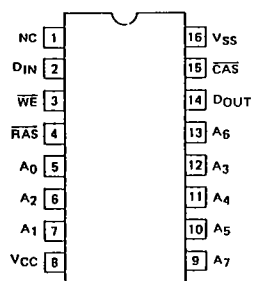
Pin No.	Name	Name Abbreviated	Method of Use	Standard Output Voltage
1	Address 6 output	A6	Connect to A6 (Address input 6) of the memory.	5 V _{po}
2	Memory data input	MDI	Connect to 0 (Data output) of the memory.	—
3	Row address strobe output	CAS	Connect to CAS (Column Address Strobe input) of the memory.	5 V _{po}
4	Reset input	RESET	Reset at L level; the reset is applied by externally connected C and R when the power is switched on.	—
5	Data output	DO	Connected to D (Data input) of the memory	5 V _{po}
6	Write control output	W	Connect to W (Write control input) of the memory.	5 V _{po}
7	Row address strobe output	RAS	Connect to RAS (Row Address Strobe input) of the memory.	5 V _{po}
8	Address 0 output	A0	Connect to A0 of the memory.	5 V _{po}
9	Address 2 output	A2	Connect to A2 of the memory.	5 V _{po}
10	Address 1 output	A1	Connect to A1 of the memory.	5 V _{po}
11	Address 7 output	A7	Connect to A7 of the memory.	5 V _{po}
12	Address 5 output	A5	Connect to A ₅ of the memory.	5 V _{po}
13	Address 4 output	A4	Connect to A4 of the memory.	5 V _{po}
14	Address 3 output	A3	Connect to A3 of the memory.	5 V _{po}
15	Digital GND	D-GND	Ground at one point with the analog GND.	5 V _{po}
16	Current control 1	CC1		0 V
17	Current control 2	CC2		0.7 V (When there is no signal)
18	Short	SHORT	At H level, the delay time is $T_d = 12.5$ ms and the output current for the indicator is 5 mA typ.	5 V (at S), 0 V (at M and L)
19	Comparator data input	CDI	Connect to the output of the comparator.	—
20	Middle	MIDD	At H level, $T_d = 18.8$ ms and the output current for the indicator is 5 mA typ.	5 V (at M), 0 V (at S and L)
21	Long	LONG	At H level, $T_d = 25$ ms and the output current for the indicator is 5 mA typ.	5 V (at L), 0 V (at S and M)
22	Oscillator output	OSC OUT	Connect a 4 MHz ceramic filter; leave open when using an external clock.	5 V _{p-o}
23	Oscillator input	OSC IN	Connect the 4 MHz ceramic filter or input an external clock.	—
24	Reference	REF	$1/2 V_{cc}$	-2.5 V
25	OP amp. 1 input	OP 1 IN	Form a mirror integrator an external C.	2.5 V
26	OP amp. 1 output	OP 1 OUT		2.5 V
27	Low-pass filter 1 output	LPF 1 OUT	Form a secondary low-pass filter with an external C and R.	2.5 V
28	Low-pass filter 1 input	LPF1 IN		2.5 V
29	Analog GND	A-GND		0 V
30	OP amp. 2 input	OP 2 IN	Form a mirror integrator with an external C.	2.5 V
31	OP amp. 2 output	OP 2 OUT		2.5 V
32	No connection	NC		—
33	Low-pass filter 2 input	LPF2 IN	Form a secondary low-pass filter with an external C and R.	2.5 V
34	Low-pass filter 2 output 1	LPF2 OUT 1		2.5 V
35	Low-pass filter 2 output 2	LPF2 OUT 2		2.5 V
36	Power supply	V _{cc}	Apply 4 to 5.5 V (rating 5 V).	—

■ MSM3764A-12RS (IC663): Dynamic RAM

(1) Circuit Structure

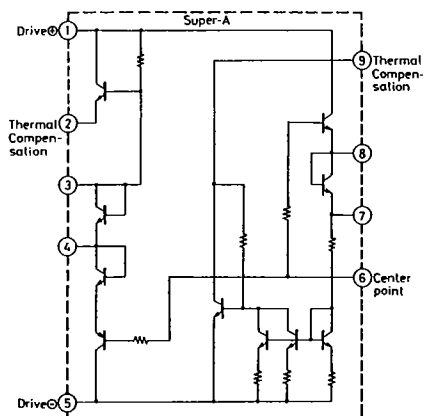


(2) Terminal Connections (Top View)

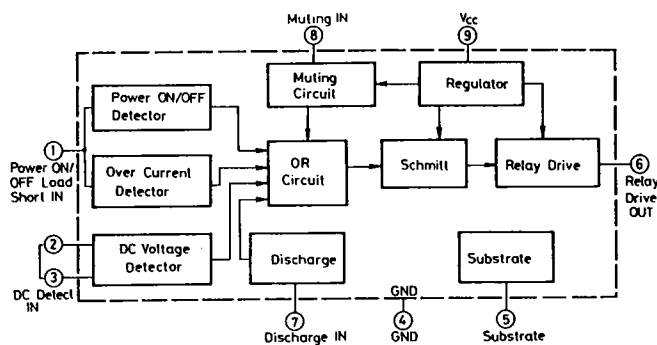


Pin Name	Function
A0~A7	Address input
RAS	Row address strobe
CAS	Column address strobe
WE	Write enable
DIN	Data input
DOUT	Data output
VCC	Power supply (5 V)
VSS	Ground (0 V)

■ VC5022-2 (IC751, IC752)

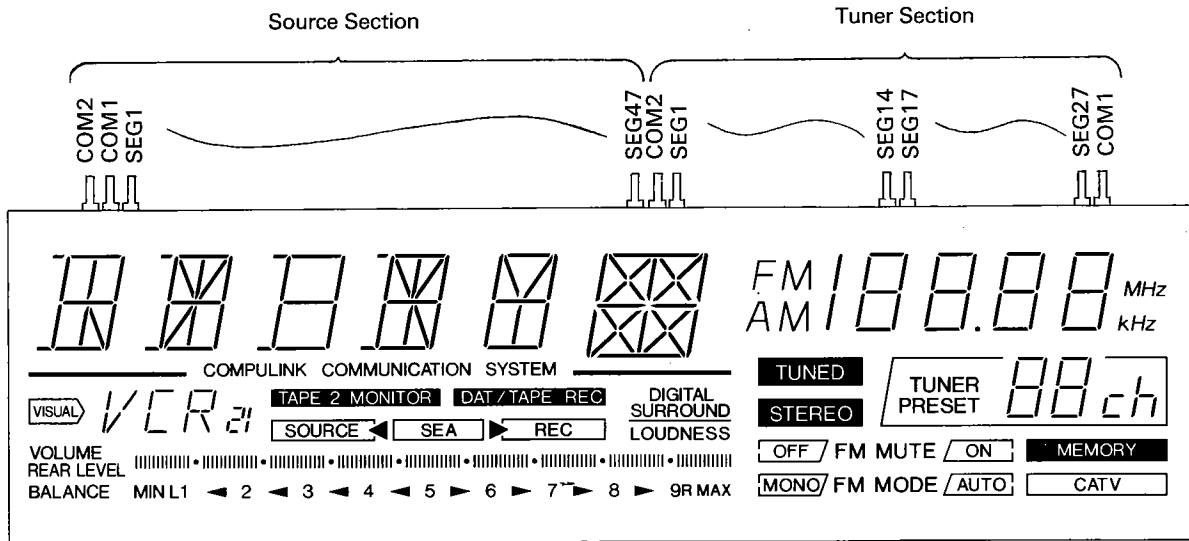


■ TA7317P (IC901, IC961)

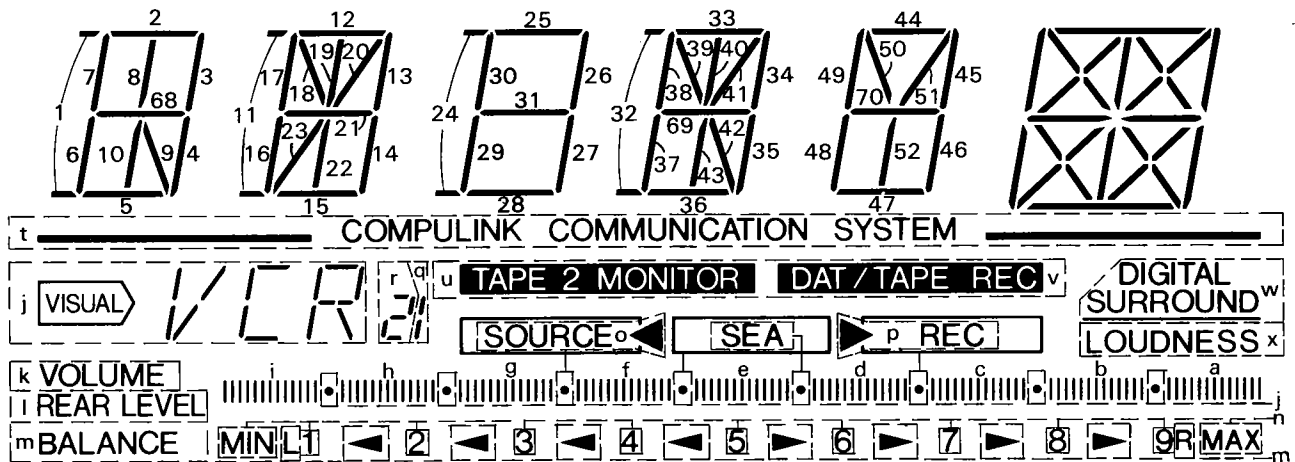


Internal Wiring of LCD (LC421 : ELU0002-044)

Terminal Layout



Source Section

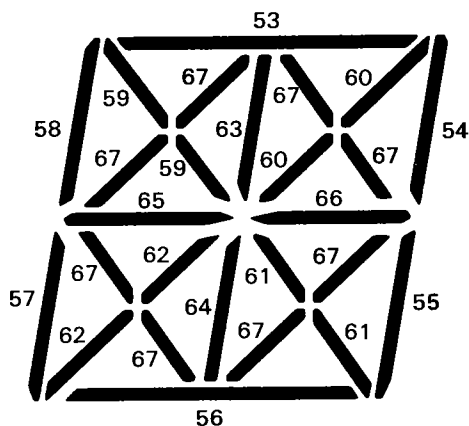


Common	Segment											
	1	2	3	4	5	6	7	8	9	10	11	12
1	a	c	e	g	i	n	k	q	1	10	68	8
2	b	d	f	h	l	m	r	u	5	6	7	2

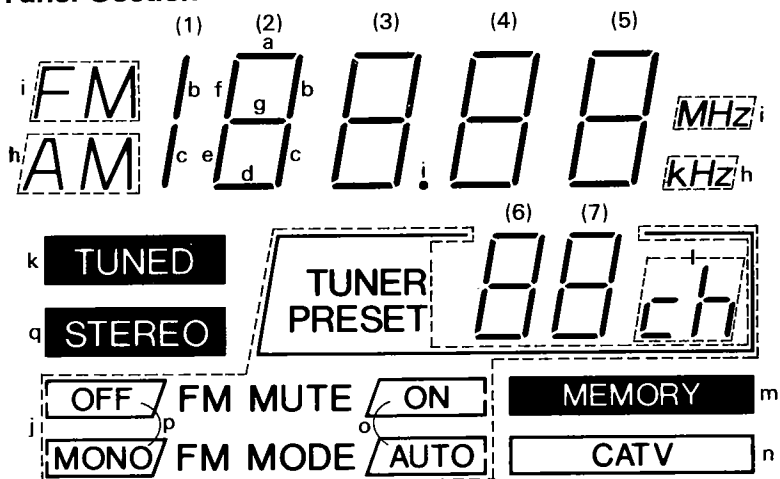
Common	Segment											
	13	14	15	16	17	18	19	20	21	22	23	24
1	3	11	23	17	19	20	21	22	24	31	26	27
2	4	9	16	18	12	13	14	15	28	30	25	29

Common	Segment											
	25	26	27	28	29	30	31	32	33	34	35	36
1	32	43	39	40	34	69	42	52	70	50	51	46
2	36	37	38	33	41	35	47	48	49	44	45	t

Common	Segment										
	37	38	39	40	41	42	43	44	45	46	47
1	57	65	58	53	54	55	56	67	p	x	j
2	62	66	59	63	60	61	64	-	o	w	v



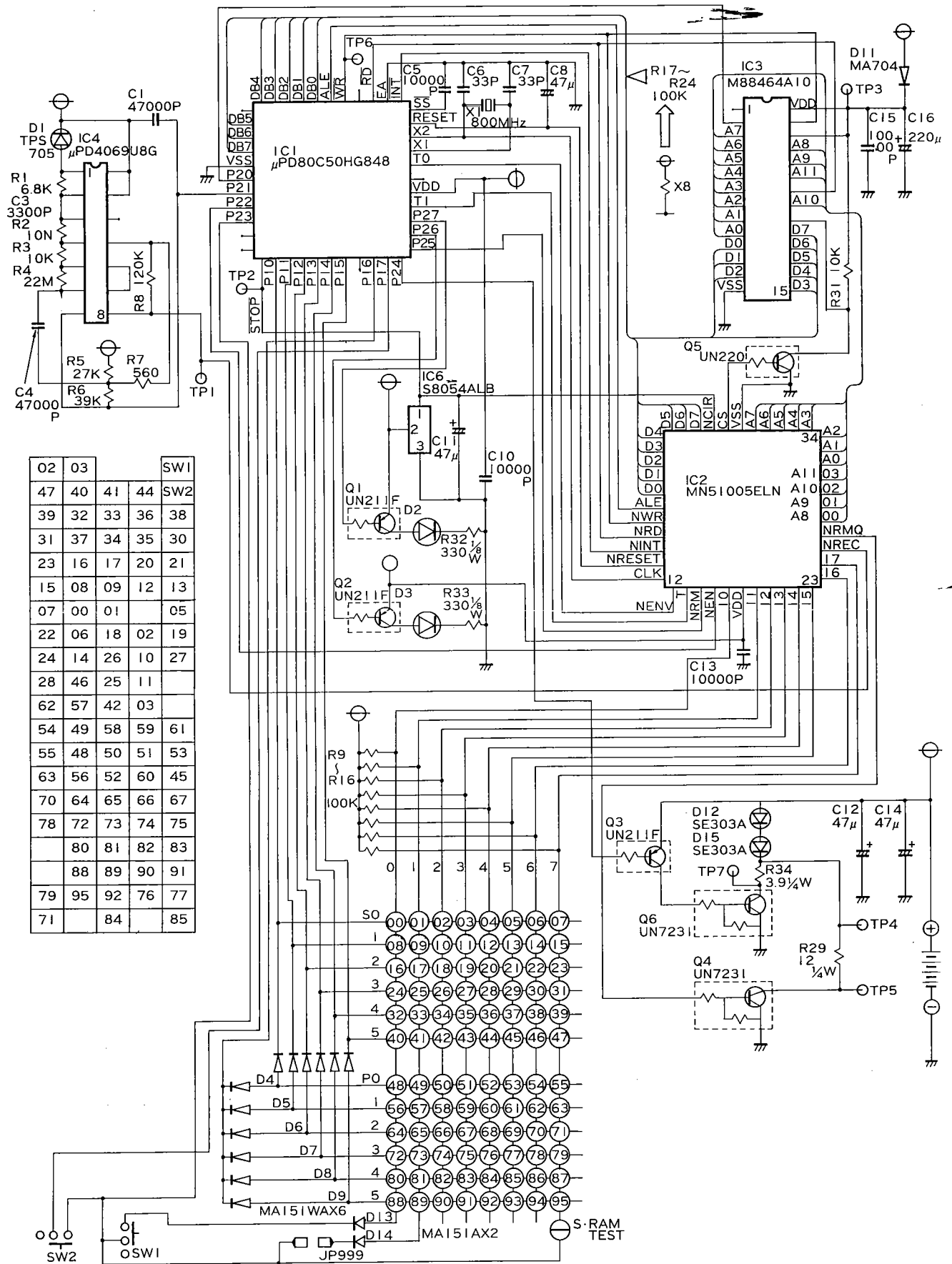
■ Tuner Section



Common	Segment												
	1	2	3	4	5	6	7	8	9	10	11	12	13
1	(2)d	(2)e	(2)f	(2)g	(3)d	(3)e	(3)f	(3)g	(4)d	(4)e	(4)f	(4)g	(5)a,c,d,f
2	(1)b,c	(2)c	(2)a	(2)b	h	(3)c	(3)a	(3)b	i	(4)c	(4)a	(4)b	(5)b,e

Common	Segment											
	14	17	18	19	20	21	22	23	24	25	26	27
1	j	(6)d	(6)e	(6)f	(6)g	(7)d	(7)e	(7)f	(7)g	m	o	q
2	(5)g	k	(6)c	(6)a	(6)b	l	(7)c	(7)a	(7)b	n	p	-

Remote Control Unit (RM-SR777)



02	03		SW1
47	40	41	44
39	32	33	36
31	37	34	35
23	16	17	20
15	08	09	12
07	00	01	05
22	06	18	02
24	14	26	10
28	46	25	11
62	57	42	03
54	49	58	59
55	48	50	51
63	56	52	60
70	64	65	66
78	72	73	74
	80	81	82
	88	89	90
79	95	92	76
71		84	85

EUR6650 (JP. OPEN)		
No.		
00	TV P.	03 17
01	VCR P.	43 OB
02	DISC	MODE CHANGE
03	9	*
04	_____	_____
05	SLEEP	A3 03
06	PRGM	B3 71
07	AUDIO P.	A3 17
08	U	LEARN
09	V	↓
10	3	*
11	6	*
12	W	LEARN
13	X	↓
14	1	*
15	T	LEARN
16	P	↓
17	Q	↓
18	MAG. P	B3 73
19	TRACK	MODE CHANGE
20	R	LEARN
21	S	↓
22	CONT.	B3 77
23	O	LEARN
24	FM	A3 08
25	5	*
26	2	*
27	TV ch	A3 10 43 10
28	AM	A3 09
29	_____	_____
30	N	LEARN
31	J	
32	F	
33	G	
34	L	
35	M	
36	H	
37	K	
38	I	
39	E	
40	B	
41	C	↓
42	8	*
43	_____	_____
44	D	LEARN
45	IOKEY (CD)	MODE CHANGE
46	4	*
47	A	LEARN
48	■ (PHONO)	B3 03
49	10	*

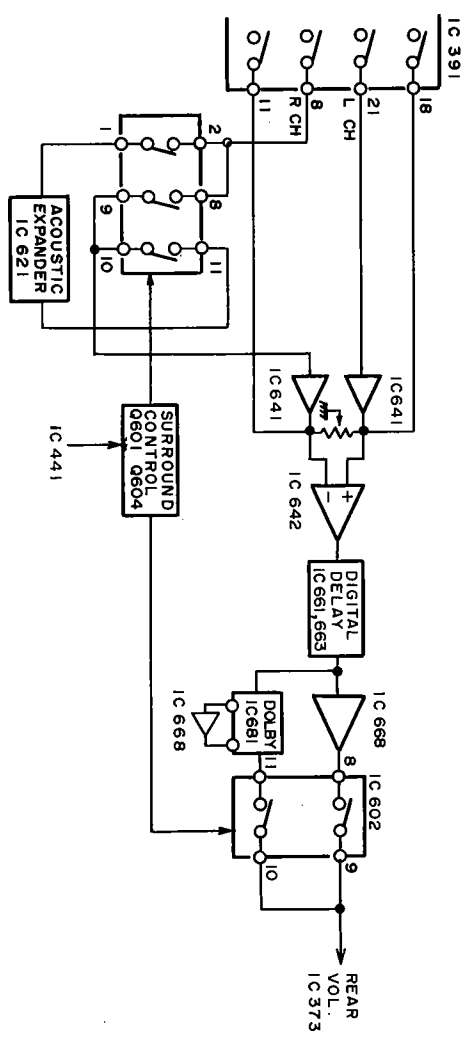
EUR6650 (JP. OPEN)		
No.		
50	CH- _____	*
51	CH+	*
52	⏮ (CD)	B3 58
53	SUR. ON/OFF	A3 05
54	VCR 2	A2 12 03 11
55	▶ (PHONO)	A3 3C
56	■ (CD)	B3 43
57	7	*
58	+10	*
59	0	*
60	⏭ (CD)	B3 59
61	SEA SOU.	A3 30
62	VCR 1	A3 11 03 11
63	▶ (CD)	A3 3D
64	■ (TAPE1)	83 43
65	⏮ (TAPE1)	83 18
66	⏭ (TAPE1)	83 19
67	◀▶ (TAPE1)	83 OB
68	_____	_____
69	_____	_____
70	▶ (TAPE1)	A3 3F
71	MUTE	A3 1C
72	DELAY	A3 48
73	MODE	A3 58
74	REAR-	A3 4F
75	REAR+	A3 4E
76	▶	*
77	⏭	*
78	TAPE2	A3 07
79	DAT	MODE CHANGE
80	■ (DAT)	93 53
81	⏮ (DAT)	93 68
82	⏭ (DAT)	93 69
83	IOKEY (DAT)	
84	VOL. -	A3 1F
85	VOL. +	A3 1E
86	▶ (DAT)	93 5C
87	_____	_____
88	VCR	*
89		*
90	■	*
91	●	*
92	⏮	*
93	_____	_____
94	_____	_____
95	TAPE1	MODE CHANGE

Parts List

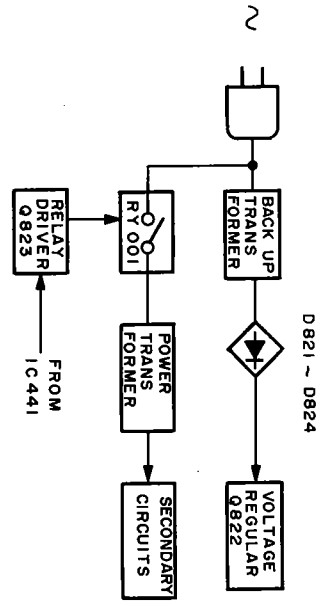
Parts Number	Parts Name	Q'ty	Description
EUR66EC3A	Battery Cover	1	
ECR66CS2A	Bottom Case	1	
EUR66CS36	Upper Case	1	
EUR64SB125	Smoked Plate	1	
EUR66CT5C	Rubber Contact	1	
EUR66TM85	Slide Knob	1	(USE/LEARN)
EUR66TM8	Slide Knob	1	(1/2)
EUR66PP37A	Name Plate	1	
EUR66TD21	Battery Contact	1	(+)
EUR66TD22	Battery Spring	1	(-)
EUR64TD668	Common Contact	2	(+, -)
EUR60TD48	Common Contact	1	(+, -)
SSSB2008M	Tappiog Screw	1	(for Bottom Case)
SDSF2005M	Tapping Screw	2	(for Main PC Board)
EUR66VPB20	Main PC Board Ass'y	1 set	(t=1)
μPD80C50HG848	Microcomputer	1	IC1
MN51005ELN	Gate Array	1	IC2
MB8464A10MAT	S-RAM	1	IC3
S8054ALB	Reset IC	1	IC6
UN211FTW	Tip Transistor	3	Q1, Q2, Q3
UN7231TW	Tip Transistor	1	Q4
UN221DTW	Tip Transistor	1	Q5
UN7231TW	Tip Transistor	1	Q6
LN1361C	LED	1	D2 (Green)
LN1261C	LED	1	D3 (Red)
MA151WATW	Tip Diode	6	D4~D9
MA704TW	Tip Diode	1	D11
SE303AS	LED	2	D12, D15
MA151ATW	Tip Diode	1	D13, D14
CSA800MT	Ceramic Oscillator	1	X1
ESD10621	Slide Switch	2	SW1, SW2
EUR66VPB18	Sub PC Board Ass'y	1 set	(t=1.2)
MPD4069U8G	Microcomputer	1	IC4
TPS705	Diode	1	D1

Block Diagram

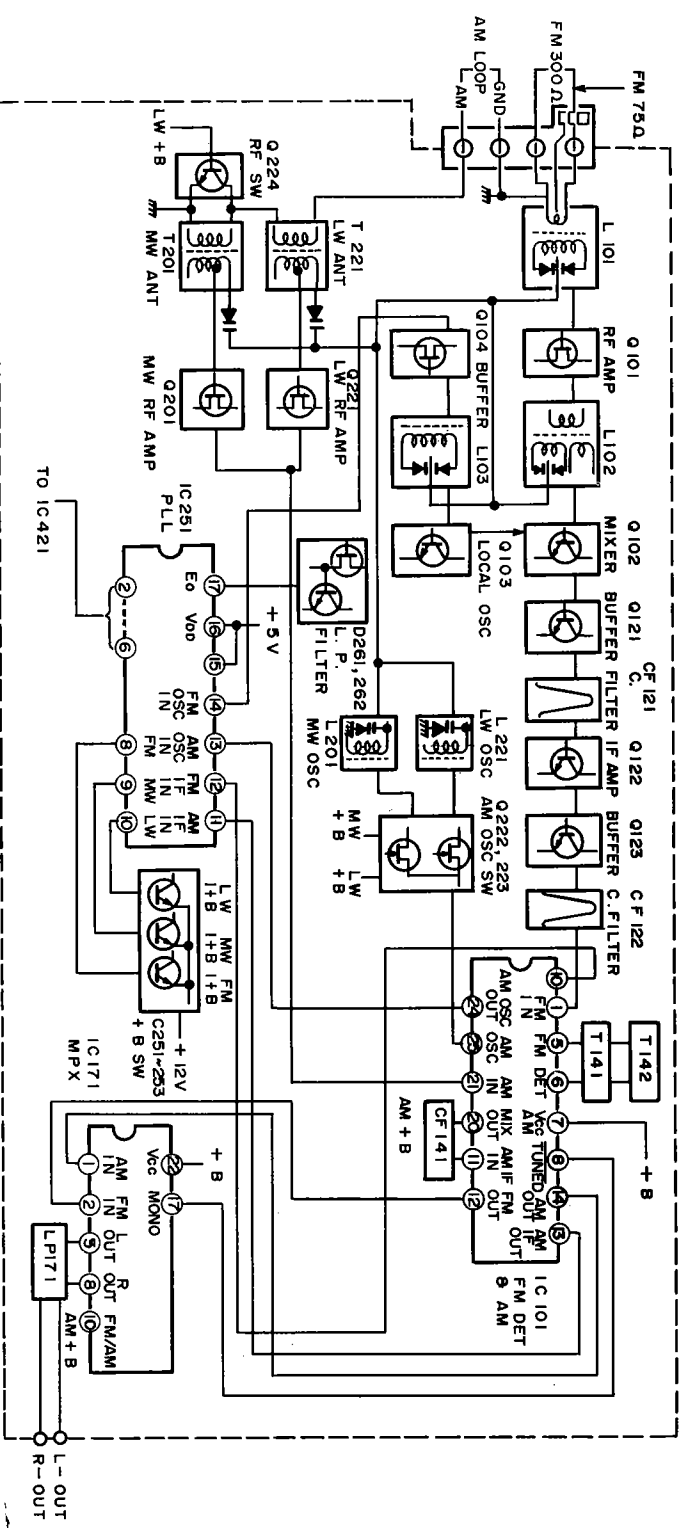
Surround Section



Power Supply Section



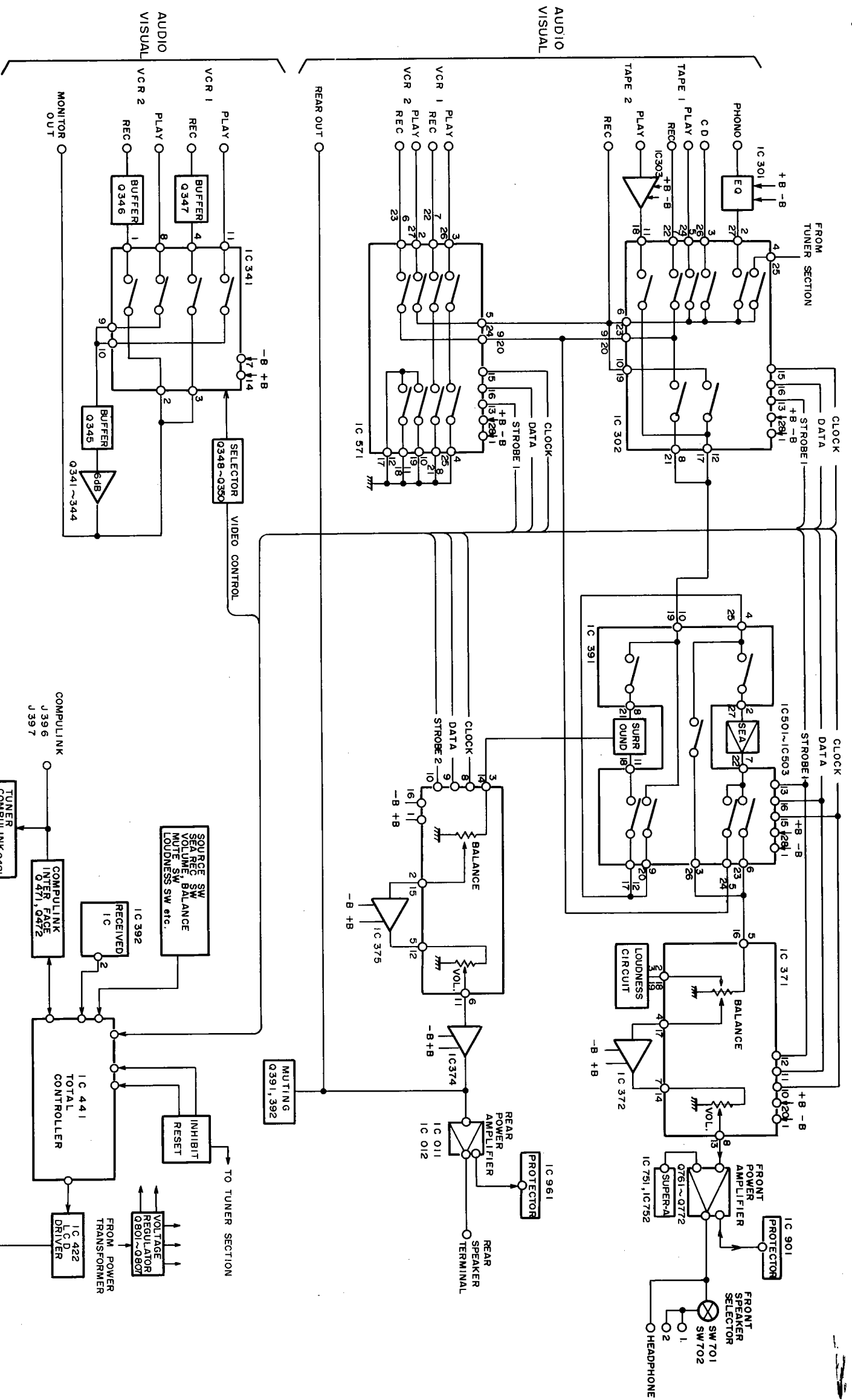
Tuner Section



Control and Amplifier Section

RX-777VBK
RX-777SBK
RX-777LBK

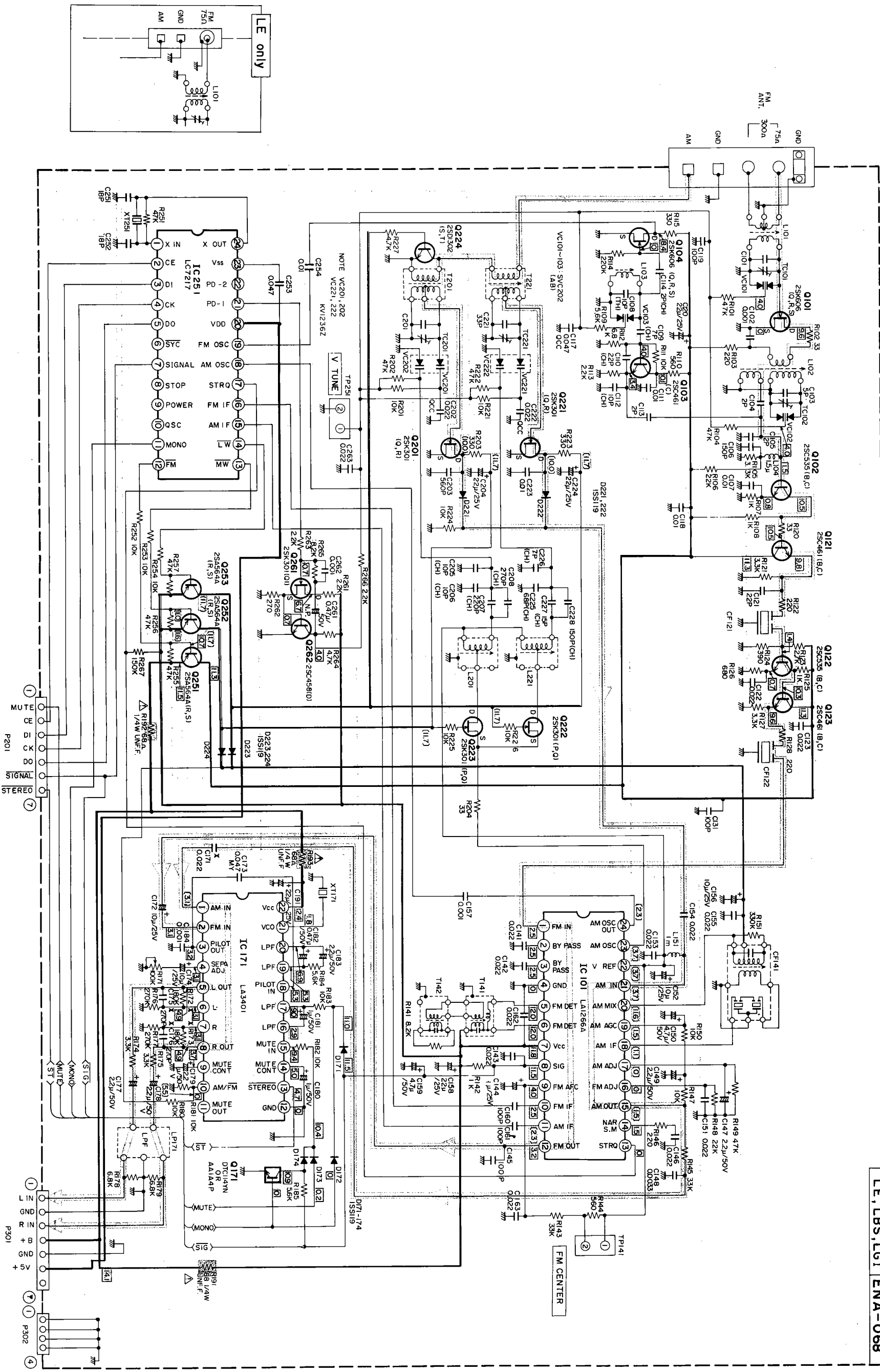
RX-777VBK
RX-777SBK
RX-777LBK



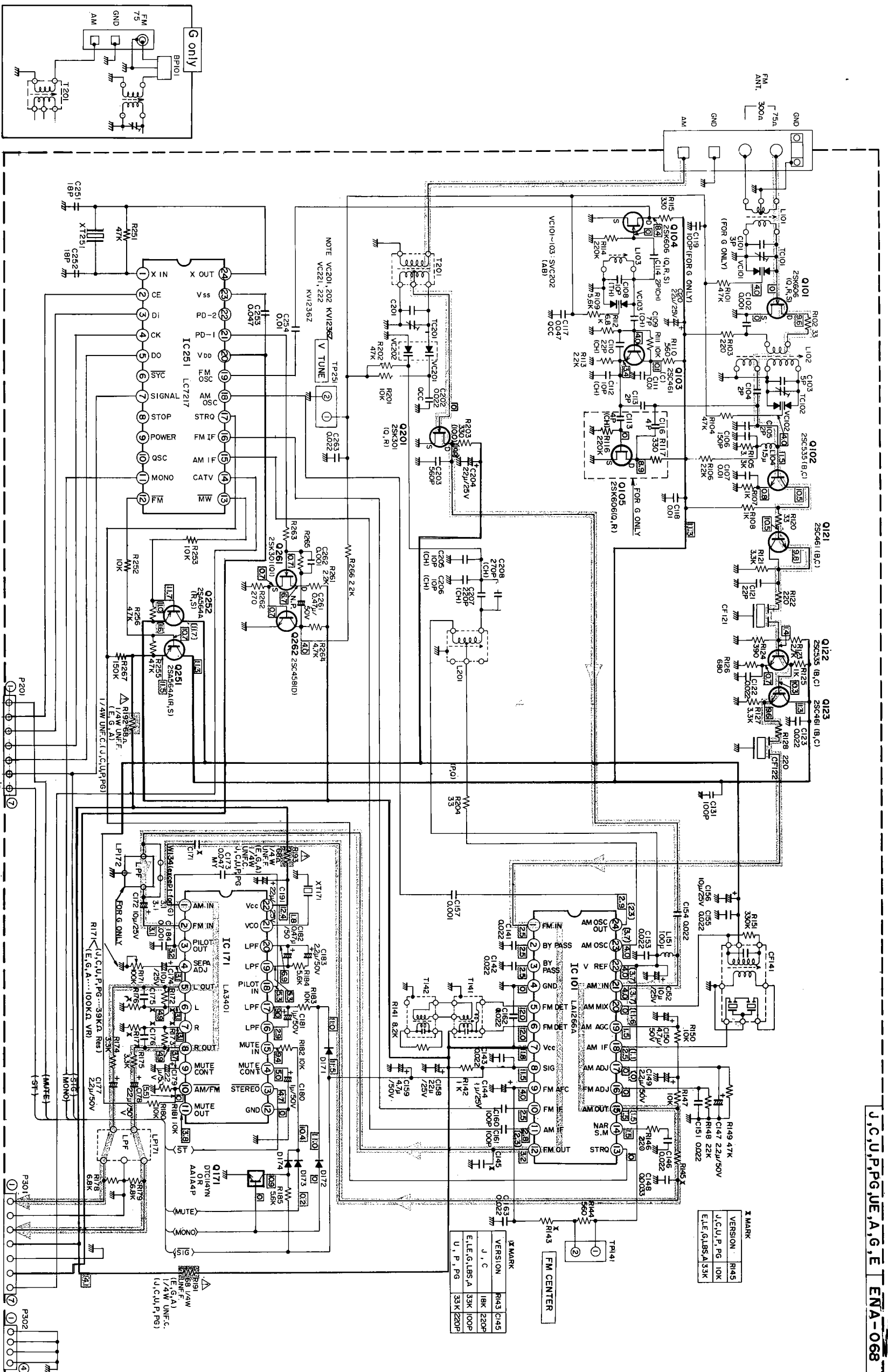
Schematic Diagrams

(1) RX-777 VL8K Tuner Section

LE, LBS, LGI ENA-068



RX-777VBK
RX-777VSBK
RX-777VLBK
RX-777VBK
RX-777VSBK
RX-777VLBK



X MARK

VERSION	R145
J,C,U,P,PG	10K
E,L,E,G,LBS,A,33K	

X MARK

VERSION	R143	C145
J,C	18K	1220P
E,L,E,G,LBS,A,33K	100P	
U,P,PG	33K	220P

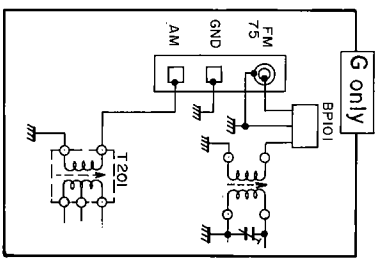
KMARK

VERSION	C171	C172	R172	R175
J,C,U,P,PG	0.033	560P	120K	180K
E,G,A	0.022	270P	180K	120K

NOTE: NON MARK DIODE: 1SS119

(No. 20055)

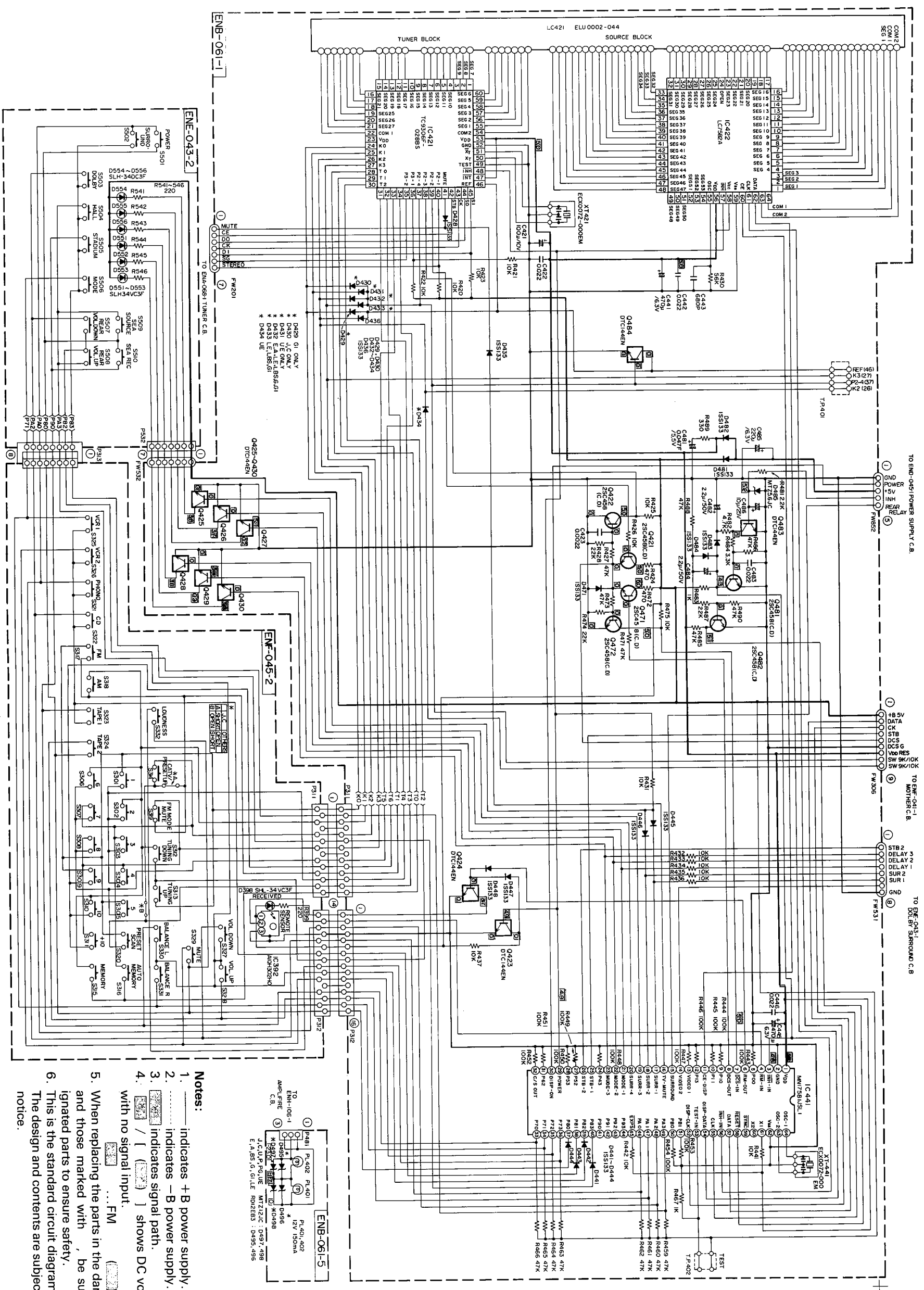
(No. 20055)



MUTE
SIGNAL
STEREO

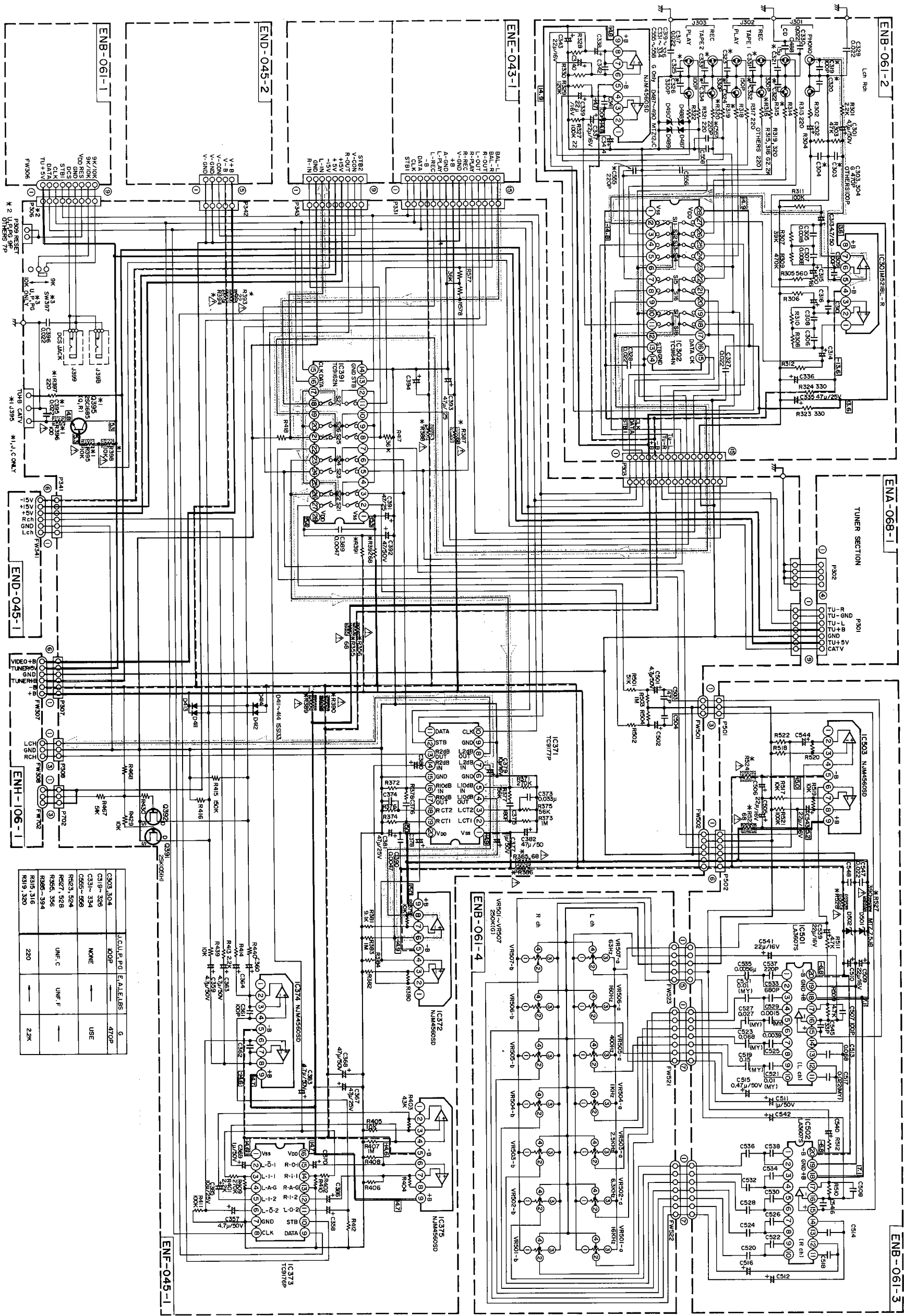
IN
GND
RIB
GND
+5V
CATV

LCD Control and Front Switch Section



Notes:

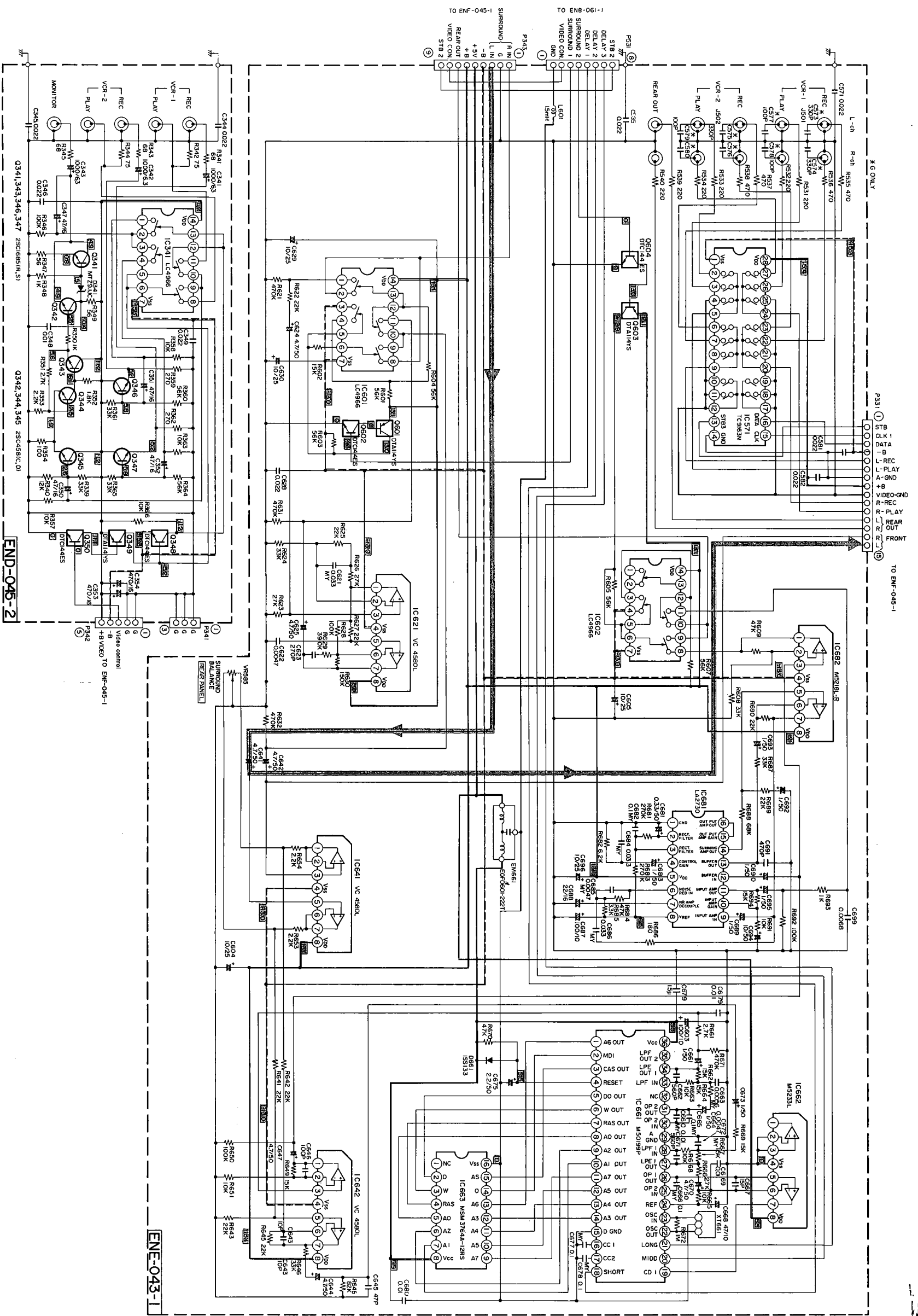
1. — indicates +B power supply.
2. indicates —B power supply.
3. [shaded area] indicates signal path.
4. [dashed line] / [solid line] shows DC voltage to the chassis with no signal input.
5. When replacing the parts in the darkened area ([shaded area]) and those marked with [dashed line], be sure to use the designated parts to ensure safety.
6. This is the standard circuit diagram.



C303 30.4	J.C.U.F. PG	EALELBS	6
C319-326	KOOP		470P
C331-334	NONE		USE
C355-358			
R323 52.4	UNF C		
R327 52.8	UNF F		
R355 356			
R356-394			
R315 316			
R319 320			22K

RX-777VSBK
RX-777VSBK
RX-777VSBK
RX-777VSBK

Video Selector and Surround Section



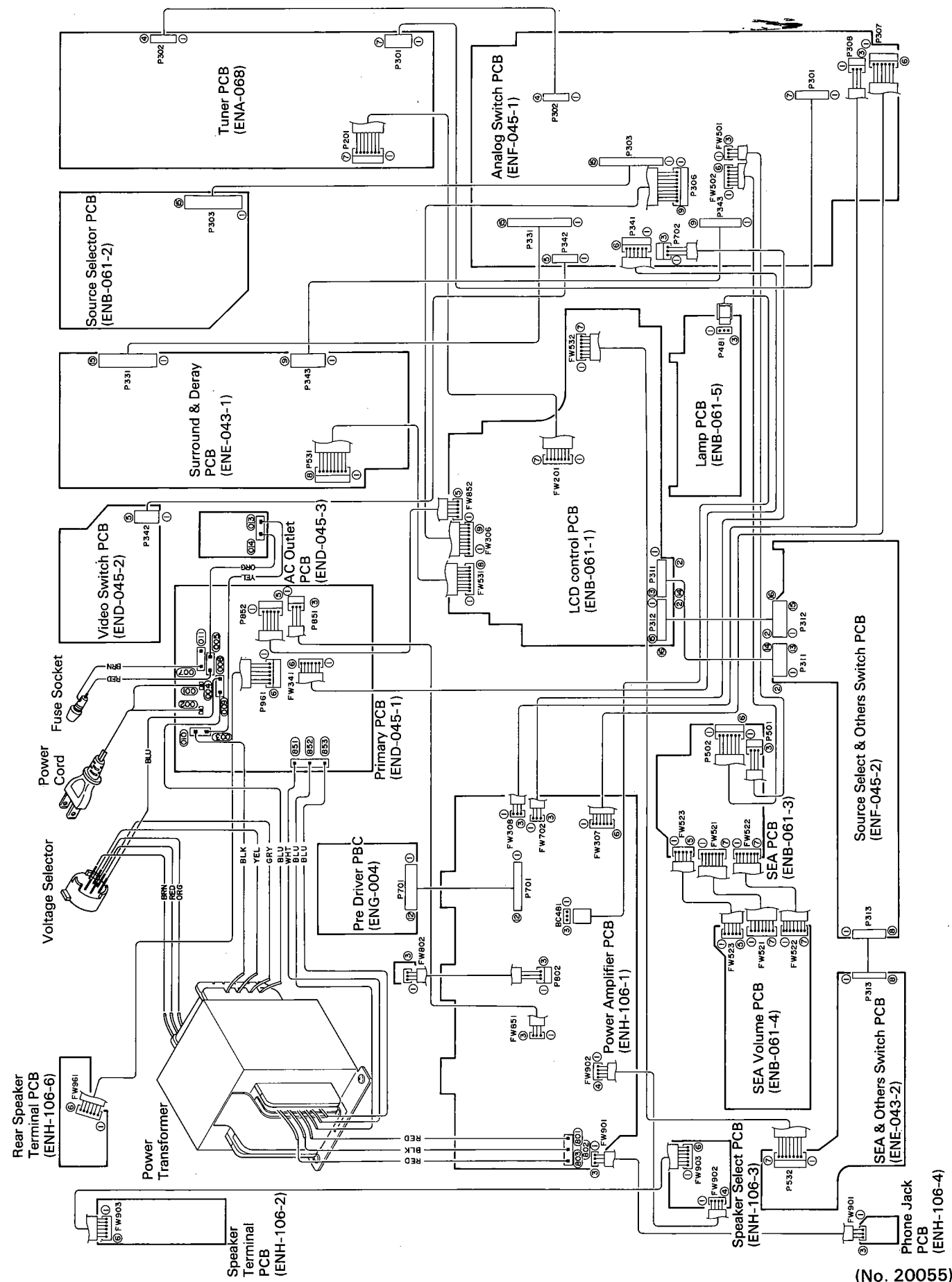
(No. 20055)

(No. 20055)

END-045-2

ENE-043-1

Connection Diagram



RX-777VBK
RX-777VSBK
RX-777VLBK

JVC

VICTOR COMPANY OF JAPAN, LIMITED
AUDIO PRODUCTS DIVISION, YAMATO PLANT, 1644, SHIMOTSURUMA, YAMATO-SHI, KANAGAWA-KEN, 242, JAPAN

(No. 20055)

 Printed in J
8905 IS1

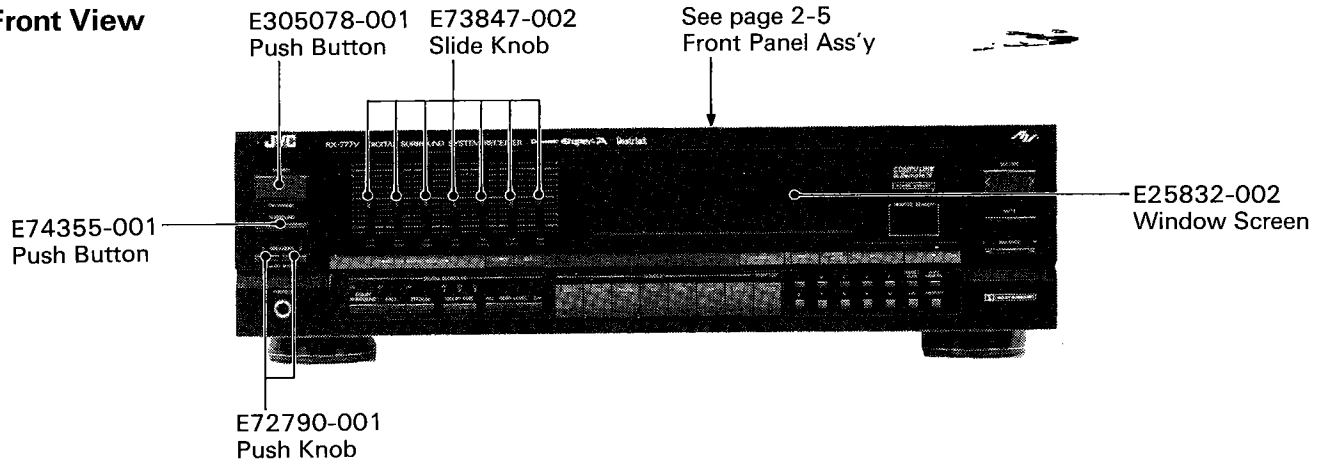
PARTS LIST

Contents

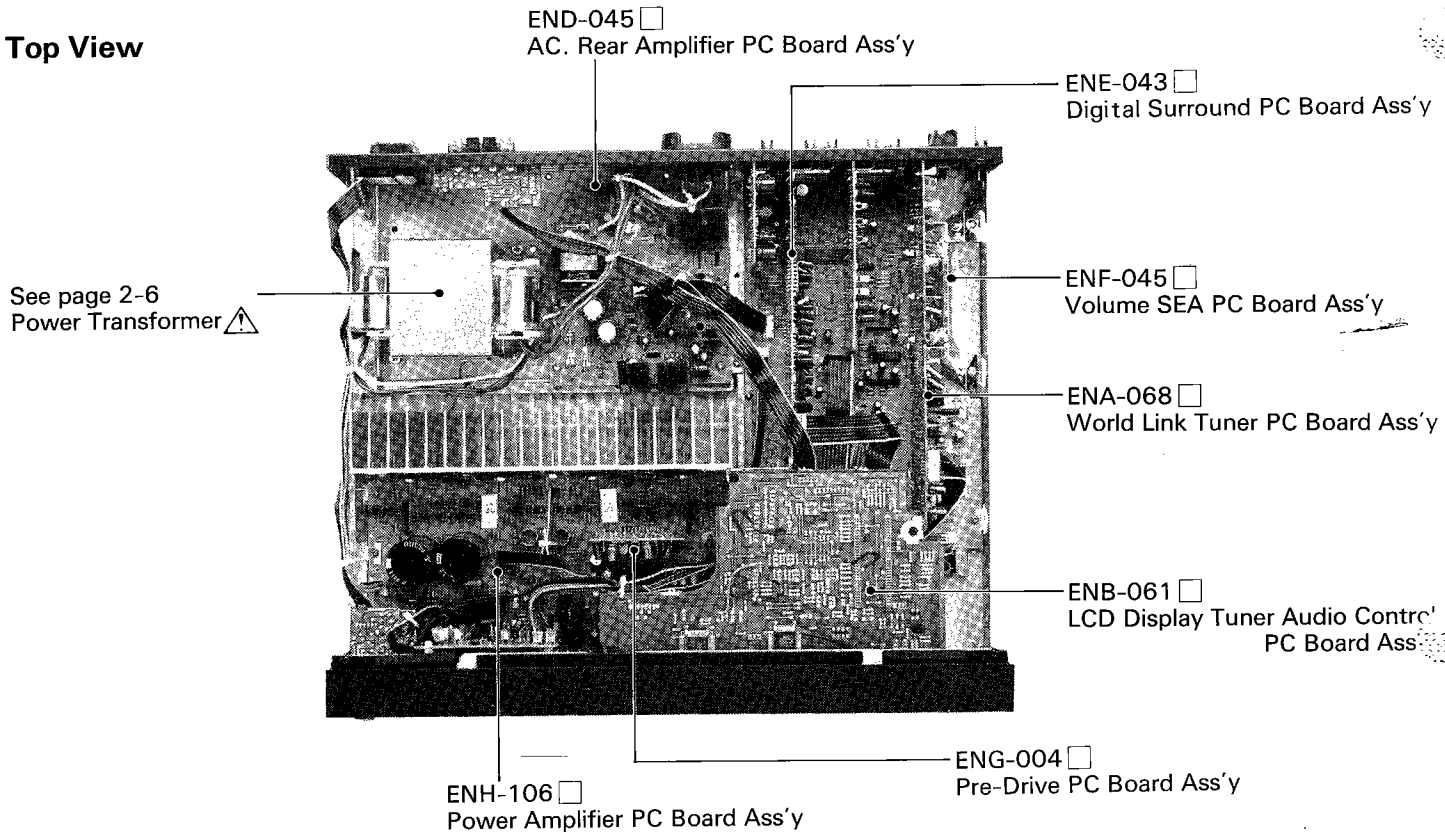
Main Parts Location	2-2
Exploded View and Parts List	2-3
Printed Circuit Board Ass'y and Parts List	2-7
■ ENH-106 <input type="checkbox"/> Power Amplifier PC Board Ass'y	2-7
■ END-045 <input type="checkbox"/> AC. Rear Amplifier, Video PC Board Ass'y	2-10
■ ENF-045 <input type="checkbox"/> Volume. SEA PC Board Ass'y	2-13
■ ENB-061 <input type="checkbox"/> LCD Display Tuner Audio Control PC Board Ass'y	2-16
■ ENG-004 <input type="checkbox"/> Pre-Drive PC Board Ass'y	2-19
■ ENE-043 <input type="checkbox"/> Digital Surround PC Board Ass'y	2-21
■ ENA-068 <input type="checkbox"/> World Link Tuner PC Board Ass'y	2-24
Accessories List	2-28
Packing Materials and Parts Numbers	2-29

Main Parts Location

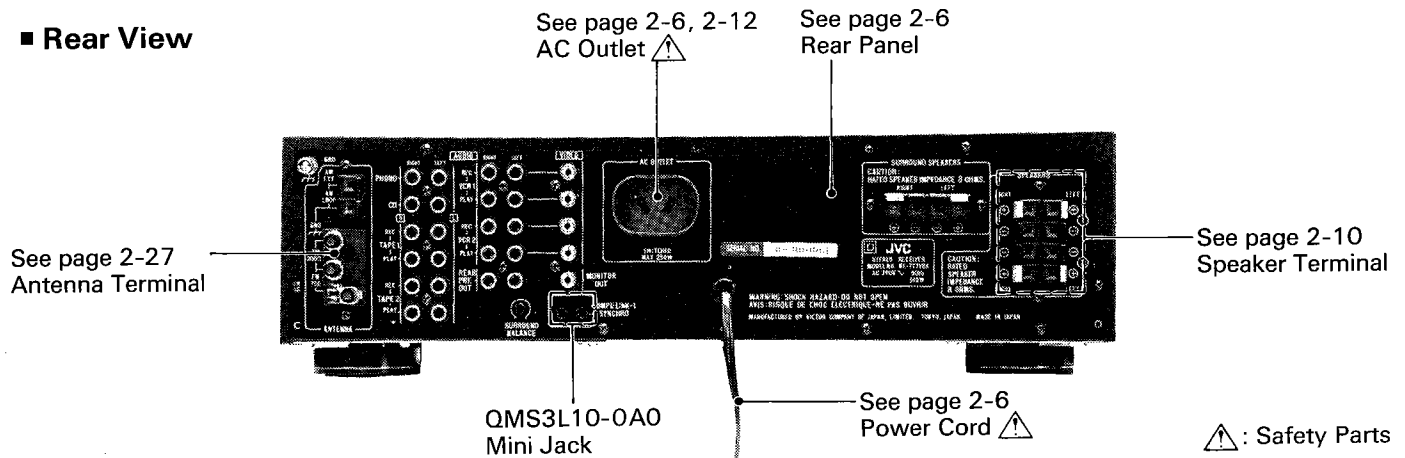
■ Front View



■ Top View

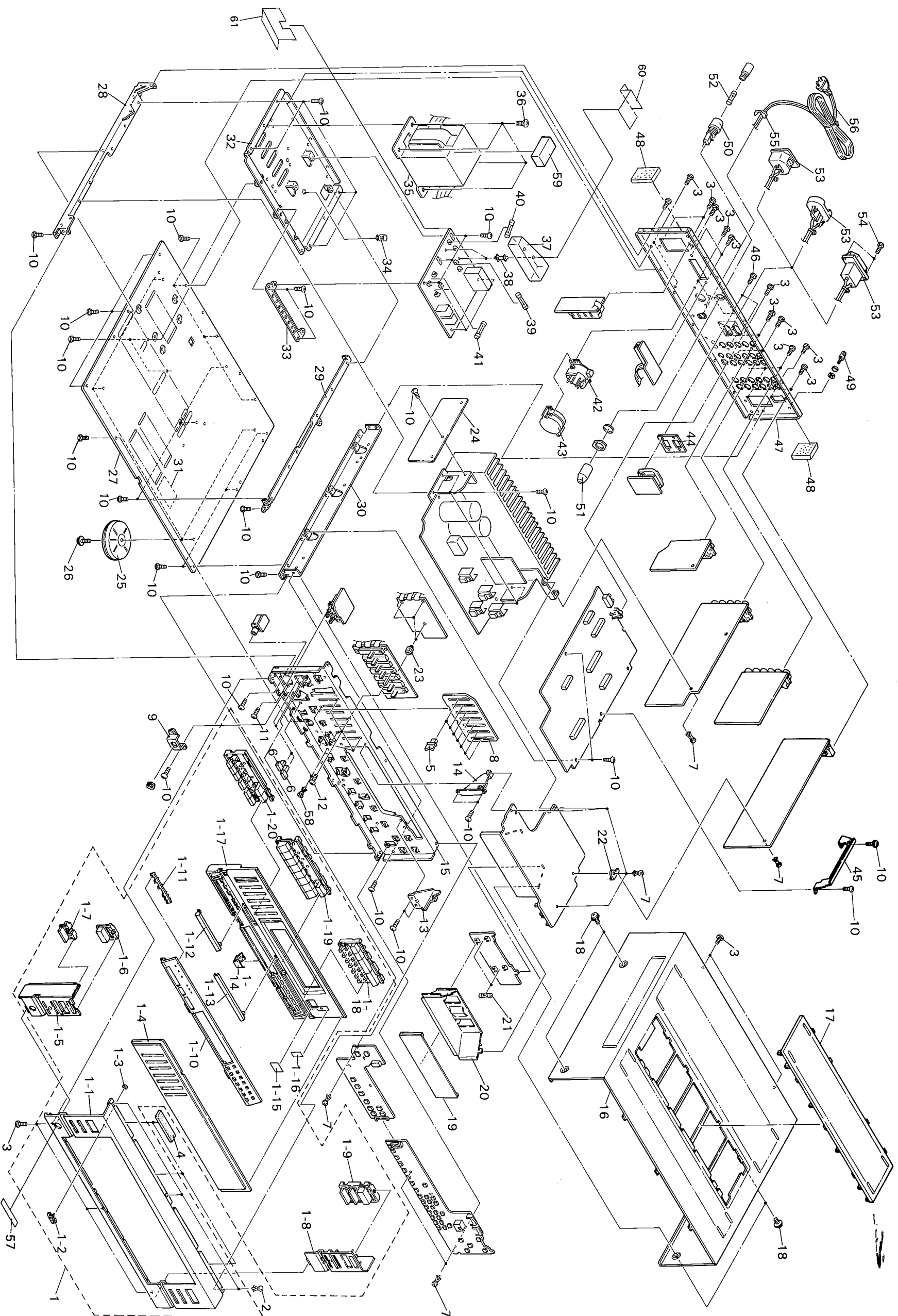


■ Rear View



⚠ : Safety Parts

Exploded View and Parts List



Item	Part Number	Part Name	Q'ty	Description	Areas
1	EFP-RX777VBKE EFP-RX777VBJ EFP-RX777VLBKE	Front Panel Assy Front Panel Assy Front Panel Assy	1 1 1		U, P, PG, E, EF, A, G J, C, SJ LE, LEF, LGI, LBS Except LE, LEF, LGI, LBS LE, LEF, LGI, LBS
1-1	E25827-006 E25827-007	Front Panel	1		
1-2	E72968-001	JVC Mark	1		
1-3	E60912-003	Speed Nut	1		
1-4	E25832-002	Window Screen	1		
1-5	E305058-001	Side Escutcheon	1	Left	
1-6	E305078-001	Push Button	1	Power	
1-7	E74355-001	Push Button	1		
1-8	E305059-001	Side Escutcheon	1	Right	
1-9	E305056-002	Volume Button	1		
1-10	E25839-002	Sub Panel	1		
1-11	E74569-001	Indicator	1		
1-12	E74566-002	Cap	1	Left	
1-13	E74568-001	Cap	1	Center	
1-14	E74883-001	Earth Plate	1		
1-15	E72436-008	Screen	1		
1-16	E72437-006	Sheet	1		
1-17	E11598-005	Front Base	1		J, SJ, C
1-18	E25843-001	Preset Button	1		Except J, SJ, C
1-19	E25843-002	Preset Button	1		Except LE, LEF, LGI, LBS
1-19	E25830-001	Source Button	1		LE, LEF, LGI, LBS
1-19	E25830-002	Source Button	1		
1-20	E25934-002	Push Button	1	Surround	
2	E48729-009	Plastic Rivet	3		
3	SBSE3008M	Screw	24		J, SJ, C, G, GI
3	SBSE3008M	Screw	25		U, P, PG
3	SBSE3008M	Screw	23		E, EF, A, LE, LEF, LBS
4	EXO050005N25S02	Felt Spacer	7		
5	E739847-002	Slide Knob	2	Sea	
6	E72790-001	Push Knob	2	Speaker Switch	
7	E48729-008	Plastic Rivet	10		
8	E74451-001	Sheet	1	Sea	
9	E74448-001	Head Phone Bracket	45		
10	SBSE3008CC	Screw	2		
11	SBST13006CC	Screw	5		
12	E70053-001	Special Screw	1	Right	
13	E74450-001	Stay Bracket	1	Left	
14	E73863-001	Front Bracket	1		E, EF, LE, LEF, LGI, LBS
15	E11597-001	Metal Cover	1		J, SJ, C, U, P, PG, A, G
16	E25936-004	Metal Cover	1		
17	E23862-005	Grill	1		E, EF, LE, LEF, LGI, LBS
18	E61660-004	Special Screw	4		
19	E73005-005	Sheet	1	Source	
20	E305054-001	Lamp Holder	1	Source	
21	ELP4101-003	Fuse Lamp	2	Source PL401, PL402	
22	E74571-001	Circuit Board Bracket	1		
23	E305399-001	Fastener	3	Sea	
24	E73937-001	Sheet	1		
25	E74522-001	Foot Assy	4	Foot	
26	GBST13008CC	Screw	4		
27	E11663-001	Bottom Plate	1	Left	
28	E305234-001	Side Bracket	1		
29	E305236-001	Center Bracket	1	Right	
30	E305235-001	Side Bracket	1		
31	E70115-002	Caution Label	1		Except J, SJ
32	E70281-001	Caution Label	1		J, SJ
33	E25881-001	Trans Bracket	1		
34	E74570-001	Sub Heat Sink Bracket	1		
35	E49383-002 ETP1150-22JA ETP1150-22CA	Fastener Power Transformer Power Transformer	1 1 1		J, SJ C

▲: Safety Parts

(NO. 20055) 2-5

Item	Part Number	Part Name	Q'ty	Description	Areas
36	ETP1150-22FA ETP1150-22EA ETP1150-22EABS	Power Transformer Power Transformer Power Transformer	1 1 4		U, P, PG, A, G, LE, LEF, LGI E, EF, A, G, LE, LEF, LGI BS
37	E65389-004 E305445-002	Special Screw Primary Cover	1		Except J, SJ, C, U, P, PG
38	E302321-001	Fastener	2		E, EF, A, G
39	QMF51A2-2R55	Fuse	1	F001	Except J, SJ, C, P, LBS
39	QMF51U1-5R05	Fuse	1	F001	J, SJ, C, P
40	QMF51E2-2R55BS	Fuse	1	F001	LBS
40	QMF51A2-R105	Fuse	1	F002	E, EF, A, G, LE, LEF, LGI
41	QMF51E2-R105BS	Fuse	1	F002	LBS
41	QMF51A2-2R05	Fuse	2	F851, F852	Except J, SJ, C, LBS
41	QMF51U1-2R0	Fuse	2	F851, F852	J, SJ, C
42	QMF51E2-2R05BS	Fuse	2	F851, F852/ F851, F852/	LBS
42	QSR0085-008U	Voltage Selector	1		U, P, PG
43	E302764-001	Voltage Selector Cover	1		U, P, PG
44	E69589-008	Spacer	1		J, SJ
45	E304771-001	Earth Plate	1		J, SJ, C, U, P, PG
46	SDS83008M	Screw	2		J, SJ, C
47	E25938-009	Rear Panel	1		J, SJ, C
48	E25938-010	Rear Panel	1		U, P, PG
48	E25938-011	Rear Panel	1		E, EF
49	E70078-001	Rear Panel	1		A
50	QMG0301-003	Rear Panel	1		LE, LEF, LGI
50	QMG0301-003	Rear Panel	1		LBS
51	E69291-001	Rear Panel	1		G
52	QMF51A2-2R55	Rating Label	1		LE, LEF
52	QMF51A2-5R05	Felt Spacer	1	F003	
53	QMF51A2-1R255	Fuse	1	F003	
53	QMC0240-002	AC Outlet	1		U, P, PG, LE, LEF
54	EMC0233-001	AC Outlet	1		U, P, PG
54	EMC0232-001BS	AC Outlet	1		U, P, PG
54	SB83016M	Screw	2		P
55	QHS3876-162	Cord Stopper	1		LE, LEF
55	QHS3876-162BS	Cord Stopper	1		E, EF, G, LE, LEF, LGI
56	QMP1480-200	Power Cord	1		BS
56	QMP7600-200	Power Cord	1		J, SJ, C
58	QMP3900-200	Power Cord	1		U, P, PG
59	QMP2560-244	Power Cord	1		E, EF, G, LE, LEF, LGI
60	QMP9017-008BS	Power Cord	1		A
61	E49267-001	Origin Marking Label	1		LBS
61	E48729-007	Plastic Rivet	2		
61	EXO050025N50S02	Felt Spacer	1		A, G, E, EF, LE, LEF, LGI
61	E74795-001	Shield Plate	1		A, G, E, EF, LE, LEF, LGI
61	E74919-001	Protect Sheet	1		

▲: Safety Parts

The Marks for Designated Areas

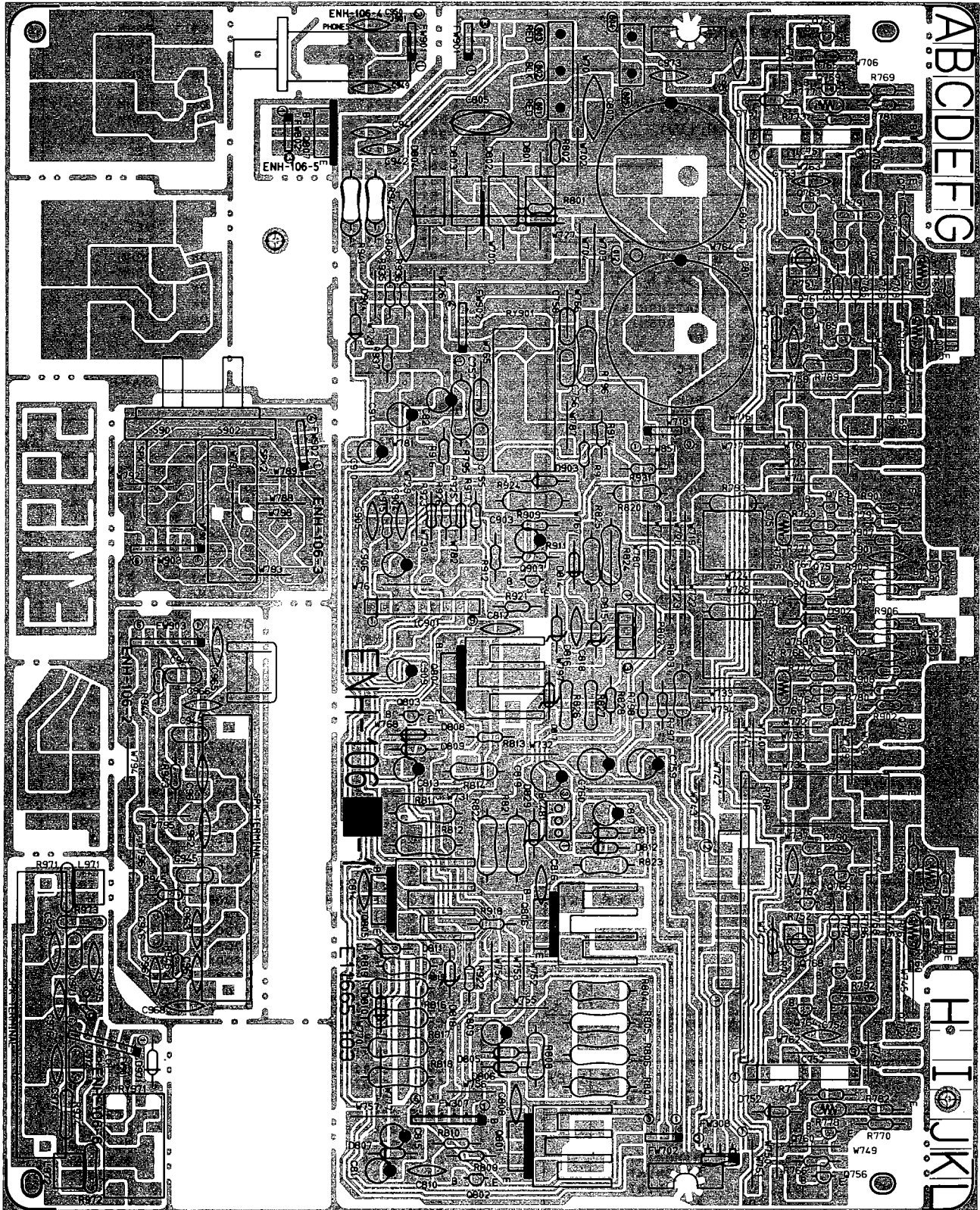
J, SJ	The U.S.A.	LE, LEF	Continental Europe (with LW)
C	Canada	LBS	U.K. (with LW)
E, EF	Continental Europe	LGI	Italy (with LW)
A	Australia	U	Other Countries
G	West Germany		No mark indicates all areas.
P, PG	U.S. Military Market		

2-6 (No. 20055)

Printed Circuit Board Ass'y and Parts List

■ ENH-106 □ Power Amplifier PC Board Ass'y

Note: ENH-106 □ varies according to the areas employed. See note (1) when placing an order.



Note (1)

PC Board Ass'y	Designated Areas
ENH-106 A	U.S.A.
ENH-106 B	Canada
ENH-106 C	U.S. Military Market & Other Countries
ENH-106 D	Continental Europe Continental Europe (with LW), Australia, Italy (with LW), U.K. (with LW)
ENH-106 E	West Germany

Transistors

ITEM	PART NUMBER	DESCRIPTION	AREA	
			MAKER	
Q751	2SD636(Q,R)	SILICON	MATSUSHITA	
Q752	2SD636(Q,R)	SILICON	MATSUSHITA	
Q753	2SC945A(P,Q)	SILICON	NEC	
Q754	2SC945A(P,Q)	SILICON	NEC	
Q755	2SA733A(P,Q)	SILICON	NEC	
Q756	2SA733A(P,Q)	SILICON	NEC	
Q757	2SC2389(S,E)	SILICON	ROHM	
Q758	2SC2389(S,E)	SILICON	ROHM	
Q759	2SA1038(S,E)	SILICON	ROHM	
Q760	2SA1038(S,E)	SILICON	ROHM	
Q761	2SC1775AV(E)	SILICON	HITACHI	
Q762	2SC1775AV(E)	SILICON	HITACHI	
Q763	2SA872AV(E)	SILICON	HITACHI	
Q764	2SA872AV(E)	SILICON	HITACHI	
Q765	2SC2235(O,Y)	SILICON	TOSHIBA	
Q766	2SC2235(O,Y)	SILICON	TOSHIBA	
Q767	2SA965(O,Y)	SILICON	TOSHIBA	
Q768	2SA965(O,Y)	SILICON	TOSHIBA	
Q769	2SC3855LF(O,Y)	SILICON	SANKEN	
Q770	2SC3855LF(O,Y)	SILICON	SANKEN	
Q771	2SA1491LF(O,Y)	SILICON	SANKEN	
Q772	2SA1491LF(O,Y)	SILICON	SANKEN	
Q801	2SD1666(R,S)	SILICON	SANYO	
Q802	2SC945A(P,Q)	SILICON	NEC	
Q803	2SC945A(P,Q)	SILICON	NEC	
Q804	2SD1666(R,S)	SILICON	SANYO	
Q805	2SD1666(R,S)	SILICON	SANYO	
Q806	2SB1133(R,S)	SILICON	SANYO	
Q807	2SB1133(R,S)	SILICON	SANYO	
Q901	2SC1775AV(E,F)	SILICON	HITACHI	
Q902	2SC1775AV(E,F)	SILICON	HITACHI	
Q903	2SA872AV(E,F)	SILICON	HITACHI	

△ : SAFETY PARTS

I.C.s

ITEM	PART NUMBER	DESCRIPTION	AREA	
			MAKER	
IC751	VC5022-2	I.C.	SANYO	
IC752	VC5022-2	I.C.	SANYO	
IC901	TA7317P	I.C.	TOSHIBA	

△ : SAFETY PARTS

Diodes

ITEM	PART NUMBER	DESCRIPTION	AREA	
			MAKER	
D751	1S2473	SILICON	ROHM	
D752	1S2473	SILICON	ROHM	
D801	30DF2SFC	SILICON	NIHONINTER	
D802	30DF2SFC	SILICON	NIHONINTER	
D803	30DF2SFC	SILICON	NIHONINTER	
D804	30DF2SFC	SILICON	NIHONINTER	
D805	1S2473	SILICON	ROHM	
D806	RD16EB3	ZENER	NEC	
D807	RD5.6EB3	ZENER	NEC	
D808	1S2473	SILICON	ROHM	D

△ : SAFETY PARTS

Diodes

ITEM	PART NUMBER	DESCRIPTION		AREA
		MAKER		
D808	1S2473	SILICON	ROHM	E
D809	RD15EB3	ZENER	NEC	
D810	1S2473	SILICON	ROHM	D
D810	1S2473	SILICON	ROHM	E
D811	RD13EB3	ZENER	NEC	
D812	1S2473	SILICON	ROHM	
D813	RD16EB3	ZENER	NEC	
D814	1S2473	SILICON	ROHM	D
D814	1S2473	SILICON	ROHM	E
D815	RD12EB3	ZENER	NEC	D
D815	RD12EB3	ZENER	NEC	E
D815	RD13EB3	ZENER	NEC	A
D815	RD13EB3	ZENER	NEC	B
D815	RD13EB3	ZENER	NEC	C
D816	RD12EB3	ZENER	NEC	
D818	RD13EB3	ZENER	NEC	D
D818	RD13EB3	ZENER	NEC	E
D901	1S2473	SILICON	ROHM	
D902	1S2473	SILICON	ROHM	
D903	1S2473	SILICON	ROHM	
D904	1S2473	SILICON	ROHM	
D971	1S2473	SILICON	ROHM	

△ : SAFETY PARTS

Capacitors

ITEM	PART NUMBER	DESCRIPTION			AREA
C751	QCS21HJ-680	68PF	50V	CERAMIC	
C752	QCS21HJ-680	68PF	50V	CERAMIC	
C753	QCS21HJ-680	68PF	50V	CERAMIC	
C754	QCS21HJ-680	68PF	50V	CERAMIC	
C755	QFN81HK-223	0.022MF	50V	MYLAR	A
C755	QFN81HK-223	0.022MF	50V	MYLAR	C
C755	QFN81HK-473	0.047MF	50V	MYLAR	B
C755	QFN81HK-473	0.047MF	50V	MYLAR	D
C755	QFN81HK-473	0.047MF	50V	MYLAR	E
C756	QFN81HK-223	0.022MF	50V	MYLAR	A
C756	QFN81HK-223	0.022MF	50V	MYLAR	C
C756	QFN81HK-473	0.047MF	50V	MYLAR	B
C756	QFN81HK-473	0.047MF	50V	MYLAR	D
C756	QFN81HK-473	0.047MF	50V	MYLAR	E
C757	QFN81HK-473	0.047MF	50V	MYLAR	B
C757	QFN81HK-473	0.047MF	50V	MYLAR	D
C757	QFN81HK-473	0.047MF	50V	MYLAR	E
C758	QFN81HK-473	0.047MF	50V	MYLAR	B
C758	QFN81HK-473	0.047MF	50V	MYLAR	D
C758	QFN81HK-473	0.047MF	50V	MYLAR	E
C759	QETB1JM-107	100PF	63V	ELECTRO	
C760	QETB1JM-107	100PF	63V	ELECTRO	
C801	EEW6308-878E	8700MF		ELECTRO	
C802	EEW6308-878E	8700MF		ELECTRO	
C806	QCE22HP-103	0.01MF	500V	CERAMIC	
C807	QCE22HP-103	0.01MF	500V	CERAMIC	
C808	QCF21HP-472	4700PF	50V	CERAMIC	
C809	QETB1EM-227	220MF	25V	ELECTRO	
C810	QCF21HP-472	4700PF	50V	CERAMIC	
C811	QETB1CM-476	47MF	16V	ELECTRO	
C812	QCF21HP-472	4700PF	50V	CERAMIC	
C813	QETB1EM-107	100MF	25V	ELECTRO	
C814	QCF21HP-472	4700PF	50V	CERAMIC	
C815	QETB1EM-227	220MF	25V	ELECTRO	
C816	QCF21HP-472	4700PF	50V	CERAMIC	
C817	QETB1EM-227	220MF	25V	ELECTRO	
C818	QCF21HP-472	4700PF	50V	CERAMIC	
C819	QETB1HM-476	47MF	50V	ELECTRO	
C901	QCF21HP-223	0.022MF	50V	CERAMIC	
C902	QCF21HP-223	0.022MF	50V	CERAMIC	
C903	QETB1HM-226	22MF	50V	ELECTRO	
C904	QCF21HP-223	0.022MF	50V	CERAMIC	
C905	QCY21HK-102	1000PF	50V	CERAMIC	
C906	QEK61EM-476	47MF	25V	ELECTRO	
C909	QETB1CM-226	22MF	16V	ELECTRO	
C910	QEK61HM-105G	1MF	50V	ELECTRO	
C941	QCS21HJ-331	330PF	50V	CERAMIC	E
C942	QCS21HJ-331	330PF	50V	CERAMIC	E
C943	QFN81HK-103	0.01MF	50V	MYLAR	E
C944	QFN81HK-103	0.01MF	50V	MYLAR	E
C945	QFN81HK-103	0.01MF	50V	MYLAR	E
C946	QFN81HK-103	0.01MF	50V	MYLAR	E
C949	QCS21HJ-101	100PF	50V	CERAMIC	E
C950	QCS21HJ-101	100PF	50V	CERAMIC	E
C951	QCF21HP-223	0.022MF	50V	CERAMIC	E

△ : SAFETY PARTS

Capacitors

ITEM	PART NUMBER	DESCRIPTION	AREA
C961	QCS21HJ-101	100PF 50V CERAMIC	E
C962	QCS21HJ-101	100PF 50V CERAMIC	E
C963	QCS21HJ-101	100PF 50V CERAMIC	E
C964	QCS21HJ-101	100PF 50V CERAMIC	E
C965	QCS21HJ-331	330PF 50V CERAMIC	E
C966	QCS21HJ-331	330PF 50V CERAMIC	E
C967	QCS21HJ-331	330PF 50V CERAMIC	E
C968	QCS21HJ-331	330PF 50V CERAMIC	E
C971	QFN81HK-103	0.01MF 50V MYLAR	E
C972	QFN81HK-103	0.01MF 50V MYLAR	E
C973	QCS21HJ-101	100PF 50V CERAMIC	E
C974	QCS21HJ-101	100PF 50V CERAMIC	E
C975	QCF21HP-103	0.01MF 50V CERAMIC	E
C976	QCF21HP-103	0.01MF 50V CERAMIC	E

△ : SAFETY PARTS

Resistors

ITEM	PART NUMBER	DESCRIPTION	AREA
R812	QRG026J-331AF	330 2W O.M.FILM	E
R813	QRD145J-101S	100 1/4W UNF.CARBON	A
R813	QRD145J-101S	100 1/4W UNF.CARBON	B
R813	QRD145J-101S	100 1/4W UNF.CARBON	C
R813	QRD145J-101S	100 1/4W UNF.CARBON	D
R813	QRZ0062-101	100 1/4W FUSIBLE	D
R813	QRZ0062-101	100 1/4W FUSIBLE	E
R814	QRD125J-822	8.2K 1/2W UNF.CARBON	D
R815	QRG022J-681A	680 2W O.M.FILM	D
R815	QRG022J-681A	680 2W O.M.FILM	E
R816	QRG022J-391A	390 2W O.M.FILM	A
R816	QRG022J-391A	390 2W O.M.FILM	B
R816	QRG022J-391A	390 2W O.M.FILM	C
R816	QRG022J-681A	680 2W O.M.FILM	D
R816	QRG022J-681A	680 2W O.M.FILM	E
R817	QRG022J-391A	390 2W O.M.FILM	A
R817	QRG022J-391A	390 2W O.M.FILM	B
R817	QRG022J-391A	390 2W O.M.FILM	C
R817	QRG022J-681A	680 2W O.M.FILM	D
R817	QRG022J-681A	680 2W O.M.FILM	E
R818	QRG022J-681A	680 2W O.M.FILM	D
R818	QRG022J-681A	680 2W O.M.FILM	E
R819	QRD125J-822	8.2K 1/2W UNF.CARBON	D
R820	QRD125J-2R2	2.2 1/2W UNF.CARBON	D
R821	QRG022J-271A	270 2W O.M.FILM	A
R822	QRG022J-271A	270 2W O.M.FILM	B
R823	QRD125J-822	8.2K 1/2W UNF.CARBON	D
R824	QRG022J-390A	39 2W O.M.FILM	D
R825	QRD125J-392	3.9K 1/2W UNF.CARBON	D
R826	QRD14CJ-270S	27 1/4W UNF.CARBON	A
R826	QRD14CJ-270S	27 1/4W UNF.CARBON	B
R826	QRD14CJ-270S	27 1/4W UNF.CARBON	C
R826	QRZ0077-220	22 1/4W FUSIBLE	D
R826	QRZ0077-220	22 1/4W FUSIBLE	E
R827	QRD14CJ-330S	33 1/4W UNF.CARBON	A
R827	QRD14CJ-330S	33 1/4W UNF.CARBON	B
R827	QRD14CJ-330S	33 1/4W UNF.CARBON	C
R827	QRZ0077-220	22 1/4W FUSIBLE	D
R827	QRZ0077-220	22 1/4W FUSIBLE	E
R901	QRD148J-681S	680 1/4W CARBON	D
R902	QRD148J-681S	680 1/4W CARBON	D
R903	QRD148J-562S	5.6K 1/4W CARBON	D
R904	QRD148J-562S	5.6K 1/4W CARBON	D
R905	QRD148J-123S	12K 1/4W CARBON	D
R906	QRD148J-123S	12K 1/4W CARBON	D
R907	QRD148J-152S	1.5K 1/4W CARBON	D
R908	QRD148J-152S	1.5K 1/4W CARBON	D
R909	QRD148J-103S	10K 1/4W CARBON	D
R911	QRD148J-332S	3.3K 1/4W CARBON	D
R912	QRD148J-473S	47K 1/4W CARBON	D
R913	QRD148J-104S	100K 1/4W CARBON	D
R914	QRD148J-823S	82K 1/4W CARBON	D
R915	QRD148J-473S	47K 1/4W CARBON	D
R916	QRD148J-563S	56K 1/4W CARBON	D
R917	QRD148J-683S	68K 1/4W CARBON	D
R918	QRD148J-392S	3.9K 1/4W CARBON	D
R921	QRD148J-224S	220K 1/4W CARBON	D
R922	QRD148J-562S	5.6K 1/4W CARBON	D
R924	QRG022J-122A	1.2K 2W O.M.FILM	D
R925	QRD148J-131S	130 1/4W CARBON	C
R925	QRD148J-131S	130 1/4W CARBON	D
R925	QRD148J-131S	130 1/4W CARBON	E
R925	QRD148J-221S	220 1/4W CARBON	A
R925	QRD148J-221S	220 1/4W CARBON	B
R926	QRD148J-151S	150 1/4W CARBON	C
R926	QRD148J-151S	150 1/4W CARBON	D
R926	QRD148J-151S	150 1/4W CARBON	E
R926	QRD148J-201S	200 1/4W CARBON	A
R926	QRD148J-201S	200 1/4W CARBON	B
R931	QRD145J-470S	47 1/4W UNF.CARBON	D
R935	QRD148J-562S	5.6K 1/4W CARBON	D
R936	QRD148J-822S	8.2K 1/4W CARBON	D
R937	QRD148J-822S	8.2K 1/4W CARBON	D
R941	QRG022J-271A	270 2W O.M.FILM	D
R942	QRG022J-271A	270 2W O.M.FILM	D
R943	QRD145J-100S	10 1/4W UNF.CARBON	E
R944	QRD145J-100S	10 1/4W UNF.CARBON	E
R945	QRD145J-100S	10 1/4W UNF.CARBON	E
R946	QRD145J-100S	10 1/4W UNF.CARBON	E
R971	QRD14CJ-330S	33 1/4W UNF.CARBON	D
R972	QRD14CJ-330S	33 1/4W UNF.CARBON	D
R973	QRD14CJ-100S	10 1/4W UNF.CARBON	E
R974	QRD14CJ-100S	10 1/4W UNF.CARBON	E

△ : SAFETY PARTS

Resistors

ITEM	PART NUMBER	DESCRIPTION	AREA
R751	QVZ3518-471	470 0.1W VARIABLE	
R752	QVZ3518-471	470 0.1W VARIABLE	
R753	QRD148J-471S	470 1/4W CARBON	
R754	QRD148J-471S	470 1/4W CARBON	
R755	QRD148J-101S	100 1/4W CARBON	
R756	QRD148J-101S	100 1/4W CARBON	
R757	ERT-D2WFL351S	350 1/4W THERMISTOR	
R758	ERT-D2WFL351S	350 1/4W THERMISTOR	
R759	QRD148J-391S	390 1/4W CARBON	
R760	QRD148J-391S	390 1/4W CARBON	
R761	ERT-D2WHL202S	2K 1/4W THERMISTOR	D
R761	ERT-D2WHL202S	2K 1/4W THERMISTOR	E
R762	ERT-D2WHL202S	2K 1/4W THERMISTOR	D
R762	ERT-D2WHL202S	2K 1/4W THERMISTOR	E
R763	QRD148J-102S	1K 1/4W CARBON	
R764	QRD148J-102S	1K 1/4W CARBON	
R765	QRD148J-102S	1K 1/4W CARBON	
R766	QRD148J-102S	1K 1/4W CARBON	
R767	QRD148J-820S	82 1/4W CARBON	
R768	QRD148J-820S	82 1/4W CARBON	
R769	QRD148J-820S	82 1/4W CARBON	
R770	QRD148J-820S	82 1/4W CARBON	
R779	QRD148J-121S	120 1/4W CARBON	
R780	QRD148J-121S	120 1/4W CARBON	
R781	QRD148J-121S	120 1/4W CARBON	
R782	QRD148J-121S	120 1/4W CARBON	
R783	QRD145J-272S	2.7K 1/4W UNF.CARBON	
R784	QRD145J-272S	2.7K 1/4W UNF.CARBON	
R785	QRD145J-271S	270 1/4W UNF.CARBON	
R786	QRD145J-271S	270 1/4W UNF.CARBON	
R787	ERF032K-R22	0.22 3W CEMENT	
R788	ERF032K-R22	0.22 3W CEMENT	
R789	QRD14CJ-100S	10 1/4W UNF.CARBON	
R790	QRD14CJ-100S	10 1/4W UNF.CARBON	
R791	QRD14CJ-100S	10 1/4W UNF.CARBON	
R792	QRD14CJ-100S	10 1/4W UNF.CARBON	
R793	QRD125J-330	33 1/2W UNF.CARBON	
R794	QRD125J-330	33 1/2W UNF.CARBON	
R795	QRG022J-100A	10 2W O.M.FILM	
R796	QRG022J-100A	10 2W O.M.FILM	
R797	QRD145J-330S	33 1/4W UNF.CARBON	
R798	QRD145J-330S	33 1/4W UNF.CARBON	
R801	QRD148J-104S	100K 1/4W CARBON	
R802	QRD148J-104S	100K 1/4W CARBON	
R803	QRD125J-2R2	2.2 1/2W UNF.CARBON	
R804	QRG022J-561A	560 2W O.M.FILM	
R805	QRG022J-561A	560 2W O.M.FILM	
R806	QRG022J-561A	560 2W O.M.FILM	
R807	QRG022J-561A	560 2W O.M.FILM	
R808	QRD125J-822	8.2K 1/2W UNF.CARBON	
R809	QRD145J-101S	100 1/4W UNF.CARBON	A
R809	QRD145J-101S	100 1/4W UNF.CARBON	B
R809	QRD145J-101S	100 1/4W UNF.CARBON	C
R809	QRZ0062-101	100 1/4W FUSIBLE	D
R809	QRZ0062-101	100 1/4W FUSIBLE	E
R810	QRD148J-182S	1.8K 1/4W CARBON	
R811	QRG022J-331A	330 2W O.M.FILM	A
R811	QRG022J-331A	330 2W O.M.FILM	B
R811	QRG022J-331A	330 2W O.M.FILM	C
R811	QRG026J-331AF	330 2W O.M.FILM	D
R811	QRG026J-331AF	330 2W O.M.FILM	E
R812	QRG022J-331A	330 2W O.M.FILM	A
R812	QRG022J-331A	330 2W O.M.FILM	B
R812	QRG022J-331A	330 2W O.M.FILM	C
R812	QRG026J-331AF	330 2W O.M.FILM	D

△ : SAFETY PARTS

Others

△	ITEM	PART NUMBER	DESCRIPTION	AREA
		EMB90TV-801A	SPEAKER TERMINAL	
		EMB90YV-401A	SPEAKER TERMINAL	
		E11665-103	CIRCUIT BOARD	A
		E11665-103	CIRCUIT BOARD	B
		E11665-103	CIRCUIT BOARD	C
		E11665-103	CIRCUIT BOARD	D
		E11665-103	CIRCUIT BOARD	E
		E304655-003	HEAT SINK	
		E305265-001	BRACKET	
		E305266-001	BRACKET	
		E65654-001	SPACER	D
		E65654-001	SPACER	E
		E67764-103	WRAPPING TERMINAL	
		E70225-001	EARTH PLATE	E
		E70859-001	EARTH PLATE	
		E70945-H25B	HEAT SINK	
		E70945-H25B	HEAT SINK	
		E70945-H25B	HEAT SINK	
		E70945-H25B	HEAT SINK	
		E73525-001	SCREW	
		SBSB3012CC	SCREW	
		SBSB3012CC	SCREW	
		SBSB3012CC	SCREW	
		SBSB3012CC	SCREW	
		SBSB3012CC	SCREW	
		SBSB3012CC	SCREW	
		SBSE3008CC	SCREW	
	J901	QMS6A40-021	HEADPHONE JACK	
	L751	EQL0101-1R2	INDUCTOR	
	L752	EQL0101-1R2	INDUCTOR	
	L971	EQL0001-R45	INDUCTOR	

△ : SAFETY PARTS

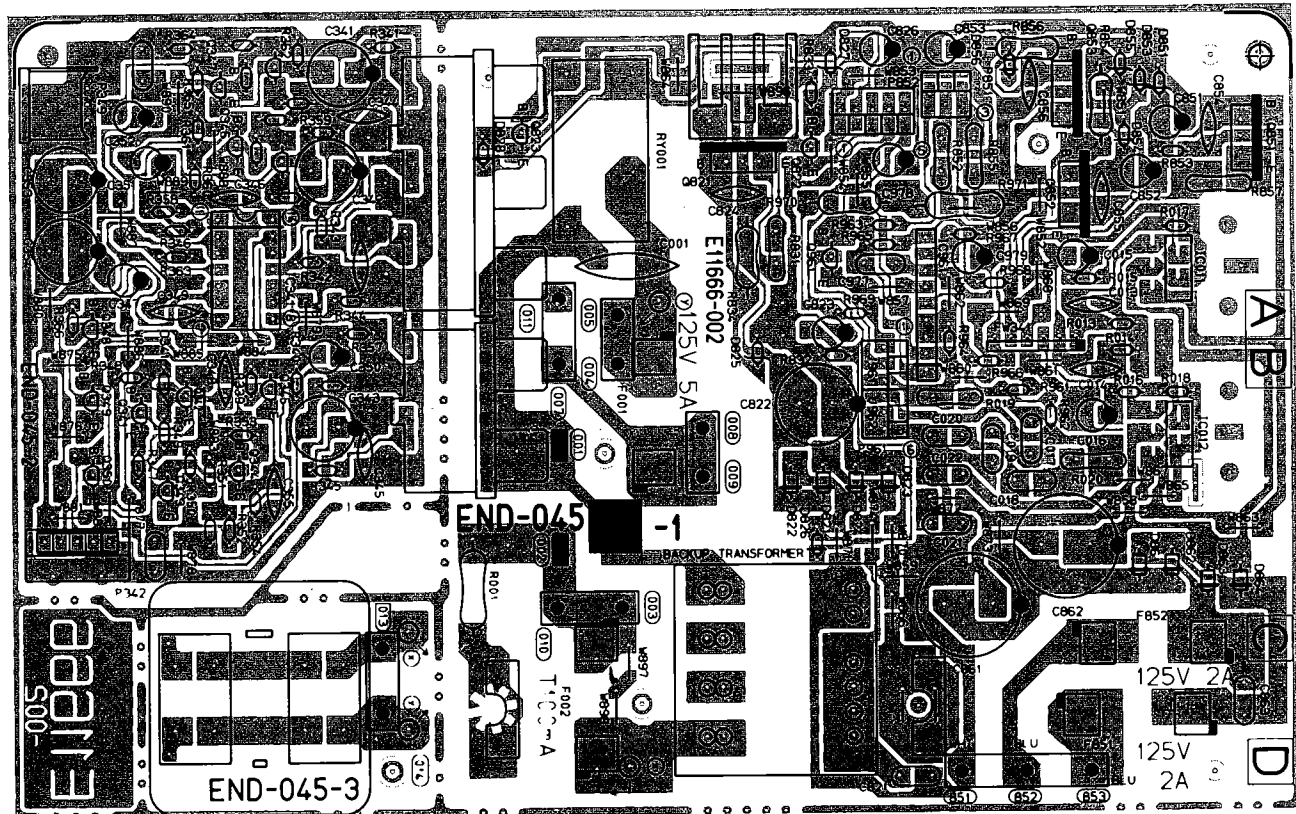
Others

△	ITEM	PART NUMBER	DESCRIPTION	AREA
	L972	EQL0001-R45	INDUCTOR	
	P339	EWS013-257	SOCKET WIRE	
	P802	EMV7112-003	CONNECTOR	
	S901	QST4231-E01	PUSH SWITCH	
	BC481	EWS013-242	SOCKET WIRE	
	FW307	EWR36B-25KST	FLAT WIRE	
	FW308	EWR23C-30JN	FLAT WIRE	
	FW702	EWR33B-35LST	FLAT WIRE	
	FW802	EWR33B-13KST	FLAT WIRE	
	FW851	EWR33B-55LST	FLAT WIRE	
	FW901	EWR33B-08SST	FLAT WIRE	
	FW902	EWR34B-16SST	FLAT WIRE	
	FW903	EWR36B-35SST	FLAT WIRE	
	FW961	EWR36B-20LST	FLAT WIRE	
	RY901	ESK5D24-218	RELAY	
	RY971	ESK8D24-212	RELAY	

△ : SAFETY PARTS

■ END-045 □ AC. Rear Amplifier. Video PC Board Ass'y

Note: END-045 □ varies according to the areas employed. See note (1) when placing an order.



Note (1)

PC Board Ass'y	Designated Areas
END-045 A	U.S.A.
END-045 B	Canada
END-045 C	U.S. Military Market & Other Countries
END-045 D	Continental Europe, Italy (with LW), Continental Europe (with LW)
END-045 E BS	U.K. (with LW)
END-045 F	Australia
END-045 G	West Germany

Transistors

ITEM	PART NUMBER	DESCRIPTION		AREA
			MAKER	
Q341	2SC1685(R,S)	SILICON	MATSUSHITA	
Q342	2SC458(C,D)	SILICON	HITACHI	
Q343	2SC1685(R,S)	SILICON	MATSUSHITA	
Q344	2SC458(C,D)	SILICON	HITACHI	
Q345	2SC458(C,D)	SILICON	HITACHI	
Q346	2SC1685(R,S)	SILICON	MATSUSHITA	
Q347	2SC1685(R,S)	SILICON	MATSUSHITA	
Q348	DTC144ES	SILICON	ROHM	
Q349	DTA114YS	SILICON	ROHM	
Q350	DTC144ES	SILICON	ROHM	
Q821	2SD1265A(O)	SILICON	MATSUSHITA	C
Q822	2SC2235(O,Y)	SILICON	TOSHIBA	
Q823	DTC114YS	SILICON	ROHM	
Q851	2SD1666(R,S)	SILICON	SANYO	
Q852	2SD313V(D,E)	SILICON	SANYO	
Q853	2SB1133(R,S)	SILICON	SANYO	
Q961	DTC114YS	SILICON	ROHM	

△ : SAFETY PARTS

I.C.s

ITEM	PART NUMBER	DESCRIPTION		AREA
			MAKER	
IC011	UPC1238V1	I.C.	NEC	
IC012	UPC1238V1	I.C.	NEC	
IC341	LC4966	I.C.	SANYO	
IC961	TA7317P	I.C.	TOSHIBA	

△ : SAFETY PARTS

Diodes

ITEM	PART NUMBER	DESCRIPTION		AREA
			MAKER	
D341	MTZ9.1JC	ZENER	ROHM	
D821	ERA15-02L19	SILICON	FUJIDENKI	
D822	ERA15-02L19	SILICON	FUJIDENKI	
D823	ERA15-02L19	SILICON	FUJIDENKI	
D824	ERA15-02L19	SILICON	FUJIDENKI	
D825	MTZ12JC	ZENER	ROHM	C
D826	1SS133	SILICON	ROHM	
D827	RD6.2JSB3	ZENER	NEC	
D828	1SS133	SILICON	ROHM	
D851	MTZ6.8JC	ZENER	ROHM	
D853	MTZ24JC	ZENER	ROHM	
D854	1SS133	SILICON	ROHM	
D855	MTZ13JC	ZENER	ROHM	
D856	1SS133	SILICON	ROHM	
D861	ERA15-02L19	SILICON	FUJIDENKI	
D862	ERA15-02L19	SILICON	FUJIDENKI	
D863	ERA15-02L19	SILICON	FUJIDENKI	
D864	ERA15-02L19	SILICON	FUJIDENKI	

△ : SAFETY PARTS

Capacitors

ITEM	PART NUMBER	DESCRIPTION			AREA
C001	QCZ9019-472	4700PF		CERAMIC	A
C001	QCZ9019-472	4700PF		CERAMIC	B
C001	QCZ9019-472	4700PF		CERAMIC	C
C001	QCZ9019-472	4700PF		CERAMIC	D
C001	QCZ9019-472	4700PF		CERAMIC	F
C001	QCZ9019-472	4700PF		CERAMIC	G
C001	QCZ9019-472BS	4700PF		CERAMIC	EBS
C013	QCS21HJ-221	220PF	50V	CERAMIC	
C014	QCS21HJ-221	220PF	50V	CERAMIC	
C015	QEHC1CM-226	22MF	16V	ELECTRO	
C016	QEHC1CM-226	22MF	16V	ELECTRO	
C017	QFN81HK-473	0.047MF	50V	MYLAR	
C018	QFN81HK-473	0.047MF	50V	MYLAR	
C019	QFN81HK-473	0.047MF	50V	MYLAR	
C020	QFN81HK-473	0.047MF	50V	MYLAR	
C021	QFN81HK-473	0.047MF	50V	MYLAR	
C022	QFN81HK-473	0.047MF	50V	MYLAR	
C341	QETB0JM-108	1000MF	6.3V	ELECTRO	
C342	QETB0JM-108	1000MF	6.3V	ELECTRO	
C343	QETB0JM-108	1000MF	6.3V	ELECTRO	
C344	QCF21HP-223	0.022MF	50V	CERAMIC	
C345	QCF21HP-223	0.022MF	50V	CERAMIC	
C346	QCF21HP-223	0.022MF	50V	CERAMIC	
C347	QETB1CM-476	47MF	16V	ELECTRO	
C348	QCF21HP-103	0.01MF	50V	CERAMIC	
C349	QCF21HP-223	0.022MF	50V	CERAMIC	
C350	QETB1CM-476	47MF	16V	ELECTRO	
C351	QETB1CM-476	47MF	16V	ELECTRO	
C352	QETB1CM-476	47MF	16V	ELECTRO	
C353	QETB1CM-477	470MF	16V	ELECTRO	
C354	QETB1CM-477	470MF	16V	ELECTRO	
C821	QFN32AK-473	0.047MF	100V	MYLAR	
C822	QETB1EM-477	470MF	25V	ELECTRO	A
C822	QETB1EM-477	470MF	25V	ELECTRO	B
C822	QETB1EM-477	470MF	25V	ELECTRO	D
C822	QETB1EM-477	470MF	25V	ELECTRO	EBS
C822	QETB1EM-477	470MF	25V	ELECTRO	F
C822	QETB1EM-477	470MF	25V	ELECTRO	G
C822	QETB1JM-227	220MF	63V	ELECTRO	C
C823	QETB1HM-225	2.2MF	50V	ELECTRO	
C824	QCF21HP-472	4700PF	50V	CERAMIC	C
C826	QETB1CM-476	47MF	16V	ELECTRO	
C851	QEHC1EM-107	100MF	25V	ELECTRO	
C852	QEHC1HM-107	100MF	50V	ELECTRO	
C853	QETB1HM-107	100MF	50V	ELECTRO	
C854	QCF21HP-472	4700PF	50V	CERAMIC	
C855	QCF21HP-472	4700PF	50V	CERAMIC	
C856	QCF21HP-472	4700PF	50V	CERAMIC	
C861	QETB1EM-338	3300MF	25V	ELECTRO	
C862	QETB1EM-338	3300MF	25V	ELECTRO	
C863	QFN81HK-223	0.022MF	50V	MYLAR	
C977	QFN81HK-223	0.022MF	50V	MYLAR	
C978	QETB1AM-107	100MF	10V	ELECTRO	
C979	QETB1CM-226	22MF	16V	ELECTRO	

△ : SAFETY PARTS

Resistors

ITEM	PART NUMBER	DESCRIPTION			AREA
△ R001	QRC128K-275EM	2.7M	1/2W	COMPOSI	A
△ R001	QRC128K-275EM	2.7M	1/2W	COMPOSI	B
R013	QRD167J-563	56K	1/6W	CARBON	
R014	QRD167J-563	56K	1/6W	CARBON	
R015	QRD167J-152	1.5K	1/6W	CARBON	
R016	QRD167J-152	1.5K	1/6W	CARBON	
R017	QRD167J-563	56K	1/6W	CARBON	
R018	QRD167J-563	56K	1/6W	CARBON	
△ R019	QRD14CJ-4R7S	4.7	1/4W	UNF.CARBON	
△ R020	QRD14CJ-4R7S	4.7	1/4W	UNF.CARBON	
R339	QRD167J-333	33K	1/6W	CARBON	
R340	QRD167J-123	12K	1/6W	CARBON	
R341	QRD167J-680	68	1/6W	CARBON	
R342	QRD167J-750	75	1/6W	CARBON	
R343	QRD167J-680	68	1/6W	CARBON	
R344	QRD167J-750	75	1/6W	CARBON	
R345	QRD167J-680	68	1/6W	CARBON	
R346	QRD167J-104	100K	1/6W	CARBON	
R347	QRD167J-560	56	1/6W	CARBON	
R348	QRD167J-102	1K	1/6W	CARBON	

△ : SAFETY PARTS

Resistors

△	ITEM	PART NUMBER	DESCRIPTION			AREA
	R349	QRD167J-560	56	1/6W	CARBON	
	R350	QRD167J-102	1K	1/6W	CARBON	
	R351	QRD167J-272	2.7K	1/6W	CARBON	
	R352	QRD167J-182	1.8K	1/6W	CARBON	
	R353	QRD167J-222	2.2K	1/6W	CARBON	
	R354	QRD167J-101	100	1/6W	CARBON	
	R357	QRD167J-103	10K	1/6W	CARBON	
	R358	QRD167J-103	10K	1/6W	CARBON	
	R359	QRD167J-271	270	1/6W	CARBON	
	R360	QRD167J-563	56K	1/6W	CARBON	
	R361	QRD167J-333	33K	1/6W	CARBON	
	R362	QRD167J-271	270	1/6W	CARBON	
	R363	QRD167J-103	10K	1/6W	CARBON	
	R364	QRD167J-563	56K	1/6W	CARBON	
	R365	QRD167J-333	33K	1/6W	CARBON	
	R366	QRD167J-103	10K	1/6W	CARBON	
△	R831	QRD14CJ-100S	10	1/4W	UNF. CARBON	A
△	R831	QRD14CJ-100S	10	1/4W	UNF. CARBON	B
△	R831	QRD14CJ-3R3S	3.3	1/4W	UNF. CARBON	C
△	R831	QRZ0077-100	10	1/4W	FUSIBLE	D
△	R831	QRZ0077-100	10	1/4W	FUSIBLE	G
△	R831	QRZ0077-220	22	1/4W	FUSIBLE	EBS
△	R831	QRZ0077-220	22	1/4W	FUSIBLE	F
	R832	QRD167J-472	4.7K	1/6W	CARBON	A
	R832	QRD167J-472	4.7K	1/6W	CARBON	B
	R832	QRD167J-472	4.7K	1/6W	CARBON	D
	R832	QRD167J-472	4.7K	1/6W	CARBON	F
	R832	QRD167J-472	4.7K	1/6W	CARBON	G
	R832	QRD167J-472	4.7K	1/6W	CARBON	EBS
	R832	QRD167J-472	4.7K	1/6W	CARBON	F
	R832	QRD167J-472	4.7K	1/6W	CARBON	G
	R832	QRD167J-622	6.2K	1/6W	CARBON	C
	R833	QRD167J-821	820	1/6W	CARBON	
△	R834	QRG012J-272A	2.7K	1W	O.M.FILM	C
△	R852	QRD14CJ-330S	33	1/4W	UNF. CARBON	A
△	R852	QRD14CJ-330S	33	1/4W	UNF. CARBON	B
△	R852	QRD14CJ-330S	33	1/4W	UNF. CARBON	C
△	R852	QRZ0077-330	33	1/4W	FUSIBLE	D
△	R852	QRZ0077-330	33	1/4W	FUSIBLE	EBS
△	R852	QRZ0077-330	33	1/4W	FUSIBLE	F
△	R852	QRZ0077-330	33	1/4W	FUSIBLE	G
	R853	QRD167J-152	1.5K	1/6W	CARBON	
△	R854	QRD125J-562	5.6K	1/2W	UNF. CARBON	
△	R855	QRD14CJ-121S	120	1/4W	UNF. CARBON	A
△	R855	QRD14CJ-121S	120	1/4W	UNF. CARBON	B
△	R855	QRD14CJ-121S	120	1/4W	UNF. CARBON	C
△	R855	QRZ0077-121	120	1/4W	FUSIBLE	D
△	R855	QRZ0077-121	120	1/4W	FUSIBLE	EBS
△	R855	QRZ0077-121	120	1/4W	FUSIBLE	F
△	R855	QRZ0077-121	120	1/4W	FUSIBLE	G
△	R856	QRD125J-562	5.6K	1/2W	UNF. CARBON	
△	R857	QRD14CJ-270S	27	1/4W	UNF. CARBON	A
△	R857	QRD14CJ-270S	27	1/4W	UNF. CARBON	B
△	R857	QRD14CJ-270S	27	1/4W	UNF. CARBON	C
△	R857	QRZ0077-270	27	1/4W	FUSIBLE	D
△	R857	QRZ0077-270	27	1/4W	FUSIBLE	EBS
△	R857	QRZ0077-270	27	1/4W	FUSIBLE	F
△	R857	QRZ0077-270	27	1/4W	FUSIBLE	G
	R961	QRD167J-823	82K	1/6W	CARBON	
	R962	QRD167J-104	100K	1/6W	CARBON	
	R963	QRD167J-563	56K	1/6W	CARBON	
	R964	QRD167J-104	100K	1/6W	CARBON	
	R965	QRD167J-683	68K	1/6W	CARBON	
	R966	QRD167J-392	3.9K	1/6W	CARBON	
	R967	QRD167J-224	220K	1/6W	CARBON	
	R968	QRD167J-103	10K	1/6W	CARBON	
	R969	QRD167J-121	120	1/6W	CARBON	A
	R969	QRD167J-121	120	1/6W	CARBON	B
	R969	QRD167J-390	39	1/6W	CARBON	C
	R969	QRD167J-390	39	1/6W	CARBON	D
	R969	QRD167J-390	39	1/6W	CARBON	EBS
	R969	QRD167J-390	39	1/6W	CARBON	F
	R969	QRD167J-390	39	1/6W	CARBON	G
△	R970	QRD125J-471	470	1/2W	UNF. CARBON	
△	R971	QRG022J-561A	560	2W	O.M.FILM	

△ : SAFETY PARTS

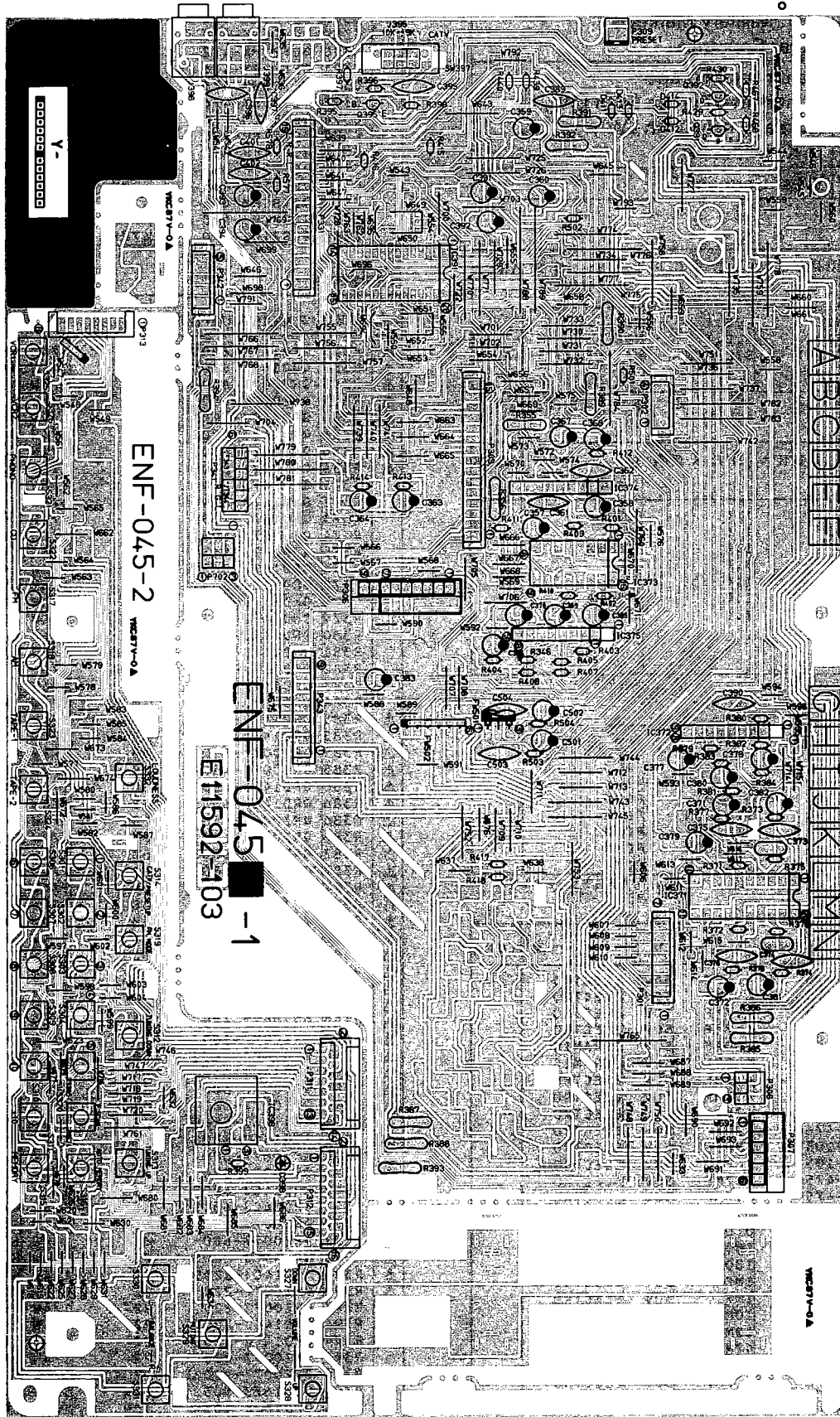
Others

△	ITEM	PART NUMBER	DESCRIPTION	AREA
		EMG7331-002U	FUSE CLIP	
		EMG7331-002U	FUSE CLIP	A
		EMG7331-002U	FUSE CLIP	B
		EMG7331-002U	FUSE CLIP	D
		EMG7331-002U	FUSE CLIP	EBS
		EMG7331-002U	FUSE CLIP	F
		EMG7331-002U	FUSE CLIP	G
		EMG7331-002	FUSE CLIP	
		EMG7331-002	FUSE CLIP	A
		EMG7331-002	FUSE CLIP	B
		EMG7331-002	FUSE CLIP	D
		EMG7331-002	FUSE CLIP	EBS
		EMG7331-002	FUSE CLIP	F
		EMG7331-002	FUSE CLIP	G
		EMG7331-002	FUSE CLIP	D
△		ETP1000-41EA	POWER TRANSFORMER	
△		ETP1000-41EA	POWER TRANSFORMER	F
△		ETP1000-41EA	POWER TRANSFORMER	G
△		ETP1000-41EABS	POWER TRANSFORMER	EBS
△		ETP1000-41ZB	POWER TRANSFORMER	C
△		ETP1000-42JA	POWER TRANSFORMER	A
△		ETP1000-42JA	POWER TRANSFORMER	B
		E11666-002	CIRCUIT BOARD	A
		E11666-002	CIRCUIT BOARD	B
		E11666-102	CIRCUIT BOARD	C
		E11666-102	CIRCUIT BOARD	D
		E11666-102	CIRCUIT BOARD	F
		E11666-102	CIRCUIT BOARD	G
		E11666-102BS	CIRCUIT BOARD	EBS
		E65508-002	TAB	
		E67764-102	WRAPPING TERMINAL	
		E67764-202	WRAPPING TERMINAL	
		E67764-202	WRAPPING TERMINAL	
		E67764-203	WRAPPING TERMINAL	
		E67764-302	WRAPPING TERMINAL	A
		E67764-302	WRAPPING TERMINAL	B
		E67764-302	WRAPPING TERMINAL	C
		E70859-001	EARTH PLATE	
		E70859-001	EARTH PLATE	A
		E70859-001	EARTH PLATE	B
		E70859-001	EARTH PLATE	C
		E70945-H40B	HEAT SINK	
		E74754-001	HEAT SINK	
△		QMC0437-002	AC OUTLET	C
△		QMC0440-001	AC OUTLET	A
△		QMC0440-001	AC OUTLET	B
		SBSB3008CC	SCREW	
		SBSB3012CC	SCREW	C
		SBSE3008CC	SCREW	
	J341	EMN00YV-304A	3P PIN JACK	
	J342	EMN00YV-205A	2P PIN JACK	
	J961	EMV7122-003	CONNECTOR	
	J962	EMV7122-003	CONNECTOR	
	P342	EMV7125-005R	CONNECTOR	
	P851	EMV7122-003	CONNECTOR	
	P852	EMV7122-005	CONNECTOR	
	FW341	EWR36B-20LST	FLAT WIRE	
	RY001	ESK1D12-113	RELAY	
	RY001	ESK1D12-113	RELAY	A
	RY001	ESK1D12-113	RELAY	B
	RY001	ESK1D12-113	RELAY	C
	RY001	ESK1D12-113	RELAY	D
	RY001	ESK1D12-113	RELAY	F
	RY001	ESK1D12-113	RELAY	G
	RY001	ESK1D12-113BS	RELAY	EBS

△ : SAFETY PARTS

■ ENF-045 □ Volume. SEA PC Board Ass'y

Note: ENF-045 □ varies according to the areas employed. See note (1) when placing an order.



Note (1)

PC Board Ass'y	Designated Areas
ENF-045 A	U.S.A., Canada
ENF-045 B	U.S. Military Market & Other Countries
ENF-045 C	Continental Europe Continental Europe (with LW), Australia, Italy (with LW), U.K. (with LW)
ENF-045 D	West Germany

Transistors

ITEM	PART NUMBER	DESCRIPTION		AREA
			MAKER	
Q391	2SK105(H)	F.E.T	NEC	A
Q392	2SK105(H)	F.E.T	NEC	
Q395	2SC1685(Q,R)	SILICON	MATSUSHITA	

△ : SAFETY PARTS

I.C.s

ITEM	PART NUMBER	DESCRIPTION		AREA
			MAKER	
IC371	TC9177P	I.C.	TOSHIBA	
IC372	NJM4560SD	I.C.	JRC	
IC373	TC9176P	I.C.	TOSHIBA	
IC374	NJM4560SD	I.C.	JRC	
IC375	NJM4560SD	I.C.	JRC	
IC391	TC9162N	I.C.	TOSHIBA	
IC398	A1QH3021HO	I.C.	SHARP	

△ : SAFETY PARTS

Diodes

ITEM	PART NUMBER	DESCRIPTION		AREA
			MAKER	
D398	SLH-34VC3F	L.E.D.	ROHM	
D411	1SS133	SILICON	ROHM	
D412	1SS133	SILICON	ROHM	
D413	1SS133	SILICON	ROHM	
D414	1SS133	SILICON	ROHM	

△ : SAFETY PARTS

Capacitors

ITEM	PART NUMBER	DESCRIPTION			AREA
C357	QETB1HM-475	4.7MF	50V	ELECTRO	
C358	QETB1HM-475	4.7MF	50V	ELECTRO	
C359	QETB1HM-475	4.7MF	50V	ELECTRO	
C360	QETB1HM-475	4.7MF	50V	ELECTRO	
C361	QCS21HJ-101	100PF	50V	CERAMIC	
C362	QCS21HJ-101	100PF	50V	CERAMIC	
C363	QETB1HM-475	4.7MF	50V	ELECTRO	
C364	QETB1HM-475	4.7MF	50V	ELECTRO	
C367	QETB1EM-476	47MF	25V	ELECTRO	
C368	QETB1HM-476	47MF	50V	ELECTRO	
C369	QETB1HM-105	1MF	50V	ELECTRO	
C370	QETB1HM-105	1MF	50V	ELECTRO	
C371	QETB1HM-475	4.7MF	50V	ELECTRO	
C372	QETB1HM-475	4.7MF	50V	ELECTRO	
C373	QFN81HK-333	0.033MF	50V	MYLAR	
C374	QFN81HK-333	0.033MF	50V	MYLAR	
C375	QCS21HJ-181	180PF	50V	CERAMIC	
C376	QCS21HJ-181	180PF	50V	CERAMIC	
C377	QEK61HM-105G	1MF	50V	ELECTRO	
C378	QEK61HM-105G	1MF	50V	ELECTRO	
C379	QEK61CM-106G	10MF	16V	ELECTRO	
C380	QEK61CM-106G	10MF	16V	ELECTRO	
C381	QETB1EM-476	47MF	25V	ELECTRO	
C382	QETB1HM-476	47MF	50V	ELECTRO	
C383	QETB1HM-475	4.7MF	50V	ELECTRO	

△ : SAFETY PARTS

Capacitors

ITEM	PART NUMBER	DESCRIPTION			AREA
C385	QETB1EM-106	10MF	25V	ELECTRO	A
C386	QETB1EM-106	10MF	25V	ELECTRO	
C389	QCY21HK-472	4700PF	50V	CERAMIC	
C390	QCY21HK-472	4700PF	50V	CERAMIC	
C391	QETB1EM-476	47MF	25V	ELECTRO	
C392	QETB1HM-476	47MF	50V	ELECTRO	
C393	QETB1EM-476	47MF	25V	ELECTRO	
C394	QETB1EM-476	47MF	25V	ELECTRO	
C395	QCF21HP-223	0.022MF	50V	CERAMIC	
C396	QCF21HP-223	0.022MF	50V	CERAMIC	
C397	QCF21HP-223	0.022MF	50V	CERAMIC	
C501	QETB1HM-475	4.7MF	50V	ELECTRO	
C502	QETB1HM-475	4.7MF	50V	ELECTRO	
C503	QCS21HJ-470	47PF	50V	CERAMIC	
C504	QCS21HJ-470	47PF	50V	CERAMIC	

△ : SAFETY PARTS

Resistors

ITEM	PART NUMBER	DESCRIPTION			AREA	
R355	QRD14CJ-680S	68	1/4W	UNF. CARBON	A	
R355	QRD14CJ-680S	68	1/4W	UNF. CARBON	B	
R355	QRZ0077-680	68	1/4W	FUSIBLE	C	
R355	QRZ0077-680	68	1/4W	FUSIBLE	D	
R356	QRD14CJ-680S	68	1/4W	UNF. CARBON	A	
R356	QRD14CJ-680S	68	1/4W	UNF. CARBON	B	
R356	QRZ0077-680	68	1/4W	FUSIBLE	C	
R356	QRZ0077-680	68	1/4W	FUSIBLE	D	
R371	QRD167J-274	270K	1/6W	CARBON		
R372	QRD167J-274	270K	1/6W	CARBON		
R373	QRD167J-105	1M	1/6W	CARBON		
R374	QRD167J-105	1M	1/6W	CARBON		
R375	QRD167J-563	56K	1/6W	CARBON		
R376	QRD167J-563	56K	1/6W	CARBON		
R377	QRD167J-563	56K	1/6W	CARBON		
R378	QRD167J-563	56K	1/6W	CARBON		
R379	QRD167J-103	10K	1/6W	CARBON		
R380	QRD167J-103	10K	1/6W	CARBON		
R381	QRD167J-912	9.1K	1/6W	CARBON		
R382	QRD167J-912	9.1K	1/6W	CARBON		
R383	QRD167J-105	1M	1/6W	CARBON		
R384	QRD167J-105	1M	1/6W	CARBON		
R385	QRD14CJ-680S	68	1/4W	UNF. CARBON		A
R385	QRD14CJ-680S	68	1/4W	UNF. CARBON		B
R385	QRZ0077-680	68	1/4W	FUSIBLE		C
R385	QRZ0077-680	68	1/4W	FUSIBLE		D
R386	QRD14CJ-680S	68	1/4W	UNF. CARBON		A
R386	QRD14CJ-680S	68	1/4W	UNF. CARBON		B
R386	QRZ0077-680	68	1/4W	FUSIBLE	C	
R386	QRZ0077-680	68	1/4W	FUSIBLE	D	
R387	QRD14CJ-680S	68	1/4W	UNF. CARBON	A	
R387	QRD14CJ-680S	68	1/4W	UNF. CARBON	B	
R387	QRZ0077-680	68	1/4W	FUSIBLE	C	
R387	QRZ0077-680	68	1/4W	FUSIBLE	D	
R388	QRD14CJ-680S	68	1/4W	UNF. CARBON	A	
R388	QRD14CJ-680S	68	1/4W	UNF. CARBON	B	
R388	QRZ0077-680	68	1/4W	FUSIBLE	C	
R388	QRZ0077-680	68	1/4W	FUSIBLE	D	
R389	QRD14CJ-680S	68	1/4W	UNF. CARBON	A	
R389	QRD14CJ-680S	68	1/4W	UNF. CARBON	B	
R389	QRZ0077-680	68	1/4W	FUSIBLE	C	
R389	QRZ0077-680	68	1/4W	FUSIBLE	D	
R390	QRD14CJ-680S	68	1/4W	UNF. CARBON	A	
R390	QRD14CJ-680S	68	1/4W	UNF. CARBON	B	
R390	QRZ0077-680	68	1/4W	FUSIBLE	C	
R390	QRZ0077-680	68	1/4W	FUSIBLE	D	
R391	QRD14CJ-680S	68	1/4W	UNF. CARBON	A	
R391	QRD14CJ-680S	68	1/4W	UNF. CARBON	B	
R391	QRZ0077-680	68	1/4W	FUSIBLE	C	
R391	QRZ0077-680	68	1/4W	FUSIBLE	D	
R392	QRD14CJ-680S	68	1/4W	UNF. CARBON	A	
R392	QRD14CJ-680S	68	1/4W	UNF. CARBON	B	
R392	QRZ0077-680	68	1/4W	FUSIBLE	C	
R392	QRZ0077-680	68	1/4W	FUSIBLE	D	
R393	QRD14CJ-220S	22	1/4W	UNF. CARBON	A	
R393	QRD14CJ-220S	22	1/4W	UNF. CARBON	B	
R393	QRZ0077-220	22	1/4W	FUSIBLE	C	
R393	QRZ0077-220	22	1/4W	FUSIBLE	D	
R394	QRD14CJ-220S	22	1/4W	UNF. CARBON	A	
R394	QRD14CJ-220S	22	1/4W	UNF. CARBON	B	
R394	QRZ0077-220	22	1/4W	FUSIBLE	C	
R394	QRZ0077-220	22	1/4W	FUSIBLE	D	
R395	QRD167J-103	10K	1/6W	CARBON	A	
R396	QRD167J-101	100	1/6W	CARBON	A	
R397	QRD167J-221	220	1/6W	CARBON	A	

△ : SAFETY PARTS

Resistors

△	ITEM	PART NUMBER	DESCRIPTION			AREA
	R398	QRD167J-103	10K	1/6W	CARBON	A
	R399	QRD167J-221	220	1/6W	CARBON	
	R401	QRD167J-222	2.2K	1/6W	CARBON	
	R402	QRD167J-222	2.2K	1/6W	CARBON	
	R403	QRD167J-432	4.3K	1/6W	CARBON	
	R404	QRD167J-432	4.3K	1/6W	CARBON	
	R405	QRD167J-103	10K	1/6W	CARBON	
	R406	QRD167J-103	10K	1/6W	CARBON	
	R407	QRD167J-105	1M	1/6W	CARBON	
	R408	QRD167J-105	1M	1/6W	CARBON	
	R409	QRD167J-274	270K	1/6W	CARBON	
	R410	QRD167J-274	270K	1/6W	CARBON	
	R411	QRD167J-104	100K	1/6W	CARBON	
	R412	QRD167J-104	100K	1/6W	CARBON	
	R413	QRD167J-222	2.2K	1/6W	CARBON	
	R414	QRD167J-222	2.2K	1/6W	CARBON	
	R415	QRD167J-154	150K	1/6W	CARBON	
	R416	QRD167J-154	150K	1/6W	CARBON	
	R417	QRD167J-363	36K	1/6W	CARBON	
	R418	QRD167J-363	36K	1/6W	CARBON	
	R429	QRD167J-103	10K	1/6W	CARBON	
	R430	QRD167J-103	10K	1/6W	CARBON	
	R439	QRD167J-103	10K	1/6W	CARBON	
	R440	QRD167J-103	10K	1/6W	CARBON	
	R467	QRD167J-513	51K	1/6W	CARBON	
	R468	QRD167J-513	51K	1/6W	CARBON	
	R501	QRD167J-513	51K	1/6W	CARBON	
	R502	QRD167J-513	51K	1/6W	CARBON	
	R503	QRD167J-105	1M	1/6W	CARBON	
	R504	QRD167J-105	1M	1/6W	CARBON	
	R577	QRD167J-363	36K	1/6W	CARBON	
	R578	QRD167J-363	36K	1/6W	CARBON	

△ : SAFETY PARTS

Others

△	ITEM	PART NUMBER	DESCRIPTION	AREA
	S326	ESP0001-018	TACT SWITCH	
	S327	ESP0001-018	TACT SWITCH	
	S328	ESP0001-018	TACT SWITCH	
	S329	ESP0001-018	TACT SWITCH	
	S330	ESP0001-018	TACT SWITCH	
	S331	ESP0001-018	TACT SWITCH	
	S332	ESP0001-018	TACT SWITCH	
	S397	QSS1F22-E01	SLIDE SWITCH	B
	FW501	EWR23C-35JN	FLAT WIRE	
	FW502	EWR36B-35KST	FLAT WIRE	
	JT343	EMV7122-003	CONNECTOR	
	JT344	EMV7122-003	CONNECTOR	

△ : SAFETY PARTS

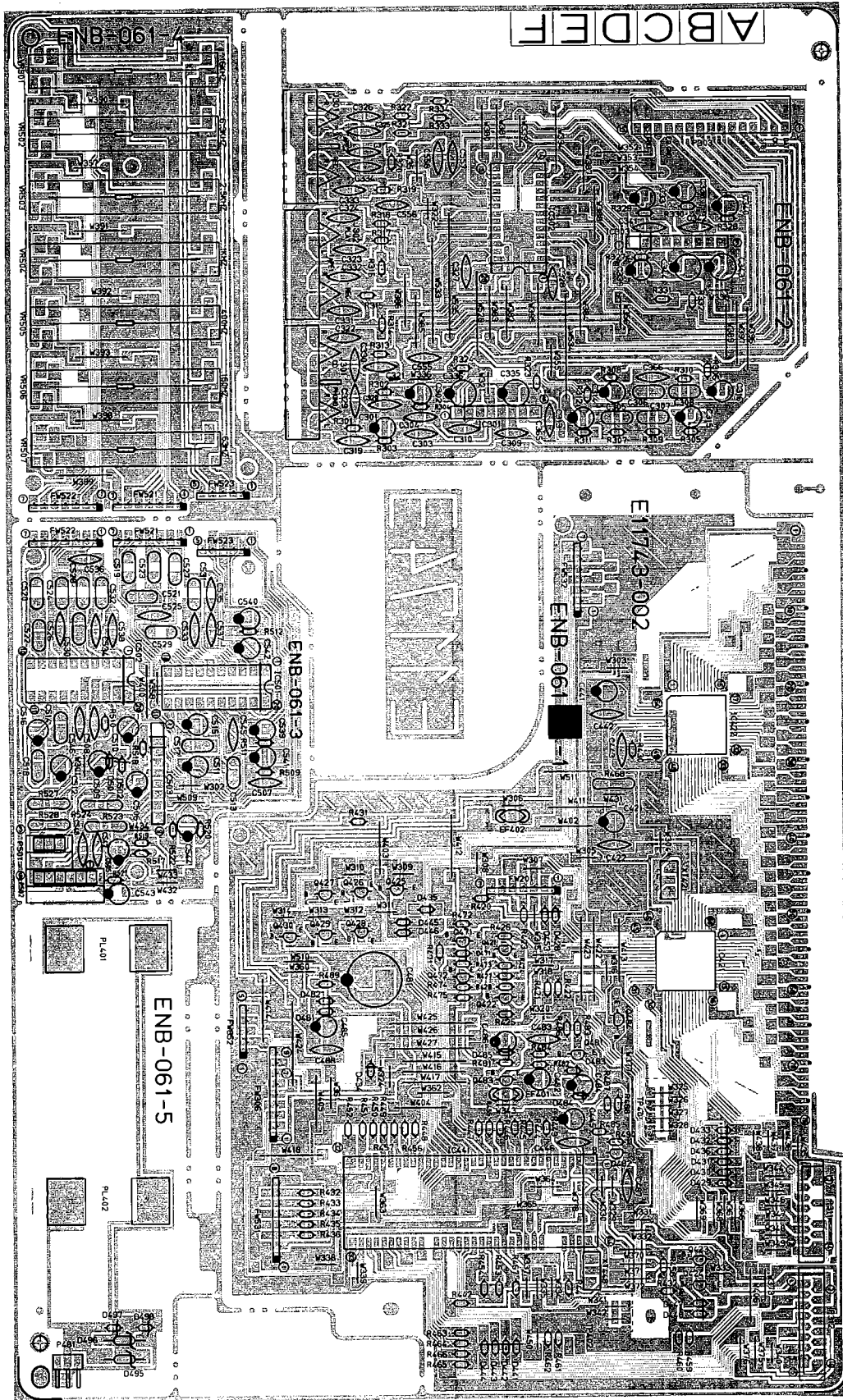
Others

△	ITEM	PART NUMBER	DESCRIPTION	AREA
		E11592-103	CIRCUIT BOARD	
	J398	QMS3L10-0A0	MINI JACK	
	J399	QMS3L10-0A0	MINI JACK	
	P301	EMV5125-007	PLUG ASSY	
	P302	EMV5125-004	PLUG ASSY	
	P303	EMV5125-015	PLUG ASSY	
	P306	EMV7112-007	CONNECTOR	A
	P306	EMV7112-007	CONNECTOR	C
	P306	EMV7112-007	CONNECTOR	D
	P306	EMV7112-009	CONNECTOR	B
	P307	EMV7112-006	CONNECTOR	
	P308	EMV7122-003	CONNECTOR	
	P309	QMV5005-002K	PLUG ASSY	
	P311	EMV7128-014	CONNECTOR	
	P312	EMV7128-016	CONNECTOR	
	P313	EMV7120-008	CONNECTOR	
	P331	EMV5125-015	PLUG ASSY	
	P342	EMV5125-005	PLUG ASSY	
	P343	EMV5125-009	PLUG ASSY	
	P702	EMV7122-003	CONNECTOR	
	S301	ESP0001-018	TACT SWITCH	
	S302	ESP0001-018	TACT SWITCH	
	S303	ESP0001-018	TACT SWITCH	
	S304	ESP0001-018	TACT SWITCH	
	S305	ESP0001-018	TACT SWITCH	
	S306	ESP0001-018	TACT SWITCH	
	S307	ESP0001-018	TACT SWITCH	
	S308	ESP0001-018	TACT SWITCH	
	S309	ESP0001-018	TACT SWITCH	
	S310	ESP0001-018	TACT SWITCH	
	S311	ESP0001-018	TACT SWITCH	
	S312	ESP0001-018	TACT SWITCH	
	S313	ESP0001-018	TACT SWITCH	
	S314	ESP0001-018	TACT SWITCH	
	S315	ESP0001-018	TACT SWITCH	
	S316	ESP0001-018	TACT SWITCH	
	S317	ESP0001-018	TACT SWITCH	
	S318	ESP0001-018	TACT SWITCH	
	S319	ESP0001-018	TACT SWITCH	
	S320	ESP0001-018	TACT SWITCH	
	S321	ESP0001-018	TACT SWITCH	
	S322	ESP0001-018	TACT SWITCH	
	S323	ESP0001-018	TACT SWITCH	
	S324	ESP0001-018	TACT SWITCH	
	S325	ESP0001-018	TACT SWITCH	

△ : SAFETY PARTS

■ ENB-061 □ LCD Display Tuner Audio Control PC Board Ass'y

Note: ENB-061 □ varies according to the areas employed. See note (1) when placing an order.



Note (1)

PC Board Ass'y	Designated Areas
ENB-061 A	U.S.A., Canada
ENB-061 B	U.S. Military Market & Other Countries
ENB-061 C	Continental Europe, Australia
ENB-061 D	Continental Europe (with LW), U.K. (with LW)
ENB-061 E	West Germany
ENB-061 F	Italy

Transistors

ITEM	PART NUMBER	DESCRIPTION	AREA	
			MAKER	
Q421	2SC458(C,D)	SILICON	HITACHI	
Q422	2SC458(C,D)	SILICON	HITACHI	
Q423	DTC144ES	SILICON	ROHM	
Q424	DTC144ES	SILICON	ROHM	
Q425	DTC144ES	SILICON	ROHM	
Q426	DTC144ES	SILICON	ROHM	
Q427	DTC144ES	SILICON	ROHM	
Q428	DTC144ES	SILICON	ROHM	
Q429	DTC144ES	SILICON	ROHM	
Q430	DTC144ES	SILICON	ROHM	
Q471	2SC458(C,D)	SILICON	HITACHI	
Q472	2SC458(C,D)	SILICON	HITACHI	
Q481	2SC458(C,D)	SILICON	HITACHI	
Q482	2SC458(C,D)	SILICON	HITACHI	
Q483	DTC144ES	SILICON	ROHM	

△ : SAFETY PARTS

I.C.s

ITEM	PART NUMBER	DESCRIPTION	AREA	
			MAKER	
IC301	MS218L-R	I.C.	mitsubishi	
IC302	TC9164N	I.C.	TOSHIBA	
IC303	NJM4560SD	I.C.	JRC	
IC421	TC9306F-034BS	I.C.	TOSHIBA	
IC422	LC7582A	I.C.	SANYO	
IC441	MN17581JSL1	I.C.	MATSUSHITA	
IC501	LA3607S	I.C.	SANYO	
IC502	LA3607S	I.C.	SANYO	
IC503	NJM4560SD	I.C.	JRC	

△ : SAFETY PARTS

Diodes

ITEM	PART NUMBER	DESCRIPTION	AREA	
			MAKER	
D428	1SS133	SILICON	ROHM	
D429	1SS133	SILICON	ROHM	F
D430	1SS133	SILICON	ROHM	A
D431	1SS133	SILICON	ROHM	F
D432	1SS133	SILICON	ROHM	C
D432	1SS133	SILICON	ROHM	D
D432	1SS133	SILICON	ROHM	E
D432	1SS133	SILICON	ROHM	F
D433	1SS133	SILICON	ROHM	D
D433	1SS133	SILICON	ROHM	F
D434	1SS133	SILICON	ROHM	B
D435	1SS133	SILICON	ROHM	
D436	1SS133	SILICON	ROHM	
D441	1SS133	SILICON	ROHM	
D442	1SS133	SILICON	ROHM	
D443	1SS133	SILICON	ROHM	
D444	1SS133	SILICON	ROHM	
D445	1SS133	SILICON	ROHM	
D446	1SS133	SILICON	ROHM	
D447	1SS133	SILICON	ROHM	
D448	1SS133	SILICON	ROHM	
D471	1SS133	SILICON	ROHM	
D481	1SS133	SILICON	ROHM	
D482	1SS133	SILICON	ROHM	
D483	1SS133	SILICON	ROHM	

△ : SAFETY PARTS

Diodes

ITEM	PART NUMBER	DESCRIPTION	AREA	
			MAKER	
D484	1SS133	SILICON	ROHM	
D485	MTZ5.6JC	ZENER	ROHM	
D487	MTZ12JC	ZENER	ROHM	
D488	MTZ12JC	ZENER	ROHM	
D489	MTZ12JC	ZENER	ROHM	
D490	MTZ12JC	ZENER	ROHM	
D495	RD12EB3	ZENER	NEC	C
D495	RD12EB3	ZENER	NEC	D
D495	RD12EB3	ZENER	NEC	E
D495	RD12EB3	ZENER	NEC	F
D496	RD12EB3	ZENER	NEC	C
D496	RD12EB3	ZENER	NEC	D
D496	RD12EB3	ZENER	NEC	E
D496	RD12EB3	ZENER	NEC	F
D497	MTZ12JC	ZENER	ROHM	A
D497	MTZ12JC	ZENER	ROHM	B
D498	MTZ12JC	ZENER	ROHM	A
D498	MTZ12JC	ZENER	ROHM	B
D501	MTZ7.5JB	ZENER	ROHM	
D502	MTZ7.5JB	ZENER	ROHM	

△ : SAFETY PARTS

Capacitors

ITEM	PART NUMBER	DESCRIPTION	AREA	
			MAKER	
C301	QETB1HM-475	4.7MF 50V	ELECTRO	
C302	QETB1HM-475	4.7MF 50V	ELECTRO	
C303	QCS21HJ-101	100PF 50V	CERAMIC	A
C303	QCS21HJ-101	100PF 50V	CERAMIC	B
C303	QCS21HJ-101	100PF 50V	CERAMIC	C
C303	QCS21HJ-101	100PF 50V	CERAMIC	D
C303	QCS21HJ-101	100PF 50V	CERAMIC	F
C303	QCS21HJ-471	470PF 50V	CERAMIC	E
C304	QCS21HJ-101	100PF 50V	CERAMIC	A
C304	QCS21HJ-101	100PF 50V	CERAMIC	B
C304	QCS21HJ-101	100PF 50V	CERAMIC	C
C304	QCS21HJ-101	100PF 50V	CERAMIC	D
C304	QCS21HJ-101	100PF 50V	CERAMIC	F
C304	QCS21HJ-471	470PF 50V	CERAMIC	E
C305	QFN81HJ-182	1800PF 50V	MYLAR	
C306	QFN81HJ-182	1800PF 50V	MYLAR	
C307	QFN81HJ-682	6800PF 50V	MYLAR	
C308	QFN81HJ-682	6800PF 50V	MYLAR	
C309	QCS21HJ-101	100PF 50V	CERAMIC	
C310	QCS21HJ-101	100PF 50V	CERAMIC	
C313	QETB1HM-475	4.7MF 50V	ELECTRO	
C314	QETB1HM-475	4.7MF 50V	ELECTRO	
C315	QETB1CM-107	100MF 16V	ELECTRO	
C316	QETB1CM-107	100MF 16V	ELECTRO	
C317	QCF21HP-223	0.022MF 50V	CERAMIC	
C319	QCS21HJ-101	100PF 50V	CERAMIC	E
C320	QCS21HJ-101	100PF 50V	CERAMIC	E
C321	QCS21HJ-331	330PF 50V	CERAMIC	E
C322	QCS21HJ-331	330PF 50V	CERAMIC	E
C323	QCS21HJ-331	330PF 50V	CERAMIC	E
C324	QCS21HJ-331	330PF 50V	CERAMIC	E
C325	QCS21HJ-331	330PF 50V	CERAMIC	E
C326	QCS21HJ-331	330PF 50V	CERAMIC	E
C327	QCF21HP-223	0.022MF 50V	CERAMIC	
C328	QCF21HP-223	0.022MF 50V	CERAMIC	
C329	QCF21HP-223	0.022MF 50V	CERAMIC	
C330	QCF21HP-223	0.022MF 50V	CERAMIC	
C331	QCS21HJ-151	150PF 50V	CERAMIC	E
C332	QCS21HJ-151	150PF 50V	CERAMIC	E
C333	QCS21HJ-101	100PF 50V	CERAMIC	E
C334	QCS21HJ-101	100PF 50V	CERAMIC	E
C335	QETB1EM-476	47MF 25V	ELECTRO	
C336	QETB1EM-476	47MF 25V	ELECTRO	
C337	QETB1CM-226	22MF 16V	ELECTRO	
C338	QETB1CM-226	22MF 16V	ELECTRO	
C339	QETB1CM-226	22MF 16V	ELECTRO	
C340	QETB1CM-226	22MF 16V	ELECTRO	
C341	QCS21HJ-101	100PF 50V	CERAMIC	
C342	QCS21HJ-101	100PF 50V	CERAMIC	
C343	QETB1CM-226	22MF 16V	ELECTRO	
C344	QETB1HM-226	22MF 50V	ELECTRO	
C365	QCS21HJ-101	100PF 50V	CERAMIC	
C366	QCS21HJ-101	100PF 50V	CERAMIC	
C421	QETB1AM-107	100MF 10V	ELECTRO	
C422	QCF21HP-223	0.022MF 50V	CERAMIC	

△ : SAFETY PARTS

Capacitors

△	ITEM	PART NUMBER	DESCRIPTION			AREA
	C441	QETBOJM-477	470MF	6.3V	ELECTRO	
	C442	QCF21HP-223	0.022MF	50V	CERAMIC	
	C443	QCS21HJ-681	680PF	50V	CERAMIC	
	C445	QETBOJM-477	470MF	6.3V	ELECTRO	
	C446	QCF21HP-223	0.022MF	50V	CERAMIC	
	C481	EEZ0503-479	47000MF		ELECTRO	
	C482	QETB1HM-225	2.2MF	50V	ELECTRO	
	C483	QCF21HP-223	0.022MF	50V	CERAMIC	
	C484	QETB1HM-225	2.2MF	50V	ELECTRO	
	C485	QETBOJM-227	220MF	6.3V	ELECTRO	
	C486	QETB1EM-106	10MF	25V	ELECTRO	
	C488	QCZ0205-155	1.5MF	25V	CERAMIC	
	C505	QETB1CM-226	22MF	16V	ELECTRO	
	C506	QETB1CM-226	22MF	16V	ELECTRO	
	C507	QCS21HJ-101	100PF	50V	CERAMIC	
	C508	QCS21HJ-101	100PF	50V	CERAMIC	
	C509	QETB1CM-226	22MF	16V	ELECTRO	
	C510	QETB1CM-226	22MF	16V	ELECTRO	
	C511	QETB1HM-105	1MF	50V	ELECTRO	
	C512	QETB1HM-105	1MF	50V	ELECTRO	
	C513	QFN81HK-683	0.068MF	50V	MYLAR	
	C514	QFN81HK-683	0.068MF	50V	MYLAR	
	C515	QETB1HM-474	0.47MF	50V	ELECTRO	
	C516	QETB1HM-474	0.47MF	50V	ELECTRO	
	C517	QFN81HK-223	0.022MF	50V	MYLAR	
	C518	QFN81HK-223	0.022MF	50V	MYLAR	
	C519	QFN81HK-154	0.15MF	50V	MYLAR	
	C520	QFN81HK-154	0.15MF	50V	MYLAR	
	C521	QFN81HK-103	0.01MF	50V	MYLAR	
	C522	QFN81HK-103	0.01MF	50V	MYLAR	
	C523	QFN81HK-683	0.068MF	50V	MYLAR	
	C524	QFN81HK-683	0.068MF	50V	MYLAR	
	C525	QCY21HK-392	3900PF	50V	CERAMIC	
	C526	QCY21HK-392	3900PF	50V	CERAMIC	
	C527	QFN81HK-273	0.027MF	50V	MYLAR	
	C528	QFN81HK-273	0.027MF	50V	MYLAR	
	C529	QFN81HK-152	1500PF	50V	MYLAR	
	C530	QFN81HK-152	1500PF	50V	MYLAR	
	C531	QFN81HK-103	0.01MF	50V	MYLAR	
	C532	QFN81HK-103	0.01MF	50V	MYLAR	
	C533	QCY21HK-681	680PF	50V	CERAMIC	
	C534	QCY21HK-681	680PF	50V	CERAMIC	
	C535	QCY21HK-562	5600PF	50V	CERAMIC	
	C536	QCY21HK-562	5600PF	50V	CERAMIC	
	C537	QCS21HJ-221	220PF	50V	CERAMIC	
	C538	QCS21HJ-221	220PF	50V	CERAMIC	
	C539	QEK61CM-226	22MF	16V	ELECTRO	
	C540	QEK61CM-226	22MF	16V	ELECTRO	
	C541	QEK61CM-226	22MF	16V	ELECTRO	
	C542	QEK61CM-226	22MF	16V	ELECTRO	
	C543	QETB1CM-226	22MF	16V	ELECTRO	
	C544	QETB1CM-226	22MF	16V	ELECTRO	
	C545	QCS21HJ-330	33PF	50V	CERAMIC	
	C546	QCS21HJ-330	33PF	50V	CERAMIC	
	C547	QCF21HP-223	0.022MF	50V	CERAMIC	
	C548	QCF21HP-223	0.022MF	50V	CERAMIC	
	C555	QCS21HJ-221	220PF	50V	CERAMIC	E
	C556	QCS21HJ-221	220PF	50V	CERAMIC	E
	C557	QCS21HJ-221	220PF	50V	CERAMIC	E
	C558	QCS21HJ-221	220PF	50V	CERAMIC	E

△ : SAFETY PARTS

Resistors

△	ITEM	PART NUMBER	DESCRIPTION			AREA
	R301	QRD167J-222	2.2K	1/6W	CARBON	
	R302	QRD167J-222	2.2K	1/6W	CARBON	
	R303	QRD167J-473	47K	1/6W	CARBON	
	R304	QRD167J-473	47K	1/6W	CARBON	
	R305	QRD167J-561	560	1/6W	CARBON	
	R306	QRD167J-561	560	1/6W	CARBON	
	R307	QRD167J-393	39K	1/6W	CARBON	
	R308	QRD167J-393	39K	1/6W	CARBON	
	R309	QRD167J-474	470K	1/6W	CARBON	
	R310	QRD167J-474	470K	1/6W	CARBON	
	R311	QRD167J-104	100K	1/6W	CARBON	
	R312	QRD167J-104	100K	1/6W	CARBON	
	R313	QRD167J-221	220	1/6W	CARBON	
	R314	QRD167J-221	220	1/6W	CARBON	
	R315	QRD167J-221	220	1/6W	CARBON	A
	R315	QRD167J-221	220	1/6W	CARBON	B
	R315	QRD167J-221	220	1/6W	CARBON	C
	R315	QRD167J-221	220	1/6W	CARBON	D
	R315	QRD167J-221	220	1/6W	CARBON	F
	R315	QRD167J-222	2.2K	1/6W	CARBON	E

△ : SAFETY PARTS

Resistors

△	ITEM	PART NUMBER	DESCRIPTION			AREA
	R316	QRD167J-221	220	1/6W	CARBON	A
	R316	QRD167J-221	220	1/6W	CARBON	B
	R316	QRD167J-221	220	1/6W	CARBON	C
	R316	QRD167J-221	220	1/6W	CARBON	D
	R316	QRD167J-221	220	1/6W	CARBON	F
	R316	QRD167J-222	2.2K	1/6W	CARBON	E
	R317	QRD167J-221	220	1/6W	CARBON	
	R318	QRD167J-221	220	1/6W	CARBON	
	R319	QRD167J-221	220	1/6W	CARBON	A
	R319	QRD167J-221	220	1/6W	CARBON	B
	R319	QRD167J-221	220	1/6W	CARBON	C
	R319	QRD167J-221	220	1/6W	CARBON	D
	R319	QRD167J-221	220	1/6W	CARBON	F
	R319	QRD167J-222	2.2K	1/6W	CARBON	E
	R320	QRD167J-221	220	1/6W	CARBON	A
	R320	QRD167J-221	220	1/6W	CARBON	B
	R320	QRD167J-221	220	1/6W	CARBON	C
	R320	QRD167J-221	220	1/6W	CARBON	D
	R320	QRD167J-221	220	1/6W	CARBON	F
	R320	QRD167J-222	2.2K	1/6W	CARBON	E
	R321	QRD167J-221	220	1/6W	CARBON	
	R322	QRD167J-221	220	1/6W	CARBON	
	R323	QRD167J-331	330	1/6W	CARBON	
	R324	QRD167J-331	330	1/6W	CARBON	
	R327	QRD167J-124	120K	1/6W	CARBON	
	R328	QRD167J-124	120K	1/6W	CARBON	
	R329	QRD167J-473	47K	1/6W	CARBON	
	R330	QRD167J-473	47K	1/6W	CARBON	
	R331	QRD167J-124	120K	1/6W	CARBON	
	R332	QRD167J-124	120K	1/6W	CARBON	
	R420	QRD167J-103	10K	1/6W	CARBON	
	R421	QRD167J-103	10K	1/6W	CARBON	
	R422	QRD167J-103	10K	1/6W	CARBON	
	R423	QRD167J-103	10K	1/6W	CARBON	
	R424	QRD167J-471	470	1/6W	CARBON	
	R425	QRD167J-103	10K	1/6W	CARBON	
	R426	QRD167J-103	10K	1/6W	CARBON	
	R427	QRD167J-473	47K	1/6W	CARBON	
	R428	QRD167J-223	22K	1/6W	CARBON	
	R430	QRD167J-563	56K	1/6W	CARBON	
	R431	QRD167J-103	10K	1/6W	CARBON	
	R432	QRD167J-102	1K	1/6W	CARBON	
	R433	QRD167J-102	1K	1/6W	CARBON	
	R434	QRD167J-102	1K	1/6W	CARBON	
	R435	QRD167J-103	10K	1/6W	CARBON	
	R436	QRD167J-103	10K	1/6W	CARBON	
	R437	QRD167J-103	10K	1/6W	CARBON	
	R441	QRD167J-103	10K	1/6W	CARBON	
	R442	QRD167J-103	10K	1/6W	CARBON	
	R443	QRD167J-104	100K	1/6W	CARBON	
	R444	QRD167J-104	100K	1/6W	CARBON	
	R445	QRD167J-104	100K	1/6W	CARBON	
	R446	QRD167J-104	100K	1/6W	CARBON	
	R448	QRD167J-104	100K	1/6W	CARBON	
	R449	QRD167J-104	100K	1/6W	CARBON	
	R450	QRD167J-104	100K	1/6W	CARBON	
	R451	QRD167J-104	100K	1/6W	CARBON	
	R452	QRD167J-104	100K	1/6W	CARBON	
	R453	QRD167J-104	100K	1/6W	CARBON	
	R454	QRD167J-104	100K	1/6W	CARBON	
	R455	QRD167J-104	100K	1/6W	CARBON	
	R459	QRD167J-473	47K	1/6W	CARBON	
	R460	QRD167J-473	47K	1/6W	CARBON	
	R461	QRD167J-473	47K	1/6W	CARBON	
	R462	QRD167J-473	47K	1/6W	CARBON	
	R463	QRD167J-473	47K	1/6W	CARBON	
	R464	QRD167J-473	47K	1/6W	CARBON	
	R465	QRD167J-473	47K	1/6W	CARBON	
	R466	QRD167J-473	47K	1/6W	CARBON	
	R467	QRD167J-102	1K	1/6W	CARBON	
	R471	QRD167J-473	47K	1/6W	CARBON	
	R472	QRD167J-471	470	1/6W	CARBON	
	R473	QRD167J-473	47K	1/6W	CARBON	
	R474	QRD167J-223	22K	1/6W	CARBON	
	R475	QRD167J-103	10K	1/6W	CARBON	
	R481	QRD167J-222	2.2K	1/6W	CARBON	
	R482	QRD167J-472	4.7K	1/6W	CARBON	
	R483	QRD167J-102	1K	1/6W	CARBON	
	R484	QRD167J-332	3.3K	1/6W	CARBON	
	R485	QRD167J-473	47K	1/6W	CARBON	
	R486	QRD167J-473	47K	1/6W	CARBON	
	R487	QRD167J-223	22K	1/6W	CARBON	
	R488	QRD167J-473	47K	1/6W	CARBON	
	R489	QRD167J-331	330	1/6W	CARBON	
	R509	QRD167J-472	4.7K	1/6W	CARBON	

△ : SAFETY PARTS

Resistors

△	ITEM	PART NUMBER	DESCRIPTION			AREA
	R510	QRD167J-472	4.7K	1/6W	CARBON	
	R511	QRD167J-472	4.7K	1/6W	CARBON	
	R512	QRD167J-472	4.7K	1/6W	CARBON	
	R517	QRD167J-103	10K	1/6W	CARBON	
	R518	QRD167J-103	10K	1/6W	CARBON	
	R519	QRD167J-103	10K	1/6W	CARBON	
	R520	QRD167J-103	10K	1/6W	CARBON	
	R521	QRD167J-104	100K	1/6W	CARBON	
	R522	QRD167J-104	100K	1/6W	CARBON	
△	R523	QRD14CJ-680S	68	1/4W	UNF. CARBON	A
△	R523	QRD14CJ-680S	68	1/4W	UNF. CARBON	B
△	R523	QRZ0077-680	68	1/4W	FUSIBLE	C
△	R523	QRZ0077-680	68	1/4W	FUSIBLE	D
△	R523	QRZ0077-680	68	1/4W	FUSIBLE	E
△	R523	QRZ0077-680	68	1/4W	FUSIBLE	F
△	R524	QRD14CJ-680S	68	1/4W	UNF. CARBON	A
△	R524	QRD14CJ-680S	68	1/4W	UNF. CARBON	B
△	R524	QRZ0077-680	68	1/4W	FUSIBLE	C
△	R524	QRZ0077-680	68	1/4W	FUSIBLE	D
△	R524	QRZ0077-680	68	1/4W	FUSIBLE	E
△	R524	QRZ0077-680	68	1/4W	FUSIBLE	F
△	R527	QRD14CJ-391S	390	1/4W	UNF. CARBON	A
△	R527	QRD14CJ-391S	390	1/4W	UNF. CARBON	B
△	R527	QRZ0077-391	390	1/4W	FUSIBLE	C
△	R527	QRZ0077-391	390	1/4W	FUSIBLE	D
△	R527	QRZ0077-391	390	1/4W	FUSIBLE	E
△	R527	QRZ0077-391	390	1/4W	FUSIBLE	F
△	R528	QRD14CJ-391S	390	1/4W	UNF. CARBON	A
△	R528	QRD14CJ-391S	390	1/4W	UNF. CARBON	B
△	R528	QRZ0077-391	390	1/4W	FUSIBLE	C
△	R528	QRZ0077-391	390	1/4W	FUSIBLE	D
△	R528	QRZ0077-391	390	1/4W	FUSIBLE	E
△	R528	QRZ0077-391	390	1/4W	FUSIBLE	F
	VR501	QVUB01W-EF5D	250K		VARIABLE	
	VR502	QVUB01W-EF5D	250K		VARIABLE	
	VR503	QVUB01W-EF5D	250K		VARIABLE	
	VR504	QVUB01W-EF5D	250K		VARIABLE	
	VR505	QVUB01W-EF5D	250K		VARIABLE	
	VR506	QVUB01W-EF5D	250K		VARIABLE	
	VR507	QVUB01W-EF5D	250K		VARIABLE	

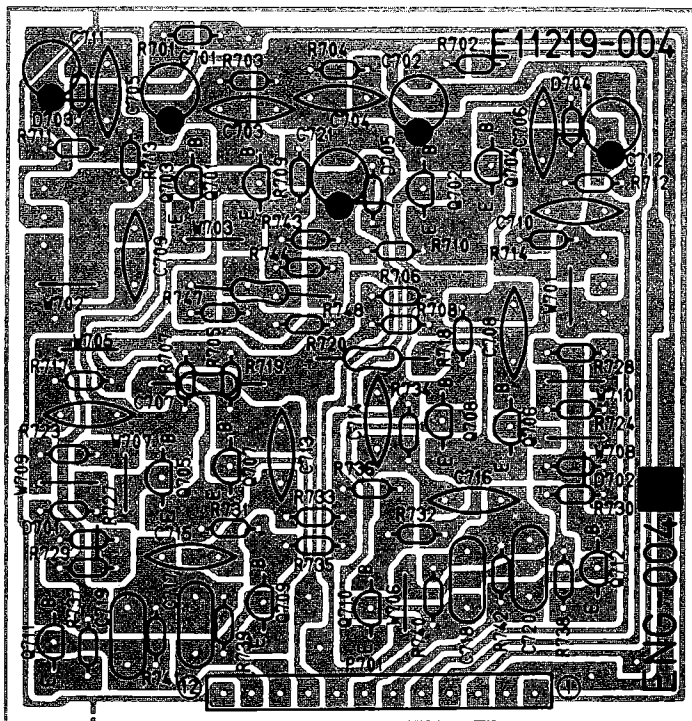
△ : SAFETY PARTS

△	ITEM	PART NUMBER	DESCRIPTION		AREA
		E11743-003	CIRCUIT BOARD		
		E45524-002	FUSE CLIP		
		E48269-001	SPACER		C
		E48269-001	SPACER		D
		E48269-001	SPACER		E
		E48269-001	SPACER		F
	J301	EMN00TV-405A	4P PIN JACK		
	J302	EMN00TV-402A	4P PIN JACK		
	J303	EMN00TV-405A	4P PIN JACK		
	P303	EMV7125-015R	CONNECTOR		
	P311	EMV5128-014	PLUG ASSY		
	P312	EMV5128-016	PLUG ASSY		
	P481	QMV5004-003K	PLUG ASSY		
	P501	EMV7112-003	CONNECTOR		
	P502	EMV7112-006	CONNECTOR		
	FW201	EWR37B-25KST	FLAT WIRE		
	FW306	EWR37B-16KST	FLAT WIRE		A
	FW306	EWR37B-16KST	FLAT WIRE		C
	FW306	EWR37B-16KST	FLAT WIRE		D
	FW306	EWR37B-16KST	FLAT WIRE		E
	FW306	EWR37B-16KST	FLAT WIRE		F
	FW306	EWR39B-16KST	FLAT WIRE		B
	FW521	EWR37B-08SST	FLAT WIRE		
	FW522	EWR37B-08SST	FLAT WIRE		
	FW523	EWR35B-08SST	FLAT WIRE		
	FW531	EWR38B-10KST	FLAT WIRE		
	FW532	EWR37B-30KST	FLAT WIRE		
	FW852	EWR35B-25LST	FLAT WIRE		
	LC421	ELU0002-044	LCD PANEL		
	XT421	ECX0072-000EM	RESONATOR		
	XT441	ECX0072-000EM	RESONATOR		

△ : SAFETY PARTS

■ **ENG-004** □ Pre-Drive PC Board Ass'y

Note: ENG-004 □ varies according to the areas employed. See note (1) when placing an order.



Note (1)

PC Board Ass'y	Designated Areas
ENG-004 □	U.S.A., Canada
ENG-004 R	U.S. Military Market, Australia, Continental Europe, Continental Europe (with LW), Italy (with LW), U.K. (with LW), Other Countries
ENG-004 S	West Germany

Transistors

△	ITEM	PART NUMBER	DESCRIPTION		AREA
				MAKER	
	Q701	2SC2240(A,B)	SILICON	TOSHIBA	
	Q702	2SC2240(A,B)	SILICON	TOSHIBA	
	Q703	2SC2240(A,B)	SILICON	TOSHIBA	
	Q704	2SC2240(A,B)	SILICON	TOSHIBA	
	Q705	2SA1038(S,E)	SILICON	ROHM	
	Q706	2SA1038(S,E)	SILICON	ROHM	
	Q707	2SA933LN(R,S)	SILICON	ROHM	
	Q708	2SA933LN(R,S)	SILICON	ROHM	
	Q709	2SA1038(S,E)	SILICON	ROHM	
	Q710	2SA1038(S,E)	SILICON	ROHM	
	Q711	2SC2389(S,E)	SILICON	ROHM	
	Q712	2SC2389(S,E)	SILICON	ROHM	

△ : SAFETY PARTS

Diodes

△	ITEM	PART NUMBER	DESCRIPTION		AREA
				MAKER	
	D701	1SS133	SILICON	ROHM	R S R S
	D702	1SS133	SILICON	ROHM	
	D703	1SS133	SILICON	ROHM	
	D703	1SS133	SILICON	ROHM	
	D704	1SS133	SILICON	ROHM	
	D704	1SS133	SILICON	ROHM	
	D705	MTZ22JC	ZENER	ROHM	

△ : SAFETY PARTS

Capacitors

△	ITEM	PART NUMBER	DESCRIPTION			AREA
	C701	EEZ1005-106	10MF	100V	ELECTRO	
	C702	EEZ1005-106	10MF	100V	ELECTRO	
	C703	QCS21HJ-271	270PF	50V	CERAMIC	
	C704	QCS21HJ-271	270PF	50V	CERAMIC	
	C705	QCS21HJ-101	100PF	50V	CERAMIC	
	C706	QCS21HJ-101	100PF	50V	CERAMIC	
	C707	QCY21HK-332	3300PF	50V	CERAMIC	
	C708	QCY21HK-332	3300PF	50V	CERAMIC	
	C709	QCS21HJ-3R0	3PF	50V	CERAMIC	
	C710	QCS21HJ-3R0	3PF	50V	CERAMIC	
	C711	QETB1CM-476	47MF	16V	ELECTRO	
	C712	QETB1CM-476	47MF	16V	ELECTRO	
	C713	QCS32HJ-220	22PF	500V	CERAMIC	
	C714	QCS32HJ-220	22PF	500V	CERAMIC	
	C715	QCS21HJ-121	120PF	50V	CERAMIC	
	C716	QCS21HJ-121	120PF	50V	CERAMIC	
	C717	QFN81HJ-822	8200PF	50V	MYLAR	
	C718	QFN81HJ-822	8200PF	50V	MYLAR	
	C719	QFN81HJ-822	8200PF	50V	MYLAR	
	C720	QFN81HJ-822	8200PF	50V	MYLAR	
	C721	QETB1EM-106	10MF	25V	ELECTRO	

△ : SAFETY PARTS

Resistors

△	ITEM	PART NUMBER	DESCRIPTION			AREA
	R701	QRD167J-222	2.2K	1/6W	CARBON	
	R702	QRD167J-222	2.2K	1/6W	CARBON	
	R703	QRD167J-104	100K	1/6W	CARBON	
	R704	QRD167J-104	100K	1/6W	CARBON	
	R705	QRD167J-202	2K	1/6W	CARBON	
	R706	QRD167J-202	2K	1/6W	CARBON	
	R707	QRD167J-202	2K	1/6W	CARBON	
	R708	QRD167J-202	2K	1/6W	CARBON	
	R709	QRD167J-103	10K	1/6W	CARBON	
	R710	QRD167J-103	10K	1/6W	CARBON	
	R711	QRD167J-182	1.8K	1/6W	CARBON	
	R712	QRD167J-182	1.8K	1/6W	CARBON	
	R713	QRD167J-104	100K	1/6W	CARBON	
	R714	QRD167J-104	100K	1/6W	CARBON	
	R717	QRD167J-101	100	1/6W	CARBON	
	R718	QRD167J-101	100	1/6W	CARBON	
△	R719	QRD145J-121S	120	1/4W	UNF. CARBON	
△	R720	QRD145J-121S	120	1/4W	UNF. CARBON	
	R723	QRD144J-562S	5.6K	1/4W	CARBON	
	R724	QRD144J-562S	5.6K	1/4W	CARBON	
	R727	QRD144J-472S	4.7K	1/4W	CARBON	
	R728	QRD144J-472S	4.7K	1/4W	CARBON	
	R729	QRD167J-391	390	1/6W	CARBON	
	R730	QRD167J-391	390	1/6W	CARBON	
	R731	QRD167J-152	1.5K	1/6W	CARBON	
	R732	QRD167J-152	1.5K	1/6W	CARBON	
	R733	QRD167J-152	1.5K	1/6W	CARBON	
	R734	QRD167J-152	1.5K	1/6W	CARBON	
	R735	QRD167J-333	33K	1/6W	CARBON	
	R736	QRD167J-333	33K	1/6W	CARBON	
	R737	QRD167J-391	390	1/6W	CARBON	
	R738	QRD167J-391	390	1/6W	CARBON	
	R739	QRD167J-682	6.8K	1/6W	CARBON	
	R740	QRD167J-682	6.8K	1/6W	CARBON	
	R741	QRD167J-682	6.8K	1/6W	CARBON	

△ : SAFETY PARTS

Resistors

△	ITEM	PART NUMBER	DESCRIPTION			AREA
	R742	QRD167J-682	6.8K	1/6W	CARBON	
	R743	QRD167J-511	510	1/6W	CARBON	
	R744	QRD167J-511	510	1/6W	CARBON	
△	R745	QRD125J-182	1.8K	1/2W	UNF. CARBON	
	R747	QRD167J-511	510	1/6W	CARBON	
	R748	QRD167J-511	510	1/6W	CARBON	

△ : SAFETY PARTS

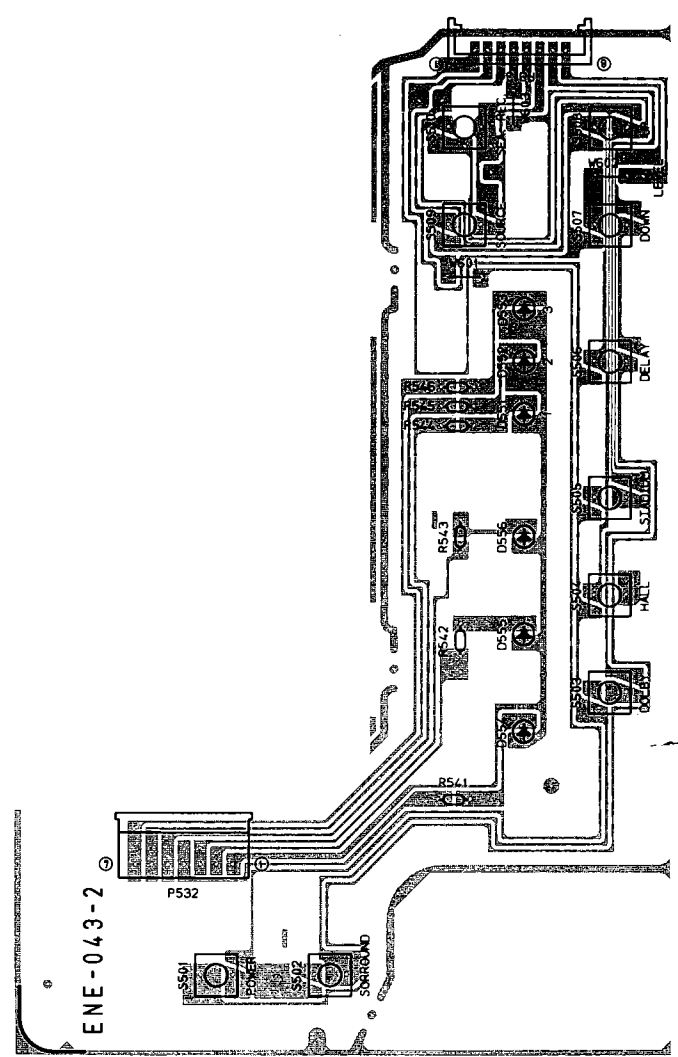
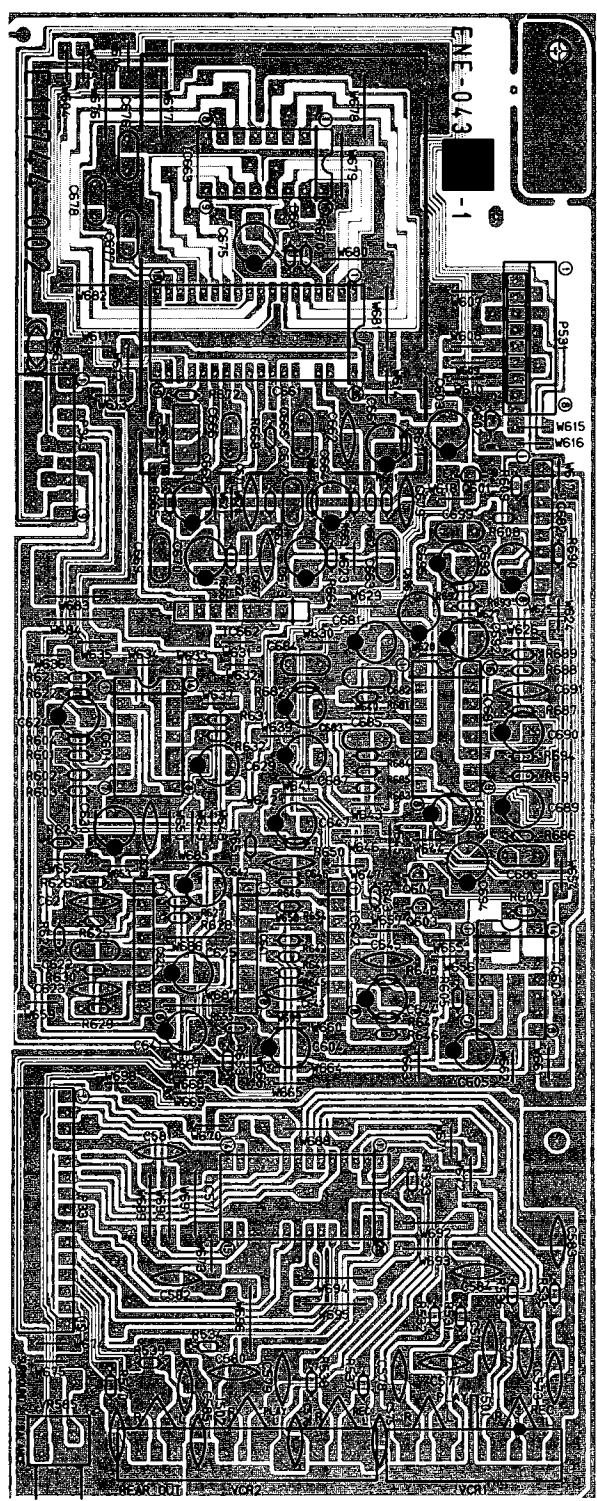
Others

△	ITEM	PART NUMBER	DESCRIPTION		AREA
	P701	E11219-004	CIRCUIT BOARD		Q
		E11219-004	CIRCUIT BOARD		R
		E11219-004	CIRCUIT BOARD		S
		EMV5101-012B	PLUG ASSY		

△ : SAFETY PARTS

■ ENE-043 □ Digital Surround PC Board Ass'y

Note: ENE-043 □ varies according to the areas employed. See note (1) when placing an order.



Note (1)

PC Board Ass'y	Designated Areas
ENE-043 A	U.S.A., Canada, U.S. Military Market, Other Countries
ENE-043 B	Continental Europe, Australia, Continental Europe (with LW), Italy (with LW), U.K. (with LW)
ENE-043 C	West Germany

Transistors

ITEM	PART NUMBER	DESCRIPTION		AREA
			MAKER	
Q601	DTA114YS	SILICON	ROHM	
Q602	DTC144ES	SILICON	ROHM	
Q603	DTA114YS	SILICON	ROHM	
Q604	DTC144ES	SILICON	ROHM	

△ : SAFETY PARTS

I.C.s

ITEM	PART NUMBER	DESCRIPTION		AREA
			MAKER	
IC571	TC9163N	I.C.	TOSHIBA	
IC601	LC4966	I.C.	SANYO	
IC602	LC4966	I.C.	SANYO	
IC621	VC4580L	I.C.	JRC	
IC641	VC4580L	I.C.	JRC	
IC642	VC4580L	I.C.	JRC	
IC661	M50199P	I.C.	mitsubishi	
IC662	M5233L	I.C.	mitsubishi	
IC663	MSM3764A-12RS	I.C.	mitsubishi	
IC681	LA2730	I.C.	SANYO	
IC682	M5218L-R	I.C.	mitsubishi	

△ : SAFETY PARTS

Diodes

ITEM	PART NUMBER	DESCRIPTION		AREA
			MAKER	
D551	SLH-34VC3F	L.E.D.	ROHM	
D552	SLH-34VC3F	L.E.D.	ROHM	
D553	SLH-34VC3F	L.E.D.	ROHM	
D554	SLH-34DC3F	L.E.D.	ROHM	
D555	SLH-34DC3F	L.E.D.	ROHM	
D556	SLH-34DC3F	L.E.D.	ROHM	
D661	1SS133	SILICON	ROHM	
D662	MTZ10JC	ZENER	ROHM	
D663	HTZ10JC	ZENER	ROHM	

△ : SAFETY PARTS

Capacitors

ITEM	PART NUMBER	DESCRIPTION			AREA
C571	QCF21HP-223	0.022MF	50V	CERAMIC	
C573	QCS21HJ-331	330PF	50V	CERAMIC	C
C574	QCS21HJ-331	330PF	50V	CERAMIC	C
C575	QCS21HJ-331	330PF	50V	CERAMIC	C
C576	QCS21HJ-331	330PF	50V	CERAMIC	C
C577	QCS21HJ-101	100PF	50V	CERAMIC	C
C578	QCS21HJ-101	100PF	50V	CERAMIC	C
C579	QCS21HJ-101	100PF	50V	CERAMIC	C
C580	QCS21HJ-101	100PF	50V	CERAMIC	C
C581	QCF21HP-223	0.022MF	50V	CERAMIC	
C582	QCF21HP-223	0.022MF	50V	CERAMIC	
C585	QCF21HP-223	0.022MF	50V	CERAMIC	
C603	QETB1AM-107	100MF	10V	ELECTRO	
C604	QETB1EM-106	10MF	25V	ELECTRO	
C605	QETB1EM-106	10MF	25V	ELECTRO	

△ : SAFETY PARTS

Capacitors

ITEM	PART NUMBER	DESCRIPTION			AREA
C621	QFN81HK-333	0.033MF	50V	MYLAR	
C622	QCY21HK-472	4700PF	50V	CERAMIC	
C623	QCS21HJ-271	270PF	50V	CERAMIC	
C624	QETB1HM-475	4.7MF	50V	ELECTRO	
C625	QETB1HM-475	4.7MF	50V	ELECTRO	
C628	QCF21HP-223	0.022MF	50V	CERAMIC	
C629	QETB1EM-106	10MF	25V	ELECTRO	
C630	QETB1EM-106	10MF	25V	ELECTRO	
C641	QETB1HM-475	4.7MF	50V	ELECTRO	
C642	QETB1HM-475	4.7MF	50V	ELECTRO	
C643	QCS21HJ-100	10PF	50V	CERAMIC	
C644	QETB1HM-475	4.7MF	50V	ELECTRO	
C645	QCS21HJ-470	47PF	50V	CERAMIC	
C646	QCS21HJ-101	100PF	50V	CERAMIC	
C647	QETB1HM-475	4.7MF	50V	ELECTRO	
C660	QFN81HK-103	0.01MF	50V	MYLAR	
C661	QETB1HM-105	1MF	50V	ELECTRO	
C662	QCS21HJ-561	560PF	50V	CERAMIC	
C663	QFN81HK-562	5600PF	50V	MYLAR	
C664	QETB1HM-105	1MF	50V	ELECTRO	
C665	QFN81HK-104	0.1MF	50V	MYLAR	
C666	QFN81HK-104	0.1MF	50V	MYLAR	
C667	QCS21HJ-150	15PF	50V	CERAMIC	
C668	QETB1AM-476	47MF	10V	ELECTRO	
C669	QCF21HP-103	0.01MF	50V	CERAMIC	
C670	QETB1HM-475	4.7MF	50V	ELECTRO	
C671	QCS21HJ-561	560PF	50V	CERAMIC	
C672	QFN81HJ-472	4700PF	50V	MYLAR	
C673	QETB1HM-475	4.7MF	50V	ELECTRO	
C675	QETB1HM-225	2.2MF	50V	ELECTRO	
C677	QFN81HK-104	0.1MF	50V	MYLAR	
C678	QFN81HK-104	0.1MF	50V	MYLAR	
C679	QCF21HP-103	0.01MF	50V	CERAMIC	
C680	QCF21HP-103	0.01MF	50V	CERAMIC	
C681	QEB51HM-334	0.33MF	50V	LLC ELECTRO	
C682	QFN81HJ-104	0.1MF	50V	MYLAR	
C683	QETB1HM-105	1MF	50V	ELECTRO	
C684	QFN81HJ-333	0.033MF	50V	MYLAR	
C685	QFN81HJ-472	4700PF	50V	MYLAR	
C686	QFN81HJ-333	0.033MF	50V	MYLAR	
C687	QETB1AM-107	100MF	10V	ELECTRO	
C688	QETB1CM-226	22MF	16V	ELECTRO	
C689	QETB1HM-105	1MF	50V	ELECTRO	
C690	QETB1HM-105	1MF	50V	ELECTRO	
C691	QCS21HJ-471	470PF	50V	CERAMIC	
C692	QETB1HM-105	1MF	50V	ELECTRO	
C693	QETB1HM-105	1MF	50V	ELECTRO	
C694	QETB1EM-106	10MF	25V	ELECTRO	
C695	QETB1HM-105	1MF	50V	ELECTRO	
C696	QETB1EM-106	10MF	25V	ELECTRO	
C699	QFN81HK-682	6800PF	50V	MYLAR	

△ : SAFETY PARTS

Resistors

ITEM	PART NUMBER	DESCRIPTION			AREA
R531	QRD167J-221	220	1/6W	CARBON	
R532	QRD167J-221	220	1/6W	CARBON	
R533	QRD167J-221	220	1/6W	CARBON	
R534	QRD167J-221	220	1/6W	CARBON	
R535	QRD167J-471	470	1/6W	CARBON	
R536	QRD167J-471	470	1/6W	CARBON	
R537	QRD167J-471	470	1/6W	CARBON	
R538	QRD167J-471	470	1/6W	CARBON	
R539	QRD167J-221	220	1/6W	CARBON	
R540	QRD167J-221	220	1/6W	CARBON	
R541	QRD167J-221	220	1/6W	CARBON	
R542	QRD167J-221	220	1/6W	CARBON	
R543	QRD167J-221	220	1/6W	CARBON	
R544	QRD167J-221	220	1/6W	CARBON	
R545	QRD167J-221	220	1/6W	CARBON	
R546	QRD167J-221	220	1/6W	CARBON	
R601	QRD167J-563	56K	1/6W	CARBON	
R602	QRD167J-563	56K	1/6W	CARBON	
R603	QRD167J-563	56K	1/6W	CARBON	
R604	QRD167J-563	56K	1/6W	CARBON	
R605	QRD167J-563	56K	1/6W	CARBON	
R607	QRD167J-563	56K	1/6W	CARBON	
R608	QRD167J-333	33K	1/6W	CARBON	
R609	QRD167J-473	47K	1/6W	CARBON	
R621	QRD167J-474	470K	1/6W	CARBON	

△ : SAFETY PARTS

Resistors

△	ITEM	PART NUMBER	DESCRIPTION			AREA
	R622	QRD167J-223	22K	1/6W	CARBON	
	R623	QRD167J-273	27K	1/6W	CARBON	
	R624	QRD167J-333	33K	1/6W	CARBON	
	R625	QRD167J-223	22K	1/6W	CARBON	
	R626	QRD167J-273	27K	1/6W	CARBON	
	R627	QRD167J-223	22K	1/6W	CARBON	
	R628	QRD167J-104	100K	1/6W	CARBON	
	R629	QRD167J-154	150K	1/6W	CARBON	
	R630	QRD167J-394	390K	1/6W	CARBON	
	R631	QRD167J-474	470K	1/6W	CARBON	
	R632	QRD167J-474	470K	1/6W	CARBON	
	R641	QRD167J-223	22K	1/6W	CARBON	
	R642	QRD167J-223	22K	1/6W	CARBON	
	R643	QRD167J-223	22K	1/6W	CARBON	
	R645	QRD167J-223	22K	1/6W	CARBON	
	R646	QRD167J-473	47K	1/6W	CARBON	
	R648	QRD167J-823	82K	1/6W	CARBON	
	R649	QRD167J-153	15K	1/6W	CARBON	
	R650	QRD167J-104	100K	1/6W	CARBON	
	R651	QRD167J-103	10K	1/6W	CARBON	
	R653	QRD167J-222	2.2K	1/6W	CARBON	
	R654	QRD167J-222	2.2K	1/6W	CARBON	
	R661	QRD167J-272	2.7K	1/6W	CARBON	
	R662	QRD167J-153	15K	1/6W	CARBON	
	R663	QRD167J-103	10K	1/6W	CARBON	
	R664	QRD167J-153	15K	1/6W	CARBON	
	R665	QRD167J-103	10K	1/6W	CARBON	
	R666	QRD167J-272	2.7K	1/6W	CARBON	
	R667	QRD167J-153	15K	1/6W	CARBON	
	R668	QRD167J-103	10K	1/6W	CARBON	
	R669	QRD167J-153	15K	1/6W	CARBON	
	R670	QRD167J-473	47K	1/6W	CARBON	
	R671	QRD167J-224	220K	1/6W	CARBON	
	R672	QRD167J-105	1M	1/6W	CARBON	
	R681	QRD167J-274	270K	1/6W	CARBON	
	R682	QRD167J-622	6.2K	1/6W	CARBON	
	R683	QRD167J-274	270K	1/6W	CARBON	
	R684	QRD167J-473	47K	1/6W	CARBON	
	R685	QRD167J-332	3.3K	1/6W	CARBON	
	R686	QRD167J-181	180	1/6W	CARBON	
	R687	QRD167J-333	33K	1/6W	CARBON	
	R688	QRD167J-683	68K	1/6W	CARBON	
	R689	QRD167J-223	22K	1/6W	CARBON	
	R690	QRD167J-223	22K	1/6W	CARBON	
	R691	QRD167J-103	10K	1/6W	CARBON	
	R692	QRD167J-104	100K	1/6W	CARBON	
	R693	QRD167J-102	1K	1/6W	CARBON	
	R694	QRD167J-153	15K	1/6W	CARBON	
	VR585	QVAA99W-EF5C	250K		VARIABLE	

△ : SAFETY PARTS

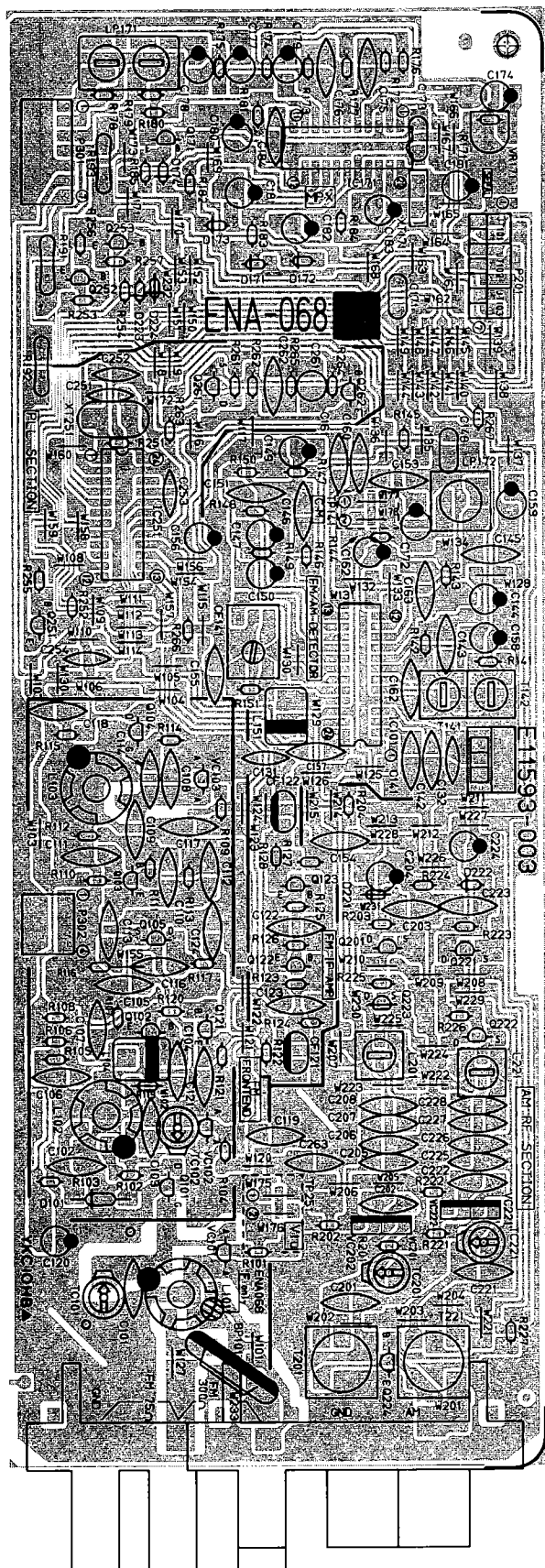
Others

△	ITEM	PART NUMBER	DESCRIPTION	AREA
		E11744-002	CIRCUIT BOARD	
		E74854-001	SHIELD CASE	
	J501	EMN00TV-405A	4P PIN JACK	
	J502	EMN00TV-602A	6P PIN JACK	
	P313	EMV5120-008	PLUG ASSY	
	P331	EMV7125-015R	CONNECTOR	
	P343	EMV7125-009R	CONNECTOR	
	P531	EMV7112-008	CONNECTOR	
	P532	EMV7112-007R	CONNECTOR	
	S501	ESP0001-018	TACT SWITCH	
	S502	ESP0001-018	TACT SWITCH	
	S503	ESP0001-018	TACT SWITCH	
	S504	ESP0001-018	TACT SWITCH	
	S505	ESP0001-018	TACT SWITCH	
	S506	ESP0001-018	TACT SWITCH	
	S507	ESP0001-018	TACT SWITCH	
	S508	ESP0001-018	TACT SWITCH	
	S509	ESP0001-018	TACT SWITCH	
	S510	ESP0001-018	TACT SWITCH	
	EM661	EQF0601-222	BMI FILTER	
	XT661	ECX0003-280KM	RESONATOR	

△ : SAFETY PARTS

■ ENA-068 □ World Link Tuner PC Board Ass'y

Note: ENA-068 □ varies according to the areas employed. See note (1) when placing an order.



Note (1)

PC Board Ass'y	Designated Areas
ENA-068 H	U.S.A., Canada
ENA-068 I	U.S. Military Market & Other Countries
ENA-068 J	Australia
ENA-068 K	Continental Europe
ENA-068 L	Italy (with LW), U.K. (with LW)
ENA-068 M	Continental Europe (with LW)
ENA-068 N	West Germany

Transistors

ITEM	PART NUMBER	DESCRIPTION	AREA	
			MAKER	AREA
Q101	2SK606(Q,R)	F.E.T	MATSUSHITA	J
Q101	2SK606(Q,R)	F.E.T	MATSUSHITA	K
Q101	2SK606(Q,R)	F.E.T	MATSUSHITA	L
Q101	2SK606(Q,R)	F.E.T	MATSUSHITA	M
Q101	2SK606(Q,R)	F.E.T	MATSUSHITA	N
Q101	2SK606(Q,R,S)	F.E.T	MATSUSHITA	H
Q101	2SK606(Q,R,S)	F.E.T	MATSUSHITA	I
Q102	2SC535(B,C)	SILICON	HITACHI	
Q103	2SC461(C)	SILICON	HITACHI	
Q104	2SK606(Q,R)	F.E.T	MATSUSHITA	J
Q104	2SK606(Q,R)	F.E.T	MATSUSHITA	K
Q104	2SK606(Q,R)	F.E.T	MATSUSHITA	L
Q104	2SK606(Q,R)	F.E.T	MATSUSHITA	M
Q104	2SK606(Q,R)	F.E.T	MATSUSHITA	N
Q104	2SK606(Q,R,S)	F.E.T	MATSUSHITA	H
Q104	2SK606(Q,R,S)	F.E.T	MATSUSHITA	I
Q105	2SK606(Q,R)	F.E.T	MATSUSHITA	N
Q121	2SC461(B,C)	SILICON	HITACHI	
Q122	2SC535(B,C)	SILICON	HITACHI	
Q123	2SC461(B,C)	SILICON	HITACHI	
Q171	DTC114YS	SILICON	ROHM	
Q201	2SK301(Q,R)	F.E.T	MATSUSHITA	
Q221	2SK301(Q,R)	F.E.T	MATSUSHITA	L
Q221	2SK301(Q,R)	F.E.T	MATSUSHITA	M
Q222	2SK301(P,Q)	F.E.T	MATSUSHITA	L
Q222	2SK301(P,Q)	F.E.T	MATSUSHITA	M
Q223	2SK301(P,Q)	F.E.T	MATSUSHITA	L
Q223	2SK301(P,Q)	F.E.T	MATSUSHITA	M
Q224	2SD1302(S,T)	SILICON	MATSUSHITA	L
Q224	2SD1302(S,T)	SILICON	MATSUSHITA	M
Q251	2SA564A(R,S)	SILICON	MATSUSHITA	
Q252	2SA564A(R,S)	SILICON	MATSUSHITA	
Q253	2SA564A(R,S)	SILICON	MATSUSHITA	L
Q253	2SA564A(R,S)	SILICON	MATSUSHITA	M
Q261	2SK301(Q1)	F.E.T	MATSUSHITA	
Q262	2SC458(D)	SILICON	HITACHI	

△ : SAFETY PARTS

I.C.s

ITEM	PART NUMBER	DESCRIPTION	AREA	
			MAKER	AREA
IC101	LA1266A	I.C.	SANYO	
IC171	LA3401	I.C.	SANYO	
IC251	LC7217	I.C.	SANYO	

△ : SAFETY PARTS

Diodes

ITEM	PART NUMBER	DESCRIPTION			AREA
				MAKER	
D101	1SS108	SILICON	HITACHI	H	
D101	1SS108	SILICON	HITACHI	I	
D101	1SS108	SILICON	HITACHI	J	
D101	1SS108	SILICON	HITACHI	K	
D101	1SS108	SILICON	HITACHI	L	
D101	1SS108	SILICON	HITACHI	M	
D171	1SS119	SILICON	HITACHI		
D172	1SS119	SILICON	HITACHI		
D173	1SS119	SILICON	HITACHI		
D174	1SS119	SILICON	HITACHI		
D221	1SS119	SILICON	HITACHI	L	
D221	1SS119	SILICON	HITACHI	M	
D222	1SS119	SILICON	HITACHI	N	
D222	1SS119	SILICON	HITACHI	H	
D222	1SS119	SILICON	HITACHI	I	
D222	1SS119	SILICON	HITACHI	J	
D222	1SS119	SILICON	HITACHI	K	
D222	1SS119	SILICON	HITACHI	L	
D222	1SS119	SILICON	HITACHI	M	
VC101	SVC202(AB)	VARICAP	SANYO		
VC102	SVC202(AB)	VARICAP	SANYO		
VC103	SVC202(AB)	VARICAP	SANYO		
VC201	KV1236Z	VARICAP	TOKO		
VC202	KV1236Z	VARICAP	TOKO		
VC221	KV1236Z	VARICAP	TOKO	L	
VC221	KV1236Z	VARICAP	TOKO	M	
VC222	KV1236Z	VARICAP	TOKO	L	
VC222	KV1236Z	VARICAP	TOKO	M	

△ : SAFETY PARTS

Resistors

ITEM	PART NUMBER	DESCRIPTION			AREA
R101	QRD167J-473	47K	1/6W	CARBON	
R102	QRD167J-330	33	1/6W	CARBON	
R103	QRD167J-221	220	1/6W	CARBON	
R104	QRD167J-473	47K	1/6W	CARBON	
R105	QRD167J-332	3.3K	1/6W	CARBON	
R106	QRD167J-223	22K	1/6W	CARBON	
R107	QRD167J-102	1K	1/6W	CARBON	
R108	QRD167J-102	1K	1/6W	CARBON	
R109	QRD167J-562	5.6K	1/6W	CARBON	
R110	QRD167J-561	560	1/6W	CARBON	
R111	QRD167J-103	10K	1/6W	CARBON	
R112	QRD167J-682	6.8K	1/6W	CARBON	
R113	QRD167J-222	2.2K	1/6W	CARBON	
R114	QRD167J-224	220K	1/6W	CARBON	
R115	QRD167J-331	330	1/6W	CARBON	
R116	QRD167J-224	220K	1/6W	CARBON	N
R117	QRD167J-331	330	1/6W	CARBON	N
R120	QRD167J-330	33	1/6W	CARBON	
R121	QRD167J-332	3.3K	1/6W	CARBON	
R122	QRD167J-221	220	1/6W	CARBON	
R123	QRD167J-272	2.7K	1/6W	CARBON	
R124	QRD167J-391	390	1/6W	CARBON	
R125	QRD167J-102	1K	1/6W	CARBON	
R126	QRD167J-681	680	1/6W	CARBON	
R127	QRD167J-332	3.3K	1/6W	CARBON	
R128	QRD167J-221	220	1/6W	CARBON	
R141	QRD167J-822	8.2K	1/6W	CARBON	
R142	QRD167J-102	1K	1/6W	CARBON	
R143	QRD167J-183	18K	1/6W	CARBON	H
R143	QRD167J-333	33K	1/6W	CARBON	I
R143	QRD167J-333	33K	1/6W	CARBON	J
R143	QRD167J-333	33K	1/6W	CARBON	K
R143	QRD167J-333	33K	1/6W	CARBON	L
R143	QRD167J-333	33K	1/6W	CARBON	M
R143	QRD167J-333	33K	1/6W	CARBON	N
R144	QRD167J-561	560	1/6W	CARBON	
R145	QRD167J-103	10K	1/6W	CARBON	H
R145	QRD167J-103	10K	1/6W	CARBON	I
R145	QRD167J-333	33K	1/6W	CARBON	J
R145	QRD167J-333	33K	1/6W	CARBON	K
R145	QRD167J-333	33K	1/6W	CARBON	L
R145	QRD167J-333	33K	1/6W	CARBON	M
R145	QRD167J-333	33K	1/6W	CARBON	N
R146	QRD167J-221	220	1/6W	CARBON	
R147	QRD167J-103	10K	1/6W	CARBON	

△ : SAFETY PARTS

Resistors

ITEM	PART NUMBER	DESCRIPTION			AREA
R148	QRD167J-223	22K	1/6W	CARBON	
R149	QRD167J-473	47K	1/6W	CARBON	
R150	QRD167J-103	10K	1/6W	CARBON	
R151	QRD167J-334	330K	1/6W	CARBON	
R171	QRD167J-393	39K	1/6W	CARBON	H
R171	QRD167J-393	39K	1/6W	CARBON	I
R172	QRD167J-134	130K	1/6W	CARBON	H
R172	QRD167J-134	130K	1/6W	CARBON	I
R172	QRD167J-184	180K	1/6W	CARBON	J
R172	QRD167J-184	180K	1/6W	CARBON	K
R172	QRD167J-184	180K	1/6W	CARBON	L
R172	QRD167J-184	180K	1/6W	CARBON	M
R172	QRD167J-184	180K	1/6W	CARBON	N
R173	QRD167J-134	130K	1/6W	CARBON	H
R173	QRD167J-134	130K	1/6W	CARBON	I
R173	QRD167J-184	180K	1/6W	CARBON	J
R173	QRD167J-184	180K	1/6W	CARBON	K
R173	QRD167J-184	180K	1/6W	CARBON	L
R173	QRD167J-184	180K	1/6W	CARBON	M
R173	QRD167J-184	180K	1/6W	CARBON	N
R174	QRD167J-332	3.3K	1/6W	CARBON	
R175	QRD167J-332	3.3K	1/6W	CARBON	
R176	QRD167J-184	180K	1/6W	CARBON	H
R176	QRD167J-184	180K	1/6W	CARBON	I
R176	QRD167J-274	270K	1/6W	CARBON	J
R176	QRD167J-274	270K	1/6W	CARBON	K
R176	QRD167J-274	270K	1/6W	CARBON	L
R176	QRD167J-274	270K	1/6W	CARBON	M
R176	QRD167J-274	270K	1/6W	CARBON	N
R177	QRD167J-184	180K	1/6W	CARBON	H
R177	QRD167J-184	180K	1/6W	CARBON	I
R177	QRD167J-274	270K	1/6W	CARBON	J
R177	QRD167J-274	270K	1/6W	CARBON	K
R177	QRD167J-274	270K	1/6W	CARBON	L
R177	QRD167J-274	270K	1/6W	CARBON	M
R177	QRD167J-274	270K	1/6W	CARBON	N
R177	QRD167J-274	270K	1/6W	CARBON	
R178	QRD167J-682	6.8K	1/6W	CARBON	
R179	QRD167J-682	6.8K	1/6W	CARBON	
R180	QRD167J-103	10K	1/6W	CARBON	
R481	QRD167J-103	10K	1/6W	CARBON	
R182	QRD167J-103	10K	1/6W	CARBON	
R183	QRD167J-103	10K	1/6W	CARBON	
R184	QRD167J-562	5.6K	1/6W	CARBON	
R185	QRD167J-562	5.6K	1/6W	CARBON	
△ R191	QRD14CJ-680S	68	1/4W	UNF. CARBON	H
△ R191	QRD14CJ-680S	68	1/4W	UNF. CARBON	I
△ R191	QRZ0077-680	68	1/4W	FUSIBLE	J
△ R191	QRZ0077-680	68	1/4W	FUSIBLE	K
△ R191	QRZ0077-680	68	1/4W	FUSIBLE	L
△ R191	QRZ0077-680	68	1/4W	FUSIBLE	M
△ R191	QRZ0077-680	68	1/4W	FUSIBLE	N
△ R192	QRD14CJ-680S	68	1/4W	UNF. CARBON	H
△ R192	QRD14CJ-680S	68	1/4W	UNF. CARBON	I
△ R192	QRZ0077-680	68	1/4W	FUSIBLE	J
△ R192	QRZ0077-680	68	1/4W	FUSIBLE	K
△ R192	QRZ0077-680	68	1/4W	FUSIBLE	L
△ R192	QRZ0077-680	68	1/4W	FUSIBLE	M
△ R192	QRZ0077-680	68	1/4W	FUSIBLE	N
△ R193	QRD14CJ-680S	68	1/4W	UNF. CARBON	H
△ R193	QRD14CJ-680S	68	1/4W	UNF. CARBON	I
△ R193	QRZ0077-680	68	1/4W	FUSIBLE	J
△ R193	QRZ0077-680	68	1/4W	FUSIBLE	K
△ R193	QRZ0077-680	68	1/4W	FUSIBLE	L
△ R193	QRZ0077-680	68	1/4W	FUSIBLE	M
△ R193	QRZ0077-680	68	1/4W	FUSIBLE	N
R201	QRD167J-103	10K	1/6W	CARBON	
R202	QRD167J-473	47K	1/6W	CARBON	
R203	QRD167J-331	330	1/6W	CARBON	
R204	QRD167J-330	33	1/6W	CARBON	
R221	QRD167J-103	10K	1/6W	CARBON	L
R221	QRD167J-103	10K	1/6W	CARBON	M
R222	QRD167J-473	47K	1/6W	CARBON	L
R222	QRD167J-473	47K	1/6W	CARBON	M
R223	QRD167J-331	330	1/6W	CARBON	L
R223	QRD167J-331	330	1/6W	CARBON	M
R224	QRD167J-103	10K	1/6W	CARBON	L
R224	QRD167J-103	10K	1/6W	CARBON	M
R225	QRD167J-103	10K	1/6W	CARBON	L
R225	QRD167J-103	10K	1/6W	CARBON	M
R226	QRD167J-103	10K	1/6W	CARBON	L
R226	QRD167J-103	10K	1/6W	CARBON	M
R227	QRD167J-472	4.7K	1/6W	CARBON	L
R227	QRD167J-472	4.7K	1/6W	CARBON	M
R251	QRD167J-473	47K	1/6W	CARBON	
R252	QRD167J-103	10K	1/6W	CARBON	

△ : SAFETY PARTS

Resistors

ITEM	PART NUMBER	DESCRIPTION			AREA
R253	QRD167J-103	10K	1/6W	CARBON	
R254	QRD167J-103	10K	1/6W	CARBON	L
R254	QRD167J-103	10K	1/6W	CARBON	M
R255	QRD167J-473	47K	1/6W	CARBON	
R256	QRD167J-473	47K	1/6W	CARBON	
R257	QRD167J-473	47K	1/6W	CARBON	L
R257	QRD167J-473	47K	1/6W	CARBON	M
R261	QRD167J-222	2.2K	1/6W	CARBON	
R262	QRD167J-271	270	1/6W	CARBON	
R263	QRD167J-103	10K	1/6W	CARBON	H
R263	QRD167J-103	10K	1/6W	CARBON	I
R263	QRD167J-103	10K	1/6W	CARBON	J
R263	QRD167J-103	10K	1/6W	CARBON	K
R263	QRD167J-103	10K	1/6W	CARBON	N
R263	QRD167J-222	2.2K	1/6W	CARBON	L
R263	QRD167J-222	2.2K	1/6W	CARBON	M
R264	QRD167J-472	4.7K	1/6W	CARBON	
R265	QRD167J-332	3.3K	1/6W	CARBON	H
R265	QRD167J-332	3.3K	1/6W	CARBON	I
R265	QRD167J-332	3.3K	1/6W	CARBON	J
R265	QRD167J-332	3.3K	1/6W	CARBON	K
R265	QRD167J-332	3.3K	1/6W	CARBON	N
R265	QRD167J-822	8.2K	1/6W	CARBON	L
R265	QRD167J-822	8.2K	1/6W	CARBON	M
R266	QRD167J-222	2.2K	1/6W	CARBON	
R267	QRD167J-154	150K	1/6W	CARBON	
VR171	QVZ3518-104	100K	0.1W	VARIABLE	J
VR171	QVZ3518-104	100K	0.1W	VARIABLE	K
VR171	QVZ3518-104	100K	0.1W	VARIABLE	L
VR171	QVZ3518-104	100K	0.1W	VARIABLE	M
VR171	QVZ3518-104	100K	0.1W	VARIABLE	N

△ : SAFETY PARTS

Capacitors

ITEM	PART NUMBER	DESCRIPTION			AREA
C101	QCS21HJ-3R0	3PF	50V	CERAMIC	N
C102	QCF21HP-102	1000PF	50V	CERAMIC	
C103	QCS21HJ-5R0	5PF	50V	CERAMIC	
C104	QCS21HJ-2R0	2PF	50V	CERAMIC	
C105	QCS21HJ-2R0	2PF	50V	CERAMIC	H
C105	QCS21HJ-2R0	2PF	50V	CERAMIC	I
C105	QCS21HJ-2R0	2PF	50V	CERAMIC	J
C105	QCS21HJ-2R0	2PF	50V	CERAMIC	K
C105	QCS21HJ-2R0	2PF	50V	CERAMIC	L
C105	QCS21HJ-2R0	2PF	50V	CERAMIC	M
C106	QCS21HJ-151	150PF	50V	CERAMIC	
C107	QCF21HP-103	0.01MF	50V	CERAMIC	
C108	QCT26TH-100	10PF	50V	CERAMIC	
C109	QCT26CH-7R0	7PF	50V	CERAMIC	
C110	QCT26CH-220	22PF	50V	CERAMIC	
C111	QCF21HP-103	0.01MF	50V	CERAMIC	
C112	QCT26CH-100	10PF	50V	CERAMIC	
C113	QCS21HJ-2R0	2PF	50V	CERAMIC	H
C113	QCS21HJ-2R0	2PF	50V	CERAMIC	I
C113	QCS21HJ-2R0	2PF	50V	CERAMIC	J
C113	QCS21HJ-2R0	2PF	50V	CERAMIC	K
C113	QCS21HJ-2R0	2PF	50V	CERAMIC	L
C113	QCS21HJ-2R0	2PF	50V	CERAMIC	M
C113	QCS21HJ-4R0	4PF	50V	CERAMIC	N
C114	QCT26CH-2R0	2PF	50V	CERAMIC	
C116	QCS21HJ-4R0	4PF	50V	CERAMIC	N
C117	QCC21EM-473	0.047MF	25V	CERAMIC	
C118	QCF21HP-103	0.01MF	50V	CERAMIC	
C119	QCS21HJ-101	100PF	50V	CERAMIC	N
C120	QETB1EM-226	22MF	25V	ELECTRO	
C121	QCS21HJ-220	22PF	50V	CERAMIC	
C122	QCF21HP-223	0.022MF	50V	CERAMIC	
C123	QCF21HP-223	0.022MF	50V	CERAMIC	
C131	QCS21HJ-101	100PF	50V	CERAMIC	
C132	QCZ0205-155	1.5MF	25V	CERAMIC	
C141	QCF21HP-223	0.022MF	50V	CERAMIC	
C142	QCC21EM-223	0.022MF	25V	CERAMIC	
C143	QCF21HP-223	0.022MF	50V	CERAMIC	
C144	QETB1EM-105	1MF	50V	ELECTRO	
C145	QCS21HJ-101	100PF	50V	CERAMIC	J
C145	QCS21HJ-101	100PF	50V	CERAMIC	K
C145	QCS21HJ-101	100PF	50V	CERAMIC	L
C145	QCS21HJ-101	100PF	50V	CERAMIC	M
C145	QCS21HJ-101	100PF	50V	CERAMIC	N
C145	QCS21HJ-221	220PF	50V	CERAMIC	H

△ : SAFETY PARTS

Capacitors

ITEM	PART NUMBER	DESCRIPTION			AREA
C145	QCS21HJ-221	220PF	50V	CERAMIC	I
C146	QCF21HP-223	0.022MF	50V	CERAMIC	
C147	QETB1EM-225	2.2MF	50V	ELECTRO	
C148	QFN81HK-332	3300PF	50V	MYLAR	
C149	QETB1EM-225	2.2MF	50V	ELECTRO	
C150	QETB1EM-475	4.7MF	50V	ELECTRO	
C151	QCF21HP-223	0.022MF	50V	CERAMIC	
C152	QETB1EM-106	10MF	25V	ELECTRO	
C153	QCF21HP-223	0.022MF	50V	CERAMIC	
C154	QCF21HP-223	0.022MF	50V	CERAMIC	
C155	QCF21HP-223	0.022MF	50V	CERAMIC	
C156	QETB1EM-106	10MF	25V	ELECTRO	
C157	QCY21HK-102	1000PF	50V	CERAMIC	
C158	QETB1EM-226	22MF	25V	ELECTRO	
C159	QETB1EM-475	4.7MF	50V	ELECTRO	
C160	QCS21HJ-101	100PF	50V	CERAMIC	
C161	QCS21HJ-101	100PF	50V	CERAMIC	
C162	QCC21EM-223	0.022MF	25V	CERAMIC	
C163	QCF21HP-223	0.022MF	50V	CERAMIC	
C171	QFN81HK-223	0.022MF	50V	MYLAR	J
C171	QFN81HK-223	0.022MF	50V	MYLAR	K
C171	QFN81HK-223	0.022MF	50V	MYLAR	L
C171	QFN81HK-223	0.022MF	50V	MYLAR	M
C171	QFN81HK-223	0.022MF	50V	MYLAR	N
C171	QFN81HK-333	0.033MF	50V	MYLAR	H
C171	QFN81HK-333	0.033MF	50V	MYLAR	I
C172	QETB1EM-106	10MF	25V	ELECTRO	
C173	QFN81HK-473	0.047MF	50V	MYLAR	
C174	QETB1EM-106	10MF	25V	ELECTRO	
C175	QCS21HJ-271	270PF	50V	CERAMIC	J
C175	QCS21HJ-271	270PF	50V	CERAMIC	K
C175	QCS21HJ-271	270PF	50V	CERAMIC	L
C175	QCS21HJ-271	270PF	50V	CERAMIC	M
C175	QCS21HJ-271	270PF	50V	CERAMIC	N
C175	QCS21HJ-561	560PF	50V	CERAMIC	H
C175	QCS21HJ-561	560PF	50V	CERAMIC	I
C176	QCS21HJ-271	270PF	50V	CERAMIC	J
C176	QCS21HJ-271	270PF	50V	CERAMIC	K
C176	QCS21HJ-271	270PF	50V	CERAMIC	L
C176	QCS21HJ-271	270PF	50V	CERAMIC	M
C176	QCS21HJ-271	270PF	50V	CERAMIC	N
C176	QCS21HJ-561	560PF	50V	CERAMIC	H
C176	QCS21HJ-561	560PF	50V	CERAMIC	I
C177	QETB1EM-225	2.2MF	50V	ELECTRO	
C178	QETB1EM-225	2.2MF	50V	ELECTRO	
C179	QETB1EM-225	2.2MF	50V	ELECTRO	
C180	QETB1EM-105	1MF	50V	ELECTRO	
C181	QETB1EM-105	1MF	50V	ELECTRO	
C182	QETB1EM-474	0.47MF	50V	ELECTRO	
C183	QETB1EM-225	2.2MF	50V	ELECTRO	
C184	QCY21HK-102	1000PF	50V	CERAMIC	
C191	QETB1EM-226	22MF	25V	ELECTRO	
C202	QCC21EM-223	0.022MF	25V	CERAMIC	
C203	QCS21HJ-561	560PF	50V	CERAMIC	
C204	QETB1EM-226	22MF	25V	ELECTRO	
C205	QCT26CH-100	10PF	50V	CERAMIC	
C206	QCT26CH-100	10PF	50V	CERAMIC	
C207	QCT26CH-221	220PF	50V	CERAMIC	
C208	QCT26CH-271	270PF	50V	CERAMIC	
C221	QCS21HJ-330	33PF	50V	CERAMIC	L
C221	QCS21HJ-330	33PF	50V	CERAMIC	M
C222	QCC21EM-473	0.047MF	25V	CERAMIC	L
C222	QCC21EM-473	0.047MF	25V	CERAMIC	M
C223	QCF21HP-103	0.01MF	50V	CERAMIC	L
C223	QCF21HP-103	0.01MF	50V	CERAMIC	M
C224	QETB1EM-226	22MF	25V	ELECTRO	L
C224	QETB1EM-226	22MF	25V	ELECTRO	M
C225	QCT26CH-680	68PF	50V	CERAMIC	L
C225	QCT26CH-680	68PF	50V	CERAMIC	M
C226	QCT26CH-7R0	7PF	50V	CERAMIC	L
C226	QCT26CH-7R0	7PF	50V	CERAMIC	M
C227	QCT26CH-150	15PF	50V	CERAMIC	L
C227	QCT26CH-150	15PF	50V	CERAMIC	M
C228	QCT26CH-151	150PF	50V	CERAMIC	L
C228	QCT26CH-151	150PF	50V	CERAMIC	M
C251	QCS21HJ-180	18PF	50V	CERAMIC	
C252	QCS21HJ-180	18PF	50V	CERAMIC	
C253	QCC21EM-473	0.047MF	25V	CERAMIC	
C254	QCF21HP-103	0.01MF	50V	CERAMIC	
C261	QEN51HM-474	0.47MF	50V	NON POLE	
C262	QCY21HK-102	1000PF	50V	CERAMIC	
C263	QCF21HP-223	0.022MF	50V	CERAMIC	
TC101	ENZ1003-003			TRIMMER	
TC102	ENZ1003-003			TRIMMER	
TC201	ENZ1003-006			TRIMMER	
TC221	ENZ1003-006			TRIMMER	L
TC221	ENZ1003-006			TRIMMER	M

△ : SAFETY PARTS

Others

△	ITEM	PART NUMBER	DESCRIPTION	AREA
		EMB41YV-301K	ANTENNA TERMINAL	
		EMB41YV-501K	ANTENNA TERMINAL	H
		EMB41YV-501K	ANTENNA TERMINAL	I
		EMB41YV-501K	ANTENNA TERMINAL	J
		EMB41YV-501K	ANTENNA TERMINAL	K
		EMB41YV-501K	ANTENNA TERMINAL	L
		E11593-003	CIRCUIT BOARD	
		E304645-001	SHIELD CASE	H
		E304645-001	SHIELD CASE	I
		E304645-001	SHIELD CASE	J
		E304645-001	SHIELD CASE	K
		E304645-001	SHIELD CASE	L
		E304645-001	SHIELD CASE	M
		E304645-002	SHIELD CASE	N
		E74134-001	SHIELD CASE	N
	L101	EQR2306-014	FM RF COIL	H
	L101	EQR2306-014	FM RF COIL	I
	L101	EQR2306-014	FM RF COIL	J
	L101	EQR2306-014	FM RF COIL	K
	L101	EQR2306-014	FM RF COIL	L
	L101	EQR2306-014	FM RF COIL	M
	L101	EQR2306-016	FM RF COIL	N
	L102	EQR2106-014	RF COIL	
	L103	EQR2406-004	FM OSC COIL	
	L104	EQL3001-1R5K	INDUCTOR	
	L105	EQL3001-1R5K	INDUCTOR	N
	L151	EQL3001-102K	INDUCTOR	
	L201	EQR1207-009	MW OSC COIL	
	L221	EQR1307-002	LW OSC COIL	L
	L221	EQR1307-002	LW OSC COIL	M

△ : SAFETY PARTS

Others

△	ITEM	PART NUMBER	DESCRIPTION	AREA
	P201	EMV7112-007	CONNECTOR	
	P202	EMV7112-003R	CONNECTOR	
	P301	EMV7125-007R	CONNECTOR	
	P302	EMV7125-004R	CONNECTOR	
	T141	EQT2140-012	I.F. TRANSFORMER	
	T142	EQT2140-013	I.F. TRANSFORMER	
	T201	EQR1111-006	AM RF COIL	
	T221	EQR1111-005	AM RF COIL	L
	T221	EQR1111-005	AM RF COIL	M
	BP101	EQF0201-006	BAND PASS FILTER	N
	CF121	ECB2118-001R	CERAMIC FILTER	J
	CF121	ECB2118-001R	CERAMIC FILTER	K
	CF121	ECB2118-001R	CERAMIC FILTER	L
	CF121	ECB2118-001R	CERAMIC FILTER	M
	CF121	ECB2118-001R	CERAMIC FILTER	N
	CF121	ECB2123-001R	CERAMIC FILTER	H
	CF121	ECB2123-001R	CERAMIC FILTER	I
	CF122	ECB2118-001R	CERAMIC FILTER	J
	CF122	ECB2118-001R	CERAMIC FILTER	K
	CF122	ECB2118-001R	CERAMIC FILTER	L
	CF122	ECB2118-001R	CERAMIC FILTER	M
	CF122	ECB2118-001R	CERAMIC FILTER	N
	CF122	ECB2123-001R	CERAMIC FILTER	H
	CF122	ECB2123-001R	CERAMIC FILTER	I
	CF141	ECB1560-006	CERAMIC FILTER	
	LP171	EQF0101-002	LOW PASS FILTER	
	LP172	EQF0102-001	LOW PASS FILTER	N
	XT171	ECX0000-456KR	RESONATOR	
	XT251	ECX0007-200KC	RESONATOR	

△ : SAFETY PARTS

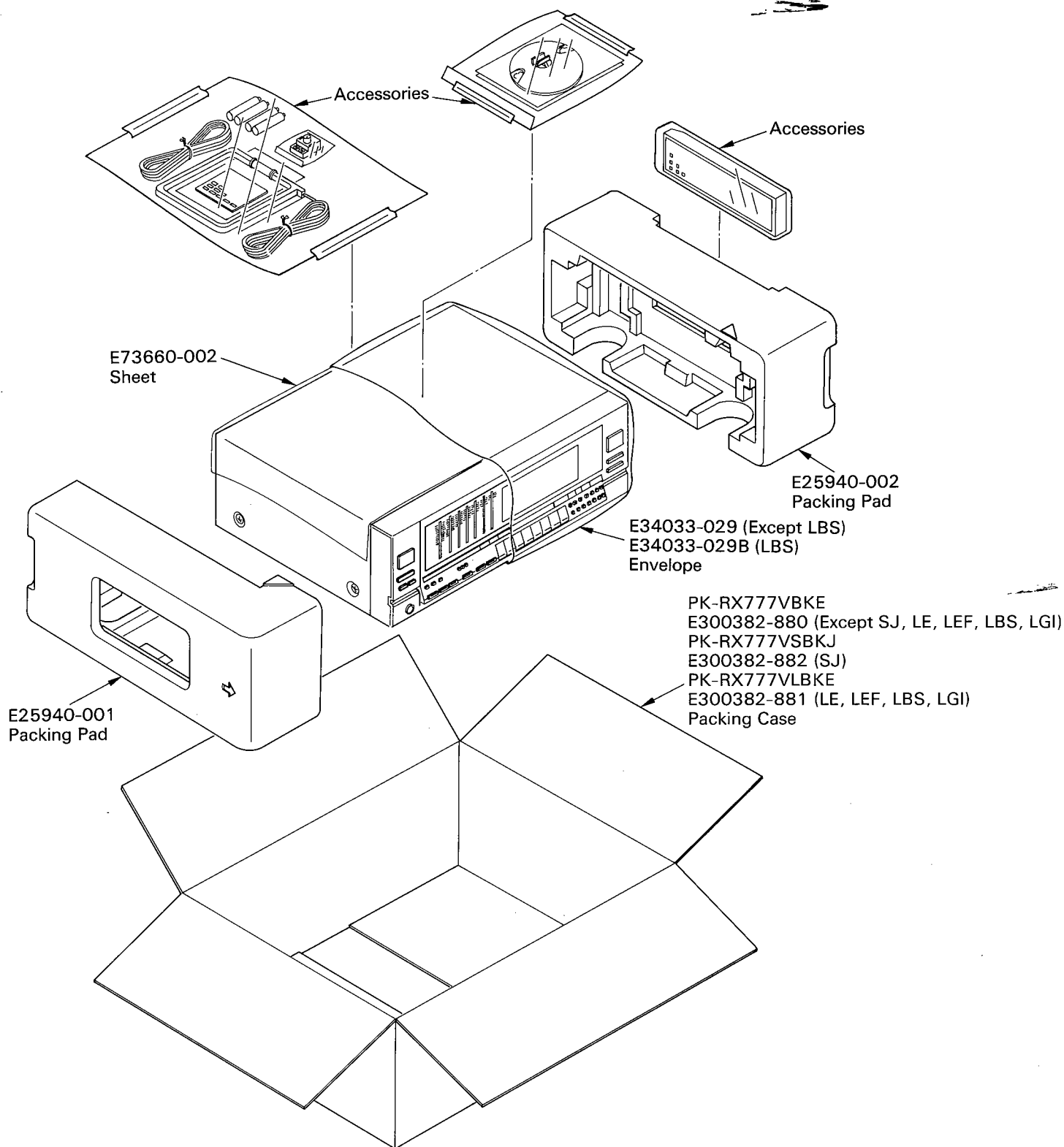
Accessories List

△	Part Number	Part Name	Q'ty	Description	Areas
	E30580-1473B E30580-1434B E30580-1434BBS BT20025K	Instruction Book Instruction Book Instruction Book Warranty Card	1 1 1 1		J, SJ Except J, SJ, LBS LBS C
	BT20029C BT20048B BT20060 BT20064A BT20098	Warranty Card Warranty Card Warranty Card Warranty Card Warranty Card	1 1 1 1 1	for Australia for New Zealand	A J, SJ, P, PG LBS G A
	BT20044E BT20046C BT20066 BT20071A EQB4001-012	Safety Instruction Sheet Service Information EEC Agency Service Center List AM Loop Antena	1 1 1 1 1		J J, SJ, P, PG G, LBS C
	E304084-001 EWP502-001 E67007-001 AM-4J-2PSA UM-3(DJ)-2PSA	Loop Stand Built in Antena Wire Antena Assy Battery Battery	1 1 1 2 1		Except G G Except SJ SJ
△ △	EMZ2001-007 E74789-001 E305509-001 QMF51A2-5R0S QMF51A2-2R5S	Adapter REM.Plate Appendix Sheet Fuse Fuse	1 1 1 1 1		LE, LEF Except SJ Except SJ U, PG P
△	E67142-T5R0 E67142-T2R5 E6581-4 E04056 E35497-013	Fuse Label Fuse Label Envelope Siemens Plug Caution Sheet	1 1 1 1 1	for Fuse 110V	U, PG P U, P, PG U, PG P
△	E35497-015 RM-SR777 RM-SR777S EMC0201-001BS E43486-165A	Caution Sheet Remote Controle Remote Controle AC Plug Information Sheet	1 1 1 1 1	220V	U, PG Except SJ SJ LBS LBS
	E43486-340A E66416-003 E41202-2 E41202-2B QZL1008-001	Safety Sheet Envelope Envelope Envelope FTZ Information Sheet	1 1 1 1 1		LBS J, SJ Except LBS LBS G

△: Safety Parts

The Marks for Designated Areas	
J, SJ.....The U.S.A.	LE, LEF.....Continental Europe (with LW)
C.....Canada	LBS.....U.K. (with LW)
E, EF.....Continental Europe	LGI.....Italy (with LW)
A.....Australia	U.....Other Countries
G.....West Germany	No mark Indicates all areas.
P, PG.....U.S. Military Market	

Packing Materials and Parts Numbers



The Marks for Designated Areas

J, SJ.....The U.S.A.	LE, LEF.....Continental Europe (with LW)
C.....Canada	LBS.....U.K. (with LW)
E, EF.....Continental Europe	LGI.....Italy (with LW)
A.....Australia	U.....Other Countries
G.....West Germany	No mark Indicates all areas.
P, PG.....U.S. Military Market	

RX-777VBK
RX-777VSBK
RX-777VLBK