

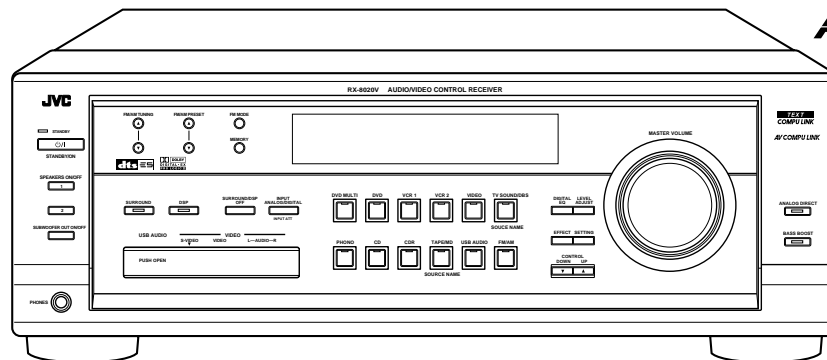
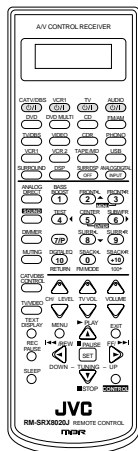
JVC

SERVICE MANUAL

AUDIO/VIDEO CONTROL RECEIVER

RX-8020VBK

Area suffix
UJ ----- U.S.Military



AV COMPU LINK

**TEXT
COMPU LINK**

dts ES

**DOLBY
DIGITAL EX
PRO LOGIC II**

Contents

Safety precautions	1-2
Disassembly method	1-3
Adjustment method	1-9
Self-diagnose function.....	1-10
Description of major ICs	1-12~31

Adjustment method

■ Tuner section

1. Tuner range

FM	87.5MHz~108.0MHz
AM(MW)	531 kHz to 1 602 kHz (at 9 kHz intervals)
	530 kHz to 1 600 kHz (at 10 kHz intervals)

■ Power amplifier section

Adjustment of idling current

Measurement location	B2204-B2205(Lch) , B2213-2214(Rch)
Adjustment part	VR787(Lch) , VR788(Rch)

Attention

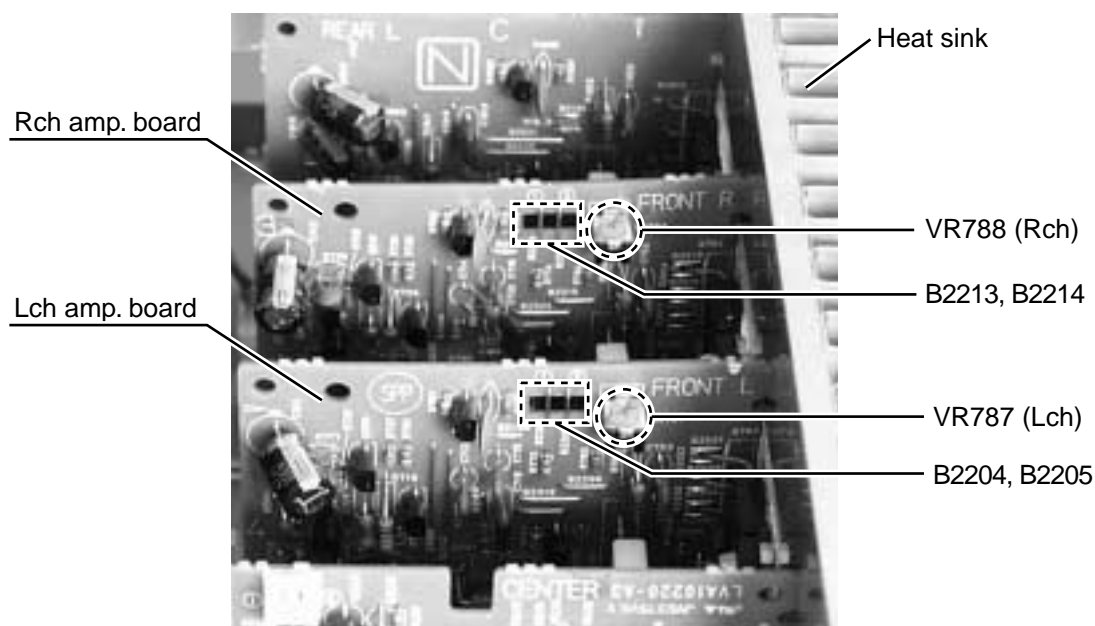
This adjustment does not obtain a correct adjustment value immediately after the amplifier is used (state that an internal temperature has risen).

Please adjust, after you turn off amplifier and internal temperature falls.

<Adjustment method>

1. Set the volume control to minimum during this adjustment. (No signal & No load)
2. Set the surround mode OFF.
2. Turn VR787 and VR788 fully counterclockwise to warm up before adjustment.
If the heat sink is already warm from previous use the correct adjustment can not be made.
3. For L-ch, connect a DC voltmeter between B2204 and B2205 (Lch)
And, connect it between B2213 and B2214 (Rch).
4. 30 minutes later after power on, adjust VR787 for L-ch, or VR788 for R-ch so that the DC voltmeter value has 1mV~10mV.

* It is not abnormal though the idling current might not become 0mA even if it is finished to turn variable resistance (VR787, VR788) in the direction of counterclockwise.



Self-diagnose function

1. Detection of abnormal power supply and voltage

- When the power is turned ON, if an abnormality is detected during the signal input at the A/D port (IC901, pin 2-5, 7) for one second continuously, the status will become STANDBY mode immediately.
- When the power is turned ON again, detection of abnormal power supply and voltage will not be carried out during the first 4 seconds.
- Given below is a list of threshold values at the detection of abnormalities.

	At abnormal state (Low voltage)	At normal state	At abnormal state (High voltage)
Pin 2 Micro-computer+5V	Analog value 0 - 2.2V	Analog value 2.2 - 2.8V	Analog value 2.8 - 5.0V
Pin 3 Digital+5V	Analog value 0 - 2.2V	Analog value 2.2 - 2.8V	Analog value 2.8 - 5.0V
Pin 4 Analog+5V	Analog value 0 - 2.2V	Analog value 2.2 - 2.8V	Analog value 2.8 - 5.0V
Pin 5 +12V	Analog value 0 - 2.2V	Analog value 2.2 - 2.8V	Analog value 2.8 - 5.0V
Pin 7 Tuner+9V	Analog value 0 - 2.2V	Analog value 2.2 - 2.8V	Analog value 2.8 - 5.0V

2. Initial setting on ship

- To gain the initial setting on ship, put the power plug in the socket while pressing "DOWN" key and "UP" key together simultaneously, then turn the power ON.

3. Test mode

- To enter the test mode, put the power plug in the socket while pressing "EFFECT" key and "UP" key together simultaneously, then turn the power ON.
- Workings of test mode:
 - ① All FLs are turned ON for 3 seconds. (the FLs, which are divided in two groups, are turned ON alternatively)
 - ② A Faster volume UP/DOWN operation can be achieved with the remote controller.
- When the power is turned OFF, the test mode will be released.
- The FL display returns to normal after the three seconds. Then the STANDBY LED is turned ON (flashing ON and OFF for each one second) to show the present status being a test mode.

4. Self-diagnose

- To enter the self-diagnose mode, put the power plug in the socket while pressing "SETTING" key and "UP" key together simultaneously, then turn the power ON.
- While the working status is being displayed, the each item can be switched with the UP/DOWN key operation.
- When the power is turned OFF, the self-diagnose mode will be released.
- During the self-diagnose mode, the STANDBY LED is turned ON (flashing ON for one second then OFF for three seconds).
- FL transient display will be carried out as follows. When the transient display is not carried out, normal display/workings are carried out.

```
S 0 0 0 1
2 0 0 2 0 2 2 0 9
```

- Information on VERSION of system microcomputer (IC901)
Example : 2002/2/20 9th ROM

```
D1 | V e r 1 . 0 0 |
```

- Display the local version (IC581)
Example : Ver_1.00

```
D2 | 0 2 / 0 2 / 1 0 |
```

- Display the local creation date
Example : 2002/2/10

```
D3 | D S P R e v 4 1 |
```

- Display the DSP version (IC511)
Example : DSP Rev41

```
D4 | A N A L O G x x
D I G I T A L 1
D I G I T A L 2
D I G I T A L 3
D I G I T A L 4
D I G I T A L 5
D I G I T A L
```

- Display the input sources
However, since it is the source of DIR processing, actual source may be contradicted.
Example : ANALOG08

```
D5 | U N L O C K
F s 3 2 k H z
F s 4 4 k H z
F s 4 8 k H z
F s 9 6 k H z
N G D A T A
```

- Display the input Fs
Example : Fs48kHz

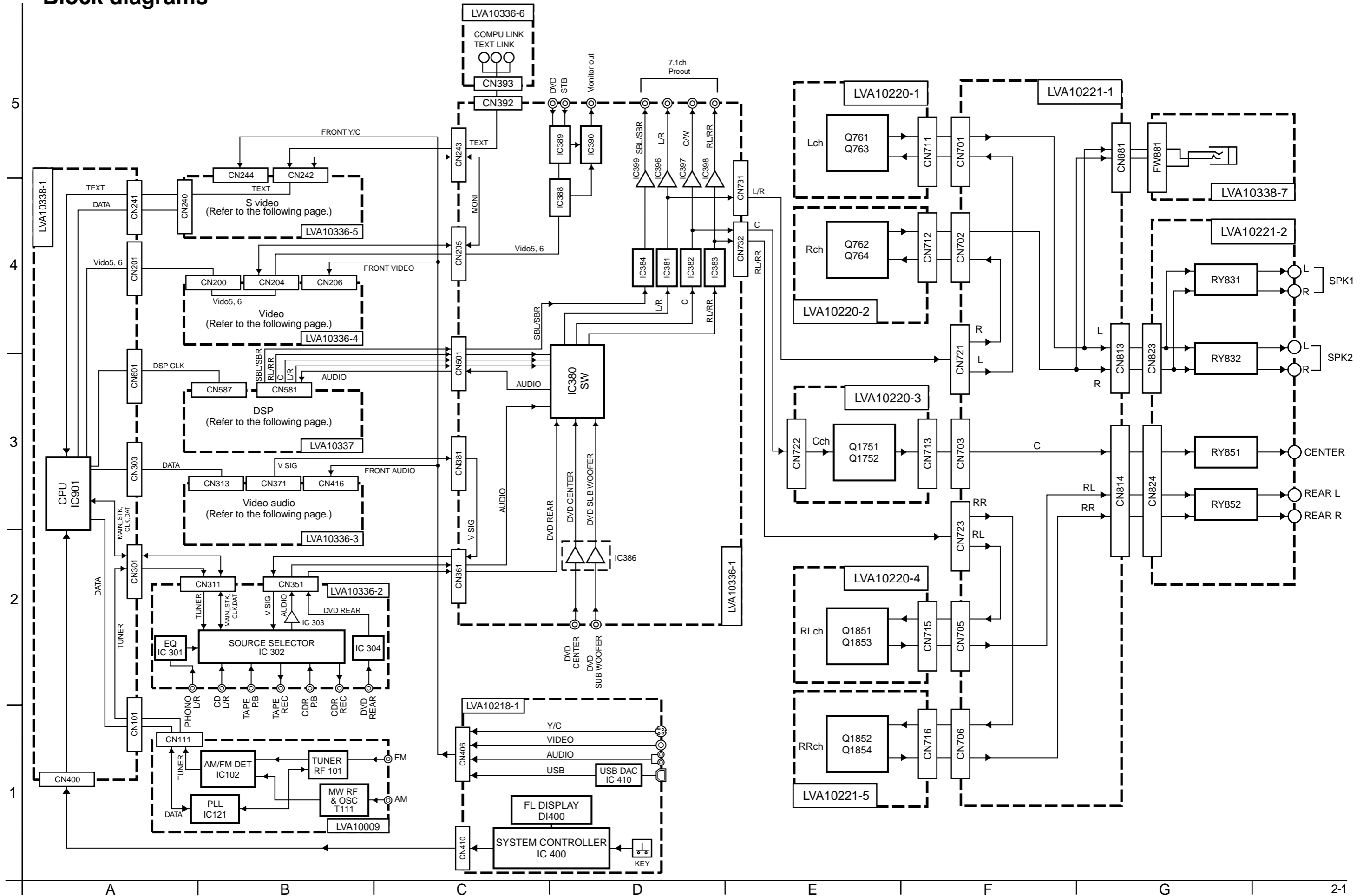
```
D6 | U N L O C K
P C M
A C 3
A C 3 - E X
D T S - E S M
D T S - E S
A A C E
M P E G
N G D A T A
```

- Display the input format
Example : PCM

```
D7 | U N L O C K
1 / 0 . 0
2 / 0 . 0
2 / 0 . 0
2 / 0 . 0
3 / 0 . 0 L t
2 / 1 . 0 D M
3 / 1 . 0
2 / 2 . 0
3 / 2 . 0
N G D A T A
```

- Display the input channel
Example : 2/0.0

Block diagrams



Standard schematic diagrams

Power supply section

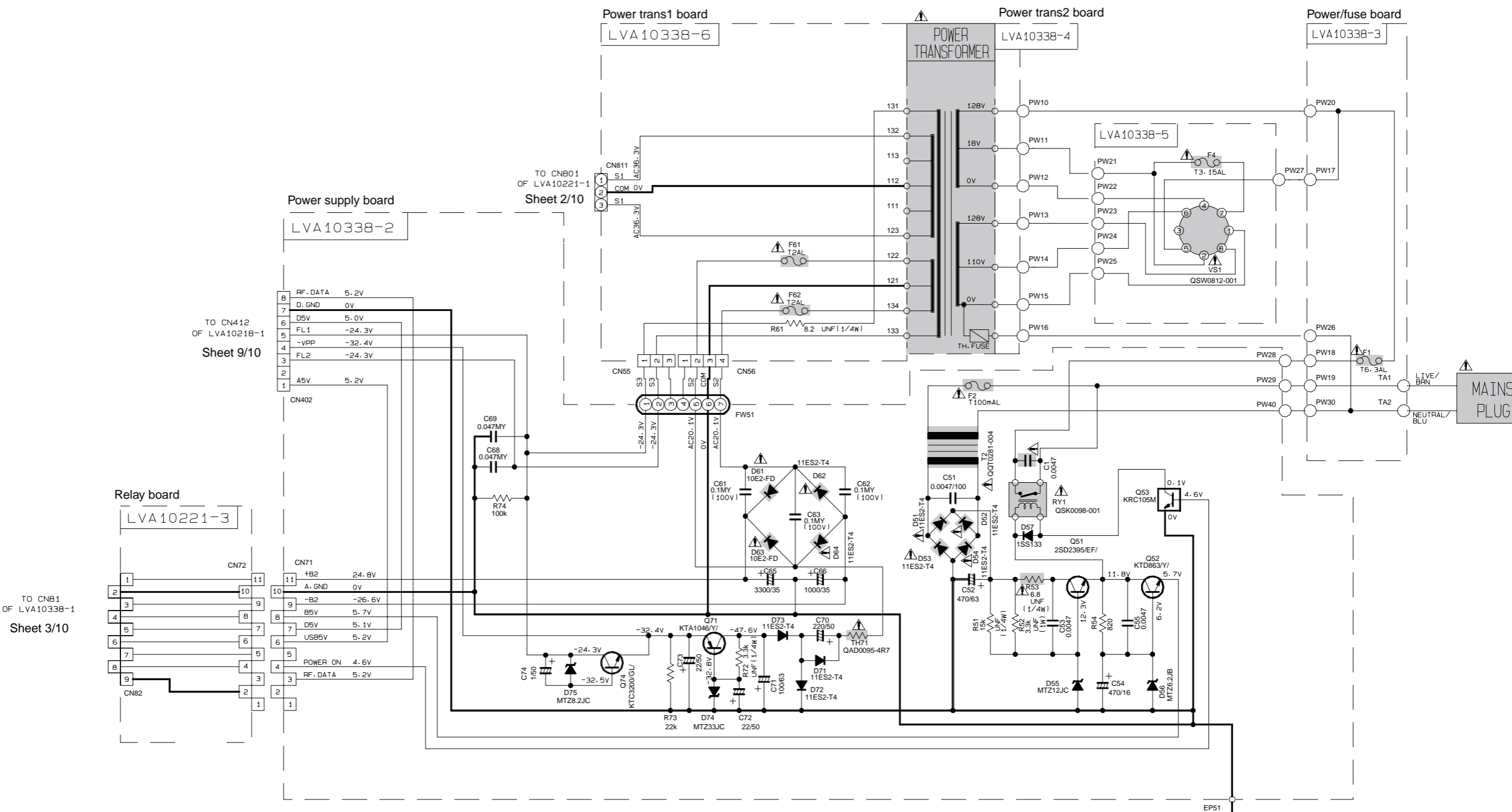
5

4

3

2

1



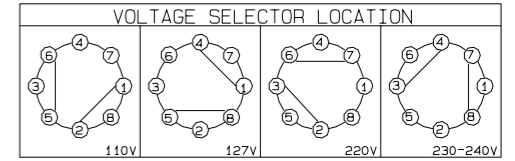
TO CN81 OF LVA10338-1
Sheet 3/10

TO CN412 OF LVA10218-1
Sheet 9/10

TO CN801 OF LVA10221-1
Sheet 2/10

NOTES
 1. VOLTAGES ARE DC-MEASURED WITH A DIGITAL VOLT METER WITHOUT INPUT SIGNAL. CONDITION --- COLD START, POWER ON, DVD MULTI, VOL 30
 2. UNLESS OTHERWISE SPECIFIED, ALL RESISTORS ARE 1/8W ±5% CARBON RESISTOR. ALL CAPACITORS ARE 50V CERAMIC CAPACITOR. ALL RESISTANCE VALUES ARE IN OHM (Ω). ALL CAPACITANCE VALUES ARE IN uF (μF). ALL E-CAPACITORS ARE SHOWN IN THE FORM OF CAPACITANCE (uF)/RATED VOLTAGE (V).

SHEET NUMBER	CIRCUIT DESCRIPTION
1/10	POWER SUPPLY
2/10	MAIN
3/10	AUDIO
4/10	AUDIO SIGNAL / VIDEO SIGNAL INPUT
5/10	DVD
6/10	AUDIO AMP (FRONT CHANNEL)
7/10	AUDIO AMP (CENTER, REAR CHANNEL)
8/10	DSP
9/10	SYSTEM CONTROL
10/10	TUNER



Parts are safety assurance parts. When replacing those parts make sure to use the specified one.

A

B

C

D

E

F

G

■ Main & Speaker terminal section

5

4

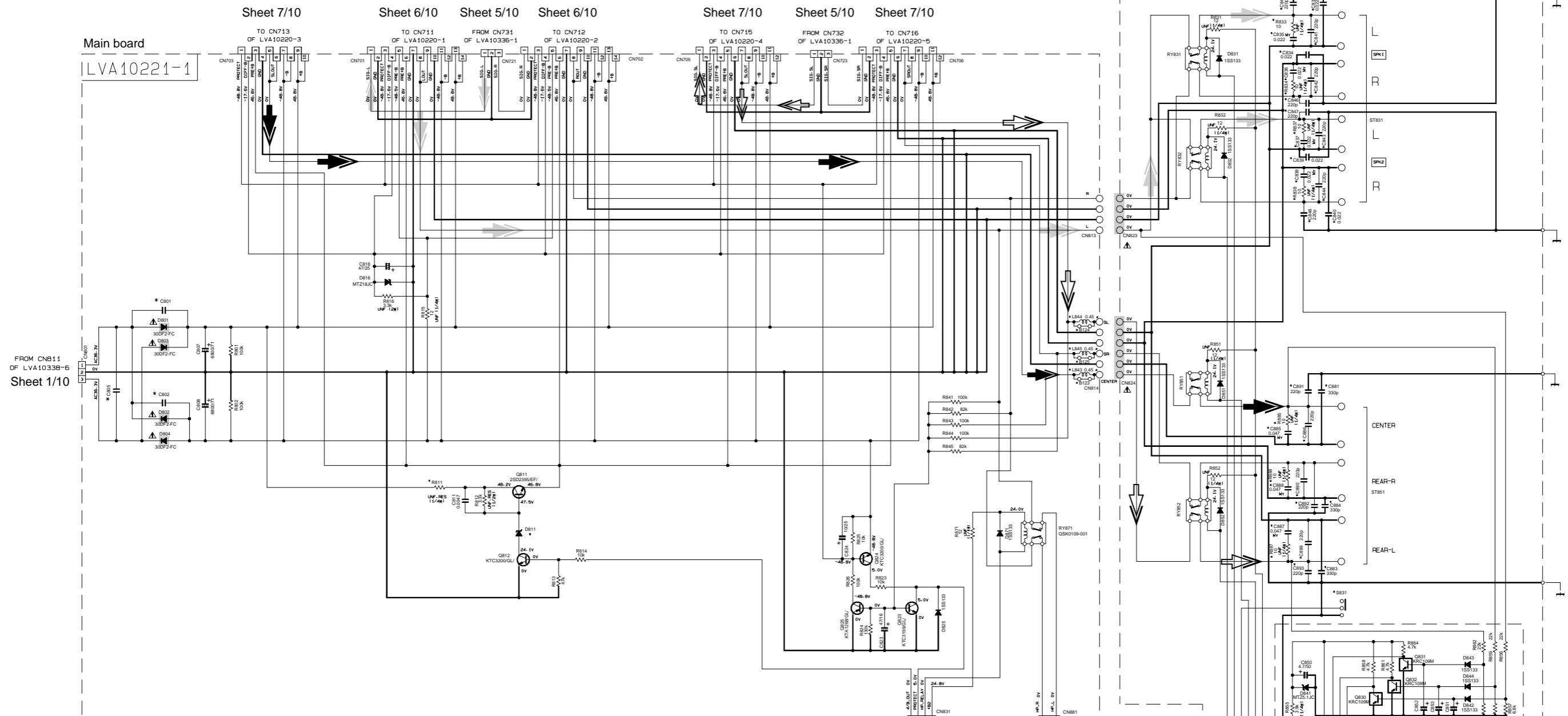
3

2

1

Main board
LVA10221-1

Speaker board
LVA10221-2



FROM CNB11
OF LVA10338-5
Sheet 1/10

FROM FWB31
OF LVA10222-1
Sheet 3/10

Headphone jack board
LVA10338-7

FROM CNB31&CNB32
OF LVA10222-1
Sheet 3/10

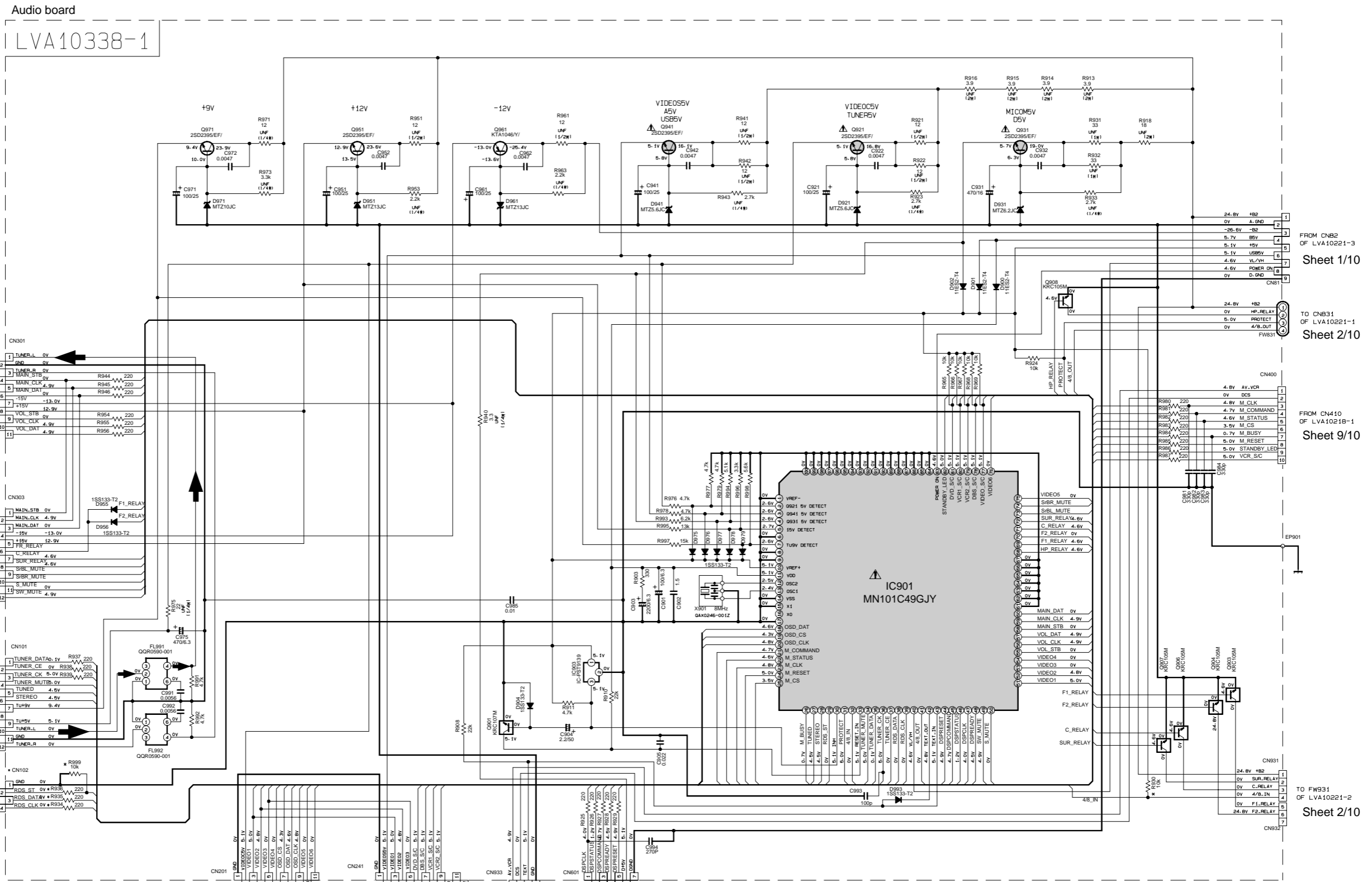
*MARK

MARK	∠ C	E-EN	U.A. A
RB11	15	1P	1P
DB11	M7224JC	M7224JC	M7220-06
CB01	0.01	0.1	0.1
CB02	0.01	0.1	0.1
CB05	0.01	0.1	0.1
CB33-CB34	USE	USE	USE
CB39-CB40	USE	USE	USE
CB49-CB48	USE	USE	USE
CB41-CB44	USE	USE	USE
RB33-RB34	USE	USE	USE
RB37-RB38	USE	USE	USE
CB35-CB38	USE	USE	USE
CB81	USE	USE	USE
CB91	USE	USE	USE
CB95	USE	USE	USE
RB95	USE	USE	USE
CB99	USE	USE	USE
CB93-CB94	USE	USE	USE
CB96-CB93	USE	USE	USE
CB99-CB90	USE	USE	USE
RB87-RB88	USE	USE	USE
CB87-CB88	USE	USE	USE
CB1-CB2	USE	USE	USE
LB43-LB45	USE	USE	USE
B123-B125	USE	USE	USE

- ➡ FRONT Signal
- ➡ CENTER Signal
- ➡ REAR Signal

⚠ Parts are safety assurance parts.
When replacing those parts make
sure to use the specified one.

■ Audio section



TO CN311
OF LVA10336-2
Sheet 4/10

TO CN313
OF LVA10336-3
Sheet 4/10

To CN111
Sheet 10/10

To CN112
Sheet 10/10

TO CN200
OF LVA10336-4
Sheet 4/10

TO CN240
OF LVA10336-5
Sheet 4/10

TO CN393
OF LVA10336-6
Sheet 5/10

TO CN587
OF LVA10337
Sheet 8/10

FROM CN82
OF LVA10221-3
Sheet 1/10

TO CN31
OF LVA10221-1
Sheet 2/10

FROM CN410
OF LVA10218-1
Sheet 9/10

TO FW31
OF LVA10221-2
Sheet 2/10

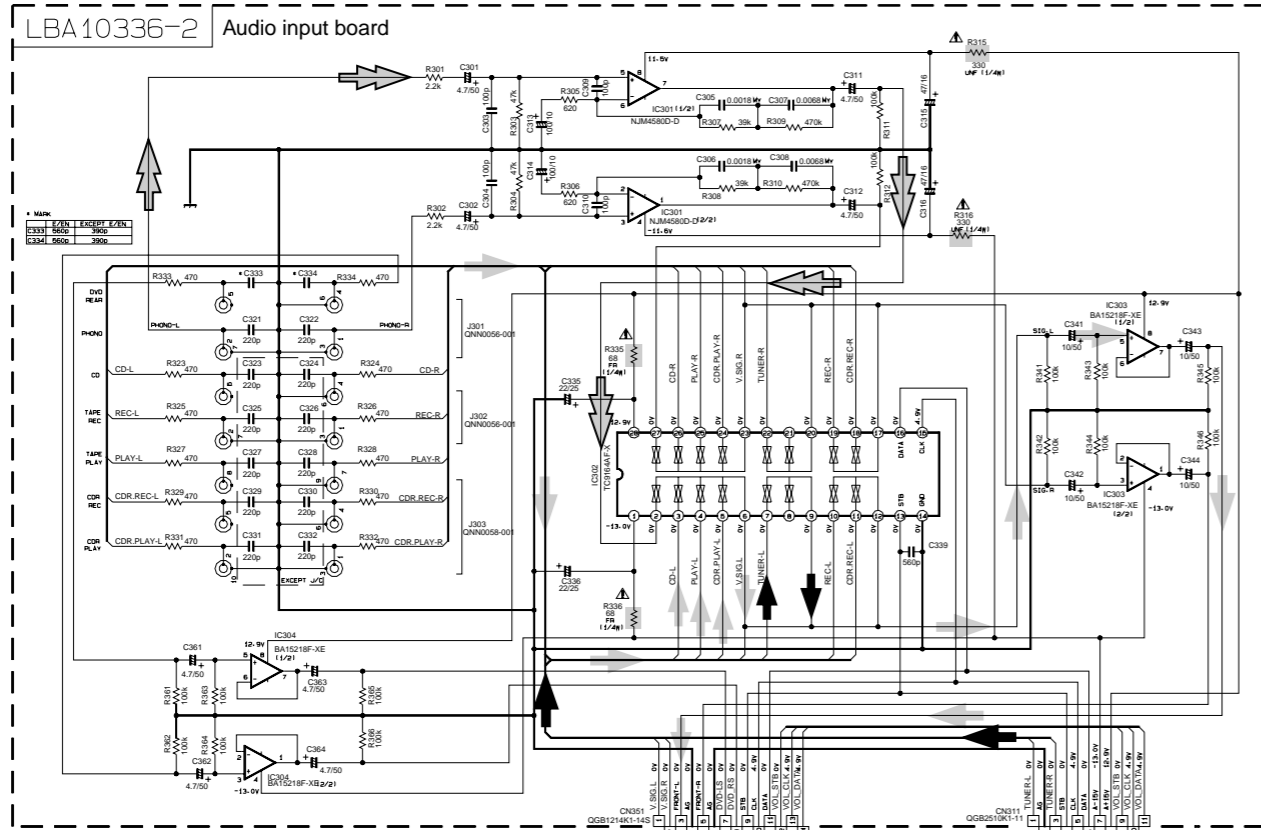
*MARK

	J-C	E-EN	UJ-A
R930	USE		
R999	USE		
R934		USE	
R935		USE	
R936		USE	
CN102		USE	

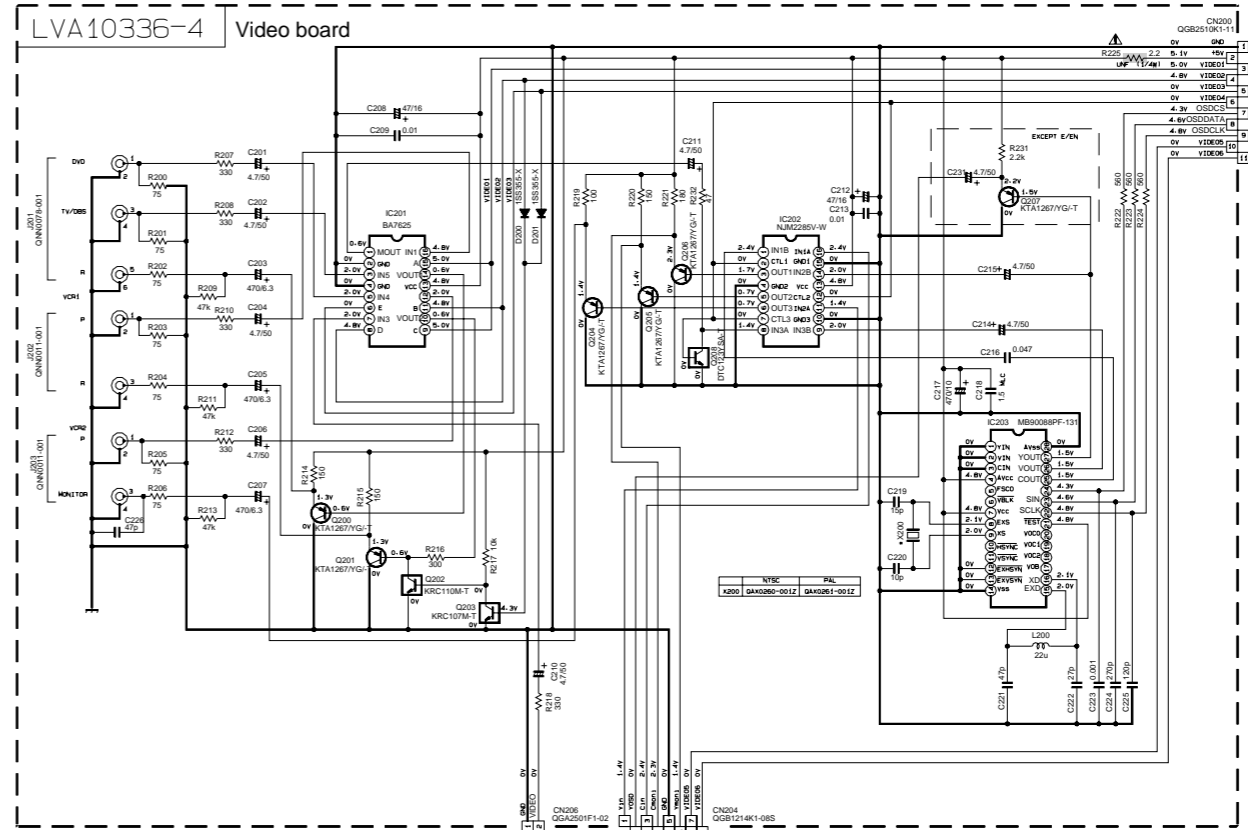
➔ TUNER Signal

⚠ Parts are safety assurance parts.
When replacing those parts make
sure to use the specified one.

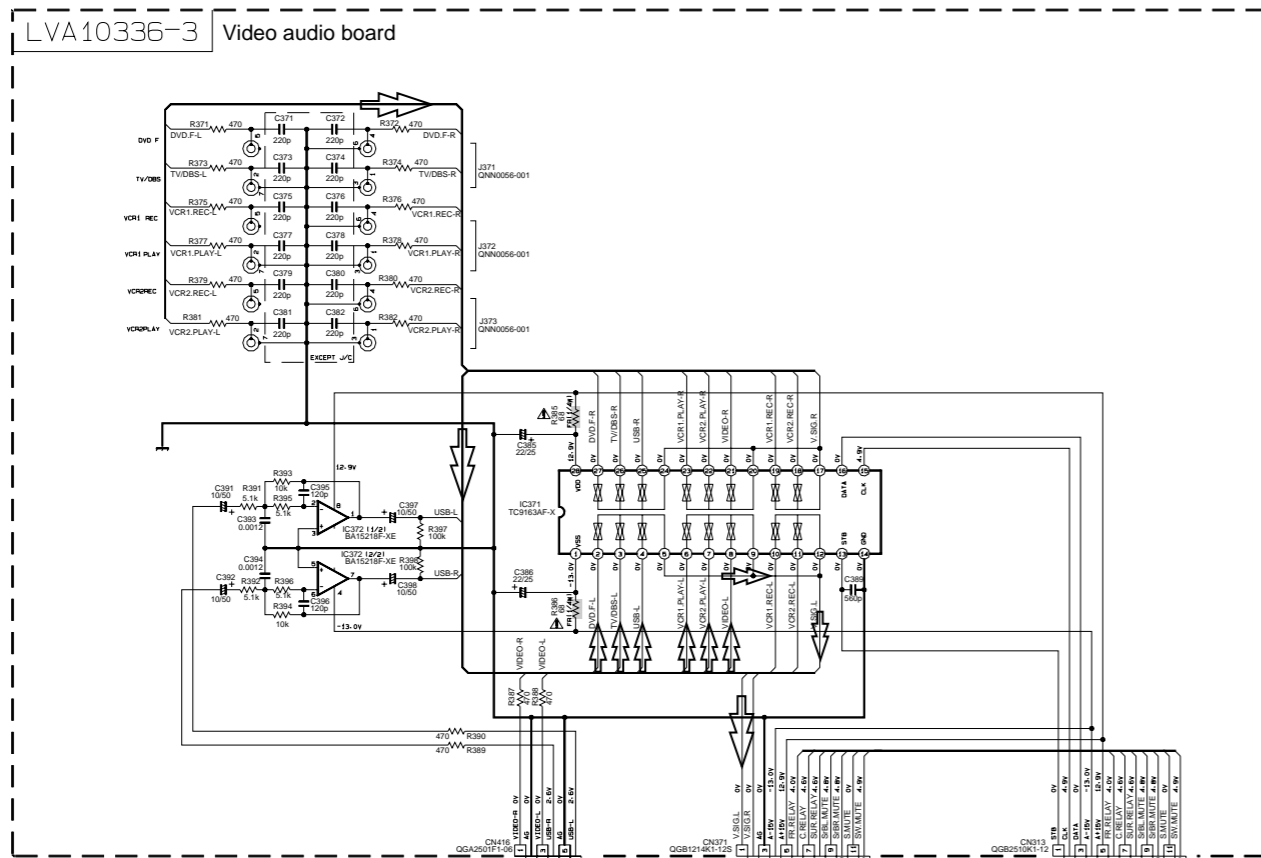
Audio / Video Audio / Video / S video signal input section



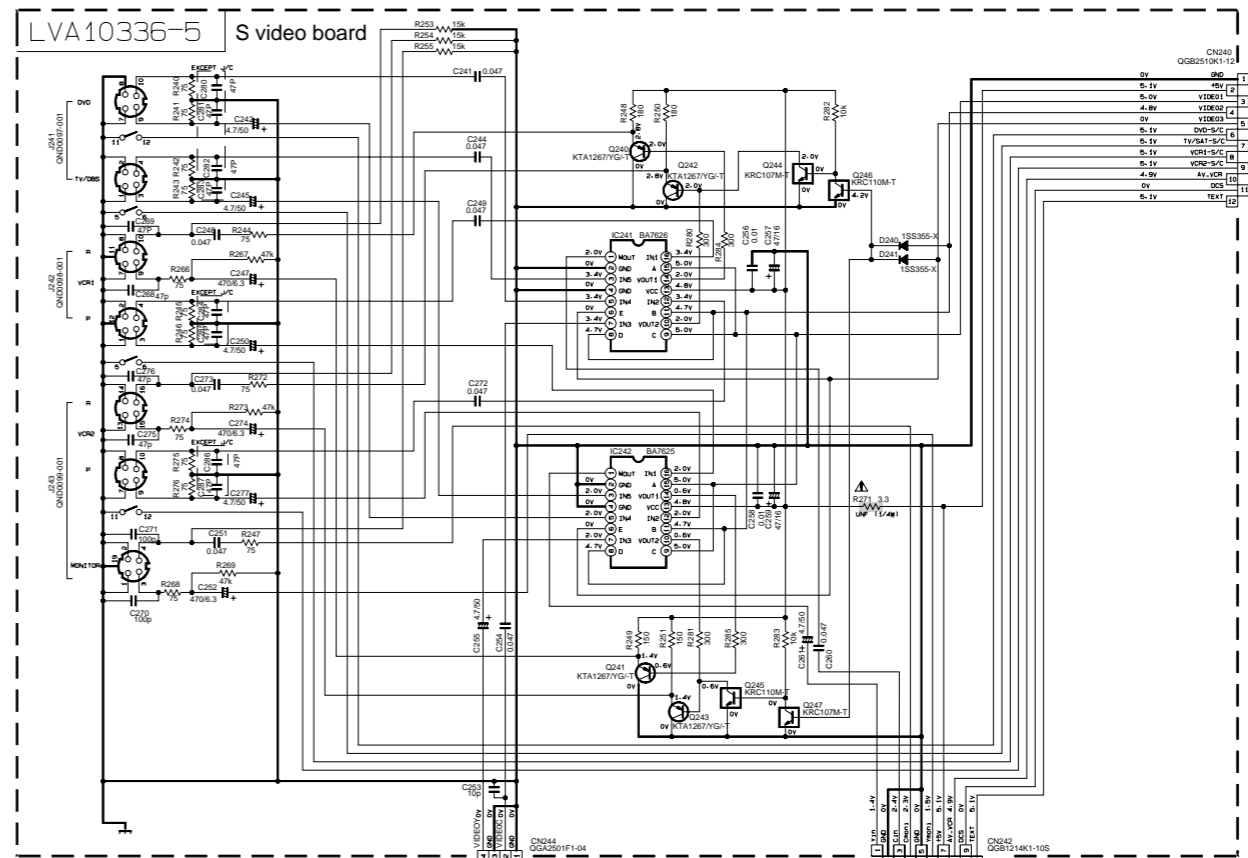
OF LVA10336-1 Sheet 5/10 OF LVA10336-1 Sheet 3/10



Sheet 9/10 TO CN405 OF LVA10218-1 TO CN205 OF LVA10336-1 Sheet 5/10



TO CN405 OF LVA10218-1 Sheet 9/10 TO CN381 OF LVA10336-1 Sheet 5/10 FROM CN303 OF LVA10336-1 Sheet 3/10



Sheet 9/10 TO CN405 OF LVA10218-1 TO CN243 OF LVA10336-1 Sheet 5/10

FROM CN201 OF LVA10336-1 Sheet 3/10

FROM CN241 OF LVA10336-1 Sheet 3/10

5

4

3

2

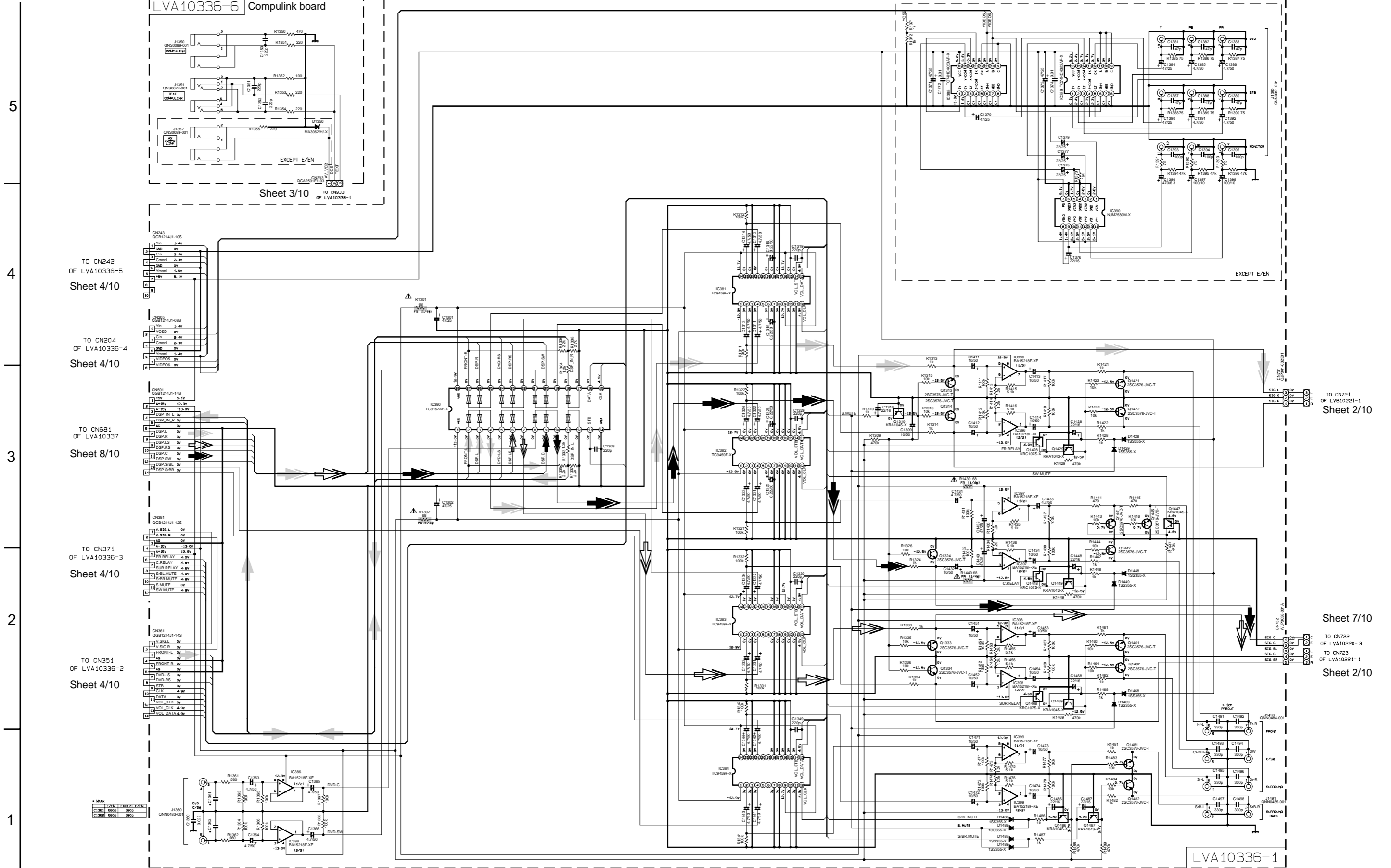
1

⚠ Parts are safety assurance parts. When replacing those parts make sure to use the specified one.

➡ AUDIO Signal ➡ TUNER Signal ➡ PHONO Signal ➡ VIDEO AUDIO Signal

SHEET 4/10

DVD section

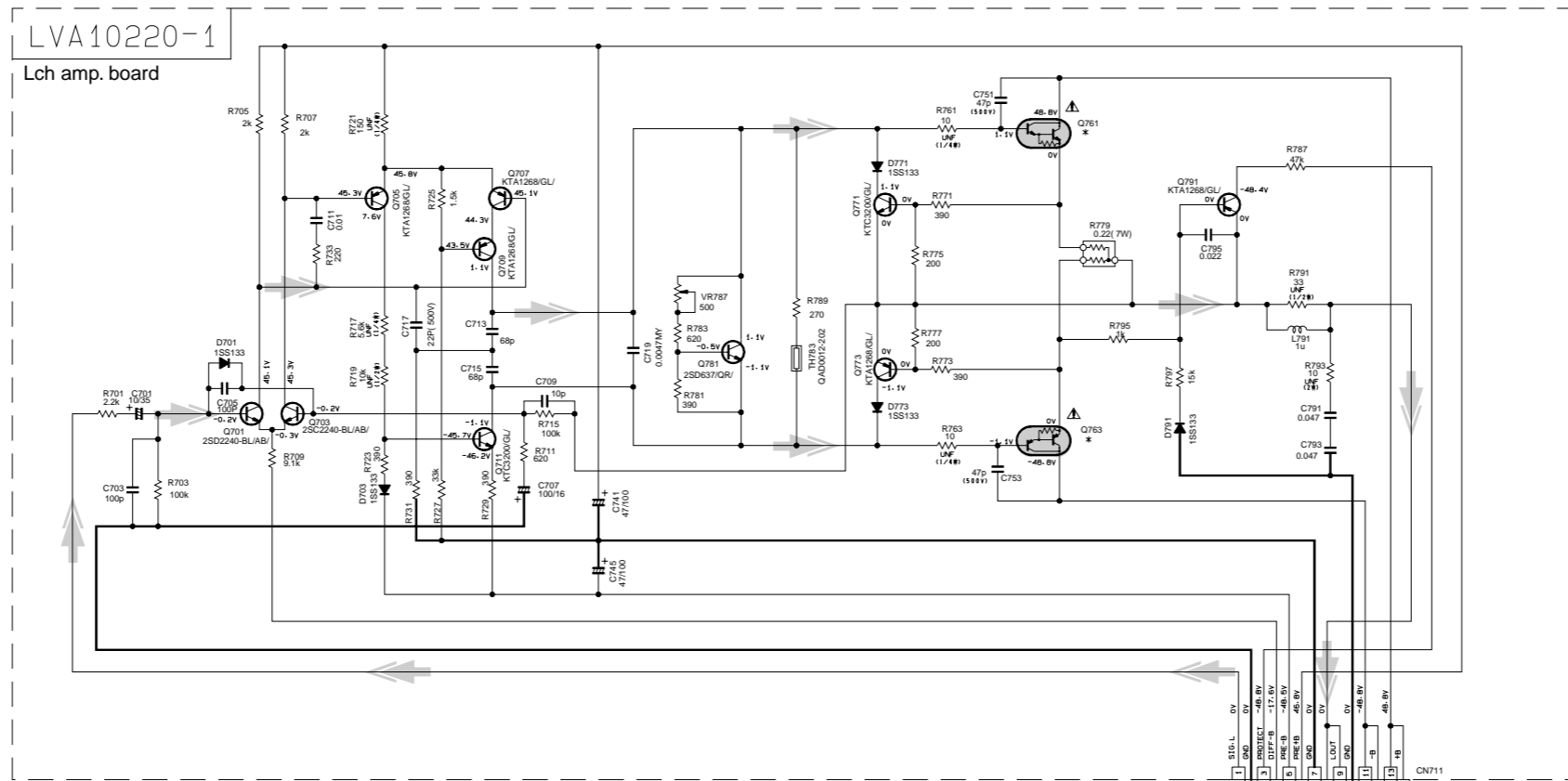


➔ AUDIO Signal
 ➔ FRONT Signal
 ➔ CENTER Signal
 ➔ REAR Signal

⚠ Parts are safety assurance parts.
 When replacing those parts make
 sure to use the specified one.

LVA10336-1 DVD board

Audio amp. section (1/2)

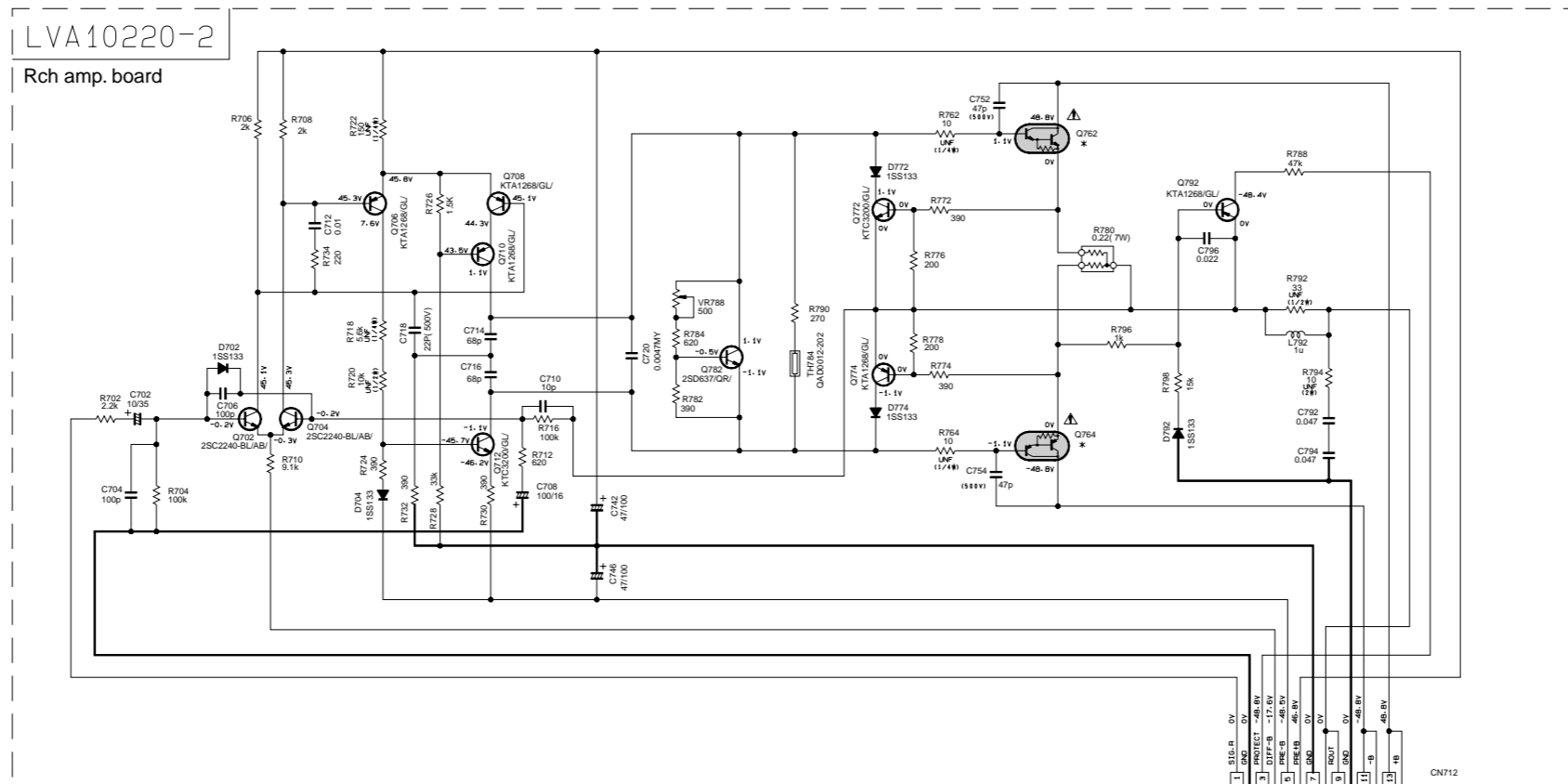


FROM CN701 OF LVA10221-1

Sheet 2/10

*MARK

	J-C	EXCEPT J/C
Q751-Q762	2SD2560/DPV/-F6	2SD2390/DPV/-F6
Q763-Q764	2SB1647/DPV/-F6	2SB1560/DPV/-F6



FROM CN702 OF LVA10221-1

Sheet 2/10

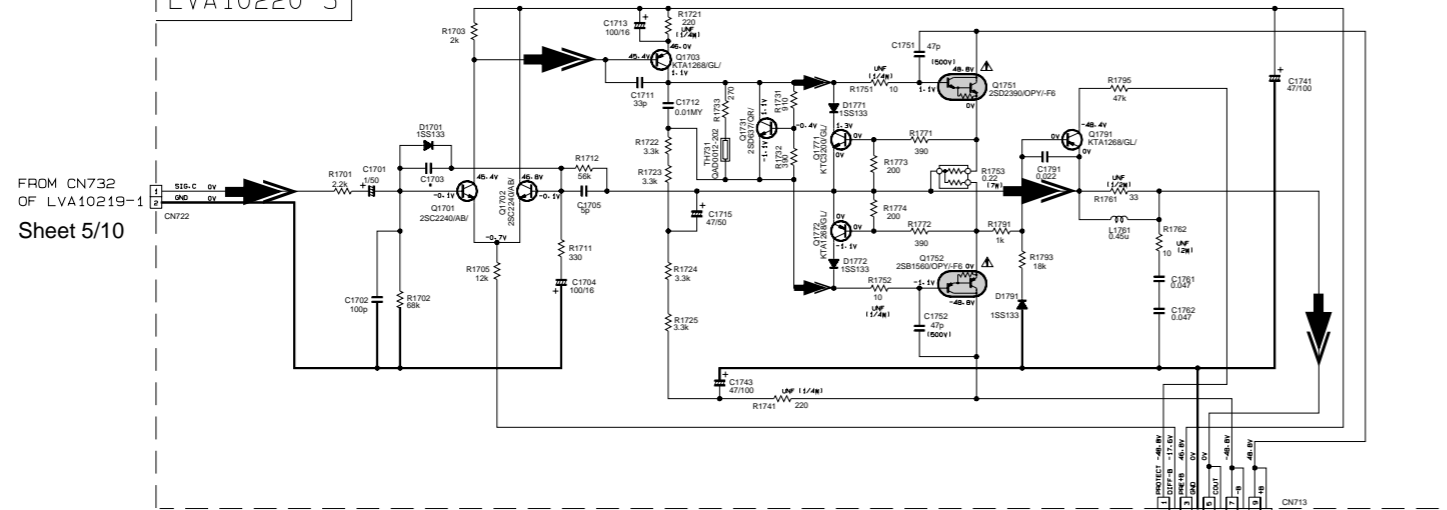
➔ FRONT Signal

⚠ Parts are safety assurance parts. When replacing those parts make sure to use the specified one.

Audio amp. section (2/2)

Cch amp. board

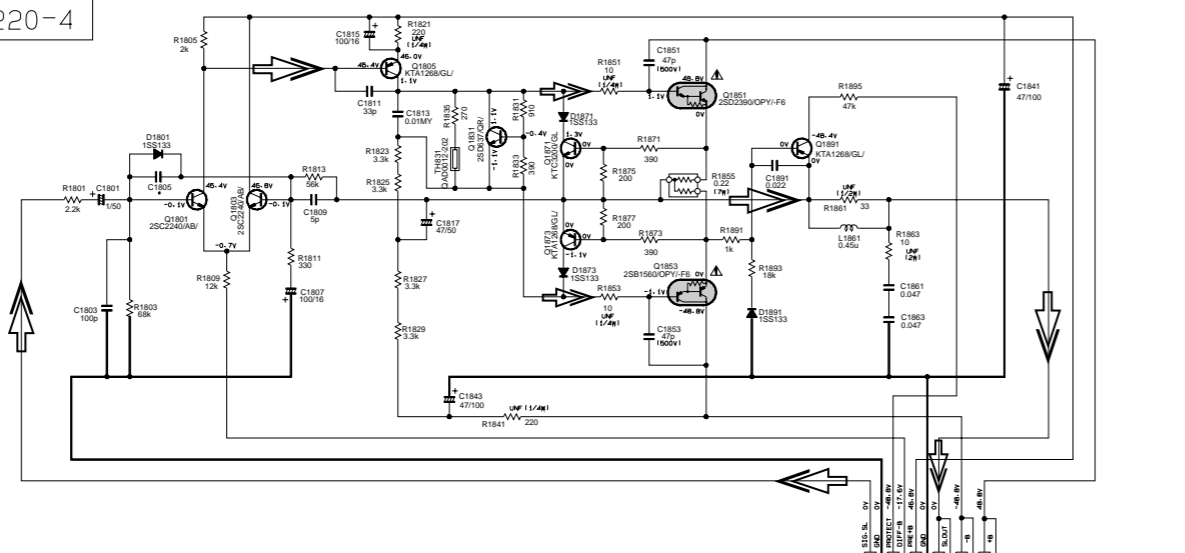
LVA10220-3



FROM CN703 OF LVA10221-1
Sheet 2/10

RLch amp. board

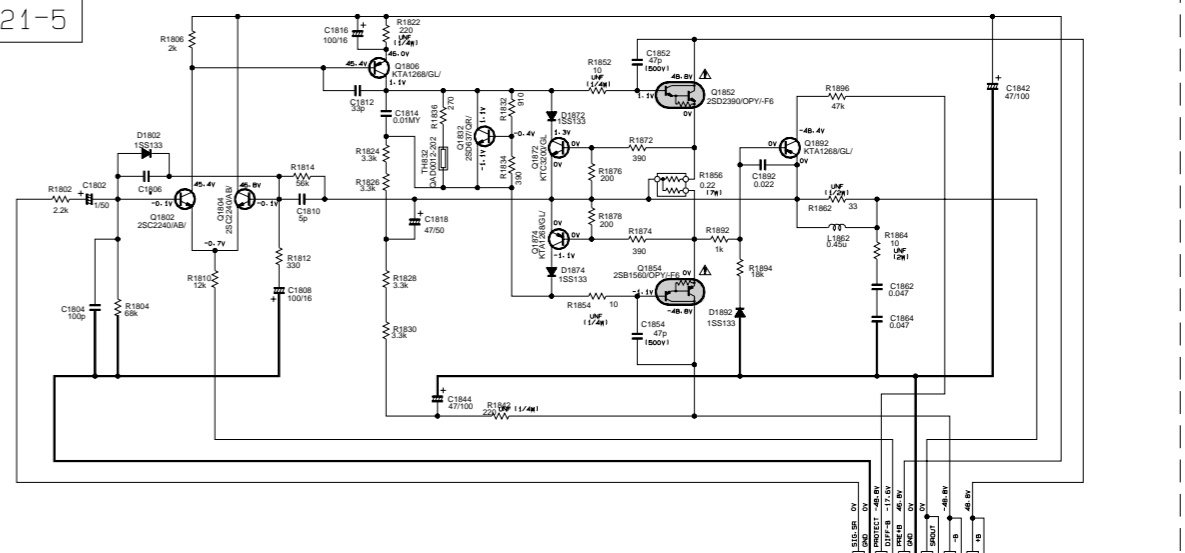
LVA10220-4



FROM CN705 OF LVA10221-1
Sheet 2/10

RRch amp. board

LVA10221-5



FROM CN706 OF LVA10221-1
Sheet 2/10

*MARK

J/C	EXCEPT J/C
C1703-C1805-C1806	100p 220p

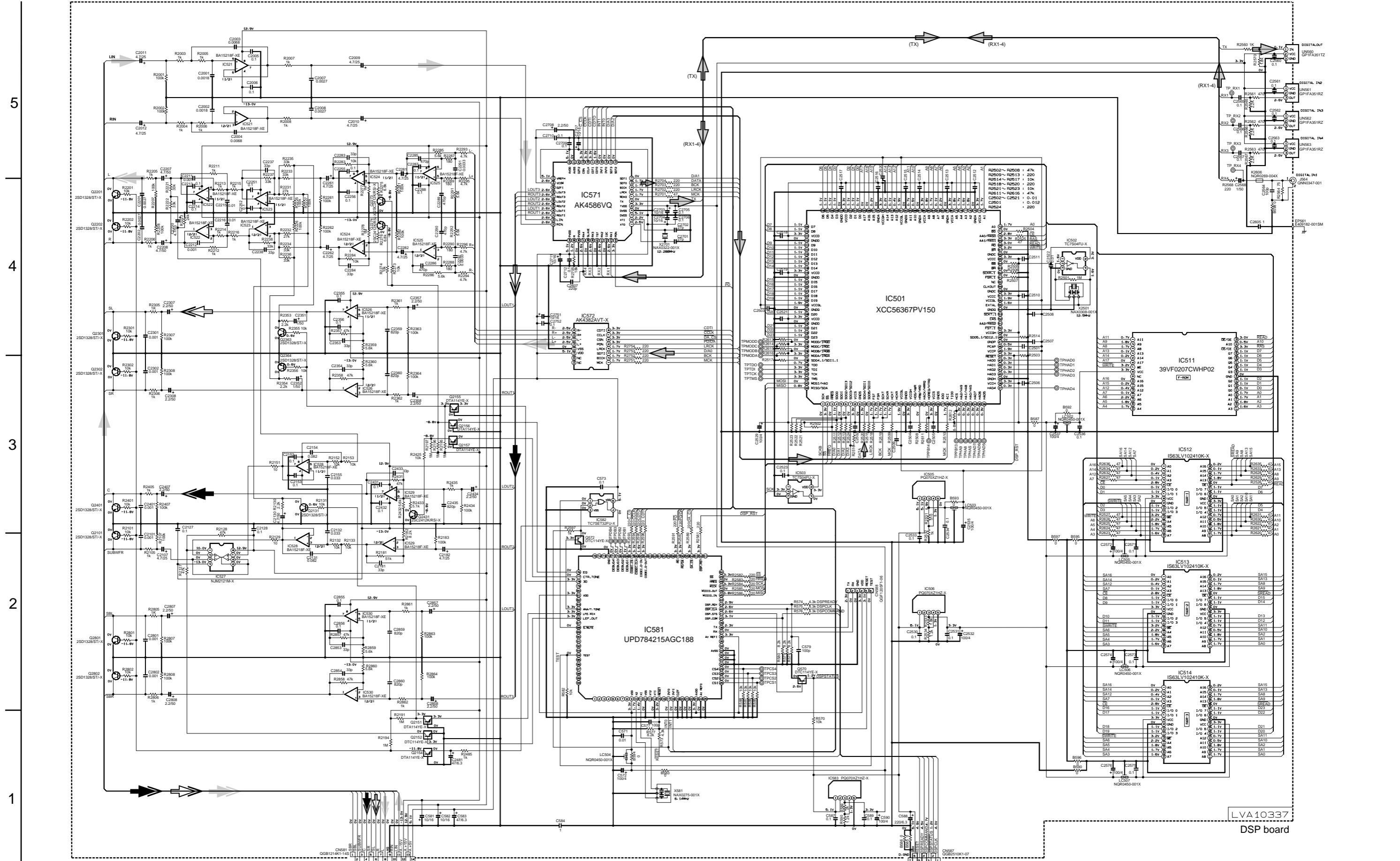
➡ CENTER Signal

➡ REAR Signal

⚠ Parts are safety assurance parts.
When replacing those parts make
sure to use the specified one.

DSP section

AUDIO Signal DIGITAL AUDIO Signal FRONT Signal CENTER Signal REAR Signal

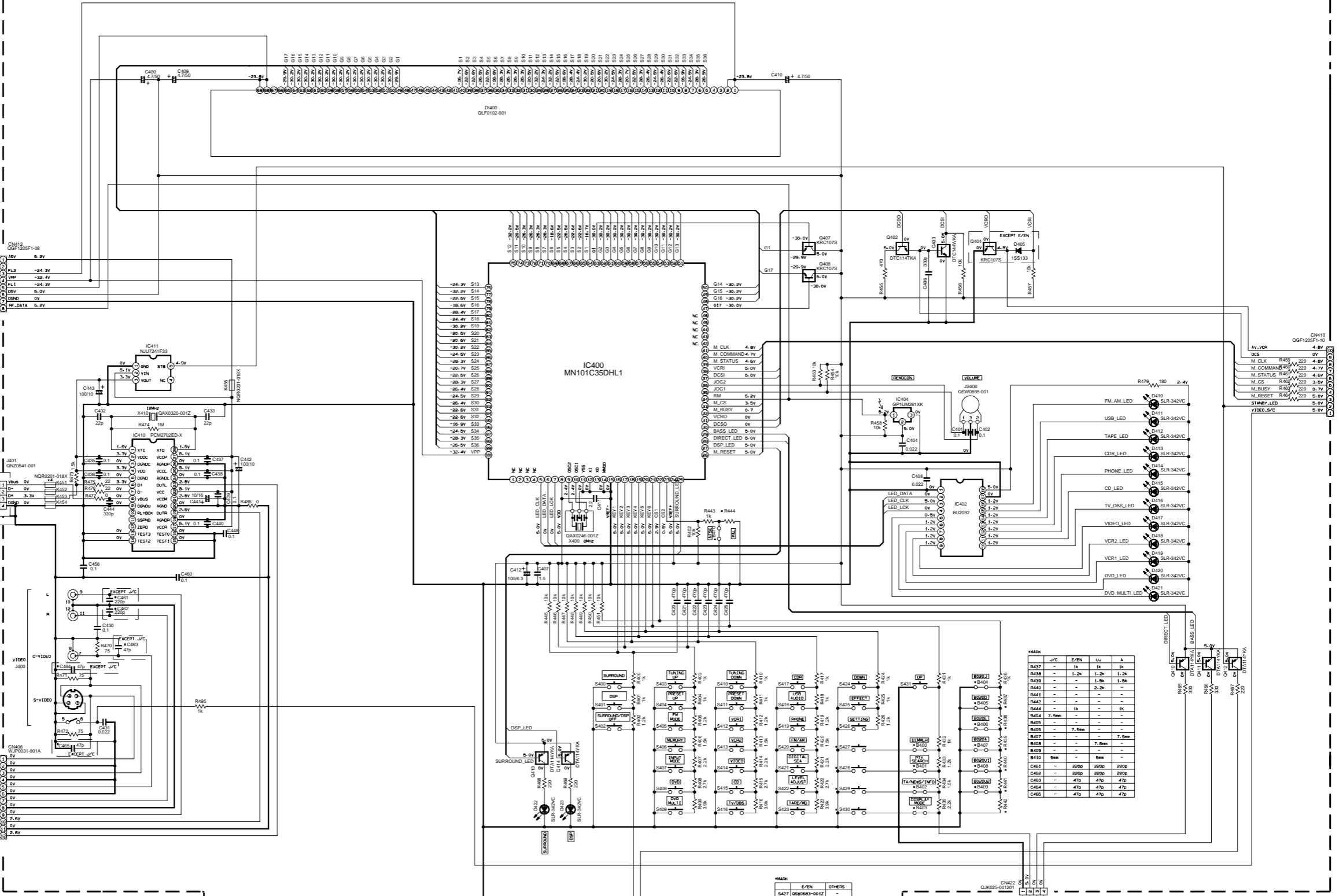


LVA10337
DSP board

System control & FL display section

System control board

LVA10218-1



TO CN402 OF LVA10338-2 Sheet 1/10

TO CN400 OF LVA10338-1 Sheet 3/10

Sheet 4/10

TO CN244 OF LVA10336-5
 TO CN206 OF LVA10336-4
 TO CN416 OF LVA10336-3

Power switch board LVA10218-2

LVA10218-3

Switch board

■ Tuner section

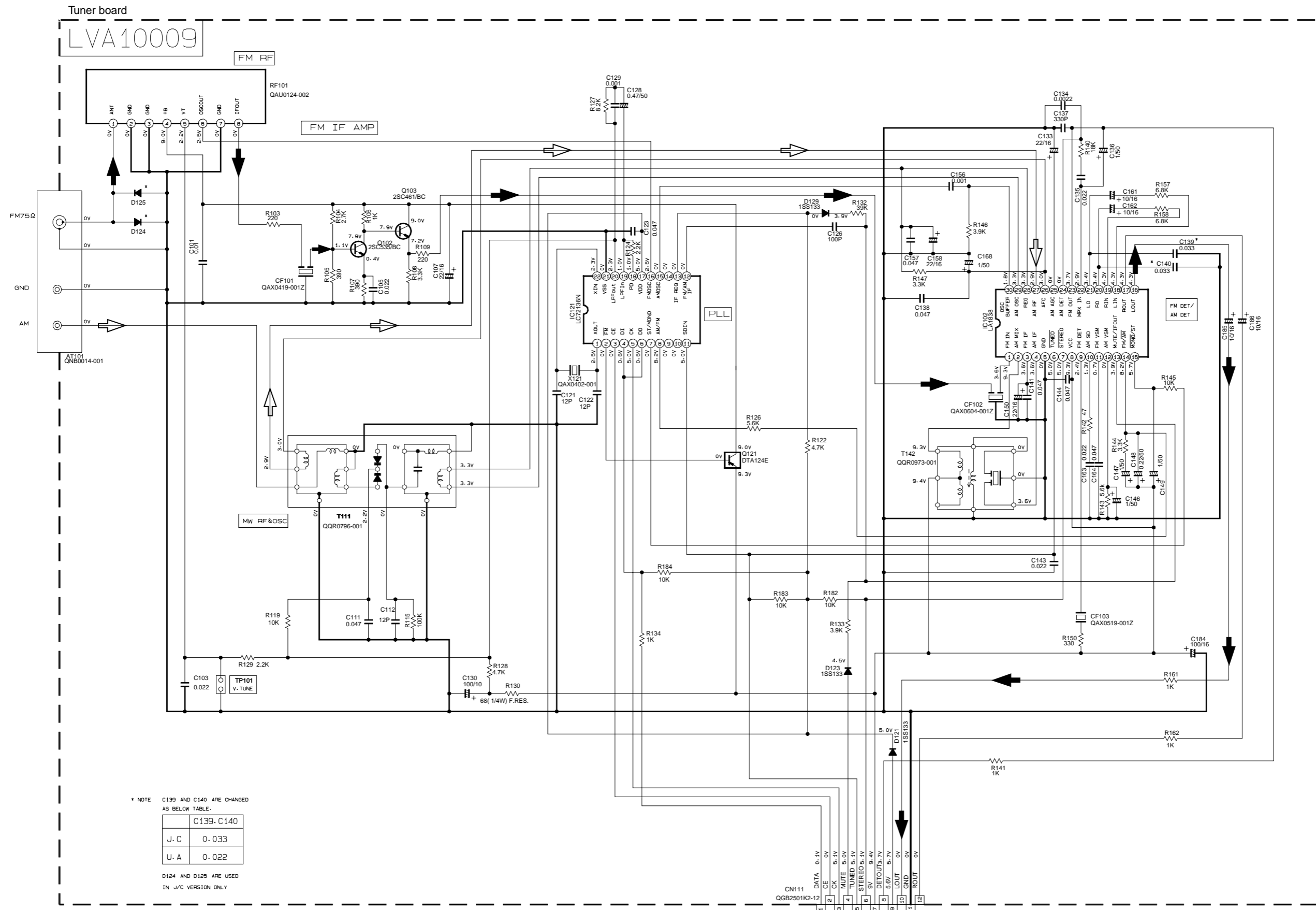
5

4

3

2

1



* NOTE C139 AND C140 ARE CHANGED AS BELOW TABLE.

	C139. C140
J. C	0.033
U. A	0.022

D124 AND D125 ARE USED IN J/C VERSION ONLY

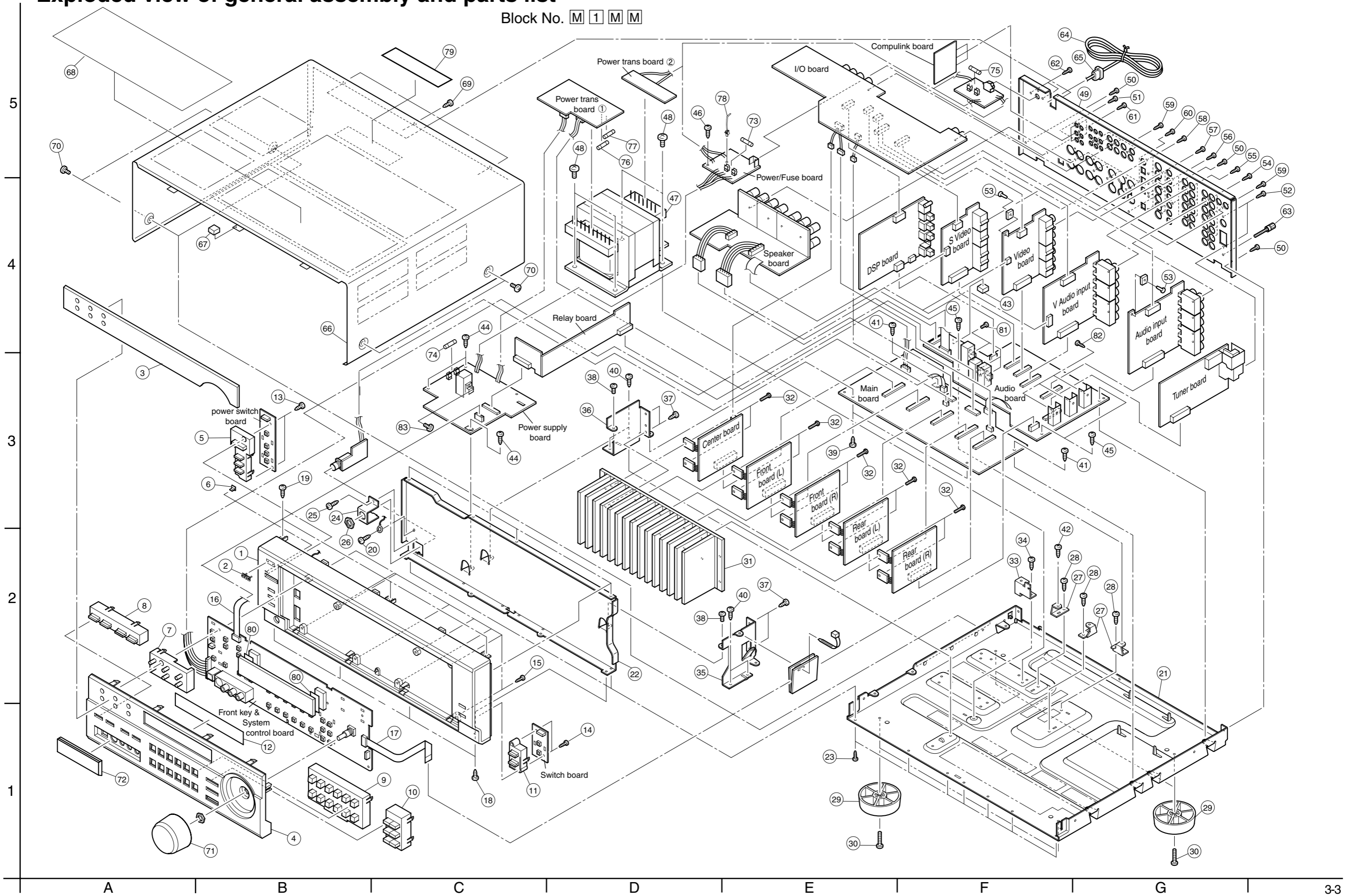
➔ FM/TUNER Signal ➤ AM Signal

To CN101
Sheet 3/10

A B C D E F G H

Exploded view of general assembly and parts list

Block No. **M 1 M M**



■ Parts list (General assembly)

Block No. M1MM

△	Item	Parts number	Parts name	Q'ty	Description	Area
	1	LV10469-011A	FRONT PANEL	1	RX-8020VBKUJ	
	2	VJD5429-001SS	JVC MARK	1		
	3	LV20949-007A	LENS	1	8020VBK	
	4	LV10470-005A	SUB PANEL	1	BK MODEL	
	5	LV20939-003A	PUSH BUTTON	1	POWER BK MODEL	
	6	LV42096-001A	INDICATOR	1	POWER	
	7	LV20951-001A	PUSH BUTTON	1	TUNER	
	8	LV20940-001A	P.BUTTON ASSY	1	DOLBY	
	9	LV20944-001A	P.BUTTON ASSY	1	SOURCE	
	10	LV20942-001A	PUSH BUTTON	1	SEA	
	11	LV32486-001A	P.BUTTON ASSY	1	LINE STRAIGHT	
	12	LV42095-002A	FL SCREEN	1		
	13	QYSBSF2610Z	SCREW	2	FRONT C.B	
	14	QYSBSF2610Z	SCREW	2		
	15	QYSBSF2610Z	SCREW	8	FRONT C.B FL	
	16	QUQ412-0815CJ	FFC WIRE	1		
	17	QUQ412-1030CJ	FFC WIRE	1		
	18	QYSDSG3006Z	SCREW	4	FRONT D	
	19	QYSBSG3006Z	T.SCREW	3	FRONT U	
	20	QYSBSG3006Z	T.SCREW	1	EARTH LUG-F.BKT	
	21	LV10019-003A	CHASSIS BASE	1		
	22	LV10471-002A	FRONT BRACKET	1		
	23	QYSDSG3006Z	SCREW	7	C.B-F.B	
	24	LV42094-003A	H.P BKT	1		
	25	QYSBSG3006Z	T.SCREW	1	H.P BKT-F.B	
	26	VKZ4150-001	SPECIAL NUT	1		
	27	E68587-223SM	CB BKT	3		
	28	QYSBST3006Z	T.SCREW	3	C.B-BKT	
	29	QZF6018-001	FOOT	4		
	30	QYSBST3010Z	T.SCREW	4	FOOT	
	31	LV20984-002A	HEAT SINK	1	CORRUGATE	
	32	QYSBSG3012E	SCREW	10	TR	
	33	LV42098-001A	C.B BKT	1	PRI/SEC C.B	
	34	QYSBST3006Z	T.SCREW	1	C.B BKT	
	35	LV32433-001A	H.S BRACKET(R)	1		
	36	LV32434-001A	H.S BRACKET(L)	1		
	37	QYSBSG3008Z	T.SCREW	4	H.S-BKT	
	38	QYSBST3006Z	T.SCREW	2	H.S BKT-F.BKT	
	39	QYSBSG3006Z	T.SCREW	2	H.S BKT	
	40	QYSBST3006Z	T.SCREW	4	H.S BKT-CHASSIS	
	41	QYSBSG3006Z	T.SCREW	2	M.C.B	
	42	E65923-003	TAPPING SCREW	1	M.C.B	
	43	LV30225-0B2A	SPACER	1		
	44	QYSBSG3006Z	T.SCREW	3	H.S-C.B	
	45	QYSBSG3006Z	T.SCREW	3	P.C.B-CHASSIS	
	46	QYSBSG3006Z	T.SCREW	1	C.B-CHASSIS	
△	47	QQT0325-003	TRANSFORMER	1		
	48	QYSDSTL4008Z	SPECIAL SCREW	4	P.TRANS	

■ Parts list (General assembly)

Block No. M1MM

△	Item	Parts number	Parts name	Q'ty	Description	Area
	49	LV10660-002A	REAR PANEL	1	RX-8020VBKUJ	
	50	QYSBSGY3008M	SPECIAL SCREW	3	R.P-C.BASE	
	51	QYSBSGY3008M	SPECIAL SCREW	1		
	52	QYSBSGY3008M	SPECIAL SCREW	2	TUNER	
	53	FMYH4004-001	PLASTIC RIVET	2	A.INPUT	
	54	QYSBSGY3008M	SPECIAL SCREW	4	A.INPUT	
	55	QYSBSGY3008M	SPECIAL SCREW	3	V.INPUT	
	56	QYSBSGY3008M	SPECIAL SCREW	3	VIDEO	
	57	QYSBSGY3008M	SPECIAL SCREW	4	S VIDEO	
	58	QYSBSGY3008M	SPECIAL SCREW	6	DIGITAL	
	59	QYSBSGY3008M	SPECIAL SCREW	5	COMP C.B	
	60	QYSBSGY3008M	SPECIAL SCREW	4	SPK C.B	
	61	QYSBSGY3008M	SPECIAL SCREW	3	COMPULINK	
	62	QYSBSGY3008M	SPECIAL SCREW	2	VOL SEL	
	63	E409257-001	GND TERMINAL	1		
△	64	QMPK150-200-JD	POWER CORD	1		
△	65	QZW0033-001	STRAIN RELIEF	1		
	66	LV20038-009A	TOP COVER	1	BK MODEL	
	67	LV30225-088A	SPACER	1	FOR TOP COVER	
	68	LV30077-004A	PROTECT SHEET	1	SL	
	69	QYSBSGY3008M	SPECIAL SCREW	3		
	70	E406308-003	SPECIAL SCREW	4		
	71	LV32435-003A	VOL KNOB	1	BK	
	72	LV32488-003A	COVER	1	JACK COVER	
△	73	QMF51W2-6R3-J8	FUSE	1	F 1	
△	74	QMF51E2-R10-J1	FUSE	1	F 2	
△	75	QMF51W2-3R15-J8	FUSE	1	F 4	
△	76	QMF51W2-2R0-J8	FUSE	1	F 61	
△	77	QMF51W2-2R0-J8	FUSE	1	F 62	
	78	E307572-001	FASTENER	1		
	79	E409396-003	CAUTION LABEL	1		
	80	E3400-444	FELT SPACER	2	FS400,FS401	
	81	QYSBSG3008E	T.SCREW	3		
	82	QYSBSG3008E	T.SCREW	3		
	83	QYSBSG3008E	T.SCREW	1	UJ ONLY	

■ Electrical parts list (Main board)

Block No. 01

△	Item	Parts number	Parts name	Remarks	Area	△	Item	Parts number	Parts name	Remarks	Area
	C 801	QFZ9076-104Z	MM CAPACITOR	UJ/E/EN			D 841	MTZJ5.1C-T2	ZENER DIODE		
	C 802	QFZ9076-104Z	MM CAPACITOR	UJ/E/EN			D 842	1SS133-T2	SI DIODE		
	C 805	QFZ9076-104Z	MM CAPACITOR	UJ/E/EN			D 843	1SS133-T2	SI DIODE		
	C 807	QEZO588-688	E.CAPACITOR	6800MF			D 844	1SS133-T2	SI DIODE		
	C 808	QEZO588-688	E.CAPACITOR	6800MF			D 845	1SS133-T2	SI DIODE		
	C 811	QCF31HZ-472Z	C CAPACITOR	4700PF +80:-20%			D 846	1SS133-T2	SI DIODE		
	C 816	QETN1EM-476Z	E CAPACITOR	47MF 20% 25V			D 851	1SS133-T2	SI DIODE		
	C 823	QETN1CM-476Z	E CAPACITOR	47MF 20% 16V			D 852	1SS133-T2	SI DIODE		
	C 824	QETN1EM-106Z	E CAPACITOR	10MF 20% 25V			D 871	1SS133-T2	SI DIODE		
	C 833	QDVB1EZ-223Y	C CAPACITOR	EXCEPT J/C			EP801	QNZ0136-001Z	EARTH PLATE		
	C 834	QDVB1EZ-223Y	C CAPACITOR	EXCEPT J/C			FW931	QUM137-08DGZ4	PARA RIBON WIRE		
	C 835	QFLC1HJ-223Z	M CAPACITOR	EXCEPT J/C			L 843	QQLZ005-R45	INDUCTOR	EXCEPT J/C	
	C 836	QFLC1HJ-223Z	M CAPACITOR	EXCEPT J/C			L 844	QQLZ005-R45	INDUCTOR	EXCEPT J/C	
	C 837	QFLC1HJ-223Z	M CAPACITOR	EXCEPT J/C			L 845	QQLZ005-R45	INDUCTOR	EXCEPT J/C	
	C 838	QFLC1HJ-223Z	M CAPACITOR	EXCEPT J/C			Q 811	2SD2395/EF/	TRANSISTOR		
	C 839	QDVB1EZ-223Y	C CAPACITOR	EXCEPT J/C			Q 812	KTC3200/GL/-T	TRANSISTOR		
	C 840	QDVB1EZ-223Y	C CAPACITOR	EXCEPT J/C			Q 823	KTC3199/GL/-T	TRANSISTOR		
	C 841	QCS31HJ-221Z	C CAPACITOR	EXCEPT J/C			Q 824	KTC3200/GL/-T	TRANSISTOR		
	C 842	QCS31HJ-221Z	C CAPACITOR	EXCEPT J/C			Q 825	KTA1268/GL/-T	TRANSISTOR		
	C 843	QCS31HJ-221Z	C CAPACITOR	EXCEPT J/C			Q 830	KRC109M-T	D.TRANSISTOR		
	C 844	QCS31HJ-221Z	C CAPACITOR	EXCEPT J/C			Q 831	KRC109M-T	D.TRANSISTOR		
	C 845	QCS31HJ-221Z	C CAPACITOR	220PF 5% 50V			Q 832	KRC109M-T	D.TRANSISTOR		
	C 846	QCS31HJ-221Z	C CAPACITOR	220PF 5% 50V			Q 833	KRC109M-T	D.TRANSISTOR		
	C 847	QCS31HJ-221Z	C CAPACITOR	220PF 5% 50V			Q 834	KRC109M-T	D.TRANSISTOR		
	C 848	QCS31HJ-221Z	C CAPACITOR	220PF 5% 50V			Q 835	KRC109M-T	D.TRANSISTOR		
	C 850	QETN1HM-475Z	E CAPACITOR	4.7MF 20% 50V			Q 836	KRC109M-T	D.TRANSISTOR		
	C 851	QETN1HM-475Z	E CAPACITOR	4.7MF 20% 50V			R 801	QRE141J-104Y	C RESISTOR	100K 5% 1/4W	
	C 852	QETN1HM-475Z	E CAPACITOR	4.7MF 20% 50V			R 802	QRE141J-104Y	C RESISTOR	100K 5% 1/4W	
	C 853	QETN1HM-475Z	E CAPACITOR	4.7MF 20% 50V			R 811	QRJ146J-120X	UNF C RESISTOR	UJ/E/EN	
	C 881	QCB1HK-331Y	C CAPACITOR	EXCEPT J/C			R 812	QRK126J-332X	C RESISTOR	3.3K 5% 1/2W	
	C 883	QCB1HK-331Y	C CAPACITOR	EXCEPT J/C			R 813	QRE141J-473Y	C RESISTOR	47K 5% 1/4W	
	C 884	QCB1HK-331Y	C CAPACITOR	EXCEPT J/C			R 814	QRE141J-103Y	C RESISTOR	10K 5% 1/4W	
	C 885	QFVJ1HJ-473Z	MF CAPACITOR	EXCEPT J/C			R 815	QRJ146J-120X	UNF C RESISTOR	12 5% 1/4W	
	C 886	QCS31HJ-221Z	C CAPACITOR	EXCEPT J/C			R 816	QRL027J-332	UNF.OMF.RES.	3.3K 5% 1/2W	
	C 887	QFVJ1HJ-473Z	MF CAPACITOR	EXCEPT J/C			R 823	QRE141J-103Y	C RESISTOR	10K 5% 1/4W	
	C 888	QFVJ1HJ-473Z	MF CAPACITOR	EXCEPT J/C			R 824	QRE141J-134Y	C RESISTOR	130K 5% 1/4W	
	C 889	QCS31HJ-221Z	C CAPACITOR	EXCEPT J/C			R 825	QRE141J-103Y	C RESISTOR	10K 5% 1/4W	
	C 890	QCS31HJ-221Z	C CAPACITOR	EXCEPT J/C			R 826	QRE141J-104Y	C RESISTOR	100K 5% 1/4W	
	C 891	QCS31HJ-221Z	C CAPACITOR	EXCEPT J/C			R 831	QRJ146J-120X	UNF C RESISTOR	12 5% 1/4W	
	C 892	QCS31HJ-221Z	C CAPACITOR	EXCEPT J/C			R 832	QRJ146J-120X	UNF C RESISTOR	12 5% 1/4W	
	C 893	QCS31HJ-221Z	C CAPACITOR	EXCEPT J/C			R 833	QRJ146J-100X	UNF C RESISTOR	EXCEPT J/C	
	CN 72	QGB2510K1-11	CONNECTOR				R 834	QRJ146J-100X	UNF C RESISTOR	EXCEPT J/C	
	CN 82	QGB2510K1-09	CONNECTOR				R 837	QRJ146J-100X	UNF C RESISTOR	EXCEPT J/C	
	CN701	QGB2510J1-14	CONNECTOR				R 838	QRJ146J-100X	UNF C RESISTOR	EXCEPT J/C	
	CN702	QGB2510J1-14	CONNECTOR				R 841	QRE141J-104Y	C RESISTOR	100K 5% 1/4W	
	CN703	QGB2510J1-10	CONNECTOR				R 842	QRE141J-823Y	C RESISTOR	82K 5% 1/4W	
	CN705	QGB2510J1-12	CONNECTOR				R 843	QRE141J-104Y	C RESISTOR	100K 5% 1/4W	
	CN706	QGB2510J1-12	CONNECTOR				R 844	QRE141J-104Y	C RESISTOR	100K 5% 1/4W	
	CN721	QGA2501C1-03	3P CONNECTOR				R 845	QRE141J-823Y	C RESISTOR	82K 5% 1/4W	
	CN723	QGA2501C1-04	4P CONNECTOR				R 851	QRJ146J-120X	UNF C RESISTOR	12 5% 1/4W	
	CN801	QJK012-032403	SKT WIRE ASSY				R 852	QRJ146J-120X	UNF C RESISTOR	12 5% 1/4W	
	CN813	QGA3901C1-04	CONNECTOR				R 855	QRJ146J-392X	UNF C RESISTOR	3.9K 5% 1/4W	
	CN814	QGA3901C1-06	CONNECTOR				R 856	QRE141J-223Y	C RESISTOR	22K 5% 1/4W	
△	CN823	QJK015-043004	SIN CR C-B WIRE				R 857	QRE141J-682Y	C RESISTOR	6.8K 5% 1/4W	
△	CN824	QJK015-063504	SIN CR C-B WIRE				R 858	QRE141J-472Y	C RESISTOR	4.7K 5% 1/4W	
	CN831	QGD2504C1-04Z	SOCKET				R 859	QRE141J-223Y	C RESISTOR	22K 5% 1/4W	
	CN881	QGD2504C1-03Z	SOCKET				R 860	QRE141J-682Y	C RESISTOR	6.8K 5% 1/4W	
△	D 801	30DF2-FC	DIODE				R 861	QRE141J-472Y	C RESISTOR	4.7K 5% 1/4W	
△	D 802	30DF2-FC	DIODE				R 862	QRE141J-223Y	C RESISTOR	22K 5% 1/4W	
△	D 803	30DF2-FC	DIODE				R 863	QRE141J-682Y	C RESISTOR	6.8K 5% 1/4W	
△	D 804	30DF2-FC	DIODE				R 864	QRE141J-472Y	C RESISTOR	4.7K 5% 1/4W	
	D 811	MTZJ20B-T2	Z DIODE	UJ			R 865	QRE141J-472Y	C RESISTOR	4.7K 5% 1/4W	
	D 816	MTZJ18C-T2	Z.DIODE				R 866	QRE141J-472Y	C RESISTOR	4.7K 5% 1/4W	
	D 825	1SS133-T2	SI DIODE				R 867	QRE141J-103Y	C RESISTOR	10K 5% 1/4W	
	D 831	1SS133-T2	SI DIODE				R 871	QRJ146J-120X	UNF C RESISTOR	12 5% 1/4W	
	D 832	1SS133-T2	SI DIODE				R 885	QRJ146J-100X	UNF C RESISTOR	EXCEPT J/C	

■ Electrical parts list (Main board)

Block No. 01

△	Item	Parts number	Parts name	Remarks	Area
	R 887	QRJ146J-100X	UNF C RESISTOR	EXCEPT J/C	
	R 888	QRJ146J-100X	UNF C RESISTOR	EXCEPT J/C	
	RY831	QSK0109-001	RELAY		
	RY832	QSK0109-001	RELAY		
	RY851	QSK0109-001	RELAY		
	RY852	QSK0109-001	RELAY		
	RY871	QSK0109-001	RELAY		
	ST831	QNB0111-001	SPK.TERMINAL	UJ/E/EN	
	ST851	QNB0079-001	SPK TERMINAL	UJ/E/EN	

■ Electrical parts list (Front board)

Block No. 02

Item	Parts number	Parts name	Remarks	Area	Item	Parts number	Parts name	Remarks	Area
BK400	LV42092-001A	FL HOLDER(R)			DI400	QLF0102-001	FL TUBE		
BK401	LV42093-001A	FL HOLDER(L)			IC400	MN101C35DHL1	IC		
C 400	QEK1HM-475Z	E CAPACITOR	4.7MF 20% 50V		IC402	BU2092	IC		
C 401	NCB31CK-104X	C CAPACITOR			IC404	GP1UM281XK	IR DETECT UNIT		
C 402	NCB31CK-104X	C CAPACITOR			IC410	PCM2702ED-X	IC		
C 404	NCB31EK-223X	C CAPACITOR			IC411	NJU7241F33-X	IC		
C 406	NCB31HK-331X	C CAPACITOR			J 400	QND0026-001	S JACK		
C 407	QCZ0202-155Z	ML C CAPACITOR	1.5MF		J 401	QNZ0541-001	USB JACK		
C 408	NCB31EK-223X	C CAPACITOR			JS400	QSW0898-001	JOG VOLUME		
C 409	QEK1HM-475Z	E CAPACITOR	4.7MF 20% 50V		K 451	NQR0201-018X	INDUCTOR		
C 410	QEK1HM-475Z	E CAPACITOR	4.7MF 20% 50V		K 452	NQR0201-018X	INDUCTOR		
C 411	NCB21AK-225X	C.CAPACITOR			K 453	NQR0201-018X	INDUCTOR		
C 412	QEK0JM-107Z	E CAPACITOR	100MF 20% 6.3V		K 454	NQR0201-018X	INDUCTOR		
C 420	NCB31HK-471X	C CAPACITOR			K 455	NQR0201-018X	INDUCTOR		
C 421	NCB31HK-471X	C CAPACITOR			PW401	QUB030-17PPHM	SIN TWIST WIRE		
C 422	NCB31HK-471X	C CAPACITOR			Q 402	DTC114TKA-X	TRANSISTOR		
C 423	NCB31HK-471X	C CAPACITOR			Q 403	DTC144WKA-X	TRANSISTOR		
C 424	NCB31HK-471X	C CAPACITOR			Q 404	KRC107S-X	DIGITAL TR		
C 425	NCB31HK-471X	C CAPACITOR			Q 407	KRC107S-X	DIGITAL TR		
C 430	NCB31CK-104X	C CAPACITOR			Q 408	KRC107S-X	DIGITAL TR		
C 431	NCB31EK-223X	C CAPACITOR			Q 410	DTA114YKA-X	TRANSISTOR	(DIRECT)	
C 432	NCS31HJ-220X	C CAPACITOR			Q 411	DTA114YKA-X	TRANSISTOR	(BASS)	
C 433	NCS31HJ-220X	C CAPACITOR			Q 412	DTA114YKA-X	TRANSISTOR	(STANBY)	
C 435	NCB31CK-104X	C CAPACITOR			Q 413	DTA114YKA-X	TRANSISTOR	(SURROUND)	
C 436	NCB31CK-104X	C CAPACITOR			Q 414	DTA114YKA-X	TRANSISTOR	(DSP)	
C 437	NCB31CK-104X	C CAPACITOR			R 400	NRSA63J-102X	MG RESISTOR		
C 438	NCB31CK-104X	C CAPACITOR			R 401	NRSA63J-102X	MG RESISTOR		
C 439	NCB31CK-104X	C CAPACITOR			R 402	NRSA63J-122X	MG RESISTOR		
C 440	NCB31CK-104X	C CAPACITOR			R 403	NRSA63J-102X	MG RESISTOR		
C 441	QEK1CM-106Z	E CAPACITOR	10MF 20% 16V		R 404	NRSA63J-102X	MG RESISTOR		
C 442	QETN1AM-107Z	E CAPACITOR	100MF 20% 10V		R 405	NRSA63J-122X	MG RESISTOR		
C 443	QETN1AM-107Z	E CAPACITOR	100MF 20% 10V		R 406	NRSA63J-152X	MG RESISTOR		
C 444	NCS31HJ-331X	C.CAPACITOR			R 407	NRSA63J-222X	MG RESISTOR		
C 448	NCB31CK-104X	C CAPACITOR			R 408	NRSA63J-272X	MG RESISTOR		
C 456	NCB31CK-104X	C CAPACITOR			R 409	NRSA63J-332X	MG RESISTOR		
C 460	NCB31CK-104X	C CAPACITOR			R 410	NRSA63J-102X	MG RESISTOR		
C 461	NCB31HK-221X	C CAPACITOR	EXCEPT J/C		R 411	NRSA63J-102X	MG RESISTOR		
C 462	NCB31HK-221X	C CAPACITOR	EXCEPT J/C	(LEFT)	R 412	NRSA63J-122X	MG RESISTOR		
C 463	NCS31HJ-470X	C CAPACITOR	EXCEPT J/C	(RIGHT)	R 413	NRSA63J-152X	MG RESISTOR		
C 464	NCS31HJ-470X	C CAPACITOR	EXCEPT J/C		R 414	NRSA63J-222X	MG RESISTOR		
C 465	NCS31HJ-470X	C CAPACITOR	EXCEPT J/C		R 415	NRSA63J-272X	MG RESISTOR		
CN406	WJP0031-001A	C-B WIRE ASSY			R 416	NRSA63J-332X	MG RESISTOR		
CN410	QGF1205F1-10	CONNECTOR			R 417	NRSA63J-102X	MG RESISTOR		
CN412	QGF1205F1-08	CONNECTOR			R 418	NRSA63J-102X	MG RESISTOR		
CN420	QJK025-031301	SIN CR C-B WIRE	(LEFT)		R 419	NRSA63J-122X	MG RESISTOR		
CN422	QJK025-041201	SIN ID C-B WIRE	(RIGHT)		R 420	NRSA63J-152X	MG RESISTOR		
CN430	QGA2501C1-03	3P CONNECTOR			R 421	NRSA63J-222X	MG RESISTOR		
CN432	QGA2501C1-04	4P CONNECTOR			R 422	NRSA63J-272X	MG RESISTOR		
D 405	1SS133-T2	SI DIODE			R 423	NRSA63J-332X	MG RESISTOR		
D 410	SLR-342VC-T	LED	(FM/AM)		R 424	NRSA63J-102X	MG RESISTOR		
D 411	SLR-342VC-T	LED	(USB)		R 425	NRSA63J-102X	MG RESISTOR		
D 412	SLR-342VC-T	LED	(TAPE)		R 426	NRSA63J-122X	MG RESISTOR		
D 413	SLR-342VC-T	LED	(CDR)		R 431	NRSA63J-102X	MG RESISTOR		
D 414	SLR-342VC-T	LED	(PHONE)		R 432	NRSA63J-102X	MG RESISTOR		
D 415	SLR-342VC-T	LED	(CD)		R 433	NRSA63J-122X	MG RESISTOR		
D 416	SLR-342VC-T	LED	(TV/DBS)		R 434	NRSA63J-152X	MG RESISTOR		
D 417	SLR-342VC-T	LED	(VIDEO)		R 435	NRSA63J-222X	MG RESISTOR		
D 418	SLR-342VC-T	LED	(VCR2)		R 436	NRSA63J-102X	MG RESISTOR	VER 8020J	
D 419	SLR-342VC-T	LED	(VCR1)		R 437	NRSA63J-102X	MG RESISTOR	VER 8020D	
D 420	SLR-342VC-T	LED	(DVD MULTI)		R 438	NRSA63J-122X	MG RESISTOR	VER 8020E	
D 421	SLR-342VC-T	LED	(DVD)		R 439	NRSA63J-152X	MG RESISTOR	VER 8020A	
D 422	SLR-342VC-T	LED	(SURROUND)		R 440	NRSA63J-222X	MG RESISTOR	VER 8020U1	
D 423	SLR-342VC-T	LED	(DSP)		R 443	NRSA63J-102X	MG RESISTOR	NTSC	
D 480	SLR-342VC-T	LED	(STANDBY)		R 445	NRSA63J-103X	MG RESISTOR		
D 490	SLR-342VC-T	LED	(DIRECT)		R 446	NRSA63J-103X	MG RESISTOR		
D 491	SLR-342VC-T	LED	(BASS)		R 447	NRSA63J-103X	MG RESISTOR		

■ Electrical parts list (Front board)

Block No. 02

△	Item	Parts number	Parts name	Remarks	Area
	R 448	NRSA63J-103X	MG RESISTOR		
	R 449	NRSA63J-103X	MG RESISTOR		
	R 450	NRSA63J-103X	MG RESISTOR		
	R 451	NRSA63J-103X	MG RESISTOR		
	R 452	NRSA63J-103X	MG RESISTOR		
	R 453	NRSA63J-103X	MG RESISTOR		
	R 454	NRSA63J-103X	MG RESISTOR		
	R 455	NRSA63J-471X	MG RESISTOR		
	R 456	NRSA63J-103X	MG RESISTOR		
	R 457	NRSA63J-103X	MG RESISTOR		
	R 458	NRSA63J-103X	MG RESISTOR		
	R 459	NRSA63J-221X	MG RESISTOR		
	R 460	NRSA63J-221X	MG RESISTOR		
	R 461	NRSA63J-221X	MG RESISTOR		
	R 462	NRSA63J-221X	MG RESISTOR		
	R 463	NRSA63J-221X	MG RESISTOR		
	R 464	NRSA63J-221X	MG RESISTOR		
	R 465	NRSA63J-331X	MG RESISTOR		
	R 466	NRSA63J-331X	MG RESISTOR		
	R 467	NRSA63J-221X	MG RESISTOR		
	R 468	NRSA63J-221X	MG RESISTOR		
	R 469	NRSA63J-221X	MG RESISTOR		
	R 470	NRSA63J-750X	MG RESISTOR		
	R 471	NRSA63J-750X	MG RESISTOR		
	R 472	NRSA63J-750X	MG RESISTOR		
	R 473	NRSA63J-152X	MG RESISTOR		
	R 474	NRSA63J-105X	MG RESISTOR		
	R 475	NRSA63J-220X	MG RESISTOR		
	R 476	NRSA63J-220X	MG RESISTOR		
	R 477	NRSA63J-0R0X	MG RESISTOR		
	R 479	NRSA63J-181X	MG RESISTOR		
	R 480	NRSA63J-152X	MG RESISTOR		
	R 481	NRSA63J-222X	MG RESISTOR		
	R 482	NRSA63J-272X	MG RESISTOR		
	R 483	NRSA63J-392X	MG RESISTOR		
	R 486	NRSA63J-0R0X	MG RESISTOR		
	R 490	NRSA63J-272X	MG RESISTOR		
	R 491	NRSA63J-392X	MG RESISTOR		
	R 495	NRSA63J-102X	MG RESISTOR		
	S 400	QSW0683-001Z	PUSH SWITCH	(SURROUND)	
	S 401	QSW0683-001Z	PUSH SWITCH	(DSP)	
	S 402	QSW0683-001Z	PUSH SWITCH	(SURR/DSP OFF)	
	S 403	QSW0683-001Z	PUSH SWITCH	(TUNING UP)	
	S 404	QSW0683-001Z	PUSH SWITCH	(PRESET UP)	
	S 405	QSW0683-001Z	PUSH SWITCH	(FM MODE)	
	S 406	QSW0683-001Z	PUSH SWITCH	(MEMORY)	
	S 407	QSW0683-001Z	PUSH SWITCH	(INPUT MODE)	
	S 408	QSW0683-001Z	PUSH SWITCH	(DVD)	
	S 409	QSW0683-001Z	PUSH SWITCH	(DVD MULTI)	
	S 410	QSW0683-001Z	PUSH SWITCH	(TUNING DOWN)	
	S 411	QSW0683-001Z	PUSH SWITCH	(PRESET DOWN)	
	S 412	QSW0683-001Z	PUSH SWITCH	(VCR1)	
	S 413	QSW0683-001Z	PUSH SWITCH	(VCR2)	
	S 414	QSW0683-001Z	PUSH SWITCH	(VIDEO)	
	S 415	QSW0683-001Z	PUSH SWITCH	(CD)	
	S 416	QSW0683-001Z	PUSH SWITCH	(TV/DBS)	
	S 417	QSW0683-001Z	PUSH SWITCH	(CDR)	
	S 418	QSW0683-001Z	PUSH SWITCH	(USB AUDIO)	
	S 419	QSW0683-001Z	PUSH SWITCH	(PHONE)	
	S 420	QSW0683-001Z	PUSH SWITCH	(FM/AM)	
	S 421	QSW0683-001Z	PUSH SWITCH	(DIGITAL SEA)	
	S 422	QSW0683-001Z	PUSH SWITCH	(LEVEL ADJUST)	
	S 423	QSW0683-001Z	PUSH SWITCH	(TAPE/MD)	
	S 424	QSW0683-001Z	PUSH SWITCH	(DOWN)	
	S 425	QSW0683-001Z	PUSH SWITCH	(EFFECT)	
	S 426	QSW0683-001Z	PUSH SWITCH	(SETTING)	

△	Item	Parts number	Parts name	Remarks	Area
	S 431	QSW0683-001Z	PUSH SWITCH	(UP)	
	S 480	QSW0683-001Z	PUSH SWITCH	(POWER)	
	S 481	QSW0683-001Z	PUSH SWITCH	(SPK1)	
	S 482	QSW0683-001Z	PUSH SWITCH	(SPK2)	
	S 483	QSW0683-001Z	PUSH SWITCH	(SUBWFR)	
	S 490	QSW0683-001Z	PUSH SWITCH	(DIRECT)	
	S 491	QSW0683-001Z	PUSH SWITCH	(BASS)	
	X 400	QAX0246-001Z	C RESONATOR		
	X 410	QAX0320-001Z	CRYSTAL		

■ Electrical parts list (Power board)

Block No. 03

▲	Item	Parts number	Parts name	Remarks	Area	▲	Item	Parts number	Parts name	Remarks	Area
	C 701	QTE1V06-106Z	E CAPACITOR				C1811	QCS32HJ-330Z	C CAPACITOR	33PF 5% 500V	
	C 702	QTE1V06-106Z	E CAPACITOR				C1812	QCS32HJ-330Z	C CAPACITOR	33PF 5% 500V	
	C 703	QCS31HJ-101Z	C CAPACITOR	100PF 5% 50V			C1813	QFLC1HJ-103Z	M CAPACITOR	.010MF 5% 50V	
	C 704	QCS31HJ-101Z	C CAPACITOR	100PF 5% 50V			C1814	QFLC1HJ-103Z	M CAPACITOR	.010MF 5% 50V	
	C 705	QCS31HJ-101Z	C CAPACITOR	100PF 5% 50V			C1815	QETN1CM-107Z	E CAPACITOR	100MF 20% 16V	
	C 706	QCS31HJ-101Z	C CAPACITOR	100PF 5% 50V			C1816	QETN1CM-107Z	E CAPACITOR	100MF 20% 16V	
	C 707	QETN1CM-107Z	E CAPACITOR	100MF 20% 16V			C1817	QETN1HM-476Z	E CAPACITOR	47MF 20% 50V	
	C 708	QETN1CM-107Z	E CAPACITOR	100MF 20% 16V			C1818	QETN1HM-476Z	E CAPACITOR	47MF 20% 50V	
	C 709	QCS31HJ-100Z	C CAPACITOR	10PF 5% 50V			C1841	QETN2AM-476Z	E CAPACITOR	47MF 20% 100V	
	C 710	QCS31HJ-100Z	C CAPACITOR	10PF 5% 50V			C1842	QETN2AM-476Z	E CAPACITOR	47MF 20% 100V	
	C 711	QFLC1HJ-103Z	M CAPACITOR	.010MF 5% 50V			C1843	QETN2AM-476Z	E CAPACITOR	47MF 20% 100V	
	C 712	QFLC1HJ-103Z	M CAPACITOR	.010MF 5% 50V			C1844	QETN2AM-476Z	E CAPACITOR	47MF 20% 100V	
	C 713	QCS31HJ-680Z	C CAPACITOR	68PF 5% 50V			C1851	QCS32HJ-470Z	C CAPACITOR	47PF 5% 500V	
	C 714	QCS31HJ-680Z	C CAPACITOR	68PF 5% 50V			C1852	QCS32HJ-470Z	C CAPACITOR	47PF 5% 500V	
	C 715	QCS31HJ-680Z	C CAPACITOR	68PF 5% 50V			C1853	QCS32HJ-470Z	C CAPACITOR	47PF 5% 500V	
	C 716	QCS31HJ-680Z	C CAPACITOR	68PF 5% 50V			C1854	QCS32HJ-470Z	C CAPACITOR	47PF 5% 500V	
	C 717	QCS32HJ-220Z	C CAPACITOR	22PF 5% 500V			C1861	QFLC1HJ-473Z	M CAPACITOR	.047MF 5% 50V	
	C 718	QCS32HJ-220Z	C CAPACITOR	22PF 5% 500V			C1862	QFLC1HJ-473Z	M CAPACITOR	.047MF 5% 50V	
	C 719	QFLC1HJ-472Z	M CAPACITOR	4700PF 5% 50V			C1863	QFLC1HJ-473Z	M CAPACITOR	.047MF 5% 50V	
	C 720	QFLC1HJ-472Z	M CAPACITOR	4700PF 5% 50V			C1864	QFLC1HJ-473Z	M CAPACITOR	.047MF 5% 50V	
	C 741	QETN2AM-476Z	E CAPACITOR	47MF 20% 100V			C1891	QCF31HZ-223Z	C CAPACITOR	.022MF +80:-20%	
	C 742	QETN2AM-476Z	E CAPACITOR	47MF 20% 100V			C1892	QCF31HZ-223Z	C CAPACITOR	.022MF +80:-20%	
	C 745	QETN2AM-476Z	E CAPACITOR	47MF 20% 100V			D 701	1SS133-T2	SI DIODE		
	C 746	QETN2AM-476Z	E CAPACITOR	47MF 20% 100V			D 702	1SS133-T2	SI DIODE		
	C 751	QCS32HJ-470Z	C CAPACITOR	47PF 5% 500V			D 703	1SS133-T2	SI DIODE		
	C 752	QCS32HJ-470Z	C CAPACITOR	47PF 5% 500V			D 704	1SS133-T2	SI DIODE		
	C 753	QCS32HJ-470Z	C CAPACITOR	47PF 5% 500V			D 771	1SS133-T2	SI DIODE		
	C 754	QCS32HJ-470Z	C CAPACITOR	47PF 5% 500V			D 772	1SS133-T2	SI DIODE		
	C 791	QFLC1HJ-473Z	M CAPACITOR	.047MF 5% 50V			D 773	1SS133-T2	SI DIODE		
	C 792	QFLC1HJ-473Z	M CAPACITOR	.047MF 5% 50V			D 774	1SS133-T2	SI DIODE		
	C 793	QFLC1HJ-473Z	M CAPACITOR	.047MF 5% 50V			D 791	1SS133-T2	SI DIODE		
	C 794	QFLC1HJ-473Z	M CAPACITOR	.047MF 5% 50V			D 792	1SS133-T2	SI DIODE		
	C 795	QCF31HZ-223Z	C CAPACITOR	.022MF +80:-20%			D1701	1SS133-T2	SI DIODE		
	C 796	QCF31HZ-223Z	C CAPACITOR	.022MF +80:-20%			D1771	1SS133-T2	SI DIODE		
	CN711	QGB2510K1-14	CONNECTOR				D1772	1SS133-T2	SI DIODE		
	CN712	QGB2510K1-14	CONNECTOR				D1791	1SS133-T2	SI DIODE		
	CN713	QGB2510K1-10	CONNECTOR				D1801	1SS133-T2	SI DIODE		
	CN715	QGB2510K1-12	CONNECTOR				D1802	1SS133-T2	SI DIODE		
	CN716	QGB2510K1-12	CONNECTOR				D1871	1SS133-T2	SI DIODE		
	CN722	QGA2501F1-02	CONNECTOR				D1872	1SS133-T2	SI DIODE		
	C1701	QETN1HM-105Z	E CAPACITOR	1.0MF 20% 50V			D1873	1SS133-T2	SI DIODE		
	C1702	QCS31HJ-101Z	C CAPACITOR	100PF 5% 50V			D1874	1SS133-T2	SI DIODE		
	C1703	QCS31HJ-221Z	C CAPACITOR	UJ/E/EN			D1891	1SS133-T2	SI DIODE		
	C1704	QETN1CM-107Z	E CAPACITOR	100MF 20% 16V			D1892	1SS133-T2	SI DIODE		
	C1705	QCS31HJ-5R0Z	C CAPACITOR	5.0PF 5% 50V			L 791	QQLZ003-1R0	INDUCTOR		
	C1711	QCS32HJ-330Z	C CAPACITOR	33PF 5% 500V			L 792	QQLZ003-1R0	INDUCTOR		
	C1712	QFLC1HJ-103Z	M CAPACITOR	.010MF 5% 50V			L1761	QQLZ005-R45	INDUCTOR		
	C1713	QETN1CM-107Z	E CAPACITOR	100MF 20% 16V			L1861	QQLZ005-R45	INDUCTOR		
	C1715	QETN1HM-476Z	E CAPACITOR	47MF 20% 50V			L1862	QQLZ005-R45	INDUCTOR		
	C1741	QETN2AM-476Z	E CAPACITOR	47MF 20% 100V			Q 701	2SC2240-BL/AB/T	TRANSISTOR		
	C1743	QETN2AM-476Z	E CAPACITOR	47MF 20% 100V			Q 702	2SC2240-BL/AB/T	TRANSISTOR		
	C1751	QCS32HJ-470Z	C CAPACITOR	47PF 5% 500V			Q 703	2SC2240-BL/AB/T	TRANSISTOR		
	C1752	QCS32HJ-470Z	C CAPACITOR	47PF 5% 500V			Q 704	2SC2240-BL/AB/T	TRANSISTOR		
	C1761	QFLC1HJ-473Z	M CAPACITOR	.047MF 5% 50V			Q 705	KTA1268/GL/-T	TRANSISTOR		
	C1762	QFLC1HJ-473Z	M CAPACITOR	.047MF 5% 50V			Q 706	KTA1268/GL/-T	TRANSISTOR		
	C1791	QCF31HZ-223Z	C CAPACITOR	.022MF +80:-20%			Q 707	KTA1268/GL/-T	TRANSISTOR		
	C1801	QETN1HM-105Z	E CAPACITOR	1.0MF 20% 50V			Q 708	KTA1268/GL/-T	TRANSISTOR		
	C1802	QETN1HM-105Z	E CAPACITOR	1.0MF 20% 50V			Q 709	KTA1268/GL/-T	TRANSISTOR		
	C1803	QCS31HJ-101Z	C CAPACITOR	100PF 5% 50V			Q 710	KTA1268/GL/-T	TRANSISTOR		
	C1804	QCS31HJ-101Z	C CAPACITOR	100PF 5% 50V			Q 711	KTC3200/GL/-T	TRANSISTOR		
	C1805	QCS31HJ-221Z	C CAPACITOR	UJ/E/EN			Q 712	KTC3200/GL/-T	TRANSISTOR		
	C1806	QCS31HJ-221Z	C CAPACITOR	UJ/E/EN			▲ Q 761	2SD2390/OPY/-F6	TRANSISTOR	UJ/E/EN	
	C1807	QETN1CM-107Z	E CAPACITOR	100MF 20% 16V			▲ Q 762	2SD2390/OPY/-F6	TRANSISTOR	UJ/E/EN	
	C1808	QETN1CM-107Z	E CAPACITOR	100MF 20% 16V			▲ Q 763	2SB1560/OPY/-F6	TRANSISTOR	UJ/E/EN	
	C1809	QCS31HJ-5R0Z	C CAPACITOR	5.0PF 5% 50V			▲ Q 764	2SB1560/OPY/-F6	TRANSISTOR	UJ/E/EN	
	C1810	QCS31HJ-5R0Z	C CAPACITOR	5.0PF 5% 50V			Q 771	KTC3200/GL/-T	TRANSISTOR		

■ Electrical parts list (Power board)

Block No. 03

△	Item	Parts number	Parts name	Remarks	Area
	Q 772	KTC3200/GLJ-T	TRANSISTOR		
	Q 773	KTA1268/GLJ-T	TRANSISTOR		
	Q 774	KTA1268/GLJ-T	TRANSISTOR		
	Q 781	2SD637/QR/	TRANSISTOR		
	Q 782	2SD637/QR/	TRANSISTOR		
	Q 791	KTA1268/GLJ-T	TRANSISTOR		
	Q 792	KTA1268/GLJ-T	TRANSISTOR		
	Q1701	2SC2240-BL/AB/T	TRANSISTOR		
	Q1702	2SC2240-BL/AB/T	TRANSISTOR		
	Q1703	KTA1268/GLJ-T	TRANSISTOR		
	Q1731	2SD637/QR/	TRANSISTOR		
△	Q1751	2SD2390/OPY/-F6	TRANSISTOR		
△	Q1752	2SB1560/OPY/-F6	TRANSISTOR		
	Q1771	KTC3200/GLJ-T	TRANSISTOR		
	Q1772	KTA1268/GLJ-T	TRANSISTOR		
	Q1791	KTA1268/GLJ-T	TRANSISTOR		
	Q1801	2SC2240-BL/AB/T	TRANSISTOR		
	Q1802	2SC2240-BL/AB/T	TRANSISTOR		
	Q1803	2SC2240-BL/AB/T	TRANSISTOR		
	Q1804	2SC2240-BL/AB/T	TRANSISTOR		
	Q1805	KTA1268/GLJ-T	TRANSISTOR		
	Q1806	KTA1268/GLJ-T	TRANSISTOR		
	Q1831	2SD637/QR/	TRANSISTOR		
	Q1832	2SD637/QR/	TRANSISTOR		
△	Q1851	2SD2390/OPY/-F6	TRANSISTOR		
△	Q1852	2SD2390/OPY/-F6	TRANSISTOR		
△	Q1853	2SB1560/OPY/-F6	TRANSISTOR		
△	Q1854	2SB1560/OPY/-F6	TRANSISTOR		
	Q1871	KTC3200/GLJ-T	TRANSISTOR		
	Q1872	KTC3200/GLJ-T	TRANSISTOR		
	Q1873	KTA1268/GLJ-T	TRANSISTOR		
	Q1874	KTA1268/GLJ-T	TRANSISTOR		
	Q1891	KTA1268/GLJ-T	TRANSISTOR		
	Q1892	KTA1268/GLJ-T	TRANSISTOR		
	R 701	QRE141J-222Y	C RESISTOR	2.2K 5% 1/4W	
	R 702	QRE141J-222Y	C RESISTOR	2.2K 5% 1/4W	
	R 703	QRE141J-104Y	C RESISTOR	100K 5% 1/4W	
	R 704	QRE141J-104Y	C RESISTOR	100K 5% 1/4W	
	R 705	QRE141J-202Y	C RESISTOR	2.0K 5% 1/4W	
	R 706	QRE141J-202Y	C RESISTOR	2.0K 5% 1/4W	
	R 707	QRE141J-202Y	C RESISTOR	2.0K 5% 1/4W	
	R 708	QRE141J-202Y	C RESISTOR	2.0K 5% 1/4W	
	R 709	QRE141J-912Y	C RESISTOR	9.1K 5% 1/4W	
	R 710	QRE141J-912Y	C RESISTOR	9.1K 5% 1/4W	
	R 711	QRE141J-621Y	C RESISTOR	620 5% 1/4W	
	R 712	QRE141J-621Y	C RESISTOR	620 5% 1/4W	
	R 715	QRE141J-104Y	C RESISTOR	100K 5% 1/4W	
	R 716	QRE141J-104Y	C RESISTOR	100K 5% 1/4W	
	R 717	QRJ146J-562X	UNF C RESISTOR	5.6K 5% 1/4W	
	R 718	QRJ146J-562X	UNF C RESISTOR	5.6K 5% 1/4W	
	R 719	QRK126J-103X	C RESISTOR	10K 5% 1/2W	
	R 720	QRK126J-103X	C RESISTOR	10K 5% 1/2W	
	R 721	QRJ146J-151X	UNF C RESISTOR	150 5% 1/4W	
	R 722	QRJ146J-151X	UNF C RESISTOR	150 5% 1/4W	
	R 723	QRE141J-391Y	C RESISTOR	390 5% 1/4W	
	R 724	QRE141J-391Y	C RESISTOR	390 5% 1/4W	
	R 725	QRE141J-152Y	C RESISTOR	1.5K 5% 1/4W	
	R 726	QRE141J-152Y	C RESISTOR	1.5K 5% 1/4W	
	R 727	QRE141J-333Y	C RESISTOR	33K 5% 1/4W	
	R 728	QRE141J-333Y	C RESISTOR	33K 5% 1/4W	
	R 729	QRE141J-391Y	C RESISTOR	390 5% 1/4W	
	R 730	QRE141J-391Y	C RESISTOR	390 5% 1/4W	
	R 731	QRE141J-391Y	C RESISTOR	390 5% 1/4W	
	R 732	QRE141J-391Y	C RESISTOR	390 5% 1/4W	
	R 733	QRE141J-221Y	C RESISTOR	220 5% 1/4W	
	R 734	QRE141J-221Y	C RESISTOR	220 5% 1/4W	

△	Item	Parts number	Parts name	Remarks	Area
	R 761	QRJ146J-100X	UNF C RESISTOR	10 5% 1/4W	
	R 762	QRJ146J-100X	UNF C RESISTOR	10 5% 1/4W	
	R 763	QRJ146J-100X	UNF C RESISTOR	10 5% 1/4W	
	R 764	QRJ146J-100X	UNF C RESISTOR	10 5% 1/4W	
	R 771	QRE141J-391Y	C RESISTOR	390 5% 1/4W	
	R 772	QRE141J-391Y	C RESISTOR	390 5% 1/4W	
	R 773	QRE141J-391Y	C RESISTOR	390 5% 1/4W	
	R 774	QRE141J-391Y	C RESISTOR	390 5% 1/4W	
	R 775	QRE141J-201Y	C RESISTOR	200 5% 1/4W	
	R 776	QRE141J-201Y	C RESISTOR	200 5% 1/4W	
	R 777	QRE141J-201Y	C RESISTOR	200 5% 1/4W	
	R 778	QRE141J-201Y	C RESISTOR	200 5% 1/4W	
	R 779	QRZ0218-R22	C RESISTOR	1/2W	
	R 780	QRZ0218-R22	C RESISTOR	1/2W	
	R 781	QRE141J-391Y	C RESISTOR	390 5% 1/4W	
	R 782	QRE141J-391Y	C RESISTOR	390 5% 1/4W	
	R 783	QRE141J-621Y	C RESISTOR	620 5% 1/4W	
	R 784	QRE141J-621Y	C RESISTOR	620 5% 1/4W	
	R 787	QRE141J-473Y	C RESISTOR	47K 5% 1/4W	
	R 788	QRE141J-473Y	C RESISTOR	47K 5% 1/4W	
	R 789	QRE141J-271Y	C RESISTOR	270 5% 1/4W	
	R 790	QRE141J-271Y	C RESISTOR	270 5% 1/4W	
	R 791	QRJ125J-330	UNF OMF RESISTO	33 5% 1/2W	
	R 792	QRJ125J-330	UNF OMF RESISTO	33 5% 1/2W	
	R 793	QRL027J-100	UNF.OMF.RES.	10 5% 1/2W	
	R 794	QRL027J-100	UNF.OMF.RES.	10 5% 1/2W	
	R 795	QRE141J-102Y	C RESISTOR	1.0K 5% 1/4W	
	R 796	QRE141J-102Y	C RESISTOR	1.0K 5% 1/4W	
	R 797	QRE141J-153Y	C RESISTOR	15K 5% 1/4W	
	R 798	QRE141J-153Y	C RESISTOR	15K 5% 1/4W	
	R1701	QRE141J-222Y	C RESISTOR	2.2K 5% 1/4W	
	R1702	QRE141J-683Y	C RESISTOR	68K 5% 1/4W	
	R1703	QRE141J-202Y	C RESISTOR	2.0K 5% 1/4W	
	R1705	QRE141J-123Y	C RESISTOR	12K 5% 1/4W	
	R1711	QRE141J-331Y	C RESISTOR	330 5% 1/4W	
	R1712	QRE141J-563Y	C RESISTOR	56K 5% 1/4W	
	R1721	QRJ146J-221X	UNF C RESISTOR	220 5% 1/4W	
	R1722	QRE141J-332Y	C RESISTOR	3.3K 5% 1/4W	
	R1723	QRE141J-332Y	C RESISTOR	3.3K 5% 1/4W	
	R1724	QRE141J-332Y	C RESISTOR	3.3K 5% 1/4W	
	R1725	QRE141J-332Y	C RESISTOR	3.3K 5% 1/4W	
	R1731	QRE141J-911Y	C RESISTOR	910 5% 1/4W	
	R1732	QRE141J-391Y	C RESISTOR	390 5% 1/4W	
	R1733	QRE141J-271Y	C RESISTOR	270 5% 1/4W	
	R1741	QRJ146J-221X	UNF C RESISTOR	220 5% 1/4W	
	R1751	QRJ146J-100X	UNF C RESISTOR	10 5% 1/4W	
	R1752	QRJ146J-100X	UNF C RESISTOR	10 5% 1/4W	
	R1753	QRZ0218-R22	C RESISTOR	1/2W	
	R1761	QRJ125J-330	UNF OMF RESISTO	33 5% 1/2W	
	R1762	QRL027J-100	UNF.OMF.RES.	10 5% 1/2W	
	R1771	QRE141J-391Y	C RESISTOR	390 5% 1/4W	
	R1772	QRE141J-391Y	C RESISTOR	390 5% 1/4W	
	R1773	QRE141J-201Y	C RESISTOR	200 5% 1/4W	
	R1774	QRE141J-201Y	C RESISTOR	200 5% 1/4W	
	R1791	QRE141J-102Y	C RESISTOR	1.0K 5% 1/4W	
	R1793	QRE141J-183Y	C RESISTOR	18K 5% 1/4W	
	R1795	QRE141J-473Y	C RESISTOR	47K 5% 1/4W	
	R1801	QRE141J-222Y	C RESISTOR	2.2K 5% 1/4W	
	R1802	QRE141J-222Y	C RESISTOR	2.2K 5% 1/4W	
	R1803	QRE141J-683Y	C RESISTOR	68K 5% 1/4W	
	R1804	QRE141J-683Y	C RESISTOR	68K 5% 1/4W	
	R1805	QRE141J-202Y	C RESISTOR	2.0K 5% 1/4W	
	R1806	QRE141J-202Y	C RESISTOR	2.0K 5% 1/4W	
	R1809	QRE141J-123Y	C RESISTOR	12K 5% 1/4W	
	R1810	QRE141J-123Y	C RESISTOR	12K 5% 1/4W	
	R1811	QRE141J-331Y	C RESISTOR	330 5% 1/4W	

■ Electrical parts list (Power board)

Block No. 03

△	Item	Parts number	Parts name	Remarks	Area
	R1812	QRE141J-331Y	C RESISTOR	330 5% 1/4W	
	R1813	QRE141J-563Y	C RESISTOR	56K 5% 1/4W	
	R1814	QRE141J-563Y	C RESISTOR	56K 5% 1/4W	
	R1821	QRJ146J-221X	UNF C RESISTOR	220 5% 1/4W	
	R1822	QRJ146J-221X	UNF C RESISTOR	220 5% 1/4W	
	R1823	QRE141J-332Y	C RESISTOR	3.3K 5% 1/4W	
	R1824	QRE141J-332Y	C RESISTOR	3.3K 5% 1/4W	
	R1825	QRE141J-332Y	C RESISTOR	3.3K 5% 1/4W	
	R1826	QRE141J-332Y	C RESISTOR	3.3K 5% 1/4W	
	R1827	QRE141J-332Y	C RESISTOR	3.3K 5% 1/4W	
	R1828	QRE141J-332Y	C RESISTOR	3.3K 5% 1/4W	
	R1829	QRE141J-332Y	C RESISTOR	3.3K 5% 1/4W	
	R1830	QRE141J-332Y	C RESISTOR	3.3K 5% 1/4W	
	R1831	QRE141J-911Y	C RESISTOR	910 5% 1/4W	
	R1832	QRE141J-911Y	C RESISTOR	910 5% 1/4W	
	R1833	QRE141J-391Y	C RESISTOR	390 5% 1/4W	
	R1834	QRE141J-391Y	C RESISTOR	390 5% 1/4W	
	R1835	QRE141J-271Y	C RESISTOR	270 5% 1/4W	
	R1836	QRE141J-271Y	C RESISTOR	270 5% 1/4W	
	R1841	QRJ146J-221X	UNF C RESISTOR	220 5% 1/4W	
	R1842	QRJ146J-221X	UNF C RESISTOR	220 5% 1/4W	
	R1851	QRJ146J-100X	UNF C RESISTOR	10 5% 1/4W	
	R1852	QRJ146J-100X	UNF C RESISTOR	10 5% 1/4W	
	R1853	QRJ146J-100X	UNF C RESISTOR	10 5% 1/4W	
	R1854	QRJ146J-100X	UNF C RESISTOR	10 5% 1/4W	
	R1855	QRZ0218-R22	C RESISTOR	1/2W	
	R1856	QRZ0218-R22	C RESISTOR	1/2W	
	R1861	QRJ125J-330	UNF OMF RESISTO	33 5% 1/2W	
	R1862	QRJ125J-330	UNF OMF RESISTO	33 5% 1/2W	
	R1863	QRL027J-100	UNF.OMF.RES.	10 5% 1/2W	
	R1864	QRL027J-100	UNF.OMF.RES.	10 5% 1/2W	
	R1871	QRE141J-391Y	C RESISTOR	390 5% 1/4W	
	R1872	QRE141J-391Y	C RESISTOR	390 5% 1/4W	
	R1873	QRE141J-391Y	C RESISTOR	390 5% 1/4W	
	R1874	QRE141J-391Y	C RESISTOR	390 5% 1/4W	
	R1875	QRE141J-201Y	C RESISTOR	200 5% 1/4W	
	R1876	QRE141J-201Y	C RESISTOR	200 5% 1/4W	
	R1877	QRE141J-201Y	C RESISTOR	200 5% 1/4W	
	R1878	QRE141J-201Y	C RESISTOR	200 5% 1/4W	
	R1891	QRE141J-102Y	C RESISTOR	1.0K 5% 1/4W	
	R1892	QRE141J-102Y	C RESISTOR	1.0K 5% 1/4W	
	R1893	QRE141J-183Y	C RESISTOR	18K 5% 1/4W	
	R1894	QRE141J-183Y	C RESISTOR	18K 5% 1/4W	
	R1895	QRE141J-473Y	C RESISTOR	47K 5% 1/4W	
	R1896	QRE141J-473Y	C RESISTOR	47K 5% 1/4W	
	TH731	QAD0012-202	BATTERY PACK		
	TH783	QAD0012-202	BATTERY PACK		
	TH784	QAD0012-202	BATTERY PACK		
	TH831	QAD0012-202	BATTERY PACK		
	TH832	QAD0012-202	BATTERY PACK		
	VR787	QVP0008-501Z	SEMI V RESISTOR		
	VR788	QVP0008-501Z	SEMI V RESISTOR		

■ Electrical parts list (Input board)

Block No. 04

△	Item	Parts number	Parts name	Remarks	Area	△	Item	Parts number	Parts name	Remarks	Area
	C 201	QETN1HM-475Z	E CAPACITOR	4.7MF 20% 50V			C 303	NCS31HJ-101X	C CAPACITOR		
	C 202	QETN1HM-475Z	E CAPACITOR	4.7MF 20% 50V			C 304	NCS31HJ-101X	C CAPACITOR		
	C 203	QETN0JM-477Z	E CAPACITOR	470MF 20% 6.3V			C 305	QFLC1HJ-182Z	M CAPACITOR	1800PF 5% 50V	
	C 204	QETN1HM-475Z	E CAPACITOR	4.7MF 20% 50V			C 306	QFLC1HJ-182Z	M CAPACITOR	1800PF 5% 50V	
	C 205	QETN0JM-477Z	E CAPACITOR	470MF 20% 6.3V			C 307	QFLC1HJ-682Z	M CAPACITOR	6800PF 5% 50V	
	C 206	QETN1HM-475Z	E CAPACITOR	4.7MF 20% 50V			C 308	QFLC1HJ-682Z	M CAPACITOR	6800PF 5% 50V	
	C 207	QETN0JM-477Z	E CAPACITOR	470MF 20% 6.3V			C 309	NCS31HJ-101X	C CAPACITOR		
	C 208	QETN1CM-476Z	E CAPACITOR	47MF 20% 16V			C 310	NCS31HJ-101X	C CAPACITOR		
	C 209	QCF31HZ-103Z	C CAPACITOR	.010MF +80:-20%			C 311	QETN1HM-475Z	E CAPACITOR	4.7MF 20% 50V	
	C 210	QETN1HM-475Z	E CAPACITOR	4.7MF 20% 50V			C 312	QETN1HM-475Z	E CAPACITOR	4.7MF 20% 50V	
	C 211	QETN1HM-475Z	E CAPACITOR	4.7MF 20% 50V			C 313	QETN1AM-107Z	E CAPACITOR	100MF 20% 10V	
	C 212	QETN1CM-476Z	E CAPACITOR	47MF 20% 16V			C 314	QETN1AM-107Z	E CAPACITOR	100MF 20% 10V	
	C 213	QCF31HZ-103Z	C CAPACITOR	.010MF +80:-20%			C 315	QETN1CM-476Z	E CAPACITOR	47MF 20% 16V	
	C 214	QETN1HM-475Z	E CAPACITOR	4.7MF 20% 50V			C 316	QETN1CM-476Z	E CAPACITOR	47MF 20% 16V	
	C 215	QETN1HM-475Z	E CAPACITOR	4.7MF 20% 50V			C 321	NCB31HK-221X	C CAPACITOR		
	C 216	QDX31EM-473Z	C CAPACITOR				C 322	NCB31HK-221X	C CAPACITOR		
	C 217	QETN1AM-477Z	E CAPACITOR	470MF 20% 10V			C 323	NCB31HK-221X	C CAPACITOR	EXCEPT J/C	
	C 218	QCZ0202-155Z	ML C CAPACITOR	1.5MF			C 324	NCB31HK-221X	C CAPACITOR	EXCEPT J/C	
	C 219	QDC31HJ-150Z	C CAPACITOR				C 325	NCB31HK-221X	C CAPACITOR	EXCEPT J/C	
	C 220	QDC31HJ-100Z	C CAPACITOR				C 326	NCB31HK-221X	C CAPACITOR	EXCEPT J/C	
	C 221	QDC31HJ-470Z	C CAPACITOR				C 327	NCB31HK-221X	C CAPACITOR	EXCEPT J/C	
	C 222	QDC31HJ-270Z	C CAPACITOR				C 328	NCB31HK-221X	C CAPACITOR	EXCEPT J/C	
	C 223	NCB31HK-102X	C CAPACITOR				C 329	NCB31HK-221X	C CAPACITOR	EXCEPT J/C	
	C 224	NCS31HJ-271X	C CAPACITOR				C 330	NCB31HK-221X	C CAPACITOR	EXCEPT J/C	
	C 225	NCS31HJ-121X	C CAPACITOR				C 331	NCB31HK-221X	C CAPACITOR	EXCEPT J/C	
	C 226	NCS31HJ-470X	C CAPACITOR				C 332	NCB31HK-221X	C CAPACITOR	EXCEPT J/C	
	C 231	QETN1HM-475Z	E CAPACITOR	4.7MF 20% 50V			C 333	NCB31HK-561X	C CAPACITOR		
	C 241	QDX31EM-473Z	C CAPACITOR				C 334	NCB31HK-561X	C CAPACITOR		
	C 242	QETN1HM-475Z	E CAPACITOR	4.7MF 20% 50V			C 335	QETN1EM-226Z	E CAPACITOR	22MF 20% 25V	
	C 244	QDX31EM-473Z	C CAPACITOR				C 336	QETN1EM-226Z	E CAPACITOR	22MF 20% 25V	
	C 245	QETN1HM-475Z	E CAPACITOR	4.7MF 20% 50V			C 339	NCB31HK-561X	C CAPACITOR		
	C 246	QDX31EM-473Z	C CAPACITOR				C 341	QETN1HM-106Z	E CAPACITOR	10MF 20% 50V	
	C 247	QETN0JM-477Z	E CAPACITOR	470MF 20% 6.3V			C 342	QETN1HM-106Z	E CAPACITOR	10MF 20% 50V	
	C 249	QDX31EM-473Z	C CAPACITOR				C 343	QETN1HM-106Z	E CAPACITOR	10MF 20% 50V	
	C 250	QETN1HM-475Z	E CAPACITOR	4.7MF 20% 50V			C 344	QETN1HM-106Z	E CAPACITOR	10MF 20% 50V	
	C 251	QDX31EM-473Z	C CAPACITOR				C 361	QETN1HM-475Z	E CAPACITOR	4.7MF 20% 50V	
	C 252	QETN0JM-477Z	E CAPACITOR	470MF 20% 6.3V			C 362	QETN1HM-475Z	E CAPACITOR	4.7MF 20% 50V	
	C 253	NCS31HJ-100X	C CAPACITOR				C 363	QETN1HM-475Z	E CAPACITOR	4.7MF 20% 50V	
	C 254	QDX31EM-473Z	C CAPACITOR				C 364	QETN1HM-475Z	E CAPACITOR	4.7MF 20% 50V	
	C 255	QETN1HM-475Z	E CAPACITOR	4.7MF 20% 50V			C 371	NCB31HK-221X	C CAPACITOR	EXCEPT J/C	
	C 256	QCF31HZ-103Z	C CAPACITOR	.010MF +80:-20%			C 372	NCB31HK-221X	C CAPACITOR	EXCEPT J/C	
	C 257	QETN1CM-476Z	E CAPACITOR	47MF 20% 16V			C 373	NCB31HK-221X	C CAPACITOR	EXCEPT J/C	
	C 258	QCF31HZ-103Z	C CAPACITOR	.010MF +80:-20%			C 374	NCB31HK-221X	C CAPACITOR	EXCEPT J/C	
	C 259	QETN1CM-476Z	E CAPACITOR	47MF 20% 16V			C 375	NCB31HK-221X	C CAPACITOR	EXCEPT J/C	
	C 260	QDX31EM-473Z	C CAPACITOR				C 376	NCB31HK-221X	C CAPACITOR	EXCEPT J/C	
	C 261	QETN1HM-475Z	E CAPACITOR	4.7MF 20% 50V			C 377	NCB31HK-221X	C CAPACITOR	EXCEPT J/C	
	C 268	NCS31HJ-470X	C CAPACITOR				C 378	NCB31HK-221X	C CAPACITOR	EXCEPT J/C	
	C 269	NCS31HJ-470X	C CAPACITOR				C 379	NCB31HK-221X	C CAPACITOR	EXCEPT J/C	
	C 270	NCS31HJ-101X	C CAPACITOR				C 380	NCB31HK-221X	C CAPACITOR	EXCEPT J/C	
	C 271	NCS31HJ-101X	C CAPACITOR				C 381	NCB31HK-221X	C CAPACITOR	EXCEPT J/C	
	C 272	QDX31EM-473Z	C CAPACITOR				C 382	NCB31HK-221X	C CAPACITOR	EXCEPT J/C	
	C 273	QDX31EM-473Z	C CAPACITOR				C 385	QETN1EM-226Z	E CAPACITOR	22MF 20% 25V	
	C 274	QETN0JM-477Z	E CAPACITOR	470MF 20% 6.3V			C 386	QETN1EM-226Z	E CAPACITOR	22MF 20% 25V	
	C 275	NCS31HJ-470X	C CAPACITOR				C 389	NCB31HK-561X	C CAPACITOR		
	C 276	NCS31HJ-470X	C CAPACITOR				C 391	QETN1HM-106Z	E CAPACITOR	10MF 20% 50V	
	C 277	QETN1HM-475Z	E CAPACITOR	4.7MF 20% 50V			C 392	QETN1HM-106Z	E CAPACITOR	10MF 20% 50V	
	C 280	NCS31HJ-470X	C CAPACITOR				C 393	NCB31HK-122X	C CAPACITOR		
	C 281	NCS31HJ-470X	C CAPACITOR				C 394	NCB31HK-122X	C CAPACITOR		
	C 282	NCS31HJ-470X	C CAPACITOR				C 395	NCS31HJ-121X	C CAPACITOR		
	C 283	NCS31HJ-470X	C CAPACITOR				C 396	NCS31HJ-121X	C CAPACITOR		
	C 284	NCS31HJ-470X	C CAPACITOR				C 397	QETN1HM-106Z	E CAPACITOR	10MF 20% 50V	
	C 285	NCS31HJ-470X	C CAPACITOR				C 398	QETN1HM-106Z	E CAPACITOR	10MF 20% 50V	
	C 286	NCS31HJ-470X	C CAPACITOR				CN200	QGB2510K1-11	CONNECTOR		
	C 287	NCS31HJ-470X	C CAPACITOR				CN204	QGB1214K1-08S	CONNECTOR		
	C 301	QETN1HM-475Z	E CAPACITOR	4.7MF 20% 50V			CN205	QGB1214J1-08S	CONNECTOR		
	C 302	QETN1HM-475Z	E CAPACITOR	4.7MF 20% 50V			CN206	QGA2501F-02	CONNECTOR		

■ Electrical parts list (Input board)

Block No. 04

△	Item	Parts number	Parts name	Remarks	Area	△	Item	Parts number	Parts name	Remarks	Area
	CN240	QGB2510K1-12	CONNECTOR				C1384	QETN1EM-476Z	E CAPACITOR	EXCEPT E/EN	
	CN242	QGB1214K1-10S	CONNECTOR				C1385	QETN1HM-475Z	E CAPACITOR	EXCEPT E/EN	
	CN243	QGB1214J1-10S	CONNECTOR				C1386	QETN1HM-475Z	E CAPACITOR	EXCEPT E/EN	
	CN244	QGA2501F1-04	CONNECTOR				C1387	NCS31HJ-470X	C CAPACITOR	EXCEPT E/EN	
	CN311	QGB2510K1-11	CONNECTOR				C1388	NCS31HJ-470X	C CAPACITOR	EXCEPT E/EN	
	CN313	QGB2510K1-12	CONNECTOR				C1389	NCS31HJ-470X	C CAPACITOR	EXCEPT E/EN	
	CN351	QGB1214K1-14S	CONNECTOR				C1390	QETN1EM-476Z	E CAPACITOR	EXCEPT E/EN	
	CN361	QGB1214J1-14S	CONNECTOR				C1391	QETN1HM-475Z	E CAPACITOR	EXCEPT E/EN	
	CN371	QGB1214K1-12S	01F				C1392	QETN1HM-475Z	E CAPACITOR	EXCEPT E/EN	
	CN381	QGB1214J1-12S	CONNECTOR				C1393	NCS31HJ-101X	C CAPACITOR	EXCEPT E/EN	
	CN393	QGA2501F1-03	CONNECTOR				C1394	NCS31HJ-101X	C CAPACITOR	EXCEPT E/EN	
	CN416	QGA2501F1-06	CONNECTOR				C1395	NCS31HJ-101X	C CAPACITOR	EXCEPT E/EN	
	CN501	QGB1214J1-14S	CONNECTOR				C1396	QETN0JM-477Z	E CAPACITOR	EXCEPT E/EN	
	CN731	QJP001-032301	SHI CR C-B WIRE				C1397	QETN1AM-107Z	E CAPACITOR	EXCEPT E/EN	
	CN732	WJP0038-001A	CONNECTOR				C1398	QETN1AM-107Z	E CAPACITOR	EXCEPT E/EN	
	C1301	QETN1EM-476Z	E CAPACITOR	47MF 20% 25V			C1411	QETN1HM-106Z	E CAPACITOR	10MF 20% 50V	
	C1302	QETN1EM-476Z	E CAPACITOR	47MF 20% 25V			C1412	QETN1HM-106Z	E CAPACITOR	10MF 20% 50V	
	C1303	NCB31HK-221X	C CAPACITOR				C1413	QETN1HM-106Z	E CAPACITOR	10MF 20% 50V	
	C1309	QENC1HM-106Z	NP E CAPACITOR	10MF 20% 50V			C1414	QETN1HM-106Z	E CAPACITOR	10MF 20% 50V	
	C1310	QETN1CM-226Z	E CAPACITOR	22MF 20% 16V			C1428	QETN1CM-226Z	E CAPACITOR	22MF 20% 16V	
	C1311	QETN1HM-475Z	E CAPACITOR	4.7MF 20% 50V			C1431	QETN1HM-475Z	E CAPACITOR	4.7MF 20% 50V	
	C1312	QETN1HM-475Z	E CAPACITOR	4.7MF 20% 50V			C1432	QETN1HM-106Z	E CAPACITOR	10MF 20% 50V	
	C1313	QETN1HM-475Z	E CAPACITOR	4.7MF 20% 50V			C1433	QETN1HM-475Z	E CAPACITOR	4.7MF 20% 50V	
	C1314	QETN1HM-475Z	E CAPACITOR	4.7MF 20% 50V			C1434	QETN1HM-106Z	E CAPACITOR	10MF 20% 50V	
	C1315	QER61HM-224Z	E CAPACITOR	.22MF 20% 50V			C1439	QETN1EM-476Z	E CAPACITOR	47MF 20% 25V	
	C1316	QER61HM-224Z	E CAPACITOR	.22MF 20% 50V			C1440	QETN1EM-476Z	E CAPACITOR	47MF 20% 25V	
	C1319	NCB31HK-221X	C CAPACITOR				C1448	QETN1CM-226Z	E CAPACITOR	22MF 20% 16V	
	C1321	QETN1HM-475Z	E CAPACITOR	4.7MF 20% 50V			C1451	QETN1HM-106Z	E CAPACITOR	10MF 20% 50V	
	C1322	QETN1HM-475Z	E CAPACITOR	4.7MF 20% 50V			C1452	QETN1HM-106Z	E CAPACITOR	10MF 20% 50V	
	C1323	QETN1HM-475Z	E CAPACITOR	4.7MF 20% 50V			C1453	QETN1HM-106Z	E CAPACITOR	10MF 20% 50V	
	C1324	QETN1HM-475Z	E CAPACITOR	4.7MF 20% 50V			C1454	QETN1HM-106Z	E CAPACITOR	10MF 20% 50V	
	C1325	QER61HM-224Z	E CAPACITOR	.22MF 20% 50V			C1468	QETN1CM-226Z	E CAPACITOR	22MF 20% 16V	
	C1326	QER61HM-224Z	E CAPACITOR	.22MF 20% 50V			C1471	QETN1HM-106Z	E CAPACITOR	10MF 20% 50V	
	C1329	NCB31HK-221X	C CAPACITOR				C1472	QETN1HM-106Z	E CAPACITOR	10MF 20% 50V	
	C1331	QETN1HM-475Z	E CAPACITOR	4.7MF 20% 50V			C1473	QETN1HM-106Z	E CAPACITOR	10MF 20% 50V	
	C1332	QETN1HM-475Z	E CAPACITOR	4.7MF 20% 50V			C1474	QETN1HM-106Z	E CAPACITOR	10MF 20% 50V	
	C1333	QETN1HM-475Z	E CAPACITOR	4.7MF 20% 50V			C1486	QETN1CM-226Z	E CAPACITOR	22MF 20% 16V	
	C1334	QETN1HM-475Z	E CAPACITOR	4.7MF 20% 50V			C1487	QETN1CM-226Z	E CAPACITOR	22MF 20% 16V	
	C1339	NCB31HK-221X	C CAPACITOR				C1491	NCB31HK-331X	C CAPACITOR		
	C1341	QETN1HM-475Z	E CAPACITOR	4.7MF 20% 50V			C1492	NCB31HK-331X	C CAPACITOR		
	C1342	QETN1HM-475Z	E CAPACITOR	4.7MF 20% 50V			C1493	NCB31HK-331X	C CAPACITOR		
	C1343	QETN1HM-475Z	E CAPACITOR	4.7MF 20% 50V			C1494	NCB31HK-331X	C CAPACITOR		
	C1344	QETN1HM-475Z	E CAPACITOR	4.7MF 20% 50V			C1495	NCB31HK-331X	C CAPACITOR		
	C1349	NCB31HK-221X	C CAPACITOR				C1496	NCB31HK-331X	C CAPACITOR		
	C1350	NCB31HK-221X	C CAPACITOR				C1497	NCB31HK-331X	C CAPACITOR		
	C1351	NCB31HK-221X	C CAPACITOR				C1498	NCB31HK-331X	C CAPACITOR		
	C1352	NCB31HK-221X	C CAPACITOR				D 200	1SS355-X	DIODE		
	C1360	NCB31EK-223X	C CAPACITOR				D 201	1SS355-X	DIODE		
	C1361	NCS31HJ-391X	C CAPACITOR	J/C/UJ			D 240	1SS355-X	DIODE		
	C1362	NCS31HJ-391X	C CAPACITOR	J/C/UJ			D 241	1SS355-X	DIODE		
	C1363	QETN1HM-475Z	E CAPACITOR	4.7MF 20% 50V			D1350	MA3062/H/-X	ZENER DIODE	EXCEPT E/EN	
	C1364	QETN1HM-475Z	E CAPACITOR	4.7MF 20% 50V			D1428	1SS355-X	DIODE		
	C1365	QETN1HM-475Z	E CAPACITOR	4.7MF 20% 50V			D1429	1SS355-X	DIODE		
	C1366	QETN1HM-475Z	E CAPACITOR	4.7MF 20% 50V			D1448	1SS355-X	DIODE		
	C1370	QETN1EM-476Z	E CAPACITOR	EXCEPT E/EN			D1449	1SS355-X	DIODE		
	C1371	QETN1EM-476Z	E CAPACITOR	EXCEPT E/EN			D1468	1SS355-X	DIODE		
	C1372	NCB31HK-103X	C CAPACITOR	EXCEPT E/EN			D1469	1SS355-X	DIODE		
	C1373	QETN1EM-476Z	E CAPACITOR	EXCEPT E/EN			D1486	1SS355-X	DIODE		
	C1374	NCB31HK-103X	C CAPACITOR	EXCEPT E/EN			D1487	1SS355-X	DIODE		
	C1375	QETN1EM-226Z	E CAPACITOR	EXCEPT E/EN			D1488	1SS355-X	DIODE		
	C1376	QETN1CM-226Z	E CAPACITOR	EXCEPT E/EN			D1489	1SS355-X	DIODE		
	C1377	QETN1EM-226Z	E CAPACITOR	EXCEPT E/EN			HL203	VYH7653-005	IC HOLDER		
	C1379	QETN1EM-226Z	E CAPACITOR	EXCEPT E/EN			IC201	BA7625	IC		
	C1381	NCS31HJ-470X	C CAPACITOR	EXCEPT E/EN			IC202	NJM2285V-W	IC		
	C1382	NCS31HJ-470X	C CAPACITOR	EXCEPT E/EN			IC203	MB90088PF-131	IC		
	C1383	NCS31HJ-470X	C CAPACITOR	EXCEPT E/EN			IC241	BA7626	IC		

■ Electrical parts list (Input board)

Block No. 04

△	Item	Parts number	Parts name	Remarks	Area	△	Item	Parts number	Parts name	Remarks	Area
	IC242	BA7625	IC				Q1429	KRA104S-X	DIGITAL.TR		
	IC301	NJM4580D-D	IC				Q1441	2SC3576-JVC-T	TRANSISTOR		
	IC302	TC9164AF-X	IC				Q1442	2SC3576-JVC-T	TRANSISTOR		
	IC303	BA15218F-XE	IC				Q1445	2SC3576-JVC-T	TRANSISTOR		
	IC304	BA15218F-XE	IC				Q1447	KRA104S-X	DIGITAL.TR		
	IC371	TC9163AF-X	IC				Q1448	KRC107S-X	DIGITAL.TR		
	IC372	BA15218F-XE	IC				Q1449	KRA104S-X	DIGITAL.TR		
	IC380	TC9162AF-X	IC				Q1461	2SC3576-JVC-T	TRANSISTOR		
	IC381	TC9459F-X	IC				Q1462	2SC3576-JVC-T	TRANSISTOR		
	IC382	TC9459F-X	IC				Q1468	KRC107S-X	DIGITAL.TR		
	IC383	TC9459F-X	IC				Q1469	KRA104S-X	DIGITAL.TR		
	IC384	TC9459F-X	IC				Q1481	2SC3576-JVC-T	TRANSISTOR		
	IC386	BA15218F-XE	IC				Q1482	2SC3576-JVC-T	TRANSISTOR		
	IC388	TC74HC4053AF-X	I.C	EXCEPT E/EN			Q1486	KRA104S-X	DIGITAL.TR		
	IC389	TC74HC4053AF-X	I.C	EXCEPT E/EN			Q1487	KRA104S-X	DIGITAL.TR		
	IC390	NJM2580M-X	I.C	EXCEPT E/EN			R 200	NRSA63J-750X	MG RESISTOR		
	IC396	BA15218F-XE	IC				R 201	NRSA63J-750X	MG RESISTOR		
	IC397	BA15218F-XE	IC				R 202	NRSA63J-750X	MG RESISTOR		
	IC398	BA15218F-XE	IC				R 203	NRSA63J-750X	MG RESISTOR		
	IC399	BA15218F-XE	IC				R 204	NRSA63J-750X	MG RESISTOR		
	J 201	QNN0078-001	PIN JACK				R 205	NRSA63J-750X	MG RESISTOR		
	J 202	QNN0011-001	PIN JACK				R 206	NRSA63J-750X	MG RESISTOR		
	J 203	QNN0011-001	PIN JACK				R 207	NRSA63J-331X	MG RESISTOR		
	J 241	QND0097-001	S-CONNECTOR				R 208	NRSA63J-331X	MG RESISTOR		
	J 242	QND0098-001	DIN CONNECTOR				R 209	NRSA63J-473X	MG RESISTOR		
	J 243	QND0099-001	S JACK				R 210	NRSA63J-331X	MG RESISTOR		
	J 301	QNN0056-001	PIN JACK				R 211	NRSA63J-473X	MG RESISTOR		
	J 302	QNN0056-001	PIN JACK				R 212	NRSA63J-331X	MG RESISTOR		
	J 303	QNN0058-001	PIN JACK				R 213	NRSA63J-473X	MG RESISTOR		
	J 371	QNN0056-001	PIN JACK				R 214	NRSA63J-151X	MG RESISTOR		
	J 372	QNN0056-001	PIN JACK				R 215	NRSA63J-151X	MG RESISTOR		
	J 373	QNN0056-001	PIN JACK				R 216	NRSA63J-301X	MG RESISTOR		
	J1350	QNS0089-001	3.5 JACK				R 217	NRSA63J-103X	MG RESISTOR		
	J1351	QNS0077-001	3.5 JACK				R 218	NRSA63J-331X	MG RESISTOR		
	J1352	QNS0089-001	3.5 JACK	EXCEPT E/EN			R 219	NRSA63J-101X	MG RESISTOR		
	J1360	QNN0483-001	PIN JACK				R 220	NRSA63J-151X	MG RESISTOR		
	J1380	QNN0391-001	PIN JACK	EXCEPT E/EN			R 221	NRSA63J-181X	MG RESISTOR		
	J1490	QNN0484-001	PIN JACK				R 222	NRSA63J-561X	MG RESISTOR		
	J1491	QNN0485-001	PIN JACK				R 223	NRSA63J-561X	MG RESISTOR		
	L 200	NQL085J-220X	INDUCTOR				R 224	NRSA63J-561X	MG RESISTOR		
	Q 200	KTA1267/YG/-T	TRANSISTOR			△	R 225	QRJ146J-2R2X	UNF C RESISTOR	2.2 5% 1/4W	
	Q 201	KTA1267/YG/-T	TRANSISTOR				R 231	NRSA63J-222X	MG RESISTOR		
	Q 202	KRC110M-T	TR				R 232	NRSA63J-470X	MG RESISTOR		
	Q 203	KRC107M-T	D.TRANSISTOR				R 240	NRSA63J-750X	MG RESISTOR		
	Q 204	KTA1267/YG/-T	TRANSISTOR				R 241	NRSA63J-750X	MG RESISTOR		
	Q 205	KTA1267/YG/-T	TRANSISTOR				R 242	NRSA63J-750X	MG RESISTOR		
	Q 206	KTA1267/YG/-T	TRANSISTOR				R 243	NRSA63J-750X	MG RESISTOR		
	Q 207	KTA1267/YG/-T	TRANSISTOR				R 244	NRSA63J-750X	MG RESISTOR		
	Q 208	DTC123YSA-T	D.TRANSISTOR				R 245	NRSA63J-750X	MG RESISTOR		
	Q 240	KTA1267/YG/-T	TRANSISTOR				R 246	NRSA63J-750X	MG RESISTOR		
	Q 241	KTA1267/YG/-T	TRANSISTOR				R 247	NRSA63J-750X	MG RESISTOR		
	Q 242	KTA1267/YG/-T	TRANSISTOR				R 248	NRSA63J-181X	MG RESISTOR		
	Q 243	KTA1267/YG/-T	TRANSISTOR				R 249	NRSA63J-151X	MG RESISTOR		
	Q 244	KRC110M-T	TRANSISTOR				R 250	NRSA63J-181X	MG RESISTOR		
	Q 245	KRC110M-T	TRANSISTOR				R 251	NRSA63J-151X	MG RESISTOR		
	Q 246	KRC107M-T	D.TRANSISTOR				R 253	NRSA63J-153X	MG RESISTOR		
	Q 247	KRC107M-T	D.TRANSISTOR				R 254	NRSA63J-153X	MG RESISTOR		
	Q1310	KRA104S-X	DIGITAL.TR				R 255	NRSA63J-153X	MG RESISTOR		
	Q1313	2SC3576-JVC-T	TRANSISTOR				R 266	NRSA63J-750X	MG RESISTOR		
	Q1314	2SC3576-JVC-T	TRANSISTOR				R 267	NRSA63J-473X	MG RESISTOR		
	Q1324	2SC3576-JVC-T	TRANSISTOR				R 268	NRSA63J-750X	MG RESISTOR		
	Q1333	2SC3576-JVC-T	TRANSISTOR				R 269	NRSA63J-473X	MG RESISTOR		
	Q1334	2SC3576-JVC-T	TRANSISTOR				△	R 271	QRJ146J-3R3X	UNF C RESISTOR	3.3 5% 1/4W
	Q1421	2SC3576-JVC-T	TRANSISTOR				R 272	NRSA63J-750X	MG RESISTOR		
	Q1422	2SC3576-JVC-T	TRANSISTOR				R 273	NRSA63J-473X	MG RESISTOR		
	Q1428	KRC107S-X	DIGITAL.TR				R 274	NRSA63J-750X	MG RESISTOR		

■ Electrical parts list (Input board)

Block No. 04

△	Item	Parts number	Parts name	Remarks	Area
	R 275	NRSA63J-750X	MG RESISTOR		
	R 276	NRSA63J-750X	MG RESISTOR		
	R 280	NRSA63J-301X	MG RESISTOR		
	R 281	NRSA63J-301X	MG RESISTOR		
	R 282	NRSA63J-103X	MG RESISTOR		
	R 283	NRSA63J-103X	MG RESISTOR		
	R 284	NRSA63J-301X	MG RESISTOR		
	R 285	NRSA63J-301X	MG RESISTOR		
	R 301	NRSA63J-222X	MG RESISTOR		
	R 302	NRSA63J-222X	MG RESISTOR		
	R 303	NRSA63J-473X	MG RESISTOR		
	R 304	NRSA63J-473X	MG RESISTOR		
	R 305	NRSA63J-621X	MG RESISTOR		
	R 306	NRSA63J-621X	MG RESISTOR		
	R 307	NRSA63J-393X	MG RESISTOR		
	R 308	NRSA63J-393X	MG RESISTOR		
	R 309	NRSA63J-474X	MG RESISTOR		
	R 310	NRSA63J-474X	MG RESISTOR		
	R 311	NRSA63J-104X	MG RESISTOR		
	R 312	NRSA63J-104X	MG RESISTOR		
△	R 315	QRJ146J-331X	UNF C RESISTOR	330 5% 1/4W	
△	R 316	QRJ146J-331X	UNF C RESISTOR	330 5% 1/4W	
	R 323	NRSA63J-471X	MG RESISTOR		
	R 324	NRSA63J-471X	MG RESISTOR		
	R 325	NRSA63J-471X	MG RESISTOR		
	R 326	NRSA63J-471X	MG RESISTOR		
	R 327	NRSA63J-471X	MG RESISTOR		
	R 328	NRSA63J-471X	MG RESISTOR		
	R 329	NRSA63J-471X	MG RESISTOR		
	R 330	NRSA63J-471X	MG RESISTOR		
	R 331	NRSA63J-471X	MG RESISTOR		
	R 332	NRSA63J-471X	MG RESISTOR		
	R 333	NRSA63J-471X	MG RESISTOR		
	R 334	NRSA63J-471X	MG RESISTOR		
△	R 335	QRZ9005-680X	F RESISTOR	68 1/4W	
△	R 336	QRZ9005-680X	F RESISTOR	68 1/4W	
	R 341	NRSA63J-104X	MG RESISTOR		
	R 342	NRSA63J-104X	MG RESISTOR		
	R 343	NRSA63J-104X	MG RESISTOR		
	R 344	NRSA63J-104X	MG RESISTOR		
	R 345	NRSA63J-104X	MG RESISTOR		
	R 346	NRSA63J-104X	MG RESISTOR		
	R 361	NRSA63J-104X	MG RESISTOR		
	R 362	NRSA63J-104X	MG RESISTOR		
	R 363	NRSA63J-104X	MG RESISTOR		
	R 364	NRSA63J-104X	MG RESISTOR		
	R 365	NRSA63J-104X	MG RESISTOR		
	R 366	NRSA63J-104X	MG RESISTOR		
	R 371	NRSA63J-471X	MG RESISTOR		
	R 372	NRSA63J-471X	MG RESISTOR		
	R 373	NRSA63J-471X	MG RESISTOR		
	R 374	NRSA63J-471X	MG RESISTOR		
	R 375	NRSA63J-471X	MG RESISTOR		
	R 376	NRSA63J-471X	MG RESISTOR		
	R 377	NRSA63J-471X	MG RESISTOR		
	R 378	NRSA63J-471X	MG RESISTOR		
	R 379	NRSA63J-471X	MG RESISTOR		
	R 380	NRSA63J-471X	MG RESISTOR		
	R 381	NRSA63J-471X	MG RESISTOR		
	R 382	NRSA63J-471X	MG RESISTOR		
△	R 385	QRZ9005-680X	F RESISTOR	68 1/4W	
△	R 386	QRZ9005-680X	F RESISTOR	68 1/4W	
	R 387	NRSA63J-471X	MG RESISTOR		
	R 388	NRSA63J-471X	MG RESISTOR		
	R 389	NRSA63J-471X	MG RESISTOR		
	R 390	NRSA63J-471X	MG RESISTOR		

△	Item	Parts number	Parts name	Remarks	Area
	R 391	NRSA63J-512X	MG RESISTOR		
	R 392	NRSA63J-512X	MG RESISTOR		
	R 393	NRSA63J-103X	MG RESISTOR		
	R 394	NRSA63J-103X	MG RESISTOR		
	R 395	NRSA63J-512X	MG RESISTOR		
	R 396	NRSA63J-512X	MG RESISTOR		
	R 397	NRSA63J-104X	MG RESISTOR		
	R 398	NRSA63J-104X	MG RESISTOR		
△	R1301	QRZ9005-680X	F RESISTOR	68 1/4W	
△	R1302	QRZ9005-680X	F RESISTOR	68 1/4W	
	R1303	NRSA63J-122X	MG RESISTOR		
	R1304	NRSA63J-122X	MG RESISTOR		
	R1305	NRSA63J-222X	MG RESISTOR		
	R1306	NRSA63J-222X	MG RESISTOR		
	R1307	NRSA63J-272X	MG RESISTOR		
	R1308	NRSA63J-272X	MG RESISTOR		
	R1309	NRSA63J-474X	MG RESISTOR		
	R1310	NRSA63J-102X	MG RESISTOR		
	R1311	NRSA63J-104X	MG RESISTOR		
	R1312	NRSA63J-104X	MG RESISTOR		
	R1313	NRSA63J-102X	MG RESISTOR		
	R1314	NRSA63J-102X	MG RESISTOR		
	R1315	NRSA63J-103X	MG RESISTOR		
	R1316	NRSA63J-103X	MG RESISTOR		
	R1321	NRSA63J-104X	MG RESISTOR		
	R1322	NRSA63J-104X	MG RESISTOR		
	R1324	NRSA63J-102X	MG RESISTOR		
	R1326	NRSA63J-103X	MG RESISTOR		
	R1331	NRSA63J-104X	MG RESISTOR		
	R1332	NRSA63J-104X	MG RESISTOR		
	R1333	NRSA63J-102X	MG RESISTOR		
	R1334	NRSA63J-102X	MG RESISTOR		
	R1335	NRSA63J-103X	MG RESISTOR		
	R1336	NRSA63J-103X	MG RESISTOR		
	R1341	NRSA63J-104X	MG RESISTOR		
	R1342	NRSA63J-104X	MG RESISTOR		
	R1350	NRSA63J-471X	MG RESISTOR		
	R1351	NRSA63J-221X	MG RESISTOR		
	R1352	NRSA63J-101X	MG RESISTOR		
	R1353	NRSA63J-221X	MG RESISTOR		
	R1354	NRSA63J-221X	MG RESISTOR		
	R1355	NRSA63J-221X	MG RESISTOR	EXCEPT E/EN	
	R1361	NRSA63J-561X	MG RESISTOR		
	R1362	NRSA63J-561X	MG RESISTOR		
	R1363	NRSA63J-104X	MG RESISTOR		
	R1364	NRSA63J-104X	MG RESISTOR		
	R1365	NRSA63J-104X	MG RESISTOR		
	R1366	NRSA63J-104X	MG RESISTOR		
	R1367	NRSA63J-104X	MG RESISTOR		
	R1368	NRSA63J-104X	MG RESISTOR		
	R1371	NRSA63J-102X	MG RESISTOR	EXCEPT E/EN	
	R1372	NRSA63J-102X	MG RESISTOR	EXCEPT E/EN	
	R1373	NRSA63J-105X	MG RESISTOR	EXCEPT E/EN	
	R1385	NRSA63J-750X	MG RESISTOR	EXCEPT E/EN	
	R1386	NRSA63J-750X	MG RESISTOR	EXCEPT E/EN	
	R1387	NRSA63J-750X	MG RESISTOR	EXCEPT E/EN	
	R1388	NRSA63J-750X	MG RESISTOR	EXCEPT E/EN	
	R1389	NRSA63J-750X	MG RESISTOR	EXCEPT E/EN	
	R1390	NRSA63J-750X	MG RESISTOR	EXCEPT E/EN	
	R1391	NRSA63J-750X	MG RESISTOR	EXCEPT E/EN	
	R1392	NRSA63J-750X	MG RESISTOR	EXCEPT E/EN	
	R1393	NRSA63J-750X	MG RESISTOR	EXCEPT E/EN	
	R1394	NRSA63J-473X	MG RESISTOR	EXCEPT E/EN	
	R1395	NRSA63J-473X	MG RESISTOR	EXCEPT E/EN	
	R1396	NRSA63J-473X	MG RESISTOR	EXCEPT E/EN	
	R1411	NRSA63J-104X	MG RESISTOR		

■ Electrical parts list (Input board)

Block No. 04

△	Item	Parts number	Parts name	Remarks	Area
	R1412	NRSA63J-104X	MG RESISTOR		
	R1413	NRSA63J-122X	MG RESISTOR		
	R1414	NRSA63J-122X	MG RESISTOR		
	R1415	NRSA63J-512X	MG RESISTOR		
	R1416	NRSA63J-512X	MG RESISTOR		
	R1417	NRSA63J-104X	MG RESISTOR		
	R1418	NRSA63J-104X	MG RESISTOR		
	R1421	NRSA63J-102X	MG RESISTOR		
	R1422	NRSA63J-102X	MG RESISTOR		
	R1423	NRSA63J-103X	MG RESISTOR		
	R1424	NRSA63J-103X	MG RESISTOR		
	R1428	NRSA63J-102X	MG RESISTOR		
	R1429	NRSA63J-474X	MG RESISTOR		
	R1431	NRSA63J-104X	MG RESISTOR		
	R1432	NRSA63J-104X	MG RESISTOR		
	R1433	NRSA63J-122X	MG RESISTOR		
	R1434	NRSA63J-122X	MG RESISTOR		
	R1435	NRSA63J-912X	MG RESISTOR		
	R1436	NRSA63J-512X	MG RESISTOR		
	R1437	NRSA63J-104X	MG RESISTOR		
	R1438	NRSA63J-104X	MG RESISTOR		
△	R1439	QRZ9005-680X	F RESISTOR	68 1/4W	
△	R1440	QRZ9005-680X	F RESISTOR	68 1/4W	
	R1441	NRSA63J-471X	MG RESISTOR		
	R1442	NRSA63J-102X	MG RESISTOR		
	R1443	NRSA63J-103X	MG RESISTOR		
	R1444	NRSA63J-103X	MG RESISTOR		
	R1445	NRSA63J-471X	MG RESISTOR		
	R1446	NRSA63J-103X	MG RESISTOR		
	R1447	NRSA63J-474X	MG RESISTOR		
	R1448	NRSA63J-102X	MG RESISTOR		
	R1449	NRSA63J-474X	MG RESISTOR		
	R1451	NRSA63J-104X	MG RESISTOR		
	R1452	NRSA63J-104X	MG RESISTOR		
	R1453	NRSA63J-122X	MG RESISTOR		
	R1454	NRSA63J-122X	MG RESISTOR		
	R1455	NRSA63J-512X	MG RESISTOR		
	R1456	NRSA63J-512X	MG RESISTOR		
	R1457	NRSA63J-104X	MG RESISTOR		
	R1458	NRSA63J-104X	MG RESISTOR		
	R1461	NRSA63J-102X	MG RESISTOR		
	R1462	NRSA63J-102X	MG RESISTOR		
	R1463	NRSA63J-103X	MG RESISTOR		
	R1464	NRSA63J-103X	MG RESISTOR		
	R1468	NRSA63J-102X	MG RESISTOR		
	R1469	NRSA63J-474X	MG RESISTOR		
	R1471	NRSA63J-104X	MG RESISTOR		
	R1472	NRSA63J-104X	MG RESISTOR		
	R1473	NRSA63J-122X	MG RESISTOR		
	R1474	NRSA63J-122X	MG RESISTOR		
	R1475	NRSA63J-512X	MG RESISTOR		
	R1476	NRSA63J-512X	MG RESISTOR		
	R1477	NRSA63J-104X	MG RESISTOR		
	R1478	NRSA63J-104X	MG RESISTOR		
	R1481	NRSA63J-102X	MG RESISTOR		
	R1482	NRSA63J-102X	MG RESISTOR		
	R1483	NRSA63J-103X	MG RESISTOR		
	R1484	NRSA63J-103X	MG RESISTOR		
	R1486	NRSA63J-102X	MG RESISTOR		
	R1487	NRSA63J-102X	MG RESISTOR		
	R1488	NRSA63J-474X	MG RESISTOR		
	R1489	NRSA63J-474X	MG RESISTOR		
	R1491	NRSA63J-0R0X	MG RESISTOR		
	R1492	NRSA63J-0R0X	MG RESISTOR		
	R1493	NRSA63J-0R0X	MG RESISTOR		
	X 200	QAX0260-001Z	CRYSTAL	NTSC	

■ Electrical parts list (DSP board)

Block No. 05

△	Item	Parts number	Parts name	Remarks	Area	△	Item	Parts number	Parts name	Remarks	Area
	C 571	NCB31HK-103X	C CAPACITOR				C2288	NCF31CZ-104X	C CAPACITOR		
	C 572	NEA70GM-107X	E CAPACITOR				C2289	NCS31HJ-471X	C CAPACITOR		
	C 573	NCF31CZ-104X	C CAPACITOR				C2290	NCS31HJ-471X	C CAPACITOR		
	C 577	NCS31HJ-101X	C CAPACITOR				C2291	NCB31HK-332X	C CAPACITOR		
	C 579	NCS31HJ-101X	C CAPACITOR				C2292	NCB31HK-332X	C CAPACITOR		
	C 581	NEA71CM-106X	E.CAPACITOR				C2301	NCB31HK-102X	C CAPACITOR		
	C 582	NEA71CM-106X	E.CAPACITOR				C2302	NCB31HK-102X	C CAPACITOR		
	C 583	NEA70JM-476X	E.CAPACITOR				C2307	NEA71HM-225X	E.CAPACITOR.		
	C 584	NCF31AZ-105X	C CAPACITOR				C2308	NEA71HM-225X	E.CAPACITOR.		
	C 587	NCF31CZ-104X	C CAPACITOR				C2351	NEA71HM-105X	E.CAPACITOR.		
	C 588	NEA70JM-227X	E CAPACITOR				C2352	NEA71HM-105X	E.CAPACITOR.		
	C 589	NCF31CZ-104X	C CAPACITOR				C2353	NCS31HJ-330X	C CAPACITOR		
	C 590	NEA70GM-107X	E CAPACITOR				C2354	NCS31HJ-330X	C CAPACITOR		
	CN581	QGB1214K1-14S	CONNECTOR				C2355	NCF31CZ-104X	C CAPACITOR		
	CN587	QGB2510K1-07	CONNECTOR				C2356	NCF31CZ-104X	C CAPACITOR		
	C2001	NCB31HK-182X	C CAPACITOR				C2357	NEA71HM-225X	E.CAPACITOR.		
	C2002	NCB31HK-182X	C CAPACITOR				C2358	NEA71HM-225X	E.CAPACITOR.		
	C2003	NCB31HK-682X	C CAPACITOR				C2359	NCS31HJ-821X	C CAPACITOR		
	C2004	NCB31HK-682X	C CAPACITOR				C2360	NCS31HJ-821X	C CAPACITOR		
	C2005	NCF31CZ-104X	C CAPACITOR				C2401	NCB31HK-102X	C CAPACITOR		
	C2006	NCF31CZ-104X	C CAPACITOR				C2407	NEA71HM-225X	E.CAPACITOR.		
	C2007	NCB31HK-272X	C CAPACITOR				C2431	NCF31CZ-104X	C CAPACITOR		
	C2008	NCB31HK-272X	C CAPACITOR				C2432	NCF31CZ-104X	C CAPACITOR		
	C2009	NEA71EM-475X	E.CAPACITOR.				C2433	NCS31HJ-330X	C CAPACITOR		
	C2010	NEA71EM-475X	E.CAPACITOR.				C2434	NEA71HM-225X	E.CAPACITOR.		
	C2011	NEA71EM-475X	E.CAPACITOR.				C2435	NCS31HJ-821X	C CAPACITOR		
	C2012	NEA71EM-475X	E.CAPACITOR.				C2481	NEA70JM-476X	E.CAPACITOR		
	C2101	NCB31HK-102X	C CAPACITOR				C2501	NCB31HK-123X	C CAPACITOR		
	C2107	NEA71EM-475X	E.CAPACITOR.				C2502	NCB31HK-103X	C CAPACITOR		
	C2127	NCF31CZ-104X	C CAPACITOR				C2503	NCB31HK-103X	C CAPACITOR		
	C2128	NCF31CZ-104X	C CAPACITOR				C2504	NCB31HK-103X	C CAPACITOR		
	C2130	NEA71HM-475X	E.CAPACITOR.				C2505	NCB31HK-103X	C CAPACITOR		
	C2131	NCB31CK-823X	C CAPACITOR				C2506	NCB31HK-103X	C CAPACITOR		
	C2132	NFV41HJ-333X	C CAPACITOR				C2507	NCB31HK-103X	C CAPACITOR		
	C2152	NCF31CZ-104X	C CAPACITOR				C2508	NCB31HK-103X	C CAPACITOR		
	C2153	NCF31CZ-104X	C CAPACITOR				C2509	NCB31HK-103X	C CAPACITOR		
	C2154	NCB31CK-823X	C CAPACITOR				C2510	NCB31HK-103X	C CAPACITOR		
	C2155	NFV41HJ-333X	C CAPACITOR				C2511	NCB31HK-103X	C CAPACITOR		
	C2181	NCS31HJ-330X	C CAPACITOR				C2512	NCB31HK-103X	C CAPACITOR		
	C2182	NEA71EM-475X	E.CAPACITOR.				C2513	NCB31HK-103X	C CAPACITOR		
	C2201	NCB31HK-272X	C CAPACITOR				C2514	NCB31HK-103X	C CAPACITOR		
	C2202	NCB31HK-272X	C CAPACITOR				C2515	NCB31HK-103X	C CAPACITOR		
	C2207	NEA71HM-475X	E.CAPACITOR.				C2516	NCB31HK-103X	C CAPACITOR		
	C2208	NEA71HM-475X	E.CAPACITOR.				C2517	NCB31HK-103X	C CAPACITOR		
	C2211	NCB31HK-102X	C CAPACITOR				C2518	NCB31HK-103X	C CAPACITOR		
	C2212	NCB31HK-102X	C CAPACITOR				C2519	NCB31HK-103X	C CAPACITOR		
	C2213	NCF31CZ-104X	C CAPACITOR				C2520	NCB31HK-103X	C CAPACITOR		
	C2214	NCF31CZ-104X	C CAPACITOR				C2521	NCB31HK-103X	C CAPACITOR		
	C2215	NCB31HK-103X	C CAPACITOR				C2522	NCB31HK-103X	C CAPACITOR		
	C2216	NCB31HK-103X	C CAPACITOR				C2523	NCF31CZ-104X	C CAPACITOR		
	C2230	NEA71HM-475X	E.CAPACITOR.				C2529	NEA70GM-107X	E CAPACITOR		
	C2237	NCS31HJ-330X	C CAPACITOR				C2530	NCF31CZ-104X	C CAPACITOR		
	C2238	NCS31HJ-330X	C CAPACITOR				C2531	NCF31CZ-104X	C CAPACITOR		
	C2251	NCF31CZ-104X	C CAPACITOR				C2532	NEA70GM-107X	E CAPACITOR		
	C2252	NCF31CZ-104X	C CAPACITOR				C2533	NCF31CZ-104X	C CAPACITOR		
	C2255	NCF31CZ-104X	C CAPACITOR				C2534	NCF31CZ-104X	C CAPACITOR		
	C2256	NCF31CZ-104X	C CAPACITOR				C2535	NEA70GM-107X	E CAPACITOR		
	C2261	NEA71EM-475X	E.CAPACITOR.				C2536	NCF31CZ-104X	C CAPACITOR		
	C2262	NEA71EM-475X	E.CAPACITOR.				C2537	NEA70GM-107X	E CAPACITOR		
	C2281	NEA71EM-475X	E.CAPACITOR.				C2560	NCF31CZ-104X	C CAPACITOR		
	C2282	NEA71EM-475X	E.CAPACITOR.				C2561	NCF31CZ-104X	C CAPACITOR		
	C2283	NCS31HJ-330X	C CAPACITOR				C2562	NCF31CZ-104X	C CAPACITOR		
	C2284	NCS31HJ-330X	C CAPACITOR				C2563	NCF31CZ-104X	C CAPACITOR		
	C2285	NCS31HJ-471X	C CAPACITOR				C2564	NCS31HJ-101X	C CAPACITOR		
	C2286	NCS31HJ-471X	C CAPACITOR				C2565	NCF31CZ-104X	C CAPACITOR		
	C2287	NCF31CZ-104X	C CAPACITOR				C2566	NCF31CZ-104X	C CAPACITOR		

■ Electrical parts list (DSP board)

Block No. 05

△	Item	Parts number	Parts name	Remarks	Area	△	Item	Parts number	Parts name	Remarks	Area
	C2567	NCF31CZ-104X	C CAPACITOR				PW503	QUB220-08HPHP	SIN TWIST WIRE	TO PW504	
	C2568	NEA71HM-105X	E.CAPACITOR.				Q 570	DTC114YE-X	TRANSISTOR		
	C2571	NCF31CZ-104X	C CAPACITOR				Q 572	DTC114YE-X	TRANSISTOR		
	C2572	NEA70GM-107X	E CAPACITOR				Q2101	2SD1328/ST/-X	TRANSISTOR		
	C2573	NCF31CZ-104X	C CAPACITOR				Q2131	2SD1328/ST/-X	TRANSISTOR		
	C2574	NEA70GM-107X	E CAPACITOR				Q2151	DTA114YE-X	TRANSISTOR		
	C2575	NCF31CZ-104X	C CAPACITOR				Q2152	DTC114YE-X	TRANSISTOR		
	C2576	NEA70GM-107X	E CAPACITOR				Q2154	DTA114YE-X	TRANSISTOR		
	C2605	NCF31AZ-105X	C CAPACITOR				Q2155	DTA114YE-X	TRANSISTOR		
	C2607	NCS31HJ-221X	C CAPACITOR				Q2156	DTA114YE-X	TRANSISTOR		
	C2701	NCS31HJ-270X	C CAPACITOR				Q2157	DTA114YE-X	TRANSISTOR		
	C2702	NCS31HJ-270X	C CAPACITOR				Q2201	2SD1328/ST/-X	TRANSISTOR		
	C2703	NEA71CM-106X	E.CAPACITOR				Q2202	2SD1328/ST/-X	TRANSISTOR		
	C2704	NEA71CM-106X	E.CAPACITOR				Q2273	2SC2412K/RS/-X	CHIP TRANSISTOR		
	C2705	NCF31CZ-104X	C CAPACITOR				Q2274	2SC2412K/RS/-X	CHIP TRANSISTOR		
	C2706	NCF31CZ-104X	C CAPACITOR				Q2301	2SD1328/ST/-X	TRANSISTOR		
	C2707	NEA71CM-106X	E.CAPACITOR				Q2302	2SD1328/ST/-X	TRANSISTOR		
	C2708	NEA71HM-225X	E.CAPACITOR				Q2363	2SD1328/ST/-X	TRANSISTOR		
	C2709	NCF31CZ-104X	C CAPACITOR				Q2364	2SD1328/ST/-X	TRANSISTOR		
	C2710	NCF31CZ-104X	C CAPACITOR				Q2401	2SD1328/ST/-X	TRANSISTOR		
	C2711	NEA71CM-106X	E.CAPACITOR				Q2431	2SC2412K/RS/-X	CHIP TRANSISTOR		
	C2712	NCF31CZ-104X	C CAPACITOR				Q2801	2SD1328/ST/-X	TRANSISTOR		
	C2751	NEA71CM-106X	E.CAPACITOR				Q2802	2SD1328/ST/-X	TRANSISTOR		
	C2752	NCF31CZ-104X	C CAPACITOR				R 570	NRSA63J-103X	MG RESISTOR		
	C2801	NCB31HK-102X	C CAPACITOR				R 573	NRSA63J-432X	MG RESISTOR		
	C2802	NCB31HK-102X	C CAPACITOR				R 574	NRSA63J-432X	MG RESISTOR		
	C2807	NEA71HM-225X	E.CAPACITOR.				R 575	NRSA63J-432X	MG RESISTOR		
	C2808	NEA71HM-225X	E.CAPACITOR.				R 576	NRSA63J-432X	MG RESISTOR		
	C2853	NCS31HJ-330X	C CAPACITOR				R 577	NRSA63J-822X	MG RESISTOR		
	C2854	NCS31HJ-330X	C CAPACITOR				R 578	NRSA63J-822X	MG RESISTOR		
	C2855	NCF31CZ-104X	C CAPACITOR				R 579	NRSA63J-822X	MG RESISTOR		
	C2856	NCF31CZ-104X	C CAPACITOR				R 580	NRSA63J-822X	MG RESISTOR		
	C2857	NEA71HM-225X	E.CAPACITOR.				R 582	NRSA63J-103X	MG RESISTOR		
	C2858	NEA71HM-225X	E.CAPACITOR.				R 585	NRSA63J-103X	MG RESISTOR		
	C2859	NCS31HJ-821X	C CAPACITOR				R 586	NRSA63J-103X	MG RESISTOR		
	C2860	NCS31HJ-821X	C CAPACITOR				R 587	NRSA63J-103X	MG RESISTOR		
	EP561	E409182-001SM	GRAND TERMINAL				R 588	NRSA63J-103X	MG RESISTOR		
	IC501	DSPC56367PV150	IC				R 589	NRSA63F-202X	MG RESISTOR		
	IC502	TC7S04FU-X	IC				R 590	NRSA63F-122X	MG RESISTOR		
	IC503	TC7S04FU-X	IC				R2001	NRSA63J-104X	MG RESISTOR		
	IC505	PQ070XZ1HZ-X	IC				R2002	NRSA63J-104X	MG RESISTOR		
	IC506	PQ070XZ1HZ-X	IC				R2003	NRSA63J-102X	MG RESISTOR		
	IC511	39VF0207CWHP02	IC				R2004	NRSA63J-102X	MG RESISTOR		
	IC512	IS63LV102410K-X	IC				R2005	NRSA63J-102X	MG RESISTOR		
	IC513	IS63LV102410K-X	IC				R2006	NRSA63J-102X	MG RESISTOR		
	IC514	IS63LV102410K-X	IC				R2007	NRSA63J-102X	MG RESISTOR		
	IC521	BA15218F-XE	IC				R2008	NRSA63J-102X	MG RESISTOR		
	IC522	BA15218F-XE	IC				R2101	NRSA63J-103X	MG RESISTOR		
	IC523	BA15218F-XE	IC				R2105	NRSA63J-102X	MG RESISTOR		
	IC524	BA15218F-XE	IC				R2107	NRSA63J-104X	MG RESISTOR		
	IC525	BA15218F-XE	IC				R2127	NRSA63J-473X	MG RESISTOR		
	IC526	BA15218F-XE	IC				R2128	NRSA63J-473X	MG RESISTOR		
	IC527	NJM2121M-X	IC				R2129	NRSA63J-100X	MG RESISTOR		
	IC528	BA15218F-XE	IC				R2130	NRSA63J-222X	MG RESISTOR		
	IC529	BA15218F-XE	IC				R2131	NRSA63J-103X	MG RESISTOR		
	IC530	BA15218F-XE	IC				R2132	NRSA63J-103X	MG RESISTOR		
	IC571	AK4586VQ	IC				R2133	NRSA63J-103X	MG RESISTOR		
	IC572	AK4382AVT-X	IC				R2151	NRSA63J-100X	MG RESISTOR		
	IC581	UPD784215AGC188	IC(MICRO C ROM)	FLASH			R2152	NRSA63J-103X	MG RESISTOR		
	IC582	TC7SET32FU-X	IC				R2153	NRSA63J-103X	MG RESISTOR		
	IC583	PQ070XZ1HZ-X	IC				R2181	NRSA63J-513X	MG RESISTOR		
	J 564	QNN0347-001	PIN JACK				R2182	NRSA63J-822X	MG RESISTOR		
	K2606	NQR0269-004X	FERRITE BEADS				R2183	NRSA63J-104X	MG RESISTOR		
	LC505	NQR0450-001X	EMI FILTER				R2191	NRSA63J-105X	MG RESISTOR		
	LC506	NQR0450-001X	EMI FILTER				R2194	NRSA63J-105X	MG RESISTOR		
	LC507	NQR0450-001X	EMI FILTER				R2195	NRSA63J-105X	MG RESISTOR		

■ Electrical parts list (DSP board)

Block No. 05

▲	Item	Parts number	Parts name	Remarks	Area	▲	Item	Parts number	Parts name	Remarks	Area
	R2196	NRSA63J-105X	MG RESISTOR				R2361	NRSA63J-102X	MG RESISTOR		
	R2197	NRSA63J-105X	MG RESISTOR				R2362	NRSA63J-102X	MG RESISTOR		
	R2201	NRSA63J-103X	MG RESISTOR				R2363	NRSA63J-104X	MG RESISTOR		
	R2202	NRSA63J-103X	MG RESISTOR				R2364	NRSA63J-104X	MG RESISTOR		
	R2205	NRSA63J-102X	MG RESISTOR				R2401	NRSA63J-103X	MG RESISTOR		
	R2206	NRSA63J-102X	MG RESISTOR				R2405	NRSA63J-102X	MG RESISTOR		
	R2207	NRSA63J-104X	MG RESISTOR				R2407	NRSA63J-104X	MG RESISTOR		
	R2208	NRSA63J-104X	MG RESISTOR				R2425	NRSA63J-103X	MG RESISTOR		
	R2211	NRSA63J-102X	MG RESISTOR				R2431	NRSA63J-473X	MG RESISTOR		
	R2212	NRSA63J-102X	MG RESISTOR				R2432	NRSA63J-562X	MG RESISTOR		
	R2213	NRSA63J-102X	MG RESISTOR				R2433	NRSA63J-512X	MG RESISTOR		
	R2214	NRSA63J-102X	MG RESISTOR				R2434	NRSA63J-104X	MG RESISTOR		
	R2215	NRSA63J-102X	MG RESISTOR				R2435	NRSA63J-102X	MG RESISTOR		
	R2216	NRSA63J-102X	MG RESISTOR				R2485	NRSA63J-102X	MG RESISTOR		
	R2221	NRSA63J-333X	MG RESISTOR				R2501	NRSA63J-105X	MG RESISTOR		
	R2222	NRSA63J-333X	MG RESISTOR				R2502	NRSA63J-473X	MG RESISTOR		
	R2223	NRSA63J-243X	MG RESISTOR				R2503	NRSA63J-473X	MG RESISTOR		
	R2225	NRSA63J-104X	MG RESISTOR				R2504	NRSA63J-473X	MG RESISTOR		
	R2226	NRSA63J-104X	MG RESISTOR				R2505	NRSA63J-473X	MG RESISTOR		
	R2227	NRSA63J-104X	MG RESISTOR				R2506	NRSA63J-473X	MG RESISTOR		
	R2231	NRSA63J-273X	MG RESISTOR				R2507	NRSA63J-473X	MG RESISTOR		
	R2232	NRSA63J-273X	MG RESISTOR				R2508	NRSA63J-473X	MG RESISTOR		
	R2233	NRSA63J-333X	MG RESISTOR				R2509	NRSA63J-221X	MG RESISTOR		
	R2234	NRSA63J-333X	MG RESISTOR				R2510	NRSA63J-221X	MG RESISTOR		
	R2235	NRSA63J-333X	MG RESISTOR				R2511	NRSA63J-221X	MG RESISTOR		
	R2236	NRSA63J-333X	MG RESISTOR				R2512	NRSA63J-221X	MG RESISTOR		
	R2237	NRSA63J-333X	MG RESISTOR				R2513	NRSA63J-221X	MG RESISTOR		
	R2238	NRSA63J-333X	MG RESISTOR				R2514	NRSA63J-103X	MG RESISTOR		
	R2261	NRSA63J-104X	MG RESISTOR				R2515	NRSA63J-103X	MG RESISTOR		
	R2262	NRSA63J-104X	MG RESISTOR				R2516	NRSA63J-103X	MG RESISTOR		
	R2273	NRSA63J-103X	MG RESISTOR				R2517	NRSA63J-103X	MG RESISTOR		
	R2274	NRSA63J-103X	MG RESISTOR				R2518	NRSA63J-221X	MG RESISTOR		
	R2275	NRSA63J-682X	MG RESISTOR				R2519	NRSA63J-221X	MG RESISTOR		
	R2276	NRSA63J-682X	MG RESISTOR				R2520	NRSA63J-221X	MG RESISTOR		
	R2277	NRSA63J-105X	MG RESISTOR				R2521	NRSA63J-103X	MG RESISTOR		
	R2278	NRSA63J-105X	MG RESISTOR				R2522	NRSA63J-103X	MG RESISTOR		
	R2281	NRSA63J-104X	MG RESISTOR				R2523	NRSA63J-103X	MG RESISTOR		
	R2282	NRSA63J-104X	MG RESISTOR				R2524	NRSA63J-221X	MG RESISTOR		
	R2283	NRSA63J-103X	MG RESISTOR				R2525	NRSA63J-470X	MG RESISTOR		
	R2284	NRSA63J-103X	MG RESISTOR				R2526	NRSA63J-470X	MG RESISTOR		
	R2285	NRSA63J-562X	MG RESISTOR				R2527	NRSA63J-470X	MG RESISTOR		
	R2286	NRSA63J-562X	MG RESISTOR				R2531	NRSA63F-511X	MG RESISTOR		
	R2287	NRSA63J-181X	MG RESISTOR				R2532	NRSA63F-102X	MG RESISTOR		
	R2288	NRSA63J-181X	MG RESISTOR				R2533	NRSA63F-182X	MG RESISTOR		
	R2289	NRSA63J-181X	MG RESISTOR				R2534	NRSA63F-122X	MG RESISTOR		
	R2290	NRSA63J-181X	MG RESISTOR				R2560	NRSA63J-102X	MG RESISTOR		
	R2291	NRSA63J-562X	MG RESISTOR				R2561	NRSA63J-471X	MG RESISTOR		
	R2292	NRSA63J-562X	MG RESISTOR				R2562	NRSA63J-471X	MG RESISTOR		
	R2293	NRSA63J-472X	MG RESISTOR				R2563	NRSA63J-471X	MG RESISTOR		
	R2294	NRSA63J-472X	MG RESISTOR				R2564	NRSA63J-750X	MG RESISTOR		
	R2295	NRSA63J-472X	MG RESISTOR				R2565	NRSA63J-222X	MG RESISTOR		
	R2296	NRSA63J-472X	MG RESISTOR				R2566	NRSA63J-222X	MG RESISTOR		
	R2301	NRSA63J-103X	MG RESISTOR				R2567	NRSA63J-222X	MG RESISTOR		
	R2302	NRSA63J-103X	MG RESISTOR				R2568	NRSA63J-221X	MG RESISTOR		
	R2305	NRSA63J-102X	MG RESISTOR				R2570	NRSA63J-182X	MG RESISTOR		
	R2306	NRSA63J-102X	MG RESISTOR				R2581	NRSA63J-221X	MG RESISTOR		
	R2307	NRSA63J-104X	MG RESISTOR				R2582	NRSA63J-221X	MG RESISTOR		
	R2308	NRSA63J-104X	MG RESISTOR				R2583	NRSA63J-221X	MG RESISTOR		
	R2353	NRSA63J-222X	MG RESISTOR				R2584	NRSA63J-221X	MG RESISTOR		
	R2354	NRSA63J-222X	MG RESISTOR				R2585	NRSA63J-221X	MG RESISTOR		
	R2355	NRSA63J-103X	MG RESISTOR				R2586	NRSA63J-221X	MG RESISTOR		
	R2356	NRSA63J-103X	MG RESISTOR				R2587	NRSA63J-221X	MG RESISTOR		
	R2357	NRSA63J-473X	MG RESISTOR				R2589	NRSA63J-221X	MG RESISTOR		
	R2358	NRSA63J-473X	MG RESISTOR				R2591	NRSA63J-221X	MG RESISTOR		
	R2359	NRSA63J-562X	MG RESISTOR				R2593	NRSA63J-221X	MG RESISTOR		
	R2360	NRSA63J-562X	MG RESISTOR				R2594	NRSA63J-221X	MG RESISTOR		

■ Electrical parts list (DSP board)

Block No. 05

△	Item	Parts number	Parts name	Remarks	Area
	R2595	NRSA63J-221X	MG RESISTOR		
	R2596	NRSA63J-221X	MG RESISTOR		
	R2597	NRSA63J-102X	MG RESISTOR		
	R2611	NRSA63J-473X	MG RESISTOR		
	R2612	NRSA63J-473X	MG RESISTOR		
	R2613	NRSA63J-473X	MG RESISTOR		
	R2614	NRSA63J-473X	MG RESISTOR		
	R2615	NRSA63J-473X	MG RESISTOR		
	R2616	NRSA63J-473X	MG RESISTOR		
	R2620	NRSA63J-470X	MG RESISTOR		
	R2621	NRSA63J-470X	MG RESISTOR		
	R2622	NRSA63J-470X	MG RESISTOR		
	R2623	NRSA63J-470X	MG RESISTOR		
	R2624	NRSA63J-470X	MG RESISTOR		
	R2625	NRSA63J-470X	MG RESISTOR		
	R2626	NRSA63J-470X	MG RESISTOR		
	R2627	NRSA63J-470X	MG RESISTOR		
	R2628	NRSA63J-470X	MG RESISTOR		
	R2629	NRSA63J-470X	MG RESISTOR		
	R2630	NRSA63J-470X	MG RESISTOR		
	R2631	NRSA63J-470X	MG RESISTOR		
	R2632	NRSA63J-470X	MG RESISTOR		
	R2633	NRSA63J-470X	MG RESISTOR		
	R2634	NRSA63J-470X	MG RESISTOR		
	R2635	NRSA63J-470X	MG RESISTOR		
	R2636	NRSA63J-470X	MG RESISTOR		
	R2701	NRSA63J-470X	MG RESISTOR		
	R2702	NRSA63J-221X	MG RESISTOR		
	R2703	NRSA63J-221X	MG RESISTOR		
	R2704	NRSA63J-221X	MG RESISTOR		
	R2705	NRSA63J-183X	MG RESISTOR		
	R2751	NRSA63J-221X	MG RESISTOR		
	R2752	NRSA63J-221X	MG RESISTOR		
	R2753	NRSA63J-221X	MG RESISTOR		
	R2754	NRSA63J-221X	MG RESISTOR		
	R2801	NRSA63J-103X	MG RESISTOR		
	R2802	NRSA63J-103X	MG RESISTOR		
	R2805	NRSA63J-102X	MG RESISTOR		
	R2806	NRSA63J-102X	MG RESISTOR		
	R2807	NRSA63J-104X	MG RESISTOR		
	R2808	NRSA63J-104X	MG RESISTOR		
	R2857	NRSA63J-473X	MG RESISTOR		
	R2858	NRSA63J-473X	MG RESISTOR		
	R2859	NRSA63J-562X	MG RESISTOR		
	R2860	NRSA63J-562X	MG RESISTOR		
	R2861	NRSA63J-102X	MG RESISTOR		
	R2862	NRSA63J-102X	MG RESISTOR		
	R2863	NRSA63J-104X	MG RESISTOR		
	R2864	NRSA63J-104X	MG RESISTOR		
	UN560	GP1FA351TZ	OPT TRANSMITTER		
	UN561	GP1FA351RZ	OPT RECEIVER		
	UN562	GP1FA351RZ	OPT RECEIVER		
	UN563	GP1FA351RZ	OPT RECEIVER		
	X 581	NAX0275-001X	1COSCIALLATOR		
	X2501	NAX0308-001X	RESONATOR		
	X2701	NAX0322-001X	CRYSTAL		

■ Electrical parts list (Micon board)

Block No. 06

△	Item	Parts number	Parts name	Remarks	Area	△	Item	Parts number	Parts name	Remarks	Area
△	C 1	QCZ9104-472	C.CAPACITOR	4700PF		△	D 54	11ES2-T4	DIODE		
	C 51	QFLC2AJ-472Z	M CAPACITOR	4700PF 5% 100V			D 55	MTZJ12C-T2	ZENER DIODE	UJ ONLY	
	C 52	QETM1JM-477	E CAPACITOR	UJ			D 56	MTZJ6.2B-T2	ZENER DIODE		
	C 53	QCF31HZ-472Z	C CAPACITOR	UJ ONLY			D 57	1SS133-T2	SI DIODE		
	C 54	QETN1CM-477Z	E CAPACITOR	470MF 20% 16V		△	D 61	10E2-FD	DIODE		
	C 55	QCF31HZ-472Z	C CAPACITOR	4700PF +80:-20%		△	D 62	11ES2-T4	DIODE		
	C 61	QFLC2AJ-104Z	M CAPACITOR	.10MF 5% 100V		△	D 63	10E2-FD	DIODE		
	C 62	QFLC2AJ-104Z	M CAPACITOR	.10MF 5% 100V		△	D 64	11ES2-T4	DIODE		
	C 63	QFLC2AJ-104Z	M CAPACITOR	.10MF 5% 100V			D 71	11ES2-T4	DIODE		
	C 65	QETM1VM-338	E CAPACITOR	3300MF 20% 35V			D 72	11ES2-T4	DIODE		
	C 66	QETM1VM-108	E.CAPACITOR	1000MF 20% 35V			D 73	11ES2-T4	DIODE		
	C 68	QFLC1HJ-473Z	M CAPACITOR	.047MF 5% 50V			D 74	MTZJ33C-T2	Z DIODE		
	C 69	QFLC1HJ-473Z	M CAPACITOR	.047MF 5% 50V			D 75	MTZJ8.2C-T2	ZENER DIODE		
	C 70	QETN1HM-227Z	E CAPACITOR	220MF 20% 50V			D 900	11ES2-T4	DIODE		
	C 71	QETN1JM-107Z	E CAPACITOR	100MF 20% 63V			D 901	11ES2-T4	DIODE		
	C 72	QETN1HM-226Z	E CAPACITOR	22MF 20% 50V			D 902	11ES2-T4	DIODE		
	C 73	QETN1HM-226Z	E CAPACITOR	22MF 20% 50V			D 904	1SS133-T2	SI DIODE		
	C 74	QETN1HM-105Z	E CAPACITOR	1.0MF 20% 50V			D 921	MTZJ5.6C-T2	ZENER DIODE		
	C 91	QCBB1HK-471Y	C CAPACITOR	EXCEPT J/C			D 931	MTZJ6.2C-T2	Z DIODE		
	C 92	QCBB1HK-471Y	C CAPACITOR	EXCEPT J/C			D 941	MTZJ5.6C-T2	ZENER DIODE		
	C 901	QETN0JM-107Z	E CAPACITOR	100MF 20% 6.3V			D 951	MTZJ13C-T2	ZENER DIODE		
	C 902	QCZ0202-155Z	ML C CAPACITOR	1.5MF			D 955	1SS133-T2	SI DIODE		
	C 903	QETN0JM-228Z	E CAPACITOR	2200MF 20% 6.3V			D 956	1SS133-T2	SI DIODE		
	C 904	QETN1HM-225Z	E CAPACITOR	2.2MF 20% 50V			D 961	MTZJ13C-T2	ZENER DIODE		
	C 905	QDVB1EZ-223Y	C CAPACITOR				D 971	MTZJ10C-T2	Z.DIODE		
	C 921	QETN1EM-107Z	E CAPACITOR	100MF 20% 25V			D 975	1SS133-T2	SI DIODE		
	C 922	QCF31HZ-472Z	C CAPACITOR	4700PF +80:-20%			D 976	1SS133-T2	SI DIODE		
	C 931	QETN1CM-477Z	E CAPACITOR	470MF 20% 16V			D 977	1SS133-T2	SI DIODE		
	C 932	QCF31HZ-472Z	C CAPACITOR	4700PF +80:-20%			D 978	1SS133-T2	SI DIODE		
	C 941	QETN1EM-107Z	E CAPACITOR	100MF 20% 25V			D 979	1SS133-T2	SI DIODE		
	C 942	QCF31HZ-472Z	C CAPACITOR	4700PF +80:-20%			D 993	1SS133-T2	SI DIODE		
	C 951	QETN1EM-107Z	E CAPACITOR	100MF 20% 25V			EP 1	E409182-001SM	GRAND TERMINAL		
	C 952	QCF31HZ-472Z	C CAPACITOR	4700PF +80:-20%			EP 51	QNZ0136-001Z	EARTH PLATE		
	C 961	QETN1EM-107Z	E CAPACITOR	100MF 20% 25V			EP 91	E406523-001SM	GND BKT		
	C 962	QCF31HZ-472Z	C CAPACITOR	4700PF +80:-20%			EP901	QNZ0136-001Z	EARTH PLATE		
	C 971	QETN1EM-107Z	E CAPACITOR	100MF 20% 25V			FC 1	QNG0020-001Z	FUSE CLIP	F001	
	C 972	QCF31HZ-472Z	C CAPACITOR	4700PF +80:-20%			FC 2	QNG0020-001Z	FUSE CLIP	F001	
	C 975	QETN0JM-477Z	E CAPACITOR	470MF 20% 6.3V			FC 3	QNG0020-001Z	FUSE CLIP	F002	
	C 981	QCBB1HK-331Y	C CAPACITOR	330PF 10% 50V			FC 4	QNG0020-001Z	FUSE CLIP	F002	
	C 982	QCBB1HK-331Y	C CAPACITOR	330PF 10% 50V			FC 5	QNG0020-001Z	FUSE CLIP	F004	
	C 983	QCBB1HK-331Y	C CAPACITOR	330PF 10% 50V			FC 6	QNG0020-001Z	FUSE CLIP	F004	
	C 984	QCBB1HK-331Y	C CAPACITOR	330PF 10% 50V			FC 61	QNG0020-001Z	FUSE CLIP	F061	
	C 985	QCBB1HK-103Y	C CAPACITOR	.010MF 10% 50V			FC 62	QNG0020-001Z	FUSE CLIP	F061	
	C 991	QFLC1HJ-562Z	M CAPACITOR	5600PF 5% 50V			FC 63	QNG0020-001Z	FUSE CLIP	F062	
	C 992	QFLC1HJ-562Z	M CAPACITOR	5600PF 5% 50V			FC 64	QNG0020-001Z	FUSE CLIP	F062	
	C 993	QCBB1HK-101Y	C CAPACITOR	100PF 10% 50V			FL991	QQR0590-001	FILTER		
	C 994	QCBB1HK-271Y	C CAPACITOR	270PF 10% 50V			FL992	QQR0590-001	FILTER		
	CN 55	QGD2504C1-03Z	SOCKET				FW 51	QUM137-10DGZ4	PARA RIBON WIRE		
	CN 56	QGD2504C1-04Z	SOCKET				FW831	QUM134-08DGZ4	PARA RIBON WIRE		
	CN 71	QGB2510J1-11	CONNECTOR				FW881	QUM213-44DGZ4	SEMI V RESISTOR		
	CN 81	QGB2510J1-09	CONNECTOR				HL901	VYH7237-002	IC HOLDER		
	CN101	QGB2510J1-12	CONNECTOR				HS 51	E70945-H40B	HEAT SINK	UJ ONLY	
	CN201	QGB2510J1-11	CONNECTOR				HS921	E70945-H40B	HEAT SINK		
	CN241	QGB2510J1-12	CONNECTOR				HS931	E70945-H40B	HEAT SINK		
	CN301	QGB2510J1-11	CONNECTOR				HS941	E70945-H40B	HEAT SINK		
	CN303	QGB2510J1-12	CONNECTOR				HS951	E70306-001	HEAT SINK		
	CN400	QGF1205C1-10	CONNECTOR				HS961	E70306-001	HEAT SINK		
	CN402	QGF1205C1-08	CONNECTOR				HS971	E70306-001	HEAT SINK		
	CN601	QGB2510J1-07	CONNECTOR				△ IC901	MN101C49GJY	IC		
	CN811	QGA3901F2-03	CONNECTOR				IC903	IC-PST9139-T	IC		
	CN931	QGD2504C1-04Z	SOCKET				J 91	QNS0022-001	JACK		
	CN932	QGD2504C1-03Z	SOCKET				PW 10	QUB111-12PPPP	SIN TWIST WIRE	UJ ONLY	
	CN933	WJP0041-001A	E-SH C WIRE C-B				PW 11	QUB116-10PPPP	SIN TWIST WIRE	UJ ONLY	
△	D 51	11ES2-T4	DIODE				PW 12	QUB112-14PPPP	SIN TWIST WIRE	UJ ONLY	
△	D 52	11ES2-T4	DIODE				PW 13	QUB111-14PPPP	SIN TWIST WIRE	WITH PW23	
△	D 53	11ES2-T4	DIODE				PW 14	QUB114-12PPPP	SIN TWIST WIRE	UJ ONLY	

■ Electrical parts list (Micon board)

Block No. 06

△	Item	Parts number	Parts name	Remarks	Area
	PW 15	QUB118-12PPPP	SIN TWIST WIRE	UJ ONLY	
	PW 16	QUB116-16PPPP	PIN WIRE	WITH PW26	
	PW 17	QUB111-18PPPP	SIN TWIST WIRE	UJ ONLY	
	PW 18	QUB112-28PPPP	SIN TWIST WIRE	WITH PW28	
	PW 19	QUB111-28PPPP	SIN TWIST WIRE	WITH PW29	
	PW 30	QUB116-28PPPP	SIN TWIST WIRE	WITH PW40	
	Q 51	2SD2395/EF/	TRANSISTOR	UJ ONLY	
	Q 52	KTD863/Y/-T	TRANSISTOR		
	Q 53	KRC105M-T	D.TRANSISTOR		
	Q 71	KTA1046/Y/	TRANSISTOR		
	Q 74	KTC3200/GL/-T	TRANSISTOR		
	Q 901	KRC107M-T	D.TRANSISTOR		
	Q 903	KRC105M-T	D.TRANSISTOR		
	Q 904	KRC105M-T	D.TRANSISTOR		
	Q 906	KRC105M-T	D.TRANSISTOR		
	Q 907	KRC105M-T	D.TRANSISTOR		
	Q 908	KRC105M-T	D.TRANSISTOR		
△	Q 921	2SD2395/EF/	TRANSISTOR		
△	Q 931	2SD2395/EF/	TRANSISTOR		
△	Q 941	2SD2395/EF/	TRANSISTOR		
	Q 951	2SD2395/EF/	TRANSISTOR		
	Q 961	KTA1046/Y/	TRANSISTOR		
	Q 971	2SD2395/EF/	TRANSISTOR		
	R 51	QRJ146J-153X	UNF C RESISTOR	UJ ONLY	
	R 52	QRL017J-332	UNF OMF RESISTO	UJ ONLY	
△	R 53	QRJ146J-6R8X	UNF C RESISTOR	6.8 5% 1/4W	
	R 54	QRE141J-821Y	C RESISTOR	820 5% 1/4W	
	R 61	QRJ146J-8R2X	UNF C RESISTOR	EXCEPT J/C	
	R 72	QRJ146J-332X	UNF C RESISTOR	3.3K 5% 1/4W	
	R 73	QRE141J-223Y	C RESISTOR	22K 5% 1/4W	
	R 74	QRE141J-104Y	C RESISTOR	100K 5% 1/4W	
	R 91	QRL027J-471	UNF OMF.RES.	470 5% 1/2W	
	R 92	QRL027J-471	UNF OMF.RES.	470 5% 1/2W	
	R 903	QRE141J-331Y	C RESISTOR	330 5% 1/4W	
	R 908	QRE141J-223Y	C RESISTOR	22K 5% 1/4W	
	R 910	QRE141J-223Y	C RESISTOR	22K 5% 1/4W	
	R 911	QRE141J-472Y	C RESISTOR	4.7K 5% 1/4W	
	R 913	QRT027J-3R9	UNF.MF.RES.	3.9 5% 1/2W	
	R 914	QRT027J-3R9	UNF.MF.RES.	3.9 5% 1/2W	
	R 915	QRT027J-3R9	UNF.MF.RES.	3.9 5% 1/2W	
	R 916	QRT027J-3R9	UNF.MF.RES.	3.9 5% 1/2W	
	R 918	QRL027J-180	UNF.MF.RES.	18 5% 1/2W	
	R 921	QRK126J-120X	C RESISTOR	12 5% 1/2W	
	R 922	QRK126J-120X	C RESISTOR	12 5% 1/2W	
	R 923	QRJ146J-272X	UNF C RESISTOR	2.7K 5% 1/4W	
	R 924	QRE141J-103Y	C RESISTOR	10K 5% 1/4W	
	R 925	QRE141J-221Y	C RESISTOR	220 5% 1/4W	
	R 926	QRE141J-221Y	C RESISTOR	220 5% 1/4W	
	R 927	QRE141J-221Y	C RESISTOR	220 5% 1/4W	
	R 928	QRE141J-221Y	C RESISTOR	220 5% 1/4W	
	R 929	QRE141J-221Y	C RESISTOR	220 5% 1/4W	
	R 931	QRL017J-330	OMF RESISTOR	33 5% 1/1W	
	R 932	QRL017J-330	OMF RESISTOR	33 5% 1/1W	
	R 933	QRJ146J-272X	UNF C RESISTOR	2.7K 5% 1/4W	
	R 937	QRE141J-221Y	C RESISTOR	220 5% 1/4W	
	R 938	QRE141J-221Y	C RESISTOR	220 5% 1/4W	
	R 939	QRE141J-221Y	C RESISTOR	220 5% 1/4W	
	R 940	QRJ146J-3R3X	UNF C RESISTOR	3.3 5% 1/4W	
	R 941	QRK126J-120X	C RESISTOR	12 5% 1/2W	
	R 942	QRK126J-120X	C RESISTOR	12 5% 1/2W	
	R 943	QRJ146J-272X	UNF C RESISTOR	2.7K 5% 1/4W	
	R 944	QRE141J-221Y	C RESISTOR	220 5% 1/4W	
	R 945	QRE141J-221Y	C RESISTOR	220 5% 1/4W	
	R 946	QRE141J-221Y	C RESISTOR	220 5% 1/4W	
	R 951	QRK126J-120X	C RESISTOR	12 5% 1/2W	
	R 953	QRJ146J-222X	UNF C RESISTOR	2.2K 5% 1/4W	

△	Item	Parts number	Parts name	Remarks	Area
	R 954	QRE141J-221Y	C RESISTOR	220 5% 1/4W	
	R 955	QRE141J-221Y	C RESISTOR	220 5% 1/4W	
	R 956	QRE141J-221Y	C RESISTOR	220 5% 1/4W	
	R 961	QRK126J-120X	C RESISTOR	12 5% 1/2W	
	R 963	QRJ146J-222X	UNF C RESISTOR	2.2K 5% 1/4W	
	R 965	QRE141J-103Y	C RESISTOR	10K 5% 1/4W	
	R 966	QRE141J-103Y	C RESISTOR	10K 5% 1/4W	
	R 967	QRE141J-103Y	C RESISTOR	10K 5% 1/4W	
	R 968	QRE141J-103Y	C RESISTOR	10K 5% 1/4W	
	R 969	QRE141J-103Y	C RESISTOR	10K 5% 1/4W	
	R 971	QRJ146J-120X	UNF C RESISTOR	12 5% 1/4W	
	R 973	QRJ146J-332X	UNF C RESISTOR	3.3K 5% 1/4W	
	R 975	QRJ146J-220X	UNF C RESISTOR	22 5% 1/4W	
	R 976	QRE141J-472Y	C RESISTOR	4.7K 5% 1/4W	
	R 977	QRE141J-472Y	C RESISTOR	4.7K 5% 1/4W	
	R 978	QRE141J-472Y	C RESISTOR	4.7K 5% 1/4W	
	R 979	QRE141J-472Y	C RESISTOR	4.7K 5% 1/4W	
	R 980	QRE141J-221Y	C RESISTOR	220 5% 1/4W	
	R 981	QRE141J-221Y	C RESISTOR	220 5% 1/4W	
	R 982	QRE141J-221Y	C RESISTOR	220 5% 1/4W	
	R 983	QRE141J-221Y	C RESISTOR	220 5% 1/4W	
	R 984	QRE141J-221Y	C RESISTOR	220 5% 1/4W	
	R 985	QRE141J-221Y	C RESISTOR	220 5% 1/4W	
	R 986	QRE141J-221Y	C RESISTOR	220 5% 1/4W	
	R 987	QRE141J-221Y	C RESISTOR	220 5% 1/4W	
	R 991	QRE141J-472Y	C RESISTOR	4.7K 5% 1/4W	
	R 992	QRE141J-472Y	C RESISTOR	4.7K 5% 1/4W	
	R 993	QRE141J-622Y	C RESISTOR	6.2K 5% 1/4W	
	R 994	QRE141J-512Y	C RESISTOR	5.1K 5% 1/4W	
	R 995	QRE141J-133Y	C RESISTOR	13K 5% 1/4W	
	R 996	QRE141J-332Y	C RESISTOR	3.3K 5% 1/4W	
	R 997	QRE141J-153Y	C RESISTOR	15K 5% 1/4W	
	R 998	QRE141J-562Y	C RESISTOR	5.6K 5% 1/4W	
	R 999	QRE141J-103Y	C RESISTOR	EXCEPT E/EN	
△	RY 1	QSK0098-001	RELAY		
△	T 2	QQT0281-004	POWER TRANSF	UJ	
	TA 1	QNZ0079-001Z	TAB		
	TA 2	QNZ0079-001Z	TAB		
△	TH 71	QAD0095-4R7Z	POSISTOR		
△	VS 1	QSW0812-001	VOLTAGE SWITCH	UJ ONLY	
	X 901	QAX0246-001Z	C RESONATOR		

■ Electrical parts list (Tuner board)

Block No. 07

△	Item	Parts number	Parts name	Remarks	Area
	AT101	QNB0014-001	ANT TERMINAL		
	BK 1	LV31618-001A	SHIELD BKT		
	C 101	NCB21HK-103X	C CAPACITOR	C/M B	
	C 103	NCB21HK-223X	C CAPACITOR	C/M B	
	C 105	NCB21HK-223X	C CAPACITOR	C/M B	
	C 107	QEK1CM-226Z	E CAPACITOR	22MF 20% 16V	
	C 111	NCB21HK-473X	C CAPACITOR	C/M B	
	C 112	NDC21HJ-120X	C CAPACITOR	C/M B	
	C 121	NDC21HJ-120X	C CAPACITOR	C/M B	
	C 122	NDC21HJ-120X	C CAPACITOR	C/M B	
	C 123	NCB21HK-473X	C CAPACITOR	C/M B	
	C 126	NCS21HJ-101X	C CAPACITOR	C/M B	
	C 128	QENC1HM-474Z	NP E CAPACITOR	.47MF 20% 50V	
	C 129	NCB21HK-102X	C CAPACITOR	C/M B	
	C 130	QEK1AM-107Z	E CAPACITOR	100MF 20% 10V	
	C 133	QEK1CM-226Z	E CAPACITOR	22MF 20% 16V	
	C 134	NCB21HK-222X	C CAPACITOR		
	C 135	NCB21HK-223X	C CAPACITOR	C/M B	
	C 136	QEK1HM-105Z	E CAPACITOR	1.0MF 20% 50V	
	C 137	NCB21HK-331X	C CAPACITOR	C/M B	
	C 138	NCB21HK-473X	C CAPACITOR	C/M B	
	C 139	NCB21HK-223X	C CAPACITOR	C/M B	
	C 140	NCB21HK-223X	C CAPACITOR	C/M B	
	C 141	NCB21HK-473X	C CAPACITOR	C/M B	
	C 143	NCB21HK-223X	C CAPACITOR	C/M B	
	C 144	NCB21HK-473X	C CAPACITOR	C/M B	
	C 146	QEK1HM-105Z	E CAPACITOR	1.0MF 20% 50V	
	C 147	QEK1HM-105Z	E CAPACITOR	1.0MF 20% 50V	
	C 148	QEK1HM-224Z	E CAPACITOR	.22MF 20% 50V	
	C 149	QEK1HM-105Z	E CAPACITOR	1.0MF 20% 50V	
	C 150	QEK1CM-226Z	E CAPACITOR	22MF 20% 16V	
	C 156	QDGB1HK-102Y	C CAPACITOR	C/M B	
	C 157	NCB21HK-473X	C CAPACITOR	C/M B	
	C 158	QEK1CM-226Z	E CAPACITOR	22MF 20% 16V	
	C 161	QEK1CM-106Z	E CAPACITOR	10MF 20% 16V	
	C 162	QEK1CM-106Z	E CAPACITOR	10MF 20% 16V	
	C 163	NCB21HK-223X	C CAPACITOR	C/M B	
	C 164	NCB21HK-473X	C CAPACITOR	C/M B	
	C 168	QEK1HM-105Z	E CAPACITOR	1.0MF 20% 50V	
	C 184	QEK1CM-107Z	E CAPACITOR	100MF 20% 16V	
	C 185	QEK1CM-106Z	E CAPACITOR	10MF 20% 16V	
	C 186	QEK1CM-106Z	E CAPACITOR	10MF 20% 16V	
	CF101	QAX0419-001Z	C FILTER		
	CF102	QAX0604-001Z	C FILTER		
	CF103	QAX0519-001Z	C FILTER		
	CN111	QGB2501K2-12	CONNECTOR		
	D 121	1SS133-T2	SI DIODE		
	D 123	1SS133-T2	SI DIODE		
	D 129	1SS133-T2	SI DIODE		
	IC102	LA1838	IC		
	IC121	LC72136N	IC		
	Q 102	2SC535/BC/-T	TRANSISTOR		
	Q 103	2SC461/BC/-T	TRANSISTOR		
	Q 121	KRA103M-T	TRANSISTOR	FM+B	
	R 103	NRSA02J-221X	MG RESISTOR	C/M B	
	R 104	NRSA02J-272X	MG RESISTOR	C/M B	
	R 105	NRSA02J-391X	MG RESISTOR	C/M B	
	R 106	NRSA02J-102X	MG RESISTOR	C/M B	
	R 107	NRSA02J-391X	MG RESISTOR	C/M B	
	R 108	NRSA02J-332X	MG RESISTOR	C/M B	
	R 109	NRSA02J-221X	MG RESISTOR	C/M B	
	R 115	NRSA02J-104X	MG RESISTOR	C/M B	
	R 119	NRSA02J-103X	MG RESISTOR	C/M B	
	R 122	NRSA02J-472X	MG RESISTOR	C/M B	
	R 124	NRSA02J-222X	MG RESISTOR	C/M B	
	R 126	NRSA02J-562X	MG RESISTOR	C/M B	

△	Item	Parts number	Parts name	Remarks	Area
	R 127	NRSA02J-822X	MG RESISTOR	C/M B	
	R 128	NRSA02J-472X	MG RESISTOR	C/M B	
	R 129	NRSA02J-222X	MG RESISTOR	C/M B	
	R 130	QRZ9005-680X	F RESISTOR	68 1/4W	
	R 132	NRSA02J-393X	MG RESISTOR	C/M B	
	R 133	NRSA02J-392X	MG RESISTOR	C/M B	
	R 134	NRSA02J-102X	MG RESISTOR	C/M B	
	R 140	NRSA02J-183X	MG RESISTOR	C/M B	
	R 141	NRSA02J-102X	MG RESISTOR	C/M B	
	R 142	NRSA02J-470X	MG RESISTOR	C/M B	
	R 143	NRSA02J-562X	MG RESISTOR	C/M B	
	R 144	NRSA02J-332X	MG RESISTOR	C/M B	
	R 145	NRSA02J-103X	MG RESISTOR	C/M B	
	R 146	NRSA02J-392X	MG RESISTOR	C/M B	
	R 147	NRSA02J-332X	MG RESISTOR	C/M B	
	R 150	NRSA02J-331X	MG RESISTOR	C/M B	
	R 157	NRSA02J-682X	MG RESISTOR	C/M B	
	R 158	NRSA02J-682X	MG RESISTOR	C/M B	
	R 161	NRSA02J-102X	MG RESISTOR	C/M B	
	R 162	NRSA02J-102X	MG RESISTOR	C/M B	
	R 182	NRSA02J-103X	MG RESISTOR		
	R 183	NRSA02J-103X	MG RESISTOR		
	R 184	NRSA02J-103X	MG RESISTOR		
	RF101	QAU0124-002	FRONT END		
	T 111	QQR0796-001	COIL BLOCK		
	T 142	QQR0973-001	IFT		
	X 121	QAX0402-001	CRYSTAL		

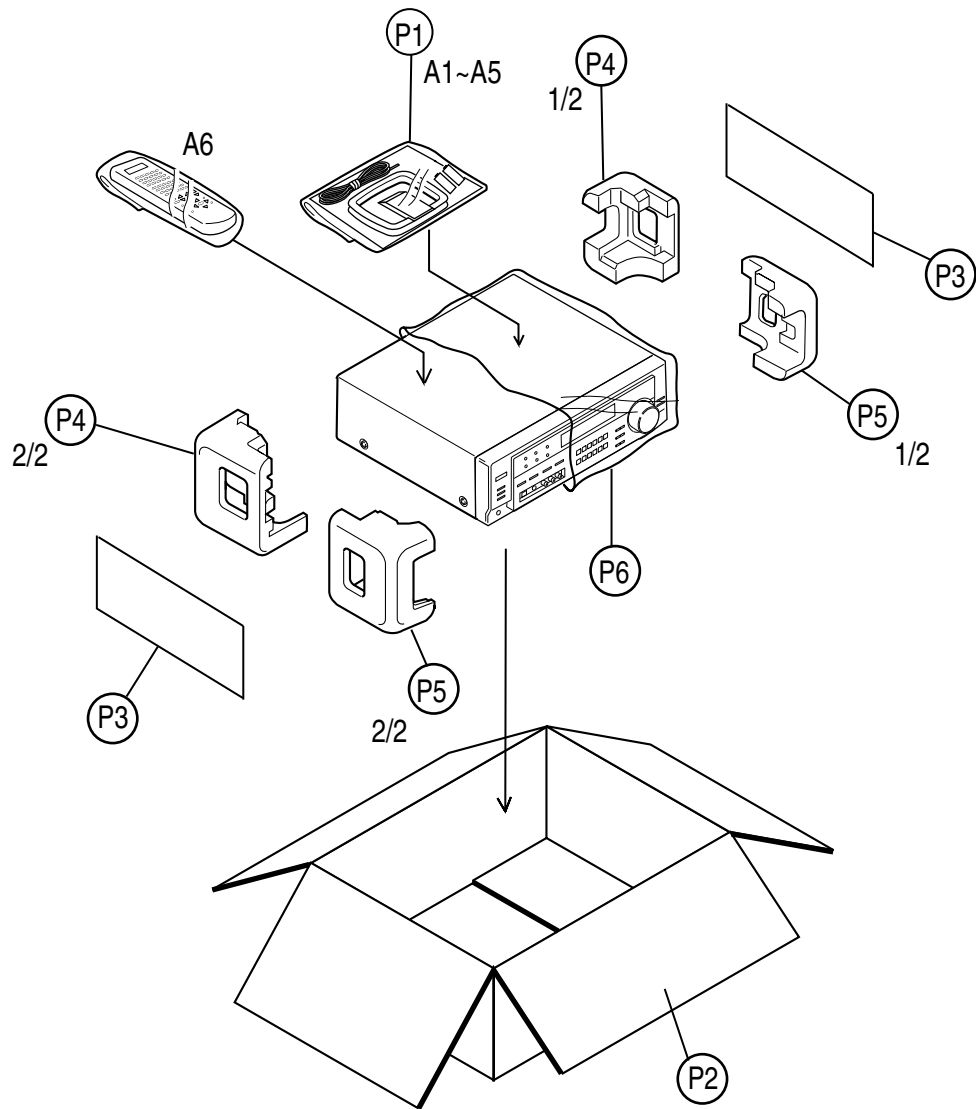
Packing materials and accessories parts list

Block No.

M	3	M	M
---	---	---	---

Block No.

M	5	M	M
---	---	---	---



■ Parts list (Packing)

Block No. M3MM

△	Item	Parts number	Parts name	Q'ty	Description	Area
	P 1	QPA02503505P	POLY BAG	1	RX-8020VBKUJ	
	P 2	LV20989-021A	CARTON BOX	1		
	P 3	LV32034-003A	SHEET	2		
	P 4	LV20947-001A	PACKING PAD	1		
	P 5	LV20948-001A	PACKING PAD	1		
	P 6	QPC06507015P	POLY BAG	1		

■ Parts list (Accessories)

Block No. M5MM

△	Item	Parts number	Parts name	Q'ty	Description	Area
	A 1	LVT0870-003A	INST BOOK	1	ENG	
	A 2	EWP503-001C	ANT.WIRE	1		
	A 3	QAL0204-001	AM LOOP ANT	1		
	A 4	QAM0112-001	AC PLUG ADAPTER	1		
	A 5	-----	BATTERY	2		
	A 6	RM-SRX8020J	REMOCON	1		