

JVC

SCHEMATIC DIAGRAMS

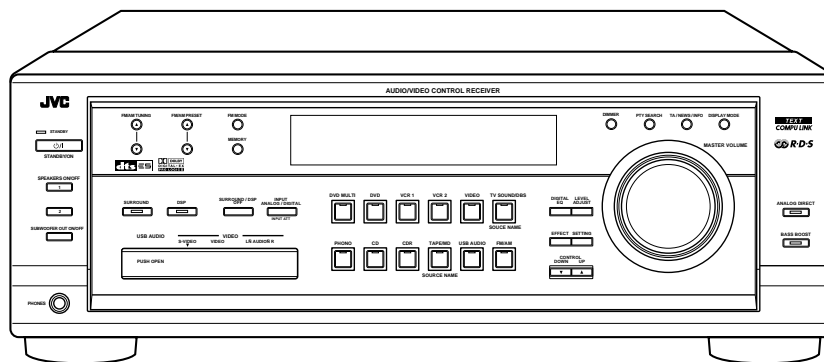
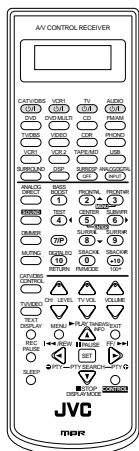
AUDIO/VIDEO CONTROL RECEIVER

RX-8022RSL

CD-ROM No.SML200209

Area suffix

E --- Continental Europe
EN ---- Northern Europe



TEXT
COMPU LINK

dts **ES**

DOLBY
DIGITAL EX
PRO LOGIC II

R-D-S

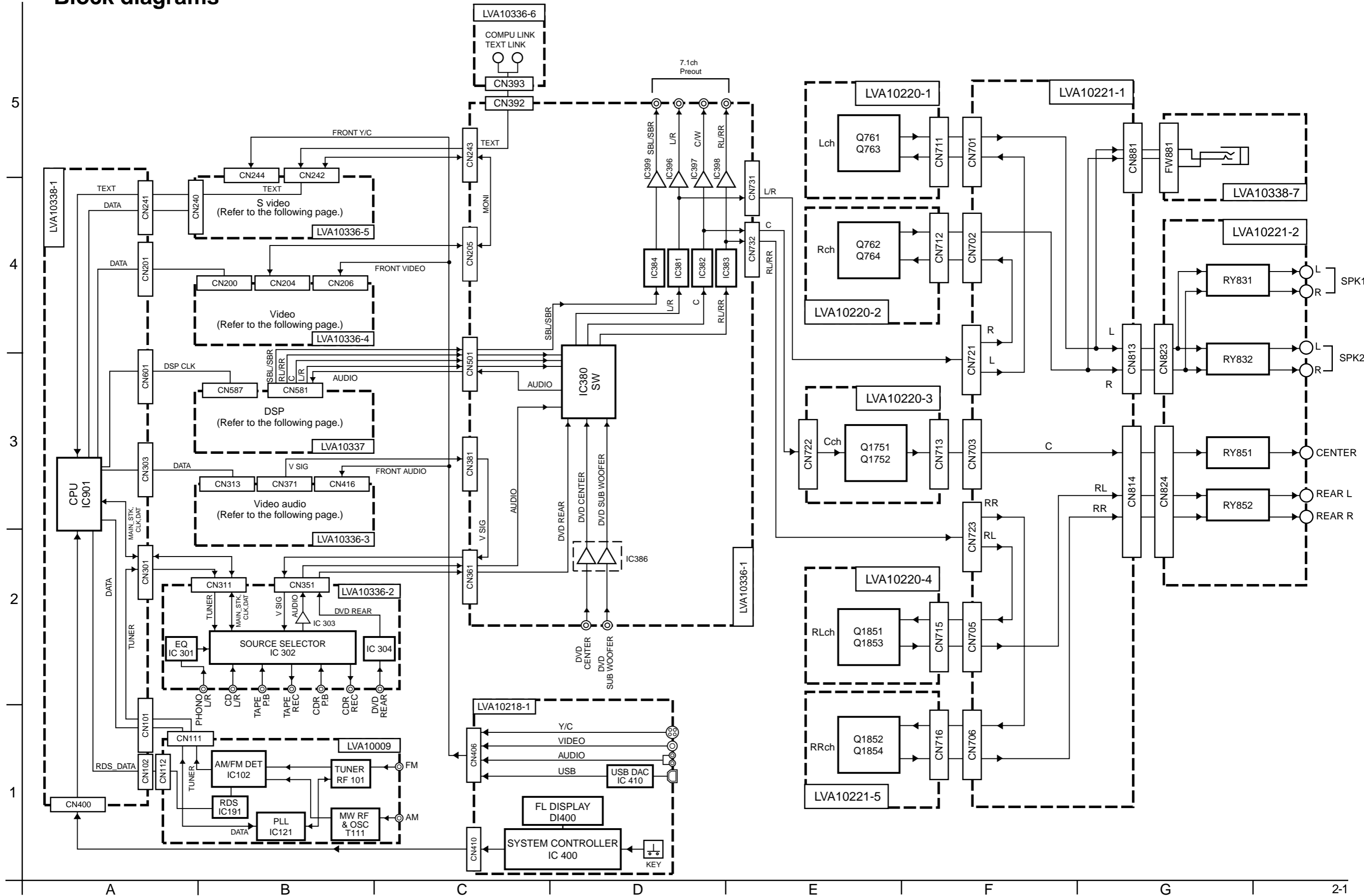
Contents

Block diagrams	2-1
Standard schematic diagrams	2-3
Printed circuit boards	2-13~19

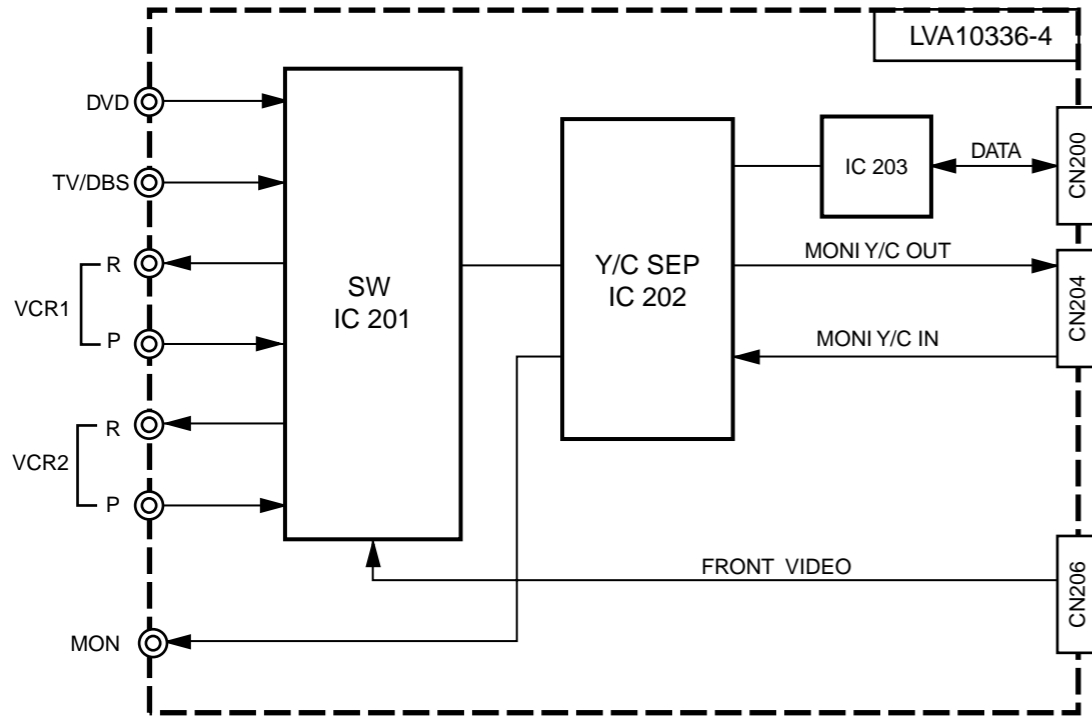
In regard with component parts appearing on the silk-screen printed side (parts side) of the PWB diagrams, the parts that are printed over with black such as the resistor (■), diode (▣) and ICP (●) or identified by the "△" mark nearby are critical for safety.

(This regulation does not correspond to J and C version.)

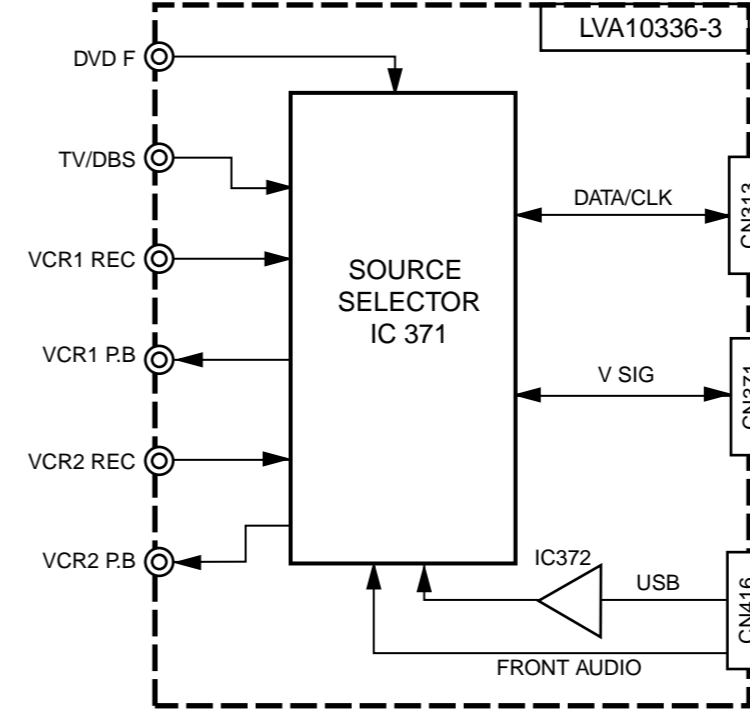
Block diagrams



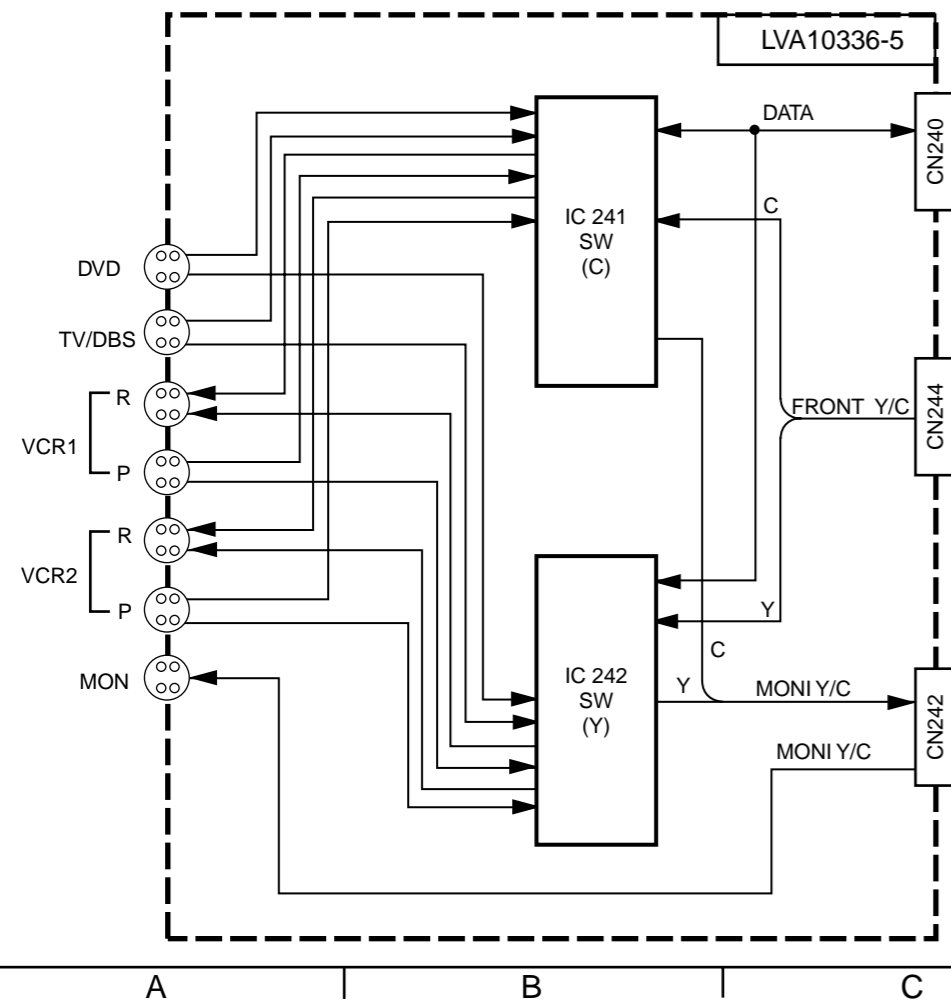
■ Video section



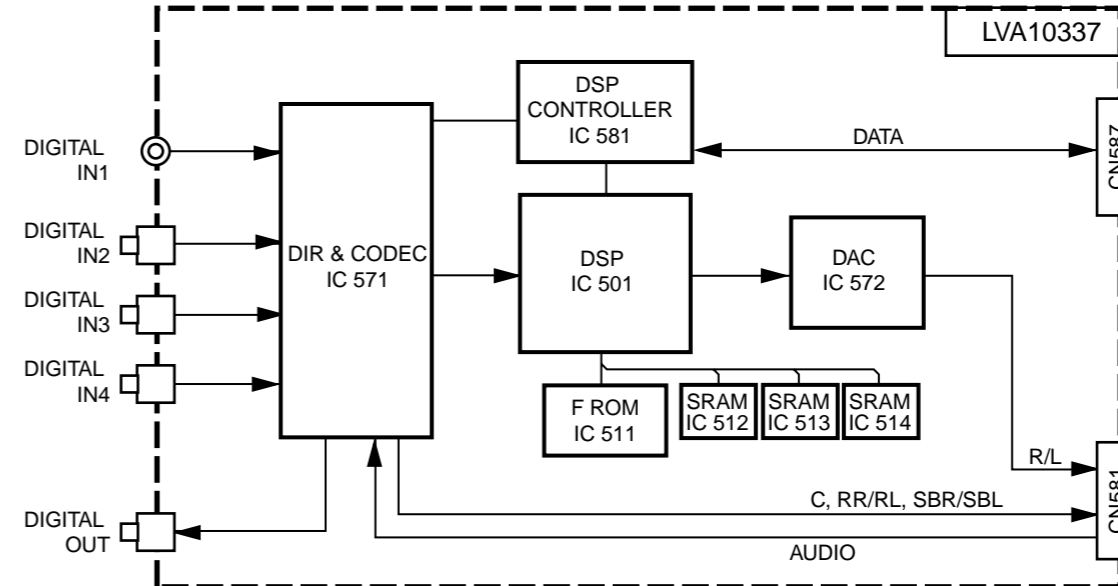
■ V audio input section



■ S Video section



■ DSP section



5

4

3

2

1

A B C 2-2 D E F G H

Standard schematic diagrams

Power supply section

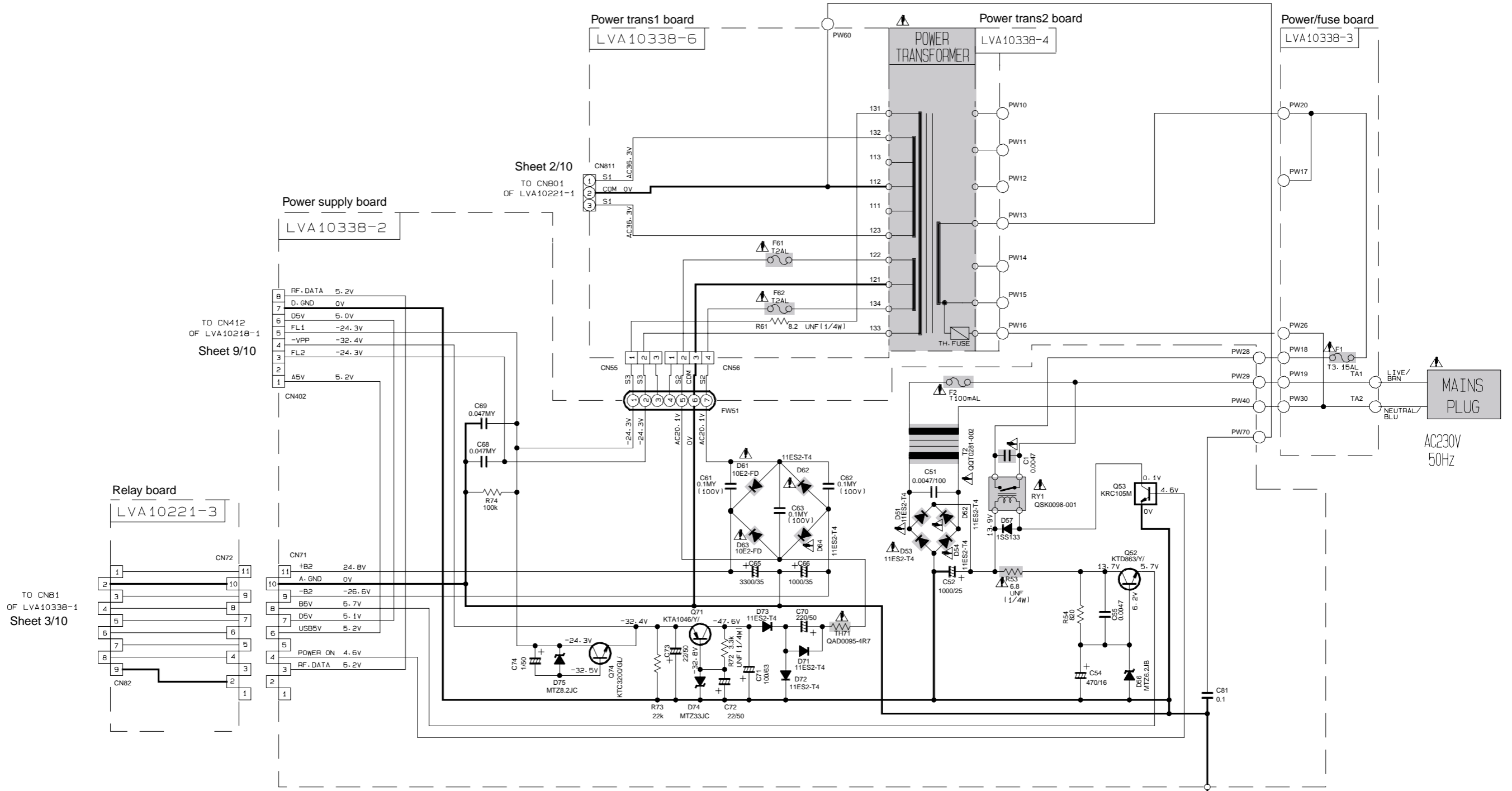
5

4

3

2

1



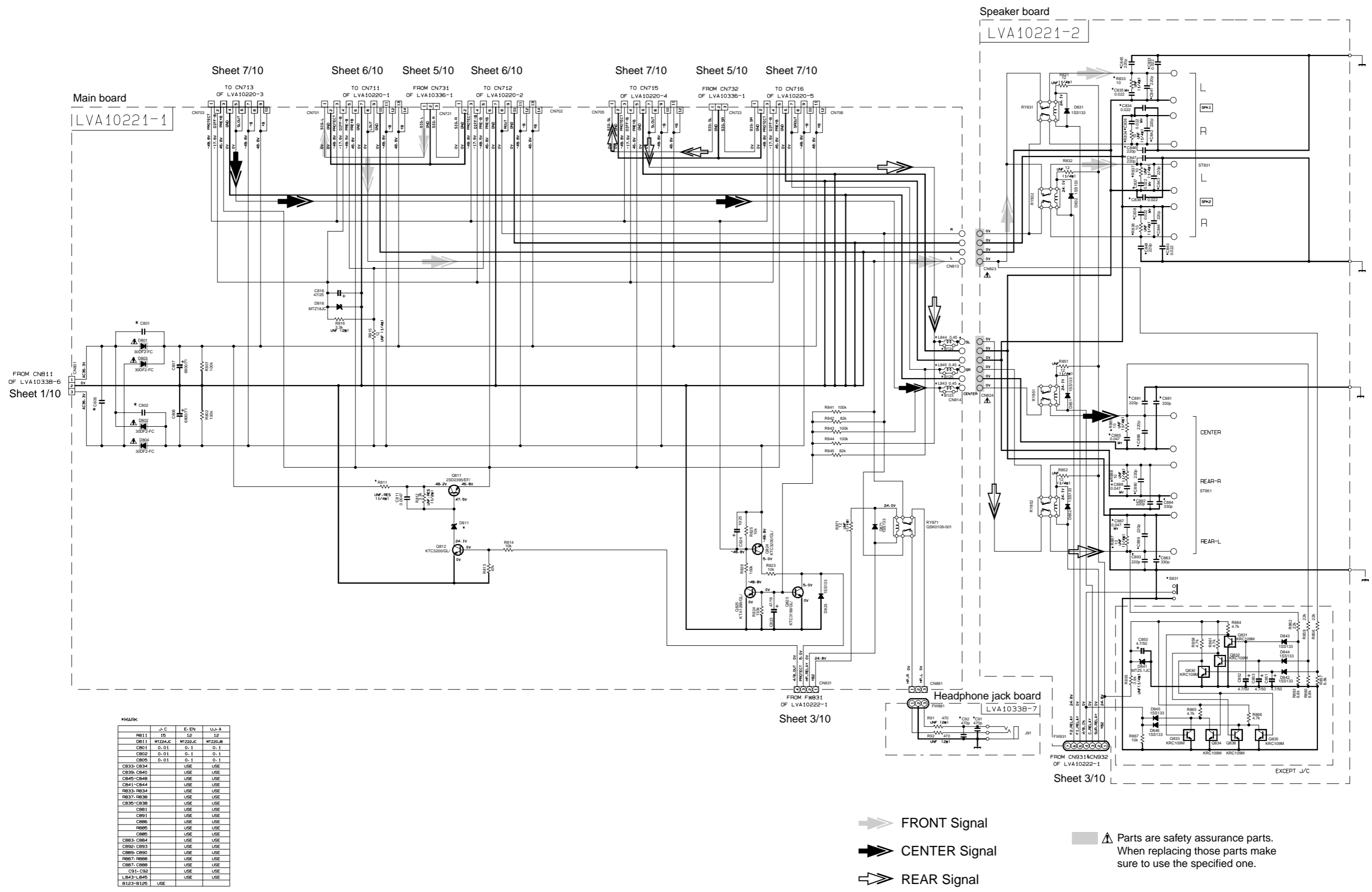
NOTES
 1. VOLTAGES ARE DC-MEASURED WITH A DIGITAL VOLT METER WITHOUT INPUT SIGNAL.
 CONDITION --- COLD START, POWER ON: DVD MULTI, VOL 30
 2. UNLESS OTHERWISE SPECIFIED,
 ALL RESISTORS ARE 1/6W ±5% CARBON RESISTOR.
 ALL CAPACITORS ARE 50V CERAMIC CAPACITOR.
 ALL RESISTANCE VALUES ARE IN OHM (Ω).
 ALL CAPACITANCE VALUES ARE IN UF (μF).
 ALL E-CAPACITORS ARE SHOWN IN THE FORM OF CAPACITANCE (UF)/RATED VOLTAGE (V).

SHEET NUMBER	CIRCUIT DESCRIPTION
1/10	POWER SUPPLY
2/10	MAIN
3/10	AUDIO
4/10	AUDIO SIGNAL / VIDEO SIGNAL INPUT
5/10	DVD
6/10	AUDIO AMP (FRONT CHANNEL)
7/10	AUDIO AMP (CENTER, REAR CHANNEL)
8/10	DSP
9/10	SYSTEM CONTROL
10/10	TUNER

▲ Parts are safety assurance parts. When replacing those parts make sure to use the specified one.

■ Main & Speaker terminal section

5
4
3
2
1



MARK

MARK	J-C	E-EN	U2-A
RB11	15	12	12
DB11	MT224-C	MT222-C	MT220-AB
CB01	0.01	0.1	0.1
CB02	0.01	0.1	0.1
CB03	0.01	0.1	0.1
CB33-CB34	USE	USE	USE
CB39-CB40	USE	USE	USE
CB45-CB48	USE	USE	USE
CB41-CB44	USE	USE	USE
RB33-RB34	USE	USE	USE
RB37-RB38	USE	USE	USE
CB35-CB38	USE	USE	USE
CB81	USE	USE	USE
CB91	USE	USE	USE
CB86	USE	USE	USE
RB95	USE	USE	USE
CB85	USE	USE	USE
CB83-CB84	USE	USE	USE
CB92-CB93	USE	USE	USE
CB89-CB90	USE	USE	USE
RB87-RB88	USE	USE	USE
CB87-CB88	USE	USE	USE
CB1-CB2	USE	USE	USE
LB43-LB45	USE	USE	USE
B123-B126	USE	USE	USE

- ➡ FRONT Signal
- ➡ CENTER Signal
- ➡ REAR Signal

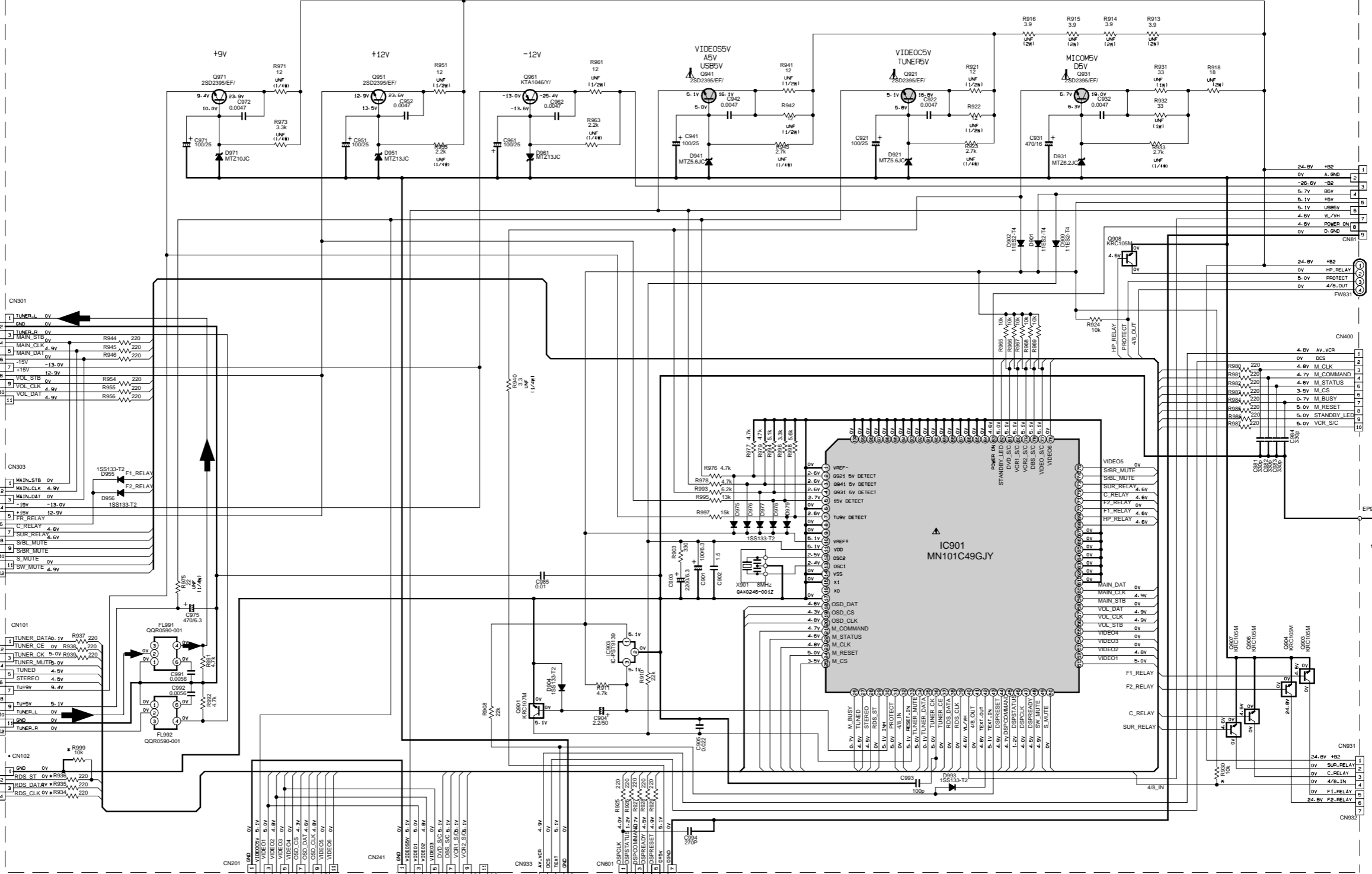
⚠ Parts are safety assurance parts. When replacing those parts make sure to use the specified one.

A B C 24 D E F G H

Audio section

Audio board

LVA10338-1



TO CN311 OF LVA10336-2 Sheet 4/10

TO CN313 OF LVA10336-3 Sheet 4/10

To CN111 Sheet 10/10

To CN112 Sheet 10/10

TO CN200 OF LVA10336-4 Sheet 4/10

TO CN240 OF LVA10336-5 Sheet 4/10

TO CN393 OF LVA10336-6 Sheet 5/10

TO CN587 OF LVA10337 Sheet 8/10

FROM CN2 OF LVA10221-3 Sheet 1/10

TO CN31 OF LVA10221-1 Sheet 2/10

FROM CN410 OF LVA10221-1 Sheet 9/10

TO FW931 OF LVA10221-2 Sheet 2/10

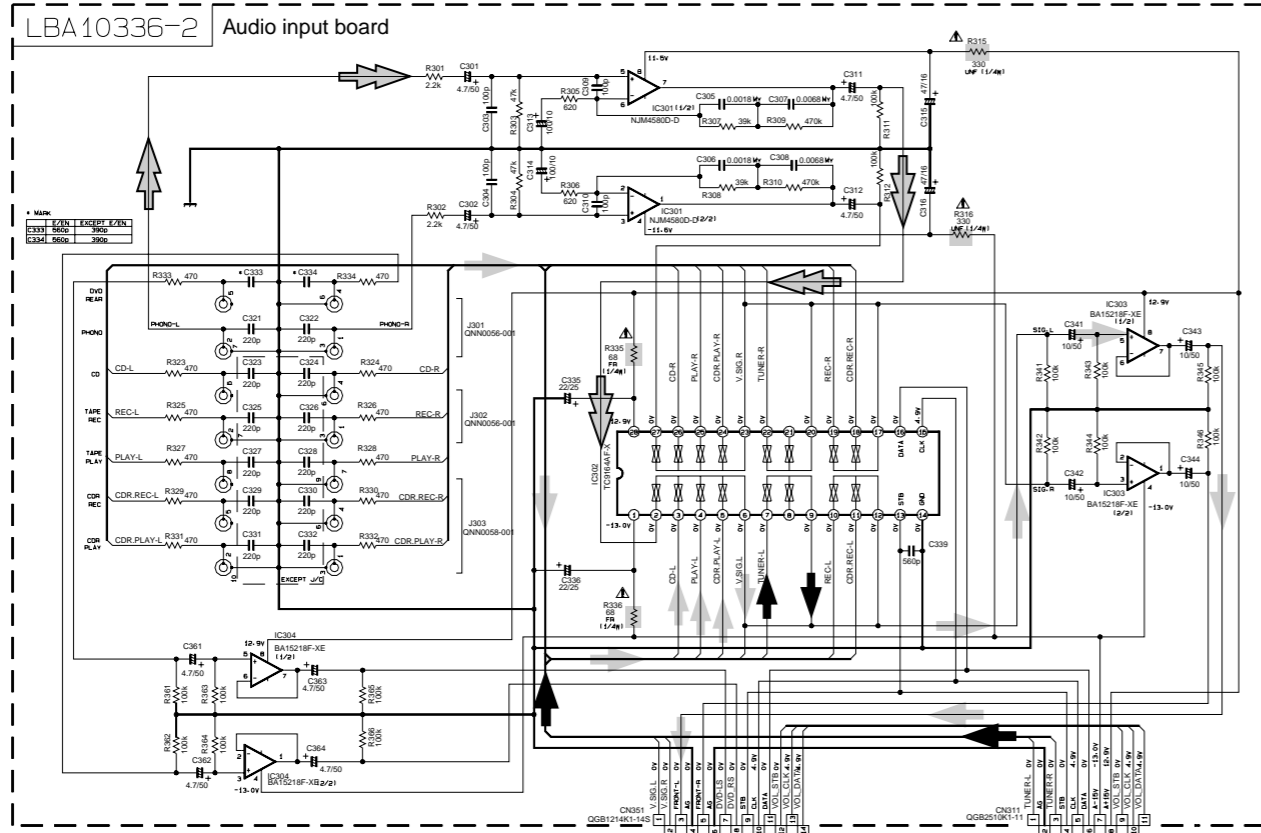
*MARK	J-C	E-EN	UJ-A
R930	USE		
R999	USE		USE
R934	USE		
R935	USE		
R936	USE		
CN102	USE		

➔ TUNER Signal

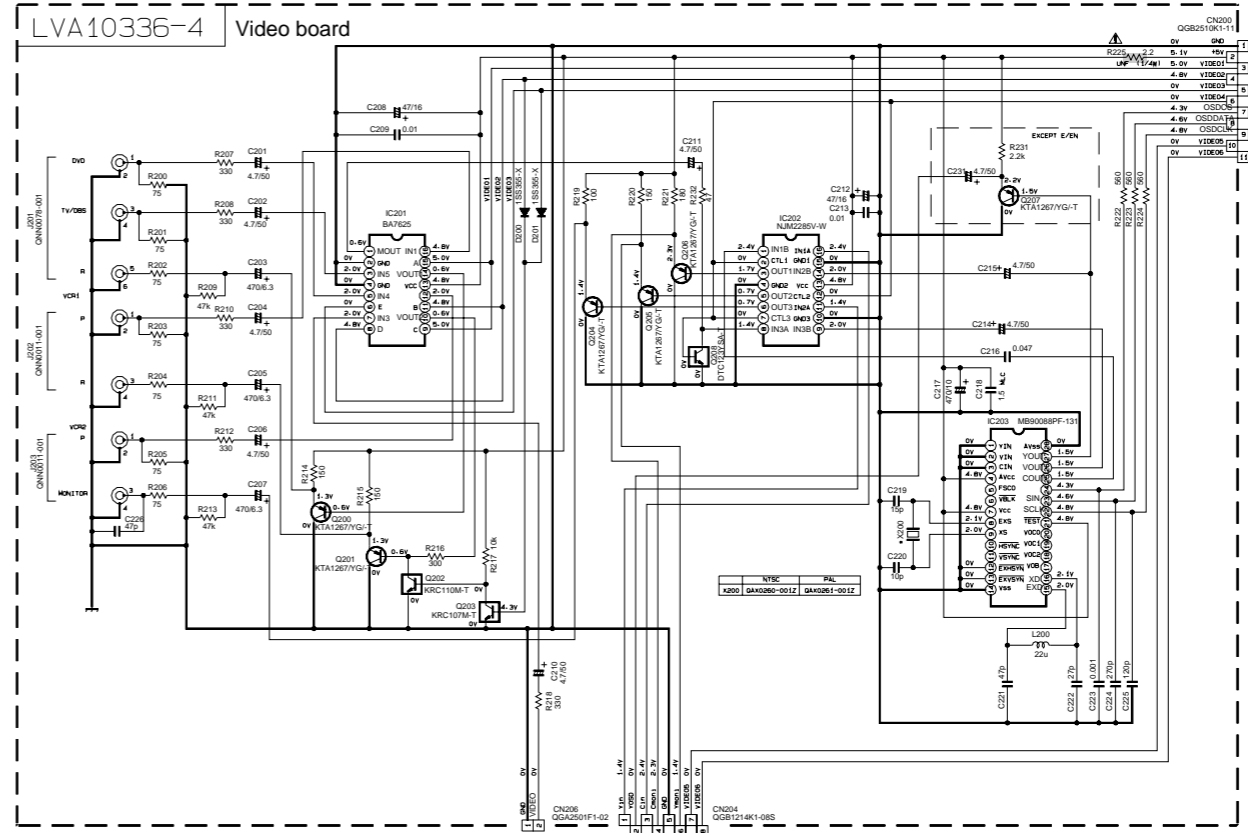
⚠ Parts are safety assurance parts. When replacing those parts make sure to use the specified one.

Audio / Video Audio / Video / S video signal input section

5



4

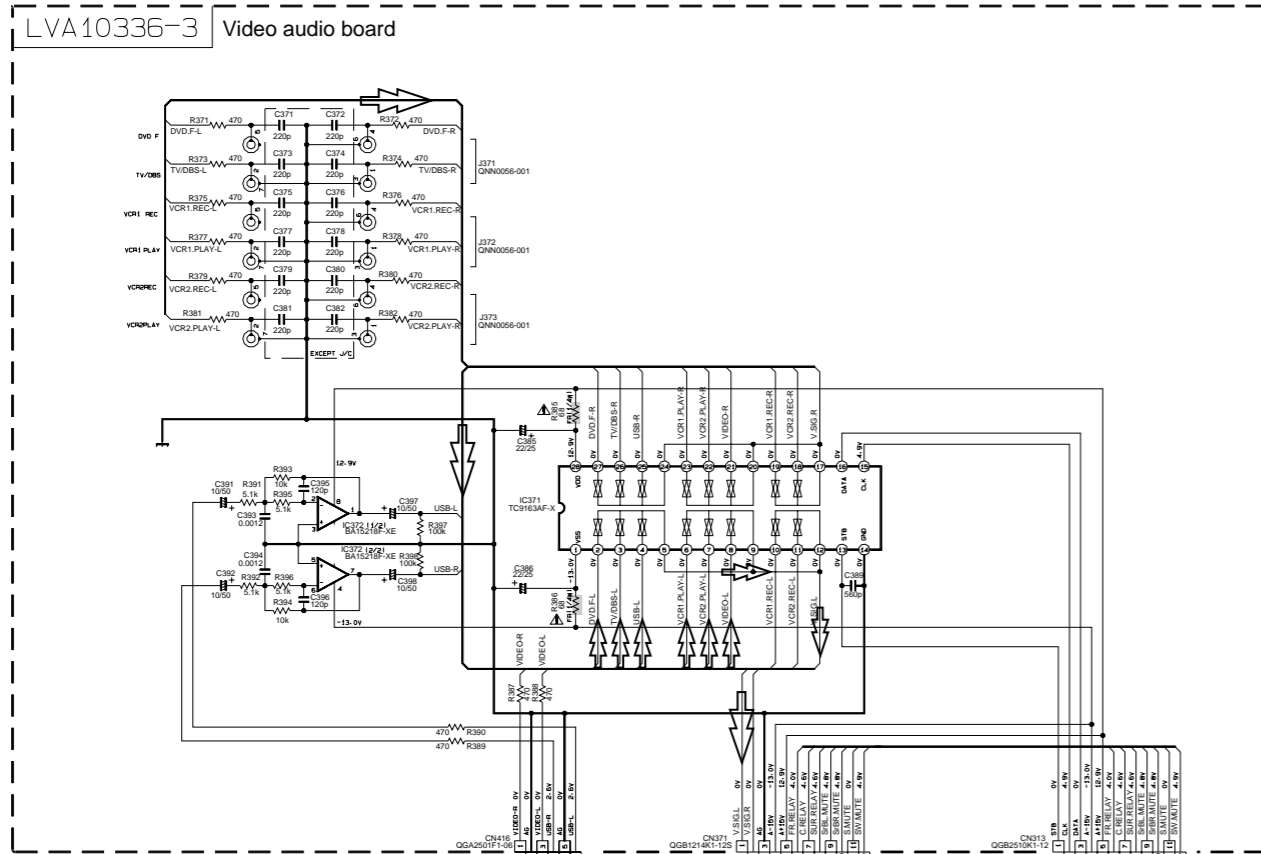


FROM CN201
OF LVA10336-1
Sheet 3/10

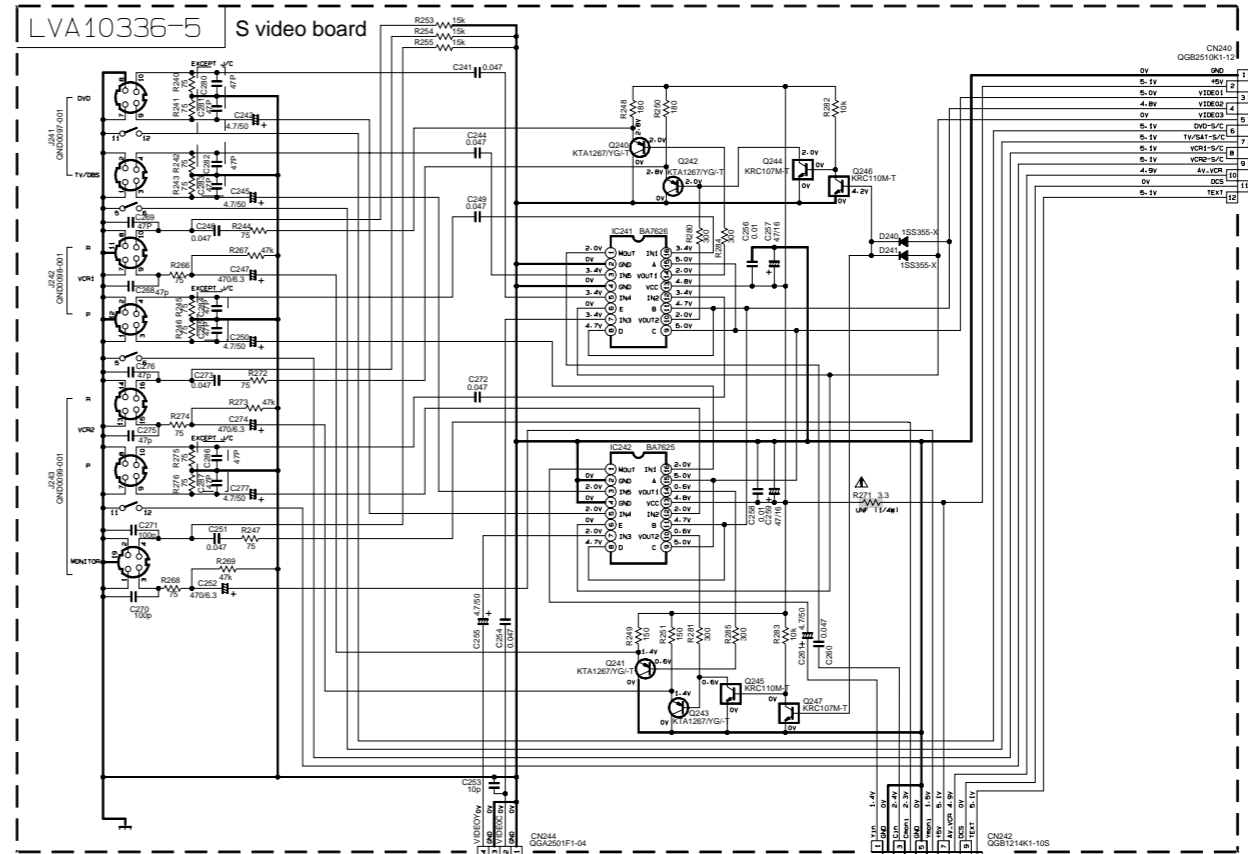
OF LVA10336-1 Sheet 5/10 OF LVA10336-1 Sheet 3/10

Sheet 9/10 TO CN406 OF LVA10218-1 TO CN205 OF LVA10336-1 Sheet 5/10

3



2



FROM CN241
OF LVA10336-1
Sheet 3/10

TO CN406 OF LVA10218-1 Sheet 9/10 TO CN381 OF LVA10336-1 Sheet 5/10 FROM CN303 OF LVA10336-1 Sheet 3/10

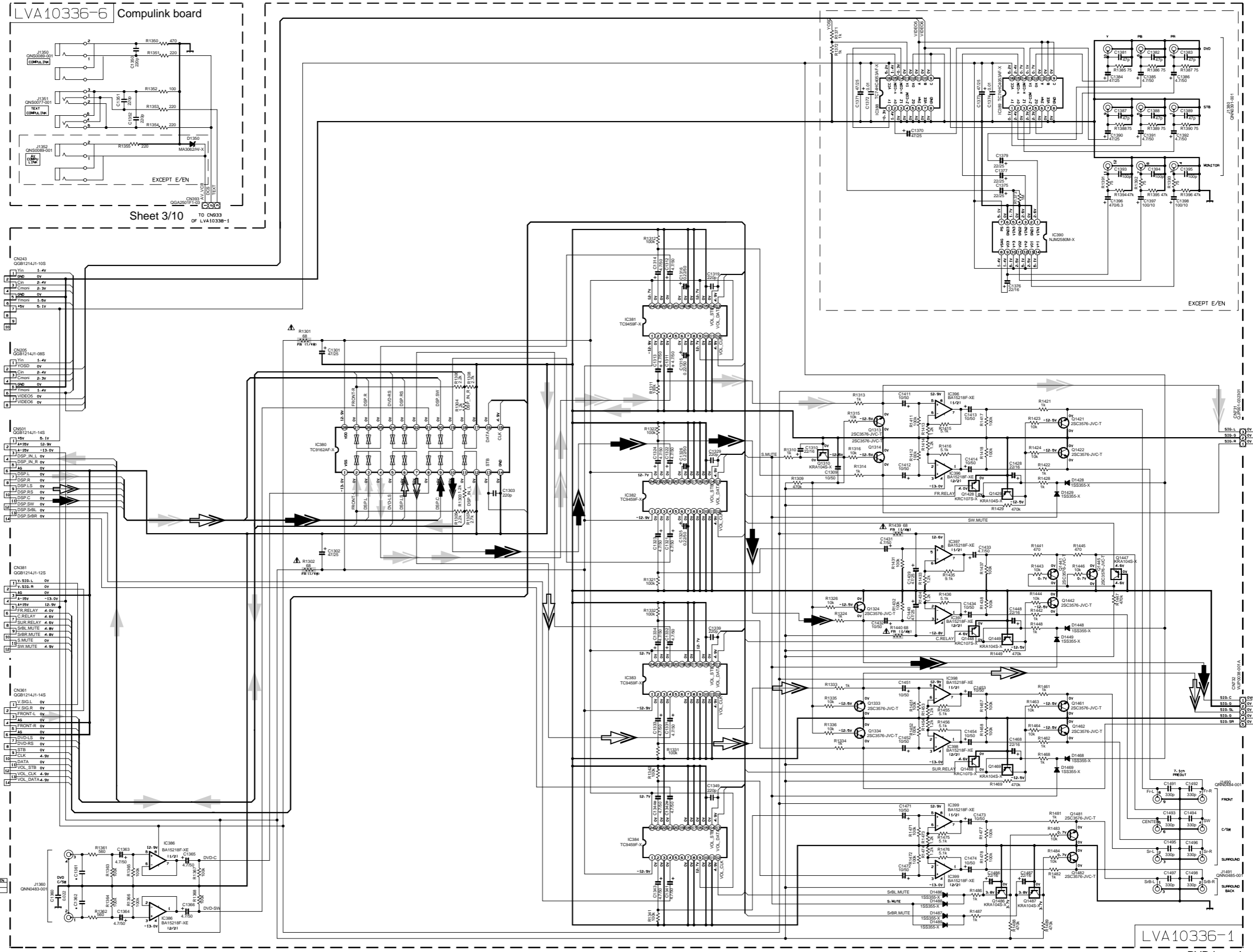
Sheet 9/10 TO CN406 OF LVA10218-1 TO CN243 OF LVA10336-1 Sheet 5/10

Parts are safety assurance parts. When replacing those parts make sure to use the specified one.

AUDIO Signal TUNER Signal PHONO Signal VIDEO AUDIO Signal

SHEET 4/10

DVD section



AUDIO Signal
 FRONT Signal
 CENTER Signal
 REAR Signal

⚠ Parts are safety assurance parts.
 When replacing those parts make sure to use the specified one.

Audio amp. section (1/2)

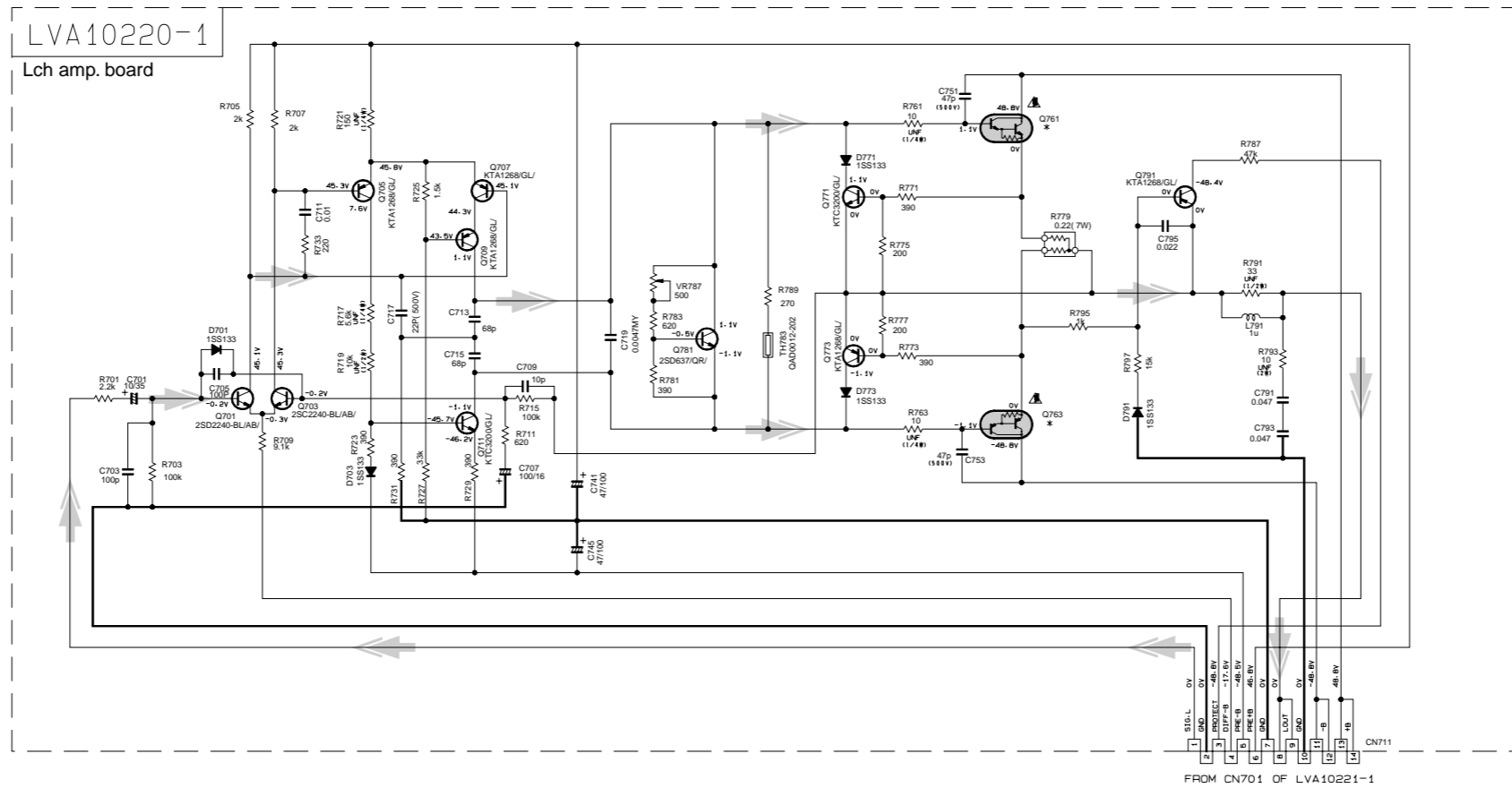
5

4

3

2

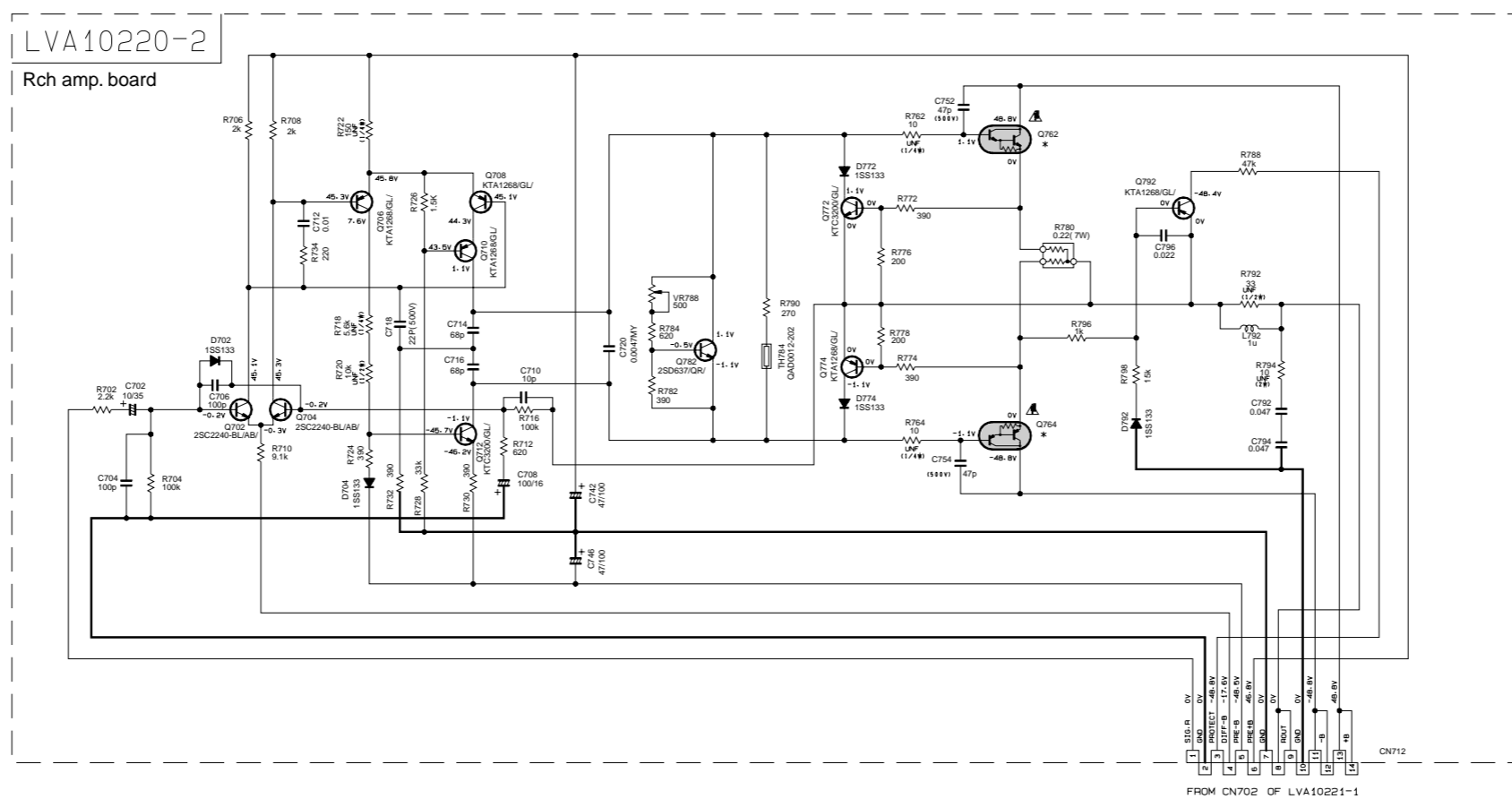
1



*MARK

	J-C	EXCEPT J-C
Q761- Q762	25Q2560/OPV/-F6	25Q2390/OPV/-F6
Q763- Q764	25B1647/OPV/-F6	25B1560/OPV/-F6

FROM CN701 OF LVA10221-1
Sheet 2/10

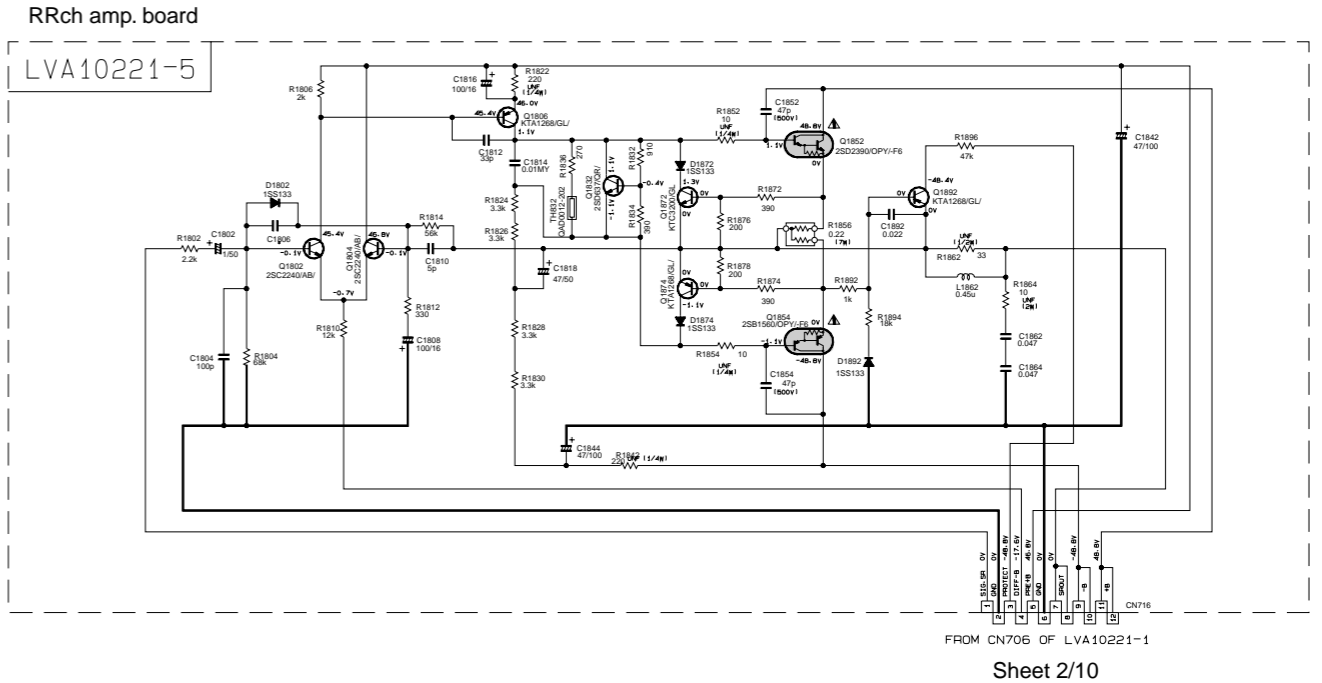
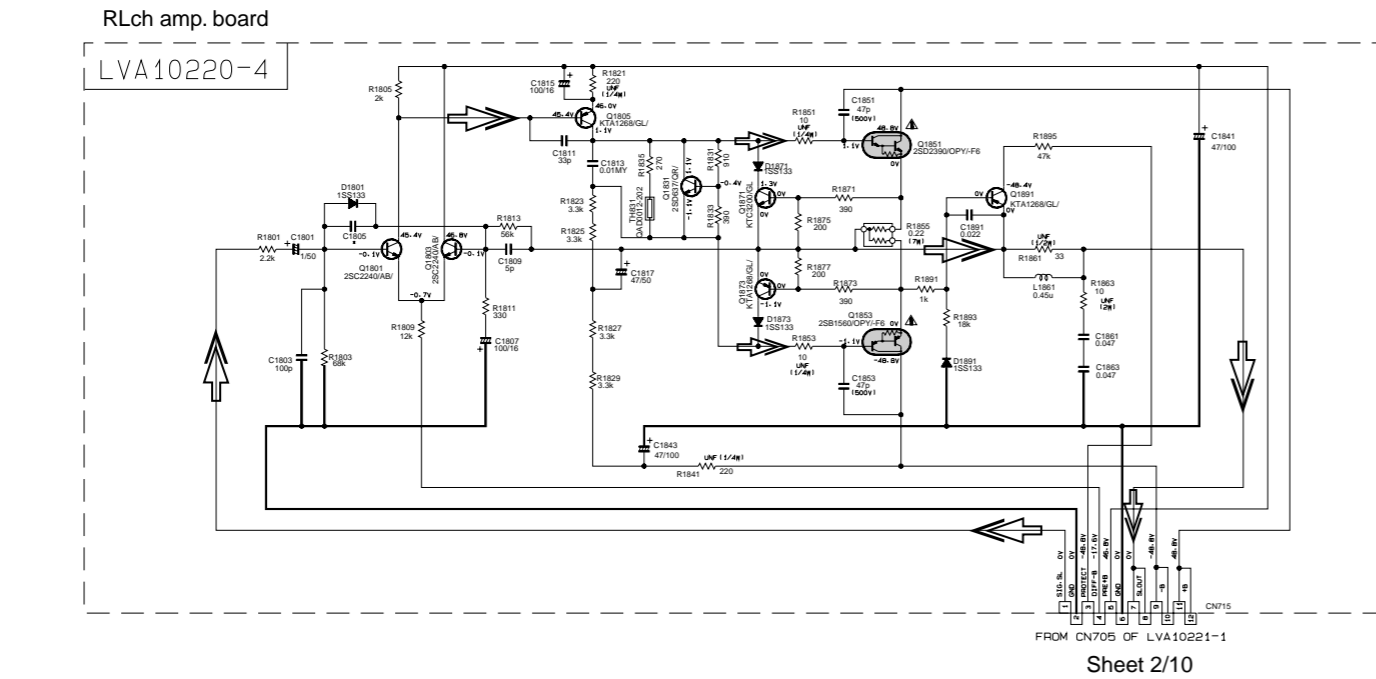
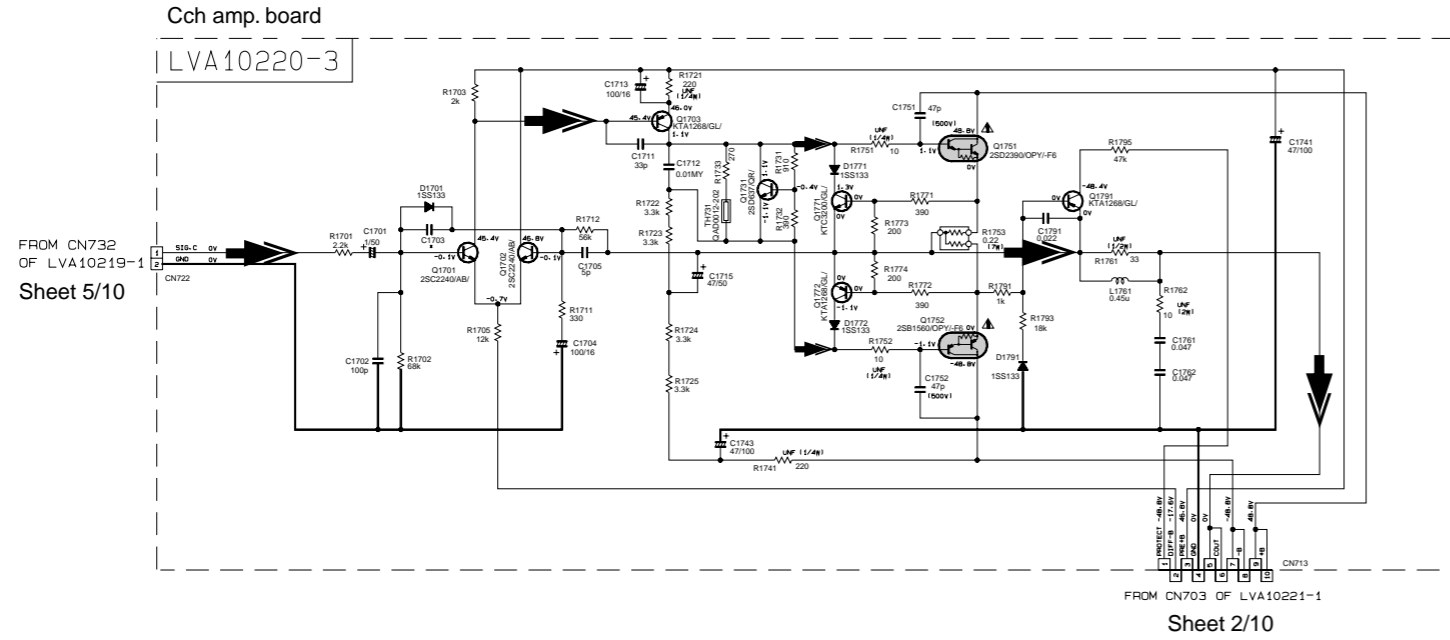


➔ FRONT Signal

⚠ Parts are safety assurance parts. When replacing those parts make sure to use the specified one.

FROM CN702 OF LVA10221-1
Sheet 2/10

■ Audio amp. section (2/2)



*MARK

	J/C	EXCEPT J/C
C1703-C1805-C1806	100p	220p

➡ CENTER Signal

➡ REAR Signal

⚠ Parts are safety assurance parts. When replacing those parts make sure to use the specified one.

DSP section

AUDIO Signal DIGITAL AUDIO Signal FRONT Signal CENTER Signal REAR Signal

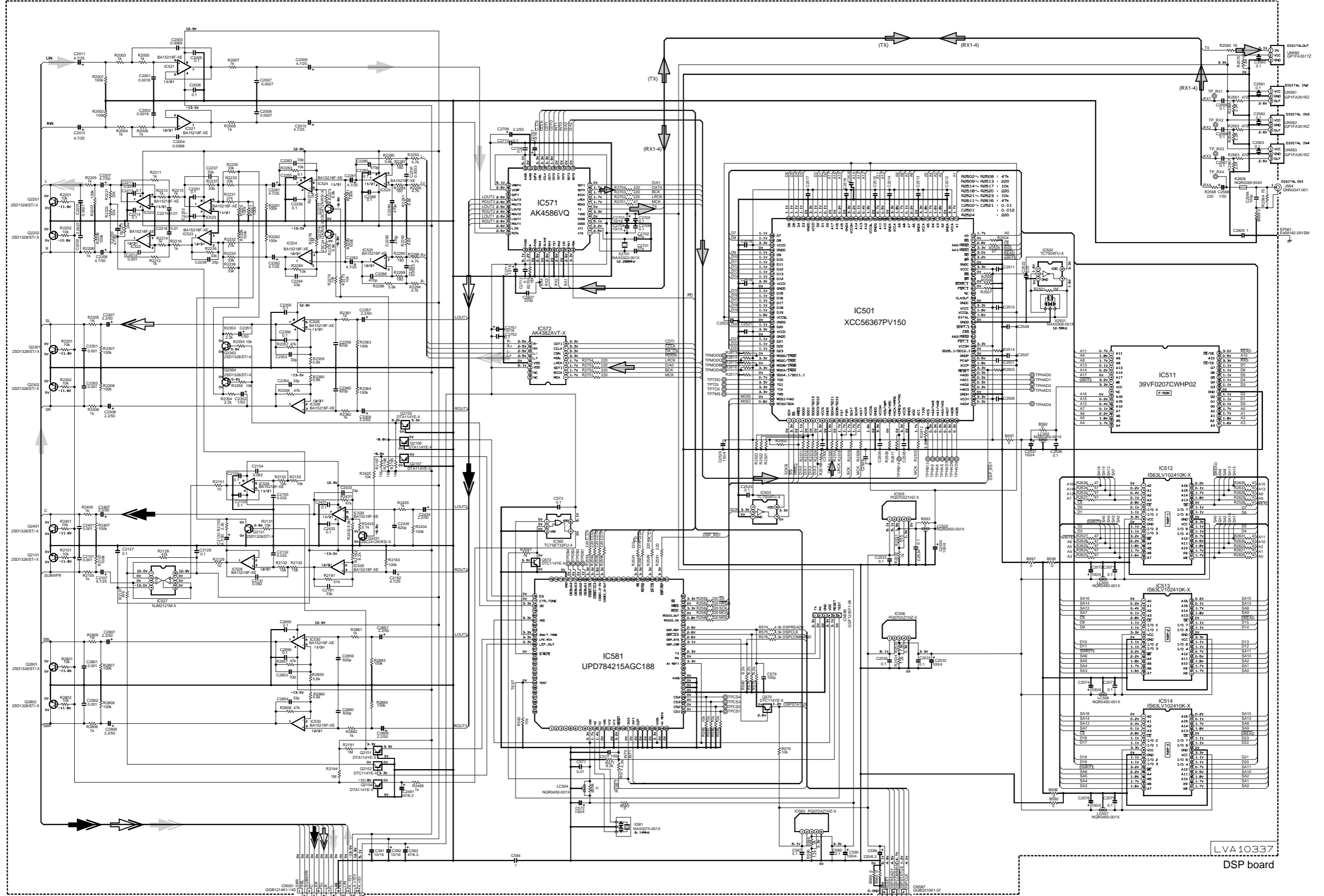
5

4

3

2

1



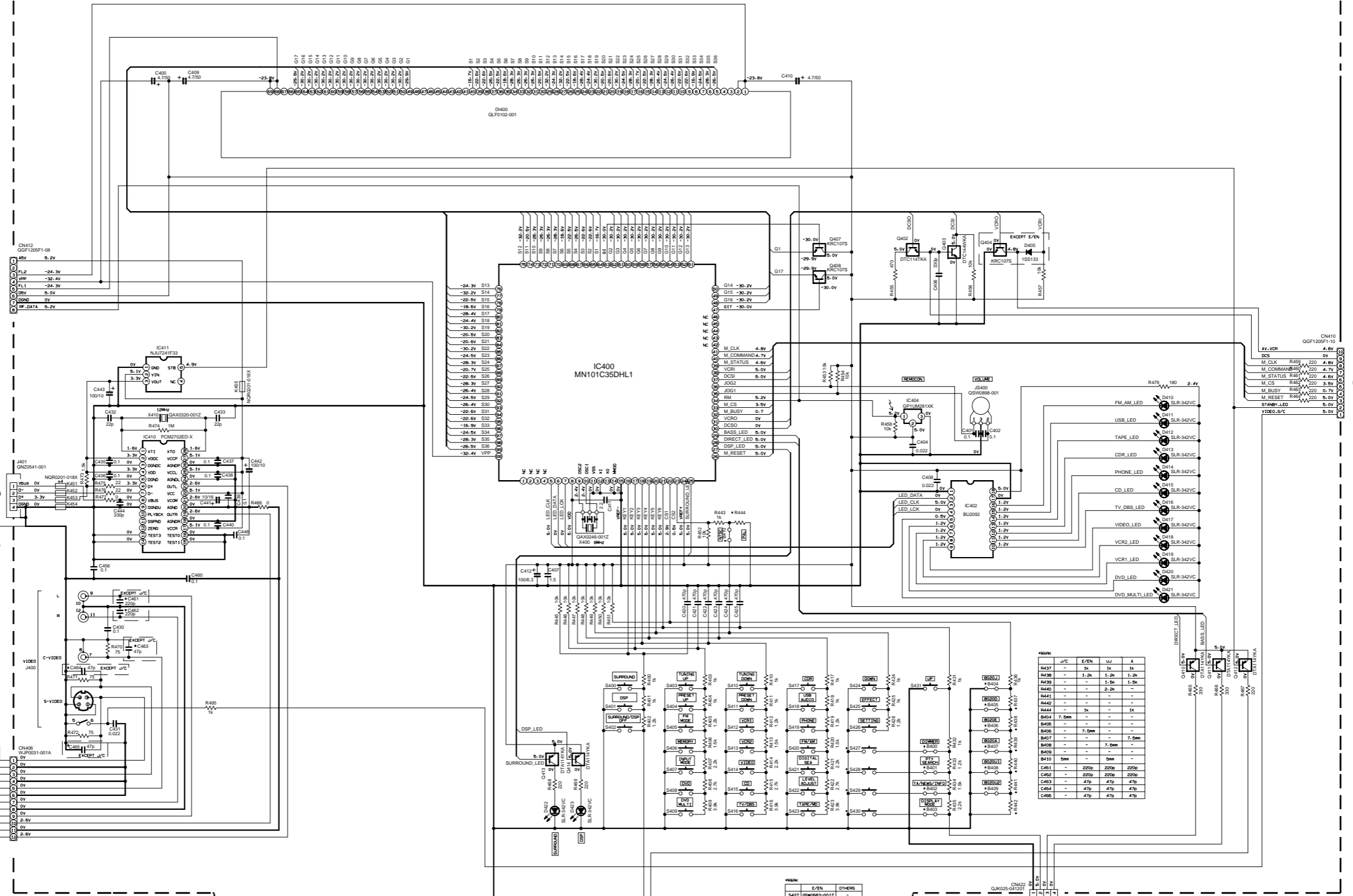
LVA10337 DSP board

A B C 2-10 D E F G H

System control & FL display section

System control board

LVA10218-1



TO CN402 OF LVA1033B-2 Sheet 1/10

TO CN400 OF LVA1033B-1 Sheet 3/10

Sheet 4/10

TO CN244 OF LVA1033B-5
 TO CN206 OF LVA1033B-4
 TO CN416 OF LVA1033B-3

MARK	E7%	07-695
S477	0900663-0012	-
S478	0900663-0012	-
S479	0900663-0012	-
S480	0900663-0012	-
B400	7.5mm	-
B401	7.5mm	-
B402	7.5mm	-
B403	7.5mm	-

MARK	J/C	E7%	07-695
R437	-	1k	1k
R438	-	1.2k	1.2k
R439	-	1.5k	1.5k
R440	-	2.2k	-
R441	7.5mm	-	1k
R442	-	-	-
R443	-	-	-
R444	-	-	-
R445	-	-	-
R446	-	-	-
R447	-	-	-
R448	-	-	-
R449	-	-	-
R450	-	-	-
R451	-	-	-
R452	-	-	-
R453	-	-	-
R454	-	-	-
R455	-	-	-
R456	-	-	-
R457	-	-	-
R458	-	-	-
R459	-	-	-
R460	-	-	-
R461	-	-	-
R462	-	-	-
R463	-	-	-
R464	-	-	-
R465	-	-	-
R466	-	-	-
R467	-	-	-
R468	-	-	-
R469	-	-	-
R470	-	-	-
R471	-	-	-
R472	-	-	-
R473	-	-	-
R474	-	-	-
R475	-	-	-
R476	-	-	-
R477	-	-	-
R478	-	-	-
R479	-	-	-
R480	-	-	-
R481	-	-	-
R482	-	-	-
R483	-	-	-
R484	-	-	-
R485	-	-	-
R486	-	-	-
R487	-	-	-
R488	-	-	-
R489	-	-	-
R490	-	-	-
R491	-	-	-
R492	-	-	-
R493	-	-	-
R494	-	-	-
R495	-	-	-
R496	-	-	-
R497	-	-	-
R498	-	-	-
R499	-	-	-

Power switch board LVA10218-2

LVA10218-3

Switch board

■ Tuner section

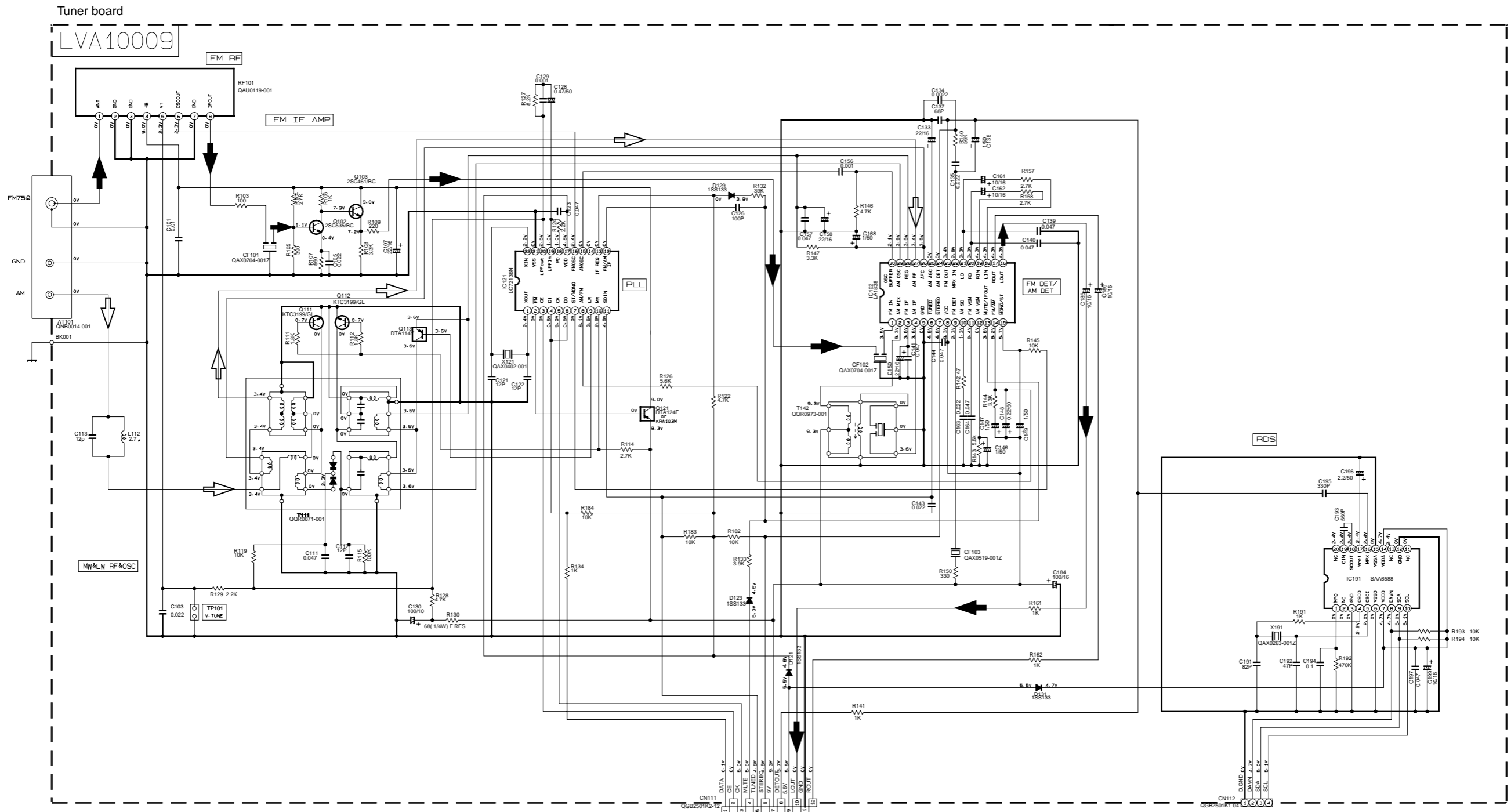
5

4

3

2

1



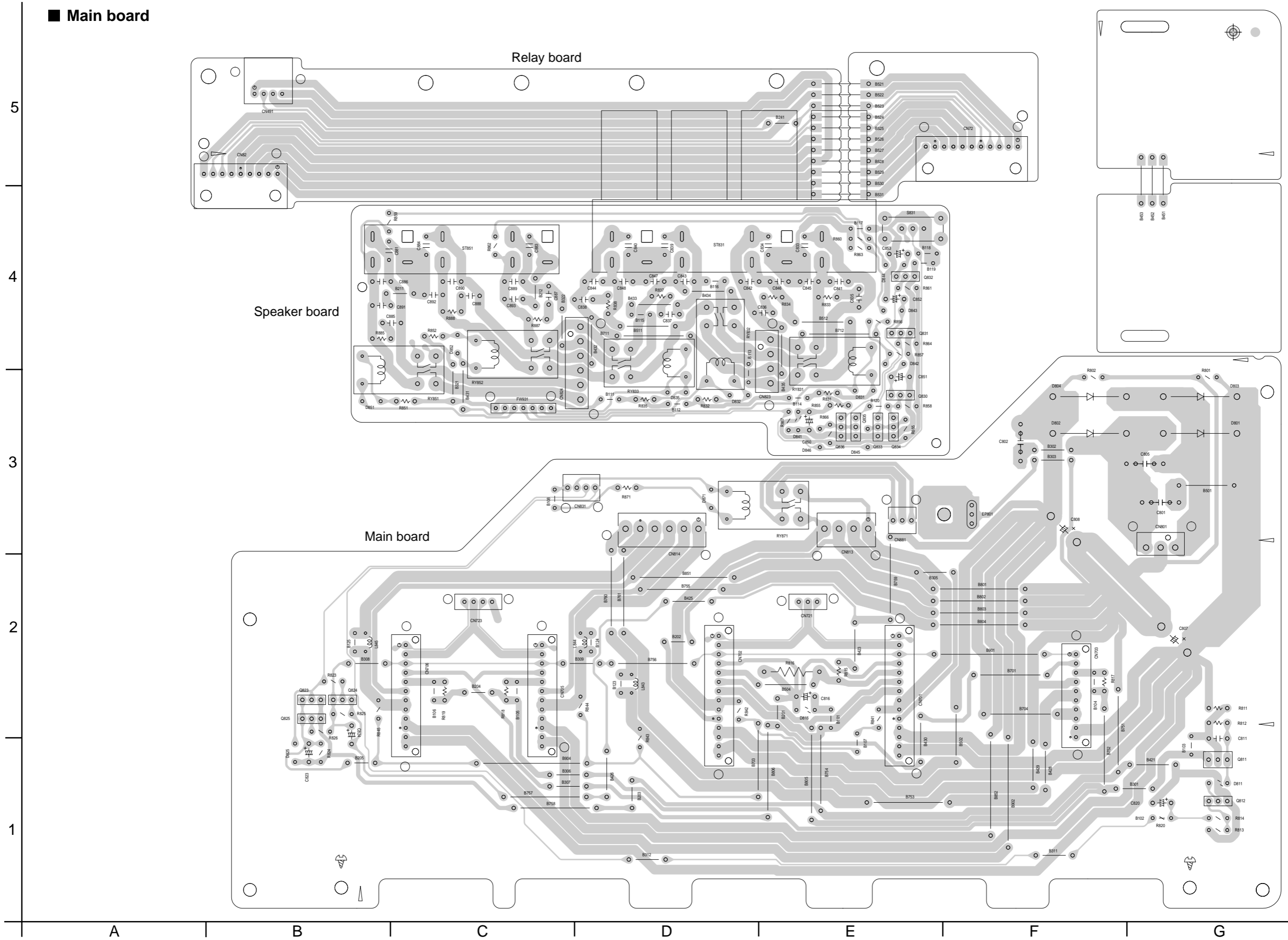
To CN101
Sheet 3/10

To CN102
Sheet 3/10

➔ FM/TUNER Signal ⇨ AM Signal

Printed circuit boards

■ Main board

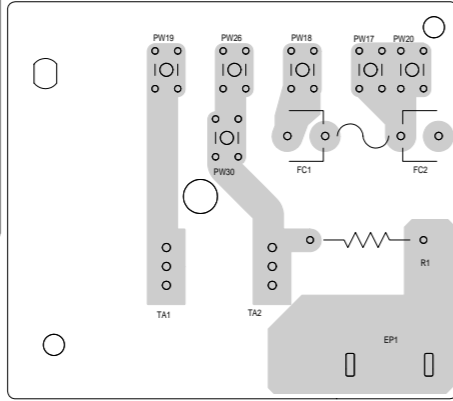
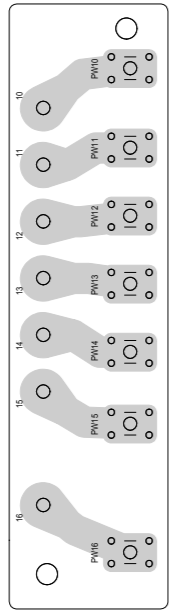


Power supply board / Audio board

Power supply board

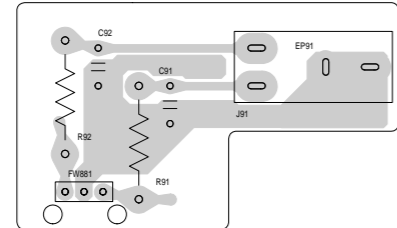
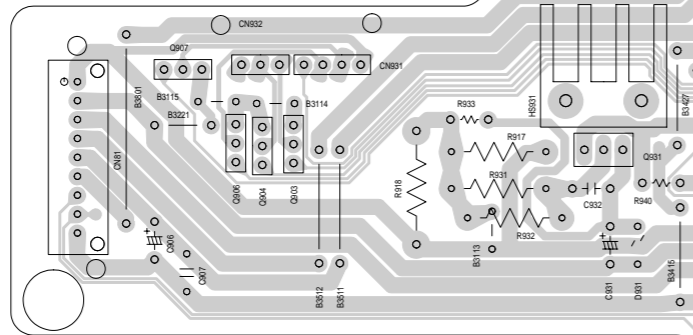
5

Power trans2 board

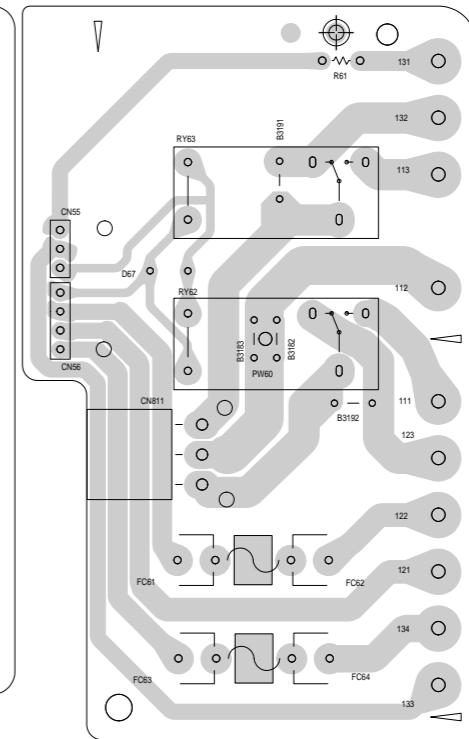
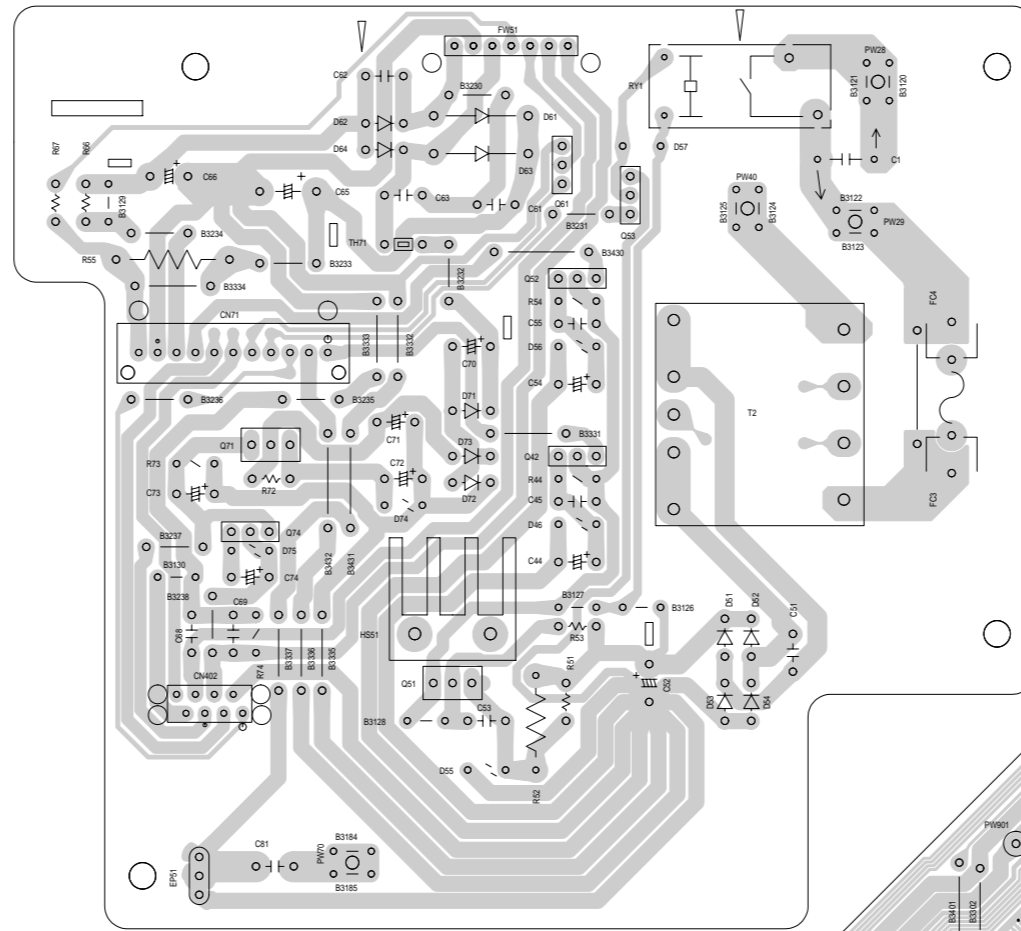


Power/fuse board

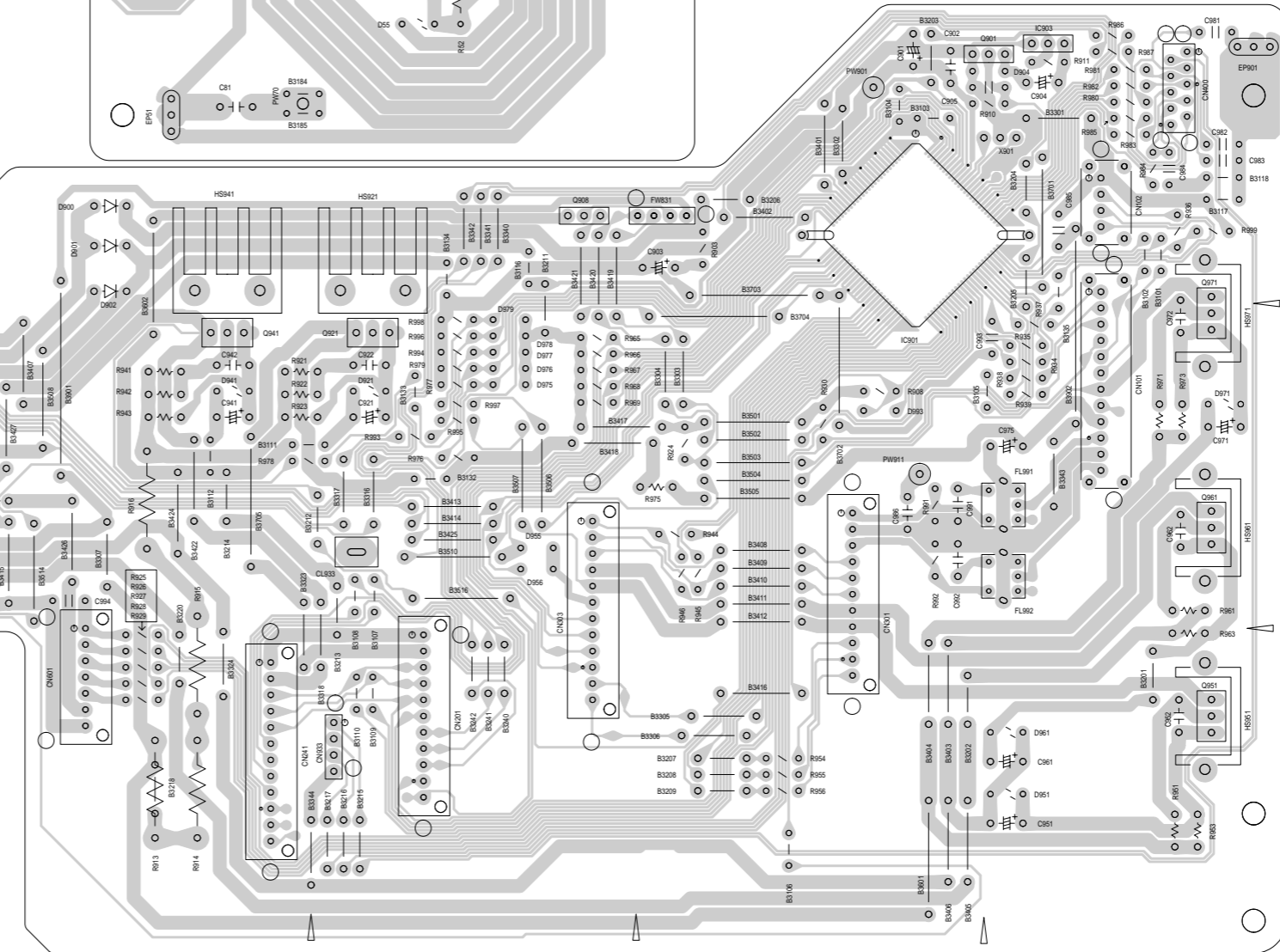
Audio board



Headphone jack board



Power trans1 board



4

3

2

1

A

B

C

2-14

D

E

F

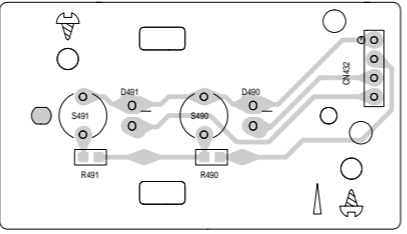
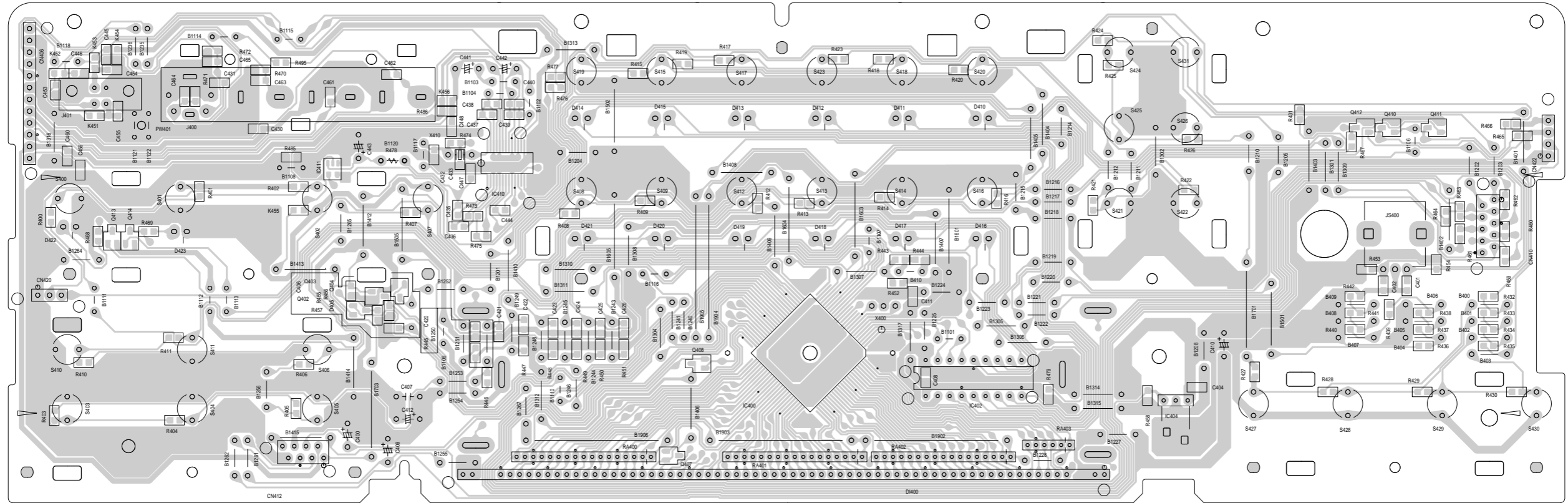
G

H

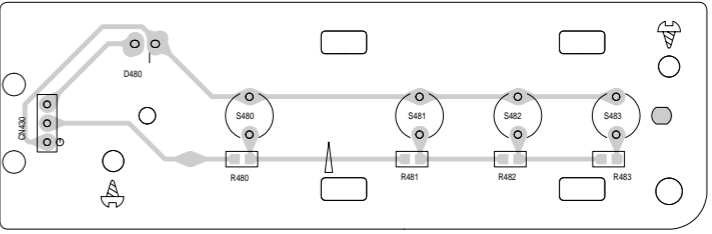
■ Front board

5
4
3
2
1

System control board

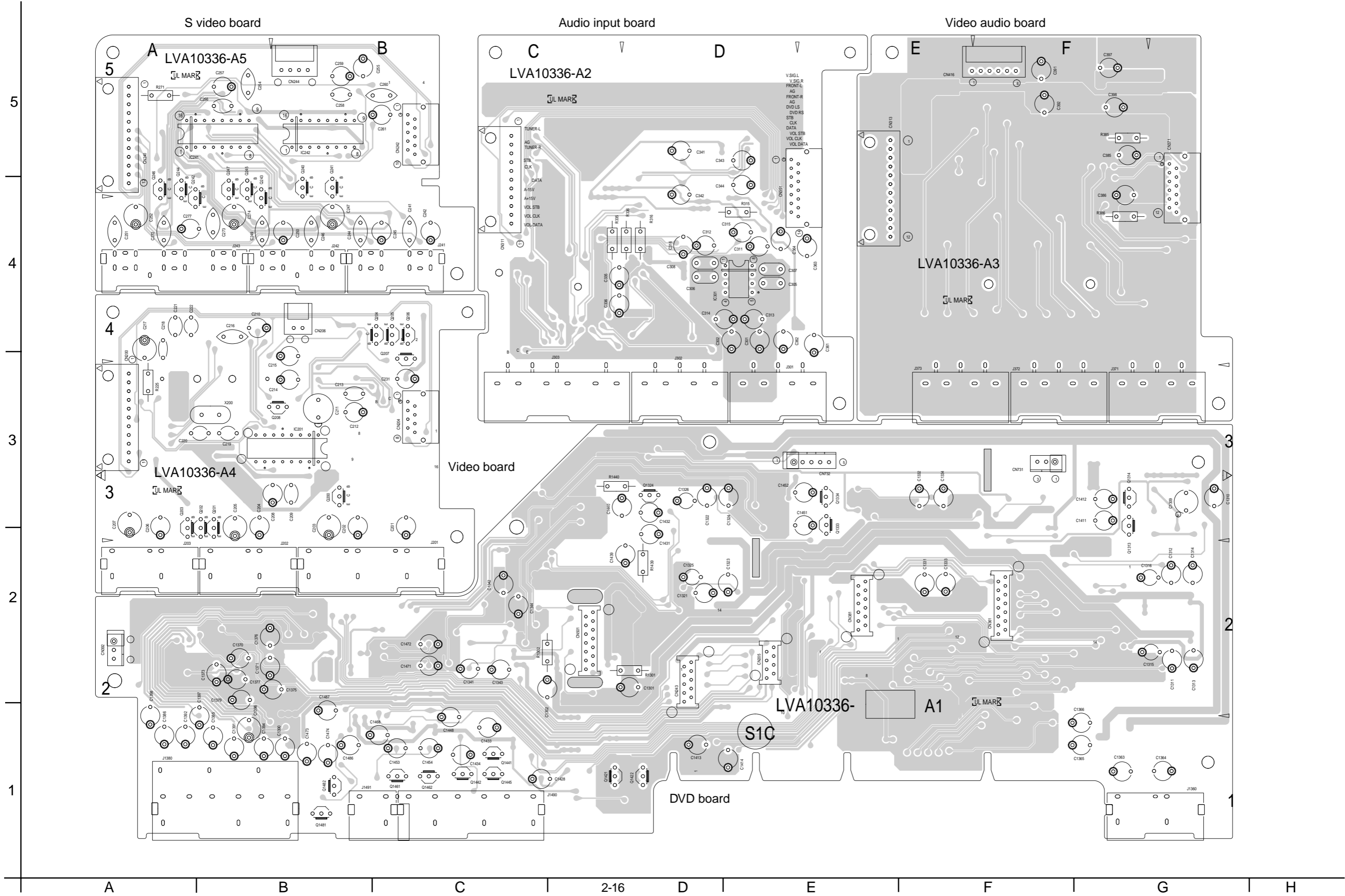


Switch board



Power switch board

Input board (Forward side)



■ Input board (Reverse side)

5

4

3

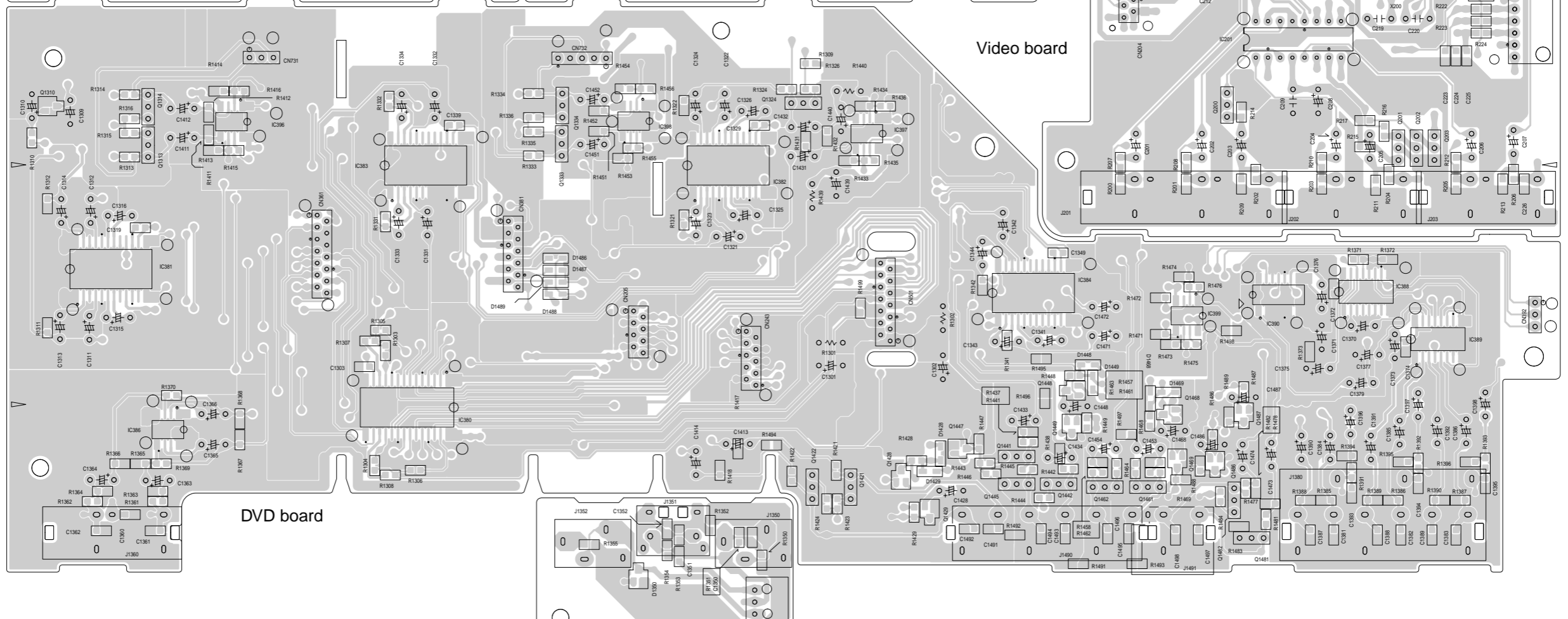
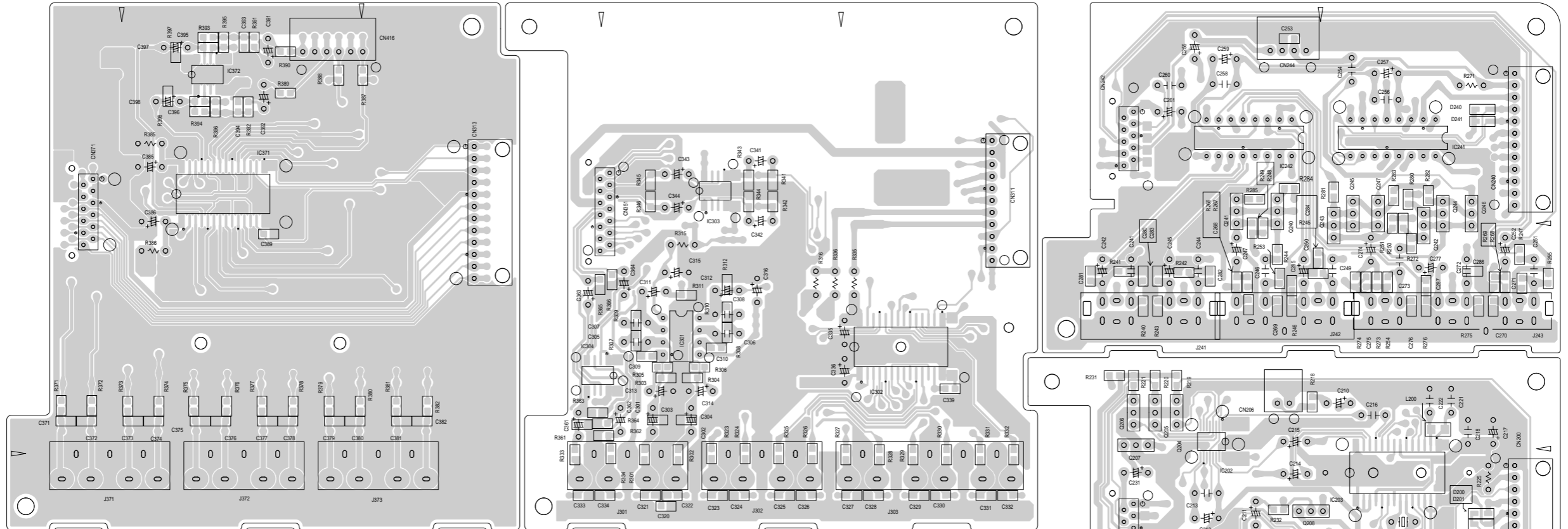
2

1

Video audio board

Audio input board

S video board



DVD board

Video board

Compulink board

A

B

C

D

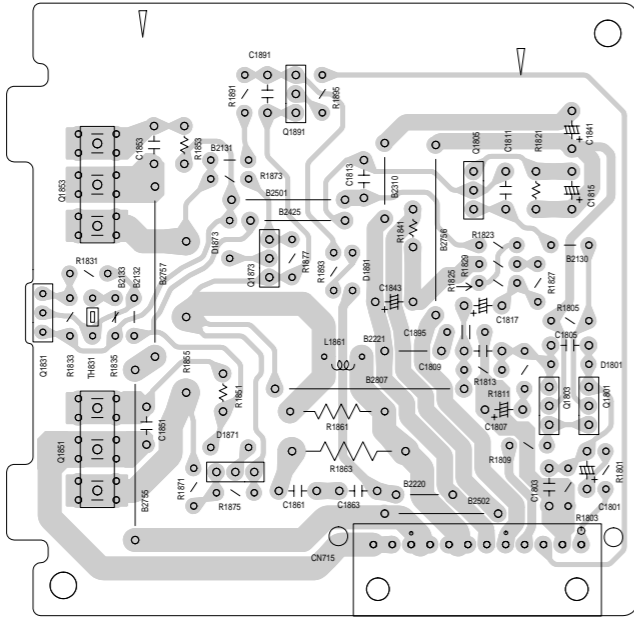
E

F

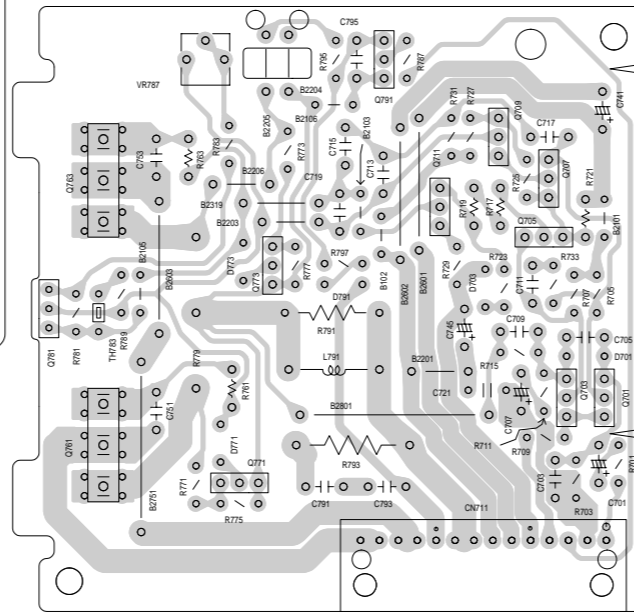
G

■ Amp. board

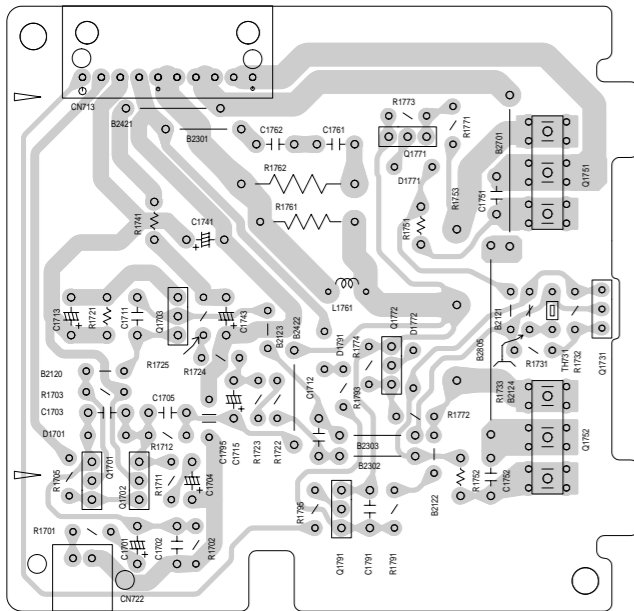
RLch amp. board



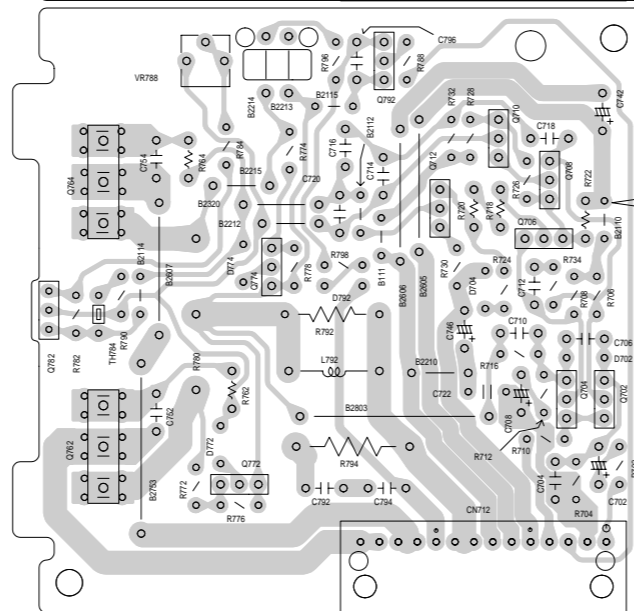
Lch amp. board



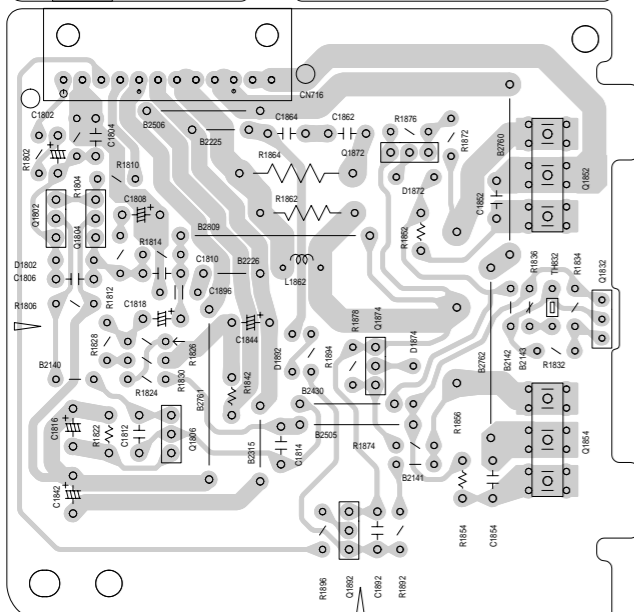
Cch amp. board



Rch amp. board

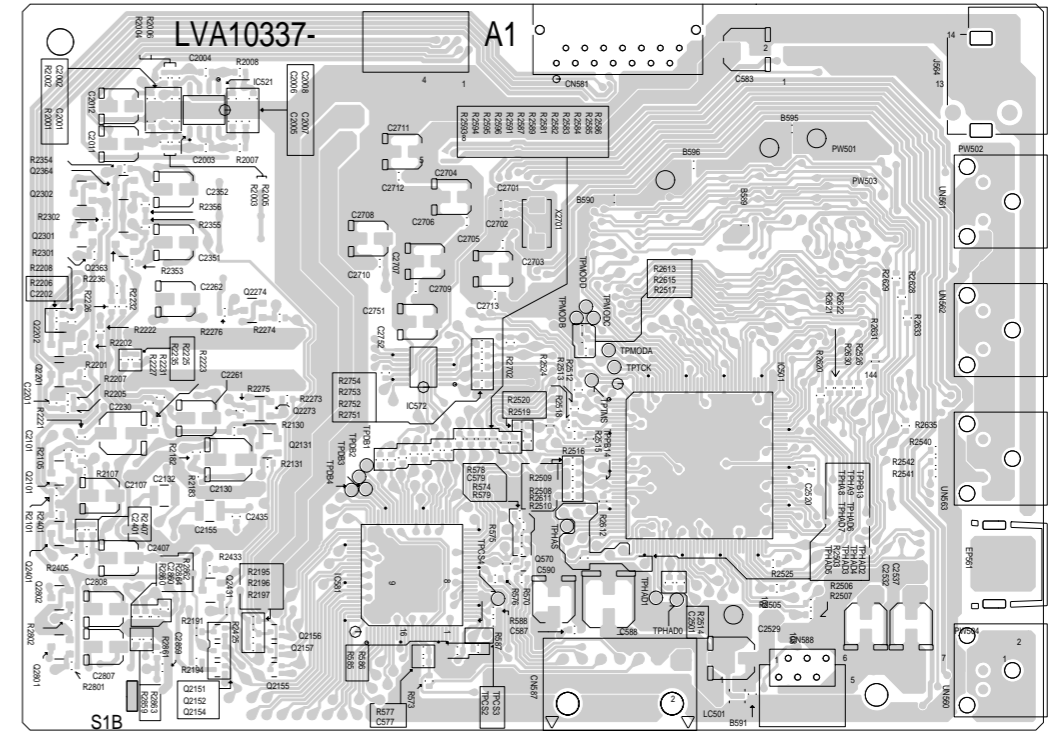


RRch amp. board

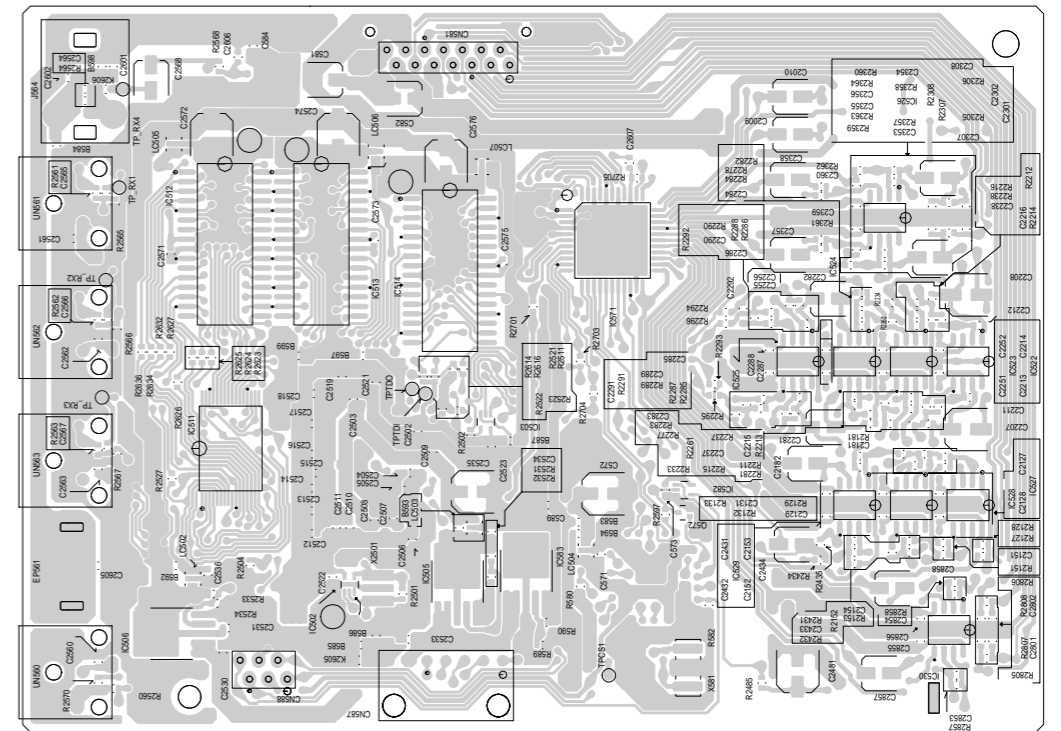


■ DSP board

(Forward side)



(Reverse side)



5

4

3

2

1

A

B

C

2-18

D

E

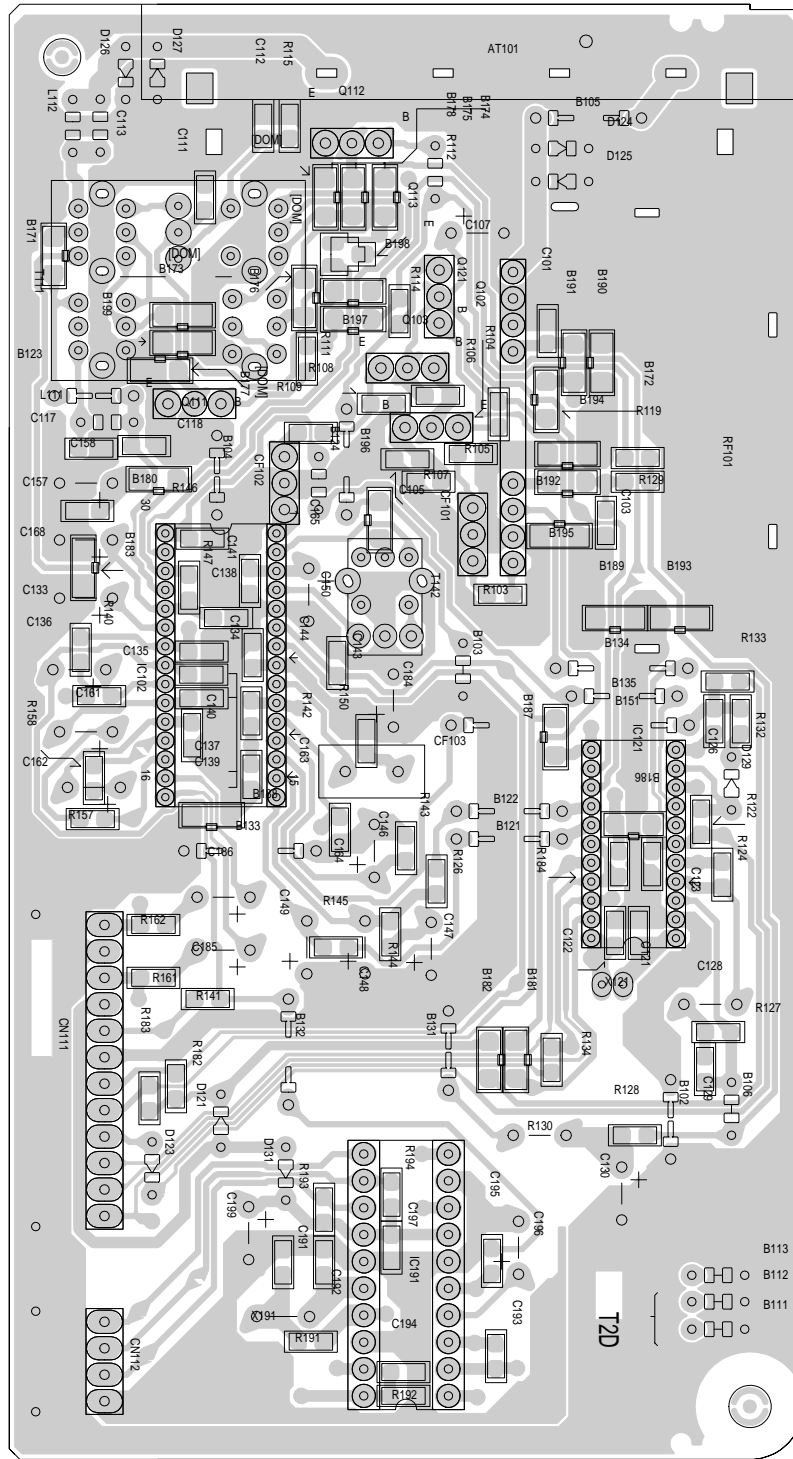
F

G

H

■ Tuner board

5
4
3
2
1



A

B

C

D

RX-8022RSL

JVC

VICTOR COMPANY OF JAPAN, LIMITED

AUDIO & COMMUNICATION BUSINESS DIVISION

PERSONAL & MOBILE NETWORK BUSINESS UNIT. 10-1,1chome,Ohwatari-machi,Maebashi-city,371-8543,Japan

No.21144SCH

 Printed in Japan
200209