

# JVC

# SCHEMATIC DIAGRAMS

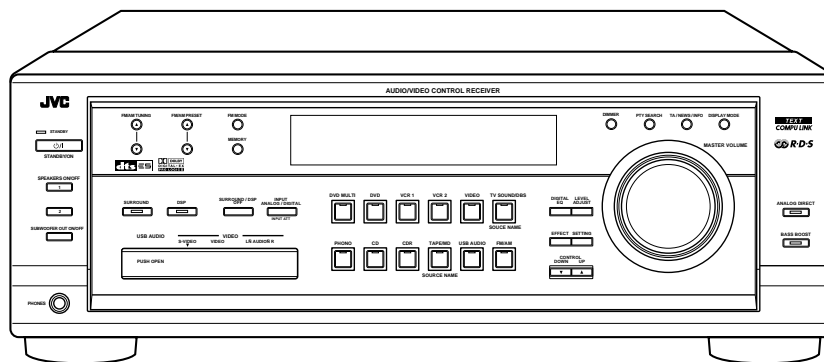
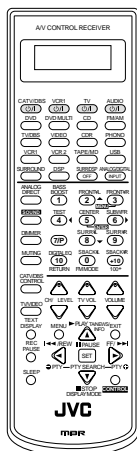
## AUDIO/VIDEO CONTROL RECEIVER

# RX-8022RSL

CD-ROM No.SML200209

Area suffix

E --- Continental Europe  
EN ---- Northern Europe



**TEXT**  
**COMPU LINK**

**dts** **ES**

**DOLBY**  
**DIGITAL EX**  
**PRO LOGIC II**

**R-D-S**

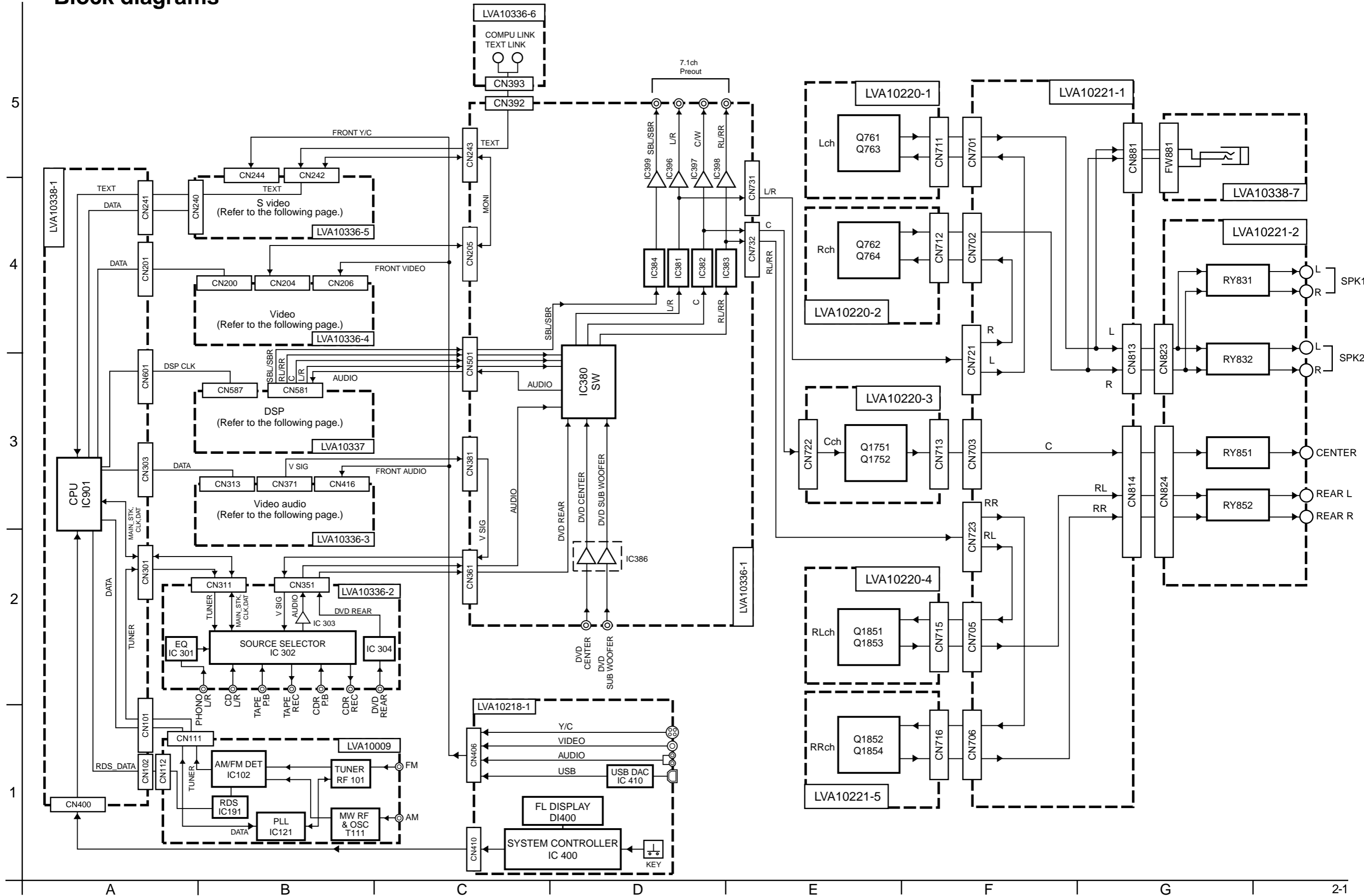
### Contents

Block diagrams .....	2-1
Standard schematic diagrams .....	2-3
Printed circuit boards .....	2-13~19

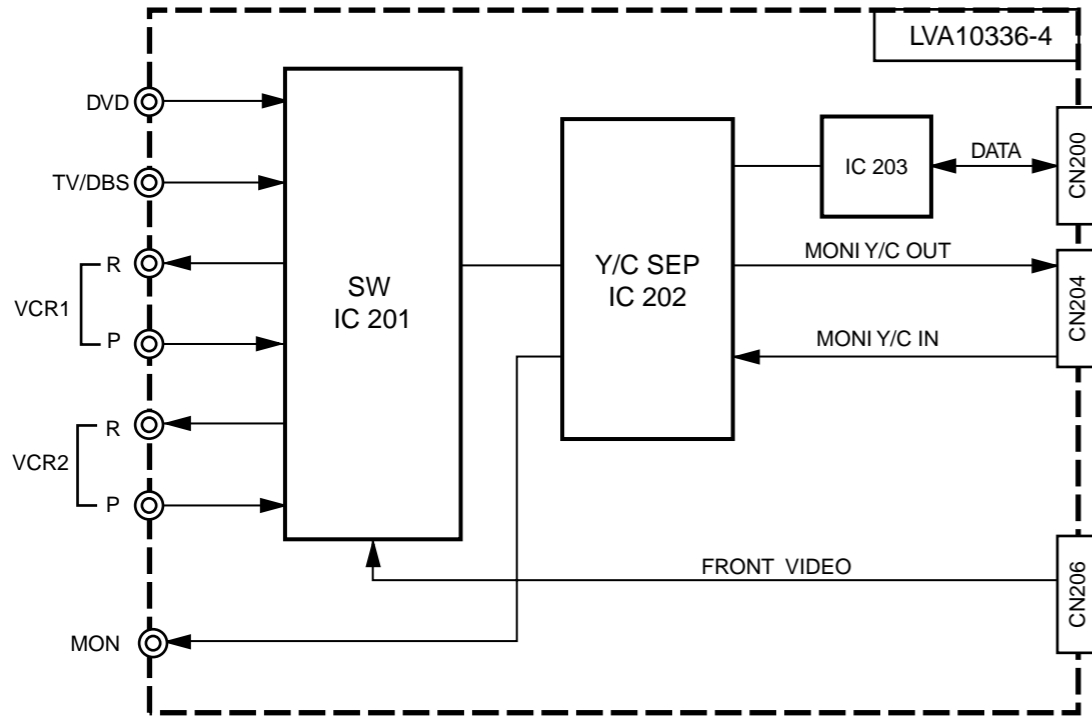
In regard with component parts appearing on the silk-screen printed side (parts side) of the PWB diagrams, the parts that are printed over with black such as the resistor (■), diode (▬) and ICP (●) or identified by the "△" mark nearby are critical for safety.

(This regulation does not correspond to J and C version.)

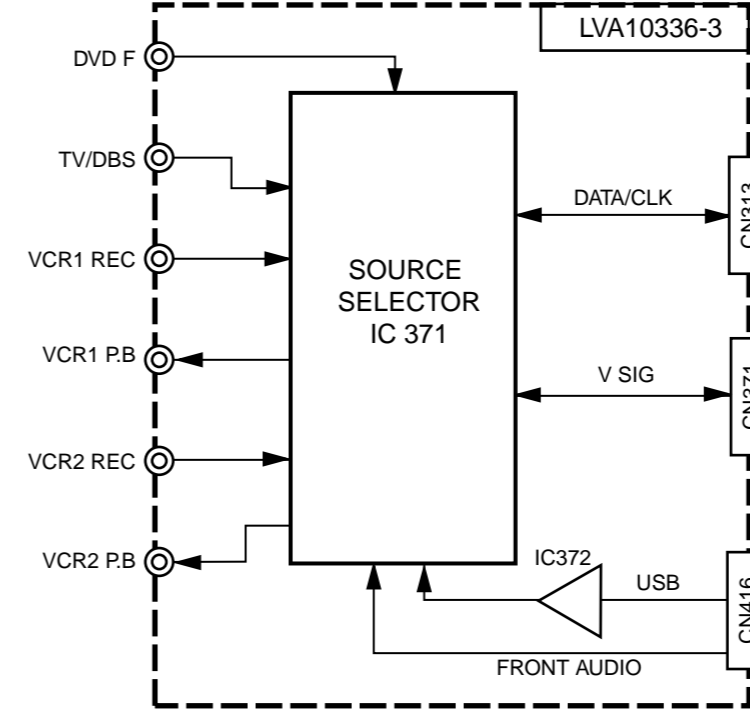
# Block diagrams



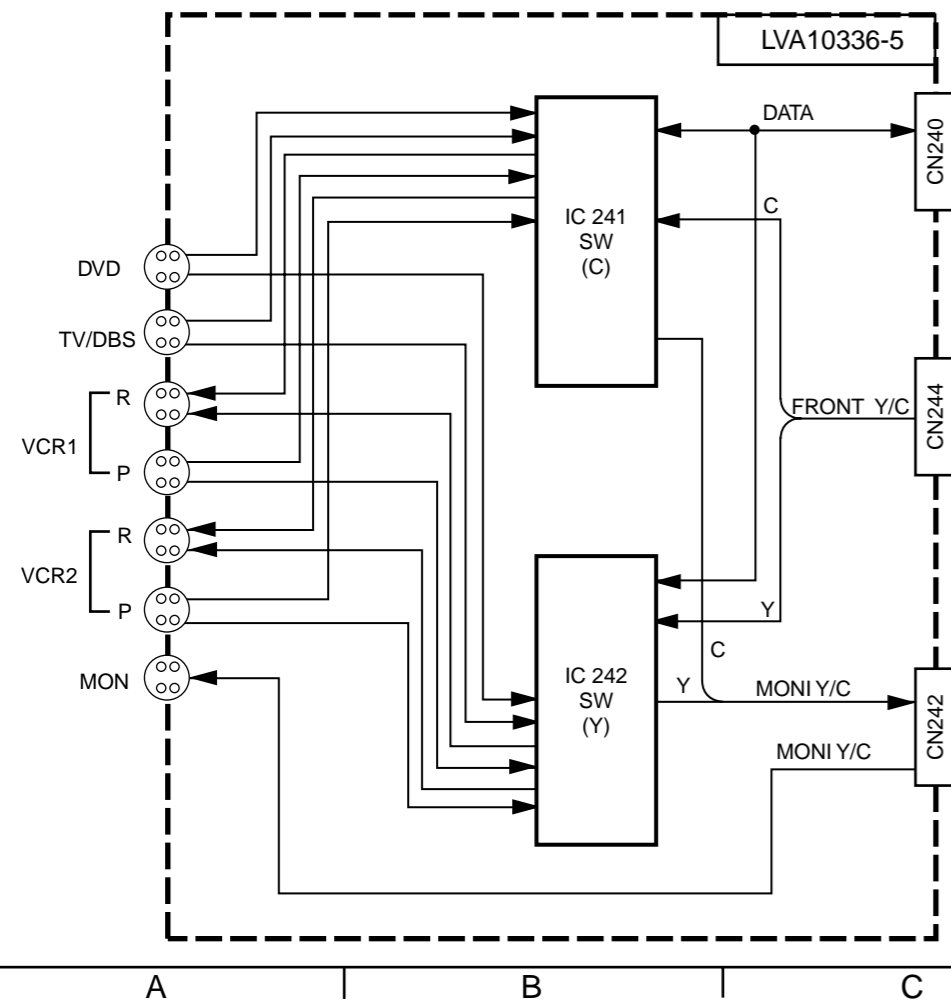
■ Video section



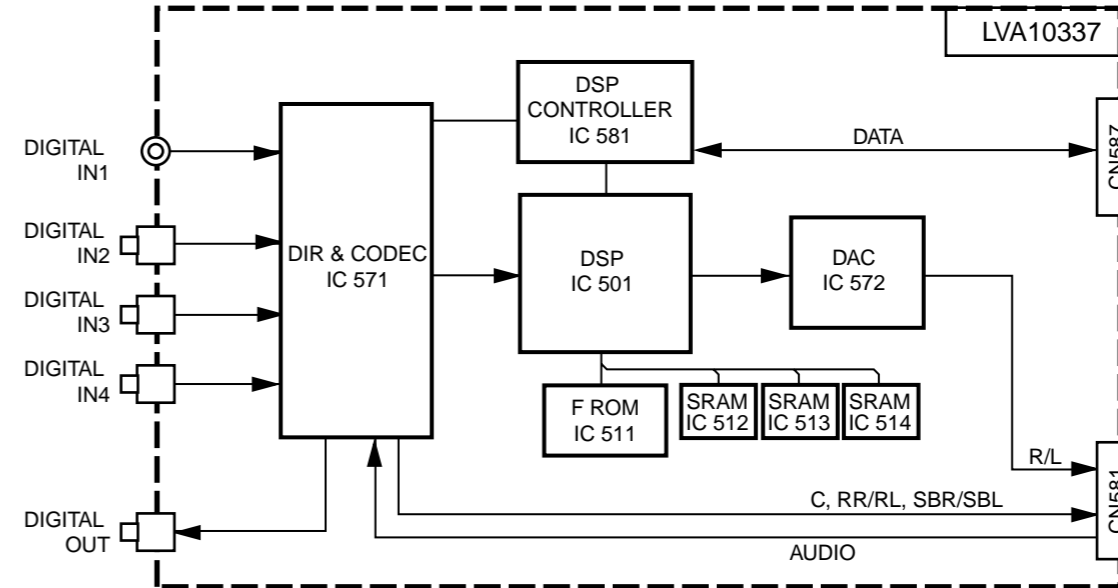
■ V audio input section



■ S Video section



■ DSP section



5

4

3

2

1

A B C 2-2 D E F G H

# Standard schematic diagrams

## ■ Power supply section

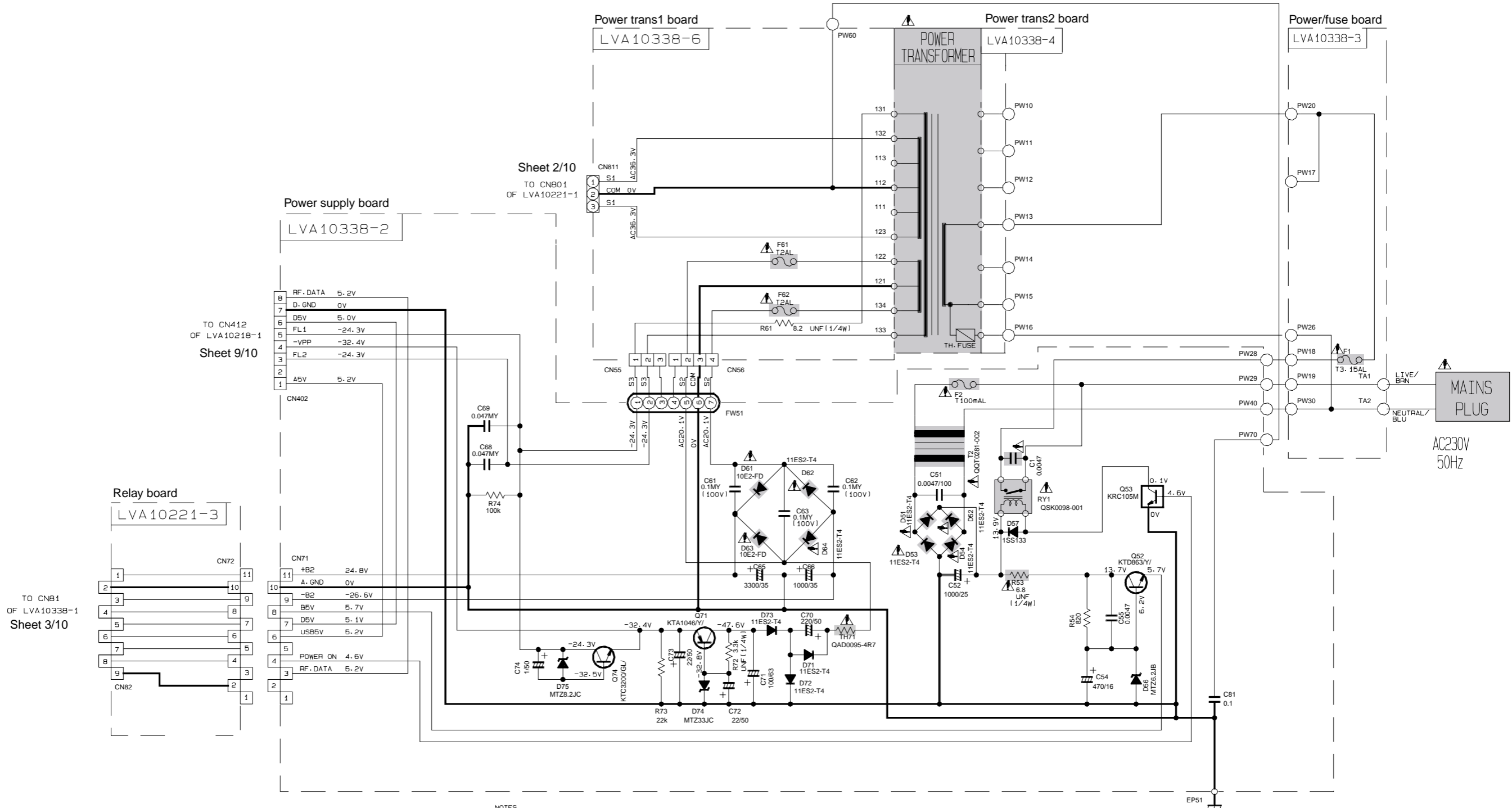
5

4

3

2

1



NOTES  
 1. VOLTAGES ARE DC-MEASURED WITH A DIGITAL VOLT METER WITHOUT INPUT SIGNAL.  
 CONDITION --- COLD START, POWER ON: DVD MULTI: VOL 30  
 2. UNLESS OTHERWISE SPECIFIED:  
 ALL RESISTORS ARE 1/6W ±5% CARBON RESISTOR.  
 ALL CAPACITORS ARE 50V CERAMIC CAPACITOR.  
 ALL RESISTANCE VALUES ARE IN OHM (Ω).  
 ALL CAPACITANCE VALUES ARE IN UF (μF).  
 ALL E-CAPACITORS ARE SHOWN IN THE FORM OF CAPACITANCE (UF)/RATED VOLTAGE (V).

SHEET NUMBER	CIRCUIT DESCRIPTION
1/10	POWER SUPPLY
2/10	MAIN
3/10	AUDIO
4/10	AUDIO SIGNAL / VIDEO SIGNAL INPUT
5/10	DVD
6/10	AUDIO AMP (FRONT CHANNEL)
7/10	AUDIO AMP (CENTER, REAR CHANNEL)
8/10	DSP
9/10	SYSTEM CONTROL
10/10	TUNER

▲ Parts are safety assurance parts. When replacing those parts make sure to use the specified one.

A

B

C

D

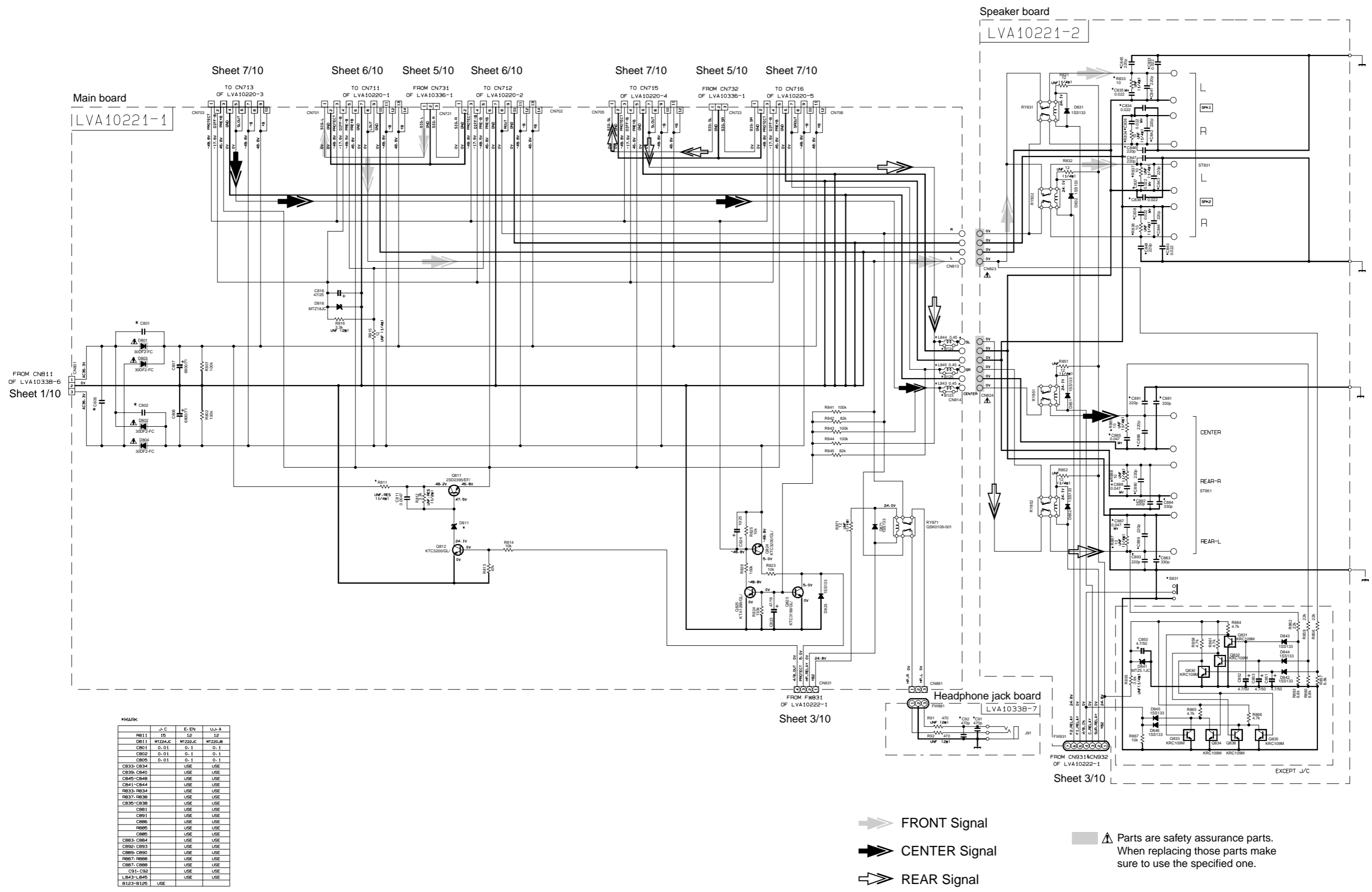
E

F

G

■ Main & Speaker terminal section

5  
4  
3  
2  
1



MARK

MARK	J-C	E-EN	U2-A
RB11	15	12	12
DB11	MT224-C	MT222-C	MT220-AB
CB01	0.01	0.1	0.1
CB02	0.01	0.1	0.1
CB03	0.01	0.1	0.1
CB33-CB34	USE	USE	USE
CB39-CB40	USE	USE	USE
CB45-CB48	USE	USE	USE
CB41-CB44	USE	USE	USE
RB33-RB34	USE	USE	USE
RB37-RB38	USE	USE	USE
CB35-CB38	USE	USE	USE
CB81	USE	USE	USE
CB91	USE	USE	USE
CB86	USE	USE	USE
RB95	USE	USE	USE
CB85	USE	USE	USE
CB83-CB84	USE	USE	USE
CB92-CB93	USE	USE	USE
CB89-CB90	USE	USE	USE
RB87-RB88	USE	USE	USE
CB87-CB88	USE	USE	USE
CS1-C92	USE	USE	USE
LB43-LB45	USE	USE	USE
B123-B126	USE	USE	USE

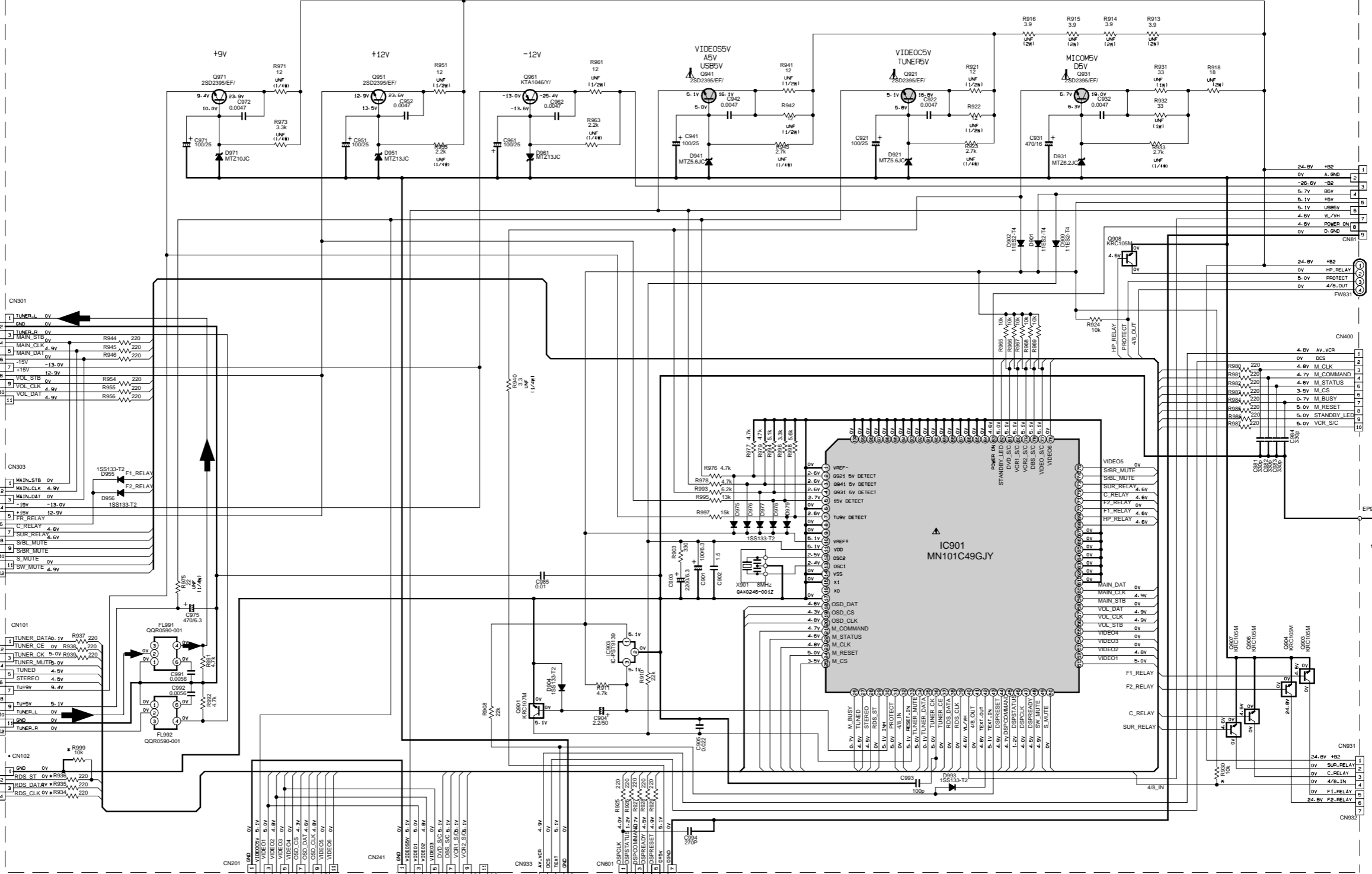
FRONT Signal  
CENTER Signal  
REAR Signal

Parts are safety assurance parts. When replacing those parts make sure to use the specified one.

Audio section

Audio board

LVA10338-1



TO CN311 OF LVA10336-2 Sheet 4/10

TO CN313 OF LVA10336-3 Sheet 4/10

To CN111 Sheet 10/10

To CN112 Sheet 10/10

TO CN200 OF LVA10336-4 Sheet 4/10

TO CN240 OF LVA10336-5 Sheet 4/10

TO CN393 OF LVA10336-6 Sheet 5/10

TO CN587 OF LVA10337 Sheet 8/10

FROM CN2 OF LVA10221-3 Sheet 1/10

TO CN31 OF LVA10221-1 Sheet 2/10

FROM CN410 OF LVA10221-1 Sheet 9/10

TO FW31 OF LVA10221-2 Sheet 2/10

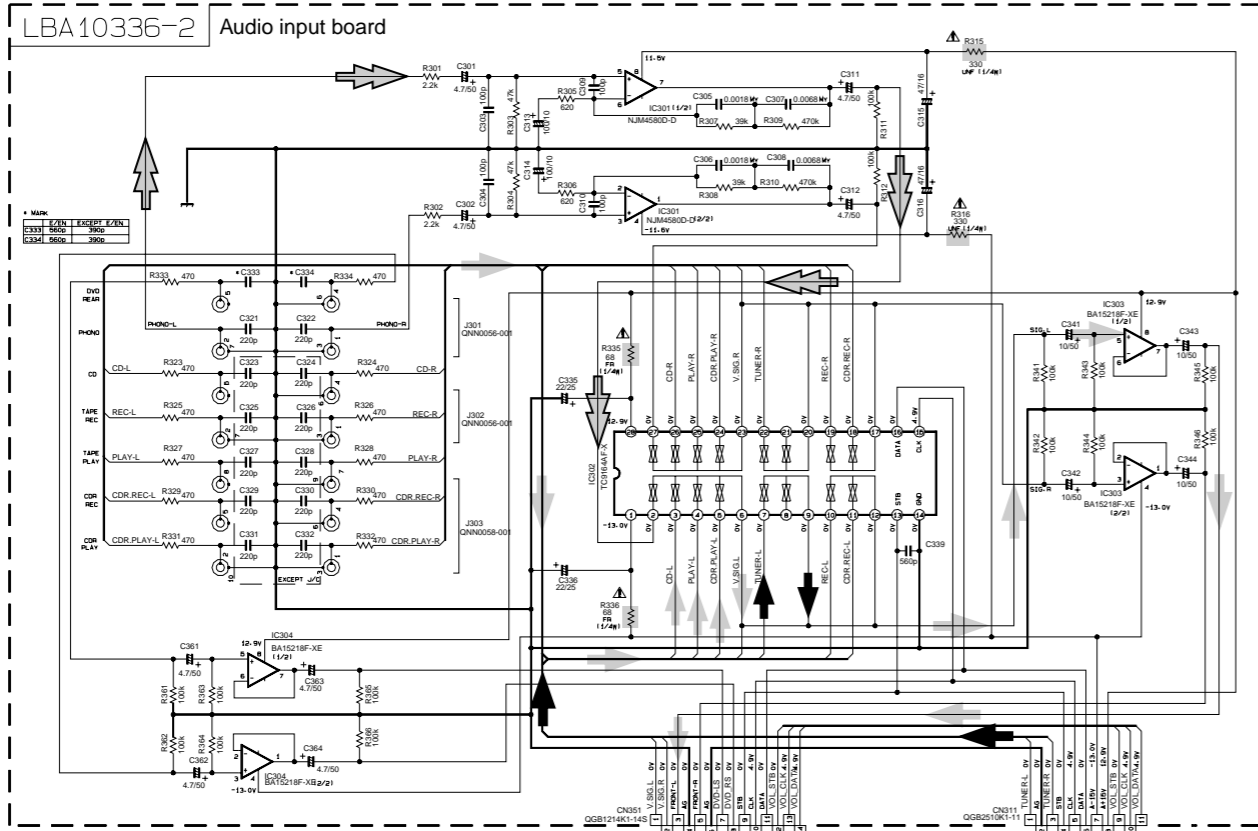
*MARK	J-C	E-EN	UJ-A
R930	USE		
R999	USE		USE
R934	USE		
R935	USE		
R936	USE		
CN102	USE		

➔ TUNER Signal

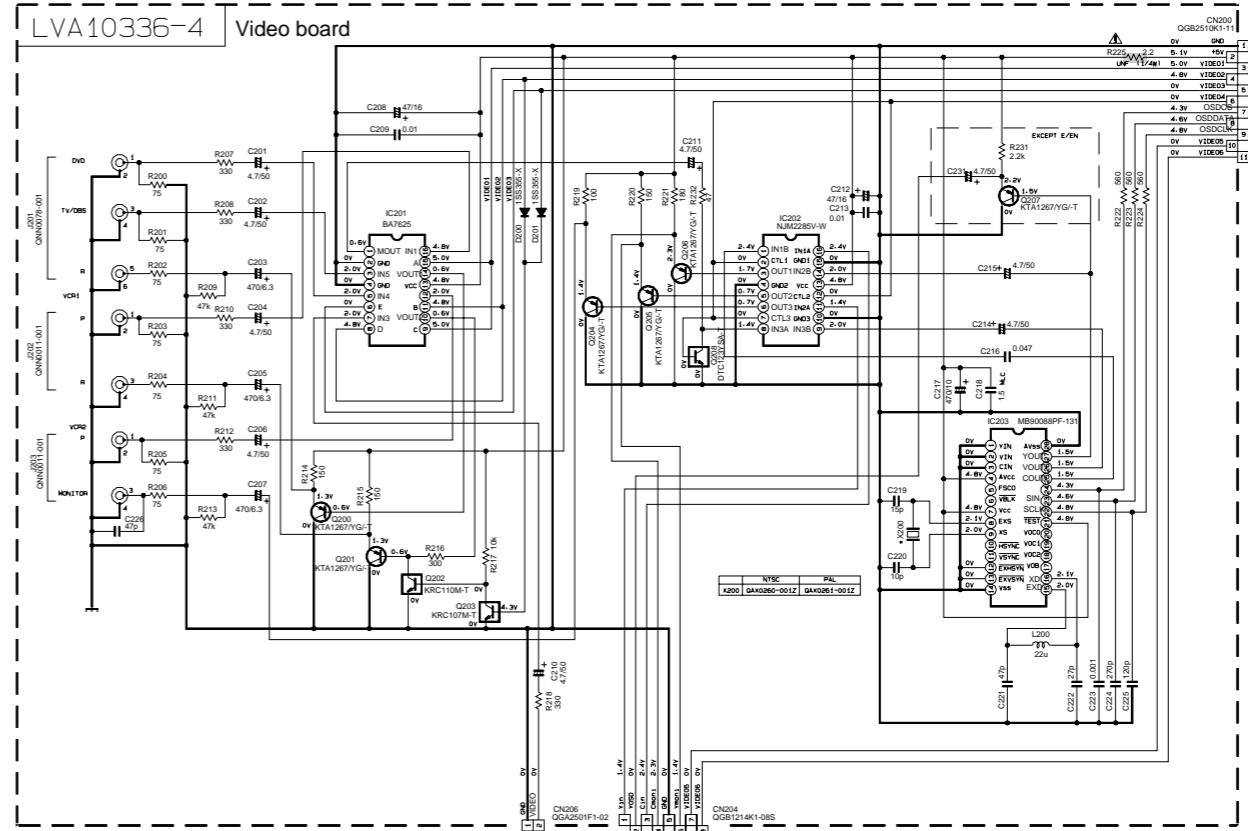
⚠ Parts are safety assurance parts. When replacing those parts make sure to use the specified one.

Audio / Video Audio / Video / S video signal input section

5



4

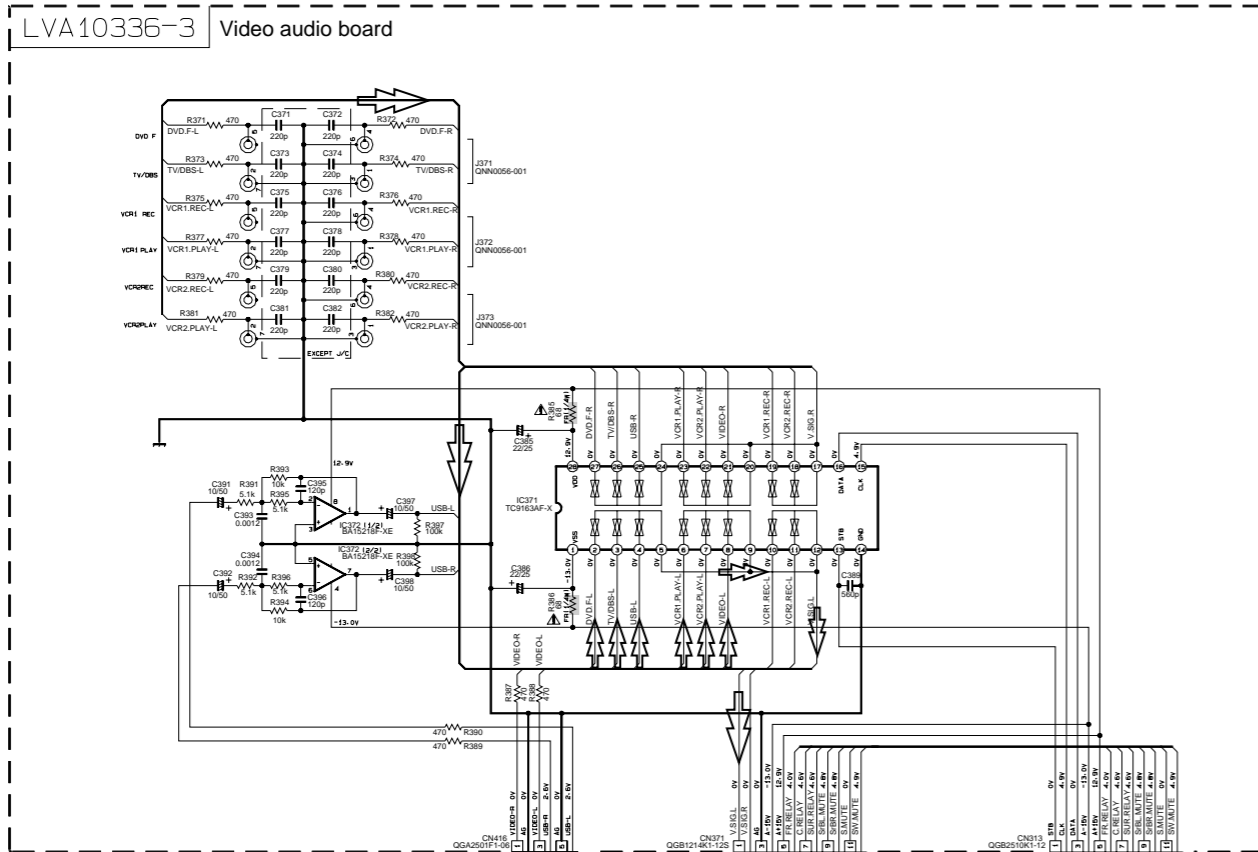


FROM CN201  
OF LVA10336-1  
Sheet 3/10

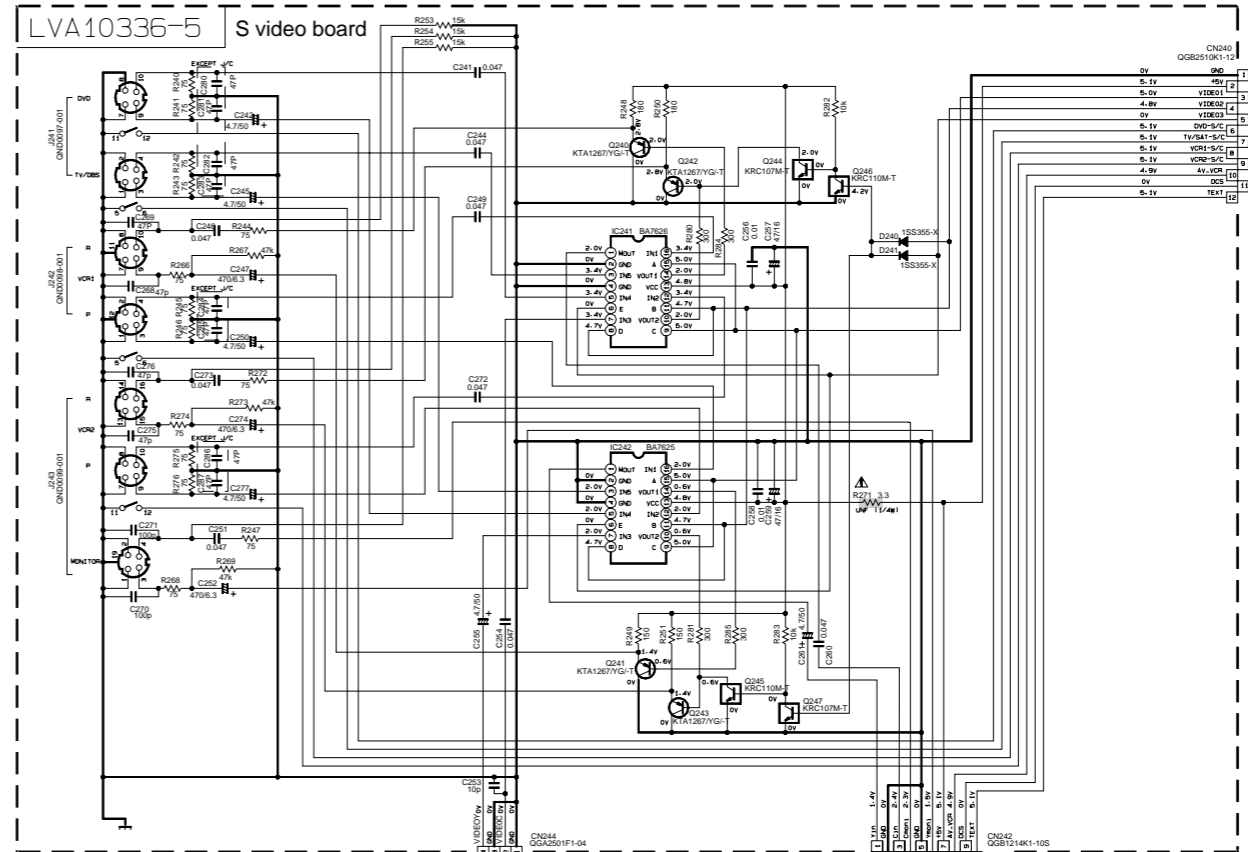
OF LVA10336-1 Sheet 5/10 OF LVA10336-1 Sheet 3/10

Sheet 9/10 TO CN406 OF LVA10218-1 TO CN205 OF LVA10336-1 Sheet 5/10

3



2



FROM CN241  
OF LVA10336-1  
Sheet 3/10

TO CN406 OF LVA10218-1 Sheet 9/10 TO CN381 OF LVA10336-1 Sheet 5/10 FROM CN303 OF LVA10336-1 Sheet 3/10

Sheet 9/10 TO CN406 OF LVA10218-1 TO CN243 OF LVA10336-1 Sheet 5/10

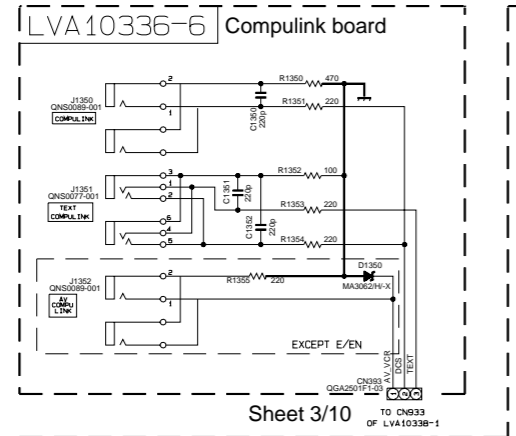
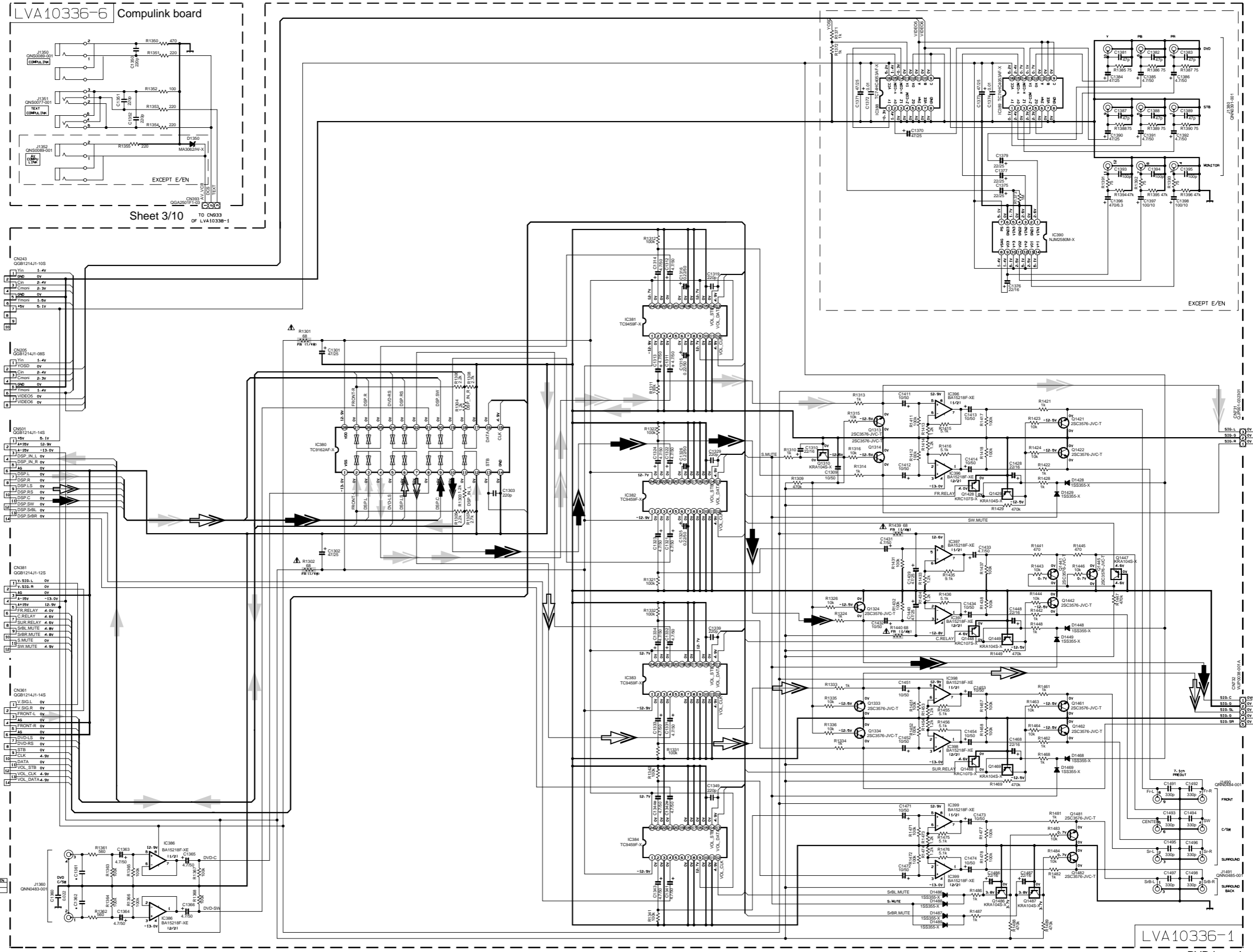
Parts are safety assurance parts. When replacing those parts make sure to use the specified one.

AUDIO Signal TUNER Signal PHONO Signal VIDEO AUDIO Signal

SHEET 4/10



DVD section



TO CN242 OF LVA10336-5 Sheet 4/10

TO CN204 OF LVA10336-4 Sheet 4/10

TO CN651 OF LVA10337 Sheet 8/10

TO CN371 OF LVA10336-3 Sheet 4/10

TO CN351 OF LVA10336-2 Sheet 4/10

TO CN721 OF LVA10221-1 Sheet 2/10

TO CN722 OF LVA10221-3 Sheet 7/10

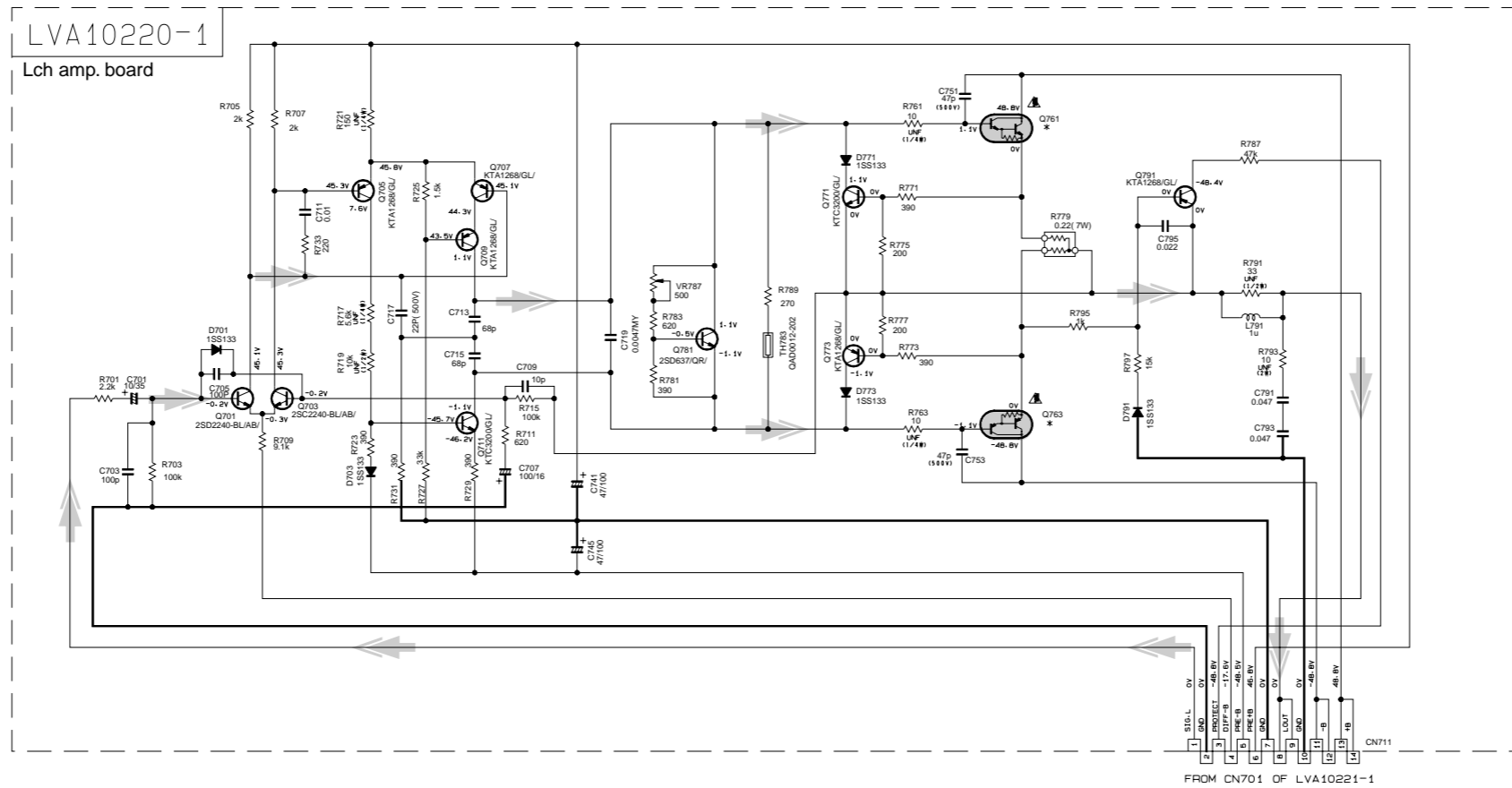
TO CN723 OF LVA10221-1 Sheet 2/10

▶ AUDIO Signal    ▶ FRONT Signal    ▶ CENTER Signal    ▶ REAR Signal

▲ Parts are safety assurance parts. When replacing those parts make sure to use the specified one.

LVA10336-1 DVD board

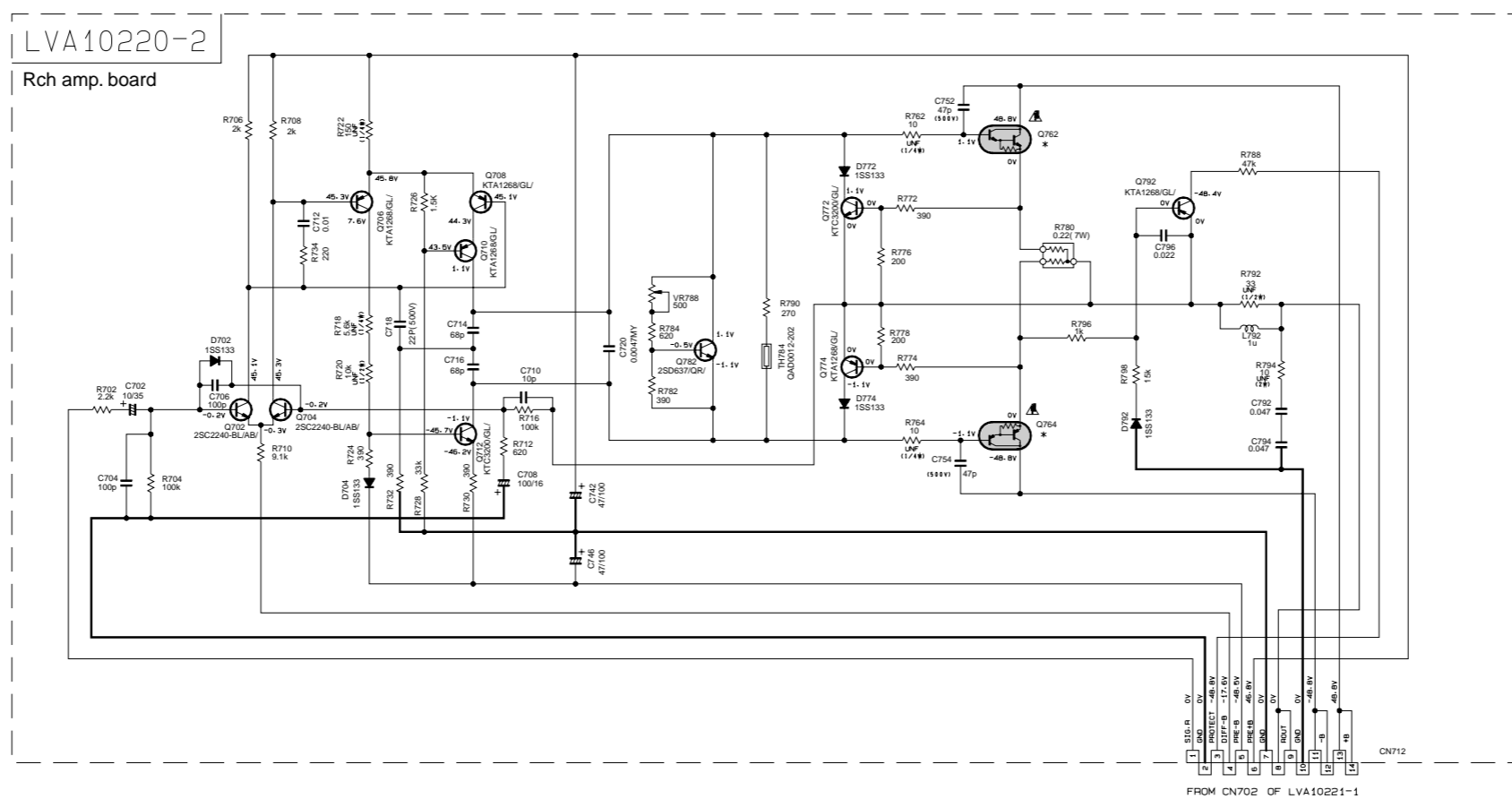
Audio amp. section (1/2)



FROM CN701 OF LVA10221-1  
Sheet 2/10

\*MARK

	J-C	EXCEPT J-C
Q761- Q762	25Q2560/OPV/-F6	25Q2390/OPV/-F6
Q763- Q764	25B1647/OPV/-F6	25B1560/OPV/-F6



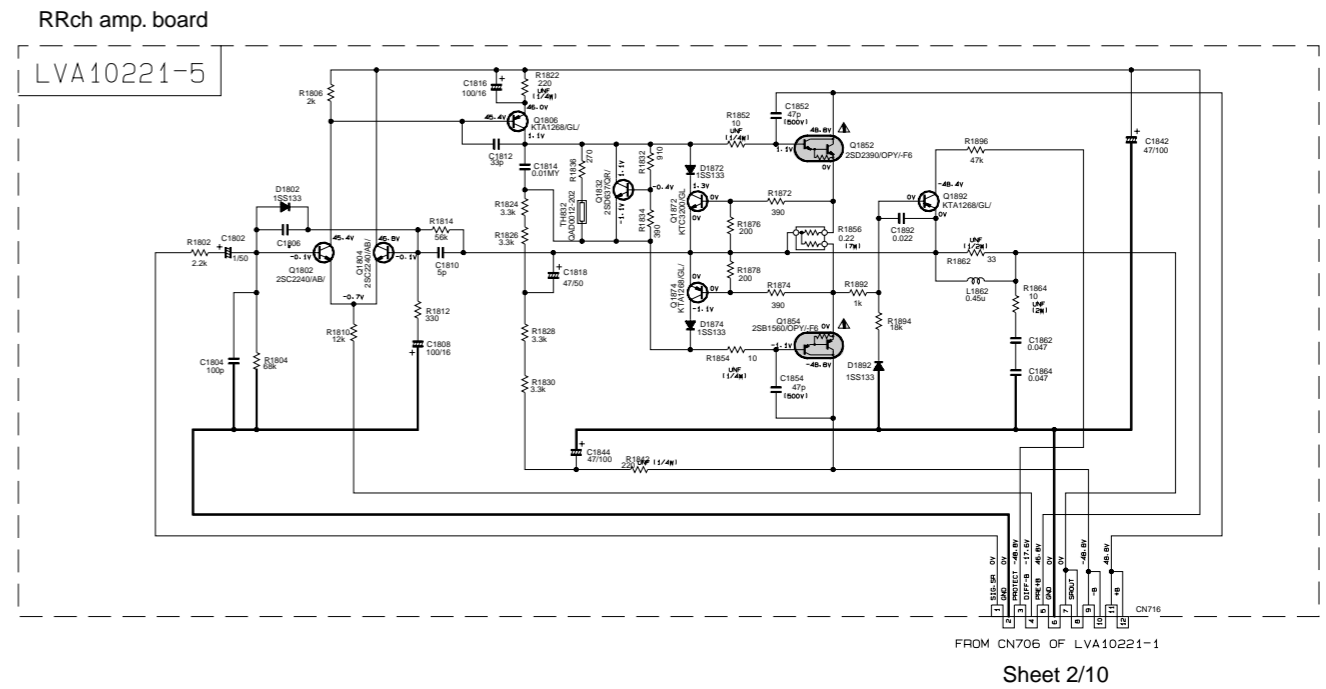
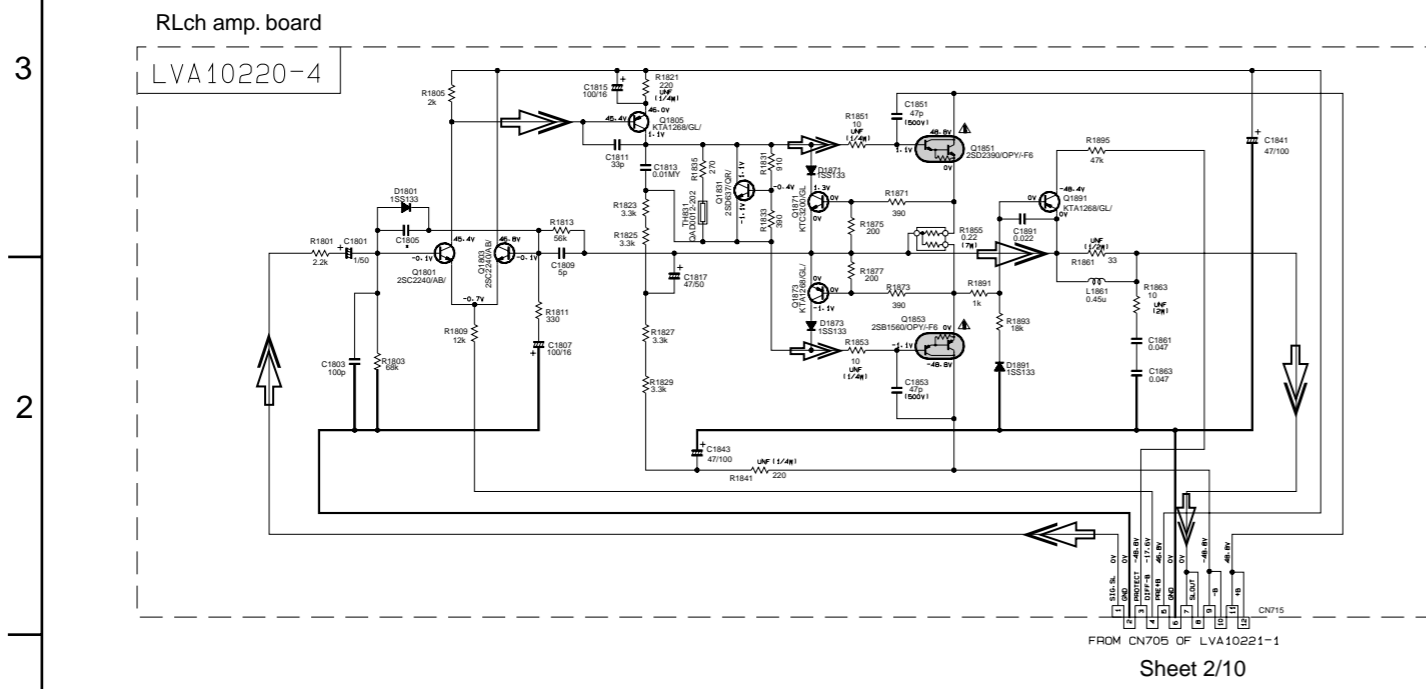
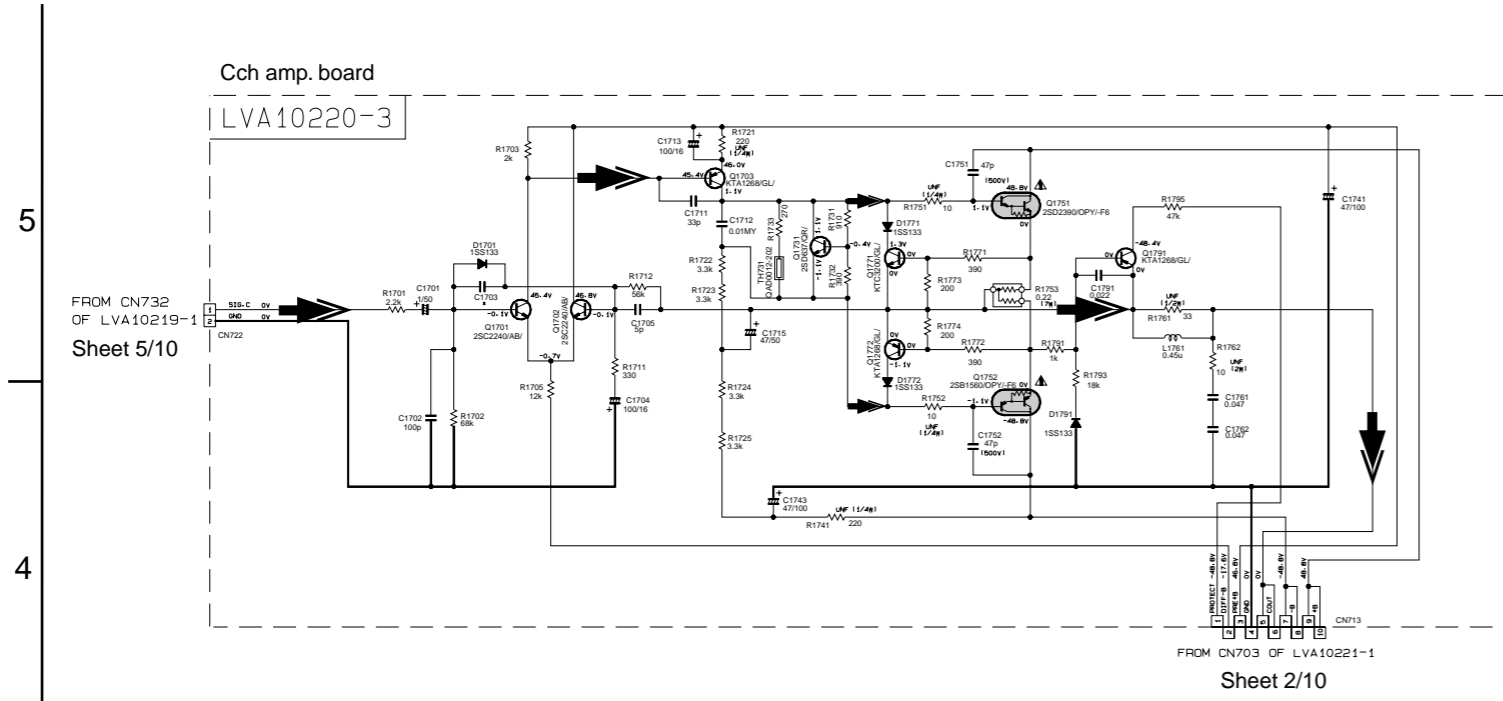
FROM CN702 OF LVA10221-1  
Sheet 2/10

➔ FRONT Signal

⚠ Parts are safety assurance parts. When replacing those parts make sure to use the specified one.

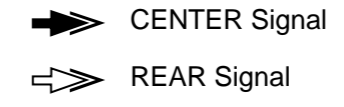
5  
4  
3  
2  
1

■ Audio amp. section (2/2)



\*MARK

J/C	EXCEPT J/C
C1703-C1805-C1806	100p 220p



⚠ Parts are safety assurance parts. When replacing those parts make sure to use the specified one.

DSP section

AUDIO Signal DIGITAL AUDIO Signal FRONT Signal CENTER Signal REAR Signal

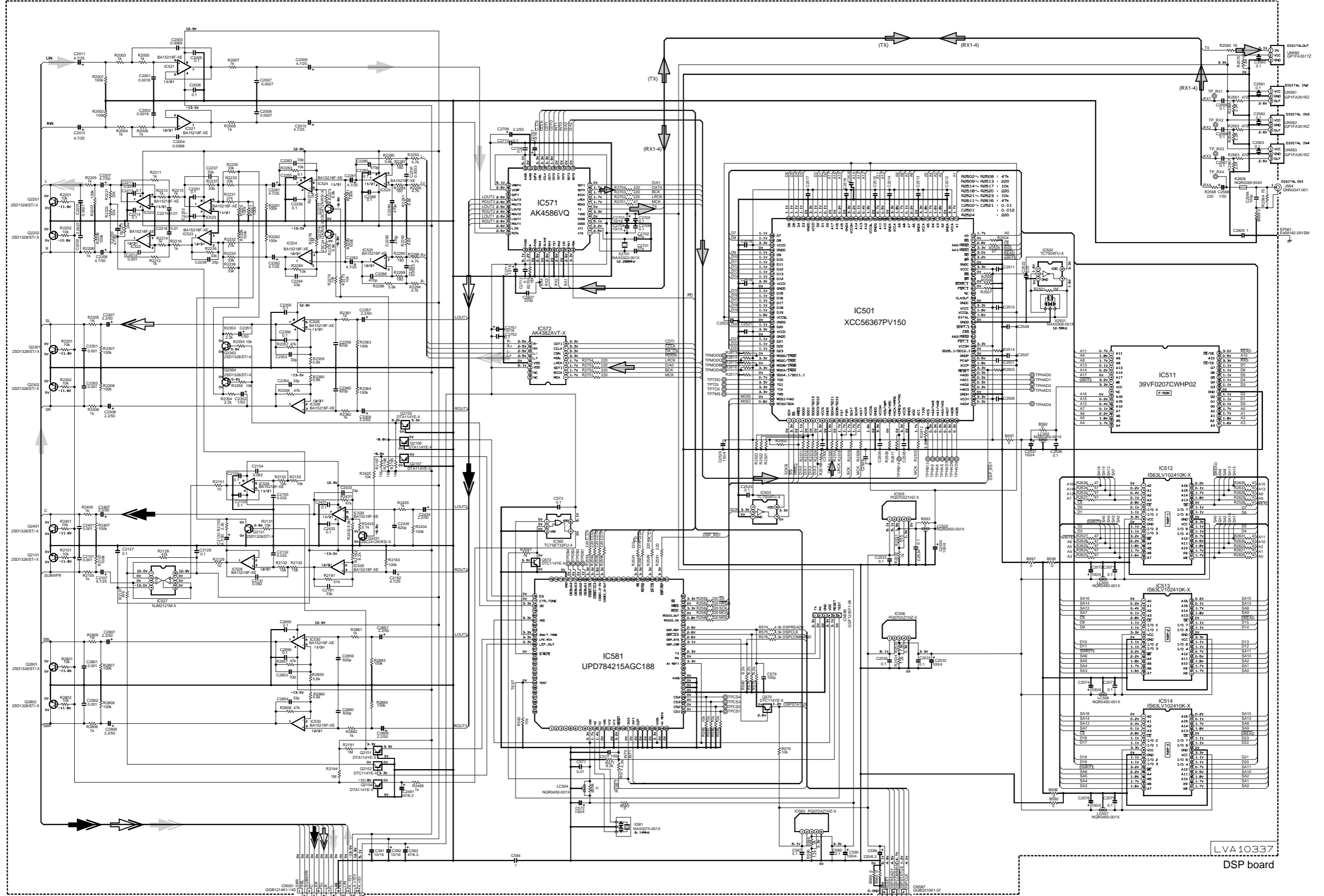
5

4

3

2

1



LVA10337 DSP board

A B C 2-10 D E F G H

System control & FL display section

System control board

LVA10218-1

TO CN402 OF LVA1033B-2 Sheet 1/10

TO CN400 OF LVA1033B-1 Sheet 3/10

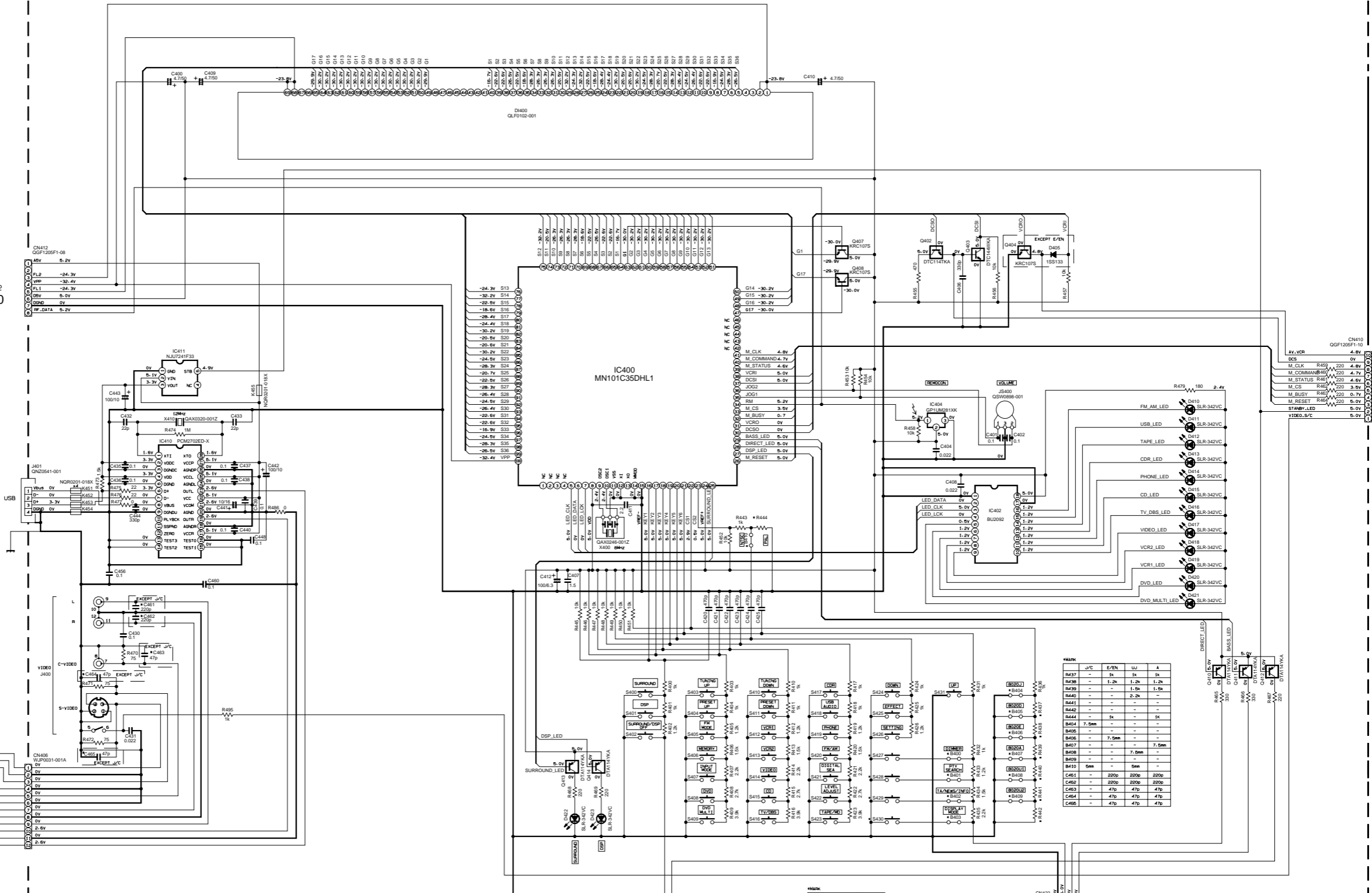
Sheet 4/10

Power switch board LVA10218-2

LVA10218-3

Switch board

SHEET 9/10



Mark	E/RN	07-695
S477	09W0663-0012	-
S478	09W0663-0012	-
S479	09W0663-0012	-
S480	09W0663-0012	-
B400	7.5mm	-
B401	7.5mm	-
B402	7.5mm	-
B403	7.5mm	-

Mark	J/C	E/RN	07-695
R437	-	1k	1k
R438	-	1.2k	1.2k
R439	-	1.5k	1.5k
R440	-	2.2k	-
R441	-	-	-
R442	-	-	-
R443	7.5mm	-	-
R444	-	-	-
R445	-	-	-
R446	7.5mm	-	-
R447	-	-	-
R448	-	-	-
R449	-	-	-
R450	-	-	-
R451	-	-	-
R452	-	-	-
R453	-	-	-
R454	-	-	-
R455	-	-	-
R456	-	-	-
R457	-	-	-
R458	-	-	-
R459	-	-	-
R460	-	-	-
R461	-	-	-
R462	-	-	-
R463	-	-	-
R464	-	-	-
R465	-	-	-
R466	-	-	-

■ Tuner section

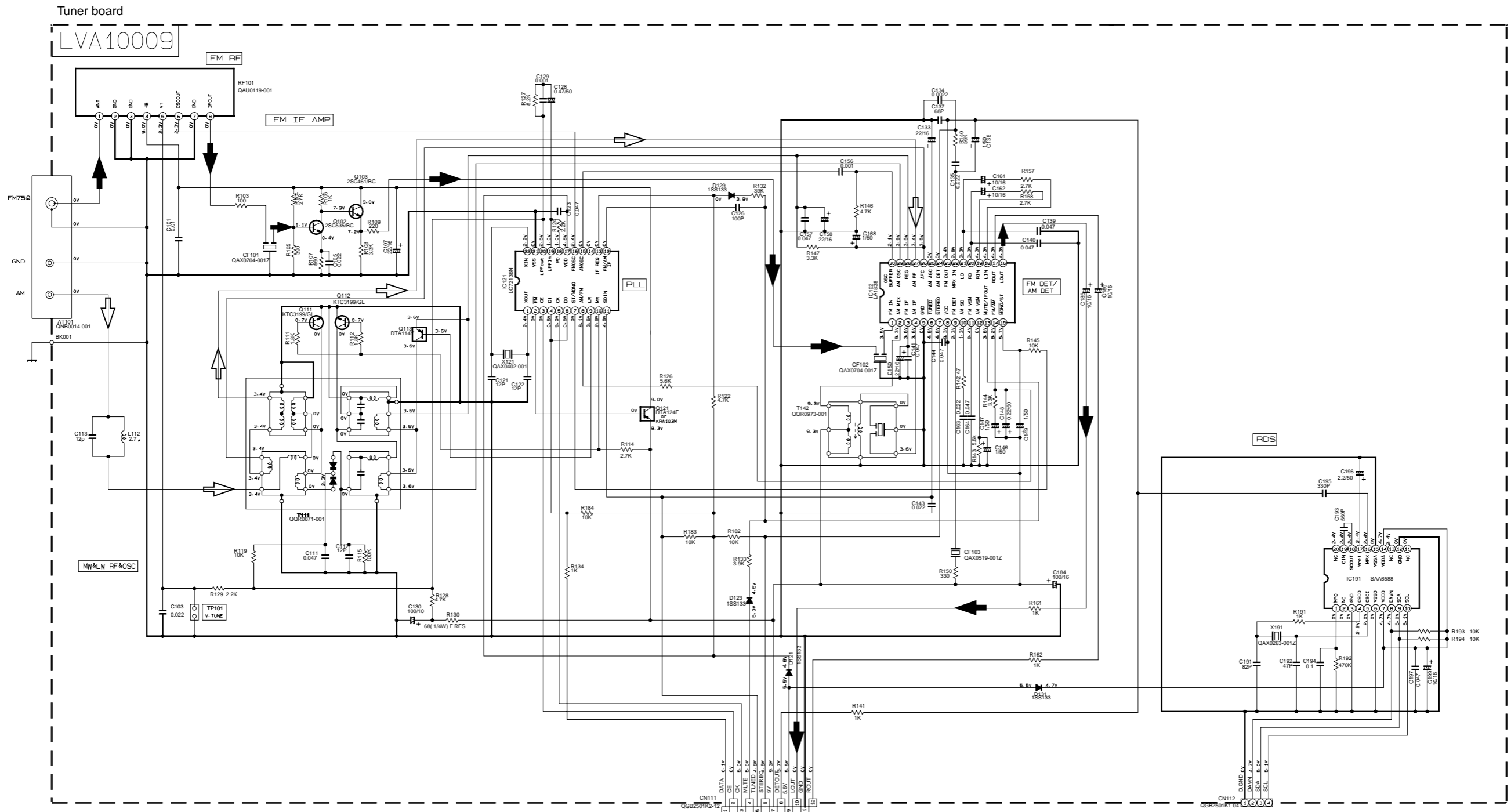
5

4

3

2

1



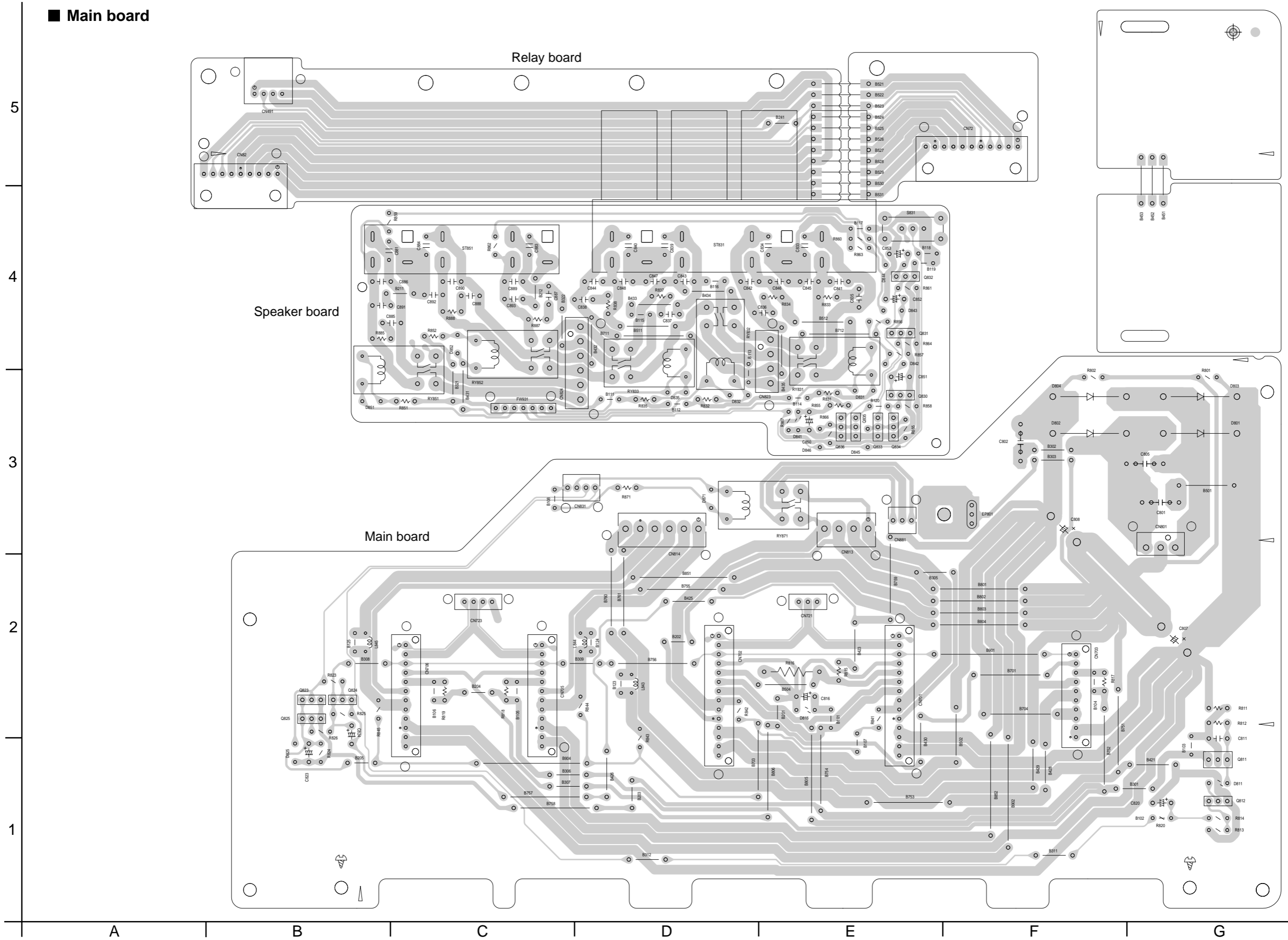
To CN101  
Sheet 3/10

To CN102  
Sheet 3/10

➔ FM/TUNER Signal    ⇨ AM Signal

# Printed circuit boards

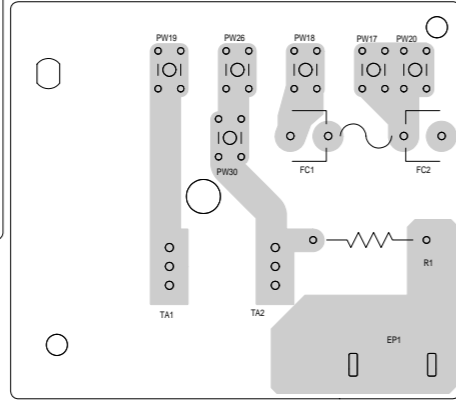
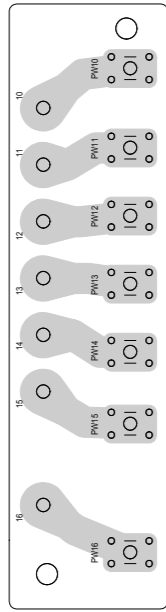
■ Main board



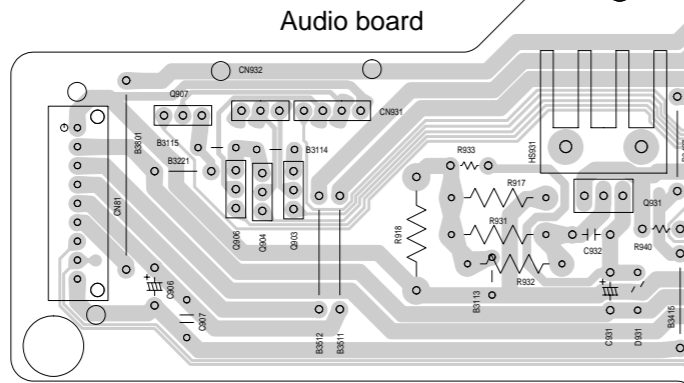
Power supply board / Audio board

5  
4  
3  
2  
1

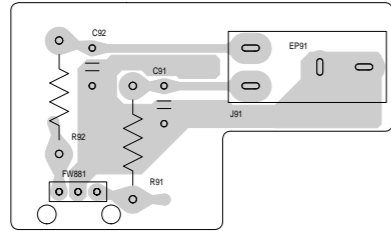
Power trans2 board



Power/fuse board

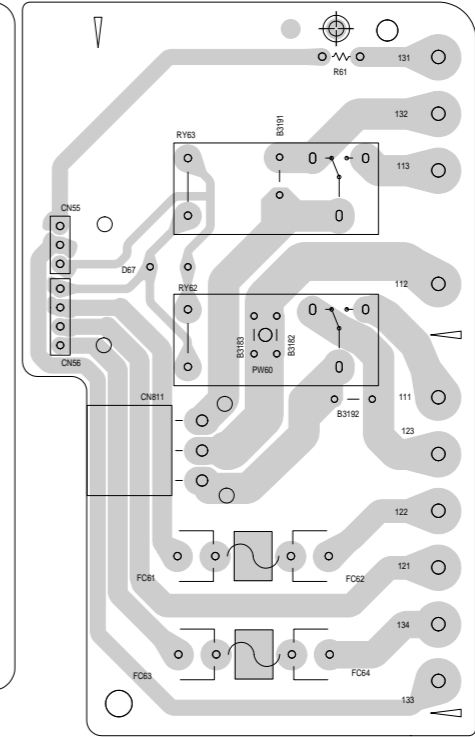
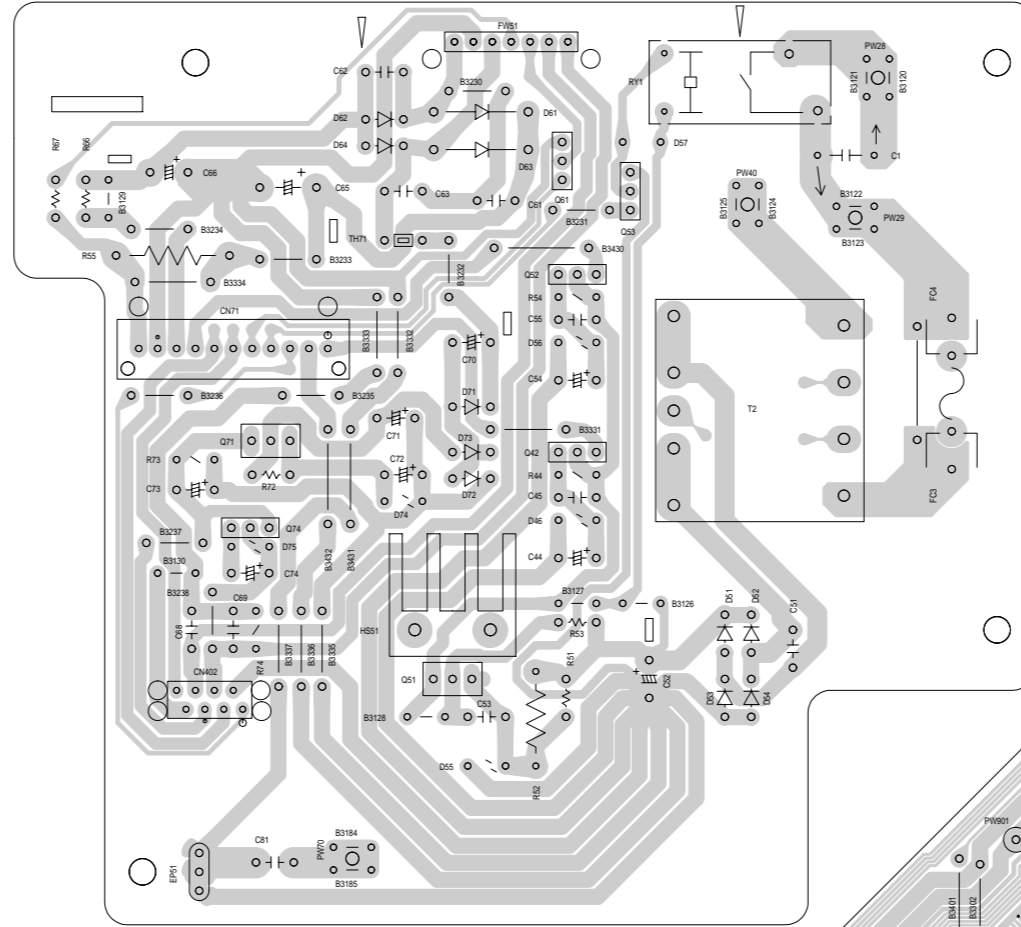


Audio board

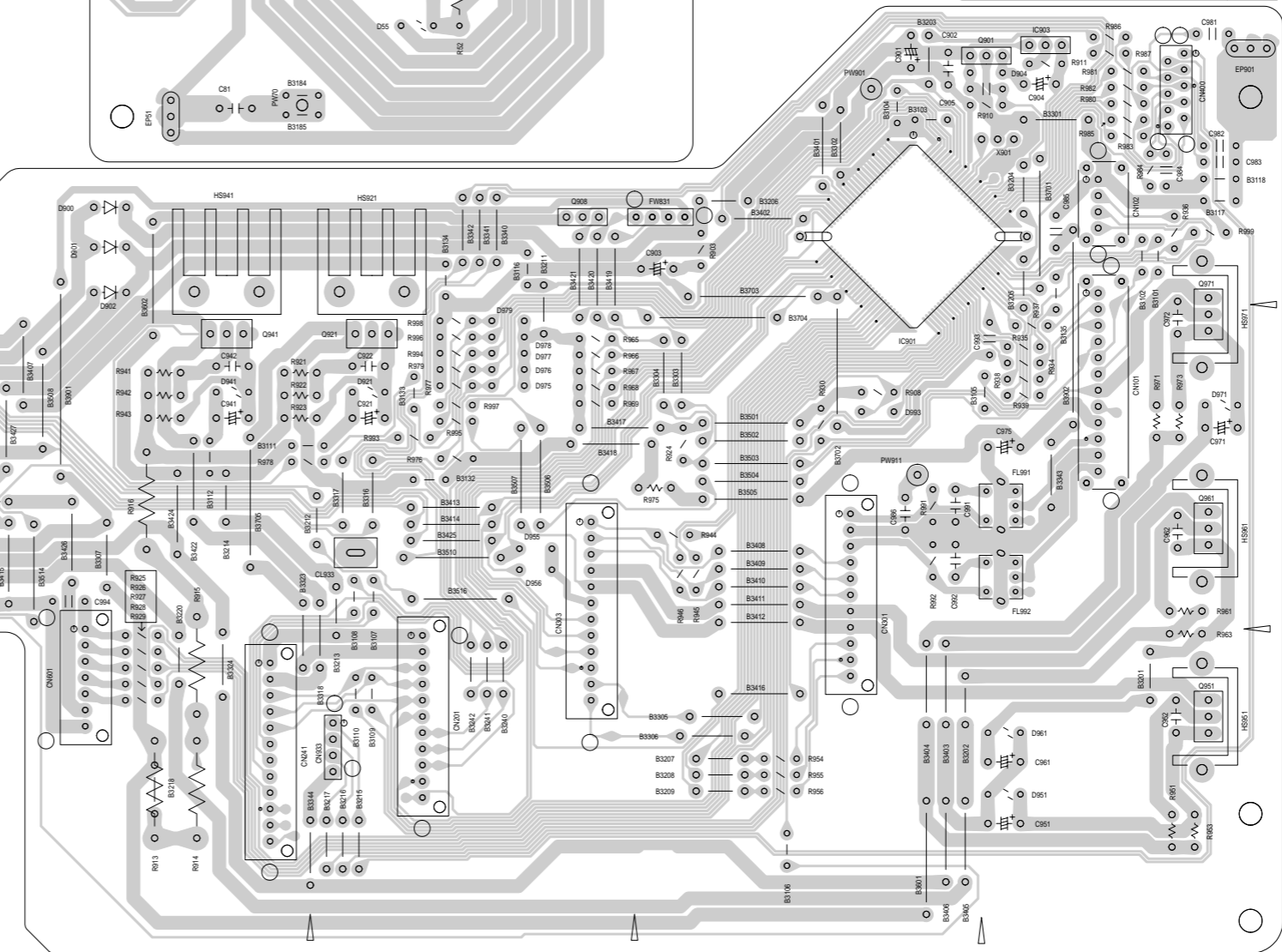


Headphone jack board

Power supply board



Power trans1 board

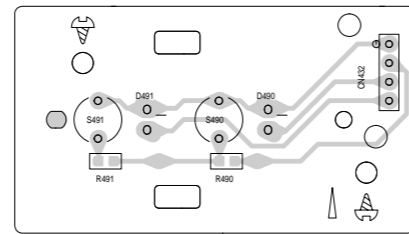
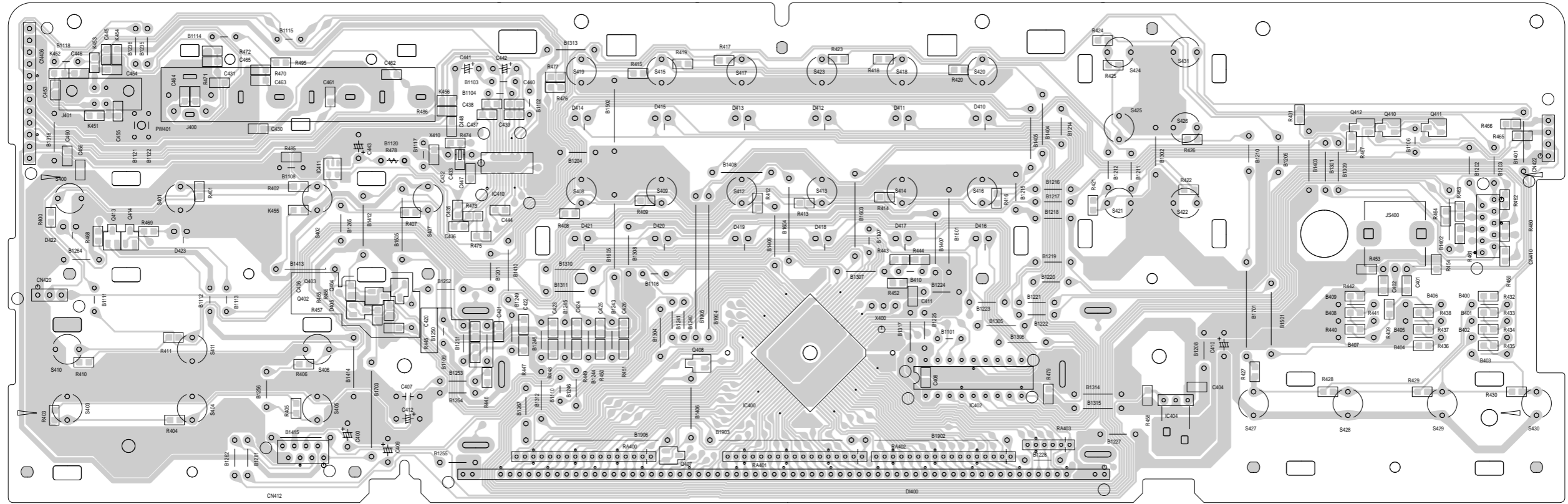


A B C 2-14 D E F G H

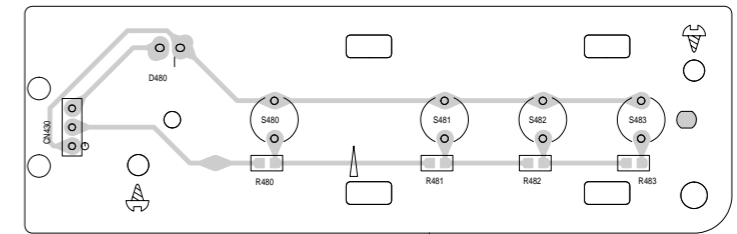


■ Front board

System control board



Switch board



Power switch board

5

4

3

2

1

A

B

C

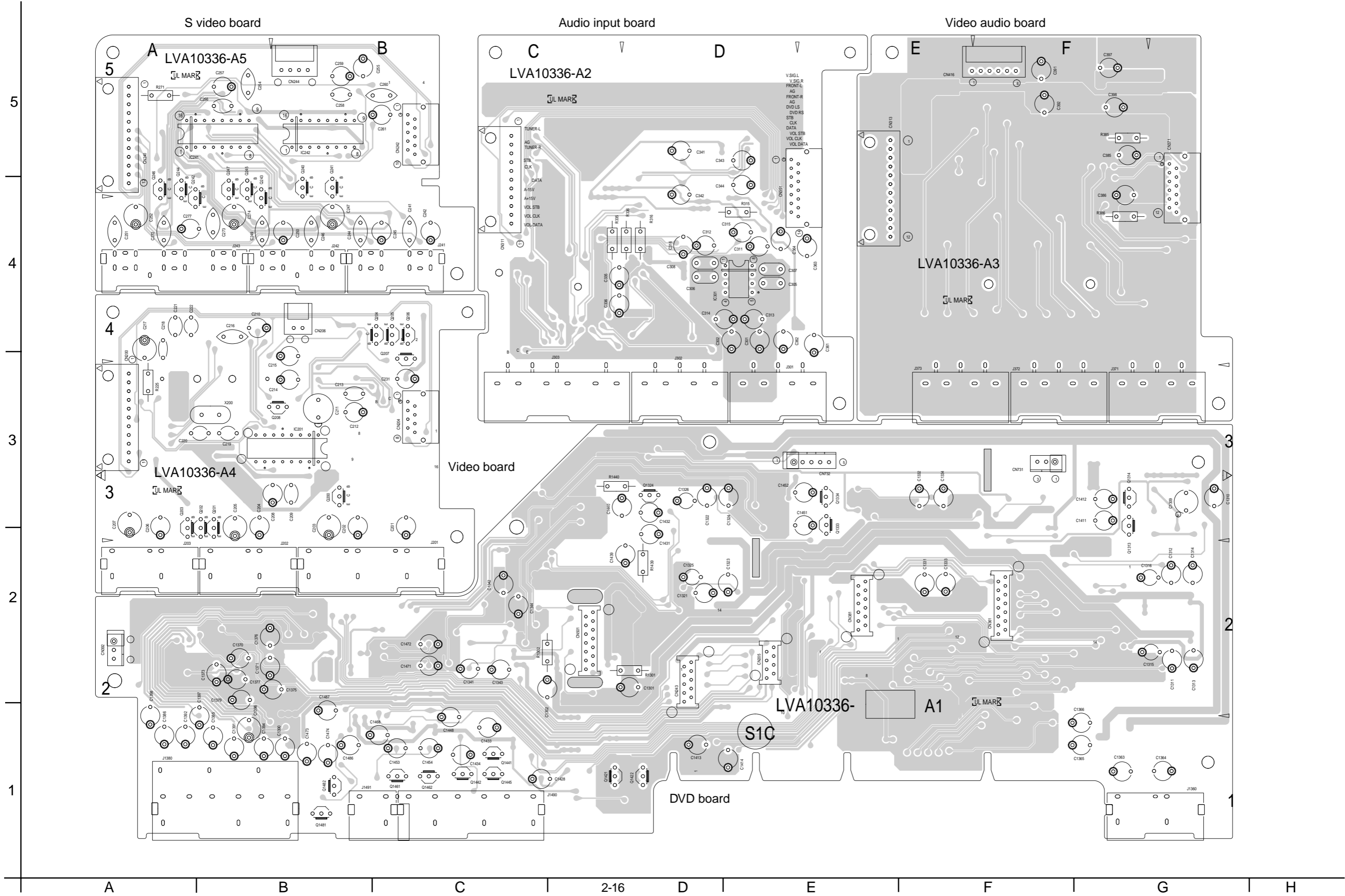
D

E

F

G

Input board (Forward side)



■ Input board (Reverse side)

5

4

3

2

1

A

B

C

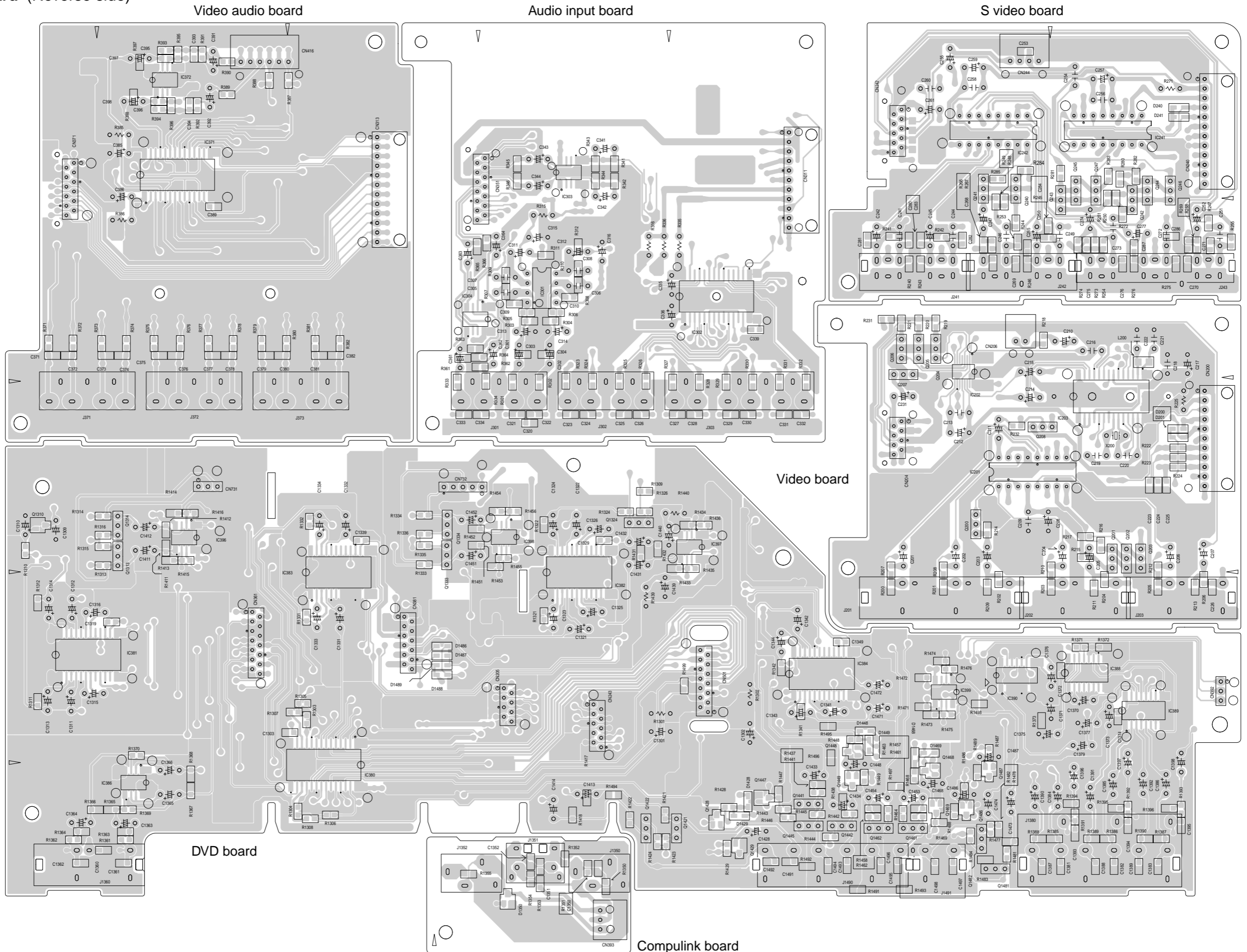
D

E

F

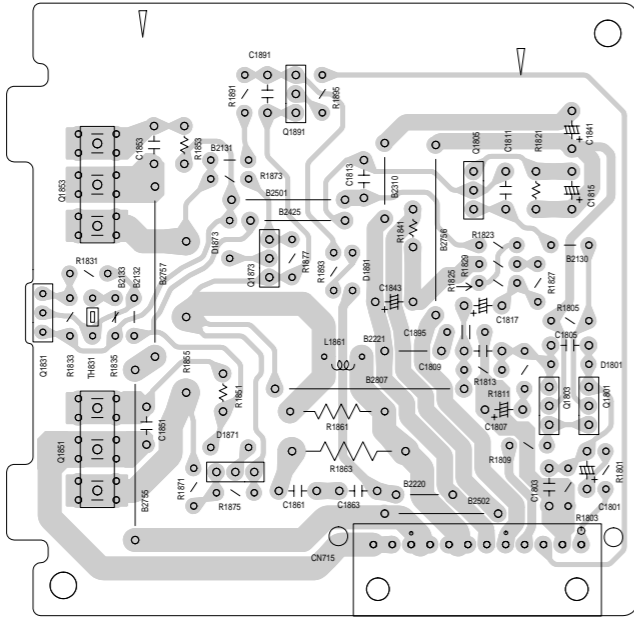
G

2-17

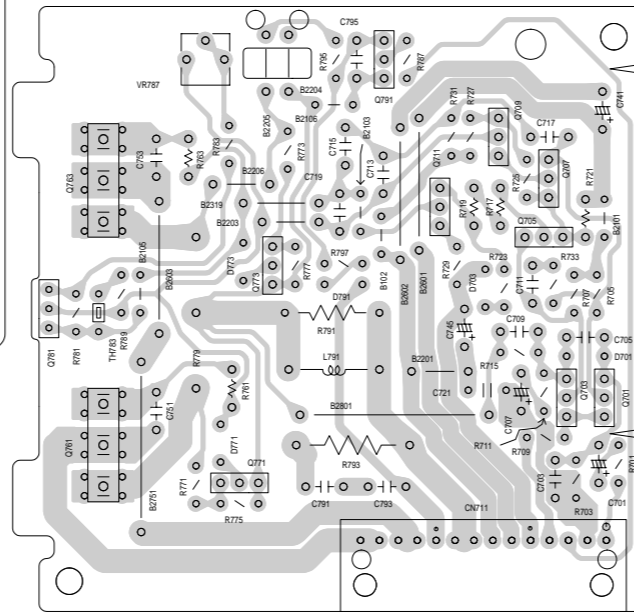


■ Amp. board

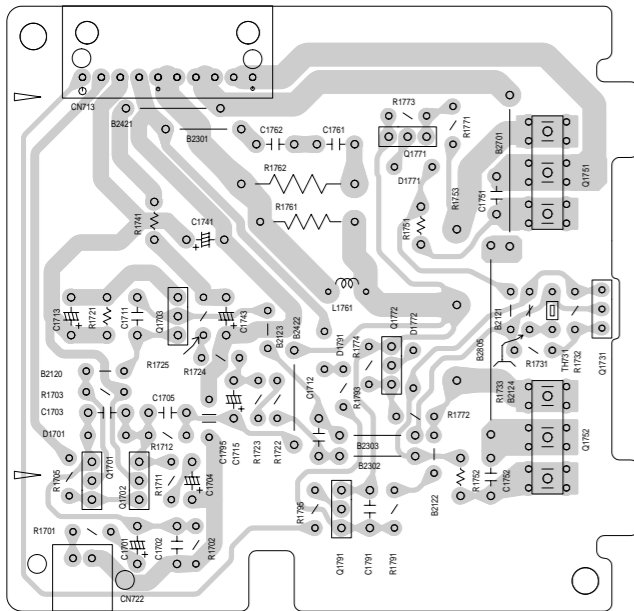
RLch amp. board



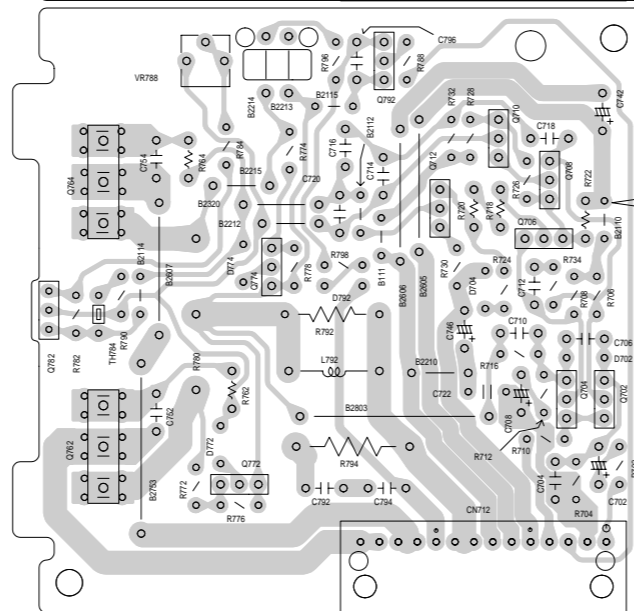
Lch amp. board



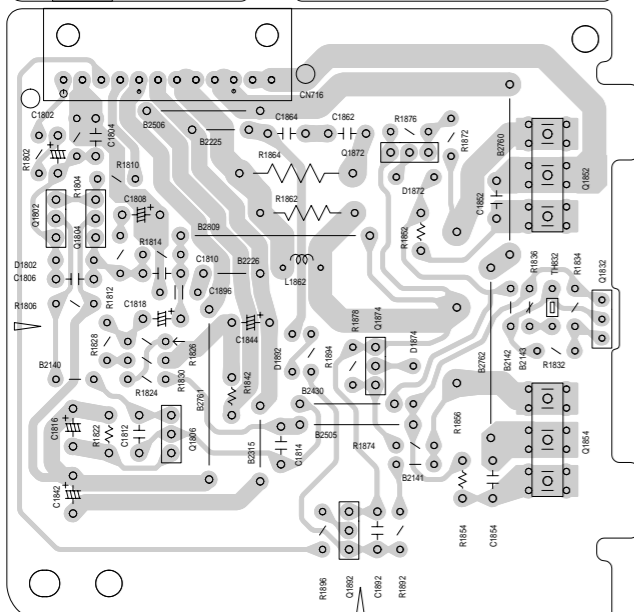
Cch amp. board



Rch amp. board

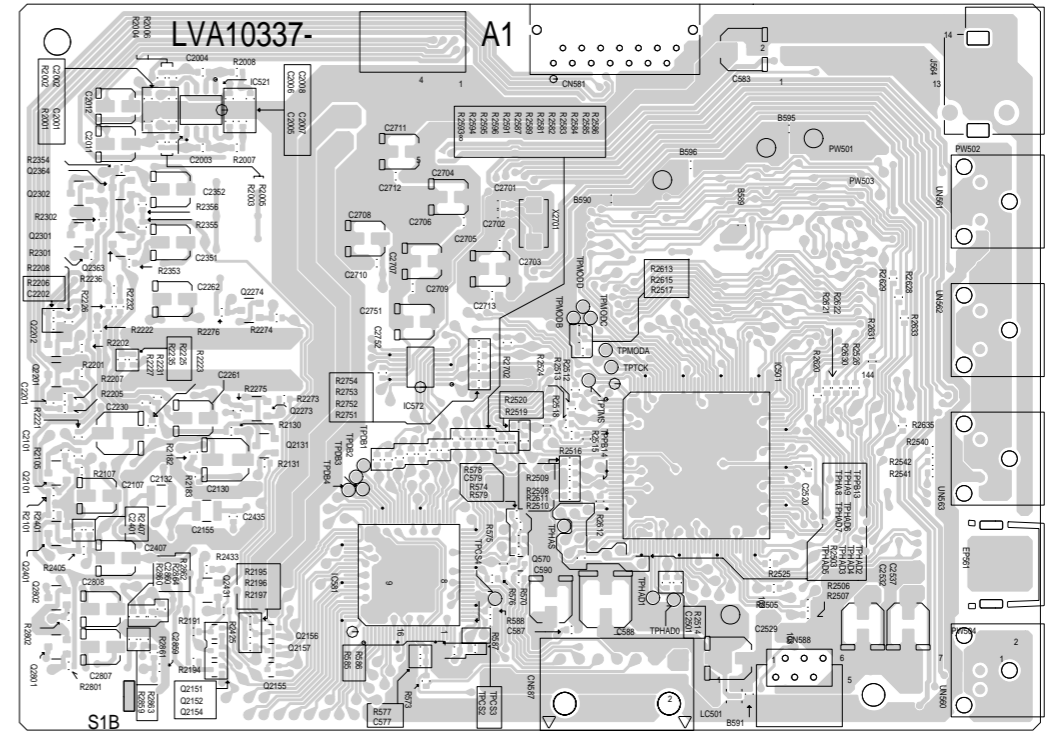


RRch amp. board

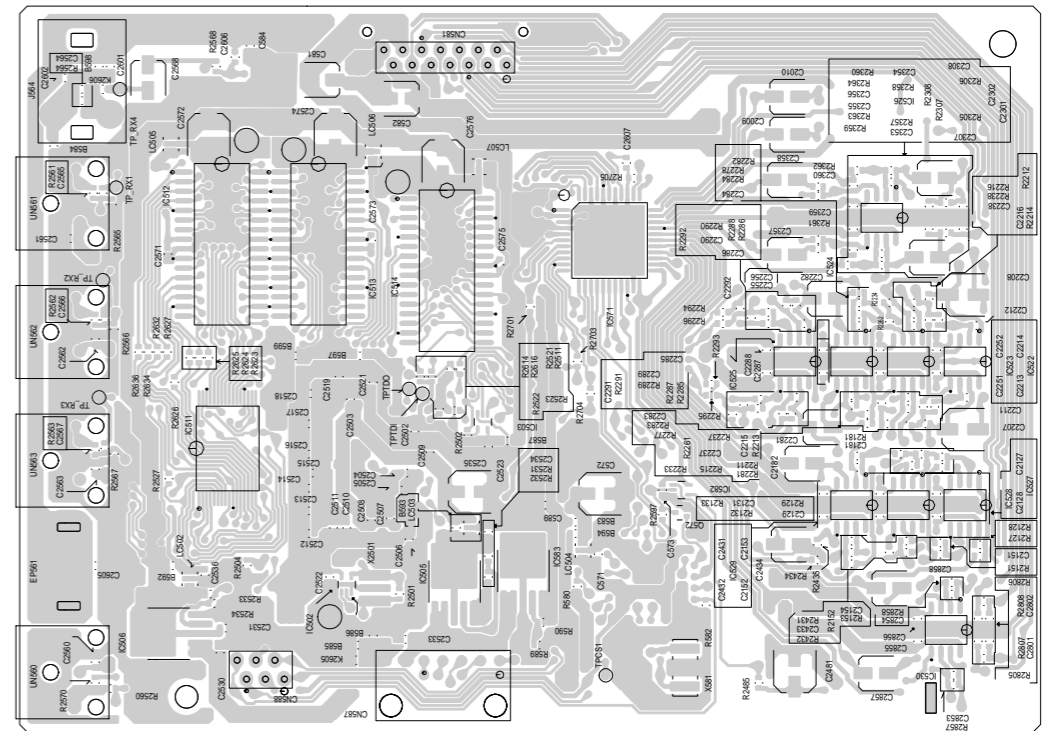


■ DSP board

(Forward side)



(Reverse side)



5

4

3

2

1

A

B

C

2-18

D

E

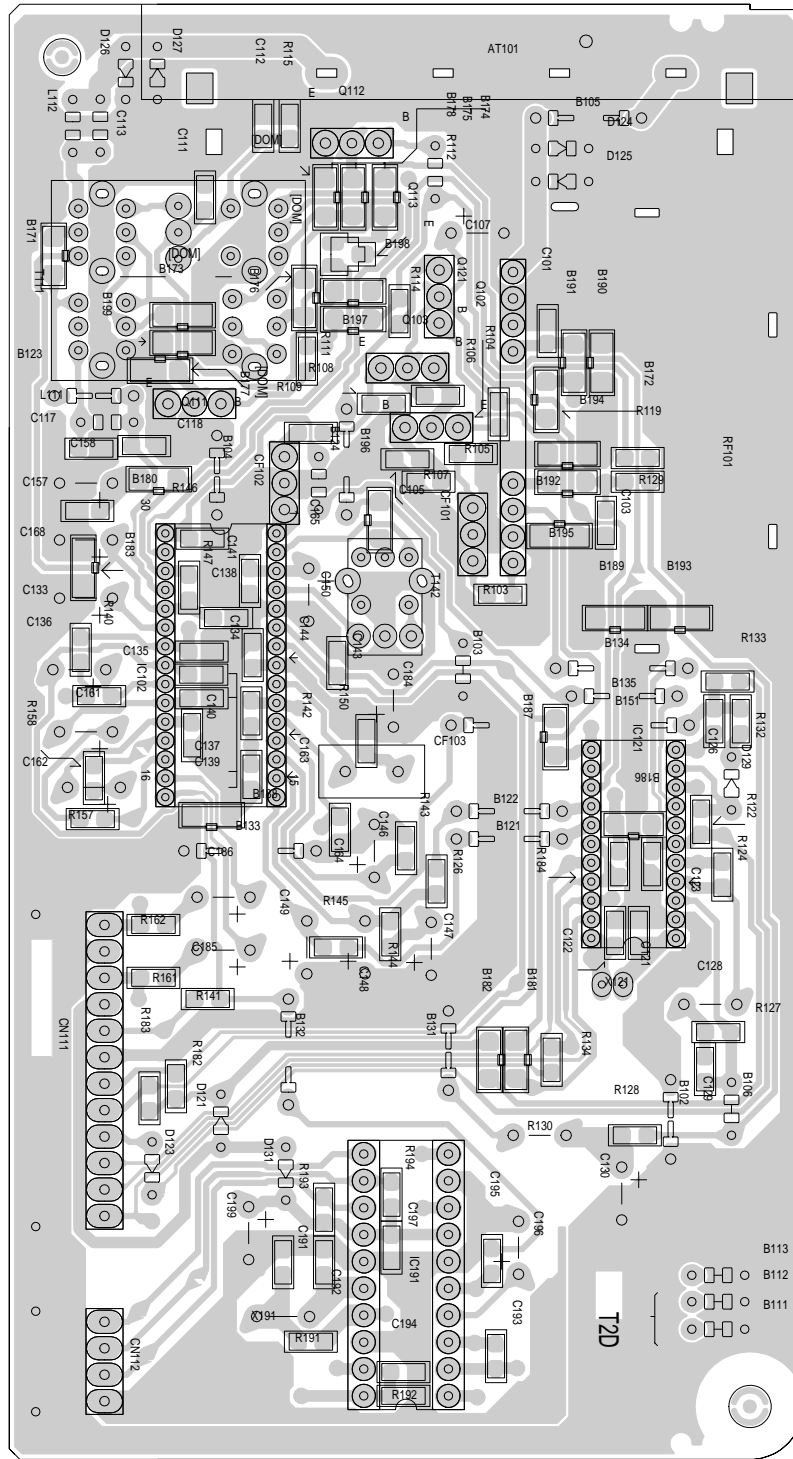
F

G

H

■ Tuner board

5  
4  
3  
2  
1



A

B

C

D

**RX-8022RSL**

**JVC**

**VICTOR COMPANY OF JAPAN, LIMITED**

AUDIO & COMMUNICATION BUSINESS DIVISION

PERSONAL & MOBILE NETWORK BUSINESS UNIT. 10-1,1chome,Ohwatari-machi,Maebashi-city,371-8543,Japan

**No.21144SCH**

 Printed in Japan  
200209