

# JVC

# SCHEMATIC DIAGRAMS

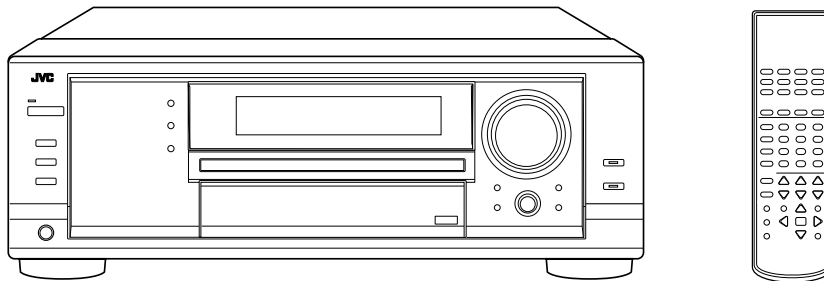
## AUDIO/VIDEO CONTROL RECEIVER

# RX-8030VBK

CD-ROM No.SML200312

Area suffix

UJ ----- U.S.Military



**DOLBY**  
DIGITAL EX  
PRO LOGIC II

**AV COMPU LINK**

**K2**  
TECHNOLOGY

**dts** 96 24 ES  
24 NEO:6

**COMPU LINK**  
Remote

**CC**  
CONVERTER

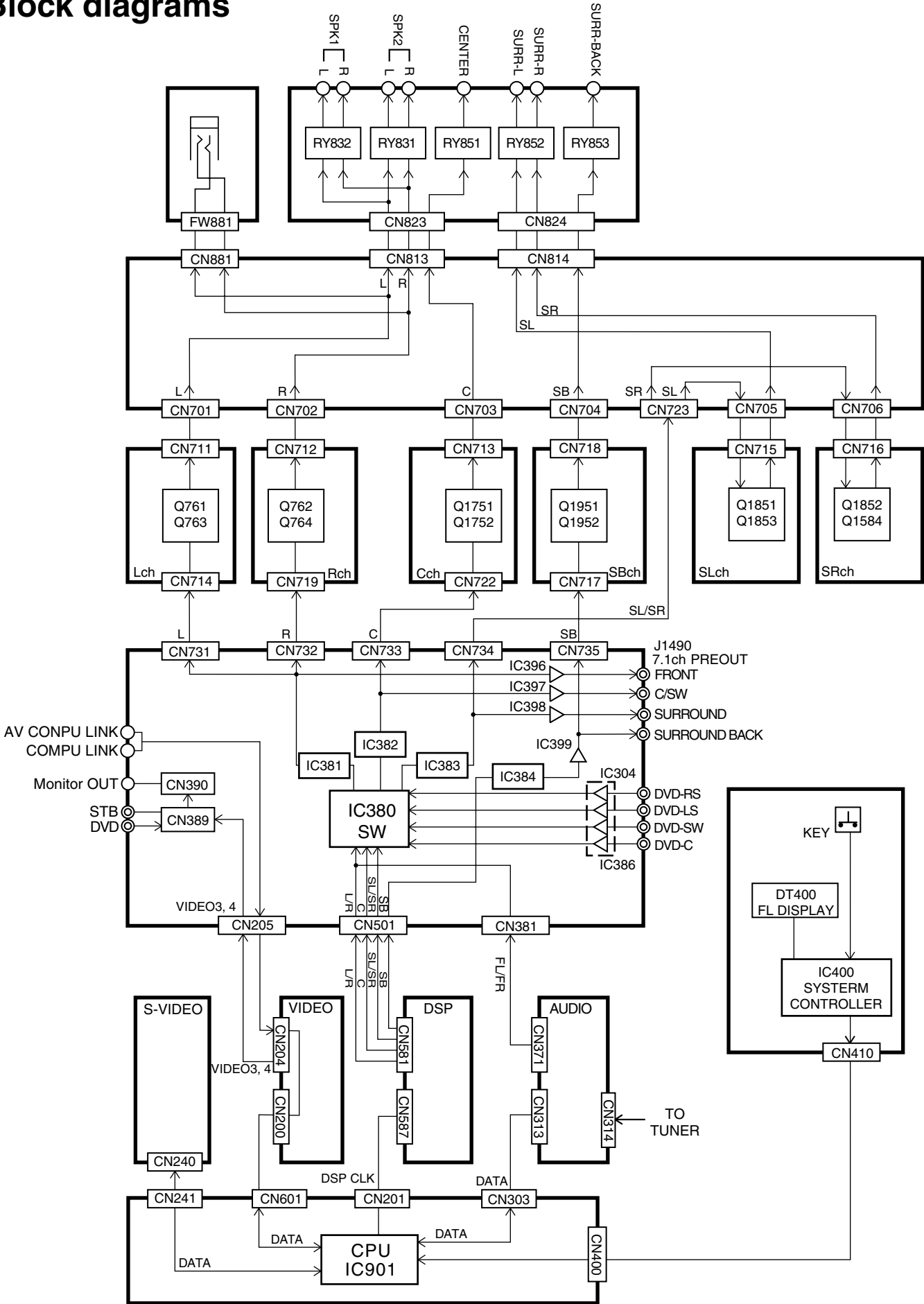
### Contents

Block diagrams-----	2-1
Standard schematic diagrams -----	2-3
Printed circuit boards -----	2-13 to 18

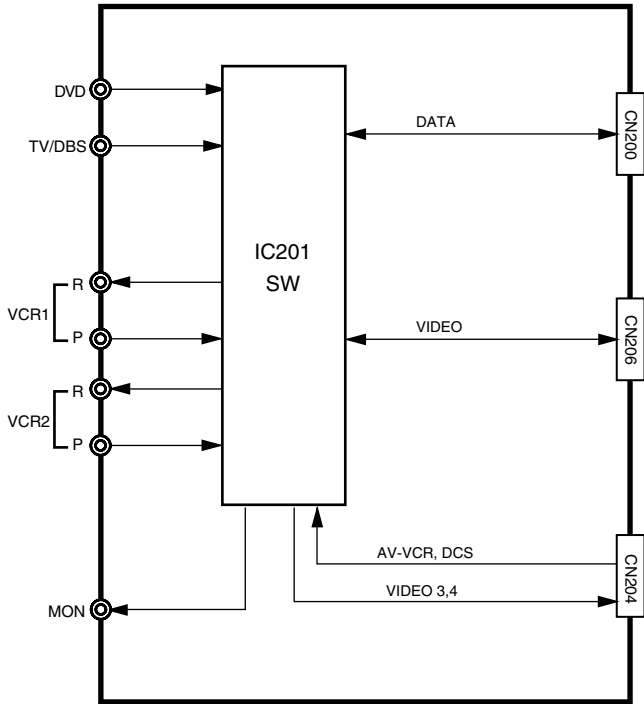
In regard with component parts appearing on the silk-screen printed side (parts side) of the PWB diagrams, the parts that are printed over with black such as the resistor (■), diode (⬤) and ICP (●) or identified by the "⚠" mark nearby are critical for safety.

(This regulation does not correspond to J and C version.)

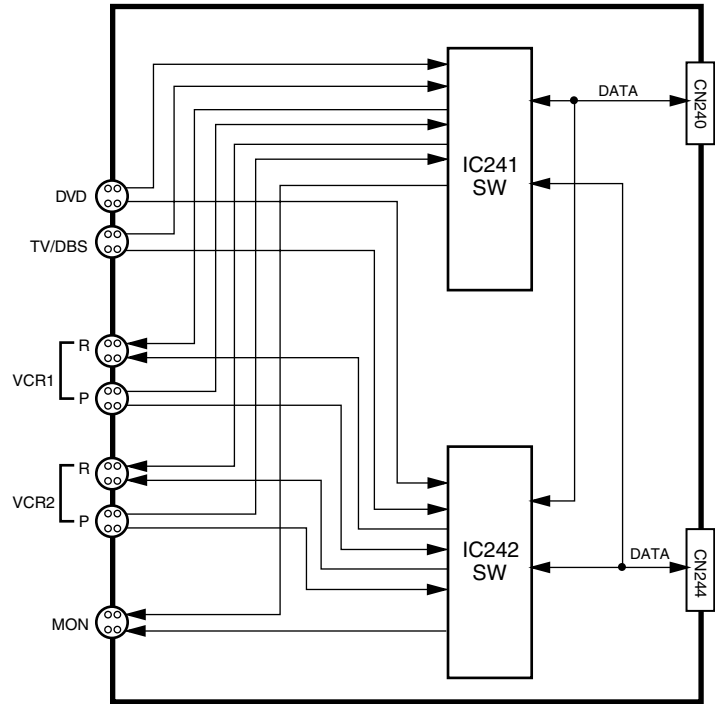
# Block diagrams



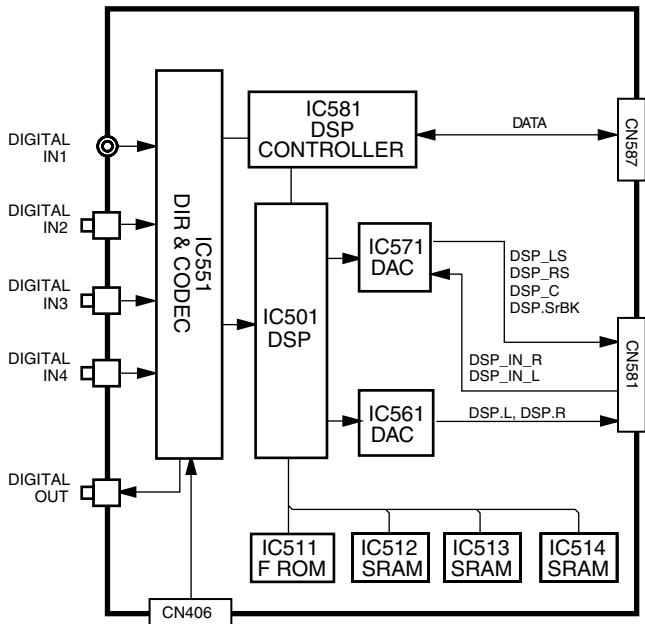
### Video section



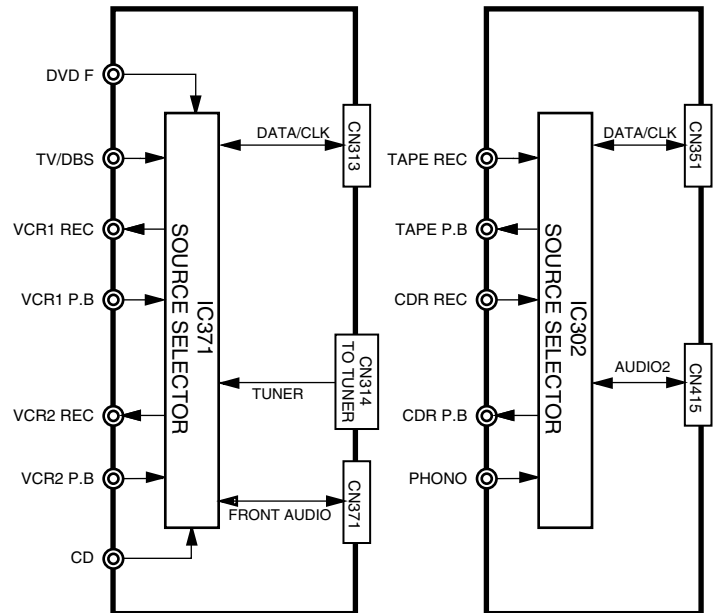
### S-Video section



### DSP section

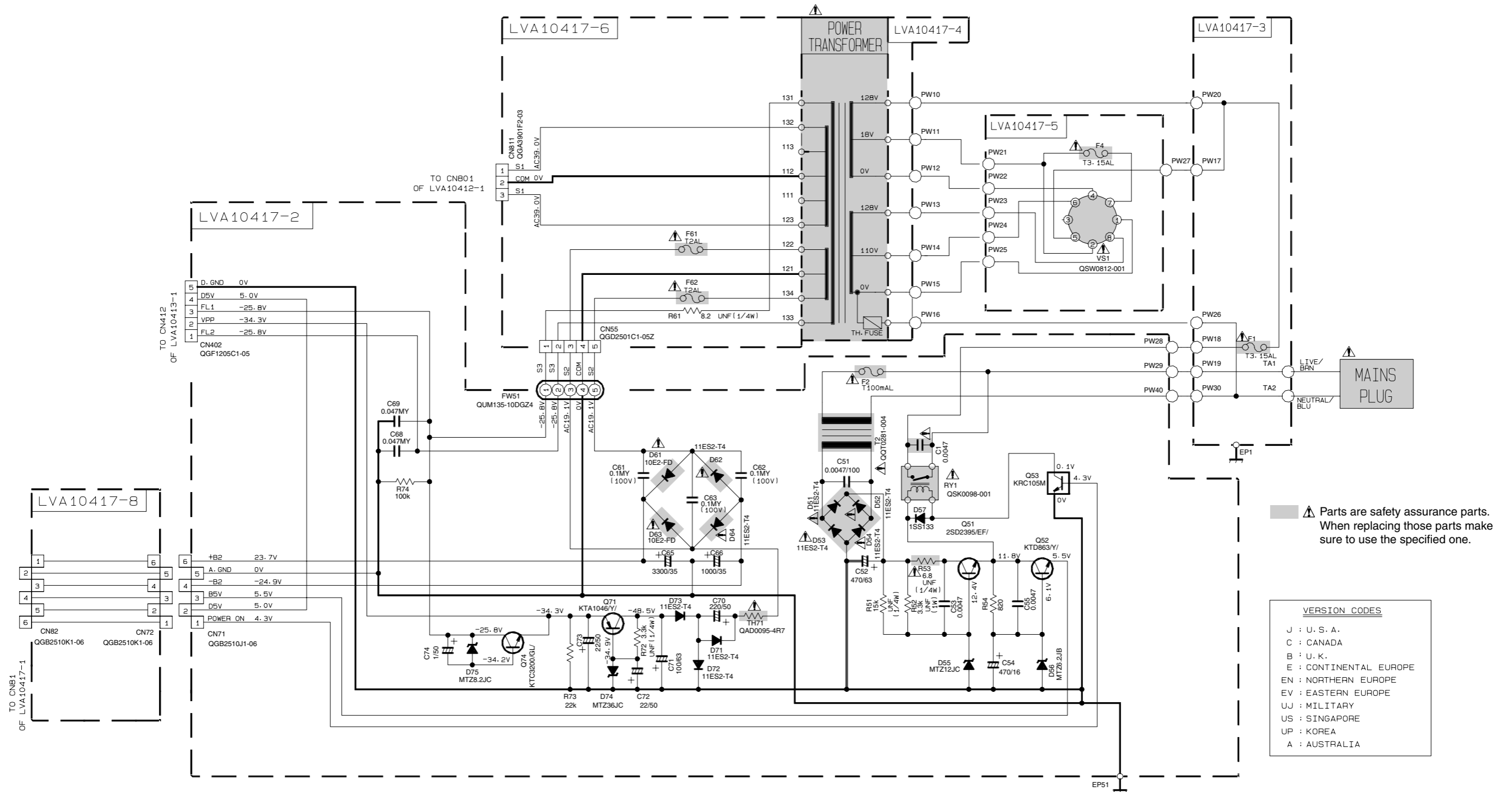


### Audio signal input section



# Standard schematic diagrams

## Power supply section



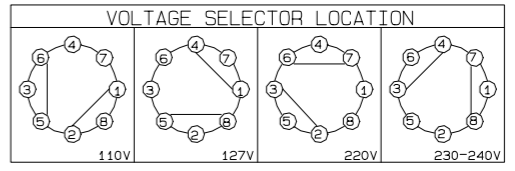
▲ Parts are safety assurance parts. When replacing those parts make sure to use the specified one.

VERSION CODES	
J	: U. S. A.
C	: CANADA
B	: U. K.
E	: CONTINENTAL EUROPE
EN	: NORTHERN EUROPE
EV	: EASTERN EUROPE
UJ	: MILITARY
US	: SINGAPORE
UP	: KOREA
A	: AUSTRALIA

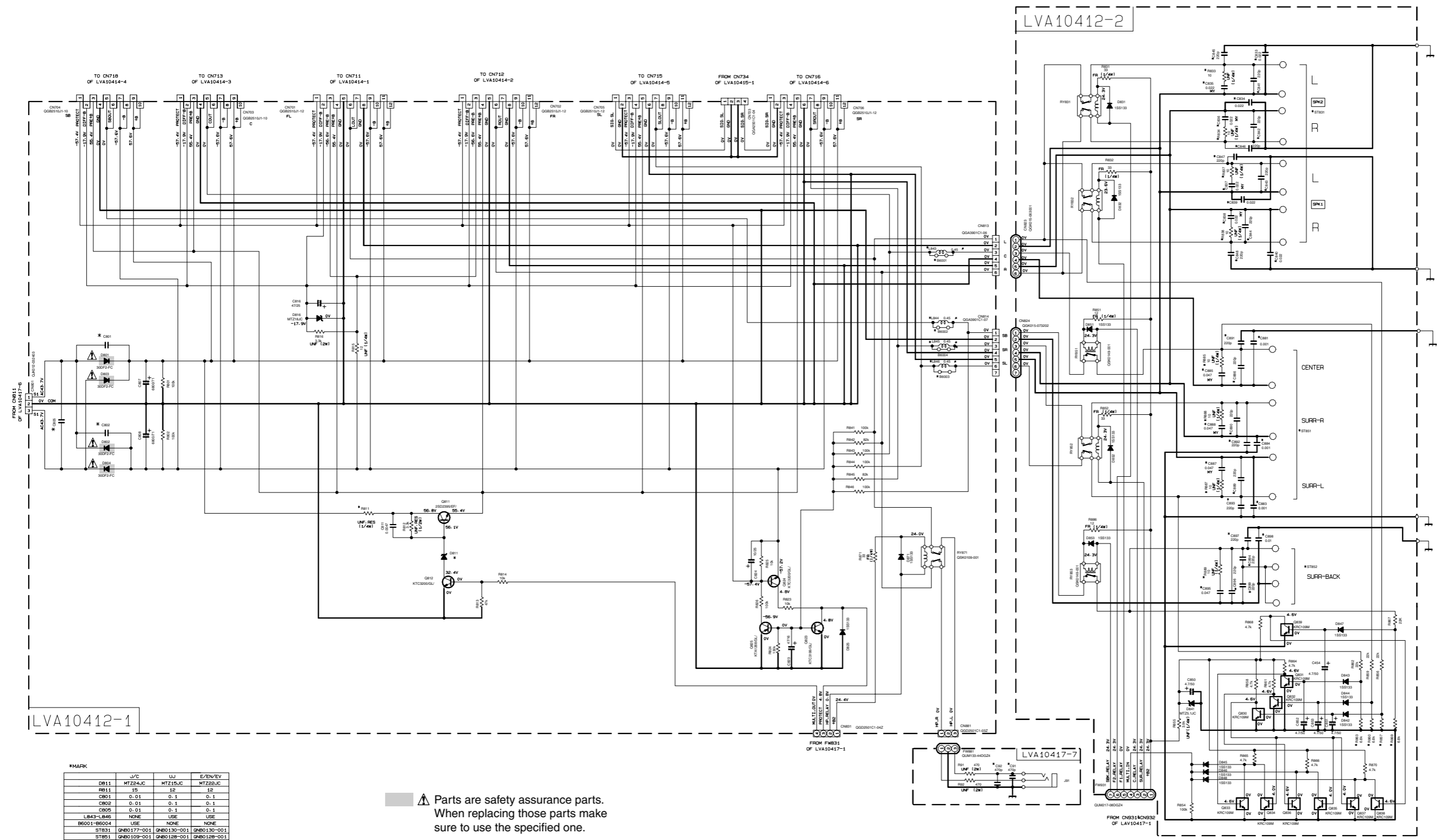
QTY	REF	DESCRIPTION	U/C	U	V/VN/VY
1	D61	10E2-FD	USE	10E2-FD	10E2-FD
1	D62	10E2-FD	USE	10E2-FD	10E2-FD
1	D63	10E2-FD	USE	10E2-FD	10E2-FD
1	D64	10E2-FD	USE	10E2-FD	10E2-FD
1	D65	10E2-FD	USE	10E2-FD	10E2-FD
1	D66	10E2-FD	USE	10E2-FD	10E2-FD
1	D71	11ES2-T4	USE	11ES2-T4	11ES2-T4
1	D72	11ES2-T4	USE	11ES2-T4	11ES2-T4
1	D73	11ES2-T4	USE	11ES2-T4	11ES2-T4
1	D74	MTZ36JC	USE	MTZ36JC	MTZ36JC
1	D75	MTZ8.2JC	USE	MTZ8.2JC	MTZ8.2JC
1	D76	MTZ8.2JC	USE	MTZ8.2JC	MTZ8.2JC
1	D77	MTZ8.2JC	USE	MTZ8.2JC	MTZ8.2JC
1	D78	MTZ8.2JC	USE	MTZ8.2JC	MTZ8.2JC
1	D79	MTZ8.2JC	USE	MTZ8.2JC	MTZ8.2JC
1	D80	MTZ8.2JC	USE	MTZ8.2JC	MTZ8.2JC
1	D81	MTZ8.2JC	USE	MTZ8.2JC	MTZ8.2JC

NOTES  
 1. VOLTAGES ARE DC-MEASURED WITH A DIGITAL VOLT METER WITHOUT INPUT SIGNAL. CONDITION --- COLD START, POWER ON, FM, SURROUND OFF, VOL 30  
 2. UNLESS OTHERWISE SPECIFIED, ALL RESISTORS ARE 1/6W ±5% CARBON RESISTOR. ALL CAPACITORS ARE 50V CERAMIC CAPACITOR. ALL RESISTANCE VALUES ARE IN OHM (Ω). ALL CAPACITANCE VALUES ARE IN UF (pF). ALL E-CAPACITORS ARE SHOWN IN THE FORM OF CAPACITANCE(UF)/RATED VOLTAGE(V).

SHEET NUMBER	CIRCUIT DISCUSSION
1/10	POWER SUPPLY
2/10	MAIN & SPEAKER TERMINAL
3/10	AUDIO AMP (FRONT CHANNEL)
4/10	AUDIO AMP (CENTER, SURR, S-BACK CHANNEL)
5/10	AUDIO SIGNAL INPUT
6/10	VIDEO/S-VIDEO SIGNAL INPUT
7/10	I/O
8/10	FRONT KEY/SYSTEM CONTROL
9/10	MICON
10/10	DSP



■ Main & Speaker terminal section

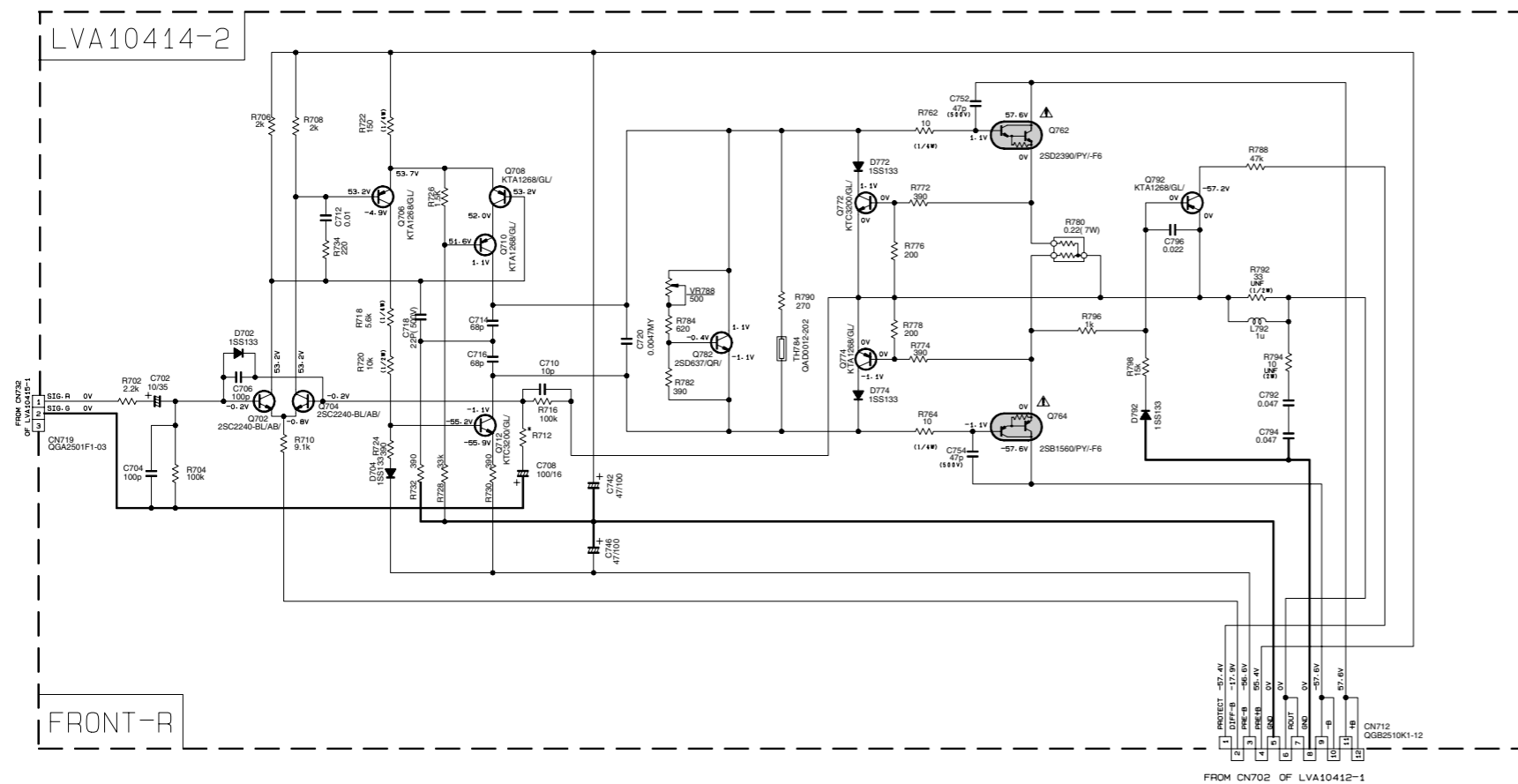
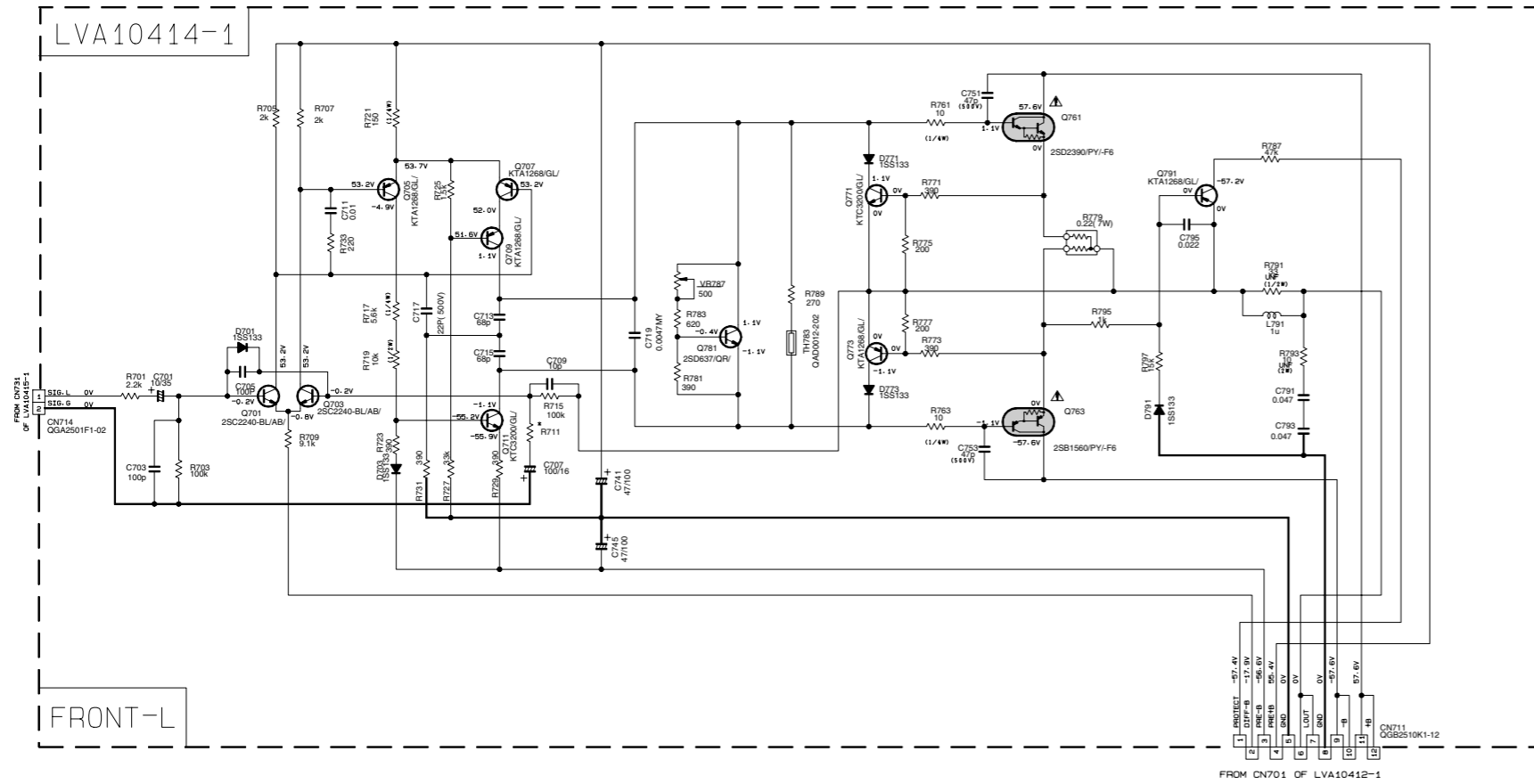


MARK

	J/C	LJ	E/EN/EV
DB11	MTZ24JC	MTZ15JC	MTZ22JC
RB11	1B	1P	1P
CB01	0.01	0.1	0.1
CB02	0.01	0.1	0.1
CB05	0.01	0.1	0.1
LB43-LB46	NONE	USE	USE
86001-86004	USE	NONE	NONE
STB31	QNB0177-001	QNB0130-001	QNB0130-001
STB51	QNB0109-001	QNB0128-001	QNB0128-001
STB52	QNB0108-001	QNB0129-001	QNB0129-001
RB33-RB34	NONE	USE	USE
RB37-RB38	NONE	USE	USE
RB97	6.8k	10k	6.8k
RB60-RB63	USE	NONE	USE
RB80	NONE	USE	USE
RB87-RB89	NONE	USE	USE
CB33-CB48	NONE	USE	USE
CB81	NONE	USE	USE
CB93-CB93	NONE	USE	USE
CB95-CB96	NONE	USE	USE
CB94-CB99	NONE	USE	USE
CB1-CB2	NONE	USE	USE

⚠ Parts are safety assurance parts.  
When replacing those parts make sure to use the specified one.

■ Audio amp. section (1/2)

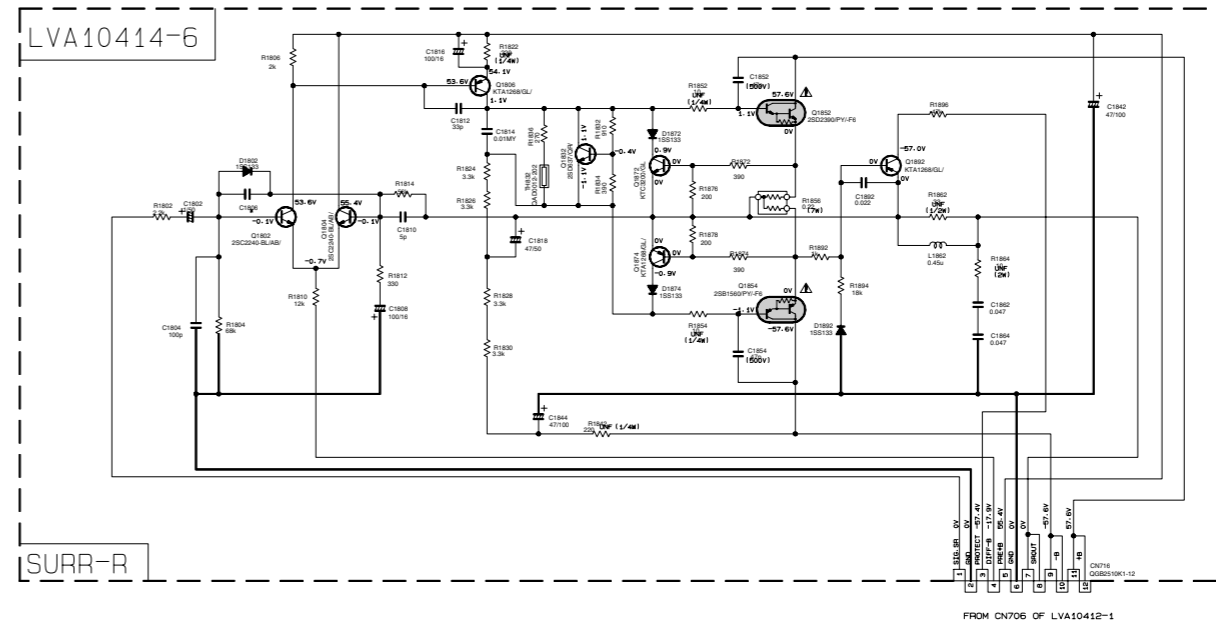
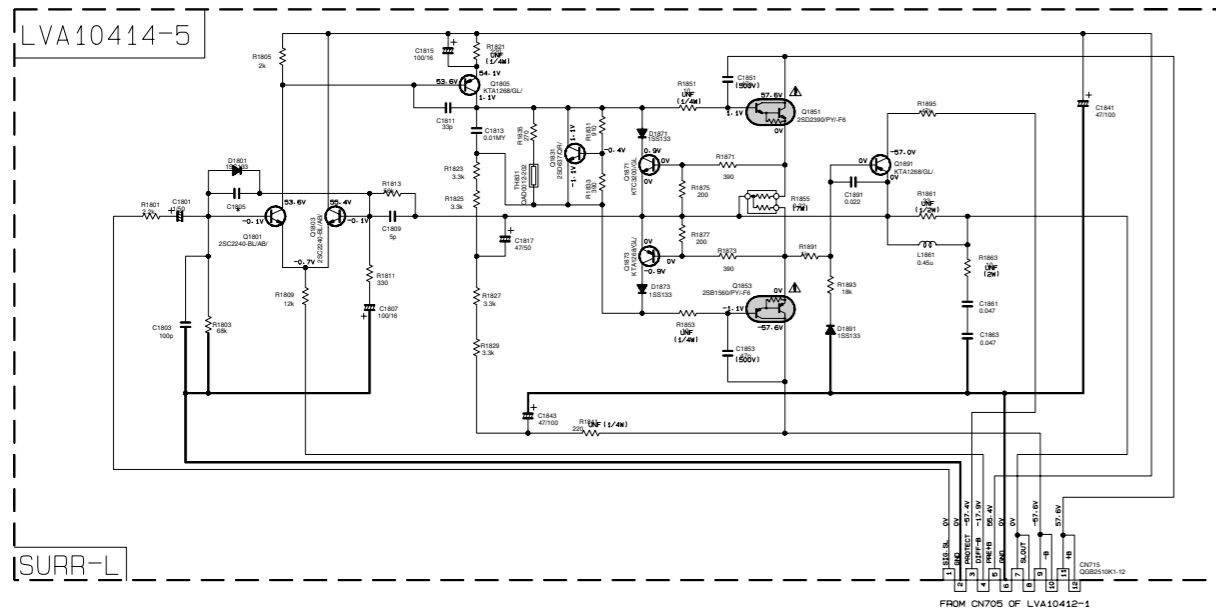
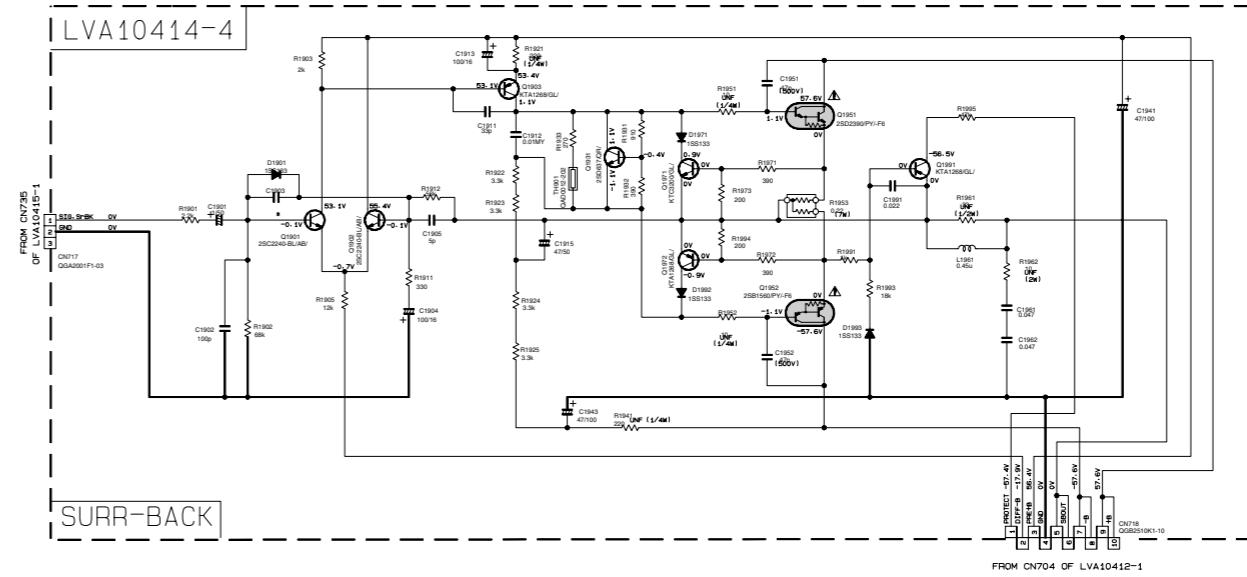
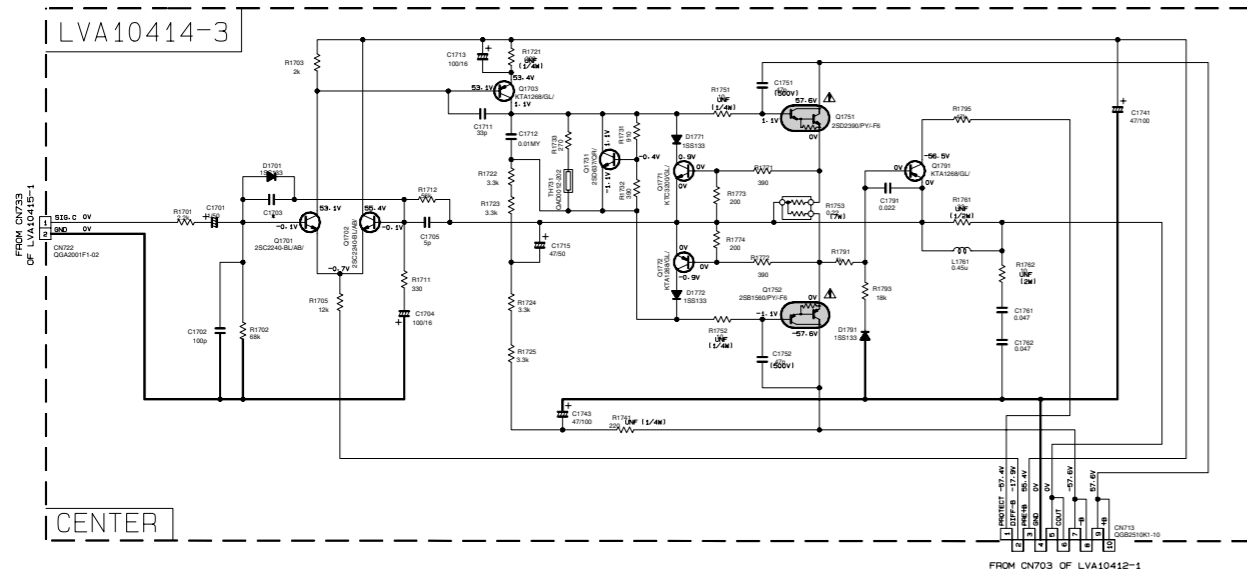


▲ Parts are safety assurance parts.  
When replacing those parts make  
sure to use the specified one.

\* MARK

	J/C	EXCEPT J/C
R711, R712	560	620

■ Audio amp. section (2/2)



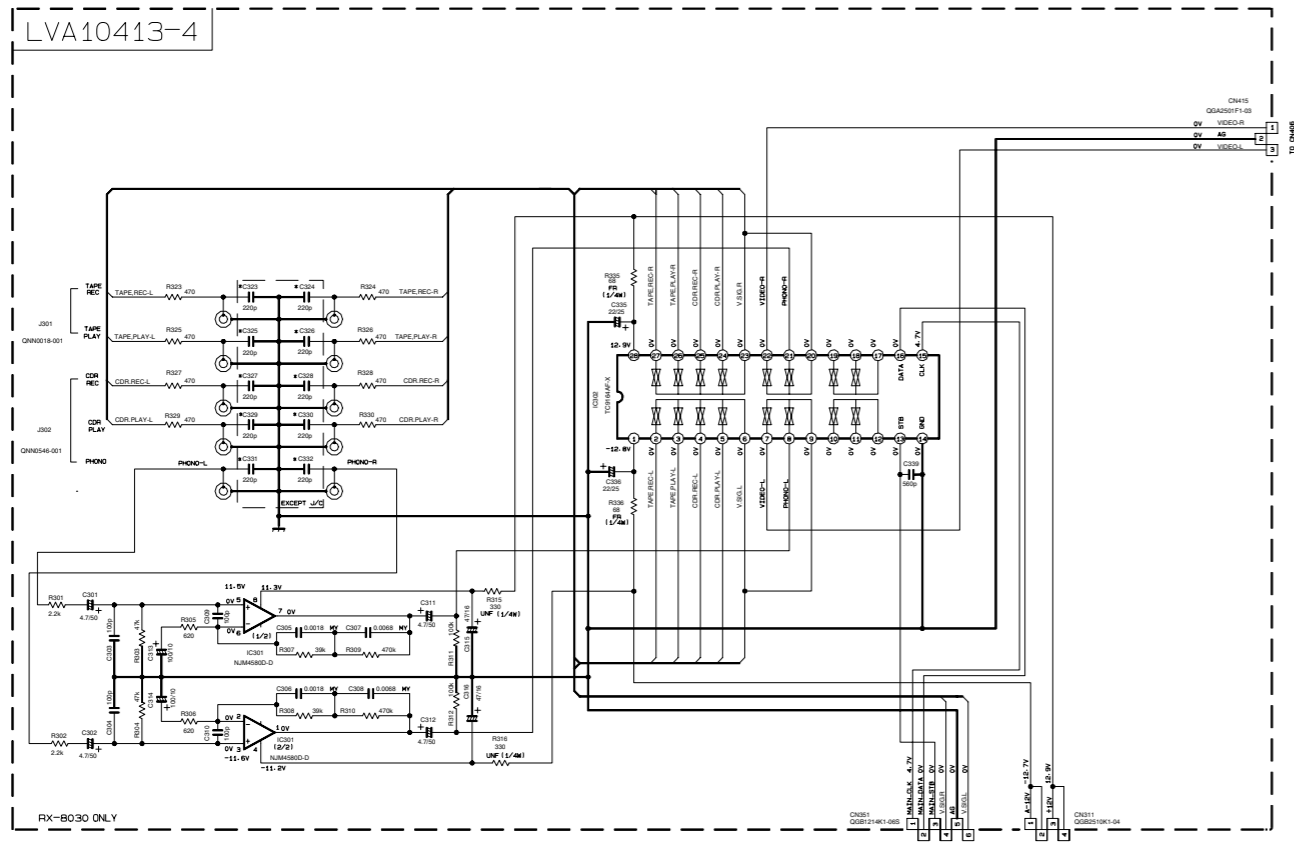
▲ Parts are safety assurance parts.  
When replacing those parts make  
sure to use the specified one.

\*\*\*MARK

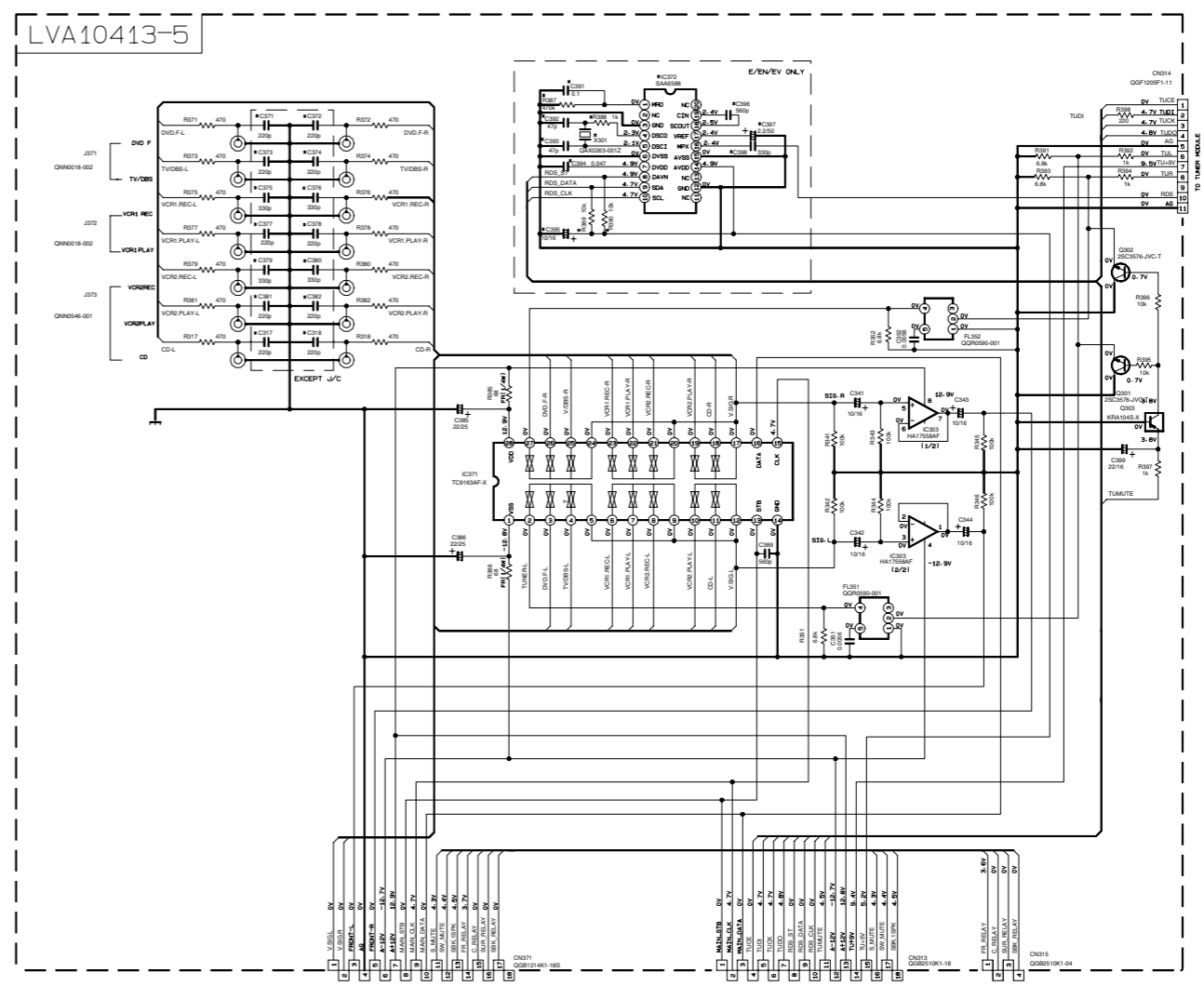
	J/C	EXCEPT J/C
C1703-C1805-C1806	100p	220p



■ Audio signal input section



TO CN15 OF LVA10413-1  
TO CN16 OF LVA10413-1  
TO CN17 OF LVA10413-1



TO CN17 OF LVA10413-1  
TO CN18 OF LVA10413-1  
TO CN19 OF LVA10413-1

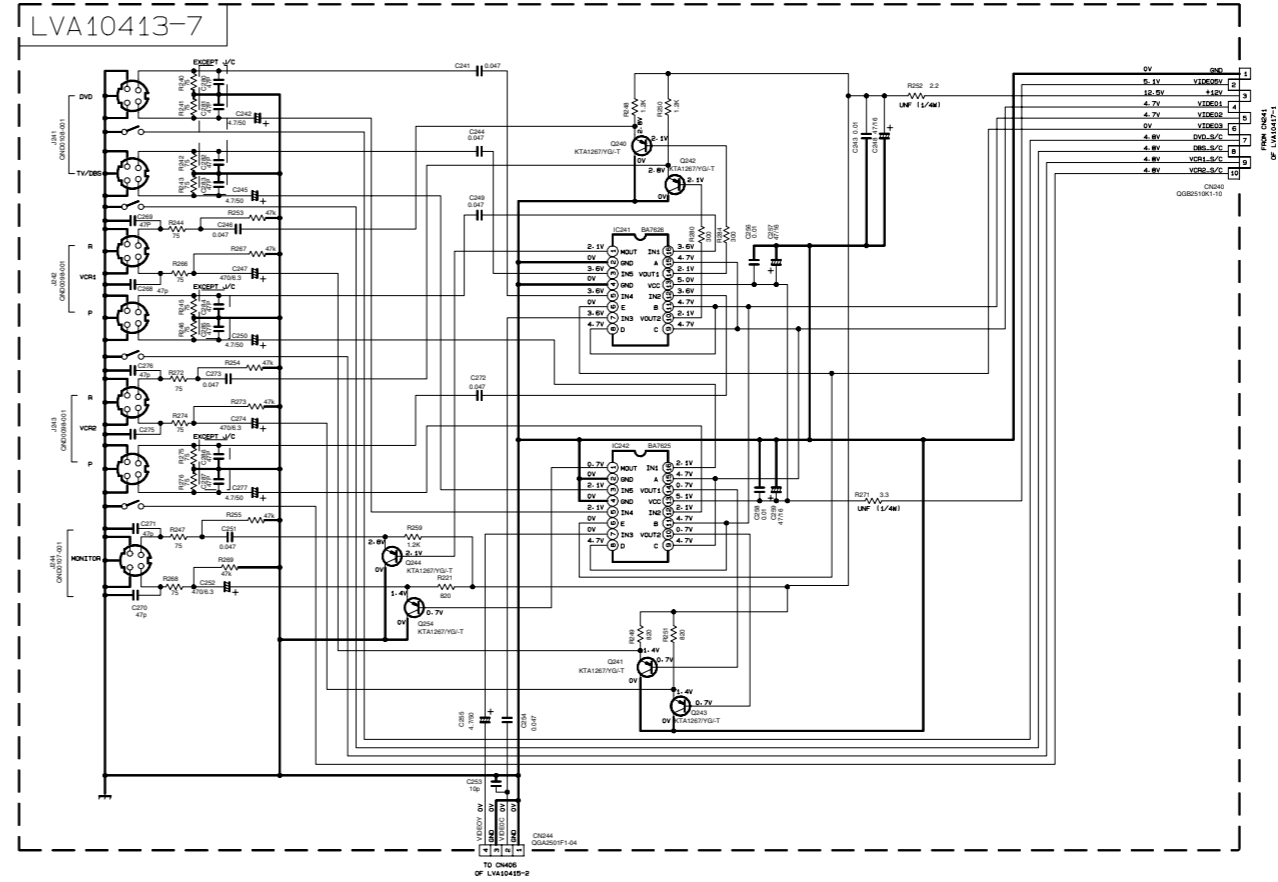
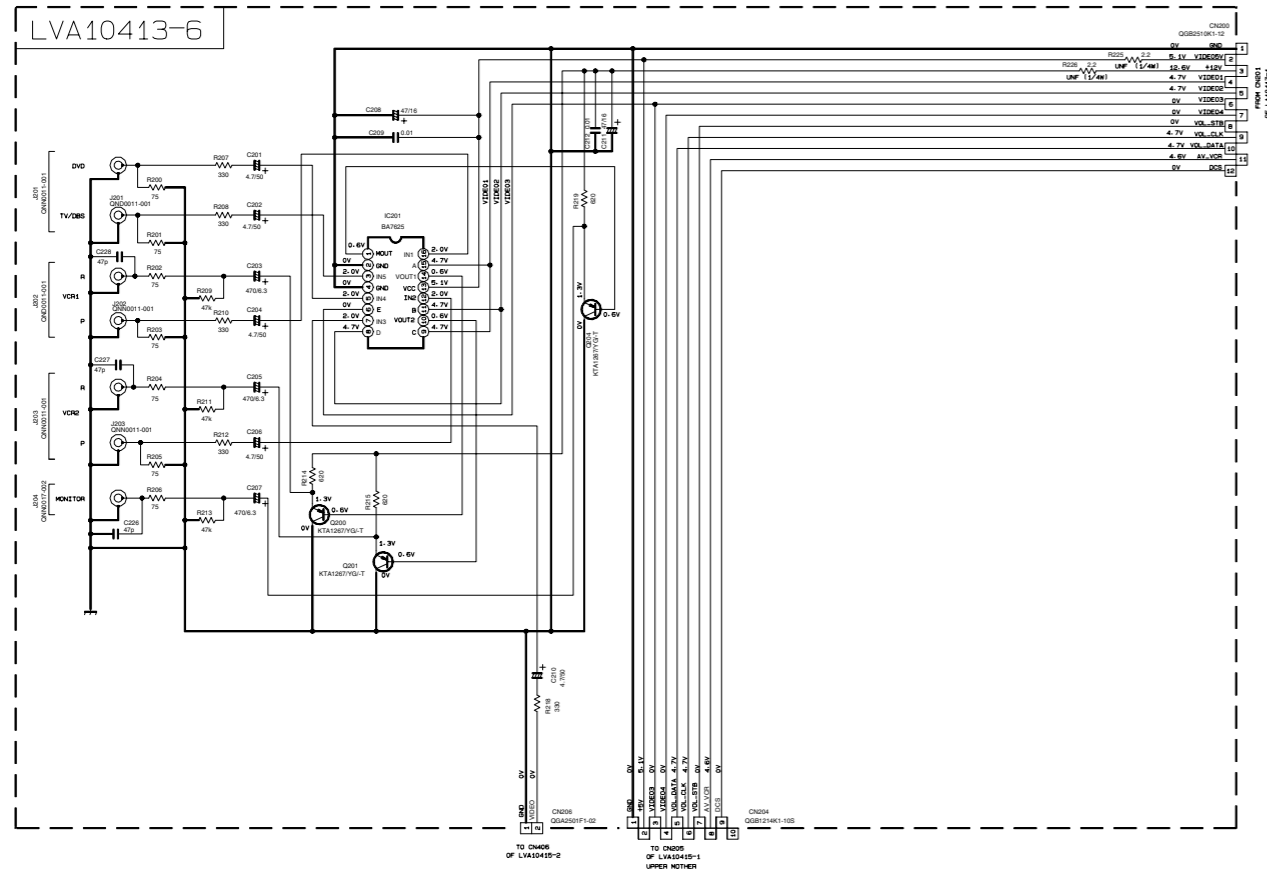
AUDIO I/O

	J/C	EXCEPT J/C
C317, C318	NONE	USE
C320-C322	NONE	USE
C371-C388	NONE	USE

RDS

	E/EN/VEV	EXCEPT E/EN/VEV
IC372	USE	NONE
R387-R390	USE	NONE
C391-C398	USE	NONE
X301	USE	NONE

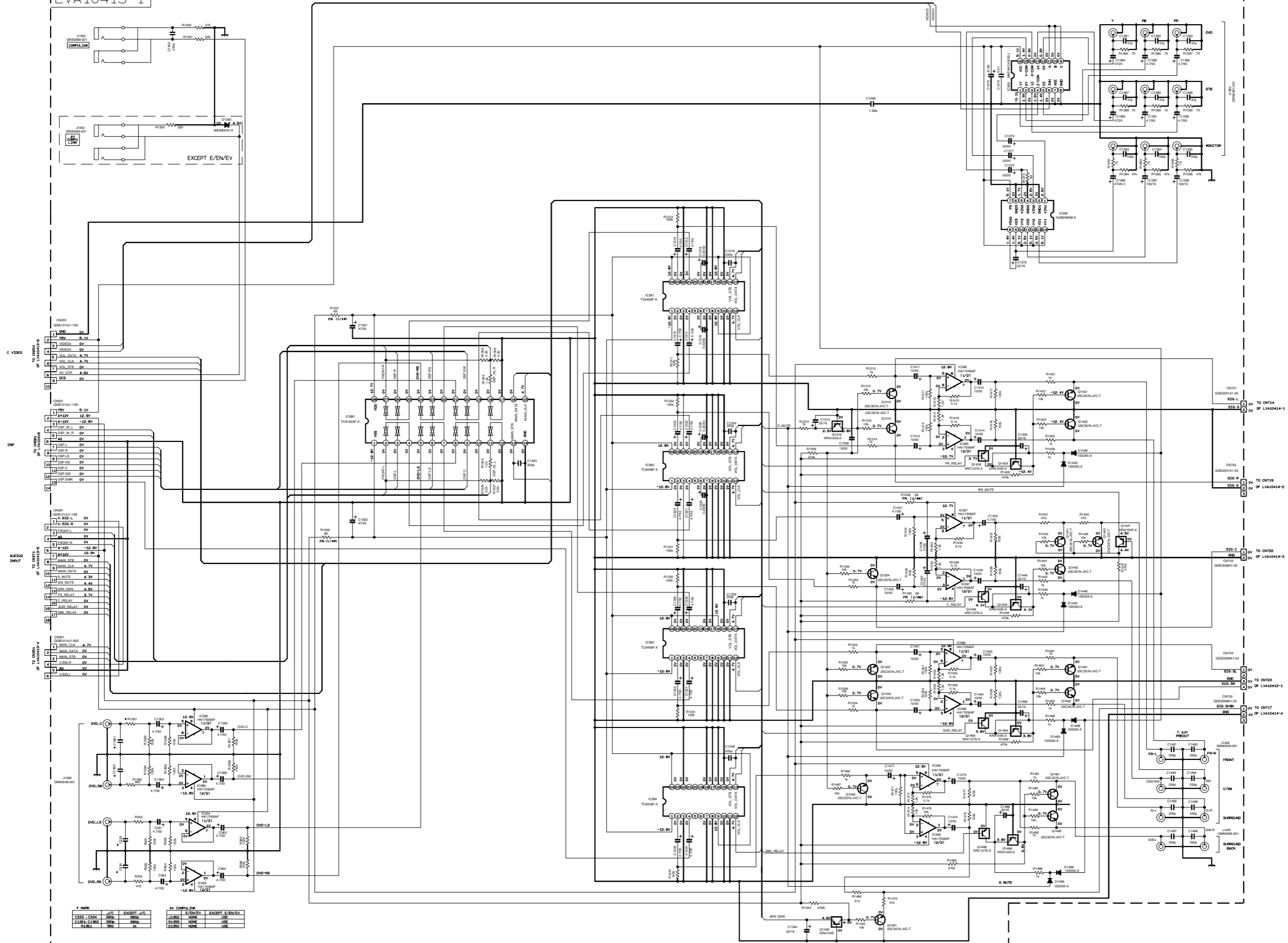
Video & S-video signal input section



	J/C	EXCEPT J/C
CR80-CB87	NONE	USE

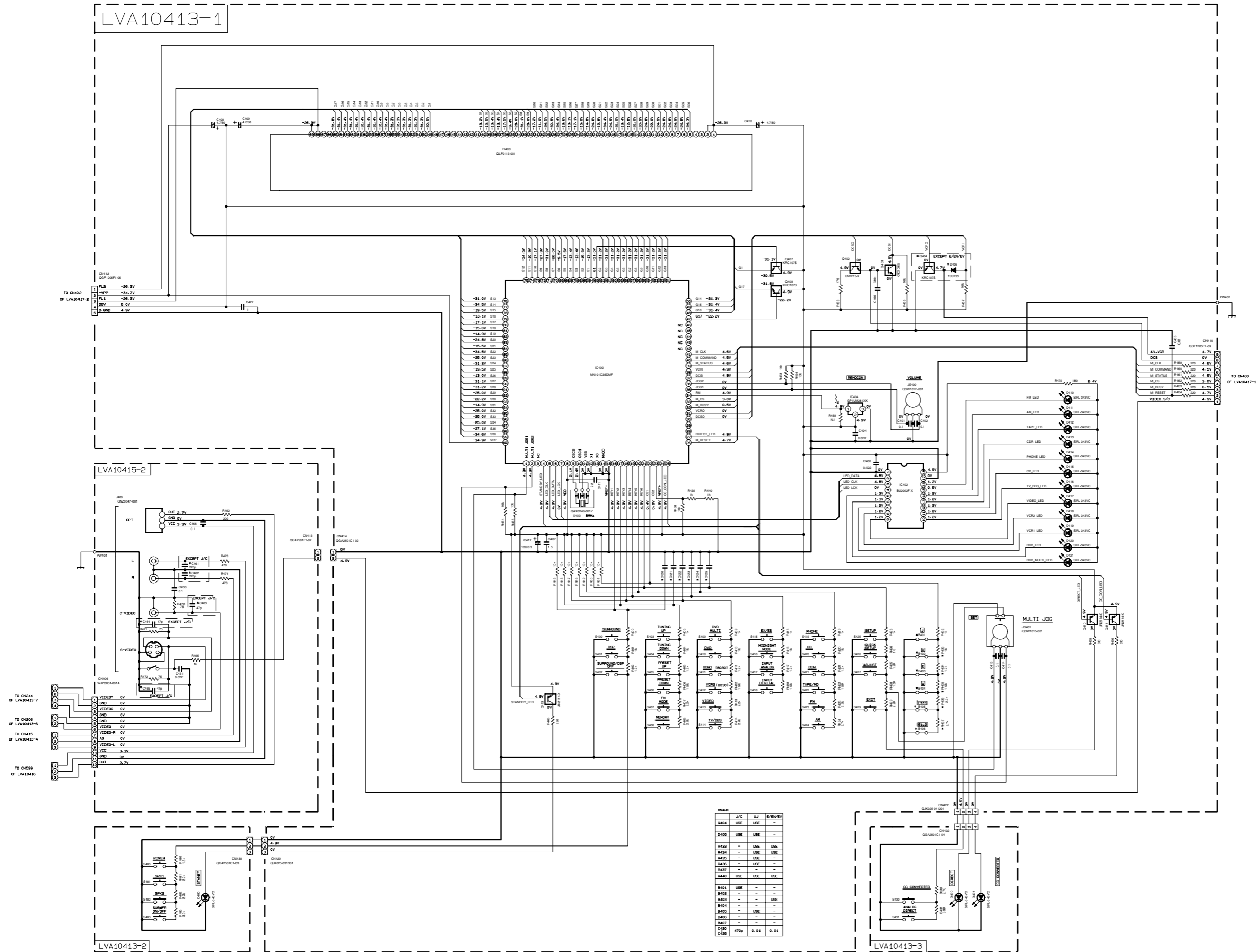
I/O section

LVA10415-1

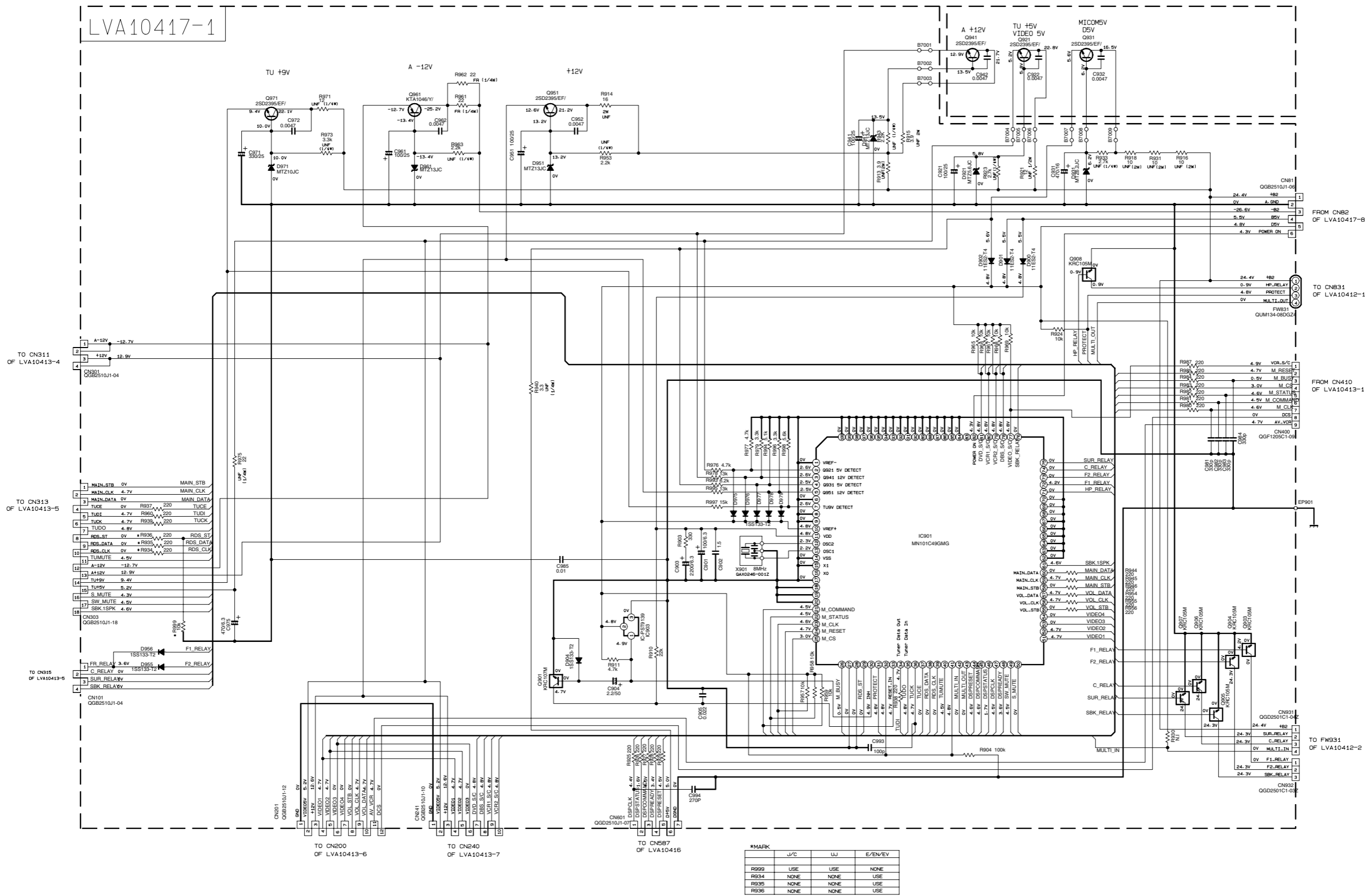


* MARK	IC	EXCEPT IC	AV COMP/CLK	E/EN/VEV	EXCEPT E/EN/VEV
C333 - C334	3900	6900	USE		
C1361 - C1364	3900	6900	USE		
C1365	390		USE		

■ Front key & System control section



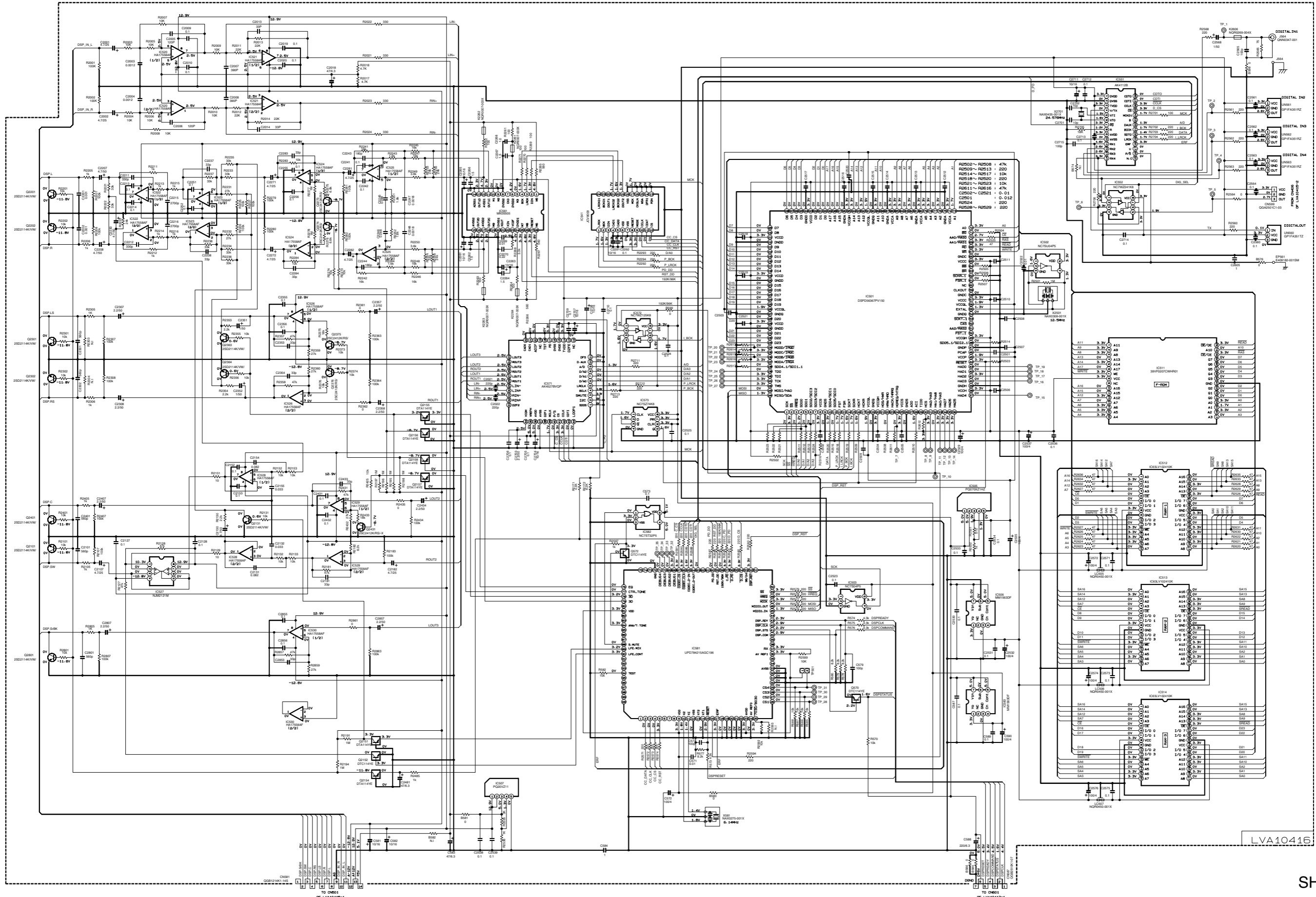
**Micon section**



**\*MARK**

	J/C	UJ	E/E/VE/V
R999	USE	USE	NONE
R934	NONE	NONE	USE
R935	NONE	NONE	USE
R936	NONE	NONE	USE

DSP section

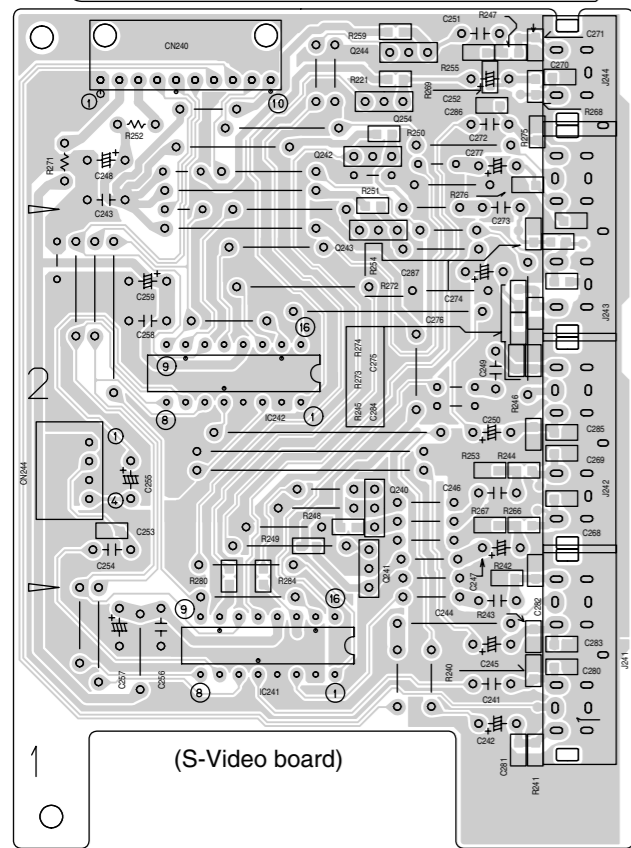
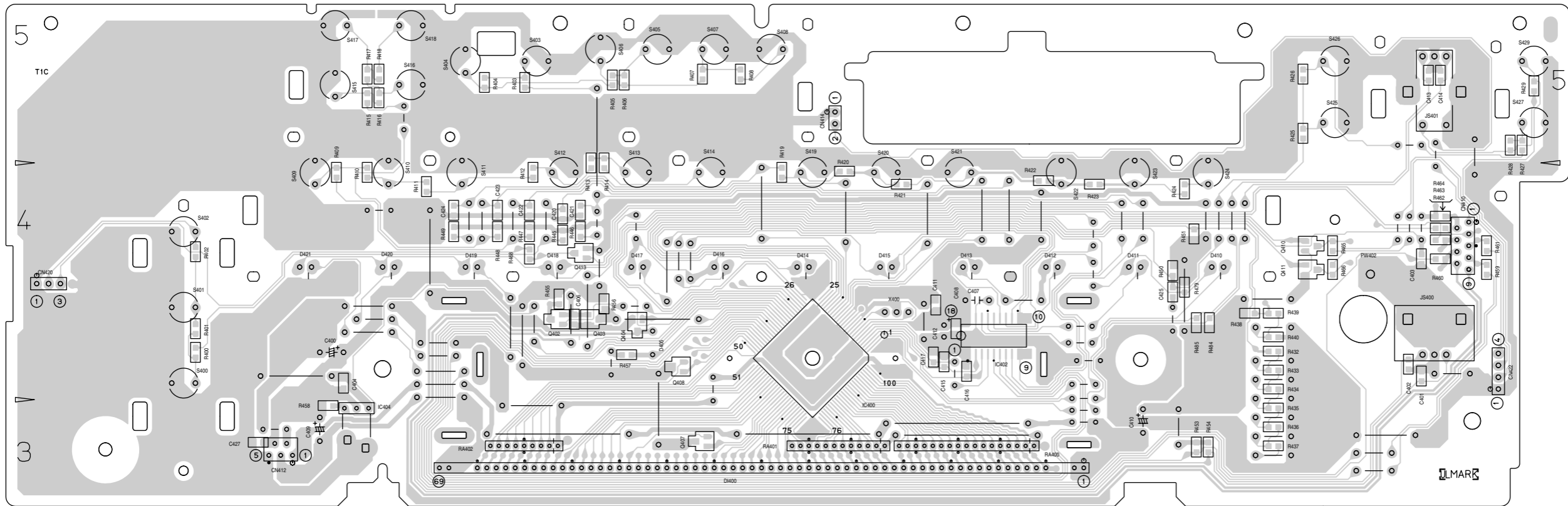


LVA10416

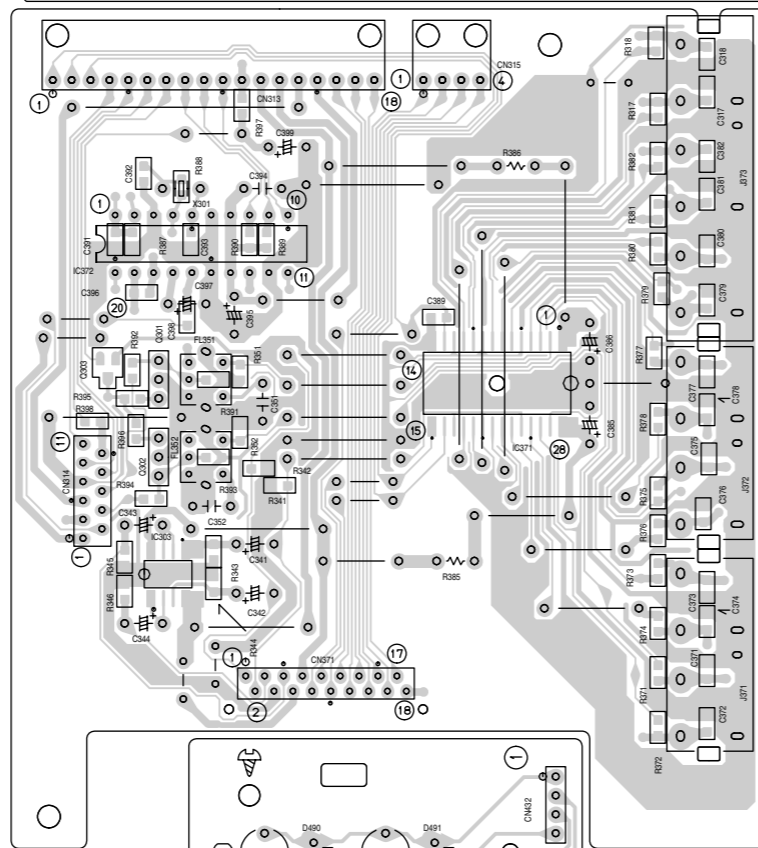


■ Front board

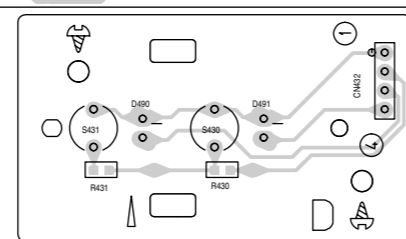
(Front key & System control board)



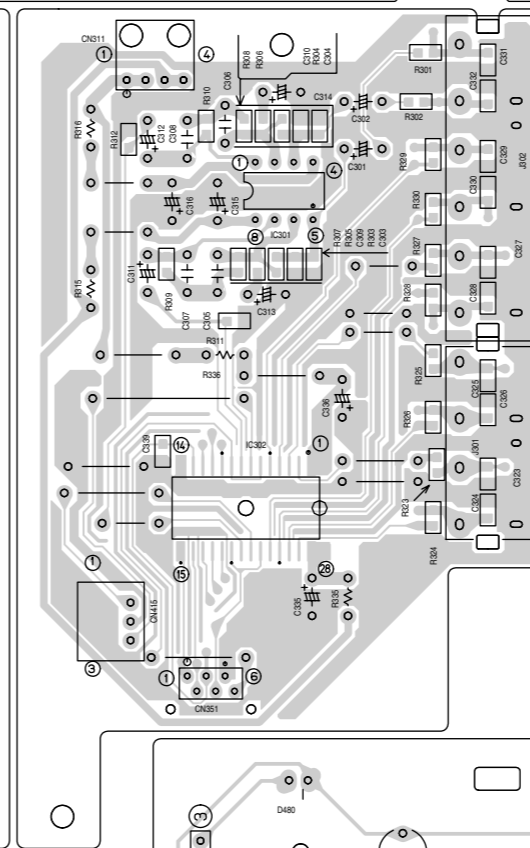
(S-Video board)



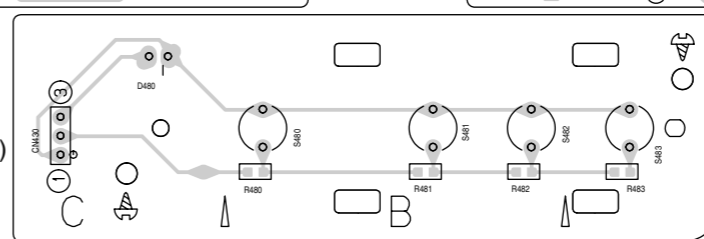
(Audio board)



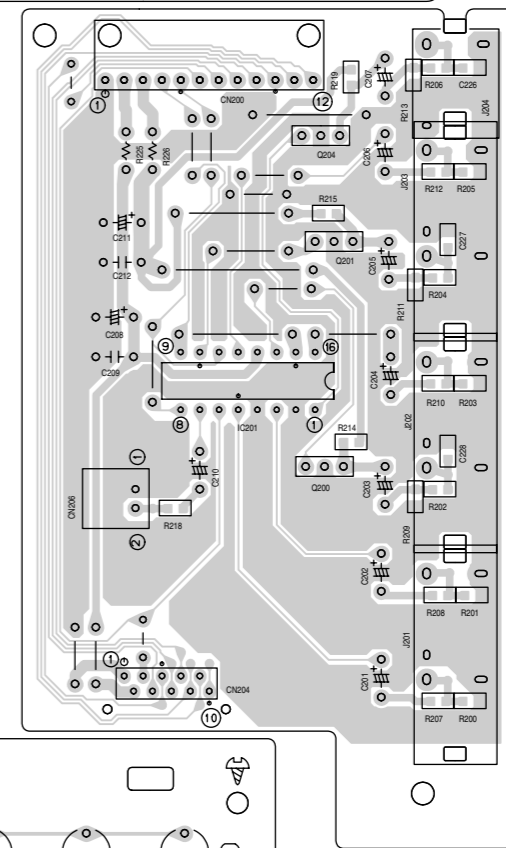
(Switch board)



(Audio2 board)



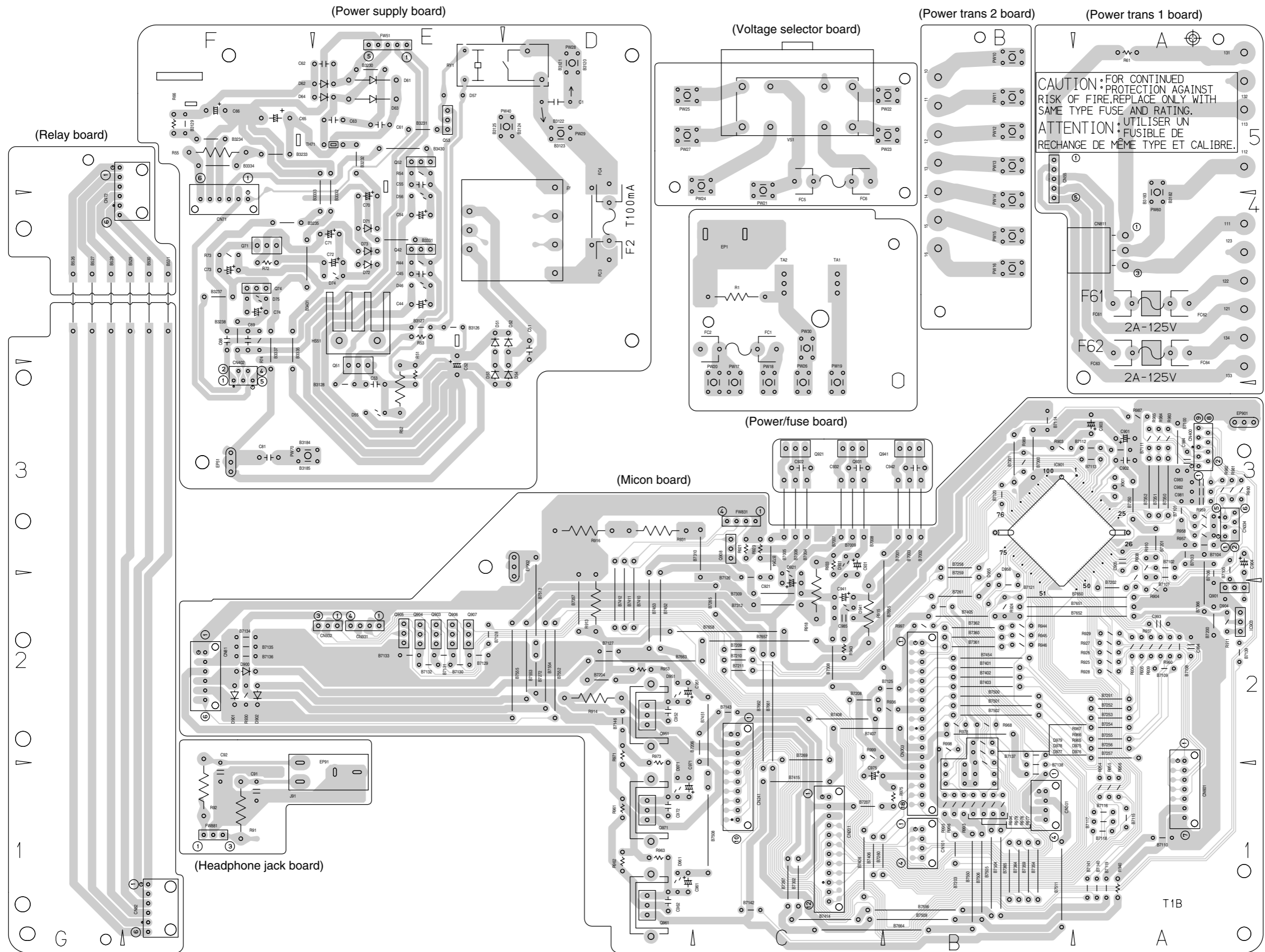
(Power switch board)



(Video board)

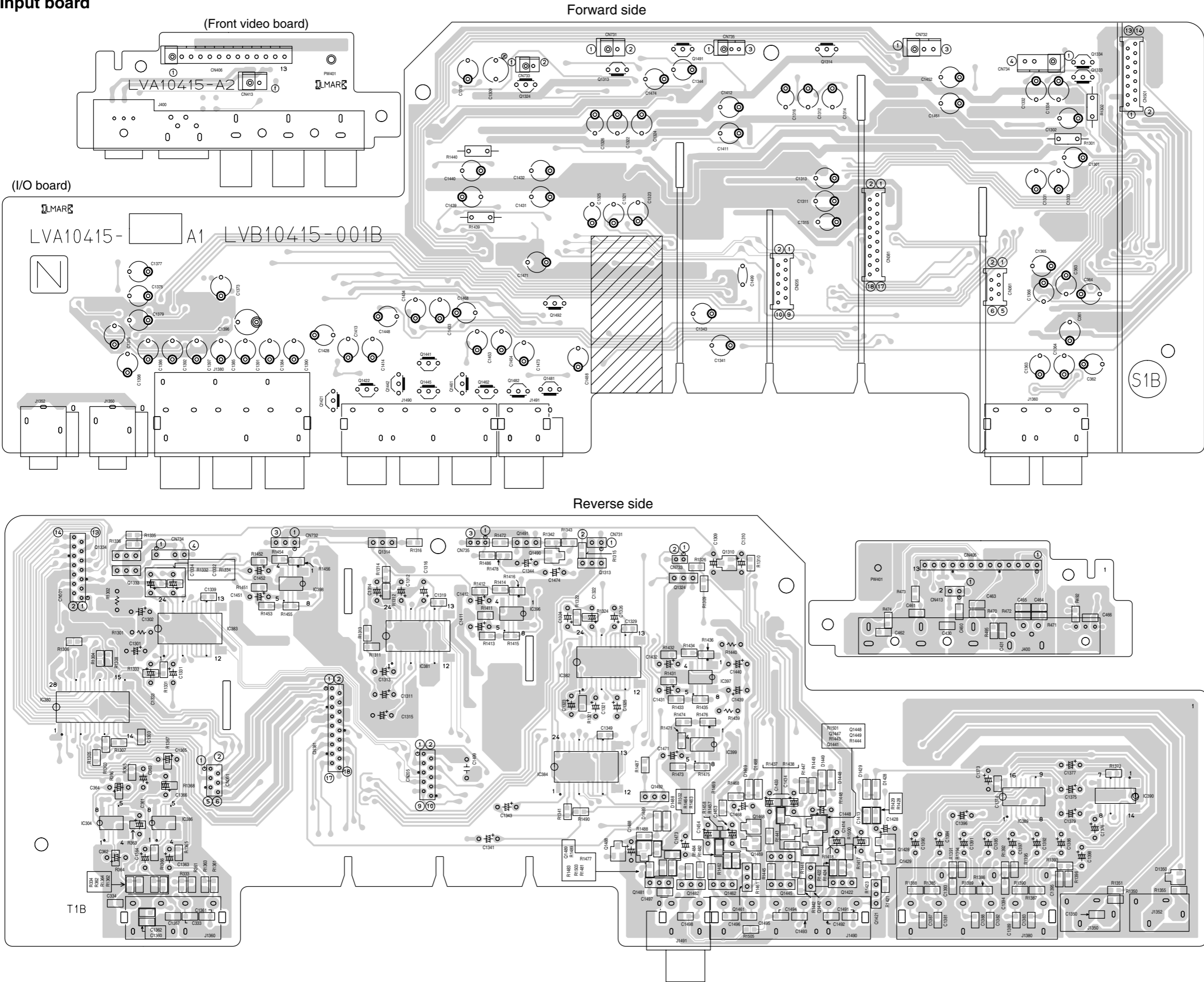


■ Micon board

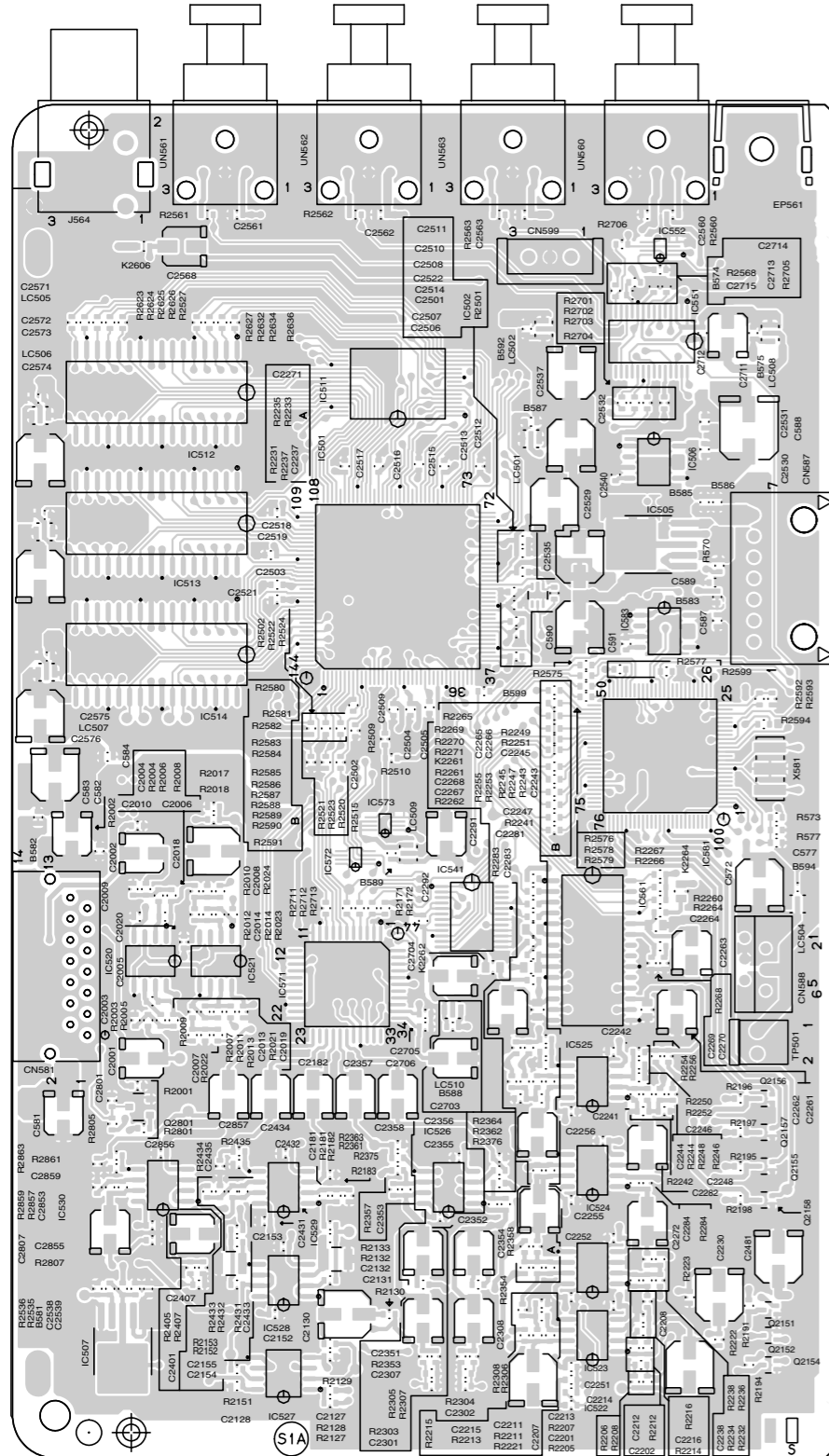




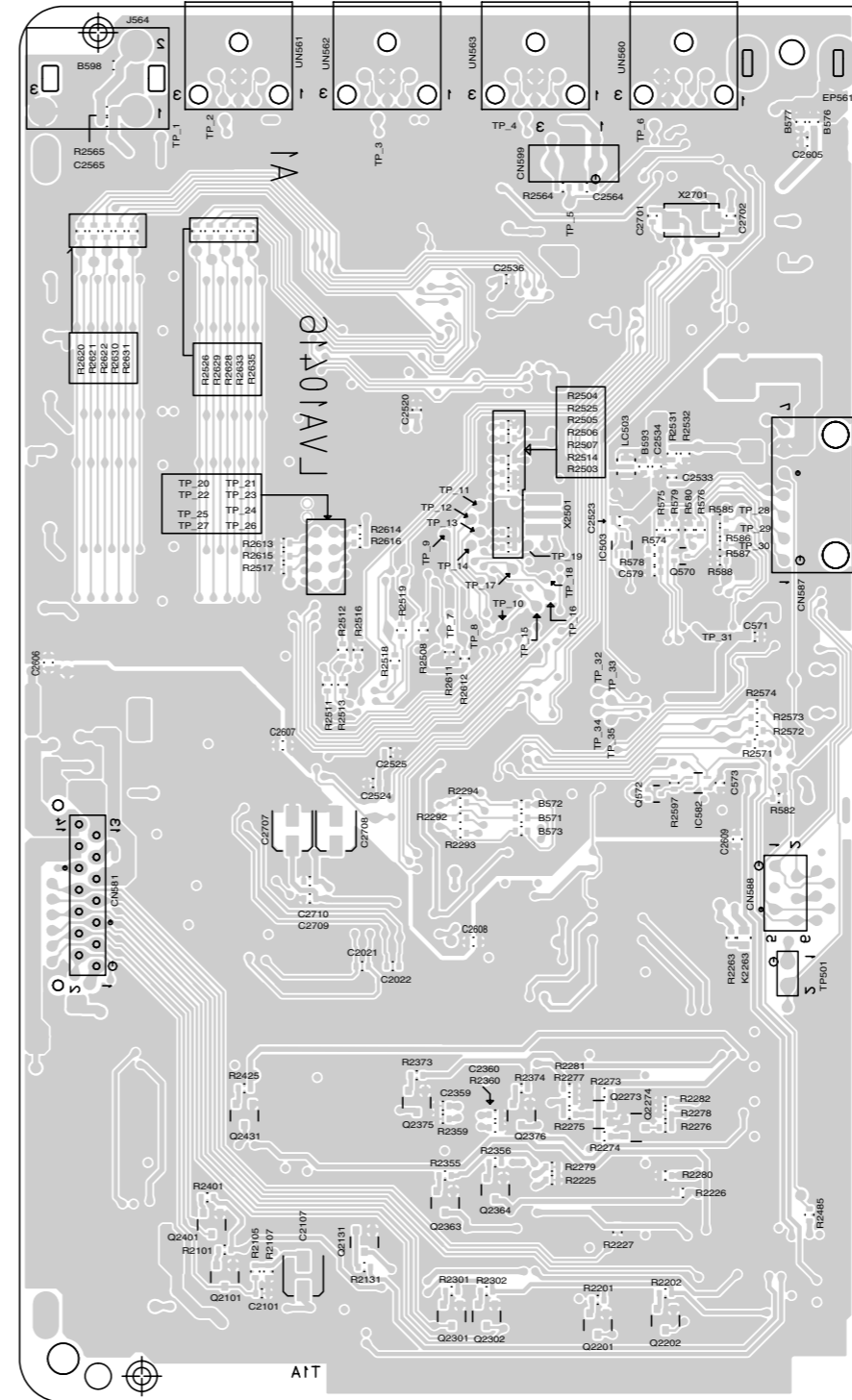
■ Input board



Forward side



Reverse side



< MEMO >

**JVC**

**VICTOR COMPANY OF JAPAN, LIMITED**

AV & MULTIMEDIA COMPANY AUDIO/VIDEO SYSTEMS CATEGORY 10-1, 1chome, Ohwatari-machi, Maebashi-city, 371-8543, Japan

(No.MB103SCH)



Printed in Japan  
WPC

# PARTS LIST

[ RX-8030VBK ]

\* All printed circuit boards and its assemblies are not available as service parts.

Area suffix

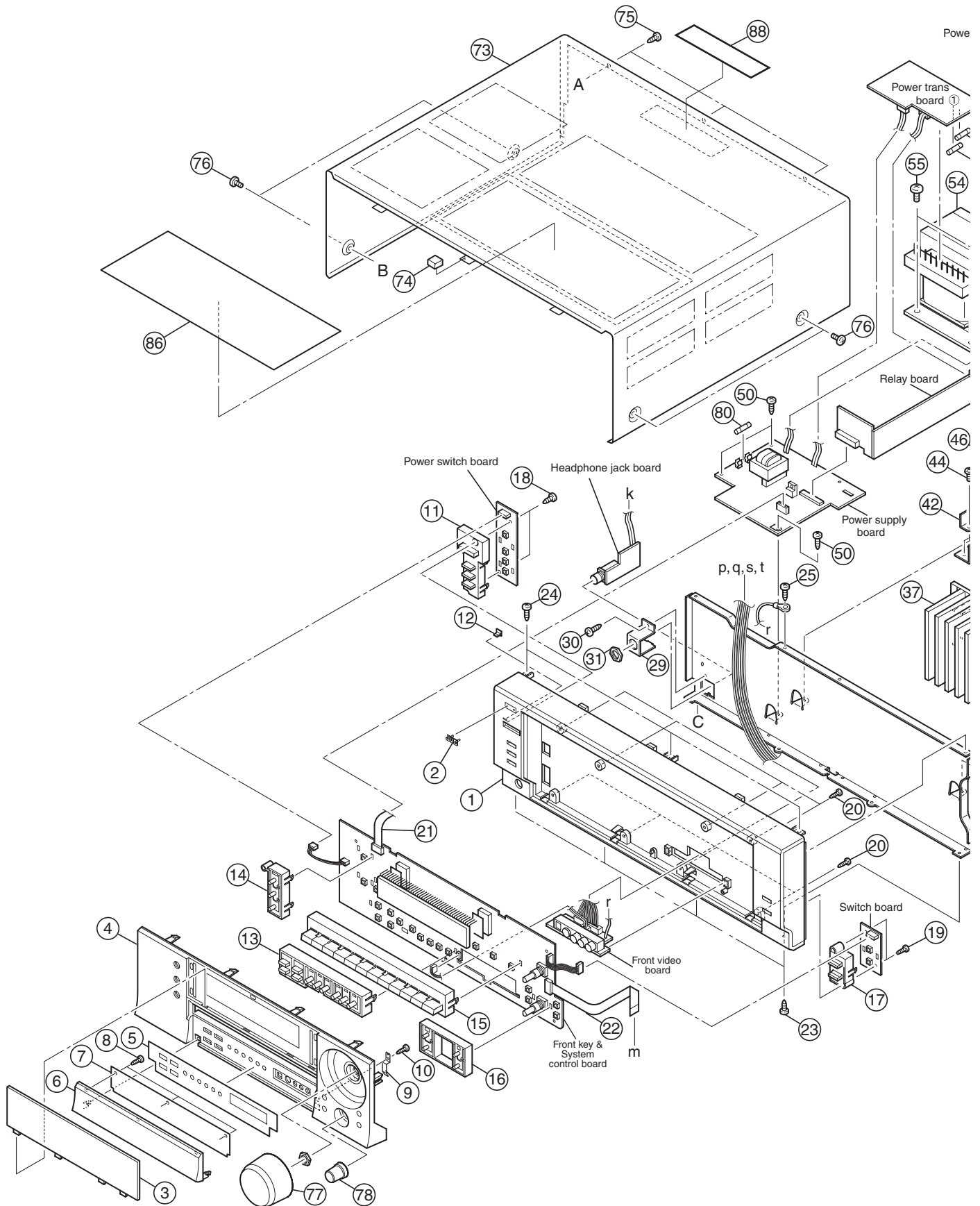
UJ ----- U.S.Military

## - Contents -

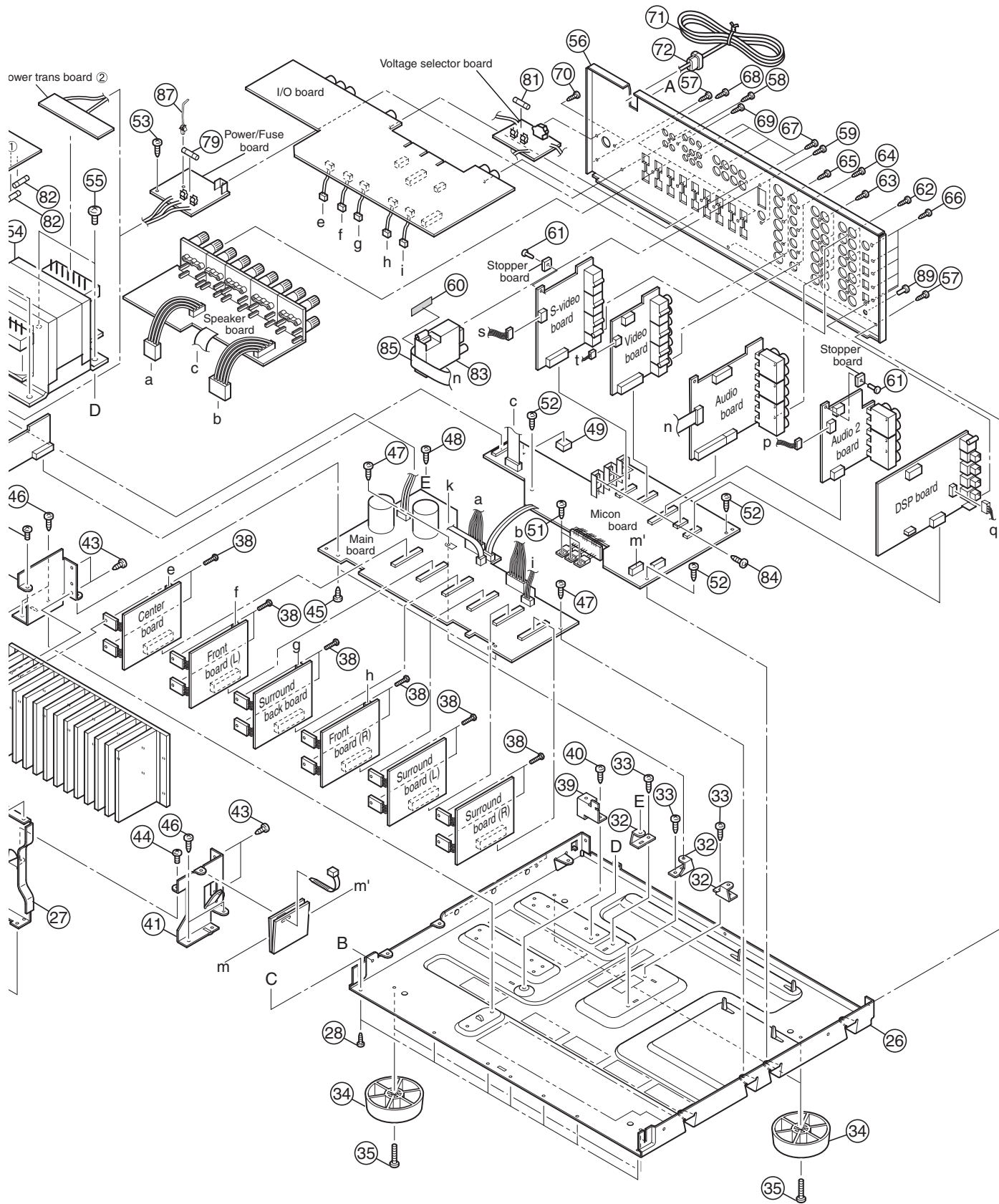
Exploded view of general assembly and parts list (Block No.M1) .....	3- 2
Electrical parts list (Block No.01~06) .....	3- 5
Packing materials and accessories parts list (Block No.M3) .....	3-19

# Exploded view of general assembly and parts list

Block No. **M 1 M M**







# General assembly

## Block No. [M][1][M][M]

Symbol No.	Part No.	Part Name	Description	Local
1	LV10469-019A	FRONT PANEL		
2	LV43338-001A	JVC MARK		
3	LV21438-002A	LENS		
4	LV10767-001A	SUB PANEL		
5	LV34032-003A	CONTROL PLATE		
6	LV21437-003A	SEALING DOOR		
7	LV34086-001A	DOOR COVER		
8	QYSPSGU2030M	SCREW	2mm x 3mm(x3)	
9	LV43357-001A	DOOR SPRING		
10	QYSBSF2608Z	TAPPING SCREW	2.6mm x 8mm	
11	LV20939-003A	PUSH BUTTON		
12	LV42096-001A	INDICATOR		
13	LV21442-001A	P.BUTTON(TUNER)		
14	LV21439-001A	P.BUTTON(DSP)		
15	LV21441-001A	P.BUTTON(SOURCE)		
16	LV21443-001A	P.BUTTON(ADJUST)		
17	LV32486-001A	P.BUTTON ASSY		
18	QYSBSF2610Z	SCREW	2.6mm x 10mm(x2)	
19	QYSBSF2610Z	SCREW	2.6mm x 10mm(x2)	
20	QYSBSF2610Z	SCREW	2.6mm x 10mm(x8)	
21	QUQ412-0517CJ	FFC WIRE		
22	QUQ412-0930DJ	FFC WIRE		
23	QYSDSG3006Z	SCREW	3mm x 6mm(x4)	
24	QYSBSG3006Z	TAPPING SCREW	3mm x 6mm(x3)	
25	QYSBSG3006Z	TAPPING SCREW	3mm x 6mm	
26	LV10019-007A	CHASSIS BASE		
27	LV10471-002A	FRONT BRACKET		
28	QYSDSG3006Z	SCREW	3mm x 6mm(x7)	
29	LV42094-003A	H.P BKT		
30	QYSBSG3006Z	TAPPING SCREW	3mm x 6mm	
31	VKZ4150-001	SPECIAL NUT		
32	E68587-223SM	CB BKT	(x3)	
33	QYSBST3006Z	TAPPING SCREW	3mm x 6mm(x3)	
34	QZF6018-001	FOOT	60mm x 18mm(x4)	
35	QYSBST3010Z	TAPPING SCREW	3mm x 10mm(x4)	
37	LV21444-001A	HEAT SINK		
38	QYSBSG3012E	SCREW	3mm x 12mm(x12)	
39	LV42098-001A	C.B BKT		
40	QYSBST3006Z	TAPPING SCREW	3mm x 6mm	
41	LV32433-001A	H.S BRACKET(R)		
42	LV32434-001A	H.S BRACKET(L)		
43	QYSBSG3008Z	TAPPING SCREW	3mm x 8mm(x4)	
44	QYSBST3006Z	TAPPING SCREW	3mm x 6mm(x2)	
45	QYSBSG3006Z	TAPPING SCREW	3mm x 6mm(x2)	
46	QYSBST3006Z	TAPPING SCREW	3mm x 6mm(x4)	
47	QYSBSG3006Z	TAPPING SCREW	3mm x 6mm(x2)	
48	E65923-003	TAPPING SCREW		
49	LV30225-0B2A	SPACER		
50	QYSBSG3006Z	TAPPING SCREW	3mm x 6mm(x3)	
51	QYSBSG3008M	TAPPING SCREW	3mm x 8mm(x3)	
52	QYSBSG3006Z	TAPPING SCREW	3mm x 6mm(x3)	
53	QYSBSG3006Z	TAPPING SCREW	3mm x 6mm	
△ 54	QQT0397-003	POWER TRANSF		
55	QYSDSTL4008Z	ASSY SCREW	4mm x 8mm(x4)	
56	LV10768-009A	REAR PANEL		
57	QYSBSGY3008M	SPECIAL SCREW	3mm x 8mm(x3)	
58	QYSBSGY3008M	SPECIAL SCREW	3mm x 8mm	
59	QYSBST3006M	TAPPING SCREW	3mm x 6mm(x2)	
60	LV30225-011A	SPACER		
61	FMYH4004-001	PLASTIC RIVET	(x2)	
62	QYSBSGY3008M	SPECIAL SCREW	3mm x 8mm(x4)	
63	QYSBSGY3008M	SPECIAL SCREW	3mm x 8mm(x4)	
64	QYSBSGY3008M	SPECIAL SCREW	3mm x 8mm(x4)	
65	QYSBSGY3008M	SPECIAL SCREW	3mm x 8mm(x4)	
66	QYSBSGY3008M	SPECIAL SCREW	3mm x 8mm(x6)	
67	QYSBSGY3008M	SPECIAL SCREW	3mm x 8mm(x4)	
68	QYSBSGY3008M	SPECIAL SCREW	3mm x 8mm(x5)	
69	QYSBSGY3008M	SPECIAL SCREW	3mm x 8mm(x2)	
70	QYSBSGY3008M	SPECIAL SCREW	3mm x 8mm(x2)	
△ 71	QMPK150-200-JD	POWER CORD(EU)	2m BLACK	
△ 72	QZW0033-001	STRAIN RELIEF		
73	LV20038-011A/S/	TOP COVER		
74	LV30225-088A	SPACER		
75	QYSBSGY3008M	SPECIAL SCREW	3mm x 8mm(x3)	

Symbol No.	Part No.	Part Name	Description	Local
76	E406308-003	SPECIAL SCREW	(x4)	
77	LV43463-001A	VOL KNOB ASSY		
78	LV43458-001A	JOG KNOB ASSY		
△ 79	QMF51W2-3R15-J8	FUSE	F1 3.15A AC250V	
△ 80	QMF51E2-R10-J1	FUSE	F2 0.1A AC250V	
△ 81	QMF51W2-3R15-J8	FUSE	F4 3.15A AC250V	
△ 82	QMF51W2-2R0-J8	FUSE	F61 F62 2A AC250V(x2)	
83	QAU0307-002	TUNER		
84	QYSBSG3008E	TAPPING SCREW	3mm x 8mm(x3)	
85	QUQ412-1124DJ	FFC WIRE		
86	LV30077-004A	PROTECT SHEET		
87	E307572-001	FASTENER		
88	E409396-003	CAUTION LABEL		
89	E409257-001	GND TERMINAL		

# Electrical parts list

## Main board

Block No. [0][1][0][0]

△ Symbol No.	Part No.	Part Name	Description	Local	△ Symbol No.	Part No.	Part Name	Description	Local
Q811	2SD2395/EF/	TRANSTRANSISTOR			C886	QCS31HJ-221Z	C CAPACITOR	220pF 50V J	
Q812	KTC3200/GL/-T	TRANSISTOR			C887	QFVJ1HJ-473Z	MF CAPACITOR	0.047uF 50V J	
Q823	KTC3199/GL/-T	TRANSISTOR			C888	QFVJ1HJ-473Z	MF CAPACITOR	0.047uF 50V J	
Q824	KTC3200/GL/-T	TRANSISTOR			C889	QCS31HJ-221Z	C CAPACITOR	220pF 50V J	
Q825	KTA1268/GL/-T	TRANSISTOR			C890	QCS31HJ-221Z	C CAPACITOR	220pF 50V J	
Q830	KRC109M-T	DIGI TRANSISTOR			C891	QCS31HJ-221Z	C CAPACITOR	220pF 50V J	
Q831	KRC109M-T	DIGI TRANSISTOR			C892	QCS31HJ-221Z	C CAPACITOR	220pF 50V J	
Q832	KRC109M-T	DIGI TRANSISTOR			C893	QCS31HJ-221Z	C CAPACITOR	220pF 50V J	
Q833	KRC109M-T	DIGI TRANSISTOR			C894	QCBB1HK-221Y	C CAPACITOR	220pF 50V K	
Q834	KRC109M-T	DIGI TRANSISTOR			C895	QFVJ1HJ-473Z	MF CAPACITOR	0.047uF 50V J	
Q835	KRC109M-T	DIGI TRANSISTOR			C896	QCS31HJ-221Z	C CAPACITOR	220pF 50V J	
Q836	KRC109M-T	DIGI TRANSISTOR			C897	QCS31HJ-221Z	C CAPACITOR	220pF 50V J	
Q837	KRC109M-T	DIGI TRANSISTOR			C898	QCBB1HK-103Y	C CAPACITOR	0.01uF 50V K	
Q838	KRC109M-T	DIGI TRANSISTOR			C899	QCBB1HK-221Y	C CAPACITOR	220pF 50V K	
Q839	KRC109M-T	DIGI TRANSISTOR			R801	QRE141J-104Y	C RESISTOR	100kΩ 1/4W J	
△ D801	30DF2-FC	DIODE			R802	QRE141J-104Y	C RESISTOR	100kΩ 1/4W J	
△ D802	30DF2-FC	DIODE			R811	QRJ146J-120X	UNF C RESISTOR	12Ω 1/4W J	
△ D803	30DF2-FC	DIODE			R812	QRK126J-332X	UNF C RESISTOR	3.3kΩ 1/2W J	
△ D804	30DF2-FC	DIODE			R813	QRE141J-473Y	C RESISTOR	47kΩ 1/4W J	
D811	MTZJ15C-T2	Z DIODE			R814	QRE141J-103Y	C RESISTOR	10kΩ 1/4W J	
D816	MTZJ18C-T2	Z DIODE			R815	QRJ146J-120X	UNF C RESISTOR	12Ω 1/4W J	
D825	1SS133-T2	DIODE			R816	QRL027J-332	OMF RESISTOR	3.3kΩ 2W J	
D831	1SS133-T2	DIODE			R823	QRE141J-103Y	C RESISTOR	10kΩ 1/4W J	
D832	1SS133-T2	DIODE			R824	QRE141J-134Y	C RESISTOR	130kΩ 1/4W J	
D841	MTZJ5.1C-T2	Z DIODE			R825	QRE141J-103Y	C RESISTOR	10kΩ 1/4W J	
D842	1SS133-T2	DIODE			R826	QRE141J-104Y	C RESISTOR	100kΩ 1/4W J	
D843	1SS133-T2	DIODE			R831	QRZ9005-330X	FUSI RESISTOR	33Ω	
D844	1SS133-T2	DIODE			R832	QRZ9005-330X	FUSI RESISTOR	33Ω	
D845	1SS133-T2	DIODE			R833	QRJ146J-100X	UNF C RESISTOR	10Ω 1/4W J	
D846	1SS133-T2	DIODE			R834	QRJ146J-100X	UNF C RESISTOR	10Ω 1/4W J	
D847	1SS133-T2	DIODE			R837	QRJ146J-100X	UNF C RESISTOR	10Ω 1/4W J	
D848	1SS133-T2	DIODE			R838	QRJ146J-100X	UNF C RESISTOR	10Ω 1/4W J	
D851	1SS133-T2	DIODE			R841	QRE141J-104Y	C RESISTOR	100kΩ 1/4W J	
D852	1SS133-T2	DIODE			R842	QRE141J-823Y	C RESISTOR	82kΩ 1/4W J	
D853	1SS133-T2	DIODE			R843	QRE141J-104Y	C RESISTOR	100kΩ 1/4W J	
D871	1SS133-T2	DIODE			R844	QRE141J-104Y	C RESISTOR	100kΩ 1/4W J	
C454	QETN1HM-475Z	E CAPACITOR	4.7uF 50V M		R845	QRE141J-823Y	C RESISTOR	82kΩ 1/4W J	
C801	QFZ9076-104Z	MM CAPACITOR	0.1uF		R846	QRE141J-104Y	C RESISTOR	100kΩ 1/4W J	
C802	QFZ9076-104Z	MM CAPACITOR	0.1uF		R851	QRZ9005-120X	FUSI RESISTOR	12Ω	
C805	QFZ9076-104Z	MM CAPACITOR	0.1uF		R852	QRJ146J-120X	UNF C RESISTOR	12Ω 1/4W J	
C807	QEZO588-688	E CAPACITOR	6800uF		R852	QRZ9005-330X	FUSI RESISTOR	33Ω	
C808	QEZO588-688	E CAPACITOR	6800uF		R854	QRE141J-104Y	C RESISTOR	100kΩ 1/4W J	
C811	QCF31HZ-472Z	C CAPACITOR	4700pF 50V Z		R855	QRJ146J-392X	UNF C RESISTOR	3.9kΩ 1/4W J	
C816	QETN1EM-476Z	E CAPACITOR	47uF 25V M		R856	QRE141J-223Y	C RESISTOR	22kΩ 1/4W J	
C823	QETN1CM-476Z	E CAPACITOR	47uF 16V M		R857	QRE141J-103Y	C RESISTOR	10kΩ 1/4W J	
C824	QETN1EM-106Z	E CAPACITOR	10uF 25V M		R858	QRE141J-472Y	C RESISTOR	4.7kΩ 1/4W J	
C833	QDVB1EZ-223Y	C CAPACITOR	0.022uF 25V Z		R859	QRE141J-223Y	C RESISTOR	22kΩ 1/4W J	
C834	QDVB1EZ-223Y	C CAPACITOR	0.022uF 25V Z		R860	QRE141J-682Y	C RESISTOR	6.8kΩ 1/4W J	
C835	QFLC1HJ-223Z	M CAPACITOR	0.022uF 50V J		R861	QRE141J-472Y	C RESISTOR	4.7kΩ 1/4W J	
C836	QFLC1HJ-223Z	M CAPACITOR	0.022uF 50V J		R862	QRE141J-223Y	C RESISTOR	22kΩ 1/4W J	
C837	QFLC1HJ-223Z	M CAPACITOR	0.022uF 50V J		R863	QRE141J-682Y	C RESISTOR	6.8kΩ 1/4W J	
C838	QFLC1HJ-223Z	M CAPACITOR	0.022uF 50V J		R864	QRE141J-472Y	C RESISTOR	4.7kΩ 1/4W J	
C839	QDVB1EZ-223Y	C CAPACITOR	0.022uF 25V Z		R865	QRE141J-472Y	C RESISTOR	4.7kΩ 1/4W J	
C840	QDVB1EZ-223Y	C CAPACITOR	0.022uF 25V Z		R866	QRE141J-472Y	C RESISTOR	4.7kΩ 1/4W J	
C841	QCS31HJ-221Z	C CAPACITOR	220pF 50V J		R867	QRE141J-223Y	C RESISTOR	22kΩ 1/4W J	
C842	QCS31HJ-221Z	C CAPACITOR	220pF 50V J		R868	QRE141J-472Y	C RESISTOR	4.7kΩ 1/4W J	
C843	QCS31HJ-221Z	C CAPACITOR	220pF 50V J		R869	QRE141J-682Y	C RESISTOR	6.8kΩ 1/4W J	
C844	QCS31HJ-221Z	C CAPACITOR	220pF 50V J		R870	QRE141J-472Y	C RESISTOR	4.7kΩ 1/4W J	
C845	QCS31HJ-221Z	C CAPACITOR	220pF 50V J		R871	QRZ9005-330X	FUSI RESISTOR	33Ω	
C846	QCS31HJ-221Z	C CAPACITOR	220pF 50V J		R885	QRJ146J-100X	UNF C RESISTOR	10Ω 1/4W J	
C847	QCS31HJ-221Z	C CAPACITOR	220pF 50V J		R886	QRZ9005-120X	FUSI RESISTOR	12Ω	
C848	QCS31HJ-221Z	C CAPACITOR	220pF 50V J		R887	QRJ146J-100X	UNF C RESISTOR	10Ω 1/4W J	
C850	QETN1HM-475Z	E CAPACITOR	4.7uF 50V M		R888	QRJ146J-100X	UNF C RESISTOR	10Ω 1/4W J	
C851	QETN1HM-475Z	E CAPACITOR	4.7uF 50V M		R889	QRJ146J-100X	UNF C RESISTOR	10Ω 1/4W J	
C852	QETN1HM-475Z	E CAPACITOR	4.7uF 50V M		L843	QQLZ005-R45	COIL	0.45uH	
C853	QETN1HM-475Z	E CAPACITOR	4.7uF 50V M		L844	QQLZ005-R45	COIL	0.45uH	
C881	QDGB1HK-102Y	C CAPACITOR	1000pF 50V K		L845	QQLZ005-R45	COIL	0.45uH	
C883	QDGB1HK-102Y	C CAPACITOR	1000pF 50V K		L846	QQLZ005-R45	COIL	0.45uH	
C884	QDGB1HK-102Y	C CAPACITOR	1000pF 50V K		CN72	QGB2510K1-06	CONNECTOR	B-B (1-6)	
C885	QFVJ1HJ-473Z	MF CAPACITOR	0.047uF 50V J		CN82	QGB2510K1-06	CONNECTOR	B-B (1-6)	
					CN701	QGB2510J1-12	CONNECTOR	B-B (1-12)	

△ Symbol No.	Part No.	Part Name	Description	Local
CN702	QGB2510J1-12	CONNECTOR	B-B (1-12)	
CN703	QGB2510J1-10	CONNECTOR	B-B (1-10)	
CN704	QGB2510J1-10	CONNECTOR	B-B (1-10)	
CN705	QGB2510J1-12	CONNECTOR	B-B (1-12)	
CN706	QGB2510J1-12	CONNECTOR	B-B (1-12)	
CN723	QGA2501C1-04	CONNECTOR	W-B (1-4)	
CN801	QJK012-032403	SKT WIRE ASSY		
CN813	QGA3901C1-06	CONNECTOR	W-B (1-6)	
CN814	QGA3901C1-07	CONNECTOR	W-B (1-7)	
CN823	QJK015-063001	C-B WIRE ASSY		
CN824	QJK015-073202	SKT WIRE ASSY		
CN831	QGD2501C1-04Z	CONNECTOR	(1-4)	
CN881	QGD2501C1-03Z	CONNECTOR	(1-3)	
EP801	QNZ0136-001Z	EARTH PLATE		
FW931	QUM217-08DGZ4	PARA RIBON WIRE		
RY831	QSK0109-001	RELAY		
RY832	QSK0109-001	RELAY		
RY851	QSK0149-001	RELAY		
RY852	QSK0109-001	RELAY		
RY853	QSK0149-001	RELAY		
RY871	QSK0109-001	RELAY		
ST831	QNB0130-001	SPK TERMINAL		
ST851	QNB0128-001	SPK TERMINAL		
ST852	QNB0129-001	SPK TERMINAL		

## Front board

Block No. [0][2][0][0]

△ Symbol No.	Part No.	Part Name	Description	Local
PW402	QUB131-18PPDM	CONNECTOR		
IC201	BA7625	IC		
IC241	BA7626	IC		
IC242	BA7625	IC		
IC301	NJM4580D-D	IC		
IC302	TC9164AF-X	IC		
IC303	HA17558AF-X	IC		
IC371	TC9163AF-X	IC		
IC400	MN101C35DMF	IC		
IC402	BU2092F-X	IC		
IC404	GP1UM281XK	IR DETECT UNIT	38kHz	
Q200	KTA1267/YG-T	TRANSISTOR		
Q201	KTA1267/YG-T	TRANSISTOR		
Q204	KTA1267/YG-T	TRANSISTOR		
Q240	KTA1267/YG-T	TRANSISTOR		
Q241	KTA1267/YG-T	TRANSISTOR		
Q242	KTA1267/YG-T	TRANSISTOR		
Q243	KTA1267/YG-T	TRANSISTOR		
Q244	KTA1267/YG-T	TRANSISTOR		
Q254	KTA1267/YG-T	TRANSISTOR		
Q301	2SC3576-JVC-T	TRANSISTOR		
Q302	2SC3576-JVC-T	TRANSISTOR		
Q303	KRA104S-X	DIGI TRANSISTOR		
Q402	UN2215-X	TRANSISTOR		
Q403	KRC109S-X	TRANSISTOR		
Q404	KRC107S-X	DIGI TRANSISTOR		
Q407	KRC107S-X	DIGI TRANSISTOR		
Q408	KRC107S-X	DIGI TRANSISTOR		
Q410	UN2114-X	TRANSISTOR		
Q411	UN2114-X	TRANSISTOR		
Q413	UN2114-X	TRANSISTOR		
D405	1SS133-T2	DIODE		
D410	SLR-343VC/NPQ-T	LED		
D411	SLR-343VC/NPQ-T	LED		
D412	SLR-343VC/NPQ-T	LED		
D413	SLR-343VC/NPQ-T	LED		
D414	SLR-343VC/NPQ-T	LED		
D415	SLR-343VC/NPQ-T	LED		
D416	SLR-343VC/NPQ-T	LED		
D417	SLR-343VC/NPQ-T	LED		
D418	SLR-343VC/NPQ-T	LED		

△ Symbol No.	Part No.	Part Name	Description	Local
D419	SLR-343VC/NPQ-T	LED		
D420	SLR-343VC/NPQ-T	LED		
D421	SLR-343VC/NPQ-T	LED		
D480	SLR-343VC/NPQ-T	LED		
D490	SLR-343VC/NPQ-T	LED		
D491	SLR-343VC/NPQ-T	LED		
C201	QETN1HM-475Z	E CAPACITOR	4.7uF 50V M	
C202	QETN1HM-475Z	E CAPACITOR	4.7uF 50V M	
C203	QETN0JM-477Z	E CAPACITOR	470uF 6.3V M	
C204	QETN1HM-475Z	E CAPACITOR	4.7uF 50V M	
C205	QETN0JM-477Z	E CAPACITOR	470uF 6.3V M	
C206	QETN1HM-475Z	E CAPACITOR	4.7uF 50V M	
C207	QETN0JM-477Z	E CAPACITOR	470uF 6.3V M	
C208	QETN1CM-476Z	E CAPACITOR	47uF 16V M	
C209	QCF31HZ-103Z	C CAPACITOR	0.01uF 50V Z	
C210	QETN1HM-475Z	E CAPACITOR	4.7uF 50V M	
C211	QETN1CM-476Z	E CAPACITOR	47uF 16V M	
C212	QCF31HZ-103Z	C CAPACITOR	0.01uF 50V Z	
C226	NCS31HJ-470X	C CAPACITOR	47pF 50V J	
C227	NCS31HJ-470X	C CAPACITOR	47pF 50V J	
C228	NCS31HJ-470X	C CAPACITOR	47pF 50V J	
C241	QDX31EM-473Z	C CAPACITOR	0.047uF 25V M	
C242	QETN1HM-475Z	E CAPACITOR	4.7uF 50V M	
C243	QCF31HZ-103Z	C CAPACITOR	0.01uF 50V Z	
C244	QDX31EM-473Z	C CAPACITOR	0.047uF 25V M	
C245	QETN1HM-475Z	E CAPACITOR	4.7uF 50V M	
C246	QDX31EM-473Z	C CAPACITOR	0.047uF 25V M	
C247	QETN0JM-477Z	E CAPACITOR	470uF 6.3V M	
C248	QETN1CM-476Z	E CAPACITOR	47uF 16V M	
C249	QDX31EM-473Z	C CAPACITOR	0.047uF 25V M	
C250	QETN1HM-475Z	E CAPACITOR	4.7uF 50V M	
C251	QDX31EM-473Z	C CAPACITOR	0.047uF 25V M	
C252	QETN0JM-477Z	E CAPACITOR	470uF 6.3V M	
C253	NCS31HJ-100X	C CAPACITOR	10pF 50V J	
C254	QDX31EM-473Z	C CAPACITOR	0.047uF 25V M	
C255	QETN1HM-475Z	E CAPACITOR	4.7uF 50V M	
C256	QCF31HZ-103Z	C CAPACITOR	0.01uF 50V Z	
C257	QETN1CM-476Z	E CAPACITOR	47uF 16V M	
C258	QCF31HZ-103Z	C CAPACITOR	0.01uF 50V Z	
C259	QETN1CM-476Z	E CAPACITOR	47uF 16V M	
C268	NCS31HJ-470X	C CAPACITOR	47pF 50V J	
C269	NCS31HJ-470X	C CAPACITOR	47pF 50V J	
C270	NCS31HJ-470X	C CAPACITOR	47pF 50V J	
C271	NCS31HJ-470X	C CAPACITOR	47pF 50V J	
C272	QDX31EM-473Z	C CAPACITOR	0.047uF 25V M	
C273	QDX31EM-473Z	C CAPACITOR	0.047uF 25V M	
C274	QETN0JM-477Z	E CAPACITOR	470uF 6.3V M	
C275	NCS31HJ-470X	C CAPACITOR	47pF 50V J	
C276	NCS31HJ-470X	C CAPACITOR	47pF 50V J	
C277	QETN1HM-475Z	E CAPACITOR	4.7uF 50V M	
C280	NCS31HJ-470X	C CAPACITOR	47pF 50V J	
C281	NCS31HJ-470X	C CAPACITOR	47pF 50V J	
C282	NCS31HJ-470X	C CAPACITOR	47pF 50V J	
C283	NCS31HJ-470X	C CAPACITOR	47pF 50V J	
C284	NCS31HJ-470X	C CAPACITOR	47pF 50V J	
C285	NCS31HJ-470X	C CAPACITOR	47pF 50V J	
C286	NCS31HJ-470X	C CAPACITOR	47pF 50V J	
C287	NCS31HJ-470X	C CAPACITOR	47pF 50V J	
C301	QETN1HM-475Z	E CAPACITOR	4.7uF 50V M	
C302	QETN1HM-475Z	E CAPACITOR	4.7uF 50V M	
C303	NCS31HJ-101X	C CAPACITOR	100pF 50V J	
C304	NCS31HJ-101X	C CAPACITOR	100pF 50V J	
C305	QFLC1HJ-182Z	M CAPACITOR	1800pF 50V J	
C306	QFLC1HJ-182Z	M CAPACITOR	1800pF 50V J	
C307	QFLC1HJ-682Z	M CAPACITOR	6800pF 50V J	
C308	QFLC1HJ-682Z	M CAPACITOR	6800pF 50V J	
C309	NCS31HJ-101X	C CAPACITOR	100pF 50V J	
C310	NCS31HJ-101X	C CAPACITOR	100pF 50V J	
C311	QETN1HM-475Z	E CAPACITOR	4.7uF 50V M	
C312	QETN1HM-475Z	E CAPACITOR	4.7uF 50V M	
C313	QETN1AM-107Z	E CAPACITOR	100uF 10V M	
C314	QETN1AM-107Z	E CAPACITOR	100uF 10V M	
C315	QETN1CM-476Z	E CAPACITOR	47uF 16V M	
C316	QETN1CM-476Z	E CAPACITOR	47uF 16V M	
C317	NCB31HK-221X	C CAPACITOR	220pF 50V K	
C318	NCB31HK-221X	C CAPACITOR	220pF 50V K	
C323	NCB31HK-221X	C CAPACITOR	220pF 50V K	

△ Symbol No.	Part No.	Part Name	Description	Local	△ Symbol No.	Part No.	Part Name	Description	Local
C324	NCB31HK-221X	C CAPACITOR	220pF 50V K		R241	NRSA63J-750X	MG RESISTOR	75Ω 1/16W J	
C325	NCB31HK-221X	C CAPACITOR	220pF 50V K		R242	NRSA63J-750X	MG RESISTOR	75Ω 1/16W J	
C326	NCB31HK-221X	C CAPACITOR	220pF 50V K		R243	NRSA63J-750X	MG RESISTOR	75Ω 1/16W J	
C327	NCB31HK-221X	C CAPACITOR	220pF 50V K		R244	NRSA63J-750X	MG RESISTOR	75Ω 1/16W J	
C328	NCB31HK-221X	C CAPACITOR	220pF 50V K		R245	NRSA63J-750X	MG RESISTOR	75Ω 1/16W J	
C329	NCB31HK-221X	C CAPACITOR	220pF 50V K		R246	NRSA63J-750X	MG RESISTOR	75Ω 1/16W J	
C330	NCB31HK-221X	C CAPACITOR	220pF 50V K		R247	NRSA63J-750X	MG RESISTOR	75Ω 1/16W J	
C331	NCB31HK-221X	C CAPACITOR	220pF 50V K		R248	NRSA63J-122X	MG RESISTOR	1.2kΩ 1/16W J	
C332	NCB31HK-221X	C CAPACITOR	220pF 50V K		R249	NRSA63J-821X	MG RESISTOR	820Ω 1/16W J	
C335	QETN1EM-226Z	E CAPACITOR	22uF 25V M		R250	NRSA63J-122X	MG RESISTOR	1.2kΩ 1/16W J	
C336	QETN1EM-226Z	E CAPACITOR	22uF 25V M		R251	NRSA63J-821X	MG RESISTOR	820Ω 1/16W J	
C339	NCB31HK-561X	C CAPACITOR	560pF 50V K		R252	QRJ146J-2R2X	UNF C RESISTOR	2.2Ω 1/4W J	
C341	QETN1CM-106Z	E CAPACITOR	10uF 16V M		R253	NRSA63J-473X	MG RESISTOR	47kΩ 1/16W J	
C342	QETN1CM-106Z	E CAPACITOR	10uF 16V M		R254	NRSA63J-473X	MG RESISTOR	47kΩ 1/16W J	
C343	QETN1CM-106Z	E CAPACITOR	10uF 16V M		R255	NRSA63J-473X	MG RESISTOR	47kΩ 1/16W J	
C344	QETN1CM-106Z	E CAPACITOR	10uF 16V M		R259	NRSA63J-122X	MG RESISTOR	1.2kΩ 1/16W J	
C351	QFLC1HJ-562Z	M CAPACITOR	5600pF 50V J		R266	NRSA63J-750X	MG RESISTOR	75Ω 1/16W J	
C352	QFLC1HJ-562Z	M CAPACITOR	5600pF 50V J		R267	NRSA63J-473X	MG RESISTOR	47kΩ 1/16W J	
C371	NCB31HK-221X	C CAPACITOR	220pF 50V K		R268	NRSA63J-750X	MG RESISTOR	75Ω 1/16W J	
C372	NCB31HK-221X	C CAPACITOR	220pF 50V K		R269	NRSA63J-473X	MG RESISTOR	47kΩ 1/16W J	
C373	NCB31HK-221X	C CAPACITOR	220pF 50V K		R271	QRJ146J-3R3X	UNF C RESISTOR	3.3Ω 1/4W J	
C374	NCB31HK-221X	C CAPACITOR	220pF 50V K		R272	NRSA63J-750X	MG RESISTOR	75Ω 1/16W J	
C375	NCB31HK-331X	C CAPACITOR	330pF 50V K		R273	NRSA63J-473X	MG RESISTOR	47kΩ 1/16W J	
C376	NCB31HK-331X	C CAPACITOR	330pF 50V K		R274	NRSA63J-750X	MG RESISTOR	75Ω 1/16W J	
C377	NCB31HK-221X	C CAPACITOR	220pF 50V K		R275	NRSA63J-750X	MG RESISTOR	75Ω 1/16W J	
C378	NCB31HK-221X	C CAPACITOR	220pF 50V K		R276	NRSA63J-750X	MG RESISTOR	75Ω 1/16W J	
C379	NCB31HK-331X	C CAPACITOR	330pF 50V K		R280	NRSA63J-301X	MG RESISTOR	300Ω 1/16W J	
C380	NCB31HK-331X	C CAPACITOR	330pF 50V K		R284	NRSA63J-301X	MG RESISTOR	300Ω 1/16W J	
C381	NCB31HK-221X	C CAPACITOR	220pF 50V K		R301	NRSA63J-222X	MG RESISTOR	2.2kΩ 1/16W J	
C382	NCB31HK-221X	C CAPACITOR	220pF 50V K		R302	NRSA63J-222X	MG RESISTOR	2.2kΩ 1/16W J	
C385	QETN1EM-226Z	E CAPACITOR	22uF 25V M		R303	NRSA63J-473X	MG RESISTOR	47kΩ 1/16W J	
C386	QETN1EM-226Z	E CAPACITOR	22uF 25V M		R304	NRSA63J-473X	MG RESISTOR	47kΩ 1/16W J	
C389	NCB31HK-561X	C CAPACITOR	560pF 50V K		R305	NRSA63J-621X	MG RESISTOR	620Ω 1/16W J	
C399	QETN1CM-226Z	E CAPACITOR	22uF 16V M		R306	NRSA63J-621X	MG RESISTOR	620Ω 1/16W J	
C400	QEK1HM-475Z	E CAPACITOR	4.7uF 50V M		R307	NRSA63J-393X	MG RESISTOR	39kΩ 1/16W J	
C401	NCB31CK-104X	C CAPACITOR	0.1uF 16V K		R308	NRSA63J-393X	MG RESISTOR	39kΩ 1/16W J	
C402	NCB31CK-104X	C CAPACITOR	0.1uF 16V K		R309	NRSA63J-474X	MG RESISTOR	470kΩ 1/16W J	
C403	NCB31HK-103X	C CAPACITOR	0.01uF 50V K		R310	NRSA63J-474X	MG RESISTOR	470kΩ 1/16W J	
C404	NCB31EK-223X	C CAPACITOR	0.022uF 25V K		R311	NRSA63J-104X	MG RESISTOR	100kΩ 1/16W J	
C406	NCB31HK-331X	C CAPACITOR	330pF 50V K		R312	NRSA63J-104X	MG RESISTOR	100kΩ 1/16W J	
C407	QCZ0202-155Z	C CAPACITOR	1.5uF 25V Z		R315	QRJ146J-331X	UNF C RESISTOR	330Ω 1/4W J	
C408	NCB31EK-223X	C CAPACITOR	0.022uF 25V K		R316	QRJ146J-331X	UNF C RESISTOR	330Ω 1/4W J	
C409	QEK1HM-475Z	E CAPACITOR	4.7uF 50V M		R317	NRSA63J-471X	MG RESISTOR	470Ω 1/16W J	
C410	QEK1HM-475Z	E CAPACITOR	4.7uF 50V M		R318	NRSA63J-471X	MG RESISTOR	470Ω 1/16W J	
C411	NCB21AK-225X	C CAPACITOR	2.2uF 10V K		R323	NRSA63J-471X	MG RESISTOR	470Ω 1/16W J	
C412	QEKJ0JM-107Z	E CAPACITOR	100uF 6.3V M		R324	NRSA63J-471X	MG RESISTOR	470Ω 1/16W J	
C413	NCB31CK-104X	C CAPACITOR	0.1uF 16V K		R325	NRSA63J-471X	MG RESISTOR	470Ω 1/16W J	
C414	NCB31CK-104X	C CAPACITOR	0.1uF 16V K		R326	NRSA63J-471X	MG RESISTOR	470Ω 1/16W J	
C420	NCB31HK-103X	C CAPACITOR	0.01uF 50V K		R327	NRSA63J-471X	MG RESISTOR	470Ω 1/16W J	
C421	NCB31HK-103X	C CAPACITOR	0.01uF 50V K		R328	NRSA63J-471X	MG RESISTOR	470Ω 1/16W J	
C422	NCB31HK-103X	C CAPACITOR	0.01uF 50V K		R329	NRSA63J-471X	MG RESISTOR	470Ω 1/16W J	
C423	NCB31HK-103X	C CAPACITOR	0.01uF 50V K		R330	NRSA63J-471X	MG RESISTOR	470Ω 1/16W J	
C424	NCB31HK-103X	C CAPACITOR	0.01uF 50V K		R335	QRZ9005-680X	FUSI RESISTOR	68Ω	
C425	NCB31HK-103X	C CAPACITOR	0.01uF 50V K		R336	QRZ9005-680X	FUSI RESISTOR	68Ω	
C427	NCF31AZ-105X	C CAPACITOR	1uF 10V Z		R341	NRSA63J-104X	MG RESISTOR	100kΩ 1/16W J	
R200	NRSA63J-750X	MG RESISTOR	75Ω 1/16W J		R342	NRSA63J-104X	MG RESISTOR	100kΩ 1/16W J	
R201	NRSA63J-750X	MG RESISTOR	75Ω 1/16W J		R343	NRSA63J-104X	MG RESISTOR	100kΩ 1/16W J	
R202	NRSA63J-750X	MG RESISTOR	75Ω 1/16W J		R344	NRSA63J-104X	MG RESISTOR	100kΩ 1/16W J	
R203	NRSA63J-750X	MG RESISTOR	75Ω 1/16W J		R345	NRSA63J-104X	MG RESISTOR	100kΩ 1/16W J	
R204	NRSA63J-750X	MG RESISTOR	75Ω 1/16W J		R346	NRSA63J-104X	MG RESISTOR	100kΩ 1/16W J	
R205	NRSA63J-750X	MG RESISTOR	75Ω 1/16W J		R351	NRSA63J-682X	MG RESISTOR	6.8kΩ 1/16W J	
R206	NRSA63J-750X	MG RESISTOR	75Ω 1/16W J		R352	NRSA63J-682X	MG RESISTOR	6.8kΩ 1/16W J	
R207	NRSA63J-331X	MG RESISTOR	330Ω 1/16W J		R371	NRSA63J-471X	MG RESISTOR	470Ω 1/16W J	
R208	NRSA63J-331X	MG RESISTOR	330Ω 1/16W J		R372	NRSA63J-471X	MG RESISTOR	470Ω 1/16W J	
R209	NRSA63J-473X	MG RESISTOR	47kΩ 1/16W J		R373	NRSA63J-471X	MG RESISTOR	470Ω 1/16W J	
R210	NRSA63J-331X	MG RESISTOR	330Ω 1/16W J		R374	NRSA63J-471X	MG RESISTOR	470Ω 1/16W J	
R211	NRSA63J-473X	MG RESISTOR	47kΩ 1/16W J		R375	NRSA63J-471X	MG RESISTOR	470Ω 1/16W J	
R212	NRSA63J-331X	MG RESISTOR	330Ω 1/16W J		R376	NRSA63J-471X	MG RESISTOR	470Ω 1/16W J	
R213	NRSA63J-473X	MG RESISTOR	47kΩ 1/16W J		R377	NRSA63J-471X	MG RESISTOR	470Ω 1/16W J	
R214	NRSA63J-621X	MG RESISTOR	620Ω 1/16W J		R378	NRSA63J-471X	MG RESISTOR	470Ω 1/16W J	
R215	NRSA63J-621X	MG RESISTOR	620Ω 1/16W J		R379	NRSA63J-471X	MG RESISTOR	470Ω 1/16W J	
R218	NRSA63J-331X	MG RESISTOR	330Ω 1/16W J		R380	NRSA63J-471X	MG RESISTOR	470Ω 1/16W J	
R219	NRSA63J-621X	MG RESISTOR	620Ω 1/16W J		R381	NRSA63J-471X	MG RESISTOR	470Ω 1/16W J	
R221	NRSA63J-821X	MG RESISTOR	820Ω 1/16W J		R382	NRSA63J-471X	MG RESISTOR	470Ω 1/16W J	
R225	QRJ146J-2R2X	UNF C RESISTOR	2.2Ω 1/4W J		R385	QRZ9005-680X	FUSI RESISTOR	68Ω	
R226	QRJ146J-2R2X	UNF C RESISTOR	2.2Ω 1/4W J		R386	QRZ9005-680X	FUSI RESISTOR	68Ω	
R240	NRSA63J-750X	MG RESISTOR	75Ω 1/16W J		R391	NRSA63J-682X	MG RESISTOR	6.8kΩ 1/16W J	
					R392	NRSA63J-102X	MG RESISTOR	1kΩ 1/16W J	

△ Symbol No.	Part No.	Part Name	Description	Local	△ Symbol No.	Part No.	Part Name	Description	Local
R393	NRSA63J-682X	MG RESISTOR	6.8kΩ	1/16W J	BK400	LV42092-001A	FL HOLDER(R)		
R394	NRSA63J-102X	MG RESISTOR	1kΩ	1/16W J	BK401	LV42093-001A	FL HOLDER(L)		
R395	NRSA63J-103X	MG RESISTOR	10kΩ	1/16W J	CN200	QGB2510K1-12	CONNECTOR	B-B (1-12)	
R396	NRSA63J-103X	MG RESISTOR	10kΩ	1/16W J	CN204	QGB1214K1-10S	CONNECTOR	B-B (1-10)	
R397	NRSA63J-102X	MG RESISTOR	1kΩ	1/16W J	CN206	QGA2501F1-02	CONNECTOR	W-B (1-2)	
R398	NRSA63J-221X	MG RESISTOR	220Ω	1/16W J	CN240	QGB2510K1-10	CONNECTOR	B-B (1-10)	
R400	NRSA63J-102X	MG RESISTOR	1kΩ	1/16W J	CN244	QGA2501F1-04	CONNECTOR	W-B (1-4)	
R401	NRSA63J-102X	MG RESISTOR	1kΩ	1/16W J	CN311	QGB2510K1-04	CONNECTOR	B-B (1-4)	
R402	NRSA63J-122X	MG RESISTOR	1.2kΩ	1/16W J	CN313	QGB2510K1-18	CONNECTOR	B-B (1-18)	
R403	NRSA63J-102X	MG RESISTOR	1kΩ	1/16W J	CN314	QGF1205F1-11	CONNECTOR	FFC/FPC (1-11)	
R404	NRSA63J-102X	MG RESISTOR	1kΩ	1/16W J	CN315	QGB2510K1-04	CONNECTOR	B-B (1-4)	
R405	NRSA63J-122X	MG RESISTOR	1.2kΩ	1/16W J	CN351	QGB1214K1-06S	CONNECTOR	B-B (1-6)	
R406	NRSA63J-152X	MG RESISTOR	1.5kΩ	1/16W J	CN371	QGB1214K1-18S	CONNECTOR	B-B (1-18)	
R407	NRSA63J-222X	MG RESISTOR	2.2kΩ	1/16W J	CN410	QGF1205F1-09	CONNECTOR	FFC/FPC (1-9)	
R408	NRSA63J-272X	MG RESISTOR	2.7kΩ	1/16W J	CN412	QGF1205F1-05	CONNECTOR	FFC/FPC (1-5)	
R409	NRSA63J-102X	MG RESISTOR	1kΩ	1/16W J	CN414	QGA2501C1-02	CONNECTOR	W-B (1-2)	
R410	NRSA63J-102X	MG RESISTOR	1kΩ	1/16W J	CN415	QGA2501F1-03	CONNECTOR	W-B (1-3)	
R411	NRSA63J-122X	MG RESISTOR	1.2kΩ	1/16W J	CN420	QJK025-031301	C-B WIRE ASSY		
R412	NRSA63J-152X	MG RESISTOR	1.5kΩ	1/16W J	CN422	QJK025-041201	SIN ID C-B WIRE		
R413	NRSA63J-222X	MG RESISTOR	2.2kΩ	1/16W J	CN430	QGA2501C1-03	CONNECTOR	W-B (1-3)	
R414	NRSA63J-272X	MG RESISTOR	2.7kΩ	1/16W J	CN432	QGA2501C1-04	CONNECTOR	W-B (1-4)	
R415	NRSA63J-102X	MG RESISTOR	1kΩ	1/16W J	DI400	QLF0113-001	FL TUBE		
R416	NRSA63J-102X	MG RESISTOR	1kΩ	1/16W J	FL351	QQR0590-001	FILTER		
R417	NRSA63J-122X	MG RESISTOR	1.2kΩ	1/16W J	FL352	QQR0590-001	FILTER		
R418	NRSA63J-152X	MG RESISTOR	1.5kΩ	1/16W J	FS400	E3400-444	FELT SPACER		
R419	NRSA63J-102X	MG RESISTOR	1kΩ	1/16W J	FS401	E3400-444	FELT SPACER		
R420	NRSA63J-102X	MG RESISTOR	1kΩ	1/16W J	J201	QNN0011-001	PIN JACK		
R421	NRSA63J-122X	MG RESISTOR	1.2kΩ	1/16W J	J202	QNN0011-001	PIN JACK		
R422	NRSA63J-152X	MG RESISTOR	1.5kΩ	1/16W J	J203	QNN0011-001	PIN JACK		
R423	NRSA63J-222X	MG RESISTOR	2.2kΩ	1/16W J	J204	QNN0017-002	PIN JACK		
R424	NRSA63J-272X	MG RESISTOR	2.7kΩ	1/16W J	J241	QND0108-001	S-CONNECTOR		
R425	NRSA63J-102X	MG RESISTOR	1kΩ	1/16W J	J242	QND0098-001	DIN CONNECTOR		
R426	NRSA63J-102X	MG RESISTOR	1kΩ	1/16W J	J243	QND0098-001	DIN CONNECTOR		
R427	NRSA63J-122X	MG RESISTOR	1.2kΩ	1/16W J	J244	QND0107-001	S JACK		
R428	NRSA63J-152X	MG RESISTOR	1.5kΩ	1/16W J	J301	QNN0018-002	PIN JACK		
R429	NRSA63J-222X	MG RESISTOR	2.2kΩ	1/16W J	J302	QNN0546-001	PIN JACK		
R430	NRSA63J-272X	MG RESISTOR	2.7kΩ	1/16W J	J371	QNN0018-002	PIN JACK		
R431	NRSA63J-392X	MG RESISTOR	3.9kΩ	1/16W J	J372	QNN0018-002	PIN JACK		
R432	NRSA63J-102X	MG RESISTOR	1kΩ	1/16W J	J373	QNN0546-001	PIN JACK		
R433	NRSA63J-102X	MG RESISTOR	1kΩ	1/16W J	JS400	QSW1017-001	JOG VOLUME		
R434	NRSA63J-122X	MG RESISTOR	1.2kΩ	1/16W J	JS401	QSW1015-001	ROTARY ENCODER		
R435	NRSA63J-152X	MG RESISTOR	1.5kΩ	1/16W J	S400	QSW0683-001Z	PUSH SW		
R436	NRSA63J-222X	MG RESISTOR	2.2kΩ	1/16W J	S401	QSW0683-001Z	PUSH SW		
R438	NRSA63J-103X	MG RESISTOR	10kΩ	1/16W J	S402	QSW0683-001Z	PUSH SW		
R439	NRSA63J-102X	MG RESISTOR	1kΩ	1/16W J	S403	QSW0683-001Z	PUSH SW		
R440	NRSA63J-102X	MG RESISTOR	1kΩ	1/16W J	S404	QSW0683-001Z	PUSH SW		
R445	NRSA63J-103X	MG RESISTOR	10kΩ	1/16W J	S405	QSW0683-001Z	PUSH SW		
R446	NRSA63J-103X	MG RESISTOR	10kΩ	1/16W J	S406	QSW0683-001Z	PUSH SW		
R447	NRSA63J-103X	MG RESISTOR	10kΩ	1/16W J	S407	QSW0683-001Z	PUSH SW		
R448	NRSA63J-103X	MG RESISTOR	10kΩ	1/16W J	S408	QSW0683-001Z	PUSH SW		
R449	NRSA63J-103X	MG RESISTOR	10kΩ	1/16W J	S409	QSW0683-001Z	PUSH SW		
R450	NRSA63J-103X	MG RESISTOR	10kΩ	1/16W J	S410	QSW0683-001Z	PUSH SW		
R451	NRSA63J-103X	MG RESISTOR	10kΩ	1/16W J	S411	QSW0683-001Z	PUSH SW		
R453	NRSA63J-103X	MG RESISTOR	10kΩ	1/16W J	S412	QSW0683-001Z	PUSH SW		
R454	NRSA63J-103X	MG RESISTOR	10kΩ	1/16W J	S413	QSW0683-001Z	PUSH SW		
R455	NRSA63J-471X	MG RESISTOR	470Ω	1/16W J	S414	QSW0683-001Z	PUSH SW		
R456	NRSA63J-103X	MG RESISTOR	10kΩ	1/16W J	S415	QSW0683-001Z	PUSH SW		
R457	NRSA63J-103X	MG RESISTOR	10kΩ	1/16W J	S416	QSW0683-001Z	PUSH SW		
R459	NRSA63J-221X	MG RESISTOR	220Ω	1/16W J	S417	QSW0683-001Z	PUSH SW		
R460	NRSA63J-221X	MG RESISTOR	220Ω	1/16W J	S418	QSW0683-001Z	PUSH SW		
R461	NRSA63J-221X	MG RESISTOR	220Ω	1/16W J	S419	QSW0683-001Z	PUSH SW		
R462	NRSA63J-221X	MG RESISTOR	220Ω	1/16W J	S420	QSW0683-001Z	PUSH SW		
R463	NRSA63J-221X	MG RESISTOR	220Ω	1/16W J	S421	QSW0683-001Z	PUSH SW		
R464	NRSA63J-221X	MG RESISTOR	220Ω	1/16W J	S422	QSW0683-001Z	PUSH SW		
R465	NRSA63J-331X	MG RESISTOR	330Ω	1/16W J	S423	QSW0683-001Z	PUSH SW		
R466	NRSA63J-331X	MG RESISTOR	330Ω	1/16W J	S424	QSW0683-001Z	PUSH SW		
R468	NRSA63J-221X	MG RESISTOR	220Ω	1/16W J	S425	QSW0683-001Z	PUSH SW		
R479	NRSA63J-181X	MG RESISTOR	180Ω	1/16W J	S426	QSW0683-001Z	PUSH SW		
R480	NRSA63J-152X	MG RESISTOR	1.5kΩ	1/16W J	S427	QSW0683-001Z	PUSH SW		
R481	NRSA63J-222X	MG RESISTOR	2.2kΩ	1/16W J	S429	QSW0683-001Z	PUSH SW		
R482	NRSA63J-272X	MG RESISTOR	2.7kΩ	1/16W J	S430	QSW0683-001Z	PUSH SW		
R483	NRSA63J-392X	MG RESISTOR	3.9kΩ	1/16W J	S431	QSW0683-001Z	PUSH SW		
R484	NRSA63J-103X	MG RESISTOR	10kΩ	1/16W J	S480	QSW0683-001Z	PUSH SW		
R485	NRSA63J-103X	MG RESISTOR	10kΩ	1/16W J	S481	QSW0683-001Z	PUSH SW		
RA400	QRB169J-104	NET RESISTOR	100kΩ	J	S482	QSW0683-001Z	PUSH SW		
RA401	QRB119J-104	NET RESISTOR	100kΩ	J	S483	QSW0683-001Z	PUSH SW		
RA402	QRB089J-104	NET RESISTOR	100kΩ	J	X400	QAX0246-001Z	C RESONATOR	8.00MHz	

# Micon board

Block No. [0][3][0][0]

Symbol No.	Part No.	Part Name	Description	Local
PW10	QUB111-15PPPP	SIN TWIST WIRE		
PW11	QUB116-10PPPP	SIN TWIST WIRE		
PW12	QUB112-14PPPP	SIN TWIST WIRE		
PW13	QUB111-14PPPP	SIN TWIST WIRE		
PW14	QUB114-12PPPP	SIN TWIST WIRE		
PW15	QUB118-12PPPP	SIN TWIST WIRE		
PW16	QUB116-16PPPP	PIN WIRE		
PW17	QUB111-18PPPP	SIN TWIST WIRE		
PW18	QUB112-28PPPP	SIN TWIST WIRE		
PW19	QUB111-28PPPP	SIN TWIST WIRE		
PW30	QUB116-28PPPP	SIN TWIST WIRE		
IC901	MN101C49GMM	IC(MCU)		
IC903	IC-PST9139-T	IC		
Q51	2SD2395/EF/	TRANSTRANSISTOR		
Q52	KTD863/Y/-T	TRANSISTOR		
Q53	KRC105M-T	DIGI TRANSISTOR		
Q71	KTA1046/Y/	TRANSISTOR		
Q74	KTC3200/GL-T	TRANSISTOR		
Q901	KRC107M-T	DIGI TRANSISTOR		
Q903	KRC105M-T	DIGI TRANSISTOR		
Q904	KRC105M-T	DIGI TRANSISTOR		
Q905	KRC105M-T	DIGI TRANSISTOR		
Q906	KRC105M-T	DIGI TRANSISTOR		
Q907	KRC105M-T	DIGI TRANSISTOR		
Q908	KRC105M-T	DIGI TRANSISTOR		
Q921	2SD2395/EF/	TRANSTRANSISTOR		
Q931	2SD2395/EF/	TRANSTRANSISTOR		
Q941	2SD2395/EF/	TRANSTRANSISTOR		
Q951	2SD2395/EF/	TRANSTRANSISTOR		
Q961	KTA1046/Y/	TRANSISTOR		
Q971	2SD2395/EF/	TRANSTRANSISTOR		
△ D51	11ES2-T4	DIODE		
△ D52	11ES2-T4	DIODE		
△ D53	11ES2-T4	DIODE		
△ D54	11ES2-T4	DIODE		
D55	MTZJ12C-T2	Z DIODE		
D56	MTZJ6.2B-T2	Z DIODE		
D57	1SS133-T2	DIODE		
△ D61	10E2-FD	DIODE		
△ D62	11ES2-T4	DIODE		
△ D63	10E2-FD	DIODE		
△ D64	11ES2-T4	DIODE		
D71	11ES2-T4	DIODE		
D72	11ES2-T4	DIODE		
D73	11ES2-T4	DIODE		
D74	MTZJ36C-T2	Z DIODE		
D75	MTZJ8.2C-T2	Z DIODE		
D900	11ES2-T4	DIODE		
D901	11ES2-T4	DIODE		
D902	11ES2-T4	DIODE		
D904	1SS133-T2	DIODE		
D921	MTZJ5.6C-T2	Z DIODE		
D931	MTZJ6.2C-T2	Z DIODE		
D941	MTZJ13C-T2	Z DIODE		
D951	MTZJ13C-T2	Z DIODE		
D955	1SS133-T2	DIODE		
D956	1SS133-T2	DIODE		
D961	MTZJ13C-T2	Z DIODE		
D971	MTZJ10C-T2	Z DIODE		
D975	1SS133-T2	DIODE		
D976	1SS133-T2	DIODE		
D977	1SS133-T2	DIODE		
D978	1SS133-T2	DIODE		
D979	1SS133-T2	DIODE		
△ C1	QCZ9104-472	C CAPACITOR	4700pF	
C51	QFLC2AJ-472Z	M CAPACITOR	4700pF 100V J	
C52	QETM1JM-477	E CAPACITOR	470uF 63V M	
C53	QCF31HZ-472Z	C CAPACITOR	4700pF 50V Z	
C54	QETN1CM-477Z	E CAPACITOR	470uF 16V M	
C55	QCF31HZ-472Z	C CAPACITOR	4700pF 50V Z	

Symbol No.	Part No.	Part Name	Description	Local
C61	QFN32AJ-104Z	M CAPACITOR	0.1uF 100V J	
C62	QFN32AJ-104Z	M CAPACITOR	0.1uF 100V J	
C63	QFN32AJ-104Z	M CAPACITOR	0.1uF 100V J	
C65	QETM1VM-338	E CAPACITOR	3300uF 35V M	
C66	QETM1VM-108	E CAPACITOR	1000uF 35V M	
C68	QFLC1HJ-473Z	M CAPACITOR	0.047uF 50V J	
C69	QFLC1HJ-473Z	M CAPACITOR	0.047uF 50V J	
C70	QETN1HM-227Z	E CAPACITOR	220uF 50V M	
C71	QETN1JM-107Z	E CAPACITOR	100uF 63V M	
C72	QETN1HM-226Z	E CAPACITOR	22uF 50V M	
C73	QETN1HM-226Z	E CAPACITOR	22uF 50V M	
C74	QETN1HM-105Z	E CAPACITOR	1uF 50V M	
C91	QCBB1HK-471Y	C CAPACITOR	470pF 50V K	
C92	QCBB1HK-471Y	C CAPACITOR	470pF 50V K	
C901	QETN0JM-107Z	E CAPACITOR	100uF 6.3V M	
C902	QCZ0202-155Z	C CAPACITOR	1.5uF 25V Z	
C903	QETN0JM-228Z	E CAPACITOR	2200uF 6.3V M	
C904	QETN1HM-225Z	E CAPACITOR	2.2uF 50V M	
C905	QDVB1EZ-223Y	C CAPACITOR	0.022uF 25V Z	
C921	QETN1EM-107Z	E CAPACITOR	100uF 25V M	
C922	QCF31HZ-472Z	C CAPACITOR	4700pF 50V Z	
C931	QETN1CM-477Z	E CAPACITOR	470uF 16V M	
C932	QCF31HZ-472Z	C CAPACITOR	4700pF 50V Z	
C941	QETN1EM-107Z	E CAPACITOR	100uF 25V M	
C942	QCF31HZ-472Z	C CAPACITOR	4700pF 50V Z	
C951	QETN1EM-107Z	E CAPACITOR	100uF 25V M	
C952	QCF31HZ-472Z	C CAPACITOR	4700pF 50V Z	
C961	QETN1EM-107Z	E CAPACITOR	100uF 25V M	
C962	QCF31HZ-472Z	C CAPACITOR	4700pF 50V Z	
C971	QETN1EM-337Z	E CAPACITOR	330uF 25V M	
C972	QCF31HZ-472Z	C CAPACITOR	4700pF 50V Z	
C975	QETN0JM-477Z	E CAPACITOR	470uF 6.3V M	
C981	QCBB1HK-331Y	C CAPACITOR	330pF 50V K	
C982	QCBB1HK-331Y	C CAPACITOR	330pF 50V K	
C983	QCBB1HK-331Y	C CAPACITOR	330pF 50V K	
C984	QCBB1HK-331Y	C CAPACITOR	330pF 50V K	
C985	QCBB1HK-103Y	C CAPACITOR	0.01uF 50V K	
C993	QCBB1HK-101Y	C CAPACITOR	100pF 50V K	
C994	QCBB1HK-271Y	C CAPACITOR	270pF 50V K	
R51	QRJ146J-153X	UNF C RESISTOR	15kΩ 1/4W J	
R52	QRL017J-332	OMF RESISTOR	3.3kΩ 1W J	
△ R53	QRJ146J-6R8X	UNF C RESISTOR	6.8Ω 1/4W J	
R54	QRE141J-821Y	C RESISTOR	820Ω 1/4W J	
R61	QRJ146J-8R2X	UNF C RESISTOR	8.2Ω 1/4W J	
R72	QRJ146J-332X	UNF C RESISTOR	3.3kΩ 1/4W J	
R73	QRE141J-223Y	C RESISTOR	22kΩ 1/4W J	
R74	QRE141J-104Y	C RESISTOR	100kΩ 1/4W J	
R91	QRL027J-471	OMF RESISTOR	470Ω 2W J	
R92	QRL027J-471	OMF RESISTOR	470Ω 2W J	
R903	QRE141J-331Y	C RESISTOR	330Ω 1/4W J	
R904	QRE141J-104Y	C RESISTOR	100kΩ 1/4W J	
R910	QRE141J-223Y	C RESISTOR	22kΩ 1/4W J	
R911	QRE141J-472Y	C RESISTOR	4.7kΩ 1/4W J	
R913	QRT027J-3R9	MF RESISTOR	3.9Ω 2W J	
R914	QRL027J-160	OMF RESISTOR	16Ω 2W J	
R915	QRT027J-3R9	MF RESISTOR	3.9Ω 2W J	
R916	QRL027J-100	OMF RESISTOR	10Ω 2W J	
R918	QRL027J-100	OMF RESISTOR	10Ω 2W J	
R921	QRK126J-120X	UNF C RESISTOR	12Ω 1/2W J	
R923	QRJ146J-272X	UNF C RESISTOR	2.7kΩ 1/4W J	
R924	QRE141J-103Y	C RESISTOR	10kΩ 1/4W J	
R925	QRE141J-221Y	C RESISTOR	220Ω 1/4W J	
R926	QRE141J-221Y	C RESISTOR	220Ω 1/4W J	
R927	QRE141J-221Y	C RESISTOR	220Ω 1/4W J	
R928	QRE141J-221Y	C RESISTOR	220Ω 1/4W J	
R929	QRE141J-221Y	C RESISTOR	220Ω 1/4W J	
R930	QRE141J-103Y	C RESISTOR	10kΩ 1/4W J	
R931	QRL027J-100	OMF RESISTOR	10Ω 2W J	
R933	QRJ146J-272X	UNF C RESISTOR	2.7kΩ 1/4W J	
R934	QRE141J-221Y	C RESISTOR	220Ω 1/4W J	
R935	QRE141J-221Y	C RESISTOR	220Ω 1/4W J	
R936	QRE141J-221Y	C RESISTOR	220Ω 1/4W J	
R937	QRE141J-221Y	C RESISTOR	220Ω 1/4W J	
R938	QRE141J-221Y	C RESISTOR	220Ω 1/4W J	
R939	QRE141J-221Y	C RESISTOR	220Ω 1/4W J	
R940	QRJ146J-3R3X	UNF C RESISTOR	3.3Ω 1/4W J	
R943	QRJ146J-222X	UNF C RESISTOR	2.2kΩ 1/4W J	

Symbol No.	Part No.	Part Name	Description	Local
R944	QRE141J-221Y	C RESISTOR	220Ω 1/4W J	
R945	QRE141J-221Y	C RESISTOR	220Ω 1/4W J	
R946	QRE141J-221Y	C RESISTOR	220Ω 1/4W J	
R953	QRJ146J-222X	UNF C RESISTOR	2.2kΩ 1/4W J	
R954	QRE141J-221Y	C RESISTOR	220Ω 1/4W J	
R955	QRE141J-221Y	C RESISTOR	220Ω 1/4W J	
R956	QRE141J-221Y	C RESISTOR	220Ω 1/4W J	
R957	QRE141J-103Y	C RESISTOR	10kΩ 1/4W J	
R958	QRE141J-103Y	C RESISTOR	10kΩ 1/4W J	
R959	QRE141J-103Y	C RESISTOR	10kΩ 1/4W J	
R960	QRE141J-221Y	C RESISTOR	220Ω 1/4W J	
R961	QRZ9005-220X	FUSI RESISTOR	22Ω	
R962	QRZ9005-220X	FUSI RESISTOR	22Ω	
R963	QRJ146J-222X	UNF C RESISTOR	2.2kΩ 1/4W J	
R965	QRE141J-103Y	C RESISTOR	10kΩ 1/4W J	
R966	QRE141J-103Y	C RESISTOR	10kΩ 1/4W J	
R967	QRE141J-103Y	C RESISTOR	10kΩ 1/4W J	
R968	QRE141J-103Y	C RESISTOR	10kΩ 1/4W J	
R969	QRE141J-103Y	C RESISTOR	10kΩ 1/4W J	
R971	QRJ146J-120X	UNF C RESISTOR	12Ω 1/4W J	
R973	QRJ146J-332X	UNF C RESISTOR	3.3kΩ 1/4W J	
R975	QRJ146J-220X	UNF C RESISTOR	22Ω 1/4W J	
R976	QRE141J-472Y	C RESISTOR	4.7kΩ 1/4W J	
R977	QRE141J-472Y	C RESISTOR	4.7kΩ 1/4W J	
R978	QRE141J-133Y	C RESISTOR	13kΩ 1/4W J	
R979	QRE141J-332Y	C RESISTOR	3.3kΩ 1/4W J	
R980	QRE141J-221Y	C RESISTOR	220Ω 1/4W J	
R981	QRE141J-221Y	C RESISTOR	220Ω 1/4W J	
R982	QRE141J-221Y	C RESISTOR	220Ω 1/4W J	
R983	QRE141J-221Y	C RESISTOR	220Ω 1/4W J	
R984	QRE141J-221Y	C RESISTOR	220Ω 1/4W J	
R985	QRE141J-221Y	C RESISTOR	220Ω 1/4W J	
R987	QRE141J-221Y	C RESISTOR	220Ω 1/4W J	
R993	QRE141J-622Y	C RESISTOR	6.2kΩ 1/4W J	
R994	QRE141J-512Y	C RESISTOR	5.1kΩ 1/4W J	
R995	QRE141J-133Y	C RESISTOR	13kΩ 1/4W J	
R996	QRE141J-332Y	C RESISTOR	3.3kΩ 1/4W J	
R997	QRE141J-153Y	C RESISTOR	15kΩ 1/4W J	
R998	QRE141J-562Y	C RESISTOR	5.6kΩ 1/4W J	
R999	QRE141J-103Y	C RESISTOR	10kΩ 1/4W J	

△ T2 QQT0281-004 POWER TRANSF

CN55	QGD2501C1-05Z	CONNECTOR	(1-5)	
CN71	QGB2510J1-06	CONNECTOR	B-B (1-6)	
CN72	QGB2510K1-06	CONNECTOR	B-B (1-6)	
CN81	QGB2510J1-06	CONNECTOR	B-B (1-6)	
CN82	QGB2510K1-06	CONNECTOR	B-B (1-6)	
CN101	QGB2510J1-04	CONNECTOR	B-B (1-4)	
CN201	QGB2510J1-12	CONNECTOR	B-B (1-12)	
CN241	QGB2510J1-10	CONNECTOR	B-B (1-10)	
CN301	QGB2510J1-14	CONNECTOR	B-B (1-4)	
CN303	QGB2510J1-18	CONNECTOR	B-B (1-18)	
CN334	QGF1205C1-06	CONNECTOR	FFC/FPC (1-6)	
CN400	QGF1205C1-09	CONNECTOR	FFC/FPC (1-9)	
CN402	QGF1205C1-05	CONNECTOR	FFC/FPC (1-5)	
CN601	QGB2510J1-07	CONNECTOR	B-B (1-7)	
CN811	QGA3901F2-03	CONNECTOR	W-B (1-3)	
CN931	QGD2501C1-04Z	CONNECTOR	(1-4)	
CN932	QGD2501C1-03Z	CONNECTOR	(1-3)	
EP1	E409182-001SM	GRAND TERMINAL		
EP51	QNZ0136-001Z	EARTH PLATE		
EP91	E406523-001SM	GND BKT		
EP901	QNZ0136-001Z	EARTH PLATE		
EP902	QNZ0136-001Z	EARTH PLATE		
FC1	QNG0020-001Z	FUSE CLIP		
FC2	QNG0020-001Z	FUSE CLIP		
FC3	QNG0020-001Z	FUSE CLIP		
FC4	QNG0020-001Z	FUSE CLIP		
FC5	QNG0020-001Z	FUSE CLIP		
FC6	QNG0020-001Z	FUSE CLIP		
FC61	QNG0020-001Z	FUSE CLIP		
FC62	QNG0020-001Z	FUSE CLIP		
FC63	QNG0020-001Z	FUSE CLIP		
FC64	QNG0020-001Z	FUSE CLIP		
FW51	QUM215-10DGZ4	PARA RIBON WIRE		
FW831	QUM214-08DGZ4	PARA RIBON WIRE		
FW881	QUM213-44DGZ4	PARA RIBON WIRE		

Symbol No.	Part No.	Part Name	Description	Local
HL901	VYH7237-002	IC HOLDER		
HS51	E70945-H40B	HEAT SINK		
HS951	E70306-001	HEAT SINK		
HS961	E70306-001	HEAT SINK		
HS971	E70306-001	HEAT SINK		
J91	QNS0022-001	JACK		
△ RY1	QSK0098-001	RELAY		
TA1	QNZ0079-001Z	TAB		
TA2	QNZ0079-001Z	TAB		
△ TH71	QAD0095-4R7Z	P THERMISTOR	4.7Ω M	
△ VS1	QSW0812-001	VOLTAGE SWITCH		
X901	QAX0246-001Z	C RESONATOR	8.00MHz	

## Power board

Block No. [0][4][0][0]

Symbol No.	Part No.	Part Name	Description	Local
Q701	2SC2240-BL/AB/T	TRANSISTOR		
Q702	2SC2240-BL/AB/T	TRANSISTOR		
Q703	2SC2240-BL/AB/T	TRANSISTOR		
Q704	2SC2240-BL/AB/T	TRANSISTOR		
Q705	KTA1268/GL-T	TRANSISTOR		
Q706	KTA1268/GL-T	TRANSISTOR		
Q707	KTA1268/GL-T	TRANSISTOR		
Q708	KTA1268/GL-T	TRANSISTOR		
Q709	KTA1268/GL-T	TRANSISTOR		
Q710	KTA1268/GL-T	TRANSISTOR		
Q711	KTC3200/GL-T	TRANSISTOR		
Q712	KTC3200/GL-T	TRANSISTOR		
△ Q761	2SD2390/PY/-F6	TRANSISTOR		
△ Q762	2SD2390/PY/-F6	TRANSISTOR		
△ Q763	2SB1560/PY/-F6	TRANSISTOR		
△ Q764	2SB1560/PY/-F6	TRANSISTOR		
Q771	KTC3200/GL-T	TRANSISTOR		
Q772	KTC3200/GL-T	TRANSISTOR		
Q773	KTA1268/GL-T	TRANSISTOR		
Q774	KTA1268/GL-T	TRANSISTOR		
Q781	2SD637/QR/	TRANSISTOR		
Q782	2SD637/QR/	TRANSISTOR		
Q791	KTA1268/GL-T	TRANSISTOR		
Q792	KTA1268/GL-T	TRANSISTOR		
Q1701	2SC2240-BL/AB/T	TRANSISTOR		
Q1702	2SC2240-BL/AB/T	TRANSISTOR		
Q1703	KTA1268/GL-T	TRANSISTOR		
Q1731	2SD637/QR/	TRANSISTOR		
△ Q1751	2SD2390/PY/-F6	TRANSISTOR		
△ Q1752	2SB1560/PY/-F6	TRANSISTOR		
Q1771	KTC3200/GL-T	TRANSISTOR		
Q1772	KTA1268/GL-T	TRANSISTOR		
Q1791	KTA1268/GL-T	TRANSISTOR		
Q1801	2SC2240-BL/AB/T	TRANSISTOR		
Q1802	2SC2240-BL/AB/T	TRANSISTOR		
Q1803	2SC2240-BL/AB/T	TRANSISTOR		
Q1804	2SC2240-BL/AB/T	TRANSISTOR		
Q1805	KTA1268/GL-T	TRANSISTOR		
Q1806	KTA1268/GL-T	TRANSISTOR		
Q1831	2SD637/QR/	TRANSISTOR		
Q1832	2SD637/QR/	TRANSISTOR		
△ Q1851	2SD2390/PY/-F6	TRANSISTOR		
△ Q1852	2SD2390/PY/-F6	TRANSISTOR		
△ Q1853	2SB1560/PY/-F6	TRANSISTOR		
△ Q1854	2SB1560/PY/-F6	TRANSISTOR		
Q1871	KTC3200/GL-T	TRANSISTOR		
Q1872	KTC3200/GL-T	TRANSISTOR		
Q1873	KTA1268/GL-T	TRANSISTOR		
Q1874	KTA1268/GL-T	TRANSISTOR		
Q1891	KTA1268/GL-T	TRANSISTOR		
Q1892	KTA1268/GL-T	TRANSISTOR		
Q1901	2SC2240-BL/AB/T	TRANSISTOR		
Q1902	2SC2240-BL/AB/T	TRANSISTOR		
Q1903	KTA1268/GL-T	TRANSISTOR		
Q1931	2SD637/QR/	TRANSISTOR		
△ Q1951	2SD2390/PY/-F6	TRANSISTOR		



△ Symbol No.	Part No.	Part Name	Description	Local	△ Symbol No.	Part No.	Part Name	Description	Local
△ Q1952	2SB1560/PY-F6	TRANSISTOR			C1752	QCS32HJ-470Z	C CAPACITOR	47pF 500V J	
Q1971	KTC3200/GL-T	TRANSISTOR			C1761	QFLC1HJ-473Z	M CAPACITOR	0.047uF 50V J	
Q1972	KTA1268/GL-T	TRANSISTOR			C1762	QFLC1HJ-473Z	M CAPACITOR	0.047uF 50V J	
Q1991	KTA1268/GL-T	TRANSISTOR			C1791	QCF31HZ-223Z	C CAPACITOR	0.022uF 50V Z	
D701	1SS133-T2	DIODE			C1801	QETN1HM-105Z	E CAPACITOR	1uF 50V M	
D702	1SS133-T2	DIODE			C1802	QETN1HM-105Z	E CAPACITOR	1uF 50V M	
D703	1SS133-T2	DIODE			C1803	QCS31HJ-101Z	C CAPACITOR	100pF 50V J	
D704	1SS133-T2	DIODE			C1804	QCS31HJ-101Z	C CAPACITOR	100pF 50V J	
D771	1SS133-T2	DIODE			C1805	QCS31HJ-221Z	C CAPACITOR	220pF 50V J	
D772	1SS133-T2	DIODE			C1806	QCS31HJ-221Z	C CAPACITOR	220pF 50V J	
D773	1SS133-T2	DIODE			C1807	QETN1CM-107Z	E CAPACITOR	100uF 16V M	
D774	1SS133-T2	DIODE			C1808	QETN1CM-107Z	E CAPACITOR	100uF 16V M	
D791	1SS133-T2	DIODE			C1809	QCS31HJ-5R0Z	C CAPACITOR	5pF 50V J	
D792	1SS133-T2	DIODE			C1810	QCS31HJ-5R0Z	C CAPACITOR	5pF 50V J	
D1701	1SS133-T2	DIODE			C1811	QCS32HJ-330Z	C CAPACITOR	33pF 500V J	
D1771	1SS133-T2	DIODE			C1812	QCS32HJ-330Z	C CAPACITOR	33pF 500V J	
D1772	1SS133-T2	DIODE			C1813	QFLC1HJ-103Z	M CAPACITOR	0.01uF 50V J	
D1791	1SS133-T2	DIODE			C1814	QFLC1HJ-103Z	M CAPACITOR	0.01uF 50V J	
D1801	1SS133-T2	DIODE			C1815	QETN1CM-107Z	E CAPACITOR	100uF 16V M	
D1802	1SS133-T2	DIODE			C1816	QETN1CM-107Z	E CAPACITOR	100uF 16V M	
D1871	1SS133-T2	DIODE			C1817	QETN1HM-476Z	E CAPACITOR	47uF 50V M	
D1872	1SS133-T2	DIODE			C1818	QETN1HM-476Z	E CAPACITOR	47uF 50V M	
D1873	1SS133-T2	DIODE			C1841	QETN2AM-476Z	E CAPACITOR	47uF 100V M	
D1874	1SS133-T2	DIODE			C1842	QETN2AM-476Z	E CAPACITOR	47uF 100V M	
D1891	1SS133-T2	DIODE			C1843	QETN2AM-476Z	E CAPACITOR	47uF 100V M	
D1892	1SS133-T2	DIODE			C1844	QETN2AM-476Z	E CAPACITOR	47uF 100V M	
D1901	1SS133-T2	DIODE			C1851	QCS32HJ-470Z	C CAPACITOR	47pF 500V J	
D1971	1SS133-T2	DIODE			C1852	QCS32HJ-470Z	C CAPACITOR	47pF 500V J	
D1992	1SS133-T2	DIODE			C1853	QCS32HJ-470Z	C CAPACITOR	47pF 500V J	
D1993	1SS133-T2	DIODE			C1854	QCS32HJ-470Z	C CAPACITOR	47pF 500V J	
C701	QTE1V06-106Z	E CAPACITOR	10uF 35V		C1861	QFLC1HJ-473Z	M CAPACITOR	0.047uF 50V J	
C702	QTE1V06-106Z	E CAPACITOR	10uF 35V		C1862	QFLC1HJ-473Z	M CAPACITOR	0.047uF 50V J	
C703	QCS31HJ-101Z	C CAPACITOR	100pF 50V J		C1863	QFLC1HJ-473Z	M CAPACITOR	0.047uF 50V J	
C704	QCS31HJ-101Z	C CAPACITOR	100pF 50V J		C1864	QFLC1HJ-473Z	M CAPACITOR	0.047uF 50V J	
C705	QCS31HJ-101Z	C CAPACITOR	100pF 50V J		C1891	QCF31HZ-223Z	C CAPACITOR	0.022uF 50V Z	
C706	QCS31HJ-101Z	C CAPACITOR	100pF 50V J		C1892	QCF31HZ-223Z	C CAPACITOR	0.022uF 50V Z	
C707	QETN1CM-107Z	E CAPACITOR	100uF 16V M		C1901	QETN1HM-105Z	E CAPACITOR	1uF 50V M	
C708	QETN1CM-107Z	E CAPACITOR	100uF 16V M		C1902	QCS31HJ-101Z	C CAPACITOR	100pF 50V J	
C709	QCS31HJ-100Z	C CAPACITOR	10pF 50V J		C1903	QCS31HJ-101Z	C CAPACITOR	100pF 50V J	
C710	QCS31HJ-100Z	C CAPACITOR	10pF 50V J		C1904	QETN1CM-107Z	E CAPACITOR	100uF 16V M	
C711	QFLC1HJ-103Z	M CAPACITOR	0.01uF 50V J		C1905	QCS31HJ-5R0Z	C CAPACITOR	5pF 50V J	
C712	QFLC1HJ-103Z	M CAPACITOR	0.01uF 50V J		C1911	QCS32HJ-330Z	C CAPACITOR	33pF 500V J	
C713	QCS31HJ-680Z	C CAPACITOR	68pF 50V J		C1912	QFLC1HJ-103Z	M CAPACITOR	0.01uF 50V J	
C714	QCS31HJ-680Z	C CAPACITOR	68pF 50V J		C1913	QETN1CM-107Z	E CAPACITOR	100uF 16V M	
C715	QCS31HJ-680Z	C CAPACITOR	68pF 50V J		C1915	QETN1HM-476Z	E CAPACITOR	47uF 50V M	
C716	QCS31HJ-680Z	C CAPACITOR	68pF 50V J		C1941	QETN2AM-476Z	E CAPACITOR	47uF 100V M	
C717	QCS32HJ-220Z	C CAPACITOR	22pF 500V J		C1943	QETN2AM-476Z	E CAPACITOR	47uF 100V M	
C718	QCS32HJ-220Z	C CAPACITOR	22pF 500V J		C1951	QCS32HJ-470Z	C CAPACITOR	47pF 500V J	
C719	QFLC1HJ-472Z	M CAPACITOR	4700pF 50V J		C1952	QCS32HJ-470Z	C CAPACITOR	47pF 500V J	
C720	QFLC1HJ-472Z	M CAPACITOR	4700pF 50V J		C1961	QFLC1HJ-473Z	M CAPACITOR	0.047uF 50V J	
C741	QETN2AM-476Z	E CAPACITOR	47uF 100V M		C1962	QFLC1HJ-473Z	M CAPACITOR	0.047uF 50V J	
C742	QETN2AM-476Z	E CAPACITOR	47uF 100V M		C1991	QCF31HZ-223Z	C CAPACITOR	0.022uF 50V Z	
C745	QETN2AM-476Z	E CAPACITOR	47uF 100V M		R701	QRE141J-222Y	C RESISTOR	2.2kΩ 1/4W J	
C746	QETN2AM-476Z	E CAPACITOR	47uF 100V M		R702	QRE141J-222Y	C RESISTOR	2.2kΩ 1/4W J	
C751	QCS32HJ-470Z	C CAPACITOR	47pF 500V J		R703	QRE141J-104Y	C RESISTOR	100kΩ 1/4W J	
C752	QCS32HJ-470Z	C CAPACITOR	47pF 500V J		R704	QRE141J-104Y	C RESISTOR	100kΩ 1/4W J	
C753	QCS32HJ-470Z	C CAPACITOR	47pF 500V J		R705	QRE141J-202Y	C RESISTOR	2kΩ 1/4W J	
C754	QCS32HJ-470Z	C CAPACITOR	47pF 500V J		R706	QRE141J-202Y	C RESISTOR	2kΩ 1/4W J	
C791	QFLC1HJ-473Z	M CAPACITOR	0.047uF 50V J		R707	QRE141J-202Y	C RESISTOR	2kΩ 1/4W J	
C792	QFLC1HJ-473Z	M CAPACITOR	0.047uF 50V J		R708	QRE141J-202Y	C RESISTOR	2kΩ 1/4W J	
C793	QFLC1HJ-473Z	M CAPACITOR	0.047uF 50V J		R709	QRE141J-912Y	C RESISTOR	9.1kΩ 1/4W J	
C794	QFLC1HJ-473Z	M CAPACITOR	0.047uF 50V J		R710	QRE141J-912Y	C RESISTOR	9.1kΩ 1/4W J	
C795	QCF31HZ-223Z	C CAPACITOR	0.022uF 50V Z		R711	QRE141J-621Y	C RESISTOR	620Ω 1/4W J	
C796	QCF31HZ-223Z	C CAPACITOR	0.022uF 50V Z		R712	QRE141J-621Y	C RESISTOR	620Ω 1/4W J	
C1701	QETN1HM-105Z	E CAPACITOR	1uF 50V M		R715	QRE141J-104Y	C RESISTOR	100kΩ 1/4W J	
C1702	QCS31HJ-101Z	C CAPACITOR	100pF 50V J		R716	QRE141J-104Y	C RESISTOR	100kΩ 1/4W J	
C1703	QCS31HJ-221Z	C CAPACITOR	220pF 50V J		R717	QRJ146J-562X	UNF C RESISTOR	5.6kΩ 1/4W J	
C1704	QETN1CM-107Z	E CAPACITOR	100uF 16V M		R718	QRJ146J-562X	UNF C RESISTOR	5.6kΩ 1/4W J	
C1705	QCS31HJ-5R0Z	C CAPACITOR	5pF 50V J		R719	QRK126J-103X	UNF C RESISTOR	10kΩ 1/2W J	
C1711	QCS32HJ-330Z	C CAPACITOR	33pF 500V J		R720	QRK126J-103X	UNF C RESISTOR	10kΩ 1/2W J	
C1712	QFLC1HJ-103Z	M CAPACITOR	0.01uF 50V J		R721	QRJ146J-151X	UNF C RESISTOR	150Ω 1/4W J	
C1713	QETN1CM-107Z	E CAPACITOR	100uF 16V M		R722	QRJ146J-151X	UNF C RESISTOR	150Ω 1/4W J	
C1715	QETN1HM-476Z	E CAPACITOR	47uF 50V M		R723	QRE141J-391Y	C RESISTOR	390Ω 1/4W J	
C1741	QETN2AM-476Z	E CAPACITOR	47uF 100V M		R724	QRE141J-391Y	C RESISTOR	390Ω 1/4W J	
C1743	QETN2AM-476Z	E CAPACITOR	47uF 100V M		R725	QRE141J-152Y	C RESISTOR	1.5kΩ 1/4W J	
C1751	QCS32HJ-470Z	C CAPACITOR	47pF 500V J		R726	QRE141J-152Y	C RESISTOR	1.5kΩ 1/4W J	
					R727	QRE141J-333Y	C RESISTOR	33kΩ 1/4W J	

△ Symbol No.	Part No.	Part Name	Description	Local	△ Symbol No.	Part No.	Part Name	Description	Local
R728	QRE141J-333Y	C RESISTOR	33kΩ	1/4W J	R1823	QRE141J-332Y	C RESISTOR	3.3kΩ	1/4W J
R729	QRE141J-391Y	C RESISTOR	390Ω	1/4W J	R1824	QRE141J-332Y	C RESISTOR	3.3kΩ	1/4W J
R730	QRE141J-391Y	C RESISTOR	390Ω	1/4W J	R1825	QRE141J-332Y	C RESISTOR	3.3kΩ	1/4W J
R731	QRE141J-391Y	C RESISTOR	390Ω	1/4W J	R1826	QRE141J-332Y	C RESISTOR	3.3kΩ	1/4W J
R732	QRE141J-391Y	C RESISTOR	390Ω	1/4W J	R1827	QRE141J-332Y	C RESISTOR	3.3kΩ	1/4W J
R733	QRE141J-221Y	C RESISTOR	220Ω	1/4W J	R1828	QRE141J-332Y	C RESISTOR	3.3kΩ	1/4W J
R734	QRE141J-221Y	C RESISTOR	220Ω	1/4W J	R1829	QRE141J-332Y	C RESISTOR	3.3kΩ	1/4W J
R761	QRJ146J-100X	UNF C RESISTOR	10Ω	1/4W J	R1830	QRE141J-332Y	C RESISTOR	3.3kΩ	1/4W J
R762	QRJ146J-100X	UNF C RESISTOR	10Ω	1/4W J	R1831	QRE141J-911Y	C RESISTOR	910Ω	1/4W J
R763	QRJ146J-100X	UNF C RESISTOR	10Ω	1/4W J	R1832	QRE141J-911Y	C RESISTOR	910Ω	1/4W J
R764	QRJ146J-100X	UNF C RESISTOR	10Ω	1/4W J	R1833	QRE141J-391Y	C RESISTOR	390Ω	1/4W J
R771	QRE141J-391Y	C RESISTOR	390Ω	1/4W J	R1834	QRE141J-391Y	C RESISTOR	390Ω	1/4W J
R772	QRE141J-391Y	C RESISTOR	390Ω	1/4W J	R1835	QRE141J-271Y	C RESISTOR	270Ω	1/4W J
R773	QRE141J-391Y	C RESISTOR	390Ω	1/4W J	R1836	QRE141J-271Y	C RESISTOR	270Ω	1/4W J
R774	QRE141J-391Y	C RESISTOR	390Ω	1/4W J	R1841	QRJ146J-221X	UNF C RESISTOR	220Ω	1/4W J
R775	QRE141J-201Y	C RESISTOR	200Ω	1/4W J	R1842	QRJ146J-221X	UNF C RESISTOR	220Ω	1/4W J
R776	QRE141J-201Y	C RESISTOR	200Ω	1/4W J	R1851	QRJ146J-100X	UNF C RESISTOR	10Ω	1/4W J
R777	QRE141J-201Y	C RESISTOR	200Ω	1/4W J	R1852	QRJ146J-100X	UNF C RESISTOR	10Ω	1/4W J
R778	QRE141J-201Y	C RESISTOR	200Ω	1/4W J	R1853	QRJ146J-100X	UNF C RESISTOR	10Ω	1/4W J
R779	QRZ0218-R22	EMIT RESISTOR	0.22Ω		R1854	QRJ146J-100X	UNF C RESISTOR	10Ω	1/4W J
R780	QRZ0218-R22	EMIT RESISTOR	0.22Ω		R1855	QRZ0218-R22	EMIT RESISTOR	0.22Ω	
R781	QRE141J-391Y	C RESISTOR	390Ω	1/4W J	R1856	QRZ0218-R22	EMIT RESISTOR	0.22Ω	
R782	QRE141J-391Y	C RESISTOR	390Ω	1/4W J	R1861	QRJ125J-330	UNF C RESISTOR	33Ω	1/2W J
R783	QRE141J-621Y	C RESISTOR	620Ω	1/4W J	R1862	QRJ125J-330	UNF C RESISTOR	33Ω	1/2W J
R784	QRE141J-621Y	C RESISTOR	620Ω	1/4W J	R1863	QRL027J-100	OMF RESISTOR	10Ω	2W J
R787	QRE141J-473Y	C RESISTOR	47kΩ	1/4W J	R1864	QRL027J-100	OMF RESISTOR	10Ω	2W J
R788	QRE141J-473Y	C RESISTOR	47kΩ	1/4W J	R1871	QRE141J-391Y	C RESISTOR	390Ω	1/4W J
R789	QRE141J-271Y	C RESISTOR	270Ω	1/4W J	R1872	QRE141J-391Y	C RESISTOR	390Ω	1/4W J
R790	QRE141J-271Y	C RESISTOR	270Ω	1/4W J	R1873	QRE141J-391Y	C RESISTOR	390Ω	1/4W J
R791	QRJ125J-330	UNF C RESISTOR	33Ω	1/2W J	R1874	QRE141J-391Y	C RESISTOR	390Ω	1/4W J
R792	QRJ125J-330	UNF C RESISTOR	33Ω	1/2W J	R1875	QRE141J-201Y	C RESISTOR	200Ω	1/4W J
R793	QRL027J-100	OMF RESISTOR	10Ω	2W J	R1876	QRE141J-201Y	C RESISTOR	200Ω	1/4W J
R794	QRL027J-100	OMF RESISTOR	10Ω	2W J	R1877	QRE141J-201Y	C RESISTOR	200Ω	1/4W J
R795	QRE141J-102Y	C RESISTOR	1kΩ	1/4W J	R1878	QRE141J-201Y	C RESISTOR	200Ω	1/4W J
R796	QRE141J-102Y	C RESISTOR	1kΩ	1/4W J	R1891	QRE141J-102Y	C RESISTOR	1kΩ	1/4W J
R797	QRE141J-153Y	C RESISTOR	15kΩ	1/4W J	R1892	QRE141J-102Y	C RESISTOR	1kΩ	1/4W J
R798	QRE141J-153Y	C RESISTOR	15kΩ	1/4W J	R1893	QRE141J-183Y	C RESISTOR	18kΩ	1/4W J
R1701	QRE141J-222Y	C RESISTOR	2.2kΩ	1/4W J	R1894	QRE141J-183Y	C RESISTOR	18kΩ	1/4W J
R1702	QRE141J-683Y	C RESISTOR	68kΩ	1/4W J	R1895	QRE141J-473Y	C RESISTOR	47kΩ	1/4W J
R1703	QRE141J-202Y	C RESISTOR	2kΩ	1/4W J	R1896	QRE141J-473Y	C RESISTOR	47kΩ	1/4W J
R1705	QRE141J-123Y	C RESISTOR	12kΩ	1/4W J	R1901	QRE141J-222Y	C RESISTOR	2.2kΩ	1/4W J
R1711	QRE141J-331Y	C RESISTOR	330Ω	1/4W J	R1902	QRE141J-683Y	C RESISTOR	68kΩ	1/4W J
R1712	QRE141J-563Y	C RESISTOR	56kΩ	1/4W J	R1903	QRE141J-202Y	C RESISTOR	2kΩ	1/4W J
R1721	QRJ146J-221X	UNF C RESISTOR	220Ω	1/4W J	R1905	QRE141J-123Y	C RESISTOR	12kΩ	1/4W J
R1722	QRE141J-332Y	C RESISTOR	3.3kΩ	1/4W J	R1911	QRE141J-331Y	C RESISTOR	330Ω	1/4W J
R1723	QRE141J-332Y	C RESISTOR	3.3kΩ	1/4W J	R1912	QRE141J-563Y	C RESISTOR	56kΩ	1/4W J
R1724	QRE141J-332Y	C RESISTOR	3.3kΩ	1/4W J	R1921	QRJ146J-221X	UNF C RESISTOR	220Ω	1/4W J
R1725	QRE141J-332Y	C RESISTOR	3.3kΩ	1/4W J	R1922	QRE141J-332Y	C RESISTOR	3.3kΩ	1/4W J
R1731	QRE141J-911Y	C RESISTOR	910Ω	1/4W J	R1923	QRE141J-332Y	C RESISTOR	3.3kΩ	1/4W J
R1732	QRE141J-391Y	C RESISTOR	390Ω	1/4W J	R1924	QRE141J-332Y	C RESISTOR	3.3kΩ	1/4W J
R1733	QRE141J-271Y	C RESISTOR	270Ω	1/4W J	R1925	QRE141J-332Y	C RESISTOR	3.3kΩ	1/4W J
R1741	QRJ146J-221X	UNF C RESISTOR	220Ω	1/4W J	R1931	QRE141J-911Y	C RESISTOR	910Ω	1/4W J
R1751	QRJ146J-100X	UNF C RESISTOR	10Ω	1/4W J	R1932	QRE141J-391Y	C RESISTOR	390Ω	1/4W J
R1752	QRJ146J-100X	UNF C RESISTOR	10Ω	1/4W J	R1933	QRE141J-271Y	C RESISTOR	270Ω	1/4W J
R1753	QRZ0218-R22	EMIT RESISTOR	0.22Ω		R1941	QRJ146J-221X	UNF C RESISTOR	220Ω	1/4W J
R1761	QRJ125J-330	UNF C RESISTOR	33Ω	1/2W J	R1951	QRJ146J-100X	UNF C RESISTOR	10Ω	1/4W J
R1762	QRL027J-100	OMF RESISTOR	10Ω	2W J	R1952	QRJ146J-100X	UNF C RESISTOR	10Ω	1/4W J
R1771	QRE141J-391Y	C RESISTOR	390Ω	1/4W J	R1953	QRZ0218-R22	EMIT RESISTOR	0.22Ω	
R1772	QRE141J-391Y	C RESISTOR	390Ω	1/4W J	R1961	QRJ125J-330	UNF C RESISTOR	33Ω	1/2W J
R1773	QRE141J-201Y	C RESISTOR	200Ω	1/4W J	R1962	QRL027J-100	OMF RESISTOR	10Ω	2W J
R1774	QRE141J-201Y	C RESISTOR	200Ω	1/4W J	R1971	QRE141J-391Y	C RESISTOR	390Ω	1/4W J
R1791	QRE141J-102Y	C RESISTOR	1kΩ	1/4W J	R1972	QRE141J-391Y	C RESISTOR	390Ω	1/4W J
R1793	QRE141J-183Y	C RESISTOR	18kΩ	1/4W J	R1973	QRE141J-201Y	C RESISTOR	200Ω	1/4W J
R1795	QRE141J-473Y	C RESISTOR	47kΩ	1/4W J	R1991	QRE141J-102Y	C RESISTOR	1kΩ	1/4W J
R1801	QRE141J-222Y	C RESISTOR	2.2kΩ	1/4W J	R1993	QRE141J-183Y	C RESISTOR	18kΩ	1/4W J
R1802	QRE141J-222Y	C RESISTOR	2.2kΩ	1/4W J	R1994	QRE141J-201Y	C RESISTOR	200Ω	1/4W J
R1803	QRE141J-683Y	C RESISTOR	68kΩ	1/4W J	R1995	QRE141J-473Y	C RESISTOR	47kΩ	1/4W J
R1804	QRE141J-683Y	C RESISTOR	68kΩ	1/4W J	VR787	QVP0008-501Z	TRIM RESISTOR	500Ω	
R1805	QRE141J-202Y	C RESISTOR	2kΩ	1/4W J	VR788	QVP0008-501Z	TRIM RESISTOR	500Ω	
R1806	QRE141J-202Y	C RESISTOR	2kΩ	1/4W J					
R1809	QRE141J-123Y	C RESISTOR	12kΩ	1/4W J	L791	QQLZ003-1R0	COIL	1uH	
R1810	QRE141J-123Y	C RESISTOR	12kΩ	1/4W J	L792	QQLZ003-1R0	COIL	1uH	
R1811	QRE141J-331Y	C RESISTOR	330Ω	1/4W J	L1761	QQLZ005-R45	COIL	0.45uH	
R1812	QRE141J-331Y	C RESISTOR	330Ω	1/4W J	L1861	QQLZ005-R45	COIL	0.45uH	
R1813	QRE141J-563Y	C RESISTOR	56kΩ	1/4W J	L1862	QQLZ005-R45	COIL	0.45uH	
R1814	QRE141J-563Y	C RESISTOR	56kΩ	1/4W J	L1961	QQLZ005-R45	COIL	0.45uH	
R1821	QRJ146J-221X	UNF C RESISTOR	220Ω	1/4W J					
R1822	QRJ146J-221X	UNF C RESISTOR	220Ω	1/4W J	CN711	QGB2510K1-12	CONNECTOR	B-B (1-12)	

△ Symbol No.	Part No.	Part Name	Description	Local
CN712	QGB2510K1-12	CONNECTOR	B-B (1-12)	
CN713	QGB2510K1-10	CONNECTOR	B-B (1-10)	
CN714	QGA2501F1-02	CONNECTOR	W-B (1-2)	
CN715	QGB2510K1-12	CONNECTOR	B-B (1-12)	
CN716	QGB2510K1-12	CONNECTOR	B-B (1-12)	
CN717	QGA2001F1-03	CONNECTOR	W-B (1-3)	
CN718	QGB2510K1-10	CONNECTOR	B-B (1-10)	
CN719	QGA2501F1-03	CONNECTOR	W-B (1-3)	
CN722	QGA2001F1-02	CONNECTOR	W-B (1-2)	
TH731	QAD0012-202	THERMISTOR	2kΩ L	
TH783	QAD0012-202	THERMISTOR	2kΩ L	
TH784	QAD0012-202	THERMISTOR	2kΩ L	
TH831	QAD0012-202	THERMISTOR	2kΩ L	
TH832	QAD0012-202	THERMISTOR	2kΩ L	
TH901	QAD0012-202	THERMISTOR	2kΩ L	

△ Symbol No.	Part No.	Part Name	Description	Local
C333	NCS31HJ-681X	C CAPACITOR	680pF 50V J	
C334	NCS31HJ-681X	C CAPACITOR	680pF 50V J	
C361	QETN1HM-475Z	E CAPACITOR	4.7uF 50V M	
C362	QETN1HM-475Z	E CAPACITOR	4.7uF 50V M	
C363	QETN1HM-475Z	E CAPACITOR	4.7uF 50V M	
C364	QETN1HM-475Z	E CAPACITOR	4.7uF 50V M	
C430	NCB31CK-104X	C CAPACITOR	0.1uF 16V K	
C431	NCB31EK-223X	C CAPACITOR	0.022uF 25V K	
C460	NCB31CK-104X	C CAPACITOR	0.1uF 16V K	
C461	NCB31HK-221X	C CAPACITOR	220pF 50V K	
C462	NCB31HK-221X	C CAPACITOR	220pF 50V K	
C463	NCS31HJ-470X	C CAPACITOR	47pF 50V J	
C464	NCS31HJ-470X	C CAPACITOR	47pF 50V J	
C465	NCS31HJ-470X	C CAPACITOR	47pF 50V J	
C466	NCB31CK-104X	C CAPACITOR	0.1uF 16V K	
C1301	QETN1EM-476Z	E CAPACITOR	47uF 25V M	
C1302	QETN1EM-476Z	E CAPACITOR	47uF 25V M	
C1303	NCB31HK-221X	C CAPACITOR	220pF 50V K	
C1309	QENC1HM-106Z	BP E CAPACITOR	10uF 50V M	
C1310	QETN1CM-226Z	E CAPACITOR	22uF 16V M	
C1311	QETN1HM-475Z	E CAPACITOR	4.7uF 50V M	
C1312	QETN1HM-475Z	E CAPACITOR	4.7uF 50V M	
C1313	QETN1HM-475Z	E CAPACITOR	4.7uF 50V M	
C1314	QETN1HM-475Z	E CAPACITOR	4.7uF 50V M	
C1315	QER61HM-224Z	E CAPACITOR	0.22uF 50V M	
C1316	QER61HM-224Z	E CAPACITOR	0.22uF 50V M	
C1319	NCB31HK-221X	C CAPACITOR	220pF 50V K	
C1321	QETN1HM-475Z	E CAPACITOR	4.7uF 50V M	
C1322	QETN1HM-475Z	E CAPACITOR	4.7uF 50V M	
C1323	QETN1HM-475Z	E CAPACITOR	4.7uF 50V M	
C1324	QETN1HM-475Z	E CAPACITOR	4.7uF 50V M	
C1325	QER61HM-224Z	E CAPACITOR	0.22uF 50V M	
C1326	QER61HM-224Z	E CAPACITOR	0.22uF 50V M	
C1329	NCB31HK-221X	C CAPACITOR	220pF 50V K	
C1331	QETN1HM-475Z	E CAPACITOR	4.7uF 50V M	
C1332	QETN1HM-475Z	E CAPACITOR	4.7uF 50V M	
C1333	QETN1HM-475Z	E CAPACITOR	4.7uF 50V M	
C1334	QETN1HM-475Z	E CAPACITOR	4.7uF 50V M	
C1339	NCB31HK-221X	C CAPACITOR	220pF 50V K	
C1341	QETN1HM-475Z	E CAPACITOR	4.7uF 50V M	
C1343	QETN1HM-475Z	E CAPACITOR	4.7uF 50V M	
C1344	QETN1CM-226Z	E CAPACITOR	22uF 16V M	
C1349	NCB31HK-221X	C CAPACITOR	220pF 50V K	
C1350	NCB31HK-221X	C CAPACITOR	220pF 50V K	
C1360	NCB31EK-223X	C CAPACITOR	0.022uF 25V K	
C1361	NCB31HK-681X	C CAPACITOR	680pF 50V K	
C1362	NCB31HK-681X	C CAPACITOR	680pF 50V K	
C1363	QETN1HM-475Z	E CAPACITOR	4.7uF 50V M	
C1364	QETN1HM-475Z	E CAPACITOR	4.7uF 50V M	
C1365	QETN1HM-475Z	E CAPACITOR	4.7uF 50V M	
C1366	QETN1HM-475Z	E CAPACITOR	4.7uF 50V M	
C1367	NCB31EK-223X	C CAPACITOR	0.022uF 25V K	
C1373	QETN1EM-476Z	E CAPACITOR	47uF 25V M	
C1374	NCB31HK-103X	C CAPACITOR	0.01uF 50V K	
C1375	QETN1EM-226Z	E CAPACITOR	22uF 25V M	
C1376	QETN1CM-226Z	E CAPACITOR	22uF 16V M	
C1377	QETN1EM-226Z	E CAPACITOR	22uF 25V M	
C1379	QETN1EM-226Z	E CAPACITOR	22uF 25V M	
C1381	NCS31HJ-470X	C CAPACITOR	47pF 50V J	
C1382	NCS31HJ-470X	C CAPACITOR	47pF 50V J	
C1383	NCS31HJ-470X	C CAPACITOR	47pF 50V J	
C1384	QETN1EM-476Z	E CAPACITOR	47uF 25V M	
C1385	QETN1HM-475Z	E CAPACITOR	4.7uF 50V M	
C1386	QETN1HM-475Z	E CAPACITOR	4.7uF 50V M	
C1387	NCS31HJ-470X	C CAPACITOR	47pF 50V J	
C1388	NCS31HJ-470X	C CAPACITOR	47pF 50V J	
C1389	NCS31HJ-470X	C CAPACITOR	47pF 50V J	
C1390	QETN1EM-476Z	E CAPACITOR	47uF 25V M	
C1391	QETN1HM-475Z	E CAPACITOR	4.7uF 50V M	
C1392	QETN1HM-475Z	E CAPACITOR	4.7uF 50V M	
C1393	NCS31HJ-101X	C CAPACITOR	100pF 50V J	
C1394	NCS31HJ-101X	C CAPACITOR	100pF 50V J	
C1395	NCS31HJ-101X	C CAPACITOR	100pF 50V J	
C1396	QETN0JM-477Z	E CAPACITOR	470uF 6.3V M	
C1397	QETN1AM-107Z	E CAPACITOR	100uF 10V M	
C1398	QETN1AM-107Z	E CAPACITOR	100uF 10V M	
C1411	QETN1HM-106Z	E CAPACITOR	10uF 50V M	

## Input board

Block No. [0][5][0][0]

△ Symbol No.	Part No.	Part Name	Description	Local
PW401	QUB130-24PPDM	SIN TWIST WIRE		
IC304	HA17558AF-X	IC		
IC380	TC9162AF-X	IC		
IC381	TC9459F-X	IC		
IC382	TC9459F-X	IC		
IC383	TC9459F-X	IC		
IC384	TC9459F-X	IC		
IC386	HA17558AF-X	IC		
IC389	MM74HC4053SJ-X	IC		
IC390	NJM2580M-X	IC		
IC396	HA17558AF-X	IC		
IC397	HA17558AF-X	IC		
IC398	HA17558AF-X	IC		
IC399	HA17558AF-X	IC		
Q1310	KRA104S-X	DIGI TRANSISTOR		
Q1313	2SC3576-JVC-T	TRANSISTOR		
Q1314	2SC3576-JVC-T	TRANSISTOR		
Q1324	2SC3576-JVC-T	TRANSISTOR		
Q1333	2SC3576-JVC-T	TRANSISTOR		
Q1334	2SC3576-JVC-T	TRANSISTOR		
Q1421	2SC3576-JVC-T	TRANSISTOR		
Q1422	2SC3576-JVC-T	TRANSISTOR		
Q1428	KRC107S-X	DIGI TRANSISTOR		
Q1429	KRA104S-X	DIGI TRANSISTOR		
Q1441	2SC3576-JVC-T	TRANSISTOR		
Q1442	2SC3576-JVC-T	TRANSISTOR		
Q1445	2SC3576-JVC-T	TRANSISTOR		
Q1447	KRA104S-X	DIGI TRANSISTOR		
Q1448	KRC107S-X	DIGI TRANSISTOR		
Q1449	KRA104S-X	DIGI TRANSISTOR		
Q1461	2SC3576-JVC-T	TRANSISTOR		
Q1462	2SC3576-JVC-T	TRANSISTOR		
Q1468	KRC107S-X	DIGI TRANSISTOR		
Q1469	KRA104S-X	DIGI TRANSISTOR		
Q1481	2SC3576-JVC-T	TRANSISTOR		
Q1482	2SC3576-JVC-T	TRANSISTOR		
Q1488	KRC107S-X	DIGI TRANSISTOR		
Q1489	KRA104S-X	DIGI TRANSISTOR		
Q1490	KRA104S-X	DIGI TRANSISTOR		
Q1491	2SC3576-JVC-T	TRANSISTOR		
Q1492	2SC3576-JVC-T	TRANSISTOR		
D1350	MA3062/H-X	Z DIODE		
D1428	1SS355-X	SI DIODE		
D1429	1SS355-X	SI DIODE		
D1448	1SS355-X	SI DIODE		
D1449	1SS355-X	SI DIODE		
D1468	1SS355-X	SI DIODE		
D1469	1SS355-X	SI DIODE		
D1488	1SS355-X	SI DIODE		
D1489	1SS355-X	SI DIODE		

△ Symbol No.	Part No.	Part Name	Description	Local	△ Symbol No.	Part No.	Part Name	Description	Local
C1412	QETN1HM-106Z	E CAPACITOR	10uF 50V M		R1362	NRSA63J-561X	MG RESISTOR	560Ω 1/16W J	
C1413	QETN1HM-106Z	E CAPACITOR	10uF 50V M		R1362	NRSA63J-561X	MG RESISTOR	560Ω 1/16W J	
C1414	QETN1HM-106Z	E CAPACITOR	10uF 50V M		R1363	NRSA63J-104X	MG RESISTOR	100kΩ 1/16W J	
C1428	QETN1CM-226Z	E CAPACITOR	22uF 16V M		R1364	NRSA63J-104X	MG RESISTOR	100kΩ 1/16W J	
C1431	QETN1HM-475Z	E CAPACITOR	4.7uF 50V M		R1365	NRSA63J-104X	MG RESISTOR	100kΩ 1/16W J	
C1432	QETN1HM-106Z	E CAPACITOR	10uF 50V M		R1366	NRSA63J-104X	MG RESISTOR	100kΩ 1/16W J	
C1433	QETN1HM-475Z	E CAPACITOR	4.7uF 50V M		R1367	NRSA63J-104X	MG RESISTOR	100kΩ 1/16W J	
C1434	QETN1HM-106Z	E CAPACITOR	10uF 50V M		R1368	NRSA63J-104X	MG RESISTOR	100kΩ 1/16W J	
C1439	QETN1EM-476Z	E CAPACITOR	47uF 25V M		R1369	NRSA63J-0R0X	MG RESISTOR	0Ω 1/16W J	
C1440	QETN1EM-476Z	E CAPACITOR	47uF 25V M		R1370	NRSA63J-0R0X	MG RESISTOR	0Ω 1/16W J	
C1448	QETN1CM-226Z	E CAPACITOR	22uF 16V M		R1373	NRSA63J-105X	MG RESISTOR	1MΩ 1/16W J	
C1451	QETN1HM-106Z	E CAPACITOR	10uF 50V M		R1385	NRSA63J-750X	MG RESISTOR	75Ω 1/16W J	
C1452	QETN1HM-106Z	E CAPACITOR	10uF 50V M		R1386	NRSA63J-750X	MG RESISTOR	75Ω 1/16W J	
C1453	QETN1HM-106Z	E CAPACITOR	10uF 50V M		R1387	NRSA63J-750X	MG RESISTOR	75Ω 1/16W J	
C1454	QETN1HM-106Z	E CAPACITOR	10uF 50V M		R1388	NRSA63J-750X	MG RESISTOR	75Ω 1/16W J	
C1468	QETN1CM-226Z	E CAPACITOR	22uF 16V M		R1389	NRSA63J-750X	MG RESISTOR	75Ω 1/16W J	
C1471	QETN1HM-106Z	E CAPACITOR	10uF 50V M		R1390	NRSA63J-750X	MG RESISTOR	75Ω 1/16W J	
C1473	QETN1HM-106Z	E CAPACITOR	10uF 50V M		R1391	NRSA63J-750X	MG RESISTOR	75Ω 1/16W J	
C1474	QETN1HM-106Z	E CAPACITOR	10uF 50V M		R1392	NRSA63J-750X	MG RESISTOR	75Ω 1/16W J	
C1488	QETN1CM-226Z	E CAPACITOR	22uF 16V M		R1393	NRSA63J-750X	MG RESISTOR	75Ω 1/16W J	
C1491	NCB31HK-331X	C CAPACITOR	330pF 50V K		R1394	NRSA63J-473X	MG RESISTOR	47kΩ 1/16W J	
C1492	NCB31HK-331X	C CAPACITOR	330pF 50V K		R1395	NRSA63J-473X	MG RESISTOR	47kΩ 1/16W J	
C1493	NCB31HK-331X	C CAPACITOR	330pF 50V K		R1396	NRSA63J-473X	MG RESISTOR	47kΩ 1/16W J	
C1494	NCB31HK-331X	C CAPACITOR	330pF 50V K		R1411	NRSA63J-104X	MG RESISTOR	100kΩ 1/16W J	
C1495	NCB31HK-331X	C CAPACITOR	330pF 50V K		R1412	NRSA63J-104X	MG RESISTOR	100kΩ 1/16W J	
C1496	NCB31HK-331X	C CAPACITOR	330pF 50V K		R1413	NRSA63J-122X	MG RESISTOR	1.2kΩ 1/16W J	
C1497	NCB31HK-331X	C CAPACITOR	330pF 50V K		R1414	NRSA63J-122X	MG RESISTOR	1.2kΩ 1/16W J	
C1498	NCB31HK-331X	C CAPACITOR	330pF 50V K		R1415	NRSA63J-512X	MG RESISTOR	5.1kΩ 1/16W J	
C1499	QCZ0202-155Z	C CAPACITOR	1.5uF 25V Z		R1416	NRSA63J-512X	MG RESISTOR	5.1kΩ 1/16W J	
					R1417	NRSA63J-104X	MG RESISTOR	100kΩ 1/16W J	
R333	NRSA63J-471X	MG RESISTOR	470Ω 1/16W J		R1418	NRSA63J-104X	MG RESISTOR	100kΩ 1/16W J	
R334	NRSA63J-471X	MG RESISTOR	470Ω 1/16W J		R1421	NRSA63J-102X	MG RESISTOR	1kΩ 1/16W J	
R361	NRSA63J-104X	MG RESISTOR	100kΩ 1/16W J		R1422	NRSA63J-102X	MG RESISTOR	1kΩ 1/16W J	
R362	NRSA63J-104X	MG RESISTOR	100kΩ 1/16W J		R1423	NRSA63J-103X	MG RESISTOR	10kΩ 1/16W J	
R363	NRSA63J-104X	MG RESISTOR	100kΩ 1/16W J		R1424	NRSA63J-103X	MG RESISTOR	10kΩ 1/16W J	
R364	NRSA63J-104X	MG RESISTOR	100kΩ 1/16W J		R1428	NRSA63J-102X	MG RESISTOR	1kΩ 1/16W J	
R365	NRSA63J-104X	MG RESISTOR	100kΩ 1/16W J		R1429	NRSA63J-474X	MG RESISTOR	470kΩ 1/16W J	
R366	NRSA63J-104X	MG RESISTOR	100kΩ 1/16W J		R1431	NRSA63J-104X	MG RESISTOR	100kΩ 1/16W J	
R470	NRSA63J-750X	MG RESISTOR	75Ω 1/16W J		R1432	NRSA63J-104X	MG RESISTOR	100kΩ 1/16W J	
R471	NRSA63J-750X	MG RESISTOR	75Ω 1/16W J		R1433	NRSA63J-122X	MG RESISTOR	1.2kΩ 1/16W J	
R472	NRSA63J-750X	MG RESISTOR	75Ω 1/16W J		R1434	NRSA63J-122X	MG RESISTOR	1.2kΩ 1/16W J	
R473	NRSA63J-471X	MG RESISTOR	470Ω 1/16W J		R1435	NRSA63J-912X	MG RESISTOR	9.1kΩ 1/16W J	
R474	NRSA63J-471X	MG RESISTOR	470Ω 1/16W J		R1436	NRSA63J-512X	MG RESISTOR	5.1kΩ 1/16W J	
R492	NRSA63J-221X	MG RESISTOR	220Ω 1/16W J		R1437	NRSA63J-104X	MG RESISTOR	100kΩ 1/16W J	
R495	NRSA63J-102X	MG RESISTOR	1kΩ 1/16W J		R1438	NRSA63J-104X	MG RESISTOR	100kΩ 1/16W J	
R1301	QRZ9005-680X	FUSI RESISTOR	68Ω		R1439	QRZ9005-680X	FUSI RESISTOR	68Ω	
R1302	QRZ9005-680X	FUSI RESISTOR	68Ω		R1440	QRZ9005-680X	FUSI RESISTOR	68Ω	
R1303	NRSA63J-122X	MG RESISTOR	1.2kΩ 1/16W J		R1441	NRSA63J-471X	MG RESISTOR	470Ω 1/16W J	
R1304	NRSA63J-122X	MG RESISTOR	1.2kΩ 1/16W J		R1442	NRSA63J-102X	MG RESISTOR	1kΩ 1/16W J	
R1305	NRSA63J-222X	MG RESISTOR	2.2kΩ 1/16W J		R1443	NRSA63J-103X	MG RESISTOR	10kΩ 1/16W J	
R1306	NRSA63J-222X	MG RESISTOR	2.2kΩ 1/16W J		R1444	NRSA63J-103X	MG RESISTOR	10kΩ 1/16W J	
R1307	NRSA63J-562X	MG RESISTOR	5.6kΩ 1/16W J		R1445	NRSA63J-471X	MG RESISTOR	470Ω 1/16W J	
R1308	NRSA63J-562X	MG RESISTOR	5.6kΩ 1/16W J		R1446	NRSA63J-103X	MG RESISTOR	10kΩ 1/16W J	
R1309	NRSA63J-474X	MG RESISTOR	470kΩ 1/16W J		R1447	NRSA63J-474X	MG RESISTOR	470kΩ 1/16W J	
R1310	NRSA63J-102X	MG RESISTOR	1kΩ 1/16W J		R1448	NRSA63J-102X	MG RESISTOR	1kΩ 1/16W J	
R1311	NRSA63J-104X	MG RESISTOR	100kΩ 1/16W J		R1449	NRSA63J-474X	MG RESISTOR	470kΩ 1/16W J	
R1312	NRSA63J-104X	MG RESISTOR	100kΩ 1/16W J		R1451	NRSA63J-104X	MG RESISTOR	100kΩ 1/16W J	
R1313	NRSA63J-102X	MG RESISTOR	1kΩ 1/16W J		R1452	NRSA63J-104X	MG RESISTOR	100kΩ 1/16W J	
R1314	NRSA63J-102X	MG RESISTOR	1kΩ 1/16W J		R1453	NRSA63J-122X	MG RESISTOR	1.2kΩ 1/16W J	
R1315	NRSA63J-103X	MG RESISTOR	10kΩ 1/16W J		R1454	NRSA63J-122X	MG RESISTOR	1.2kΩ 1/16W J	
R1316	NRSA63J-103X	MG RESISTOR	10kΩ 1/16W J		R1455	NRSA63J-512X	MG RESISTOR	5.1kΩ 1/16W J	
R1321	NRSA63J-104X	MG RESISTOR	100kΩ 1/16W J		R1456	NRSA63J-512X	MG RESISTOR	5.1kΩ 1/16W J	
R1322	NRSA63J-104X	MG RESISTOR	100kΩ 1/16W J		R1457	NRSA63J-104X	MG RESISTOR	100kΩ 1/16W J	
R1324	NRSA63J-102X	MG RESISTOR	1kΩ 1/16W J		R1458	NRSA63J-104X	MG RESISTOR	100kΩ 1/16W J	
R1326	NRSA63J-103X	MG RESISTOR	10kΩ 1/16W J		R1461	NRSA63J-102X	MG RESISTOR	1kΩ 1/16W J	
R1331	NRSA63J-104X	MG RESISTOR	100kΩ 1/16W J		R1462	NRSA63J-102X	MG RESISTOR	1kΩ 1/16W J	
R1332	NRSA63J-104X	MG RESISTOR	100kΩ 1/16W J		R1463	NRSA63J-103X	MG RESISTOR	10kΩ 1/16W J	
R1333	NRSA63J-102X	MG RESISTOR	1kΩ 1/16W J		R1464	NRSA63J-103X	MG RESISTOR	10kΩ 1/16W J	
R1334	NRSA63J-102X	MG RESISTOR	1kΩ 1/16W J		R1468	NRSA63J-102X	MG RESISTOR	1kΩ 1/16W J	
R1335	NRSA63J-103X	MG RESISTOR	10kΩ 1/16W J		R1469	NRSA63J-474X	MG RESISTOR	470kΩ 1/16W J	
R1336	NRSA63J-103X	MG RESISTOR	10kΩ 1/16W J		R1471	NRSA63J-104X	MG RESISTOR	100kΩ 1/16W J	
R1341	NRSA63J-104X	MG RESISTOR	100kΩ 1/16W J		R1472	NRSA63J-511X	MG RESISTOR	510Ω 1/16W J	
R1342	NRSA63J-103X	MG RESISTOR	10kΩ 1/16W J		R1473	NRSA63J-122X	MG RESISTOR	1.2kΩ 1/16W J	
R1343	NRSA63J-474X	MG RESISTOR	470kΩ 1/16W J		R1474	NRSA63J-103X	MG RESISTOR	10kΩ 1/16W J	
R1350	NRSA63J-471X	MG RESISTOR	470Ω 1/16W J		R1475	NRSA63J-512X	MG RESISTOR	5.1kΩ 1/16W J	
R1351	NRSA63J-221X	MG RESISTOR	220Ω 1/16W J		R1476	NRSA63J-103X	MG RESISTOR	10kΩ 1/16W J	
R1355	NRSA63J-221X	MG RESISTOR	220Ω 1/16W J		R1477	NRSA63J-104X	MG RESISTOR	100kΩ 1/16W J	
R1361	NRSA63J-102X	MG RESISTOR	1kΩ 1/16W J		R1478	NRSA63J-104X	MG RESISTOR	100kΩ 1/16W J	

△ Symbol No.	Part No.	Part Name	Description	Local	△ Symbol No.	Part No.	Part Name	Description	Local
R1481	NRSA63J-102X	MG RESISTOR	1kΩ 1/16W J		Q2156	DTA114YE-X	TRANSISTOR		
R1482	NRSA63J-102X	MG RESISTOR	1kΩ 1/16W J		Q2157	DTA114YE-X	TRANSISTOR		
R1483	NRSA63J-103X	MG RESISTOR	10kΩ 1/16W J		Q2158	DTA114YE-X	TRANSISTOR		
R1484	NRSA63J-103X	MG RESISTOR	10kΩ 1/16W J		Q2201	2SD2114K/VW/-X	TRANSISTOR		
R1486	NRSA63J-511X	MG RESISTOR	510Ω 1/16W J		Q2202	2SD2114K/VW/-X	TRANSISTOR		
R1487	NRSA63J-103X	MG RESISTOR	10kΩ 1/16W J		Q2273	2SC2412K/RS/-X	TRANSISTOR		
R1488	NRSA63J-102X	MG RESISTOR	1kΩ 1/16W J		Q2274	2SC2412K/RS/-X	TRANSISTOR		
R1489	NRSA63J-474X	MG RESISTOR	470kΩ 1/16W J		Q2301	2SD2114K/VW/-X	TRANSISTOR		
R1490	NRSA63J-102X	MG RESISTOR	1kΩ 1/16W J		Q2302	2SD2114K/VW/-X	TRANSISTOR		
CN205	QGB1214J1-10S	CONNECTOR	B-B (1-10)		Q2363	2SD2114K/VW/-X	TRANSISTOR		
CN361	QGB1214J1-06S	CONNECTOR	B-B (1-6)		Q2364	2SD2114K/VW/-X	TRANSISTOR		
CN381	QGB1214J1-18S	CONNECTOR	B-B (1-18)		Q2375	2SC2412K/RS/-X	TRANSISTOR		
CN406	WJJP0048-001A	E-SH C WIRE C-B			Q2376	2SC2412K/RS/-X	TRANSISTOR		
CN413	QJK025-020801	SIN CR C-B WIRE			Q2401	2SD2114K/VW/-X	TRANSISTOR		
CN501	QGB1214J1-14S	CONNECTOR	B-B (1-14)		Q2431	2SC2412K/RS/-X	TRANSISTOR		
CN731	QJP002-021901	SHI CR C-B WIRE			Q2801	2SD2114K/VW/-X	TRANSISTOR		
CN732	QJP001-031701	SHI CR C-B WIRE			C571	NCB31HK-103X	C CAPACITOR	0.01uF 50V K	
CN733	QJP017-021701	SHI CR C-B WIRE			C572	NEA70GM-107X	E CAPACITOR	100uF 4V M	
CN734	WJJP0047-001A	E-SH C WIRE C-B			C573	NCF31CZ-104X	C CAPACITOR	0.1uF 16V Z	
CN735	QJP007-031301	CONNECTOR			C577	NCS31HJ-101X	C CAPACITOR	100pF 50V J	
J400	QNZ0647-001	JACK UNIT			C579	NCS31HJ-101X	C CAPACITOR	100pF 50V J	
J1350	QNS0089-001	3.5 JACK			C581	NEA71CM-106X	E CAPACITOR	10uF 16V M	
J1352	QNS0089-001	3.5 JACK			C582	NEA71CM-106X	E CAPACITOR	10uF 16V M	
J1360	QNN0548-001	4PIN JACK ASSY			C583	NEA70JM-476X	E CAPACITOR	47uF 6.3V M	
J1380	QNN0391-001	PIN JACK			C584	NCF31AZ-105X	C CAPACITOR	1uF 10V Z	
J1490	QNN0549-001	PIN JACK			C587	NCF31CZ-104X	C CAPACITOR	0.1uF 16V Z	
J1491	QNN0485-001	PIN JACK			C588	NEA70JM-227X	E CAPACITOR	220uF 6.3V M	
					C589	NCF31CZ-104X	C CAPACITOR	0.1uF 16V Z	
					C590	NEA70GM-107X	E CAPACITOR	100uF 4V M	
					C591	NCS31HJ-471X	C CAPACITOR	470pF 50V J	
					C2001	NEA71EM-475X	E CAPACITOR	4.7uF 25V M	
					C2002	NEA71EM-475X	E CAPACITOR	4.7uF 25V M	
					C2003	NCB31HK-122X	C CAPACITOR	1200pF 50V K	
					C2004	NCB31HK-122X	C CAPACITOR	1200pF 50V K	
					C2005	NCS31HK-121X	C CAPACITOR	120pF 50V K	
					C2006	NCS31HK-121X	C CAPACITOR	120pF 50V K	
					C2007	NCS31HJ-391X	C CAPACITOR	390pF 50V J	
					C2008	NCS31HJ-391X	C CAPACITOR	390pF 50V J	
					C2009	NCF31CZ-104X	C CAPACITOR	0.1uF 16V Z	
					C2010	NCF31CZ-104X	C CAPACITOR	0.1uF 16V Z	
					C2013	NCS31HJ-330X	C CAPACITOR	33pF 50V J	
					C2014	NCS31HJ-330X	C CAPACITOR	33pF 50V J	
					C2018	NEA70JM-476X	E CAPACITOR	47uF 6.3V M	
					C2019	NCF31CZ-104X	C CAPACITOR	0.1uF 16V Z	
					C2020	NCF31CZ-104X	C CAPACITOR	0.1uF 16V Z	
					C2021	NCB31HK-221X	C CAPACITOR	220pF 50V K	
					C2022	NCB31HK-221X	C CAPACITOR	220pF 50V K	
					C2101	NCB31HK-561X	C CAPACITOR	560pF 50V K	
					C2107	NEA71EM-475X	E CAPACITOR	4.7uF 25V M	
					C2127	NCF31CZ-104X	C CAPACITOR	0.1uF 16V Z	
					C2128	NCF31CZ-104X	C CAPACITOR	0.1uF 16V Z	
					C2130	NEA71HM-475X	E CAPACITOR	4.7uF 50V M	
					C2131	NCB31CK-823X	C CAPACITOR	0.082uF 16V K	
					C2132	NFV41HJ-333X	C CAPACITOR	0.033uF 50V J	
					C2152	NCF31CZ-104X	C CAPACITOR	0.1uF 16V Z	
					C2153	NCF31CZ-104X	C CAPACITOR	0.1uF 16V Z	
					C2154	NCB31CK-823X	C CAPACITOR	0.082uF 16V K	
					C2155	NFV41HJ-333X	C CAPACITOR	0.033uF 50V J	
					C2181	NCS31HJ-330X	C CAPACITOR	33pF 50V J	
					C2182	NEA71EM-475X	E CAPACITOR	4.7uF 25V M	
					C2201	NCB31HK-102X	C CAPACITOR	1000pF 50V K	
					C2202	NCB31HK-102X	C CAPACITOR	1000pF 50V K	
					C2207	NEA71HM-475X	E CAPACITOR	4.7uF 50V M	
					C2208	NEA71HM-475X	E CAPACITOR	4.7uF 50V M	
					C2211	NCB31HK-331X	C CAPACITOR	330pF 50V K	
					C2212	NCB31HK-331X	C CAPACITOR	330pF 50V K	
					C2213	NCF31CZ-104X	C CAPACITOR	0.1uF 16V Z	
					C2214	NCF31CZ-104X	C CAPACITOR	0.1uF 16V Z	
					C2215	NCB31HK-272X	C CAPACITOR	2700pF 50V K	
					C2216	NCB31HK-272X	C CAPACITOR	2700pF 50V K	
					C2230	NEA71HM-475X	E CAPACITOR	4.7uF 50V M	
					C2237	NCS31HJ-330X	C CAPACITOR	33pF 50V J	
					C2238	NCS31HJ-330X	C CAPACITOR	33pF 50V J	
					C2241	NCF31CZ-104X	C CAPACITOR	0.1uF 16V Z	
					C2242	NCF31CZ-104X	C CAPACITOR	0.1uF 16V Z	
					C2243	NCS31HJ-181X	C CAPACITOR	180pF 50V J	
					C2244	NCS31HJ-181X	C CAPACITOR	180pF 50V J	

## DSP board

Block No. [0][6][0][0]

△ Symbol No.	Part No.	Part Name	Description	Local
IC501	DSPD56367PV150	IC		
IC502	NC7SU04P5-X	IC(DIGITAL)		
IC503	NC7S04P5-X	IC(DIGITAL)		
IC505	PQ070XZ1HZ-X	IC		
IC506	MM1563DF-X	IC	3.3V Regulator	
IC507	PQ20VZ11-X	IC		
IC511	39VF0207CWHR01	IC		
IC512	IC63LV102410K-X	IC		
IC513	IC63LV102410K-X	IC		
IC514	IC63LV102410K-X	IC		
IC520	HA17558AF-X	IC		
IC521	HA17558AF-X	IC		
IC522	HA17558AF-X	IC		
IC523	HA17558AF-X	IC		
IC524	HA17558AF-X	IC		
IC525	HA17558AF-X	IC		
IC526	HA17558AF-X	IC		
IC527	NJM2121M-X	IC		
IC528	HA17558AF-X	IC		
IC529	HA17558AF-X	IC		
IC530	HA17558AF-X	IC		
IC541	JCV8009-W	IC		
IC551	AK4112BVF-X	IC(MICRO C ROM)		
IC552	NC7WZ241K8-X	IC		
IC561	MN35505-X	IC		
IC571	AK4527BVQP	IC		
IC572	NC7WZ125K8-X	IC		
IC573	NC7SZ74K8-X	IC		
IC581	UPD784215AGC196	IC		
IC582	NC7ST32P5-X	IC(DIGITAL)		
IC583	MM1563DF-X	IC	3.3V Regulator	
Q570	DTC114YE-X	TRANSISTOR		
Q572	DTC114YE-X	TRANSISTOR		
Q2101	2SD2114K/VW/-X	TRANSISTOR		
Q2131	2SD2114K/VW/-X	TRANSISTOR		
Q2151	DTA114YE-X	TRANSISTOR		
Q2152	DTC114YE-X	TRANSISTOR		
Q2154	DTA114YE-X	TRANSISTOR		
Q2155	DTA114YE-X	TRANSISTOR		

△ Symbol No.	Part No.	Part Name	Description	Local	△ Symbol No.	Part No.	Part Name	Description	Local
C2245	NCB31CK-683X	C CAPACITOR	0.068uF 16V K		C2534	NCF31CZ-104X	C CAPACITOR	0.1uF 16V Z	
C2246	NCB31CK-683X	C CAPACITOR	0.068uF 16V K		C2535	NEA70GM-107X	E CAPACITOR	100uF 4V M	
C2247	NCB31HK-182X	C CAPACITOR	1800pF 50V K		C2536	NCF31CZ-104X	C CAPACITOR	0.1uF 16V Z	
C2248	NCB31HK-182X	C CAPACITOR	1800pF 50V K		C2537	NEA70GM-107X	E CAPACITOR	100uF 4V M	
C2251	NCF31CZ-104X	C CAPACITOR	0.1uF 16V Z		C2538	NCF31CZ-104X	C CAPACITOR	0.1uF 16V Z	
C2252	NCF31CZ-104X	C CAPACITOR	0.1uF 16V Z		C2539	NCF31CZ-104X	C CAPACITOR	0.1uF 16V Z	
C2255	NCF31CZ-104X	C CAPACITOR	0.1uF 16V Z		C2540	NCS31HJ-471X	C CAPACITOR	470pF 50V J	
C2256	NCF31CZ-104X	C CAPACITOR	0.1uF 16V Z		C2560	NCF31CZ-104X	C CAPACITOR	0.1uF 16V Z	
C2261	NEA71CM-106X	E CAPACITOR	10uF 16V M		C2561	NCF31CZ-104X	C CAPACITOR	0.1uF 16V Z	
C2262	NCF21CZ-155X	C CAPACITOR	1.5uF 16V Z		C2562	NCF31CZ-104X	C CAPACITOR	0.1uF 16V Z	
C2263	NEA71CM-106X	E CAPACITOR	10uF 16V M		C2563	NCF31CZ-104X	C CAPACITOR	0.1uF 16V Z	
C2264	NCF21CZ-155X	C CAPACITOR	1.5uF 16V Z		C2564	NCF31CZ-104X	C CAPACITOR	0.1uF 16V Z	
C2265	NEA71CM-106X	E CAPACITOR	10uF 16V M		C2565	NCS31HJ-101X	C CAPACITOR	100pF 50V J	
C2266	NCF21CZ-155X	C CAPACITOR	1.5uF 16V Z		C2568	NEA71HM-105X	E CAPACITOR	1uF 50V M	
C2267	NCF21CZ-155X	C CAPACITOR	1.5uF 16V Z		C2571	NCF31CZ-104X	C CAPACITOR	0.1uF 16V Z	
C2268	NCB30JK-105X	C CAPACITOR	1uF 6.3V K		C2572	NEA70GM-107X	E CAPACITOR	100uF 4V M	
C2269	NCB31HK-103X	C CAPACITOR	0.01uF 50V K		C2573	NCF31CZ-104X	C CAPACITOR	0.1uF 16V Z	
C2270	NCB31AK-224X	C CAPACITOR	0.22uF 10V K		C2574	NEA70GM-107X	E CAPACITOR	100uF 4V M	
C2271	NEA71EM-475X	E CAPACITOR	4.7uF 25V M		C2575	NCF31CZ-104X	C CAPACITOR	0.1uF 16V Z	
C2272	NEA71EM-475X	E CAPACITOR	4.7uF 25V M		C2576	NEA70GM-107X	E CAPACITOR	100uF 4V M	
C2281	NEA71EM-475X	E CAPACITOR	4.7uF 25V M		C2605	NCF31AZ-105X	C CAPACITOR	1uF 10V Z	
C2282	NEA71EM-475X	E CAPACITOR	4.7uF 25V M		C2606	NCF31AZ-105X	C CAPACITOR	1uF 10V Z	
C2283	NCS31HJ-330X	C CAPACITOR	33pF 50V J		C2607	NCF31AZ-105X	C CAPACITOR	1uF 10V Z	
C2284	NCS31HJ-330X	C CAPACITOR	33pF 50V J		C2608	NCF31AZ-105X	C CAPACITOR	1uF 10V Z	
C2291	NEA71CM-106X	E CAPACITOR	10uF 16V M		C2609	NCF31AZ-105X	C CAPACITOR	1uF 10V Z	
C2292	NCF31CZ-104X	C CAPACITOR	0.1uF 16V Z		C2701	NCS31HJ-100X	C CAPACITOR	10pF 50V J	
C2301	NCB31HK-561X	C CAPACITOR	560pF 50V K		C2702	NCS31HJ-100X	C CAPACITOR	10pF 50V J	
C2302	NCB31HK-561X	C CAPACITOR	560pF 50V K		C2703	NEA71HM-225X	E CAPACITOR	2.2uF 50V M	
C2307	NEA71HM-225X	E CAPACITOR	2.2uF 50V M		C2704	NEA71CM-106X	E CAPACITOR	10uF 16V M	
C2308	NEA71HM-225X	E CAPACITOR	2.2uF 50V M		C2705	NCF31CZ-104X	C CAPACITOR	0.1uF 16V Z	
C2351	NEA71HM-105X	E CAPACITOR	1uF 50V M		C2706	NCF31CZ-104X	C CAPACITOR	0.1uF 16V Z	
C2352	NEA71HM-105X	E CAPACITOR	1uF 50V M		C2707	NEA71CM-106X	E CAPACITOR	10uF 16V M	
C2353	NCS31HJ-330X	C CAPACITOR	33pF 50V J		C2708	NEA71CM-106X	E CAPACITOR	10uF 16V M	
C2354	NCS31HJ-330X	C CAPACITOR	33pF 50V J		C2709	NCF31CZ-104X	C CAPACITOR	0.1uF 16V Z	
C2355	NCF31CZ-104X	C CAPACITOR	0.1uF 16V Z		C2710	NCF31CZ-104X	C CAPACITOR	0.1uF 16V Z	
C2356	NCF31CZ-104X	C CAPACITOR	0.1uF 16V Z		C2711	NEA71CM-106X	E CAPACITOR	10uF 16V M	
C2357	NEA71HM-225X	E CAPACITOR	2.2uF 50V M		C2712	NCF31CZ-104X	C CAPACITOR	0.1uF 16V Z	
C2358	NEA71HM-225X	E CAPACITOR	2.2uF 50V M		C2713	NCF31CZ-104X	C CAPACITOR	0.1uF 16V Z	
C2359	NCS31HJ-821X	C CAPACITOR	820pF 50V J		C2714	NCF31CZ-104X	C CAPACITOR	0.1uF 16V Z	
C2360	NCS31HJ-821X	C CAPACITOR	820pF 50V J		C2715	NCS31HJ-101X	C CAPACITOR	100pF 50V J	
C2401	NCB31HK-561X	C CAPACITOR	560pF 50V K		C2801	NCB31HK-561X	C CAPACITOR	560pF 50V K	
C2407	NEA71HM-225X	E CAPACITOR	2.2uF 50V M		C2807	NEA71HM-225X	E CAPACITOR	2.2uF 50V M	
C2431	NCF31CZ-104X	C CAPACITOR	0.1uF 16V Z		C2853	NCS31HJ-330X	C CAPACITOR	33pF 50V J	
C2432	NCF31CZ-104X	C CAPACITOR	0.1uF 16V Z		C2855	NCF31CZ-104X	C CAPACITOR	0.1uF 16V Z	
C2433	NCS31HJ-330X	C CAPACITOR	33pF 50V J		C2856	NCF31CZ-104X	C CAPACITOR	0.1uF 16V Z	
C2434	NEA71HM-225X	E CAPACITOR	2.2uF 50V M		C2857	NEA71HM-225X	E CAPACITOR	2.2uF 50V M	
C2435	NCS31HJ-821X	C CAPACITOR	820pF 50V J		C2859	NCS31HJ-821X	C CAPACITOR	820pF 50V J	
C2481	NEA70JM-476X	E CAPACITOR	47uF 6.3V M						
C2501	NCB31HK-123X	C CAPACITOR	0.012uF 50V K		R570	NRSA63J-103X	MG RESISTOR	10kΩ 1/16W J	
C2502	NCB31HK-103X	C CAPACITOR	0.01uF 50V K		R573	NRSA63J-432X	MG RESISTOR	4.3kΩ 1/16W J	
C2503	NCB31HK-103X	C CAPACITOR	0.01uF 50V K		R574	NRSA63J-432X	MG RESISTOR	4.3kΩ 1/16W J	
C2504	NCB31HK-103X	C CAPACITOR	0.01uF 50V K		R575	NRSA63J-432X	MG RESISTOR	4.3kΩ 1/16W J	
C2505	NCB31HK-103X	C CAPACITOR	0.01uF 50V K		R576	NRSA63J-432X	MG RESISTOR	4.3kΩ 1/16W J	
C2506	NCB31HK-103X	C CAPACITOR	0.01uF 50V K		R577	NRSA63J-822X	MG RESISTOR	8.2kΩ 1/16W J	
C2507	NCB31HK-103X	C CAPACITOR	0.01uF 50V K		R578	NRSA63J-822X	MG RESISTOR	8.2kΩ 1/16W J	
C2508	NCB31HK-103X	C CAPACITOR	0.01uF 50V K		R579	NRSA63J-822X	MG RESISTOR	8.2kΩ 1/16W J	
C2509	NCB31HK-103X	C CAPACITOR	0.01uF 50V K		R580	NRSA63J-822X	MG RESISTOR	8.2kΩ 1/16W J	
C2510	NCB31HK-103X	C CAPACITOR	0.01uF 50V K		R582	NRSA63J-103X	MG RESISTOR	10kΩ 1/16W J	
C2511	NCB31HK-103X	C CAPACITOR	0.01uF 50V K		R585	NRSA63J-103X	MG RESISTOR	10kΩ 1/16W J	
C2512	NCB31HK-103X	C CAPACITOR	0.01uF 50V K		R586	NRSA63J-103X	MG RESISTOR	10kΩ 1/16W J	
C2513	NCB31HK-103X	C CAPACITOR	0.01uF 50V K		R587	NRSA63J-103X	MG RESISTOR	10kΩ 1/16W J	
C2514	NCB31HK-103X	C CAPACITOR	0.01uF 50V K		R588	NRSA63J-103X	MG RESISTOR	10kΩ 1/16W J	
C2515	NCB31HK-103X	C CAPACITOR	0.01uF 50V K		R2001	NRSA63J-104X	MG RESISTOR	100kΩ 1/16W J	
C2516	NCB31HK-103X	C CAPACITOR	0.01uF 50V K		R2002	NRSA63J-104X	MG RESISTOR	100kΩ 1/16W J	
C2517	NCB31HK-103X	C CAPACITOR	0.01uF 50V K		R2003	NRSA63J-103X	MG RESISTOR	10kΩ 1/16W J	
C2518	NCB31HK-103X	C CAPACITOR	0.01uF 50V K		R2004	NRSA63J-103X	MG RESISTOR	10kΩ 1/16W J	
C2519	NCB31HK-103X	C CAPACITOR	0.01uF 50V K		R2005	NRSA63J-103X	MG RESISTOR	10kΩ 1/16W J	
C2520	NCB31HK-103X	C CAPACITOR	0.01uF 50V K		R2006	NRSA63J-103X	MG RESISTOR	10kΩ 1/16W J	
C2521	NCB31HK-103X	C CAPACITOR	0.01uF 50V K		R2007	NRSA63J-103X	MG RESISTOR	10kΩ 1/16W J	
C2522	NCB31HK-103X	C CAPACITOR	0.01uF 50V K		R2008	NRSA63J-103X	MG RESISTOR	10kΩ 1/16W J	
C2523	NCF31CZ-104X	C CAPACITOR	0.1uF 16V Z		R2009	NRSA63J-103X	MG RESISTOR	10kΩ 1/16W J	
C2524	NCF31CZ-104X	C CAPACITOR	0.1uF 16V Z		R2010	NRSA63J-103X	MG RESISTOR	10kΩ 1/16W J	
C2525	NCF31CZ-104X	C CAPACITOR	0.1uF 16V Z		R2011	NRSA63J-223X	MG RESISTOR	22kΩ 1/16W J	
C2529	NEA70GM-107X	E CAPACITOR	100uF 4V M		R2012	NRSA63J-223X	MG RESISTOR	22kΩ 1/16W J	
C2530	NCF31CZ-104X	C CAPACITOR	0.1uF 16V Z		R2013	NRSA63J-223X	MG RESISTOR	22kΩ 1/16W J	
C2531	NCF31CZ-104X	C CAPACITOR	0.1uF 16V Z		R2014	NRSA63J-223X	MG RESISTOR	22kΩ 1/16W J	
C2532	NEA70GM-107X	E CAPACITOR	100uF 4V M		R2017	NRSA63J-472X	MG RESISTOR	4.7kΩ 1/16W J	
C2533	NCF31CZ-104X	C CAPACITOR	0.1uF 16V Z		R2018	NRSA63J-472X	MG RESISTOR	4.7kΩ 1/16W J	

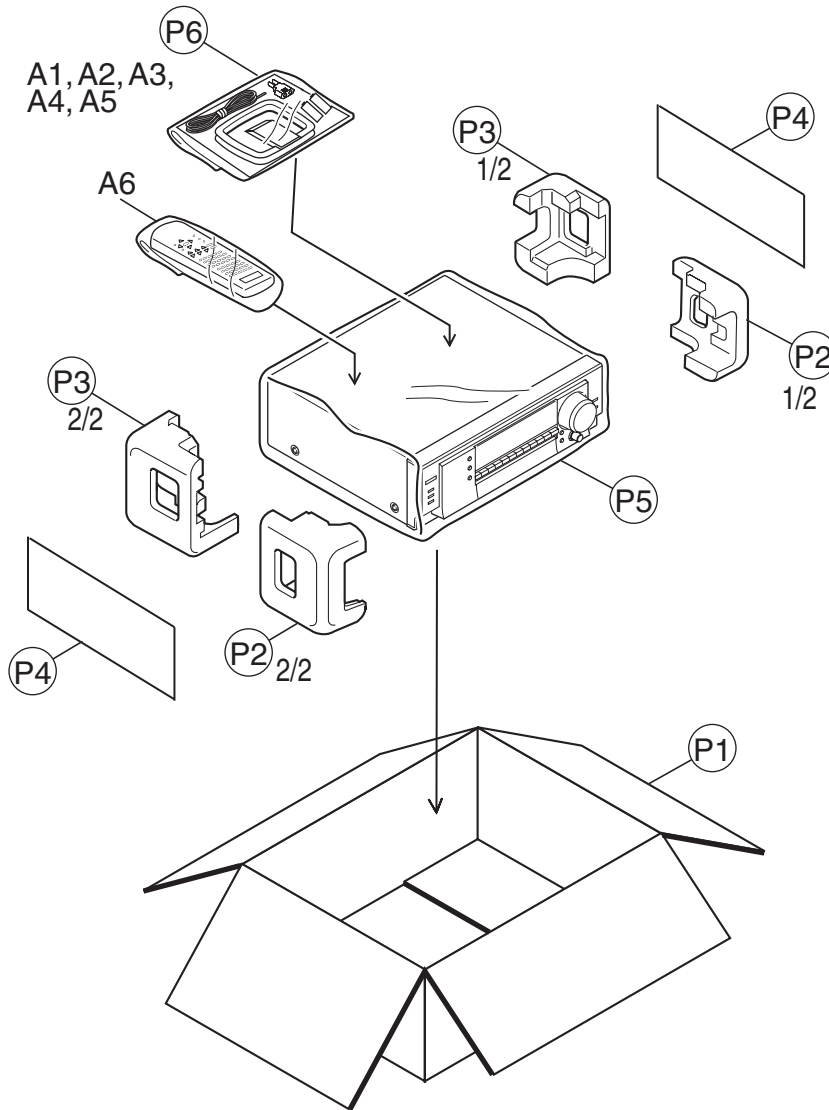


△ Symbol No.	Part No.	Part Name	Description	Local	△ Symbol No.	Part No.	Part Name	Description	Local
R2527	NRSA63J-470X	MG RESISTOR	47Ω 1/16W J		CN587	QGB2510K1-07	CONNECTOR	B-B (1-7)	
R2531	NRSA63F-511X	MG RESISTOR	510Ω 1/16W F		CN588	QGF1205C1-06	CONNECTOR	FFC/FPC (1-6)	
R2532	NRSA63F-102X	MG RESISTOR	1kΩ 1/16W F		CN599	QGA2501C1-03	CONNECTOR	W-B (1-3)	
R2535	NRSA63J-302X	MG RESISTOR	3kΩ 1/16W J		EP561	E409182-001SM	GRAND TERMINAL		
R2536	NRSA63J-102X	MG RESISTOR	1kΩ 1/16W J		J564	QNN0347-001	SURROUND JACK		
R2560	NRSA63J-221X	MG RESISTOR	220Ω 1/16W J		K2261	NQR0007-003X	FERRITE BEADS		
R2561	NRSA63J-221X	MG RESISTOR	220Ω 1/16W J		K2262	NQR0007-003X	FERRITE BEADS		
R2562	NRSA63J-221X	MG RESISTOR	220Ω 1/16W J		K2263	NQR0007-003X	FERRITE BEADS		
R2563	NRSA63J-221X	MG RESISTOR	220Ω 1/16W J		K2264	NQR0007-003X	FERRITE BEADS		
R2564	NRSA63J-0R0X	MG RESISTOR	0Ω 1/16W J		K2606	NQR0269-004X	FERRITE BEADS		
R2565	NRSA63J-750X	MG RESISTOR	75Ω 1/16W J		LC505	NQR0450-001X	EMI FILTER	0.022uF 50V M	
R2568	NRSA63J-221X	MG RESISTOR	220Ω 1/16W J		LC506	NQR0450-001X	EMI FILTER	0.022uF 50V M	
R2571	NRSA63J-221X	MG RESISTOR	220Ω 1/16W J		LC507	NQR0450-001X	EMI FILTER	0.022uF 50V M	
R2572	NRSA63J-221X	MG RESISTOR	220Ω 1/16W J		UN560	GP1FA351TZ	OPT TRANSMITTER		
R2573	NRSA63J-221X	MG RESISTOR	220Ω 1/16W J		UN561	GP1FA351RZ	OPT RECEIVER	Fiber optic receiver	
R2574	NRSA63J-221X	MG RESISTOR	220Ω 1/16W J		UN562	GP1FA351RZ	OPT RECEIVER	Fiber optic receiver	
R2575	NRSA63J-221X	MG RESISTOR	220Ω 1/16W J		UN563	GP1FA351RZ	OPT RECEIVER	Fiber optic receiver	
R2576	NRSA63J-221X	MG RESISTOR	220Ω 1/16W J		X581	NAX0275-001X	C OSCILLATOR	6.144MHz	
R2577	NRSA63J-221X	MG RESISTOR	220Ω 1/16W J		X2501	NAX0308-001X	C RESONATOR	12.500MHz	
R2578	NRSA63J-221X	MG RESISTOR	220Ω 1/16W J		X2701	NAX0435-001X	CRYSTAL	24.576MHz	
R2579	NRSA63J-221X	MG RESISTOR	220Ω 1/16W J						
R2580	NRSA63J-221X	MG RESISTOR	220Ω 1/16W J						
R2582	NRSA63J-221X	MG RESISTOR	220Ω 1/16W J						
R2583	NRSA63J-221X	MG RESISTOR	220Ω 1/16W J						
R2584	NRSA63J-221X	MG RESISTOR	220Ω 1/16W J						
R2585	NRSA63J-221X	MG RESISTOR	220Ω 1/16W J						
R2586	NRSA63J-221X	MG RESISTOR	220Ω 1/16W J						
R2587	NRSA63J-221X	MG RESISTOR	220Ω 1/16W J						
R2588	NRSA63J-221X	MG RESISTOR	220Ω 1/16W J						
R2589	NRSA63J-221X	MG RESISTOR	220Ω 1/16W J						
R2590	NRSA63J-221X	MG RESISTOR	220Ω 1/16W J						
R2591	NRSA63J-221X	MG RESISTOR	220Ω 1/16W J						
R2592	NRSA63J-103X	MG RESISTOR	10kΩ 1/16W J						
R2593	NRSA63J-103X	MG RESISTOR	10kΩ 1/16W J						
R2594	NRSA63J-221X	MG RESISTOR	220Ω 1/16W J						
R2597	NRSA63J-102X	MG RESISTOR	1kΩ 1/16W J						
R2599	NRSA63J-103X	MG RESISTOR	10kΩ 1/16W J						
R2611	NRSA63J-473X	MG RESISTOR	47kΩ 1/16W J						
R2612	NRSA63J-473X	MG RESISTOR	47kΩ 1/16W J						
R2613	NRSA63J-473X	MG RESISTOR	47kΩ 1/16W J						
R2614	NRSA63J-473X	MG RESISTOR	47kΩ 1/16W J						
R2615	NRSA63J-473X	MG RESISTOR	47kΩ 1/16W J						
R2616	NRSA63J-473X	MG RESISTOR	47kΩ 1/16W J						
R2620	NRSA63J-470X	MG RESISTOR	47Ω 1/16W J						
R2621	NRSA63J-470X	MG RESISTOR	47Ω 1/16W J						
R2622	NRSA63J-470X	MG RESISTOR	47Ω 1/16W J						
R2623	NRSA63J-470X	MG RESISTOR	47Ω 1/16W J						
R2624	NRSA63J-470X	MG RESISTOR	47Ω 1/16W J						
R2625	NRSA63J-470X	MG RESISTOR	47Ω 1/16W J						
R2626	NRSA63J-470X	MG RESISTOR	47Ω 1/16W J						
R2627	NRSA63J-470X	MG RESISTOR	47Ω 1/16W J						
R2628	NRSA63J-470X	MG RESISTOR	47Ω 1/16W J						
R2629	NRSA63J-470X	MG RESISTOR	47Ω 1/16W J						
R2630	NRSA63J-470X	MG RESISTOR	47Ω 1/16W J						
R2631	NRSA63J-470X	MG RESISTOR	47Ω 1/16W J						
R2632	NRSA63J-470X	MG RESISTOR	47Ω 1/16W J						
R2633	NRSA63J-470X	MG RESISTOR	47Ω 1/16W J						
R2634	NRSA63J-470X	MG RESISTOR	47Ω 1/16W J						
R2635	NRSA63J-470X	MG RESISTOR	47Ω 1/16W J						
R2636	NRSA63J-470X	MG RESISTOR	47Ω 1/16W J						
R2701	NRSA63J-101X	MG RESISTOR	100Ω 1/16W J						
R2702	NRSA63J-221X	MG RESISTOR	220Ω 1/16W J						
R2703	NRSA63J-221X	MG RESISTOR	220Ω 1/16W J						
R2704	NRSA63J-221X	MG RESISTOR	220Ω 1/16W J						
R2705	NRSA63J-183X	MG RESISTOR	18kΩ 1/16W J						
R2706	NRSA63J-221X	MG RESISTOR	220Ω 1/16W J						
R2711	NRSA63J-221X	MG RESISTOR	220Ω 1/16W J						
R2712	NRSA63J-221X	MG RESISTOR	220Ω 1/16W J						
R2713	NRSA63J-221X	MG RESISTOR	220Ω 1/16W J						
R2801	NRSA63J-103X	MG RESISTOR	10kΩ 1/16W J						
R2805	NRSA63J-102X	MG RESISTOR	1kΩ 1/16W J						
R2807	NRSA63J-104X	MG RESISTOR	100kΩ 1/16W J						
R2857	NRSA63J-473X	MG RESISTOR	47kΩ 1/16W J						
R2859	NRSA63J-273X	MG RESISTOR	27kΩ 1/16W J						
R2861	NRSA63J-0R0X	MG RESISTOR	0Ω 1/16W J						
R2863	NRSA63J-104X	MG RESISTOR	100kΩ 1/16W J						
CN581	QGB1214K1-14S	CONNECTOR	B-B (1-14)						



# Packing materials and accessories parts list

Block No. M 3 M M



## Packing and accessories

Block No. M3MM

△ Symbol No.	Part No.	Part Name	Description	Local
A 1	LVT1007-003A	INST BOOK	ENG	
A 2	-----	BATTERY	(x2)	
A 3	EWP503-001C	ANT.WIRE		
A 4	QAL0014-001	AM LOOP ANT		
△ A 5	QAM0112-002	PLUG ADAPTOR		
A 6	RM-SRX8030J	REMOCON		
P 1	LV21473-002A	CARTON BOX		
P 2	LV20947-001A	PACKING PAD		
P 3	LV20948-002A	PACKING PAD		
P 4	LV32034-004A	SHEET	(x2)	
P 5	QPC06507015P	POLY BAG	65cm x 70cm	
P 6	QPA02503505P	POLY BAG	25cm x 35cm	