

JVC

SERVICE MANUAL

AUDIO/VIDEO CONTROL RECEIVER

RX-8040B

Area suffix

UJ ----- U.S.Military

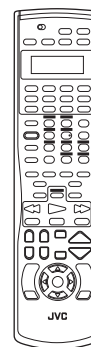
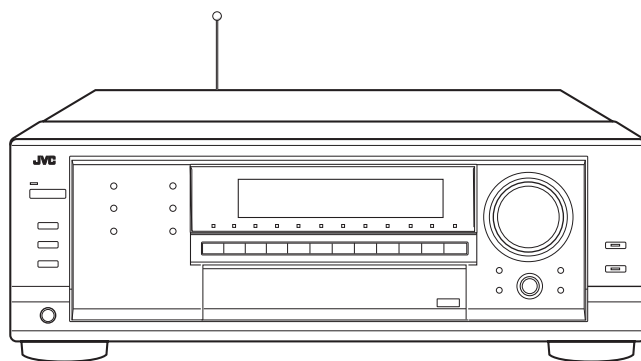


TABLE OF CONTENTS

1	PRECAUTION.....	1-3
2	SPECIFIC SERVICE INSTRUCTIONS.....	1-4
3	DISASSEMBLY.....	1-5
4	ADJUSTMENT.....	1-15
5	TROUBLESHOOTING.....	1-16

SPECIFICATION

Amplifier				
Output Power	At Stereo Operation	Front Channel	100 W*1 per channel, min. RMS, driven into 8 Ω at 1 kHz with no more than 0.8% total harmonic distortion (IEC268-3/DIN).	
		At Surround Operation	Front Channel	100 W*1 per channel, min. RMS, driven into 8 Ω at 1 kHz, with no more than 0.8% total harmonic distortion.
		Center Channel	100 W*1, min. RMS, driven into 8 Ω at 1 kHz, with no more than 0.8% total harmonic distortion.	
		Surround Channel	100 W*1 per channel, min. RMS, driven into 8 Ω at 1 kHz, with no more than 0.8% total harmonic distortion.	
		Surround Back Channel	100 W*1, min. RMS, driven into 8 Ω at 1 kHz, with no more than 0.8% total harmonic distortion.	
Audio	Audio Input Sensitivity/Impedance (1 kHz)		DVD IN, VCR 1 IN, VCR 2 IN, TV SOUND/DBS IN, VIDEO:200 mV/47 kΩ	
			TAPE/MD IN, CDR IN, CD IN:200 mV/47 kΩ	
			PHONO IN (MM):2.5 mV/47 kΩ	
	Audio Input (DIGITAL IN)*2	Coaxial	DIGITAL 1 (DVD):0.5 V(p-p)/75 Ω	
		Optical	DIGITAL 2 (CD), DIGITAL 3 (TV), DIGITAL 4 (CDR):-21 dBm to -15 dBm (660 nm ±30 nm)	
	Audio Output Level		ZONE 2 PREOUT:1 V PREOUT:1 V	
	Recording Output Level		TAPE/MD OUT, CDR OUT, VCR 1 OUT, VCR 2 OUT:200 mV	
	Digital Output (DIGITAL OUT):Optical		Signal wave length:660 nm Output level:-21 dBm to -15 dBm	
	Signal-to-Noise Ratio ('66 IHF/78 IHF)		DVD IN, VCR 1 IN, VCR 2 IN, TV SOUND/DBS IN, VIDEO:87 dB/80 dB	
			TAPE/MD IN, CDR IN, CD IN:87 dB/80 dB	
			PHONO IN (MM):70 dB/78 dB at OUT (REC)	
	Frequency Response (8 Ω)		DVD IN, VCR 1 IN, VCR 2 IN, TV SOUND/DBS IN, VIDEO:20 Hz to 100 kHz (+1 dB, -3 dB)	
TAPE/MD IN, CDR IN, CD IN:20 Hz to 100 kHz (+1 dB, -3 dB)				
PHONO IN (MM):20 Hz to 20 kHz (±1 dB)				
RIAA Phono Equalization		±1.0 dB (20 Hz to 20 kHz)		
Bass Boost		+6 dB ±1.0 dB at 100 Hz		
Equalization		63 Hz, 250 Hz, 1 kHz, 4 kHz, 16 kHz: ±8 dB (in 2 dB steps)		
Video	Video Input Sensitivity/Impedance		Composite Video:DVD IN, TV SOUND/DBS IN, VCR 1 IN, VCR 2 IN, VIDEO	1 V(p-p)/75 Ω
			S-video:DVD IN, TV SOUND/DBS IN, VCR 1 IN, VCR 2 IN, VIDEO	(Y: luminance):1 V(p-p)/75 Ω (C: chrominance, burst):0.286 V(p-p)/75 Ω
			Component Video :DVD IN, DBS (VCR 1) IN	(Y: luminance):1 V(p-p)/75 Ω (PB/PR):0.7 V(p-p)/75 Ω
	Video Output Level		Composite Video:VCR 1 OUT, VCR 2 OUT, MONITOR OUT	1 V(p-p)/75 Ω
			S-video:VCR 1 OUT, VCR 2 OUT, MONITOR OUT	(Y: luminance):1 V(p-p)/75 Ω (C: chrominance, burst):0.286 V(p-p)/75 Ω
			Composite Video:MONITOR OUT	(Y: luminance):1 V(p-p)/75 Ω (PB/PR):0.7 V(p-p)/75 Ω
	Synchronization		Negative	
	Signal-to-Noise Ratio		45 dB	
FM tuner (IHF)				
Tuning Range		87.50 MHz to 108.00 MHz		
Usable Sensitivity	Monaural	12.8 dBf (1.2 μV/75 Ω)		
50 dB Quieting Sensitivity	Monaural	16.0 dBf (1.7 μV/75 Ω)		
	Stereo	37.5 dBf (20.5 μV/75 Ω)		
Stereo Separation at OUT (REC)		35 dB at 1 kHz		
AM tuner				
Tuning Range		531 kHz to 1 602 kHz (at 9 kHz intervals)		
		530 kHz to 1 600 kHz (at 10 kHz intervals)		
General				
Power Requirements		AC 110 V/127 V/220 V/230 V - 240 V , adjustable with the voltage selector, 50 Hz/60 Hz		
Power Consumption		220 W (at operation) 6.0 W (in standby mode)		
Dimensions (W × H × D)		435 mm × 157 mm × 425 mm		
Mass		12.4 kg		

*1: Measured on AC 110 V, 127 V, 220 V and 240 V

*2: Corresponding to Linear PCM, Dolby Digital, and DTS (with sampling frequency -32 kHz, 44.1 kHz, 48 kHz).

Designs & specifications are subject to change without notice.

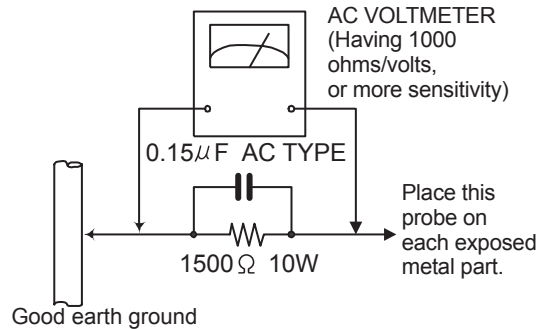
SECTION 1 PRECAUTION

1.1 Safety Precautions

- (1) This design of this product contains special hardware and many circuits and components specially for safety purposes. For continued protection, no changes should be made to the original design unless authorized in writing by the manufacturer. Replacement parts must be identical to those used in the original circuits. Services should be performed by qualified personnel only.
- (2) Alterations of the design or circuitry of the product should not be made. Any design alterations of the product should not be made. Any design alterations or additions will void the manufacturer's warranty and will further relieve the manufacturer of responsibility for personal injury or property damage resulting therefrom.
- (3) Many electrical and mechanical parts in the products have special safety-related characteristics. These characteristics are often not evident from visual inspection nor can the protection afforded by them necessarily be obtained by using replacement components rated for higher voltage, wattage, etc. Replacement parts which have these special safety characteristics are identified in the Parts List of Service Manual. Electrical components having such features are identified by shading on the schematics and by (Δ) on the Parts List in the Service Manual. The use of a substitute replacement which does not have the same safety characteristics as the recommended replacement parts shown in the Parts List of Service Manual may create shock, fire, or other hazards.
- (4) The leads in the products are routed and dressed with ties, clamps, tubings, barriers and the like to be separated from live parts, high temperature parts, moving parts and/or sharp edges for the prevention of electric shock and fire hazard. When service is required, the original lead routing and dress should be observed, and it should be confirmed that they have been returned to normal, after reassembling.
- (5) Leakage shock hazard testing
After reassembling the product, always perform an isolation check on the exposed metal parts of the product (antenna terminals, knobs, metal cabinet, screw heads, headphone jack, control shafts, etc.) to be sure the product is safe to operate without danger of electrical shock. Do not use a line isolation transformer during this check.
 - Plug the AC line cord directly into the AC outlet. Using a "Leakage Current Tester", measure the leakage current from each exposed metal part of the cabinet, particularly any exposed metal part having a return path to the chassis, to a known good earth ground. Any leakage current must not exceed 0.5mA AC (r.m.s.).
 - Alternate check method
Plug the AC line cord directly into the AC outlet. Use an AC voltmeter having, 1,000 Ω per volt or more sensitivity in the following manner. Connect a 1,500 Ω 10W resistor paralleled by a 0.15 μ F AC-type capacitor between an exposed metal part and a known good earth ground. Measure the AC voltage across the resistor with the AC

voltmeter.

Move the resistor connection to each exposed metal part, particularly any exposed metal part having a return path to the chassis, and measure the AC voltage across the resistor. Now, reverse the plug in the AC outlet and repeat each measurement. Voltage measured any must not exceed 0.75 V AC (r.m.s.). This corresponds to 0.5 mA AC (r.m.s.).



1.2 Warning

- (1) This equipment has been designed and manufactured to meet international safety standards.
- (2) It is the legal responsibility of the repairer to ensure that these safety standards are maintained.
- (3) Repairs must be made in accordance with the relevant safety standards.
- (4) It is essential that safety critical components are replaced by approved parts.
- (5) If mains voltage selector is provided, check setting for local voltage.

1.3 Caution

Burrs formed during molding may be left over on some parts of the chassis.
Therefore, pay attention to such burrs in the case of pre-forming repair of this system.

1.4 Critical parts for safety

In regard with component parts appearing on the silk-screen printed side (parts side) of the PWB diagrams, the parts that are printed over with black such as the resistor (\blacksquare), diode (\blacksquare) and ICP (\bullet) or identified by the " Δ " mark nearby are critical for safety. When replacing them, be sure to use the parts of the same type and rating as specified by the manufacturer. (This regulation does not Except the J and C version)

SECTION 2 SPECIFIC SERVICE INSTRUCTIONS

This service manual does not describe SPECIFIC SERVICE INSTRUCTIONS.

SECTION 3 DISASSEMBLY

3.1 Removing the top cover (See Fig.1)

- (1) From the both sides of the main body, remove the four screws **A** attaching the top cover.
- (2) From the back side of the main body, remove the three screws **B** attaching the top cover.
- (3) Remove the top cover in the direction of the arrow 2 while extending the lower sections of the top cover in the direction of the arrow 1.

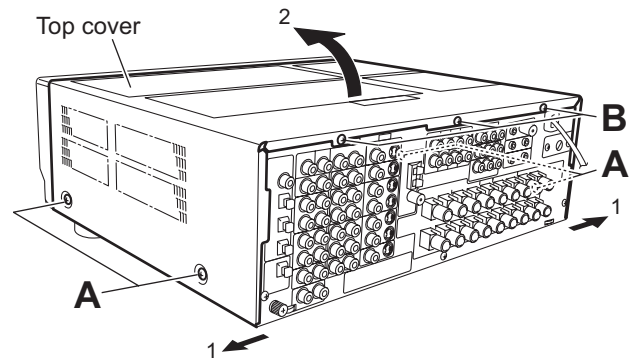


Fig.1

3.2 Removing the rear panel (See Fig.2)

- Prior to performing the following procedures, remove the top cover.
- (1) From the back side of the main body, remove the strain relief from the rear panel in the direction of the arrow.
- (2) Remove the three screws **C**, thirty-five screws **D**, two screws **E**, two screws **F** and nut **a** attaching the rear panel.

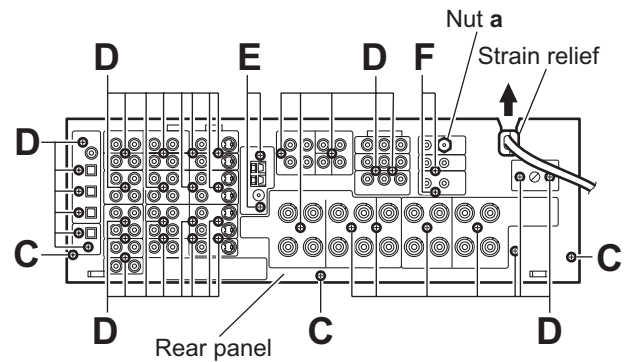


Fig.2

3.3 Removing the RF unit and compu board (See Figs.2 and 3)

- Prior to performing the following procedures, remove the top cover.
- (1) From the top side of the main body, cut off the tie band. (See Fig.3)
- (2) Disconnect the wire from the connector **CN1** on the RF unit. (See Fig.3)
- (3) From the back side of the main body, remove the nut **a** attaching the RF unit. (See Fig.2)
- (4) From the top side of the main body, disconnect the wire from the connector **CN262** on the relay board. (See Fig.3)
- (5) From the back side of the main body, remove the two screws **F** attaching the compu board. (See Fig.2)

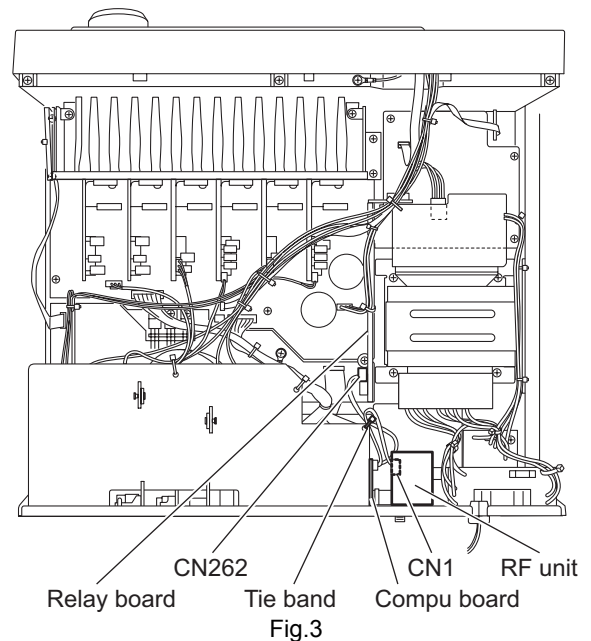


Fig.3

3.4 Removing the I/O board (See Fig.4)

- Prior to performing the following procedures, remove the top cover and rear panel.
 - (1) From the top side of the main body, remove the two plastic rivets in the direction of the arrow 1, and remove the stopper boards in the direction of the arrow 2.
 - (2) Cut off the tie bands bundling the wires.
 - (3) Disconnect the wire from the connector [CN722](#) on the center board.
 - (4) Disconnect the wire from the connector [CN714](#) on the front board (L).
 - (5) Disconnect the wire from the connector [CN717](#) on the surround back board.
 - (6) Disconnect the wire from the connector [CN719](#) on the front board (R).
 - (7) Disconnect the wire from the connector [CN723](#) on the main board.
 - (8) Disconnect the I/O board from the connectors ([CN205](#), [CN361](#), [CN381](#) and [CN501](#)) in an upward direction.

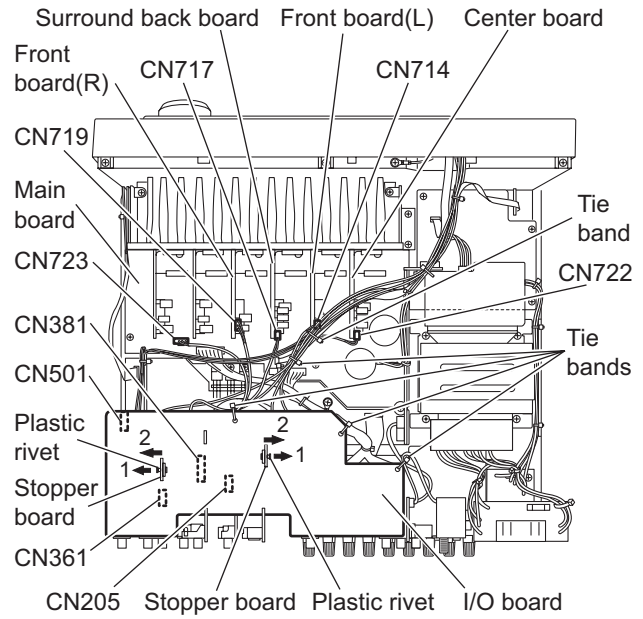


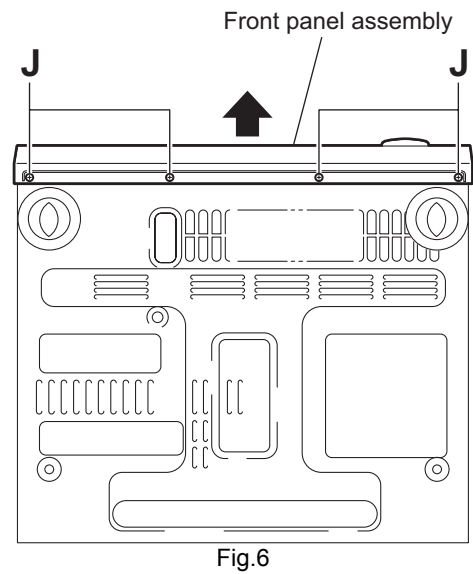
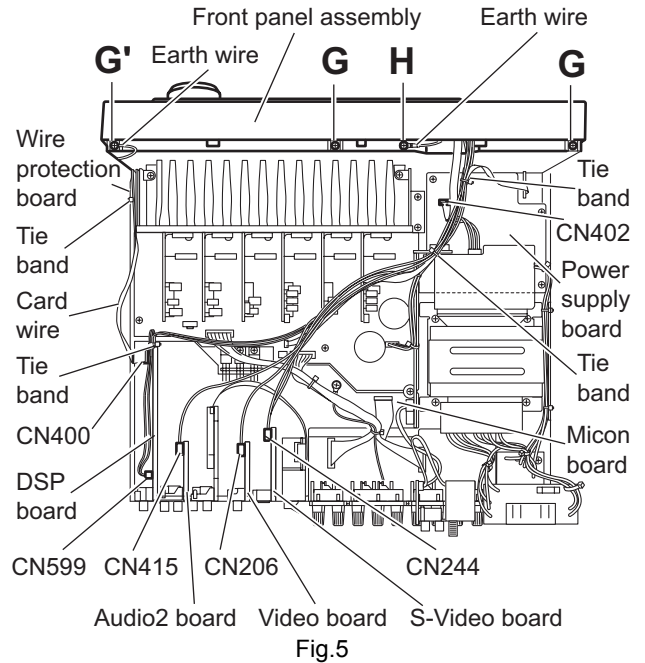
Fig.4

3.5 Removing the front panel assembly (See Figs.5 and 6)

- Prior to performing the following procedures, remove the top cover, rear panel and I/O board.
- (1) From the top side of the main body, remove the tie bands bundling the wires. (See Fig.5)
- (2) Disconnect the wire from the connector [CN599](#) on the DSP board. (See Fig.5)
- (3) Disconnect the wire from the connector [CN415](#) on the audio2 board. (See Fig.5)
- (4) Disconnect the wire from the connector [CN206](#) on the video board. (See Fig.5)
- (5) Disconnect the wire from the connector [CN244](#) on the S-Video board. (See Fig.5)
- (6) Disconnect the card wire from connector [CN402](#) on the power supply board. (See Fig.5)
- (7) Disconnect the card wire from connector [CN400](#) on the micon board. (See Fig.5)
- (8) Remove the tie band and wire protection board fixing the card wire. (See Fig.5)
- (9) Remove the two screws **G**, screws **G'** and screw **H** attaching the front panel assembly. (See Fig.5)
- (10) From the bottom side of the main body, remove the four screws **J** attaching the front panel assembly. (See Fig.6)
- (11) Remove the front panel assembly in the direction of the arrow. (See Fig.6)

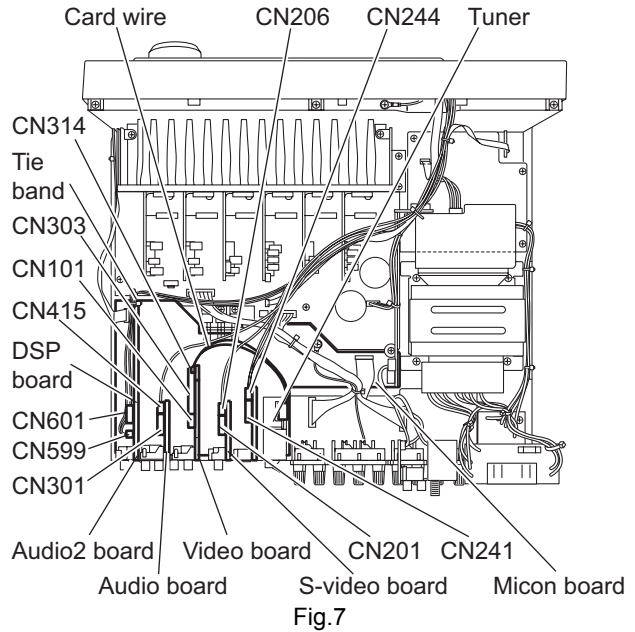
Reference:

When attaching the screw **G'** and screw **H**, attach the earth wire with it.



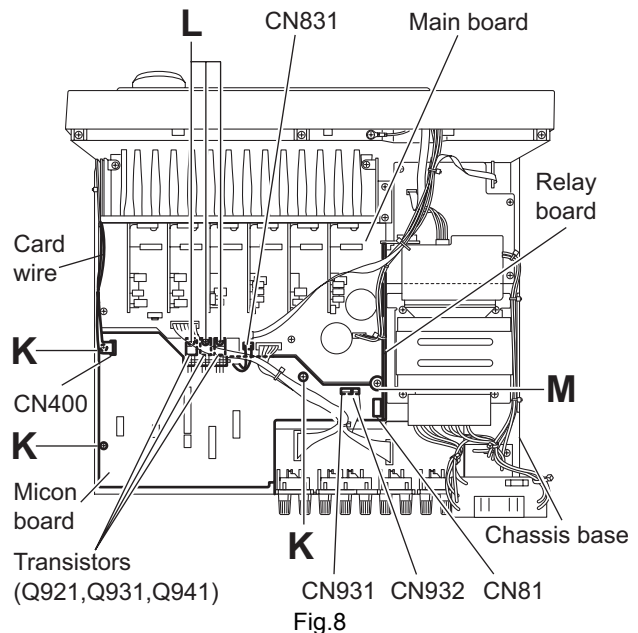
3.6 Removing the tuner, DSP board, Audio board, Audio2 board, Video board and S-Video board (See Fig.7)

- Prior to performing the following procedures, remove the top cover, rear panel and I/O board.
- (1) From the top side of the main body, cut off the tie band bundling the wire.
- (2) Disconnect the card wire from connector [CN314](#) on the audio board, and take out the tuner.
- (3) Disconnect the wire from the connector [CN599](#) on the DSP board.
- (4) Disconnect the DSP board from the connector [CN601](#) on the micon board, and take out the DSP board.
- (5) Disconnect the audio board from the connectors ([CN101](#) and [CN303](#)) on the micon board, and take out the audio board.
- (6) Disconnect the wire from the connector [CN415](#) on the audio2 board.
- (7) Disconnect the audio2 board from the connector [CN301](#) on the micon board, and take out the audio2 board.
- (8) Disconnect the wire from the connector [CN206](#) on the video board.
- (9) Disconnect the video board from the connector [CN201](#) on the micon board, and take out the video board.
- (10) Disconnect the wire from the connector [CN244](#) on the S-Video board.
- (11) Disconnect the S-Video board from the connector [CN241](#) on the micon board, and take out the S-Video board.



3.7 Removing the micon board (See Fig.8)

- Prior to performing the following procedures, remove the top cover, rear panel, I/O board, tuner, DSP board, Audio board, Audio2 board, Video board and S-Video board.
- (1) From the top side of the main body, disconnect the card wire from the connector [CN400](#) on the micon board.
- (2) Disconnect the relay board from the connector [CN81](#) on the micon board.
- (3) Disconnect the parallel wire from the connectors ([CN931](#) and [CN932](#)) on the micon board.
- (4) Disconnect the parallel wire from the connector [CN831](#) on the main board.
- (5) Remove the three screws **K** attaching the micon board.
- (6) Remove the three screws **L** attaching the transistors (Q921, Q931, and Q941) to the chassis base.
- (7) Loosen the screw **M** attaching the micon board.



3.8 Removing the speaker board (See Fig.9)

- Prior to performing the following procedures, remove the top cover, rear panel.
 - (1) From the top side of the main body, remove the tie band bundling the wires.
 - (2) Disconnect the wires from the connectors (CN813 and CN814) on the main board.
 - (3) Disconnect the parallel wire from the connectors (CN931 and CN932) on the micon board.
 - (4) Take out the speaker board in the direction of the arrow.

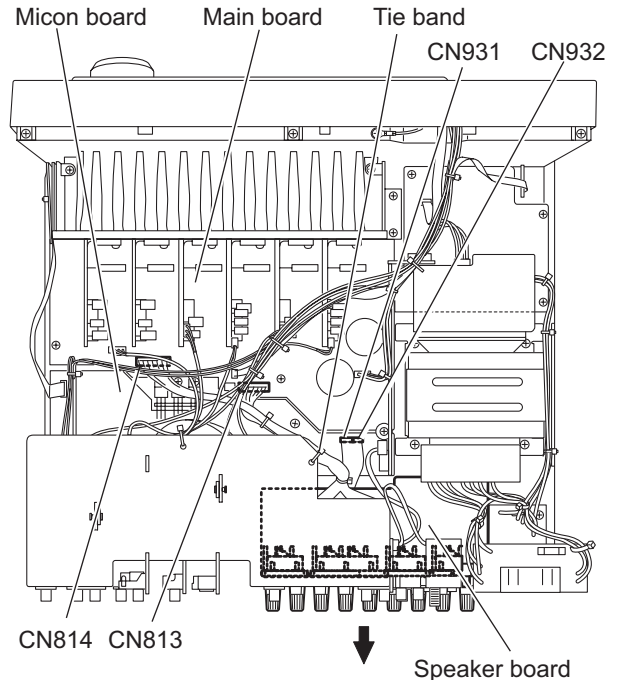


Fig.9

3.9 Removing the relay board and main board (See Fig.10)

- Prior to performing the following procedures, remove the top cover.
 - (1) From the top side of the main body, remove the tie bands bundling the card wire and wires.
 - (2) Remove the tie band and wire protection board bundling the card wire.
 - (3) Disconnect the wire from the connector CN811 on the power transformer board 1.
 - (4) Disconnect the relay board from the connectors (CN71 and CN81) on the power supply board and micon board.
 - (5) Disconnect the wire from the connector CN262 on the relay board, and take out this board.
 - (6) Disconnect the wires from the connectors (CN723, CN813, CN814, CN831 and CN881) on the main board.
 - (7) Disconnect the wire from the connector CN722 on the center board.
 - (8) Disconnect the wire from the connector CN714 on the front board (L).
 - (9) Disconnect the wire from the connector CN717 on the surround back board.
 - (10) Disconnect the wire from the connector CN719 on the front board (R).
 - (11) Remove the screw M, six screws N and two screws P attaching the main board.
 - (12) Take out the main board.

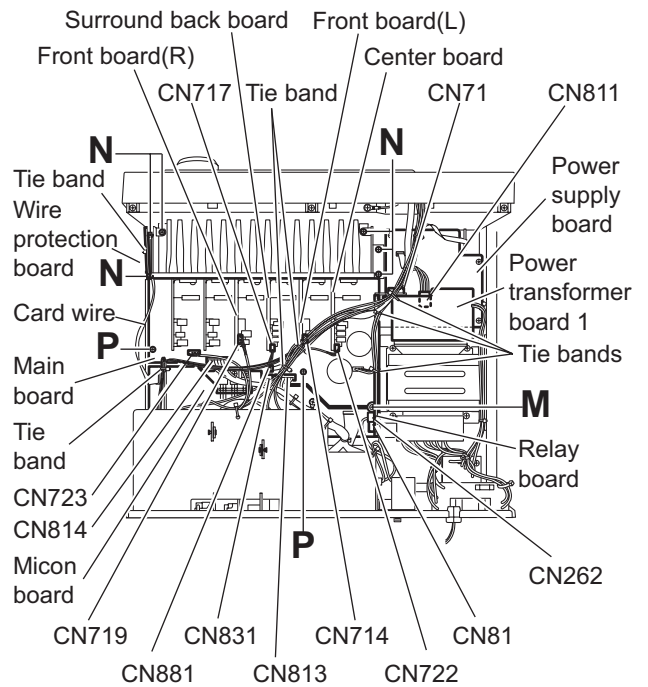


Fig.10

3.10 Removing the heat sink
(See Figs.11 and 12)

- Prior to performing the following procedures, remove the top cover and main board.
 - (1) From the reverse side of the main board, remove the two screws **Q** attaching the main board to the heat sink. (See Fig.11)
 - (2) Disconnect the connectors (CN701 to CN706) on the main board, and remove the main board. (See Fig.11)
 - (3) Remove the twelve screws **R** attaching the heat sink. (See Fig.12)

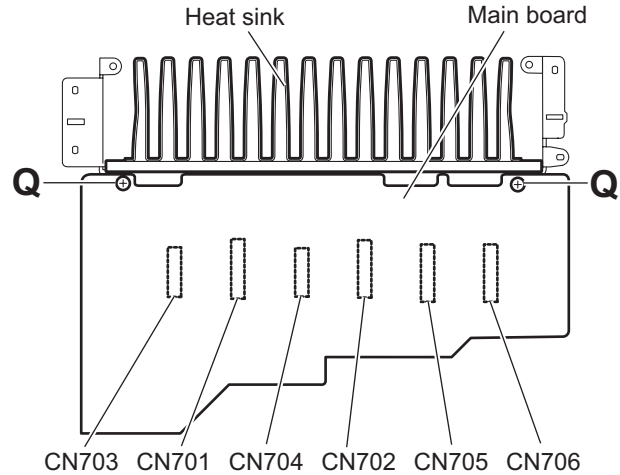


Fig.11

3.11 Removing the center board, front boards (L/R), surround boards (L/R) and surround back board
(See Figs.11 and 13)

- Prior to performing the following procedures, remove the top cover and main board.
 - (1) From the reverse side of the main board, remove the two screws **Q** attaching the main board to the heat sink. (See Fig.11)
 - (2) Disconnect the connectors (CN701 to CN706) on the main board, and remove the main board. (See Fig.11)
 - (3) Remove the two screws **R** attaching the center board. (See Fig.13)
 - (4) Remove the two screws **R** attaching the front board (L). (See Fig.13)
 - (5) Remove the two screws **R** attaching the surround back board. (See Fig.13)
 - (6) Remove the two screws **R** attaching the front board (R). (See Fig.13)
 - (7) Remove the two screws **R** attaching the surround board (L). (See Fig.13)
 - (8) Remove the two screws **R** attaching the surround board (R). (See Fig.13)

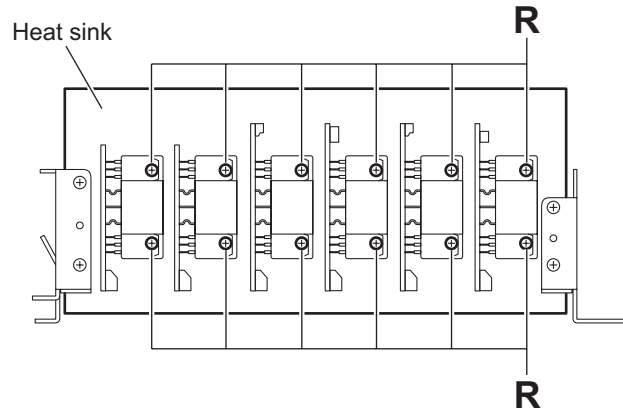


Fig.12

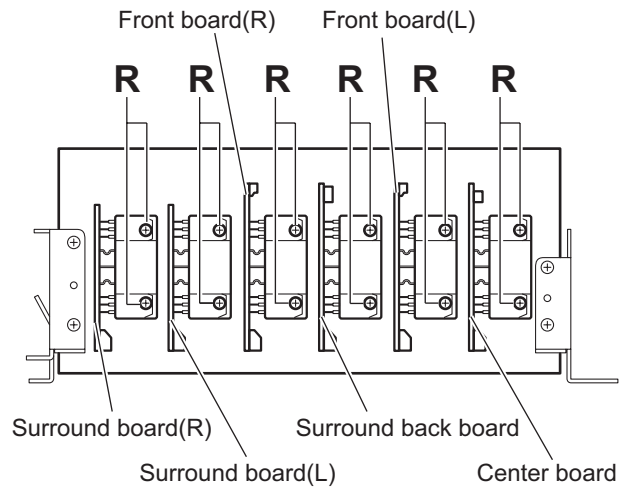


Fig.13

3.12 Removing the voltage selector board (See Fig.14 and 15)

- Prior to performing the following procedures, remove the top cover.
 - (1) From the back side of the main body, remove the two screws **S** attaching the voltage board. (See Fig.14)
 - (2) Remove the solders from the soldered sections **b** on the power transformer board 2 and remove the wires of the voltage selector board. (See Fig.15)
 - (3) Take out the voltage selector board.

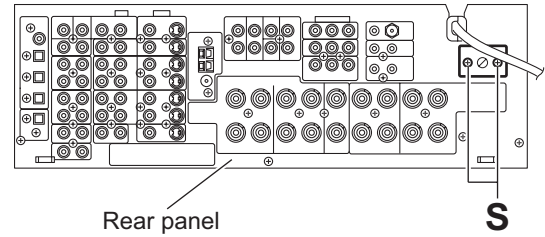


Fig.14

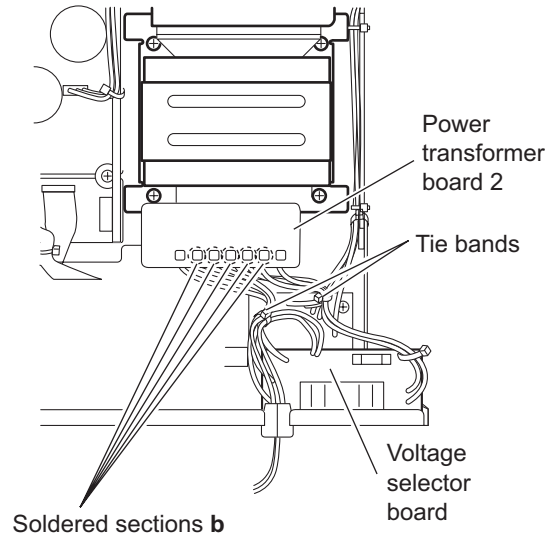


Fig.15

3.13 Removing the power transformer (See Fig.16)

- Prior to performing the following procedures, remove the top cover.
 - (1) From the top side of the main body, remove the tie band bundling the wires.
 - (2) Disconnect the wire from the connectors (CN55 and CN811) on the power transformer board 1.
 - (3) Remove the solders from the soldered sections **c** on the power transformer board 2.
 - (4) Remove the four screws **T** attaching the power transformer.

3.14 Removing the power/fuse board (See Fig.16)

- Prior to performing the following procedures, remove the top cover.
 - (1) From the back side and top side of the main body, remove the tie band from the bundling the wires and the power cord.
 - (2) Remove the screw **U** and screw **V** attaching the power/fuse board.
 - (3) Remove the solders from the soldered sections **d** attaching the power cord.
 - (4) From the reverse side of the power/fuse board, remove the solders from the soldered sections **e** attaching the wires.

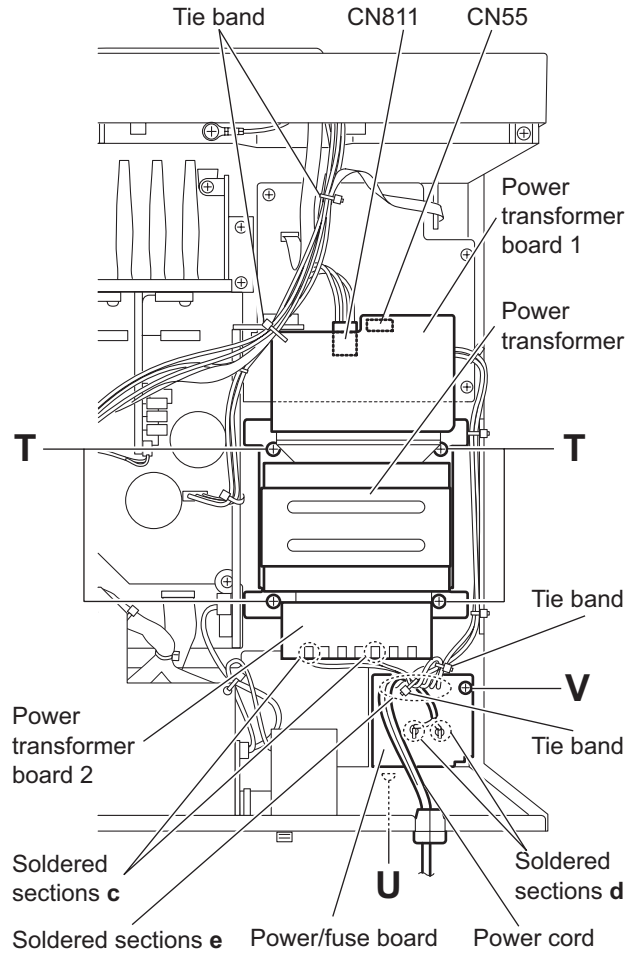


Fig.16

3.15 Removing the power supply board (See Fig.17)

- Prior to performing the following procedures, remove the top cover.
- (1) From the top side of the main body, disconnect the parallel wire from the connector [CN55](#) on the power transformer board 1.
- (2) Disconnect the card wire from the connector [CN402](#) on the power supply board.
- (3) Disconnect the relay board from the connector [CN71](#) on the power supply board.
- (4) Remove the three screws **W** attaching the power supply board.
- (5) Remove the power supply board from the hook **f** of the chassis base bracket in the direction of the arrow, and take out the power supply board.
- (6) Turn over the power supply board, and remove the solders from the soldered sections **g** attaching the wire.

3.16 Removing the headphone jack board (See Figs.17 and 18)

- Prior to performing the following procedures, remove the top cover, rear panel, I/O board and front panel assembly.
- (1) From the top side of the main body, disconnect the parallel wire from the connector [CN881](#) on the main board. (See Fig.17)
- (2) From the front side of the main body, remove the nut **h** and screw **X** attaching the headphone bracket to the front bracket. (See Fig.18)
- (3) Remove the three screws **W** attaching the power supply board. (See Fig.17)
- (4) Take out the headphone jack board from the inside of the chassis base while lifting the power supply board.

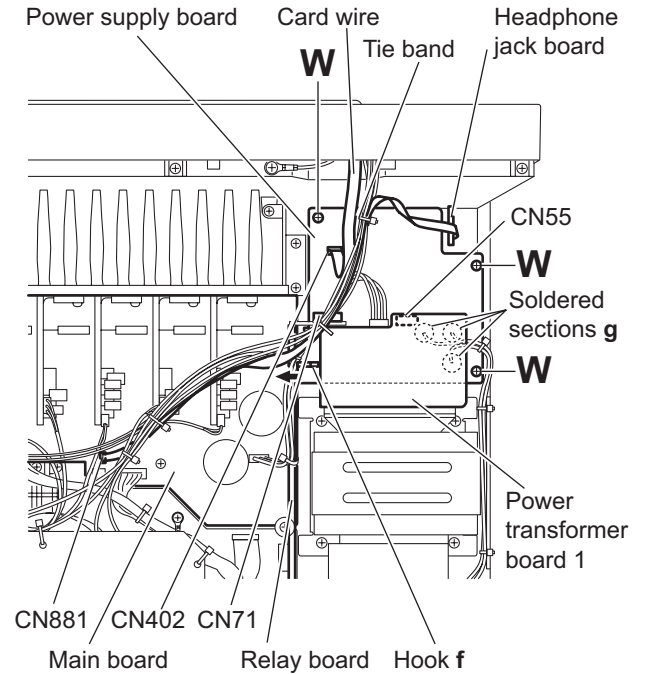


Fig.17

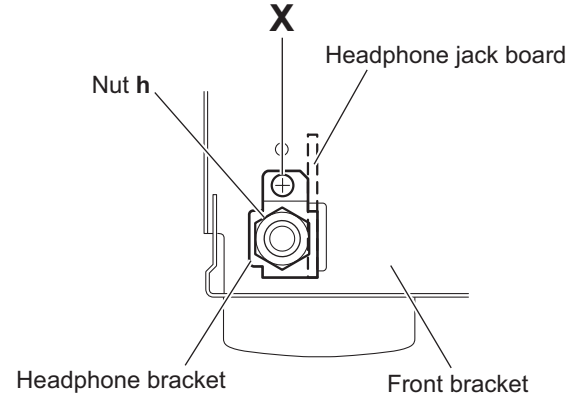


Fig.18

3.17 Removing the switch board (See Fig.19)

- Prior to performing the following procedures, remove the top cover, rear panel, I/O board and front panel assembly.
- (1) From the back side of the front panel assembly, remove the two screws **Y** attaching the switch board.
- (2) Take out the switch board, and disconnect the wire from the connector [CN432](#) on the switch board.

3.18 Removing the power switch board (See Fig.19)

- Prior to performing the following procedures, remove the top cover, rear panel, I/O board and front panel assembly.
- (1) From the back side of the front panel assembly, remove the two screws **Z** attaching the power switch board.
- (2) Take out the power switch board, and disconnect the wire from the connector [CN430](#) on the power switch board.

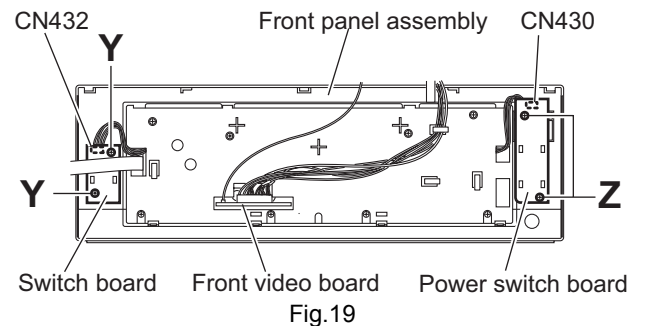


Fig.19

3.19 Removing the front key & system control board, front video board (See Figs.20 to 23)

- Prior to performing the following procedures, remove the top cover, rear panel, I/O board, front panel assembly, switch board and power switch board.
 - (1) From the front side of the front panel assembly, pull out the volume and jog knobs, and remove the nut **i** attaching the front key & system control board. (See Fig.20)
 - (2) From the back side of the front panel assembly, remove the eight screws **AA** attaching the sub panel assembly. (See Fig.21)
 - (3) Remove the wires of the front video board from the hook **j** of the front panel assembly in the direction of the arrow 1. (See Fig.21)
 - (4) Remove the sub panel assembly while releasing the four claws **k** in the direction of the arrow 2. (See Figs.21 and 22)
 - (5) From the front side of the front panel assembly, disconnect the wire from the connector **CN412** on the front key & system control board, and take out the front video board. (See Fig.23)
 - (6) Remove the claws **m** attaching the front key & system control board in the direction of the arrow and take out the front key & system control board. (See Fig.23)

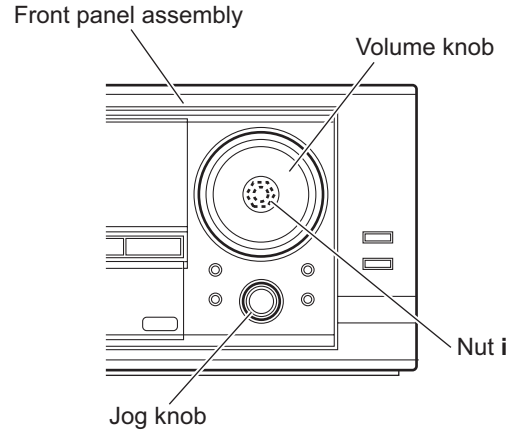


Fig.20

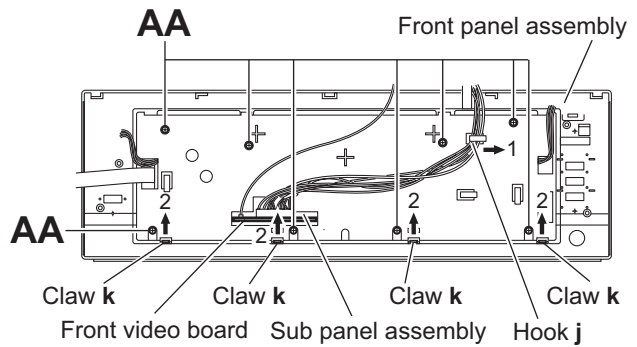


Fig.21

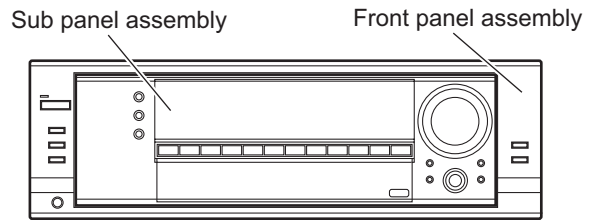


Fig.22

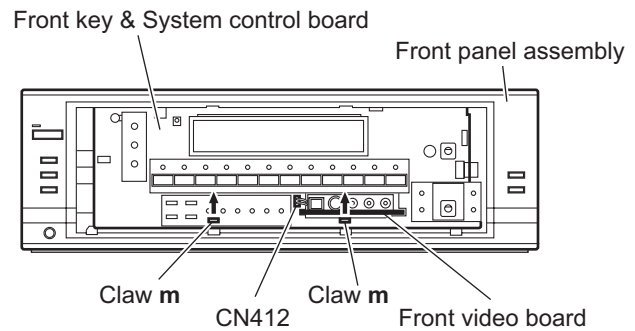


Fig.23

SECTION 4 ADJUSTMENT

4.1 Test mode

- (1) Unplug the power plug.
- (2) Insert power plug into outlet while pressing both "PRESET UP" key and "MIDLIGHT" key of the main body.
- (3) Then, all segment of the FL display is blinking for 5 seconds, and tuner AM step is switching 9kHz.
- (4) The high-speed of volume is checked by remote controller in the test mode.
- (5) To release test mode, press "STANDBY/ON" key of the main body.

NOTE:

In the test mode, standby-LED is blinking for every 1 second.

4.2 Power amplifier section

Adjustment of idling current

Measurement location [B2204-B2205](#) (Lch) , [B2213-B2214](#) (Rch)

Adjustment part [VR787](#) (Lch) , [VR788](#)(Rch)

Attention

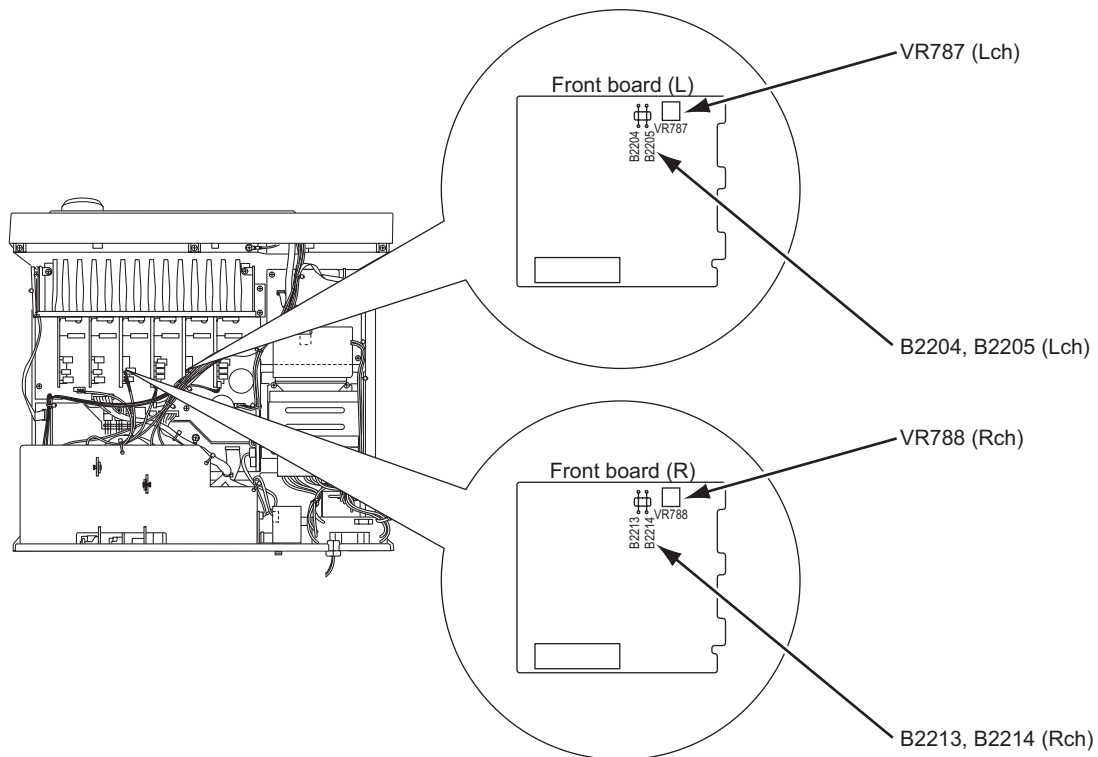
This adjustment does not obtain a correct adjustment value immediately after the amplifier is used (state that an internal temperature has risen).

Please adjust, after you turn off amplifier and internal temperature falls.

< Adjustment method >

- (1) Set the volume control to minimum during this adjustment. (No signal & No load)
- (2) Set the surround mode OFF.
- (3) Turn [VR787](#) and [VR788](#) fully counterclockwise to warm up before adjustment.
If the heat sink is already warm from previous use the correct adjustment can not be made.
- (4) For L-ch, connect a DC voltmeter between [B2204](#) and [B2205](#) (Lch) and, connect it between [B2213](#) and [B2214](#) (Rch).
- (5) 30 minutes later after power on, adjust [VR787](#) for Lch, or [VR788](#) for Rch so that the DC voltmeter value has 1mV to 10mV.

* It is not abnormal though the idling current might not become 0mA even if it is finished to turn variable resistance ([VR787](#), [VR788](#)) in the direction of counterclockwise.



SECTION 5 TROUBLESHOOTING

5.1 Self-diagnose function

This model incorporates the following self-diagnostic functions.

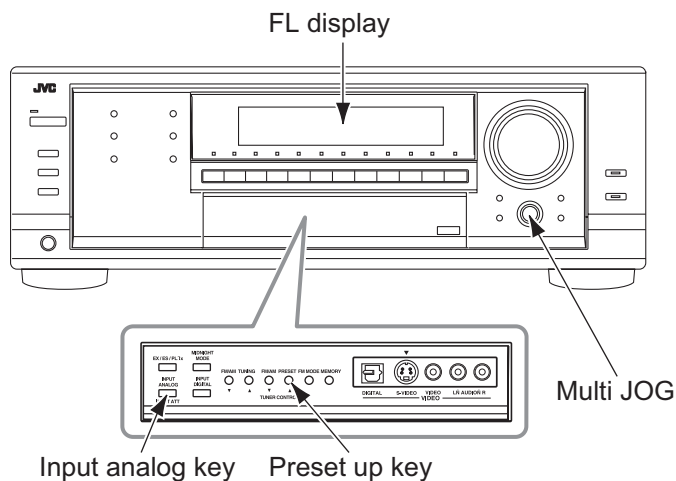
5.1.1 Starting of self-diagnostic mode

- Insert power plug into outlet while pressing both "PRESET UP" key and "INPUT ANALOG" key of the main body. Then, "Self-diagnostic mode" starts.

5.1.2 Displaying of state

- When "Self-diagnostic mode" starts, system Micon version is displayed on the FL display. Each turning MULTI JOG of the main body in the mode changes a state as follows.

FL display (Code)	FL display	State
S0001	2004030840	System Micon version
D01	00.00.17	DSP Micon version
D02	04/02/20	Changed date of version
D3	DspRev08	DSP version
D4	ANALOG02	Setting information
D5	Fs48kHz	Setting information
D6	PCM	Setting information
D7	2/0.0	Channel information





JVC

Victor Company of Japan, Limited
AV & MULTIMEDIA COMPANY AUDIO/VIDEO SYSTEMS CATEGORY 10-1,1chome,Ohwatari-machi,Maebashi-city,371-8543,Japan

(No.MB303)

JVC

SCHEMATIC DIAGRAMS

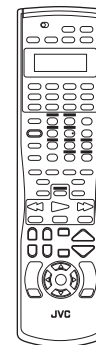
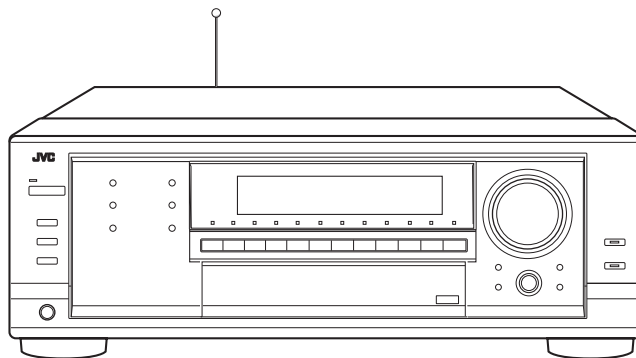
AUDIO/VIDEO CONTROL RECEIVER

RX-8040B

CD-ROM No.SML200407

Area suffix

UJ ----- U.S.Military



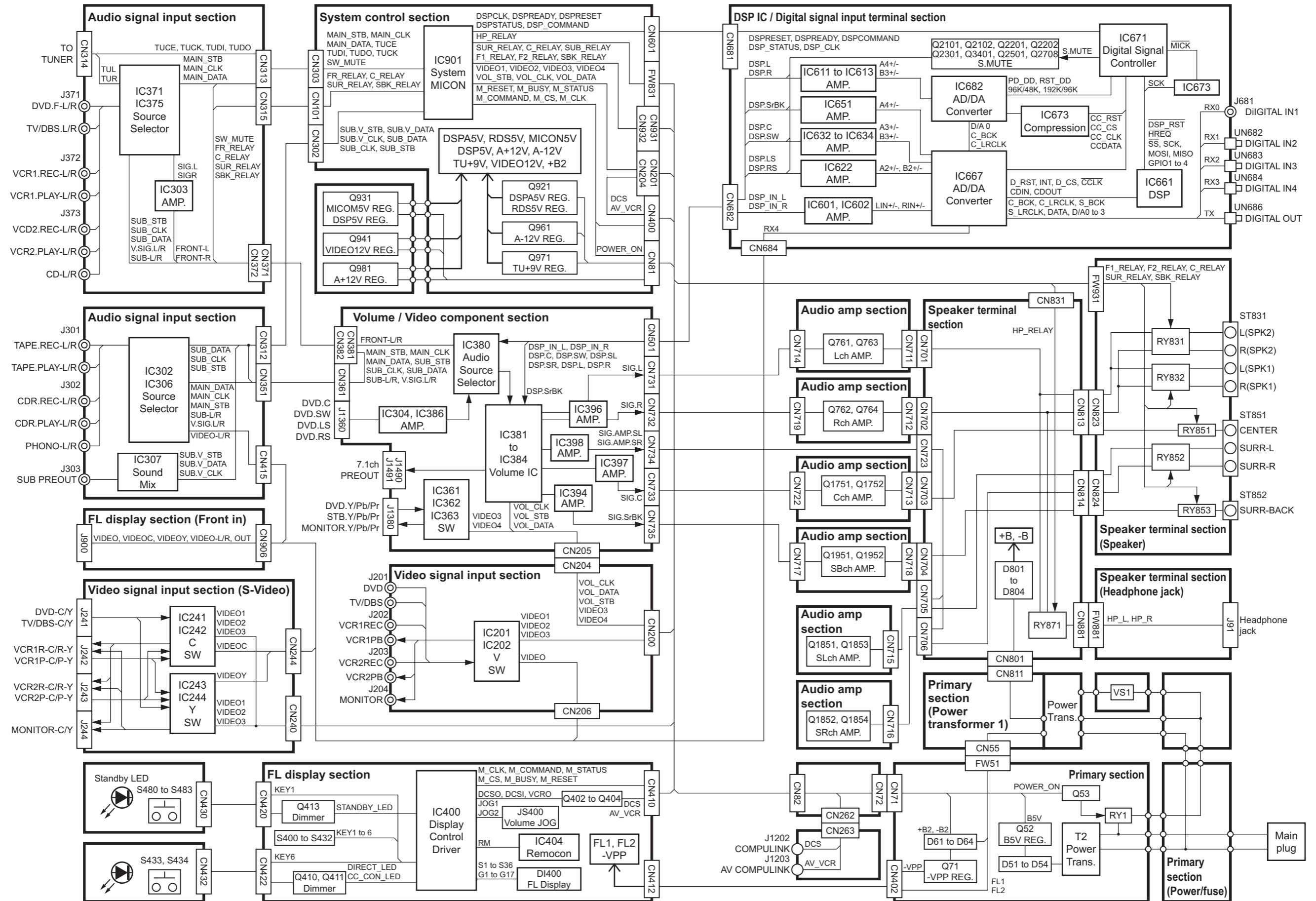
AV COMPU LINK

Contents

Block diagram	2-1
Standard schematic diagrams	2-2 to 11
Printed circuit boards	2-12 to 20

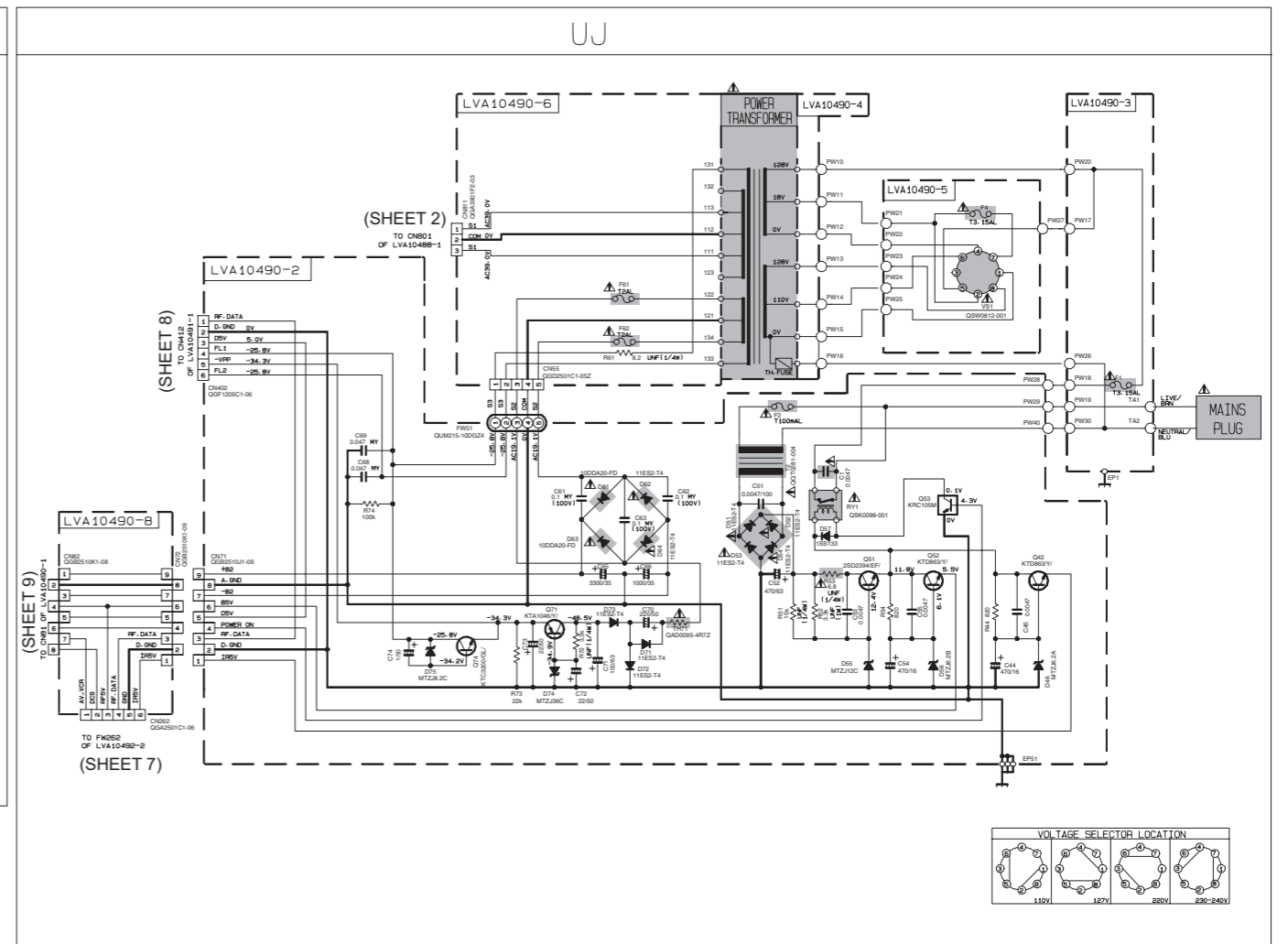
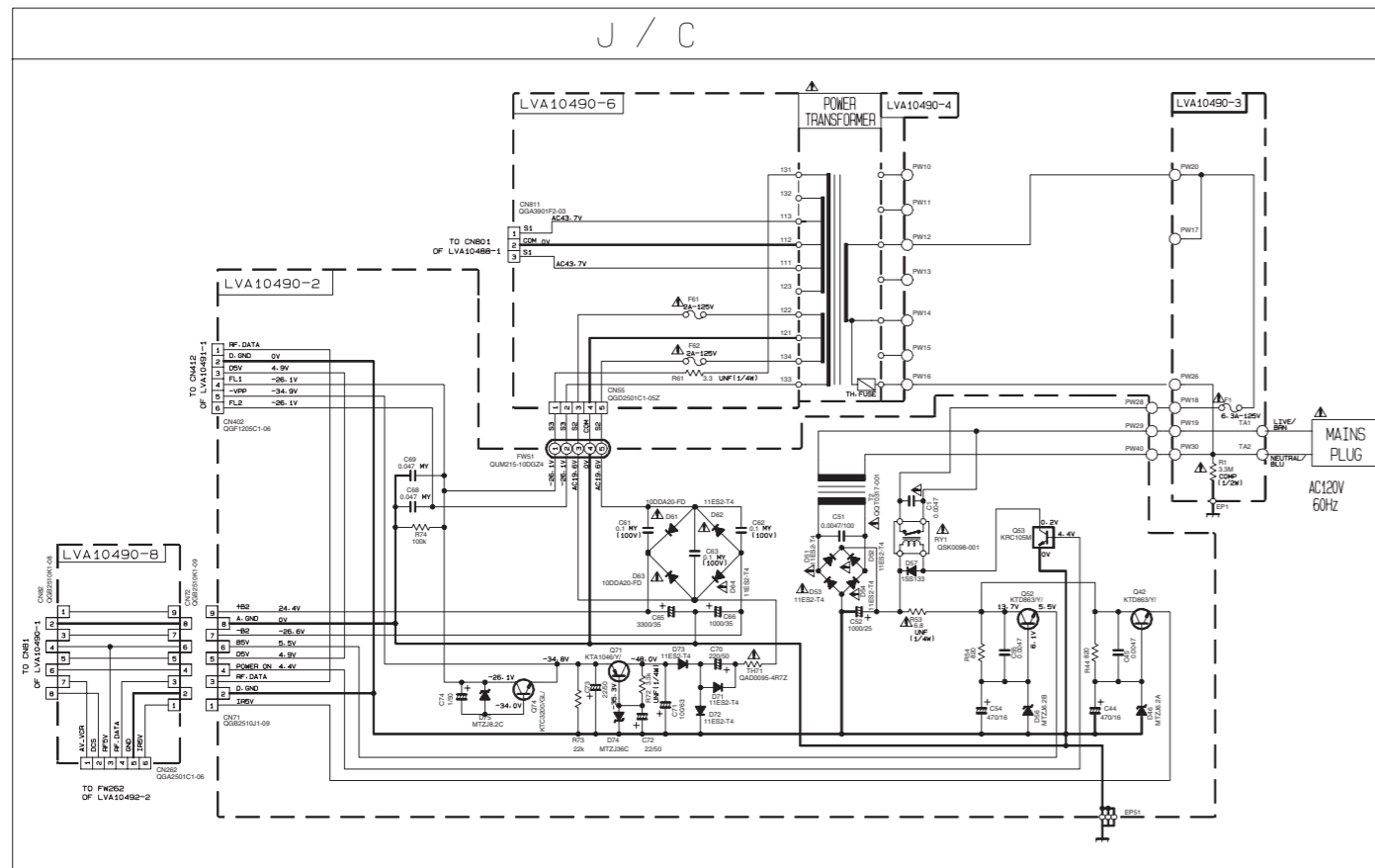
In regard with component parts appearing on the silk-screen printed side (parts side) of the PWB diagrams, the parts that are printed over with black such as the resistor (■), diode (⊣) and ICP (●) or identified by the "⚠" mark nearby are critical for safety.

Block diagram



Standard schematic diagrams

Primary section



▲ Parts are safety assurance parts. When replacing those parts make sure to use the specified one.

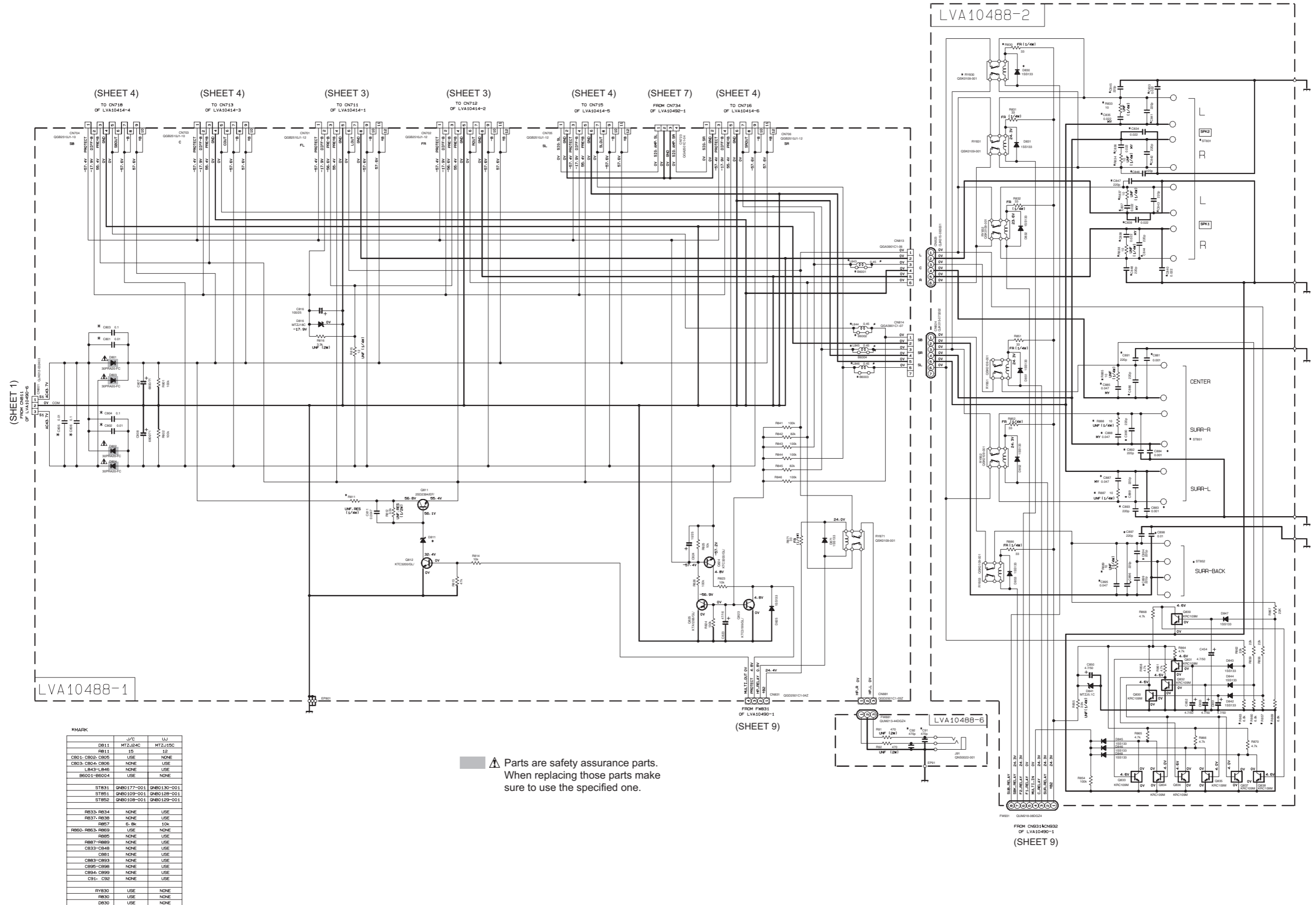
	J/C	UJ
F1	QMP5115-003-J8	QMP5115-003-J8
F2	NONE	QMP5115-003-J1
F4	NONE	QMP5115-003-J8
F51-F52	QMP5115-002-J8	QMP5115-002-J8
V51	NONE	USE
T2	QMT0317-001	QMT0317-004
Q51	NONE	USE
Q52	NONE	USE
R1	USE	NONE
RE1-RE2	NONE	USE
RE3	3.3	8.2
CS2	1000/25	470/25
CS3	NONE	USE
CS4	NONE	NONE

VERSION CODES
 J : U. S. A.
 C : CANADA
 UJ : MILITARY

SHEET NUMBER	CIRCUIT DIScription
1	PRIMARY
2	SPEAKER TERMINAL
3	AUDIO AMP (FRONT CHANNEL)
4	AUDIO AMP (CENTER-SURR-S-BACK CHANNEL)
5	AUDIO SIGNAL INPUT
6	VIDEO SIGNAL INPUT
7	VOLUME / VIDEO COMPONENT
8	FL DISPLAY
9	SYSTEM CONTROL
10	DSP

NOTES
 1. VOLTAGES ARE DC-MEASURED WITH A DIGITAL VOLT METER WITHOUT INPUT SIGNAL. CONDITION — COLD START. POWER ON. FM. SURROUND OFF. VOL 30
 2. UNLESS OTHERWISE SPECIFIED.
 ALL RESISTORS ARE 1/8W ±5% CARBON RESISTOR.
 ALL CAPACITORS ARE 50V CERAMIC CAPACITOR.
 ALL RESISTANCE VALUES ARE IN OHM (Ω).
 ALL CAPACITANCE VALUES ARE IN UF (μF).
 ALL E-CAPACITORS ARE SHOWN IN THE FORM OF CAPACITANCE(μF)/RATED VOLTAGE(V).

■ Speaker terminal section

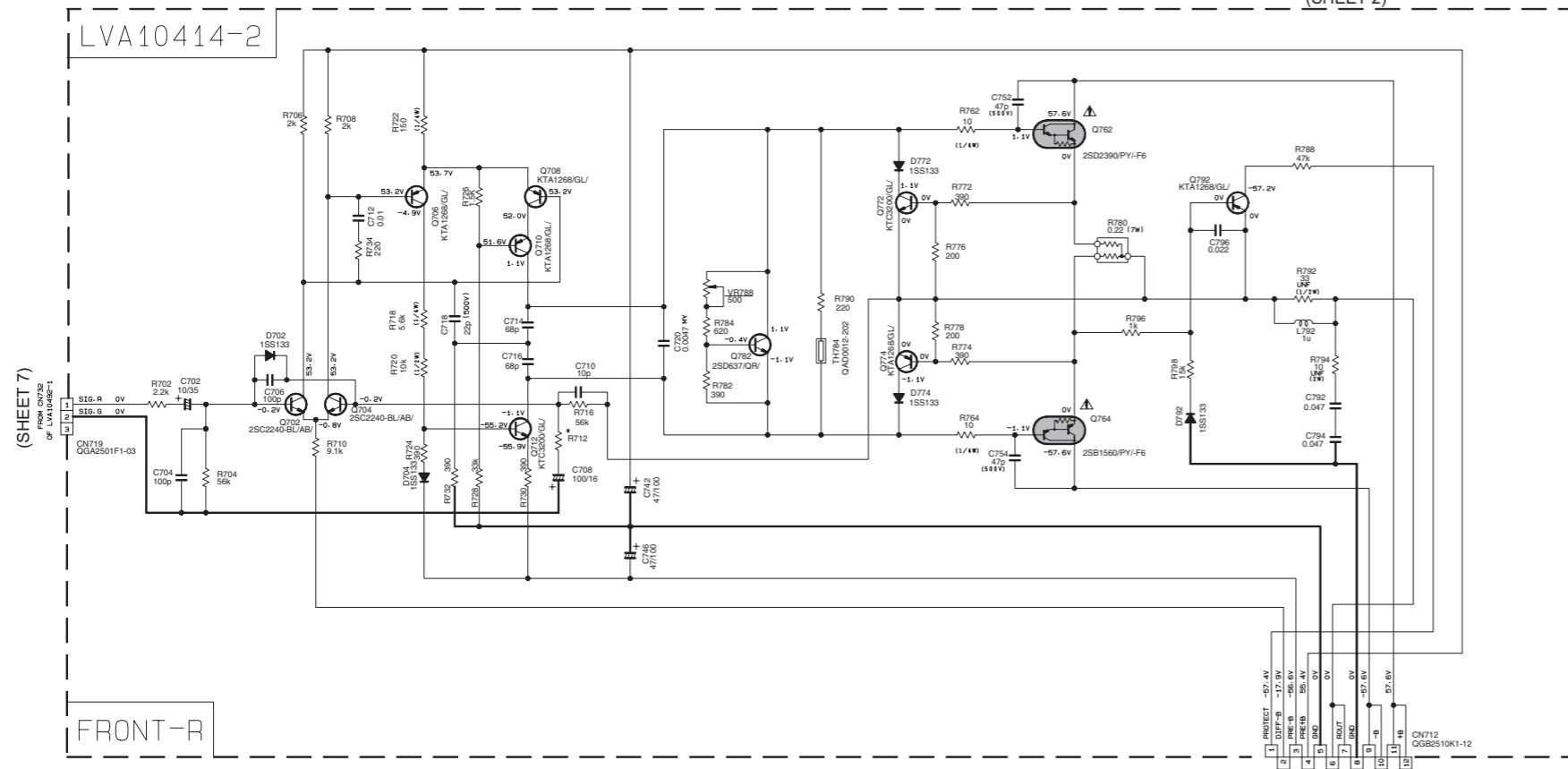
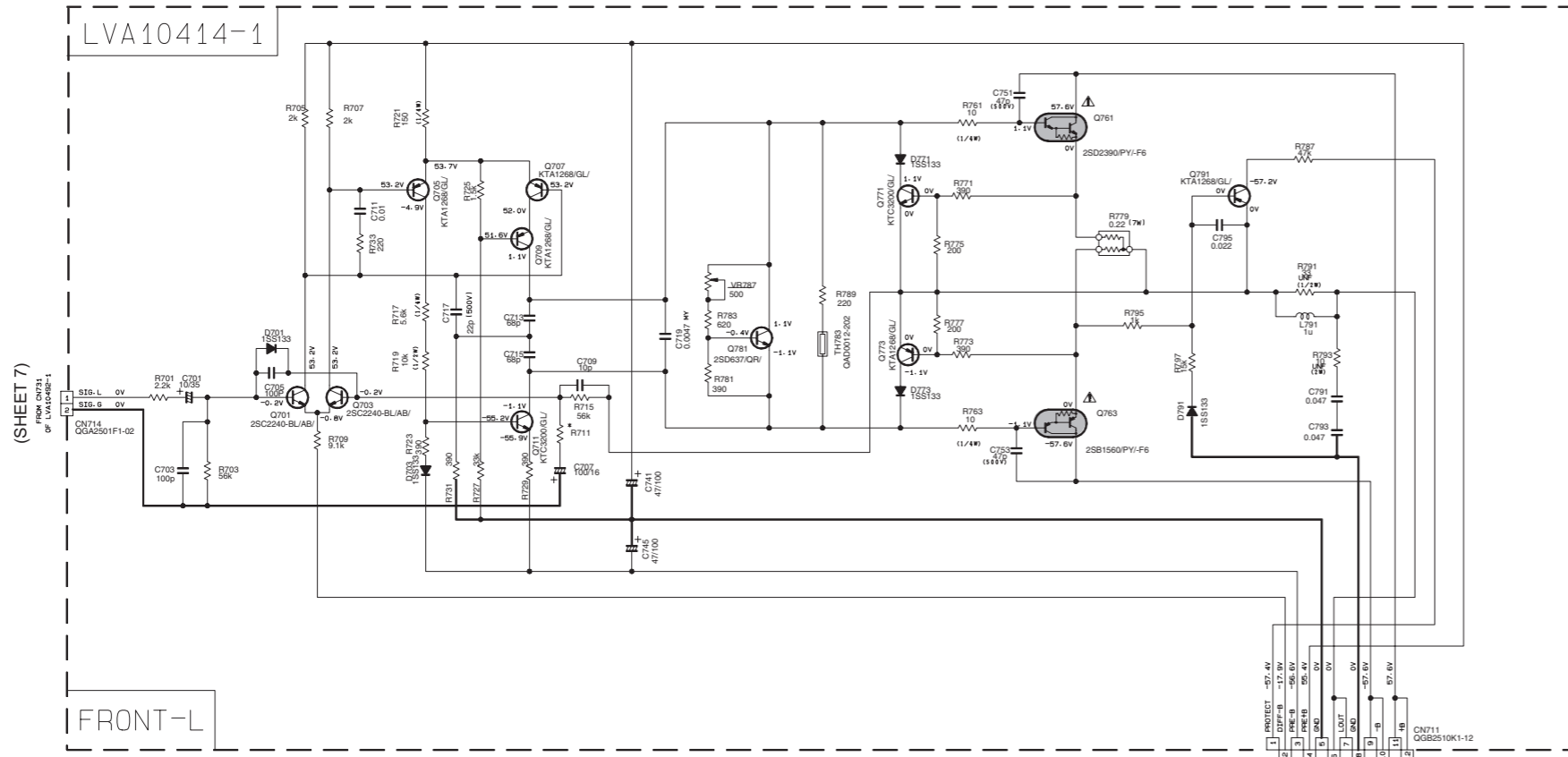


*MARK

J/C	U/J
DB11	MTZJ24C
DB11	1P
CB01-CB03	USE
CB03-CB04	NONE
CB04-CB06	USE
CB07-CB09	NONE
CB10-CB12	USE
CB13-CB15	NONE
CB16-CB18	USE
CB19-CB21	NONE
CB22-CB24	USE
CB25-CB27	NONE
CB28-CB30	USE
CB31-CB33	NONE
CB34-CB36	USE
CB37-CB39	NONE
CB40-CB42	USE
CB43-CB45	NONE
CB46-CB48	USE
CB49-CB51	NONE
CB52-CB54	USE
CB55-CB57	NONE
CB58-CB60	USE
CB61-CB63	NONE
CB64-CB66	USE
CB67-CB69	NONE
CB70-CB72	USE
CB73-CB75	NONE
CB76-CB78	USE
CB79-CB81	NONE
CB82-CB84	USE
CB85-CB87	NONE
CB88-CB90	USE
CB91-CB93	NONE
CB94-CB96	USE
CB97-CB99	NONE
CB100-CB102	USE
CB103-CB105	NONE
CB106-CB108	USE
CB109-CB111	NONE
CB112-CB114	USE
CB115-CB117	NONE
CB118-CB120	USE
CB121-CB123	NONE
CB124-CB126	USE
CB127-CB129	NONE
CB130-CB132	USE
CB133-CB135	NONE
CB136-CB138	USE
CB139-CB141	NONE
CB142-CB144	USE
CB145-CB147	NONE
CB148-CB150	USE
CB151-CB153	NONE
CB154-CB156	USE
CB157-CB159	NONE
CB160-CB162	USE
CB163-CB165	NONE
CB166-CB168	USE
CB169-CB171	NONE
CB172-CB174	USE
CB175-CB177	NONE
CB178-CB180	USE
CB181-CB183	NONE
CB184-CB186	USE
CB187-CB189	NONE
CB190-CB192	USE
CB193-CB195	NONE
CB196-CB198	USE
CB199-CB201	NONE
CB202-CB204	USE
CB205-CB207	NONE
CB208-CB210	USE
CB211-CB213	NONE
CB214-CB216	USE
CB217-CB219	NONE
CB220-CB222	USE
CB223-CB225	NONE
CB226-CB228	USE
CB229-CB231	NONE
CB232-CB234	USE
CB235-CB237	NONE
CB238-CB240	USE
CB241-CB243	NONE
CB244-CB246	USE
CB247-CB249	NONE
CB250-CB252	USE
CB253-CB255	NONE
CB256-CB258	USE
CB259-CB261	NONE
CB262-CB264	USE
CB265-CB267	NONE
CB268-CB270	USE
CB271-CB273	NONE
CB274-CB276	USE
CB277-CB279	NONE
CB280-CB282	USE
CB283-CB285	NONE
CB286-CB288	USE
CB289-CB291	NONE
CB292-CB294	USE
CB295-CB297	NONE
CB298-CB300	USE
CB301-CB303	NONE
CB304-CB306	USE
CB307-CB309	NONE
CB310-CB312	USE
CB313-CB315	NONE
CB316-CB318	USE
CB319-CB321	NONE
CB322-CB324	USE
CB325-CB327	NONE
CB328-CB330	USE
CB331-CB333	NONE
CB334-CB336	USE
CB337-CB339	NONE
CB340-CB342	USE
CB343-CB345	NONE
CB346-CB348	USE
CB349-CB351	NONE
CB352-CB354	USE
CB355-CB357	NONE
CB358-CB360	USE
CB361-CB363	NONE
CB364-CB366	USE
CB367-CB369	NONE
CB370-CB372	USE
CB373-CB375	NONE
CB376-CB378	USE
CB379-CB381	NONE
CB382-CB384	USE
CB385-CB387	NONE
CB388-CB390	USE
CB391-CB393	NONE
CB394-CB396	USE
CB397-CB399	NONE
CB400-CB402	USE
CB403-CB405	NONE
CB406-CB408	USE
CB409-CB411	NONE
CB412-CB414	USE
CB415-CB417	NONE
CB418-CB420	USE
CB421-CB423	NONE
CB424-CB426	USE
CB427-CB429	NONE
CB430-CB432	USE
CB433-CB435	NONE
CB436-CB438	USE
CB439-CB441	NONE
CB442-CB444	USE
CB445-CB447	NONE
CB448-CB450	USE
CB451-CB453	NONE
CB454-CB456	USE
CB457-CB459	NONE
CB460-CB462	USE
CB463-CB465	NONE
CB466-CB468	USE
CB469-CB471	NONE
CB472-CB474	USE
CB475-CB477	NONE
CB478-CB480	USE
CB481-CB483	NONE
CB484-CB486	USE
CB487-CB489	NONE
CB490-CB492	USE
CB493-CB495	NONE
CB496-CB498	USE
CB499-CB501	NONE
CB502-CB504	USE
CB505-CB507	NONE
CB508-CB510	USE
CB511-CB513	NONE
CB514-CB516	USE
CB517-CB519	NONE
CB520-CB522	USE
CB523-CB525	NONE
CB526-CB528	USE
CB529-CB531	NONE
CB532-CB534	USE
CB535-CB537	NONE
CB538-CB540	USE
CB541-CB543	NONE
CB544-CB546	USE
CB547-CB549	NONE
CB550-CB552	USE
CB553-CB555	NONE
CB556-CB558	USE
CB559-CB561	NONE
CB562-CB564	USE
CB565-CB567	NONE
CB568-CB570	USE
CB571-CB573	NONE
CB574-CB576	USE
CB577-CB579	NONE
CB580-CB582	USE
CB583-CB585	NONE
CB586-CB588	USE
CB589-CB591	NONE
CB592-CB594	USE
CB595-CB597	NONE
CB598-CB600	USE
CB601-CB603	NONE
CB604-CB606	USE
CB607-CB609	NONE
CB610-CB612	USE
CB613-CB615	NONE
CB616-CB618	USE
CB619-CB621	NONE
CB622-CB624	USE
CB625-CB627	NONE
CB628-CB630	USE
CB631-CB633	NONE
CB634-CB636	USE
CB637-CB639	NONE
CB640-CB642	USE
CB643-CB645	NONE
CB646-CB648	USE
CB649-CB651	NONE
CB652-CB654	USE
CB655-CB657	NONE
CB658-CB660	USE
CB661-CB663	NONE
CB664-CB666	USE
CB667-CB669	NONE
CB670-CB672	USE
CB673-CB675	NONE
CB676-CB678	USE
CB679-CB681	NONE
CB682-CB684	USE
CB685-CB687	NONE
CB688-CB690	USE
CB691-CB693	NONE
CB694-CB696	USE
CB697-CB699	NONE
CB700-CB702	USE
CB703-CB705	NONE
CB706-CB708	USE
CB709-CB711	NONE
CB712-CB714	USE
CB715-CB717	NONE
CB718-CB720	USE
CB721-CB723	NONE
CB724-CB726	USE
CB727-CB729	NONE
CB730-CB732	USE
CB733-CB735	NONE
CB736-CB738	USE
CB739-CB741	NONE
CB742-CB744	USE
CB745-CB747	NONE
CB748-CB750	USE
CB751-CB753	NONE
CB754-CB756	USE
CB757-CB759	NONE
CB760-CB762	USE
CB763-CB765	NONE
CB766-CB768	USE
CB769-CB771	NONE
CB772-CB774	USE
CB775-CB777	NONE
CB778-CB780	USE
CB781-CB783	NONE
CB784-CB786	USE
CB787-CB789	NONE
CB790-CB792	USE
CB793-CB795	NONE
CB796-CB798	USE
CB799-CB801	NONE
CB802-CB804	USE
CB805-CB807	NONE
CB808-CB810	USE
CB811-CB813	NONE
CB814-CB816	USE
CB817-CB819	NONE
CB820-CB822	USE
CB823-CB825	NONE
CB826-CB828	USE
CB829-CB831	NONE
CB832-CB834	USE
CB835-CB837	NONE
CB838-CB840	USE
CB841-CB843	NONE
CB844-CB846	USE
CB847-CB849	NONE
CB850-CB852	USE
CB853-CB855	NONE
CB856-CB858	USE
CB859-CB861	NONE
CB862-CB864	USE
CB865-CB867	NONE
CB868-CB870	USE
CB871-CB873	NONE
CB874-CB876	USE
CB877-CB879	NONE
CB880-CB882	USE
CB883-CB885	NONE
CB886-CB888	USE
CB889-CB891	NONE
CB892-CB894	USE
CB895-CB897	NONE
CB898-CB900	USE
CB901-CB903	NONE
CB904-CB906	USE
CB907-CB909	NONE
CB910-CB912	USE
CB913-CB915	NONE
CB916-CB918	USE
CB919-CB921	NONE
CB922-CB924	USE
CB925-CB927	NONE
CB928-CB930	USE
CB931-CB933	NONE
CB934-CB936	USE
CB937-CB939	NONE
CB940-CB942	USE
CB943-CB945	NONE
CB946-CB948	USE
CB949-CB951	NONE
CB952-CB954	USE
CB955-CB957	NONE
CB958-CB960	USE
CB961-CB963	NONE
CB964-CB966	USE
CB967-CB969	NONE
CB970-CB972	USE
CB973-CB975	NONE
CB976-CB978	USE
CB979-CB981	NONE
CB982-CB984	USE
CB985-CB987	NONE
CB988-CB990	USE
CB991-CB993	NONE
CB994-CB996	USE
CB997-CB999	NONE
CB1000-CB1002	USE

▲ Parts are safety assurance parts. When replacing those parts make sure to use the specified one.

■ Audio amp section (1/2)

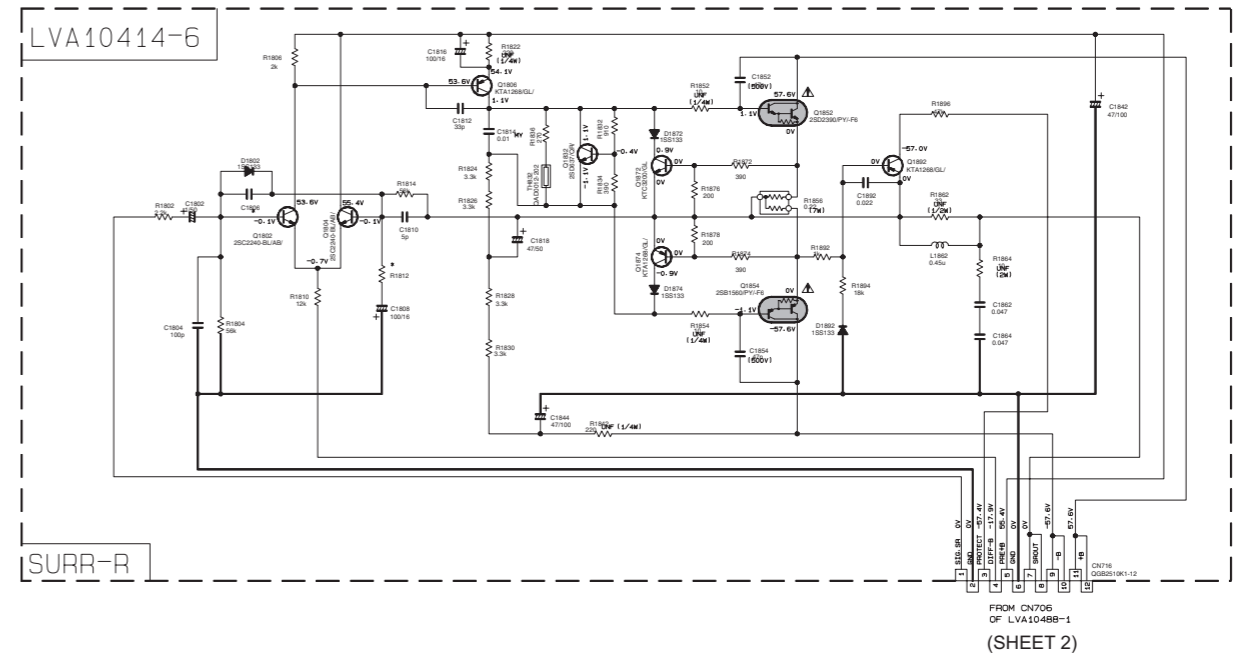
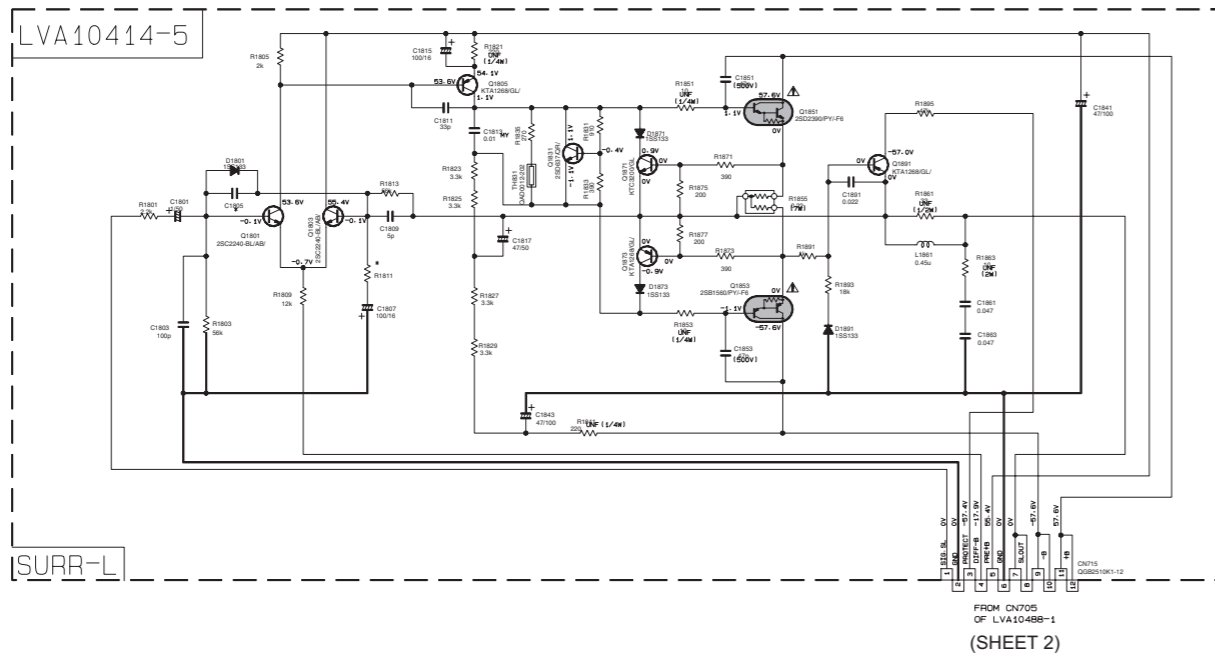
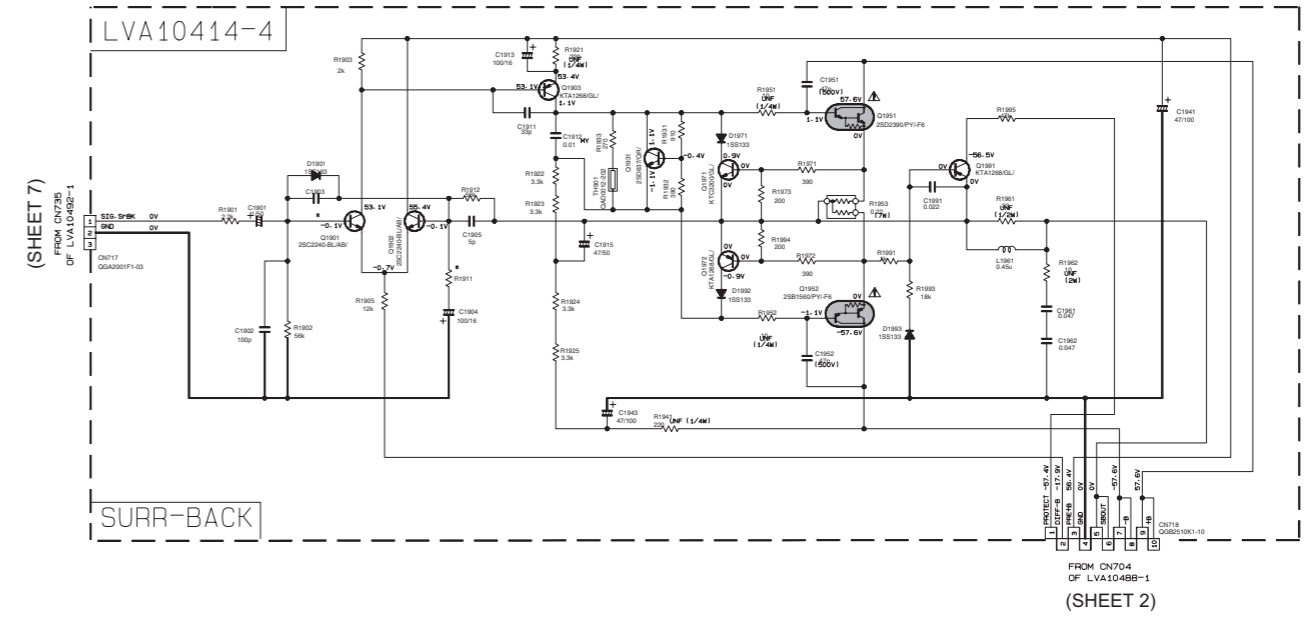
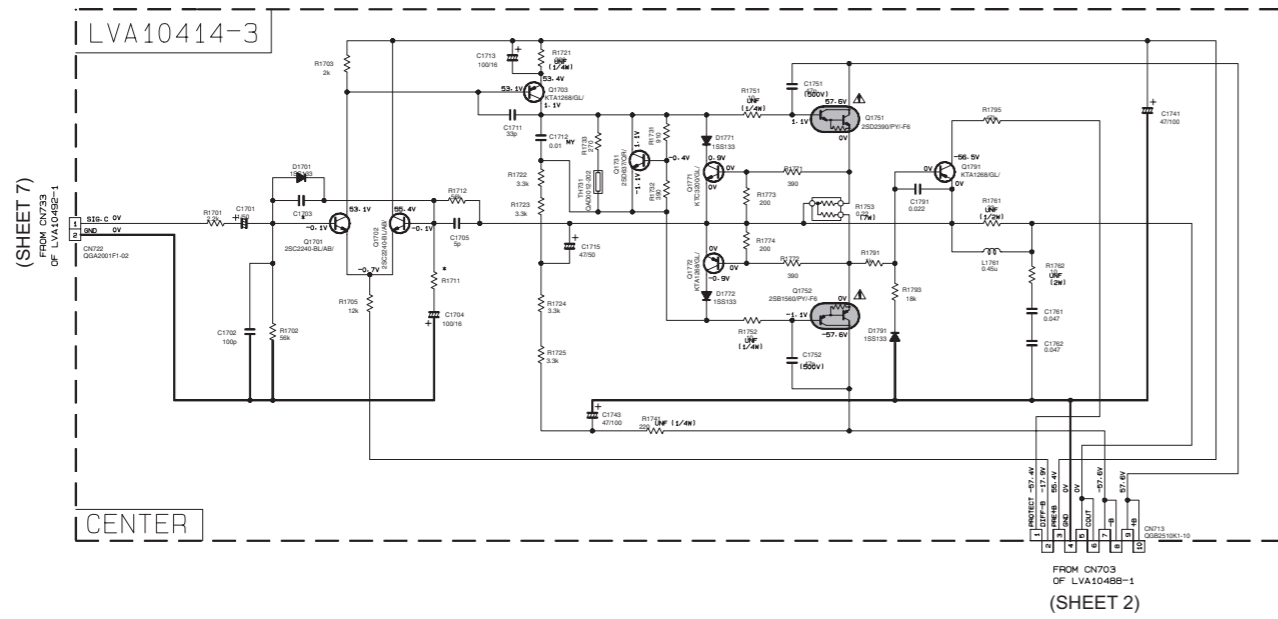


▲ Parts are safety assurance parts. When replacing those parts make sure to use the specified one.

* MARK

R711, R712	J/C	UJ
	1.6k	1.8k

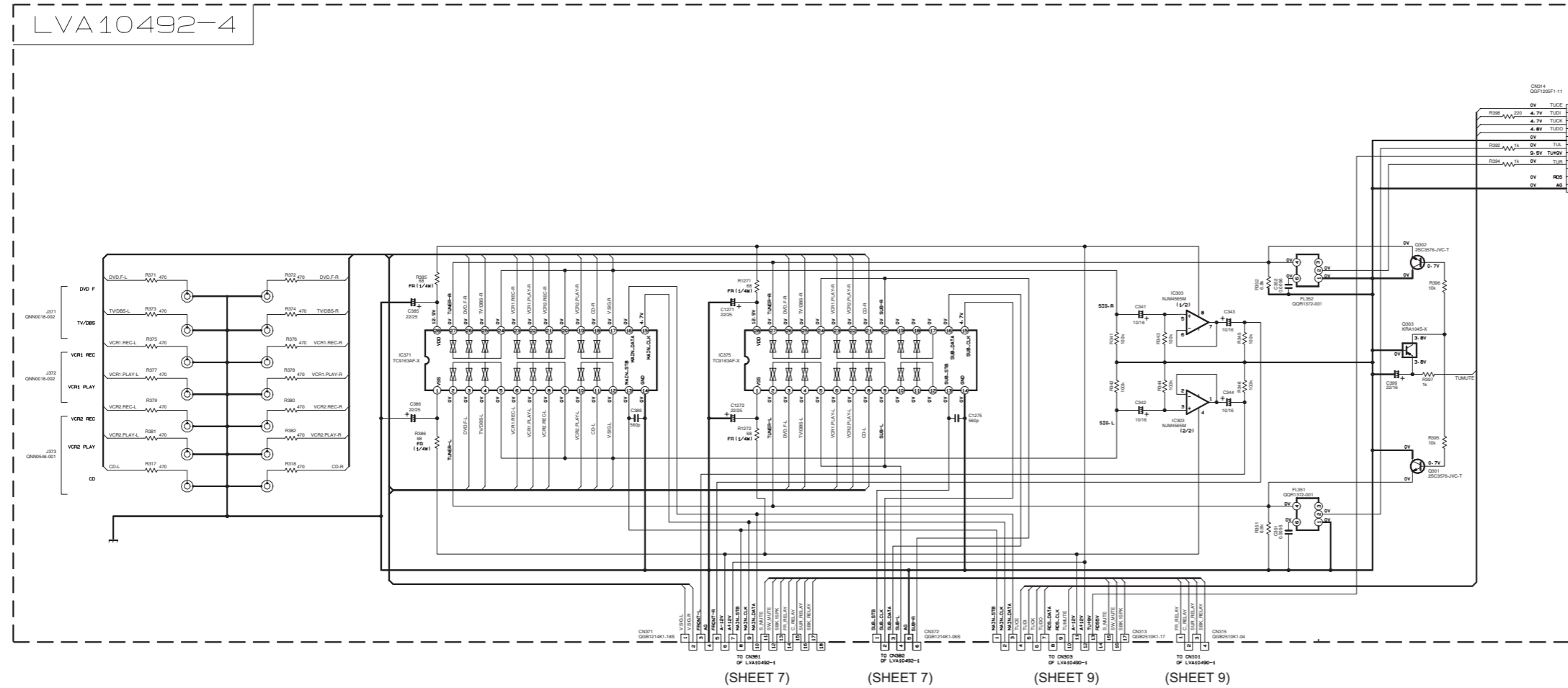
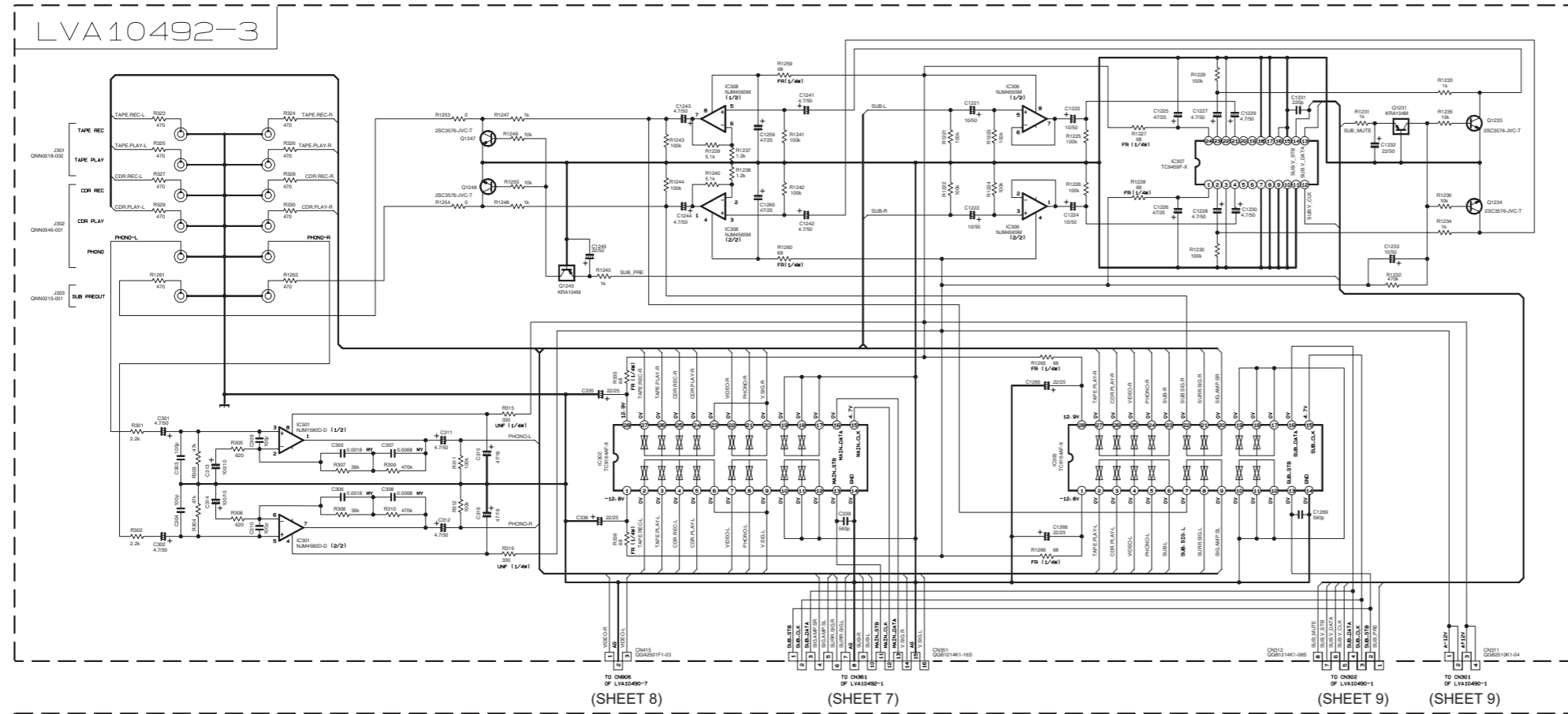
■ Audio amp section (2/2)



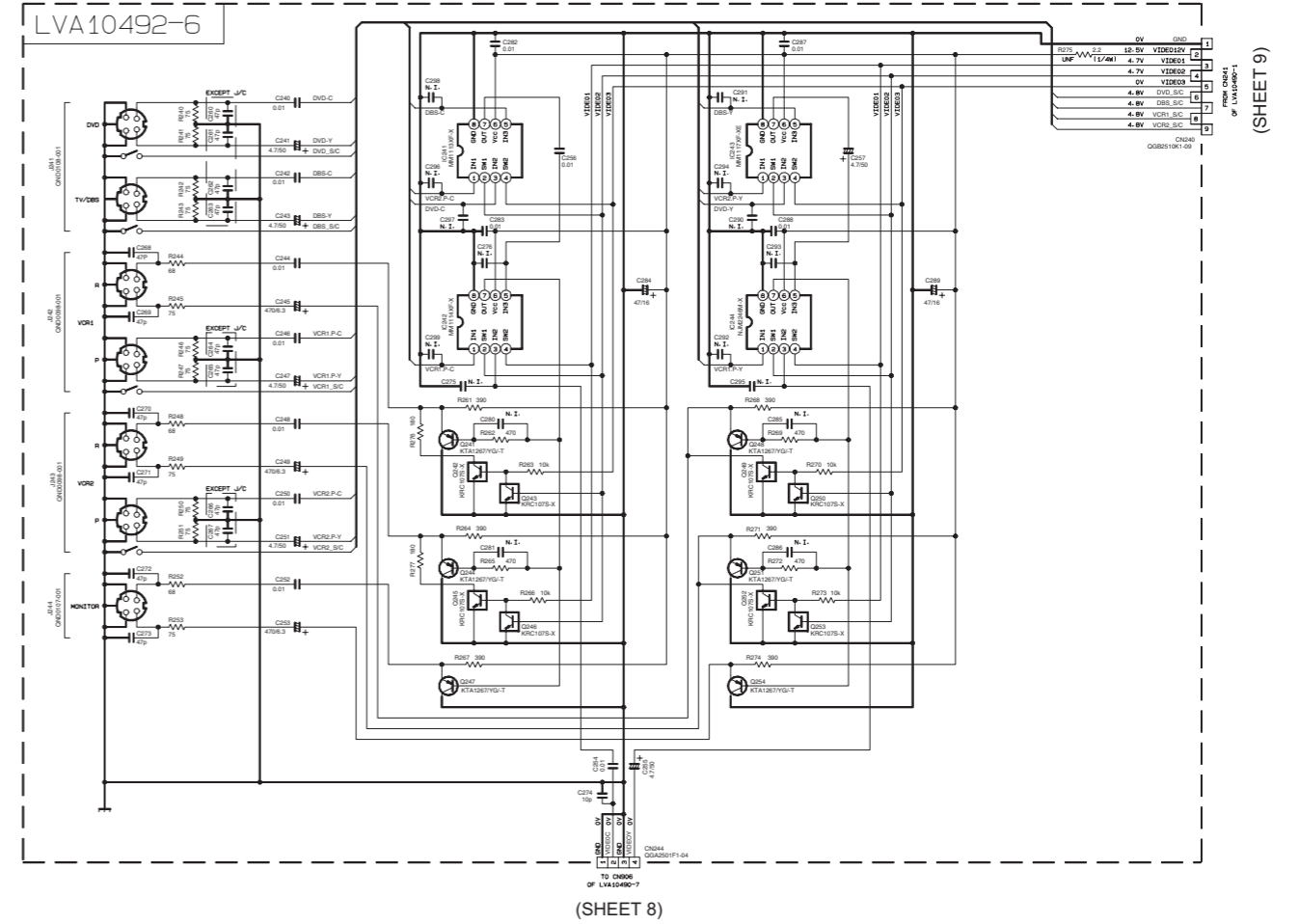
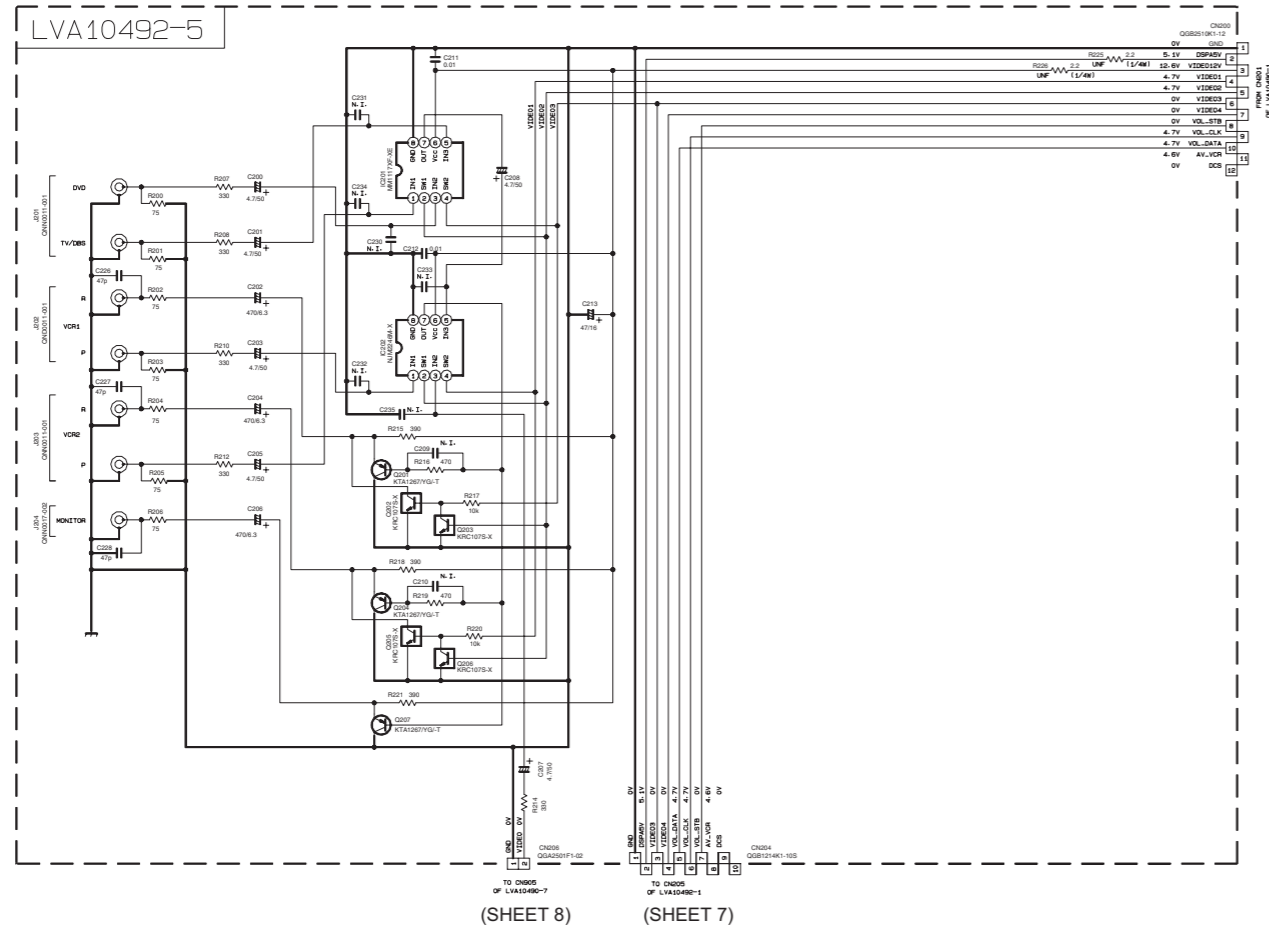
▲ Parts are safety assurance parts.
When replacing those parts make sure to use the specified one.

*MARK	J/C	UJ
R1711, R1911, R1811, R1812	1.6k	1.6k
C1703, C1805, C1806	100p	220p

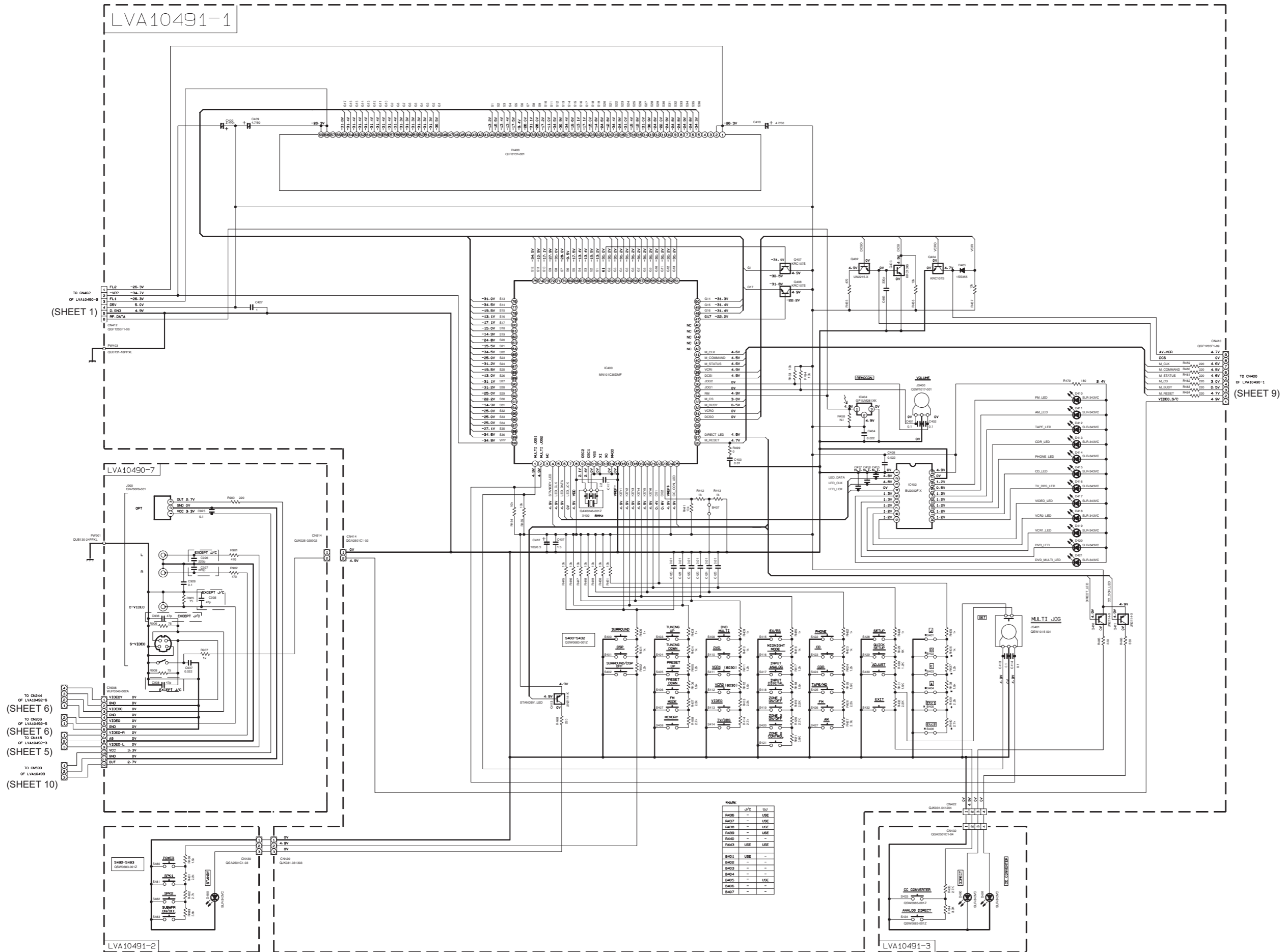
■ Audio signal input section



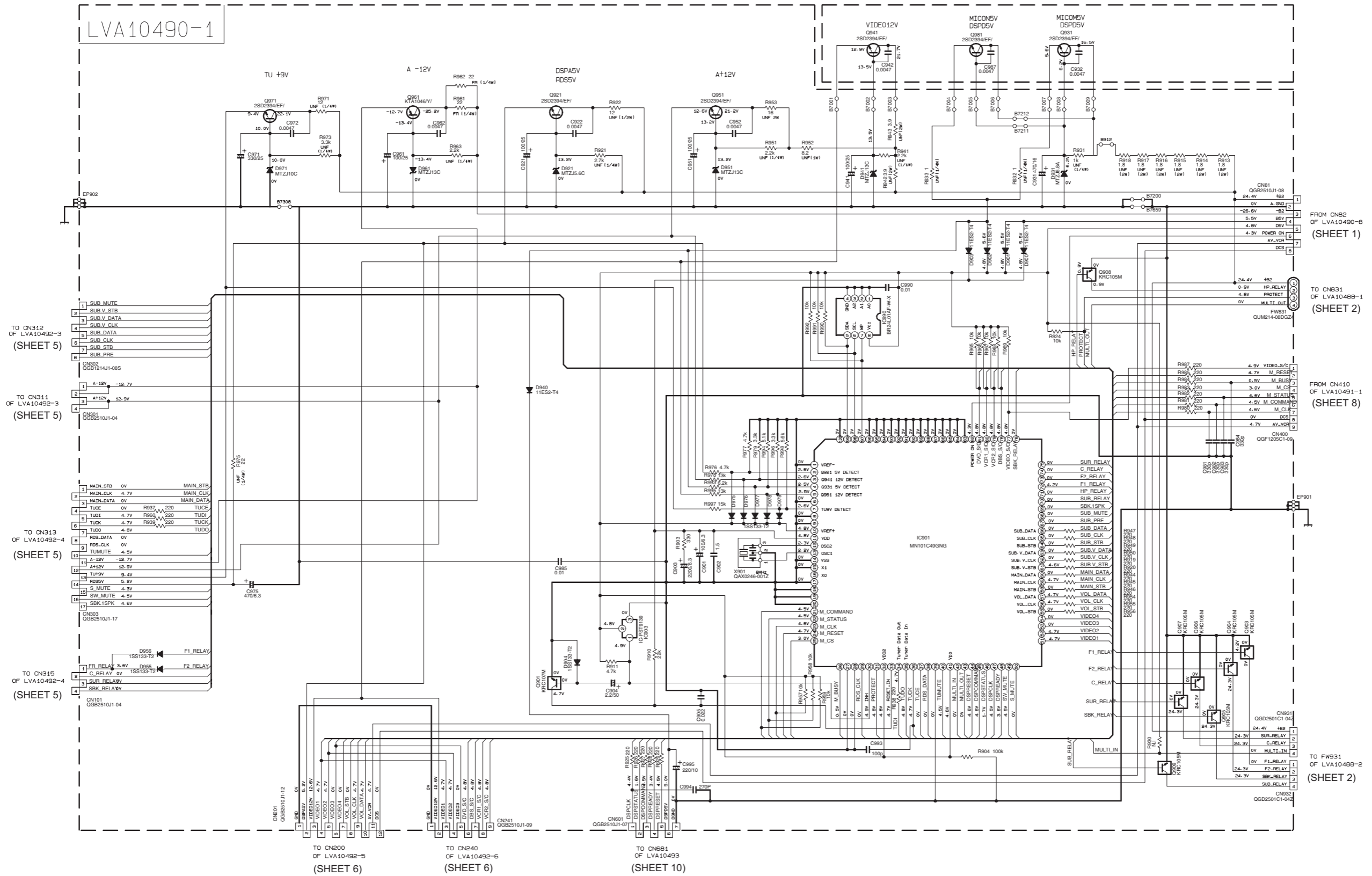
Video signal input section



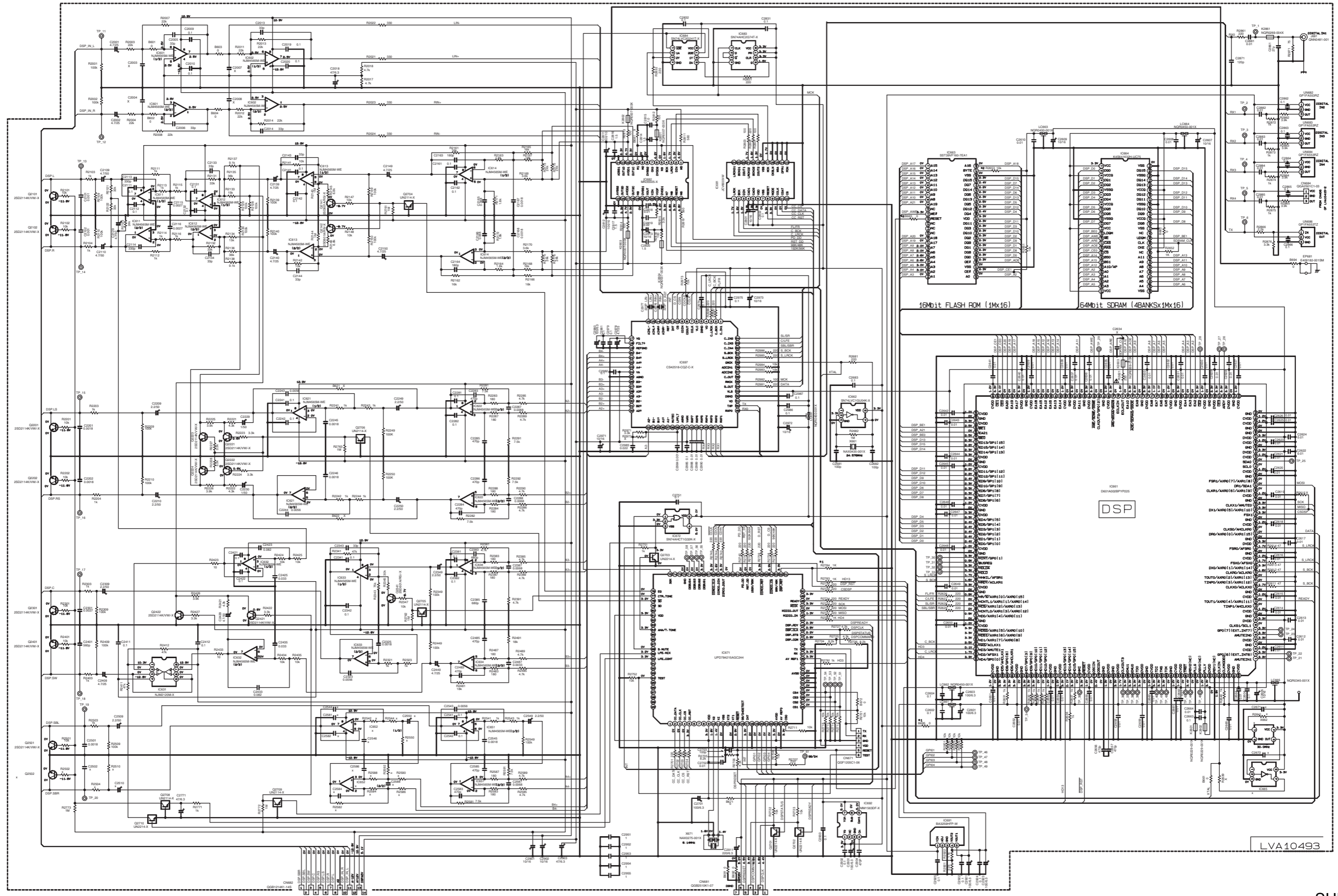
FL display section



System control section



DSP section



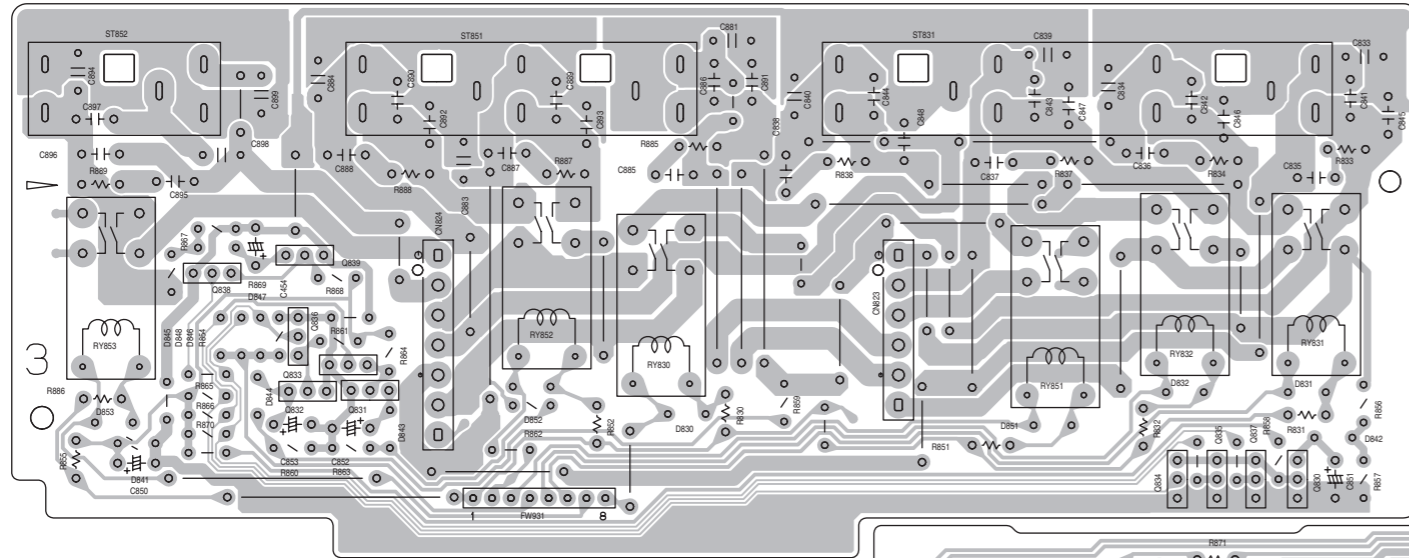
(SHEET 7)

(SHEET 9)

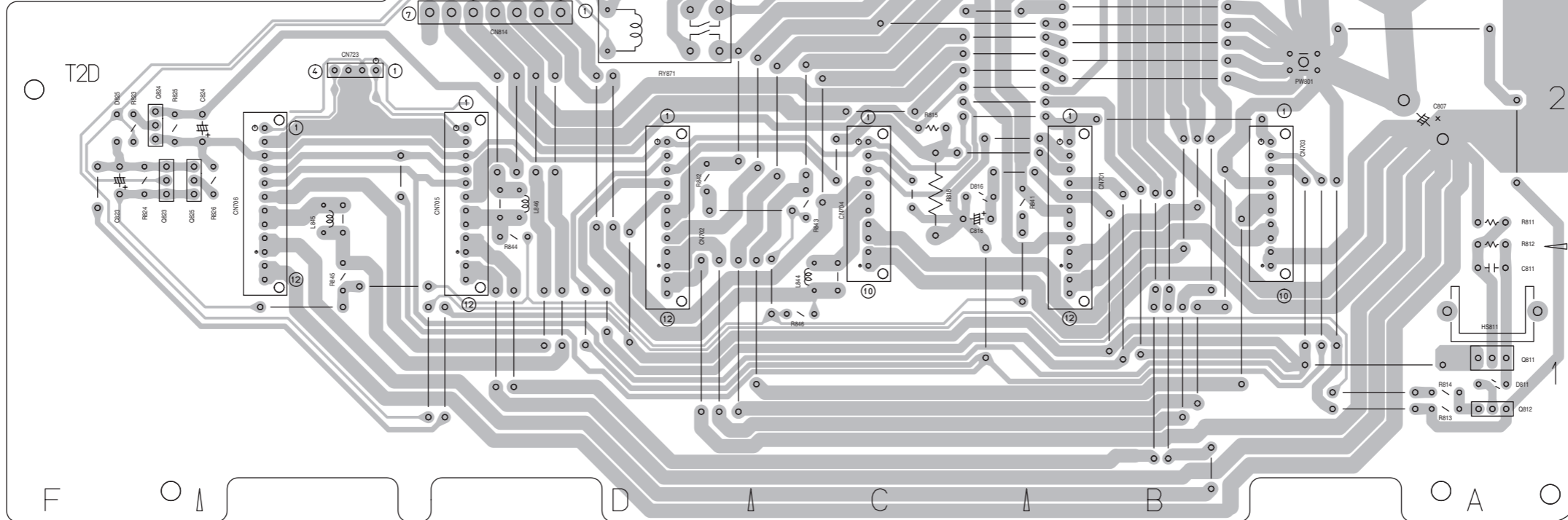
Printed circuit boards

■ Main board

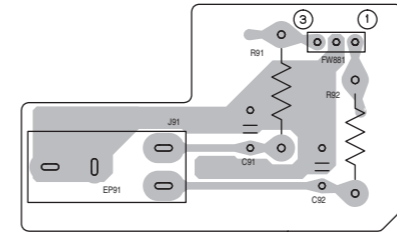
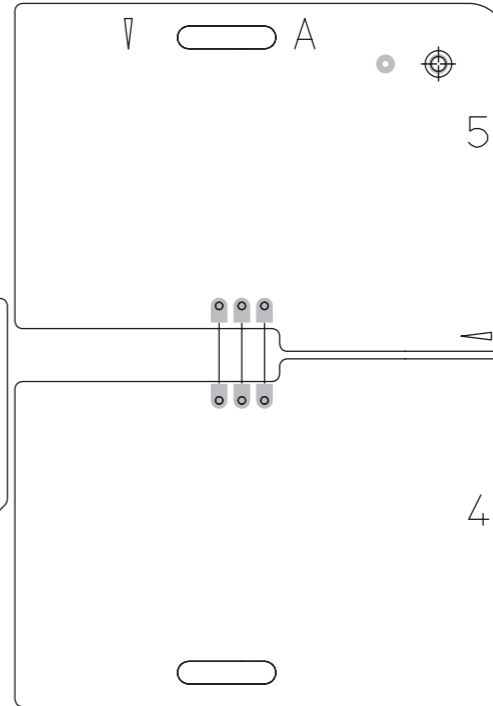
(Speaker board)



(Main board)

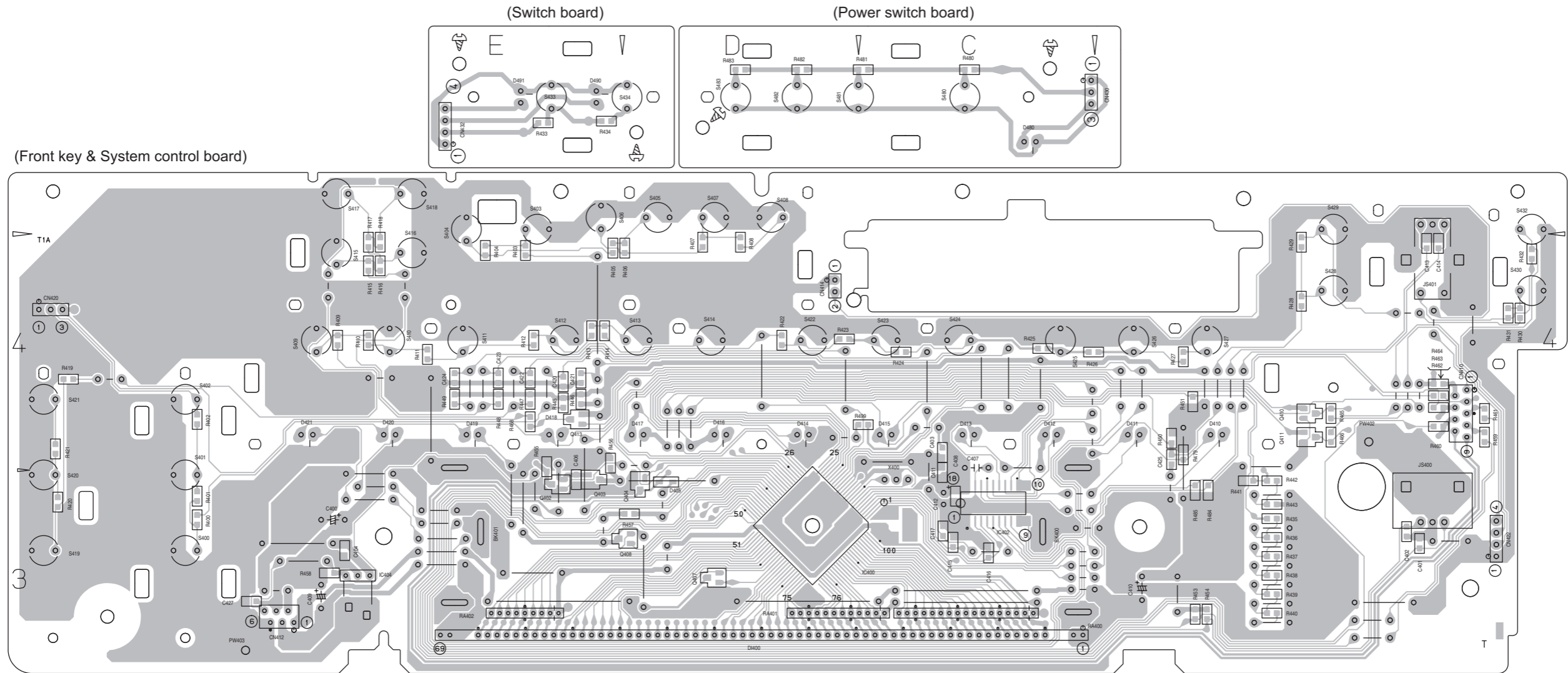


(Wire protection board)



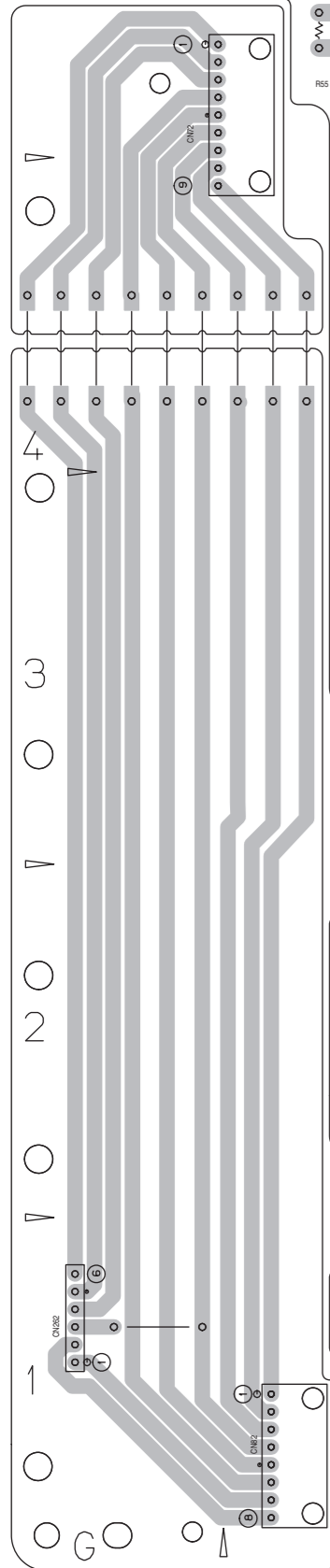
(Headphone jack board)

■ Front board

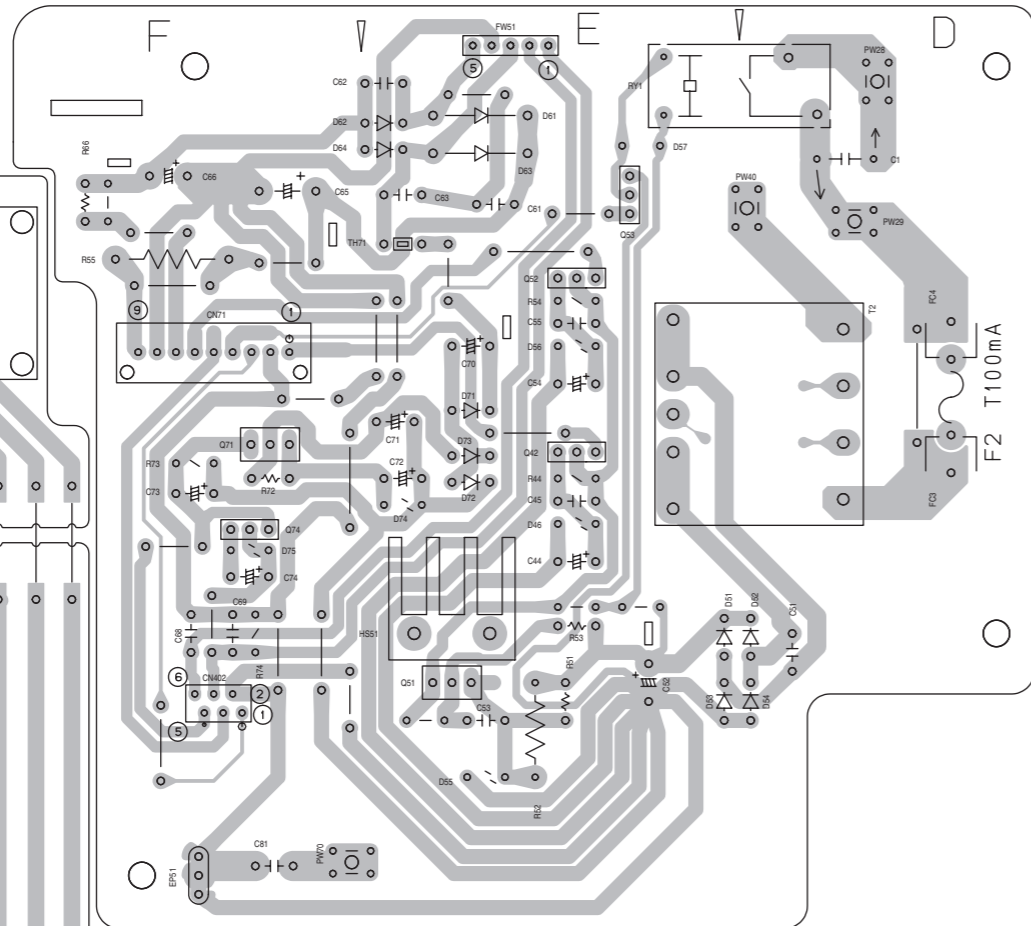


■ Micon board

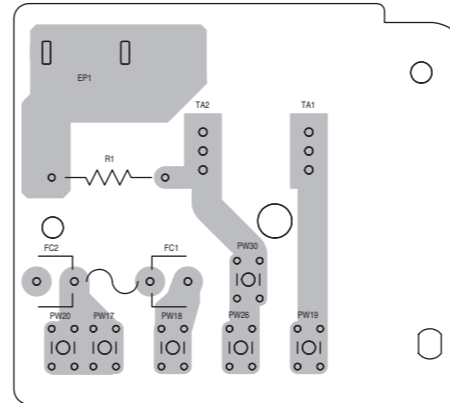
(Relay board)



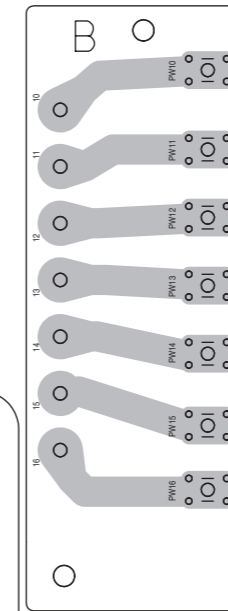
(Power supply board)



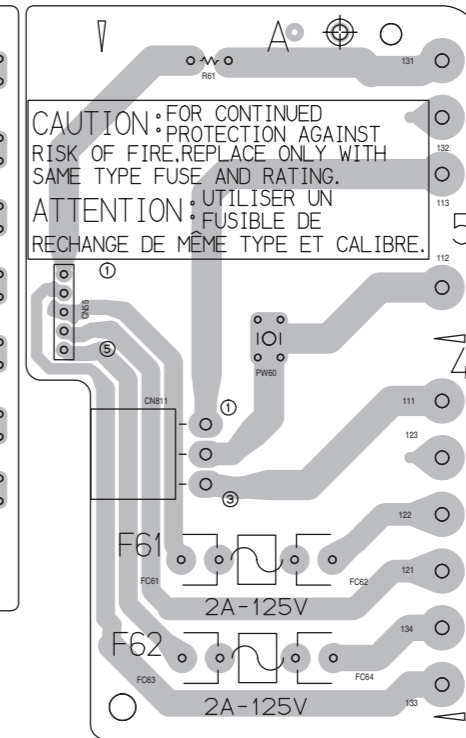
(Power / fuse board)



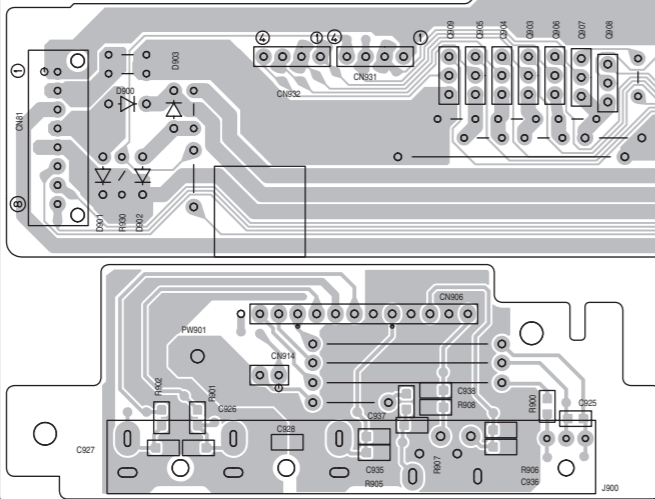
(Power trans 2 board)



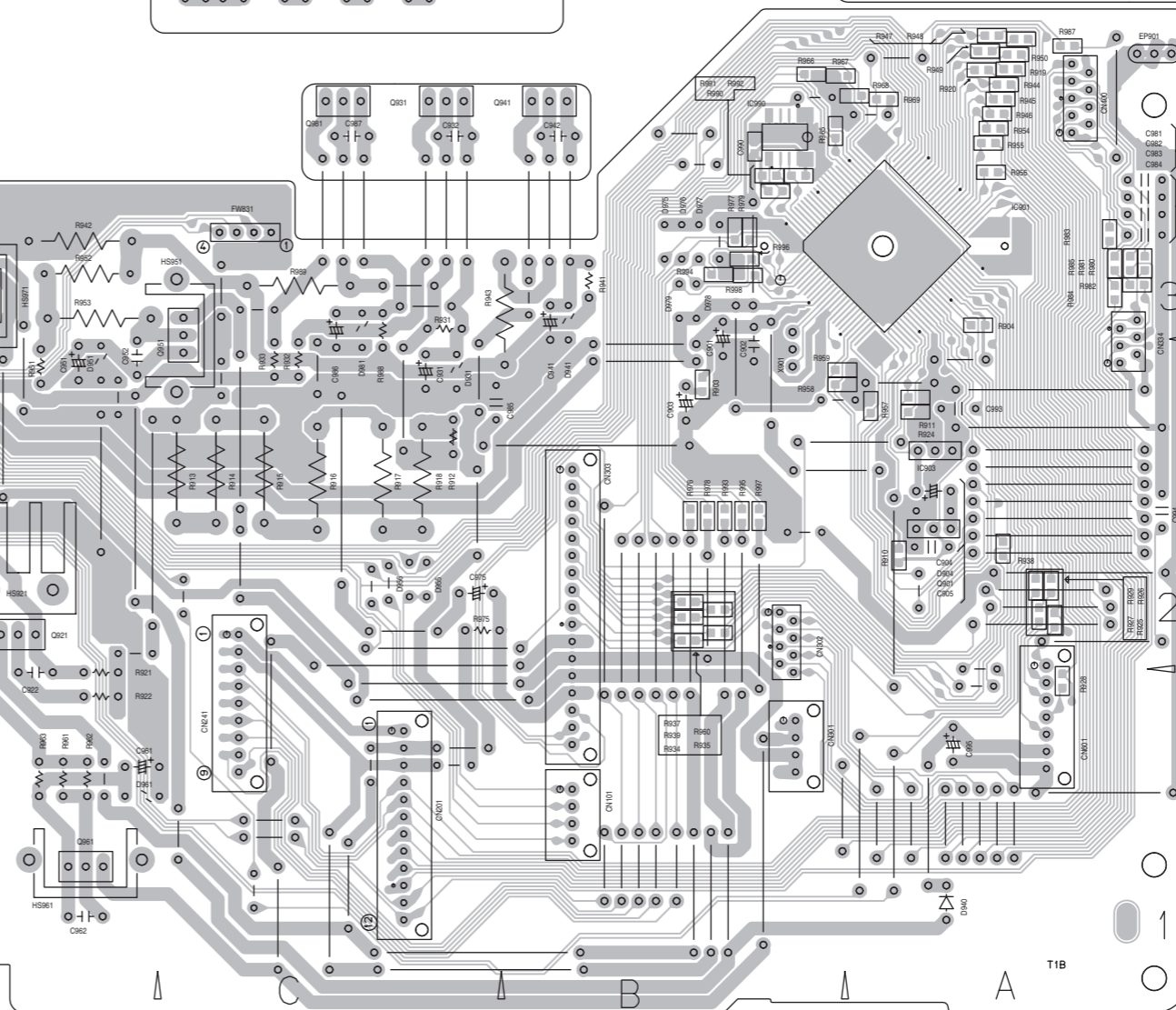
(Power trans 1 board)



(Micon board)

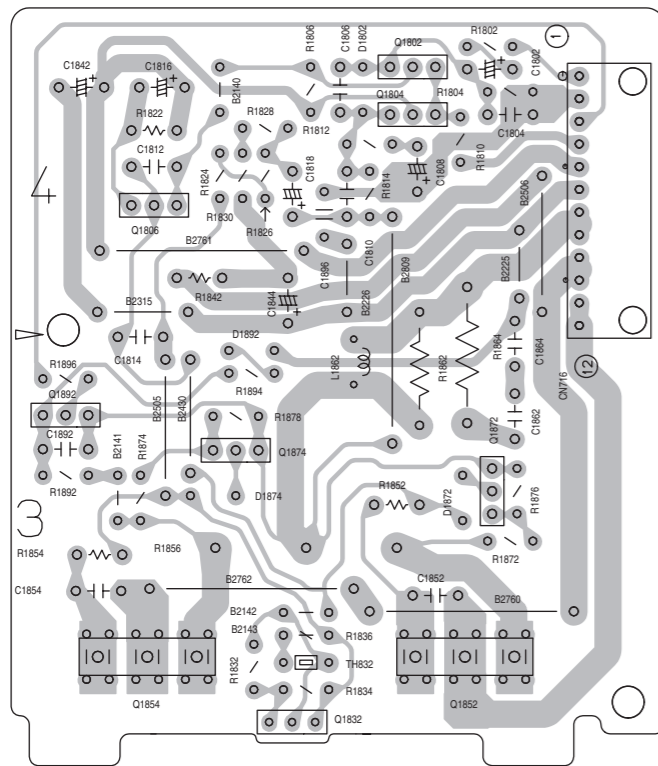


(Front video board)

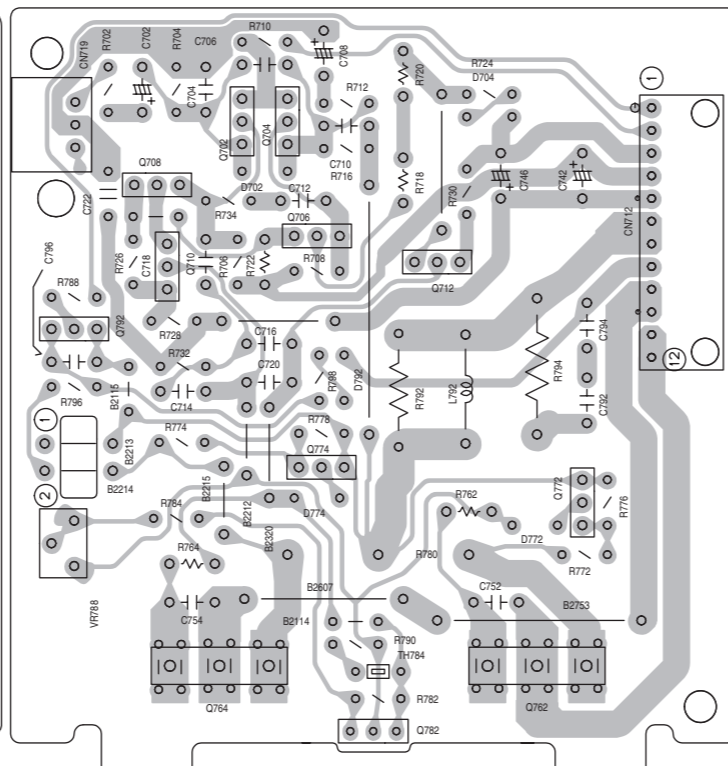


■ Power board

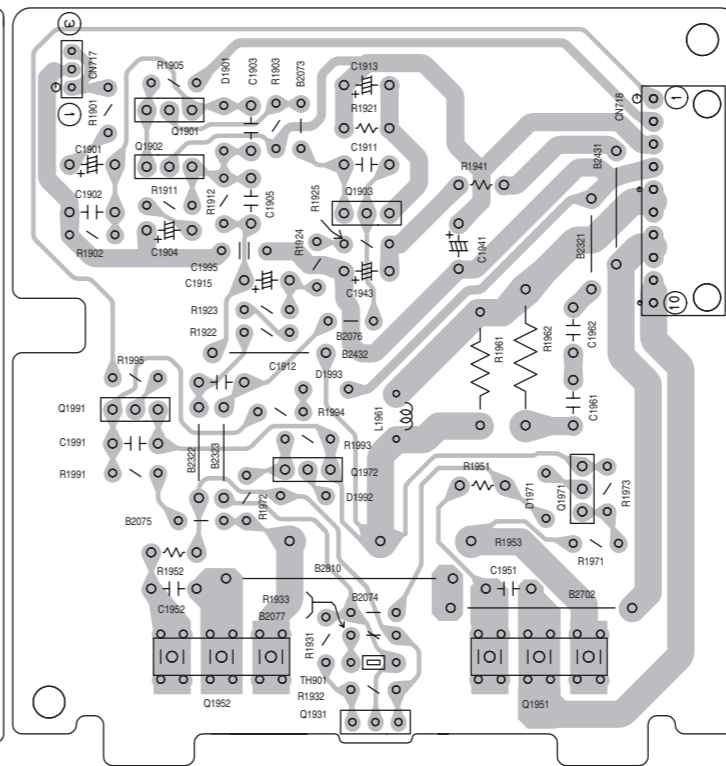
(Surround board [R])



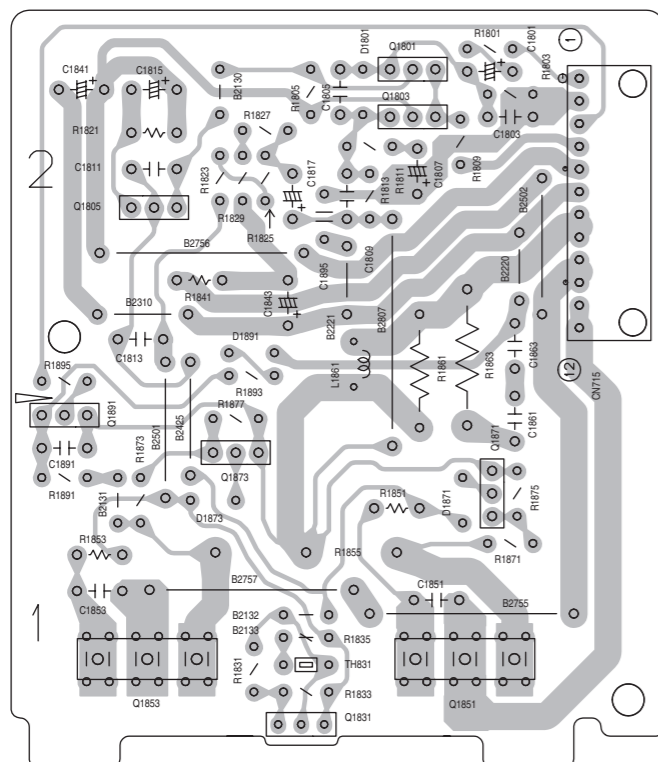
(Front board [L])



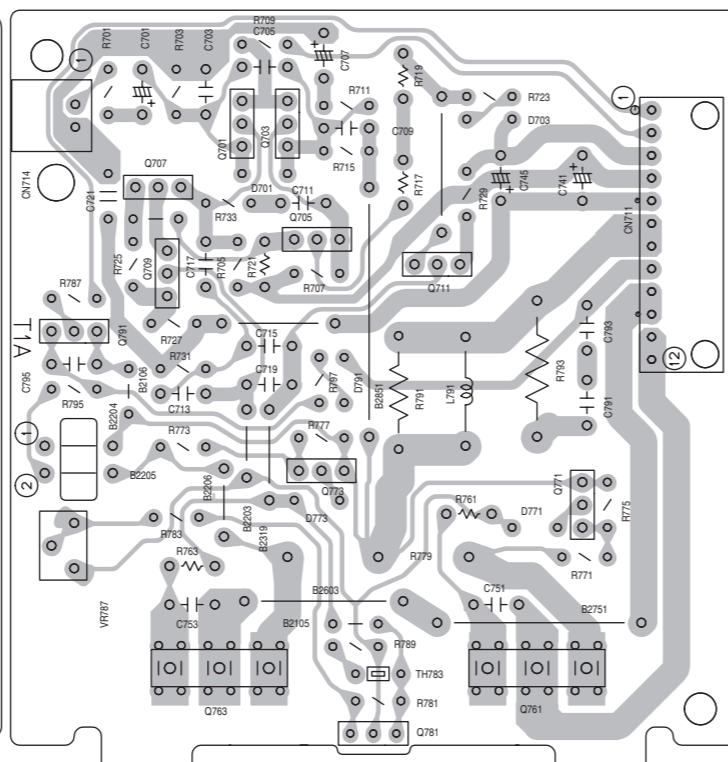
(Surround back board)



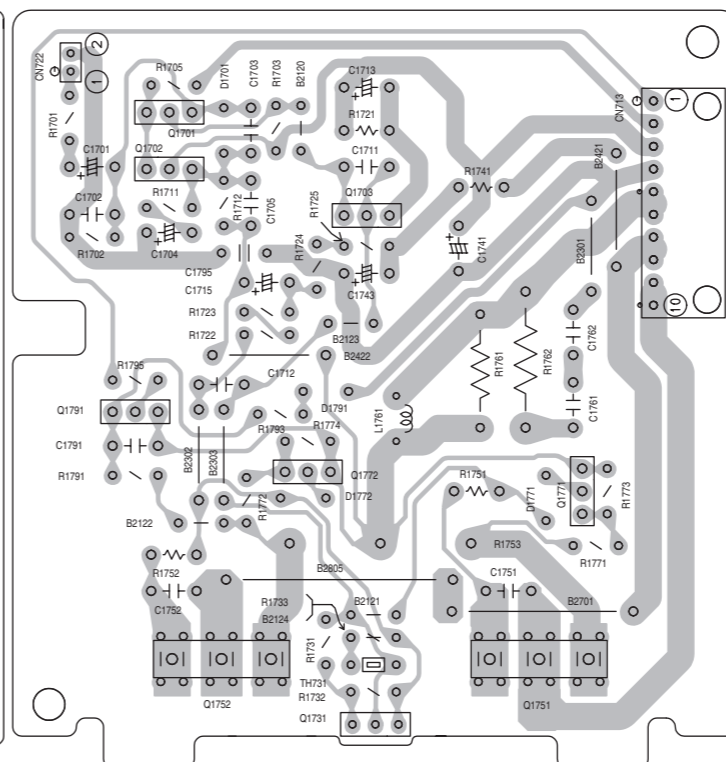
(Surround board [L])



(Front board [R])

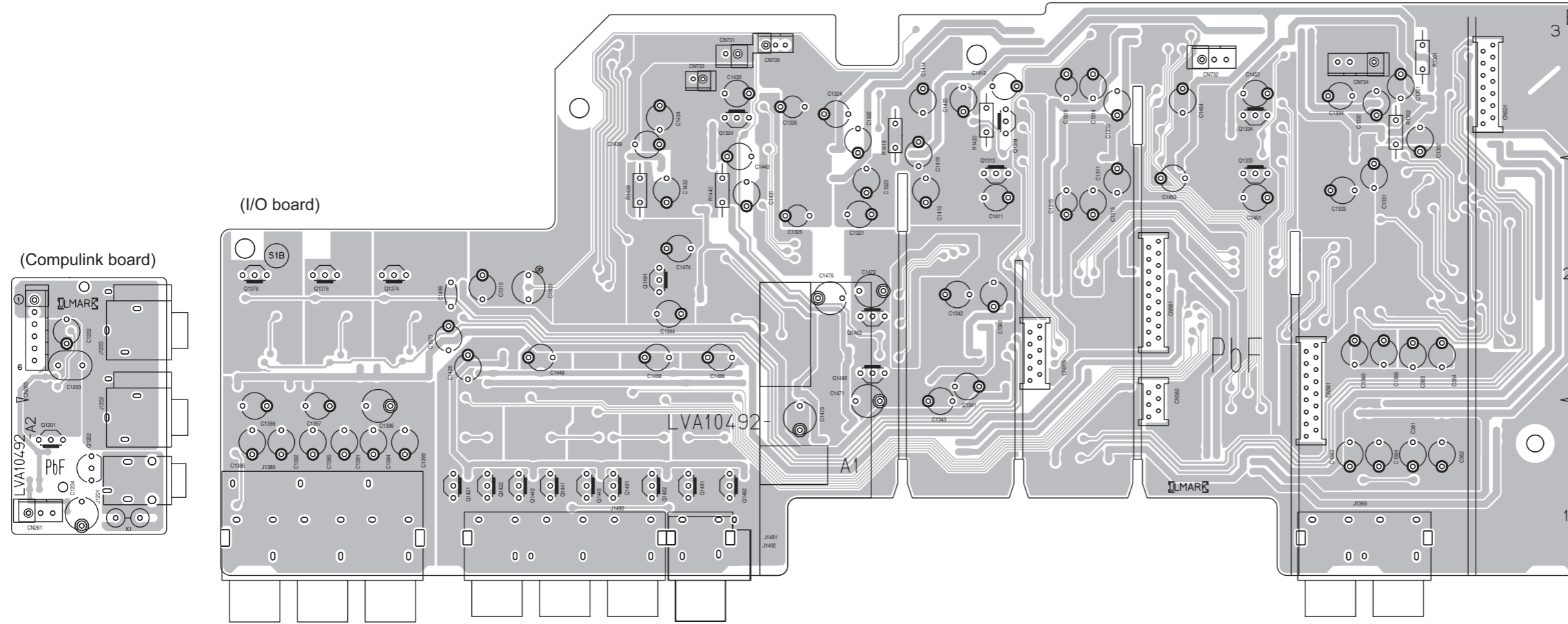


(Center board)

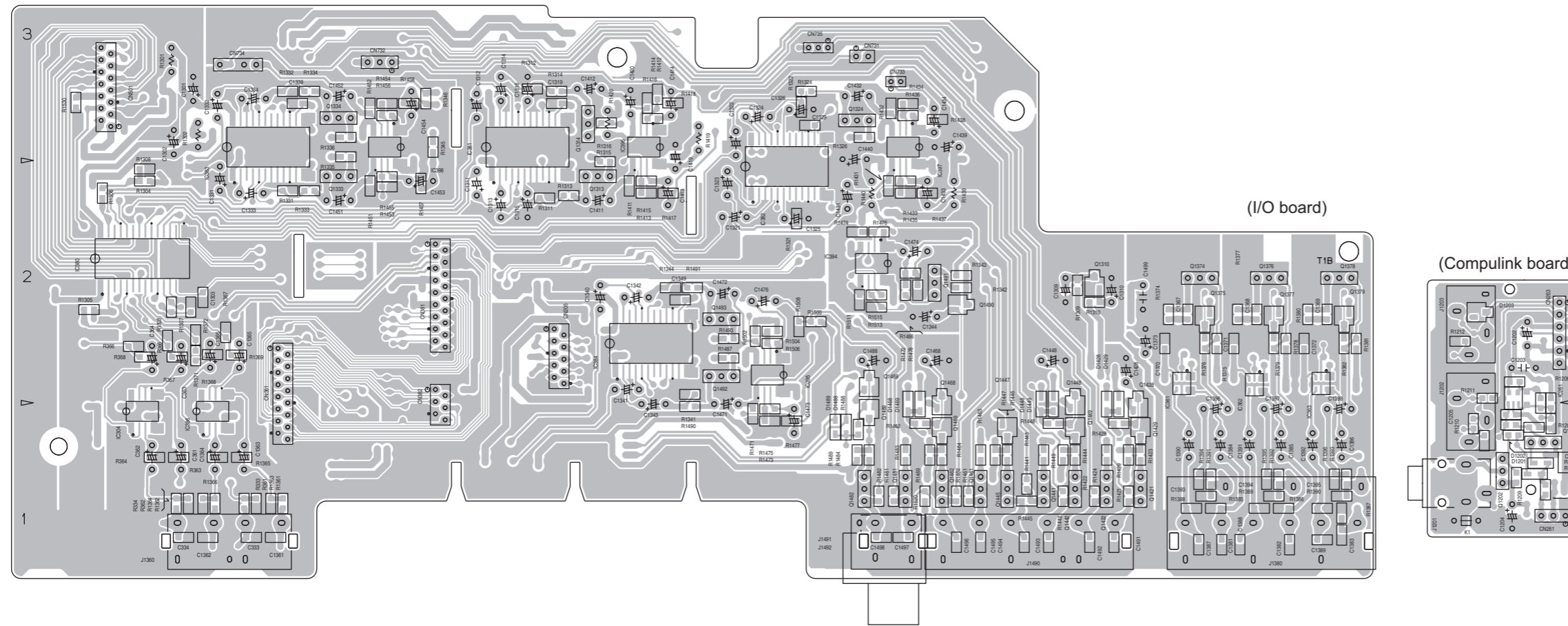


Input board (1/3)

Forward side

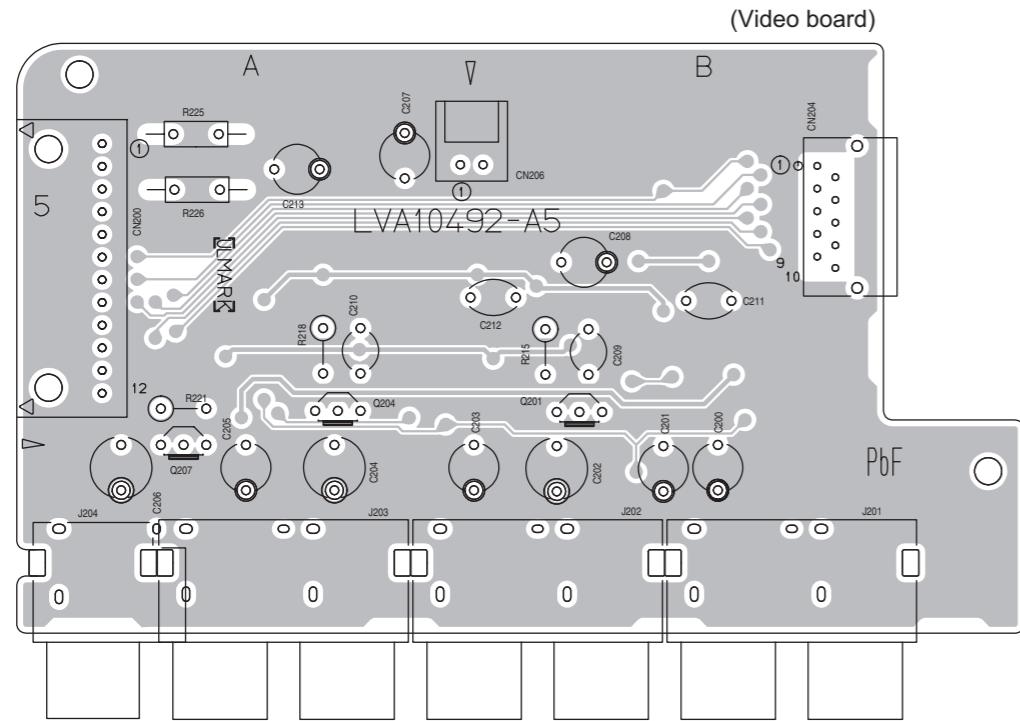


Reverse side

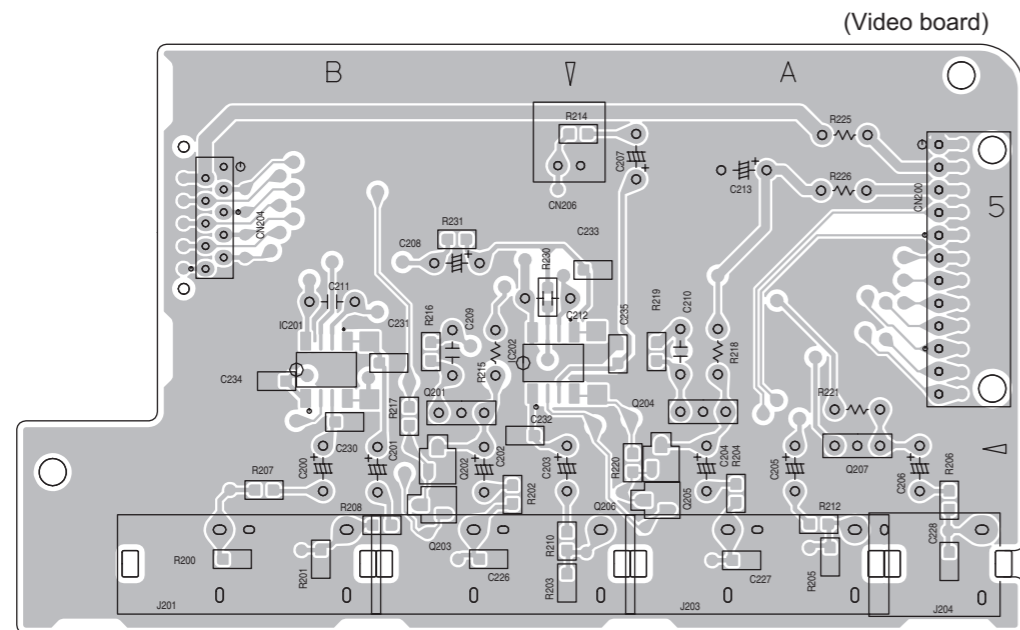


■ Input board (3/3)

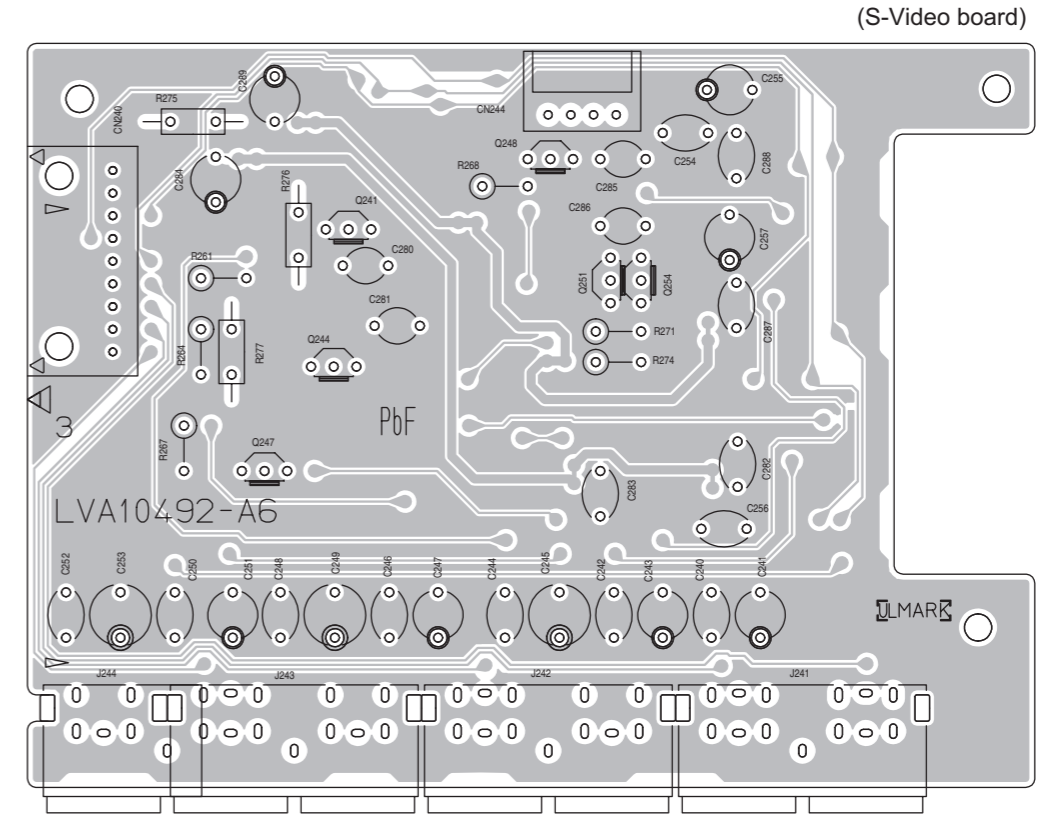
Forward side



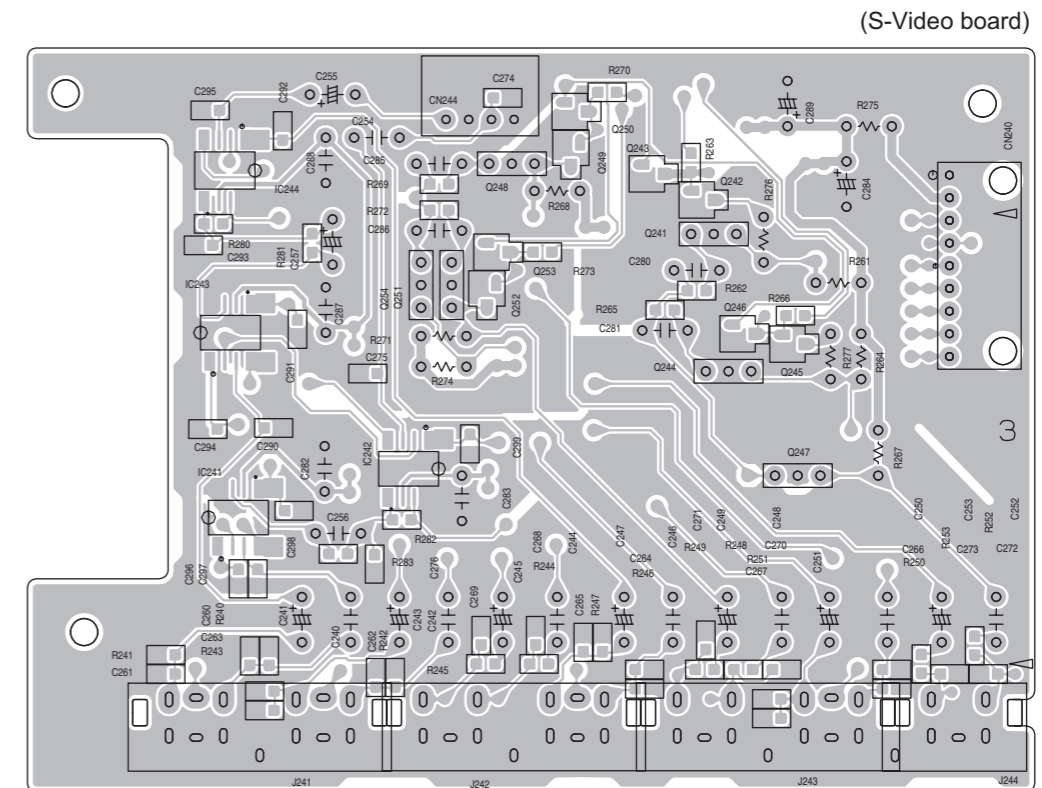
Reverse side



Forward side

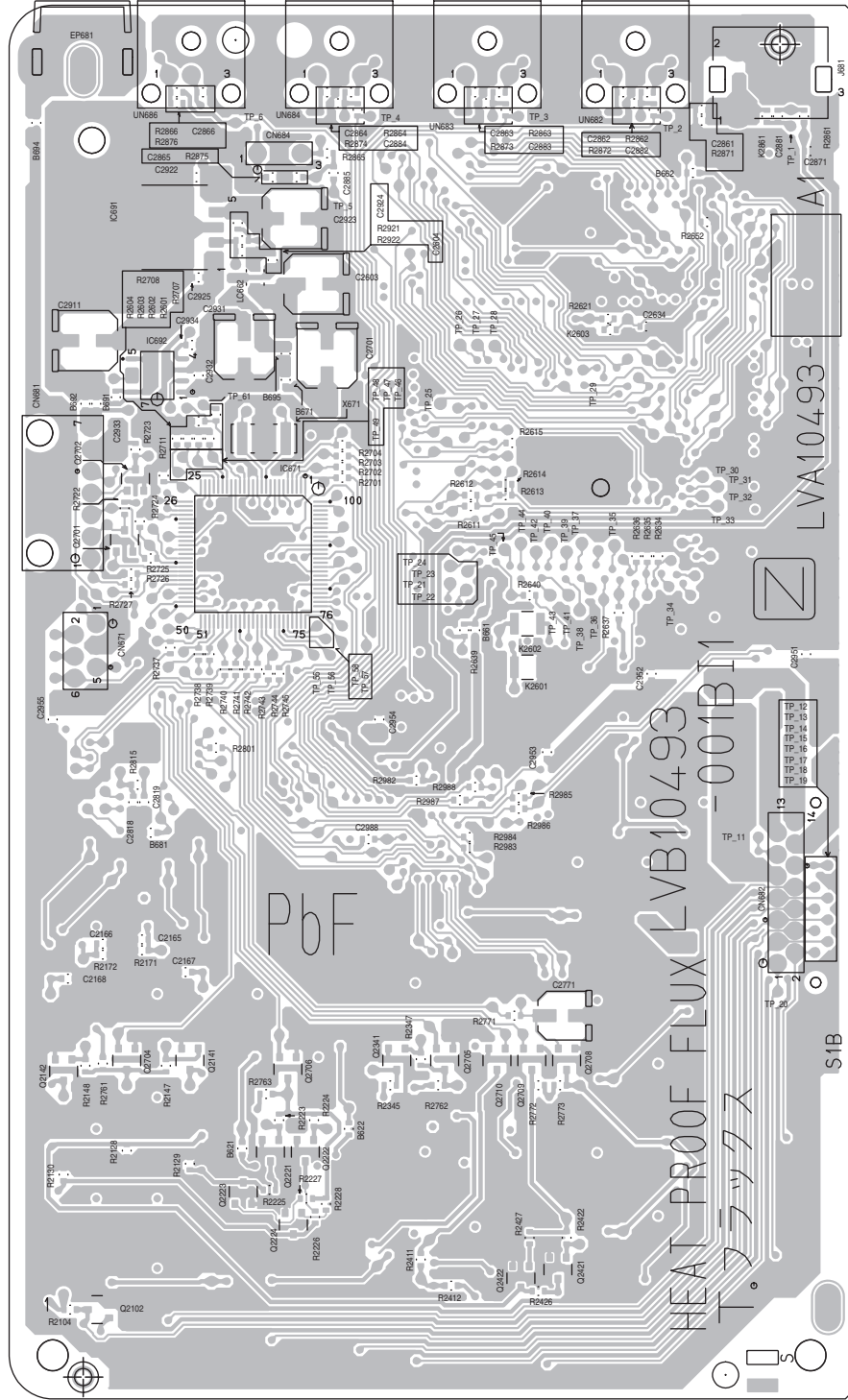


Reverse side

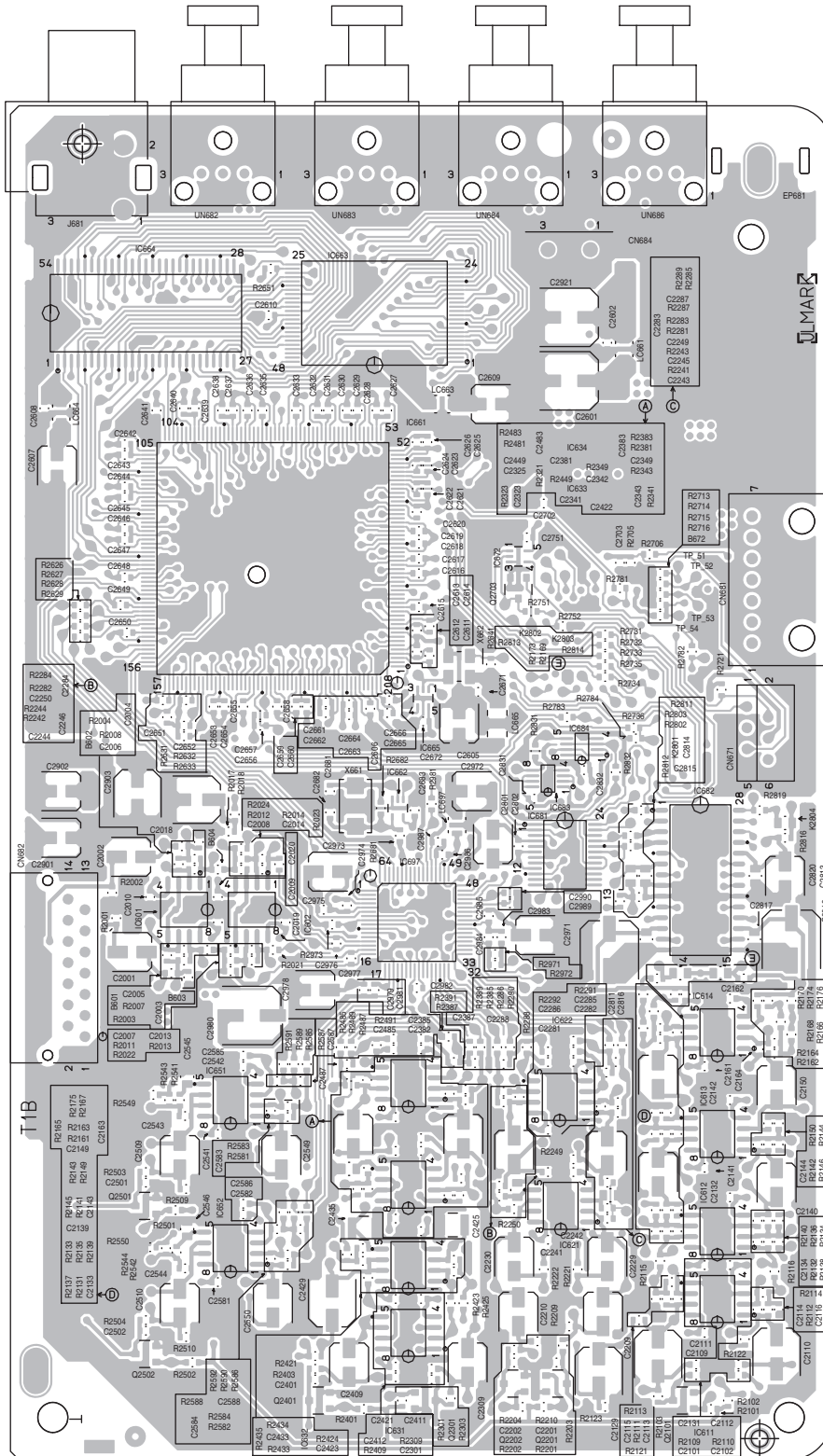


■ DSP board (1/2)

Forward side



Reverse side



< MEMO >

JVC

Victor Company of Japan, Limited

AV & MULTIMEDIA COMPANY AUDIO/VIDEO SYSTEMS CATEGORY 10-1, 1chome, Ohwatari-machi, Maebashi-city, 371-8543, Japan

(No.MB303SCH)



Printed in Japan
WPC

PARTS LIST

[RX-8040B]

* All printed circuit boards and its assemblies are not available as service parts.

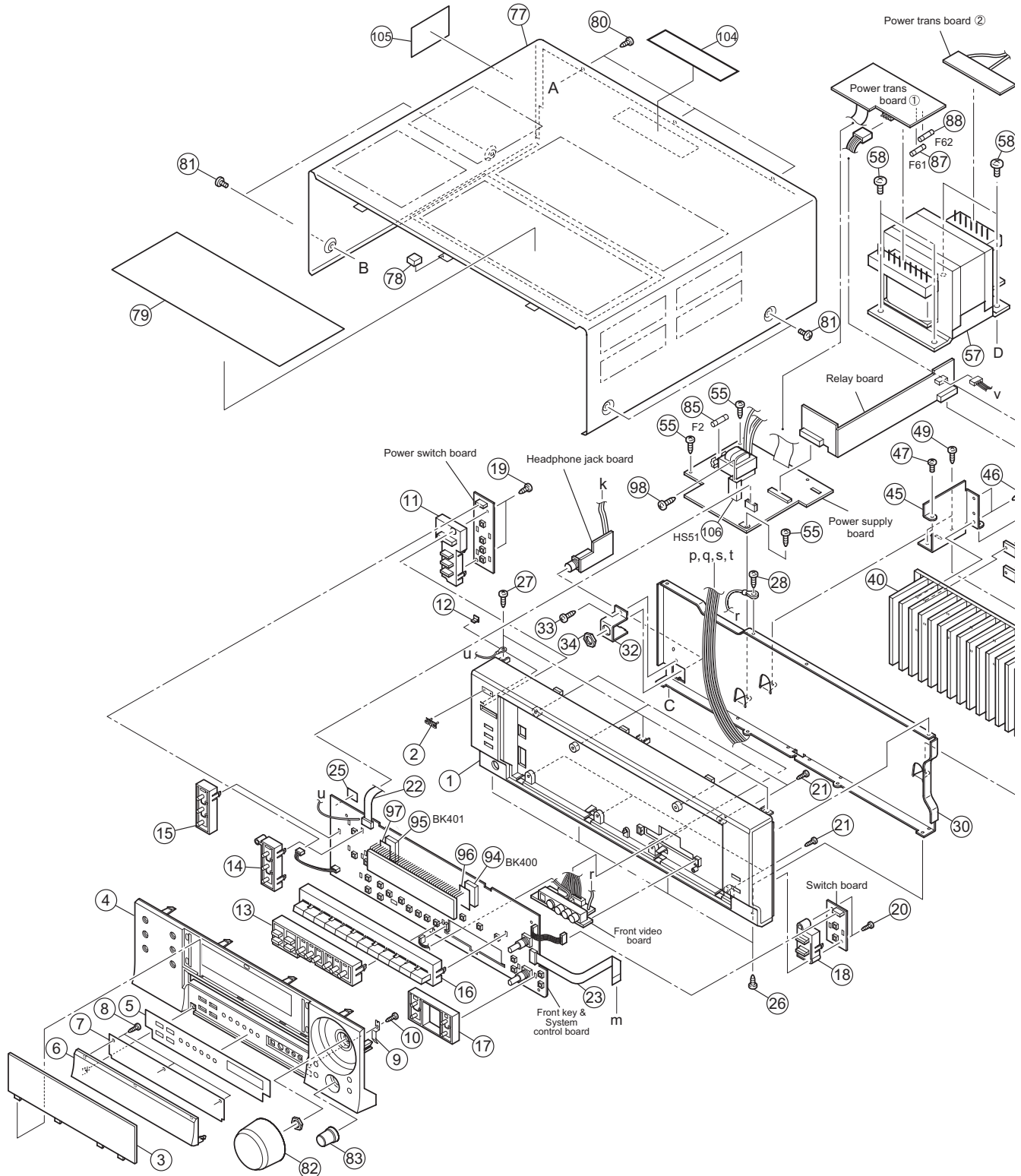
Area suffix
UJ ----- U.S.Military

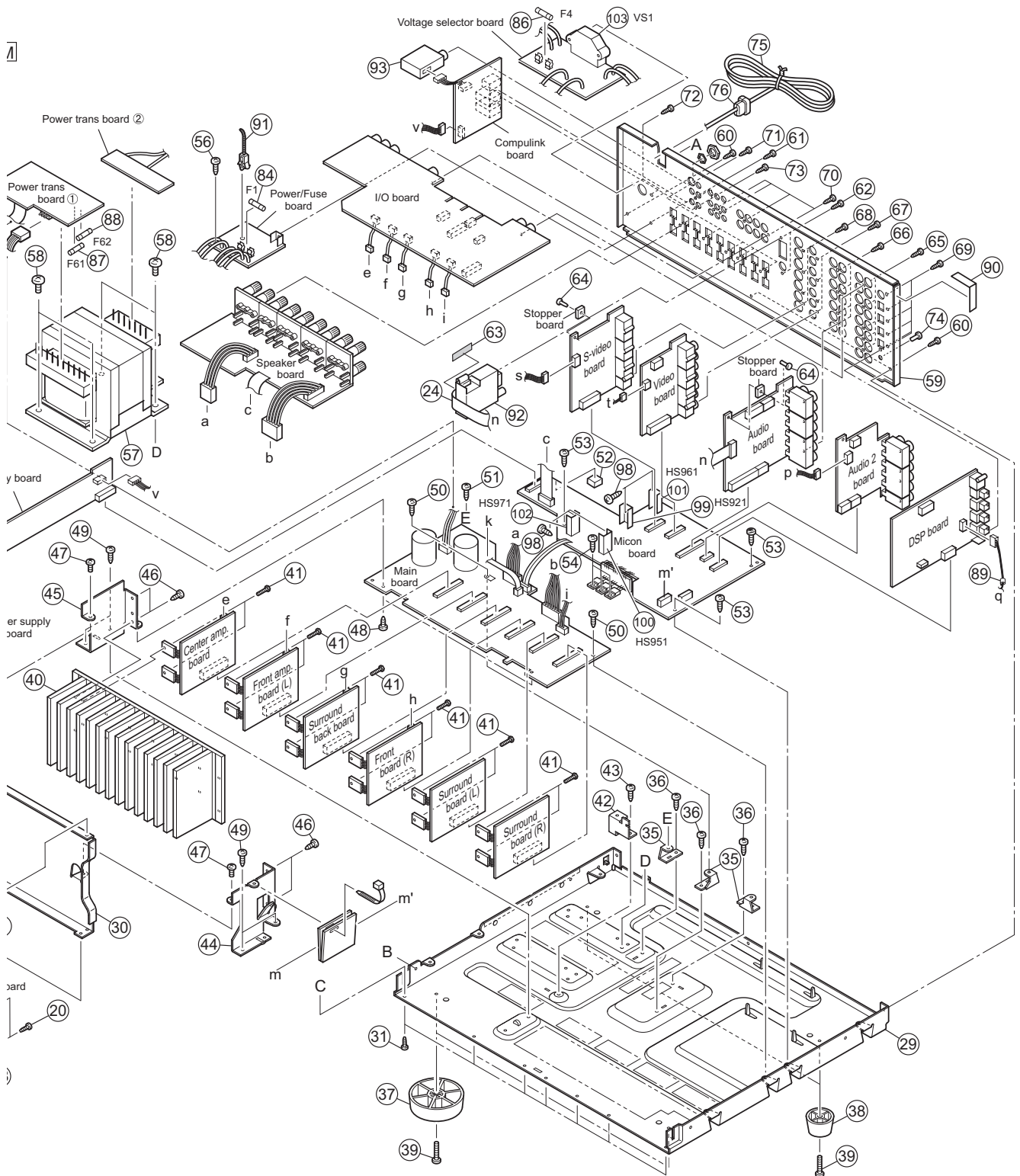
- Contents -

Exploded view of general assembly and parts list (Block No.M1)	3- 2
Electrical parts list (Block No.01~06)	3- 6
Packing materials and accessories parts list (Block No.M3)	3-22

Exploded view of general assembly and parts list

Block No. **M 1 M M**





General Assembly

Block No. [M][1][M][M]

△	Symbol No.	Part No.	Part Name	Description	Local
	1	LV10469-033A	FRONT PANEL		
	2	LV43338-001A	JVC MARK		
	3	LV21438-002A	LENS		
	4	LV10767-006A	SUB PANEL		
	5	LV34032-005A	CONTROL PLATE		
	6	LV21437-005A	SEALING DOOR		
	7	LV34086-001A	DOOR COVER		
	8	QYSPSGU2030MA	TAP SCREW	M2 x 3mm(x3)	
	9	LV43357-001A	DOOR SPRING		
	10	QYSBSF2608ZA	TAP SCREW	M2.6 x 8mm	
	11	LV20939-005A	PUSH BUTTON		
	12	LV42096-001A	INDICATOR		
	13	LV21442-001A	P.BUTTON(TUNER)		
	14	LV21439-001A	P.BUTTON(DSP)		
	15	LV21702-001A	P.BUTTON(ZONE)		
	16	LV21441-001A	P.BUTTON(SOURCE)		
	17	LV21443-001A	P.BUTTON(ADJUST)		
	18	LV32486-001A	P.BUTTON ASSY		
	19	QYSBSF2610ZA	TAP SCREW	M2.6 x 10mm(x2)	
	20	QYSBSF2610ZA	TAP SCREW	M2.6 x 10mm(x2)	
	21	QYSBSF2610ZA	TAP SCREW	M2.6 x 10mm(x8)	
	22	QUQ412-0617CJ	FFC WIRE	6pin 17cm	
	23	QUQ412-0930DJ	FFC WIRE	9pin 30cm	
	24	QUQ412-1120DJ	FFC WIRE	11pin 20cm	
	25	LV30225-0W1A	SPACER		
	26	QYSDSG3006ZA	TAP SCREW	M3 x 6mm(x4)	
	27	QYSBSG3006ZA	TAP SCREW	M3 x 6mm(x3)	
	28	QYSBSG3006ZA	TAP SCREW	M3 x 6mm	
	29	LV10019-008A	CHASSIS BASE		
	30	LV10471-002A	FRONT BRACKET		
	31	QYSDSG3006ZA	TAP SCREW	M3 x 6mm(x7)	
	32	LV42094-003A	H.P BKT		
	33	QYSBSG3006ZA	TAP SCREW	M3 x 6mm	
	34	VKZ4150-001	SPECIAL NUT		
	35	E68587-223SM	CB BKT	(x3)	
	36	QYSBST3006ZA	TAP SCREW	M3 x 6mm(x3)	
	37	QZF6018-001	FOOT	60mm x 18mm(x2)	
	38	E47227-036	FOOT	(x2)	
	39	QYSBST3010ZA	TAP SCREW	M3 x 10mm(x4)	
	40	LV21444-001A	HEAT SINK		
	41	QYSBSG3012E	TAP SCREW	M3 x 12mm(x12)	
	42	LV42098-001A	C.B BKT		
	43	QYSBST3006ZA	TAP SCREW	M3 x 6mm	
	44	LV32433-001A	H.S BRACKET(R)		
	45	LV32434-001A	H.S BRACKET(L)		
	46	QYSBSG3008ZA	TAP SCREW	M3 x 8mm(x4)	
	47	QYSBST3006ZA	TAP SCREW	M3 x 6mm(x2)	
	48	QYSBSG3006ZA	TAP SCREW	M3 x 6mm(x2)	
	49	QYSBST3006ZA	TAP SCREW	M3 x 6mm(x4)	
	50	QYSBSG3006ZA	TAP SCREW	M3 x 6mm(x2)	
	51	E65923-003	TAPPING SCREW		
	52	LV30225-0B2A	SPACER		
	53	QYSBSG3006ZA	TAP SCREW	M3 x 6mm(x3)	
	54	QYSBSG3008MA	TAP SCREW	M3 x 8mm(x3)	
	55	QYSBSG3006ZA	TAP SCREW	M3 x 6mm(x3)	
	56	QYSBSG3006ZA	TAP SCREW	M3 x 6mm	
△	57	QQT0435-003	POWER TRANSF		
	58	QYSDSTL4008ZA	TAP SCREW	M4 x 8mm(x4)	
	59	LV10768-039A	REAR PANEL		
	60	QYSBSGY3008MA	TAP SCREW	M3 x 8mm(x3)	
	61	QYSBSGY3008MA	TAP SCREW	M3 x 8mm	
	62	QYSBST3006MA	TAP SCREW	M3 x 6mm(x2)	
	63	LV30225-011A	SPACER		
	64	FMYH4004-001	PLASTIC RIVET	(x2)	
	65	QYSBSGY3008MA	TAP SCREW	M3 x 8mm(x5)	
	66	QYSBSGY3008MA	TAP SCREW	M3 x 8mm(x4)	
	67	QYSBSGY3008MA	TAP SCREW	M3 x 8mm(x4)	
	68	QYSBSGY3008MA	TAP SCREW	M3 x 8mm(x4)	
	69	QYSBSGY3008MA	TAP SCREW	M3 x 8mm(x6)	
	70	QYSBSGY3008MA	TAP SCREW	M3 x 8mm(x4)	
	71	QYSBSGY3008MA	TAP SCREW	M3 x 8mm(x5)	
	72	QYSBSGY3008MA	TAP SCREW	M3 x 8mm(x2)	
	73	QYSBSGY3008MA	TAP SCREW	M3 x 8mm(x2)	
	74	E409257-001	GND TERMINAL		

△	Symbol No.	Part No.	Part Name	Description	Local
△	75	QMPK250-205-JV	POWER CORD(EU)	2.05m BLACK	
△	76	QZW0033-001	STRAIN RELIEF		
	77	LV20038-015A	TOP COVER		
	78	LV30225-088A	SPACER		
	79	LV30077-004A	PROTECT SHEET		
	80	QYSBSGY3008MA	TAP SCREW	M3 x 8mm(x3)	
	81	E406308-003	SPECIAL SCREW	(x4)	
	82	LV43463-001A	VOL KNOB ASSY		
	83	LV43458-001A	JOG KNOB ASSY		
△	84	QMF51W2-3R15-J8	FUSE	F1 3.15A AC250V	
△	85	QMF51E2-R10-J1	FUSE	F2 0.1A AC250V	
△	86	QMF51W2-3R15-J8	FUSE	F4 3.15A AC250V	
△	87	QMF51W2-2R0-J8	FUSE	F61 2A AC250V	
△	88	QMF51W2-2R0-J8	FUSE	F62 2A AC250V	
	89	QQR0594-001	NOISE FILTER	FL 1	
	90	LV43400-003A	SHIELD TIGHT		
	91	E307572-001	FASTENER		
	92	QAU0346-001	TUNER	TU 1	
	93	QAU0237-001	TUNER		
	94	LV42092-001A	FL HOLDER(R)	BK 400	
	95	LV42093-001A	FL HOLDER(L)	BK 401	
	96	LV30225-0S7A	SPACER	FS 400	
	97	LV30225-0S7A	SPACER	FS 401	
	98	QYSBSG3008E	TAP SCREW	M3 x 8mm(x5)	
	99	E70945-H40B	HEAT SINK	HS 921	
	100	E70306-001	HEAT SINK	HS 951	
	101	E70306-001	HEAT SINK	HS 961	
	102	E70306-001	HEAT SINK	HS 971	
△	103	QSW0812-001	VOLTAGE SWITCH	VS 1	
	104	E409396-003	CAUTION LABEL		
	105	LV43835-001A	EMC LABEL		
	106	E70945-H40B	HEAT SINK	HS 51	

Electrical parts list

Main board

Block No. [0][1]

△ Symbol No.	Part No.	Part Name	Description	Local
Q811	2SD2394/EF/	TRANSISTOR		
Q812	KTC3200/GLJ-T	TRANSISTOR		
Q823	KTC3199/GLJ-T	TRANSISTOR		
Q824	KTC3200/GLJ-T	TRANSISTOR		
Q825	KTA1268/GLJ-T	TRANSISTOR		
Q830	KRC109M-T	DIGI TRANSISTOR		
Q831	KRC109M-T	DIGI TRANSISTOR		
Q832	KRC109M-T	DIGI TRANSISTOR		
Q833	KRC109M-T	DIGI TRANSISTOR		
Q834	KRC109M-T	DIGI TRANSISTOR		
Q835	KRC109M-T	DIGI TRANSISTOR		
Q836	KRC109M-T	DIGI TRANSISTOR		
Q837	KRC109M-T	DIGI TRANSISTOR		
Q838	KRC109M-T	DIGI TRANSISTOR		
Q839	KRC109M-T	DIGI TRANSISTOR		
△ D801	30PRA20-FC	SI DIODE		
△ D802	30PRA20-FC	SI DIODE		
△ D803	30PRA20-FC	SI DIODE		
△ D804	30PRA20-FC	SI DIODE		
D811	MTZJ15C-T2	Z DIODE		
D816	MTZJ18C-T2	Z DIODE		
D825	1SS133-T2	DIODE		
D830	1SS133-T2	DIODE		
D831	1SS133-T2	DIODE		
D832	1SS133-T2	DIODE		
D841	MTZJ5.1C-T2	Z DIODE		
D842	1SS133-T2	DIODE		
D843	1SS133-T2	DIODE		
D844	1SS133-T2	DIODE		
D845	1SS133-T2	DIODE		
D846	1SS133-T2	DIODE		
D847	1SS133-T2	DIODE		
D848	1SS133-T2	DIODE		
D851	1SS133-T2	DIODE		
D852	1SS133-T2	DIODE		
D853	1SS133-T2	DIODE		
D871	1SS133-T2	DIODE		
C91	QCBB1HJ-471Y	C CAPACITOR	470pF 50V J	
C92	QCBB1HJ-471Y	C CAPACITOR	470pF 50V J	
C454	QETN1HM-475Z	E CAPACITOR	4.7uF 50V M	
C803	QFZ9076-104Z	MM CAPACITOR	0.1uF	
C804	QFZ9076-104Z	MM CAPACITOR	0.1uF	
C806	QFZ9076-104Z	MM CAPACITOR	0.1uF	
C807	QEZ0679-688	E CAPACITOR	6800uF	
C808	QEZ0679-688	E CAPACITOR	6800uF	
C811	QCF31HZ-472Z	C CAPACITOR	4700pF 50V Z	
C816	QETN1EM-107Z	E CAPACITOR	100uF 25V M	
C823	QETN1CM-476Z	E CAPACITOR	47uF 16V M	
C824	QETN1EM-106Z	E CAPACITOR	10uF 25V M	
C833	QDVB1EZ-223Y	C CAPACITOR	0.022uF 25V Z	
C834	QDVB1EZ-223Y	C CAPACITOR	0.022uF 25V Z	
C835	QFLC1HJ-223Z	M CAPACITOR	0.022uF 50V J	
C836	QFLC1HJ-223Z	M CAPACITOR	0.022uF 50V J	
C837	QFLC1HJ-223Z	M CAPACITOR	0.022uF 50V J	
C838	QFLC1HJ-223Z	M CAPACITOR	0.022uF 50V J	
C839	QDVB1EZ-223Y	C CAPACITOR	0.022uF 25V Z	
C840	QDVB1EZ-223Y	C CAPACITOR	0.022uF 25V Z	
C841	QCS31HJ-221Z	C CAPACITOR	220pF 50V J	
C842	QCS31HJ-221Z	C CAPACITOR	220pF 50V J	
C843	QCS31HJ-221Z	C CAPACITOR	220pF 50V J	
C844	QCS31HJ-221Z	C CAPACITOR	220pF 50V J	
C845	QCS31HJ-221Z	C CAPACITOR	220pF 50V J	
C846	QCS31HJ-221Z	C CAPACITOR	220pF 50V J	
C847	QCS31HJ-221Z	C CAPACITOR	220pF 50V J	
C848	QCS31HJ-221Z	C CAPACITOR	220pF 50V J	
C850	QETN1HM-475Z	E CAPACITOR	4.7uF 50V M	
C851	QETN1HM-475Z	E CAPACITOR	4.7uF 50V M	
C852	QETN1HM-475Z	E CAPACITOR	4.7uF 50V M	
C853	QETN1HM-475Z	E CAPACITOR	4.7uF 50V M	
C881	QDGB1HJ-102Y	C CAPACITOR	1000pF 50V J	

△ Symbol No.	Part No.	Part Name	Description	Local
C883	QDGB1HJ-102Y	C CAPACITOR	1000pF 50V J	
C884	QDGB1HJ-102Y	C CAPACITOR	1000pF 50V J	
C885	QFVF1HJ-473Z	MF CAPACITOR	0.047uF 50V J	
C886	QCS31HJ-221Z	C CAPACITOR	220pF 50V J	
C887	QFVF1HJ-473Z	MF CAPACITOR	0.047uF 50V J	
C888	QFVF1HJ-473Z	MF CAPACITOR	0.047uF 50V J	
C889	QCS31HJ-221Z	C CAPACITOR	220pF 50V J	
C890	QCS31HJ-221Z	C CAPACITOR	220pF 50V J	
C891	QCS31HJ-221Z	C CAPACITOR	220pF 50V J	
C892	QCS31HJ-221Z	C CAPACITOR	220pF 50V J	
C893	QCS31HJ-221Z	C CAPACITOR	220pF 50V J	
C894	QCBB1HK-221Y	C CAPACITOR	220pF 50V K	
C895	QFVF1HJ-473Z	MF CAPACITOR	0.047uF 50V J	
C896	QCS31HJ-221Z	C CAPACITOR	220pF 50V J	
C897	QCS31HJ-221Z	C CAPACITOR	220pF 50V J	
C898	QCBB1HK-103Y	C CAPACITOR	0.01uF 50V K	
C899	QCBB1HK-221Y	C CAPACITOR	220pF 50V K	
R91	QRL027J-471	OMF RESISTOR	470Ω 2W J	
R92	QRL027J-471	OMF RESISTOR	470Ω 2W J	
R801	QRE141J-104Y	C RESISTOR	100kΩ 1/4W J	
R802	QRE141J-104Y	C RESISTOR	100kΩ 1/4W J	
R811	QRJ146J-120X	UNF C RESISTOR	12Ω 1/4W J	
R812	QRK126J-332X	UNF C RESISTOR	3.3kΩ 1/2W J	
R813	QRE141J-473Y	C RESISTOR	47kΩ 1/4W J	
R814	QRE141J-103Y	C RESISTOR	10kΩ 1/4W J	
R815	QRJ146J-120X	UNF C RESISTOR	12Ω 1/4W J	
R816	QRL027J-332	OMF RESISTOR	3.3kΩ 2W J	
R823	QRE141J-103Y	C RESISTOR	10kΩ 1/4W J	
R824	QRE141J-134Y	C RESISTOR	130kΩ 1/4W J	
R825	QRE141J-103Y	C RESISTOR	10kΩ 1/4W J	
R826	QRE141J-104Y	C RESISTOR	100kΩ 1/4W J	
R830	QRZ9005-330X	FUSI RESISTOR	33Ω	
R831	QRZ9005-330X	FUSI RESISTOR	33Ω	
R832	QRZ9005-330X	FUSI RESISTOR	33Ω	
R833	QRJ146J-100X	UNF C RESISTOR	10Ω 1/4W J	
R834	QRJ146J-100X	UNF C RESISTOR	10Ω 1/4W J	
R837	QRJ146J-100X	UNF C RESISTOR	10Ω 1/4W J	
R838	QRJ146J-100X	UNF C RESISTOR	10Ω 1/4W J	
R841	QRE141J-104Y	C RESISTOR	100kΩ 1/4W J	
R842	QRE141J-823Y	C RESISTOR	82kΩ 1/4W J	
R843	QRE141J-104Y	C RESISTOR	100kΩ 1/4W J	
R844	QRE141J-104Y	C RESISTOR	100kΩ 1/4W J	
R845	QRE141J-823Y	C RESISTOR	82kΩ 1/4W J	
R846	QRE141J-104Y	C RESISTOR	100kΩ 1/4W J	
R851	QRZ9005-330X	FUSI RESISTOR	33Ω	
R852	QRZ9005-330X	FUSI RESISTOR	33Ω	
R854	QRE141J-104Y	C RESISTOR	100kΩ 1/4W J	
R855	QRJ146J-392X	UNF C RESISTOR	3.9kΩ 1/4W J	
R856	QRE141J-223Y	C RESISTOR	22kΩ 1/4W J	
R857	QRE141J-103Y	C RESISTOR	10kΩ 1/4W J	
R858	QRE141J-472Y	C RESISTOR	4.7kΩ 1/4W J	
R859	QRE141J-223Y	C RESISTOR	22kΩ 1/4W J	
R861	QRE141J-472Y	C RESISTOR	4.7kΩ 1/4W J	
R862	QRE141J-223Y	C RESISTOR	22kΩ 1/4W J	
R864	QRE141J-472Y	C RESISTOR	4.7kΩ 1/4W J	
R865	QRE141J-472Y	C RESISTOR	4.7kΩ 1/4W J	
R866	QRE141J-472Y	C RESISTOR	4.7kΩ 1/4W J	
R867	QRE141J-223Y	C RESISTOR	22kΩ 1/4W J	
R868	QRE141J-472Y	C RESISTOR	4.7kΩ 1/4W J	
R870	QRE141J-472Y	C RESISTOR	4.7kΩ 1/4W J	
R871	QRZ9005-330X	FUSI RESISTOR	33Ω	
R885	QRJ146J-100X	UNF C RESISTOR	10Ω 1/4W J	
R886	QRZ9005-330X	FUSI RESISTOR	33Ω	
R887	QRJ146J-100X	UNF C RESISTOR	10Ω 1/4W J	
R888	QRJ146J-100X	UNF C RESISTOR	10Ω 1/4W J	
R889	QRJ146J-100X	UNF C RESISTOR	10Ω 1/4W J	
L843	QQLZ005-R45	COIL	0.45uH	
L844	QQLZ005-R45	COIL	0.45uH	
L845	QQLZ005-R45	COIL	0.45uH	
L846	QQLZ005-R45	COIL	0.45uH	
CN701	QGB2510J1-12	CONNECTOR	B-B (1-12)	
CN702	QGB2510J1-12	CONNECTOR	B-B (1-12)	
CN703	QGB2510J1-10	CONNECTOR	B-B (1-10)	

△ Symbol No.	Part No.	Part Name	Description	Local	△ Symbol No.	Part No.	Part Name	Description	Local
CN704	QGB2510J1-10	CONNECTOR	B-B (1-10)		C413	NCB31CK-104X	C CAPACITOR	0.1uF 16V K	
CN705	QGB2510J1-12	CONNECTOR	B-B (1-12)		C414	NCB31CK-104X	C CAPACITOR	0.1uF 16V K	
CN706	QGB2510J1-12	CONNECTOR	B-B (1-12)		C420	NCB31HK-103X	C CAPACITOR	0.01uF 50V K	
CN723	QGA2501C1-04	CONNECTOR	W-B (1-4)		C421	NCB31HK-103X	C CAPACITOR	0.01uF 50V K	
CN801	QJK012-032403	SKT WIRE ASSY			C422	NCB31HK-103X	C CAPACITOR	0.01uF 50V K	
CN813	QGA3901C1-06	CONNECTOR	W-B (1-6)		C423	NCB31HK-103X	C CAPACITOR	0.01uF 50V K	
CN814	QGA3901C1-07	CONNECTOR	W-B (1-7)		C424	NCB31HK-103X	C CAPACITOR	0.01uF 50V K	
CN823	QJK015-063001	C-B WIRE ASSY			C425	NCB31HK-103X	C CAPACITOR	0.01uF 50V K	
CN824	QJK015-073202	SKT WIRE ASSY			C427	NCF31AZ-105X	C CAPACITOR	1uF 10V Z	
CN831	QGD2501C1-04Z	CONNECTOR	(1-4)		R400	NRSA63J-102X	MG RESISTOR	1kΩ 1/16W J	
CN881	QGD2501C1-03Z	CONNECTOR	(1-3)		R401	NRSA63J-102X	MG RESISTOR	1kΩ 1/16W J	
EP91	E406523-001SM	GND BKT			R402	NRSA63J-122X	MG RESISTOR	1.2kΩ 1/16W J	
EP801	QNZ0136-001Z	EARTH PLATE			R403	NRSA63J-102X	MG RESISTOR	1kΩ 1/16W J	
FW881	QUM213-44DGZ4	PARA RIBON WIRE			R404	NRSA63J-102X	MG RESISTOR	1kΩ 1/16W J	
FW931	QUM218-08DGZ4	PARA RIBON WIRE			R405	NRSA63J-122X	MG RESISTOR	1.2kΩ 1/16W J	
J91	QNS0022-001	JACK			R406	NRSA63J-152X	MG RESISTOR	1.5kΩ 1/16W J	
RY830	QSK0109-001	RELAY			R407	NRSA63J-222X	MG RESISTOR	2.2kΩ 1/16W J	
RY831	QSK0109-001	RELAY			R408	NRSA63J-272X	MG RESISTOR	2.7kΩ 1/16W J	
RY832	QSK0109-001	RELAY			R409	NRSA63J-102X	MG RESISTOR	1kΩ 1/16W J	
RY851	QSK0109-001	RELAY			R410	NRSA63J-102X	MG RESISTOR	1kΩ 1/16W J	
RY852	QSK0109-001	RELAY			R411	NRSA63J-122X	MG RESISTOR	1.2kΩ 1/16W J	
RY853	QSK0109-001	RELAY			R412	NRSA63J-152X	MG RESISTOR	1.5kΩ 1/16W J	
RY871	QSK0109-001	RELAY			R413	NRSA63J-222X	MG RESISTOR	2.2kΩ 1/16W J	
ST831	QNB0130-001	SPK TERMINAL			R414	NRSA63J-272X	MG RESISTOR	2.7kΩ 1/16W J	
ST851	QNB0128-001	SPK TERMINAL			R415	NRSA63J-102X	MG RESISTOR	1kΩ 1/16W J	
ST852	QNB0129-001	SPK TERMINAL			R416	NRSA63J-102X	MG RESISTOR	1kΩ 1/16W J	
					R417	NRSA63J-122X	MG RESISTOR	1.2kΩ 1/16W J	
					R418	NRSA63J-152X	MG RESISTOR	1.5kΩ 1/16W J	
					R419	NRSA63J-222X	MG RESISTOR	2.2kΩ 1/16W J	
					R420	NRSA63J-272X	MG RESISTOR	2.7kΩ 1/16W J	
					R421	NRSA63J-392X	MG RESISTOR	3.9kΩ 1/16W J	
					R422	NRSA63J-102X	MG RESISTOR	1kΩ 1/16W J	
					R423	NRSA63J-102X	MG RESISTOR	1kΩ 1/16W J	
					R424	NRSA63J-122X	MG RESISTOR	1.2kΩ 1/16W J	
					R425	NRSA63J-152X	MG RESISTOR	1.5kΩ 1/16W J	
					R426	NRSA63J-222X	MG RESISTOR	2.2kΩ 1/16W J	
					R427	NRSA63J-272X	MG RESISTOR	2.7kΩ 1/16W J	
					R428	NRSA63J-102X	MG RESISTOR	1kΩ 1/16W J	
					R429	NRSA63J-102X	MG RESISTOR	1kΩ 1/16W J	
					R430	NRSA63J-122X	MG RESISTOR	1.2kΩ 1/16W J	
					R431	NRSA63J-152X	MG RESISTOR	1.5kΩ 1/16W J	
					R432	NRSA63J-222X	MG RESISTOR	2.2kΩ 1/16W J	
					R433	NRSA63J-272X	MG RESISTOR	2.7kΩ 1/16W J	
					R434	NRSA63J-392X	MG RESISTOR	3.9kΩ 1/16W J	
					R435	NRSA63J-102X	MG RESISTOR	1kΩ 1/16W J	
					R436	NRSA63J-102X	MG RESISTOR	1kΩ 1/16W J	
					R437	NRSA63J-122X	MG RESISTOR	1.2kΩ 1/16W J	
					R438	NRSA63J-152X	MG RESISTOR	1.5kΩ 1/16W J	
					R439	NRSA63J-222X	MG RESISTOR	2.2kΩ 1/16W J	
					R441	NRSA63J-103X	MG RESISTOR	10kΩ 1/16W J	
					R442	NRSA63J-102X	MG RESISTOR	1kΩ 1/16W J	
					R443	NRSA63J-102X	MG RESISTOR	1kΩ 1/16W J	
					R445	NRSA63J-103X	MG RESISTOR	10kΩ 1/16W J	
					R446	NRSA63J-103X	MG RESISTOR	10kΩ 1/16W J	
					R447	NRSA63J-103X	MG RESISTOR	10kΩ 1/16W J	
					R448	NRSA63J-103X	MG RESISTOR	10kΩ 1/16W J	
					R449	NRSA63J-103X	MG RESISTOR	10kΩ 1/16W J	
					R450	NRSA63J-103X	MG RESISTOR	10kΩ 1/16W J	
					R451	NRSA63J-103X	MG RESISTOR	10kΩ 1/16W J	
					R453	NRSA63J-103X	MG RESISTOR	10kΩ 1/16W J	
					R454	NRSA63J-103X	MG RESISTOR	10kΩ 1/16W J	
					R455	NRSA63J-471X	MG RESISTOR	470Ω 1/16W J	
					R456	NRSA63J-103X	MG RESISTOR	10kΩ 1/16W J	
					R457	NRSA63J-103X	MG RESISTOR	10kΩ 1/16W J	
					R459	NRSA63J-221X	MG RESISTOR	220Ω 1/16W J	
					R460	NRSA63J-221X	MG RESISTOR	220Ω 1/16W J	
					R461	NRSA63J-221X	MG RESISTOR	220Ω 1/16W J	
					R462	NRSA63J-221X	MG RESISTOR	220Ω 1/16W J	
					R463	NRSA63J-221X	MG RESISTOR	220Ω 1/16W J	
					R464	NRSA63J-221X	MG RESISTOR	220Ω 1/16W J	
					R465	NRSA63J-331X	MG RESISTOR	330Ω 1/16W J	
					R466	NRSA63J-331X	MG RESISTOR	330Ω 1/16W J	
					R468	NRSA63J-221X	MG RESISTOR	220Ω 1/16W J	
					R479	NRSA63J-181X	MG RESISTOR	180Ω 1/16W J	
					R480	NRSA63J-152X	MG RESISTOR	1.5kΩ 1/16W J	
					R481	NRSA63J-222X	MG RESISTOR	2.2kΩ 1/16W J	
					R482	NRSA63J-272X	MG RESISTOR	2.7kΩ 1/16W J	

Front board

Block No. [0][2]

△ Symbol No.	Part No.	Part Name	Description	Local
IC400	MN101C35DMF	IC		
IC402	BU2092F-X	IC		
IC404	GP1UM281XKVF	IR DETECT UNIT		
Q402	UN2215-X	TRANSISTOR		
Q403	KRC109S-X	TRANSISTOR		
Q404	KRC107S-X	DIGI TRANSISTOR		
Q407	KRC107S-X	DIGI TRANSISTOR		
Q408	KRC107S-X	DIGI TRANSISTOR		
Q410	UN2114-X	TRANSISTOR		
Q411	UN2114-X	TRANSISTOR		
Q413	UN2114-X	TRANSISTOR		
D405	1SS355-X	SI DIODE		
D410	SLR-343VC/NPQ-T	LED		
D411	SLR-343VC/NPQ-T	LED		
D412	SLR-343VC/NPQ-T	LED		
D413	SLR-343VC/NPQ-T	LED		
D414	SLR-343VC/NPQ-T	LED		
D415	SLR-343VC/NPQ-T	LED		
D416	SLR-343VC/NPQ-T	LED		
D417	SLR-343VC/NPQ-T	LED		
D418	SLR-343VC/NPQ-T	LED		
D419	SLR-343VC/NPQ-T	LED		
D420	SLR-343VC/NPQ-T	LED		
D421	SLR-343VC/NPQ-T	LED		
D480	SLR-343VC/NPQ-T	LED		
D490	SLR-343VC/NPQ-T	LED		
D491	SLR-343VC/NPQ-T	LED		
C400	QEKC1HM-475Z	E CAPACITOR	4.7uF 50V M	
C401	NCB31CK-104X	C CAPACITOR	0.1uF 16V K	
C402	NCB31CK-104X	C CAPACITOR	0.1uF 16V K	
C403	NCB31HK-103X	C CAPACITOR	0.01uF 50V K	
C404	NCB31EK-223X	C CAPACITOR	0.022uF 25V K	
C406	NCB31HK-331X	C CAPACITOR	330pF 50V K	
C407	QCZ0202-155Z	C CAPACITOR	1.5uF 25V Z	
C408	NCB31EK-223X	C CAPACITOR	0.022uF 25V K	
C409	QEKC1HM-475Z	E CAPACITOR	4.7uF 50V M	
C410	QEKC1HM-475Z	E CAPACITOR	4.7uF 50V M	
C411	NCB21AK-225X	C CAPACITOR	2.2uF 10V K	
C412	QEKJ0JM-107Z	E CAPACITOR	100uF 6.3V M	

Symbol No.	Part No.	Part Name	Description	Local	Symbol No.	Part No.	Part Name	Description	Local
R483	NRSA63J-392X	MG RESISTOR	3.9kΩ 1/16W J		Q905	KRC105M-T	DIGI TRANSISTOR		
R484	NRSA63J-103X	MG RESISTOR	10kΩ 1/16W J		Q906	KRC105M-T	DIGI TRANSISTOR		
R485	NRSA63J-103X	MG RESISTOR	10kΩ 1/16W J		Q907	KRC105M-T	DIGI TRANSISTOR		
R499	NRSA63J-0R0X	MG RESISTOR	0Ω 1/16W J		Q908	KRC105M-T	DIGI TRANSISTOR		
CN410	QGF1205F1-09	CONNECTOR	FFC/FPC (1-9)		Q909	KRC105M-T	DIGI TRANSISTOR		
CN412	QGF1205F1-06	CONNECTOR	FFC/FPC (1-6)		Q921	2SD2394/EF/	TRANSISTOR		
CN414	QGA2501C1-02	CONNECTOR	W-B (1-2)		Q931	2SD2394/EF/	TRANSISTOR		
CN420	QJK031-031303	C-B WIRE ASSY			Q941	2SD2394/EF/	TRANSISTOR		
CN422	QJK031-041204	SIN ID C-B WIRE			Q951	2SD2394/EF/	TRANSISTOR		
CN430	QGA2501C1-03	CONNECTOR	W-B (1-3)		Q961	KTA1046/Y/	TRANSISTOR		
CN432	QGA2501C1-04	CONNECTOR	W-B (1-4)		Q971	2SD2394/EF/	TRANSISTOR		
DI400	QLF0137-001	FL TUBE			Q981	2SD2394/EF/	TRANSISTOR		
JS400	QSW1017-001	JOG VOLUME			D46	MTZJ6.2A-T2	Z DIODE		
JS401	QSW1015-001	ROTARY ENCODER			△D51	11ES2-T4	DIODE		
PW403	QUB131-18DMPP	CONNECTOR			△D52	11ES2-T4	DIODE		
S400	QSW0683-001Z	PUSH SW			△D53	11ES2-T4	DIODE		
S401	QSW0683-001Z	PUSH SW			△D54	11ES2-T4	DIODE		
S402	QSW0683-001Z	PUSH SW			D55	MTZJ12C-T2	Z DIODE		
S403	QSW0683-001Z	PUSH SW			D56	MTZJ6.2B-T2	Z DIODE		
S404	QSW0683-001Z	PUSH SW			D57	1SS133-T2	DIODE		
S405	QSW0683-001Z	PUSH SW			△D61	10DDA20-FD	DIODE		
S406	QSW0683-001Z	PUSH SW			△D62	11ES2-T4	DIODE		
S407	QSW0683-001Z	PUSH SW			△D63	10DDA20-FD	DIODE		
S408	QSW0683-001Z	PUSH SW			△D64	11ES2-T4	DIODE		
S409	QSW0683-001Z	PUSH SW			D71	11ES2-T4	DIODE		
S410	QSW0683-001Z	PUSH SW			D72	11ES2-T4	DIODE		
S411	QSW0683-001Z	PUSH SW			D73	11ES2-T4	DIODE		
S412	QSW0683-001Z	PUSH SW			D74	MTZJ36C-T2	Z DIODE		
S413	QSW0683-001Z	PUSH SW			D75	MTZJ8.2C-T2	Z DIODE		
S414	QSW0683-001Z	PUSH SW			D900	11ES2-T4	DIODE		
S415	QSW0683-001Z	PUSH SW			D901	11ES2-T4	DIODE		
S416	QSW0683-001Z	PUSH SW			D902	11ES2-T4	DIODE		
S417	QSW0683-001Z	PUSH SW			D903	11ES2-T4	DIODE		
S418	QSW0683-001Z	PUSH SW			D904	1SS133-T2	DIODE		
S419	QSW0683-001Z	PUSH SW			D921	MTZJ5.6C-T2	Z DIODE		
S420	QSW0683-001Z	PUSH SW			D931	MTZJ6.8A-T2	Z DIODE		
S421	QSW0683-001Z	PUSH SW			D940	11ES2-T4	DIODE		
S422	QSW0683-001Z	PUSH SW			D941	MTZJ13C-T2	Z DIODE		
S423	QSW0683-001Z	PUSH SW			D951	MTZJ13C-T2	Z DIODE		
S424	QSW0683-001Z	PUSH SW			D955	1SS133-T2	DIODE		
S425	QSW0683-001Z	PUSH SW			D956	1SS133-T2	DIODE		
S426	QSW0683-001Z	PUSH SW			D961	MTZJ13C-T2	Z DIODE		
S427	QSW0683-001Z	PUSH SW			D971	MTZJ10C-T2	Z DIODE		
S428	QSW0683-001Z	PUSH SW			D975	1SS133-T2	DIODE		
S429	QSW0683-001Z	PUSH SW			D976	1SS133-T2	DIODE		
S430	QSW0683-001Z	PUSH SW			D977	1SS133-T2	DIODE		
S432	QSW0683-001Z	PUSH SW			D978	1SS133-T2	DIODE		
S433	QSW0683-001Z	PUSH SW			D979	1SS133-T2	DIODE		
S434	QSW0683-001Z	PUSH SW			△C1	QCZ9104-472	C CAPACITOR	4700pF	
S480	QSW0683-001Z	PUSH SW			C44	QETN1CM-477Z	E CAPACITOR	470uF 16V M	
S481	QSW0683-001Z	PUSH SW			C45	QCF31HZ-472Z	C CAPACITOR	4700pF 50V Z	
S482	QSW0683-001Z	PUSH SW			C51	QFLC2AJ-472Z	M CAPACITOR	4700pF 100V J	
S483	QSW0683-001Z	PUSH SW			C52	QETM1JM-477	E CAPACITOR	470uF 63V M	
X400	QAX0246-001Z	C RESONATOR	8.00MHz		C53	QCF31HZ-472Z	C CAPACITOR	4700pF 50V Z	

Micon board

Block No. [0][3]

Symbol No.	Part No.	Part Name	Description	Local
IC901	MN101C49GNG	IC FRASH		
IC903	IC-PST9139-T	IC		
IC990	BR24L01AF-W-X	IC		
Q42	KTD863/Y-T	TRANSISTOR		
Q51	2SD2394/EF/	TRANSISTOR		
Q52	KTD863/Y-T	TRANSISTOR		
Q53	KRC105M-T	DIGI TRANSISTOR		
Q71	KTA1046/Y/	TRANSISTOR		
Q74	KTC3200/GLJ-T	TRANSISTOR		
Q901	KRC107M-T	DIGI TRANSISTOR		
Q903	KRC105M-T	DIGI TRANSISTOR		
Q904	KRC105M-T	DIGI TRANSISTOR		
C922	QCF31HZ-472Z	C CAPACITOR	4700pF 50V Z	
C925	NCB31CK-104X	C CAPACITOR	0.1uF 16V K	

△ Symbol No.	Part No.	Part Name	Description	Local	△ Symbol No.	Part No.	Part Name	Description	Local
C926	NCB31HK-221X	C CAPACITOR	220pF 50V K		R948	NRSA63J-221X	MG RESISTOR	220Ω 1/16W J	
C927	NCB31HK-221X	C CAPACITOR	220pF 50V K		R949	NRSA63J-221X	MG RESISTOR	220Ω 1/16W J	
C928	NCB31CK-104X	C CAPACITOR	0.1uF 16V K		R950	NRSA63J-221X	MG RESISTOR	220Ω 1/16W J	
C931	QETN1CM-477Z	E CAPACITOR	470uF 16V M		R951	QRJ146J-222X	UNF C RESISTOR	2.2kΩ 1/4W J	
C932	QCF31HZ-472Z	C CAPACITOR	4700pF 50V Z		R952	QRT017J-8R2	MF RESISTOR	8.2Ω 1W J	
C935	NDC31HJ-470X	C CAPACITOR	47pF 50V J		R953	QRL027J-160	OMF RESISTOR	16Ω 2W J	
C936	NDC31HJ-470X	C CAPACITOR	47pF 50V J		R954	NRSA63J-221X	MG RESISTOR	220Ω 1/16W J	
C937	NCB31EK-223X	C CAPACITOR	0.022uF 25V K		R955	NRSA63J-221X	MG RESISTOR	220Ω 1/16W J	
C938	NDC31HJ-470X	C CAPACITOR	47pF 50V J		R956	NRSA63J-221X	MG RESISTOR	220Ω 1/16W J	
C941	QETN1EM-107Z	E CAPACITOR	100uF 25V M		R957	NRSA63J-103X	MG RESISTOR	10kΩ 1/16W J	
C942	QCF31HZ-472Z	C CAPACITOR	4700pF 50V Z		R958	NRSA63J-103X	MG RESISTOR	10kΩ 1/16W J	
C951	QETN1EM-107Z	E CAPACITOR	100uF 25V M		R959	NRSA63J-103X	MG RESISTOR	10kΩ 1/16W J	
C952	QCF31HZ-472Z	C CAPACITOR	4700pF 50V Z		R960	NRSA63J-221X	MG RESISTOR	220Ω 1/16W J	
C961	QETN1EM-107Z	E CAPACITOR	100uF 25V M		R961	QRZ9005-220X	FUSI RESISTOR	22Ω	
C962	QCF31HZ-472Z	C CAPACITOR	4700pF 50V Z		R962	QRZ9005-220X	FUSI RESISTOR	22Ω	
C971	QETN1EM-337Z	E CAPACITOR	330uF 25V M		R963	QRJ146J-222X	UNF C RESISTOR	2.2kΩ 1/4W J	
C972	QCF31HZ-472Z	C CAPACITOR	4700pF 50V Z		R965	NRSA63J-103X	MG RESISTOR	10kΩ 1/16W J	
C975	QETN0JM-477Z	E CAPACITOR	470uF 6.3V M		R966	NRSA63J-103X	MG RESISTOR	10kΩ 1/16W J	
C981	QCBB1HJ-331Y	C CAPACITOR	330pF 50V J		R967	NRSA63J-103X	MG RESISTOR	10kΩ 1/16W J	
C982	QCBB1HJ-331Y	C CAPACITOR	330pF 50V J		R968	NRSA63J-103X	MG RESISTOR	10kΩ 1/16W J	
C983	QCBB1HJ-331Y	C CAPACITOR	330pF 50V J		R969	NRSA63J-103X	MG RESISTOR	10kΩ 1/16W J	
C984	QCBB1HJ-331Y	C CAPACITOR	330pF 50V J		R971	QRJ146J-120X	UNF C RESISTOR	12Ω 1/4W J	
C985	QCBB1HK-103Y	C CAPACITOR	0.01uF 50V K		R973	QRJ146J-332X	UNF C RESISTOR	3.3kΩ 1/4W J	
C987	QCF31HZ-472Z	C CAPACITOR	4700pF 50V Z		R975	QRJ146J-220X	UNF C RESISTOR	22Ω 1/4W J	
C990	NCB31CK-103X	C CAPACITOR	0.01uF 16V K		R976	NRSA63J-472X	MG RESISTOR	4.7kΩ 1/16W J	
C993	QCBB1HJ-101Y	C CAPACITOR	100pF 50V J		R977	NRSA63J-472X	MG RESISTOR	4.7kΩ 1/16W J	
C994	QCBB1HK-271Y	C CAPACITOR	270pF 50V K		R978	NRSA63J-133X	MG RESISTOR	13kΩ 1/16W J	
C995	QETN1AM-227Z	E CAPACITOR	220uF 10V M		R979	NRSA63J-332X	MG RESISTOR	3.3kΩ 1/16W J	
R44	QRE141J-821Y	C RESISTOR	820Ω 1/4W J		R980	NRSA63J-221X	MG RESISTOR	220Ω 1/16W J	
R51	QRJ146J-153X	UNF C RESISTOR	15kΩ 1/4W J		R981	NRSA63J-221X	MG RESISTOR	220Ω 1/16W J	
R52	QRL017J-332	OMF RESISTOR	3.3kΩ 1W J		R982	NRSA63J-221X	MG RESISTOR	220Ω 1/16W J	
△ R53	QRJ146J-6R8X	UNF C RESISTOR	6.8Ω 1/4W J		R983	NRSA63J-221X	MG RESISTOR	220Ω 1/16W J	
R54	QRE141J-821Y	C RESISTOR	820Ω 1/4W J		R984	NRSA63J-221X	MG RESISTOR	220Ω 1/16W J	
R61	QRJ146J-8R2X	UNF C RESISTOR	8.2Ω 1/4W J		R985	NRSA63J-221X	MG RESISTOR	220Ω 1/16W J	
R72	QRJ146J-332X	UNF C RESISTOR	3.3kΩ 1/4W J		R987	NRSA63J-221X	MG RESISTOR	220Ω 1/16W J	
R73	QRE141J-223Y	C RESISTOR	22kΩ 1/4W J		R990	NRSA63J-103X	MG RESISTOR	10kΩ 1/16W J	
R74	QRE141J-104Y	C RESISTOR	100kΩ 1/4W J		R992	NRSA63J-103X	MG RESISTOR	10kΩ 1/16W J	
R900	NRSA63J-221X	MG RESISTOR	220Ω 1/16W J		R993	NRSA63J-622X	MG RESISTOR	6.2kΩ 1/16W J	
R901	NRSA63J-471X	MG RESISTOR	470Ω 1/16W J		R994	NRSA63J-512X	MG RESISTOR	5.1kΩ 1/16W J	
R902	NRSA63J-471X	MG RESISTOR	470Ω 1/16W J		R995	NRSA63J-133X	MG RESISTOR	13kΩ 1/16W J	
R903	NRSA63J-331X	MG RESISTOR	330Ω 1/16W J		R996	NRSA63J-332X	MG RESISTOR	3.3kΩ 1/16W J	
R904	NRSA63J-104X	MG RESISTOR	100kΩ 1/16W J		R997	NRSA63J-153X	MG RESISTOR	15kΩ 1/16W J	
R905	NRSA63J-750X	MG RESISTOR	75Ω 1/16W J		R998	NRSA63J-562X	MG RESISTOR	5.6kΩ 1/16W J	
R906	NRSA63J-750X	MG RESISTOR	75Ω 1/16W J		△ T2	QQT0281-004	POWER TRANSF		
R907	NRSA63J-102X	MG RESISTOR	1kΩ 1/16W J		CN55	QGD2501C1-05Z	CONNECTOR	(1-5)	
R908	NRSA63J-750X	MG RESISTOR	75Ω 1/16W J		CN71	QGB2510J1-09	CONNECTOR	B-B (1-9)	
R910	NRSA63J-223X	MG RESISTOR	22kΩ 1/16W J		CN72	QGB2510K1-09	CONNECTOR	B-B (1-9)	
R911	NRSA63J-472X	MG RESISTOR	4.7kΩ 1/16W J		CN81	QGB2510J1-08	CONNECTOR	B-B (1-8)	
R913	QRT027J-1R8	MF RESISTOR	1.8Ω 2W J		CN82	QGB2510K1-08	CONNECTOR	B-B (1-8)	
R914	QRT027J-1R8	MF RESISTOR	1.8Ω 2W J		CN82	QGB2510K1-08	CONNECTOR	B-B (1-8)	
R915	QRT027J-1R8	MF RESISTOR	1.8Ω 2W J		CN101	QGB2510J1-04	CONNECTOR	B-B (1-4)	
R916	QRT027J-1R8	MF RESISTOR	1.8Ω 2W J		CN201	QGB2510J1-12	CONNECTOR	B-B (1-12)	
R917	QRT027J-1R8	MF RESISTOR	1.8Ω 2W J		CN241	QGB2510J1-09	CONNECTOR	B-B (1-9)	
R918	QRT027J-1R8	MF RESISTOR	1.8Ω 2W J		CN261	QGA2501C1-06	CONNECTOR	W-B (1-6)	
R919	NRSA63J-221X	MG RESISTOR	220Ω 1/16W J		CN302	QGB2510J1-04	CONNECTOR	B-B (1-4)	
R920	NRSA63J-221X	MG RESISTOR	220Ω 1/16W J		CN302	QGB1214J1-08S	CONNECTOR	B-B (1-8)	
R921	QRJ146J-272X	UNF C RESISTOR	2.7kΩ 1/4W J		CN303	QGB2510J1-17	CONNECTOR	B-B (1-17)	
R922	QRK126J-120X	UNF C RESISTOR	12Ω 1/2W J		CN400	QGF1205C1-09	CONNECTOR	FFC/FPC (1-9)	
R924	NRSA63J-103X	MG RESISTOR	10kΩ 1/16W J		CN402	QGF1205C1-06	CONNECTOR	FFC/FPC (1-6)	
R925	NRSA63J-221X	MG RESISTOR	220Ω 1/16W J		CN601	QGB2510J1-07	CONNECTOR	B-B (1-7)	
R926	NRSA63J-221X	MG RESISTOR	220Ω 1/16W J		CN811	QGA3901F2-03	CONNECTOR	W-B (1-3)	
R927	NRSA63J-221X	MG RESISTOR	220Ω 1/16W J		CN906	WJP0048-002A	E-SH C WIRE C-B		
R928	NRSA63J-221X	MG RESISTOR	220Ω 1/16W J		CN914	QJK025-020902	SIN CR C-B WIRE		
R929	NRSA63J-221X	MG RESISTOR	220Ω 1/16W J		CN931	QGD2501C1-04Z	CONNECTOR	(1-4)	
R931	QRJ146J-102X	UNF C RESISTOR	1kΩ 1/4W J		CN932	QGD2501C1-04Z	CONNECTOR	(1-4)	
R932	QRJ146J-1R0X	UNF C RESISTOR	1Ω 1/4W J		EP1	E409182-001SM	GRAND TERMINAL		
R933	QRJ146J-1R0X	UNF C RESISTOR	1Ω 1/4W J		EP51	QNZ0136-001Z	EARTH PLATE		
R937	NRSA63J-221X	MG RESISTOR	220Ω 1/16W J		EP901	QNZ0136-001Z	EARTH PLATE		
R938	NRSA63J-221X	MG RESISTOR	220Ω 1/16W J		EP902	QNZ0136-001Z	EARTH PLATE		
R939	NRSA63J-221X	MG RESISTOR	220Ω 1/16W J		FC1	QNG0020-001Z	FUSE CLIP		
R941	QRJ146J-222X	UNF C RESISTOR	2.2kΩ 1/4W J		FC2	QNG0020-001Z	FUSE CLIP		
R942	QRT027J-3R9	MF RESISTOR	3.9Ω 2W J		FC3	QNG0020-001Z	FUSE CLIP		
R943	QRT027J-3R9	MF RESISTOR	3.9Ω 2W J		FC4	QNG0020-001Z	FUSE CLIP		
R944	NRSA63J-221X	MG RESISTOR	220Ω 1/16W J		FC5	QNG0020-001Z	FUSE CLIP		
R945	NRSA63J-221X	MG RESISTOR	220Ω 1/16W J		FC6	QNG0020-001Z	FUSE CLIP		
R946	NRSA63J-221X	MG RESISTOR	220Ω 1/16W J		FC61	QNG0020-001Z	FUSE CLIP		
R947	NRSA63J-221X	MG RESISTOR	220Ω 1/16W J						

△ Symbol No.	Part No.	Part Name	Description	Local	△ Symbol No.	Part No.	Part Name	Description	Local
FC62	QNG0020-001Z	FUSE CLIP			Q1871	KTC3200/GL/-T	TRANSISTOR		
FC63	QNG0020-001Z	FUSE CLIP			Q1872	KTC3200/GL/-T	TRANSISTOR		
FC64	QNG0020-001Z	FUSE CLIP			Q1873	KTA1268/GL/-T	TRANSISTOR		
FW51	QUM215-10DGZ4	PARA RIBON WIRE			Q1874	KTA1268/GL/-T	TRANSISTOR		
FW831	QUM214-08DGZ4	PARA RIBON WIRE			Q1891	KTA1268/GL/-T	TRANSISTOR		
J900	QNZ0626-001	JACK UNIT			Q1892	KTA1268/GL/-T	TRANSISTOR		
PW10	QUB111-15PPPP	SIN TWIST WIRE			Q1901	2SC2240-BL/AB/T	TRANSISTOR		
PW11	QUB116-10PPPP	SIN TWIST WIRE			Q1902	2SC2240-BL/AB/T	TRANSISTOR		
PW12	QUB112-14PPPP	SIN TWIST WIRE			Q1903	KTA1268/GL/-T	TRANSISTOR		
PW13	QUB111-14PPPP	SIN TWIST WIRE			Q1931	2SD637/QR/	TRANSISTOR		
PW14	QUB114-12PPPP	SIN TWIST WIRE			△ Q1951	2SD2390/PY/-F6	TRANSISTOR		
PW15	QUB118-12PPPP	SIN TWIST WIRE			△ Q1952	2SB1560/PY/-F6	TRANSISTOR		
PW16	QUB116-16PPPP	PIN WIRE			Q1971	KTC3200/GL/-T	TRANSISTOR		
PW17	QUB111-18PPPP	SIN TWIST WIRE			Q1972	KTA1268/GL/-T	TRANSISTOR		
PW18	QUB112-28PPPP	SIN TWIST WIRE			Q1991	KTA1268/GL/-T	TRANSISTOR		
PW19	QUB111-28PPPP	SIN TWIST WIRE							
PW30	QUB116-28PPPP	SIN TWIST WIRE			D701	1SS133-T2	DIODE		
PW901	QUB130-24DMPP	OCKET I.M			D702	1SS133-T2	DIODE		
△ RY1	QSK0098-001	RELAY			D703	1SS133-T2	DIODE		
TA1	QNZ0079-001Z	TAB			D704	1SS133-T2	DIODE		
TA2	QNZ0079-001Z	TAB			D771	1SS133-T2	DIODE		
△ TH71	QAD0095-4R7Z	P THERMISTOR	4.7Ω M		D772	1SS133-T2	DIODE		
X901	QAX0246-001Z	C RESONATOR	8.00MHZ		D773	1SS133-T2	DIODE		
					D774	1SS133-T2	DIODE		
					D791	1SS133-T2	DIODE		
					D792	1SS133-T2	DIODE		
					D1701	1SS133-T2	DIODE		
					D1771	1SS133-T2	DIODE		
					D1772	1SS133-T2	DIODE		
					D1791	1SS133-T2	DIODE		
					D1801	1SS133-T2	DIODE		
					D1802	1SS133-T2	DIODE		
					D1871	1SS133-T2	DIODE		
					D1872	1SS133-T2	DIODE		
					D1873	1SS133-T2	DIODE		
					D1874	1SS133-T2	DIODE		
					D1891	1SS133-T2	DIODE		
					D1892	1SS133-T2	DIODE		
					D1901	1SS133-T2	DIODE		
					D1971	1SS133-T2	DIODE		
					D1992	1SS133-T2	DIODE		
					D1993	1SS133-T2	DIODE		

Power board

Block No. [0][4]

△ Symbol No.	Part No.	Part Name	Description	Local	△ Symbol No.	Part No.	Part Name	Description	Local
Q701	2SC2240-BL/AB/T	TRANSISTOR			C701	QTE1V06-106Z	E CAPACITOR	10uF 35V	
Q702	2SC2240-BL/AB/T	TRANSISTOR			C702	QTE1V06-106Z	E CAPACITOR	10uF 35V	
Q703	2SC2240-BL/AB/T	TRANSISTOR			C703	QCS31HJ-101Z	C CAPACITOR	100pF 50V J	
Q704	2SC2240-BL/AB/T	TRANSISTOR			C704	QCS31HJ-101Z	C CAPACITOR	100pF 50V J	
Q705	KTA1268/GL/-T	TRANSISTOR			C705	QCS31HJ-101Z	C CAPACITOR	100pF 50V J	
Q706	KTA1268/GL/-T	TRANSISTOR			C706	QCS31HJ-101Z	C CAPACITOR	100pF 50V J	
Q707	KTA1268/GL/-T	TRANSISTOR			C707	QETN1CM-107Z	E CAPACITOR	100uF 16V M	
Q708	KTA1268/GL/-T	TRANSISTOR			C708	QETN1CM-107Z	E CAPACITOR	100uF 16V M	
Q709	KTA1268/GL/-T	TRANSISTOR			C709	QCS31HJ-100Z	C CAPACITOR	10pF 50V J	
Q710	KTA1268/GL/-T	TRANSISTOR			C710	QCS31HJ-100Z	C CAPACITOR	10pF 50V J	
Q711	KTC3200/GL/-T	TRANSISTOR			C711	QFLC1HJ-103Z	M CAPACITOR	0.01uF 50V J	
Q712	KTC3200/GL/-T	TRANSISTOR			C712	QFLC1HJ-103Z	M CAPACITOR	0.01uF 50V J	
△ Q761	2SD2390/PY/-F6	TRANSISTOR			C713	QCS31HJ-680Z	C CAPACITOR	68pF 50V J	
△ Q762	2SD2390/PY/-F6	TRANSISTOR			C714	QCS31HJ-680Z	C CAPACITOR	68pF 50V J	
△ Q763	2SB1560/PY/-F6	TRANSISTOR			C715	QCS31HJ-680Z	C CAPACITOR	68pF 50V J	
△ Q764	2SB1560/PY/-F6	TRANSISTOR			C716	QCS31HJ-680Z	C CAPACITOR	68pF 50V J	
Q771	KTC3200/GL/-T	TRANSISTOR			C717	QCS32HJ-220Z	C CAPACITOR	22pF 500V J	
Q772	KTC3200/GL/-T	TRANSISTOR			C718	QCS32HJ-220Z	C CAPACITOR	22pF 500V J	
Q773	KTA1268/GL/-T	TRANSISTOR			C719	QFLC1HJ-472Z	M CAPACITOR	4700pF 50V J	
Q774	KTA1268/GL/-T	TRANSISTOR			C720	QFLC1HJ-472Z	M CAPACITOR	4700pF 50V J	
Q781	2SD637/QR/	TRANSISTOR			C741	QETN2AM-476Z	E CAPACITOR	47uF 100V M	
Q782	2SD637/QR/	TRANSISTOR			C742	QETN2AM-476Z	E CAPACITOR	47uF 100V M	
Q791	KTA1268/GL/-T	TRANSISTOR			C745	QETN2AM-476Z	E CAPACITOR	47uF 100V M	
Q792	KTA1268/GL/-T	TRANSISTOR			C746	QETN2AM-476Z	E CAPACITOR	47uF 100V M	
Q1701	2SC2240-BL/AB/T	TRANSISTOR			C751	QCS32HJ-470Z	C CAPACITOR	47pF 500V J	
Q1702	2SC2240-BL/AB/T	TRANSISTOR			C752	QCS32HJ-470Z	C CAPACITOR	47pF 500V J	
Q1703	KTA1268/GL/-T	TRANSISTOR			C753	QCS32HJ-470Z	C CAPACITOR	47pF 500V J	
Q1731	2SD637/QR/	TRANSISTOR			C754	QCS32HJ-470Z	C CAPACITOR	47pF 500V J	
△ Q1751	2SD2390/PY/-F6	TRANSISTOR			C791	QFLC1HJ-473Z	M CAPACITOR	0.047uF 50V J	
△ Q1752	2SB1560/PY/-F6	TRANSISTOR			C792	QFLC1HJ-473Z	M CAPACITOR	0.047uF 50V J	
Q1771	KTC3200/GL/-T	TRANSISTOR			C793	QFLC1HJ-473Z	M CAPACITOR	0.047uF 50V J	
Q1772	KTA1268/GL/-T	TRANSISTOR			C794	QFLC1HJ-473Z	M CAPACITOR	0.047uF 50V J	
Q1791	KTA1268/GL/-T	TRANSISTOR			C795	QCF31HZ-223Z	C CAPACITOR	0.022uF 50V Z	
Q1801	2SC2240-BL/AB/T	TRANSISTOR			C796	QCF31HZ-223Z	C CAPACITOR	0.022uF 50V Z	
Q1802	2SC2240-BL/AB/T	TRANSISTOR			C1701	QETN1HM-105Z	E CAPACITOR	1uF 50V M	
Q1803	2SC2240-BL/AB/T	TRANSISTOR							
Q1804	2SC2240-BL/AB/T	TRANSISTOR							
Q1805	KTA1268/GL/-T	TRANSISTOR							
Q1806	KTA1268/GL/-T	TRANSISTOR							
Q1831	2SD637/QR/	TRANSISTOR							
Q1832	2SD637/QR/	TRANSISTOR							
△ Q1851	2SD2390/PY/-F6	TRANSISTOR							
△ Q1852	2SD2390/PY/-F6	TRANSISTOR							
△ Q1853	2SB1560/PY/-F6	TRANSISTOR							
△ Q1854	2SB1560/PY/-F6	TRANSISTOR							

△ Symbol No.	Part No.	Part Name	Description	Local	△ Symbol No.	Part No.	Part Name	Description	Local
C1702	QCS31HJ-101Z	C CAPACITOR	100pF 50V J		R717	QRJ146J-562X	UNF C RESISTOR	5.6kΩ 1/4W J	
C1703	QCS31HJ-221Z	C CAPACITOR	220pF 50V J		R718	QRJ146J-562X	UNF C RESISTOR	5.6kΩ 1/4W J	
C1704	QETN1CM-107Z	E CAPACITOR	100uF 16V M		R719	QRK126J-103X	UNF C RESISTOR	10kΩ 1/2W J	
C1705	QCS31HJ-5R0Z	C CAPACITOR	5pF 50V J		R720	QRK126J-103X	UNF C RESISTOR	10kΩ 1/2W J	
C1711	QCS32HJ-330Z	C CAPACITOR	33pF 500V J		R721	QRJ146J-151X	UNF C RESISTOR	150Ω 1/4W J	
C1712	QFLC1HJ-103Z	M CAPACITOR	0.01uF 50V J		R722	QRJ146J-151X	UNF C RESISTOR	150Ω 1/4W J	
C1713	QETN1CM-107Z	E CAPACITOR	100uF 16V M		R723	QRE141J-391Y	C RESISTOR	390Ω 1/4W J	
C1715	QETN1HM-476Z	E CAPACITOR	47uF 50V M		R724	QRE141J-391Y	C RESISTOR	390Ω 1/4W J	
C1741	QETN2AM-476Z	E CAPACITOR	47uF 100V M		R725	QRE141J-152Y	C RESISTOR	1.5kΩ 1/4W J	
C1743	QETN2AM-476Z	E CAPACITOR	47uF 100V M		R726	QRE141J-152Y	C RESISTOR	1.5kΩ 1/4W J	
C1751	QCS32HJ-470Z	C CAPACITOR	47pF 500V J		R727	QRE141J-333Y	C RESISTOR	33kΩ 1/4W J	
C1752	QCS32HJ-470Z	C CAPACITOR	47pF 500V J		R728	QRE141J-333Y	C RESISTOR	33kΩ 1/4W J	
C1761	QFLC1HJ-473Z	M CAPACITOR	0.047uF 50V J		R729	QRE141J-391Y	C RESISTOR	390Ω 1/4W J	
C1762	QFLC1HJ-473Z	M CAPACITOR	0.047uF 50V J		R730	QRE141J-391Y	C RESISTOR	390Ω 1/4W J	
C1791	QCF31HZ-223Z	C CAPACITOR	0.022uF 50V Z		R731	QRE141J-391Y	C RESISTOR	390Ω 1/4W J	
C1801	QETN1HM-105Z	E CAPACITOR	1uF 50V M		R732	QRE141J-391Y	C RESISTOR	390Ω 1/4W J	
C1802	QETN1HM-105Z	E CAPACITOR	1uF 50V M		R733	QRE141J-221Y	C RESISTOR	220Ω 1/4W J	
C1803	QCS31HJ-101Z	C CAPACITOR	100pF 50V J		R734	QRE141J-221Y	C RESISTOR	220Ω 1/4W J	
C1804	QCS31HJ-101Z	C CAPACITOR	100pF 50V J		R761	QRJ146J-100X	UNF C RESISTOR	10Ω 1/4W J	
C1805	QCS31HJ-221Z	C CAPACITOR	220pF 50V J		R762	QRJ146J-100X	UNF C RESISTOR	10Ω 1/4W J	
C1806	QCS31HJ-221Z	C CAPACITOR	220pF 50V J		R763	QRJ146J-100X	UNF C RESISTOR	10Ω 1/4W J	
C1807	QETN1CM-107Z	E CAPACITOR	100uF 16V M		R764	QRJ146J-100X	UNF C RESISTOR	10Ω 1/4W J	
C1808	QETN1CM-107Z	E CAPACITOR	100uF 16V M		R771	QRE141J-391Y	C RESISTOR	390Ω 1/4W J	
C1809	QCS31HJ-5R0Z	C CAPACITOR	5pF 50V J		R772	QRE141J-391Y	C RESISTOR	390Ω 1/4W J	
C1810	QCS31HJ-5R0Z	C CAPACITOR	5pF 50V J		R773	QRE141J-391Y	C RESISTOR	390Ω 1/4W J	
C1811	QCS32HJ-330Z	C CAPACITOR	33pF 500V J		R774	QRE141J-391Y	C RESISTOR	390Ω 1/4W J	
C1812	QCS32HJ-330Z	C CAPACITOR	33pF 500V J		R775	QRE141J-201Y	C RESISTOR	200Ω 1/4W J	
C1813	QFLC1HJ-103Z	M CAPACITOR	0.01uF 50V J		R776	QRE141J-201Y	C RESISTOR	200Ω 1/4W J	
C1814	QFLC1HJ-103Z	M CAPACITOR	0.01uF 50V J		R777	QRE141J-201Y	C RESISTOR	200Ω 1/4W J	
C1815	QETN1CM-107Z	E CAPACITOR	100uF 16V M		R778	QRE141J-201Y	C RESISTOR	200Ω 1/4W J	
C1816	QETN1CM-107Z	E CAPACITOR	100uF 16V M		R779	QRZ0218-R22	EMIT RESISTOR	0.22Ω	
C1817	QETN1HM-476Z	E CAPACITOR	47uF 50V M		R780	QRZ0218-R22	EMIT RESISTOR	0.22Ω	
C1818	QETN1HM-476Z	E CAPACITOR	47uF 50V M		R781	QRE141J-391Y	C RESISTOR	390Ω 1/4W J	
C1841	QETN2AM-476Z	E CAPACITOR	47uF 100V M		R782	QRE141J-391Y	C RESISTOR	390Ω 1/4W J	
C1842	QETN2AM-476Z	E CAPACITOR	47uF 100V M		R783	QRE141J-621Y	C RESISTOR	620Ω 1/4W J	
C1843	QETN2AM-476Z	E CAPACITOR	47uF 100V M		R784	QRE141J-621Y	C RESISTOR	620Ω 1/4W J	
C1844	QETN2AM-476Z	E CAPACITOR	47uF 100V M		R787	QRE141J-473Y	C RESISTOR	47kΩ 1/4W J	
C1851	QCS32HJ-470Z	C CAPACITOR	47pF 500V J		R788	QRE141J-473Y	C RESISTOR	47kΩ 1/4W J	
C1852	QCS32HJ-470Z	C CAPACITOR	47pF 500V J		R789	QRE141J-221Y	C RESISTOR	220Ω 1/4W J	
C1853	QCS32HJ-470Z	C CAPACITOR	47pF 500V J		R790	QRE141J-221Y	C RESISTOR	220Ω 1/4W J	
C1854	QCS32HJ-470Z	C CAPACITOR	47pF 500V J		R791	QRJ125J-330	UNF C RESISTOR	33Ω 1/2W J	
C1861	QFLC1HJ-473Z	M CAPACITOR	0.047uF 50V J		R792	QRJ125J-330	UNF C RESISTOR	33Ω 1/2W J	
C1862	QFLC1HJ-473Z	M CAPACITOR	0.047uF 50V J		R793	QRL027J-100	OMF RESISTOR	10Ω 2W J	
C1863	QFLC1HJ-473Z	M CAPACITOR	0.047uF 50V J		R794	QRL027J-100	OMF RESISTOR	10Ω 2W J	
C1864	QFLC1HJ-473Z	M CAPACITOR	0.047uF 50V J		R795	QRE141J-102Y	C RESISTOR	1kΩ 1/4W J	
C1891	QCF31HZ-223Z	C CAPACITOR	0.022uF 50V Z		R796	QRE141J-102Y	C RESISTOR	1kΩ 1/4W J	
C1892	QCF31HZ-223Z	C CAPACITOR	0.022uF 50V Z		R797	QRE141J-153Y	C RESISTOR	15kΩ 1/4W J	
C1901	QETN1HM-105Z	E CAPACITOR	1uF 50V M		R798	QRE141J-153Y	C RESISTOR	15kΩ 1/4W J	
C1902	QCS31HJ-101Z	C CAPACITOR	100pF 50V J		R1701	QRE141J-222Y	C RESISTOR	2.2kΩ 1/4W J	
C1903	QCS31HJ-101Z	C CAPACITOR	100pF 50V J		R1702	QRE141J-563Y	C RESISTOR	56kΩ 1/4W J	
C1904	QETN1CM-107Z	E CAPACITOR	100uF 16V M		R1703	QRE141J-202Y	C RESISTOR	2kΩ 1/4W J	
C1905	QCS31HJ-5R0Z	C CAPACITOR	5pF 50V J		R1705	QRE141J-123Y	C RESISTOR	12kΩ 1/4W J	
C1911	QCS32HJ-330Z	C CAPACITOR	33pF 500V J		R1711	QRE141J-182Y	C RESISTOR	1.8kΩ 1/4W J	
C1912	QFLC1HJ-103Z	M CAPACITOR	0.01uF 50V J		R1712	QRE141J-563Y	C RESISTOR	56kΩ 1/4W J	
C1913	QETN1CM-107Z	E CAPACITOR	100uF 16V M		R1721	QRJ146J-221X	UNF C RESISTOR	220Ω 1/4W J	
C1915	QETN1HM-476Z	E CAPACITOR	47uF 50V M		R1722	QRE141J-332Y	C RESISTOR	3.3kΩ 1/4W J	
C1941	QETN2AM-476Z	E CAPACITOR	47uF 100V M		R1723	QRE141J-332Y	C RESISTOR	3.3kΩ 1/4W J	
C1943	QETN2AM-476Z	E CAPACITOR	47uF 100V M		R1724	QRE141J-332Y	C RESISTOR	3.3kΩ 1/4W J	
C1951	QCS32HJ-470Z	C CAPACITOR	47pF 500V J		R1725	QRE141J-332Y	C RESISTOR	3.3kΩ 1/4W J	
C1952	QCS32HJ-470Z	C CAPACITOR	47pF 500V J		R1731	QRE141J-911Y	C RESISTOR	910Ω 1/4W J	
C1961	QFLC1HJ-473Z	M CAPACITOR	0.047uF 50V J		R1732	QRE141J-391Y	C RESISTOR	390Ω 1/4W J	
C1962	QFLC1HJ-473Z	M CAPACITOR	0.047uF 50V J		R1733	QRE141J-271Y	C RESISTOR	270Ω 1/4W J	
C1991	QCF31HZ-223Z	C CAPACITOR	0.022uF 50V Z		R1741	QRJ146J-221X	UNF C RESISTOR	220Ω 1/4W J	
R701	QRE141J-222Y	C RESISTOR	2.2kΩ 1/4W J		R1751	QRJ146J-100X	UNF C RESISTOR	10Ω 1/4W J	
R702	QRE141J-222Y	C RESISTOR	2.2kΩ 1/4W J		R1752	QRJ146J-100X	UNF C RESISTOR	10Ω 1/4W J	
R703	QRE141J-563Y	C RESISTOR	56kΩ 1/4W J		R1753	QRZ0218-R22	EMIT RESISTOR	0.22Ω	
R704	QRE141J-563Y	C RESISTOR	56kΩ 1/4W J		R1761	QRJ125J-330	UNF C RESISTOR	33Ω 1/2W J	
R705	QRE141J-202Y	C RESISTOR	2kΩ 1/4W J		R1762	QRL027J-100	OMF RESISTOR	10Ω 2W J	
R706	QRE141J-202Y	C RESISTOR	2kΩ 1/4W J		R1771	QRE141J-391Y	C RESISTOR	390Ω 1/4W J	
R707	QRE141J-202Y	C RESISTOR	2kΩ 1/4W J		R1772	QRE141J-391Y	C RESISTOR	390Ω 1/4W J	
R708	QRE141J-202Y	C RESISTOR	2kΩ 1/4W J		R1773	QRE141J-201Y	C RESISTOR	200Ω 1/4W J	
R709	QRE141J-912Y	C RESISTOR	9.1kΩ 1/4W J		R1774	QRE141J-201Y	C RESISTOR	200Ω 1/4W J	
R710	QRE141J-912Y	C RESISTOR	9.1kΩ 1/4W J		R1791	QRE141J-102Y	C RESISTOR	1kΩ 1/4W J	
R711	QRE141J-182Y	C RESISTOR	1.8kΩ 1/4W J		R1793	QRE141J-183Y	C RESISTOR	18kΩ 1/4W J	
R712	QRE141J-182Y	C RESISTOR	1.8kΩ 1/4W J		R1795	QRE141J-473Y	C RESISTOR	47kΩ 1/4W J	
R715	QRE141J-563Y	C RESISTOR	56kΩ 1/4W J		R1801	QRE141J-222Y	C RESISTOR	2.2kΩ 1/4W J	
R716	QRE141J-563Y	C RESISTOR	56kΩ 1/4W J		R1802	QRE141J-222Y	C RESISTOR	2.2kΩ 1/4W J	
					R1803	QRE141J-563Y	C RESISTOR	56kΩ 1/4W J	

△ Symbol No.	Part No.	Part Name	Description	Local	△ Symbol No.	Part No.	Part Name	Description	Local
R1804	QRE141J-563Y	C RESISTOR	56kΩ 1/4W J		VR787	QVP0008-501Z	TRIM RESISTOR	500Ω	
R1805	QRE141J-202Y	C RESISTOR	2kΩ 1/4W J		VR788	QVP0008-501Z	TRIM RESISTOR	500Ω	
R1806	QRE141J-202Y	C RESISTOR	2kΩ 1/4W J						
R1809	QRE141J-123Y	C RESISTOR	12kΩ 1/4W J		L791	QQLZ003-1R0	COIL	1uH	
R1810	QRE141J-123Y	C RESISTOR	12kΩ 1/4W J		L792	QQLZ003-1R0	COIL	1uH	
R1811	QRE141J-182Y	C RESISTOR	1.8kΩ 1/4W J		L1761	QQLZ005-R45	COIL	0.45uH	
R1812	QRE141J-182Y	C RESISTOR	1.8kΩ 1/4W J		L1861	QQLZ005-R45	COIL	0.45uH	
R1813	QRE141J-563Y	C RESISTOR	56kΩ 1/4W J		L1862	QQLZ005-R45	COIL	0.45uH	
R1814	QRE141J-563Y	C RESISTOR	56kΩ 1/4W J		L1961	QQLZ005-R45	COIL	0.45uH	
R1821	QRJ146J-221X	UNF C RESISTOR	220Ω 1/4W J						
R1822	QRJ146J-221X	UNF C RESISTOR	220Ω 1/4W J		CN711	QGB2510K1-12	CONNECTOR	B-B (1-12)	
R1823	QRE141J-332Y	C RESISTOR	3.3kΩ 1/4W J		CN712	QGB2510K1-12	CONNECTOR	B-B (1-12)	
R1824	QRE141J-332Y	C RESISTOR	3.3kΩ 1/4W J		CN713	QGB2510K1-10	CONNECTOR	B-B (1-10)	
R1825	QRE141J-332Y	C RESISTOR	3.3kΩ 1/4W J		CN714	QGA2501F1-02	CONNECTOR	W-B (1-2)	
R1826	QRE141J-332Y	C RESISTOR	3.3kΩ 1/4W J		CN715	QGB2510K1-12	CONNECTOR	B-B (1-12)	
R1827	QRE141J-332Y	C RESISTOR	3.3kΩ 1/4W J		CN716	QGB2510K1-12	CONNECTOR	B-B (1-12)	
R1828	QRE141J-332Y	C RESISTOR	3.3kΩ 1/4W J		CN717	QGA2001F1-03	CONNECTOR	W-B (1-3)	
R1829	QRE141J-332Y	C RESISTOR	3.3kΩ 1/4W J		CN718	QGB2510K1-10	CONNECTOR	B-B (1-10)	
R1830	QRE141J-332Y	C RESISTOR	3.3kΩ 1/4W J		CN719	QGA2501F1-03	CONNECTOR	W-B (1-3)	
R1831	QRE141J-911Y	C RESISTOR	910Ω 1/4W J		CN722	QGA2001F1-02	CONNECTOR	W-B (1-2)	
R1832	QRE141J-911Y	C RESISTOR	910Ω 1/4W J		TH731	QAD0012-202	THERMISTOR	2kΩ L	
R1833	QRE141J-391Y	C RESISTOR	390Ω 1/4W J		TH783	QAD0012-202	THERMISTOR	2kΩ L	
R1834	QRE141J-391Y	C RESISTOR	390Ω 1/4W J		TH784	QAD0012-202	THERMISTOR	2kΩ L	
R1835	QRE141J-271Y	C RESISTOR	270Ω 1/4W J		TH831	QAD0012-202	THERMISTOR	2kΩ L	
R1836	QRE141J-271Y	C RESISTOR	270Ω 1/4W J		TH832	QAD0012-202	THERMISTOR	2kΩ L	
R1841	QRJ146J-221X	UNF C RESISTOR	220Ω 1/4W J		TH901	QAD0012-202	THERMISTOR	2kΩ L	
R1842	QRJ146J-221X	UNF C RESISTOR	220Ω 1/4W J						
R1851	QRJ146J-100X	UNF C RESISTOR	10Ω 1/4W J						
R1852	QRJ146J-100X	UNF C RESISTOR	10Ω 1/4W J						
R1853	QRJ146J-100X	UNF C RESISTOR	10Ω 1/4W J						
R1854	QRJ146J-100X	UNF C RESISTOR	10Ω 1/4W J						
R1855	QRZ0218-R22	EMIT RESISTOR	0.22Ω						
R1856	QRZ0218-R22	EMIT RESISTOR	0.22Ω						
R1861	QRJ125J-330	UNF C RESISTOR	33Ω 1/2W J						
R1862	QRJ125J-330	UNF C RESISTOR	33Ω 1/2W J						
R1863	QRL027J-100	OMF RESISTOR	10Ω 2W J						
R1864	QRL027J-100	OMF RESISTOR	10Ω 2W J						
R1871	QRE141J-391Y	C RESISTOR	390Ω 1/4W J						
R1872	QRE141J-391Y	C RESISTOR	390Ω 1/4W J						
R1873	QRE141J-391Y	C RESISTOR	390Ω 1/4W J						
R1874	QRE141J-391Y	C RESISTOR	390Ω 1/4W J						
R1875	QRE141J-201Y	C RESISTOR	200Ω 1/4W J						
R1876	QRE141J-201Y	C RESISTOR	200Ω 1/4W J						
R1877	QRE141J-201Y	C RESISTOR	200Ω 1/4W J						
R1878	QRE141J-201Y	C RESISTOR	200Ω 1/4W J						
R1891	QRE141J-102Y	C RESISTOR	1kΩ 1/4W J						
R1892	QRE141J-102Y	C RESISTOR	1kΩ 1/4W J						
R1893	QRE141J-183Y	C RESISTOR	18kΩ 1/4W J						
R1894	QRE141J-183Y	C RESISTOR	18kΩ 1/4W J						
R1895	QRE141J-473Y	C RESISTOR	47kΩ 1/4W J						
R1896	QRE141J-473Y	C RESISTOR	47kΩ 1/4W J						
R1901	QRE141J-222Y	C RESISTOR	2.2kΩ 1/4W J						
R1902	QRE141J-563Y	C RESISTOR	56kΩ 1/4W J						
R1903	QRE141J-202Y	C RESISTOR	2kΩ 1/4W J						
R1905	QRE141J-123Y	C RESISTOR	12kΩ 1/4W J						
R1911	QRE141J-182Y	C RESISTOR	1.8kΩ 1/4W J						
R1912	QRE141J-563Y	C RESISTOR	56kΩ 1/4W J						
R1921	QRJ146J-221X	UNF C RESISTOR	220Ω 1/4W J						
R1922	QRE141J-332Y	C RESISTOR	3.3kΩ 1/4W J						
R1923	QRE141J-332Y	C RESISTOR	3.3kΩ 1/4W J						
R1924	QRE141J-332Y	C RESISTOR	3.3kΩ 1/4W J						
R1925	QRE141J-332Y	C RESISTOR	3.3kΩ 1/4W J						
R1931	QRE141J-911Y	C RESISTOR	910Ω 1/4W J						
R1932	QRE141J-391Y	C RESISTOR	390Ω 1/4W J						
R1933	QRE141J-271Y	C RESISTOR	270Ω 1/4W J						
R1941	QRJ146J-221X	UNF C RESISTOR	220Ω 1/4W J						
R1951	QRJ146J-100X	UNF C RESISTOR	10Ω 1/4W J						
R1952	QRJ146J-100X	UNF C RESISTOR	10Ω 1/4W J						
R1953	QRZ0218-R22	EMIT RESISTOR	0.22Ω						
R1961	QRJ125J-330	UNF C RESISTOR	33Ω 1/2W J						
R1962	QRL027J-100	OMF RESISTOR	10Ω 2W J						
R1971	QRE141J-391Y	C RESISTOR	390Ω 1/4W J						
R1972	QRE141J-391Y	C RESISTOR	390Ω 1/4W J						
R1973	QRE141J-201Y	C RESISTOR	200Ω 1/4W J						
R1991	QRE141J-102Y	C RESISTOR	1kΩ 1/4W J						
R1993	QRE141J-183Y	C RESISTOR	18kΩ 1/4W J						
R1994	QRE141J-201Y	C RESISTOR	200Ω 1/4W J						
R1995	QRE141J-473Y	C RESISTOR	47kΩ 1/4W J						

Input board

Block No. [0][5]

△ Symbol No.	Part No.	Part Name	Description	Local
IC201	MM1117XF-XE	IC		
IC202	NJM2246M-X	IC		
IC241	MM1113XF-X	IC		
IC242	MM1114XF-X	IC		
IC243	MM1117XF-XE	IC		
IC244	NJM2246M-X	IC		
IC261	NJM2406F-X	IC		
IC301	NJM4580D-D	IC		
IC302	TC9164AF-X	IC		
IC303	NJM4565M-WE	IC		
IC304	NJM4565M-WE	IC		
IC305	TC9164AF-X	IC		
IC306	NJM4565M-WE	IC		
IC307	TC9459F-X	IC		
IC308	NJM4565M-WE	IC		
IC361	MM1504XN-X	IC		
IC362	MM1502XN-X	IC		
IC363	MM1502XN-X	IC		
IC371	TC9163AF-X	IC		
IC375	TC9163AF-X	IC		
IC380	TC9162AF-X	IC		
IC381	TC9459F-X	IC		
IC382	TC9459F-X	IC		
IC383	TC9459F-X	IC		
IC384	TC9459F-X	IC		
IC386	NJM4565M-WE	IC		
IC394	NJM4565M-WE	IC		
IC395	NJM4565M-WE	IC		
IC396	NJM4565M-WE	IC		
IC397	NJM4565M-WE	IC		
IC398	NJM4565M-WE	IC		
Q201	KTA1267/YG/-T	TRANSISTOR		
Q202	KRC107S-X	DIGI TRANSISTOR		
Q203	KRC107S-X	DIGI TRANSISTOR		
Q204	KTA1267/YG/-T	TRANSISTOR		
Q205	KRC107S-X	DIGI TRANSISTOR		
Q206	KRC107S-X	DIGI TRANSISTOR		
Q207	KTA1267/YG/-T	TRANSISTOR		
Q241	KTA1267/YG/-T	TRANSISTOR		
Q242	KRC107S-X	DIGI TRANSISTOR		
Q243	KRC107S-X	DIGI TRANSISTOR		

△ Symbol No.	Part No.	Part Name	Description	Local	△ Symbol No.	Part No.	Part Name	Description	Local
Q244	KTA1267/YG/-T	TRANSISTOR			C212	QCF31HZ-103Z	C CAPACITOR	0.01uF 50V Z	
Q245	KRC107S-X	DIGI TRANSISTOR			C213	QETN1CM-476Z	E CAPACITOR	47uF 16V M	
Q246	KRC107S-X	DIGI TRANSISTOR			C226	NDC31HJ-470X	C CAPACITOR	47pF 50V J	
Q247	KTA1267/YG/-T	TRANSISTOR			C227	NDC31HJ-470X	C CAPACITOR	47pF 50V J	
Q248	KTA1267/YG/-T	TRANSISTOR			C228	NDC31HJ-470X	C CAPACITOR	47pF 50V J	
Q249	KRC107S-X	DIGI TRANSISTOR			C240	QCF31HZ-103Z	C CAPACITOR	0.01uF 50V Z	
Q250	KRC107S-X	DIGI TRANSISTOR			C241	QETN1HM-475Z	E CAPACITOR	4.7uF 50V M	
Q251	KTA1267/YG/-T	TRANSISTOR			C242	QCF31HZ-103Z	C CAPACITOR	0.01uF 50V Z	
Q252	KRC107S-X	DIGI TRANSISTOR			C243	QETN1HM-475Z	E CAPACITOR	4.7uF 50V M	
Q253	KRC107S-X	DIGI TRANSISTOR			C244	QCF31HZ-103Z	C CAPACITOR	0.01uF 50V Z	
Q254	KTA1267/YG/-T	TRANSISTOR			C245	QETN0JM-477Z	E CAPACITOR	470uF 6.3V M	
Q301	2SC3576-JVC-T	TRANSISTOR			C246	QCF31HZ-103Z	C CAPACITOR	0.01uF 50V Z	
Q302	2SC3576-JVC-T	TRANSISTOR			C247	QETN1HM-475Z	E CAPACITOR	4.7uF 50V M	
Q303	KRA104S-X	DIGI TRANSISTOR			C248	QCF31HZ-103Z	C CAPACITOR	0.01uF 50V Z	
Q1201	KRA107M-T	DIGI TRANSISTOR			C249	QETN0JM-477Z	E CAPACITOR	470uF 6.3V M	
Q1202	KTA1273/Y/-T	TRANSISTOR			C250	QCF31HZ-103Z	C CAPACITOR	0.01uF 50V Z	
Q1231	KRA104M-T	DIGI TRANSISTOR			C251	QETN1HM-475Z	E CAPACITOR	4.7uF 50V M	
Q1233	2SC3576-JVC-T	TRANSISTOR			C252	QCF31HZ-103Z	C CAPACITOR	0.01uF 50V Z	
Q1234	2SC3576-JVC-T	TRANSISTOR			C253	QETN0JM-477Z	E CAPACITOR	470uF 6.3V M	
Q1245	KRA104M-T	DIGI TRANSISTOR			C254	QCF31HZ-103Z	C CAPACITOR	0.01uF 50V Z	
Q1247	2SC3576-JVC-T	TRANSISTOR			C255	QETN1HM-475Z	E CAPACITOR	4.7uF 50V M	
Q1248	2SC3576-JVC-T	TRANSISTOR			C256	QCF31HZ-103Z	C CAPACITOR	0.01uF 50V Z	
Q1310	KRA104S-X	DIGI TRANSISTOR			C257	QETN1HM-475Z	E CAPACITOR	4.7uF 50V M	
Q1313	2SC3576-JVC-T	TRANSISTOR			C260	NDC31HJ-470X	C CAPACITOR	47pF 50V J	
Q1314	2SC3576-JVC-T	TRANSISTOR			C261	NDC31HJ-470X	C CAPACITOR	47pF 50V J	
Q1324	2SC3576-JVC-T	TRANSISTOR			C262	NDC31HJ-470X	C CAPACITOR	47pF 50V J	
Q1333	2SC3576-JVC-T	TRANSISTOR			C263	NDC31HJ-470X	C CAPACITOR	47pF 50V J	
Q1334	2SC3576-JVC-T	TRANSISTOR			C264	NDC31HJ-470X	C CAPACITOR	47pF 50V J	
Q1374	KTA1267/YG/-T	TRANSISTOR			C265	NDC31HJ-470X	C CAPACITOR	47pF 50V J	
Q1375	KRC107S-X	DIGI TRANSISTOR			C266	NDC31HJ-470X	C CAPACITOR	47pF 50V J	
Q1376	KTA1267/YG/-T	TRANSISTOR			C267	NDC31HJ-470X	C CAPACITOR	47pF 50V J	
Q1377	KRC107S-X	DIGI TRANSISTOR			C268	NDC31HJ-470X	C CAPACITOR	47pF 50V J	
Q1378	KTA1267/YG/-T	TRANSISTOR			C269	NDC31HJ-470X	C CAPACITOR	47pF 50V J	
Q1379	KRC107S-X	DIGI TRANSISTOR			C270	NDC31HJ-470X	C CAPACITOR	47pF 50V J	
Q1421	2SC3576-JVC-T	TRANSISTOR			C271	NDC31HJ-470X	C CAPACITOR	47pF 50V J	
Q1422	2SC3576-JVC-T	TRANSISTOR			C272	NDC31HJ-470X	C CAPACITOR	47pF 50V J	
Q1428	KRC107S-X	DIGI TRANSISTOR			C273	NDC31HJ-470X	C CAPACITOR	47pF 50V J	
Q1429	KRA104S-X	DIGI TRANSISTOR			C274	NDC31HJ-100X	C CAPACITOR	10pF 50V J	
Q1441	2SC3576-JVC-T	TRANSISTOR			C282	QCF31HZ-103Z	C CAPACITOR	0.01uF 50V Z	
Q1442	2SC3576-JVC-T	TRANSISTOR			C283	QCF31HZ-103Z	C CAPACITOR	0.01uF 50V Z	
Q1445	2SC3576-JVC-T	TRANSISTOR			C284	QETN1CM-476Z	E CAPACITOR	47uF 16V M	
Q1447	KRA104S-X	DIGI TRANSISTOR			C287	QCF31HZ-103Z	C CAPACITOR	0.01uF 50V Z	
Q1448	KRC107S-X	DIGI TRANSISTOR			C288	QCF31HZ-103Z	C CAPACITOR	0.01uF 50V Z	
Q1449	KRA104S-X	DIGI TRANSISTOR			C289	QETN1CM-476Z	E CAPACITOR	47uF 16V M	
Q1461	2SC3576-JVC-T	TRANSISTOR			C301	QETN1HM-475Z	E CAPACITOR	4.7uF 50V M	
Q1462	2SC3576-JVC-T	TRANSISTOR			C302	QETN1HM-475Z	E CAPACITOR	4.7uF 50V M	
Q1468	KRC107S-X	DIGI TRANSISTOR			C303	NDC31HJ-101X	C CAPACITOR	100pF 50V J	
Q1469	KRA104S-X	DIGI TRANSISTOR			C304	NDC31HJ-101X	C CAPACITOR	100pF 50V J	
Q1481	2SC3576-JVC-T	TRANSISTOR			C305	QFLC1HJ-182Z	M CAPACITOR	1800pF 50V J	
Q1482	2SC3576-JVC-T	TRANSISTOR			C306	QFLC1HJ-182Z	M CAPACITOR	1800pF 50V J	
Q1488	KRC107S-X	DIGI TRANSISTOR			C307	QFLC1HJ-682Z	M CAPACITOR	6800pF 50V J	
Q1489	KRA104S-X	DIGI TRANSISTOR			C308	QFLC1HJ-682Z	M CAPACITOR	6800pF 50V J	
Q1490	KRA104S-X	DIGI TRANSISTOR			C309	NDC31HJ-101X	C CAPACITOR	100pF 50V J	
Q1491	2SC3576-JVC-T	TRANSISTOR			C310	NDC31HJ-101X	C CAPACITOR	100pF 50V J	
Q1492	2SC3576-JVC-T	TRANSISTOR			C311	QETN1HM-475Z	E CAPACITOR	4.7uF 50V M	
					C312	QETN1HM-475Z	E CAPACITOR	4.7uF 50V M	
D1201	1SS355-X	SI DIODE			C313	QETN1AM-107Z	E CAPACITOR	100uF 10V M	
D1202	1SS355-X	SI DIODE			C314	QETN1AM-107Z	E CAPACITOR	100uF 10V M	
D1203	MA3062/H/-X	Z DIODE			C315	QETN1CM-476Z	E CAPACITOR	47uF 16V M	
D1428	1SS355-X	SI DIODE			C316	QETN1CM-476Z	E CAPACITOR	47uF 16V M	
D1429	1SS355-X	SI DIODE			C333	NDC31HJ-391X	C CAPACITOR	390pF 50V J	
D1448	1SS355-X	SI DIODE			C334	NDC31HJ-391X	C CAPACITOR	390pF 50V J	
D1449	1SS355-X	SI DIODE			C335	QETN1EM-226Z	E CAPACITOR	22uF 25V M	
D1468	1SS355-X	SI DIODE			C336	QETN1EM-226Z	E CAPACITOR	22uF 25V M	
D1469	1SS355-X	SI DIODE			C339	NCB31HK-561X	C CAPACITOR	560pF 50V K	
D1488	1SS355-X	SI DIODE			C341	QETN1CM-106Z	E CAPACITOR	10uF 16V M	
D1489	1SS355-X	SI DIODE			C342	QETN1CM-106Z	E CAPACITOR	10uF 16V M	
					C343	QETN1CM-106Z	E CAPACITOR	10uF 16V M	
C200	QETN1HM-475Z	E CAPACITOR	4.7uF 50V M		C344	QETN1CM-106Z	E CAPACITOR	10uF 16V M	
C201	QETN1HM-475Z	E CAPACITOR	4.7uF 50V M		C351	QFLC1HJ-562Z	M CAPACITOR	5600pF 50V J	
C202	QETN0JM-477Z	E CAPACITOR	470uF 6.3V M		C352	QFLC1HJ-562Z	M CAPACITOR	5600pF 50V J	
C203	QETN1HM-475Z	E CAPACITOR	4.7uF 50V M		C361	QETN1HM-475Z	E CAPACITOR	4.7uF 50V M	
C204	QETN0JM-477Z	E CAPACITOR	470uF 6.3V M		C362	QETN1HM-475Z	E CAPACITOR	4.7uF 50V M	
C205	QETN1HM-475Z	E CAPACITOR	4.7uF 50V M		C363	QETN1HM-475Z	E CAPACITOR	4.7uF 50V M	
C206	QETN0JM-477Z	E CAPACITOR	470uF 6.3V M		C364	QETN1HM-475Z	E CAPACITOR	4.7uF 50V M	
C207	QETN1HM-475Z	E CAPACITOR	4.7uF 50V M		C385	QETN1EM-226Z	E CAPACITOR	22uF 25V M	
C208	QETN1HM-475Z	E CAPACITOR	4.7uF 50V M		C386	QETN1EM-226Z	E CAPACITOR	22uF 25V M	
C211	QCF31HZ-103Z	C CAPACITOR	0.01uF 50V Z		C389	NCB31HK-561X	C CAPACITOR	560pF 50V K	

△ Symbol No.	Part No.	Part Name	Description	Local	△ Symbol No.	Part No.	Part Name	Description	Local
C399	QETN1CM-226Z	E CAPACITOR	22uF 16V M		C1386	QETN1HM-475Z	E CAPACITOR	4.7uF 50V M	
C1201	NCB31HK-102X	C CAPACITOR	1000pF 50V K		C1387	NDC31HJ-100X	C CAPACITOR	10pF 50V J	
C1202	QETN1AM-107Z	E CAPACITOR	100uF 10V M		C1388	NDC31HJ-100X	C CAPACITOR	10pF 50V J	
C1203	QFLC1HJ-104Z	M CAPACITOR	0.1uF 50V J		C1389	NDC31HJ-100X	C CAPACITOR	10pF 50V J	
C1204	QER61AM-107Z	E CAPACITOR	100uF 10V M		C1390	QETN1EM-476Z	E CAPACITOR	47uF 25V M	
C1205	NCB31HK-221X	C CAPACITOR	220pF 50V K		C1391	QETN1HM-475Z	E CAPACITOR	4.7uF 50V M	
C1221	QETN1HM-106Z	E CAPACITOR	10uF 50V M		C1392	QETN1HM-475Z	E CAPACITOR	4.7uF 50V M	
C1222	QETN1HM-106Z	E CAPACITOR	10uF 50V M		C1393	NDC31HJ-100X	C CAPACITOR	10pF 50V J	
C1223	QETN1HM-106Z	E CAPACITOR	10uF 50V M		C1394	NDC31HJ-100X	C CAPACITOR	10pF 50V J	
C1224	QETN1HM-106Z	E CAPACITOR	10uF 50V M		C1395	NDC31HJ-100X	C CAPACITOR	10pF 50V J	
C1225	QETN1EM-476Z	E CAPACITOR	47uF 25V M		C1396	QETN0JM-477Z	E CAPACITOR	470uF 6.3V M	
C1226	QETN1EM-476Z	E CAPACITOR	47uF 25V M		C1397	QETN1AM-107Z	E CAPACITOR	100uF 10V M	
C1227	QETN1HM-475Z	E CAPACITOR	4.7uF 50V M		C1398	QETN1AM-107Z	E CAPACITOR	100uF 10V M	
C1228	QETN1HM-475Z	E CAPACITOR	4.7uF 50V M		C1411	QETN1HM-106Z	E CAPACITOR	10uF 50V M	
C1229	QETN1HM-475Z	E CAPACITOR	4.7uF 50V M		C1412	QETN1HM-106Z	E CAPACITOR	10uF 50V M	
C1230	QETN1HM-475Z	E CAPACITOR	4.7uF 50V M		C1413	QETN1HM-106Z	E CAPACITOR	10uF 50V M	
C1231	NCB31HK-221X	C CAPACITOR	220pF 50V K		C1414	QETN1HM-106Z	E CAPACITOR	10uF 50V M	
C1232	QETN1HM-226Z	E CAPACITOR	22uF 50V M		C1419	QETN1EM-476Z	E CAPACITOR	47uF 25V M	
C1233	QETN1HM-106Z	E CAPACITOR	10uF 50V M		C1420	QETN1EM-476Z	E CAPACITOR	47uF 25V M	
C1241	QETN1HM-475Z	E CAPACITOR	4.7uF 50V M		C1428	QETN1CM-226Z	E CAPACITOR	22uF 16V M	
C1242	QETN1HM-475Z	E CAPACITOR	4.7uF 50V M		C1431	QETN1HM-475Z	E CAPACITOR	4.7uF 50V M	
C1243	QETN1HM-475Z	E CAPACITOR	4.7uF 50V M		C1432	QETN1HM-106Z	E CAPACITOR	10uF 50V M	
C1244	QETN1HM-475Z	E CAPACITOR	4.7uF 50V M		C1433	QETN1HM-475Z	E CAPACITOR	4.7uF 50V M	
C1245	QETN1HM-226Z	E CAPACITOR	22uF 50V M		C1434	QETN1HM-106Z	E CAPACITOR	10uF 50V M	
C1259	QETN1EM-476Z	E CAPACITOR	47uF 25V M		C1439	QETN1EM-476Z	E CAPACITOR	47uF 25V M	
C1260	QETN1EM-476Z	E CAPACITOR	47uF 25V M		C1440	QETN1EM-476Z	E CAPACITOR	47uF 25V M	
C1265	QETN1EM-226Z	E CAPACITOR	22uF 25V M		C1448	QETN1CM-226Z	E CAPACITOR	22uF 16V M	
C1266	QETN1EM-226Z	E CAPACITOR	22uF 25V M		C1451	QETN1HM-106Z	E CAPACITOR	10uF 50V M	
C1269	NCB31HK-561X	C CAPACITOR	560pF 50V K		C1452	QETN1HM-106Z	E CAPACITOR	10uF 50V M	
C1271	QETN1EM-226Z	E CAPACITOR	22uF 25V M		C1453	QETN1HM-106Z	E CAPACITOR	10uF 50V M	
C1272	QETN1EM-226Z	E CAPACITOR	22uF 25V M		C1454	QETN1HM-106Z	E CAPACITOR	10uF 50V M	
C1275	NCB31HK-561X	C CAPACITOR	560pF 50V K		C1468	QETN1CM-226Z	E CAPACITOR	22uF 16V M	
C1301	QETN1EM-476Z	E CAPACITOR	47uF 25V M		C1471	QER61HM-106Z	E CAPACITOR	10uF 50V M	
C1302	QETN1EM-476Z	E CAPACITOR	47uF 25V M		C1473	QER61HM-106Z	E CAPACITOR	10uF 50V M	
C1303	NCB31HK-221X	C CAPACITOR	220pF 50V K		C1474	QETN1VM-476Z	E CAPACITOR	47uF 35V M	
C1309	QENC1HM-106Z	BP E CAPACITOR	10uF 50V M		C1488	QETN1CM-226Z	E CAPACITOR	22uF 16V M	
C1310	QETN1CM-226Z	E CAPACITOR	22uF 16V M		C1491	NCB31HK-331X	C CAPACITOR	330pF 50V K	
C1311	QETN1HM-475Z	E CAPACITOR	4.7uF 50V M		C1492	NCB31HK-331X	C CAPACITOR	330pF 50V K	
C1312	QETN1HM-475Z	E CAPACITOR	4.7uF 50V M		C1493	NCB31HK-331X	C CAPACITOR	330pF 50V K	
C1313	QETN1HM-475Z	E CAPACITOR	4.7uF 50V M		C1494	NCB31HK-331X	C CAPACITOR	330pF 50V K	
C1314	QETN1HM-475Z	E CAPACITOR	4.7uF 50V M		C1495	NCB31HK-331X	C CAPACITOR	330pF 50V K	
C1315	QER61HM-224Z	E CAPACITOR	0.22uF 50V M		C1496	NCB31HK-331X	C CAPACITOR	330pF 50V K	
C1316	QER61HM-224Z	E CAPACITOR	0.22uF 50V M		C1497	NCB31HK-331X	C CAPACITOR	330pF 50V K	
C1319	NCB31HK-221X	C CAPACITOR	220pF 50V K		C1498	NCB31HK-331X	C CAPACITOR	330pF 50V K	
C1321	QETN1HM-475Z	E CAPACITOR	4.7uF 50V M		C1499	QCZ0202-155Z	C CAPACITOR	1.5uF 25V Z	
C1322	QETN1HM-475Z	E CAPACITOR	4.7uF 50V M						
C1323	QETN1HM-475Z	E CAPACITOR	4.7uF 50V M		R200	NRSA63J-750X	MG RESISTOR	75Ω 1/16W J	
C1324	QETN1HM-475Z	E CAPACITOR	4.7uF 50V M		R201	NRSA63J-750X	MG RESISTOR	75Ω 1/16W J	
C1325	QER61HM-224Z	E CAPACITOR	0.22uF 50V M		R202	NRSA63J-750X	MG RESISTOR	75Ω 1/16W J	
C1326	QER61HM-224Z	E CAPACITOR	0.22uF 50V M		R203	NRSA63J-750X	MG RESISTOR	75Ω 1/16W J	
C1329	NCB31HK-221X	C CAPACITOR	220pF 50V K		R204	NRSA63J-750X	MG RESISTOR	75Ω 1/16W J	
C1331	QETN1HM-475Z	E CAPACITOR	4.7uF 50V M		R205	NRSA63J-750X	MG RESISTOR	75Ω 1/16W J	
C1332	QETN1HM-475Z	E CAPACITOR	4.7uF 50V M		R206	NRSA63J-750X	MG RESISTOR	75Ω 1/16W J	
C1333	QETN1HM-475Z	E CAPACITOR	4.7uF 50V M		R207	NRSA63J-331X	MG RESISTOR	330Ω 1/16W J	
C1334	QETN1HM-475Z	E CAPACITOR	4.7uF 50V M		R208	NRSA63J-331X	MG RESISTOR	330Ω 1/16W J	
C1339	NCB31HK-221X	C CAPACITOR	220pF 50V K		R210	NRSA63J-331X	MG RESISTOR	330Ω 1/16W J	
C1341	QETN1HM-475Z	E CAPACITOR	4.7uF 50V M		R212	NRSA63J-331X	MG RESISTOR	330Ω 1/16W J	
C1343	QETN1HM-475Z	E CAPACITOR	4.7uF 50V M		R214	NRSA63J-331X	MG RESISTOR	330Ω 1/16W J	
C1344	QETN1CM-226Z	E CAPACITOR	22uF 16V M		R215	QRE123J-391X	C RESISTOR	390Ω 1/2W J	
C1349	NCB31HK-221X	C CAPACITOR	220pF 50V K		R216	NRSA63J-471X	MG RESISTOR	470Ω 1/16W J	
C1361	NDC31HJ-391X	C CAPACITOR	390pF 50V J		R217	NRSA63J-103X	MG RESISTOR	10kΩ 1/16W J	
C1362	NDC31HJ-391X	C CAPACITOR	390pF 50V J		R218	QRE123J-391X	C RESISTOR	390Ω 1/2W J	
C1363	QETN1HM-475Z	E CAPACITOR	4.7uF 50V M		R219	NRSA63J-471X	MG RESISTOR	470Ω 1/16W J	
C1364	QETN1HM-475Z	E CAPACITOR	4.7uF 50V M		R220	NRSA63J-103X	MG RESISTOR	10kΩ 1/16W J	
C1365	QETN1HM-475Z	E CAPACITOR	4.7uF 50V M		R221	QRE123J-391X	C RESISTOR	390Ω 1/2W J	
C1366	QETN1HM-475Z	E CAPACITOR	4.7uF 50V M		R225	QRJ146J-2R2X	UNF C RESISTOR	2.2Ω 1/4W J	
C1367	NDC31HJ-100X	C CAPACITOR	10pF 50V J		R226	QRJ146J-2R2X	UNF C RESISTOR	2.2Ω 1/4W J	
C1368	NDC31HJ-100X	C CAPACITOR	10pF 50V J		R240	NRSA63J-750X	MG RESISTOR	75Ω 1/16W J	
C1369	NDC31HJ-100X	C CAPACITOR	10pF 50V J		R241	NRSA63J-750X	MG RESISTOR	75Ω 1/16W J	
C1370	NCB31HK-103X	C CAPACITOR	0.01uF 50V K		R242	NRSA63J-750X	MG RESISTOR	75Ω 1/16W J	
C1371	NCB31HK-103X	C CAPACITOR	0.01uF 50V K		R243	NRSA63J-750X	MG RESISTOR	75Ω 1/16W J	
C1372	NCB31HK-103X	C CAPACITOR	0.01uF 50V K		R244	NRSA63J-680X	MG RESISTOR	68Ω 1/16W J	
C1373	QETN1AM-107Z	E CAPACITOR	100uF 10V M		R245	NRSA63J-750X	MG RESISTOR	75Ω 1/16W J	
C1381	NDC31HJ-100X	C CAPACITOR	10pF 50V J		R246	NRSA63J-750X	MG RESISTOR	75Ω 1/16W J	
C1382	NDC31HJ-100X	C CAPACITOR	10pF 50V J		R247	NRSA63J-750X	MG RESISTOR	75Ω 1/16W J	
C1383	NDC31HJ-100X	C CAPACITOR	10pF 50V J		R248	NRSA63J-680X	MG RESISTOR	68Ω 1/16W J	
C1384	QETN1EM-476Z	E CAPACITOR	47uF 25V M		R249	NRSA63J-750X	MG RESISTOR	75Ω 1/16W J	
C1385	QETN1HM-475Z	E CAPACITOR	4.7uF 50V M		R250	NRSA63J-750X	MG RESISTOR	75Ω 1/16W J	

Symbol No.	Part No.	Part Name	Description	Local	Symbol No.	Part No.	Part Name	Description	Local
R251	NRSA63J-750X	MG RESISTOR	75Ω 1/16W J		R392	NRSA63J-102X	MG RESISTOR	1kΩ 1/16W J	
R252	NRSA63J-680X	MG RESISTOR	68Ω 1/16W J		R394	NRSA63J-102X	MG RESISTOR	1kΩ 1/16W J	
R253	NRSA63J-750X	MG RESISTOR	75Ω 1/16W J		R395	NRSA63J-103X	MG RESISTOR	10kΩ 1/16W J	
R261	QRE123J-391X	C RESISTOR	390Ω 1/2W J		R396	NRSA63J-103X	MG RESISTOR	10kΩ 1/16W J	
R262	NRSA63J-471X	MG RESISTOR	470Ω 1/16W J		R397	NRSA63J-102X	MG RESISTOR	1kΩ 1/16W J	
R263	NRSA63J-103X	MG RESISTOR	10kΩ 1/16W J		R398	NRSA63J-221X	MG RESISTOR	220Ω 1/16W J	
R264	QRE123J-391X	C RESISTOR	390Ω 1/2W J		R1201	NRSA63J-393X	MG RESISTOR	39kΩ 1/16W J	
R265	NRSA63J-471X	MG RESISTOR	470Ω 1/16W J		R1202	NRSA63J-393X	MG RESISTOR	39kΩ 1/16W J	
R266	NRSA63J-103X	MG RESISTOR	10kΩ 1/16W J		R1203	NRSA63J-104X	MG RESISTOR	100kΩ 1/16W J	
R267	QRE123J-391X	C RESISTOR	390Ω 1/2W J		R1204	NRSA63J-273X	MG RESISTOR	27kΩ 1/16W J	
R268	QRE123J-391X	C RESISTOR	390Ω 1/2W J		R1205	NRSA63J-104X	MG RESISTOR	100kΩ 1/16W J	
R269	NRSA63J-471X	MG RESISTOR	470Ω 1/16W J		R1206	NRSA63J-103X	MG RESISTOR	10kΩ 1/16W J	
R270	NRSA63J-103X	MG RESISTOR	10kΩ 1/16W J		R1208	NRSA63J-102X	MG RESISTOR	1kΩ 1/16W J	
R271	QRE123J-391X	C RESISTOR	390Ω 1/2W J		R1209	NRSA63J-152X	MG RESISTOR	1.5kΩ 1/16W J	
R272	NRSA63J-471X	MG RESISTOR	470Ω 1/16W J		R1210	NRSA63J-471X	MG RESISTOR	470Ω 1/16W J	
R273	NRSA63J-103X	MG RESISTOR	10kΩ 1/16W J		R1211	NRSA63J-221X	MG RESISTOR	220Ω 1/16W J	
R274	QRE123J-391X	C RESISTOR	390Ω 1/2W J		R1212	NRSA63J-221X	MG RESISTOR	220Ω 1/16W J	
R275	QRJ146J-2R2X	UNF C RESISTOR	2.2Ω 1/4W J		R1213	NRSA63J-561X	MG RESISTOR	560Ω 1/16W J	
R276	QRJ146J-181X	UNF C RESISTOR	180Ω 1/4W J		R1221	NRSA63J-104X	MG RESISTOR	100kΩ 1/16W J	
R277	QRJ146J-181X	UNF C RESISTOR	180Ω 1/4W J		R1222	NRSA63J-104X	MG RESISTOR	100kΩ 1/16W J	
R301	NRSA63J-222X	MG RESISTOR	2.2kΩ 1/16W J		R1223	NRSA63J-104X	MG RESISTOR	100kΩ 1/16W J	
R302	NRSA63J-222X	MG RESISTOR	2.2kΩ 1/16W J		R1224	NRSA63J-104X	MG RESISTOR	100kΩ 1/16W J	
R303	NRSA63J-473X	MG RESISTOR	47kΩ 1/16W J		R1225	NRSA63J-104X	MG RESISTOR	100kΩ 1/16W J	
R304	NRSA63J-473X	MG RESISTOR	47kΩ 1/16W J		R1226	NRSA63J-104X	MG RESISTOR	100kΩ 1/16W J	
R305	NRSA63J-621X	MG RESISTOR	620Ω 1/16W J		R1227	QRZ9005-680X	F RESISTOR	68Ω	
R306	NRSA63J-621X	MG RESISTOR	620Ω 1/16W J		R1228	QRZ9005-680X	F RESISTOR	68Ω	
R307	NRSA63J-393X	MG RESISTOR	39kΩ 1/16W J		R1229	NRSA63J-104X	MG RESISTOR	100kΩ 1/16W J	
R308	NRSA63J-393X	MG RESISTOR	39kΩ 1/16W J		R1230	NRSA63J-104X	MG RESISTOR	100kΩ 1/16W J	
R309	NRSA63J-474X	MG RESISTOR	470kΩ 1/16W J		R1231	NRSA63J-102X	MG RESISTOR	1kΩ 1/16W J	
R310	NRSA63J-474X	MG RESISTOR	470kΩ 1/16W J		R1232	NRSA63J-474X	MG RESISTOR	470kΩ 1/16W J	
R311	NRSA63J-104X	MG RESISTOR	100kΩ 1/16W J		R1233	NRSA63J-102X	MG RESISTOR	1kΩ 1/16W J	
R312	NRSA63J-104X	MG RESISTOR	100kΩ 1/16W J		R1234	NRSA63J-102X	MG RESISTOR	1kΩ 1/16W J	
R315	QRJ146J-331X	UNF C RESISTOR	330Ω 1/4W J		R1235	NRSA63J-103X	MG RESISTOR	10kΩ 1/16W J	
R316	QRJ146J-331X	UNF C RESISTOR	330Ω 1/4W J		R1236	NRSA63J-103X	MG RESISTOR	10kΩ 1/16W J	
R317	NRSA63J-471X	MG RESISTOR	470Ω 1/16W J		R1237	NRSA63J-122X	MG RESISTOR	1.2kΩ 1/16W J	
R318	NRSA63J-471X	MG RESISTOR	470Ω 1/16W J		R1238	NRSA63J-122X	MG RESISTOR	1.2kΩ 1/16W J	
R323	NRSA63J-471X	MG RESISTOR	470Ω 1/16W J		R1239	NRSA63J-512X	MG RESISTOR	5.1kΩ 1/16W J	
R324	NRSA63J-471X	MG RESISTOR	470Ω 1/16W J		R1240	NRSA63J-512X	MG RESISTOR	5.1kΩ 1/16W J	
R325	NRSA63J-471X	MG RESISTOR	470Ω 1/16W J		R1241	NRSA63J-104X	MG RESISTOR	100kΩ 1/16W J	
R326	NRSA63J-471X	MG RESISTOR	470Ω 1/16W J		R1242	NRSA63J-104X	MG RESISTOR	100kΩ 1/16W J	
R327	NRSA63J-471X	MG RESISTOR	470Ω 1/16W J		R1243	NRSA63J-104X	MG RESISTOR	100kΩ 1/16W J	
R328	NRSA63J-471X	MG RESISTOR	470Ω 1/16W J		R1244	NRSA63J-104X	MG RESISTOR	100kΩ 1/16W J	
R329	NRSA63J-471X	MG RESISTOR	470Ω 1/16W J		R1245	NRSA63J-102X	MG RESISTOR	1kΩ 1/16W J	
R330	NRSA63J-471X	MG RESISTOR	470Ω 1/16W J		R1247	NRSA63J-102X	MG RESISTOR	1kΩ 1/16W J	
R333	NRSA63J-471X	MG RESISTOR	470Ω 1/16W J		R1248	NRSA63J-102X	MG RESISTOR	1kΩ 1/16W J	
R334	NRSA63J-471X	MG RESISTOR	470Ω 1/16W J		R1249	NRSA63J-103X	MG RESISTOR	10kΩ 1/16W J	
R335	QRZ9005-680X	F RESISTOR	68Ω		R1250	NRSA63J-103X	MG RESISTOR	10kΩ 1/16W J	
R336	QRZ9005-680X	F RESISTOR	68Ω		R1253	NRSA63J-0R0X	MG RESISTOR	0Ω 1/16W J	
R341	NRSA63J-104X	MG RESISTOR	100kΩ 1/16W J		R1254	NRSA63J-0R0X	MG RESISTOR	0Ω 1/16W J	
R342	NRSA63J-104X	MG RESISTOR	100kΩ 1/16W J		R1259	QRZ9005-680X	F RESISTOR	68Ω	
R343	NRSA63J-104X	MG RESISTOR	100kΩ 1/16W J		R1260	QRZ9005-680X	F RESISTOR	68Ω	
R344	NRSA63J-104X	MG RESISTOR	100kΩ 1/16W J		R1261	NRSA63J-471X	MG RESISTOR	470Ω 1/16W J	
R345	NRSA63J-104X	MG RESISTOR	100kΩ 1/16W J		R1262	NRSA63J-471X	MG RESISTOR	470Ω 1/16W J	
R346	NRSA63J-104X	MG RESISTOR	100kΩ 1/16W J		R1265	QRZ9005-680X	F RESISTOR	68Ω	
R351	NRSA63J-682X	MG RESISTOR	6.8kΩ 1/16W J		R1266	QRZ9005-680X	F RESISTOR	68Ω	
R352	NRSA63J-682X	MG RESISTOR	6.8kΩ 1/16W J		R1271	QRZ9005-680X	F RESISTOR	68Ω	
R361	NRSA63J-104X	MG RESISTOR	100kΩ 1/16W J		R1272	QRZ9005-680X	F RESISTOR	68Ω	
R362	NRSA63J-104X	MG RESISTOR	100kΩ 1/16W J		R1301	QRZ9005-680X	F RESISTOR	68Ω	
R363	NRSA63J-104X	MG RESISTOR	100kΩ 1/16W J		R1302	QRZ9005-680X	F RESISTOR	68Ω	
R364	NRSA63J-104X	MG RESISTOR	100kΩ 1/16W J		R1303	NRSA63J-102X	MG RESISTOR	1kΩ 1/16W J	
R365	NRSA63J-912X	MG RESISTOR	9.1kΩ 1/16W J		R1304	NRSA63J-102X	MG RESISTOR	1kΩ 1/16W J	
R366	NRSA63J-912X	MG RESISTOR	9.1kΩ 1/16W J		R1305	NRSA63J-222X	MG RESISTOR	2.2kΩ 1/16W J	
R367	NRSA63J-102X	MG RESISTOR	1kΩ 1/16W J		R1306	NRSA63J-222X	MG RESISTOR	2.2kΩ 1/16W J	
R368	NRSA63J-102X	MG RESISTOR	1kΩ 1/16W J		R1307	NRSA63J-242X	MG RESISTOR	2.4kΩ 1/16W J	
R371	NRSA63J-471X	MG RESISTOR	470Ω 1/16W J		R1308	NRSA63J-242X	MG RESISTOR	2.4kΩ 1/16W J	
R372	NRSA63J-471X	MG RESISTOR	470Ω 1/16W J		R1309	NRSA63J-474X	MG RESISTOR	470kΩ 1/16W J	
R373	NRSA63J-471X	MG RESISTOR	470Ω 1/16W J		R1310	NRSA63J-102X	MG RESISTOR	1kΩ 1/16W J	
R374	NRSA63J-471X	MG RESISTOR	470Ω 1/16W J		R1311	NRSA63J-104X	MG RESISTOR	100kΩ 1/16W J	
R375	NRSA63J-471X	MG RESISTOR	470Ω 1/16W J		R1312	NRSA63J-104X	MG RESISTOR	100kΩ 1/16W J	
R376	NRSA63J-471X	MG RESISTOR	470Ω 1/16W J		R1313	NRSA63J-102X	MG RESISTOR	1kΩ 1/16W J	
R377	NRSA63J-471X	MG RESISTOR	470Ω 1/16W J		R1314	NRSA63J-102X	MG RESISTOR	1kΩ 1/16W J	
R378	NRSA63J-471X	MG RESISTOR	470Ω 1/16W J		R1315	NRSA63J-103X	MG RESISTOR	10kΩ 1/16W J	
R379	NRSA63J-471X	MG RESISTOR	470Ω 1/16W J		R1316	NRSA63J-103X	MG RESISTOR	10kΩ 1/16W J	
R380	NRSA63J-471X	MG RESISTOR	470Ω 1/16W J		R1321	NRSA63J-104X	MG RESISTOR	100kΩ 1/16W J	
R381	NRSA63J-471X	MG RESISTOR	470Ω 1/16W J		R1322	NRSA63J-104X	MG RESISTOR	100kΩ 1/16W J	
R382	NRSA63J-471X	MG RESISTOR	470Ω 1/16W J		R1324	NRSA63J-102X	MG RESISTOR	1kΩ 1/16W J	
R385	QRZ9005-680X	F RESISTOR	68Ω		R1326	NRSA63J-103X	MG RESISTOR	10kΩ 1/16W J	
R386	QRZ9005-680X	F RESISTOR	68Ω		R1331	NRSA63J-104X	MG RESISTOR	100kΩ 1/16W J	

△ Symbol No.	Part No.	Part Name	Description	Local	△ Symbol No.	Part No.	Part Name	Description	Local
R1332	NRSA63J-104X	MG RESISTOR	100kΩ 1/16W J		R1455	NRSA63J-512X	MG RESISTOR	5.1kΩ 1/16W J	
R1333	NRSA63J-102X	MG RESISTOR	1kΩ 1/16W J		R1456	NRSA63J-512X	MG RESISTOR	5.1kΩ 1/16W J	
R1334	NRSA63J-102X	MG RESISTOR	1kΩ 1/16W J		R1457	NRSA63J-104X	MG RESISTOR	100kΩ 1/16W J	
R1335	NRSA63J-103X	MG RESISTOR	10kΩ 1/16W J		R1458	NRSA63J-104X	MG RESISTOR	100kΩ 1/16W J	
R1336	NRSA63J-103X	MG RESISTOR	10kΩ 1/16W J		R1461	NRSA63J-102X	MG RESISTOR	1kΩ 1/16W J	
R1341	NRSA63J-104X	MG RESISTOR	100kΩ 1/16W J		R1462	NRSA63J-102X	MG RESISTOR	1kΩ 1/16W J	
R1342	NRSA63J-103X	MG RESISTOR	10kΩ 1/16W J		R1463	NRSA63J-103X	MG RESISTOR	10kΩ 1/16W J	
R1343	NRSA63J-474X	MG RESISTOR	470kΩ 1/16W J		R1464	NRSA63J-103X	MG RESISTOR	10kΩ 1/16W J	
R1361	NRSA63J-102X	MG RESISTOR	1kΩ 1/16W J		R1468	NRSA63J-102X	MG RESISTOR	1kΩ 1/16W J	
R1362	NRSA63J-561X	MG RESISTOR	560Ω 1/16W J		R1469	NRSA63J-474X	MG RESISTOR	470kΩ 1/16W J	
R1363	NRSA63J-104X	MG RESISTOR	100kΩ 1/16W J		R1471	NRSA63J-104X	MG RESISTOR	100kΩ 1/16W J	
R1364	NRSA63J-104X	MG RESISTOR	100kΩ 1/16W J		R1472	NRSA63J-511X	MG RESISTOR	510Ω 1/16W J	
R1365	NRSA63J-104X	MG RESISTOR	100kΩ 1/16W J		R1473	NRSA63J-122X	MG RESISTOR	1.2kΩ 1/16W J	
R1366	NRSA63J-104X	MG RESISTOR	100kΩ 1/16W J		R1474	NRSA63J-162X	MG RESISTOR	1.6kΩ 1/16W J	
R1367	NRSA63J-912X	MG RESISTOR	9.1kΩ 1/16W J		R1475	NRSA63J-512X	MG RESISTOR	5.1kΩ 1/16W J	
R1369	NRSA63J-102X	MG RESISTOR	1kΩ 1/16W J		R1476	NRSA63J-153X	MG RESISTOR	15kΩ 1/16W J	
R1371	NRSA63J-102X	MG RESISTOR	1kΩ 1/16W J		R1477	NRSA63J-104X	MG RESISTOR	100kΩ 1/16W J	
R1372	NRSA63J-112X	MG RESISTOR	1.1kΩ 1/16W J		R1478	NRSA63J-104X	MG RESISTOR	100kΩ 1/16W J	
R1374	NRSA63J-470X	MG RESISTOR	47Ω 1/16W J		R1481	NRSA63J-102X	MG RESISTOR	1kΩ 1/16W J	
R1375	NRSA63J-621X	MG RESISTOR	620Ω 1/16W J		R1482	NRSA63J-102X	MG RESISTOR	1kΩ 1/16W J	
R1376	NRSA63J-101X	MG RESISTOR	100Ω 1/16W J		R1483	NRSA63J-103X	MG RESISTOR	10kΩ 1/16W J	
R1377	NRSA63J-470X	MG RESISTOR	47Ω 1/16W J		R1484	NRSA63J-103X	MG RESISTOR	10kΩ 1/16W J	
R1378	NRSA63J-471X	MG RESISTOR	470Ω 1/16W J		R1486	NRSA63J-511X	MG RESISTOR	510Ω 1/16W J	
R1379	NRSA63J-131X	MG RESISTOR	130Ω 1/16W J		R1487	NRSA63J-103X	MG RESISTOR	10kΩ 1/16W J	
R1380	NRSA63J-470X	MG RESISTOR	47Ω 1/16W J		R1488	NRSA63J-102X	MG RESISTOR	1kΩ 1/16W J	
R1381	NRSA63J-471X	MG RESISTOR	470Ω 1/16W J		R1489	NRSA63J-474X	MG RESISTOR	470kΩ 1/16W J	
R1382	NRSA63J-131X	MG RESISTOR	130Ω 1/16W J		R1490	NRSA63J-102X	MG RESISTOR	1kΩ 1/16W J	
R1385	NRSA63J-750X	MG RESISTOR	75Ω 1/16W J		R1500	NRSA63J-0R0X	MG RESISTOR	0Ω 1/16W J	
R1386	NRSA63J-750X	MG RESISTOR	75Ω 1/16W J		R1502	NRSA63J-0R0X	MG RESISTOR	0Ω 1/16W J	
R1387	NRSA63J-750X	MG RESISTOR	75Ω 1/16W J		R1506	NRSA63J-0R0X	MG RESISTOR	0Ω 1/16W J	
R1388	NRSA63J-750X	MG RESISTOR	75Ω 1/16W J		R1511	NRSA63J-0R0X	MG RESISTOR	0Ω 1/16W J	
R1389	NRSA63J-750X	MG RESISTOR	75Ω 1/16W J		R1515	NRSA63J-0R0X	MG RESISTOR	0Ω 1/16W J	
R1390	NRSA63J-750X	MG RESISTOR	75Ω 1/16W J		R1530	NRSA63J-0R0X	MG RESISTOR	0Ω 1/16W J	
R1391	NRSA63J-750X	MG RESISTOR	75Ω 1/16W J		CN200	QGB2510K1-12	CONNECTOR	B-B (1-12)	
R1392	NRSA63J-750X	MG RESISTOR	75Ω 1/16W J		CN204	QGB1214K1-10S	CONNECTOR	B-B (1-10)	
R1393	NRSA63J-750X	MG RESISTOR	75Ω 1/16W J		CN205	QGB1214J1-10S	CONNECTOR	B-B (1-10)	
R1394	NRSA63J-473X	MG RESISTOR	47kΩ 1/16W J		CN206	QGA2501F1-02	CONNECTOR	W-B (1-2)	
R1395	NRSA63J-473X	MG RESISTOR	47kΩ 1/16W J		CN240	QGB2510K1-09	CONNECTOR	B-B (1-9)	
R1396	NRSA63J-473X	MG RESISTOR	47kΩ 1/16W J		CN244	QGA2501F1-04	CONNECTOR	W-B (1-4)	
R1411	NRSA63J-104X	MG RESISTOR	100kΩ 1/16W J		CN261	QJK017-030503	SIN CR C-B WIRE		
R1412	NRSA63J-104X	MG RESISTOR	100kΩ 1/16W J		CN263	QJK005-061201	SIN CR C-B WIRE		
R1413	NRSA63J-122X	MG RESISTOR	1.2kΩ 1/16W J		CN311	QGB2510K1-04	CONNECTOR	B-B (1-4)	
R1414	NRSA63J-122X	MG RESISTOR	1.2kΩ 1/16W J		CN312	QGB1214K1-08S	CONNECTOR	B-B (1-8)	
R1415	NRSA63J-512X	MG RESISTOR	5.1kΩ 1/16W J		CN313	QGB2510K1-17	CONNECTOR	B-B (1-17)	
R1416	NRSA63J-512X	MG RESISTOR	5.1kΩ 1/16W J		CN314	QGF1205F1-11	CONNECTOR	FFC/FPC (1-11)	
R1417	NRSA63J-104X	MG RESISTOR	100kΩ 1/16W J		CN315	QGB2510K1-04	CONNECTOR	B-B (1-4)	
R1418	NRSA63J-104X	MG RESISTOR	100kΩ 1/16W J		CN351	QGB1214K1-16S	CONNECTOR	B-B (1-16)	
R1419	QRZ9005-680X	F RESISTOR	68Ω		CN361	QGB1214J1-16S	CONNECTOR	B-B (1-16)	
R1420	QRZ9005-680X	F RESISTOR	68Ω		CN371	QGB1214K1-18S	CONNECTOR	B-B (1-18)	
R1421	NRSA63J-102X	MG RESISTOR	1kΩ 1/16W J		CN372	QGB1214K1-06S	CONNECTOR	B-B (1-6)	
R1422	NRSA63J-102X	MG RESISTOR	1kΩ 1/16W J		CN381	QGB1214J1-18S	CONNECTOR	B-B (1-18)	
R1423	NRSA63J-103X	MG RESISTOR	10kΩ 1/16W J		CN382	QGB1214J1-06S	CONNECTOR	B-B (1-6)	
R1424	NRSA63J-103X	MG RESISTOR	10kΩ 1/16W J		CN415	QGA2501F1-03	CONNECTOR	W-B (1-3)	
R1428	NRSA63J-102X	MG RESISTOR	1kΩ 1/16W J		CN501	QGB1214J1-14S	CONNECTOR	B-B (1-14)	
R1429	NRSA63J-474X	MG RESISTOR	470kΩ 1/16W J		CN731	QJP002-021901	SHI CR C-B WIRE		
R1431	NRSA63J-104X	MG RESISTOR	100kΩ 1/16W J		CN732	QJP001-031701	SHI CR C-B WIRE		
R1432	NRSA63J-104X	MG RESISTOR	100kΩ 1/16W J		CN733	QJP017-021701	SHI CR C-B WIRE		
R1433	NRSA63J-122X	MG RESISTOR	1.2kΩ 1/16W J		CN734	WJP0047-001A	E-SH C WIRE C-B		
R1434	NRSA63J-122X	MG RESISTOR	1.2kΩ 1/16W J		CN735	QJP007-031501	SHI CR C-B WIRE		
R1435	NRSA63J-103X	MG RESISTOR	10kΩ 1/16W J		FL351	QQR1372-001	LPF		
R1436	NRSA63J-512X	MG RESISTOR	5.1kΩ 1/16W J		FL352	QQR1372-001	LPF		
R1437	NRSA63J-104X	MG RESISTOR	100kΩ 1/16W J		J201	QNN0011-001	PIN JACK		
R1438	NRSA63J-104X	MG RESISTOR	100kΩ 1/16W J		J202	QNN0011-001	PIN JACK		
R1439	QRZ9005-680X	F RESISTOR	68Ω		J203	QNN0011-001	PIN JACK		
R1440	QRZ9005-680X	F RESISTOR	68Ω		J204	QNN0017-002	PIN JACK		
R1441	NRSA63J-471X	MG RESISTOR	470Ω 1/16W J		J241	QND0108-001	S-CONNECTOR		
R1442	NRSA63J-102X	MG RESISTOR	1kΩ 1/16W J		J242	QND0098-001	DIN CONNECTOR		
R1443	NRSA63J-103X	MG RESISTOR	10kΩ 1/16W J		J243	QND0098-001	DIN CONNECTOR		
R1444	NRSA63J-103X	MG RESISTOR	10kΩ 1/16W J		J244	QND0107-001	S JACK		
R1445	NRSA63J-471X	MG RESISTOR	470Ω 1/16W J		J301	QNN0018-002	PIN JACK		
R1446	NRSA63J-103X	MG RESISTOR	10kΩ 1/16W J		J302	QNN0546-001	PIN JACK		
R1447	NRSA63J-474X	MG RESISTOR	470kΩ 1/16W J		J303	QNN0215-001	SURROUND JACK		
R1448	NRSA63J-102X	MG RESISTOR	1kΩ 1/16W J		J371	QNN0018-002	PIN JACK		
R1449	NRSA63J-474X	MG RESISTOR	470kΩ 1/16W J		J372	QNN0018-002	PIN JACK		
R1451	NRSA63J-104X	MG RESISTOR	100kΩ 1/16W J		J373	QNN0546-001	PIN JACK		
R1452	NRSA63J-104X	MG RESISTOR	100kΩ 1/16W J		J1201	QNS0186-001	JACK		
R1453	NRSA63J-122X	MG RESISTOR	1.2kΩ 1/16W J		J1202	QNS0089-001	3.5 JACK		
R1454	NRSA63J-122X	MG RESISTOR	1.2kΩ 1/16W J						

△ Symbol No.	Part No.	Part Name	Description	Local
J1203	QNS0089-001	3.5 JACK		
J1360	QNN0548-001	4PIN JACK ASSY		
J1380	QNN0600-001	PIN JACK		
J1490	QNN0549-001	PIN JACK		
J1491	QNN0485-001	PIN JACK		
K1	QQR0779-001Z	COIL		

DSP board

Block No. [0][6]

△ Symbol No.	Part No.	Part Name	Description	Local
IC601	NJM4565M-WE	IC		
IC602	NJM4565M-WE	IC		
IC611	NJM4565M-WE	IC		
IC612	NJM4565M-WE	IC		
IC613	NJM4565M-WE	IC		
IC614	NJM4565M-WE	IC		
IC621	NJM4565M-WE	IC		
IC622	NJM4565M-WE	IC		
IC631	NJM2120M-X	IC		
IC632	NJM4565M-WE	IC		
IC633	NJM4565M-WE	IC		
IC634	NJM4565M-WE	IC		
IC651	NJM4565M-WE	IC		
IC661	D601A002BPYP225	IC		
IC662	SN74LVC1GU04K-X	IC		
IC663	SST39VF160-7EA2	IC (FLASH)		
IC664	K4S641632H-UC75	IC		
IC671	UPD784215AGC244	IC(1-TIME)		
IC672	SN74AHCT1G32K-X	IC		
IC681	JCV8009-W	IC		
IC682	MN35505-X	IC		
IC683	SN74AHC2G74T-X	IC		
IC684	SN74LVC2G241T-X	IC		
IC691	BA3259HFP-W	IC		
IC692	MM1563DF-X	IC	3.3V Regulator	
IC697	CS42518-CQZ-C-W	IC		
Q2101	2SD2114K/VW/-X	TRANSISTOR		
Q2102	2SD2114K/VW/-X	TRANSISTOR		
Q2141	2SD601A/RS/-X	TRANSISTOR		
Q2142	2SD601A/RS/-X	TRANSISTOR		
Q2201	2SD2114K/VW/-X	TRANSISTOR		
Q2202	2SD2114K/VW/-X	TRANSISTOR		
Q2221	2SD2114K/VW/-X	TRANSISTOR		
Q2222	2SD2114K/VW/-X	TRANSISTOR		
Q2223	2SD2114K/VW/-X	TRANSISTOR		
Q2224	2SD2114K/VW/-X	TRANSISTOR		
Q2301	2SD2114K/VW/-X	TRANSISTOR		
Q2341	2SD601A/RS/-X	TRANSISTOR		
Q2401	2SD2114K/VW/-X	TRANSISTOR		
Q2421	2SD2114K/VW/-X	TRANSISTOR		
Q2422	2SD2114K/VW/-X	TRANSISTOR		
Q2501	2SD2114K/VW/-X	TRANSISTOR		
Q2701	UN2214-X	TRANSISTOR		
Q2702	UN2214-X	TRANSISTOR		
Q2703	UN2214-X	TRANSISTOR		
Q2704	UN2114-X	TRANSISTOR		
Q2705	UN2114-X	TRANSISTOR		
Q2706	UN2114-X	TRANSISTOR		
Q2708	UN2114-X	TRANSISTOR		
Q2709	UN2114-X	TRANSISTOR		
Q2710	UN2214-X	TRANSISTOR		
C2001	NEA71EM-475X	E CAPACITOR	4.7uF 25V M	
C2002	NEA71EM-475X	E CAPACITOR	4.7uF 25V M	
C2005	NDC31HJ-330X	C CAPACITOR	33pF 50V J	
C2006	NDC31HJ-330X	C CAPACITOR	33pF 50V J	
C2009	NCF31CZ-104X	C CAPACITOR	0.1uF 16V Z	
C2010	NCF31CZ-104X	C CAPACITOR	0.1uF 16V Z	
C2013	NDC31HJ-330X	C CAPACITOR	33pF 50V J	
C2014	NDC31HJ-330X	C CAPACITOR	33pF 50V J	
C2018	NEA70JM-476X	E CAPACITOR	47uF 6.3V M	

△ Symbol No.	Part No.	Part Name	Description	Local
C2019	NCF31CZ-104X	C CAPACITOR	0.1uF 16V Z	
C2020	NCF31CZ-104X	C CAPACITOR	0.1uF 16V Z	
C2101	NCB31HK-102X	C CAPACITOR	1000pF 50V K	
C2102	NCB31HK-102X	C CAPACITOR	1000pF 50V K	
C2109	NEA71HM-475X	E CAPACITOR	4.7uF 50V M	
C2110	NEA71HM-475X	E CAPACITOR	4.7uF 50V M	
C2111	NCF31CZ-104X	C CAPACITOR	0.1uF 16V Z	
C2112	NCF31CZ-104X	C CAPACITOR	0.1uF 16V Z	
C2113	NCB31HK-331X	C CAPACITOR	330pF 50V K	
C2114	NCB31HK-331X	C CAPACITOR	330pF 50V K	
C2115	NCB31HK-272X	C CAPACITOR	2700pF 50V K	
C2116	NCB31HK-272X	C CAPACITOR	2700pF 50V K	
C2129	NEA71HM-475X	E CAPACITOR	4.7uF 50V M	
C2131	NCF31CZ-104X	C CAPACITOR	0.1uF 16V Z	
C2132	NCF31CZ-104X	C CAPACITOR	0.1uF 16V Z	
C2133	NDC31HJ-330X	C CAPACITOR	33pF 50V J	
C2134	NDC31HJ-330X	C CAPACITOR	33pF 50V J	
C2139	NEA71EM-475X	E CAPACITOR	4.7uF 25V M	
C2140	NEA71EM-475X	E CAPACITOR	4.7uF 25V M	
C2141	NCF31CZ-104X	C CAPACITOR	0.1uF 16V Z	
C2142	NCF31CZ-104X	C CAPACITOR	0.1uF 16V Z	
C2143	NDC31HJ-330X	C CAPACITOR	33pF 50V J	
C2144	NDC31HJ-330X	C CAPACITOR	33pF 50V J	
C2149	NEA71EM-475X	E CAPACITOR	4.7uF 25V M	
C2150	NEA71EM-475X	E CAPACITOR	4.7uF 25V M	
C2161	NCF31CZ-104X	C CAPACITOR	0.1uF 16V Z	
C2162	NCF31CZ-104X	C CAPACITOR	0.1uF 16V Z	
C2163	NDC31HJ-181X	C CAPACITOR	180pF 50V J	
C2164	NDC31HJ-181X	C CAPACITOR	180pF 50V J	
C2165	NCB31CK-683X	C CAPACITOR	0.068uF 16V K	
C2166	NCB31CK-683X	C CAPACITOR	0.068uF 16V K	
C2167	NCB31HK-182X	C CAPACITOR	1800pF 50V K	
C2168	NCB31HK-182X	C CAPACITOR	1800pF 50V K	
C2201	NCB31HK-182X	C CAPACITOR	1800pF 50V K	
C2202	NCB31HK-182X	C CAPACITOR	1800pF 50V K	
C2209	NEA71HM-225X	E CAPACITOR	2.2uF 50V M	
C2210	NEA71HM-225X	E CAPACITOR	2.2uF 50V M	
C2229	NEA71HM-105X	E CAPACITOR	1uF 50V M	
C2230	NEA71HM-105X	E CAPACITOR	1uF 50V M	
C2241	NCF31CZ-104X	C CAPACITOR	0.1uF 16V Z	
C2242	NCF31CZ-104X	C CAPACITOR	0.1uF 16V Z	
C2243	NCB31HK-562X	C CAPACITOR	5600pF 50V K	
C2244	NCB31HK-562X	C CAPACITOR	5600pF 50V K	
C2245	NFV41HJ-182X	MPPS CAPACITOR	1800pF 50V J	
C2246	NFV41HJ-182X	MPPS CAPACITOR	1800pF 50V J	
C2249	NEA71HM-225X	E CAPACITOR	2.2uF 50V M	
C2250	NEA71HM-225X	E CAPACITOR	2.2uF 50V M	
C2281	NCF31CZ-104X	C CAPACITOR	0.1uF 16V Z	
C2282	NCF31CZ-104X	C CAPACITOR	0.1uF 16V Z	
C2283	NCB31HK-471X	C CAPACITOR	470pF 50V K	
C2284	NCB31HK-471X	C CAPACITOR	470pF 50V K	
C2285	NCB31HK-471X	C CAPACITOR	470pF 50V K	
C2286	NCB31HK-471X	C CAPACITOR	470pF 50V K	
C2287	NCB31HK-682X	C CAPACITOR	6800pF 50V K	
C2288	NCB31HK-682X	C CAPACITOR	6800pF 50V K	
C2301	NCB31HK-272X	C CAPACITOR	2700pF 50V K	
C2309	NEA71HM-225X	E CAPACITOR	2.2uF 50V M	
C2323	NCB31HK-562X	C CAPACITOR	5600pF 50V K	
C2325	NFV41HJ-182X	MPPS CAPACITOR	1800pF 50V J	
C2341	NCF31CZ-104X	C CAPACITOR	0.1uF 16V Z	
C2342	NCF31CZ-104X	C CAPACITOR	0.1uF 16V Z	
C2343	NDC31HJ-330X	C CAPACITOR	33pF 50V J	
C2349	NEA71HM-225X	E CAPACITOR	2.2uF 50V M	
C2381	NCF31CZ-104X	C CAPACITOR	0.1uF 16V Z	
C2382	NCF31CZ-104X	C CAPACITOR	0.1uF 16V Z	
C2383	NCB31HK-681X	C CAPACITOR	680pF 50V K	
C2385	NCB31HK-681X	C CAPACITOR	680pF 50V K	
C2387	NCB31HK-682X	C CAPACITOR	6800pF 50V K	
C2401	NCB31HK-561X	C CAPACITOR	560pF 50V K	
C2409	NEA71EM-475X	E CAPACITOR	4.7uF 25V M	
C2411	NCF31CZ-104X	C CAPACITOR	0.1uF 16V Z	
C2412	NCF31CZ-104X	C CAPACITOR	0.1uF 16V Z	
C2421	NCF31CZ-104X	C CAPACITOR	0.1uF 16V Z	
C2422	NCF31CZ-104X	C CAPACITOR	0.1uF 16V Z	
C2423	NCB31CK-823X	C CAPACITOR	0.082uF 16V K	
C2425	NFV41HJ-333X	MPPS CAPACITOR	0.033uF 50V J	
C2429	NEA71HM-475X	E CAPACITOR	4.7uF 50V M	
C2433	NCB31CK-823X	C CAPACITOR	0.082uF 16V K	

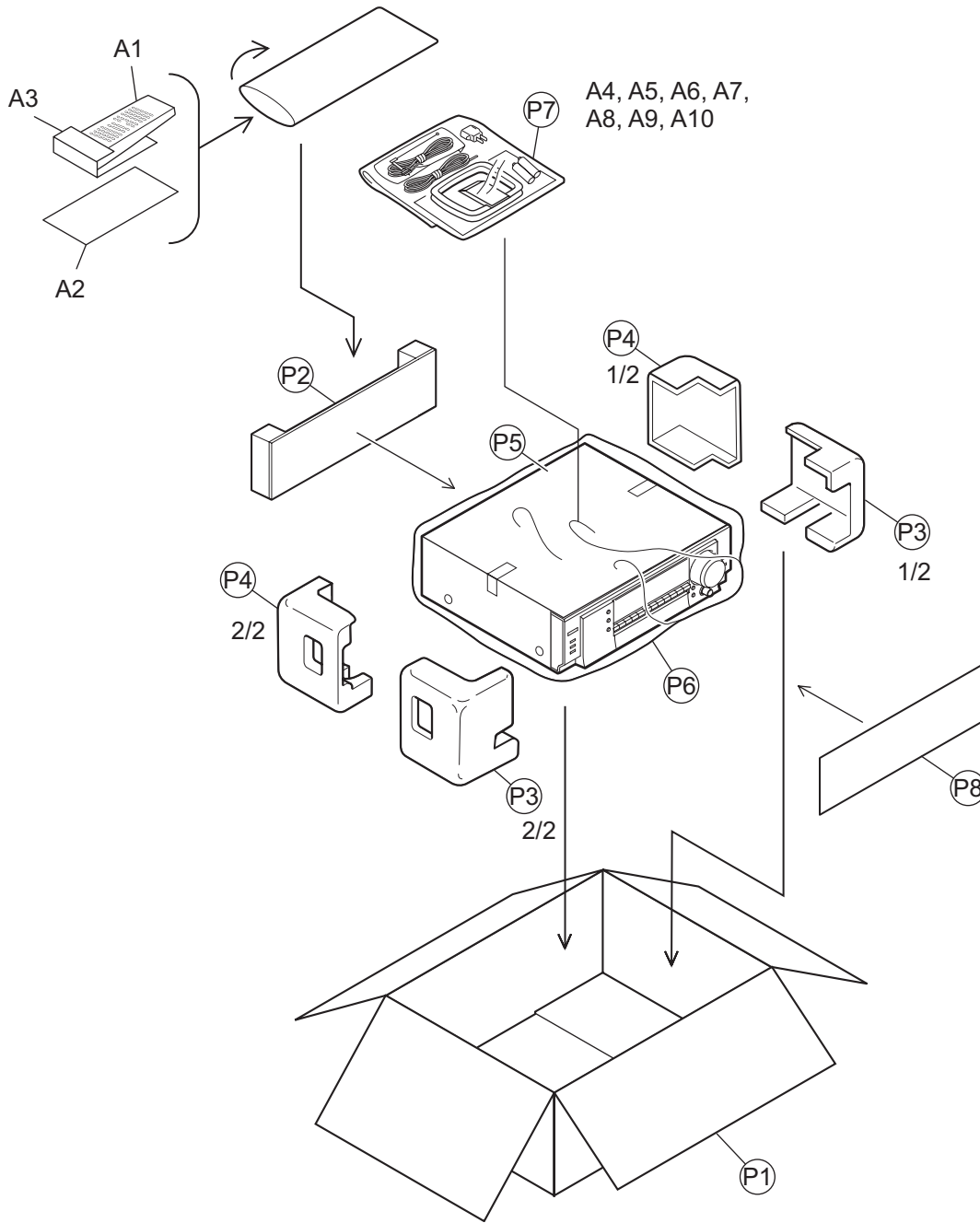
Symbol No.	Part No.	Part Name	Description	Local	Symbol No.	Part No.	Part Name	Description	Local
C2435	NFV41HJ-333X	MPPS CAPACITOR	0.033uF 50V J		C2665	NCB31CK-103X	C CAPACITOR	0.01uF 16V K	
C2449	NEA71EM-475X	E CAPACITOR	4.7uF 25V M		C2666	NCB31CK-103X	C CAPACITOR	0.01uF 16V K	
C2483	NCB31HK-471X	C CAPACITOR	470pF 50V K		C2681	NDC31HJ-101X	C CAPACITOR	100pF 50V J	
C2485	NCB31HK-471X	C CAPACITOR	470pF 50V K		C2682	NDC31HJ-101X	C CAPACITOR	100pF 50V J	
C2487	NCB31HK-332X	C CAPACITOR	3300pF 50V K		C2683	NCF31CZ-104X	C CAPACITOR	0.1uF 16V Z	
C2501	NCB31HK-182X	C CAPACITOR	1800pF 50V K		C2701	NEA70JM-107X	E CAPACITOR	100uF 6.3V M	
C2509	NEA71HM-225X	E CAPACITOR	2.2uF 50V M		C2702	NCB31CK-103X	C CAPACITOR	0.01uF 16V K	
C2541	NCF31CZ-104X	C CAPACITOR	0.1uF 16V Z		C2703	NDC31HJ-101X	C CAPACITOR	100pF 50V J	
C2542	NCF31CZ-104X	C CAPACITOR	0.1uF 16V Z		C2751	NCF31CZ-104X	C CAPACITOR	0.1uF 16V Z	
C2543	NCB31HK-562X	C CAPACITOR	5600pF 50V K		C2771	NEA70JM-476X	E CAPACITOR	47uF 6.3V M	
C2545	NFV41HJ-182X	MPPS CAPACITOR	1800pF 50V J		C2801	NEA71CM-106X	E CAPACITOR	10uF 16V M	
C2549	NEA71HM-225X	E CAPACITOR	2.2uF 50V M		C2802	NCF31CZ-104X	C CAPACITOR	0.1uF 16V Z	
C2583	NCB31HK-471X	C CAPACITOR	470pF 50V K		C2811	NEA71AM-107X	E CAPACITOR	100uF 10V M	
C2585	NCB31HK-471X	C CAPACITOR	470pF 50V K		C2812	NEA71AM-107X	E CAPACITOR	100uF 10V M	
C2587	NCB31HK-682X	C CAPACITOR	6800pF 50V K		C2813	NEA71CM-106X	E CAPACITOR	10uF 16V M	
C2601	NEA70JM-107X	E CAPACITOR	100uF 6.3V M		C2814	NCF21CZ-155X	C CAPACITOR	1.5uF 16V Z	
C2602	NCF31CZ-104X	C CAPACITOR	0.1uF 16V Z		C2815	NCB30JK-105X	C CAPACITOR	1uF 6.3V K	
C2603	NEA70JM-107X	E CAPACITOR	100uF 6.3V M		C2816	NCF21CZ-155X	C CAPACITOR	1.5uF 16V Z	
C2604	NCF31CZ-104X	C CAPACITOR	0.1uF 16V Z		C2817	NCF21CZ-155X	C CAPACITOR	1.5uF 16V Z	
C2605	NEA71CM-106X	E CAPACITOR	10uF 16V M		C2818	NCB31HK-103X	C CAPACITOR	0.01uF 50V K	
C2606	NCF31CZ-104X	C CAPACITOR	0.1uF 16V Z		C2819	NCB31AK-224X	C CAPACITOR	0.22uF 10V K	
C2607	NEA71CM-106X	E CAPACITOR	10uF 16V M		C2820	NCF21CZ-155X	C CAPACITOR	1.5uF 16V Z	
C2608	NCB31CK-103X	C CAPACITOR	0.01uF 16V K		C2831	NCF31CZ-104X	C CAPACITOR	0.1uF 16V Z	
C2609	NEA71CM-106X	E CAPACITOR	10uF 16V M		C2832	NCF31CZ-104X	C CAPACITOR	0.1uF 16V Z	
C2610	NCB31CK-103X	C CAPACITOR	0.01uF 16V K		C2861	NDC31HJ-270X	C CAPACITOR	27pF 50V J	
C2611	NCB31CK-103X	C CAPACITOR	0.01uF 16V K		C2862	NCF31CZ-104X	C CAPACITOR	0.1uF 16V Z	
C2612	NCB31CK-103X	C CAPACITOR	0.01uF 16V K		C2863	NCF31CZ-104X	C CAPACITOR	0.1uF 16V Z	
C2613	NCB31CK-103X	C CAPACITOR	0.01uF 16V K		C2864	NCF31CZ-104X	C CAPACITOR	0.1uF 16V Z	
C2614	NCB31CK-103X	C CAPACITOR	0.01uF 16V K		C2865	NCF31CZ-104X	C CAPACITOR	0.1uF 16V Z	
C2615	NCB31CK-103X	C CAPACITOR	0.01uF 16V K		C2866	NCF31CZ-104X	C CAPACITOR	0.1uF 16V Z	
C2616	NCB31CK-105X	C CAPACITOR	1uF 16V K		C2871	NDC31HJ-121X	C CAPACITOR	120pF 50V J	
C2617	NCB31CK-103X	C CAPACITOR	0.01uF 16V K		C2881	NCB31CK-103X	C CAPACITOR	0.01uF 16V K	
C2618	NCB31CK-103X	C CAPACITOR	0.01uF 16V K		C2882	NCB31CK-103X	C CAPACITOR	0.01uF 16V K	
C2619	NCB31CK-103X	C CAPACITOR	0.01uF 16V K		C2883	NCB31CK-103X	C CAPACITOR	0.01uF 16V K	
C2620	NCB31CK-103X	C CAPACITOR	0.01uF 16V K		C2884	NCB31CK-103X	C CAPACITOR	0.01uF 16V K	
C2621	NCB31CK-103X	C CAPACITOR	0.01uF 16V K		C2885	NCB31CK-103X	C CAPACITOR	0.01uF 16V K	
C2622	NCB31CK-103X	C CAPACITOR	0.01uF 16V K		C2901	NEA71CM-106X	E CAPACITOR	10uF 16V M	
C2623	NCB31CK-103X	C CAPACITOR	0.01uF 16V K		C2902	NEA71CM-106X	E CAPACITOR	10uF 16V M	
C2624	NCB31CK-103X	C CAPACITOR	0.01uF 16V K		C2903	NEA70JM-476X	E CAPACITOR	47uF 6.3V M	
C2625	NCB31CK-103X	C CAPACITOR	0.01uF 16V K		C2911	NEA70JM-227X	E CAPACITOR	220uF 6.3V M	
C2626	NCB31CK-103X	C CAPACITOR	0.01uF 16V K		C2921	NEA70JM-107X	E CAPACITOR	100uF 6.3V M	
C2627	NCB31CK-103X	C CAPACITOR	0.01uF 16V K		C2922	NCF31CZ-104X	C CAPACITOR	0.1uF 16V Z	
C2628	NCB31CK-103X	C CAPACITOR	0.01uF 16V K		C2923	NEA70JM-107X	E CAPACITOR	100uF 6.3V M	
C2629	NCB31CK-103X	C CAPACITOR	0.01uF 16V K		C2924	NCF31CZ-104X	C CAPACITOR	0.1uF 16V Z	
C2630	NCB31CK-103X	C CAPACITOR	0.01uF 16V K		C2925	NCF31CZ-104X	C CAPACITOR	0.1uF 16V Z	
C2631	NCB31CK-103X	C CAPACITOR	0.01uF 16V K		C2931	NEA70JM-107X	E CAPACITOR	100uF 6.3V M	
C2632	NCB31CK-103X	C CAPACITOR	0.01uF 16V K		C2932	NCF31CZ-104X	C CAPACITOR	0.1uF 16V Z	
C2633	NCB31CK-103X	C CAPACITOR	0.01uF 16V K		C2933	NCF31CZ-104X	C CAPACITOR	0.1uF 16V Z	
C2635	NCB31CK-105X	C CAPACITOR	1uF 16V K		C2934	NCB31HK-471X	C CAPACITOR	470pF 50V K	
C2636	NCB31CK-105X	C CAPACITOR	1uF 16V K		C2951	NCF31AZ-105X	C CAPACITOR	1uF 10V Z	
C2637	NCB31CK-103X	C CAPACITOR	0.01uF 16V K		C2952	NCF31AZ-105X	C CAPACITOR	1uF 10V Z	
C2638	NCB31CK-103X	C CAPACITOR	0.01uF 16V K		C2953	NCF31AZ-105X	C CAPACITOR	1uF 10V Z	
C2639	NCB31CK-103X	C CAPACITOR	0.01uF 16V K		C2954	NCF31AZ-105X	C CAPACITOR	1uF 10V Z	
C2640	NCB31CK-103X	C CAPACITOR	0.01uF 16V K		C2955	NCF31AZ-105X	C CAPACITOR	1uF 10V Z	
C2641	NCB31CK-103X	C CAPACITOR	0.01uF 16V K		C2971	NEA71CM-106X	E CAPACITOR	10uF 16V M	
C2642	NCB31CK-103X	C CAPACITOR	0.01uF 16V K		C2972	NEA71CM-106X	E CAPACITOR	10uF 16V M	
C2643	NCB31CK-103X	C CAPACITOR	0.01uF 16V K		C2973	NEA71CM-106X	E CAPACITOR	10uF 16V M	
C2644	NCB31CK-105X	C CAPACITOR	1uF 16V K		C2974	NCF31CZ-104X	C CAPACITOR	0.1uF 16V Z	
C2645	NCB31CK-105X	C CAPACITOR	1uF 16V K		C2975	NCF31CZ-104X	C CAPACITOR	0.1uF 16V Z	
C2646	NCB31CK-103X	C CAPACITOR	0.01uF 16V K		C2976	NCB31HK-221X	C CAPACITOR	220pF 50V K	
C2647	NCB31CK-103X	C CAPACITOR	0.01uF 16V K		C2977	NCB31HK-221X	C CAPACITOR	220pF 50V K	
C2648	NCB31CK-103X	C CAPACITOR	0.01uF 16V K		C2978	NEA71EM-475X	E CAPACITOR	4.7uF 25V M	
C2649	NCB31CK-103X	C CAPACITOR	0.01uF 16V K		C2979	NCF31CZ-104X	C CAPACITOR	0.1uF 16V Z	
C2650	NCB31CK-103X	C CAPACITOR	0.01uF 16V K		C2980	NEA70JM-107X	E CAPACITOR	100uF 6.3V M	
C2651	NCB31CK-103X	C CAPACITOR	0.01uF 16V K		C2981	NCF31CZ-104X	C CAPACITOR	0.1uF 16V Z	
C2652	NCB31CK-103X	C CAPACITOR	0.01uF 16V K		C2982	NCF31CZ-104X	C CAPACITOR	0.1uF 16V Z	
C2653	NCB31CK-103X	C CAPACITOR	0.01uF 16V K		C2983	NCB31CK-223X	C CAPACITOR	0.022uF 16V K	
C2654	NCB31CK-103X	C CAPACITOR	0.01uF 16V K		C2984	NCB31HK-102X	C CAPACITOR	1000pF 50V K	
C2655	NCB31CK-105X	C CAPACITOR	1uF 16V K		C2985	NCF31CZ-104X	C CAPACITOR	0.1uF 16V Z	
C2656	NCB31HK-471X	C CAPACITOR	470pF 50V K		C2986	NCF31CZ-104X	C CAPACITOR	0.1uF 16V Z	
C2657	NCB31HK-471X	C CAPACITOR	470pF 50V K		C2987	NCF31CZ-104X	C CAPACITOR	0.1uF 16V Z	
C2658	NCB31CK-103X	C CAPACITOR	0.01uF 16V K		C2988	NCB31CK-103X	C CAPACITOR	0.01uF 16V K	
C2659	NCB31CK-103X	C CAPACITOR	0.01uF 16V K		C2989	NCB31CK-103X	C CAPACITOR	0.01uF 16V K	
C2660	NCB31CK-103X	C CAPACITOR	0.01uF 16V K		C2990	NCB31CK-103X	C CAPACITOR	0.01uF 16V K	
C2661	NCB31CK-103X	C CAPACITOR	0.01uF 16V K		R2001	NRSA63J-104X	MG RESISTOR	100kΩ 1/16W J	
C2662	NCB31CK-103X	C CAPACITOR	0.01uF 16V K		R2002	NRSA63J-104X	MG RESISTOR	100kΩ 1/16W J	
C2663	NCF31CZ-104X	C CAPACITOR	0.1uF 16V Z		R2003	NRSA63J-223X	MG RESISTOR	22kΩ 1/16W J	
C2664	NCB31CK-103X	C CAPACITOR	0.01uF 16V K						

△ Symbol No.	Part No.	Part Name	Description	Local	△ Symbol No.	Part No.	Part Name	Description	Local
R2614	NRSA63J-470X	MG RESISTOR	47Ω 1/16W J		R2862	NRSA63J-392X	MG RESISTOR	3.9kΩ 1/16W J	
R2621	NRSA63J-221X	MG RESISTOR	220Ω 1/16W J		R2863	NRSA63J-392X	MG RESISTOR	3.9kΩ 1/16W J	
R2626	NRSA63J-221X	MG RESISTOR	220Ω 1/16W J		R2864	NRSA63J-392X	MG RESISTOR	3.9kΩ 1/16W J	
R2627	NRSA63J-221X	MG RESISTOR	220Ω 1/16W J		R2865	NRSA63J-392X	MG RESISTOR	3.9kΩ 1/16W J	
R2628	NRSA63J-221X	MG RESISTOR	220Ω 1/16W J		R2866	NRSA63J-222X	MG RESISTOR	2.2kΩ 1/16W J	
R2629	NRSA63J-221X	MG RESISTOR	220Ω 1/16W J		R2871	NRSA63J-750X	MG RESISTOR	75Ω 1/16W J	
R2631	NRSA63J-102X	MG RESISTOR	1kΩ 1/16W J		R2872	NRSA63J-102X	MG RESISTOR	1kΩ 1/16W J	
R2632	NRSA63J-102X	MG RESISTOR	1kΩ 1/16W J		R2873	NRSA63J-102X	MG RESISTOR	1kΩ 1/16W J	
R2633	NRSA63J-102X	MG RESISTOR	1kΩ 1/16W J		R2874	NRSA63J-102X	MG RESISTOR	1kΩ 1/16W J	
R2634	NRSA63J-102X	MG RESISTOR	1kΩ 1/16W J		R2875	NRSA63J-102X	MG RESISTOR	1kΩ 1/16W J	
R2635	NRSA63J-102X	MG RESISTOR	1kΩ 1/16W J		R2876	NRSA63J-332X	MG RESISTOR	3.3kΩ 1/16W J	
R2636	NRSA63J-102X	MG RESISTOR	1kΩ 1/16W J		R2921	NRSA63J-222X	MG RESISTOR	2.2kΩ 1/16W J	
R2637	NRSA63J-102X	MG RESISTOR	1kΩ 1/16W J		R2922	NRSA63J-112X	MG RESISTOR	1.1kΩ 1/16W J	
R2640	NRSA63J-102X	MG RESISTOR	1kΩ 1/16W J		R2971	NRSA63J-332X	MG RESISTOR	3.3kΩ 1/16W J	
R2651	NRSA63J-103X	MG RESISTOR	10kΩ 1/16W J		R2973	NRSA63J-103X	MG RESISTOR	10kΩ 1/16W J	
R2652	NRSA63J-102X	MG RESISTOR	1kΩ 1/16W J		R2981	NRSA63J-221X	MG RESISTOR	220Ω 1/16W J	
R2681	NRSA63J-221X	MG RESISTOR	220Ω 1/16W J		R2982	NRSA63J-101X	MG RESISTOR	100Ω 1/16W J	
R2682	NRSA63J-105X	MG RESISTOR	1MΩ 1/16W J		R2983	NRSA63J-103X	MG RESISTOR	10kΩ 1/16W J	
R2701	NRSA63J-221X	MG RESISTOR	220Ω 1/16W J		R2984	NRSA63J-103X	MG RESISTOR	10kΩ 1/16W J	
R2702	NRSA63J-221X	MG RESISTOR	220Ω 1/16W J		R2985	NRSA63J-221X	MG RESISTOR	220Ω 1/16W J	
R2703	NRSA63J-221X	MG RESISTOR	220Ω 1/16W J		R2986	NRSA63J-221X	MG RESISTOR	220Ω 1/16W J	
R2704	NRSA63J-221X	MG RESISTOR	220Ω 1/16W J		R2987	NRSA63J-221X	MG RESISTOR	220Ω 1/16W J	
R2705	NRSA63J-822X	MG RESISTOR	8.2kΩ 1/16W J		R2988	NRSA63J-221X	MG RESISTOR	220Ω 1/16W J	
R2706	NRSA63J-432X	MG RESISTOR	4.3kΩ 1/16W J		CN681	QGB2510K1-07	CONNECTOR	B-B (1-7)	
R2707	NRSA63J-221X	MG RESISTOR	220Ω 1/16W J		CN682	QGB1214K1-14S	CONNECTOR	B-B (1-14)	
R2708	NRSA63J-103X	MG RESISTOR	10kΩ 1/16W J		CN684	QGA2501C1-03	CONNECTOR	W-B (1-3)	
R2711	NRSA63J-103X	MG RESISTOR	10kΩ 1/16W J		EP681	E409182-001SM	GRAND TERMINAL		
R2713	NRSA63J-103X	MG RESISTOR	10kΩ 1/16W J		J681	QNN0481-001	SURROUND JACK		
R2714	NRSA63J-103X	MG RESISTOR	10kΩ 1/16W J		K2601	NQR0229-001X	FERRITE BEADS		
R2715	NRSA63J-103X	MG RESISTOR	10kΩ 1/16W J		K2602	NQR0229-001X	FERRITE BEADS		
R2716	NRSA63J-103X	MG RESISTOR	10kΩ 1/16W J		K2603	NQR0269-013X	FERRITE BEADS		
R2721	NRSA63J-103X	MG RESISTOR	10kΩ 1/16W J		K2801	NQR0007-003X	FERRITE BEADS		
R2722	NRSA63J-103X	MG RESISTOR	10kΩ 1/16W J		K2802	NQR0007-003X	FERRITE BEADS		
R2723	NRSA63J-103X	MG RESISTOR	10kΩ 1/16W J		K2803	NQR0007-003X	FERRITE BEADS		
R2724	NRSA63J-822X	MG RESISTOR	8.2kΩ 1/16W J		K2804	NQR0007-003X	FERRITE BEADS		
R2725	NRSA63J-432X	MG RESISTOR	4.3kΩ 1/16W J		K2861	NQR0269-004X	FERRITE BEADS		
R2726	NRSA63J-822X	MG RESISTOR	8.2kΩ 1/16W J		LC662	NQR0450-001X	EMI FILTER	0.022uF 50V M	
R2727	NRSA63J-432X	MG RESISTOR	4.3kΩ 1/16W J		LC663	NQR0450-001X	EMI FILTER	0.022uF 50V M	
R2731	NRSA63J-221X	MG RESISTOR	220Ω 1/16W J		LC664	NQR0450-001X	EMI FILTER	0.022uF 50V M	
R2732	NRSA63J-221X	MG RESISTOR	220Ω 1/16W J		LC665	NQR0345-001X	FERRITE BEADS		
R2733	NRSA63J-221X	MG RESISTOR	220Ω 1/16W J		LC697	NQR0450-001X	EMI FILTER	0.022uF 50V M	
R2734	NRSA63J-221X	MG RESISTOR	220Ω 1/16W J		UN682	GP1FA553RZ	OPT RECEIVER		
R2735	NRSA63J-221X	MG RESISTOR	220Ω 1/16W J		UN683	GP1FA553RZ	OPT RECEIVER		
R2736	NRSA63J-221X	MG RESISTOR	220Ω 1/16W J		UN684	GP1FA553RZ	OPT RECEIVER		
R2737	NRSA63J-221X	MG RESISTOR	220Ω 1/16W J		UN686	GP1FA553TZ	OPT TRANSMITTER		
R2738	NRSA63J-221X	MG RESISTOR	220Ω 1/16W J		X661	NAX0435-001X	CRYSTAL	24.576MHz	
R2739	NRSA63J-221X	MG RESISTOR	220Ω 1/16W J		X671	NAX0275-001X	C OSCILLATOR	6.144MHz	
R2740	NRSA63J-221X	MG RESISTOR	220Ω 1/16W J						
R2741	NRSA63J-221X	MG RESISTOR	220Ω 1/16W J						
R2742	NRSA63J-221X	MG RESISTOR	220Ω 1/16W J						
R2743	NRSA63J-221X	MG RESISTOR	220Ω 1/16W J						
R2744	NRSA63J-221X	MG RESISTOR	220Ω 1/16W J						
R2745	NRSA63J-221X	MG RESISTOR	220Ω 1/16W J						
R2751	NRSA63J-102X	MG RESISTOR	1kΩ 1/16W J						
R2752	NRSA63J-103X	MG RESISTOR	10kΩ 1/16W J						
R2761	NRSA63J-105X	MG RESISTOR	1MΩ 1/16W J						
R2762	NRSA63J-105X	MG RESISTOR	1MΩ 1/16W J						
R2763	NRSA63J-105X	MG RESISTOR	1MΩ 1/16W J						
R2771	NRSA63J-102X	MG RESISTOR	1kΩ 1/16W J						
R2772	NRSA63J-105X	MG RESISTOR	1MΩ 1/16W J						
R2773	NRSA63J-105X	MG RESISTOR	1MΩ 1/16W J						
R2781	NRSA63J-102X	MG RESISTOR	1kΩ 1/16W J						
R2782	NRSA63J-102X	MG RESISTOR	1kΩ 1/16W J						
R2783	NRSA63J-102X	MG RESISTOR	1kΩ 1/16W J						
R2784	NRSA63J-102X	MG RESISTOR	1kΩ 1/16W J						
R2801	NRSA63J-101X	MG RESISTOR	100Ω 1/16W J						
R2802	NRSA63J-221X	MG RESISTOR	220Ω 1/16W J						
R2803	NRSA63J-101X	MG RESISTOR	100Ω 1/16W J						
R2811	NRSA63J-561X	MG RESISTOR	560Ω 1/16W J						
R2812	NRSA63J-101X	MG RESISTOR	100Ω 1/16W J						
R2813	NRSA63J-101X	MG RESISTOR	100Ω 1/16W J						
R2814	NRSA63J-101X	MG RESISTOR	100Ω 1/16W J						
R2815	NRSA63J-332X	MG RESISTOR	3.3kΩ 1/16W J						
R2816	NRSA63J-101X	MG RESISTOR	100Ω 1/16W J						
R2819	NRSA63J-561X	MG RESISTOR	560Ω 1/16W J						
R2831	NRSA63J-221X	MG RESISTOR	220Ω 1/16W J						
R2832	NRSA63J-221X	MG RESISTOR	220Ω 1/16W J						
R2861	NRSA63J-221X	MG RESISTOR	220Ω 1/16W J						

<MEMO>

Packing materials and accessories parts list

Block No. M 3 M M



Packing and Accessories

Block No. [M][3][M][M]

△	Symbol No.	Part No.	Part Name	Description	Local
	A 1	RM-SRX8040J	REMOCON		
	A 2	LV42570-001A	SHEET		
	A 3	LV30256-007A	SHEET		
	A 4	-----	BATTERY	(x2)	
	A 5	LVT1198-003A	8040 INST	ENG	
	A 6	QAL0236-001	ANTENNA		
	A 7	QAL0219-001	LED CABLE ASSY		
	A 8	EWP503-001C	ANT.WIRE		
	A 9	QAL0014-001	AM LOOP ANT		
△	A 10	QAM0112-002	PLUG ADAPTOR		
	P 1	LV21473-010A	CARTON BOX		
	P 2	LV34107-004A	SHEET		
	P 3	LV20947-001A	PACKING PAD(F)		
	P 4	LV20948-002A	PACKING PAD(R)		
	P 5	LV30256-009A	SHEET		
	P 6	QPC06507015P	POLY BAG	65cm x 70cm	
	P 7	QPA02503505P	POLY BAG	25cm x 35cm	
	P 8	LV32034-004A	SHEET		