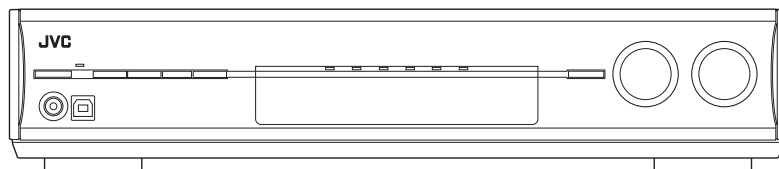
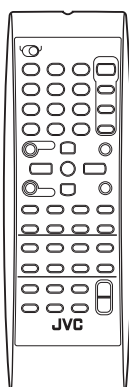


# JVC

## SERVICE MANUAL

AUDIO/VIDEO CONTROL RECEIVER

### RX-D201S, RX-D202B



<b>RX-D201S</b>
<b>Area suffix</b>
J----- U.S.A.

<b>RX-D202B</b>
<b>Area suffix</b>
J----- U.S.A.
C----- Canada



Lead free solder used in the board (material : Sn-Ag-Cu, melting point : 219 Centigrade)

#### TABLE OF CONTENTS

1	PRECAUTION.....	1-3
2	SPECIFIC SERVICE INSTRUCTIONS.....	1-6
3	DISASSEMBLY.....	1-7
4	ADJUSTMENT.....	1-19
5	TROUBLESHOOTING.....	1-19

# SPECIFICATION

<b>Amplifier</b>			
Output Power	At stereo operation	Front channels	100 W per channel, min. RMS, driven into 6 $\Omega$ at 40 Hz to 20 kHz with no more than 0.8% total harmonic distortion.
	At surround operation	Front channels	100 W per channel, min. RMS, driven into 6 $\Omega$ at 1 kHz with no more than 0.8% total harmonic distortion.
		Center channel	100 W, min. RMS, driven into 6 $\Omega$ at 1 kHz, with no more than 0.8% total harmonic distortion.
		Surround channels	100 W per channel, min. RMS, driven into 6 $\Omega$ at 1 kHz, with no more than 0.8% total harmonic distortion.
		Surround back channels	100 W per channel, min. RMS, driven into 6 $\Omega$ at 1 kHz, with no more than 0.8% total harmonic distortion.
Audio	Audio Input Sensitivity/Impedance		DVR/DVD, VCR, DBS, TV:270 mV/47 k $\Omega$
	Audio Input (DIGITAL IN)*	Coaxial	DIGITAL IN 1(DVR/DVD):0.5 V(p-p)/75 $\Omega$
		Optical	DIGITAL IN 2(DBS):-21 dBm to -15 dBm (660 nm $\pm$ 30 nm)
		USB	USB DIGITAL
	Audio Output Level		DVR, VCR:270 mV
	Signal-to-Noise Ratio ('66 IHF/'78 IHF)		80 dB/62 dB
	Frequency Response (6 $\Omega$ )		20 Hz to 20 kHz ( $\pm$ 1 dB)
	Bass Boost		+4 dB $\pm$ 1 dB at 100 Hz
	Equalization (at DSP operation)	Center frequency	63 Hz, 250 Hz, 1 kHz, 4 kHz, 16 kHz
		Control range	$\pm$ 8 dB
Video	Video Input Sensitivity/Impedance	Composite video:DVR/DVD, VCR, DBS	1 V(p-p)/75 $\Omega$
		S-video:DVR/DVD, VCR, DBS	Y (luminance):1 V(p-p)/75 $\Omega$ C (chrominance, burst):0.286 V(p-p)/75 $\Omega$
		Component:DVR/DVD, VCR (DBS)	Y (luminance):1 V(p-p)/75 $\Omega$ PB, PR:0.7 V(p-p)/75 $\Omega$
	Video Output Level/Impedance	Composite video:DVR/DVD, VCR, DBS	1 V(p-p)/75 $\Omega$
		S-video:DVR, VCR, MONITOR OUT	Y (luminance):1 V(p-p)/75 $\Omega$ C (chrominance, burst):0.286 V(p-p)/75 $\Omega$
		Component:MONITOR OUT	Y (luminance):1 V(p-p)/75 $\Omega$ PB, PR:0.7 V(p-p)/75 $\Omega$
	Synchronization		Negative
<b>FM tuner (IHF)</b>			
Tuning Range		87.5 MHz to 108.0 MHz	
Usable Sensitivity	Monaural	12.8 dBf (1.2 $\mu$ V/75 $\Omega$ )	
50 dB Quieting Sensitivity	Monaural	16.0 dBf (1.7 $\mu$ V/75 $\Omega$ )	
	Stereo	37.5 dBf (20.5 $\mu$ V/75 $\Omega$ )	
Stereo Separation at REC OUT		35 dB at 1 kHz	
<b>AM tuner</b>			
Tuning Range		530 kHz to 1 710 kHz	
<b>General</b>			
Power Requirements		AC 120 V , 60 Hz	
Power Consumption		150 W/200 VA (at operation) 0.9 W (in standby mode)	
Dimensions (W $\times$ H $\times$ D)		435 mm $\times$ 91.5 mm $\times$ 360 mm (17 3/16 inches $\times$ 3 5/8 inches $\times$ 14 3/16 inches)	
Mass		6.7 kg (14.8 lbs)	

\* Corresponding to Linear PCM, Dolby Digital, and DTS (with sampling frequency -32 kHz, 44.1 kHz, 48 kHz).  
Designs and specifications are subject to change without notice.

# SECTION 1 PRECAUTION

## 1.1 Safety Precautions

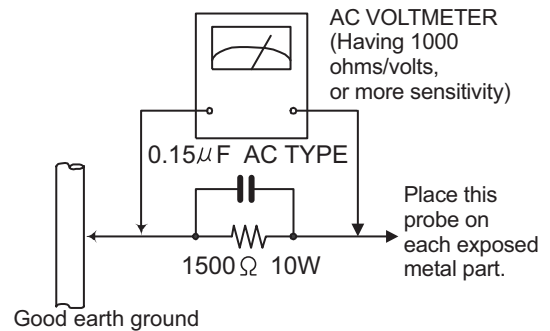
- (1) This design of this product contains special hardware and many circuits and components specially for safety purposes. For continued protection, no changes should be made to the original design unless authorized in writing by the manufacturer. Replacement parts must be identical to those used in the original circuits. Services should be performed by qualified personnel only.
- (2) Alterations of the design or circuitry of the product should not be made. Any design alterations of the product should not be made. Any design alterations or additions will void the manufacturer's warranty and will further relieve the manufacturer of responsibility for personal injury or property damage resulting therefrom.
- (3) Many electrical and mechanical parts in the products have special safety-related characteristics. These characteristics are often not evident from visual inspection nor can the protection afforded by them necessarily be obtained by using replacement components rated for higher voltage, wattage, etc. Replacement parts which have these special safety characteristics are identified in the Parts List of Service Manual. Electrical components having such features are identified by shading on the schematics and by ( $\Delta$ ) on the Parts List in the Service Manual. The use of a substitute replacement which does not have the same safety characteristics as the recommended replacement parts shown in the Parts List of Service Manual may create shock, fire, or other hazards.
- (4) The leads in the products are routed and dressed with ties, clamps, tubings, barriers and the like to be separated from live parts, high temperature parts, moving parts and/or sharp edges for the prevention of electric shock and fire hazard. When service is required, the original lead routing and dress should be observed, and it should be confirmed that they have been returned to normal, after reassembling.
- (5) Leakage shock hazard testing

After reassembling the product, always perform an isolation check on the exposed metal parts of the product (antenna terminals, knobs, metal cabinet, screw heads, headphone jack, control shafts, etc.) to be sure the product is safe to operate without danger of electrical shock. Do not use a line isolation transformer during this check.

- Plug the AC line cord directly into the AC outlet. Using a "Leakage Current Tester", measure the leakage current from each exposed metal part of the cabinet, particularly any exposed metal part having a return path to the chassis, to a known good earth ground. Any leakage current must not exceed 0.5mA AC (r.m.s.).
- Alternate check method  
Plug the AC line cord directly into the AC outlet. Use an AC voltmeter having, 1,000 $\Omega$  per volt or more sensitivity in the following manner. Connect a 1,500 $\Omega$  10W resistor paralleled by a 0.15 $\mu$ F AC-type capacitor between an exposed metal part and a known good earth ground. Measure the AC voltage across the resistor with the AC

voltmeter.

Move the resistor connection to each exposed metal part, particularly any exposed metal part having a return path to the chassis, and measure the AC voltage across the resistor. Now, reverse the plug in the AC outlet and repeat each measurement. Voltage measured any must not exceed 0.75 V AC (r.m.s.). This corresponds to 0.5 mA AC (r.m.s.).



## 1.2 Warning

- (1) This equipment has been designed and manufactured to meet international safety standards.
- (2) It is the legal responsibility of the repairer to ensure that these safety standards are maintained.
- (3) Repairs must be made in accordance with the relevant safety standards.
- (4) It is essential that safety critical components are replaced by approved parts.
- (5) If mains voltage selector is provided, check setting for local voltage.

## 1.3 Caution

**Burrs formed during molding may be left over on some parts of the chassis.**

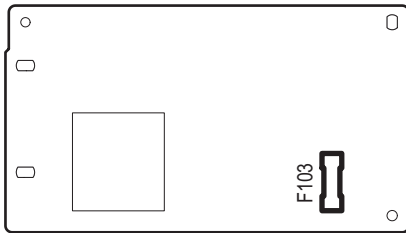
**Therefore, pay attention to such burrs in the case of pre-forming repair of this system.**

## 1.4 Critical parts for safety

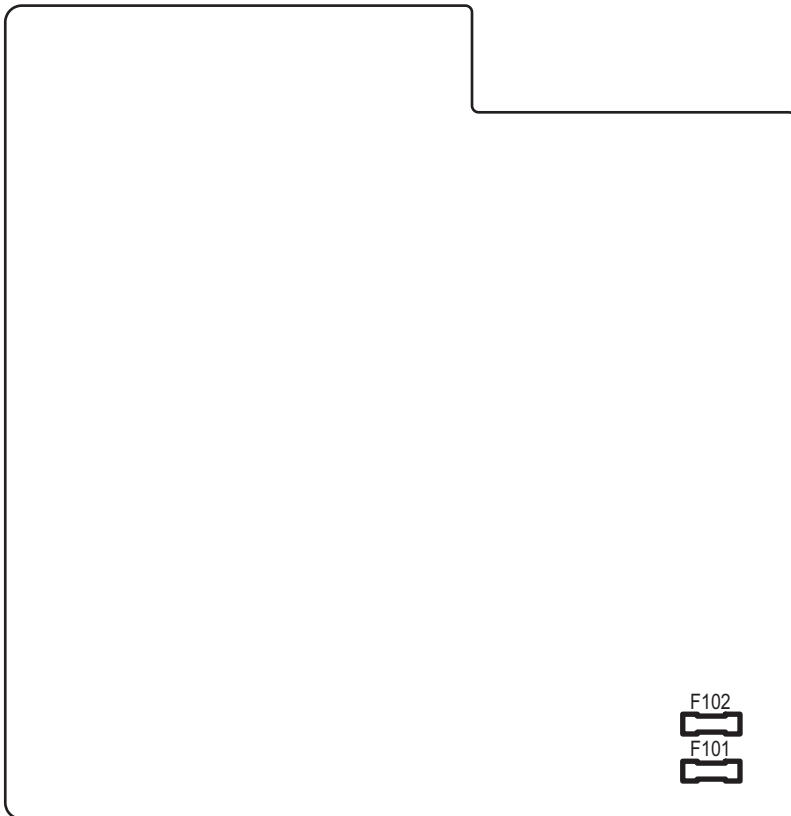
In regard with component parts appearing on the silk-screen printed side (parts side) of the PWB diagrams, the parts that are printed over with black such as the resistor (  $\blacksquare$  ), diode (  $\blacksquare$  ) and ICP (  $\bullet$  ) or identified by the " $\Delta$ " mark nearby are critical for safety. When replacing them, be sure to use the parts of the same type and rating as specified by the manufacturer. (This regulation does not Except the J and C version)

## 1.5 Importance administering point on the safety

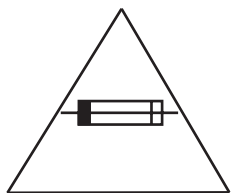
Primary board (Forward side)



Main amplifier board (Forward side)



### For USA and Canada / pour Etats - Unis d' Amérique et Canada



Caution: For continued protection against risk of fire, replace only with same type 2 A/125 V for F101, 2 A/125 V for F102, 6.3 A/125 V for F103. This symbol specifies type of fast operating fuse.

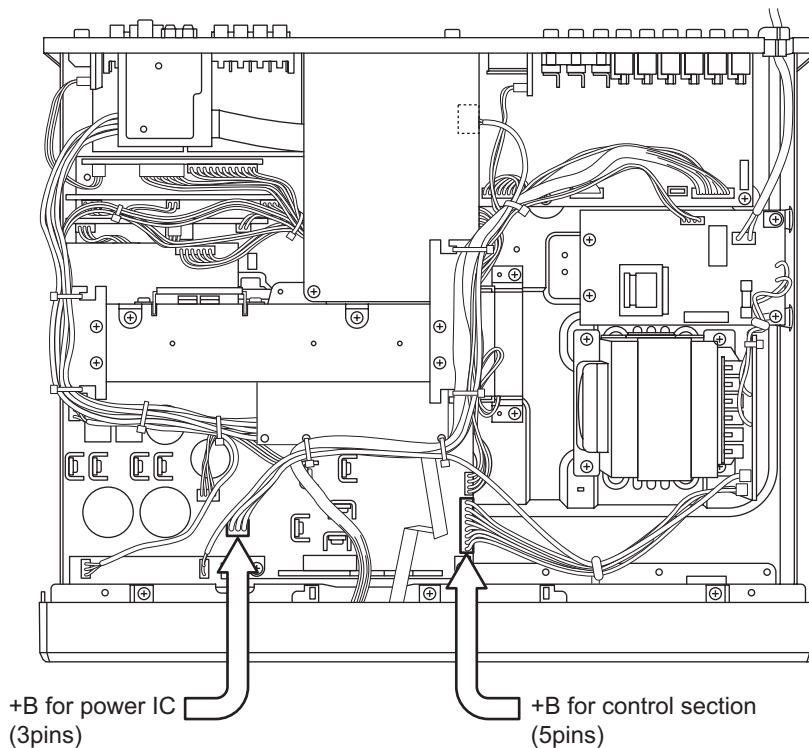
Précaution: Pour éviter risques de feux, remplacez le fusible de sûreté de F101 comme le même type que 2 A/125 V, 2 A/125 V pour F102, et 6,3 A/125V pour F103.

Ce sont des fusibles sûretés qui fonctionnent rapide.

## 1.6 Caution after repairs

There are two power supply as the second power supply of the transformer.

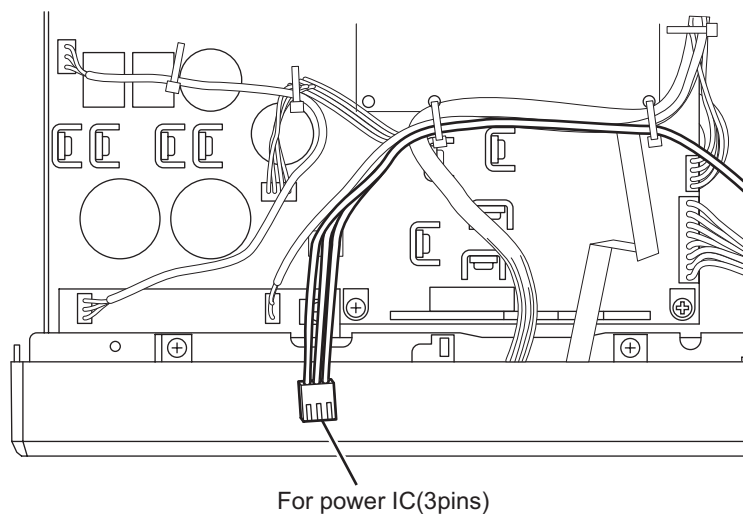
One is a power supply for power IC(3pin), and another is a power supply for the control(5pin).



There are two power supply as the second power supply of the transformer.

One is a power supply for power IC(3pin), and another is a power supply for the control(5pin).

Please connect first of all and confirm the power supply for the control when you do the energizing examination after it completes of the repair.



Please never do the energizing examination in a power supply of power IC alone.

Moreover, when the control system breaks down, power IC is occasionally damaged.

## **SECTION 2 SPECIFIC SERVICE INSTRUCTIONS**

This service manual does not describe SPECIFIC SERVICE INSTRUCTIONS.

## SECTION 3 DISASSEMBLY

### 3.1 Main body section

#### 3.1.1 Removing the top cover

(See Figs.1 and 2)

- (1) From the both sides of the main body, remove the four screws **A** attaching the top cover. (See Fig.1)
- (2) From the back side of the main body, remove the six screws **B** attaching the top cover. (See Fig.2)
- (3) Remove the top cover in the direction of the arrow. (See Fig.1.)

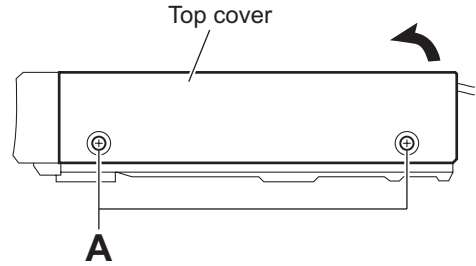


Fig.1

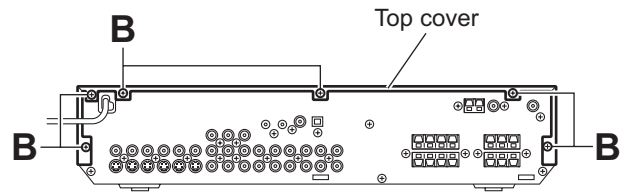


Fig.2

### 3.1.2 Removing the front panel assembly (See Figs.3 and 4)

- Remove the top cover.

- (1) From the top side of the main body, remove the tie bands bundling the wires. (See Fig.3.)

**Reference:**

After reassembling, bundle the wires with the new tie bands as before. (See Fig.3.)

- (2) Disconnect the card wire from the connector [CN102](#) on the main amplifier board. (See Fig.3)
- (3) Disconnect the wire from the connector [CN351](#) on the main amplifier board. (See Fig.3)
- (4) Disconnect the wire from the connector [CN552](#) on the input board. (See Fig.3)
- (5) Disconnect the wire from the connector [CN661](#) on the DSP board. (See Fig.3)
- (6) Remove the three screws **C** attaching the front panel assembly. (See Fig.3)
- (7) Remove the screw **D** attaching the OSD connect 2 board. (See Fig.3)
- (8) From the bottom side of the main body, remove the four screws **E** attaching the front panel assembly. (See Fig.4)
- (9) Release the joints **a** and remove the front panel assembly in the direction of the arrow. (See Fig.4)

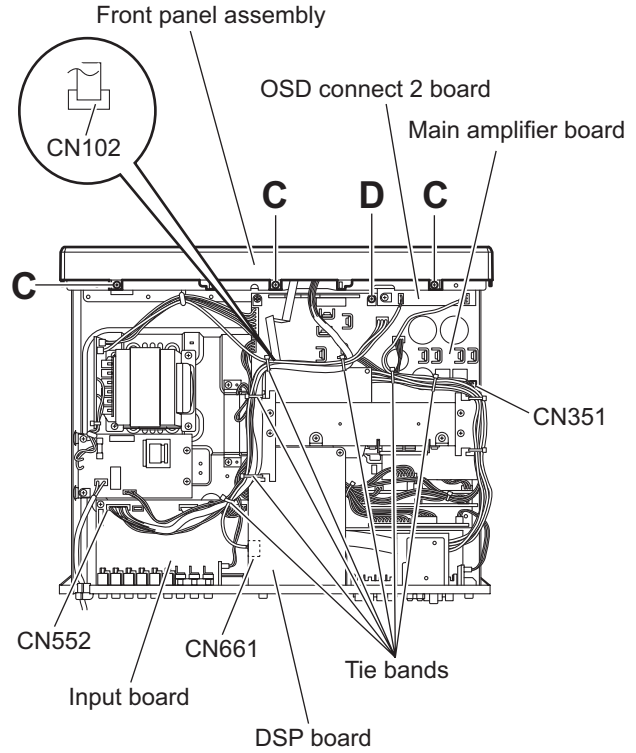


Fig.3

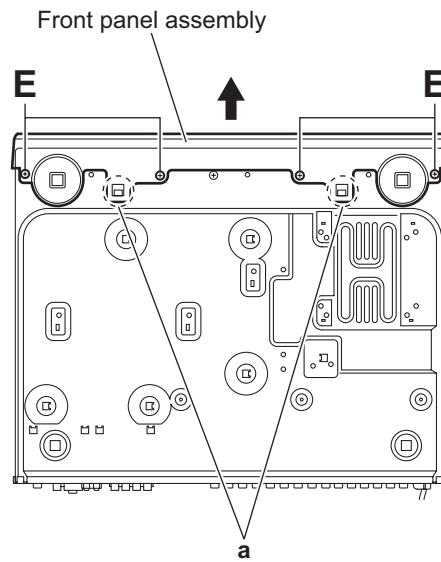


Fig.4



### 3.1.3 Removing the rear panel (See Fig.5)

- Remove the top cover.
  - From the back side of the main body, remove the strain relief from the rear panel in the direction of the arrow and remove the power cord.
  - Remove the twenty-four screws **F** attaching the rear panel.

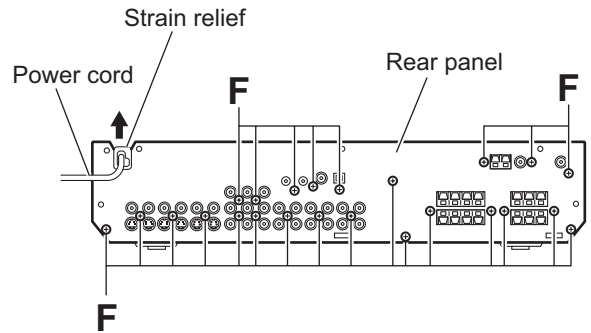


Fig.5

### 3.1.4 Removing the tuner (See Fig.6)

- Remove the top cover.
  - From the top side of the main body, disconnect the card wire from the connector **CN1** on the tuner.
  - From the back side of the main body, remove the two screws **G** attaching the tuner to the rear panel and take out the tuner.

### 3.1.5 Removing the subwoofer board (See Fig.6)

- Remove the top cover.
  - From the top side of the main body, disconnect the wire from the connector **CN524** on the subwoofer board.
  - From the back side of the main body, remove the screw **H** attaching the subwoofer board to the rear panel and take out the subwoofer board.

### 3.1.6 Removing the compulink board (See Fig.6)

- Remove the top cover.
  - From the top side of the main body, disconnect the wire from the connector **CN565** on the compulink board.
  - From the back side of the main body, remove the screw **J** attaching the compulink board to the rear panel and take out the compulink board.

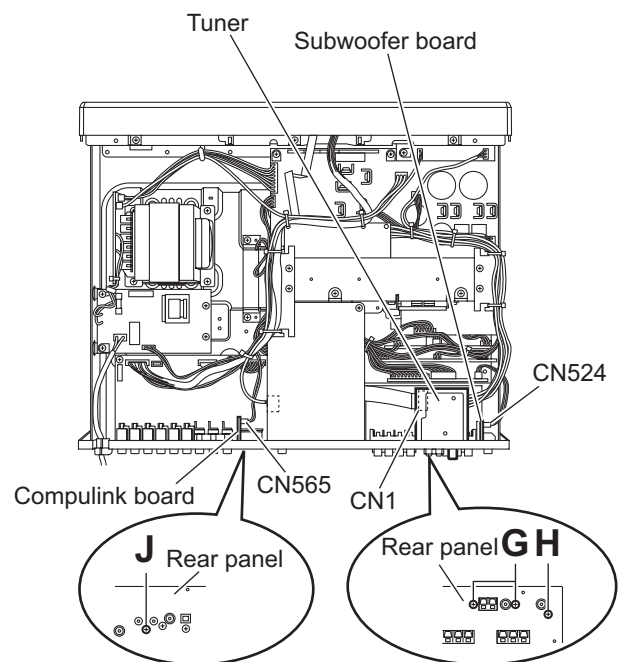


Fig.6

### 3.1.7 Removing the DSP board (See Fig.7)

- Remove the top cover.
  - From the back side of the main body, remove the three screws **K** attaching the DSP board to the rear panel.
  - Remove the screw **M** attaching the DSP board.
  - From the top side of the main body, remove the two screws **N** attaching the wire holder board and move the wire holder board with the wires in the direction of the arrow.
  - Disconnect the DSP board from the DSP connect board while releasing the claw **b** of the connector **CN681** on the DSP board.

**Note:**

When releasing the claw **b**, take care not to break it.

- Take out the DSP board and disconnect the wires from the connectors (**CN661**, **CN682**, **CN683**) on the forward side of the DSP board.

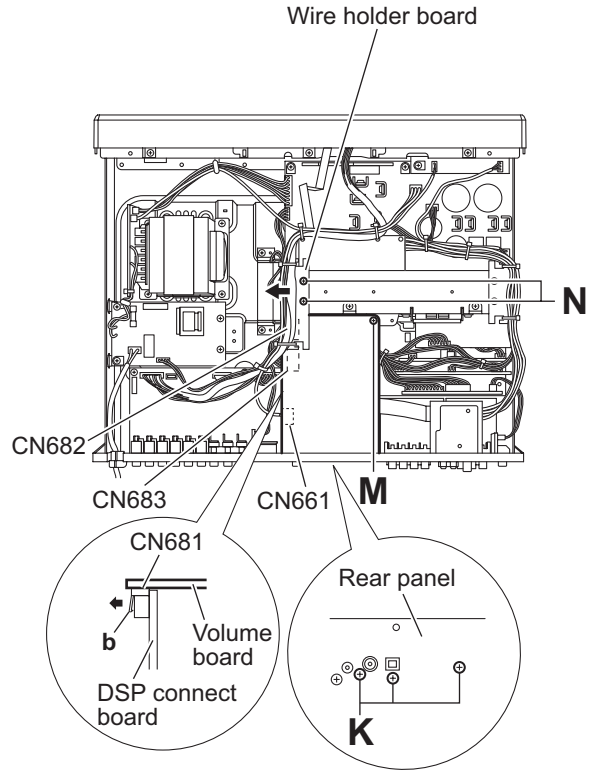


Fig.7

### 3.1.8 Removing the primary board (See Fig.8)

- Remove the top cover.
  - From the top side of the main body, remove the tie bands and disconnect the wire from the connector **CN10** on the main amplifier board.

**Reference:**

After connecting the wire, bundle the wires with the new tie bands as before.

- Disconnect the power cord from the connector **CN120** on the primary board.
- Remove the two screws **P**, screw **P'** and screw **P''** attaching the primary board.

**Reference:**

- When attaching the screw **P'**, attach the wire holder with it as before.
- When attaching the screw **P''**, attach the earth wire with it as before.

- Take out the primary board from the main body and remove the wires from the soldered sections **c** on the reverse side of the primary board.

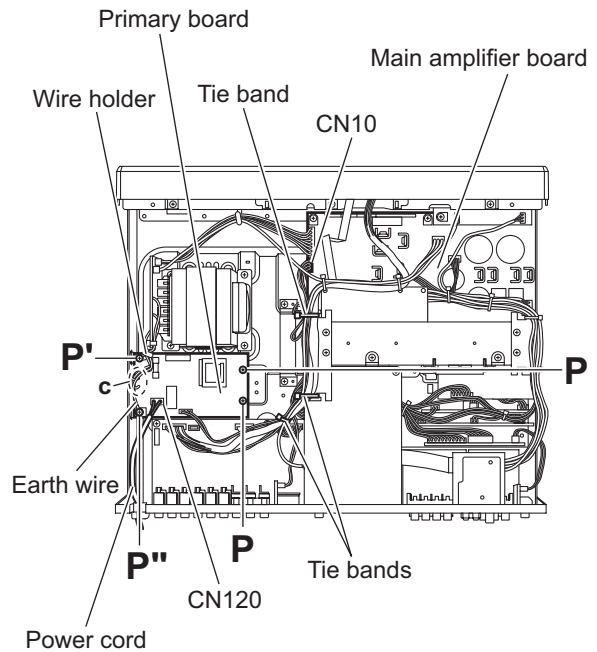


Fig.8

### 3.1.9 Removing the power transformer (See Fig.9)

- Remove the top cover.
  - From the top side of the main body, remove the tie bands bundling the wires.

**Reference:**

After reassembling, bundle the wires with the new tie bands as before.

- Release the wire holder to remove the wire.
- Disconnect the wires from the connectors ([CN106](#), [CN111](#)) on the main amplifier board.
- Remove the soldered sections **d** and remove the wires.
- Remove the four screws **Q** and take out the power transformer from the main body.

### 3.1.10 Removing the trans primary board (See Fig.9)

- Remove the top cover.
  - From the right side of the main body, remove the wires from the soldered sections **d** and remove the wires.
  - Remove the solders from the soldered sections **e** and remove the trans primary board.

### 3.1.11 Removing the trans secondary board (See Fig.9)

- Remove the top cover.
  - From the top side of the main body, remove the tie bands bundling the wires.

**Reference:**

After reassembling, bundle the wires with the new tie bands as before.

- Release the wire holder to remove the wire.
- Disconnect the wires from the connectors ([CN106](#), [CN111](#)) on the main amplifier board.
- From the right side of the main body, remove the solders from the soldered sections **f** and remove the trans secondary board.

**Reference:**

Take out the power transformer from the main body as required.

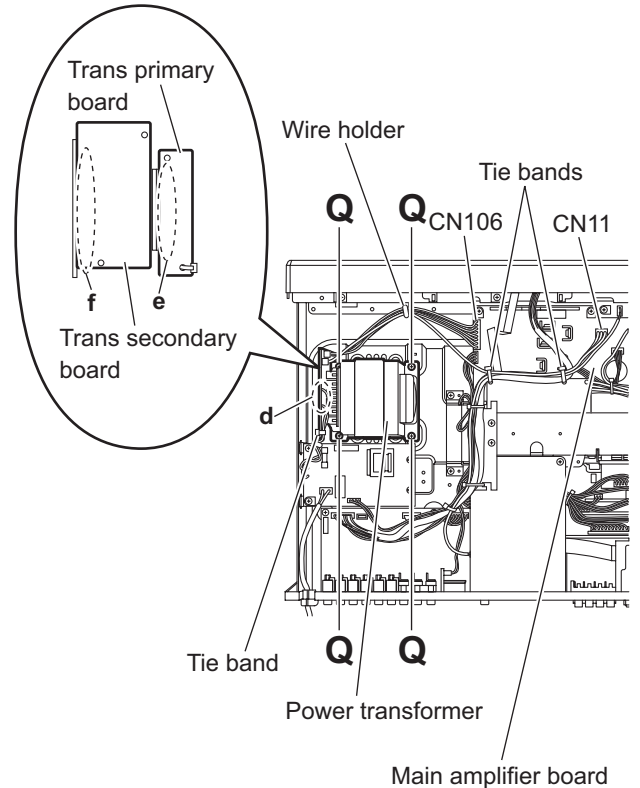


Fig.9

### 3.1.12 Removing the DCDC control board (See Fig.10)

- Remove the top cover.

From the top side of the main body, disconnect the DCDC control board from the main amplifier board in an upward direction while releasing the claw **g** of the connector **CN152** on the main amplifier board.

**Note:**

When releasing the claw **g**, take care not to break it.

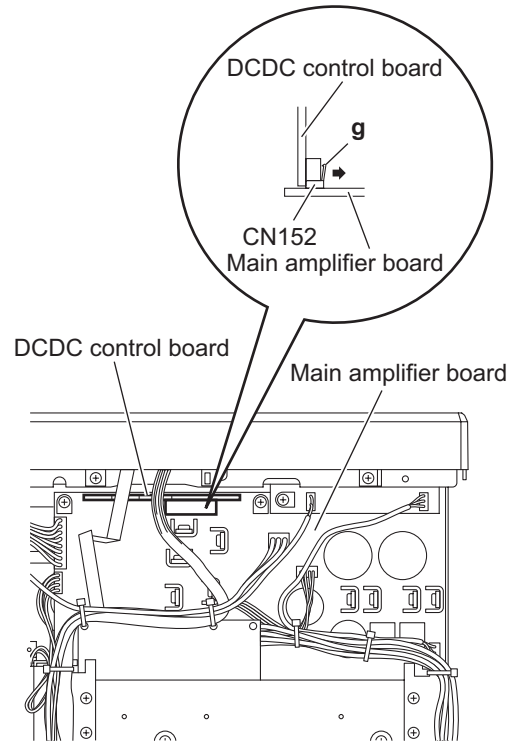


Fig.10

### 3.1.13 Removing the PWM modulation 1 board (See Fig.11)

- Remove the top cover.

(1) From the top side of the main body, remove the tie band bundling the wires.

**Reference:**

After reassembling, bundle the wires with a new tie band as before.

- (2) Disconnect the wire from the connector **CN413** on the PWM modulation 2 board.
- (3) Disconnect the wires from the connectors (**CN311**, **CN312**, **CN313**) on the PWM modulation 1 board.
- (4) Disconnect the PWM modulation 1 board from the main amplifier board in an upward direction while releasing the claw **h** of the connector **CN302** on the main amplifier board.

**Note:**

When releasing the claw **h**, take care not to break it.

### 3.1.14 Removing the PWM modulation 2 board (See Fig.11)

- Remove the top cover.

- (1) From the top side of the main body, disconnect the wires from the connectors (**CN411**, **CN412**, **CN413**) on the PWM modulation 2 board.
- (2) Disconnect the PWM modulation 2 board from the main amplifier board in an upward direction while releasing the claw **j** of the connector **CN402** on the main amplifier board.

**Note:**

When releasing the claw **j**, take care not to break it.

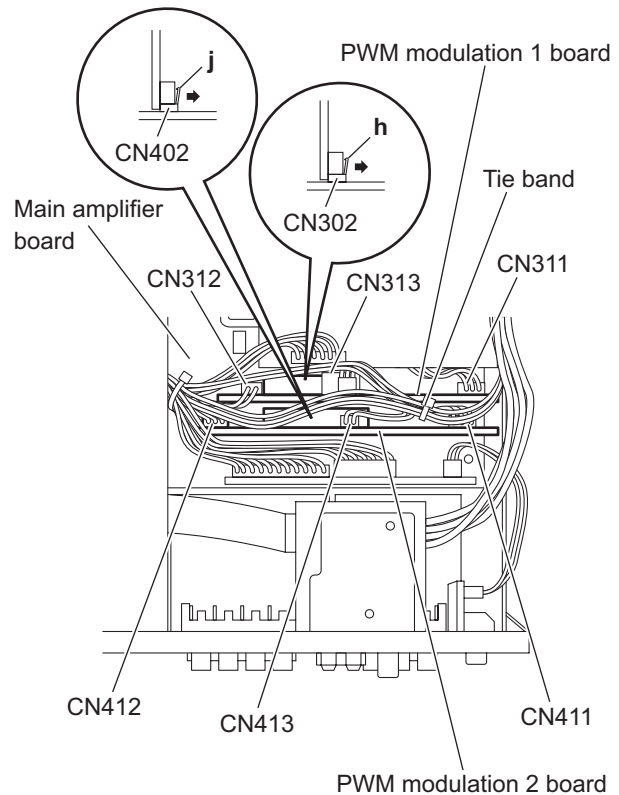


Fig.11

**3.1.15 Removing the fan motor**  
(See Fig.12.)

- Remove the top cover.
- (1) From the top side of the main body, remove the tie band bundling the wires.

**Reference:**

After reassembling, bundle the wires with a new tie band as before.

- (2) Disconnect the wire from the connector [CN103](#) on the main amplifier board.
- (3) Remove the two screws **R** and take out the fan motor assembly.
- (4) Remove the two screws **S** attaching the fan motor to the fan bracket.

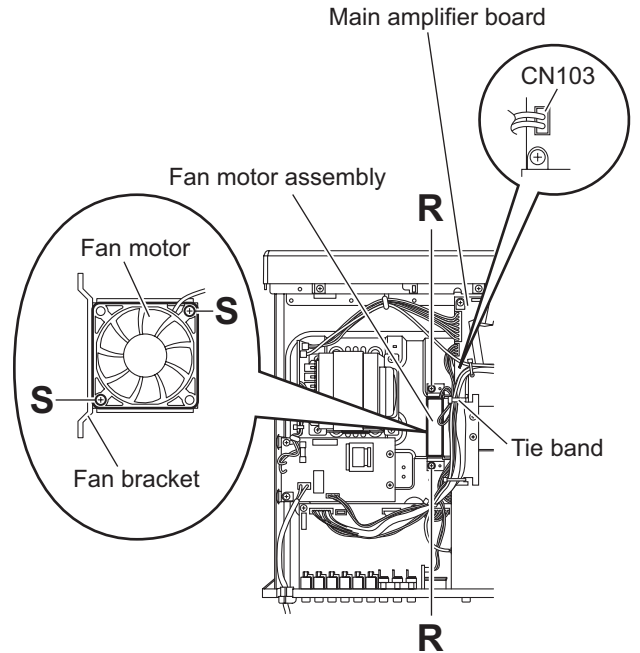


Fig.12

**3.1.16 Removing the speaker terminal 1 and speaker terminal 2 boards**  
(See Fig.13)

- Remove the top cover and rear panel.

**Reference:**

Remove the tuner and subwoofer board as required.

- (1) From the top side of the main body, disconnect the wires from the connectors ([CN261](#), [CN461](#)) on the speaker terminal 1 board.
- (2) Take out the speaker terminal 1 board from the main body.
- (3) Disconnect the wires from the connectors ([CN209](#), [CN262](#)) on the speaker terminal 2 board.
- (4) Take out the speaker terminal 2 board from the main body.

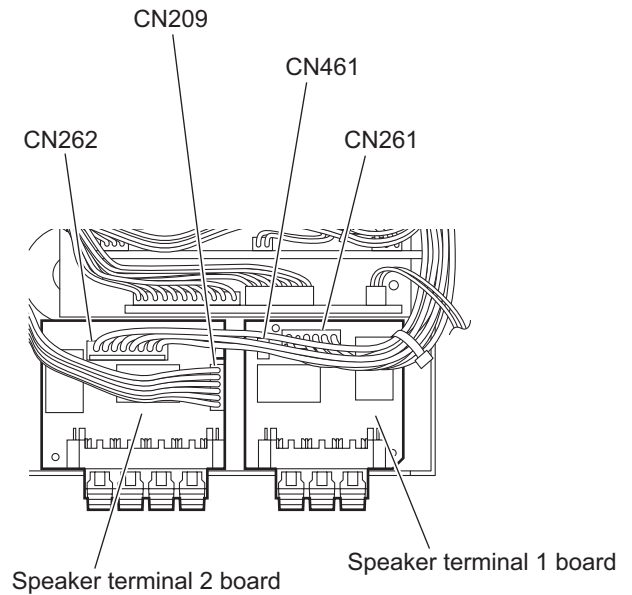


Fig.13

### 3.1.17 Removing the DSP connect board (See Fig.14)

- Remove the top cover, rear panel, tuner, compulink board and DSP board.

Disconnect the DSP connect board from the input board in an upward direction while releasing the claw **k** of the connector **CN502** on the input board.

**Note:**

When releasing the claw **k**, take care not to break it.

### 3.1.18 Removing the input board (See Fig.14)

- Remove the top cover, rear panel, tuner, compulink board, DSP board and DSP connect board.

- Remove the tie bands bundling the wires.

**Reference:**

After reassembling, bundle the wires with the new tie bands as before.

- Disconnect the wire from the connector **CN209** on the speaker terminal 2 board.
- Disconnect the wire from the connector **CN513** on the OSD connect 1 board.
- Disconnect the wires from the connectors (**CN530**, **CN531**, **CN552**) on the input board.
- Disconnect the parallel wire from the connector **CN540** on the input board.
- Remove the three screws **T** and take out the input board from the main body.

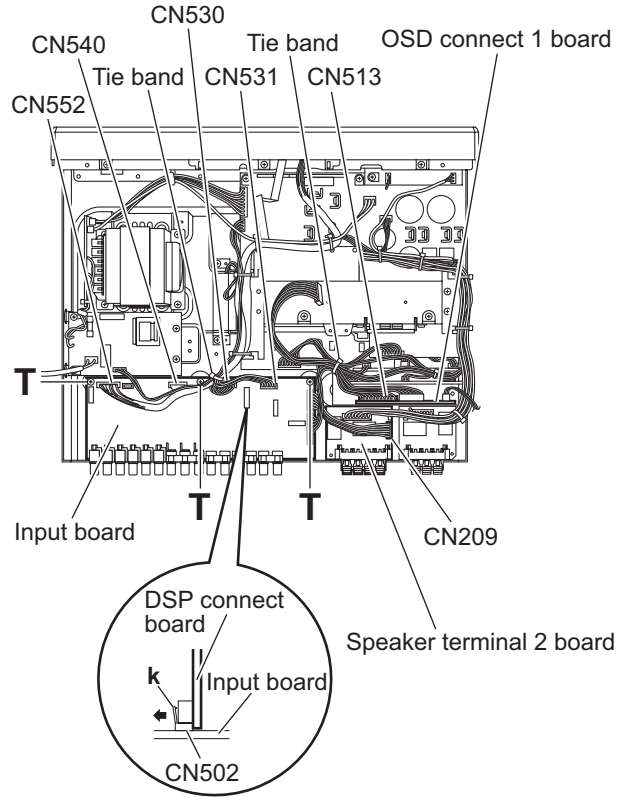


Fig.14

### 3.1.19 Removing the OSD connect 1 board (See Fig.15)

- Remove the top cover and DSP board.
- Remove the tie band bundling the wires.
  - Disconnect the wire from the connector **CN524** on the subwoofer board.
  - Disconnect the wire from the connector **CN513** on the OSD connect 1 board.
  - Disconnect the OSD connect 1 board from the main amplifier board in an upward direction while releasing the claw **m** of the connector **CN222** on the main amplifier board.

**Note:**

When releasing the claw **m**, take care not to break it.

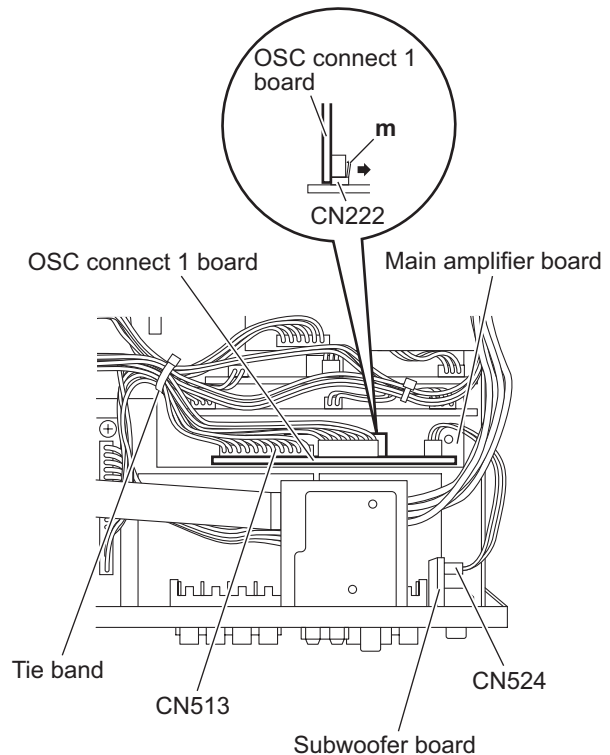


Fig.15

### 3.1.20 Removing the master clock board (See Fig.16)

- Remove the top cover, tuner, DSP board, PWM modulation 1 board, PWM modulation 2 board and OSD connect 1 board.
  - Remove the two screws **U** with a short driver and remove the transistor hold from the joints **n** of the heat sink.
  - Disconnect the wire from the connector [CN201](#) on the main amplifier board.
  - Take out the master clock board from the main body.

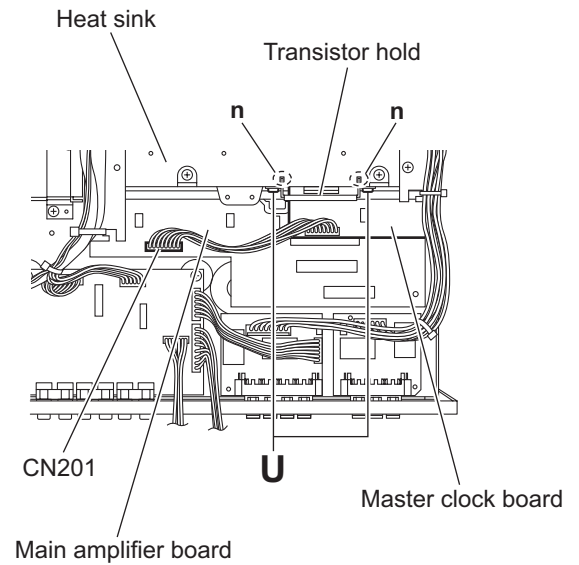


Fig.16

### 3.1.21 Removing the main amplifier board (See Figs.17 and 18)

- Remove the top cover, tuner, DSP board, DCDC control board, PWM modulation 1 board, PWM modulation 2 board, OSD connect 1 board and master clock board.

- Disconnect the wire from the connector [CN261](#) on the speaker terminal 1 board. (See Fig.17.)
- Disconnect the wire from the connector [CN262](#) on the speaker terminal 2 board. (See Fig.17.)
- Remove the tie bands bundling the wires. (See Fig.17.)

**Reference:**

After reassembling, bundle the wires with the new tie bands as before. (See Fig.17.)

- Disconnect the wires from the connectors ([CN10](#), [CN103](#), [CN106](#), [CN111](#), [CN351](#)) on the main amplifier board. (See Fig.17.)
- Disconnect the card wire from the connector [CN102](#) on the main amplifier board. (See Fig.17.)
- Disconnect the wires from the connectors ([CN530](#), [CN531](#)) on the input board. (See Fig.18.)
- Disconnect the parallel wire from the connector [CN540](#) on the input board. (See Fig.18.)
- Remove the four screws **V** and two screws **W**. (See Fig.18.)
- Take out the main amplifier board with the regulator board from the main body. (See Fig.18.)

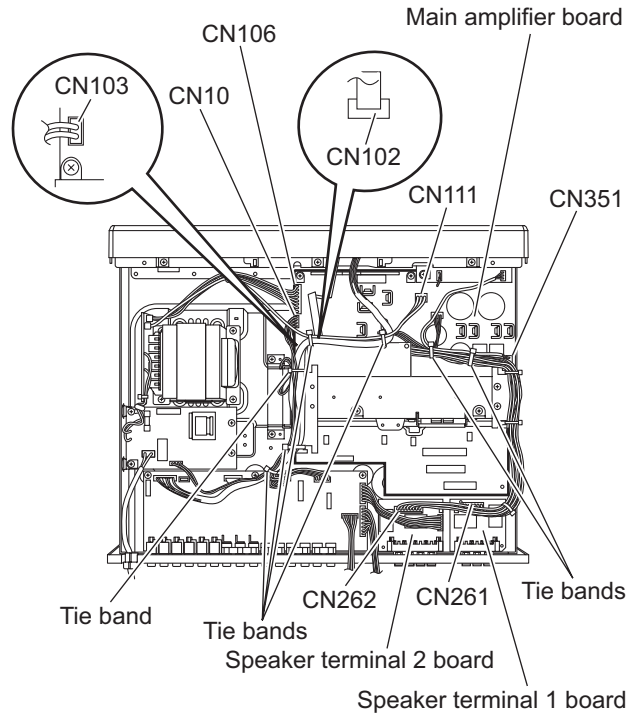


Fig.17

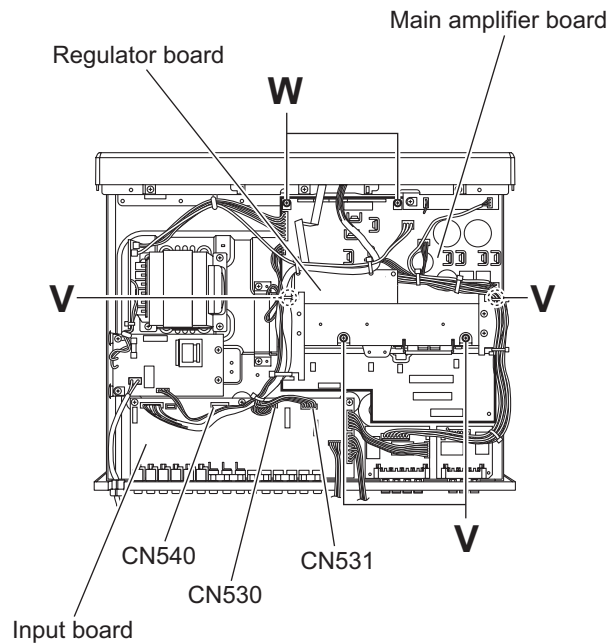


Fig.18



### 3.1.22 Removing the regulator board

(See Fig.19)

- Remove the top cover, tuner, DSP board, DCDC control board, PWM modulation 1 board, PWM modulation 2 board, OSD connect 1 board, master clock board and main amplifier board.
  - From the forward side of the main amplifier board, disconnect the wire from the connector [CN105](#).
  - Remove the two screws **X** attaching the regulator board.
  - Remove the regulator board and disconnect the parallel wire from the connector [CN104](#) on the main amplifier board.

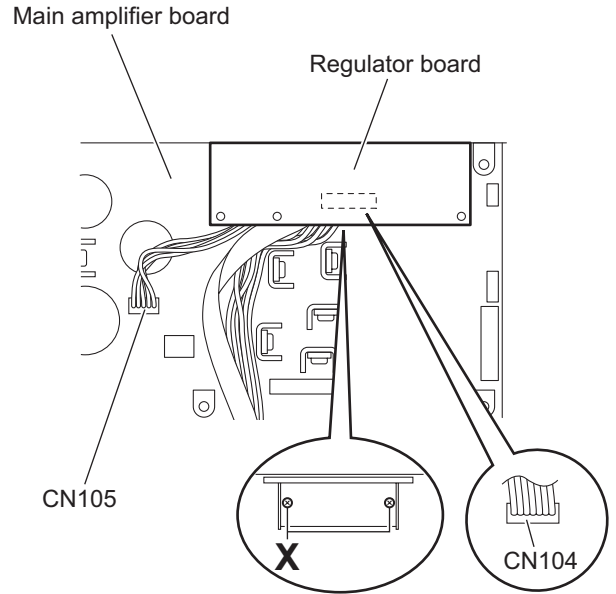


Fig.19

### 3.1.23 Removing the heat sink

(See Fig.20)

- Remove the top cover, tuner, DSP board, DCDC control board, PWM modulation 1 board, PWM modulation 2 board, OSD connect 1 board, master clock board, main amplifier board and regulator board.
  - From the forward side of the main amplifier board, remove the screw **Y** and remove the wire holder board with the wires.
  - Remove the five screws **Z** to remove the heat sink.

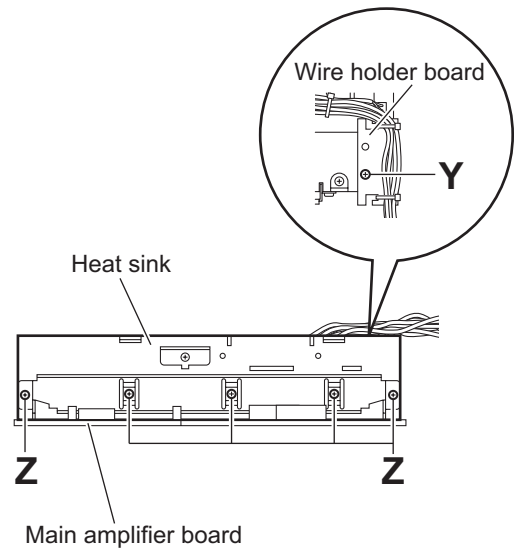


Fig.20

### 3.2 Front panel assembly section

- Remove the front panel assembly.  
(See "3.1.2 Removing the front panel assembly".)

#### 3.2.1 Removing the JOG board (See Figs.1 and 2)

- From the inside of the front panel assembly, remove the four screws **A** attaching the JOG board. (See Fig.1.)
- Take out the JOG board while lifting it from the front panel assembly little by little.

##### Reference:

The master volume knob and MULTI JOG knob are removed from the front side simultaneously. (See Fig.2.)

- From the forward side of the JOG board, disconnect the wire from the connector [CN913](#). (See Fig.1)

#### 3.2.2 Removing the OSD connect 2 board (See Fig.1)

- From the inside of the front panel assembly, remove the two screws **A** attaching the OSD connect 2 board.
- Disconnect the wire from the connector [CN914](#) on the FL board.

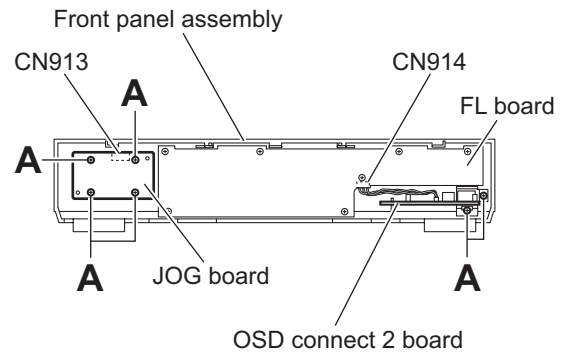


Fig.1

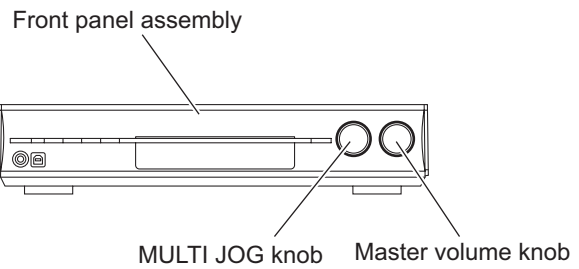


Fig.2

#### 3.2.3 Removing the FL board (See Fig.3)

- Remove the JOG board.
  - Disconnect the wire from the connector [CN914](#) on the FL board.
  - Remove the eight screws **A** and take out the FL board.

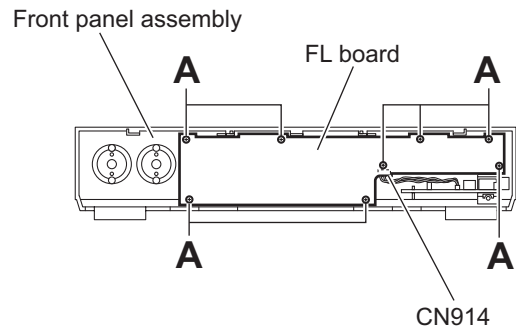


Fig.3

## **SECTION 4 ADJUSTMENT**

This service manual does not describe ADJUSTMENT.

## **SECTION 5 TROUBLESHOOTING**

This service manual does not describe TROUBLESHOOTING.



**JVC**

Victor Company of Japan, Limited  
AV & MULTIMEDIA COMPANY AUDIO/VIDEO SYSTEMS CATEGORY 10-1,1chome,Ohwatari-machi,Maebashi-city,371-8543,Japan

(No.MB364)

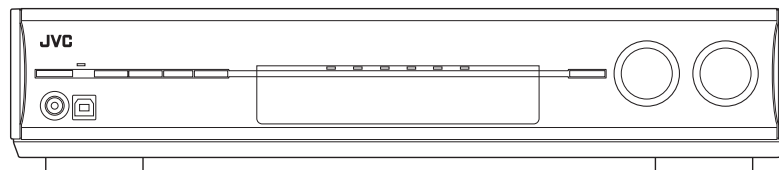
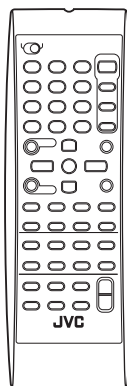
# JVC

## SCHEMATIC DIAGRAMS

### AUDIO / VIDEO CONTROL RECEIVER

## RX-D201S, RX-D202B

CD-ROM No.SML200505



<b>RX-D201S</b>
<b>Area suffix</b>
J ----- U.S.A.

<b>RX-D202B</b>
<b>Area suffix</b>
J ----- U.S.A.
C ----- Canada



Lead free solder used in the board (material : Sn-Ag-Cu, melting point : 219 Centigrade)

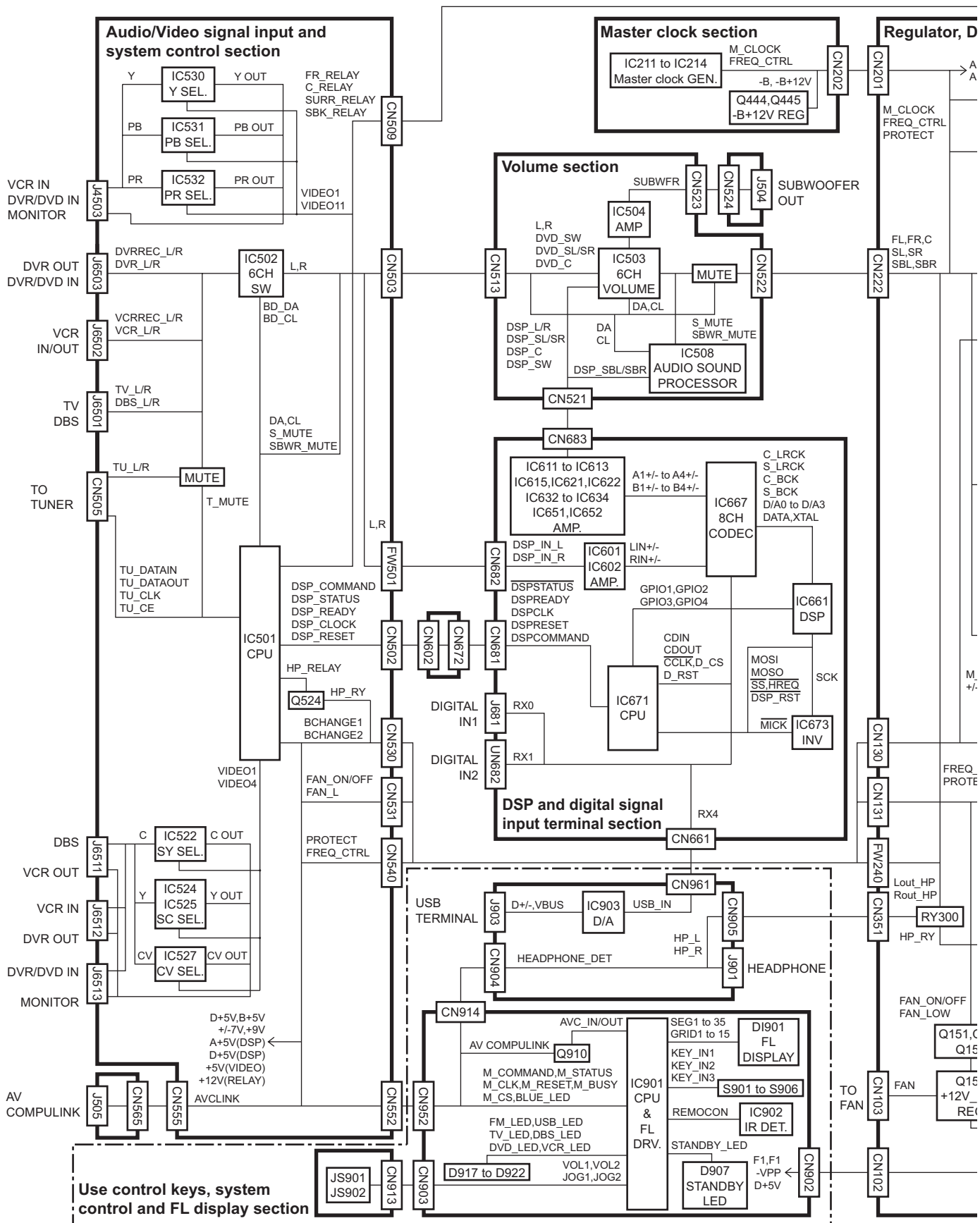
### Contents

Block diagram .....	2-1
Standard schematic diagrams .....	2-3
Printed circuit boards .....	2-21 to 28

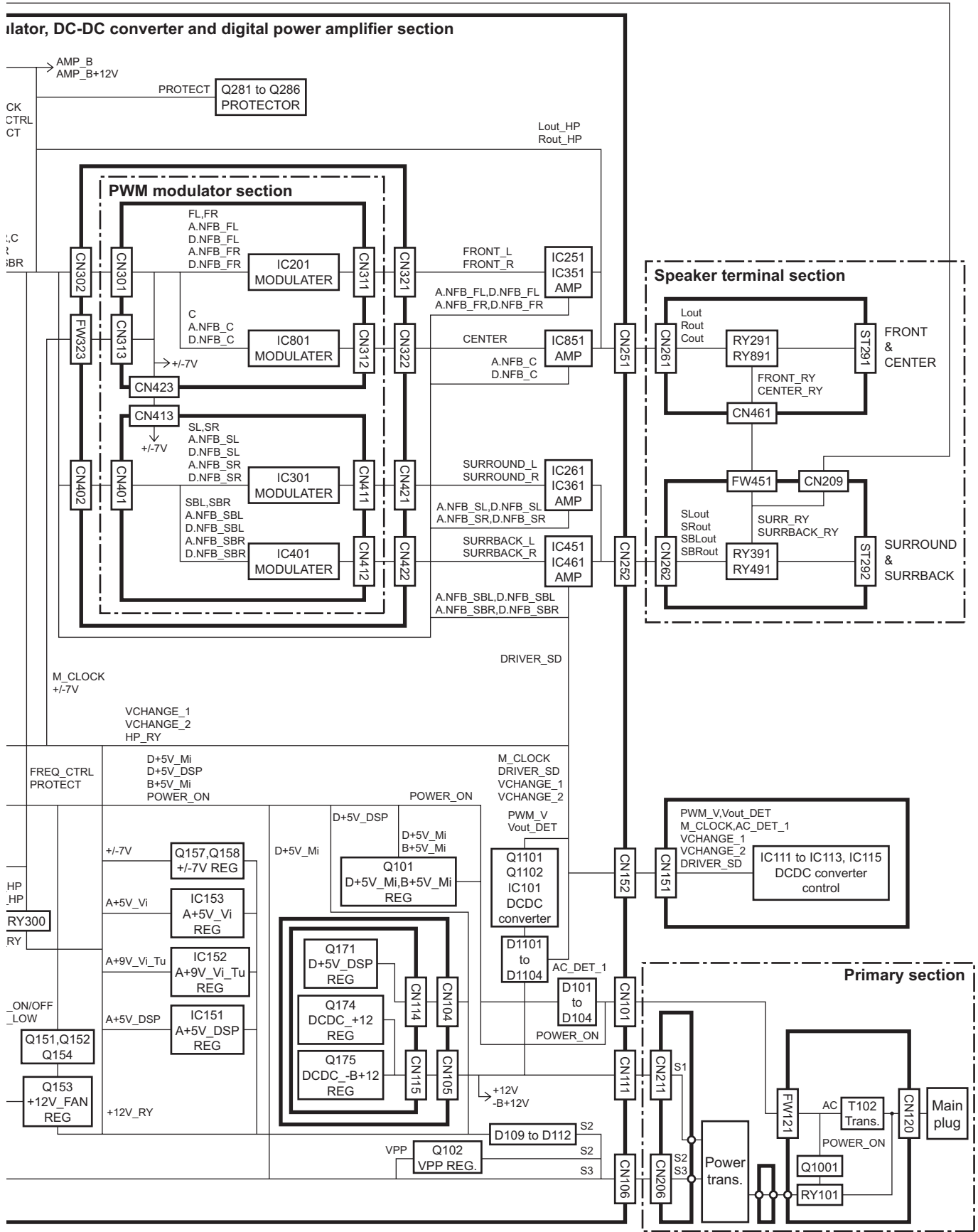
In regard with component parts appearing on the silk-screen printed side (parts side) of the PWB diagrams, the parts that are printed over with black such as the resistor (■), diode (⊣) and ICP (●) or identified by the "⚠" mark nearby are critical for safety.

< MEMO >

# Block diagram

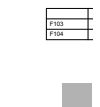
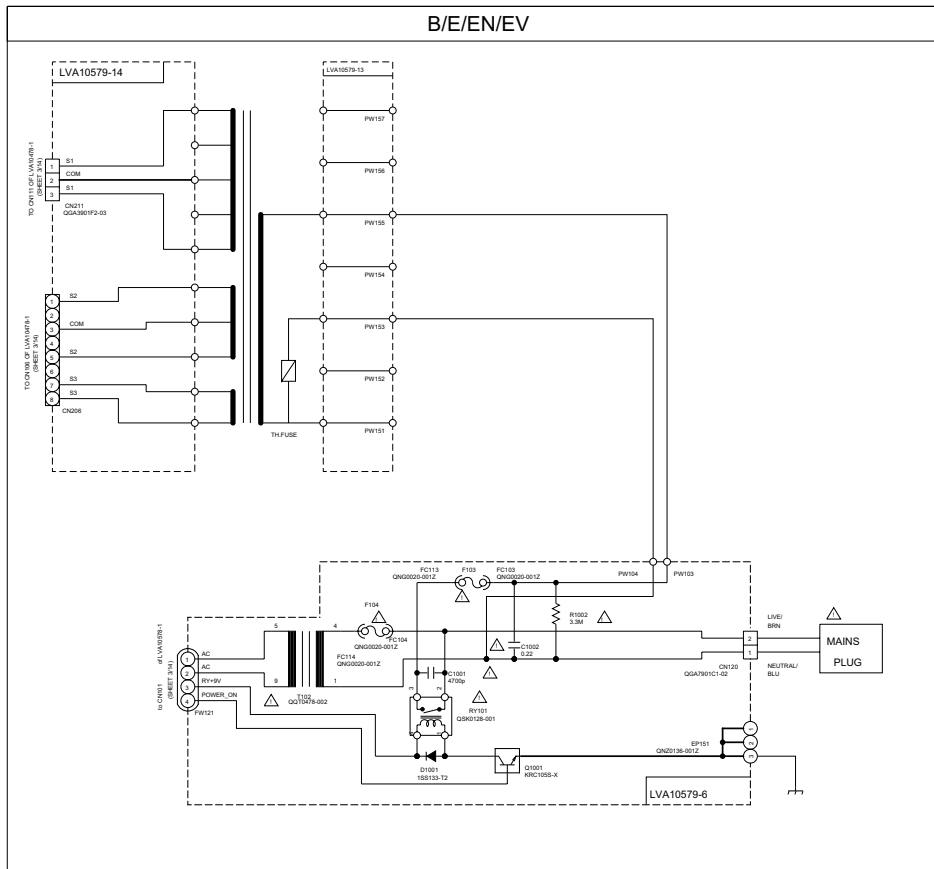
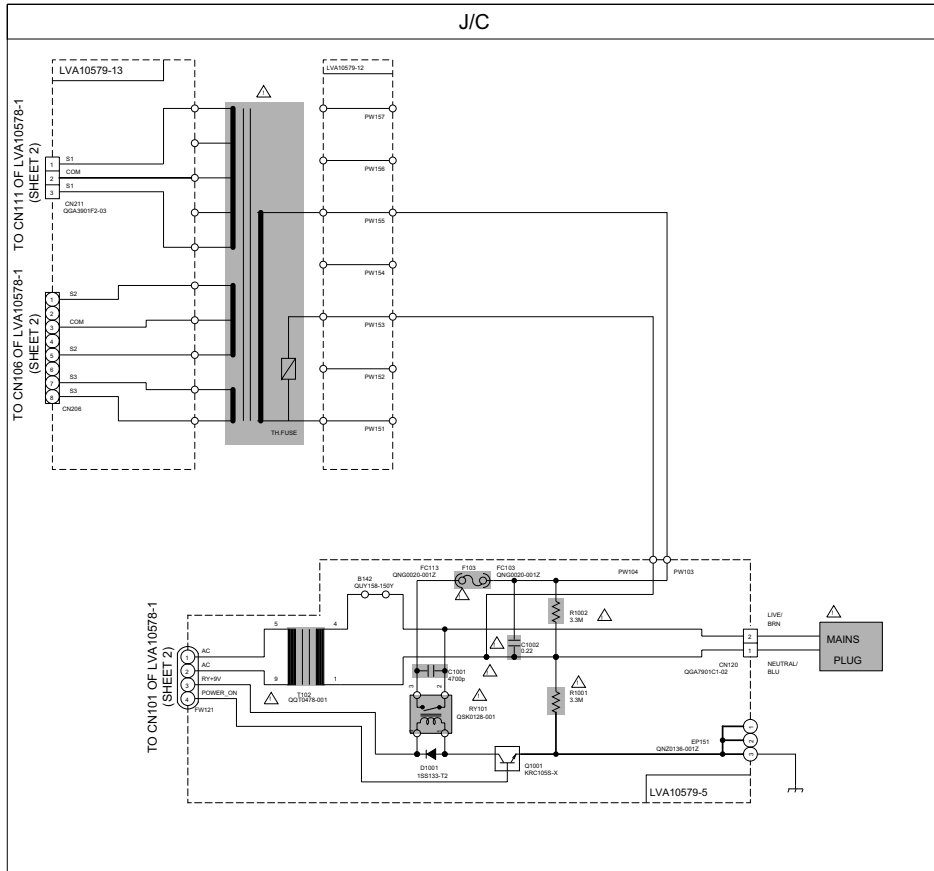






# Standard schematic diagrams

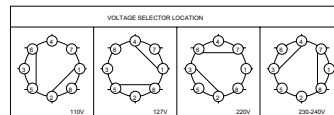
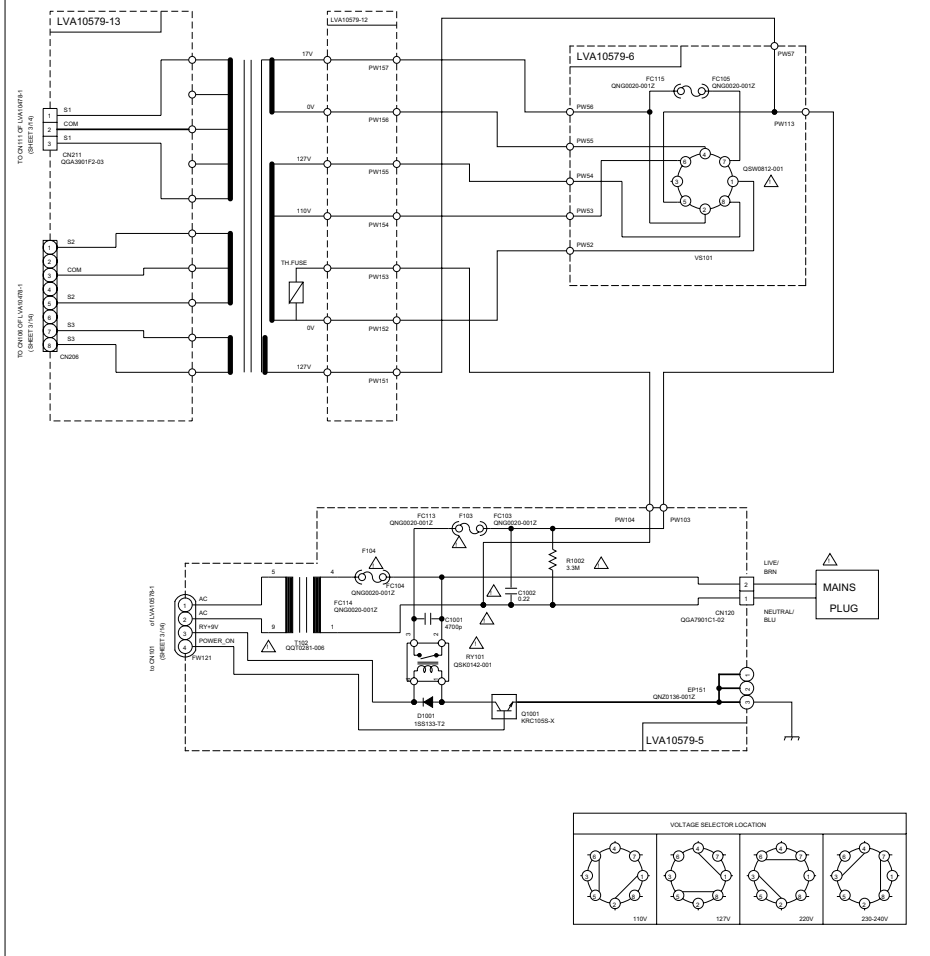
## ■ Primary section



**VERSION CODES**

J: U.S.A.  
 C: CANADA  
 B: U.K.  
 E: CONTINENTAL  
 EN: NORDIC COU  
 EV: EAST EUROPE  
 US: SINGAPORE  
 UJ: U.S. ARMY  
 A: AUSTRARIA  
 UF: KOREA  
 UF: CHINA

US/UJ



J/C	B/E/EN/VE	US/UJ	A	U/UP
F103	GMF5101-GR3-J8	GMF5102-GR3-J8	GMF5102-GR3-J8	GMF5102-GR3-J8
F104	GMF5402-K10-U1	GMF5402-K10-U1	GMF5402-K10-U1	GMF5402-K10-U1

**⚠ Parts are safety assurance parts.**  
When replacing those parts make sure to use the specified one.

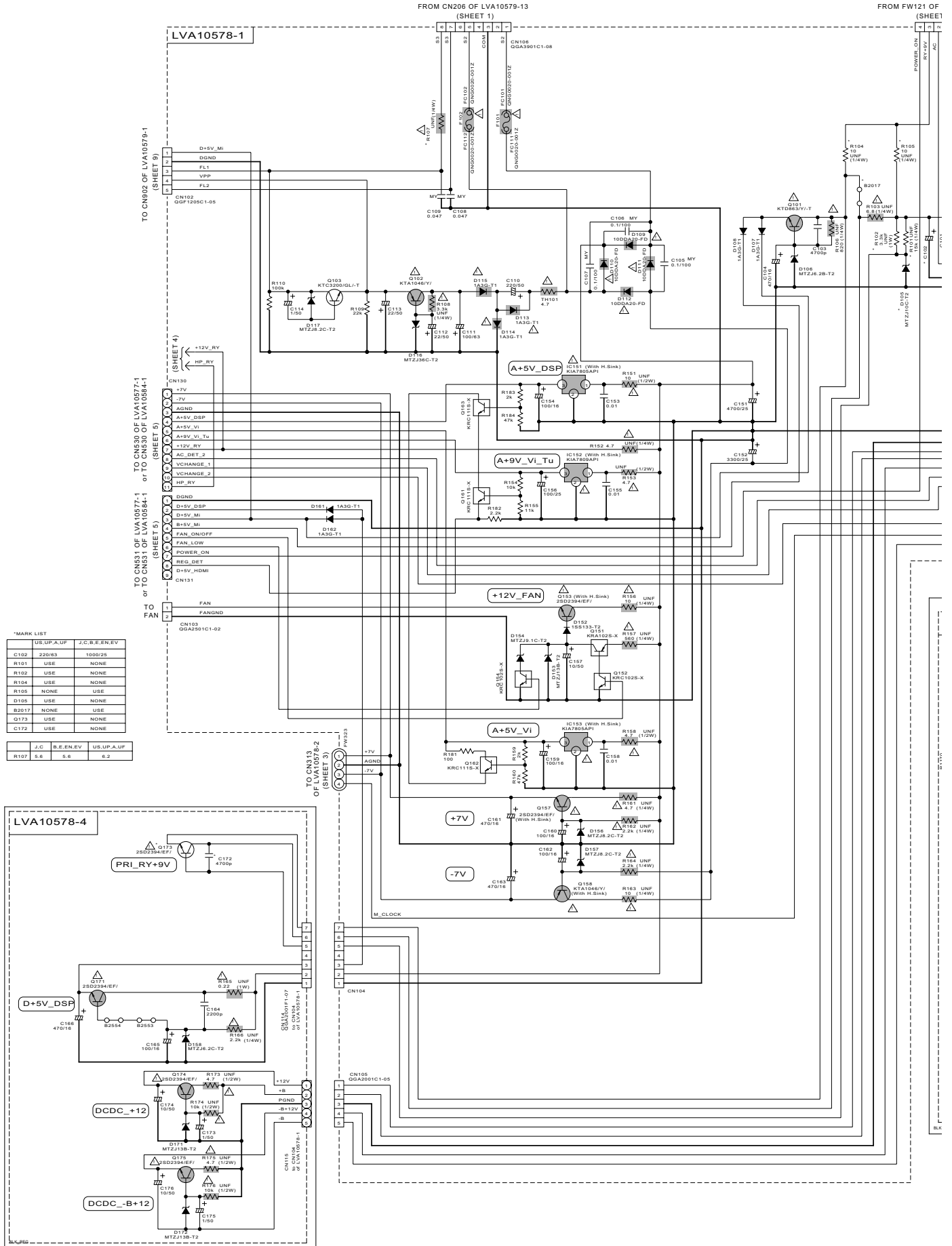
VOLTAGE MEASUREMENT CONDITION	
+	POWER ON
+	SOURCE FREQ(SIGNAL)
+	SURROUND OFF
+	VOLUME 0

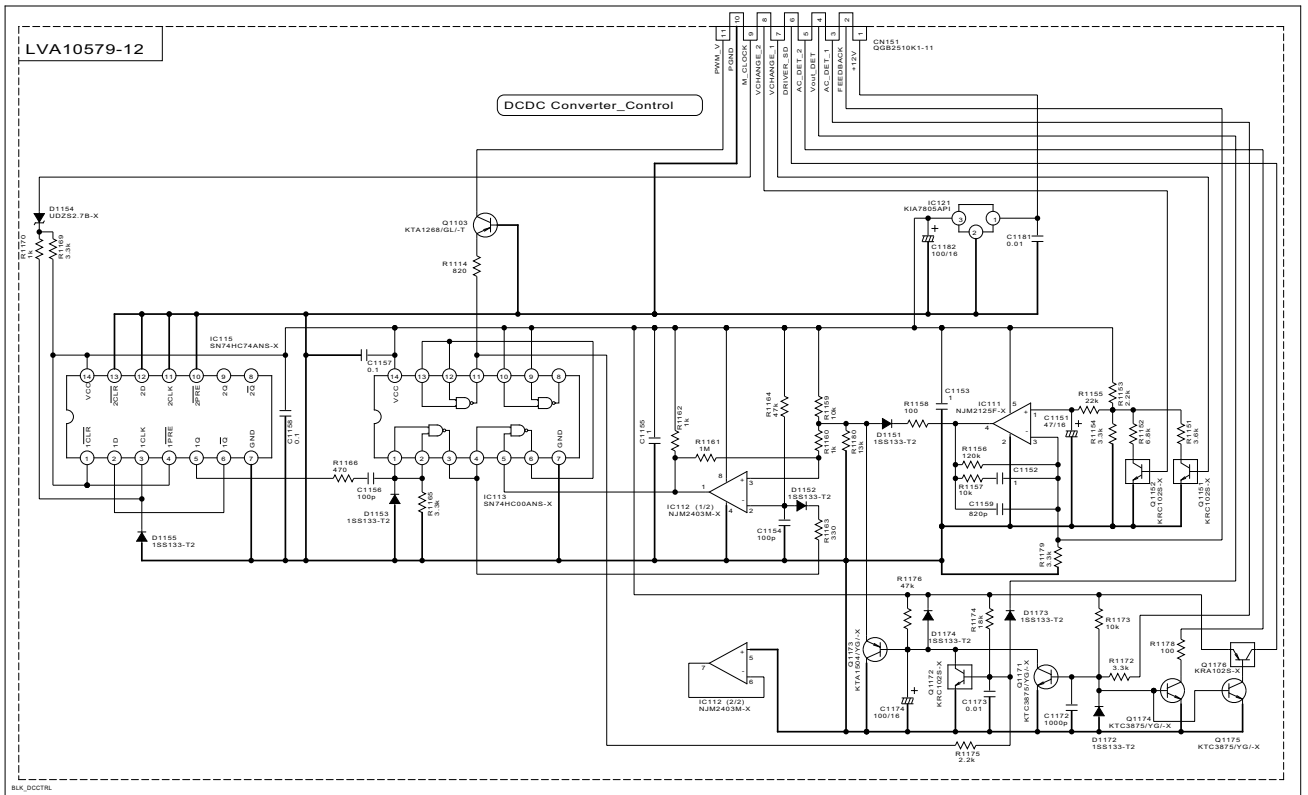
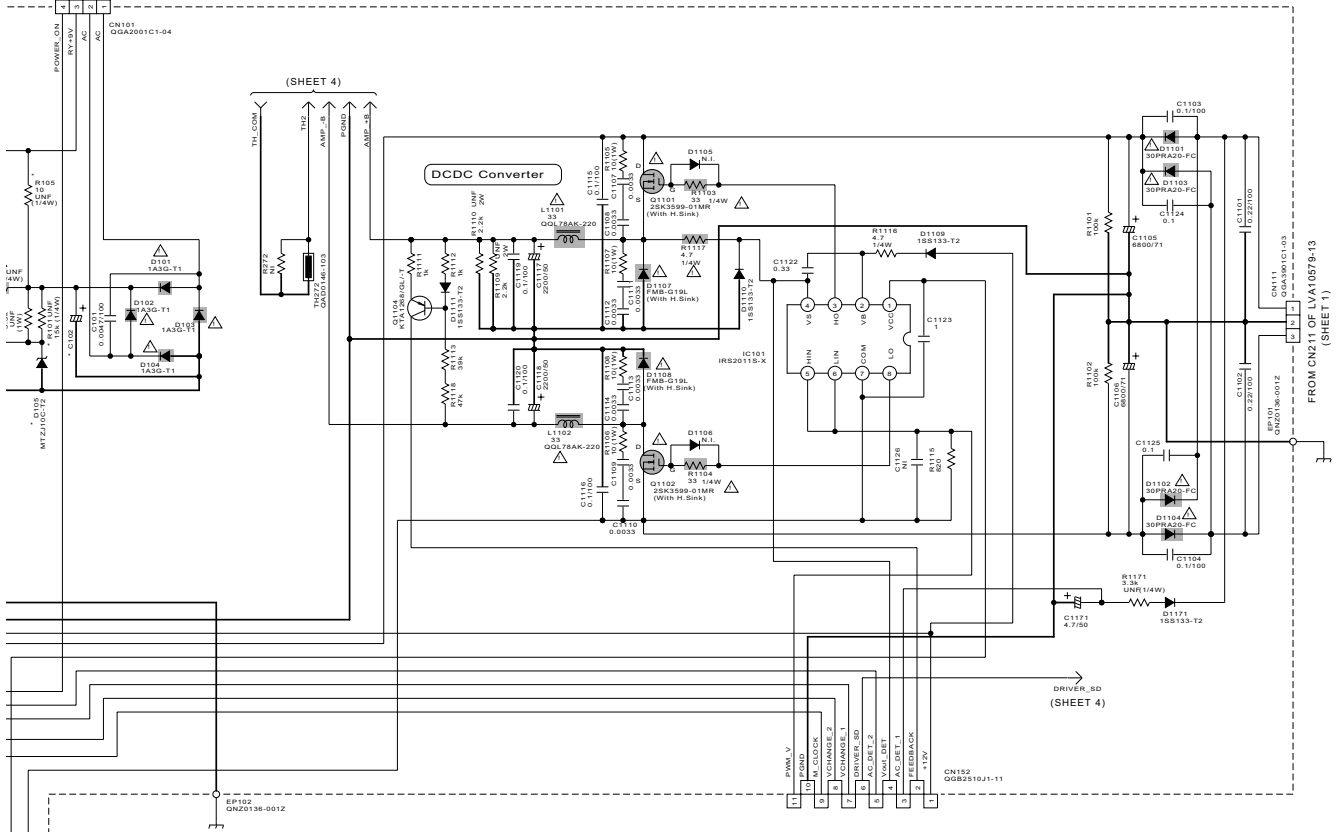
VERSION CODES

J:U.S.A.  
C:CANADA  
B:U.K.  
E:CONTINENTAL EUROPE  
EN:NORDIC COUNTRIES  
EV:EAST EUROPEAN COUNTRIES  
US:SINGAPORE  
UJ:U.S. ARMY  
A:AUSTRARIA  
UP:KOREA  
UF:CHINA

SHEET NUMBER	CIRCUIT DISCRPTION
1	PRIMARY (J/C,B/E/EN/VE,US/UJ)
2	REGULATOR / DC-DC CONVERTER
3	PWM MODULATOR / MASTER CLOCK
4	DIGITAL POWER AMP / SPEAKER TERMINAL
5	AUDIO,VIDEO SIGNAL INPUT / SYSTEM CONTROL LSI (J/C,US/UJ/A/UP/UF)
6	AUDIO,VIDEO SIGNAL INPUT (J/C,US/UJ/A/UP/UF)
7	VOLUME
8	DSP IC / DIGITAL SIGNAL INPUT TERMINAL
9	USER CONTROL KEYS / SYSTEM CONTROL IC / FL DISPLAY

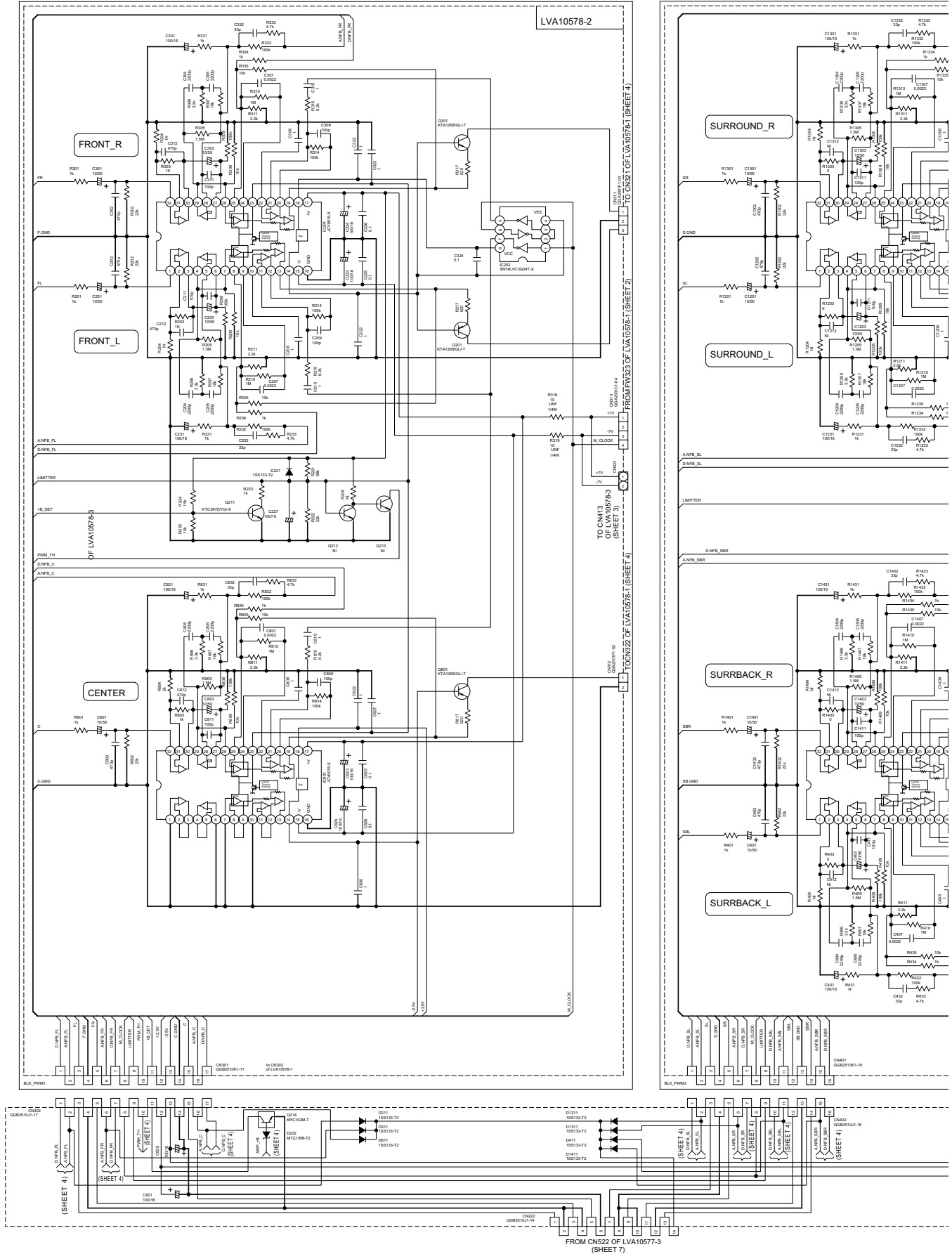
# Regulator and DC-DC converter section

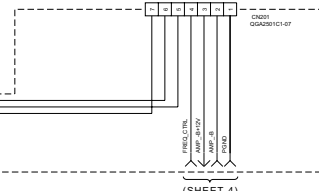
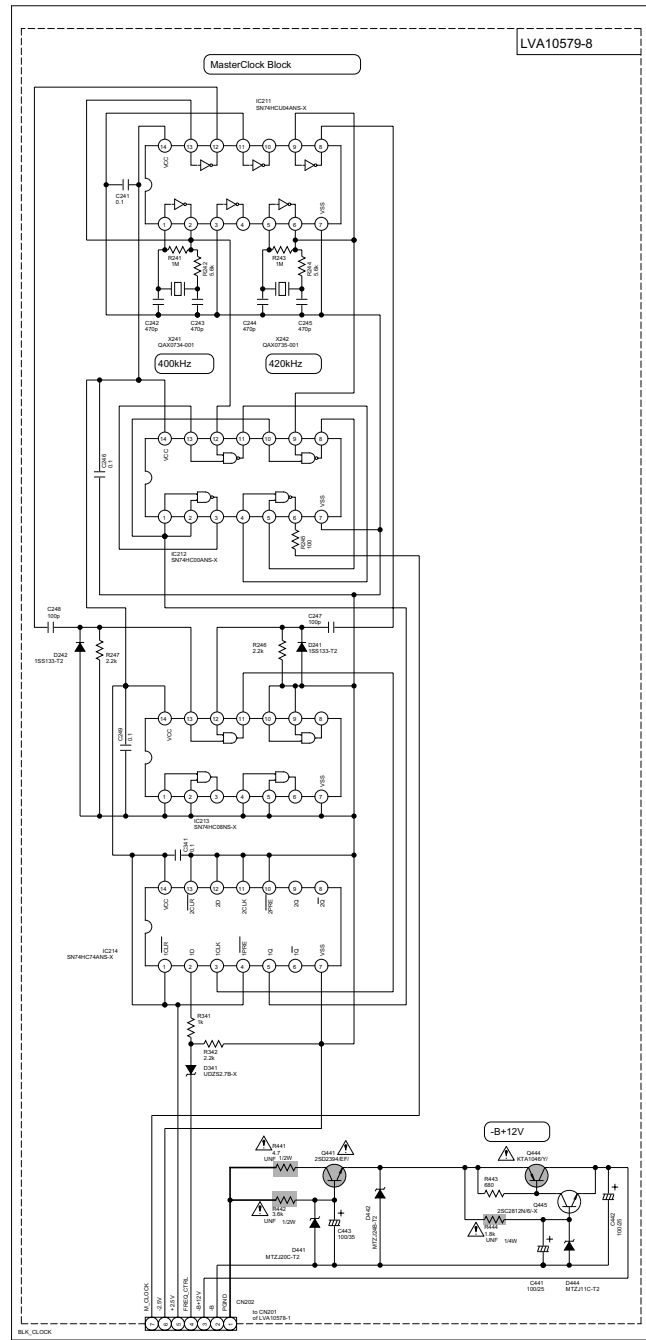
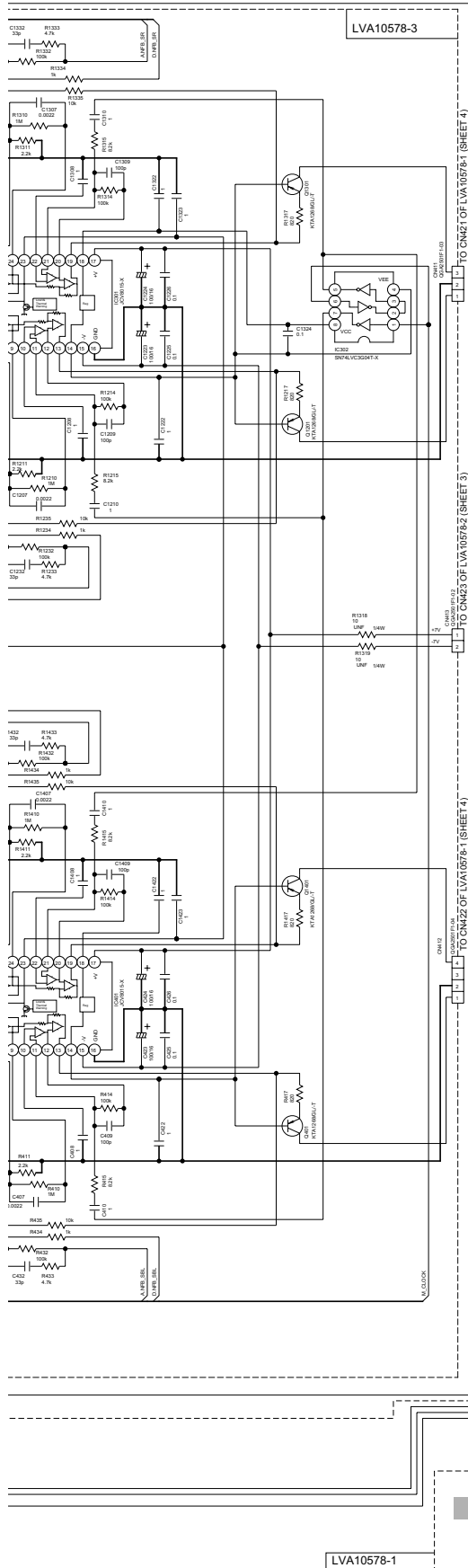




⚠ Parts are safety assurance parts.  
When replacing those parts make  
sure to use the specified one.

# ■ PWM modulator and master clock section

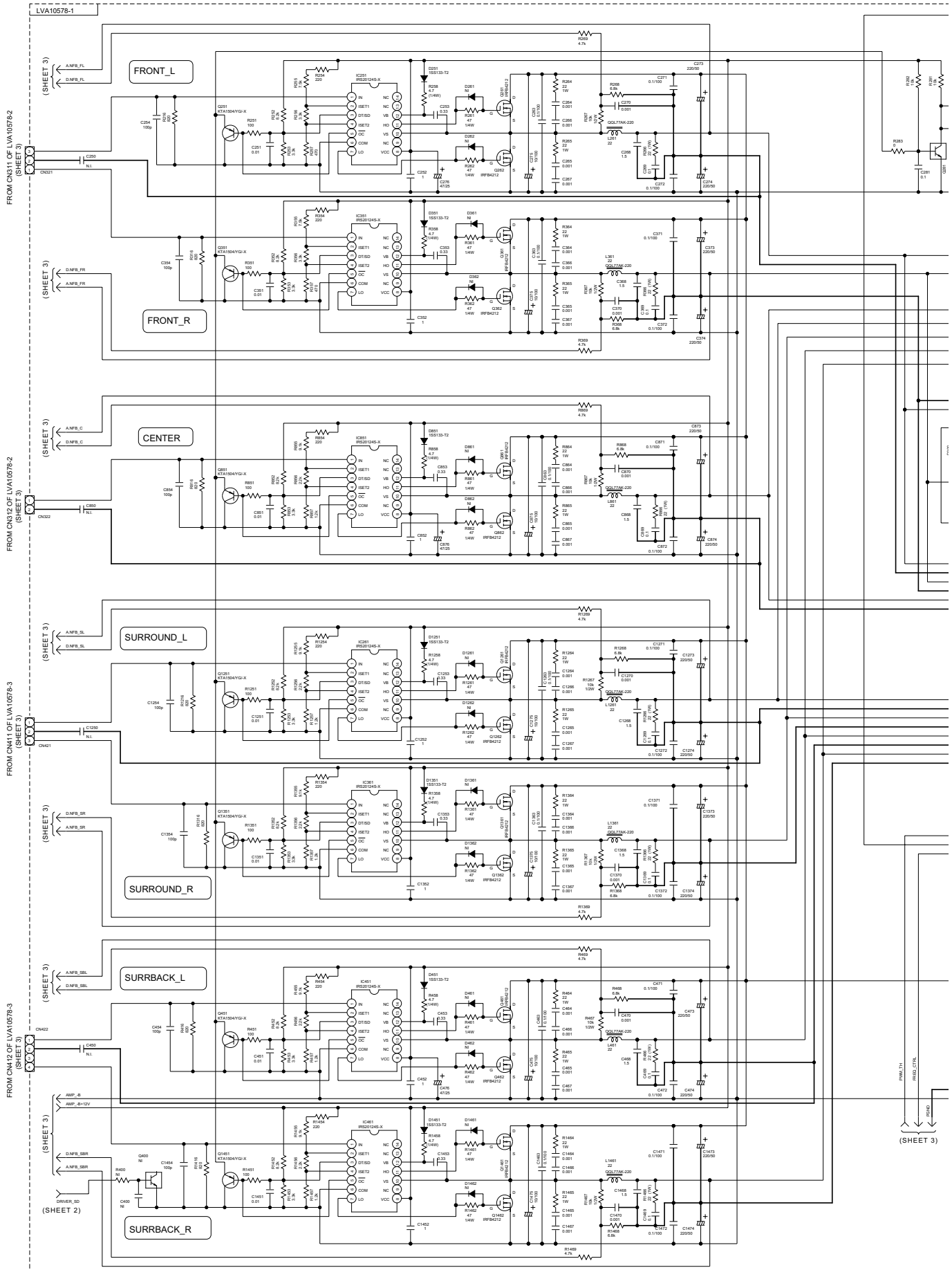




(SHEET 4)

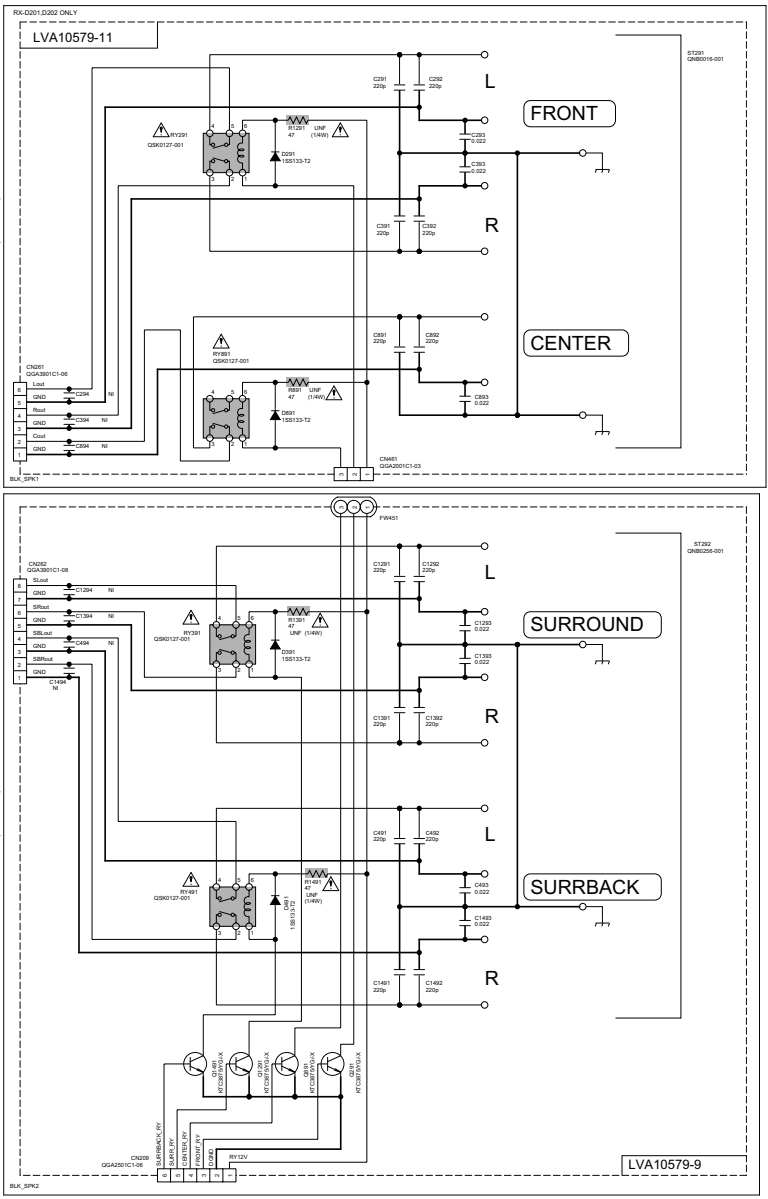
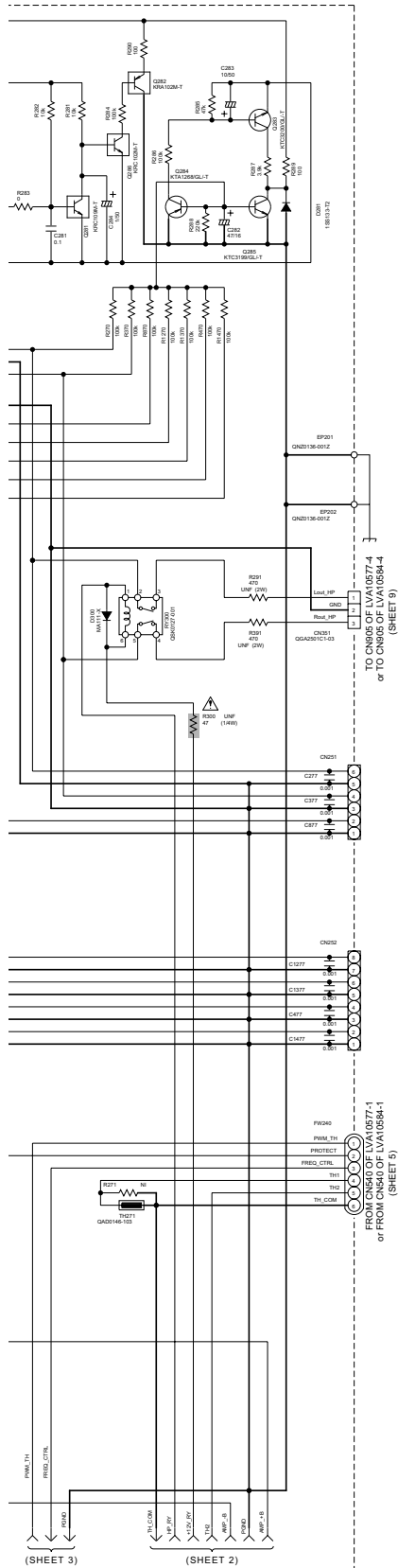
⚠ Parts are safety assurance parts.  
When replacing those parts make  
sure to use the specified one.

# Digital power amplifier and speaker terminal section



(SHEET 3)

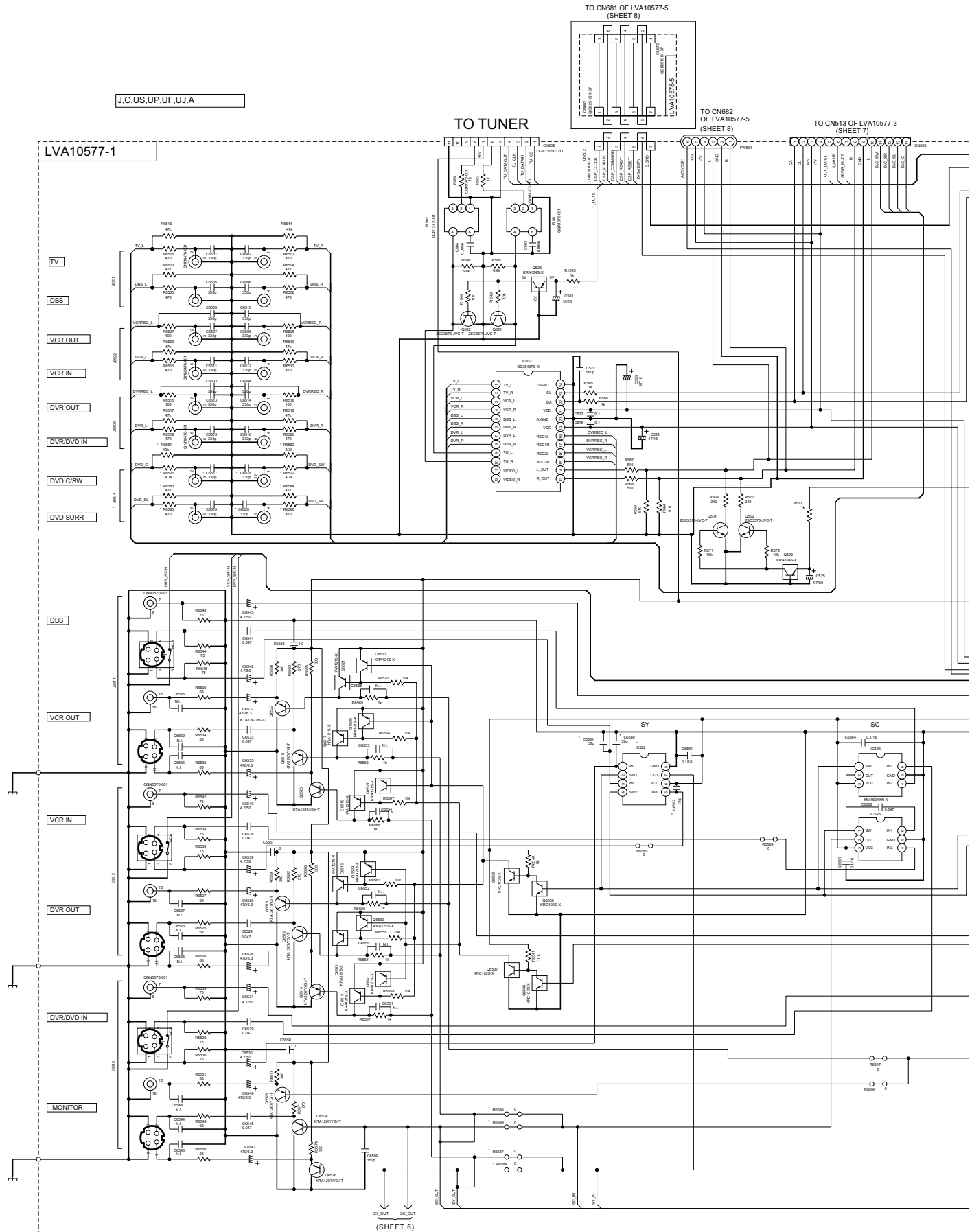


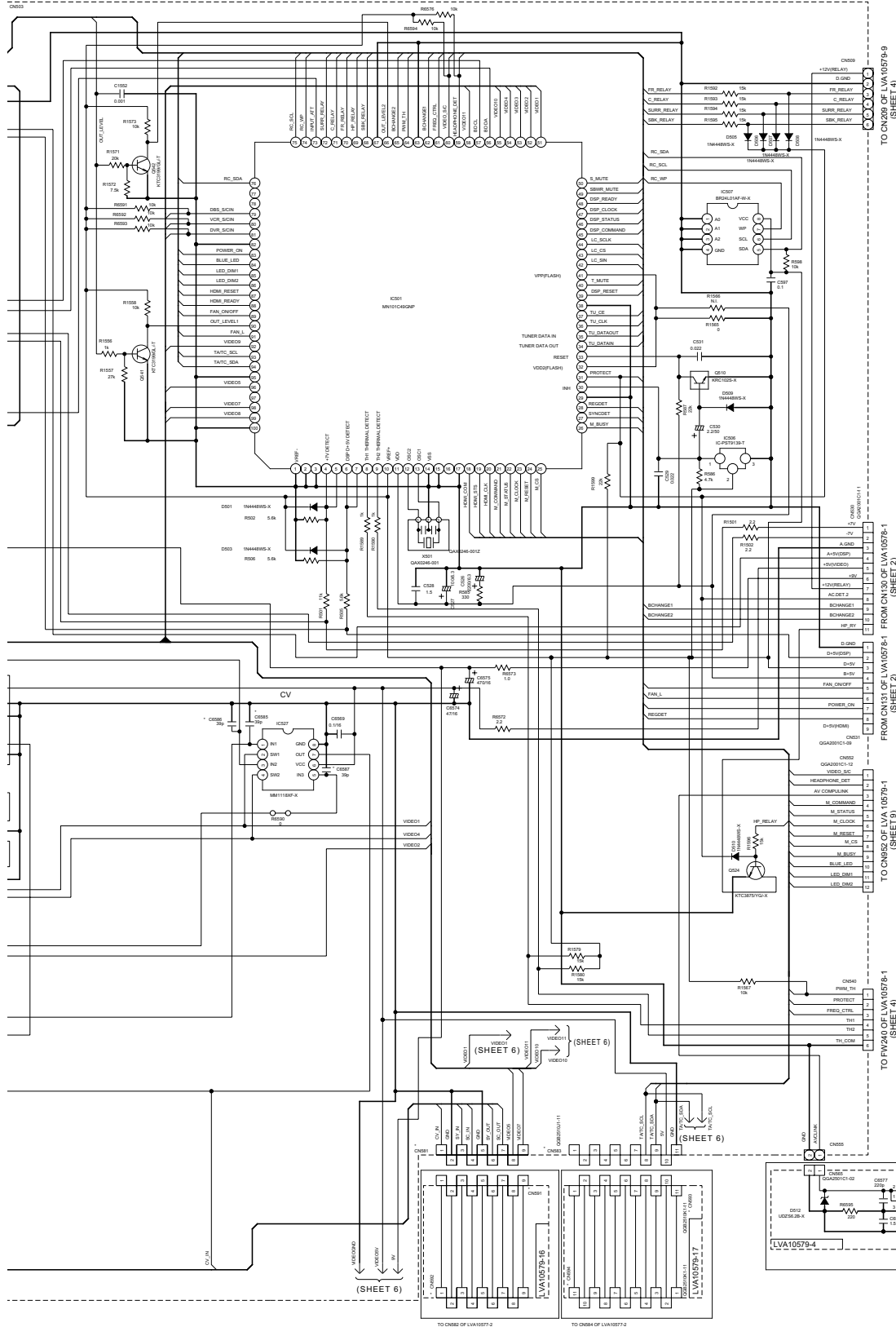


FROM CN509 OF LVA10577-1  
or FROM CN509 OF LVA10584-1  
(SHEET 5)

▲ Parts are safety assurance parts.  
When replacing those parts make  
sure to use the specified one.

# Audio / Video signal input and system control section





TO CN209 OF LVA10579-9  
(SHEET 4)

FROM CN131 OF LVA10578-1  
(SHEET 2)

TO CN52 OF LVA10579-1  
(SHEET 9)

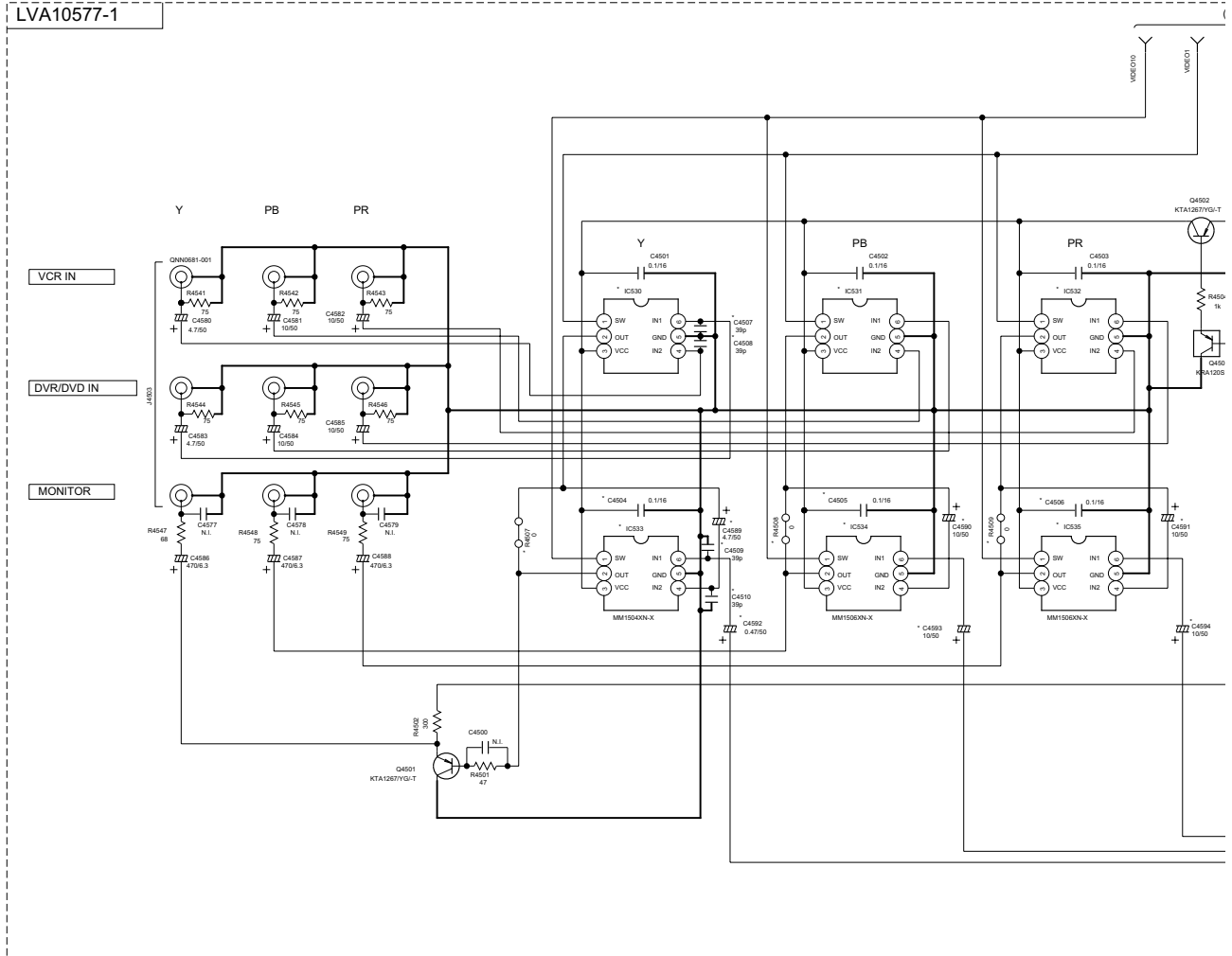
TO CN54 OF LVA10578-1  
(SHEET 4)

TO FW240 OF LVA10579-4  
(SHEET 6)

MARK LIST	DATA	DATA
C332	MM1150P-X	MM1150P-XE
C335	MM1052A-X	MM1052A-X
R1008	USE	NONE
R1009	USE	NONE
R1010	USE	NONE
CN001	NONE	USE
CN002	NONE	USE
CN003	NONE	USE
CN004	NONE	USE
CN005	NONE	USE
CN006	NONE	USE
CN007	NONE	USE
CN008	NONE	USE
CN009	NONE	USE
CN010	NONE	USE
CN011	NONE	USE
CN012	NONE	USE
CN013	NONE	USE
CN014	NONE	USE
CN015	NONE	USE
CN016	NONE	USE
CN017	NONE	USE
CN018	NONE	USE
CN019	NONE	USE
CN020	NONE	USE
CN021	NONE	USE
CN022	NONE	USE
CN023	NONE	USE
CN024	NONE	USE
CN025	NONE	USE
CN026	NONE	USE
CN027	NONE	USE
CN028	NONE	USE
CN029	NONE	USE
CN030	NONE	USE
CN031	NONE	USE
CN032	NONE	USE
CN033	NONE	USE
CN034	NONE	USE
CN035	NONE	USE
CN036	NONE	USE
CN037	NONE	USE
CN038	NONE	USE
CN039	NONE	USE
CN040	NONE	USE
CN041	NONE	USE
CN042	NONE	USE
CN043	NONE	USE
CN044	NONE	USE
CN045	NONE	USE
CN046	NONE	USE
CN047	NONE	USE
CN048	NONE	USE
CN049	NONE	USE
CN050	NONE	USE
CN051	NONE	USE
CN052	NONE	USE
CN053	NONE	USE
CN054	NONE	USE
CN055	NONE	USE
CN056	NONE	USE
CN057	NONE	USE
CN058	NONE	USE
CN059	NONE	USE
CN060	NONE	USE
CN061	NONE	USE
CN062	NONE	USE
CN063	NONE	USE
CN064	NONE	USE
CN065	NONE	USE
CN066	NONE	USE
CN067	NONE	USE
CN068	NONE	USE
CN069	NONE	USE
CN070	NONE	USE
CN071	NONE	USE
CN072	NONE	USE
CN073	NONE	USE
CN074	NONE	USE
CN075	NONE	USE
CN076	NONE	USE
CN077	NONE	USE
CN078	NONE	USE
CN079	NONE	USE
CN080	NONE	USE
CN081	NONE	USE
CN082	NONE	USE
CN083	NONE	USE
CN084	NONE	USE
CN085	NONE	USE
CN086	NONE	USE
CN087	NONE	USE
CN088	NONE	USE
CN089	NONE	USE
CN090	NONE	USE
CN091	NONE	USE
CN092	NONE	USE
CN093	NONE	USE
CN094	NONE	USE
CN095	NONE	USE
CN096	NONE	USE
CN097	NONE	USE
CN098	NONE	USE
CN099	NONE	USE
CN100	NONE	USE

# Audio / Video signal input section

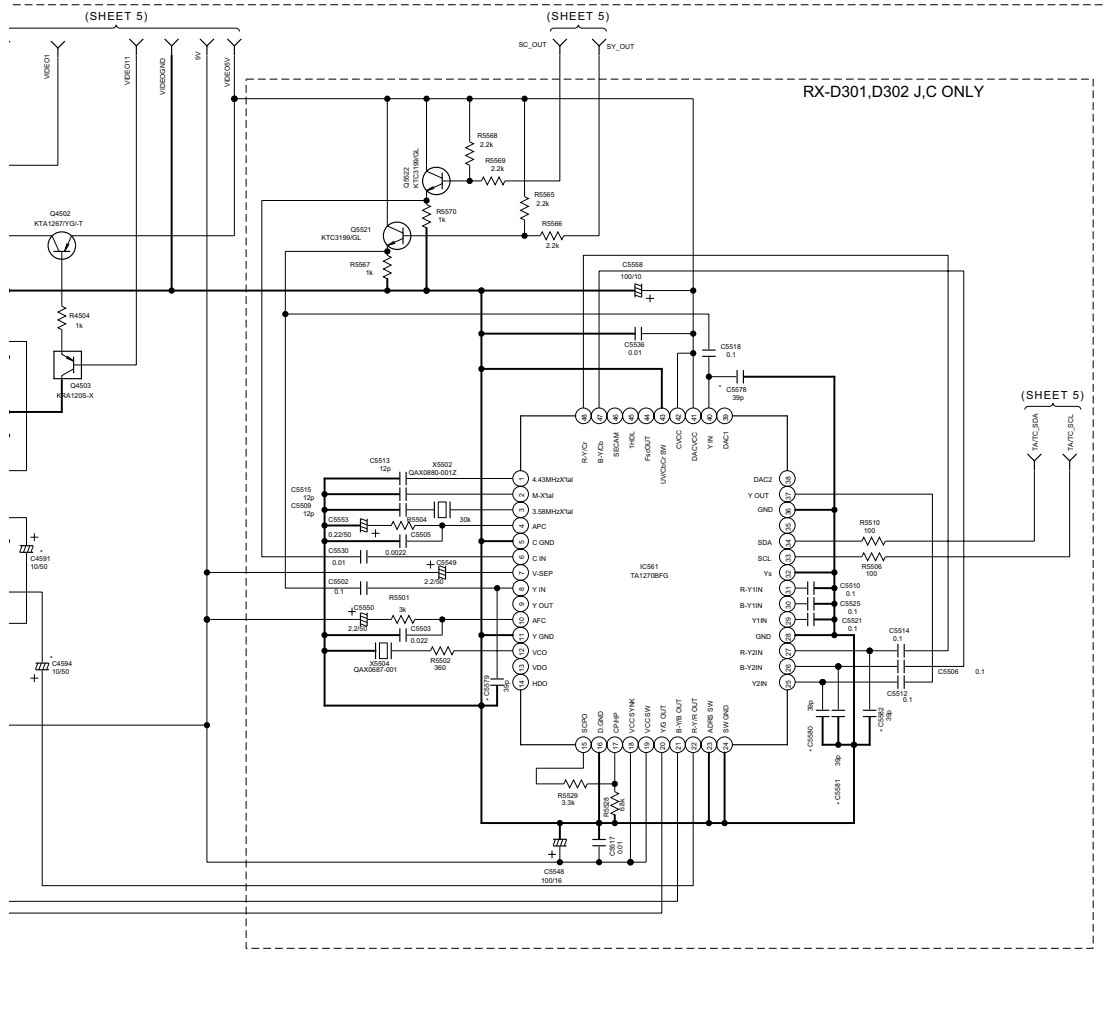
J,C,US,UP,UJ,UJ,A



**MARK LIST**

	D201,D202 J,C	D301,D302 J,C	D301,D302 US,A,UJ,UJ
IC530	MM1504XN-X	MM1503XN-X	MM1504XN-X
IC531	MM1506XN-X	MM1501XN-X	MM1506XN-X
IC532	MM1506XN-X	MM1501XN-X	MM1506XN-X
IC533	NONE	USE	NONE
IC534	NONE	USE	NONE
IC535	NONE	USE	NONE
C4504	NONE	USE	NONE
C4505	NONE	USE	NONE
C4506	NONE	USE	NONE
C4507	NONE	USE	NONE
C4508	NONE	USE	NONE
C4509	NONE	USE	NONE
C4510	NONE	USE	NONE
C4511	NONE	USE	NONE
C4580	NONE	USE	NONE
C4581	NONE	USE	NONE
C4582	NONE	USE	NONE
C4583	NONE	USE	NONE
C4584	NONE	USE	NONE
R4541	USE	NONE	USE
R4542	USE	NONE	USE
R4543	USE	NONE	USE
R4544	USE	NONE	USE
R4545	USE	NONE	USE
R4546	USE	NONE	USE
R4547	USE	NONE	USE
R4548	USE	NONE	USE
R4549	USE	NONE	USE
R4550	USE	NONE	USE
R4551	USE	NONE	USE

	UP	J,C,UJ,US A,UJ
C4507	USE	NONE
C4508	USE	NONE
C4509	USE	NONE
C4510	USE	NONE
C5578	USE	NONE
C5579	USE	NONE
C5580	USE	NONE
C5581	USE	NONE
C5582	USE	NONE



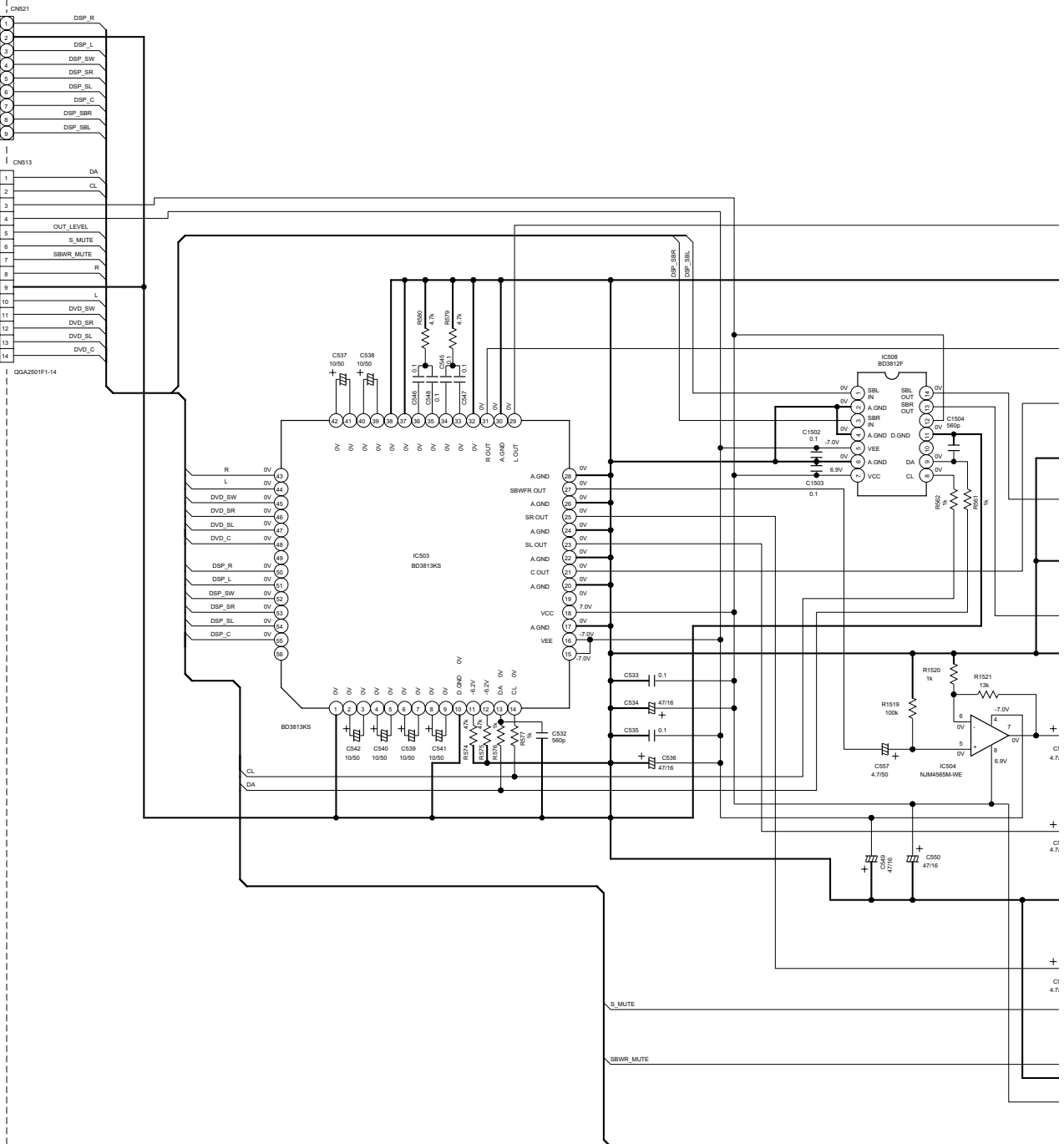
JZL11UR
A.LF
NONE
NONE
NONE
NONE
NONE
NONE
NONE
NONE
NONE
NONE

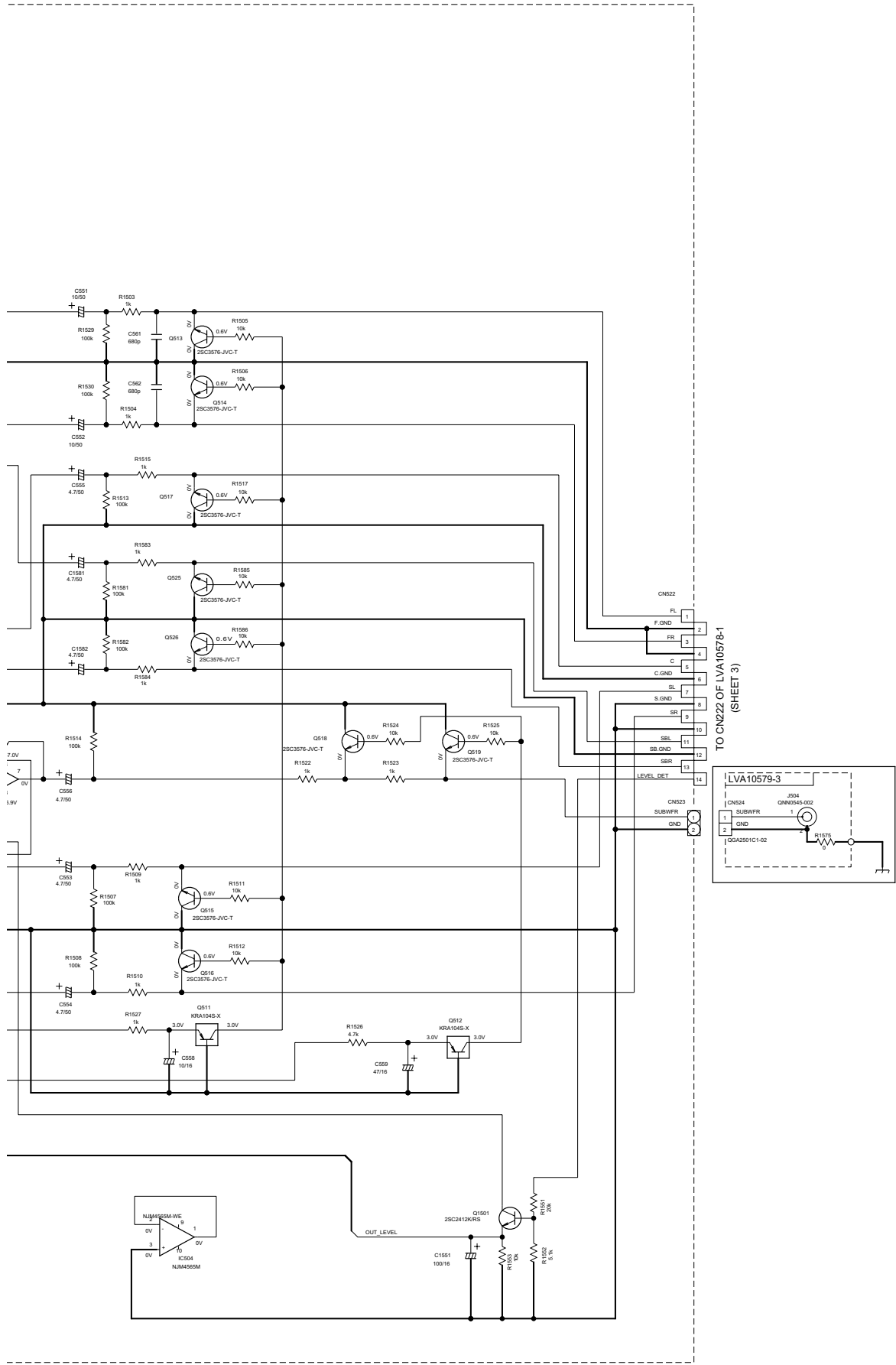
# Volume section

FROM CN683 OF LVA10577-5  
or FROM CN683 OF LVA10584-5  
(SHEET 9)

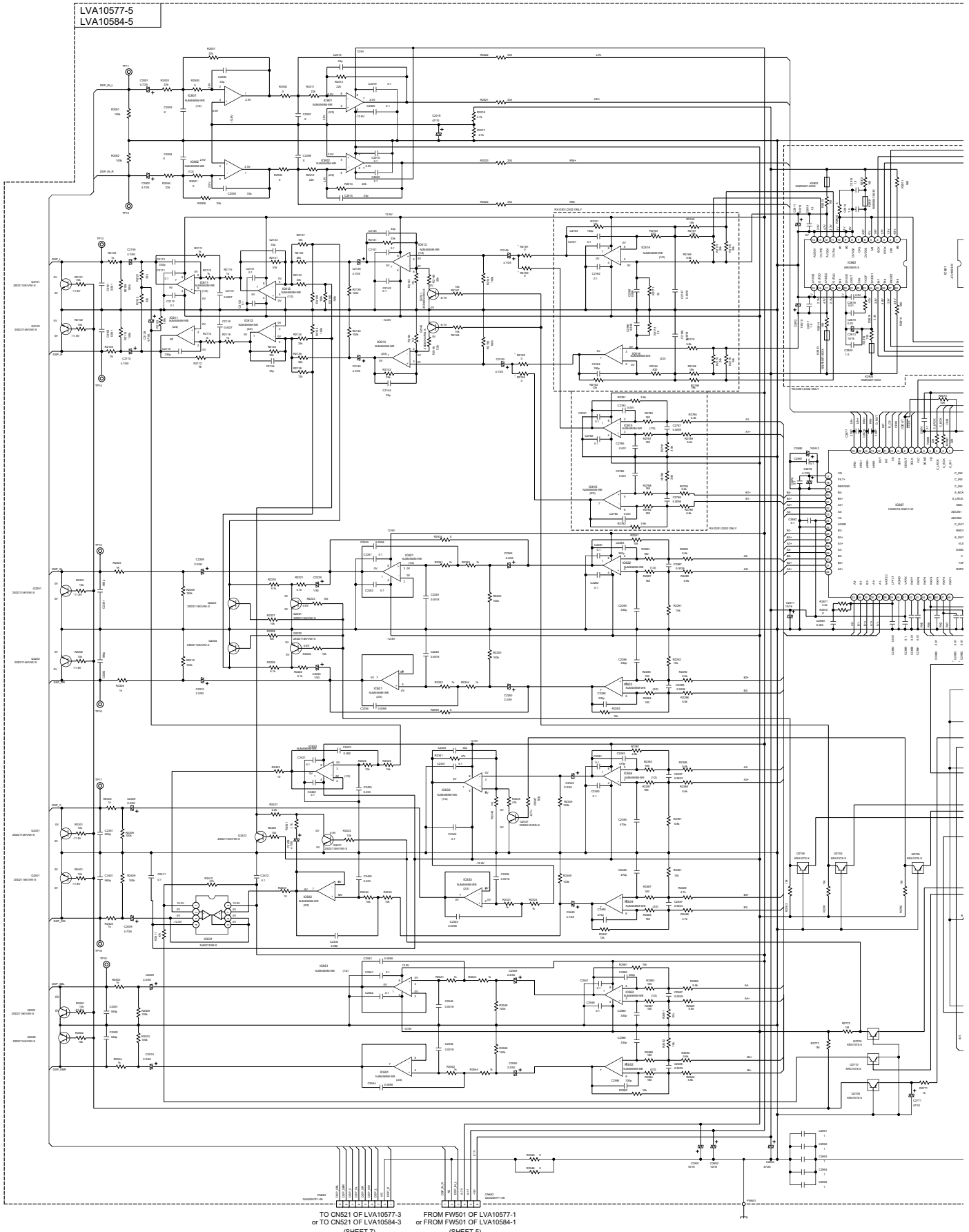
FROM CN503 OF LVA10577-1  
or FROM CN503 OF LVA10584-1  
(SHEET 5)

LVA10577-3  
LVA10584-3





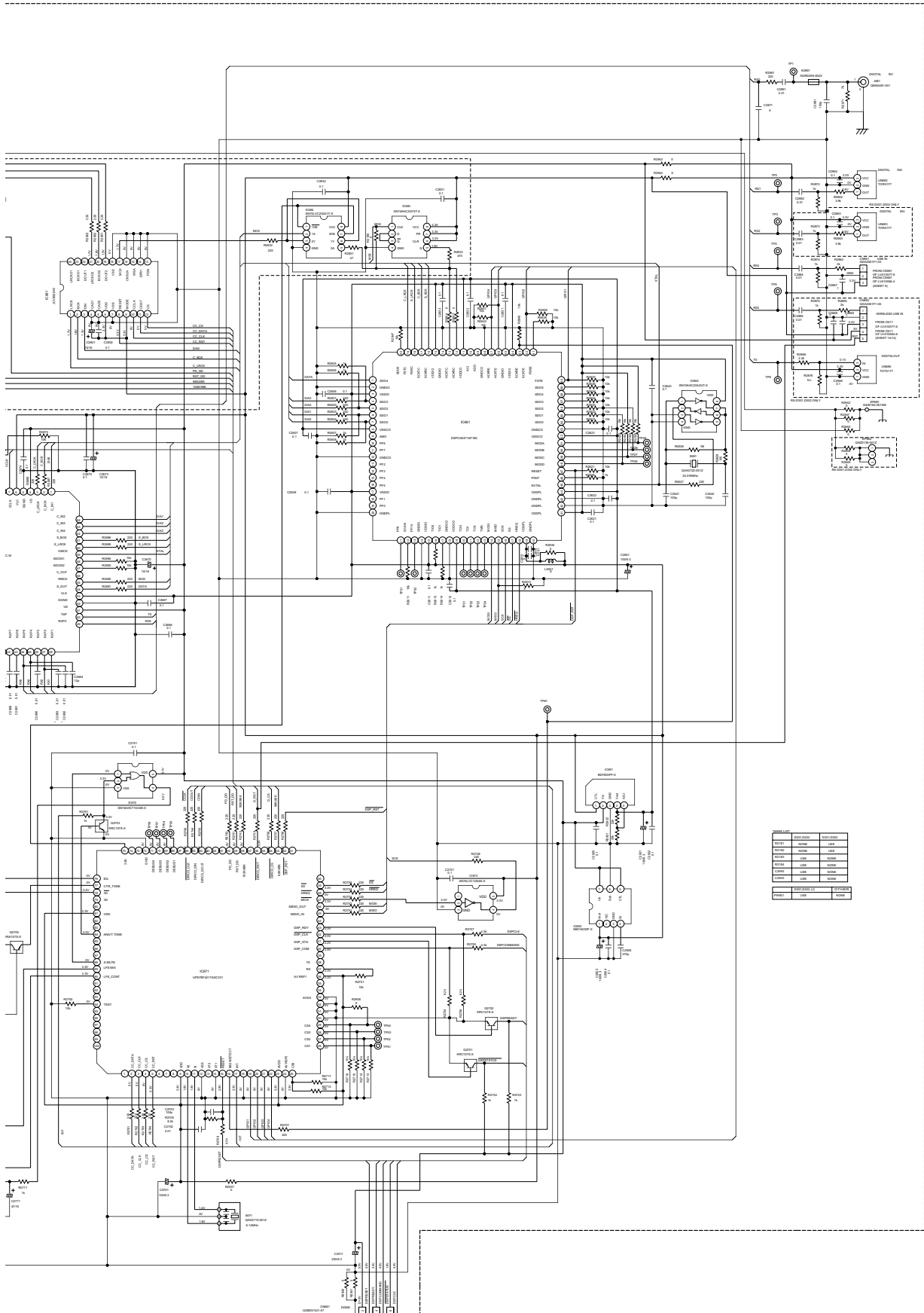
# DSP and digital signal input terminal section



TO CN521 OF LVA10577-3  
 or TO CN521 OF LVA10584-3  
 (SHEET 7)

FROM FW501 OF LVA10577-1  
 or FROM FW501 OF LVA10584-1  
 (SHEET 5)

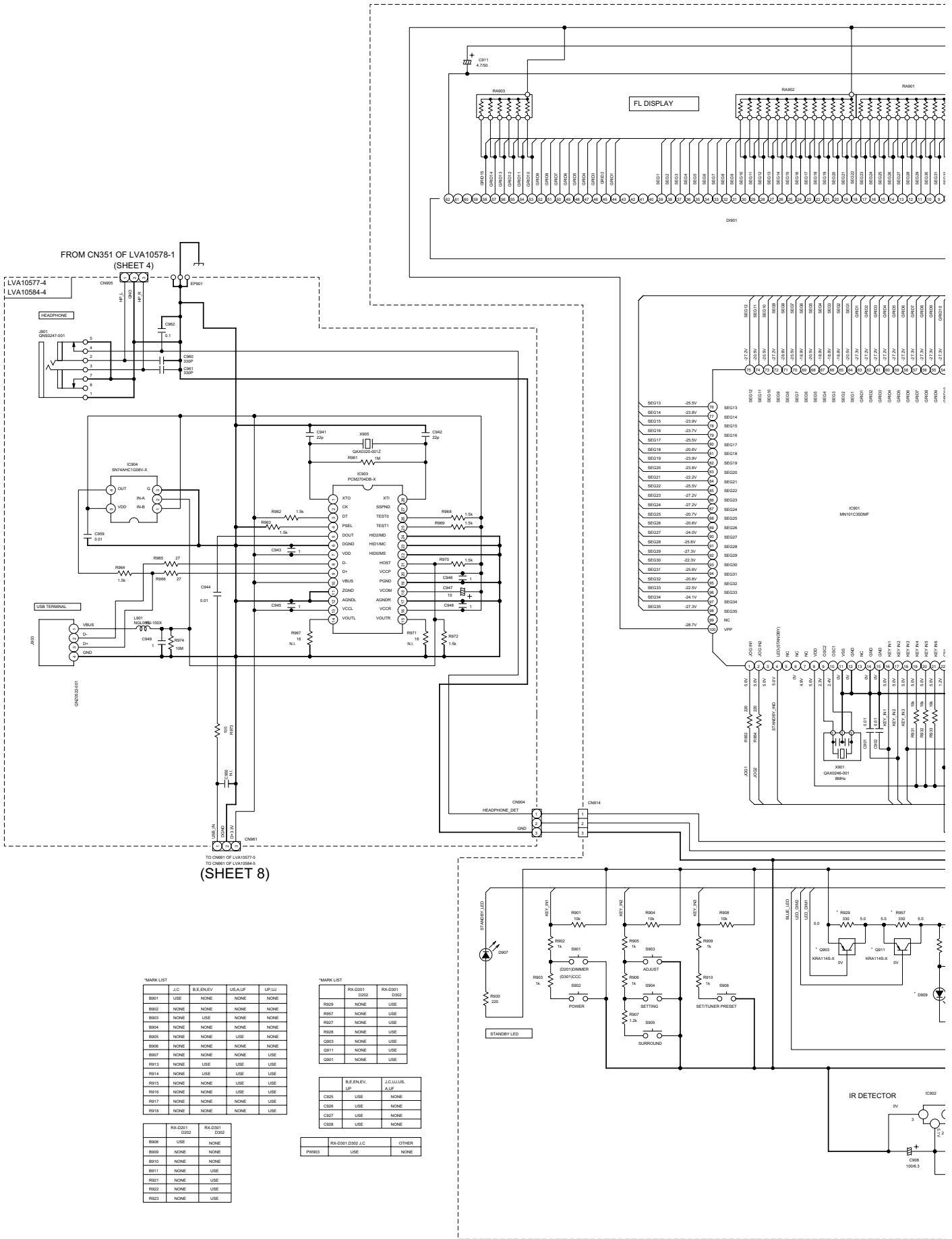




REF	VALUE	QTY	UNIT
R1	100K	1	RES
R2	100K	1	RES
R3	100K	1	RES
R4	100K	1	RES
R5	100K	1	RES
R6	100K	1	RES
R7	100K	1	RES
R8	100K	1	RES
R9	100K	1	RES
R10	100K	1	RES
R11	100K	1	RES
R12	100K	1	RES
R13	100K	1	RES
R14	100K	1	RES
R15	100K	1	RES
R16	100K	1	RES
R17	100K	1	RES
R18	100K	1	RES
R19	100K	1	RES
R20	100K	1	RES
R21	100K	1	RES
R22	100K	1	RES
R23	100K	1	RES
R24	100K	1	RES
R25	100K	1	RES
R26	100K	1	RES
R27	100K	1	RES
R28	100K	1	RES
R29	100K	1	RES
R30	100K	1	RES
R31	100K	1	RES
R32	100K	1	RES
R33	100K	1	RES
R34	100K	1	RES
R35	100K	1	RES
R36	100K	1	RES
R37	100K	1	RES
R38	100K	1	RES
R39	100K	1	RES
R40	100K	1	RES
R41	100K	1	RES
R42	100K	1	RES
R43	100K	1	RES
R44	100K	1	RES
R45	100K	1	RES
R46	100K	1	RES
R47	100K	1	RES
R48	100K	1	RES
R49	100K	1	RES
R50	100K	1	RES
R51	100K	1	RES
R52	100K	1	RES
R53	100K	1	RES
R54	100K	1	RES
R55	100K	1	RES
R56	100K	1	RES
R57	100K	1	RES
R58	100K	1	RES
R59	100K	1	RES
R60	100K	1	RES
R61	100K	1	RES
R62	100K	1	RES
R63	100K	1	RES
R64	100K	1	RES
R65	100K	1	RES
R66	100K	1	RES
R67	100K	1	RES
R68	100K	1	RES
R69	100K	1	RES
R70	100K	1	RES
R71	100K	1	RES
R72	100K	1	RES
R73	100K	1	RES
R74	100K	1	RES
R75	100K	1	RES
R76	100K	1	RES
R77	100K	1	RES
R78	100K	1	RES
R79	100K	1	RES
R80	100K	1	RES
R81	100K	1	RES
R82	100K	1	RES
R83	100K	1	RES
R84	100K	1	RES
R85	100K	1	RES
R86	100K	1	RES
R87	100K	1	RES
R88	100K	1	RES
R89	100K	1	RES
R90	100K	1	RES
R91	100K	1	RES
R92	100K	1	RES
R93	100K	1	RES
R94	100K	1	RES
R95	100K	1	RES
R96	100K	1	RES
R97	100K	1	RES
R98	100K	1	RES
R99	100K	1	RES
R100	100K	1	RES
C1	1000UF	1	CAP
C2	1000UF	1	CAP
C3	1000UF	1	CAP
C4	1000UF	1	CAP
C5	1000UF	1	CAP
C6	1000UF	1	CAP
C7	1000UF	1	CAP
C8	1000UF	1	CAP
C9	1000UF	1	CAP
C10	1000UF	1	CAP
C11	1000UF	1	CAP
C12	1000UF	1	CAP
C13	1000UF	1	CAP
C14	1000UF	1	CAP
C15	1000UF	1	CAP
C16	1000UF	1	CAP
C17	1000UF	1	CAP
C18	1000UF	1	CAP
C19	1000UF	1	CAP
C20	1000UF	1	CAP
C21	1000UF	1	CAP
C22	1000UF	1	CAP
C23	1000UF	1	CAP
C24	1000UF	1	CAP
C25	1000UF	1	CAP
C26	1000UF	1	CAP
C27	1000UF	1	CAP
C28	1000UF	1	CAP
C29	1000UF	1	CAP
C30	1000UF	1	CAP
C31	1000UF	1	CAP
C32	1000UF	1	CAP
C33	1000UF	1	CAP
C34	1000UF	1	CAP
C35	1000UF	1	CAP
C36	1000UF	1	CAP
C37	1000UF	1	CAP
C38	1000UF	1	CAP
C39	1000UF	1	CAP
C40	1000UF	1	CAP
C41	1000UF	1	CAP
C42	1000UF	1	CAP
C43	1000UF	1	CAP
C44	1000UF	1	CAP
C45	1000UF	1	CAP
C46	1000UF	1	CAP
C47	1000UF	1	CAP
C48	1000UF	1	CAP
C49	1000UF	1	CAP
C50	1000UF	1	CAP
C51	1000UF	1	CAP
C52	1000UF	1	CAP
C53	1000UF	1	CAP
C54	1000UF	1	CAP
C55	1000UF	1	CAP
C56	1000UF	1	CAP
C57	1000UF	1	CAP
C58	1000UF	1	CAP
C59	1000UF	1	CAP
C60	1000UF	1	CAP
C61	1000UF	1	CAP
C62	1000UF	1	CAP
C63	1000UF	1	CAP
C64	1000UF	1	CAP
C65	1000UF	1	CAP
C66	1000UF	1	CAP
C67	1000UF	1	CAP
C68	1000UF	1	CAP
C69	1000UF	1	CAP
C70	1000UF	1	CAP
C71	1000UF	1	CAP
C72	1000UF	1	CAP
C73	1000UF	1	CAP
C74	1000UF	1	CAP
C75	1000UF	1	CAP
C76	1000UF	1	CAP
C77	1000UF	1	CAP
C78	1000UF	1	CAP
C79	1000UF	1	CAP
C80	1000UF	1	CAP
C81	1000UF	1	CAP
C82	1000UF	1	CAP
C83	1000UF	1	CAP
C84	1000UF	1	CAP
C85	1000UF	1	CAP
C86	1000UF	1	CAP
C87	1000UF	1	CAP
C88	1000UF	1	CAP
C89	1000UF	1	CAP
C90	1000UF	1	CAP
C91	1000UF	1	CAP
C92	1000UF	1	CAP
C93	1000UF	1	CAP
C94	1000UF	1	CAP
C95	1000UF	1	CAP
C96	1000UF	1	CAP
C97	1000UF	1	CAP
C98	1000UF	1	CAP
C99	1000UF	1	CAP
C100	1000UF	1	CAP

FROM CN672 OF LVA10578-5  
(SHEET 5)

# ■ User control keys, system control and FL display section



MARK LIST

	J.C	B.E./EN.V	U.S./U.P	U.P./U
B901	USE	NONE	NONE	NONE
B902	NONE	NONE	NONE	NONE
B903	NONE	NONE	NONE	NONE
B904	NONE	NONE	NONE	NONE
B905	NONE	NONE	NONE	NONE
B906	NONE	NONE	NONE	NONE
B907	NONE	NONE	NONE	USE
B913	NONE	USE	USE	USE
B914	NONE	USE	USE	USE
B915	NONE	NONE	USE	USE
B916	NONE	NONE	USE	USE
B917	NONE	NONE	USE	USE
B925	NONE	NONE	USE	USE
B919	NONE	NONE	NONE	USE

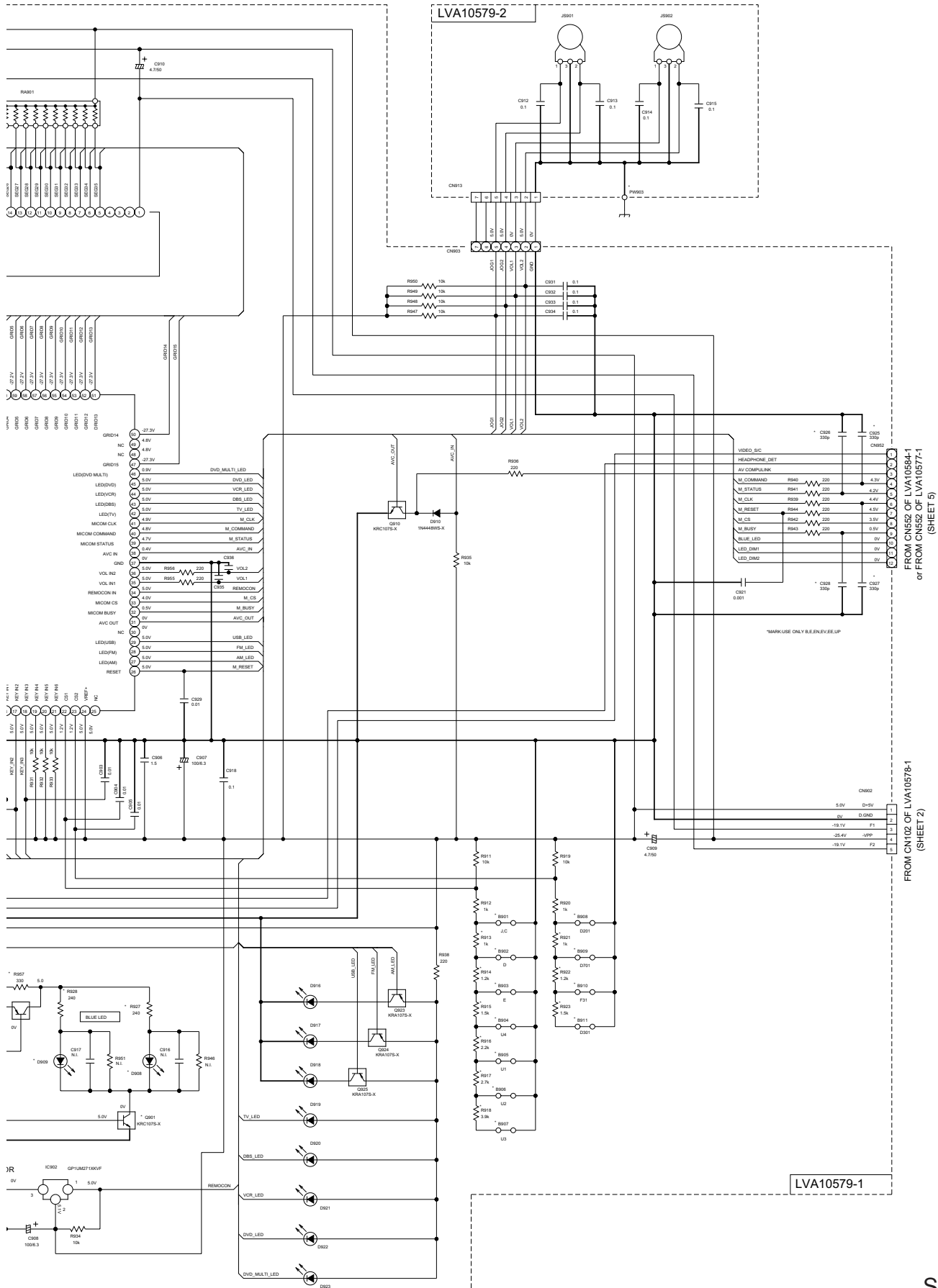
	RX-D201	RX-D301
B908	USE	NONE
B909	NONE	NONE
B910	NONE	NONE
B911	NONE	USE
B921	NONE	USE
B922	NONE	USE
B923	NONE	USE

MARK LIST

	RX-D201	RX-D301
R929	NONE	USE
R927	NONE	USE
R928	NONE	USE
R929	NONE	USE
R930	NONE	USE
R931	NONE	USE
R932	NONE	USE

	B.E./EN.V, U.P.	J.C./U.S., U.P.
C925	USE	NONE
C926	USE	NONE
C927	USE	NONE
C928	USE	NONE

	RX-D201, D302, J.C.	OTHER
PW903	USE	NONE



FROM CN552 OF LVA10564-1  
or FROM CN552 OF LVA10577-1  
(SHEET 5)

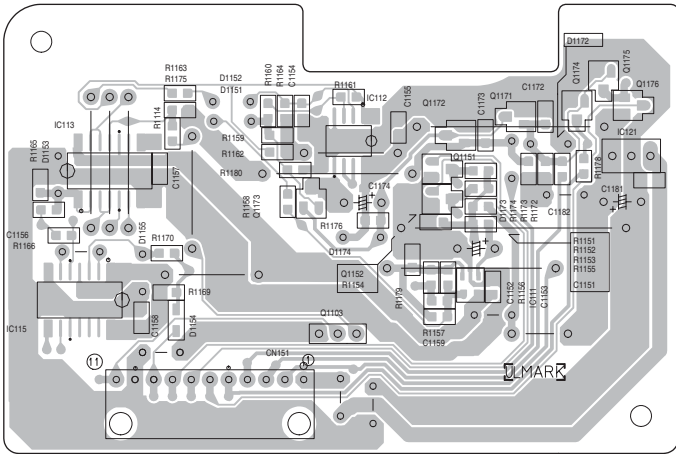
FROM CN102 OF LVA10578-1  
(SHEET 2)

# Printed circuit boards

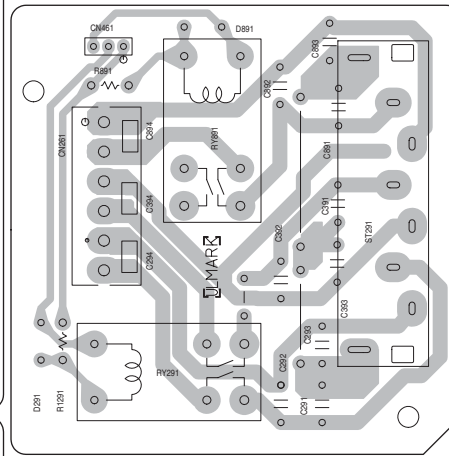
## Front board

Lead free solder used in the board (material : Sn-Ag-Cu, melting point : 219 Centigrade)

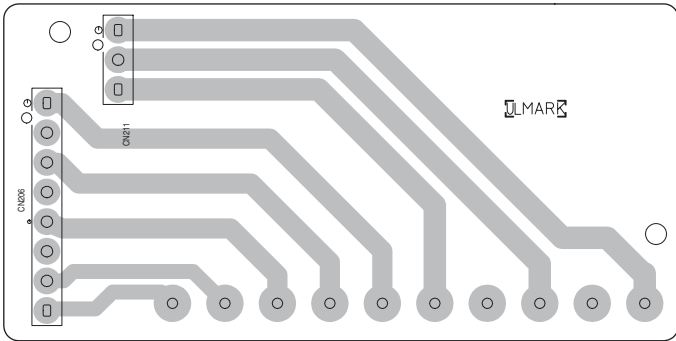
(DCDC control board)



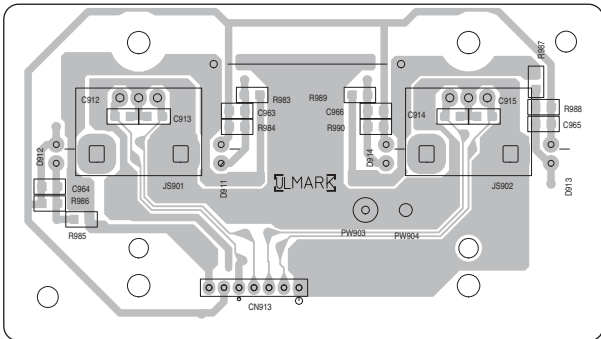
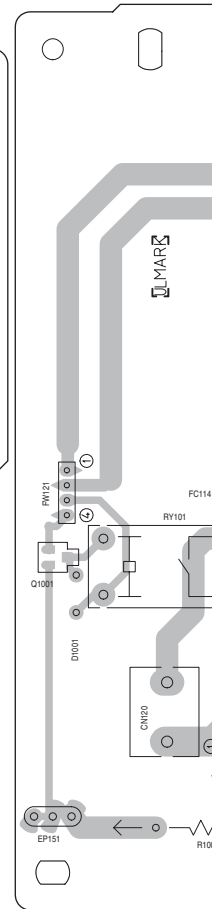
(Speaker terminal 1 board)



(F

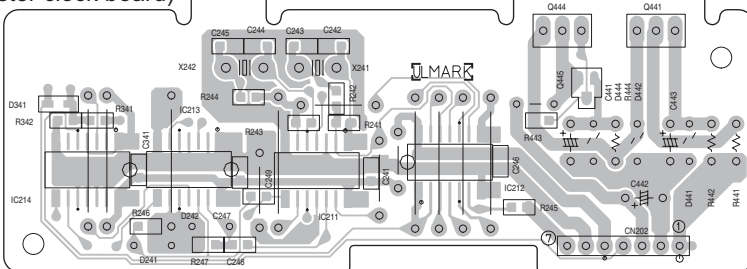


(Trans secondary board)

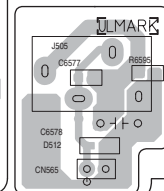


(JOG board)

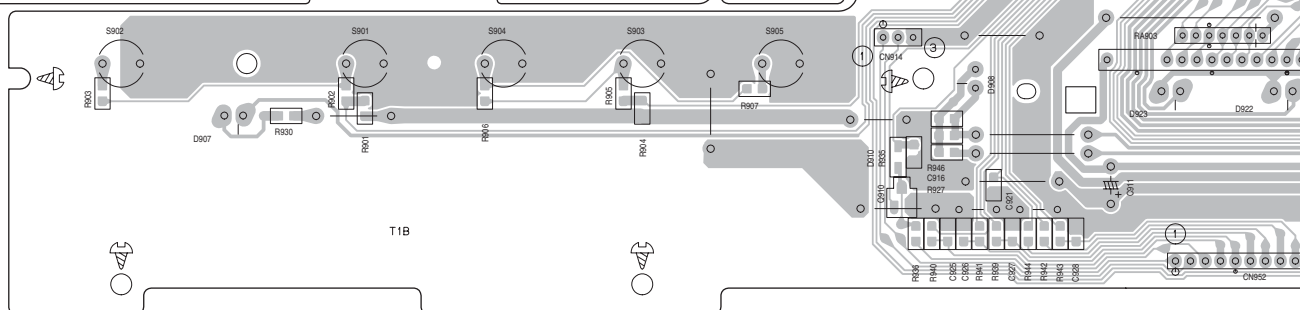
(Master clock board)



(Compulink board)



(FL board)

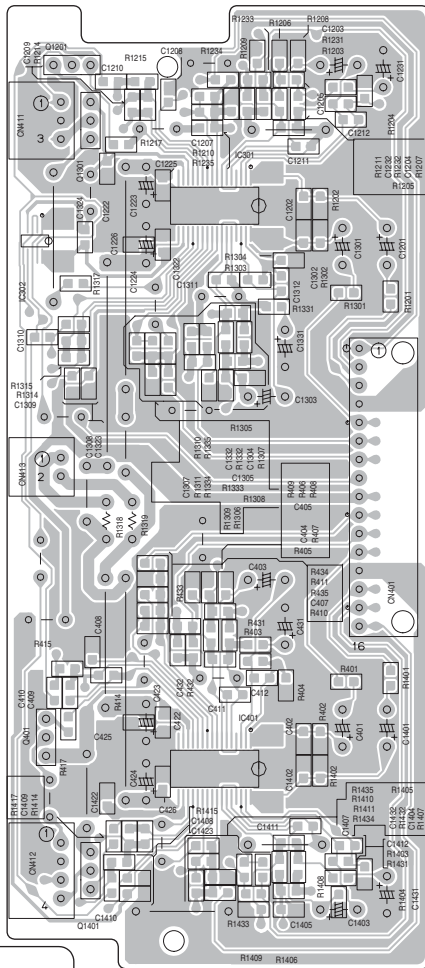




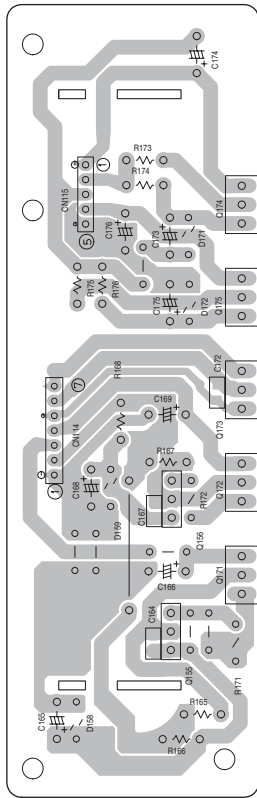
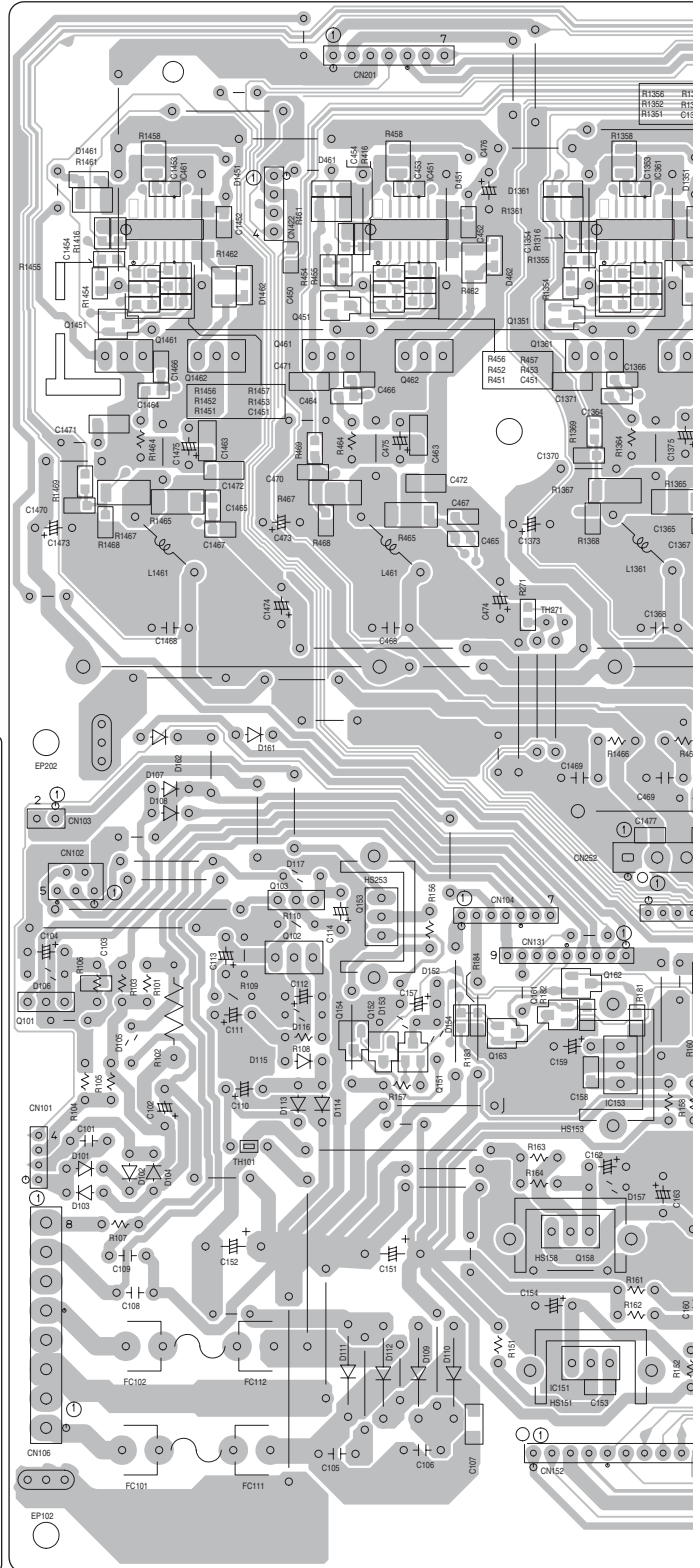
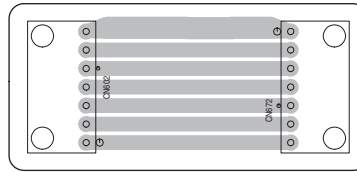
# Amplifier board

Lead free solder used in the board (material : Sn-Ag-Cu, melting point : 219 Centigrade)

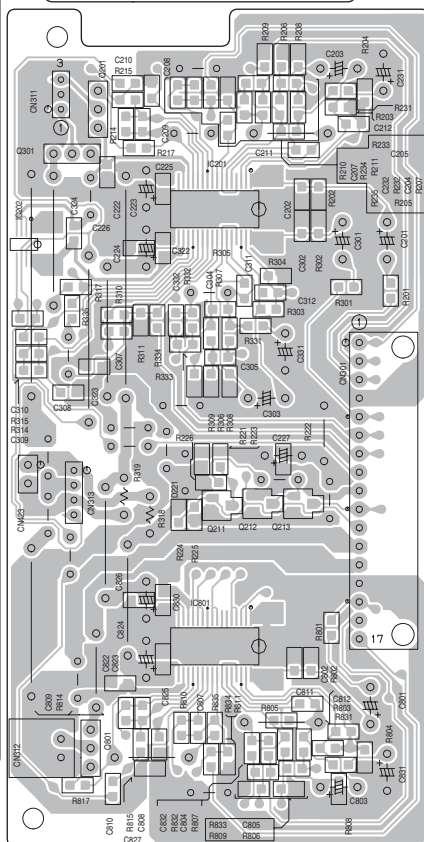
(PWM modulation 2 board)



(DSP connect board)

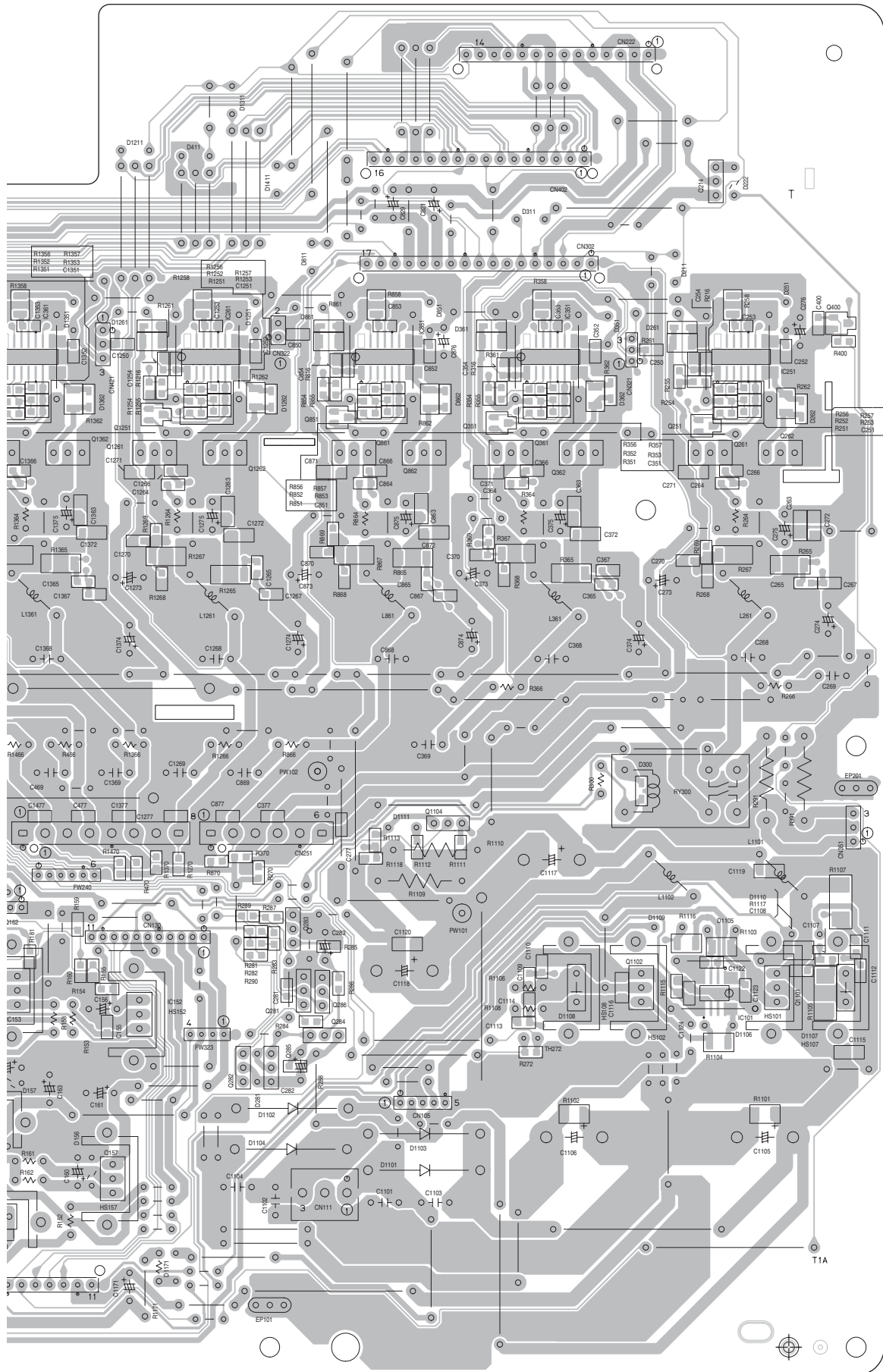


(Regulator board)



(PWM modulation 1 board)

(Main amplifier board)

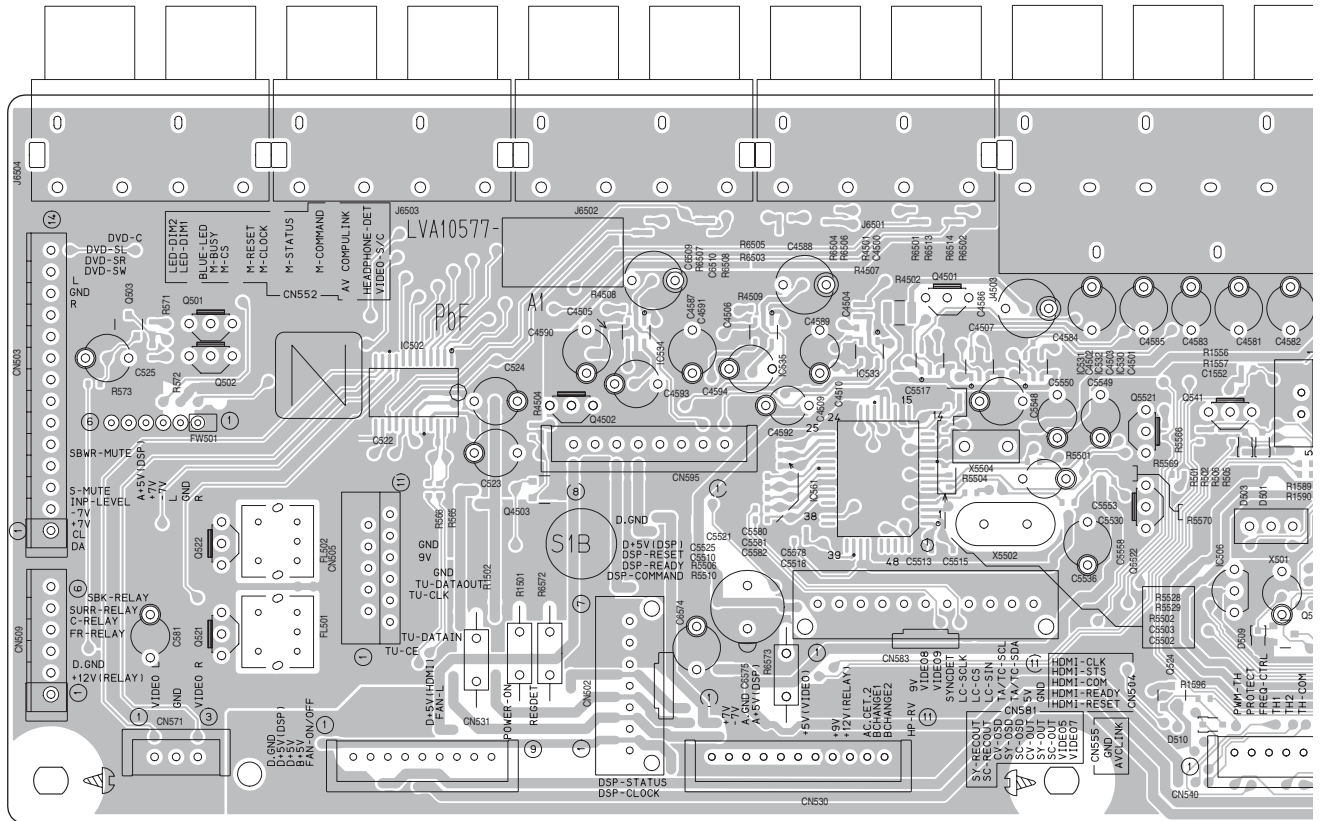
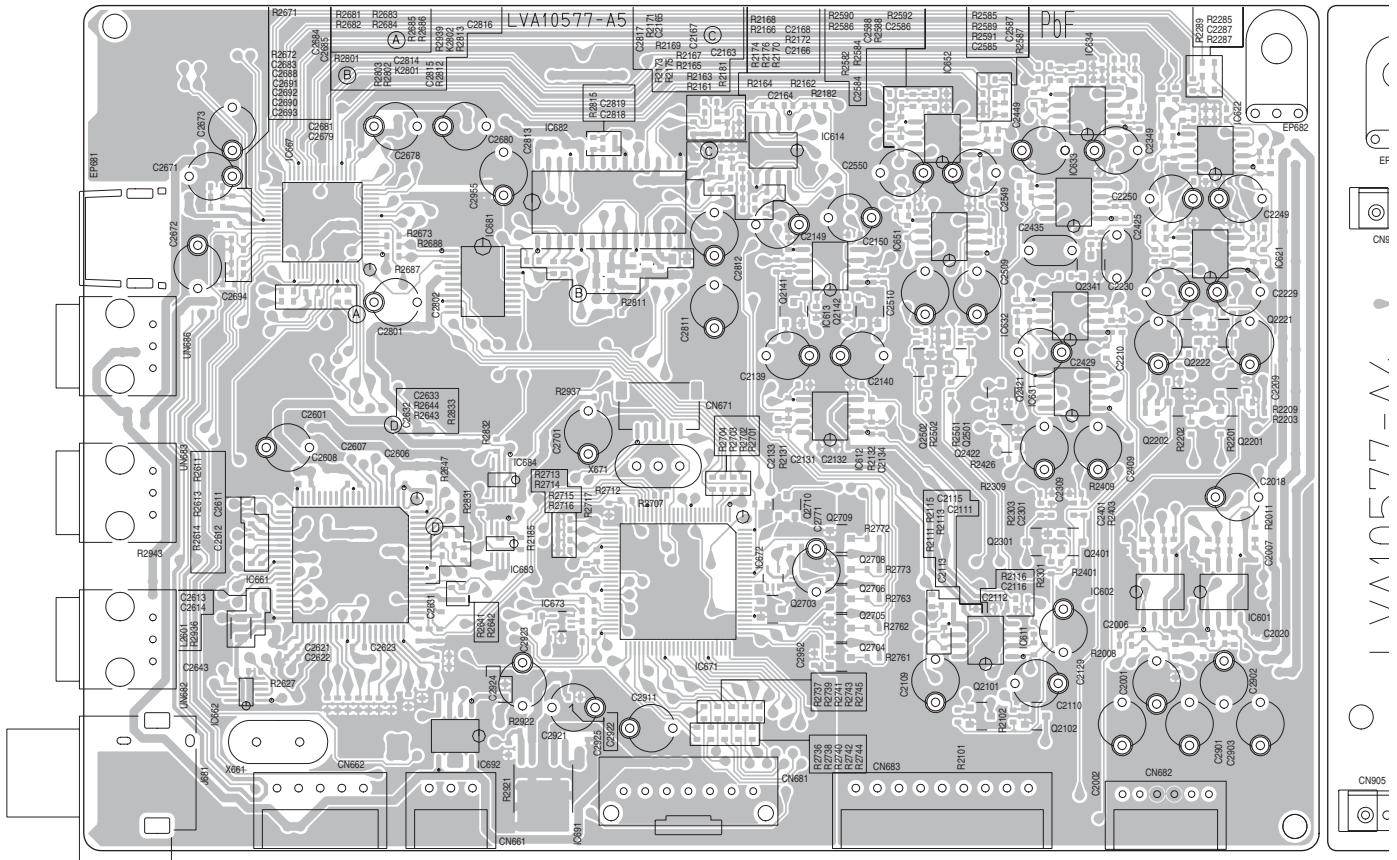


**Input board**

Lead free solder used in the board (material : Sn-Ag-Cu, melting point : 219 Centigrade)

Forward side

(DSP board)

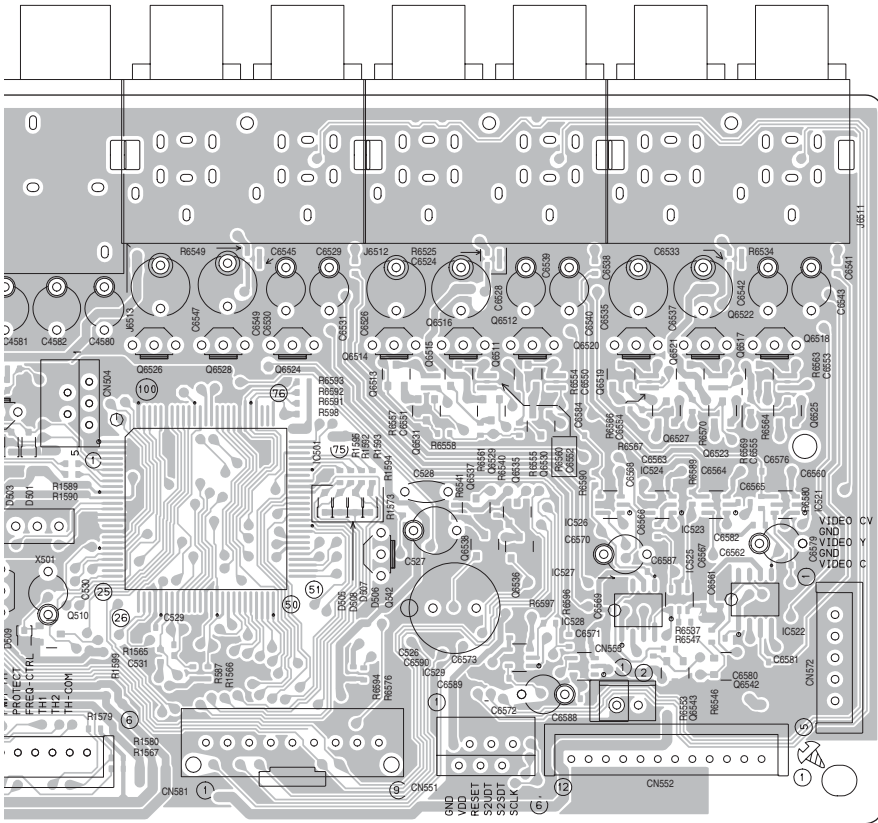
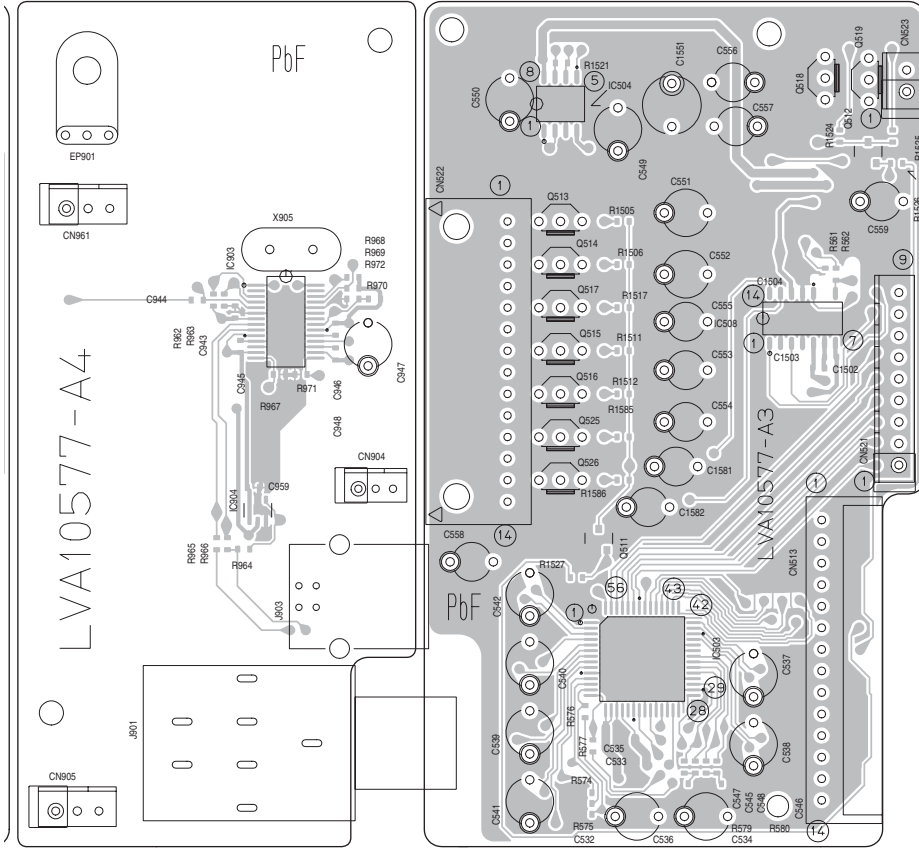


(Input board)



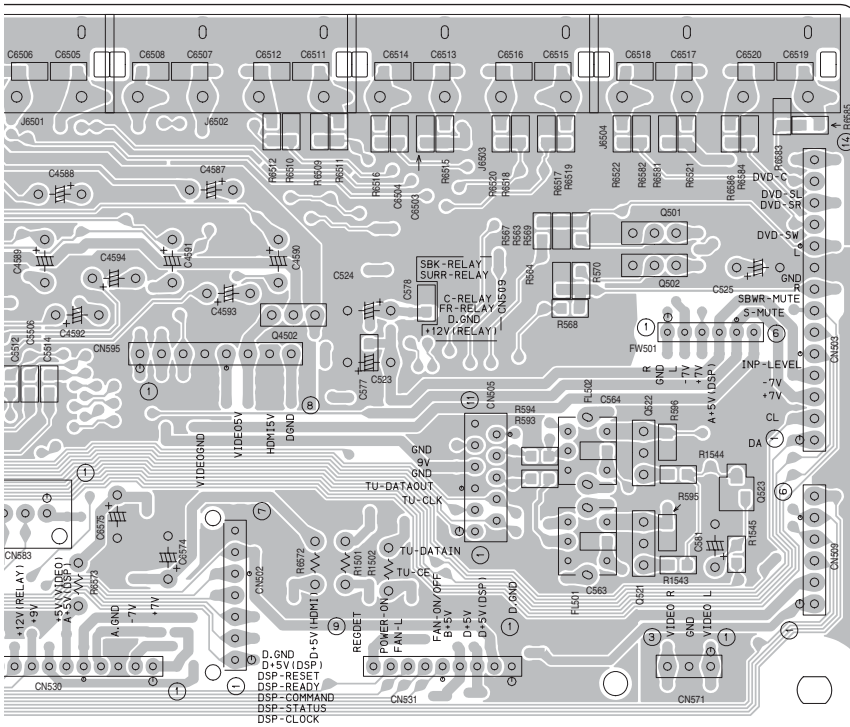
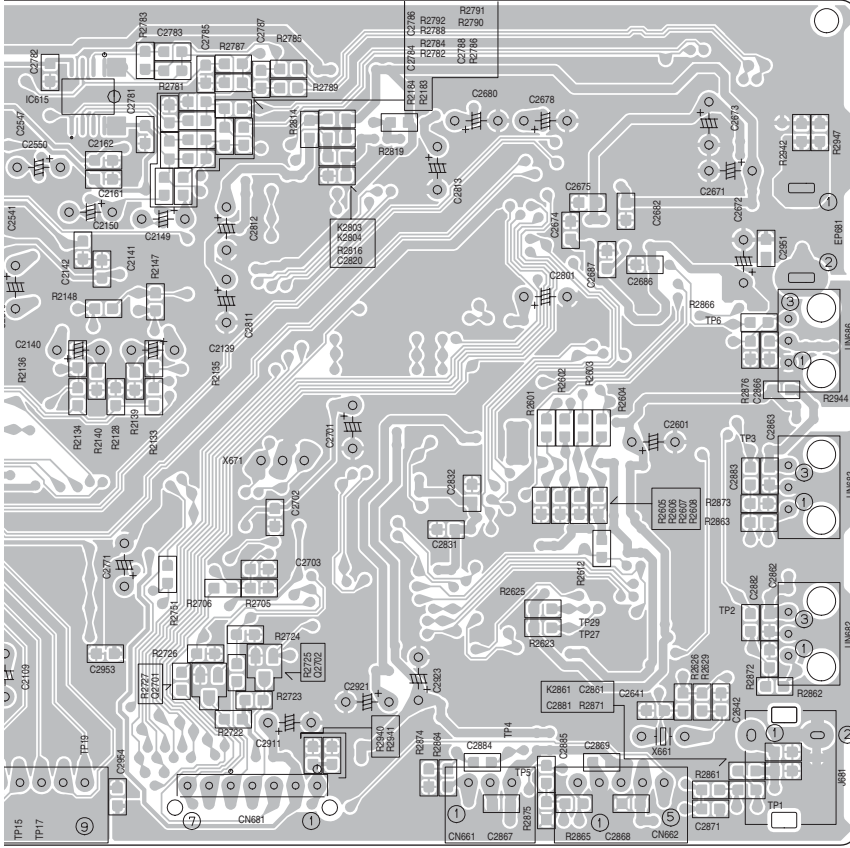
(OSD connect 2 board)

(OSD connect 1 board)





(DSP board)



**JVC**

Victor Company of Japan, Limited

AV & MULTIMEDIA COMPANY AUDIO/VIDEO SYSTEMS CATEGORY 10-1,1chome,Ohwatari-machi,Maebashi-city,371-8543,Japan

(No.MB364SCH)



Printed in Japan  
VPT

# PARTS LIST

[ RX-D201S ] [ RX-D202B ]

\* All printed circuit boards and its assemblies are not available as service parts.

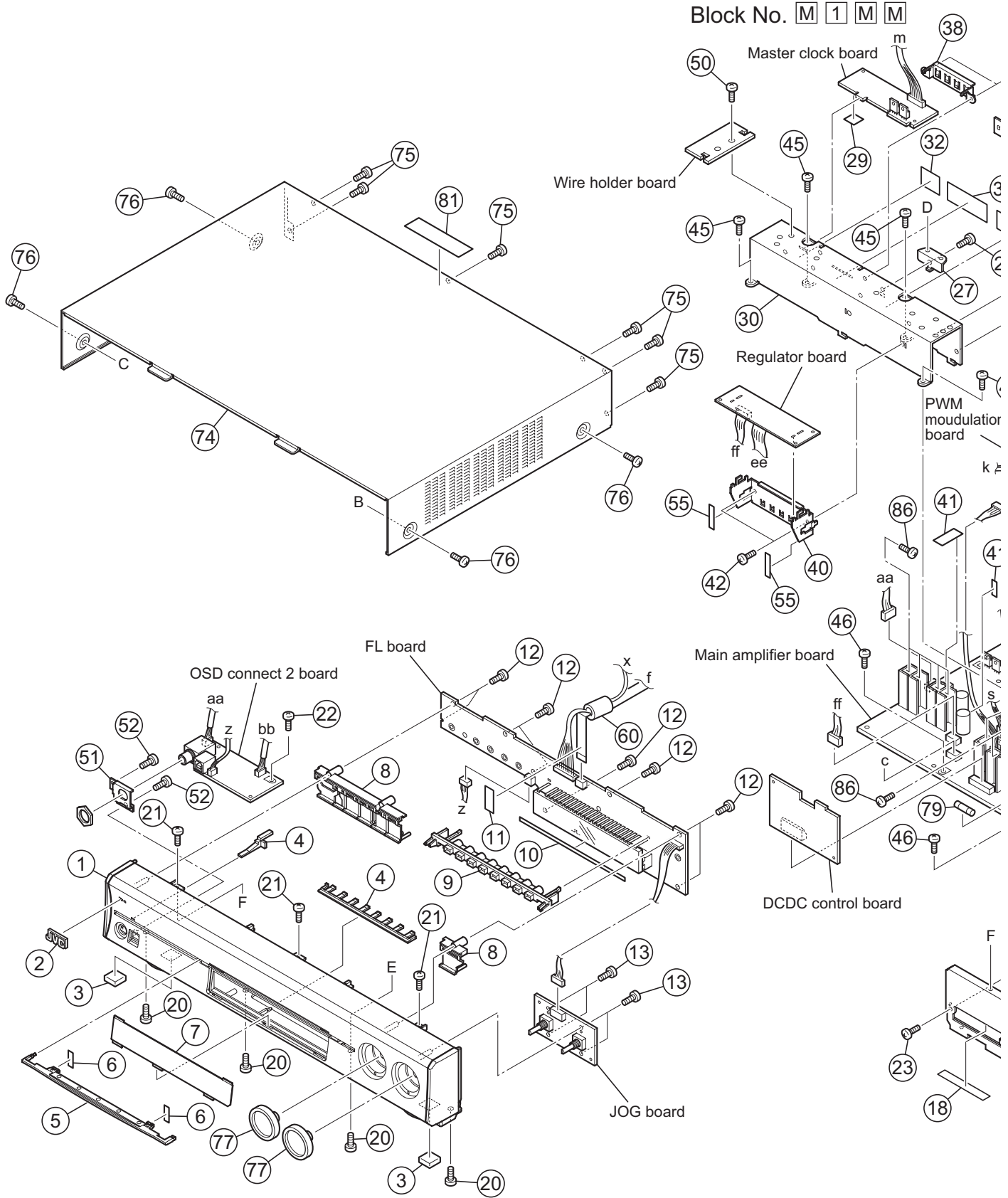
RX-D201S	
Area suffix	
J -----	U.S.A.

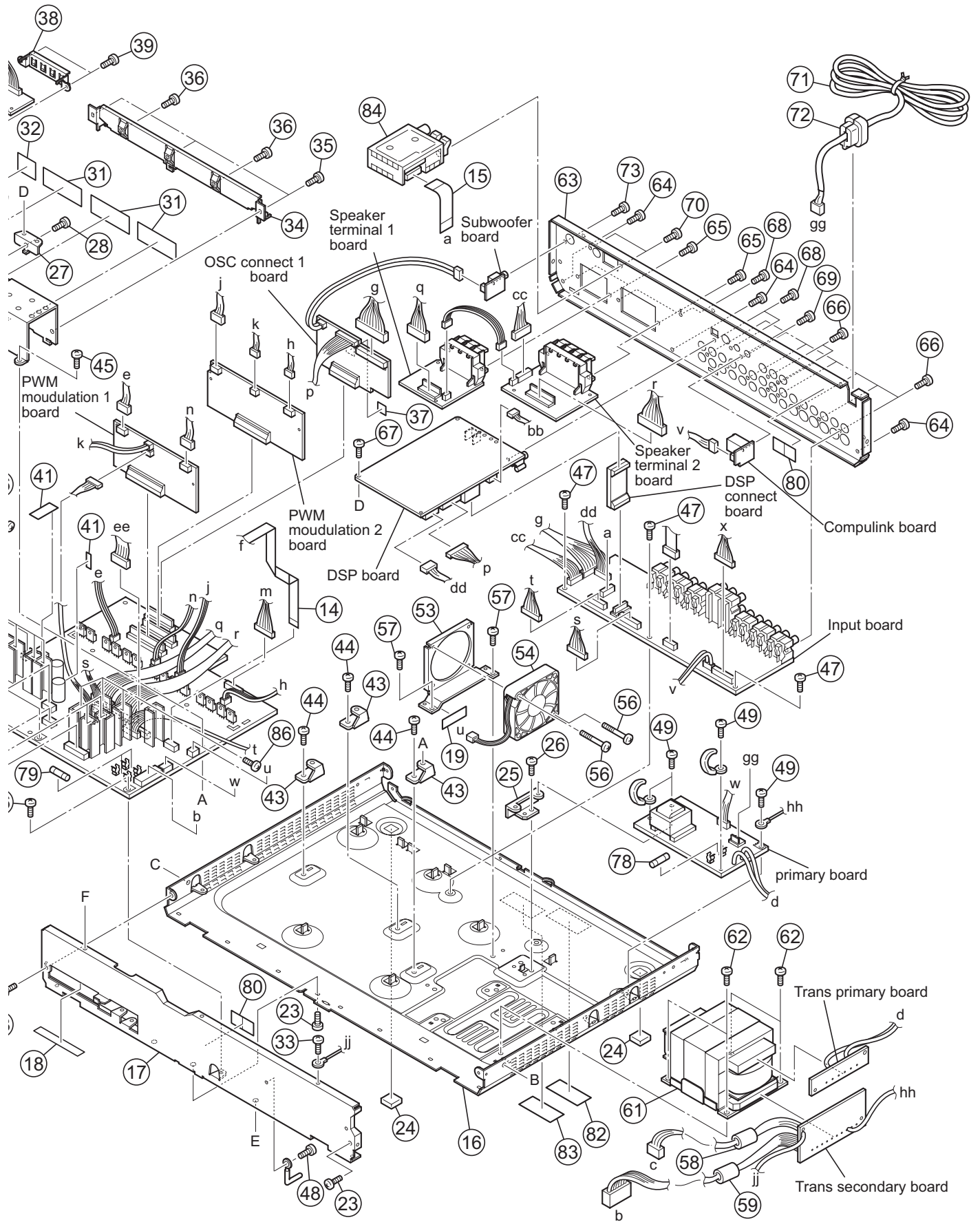
RX-D202B	
Area suffix	
J -----	U.S.A.
C -----	Canada

- Contents -

Exploded view of general assembly and parts list (Block No.M1) .....	3- 2
Electrical parts list (Block No.01~03) .....	3- 6
Packing materials and accessories parts list (Block No.M3).....	3-20

# Exploded view of general assembly and parts list





# General Assembly

Block No. [M]1[M][M]

△	Symbol No.	Part No.	Part Name	Description	Local
	1	LV11052-016A	FRONT PANEL		D201SJ
	1	LV11052-017A	FRONT PANEL		D202BC,D202BJ
	2	LV43338-002A	JVC MARK		
	3	LV43622-002A	FOOT	(x2)	
	4	LV35714-001A	SOURCE INDICATO		
	5	LV21918-001A	LIGHT LENS		D201SJ
	5	LV21918-002A	LIGHT LENS		D202BC,D202BJ
	6	LV30225-0P9A	SPACER	(x2)	
	7	LV35712-001A	FRONT LENS		
	8	LV21919-005A	PUSH BUTTON		D201SJ
	8	LV21919-006A	PUSH BUTTON		D202BC,D202BJ
	9	LV21920-001A	LED HOLDER		
	10	LV30227-001A	SPACER		
	11	LV30225-0F4A	SPACER		
	12	QYSBSF2608ZA	TAP SCREW	M2.6 x 8mm(x8)	
	13	QYSBSF2608ZA	TAP SCREW	M2.6 x 8mm(x4)	
	14	QUQ412-0519CJ-E	FFC WIRE	5pin 19cm	
	15	QUQ412-1117CJ-E	FFC WIRE	11pin 17cm	
	16	LV11051-002A	CHASSIS BASE		
	17	LV11055-001A	FRONT BRACKET		
	18	LV30225-071A	SPACER		
	19	LV30225-0F4A	SPACER		
	20	QYSBSG3006ZA	TAP SCREW	M3 x 6mm(x4)	
	21	QYSBSG3006ZA	TAP SCREW	M3 x 6mm(x3)	
	22	QYSBSG3006ZA	TAP SCREW	M3 x 6mm	
	23	QYSBSG3006ZA	TAP SCREW	M3 x 6mm(x3)	
	24	LV43622-002A	FOOT	(x2)	
	25	LV34679-001A	PWB BRACKET		
	26	QYSBST3005EA	TAP SCREW	M3 x 5mm	
	27	LV34682-001A	C.B BRACKET		
	28	QYSBSG3006ZA	TAP SCREW	M3 x 6mm	
	29	LV30225-0D4A	SPACER		
	30	LV21923-001A	HEAT SINK		
	31	LV43915-003A	COOLING RUBBER	(x3)	
	32	LV43915-004A	COOLING RUBBER		
	33	QYSBSG3006ZA	TAP SCREW	M3 x 6mm	
	34	LV35721-001A	FET BRACKET		
	35	QYSDSG3005EA	TAP SCREW	M3 x 5mm(x3)	
	36	QYSDSG3005EA	TAP SCREW	M3 x 5mm(x2)	
	37	LV30225-0D4A	SPACER		
	38	LV35043-002A	TRANSISTOR HOLD		
	39	QYSBSG3010ZA	TAP SCREW	M3 x 10mm(x2)	
	40	LV35735-001A	TR BRACKET		
	41	LV30225-0F4A	SPACER	(x2)	
	42	QYSBSG3010ZA	TAP SCREW	M3 x 10mm(x2)	
	43	E68587-223SM	CB BKT	(x3)	
	44	QYSBST3005EA	TAP SCREW	M3 x 5mm(x3)	
	45	QYSBSGY3008EA	TAP SCREW	M3 x 8mm(x4)	
	46	QYSBSG3006ZA	TAP SCREW	M3 x 6mm(x2)	
	47	QYSBSG3006ZA	TAP SCREW	M3 x 6mm(x3)	
	48	QYSBSG3006ZA	TAP SCREW	M3 x 6mm	
	49	QYSBSG3006ZA	TAP SCREW	M3 x 6mm(x4)	
	50	QYSBSG3010ZA	TAP SCREW	M3 x 10mm	
	51	LV44156-001A	H/P BRACKET		
	52	QYSBSF2608ZA	TAP SCREW	M2.6 x 8mm(x2)	
	53	LV35723-001A	FAN BRACKET		
	54	QAR0312-001	FAN MOTOR		
	55	LV30225-0F4A	SPACER	(x2)	
	56	QYSBSG3020ZA	TAP SCREW	M3 x 20mm(x2)	
	57	QYSBST3005EA	TAP SCREW	M3 x 5mm(x2)	
	58	QQR0491-001	FERRITE CORE	TDK (GRAY)	
	59	QQR0491-001	FERRITE CORE	TDK (GRAY)	
	60	QQR0491-001	FERRITE CORE	TDK (GRAY)	
△	61	QQT0485-001	POWER TRANSF		
	62	QYSSTL4006EA	TAP SCREW	M4 x 6mm(x4)	
	63	LV21924-055A	REAR PANEL		D201SJ
	63	LV21924-056A	REAR PANEL		D202BC,D202BJ
	64	QYSBSGY3008EA	TAP SCREW	M3 x 8mm(x3)	
	65	QYSBSGY3008EA	TAP SCREW	M3 x 8mm(x4)	
	66	QYSBSGY3008EA	TAP SCREW	M3 x 8mm(x10)	
	67	QYSBST3006ZA	TAP SCREW	M3 x 6mm	
	68	QYSBSGY3008EA	TAP SCREW	M3 x 8mm(x3)	
	69	QYSBSGY3008EA	TAP SCREW	M3 x 8mm	
	70	QYSBSGY3008EA	TAP SCREW	M3 x 8mm(x2)	



△	Symbol No.	Part No.	Part Name	Description	Local
△	71	QMPD380-200-JN	POWER CORD(US/CA)	2m BLACK	
△	72	QZW0033-001	STRAIN RELIEF		
	73	QYSBSGY3008EA	TAP SCREW	M3 x 8mm	
	74	LV21925-002A	TOP COVER		D202BC,D202BJ
	74	LV21925-001A	TOP COVER		D201SJ
	75	QYSBSGY3008EA	TAP SCREW	M3 x 8mm(x6)	
	76	QYSDSG3008NA	TAP SCREW	M3 x 8mm(x4)	D201SJ
	76	QYSDSG3008MA	TAP SCREW	M3 x 8mm(x4)	D202BC,D202BJ
	77	LV44151-001A	ROTARY KNOB ASS	(x2)	D201SJ
	77	LV44151-002A	ROTARY KNOB ASS	(x2)	D202BC,D202BJ
△	78	QMF51U1-6R3-J8	FUSE	F103 6.3A AC125V	
△	79	QMF51U1-2R0-J8	FUSE	F101 F102 2A AC125V(x2)	
	80	LV43517-001A	FUSE CAUTION	(x2)	
	81	E409396-003	CAUTION LABEL		D202BC
	81	E409394-001	CAUTION LABEL		D201SJ,D202BJ
	82	LV43550-004A	LABEL		
	83	LV43835-001A	EMC LABEL		
	84	QAU0307-003	TUNER		
	86	QYSBSG3008EA	TAP SCREW	M3 x 8mm(x9)	

# Electrical parts list

## Front board

Block No. [0][1]

△ Symbol No.	Part No.	Part Name	Description	Local
PW153	QUB116-15PPPP-E	SIN TWIST WIRE		
PW155	QUB111-15PPPP-E	SIN TWIST WIRE		
IC111	NJM2125F-X	IC		
IC112	NJM2403M-X	IC		
IC113	SN74HC00ANS-X	IC		
IC115	SN74HC74ANS-X	IC		
IC121	KIA7805API	IC		
IC211	SN74HCU04ANS-X	IC		
IC212	SN74HC00ANS-X	IC		
IC213	SN74HC08NS-X	IC		
IC214	SN74HC74ANS-X	IC		
IC901	MN101C35DMF	IC		
IC902	GP1UM281XKVF	IR DETECT UNIT		
Q291	KTC3875/YG/-X	SI TRANSISTOR		
△ Q441	2SD2394/EF/	TRANSISTOR		
△ Q444	KTA1046/Y/	TRANSISTOR		
Q445	2SC2812N/6/-X	TRANSISTOR		
Q891	KTC3875/YG/-X	SI TRANSISTOR		
Q910	KRC107S-X	DIGI TRANSISTOR		
Q923	KRA107S-X	DIGI TRANSISTOR		
Q924	KRA107S-X	DIGI TRANSISTOR		
Q925	KRA107S-X	DIGI TRANSISTOR		
Q1001	KRC105S-X	DIGI TRANSISTOR		
Q1103	KTA1268/GL/-T	TRANSISTOR		
Q1151	KRC102S-X	DIGI TRANSISTOR		
Q1152	KRC102S-X	DIGI TRANSISTOR		
Q1171	KTC3875/YG/-X	SI TRANSISTOR		
Q1172	KRC102S-X	DIGI TRANSISTOR		
Q1173	KTA1504/YG/-X	SI TRANSISTOR		
Q1174	KTC3875/YG/-X	SI TRANSISTOR		
Q1291	KTC3875/YG/-X	SI TRANSISTOR		
Q1491	KTC3875/YG/-X	SI TRANSISTOR		
D241	1SS133-T2	SI DIODE		
D242	1SS133-T2	SI DIODE		
D291	1SS133-T2	SI DIODE		
D341	UDZS2.7B-X	Z DIODE		
D391	1SS133-T2	SI DIODE		
D441	MTZJ20C-T2	Z DIODE		
D442	MTZJ24B-T2	Z DIODE		
D444	MTZJ11C-T2	Z DIODE		
D491	1SS133-T2	SI DIODE		
D512	UDZS6.2B-X	Z DIODE		
D891	1SS133-T2	SI DIODE		
D907	SLR-343VC-T	LED		
D910	1N4448WS-X	SI DIODE		
D917	SLR-343VC-T	LED		
D918	SLR-343VC-T	LED		
D919	SLR-343VC-T	LED		
D920	SLR-343VC-T	LED		
D921	SLR-343VC-T	LED		
D922	SLR-343VC-T	LED		
D1001	1SS133-T2	SI DIODE		
D1151	1SS133-T2	SI DIODE		
D1152	1SS133-T2	SI DIODE		
D1153	1SS133-T2	SI DIODE		
D1154	UDZS2.7B-X	Z DIODE		
D1155	1SS133-T2	SI DIODE		
D1172	1SS133-T2	SI DIODE		
D1173	1SS133-T2	SI DIODE		
D1174	1SS133-T2	SI DIODE		
C241	NCB31CK-104X	C CAPACITOR	0.1uF 16V K	
C242	NDC31HJ-471X	C CAPACITOR	470pF 50V J	
C243	NDC31HJ-471X	C CAPACITOR	470pF 50V J	
C244	NDC31HJ-471X	C CAPACITOR	470pF 50V J	
C245	NDC31HJ-471X	C CAPACITOR	470pF 50V J	
C246	NCB31CK-104X	C CAPACITOR	0.1uF 16V K	
C247	NDC31HJ-101X	C CAPACITOR	100pF 50V J	
C248	NDC31HJ-101X	C CAPACITOR	100pF 50V J	

△ Symbol No.	Part No.	Part Name	Description	Local
	C249	NCB31CK-104X	C CAPACITOR	0.1uF 16V K
	C291	QCBB1HK-221Y	C CAPACITOR	220pF 50V K
	C292	QCBB1HK-221Y	C CAPACITOR	220pF 50V K
	C293	QDVB1EZ-223Y	C CAPACITOR	0.022uF 25V Z
	C341	NCB31CK-104X	C CAPACITOR	0.1uF 16V K
	C391	QCBB1HK-221Y	C CAPACITOR	220pF 50V K
	C392	QCBB1HK-221Y	C CAPACITOR	220pF 50V K
	C393	QDVB1EZ-223Y	C CAPACITOR	0.022uF 25V Z
	C441	QETN1EM-107Z	E CAPACITOR	100uF 25V M
	C442	QETN1EM-107Z	E CAPACITOR	100uF 25V M
	C443	QETN1VM-107Z	E CAPACITOR	100uF 35V M
	C491	QCBB1HK-221Y	C CAPACITOR	220pF 50V K
	C492	QCBB1HK-221Y	C CAPACITOR	220pF 50V K
	C493	QDVB1EZ-223Y	C CAPACITOR	0.022uF 25V Z
	C575	NCF31CZ-104X	C CAPACITOR	0.1uF 16V Z
	C891	QCBB1HK-221Y	C CAPACITOR	220pF 50V K
	C892	QCBB1HK-221Y	C CAPACITOR	220pF 50V K
	C893	QDVB1EZ-223Y	C CAPACITOR	0.022uF 25V Z
	C901	NCB31HK-103X	C CAPACITOR	0.01uF 50V K
	C902	NCB31HK-103X	C CAPACITOR	0.01uF 50V K
	C903	NCB31HK-103X	C CAPACITOR	0.01uF 50V K
	C904	NCB31HK-103X	C CAPACITOR	0.01uF 50V K
	C905	NCB31HK-103X	C CAPACITOR	0.01uF 50V K
	C906	QCZ0202-155Z	C CAPACITOR	1.5uF 25V Z
	C907	QEK0JM-107Z	E CAPACITOR	100uF 6.3V M
	C908	QEK0JM-107Z	E CAPACITOR	100uF 6.3V M
	C909	QEK1HM-475Z	E CAPACITOR	4.7uF 50V M
	C910	QER61HM-475Z	E CAPACITOR	4.7uF 50V M
	C911	QEK1HM-475Z	E CAPACITOR	4.7uF 50V M
	C912	NCF31CZ-104X	C CAPACITOR	0.1uF 16V Z
	C913	NCF31CZ-104X	C CAPACITOR	0.1uF 16V Z
	C914	NCF31CZ-104X	C CAPACITOR	0.1uF 16V Z
	C915	NCF31CZ-104X	C CAPACITOR	0.1uF 16V Z
	C918	NCB31CK-104X	C CAPACITOR	0.1uF 16V K
	C921	NCB31HK-102X	C CAPACITOR	1000pF 50V K
	C929	NCB31HK-103X	C CAPACITOR	0.01uF 50V K
	C931	NCB31EK-104X	C CAPACITOR	0.1uF 25V K
	C932	NCB31EK-104X	C CAPACITOR	0.1uF 25V K
	C933	NCB31EK-104X	C CAPACITOR	0.1uF 25V K
	C934	NCB31EK-104X	C CAPACITOR	0.1uF 25V K
	△ C1001	QCZ9104-472	C CAPACITOR	4700pF
	△ C1002	QFZ9075-224	MPP CAPACITOR	0.22uF AC275V M
	C1151	QETN1CM-476Z	E CAPACITOR	47uF 16V M
	C1152	NCB31CK-105X	C CAPACITOR	1uF 16V K
	C1153	NCB31CK-105X	C CAPACITOR	1uF 16V K
	C1154	NDC31HJ-101X	C CAPACITOR	100pF 50V J
	C1155	NCB31CK-105X	C CAPACITOR	1uF 16V K
	C1156	NDC31HJ-101X	C CAPACITOR	100pF 50V J
	C1157	NCB31CK-104X	C CAPACITOR	0.1uF 16V K
	C1158	NCB31CK-104X	C CAPACITOR	0.1uF 16V K
	C1159	NCB31HK-821X	C CAPACITOR	820pF 50V K
	C1172	NCB31HK-102X	C CAPACITOR	1000pF 50V K
	C1173	NCB31HK-103X	C CAPACITOR	0.01uF 50V K
	C1174	QETN1CM-107Z	E CAPACITOR	100uF 16V M
	C1181	NCB31HK-103X	C CAPACITOR	0.01uF 50V K
	C1182	QETN1CM-107Z	E CAPACITOR	100uF 16V M
	C1291	QCBB1HK-221Y	C CAPACITOR	220pF 50V K
	C1292	QCBB1HK-221Y	C CAPACITOR	220pF 50V K
	C1293	QDVB1EZ-223Y	C CAPACITOR	0.022uF 25V Z
	C1391	QCBB1HK-221Y	C CAPACITOR	220pF 50V K
	C1392	QCBB1HK-221Y	C CAPACITOR	220pF 50V K
	C1393	QDVB1EZ-223Y	C CAPACITOR	0.022uF 25V Z
	C1491	QCBB1HK-221Y	C CAPACITOR	220pF 50V K
	C1492	QCBB1HK-221Y	C CAPACITOR	220pF 50V K
	C1493	QDVB1EZ-223Y	C CAPACITOR	0.022uF 25V Z
	C6577	NCB31HK-221X	C CAPACITOR	220pF 50V K
	C6578	QCZ0202-155Z	C CAPACITOR	1.5uF 25V Z
	R241	NRSA63J-105X	MG RESISTOR	1MΩ 1/16W J
	R242	NRSA63J-562X	MG RESISTOR	5.6kΩ 1/16W J
	R243	NRSA63J-105X	MG RESISTOR	1MΩ 1/16W J
	R244	NRSA63J-562X	MG RESISTOR	5.6kΩ 1/16W J
	R245	NRSA63J-101X	MG RESISTOR	100Ω 1/16W J
	R246	NRSA63J-222X	MG RESISTOR	2.2kΩ 1/16W J
	R247	NRSA63J-222X	MG RESISTOR	2.2kΩ 1/16W J
	R341	NRSA63J-102X	MG RESISTOR	1kΩ 1/16W J

△ Symbol No.	Part No.	Part Name	Description	Local	△ Symbol No.	Part No.	Part Name	Description	Local
R342	NRSA63J-222X	MG RESISTOR	2.2kΩ 1/16W J		BK901	LV34673-001A	FL HOLDER(L)		
△ R441	QRK126J-4R7X	UNF C RESISTOR	4.7Ω 1/2W J		BK902	LV34687-001A	FL HOLDER(R)		
△ R442	QRK126J-362X	UNF C RESISTOR	3.6kΩ 1/2W J		CN120	QGA7901C1-02	CONNECTOR	W-B (1-2)	
R443	NRSA63J-681X	MG RESISTOR	680Ω 1/16W J		CN151	QGB2510K1-11	CONNECTOR	B-B (1-11)	
△ R444	QRJ146J-182X	UNF C RESISTOR	1.8kΩ 1/4W J		CN202	QJK002-071802-E	SIN CR C-B WIRE		
△ R891	QRJ146J-470X	UNF C RESISTOR	47Ω 1/4W J		CN206	WJK0208-002A-E	E-SI C WIRE C-B		
R901	NRSA63J-103X	MG RESISTOR	10kΩ 1/16W J		CN209	QGA2501C1-06	CONNECTOR	W-B (1-6)	
R902	NRSA63J-102X	MG RESISTOR	1kΩ 1/16W J		CN211	QJK012-033803-E	SIN CR C-B WIRE		
R903	NRSA63J-102X	MG RESISTOR	1kΩ 1/16W J		CN261	QGA3901C1-06	CONNECTOR	W-B (1-6)	
R904	NRSA63J-103X	MG RESISTOR	10kΩ 1/16W J		CN262	QGA3901C1-08	CONNECTOR	W-B (1-8)	
R905	NRSA63J-102X	MG RESISTOR	1kΩ 1/16W J		CN461	QGA2001C1-03	CONNECTOR	W-B (1-3)	
R906	NRSA63J-102X	MG RESISTOR	1kΩ 1/16W J		CN524	QGA2501C1-02	CONNECTOR	W-B (1-2)	
R907	NRSA63J-122X	MG RESISTOR	1.2kΩ 1/16W J		CN565	QGA2501C1-02	CONNECTOR	W-B (1-2)	
R908	NRSA63J-103X	MG RESISTOR	10kΩ 1/16W J		CN902	QGF1205F1-05	CONNECTOR	FFC/FPC (1-5)	
R909	NRSA63J-102X	MG RESISTOR	1kΩ 1/16W J		CN903	QJK021-070802-E	SIN CR C-B		
R910	NRSA63J-102X	MG RESISTOR	1kΩ 1/16W J		CN913	QGA2001F1-07	CONNECTOR	W-B (1-7)	
R911	NRSA63J-103X	MG RESISTOR	10kΩ 1/16W J		CN914	QGA2001F1-03	CONNECTOR	W-B (1-3)	
R912	NRSA63J-102X	MG RESISTOR	1kΩ 1/16W J		CN952	QJK021-124402-E	SIN CR C-B WIRE		
R919	NRSA63J-103X	MG RESISTOR	10kΩ 1/16W J		DI901	QLF0157-001	FL TUBE		
R920	NRSA63J-102X	MG RESISTOR	1kΩ 1/16W J		EP151	QNZ0136-001Z	EARTH PLATE		
R930	NRSA63J-221X	MG RESISTOR	220Ω 1/16W J		FC103	QNG0020-001Z	FUSE CLIP		
R931	NRSA63J-103X	MG RESISTOR	10kΩ 1/16W J		FC113	QNG0020-001Z	FUSE CLIP		
R932	NRSA63J-103X	MG RESISTOR	10kΩ 1/16W J		FS900	VYSH101-009	SPACER		
R933	NRSA63J-103X	MG RESISTOR	10kΩ 1/16W J		FS901	VYSH101-009	SPACER		
R935	NRSA63J-103X	MG RESISTOR	10kΩ 1/16W J		FW121	WJS0047-003A-E	E-FL/RB WIRE		
R936	NRSA63J-221X	MG RESISTOR	220Ω 1/16W J		FW451	WJS0046-003A-E	E-FL/RB WIRE		
R938	NRSA63J-221X	MG RESISTOR	220Ω 1/16W J		J504	QNN0545-002	SURROUND JACK		
R939	NRSA63J-221X	MG RESISTOR	220Ω 1/16W J		J505	QNS0089-001	3.5 JACK		
R940	NRSA63J-221X	MG RESISTOR	220Ω 1/16W J		JS901	QSW1129-001	ROTARY ENCODER		
R941	NRSA63J-221X	MG RESISTOR	220Ω 1/16W J		JS902	QSW1129-001	ROTARY ENCODER		
R942	NRSA63J-221X	MG RESISTOR	220Ω 1/16W J		R1180	NRSA63J-133X	MG RESISTOR	13kΩ 1/16W J	
R943	NRSA63J-221X	MG RESISTOR	220Ω 1/16W J		△ RY101	QSK0128-001	RELAY		
R944	NRSA63J-221X	MG RESISTOR	220Ω 1/16W J		△ RY291	QSK0127-001	RELAY		
R947	NRSA63J-103X	MG RESISTOR	10kΩ 1/16W J		△ RY391	QSK0127-001	RELAY		
R948	NRSA63J-103X	MG RESISTOR	10kΩ 1/16W J		△ RY491	QSK0127-001	RELAY		
R949	NRSA63J-103X	MG RESISTOR	10kΩ 1/16W J		△ RY891	QSK0127-001	RELAY		
R950	NRSA63J-103X	MG RESISTOR	10kΩ 1/16W J		S901	QSW0683-001Z	PUSH SW		
R953	NRSA63J-103X	MG RESISTOR	10kΩ 1/16W J		S902	QSW0683-001Z	PUSH SW		
R954	NRSA63J-103X	MG RESISTOR	10kΩ 1/16W J		S903	QSW0683-001Z	PUSH SW		
R955	NRSA63J-103X	MG RESISTOR	10kΩ 1/16W J		S904	QSW0683-001Z	PUSH SW		
R956	NRSA63J-103X	MG RESISTOR	10kΩ 1/16W J		S905	QSW0683-001Z	PUSH SW		
△ R1001	QRZ9037-335	COMP RESISTOR	3.3MΩ 1/2W K		S906	QSW0683-001Z	PUSH SW		
△ R1002	QRZ9037-335	COMP RESISTOR	3.3MΩ 1/2W K		ST291	QNB0016-001	SPK TERMINAL		
R1114	NRSA63J-821X	MG RESISTOR	820Ω 1/16W J		ST292	QNB0256-001	IC		
R1151	NRSA63J-362X	MG RESISTOR	3.6kΩ 1/16W J		X241	QAX0734-001	C RESONATOR	400.00kHz	
R1152	NRSA63J-682X	MG RESISTOR	6.8kΩ 1/16W J		X242	QAX0735-001	C RESONATOR	420.00kHz	
R1153	NRSA63F-222X	MG RESISTOR	2.2kΩ 1/16W F		X901	QAX0246-001Z	C RESONATOR	8.00MHz	
R1154	NRSA63F-332X	MG RESISTOR	3.3kΩ 1/16W F						
R1155	NRSA63J-223X	MG RESISTOR	22kΩ 1/16W J						
R1156	NRSA63J-124X	MG RESISTOR	120kΩ 1/16W J						
R1157	NRSA63J-103X	MG RESISTOR	10kΩ 1/16W J						
R1158	NRSA63J-391X	MG RESISTOR	390Ω 1/16W J						
R1159	NRSA63J-103X	MG RESISTOR	10kΩ 1/16W J						
R1160	NRSA63J-102X	MG RESISTOR	1kΩ 1/16W J						
R1161	NRSA63J-105X	MG RESISTOR	1MΩ 1/16W J						
R1162	NRSA63J-102X	MG RESISTOR	1kΩ 1/16W J						
R1163	NRSA63J-331X	MG RESISTOR	330Ω 1/16W J						
R1164	NRSA63J-473X	MG RESISTOR	47kΩ 1/16W J						
R1165	NRSA63J-332X	MG RESISTOR	3.3kΩ 1/16W J						
R1166	NRSA63J-471X	MG RESISTOR	470Ω 1/16W J						
R1169	NRSA63J-332X	MG RESISTOR	3.3kΩ 1/16W J						
R1170	NRSA63J-102X	MG RESISTOR	1kΩ 1/16W J						
R1172	NRSA02J-332X	MG RESISTOR	3.3kΩ 1/10W J						
R1173	NRSA63J-103X	MG RESISTOR	10kΩ 1/16W J						
R1174	NRSA63J-183X	MG RESISTOR	18kΩ 1/16W J						
R1175	NRSA63J-222X	MG RESISTOR	2.2kΩ 1/16W J						
R1176	NRSA63J-473X	MG RESISTOR	47kΩ 1/16W J						
R1178	NRSA63J-101X	MG RESISTOR	100Ω 1/16W J						
R1179	NRSA63F-332X	MG RESISTOR	3.3kΩ 1/16W F						
R1181	QRE141J-104Y	C RESISTOR	100kΩ 1/4W J						
△ R1291	QRJ146J-470X	UNF C RESISTOR	47Ω 1/4W J						
△ R1391	QRJ146J-470X	UNF C RESISTOR	47Ω 1/4W J						
△ R1491	QRJ146J-470X	UNF C RESISTOR	47Ω 1/4W J						
R1575	NRSA63J-OR0X	MG RESISTOR	0Ω 1/16W J						
R6595	NRSA63J-221X	MG RESISTOR	220Ω 1/16W J						
△ T102	QQT0478-001	POWER TRANSF							

## Amplifier board

Block No. [0][2]

△ Symbol No.	Part No.	Part Name	Description	Local
	IC101	IRS2011S-X	IC	
△ IC151	KIA7805API	IC		
△ IC152	KIA7809API	IC		
△ IC153	KIA7805API	IC		
	IC201	JCV8015-X	IC	
	IC202	SN74LVC3G04T-X	IC	
	IC251	IRS20124S-X	IC	
	IC261	IRS20124S-X	IC	
	IC301	JCV8015-X	IC	
	IC302	SN74LVC3G04T-X	IC	
	IC351	IRS20124S-X	IC	
	IC361	IRS20124S-X	IC	
	IC401	JCV8015-X	IC	
	IC451	IRS20124S-X	IC	
	IC461	IRS20124S-X	IC	
	IC801	JCV8015-X	IC	
	IC851	IRS20124S-X	IC	
△ Q101	KTD863/Y/-T	TRANSISTOR		
△ Q102	KTA1046/Y/	TRANSISTOR		
Q103	KTC3200/GL/-T	TRANSISTOR		

△ Symbol No.	Part No.	Part Name	Description	Local	△ Symbol No.	Part No.	Part Name	Description	Local
Q151	KRA102S-X	DIGI TRANSISTOR			D211	1SS133-T2	SI DIODE		
Q152	KRC102S-X	DIGI TRANSISTOR			D221	1SS133-T2	SI DIODE		
△ Q153	2SD2394/EF/	TRANSISTOR			D222	MTZJ16B-T2	Z DIODE		
Q154	KRC102S-X	DIGI TRANSISTOR			D251	1SS133-T2	SI DIODE		
△ Q157	2SD2394/EF/	TRANSISTOR			D281	1SS133-T2	SI DIODE		
△ Q158	KTA1046/Y/	TRANSISTOR			D300	MA111-X	SI DIODE		
Q161	KRC111S-X	TRANSISTOR			D311	1SS133-T2	SI DIODE		
Q162	KRC111S-X	TRANSISTOR			D351	1SS133-T2	SI DIODE		
Q163	KRC111S-X	TRANSISTOR			D411	1SS133-T2	SI DIODE		
△ Q171	2SD2394/EF/	TRANSISTOR			D451	1SS133-T2	SI DIODE		
△ Q174	2SD2394/EF/	TRANSISTOR			D811	1SS133-T2	SI DIODE		
△ Q175	2SD2394/EF/	TRANSISTOR			D851	1SS133-T2	SI DIODE		
Q201	KTA1268/GL/-T	TRANSISTOR			△ D1101	30PRA20-FC	SI DIODE		
Q211	KTC3875/YG/-X	SI TRANSISTOR			△ D1102	30PRA20-FC	SI DIODE		
Q214	KRC102M-T	DIGI TRANSISTOR			△ D1103	30PRA20-FC	SI DIODE		
Q251	KTA1504/YG/-X	SI TRANSISTOR			△ D1104	30PRA20-FC	SI DIODE		
Q261	IRFB4212	FET			△ D1107	FMB-G19L	SB DIODE		
Q262	IRFB4212	FET			△ D1108	FMB-G19L	SB DIODE		
Q281	KRC109M-T	DIGI TRANSISTOR			D1109	1SS133-T2	SI DIODE		
Q282	KRA102M-T	DIGI TRANSISTOR			D1110	1SS133-T2	SI DIODE		
Q283	KTC3200/GL/-T	TRANSISTOR			D1111	1SS133-T2	SI DIODE		
Q284	KTA1268/GL/-T	TRANSISTOR			D1171	1SS133-T2	SI DIODE		
Q285	KTC3199/GL/-T	TRANSISTOR			D1211	1SS133-T2	SI DIODE		
Q286	KRC102M-T	DIGI TRANSISTOR			D1251	1SS133-T2	SI DIODE		
Q301	KTA1268/GL/-T	TRANSISTOR			D1311	1SS133-T2	SI DIODE		
Q351	KTA1504/YG/-X	SI TRANSISTOR			D1351	1SS133-T2	SI DIODE		
Q361	IRFB4212	FET			D1411	1SS133-T2	SI DIODE		
Q362	IRFB4212	FET			D1451	1SS133-T2	SI DIODE		
Q401	KTA1268/GL/-T	TRANSISTOR			C101	QFLC2AJ-472Z	M CAPACITOR	4700pF 100V J	
Q451	KTA1504/YG/-X	SI TRANSISTOR			C102	QETM1EM-108	E CAPACITOR	1000uF 25V M	
Q461	IRFB4212	FET			C103	NCB31HK-472X	C CAPACITOR	4700pF 50V K	
Q462	IRFB4212	FET			C104	QETN1CM-477Z	E CAPACITOR	470uF 16V M	
Q801	KTA1268/GL/-T	TRANSISTOR			C105	QFN32AJ-104Z	M CAPACITOR	0.1uF 100V J	
Q851	KTA1504/YG/-X	SI TRANSISTOR			C106	QFN32AJ-104Z	M CAPACITOR	0.1uF 100V J	
Q861	IRFB4212	FET			C107	NCZ1061-104X	C CAPACITOR	0.1uF	
Q862	IRFB4212	FET			C108	QFLC1HJ-473Z	M CAPACITOR	0.047uF 50V J	
△ Q1101	2SK3599-01MR	POWER MOS FET			C109	QFLC1HJ-473Z	M CAPACITOR	0.047uF 50V J	
△ Q1102	2SK3599-01MR	POWER MOS FET			C110	QETN1HM-227Z	E CAPACITOR	220uF 50V M	
Q1104	KTA1268/GL/-T	TRANSISTOR			C111	QETN1JM-107Z	E CAPACITOR	100uF 63V M	
Q1201	KTA1268/GL/-T	TRANSISTOR			C112	QETN1HM-226Z	E CAPACITOR	22uF 50V M	
Q1251	KTA1504/YG/-X	SI TRANSISTOR			C113	QETN1HM-226Z	E CAPACITOR	22uF 50V M	
Q1261	IRFB4212	FET			C114	QETN1HM-105Z	E CAPACITOR	1uF 50V M	
Q1262	IRFB4212	FET			C151	QETM1EM-478	E CAPACITOR	4700uF 25V M	
Q1301	KTA1268/GL/-T	TRANSISTOR			C152	QETM1EM-338	E CAPACITOR	3300uF 25V M	
Q1351	KTA1504/YG/-X	SI TRANSISTOR			C153	NCB31HK-103X	C CAPACITOR	0.01uF 50V K	
Q1361	IRFB4212	FET			C154	QETN1CM-107Z	E CAPACITOR	100uF 16V M	
Q1362	IRFB4212	FET			C155	NCB31HK-103X	C CAPACITOR	0.01uF 50V K	
Q1401	KTA1268/GL/-T	TRANSISTOR			C156	QETN1EM-107Z	E CAPACITOR	100uF 25V M	
Q1451	KTA1504/YG/-X	SI TRANSISTOR			C157	QETN1HM-106Z	E CAPACITOR	10uF 50V M	
Q1461	IRFB4212	FET			C158	NCB31HK-103X	C CAPACITOR	0.01uF 50V K	
Q1462	IRFB4212	FET			C159	QETN1CM-107Z	E CAPACITOR	100uF 16V M	
△ D101	1A3G-T1	SI DIODE			C160	QETN1CM-107Z	E CAPACITOR	100uF 16V M	
△ D102	1A3G-T1	SI DIODE			C161	QETN1CM-477Z	E CAPACITOR	470uF 16V M	
△ D103	1A3G-T1	SI DIODE			C162	QETN1CM-107Z	E CAPACITOR	100uF 16V M	
△ D104	1A3G-T1	SI DIODE			C163	QETN1CM-477Z	E CAPACITOR	470uF 16V M	
D106	MTZJ6.2B-T2	Z DIODE			C164	NCB31HK-222X	C CAPACITOR	2200pF 50V K	
D107	1A3G-T1	SI DIODE			C165	QETN1CM-107Z	E CAPACITOR	100uF 16V M	
D108	1A3G-T1	SI DIODE			C166	QETN1CM-477Z	E CAPACITOR	470uF 16V M	
△ D109	10DDA20-FD	DIODE			C173	QETN1HM-105Z	E CAPACITOR	1uF 50V M	
△ D110	10DDA20-FD	DIODE			C174	QETN1HM-106Z	E CAPACITOR	10uF 50V M	
△ D111	10DDA20-FD	DIODE			C175	QETN1HM-105Z	E CAPACITOR	1uF 50V M	
△ D112	10DDA20-FD	DIODE			C176	QETN1HM-106Z	E CAPACITOR	10uF 50V M	
△ D113	1A3G-T1	SI DIODE			C201	QEK1HM-106Z	E CAPACITOR	10uF 50V M	
△ D114	1A3G-T1	SI DIODE			C202	NCB31HK-471X	C CAPACITOR	470pF 50V K	
△ D115	1A3G-T1	SI DIODE			C203	QEK1HM-106Z	E CAPACITOR	10uF 50V M	
D116	MTZJ36C-T2	Z DIODE			C204	NCB31HK-222X	C CAPACITOR	2200pF 50V K	
D117	MTZJ8.2C-T2	Z DIODE			C205	NCB31HK-222X	C CAPACITOR	2200pF 50V K	
D152	1SS133-T2	SI DIODE			C207	NCB31HK-222X	C CAPACITOR	2200pF 50V K	
D153	MTZJ13B-T2	Z DIODE			C208	NCB31AK-105X	C CAPACITOR	1uF 10V K	
D154	MTZJ9.1C-T2	Z DIODE			C209	NDC31HG-101X	C CAPACITOR	100pF 50V G	
D156	MTZJ8.2C-T2	Z DIODE			C210	NCB31CK-105X	C CAPACITOR	1uF 16V K	
D157	MTZJ8.2C-T2	Z DIODE			C211	NDC31HJ-101X	C CAPACITOR	100pF 50V J	
D158	MTZJ6.2C-T2	Z DIODE			C212	NCB31HK-471X	C CAPACITOR	470pF 50V K	
D161	1A3G-T1	SI DIODE			C222	NCB31CK-105X	C CAPACITOR	1uF 16V K	
D162	1A3G-T1	SI DIODE			C223	QEK1CM-107Z	E CAPACITOR	100uF 16V M	
D171	MTZJ13B-T2	Z DIODE			C224	QEK1CM-107Z	E CAPACITOR	100uF 16V M	
D172	MTZJ13B-T2	Z DIODE			C225	NCB31CK-104X	C CAPACITOR	0.1uF 16V K	

△ Symbol No.	Part No.	Part Name	Description	Local	△ Symbol No.	Part No.	Part Name	Description	Local
C226	NCB31CK-104X	C CAPACITOR	0.1uF 16V K		C425	NCB31CK-104X	C CAPACITOR	0.1uF 16V K	
C227	QEKC1CM-107Z	E CAPACITOR	100uF 16V M		C426	NCB31CK-104X	C CAPACITOR	0.1uF 16V K	
C231	QEKC1CM-107Z	E CAPACITOR	100uF 16V M		C431	QEKC1CM-107Z	E CAPACITOR	100uF 16V M	
C232	NDC31HJ-330X	C CAPACITOR	33pF 50V J		C432	NDC31HJ-330X	C CAPACITOR	33pF 50V J	
C251	NCB31HK-103X	C CAPACITOR	0.01uF 50V K		C451	NCB31HK-103X	C CAPACITOR	0.01uF 50V K	
C252	NCB31CK-105X	C CAPACITOR	1uF 16V K		C452	NCB31CK-105X	C CAPACITOR	1uF 16V K	
C253	NCB21EK-334X	C CAPACITOR	0.33uF 25V K		C453	NCB21EK-334X	C CAPACITOR	0.33uF 25V K	
C254	NDC31HJ-101X	C CAPACITOR	100pF 50V J		C454	NDC31HJ-101X	C CAPACITOR	100pF 50V J	
C263	NCZ1061-104X	C CAPACITOR	0.1uF		C463	NCZ1061-104X	C CAPACITOR	0.1uF	
C264	NCB31HK-102X	C CAPACITOR	1000pF 50V K		C464	NCB31HK-102X	C CAPACITOR	1000pF 50V K	
C265	NCB31HK-102X	C CAPACITOR	1000pF 50V K		C465	NCB31HK-102X	C CAPACITOR	1000pF 50V K	
C266	NCB31HK-102X	C CAPACITOR	1000pF 50V K		C466	NCB31HK-102X	C CAPACITOR	1000pF 50V K	
C267	NCB31HK-102X	C CAPACITOR	1000pF 50V K		C467	NCB31HK-102X	C CAPACITOR	1000pF 50V K	
C268	QFKC2AJ-155Z	MM CAPACITOR	1.5uF 100V J		C468	QFKC2AJ-155Z	MM CAPACITOR	1.5uF 100V J	
C269	QFVM2AJ-104Z	MF CAPACITOR	0.1uF 100V J		C469	QFVM2AJ-104Z	MF CAPACITOR	0.1uF 100V J	
C270	NCB31HK-102X	C CAPACITOR	1000pF 50V K		C470	NCB31HK-102X	C CAPACITOR	1000pF 50V K	
C271	NCZ1061-104X	C CAPACITOR	0.1uF		C471	NCZ1061-104X	C CAPACITOR	0.1uF	
C272	NCZ1061-104X	C CAPACITOR	0.1uF		C472	NCZ1061-104X	C CAPACITOR	0.1uF	
C273	QETN1HM-227Z	E CAPACITOR	220uF 50V M		C473	QETN1HM-227Z	E CAPACITOR	220uF 50V M	
C274	QETN1HM-227Z	E CAPACITOR	220uF 50V M		C474	QETN1HM-227Z	E CAPACITOR	220uF 50V M	
C275	QETN2AM-106Z	E CAPACITOR	10uF 100V M		C475	QETN2AM-106Z	E CAPACITOR	10uF 100V M	
C276	QETN1EM-476Z	E CAPACITOR	47uF 25V M		C476	QETN1EM-476Z	E CAPACITOR	47uF 25V M	
C277	NCB31HK-221X	C CAPACITOR	220pF 50V K	D202BC	C477	NCB31HK-221X	C CAPACITOR	220pF 50V K	D202BC
C277	NCB31HK-102X	C CAPACITOR	1000pF 50V K	D201SJ, D202BJ	C477	NCB31HK-102X	C CAPACITOR	1000pF 50V K	D201SJ, D202BJ
C281	NCB31CK-104X	C CAPACITOR	0.1uF 16V K		C801	QEKC1HM-106Z	E CAPACITOR	10uF 50V M	
C282	QETN1CM-476Z	E CAPACITOR	47uF 16V M		C802	NCB31HK-471X	C CAPACITOR	470pF 50V K	
C283	QETN1HM-106Z	E CAPACITOR	10uF 50V M		C803	QEKC1HM-106Z	E CAPACITOR	10uF 50V M	
C284	QETN1HM-105Z	E CAPACITOR	1uF 50V M		C804	NCB31HK-222X	C CAPACITOR	2200pF 50V K	
C301	QEKC1HM-106Z	E CAPACITOR	10uF 50V M		C805	NCB31HK-222X	C CAPACITOR	2200pF 50V K	
C302	NCB31HK-471X	C CAPACITOR	470pF 50V K		C807	NCB31HK-222X	C CAPACITOR	2200pF 50V K	
C303	QEKC1HM-106Z	E CAPACITOR	10uF 50V M		C808	NCB31AK-105X	C CAPACITOR	1uF 10V K	
C304	NCB31HK-222X	C CAPACITOR	2200pF 50V K		C809	NDC31HG-101X	C CAPACITOR	100pF 50V G	
C305	NCB31HK-222X	C CAPACITOR	2200pF 50V K		C810	NCB31CK-105X	C CAPACITOR	1uF 16V K	
C307	NCB31HK-222X	C CAPACITOR	2200pF 50V K		C811	NDC31HJ-101X	C CAPACITOR	100pF 50V J	
C308	NCB31AK-105X	C CAPACITOR	1uF 10V K		C812	NCB31HK-471X	C CAPACITOR	470pF 50V K	
C309	NDC31HG-101X	C CAPACITOR	100pF 50V G		C821	QEKC1CM-107Z	E CAPACITOR	100uF 16V M	
C310	NCB31CK-105X	C CAPACITOR	1uF 16V K		C822	NCB31CK-105X	C CAPACITOR	1uF 16V K	
C311	NDC31HJ-101X	C CAPACITOR	100pF 50V J		C823	QEKC1CM-107Z	E CAPACITOR	100uF 16V M	
C312	NCB31HK-471X	C CAPACITOR	470pF 50V K		C824	QEKC1CM-107Z	E CAPACITOR	100uF 16V M	
C322	NCB31CK-105X	C CAPACITOR	1uF 16V K		C825	NCB31CK-104X	C CAPACITOR	0.1uF 16V K	
C323	NCB31CK-105X	C CAPACITOR	1uF 16V K		C826	NCB31CK-104X	C CAPACITOR	0.1uF 16V K	
C324	NCB31CK-104X	C CAPACITOR	0.1uF 16V K		C827	NCB31CK-105X	C CAPACITOR	1uF 16V K	
C331	QEKC1CM-107Z	E CAPACITOR	100uF 16V M		C829	QEKC1CM-107Z	E CAPACITOR	100uF 16V M	
C332	NDC31HJ-330X	C CAPACITOR	33pF 50V J		C830	NCB31CK-105X	C CAPACITOR	1uF 16V K	
C351	NCB31HK-103X	C CAPACITOR	0.01uF 50V K		C831	QEKC1CM-107Z	E CAPACITOR	100uF 16V M	
C352	NCB31CK-105X	C CAPACITOR	1uF 16V K		C832	NDC31HJ-330X	C CAPACITOR	33pF 50V J	
C353	NCB21EK-334X	C CAPACITOR	0.33uF 25V K		C851	NCB31HK-103X	C CAPACITOR	0.01uF 50V K	
C354	NDC31HJ-101X	C CAPACITOR	100pF 50V J		C852	NCB31CK-105X	C CAPACITOR	1uF 16V K	
C363	NCZ1061-104X	C CAPACITOR	0.1uF		C853	NCB21EK-334X	C CAPACITOR	0.33uF 25V K	
C364	NCB31HK-102X	C CAPACITOR	1000pF 50V K		C854	NDC31HJ-101X	C CAPACITOR	100pF 50V J	
C365	NCB31HK-102X	C CAPACITOR	1000pF 50V K		C863	NCZ1061-104X	C CAPACITOR	0.1uF	
C366	NCB31HK-102X	C CAPACITOR	1000pF 50V K		C864	NCB31HK-102X	C CAPACITOR	1000pF 50V K	
C367	NCB31HK-102X	C CAPACITOR	1000pF 50V K		C865	NCB31HK-102X	C CAPACITOR	1000pF 50V K	
C368	QFKC2AJ-155Z	MM CAPACITOR	1.5uF 100V J		C866	NCB31HK-102X	C CAPACITOR	1000pF 50V K	
C369	QFVM2AJ-104Z	MF CAPACITOR	0.1uF 100V J		C867	NCB31HK-102X	C CAPACITOR	1000pF 50V K	
C370	NCB31HK-102X	C CAPACITOR	1000pF 50V K		C868	QFKC2AJ-155Z	MM CAPACITOR	1.5uF 100V J	
C371	NCZ1061-104X	C CAPACITOR	0.1uF		C869	QFVM2AJ-104Z	MF CAPACITOR	0.1uF 100V J	
C372	NCZ1061-104X	C CAPACITOR	0.1uF		C870	NCB31HK-102X	C CAPACITOR	1000pF 50V K	
C373	QETN1HM-227Z	E CAPACITOR	220uF 50V M		C871	NCZ1061-104X	C CAPACITOR	0.1uF	
C374	QETN1HM-227Z	E CAPACITOR	220uF 50V M		C872	NCZ1061-104X	C CAPACITOR	0.1uF	
C375	QETN2AM-106Z	E CAPACITOR	10uF 100V M		C873	QETN1HM-227Z	E CAPACITOR	220uF 50V M	
C377	NCB31HK-221X	C CAPACITOR	220pF 50V K	D202BC	C874	QETN1HM-227Z	E CAPACITOR	220uF 50V M	
C377	NCB31HK-102X	C CAPACITOR	1000pF 50V K	D201SJ, D202BJ	C875	QETN2AM-106Z	E CAPACITOR	10uF 100V M	
C401	QEKC1HM-106Z	E CAPACITOR	10uF 50V M		C876	QETN1EM-476Z	E CAPACITOR	47uF 25V M	
C402	NCB31HK-471X	C CAPACITOR	470pF 50V K		C877	NCB31HK-221X	C CAPACITOR	220pF 50V K	D202BC
C403	QEKC1HM-106Z	E CAPACITOR	10uF 50V M		C877	NCB31HK-102X	C CAPACITOR	1000pF 50V K	D201SJ, D202BJ
C404	NCB31HK-222X	C CAPACITOR	2200pF 50V K		C1101	QFKC2AJ-224Z	MM CAPACITOR	0.22uF 100V J	
C405	NCB31HK-222X	C CAPACITOR	2200pF 50V K		C1102	QFKC2AJ-224Z	MM CAPACITOR	0.22uF 100V J	
C407	NCB31HK-222X	C CAPACITOR	2200pF 50V K		C1103	QFVM2AJ-104Z	MF CAPACITOR	0.1uF 100V J	
C408	NCB31AK-105X	C CAPACITOR	1uF 10V K		C1104	QFVM2AJ-104Z	MF CAPACITOR	0.1uF 100V J	
C409	NDC31HG-101X	C CAPACITOR	100pF 50V G		C1105	QEZ0742-688	E CAPACITOR	6800uF	
C410	NCB31CK-105X	C CAPACITOR	1uF 16V K		C1106	QEZ0742-688	E CAPACITOR	6800uF	
C411	NDC31HJ-101X	C CAPACITOR	100pF 50V J		C1107	NCB31HK-332X	C CAPACITOR	3300pF 50V K	
C422	NCB31CK-105X	C CAPACITOR	1uF 16V K		C1108	NCB31HK-332X	C CAPACITOR	3300pF 50V K	
C423	QEKC1CM-107Z	E CAPACITOR	100uF 16V M		C1109	NCB31HK-332X	C CAPACITOR	3300pF 50V K	
C424	QEKC1CM-107Z	E CAPACITOR	100uF 16V M		C1110	NCB31HK-332X	C CAPACITOR	3300pF 50V K	

△ Symbol No.	Part No.	Part Name	Description	Local	△ Symbol No.	Part No.	Part Name	Description	Local
C1111	NCB31HK-332X	C CAPACITOR	3300pF 50V K		C1370	NCB31HK-102X	C CAPACITOR	1000pF 50V K	
C1112	NCB31HK-332X	C CAPACITOR	3300pF 50V K		C1371	NCZ1061-104X	C CAPACITOR	0.1uF	
C1113	NCB31HK-332X	C CAPACITOR	3300pF 50V K		C1372	NCZ1061-104X	C CAPACITOR	0.1uF	
C1114	NCB31HK-332X	C CAPACITOR	3300pF 50V K		C1373	QETN1HM-227Z	E CAPACITOR	220uF 50V M	
C1115	NCZ1061-104X	C CAPACITOR	0.1uF		C1374	QETN1HM-227Z	E CAPACITOR	220uF 50V M	
C1116	NCZ1061-104X	C CAPACITOR	0.1uF		C1375	QETN2AM-106Z	E CAPACITOR	10uF 100V M	
C1117	QEZO570-228	E CAPACITOR	2200uF		C1377	NCB31HK-221X	C CAPACITOR	220pF 50V K	D202BC
C1118	QEZO570-228	E CAPACITOR	2200uF						D201SJ,
C1119	NCZ1061-104X	C CAPACITOR	0.1uF						D202BJ
C1120	NCZ1061-104X	C CAPACITOR	0.1uF		C1401	QEK1HM-106Z	E CAPACITOR	10uF 50V M	
C1122	NCB21EK-334X	C CAPACITOR	0.33uF 25V K		C1402	NCB31HK-471X	C CAPACITOR	470pF 50V K	
C1123	NCB31CK-105X	C CAPACITOR	1uF 16V K		C1403	QEK1HM-106Z	E CAPACITOR	10uF 50V M	
C1124	QFVM2AJ-104Z	MF CAPACITOR	0.1uF 100V J		C1404	NCB31HK-222X	C CAPACITOR	2200pF 50V K	
C1125	QFVM2AJ-104Z	MF CAPACITOR	0.1uF 100V J		C1405	NCB31HK-222X	C CAPACITOR	2200pF 50V K	
C1171	QETN1HM-475Z	E CAPACITOR	4.7uF 50V M		C1407	NCB31HK-222X	C CAPACITOR	2200pF 50V K	
C1201	QEK1HM-106Z	E CAPACITOR	10uF 50V M		C1408	NCB31AK-105X	C CAPACITOR	1uF 10V K	
C1202	NCB31HK-471X	C CAPACITOR	470pF 50V K		C1409	NDC31HG-101X	C CAPACITOR	100pF 50V G	
C1203	QEK1HM-106Z	E CAPACITOR	10uF 50V M		C1410	NCB31CK-105X	C CAPACITOR	1uF 16V K	
C1204	NCB31HK-222X	C CAPACITOR	2200pF 50V K		C1411	NDC31HJ-101X	C CAPACITOR	100pF 50V J	
C1205	NCB31HK-222X	C CAPACITOR	2200pF 50V K		C1422	NCB31CK-105X	C CAPACITOR	1uF 16V K	
C1207	NCB31HK-222X	C CAPACITOR	2200pF 50V K		C1423	NCB31CK-105X	C CAPACITOR	1uF 16V K	
C1208	NCB31AK-105X	C CAPACITOR	1uF 10V K		C1431	QEK1CM-107Z	E CAPACITOR	100uF 16V M	
C1209	NDC31HG-101X	C CAPACITOR	100pF 50V G		C1432	NDC31HJ-330X	C CAPACITOR	33pF 50V J	
C1210	NCB31CK-105X	C CAPACITOR	1uF 16V K		C1451	NCB31HK-103X	C CAPACITOR	0.01uF 50V K	
C1211	NDC31HJ-101X	C CAPACITOR	100pF 50V J		C1452	NCB31CK-105X	C CAPACITOR	1uF 16V K	
C1222	NCB31CK-105X	C CAPACITOR	1uF 16V K		C1453	NCB21EK-334X	C CAPACITOR	0.33uF 25V K	
C1223	QEK1CM-107Z	E CAPACITOR	100uF 16V M		C1454	NDC31HJ-101X	C CAPACITOR	100pF 50V J	
C1224	QEK1CM-107Z	E CAPACITOR	100uF 16V M		C1463	NCZ1061-104X	C CAPACITOR	0.1uF	
C1225	NCB31CK-104X	C CAPACITOR	0.1uF 16V K		C1464	NCB31HK-102X	C CAPACITOR	1000pF 50V K	
C1226	NCB31CK-104X	C CAPACITOR	0.1uF 16V K		C1465	NCB31HK-102X	C CAPACITOR	1000pF 50V K	
C1231	QEK1CM-107Z	E CAPACITOR	100uF 16V M		C1466	NCB31HK-102X	C CAPACITOR	1000pF 50V K	
C1232	NDC31HJ-330X	C CAPACITOR	33pF 50V J		C1467	NCB31HK-102X	C CAPACITOR	1000pF 50V K	
C1251	NCB31HK-103X	C CAPACITOR	0.01uF 50V K		C1468	QFKC2AJ-155Z	MM CAPACITOR	1.5uF 100V J	
C1252	NCB31CK-105X	C CAPACITOR	1uF 16V K		C1469	QFVM2AJ-104Z	MF CAPACITOR	0.1uF 100V J	
C1253	NCB21EK-334X	C CAPACITOR	0.33uF 25V K		C1470	NCB31HK-102X	C CAPACITOR	1000pF 50V K	
C1254	NDC31HJ-101X	C CAPACITOR	100pF 50V J		C1471	NCZ1061-104X	C CAPACITOR	0.1uF	
C1263	NCZ1061-104X	C CAPACITOR	0.1uF		C1472	NCZ1061-104X	C CAPACITOR	0.1uF	
C1264	NCB31HK-102X	C CAPACITOR	1000pF 50V K		C1473	QETN1HM-227Z	E CAPACITOR	220uF 50V M	
C1265	NCB31HK-102X	C CAPACITOR	1000pF 50V K		C1474	QETN1HM-227Z	E CAPACITOR	220uF 50V M	
C1266	NCB31HK-102X	C CAPACITOR	1000pF 50V K		C1475	QETN2AM-106Z	E CAPACITOR	10uF 100V M	
C1267	NCB31HK-102X	C CAPACITOR	1000pF 50V K		C1477	NCB31HK-221X	C CAPACITOR	220pF 50V K	D202BC
C1268	QFKC2AJ-155Z	MM CAPACITOR	1.5uF 100V J						D201SJ,
C1269	QFVM2AJ-104Z	MF CAPACITOR	0.1uF 100V J		C1477	NCB31HK-102X	C CAPACITOR	1000pF 50V K	D202BJ
C1270	NCB31HK-102X	C CAPACITOR	1000pF 50V K						
C1271	NCZ1061-104X	C CAPACITOR	0.1uF		△R103	QRJ146J-6R8X	UNF C RESISTOR	6.8Ω 1/4W J	
C1272	NCZ1061-104X	C CAPACITOR	0.1uF		R105	QRJ146J-100X	UNF C RESISTOR	10Ω 1/4W J	
C1273	QETN1HM-227Z	E CAPACITOR	220uF 50V M		△R106	QRJ146J-821X	UNF C RESISTOR	820Ω 1/4W J	
C1274	QETN1HM-227Z	E CAPACITOR	220uF 50V M		△R107	QRJ146J-5R6X	UNF C RESISTOR	5.6Ω 1/4W J	
C1275	QETN2AM-106Z	E CAPACITOR	10uF 100V M		△R108	QRJ146J-332X	UNF C RESISTOR	3.3kΩ 1/4W J	
C1277	NCB31HK-221X	C CAPACITOR	220pF 50V K	D202BC	R109	QRE141J-223Y	C RESISTOR	22kΩ 1/4W J	
				D201SJ,	R110	QRE141J-104Y	C RESISTOR	100kΩ 1/4W J	
				D202BJ	△R151	QRK126J-100X	UNF C RESISTOR	10Ω 1/2W J	
C1301	QEK1HM-106Z	E CAPACITOR	10uF 50V M		△R152	QRJ146J-4R7X	UNF C RESISTOR	4.7Ω 1/4W J	
C1302	NCB31HK-471X	C CAPACITOR	470pF 50V K		△R153	QRK126J-4R7X	UNF C RESISTOR	4.7Ω 1/2W J	
C1303	QEK1HM-106Z	E CAPACITOR	10uF 50V M		R154	NRSA63J-103X	MG RESISTOR	10kΩ 1/16W J	
C1304	NCB31HK-222X	C CAPACITOR	2200pF 50V K		R155	NRSA63J-113X	MG RESISTOR	11kΩ 1/16W J	
C1305	NCB31HK-222X	C CAPACITOR	2200pF 50V K		△R156	QRJ146J-100X	UNF C RESISTOR	10Ω 1/4W J	
C1307	NCB31HK-222X	C CAPACITOR	2200pF 50V K		△R157	QRJ146J-561X	UNF C RESISTOR	560Ω 1/4W J	
C1308	NCB31AK-105X	C CAPACITOR	1uF 10V K		△R158	QRK126J-4R7X	UNF C RESISTOR	4.7Ω 1/2W J	
C1309	NDC31HG-101X	C CAPACITOR	100pF 50V G		R159	NRSA63J-202X	MG RESISTOR	2kΩ 1/16W J	
C1310	NCB31CK-105X	C CAPACITOR	1uF 16V K		R160	NRSA63J-473X	MG RESISTOR	47kΩ 1/16W J	
C1311	NDC31HJ-101X	C CAPACITOR	100pF 50V J		△R161	QRJ146J-4R7X	UNF C RESISTOR	4.7Ω 1/4W J	
C1322	NCB31CK-105X	C CAPACITOR	1uF 16V K		△R162	QRJ146J-222X	UNF C RESISTOR	2.2kΩ 1/4W J	
C1323	NCB31CK-105X	C CAPACITOR	1uF 16V K		△R163	QRJ146J-100X	UNF C RESISTOR	10Ω 1/4W J	
C1324	NCB31CK-104X	C CAPACITOR	0.1uF 16V K		△R164	QRJ146J-222X	UNF C RESISTOR	2.2kΩ 1/4W J	
C1331	QEK1CM-107Z	E CAPACITOR	100uF 16V M		△R165	QRT01DJ-R22X	MF RESISTOR	0.22Ω 1W J	
C1332	NDC31HJ-330X	C CAPACITOR	33pF 50V J		△R166	QRJ146J-222X	UNF C RESISTOR	2.2kΩ 1/4W J	
C1351	NCB31HK-103X	C CAPACITOR	0.01uF 50V K		△R173	QRK126J-4R7X	UNF C RESISTOR	4.7Ω 1/2W J	
C1352	NCB31CK-105X	C CAPACITOR	1uF 16V K		△R174	QRK126J-103X	UNF C RESISTOR	10kΩ 1/2W J	
C1353	NCB21EK-334X	C CAPACITOR	0.33uF 25V K		△R175	QRK126J-4R7X	UNF C RESISTOR	4.7Ω 1/2W J	
C1354	NDC31HJ-101X	C CAPACITOR	100pF 50V J		△R176	QRK126J-103X	UNF C RESISTOR	10kΩ 1/2W J	
C1363	NCZ1061-104X	C CAPACITOR	0.1uF		R181	NRSA63J-101X	MG RESISTOR	100Ω 1/16W J	
C1364	NCB31HK-102X	C CAPACITOR	1000pF 50V K		R182	NRSA63J-222X	MG RESISTOR	2.2kΩ 1/16W J	
C1365	NCB31HK-102X	C CAPACITOR	1000pF 50V K		R183	NRSA63J-202X	MG RESISTOR	2kΩ 1/16W J	
C1366	NCB31HK-102X	C CAPACITOR	1000pF 50V K		R184	NRSA63J-473X	MG RESISTOR	47kΩ 1/16W J	
C1367	NCB31HK-102X	C CAPACITOR	1000pF 50V K		R201	NRSA63J-102X	MG RESISTOR	1kΩ 1/16W J	
C1368	QFKC2AJ-155Z	MM CAPACITOR	1.5uF 100V J		R202	NRSA63J-223X	MG RESISTOR	22kΩ 1/16W J	
C1369	QFVM2AJ-104Z	MF CAPACITOR	0.1uF 100V J		R203	NRSA63J-102X	MG RESISTOR	1kΩ 1/16W J	

△ Symbol No.	Part No.	Part Name	Description	Local	△ Symbol No.	Part No.	Part Name	Description	Local
R204	NRSA63J-102X	MG RESISTOR	1kΩ 1/16W J		R352	NRSA63J-822X	MG RESISTOR	8.2kΩ 1/16W J	
R205	NRSA63J-155X	MG RESISTOR	1.5MΩ 1/16W J		R353	NRSA63J-332X	MG RESISTOR	3.3kΩ 1/16W J	
R206	NRSA63J-332X	MG RESISTOR	3.3kΩ 1/16W J		R354	NRSA63J-221X	MG RESISTOR	220Ω 1/16W J	
R207	NRSA63J-183X	MG RESISTOR	18kΩ 1/16W J		R355	NRSA63J-912X	MG RESISTOR	9.1kΩ 1/16W J	D202BC
R208	NRSA63J-104X	MG RESISTOR	100kΩ 1/16W J						D201SJ,
R209	NRSA63J-103X	MG RESISTOR	10kΩ 1/16W J		R355	NRSA63J-752X	MG RESISTOR	7.5kΩ 1/16W J	D202BJ
R210	NRSA63J-105X	MG RESISTOR	1MΩ 1/16W J		R356	NRSA63J-332X	MG RESISTOR	3.3kΩ 1/16W J	
R211	NRSA63J-222X	MG RESISTOR	2.2kΩ 1/16W J		R357	NRSA63J-122X	MG RESISTOR	1.2kΩ 1/16W J	D202BC
R214	NRSA63J-104X	MG RESISTOR	100kΩ 1/16W J						D201SJ,
R215	NRSA63F-822X	MG RESISTOR	8.2kΩ 1/16W F		R357	NRSA63J-471X	MG RESISTOR	470Ω 1/16W J	D202BJ
R216	NRSA63J-821X	MG RESISTOR	820Ω 1/16W J		R358	NRS144J-4R7X	MG RESISTOR	4.7Ω 1/4W J	
R217	NRSA63J-821X	MG RESISTOR	820Ω 1/16W J		R361	NRS144J-560X	MG RESISTOR	56Ω 1/4W J	
R221	NRSA63J-683X	MG RESISTOR	68kΩ 1/16W J		R362	NRS144J-560X	MG RESISTOR	56Ω 1/4W J	
R222	NRSA63J-223X	MG RESISTOR	22kΩ 1/16W J		R364	QRL01DJ-220X	OMF RESISTOR	22Ω 1W J	
R223	NRSA63J-102X	MG RESISTOR	1kΩ 1/16W J		R365	NRS125J-220X	MG RESISTOR	22Ω 1/2W J	
R224	NRSA63J-153X	MG RESISTOR	15kΩ 1/16W J		R366	QRL01DJ-220X	OMF RESISTOR	22Ω 1W J	
R225	NRSA63J-153X	MG RESISTOR	15kΩ 1/16W J		R367	NRS125J-103X	MG RESISTOR	10kΩ 1/2W J	
R231	NRSA63J-102X	MG RESISTOR	1kΩ 1/16W J		R368	NRSA63J-682X	MG RESISTOR	6.8kΩ 1/16W J	
R232	NRSA63J-104X	MG RESISTOR	100kΩ 1/16W J		R369	NRSA63J-472X	MG RESISTOR	4.7kΩ 1/16W J	
R233	NRSA63J-472X	MG RESISTOR	4.7kΩ 1/16W J		R370	NRSA63J-104X	MG RESISTOR	100kΩ 1/16W J	
R234	NRSA63J-102X	MG RESISTOR	1kΩ 1/16W J		R391	QRL027J-471	OMF RESISTOR	470Ω 2W J	
R235	NRSA63J-103X	MG RESISTOR	10kΩ 1/16W J		R401	NRSA63J-102X	MG RESISTOR	1kΩ 1/16W J	
R251	NRSA63J-101X	MG RESISTOR	100Ω 1/16W J		R402	NRSA63J-223X	MG RESISTOR	22kΩ 1/16W J	
R252	NRSA63J-822X	MG RESISTOR	8.2kΩ 1/16W J		R403	NRSA63J-0R0X	MG RESISTOR	0Ω 1/16W J	
R253	NRSA63J-332X	MG RESISTOR	3.3kΩ 1/16W J		R405	NRSA63J-155X	MG RESISTOR	1.5MΩ 1/16W J	
R254	NRSA63J-221X	MG RESISTOR	220Ω 1/16W J		R406	NRSA63J-332X	MG RESISTOR	3.3kΩ 1/16W J	
R255	NRSA63J-912X	MG RESISTOR	9.1kΩ 1/16W J	D202BC	R407	NRSA63J-183X	MG RESISTOR	18kΩ 1/16W J	
R255	NRSA63J-752X	MG RESISTOR	7.5kΩ 1/16W J	D201SJ, D202BJ	R408	NRSA63J-104X	MG RESISTOR	100kΩ 1/16W J	
R256	NRSA63J-332X	MG RESISTOR	3.3kΩ 1/16W J		R409	NRSA63J-103X	MG RESISTOR	10kΩ 1/16W J	
R257	NRSA63J-122X	MG RESISTOR	1.2kΩ 1/16W J	D202BC	R410	NRSA63J-105X	MG RESISTOR	1MΩ 1/16W J	
R257	NRSA63J-471X	MG RESISTOR	470Ω 1/16W J	D201SJ, D202BJ	R411	NRSA63J-222X	MG RESISTOR	2.2kΩ 1/16W J	
R258	NRS144J-4R7X	MG RESISTOR	4.7Ω 1/4W J		R414	NRSA63J-104X	MG RESISTOR	100kΩ 1/16W J	
R261	NRS144J-560X	MG RESISTOR	56Ω 1/4W J		R415	NRSA63F-822X	MG RESISTOR	8.2kΩ 1/16W F	
R262	NRS144J-560X	MG RESISTOR	56Ω 1/4W J		R416	NRSA63J-821X	MG RESISTOR	820Ω 1/16W J	
R264	QRL01DJ-220X	OMF RESISTOR	22Ω 1W J		R417	NRSA63J-821X	MG RESISTOR	820Ω 1/16W J	
R265	NRS125J-220X	MG RESISTOR	22Ω 1/2W J		R431	NRSA63J-102X	MG RESISTOR	1kΩ 1/16W J	
R266	QRL01DJ-220X	OMF RESISTOR	22Ω 1W J		R432	NRSA63J-104X	MG RESISTOR	100kΩ 1/16W J	
R267	NRS125J-103X	MG RESISTOR	10kΩ 1/2W J		R433	NRSA63J-472X	MG RESISTOR	4.7kΩ 1/16W J	
R268	NRSA63J-682X	MG RESISTOR	6.8kΩ 1/16W J		R434	NRSA63J-102X	MG RESISTOR	1kΩ 1/16W J	
R269	NRSA63J-472X	MG RESISTOR	4.7kΩ 1/16W J		R435	NRSA63J-103X	MG RESISTOR	10kΩ 1/16W J	
R270	NRSA63J-104X	MG RESISTOR	100kΩ 1/16W J		R451	NRSA63J-101X	MG RESISTOR	100Ω 1/16W J	
R281	NRSA63J-103X	MG RESISTOR	10kΩ 1/16W J		R452	NRSA63J-822X	MG RESISTOR	8.2kΩ 1/16W J	
R282	NRSA63J-103X	MG RESISTOR	10kΩ 1/16W J		R453	NRSA63J-332X	MG RESISTOR	3.3kΩ 1/16W J	
R283	NRSA63J-0R0X	MG RESISTOR	0Ω 1/16W J		R454	NRSA63J-221X	MG RESISTOR	220Ω 1/16W J	
R284	NRSA63J-104X	MG RESISTOR	100kΩ 1/16W J		R455	NRSA63J-912X	MG RESISTOR	9.1kΩ 1/16W J	
R285	NRSA63J-473X	MG RESISTOR	47kΩ 1/16W J		R456	NRSA63J-222X	MG RESISTOR	2.2kΩ 1/16W J	
R286	NRSA63J-104X	MG RESISTOR	100kΩ 1/16W J		R457	NRSA63J-122X	MG RESISTOR	1.2kΩ 1/16W J	
R287	NRSA02J-392X	MG RESISTOR	3.9kΩ 1/10W J		R458	NRS144J-4R7X	MG RESISTOR	4.7Ω 1/4W J	
R288	NRSA63J-224X	MG RESISTOR	220kΩ 1/16W J		R461	NRS144J-560X	MG RESISTOR	56Ω 1/4W J	
R289	NRSA63J-101X	MG RESISTOR	100Ω 1/16W J		R462	NRS144J-560X	MG RESISTOR	56Ω 1/4W J	
R290	NRSA63J-101X	MG RESISTOR	100Ω 1/16W J		R464	QRL01DJ-220X	OMF RESISTOR	22Ω 1W J	
R291	QRL027J-471	OMF RESISTOR	470Ω 2W J		R465	NRS125J-220X	MG RESISTOR	22Ω 1/2W J	
△ R300	QRJ146J-470X	UNF C RESISTOR	47Ω 1/4W J		R466	QRL01DJ-220X	OMF RESISTOR	22Ω 1W J	
R301	NRSA63J-102X	MG RESISTOR	1kΩ 1/16W J		R467	NRS125J-103X	MG RESISTOR	10kΩ 1/2W J	
R302	NRSA63J-223X	MG RESISTOR	22kΩ 1/16W J		R468	NRSA63J-682X	MG RESISTOR	6.8kΩ 1/16W J	
R303	NRSA63J-102X	MG RESISTOR	1kΩ 1/16W J		R469	NRSA63J-472X	MG RESISTOR	4.7kΩ 1/16W J	
R304	NRSA63J-102X	MG RESISTOR	1kΩ 1/16W J		R470	NRSA63J-104X	MG RESISTOR	100kΩ 1/16W J	
R305	NRSA63J-155X	MG RESISTOR	1.5MΩ 1/16W J		R801	NRSA63J-102X	MG RESISTOR	1kΩ 1/16W J	
R306	NRSA63J-332X	MG RESISTOR	3.3kΩ 1/16W J		R802	NRSA63J-223X	MG RESISTOR	22kΩ 1/16W J	
R307	NRSA63J-183X	MG RESISTOR	18kΩ 1/16W J		R803	NRSA63J-102X	MG RESISTOR	1kΩ 1/16W J	
R308	NRSA63J-104X	MG RESISTOR	100kΩ 1/16W J		R804	NRSA63J-202X	MG RESISTOR	2kΩ 1/16W J	
R309	NRSA63J-103X	MG RESISTOR	10kΩ 1/16W J		R805	NRSA63J-155X	MG RESISTOR	1.5MΩ 1/16W J	
R310	NRSA63J-105X	MG RESISTOR	1MΩ 1/16W J		R806	NRSA63J-332X	MG RESISTOR	3.3kΩ 1/16W J	
R311	NRSA63J-222X	MG RESISTOR	2.2kΩ 1/16W J		R807	NRSA63J-183X	MG RESISTOR	18kΩ 1/16W J	
R314	NRSA63J-104X	MG RESISTOR	100kΩ 1/16W J		R808	NRSA63J-104X	MG RESISTOR	100kΩ 1/16W J	
R315	NRSA63F-822X	MG RESISTOR	8.2kΩ 1/16W F		R809	NRSA63J-103X	MG RESISTOR	10kΩ 1/16W J	
R316	NRSA63J-821X	MG RESISTOR	820Ω 1/16W J		R810	NRSA63J-105X	MG RESISTOR	1MΩ 1/16W J	
R317	NRSA63J-821X	MG RESISTOR	820Ω 1/16W J		R811	NRSA63J-222X	MG RESISTOR	2.2kΩ 1/16W J	
R318	QRJ146J-100X	UNF C RESISTOR	10Ω 1/4W J		R814	NRSA63J-104X	MG RESISTOR	100kΩ 1/16W J	
R319	QRJ146J-100X	UNF C RESISTOR	10Ω 1/4W J		R815	NRSA63F-822X	MG RESISTOR	8.2kΩ 1/16W F	
R331	NRSA63J-102X	MG RESISTOR	1kΩ 1/16W J		R816	NRSA63J-821X	MG RESISTOR	820Ω 1/16W J	
R332	NRSA63J-104X	MG RESISTOR	100kΩ 1/16W J		R817	NRSA63J-821X	MG RESISTOR	820Ω 1/16W J	
R333	NRSA63J-472X	MG RESISTOR	4.7kΩ 1/16W J		R831	NRSA63J-102X	MG RESISTOR	1kΩ 1/16W J	
R334	NRSA63J-102X	MG RESISTOR	1kΩ 1/16W J		R832	NRSA63J-104X	MG RESISTOR	100kΩ 1/16W J	
R335	NRSA63J-103X	MG RESISTOR	10kΩ 1/16W J		R833	NRSA63J-472X	MG RESISTOR	4.7kΩ 1/16W J	
R351	NRSA63J-101X	MG RESISTOR	100Ω 1/16W J		R834	NRSA63J-102X	MG RESISTOR	1kΩ 1/16W J	
					R835	NRSA63J-103X	MG RESISTOR	10kΩ 1/16W J	
					R851	NRSA63J-101X	MG RESISTOR	100Ω 1/16W J	

△ Symbol No.	Part No.	Part Name	Description	Local	△ Symbol No.	Part No.	Part Name	Description	Local
R852	NRSA63J-822X	MG RESISTOR	8.2kΩ 1/16W J		R1310	NRSA63J-105X	MG RESISTOR	1MΩ 1/16W J	
R853	NRSA63J-332X	MG RESISTOR	3.3kΩ 1/16W J		R1311	NRSA63J-222X	MG RESISTOR	2.2kΩ 1/16W J	
R854	NRSA63J-221X	MG RESISTOR	220Ω 1/16W J		R1314	NRSA63J-104X	MG RESISTOR	100kΩ 1/16W J	
R855	NRSA63J-912X	MG RESISTOR	9.1kΩ 1/16W J		R1315	NRSA63F-822X	MG RESISTOR	8.2kΩ 1/16W F	
R856	NRSA63J-222X	MG RESISTOR	2.2kΩ 1/16W J		R1316	NRSA63J-821X	MG RESISTOR	820Ω 1/16W J	
R857	NRSA63J-122X	MG RESISTOR	1.2kΩ 1/16W J		R1317	NRSA63J-821X	MG RESISTOR	820Ω 1/16W J	
R858	NRS144J-4R7X	MG RESISTOR	4.7Ω 1/4W J		R1318	QRJ146J-100X	UNF C RESISTOR	10Ω 1/4W J	
R861	NRS144J-560X	MG RESISTOR	56Ω 1/4W J		R1319	QRJ146J-100X	UNF C RESISTOR	10Ω 1/4W J	
R862	NRS144J-560X	MG RESISTOR	56Ω 1/4W J		R1331	NRSA63J-102X	MG RESISTOR	1kΩ 1/16W J	
R864	QRL01DJ-220X	OMF RESISTOR	22Ω 1W J		R1332	NRSA63J-104X	MG RESISTOR	100kΩ 1/16W J	
R865	NRS125J-220X	MG RESISTOR	22Ω 1/2W J		R1333	NRSA63J-472X	MG RESISTOR	4.7kΩ 1/16W J	
R866	QRL01DJ-220X	OMF RESISTOR	22Ω 1W J		R1334	NRSA63J-102X	MG RESISTOR	1kΩ 1/16W J	
R867	NRS125J-103X	MG RESISTOR	10kΩ 1/2W J		R1335	NRSA63J-103X	MG RESISTOR	10kΩ 1/16W J	
R868	NRSA63J-682X	MG RESISTOR	6.8kΩ 1/16W J		R1351	NRSA63J-101X	MG RESISTOR	100Ω 1/16W J	
R869	NRSA63J-472X	MG RESISTOR	4.7kΩ 1/16W J		R1352	NRSA63J-822X	MG RESISTOR	8.2kΩ 1/16W J	
R870	NRSA63J-104X	MG RESISTOR	100kΩ 1/16W J		R1353	NRSA63J-332X	MG RESISTOR	3.3kΩ 1/16W J	
R1101	NRS144J-104X	MG RESISTOR	100kΩ 1/4W J		R1354	NRSA63J-221X	MG RESISTOR	220Ω 1/16W J	
R1102	NRS144J-104X	MG RESISTOR	100kΩ 1/4W J		R1355	NRSA63J-912X	MG RESISTOR	9.1kΩ 1/16W J	
△ R1103	NRS144J-330X	MG RESISTOR	33Ω 1/4W J		R1356	NRSA63J-222X	MG RESISTOR	2.2kΩ 1/16W J	
△ R1104	NRS144J-330X	MG RESISTOR	33Ω 1/4W J		R1357	NRSA63J-122X	MG RESISTOR	1.2kΩ 1/16W J	
R1105	NRS016J-100X	MG RESISTOR	10Ω 1W J		R1358	NRS144J-4R7X	MG RESISTOR	4.7Ω 1/4W J	
R1106	QRL01DJ-100X	OMF RESISTOR	10Ω 1W J		R1361	NRS144J-560X	MG RESISTOR	56Ω 1/4W J	
R1107	NRS016J-100X	MG RESISTOR	10Ω 1W J		R1362	NRS144J-560X	MG RESISTOR	56Ω 1/4W J	
R1108	QRL01DJ-100X	OMF RESISTOR	10Ω 1W J		R1364	QRL01DJ-220X	OMF RESISTOR	22Ω 1W J	
R1109	QRL027J-222	OMF RESISTOR	2.2kΩ 2W J		R1365	NRS125J-220X	MG RESISTOR	22Ω 1/2W J	
R1110	QRL027J-222	OMF RESISTOR	2.2kΩ 2W J		R1366	QRL01DJ-220X	OMF RESISTOR	22Ω 1W J	
R1111	NRSA63F-102X	MG RESISTOR	1kΩ 1/16W F		R1367	NRS125J-103X	MG RESISTOR	10kΩ 1/2W J	
R1112	NRSA63F-102X	MG RESISTOR	1kΩ 1/16W F		R1368	NRSA63J-682X	MG RESISTOR	6.8kΩ 1/16W J	
R1113	NRSA63F-393X	MG RESISTOR	39kΩ 1/16W F		R1369	NRSA63J-472X	MG RESISTOR	4.7kΩ 1/16W J	
R1115	NRSA63J-821X	MG RESISTOR	820Ω 1/16W J		R1370	NRSA63J-104X	MG RESISTOR	100kΩ 1/16W J	
R1116	NRS144J-4R7X	MG RESISTOR	4.7Ω 1/4W J		R1401	NRSA63J-102X	MG RESISTOR	1kΩ 1/16W J	
△ R1117	NRS144J-4R7X	MG RESISTOR	4.7Ω 1/4W J		R1402	NRSA63J-223X	MG RESISTOR	22kΩ 1/16W J	
R1118	NRSA63F-473X	MG RESISTOR	47kΩ 1/16W F		R1403	NRSA63J-0R0X	MG RESISTOR	0Ω 1/16W J	
R1171	QRJ146J-332X	UNF C RESISTOR	3.3kΩ 1/4W J		R1405	NRSA63J-155X	MG RESISTOR	1.5MΩ 1/16W J	
R1201	NRSA63J-102X	MG RESISTOR	1kΩ 1/16W J		R1406	NRSA63J-332X	MG RESISTOR	3.3kΩ 1/16W J	
R1202	NRSA63J-223X	MG RESISTOR	22kΩ 1/16W J		R1407	NRSA63J-183X	MG RESISTOR	18kΩ 1/16W J	
R1203	NRSA63J-0R0X	MG RESISTOR	0Ω 1/16W J		R1408	NRSA63J-104X	MG RESISTOR	100kΩ 1/16W J	
R1205	NRSA63J-155X	MG RESISTOR	1.5MΩ 1/16W J		R1409	NRSA63J-103X	MG RESISTOR	10kΩ 1/16W J	
R1206	NRSA63J-332X	MG RESISTOR	3.3kΩ 1/16W J		R1410	NRSA63J-105X	MG RESISTOR	1MΩ 1/16W J	
R1207	NRSA63J-183X	MG RESISTOR	18kΩ 1/16W J		R1411	NRSA63J-222X	MG RESISTOR	2.2kΩ 1/16W J	
R1208	NRSA63J-104X	MG RESISTOR	100kΩ 1/16W J		R1414	NRSA63J-104X	MG RESISTOR	100kΩ 1/16W J	
R1209	NRSA63J-103X	MG RESISTOR	10kΩ 1/16W J		R1415	NRSA63F-822X	MG RESISTOR	8.2kΩ 1/16W F	
R1210	NRSA63J-105X	MG RESISTOR	1MΩ 1/16W J		R1416	NRSA63J-821X	MG RESISTOR	820Ω 1/16W J	
R1211	NRSA63J-222X	MG RESISTOR	2.2kΩ 1/16W J		R1417	NRSA63J-821X	MG RESISTOR	820Ω 1/16W J	
R1214	NRSA63J-104X	MG RESISTOR	100kΩ 1/16W J		R1431	NRSA63J-102X	MG RESISTOR	1kΩ 1/16W J	
R1215	NRSA63F-822X	MG RESISTOR	8.2kΩ 1/16W F		R1432	NRSA63J-104X	MG RESISTOR	100kΩ 1/16W J	
R1216	NRSA63J-821X	MG RESISTOR	820Ω 1/16W J		R1433	NRSA63J-472X	MG RESISTOR	4.7kΩ 1/16W J	
R1217	NRSA63J-821X	MG RESISTOR	820Ω 1/16W J		R1434	NRSA63J-102X	MG RESISTOR	1kΩ 1/16W J	
R1231	NRSA63J-102X	MG RESISTOR	1kΩ 1/16W J		R1435	NRSA63J-103X	MG RESISTOR	10kΩ 1/16W J	
R1232	NRSA63J-104X	MG RESISTOR	100kΩ 1/16W J		R1451	NRSA63J-101X	MG RESISTOR	100Ω 1/16W J	
R1233	NRSA63J-472X	MG RESISTOR	4.7kΩ 1/16W J		R1452	NRSA63J-822X	MG RESISTOR	8.2kΩ 1/16W J	
R1234	NRSA63J-102X	MG RESISTOR	1kΩ 1/16W J		R1453	NRSA63J-332X	MG RESISTOR	3.3kΩ 1/16W J	
R1235	NRSA63J-103X	MG RESISTOR	10kΩ 1/16W J		R1454	NRSA63J-221X	MG RESISTOR	220Ω 1/16W J	
R1251	NRSA63J-101X	MG RESISTOR	100Ω 1/16W J		R1455	NRSA63J-912X	MG RESISTOR	9.1kΩ 1/16W J	
R1252	NRSA63J-822X	MG RESISTOR	8.2kΩ 1/16W J		R1456	NRSA63J-222X	MG RESISTOR	2.2kΩ 1/16W J	
R1253	NRSA63J-332X	MG RESISTOR	3.3kΩ 1/16W J		R1457	NRSA63J-122X	MG RESISTOR	1.2kΩ 1/16W J	
R1254	NRSA63J-221X	MG RESISTOR	220Ω 1/16W J		R1458	NRS144J-4R7X	MG RESISTOR	4.7Ω 1/4W J	
R1255	NRSA63J-912X	MG RESISTOR	9.1kΩ 1/16W J		R1461	NRS144J-560X	MG RESISTOR	56Ω 1/4W J	
R1256	NRSA63J-222X	MG RESISTOR	2.2kΩ 1/16W J		R1462	NRS144J-560X	MG RESISTOR	56Ω 1/4W J	
R1257	NRSA63J-122X	MG RESISTOR	1.2kΩ 1/16W J		R1464	QRL01DJ-220X	OMF RESISTOR	22Ω 1W J	
R1258	NRS144J-4R7X	MG RESISTOR	4.7Ω 1/4W J		R1465	NRS125J-220X	MG RESISTOR	22Ω 1/2W J	
R1261	NRS144J-560X	MG RESISTOR	56Ω 1/4W J		R1466	QRL01DJ-220X	OMF RESISTOR	22Ω 1W J	
R1262	NRS144J-560X	MG RESISTOR	56Ω 1/4W J		R1467	NRS125J-103X	MG RESISTOR	10kΩ 1/2W J	
R1264	QRL01DJ-220X	OMF RESISTOR	22Ω 1W J		R1468	NRSA63J-682X	MG RESISTOR	6.8kΩ 1/16W J	
R1265	NRS125J-220X	MG RESISTOR	22Ω 1/2W J		R1469	NRSA63J-472X	MG RESISTOR	4.7kΩ 1/16W J	
R1266	QRL01DJ-220X	OMF RESISTOR	22Ω 1W J		R1470	NRSA63J-104X	MG RESISTOR	100kΩ 1/16W J	
R1267	NRS125J-103X	MG RESISTOR	10kΩ 1/2W J		R9261	NRSA02J-331X	MG RESISTOR	330Ω 1/10W J	
R1268	NRSA63J-682X	MG RESISTOR	6.8kΩ 1/16W J		R9262	NRSA02J-331X	MG RESISTOR	330Ω 1/10W J	
R1269	NRSA63J-472X	MG RESISTOR	4.7kΩ 1/16W J		R9263	NRSA02J-331X	MG RESISTOR	330Ω 1/10W J	
R1270	NRSA63J-104X	MG RESISTOR	100kΩ 1/16W J		R9264	NRSA02J-331X	MG RESISTOR	330Ω 1/10W J	
R1301	NRSA63J-102X	MG RESISTOR	1kΩ 1/16W J		R9361	NRSA02J-331X	MG RESISTOR	330Ω 1/10W J	
R1302	NRSA63J-223X	MG RESISTOR	22kΩ 1/16W J		R9362	NRSA02J-331X	MG RESISTOR	330Ω 1/10W J	
R1303	NRSA63J-0R0X	MG RESISTOR	0Ω 1/16W J		R9363	NRSA02J-331X	MG RESISTOR	330Ω 1/10W J	
R1305	NRSA63J-155X	MG RESISTOR	1.5MΩ 1/16W J		R9364	NRSA02J-331X	MG RESISTOR	330Ω 1/10W J	
R1306	NRSA63J-332X	MG RESISTOR	3.3kΩ 1/16W J		R9461	NRSA02J-331X	MG RESISTOR	330Ω 1/10W J	
R1307	NRSA63J-183X	MG RESISTOR	18kΩ 1/16W J		R9462	NRSA02J-331X	MG RESISTOR	330Ω 1/10W J	
R1308	NRSA63J-104X	MG RESISTOR	100kΩ 1/16W J		R9463	NRSA02J-331X	MG RESISTOR	330Ω 1/10W J	
R1309	NRSA63J-103X	MG RESISTOR	10kΩ 1/16W J		R9464	NRSA02J-331X	MG RESISTOR	330Ω 1/10W J	



△ Symbol No.	Part No.	Part Name	Description	Local
R9861	NRSA02J-331X	MG RESISTOR	330Ω 1/10W J	
R9862	NRSA02J-331X	MG RESISTOR	330Ω 1/10W J	
L261	QQL77AK-220	COIL	22uH K	
L361	QQL77AK-220	COIL	22uH K	
L461	QQL77AK-220	COIL	22uH K	
L861	QQL77AK-220	COIL	22uH K	
△ L1101	QQL78AK-220	COIL	22uH K	
△ L1102	QQL78AK-220	COIL	22uH K	
L1261	QQL77AK-220	COIL	22uH K	
L1361	QQL77AK-220	COIL	22uH K	
L1461	QQL77AK-220	COIL	22uH K	
CN101	QGA2001C1-04	CONNECTOR	W-B (1-4)	
CN102	QGF1205C1-05	CONNECTOR	FFC/FPC (1-5)	
CN103	QGA2501C1-02	CONNECTOR	W-B (1-2)	
CN104	QJK016-071002-E	SIN CR C-B WIRE		
CN105	QGA2001C1-05	CONNECTOR	W-B (1-5)	
CN106	QGA3901C1-08	CONNECTOR	W-B (1-8)	
CN111	QGA3901C1-03	CONNECTOR	W-B (1-3)	
CN114	QGA2001F1-07	CONNECTOR	W-B (1-7)	
CN115	QJK016-051000-E	SIN CR C-B WIRE		
CN130	QJK016-113401-E	SIN CR C-B WIRE		
CN131	QJK016-093604-E	SIN CR C-B WIRE		
CN152	QGB2510J1-11	CONNECTOR	B-B (1-11)	
CN201	QGA2501C1-07	CONNECTOR	W-B (1-7)	
CN222	QGB2510J1-14	CONNECTOR	B-B (1-14)	
CN251	QJK015-063601-E	SIN CR C-B WIRE		
CN252	QJK015-084203-E	SIN CR C-B WIRE		
CN301	QGB2510K1-17	CONNECTOR	B-B (1-17)	
CN302	QGB2510J1-17	CONNECTOR	B-B (1-17)	
CN311	QGA2001F1-03	CONNECTOR	W-B (1-3)	
CN312	QGA2501F1-02	CONNECTOR	W-B (1-2)	
CN313	QGA2001C1-04	CONNECTOR	W-B (1-4)	
CN321	QJK016-030903-E	SIN CR C-B WIRE		
CN322	QJK002-021002-E	SIN CR C-B WIRE		
CN351	QGA2501C1-03	CONNECTOR	W-B (1-3)	
CN401	QGB2510K1-16	CONNECTOR	B-B (1-16)	
CN402	QGB2510J1-16	CONNECTOR	B-B (1-16)	
CN411	QGA2501F1-03	CONNECTOR	W-B (1-3)	
CN412	QGA2501F1-04	CONNECTOR	W-B (1-4)	
CN413	QGA2501F1-02	CONNECTOR	W-B (1-2)	
CN421	QJK002-031803-E	SIN CR C-B WIRE		
CN422	QJK002-041404-E	SIN TWIST WIRE		
CN423	QJK002-021002-E	SIN CR C-B WIRE		
CN602	QGB2510K1-07	CONNECTOR	B-B (1-7)	
CN672	QGB2510K1-07	CONNECTOR	B-B (1-7)	
EP101	QNZ0136-001Z	EARTH PLATE		
EP102	QNZ0136-001Z	EARTH PLATE		
EP201	QNZ0136-001Z	EARTH PLATE		
FC101	QNG0020-001Z	FUSE CLIP		
FC102	QNG0020-001Z	FUSE CLIP		
FC111	QNG0020-001Z	FUSE CLIP		
FC112	QNG0020-001Z	FUSE CLIP		
FS124	VYSH101-009	SPACER		
FS125	VYSH101-009	SPACER		
FS126	VYSH101-009	SPACER		
FS127	VYSH101-009	SPACER		
FS221	VYSH101-009	SPACER		
FS222	VYSH101-009	SPACER		
FW240	WJS0048-002A-E	E-FL/RBWIRE*C-F		
FW323	WJS0047-002A-E	E-FL/RB WIRE		
HS101	E70306-001	HEAT SINK	HS 951	
HS102	E70306-001	HEAT SINK	HS 951	
HS107	E70306-001	HEAT SINK	HS 951	
HS108	E70306-001	HEAT SINK	HS 951	
HS151	E70306-001	HEAT SINK	HS 951	
HS152	E70306-001	HEAT SINK	HS 951	
HS153	E70306-001	HEAT SINK	HS 951	
HS157	E70306-001	HEAT SINK	HS 951	
HS158	E70306-001	HEAT SINK	HS 951	
RY300	QSK0127-001	RELAY		
△ TH101	QAD0095-4R7Z	P THERMISTOR	4.7Ω M	
TH271	QAD0146-103	N THERMISTOR	10kΩ	
WR222	QUB220-07A2A2-E	SIN TWIST WIRE		

## Input board

△ Symbol No.	Part No.	Part Name	Description	Local
IC501	MN101C49GNP	IC(MCU)	δ—106	
IC502	BD3843FS-X	IC		
IC503	BD3813KS	IC		
IC504	NJM4565M-WE	IC		
IC506	IC-PST9139-T	IC		
IC507	BR24L01AF-W-X	IC		
IC508	BD3812F-X	IC		
IC522	MM1118XF-X	IC		
IC524	MM1501XN-X	IC		
IC525	MM1502XN-X	IC		
IC527	MM1118XF-X	IC		
IC530	MM1504XN-X	IC		
IC531	MM1506XN-X	IC		
IC532	MM1506XN-X	IC		
IC601	NJM4565M-WE	IC		
IC602	NJM4565M-WE	IC		
IC611	NJM4565M-WE	IC		
IC612	NJM4565M-WE	IC		
IC613	NJM4565M-WE	IC		
IC615	NJM4565M-WE	IC		
IC621	NJM4565M-WE	IC		
IC622	NJM4565M-WE	IC		
IC631	NJM2120M-X	IC		
IC632	NJM4565M-WE	IC		
IC633	NJM4565M-WE	IC		
IC634	NJM4565M-WE	IC		
IC651	NJM4565M-WE	IC		
IC652	NJM4565M-WE	IC		
IC661	DSPC56371AF180	IC		
IC662	SN74AHC2GU04T-X	IC		
IC667	CS42518-CQZ-C-W	IC		
IC671	UPD784217AGC331	IC(MICRO C ROM)		
IC672	SN74AHCT1G32K-X	IC		
IC673	SN74LVC1G04K-X	IC		
IC691	BD7800FP-X	IC		
IC692	MM1563DF-X	IC		
IC903	PCM2704DB-X	IC		
IC904	SN74AHC1G08V-X	IC		
Q501	2SC3576-JVC-T	TRANSISTOR		
Q502	2SC3576-JVC-T	TRANSISTOR		
Q503	KRA104S-X	DIGI TRANSISTOR		
Q510	KRC102S-X	DIGI TRANSISTOR		
Q511	KRA104S-X	DIGI TRANSISTOR		
Q512	KRA104S-X	DIGI TRANSISTOR		
Q513	2SC3576-JVC-T	TRANSISTOR		
Q514	2SC3576-JVC-T	TRANSISTOR		
Q515	2SC3576-JVC-T	TRANSISTOR		
Q516	2SC3576-JVC-T	TRANSISTOR		
Q517	2SC3576-JVC-T	TRANSISTOR		
Q518	2SC3576-JVC-T	TRANSISTOR		
Q519	2SC3576-JVC-T	TRANSISTOR		
Q521	2SC3576-JVC-T	TRANSISTOR		
Q522	2SC3576-JVC-T	TRANSISTOR		
Q523	KRA104S-X	DIGI TRANSISTOR		
Q524	KTC3875/YG/-X	SI TRANSISTOR		
Q525	2SC3576-JVC-T	TRANSISTOR		
Q526	2SC3576-JVC-T	TRANSISTOR		
Q541	KTC3199/GL/-T	TRANSISTOR		
Q542	KTC3199/GL/-T	TRANSISTOR		
Q1501	2SC2412K/RS/-X	TRANSISTOR		
Q2101	2SD2114K/VVW/-X	TRANSISTOR		
Q2102	2SD2114K/VVW/-X	TRANSISTOR		
Q2141	2SD601A/RS/-X	TRANSISTOR		
Q2142	2SD601A/RS/-X	TRANSISTOR		
Q2201	2SD2114K/VVW/-X	TRANSISTOR		
Q2202	2SD2114K/VVW/-X	TRANSISTOR		
Q2221	2SD2114K/VVW/-X	TRANSISTOR		
Q2222	2SD2114K/VVW/-X	TRANSISTOR		
Q2223	2SD2114K/VVW/-X	TRANSISTOR		
Q2224	2SD2114K/VVW/-X	TRANSISTOR		
Q2301	2SD2114K/VVW/-X	TRANSISTOR		
Q2341	2SD601A/RS/-X	TRANSISTOR		
Q2401	2SD2114K/VVW/-X	TRANSISTOR		

Block No. [0][3]

△ Symbol No.	Part No.	Part Name	Description	Local	△ Symbol No.	Part No.	Part Name	Description	Local
Q2421	2SD2114K/VW/-X	TRANSISTOR			C548	NCB31CK-104X	C CAPACITOR	0.1uF 16V K	
Q2422	2SD2114K/VW/-X	TRANSISTOR			C549	QEK1CM-476Z	E CAPACITOR	47uF 16V M	
Q2501	2SD2114K/VW/-X	TRANSISTOR			C550	QEK1CM-476Z	E CAPACITOR	47uF 16V M	
Q2502	2SD2114K/VW/-X	TRANSISTOR			C551	QEK1HM-106Z	E CAPACITOR	10uF 50V M	
Q2701	KRC107S-X	DIGI TRANSISTOR			C552	QEK1HM-106Z	E CAPACITOR	10uF 50V M	
Q2702	KRC107S-X	DIGI TRANSISTOR			C553	QEK1HM-475Z	E CAPACITOR	4.7uF 50V M	
Q2703	KRC107S-X	DIGI TRANSISTOR			C554	QEK1HM-475Z	E CAPACITOR	4.7uF 50V M	
Q2704	KRA107S-X	DIGI TRANSISTOR			C555	QEK1HM-475Z	E CAPACITOR	4.7uF 50V M	
Q2705	KRA107S-X	DIGI TRANSISTOR			C556	QEK1HM-475Z	E CAPACITOR	4.7uF 50V M	
Q2706	KRA107S-X	DIGI TRANSISTOR			C557	QEK1HM-475Z	E CAPACITOR	4.7uF 50V M	
Q2708	KRA107S-X	DIGI TRANSISTOR			C558	QEK1CM-106Z	E CAPACITOR	10uF 16V M	
Q2709	KRA107S-X	DIGI TRANSISTOR			C559	QEK1CM-476Z	E CAPACITOR	47uF 16V M	
Q2710	KRC107S-X	DIGI TRANSISTOR			C561	NCB31HK-681X	C CAPACITOR	680pF 50V K	
Q4501	KTA1267/YG/-T	TRANSISTOR			C562	NCB31HK-681X	C CAPACITOR	680pF 50V K	
Q4502	KTA1267/YG/-T	TRANSISTOR			C563	NCB31HK-562X	C CAPACITOR	5600pF 50V K	
Q4503	KRA120S-X	TRANSISTOR			C564	NCB31HK-562X	C CAPACITOR	5600pF 50V K	
Q6511	KRA121S-X	DIGI TRANSISTOR			C577	NCF31CZ-104X	C CAPACITOR	0.1uF 16V Z	
Q6512	KTA1267/YG/-T	TRANSISTOR			C578	NCF31CZ-104X	C CAPACITOR	0.1uF 16V Z	
Q6513	KRA121S-X	DIGI TRANSISTOR			C581	QEK1CM-106Z	E CAPACITOR	10uF 16V M	
Q6514	KTA1267/YG/-T	TRANSISTOR			C597	NCB31EK-104X	C CAPACITOR	0.1uF 25V K	
Q6515	KRA121S-X	DIGI TRANSISTOR			C941	NDC31HJ-220X	C CAPACITOR	22pF 50V J	
Q6516	KTA1267/YG/-T	TRANSISTOR			C942	NDC31HJ-220X	C CAPACITOR	22pF 50V J	
Q6517	KRA121S-X	DIGI TRANSISTOR			C943	NCF31AZ-105X	C CAPACITOR	1uF 10V Z	
Q6518	KTA1267/YG/-T	TRANSISTOR			C944	NCB31HK-103X	C CAPACITOR	0.01uF 50V K	
Q6519	KRA121S-X	DIGI TRANSISTOR			C945	NCF31AZ-105X	C CAPACITOR	1uF 10V Z	
Q6520	KTA1267/YG/-T	TRANSISTOR			C946	NCF31AZ-105X	C CAPACITOR	1uF 10V Z	
Q6521	KRA121S-X	DIGI TRANSISTOR			C947	QETN1HM-106Z	E CAPACITOR	10uF 50V M	
Q6522	KTA1267/YG/-T	TRANSISTOR			C948	NCF31AZ-105X	C CAPACITOR	1uF 10V Z	
Q6523	KRA121S-X	DIGI TRANSISTOR			C949	NCF31AZ-105X	C CAPACITOR	1uF 10V Z	
Q6524	KTA1267/YG/-T	TRANSISTOR			C959	NCB31HK-103X	C CAPACITOR	0.01uF 50V K	
Q6525	KRA121S-X	DIGI TRANSISTOR			C960	NDC31HJ-331X	C CAPACITOR	330pF 50V J	
Q6526	KTA1267/YG/-T	TRANSISTOR			C961	NDC31HJ-331X	C CAPACITOR	330pF 50V J	
Q6527	KRA121S-X	DIGI TRANSISTOR			C962	NCF31CZ-104X	C CAPACITOR	0.1uF 16V Z	
Q6528	KTA1267/YG/-T	TRANSISTOR			C1502	NCF31CZ-104X	C CAPACITOR	0.1uF 16V Z	
Q6529	KRA121S-X	DIGI TRANSISTOR			C1503	NCF31CZ-104X	C CAPACITOR	0.1uF 16V Z	
Q6530	KRA121S-X	DIGI TRANSISTOR			C1504	NCB31HK-561X	C CAPACITOR	560pF 50V K	
Q6531	KRA121S-X	DIGI TRANSISTOR			C1551	QEK1CM-107Z	E CAPACITOR	100uF 16V M	
Q6535	KRC102S-X	DIGI TRANSISTOR			C1552	NCB31HK-102X	C CAPACITOR	1000pF 50V K	
Q6536	KRC102S-X	DIGI TRANSISTOR			C1581	QEK1HM-475Z	E CAPACITOR	4.7uF 50V M	
Q6537	KRC102S-X	DIGI TRANSISTOR			C1582	QEK1HM-475Z	E CAPACITOR	4.7uF 50V M	
Q6538	KRC102S-X	DIGI TRANSISTOR			C2001	QETN1EM-475Z	E CAPACITOR	4.7uF 25V M	
Q6541	2SA1037AK/RS/-X	TRANSISTOR			C2002	QETN1EM-475Z	E CAPACITOR	4.7uF 25V M	
Q6542	2SA1037AK/RS/-X	TRANSISTOR			C2005	NDC31HJ-330X	C CAPACITOR	33pF 50V J	
Q6543	2SA1037AK/RS/-X	TRANSISTOR			C2006	NDC31HJ-330X	C CAPACITOR	33pF 50V J	
D501	1N4448WS-X	SI DIODE			C2009	NCF31CZ-104X	C CAPACITOR	0.1uF 16V Z	
D503	1N4448WS-X	SI DIODE			C2010	NCF31CZ-104X	C CAPACITOR	0.1uF 16V Z	
D505	1N4448WS-X	SI DIODE			C2013	NDC31HJ-330X	C CAPACITOR	33pF 50V J	
D506	1N4448WS-X	SI DIODE			C2014	NDC31HJ-330X	C CAPACITOR	33pF 50V J	
D507	1N4448WS-X	SI DIODE			C2018	QETN1AM-476Z	E CAPACITOR	47uF 10V M	
D508	1N4448WS-X	SI DIODE			C2019	NCF31CZ-104X	C CAPACITOR	0.1uF 16V Z	
D509	1N4448WS-X	SI DIODE			C2020	NCF31CZ-104X	C CAPACITOR	0.1uF 16V Z	
D510	1N4448WS-X	SI DIODE			C2101	NCB31HK-102X	C CAPACITOR	1000pF 50V K	
C522	NCB31HK-561X	C CAPACITOR	560pF 50V K		C2102	NCB31HK-102X	C CAPACITOR	1000pF 50V K	
C523	QEK1CM-476Z	E CAPACITOR	47uF 16V M		C2109	QETN1HM-475Z	E CAPACITOR	4.7uF 50V M	
C524	QEK1CM-476Z	E CAPACITOR	47uF 16V M		C2110	QETN1HM-475Z	E CAPACITOR	4.7uF 50V M	
C525	QETN1HM-475Z	E CAPACITOR	4.7uF 50V M		C2111	NCF31CZ-104X	C CAPACITOR	0.1uF 16V Z	
C526	QETN0JM-228Z	E CAPACITOR	2200uF 6.3V M		C2112	NCF31CZ-104X	C CAPACITOR	0.1uF 16V Z	
C527	QEK0JM-107Z	E CAPACITOR	100uF 6.3V M		C2113	NCB31HK-331X	C CAPACITOR	330pF 50V K	
C528	QCZ0202-155Z	C CAPACITOR	1.5uF 25V Z		C2114	NCB31HK-331X	C CAPACITOR	330pF 50V K	
C529	NCB31CK-223X	C CAPACITOR	0.022uF 16V K		C2115	NCB31HK-272X	C CAPACITOR	2700pF 50V K	
C530	QEK1HM-225Z	E CAPACITOR	2.2uF 50V M		C2116	NCB31HK-272X	C CAPACITOR	2700pF 50V K	
C531	NCB31CK-223X	C CAPACITOR	0.022uF 16V K		C2129	QETN1HM-475Z	E CAPACITOR	4.7uF 50V M	
C532	NCB31HK-561X	C CAPACITOR	560pF 50V K		C2131	NCF31CZ-104X	C CAPACITOR	0.1uF 16V Z	
C533	NCF31CZ-104X	C CAPACITOR	0.1uF 16V Z		C2132	NCF31CZ-104X	C CAPACITOR	0.1uF 16V Z	
C534	QEK1CM-476Z	E CAPACITOR	47uF 16V M		C2133	NDC31HJ-330X	C CAPACITOR	33pF 50V J	
C535	NCF31CZ-104X	C CAPACITOR	0.1uF 16V Z		C2134	NDC31HJ-330X	C CAPACITOR	33pF 50V J	
C536	QEK1CM-476Z	E CAPACITOR	47uF 16V M		C2139	QETN1EM-475Z	E CAPACITOR	4.7uF 25V M	
C537	QEK1HM-106Z	E CAPACITOR	10uF 50V M		C2140	QETN1EM-475Z	E CAPACITOR	4.7uF 25V M	
C538	QEK1HM-106Z	E CAPACITOR	10uF 50V M		C2141	NCF31CZ-104X	C CAPACITOR	0.1uF 16V Z	
C539	QEK1HM-106Z	E CAPACITOR	10uF 50V M		C2142	NCF31CZ-104X	C CAPACITOR	0.1uF 16V Z	
C540	QEK1HM-106Z	E CAPACITOR	10uF 50V M		C2143	NDC31HJ-330X	C CAPACITOR	33pF 50V J	
C541	QEK1HM-106Z	E CAPACITOR	10uF 50V M		C2144	NDC31HJ-330X	C CAPACITOR	33pF 50V J	
C542	QEK1HM-106Z	E CAPACITOR	10uF 50V M		C2149	QETN1EM-475Z	E CAPACITOR	4.7uF 25V M	
C545	NCB31CK-104X	C CAPACITOR	0.1uF 16V K		C2150	QETN1EM-475Z	E CAPACITOR	4.7uF 25V M	
C546	NCB31CK-104X	C CAPACITOR	0.1uF 16V K		C2201	NCB31HK-561X	C CAPACITOR	560pF 50V K	
C547	NCB31CK-104X	C CAPACITOR	0.1uF 16V K		C2202	NCB31HK-561X	C CAPACITOR	560pF 50V K	
					C2209	QETN1HM-225Z	E CAPACITOR	2.2uF 50V M	
					C2210	QETN1HM-225Z	E CAPACITOR	2.2uF 50V M	

△ Symbol No.	Part No.	Part Name	Description	Local	△ Symbol No.	Part No.	Part Name	Description	Local
C2229	QETN1HM-105Z	E CAPACITOR	1uF 50V M		C2632	NCF31CZ-104X	C CAPACITOR	0.1uF 16V Z	
C2230	QETN1HM-105Z	E CAPACITOR	1uF 50V M		C2633	NCF31CZ-104X	C CAPACITOR	0.1uF 16V Z	
C2241	NCF31CZ-104X	C CAPACITOR	0.1uF 16V Z		C2641	NDC31HJ-101X	C CAPACITOR	100pF 50V J	
C2242	NCF31CZ-104X	C CAPACITOR	0.1uF 16V Z		C2642	NDC31HJ-101X	C CAPACITOR	100pF 50V J	
C2243	NCB31HK-562X	C CAPACITOR	5600pF 50V K		C2643	NCF31CZ-104X	C CAPACITOR	0.1uF 16V Z	
C2244	NCB31HK-562X	C CAPACITOR	5600pF 50V K		C2671	QETN1CM-106Z	E CAPACITOR	10uF 16V M	
C2245	NCB31HK-182X	C CAPACITOR	1800pF 50V K		C2672	QETN1CM-106Z	E CAPACITOR	10uF 16V M	
C2246	NCB31HK-182X	C CAPACITOR	1800pF 50V K		C2673	QETN1CM-106Z	E CAPACITOR	10uF 16V M	
C2249	QETN1HM-225Z	E CAPACITOR	2.2uF 50V M		C2674	NCF31CZ-104X	C CAPACITOR	0.1uF 16V Z	
C2250	QETN1HM-225Z	E CAPACITOR	2.2uF 50V M		C2675	NCF31CZ-104X	C CAPACITOR	0.1uF 16V Z	
C2281	NCF31CZ-104X	C CAPACITOR	0.1uF 16V Z		C2676	NCB31HK-221X	C CAPACITOR	220pF 50V K	
C2282	NCF31CZ-104X	C CAPACITOR	0.1uF 16V Z		C2677	NCB31HK-221X	C CAPACITOR	220pF 50V K	
C2283	NCB31HK-331X	C CAPACITOR	330pF 50V K		C2678	QETN1EM-475Z	E CAPACITOR	4.7uF 25V M	
C2284	NCB31HK-331X	C CAPACITOR	330pF 50V K		C2679	NCF31CZ-104X	C CAPACITOR	0.1uF 16V Z	
C2285	NCB31HK-331X	C CAPACITOR	330pF 50V K		C2680	QETN0JM-107Z	E CAPACITOR	100uF 6.3V M	
C2286	NCB31HK-331X	C CAPACITOR	330pF 50V K		C2681	NCF31CZ-104X	C CAPACITOR	0.1uF 16V Z	
C2287	NCB31HK-392X	C CAPACITOR	3900pF 50V K		C2682	NCF31CZ-104X	C CAPACITOR	0.1uF 16V Z	
C2288	NCB31HK-392X	C CAPACITOR	3900pF 50V K		C2683	NCB31CK-223X	C CAPACITOR	0.022uF 16V K	
C2301	NCB31HK-561X	C CAPACITOR	560pF 50V K		C2684	NCB31HK-102X	C CAPACITOR	1000pF 50V K	
C2309	QETN1HM-225Z	E CAPACITOR	2.2uF 50V M		C2685	NCF31CZ-104X	C CAPACITOR	0.1uF 16V Z	
C2323	NCB31HK-562X	C CAPACITOR	5600pF 50V K		C2686	NCF31CZ-104X	C CAPACITOR	0.1uF 16V Z	
C2325	NCB31HK-182X	C CAPACITOR	1800pF 50V K		C2687	NCF31CZ-104X	C CAPACITOR	0.1uF 16V Z	
C2341	NCF31CZ-104X	C CAPACITOR	0.1uF 16V Z		C2688	NCB31CK-103X	C CAPACITOR	0.01uF 16V K	
C2342	NCF31CZ-104X	C CAPACITOR	0.1uF 16V Z		C2690	NCB31CK-103X	C CAPACITOR	0.01uF 16V K	
C2343	NDC31HJ-330X	C CAPACITOR	33pF 50V J		C2691	NCB31CK-103X	C CAPACITOR	0.01uF 16V K	
C2349	QETN1HM-225Z	E CAPACITOR	2.2uF 50V M		C2692	NCB31CK-103X	C CAPACITOR	0.01uF 16V K	
C2381	NCF31CZ-104X	C CAPACITOR	0.1uF 16V Z		C2693	NCB31CK-103X	C CAPACITOR	0.01uF 16V K	
C2382	NCF31CZ-104X	C CAPACITOR	0.1uF 16V Z		C2701	QETN0JM-107Z	E CAPACITOR	100uF 6.3V M	
C2383	NCB31HK-471X	C CAPACITOR	470pF 50V K		C2702	NCB31CK-103X	C CAPACITOR	0.01uF 16V K	
C2385	NCB31HK-471X	C CAPACITOR	470pF 50V K		C2703	NDC31HJ-101X	C CAPACITOR	100pF 50V J	
C2387	NCB31HK-332X	C CAPACITOR	3300pF 50V K		C2731	NCF31CZ-104X	C CAPACITOR	0.1uF 16V Z	
C2401	NCB31HK-561X	C CAPACITOR	560pF 50V K		C2751	NCF31CZ-104X	C CAPACITOR	0.1uF 16V Z	
C2409	QETN1EM-475Z	E CAPACITOR	4.7uF 25V M		C2771	QETN1AM-476Z	E CAPACITOR	47uF 10V M	
C2411	NCF31CZ-104X	C CAPACITOR	0.1uF 16V Z		C2781	NCF31CZ-104X	C CAPACITOR	0.1uF 16V Z	
C2412	NCF31CZ-104X	C CAPACITOR	0.1uF 16V Z		C2782	NCF31CZ-104X	C CAPACITOR	0.1uF 16V Z	
C2421	NCF31CZ-104X	C CAPACITOR	0.1uF 16V Z		C2783	NCB31HK-102X	C CAPACITOR	1000pF 50V K	
C2422	NCF31CZ-104X	C CAPACITOR	0.1uF 16V Z		C2784	NCB31HK-102X	C CAPACITOR	1000pF 50V K	
C2423	NCB31CK-823X	C CAPACITOR	0.082uF 16V K		C2785	NCB31HK-102X	C CAPACITOR	1000pF 50V K	
C2425	QFN31HJ-333Z	M CAPACITOR	0.033uF 50V J		C2786	NCB31HK-102X	C CAPACITOR	1000pF 50V K	
C2429	QETN1HM-475Z	E CAPACITOR	4.7uF 50V M		C2787	NCB31HK-562X	C CAPACITOR	5600pF 50V K	
C2433	NCB31CK-823X	C CAPACITOR	0.082uF 16V K		C2788	NCB31HK-562X	C CAPACITOR	5600pF 50V K	
C2435	QFN31HJ-333Z	M CAPACITOR	0.033uF 50V J		C2861	NDC31HJ-101X	C CAPACITOR	100pF 50V J	
C2449	QETN1EM-475Z	E CAPACITOR	4.7uF 25V M		C2862	NCF31CZ-104X	C CAPACITOR	0.1uF 16V Z	
C2483	NCB31HK-471X	C CAPACITOR	470pF 50V K		C2867	NCB31AK-105X	C CAPACITOR	1uF 10V K	
C2485	NCB31HK-471X	C CAPACITOR	470pF 50V K		C2881	NCB31CK-103X	C CAPACITOR	0.01uF 16V K	
C2487	NCB31HK-332X	C CAPACITOR	3300pF 50V K		C2882	NCB31CK-103X	C CAPACITOR	0.01uF 16V K	
C2501	NCB31HK-561X	C CAPACITOR	560pF 50V K		C2884	NCB31CK-103X	C CAPACITOR	0.01uF 16V K	
C2502	NCB31HK-561X	C CAPACITOR	560pF 50V K		C2901	QETN1CM-106Z	E CAPACITOR	10uF 16V M	
C2509	QETN1HM-225Z	E CAPACITOR	2.2uF 50V M		C2902	QETN1CM-106Z	E CAPACITOR	10uF 16V M	
C2510	QETN1HM-225Z	E CAPACITOR	2.2uF 50V M		C2903	QETN1EM-476Z	E CAPACITOR	47uF 25V M	
C2541	NCF31CZ-104X	C CAPACITOR	0.1uF 16V Z		C2911	QETN0JM-227Z	E CAPACITOR	220uF 6.3V M	
C2542	NCF31CZ-104X	C CAPACITOR	0.1uF 16V Z		C2921	QETN0JM-107Z	E CAPACITOR	100uF 6.3V M	
C2543	NCB31HK-562X	C CAPACITOR	5600pF 50V K		C2922	NCF31CZ-104X	C CAPACITOR	0.1uF 16V Z	
C2544	NCB31HK-562X	C CAPACITOR	5600pF 50V K		C2923	QETN0JM-107Z	E CAPACITOR	100uF 6.3V M	
C2545	NCB31HK-182X	C CAPACITOR	1800pF 50V K		C2924	NCF31CZ-104X	C CAPACITOR	0.1uF 16V Z	
C2546	NCB31HK-182X	C CAPACITOR	1800pF 50V K		C2925	NCF31CZ-104X	C CAPACITOR	0.1uF 16V Z	
C2547	NCF31CZ-104X	C CAPACITOR	0.1uF 16V Z		C2926	NCB31HK-471X	C CAPACITOR	470pF 50V K	
C2548	NCF31CZ-104X	C CAPACITOR	0.1uF 16V Z		C2951	NCF31AZ-105X	C CAPACITOR	1uF 10V Z	
C2549	QETN1HM-225Z	E CAPACITOR	2.2uF 50V M		C2952	NCF31AZ-105X	C CAPACITOR	1uF 10V Z	
C2550	QETN1HM-225Z	E CAPACITOR	2.2uF 50V M		C2953	NCF31AZ-105X	C CAPACITOR	1uF 10V Z	
C2583	NCB31HK-331X	C CAPACITOR	330pF 50V K		C2954	NCF31AZ-105X	C CAPACITOR	1uF 10V Z	
C2584	NCB31HK-331X	C CAPACITOR	330pF 50V K		C2955	NCF31AZ-105X	C CAPACITOR	1uF 10V Z	
C2585	NCB31HK-331X	C CAPACITOR	330pF 50V K		C4501	NCF31CZ-104X	C CAPACITOR	0.1uF 16V Z	
C2586	NCB31HK-331X	C CAPACITOR	330pF 50V K		C4502	NCF31CZ-104X	C CAPACITOR	0.1uF 16V Z	
C2587	NCB31HK-392X	C CAPACITOR	3900pF 50V K		C4503	NCF31CZ-104X	C CAPACITOR	0.1uF 16V Z	
C2588	NCB31HK-392X	C CAPACITOR	3900pF 50V K		C4580	QEK1HM-475Z	E CAPACITOR	4.7uF 50V M	
C2601	QETN0JM-107Z	E CAPACITOR	100uF 6.3V M		C4581	QETN1HM-106Z	E CAPACITOR	10uF 50V M	
C2606	NCF31CZ-104X	C CAPACITOR	0.1uF 16V Z		C4582	QETN1HM-106Z	E CAPACITOR	10uF 50V M	
C2607	NCF31CZ-104X	C CAPACITOR	0.1uF 16V Z		C4583	QEK1HM-475Z	E CAPACITOR	4.7uF 50V M	
C2608	NCF31CZ-104X	C CAPACITOR	0.1uF 16V Z		C4584	QETN1HM-106Z	E CAPACITOR	10uF 50V M	
C2611	NCF31CZ-104X	C CAPACITOR	0.1uF 16V Z		C4585	QETN1HM-106Z	E CAPACITOR	10uF 50V M	
C2612	NCF31CZ-104X	C CAPACITOR	0.1uF 16V Z		C4586	QETN0JM-477Z	E CAPACITOR	470uF 6.3V M	
C2613	NCF31CZ-104X	C CAPACITOR	0.1uF 16V Z		C4587	QETN0JM-477Z	E CAPACITOR	470uF 6.3V M	
C2614	NCB31HK-102X	C CAPACITOR	1000pF 50V K		C4588	QETN0JM-477Z	E CAPACITOR	470uF 6.3V M	
C2621	NCF31CZ-104X	C CAPACITOR	0.1uF 16V Z		C6501	NDC31HJ-331X	C CAPACITOR	330pF 50V J	
C2622	NCF31CZ-104X	C CAPACITOR	0.1uF 16V Z		C6502	NDC31HJ-331X	C CAPACITOR	330pF 50V J	
C2623	NCF31CZ-104X	C CAPACITOR	0.1uF 16V Z		C6503	NDC31HJ-331X	C CAPACITOR	330pF 50V J	
C2631	NCF31CZ-104X	C CAPACITOR	0.1uF 16V Z		C6504	NDC31HJ-331X	C CAPACITOR	330pF 50V J	

△ Symbol No.	Part No.	Part Name	Description	Local	△ Symbol No.	Part No.	Part Name	Description	Local
C6505	NDC31HJ-331X	C CAPACITOR	330pF 50V J		R968	NRSA63J-152X	MG RESISTOR	1.5kΩ 1/16W J	
C6506	NDC31HJ-331X	C CAPACITOR	330pF 50V J		R969	NRSA63J-152X	MG RESISTOR	1.5kΩ 1/16W J	
C6507	NDC31HJ-331X	C CAPACITOR	330pF 50V J		R970	NRSA63J-152X	MG RESISTOR	1.5kΩ 1/16W J	
C6508	NDC31HJ-331X	C CAPACITOR	330pF 50V J		R972	NRSA63J-152X	MG RESISTOR	1.5kΩ 1/16W J	
C6509	NDC31HJ-331X	C CAPACITOR	330pF 50V J		R973	NRSA63J-101X	MG RESISTOR	100Ω 1/16W J	
C6510	NDC31HJ-331X	C CAPACITOR	330pF 50V J		R974	NRSA63J-106X	MG RESISTOR	10MΩ 1/16W J	
C6511	NDC31HJ-331X	C CAPACITOR	330pF 50V J		R1501	QRZ9015-2R2X	FUSI RESISTOR	2.2Ω	
C6512	NDC31HJ-331X	C CAPACITOR	330pF 50V J		R1502	QRZ9015-2R2X	FUSI RESISTOR	2.2Ω	
C6513	NDC31HJ-331X	C CAPACITOR	330pF 50V J		R1503	NRSA63J-102X	MG RESISTOR	1kΩ 1/16W J	
C6514	NDC31HJ-331X	C CAPACITOR	330pF 50V J		R1504	NRSA63J-102X	MG RESISTOR	1kΩ 1/16W J	
C6515	NDC31HJ-331X	C CAPACITOR	330pF 50V J		R1505	NRSA63J-103X	MG RESISTOR	10kΩ 1/16W J	
C6516	NDC31HJ-331X	C CAPACITOR	330pF 50V J		R1506	NRSA63J-103X	MG RESISTOR	10kΩ 1/16W J	
C6524	NCB31EK-473X	C CAPACITOR	0.047uF 25V K		R1507	NRSA63J-104X	MG RESISTOR	100kΩ 1/16W J	
C6526	QETNOJM-477Z	E CAPACITOR	470uF 6.3V M		R1508	NRSA63J-104X	MG RESISTOR	100kΩ 1/16W J	
C6528	QETNOJM-477Z	E CAPACITOR	470uF 6.3V M		R1509	NRSA63J-102X	MG RESISTOR	1kΩ 1/16W J	
C6529	NCB31EK-473X	C CAPACITOR	0.047uF 25V K		R1510	NRSA63J-102X	MG RESISTOR	1kΩ 1/16W J	
C6530	QEKC1HM-475Z	E CAPACITOR	4.7uF 50V M		R1511	NRSA63J-103X	MG RESISTOR	10kΩ 1/16W J	
C6531	QEKC1HM-475Z	E CAPACITOR	4.7uF 50V M		R1512	NRSA63J-103X	MG RESISTOR	10kΩ 1/16W J	
C6533	NCB31EK-473X	C CAPACITOR	0.047uF 25V K		R1513	NRSA63J-104X	MG RESISTOR	100kΩ 1/16W J	
C6535	QETNOJM-477Z	E CAPACITOR	470uF 6.3V M		R1514	NRSA63J-104X	MG RESISTOR	100kΩ 1/16W J	
C6537	QETNOJM-477Z	E CAPACITOR	470uF 6.3V M		R1515	NRSA63J-102X	MG RESISTOR	1kΩ 1/16W J	
C6538	NCB31EK-473X	C CAPACITOR	0.047uF 25V K		R1517	NRSA63J-103X	MG RESISTOR	10kΩ 1/16W J	
C6539	QEKC1HM-475Z	E CAPACITOR	4.7uF 50V M		R1519	NRSA63J-104X	MG RESISTOR	100kΩ 1/16W J	
C6540	QEKC1HM-475Z	E CAPACITOR	4.7uF 50V M		R1520	NRSA63J-102X	MG RESISTOR	1kΩ 1/16W J	
C6541	NCB31EK-473X	C CAPACITOR	0.047uF 25V K		R1521	NRSA63J-133X	MG RESISTOR	13kΩ 1/16W J	
C6542	QEKC1HM-475Z	E CAPACITOR	4.7uF 50V M		R1522	NRSA63J-102X	MG RESISTOR	1kΩ 1/16W J	
C6543	QEKC1HM-475Z	E CAPACITOR	4.7uF 50V M		R1523	NRSA63J-102X	MG RESISTOR	1kΩ 1/16W J	
C6545	NCB31EK-473X	C CAPACITOR	0.047uF 25V K		R1524	NRSA63J-103X	MG RESISTOR	10kΩ 1/16W J	
C6547	QETNOJM-477Z	E CAPACITOR	470uF 6.3V M		R1525	NRSA63J-103X	MG RESISTOR	10kΩ 1/16W J	
C6549	QETNOJM-477Z	E CAPACITOR	470uF 6.3V M		R1526	NRSA63J-472X	MG RESISTOR	4.7kΩ 1/16W J	
C6556	NCB31CK-105X	C CAPACITOR	1uF 16V K		R1527	NRSA63J-102X	MG RESISTOR	1kΩ 1/16W J	
C6557	NCB31CK-105X	C CAPACITOR	1uF 16V K		R1529	NRSA63J-104X	MG RESISTOR	100kΩ 1/16W J	
C6558	NCB31CK-105X	C CAPACITOR	1uF 16V K		R1530	NRSA63J-104X	MG RESISTOR	100kΩ 1/16W J	
C6561	NCF31CZ-104X	C CAPACITOR	0.1uF 16V Z		R1543	NRSA63J-103X	MG RESISTOR	10kΩ 1/16W J	
C6564	NCF31CZ-104X	C CAPACITOR	0.1uF 16V Z		R1544	NRSA63J-103X	MG RESISTOR	10kΩ 1/16W J	
C6566	NCB31EK-473X	C CAPACITOR	0.047uF 25V K		R1545	NRSA63J-102X	MG RESISTOR	1kΩ 1/16W J	
C6567	NCF31CZ-104X	C CAPACITOR	0.1uF 16V Z		R1548	NRSA63J-103X	MG RESISTOR	10kΩ 1/16W J	
C6569	NCF31CZ-104X	C CAPACITOR	0.1uF 16V Z		R1549	NRSA63J-103X	MG RESISTOR	10kΩ 1/16W J	
C6574	QETN1CM-476Z	E CAPACITOR	47uF 16V M		R1550	NRSA63J-103X	MG RESISTOR	10kΩ 1/16W J	
C6575	QETN1CM-477Z	E CAPACITOR	470uF 16V M		R1551	NRSA63J-203X	MG RESISTOR	20kΩ 1/16W J	
					R1552	NRSA63J-512X	MG RESISTOR	5.1kΩ 1/16W J	
R501	NRSA63J-113X	MG RESISTOR	11kΩ 1/16W J		R1553	NRSA63J-103X	MG RESISTOR	10kΩ 1/16W J	
R502	NRSA63J-562X	MG RESISTOR	5.6kΩ 1/16W J		R1556	NRSA63J-102X	MG RESISTOR	1kΩ 1/16W J	
R505	NRSA63J-562X	MG RESISTOR	5.6kΩ 1/16W J		R1557	NRSA63J-273X	MG RESISTOR	27kΩ 1/16W J	
R506	NRSA63J-562X	MG RESISTOR	5.6kΩ 1/16W J		R1558	NRSA63J-103X	MG RESISTOR	10kΩ 1/16W J	
R561	NRSA63J-102X	MG RESISTOR	1kΩ 1/16W J		R1566	NRSA63J-0R0X	MG RESISTOR	0Ω 1/16W J	
R562	NRSA63J-102X	MG RESISTOR	1kΩ 1/16W J		R1567	NRSA63J-103X	MG RESISTOR	10kΩ 1/16W J	
R563	NRSA63J-511X	MG RESISTOR	510Ω 1/16W J		R1571	NRSA63J-203X	MG RESISTOR	20kΩ 1/16W J	
R564	NRSA63J-511X	MG RESISTOR	510Ω 1/16W J		R1572	NRSA63J-752X	MG RESISTOR	7.5kΩ 1/16W J	
R565	NRSA63J-102X	MG RESISTOR	1kΩ 1/16W J		R1573	NRSA63J-103X	MG RESISTOR	10kΩ 1/16W J	
R566	NRSA63J-102X	MG RESISTOR	1kΩ 1/16W J		R1579	NRSA63J-153X	MG RESISTOR	15kΩ 1/16W J	
R567	NRSA63J-511X	MG RESISTOR	510Ω 1/16W J		R1580	NRSA63J-153X	MG RESISTOR	15kΩ 1/16W J	
R568	NRSA63J-511X	MG RESISTOR	510Ω 1/16W J		R1581	NRSA63J-104X	MG RESISTOR	100kΩ 1/16W J	
R569	NRSA63J-241X	MG RESISTOR	240Ω 1/16W J		R1582	NRSA63J-104X	MG RESISTOR	100kΩ 1/16W J	
R570	NRSA63J-241X	MG RESISTOR	240Ω 1/16W J		R1583	NRSA63J-102X	MG RESISTOR	1kΩ 1/16W J	
R571	NRSA63J-103X	MG RESISTOR	10kΩ 1/16W J		R1584	NRSA63J-102X	MG RESISTOR	1kΩ 1/16W J	
R572	NRSA63J-103X	MG RESISTOR	10kΩ 1/16W J		R1585	NRSA63J-103X	MG RESISTOR	10kΩ 1/16W J	
R573	NRSA63J-102X	MG RESISTOR	1kΩ 1/16W J		R1586	NRSA63J-103X	MG RESISTOR	10kΩ 1/16W J	
R574	NRSA63J-473X	MG RESISTOR	47kΩ 1/16W J		R1589	NRSA63J-102X	MG RESISTOR	1kΩ 1/16W J	
R575	NRSA63J-473X	MG RESISTOR	47kΩ 1/16W J		R1590	NRSA63J-102X	MG RESISTOR	1kΩ 1/16W J	
R576	NRSA63J-102X	MG RESISTOR	1kΩ 1/16W J		R1592	NRSA63J-153X	MG RESISTOR	15kΩ 1/16W J	
R577	NRSA63J-102X	MG RESISTOR	1kΩ 1/16W J		R1593	NRSA63J-153X	MG RESISTOR	15kΩ 1/16W J	
R579	NRSA63J-472X	MG RESISTOR	4.7kΩ 1/16W J		R1594	NRSA63J-153X	MG RESISTOR	15kΩ 1/16W J	
R580	NRSA63J-472X	MG RESISTOR	4.7kΩ 1/16W J		R1595	NRSA63J-153X	MG RESISTOR	15kΩ 1/16W J	
R585	NRSA63J-331X	MG RESISTOR	330Ω 1/16W J		R1596	NRSA63J-153X	MG RESISTOR	15kΩ 1/16W J	
R586	NRSA63J-472X	MG RESISTOR	4.7kΩ 1/16W J		R1599	NRSA63J-223X	MG RESISTOR	22kΩ 1/16W J	
R587	NRSA63J-223X	MG RESISTOR	22kΩ 1/16W J		R2001	NRSA63J-104X	MG RESISTOR	100kΩ 1/16W J	
R593	NRSA63J-102X	MG RESISTOR	1kΩ 1/16W J		R2002	NRSA63J-104X	MG RESISTOR	100kΩ 1/16W J	
R594	NRSA63J-102X	MG RESISTOR	1kΩ 1/16W J		R2003	NRSA63J-223X	MG RESISTOR	22kΩ 1/16W J	
R595	NRSA63J-682X	MG RESISTOR	6.8kΩ 1/16W J		R2004	NRSA63J-223X	MG RESISTOR	22kΩ 1/16W J	
R596	NRSA63J-682X	MG RESISTOR	6.8kΩ 1/16W J		R2007	NRSA63J-223X	MG RESISTOR	22kΩ 1/16W J	
R598	NRSA63J-103X	MG RESISTOR	10kΩ 1/16W J		R2008	NRSA63J-223X	MG RESISTOR	22kΩ 1/16W J	
R961	NRSA63J-105X	MG RESISTOR	1MΩ 1/16W J		R2011	NRSA63J-223X	MG RESISTOR	22kΩ 1/16W J	
R962	NRSA63J-152X	MG RESISTOR	1.5kΩ 1/16W J		R2012	NRSA63J-223X	MG RESISTOR	22kΩ 1/16W J	
R963	NRSA63J-152X	MG RESISTOR	1.5kΩ 1/16W J		R2013	NRSA63J-223X	MG RESISTOR	22kΩ 1/16W J	
R964	NRSA63J-152X	MG RESISTOR	1.5kΩ 1/16W J		R2014	NRSA63J-223X	MG RESISTOR	22kΩ 1/16W J	
R965	NRSA63J-270X	MG RESISTOR	27Ω 1/16W J		R2017	NRSA63J-472X	MG RESISTOR	4.7kΩ 1/16W J	
R966	NRSA63J-270X	MG RESISTOR	27Ω 1/16W J		R2018	NRSA63J-472X	MG RESISTOR	4.7kΩ 1/16W J	



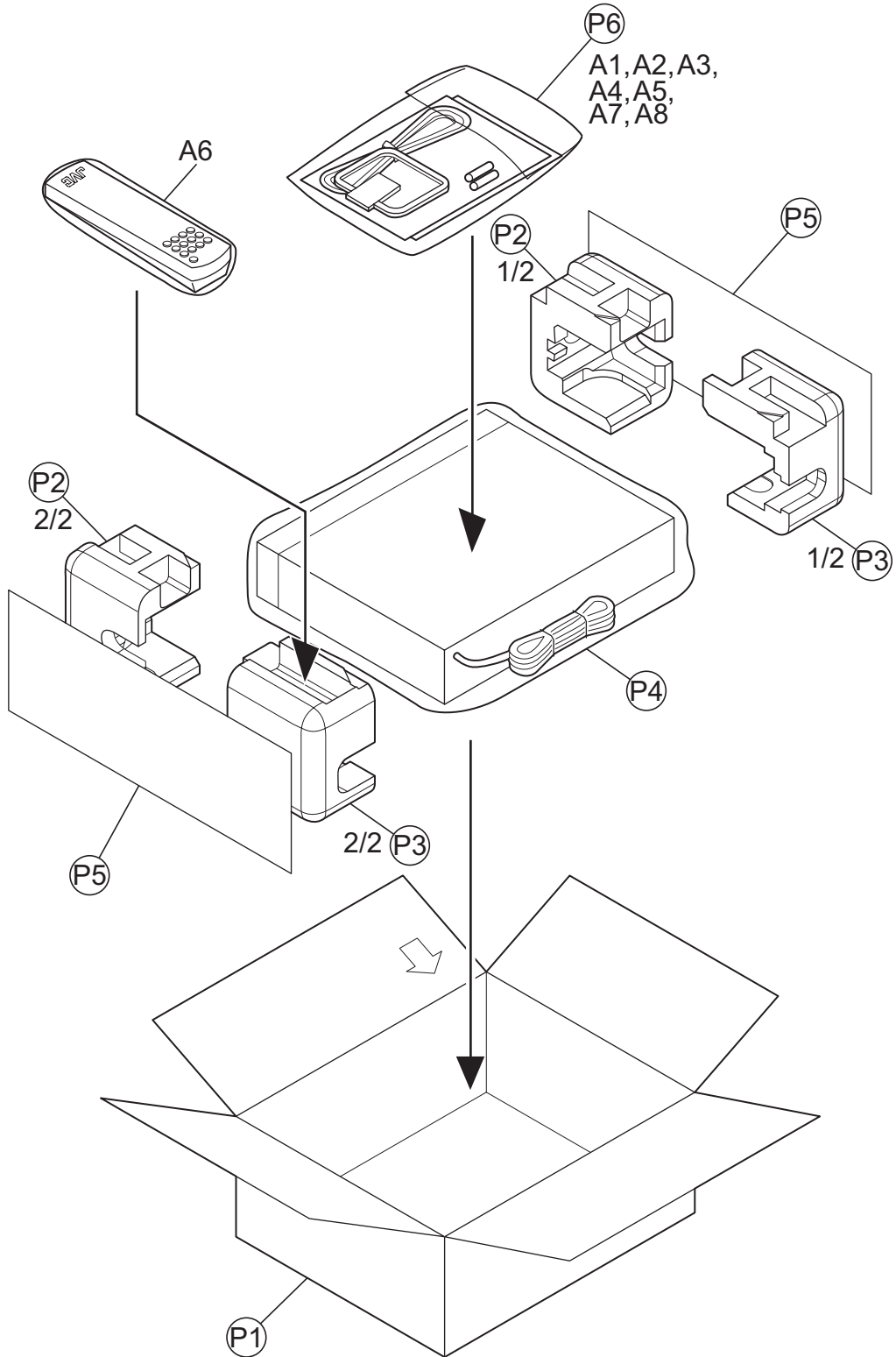


△ Symbol No.	Part No.	Part Name	Description	Local	△ Symbol No.	Part No.	Part Name	Description	Local
R6547	NRSA63J-0R0X	MG RESISTOR	0Ω 1/16W J		J901	QNS0247-001	JACK		
R6548	NRSA63J-750X	MG RESISTOR	75Ω 1/16W J		J903	QNZ0522-001	USB CONNECTOR		
R6549	NRSA63J-680X	MG RESISTOR	68Ω 1/16W J		J4503	QNN0681-001	PIN JACK		
R6550	NRSA63J-680X	MG RESISTOR	68Ω 1/16W J		J6501	QNN0476-001	PIN JACK		
R6551	NRSA63J-680X	MG RESISTOR	68Ω 1/16W J		J6502	QNN0476-001	PIN JACK		
R6552	NRS144J-271X	MG RESISTOR	270Ω 1/4W J		J6503	QNN0476-001	PIN JACK		
R6553	NRSA63J-102X	MG RESISTOR	1kΩ 1/16W J		J6511	QNN0570-001	PIN JACK		
R6554	NRSA63J-102X	MG RESISTOR	1kΩ 1/16W J		J6512	QNN0570-001	PIN JACK		
R6555	NRSA63J-103X	MG RESISTOR	10kΩ 1/16W J		J6513	QNN0570-001	PIN JACK		
R6556	NRS144J-301X	MG RESISTOR	300Ω 1/4W J		K2861	NQR0269-004X	FERRITE BEADS		
R6557	NRSA63J-102X	MG RESISTOR	1kΩ 1/16W J		UN682	TORX177	OPT RECEIVER		
R6558	NRSA63J-103X	MG RESISTOR	10kΩ 1/16W J		X501	QAX0246-001Z	C RESONATOR	8.00MHz	
R6559	NRS144J-301X	MG RESISTOR	300Ω 1/4W J		X661	QAX0722-001Z	CRYSTAL	24.576MHz	
R6560	NRSA63J-102X	MG RESISTOR	1kΩ 1/16W J		X671	QAX0719-001Z	C RESONATOR	6.144MHz	
R6561	NRSA63J-103X	MG RESISTOR	10kΩ 1/16W J		X905	QAX0320-001Z	CRYSTAL	12.000MHz	
R6562	NRS144J-271X	MG RESISTOR	270Ω 1/4W J						
R6563	NRSA63J-102X	MG RESISTOR	1kΩ 1/16W J						
R6564	NRSA63J-103X	MG RESISTOR	10kΩ 1/16W J						
R6565	NRS144J-301X	MG RESISTOR	300Ω 1/4W J						
R6566	NRSA63J-102X	MG RESISTOR	1kΩ 1/16W J						
R6567	NRSA63J-103X	MG RESISTOR	10kΩ 1/16W J						
R6568	NRS144J-301X	MG RESISTOR	300Ω 1/4W J						
R6569	NRSA63J-102X	MG RESISTOR	1kΩ 1/16W J						
R6570	NRSA63J-103X	MG RESISTOR	10kΩ 1/16W J						
R6571	NRS144J-271X	MG RESISTOR	270Ω 1/4W J						
R6572	QRZ9015-2R2X	FUSI RESISTOR	2.2Ω						
R6573	QRJ146J-1R0X	UNF C RESISTOR	1Ω 1/4W J						
R6574	NRS144J-301X	MG RESISTOR	300Ω 1/4W J						
R6576	NRSA63J-103X	MG RESISTOR	10kΩ 1/16W J						
R6577	NRS144J-301X	MG RESISTOR	300Ω 1/4W J						
R6580	NRSA63J-0R0X	MG RESISTOR	0Ω 1/16W J						
R6581	NRSA63J-0R0X	MG RESISTOR	0Ω 1/16W J						
R6582	NRSA63J-0R0X	MG RESISTOR	0Ω 1/16W J						
R6583	NRSA63J-0R0X	MG RESISTOR	0Ω 1/16W J						
R6584	NRSA63J-0R0X	MG RESISTOR	0Ω 1/16W J						
R6587	NRSA63J-0R0X	MG RESISTOR	0Ω 1/16W J						
R6588	NRSA63J-0R0X	MG RESISTOR	0Ω 1/16W J						
R6589	NRSA63J-0R0X	MG RESISTOR	0Ω 1/16W J						
R6590	NRSA63J-0R0X	MG RESISTOR	0Ω 1/16W J						
R6591	NRSA63J-103X	MG RESISTOR	10kΩ 1/16W J						
R6592	NRSA63J-103X	MG RESISTOR	10kΩ 1/16W J						
R6593	NRSA63J-103X	MG RESISTOR	10kΩ 1/16W J						
R6594	NRSA63J-103X	MG RESISTOR	10kΩ 1/16W J						
R6596	NRSA63J-0R0X	MG RESISTOR	0Ω 1/16W J						
R6597	NRSA63J-0R0X	MG RESISTOR	0Ω 1/16W J						
R6598	NRSA63J-0R0X	MG RESISTOR	0Ω 1/16W J						
R6599	NRSA63J-0R0X	MG RESISTOR	0Ω 1/16W J						
L901	NQL085J-100X	COIL	10uH J						
CN502	QGB2510J1-07	CONNECTOR	B-B (1-7)						
CN503	QJK002-141804-E	SIN CR C-B WIRE							
CN505	QGF1205C1-11	CONNECTOR	FFC/FPC (1-11)						
CN509	QJK002-061401-E	SIN CR C-B WIRE							
CN513	QGA2501F1-14	CONNECTOR	W-B (1-14)						
CN521	QJK002-092804-E	SIN CR C-B WIRE							
CN522	QGB2510K1-14	CONNECTOR	B-B (1-14)						
CN523	QJK002-021002-E	SIN CR C-B WIRE							
CN530	QGA2001C1-11	CONNECTOR	W-B (1-11)						
CN531	QGA2001C1-09	CONNECTOR	W-B (1-9)						
CN540	QGA2001C1-06	CONNECTOR	W-B (1-6)						
CN551	QGF1205C1-06	CONNECTOR	FFC/FPC (1-6)						
CN552	QGA2001C1-12	CONNECTOR	W-B (1-12)						
CN555	QJK002-022402-E	SIN CR C-B WIRE							
CN661	QGA2501F1-03	CONNECTOR	W-B (1-3)						
CN671	QGF1016F2-06W	CONNECTOR	FFC/FPC (1-6)						
CN681	QGB2510J1-07	CONNECTOR	B-B (1-7)						
CN682	QGA2001F1-06	CONNECTOR	W-B (1-6)						
CN683	QGA2501F1-09	CONNECTOR	W-B (1-9)						
CN904	QJK021-031203-E	WIRE							
CN905	QJP001-032601-E	SHI CR C-B WIRE							
CN961	QJP001-034201-E	SHI CR C-B WIRE							
EP681	E409182-001SM	GRAND TERMINAL							
EP901	QNZ0136-001Z	EARTH PLATE							
FL501	QQR1372-001	LPF							
FL502	QQR1372-001	LPF							
FW501	WJS0048-003A-E	E-FL/RB WIRE							
J681	QNN0481-001	SURROUND JACK							

# Packing materials and accessories parts list

Block No. M 3 M M

No additional / supplemental order of WARRANTY CARDS are available





# Packing and Accessories

Block No. [M][3][M][M]

△	Symbol No.	Part No.	Part Name	Description	Local
	A 1	LVT1320-002A	INST BOOK	ENG,FRE	D202BC
	A 1	LVT1320-001A	INST BOOK	ENG	D201SJ,D202BJ
	A 2	QAL0457-001	ANT.WIRE		
	A 3	QAL0476-002	AM LOOP ANT		
	A 4	BT-51034-2	REGISTRATION CARD		D201SJ,D202BJ
	A 5	YU20333	SAFETY INST.		
	A 6	RM-SRXD201J	REMOCON		
	A 7	-----	BATTERY	(x2)	
	A 8	-----	WARRANTY CARD	BT-52006-2	D202BC
	P 1	LV22029-001A	CARTON BOX		D201SJ
	P 1	LV22029-006A	CARTON BOX		D202BC,D202BJ
	P 2	LV21926-001A	CUSHION(FRONT)		
	P 3	LV21927-001A	CUSHION(REAR)		
	P 4	QPC06507015P	POLY BAG	65cm x 70cm	
	P 5	LV32034-017A	SHEET	(x2)	
	P 6	QPA02503505P	POLY BAG	25cm x 35cm	