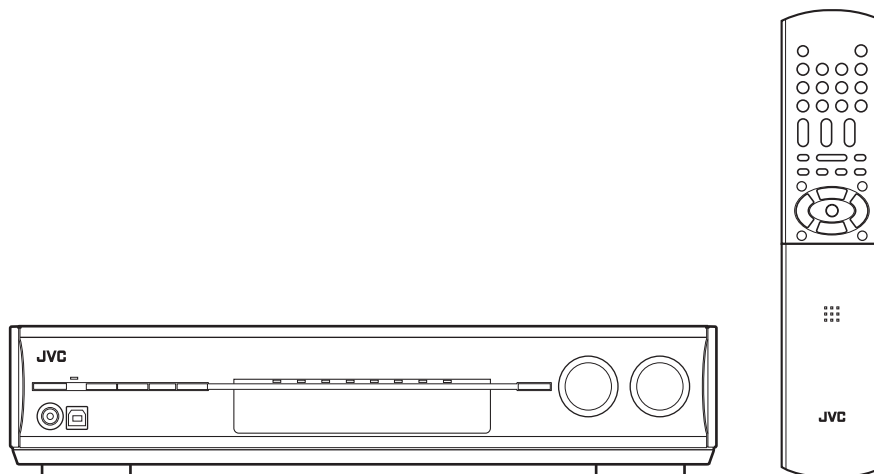


JVC

SERVICE MANUAL

AUDIO/VIDEO CONTROL RECEIVER

RX-D211SJ, RX-D212BJ, RX-D212BC



AV COMPU LINK

Lead free solder used in the board (material : Sn-Ag-Cu, melting point : 219 Centigrade)

TABLE OF CONTENTS

1	PRECAUTION.....	1-3
2	SPECIFIC SERVICE INSTRUCTIONS.....	1-5
3	DISASSEMBLY.....	1-6
4	ADJUSTMENT.....	1-14
5	TROUBLESHOOTING.....	1-15

SPECIFICATION

Amplifier			
Output Power	At stereo operation	Front channels	110 W per channel, min. RMS, driven into 6 Ω at 20 Hz to 20 kHz with no more than 0.8% total harmonic distortion.
	At surround operation	Front channels	110 W per channel, min. RMS, driven into 6 Ω at 1 kHz with no more than 0.8% total harmonic distortion.
		Center channel	110 W, min. RMS, driven into 6 Ω at 1 kHz, with no more than 0.8% total harmonic distortion.
		Surround channels	110 W per channel, min. RMS, driven into 6 Ω at 1 kHz, with no more than 0.8% total harmonic distortion.
		Surround back channels	110 W per channel, min. RMS, driven into 6 Ω at 1 kHz, with no more than 0.8% total harmonic distortion.
Audio	Audio Input Sensitivity/Impedance	DVR/DVD, VCR, DBS, TV	300 mV/47 kΩ
	Audio Input (DIGITAL IN)*	Coaxial: DIGITAL IN 1(DVR/DVD)	0.5 V(p-p)/75 Ω
		Optical: DIGITAL IN 2(DBS), 3(VCR)	-21 dBm to -15 dBm (660 nm ±30 nm)
		USB	USB DIGITAL
	Audio Output Level	DVR, VCR	300 mV
	Signal-to-Noise Ratio ('66 IHF/'78 IHF)		80 dB/70 dB
	Frequency Response (6 Ω)		20 Hz to 20 kHz (±1 dB)
	Bass Boost		+4 dB ±1 dB at 100 Hz
	Equalization (at DSP operation)	Center frequency	63 Hz, 250 Hz, 1 kHz, 4 kHz, 16 kHz
Control range		±8 dB	
Video	Video Input Sensitivity/Impedance	Composite video: DVR/DVD, VCR, DBS	1 V(p-p)/75 Ω
		S-video: DVR/DVD, VCR, DBS	Y (luminance) : 1 V(p-p)/75 Ω C (chrominance, burst) : 0.286 V(p-p)/75 Ω
		Component: DVR/DVD, VCR (DBS)	Y (luminance) : 1 V(p-p)/75 Ω PB, PR : 0.7 V(p-p)/75 Ω
	Video Output Level/Impedance	Composite video: DVR, VCR, MONITOR OUT	1 V(p-p)/75 Ω
		S-video: DVR, VCR, MONITOR OUT	Y (luminance) : 1 V(p-p)/75 Ω C (chrominance, burst) : 0.286 V(p-p)/75 Ω
		Component: MONITOR OUT	Y (luminance) : 1 V(p-p)/75 Ω PB, PR : 0.7 V(p-p)/75 Ω
	Synchronization		Negative
FM tuner (IHF)			
Tuning Range		87.5 MHz to 108.0 MHz	
Usable Sensitivity	Monaural	12.8 dBf (1.2 μV/75 Ω)	
50 dB Quieting Sensitivity	Monaural	16.0 dBf (1.7 μV/75 Ω)	
	Stereo	37.5 dBf (20.5 μV/75 Ω)	
Stereo Separation at REC OUT		35 dB at 1 kHz	
AM tuner			
Tuning Range		530 kHz to 1 710 kHz	
General			
Power Requirements		AC 120 V , 60 Hz	
Power Consumption		150 W/200 VA (at operation) 0.9 W (in standby mode)	
Dimensions (W × H × D)		435 mm × 91.5 mm × 360 mm (17 3/16 inches × 3 5/8 inches × 14 3/16 inches)	
Mass		6.7 kg (14.8 lbs)	

* Corresponding to Linear PCM, Dolby Digital, and DTS (with sampling frequency -32 kHz, 44.1 kHz, 48 kHz).

Designs and specifications are subject to change without notice.

SECTION 1 PRECAUTION

1.1 Safety Precautions

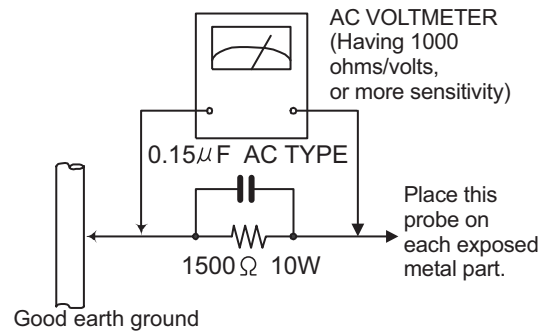
- (1) This design of this product contains special hardware and many circuits and components specially for safety purposes. For continued protection, no changes should be made to the original design unless authorized in writing by the manufacturer. Replacement parts must be identical to those used in the original circuits. Services should be performed by qualified personnel only.
- (2) Alterations of the design or circuitry of the product should not be made. Any design alterations of the product should not be made. Any design alterations or additions will void the manufacturer's warranty and will further relieve the manufacturer of responsibility for personal injury or property damage resulting therefrom.
- (3) Many electrical and mechanical parts in the products have special safety-related characteristics. These characteristics are often not evident from visual inspection nor can the protection afforded by them necessarily be obtained by using replacement components rated for higher voltage, wattage, etc. Replacement parts which have these special safety characteristics are identified in the Parts List of Service Manual. Electrical components having such features are identified by shading on the schematics and by (Δ) on the Parts List in the Service Manual. The use of a substitute replacement which does not have the same safety characteristics as the recommended replacement parts shown in the Parts List of Service Manual may create shock, fire, or other hazards.
- (4) The leads in the products are routed and dressed with ties, clamps, tubings, barriers and the like to be separated from live parts, high temperature parts, moving parts and/or sharp edges for the prevention of electric shock and fire hazard. When service is required, the original lead routing and dress should be observed, and it should be confirmed that they have been returned to normal, after reassembling.
- (5) Leakage shock hazard testing

After reassembling the product, always perform an isolation check on the exposed metal parts of the product (antenna terminals, knobs, metal cabinet, screw heads, headphone jack, control shafts, etc.) to be sure the product is safe to operate without danger of electrical shock. Do not use a line isolation transformer during this check.

 - Plug the AC line cord directly into the AC outlet. Using a "Leakage Current Tester", measure the leakage current from each exposed metal part of the cabinet, particularly any exposed metal part having a return path to the chassis, to a known good earth ground. Any leakage current must not exceed 0.5mA AC (r.m.s.).
 - Alternate check method
Plug the AC line cord directly into the AC outlet. Use an AC voltmeter having, 1,000 Ω per volt or more sensitivity in the following manner. Connect a 1,500 Ω 10W resistor paralleled by a 0.15 μ F AC-type capacitor between an exposed metal part and a known good earth ground. Measure the AC voltage across the resistor with the AC

voltmeter.

Move the resistor connection to each exposed metal part, particularly any exposed metal part having a return path to the chassis, and measure the AC voltage across the resistor. Now, reverse the plug in the AC outlet and repeat each measurement. Voltage measured any must not exceed 0.75 V AC (r.m.s.). This corresponds to 0.5 mA AC (r.m.s.).



1.2 Warning

- (1) This equipment has been designed and manufactured to meet international safety standards.
- (2) It is the legal responsibility of the repairer to ensure that these safety standards are maintained.
- (3) Repairs must be made in accordance with the relevant safety standards.
- (4) It is essential that safety critical components are replaced by approved parts.
- (5) If mains voltage selector is provided, check setting for local voltage.

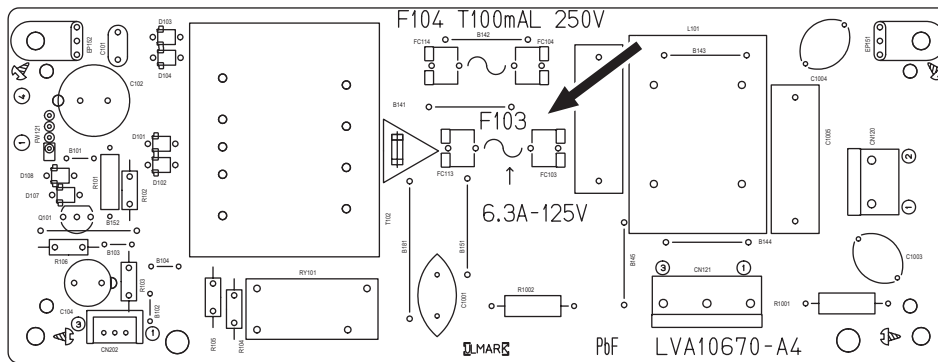
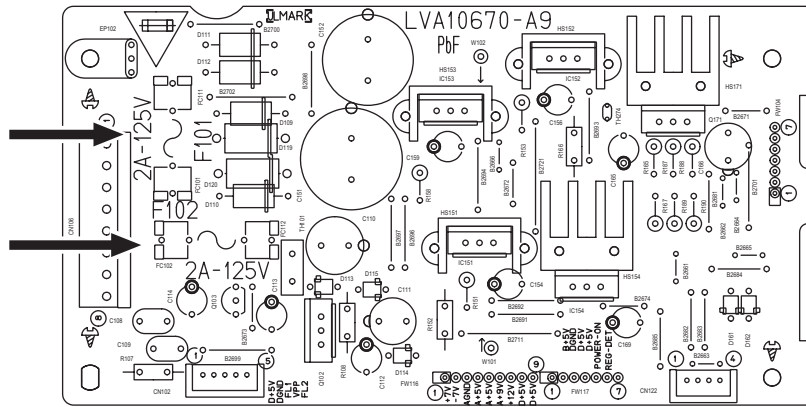
1.3 Caution



Burrs formed during molding may be left over on some parts of the chassis.
Therefore, pay attention to such burrs in the case of pre-forming repair of this system.

1.4 Critical parts for safety

In regard with component parts appearing on the silk-screen printed side (parts side) of the PWB diagrams, the parts that are printed over with black such as the resistor (\blacksquare), diode (\blacksquare) and ICP (\bullet) or identified by the " Δ " mark nearby are critical for safety. When replacing them, be sure to use the parts of the same type and rating as specified by the manufacturer.
(This regulation does not Except the J and C version)

1.5 Importance admistering point on the safety



<p>Full Fuse Replacement Marking</p> <p>Graphic symbol mark (This symbol means fast blow type fuse.)</p>  <p>should be read as follows ;</p>	<p>Marquage Pour Le Remplacement Complet De Fusible</p> <p>Le symbole graphique (Ce symbole signifie fusible de type á fusion rapide.)</p>  <p>doit être interprété comme suit ;</p>
<p>FUSE CAUTION</p>	<p>PRECAUTIONS SUR LES FUSIBLES</p>
<p>FOR CONTINUED PROTECTION AGAINST RISK OF FIRE, REPLACE ONLY WITH SAME TYPE AND RATING OF FUSES ;</p> <p>F101 : 2A 125V F102 : 2A 125V F103 : 6.3A 125V</p>	<p>POUR UNE PROTECTION CONTINUE CONTRE DES RISQUES D'INCENDIE, REMPLACER SEULEMENT PAR UN FUSIBLE DU MEME TYPE ;</p> <p>F101 : 2A 125V F102 : 2A 125V F103 : 6.3A 125V</p>

SECTION 2
SPECIFIC SERVICE INSTRUCTIONS

This service manual does not describe SPECIFIC SERVICE INSTRUCTIONS.

SECTION 3 DISASSEMBLY

3.1 Main body section

3.1.1 Removing the top cover

(See Figs.1 and 2)

- (1) From the both sides of the main body, remove the four screws **A** attaching the top cover. (See Fig.1)
- (2) From the back side of the main body, remove the six screws **B** attaching the top cover. (See Fig.2)
- (3) Remove the top cover in the direction of the arrow. (See Fig.1)

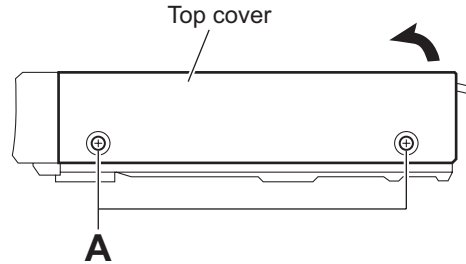


Fig.1

3.1.2 Removing the tuner

(See Fig.3)

- Remove the top cover.
 - (1) From the top side of the main body, disconnect the card wire from the connector [CN1](#) on the tuner.
 - (2) From the back side of the main body, remove the two screws **C** attaching the tuner to the rear panel and then take out the tuner.

3.1.3 Removing the XM board

(See Fig.3)

- Remove the top cover.

Reference:

- Remove the tie band bundling the wires.
- (1) From the back side of the main body, remove the two screws **D** from the rear panel.
 - (2) From the top side of the main body, disconnect the wire from the connector [CN662](#) on the DSP board.
 - (3) Disconnect the card wire from the connector [CN538](#) on the XM board.
 - (4) Take out the XM board from the main body.

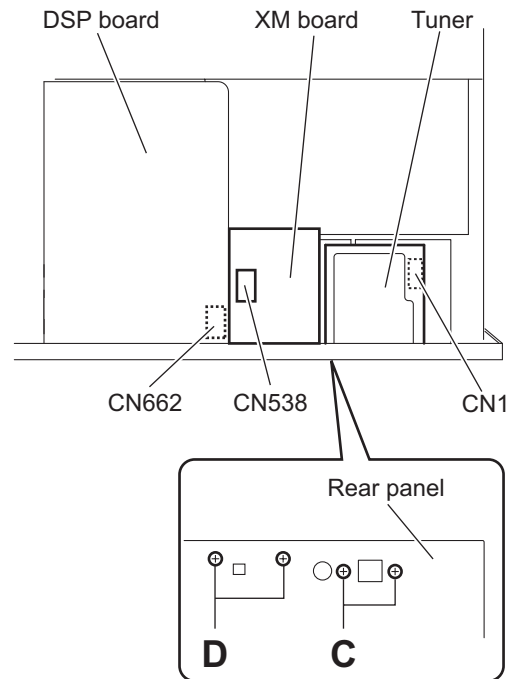


Fig.3

3.1.4 Removing the fan motor (See Fig.4)

- Remove the top cover.

Reference:

Remove the tie band bundling the wires.

- From the top side of the main body, disconnect the wire from the connector [CN103](#) on the main amplifier board.
- Remove the three screws **E** and take out the fan motor assembly.
- Remove the two screws **F** attaching the fan motor to the fan bracket.

3.1.5 Removing the AV compulink board (See Fig.4)

- Remove the top cover.
- From the top side of the main body, disconnect the wire from the connector [CN531](#) on the AV compulink board.
- From the back side of the main body, remove the screw **G** and take out the AV compulink board.

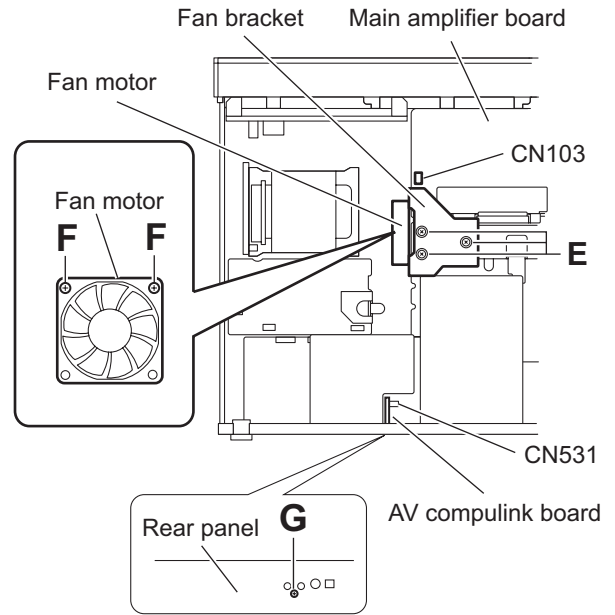


Fig.4

3.1.6 Removing the rear panel (See Fig.5)

- Remove the top cover, tuner, XM board and AV compulink board.
- From the back side of the main body, remove the strain relief from the rear panel in the direction of the arrow and remove the power cord.
- Remove the twenty two screws **H** attaching the rear panel.
- Take out the rear panel from the main body.

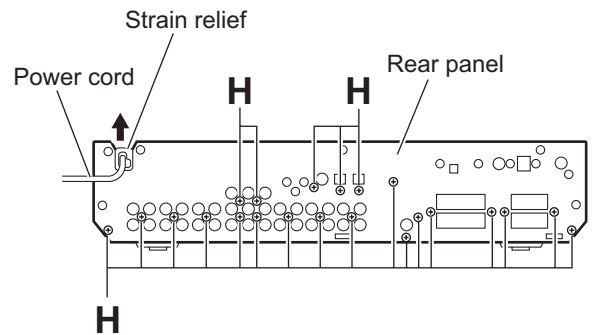


Fig.5

3.1.7 Removing the DSP board (See Fig.6)

- Remove the top cover, tuner, XM board, AV compulink board and rear panel.
 - From the top side of the main body, remove the screw **J** attaching the DSP board.
 - Disconnect the connectors ([CN661](#), [CN683](#)) on the DSP board from the volume board.

Note:

When removing the DSP board, take care not to break the claw of the connector on it.

- Take out the DSP board and disconnect the wires from the connector [CN681](#) on the forward side of the DSP board.
- Take out the DSP board from the main body.

3.1.8 Removing the video board (See Fig.6)

- Remove the top cover, tuner, XM board, AV compulink board and rear panel.
 - From the top side of the main body, disconnect the wire from the connector [CN533](#) on the video board.
 - Disconnect the connector [CN525](#) on the video board from the connect board.
 - Take out the video board from the main body.

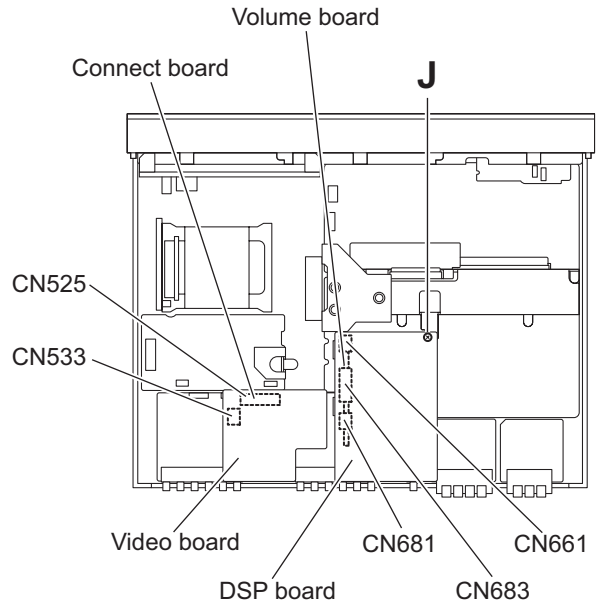


Fig.6

3.1.9 Removing the speaker terminal 1 and 2 board (See Fig.7)

- Remove the top cover, tuner, XM board, AV compulink board and rear panel.
 - From the top side of the main body, disconnect the wires from the connectors ([CN261](#), [CN461](#)) on the speaker terminal 1 board.
 - Disconnect the wires from the connectors ([CN205](#), [CN262](#), [CN263](#)) on the speaker terminal 2 board.
 - Take out the speaker terminal 1 and 2 board from the main body.

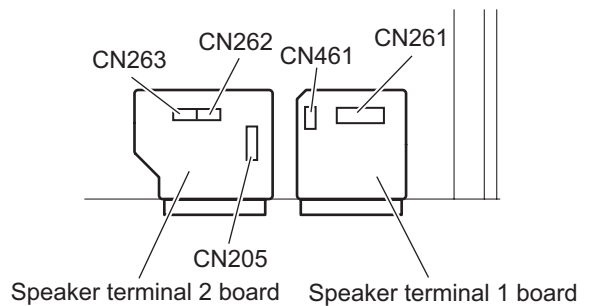


Fig.7

3.1.10 Removing the power transformer (See Fig.8)

- Remove the top cover.

Reference:

Remove the tie bands bundling the wires.

- From the top side of the main body, disconnect the wires from the connector [CN121](#) on the primary board.
- Disconnect the wires from the connector [CN106](#) on the regulator board.
- Disconnect the wires from the connector [CN111](#) on the main amplifier board.
- Remove the four screws **K** and take out the power transformer from the main body.

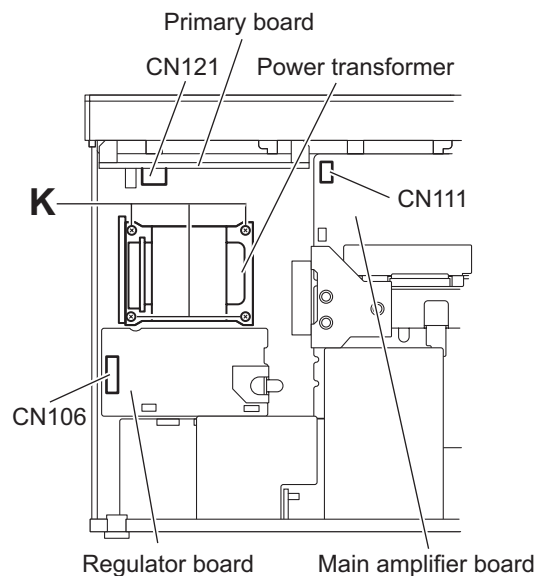


Fig.8

3.1.11 Removing the primary board (See Fig.9)

- Remove the top cover.

Reference:

Remove the tie band bundling the wires.

- (1) From the top side of the main board, remove the wires from the connectors (CN120, CN121) on the primary board.
- (2) Disconnect the wires from the connector CN102 on the regulator board.
- (3) Remove the two screws **M** attaching the primary board.
- (4) Take out the primary board from the main body.

3.1.12 Removing the regulator board (See Fig.9)

- Remove the top cover and video board.

Reference:

Remove the tie band bundling the wires.

- (1) From the top side of the main board, remove the wires from the connectors (CN106, CN102, CN122) on the regulator board.
- (2) Disconnect the wires from the connectors (CN506, CN507) on the input board.
- (3) Disconnect the wire from the connector CN105 on the main amplifier board.
- (4) Remove the four screws **N** attaching the regulator board.
- (5) Take out the regulator board from the main body.

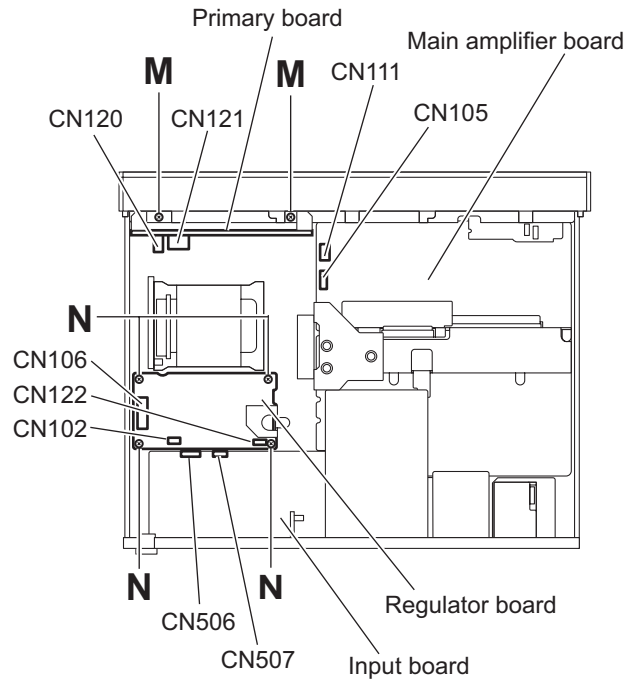


Fig.9

3.1.13 Removing the volume board (See Fig.10)

- Remove the top cover, tuner, XM board, AV compulink board, rear panel, DSP board and video board.
 - From the top side of the main body, disconnect the connector [CN413](#) on the main amplifier board from the volume board.
 - Disconnect the connector [CN503](#) on the input board from the volume board and then take out the volume board in an upward direction.

Note:

When removing the volume board, take care not to break the claws of the connectors on the main amplifier board and input board.

3.1.14 Removing the connect board (See Fig.10)

- Remove the top cover, tuner, XM board, AV compulink board, rear panel, DSP board and video board.
 - From the top side of the main body, disconnect the connector [CN524](#) on the input board from the connect board.
 - Take out the connect board in an upward direction.

Note:

When removing the connect board, take care not to break the claws of the connectors on the input board.

3.1.15 Removing the input board (See Fig.10)

- Remove the top cover, tuner, XM board, AV compulink board, rear panel, DSP board, video board and volume board.

Reference:

Remove the tie band bundling the wires.

- From the top side of the main body, disconnect the wires from the connectors ([CN506](#), [CN507](#), [CN508](#), [CN509](#)) on the input board.
- Disconnect the wire from the connector [CN205](#) on the speaker terminal 2 board.
- Remove the three screws **P** and take out the input board from the main body.

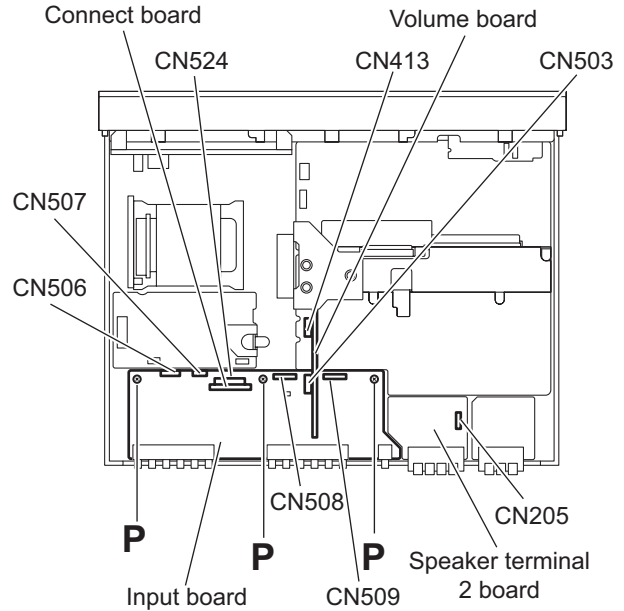


Fig.10

3.1.16 Removing the main amplifier board

(See Figs.11 and 12)

- Remove the top cover, tuner, XM board, AV compulink board, rear panel, DSP board, video board and volume board.
 - From the top side of the main body, disconnect the wires from the connectors (CN261, CN262, CN263) on the speaker terminal 1 and 2 board. (See Fig.11)

Reference:

Remove the tie bands bundling the wires.

- Disconnect the wires from the connectors (CN105, CN111) on the main amplifier board. (See Fig.11)
- Disconnect the wire from the connector CN509 on the input board. (See Fig.11)
- Disconnect the wires from the connectors (CN911, CN921) on the front input board. (See Fig.11)
- Remove the two screws **Q** and four screws **R** attaching the main amplifier board. (See Fig.12)
- Take out the main amplifier board with the regulator board from the main body. (See Fig.12)

3.1.17 Removing the regulator board

(See Fig.12)

- Remove the top cover.
 - From the top side of the main amplifier board, disconnect the wire from the connector CN204 on the main amplifier board.
 - Remove the two screws **S** attaching the regulator board from the heat sink.

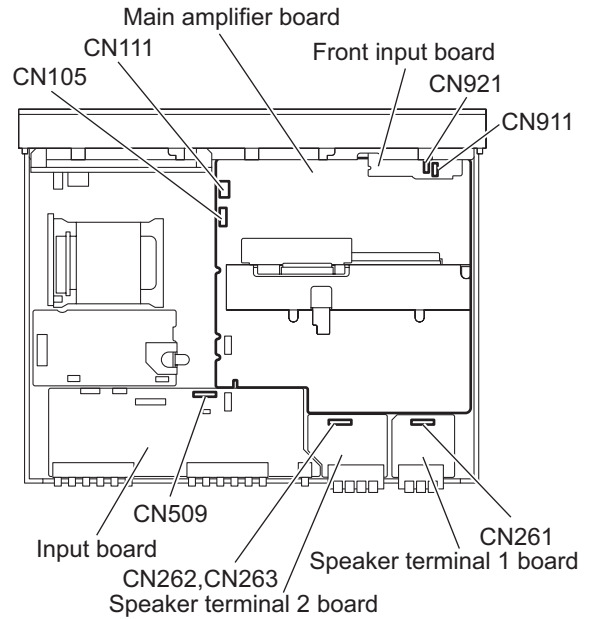


Fig.11

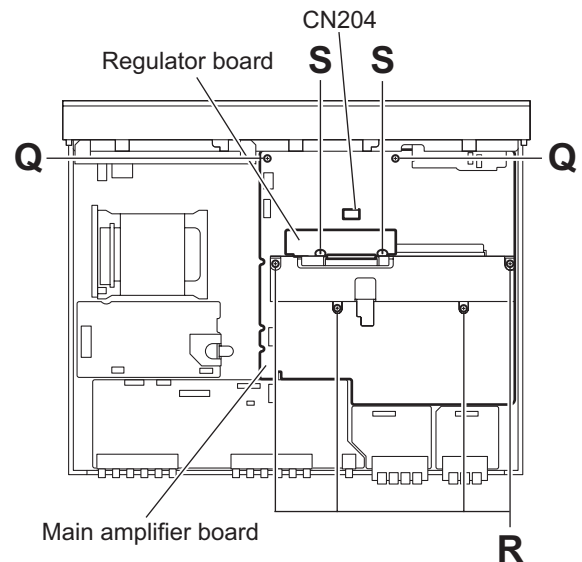


Fig.12

3.1.18 Removing the heat sink (See Fig.13)

- Remove the top cover, tuner, XM board, AV compulink board, rear panel, DSP board, video board, volume board and main amplifier board.

From the forward side of the main amplifier board, remove the two screws **T** and remove the heat sink.

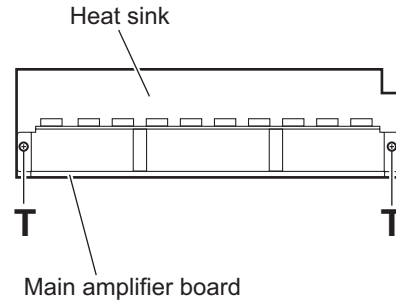


Fig.13

3.1.19 Removing the front panel assembly (See Figs.14 and 15)

- Remove the top cover.

Reference:

Remove the tie bands and wire holder bundling the wires.

- From the top side of the main body, disconnect the card wire from the connector [CN102](#) on the regulator board. (See Fig.14)
- Disconnect the wire from the connector [CN508](#) on the input board. (See Fig.14)
- Remove the two screws **U** and three screws **V** attaching the front panel assembly. (See Fig.14)
- Disconnect the wires from the connectors ([CN911](#), [CN921](#)) on the front input board. (See Fig.14)
- From the bottom side of the main body, remove the four screws **W** attaching the front panel assembly. (See Fig.15)
- Release the joints **a** and remove the front panel assembly in the direction of the arrow. (See Fig.15)

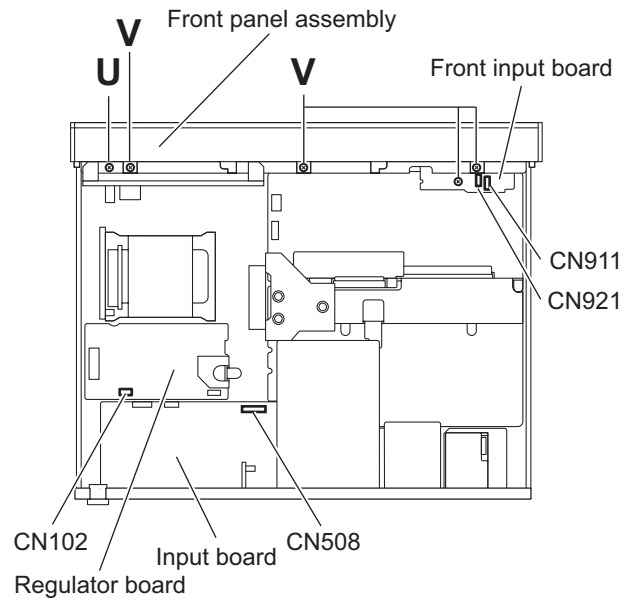


Fig.14

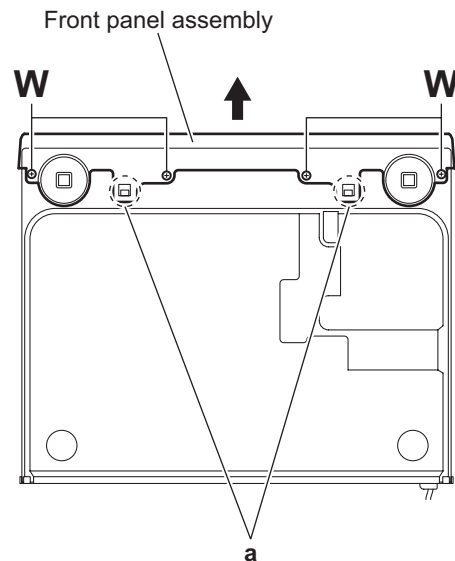


Fig.15

3.1.20 Removing the front input board

(See Fig.16)

- Remove the top cover and front panel assembly.
From the inside of the front panel assembly, remove the two screws **X** attaching the front input board.

3.1.21 Removing the JOG board

(See Figs.16 and 17)

- Remove the top cover and front panel assembly.
 - From the inside of the front panel assembly, remove the four screws **Y** attaching the JOG board. (See Fig.16.)
 - Take out the JOG board while lifting it from the front panel assembly little by little.

Reference:

The rotary knobs are removed from the front side simultaneously. (See Fig.17)

- From the forward side of the JOG board, disconnect the wire from the connector [CN913](#). (See Fig.16)

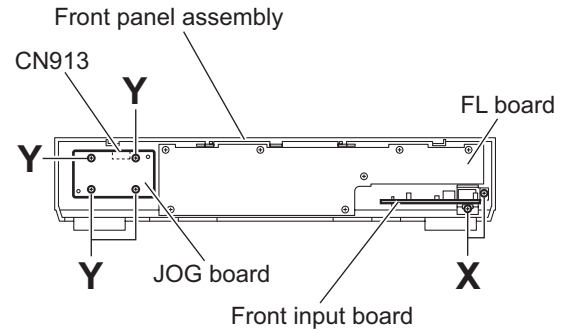


Fig.16

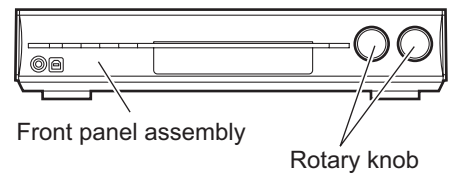


Fig.17

3.1.22 Removing the FL board

(See Fig.18)

- Remove the top cover, front panel assembly and JOG board.
From the inside of the front panel assembly, remove the eight screws **Z** and take out the FL board.

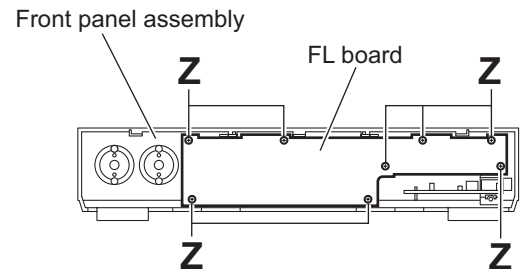


Fig.18

SECTION 4 ADJUSTMENT

This service manual does not describe ADJUSTMENT.

SECTION 5 TROUBLESHOOTING

This service manual does not describe TROUBLESHOOTING.



JVC

Victor Company of Japan, Limited
Audio/Video Systems Category 10-1, 1chome, Ohwatari-machi, Maebashi-city, 371-8543, Japan

(No.MB525)

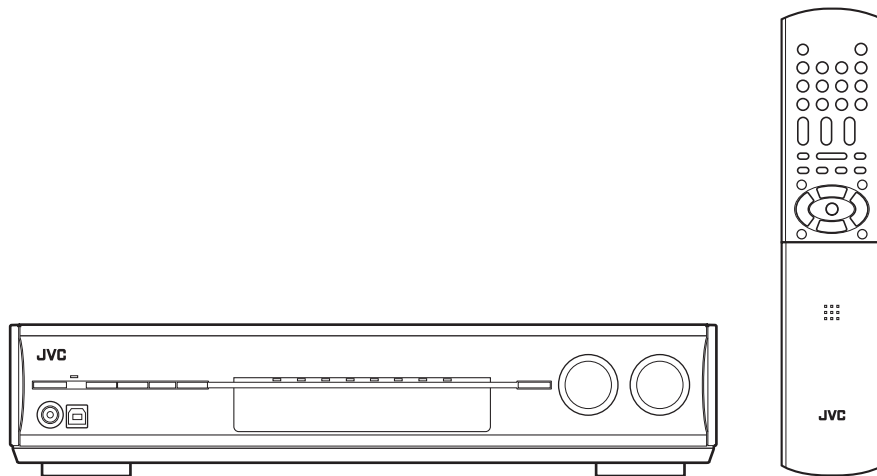
JVC

SCHEMATIC DIAGRAMS

AUDIO/VIDEO CONTROL RECEIVER

RX-D211SJ, RX-D212BJ, RX-D212BC

CD-ROM No.SML200605



AV COMPU LINK

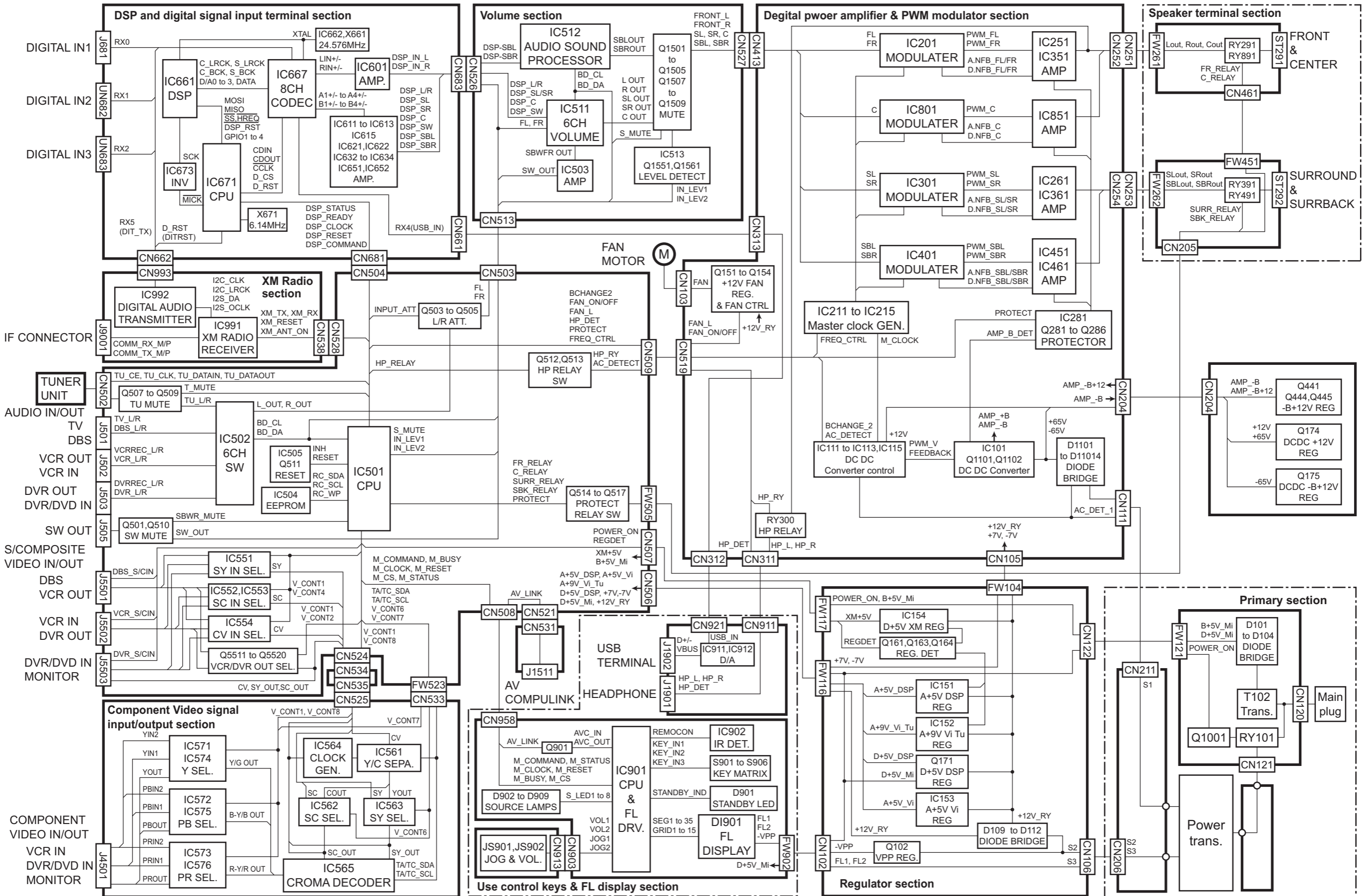
Lead free solder used in the board (material : Sn-Ag-Cu, melting point : 219 Centigrade)

Contents

Block diagrams	2-1
Standard schematic diagrams	2-2
Printed circuit boards	2-12 to 17

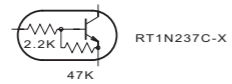
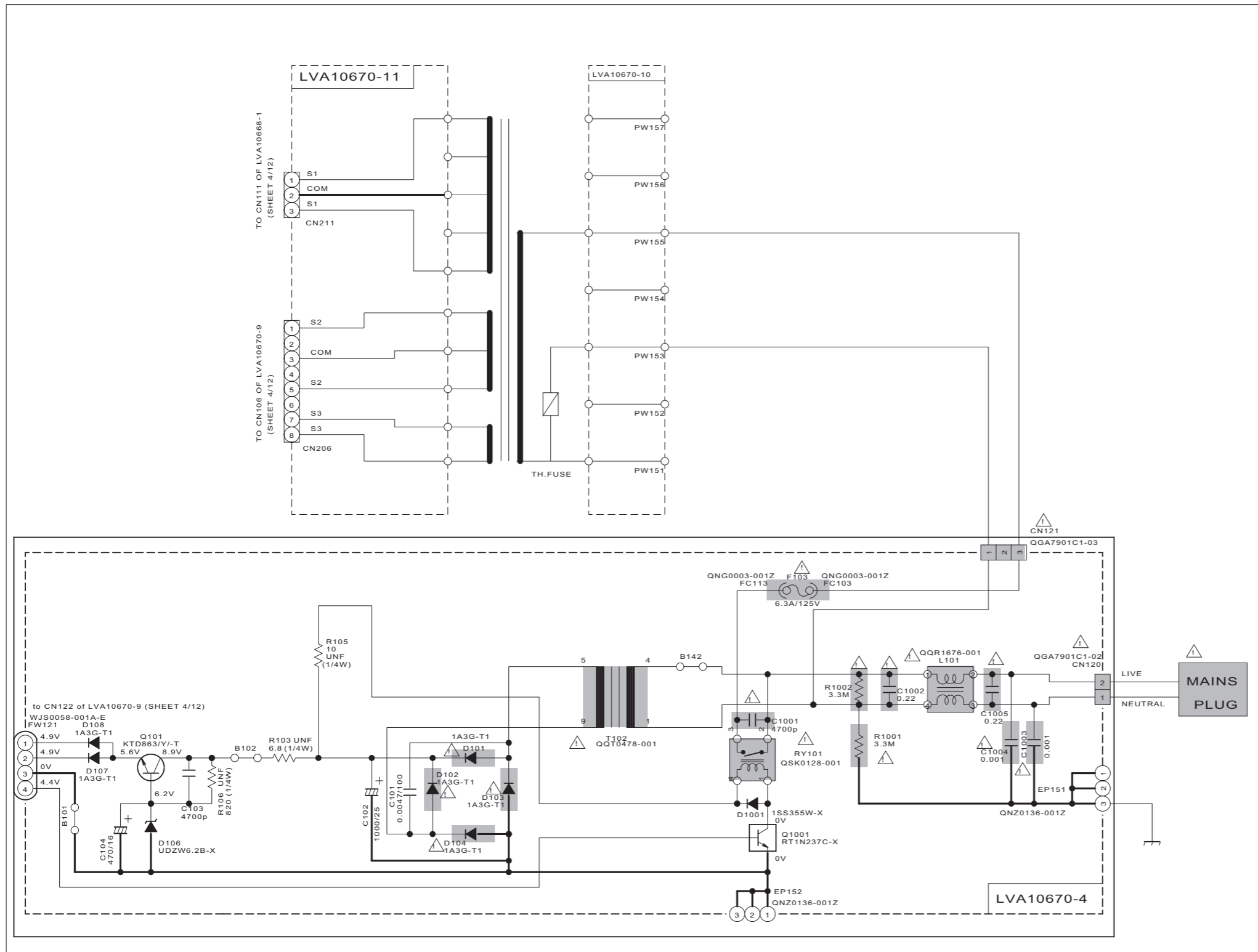
In regard with component parts appearing on the silk-screen printed side (parts side) of the PWB diagrams, the parts that are printed over with black such as the resistor (■), diode (▣) and ICP (●) or identified by the "⚠" mark nearby are critical for safety.

Block diagram



Standard schematic diagrams

■ Primary section



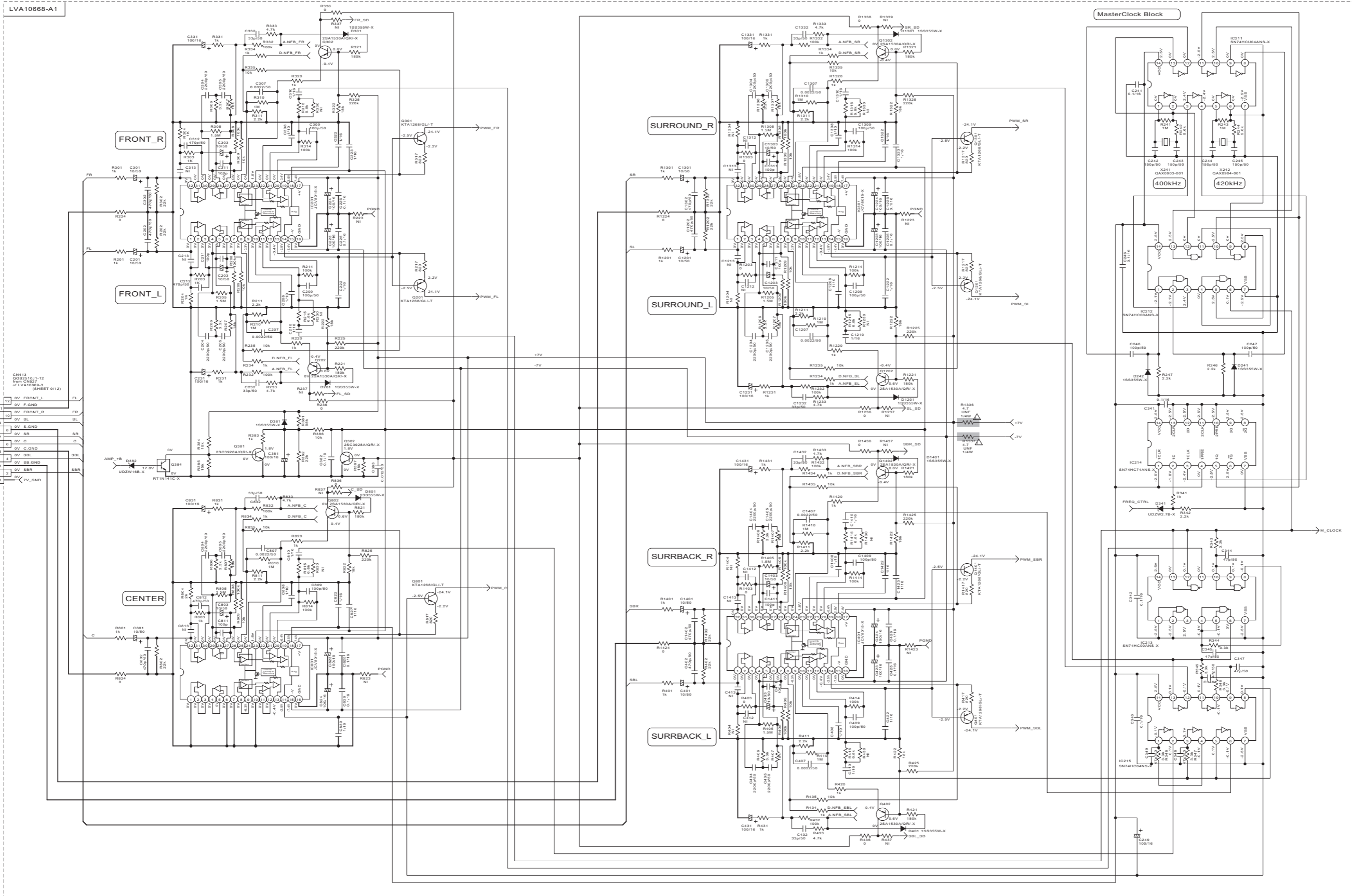
Fuse	
F103	QMF51U1-6R3-J8

▲ Parts are safety assurance parts.
When replacing those parts make
sure to use the specified one.

VOLTAGE MEASUREMENT CONDITION

- POWER ON
- SOURCE FM(NO SIGNAL)
- SURROUND OFF
- VOLUME 0

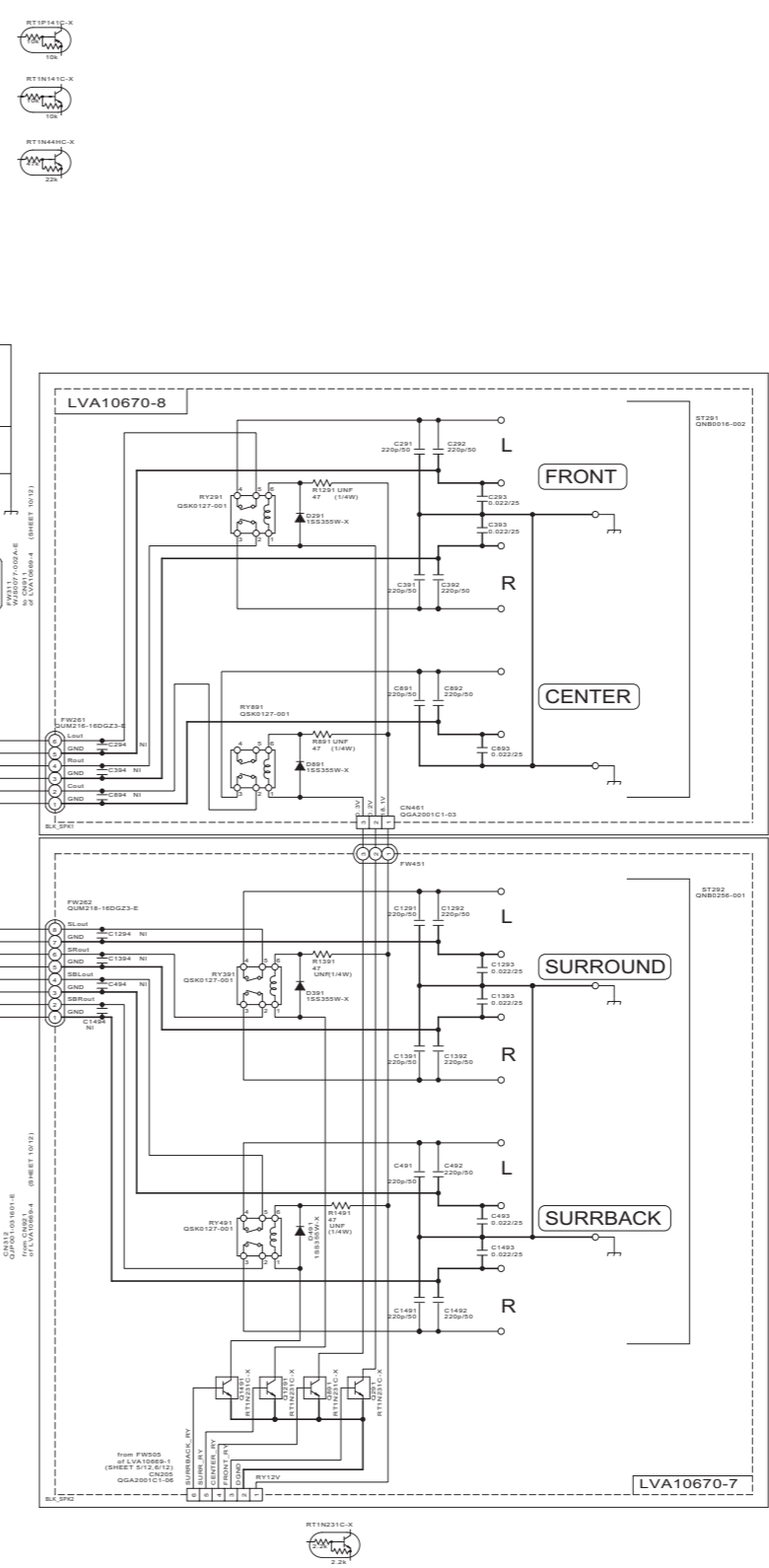
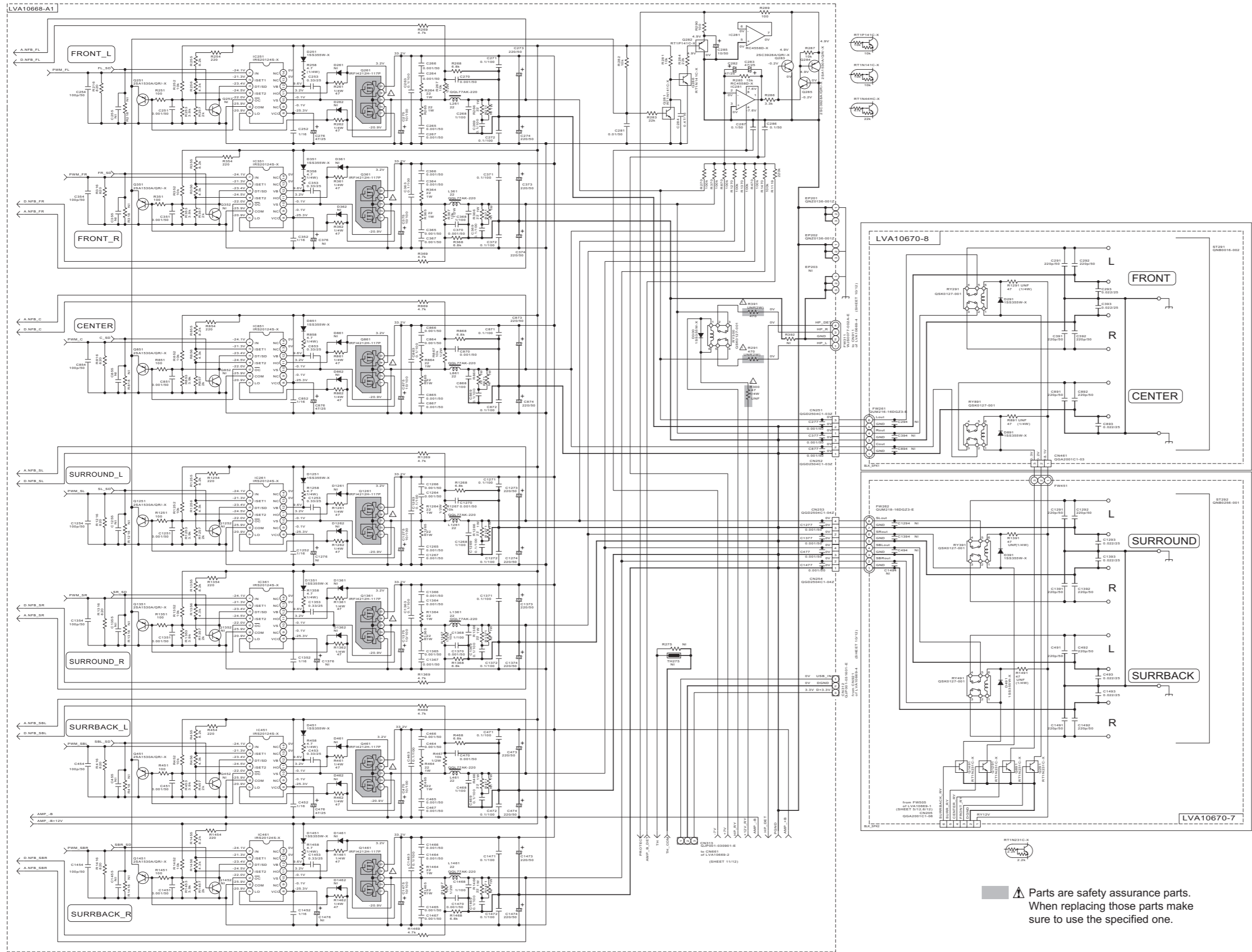
PWM modulator / Master clock section



Parts are safety assurance parts.
 When replacing those parts make
 sure to use the specified one.

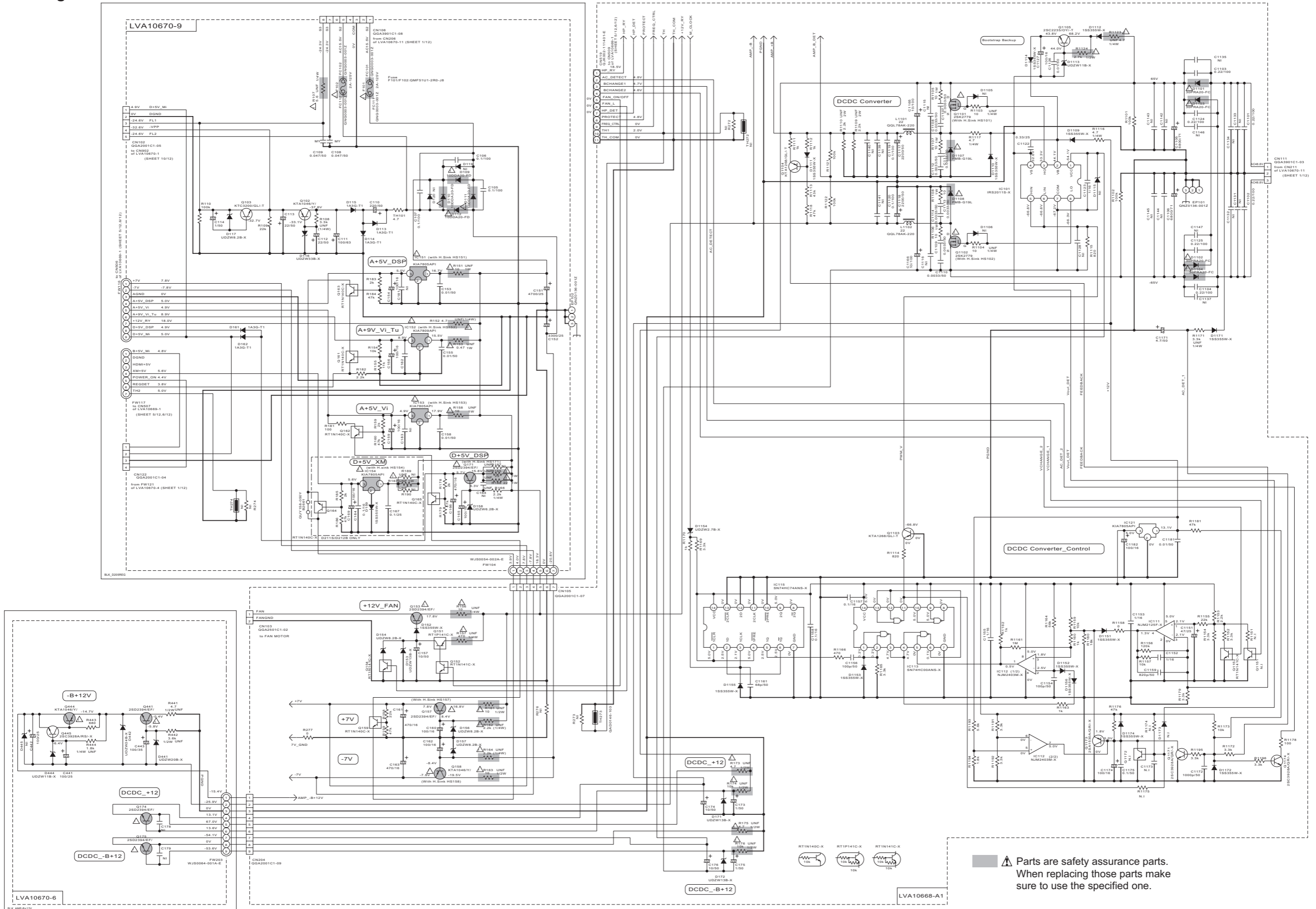


■ Digital power amplifier / Speaker terminal section

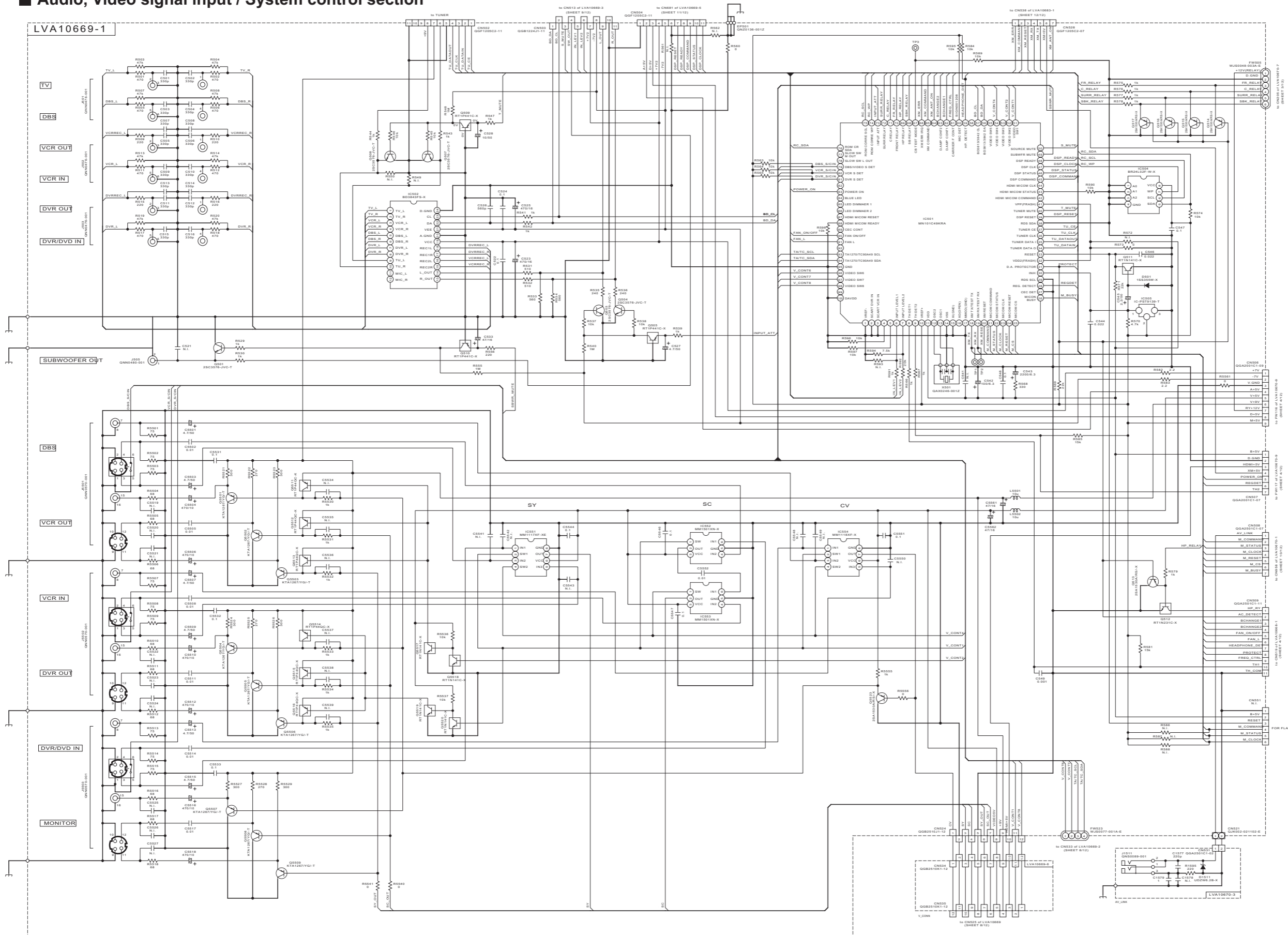


▲ Parts are safety assurance parts.
When replacing those parts make
sure to use the specified one.

Regulator / Dc-Dc converter section

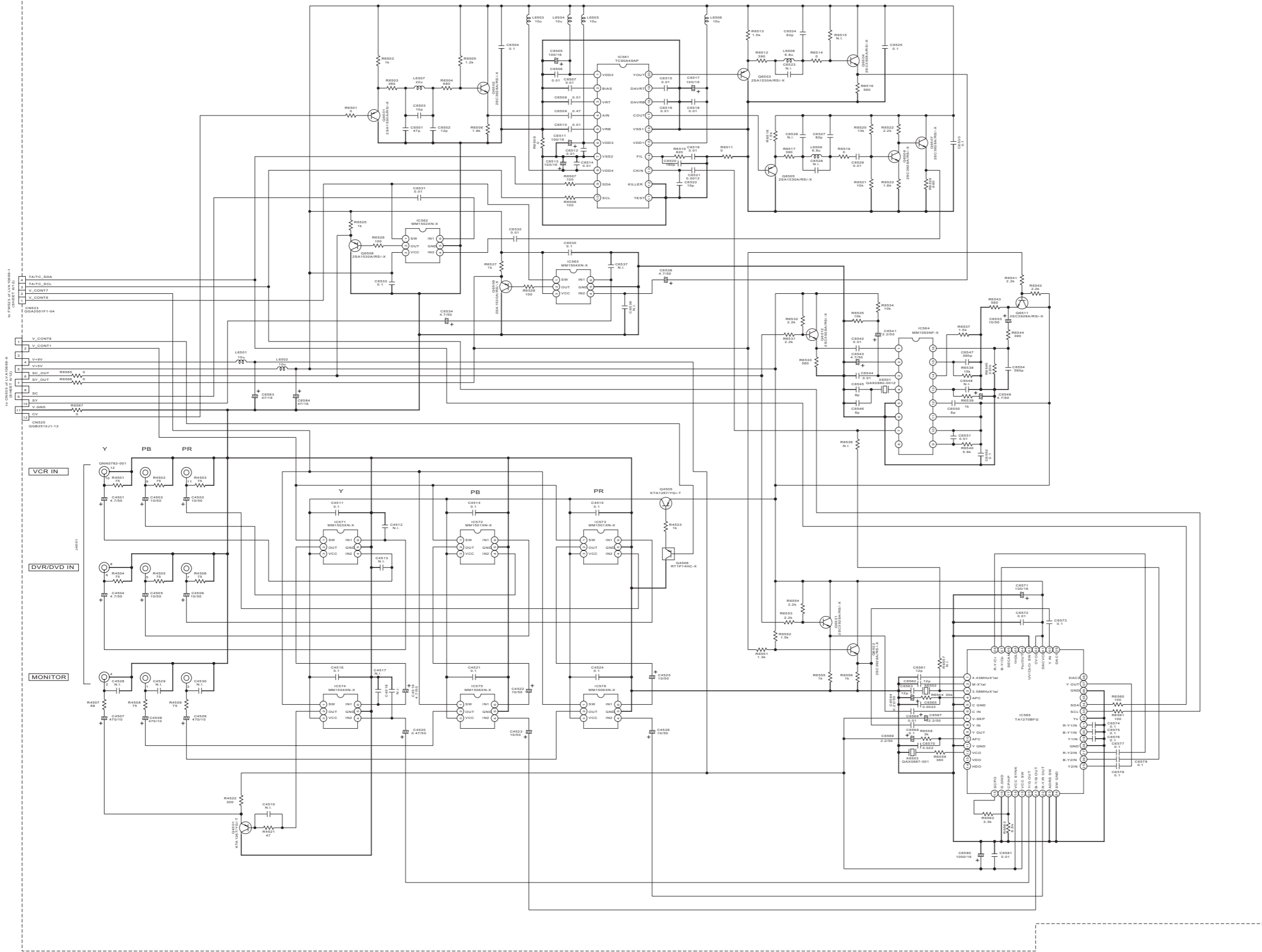


Audio, Video signal input / System control section



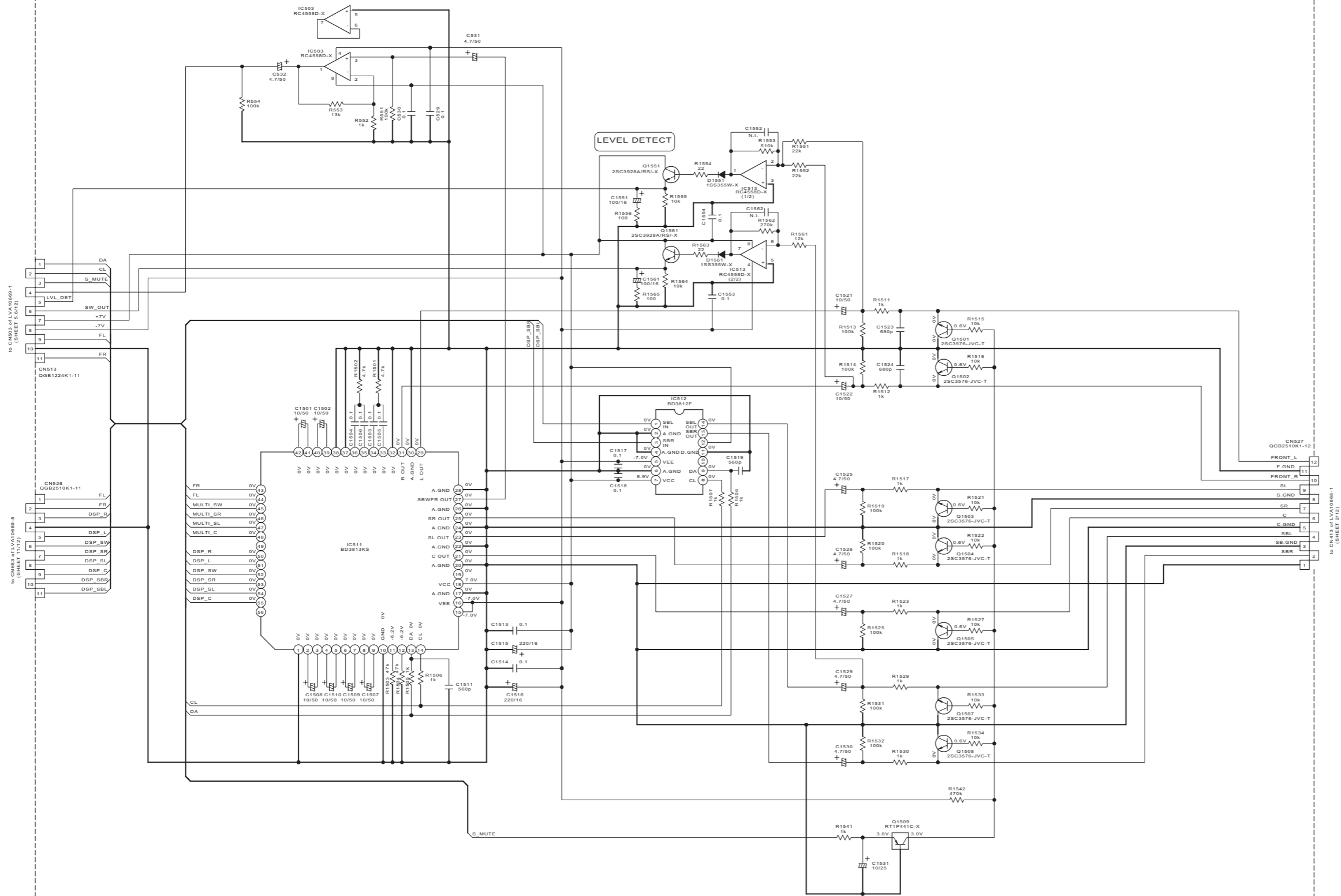
OSD / Component section

LVA10699-2

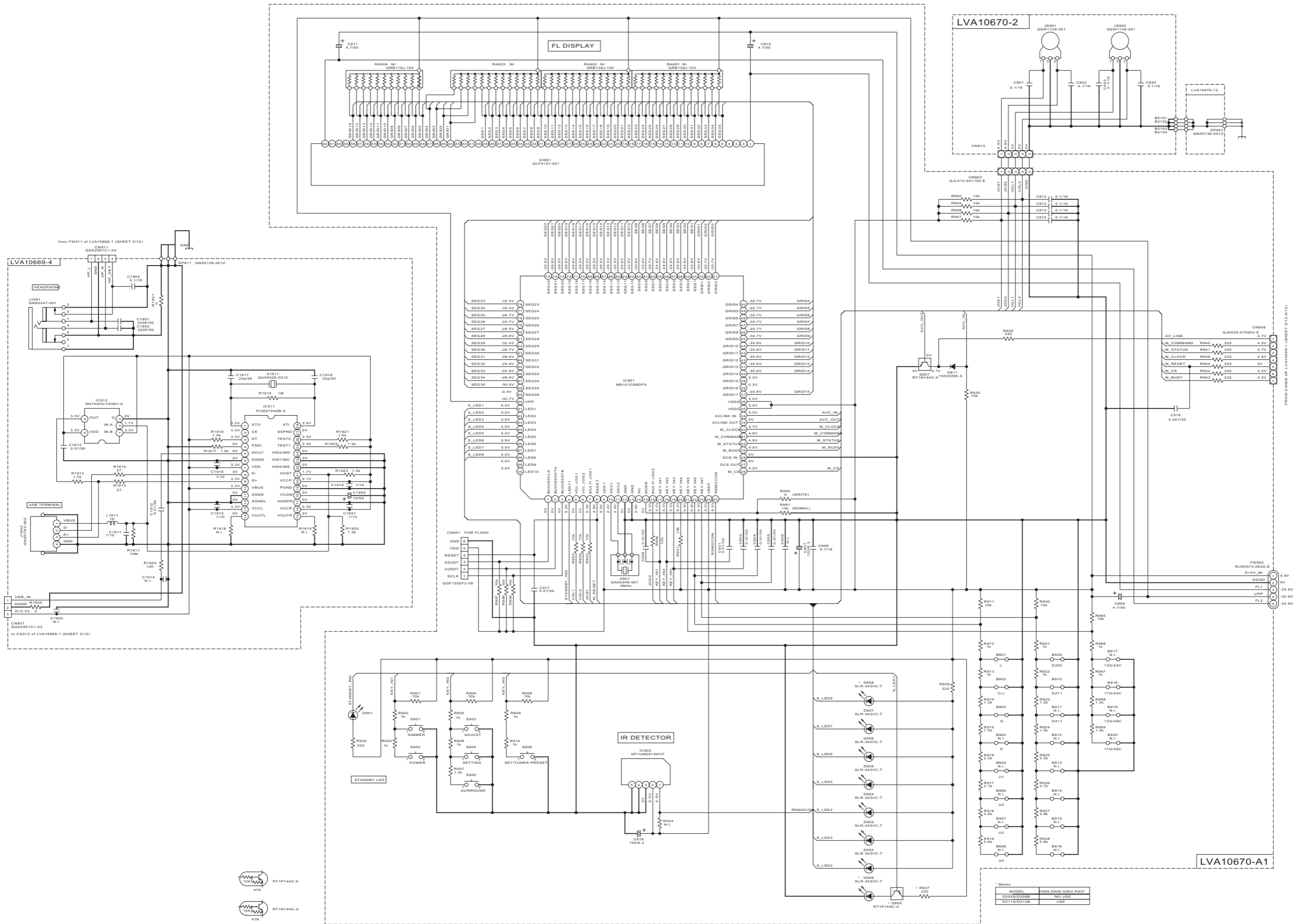


■ Master volume IC section

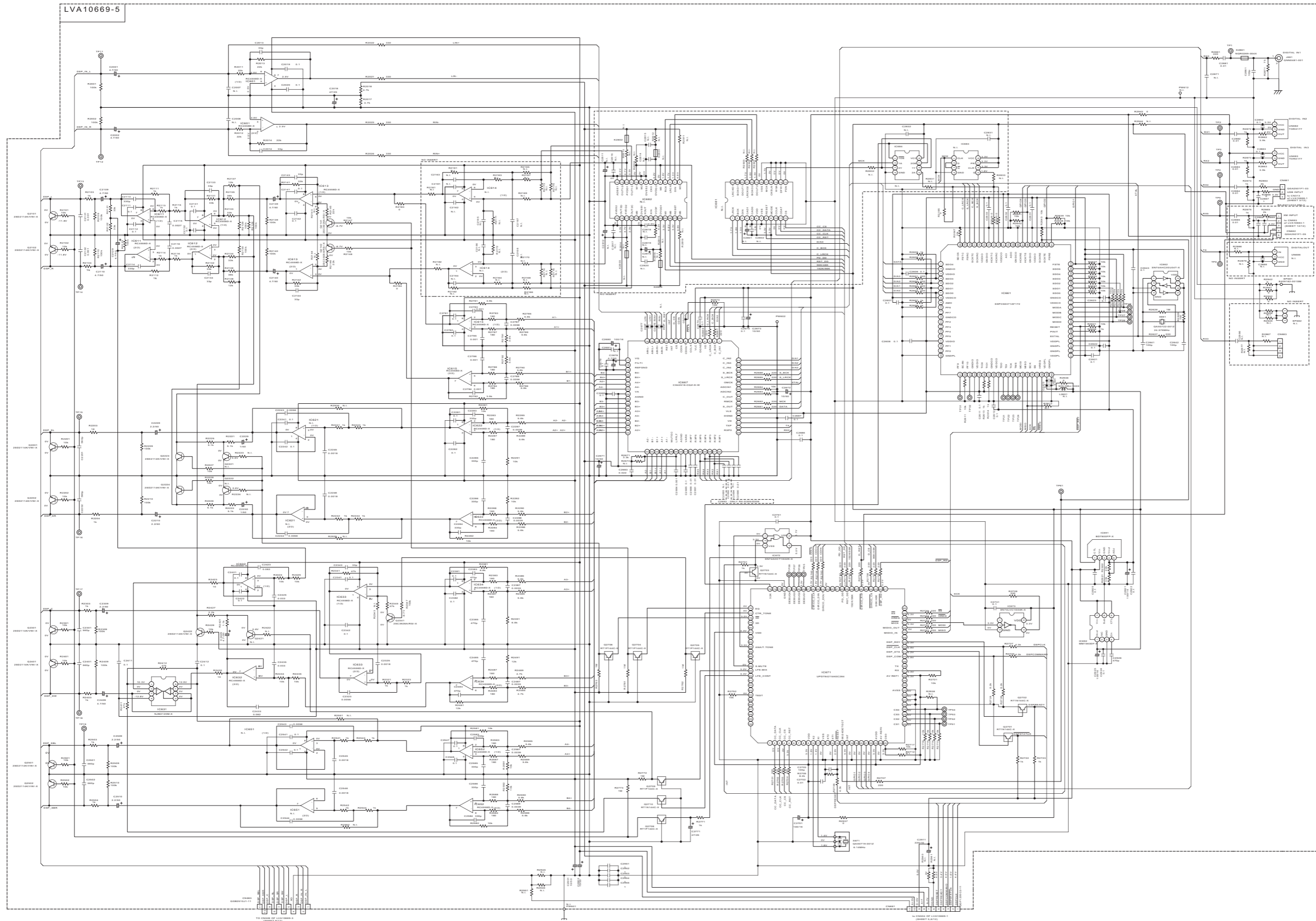
LVA10669-3



■ User control keys / System control / FL displeu section

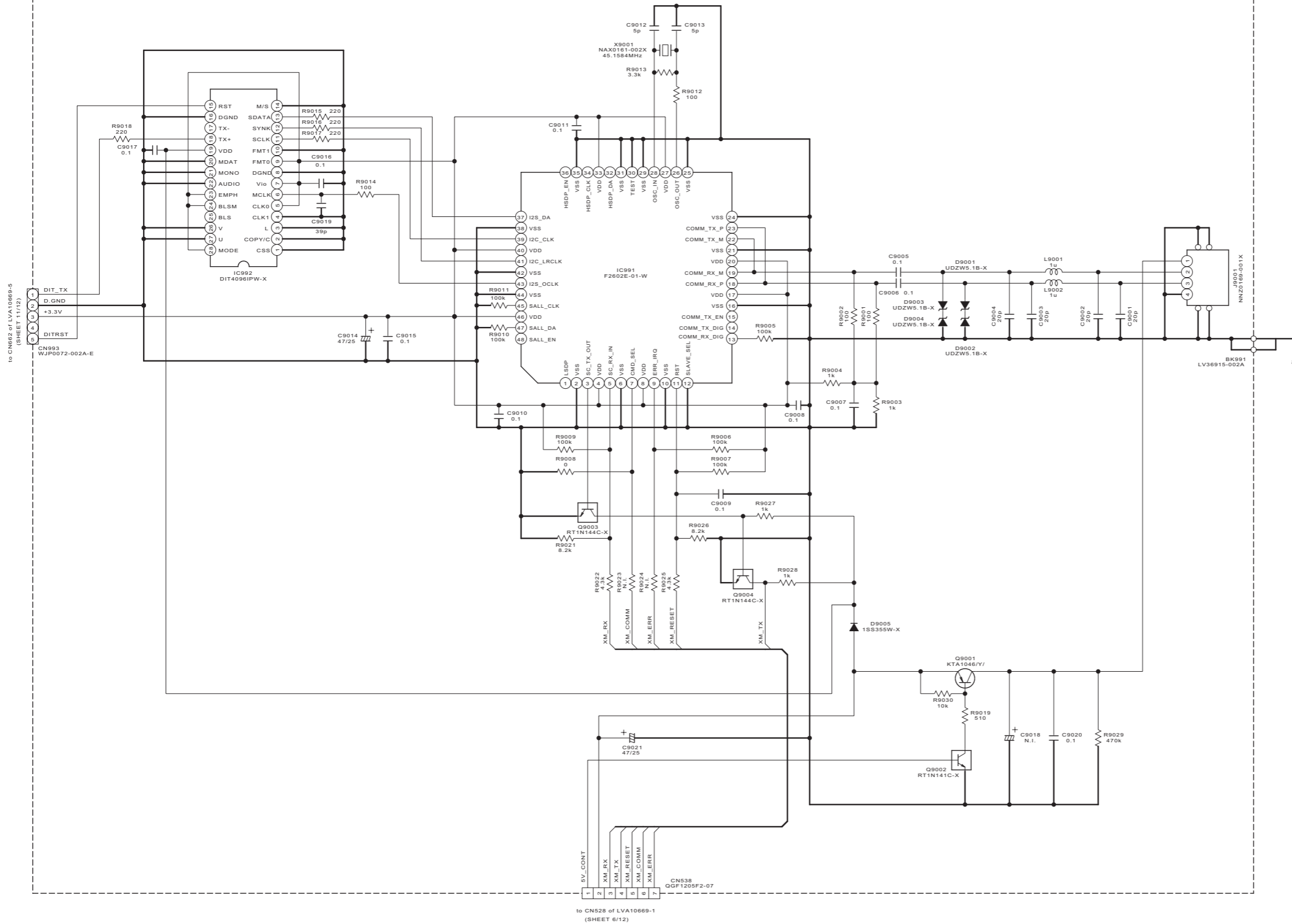


■ DSP / Digital signal input sectionv



■ XM ready sectionv

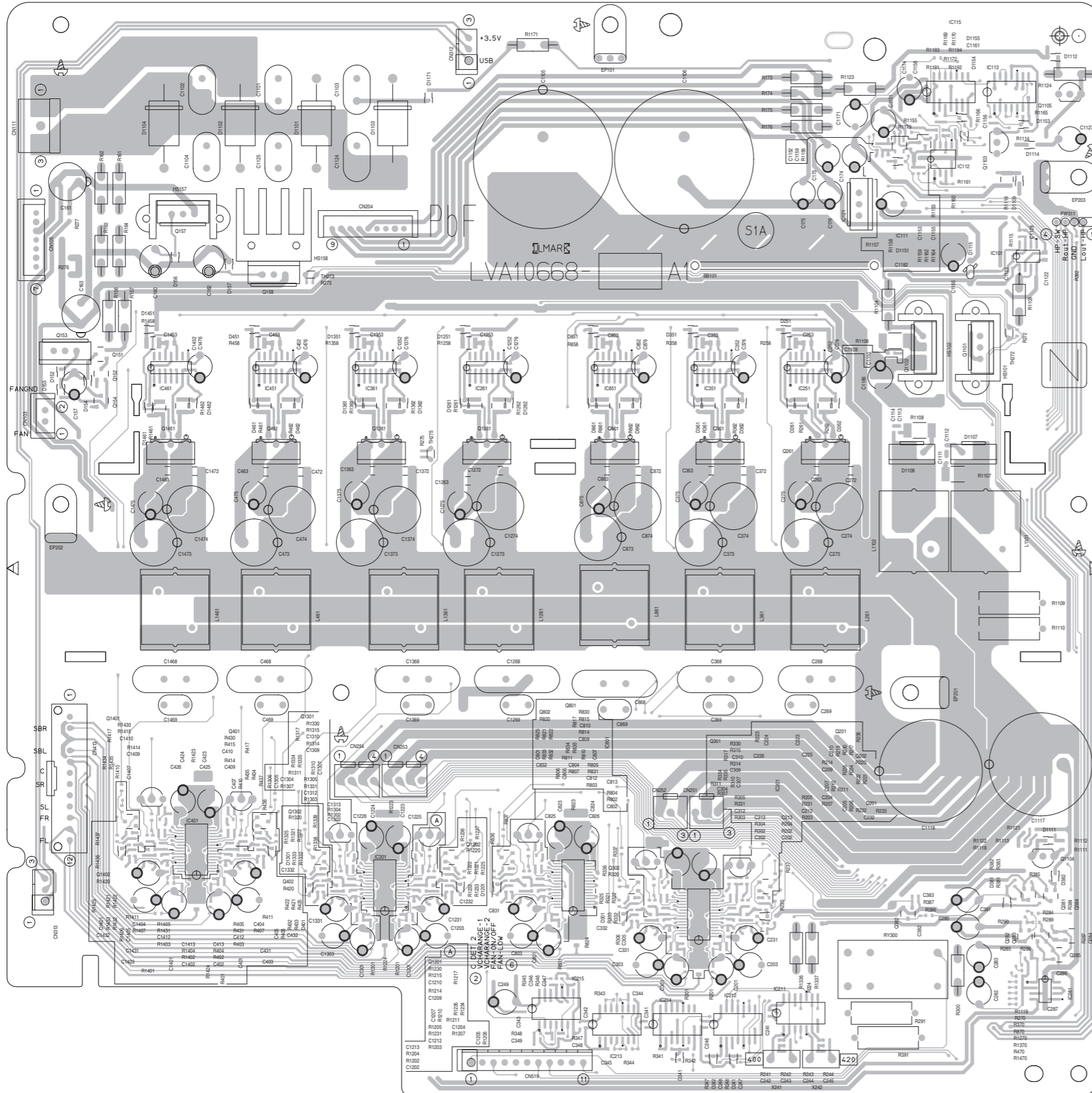
LVA10683-1



Printed circuit boards

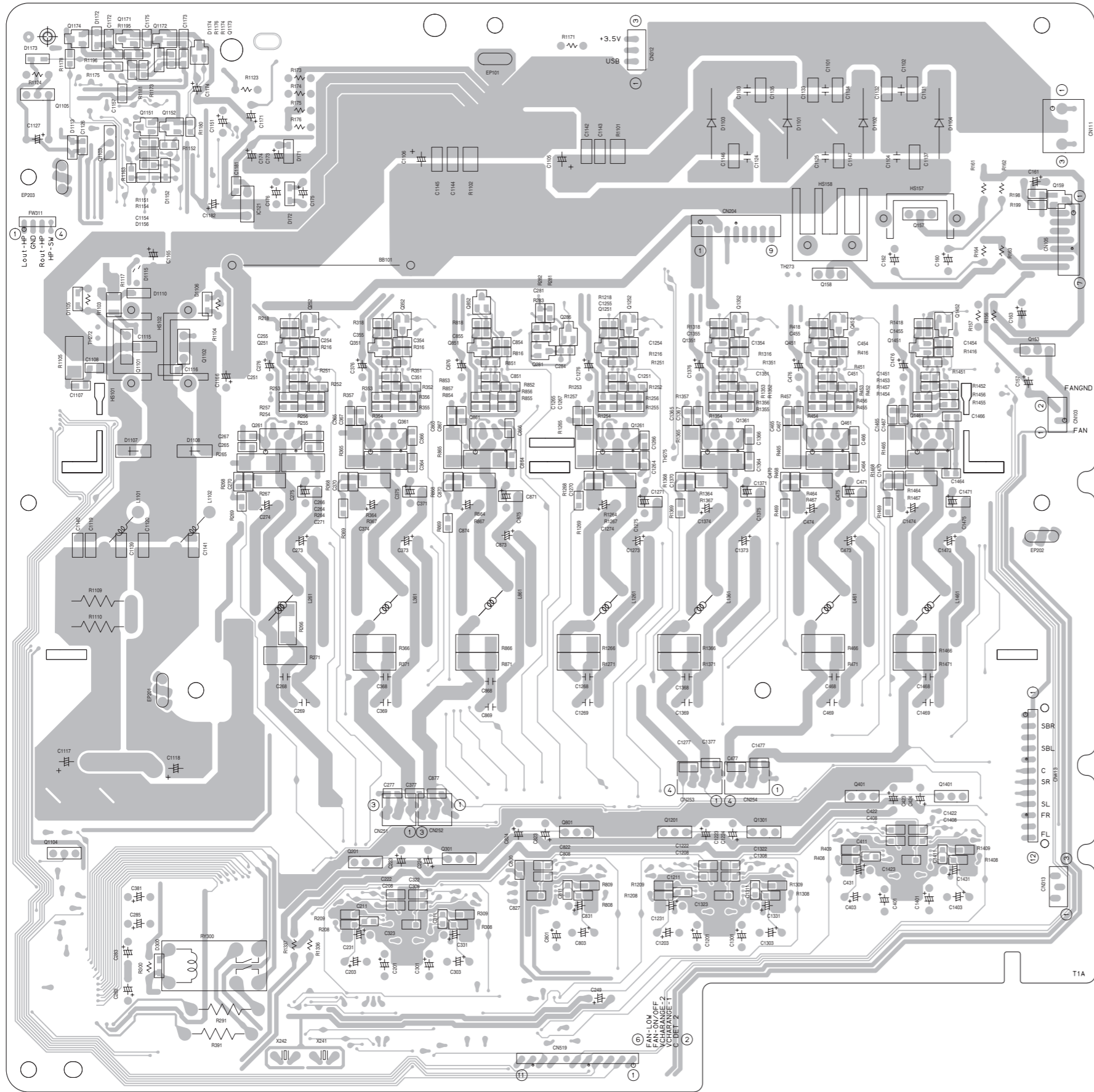
■ Main board Lead free solder used in the board (material : Sn-Ag-Cu, melting point : 219 Centigrade)

forward side



■ Main board Lead free solder used in the board (material : Sn-Ag-Cu, melting point : 219 Centigrade)

reverse side



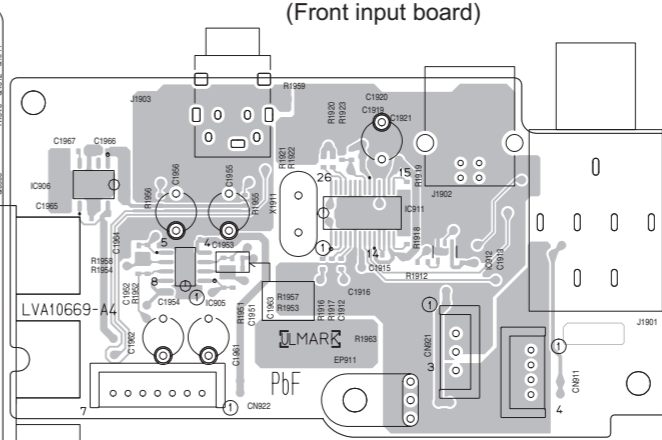
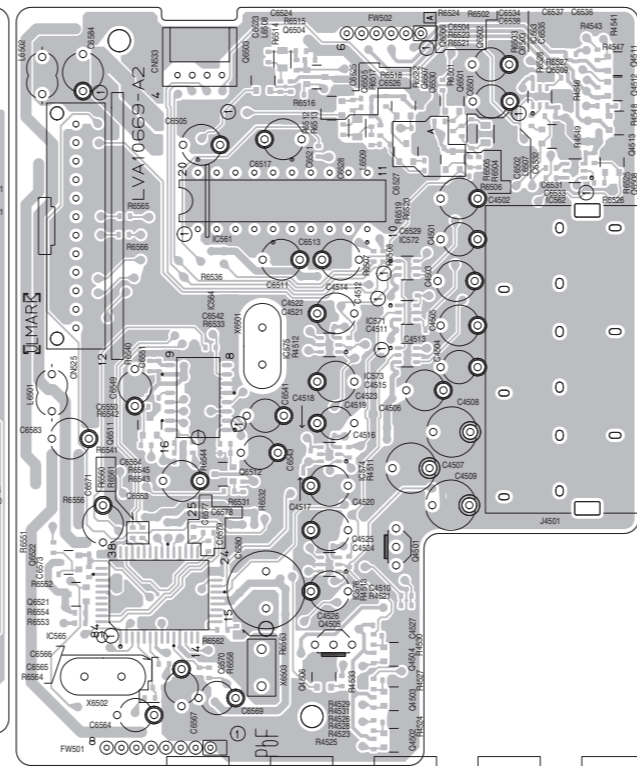
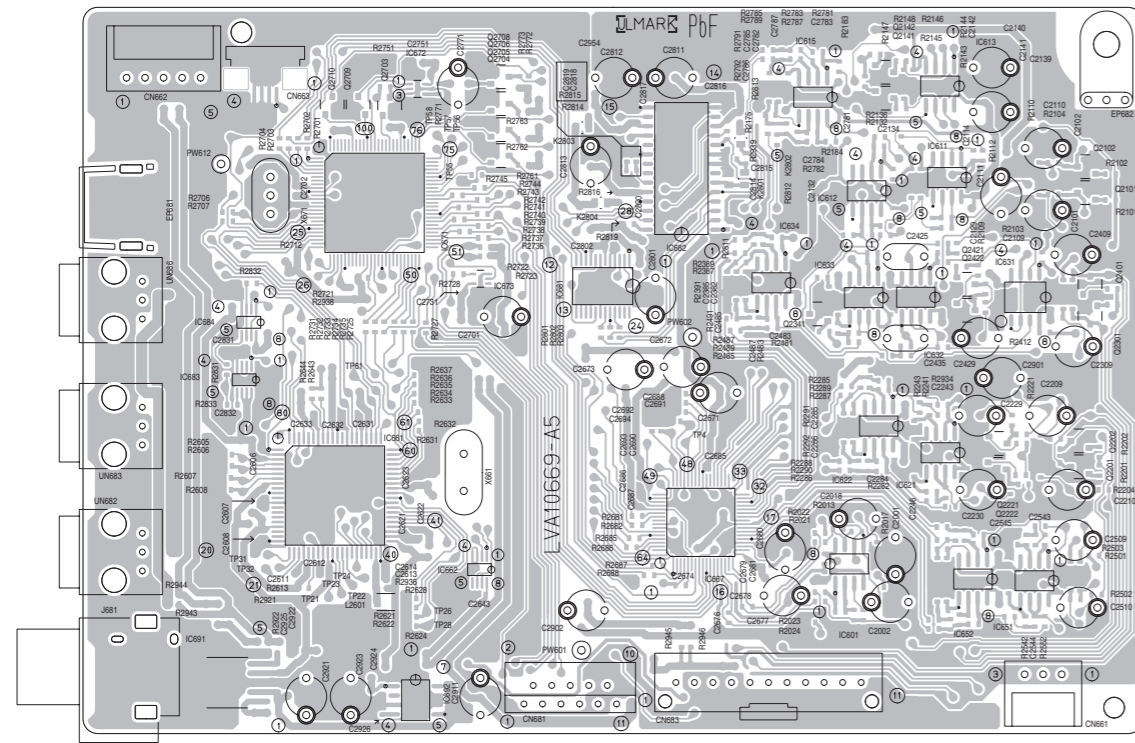
■ Input board Lead free solder used in the board (material : Sn-Ag-Cu, melting point : 219 Centigrade)

forward side

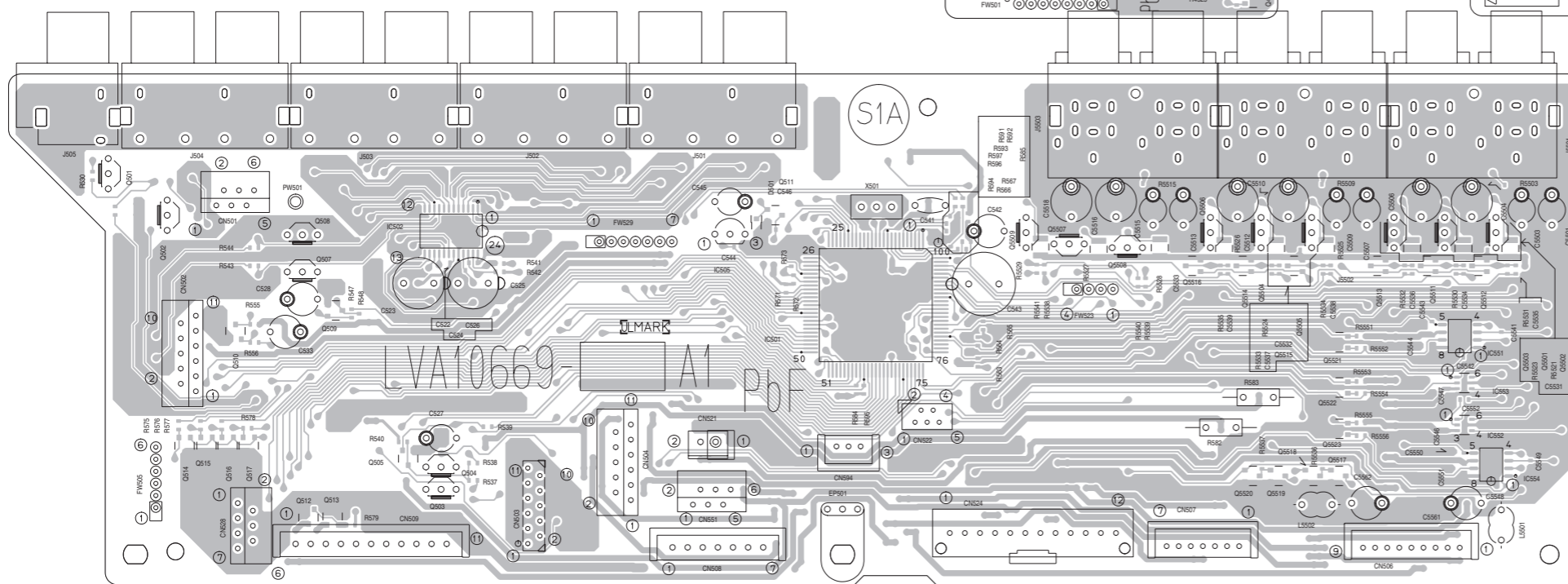
(DSP board)

(Video board)

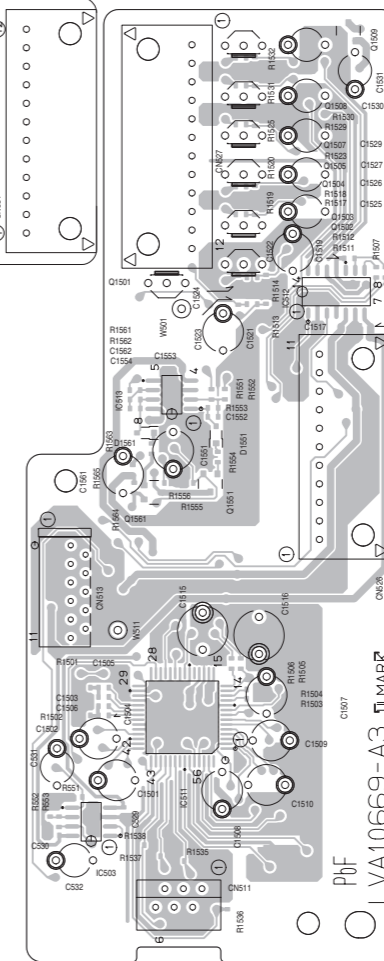
(Front input board)



(Connect board)



(Input board)

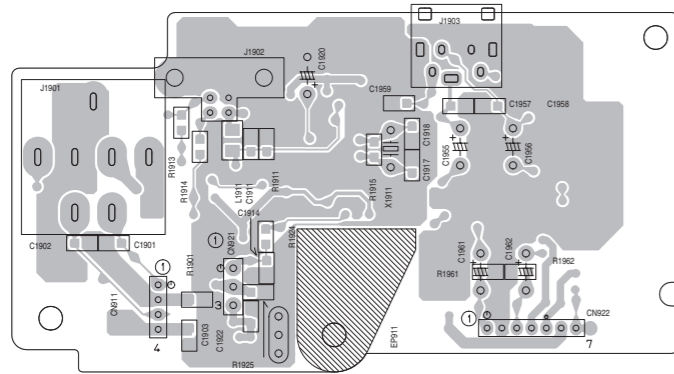


(Volume board)

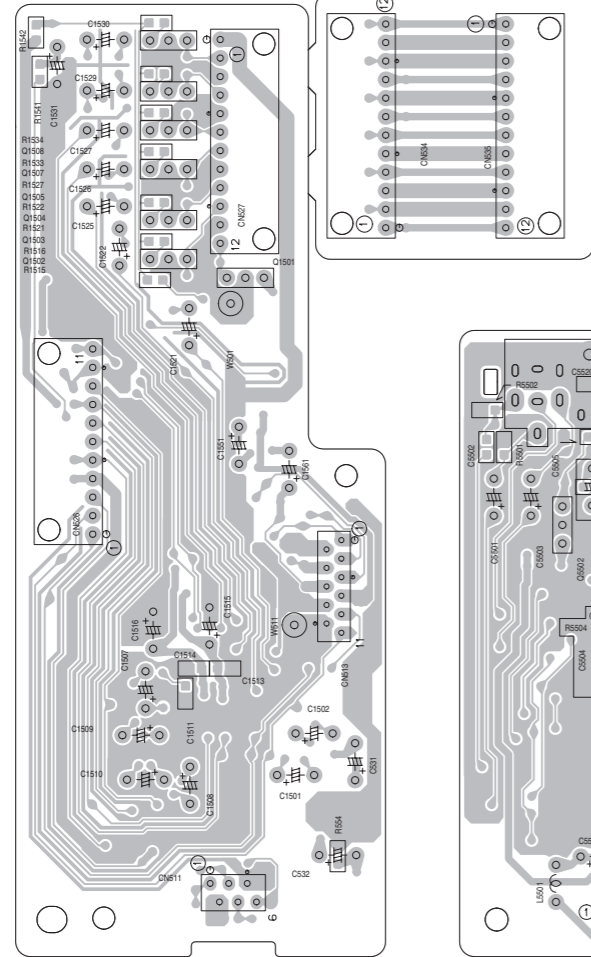
■ Input board Lead free solder used in the board (material : Sn-Ag-Cu, melting point : 219 Centigrade)

reverse side

(Front input board)

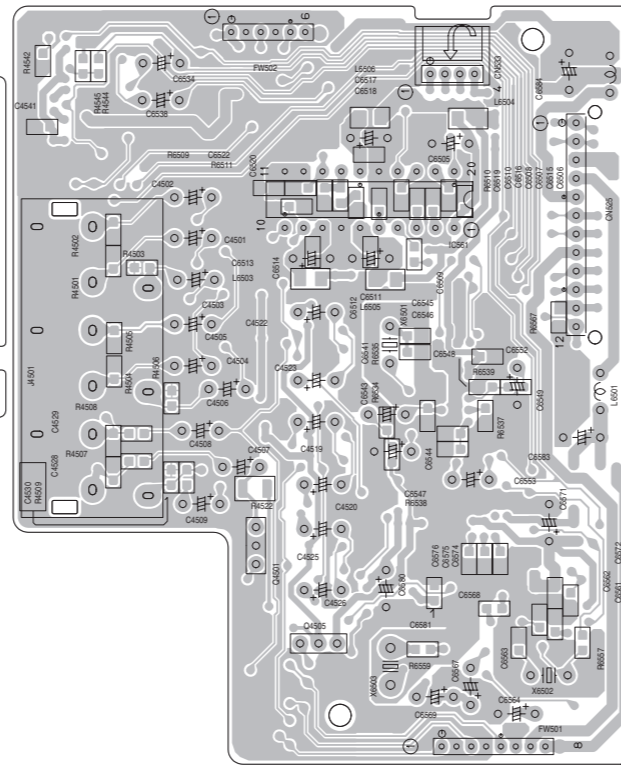


(Connect board)

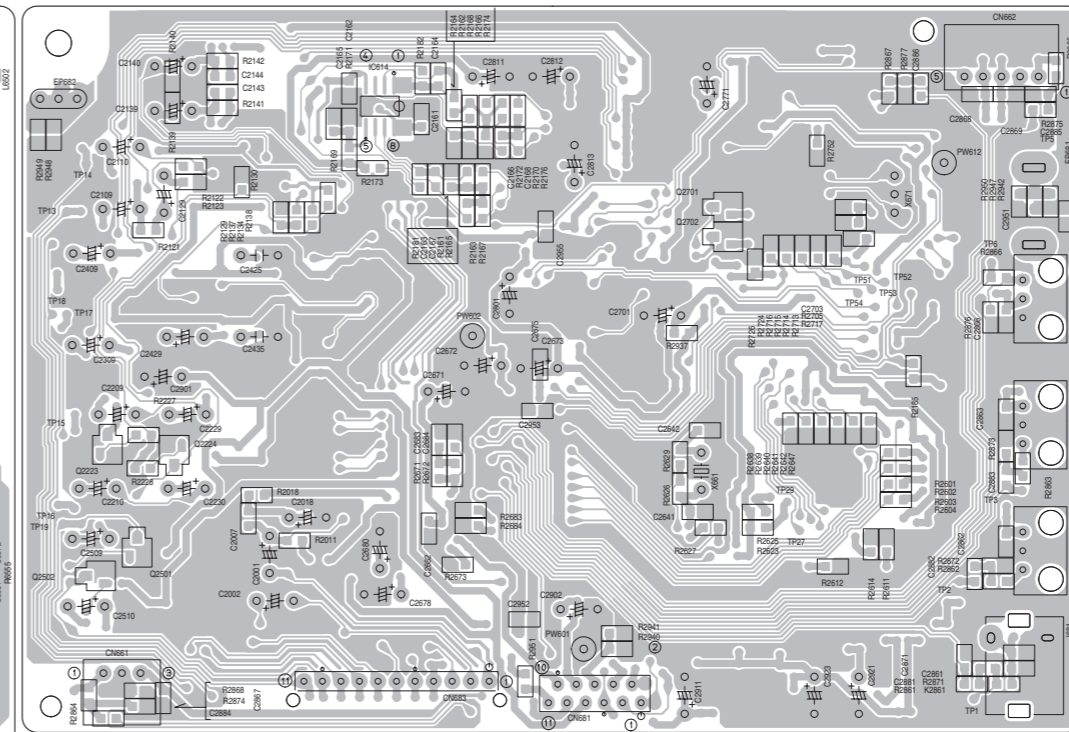


(Input board)

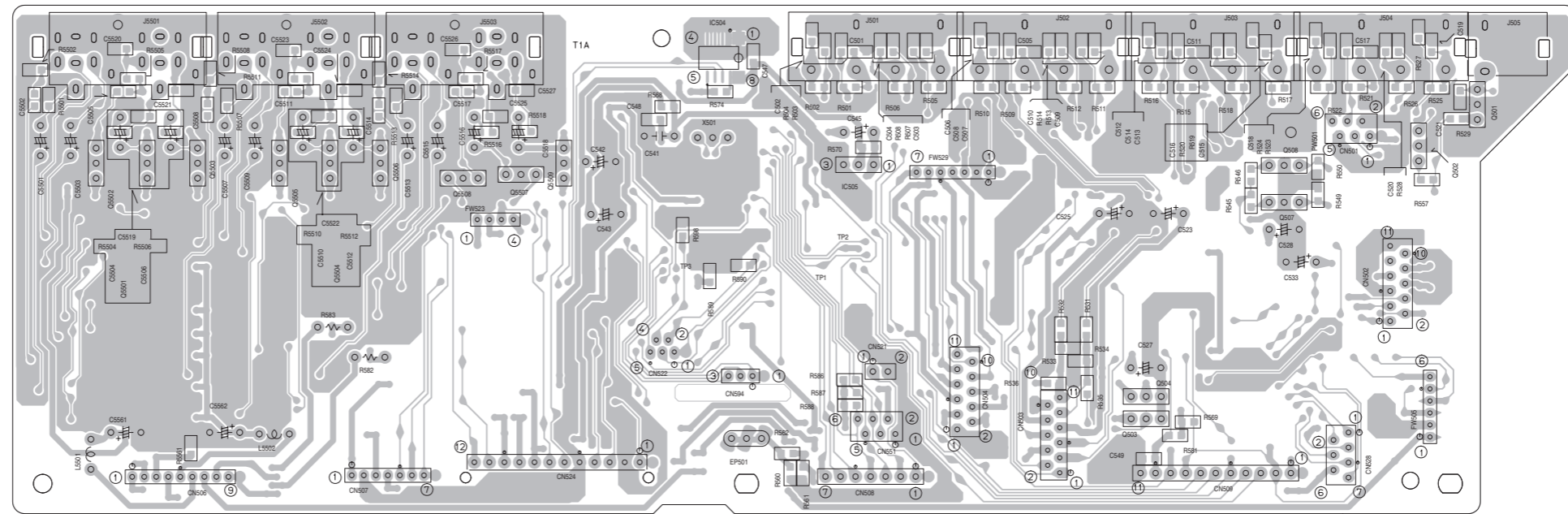
(Video board)



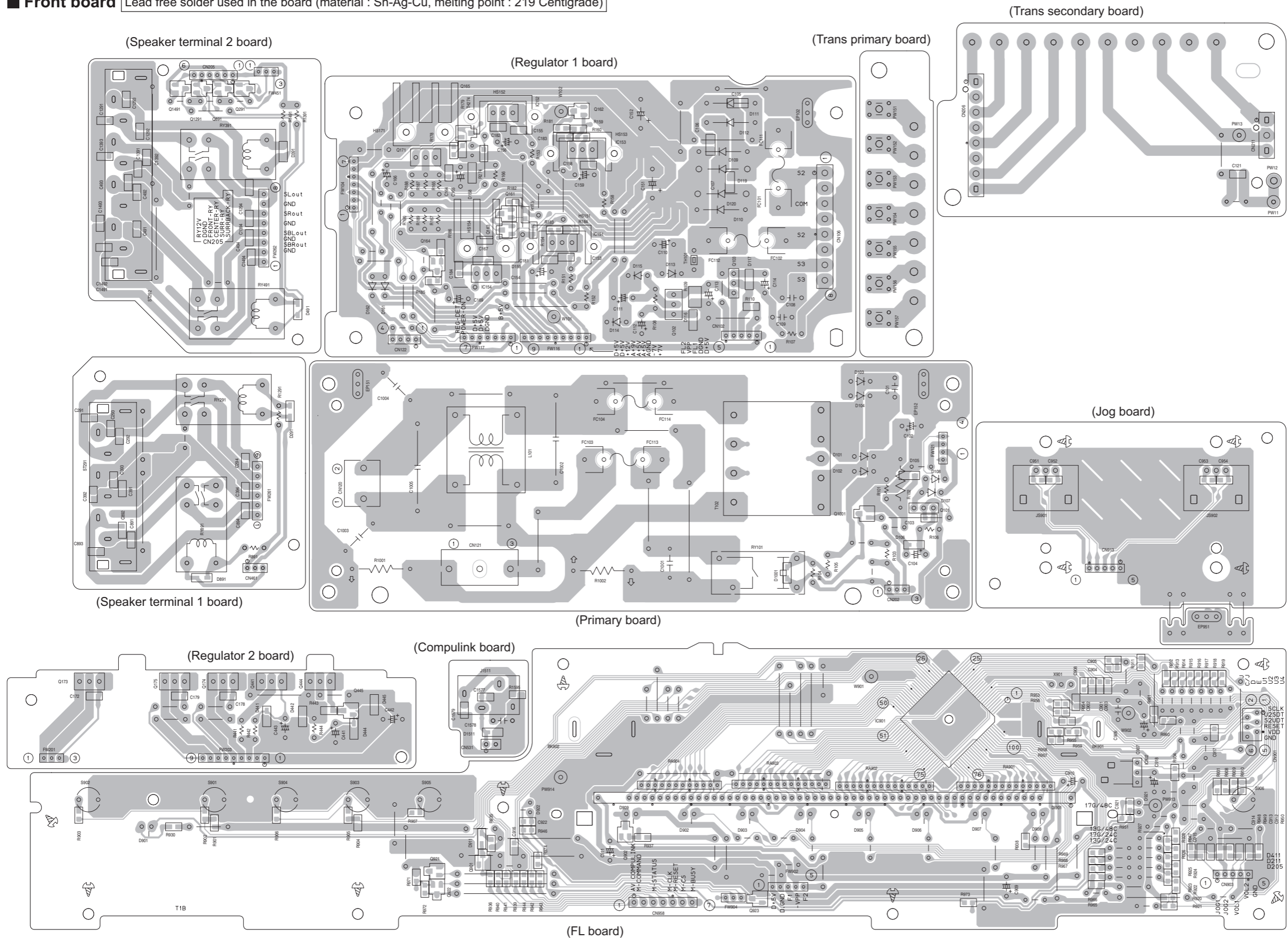
(DSP board)



(Volume board)



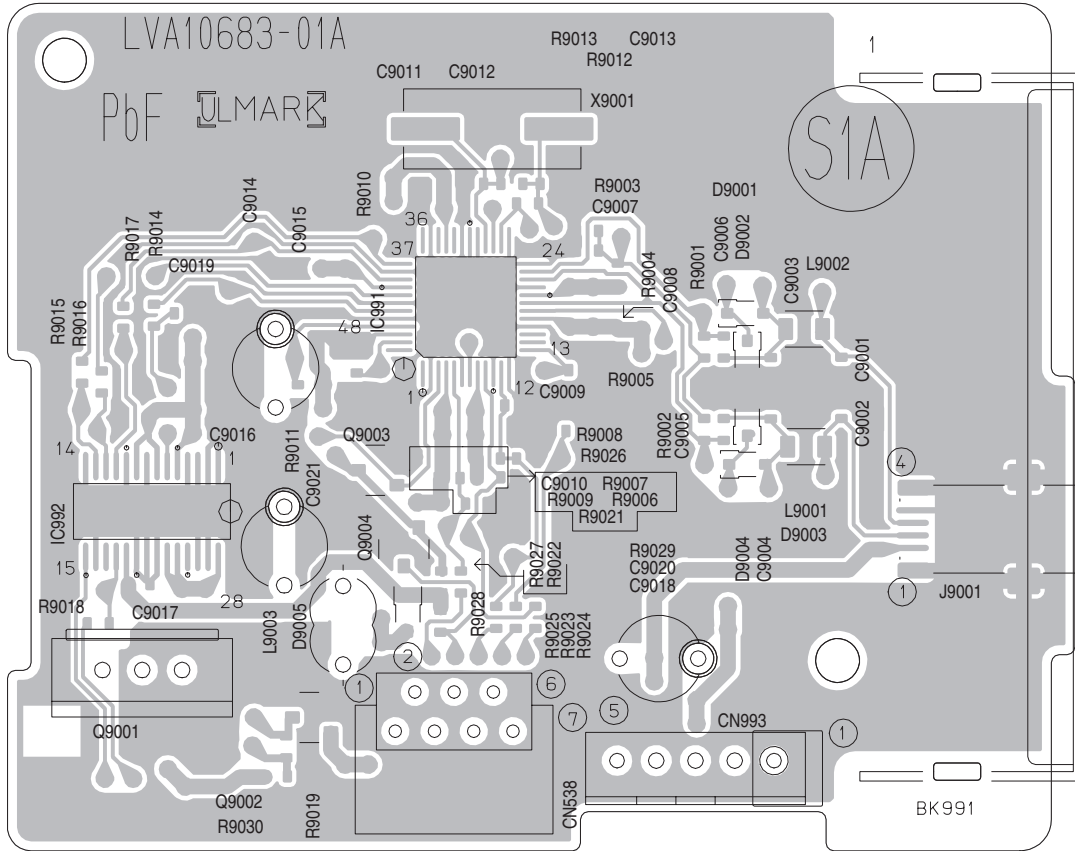
■ Front board Lead free solder used in the board (material : Sn-Ag-Cu, melting point : 219 Centigrade)



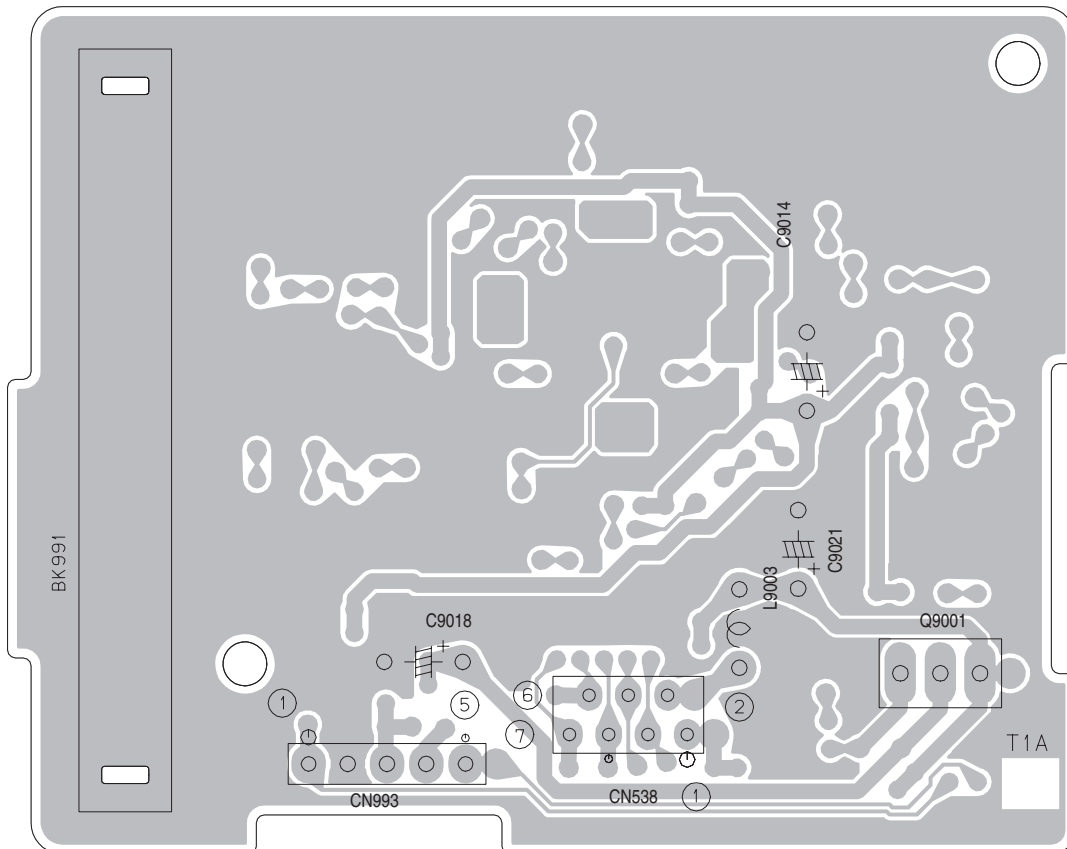
■ XM board

Lead free solder used in the board (material : Sn-Ag-Cu, melting point : 219 Centigrade)

forward side



reverse side



JVC

Victor Company of Japan, Limited

Audio/Video Systems Category 10-1, 1chome, Ohwatari-machi, Maebashi-city, 371-8543, Japan

(No.MB525SCH)



Printed in Japan
VPT

PARTS LIST

RX-D211SJ,RX-D212BJ,RX-D212BC

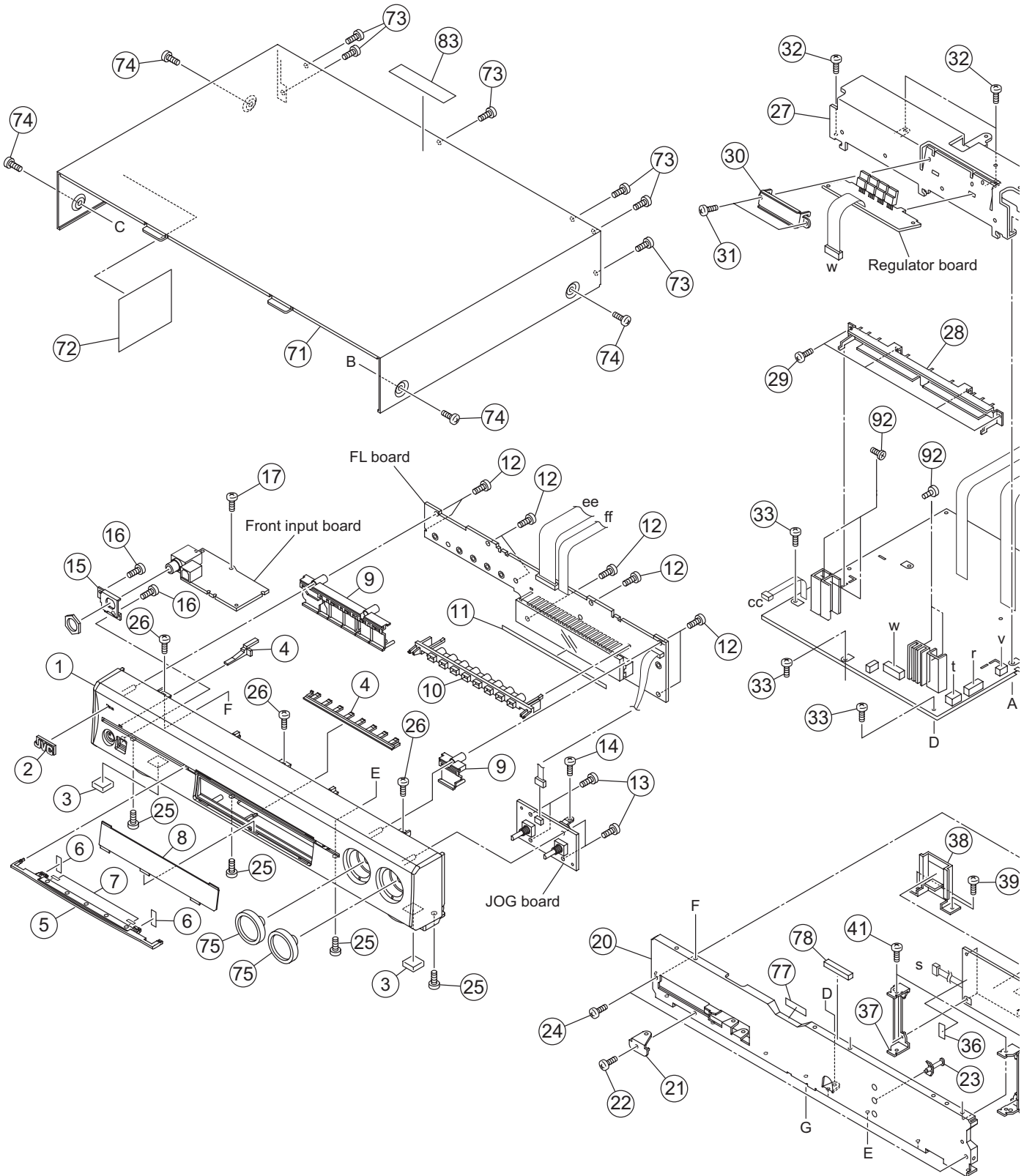
* All printed circuit boards and its assemblies are not available as service parts.

- Contents -

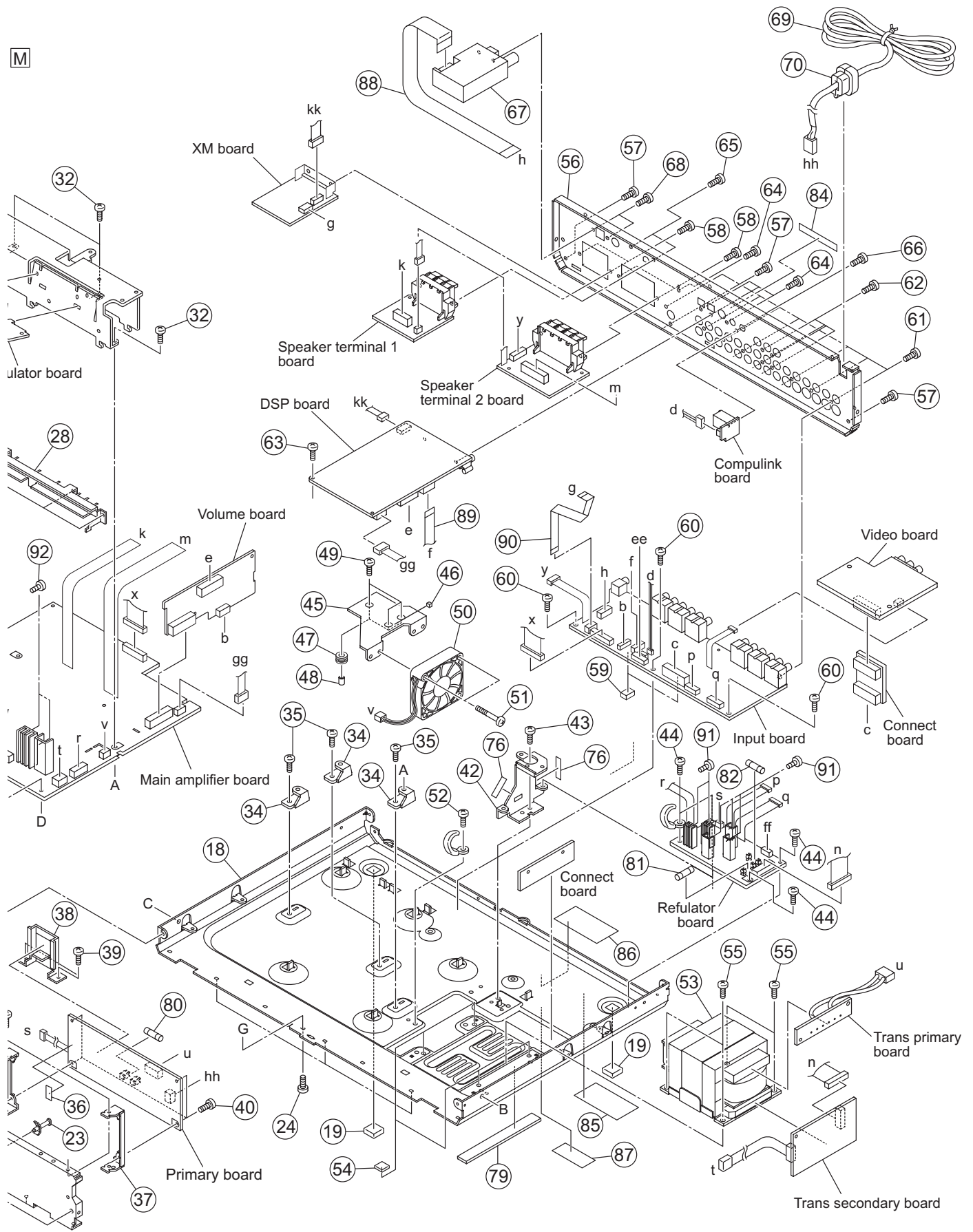
Exploded view of general assembly and parts list (Block No.M1)	3- 2
Electrical parts list (Block No.01~04).....	3- 4
Packing materials and accessories parts list (Block No.M3).....	3-22

Exploded view of general assembly and parts list

Block No. M 1 M M



M



General Assembly

Block No. [M][1][M][M]

△	Symbol No.	Part No.	Part Name	Description	Local
	1	LV11052-041A	FRONT PANEL		D211SJ
	1	LV11052-042A	FRONT PANEL		D212BJ,D212BC
	2	LV43338-002A	JVC MARK		
	3	LV43622-002A	FOOT	(x2)	
	4	LV35714-001A	SOURCE INDICATO		
	5	LV21918-005A	LIGHT LENS		D211SJ
	5	LV21918-006A	LIGHT LENS		D212BJ,D212BC
	6	LV30225-0P9A	SPACER	(x2)	
	7	LV30225-0D5A	SPACER	(x2)	
	8	LV35712-001A	FRONT LENS		
	9	LV21919-005A	PUSH BUTTON		D211SJ
	9	LV21919-006A	PUSH BUTTON		D212BJ,D212BC
	10	LV21920-001A	LED HOLDER		
	11	LV30227-001A	SPACER		
	12	QYSBSF2608ZA	TAP SCREW	M2.6 x 8mm(x8)	
	13	QYSBSF2608ZA	TAP SCREW	M2.6 x 8mm(x4)	
	14	QYSBSG3006ZA	TAP SCREW	M3 x 6mm	
	15	LV44156-001A	H/P BRACKET		
	16	QYSBSF2608ZA	TAP SCREW	M2.6 x 8mm(x2)	
	17	QYSBSG3006ZA	TAP SCREW	M3 x 6mm	
	18	LV11051-005A	CHASSIS BASE		
	19	LV43622-002A	FOOT	(x2)	
	20	LV11055-004A	FRONT BRACKET		
	21	LV36913-001A	EARTH BKT(A)		
	22	QYSBSG3006ZA	TAP SCREW	M3 x 6mm	
	23	LV44668-001A	FASTNER		
	24	QYSBSG3006ZA	TAP SCREW	M3 x 6mm(x6)	
	25	QYSBSG3006ZA	TAP SCREW	M3 x 6mm(x4)	
	26	QYSBSG3006ZA	TAP SCREW	M3 x 6mm(x3)	
	27	LV22329-001A	HEAT SINK		
	28	LV36951-001A	FET BRACKET		
	29	QYSDSG3006EA	TAP SCREW	M3 x 6mm(x4)	
	30	LV35043-002A	TRANSISTOR HOLD		
	31	QYSBSG3006ZA	TAP SCREW	M3 x 6mm(x2)	
	32	QYSBSGY3008EA	TAP SCREW	M3 x 8mm(x4)	
	33	QYSBSG3006ZA	TAP SCREW	M3 x 6mm(x3)	
	34	E68587-223SM	CB BKT	(x3)	
	35	QYSBST3005EA	TAP SCREW	M3 x 5mm(x3)	
	36	LV30227-055A	SPACER		
	37	LV36916-001A	PWB BKT	(x2)	
	38	LV36984-001A	TRANS BKT		
	39	QYSBST3005EA	TAP SCREW	M3 x 5mm(x2)	
	40	QYSBSG3006ZA	TAP SCREW	M3 x 6mm(x4)	
	41	QYSBSG3006ZA	TAP SCREW	M3 x 6mm(x2)	
	42	LV36912-001A	SUPPORT BRACKET		
	43	QYSBST3005EA	TAP SCREW	M3 x 5mm	
	44	QYSBSG3006ZA	TAP SCREW	M3 x 6mm(x4)	
	45	LV36782-002A	FAN BRACKET		
	46	LV30227-002A	SPACER		
	47	LV42501-201A	INSULATOR	(x3)	
	48	LV44543-001A	SPACER	(x3)	
	49	QYSPSGG3012ZA	TAP SCREW	M3 x 12mm(x3)	
	50	QAR0312-001	FAN MOTOR		
	51	QYSBSG3020ZA	TAP SCREW	M3 x 20mm(x2)	
	52	QYSBST3005EA	TAP SCREW	M3 x 5mm	
△	53	QQT0523-001	POWER TRANSF		
	54	E406309-002	SPACER	(x4)	
	55	QYSDSTL4008EA	TAP SCREW	M4 x 8mm(x4)	
	56	LV22330-016A	REAR PANEL		D211SJ
	56	LV22330-017A	REAR PANEL		D212BJ,D212BC
	57	QYSBSGY3008EA	TAP SCREW	M3 x 8mm(x3)	
	58	QYSBSGY3008EA	TAP SCREW	M3 x 8mm(x4)	
	59	LV30227-002A	SPACER	(x2)	
	60	QYSBSG3006ZA	TAP SCREW	M3 x 6mm(x3)	
	61	QYSBSGY3008EA	TAP SCREW	M3 x 8mm(x7)	
	62	QYSBSGY3008EA	TAP SCREW	M3 x 8mm(x4)	
	63	QYSBSG3006ZA	TAP SCREW	M3 x 6mm	
	64	QYSBSGY3008EA	TAP SCREW	M3 x 8mm(x4)	
	65	QYSBSGY3008EA	TAP SCREW	M3 x 8mm(x2)	
	66	QYSBSGY3008EA	TAP SCREW	M3 x 8mm	
	67	QAU0412-001	TUNER		
	68	QYSBSGY3008EA	TAP SCREW	M3 x 8mm(x2)	
△	69	QMPD380-200-JN	POWER CORD(US/CA)	2m BLACK	
△	70	QZW0033-001	STRAIN RELIEF		

Symbol No.	Part No.	Part Name	Description	Local
71	LV21925-001A	TOP COVER		D211SJ
71	LV21925-002A	TOP COVER		D212BJ,D212BC
72	LV30227-037A	SPACER		
73	QYSBSGY3008EA	TAP SCREW	M3 x 8mm(x6)	
74	QYSDSG3008NA	TAP SCREW	M3 x 8mm(x4)	D211SJ
74	QYSDSG3008MA	TAP SCREW	M3 x 8mm(x4)	D212BJ,D212BC
75	LV44151-007A	ROTARY KNOB ASS	(x2)	D211SJ
75	LV44151-008A	ROTARY KNOB ASS	(x2)	D212BJ,D212BC
76	LV30225-0M7A	SPACER	(x2)	
77	LV30225-0M7A	SPACER		
78	LV30227-026A	SPACER		
79	LV30227-056A	SPACER		
△ 80	QMF51U1-6R3-J8	FUSE	F103 6.3A AC125V	
△ 81	QMF51U1-2R0-J8	FUSE	F101 2A AC125V	
△ 82	QMF51U1-2R0-J8	FUSE	F102 2A AC125V	
83	E409394-001	CAUTION LABEL		D211SJ,D212BJ
83	E409396-003	CAUTION LABEL		D212BC
84	LV40232-002A	NUMBER LABEL		
85	LV43550-004A	LABEL		
86	LV43835-001A	EMC LABEL		
87	LV44700-001A	XM LABEL		
88	QUQQ12-1122CJ-E	FFC WIRE	11pin 22cm	
89	QUQQ12-1109CJ-E	FFC WIRE	11pin 9cm	
90	QUQQ12-0718CJ-E	FFC WIRE	7pin 18cm	
91	QYSBSG3008EA	TAP SCREW	M3 x 8mm(x5)	
92	QYSBSG3008EA	TAP SCREW	M3 x 8mm(x4)	

Electrical parts list

Front board

Block No. [0][1]					△ Symbol No.	Part No.	Part Name	Description	Local
△ Symbol No.	Part No.	Part Name	Description	Local					
PW153	WJM0464-002A-E	SIN CR C-F			D911	1SS355W-X	DIODE		
					D1001	1SS355W-X	DIODE		
					D1511	UDZW6.2B-X	Z DIODE		
					C101	QFLC2AJ-472Z	M CAPACITOR	4700pF 100V J	
					C102	QETM1EM-108	E CAPACITOR	1000uF 25V M	
					C103	NCB31HK-472X	C CAPACITOR	4700pF 50V K	
					C104	QETN1CM-477Z	E CAPACITOR	470uF 16V M	
					C105	NCZ1061-104X	C CAPACITOR	0.1uF 100V K	
					C106	NCZ1061-104X	C CAPACITOR	0.1uF 100V K	
					C107	NCZ1061-104X	C CAPACITOR	0.1uF 100V K	
					C108	QFLC1HJ-473Z	M CAPACITOR	0.047uF 50V J	
					C109	QFLC1HJ-473Z	M CAPACITOR	0.047uF 50V J	
					C110	QETN1HM-227Z	E CAPACITOR	220uF 50V M	
					C111	QETN1JM-107Z	E CAPACITOR	100uF 63V M	
					C112	QETN1HM-226Z	E CAPACITOR	22uF 50V M	
					C113	QETN1HM-226Z	E CAPACITOR	22uF 50V M	
					C114	QETN1HM-105Z	E CAPACITOR	1uF 50V M	
					C151	QETM1EM-478	E CAPACITOR	4700uF 25V M	
					C152	QETM1EM-338	E CAPACITOR	3300uF 25V M	
					C153	NCB31HK-103X	C CAPACITOR	0.01uF 50V K	
					C154	QETN1CM-107Z	E CAPACITOR	100uF 16V M	
					C155	NCB31HK-103X	C CAPACITOR	0.01uF 50V K	
					C156	QETN1CM-107Z	E CAPACITOR	100uF 16V M	
					C158	NCB31HK-103X	C CAPACITOR	0.01uF 50V K	
					C159	QETN1CM-107Z	E CAPACITOR	100uF 16V M	
					C165	QETN1CM-107Z	E CAPACITOR	100uF 16V M	
					C166	QETN1CM-477Z	E CAPACITOR	470uF 16V M	
					C167	NCB31EK-104X	C CAPACITOR	0.1uF 25V K	
					C169	QETN1CM-107Z	E CAPACITOR	100uF 16V M	
				D211 SJ, D212 BJ	C184	NCB31CK-104X	C CAPACITOR	0.1uF 16V K	D211 SJ, D212 BJ
Q902	RT1P144C-X	DIGI TRANSISTOR			C291	NCB31HK-221X	C CAPACITOR	220pF 50V K	
Q1001	RT1N237C-X	DIGI TRANSISTOR			C292	NCB31HK-221X	C CAPACITOR	220pF 50V K	
Q1291	RT1N231C-X	TRANSISTOR			C293	NCB31EK-223X	C CAPACITOR	0.022uF 25V K	
Q1491	RT1N231C-X	TRANSISTOR			C391	NCB31HK-221X	C CAPACITOR	220pF 50V K	
D101	1A3G-T1	SI DIODE			C392	NCB31HK-221X	C CAPACITOR	220pF 50V K	
D102	1A3G-T1	SI DIODE			C393	NCB31EK-223X	C CAPACITOR	0.022uF 25V K	
D103	1A3G-T1	SI DIODE			C441	QETN1EM-107Z	E CAPACITOR	100uF 25V M	
D104	1A3G-T1	SI DIODE			C442	QETN1EM-107Z	E CAPACITOR	100uF 25V M	
D106	UDZW6.2B-X	Z DIODE			C443	QETN1VM-107Z	E CAPACITOR	100uF 35V M	
D107	1A3G-T1	SI DIODE			C491	NCB31HK-221X	C CAPACITOR	220pF 50V K	
D108	1A3G-T1	SI DIODE			C492	NCB31HK-221X	C CAPACITOR	220pF 50V K	
△ D109	10DDA20-FD	DIODE			C493	NCB31EK-223X	C CAPACITOR	0.022uF 25V K	
△ D110	10DDA20-FD	DIODE			C891	NCB31HK-221X	C CAPACITOR	220pF 50V K	
△ D111	10DDA20-FD	DIODE			C892	NCB31HK-221X	C CAPACITOR	220pF 50V K	
△ D112	10DDA20-FD	DIODE			C893	NCB31EK-223X	C CAPACITOR	0.022uF 25V K	
D113	1A3G-T1	SI DIODE			C901	NCB31HK-103X	C CAPACITOR	0.01uF 50V K	
D114	1A3G-T1	SI DIODE			C902	NCB31HK-103X	C CAPACITOR	0.01uF 50V K	
D115	1A3G-T1	SI DIODE			C903	NCB31HK-103X	C CAPACITOR	0.01uF 50V K	
D116	UDZW33B-X	Z DIODE			C904	NCB31HK-103X	C CAPACITOR	0.01uF 50V K	
D117	UDZW8.2B-X	Z DIODE			C905	NCB31HK-103X	C CAPACITOR	0.01uF 50V K	
D158	UDZW6.2B-X	Z DIODE			C907	QKCC0JM-107Z	E CAPACITOR	100uF 6.3V M	
D159	1SS355W-X	DIODE		D211 SJ, D212 BJ	C908	NCB31CK-104X	C CAPACITOR	0.1uF 16V K	
D161	1A3G-T1	SI DIODE			C909	QKCC1HM-475Z	E CAPACITOR	4.7uF 50V M	
D162	1A3G-T1	SI DIODE			C910	QER61HM-475Z	E CAPACITOR	4.7uF 50V M	
D291	1SS355W-X	DIODE			C911	QKCC1HM-475Z	E CAPACITOR	4.7uF 50V M	
D391	1SS355W-X	DIODE			C912	NCB31CK-104X	C CAPACITOR	0.1uF 16V K	
D441	UDZW20B-X	Z DIODE			C913	NCB31CK-104X	C CAPACITOR	0.1uF 16V K	
D442	UDZW24B-X	Z DIODE			C914	NCB31CK-104X	C CAPACITOR	0.1uF 16V K	
D444	UDZW11B-X	Z DIODE			C915	NCB31CK-104X	C CAPACITOR	0.1uF 16V K	
D491	1SS355W-X	DIODE			C916	NCB31HK-102X	C CAPACITOR	1000pF 50V K	
D891	1SS355W-X	DIODE			C917	NCB31HK-103X	C CAPACITOR	0.01uF 50V K	
D901	SLR-343VC-T	LED			C918	QKCC0JM-107Z	E CAPACITOR	100uF 6.3V M	
D902	SLR-343VC-T	LED			C951	NCB31CK-104X	C CAPACITOR	0.1uF 16V K	
D903	SLR-343VC-T	LED			C952	NCB31CK-104X	C CAPACITOR	0.1uF 16V K	
D904	SLR-343VC-T	LED			C953	NCB31CK-104X	C CAPACITOR	0.1uF 16V K	
D905	SLR-343VC-T	LED			C954	NCB31CK-104X	C CAPACITOR	0.1uF 16V K	
D906	SLR-343VC-T	LED			△ C1001	QCZ9104-472	C CAPACITOR	4700pF	
D907	SLR-343VC-T	LED			△ C1002	QFZ9075-224	MPP CAPACITOR	0.22uF AC275V M	
D908	SLR-343VC-T	LED			△ C1003	QCZ9079-102	C CAPACITOR	1000pF AC250V M	
D909	SLR-343VC-T	LED			△ C1004	QCZ9079-102	C CAPACITOR	1000pF AC250V M	
					△ C1005	QFZ9075-224	MPP CAPACITOR	0.22uF AC275V M	
					C1291	NCB31HK-221X	C CAPACITOR	220pF 50V K	

△ Symbol No.	Part No.	Part Name	Description	Local	△ Symbol No.	Part No.	Part Name	Description	Local
C1292	NCB31HK-221X	C CAPACITOR	220pF 50V K		R961	NRSA63J-103X	MG RESISTOR	10kΩ 1/16W J	
C1293	NCB31EK-223X	C CAPACITOR	0.022uF 25V K		R965	NRSA63J-103X	MG RESISTOR	10kΩ 1/16W J	
C1391	NCB31HK-221X	C CAPACITOR	220pF 50V K		R966	NRSA63J-102X	MG RESISTOR	1kΩ 1/16W J	
C1392	NCB31HK-221X	C CAPACITOR	220pF 50V K		R967	NRSA63J-102X	MG RESISTOR	1kΩ 1/16W J	
C1393	NCB31EK-223X	C CAPACITOR	0.022uF 25V K		△ R1001	QRZ9037-335	COMP RESISTOR	3.3MΩ 1/2W K	
C1491	NCB31HK-221X	C CAPACITOR	220pF 50V K		△ R1002	QRZ9037-335	COMP RESISTOR	3.3MΩ 1/2W K	
C1492	NCB31HK-221X	C CAPACITOR	220pF 50V K		R1291	QRJ146J-470X	UNF C RESISTOR	47Ω 1/4W J	
C1493	NCB31EK-223X	C CAPACITOR	0.022uF 25V K		R1391	QRJ146J-470X	UNF C RESISTOR	47Ω 1/4W J	
C1577	NCB31HK-221X	C CAPACITOR	220pF 50V K		R1491	QRJ146J-470X	UNF C RESISTOR	47Ω 1/4W J	
C1579	NCF31AZ-105X	C CAPACITOR	1uF 10V Z		R1595	NRSA63J-221X	MG RESISTOR	220Ω 1/16W J	
R103	QRJ146J-6R8X	UNF C RESISTOR	6.8Ω 1/4W J		△ L101	QQR1676-001	LINE FILTER		
R105	QRJ146J-100X	UNF C RESISTOR	10Ω 1/4W J		△ T102	QQT0478-001	POWER TRANSF		
R106	QRJ146J-821X	UNF C RESISTOR	820Ω 1/4W J		BK901	LV34673-001A	FL HOLDER(L)		
△ R107	QRJ146J-5R6X	UNF C RESISTOR	5.6Ω 1/4W J		BK902	LV34687-001A	FL HOLDER(R)		
R108	QRJ146J-332X	UNF C RESISTOR	3.3kΩ 1/4W J		CN102	QGA2001C1-05	CONNECTOR	W-B (1-5)	
R109	NRS144J-223X	MG RESISTOR	22kΩ 1/4W J		△ CN106	QGA3901C1-08	CONNECTOR	W-B (1-8)	
R110	NRSA02J-104X	MG RESISTOR	100kΩ 1/10W J		△ CN120	QGA7901C1-02	CONNECTOR	W-B (1-2)	
△ R151	QRL01DJ-100X	OMF RESISTOR	10Ω 1W J		△ CN121	QGA7901C1-03	CONNECTOR	W-B (1-3)	
△ R152	QRJ146J-4R7X	UNF C RESISTOR	4.7Ω 1/4W J		CN122	QGA2001C1-04	CONNECTOR	W-B (1-4)	
△ R153	QRT01DJ-R47X	MF RESISTOR	0.47Ω 1W J		CN205	QGA2001C1-06	CONNECTOR	W-B (1-6)	
R154	NRSA63J-103X	MG RESISTOR	10kΩ 1/16W J		CN206	WJK0208-003A-E	E-SI C WIRE		
R155	NRSA63J-113X	MG RESISTOR	11kΩ 1/16W J		CN211	QJK024-033003-E	SIN CR C-B WIRE		
△ R158	QRL01DJ-100X	OMF RESISTOR	10Ω 1W J		CN461	QGA2001C1-03	CONNECTOR	W-B (1-3)	
R159	NRSA63J-202X	MG RESISTOR	2kΩ 1/16W J		CN531	QGA2501C1-02	CONNECTOR	W-B (1-2)	
R160	NRSA63J-473X	MG RESISTOR	47kΩ 1/16W J		CN903	QJL013-051100-E	SIN CR C-B WIRE		
△ R165	QRL01DJ-220X	OMF RESISTOR	22Ω 1W J		CN958	QJK025-074002-E	SIN CR C-B WIRE		
R166	QRJ146J-222X	UNF C RESISTOR	2.2kΩ 1/4W J		DI901	QLF0157-001	FL TUBE		
△ R167	QRT01DJ-4R7X	MF RESISTOR	4.7Ω 1W J		EP102	QNZ0136-001Z	EARTH PLATE		
R178	NRSA63J-202X	MG RESISTOR	2kΩ 1/16W J		EP151	QNZ0136-001Z	EARTH PLATE		
R179	NRSA63J-473X	MG RESISTOR	47kΩ 1/16W J		EP152	QNZ0136-001Z	EARTH PLATE		
R181	NRSA63J-101X	MG RESISTOR	100Ω 1/16W J		EP951	QNZ0136-001Z	EARTH PLATE		
R182	NRSA63J-222X	MG RESISTOR	2.2kΩ 1/16W J		FC101	QNG0003-001Z	FUSE CLIP		
R183	NRSA63J-202X	MG RESISTOR	2kΩ 1/16W J		FC102	QNG0003-001Z	FUSE CLIP		
R184	NRSA63J-473X	MG RESISTOR	47kΩ 1/16W J		FC103	QNG0003-001Z	FUSE CLIP		
R185	NRSA63J-202X	MG RESISTOR	2kΩ 1/16W J		FC111	QNG0003-001Z	FUSE CLIP		
R186	NRSA63J-473X	MG RESISTOR	47kΩ 1/16W J		FC112	QNG0003-001Z	FUSE CLIP		
△ R188	QRL01DJ-220X	OMF RESISTOR	22Ω 1W J		FC113	QNG0003-001Z	FUSE CLIP		
△ R441	QRK126J-4R7X	UNF C RESISTOR	4.7Ω 1/2W J		FS900	LV30225-0S4A	SPACER		
△ R442	QRK126J-362X	UNF C RESISTOR	3.6kΩ 1/2W J		FS901	VYSH101-009	SPACER		
R443	NRSA63J-681X	MG RESISTOR	680Ω 1/16W J		FW104	WJS0054-002A-E	E-FL/RB WIRE		
△ R444	QRJ146J-182X	UNF C RESISTOR	1.8kΩ 1/4W J		FW116	WJS0064-003A-E	E-FL/RB WIRE		
R891	QRJ146J-470X	UNF C RESISTOR	47Ω 1/4W J		FW117	WJS0045-002A-E	E-FL/RB WIRE		
R901	NRSA63J-103X	MG RESISTOR	10kΩ 1/16W J		FW121	WJS0058-001A-E	E-FL/RB WIRE		
R902	NRSA63J-102X	MG RESISTOR	1kΩ 1/16W J		FW203	WJS0064-001A-E	E-FL/RB WIRE		
R903	NRSA63J-102X	MG RESISTOR	1kΩ 1/16W J		FW261	QUM216-16DGZ3-E	PARA RIBON WIRE		
R904	NRSA63J-103X	MG RESISTOR	10kΩ 1/16W J		FW262	QUM218-16DGZ3-E	PARA RIBON WIRE		
R905	NRSA63J-102X	MG RESISTOR	1kΩ 1/16W J		FW451	WJS0046-003A-E	E-FL/RB WIRE		
R906	NRSA63J-102X	MG RESISTOR	1kΩ 1/16W J		FW902	WJS0073-002A-E	E-FL/RB WIRE		
R907	NRSA63J-122X	MG RESISTOR	1.2kΩ 1/16W J		△ HS151	E70306-001	HEAT SINK	HS 951	
R908	NRSA63J-103X	MG RESISTOR	10kΩ 1/16W J		△ HS152	E70306-001	HEAT SINK	HS 951	
R909	NRSA63J-102X	MG RESISTOR	1kΩ 1/16W J		△ HS153	E70306-001	HEAT SINK	HS 951	
R910	NRSA63J-102X	MG RESISTOR	1kΩ 1/16W J		△ HS154	E70945-H40B	HEAT SINK	HS 921	
R911	NRSA63J-103X	MG RESISTOR	10kΩ 1/16W J		△ HS171	E70945-H40B	HEAT SINK	HS 921	
R912	NRSA63J-102X	MG RESISTOR	1kΩ 1/16W J		J1511	QNS0089-001	3.5 JACK		
R920	NRSA63J-103X	MG RESISTOR	10kΩ 1/16W J		JS901	QSW1129-001	ROTARY ENCODER		
R921	NRSA63J-102X	MG RESISTOR	1kΩ 1/16W J		JS902	QSW1129-001	ROTARY ENCODER		
R922	NRSA63J-102X	MG RESISTOR	1kΩ 1/16W J		△ RY101	QSK0128-001	RELAY		
R930	NRSA63J-221X	MG RESISTOR	220Ω 1/16W J		RY291	QSK0127-001	RELAY		
R931	NRSA63J-103X	MG RESISTOR	10kΩ 1/16W J		RY391	QSK0127-001	RELAY		
R935	NRSA63J-103X	MG RESISTOR	10kΩ 1/16W J		RY491	QSK0127-001	RELAY		
R936	NRSA63J-221X	MG RESISTOR	220Ω 1/16W J		RY891	QSK0127-001	RELAY		
R937	NRSA63J-221X	MG RESISTOR	220Ω 1/16W J		S901	QSW0683-001Z	PUSH SW I.M		
R938	NRSA63J-221X	MG RESISTOR	220Ω 1/16W J		S902	QSW0683-001Z	PUSH SW I.M		
R939	NRSA63J-221X	MG RESISTOR	220Ω 1/16W J		S903	QSW0683-001Z	PUSH SW I.M		
R940	NRSA63J-221X	MG RESISTOR	220Ω 1/16W J		S904	QSW0683-001Z	PUSH SW I.M		
R941	NRSA63J-221X	MG RESISTOR	220Ω 1/16W J		S905	QSW0683-001Z	PUSH SW I.M		
R942	NRSA63J-221X	MG RESISTOR	220Ω 1/16W J		S906	QSW0683-001Z	PUSH SW I.M		
R943	NRSA63J-221X	MG RESISTOR	220Ω 1/16W J		ST291	QNB0016-002	SPK TERMINAL		
R944	NRSA63J-221X	MG RESISTOR	220Ω 1/16W J		ST292	QNB0256-001	SPK TERMINAL		
R947	NRSA63J-103X	MG RESISTOR	10kΩ 1/16W J		△ TH101	QAD0095-4R7Z	P THERMISTOR	4.7Ω M	
R948	NRSA63J-103X	MG RESISTOR	10kΩ 1/16W J		X901	QAX0246-001Z	C RESONATOR	8.00MHz	
R949	NRSA63J-103X	MG RESISTOR	10kΩ 1/16W J						
R950	NRSA63J-103X	MG RESISTOR	10kΩ 1/16W J						
R953	NRSA63J-103X	MG RESISTOR	10kΩ 1/16W J						
R954	NRSA63J-103X	MG RESISTOR	10kΩ 1/16W J						
R955	NRSA63J-103X	MG RESISTOR	10kΩ 1/16W J						
R956	NRSA63J-103X	MG RESISTOR	10kΩ 1/16W J						

Amplifier board

Block No. [0][2]

Symbol No.	Part No.	Part Name	Description	Local
IC101	IRS2011S-X	IC		
IC111	NJM2125F-X	IC		
IC112	NJM2403M-X	IC		
IC113	SN74HC00ANS-X	IC		
IC115	SN74HC74ANS-X	IC		
IC121	KIA7805API	IC		
IC201	JCV8015-X	IC		
IC211	SN74HCU04ANS-X	IC		
IC212	SN74HC00ANS-X	IC		
IC213	SN74HC00ANS-X	IC		
IC214	SN74HC74ANS-X	IC		
IC215	SN74HC04NS-X	IC(DIGITAL)		
IC251	IRS20124S-X	IC		
IC261	IRS20124S-X	IC		
IC281	RC4558D-X	IC		
IC301	JCV8015-X	IC		
IC351	IRS20124S-X	IC		
IC361	IRS20124S-X	IC		
IC401	JCV8015-X	IC		
IC451	IRS20124S-X	IC		
IC461	IRS20124S-X	IC		
IC801	JCV8015-X	IC		
IC851	IRS20124S-X	IC		
Q151	RT1P141C-X	DIGI TRANSISTOR		
Q152	RT1N141C-X	DIGI TRANSISTOR		
△ Q153	2SD2394/EF/	POW TRANSISTOR		
Q154	RT1N141C-X	DIGI TRANSISTOR		
△ Q157	2SD2394/EF/	POW TRANSISTOR		
△ Q158	KTA1046/Y/	TRANSISTOR		
Q159	RT1N140C-X	DIGI TRANSISTOR		
Q201	KTA1268/GL/-T	TRANSISTOR		
Q202	2SA1530A/QR/-X	TRANSISTOR		
Q251	2SA1530A/QR/-X	TRANSISTOR		
△ Q261	IRFI4212H-117P	POWER MOS FET		
Q281	RT1N141C-X	DIGI TRANSISTOR		
Q282	RT1P141C-X	DIGI TRANSISTOR		
Q283	2SC3928A/QR/-X	TRANSISTOR		
Q284	2SA1530A/QR/-X	TRANSISTOR		
Q285	2SC3928A/QR/-X	TRANSISTOR		
Q286	RT1N141C-X	DIGI TRANSISTOR		
Q301	KTA1268/GL/-T	TRANSISTOR		
Q302	2SA1530A/QR/-X	TRANSISTOR		
Q351	2SA1530A/QR/-X	TRANSISTOR		
△ Q361	IRFI4212H-117P	POWER MOS FET		
Q381	2SC3928A/QR/-X	TRANSISTOR		
Q382	2SC3928A/QR/-X	TRANSISTOR		
Q384	RT1N141C-X	DIGI TRANSISTOR		
Q401	KTA1268/GL/-T	TRANSISTOR		
Q402	2SA1530A/QR/-X	TRANSISTOR		
Q451	2SA1530A/QR/-X	TRANSISTOR		
△ Q461	IRFI4212H-117P	POWER MOS FET		
Q801	KTA1268/GL/-T	TRANSISTOR		
Q802	2SA1530A/QR/-X	TRANSISTOR		
Q851	2SA1530A/QR/-X	TRANSISTOR		
△ Q861	IRFI4212H-117P	POWER MOS FET		
△ Q1101	2SK2779	POWER MOS FET		
△ Q1102	2SK2779	POWER MOS FET		
Q1103	KTA1268/GL/-T	TRANSISTOR		
Q1104	KTA1268/GL/-T	TRANSISTOR		
Q1105	2SC2235/OY/-T	TRANSISTOR		
Q1152	RT1N141C-X	DIGI TRANSISTOR		
Q1171	2SC3928A/QR/-X	TRANSISTOR		
Q1173	2SA1530A/QR/-X	TRANSISTOR		
Q1174	2SC3928A/QR/-X	TRANSISTOR		
Q1201	KTA1268/GL/-T	TRANSISTOR		
Q1202	2SA1530A/QR/-X	TRANSISTOR		
Q1251	2SA1530A/QR/-X	TRANSISTOR		
△ Q1261	IRFI4212H-117P	POWER MOS FET		
Q1301	KTA1268/GL/-T	TRANSISTOR		
Q1302	2SA1530A/QR/-X	TRANSISTOR		
Q1351	2SA1530A/QR/-X	TRANSISTOR		

Symbol No.	Part No.	Part Name	Description	Local
△ Q1361	IRFI4212H-117P	POWER MOS FET		
Q1401	KTA1268/GL/-T	TRANSISTOR		
Q1402	2SA1530A/QR/-X	TRANSISTOR		
Q1451	2SA1530A/QR/-X	TRANSISTOR		
△ Q1461	IRFI4212H-117P	POWER MOS FET		
D152	1SS355W-X	DIODE		
D153	UDZW13B-X	Z DIODE		
D154	UDZW8.2B-X	Z DIODE		
D156	UDZW8.2B-X	Z DIODE		
D157	UDZW8.2B-X	Z DIODE		
D171	UDZW13B-X	Z DIODE		
D172	UDZW13B-X	Z DIODE		
D201	1SS355W-X	DIODE		
D241	1SS355W-X	DIODE		
D242	1SS355W-X	DIODE		
D251	1SS355W-X	DIODE		
D300	1SS355W-X	DIODE		
D301	1SS355W-X	DIODE		
D341	UDZW2.7B-X	Z DIODE		
D351	1SS355W-X	DIODE		
D381	1SS355W-X	DIODE		
D382	UDZW16B-X	Z DIODE		
D401	1SS355W-X	DIODE		
D451	1SS355W-X	DIODE		
D801	1SS355W-X	DIODE		
D851	1SS355W-X	DIODE		
△ D1101	30PRA20-FC	SI DIODE		
△ D1102	30PRA20-FC	SI DIODE		
△ D1103	30PRA20-FC	SI DIODE		
△ D1104	30PRA20-FC	SI DIODE		
△ D1107	FMB-G19L	SB DIODE		
△ D1108	FMB-G19L	SB DIODE		
D1109	1SS355W-X	DIODE		
D1110	1SS355W-X	DIODE		
D1111	1SS355W-X	DIODE		
D1112	1SS355W-X	DIODE		
D1113	UDZW11B-X	Z DIODE		
D1114	1SS355W-X	DIODE		
D1151	1SS355W-X	DIODE		
D1152	1SS355W-X	DIODE		
D1153	1SS355W-X	DIODE		
D1154	UDZW2.7B-X	Z DIODE		
D1155	1SS355W-X	DIODE		
D1156	1SS355W-X	DIODE		
D1171	1SS355W-X	DIODE		
D1172	1SS355W-X	DIODE		
D1174	1SS355W-X	DIODE		
D1201	1SS355W-X	DIODE		
D1251	1SS355W-X	DIODE		
D1301	1SS355W-X	DIODE		
D1351	1SS355W-X	DIODE		
D1401	1SS355W-X	DIODE		
D1451	1SS355W-X	DIODE		
C157	QETN1HM-106Z	E CAPACITOR	10uF 50V M	
C160	QETN1CM-107Z	E CAPACITOR	100uF 16V M	
C161	QETN1CM-477Z	E CAPACITOR	470uF 16V M	
C162	QETN1CM-107Z	E CAPACITOR	100uF 16V M	
C163	QETN1CM-477Z	E CAPACITOR	470uF 16V M	
C173	QETN1HM-105Z	E CAPACITOR	1uF 50V M	
C174	QETN1HM-106Z	E CAPACITOR	10uF 50V M	
C175	QETN1HM-105Z	E CAPACITOR	1uF 50V M	
C176	QETN1HM-106Z	E CAPACITOR	10uF 50V M	
C201	QETN1HM-106Z	E CAPACITOR	10uF 50V M	
C202	NCB31HK-471X	C CAPACITOR	470pF 50V K	
C203	QETN1HM-106Z	E CAPACITOR	10uF 50V M	
C204	NCB31HK-222X	C CAPACITOR	2200pF 50V K	
C205	NCB31HK-222X	C CAPACITOR	2200pF 50V K	
C207	NCB31HK-222X	C CAPACITOR	2200pF 50V K	
C208	NCB31AK-105X	C CAPACITOR	1uF 10V K	
C209	NDC31HG-101X	C CAPACITOR	100pF 50V G	
C210	NCB31CK-105X	C CAPACITOR	1uF 16V K	
C211	NDC31HJ-101X	C CAPACITOR	100pF 50V J	
C212	NCB31HK-471X	C CAPACITOR	470pF 50V K	
C222	NCB31CK-105X	C CAPACITOR	1uF 16V K	
C223	QETN1CM-107Z	E CAPACITOR	100uF 16V M	
C224	QETN1CM-107Z	E CAPACITOR	100uF 16V M	

△ Symbol No.	Part No.	Part Name	Description	Local	△ Symbol No.	Part No.	Part Name	Description	Local
C225	NCB31CK-104X	C CAPACITOR	0.1uF 16V K		C375	QETN2AM-106Z	E CAPACITOR	10uF 100V M	
C226	NCB31CK-104X	C CAPACITOR	0.1uF 16V K		C377	NCB31HK-102X	C CAPACITOR	1000pF 50V K	
C231	QETN1CM-107Z	E CAPACITOR	100uF 16V M		C381	QETN1CM-107Z	E CAPACITOR	100uF 16V M	
C232	NDC31HJ-330X	C CAPACITOR	33pF 50V J		C382	NCB31CK-104X	C CAPACITOR	0.1uF 16V K	
C241	NCB31CK-104X	C CAPACITOR	0.1uF 16V K		C383	NCB31HK-123X	C CAPACITOR	0.012uF 50V K	
C242	NDC31HJ-151X	C CAPACITOR	150pF 50V J		C401	QEK1HM-106Z	E CAPACITOR	10uF 50V M	
C243	NDC31HJ-151X	C CAPACITOR	150pF 50V J		C402	NCB31HK-471X	C CAPACITOR	470pF 50V K	
C244	NDC31HJ-151X	C CAPACITOR	150pF 50V J		C403	QETN1HM-106Z	E CAPACITOR	10uF 50V M	
C245	NDC31HJ-151X	C CAPACITOR	150pF 50V J		C404	NCB31HK-222X	C CAPACITOR	2200pF 50V K	
C246	NCB31CK-104X	C CAPACITOR	0.1uF 16V K		C405	NCB31HK-222X	C CAPACITOR	2200pF 50V K	
C247	NDC31HJ-101X	C CAPACITOR	100pF 50V J		C407	NCB31HK-222X	C CAPACITOR	2200pF 50V K	
C248	NDC31HJ-101X	C CAPACITOR	100pF 50V J		C408	NCB31AK-105X	C CAPACITOR	1uF 10V K	
C249	QETN1CM-107Z	E CAPACITOR	100uF 16V M		C409	NDC31HG-101X	C CAPACITOR	100pF 50V G	
C251	NCB31HK-102X	C CAPACITOR	1000pF 50V K		C410	NCB31CK-105X	C CAPACITOR	1uF 16V K	
C252	NCB31CK-105X	C CAPACITOR	1uF 16V K		C411	NDC31HJ-101X	C CAPACITOR	100pF 50V J	
C253	NCB21EK-334X	C CAPACITOR	0.33uF 25V K		C422	NCB31CK-105X	C CAPACITOR	1uF 16V K	
C254	NDC31HJ-101X	C CAPACITOR	100pF 50V J		C423	QETN1CM-107Z	E CAPACITOR	100uF 16V M	
C263	NCZ1061-104X	C CAPACITOR	0.1uF 100V K		C424	QETN1CM-107Z	E CAPACITOR	100uF 16V M	
C264	NCB31HK-102X	C CAPACITOR	1000pF 50V K		C425	NCB31CK-104X	C CAPACITOR	0.1uF 16V K	
C265	NCB31HK-102X	C CAPACITOR	1000pF 50V K		C426	NCB31CK-104X	C CAPACITOR	0.1uF 16V K	
C266	NCB31HK-102X	C CAPACITOR	1000pF 50V K		C431	QETN1CM-107Z	E CAPACITOR	100uF 16V M	
C267	NCB31HK-102X	C CAPACITOR	1000pF 50V K		C432	NDC31HJ-330X	C CAPACITOR	33pF 50V J	
C268	QFKC2AJ-105Z	MM CAPACITOR	1uF 100V J		C451	NCB31HK-102X	C CAPACITOR	1000pF 50V K	
C269	QFVM2AJ-104Z	MF CAPACITOR	0.1uF 100V J		C452	NCB31CK-105X	C CAPACITOR	1uF 16V K	
C270	NCB31HK-102X	C CAPACITOR	1000pF 50V K		C453	NCB21EK-334X	C CAPACITOR	0.33uF 25V K	
C271	NCZ1061-104X	C CAPACITOR	0.1uF 100V K		C454	NDC31HJ-101X	C CAPACITOR	100pF 50V J	
C272	NCZ1061-104X	C CAPACITOR	0.1uF 100V K		C463	NCZ1061-104X	C CAPACITOR	0.1uF 100V K	
C273	QETN1HM-227Z	E CAPACITOR	220uF 50V M		C464	NCB31HK-102X	C CAPACITOR	1000pF 50V K	
C274	QETN1HM-227Z	E CAPACITOR	220uF 50V M		C465	NCB31HK-102X	C CAPACITOR	1000pF 50V K	
C275	QETN2AM-106Z	E CAPACITOR	10uF 100V M		C466	NCB31HK-102X	C CAPACITOR	1000pF 50V K	
C277	NCB31HK-102X	C CAPACITOR	1000pF 50V K		C467	NCB31HK-102X	C CAPACITOR	1000pF 50V K	
C281	NCB31HK-103X	C CAPACITOR	0.01uF 50V K		C468	QFKC2AJ-105Z	MM CAPACITOR	1uF 100V J	
C282	QETN1EM-476Z	E CAPACITOR	47uF 25V M		C469	QFVM2AJ-104Z	MF CAPACITOR	0.1uF 100V J	
C283	QETN1EM-476Z	E CAPACITOR	47uF 25V M		C470	NCB31HK-102X	C CAPACITOR	1000pF 50V K	
C284	NCF31CZ-474X	C CAPACITOR	0.47uF 16V Z		C471	NCZ1061-104X	C CAPACITOR	0.1uF 100V K	
C285	QETN1HM-106Z	E CAPACITOR	10uF 50V M		C472	NCZ1061-104X	C CAPACITOR	0.1uF 100V K	
C286	NCB31HK-104X	C CAPACITOR	0.1uF 50V K		C473	QETN1HM-227Z	E CAPACITOR	220uF 50V M	
C287	NCB31HK-104X	C CAPACITOR	0.1uF 50V K		C474	QETN1HM-227Z	E CAPACITOR	220uF 50V M	
C301	QETN1HM-106Z	E CAPACITOR	10uF 50V M		C475	QETN2AM-106Z	E CAPACITOR	10uF 100V M	
C302	NCB31HK-471X	C CAPACITOR	470pF 50V K		C477	NCB31HK-102X	C CAPACITOR	1000pF 50V K	
C303	QETN1HM-106Z	E CAPACITOR	10uF 50V M		C801	QETN1HM-106Z	E CAPACITOR	10uF 50V M	
C304	NCB31HK-222X	C CAPACITOR	2200pF 50V K		C802	NCB31HK-471X	C CAPACITOR	470pF 50V K	
C305	NCB31HK-222X	C CAPACITOR	2200pF 50V K		C803	QETN1HM-106Z	E CAPACITOR	10uF 50V M	
C307	NCB31HK-222X	C CAPACITOR	2200pF 50V K		C804	NCB31HK-222X	C CAPACITOR	2200pF 50V K	
C308	NCB31AK-105X	C CAPACITOR	1uF 10V K		C805	NCB31HK-222X	C CAPACITOR	2200pF 50V K	
C309	NDC31HG-101X	C CAPACITOR	100pF 50V G		C807	NCB31HK-222X	C CAPACITOR	2200pF 50V K	
C310	NCB31CK-105X	C CAPACITOR	1uF 16V K		C808	NCB31AK-105X	C CAPACITOR	1uF 10V K	
C311	NDC31HJ-101X	C CAPACITOR	100pF 50V J		C809	NDC31HG-101X	C CAPACITOR	100pF 50V G	
C312	NCB31HK-471X	C CAPACITOR	470pF 50V K		C810	NCB31CK-105X	C CAPACITOR	1uF 16V K	
C322	NCB31CK-105X	C CAPACITOR	1uF 16V K		C811	NDC31HJ-101X	C CAPACITOR	100pF 50V J	
C323	NCB31CK-105X	C CAPACITOR	1uF 16V K		C812	NCB31HK-471X	C CAPACITOR	470pF 50V K	
C331	QETN1CM-107Z	E CAPACITOR	100uF 16V M		C822	NCB31CK-105X	C CAPACITOR	1uF 16V K	
C332	NDC31HJ-330X	C CAPACITOR	33pF 50V J		C823	QETN1CM-107Z	E CAPACITOR	100uF 16V M	
C341	NCB31CK-104X	C CAPACITOR	0.1uF 16V K		C824	QETN1CM-107Z	E CAPACITOR	100uF 16V M	
C342	NCB31CK-104X	C CAPACITOR	0.1uF 16V K		C825	NCB31CK-104X	C CAPACITOR	0.1uF 16V K	
C343	NCB31CK-104X	C CAPACITOR	0.1uF 16V K		C826	NCB31CK-104X	C CAPACITOR	0.1uF 16V K	
C344	NDC31HJ-470X	C CAPACITOR	47pF 50V J		C827	NCB31CK-105X	C CAPACITOR	1uF 16V K	
C345	NDC31HJ-470X	C CAPACITOR	47pF 50V J		C830	NCB31CK-105X	C CAPACITOR	1uF 16V K	
C346	NDC31HJ-470X	C CAPACITOR	47pF 50V J		C831	QETN1CM-107Z	E CAPACITOR	100uF 16V M	
C347	NDC31HJ-470X	C CAPACITOR	47pF 50V J		C832	NDC31HJ-330X	C CAPACITOR	33pF 50V J	
C348	NDC31HJ-470X	C CAPACITOR	47pF 50V J		C851	NCB31HK-102X	C CAPACITOR	1000pF 50V K	
C349	NDC31HJ-470X	C CAPACITOR	47pF 50V J		C852	NCB31CK-105X	C CAPACITOR	1uF 16V K	
C351	NCB31HK-102X	C CAPACITOR	1000pF 50V K		C853	NCB21EK-334X	C CAPACITOR	0.33uF 25V K	
C352	NCB31CK-105X	C CAPACITOR	1uF 16V K		C854	NDC31HJ-101X	C CAPACITOR	100pF 50V J	
C353	NCB21EK-334X	C CAPACITOR	0.33uF 25V K		C863	NCZ1061-104X	C CAPACITOR	0.1uF 100V K	
C354	NDC31HJ-101X	C CAPACITOR	100pF 50V J		C864	NCB31HK-102X	C CAPACITOR	1000pF 50V K	
C363	NCZ1061-104X	C CAPACITOR	0.1uF 100V K		C865	NCB31HK-102X	C CAPACITOR	1000pF 50V K	
C364	NCB31HK-102X	C CAPACITOR	1000pF 50V K		C866	NCB31HK-102X	C CAPACITOR	1000pF 50V K	
C365	NCB31HK-102X	C CAPACITOR	1000pF 50V K		C867	NCB31HK-102X	C CAPACITOR	1000pF 50V K	
C366	NCB31HK-102X	C CAPACITOR	1000pF 50V K		C868	QFKC2AJ-105Z	MM CAPACITOR	1uF 100V J	
C367	NCB31HK-102X	C CAPACITOR	1000pF 50V K		C869	QFVM2AJ-104Z	MF CAPACITOR	0.1uF 100V J	
C368	QFKC2AJ-105Z	MM CAPACITOR	1uF 100V J		C870	NCB31HK-102X	C CAPACITOR	1000pF 50V K	
C369	QFVM2AJ-104Z	MF CAPACITOR	0.1uF 100V J		C871	NCZ1061-104X	C CAPACITOR	0.1uF 100V K	
C370	NCB31HK-102X	C CAPACITOR	1000pF 50V K		C872	NCZ1061-104X	C CAPACITOR	0.1uF 100V K	
C371	NCZ1061-104X	C CAPACITOR	0.1uF 100V K		C873	QETN1HM-227Z	E CAPACITOR	220uF 50V M	
C372	NCZ1061-104X	C CAPACITOR	0.1uF 100V K		C874	QETN1HM-227Z	E CAPACITOR	220uF 50V M	
C373	QETN1HM-227Z	E CAPACITOR	220uF 50V M		C875	QETN2AM-106Z	E CAPACITOR	10uF 100V M	
C374	QETN1HM-227Z	E CAPACITOR	220uF 50V M		C877	NCB31HK-102X	C CAPACITOR	1000pF 50V K	

△ Symbol No.	Part No.	Part Name	Description	Local	△ Symbol No.	Part No.	Part Name	Description	Local
C1101	QFKC2AJ-224Z	MM CAPACITOR	0.22uF 100V J		C1302	NCB31HK-471X	C CAPACITOR	470pF 50V K	
C1102	QFKC2AJ-224Z	MM CAPACITOR	0.22uF 100V J		C1303	QETN1HM-106Z	E CAPACITOR	10uF 50V M	
C1103	QFKC2AJ-224Z	MM CAPACITOR	0.22uF 100V J		C1304	NCB31HK-222X	C CAPACITOR	2200pF 50V K	
C1104	QFKC2AJ-224Z	MM CAPACITOR	0.22uF 100V J		C1305	NCB31HK-222X	C CAPACITOR	2200pF 50V K	
C1105	QEZO742-688	E CAPACITOR	6800uF		C1307	NCB31HK-222X	C CAPACITOR	2200pF 50V K	
C1106	QEZO742-688	E CAPACITOR	6800uF		C1308	NCB31AK-105X	C CAPACITOR	1uF 10V K	
C1107	NCB31HK-332X	C CAPACITOR	3300pF 50V K		C1309	NDC31HG-101X	C CAPACITOR	100pF 50V G	
C1108	NCB31HK-332X	C CAPACITOR	3300pF 50V K		C1310	NCB31CK-105X	C CAPACITOR	1uF 16V K	
C1109	NCB31HK-332X	C CAPACITOR	3300pF 50V K		C1311	NDC31HJ-101X	C CAPACITOR	100pF 50V J	
C1110	NCB31HK-332X	C CAPACITOR	3300pF 50V K		C1322	NCB31CK-105X	C CAPACITOR	1uF 16V K	
C1111	NCB31HK-332X	C CAPACITOR	3300pF 50V K		C1323	NCB31CK-105X	C CAPACITOR	1uF 16V K	
C1112	NCB31HK-332X	C CAPACITOR	3300pF 50V K		C1331	QETN1CM-107Z	E CAPACITOR	100uF 16V M	
C1113	NCB31HK-332X	C CAPACITOR	3300pF 50V K		C1332	NDC31HJ-330X	C CAPACITOR	33pF 50V J	
C1114	NCB31HK-332X	C CAPACITOR	3300pF 50V K		C1351	NCB31HK-102X	C CAPACITOR	1000pF 50V K	
C1117	QEZO570-228	E CAPACITOR	2200uF		C1352	NCB31CK-105X	C CAPACITOR	1uF 16V K	
C1118	QEZO570-228	E CAPACITOR	2200uF		C1353	NCB21EK-334X	C CAPACITOR	0.33uF 25V K	
C1119	NCZ1061-104X	C CAPACITOR	0.1uF 100V K		C1354	NDC31HJ-101X	C CAPACITOR	100pF 50V J	
C1120	NCZ1061-104X	C CAPACITOR	0.1uF 100V K		C1363	NCZ1061-104X	C CAPACITOR	0.1uF 100V K	
C1122	NCB21EK-334X	C CAPACITOR	0.33uF 25V K		C1364	NCB31HK-102X	C CAPACITOR	1000pF 50V K	
C1123	NCB31CK-105X	C CAPACITOR	1uF 16V K		C1365	NCB31HK-102X	C CAPACITOR	1000pF 50V K	
C1124	QFKC2AJ-224Z	MM CAPACITOR	0.22uF 100V J		C1366	NCB31HK-102X	C CAPACITOR	1000pF 50V K	
C1125	QFKC2AJ-224Z	MM CAPACITOR	0.22uF 100V J		C1367	NCB31HK-102X	C CAPACITOR	1000pF 50V K	
C1126	NCB31HK-103X	C CAPACITOR	0.01uF 50V K		C1368	QFKC2AJ-105Z	MM CAPACITOR	1uF 100V J	
C1127	QETN1CM-107Z	E CAPACITOR	100uF 16V M		C1369	QFVM2AJ-104Z	MF CAPACITOR	0.1uF 100V J	
C1151	QETN1EM-476Z	E CAPACITOR	47uF 25V M		C1370	NCB31HK-102X	C CAPACITOR	1000pF 50V K	
C1152	NCB31CK-105X	C CAPACITOR	1uF 16V K		C1371	NCZ1061-104X	C CAPACITOR	0.1uF 100V K	
C1153	NCB31CK-105X	C CAPACITOR	1uF 16V K		C1372	NCZ1061-104X	C CAPACITOR	0.1uF 100V K	
C1154	NDC31HJ-101X	C CAPACITOR	100pF 50V J		C1373	QETN1HM-227Z	E CAPACITOR	220uF 50V M	
C1155	NCB31CK-105X	C CAPACITOR	1uF 16V K		C1374	QETN1HM-227Z	E CAPACITOR	220uF 50V M	
C1156	NDC31HJ-101X	C CAPACITOR	100pF 50V J		C1375	QETN2AM-106Z	E CAPACITOR	10uF 100V M	
C1157	NCB31CK-104X	C CAPACITOR	0.1uF 16V K		C1377	NCB31HK-102X	C CAPACITOR	1000pF 50V K	
C1158	NCB31CK-104X	C CAPACITOR	0.1uF 16V K		C1401	QKCC1HM-106Z	E CAPACITOR	10uF 50V M	
C1159	NCB31HK-821X	C CAPACITOR	820pF 50V K		C1402	NCB31HK-471X	C CAPACITOR	470pF 50V K	
C1161	NDC31HJ-680X	C CAPACITOR	68pF 50V J		C1403	QETN1HM-106Z	E CAPACITOR	10uF 50V M	
C1165	QETN2AM-106Z	E CAPACITOR	10uF 100V M		C1404	NCB31HK-222X	C CAPACITOR	2200pF 50V K	
C1166	QETN2AM-106Z	E CAPACITOR	10uF 100V M		C1405	NCB31HK-222X	C CAPACITOR	2200pF 50V K	
C1171	QETN1HM-475Z	E CAPACITOR	4.7uF 50V M		C1407	NCB31HK-222X	C CAPACITOR	2200pF 50V K	
C1172	NCB31HK-102X	C CAPACITOR	1000pF 50V K		C1408	NCB31AK-105X	C CAPACITOR	1uF 10V K	
C1174	QETN1CM-107Z	E CAPACITOR	100uF 16V M		C1409	NDC31HG-101X	C CAPACITOR	100pF 50V G	
C1175	NCB31HK-104X	C CAPACITOR	0.1uF 50V K		C1410	NCB31CK-105X	C CAPACITOR	1uF 16V K	
C1181	NCB31HK-103X	C CAPACITOR	0.01uF 50V K		C1411	NDC31HJ-101X	C CAPACITOR	100pF 50V J	
C1182	QETN1CM-107Z	E CAPACITOR	100uF 16V M		C1422	NCB31CK-105X	C CAPACITOR	1uF 16V K	
C1201	QETN1HM-106Z	E CAPACITOR	10uF 50V M		C1423	NCB31CK-105X	C CAPACITOR	1uF 16V K	
C1202	NCB31HK-471X	C CAPACITOR	470pF 50V K		C1431	QETN1CM-107Z	E CAPACITOR	100uF 16V M	
C1203	QETN1HM-106Z	E CAPACITOR	10uF 50V M		C1432	NDC31HJ-330X	C CAPACITOR	33pF 50V J	
C1204	NCB31HK-222X	C CAPACITOR	2200pF 50V K		C1451	NCB31HK-102X	C CAPACITOR	1000pF 50V K	
C1205	NCB31HK-222X	C CAPACITOR	2200pF 50V K		C1452	NCB31CK-105X	C CAPACITOR	1uF 16V K	
C1207	NCB31HK-222X	C CAPACITOR	2200pF 50V K		C1453	NCB21EK-334X	C CAPACITOR	0.33uF 25V K	
C1208	NCB31AK-105X	C CAPACITOR	1uF 10V K		C1454	NDC31HJ-101X	C CAPACITOR	100pF 50V J	
C1209	NDC31HG-101X	C CAPACITOR	100pF 50V G		C1463	NCZ1061-104X	C CAPACITOR	0.1uF 100V K	
C1210	NCB31CK-105X	C CAPACITOR	1uF 16V K		C1464	NCB31HK-102X	C CAPACITOR	1000pF 50V K	
C1211	NDC31HJ-101X	C CAPACITOR	100pF 50V J		C1465	NCB31HK-102X	C CAPACITOR	1000pF 50V K	
C1222	NCB31CK-105X	C CAPACITOR	1uF 16V K		C1466	NCB31HK-102X	C CAPACITOR	1000pF 50V K	
C1223	QETN1CM-107Z	E CAPACITOR	100uF 16V M		C1467	NCB31HK-102X	C CAPACITOR	1000pF 50V K	
C1224	QETN1CM-107Z	E CAPACITOR	100uF 16V M		C1468	QFKC2AJ-105Z	MM CAPACITOR	1uF 100V J	
C1225	NCB31CK-104X	C CAPACITOR	0.1uF 16V K		C1469	QFVM2AJ-104Z	MF CAPACITOR	0.1uF 100V J	
C1226	NCB31CK-104X	C CAPACITOR	0.1uF 16V K		C1470	NCB31HK-102X	C CAPACITOR	1000pF 50V K	
C1231	QETN1CM-107Z	E CAPACITOR	100uF 16V M		C1471	NCZ1061-104X	C CAPACITOR	0.1uF 100V K	
C1232	NDC31HJ-330X	C CAPACITOR	33pF 50V J		C1472	NCZ1061-104X	C CAPACITOR	0.1uF 100V K	
C1251	NCB31HK-102X	C CAPACITOR	1000pF 50V K		C1473	QETN1HM-227Z	E CAPACITOR	220uF 50V M	
C1252	NCB31CK-105X	C CAPACITOR	1uF 16V K		C1474	QETN1HM-227Z	E CAPACITOR	220uF 50V M	
C1253	NCB21EK-334X	C CAPACITOR	0.33uF 25V K		C1475	QETN2AM-106Z	E CAPACITOR	10uF 100V M	
C1254	NDC31HJ-101X	C CAPACITOR	100pF 50V J		C1477	NCB31HK-102X	C CAPACITOR	1000pF 50V K	
C1263	NCZ1061-104X	C CAPACITOR	0.1uF 100V K						
C1264	NCB31HK-102X	C CAPACITOR	1000pF 50V K		△ R156	QRJ146J-100X	UNF C RESISTOR	10Ω 1/4W J	
C1265	NCB31HK-102X	C CAPACITOR	1000pF 50V K		△ R157	QRJ146J-471X	UNF C RESISTOR	470Ω 1/4W J	
C1266	NCB31HK-102X	C CAPACITOR	1000pF 50V K		△ R161	QRK126J-100X	UNF C RESISTOR	10Ω 1/2W J	
C1267	NCB31HK-102X	C CAPACITOR	1000pF 50V K		△ R162	QRJ146J-222X	UNF C RESISTOR	2.2kΩ 1/4W J	
C1268	QFKC2AJ-105Z	MM CAPACITOR	1uF 100V J		△ R163	QRK126J-100X	UNF C RESISTOR	10Ω 1/2W J	
C1269	QFVM2AJ-104Z	MF CAPACITOR	0.1uF 100V J		△ R164	QRJ146J-222X	UNF C RESISTOR	2.2kΩ 1/4W J	
C1270	NCB31HK-102X	C CAPACITOR	1000pF 50V K		△ R173	QRK126J-4R7X	UNF C RESISTOR	4.7Ω 1/2W J	
C1271	NCZ1061-104X	C CAPACITOR	0.1uF 100V K		△ R174	QRK126J-103X	UNF C RESISTOR	10kΩ 1/2W J	
C1272	NCZ1061-104X	C CAPACITOR	0.1uF 100V K		△ R175	QRK126J-4R7X	UNF C RESISTOR	4.7Ω 1/2W J	
C1273	QETN1HM-227Z	E CAPACITOR	220uF 50V M		△ R176	QRK126J-103X	UNF C RESISTOR	10kΩ 1/2W J	
C1274	QETN1HM-227Z	E CAPACITOR	220uF 50V M		R198	NRSA63J-223X	MG RESISTOR	22kΩ 1/16W J	
C1275	QETN2AM-106Z	E CAPACITOR	10uF 100V M		R199	NRSA63J-473X	MG RESISTOR	47kΩ 1/16W J	
C1277	NCB31HK-102X	C CAPACITOR	1000pF 50V K		R201	NRSA63J-102X	MG RESISTOR	1kΩ 1/16W J	
C1301	QETN1HM-106Z	E CAPACITOR	10uF 50V M		R202	NRSA63J-223X	MG RESISTOR	22kΩ 1/16W J	

△ Symbol No.	Part No.	Part Name	Description	Local	△ Symbol No.	Part No.	Part Name	Description	Local
R203	NRSA63J-102X	MG RESISTOR	1kΩ 1/16W J		R331	NRSA63J-102X	MG RESISTOR	1kΩ 1/16W J	
R204	NRSA63J-102X	MG RESISTOR	1kΩ 1/16W J		R332	NRSA63J-104X	MG RESISTOR	100kΩ 1/16W J	
R205	NRSA63J-155X	MG RESISTOR	1.5MΩ 1/16W J		R333	NRSA63J-472X	MG RESISTOR	4.7kΩ 1/16W J	
R206	NRSA63J-332X	MG RESISTOR	3.3kΩ 1/16W J		R334	NRSA63J-102X	MG RESISTOR	1kΩ 1/16W J	
R207	NRSA63J-183X	MG RESISTOR	18kΩ 1/16W J		R335	NRSA63J-103X	MG RESISTOR	10kΩ 1/16W J	
R208	NRSA63J-104X	MG RESISTOR	100kΩ 1/16W J		R336	NRSA63J-0R0X	MG RESISTOR	0Ω 1/16W J	
R209	NRSA63J-103X	MG RESISTOR	10kΩ 1/16W J		R341	NRSA63J-102X	MG RESISTOR	1kΩ 1/16W J	
R210	NRSA63J-105X	MG RESISTOR	1MΩ 1/16W J		R342	NRSA63J-222X	MG RESISTOR	2.2kΩ 1/16W J	
R211	NRSA63J-222X	MG RESISTOR	2.2kΩ 1/16W J		R343	NRSA63J-332X	MG RESISTOR	3.3kΩ 1/16W J	
R214	NRSA63J-104X	MG RESISTOR	100kΩ 1/16W J		R344	NRSA63J-332X	MG RESISTOR	3.3kΩ 1/16W J	
R215	NRSA63F-682X	MG RESISTOR	6.8kΩ 1/16W F		R345	NRSA63J-332X	MG RESISTOR	3.3kΩ 1/16W J	
R216	NRSA63J-821X	MG RESISTOR	820Ω 1/16W J		R346	NRSA63J-332X	MG RESISTOR	3.3kΩ 1/16W J	
R217	NRSA63J-821X	MG RESISTOR	820Ω 1/16W J		R347	NRSA63J-332X	MG RESISTOR	3.3kΩ 1/16W J	
R220	NRSA63J-102X	MG RESISTOR	1kΩ 1/16W J		R348	NRSA63J-332X	MG RESISTOR	3.3kΩ 1/16W J	
R221	NRSA63J-184X	MG RESISTOR	180kΩ 1/16W J		R351	NRSA63J-101X	MG RESISTOR	100Ω 1/16W J	
R222	NRSA63J-183X	MG RESISTOR	18kΩ 1/16W J		R352	NRSA63J-103X	MG RESISTOR	10kΩ 1/16W J	
R224	NRSA02J-0R0X	MG RESISTOR	0Ω 1/10W J		R353	NRSA63J-392X	MG RESISTOR	3.9kΩ 1/16W J	
R225	NRSA63J-224X	MG RESISTOR	220kΩ 1/16W J		R354	NRSA63J-221X	MG RESISTOR	220Ω 1/16W J	
R231	NRSA63J-102X	MG RESISTOR	1kΩ 1/16W J		R355	NRSA63J-822X	MG RESISTOR	8.2kΩ 1/16W J	
R232	NRSA63J-104X	MG RESISTOR	100kΩ 1/16W J		R356	NRSA63J-432X	MG RESISTOR	4.3kΩ 1/16W J	
R233	NRSA63J-472X	MG RESISTOR	4.7kΩ 1/16W J		R357	NRSA63J-202X	MG RESISTOR	2kΩ 1/16W J	
R234	NRSA63J-102X	MG RESISTOR	1kΩ 1/16W J		R358	NRS144J-4R7X	MG RESISTOR	4.7Ω 1/4W J	
R235	NRSA63J-103X	MG RESISTOR	10kΩ 1/16W J		R361	NRS144J-470X	MG RESISTOR	47Ω 1/4W J	
R236	NRSA63J-0R0X	MG RESISTOR	0Ω 1/16W J		R362	NRS144J-470X	MG RESISTOR	47Ω 1/4W J	
R241	NRSA63J-105X	MG RESISTOR	1MΩ 1/16W J		R364	NRS016J-220X	MG RESISTOR	22Ω 1W J	
R242	NRSA63J-562X	MG RESISTOR	5.6kΩ 1/16W J		R365	NRS016J-220X	MG RESISTOR	22Ω 1W J	
R243	NRSA63J-105X	MG RESISTOR	1MΩ 1/16W J		R366	NRS016J-220X	MG RESISTOR	22Ω 1W J	
R244	NRSA63J-562X	MG RESISTOR	5.6kΩ 1/16W J		R367	NRS125J-103X	MG RESISTOR	10kΩ 1/2W J	
R246	NRSA63J-222X	MG RESISTOR	2.2kΩ 1/16W J		R368	NRSA63J-682X	MG RESISTOR	6.8kΩ 1/16W J	
R247	NRSA63J-222X	MG RESISTOR	2.2kΩ 1/16W J		R369	NRSA63J-472X	MG RESISTOR	4.7kΩ 1/16W J	
R251	NRSA63J-101X	MG RESISTOR	100Ω 1/16W J		R370	NRSA63J-104X	MG RESISTOR	100kΩ 1/16W J	
R252	NRSA63J-103X	MG RESISTOR	10kΩ 1/16W J		R381	NRSA63J-683X	MG RESISTOR	68kΩ 1/16W J	
R253	NRSA63J-392X	MG RESISTOR	3.9kΩ 1/16W J		R382	NRSA63J-223X	MG RESISTOR	22kΩ 1/16W J	
R254	NRSA63J-221X	MG RESISTOR	220Ω 1/16W J		R383	NRSA63J-102X	MG RESISTOR	1kΩ 1/16W J	
R255	NRSA63J-822X	MG RESISTOR	8.2kΩ 1/16W J		R384	NRSA63J-153X	MG RESISTOR	15kΩ 1/16W J	
R256	NRSA63J-432X	MG RESISTOR	4.3kΩ 1/16W J		R385	NRSA63J-153X	MG RESISTOR	15kΩ 1/16W J	
R257	NRSA63J-202X	MG RESISTOR	2kΩ 1/16W J		R386	NRSA63J-103X	MG RESISTOR	10kΩ 1/16W J	
R258	NRS144J-4R7X	MG RESISTOR	4.7Ω 1/4W J		R387	NRSA63J-183X	MG RESISTOR	18kΩ 1/16W J	
R261	NRS144J-470X	MG RESISTOR	47Ω 1/4W J		R391	QRL027J-471	OMF RESISTOR	470Ω 2W J	
R262	NRS144J-470X	MG RESISTOR	47Ω 1/4W J		R401	NRSA63J-102X	MG RESISTOR	1kΩ 1/16W J	
R264	NRS016J-220X	MG RESISTOR	22Ω 1W J		R402	NRSA63J-223X	MG RESISTOR	22kΩ 1/16W J	
R265	NRS016J-220X	MG RESISTOR	22Ω 1W J		R403	NRSA63J-0R0X	MG RESISTOR	0Ω 1/16W J	
R266	NRS016J-220X	MG RESISTOR	22Ω 1W J		R405	NRSA63J-155X	MG RESISTOR	1.5MΩ 1/16W J	
R267	NRS125J-103X	MG RESISTOR	10kΩ 1/2W J		R406	NRSA63J-332X	MG RESISTOR	3.3kΩ 1/16W J	
R268	NRSA63J-682X	MG RESISTOR	6.8kΩ 1/16W J		R407	NRSA63J-183X	MG RESISTOR	18kΩ 1/16W J	
R269	NRSA63J-472X	MG RESISTOR	4.7kΩ 1/16W J		R408	NRSA63J-104X	MG RESISTOR	100kΩ 1/16W J	
R270	NRSA63J-104X	MG RESISTOR	100kΩ 1/16W J		R409	NRSA63J-103X	MG RESISTOR	10kΩ 1/16W J	
R277	NRSA63J-0R0X	MG RESISTOR	0Ω 1/16W J		R410	NRSA63J-105X	MG RESISTOR	1MΩ 1/16W J	
R281	NRSA63J-103X	MG RESISTOR	10kΩ 1/16W J		R411	NRSA63J-222X	MG RESISTOR	2.2kΩ 1/16W J	
R282	NRSA63J-103X	MG RESISTOR	10kΩ 1/16W J		R414	NRSA63J-104X	MG RESISTOR	100kΩ 1/16W J	
R283	NRSA63J-223X	MG RESISTOR	22kΩ 1/16W J		R415	NRSA63F-682X	MG RESISTOR	6.8kΩ 1/16W F	
R284	NRSA63J-223X	MG RESISTOR	22kΩ 1/16W J		R416	NRSA63J-821X	MG RESISTOR	820Ω 1/16W J	
R285	NRSA63J-153X	MG RESISTOR	15kΩ 1/16W J		R417	NRSA63J-821X	MG RESISTOR	820Ω 1/16W J	
R286	NRSA63J-332X	MG RESISTOR	3.3kΩ 1/16W J		R420	NRSA63J-102X	MG RESISTOR	1kΩ 1/16W J	
R287	NRSA02J-103X	MG RESISTOR	10kΩ 1/10W J		R421	NRSA63J-184X	MG RESISTOR	180kΩ 1/16W J	
R289	NRSA63J-101X	MG RESISTOR	100Ω 1/16W J		R422	NRSA63J-183X	MG RESISTOR	18kΩ 1/16W J	
R290	NRSA63J-101X	MG RESISTOR	100Ω 1/16W J		R425	NRSA63J-224X	MG RESISTOR	220kΩ 1/16W J	
R291	QRL027J-471	OMF RESISTOR	470Ω 2W J		R431	NRSA63J-102X	MG RESISTOR	1kΩ 1/16W J	
△ R300	QRJ146J-470X	UNF C RESISTOR	47Ω 1/4W J		R432	NRSA63J-104X	MG RESISTOR	100kΩ 1/16W J	
R301	NRSA63J-102X	MG RESISTOR	1kΩ 1/16W J		R433	NRSA63J-472X	MG RESISTOR	4.7kΩ 1/16W J	
R302	NRSA63J-223X	MG RESISTOR	22kΩ 1/16W J		R434	NRSA63J-102X	MG RESISTOR	1kΩ 1/16W J	
R303	NRSA63J-102X	MG RESISTOR	1kΩ 1/16W J		R435	NRSA63J-103X	MG RESISTOR	10kΩ 1/16W J	
R304	NRSA63J-102X	MG RESISTOR	1kΩ 1/16W J		R436	NRSA63J-0R0X	MG RESISTOR	0Ω 1/16W J	
R305	NRSA63J-155X	MG RESISTOR	1.5MΩ 1/16W J		R451	NRSA63J-101X	MG RESISTOR	100Ω 1/16W J	
R306	NRSA63J-332X	MG RESISTOR	3.3kΩ 1/16W J		R452	NRSA63J-103X	MG RESISTOR	10kΩ 1/16W J	
R307	NRSA63J-183X	MG RESISTOR	18kΩ 1/16W J		R453	NRSA63J-392X	MG RESISTOR	3.9kΩ 1/16W J	
R308	NRSA63J-104X	MG RESISTOR	100kΩ 1/16W J		R454	NRSA63J-221X	MG RESISTOR	220Ω 1/16W J	
R309	NRSA63J-103X	MG RESISTOR	10kΩ 1/16W J		R455	NRSA63J-822X	MG RESISTOR	8.2kΩ 1/16W J	
R310	NRSA63J-105X	MG RESISTOR	1MΩ 1/16W J		R456	NRSA63J-432X	MG RESISTOR	4.3kΩ 1/16W J	
R311	NRSA63J-222X	MG RESISTOR	2.2kΩ 1/16W J		R457	NRSA63J-202X	MG RESISTOR	2kΩ 1/16W J	
R314	NRSA63J-104X	MG RESISTOR	100kΩ 1/16W J		R458	NRS144J-4R7X	MG RESISTOR	4.7Ω 1/4W J	
R315	NRSA63F-682X	MG RESISTOR	6.8kΩ 1/16W F		R461	NRS144J-470X	MG RESISTOR	47Ω 1/4W J	
R316	NRSA63J-821X	MG RESISTOR	820Ω 1/16W J		R462	NRS144J-470X	MG RESISTOR	47Ω 1/4W J	
R317	NRSA63J-821X	MG RESISTOR	820Ω 1/16W J		R464	NRS016J-220X	MG RESISTOR	22Ω 1W J	
R320	NRSA63J-102X	MG RESISTOR	1kΩ 1/16W J		R465	NRS016J-220X	MG RESISTOR	22Ω 1W J	
R321	NRSA63J-184X	MG RESISTOR	180kΩ 1/16W J		R466	NRS016J-220X	MG RESISTOR	22Ω 1W J	
R322	NRSA63J-183X	MG RESISTOR	18kΩ 1/16W J		R467	NRS125J-103X	MG RESISTOR	10kΩ 1/2W J	
R325	NRSA63J-224X	MG RESISTOR	220kΩ 1/16W J		R468	NRSA63J-682X	MG RESISTOR	6.8kΩ 1/16W J	

△ Symbol No.	Part No.	Part Name	Description	Local	△ Symbol No.	Part No.	Part Name	Description	Local
R469	NRSA63J-472X	MG RESISTOR	4.7kΩ 1/16W J		R1162	NRSA63J-102X	MG RESISTOR	1kΩ 1/16W J	
R470	NRSA63J-104X	MG RESISTOR	100kΩ 1/16W J		R1163	NRSA63J-102X	MG RESISTOR	1kΩ 1/16W J	
R801	NRSA63J-102X	MG RESISTOR	1kΩ 1/16W J		R1164	NRSA63J-563X	MG RESISTOR	56kΩ 1/16W J	
R802	NRSA63J-223X	MG RESISTOR	22kΩ 1/16W J		R1165	NRSA63J-332X	MG RESISTOR	3.3kΩ 1/16W J	
R803	NRSA63J-102X	MG RESISTOR	1kΩ 1/16W J		R1166	NRSA63J-471X	MG RESISTOR	470Ω 1/16W J	
R804	NRSA63J-202X	MG RESISTOR	2kΩ 1/16W J		R1169	NRSA63J-332X	MG RESISTOR	3.3kΩ 1/16W J	
R805	NRSA63J-155X	MG RESISTOR	1.5MΩ 1/16W J		R1170	NRSA63J-102X	MG RESISTOR	1kΩ 1/16W J	
R806	NRSA63J-332X	MG RESISTOR	3.3kΩ 1/16W J		△ R1171	QRJ146J-332X	UNF C RESISTOR	3.3kΩ 1/4W J	
R807	NRSA63J-183X	MG RESISTOR	18kΩ 1/16W J		R1172	NRSA63J-332X	MG RESISTOR	3.3kΩ 1/16W J	
R808	NRSA63J-104X	MG RESISTOR	100kΩ 1/16W J		R1173	NRSA63J-103X	MG RESISTOR	10kΩ 1/16W J	
R809	NRSA63J-103X	MG RESISTOR	10kΩ 1/16W J		R1176	NRSA63J-473X	MG RESISTOR	47kΩ 1/16W J	
R810	NRSA63J-105X	MG RESISTOR	1MΩ 1/16W J		R1178	NRSA63J-101X	MG RESISTOR	100Ω 1/16W J	
R811	NRSA63J-222X	MG RESISTOR	2.2kΩ 1/16W J		R1179	NRSA63F-332X	MG RESISTOR	3.3kΩ 1/16W F	
R814	NRSA63J-104X	MG RESISTOR	100kΩ 1/16W J		R1180	NRSA63J-183X	MG RESISTOR	18kΩ 1/16W J	
R815	NRSA63F-682X	MG RESISTOR	6.8kΩ 1/16W F		R1181	NRSA63J-473X	MG RESISTOR	47kΩ 1/16W J	
R816	NRSA63J-821X	MG RESISTOR	820Ω 1/16W J		R1191	NRSA63J-332X	MG RESISTOR	3.3kΩ 1/16W J	
R817	NRSA63J-821X	MG RESISTOR	820Ω 1/16W J		R1192	NRSA63J-332X	MG RESISTOR	3.3kΩ 1/16W J	
R820	NRSA63J-102X	MG RESISTOR	1kΩ 1/16W J		R1193	NRSA63J-562X	MG RESISTOR	5.6kΩ 1/16W J	
R821	NRSA63J-184X	MG RESISTOR	180kΩ 1/16W J		R1194	NRSA63J-182X	MG RESISTOR	1.8kΩ 1/16W J	
R822	NRSA63J-183X	MG RESISTOR	18kΩ 1/16W J		R1195	NRSA63J-332X	MG RESISTOR	3.3kΩ 1/16W J	
R824	NRSA02J-0R0X	MG RESISTOR	0Ω 1/10W J		R1196	NRSA63J-332X	MG RESISTOR	3.3kΩ 1/16W J	
R825	NRSA63J-224X	MG RESISTOR	220kΩ 1/16W J		R1201	NRSA63J-102X	MG RESISTOR	1kΩ 1/16W J	
R831	NRSA63J-102X	MG RESISTOR	1kΩ 1/16W J		R1202	NRSA63J-223X	MG RESISTOR	22kΩ 1/16W J	
R832	NRSA63J-104X	MG RESISTOR	100kΩ 1/16W J		R1203	NRSA63J-0R0X	MG RESISTOR	0Ω 1/16W J	
R833	NRSA63J-472X	MG RESISTOR	4.7kΩ 1/16W J		R1205	NRSA63J-155X	MG RESISTOR	1.5MΩ 1/16W J	
R834	NRSA63J-102X	MG RESISTOR	1kΩ 1/16W J		R1206	NRSA63J-332X	MG RESISTOR	3.3kΩ 1/16W J	
R835	NRSA63J-103X	MG RESISTOR	10kΩ 1/16W J		R1207	NRSA63J-183X	MG RESISTOR	18kΩ 1/16W J	
R836	NRSA63J-0R0X	MG RESISTOR	0Ω 1/16W J		R1208	NRSA63J-104X	MG RESISTOR	100kΩ 1/16W J	
R851	NRSA63J-101X	MG RESISTOR	100Ω 1/16W J		R1209	NRSA63J-103X	MG RESISTOR	10kΩ 1/16W J	
R852	NRSA63J-103X	MG RESISTOR	10kΩ 1/16W J		R1210	NRSA63J-105X	MG RESISTOR	1MΩ 1/16W J	
R853	NRSA63J-392X	MG RESISTOR	3.9kΩ 1/16W J		R1211	NRSA63J-222X	MG RESISTOR	2.2kΩ 1/16W J	
R854	NRSA63J-221X	MG RESISTOR	220Ω 1/16W J		R1214	NRSA63J-104X	MG RESISTOR	100kΩ 1/16W J	
R855	NRSA63J-822X	MG RESISTOR	8.2kΩ 1/16W J		R1215	NRSA63F-682X	MG RESISTOR	6.8kΩ 1/16W F	
R856	NRSA63J-432X	MG RESISTOR	4.3kΩ 1/16W J		R1216	NRSA63J-821X	MG RESISTOR	820Ω 1/16W J	
R857	NRSA63J-202X	MG RESISTOR	2kΩ 1/16W J		R1217	NRSA63J-821X	MG RESISTOR	820Ω 1/16W J	
R858	NRS144J-4R7X	MG RESISTOR	4.7Ω 1/4W J		R1220	NRSA63J-102X	MG RESISTOR	1kΩ 1/16W J	
R861	NRS144J-470X	MG RESISTOR	47Ω 1/4W J		R1221	NRSA63J-184X	MG RESISTOR	180kΩ 1/16W J	
R862	NRS144J-470X	MG RESISTOR	47Ω 1/4W J		R1222	NRSA63J-183X	MG RESISTOR	18kΩ 1/16W J	
R864	NRS016J-220X	MG RESISTOR	22Ω 1W J		R1224	NRSA02J-0R0X	MG RESISTOR	0Ω 1/10W J	
R865	NRS016J-220X	MG RESISTOR	22Ω 1W J		R1225	NRSA63J-224X	MG RESISTOR	220kΩ 1/16W J	
R866	NRS016J-220X	MG RESISTOR	22Ω 1W J		R1231	NRSA63J-102X	MG RESISTOR	1kΩ 1/16W J	
R867	NRS125J-103X	MG RESISTOR	10kΩ 1/2W J		R1232	NRSA63J-104X	MG RESISTOR	100kΩ 1/16W J	
R868	NRSA63J-682X	MG RESISTOR	6.8kΩ 1/16W J		R1233	NRSA63J-472X	MG RESISTOR	4.7kΩ 1/16W J	
R869	NRSA63J-472X	MG RESISTOR	4.7kΩ 1/16W J		R1234	NRSA63J-102X	MG RESISTOR	1kΩ 1/16W J	
R870	NRSA63J-104X	MG RESISTOR	100kΩ 1/16W J		R1235	NRSA63J-103X	MG RESISTOR	10kΩ 1/16W J	
R1101	NRS144J-104X	MG RESISTOR	100kΩ 1/4W J		R1236	NRSA63J-0R0X	MG RESISTOR	0Ω 1/16W J	
R1102	NRS144J-104X	MG RESISTOR	100kΩ 1/4W J		R1251	NRSA63J-101X	MG RESISTOR	100Ω 1/16W J	
R1103	QRJ146J-100X	UNF C RESISTOR	10Ω 1/4W J		R1252	NRSA63J-103X	MG RESISTOR	10kΩ 1/16W J	
R1104	QRJ146J-100X	UNF C RESISTOR	10Ω 1/4W J		R1253	NRSA63J-392X	MG RESISTOR	3.9kΩ 1/16W J	
R1105	NRS016J-100X	MG RESISTOR	10Ω 1W J		R1254	NRSA63J-221X	MG RESISTOR	220Ω 1/16W J	
R1106	NRS016J-100X	MG RESISTOR	10Ω 1W J		R1255	NRSA63J-822X	MG RESISTOR	8.2kΩ 1/16W J	
R1107	NRS016J-100X	MG RESISTOR	10Ω 1W J		R1256	NRSA63J-432X	MG RESISTOR	4.3kΩ 1/16W J	
R1108	NRS016J-100X	MG RESISTOR	10Ω 1W J		R1257	NRSA63J-202X	MG RESISTOR	2kΩ 1/16W J	
R1109	QRL027J-222	OMF RESISTOR	2.2kΩ 2W J		R1258	NRS144J-4R7X	MG RESISTOR	4.7Ω 1/4W J	
R1110	QRL027J-222	OMF RESISTOR	2.2kΩ 2W J		R1261	NRS144J-470X	MG RESISTOR	47Ω 1/4W J	
R1111	NRSA63F-102X	MG RESISTOR	1kΩ 1/16W F		R1262	NRS144J-470X	MG RESISTOR	47Ω 1/4W J	
R1112	NRSA63F-102X	MG RESISTOR	1kΩ 1/16W F		R1264	NRS016J-220X	MG RESISTOR	22Ω 1W J	
R1113	NRSA63F-433X	MG RESISTOR	43kΩ 1/16W F		R1265	NRS016J-220X	MG RESISTOR	22Ω 1W J	
R1114	NRSA63J-821X	MG RESISTOR	820Ω 1/16W J		R1266	NRS016J-220X	MG RESISTOR	22Ω 1W J	
R1115	NRSA63J-821X	MG RESISTOR	820Ω 1/16W J		R1267	NRS125J-103X	MG RESISTOR	10kΩ 1/2W J	
R1116	NRS144J-4R7X	MG RESISTOR	4.7Ω 1/4W J		R1268	NRSA63J-682X	MG RESISTOR	6.8kΩ 1/16W J	
R1117	NRS144J-4R7X	MG RESISTOR	4.7Ω 1/4W J		R1269	NRSA63J-472X	MG RESISTOR	4.7kΩ 1/16W J	
R1118	NRSA63F-473X	MG RESISTOR	47kΩ 1/16W F		R1270	NRSA63J-104X	MG RESISTOR	100kΩ 1/16W J	
R1119	NRSA63J-224X	MG RESISTOR	220kΩ 1/16W J		R1301	NRSA63J-102X	MG RESISTOR	1kΩ 1/16W J	
R1121	NRSA63J-104X	MG RESISTOR	100kΩ 1/16W J		R1302	NRSA63J-223X	MG RESISTOR	22kΩ 1/16W J	
R1122	NRSA63J-104X	MG RESISTOR	100kΩ 1/16W J		R1303	NRSA63J-0R0X	MG RESISTOR	0Ω 1/16W J	
△ R1123	QRJ146J-4R7X	UNF C RESISTOR	4.7Ω 1/4W J		R1305	NRSA63J-155X	MG RESISTOR	1.5MΩ 1/16W J	
△ R1124	QRK126J-272X	UNF C RESISTOR	2.7kΩ 1/2W J		R1306	NRSA63J-332X	MG RESISTOR	3.3kΩ 1/16W J	
R1152	NRSA63J-332X	MG RESISTOR	3.3kΩ 1/16W J		R1307	NRSA63J-183X	MG RESISTOR	18kΩ 1/16W J	
R1153	NRSA63F-222X	MG RESISTOR	2.2kΩ 1/16W F		R1308	NRSA63J-104X	MG RESISTOR	100kΩ 1/16W J	
R1154	NRSA63F-332X	MG RESISTOR	3.3kΩ 1/16W F		R1309	NRSA63J-103X	MG RESISTOR	10kΩ 1/16W J	
R1155	NRSA63J-223X	MG RESISTOR	22kΩ 1/16W J		R1310	NRSA63J-105X	MG RESISTOR	1MΩ 1/16W J	
R1156	NRSA63J-124X	MG RESISTOR	120kΩ 1/16W J		R1311	NRSA63J-222X	MG RESISTOR	2.2kΩ 1/16W J	
R1157	NRSA63J-103X	MG RESISTOR	10kΩ 1/16W J		R1314	NRSA63J-104X	MG RESISTOR	100kΩ 1/16W J	
R1158	NRSA63J-0R0X	MG RESISTOR	0Ω 1/16W J		R1315	NRSA63F-682X	MG RESISTOR	6.8kΩ 1/16W F	
R1159	NRSA63J-103X	MG RESISTOR	10kΩ 1/16W J		R1316	NRSA63J-821X	MG RESISTOR	820Ω 1/16W J	
R1160	NRSA63J-102X	MG RESISTOR	1kΩ 1/16W J		R1317	NRSA63J-821X	MG RESISTOR	820Ω 1/16W J	
R1161	NRSA63J-105X	MG RESISTOR	1MΩ 1/16W J		R1320	NRSA63J-102X	MG RESISTOR	1kΩ 1/16W J	

△ Symbol No.	Part No.	Part Name	Description	Local	△ Symbol No.	Part No.	Part Name	Description	Local
IC671	UPD784215AGC284	IC(MICRO C ROM)			Q5523	2SA1530A/RS/-X	TRANSISTOR		
IC672	SN74AHCT1G32K-X	IC			Q6501	2SA1530A/RS/-X	TRANSISTOR		
IC673	SN74LVC1G04K-X	IC			Q6502	2SC3928A/RS/-X	TRANSISTOR		
IC691	BD7800FP-X	IC			Q6503	2SA1530A/RS/-X	TRANSISTOR		
IC692	MM1563DF-X	IC			Q6504	2SC3928A/RS/-X	TRANSISTOR		
IC911	PCM2704DB-X	IC			Q6505	2SA1530A/RS/-X	TRANSISTOR		
IC912	SN74AHC1G08V-X	IC			Q6506	2SC3928A/RS/-X	TRANSISTOR		
Q501	2SC3576-JVC-T	TRANSISTOR			Q6507	2SC3928A/RS/-X	TRANSISTOR		
Q503	2SC3576-JVC-T	TRANSISTOR			Q6508	2SA1530A/RS/-X	TRANSISTOR		
Q504	2SC3576-JVC-T	TRANSISTOR			Q6509	2SA1530A/RS/-X	TRANSISTOR		
Q505	RT1P441C-X	DIGI TRANSISTOR			Q6511	2SC3928A/RS/-X	TRANSISTOR		
Q507	2SC3576-JVC-T	TRANSISTOR			Q6512	2SC3928A/RS/-X	TRANSISTOR		
Q508	2SC3576-JVC-T	TRANSISTOR			Q6521	2SC3928A/RS/-X	TRANSISTOR		
Q509	RT1P441C-X	DIGI TRANSISTOR			Q6522	2SC3928A/RS/-X	TRANSISTOR		
Q510	RT1P441C-X	DIGI TRANSISTOR			D501	1SS355W-X	DIODE		
Q511	RT1N141C-X	DIGI TRANSISTOR			D1551	1SS355W-X	DIODE		
Q512	RT1N231C-X	TRANSISTOR			D1561	1SS355W-X	DIODE		
Q513	2SA1530A/RS/-X	TRANSISTOR			C501	NDC31HJ-331X	C CAPACITOR	330pF 50V J	
Q514	2SA1530A/RS/-X	TRANSISTOR			C502	NDC31HJ-331X	C CAPACITOR	330pF 50V J	
Q515	2SA1530A/RS/-X	TRANSISTOR			C503	NDC31HJ-331X	C CAPACITOR	330pF 50V J	
Q516	2SA1530A/RS/-X	TRANSISTOR			C504	NDC31HJ-331X	C CAPACITOR	330pF 50V J	
Q517	2SA1530A/RS/-X	TRANSISTOR			C505	NDC31HJ-331X	C CAPACITOR	330pF 50V J	
Q1501	2SC3576-JVC-T	TRANSISTOR			C506	NDC31HJ-331X	C CAPACITOR	330pF 50V J	
Q1502	2SC3576-JVC-T	TRANSISTOR			C507	NDC31HJ-331X	C CAPACITOR	330pF 50V J	
Q1503	2SC3576-JVC-T	TRANSISTOR			C508	NDC31HJ-331X	C CAPACITOR	330pF 50V J	
Q1504	2SC3576-JVC-T	TRANSISTOR			C509	NDC31HJ-331X	C CAPACITOR	330pF 50V J	
Q1505	2SC3576-JVC-T	TRANSISTOR			C510	NDC31HJ-331X	C CAPACITOR	330pF 50V J	
Q1507	2SC3576-JVC-T	TRANSISTOR			C511	NDC31HJ-331X	C CAPACITOR	330pF 50V J	
Q1508	2SC3576-JVC-T	TRANSISTOR			C512	NDC31HJ-331X	C CAPACITOR	330pF 50V J	
Q1509	RT1P441C-X	DIGI TRANSISTOR			C513	NDC31HJ-331X	C CAPACITOR	330pF 50V J	
Q1551	2SC3928A/RS/-X	TRANSISTOR			C514	NDC31HJ-331X	C CAPACITOR	330pF 50V J	
Q1561	2SC3928A/RS/-X	TRANSISTOR			C515	NDC31HJ-331X	C CAPACITOR	330pF 50V J	
Q2101	2SD2114K/VV/-X	TRANSISTOR			C516	NDC31HJ-331X	C CAPACITOR	330pF 50V J	
Q2102	2SD2114K/VV/-X	TRANSISTOR			C517	NDC31HJ-331X	C CAPACITOR	330pF 50V J	
Q2141	2SC3928A/RS/-X	TRANSISTOR			C522	NCB31CK-104X	C CAPACITOR	0.1uF 16V K	
Q2142	2SC3928A/RS/-X	TRANSISTOR			C523	QETN1CM-477Z	E CAPACITOR	4.7uF 16V M	
Q2201	2SD2114K/VV/-X	TRANSISTOR			C524	NCB31CK-104X	C CAPACITOR	0.1uF 16V K	
Q2202	2SD2114K/VV/-X	TRANSISTOR			C525	QETN1CM-477Z	E CAPACITOR	470uF 16V M	
Q2223	2SD2114K/VV/-X	TRANSISTOR			C526	NCB31HK-561X	C CAPACITOR	560pF 50V K	
Q2224	2SD2114K/VV/-X	TRANSISTOR			C527	QKCC1HM-475Z	E CAPACITOR	4.7uF 50V M	
Q2301	2SD2114K/VV/-X	TRANSISTOR			C528	QETN1HM-106Z	E CAPACITOR	10uF 50V M	
Q2341	2SC3928A/RS/-X	TRANSISTOR			C529	NCB31CK-104X	C CAPACITOR	0.1uF 16V K	
Q2401	2SD2114K/VV/-X	TRANSISTOR			C530	NCB31CK-104X	C CAPACITOR	0.1uF 16V K	
Q2422	2SD2114K/VV/-X	TRANSISTOR			C531	QKCC1HM-475Z	E CAPACITOR	4.7uF 50V M	
Q2501	2SD2114K/VV/-X	TRANSISTOR			C532	QKCC1HM-475Z	E CAPACITOR	4.7uF 50V M	
Q2502	2SD2114K/VV/-X	TRANSISTOR			C533	QKCC1CM-476Z	E CAPACITOR	47uF 16V M	
Q2701	RT1N144C-X	DIGI TRANSISTOR			C542	QKCC0JM-107Z	E CAPACITOR	100uF 6.3V M	
Q2702	RT1N144C-X	DIGI TRANSISTOR			C543	QETN0JM-228Z	E CAPACITOR	2200uF 6.3V M	
Q2703	RT1N144C-X	DIGI TRANSISTOR			C544	NCB31HK-223X	C CAPACITOR	0.022uF 50V K	
Q2704	RT1P144C-X	DIGI TRANSISTOR			C545	QKCC1HM-225Z	E CAPACITOR	2.2uF 50V M	
Q2705	RT1P144C-X	DIGI TRANSISTOR			C546	NCB31HK-223X	C CAPACITOR	0.022uF 50V K	
Q2706	RT1P144C-X	DIGI TRANSISTOR			C547	NCB31CK-104X	C CAPACITOR	0.1uF 16V K	
Q2708	RT1P144C-X	DIGI TRANSISTOR			C548	NCB31CK-104X	C CAPACITOR	0.1uF 16V K	
Q2709	RT1P144C-X	DIGI TRANSISTOR			C549	NCB31HK-102X	C CAPACITOR	1000pF 50V K	
Q2710	RT1N144C-X	DIGI TRANSISTOR			C1501	QETN1HM-106Z	E CAPACITOR	10uF 50V M	
Q4501	KTA1267/YG/-T	TRANSISTOR			C1502	QETN1HM-106Z	E CAPACITOR	10uF 50V M	
Q4505	KTA1267/YG/-T	TRANSISTOR			C1503	NCB31CK-104X	C CAPACITOR	0.1uF 16V K	
Q4506	RT1P14HC-X	DIGI TR.C.M.			C1504	NCB31CK-104X	C CAPACITOR	0.1uF 16V K	
Q5501	KTA1267/YG/-T	TRANSISTOR			C1505	NCB31CK-104X	C CAPACITOR	0.1uF 16V K	
Q5502	KTA1267/YG/-T	TRANSISTOR			C1506	NCB31CK-104X	C CAPACITOR	0.1uF 16V K	
Q5503	KTA1267/YG/-T	TRANSISTOR			C1507	QETN1HM-106Z	E CAPACITOR	10uF 50V M	
Q5504	KTA1267/YG/-T	TRANSISTOR			C1508	QETN1HM-106Z	E CAPACITOR	10uF 50V M	
Q5505	KTA1267/YG/-T	TRANSISTOR			C1509	QETN1HM-106Z	E CAPACITOR	10uF 50V M	
Q5506	KTA1267/YG/-T	TRANSISTOR			C1510	QETN1HM-106Z	E CAPACITOR	10uF 50V M	
Q5507	KTA1267/YG/-T	TRANSISTOR			C1511	NCB31HK-561X	C CAPACITOR	560pF 50V K	
Q5508	KTA1267/YG/-T	TRANSISTOR			C1513	NCB31CK-104X	C CAPACITOR	0.1uF 16V K	
Q5509	KTA1267/YG/-T	TRANSISTOR			C1514	NCB31CK-104X	C CAPACITOR	0.1uF 16V K	
Q5511	RT1P44QC-X	DIGI TRANSISTOR			C1515	QETN1CM-227Z	E CAPACITOR	220uF 16V M	
Q5512	RT1P44QC-X	DIGI TRANSISTOR			C1516	QETN1CM-227Z	E CAPACITOR	220uF 16V M	
Q5513	RT1P44QC-X	DIGI TRANSISTOR			C1517	NCB31CK-104X	C CAPACITOR	0.1uF 16V K	
Q5514	RT1P44QC-X	DIGI TRANSISTOR			C1518	NCB31CK-104X	C CAPACITOR	0.1uF 16V K	
Q5515	RT1P44QC-X	DIGI TRANSISTOR			C1519	NCB31HK-561X	C CAPACITOR	560pF 50V K	
Q5516	RT1P44QC-X	DIGI TRANSISTOR			C1521	QETN1HM-106Z	E CAPACITOR	10uF 50V M	
Q5517	RT1N141C-X	DIGI TRANSISTOR			C1522	QETN1HM-106Z	E CAPACITOR	10uF 50V M	
Q5518	RT1N141C-X	DIGI TRANSISTOR			C1523	NCB31HK-681X	C CAPACITOR	680pF 50V K	
Q5519	RT1N141C-X	DIGI TRANSISTOR			C1524	NCB31HK-681X	C CAPACITOR	680pF 50V K	
Q5520	RT1N141C-X	DIGI TRANSISTOR			C1525	QKCC1HM-475Z	E CAPACITOR	4.7uF 50V M	

△ Symbol No.	Part No.	Part Name	Description	Local	△ Symbol No.	Part No.	Part Name	Description	Local
C1526	QEK1HM-475Z	E CAPACITOR	4.7uF 50V M		C2382	NCB31CK-104X	C CAPACITOR	0.1uF 16V K	
C1527	QEK1HM-475Z	E CAPACITOR	4.7uF 50V M		C2383	NCB31HK-471X	C CAPACITOR	470pF 50V K	
C1529	QEK1HM-475Z	E CAPACITOR	4.7uF 50V M		C2385	NCB31HK-471X	C CAPACITOR	470pF 50V K	
C1530	QEK1HM-475Z	E CAPACITOR	4.7uF 50V M		C2387	NCB31HK-332X	C CAPACITOR	3300pF 50V K	
C1531	QEK1EM-106Z	E CAPACITOR	10uF 25V M		C2401	NCB31HK-561X	C CAPACITOR	560pF 50V K	
C1551	QETN1CM-107Z	E CAPACITOR	100uF 16V M		C2409	QETN1HM-475Z	E CAPACITOR	4.7uF 50V M	
C1553	NCB31CK-104X	C CAPACITOR	0.1uF 16V K		C2411	NCB31CK-104X	C CAPACITOR	0.1uF 16V K	
C1554	NCB31CK-104X	C CAPACITOR	0.1uF 16V K		C2412	NCB31CK-104X	C CAPACITOR	0.1uF 16V K	
C1561	QETN1CM-107Z	E CAPACITOR	100uF 16V M		C2421	NCB31CK-104X	C CAPACITOR	0.1uF 16V K	
C1901	NDC31HJ-331X	C CAPACITOR	330pF 50V J		C2422	NCB31CK-104X	C CAPACITOR	0.1uF 16V K	
C1902	NDC31HJ-331X	C CAPACITOR	330pF 50V J		C2423	NCB31CK-823X	C CAPACITOR	0.082uF 16V K	
C1903	NCB31CK-104X	C CAPACITOR	0.1uF 16V K		C2425	QFN31HJ-333Z	M CAPACITOR	0.033uF 50V J	
C1911	NCF31AZ-105X	C CAPACITOR	1uF 10V Z		C2429	QETN1HM-475Z	E CAPACITOR	4.7uF 50V M	
C1912	NCB31HK-103X	C CAPACITOR	0.01uF 50V K		C2433	NCB31CK-823X	C CAPACITOR	0.082uF 16V K	
C1913	NCB31HK-103X	C CAPACITOR	0.01uF 50V K		C2435	QFN31HJ-333Z	M CAPACITOR	0.033uF 50V J	
C1915	NCF31AZ-105X	C CAPACITOR	1uF 10V Z		C2483	NCB31HK-471X	C CAPACITOR	470pF 50V K	
C1916	NCF31AZ-105X	C CAPACITOR	1uF 10V Z		C2485	NCB31HK-471X	C CAPACITOR	470pF 50V K	
C1917	NDC31HJ-220X	C CAPACITOR	22pF 50V J		C2487	NCB31HK-332X	C CAPACITOR	3300pF 50V K	
C1918	NDC31HJ-220X	C CAPACITOR	22pF 50V J		C2501	NCB31HK-561X	C CAPACITOR	560pF 50V K	
C1919	NCF31AZ-105X	C CAPACITOR	1uF 10V Z		C2502	NCB31HK-561X	C CAPACITOR	560pF 50V K	
C1920	QETN1HM-106Z	E CAPACITOR	10uF 50V M		C2509	QETN1HM-225Z	E CAPACITOR	2.2uF 50V M	
C1921	NCF31AZ-105X	C CAPACITOR	1uF 10V Z		C2510	QETN1HM-225Z	E CAPACITOR	2.2uF 50V M	
C2001	QETN1HM-475Z	E CAPACITOR	4.7uF 50V M		C2541	NCB31CK-104X	C CAPACITOR	0.1uF 16V K	
C2002	QETN1HM-475Z	E CAPACITOR	4.7uF 50V M		C2542	NCB31CK-104X	C CAPACITOR	0.1uF 16V K	
C2013	NDC31HJ-330X	C CAPACITOR	33pF 50V J		C2543	NCB31HK-562X	C CAPACITOR	5600pF 50V K	
C2014	NDC31HJ-330X	C CAPACITOR	33pF 50V J		C2544	NCB31HK-562X	C CAPACITOR	5600pF 50V K	
C2018	QETN1EM-476Z	E CAPACITOR	47uF 25V M		C2545	NCB31HK-182X	C CAPACITOR	1800pF 50V K	
C2019	NCB31CK-104X	C CAPACITOR	0.1uF 16V K		C2546	NCB31HK-182X	C CAPACITOR	1800pF 50V K	
C2020	NCB31CK-104X	C CAPACITOR	0.1uF 16V K		C2547	NCB31CK-104X	C CAPACITOR	0.1uF 16V K	
C2101	NCB31HK-102X	C CAPACITOR	1000pF 50V K		C2548	NCB31CK-104X	C CAPACITOR	0.1uF 16V K	
C2102	NCB31HK-102X	C CAPACITOR	1000pF 50V K		C2583	NCB31HK-331X	C CAPACITOR	330pF 50V K	
C2109	QETN1HM-475Z	E CAPACITOR	4.7uF 50V M		C2584	NCB31HK-331X	C CAPACITOR	330pF 50V K	
C2110	QETN1HM-475Z	E CAPACITOR	4.7uF 50V M		C2585	NCB31HK-331X	C CAPACITOR	330pF 50V K	
C2111	NCB31CK-104X	C CAPACITOR	0.1uF 16V K		C2586	NCB31HK-331X	C CAPACITOR	330pF 50V K	
C2112	NCB31CK-104X	C CAPACITOR	0.1uF 16V K		C2587	NCB31HK-392X	C CAPACITOR	3900pF 50V K	
C2113	NCB31HK-331X	C CAPACITOR	330pF 50V K		C2588	NCB31HK-392X	C CAPACITOR	3900pF 50V K	
C2114	NCB31HK-331X	C CAPACITOR	330pF 50V K		C2606	NCB31CK-104X	C CAPACITOR	0.1uF 16V K	
C2115	NCB31HK-272X	C CAPACITOR	2700pF 50V K		C2607	NCB31CK-104X	C CAPACITOR	0.1uF 16V K	
C2116	NCB31HK-272X	C CAPACITOR	2700pF 50V K		C2608	NCB31CK-104X	C CAPACITOR	0.1uF 16V K	
C2129	QETN1HM-475Z	E CAPACITOR	4.7uF 50V M		C2611	NCB31CK-104X	C CAPACITOR	0.1uF 16V K	
C2131	NCB31CK-104X	C CAPACITOR	0.1uF 16V K		C2612	NCB31CK-104X	C CAPACITOR	0.1uF 16V K	
C2132	NCB31CK-104X	C CAPACITOR	0.1uF 16V K		C2613	NCB31CK-104X	C CAPACITOR	0.1uF 16V K	
C2133	NDC31HJ-330X	C CAPACITOR	33pF 50V J		C2614	NCB31HK-102X	C CAPACITOR	1000pF 50V K	
C2134	NDC31HJ-330X	C CAPACITOR	33pF 50V J		C2621	NCB31CK-104X	C CAPACITOR	0.1uF 16V K	
C2139	QETN1HM-475Z	E CAPACITOR	4.7uF 50V M		C2622	NCB31CK-104X	C CAPACITOR	0.1uF 16V K	
C2140	QETN1HM-475Z	E CAPACITOR	4.7uF 50V M		C2623	NCB31CK-104X	C CAPACITOR	0.1uF 16V K	
C2141	NCB31CK-104X	C CAPACITOR	0.1uF 16V K		C2631	NCB31CK-104X	C CAPACITOR	0.1uF 16V K	
C2142	NCB31CK-104X	C CAPACITOR	0.1uF 16V K		C2632	NCB31CK-104X	C CAPACITOR	0.1uF 16V K	
C2143	NDC31HJ-330X	C CAPACITOR	33pF 50V J		C2633	NCB31CK-104X	C CAPACITOR	0.1uF 16V K	
C2144	NDC31HJ-330X	C CAPACITOR	33pF 50V J		C2641	NDC31HJ-101X	C CAPACITOR	100pF 50V J	
C2201	NCB31HK-561X	C CAPACITOR	560pF 50V K		C2642	NDC31HJ-101X	C CAPACITOR	100pF 50V J	
C2202	NCB31HK-561X	C CAPACITOR	560pF 50V K		C2643	NCB31CK-104X	C CAPACITOR	0.1uF 16V K	
C2209	QETN1HM-225Z	E CAPACITOR	2.2uF 50V M		C2671	QETN1HM-106Z	E CAPACITOR	10uF 50V M	
C2210	QETN1HM-225Z	E CAPACITOR	2.2uF 50V M		C2672	QETN1HM-106Z	E CAPACITOR	10uF 50V M	
C2229	QETN1HM-105Z	E CAPACITOR	1uF 50V M		C2673	QETN1HM-106Z	E CAPACITOR	10uF 50V M	
C2230	QETN1HM-105Z	E CAPACITOR	1uF 50V M		C2674	NCB31CK-104X	C CAPACITOR	0.1uF 16V K	
C2241	NCB31CK-104X	C CAPACITOR	0.1uF 16V K		C2675	NCB31CK-104X	C CAPACITOR	0.1uF 16V K	
C2242	NCB31CK-104X	C CAPACITOR	0.1uF 16V K		C2676	NCB31HK-221X	C CAPACITOR	220pF 50V K	
C2243	NCB31HK-562X	C CAPACITOR	5600pF 50V K		C2677	NCB31HK-221X	C CAPACITOR	220pF 50V K	
C2244	NCB31HK-562X	C CAPACITOR	5600pF 50V K		C2678	QETN1HM-475Z	E CAPACITOR	4.7uF 50V M	
C2245	NCB31HK-182X	C CAPACITOR	1800pF 50V K		C2679	NCB31CK-104X	C CAPACITOR	0.1uF 16V K	
C2246	NCB31HK-182X	C CAPACITOR	1800pF 50V K		C2680	QETN1CM-107Z	E CAPACITOR	100uF 16V M	
C2281	NCB31CK-104X	C CAPACITOR	0.1uF 16V K		C2681	NCB31CK-104X	C CAPACITOR	0.1uF 16V K	
C2282	NCB31CK-104X	C CAPACITOR	0.1uF 16V K		C2682	NCB31CK-104X	C CAPACITOR	0.1uF 16V K	
C2283	NCB31HK-331X	C CAPACITOR	330pF 50V K		C2683	NCB31CK-223X	C CAPACITOR	0.022uF 16V K	
C2284	NCB31HK-331X	C CAPACITOR	330pF 50V K		C2684	NCB31HK-102X	C CAPACITOR	1000pF 50V K	
C2285	NCB31HK-331X	C CAPACITOR	330pF 50V K		C2685	NCB31CK-104X	C CAPACITOR	0.1uF 16V K	
C2286	NCB31HK-331X	C CAPACITOR	330pF 50V K		C2686	NCB31CK-104X	C CAPACITOR	0.1uF 16V K	
C2287	NCB31HK-392X	C CAPACITOR	3900pF 50V K		C2687	NCB31CK-104X	C CAPACITOR	0.1uF 16V K	
C2288	NCB31HK-392X	C CAPACITOR	3900pF 50V K		C2688	NCB31HK-103X	C CAPACITOR	0.01uF 50V K	
C2301	NCB31HK-561X	C CAPACITOR	560pF 50V K		C2690	NCB31HK-103X	C CAPACITOR	0.01uF 50V K	
C2309	QETN1HM-225Z	E CAPACITOR	2.2uF 50V M		C2691	NCB31HK-103X	C CAPACITOR	0.01uF 50V K	
C2323	NCB31HK-562X	C CAPACITOR	5600pF 50V K		C2701	QETN1CM-107Z	E CAPACITOR	100uF 16V M	
C2325	NCB31HK-182X	C CAPACITOR	1800pF 50V K		C2702	NCB31HK-103X	C CAPACITOR	0.01uF 50V K	
C2341	NCB31CK-104X	C CAPACITOR	0.1uF 16V K		C2703	NDC31HJ-101X	C CAPACITOR	100pF 50V J	
C2342	NCB31CK-104X	C CAPACITOR	0.1uF 16V K		C2731	NCB31CK-104X	C CAPACITOR	0.1uF 16V K	
C2343	NDC31HJ-330X	C CAPACITOR	33pF 50V J		C2751	NCB31CK-104X	C CAPACITOR	0.1uF 16V K	
C2381	NCB31CK-104X	C CAPACITOR	0.1uF 16V K		C2771	QETN1EM-476Z	E CAPACITOR	47uF 25V M	

△ Symbol No.	Part No.	Part Name	Description	Local	△ Symbol No.	Part No.	Part Name	Description	Local
C2781	NCB31CK-104X	C CAPACITOR	0.1uF 16V K		C5551	NCB31CK-104X	C CAPACITOR	0.1uF 16V K	
C2782	NCB31CK-104X	C CAPACITOR	0.1uF 16V K		C5552	NCB31HK-103X	C CAPACITOR	0.01uF 50V K	
C2783	NCB31HK-102X	C CAPACITOR	1000pF 50V K		C5561	QEK1CM-476Z	E CAPACITOR	47uF 16V M	
C2784	NCB31HK-102X	C CAPACITOR	1000pF 50V K		C5562	QEK1CM-476Z	E CAPACITOR	47uF 16V M	
C2785	NCB31HK-102X	C CAPACITOR	1000pF 50V K		C6501	NDC31HJ-470X	C CAPACITOR	47pF 50V J	
C2786	NCB31HK-102X	C CAPACITOR	1000pF 50V K		C6502	NDC31HJ-120X	C CAPACITOR	12pF 50V J	
C2787	NCB31HK-562X	C CAPACITOR	5600pF 50V K		C6503	NDC31HJ-100X	C CAPACITOR	10pF 50V J	
C2788	NCB31HK-562X	C CAPACITOR	5600pF 50V K		C6504	NCB31CK-104X	C CAPACITOR	0.1uF 16V K	
C2861	NDC31HJ-101X	C CAPACITOR	100pF 50V J		C6505	QETN1CM-107Z	E CAPACITOR	100uF 16V M	
C2862	NCB31CK-104X	C CAPACITOR	0.1uF 16V K		C6506	NCB31HK-103X	C CAPACITOR	0.01uF 50V K	
C2863	NCB31CK-104X	C CAPACITOR	0.1uF 16V K		C6507	NCB31HK-103X	C CAPACITOR	0.01uF 50V K	
C2867	NCF31AZ-105X	C CAPACITOR	1uF 10V Z		C6508	NCB31HK-103X	C CAPACITOR	0.01uF 50V K	
C2868	NCF31AZ-105X	C CAPACITOR	1uF 10V Z		C6509	NCF31CZ-474X	C CAPACITOR	0.47uF 16V Z	
C2869	NCF31AZ-105X	C CAPACITOR	1uF 10V Z		C6510	NCB31HK-103X	C CAPACITOR	0.01uF 50V K	
C2881	NCB31HK-103X	C CAPACITOR	0.01uF 50V K		C6511	QETN1CM-107Z	E CAPACITOR	100uF 16V M	
C2882	NCB31HK-103X	C CAPACITOR	0.01uF 50V K		C6512	NCB31HK-103X	C CAPACITOR	0.01uF 50V K	
C2883	NCB31HK-103X	C CAPACITOR	0.01uF 50V K		C6513	QETN1CM-107Z	E CAPACITOR	100uF 16V M	
C2884	NCB31HK-103X	C CAPACITOR	0.01uF 50V K		C6514	NCB31HK-103X	C CAPACITOR	0.01uF 50V K	
C2885	NCB31HK-103X	C CAPACITOR	0.01uF 50V K		C6515	NCB31HK-103X	C CAPACITOR	0.01uF 50V K	
C2901	QETN1HM-106Z	E CAPACITOR	10uF 50V M		C6516	NCB31HK-103X	C CAPACITOR	0.01uF 50V K	
C2902	QETN1HM-106Z	E CAPACITOR	10uF 50V M		C6517	QETN1CM-107Z	E CAPACITOR	100uF 16V M	
C2911	QETN1AM-227Z	E CAPACITOR	220uF 10V M		C6518	NCB31HK-103X	C CAPACITOR	0.01uF 50V K	
C2921	QETN1CM-107Z	E CAPACITOR	100uF 16V M		C6519	NCB31HK-103X	C CAPACITOR	0.01uF 50V K	
C2922	NCB31CK-104X	C CAPACITOR	0.1uF 16V K		C6520	NDC31HJ-181X	C CAPACITOR	180pF 50V J	
C2923	QETN1CM-107Z	E CAPACITOR	100uF 16V M		C6521	NCB31HK-122X	C CAPACITOR	1200pF 50V K	
C2924	NCB31CK-104X	C CAPACITOR	0.1uF 16V K		C6522	NDC31HJ-100X	C CAPACITOR	10pF 50V J	
C2925	NCB31CK-104X	C CAPACITOR	0.1uF 16V K		C6524	NDC31HJ-820X	C CAPACITOR	82pF 50V J	
C2926	NCB31HK-471X	C CAPACITOR	470pF 50V K		C6525	NCF31CZ-104X	C CAPACITOR	0.1uF 16V Z	
C2951	NCF31AZ-105X	C CAPACITOR	1uF 10V Z		C6527	NDC31HJ-820X	C CAPACITOR	82pF 50V J	
C2952	NCF31AZ-105X	C CAPACITOR	1uF 10V Z		C6529	NCB31HK-103X	C CAPACITOR	0.01uF 50V K	
C2953	NCF31AZ-105X	C CAPACITOR	1uF 10V Z		C6530	NCB31CK-104X	C CAPACITOR	0.1uF 16V K	
C2954	NCF31AZ-105X	C CAPACITOR	1uF 10V Z		C6531	NCB31HK-103X	C CAPACITOR	0.01uF 50V K	
C2955	NCF31AZ-105X	C CAPACITOR	1uF 10V Z		C6532	NCB31HK-103X	C CAPACITOR	0.01uF 50V K	
C4501	QEK1HM-475Z	E CAPACITOR	4.7uF 50V M		C6533	NCB31CK-104X	C CAPACITOR	0.1uF 16V K	
C4502	QETN1HM-106Z	E CAPACITOR	10uF 50V M		C6534	QEK1HM-475Z	E CAPACITOR	4.7uF 50V M	
C4503	QETN1HM-106Z	E CAPACITOR	10uF 50V M		C6535	NCB31CK-104X	C CAPACITOR	0.1uF 16V K	
C4504	QEK1HM-475Z	E CAPACITOR	4.7uF 50V M		C6538	QEK1HM-475Z	E CAPACITOR	4.7uF 50V M	
C4505	QETN1HM-106Z	E CAPACITOR	10uF 50V M		C6541	QEK1HM-225Z	E CAPACITOR	2.2uF 50V M	
C4506	QETN1HM-106Z	E CAPACITOR	10uF 50V M		C6542	NCB31HK-103X	C CAPACITOR	0.01uF 50V K	
C4507	QETN1AM-477Z	E CAPACITOR	470uF 10V M		C6543	QEK1HM-475Z	E CAPACITOR	4.7uF 50V M	
C4508	QETN1AM-477Z	E CAPACITOR	470uF 10V M		C6544	NCB31HK-103X	C CAPACITOR	0.01uF 50V K	
C4509	QETN1AM-477Z	E CAPACITOR	470uF 10V M		C6545	NDC31HJ-8R0X	C CAPACITOR	8pF 50V J	
C4511	NCB31CK-104X	C CAPACITOR	0.1uF 16V K		C6546	NDC31HJ-6R0X	C CAPACITOR	6pF 50V J	
C4514	NCB31CK-104X	C CAPACITOR	0.1uF 16V K		C6547	NDC31HJ-391X	C CAPACITOR	390pF 50V J	
C4515	NCB31CK-104X	C CAPACITOR	0.1uF 16V K		C6549	QEK1HM-475Z	E CAPACITOR	4.7uF 50V M	
C4516	NCB31CK-104X	C CAPACITOR	0.1uF 16V K		C6550	NDC31HJ-8R0X	C CAPACITOR	8pF 50V J	
C4519	QEK1HM-475Z	E CAPACITOR	4.7uF 50V M		C6551	NCB31HK-103X	C CAPACITOR	0.01uF 50V K	
C4520	QETN1HM-474Z	E CAPACITOR	0.47uF 50V M		C6552	NCF31CZ-104X	C CAPACITOR	0.1uF 16V Z	
C4521	NCB31CK-104X	C CAPACITOR	0.1uF 16V K		C6553	QETN1HM-106Z	E CAPACITOR	10uF 50V M	
C4522	QETN1HM-106Z	E CAPACITOR	10uF 50V M		C6554	NDC31HJ-561X	C CAPACITOR	560pF 50V J	
C4523	QETN1HM-106Z	E CAPACITOR	10uF 50V M		C6561	NDC31HJ-120X	C CAPACITOR	12pF 50V J	
C4524	NCB31CK-104X	C CAPACITOR	0.1uF 16V K		C6562	NDC31HJ-120X	C CAPACITOR	12pF 50V J	
C4525	QETN1HM-106Z	E CAPACITOR	10uF 50V M		C6563	NDC31HJ-120X	C CAPACITOR	12pF 50V J	
C4526	QETN1HM-106Z	E CAPACITOR	10uF 50V M		C6564	QEK1HM-224Z	E CAPACITOR	0.22uF 50V M	
C5501	QEK1HM-475Z	E CAPACITOR	4.7uF 50V M		C6565	NCB31HK-222X	C CAPACITOR	2200pF 50V K	
C5502	NCB31HK-103X	C CAPACITOR	0.01uF 50V K		C6566	NCB31HK-103X	C CAPACITOR	0.01uF 50V K	
C5503	QEK1HM-475Z	E CAPACITOR	4.7uF 50V M		C6567	QEK1HM-225Z	E CAPACITOR	2.2uF 50V M	
C5504	QETN1AM-477Z	E CAPACITOR	470uF 10V M		C6568	NCB31CK-104X	C CAPACITOR	0.1uF 16V K	
C5505	NCB31HK-103X	C CAPACITOR	0.01uF 50V K		C6569	QEK1HM-225Z	E CAPACITOR	2.2uF 50V M	
C5506	QETN1AM-477Z	E CAPACITOR	470uF 10V M		C6570	NCB31HK-223X	C CAPACITOR	0.022uF 50V K	
C5507	QEK1HM-475Z	E CAPACITOR	4.7uF 50V M		C6571	QETN1CM-107Z	E CAPACITOR	100uF 16V M	
C5508	NCB31HK-103X	C CAPACITOR	0.01uF 50V K		C6572	NCB31HK-103X	C CAPACITOR	0.01uF 50V K	
C5509	QEK1HM-475Z	E CAPACITOR	4.7uF 50V M		C6573	NCB31CK-104X	C CAPACITOR	0.1uF 16V K	
C5510	QETN1AM-477Z	E CAPACITOR	470uF 10V M		C6574	NCB31CK-104X	C CAPACITOR	0.1uF 16V K	
C5511	NCB31HK-103X	C CAPACITOR	0.01uF 50V K		C6575	NCB31CK-104X	C CAPACITOR	0.1uF 16V K	
C5512	QETN1AM-477Z	E CAPACITOR	470uF 10V M		C6576	NCB31CK-104X	C CAPACITOR	0.1uF 16V K	
C5513	QEK1HM-475Z	E CAPACITOR	4.7uF 50V M		C6577	NCB31CK-104X	C CAPACITOR	0.1uF 16V K	
C5514	NCB31HK-103X	C CAPACITOR	0.01uF 50V K		C6578	NCB31CK-104X	C CAPACITOR	0.1uF 16V K	
C5515	QEK1HM-475Z	E CAPACITOR	4.7uF 50V M		C6579	NCB31CK-104X	C CAPACITOR	0.1uF 16V K	
C5516	QETN1AM-477Z	E CAPACITOR	470uF 10V M		C6580	QETN1CM-108Z	E CAPACITOR	1000uF 16V M	
C5517	NCB31HK-103X	C CAPACITOR	0.01uF 50V K		C6581	NCB31HK-103X	C CAPACITOR	0.01uF 50V K	
C5518	QETN1AM-477Z	E CAPACITOR	470uF 10V M		C6583	QEK1CM-476Z	E CAPACITOR	47uF 16V M	
C5531	NCB31CK-104X	C CAPACITOR	0.1uF 16V K		C6584	QEK1CM-476Z	E CAPACITOR	47uF 16V M	
C5532	NCB31CK-104X	C CAPACITOR	0.1uF 16V K						
C5533	NCB31CK-104X	C CAPACITOR	0.1uF 16V K		R501	NRSA63J-471X	MG RESISTOR	470Ω 1/16W J	
C5544	NCB31CK-104X	C CAPACITOR	0.1uF 16V K		R502	NRSA63J-471X	MG RESISTOR	470Ω 1/16W J	
C5546	NCB31CK-104X	C CAPACITOR	0.1uF 16V K		R503	NRSA63J-473X	MG RESISTOR	47kΩ 1/16W J	
C5547	NCB31CK-104X	C CAPACITOR	0.1uF 16V K		R504	NRSA63J-473X	MG RESISTOR	47kΩ 1/16W J	

△ Symbol No.	Part No.	Part Name	Description	Local	△ Symbol No.	Part No.	Part Name	Description	Local
R505	NRSA63J-471X	MG RESISTOR	470Ω 1/16W J		R1505	NRSA63J-102X	MG RESISTOR	1kΩ 1/16W J	
R506	NRSA63J-471X	MG RESISTOR	470Ω 1/16W J		R1506	NRSA63J-102X	MG RESISTOR	1kΩ 1/16W J	
R507	NRSA63J-473X	MG RESISTOR	47kΩ 1/16W J		R1507	NRSA63J-102X	MG RESISTOR	1kΩ 1/16W J	
R508	NRSA63J-473X	MG RESISTOR	47kΩ 1/16W J		R1508	NRSA63J-102X	MG RESISTOR	1kΩ 1/16W J	
R509	NRSA63J-221X	MG RESISTOR	220Ω 1/16W J		R1511	NRSA63J-102X	MG RESISTOR	1kΩ 1/16W J	
R510	NRSA63J-221X	MG RESISTOR	220Ω 1/16W J		R1512	NRSA63J-102X	MG RESISTOR	1kΩ 1/16W J	
R511	NRSA63J-471X	MG RESISTOR	470Ω 1/16W J		R1513	NRSA63J-104X	MG RESISTOR	100kΩ 1/16W J	
R512	NRSA63J-471X	MG RESISTOR	470Ω 1/16W J		R1514	NRSA63J-104X	MG RESISTOR	100kΩ 1/16W J	
R513	NRSA63J-473X	MG RESISTOR	47kΩ 1/16W J		R1515	NRSA63J-103X	MG RESISTOR	10kΩ 1/16W J	
R514	NRSA63J-473X	MG RESISTOR	47kΩ 1/16W J		R1516	NRSA63J-103X	MG RESISTOR	10kΩ 1/16W J	
R515	NRSA63J-221X	MG RESISTOR	220Ω 1/16W J		R1517	NRSA63J-102X	MG RESISTOR	1kΩ 1/16W J	
R516	NRSA63J-221X	MG RESISTOR	220Ω 1/16W J		R1518	NRSA63J-102X	MG RESISTOR	1kΩ 1/16W J	
R517	NRSA63J-471X	MG RESISTOR	470Ω 1/16W J		R1519	NRSA63J-104X	MG RESISTOR	100kΩ 1/16W J	
R518	NRSA63J-471X	MG RESISTOR	470Ω 1/16W J		R1520	NRSA63J-104X	MG RESISTOR	100kΩ 1/16W J	
R519	NRSA63J-473X	MG RESISTOR	47kΩ 1/16W J		R1521	NRSA63J-103X	MG RESISTOR	10kΩ 1/16W J	
R520	NRSA63J-473X	MG RESISTOR	47kΩ 1/16W J		R1522	NRSA63J-103X	MG RESISTOR	10kΩ 1/16W J	
R529	NRSA63J-102X	MG RESISTOR	1kΩ 1/16W J		R1523	NRSA63J-102X	MG RESISTOR	1kΩ 1/16W J	
R530	NRSA63J-102X	MG RESISTOR	1kΩ 1/16W J		R1525	NRSA63J-104X	MG RESISTOR	100kΩ 1/16W J	
R531	NRSA63J-511X	MG RESISTOR	510Ω 1/16W J		R1527	NRSA63J-103X	MG RESISTOR	10kΩ 1/16W J	
R532	NRSA63J-511X	MG RESISTOR	510Ω 1/16W J		R1529	NRSA63J-102X	MG RESISTOR	1kΩ 1/16W J	
R533	NRSA63J-561X	MG RESISTOR	560Ω 1/16W J		R1530	NRSA63J-102X	MG RESISTOR	1kΩ 1/16W J	
R534	NRSA63J-561X	MG RESISTOR	560Ω 1/16W J		R1531	NRSA63J-104X	MG RESISTOR	100kΩ 1/16W J	
R535	NRSA63J-241X	MG RESISTOR	240Ω 1/16W J		R1532	NRSA63J-104X	MG RESISTOR	100kΩ 1/16W J	
R536	NRSA63J-241X	MG RESISTOR	240Ω 1/16W J		R1533	NRSA63J-103X	MG RESISTOR	10kΩ 1/16W J	
R537	NRSA63J-103X	MG RESISTOR	10kΩ 1/16W J		R1534	NRSA63J-103X	MG RESISTOR	10kΩ 1/16W J	
R538	NRSA63J-103X	MG RESISTOR	10kΩ 1/16W J		R1535	NRSA63J-103X	MG RESISTOR	10kΩ 1/16W J	
R539	NRSA63J-102X	MG RESISTOR	1kΩ 1/16W J		R1536	NRSA63J-103X	MG RESISTOR	10kΩ 1/16W J	
R540	NRSA63J-105X	MG RESISTOR	1MΩ 1/16W J		R1537	NRSA63J-103X	MG RESISTOR	10kΩ 1/16W J	
R541	NRSA63J-102X	MG RESISTOR	1kΩ 1/16W J		R1538	NRSA63J-103X	MG RESISTOR	10kΩ 1/16W J	
R542	NRSA63J-102X	MG RESISTOR	1kΩ 1/16W J		R1541	NRSA63J-102X	MG RESISTOR	1kΩ 1/16W J	
R543	NRSA63J-102X	MG RESISTOR	1kΩ 1/16W J		R1542	NRSA63J-474X	MG RESISTOR	470kΩ 1/16W J	
R544	NRSA63J-102X	MG RESISTOR	1kΩ 1/16W J		R1551	NRSA63J-223X	MG RESISTOR	22kΩ 1/16W J	
R545	NRSA63J-103X	MG RESISTOR	10kΩ 1/16W J		R1552	NRSA63J-223X	MG RESISTOR	22kΩ 1/16W J	
R546	NRSA63J-103X	MG RESISTOR	10kΩ 1/16W J		R1553	NRSA63J-514X	MG RESISTOR	510kΩ 1/16W J	
R547	NRSA63J-102X	MG RESISTOR	1kΩ 1/16W J		R1554	NRSA63J-220X	MG RESISTOR	22Ω 1/16W J	
R548	NRSA63J-105X	MG RESISTOR	1MΩ 1/16W J		R1555	NRSA63J-103X	MG RESISTOR	10kΩ 1/16W J	
R551	NRSA63J-104X	MG RESISTOR	100kΩ 1/16W J		R1556	NRSA63J-101X	MG RESISTOR	100Ω 1/16W J	
R552	NRSA63J-102X	MG RESISTOR	1kΩ 1/16W J		R1561	NRSA63J-123X	MG RESISTOR	12kΩ 1/16W J	
R553	NRSA63J-133X	MG RESISTOR	13kΩ 1/16W J		R1562	NRSA63J-274X	MG RESISTOR	270kΩ 1/16W J	
R554	NRSA63J-104X	MG RESISTOR	100kΩ 1/16W J		R1563	NRSA63J-220X	MG RESISTOR	22Ω 1/16W J	
R555	NRSA63J-105X	MG RESISTOR	1MΩ 1/16W J		R1564	NRSA63J-103X	MG RESISTOR	10kΩ 1/16W J	
R556	NRSA63J-221X	MG RESISTOR	220Ω 1/16W J		R1565	NRSA63J-101X	MG RESISTOR	100Ω 1/16W J	
R558	NRSA63J-0R0X	MG RESISTOR	0Ω 1/16W J		R1901	NRSA63J-0R0X	MG RESISTOR	0Ω 1/16W J	
R560	NRSA63J-0R0X	MG RESISTOR	0Ω 1/16W J		R1911	NRSA63J-106X	MG RESISTOR	10MΩ 1/16W J	
R563	NRSA63J-103X	MG RESISTOR	10kΩ 1/16W J		R1912	NRSA63J-152X	MG RESISTOR	1.5kΩ 1/16W J	
R564	NRSA63J-103X	MG RESISTOR	10kΩ 1/16W J		R1913	NRSA63J-270X	MG RESISTOR	27Ω 1/16W J	
R565	NRSA63J-103X	MG RESISTOR	10kΩ 1/16W J		R1914	NRSA63J-270X	MG RESISTOR	27Ω 1/16W J	
R566	NRSA63J-102X	MG RESISTOR	1kΩ 1/16W J		R1915	NRSA63J-105X	MG RESISTOR	1MΩ 1/16W J	
R567	NRSA63J-102X	MG RESISTOR	1kΩ 1/16W J		R1916	NRSA63J-152X	MG RESISTOR	1.5kΩ 1/16W J	
R568	NRSA63J-331X	MG RESISTOR	330Ω 1/16W J		R1917	NRSA63J-152X	MG RESISTOR	1.5kΩ 1/16W J	
R569	NRSA63J-223X	MG RESISTOR	22kΩ 1/16W J		R1920	NRSA63J-152X	MG RESISTOR	1.5kΩ 1/16W J	
R570	NRSA63J-472X	MG RESISTOR	4.7kΩ 1/16W J		R1921	NRSA63J-152X	MG RESISTOR	1.5kΩ 1/16W J	
R571	NRSA63J-223X	MG RESISTOR	22kΩ 1/16W J		R1922	NRSA63J-152X	MG RESISTOR	1.5kΩ 1/16W J	
R573	NRSA63J-0R0X	MG RESISTOR	0Ω 1/16W J		R1923	NRSA63J-152X	MG RESISTOR	1.5kΩ 1/16W J	
R574	NRSA63J-103X	MG RESISTOR	10kΩ 1/16W J		R1924	NRSA63J-101X	MG RESISTOR	100Ω 1/16W J	
R575	NRSA63J-102X	MG RESISTOR	1kΩ 1/16W J		R1925	NRSA63J-0R0X	MG RESISTOR	0Ω 1/16W J	
R576	NRSA63J-102X	MG RESISTOR	1kΩ 1/16W J		R2001	NRSA63J-104X	MG RESISTOR	100kΩ 1/16W J	
R577	NRSA63J-102X	MG RESISTOR	1kΩ 1/16W J		R2002	NRSA63J-104X	MG RESISTOR	100kΩ 1/16W J	
R578	NRSA63J-102X	MG RESISTOR	1kΩ 1/16W J		R2011	NRSA63J-223X	MG RESISTOR	22kΩ 1/16W J	
R579	NRSA63J-102X	MG RESISTOR	1kΩ 1/16W J		R2012	NRSA63J-223X	MG RESISTOR	22kΩ 1/16W J	
R581	NRSA63J-153X	MG RESISTOR	15kΩ 1/16W J		R2013	NRSA63J-223X	MG RESISTOR	22kΩ 1/16W J	
△ R582	QRZ9015-2R2X	FUSI RESISTOR	2.2Ω		R2014	NRSA63J-223X	MG RESISTOR	22kΩ 1/16W J	
△ R583	QRZ9015-2R2X	FUSI RESISTOR	2.2Ω		R2017	NRSA63J-472X	MG RESISTOR	4.7kΩ 1/16W J	
R584	NRSA63J-103X	MG RESISTOR	10kΩ 1/16W J		R2018	NRSA63J-472X	MG RESISTOR	4.7kΩ 1/16W J	
R585	NRSA63J-153X	MG RESISTOR	15kΩ 1/16W J		R2021	NRSA63J-331X	MG RESISTOR	330Ω 1/16W J	
R589	NRSA63J-103X	MG RESISTOR	10kΩ 1/16W J		R2022	NRSA63J-331X	MG RESISTOR	330Ω 1/16W J	
R590	NRSA63J-103X	MG RESISTOR	10kΩ 1/16W J		R2023	NRSA63J-331X	MG RESISTOR	330Ω 1/16W J	
R591	NRSA63J-102X	MG RESISTOR	1kΩ 1/16W J		R2024	NRSA63J-331X	MG RESISTOR	330Ω 1/16W J	
R592	NRSA63J-203X	MG RESISTOR	20kΩ 1/16W J		R2101	NRSA63J-103X	MG RESISTOR	10kΩ 1/16W J	
R594	NRSA63J-752X	MG RESISTOR	7.5kΩ 1/16W J		R2102	NRSA63J-103X	MG RESISTOR	10kΩ 1/16W J	
R595	NRSA63J-103X	MG RESISTOR	10kΩ 1/16W J		R2103	NRSA63J-102X	MG RESISTOR	1kΩ 1/16W J	
R596	NRSA63J-103X	MG RESISTOR	10kΩ 1/16W J		R2104	NRSA63J-102X	MG RESISTOR	1kΩ 1/16W J	
R597	NRSA63J-103X	MG RESISTOR	10kΩ 1/16W J		R2109	NRSA63J-104X	MG RESISTOR	100kΩ 1/16W J	
R598	NRSA63J-103X	MG RESISTOR	10kΩ 1/16W J		R2110	NRSA63J-104X	MG RESISTOR	100kΩ 1/16W J	
R1501	NRSA63J-472X	MG RESISTOR	4.7kΩ 1/16W J		R2111	NRSA63J-102X	MG RESISTOR	1kΩ 1/16W J	
R1502	NRSA63J-472X	MG RESISTOR	4.7kΩ 1/16W J		R2112	NRSA63J-102X	MG RESISTOR	1kΩ 1/16W J	
R1503	NRSA63J-473X	MG RESISTOR	47kΩ 1/16W J		R2113	NRSA63J-102X	MG RESISTOR	1kΩ 1/16W J	
R1504	NRSA63J-473X	MG RESISTOR	47kΩ 1/16W J		R2114	NRSA63J-102X	MG RESISTOR	1kΩ 1/16W J	

△ Symbol No.	Part No.	Part Name	Description	Local	△ Symbol No.	Part No.	Part Name	Description	Local
R2701	NRSA63J-221X	MG RESISTOR	220Ω 1/16W J		R4505	NRSA63J-750X	MG RESISTOR	75Ω 1/16W J	
R2702	NRSA63J-221X	MG RESISTOR	220Ω 1/16W J		R4506	NRSA63J-750X	MG RESISTOR	75Ω 1/16W J	
R2703	NRSA63J-221X	MG RESISTOR	220Ω 1/16W J		R4507	NRSA63J-680X	MG RESISTOR	68Ω 1/16W J	
R2704	NRSA63J-221X	MG RESISTOR	220Ω 1/16W J		R4508	NRSA63J-750X	MG RESISTOR	75Ω 1/16W J	
R2705	NRSA63J-822X	MG RESISTOR	8.2kΩ 1/16W J		R4509	NRSA63J-750X	MG RESISTOR	75Ω 1/16W J	
R2706	NRSA63J-432X	MG RESISTOR	4.3kΩ 1/16W J		R4521	NRSA63J-470X	MG RESISTOR	47Ω 1/16W J	
R2707	NRSA63J-221X	MG RESISTOR	220Ω 1/16W J		R4522	NRS144J-301X	MG RESISTOR	300Ω 1/4W J	
R2713	NRSA63J-103X	MG RESISTOR	10kΩ 1/16W J		R4533	NRSA63J-102X	MG RESISTOR	1kΩ 1/16W J	
R2714	NRSA63J-103X	MG RESISTOR	10kΩ 1/16W J		R5501	NRSA63J-750X	MG RESISTOR	75Ω 1/16W J	
R2715	NRSA63J-103X	MG RESISTOR	10kΩ 1/16W J		R5502	NRSA63J-750X	MG RESISTOR	75Ω 1/16W J	
R2716	NRSA63J-103X	MG RESISTOR	10kΩ 1/16W J		R5503	NRSA63J-750X	MG RESISTOR	75Ω 1/16W J	
R2717	NRSA63J-103X	MG RESISTOR	10kΩ 1/16W J		R5504	NRSA63J-680X	MG RESISTOR	68Ω 1/16W J	
R2721	NRSA63J-103X	MG RESISTOR	10kΩ 1/16W J		R5505	NRSA63J-680X	MG RESISTOR	68Ω 1/16W J	
R2722	NRSA63J-102X	MG RESISTOR	1kΩ 1/16W J		R5506	NRSA63J-680X	MG RESISTOR	68Ω 1/16W J	
R2723	NRSA63J-102X	MG RESISTOR	1kΩ 1/16W J		R5507	NRSA63J-750X	MG RESISTOR	75Ω 1/16W J	
R2724	NRSA63J-822X	MG RESISTOR	8.2kΩ 1/16W J		R5508	NRSA63J-750X	MG RESISTOR	75Ω 1/16W J	
R2725	NRSA63J-432X	MG RESISTOR	4.3kΩ 1/16W J		R5509	NRSA63J-750X	MG RESISTOR	75Ω 1/16W J	
R2726	NRSA63J-822X	MG RESISTOR	8.2kΩ 1/16W J		R5510	NRSA63J-680X	MG RESISTOR	68Ω 1/16W J	
R2727	NRSA63J-432X	MG RESISTOR	4.3kΩ 1/16W J		R5511	NRSA63J-680X	MG RESISTOR	68Ω 1/16W J	
R2728	NRSA63J-221X	MG RESISTOR	220Ω 1/16W J		R5512	NRSA63J-680X	MG RESISTOR	68Ω 1/16W J	
R2731	NRSA63J-221X	MG RESISTOR	220Ω 1/16W J		R5513	NRSA63J-750X	MG RESISTOR	75Ω 1/16W J	
R2732	NRSA63J-221X	MG RESISTOR	220Ω 1/16W J		R5514	NRSA63J-750X	MG RESISTOR	75Ω 1/16W J	
R2733	NRSA63J-221X	MG RESISTOR	220Ω 1/16W J		R5515	NRSA63J-750X	MG RESISTOR	75Ω 1/16W J	
R2734	NRSA63J-221X	MG RESISTOR	220Ω 1/16W J		R5516	NRSA63J-680X	MG RESISTOR	68Ω 1/16W J	
R2735	NRSA63J-221X	MG RESISTOR	220Ω 1/16W J		R5517	NRSA63J-680X	MG RESISTOR	68Ω 1/16W J	
R2736	NRSA63J-221X	MG RESISTOR	220Ω 1/16W J		R5518	NRSA63J-680X	MG RESISTOR	68Ω 1/16W J	
R2737	NRSA63J-221X	MG RESISTOR	220Ω 1/16W J		R5521	NRS144J-301X	MG RESISTOR	300Ω 1/4W J	
R2738	NRSA63J-221X	MG RESISTOR	220Ω 1/16W J		R5522	NRS144J-271X	MG RESISTOR	270Ω 1/4W J	
R2739	NRSA63J-221X	MG RESISTOR	220Ω 1/16W J		R5523	NRS144J-301X	MG RESISTOR	300Ω 1/4W J	
R2740	NRSA63J-221X	MG RESISTOR	220Ω 1/16W J		R5524	NRS144J-301X	MG RESISTOR	300Ω 1/4W J	
R2741	NRSA63J-221X	MG RESISTOR	220Ω 1/16W J		R5525	NRS144J-271X	MG RESISTOR	270Ω 1/4W J	
R2742	NRSA63J-221X	MG RESISTOR	220Ω 1/16W J		R5526	NRS144J-301X	MG RESISTOR	300Ω 1/4W J	
R2743	NRSA63J-221X	MG RESISTOR	220Ω 1/16W J		R5527	NRS144J-301X	MG RESISTOR	300Ω 1/4W J	
R2744	NRSA63J-221X	MG RESISTOR	220Ω 1/16W J		R5528	NRS144J-271X	MG RESISTOR	270Ω 1/4W J	
R2745	NRSA63J-221X	MG RESISTOR	220Ω 1/16W J		R5529	NRS144J-301X	MG RESISTOR	300Ω 1/4W J	
R2751	NRSA63J-102X	MG RESISTOR	1kΩ 1/16W J		R5530	NRSA63J-102X	MG RESISTOR	1kΩ 1/16W J	
R2752	NRSA63J-103X	MG RESISTOR	10kΩ 1/16W J		R5531	NRSA63J-102X	MG RESISTOR	1kΩ 1/16W J	
R2761	NRSA63J-105X	MG RESISTOR	1MΩ 1/16W J		R5532	NRSA63J-102X	MG RESISTOR	1kΩ 1/16W J	
R2762	NRSA63J-105X	MG RESISTOR	1MΩ 1/16W J		R5533	NRSA63J-102X	MG RESISTOR	1kΩ 1/16W J	
R2763	NRSA63J-105X	MG RESISTOR	1MΩ 1/16W J		R5534	NRSA63J-102X	MG RESISTOR	1kΩ 1/16W J	
R2771	NRSA63J-102X	MG RESISTOR	1kΩ 1/16W J		R5535	NRSA63J-102X	MG RESISTOR	1kΩ 1/16W J	
R2772	NRSA63J-105X	MG RESISTOR	1MΩ 1/16W J		R5536	NRSA63J-103X	MG RESISTOR	10kΩ 1/16W J	
R2773	NRSA63J-105X	MG RESISTOR	1MΩ 1/16W J		R5537	NRSA63J-103X	MG RESISTOR	10kΩ 1/16W J	
R2781	NRSA63J-392X	MG RESISTOR	3.9kΩ 1/16W J		R5540	NRSA63J-0R0X	MG RESISTOR	0Ω 1/16W J	
R2782	NRSA63J-392X	MG RESISTOR	3.9kΩ 1/16W J		R5541	NRSA63J-0R0X	MG RESISTOR	0Ω 1/16W J	
R2783	NRSA63J-181X	MG RESISTOR	180Ω 1/16W J		R5555	NRSA63J-102X	MG RESISTOR	1kΩ 1/16W J	
R2784	NRSA63J-181X	MG RESISTOR	180Ω 1/16W J		R5556	NRSA63J-0R0X	MG RESISTOR	0Ω 1/16W J	
R2785	NRSA63J-562X	MG RESISTOR	5.6kΩ 1/16W J		R5561	NRSA63J-0R0X	MG RESISTOR	0Ω 1/16W J	
R2786	NRSA63J-562X	MG RESISTOR	5.6kΩ 1/16W J		R6501	NRSA63J-0R0X	MG RESISTOR	0Ω 1/16W J	
R2787	NRSA63J-181X	MG RESISTOR	180Ω 1/16W J		R6502	NRSA63J-102X	MG RESISTOR	1kΩ 1/16W J	
R2788	NRSA63J-181X	MG RESISTOR	180Ω 1/16W J		R6503	NRSA63J-361X	MG RESISTOR	360Ω 1/16W J	
R2789	NRSA63J-562X	MG RESISTOR	5.6kΩ 1/16W J		R6504	NRSA63J-681X	MG RESISTOR	680Ω 1/16W J	
R2790	NRSA63J-562X	MG RESISTOR	5.6kΩ 1/16W J		R6505	NRSA63J-122X	MG RESISTOR	1.2kΩ 1/16W J	
R2791	NRSA63J-392X	MG RESISTOR	3.9kΩ 1/16W J		R6506	NRSA63J-182X	MG RESISTOR	1.8kΩ 1/16W J	
R2792	NRSA63J-392X	MG RESISTOR	3.9kΩ 1/16W J		R6507	NRSA63J-101X	MG RESISTOR	100Ω 1/16W J	
R2861	NRSA63J-221X	MG RESISTOR	220Ω 1/16W J		R6508	NRSA63J-101X	MG RESISTOR	100Ω 1/16W J	
R2862	NRSA63J-392X	MG RESISTOR	3.9kΩ 1/16W J		R6509	NRSA63J-0R0X	MG RESISTOR	0Ω 1/16W J	
R2863	NRSA63J-392X	MG RESISTOR	3.9kΩ 1/16W J		R6510	NRSA63J-821X	MG RESISTOR	820Ω 1/16W J	
R2864	NRSA63J-202X	MG RESISTOR	2kΩ 1/16W J		R6511	NRSA63J-0R0X	MG RESISTOR	0Ω 1/16W J	
R2865	NRSA63J-202X	MG RESISTOR	2kΩ 1/16W J		R6512	NRSA63J-391X	MG RESISTOR	390Ω 1/16W J	
R2868	NRSA63J-0R0X	MG RESISTOR	0Ω 1/16W J		R6513	NRSA63J-152X	MG RESISTOR	1.5kΩ 1/16W J	
R2871	NRSA63J-750X	MG RESISTOR	75Ω 1/16W J		R6514	NRSA63J-0R0X	MG RESISTOR	0Ω 1/16W J	
R2872	NRSA63J-102X	MG RESISTOR	1kΩ 1/16W J		R6516	NRSA63J-561X	MG RESISTOR	560Ω 1/16W J	
R2873	NRSA63J-102X	MG RESISTOR	1kΩ 1/16W J		R6517	NRSA63J-391X	MG RESISTOR	390Ω 1/16W J	
R2874	NRSA63J-102X	MG RESISTOR	1kΩ 1/16W J		R6518	NRSA63J-152X	MG RESISTOR	1.5kΩ 1/16W J	
R2875	NRSA63J-102X	MG RESISTOR	1kΩ 1/16W J		R6519	NRSA63J-0R0X	MG RESISTOR	0Ω 1/16W J	
R2921	NRSA63J-333X	MG RESISTOR	33kΩ 1/16W J		R6520	NRSA63J-133X	MG RESISTOR	13kΩ 1/16W J	
R2922	NRSA63J-223X	MG RESISTOR	22kΩ 1/16W J		R6521	NRSA63J-103X	MG RESISTOR	10kΩ 1/16W J	
R2936	NRSA63J-0R0X	MG RESISTOR	0Ω 1/16W J		R6522	NRSA63J-222X	MG RESISTOR	2.2kΩ 1/16W J	
R2937	NRSA63J-0R0X	MG RESISTOR	0Ω 1/16W J		R6523	NRSA63J-182X	MG RESISTOR	1.8kΩ 1/16W J	
R2942	NRSA63J-0R0X	MG RESISTOR	0Ω 1/16W J		R6524	NRSA63J-681X	MG RESISTOR	680Ω 1/16W J	
R2943	NRSA63J-0R0X	MG RESISTOR	0Ω 1/16W J		R6525	NRSA63J-102X	MG RESISTOR	1kΩ 1/16W J	
R2947	NRSA63J-0R0X	MG RESISTOR	0Ω 1/16W J		R6526	NRSA63J-101X	MG RESISTOR	100Ω 1/16W J	
R2950	NRSA63J-0R0X	MG RESISTOR	0Ω 1/16W J		R6527	NRSA63J-102X	MG RESISTOR	1kΩ 1/16W J	
R4501	NRSA63J-750X	MG RESISTOR	75Ω 1/16W J		R6528	NRSA63J-101X	MG RESISTOR	100Ω 1/16W J	
R4502	NRSA63J-750X	MG RESISTOR	75Ω 1/16W J		R6531	NRSA63J-222X	MG RESISTOR	2.2kΩ 1/16W J	
R4503	NRSA63J-750X	MG RESISTOR	75Ω 1/16W J		R6532	NRSA63J-222X	MG RESISTOR	2.2kΩ 1/16W J	
R4504	NRSA63J-750X	MG RESISTOR	75Ω 1/16W J		R6533	NRSA63J-561X	MG RESISTOR	560Ω 1/16W J	

△ Symbol No.	Part No.	Part Name	Description	Local
R6534	NRSA63J-103X	MG RESISTOR	10kΩ 1/16W J	
R6535	NRSA63J-103X	MG RESISTOR	10kΩ 1/16W J	
R6537	NRSA63J-152X	MG RESISTOR	1.5kΩ 1/16W J	
R6538	NRSA63J-153X	MG RESISTOR	15kΩ 1/16W J	
R6539	NRSA63J-102X	MG RESISTOR	1kΩ 1/16W J	
R6540	NRSA63J-562X	MG RESISTOR	5.6kΩ 1/16W J	
R6541	NRSA63J-222X	MG RESISTOR	2.2kΩ 1/16W J	
R6542	NRSA63J-222X	MG RESISTOR	2.2kΩ 1/16W J	
R6543	NRSA63J-561X	MG RESISTOR	560Ω 1/16W J	
R6544	NRSA63J-391X	MG RESISTOR	390Ω 1/16W J	
R6545	NRSA63J-224X	MG RESISTOR	220kΩ 1/16W J	
R6551	NRSA63J-132X	MG RESISTOR	1.3kΩ 1/16W J	
R6552	NRSA63J-152X	MG RESISTOR	1.5kΩ 1/16W J	
R6553	NRSA63J-222X	MG RESISTOR	2.2kΩ 1/16W J	
R6554	NRSA63J-222X	MG RESISTOR	2.2kΩ 1/16W J	
R6555	NRSA63J-102X	MG RESISTOR	1kΩ 1/16W J	
R6556	NRSA63J-102X	MG RESISTOR	1kΩ 1/16W J	
R6558	NRSA63J-302X	MG RESISTOR	3kΩ 1/16W J	
R6559	NRSA63J-361X	MG RESISTOR	360Ω 1/16W J	
R6560	NRSA63J-101X	MG RESISTOR	100Ω 1/16W J	
R6561	NRSA63J-101X	MG RESISTOR	100Ω 1/16W J	
R6562	NRSA63J-332X	MG RESISTOR	3.3kΩ 1/16W J	
R6563	NRSA63J-682X	MG RESISTOR	6.8kΩ 1/16W J	
R6564	NRSA63J-303X	MG RESISTOR	30kΩ 1/16W J	
R6565	NRSA63J-0R0X	MG RESISTOR	0Ω 1/16W J	
R6566	NRSA63J-0R0X	MG RESISTOR	0Ω 1/16W J	
R6567	NRSA63J-0R0X	MG RESISTOR	0Ω 1/16W J	
L1911	NQL085J-100X	COIL	10uH J	
L5501	QQL244K-100Z	COIL	10uH K	
L5502	QQL244K-100Z	COIL	10uH K	
L6501	QQL244K-100Z	COIL	10uH K	
L6502	QQL244K-100Z	COIL	10uH K	
L6503	NQL085J-100X	COIL	10uH J	
L6504	NQL085J-100X	COIL	10uH J	
L6505	NQL085J-100X	COIL	10uH J	
L6506	NQL085J-100X	COIL	10uH J	
L6507	NQL085J-220X	COIL	22uH J	
L6508	NQL085J-6R8X	COIL	6.8uH J	
L6509	NQL085J-6R8X	COIL	6.8uH J	
CN502	QGF1205C2-11	CONNECTOR	FFC/FPC (1-11)	
CN503	QGB1224J1-11	CONNECTOR	B-B (1-11)	
CN504	QGF1205C2-11	CONNECTOR	FFC/FPC (1-11)	
CN506	QGA2001C1-09	CONNECTOR	W-B (1-9)	
CN507	QGA2001C1-07	CONNECTOR	W-B (1-7)	
CN508	QGA2501C1-07	CONNECTOR	W-B (1-7)	
CN509	QGA2501C1-11	CONNECTOR	W-B (1-11)	
CN513	QGB1224K1-11	CONNECTOR	B-B (1-11)	
CN521	QJK002-021102-E	SIN CR C-B WIRE		
CN524	QGB2510J1-12	CONNECTOR	B-B (1-12)	
CN525	QGB2510J1-12	CONNECTOR	B-B (1-12)	
CN526	QGB2510K1-11	CONNECTOR	B-B (1-11)	
CN527	QGB2510K1-12	CONNECTOR	B-B (1-12)	
CN528	QGF1205C2-07	CONNECTOR	FFC/FPC (1-7)	
CN533	QGA2001F1-04	CONNECTOR	W-B (1-4)	
CN534	QGB2510K1-12	CONNECTOR	B-B (1-12)	
CN535	QGB2510K1-12	CONNECTOR	B-B (1-12)	
CN661	QGA2501F1-03	CONNECTOR	W-B (1-3)	
CN662	QGA2501F1-05	CONNECTOR	W-B (1-5)	
CN681	QGF1205C2-11	CONNECTOR	FFC/FPC (1-11)	
CN683	QGB2510J1-11	CONNECTOR	B-B (1-11)	
CN911	QGA2001C1-04	CONNECTOR	W-B (1-4)	
CN921	QGA2501C1-03	CONNECTOR	W-B (1-3)	
EP501	QNZ0136-001Z	EARTH PLATE		
EP681	E409182-001SM	GRAND TERMINAL		
EP911	QNZ0136-001Z	EARTH PLATE		
FW505	WJS0048-003A-E	E-FL/RB WIRE		
FW523	WJS0077-001A-E	E-FL/RB WIRE		
J501	QNN0476-001	PIN JACK		
J502	QNN0476-001	PIN JACK		
J503	QNN0476-001	PIN JACK		
J505	QNN0480-001	PIN JACK		
J681	QNN0481-001	SURROUND JACK		
J1901	QNS0247-001	JACK		
J1902	QNZ0783-002	USB CONNECTOR		
J4501	QNN0782-001	PIN JACK		
J5501	QNN0570-001	PIN JACK		

△ Symbol No.	Part No.	Part Name	Description	Local
J5502	QNN0570-001	PIN JACK		
J5503	QNN0570-001	PIN JACK		
K2861	NQR0269-004X	FERRITE BEADS		
UN682	TORX177	OPT RECEIVER		
UN683	TORX177	OPT RECEIVER		
X501	QAX0246-001Z	C RESONATOR	8.00MHz	
X661	QAX0722-001Z	CRYSTAL	24.576MHz	
X671	QAX0719-001Z	C RESONATOR	6.144MHz	
X1911	QAX0320-001Z	CRYSTAL	12.000MHz	
X6501	QAX0880-001Z	CRYSTAL		
X6502	QAX0880-001Z	CRYSTAL		
X6503	QAX0687-001	C RESONATOR	503.50kHz	

XM board

Block No. [0][4]

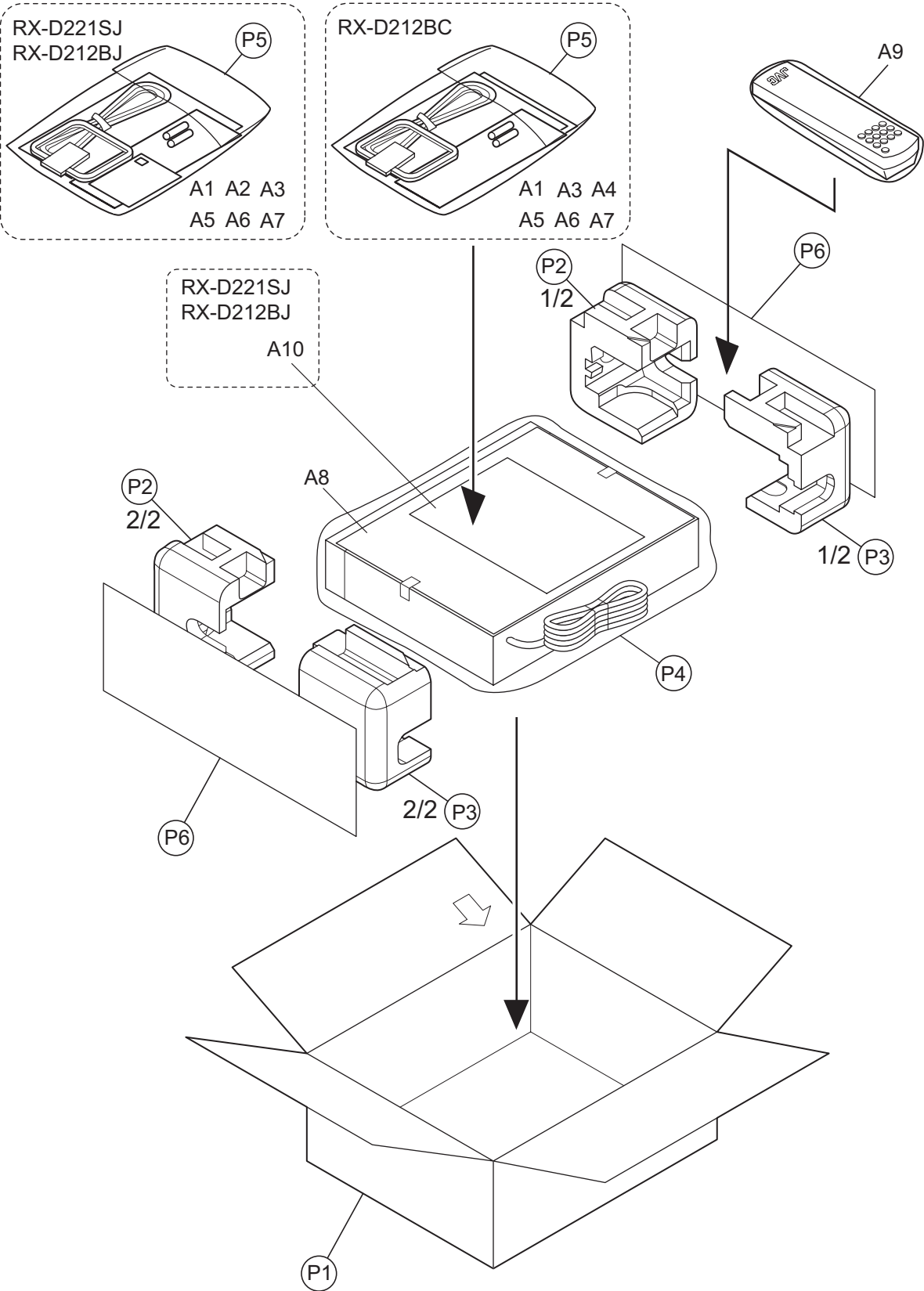
△ Symbol No.	Part No.	Part Name	Description	Local
IC991	F2602E-01-W	IC		
IC992	DIT40961PW-X	IC(DIGITAL)		
Q9001	KTA1046/Y/	TRANSISTOR		
Q9002	RT1N141C-X	DIGI TRANSISTOR		
Q9003	RT1N144C-X	DIGI TRANSISTOR		
Q9004	RT1N144C-X	DIGI TRANSISTOR		
D9001	UDZW5.1B-X	SB DIODE		
D9002	UDZW5.1B-X	SB DIODE		
D9003	UDZW5.1B-X	SB DIODE		
D9004	UDZW5.1B-X	SB DIODE		
D9005	1SS355W-X	DIODE		
C9001	NDC31HJ-200X	C CAPACITOR	20pF 50V J	
C9002	NDC31HJ-200X	C CAPACITOR	20pF 50V J	
C9003	NDC31HJ-200X	C CAPACITOR	20pF 50V J	
C9004	NDC31HJ-200X	C CAPACITOR	20pF 50V J	
C9005	NCB31CK-104X	C CAPACITOR	0.1uF 16V K	
C9006	NCB31CK-104X	C CAPACITOR	0.1uF 16V K	
C9007	NCB31CK-104X	C CAPACITOR	0.1uF 16V K	
C9008	NCB31CK-104X	C CAPACITOR	0.1uF 16V K	
C9009	NCB31CK-104X	C CAPACITOR	0.1uF 16V K	
C9010	NCB31CK-104X	C CAPACITOR	0.1uF 16V K	
C9011	NCB31CK-104X	C CAPACITOR	0.1uF 16V K	
C9012	NDC31HJ-5R0X	C CAPACITOR	5pF 50V J	
C9013	NDC31HJ-5R0X	C CAPACITOR	5pF 50V J	
C9014	QETN1EM-476Z	E CAPACITOR	47uF 25V M	
C9015	NCB31CK-104X	C CAPACITOR	0.1uF 16V K	
C9016	NCB31CK-104X	C CAPACITOR	0.1uF 16V K	
C9017	NCB31CK-104X	C CAPACITOR	0.1uF 16V K	
C9019	NDC31HJ-390X	C CAPACITOR	39pF 50V J	
C9020	NCB31CK-104X	C CAPACITOR	0.1uF 16V K	
C9021	QETN1EM-476Z	E CAPACITOR	47uF 25V M	
R9001	NRSA63J-101X	MG RESISTOR	100Ω 1/16W J	
R9002	NRSA63J-101X	MG RESISTOR	100Ω 1/16W J	
R9003	NRSA63J-102X	MG RESISTOR	1kΩ 1/16W J	
R9004	NRSA63J-102X	MG RESISTOR	1kΩ 1/16W J	
R9005	NRSA63J-104X	MG RESISTOR	100kΩ 1/16W J	
R9006	NRSA63J-104X	MG RESISTOR	100kΩ 1/16W J	
R9007	NRSA63J-104X	MG RESISTOR	100kΩ 1/16W J	
R9008	NRSA63J-0R0X	MG RESISTOR	0Ω 1/16W J	
R9009	NRSA63J-104X	MG RESISTOR	100kΩ 1/16W J	
R9010	NRSA63J-104X	MG RESISTOR	100kΩ 1/16W J	
R9011	NRSA63J-104X	MG RESISTOR	100kΩ 1/16W J	
R9012	NRSA63J-101X	MG RESISTOR	100Ω 1/16W J	
R9013	NRSA63J-332X	MG RESISTOR	3.3kΩ 1/16W J	
R9014	NRSA63J-101X	MG RESISTOR	100Ω 1/16W J	
R9015	NRSA63J-221X	MG RESISTOR	220Ω 1/16W J	
R9016	NRSA63J-221X	MG RESISTOR	220Ω 1/16W J	
R9017	NRSA63J-221X	MG RESISTOR	220Ω 1/16W J	
R9018	NRSA63J-221X	MG RESISTOR	220Ω 1/16W J	
R9019	NRSA63J-511X	MG RESISTOR	510Ω 1/16W J	
R9021	NRSA63J-822X	MG RESISTOR	8.2kΩ 1/16W J	
R9022	NRSA63J-432X	MG RESISTOR	4.3kΩ 1/16W J	

Symbol No.	Part No.	Part Name	Description	Local
R9025	NRSA63J-432X	MG RESISTOR	4.3kΩ 1/16W J	
R9026	NRSA63J-822X	MG RESISTOR	8.2kΩ 1/16W J	
R9027	NRSA63J-102X	MG RESISTOR	1kΩ 1/16W J	
R9028	NRSA63J-102X	MG RESISTOR	1kΩ 1/16W J	
R9029	NRSA63J-474X	MG RESISTOR	470kΩ 1/16W J	
R9030	NRSA63J-103X	MG RESISTOR	10kΩ 1/16W J	
L9001	NQL085J-1R0X	OSC COIL	1uH J	
L9002	NQL085J-1R0X	OSC COIL	1uH J	
BK991	LV36915-002A	EARTH BKT(C)		
CN538	QGF1205F2-07	CONNECTOR	FFC/FPC (1-7)	
CN993	WJP0072-002A-E	E-SH C WIRE C-B		
J9001	NNZ0169-001X	I/F CONNECTOR		
X9001	NAX0161-002X	CRYSTAL		

Packing materials and accessories parts list

Block No. M 3 M M

No additional / supplemental order of WARRANTY CARDS are available



Packing and Accessories

Block No. [M][3][M][M]

△ Symbol No.	Part No.	Part Name	Description	Local
A 1	LVT1557-001A	INST BOOK	ENG	D211SJ,D212BJ
A 1	LVT1557-002A	INST BOOK	ENG FRE	D212BC
A 2	BT-51034-2	REGISTRATION CARD		D211SJ,D212BJ
A 3	YU20333	SAFETY INST.		
A 4	-----	WARRANTY CARD	BT-52006-2	D212BC
A 5	QAL0476-002	AM LOOP ANT		
A 6	QAL0457-001	ANT.WIRE		
A 7	-----	BATTERY	1.5V(x2)	
A 8	LV30256-015A	SHEET		
A 9	RM-SRXD211J	REMOCON		
A10	LVT1590-001A	GUIDE SHEET		D211SJ,D212BJ
P 1	LV22331-015A	CARTON BOX		D211SJ
P 1	LV22331-016A	CARTON BOX		D212BJ
P 1	LV22331-017A	CARTON BOX		D212BC
P 2	LV21926-001A	CUSHION(FRONT)		
P 3	LV21927-001A	CUSHION(REAR)		
P 4	QPC06507015P	POLY BAG	65cm x 70cm	
P 5	QPA02503505P	POLY BAG	25cm x 35cm	
P 6	LV32034-017A	SHEET	(x2)	