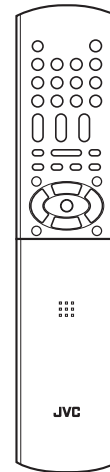
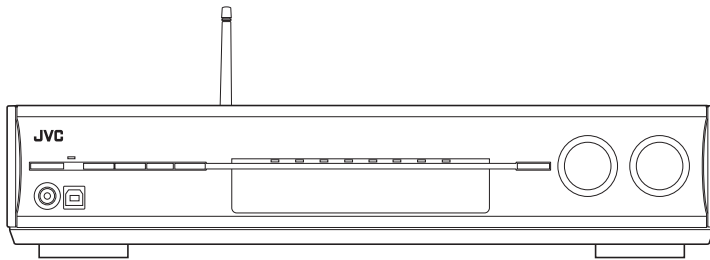


JVC

SERVICE MANUAL

AUDIO/VIDEO CONTROL RECEIVER

RX-D301S, RX-D302B



RX-D301S	
Area suffix	
A	----- Australia
B	----- U.K.
E	----- Continental Europe
EN	----- Northern Europe

RX-D302B	
Area suffix	
B	----- U.K.
E	----- Continental Europe
EN	----- Northern Europe



Lead free solder used in the board (material : Sn-Ag-Cu, melting point : 219 Centigrade)

TABLE OF CONTENTS

1	PRECAUTIONS	1-3
2	SPECIFIC SERVICE INSTRUCTIONS	1-6
3	DISASSEMBLY	1-7
4	ADJUSTMENT	1-20
5	TROUBLESHOOTING	1-21

SPECIFICATION

Amplifier			
Output Power	At stereo operation	Front channels	110 W per channel, min. RMS, driven into 6 Ω at 1 kHz with no more than 0.8% total harmonic distortion.
	At surround operation	Front channels	110 W per channel, min. RMS, driven into 6 Ω at 1 kHz with no more than 0.8% total harmonic distortion.
		Center channel	110 W, min. RMS, driven into 6 Ω at 1 kHz, with no more than 0.8% total harmonic distortion.
		Surround channels	110 W per channel, min. RMS, driven into 6 Ω at 1 kHz with no more than 0.8% total harmonic distortion.
		Surround back channels	110 W per channel, min. RMS, driven into 6 Ω at 1 kHz with no more than 0.8% total harmonic distortion.
Audio	Audio Input Sensitivity/Impedance	DVR/DVD (DVD MULTI), VCR, DBS, TV	270 mV/47 kΩ
	Audio Input (DIGITAL IN)*1	Coaxial: DIGITAL IN 1(DVR/DVD)	0.5 V(p-p)/75 Ω
		Optical: DIGITAL IN 2(DBS), 3(VCR)	-21 dBm to -15 dBm (660 nm ±30 nm)
		USB: USB WIRELESS	USB TERMINAL
	Audio Output Level	DVR, VCR	270 mV
	Signal-to-Noise Ratio (*66 IHF/78 IHF)		80 dB/62 dB
	Frequency Response (6 Ω)		20 Hz to 20 kHz (±1 dB)
	Bass Boost		+4 dB ±1 dB at 100 Hz
	Equalization (at DSP operation)	Center frequency	
Control range			±8 dB
Video	Video Input Sensitivity/Impedance	Composite video: DVR/DVD, VCR, DBS	1 V(p-p)/75 Ω
		S-video: DVR/DVD, VCR, DBS	Y (luminance): 1 V(p-p)/75 Ω C (chrominance, burst): 0.3 V(p-p)/75 Ω
		Component: DVR/DVD, VCR (DBS)	Y (luminance): 1 V(p-p)/75 Ω PB, PR: 0.7 V(p-p)/75 Ω
	Video Output Level/Impedance	Composite video: DVR, VCR, MONITOR OUT	1 V(p-p)/75 Ω
		S-video: DVR, VCR, MONITOR OUT	Y (luminance): 1 V(p-p)/75 Ω C (chrominance, burst): 0.3 V(p-p)/75 Ω
		Component: MONITOR OUT	Y (luminance): 1 V(p-p)/75 Ω PB, PR: 0.7 V(p-p)/75 Ω
	Synchronization		Negative
FM tuner (IHF)			
Tuning Range		87.50 MHz to 108.00 MHz	
Usable Sensitivity	Monaural	12.8 dBf (1.2 μV/75 Ω) for A version 17.0 dBf (1.9 μV/75 Ω) for Europe version	
50 dB Quieting Sensitivity	Monaural	16.0 dBf (1.7 μV/75 Ω) for A version 21.3 dBf (3.2 μV/75 Ω) for Europe version	
	Stereo	37.5 dBf (20.5 μV/75 Ω) for A version 41.3 dBf (31.8 μV/75 Ω) for Europe version	
Stereo Separation at REC OUT		35 dB at 1 kHz	
AM tuner			
Tuning Range		531 kHz to 1 710 kHz (at 9 kHz intervals) 522 kHz to 1 629 kHz (at 10 kHz intervals)	
General			
Power Requirements		AC 240 V , 50 Hz for A version AC 230 V , 50 Hz for Europe version	
Power Consumption		180 W (at operation) 5.8 W (in standby mode) for A version 0.9 W (in standby mode) for Europe version	
Dimensions (W × H × D)		435 mm × 91.5 mm × 371 mm	
Mass		6.8 kg	
USB WIRELESS SYSTEM		The USB wireless transmitter supplied with this receiver supports Direct Sequence Spreading Spectrum (DSSS) using 2.4 GHz frequency band.	

*2: Corresponding to Linear PCM, Dolby Digital, and DTS (with sampling frequency -32 kHz, 44.1 kHz, 48 kHz).
Designs and specifications are subject to change without notice.

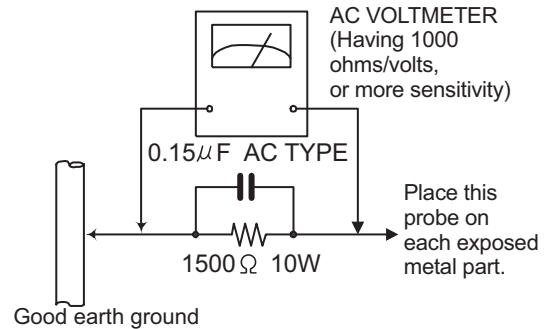
SECTION 1 PRECAUTIONS

1.1 Safety Precautions

- (1) This design of this product contains special hardware and many circuits and components specially for safety purposes. For continued protection, no changes should be made to the original design unless authorized in writing by the manufacturer. Replacement parts must be identical to those used in the original circuits. Services should be performed by qualified personnel only.
- (2) Alterations of the design or circuitry of the product should not be made. Any design alterations of the product should not be made. Any design alterations or additions will void the manufacturer's warranty and will further relieve the manufacturer of responsibility for personal injury or property damage resulting therefrom.
- (3) Many electrical and mechanical parts in the products have special safety-related characteristics. These characteristics are often not evident from visual inspection nor can the protection afforded by them necessarily be obtained by using replacement components rated for higher voltage, wattage, etc. Replacement parts which have these special safety characteristics are identified in the Parts List of Service Manual. Electrical components having such features are identified by shading on the schematics and by (Δ) on the Parts List in the Service Manual. The use of a substitute replacement which does not have the same safety characteristics as the recommended replacement parts shown in the Parts List of Service Manual may create shock, fire, or other hazards.
- (4) The leads in the products are routed and dressed with ties, clamps, tubings, barriers and the like to be separated from live parts, high temperature parts, moving parts and/or sharp edges for the prevention of electric shock and fire hazard. When service is required, the original lead routing and dress should be observed, and it should be confirmed that they have been returned to normal, after reassembling.
- (5) Leakage shock hazard testing
After reassembling the product, always perform an isolation check on the exposed metal parts of the product (antenna terminals, knobs, metal cabinet, screw heads, headphone jack, control shafts, etc.) to be sure the product is safe to operate without danger of electrical shock. Do not use a line isolation transformer during this check.
 - Plug the AC line cord directly into the AC outlet. Using a "Leakage Current Tester", measure the leakage current from each exposed metal part of the cabinet, particularly any exposed metal part having a return path to the chassis, to a known good earth ground. Any leakage current must not exceed 0.5mA AC (r.m.s.).
 - Alternate check method
Plug the AC line cord directly into the AC outlet. Use an AC voltmeter having, 1,000 Ω per volt or more sensitivity in the following manner. Connect a 1,500 Ω 10W resistor paralleled by a 0.15 μ F AC-type capacitor between an exposed metal part and a known good earth ground. Measure the AC voltage across the resistor with the AC

voltmeter.

Move the resistor connection to each exposed metal part, particularly any exposed metal part having a return path to the chassis, and measure the AC voltage across the resistor. Now, reverse the plug in the AC outlet and repeat each measurement. Voltage measured any must not exceed 0.75 V AC (r.m.s.). This corresponds to 0.5 mA AC (r.m.s.).



1.2 Warning

- (1) This equipment has been designed and manufactured to meet international safety standards.
- (2) It is the legal responsibility of the repairer to ensure that these safety standards are maintained.
- (3) Repairs must be made in accordance with the relevant safety standards.
- (4) It is essential that safety critical components are replaced by approved parts.
- (5) If mains voltage selector is provided, check setting for local voltage.

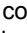
1.3 Caution

Burrs formed during molding may be left over on some parts of the chassis.
Therefore, pay attention to such burrs in the case of pre-forming repair of this system.

1.4 Critical parts for safety

In regard with component parts appearing on the silk-screen printed side (parts side) of the PWB diagrams, the parts that are printed over with black such as the resistor (\blacksquare), diode (\blacksquare) and ICP (\bullet) or identified by the " Δ " mark nearby are critical for safety. When replacing them, be sure to use the parts of the same type and rating as specified by the manufacturer. (This regulation does not Except the J and C version)

1.5 Safety Precautions (U.K only)

- (1) This design of this product contains special hardware and many circuits and components specially for safety purposes. For continued protection, no changes should be made to the original design unless authorized in writing by the manufacturer. Replacement parts must be identical to those used in the original circuits.
- (2) Any unauthorised design alterations or additions will void the manufacturer's guarantee; furthermore the manufacturer cannot accept responsibility for personal injury or property damage resulting therefrom.
- (3) Essential safety critical components are identified by () on the Parts List and by shading on the schematics, and must never be replaced by parts other than those listed in the manual. Please note however that many electrical and mechanical parts in the product have special safety related characteristics. These characteristics are often not evident from visual inspection. Parts other than specified by the manufacturer may not have the same safety characteristics as the recommended replacement parts shown in the Parts List of the Service Manual and may create shock, fire, or other hazards.
- (4) The leads in the products are routed and dressed with ties, clamps, tubings, barriers and the like to be separated from live parts, high temperature parts, moving parts and/or sharp edges for the prevention of electric shock and fire hazard. When service is required, the original lead routing and dress should be observed, and it should be confirmed that they have been returned to normal, after re-assembling.

1.5.1 Warning

- (1) Service should be performed by qualified personnel only.
- (2) This equipment has been designed and manufactured to meet international safety standards.
- (3) It is the legal responsibility of the repairer to ensure that these safety standards are maintained.
- (4) Repairs must be made in accordance with the relevant safety standards.
- (5) It is essential that safety critical components are replaced by approved parts.
- (6) If mains voltage selector is provided, check setting for local voltage.

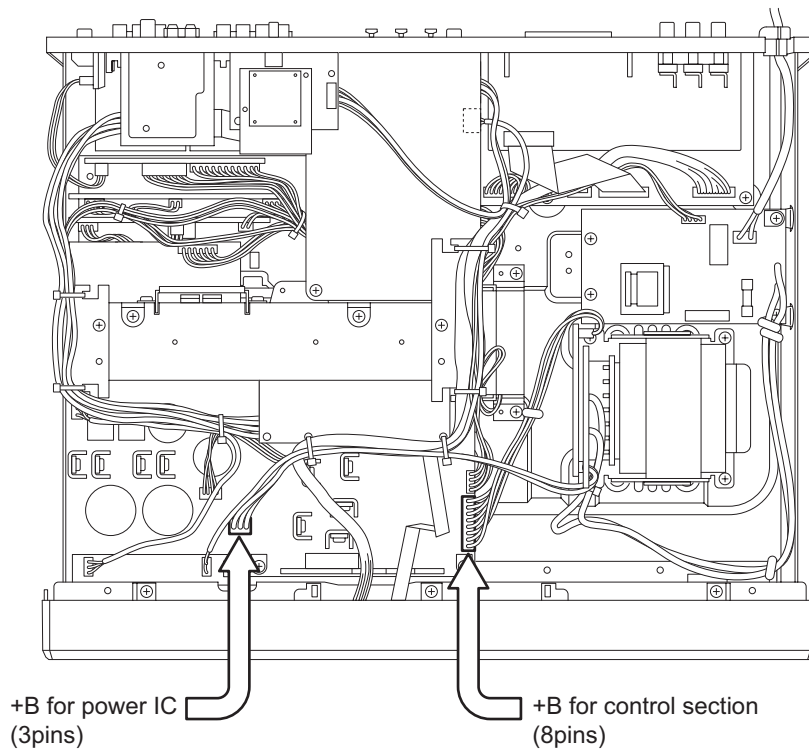


CAUTION Burrs formed during molding may be left over on some parts of the chassis. Therefore, pay attention to such burrs in the case of performing repair of this system.

1.6 Caution after repairs

There are two power supply as the second power supply of the transformer.

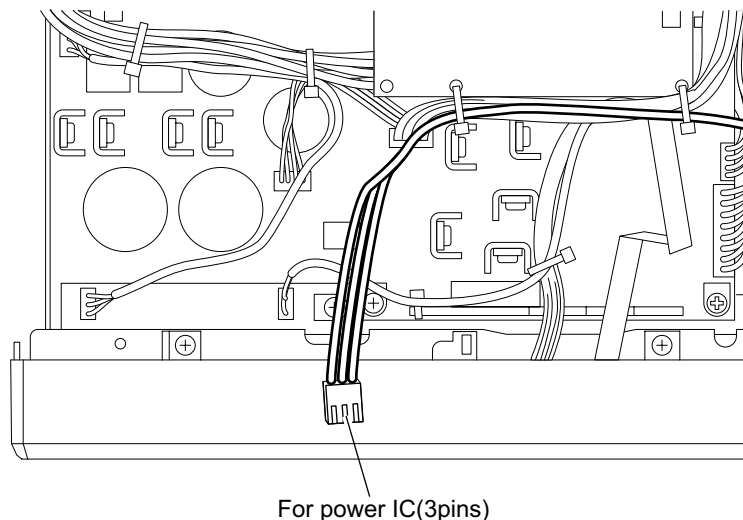
One is a power supply for power IC(3pin), and another is a power supply for the control(8pin).



There are two power supply as the second power supply of the transformer.

One is a power supply for power IC(3pin), and another is a power supply for the control(8pin).

Please connect first of all and confirm the power supply for the control when you do the energizing examination after it completes of the repair.



Please never do the energizing examination in a power supply of power IC alone.

Moreover, when the control system breaks down, power IC is occasionally damaged.

SECTION 2 SPECIFIC SERVICE INSTRUCTIONS

This service manual does not describe SPECIFIC SERVICE INSTRUCTIONS.

SECTION 3 DISASSEMBLY

3.1 Main body section

3.1.1 Removing the top cover

(See Figs.1 and 2)

- (1) From the both sides of the main body, remove the four screws **A** attaching the top cover. (See Fig.1)
- (2) From the back side of the main body, remove the five screws **B** and screw **C** attaching the top cover. (See Fig.2)

Reference:

When removing the screw **C**, use a screwdriver to show as follows.

TORX Driver: size T10

Parts number: DR-L70

- (3) Remove the top cover in the direction of the arrow. (See Fig.1.)

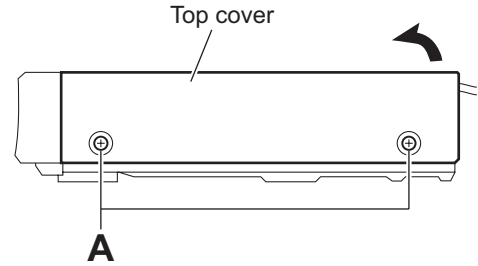
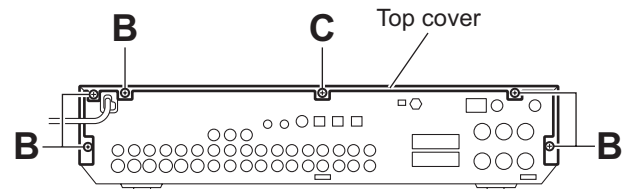


Fig.1

[For Australia]



[For Europe]

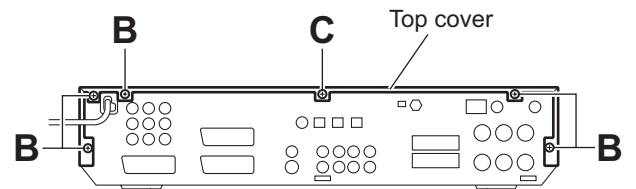


Fig.2

3.1.2 Removing the front panel assembly (See Figs.3 and 4)

- Remove the top cover.

Reference:

Remove the tie bands and wire holder bundling the wires.

- (1) Disconnect the card wire from the connector [CN102](#) on the main amplifier board. (See Fig.3)
- (2) Disconnect the wire from the connector [CN351](#) on the main amplifier board. (See Fig.3)
- (3) Disconnect the wire from the connector [CN552](#) on the input board. (See Fig.3)
- (4) Disconnect the wire from the connector [CN661](#) on the volume board. (See Fig.3)
- (5) Remove the three screws **D** attaching the front panel assembly. (See Fig.3)
- (6) Remove the screw **D** attaching the OSD connect 2 board. (See Fig.3)
- (7) From the bottom side of the main body, remove the four screws **E** attaching the front panel assembly. (See Fig.4)
- (8) Release the joints **a** and remove the front panel assembly in the direction of the arrow. (See Fig.4)

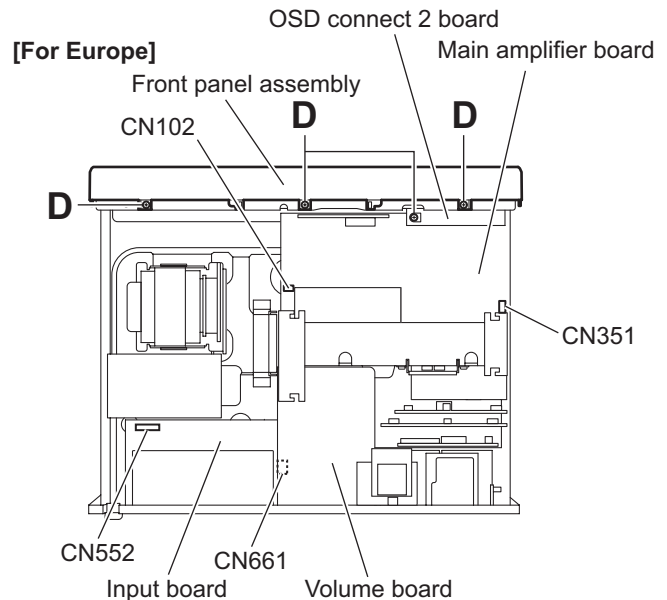
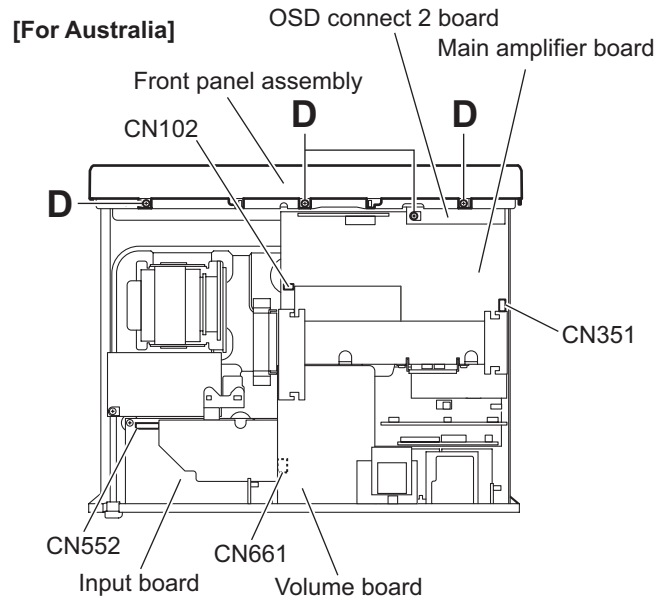


Fig.3

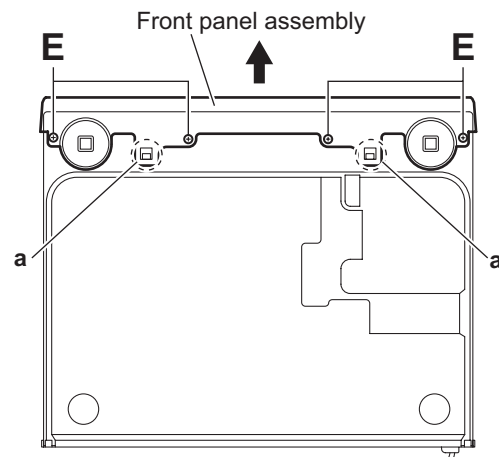
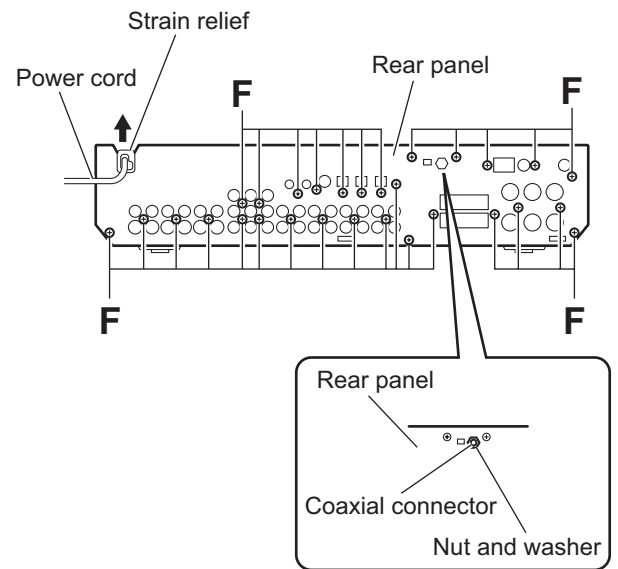


Fig.4

3.1.3 Removing the rear panel (See Fig.5)

- Remove the top cover.
 - From the back side of the main body, remove the strain relief from the rear panel in the direction of the arrow and remove the power cord.
[For Australia]
 - Remove the twenty-nine screws **F** attaching the rear panel.
[For Australia]
 - Remove the thirty screws **F** attaching the rear panel. [For Europe]
 - Remove the nut and washer attaching the coaxial connector to the rear panel.

[For Australia]



[For Europe]

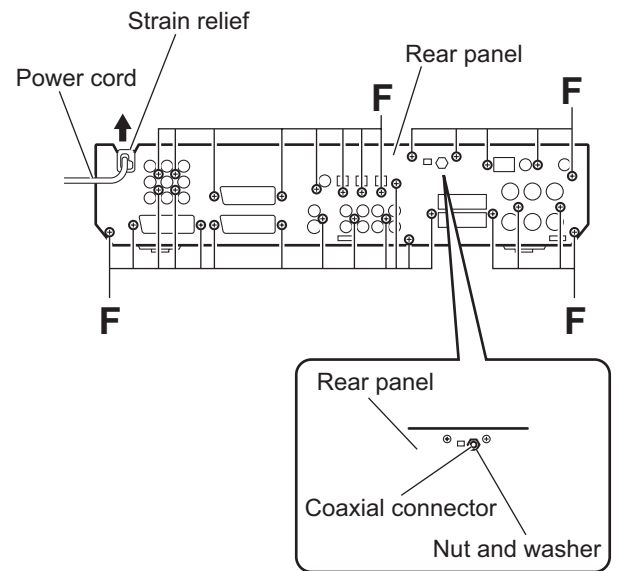


Fig.5

3.1.4 Removing the tuner (See Fig.6)

- Remove the top cover.
 - (1) Disconnect the card wire from the connector [CN1](#) on the tuner.
 - (2) From the back side of the main body, remove the two screws **G** attaching the tuner to the rear panel and take out the tuner.

3.1.5 Removing the subwoofer board (See Fig.6)

- Remove the top cover.
 - (1) Disconnect the wire from the connector [CN524](#) on the subwoofer board.
 - (2) From the back side of the main body, remove the screw **H** attaching the subwoofer board to the rear panel and take out the subwoofer board.

3.1.6 Removing the front video board (See Fig.6)

- Remove the top cover.

Reference:

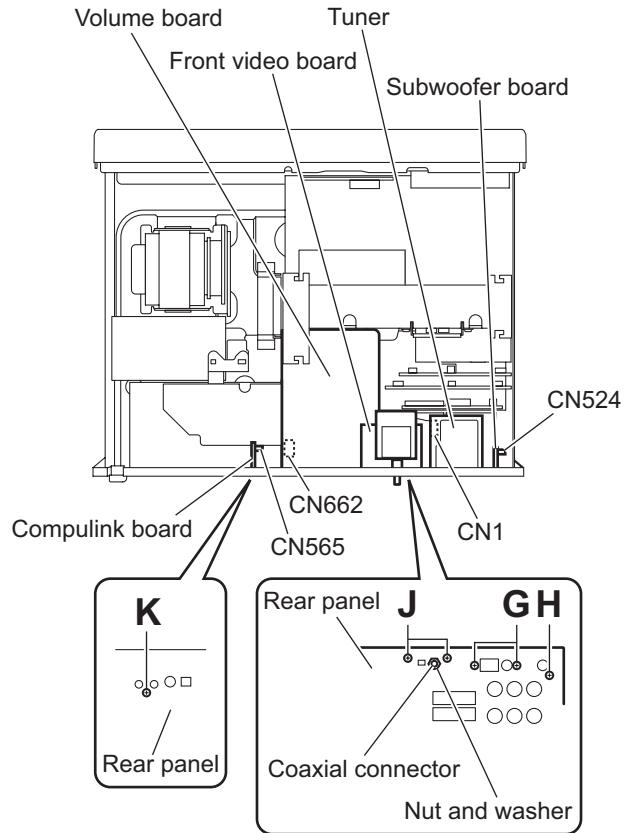
Remove the tie band bundling the wires.

- (1) Disconnect the wire from the connector [CN662](#) on the volume board
- (2) From the back side of the main body, remove the two screws **J**.
- (3) Remove the nut and washer attaching the coaxial connector to the rear panel.
- (4) Take out the front video board from the main body.

3.1.7 Removing the compulink board (See Fig.6) [For Australia]

- Remove the top cover.
 - (1) Disconnect the wire from the connector [CN565](#) on the compulink board.
 - (2) From the back side of the main body, remove the screw **K** and take out the compulink board from the main body.

[For Australia]



[For Europe]

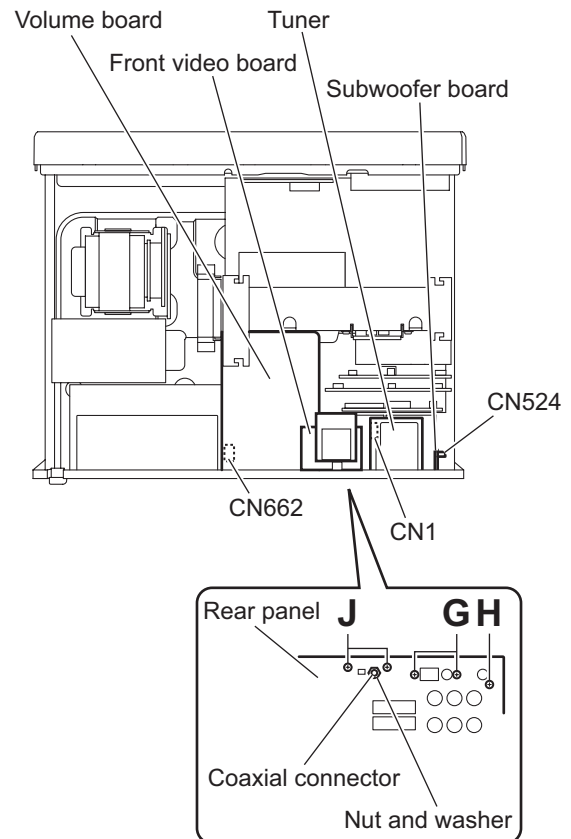


Fig.6

3.1.8 Removing the power transformer (See Fig.7)

- Remove the top cover.

Reference:

Remove the tie bands bundling the wires.

- (1) Disconnect the wires from the connectors ([CN106](#), [CN111](#)) on the main amplifier board.
- (2) Remove the soldered sections **b** and remove the wires.
- (3) Remove the four screws **M** and take out the power transformer from the main body.

3.1.9 Removing the trans primary board (See Fig.7)

- Remove the top cover.

Reference:

Remove the tie band bundling the wires.

- (1) Remove the wires from the soldered sections **b** and remove the wires.
- (2) Remove the solders from the soldered sections **c** and remove the trans primary board.

3.1.10 Removing the trans secondary board (See Fig.7)

- Remove the top cover and power transformer.
- From the side of the power transformer, remove the solders from the soldered sections **d** and remove the trans secondary board.

3.1.11 Removing the DCDC control board (See Fig.8)

- Remove the top cover.

From the top side of the main body, disconnect the connector [CN152](#) on the DCDC control board from the main amplifier board in an upward direction.

Note:

When removing the DCDC control board, take care not to break the claw of the connector on the main amplifier board.

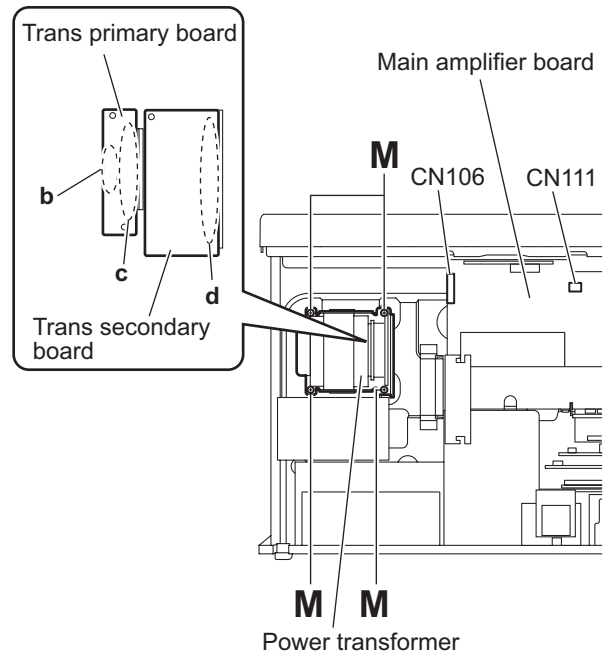


Fig.7

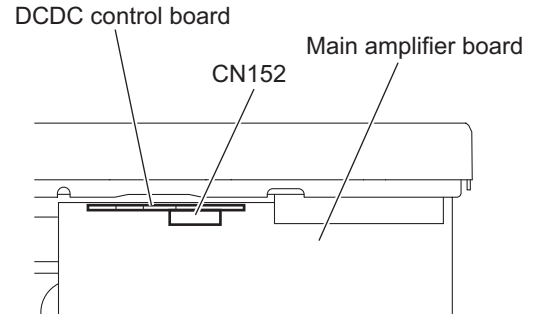


Fig.8

3.1.12 Removing the PWM modulation 1 board (See Fig.9)

- Remove the top cover.

Reference:

Remove the tie band bundling the wires.

- (1) Disconnect the wire from the connector [CN413](#) on the PWM modulation 2 board.
- (2) Disconnect the wires from the connectors ([CN311](#), [CN312](#), [CN313](#)) on the PWM modulation 1 board.
- (3) Disconnect the connector [CN301](#) on the PWM modulation 1 board from the main amplifier board in an upward direction.

Note:

When removing the PWM modulation 1 board, take care not to break the claw of the connector on the main amplifier board.

3.1.13 Removing the PWM modulation 2 board (See Fig.9)

- Remove the top cover.

- (1) From the top side of the main body, disconnect the wires from the connectors ([CN411](#), [CN412](#), [CN413](#)) on the PWM modulation 2 board.
- (2) Disconnect the connector [CN401](#) on the PWM modulation 2 board from the main amplifier board in an upward direction.

Note:

When removing the PWM modulation 2 board, take care not to break the claw of the connector on the main amplifier board.

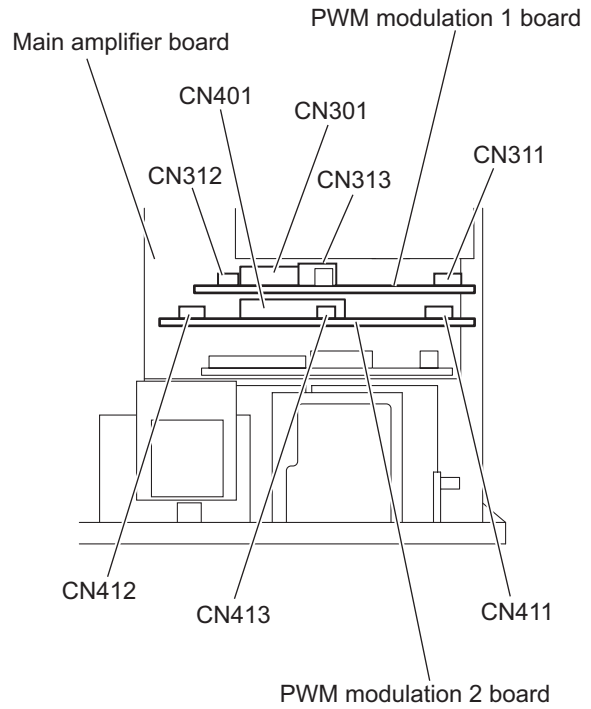


Fig.9

3.1.14 Removing the fan motor (See Fig.10.)

- Remove the top cover.

Reference:

Remove the tie band bundling the wires.

- (1) Disconnect the wire from the connector [CN103](#) on the main amplifier board.
- (2) Remove the two screws **N** and take out the fan motor assembly.
- (3) Remove the two screws **P** attaching the fan motor to the fan bracket.

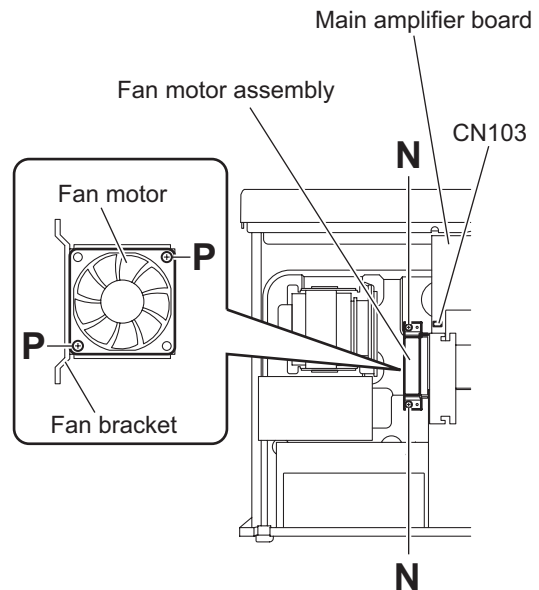


Fig.10

3.1.15 Removing the volume board
(See Fig.11)

- Remove the top cover and front video board.
 - (1) From the back side of the main body, remove the five screws **Q** attaching the volume board to the rear panel.
 - (2) Remove the screw **R** attaching the volume board.
 - (3) From the top side of the main body, remove the screw **S** attaching the wire holder board and move the wire holder board with the wires in the direction of the arrow.
 - (4) Disconnect the connector [CN681](#) on the volume board from the DSP connect board.

Note:

When removing the volume board, take care not to break the claw of the connector on it.

- (5) Take out the volume board and disconnect the wires from the connectors ([CN661](#), [CN682](#), [CN683](#)) on the forward side of the volume board.

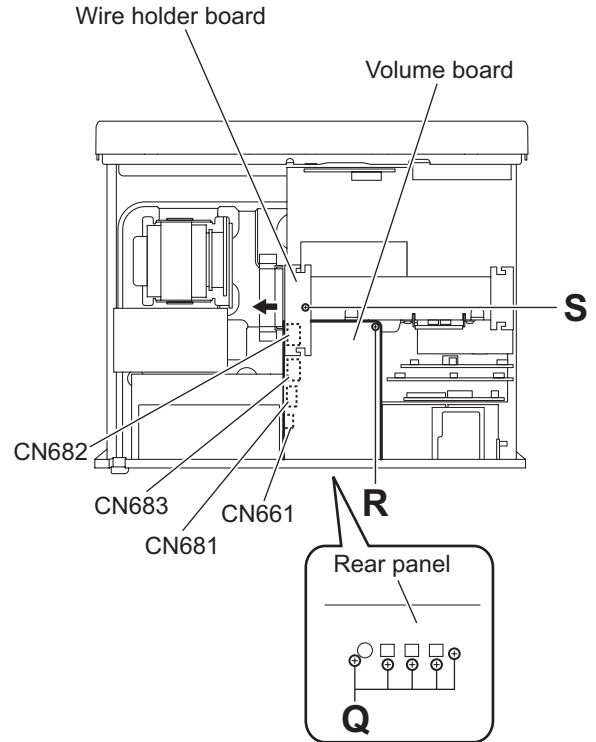


Fig.11

3.1.16 Removing the OSD board
(See Fig.12) [For Australia]

- Remove the top cover, front video board and volume board.
 - (1) Remove the solder from the section **e** to remove the earth wire.
 - (2) Remove the screw **T** attaching the support bracket on the chassis base.
 - (3) Disconnect the connectors ([CN582](#), [CN584](#)) on the OSD board in an upward direction.

Note:

When removing the OSD board, take care not to break the claws of the connectors on it.

- (4) Remove the screw **U** to remove the support bracket from the OSD board.

3.1.17 Removing the primary board
(See Fig.12)

- Remove the top cover.

Reference:

Remove the tie bands bundling the wires.

- (1) Disconnect the wire from the connector [CN101](#) on the main amplifier board.
- (2) Disconnect the power cord from the connector [CN120](#) on the primary board.
- (3) Remove the four screws **V** attaching the primary board.
- (4) Take out the primary board from the main body and remove the wires from the soldered sections **f** on the reverse side of the primary board.

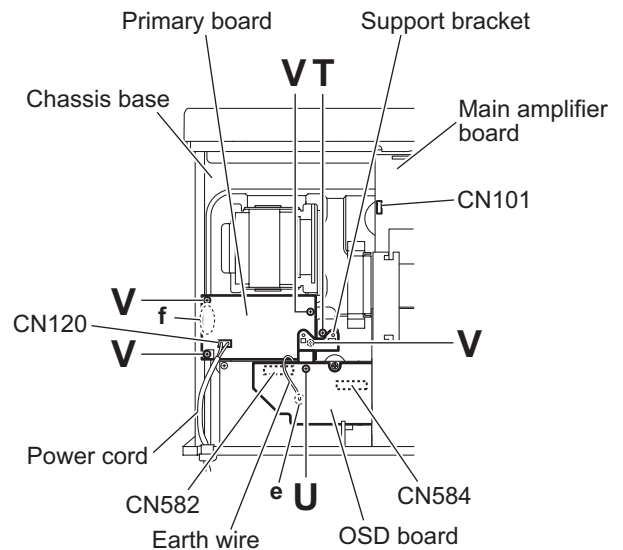


Fig.12

3.1.18 Removing the scart board (See Fig.13) [For Europe]

- Remove the top cover.
 - From the back side of the main body, remove the six screws **W** attaching the scart board to the rear panel.
 - Disconnect the card wire from the connector **CN537** on the scart board.
 - Take out the scart board from the main body.

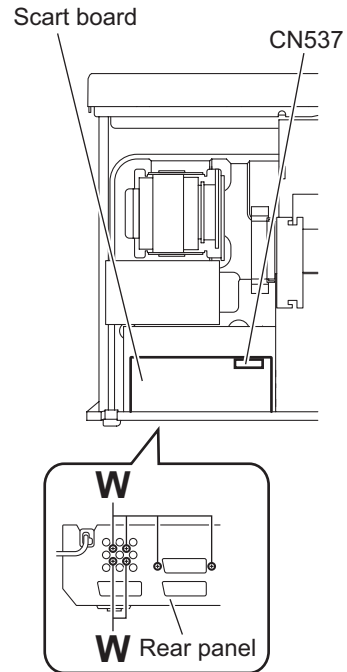


Fig.13

3.1.19 Removing the speaker terminal 1 and speaker terminal 2 boards (See Fig. 14)

- Remove the top cover and rear panel.

Reference:

Remove the tuner and subwoofer board as required.

- From the top side of the main body, disconnect the wires from the connectors (**CN265**, **CN465**) on the speaker terminal 1 board.
- Take out the speaker terminal 1 board from the main body.
- Disconnect the wires from the connectors (**CN209**, **CN262**) on the speaker terminal 2 board.
- Take out the speaker terminal 2 board from the main body.

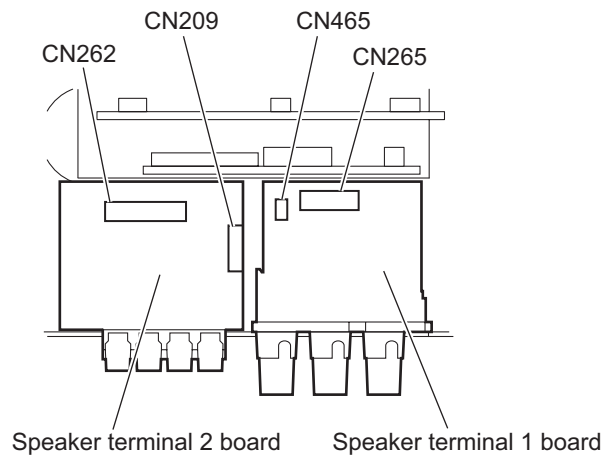


Fig.14

3.1.20 Removing the DSP connect board (See Fig.15)

- Remove the top cover, front video board and volume board.
Disconnect the connector [CN602](#) on the DSP connect board from the input board in an upward direction.

Note:

When removing the DSP connect board, take care not to break the claw of the connector on the input board.

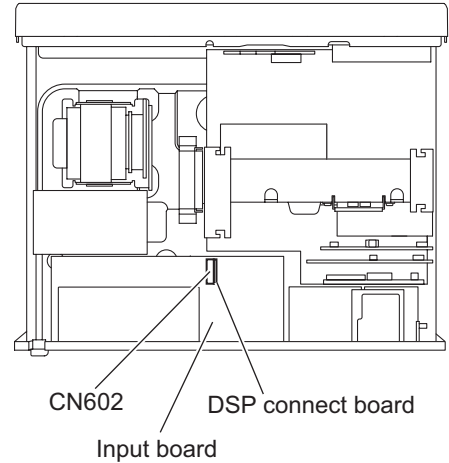


Fig.15

3.1.21 Removing the input board (See Fig. 16)

- Remove the top cover, rear panel, tuner, subwoofer board, front video board, compulink board [For Australia], volume board, OSD board [For Australia], scart board [For Europe] and DSP connect board.

Reference:

Remove the tie band bundling the wires.

- (1) Disconnect the wire from the connector [CN209](#) on the speaker terminal 2 board.
- (2) Disconnect the wire from the connector [CN513](#) on the OSD connect 1 board.
- (3) Disconnect the wires from the connectors ([CN530](#), [CN531](#), [CN552](#)) on the input board.
- (4) Disconnect the parallel wire from the connector [CN540](#) on the input board.
- (5) Remove the three screws **X** and take out the input board from the main body.

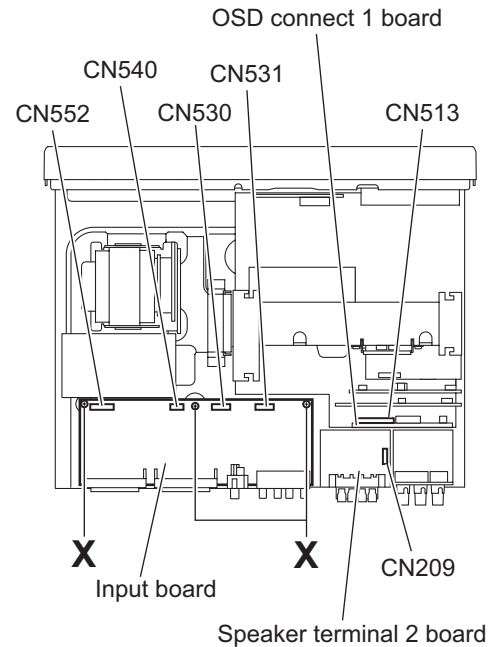


Fig.16

3.1.22 Removing the OSD connect 1 board (See Fig.17)

- Remove the top cover, front video board and volume board.

Reference:

Remove the tie band bundling the wires.

- (1) Disconnect the wire from the connector [CN524](#) on the subwoofer board.
- (2) Disconnect the wire from the connector [CN513](#) on the OSD connect 1 board.
- (3) Disconnect the connector [CN522](#) on the OSD connect 1 board from the main amplifier board in an upward direction.

Note:

When removing the OSD connect 1 board, take care not to break the claw of the connector on the main amplifier board.

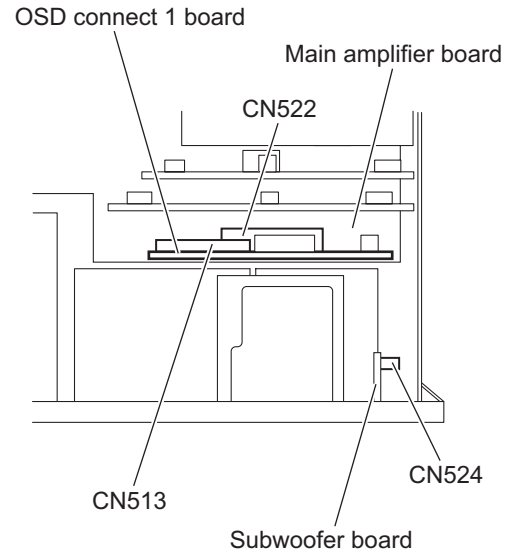


Fig.17

3.1.23 Removing the master clock board (See Fig.18)

- Remove the top cover, tuner, front video board, PWM modulation 1 board, PWM modulation 2 board, volume board and OSD connect 1 board.

- (1) Remove the two screws **Y** with a short driver and remove the transistor hold from the joints **g** of the heat sink.
- (2) Disconnect the wire from the connector [CN201](#) on the main amplifier board.
- (3) Take out the master clock board from the main body.

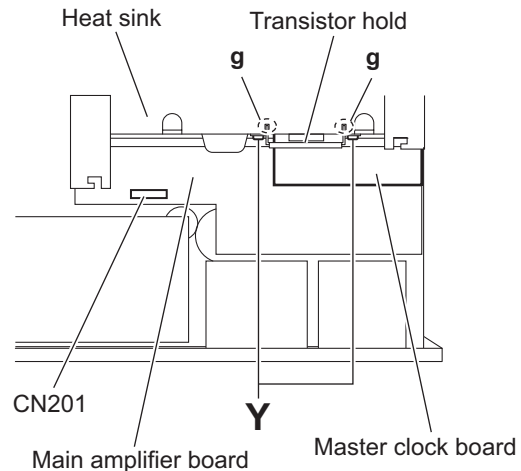


Fig.18

3.1.24 Removing the main amplifier board
(See Figs.19 and 20)

- Remove the top cover, tuner, front video board, DCDC control board, PWM modulation 1 board, PWM modulation 2 board, volume board, OSD connect 1 board and master clock board.
- (1) Disconnect the wire from the connector [CN265](#) on the speaker terminal 1 board. (See Fig.19.)
- (2) Disconnect the wire from the connector [CN262](#) on the speaker terminal 2 board. (See Fig.19.)

Reference:

Remove the tie bands bundling the wires.

- (3) Disconnect the wires from the connectors ([CN101](#), [CN103](#), [CN106](#), [CN111](#), [CN351](#)) on the main amplifier board. (See Fig.19.)
- (4) Disconnect the card wire from the connector [CN102](#) on the main amplifier board. (See Fig.19.)
- (5) Disconnect the wires from the connectors ([CN530](#), [CN531](#)) on the input board. (See Fig.20.)
- (6) Disconnect the parallel wire from the connector [CN540](#) on the input board. (See Fig.20.)
- (7) Remove the four screws **Z** and two screws **AA**. (See Fig.20.)
- (8) Take out the main amplifier board with the regulator board from the main body. (See Fig.20.)

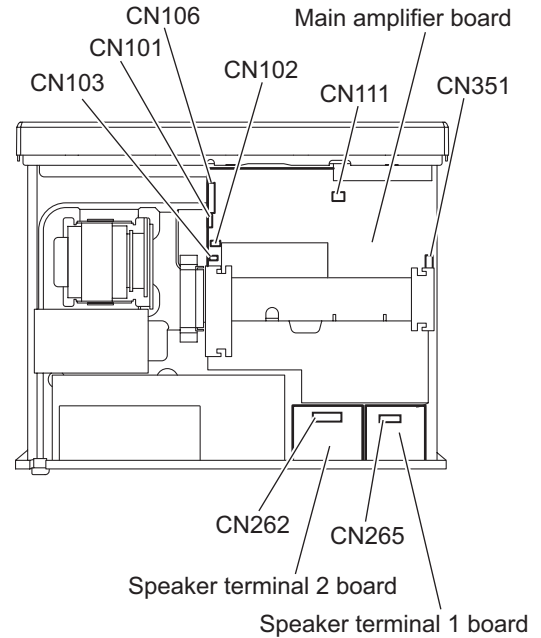


Fig.19

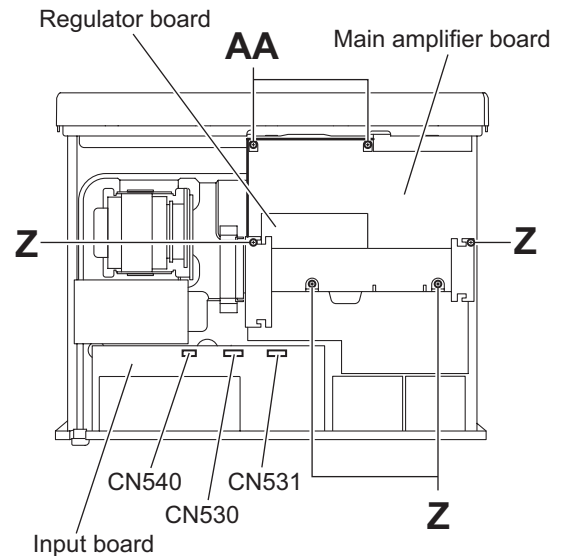


Fig.20

3.1.25 Removing the regulator board (See Fig.21)

- Remove the top cover, tuner, front video board, DCDC control board, PWM modulation 1 board, PWM modulation 2 board, volume board, OSD connect 1 board, master clock board and main amplifier board.
 - From the forward side of the main amplifier board, disconnect the wire from the connector [CN105](#).
 - Remove the two screws **AB** attaching the regulator board.
 - Remove the regulator board and disconnect the parallel wire from the connector [CN104](#) on the main amplifier board.

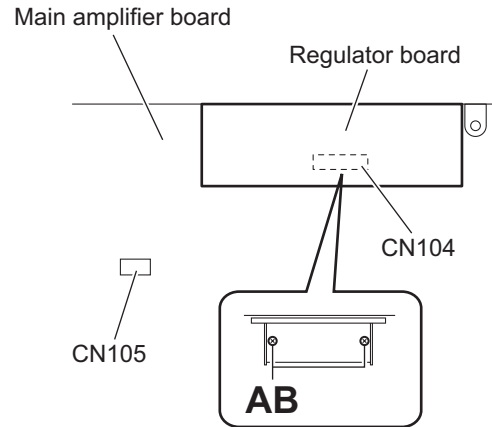


Fig.21

3.1.26 Removing the heat sink (See Fig.22)

- Remove the top cover, tuner, front video board, DCDC control board, PWM modulation 1 board, PWM modulation 2 board, volume board, OSD connect 1 board, master clock board, main amplifier board and regulator board.
 - From the forward side of the main amplifier board, remove the screw **AC** and remove the wire holder board with the wires.
 - Remove the five screws **AD** to remove the heat sink.

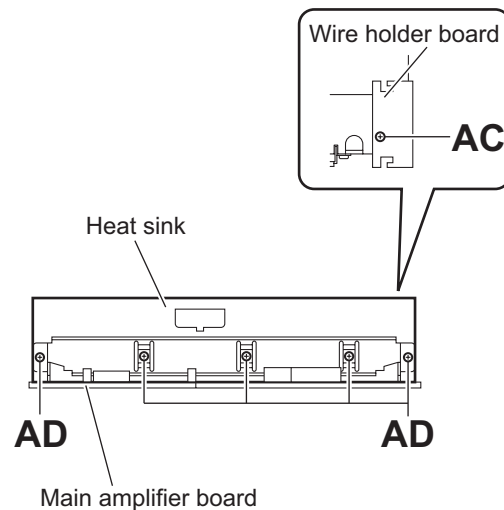


Fig.22

3.2 Front panel assembly section

- Remove the front panel assembly.
(See "3.1.2 Removing the front panel assembly".)

3.2.1 Removing the JOG board (See Figs. 1 and 2)

- From the inside of the front panel assembly, remove the four screws **A** attaching the JOG board. (See Fig.1.)
- Take out the JOG board while lifting it from the front panel assembly little by little.

Reference:

The rotary knob assemblies are removed from the front side simultaneously. (See Fig.2.)

- From the forward side of the JOG board, disconnect the wire from the connector [CN913](#). (See Fig.1)

3.2.2 Removing the OSD connect 2 board (See Fig. 1)

- From the inside of the front panel assembly, remove the two screws **A** attaching the OSD connect 2 board.
- Disconnect the wire from the connector [CN914](#) on the FL board.

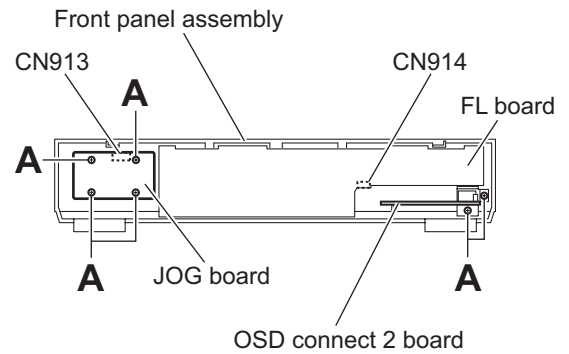


Fig.1

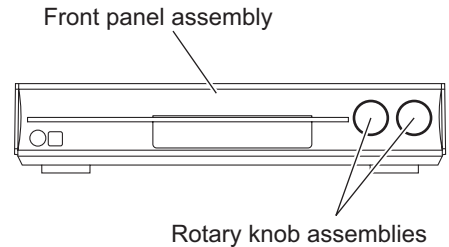


Fig.2

3.2.3 Removing the FL board (See Fig. 3)

- Remove the JOG board.
- (1) Disconnect the wire from the connector [CN914](#) on the FL board.
- (2) Remove the eight screws **A** and take out the FL board.

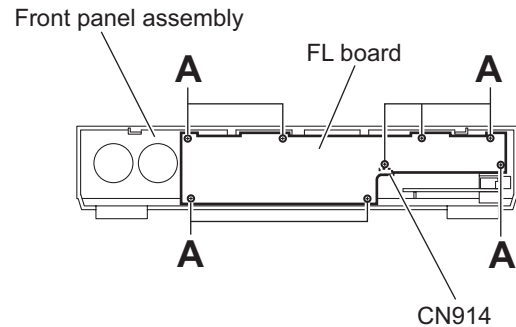


Fig.3

SECTION 4 ADJUSTMENT

This service manual does not describe ADJUSTMENT.

SECTION 5 TROUBLESHOOTING

This service manual does not describe TROUBLESHOOTING.



JVC

Victor Company of Japan, Limited

AV & MULTIMEDIA COMPANY AUDIO/VIDEO SYSTEMS CATEGORY 10-1,1chome,Ohwatari-machi,Maebashi-city,371-8543,Japan

(No.MB479)



Printed in Japan
VPT

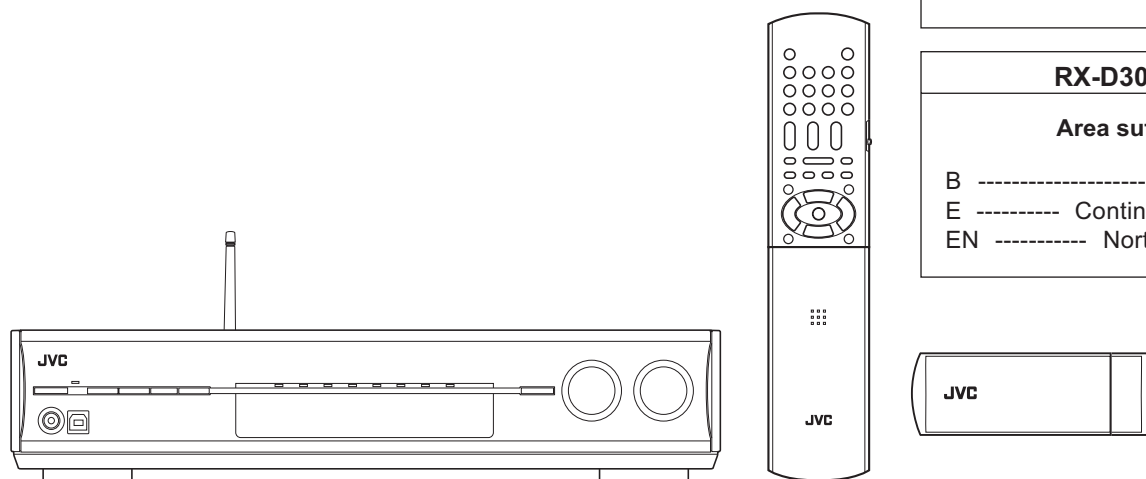
JVC

SCHEMATIC DIAGRAMS

AUDIO / VIDEO CONTROL RECEIVER

RX-D301S, RX-D302B

CD-ROM No.SML200510



RX-D301S	
Area suffix	
A	----- Australia
B	----- U.K.
E	----- Continental Europe
EN	----- Northern Europe

RX-D302B	
Area suffix	
B	----- U.K.
E	----- Continental Europe
EN	----- Northern Europe

DOLBY
DIGITAL EX
PRO LOGIC IIx

dts 96 24 ES 24 NEO:6

R-D-S

CONVERTER

Lead free solder used in the board (material : Sn-Ag-Cu, melting point : 219 Centigrade)

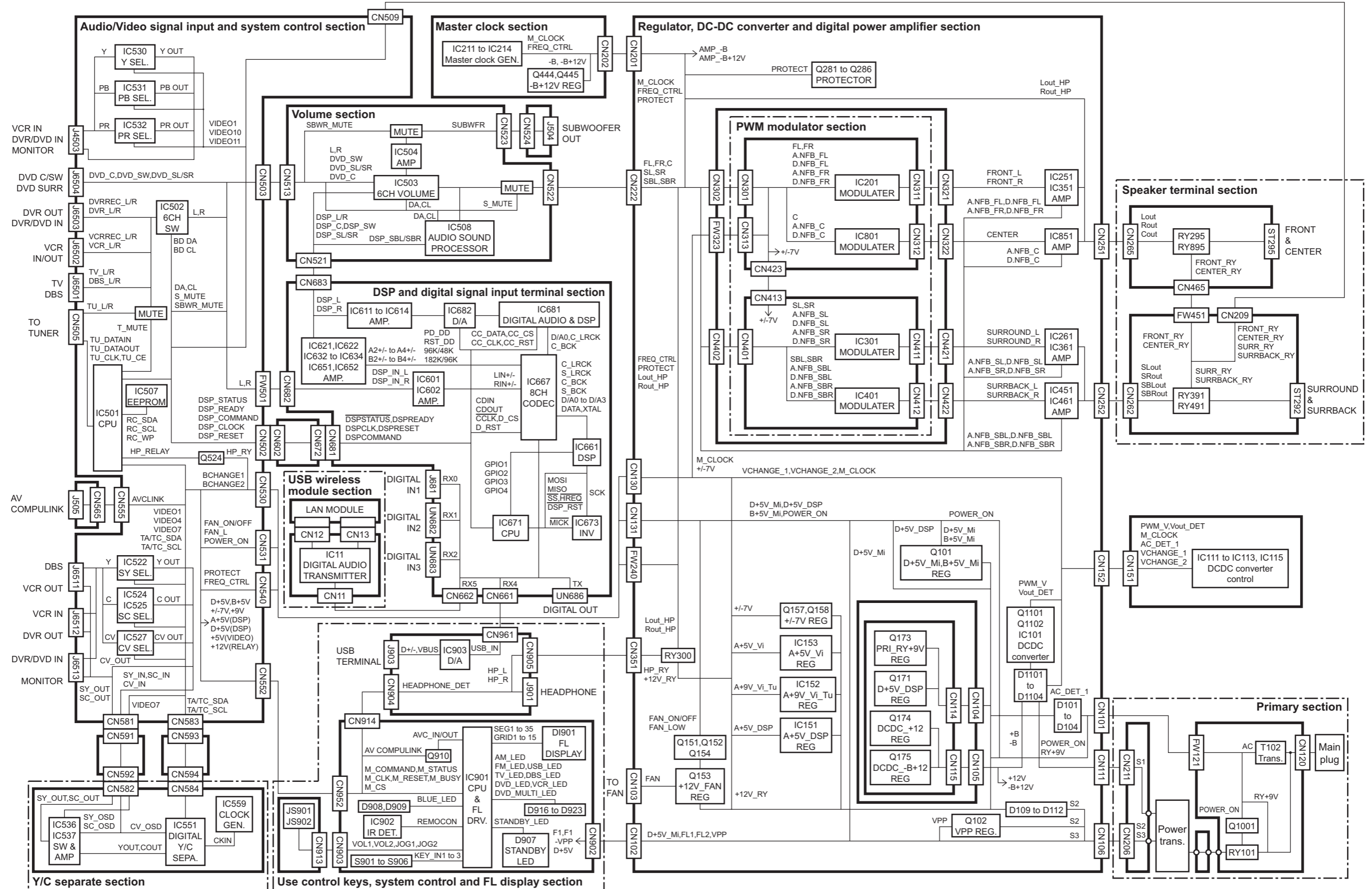
Contents

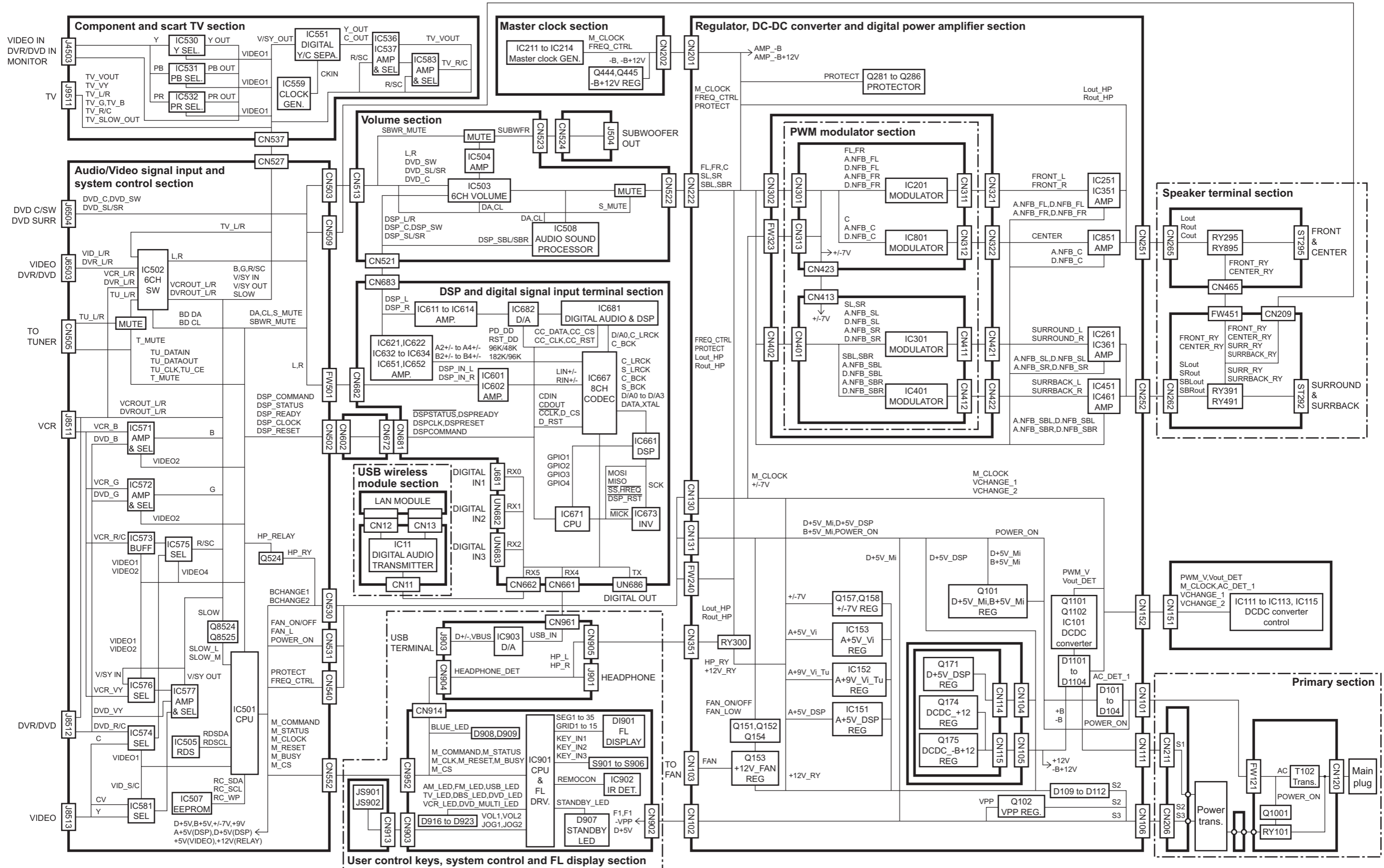
Block diagrams	-----	2-1
Standard schematic diagrams	-----	2-3
Printed circuit boards	-----	2-17 to 22

In regard with component parts appearing on the silk-screen printed side (parts side) of the PWB diagrams, the parts that are printed over with black such as the resistor (■), diode (⊣) and ICP (●) or identified by the "⚠" mark nearby are critical for safety.

Block diagrams

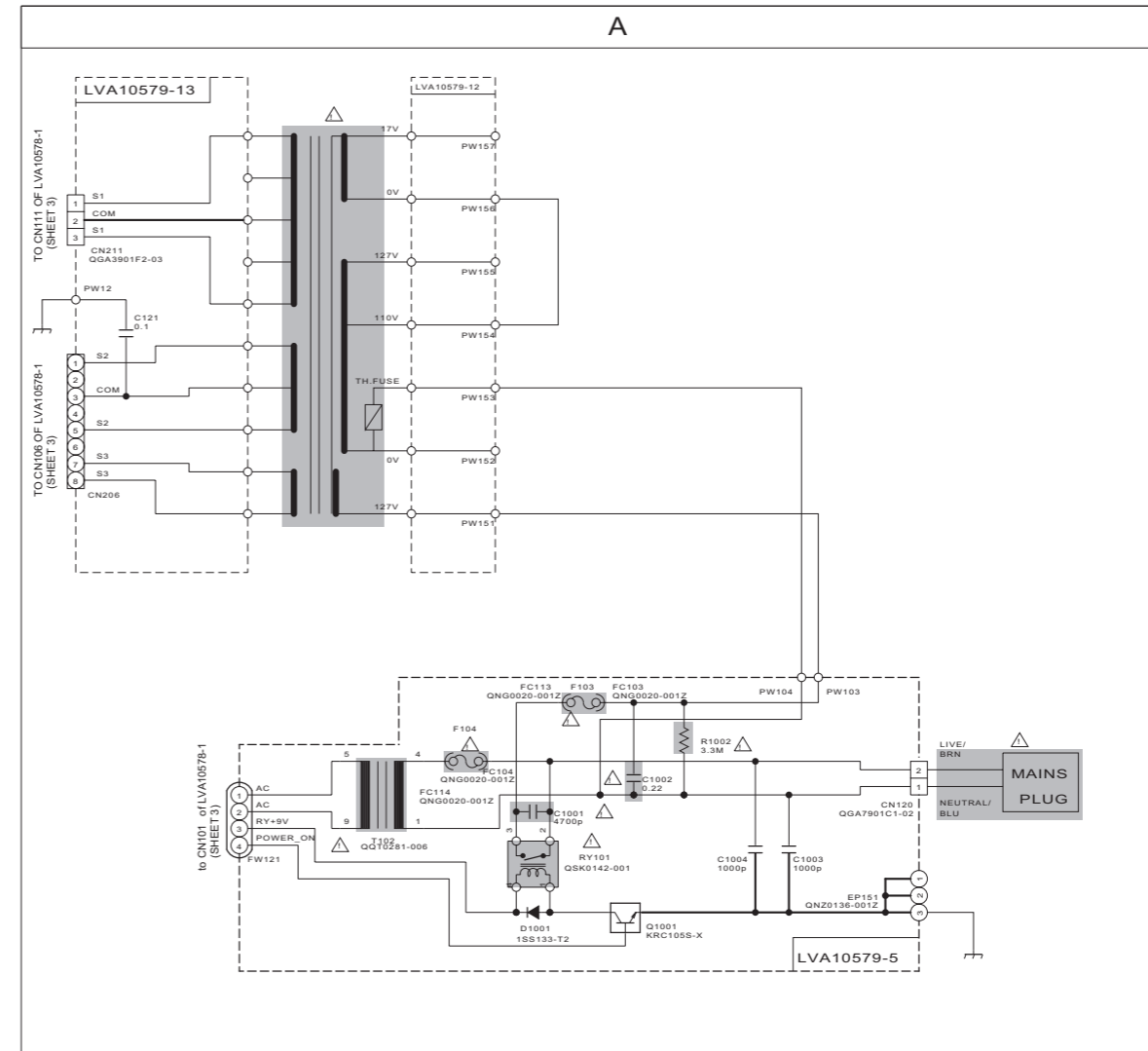
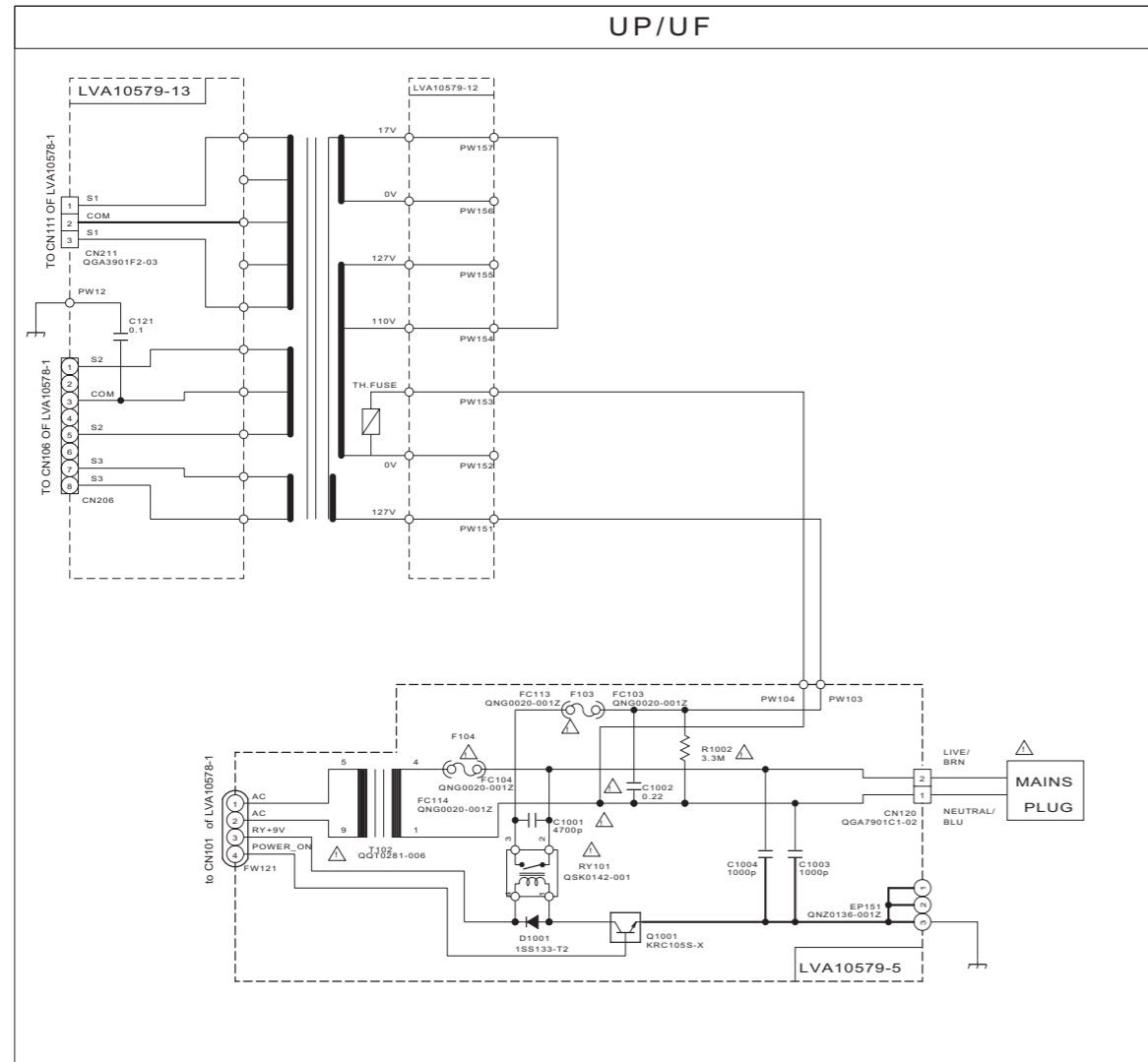
■ A version





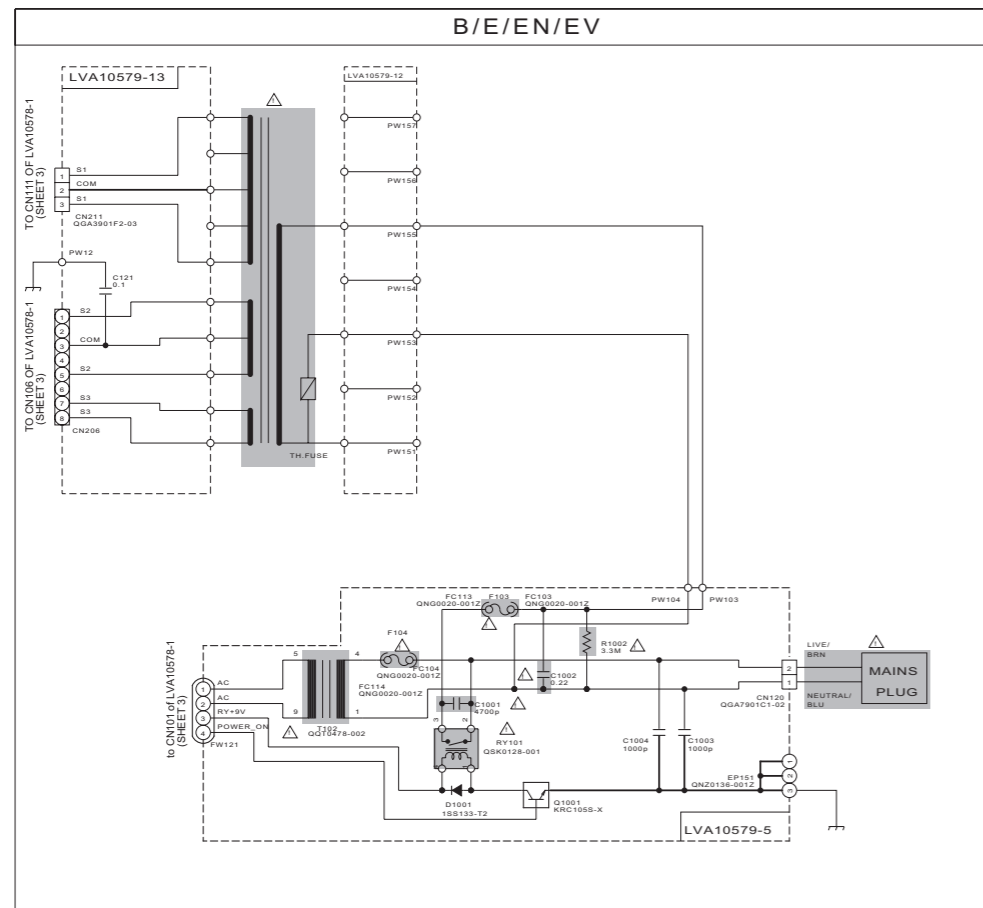
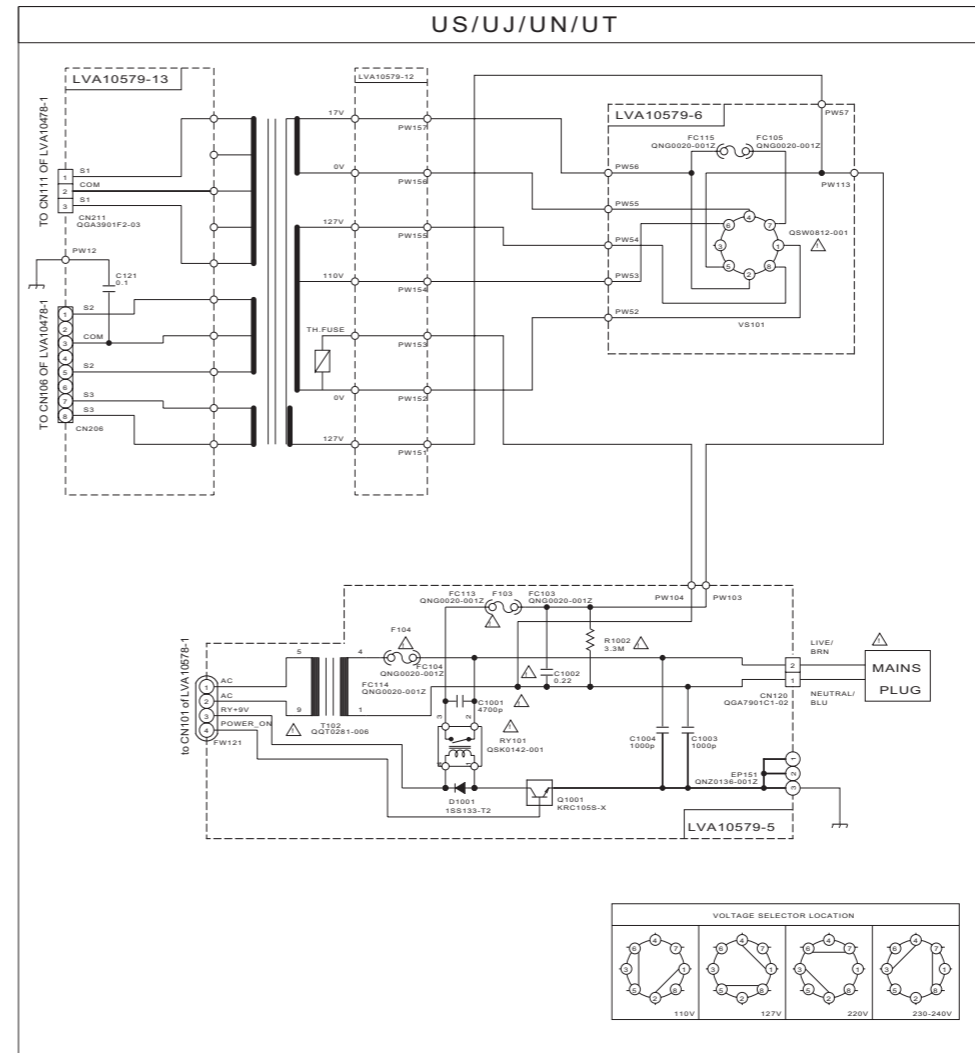
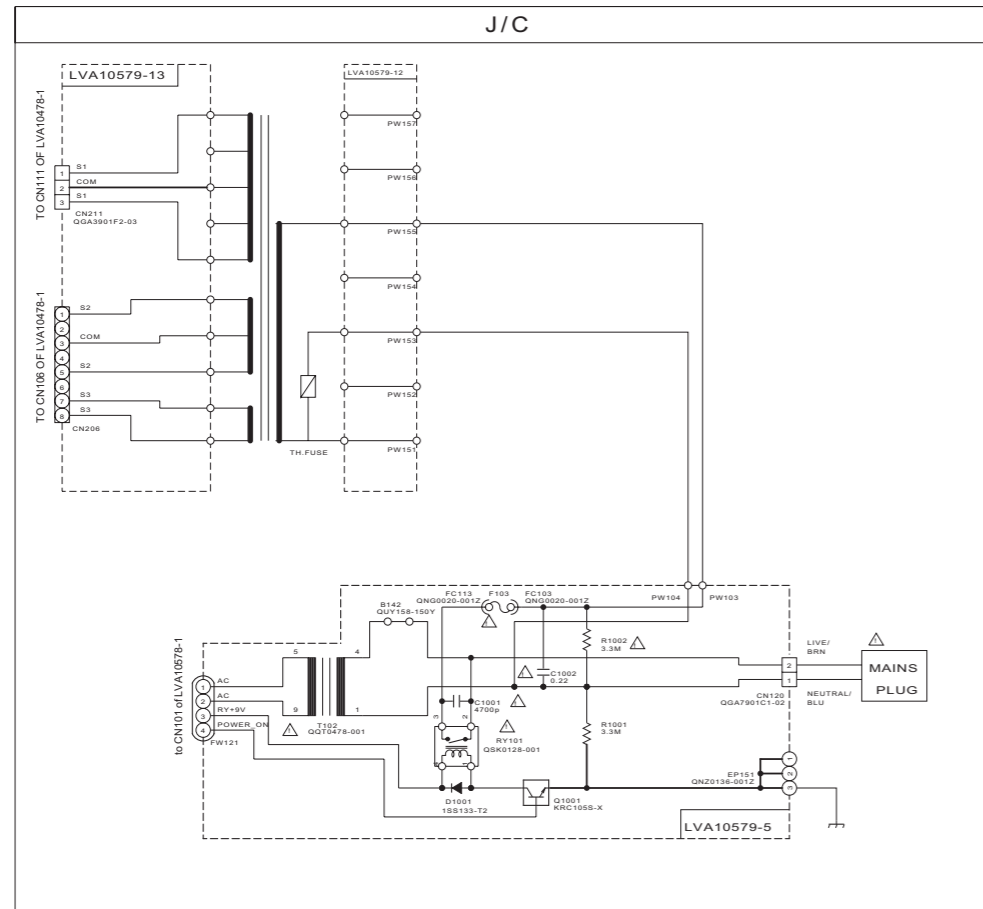
Standard schematic diagrams

■ Primary section (For A version)



▲ Parts are safety assurance parts.
When replacing those parts make
sure to use the specified one.

■ Primary section (For B/E/EN version)



	J/C	B/E/EN/EV	US/UJ/UN/UT	A	UPTJUF
F103	QMF51W2-SR3-J8	QMF51W2-ZRS-J8	QMF51W2-SR0-J8	QMF51W2-SR0-J8	QMF51W2-SR0-J8
F104	-	QMF5AE2-R10-J1	QMF5AE2-R10-J1	QMF5AE2-R10-J1	QMF5AE2-R10-J1

VOLTAGE MEASUREMENT CONDITION

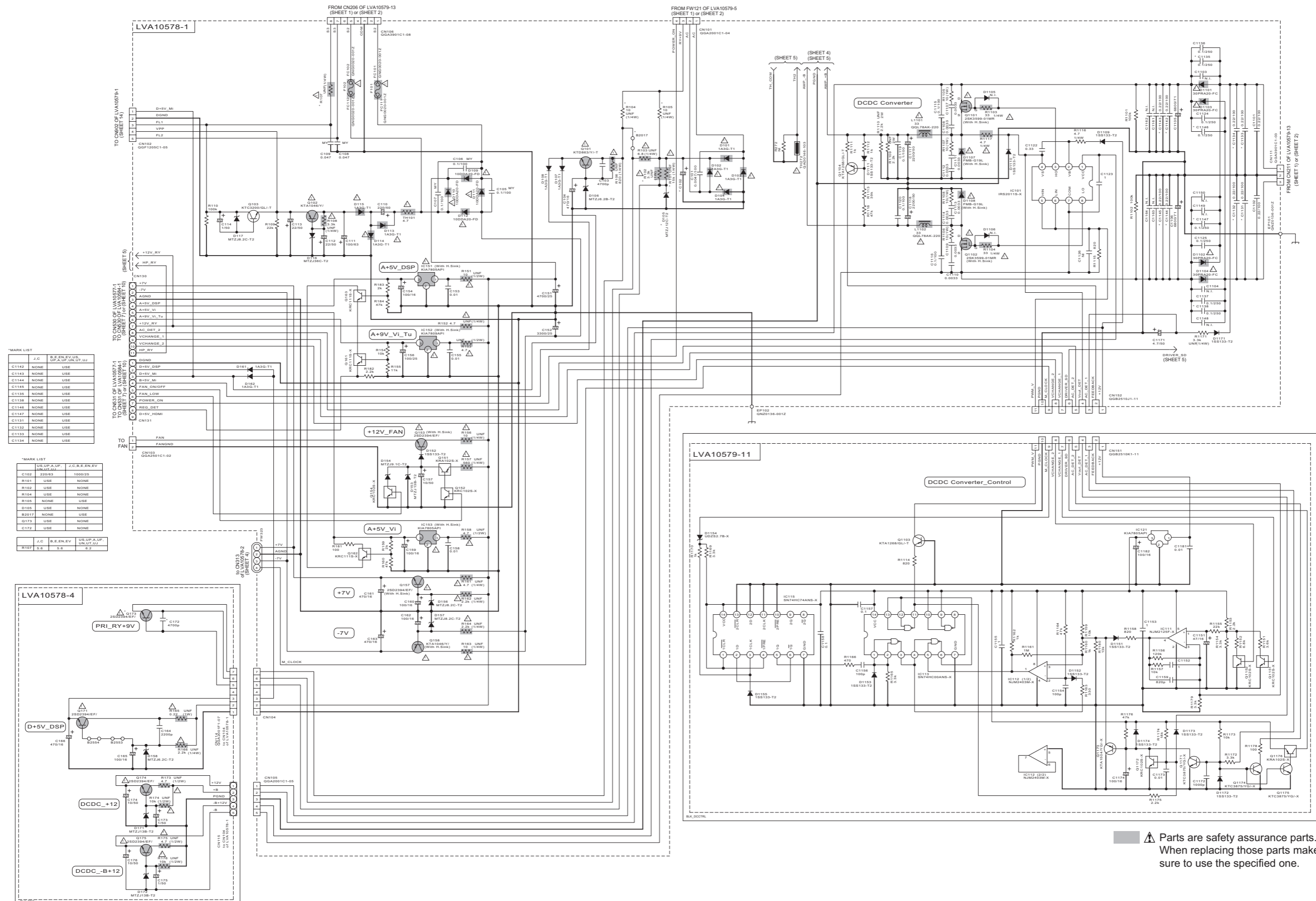
- POWER ON
- SOURCE FM(NO SIGNAL)
- SURROUND OFF
- VOLUME 0

VERSION CODES

J : U.S.A.
 C : CANADA
 B : U.K.
 E : CONTINENTAL EUROPE
 EN : NORDIC COUNTRIES
 EV : EAST EUROPEAN COUNTRIES
 US : SINGAPORE
 UJ : U.S. ARMY
 A : AUSTRARIA
 UP : KOREA
 UF : CHINA
 UN : INDONESIA
 UT : TAIWAN

▲ Parts are safety assurance parts.
 When replacing those parts make sure to use the specified one.

Regulator and DC-DC converter section (Common)



MARK LIST

JIC	B.E.EN.EV	USE UP	UN.UF
C112	NONE	USE	
C113	NONE	USE	
C114	NONE	USE	
C115	NONE	USE	
C116	NONE	USE	
C117	NONE	USE	
C118	NONE	USE	
C119	NONE	USE	
C120	NONE	USE	
C121	NONE	USE	
C122	NONE	USE	
C123	NONE	USE	
C124	NONE	USE	
C125	NONE	USE	
C126	NONE	USE	
C127	NONE	USE	
C128	NONE	USE	
C129	NONE	USE	
C130	NONE	USE	

MARK LIST

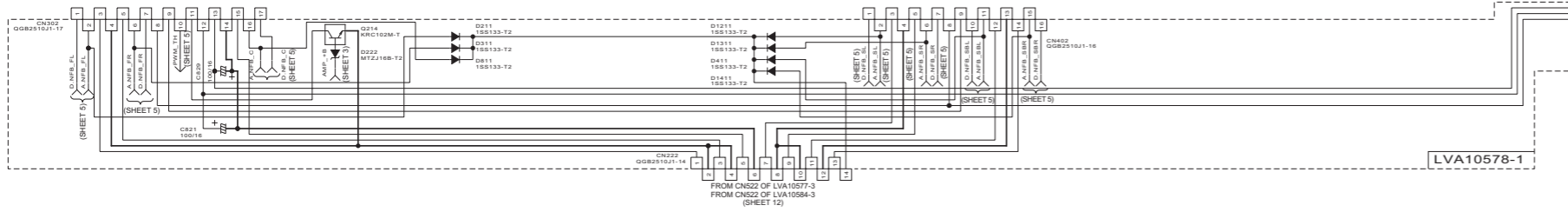
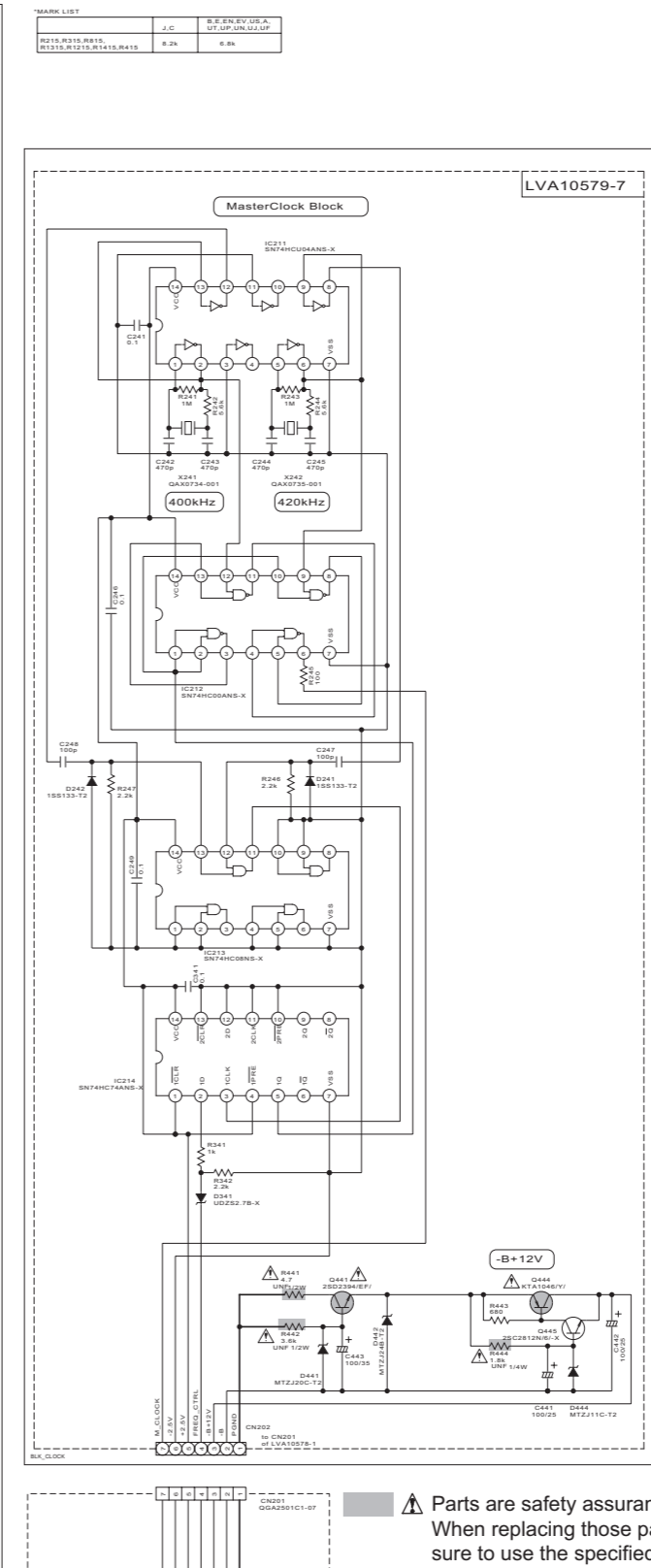
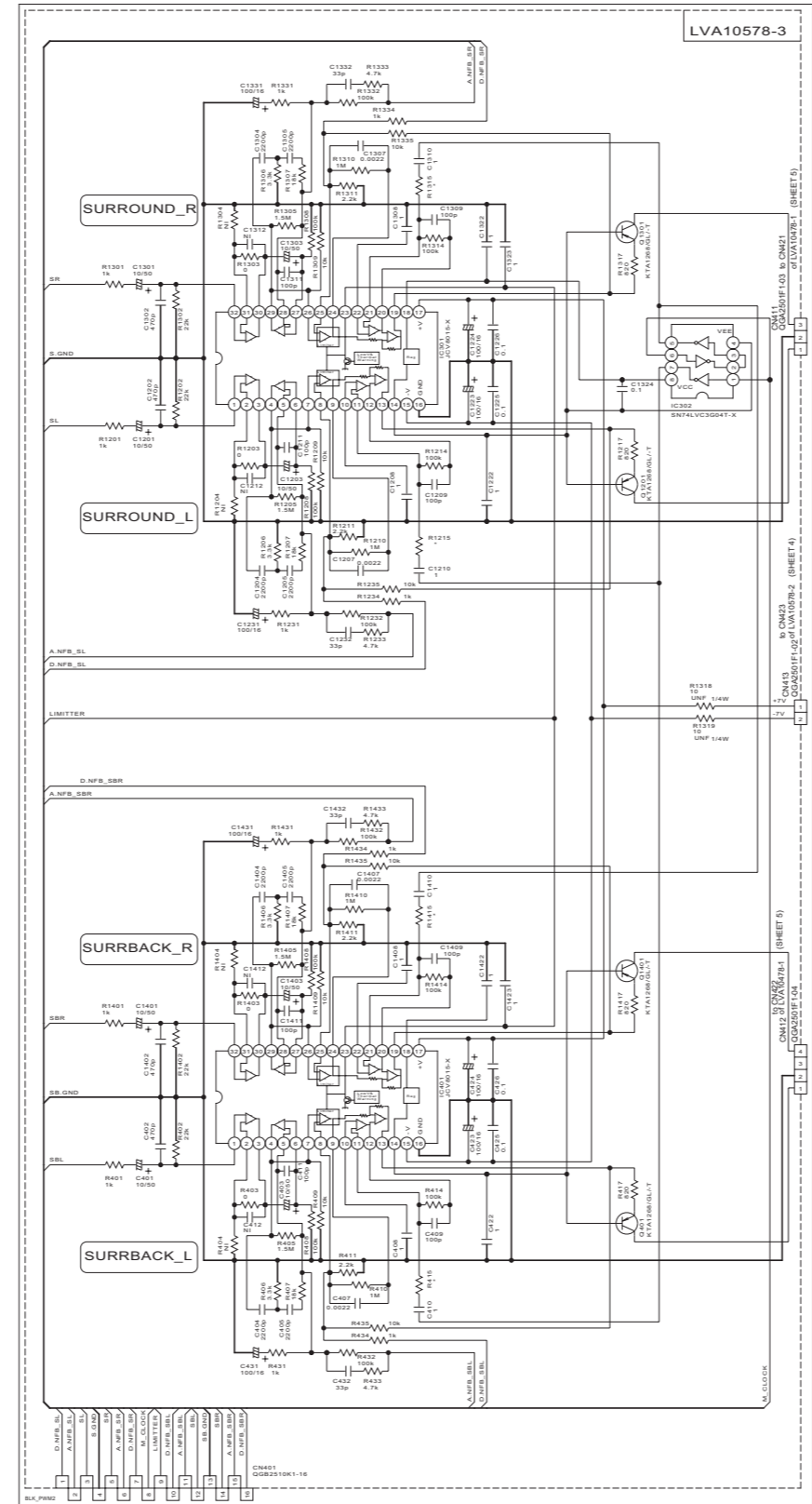
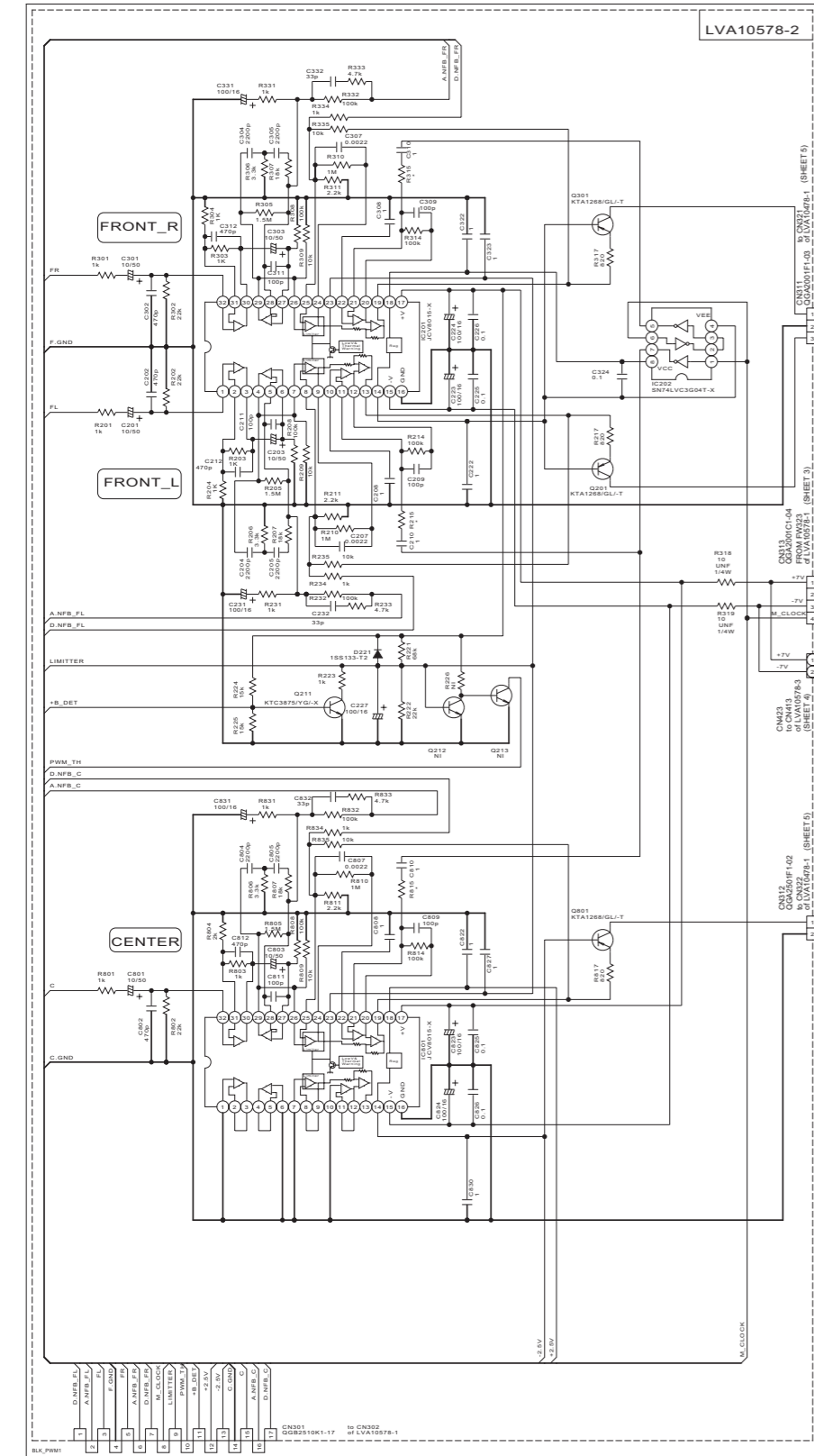
J.C	B.E.EN.EV	USE UP	UN.UF
C102	220/93	1000/25	
R101	USE	NONE	
R102	USE	NONE	
R104	USE	NONE	
R105	NONE	USE	
D105	USE	NONE	
R017	NONE	USE	
Q173	USE	NONE	
C172	USE	NONE	

MARK LIST

J.C	B.E.EN.EV	USE UP	UN.UF
R107	5.6	5.6	6.2

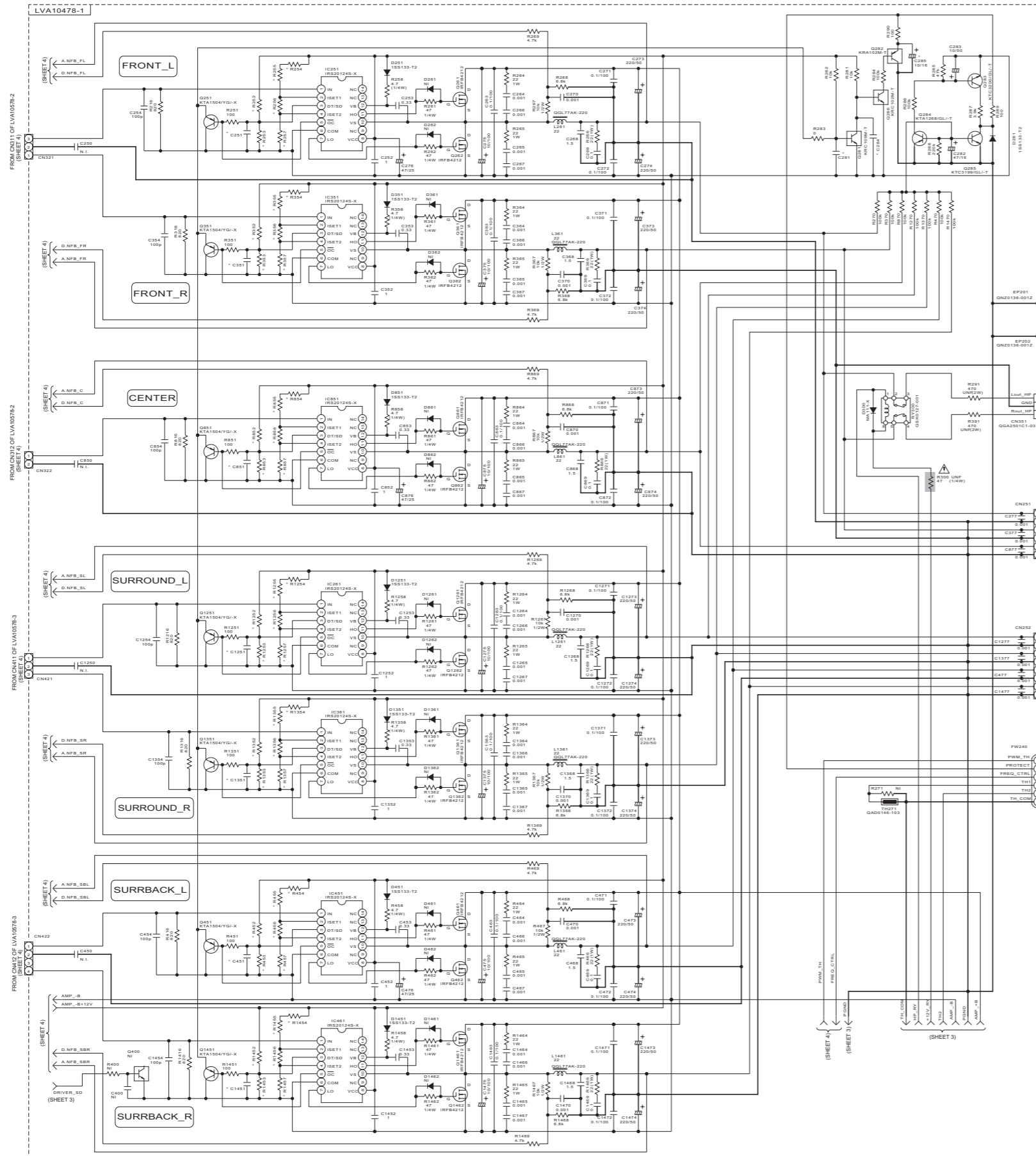
▲ Parts are safety assurance parts. When replacing those parts make sure to use the specified one.

■ PWM modulator and master clock section (Common)



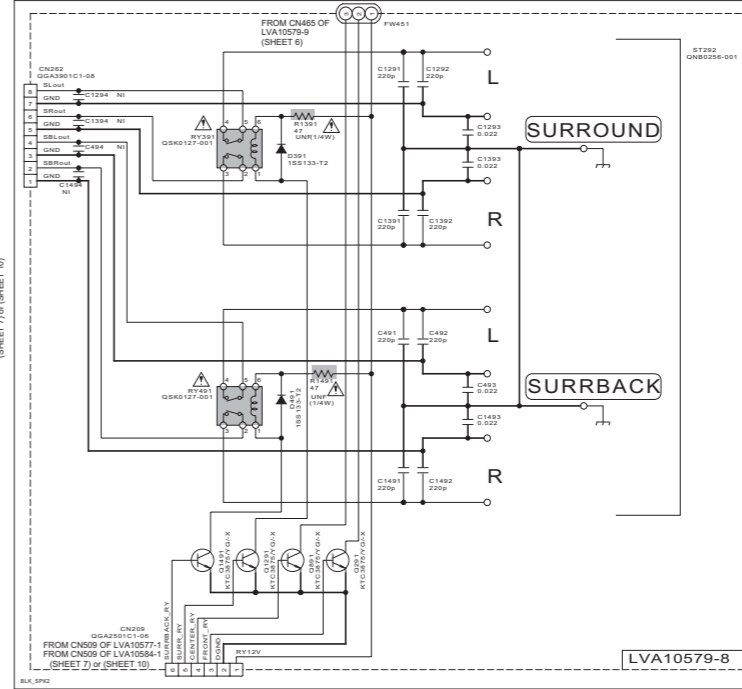
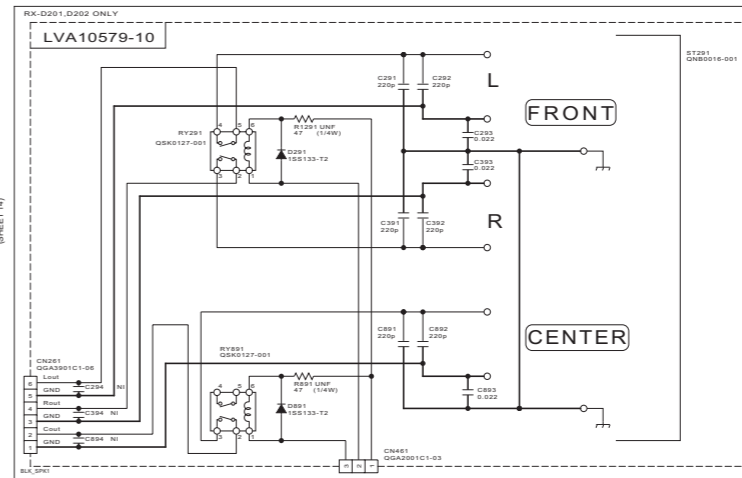
▲ Parts are safety assurance parts. When replacing those parts make sure to use the specified one.

Digital power amplifier and speaker terminal section (Common)



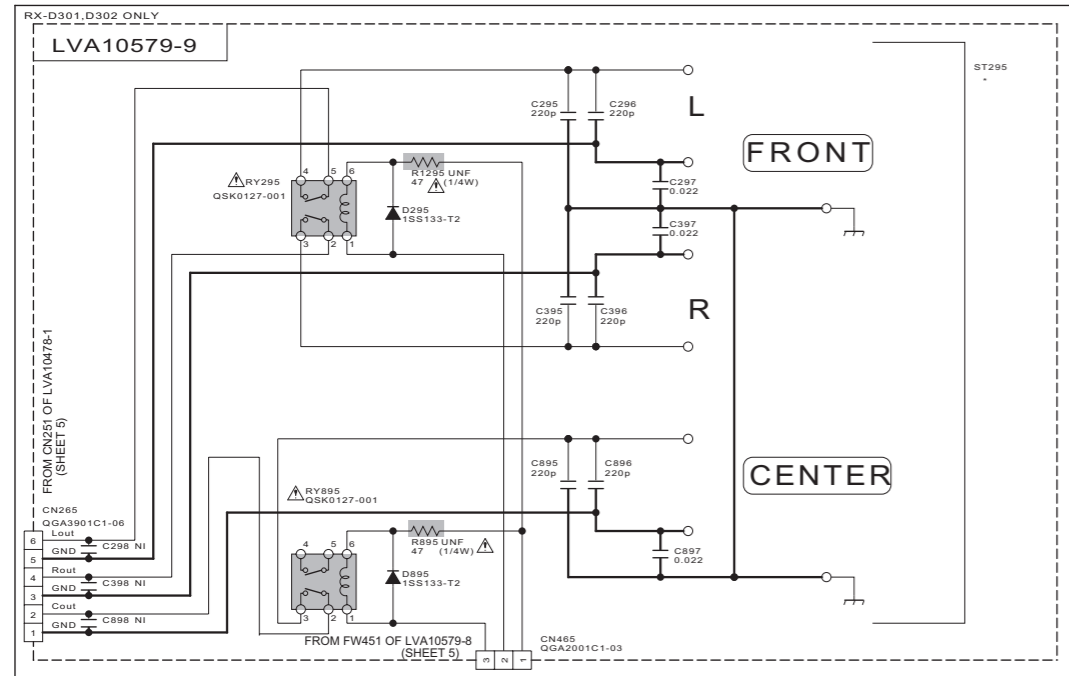
MARK LIST

MARK	J.C	S.EEN SV.
	US.A	UP.UN
R254, R255, R354, R355, R454, R455, R554, R555	220	330
R256, R356, R456, R556	7.5k	7.5k
R257, R357, R457, R557	9.1k	7.5k
R258, R358, R458, R558	3.3k	1.5k
R259, R359, R459, R559	2.2k	1.5k
R260, R360, R460, R560	470	1.5k
R261, R361, R461, R561	1.2k	1.5k
R262, R362, R462, R562	9.2k	10k
R263, R363, R463, R563	3.3k	3.9k
C281, C381, C481, C581	0.01	1000p
C284	0.1	0.01
C285	NONE	USE



⚠ Parts are safety assurance parts. When replacing those parts make sure to use the specified one.

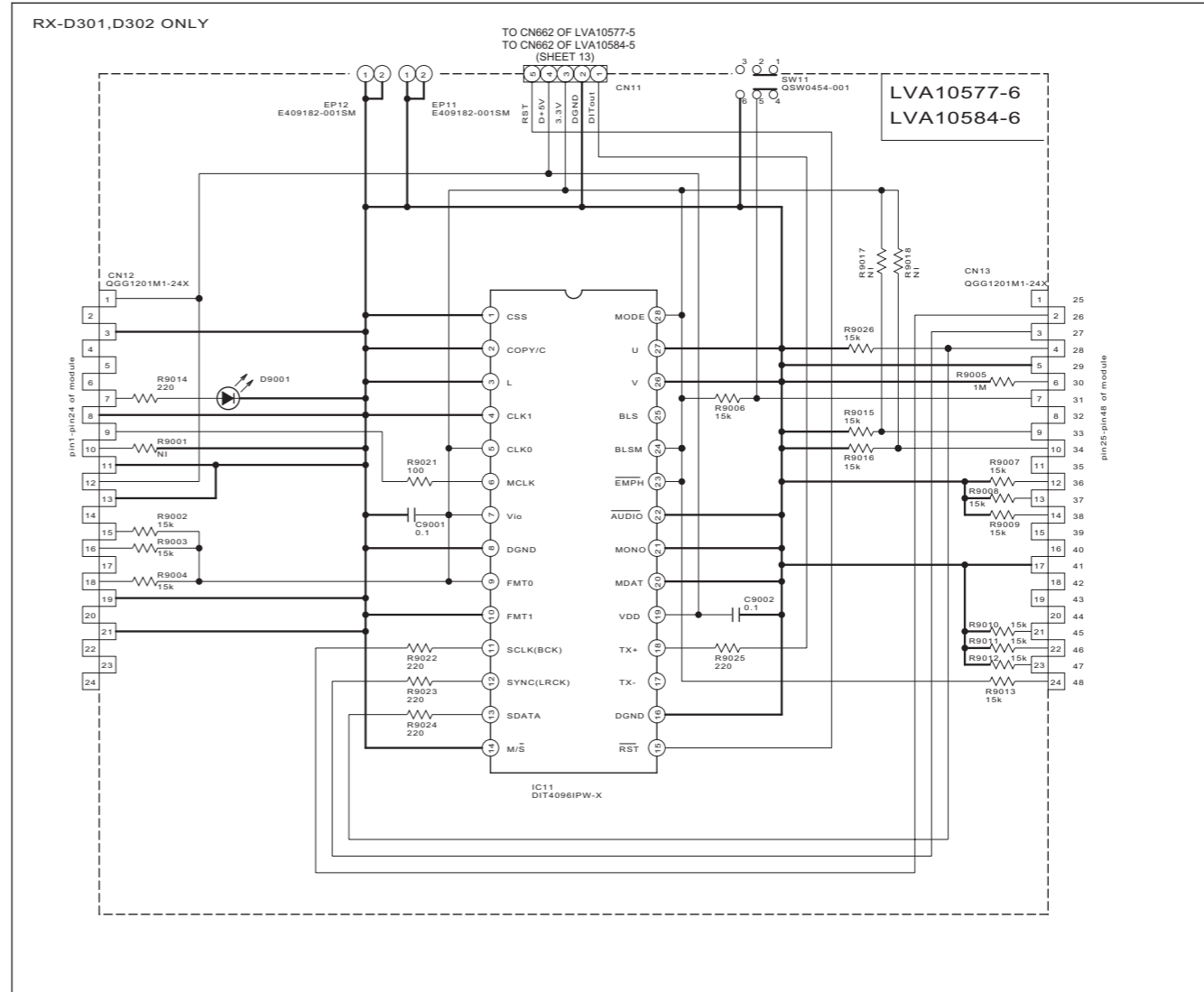
■ USB wireless module connection and speaker terminal section (Common)



*MARK LIST

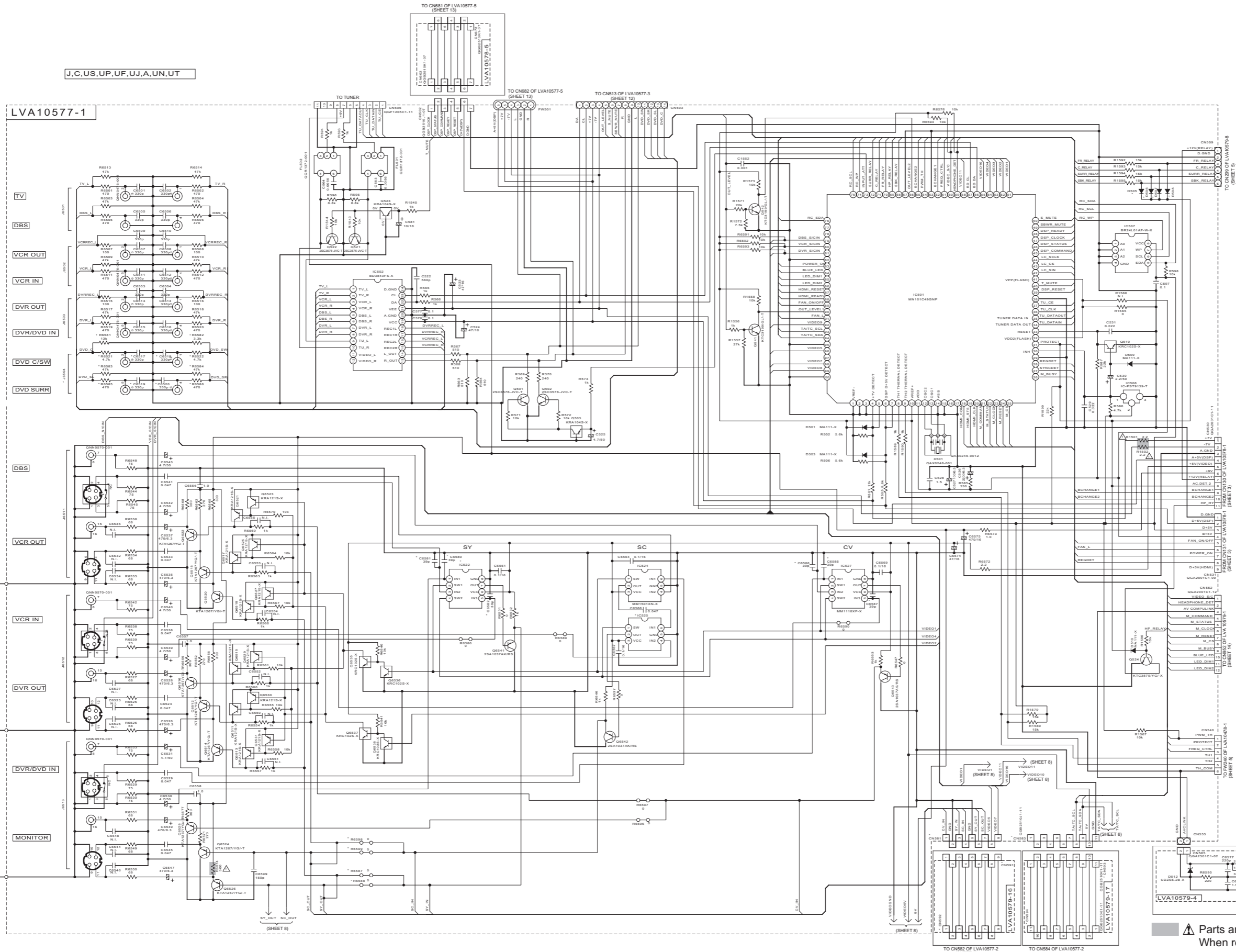
	J.C	B.E,EN,EV, US,UP,A,UF,UJ
ST295	QNB0078-001	QNB0079-001

▲ Parts are safety assurance parts.
When replacing those parts make
sure to use the specified one.



Audio/video signal input and system control section (For A version)

J, C, US, UP, UF, UJ, A, UN, UT



MARK LIST

MARK	J, C	US, UP, UF, UJ, A, UN, UT
D506, D508, D507, D508	1N4448WS-X	MA111-X

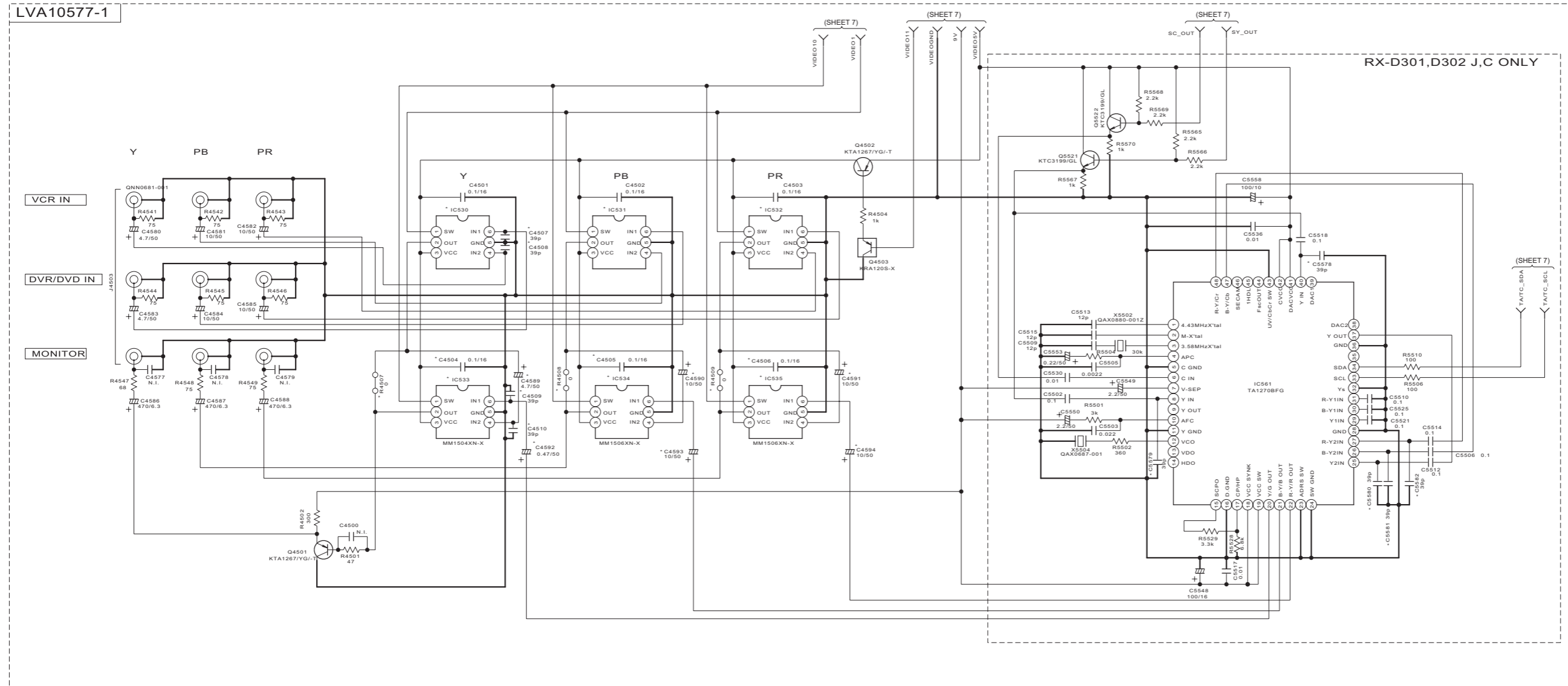
MARK LIST

MARK	J, C	US, UP, UF, UJ, A, UN, UT
IC502	MM1118F-X	MM1118F-NE
IC503	MM1052A-X	MM1052A-N
R557	USE	NONE
R558	USE	NONE
R559	USE	NONE
R560	USE	NONE
CN501	NONE	USE
CN502	NONE	USE
CN503	NONE	USE
CN504	NONE	USE
R581	0	13A
R582	0	3A
R583	NONE	USE
R584	0	47A
R585	0	47A
R586	NONE	USE
R587	NONE	USE
R588	NONE	USE
R589	NONE	USE
R590	NONE	USE
R591	NONE	USE
R592	NONE	USE
R593	NONE	USE
R594	NONE	USE
R595	NONE	USE
R596	NONE	USE
R597	NONE	USE
R598	NONE	USE
R599	NONE	USE
R600	NONE	USE
R601	NONE	USE
R602	NONE	USE
R603	NONE	USE
R604	NONE	USE
R605	NONE	USE
R606	NONE	USE
R607	NONE	USE
R608	NONE	USE
R609	NONE	USE
R610	NONE	USE
R611	NONE	USE
R612	NONE	USE
R613	NONE	USE
R614	NONE	USE
R615	NONE	USE
R616	NONE	USE
R617	NONE	USE
R618	NONE	USE
R619	NONE	USE
R620	NONE	USE
R621	NONE	USE
R622	NONE	USE
R623	NONE	USE
R624	NONE	USE
R625	NONE	USE
R626	NONE	USE
R627	NONE	USE
R628	NONE	USE
R629	NONE	USE
R630	NONE	USE
R631	NONE	USE
R632	NONE	USE
R633	NONE	USE
R634	NONE	USE
R635	NONE	USE
R636	NONE	USE
R637	NONE	USE
R638	NONE	USE
R639	NONE	USE
R640	NONE	USE
R641	NONE	USE
R642	NONE	USE
R643	NONE	USE
R644	NONE	USE
R645	NONE	USE
R646	NONE	USE
R647	NONE	USE
R648	NONE	USE
R649	NONE	USE
R650	NONE	USE
R651	NONE	USE
R652	NONE	USE
R653	NONE	USE
R654	NONE	USE
R655	NONE	USE
R656	NONE	USE
R657	NONE	USE
R658	NONE	USE
R659	NONE	USE
R660	NONE	USE
R661	NONE	USE
R662	NONE	USE
R663	NONE	USE
R664	NONE	USE
R665	NONE	USE
R666	NONE	USE
R667	NONE	USE
R668	NONE	USE
R669	NONE	USE
R670	NONE	USE
R671	NONE	USE
R672	NONE	USE
R673	NONE	USE
R674	NONE	USE
R675	NONE	USE
R676	NONE	USE
R677	NONE	USE
R678	NONE	USE
R679	NONE	USE
R680	NONE	USE
R681	NONE	USE
R682	NONE	USE
R683	NONE	USE
R684	NONE	USE
R685	NONE	USE
R686	NONE	USE
R687	NONE	USE
R688	NONE	USE
R689	NONE	USE
R690	NONE	USE
R691	NONE	USE
R692	NONE	USE
R693	NONE	USE
R694	NONE	USE
R695	NONE	USE
R696	NONE	USE
R697	NONE	USE
R698	NONE	USE
R699	NONE	USE
R700	NONE	USE
R701	NONE	USE
R702	NONE	USE
R703	NONE	USE
R704	NONE	USE
R705	NONE	USE
R706	NONE	USE
R707	NONE	USE
R708	NONE	USE
R709	NONE	USE
R710	NONE	USE
R711	NONE	USE
R712	NONE	USE
R713	NONE	USE
R714	NONE	USE
R715	NONE	USE
R716	NONE	USE
R717	NONE	USE
R718	NONE	USE
R719	NONE	USE
R720	NONE	USE
R721	NONE	USE
R722	NONE	USE
R723	NONE	USE
R724	NONE	USE
R725	NONE	USE
R726	NONE	USE
R727	NONE	USE
R728	NONE	USE
R729	NONE	USE
R730	NONE	USE
R731	NONE	USE
R732	NONE	USE
R733	NONE	USE
R734	NONE	USE
R735	NONE	USE
R736	NONE	USE
R737	NONE	USE
R738	NONE	USE
R739	NONE	USE
R740	NONE	USE
R741	NONE	USE
R742	NONE	USE
R743	NONE	USE
R744	NONE	USE
R745	NONE	USE
R746	NONE	USE
R747	NONE	USE
R748	NONE	USE
R749	NONE	USE
R750	NONE	USE
R751	NONE	USE
R752	NONE	USE
R753	NONE	USE
R754	NONE	USE
R755	NONE	USE
R756	NONE	USE
R757	NONE	USE
R758	NONE	USE
R759	NONE	USE
R760	NONE	USE
R761	NONE	USE
R762	NONE	USE
R763	NONE	USE
R764	NONE	USE
R765	NONE	USE
R766	NONE	USE
R767	NONE	USE
R768	NONE	USE
R769	NONE	USE
R770	NONE	USE
R771	NONE	USE
R772	NONE	USE
R773	NONE	USE
R774	NONE	USE
R775	NONE	USE
R776	NONE	USE
R777	NONE	USE
R778	NONE	USE
R779	NONE	USE
R780	NONE	USE
R781	NONE	USE
R782	NONE	USE
R783	NONE	USE
R784	NONE	USE
R785	NONE	USE
R786	NONE	USE
R787	NONE	USE
R788	NONE	USE
R789	NONE	USE
R790	NONE	USE
R791	NONE	USE
R792	NONE	USE
R793	NONE	USE
R794	NONE	USE
R795	NONE	USE
R796	NONE	USE
R797	NONE	USE
R798	NONE	USE
R799	NONE	USE
R800	NONE	USE
R801	NONE	USE
R802	NONE	USE
R803	NONE	USE
R804	NONE	USE
R805	NONE	USE
R806	NONE	USE
R807	NONE	USE
R808	NONE	USE
R809	NONE	USE
R810	NONE	USE
R811	NONE	USE
R812	NONE	USE
R813	NONE	USE
R814	NONE	USE
R815	NONE	USE
R816	NONE	USE
R817	NONE	USE
R818	NONE	USE
R819	NONE	USE
R820	NONE	USE
R821	NONE	USE
R822	NONE	USE
R823	NONE	USE
R824	NONE	USE
R825	NONE	USE
R826	NONE	USE
R827	NONE	USE
R828	NONE	USE
R829	NONE	USE
R830	NONE	USE
R831	NONE	USE
R832	NONE	USE
R833	NONE	USE
R834	NONE	USE
R835	NONE	USE
R836	NONE	USE
R837	NONE	USE
R838	NONE	USE
R839	NONE	USE
R840	NONE	USE
R841	NONE	USE
R842	NONE	USE
R843	NONE	USE
R844	NONE	USE
R845	NONE	USE
R846	NONE	USE
R847	NONE	USE
R848	NONE	USE
R849	NONE	USE
R850	NONE	USE
R851	NONE	USE
R852	NONE	USE
R853	NONE	USE
R854	NONE	USE
R855	NONE	USE
R856	NONE	USE
R857	NONE	USE
R858	NONE	USE
R859	NONE	USE
R860	NONE	USE
R861	NONE	USE
R862	NONE	USE
R863	NONE	USE
R864	NONE	USE
R865	NONE	USE
R866	NONE	USE
R867	NONE	USE
R868	NONE	USE
R869	NONE	USE
R870	NONE	USE
R871	NONE	USE
R872	NONE	USE
R873	NONE	USE
R874	NONE	USE
R875	NONE	USE
R876	NONE	USE
R877	NONE	USE
R878	NONE	USE
R879	NONE	USE
R880	NONE	USE
R881	NONE	USE
R882	NONE	USE
R883	NONE	USE
R884	NONE	USE
R885	NONE	USE
R886	NONE	USE
R887	NONE	USE
R888	NONE	USE
R889	NONE	USE
R890	NONE	USE
R891	NONE	USE
R892	NONE	USE
R893	NONE	USE
R894	NONE	USE
R895	NONE	USE
R896	NONE	USE
R897	NONE	USE
R898	NONE	USE
R899	NONE	USE
R900	NONE	USE

Parts are safety assurance parts. When replacing those parts make sure to use the specified one.

■ Audio/video signal input section (For A version)

J,C,US,UP,UJ,UF,UJ,A



*MARK LIST

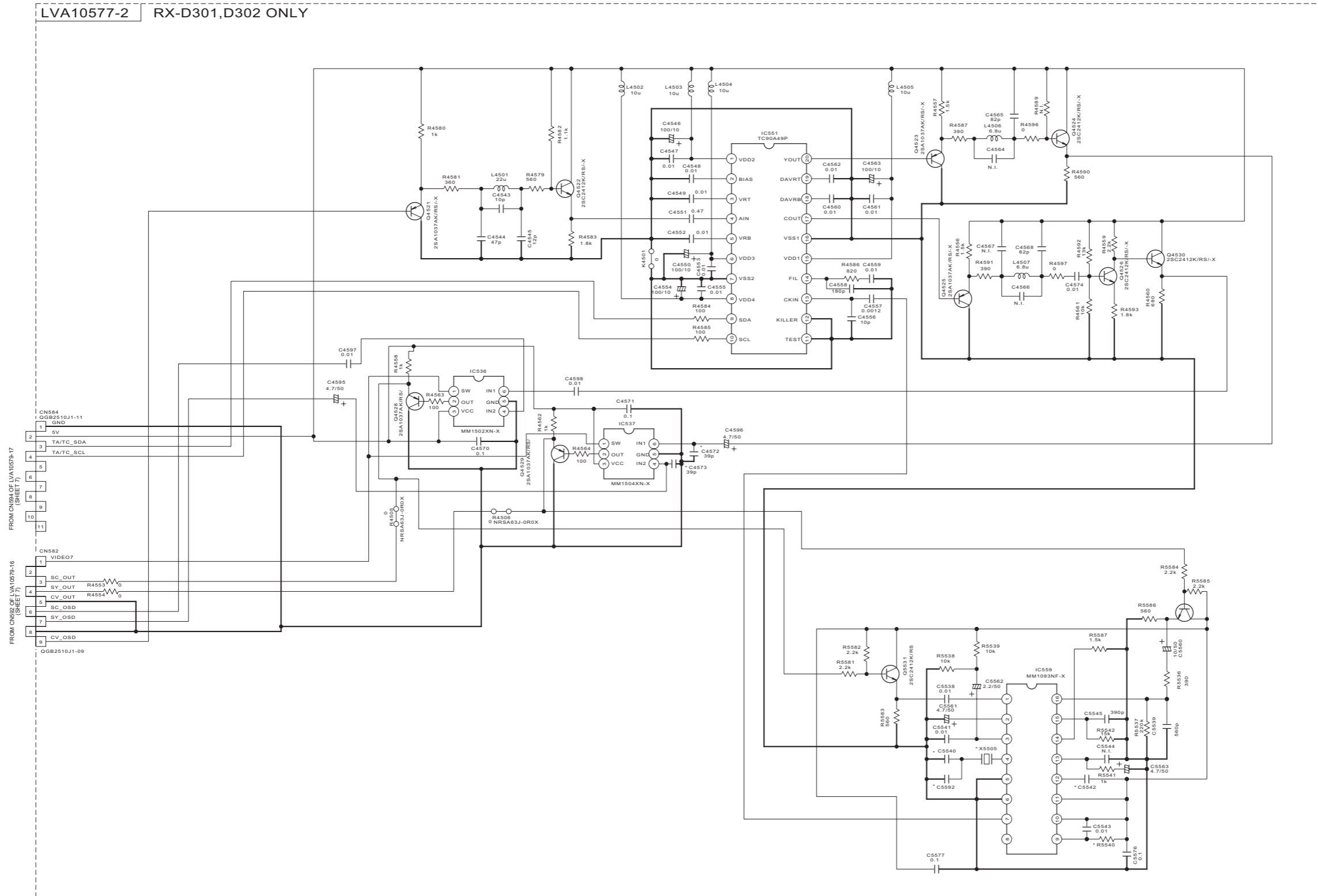
	D201,D202 J,C	D301,D302 US,A,UF,UJ	D301,D302 US,A,UF,UJ
IC530	MM1504XN-X	MM1503XN-X	MM1504XN-X
IC531	MM1506XN-X	MM1501XN-X	MM1506XN-X
IC532	MM1506XN-X	MM1501XN-X	MM1506XN-X
IC533	NONE	USE	NONE
IC534	NONE	USE	NONE
IC535	NONE	USE	NONE
C4504	NONE	USE	NONE
C4505	NONE	USE	NONE
C4506	NONE	USE	NONE
C4507	NONE	USE	NONE
C4508	NONE	USE	NONE
C4509	NONE	USE	NONE
C4510	NONE	USE	NONE
C4591	NONE	USE	NONE
C4592	NONE	USE	NONE
C4593	NONE	USE	NONE
C4594	NONE	USE	NONE
R4507	USE	NONE	USE
R4508	USE	NONE	USE
R4509	USE	NONE	USE

	UP	J,C,UJ,US A,UF
C4507	USE	NONE
C4508	USE	NONE
C4509	USE	NONE
C4510	USE	NONE
C5578	USE	NONE
C5579	USE	NONE
C5580	USE	NONE
C5581	USE	NONE
C5582	USE	NONE

Y/C separate section (For A version)

J,C,US,UP,UF,UJ,A

LVA10577-2 RX-D301,D302 ONLY

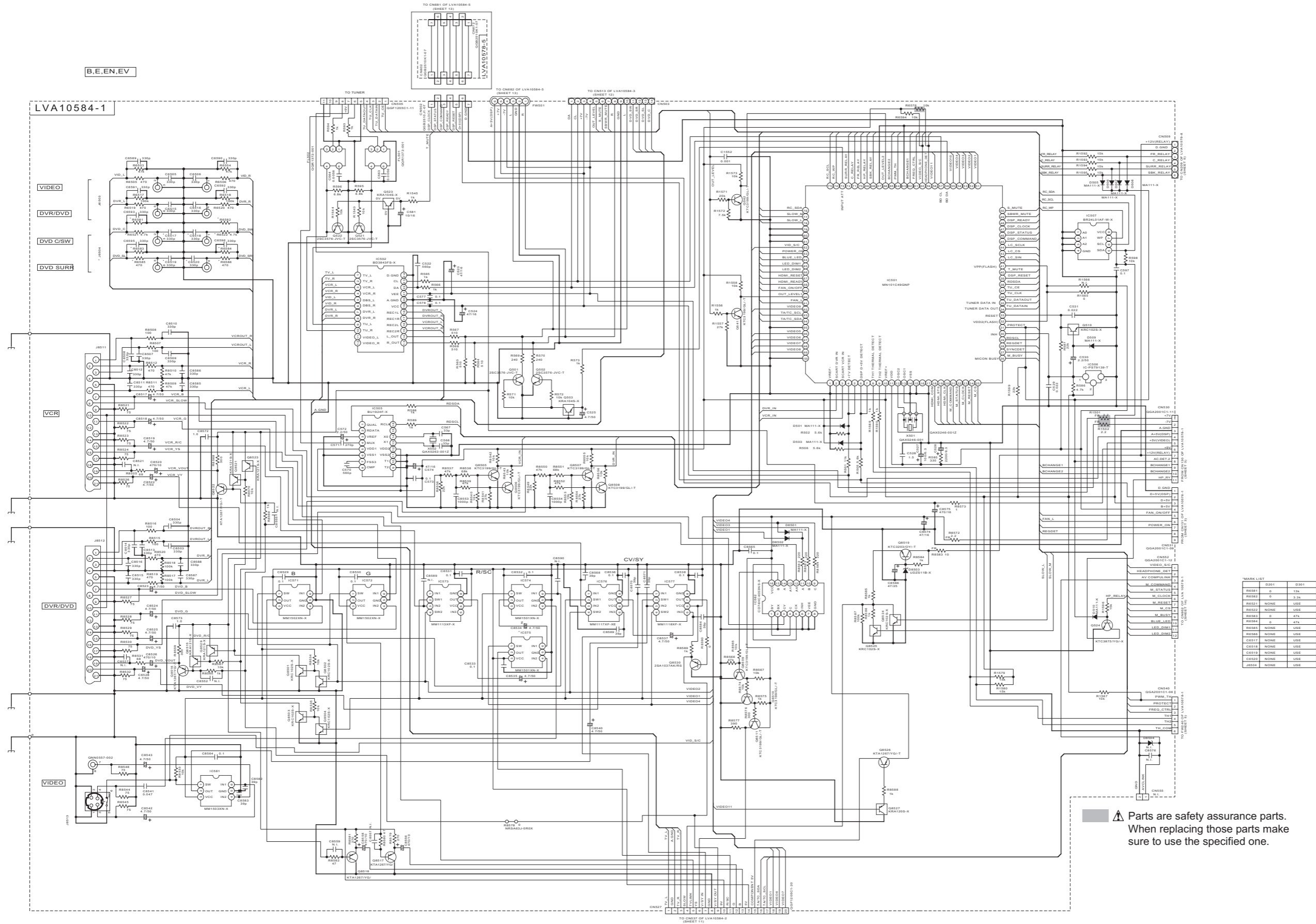


*MARK LIST

	J,C,UJ,UP	A,UF,US
C5542	7p	6p
R5540	6.2k	4.3k
C5540	8p	12p
C5592	5p	NONE
X5505	QAX0885-0012	QAX0879-0012

	J,C,UJ,UP,A,UF	UP
C4572	NONE	USE
C4573	NONE	USE

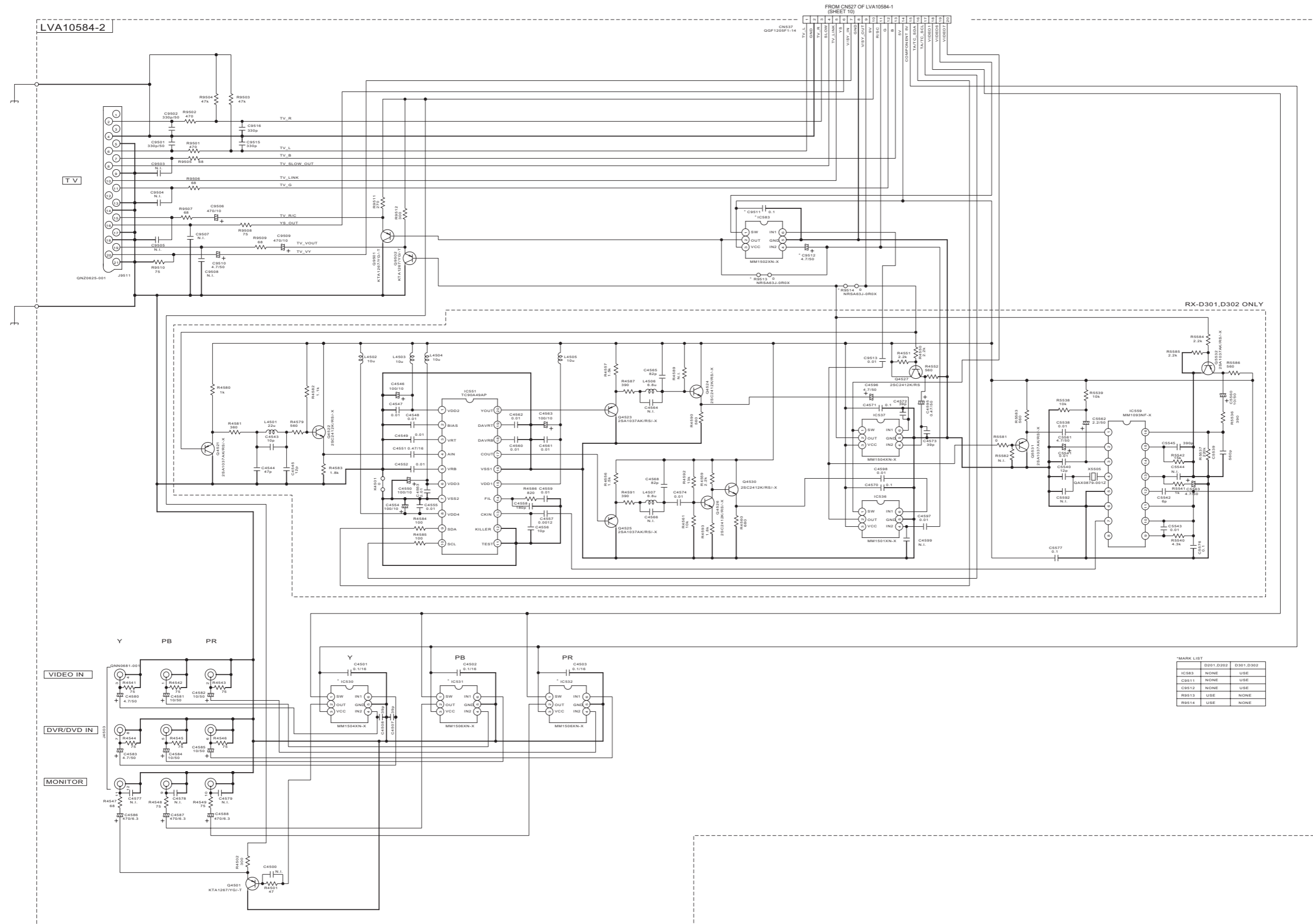
■ Audio/video signal input and system control section (For B/E/EN version)



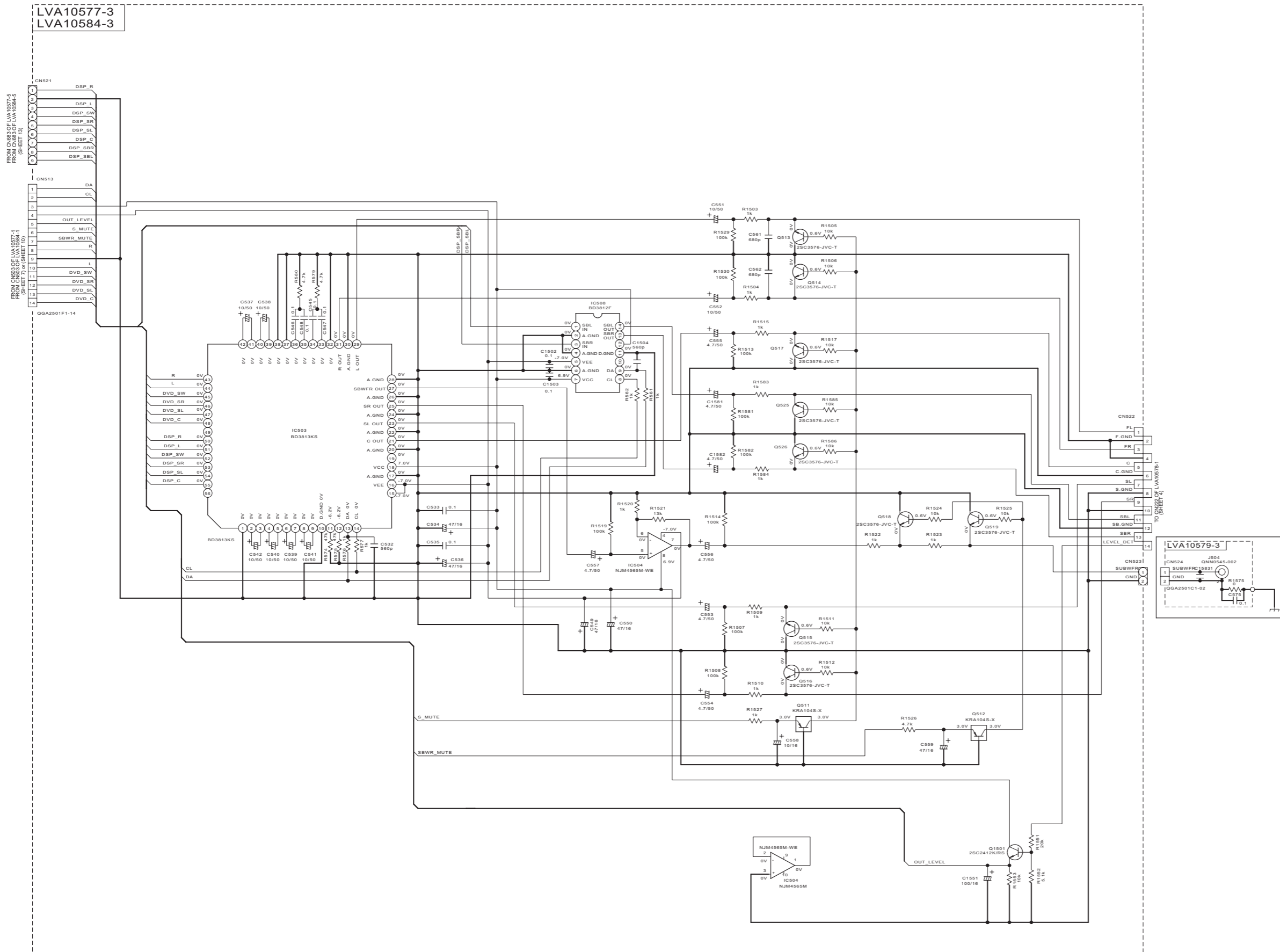
Parts are safety assurance parts. When replacing those parts make sure to use the specified one.

Component and scart TV section (For B/E/EN version)

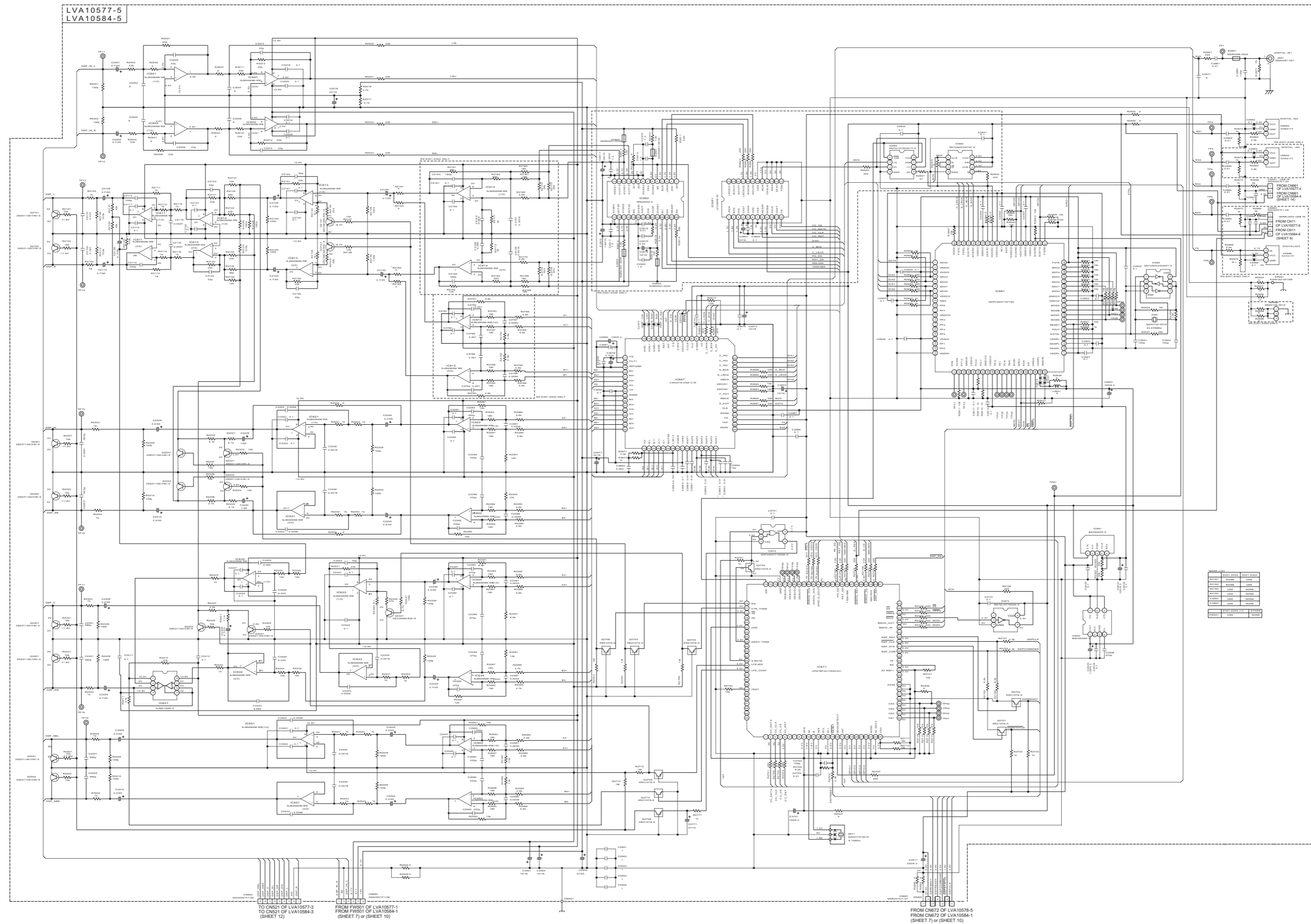
B,E,EN,EV



Volume section (Common)

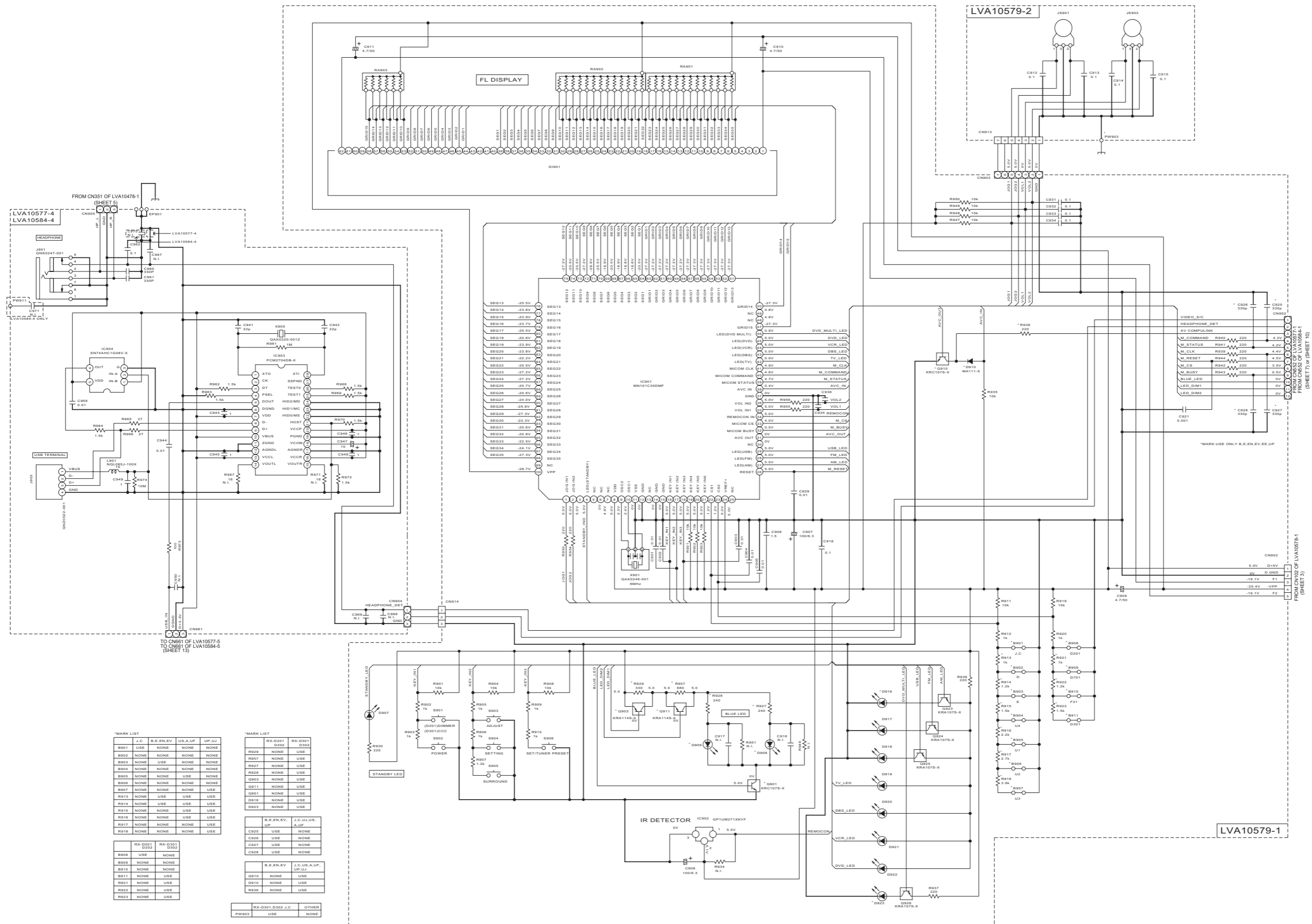


■ DSP and digital signal input terminal section (Common)



Symbol	Description
□	IC601-IC608
□	IC609-IC616
□	IC617-IC624
□	CN601
□	R601-R624
□	C601-C624

■ User control keys, system control and FL display section (Common)



*MARK LIST

J.C	B.E. EN. EV.	U.S.A. U.F.	U.P. U.J.
B901	USE	NONE	NONE
B902	NONE	NONE	NONE
B903	NONE	NONE	NONE
B904	NONE	NONE	NONE
B905	NONE	NONE	NONE
B906	NONE	NONE	NONE
B907	NONE	NONE	USE
B910	USE	USE	USE
B914	NONE	USE	USE
B916	NONE	NONE	USE
B917	NONE	NONE	USE
B918	NONE	NONE	USE

RX-D301	RX-D302
B908	USE
B909	NONE
B910	NONE
B911	NONE
B921	NONE
B922	NONE
B923	NONE

RX-D301, D302	J.C	OTHER
PW903	USE	NONE

RX-D301	RX-D302
R929	NONE
R927	NONE
R927	USE
R928	NONE
Q903	USE
Q911	NONE
Q901	USE
Q918	USE
Q923	NONE

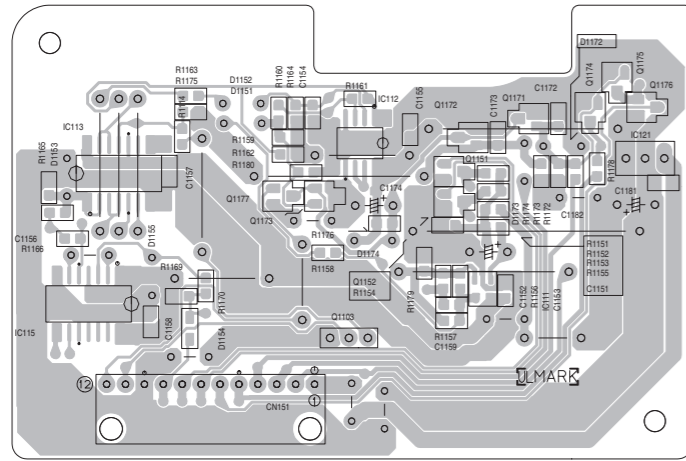
B.E. EN. EV.	J.C	U.S.A. U.F.	U.P. U.J.
C925	USE	NONE	
C928	USE	NONE	
C927	USE	NONE	
C928	USE	NONE	

B.E. EN. EV.	J.C	U.S.A. U.F.	U.P. U.J.
Q910	NONE	USE	
Q919	NONE	USE	
R926	NONE	USE	

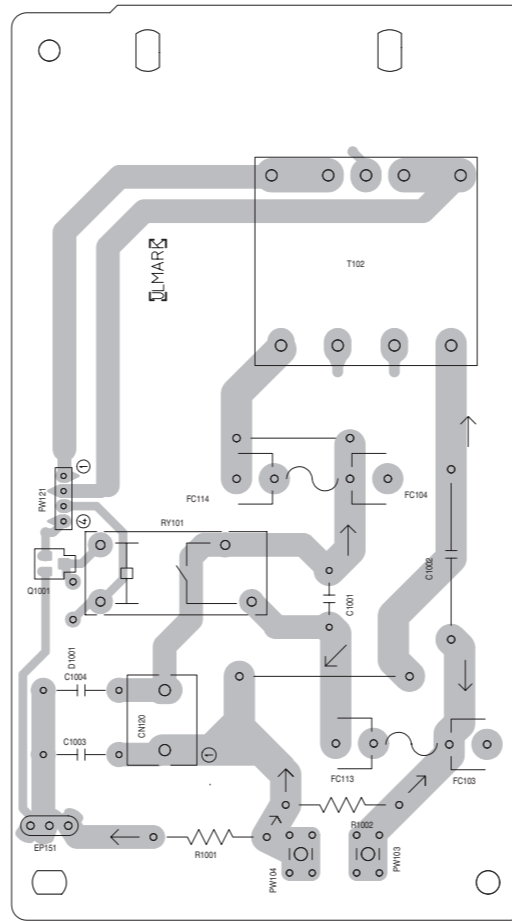
Printed circuit boards

■ Front board (Common) Lead free solder used in the board (material : Sn-Ag-Cu, melting point : 219 Centigrade)

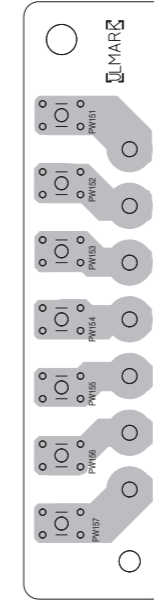
(DCDC control board)



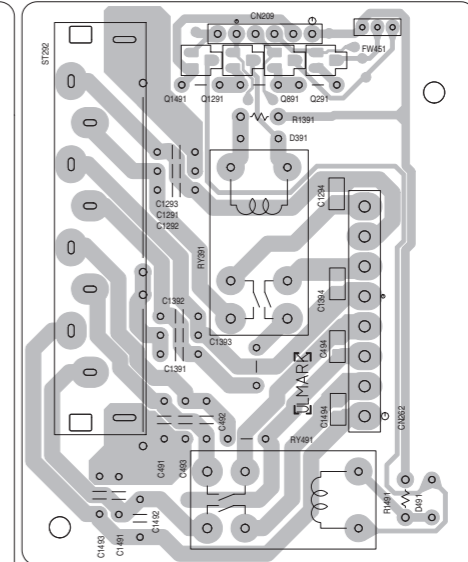
(Primary board)



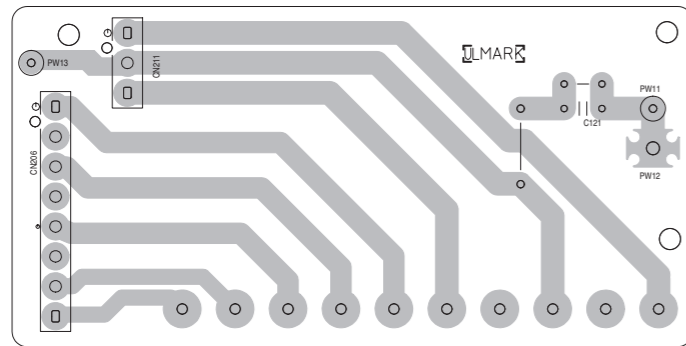
(Trans primary board)



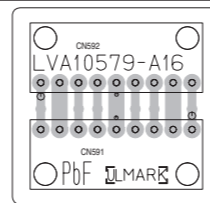
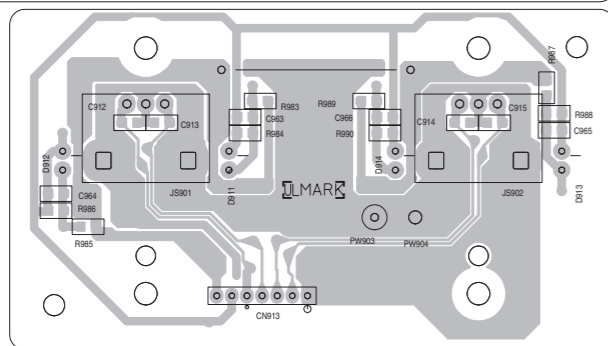
(Speaker terminal 2 board)



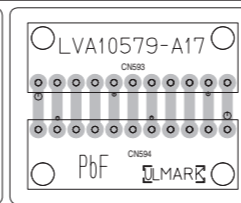
(Trans secondary board)



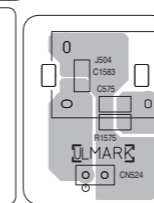
(JOG board)



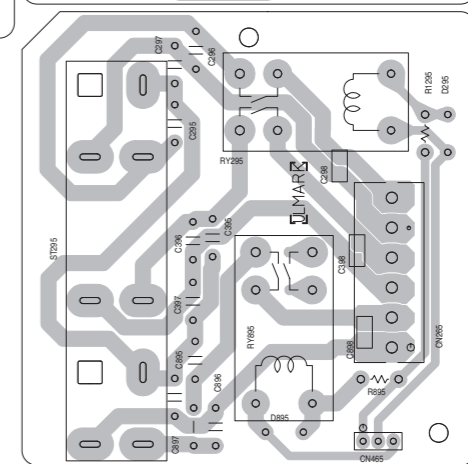
(Connect 1 board)



(Connect 2 board)

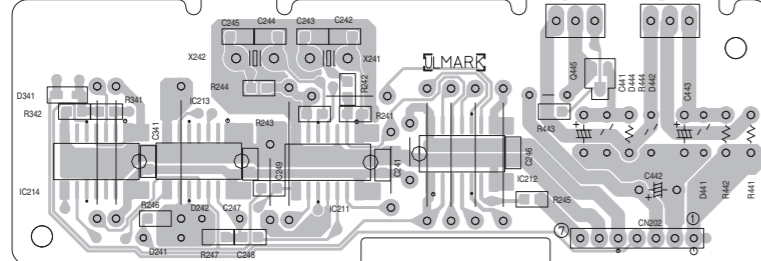


(Subwoofer board)

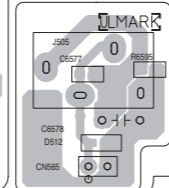


(Speaker terminal 1 board)

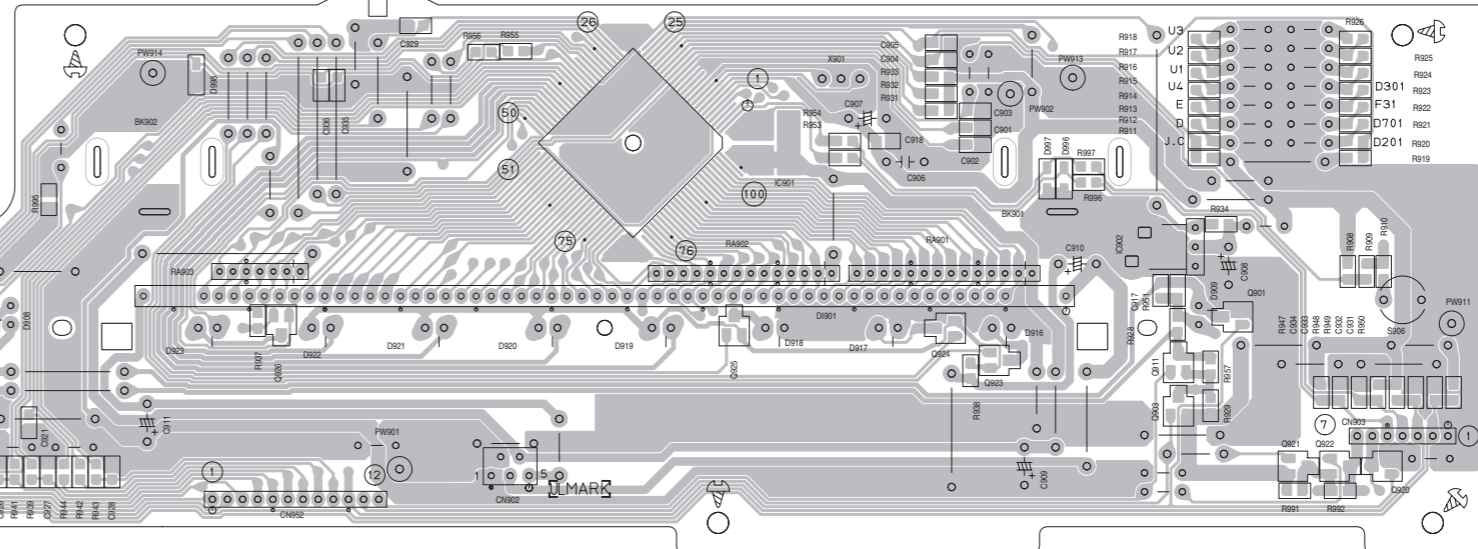
(Master clock board)



(Compulink board)

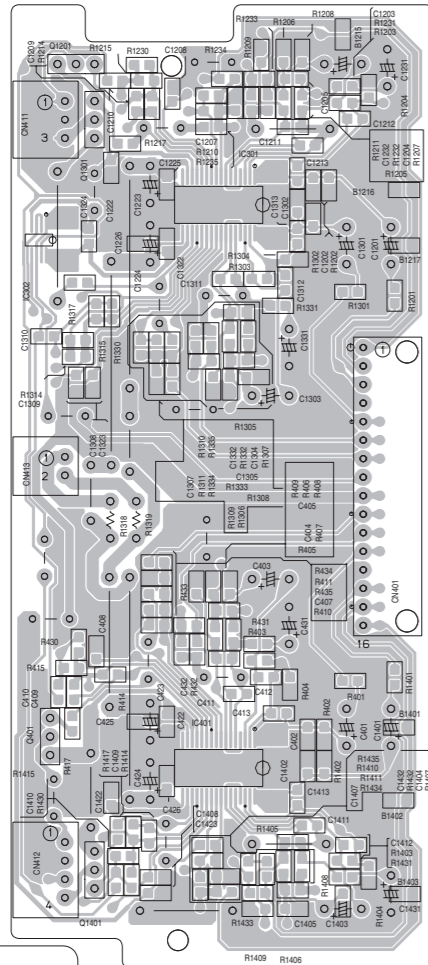


(FL board)

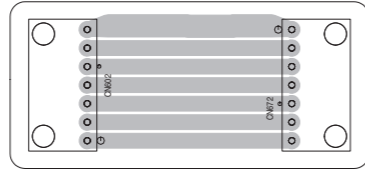


■ Amplifier board (Common) Lead free solder used in the board (material : Sn-Ag-Cu, melting point : 219 Centigrade)

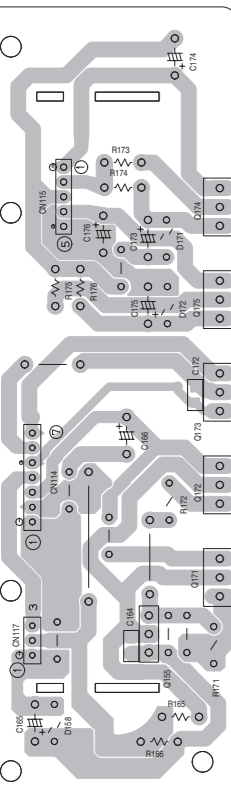
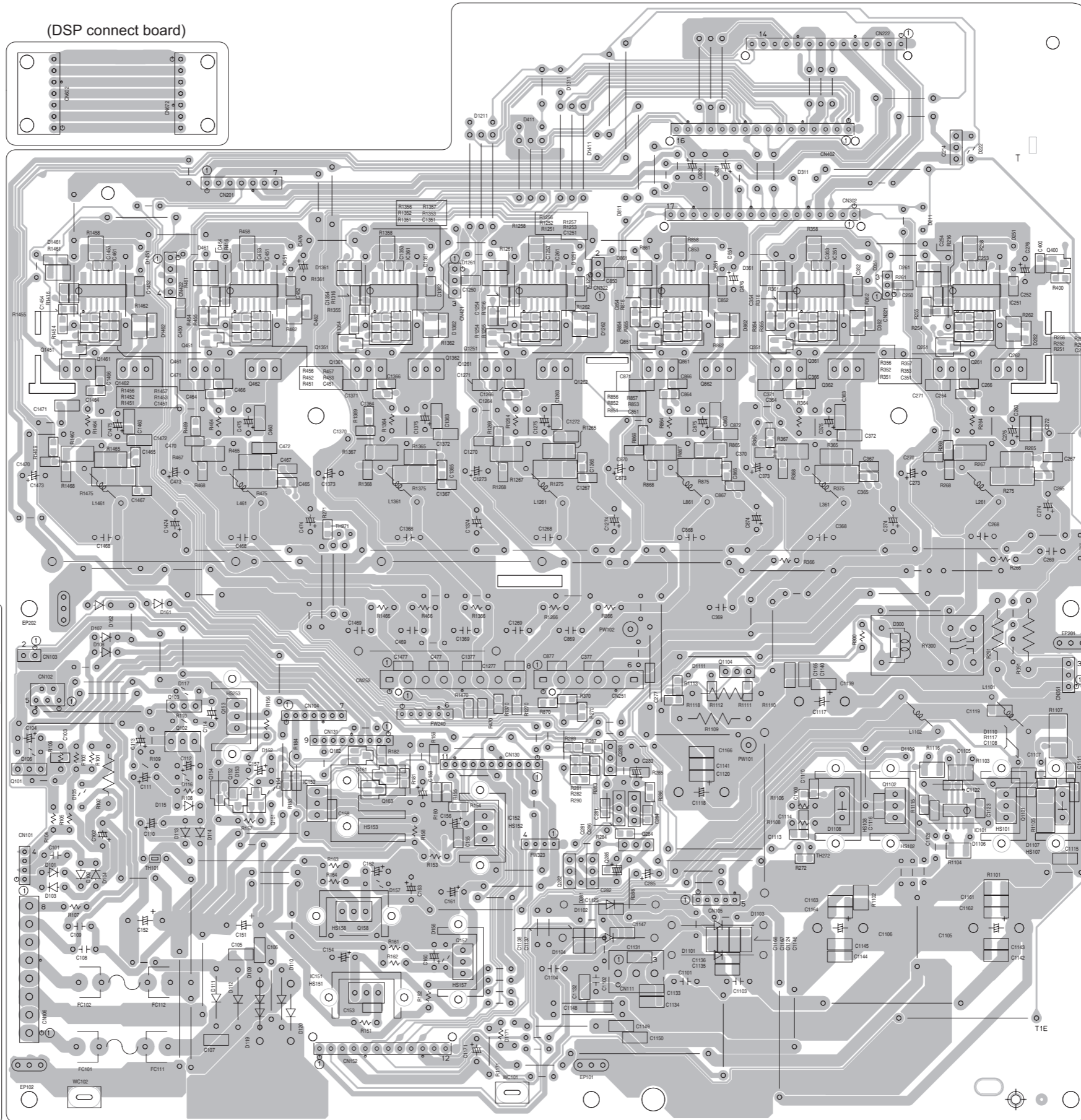
(PWM modulation 2 board)



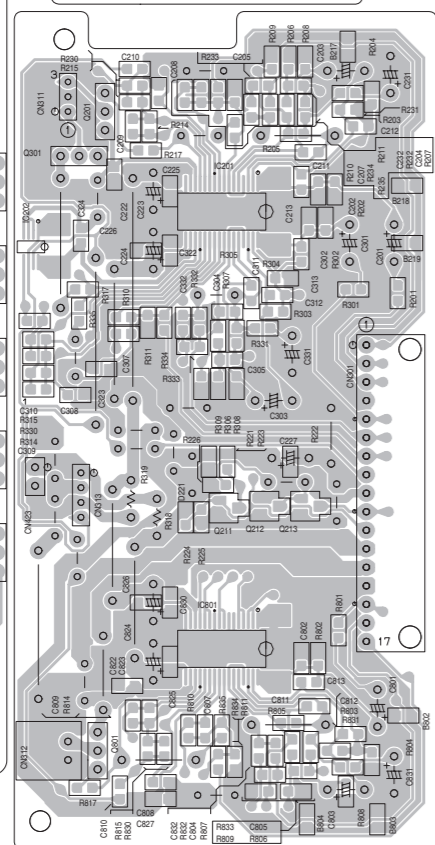
(DSP connect board)



(Main amplifier board)



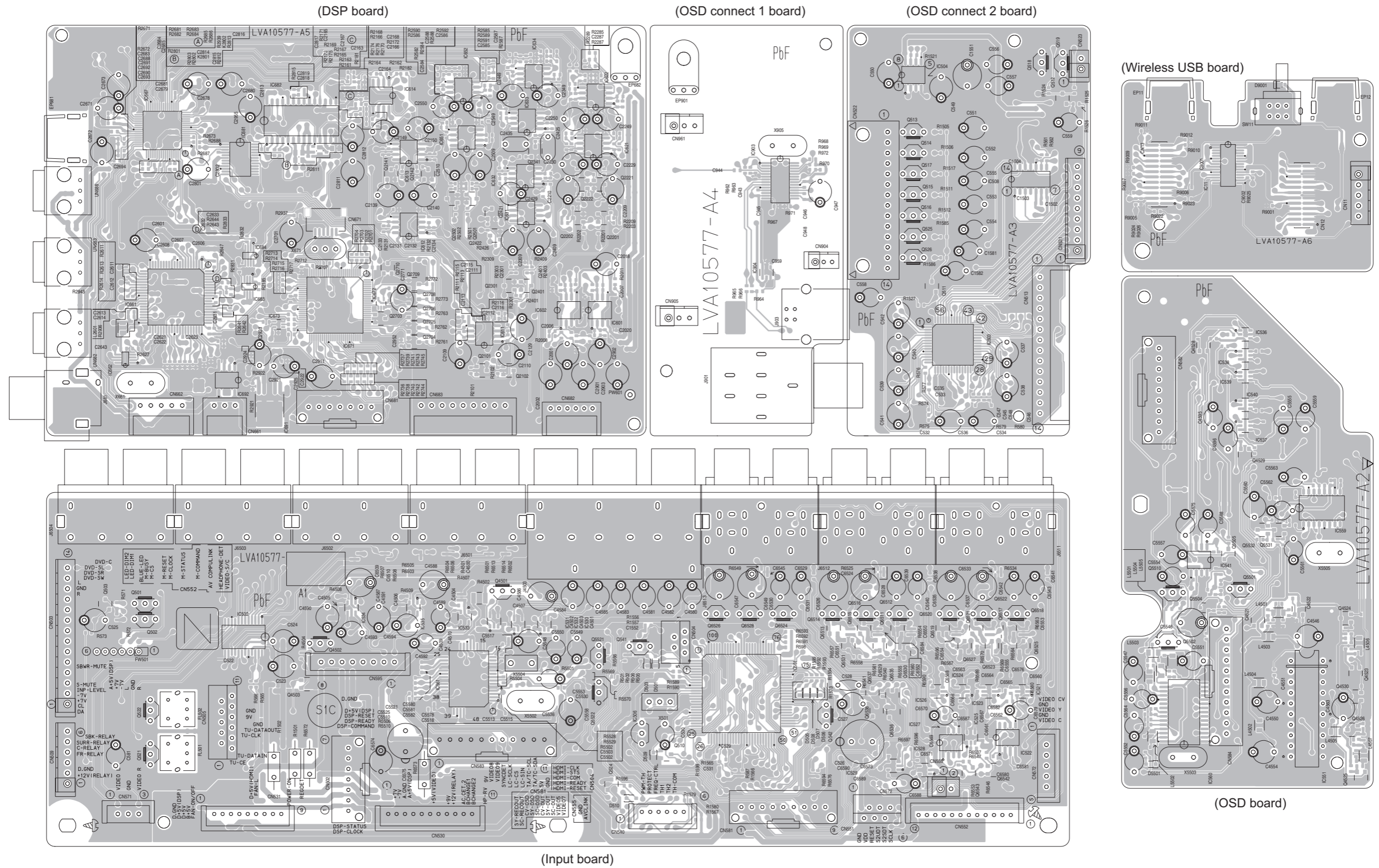
(Regulator board)



(PWM modulation 1 board)

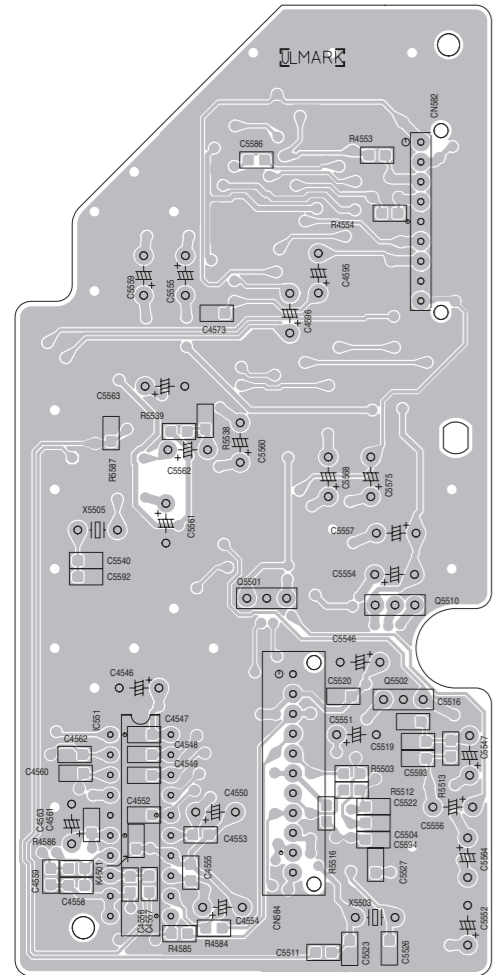
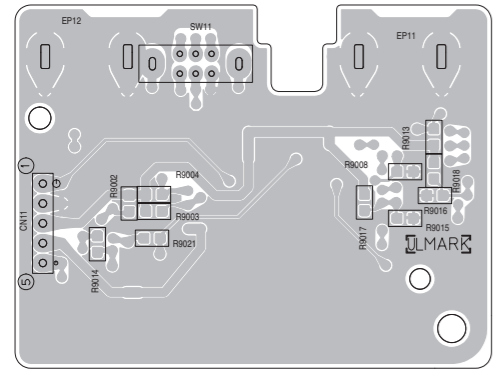
■ Input board (For A version) Lead free solder used in the board (material : Sn-Ag-Cu, melting point : 219 Centigrade)

Forward side



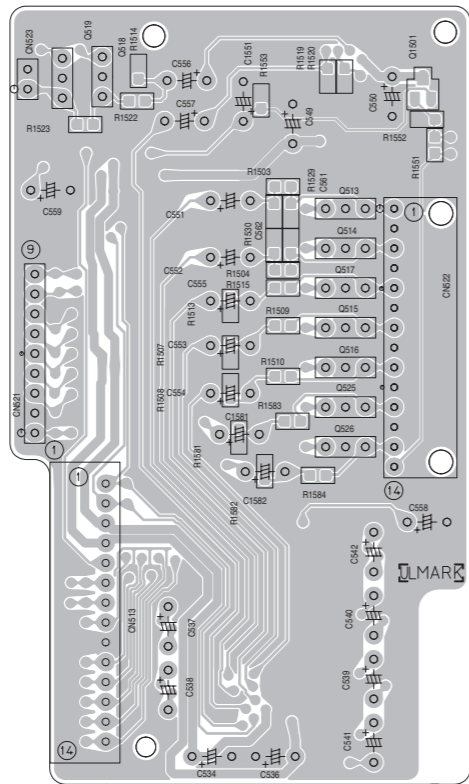
■ **Input board (For A version)** Lead free solder used in the board (material : Sn-Ag-Cu, melting point : 219 Centigrade)

(Wireless USB board)



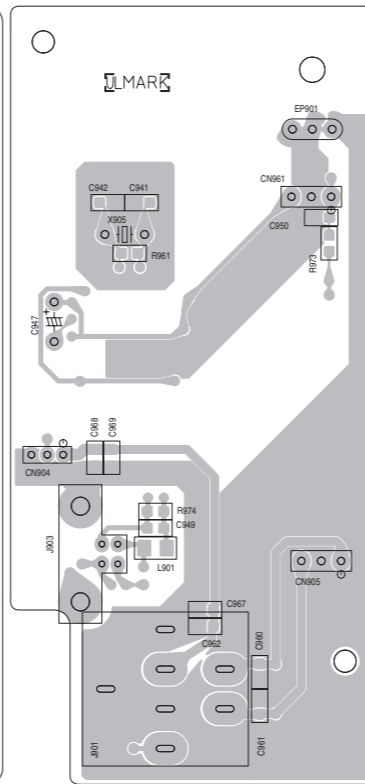
(OSD board)

(OSD connect 2 board)

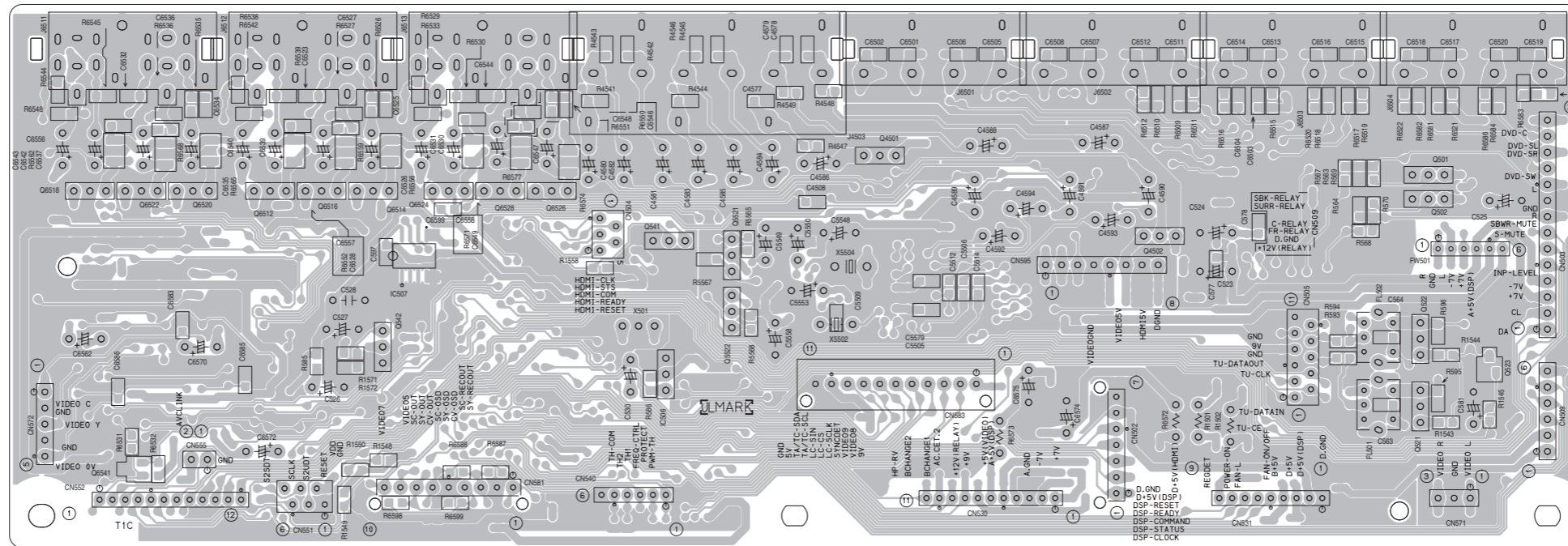
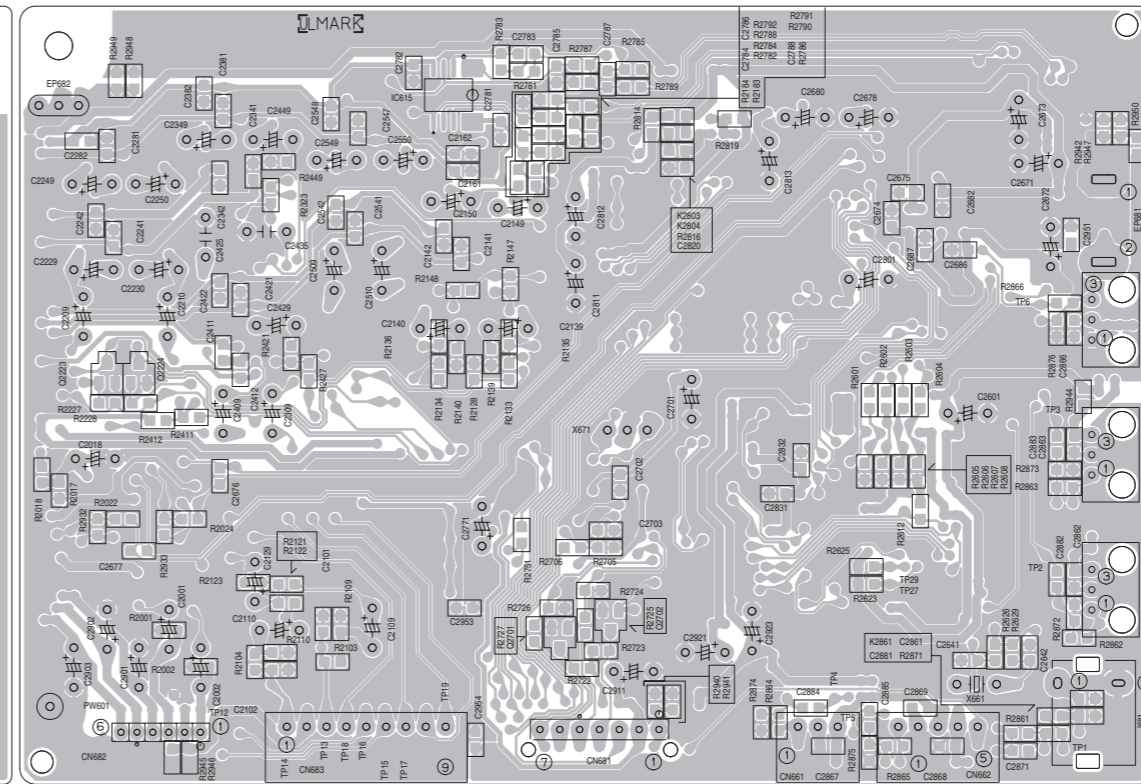


Reverse side

(OSD connect 1 board)

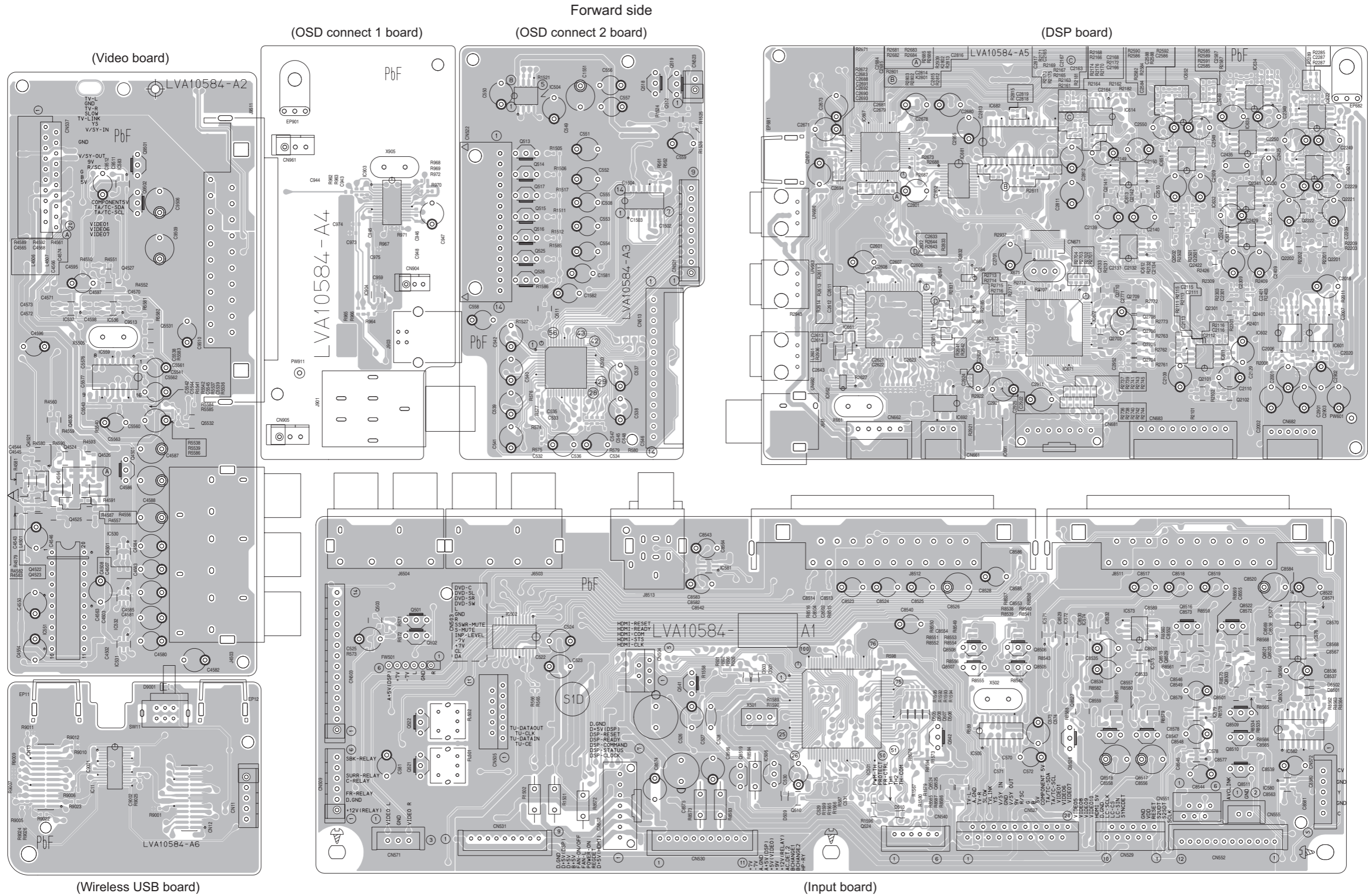


(DSP board)



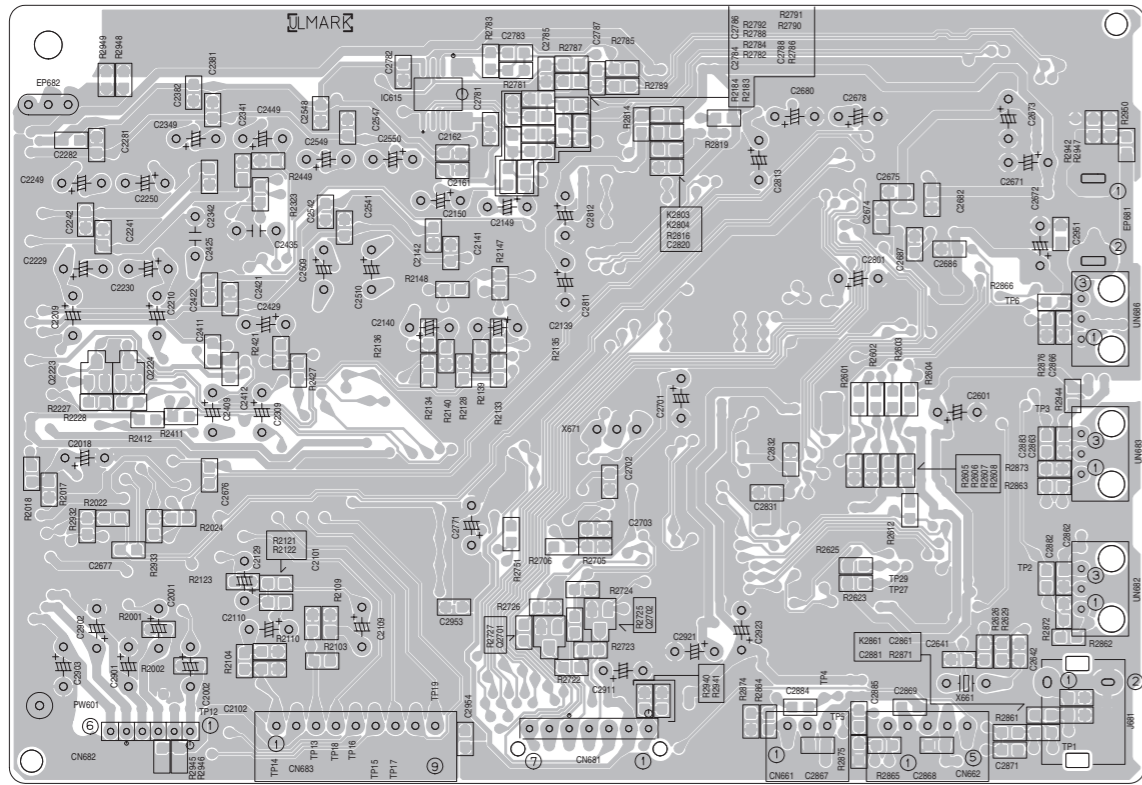
(Input board)

■ Input board (For B/E/EN version) Lead free solder used in the board (material : Sn-Ag-Cu, melting point : 219 Centigrade)

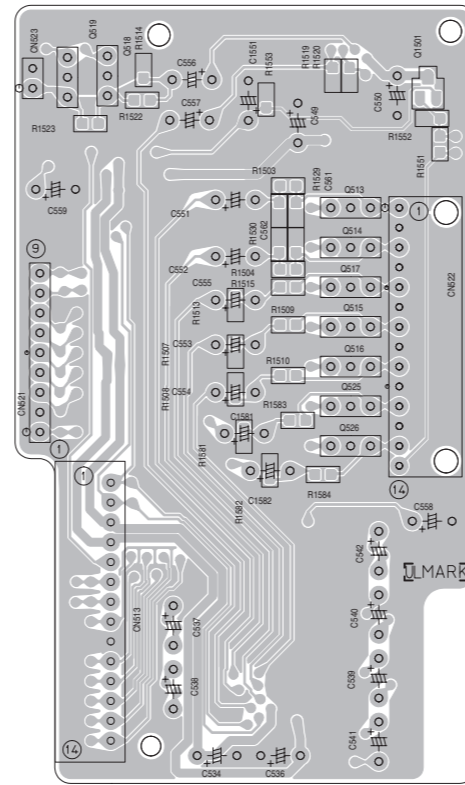


■ Input board (For B/E/EN version) Lead free solder used in the board (material : Sn-Ag-Cu, melting point : 219 Centigrade)

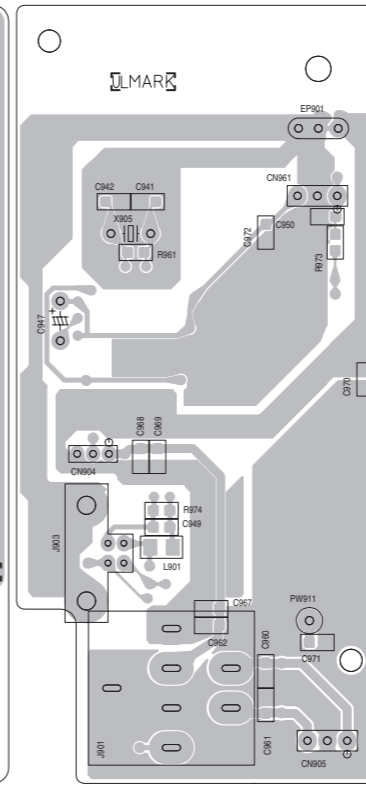
Reverse side



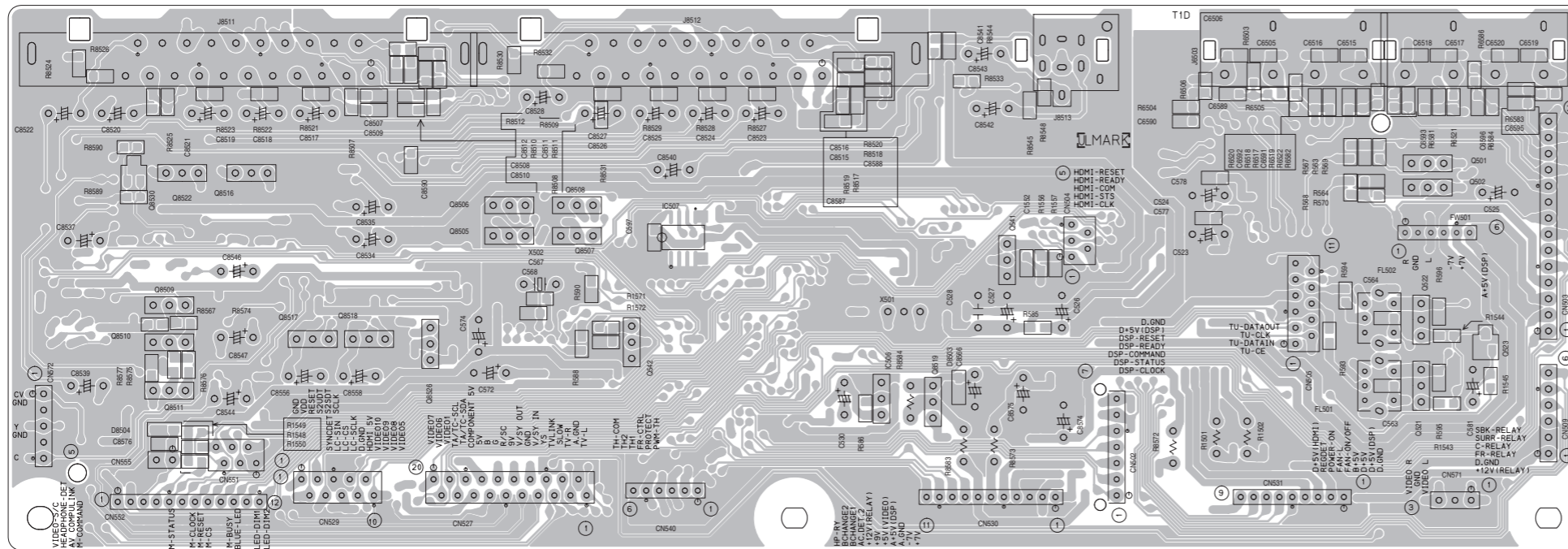
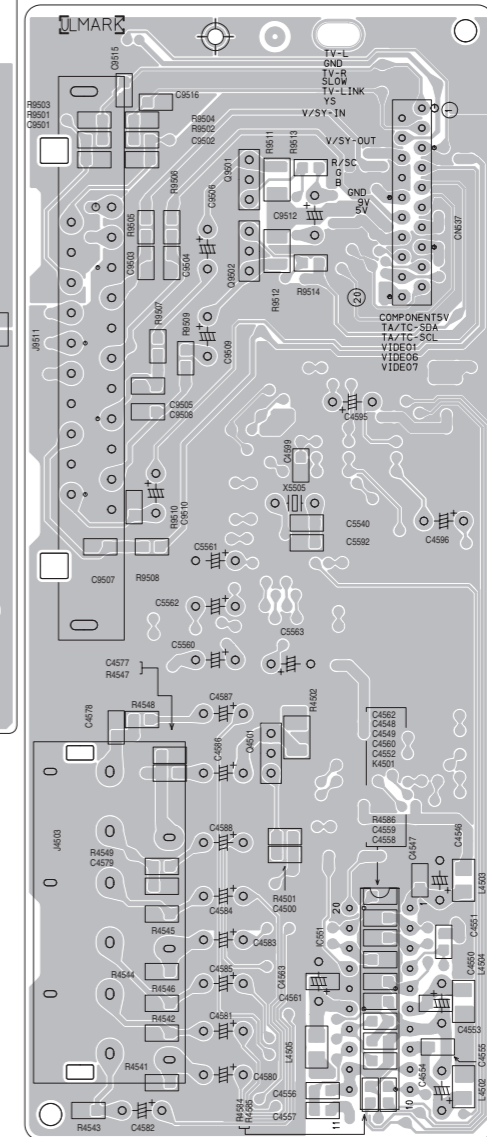
(OSD connect 2 board)



(OSD connect 1 board)

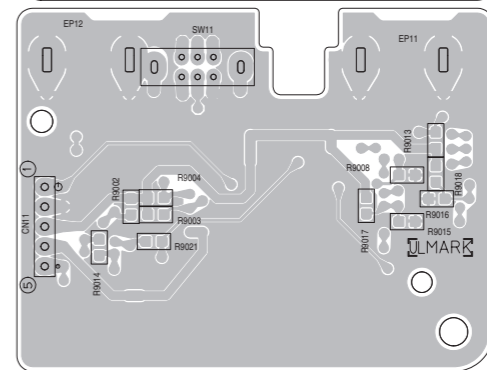


(Video board)



(Input board)

(Wireless USB board)



< MEMO >

JVC

Victor Company of Japan, Limited

AV & MULTIMEDIA COMPANY AUDIO/VIDEO SYSTEMS CATEGORY 10-1, 1chome, Ohwatari-machi, Maebashi-city, 371-8543, Japan

(No.MB479SCH)



Printed in Japan
VPT

PARTS LIST

[RX-D301S] [RX-D302B]

* All printed circuit boards and its assemblies are not available as service parts.

RX-D301S	
Area suffix	
A	----- Australia
B	----- U.K.
E	----- Continental Europe
EN	----- Northern Europe

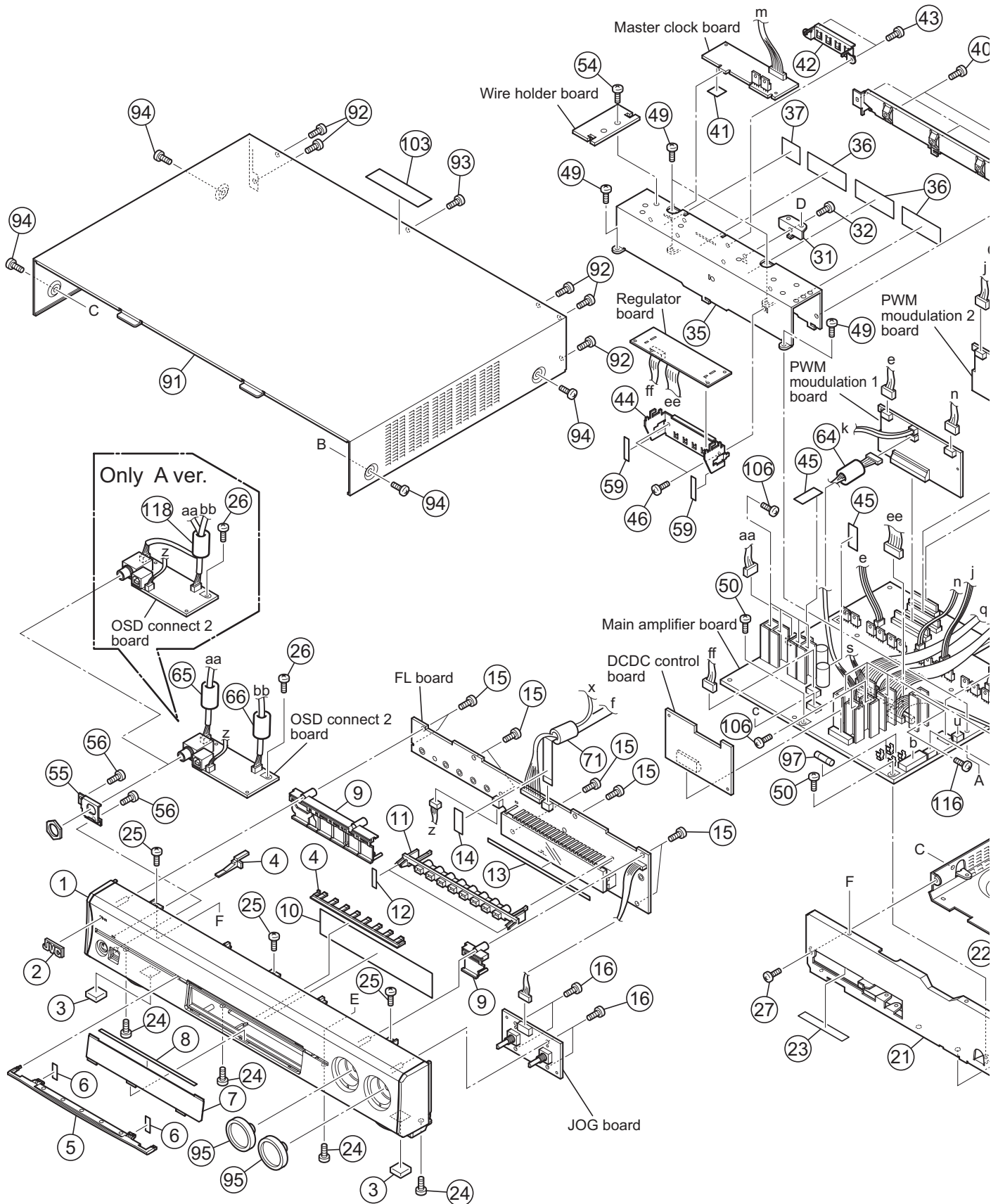
RX-D302B	
Area suffix	
B	----- U.K.
E	----- Continental Europe
EN	----- Northern Europe

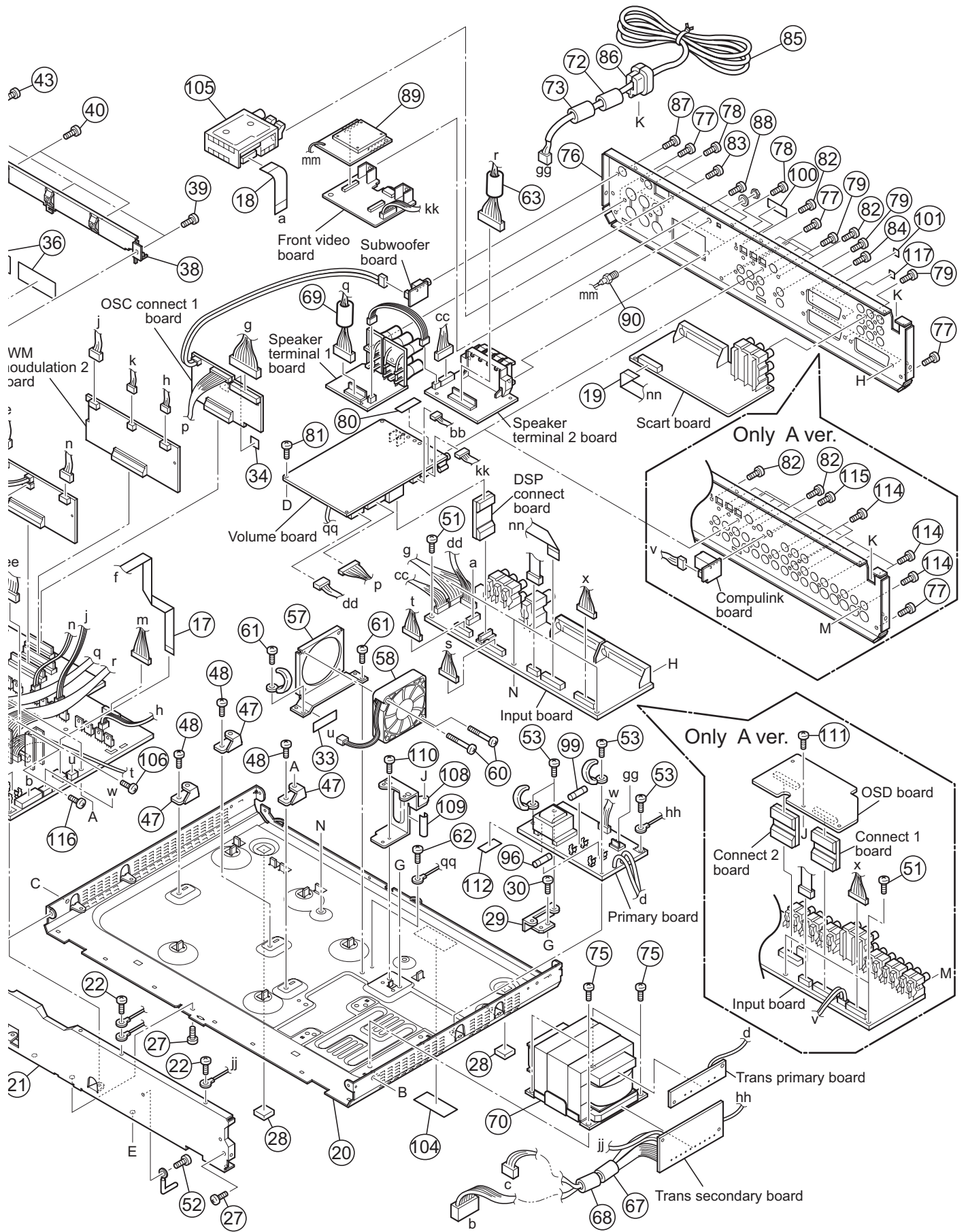
- Contents -

Exploded view of general assembly and parts list (Block No.M1)	3- 2
Electrical parts list (Block No.01~04)	3- 6
Packing materials and accessories parts list (Block No.M3).....	3-30

Exploded view of general assembly and parts list

Block No. **M** **1** **M** **M**





General Assembly

Block No. [M][1][M][M]

△	Symbol No.	Part No.	Part Name	Description	Local
	1	LV11052-026A	FRONT PANEL		D301SA
	1	LV11052-022A	FRONT PANEL		D301SB, D301SE, D301SEN
	1	LV11052-023A	FRONT PANEL		D302BB, D302BE, D302BEN
	2	LV43338-002A	JVC MARK		
	3	LV43622-002A	FOOT	(x2)	
	4	LV35714-001A	SOURCE INDICATO		
	5	LV21918-003A	LIGHT LENS		
	6	LV30225-0P9A	SPACER	(x2)	
	7	LV36119-001A	FRONT LENS		D301SA, D301SB, D301SE, D301SEN
	7	LV36119-002A	FRONT LENS		D302BB, D302BE, D302BEN
	8	LV30225-0Z9A	SPACER		
	9	LV21919-008A	PUSH BUTTON		
	10	LV43381-004A	FILTER	D701	
	11	LV21920-001A	LED HOLDER		
	12	LV30225-0L9A	SPACER	(x2)	
	13	LV30227-001A	SPACER		
	14	LV30225-0F4A	SPACER		
	15	QYSBSF2608ZA	TAP SCREW	M2.6 x 8mm(x8)	
	16	QYSBSF2608ZA	TAP SCREW	M2.6 x 8mm(x4)	
	17	QUQ412-0519CJ-E	FFC WIRE	5pin 19cm	
	18	QUQ412-1117CJ-E	FFC WIRE	11pin 17cm	
	19	QUQ412-2010CJ-E	FFC WIRE	20pin 10cm	D301SB, D301SE, D301SEN, D302BB, D302BE, D302BEN
	20	LV11051-002A	CHASSIS BASE		
	21	LV11055-002A	FRONT BRACKET		
	22	QYSBST3005EA	TAP SCREW	M3 x 5mm(x2)	
	23	LV30225-071A	SPACER		
	24	QYSBSG3006ZA	TAP SCREW	M3 x 6mm(x4)	
	25	QYSBSG3006ZA	TAP SCREW	M3 x 6mm(x3)	
	26	QYSBSG3006ZA	TAP SCREW	M3 x 6mm	
	27	QYSBSG3006ZA	TAP SCREW	M3 x 6mm(x3)	
	28	LV43622-002A	FOOT	(x2)	
	29	LV34679-001A	PWB BRACKET		
	30	QYSBST3005EA	TAP SCREW	M3 x 5mm	
	31	LV34682-001A	C.B BRACKET		
	32	QYSBSG3006ZA	TAP SCREW	M3 x 6mm	
	33	LV30225-0F4A	SPACER		
	34	LV30225-0D4A	SPACER		
	35	LV21923-001A	HEAT SINK		
	36	LV43915-003A	COOLING RUBBER	(x3)	
	37	LV43915-004A	COOLING RUBBER		
	38	LV35721-001A	FET BRACKET		
	39	QYSDSG3005EA	TAP SCREW	M3 x 5mm(x3)	
	40	QYSDSG3005EA	TAP SCREW	M3 x 5mm(x2)	
	41	LV30225-0D4A	SPACER		
	42	LV35043-002A	TRANSISTOR HOLD		
	43	QYSBSG3010ZA	TAP SCREW	M3 x 10mm(x2)	
	44	LV35735-001A	TR BRACKET		
	45	LV30225-0F4A	SPACER	(x2)	
	46	QYSBSG3010ZA	TAP SCREW	M3 x 10mm(x2)	
	47	E68587-223SM	CB BKT	(x3)	
	48	QYSBST3005EA	TAP SCREW	M3 x 5mm(x3)	
	49	QYSBSGY3008EA	TAP SCREW	M3 x 8mm(x4)	
	50	QYSBSG3006ZA	TAP SCREW	M3 x 6mm(x2)	
	51	QYSBSG3006ZA	TAP SCREW	M3 x 6mm(x3)	
	52	QYSBSG3006ZA	TAP SCREW	M3 x 6mm	
	53	QYSBSG3006ZA	TAP SCREW	M3 x 6mm(x4)	
	54	QYSBSG3010ZA	TAP SCREW	M3 x 10mm	
	55	LV44156-001A	H/P BRACKET		
	56	QYSBSF2608ZA	TAP SCREW	M2.6 x 8mm(x2)	
	57	LV35723-001A	FAN BRACKET		
	58	QAR0312-001	FAN MOTOR		
	59	LV30225-0F4A	SPACER	(x2)	
	60	QYSBSG3020ZA	TAP SCREW	M3 x 20mm(x2)	
	61	QYSBST3005EA	TAP SCREW	M3 x 5mm(x2)	
	62	QYSBST3005EA	TAP SCREW	M3 x 5mm	D301SB, D301SE, D301SEN, D302BB, D302BE, D302BEN
	63	QQR0491-001	FERRITE CORE	TDK (GRAY)	
	64	QQR0491-001	FERRITE CORE	TDK (GRAY)	D301SB, D301SE, D301SEN, D302BB, D302BE, D302BEN
	65	QQR0491-001	FERRITE CORE	TDK (GRAY)	D301SB, D301SE, D301SEN, D302BB, D302BE, D302BEN
	66	QQR0491-001	FERRITE CORE	TDK (GRAY)	D301SB, D301SE, D301SEN, D302BB, D302BE, D302BEN
	67	QQR0491-001	FERRITE CORE	TDK (GRAY)	

△	Symbol No.	Part No.	Part Name	Description	Local
	68	QQR0491-001	FERRITE CORE	TDK (GRAY)	
	69	QQR0491-001	FERRITE CORE	TDK (GRAY)	
△	70	QQT0485-003	POWER TRANSF		D301SA
△	70	QQT0485-002	POWER TRANSF		D301SB,D301SE,D301SEN, D302BB,D302BE,D302BEN
	71	QQR0491-001	FERRITE CORE	TDK (GRAY)	
	72	QQR0491-001	FERRITE CORE	TDK (GRAY)	
	73	QQR0491-001	FERRITE CORE	TDK (GRAY)	D301SB,D301SE,D301SEN, D302BB,D302BE,D302BEN
	75	QYSDSTL4006EA	TAP SCREW	M4 x 6mm(x4)	
	76	LV21924-062A	REAR PANEL		D301SA
	76	LV21924-071A	REAR PANEL		D301SB,D301SE,D301SEN
	76	LV21924-073A	REAR PANEL		D302BB,D302BE,D302BEN
	77	QYSBSGY3008EA	TAP SCREW	M3 x 8mm(x3)	
	78	QYSBSGY3008EA	TAP SCREW	M3 x 8mm(x4)	
	79	QYSBSGY3008EA	TAP SCREW	M3 x 8mm(x7)	D301SB,D301SE,D301SEN, D302BB,D302BE,D302BEN
	80	LV30225-0X7A	SPACER		
	81	QYSBST3006ZA	TAP SCREW	M3 x 6mm	
	82	QYSBSGY3008EA	TAP SCREW	M3 x 8mm(x5)	
	83	QYSBSGY3008EA	TAP SCREW	M3 x 8mm(x2)	
	84	QYSBSGY3008EA	TAP SCREW	M3 x 8mm(x6)	D301SB,D301SE,D301SEN, D302BB,D302BE,D302BEN
△	85	QMPG150-244-JC	POWER CORD(EU)	2.44m BLACK	D301SA
△	85	QMPN160-200-JD	POWER CORD(EU)	2m BLACK	D301SB,D302BB
△	85	QMPK210-205-JN	POWER CORD(EU)	2.05m BLACK	D301SE,D301SEN,D302BE,D302BEN
△	86	QZWO033-001	STRAIN RELIEF		
	87	QYSBSGY3008EA	TAP SCREW	M3 x 8mm	
	88	QYSBSGY3008EA	TAP SCREW	M3 x 8mm(x2)	
	89	QAL0705-001	LAN MODULE		
	90	QAM0732-001	COAXIAL CABLE		
	91	LV21925-001A	TOP COVER		D301SA,D301SB,D301SE,D301SEN
	91	LV21925-002A	TOP COVER		D302BB,D302BE,D302BEN
	92	QYSBSGY3008EA	TAP SCREW	M3 x 8mm(x5)	
	93	LV44339-001A	SPECIAL SCREW		
	94	QYSDSG3008NA	TAP SCREW	M3 x 8mm(x4)	D301SA,D301SB,D301SE,D301SEN
	94	QYSDSG3008MA	TAP SCREW	M3 x 8mm(x4)	D302BB,D302BE,D302BEN
	95	LV44151-003A	ROTARY KNOB ASS	(x2)	D301SA,D301SB,D301SE,D301SEN
	95	LV44151-010A	ROTARY KNOB ASS	(x2)	D302BB,D302BE,D302BEN
△	96	QMF51W2-2R5-J8	FUSE	F103 2.5A AC250V	
△	97	QMF51W2-2R0-J8	FUSE	F101 F102 2A AC250V(x2)	
△	99	QMF5AE2-R10-J1	FUSE	F104 0.1A AC250V	
	100	LV44315-001A	LABEL		
	101	LV44385-001A	RECYCLE LABEL		D301SB,D301SE,D301SEN
	103	E409396-003	CAUTION LABEL		
	104	LV43550-004A	LABEL		
	105	QAU0346-001	TUNER	TU 1	D301SA
	105	QAU0347-001	TUNER		D301SB,D301SE,D301SEN, D302BB,D302BE,D302BEN
	106	QYSBSG3008EA	TAP SCREW	M3 x 8mm(x9)	
	108	LV35719-001A	SUPPORT BRACKET		D301SA
	109	LV30225-0F4A	SPACER		D301SA
	110	QYSBST3005EA	TAP SCREW	M3 x 5mm	D301SA
	111	QYSBSG3006ZA	TAP SCREW	M3 x 6mm	D301SA
	112	LV30227-028A	SPACER		D301SA
	114	QYSBSGY3008EA	TAP SCREW	M3 x 8mm(x11)	D301SA
	115	QYSBSGY3008EA	TAP SCREW	M3 x 8mm	D301SA
	116	QYSBSG3008EA	TAP SCREW	M3 x 8mm	D301SA
	117	LV44385-001A	LABEL		D302BB,D302BE,D302BEN
	118	QQR0491-001	FERRITE CORE	TDK (GRAY)	D301SA

Electrical parts list

Front board

Block No. [0][1]

△ Symbol No.	Part No.	Part Name	Description	Local
PW12	QUB111-15DMPP-E	SIN CR C-B WIRE		
PW13	QUB220-14DMHP-E	SNAPIN-RINGWIRE		D301SB,D301SE, D301SEN,D302BB, D302BE,D302BEN
PW151	QUB111-13PPPP-E	SIN TWIST WIRE		D301SA
PW153	QUB116-15PPPP-E	SIN TWIST WIRE		
PW155	QUB111-15PPPP-E	SIN TWIST WIRE		D301SB,D301SE, D301SEN,D302BB, D302BE,D302BEN
PW156	QUB112-15PPPP-E	SIN TWIST WIRE		D301SA
PW902	QUB220-15DMHP-E	SIN TWIST WIRE		
PW904	QUB111-10DMPP-E	SIN TWIST WIRE		
PW911	QUB220-15DMHP-E	SIN TWIST WIRE		
IC111	NJM2125F-X	IC		
IC112	NJM2403M-X	IC		
IC113	SN74HC00ANS-X	IC		
IC115	SN74HC74ANS-X	IC		
IC121	KIA7805API	IC		
IC211	SN74HCU04ANS-X	IC		
IC212	SN74HC00ANS-X	IC		
IC213	SN74HC08NS-X	IC		
IC214	SN74HC74ANS-X	IC		
IC901	MN101C35DMF	IC		
IC902	GP1UM281XKVF	IR DETECT UNIT		
Q291	KTC3875/YG/-X	SI TRANSISTOR		
△ Q441	2SD2394/EF/	TRANSISTOR		
△ Q444	KTA1046/Y/	TRANSISTOR		
Q445	2SC2812N/6/-X	TRANSISTOR		
Q891	KTC3875/YG/-X	SI TRANSISTOR		
Q901	KRC107S-X	DIGI TRANSISTOR		
Q903	KRA114S-X	TRANSISTOR		
Q910	KRC107S-X	DIGI TRANSISTOR		
Q911	KRA114S-X	TRANSISTOR		
Q923	KRA107S-X	DIGI TRANSISTOR		
Q924	KRA107S-X	DIGI TRANSISTOR		
Q925	KRA107S-X	DIGI TRANSISTOR		
Q926	KRA107S-X	DIGI TRANSISTOR		
Q1001	KRC105S-X	DIGI TRANSISTOR		
Q1103	KTA1268/GL/-T	TRANSISTOR		
Q1151	KRC102S-X	DIGI TRANSISTOR		
Q1152	KRC102S-X	DIGI TRANSISTOR		
Q1171	KTC3875/YG/-X	SI TRANSISTOR		
Q1172	KRC102S-X	DIGI TRANSISTOR		
Q1173	KTA1504/YG/-X	SI TRANSISTOR		
Q1174	KTC3875/YG/-X	SI TRANSISTOR		
Q1291	KTC3875/YG/-X	SI TRANSISTOR		
Q1491	KTC3875/YG/-X	SI TRANSISTOR		
D241	1SS133-T2	SI DIODE		
D242	1SS133-T2	SI DIODE		
D295	1SS133-T2	SI DIODE		
D341	UDZS2.7B-X	Z DIODE		
D391	1SS133-T2	SI DIODE		
D441	MTZJ20C-T2	Z DIODE		
D442	MTZJ24B-T2	Z DIODE		
D444	MTZJ11C-T2	Z DIODE		
D491	1SS133-T2	SI DIODE		
D512	UDZS6.2B-X	Z DIODE		
D895	1SS133-T2	SI DIODE		D301SA
D907	SLR-343VC-T	LED		
D908	SELU2E10C-P	LED		
D909	SELU2E10C-P	LED		
D910	MA111-X	SI DIODE		
D916	SLR-343VC-T	LED		
D917	SLR-343VC-T	LED		
D918	SLR-343VC-T	LED		
D919	SLR-343VC-T	LED		
D920	SLR-343VC-T	LED		
D921	SLR-343VC-T	LED		
D922	SLR-343VC-T	LED		

△ Symbol No.	Part No.	Part Name	Description	Local
D923	SLR-343VC-T	LED		
D1001	1SS133-T2	SI DIODE		
D1151	1SS133-T2	SI DIODE		
D1152	1SS133-T2	SI DIODE		
D1153	1SS133-T2	SI DIODE		
D1154	UDZS2.7B-X	Z DIODE		
D1155	1SS133-T2	SI DIODE		
D1172	1SS133-T2	SI DIODE		
D1173	1SS133-T2	SI DIODE		
D1174	1SS133-T2	SI DIODE		
C121	QCFB1HZ-104Y	C CAPACITOR	0.1uF 50V Z	D301SA
C121	QCFB1HZ-474Y	C CAPACITOR	0.47uF 50V Z	D301SB,D301SE, D301SEN,D302BB, D302BE,D302BEN
C241	NCB31CK-104X	C CAPACITOR	0.1uF 16V K	
C242	NDC31HJ-471X	C CAPACITOR	470pF 50V J	
C243	NDC31HJ-471X	C CAPACITOR	470pF 50V J	
C244	NDC31HJ-471X	C CAPACITOR	470pF 50V J	
C245	NDC31HJ-471X	C CAPACITOR	470pF 50V J	
C246	NCB31CK-104X	C CAPACITOR	0.1uF 16V K	
C247	NDC31HJ-101X	C CAPACITOR	100pF 50V J	
C248	NDC31HJ-101X	C CAPACITOR	100pF 50V J	
C249	NCB31CK-104X	C CAPACITOR	0.1uF 16V K	
C295	QCB1HK-221Y	C CAPACITOR	220pF 50V K	
C296	QCB1HK-221Y	C CAPACITOR	220pF 50V K	D301SA
C296	QCB1HK-471Y	C CAPACITOR	470pF 50V K	D301SB,D301SE, D301SEN,D302BB, D302BE,D302BEN
C297	QDVB1EZ-223Y	C CAPACITOR	0.022uF 25V Z	D301SA
C297	QCB1HK-471Y	C CAPACITOR	470pF 50V K	D301SB,D301SE, D301SEN,D302BB, D302BE,D302BEN
C341	NCB31CK-104X	C CAPACITOR	0.1uF 16V K	
C395	QCB1HK-221Y	C CAPACITOR	220pF 50V K	
C396	QCB1HK-221Y	C CAPACITOR	220pF 50V K	D301SA
C396	QCB1HK-471Y	C CAPACITOR	470pF 50V K	D301SB,D301SE, D301SEN,D302BB, D302BE,D302BEN
C397	QDVB1EZ-223Y	C CAPACITOR	0.022uF 25V Z	D301SA
C397	QCB1HK-471Y	C CAPACITOR	470pF 50V K	D301SB,D301SE, D301SEN,D302BB, D302BE,D302BEN
C441	QETN1EM-107Z	E CAPACITOR	100uF 25V M	
C442	QETN1EM-107Z	E CAPACITOR	100uF 25V M	
C443	QETN1VM-107Z	E CAPACITOR	100uF 35V M	
C491	QCB1HK-221Y	C CAPACITOR	220pF 50V K	
C492	QCB1HK-221Y	C CAPACITOR	220pF 50V K	D301SA
C492	QCB1HK-471Y	C CAPACITOR	470pF 50V K	D301SB,D301SE, D301SEN,D302BB, D302BE,D302BEN
C493	QDVB1EZ-223Y	C CAPACITOR	0.022uF 25V Z	D301SA
C493	QCB1HK-471Y	C CAPACITOR	470pF 50V K	D301SB,D301SE, D301SEN,D302BB, D302BE,D302BEN
C895	QCB1HK-221Y	C CAPACITOR	220pF 50V K	
C896	QCB1HK-221Y	C CAPACITOR	220pF 50V K	D301SA
C896	QCB1HK-471Y	C CAPACITOR	470pF 50V K	D301SB,D301SE, D301SEN,D302BB, D302BE,D302BEN
C897	QDVB1EZ-223Y	C CAPACITOR	0.022uF 25V Z	D301SA
C897	QCB1HK-471Y	C CAPACITOR	470pF 50V K	D301SB,D301SE, D301SEN,D302BB, D302BE,D302BEN
C901	NCB31HK-103X	C CAPACITOR	0.01uF 50V K	
C902	NCB31HK-103X	C CAPACITOR	0.01uF 50V K	
C903	NCB31HK-103X	C CAPACITOR	0.01uF 50V K	
C904	NCB31HK-103X	C CAPACITOR	0.01uF 50V K	
C905	NCB31HK-103X	C CAPACITOR	0.01uF 50V K	
C906	QCZ0202-155Z	C CAPACITOR	1.5uF 25V Z	
C907	QEK0JM-107Z	E CAPACITOR	100uF 6.3V M	
C908	QEK0JM-107Z	E CAPACITOR	100uF 6.3V M	
C909	QEK1HM-475Z	E CAPACITOR	4.7uF 50V M	
C910	QER61HM-475Z	E CAPACITOR	4.7uF 50V M	
C911	QEK1HM-475Z	E CAPACITOR	4.7uF 50V M	
C912	NCF31CZ-104X	C CAPACITOR	0.1uF 16V Z	
C913	NCF31CZ-104X	C CAPACITOR	0.1uF 16V Z	
C914	NCF31CZ-104X	C CAPACITOR	0.1uF 16V Z	

△ Symbol No.	Part No.	Part Name	Description	Local	△ Symbol No.	Part No.	Part Name	Description	Local
C915	NCF31CZ-104X	C CAPACITOR	0.1uF 16V Z		R244	NRSA63J-562X	MG RESISTOR	5.6kΩ 1/16W J	
C918	NCB31CK-104X	C CAPACITOR	0.1uF 16V K		R245	NRSA63J-101X	MG RESISTOR	100Ω 1/16W J	
C921	NCB31HK-102X	C CAPACITOR	1000pF 50V K		R246	NRSA63J-222X	MG RESISTOR	2.2kΩ 1/16W J	
C925	NDC31HJ-331X	C CAPACITOR	330pF 50V J	D301SB,D301SE, D301SEN,D302BB, D302BE,D302BEN	R247	NRSA63J-222X	MG RESISTOR	2.2kΩ 1/16W J	
C926	NDC31HJ-331X	C CAPACITOR	330pF 50V J	D301SB,D301SE, D301SEN,D302BB, D302BE,D302BEN	R341	NRSA63J-102X	MG RESISTOR	1kΩ 1/16W J	
C927	NDC31HJ-331X	C CAPACITOR	330pF 50V J	D301SB,D301SE, D301SEN,D302BB, D302BE,D302BEN	R342	NRSA63J-222X	MG RESISTOR	2.2kΩ 1/16W J	
C928	NDC31HJ-331X	C CAPACITOR	330pF 50V J	D301SB,D301SE, D301SEN,D302BB, D302BE,D302BEN	△ R441	QRK126J-4R7X	UNF C RESISTOR	4.7Ω 1/2W J	
C929	NCB31HK-103X	C CAPACITOR	0.01uF 50V K		△ R442	QRK126J-362X	UNF C RESISTOR	3.6kΩ 1/2W J	
C931	NCB31EK-104X	C CAPACITOR	0.1uF 25V K		R443	NRSA63J-681X	MG RESISTOR	680Ω 1/16W J	
C932	NCB31EK-104X	C CAPACITOR	0.1uF 25V K		△ R444	QRJ146J-182X	UNF C RESISTOR	1.8kΩ 1/4W J	
C933	NCB31EK-104X	C CAPACITOR	0.1uF 25V K		△ R895	QRJ146J-470X	UNF C RESISTOR	47Ω 1/4W J	
C934	NCB31EK-104X	C CAPACITOR	0.1uF 25V K		R901	NRSA63J-103X	MG RESISTOR	10kΩ 1/16W J	
C935	NCB31HK-103X	C CAPACITOR	0.01uF 50V K	D301SB,D301SE, D301SEN,D302BB, D302BE,D302BEN	R902	NRSA63J-102X	MG RESISTOR	1kΩ 1/16W J	
C936	NCB31HK-103X	C CAPACITOR	0.01uF 50V K	D301SB,D301SE, D301SEN,D302BB, D302BE,D302BEN	R903	NRSA63J-102X	MG RESISTOR	1kΩ 1/16W J	
△ C1001	QCZ9104-472	C CAPACITOR	4700pF		R904	NRSA63J-103X	MG RESISTOR	10kΩ 1/16W J	
△ C1002	QFZ9075-224	MPP CAPACITOR	0.22uF AC275V M		R905	NRSA63J-102X	MG RESISTOR	1kΩ 1/16W J	
C1003	QCZ9079-102	C CAPACITOR	1000pF AC250V M		R906	NRSA63J-102X	MG RESISTOR	1kΩ 1/16W J	
C1004	QCZ9079-102	C CAPACITOR	1000pF AC250V M		R907	NRSA63J-122X	MG RESISTOR	1.2kΩ 1/16W J	
C1151	QETN1CM-476Z	E CAPACITOR	47uF 16V M		R908	NRSA63J-103X	MG RESISTOR	10kΩ 1/16W J	
C1152	NCB31CK-105X	C CAPACITOR	1uF 16V K		R909	NRSA63J-102X	MG RESISTOR	1kΩ 1/16W J	
C1153	NCB31CK-105X	C CAPACITOR	1uF 16V K		R910	NRSA63J-102X	MG RESISTOR	1kΩ 1/16W J	
C1154	NDC31HJ-101X	C CAPACITOR	100pF 50V J		R911	NRSA63J-103X	MG RESISTOR	10kΩ 1/16W J	
C1155	NCB31CK-105X	C CAPACITOR	1uF 16V K		R912	NRSA63J-102X	MG RESISTOR	1kΩ 1/16W J	
C1156	NDC31HJ-101X	C CAPACITOR	100pF 50V J		R913	NRSA63J-102X	MG RESISTOR	1kΩ 1/16W J	
C1157	NCB31CK-104X	C CAPACITOR	0.1uF 16V K		R914	NRSA63J-122X	MG RESISTOR	1.2kΩ 1/16W J	
C1158	NCB31CK-104X	C CAPACITOR	0.1uF 16V K		R915	NRSA63J-152X	MG RESISTOR	1.5kΩ 1/16W J	D301SA
C1159	NCB31HK-821X	C CAPACITOR	820pF 50V K		R916	NRSA63J-222X	MG RESISTOR	2.2kΩ 1/16W J	D301SA
C1172	NCB31HK-102X	C CAPACITOR	1000pF 50V K		R919	NRSA63J-103X	MG RESISTOR	10kΩ 1/16W J	
C1173	NCB31HK-103X	C CAPACITOR	0.01uF 50V K		R920	NRSA63J-102X	MG RESISTOR	1kΩ 1/16W J	
C1174	QETN1CM-107Z	E CAPACITOR	100uF 16V M		R921	NRSA63J-102X	MG RESISTOR	1kΩ 1/16W J	
C1181	NCB31HK-103X	C CAPACITOR	0.01uF 50V K		R922	NRSA63J-122X	MG RESISTOR	1.2kΩ 1/16W J	
C1182	QETN1CM-107Z	E CAPACITOR	100uF 16V M		R923	NRSA63J-152X	MG RESISTOR	1.5kΩ 1/16W J	
C1291	QCBB1HK-221Y	C CAPACITOR	220pF 50V K		R927	NRSA63J-241X	MG RESISTOR	240Ω 1/16W J	
C1292	QCBB1HK-221Y	C CAPACITOR	220pF 50V K	D301SA	R928	NRSA63J-241X	MG RESISTOR	240Ω 1/16W J	
C1292	QCBB1HK-471Y	C CAPACITOR	470pF 50V K	D301SB,D301SE, D301SEN,D302BB, D302BE,D302BEN	R929	NRSA63J-331X	MG RESISTOR	330Ω 1/16W J	
C1293	QDVB1EZ-223Y	C CAPACITOR	0.022uF 25V Z	D301SA	R930	NRSA63J-221X	MG RESISTOR	220Ω 1/16W J	
C1293	QCBB1HK-471Y	C CAPACITOR	470pF 50V K	D301SB,D301SE, D301SEN,D302BB, D302BE,D302BEN	R931	NRSA63J-103X	MG RESISTOR	10kΩ 1/16W J	
C1391	QCBB1HK-221Y	C CAPACITOR	220pF 50V K		R932	NRSA63J-103X	MG RESISTOR	10kΩ 1/16W J	
C1392	QCBB1HK-221Y	C CAPACITOR	220pF 50V K	D301SA	R933	NRSA63J-103X	MG RESISTOR	10kΩ 1/16W J	
C1392	QCBB1HK-471Y	C CAPACITOR	470pF 50V K	D301SB,D301SE, D301SEN,D302BB, D302BE,D302BEN	R935	NRSA63J-103X	MG RESISTOR	10kΩ 1/16W J	
C1393	QDVB1EZ-223Y	C CAPACITOR	0.022uF 25V Z	D301SA	R936	NRSA63J-221X	MG RESISTOR	220Ω 1/16W J	
C1393	QCBB1HK-471Y	C CAPACITOR	470pF 50V K	D301SB,D301SE, D301SEN,D302BB, D302BE,D302BEN	R937	NRSA63J-221X	MG RESISTOR	220Ω 1/16W J	
C1491	QCBB1HK-221Y	C CAPACITOR	220pF 50V K		R938	NRSA63J-221X	MG RESISTOR	220Ω 1/16W J	
C1492	QCBB1HK-221Y	C CAPACITOR	220pF 50V K	D301SA	R939	NRSA63J-221X	MG RESISTOR	220Ω 1/16W J	
C1492	QCBB1HK-471Y	C CAPACITOR	470pF 50V K	D301SB,D301SE, D301SEN,D302BB, D302BE,D302BEN	R940	NRSA63J-221X	MG RESISTOR	220Ω 1/16W J	
C1493	QDVB1EZ-223Y	C CAPACITOR	0.022uF 25V Z	D301SA	R941	NRSA63J-221X	MG RESISTOR	220Ω 1/16W J	
C1493	QCBB1HK-471Y	C CAPACITOR	470pF 50V K	D301SB,D301SE, D301SEN,D302BB, D302BE,D302BEN	R942	NRSA63J-221X	MG RESISTOR	220Ω 1/16W J	
C1583	NCB31HK-222X	C CAPACITOR	2200pF 50V K		R943	NRSA63J-221X	MG RESISTOR	220Ω 1/16W J	
C6577	NCB31HK-221X	C CAPACITOR	220pF 50V K	D301SA	R944	NRSA63J-221X	MG RESISTOR	220Ω 1/16W J	
C6578	QCZ0202-155Z	C CAPACITOR	1.5uF 25V Z	D301SA	R947	NRSA63J-103X	MG RESISTOR	10kΩ 1/16W J	
R241	NRSA63J-105X	MG RESISTOR	1MΩ 1/16W J		R948	NRSA63J-103X	MG RESISTOR	10kΩ 1/16W J	
R242	NRSA63J-562X	MG RESISTOR	5.6kΩ 1/16W J		R949	NRSA63J-103X	MG RESISTOR	10kΩ 1/16W J	
R243	NRSA63J-105X	MG RESISTOR	1MΩ 1/16W J		R950	NRSA63J-103X	MG RESISTOR	10kΩ 1/16W J	
					R953	NRSA63J-103X	MG RESISTOR	10kΩ 1/16W J	
					R954	NRSA63J-103X	MG RESISTOR	10kΩ 1/16W J	
					R955	NRSA63J-103X	MG RESISTOR	10kΩ 1/16W J	
					R956	NRSA63J-103X	MG RESISTOR	10kΩ 1/16W J	
					R957	NRSA63J-681X	MG RESISTOR	680Ω 1/16W J	D301SA
					R957	NRSA63J-331X	MG RESISTOR	330Ω 1/16W J	D301SB,D301SE, D301SEN,D302BB, D302BE,D302BEN
					R995	NRSA63J-0R0X	MG RESISTOR	0Ω 1/16W J	
					R996	NRSA63J-0R0X	MG RESISTOR	0Ω 1/16W J	
					R997	NRSA63J-0R0X	MG RESISTOR	0Ω 1/16W J	
					△ R1002	QRZ9037-335	COMP RESISTOR	3.3MΩ 1/2W K	
					R1114	NRSA63J-821X	MG RESISTOR	820Ω 1/16W J	
					R1151	NRSA63J-362X	MG RESISTOR	3.6kΩ 1/16W J	
					R1152	NRSA63J-682X	MG RESISTOR	6.8kΩ 1/16W J	
					R1153	NRSA63F-222X	MG RESISTOR	2.2kΩ 1/16W F	
					R1154	NRSA63F-332X	MG RESISTOR	3.3kΩ 1/16W F	
					R1155	NRSA63J-223X	MG RESISTOR	22kΩ 1/16W J	
					R1156	NRSA63J-124X	MG RESISTOR	120kΩ 1/16W J	
					R1157	NRSA63J-103X	MG RESISTOR	10kΩ 1/16W J	
					R1158	NRSA63J-821X	MG RESISTOR	820Ω 1/16W J	
					R1159	NRSA63J-103X	MG RESISTOR	10kΩ 1/16W J	
					R1160	NRSA63J-102X	MG RESISTOR	1kΩ 1/16W J	
					R1161	NRSA63J-105X	MG RESISTOR	1MΩ 1/16W J	
					R1162	NRSA63J-102X	MG RESISTOR	1kΩ 1/16W J	

△ Symbol No.	Part No.	Part Name	Description	Local
R1163	NRSA63J-331X	MG RESISTOR	330Ω 1/16W J	
R1164	NRSA63J-473X	MG RESISTOR	47kΩ 1/16W J	
R1165	NRSA63J-332X	MG RESISTOR	3.3kΩ 1/16W J	
R1166	NRSA63J-471X	MG RESISTOR	470Ω 1/16W J	
R1169	NRSA63J-332X	MG RESISTOR	3.3kΩ 1/16W J	
R1170	NRSA63J-102X	MG RESISTOR	1kΩ 1/16W J	
R1172	NRSA02J-332X	MG RESISTOR	3.3kΩ 1/10W J	
R1173	NRSA63J-103X	MG RESISTOR	10kΩ 1/16W J	
R1174	NRSA63J-123X	MG RESISTOR	12kΩ 1/16W J	
R1175	NRSA63J-222X	MG RESISTOR	2.2kΩ 1/16W J	
R1176	NRSA63J-473X	MG RESISTOR	47kΩ 1/16W J	
R1178	NRSA63J-101X	MG RESISTOR	100Ω 1/16W J	
R1179	NRSA63F-332X	MG RESISTOR	3.3kΩ 1/16W F	
R1180	NRSA63J-133X	MG RESISTOR	13kΩ 1/16W J	
R1181	QRE141J-473Y	C RESISTOR	47kΩ 1/4W J	
△ R1295	QRJ146J-470X	UNF C RESISTOR	47Ω 1/4W J	
△ R1391	QRJ146J-470X	UNF C RESISTOR	47Ω 1/4W J	
△ R1491	QRJ146J-470X	UNF C RESISTOR	47Ω 1/4W J	
R6595	NRSA63J-221X	MG RESISTOR	220Ω 1/16W J	D301SA
△ T102	QQT0281-006	POWER TRANSF		D301SA
△ T102	QQT0478-002	POWER TRANSF		D301SB,D301SE, D301SEN,D302BB, D302BE,D302BEN
BK901	LV34673-001A	FL HOLDER(L)		
BK902	LV34687-001A	FL HOLDER(R)		
CN120	QGA7901C1-02	CONNECTOR	W-B (1-2)	
CN151	QGB2510K1-12	CONNECTOR	B-B (1-12)	
CN202	QJK002-071802-E	SIN CR C-B WIRE		
CN206	WJK0208-002A-E	E-SI C WIRE C-B		
CN209	QGA2501C1-06	CONNECTOR	W-B (1-6)	
CN211	QJK012-033803-E	SIN CR C-B WIRE		
CN262	QGA3901C1-08	CONNECTOR	W-B (1-8)	
CN265	QGA3901C1-06	CONNECTOR	W-B (1-6)	
CN465	QGA2001C1-03	CONNECTOR	W-B (1-3)	
CN524	QGA2501C1-02	CONNECTOR	W-B (1-2)	
CN565	QGA2501C1-02	CONNECTOR	W-B (1-2)	D301SA
CN591	QGB2510K1-09	CONNECTOR	B-B (1-9)	D301SA
CN592	QGB2510K1-09	CONNECTOR	B-B (1-9)	D301SA
CN593	QGB2510K1-11	CONNECTOR	B-B (1-11)	D301SA
CN594	QGB2510K1-11	CONNECTOR	B-B (1-11)	D301SA
CN902	QGF1205F1-05	CONNECTOR	FFC/FPC (1-5)	
CN903	QJK021-070802-E	SIN CR C-B		
CN913	QGA2001F1-07	CONNECTOR	W-B (1-7)	
CN914	QGA2001F1-03	CONNECTOR	W-B (1-3)	
CN952	QJK021-124402-E	SIN CR C-B WIRE		
DI901	QLF0157-001	FL TUBE		
EP151	QNZ0136-001Z	EARTH PLATE		
FC103	QNG0020-001Z	FUSE CLIP		
FC104	QNG0020-001Z	FUSE CLIP		
FC113	QNG0020-001Z	FUSE CLIP		
FC114	QNG0020-001Z	FUSE CLIP		
FS181	VYSH101-009	SPACER		
FS900	VYSH101-009	SPACER		
FS901	VYSH101-009	SPACER		
FW121	WJS0047-002A-E	E-FL/RB WIRE		
FW451	WJS0046-003A-E	E-FL/RB WIRE		
J504	QNN0480-001	PIN JACK		
J505	QNS0089-001	3.5 JACK		D301SA
JS901	QSW1129-001	ROTARY ENCODER		
JS902	QSW1129-001	ROTARY ENCODER		
RY101	QSK0142-001	RELAY		D301SA
△ RY101	QSK0128-001	RELAY		D301SB,D301SE, D301SEN,D302BB, D302BE,D302BEN
△ RY295	QSK0127-001	RELAY		
△ RY391	QSK0127-001	RELAY		
△ RY491	QSK0127-001	RELAY		
△ RY895	QSK0127-001	RELAY		
S901	QSW0683-001Z	PUSH SW		
S902	QSW0683-001Z	PUSH SW		
S903	QSW0683-001Z	PUSH SW		
S904	QSW0683-001Z	PUSH SW		
S905	QSW0683-001Z	PUSH SW		
S906	QSW0683-001Z	PUSH SW		
ST292	QNB0256-001	IC		

△ Symbol No.	Part No.	Part Name	Description	Local
ST295	QNB0079-001	SPK TERMINAL		
X241	QAX0734-001	C RESONATOR	400.00kHz	
X242	QAX0735-001	C RESONATOR	420.00kHz	
X901	QAX0246-001Z	C RESONATOR	8.00MHz	

Amplifier board

Block No. [0][2]

△ Symbol No.	Part No.	Part Name	Description	Local
IC101	IRS2011S-X	IC		
△ IC151	KIA7805API	IC		
△ IC152	KIA7809API	IC		
△ IC153	KIA7805API	IC		
IC201	JCV8015-X	IC		
IC202	SN74LVC3G04T-X	IC		
IC251	IRS20124S-X	IC		
IC261	IRS20124S-X	IC		
IC301	JCV8015-X	IC		
IC302	SN74LVC3G04T-X	IC		
IC351	IRS20124S-X	IC		
IC361	IRS20124S-X	IC		
IC401	JCV8015-X	IC		
IC451	IRS20124S-X	IC		
IC461	IRS20124S-X	IC		
IC801	JCV8015-X	IC		
IC851	IRS20124S-X	IC		
△ Q101	KTD863/Y/-T	TRANSISTOR		
△ Q102	KTA1046/Y/	TRANSISTOR		
Q103	KTC3200/GL/-T	TRANSISTOR		
Q151	KRA102S-X	DIGI TRANSISTOR		
Q152	KRC102S-X	DIGI TRANSISTOR		
△ Q153	2SD2394/EF/	TRANSISTOR		
Q154	KRC102S-X	DIGI TRANSISTOR		
△ Q157	2SD2394/EF/	TRANSISTOR		
△ Q158	KTA1046/Y/	TRANSISTOR		
Q161	KRC111S-X	TRANSISTOR		
Q162	KRC111S-X	TRANSISTOR		
Q163	KRC111S-X	TRANSISTOR		
△ Q171	2SD2394/EF/	TRANSISTOR		
△ Q173	2SD2394/EF/	TRANSISTOR		D301SA
△ Q174	2SD2394/EF/	TRANSISTOR		
△ Q175	2SD2394/EF/	TRANSISTOR		
Q201	KTA1268/GL/-T	TRANSISTOR		
Q211	KTC3875/YG/-X	SI TRANSISTOR		
Q214	KRC102M-T	DIGI TRANSISTOR		
Q251	KTA1504/YG/-X	SI TRANSISTOR		
Q261	IRFB4212	FET		
Q262	IRFB4212	FET		
Q281	KRC109M-T	DIGI TRANSISTOR		
Q282	KRA102M-T	DIGI TRANSISTOR		
Q283	KTC3200/GL/-T	TRANSISTOR		
Q284	KTA1268/GL/-T	TRANSISTOR		
Q285	KTC3199/GL/-T	TRANSISTOR		
Q286	KRC102M-T	DIGI TRANSISTOR		
Q301	KTA1268/GL/-T	TRANSISTOR		
Q351	KTA1504/YG/-X	SI TRANSISTOR		
Q361	IRFB4212	FET		
Q362	IRFB4212	FET		
Q401	KTA1268/GL/-T	TRANSISTOR		
Q451	KTA1504/YG/-X	SI TRANSISTOR		
Q461	IRFB4212	FET		
Q462	IRFB4212	FET		
Q801	KTA1268/GL/-T	TRANSISTOR		
Q851	KTA1504/YG/-X	SI TRANSISTOR		
Q861	IRFB4212	FET		
Q862	IRFB4212	FET		
△ Q1101	2SK3599-01MR	POWER MOS FET		
△ Q1102	2SK3599-01MR	POWER MOS FET		
Q1104	KTA1268/GL/-T	TRANSISTOR		
Q1201	KTA1268/GL/-T	TRANSISTOR		
Q1251	KTA1504/YG/-X	SI TRANSISTOR		
Q1261	IRFB4212	FET		

△ Symbol No.	Part No.	Part Name	Description	Local	△ Symbol No.	Part No.	Part Name	Description	Local
Q1262	IRFB4212	FET			C108	QFLC1HJ-473Z	M CAPACITOR	0.047uF 50V J	
Q1301	KTA1268/GL/-T	TRANSISTOR			C109	QFLC1HJ-473Z	M CAPACITOR	0.047uF 50V J	
Q1351	KTA1504/YG/-X	SI TRANSISTOR			C110	QETN1HM-227Z	E CAPACITOR	220uF 50V M	
Q1361	IRFB4212	FET			C111	QETN1JM-107Z	E CAPACITOR	100uF 63V M	
Q1362	IRFB4212	FET			C112	QETN1HM-226Z	E CAPACITOR	22uF 50V M	
Q1401	KTA1268/GL/-T	TRANSISTOR			C113	QETN1HM-226Z	E CAPACITOR	22uF 50V M	
Q1451	KTA1504/YG/-X	SI TRANSISTOR			C114	QETN1HM-105Z	E CAPACITOR	1uF 50V M	
Q1461	IRFB4212	FET			C151	QETM1EM-478	E CAPACITOR	4700uF 25V M	
Q1462	IRFB4212	FET			C152	QETM1EM-338	E CAPACITOR	3300uF 25V M	
△ D101	1A3G-T1	SI DIODE			C153	NCB31HK-103X	C CAPACITOR	0.01uF 50V K	
△ D102	1A3G-T1	SI DIODE			C154	QETN1CM-107Z	E CAPACITOR	100uF 16V M	
△ D103	1A3G-T1	SI DIODE			C155	NCB31HK-103X	C CAPACITOR	0.01uF 50V K	
△ D104	1A3G-T1	SI DIODE			C156	QETN1EM-107Z	E CAPACITOR	100uF 25V M	
D105	MTZJ12C-T2	Z DIODE	D301SA		C157	QETN1HM-106Z	E CAPACITOR	10uF 50V M	
D106	MTZJ6.2B-T2	Z DIODE			C158	NCB31HK-103X	C CAPACITOR	0.01uF 50V K	
D107	1A3G-T1	SI DIODE			C159	QETN1CM-107Z	E CAPACITOR	100uF 16V M	
D108	1A3G-T1	SI DIODE			C160	QETN1CM-107Z	E CAPACITOR	100uF 16V M	
△ D109	10DDA20-FD	DIODE			C161	QETN1CM-477Z	E CAPACITOR	470uF 16V M	
△ D110	10DDA20-FD	DIODE			C162	QETN1CM-107Z	E CAPACITOR	100uF 16V M	
△ D111	10DDA20-FD	DIODE			C163	QETN1CM-477Z	E CAPACITOR	470uF 16V M	
△ D112	10DDA20-FD	DIODE			C164	NCB31HK-222X	C CAPACITOR	2200pF 50V K	
△ D113	1A3G-T1	SI DIODE			C165	QETN1CM-107Z	E CAPACITOR	100uF 16V M	
△ D114	1A3G-T1	SI DIODE			C166	QETN1CM-477Z	E CAPACITOR	470uF 16V M	
△ D115	1A3G-T1	SI DIODE			C172	NCB31HK-472X	C CAPACITOR	4700pF 50V K	D301SA
D116	MTZJ36C-T2	Z DIODE			C173	QETN1HM-105Z	E CAPACITOR	1uF 50V M	
D117	MTZJ8.2C-T2	Z DIODE			C174	QETN1HM-106Z	E CAPACITOR	10uF 50V M	
D152	1SS133-T2	SI DIODE			C175	QETN1HM-105Z	E CAPACITOR	1uF 50V M	
D153	MTZJ13B-T2	Z DIODE	D301SA		C176	QETN1HM-106Z	E CAPACITOR	10uF 50V M	
D153	MTZJ15A-T2	Z DIODE	D301SB,D301SE, D301SEN,D302BB, D302BE,D302BEN		C201	QEK1HM-106Z	E CAPACITOR	10uF 50V M	
D154	MTZJ9.1C-T2	Z DIODE			C202	NCB31HK-471X	C CAPACITOR	470pF 50V K	
D156	MTZJ8.2C-T2	Z DIODE			C203	QEK1HM-106Z	E CAPACITOR	10uF 50V M	
D157	MTZJ8.2C-T2	Z DIODE			C204	NCB31HK-222X	C CAPACITOR	2200pF 50V K	
D158	MTZJ6.2C-T2	Z DIODE			C205	NCB31HK-222X	C CAPACITOR	2200pF 50V K	
D161	1A3G-T1	SI DIODE			C207	NCB31HK-222X	C CAPACITOR	2200pF 50V K	
D162	1A3G-T1	SI DIODE			C208	NCB31AK-105X	C CAPACITOR	1uF 10V K	
D171	MTZJ13B-T2	Z DIODE			C209	NDC31HG-101X	C CAPACITOR	100pF 50V G	
D172	MTZJ13B-T2	Z DIODE			C210	NCB31CK-105X	C CAPACITOR	1uF 16V K	
D211	1SS133-T2	SI DIODE			C211	NDC31HJ-101X	C CAPACITOR	100pF 50V J	
D221	1SS133-T2	SI DIODE			C212	NCB31HK-471X	C CAPACITOR	470pF 50V K	
D222	MTZJ16B-T2	Z DIODE			C213	NDC31HJ-101X	C CAPACITOR	100pF 50V J	D301SB,D301SE, D301SEN,D302BB, D302BE,D302BEN
D251	1SS133-T2	SI DIODE			C222	NCB31CK-105X	C CAPACITOR	1uF 16V K	
D281	1SS133-T2	SI DIODE			C223	QEK1CM-107Z	E CAPACITOR	100uF 16V M	
D300	MA111-X	SI DIODE			C224	QEK1CM-107Z	E CAPACITOR	100uF 16V M	
D311	1SS133-T2	SI DIODE			C225	NCB31CK-104X	C CAPACITOR	0.1uF 16V K	
D351	1SS133-T2	SI DIODE			C226	NCB31CK-104X	C CAPACITOR	0.1uF 16V K	
D411	1SS133-T2	SI DIODE			C227	QEK1CM-107Z	E CAPACITOR	100uF 16V M	
D451	1SS133-T2	SI DIODE			C231	QEK1CM-107Z	E CAPACITOR	100uF 16V M	
D811	1SS133-T2	SI DIODE			C232	NDC31HJ-330X	C CAPACITOR	33pF 50V J	
D851	1SS133-T2	SI DIODE			C251	NCB31HK-102X	C CAPACITOR	1000pF 50V K	
△ D1101	30PRA20-FC	SI DIODE			C252	NCB31CK-105X	C CAPACITOR	1uF 16V K	
△ D1102	30PRA20-FC	SI DIODE			C253	NCB21EK-334X	C CAPACITOR	0.33uF 25V K	
△ D1103	30PRA20-FC	SI DIODE			C254	NDC31HJ-101X	C CAPACITOR	100pF 50V J	
△ D1104	30PRA20-FC	SI DIODE			C263	NCZ1061-104X	C CAPACITOR	0.1uF	
△ D1107	FMB-G19L	SB DIODE			C264	NCB31HK-102X	C CAPACITOR	1000pF 50V K	
△ D1108	FMB-G19L	SB DIODE			C265	NCB31HK-102X	C CAPACITOR	1000pF 50V K	
D1109	1SS133-T2	SI DIODE			C266	NCB31HK-102X	C CAPACITOR	1000pF 50V K	
D1110	1SS133-T2	SI DIODE			C267	NCB31HK-102X	C CAPACITOR	1000pF 50V K	
D1111	1SS133-T2	SI DIODE			C268	QFKC2AJ-155Z	MM CAPACITOR	1.5uF 100V J	
D1171	1SS133-T2	SI DIODE			C269	QFVM2AJ-104Z	MF CAPACITOR	0.1uF 100V J	
D1211	1SS133-T2	SI DIODE			C270	NCB31HK-102X	C CAPACITOR	1000pF 50V K	
D1251	1SS133-T2	SI DIODE			C271	NCZ1061-104X	C CAPACITOR	0.1uF	
D1311	1SS133-T2	SI DIODE			C272	NCZ1061-104X	C CAPACITOR	0.1uF	
D1351	1SS133-T2	SI DIODE			C273	QETN1HM-227Z	E CAPACITOR	220uF 50V M	
D1411	1SS133-T2	SI DIODE			C274	QETN1HM-227Z	E CAPACITOR	220uF 50V M	
D1451	1SS133-T2	SI DIODE			C275	QETN2AM-106Z	E CAPACITOR	10uF 100V M	
C101	QFLC2AJ-472Z	M CAPACITOR	4700pF 100V J		C276	QETN1EM-476Z	E CAPACITOR	47uF 25V M	
C102	QETM1JM-227	E CAPACITOR	220uF 63V M	D301SA	C277	NCB31HK-102X	C CAPACITOR	1000pF 50V K	
C102	QETM1EM-108	E CAPACITOR	1000uF 25V M	D301SB,D301SE, D301SEN,D302BB, D302BE,D302BEN	C281	NCB31CK-103X	C CAPACITOR	0.01uF 16V K	
C103	NCB31HK-472X	C CAPACITOR	4700pF 50V K		C282	QETN1CM-476Z	E CAPACITOR	47uF 16V M	
C104	QETN1CM-477Z	E CAPACITOR	470uF 16V M		C283	QETN1HM-106Z	E CAPACITOR	10uF 50V M	
C105	NCZ1061-104X	C CAPACITOR	0.1uF		C284	NCF31CZ-474X	C CAPACITOR	0.47uF 16V Z	
C106	NCZ1061-104X	C CAPACITOR	0.1uF		C285	QETN1CM-106Z	E CAPACITOR	10uF 16V M	
C107	NCZ1061-104X	C CAPACITOR	0.1uF		C301	QEK1HM-106Z	E CAPACITOR	10uF 50V M	
					C302	NCB31HK-471X	C CAPACITOR	470pF 50V K	
					C303	QEK1HM-106Z	E CAPACITOR	10uF 50V M	
					C304	NCB31HK-222X	C CAPACITOR	2200pF 50V K	

△ Symbol No.	Part No.	Part Name	Description	Local	△ Symbol No.	Part No.	Part Name	Description	Local
C305	NCB31HK-222X	C CAPACITOR	2200pF 50V K		C809	NDC31HG-101X	C CAPACITOR	100pF 50V G	
C307	NCB31HK-222X	C CAPACITOR	2200pF 50V K		C810	NCB31CK-105X	C CAPACITOR	1uF 16V K	
C308	NCB31AK-105X	C CAPACITOR	1uF 10V K		C811	NDC31HJ-101X	C CAPACITOR	100pF 50V J	
C309	NDC31HG-101X	C CAPACITOR	100pF 50V G		C812	NCB31HK-471X	C CAPACITOR	470pF 50V K	
C310	NCB31CK-105X	C CAPACITOR	1uF 16V K						
C311	NDC31HJ-101X	C CAPACITOR	100pF 50V J		C813	NDC31HJ-101X	C CAPACITOR	100pF 50V J	D301SB,D301SE, D301SEN,D302BB, D302BE,D302BEN
C312	NCB31HK-471X	C CAPACITOR	470pF 50V K						
C313	NDC31HJ-101X	C CAPACITOR	100pF 50V J	D301SB,D301SE, D301SEN,D302BB, D302BE,D302BEN	C821	QEK1CM-107Z	E CAPACITOR	100uF 16V M	
C322	NCB31CK-105X	C CAPACITOR	1uF 16V K		C822	NCB31CK-105X	C CAPACITOR	1uF 16V K	
C323	NCB31CK-105X	C CAPACITOR	1uF 16V K		C823	QEK1CM-107Z	E CAPACITOR	100uF 16V M	
C324	NCB31CK-104X	C CAPACITOR	0.1uF 16V K		C824	QEK1CM-107Z	E CAPACITOR	100uF 16V M	
C331	QEK1CM-107Z	E CAPACITOR	100uF 16V M		C825	NCB31CK-104X	C CAPACITOR	0.1uF 16V K	
C332	NDC31HJ-330X	C CAPACITOR	33pF 50V J		C826	NCB31CK-104X	C CAPACITOR	0.1uF 16V K	
C351	NCB31HK-102X	C CAPACITOR	1000pF 50V K		C827	NCB31CK-105X	C CAPACITOR	1uF 16V K	
C352	NCB31CK-105X	C CAPACITOR	1uF 16V K		C829	QEK1CM-107Z	E CAPACITOR	100uF 16V M	
C353	NCB21EK-334X	C CAPACITOR	0.33uF 25V K		C830	NCB31CK-105X	C CAPACITOR	1uF 16V K	
C354	NDC31HJ-101X	C CAPACITOR	100pF 50V J		C831	QEK1CM-107Z	E CAPACITOR	100uF 16V M	
C363	NCZ1061-104X	C CAPACITOR	0.1uF		C832	NDC31HJ-330X	C CAPACITOR	33pF 50V J	
C364	NCB31HK-102X	C CAPACITOR	1000pF 50V K		C851	NCB31HK-102X	C CAPACITOR	1000pF 50V K	
C365	NCB31HK-102X	C CAPACITOR	1000pF 50V K		C852	NCB31CK-105X	C CAPACITOR	1uF 16V K	
C366	NCB31HK-102X	C CAPACITOR	1000pF 50V K		C853	NCB21EK-334X	C CAPACITOR	0.33uF 25V K	
C367	NCB31HK-102X	C CAPACITOR	1000pF 50V K		C854	NDC31HJ-101X	C CAPACITOR	100pF 50V J	
C368	QFKC2AJ-155Z	MM CAPACITOR	1.5uF 100V J		C863	NCZ1061-104X	C CAPACITOR	0.1uF	
C369	QFVM2AJ-104Z	MF CAPACITOR	0.1uF 100V J		C864	NCB31HK-102X	C CAPACITOR	1000pF 50V K	
C370	NCB31HK-102X	C CAPACITOR	1000pF 50V K		C865	NCB31HK-102X	C CAPACITOR	1000pF 50V K	
C371	NCZ1061-104X	C CAPACITOR	0.1uF		C866	NCB31HK-102X	C CAPACITOR	1000pF 50V K	
C372	NCZ1061-104X	C CAPACITOR	0.1uF		C867	NCB31HK-102X	C CAPACITOR	1000pF 50V K	
C373	QETN1HM-227Z	E CAPACITOR	220uF 50V M		C868	QFKC2AJ-155Z	MM CAPACITOR	1.5uF 100V J	
C374	QETN1HM-227Z	E CAPACITOR	220uF 50V M		C869	QFVM2AJ-104Z	MF CAPACITOR	0.1uF 100V J	
C375	QETN2AM-106Z	E CAPACITOR	10uF 100V M		C870	NCB31HK-102X	C CAPACITOR	1000pF 50V K	
C377	NCB31HK-102X	C CAPACITOR	1000pF 50V K		C871	NCZ1061-104X	C CAPACITOR	0.1uF	
C401	QEK1HM-106Z	E CAPACITOR	10uF 50V M		C872	NCZ1061-104X	C CAPACITOR	0.1uF	
C402	NCB31HK-471X	C CAPACITOR	470pF 50V K		C873	QETN1HM-227Z	E CAPACITOR	220uF 50V M	
C403	QEK1HM-106Z	E CAPACITOR	10uF 50V M		C874	QETN1HM-227Z	E CAPACITOR	220uF 50V M	
C404	NCB31HK-222X	C CAPACITOR	2200pF 50V K		C875	QETN2AM-106Z	E CAPACITOR	10uF 100V M	
C405	NCB31HK-222X	C CAPACITOR	2200pF 50V K		C876	QETN1EM-476Z	E CAPACITOR	47uF 25V M	
C407	NCB31HK-222X	C CAPACITOR	2200pF 50V K		C877	NCB31HK-102X	C CAPACITOR	1000pF 50V K	
C408	NCB31AK-105X	C CAPACITOR	1uF 10V K		C1101	QFKC2AJ-224Z	MM CAPACITOR	0.22uF 100V J	
C409	NDC31HG-101X	C CAPACITOR	100pF 50V G		C1102	QFKC2AJ-224Z	MM CAPACITOR	0.22uF 100V J	
C410	NCB31CK-105X	C CAPACITOR	1uF 16V K		C1103	QFKC2AJ-224Z	MM CAPACITOR	0.22uF 100V J	D301SB,D301SE, D301SEN,D302BB, D302BE,D302BEN
C411	NDC31HJ-101X	C CAPACITOR	100pF 50V J		C1104	QFKC2AJ-224Z	MM CAPACITOR	0.22uF 100V J	D301SB,D301SE, D301SEN,D302BB, D302BE,D302BEN
C413	NDC31HJ-101X	C CAPACITOR	100pF 50V J	D301SB,D301SE, D301SEN,D302BB, D302BE,D302BEN	C1105	QEZ0742-688	E CAPACITOR	6800uF	
C422	NCB31CK-105X	C CAPACITOR	1uF 16V K		C1106	QEZ0742-688	E CAPACITOR	6800uF	
C423	QEK1CM-107Z	E CAPACITOR	100uF 16V M		C1107	NCB31HK-332X	C CAPACITOR	3300pF 50V K	
C424	QEK1CM-107Z	E CAPACITOR	100uF 16V M		C1108	NCB31HK-332X	C CAPACITOR	3300pF 50V K	
C425	NCB31CK-104X	C CAPACITOR	0.1uF 16V K		C1109	NCB31HK-332X	C CAPACITOR	3300pF 50V K	
C426	NCB31CK-104X	C CAPACITOR	0.1uF 16V K		C1110	NCB31HK-332X	C CAPACITOR	3300pF 50V K	
C431	QEK1CM-107Z	E CAPACITOR	100uF 16V M		C1111	NCB31HK-332X	C CAPACITOR	3300pF 50V K	
C432	NDC31HJ-330X	C CAPACITOR	33pF 50V J		C1112	NCB31HK-332X	C CAPACITOR	3300pF 50V K	
C451	NCB31HK-102X	C CAPACITOR	1000pF 50V K		C1113	NCB31HK-332X	C CAPACITOR	3300pF 50V K	
C452	NCB31CK-105X	C CAPACITOR	1uF 16V K		C1114	NCB31HK-332X	C CAPACITOR	3300pF 50V K	
C453	NCB21EK-334X	C CAPACITOR	0.33uF 25V K		C1115	NCZ1061-104X	C CAPACITOR	0.1uF	
C454	NDC31HJ-101X	C CAPACITOR	100pF 50V J		C1116	NCZ1061-104X	C CAPACITOR	0.1uF	
C463	NCZ1061-104X	C CAPACITOR	0.1uF		C1117	QEZ0570-228	E CAPACITOR	2200uF	
C464	NCB31HK-102X	C CAPACITOR	1000pF 50V K		C1118	QEZ0570-228	E CAPACITOR	2200uF	
C465	NCB31HK-102X	C CAPACITOR	1000pF 50V K		C1119	NCZ1061-104X	C CAPACITOR	0.1uF	
C466	NCB31HK-102X	C CAPACITOR	1000pF 50V K		C1120	NCZ1061-104X	C CAPACITOR	0.1uF	
C467	NCB31HK-102X	C CAPACITOR	1000pF 50V K		C1122	NCB21EK-334X	C CAPACITOR	0.33uF 25V K	
C468	QFKC2AJ-155Z	MM CAPACITOR	1.5uF 100V J		C1123	NCB31CK-105X	C CAPACITOR	1uF 16V K	
C469	QFVM2AJ-104Z	MF CAPACITOR	0.1uF 100V J		C1124	NCZ1008-104X	C CAPACITOR	0.1uF 250V K	
C470	NCB31HK-102X	C CAPACITOR	1000pF 50V K		C1125	NCZ1008-104X	C CAPACITOR	0.1uF 250V K	
C471	NCZ1061-104X	C CAPACITOR	0.1uF		C1131	NCZ1069-224X	C CAPACITOR	0.22uF	
C472	NCZ1061-104X	C CAPACITOR	0.1uF		C1132	NCZ1069-224X	C CAPACITOR	0.22uF	
C473	QETN1HM-227Z	E CAPACITOR	220uF 50V M		C1133	NCZ1069-224X	C CAPACITOR	0.22uF	
C474	QETN1HM-227Z	E CAPACITOR	220uF 50V M		C1134	NCZ1069-224X	C CAPACITOR	0.22uF	
C475	QETN2AM-106Z	E CAPACITOR	10uF 100V M		C1135	NCZ1008-104X	C CAPACITOR	0.1uF 250V K	
C476	QETN1EM-476Z	E CAPACITOR	47uF 25V M		C1136	NCZ1008-104X	C CAPACITOR	0.1uF 250V K	
C477	NCB31HK-102X	C CAPACITOR	1000pF 50V K		C1137	NCZ1008-104X	C CAPACITOR	0.1uF 250V K	
C801	QEK1HM-106Z	E CAPACITOR	10uF 50V M		C1138	NCZ1008-104X	C CAPACITOR	0.1uF 250V K	
C802	NCB31HK-471X	C CAPACITOR	470pF 50V K		C1139	NCZ1069-224X	C CAPACITOR	0.22uF	
C803	QEK1HM-106Z	E CAPACITOR	10uF 50V M		C1140	NCZ1069-224X	C CAPACITOR	0.22uF	
C804	NCB31HK-222X	C CAPACITOR	2200pF 50V K		C1141	NCZ1069-224X	C CAPACITOR	0.22uF	
C805	NCB31HK-222X	C CAPACITOR	2200pF 50V K		C1142	NCZ1069-224X	C CAPACITOR	0.22uF	
C807	NCB31HK-222X	C CAPACITOR	2200pF 50V K		C1143	NCZ1069-224X	C CAPACITOR	0.22uF	
C808	NCB31AK-105X	C CAPACITOR	1uF 10V K		C1144	NCZ1069-224X	C CAPACITOR	0.22uF	

△ Symbol No.	Part No.	Part Name	Description	Local	△ Symbol No.	Part No.	Part Name	Description	Local
C1145	NCZ1069-224X	C CAPACITOR	0.22uF		C1367	NCB31HK-102X	C CAPACITOR	1000pF 50V K	
C1146	NCZ1008-104X	C CAPACITOR	0.1uF 250V K		C1368	QFKC2AJ-155Z	MM CAPACITOR	1.5uF 100V J	
C1147	NCZ1008-104X	C CAPACITOR	0.1uF 250V K		C1369	QFVM2AJ-104Z	MF CAPACITOR	0.1uF 100V J	
C1149	NCZ1008-104X	C CAPACITOR	0.1uF 250V K	D301SB,D301SE, D301SEN,D302BB, D302BE,D302BEN	C1370	NCB31HK-102X	C CAPACITOR	1000pF 50V K	
C1150	NCZ1008-104X	C CAPACITOR	0.1uF 250V K	D301SB,D301SE, D301SEN,D302BB, D302BE,D302BEN	C1371	NCZ1061-104X	C CAPACITOR	0.1uF	
C1167	NCZ1008-104X	C CAPACITOR	0.1uF 250V K	D301SB,D301SE, D301SEN,D302BB, D302BE,D302BEN	C1372	NCZ1061-104X	C CAPACITOR	0.1uF	
C1168	NCZ1008-104X	C CAPACITOR	0.1uF 250V K	D301SB,D301SE, D301SEN,D302BB, D302BE,D302BEN	C1373	QETN1HM-227Z	E CAPACITOR	220uF 50V M	
C1171	QETN1HM-475Z	E CAPACITOR	4.7uF 50V M		C1374	QETN1HM-227Z	E CAPACITOR	220uF 50V M	
C1201	QEKC1HM-106Z	E CAPACITOR	10uF 50V M		C1375	QETN2AM-106Z	E CAPACITOR	10uF 100V M	
C1202	NCB31HK-471X	C CAPACITOR	470pF 50V K		C1377	NCB31HK-102X	C CAPACITOR	1000pF 50V K	
C1203	QEKC1HM-106Z	E CAPACITOR	10uF 50V M		C1401	QEKC1HM-106Z	E CAPACITOR	10uF 50V M	
C1204	NCB31HK-222X	C CAPACITOR	2200pF 50V K		C1402	NCB31HK-471X	C CAPACITOR	470pF 50V K	
C1205	NCB31HK-222X	C CAPACITOR	2200pF 50V K		C1403	QEKC1HM-106Z	E CAPACITOR	10uF 50V M	
C1207	NCB31HK-222X	C CAPACITOR	2200pF 50V K		C1404	NCB31HK-222X	C CAPACITOR	2200pF 50V K	
C1208	NCB31AK-105X	C CAPACITOR	1uF 10V K		C1405	NCB31HK-222X	C CAPACITOR	2200pF 50V K	
C1209	NDC31HG-101X	C CAPACITOR	100pF 50V G		C1407	NCB31HK-222X	C CAPACITOR	2200pF 50V K	
C1210	NCB31CK-105X	C CAPACITOR	1uF 16V K		C1408	NCB31AK-105X	C CAPACITOR	1uF 10V K	
C1211	NDC31HJ-101X	C CAPACITOR	100pF 50V J		C1409	NDC31HG-101X	C CAPACITOR	100pF 50V G	
C1213	NDC31HJ-101X	C CAPACITOR	100pF 50V J	D301SB,D301SE, D301SEN,D302BB, D302BE,D302BEN	C1410	NCB31CK-105X	C CAPACITOR	1uF 16V K	
C1222	NCB31CK-105X	C CAPACITOR	1uF 16V K		C1411	NDC31HJ-101X	C CAPACITOR	100pF 50V J	
C1223	QEKC1CM-107Z	E CAPACITOR	100uF 16V M		C1413	NDC31HJ-101X	C CAPACITOR	100pF 50V J	D301SB,D301SE, D301SEN,D302BB, D302BE,D302BEN
C1224	QEKC1CM-107Z	E CAPACITOR	100uF 16V M		C1422	NCB31CK-105X	C CAPACITOR	1uF 16V K	
C1225	NCB31CK-104X	C CAPACITOR	0.1uF 16V K		C1423	NCB31CK-105X	C CAPACITOR	1uF 16V K	
C1226	NCB31CK-104X	C CAPACITOR	0.1uF 16V K		C1431	QEKC1CM-107Z	E CAPACITOR	100uF 16V M	
C1231	QEKC1CM-107Z	E CAPACITOR	100uF 16V M		C1432	NDC31HJ-330X	C CAPACITOR	33pF 50V J	
C1232	NDC31HJ-330X	C CAPACITOR	33pF 50V J		C1451	NCB31HK-102X	C CAPACITOR	1000pF 50V K	
C1251	NCB31HK-102X	C CAPACITOR	1000pF 50V K		C1452	NCB31CK-105X	C CAPACITOR	1uF 16V K	
C1252	NCB31CK-105X	C CAPACITOR	1uF 16V K		C1453	NCB21EK-334X	C CAPACITOR	0.33uF 25V K	
C1253	NCB21EK-334X	C CAPACITOR	0.33uF 25V K		C1454	NDC31HJ-101X	C CAPACITOR	100pF 50V J	
C1254	NDC31HJ-101X	C CAPACITOR	100pF 50V J		C1463	NCZ1061-104X	C CAPACITOR	0.1uF	
C1263	NCZ1061-104X	C CAPACITOR	0.1uF		C1464	NCB31HK-102X	C CAPACITOR	1000pF 50V K	
C1264	NCB31HK-102X	C CAPACITOR	1000pF 50V K		C1465	NCB31HK-102X	C CAPACITOR	1000pF 50V K	
C1265	NCB31HK-102X	C CAPACITOR	1000pF 50V K		C1466	NCB31HK-102X	C CAPACITOR	1000pF 50V K	
C1266	NCB31HK-102X	C CAPACITOR	1000pF 50V K		C1467	NCB31HK-102X	C CAPACITOR	1000pF 50V K	
C1267	NCB31HK-102X	C CAPACITOR	1000pF 50V K		C1468	QFKC2AJ-155Z	MM CAPACITOR	1.5uF 100V J	
C1268	QFKC2AJ-155Z	MM CAPACITOR	1.5uF 100V J		C1469	QFVM2AJ-104Z	MF CAPACITOR	0.1uF 100V J	
C1269	QFVM2AJ-104Z	MF CAPACITOR	0.1uF 100V J		C1470	NCB31HK-102X	C CAPACITOR	1000pF 50V K	
C1270	NCB31HK-102X	C CAPACITOR	1000pF 50V K		C1471	NCZ1061-104X	C CAPACITOR	0.1uF	
C1271	NCZ1061-104X	C CAPACITOR	0.1uF		C1472	NCZ1061-104X	C CAPACITOR	0.1uF	
C1272	NCZ1061-104X	C CAPACITOR	0.1uF		C1473	QETN1HM-227Z	E CAPACITOR	220uF 50V M	
C1273	QETN1HM-227Z	E CAPACITOR	220uF 50V M		C1474	QETN1HM-227Z	E CAPACITOR	220uF 50V M	
C1274	QETN1HM-227Z	E CAPACITOR	220uF 50V M		C1475	QETN2AM-106Z	E CAPACITOR	10uF 100V M	
C1275	QETN2AM-106Z	E CAPACITOR	10uF 100V M		C1477	NCB31HK-102X	C CAPACITOR	1000pF 50V K	
C1277	NCB31HK-102X	C CAPACITOR	1000pF 50V K		△ R101	QRJ146J-153X	UNF C RESISTOR	15kΩ 1/4W J	D301SA
C1301	QEKC1HM-106Z	E CAPACITOR	10uF 50V M		△ R102	QRL017J-332	OMF RESISTOR	3.3kΩ 1W J	D301SA
C1302	NCB31HK-471X	C CAPACITOR	470pF 50V K		△ R103	QRJ146J-6R8X	UNF C RESISTOR	6.8Ω 1/4W J	
C1303	QEKC1HM-106Z	E CAPACITOR	10uF 50V M		R104	QRJ146J-100X	UNF C RESISTOR	10Ω 1/4W J	D301SA
C1304	NCB31HK-222X	C CAPACITOR	2200pF 50V K		R105	QRJ146J-100X	UNF C RESISTOR	10Ω 1/4W J	D301SB,D301SE, D301SEN,D302BB, D302BE,D302BEN
C1305	NCB31HK-222X	C CAPACITOR	2200pF 50V K		△ R106	QRJ146J-821X	UNF C RESISTOR	820Ω 1/4W J	
C1307	NCB31HK-222X	C CAPACITOR	2200pF 50V K		△ R107	QRJ146J-6R2X	UNF C RESISTOR	6.2Ω 1/4W J	
C1308	NCB31AK-105X	C CAPACITOR	1uF 10V K		△ R107	QRJ146J-5R6X	UNF C RESISTOR	5.6Ω 1/4W J	D301SA
C1309	NDC31HG-101X	C CAPACITOR	100pF 50V G		△ R108	QRJ146J-332X	UNF C RESISTOR	3.3kΩ 1/4W J	D301SB,D301SE, D301SEN,D302BB, D302BE,D302BEN
C1310	NCB31CK-105X	C CAPACITOR	1uF 16V K		R109	QRE141J-223Y	C RESISTOR	22kΩ 1/4W J	
C1311	NDC31HJ-101X	C CAPACITOR	100pF 50V J		R110	QRE141J-104Y	C RESISTOR	100kΩ 1/4W J	
C1313	NDC31HJ-101X	C CAPACITOR	100pF 50V J	D301SB,D301SE, D301SEN,D302BB, D302BE,D302BEN	△ R151	QRL01DJ-220X	OMF RESISTOR	22Ω 1W J	
C1322	NCB31CK-105X	C CAPACITOR	1uF 16V K		△ R152	QRJ146J-4R7X	UNF C RESISTOR	4.7Ω 1/4W J	
C1323	NCB31CK-105X	C CAPACITOR	1uF 16V K		△ R153	QRL01DJ-100X	OMF RESISTOR	10Ω 1W J	
C1324	NCB31CK-104X	C CAPACITOR	0.1uF 16V K		R154	NRSA63J-103X	MG RESISTOR	10kΩ 1/16W J	
C1331	QEKC1CM-107Z	E CAPACITOR	100uF 16V M		R155	NRSA63J-113X	MG RESISTOR	11kΩ 1/16W J	
C1332	NDC31HJ-330X	C CAPACITOR	33pF 50V J		△ R156	QRJ146J-100X	UNF C RESISTOR	10Ω 1/4W J	
C1351	NCB31HK-102X	C CAPACITOR	1000pF 50V K		△ R157	QRJ146J-561X	UNF C RESISTOR	560Ω 1/4W J	
C1352	NCB31CK-105X	C CAPACITOR	1uF 16V K		△ R158	QRT01DJ-4R7X	MF RESISTOR	4.7Ω 1W J	
C1353	NCB21EK-334X	C CAPACITOR	0.33uF 25V K		R159	NRSA63J-202X	MG RESISTOR	2kΩ 1/16W J	
C1354	NDC31HJ-101X	C CAPACITOR	100pF 50V J		R160	NRSA63J-473X	MG RESISTOR	47kΩ 1/16W J	
C1363	NCZ1061-104X	C CAPACITOR	0.1uF		△ R161	QRJ146J-4R7X	UNF C RESISTOR	4.7Ω 1/4W J	
C1364	NCB31HK-102X	C CAPACITOR	1000pF 50V K		△ R162	QRJ146J-222X	UNF C RESISTOR	2.2kΩ 1/4W J	
C1365	NCB31HK-102X	C CAPACITOR	1000pF 50V K		△ R163	QRJ146J-100X	UNF C RESISTOR	10Ω 1/4W J	
C1366	NCB31HK-102X	C CAPACITOR	1000pF 50V K		△ R164	QRJ146J-222X	UNF C RESISTOR	2.2kΩ 1/4W J	
					△ R165	QRT01DJ-R22X	MF RESISTOR	0.22Ω 1W J	
					△ R166	QRJ146J-222X	UNF C RESISTOR	2.2kΩ 1/4W J	
					△ R173	QRK126J-4R7X	UNF C RESISTOR	4.7Ω 1/2W J	
					△ R174	QRK126J-103X	UNF C RESISTOR	10kΩ 1/2W J	

△ Symbol No.	Part No.	Part Name	Description	Local	△ Symbol No.	Part No.	Part Name	Description	Local
△ R175	QRK126J-4R7X	UNF C RESISTOR	4.7Ω 1/2W J		R332	NRSA63J-104X	MG RESISTOR	100kΩ 1/16W J	
△ R176	QRK126J-103X	UNF C RESISTOR	10kΩ 1/2W J		R333	NRSA63J-472X	MG RESISTOR	4.7kΩ 1/16W J	
R181	NRSA63J-101X	MG RESISTOR	100Ω 1/16W J		R334	NRSA63J-102X	MG RESISTOR	1kΩ 1/16W J	
R182	NRSA63J-222X	MG RESISTOR	2.2kΩ 1/16W J		R335	NRSA63J-103X	MG RESISTOR	10kΩ 1/16W J	
R183	NRSA63J-202X	MG RESISTOR	2kΩ 1/16W J		R351	NRSA63J-101X	MG RESISTOR	100Ω 1/16W J	
R184	NRSA63J-473X	MG RESISTOR	47kΩ 1/16W J		R352	NRSA63J-103X	MG RESISTOR	10kΩ 1/16W J	
R201	NRSA63J-102X	MG RESISTOR	1kΩ 1/16W J		R353	NRSA63J-392X	MG RESISTOR	3.9kΩ 1/16W J	
R202	NRSA63J-223X	MG RESISTOR	22kΩ 1/16W J		R354	NRSA63J-331X	MG RESISTOR	330Ω 1/16W J	
R203	NRSA63J-102X	MG RESISTOR	1kΩ 1/16W J		R355	NRSA63J-752X	MG RESISTOR	7.5kΩ 1/16W J	
R204	NRSA63J-102X	MG RESISTOR	1kΩ 1/16W J		R356	NRSA63J-152X	MG RESISTOR	1.5kΩ 1/16W J	
R205	NRSA63J-155X	MG RESISTOR	1.5MΩ 1/16W J		R357	NRSA63J-152X	MG RESISTOR	1.5kΩ 1/16W J	
R206	NRSA63J-332X	MG RESISTOR	3.3kΩ 1/16W J		R358	NRS144J-4R7X	MG RESISTOR	4.7Ω 1/4W J	
R207	NRSA63J-183X	MG RESISTOR	18kΩ 1/16W J		R361	NRS144J-470X	MG RESISTOR	47Ω 1/4W J	
R208	NRSA63J-104X	MG RESISTOR	100kΩ 1/16W J		R362	NRS144J-470X	MG RESISTOR	47Ω 1/4W J	
R209	NRSA63J-103X	MG RESISTOR	10kΩ 1/16W J		R364	QRL01DJ-220X	OMF RESISTOR	22Ω 1W J	
R210	NRSA63J-105X	MG RESISTOR	1MΩ 1/16W J		R365	NRS125J-220X	MG RESISTOR	22Ω 1/2W J	
R211	NRSA63J-222X	MG RESISTOR	2.2kΩ 1/16W J		R366	QRL01DJ-220X	OMF RESISTOR	22Ω 1W J	
R214	NRSA63J-104X	MG RESISTOR	100kΩ 1/16W J		R367	NRS125J-103X	MG RESISTOR	10kΩ 1/2W J	
R215	NRSA63F-682X	MG RESISTOR	6.8kΩ 1/16W F		R368	NRSA63J-682X	MG RESISTOR	6.8kΩ 1/16W J	
R216	NRSA63J-821X	MG RESISTOR	820Ω 1/16W J		R369	NRSA63J-472X	MG RESISTOR	4.7kΩ 1/16W J	
R217	NRSA63J-821X	MG RESISTOR	820Ω 1/16W J		R370	NRSA63J-104X	MG RESISTOR	100kΩ 1/16W J	
R221	NRSA63J-683X	MG RESISTOR	68kΩ 1/16W J		R391	QRL027J-471	OMF RESISTOR	470Ω 2W J	
R222	NRSA63J-223X	MG RESISTOR	22kΩ 1/16W J		R401	NRSA63J-102X	MG RESISTOR	1kΩ 1/16W J	
R223	NRSA63J-102X	MG RESISTOR	1kΩ 1/16W J		R402	NRSA63J-223X	MG RESISTOR	22kΩ 1/16W J	
R224	NRSA63J-153X	MG RESISTOR	15kΩ 1/16W J		R403	NRSA63J-0R0X	MG RESISTOR	0Ω 1/16W J	
R225	NRSA63J-153X	MG RESISTOR	15kΩ 1/16W J		R405	NRSA63J-155X	MG RESISTOR	1.5MΩ 1/16W J	
R231	NRSA63J-102X	MG RESISTOR	1kΩ 1/16W J		R406	NRSA63J-332X	MG RESISTOR	3.3kΩ 1/16W J	
R232	NRSA63J-104X	MG RESISTOR	100kΩ 1/16W J		R407	NRSA63J-183X	MG RESISTOR	18kΩ 1/16W J	
R233	NRSA63J-472X	MG RESISTOR	4.7kΩ 1/16W J		R408	NRSA63J-104X	MG RESISTOR	100kΩ 1/16W J	
R234	NRSA63J-102X	MG RESISTOR	1kΩ 1/16W J		R409	NRSA63J-103X	MG RESISTOR	10kΩ 1/16W J	
R235	NRSA63J-103X	MG RESISTOR	10kΩ 1/16W J		R410	NRSA63J-105X	MG RESISTOR	1MΩ 1/16W J	
R251	NRSA63J-101X	MG RESISTOR	100Ω 1/16W J		R411	NRSA63J-222X	MG RESISTOR	2.2kΩ 1/16W J	
R252	NRSA63J-103X	MG RESISTOR	10kΩ 1/16W J		R414	NRSA63J-104X	MG RESISTOR	100kΩ 1/16W J	
R253	NRSA63J-392X	MG RESISTOR	3.9kΩ 1/16W J		R415	NRSA63F-682X	MG RESISTOR	6.8kΩ 1/16W F	
R254	NRSA63J-331X	MG RESISTOR	330Ω 1/16W J		R416	NRSA63J-821X	MG RESISTOR	820Ω 1/16W J	
R255	NRSA63J-752X	MG RESISTOR	7.5kΩ 1/16W J		R417	NRSA63J-821X	MG RESISTOR	820Ω 1/16W J	
R256	NRSA63J-152X	MG RESISTOR	1.5kΩ 1/16W J		R431	NRSA63J-102X	MG RESISTOR	1kΩ 1/16W J	
R257	NRSA63J-152X	MG RESISTOR	1.5kΩ 1/16W J		R432	NRSA63J-104X	MG RESISTOR	100kΩ 1/16W J	
R258	NRS144J-4R7X	MG RESISTOR	4.7Ω 1/4W J		R433	NRSA63J-472X	MG RESISTOR	4.7kΩ 1/16W J	
R261	NRS144J-470X	MG RESISTOR	47Ω 1/4W J		R434	NRSA63J-102X	MG RESISTOR	1kΩ 1/16W J	
R262	NRS144J-470X	MG RESISTOR	47Ω 1/4W J		R435	NRSA63J-103X	MG RESISTOR	10kΩ 1/16W J	
R264	QRL01DJ-220X	OMF RESISTOR	22Ω 1W J		R451	NRSA63J-101X	MG RESISTOR	100Ω 1/16W J	
R265	NRS125J-220X	MG RESISTOR	22Ω 1/2W J		R452	NRSA63J-103X	MG RESISTOR	10kΩ 1/16W J	
R266	QRL01DJ-220X	OMF RESISTOR	22Ω 1W J		R453	NRSA63J-392X	MG RESISTOR	3.9kΩ 1/16W J	
R267	NRS125J-103X	MG RESISTOR	10kΩ 1/2W J		R454	NRSA63J-331X	MG RESISTOR	330Ω 1/16W J	
R268	NRSA63J-682X	MG RESISTOR	6.8kΩ 1/16W J		R455	NRSA63J-752X	MG RESISTOR	7.5kΩ 1/16W J	
R269	NRSA63J-472X	MG RESISTOR	4.7kΩ 1/16W J		R456	NRSA63J-152X	MG RESISTOR	1.5kΩ 1/16W J	
R270	NRSA63J-104X	MG RESISTOR	100kΩ 1/16W J		R457	NRSA63J-152X	MG RESISTOR	1.5kΩ 1/16W J	
R281	NRSA63J-103X	MG RESISTOR	10kΩ 1/16W J		R458	NRS144J-4R7X	MG RESISTOR	4.7Ω 1/4W J	
R282	NRSA63J-103X	MG RESISTOR	10kΩ 1/16W J		R461	NRS144J-470X	MG RESISTOR	47Ω 1/4W J	
R283	NRSA63J-0R0X	MG RESISTOR	0Ω 1/16W J		R462	NRS144J-470X	MG RESISTOR	47Ω 1/4W J	
R284	NRSA63J-104X	MG RESISTOR	100kΩ 1/16W J		R464	QRL01DJ-220X	OMF RESISTOR	22Ω 1W J	
R285	NRSA63J-473X	MG RESISTOR	47kΩ 1/16W J		R465	NRS125J-220X	MG RESISTOR	22Ω 1/2W J	
R286	NRSA63J-104X	MG RESISTOR	100kΩ 1/16W J		R466	QRL01DJ-220X	OMF RESISTOR	22Ω 1W J	
R287	NRSA02J-392X	MG RESISTOR	3.9kΩ 1/10W J		R467	NRS125J-103X	MG RESISTOR	10kΩ 1/2W J	
R288	NRSA63J-224X	MG RESISTOR	220kΩ 1/16W J		R468	NRSA63J-682X	MG RESISTOR	6.8kΩ 1/16W J	
R289	NRSA63J-101X	MG RESISTOR	100Ω 1/16W J		R469	NRSA63J-472X	MG RESISTOR	4.7kΩ 1/16W J	
R290	NRSA63J-101X	MG RESISTOR	100Ω 1/16W J		R470	NRSA63J-104X	MG RESISTOR	100kΩ 1/16W J	
R291	QRL027J-471	OMF RESISTOR	470Ω 2W J		R801	NRSA63J-102X	MG RESISTOR	1kΩ 1/16W J	
△ R300	QRJ146J-470X	UNF C RESISTOR	47Ω 1/4W J		R802	NRSA63J-223X	MG RESISTOR	22kΩ 1/16W J	
R301	NRSA63J-102X	MG RESISTOR	1kΩ 1/16W J		R803	NRSA63J-102X	MG RESISTOR	1kΩ 1/16W J	
R302	NRSA63J-223X	MG RESISTOR	22kΩ 1/16W J		R804	NRSA63J-202X	MG RESISTOR	2kΩ 1/16W J	
R303	NRSA63J-102X	MG RESISTOR	1kΩ 1/16W J		R805	NRSA63J-155X	MG RESISTOR	1.5MΩ 1/16W J	
R304	NRSA63J-102X	MG RESISTOR	1kΩ 1/16W J		R806	NRSA63J-332X	MG RESISTOR	3.3kΩ 1/16W J	
R305	NRSA63J-155X	MG RESISTOR	1.5MΩ 1/16W J		R807	NRSA63J-183X	MG RESISTOR	18kΩ 1/16W J	
R306	NRSA63J-332X	MG RESISTOR	3.3kΩ 1/16W J		R808	NRSA63J-104X	MG RESISTOR	100kΩ 1/16W J	
R307	NRSA63J-183X	MG RESISTOR	18kΩ 1/16W J		R809	NRSA63J-103X	MG RESISTOR	10kΩ 1/16W J	
R308	NRSA63J-104X	MG RESISTOR	100kΩ 1/16W J		R810	NRSA63J-105X	MG RESISTOR	1MΩ 1/16W J	
R309	NRSA63J-103X	MG RESISTOR	10kΩ 1/16W J		R811	NRSA63J-222X	MG RESISTOR	2.2kΩ 1/16W J	
R310	NRSA63J-105X	MG RESISTOR	1MΩ 1/16W J		R814	NRSA63J-104X	MG RESISTOR	100kΩ 1/16W J	
R311	NRSA63J-222X	MG RESISTOR	2.2kΩ 1/16W J		R815	NRSA63F-682X	MG RESISTOR	6.8kΩ 1/16W F	
R314	NRSA63J-104X	MG RESISTOR	100kΩ 1/16W J		R816	NRSA63J-821X	MG RESISTOR	820Ω 1/16W J	
R315	NRSA63F-682X	MG RESISTOR	6.8kΩ 1/16W F		R817	NRSA63J-821X	MG RESISTOR	820Ω 1/16W J	
R316	NRSA63J-821X	MG RESISTOR	820Ω 1/16W J		R831	NRSA63J-102X	MG RESISTOR	1kΩ 1/16W J	
R317	NRSA63J-821X	MG RESISTOR	820Ω 1/16W J		R832	NRSA63J-104X	MG RESISTOR	100kΩ 1/16W J	
R318	QRJ146J-100X	UNF C RESISTOR	10Ω 1/4W J		R833	NRSA63J-472X	MG RESISTOR	4.7kΩ 1/16W J	
R319	QRJ146J-100X	UNF C RESISTOR	10Ω 1/4W J		R834	NRSA63J-102X	MG RESISTOR	1kΩ 1/16W J	
R331	NRSA63J-102X	MG RESISTOR	1kΩ 1/16W J		R835	NRSA63J-103X	MG RESISTOR	10kΩ 1/16W J	

△ Symbol No.	Part No.	Part Name	Description	Local	△ Symbol No.	Part No.	Part Name	Description	Local
R851	NRSA63J-101X	MG RESISTOR	100Ω 1/16W J		R1309	NRSA63J-103X	MG RESISTOR	10kΩ 1/16W J	
R852	NRSA63J-103X	MG RESISTOR	10kΩ 1/16W J		R1310	NRSA63J-105X	MG RESISTOR	1MΩ 1/16W J	
R853	NRSA63J-392X	MG RESISTOR	3.9kΩ 1/16W J		R1311	NRSA63J-222X	MG RESISTOR	2.2kΩ 1/16W J	
R854	NRSA63J-331X	MG RESISTOR	330Ω 1/16W J		R1314	NRSA63J-104X	MG RESISTOR	100kΩ 1/16W J	
R855	NRSA63J-752X	MG RESISTOR	7.5kΩ 1/16W J		R1315	NRSA63F-682X	MG RESISTOR	6.8kΩ 1/16W F	
R856	NRSA63J-152X	MG RESISTOR	1.5kΩ 1/16W J		R1316	NRSA63J-821X	MG RESISTOR	820Ω 1/16W J	
R857	NRSA63J-152X	MG RESISTOR	1.5kΩ 1/16W J		R1317	NRSA63J-821X	MG RESISTOR	820Ω 1/16W J	
R858	NRS144J-4R7X	MG RESISTOR	4.7Ω 1/4W J		R1318	QRJ146J-100X	UNF C RESISTOR	10Ω 1/4W J	
R861	NRS144J-470X	MG RESISTOR	47Ω 1/4W J		R1319	QRJ146J-100X	UNF C RESISTOR	10Ω 1/4W J	
R862	NRS144J-470X	MG RESISTOR	47Ω 1/4W J		R1331	NRSA63J-102X	MG RESISTOR	1kΩ 1/16W J	
R864	QRL01DJ-220X	OMF RESISTOR	22Ω 1W J		R1332	NRSA63J-104X	MG RESISTOR	100kΩ 1/16W J	
R865	NRS125J-220X	MG RESISTOR	22Ω 1/2W J		R1333	NRSA63J-472X	MG RESISTOR	4.7kΩ 1/16W J	
R866	QRL01DJ-220X	OMF RESISTOR	22Ω 1W J		R1334	NRSA63J-102X	MG RESISTOR	1kΩ 1/16W J	
R867	NRS125J-103X	MG RESISTOR	10kΩ 1/2W J		R1335	NRSA63J-103X	MG RESISTOR	10kΩ 1/16W J	
R868	NRSA63J-682X	MG RESISTOR	6.8kΩ 1/16W J		R1351	NRSA63J-101X	MG RESISTOR	100Ω 1/16W J	
R869	NRSA63J-472X	MG RESISTOR	4.7kΩ 1/16W J		R1352	NRSA63J-103X	MG RESISTOR	10kΩ 1/16W J	
R870	NRSA63J-104X	MG RESISTOR	100kΩ 1/16W J		R1353	NRSA63J-392X	MG RESISTOR	3.9kΩ 1/16W J	
R1101	NRS144J-104X	MG RESISTOR	100kΩ 1/4W J		R1354	NRSA63J-331X	MG RESISTOR	330Ω 1/16W J	
R1102	NRS144J-104X	MG RESISTOR	100kΩ 1/4W J		R1355	NRSA63J-752X	MG RESISTOR	7.5kΩ 1/16W J	
△ R1103	NRS144J-330X	MG RESISTOR	33Ω 1/4W J		R1356	NRSA63J-152X	MG RESISTOR	1.5kΩ 1/16W J	
△ R1104	NRS144J-330X	MG RESISTOR	33Ω 1/4W J		R1357	NRSA63J-152X	MG RESISTOR	1.5kΩ 1/16W J	
R1105	NRS016J-100X	MG RESISTOR	10Ω 1W J		R1358	NRS144J-4R7X	MG RESISTOR	4.7Ω 1/4W J	
R1106	QRL01DJ-100X	OMF RESISTOR	10Ω 1W J		R1361	NRS144J-470X	MG RESISTOR	47Ω 1/4W J	
R1107	NRS016J-100X	MG RESISTOR	10Ω 1W J		R1362	NRS144J-470X	MG RESISTOR	47Ω 1/4W J	
R1108	QRL01DJ-100X	OMF RESISTOR	10Ω 1W J		R1364	QRL01DJ-220X	OMF RESISTOR	22Ω 1W J	
R1109	QRL027J-222	OMF RESISTOR	2.2kΩ 2W J		R1365	NRS125J-220X	MG RESISTOR	22Ω 1/2W J	
R1110	QRL027J-222	OMF RESISTOR	2.2kΩ 2W J		R1366	QRL01DJ-220X	OMF RESISTOR	22Ω 1W J	
R1111	NRSA63F-102X	MG RESISTOR	1kΩ 1/16W F		R1367	NRS125J-103X	MG RESISTOR	10kΩ 1/2W J	
R1112	NRSA63F-102X	MG RESISTOR	1kΩ 1/16W F		R1368	NRSA63J-682X	MG RESISTOR	6.8kΩ 1/16W J	
R1113	NRSA63F-393X	MG RESISTOR	39kΩ 1/16W F		R1369	NRSA63J-472X	MG RESISTOR	4.7kΩ 1/16W J	
R1115	NRSA63J-821X	MG RESISTOR	820Ω 1/16W J		R1370	NRSA63J-104X	MG RESISTOR	100kΩ 1/16W J	
R1116	NRS144J-4R7X	MG RESISTOR	4.7Ω 1/4W J		R1401	NRSA63J-102X	MG RESISTOR	1kΩ 1/16W J	
△ R1117	NRS144J-4R7X	MG RESISTOR	4.7Ω 1/4W J		R1402	NRSA63J-223X	MG RESISTOR	22kΩ 1/16W J	
R1118	NRSA63F-473X	MG RESISTOR	47kΩ 1/16W F		R1403	NRSA63J-0R0X	MG RESISTOR	0Ω 1/16W J	
R1171	QRJ146J-332X	UNF C RESISTOR	3.3kΩ 1/4W J		R1405	NRSA63J-155X	MG RESISTOR	1.5MΩ 1/16W J	
R1201	NRSA63J-102X	MG RESISTOR	1kΩ 1/16W J		R1406	NRSA63J-332X	MG RESISTOR	3.3kΩ 1/16W J	
R1202	NRSA63J-223X	MG RESISTOR	22kΩ 1/16W J		R1407	NRSA63J-183X	MG RESISTOR	18kΩ 1/16W J	
R1203	NRSA63J-0R0X	MG RESISTOR	0Ω 1/16W J		R1408	NRSA63J-104X	MG RESISTOR	100kΩ 1/16W J	
R1205	NRSA63J-155X	MG RESISTOR	1.5MΩ 1/16W J		R1409	NRSA63J-103X	MG RESISTOR	10kΩ 1/16W J	
R1206	NRSA63J-332X	MG RESISTOR	3.3kΩ 1/16W J		R1410	NRSA63J-105X	MG RESISTOR	1MΩ 1/16W J	
R1207	NRSA63J-183X	MG RESISTOR	18kΩ 1/16W J		R1411	NRSA63J-222X	MG RESISTOR	2.2kΩ 1/16W J	
R1208	NRSA63J-104X	MG RESISTOR	100kΩ 1/16W J		R1414	NRSA63J-104X	MG RESISTOR	100kΩ 1/16W J	
R1209	NRSA63J-103X	MG RESISTOR	10kΩ 1/16W J		R1415	NRSA63F-682X	MG RESISTOR	6.8kΩ 1/16W F	
R1210	NRSA63J-105X	MG RESISTOR	1MΩ 1/16W J		R1416	NRSA63J-821X	MG RESISTOR	820Ω 1/16W J	
R1211	NRSA63J-222X	MG RESISTOR	2.2kΩ 1/16W J		R1417	NRSA63J-821X	MG RESISTOR	820Ω 1/16W J	
R1214	NRSA63J-104X	MG RESISTOR	100kΩ 1/16W J		R1431	NRSA63J-102X	MG RESISTOR	1kΩ 1/16W J	
R1215	NRSA63F-682X	MG RESISTOR	6.8kΩ 1/16W F		R1432	NRSA63J-104X	MG RESISTOR	100kΩ 1/16W J	
R1216	NRSA63J-821X	MG RESISTOR	820Ω 1/16W J		R1433	NRSA63J-472X	MG RESISTOR	4.7kΩ 1/16W J	
R1217	NRSA63J-821X	MG RESISTOR	820Ω 1/16W J		R1434	NRSA63J-102X	MG RESISTOR	1kΩ 1/16W J	
R1231	NRSA63J-102X	MG RESISTOR	1kΩ 1/16W J		R1435	NRSA63J-103X	MG RESISTOR	10kΩ 1/16W J	
R1232	NRSA63J-104X	MG RESISTOR	100kΩ 1/16W J		R1451	NRSA63J-101X	MG RESISTOR	100Ω 1/16W J	
R1233	NRSA63J-472X	MG RESISTOR	4.7kΩ 1/16W J		R1452	NRSA63J-103X	MG RESISTOR	10kΩ 1/16W J	
R1234	NRSA63J-102X	MG RESISTOR	1kΩ 1/16W J		R1453	NRSA63J-392X	MG RESISTOR	3.9kΩ 1/16W J	
R1235	NRSA63J-103X	MG RESISTOR	10kΩ 1/16W J		R1454	NRSA63J-331X	MG RESISTOR	330Ω 1/16W J	
R1251	NRSA63J-101X	MG RESISTOR	100Ω 1/16W J		R1455	NRSA63J-752X	MG RESISTOR	7.5kΩ 1/16W J	
R1252	NRSA63J-103X	MG RESISTOR	10kΩ 1/16W J		R1456	NRSA63J-152X	MG RESISTOR	1.5kΩ 1/16W J	
R1253	NRSA63J-392X	MG RESISTOR	3.9kΩ 1/16W J		R1457	NRSA63J-152X	MG RESISTOR	1.5kΩ 1/16W J	
R1254	NRSA63J-331X	MG RESISTOR	330Ω 1/16W J		R1458	NRS144J-4R7X	MG RESISTOR	4.7Ω 1/4W J	
R1255	NRSA63J-752X	MG RESISTOR	7.5kΩ 1/16W J		R1461	NRS144J-470X	MG RESISTOR	47Ω 1/4W J	
R1256	NRSA63J-152X	MG RESISTOR	1.5kΩ 1/16W J		R1462	NRS144J-470X	MG RESISTOR	47Ω 1/4W J	
R1257	NRSA63J-152X	MG RESISTOR	1.5kΩ 1/16W J		R1464	QRL01DJ-220X	OMF RESISTOR	22Ω 1W J	
R1258	NRS144J-4R7X	MG RESISTOR	4.7Ω 1/4W J		R1465	NRS125J-220X	MG RESISTOR	22Ω 1/2W J	
R1261	NRS144J-470X	MG RESISTOR	47Ω 1/4W J		R1466	QRL01DJ-220X	OMF RESISTOR	22Ω 1W J	
R1262	NRS144J-470X	MG RESISTOR	47Ω 1/4W J		R1467	NRS125J-103X	MG RESISTOR	10kΩ 1/2W J	
R1264	QRL01DJ-220X	OMF RESISTOR	22Ω 1W J		R1468	NRSA63J-682X	MG RESISTOR	6.8kΩ 1/16W J	
R1265	NRS125J-220X	MG RESISTOR	22Ω 1/2W J		R1469	NRSA63J-472X	MG RESISTOR	4.7kΩ 1/16W J	
R1266	QRL01DJ-220X	OMF RESISTOR	22Ω 1W J		R1470	NRSA63J-104X	MG RESISTOR	100kΩ 1/16W J	
R1267	NRS125J-103X	MG RESISTOR	10kΩ 1/2W J						
R1268	NRSA63J-682X	MG RESISTOR	6.8kΩ 1/16W J		L261	QLL77AK-220	COIL	22uH K	
R1269	NRSA63J-472X	MG RESISTOR	4.7kΩ 1/16W J		L361	QLL77AK-220	COIL	22uH K	
R1270	NRSA63J-104X	MG RESISTOR	100kΩ 1/16W J		L461	QLL77AK-220	COIL	22uH K	
R1301	NRSA63J-102X	MG RESISTOR	1kΩ 1/16W J		L861	QLL77AK-220	COIL	22uH K	
R1302	NRSA63J-223X	MG RESISTOR	22kΩ 1/16W J		△ L1101	QLL78AK-220	COIL	22uH K	
R1303	NRSA63J-0R0X	MG RESISTOR	0Ω 1/16W J		△ L1102	QLL78AK-220	COIL	22uH K	
R1305	NRSA63J-155X	MG RESISTOR	1.5MΩ 1/16W J		L1261	QLL77AK-220	COIL	22uH K	
R1306	NRSA63J-332X	MG RESISTOR	3.3kΩ 1/16W J		L1361	QLL77AK-220	COIL	22uH K	
R1307	NRSA63J-183X	MG RESISTOR	18kΩ 1/16W J		L1461	QLL77AK-220	COIL	22uH K	
R1308	NRSA63J-104X	MG RESISTOR	100kΩ 1/16W J						

Symbol No.	Part No.	Part Name	Description	Local
CN101	QGA2001C1-04	CONNECTOR	W-B (1-4)	
CN102	QGF1205C1-05	CONNECTOR	FFC/FPC (1-5)	
CN103	QGA2501C1-02	CONNECTOR	W-B (1-2)	
CN104	QJK016-071002-E	SIN CR C-B WIRE		
CN105	QGA2001C1-05	CONNECTOR	W-B (1-5)	
CN106	QGA3901C1-08	CONNECTOR	W-B (1-8)	
CN111	QGA3901C1-03	CONNECTOR	W-B (1-3)	
CN114	QGA2001F1-07	CONNECTOR	W-B (1-7)	
CN115	QJK016-051000-E	SIN CR C-B WIRE		
CN130	QJK016-113401-E	SIN CR C-B WIRE		
CN131	QJK016-093604-E	SIN CR C-B WIRE		
CN152	QGB2510J1-12	CONNECTOR	B-B (1-12)	
CN201	QGA2501C1-07	CONNECTOR	W-B (1-7)	
CN222	QGB2510J1-14	CONNECTOR	B-B (1-14)	
CN251	QJK015-063601-E	SIN CR C-B WIRE		
CN252	QJK015-084203-E	SIN CR C-B WIRE		
CN301	QGB2510K1-17	CONNECTOR	B-B (1-17)	
CN302	QGB2510J1-17	CONNECTOR	B-B (1-17)	
CN311	QGA2001F1-03	CONNECTOR	W-B (1-3)	
CN312	QGA2501F1-02	CONNECTOR	W-B (1-2)	
CN313	QGA2001C1-04	CONNECTOR	W-B (1-4)	
CN321	QJK016-030903-E	SIN CR C-B WIRE		
CN322	QJK002-021002-E	SIN CR C-B WIRE		
CN351	QGA2501C1-03	CONNECTOR	W-B (1-3)	
CN401	QGB2510K1-16	CONNECTOR	B-B (1-16)	
CN402	QGB2510J1-16	CONNECTOR	B-B (1-16)	
CN411	QGA2501F1-03	CONNECTOR	W-B (1-3)	
CN412	QGA2501F1-04	CONNECTOR	W-B (1-4)	
CN413	QGA2501F1-02	CONNECTOR	W-B (1-2)	
CN421	QJK002-031803-E	SIN CR C-B WIRE		
CN422	QJK002-041404-E	SIN TWIST WIRE		
CN423	QJK002-021002-E	SIN CR C-B WIRE		
CN602	QGB2510K1-07	CONNECTOR	B-B (1-7)	
CN672	QGB2510K1-07	CONNECTOR	B-B (1-7)	
EP101	QNZ0136-001Z	EARTH PLATE		
EP102	QNZ0136-001Z	EARTH PLATE		
EP201	QNZ0136-001Z	EARTH PLATE		
EP202	QNZ0136-001Z	EARTH PLATE		
FC101	QNG0020-001Z	FUSE CLIP		
FC102	QNG0020-001Z	FUSE CLIP		
FC111	QNG0020-001Z	FUSE CLIP		
FC112	QNG0020-001Z	FUSE CLIP		
FW240	WJS0048-002A-E	E-FL/RB WIRE* C-F		
FW323	WJS0047-002A-E	E-FL/RB WIRE		
HS101	E70306-005	HEAT SINK		D301SA
HS101	E70306-001	HEAT SINK	HS 951	D301SB,D301SE, D301SEN,D302BB, D302BE,D302BEN
HS102	E70306-005	HEAT SINK		D301SA
HS102	E70306-001	HEAT SINK	HS 951	D301SB,D301SE, D301SEN,D302BB, D302BE,D302BEN
HS107	E70306-005	HEAT SINK		D301SA
HS107	E70306-001	HEAT SINK	HS 951	D301SB,D301SE, D301SEN,D302BB, D302BE,D302BEN
HS108	E70306-005	HEAT SINK		D301SA
HS108	E70306-001	HEAT SINK	HS 951	D301SB,D301SE, D301SEN,D302BB, D302BE,D302BEN
HS151	E70306-005	HEAT SINK		D301SA
HS151	E70306-001	HEAT SINK	HS 951	D301SB,D301SE, D301SEN,D302BB, D302BE,D302BEN
HS152	E70306-005	HEAT SINK		D301SA
HS152	E70306-001	HEAT SINK	HS 951	D301SB,D301SE, D301SEN,D302BB, D302BE,D302BEN
HS153	E70945-H40B	HEAT SINK	HS 921	
HS157	E70306-005	HEAT SINK		D301SA
HS157	E70306-001	HEAT SINK	HS 951	D301SB,D301SE, D301SEN,D302BB, D302BE,D302BEN
HS158	E70306-005	HEAT SINK		
HS253	E70306-001	HEAT SINK	HS 951	D301SA
RY300	QSK0127-001	RELAY		
TH101	QAD0095-4R7Z	P THERMISTOR	4.7Ω M	
TH271	QAD0146-103	N THERMISTOR	10kΩ	

Input board (B,E,EN ver.)

Block No. [0][3]

Symbol No.	Part No.	Part Name	Description	Local
PW601	QUB220-08DMHP-E	SIN TWIST WIRE		
IC11	DIT4096IPW-X	IC(DIGITAL)		
IC501	MN101C49GNP	IC(MCU)		
IC502	BD3843FS-X	IC		
IC503	BD3813KS	IC		
IC504	NJM4565M-WE	IC		
IC505	BU1924F-X	IC		
IC506	IC-PST9139-T	IC		
IC507	BR24L01AF-W-X	IC		
IC508	BD3812F-X	IC		
IC530	MM1504XN-X	IC		
IC531	MM1506XN-X	IC		
IC532	MM1506XN-X	IC		
IC536	MM1501XN-X	IC		
IC537	MM1504XN-X	IC		
IC551	TC90A49AP	IC		
IC559	MM1093NF-X	IC		
IC571	MM1502XN-X	IC		
IC572	MM1502XN-X	IC		
IC573	MM1113XF-X	IC		
IC574	MM1501XN-X	IC		
IC575	MM1501XN-X	IC		
IC576	MM1117XF-XE	IC		
IC577	MM1118XF-X	IC		
IC581	MM1503XN-X	IC		
IC582	CD74HC4053NS-X	IC		
IC583	MM1502XN-X	IC		
IC601	NJM4565M-WE	IC		
IC602	NJM4565M-WE	IC		
IC611	NJM4565M-WE	IC		
IC612	NJM4565M-WE	IC		
IC613	NJM4565M-WE	IC		
IC614	NJM4565M-WE	IC		
IC621	NJM4565M-WE	IC		
IC622	NJM4565M-WE	IC		
IC631	NJM2120M-X	IC		
IC632	NJM4565M-WE	IC		
IC633	NJM4565M-WE	IC		
IC634	NJM4565M-WE	IC		
IC651	NJM4565M-WE	IC		
IC652	NJM4565M-WE	IC		
IC661	DSPC56371AF180	IC		
IC662	SN74AHC2GU04T-X	IC		
IC667	CS42518-CQZ-C-W	IC		
IC671	UPD784215AGC284	IC(MICRO C ROM)		
IC672	SN74AHC1G32K-X	IC		
IC673	SN74LVC1G04K-X	IC		
IC681	JCV8009-W	IC		
IC682	MN35505-X	IC		
IC683	SN74AHC2G74T-X	IC		
IC684	SN74LVC2G241T-X	IC		
IC691	BD7800FP-X	IC		
IC692	MM1563DF-X	IC		
IC903	PCM2704DB-X	IC		
IC904	SN74AHC1G08V-X	IC		
Q501	2SC3576-JVC-T	TRANSISTOR		
Q502	2SC3576-JVC-T	TRANSISTOR		
Q503	KRA104S-X	DIGI TRANSISTOR		
Q510	KRC102S-X	DIGI TRANSISTOR		
Q511	KRA104S-X	DIGI TRANSISTOR		
Q512	KRA104S-X	DIGI TRANSISTOR		
Q513	2SC3576-JVC-T	TRANSISTOR		
Q514	2SC3576-JVC-T	TRANSISTOR		
Q515	2SC3576-JVC-T	TRANSISTOR		
Q516	2SC3576-JVC-T	TRANSISTOR		
Q517	2SC3576-JVC-T	TRANSISTOR		
Q518	2SC3576-JVC-T	TRANSISTOR		
Q519	2SC3576-JVC-T	TRANSISTOR		
Q521	2SC3576-JVC-T	TRANSISTOR		
Q522	2SC3576-JVC-T	TRANSISTOR		
Q523	KRA104S-X	DIGI TRANSISTOR		
Q524	KTC3875/YG/-X	SI TRANSISTOR		

△ Symbol No.	Part No.	Part Name	Description	Local	△ Symbol No.	Part No.	Part Name	Description	Local
Q525	2SC3576-JVC-T	TRANSISTOR			D8501	MA111-X	SI DIODE		
Q526	2SC3576-JVC-T	TRANSISTOR			D8502	MA111-X	SI DIODE		
Q541	KTC3199/GL-T	TRANSISTOR			D8503	UDZS11B-X	Z DIODE		
Q542	KTC3199/GL-T	TRANSISTOR			D8504	UDZS6.2B-X	Z DIODE		
Q1501	2SC2412K/RS/-X	TRANSISTOR			D9001	SML-310PT/KL/-X	LED		
Q2101	2SD2114K/VW/-X	TRANSISTOR							
Q2102	2SD2114K/VW/-X	TRANSISTOR			C522	NCB31HK-561X	C CAPACITOR	560pF 50V K	
Q2141	2SC3928A/RS/-X	TRANSISTOR			C523	QEKC1CM-476Z	E CAPACITOR	47uF 16V M	
Q2142	2SC3928A/RS/-X	TRANSISTOR			C524	QEKC1CM-476Z	E CAPACITOR	47uF 16V M	
Q2201	2SD2114K/VW/-X	TRANSISTOR			C525	QETN1HM-475Z	E CAPACITOR	4.7uF 50V M	
Q2202	2SD2114K/VW/-X	TRANSISTOR			C526	QETN0JM-228Z	E CAPACITOR	2200uF 6.3V M	
Q2221	2SD2114K/VW/-X	TRANSISTOR			C527	QEKC0JM-107Z	E CAPACITOR	100uF 6.3V M	
Q2222	2SD2114K/VW/-X	TRANSISTOR			C528	QCZ0202-155Z	C CAPACITOR	1.5uF 25V Z	
Q2223	2SD2114K/VW/-X	TRANSISTOR			C529	NCB31CK-223X	C CAPACITOR	0.022uF 16V K	
Q2224	2SD2114K/VW/-X	TRANSISTOR			C530	QEKC1HM-225Z	E CAPACITOR	2.2uF 50V M	
Q2301	2SD2114K/VW/-X	TRANSISTOR			C531	NCB31CK-223X	C CAPACITOR	0.022uF 16V K	
Q2341	2SC3928A/RS/-X	TRANSISTOR			C532	NCB31HK-561X	C CAPACITOR	560pF 50V K	
Q2401	2SD2114K/VW/-X	TRANSISTOR			C533	NCF31CZ-104X	C CAPACITOR	0.1uF 16V Z	
Q2421	2SD2114K/VW/-X	TRANSISTOR			C534	QEKC1CM-476Z	E CAPACITOR	47uF 16V M	
Q2422	2SD2114K/VW/-X	TRANSISTOR			C535	NCF31CZ-104X	C CAPACITOR	0.1uF 16V Z	
Q2501	2SD2114K/VW/-X	TRANSISTOR			C536	QEKC1CM-476Z	E CAPACITOR	47uF 16V M	
Q2502	2SD2114K/VW/-X	TRANSISTOR			C537	QEKC1HM-106Z	E CAPACITOR	10uF 50V M	
Q2701	KRC107S-X	DIGI TRANSISTOR			C538	QEKC1HM-106Z	E CAPACITOR	10uF 50V M	
Q2702	KRC107S-X	DIGI TRANSISTOR			C539	QEKC1HM-106Z	E CAPACITOR	10uF 50V M	
Q2703	KRC107S-X	DIGI TRANSISTOR			C540	QEKC1HM-106Z	E CAPACITOR	10uF 50V M	
Q2704	KRA107S-X	DIGI TRANSISTOR			C541	QEKC1HM-106Z	E CAPACITOR	10uF 50V M	
Q2705	KRA107S-X	DIGI TRANSISTOR			C542	QEKC1HM-106Z	E CAPACITOR	10uF 50V M	
Q2706	KRA107S-X	DIGI TRANSISTOR			C545	NCB31CK-104X	C CAPACITOR	0.1uF 16V K	
Q2708	KRA107S-X	DIGI TRANSISTOR			C546	NCB31CK-104X	C CAPACITOR	0.1uF 16V K	
Q2709	KRA107S-X	DIGI TRANSISTOR			C547	NCB31CK-104X	C CAPACITOR	0.1uF 16V K	
Q2710	KRC107S-X	DIGI TRANSISTOR			C548	NCB31CK-104X	C CAPACITOR	0.1uF 16V K	
Q4501	KTA1267/YG/-T	TRANSISTOR			C549	QEKC1CM-476Z	E CAPACITOR	47uF 16V M	
Q4521	2SA1037AK/RS/-X	TRANSISTOR			C550	QEKC1CM-476Z	E CAPACITOR	47uF 16V M	
Q4522	2SC2412K/RS/-X	TRANSISTOR			C551	QEKC1HM-106Z	E CAPACITOR	10uF 50V M	
Q4523	2SA1037AK/RS/-X	TRANSISTOR			C552	QEKC1HM-106Z	E CAPACITOR	10uF 50V M	
Q4524	2SC2412K/RS/-X	TRANSISTOR			C553	QEKC1HM-475Z	E CAPACITOR	4.7uF 50V M	
Q4525	2SA1037AK/RS/-X	TRANSISTOR			C554	QEKC1HM-475Z	E CAPACITOR	4.7uF 50V M	
Q4526	2SC2412K/RS/-X	TRANSISTOR			C555	QEKC1HM-475Z	E CAPACITOR	4.7uF 50V M	
Q4527	2SC2412K/RS/-X	TRANSISTOR			C556	QEKC1HM-475Z	E CAPACITOR	4.7uF 50V M	
Q4530	2SC2412K/RS/-X	TRANSISTOR			C557	QEKC1HM-475Z	E CAPACITOR	4.7uF 50V M	
Q5531	2SA1037AK/RS/-X	TRANSISTOR			C558	QEKC1CM-106Z	E CAPACITOR	10uF 16V M	
Q5532	2SA1037AK/RS/-X	TRANSISTOR			C559	QEKC1CM-476Z	E CAPACITOR	47uF 16V M	
Q8501	KRC102S-X	DIGI TRANSISTOR			C561	NCB31HK-681X	C CAPACITOR	680pF 50V K	
Q8502	KRC102S-X	DIGI TRANSISTOR			C562	NCB31HK-681X	C CAPACITOR	680pF 50V K	
Q8503	KRC102S-X	DIGI TRANSISTOR			C563	NCB31HK-562X	C CAPACITOR	560pF 50V K	
Q8504	KRC102S-X	DIGI TRANSISTOR			C564	NCB31HK-562X	C CAPACITOR	560pF 50V K	
Q8505	KTC3199/GL/-T	TRANSISTOR			C567	NDC31HJ-330X	C CAPACITOR	33pF 50V J	
Q8506	KTC3199/GL/-T	TRANSISTOR			C568	NDC31HJ-330X	C CAPACITOR	33pF 50V J	
Q8507	KTC3199/GL/-T	TRANSISTOR			C570	NCB31HK-561X	C CAPACITOR	560pF 50V K	
Q8508	KTC3199/GL/-T	TRANSISTOR			C571	NDC31HJ-271X	C CAPACITOR	270pF 50V J	
Q8509	KTC3199/GL/-T	TRANSISTOR			C572	QEKC1HM-225Z	E CAPACITOR	2.2uF 50V M	
Q8510	KTC3199/GL/-T	TRANSISTOR			C573	NCF31CZ-104X	C CAPACITOR	0.1uF 16V Z	
Q8511	KTC3199/GL/-T	TRANSISTOR			C574	QEKC1CM-476Z	E CAPACITOR	47uF 16V M	
Q8515	KRA121S-X	DIGI TRANSISTOR			C577	NCF31CZ-104X	C CAPACITOR	0.1uF 16V Z	
Q8516	KTA1267/YG/-T	TRANSISTOR			C578	NCF31CZ-104X	C CAPACITOR	0.1uF 16V Z	
Q8517	KTA1267/YG/-T	TRANSISTOR			C581	QEKC1CM-106Z	E CAPACITOR	10uF 16V M	
Q8518	KTA1267/YG/-T	TRANSISTOR			C597	NCB31EK-104X	C CAPACITOR	0.1uF 25V K	
Q8519	KTC3203/OY/-T	TRANSISTOR			C941	NDC31HJ-220X	C CAPACITOR	22pF 50V J	
Q8521	KRA121S-X	DIGI TRANSISTOR			C942	NDC31HJ-220X	C CAPACITOR	22pF 50V J	
Q8522	KTA1267/YG/-T	TRANSISTOR			C943	NCF31AZ-105X	C CAPACITOR	1uF 10V Z	
Q8523	KRA121S-X	DIGI TRANSISTOR			C944	NCB31HK-103X	C CAPACITOR	0.01uF 50V K	
Q8524	KRC102S-X	DIGI TRANSISTOR			C945	NCF31AZ-105X	C CAPACITOR	1uF 10V Z	
Q8525	KRC102S-X	DIGI TRANSISTOR			C946	NCF31AZ-105X	C CAPACITOR	1uF 10V Z	
Q8526	KTA1267/YG/-T	TRANSISTOR			C947	QETN1HM-106Z	E CAPACITOR	10uF 50V M	
Q8527	KRA120S-X	TRANSISTOR			C948	NCF31AZ-105X	C CAPACITOR	1uF 10V Z	
Q8529	KRA121S-X	DIGI TRANSISTOR			C949	NCF31AZ-105X	C CAPACITOR	1uF 10V Z	
Q8530	2SA1037AK/RS/-X	TRANSISTOR			C959	NCB31HK-103X	C CAPACITOR	0.01uF 50V K	
Q9501	KTA1267/YG/-T	TRANSISTOR			C960	NDC31HJ-331X	C CAPACITOR	330pF 50V J	
Q9502	KTA1267/YG/-T	TRANSISTOR			C961	NDC31HJ-331X	C CAPACITOR	330pF 50V J	
					C968	NCF31CZ-104X	C CAPACITOR	0.1uF 16V Z	
D501	MA111-X	SI DIODE			C970	NDC31HJ-471X	C CAPACITOR	470pF 50V J	
D503	MA111-X	SI DIODE			C972	NCB31CK-105X	C CAPACITOR	1uF 16V K	
D505	RB521S-30-X	SB DIODE			C1502	NCF31CZ-104X	C CAPACITOR	0.1uF 16V Z	
D506	RB521S-30-X	SB DIODE			C1503	NCF31CZ-104X	C CAPACITOR	0.1uF 16V Z	
D507	RB521S-30-X	SB DIODE			C1504	NCB31HK-561X	C CAPACITOR	560pF 50V K	
D508	RB521S-30-X	SB DIODE			C1551	QEKC1CM-107Z	E CAPACITOR	100uF 16V M	
D509	MA111-X	SI DIODE			C1552	NCB31HK-102X	C CAPACITOR	1000pF 50V K	
D510	MA111-X	SI DIODE			C1581	QEKC1HM-475Z	E CAPACITOR	4.7uF 50V M	

△ Symbol No.	Part No.	Part Name	Description	Local	△ Symbol No.	Part No.	Part Name	Description	Local
C1582	QEK1HM-475Z	E CAPACITOR	4.7uF 50V M		C2401	NCB31HK-561X	C CAPACITOR	560pF 50V K	
C2001	QETN1EM-475Z	E CAPACITOR	4.7uF 25V M		C2409	QETN1EM-475Z	E CAPACITOR	4.7uF 25V M	
C2002	QETN1EM-475Z	E CAPACITOR	4.7uF 25V M		C2411	NCF31CZ-104X	C CAPACITOR	0.1uF 16V Z	
C2005	NDC31HJ-330X	C CAPACITOR	33pF 50V J		C2412	NCF31CZ-104X	C CAPACITOR	0.1uF 16V Z	
C2006	NDC31HJ-330X	C CAPACITOR	33pF 50V J		C2421	NCF31CZ-104X	C CAPACITOR	0.1uF 16V Z	
C2009	NCF31CZ-104X	C CAPACITOR	0.1uF 16V Z		C2422	NCF31CZ-104X	C CAPACITOR	0.1uF 16V Z	
C2010	NCF31CZ-104X	C CAPACITOR	0.1uF 16V Z		C2423	NCB31CK-823X	C CAPACITOR	0.082uF 16V K	
C2013	NDC31HJ-330X	C CAPACITOR	33pF 50V J		C2425	QFN31HJ-333Z	M CAPACITOR	0.033uF 50V J	
C2014	NDC31HJ-330X	C CAPACITOR	33pF 50V J		C2429	QETN1HM-475Z	E CAPACITOR	4.7uF 50V M	
C2018	QETN1AM-476Z	E CAPACITOR	47uF 10V M		C2433	NCB31CK-823X	C CAPACITOR	0.082uF 16V K	
C2019	NCF31CZ-104X	C CAPACITOR	0.1uF 16V Z		C2435	QFN31HJ-333Z	M CAPACITOR	0.033uF 50V J	
C2020	NCF31CZ-104X	C CAPACITOR	0.1uF 16V Z		C2449	QETN1EM-475Z	E CAPACITOR	4.7uF 25V M	
C2101	NCB31HK-102X	C CAPACITOR	1000pF 50V K		C2483	NCB31HK-471X	C CAPACITOR	470pF 50V K	
C2102	NCB31HK-102X	C CAPACITOR	1000pF 50V K		C2485	NCB31HK-471X	C CAPACITOR	470pF 50V K	
C2109	QETN1HM-475Z	E CAPACITOR	4.7uF 50V M		C2487	NCB31HK-332X	C CAPACITOR	3300pF 50V K	
C2110	QETN1HM-475Z	E CAPACITOR	4.7uF 50V M		C2501	NCB31HK-561X	C CAPACITOR	560pF 50V K	
C2111	NCF31CZ-104X	C CAPACITOR	0.1uF 16V Z		C2502	NCB31HK-561X	C CAPACITOR	560pF 50V K	
C2112	NCF31CZ-104X	C CAPACITOR	0.1uF 16V Z		C2509	QETN1HM-225Z	E CAPACITOR	2.2uF 50V M	
C2113	NCB31HK-331X	C CAPACITOR	330pF 50V K		C2510	QETN1HM-225Z	E CAPACITOR	2.2uF 50V M	
C2114	NCB31HK-331X	C CAPACITOR	330pF 50V K		C2541	NCF31CZ-104X	C CAPACITOR	0.1uF 16V Z	
C2115	NCB31HK-272X	C CAPACITOR	2700pF 50V K		C2542	NCF31CZ-104X	C CAPACITOR	0.1uF 16V Z	
C2116	NCB31HK-272X	C CAPACITOR	2700pF 50V K		C2543	NCB31HK-562X	C CAPACITOR	5600pF 50V K	
C2129	QETN1HM-475Z	E CAPACITOR	4.7uF 50V M		C2544	NCB31HK-562X	C CAPACITOR	5600pF 50V K	
C2131	NCF31CZ-104X	C CAPACITOR	0.1uF 16V Z		C2545	NCB31HK-182X	C CAPACITOR	1800pF 50V K	
C2132	NCF31CZ-104X	C CAPACITOR	0.1uF 16V Z		C2546	NCB31HK-182X	C CAPACITOR	1800pF 50V K	
C2133	NDC31HJ-330X	C CAPACITOR	33pF 50V J		C2547	NCF31CZ-104X	C CAPACITOR	0.1uF 16V Z	
C2134	NDC31HJ-330X	C CAPACITOR	33pF 50V J		C2548	NCF31CZ-104X	C CAPACITOR	0.1uF 16V Z	
C2139	QETN1EM-475Z	E CAPACITOR	4.7uF 25V M		C2549	QETN1HM-225Z	E CAPACITOR	2.2uF 50V M	
C2140	QETN1EM-475Z	E CAPACITOR	4.7uF 25V M		C2550	QETN1HM-225Z	E CAPACITOR	2.2uF 50V M	
C2141	NCF31CZ-104X	C CAPACITOR	0.1uF 16V Z		C2583	NCB31HK-331X	C CAPACITOR	330pF 50V K	
C2142	NCF31CZ-104X	C CAPACITOR	0.1uF 16V Z		C2584	NCB31HK-331X	C CAPACITOR	330pF 50V K	
C2143	NDC31HJ-330X	C CAPACITOR	33pF 50V J		C2585	NCB31HK-331X	C CAPACITOR	330pF 50V K	
C2144	NDC31HJ-330X	C CAPACITOR	33pF 50V J		C2586	NCB31HK-331X	C CAPACITOR	330pF 50V K	
C2149	QETN1EM-475Z	E CAPACITOR	4.7uF 25V M		C2587	NCB31HK-392X	C CAPACITOR	3900pF 50V K	
C2150	QETN1EM-475Z	E CAPACITOR	4.7uF 25V M		C2588	NCB31HK-392X	C CAPACITOR	3900pF 50V K	
C2161	NCF31CZ-104X	C CAPACITOR	0.1uF 16V Z		C2601	QETN0JM-107Z	E CAPACITOR	100uF 6.3V M	
C2162	NCF31CZ-104X	C CAPACITOR	0.1uF 16V Z		C2606	NCF31CZ-104X	C CAPACITOR	0.1uF 16V Z	
C2163	NDC31HJ-181X	C CAPACITOR	180pF 50V J		C2607	NCF31CZ-104X	C CAPACITOR	0.1uF 16V Z	
C2164	NDC31HJ-181X	C CAPACITOR	180pF 50V J		C2608	NCF31CZ-104X	C CAPACITOR	0.1uF 16V Z	
C2165	NCB31CK-683X	C CAPACITOR	0.068uF 16V K		C2611	NCF31CZ-104X	C CAPACITOR	0.1uF 16V Z	
C2166	NCB31CK-683X	C CAPACITOR	0.068uF 16V K		C2612	NCF31CZ-104X	C CAPACITOR	0.1uF 16V Z	
C2167	NCB31HK-182X	C CAPACITOR	1800pF 50V K		C2613	NCF31CZ-104X	C CAPACITOR	0.1uF 16V Z	
C2168	NCB31HK-182X	C CAPACITOR	1800pF 50V K		C2614	NCB31HK-102X	C CAPACITOR	1000pF 50V K	
C2201	NCB31HK-561X	C CAPACITOR	560pF 50V K		C2621	NCF31CZ-104X	C CAPACITOR	0.1uF 16V Z	
C2202	NCB31HK-561X	C CAPACITOR	560pF 50V K		C2622	NCF31CZ-104X	C CAPACITOR	0.1uF 16V Z	
C2209	QETN1HM-225Z	E CAPACITOR	2.2uF 50V M		C2623	NCF31CZ-104X	C CAPACITOR	0.1uF 16V Z	
C2210	QETN1HM-225Z	E CAPACITOR	2.2uF 50V M		C2631	NCF31CZ-104X	C CAPACITOR	0.1uF 16V Z	
C2229	QETN1HM-105Z	E CAPACITOR	1uF 50V M		C2632	NCF31CZ-104X	C CAPACITOR	0.1uF 16V Z	
C2230	QETN1HM-105Z	E CAPACITOR	1uF 50V M		C2633	NCF31CZ-104X	C CAPACITOR	0.1uF 16V Z	
C2241	NCF31CZ-104X	C CAPACITOR	0.1uF 16V Z		C2641	NDC31HJ-101X	C CAPACITOR	100pF 50V J	
C2242	NCF31CZ-104X	C CAPACITOR	0.1uF 16V Z		C2642	NDC31HJ-101X	C CAPACITOR	100pF 50V J	
C2243	NCB31HK-562X	C CAPACITOR	5600pF 50V K		C2643	NCF31CZ-104X	C CAPACITOR	0.1uF 16V Z	
C2244	NCB31HK-562X	C CAPACITOR	5600pF 50V K		C2671	QETN1CM-106Z	E CAPACITOR	10uF 16V M	
C2245	NCB31HK-182X	C CAPACITOR	1800pF 50V K		C2672	QETN1CM-106Z	E CAPACITOR	10uF 16V M	
C2246	NCB31HK-182X	C CAPACITOR	1800pF 50V K		C2673	QETN1CM-106Z	E CAPACITOR	10uF 16V M	
C2249	QETN1HM-225Z	E CAPACITOR	2.2uF 50V M		C2674	NCF31CZ-104X	C CAPACITOR	0.1uF 16V Z	
C2250	QETN1HM-225Z	E CAPACITOR	2.2uF 50V M		C2675	NCF31CZ-104X	C CAPACITOR	0.1uF 16V Z	
C2281	NCF31CZ-104X	C CAPACITOR	0.1uF 16V Z		C2676	NCB31HK-221X	C CAPACITOR	220pF 50V K	
C2282	NCF31CZ-104X	C CAPACITOR	0.1uF 16V Z		C2677	NCB31HK-221X	C CAPACITOR	220pF 50V K	
C2283	NCB31HK-331X	C CAPACITOR	330pF 50V K		C2678	QETN1EM-475Z	E CAPACITOR	4.7uF 25V M	
C2284	NCB31HK-331X	C CAPACITOR	330pF 50V K		C2679	NCF31CZ-104X	C CAPACITOR	0.1uF 16V Z	
C2285	NCB31HK-331X	C CAPACITOR	330pF 50V K		C2680	QETN0JM-107Z	E CAPACITOR	100uF 6.3V M	
C2286	NCB31HK-331X	C CAPACITOR	330pF 50V K		C2681	NCF31CZ-104X	C CAPACITOR	0.1uF 16V Z	
C2287	NCB31HK-392X	C CAPACITOR	3900pF 50V K		C2682	NCF31CZ-104X	C CAPACITOR	0.1uF 16V Z	
C2288	NCB31HK-392X	C CAPACITOR	3900pF 50V K		C2683	NCB31CK-223X	C CAPACITOR	0.022uF 16V K	
C2301	NCB31HK-561X	C CAPACITOR	560pF 50V K		C2684	NCB31HK-102X	C CAPACITOR	1000pF 50V K	
C2309	QETN1HM-225Z	E CAPACITOR	2.2uF 50V M		C2685	NCF31CZ-104X	C CAPACITOR	0.1uF 16V Z	
C2323	NCB31HK-562X	C CAPACITOR	5600pF 50V K		C2686	NCF31CZ-104X	C CAPACITOR	0.1uF 16V Z	
C2325	NCB31HK-182X	C CAPACITOR	1800pF 50V K		C2687	NCF31CZ-104X	C CAPACITOR	0.1uF 16V Z	
C2341	NCF31CZ-104X	C CAPACITOR	0.1uF 16V Z		C2688	NCB31HK-103X	C CAPACITOR	0.01uF 50V K	
C2342	NCF31CZ-104X	C CAPACITOR	0.1uF 16V Z		C2690	NCB31HK-103X	C CAPACITOR	0.01uF 50V K	
C2343	NDC31HJ-330X	C CAPACITOR	33pF 50V J		C2691	NCB31HK-103X	C CAPACITOR	0.01uF 50V K	
C2349	QETN1HM-225Z	E CAPACITOR	2.2uF 50V M		C2694	NDC31HJ-120X	C CAPACITOR	12pF 50V J	
C2381	NCF31CZ-104X	C CAPACITOR	0.1uF 16V Z		C2701	QETN0JM-107Z	E CAPACITOR	100uF 6.3V M	
C2382	NCF31CZ-104X	C CAPACITOR	0.1uF 16V Z		C2702	NCB31HK-103X	C CAPACITOR	0.01uF 50V K	
C2383	NCB31HK-471X	C CAPACITOR	470pF 50V K		C2703	NDC31HJ-101X	C CAPACITOR	100pF 50V J	
C2385	NCB31HK-471X	C CAPACITOR	470pF 50V K		C2731	NCF31CZ-104X	C CAPACITOR	0.1uF 16V Z	
C2387	NCB31HK-332X	C CAPACITOR	3300pF 50V K		C2751	NCF31CZ-104X	C CAPACITOR	0.1uF 16V Z	

△ Symbol No.	Part No.	Part Name	Description	Local	△ Symbol No.	Part No.	Part Name	Description	Local
C2771	QETN1AM-476Z	E CAPACITOR	47uF 10V M		C4583	QEKC1HM-475Z	E CAPACITOR	4.7uF 50V M	
C2801	QETN1CM-106Z	E CAPACITOR	10uF 16V M		C4584	QETN1HM-106Z	E CAPACITOR	10uF 50V M	
C2802	NCF31CZ-104X	C CAPACITOR	0.1uF 16V Z		C4585	QETN1HM-106Z	E CAPACITOR	10uF 50V M	
C2811	QETN1AM-107Z	E CAPACITOR	100uF 10V M		C4586	QETN0JM-477Z	E CAPACITOR	470uF 6.3V M	
C2812	QETN1AM-107Z	E CAPACITOR	100uF 10V M		C4587	QETN0JM-477Z	E CAPACITOR	470uF 6.3V M	
C2813	QETN1CM-106Z	E CAPACITOR	10uF 16V M		C4588	QETN0JM-477Z	E CAPACITOR	470uF 6.3V M	
C2814	NCF21CZ-155X	C CAPACITOR	1.5uF 16V Z		C4595	QEKC1HM-474Z	E CAPACITOR	0.47uF 50V M	
C2815	NCB30JK-105X	C CAPACITOR	1uF 6.3V K		C4596	QEKC1HM-475Z	E CAPACITOR	4.7uF 50V M	
C2816	NCF21CZ-155X	C CAPACITOR	1.5uF 16V Z		C4597	NCB31HK-103X	C CAPACITOR	0.01uF 50V K	
C2817	NCF21CZ-155X	C CAPACITOR	1.5uF 16V Z		C4598	NCB31HK-103X	C CAPACITOR	0.01uF 50V K	
C2818	NCB31HK-103X	C CAPACITOR	0.01uF 50V K		C5538	NCB31HK-103X	C CAPACITOR	0.01uF 50V K	
C2819	NCB31AK-224X	C CAPACITOR	0.22uF 10V K		C5539	NDC31HJ-561X	C CAPACITOR	560pF 50V J	
C2820	NCF21CZ-155X	C CAPACITOR	1.5uF 16V Z		C5540	NDC31HJ-120X	C CAPACITOR	12pF 50V J	
C2831	NCF31CZ-104X	C CAPACITOR	0.1uF 16V Z		C5541	NCB31HK-103X	C CAPACITOR	0.01uF 50V K	
C2832	NCF31CZ-104X	C CAPACITOR	0.1uF 16V Z		C5542	NDC31HJ-6R0X	C CAPACITOR	6pF 50V J	
C2861	NDC31HJ-101X	C CAPACITOR	100pF 50V J		C5543	NCB31HK-103X	C CAPACITOR	0.01uF 50V K	
C2862	NCF31CZ-104X	C CAPACITOR	0.1uF 16V Z		C5545	NDC31HJ-391X	C CAPACITOR	390pF 50V J	
C2863	NCF31CZ-104X	C CAPACITOR	0.1uF 16V Z		C5560	QETN1HM-106Z	E CAPACITOR	10uF 50V M	
C2866	NCF31CZ-104X	C CAPACITOR	0.1uF 16V Z		C5561	QEKC1HM-475Z	E CAPACITOR	4.7uF 50V M	
C2867	NCB31AK-105X	C CAPACITOR	1uF 10V K		C5562	QEKC1HM-225Z	E CAPACITOR	2.2uF 50V M	
C2868	NCB31AK-105X	C CAPACITOR	1uF 10V K		C5563	QEKC1HM-475Z	E CAPACITOR	4.7uF 50V M	
C2869	NCB31AK-105X	C CAPACITOR	1uF 10V K		C5576	NCF31CZ-104X	C CAPACITOR	0.1uF 16V Z	
C2881	NCB31HK-103X	C CAPACITOR	0.01uF 50V K		C5577	NCF31CZ-104X	C CAPACITOR	0.1uF 16V Z	
C2882	NCB31HK-103X	C CAPACITOR	0.01uF 50V K		C6505	NDC31HJ-681X	C CAPACITOR	680pF 50V J	
C2883	NCB31HK-103X	C CAPACITOR	0.01uF 50V K		C6506	NDC31HJ-681X	C CAPACITOR	680pF 50V J	
C2884	NCB31HK-103X	C CAPACITOR	0.01uF 50V K		C6515	NDC31HJ-681X	C CAPACITOR	680pF 50V J	
C2885	NCB31HK-103X	C CAPACITOR	0.01uF 50V K		C6516	NDC31HJ-681X	C CAPACITOR	680pF 50V J	
C2901	QETN1CM-106Z	E CAPACITOR	10uF 16V M		C6517	NDC31HJ-681X	C CAPACITOR	680pF 50V J	
C2902	QETN1CM-106Z	E CAPACITOR	10uF 16V M		C6518	NDC31HJ-331X	C CAPACITOR	330pF 50V J	
C2903	QETN1EM-476Z	E CAPACITOR	47uF 25V M		C6519	NDC31HJ-681X	C CAPACITOR	680pF 50V J	
C2911	QETN0JM-227Z	E CAPACITOR	220uF 6.3V M		C6520	NDC31HJ-681X	C CAPACITOR	680pF 50V J	
C2921	QETN0JM-107Z	E CAPACITOR	100uF 6.3V M		C6589	NDC31HJ-331X	C CAPACITOR	330pF 50V J	
C2922	NCF31CZ-104X	C CAPACITOR	0.1uF 16V Z		C6590	NDC31HJ-331X	C CAPACITOR	330pF 50V J	
C2923	QETN0JM-107Z	E CAPACITOR	100uF 6.3V M		C6591	NDC31HJ-331X	C CAPACITOR	330pF 50V J	
C2924	NCF31CZ-104X	C CAPACITOR	0.1uF 16V Z		C6592	NDC31HJ-331X	C CAPACITOR	330pF 50V J	
C2925	NCF31CZ-104X	C CAPACITOR	0.1uF 16V Z		C6593	NDC31HJ-331X	C CAPACITOR	330pF 50V J	
C2926	NCB31HK-471X	C CAPACITOR	470pF 50V K		C6595	NDC31HJ-331X	C CAPACITOR	330pF 50V J	
C2951	NCF31AZ-105X	C CAPACITOR	1uF 10V Z		C6596	NDC31HJ-331X	C CAPACITOR	330pF 50V J	
C2952	NCF31AZ-105X	C CAPACITOR	1uF 10V Z		C8503	NDC31HJ-331X	C CAPACITOR	330pF 50V J	
C2953	NCF31AZ-105X	C CAPACITOR	1uF 10V Z		C8504	NDC31HJ-331X	C CAPACITOR	330pF 50V J	
C2954	NCF31AZ-105X	C CAPACITOR	1uF 10V Z		C8507	NDC31HJ-331X	C CAPACITOR	330pF 50V J	
C2955	NCF31AZ-105X	C CAPACITOR	1uF 10V Z		C8508	NDC31HJ-331X	C CAPACITOR	330pF 50V J	
C4501	NCF31CZ-104X	C CAPACITOR	0.1uF 16V Z		C8509	NDC31HJ-331X	C CAPACITOR	330pF 50V J	
C4502	NCF31CZ-104X	C CAPACITOR	0.1uF 16V Z		C8510	NDC31HJ-331X	C CAPACITOR	330pF 50V J	
C4503	NCF31CZ-104X	C CAPACITOR	0.1uF 16V Z		C8511	NDC31HJ-681X	C CAPACITOR	680pF 50V J	
C4507	NDC31HJ-390X	C CAPACITOR	39pF 50V J		C8512	NDC31HJ-681X	C CAPACITOR	680pF 50V J	
C4508	NDC31HJ-390X	C CAPACITOR	39pF 50V J		C8513	NDC31HJ-331X	C CAPACITOR	330pF 50V J	
C4543	NDC31HJ-100X	C CAPACITOR	10pF 50V J		C8514	NDC31HJ-331X	C CAPACITOR	330pF 50V J	
C4544	NDC31HJ-470X	C CAPACITOR	47pF 50V J		C8515	NDC31HJ-681X	C CAPACITOR	680pF 50V J	
C4545	NDC31HJ-120X	C CAPACITOR	12pF 50V J		C8516	NDC31HJ-681X	C CAPACITOR	680pF 50V J	
C4546	QETN1AM-107Z	E CAPACITOR	100uF 10V M		C8517	QEKC1HM-475Z	E CAPACITOR	4.7uF 50V M	
C4547	NCB31HK-103X	C CAPACITOR	0.01uF 50V K		C8518	QEKC1HM-475Z	E CAPACITOR	4.7uF 50V M	
C4548	NCB31HK-103X	C CAPACITOR	0.01uF 50V K		C8519	QEKC1HM-475Z	E CAPACITOR	4.7uF 50V M	
C4549	NCB31HK-103X	C CAPACITOR	0.01uF 50V K		C8520	QETN1AM-477Z	E CAPACITOR	470uF 10V M	
C4550	QETN1AM-107Z	E CAPACITOR	100uF 10V M		C8522	QEKC1HM-475Z	E CAPACITOR	4.7uF 50V M	
C4551	NCF31CZ-474X	C CAPACITOR	0.47uF 16V Z		C8523	QEKC1HM-475Z	E CAPACITOR	4.7uF 50V M	
C4552	NCB31HK-103X	C CAPACITOR	0.01uF 50V K		C8524	QEKC1HM-475Z	E CAPACITOR	4.7uF 50V M	
C4553	NCB31HK-103X	C CAPACITOR	0.01uF 50V K		C8525	QEKC1HM-475Z	E CAPACITOR	4.7uF 50V M	
C4554	QETN1AM-107Z	E CAPACITOR	100uF 10V M		C8526	QETN1AM-477Z	E CAPACITOR	470uF 10V M	
C4555	NCB31HK-103X	C CAPACITOR	0.01uF 50V K		C8528	QEKC1HM-475Z	E CAPACITOR	4.7uF 50V M	
C4556	NDC31HJ-100X	C CAPACITOR	10pF 50V J		C8529	NCF31CZ-104X	C CAPACITOR	0.1uF 16V Z	
C4557	NCB31HK-122X	C CAPACITOR	1200pF 50V K		C8530	NCF31CZ-104X	C CAPACITOR	0.1uF 16V Z	
C4558	NDC31HJ-181X	C CAPACITOR	180pF 50V J		C8531	NCF31CZ-104X	C CAPACITOR	0.1uF 16V Z	
C4559	NCB31HK-103X	C CAPACITOR	0.01uF 50V K		C8532	NCF31CZ-104X	C CAPACITOR	0.1uF 16V Z	
C4560	NCB31HK-103X	C CAPACITOR	0.01uF 50V K		C8533	NCF31CZ-104X	C CAPACITOR	0.1uF 16V Z	
C4561	NCB31HK-103X	C CAPACITOR	0.01uF 50V K		C8534	QEKC1HM-475Z	E CAPACITOR	4.7uF 50V M	
C4562	NCB31HK-103X	C CAPACITOR	0.01uF 50V K		C8535	QEKC1HM-475Z	E CAPACITOR	4.7uF 50V M	
C4563	QETN1AM-107Z	E CAPACITOR	100uF 10V M		C8536	NCF31CZ-104X	C CAPACITOR	0.1uF 16V Z	
C4565	NDC31HJ-820X	C CAPACITOR	82pF 50V J		C8537	QEKC1HM-475Z	E CAPACITOR	4.7uF 50V M	
C4568	NDC31HJ-820X	C CAPACITOR	82pF 50V J		C8538	NCF31CZ-104X	C CAPACITOR	0.1uF 16V Z	
C4570	NCF31CZ-104X	C CAPACITOR	0.1uF 16V Z		C8540	QEKC1HM-475Z	E CAPACITOR	4.7uF 50V M	
C4571	NCF31CZ-104X	C CAPACITOR	0.1uF 16V Z		C8541	NCB31EK-473X	C CAPACITOR	0.047uF 25V K	
C4572	NDC31HJ-390X	C CAPACITOR	39pF 50V J		C8542	QEKC1HM-475Z	E CAPACITOR	4.7uF 50V M	
C4573	NDC31HJ-390X	C CAPACITOR	39pF 50V J		C8543	QEKC1HM-475Z	E CAPACITOR	4.7uF 50V M	
C4574	NCB31HK-103X	C CAPACITOR	0.01uF 50V K		C8553	NCB31HK-102X	C CAPACITOR	1000pF 50V K	
C4580	QEKC1HM-475Z	E CAPACITOR	4.7uF 50V M		C8554	NCB31HK-102X	C CAPACITOR	1000pF 50V K	
C4581	QETN1HM-106Z	E CAPACITOR	10uF 50V M		C8556	QETN1AM-477Z	E CAPACITOR	470uF 10V M	
C4582	QETN1HM-106Z	E CAPACITOR	10uF 50V M		C8558	QETN1AM-477Z	E CAPACITOR	470uF 10V M	

△ Symbol No.	Part No.	Part Name	Description	Local	△ Symbol No.	Part No.	Part Name	Description	Local
C8564	NCF31CZ-104X	C CAPACITOR	0.1uF 16V Z		△ R1502	QRZ9015-2R2X	FUSI RESISTOR	2.2Ω	
C8565	NCF31CZ-104X	C CAPACITOR	0.1uF 16V Z		R1503	NRSA63J-102X	MG RESISTOR	1kΩ 1/16W J	
C8566	QETN1EM-476Z	E CAPACITOR	47uF 25V M		R1504	NRSA63J-102X	MG RESISTOR	1kΩ 1/16W J	
C8568	NDC31HJ-390X	C CAPACITOR	39pF 50V J		R1505	NRSA63J-103X	MG RESISTOR	10kΩ 1/16W J	
C8569	NDC31HJ-390X	C CAPACITOR	39pF 50V J		R1506	NRSA63J-103X	MG RESISTOR	10kΩ 1/16W J	
C8570	NDC31HJ-390X	C CAPACITOR	39pF 50V J		R1507	NRSA63J-104X	MG RESISTOR	100kΩ 1/16W J	
C8571	NDC31HJ-390X	C CAPACITOR	39pF 50V J		R1508	NRSA63J-104X	MG RESISTOR	100kΩ 1/16W J	
C8572	NCB31CK-105X	C CAPACITOR	1uF 16V K		R1509	NRSA63J-102X	MG RESISTOR	1kΩ 1/16W J	
C8573	NCB31CK-105X	C CAPACITOR	1uF 16V K		R1510	NRSA63J-102X	MG RESISTOR	1kΩ 1/16W J	
C8574	QETN1CM-476Z	E CAPACITOR	47uF 16V M		R1511	NRSA63J-103X	MG RESISTOR	10kΩ 1/16W J	
C8575	QETN1CM-477Z	E CAPACITOR	470uF 16V M		R1512	NRSA63J-103X	MG RESISTOR	10kΩ 1/16W J	
C8576	NCB31HK-221X	C CAPACITOR	220pF 50V K		R1513	NRSA63J-104X	MG RESISTOR	100kΩ 1/16W J	
C8582	NDC31HJ-390X	C CAPACITOR	39pF 50V J		R1514	NRSA63J-104X	MG RESISTOR	100kΩ 1/16W J	
C8583	NDC31HJ-390X	C CAPACITOR	39pF 50V J		R1515	NRSA63J-102X	MG RESISTOR	1kΩ 1/16W J	
C8584	NDC31HJ-390X	C CAPACITOR	39pF 50V J		R1517	NRSA63J-103X	MG RESISTOR	10kΩ 1/16W J	
C8585	NDC31HJ-331X	C CAPACITOR	330pF 50V J		R1519	NRSA63J-104X	MG RESISTOR	100kΩ 1/16W J	
C8586	NDC31HJ-331X	C CAPACITOR	330pF 50V J		R1520	NRSA63J-102X	MG RESISTOR	1kΩ 1/16W J	
C8587	NDC31HJ-331X	C CAPACITOR	330pF 50V J		R1521	NRSA63J-133X	MG RESISTOR	13kΩ 1/16W J	
C8588	NDC31HJ-331X	C CAPACITOR	330pF 50V J		R1522	NRSA63J-102X	MG RESISTOR	1kΩ 1/16W J	
C9001	NCF31CZ-104X	C CAPACITOR	0.1uF 16V Z		R1523	NRSA63J-102X	MG RESISTOR	1kΩ 1/16W J	
C9002	NCF31CZ-104X	C CAPACITOR	0.1uF 16V Z		R1524	NRSA63J-103X	MG RESISTOR	10kΩ 1/16W J	
C9501	NDC31HJ-681X	C CAPACITOR	680pF 50V J		R1525	NRSA63J-103X	MG RESISTOR	10kΩ 1/16W J	
C9502	NDC31HJ-681X	C CAPACITOR	680pF 50V J		R1526	NRSA63J-472X	MG RESISTOR	4.7kΩ 1/16W J	
C9506	QETN1AM-477Z	E CAPACITOR	470uF 10V M		R1527	NRSA63J-102X	MG RESISTOR	1kΩ 1/16W J	
C9509	QETN1AM-477Z	E CAPACITOR	470uF 10V M		R1529	NRSA63J-104X	MG RESISTOR	100kΩ 1/16W J	
C9510	QEKC1HM-475Z	E CAPACITOR	4.7uF 50V M		R1530	NRSA63J-104X	MG RESISTOR	100kΩ 1/16W J	
C9511	NCF31CZ-104X	C CAPACITOR	0.1uF 16V Z		R1543	NRSA63J-103X	MG RESISTOR	10kΩ 1/16W J	
C9512	QEKC1HM-475Z	E CAPACITOR	4.7uF 50V M		R1544	NRSA63J-103X	MG RESISTOR	10kΩ 1/16W J	
C9513	NCB31HK-103X	C CAPACITOR	0.01uF 50V K		R1545	NRSA63J-102X	MG RESISTOR	1kΩ 1/16W J	
C9515	NDC31HJ-331X	C CAPACITOR	330pF 50V J		R1551	NRSA63J-203X	MG RESISTOR	20kΩ 1/16W J	
C9516	NDC31HJ-331X	C CAPACITOR	330pF 50V J		R1552	NRSA63J-512X	MG RESISTOR	5.1kΩ 1/16W J	
R501	NRSA63J-113X	MG RESISTOR	11kΩ 1/16W J		R1553	NRSA63J-103X	MG RESISTOR	10kΩ 1/16W J	
R502	NRSA63J-562X	MG RESISTOR	5.6kΩ 1/16W J		R1556	NRSA63J-102X	MG RESISTOR	1kΩ 1/16W J	
R505	NRSA63J-562X	MG RESISTOR	5.6kΩ 1/16W J		R1557	NRSA63J-273X	MG RESISTOR	27kΩ 1/16W J	
R506	NRSA63J-562X	MG RESISTOR	5.6kΩ 1/16W J		R1558	NRSA63J-103X	MG RESISTOR	10kΩ 1/16W J	
R561	NRSA63J-102X	MG RESISTOR	1kΩ 1/16W J		R1565	NRSA63J-0R0X	MG RESISTOR	0Ω 1/16W J	
R562	NRSA63J-102X	MG RESISTOR	1kΩ 1/16W J		R1567	NRSA63J-103X	MG RESISTOR	10kΩ 1/16W J	
R563	NRSA63J-511X	MG RESISTOR	510Ω 1/16W J		R1571	NRSA63J-203X	MG RESISTOR	20kΩ 1/16W J	
R564	NRSA63J-511X	MG RESISTOR	510Ω 1/16W J		R1572	NRSA63J-752X	MG RESISTOR	7.5kΩ 1/16W J	
R565	NRSA63J-102X	MG RESISTOR	1kΩ 1/16W J		R1573	NRSA63J-103X	MG RESISTOR	10kΩ 1/16W J	
R566	NRSA63J-102X	MG RESISTOR	1kΩ 1/16W J		R1579	NRSA63J-153X	MG RESISTOR	15kΩ 1/16W J	
R567	NRSA63J-511X	MG RESISTOR	510Ω 1/16W J		R1580	NRSA63J-153X	MG RESISTOR	15kΩ 1/16W J	
R568	NRSA63J-511X	MG RESISTOR	510Ω 1/16W J		R1581	NRSA63J-104X	MG RESISTOR	100kΩ 1/16W J	
R569	NRSA63J-241X	MG RESISTOR	240Ω 1/16W J		R1582	NRSA63J-104X	MG RESISTOR	100kΩ 1/16W J	
R570	NRSA63J-241X	MG RESISTOR	240Ω 1/16W J		R1583	NRSA63J-102X	MG RESISTOR	1kΩ 1/16W J	
R571	NRSA63J-103X	MG RESISTOR	10kΩ 1/16W J		R1584	NRSA63J-102X	MG RESISTOR	1kΩ 1/16W J	
R572	NRSA63J-103X	MG RESISTOR	10kΩ 1/16W J		R1585	NRSA63J-103X	MG RESISTOR	10kΩ 1/16W J	
R573	NRSA63J-102X	MG RESISTOR	1kΩ 1/16W J		R1586	NRSA63J-103X	MG RESISTOR	10kΩ 1/16W J	
R574	NRSA63J-473X	MG RESISTOR	47kΩ 1/16W J		R1589	NRSA63J-102X	MG RESISTOR	1kΩ 1/16W J	
R575	NRSA63J-473X	MG RESISTOR	47kΩ 1/16W J		R1590	NRSA63J-102X	MG RESISTOR	1kΩ 1/16W J	
R576	NRSA63J-102X	MG RESISTOR	1kΩ 1/16W J		R1592	NRSA63J-153X	MG RESISTOR	15kΩ 1/16W J	
R577	NRSA63J-102X	MG RESISTOR	1kΩ 1/16W J		R1593	NRSA63J-153X	MG RESISTOR	15kΩ 1/16W J	
R579	NRSA63J-472X	MG RESISTOR	4.7kΩ 1/16W J		R1594	NRSA63J-153X	MG RESISTOR	15kΩ 1/16W J	
R580	NRSA63J-472X	MG RESISTOR	4.7kΩ 1/16W J		R1595	NRSA63J-153X	MG RESISTOR	15kΩ 1/16W J	
R585	NRSA63J-331X	MG RESISTOR	330Ω 1/16W J		R1596	NRSA63J-153X	MG RESISTOR	15kΩ 1/16W J	
R586	NRSA63J-472X	MG RESISTOR	4.7kΩ 1/16W J		R1599	NRSA63J-223X	MG RESISTOR	22kΩ 1/16W J	
R587	NRSA63J-223X	MG RESISTOR	22kΩ 1/16W J		R2001	NRSA63J-104X	MG RESISTOR	100kΩ 1/16W J	
R588	NRSA63J-102X	MG RESISTOR	1kΩ 1/16W J		R2002	NRSA63J-104X	MG RESISTOR	100kΩ 1/16W J	
R589	NRSA63J-102X	MG RESISTOR	1kΩ 1/16W J		R2003	NRSA63J-223X	MG RESISTOR	22kΩ 1/16W J	
R593	NRSA63J-102X	MG RESISTOR	1kΩ 1/16W J		R2004	NRSA63J-223X	MG RESISTOR	22kΩ 1/16W J	
R594	NRSA63J-102X	MG RESISTOR	1kΩ 1/16W J		R2007	NRSA63J-223X	MG RESISTOR	22kΩ 1/16W J	
R595	NRSA63J-682X	MG RESISTOR	6.8kΩ 1/16W J		R2008	NRSA63J-223X	MG RESISTOR	22kΩ 1/16W J	
R596	NRSA63J-682X	MG RESISTOR	6.8kΩ 1/16W J		R2011	NRSA63J-223X	MG RESISTOR	22kΩ 1/16W J	
R598	NRSA63J-103X	MG RESISTOR	10kΩ 1/16W J		R2012	NRSA63J-223X	MG RESISTOR	22kΩ 1/16W J	
R961	NRSA63J-105X	MG RESISTOR	1MΩ 1/16W J		R2013	NRSA63J-223X	MG RESISTOR	22kΩ 1/16W J	
R962	NRSA63J-152X	MG RESISTOR	1.5kΩ 1/16W J		R2014	NRSA63J-223X	MG RESISTOR	22kΩ 1/16W J	
R963	NRSA63J-152X	MG RESISTOR	1.5kΩ 1/16W J		R2017	NRSA63J-472X	MG RESISTOR	4.7kΩ 1/16W J	
R964	NRSA63J-152X	MG RESISTOR	1.5kΩ 1/16W J		R2018	NRSA63J-472X	MG RESISTOR	4.7kΩ 1/16W J	
R965	NRSA63J-270X	MG RESISTOR	27Ω 1/16W J		R2021	NRSA63J-331X	MG RESISTOR	330Ω 1/16W J	
R966	NRSA63J-270X	MG RESISTOR	27Ω 1/16W J		R2022	NRSA63J-331X	MG RESISTOR	330Ω 1/16W J	
R968	NRSA63J-152X	MG RESISTOR	1.5kΩ 1/16W J		R2023	NRSA63J-331X	MG RESISTOR	330Ω 1/16W J	
R969	NRSA63J-152X	MG RESISTOR	1.5kΩ 1/16W J		R2024	NRSA63J-331X	MG RESISTOR	330Ω 1/16W J	
R970	NRSA63J-152X	MG RESISTOR	1.5kΩ 1/16W J		R2101	NRSA63J-103X	MG RESISTOR	10kΩ 1/16W J	
R972	NRSA63J-152X	MG RESISTOR	1.5kΩ 1/16W J		R2102	NRSA63J-103X	MG RESISTOR	10kΩ 1/16W J	
R973	NRSA63J-101X	MG RESISTOR	100Ω 1/16W J		R2103	NRSA63J-102X	MG RESISTOR	1kΩ 1/16W J	
R974	NRSA63J-106X	MG RESISTOR	10MΩ 1/16W J		R2104	NRSA63J-102X	MG RESISTOR	1kΩ 1/16W J	
△ R1501	QRZ9015-2R2X	FUSI RESISTOR	2.2Ω		R2109	NRSA63J-104X	MG RESISTOR	100kΩ 1/16W J	
					R2110	NRSA63J-104X	MG RESISTOR	100kΩ 1/16W J	

△ Symbol No.	Part No.	Part Name	Description	Local	△ Symbol No.	Part No.	Part Name	Description	Local
R5584	NRSA63J-222X	MG RESISTOR	2.2kΩ 1/16W J		R8570	NRSA63J-103X	MG RESISTOR	10kΩ 1/16W J	
R5585	NRSA63J-222X	MG RESISTOR	2.2kΩ 1/16W J		R8572	QRZ9015-2R2X	FUSI RESISTOR	2.2Ω	
R5586	NRSA63J-561X	MG RESISTOR	560Ω 1/16W J		R8573	QRJ146J-1R0X	UNF C RESISTOR	1Ω 1/4W J	
R6503	NRSA63J-473X	MG RESISTOR	47kΩ 1/16W J		R8574	NRSA63J-103X	MG RESISTOR	10kΩ 1/16W J	
R6504	NRSA63J-473X	MG RESISTOR	47kΩ 1/16W J		R8575	NRSA63J-102X	MG RESISTOR	1kΩ 1/16W J	
R6505	NRSA63J-681X	MG RESISTOR	680Ω 1/16W J		R8576	NRSA63J-301X	MG RESISTOR	300Ω 1/16W J	
R6506	NRSA63J-681X	MG RESISTOR	680Ω 1/16W J		R8577	NRSA63J-391X	MG RESISTOR	390Ω 1/16W J	
R6517	NRSA63J-104X	MG RESISTOR	100kΩ 1/16W J		R8578	NRSA63J-0R0X	MG RESISTOR	0Ω 1/16W J	
R6518	NRSA63J-104X	MG RESISTOR	100kΩ 1/16W J		R8579	NRS144J-271X	MG RESISTOR	270Ω 1/4W J	
R6519	NRSA63J-681X	MG RESISTOR	680Ω 1/16W J		R8580	NRSA63J-470X	MG RESISTOR	47Ω 1/16W J	
R6520	NRSA63J-681X	MG RESISTOR	680Ω 1/16W J		R8581	NRS144J-271X	MG RESISTOR	270Ω 1/4W J	
R6521	NRSA63J-472X	MG RESISTOR	4.7kΩ 1/16W J		R8582	NRSA63J-470X	MG RESISTOR	47Ω 1/16W J	
R6522	NRSA63J-472X	MG RESISTOR	4.7kΩ 1/16W J		R8583	QRZ9015-100X	FUSI RESISTOR	10Ω	
△ R6576	NRSA63J-103X	MG RESISTOR	10kΩ 1/16W J		R8584	QRJ146J-102X	UNF C RESISTOR	1kΩ 1/4W J	
R6581	NRSA63J-133X	MG RESISTOR	13kΩ 1/16W J		R8585	NRSA63J-102X	MG RESISTOR	1kΩ 1/16W J	
R6582	NRSA63J-332X	MG RESISTOR	3.3kΩ 1/16W J		R8586	NRSA63J-102X	MG RESISTOR	1kΩ 1/16W J	
R6583	NRSA63J-473X	MG RESISTOR	47kΩ 1/16W J		R8587	NRSA63J-104X	MG RESISTOR	100kΩ 1/16W J	
R6584	NRSA63J-473X	MG RESISTOR	47kΩ 1/16W J		R8588	NRSA63J-102X	MG RESISTOR	1kΩ 1/16W J	
R6585	NRSA63J-681X	MG RESISTOR	680Ω 1/16W J		R8589	NRSA63J-102X	MG RESISTOR	1kΩ 1/16W J	
R6586	NRSA63J-681X	MG RESISTOR	680Ω 1/16W J		R8590	NRSA63J-0R0X	MG RESISTOR	0Ω 1/16W J	
R6594	NRSA63J-103X	MG RESISTOR	10kΩ 1/16W J		R9002	NRSA63J-153X	MG RESISTOR	15kΩ 1/16W J	
R8507	NRSA63J-101X	MG RESISTOR	100Ω 1/16W J		R9003	NRSA63J-153X	MG RESISTOR	15kΩ 1/16W J	
R8508	NRSA63J-101X	MG RESISTOR	100Ω 1/16W J		R9004	NRSA63J-153X	MG RESISTOR	15kΩ 1/16W J	
R8509	NRSA63J-473X	MG RESISTOR	47kΩ 1/16W J		R9005	NRSA63J-105X	MG RESISTOR	1MΩ 1/16W J	
R8510	NRSA63J-473X	MG RESISTOR	47kΩ 1/16W J		R9006	NRSA63J-153X	MG RESISTOR	15kΩ 1/16W J	
R8511	NRSA63J-681X	MG RESISTOR	680Ω 1/16W J		R9007	NRSA63J-153X	MG RESISTOR	15kΩ 1/16W J	
R8512	NRSA63J-681X	MG RESISTOR	680Ω 1/16W J		R9008	NRSA63J-153X	MG RESISTOR	15kΩ 1/16W J	
R8515	NRSA63J-101X	MG RESISTOR	100Ω 1/16W J		R9009	NRSA63J-153X	MG RESISTOR	15kΩ 1/16W J	
R8516	NRSA63J-101X	MG RESISTOR	100Ω 1/16W J		R9010	NRSA63J-153X	MG RESISTOR	15kΩ 1/16W J	
R8517	NRSA63J-104X	MG RESISTOR	100kΩ 1/16W J		R9011	NRSA63J-153X	MG RESISTOR	15kΩ 1/16W J	
R8518	NRSA63J-104X	MG RESISTOR	100kΩ 1/16W J		R9012	NRSA63J-153X	MG RESISTOR	15kΩ 1/16W J	
R8519	NRSA63J-681X	MG RESISTOR	680Ω 1/16W J		R9013	NRSA63J-153X	MG RESISTOR	15kΩ 1/16W J	
R8520	NRSA63J-681X	MG RESISTOR	680Ω 1/16W J		R9014	NRSA63J-221X	MG RESISTOR	220Ω 1/16W J	
R8521	NRSA63J-750X	MG RESISTOR	75Ω 1/16W J		R9015	NRSA63J-153X	MG RESISTOR	15kΩ 1/16W J	
R8522	NRSA63J-750X	MG RESISTOR	75Ω 1/16W J		R9016	NRSA63J-153X	MG RESISTOR	15kΩ 1/16W J	
R8523	NRSA63J-750X	MG RESISTOR	75Ω 1/16W J		R9021	NRSA63J-101X	MG RESISTOR	100Ω 1/16W J	
R8524	NRSA63J-750X	MG RESISTOR	75Ω 1/16W J		R9022	NRSA63J-221X	MG RESISTOR	220Ω 1/16W J	
R8525	NRSA63J-680X	MG RESISTOR	68Ω 1/16W J		R9023	NRSA63J-221X	MG RESISTOR	220Ω 1/16W J	
R8526	NRSA63J-750X	MG RESISTOR	75Ω 1/16W J		R9024	NRSA63J-221X	MG RESISTOR	220Ω 1/16W J	
R8527	NRSA63J-750X	MG RESISTOR	75Ω 1/16W J		R9025	NRSA63J-221X	MG RESISTOR	220Ω 1/16W J	
R8528	NRSA63J-750X	MG RESISTOR	75Ω 1/16W J		R9026	NRSA63J-153X	MG RESISTOR	15kΩ 1/16W J	
R8529	NRSA63J-750X	MG RESISTOR	75Ω 1/16W J		R9501	NRSA63J-681X	MG RESISTOR	680Ω 1/16W J	
R8530	NRSA63J-750X	MG RESISTOR	75Ω 1/16W J		R9502	NRSA63J-681X	MG RESISTOR	680Ω 1/16W J	
R8531	NRSA63J-680X	MG RESISTOR	68Ω 1/16W J		R9503	NRSA63J-473X	MG RESISTOR	47kΩ 1/16W J	
R8532	NRSA63J-750X	MG RESISTOR	75Ω 1/16W J		R9504	NRSA63J-473X	MG RESISTOR	47kΩ 1/16W J	
R8533	NRSA63J-103X	MG RESISTOR	10kΩ 1/16W J		R9505	NRSA63J-680X	MG RESISTOR	68Ω 1/16W J	
R8534	NRSA63J-103X	MG RESISTOR	10kΩ 1/16W J		R9506	NRSA63J-680X	MG RESISTOR	68Ω 1/16W J	
R8535	NRSA63J-103X	MG RESISTOR	10kΩ 1/16W J		R9507	NRSA63J-680X	MG RESISTOR	68Ω 1/16W J	
R8536	NRSA63J-223X	MG RESISTOR	22kΩ 1/16W J		R9508	NRSA63J-750X	MG RESISTOR	75Ω 1/16W J	
R8537	NRSA63J-473X	MG RESISTOR	47kΩ 1/16W J		R9509	NRSA63J-680X	MG RESISTOR	68Ω 1/16W J	
R8538	NRSA63J-683X	MG RESISTOR	68kΩ 1/16W J		R9510	NRSA63J-750X	MG RESISTOR	75Ω 1/16W J	
R8539	NRSA63J-473X	MG RESISTOR	47kΩ 1/16W J		R9511	NRS144J-271X	MG RESISTOR	270Ω 1/4W J	
R8540	NRSA63J-153X	MG RESISTOR	15kΩ 1/16W J		R9512	NRS144J-301X	MG RESISTOR	300Ω 1/4W J	
R8541	NRSA63J-273X	MG RESISTOR	27kΩ 1/16W J		L901	NQL085J-100X	COIL	10uH J	
R8542	NRSA63J-103X	MG RESISTOR	10kΩ 1/16W J		L4501	NQL085J-220X	COIL	22uH J	
R8543	NRSA63J-103X	MG RESISTOR	10kΩ 1/16W J		L4502	NQL085J-100X	COIL	10uH J	
R8544	NRSA63J-750X	MG RESISTOR	75Ω 1/16W J		L4503	NQL085J-100X	COIL	10uH J	
R8545	NRSA63J-750X	MG RESISTOR	75Ω 1/16W J		L4504	NQL085J-100X	COIL	10uH J	
R8548	NRSA63J-750X	MG RESISTOR	75Ω 1/16W J		L4505	NQL085J-100X	COIL	10uH J	
R8549	NRSA63J-223X	MG RESISTOR	22kΩ 1/16W J		L4506	NQL085J-6R8X	COIL	6.8uH J	
R8550	NRSA63J-473X	MG RESISTOR	47kΩ 1/16W J		L4507	NQL085J-6R8X	COIL	6.8uH J	
R8551	NRSA63J-683X	MG RESISTOR	68kΩ 1/16W J		CN11	WJP0072-001A-E	E-SH C WIRE C-B		
R8552	NRSA63J-473X	MG RESISTOR	47kΩ 1/16W J		CN12	QGG1201M1-24X	CONNECTOR	(1-24)	
R8553	NRSA63J-153X	MG RESISTOR	15kΩ 1/16W J		CN13	QGG1201M1-24X	CONNECTOR	(1-24)	
R8554	NRSA63J-273X	MG RESISTOR	27kΩ 1/16W J		CN502	QGB2510J1-07	CONNECTOR	B-B (1-7)	
R8555	NRSA63J-103X	MG RESISTOR	10kΩ 1/16W J		CN503	QJK002-141804-E	SIN CR C-B WIRE		
R8556	NRSA63J-103X	MG RESISTOR	10kΩ 1/16W J		CN505	QGF1205C1-11	CONNECTOR	FFC/FPC (1-11)	
R8559	NRS144J-301X	MG RESISTOR	300Ω 1/4W J		CN509	QJK002-061401-E	SIN CR C-B WIRE		
R8560	NRSA63J-102X	MG RESISTOR	1kΩ 1/16W J		CN513	QGA2501F1-14	CONNECTOR	W-B (1-14)	
R8561	NRSA63J-103X	MG RESISTOR	10kΩ 1/16W J		CN521	QJK002-092804-E	SIN CR C-B WIRE		
R8562	NRSA63J-221X	MG RESISTOR	220Ω 1/16W J		CN522	QGB2510K1-14	CONNECTOR	B-B (1-14)	
R8563	NRSA63J-221X	MG RESISTOR	220Ω 1/16W J		CN523	QJK002-021002-E	SIN CR C-B WIRE		
R8564	NRSA63J-221X	MG RESISTOR	220Ω 1/16W J		CN527	QGF1205C1-20	CONNECTOR	FFC/FPC (1-20)	
R8565	NRSA63J-103X	MG RESISTOR	10kΩ 1/16W J		CN530	QGA2001C1-11	CONNECTOR	W-B (1-11)	
R8566	NRSA63J-473X	MG RESISTOR	47kΩ 1/16W J		CN531	QGA2001C1-09	CONNECTOR	W-B (1-9)	
R8567	NRSA63J-103X	MG RESISTOR	10kΩ 1/16W J		CN537	QGF1205F1-20	CONNECTOR	FFC/FPC (1-20)	
R8568	NRS144J-301X	MG RESISTOR	300Ω 1/4W J						
R8569	NRSA63J-102X	MG RESISTOR	1kΩ 1/16W J						

△ Symbol No.	Part No.	Part Name	Description	Local	△ Symbol No.	Part No.	Part Name	Description	Local
CN540	QGA2001C1-06	CONNECTOR	W-B (1-6)		IC613	NJM4565M-WE	IC		
CN552	QGA2001C1-12	CONNECTOR	W-B (1-12)		IC614	NJM4565M-WE	IC		
CN555	QGA2501C1-02	CONNECTOR	W-B (1-2)		IC621	NJM4565M-WE	IC		
CN661	QGA2501F1-03	CONNECTOR	W-B (1-3)		IC622	NJM4565M-WE	IC		
CN662	QGA2501F1-05	CONNECTOR	W-B (1-5)		IC631	NJM2120M-X	IC		
CN681	QGB2510J1-07	CONNECTOR	B-B (1-7)		IC632	NJM4565M-WE	IC		
CN682	QGA2001F1-06	CONNECTOR	W-B (1-6)		IC633	NJM4565M-WE	IC		
CN683	QGA2501F1-09	CONNECTOR	W-B (1-9)		IC634	NJM4565M-WE	IC		
CN904	QJK021-031203-E	WIRE			IC651	NJM4565M-WE	IC		
CN905	QJP001-032603-E	WIRE			IC652	NJM4565M-WE	IC		
CN961	QJP001-034203-E	WIRE			IC661	DSPC56371AF180	IC		
EP11	E409182-001SM	GRAND TERMINAL			IC662	SN74AHC2GU04T-X	IC		
EP12	E409182-001SM	GRAND TERMINAL			IC667	CS42518-CQZ-C-W	IC		
EP681	E409182-001SM	GRAND TERMINAL			IC671	UPD784215AGC284	IC		
EP682	QNZ0136-001Z	EARTH PLATE			IC672	SN74AHC1G32K-X	IC		
EP901	QNZ0136-001Z	EARTH PLATE			IC673	SN74LVC1G04K-X	IC		
FL501	QQR1372-001	LPF			IC681	JCV8009-W	IC		
FL502	QQR1372-001	LPF			IC682	MN35505-X	IC		
FW501	WJS0048-003A-E	E-FL/RB WIRE			IC683	SN74AHC2G74T-X	IC		
J681	QNN0481-001	SURROUND JACK			IC684	SN74LVC2G241T-X	IC		
J901	QNS0247-001	JACK			IC691	BD7800FP-X	IC		
J903	QNZ0783-002	USB CONNECTOR			IC692	MM1563DF-X	IC		
J4503	QNN0681-001	PIN JACK			IC903	PCM2704DB-X	IC		
J6503	QNN0476-001	PIN JACK			IC904	SN74AHC1G08V-X	IC		
J6504	QNN0690-001	PIN JACK							
J8511	QNZ0625-001	RGB CONNECTOR			Q501	2SC3576-JVC-T	TRANSISTOR		
J8512	QNZ0625-001	RGB CONNECTOR			Q502	2SC3576-JVC-T	TRANSISTOR		
J8513	QNN0557-002	PIN JACK			Q503	KRA104S-X	DIGI TRANSISTOR		
J9511	QNZ0625-001	RGB CONNECTOR			Q510	KRC102S-X	DIGI TRANSISTOR		
K2801	NQR0007-003X	FERRITE BEADS			Q511	KRA104S-X	DIGI TRANSISTOR		
K2802	NQR0007-003X	FERRITE BEADS			Q512	KRA104S-X	DIGI TRANSISTOR		
K2803	NQR0007-003X	FERRITE BEADS			Q513	2SC3576-JVC-T	TRANSISTOR		
K2804	NQR0007-003X	FERRITE BEADS			Q514	2SC3576-JVC-T	TRANSISTOR		
K2861	NQR0269-004X	FERRITE BEADS			Q515	2SC3576-JVC-T	TRANSISTOR		
K4501	NRSA63J-0R0X	MG RESISTOR	0Ω 1/16W J		Q516	2SC3576-JVC-T	TRANSISTOR		
SW11	QSW0454-001	SW			Q517	2SC3576-JVC-T	TRANSISTOR		
UN682	TORX177	OPT RECEIVER			Q518	2SC3576-JVC-T	TRANSISTOR		
UN683	TORX177	OPT RECEIVER			Q519	2SC3576-JVC-T	TRANSISTOR		
UN686	TOTX177	OPT RECEIVER			Q521	2SC3576-JVC-T	TRANSISTOR		
X501	QAX0246-001Z	C RESONATOR	8.00MHz		Q522	2SC3576-JVC-T	TRANSISTOR		
X502	QAX0263-001Z	CRYSTAL	4.332MHz		Q523	KRA104S-X	DIGI TRANSISTOR		
X661	QAX0722-001Z	CRYSTAL	24.576MHz		Q524	KTC3875/YG/-X	SI TRANSISTOR		
X671	QAX0719-001Z	C RESONATOR	6.144MHz		Q525	2SC3576-JVC-T	TRANSISTOR		
X905	QAX0320-001Z	CRYSTAL	12.000MHz		Q526	2SC3576-JVC-T	TRANSISTOR		
X5505	QAX0879-001Z	CRYSTAL			Q541	KTC3199/GL/-T	TRANSISTOR		
					Q542	KTC3199/GL/-T	TRANSISTOR		
					Q1501	2SC2412K/RS/-X	TRANSISTOR		
					Q2101	2SD2114K/VW/-X	TRANSISTOR		
					Q2102	2SD2114K/VW/-X	TRANSISTOR		
					Q2141	2SC3928A/RS/-X	TRANSISTOR		
					Q2142	2SC3928A/RS/-X	TRANSISTOR		
					Q2201	2SD2114K/VW/-X	TRANSISTOR		
					Q2202	2SD2114K/VW/-X	TRANSISTOR		
					Q2221	2SD2114K/VW/-X	TRANSISTOR		
					Q2222	2SD2114K/VW/-X	TRANSISTOR		
					Q2223	2SD2114K/VW/-X	TRANSISTOR		
					Q2224	2SD2114K/VW/-X	TRANSISTOR		
					Q2301	2SD2114K/VW/-X	TRANSISTOR		
					Q2341	2SC3928A/RS/-X	TRANSISTOR		
					Q2401	2SD2114K/VW/-X	TRANSISTOR		
					Q2421	2SD2114K/VW/-X	TRANSISTOR		
					Q2422	2SD2114K/VW/-X	TRANSISTOR		
					Q2501	2SD2114K/VW/-X	TRANSISTOR		
					Q2502	2SD2114K/VW/-X	TRANSISTOR		
					Q2701	KRC107S-X	DIGI TRANSISTOR		
					Q2702	KRC107S-X	DIGI TRANSISTOR		
					Q2703	KRC107S-X	DIGI TRANSISTOR		
					Q2704	KRA107S-X	DIGI TRANSISTOR		
					Q2705	KRA107S-X	DIGI TRANSISTOR		
					Q2706	KRA107S-X	DIGI TRANSISTOR		
					Q2708	KRA107S-X	DIGI TRANSISTOR		
					Q2709	KRA107S-X	DIGI TRANSISTOR		
					Q2710	KRC107S-X	DIGI TRANSISTOR		
					Q4501	KTA1267/YG/-T	TRANSISTOR		
					Q4502	KTA1267/YG/-T	TRANSISTOR		
					Q4503	KRA120S-X	TRANSISTOR		
					Q4521	2SA1037AK/RS/-X	TRANSISTOR		
					Q4522	2SC2412K/RS/-X	TRANSISTOR		

Input board (A ver.)

Block No. [0][4]

△ Symbol No.	Part No.	Part Name	Description	Local
IC11	DIT4096IPW-X	IC(DIGITAL)		
IC501	MN101C49GNP	IC(MCU)α ₂ δ—106		
IC502	BD3843FS-X	IC		
IC503	BD3813KS	IC		
IC504	NJM4565M-WE	IC		
IC506	IC-PST9139-T	IC		
IC507	BR24L01AF-W-X	IC		
IC508	BD3812F-X	IC		
IC522	MM1117XF-XE	IC		
IC524	MM1501XN-X	IC		
IC525	MM1501XN-X	IC		
IC527	MM1118XF-X	IC		
IC530	MM1504XN-X	IC		
IC531	MM1506XN-X	IC		
IC532	MM1506XN-X	IC		
IC536	MM1502XN-X	IC		
IC537	MM1504XN-X	IC		
IC551	TC90A49AP	IC		
IC559	MM1093NF-X	IC		
IC601	NJM4565M-WE	IC		
IC602	NJM4565M-WE	IC		
IC611	NJM4565M-WE	IC		
IC612	NJM4565M-WE	IC		

△ Symbol No.	Part No.	Part Name	Description	Local	△ Symbol No.	Part No.	Part Name	Description	Local
Q4523	2SA1037AK/RS/-X	TRANSISTOR			C554	QEK1HM-475Z	E CAPACITOR	4.7uF 50V M	
Q4524	2SC2412K/RS/-X	TRANSISTOR			C555	QEK1HM-475Z	E CAPACITOR	4.7uF 50V M	
Q4525	2SA1037AK/RS/-X	TRANSISTOR			C556	QEK1HM-475Z	E CAPACITOR	4.7uF 50V M	
Q4526	2SC2412K/RS/-X	TRANSISTOR			C557	QEK1HM-475Z	E CAPACITOR	4.7uF 50V M	
Q4528	2SA1037AK/RS/-X	TRANSISTOR			C558	QEK1CM-106Z	E CAPACITOR	10uF 16V M	
Q4529	2SA1037AK/RS/-X	TRANSISTOR			C559	QEK1CM-476Z	E CAPACITOR	47uF 16V M	
Q4530	2SC2412K/RS/-X	TRANSISTOR			C561	NCB31HK-681X	C CAPACITOR	680pF 50V K	
Q5531	2SC2412K/RS/-X	TRANSISTOR			C562	NCB31HK-681X	C CAPACITOR	680pF 50V K	
Q5532	2SC2412K/RS/-X	TRANSISTOR			C563	NCB31HK-562X	C CAPACITOR	5600pF 50V K	
Q6511	KRA121S-X	DIGI TRANSISTOR			C564	NCB31HK-562X	C CAPACITOR	5600pF 50V K	
Q6512	KTA1267/YG/-T	TRANSISTOR			C577	NCF31CZ-104X	C CAPACITOR	0.1uF 16V Z	
Q6513	KRA121S-X	DIGI TRANSISTOR			C578	NCF31CZ-104X	C CAPACITOR	0.1uF 16V Z	
Q6514	KTA1267/YG/-T	TRANSISTOR			C581	QEK1CM-106Z	E CAPACITOR	10uF 16V M	
Q6515	KRA121S-X	DIGI TRANSISTOR			C597	NCB31EK-104X	C CAPACITOR	0.1uF 25V K	
Q6516	KTA1267/YG/-T	TRANSISTOR			C941	NDC31HJ-220X	C CAPACITOR	22pF 50V J	
Q6517	KRA121S-X	DIGI TRANSISTOR			C942	NDC31HJ-220X	C CAPACITOR	22pF 50V J	
Q6518	KTA1267/YG/-T	TRANSISTOR			C943	NCF31AZ-105X	C CAPACITOR	1uF 10V Z	
Q6519	KRA121S-X	DIGI TRANSISTOR			C944	NCB31HK-103X	C CAPACITOR	0.01uF 50V K	
Q6520	KTA1267/YG/-T	TRANSISTOR			C945	NCF31AZ-105X	C CAPACITOR	1uF 10V Z	
Q6521	KRA121S-X	DIGI TRANSISTOR			C946	NCF31AZ-105X	C CAPACITOR	1uF 10V Z	
Q6522	KTA1267/YG/-T	TRANSISTOR			C947	QETN1HM-106Z	E CAPACITOR	10uF 50V M	
Q6523	KRA121S-X	DIGI TRANSISTOR			C948	NCF31AZ-105X	C CAPACITOR	1uF 10V Z	
Q6524	KTA1267/YG/-T	TRANSISTOR			C949	NCF31AZ-105X	C CAPACITOR	1uF 10V Z	
Q6525	KRA121S-X	DIGI TRANSISTOR			C959	NCB31HK-103X	C CAPACITOR	0.01uF 50V K	
Q6526	KTA1267/YG/-T	TRANSISTOR			C960	NDC31HJ-331X	C CAPACITOR	330pF 50V J	
Q6527	KRA121S-X	DIGI TRANSISTOR			C961	NDC31HJ-331X	C CAPACITOR	330pF 50V J	
Q6528	KTA1267/YG/-T	TRANSISTOR			C962	NCF31CZ-104X	C CAPACITOR	0.1uF 16V Z	
Q6529	KRA121S-X	DIGI TRANSISTOR			C1502	NCF31CZ-104X	C CAPACITOR	0.1uF 16V Z	
Q6530	KRA121S-X	DIGI TRANSISTOR			C1503	NCF31CZ-104X	C CAPACITOR	0.1uF 16V Z	
Q6531	KRA121S-X	DIGI TRANSISTOR			C1504	NCB31HK-561X	C CAPACITOR	560pF 50V K	
Q6535	KRC102S-X	DIGI TRANSISTOR			C1551	QEK1CM-107Z	E CAPACITOR	100uF 16V M	
Q6536	KRC102S-X	DIGI TRANSISTOR			C1552	NCB31HK-102X	C CAPACITOR	1000pF 50V K	
Q6537	KRC102S-X	DIGI TRANSISTOR			C1581	QEK1HM-475Z	E CAPACITOR	4.7uF 50V M	
Q6538	KRC102S-X	DIGI TRANSISTOR			C1582	QEK1HM-475Z	E CAPACITOR	4.7uF 50V M	
Q6541	2SA1037AK/RS/-X	TRANSISTOR			C2001	QETN1EM-475Z	E CAPACITOR	4.7uF 25V M	
Q6542	2SA1037AK/RS/-X	TRANSISTOR			C2002	QETN1EM-475Z	E CAPACITOR	4.7uF 25V M	
Q6543	2SA1037AK/RS/-X	TRANSISTOR			C2005	NDC31HJ-330X	C CAPACITOR	33pF 50V J	
D501	MA111-X	SI DIODE			C2006	NDC31HJ-330X	C CAPACITOR	33pF 50V J	
D503	MA111-X	SI DIODE			C2009	NCF31CZ-104X	C CAPACITOR	0.1uF 16V Z	
D505	RB751V-40-X	DIODE C.M			C2010	NCF31CZ-104X	C CAPACITOR	0.1uF 16V Z	
D506	RB751V-40-X	DIODE C.M			C2013	NDC31HJ-330X	C CAPACITOR	33pF 50V J	
D507	RB751V-40-X	DIODE C.M			C2014	NDC31HJ-330X	C CAPACITOR	33pF 50V J	
D508	RB751V-40-X	DIODE C.M			C2018	QETN1AM-476Z	E CAPACITOR	47uF 10V M	
D509	MA111-X	SI DIODE			C2019	NCF31CZ-104X	C CAPACITOR	0.1uF 16V Z	
D510	MA111-X	SI DIODE			C2020	NCF31CZ-104X	C CAPACITOR	0.1uF 16V Z	
D9001	SML-310PT/KL/-X	LED			C2101	NCB31HK-102X	C CAPACITOR	1000pF 50V K	
C522	NCB31HK-561X	C CAPACITOR	560pF 50V K		C2102	NCB31HK-102X	C CAPACITOR	1000pF 50V K	
C523	QEK1CM-476Z	E CAPACITOR	47uF 16V M		C2109	QETN1HM-475Z	E CAPACITOR	4.7uF 50V M	
C524	QEK1CM-476Z	E CAPACITOR	47uF 16V M		C2110	QETN1HM-475Z	E CAPACITOR	4.7uF 50V M	
C525	QETN1HM-475Z	E CAPACITOR	4.7uF 50V M		C2111	NCF31CZ-104X	C CAPACITOR	0.1uF 16V Z	
C526	QETN0JM-228Z	E CAPACITOR	2200uF 6.3V M		C2112	NCF31CZ-104X	C CAPACITOR	0.1uF 16V Z	
C527	QEK1CM-107Z	E CAPACITOR	100uF 6.3V M		C2113	NCB31HK-331X	C CAPACITOR	330pF 50V K	
C528	QCZ0202-155Z	C CAPACITOR	1.5uF 25V Z		C2114	NCB31HK-331X	C CAPACITOR	330pF 50V K	
C529	NCB31CK-223X	C CAPACITOR	0.022uF 16V K		C2115	NCB31HK-272X	C CAPACITOR	2700pF 50V K	
C530	QEK1HM-225Z	E CAPACITOR	2.2uF 50V M		C2116	NCB31HK-272X	C CAPACITOR	2700pF 50V K	
C531	NCB31CK-223X	C CAPACITOR	0.022uF 16V K		C2129	QETN1HM-475Z	E CAPACITOR	4.7uF 50V M	
C532	NCB31HK-561X	C CAPACITOR	560pF 50V K		C2131	NCF31CZ-104X	C CAPACITOR	0.1uF 16V Z	
C533	NCF31CZ-104X	C CAPACITOR	0.1uF 16V Z		C2132	NCF31CZ-104X	C CAPACITOR	0.1uF 16V Z	
C534	QEK1CM-476Z	E CAPACITOR	47uF 16V M		C2133	NDC31HJ-330X	C CAPACITOR	33pF 50V J	
C535	NCF31CZ-104X	C CAPACITOR	0.1uF 16V Z		C2134	NDC31HJ-330X	C CAPACITOR	33pF 50V J	
C536	QEK1CM-476Z	E CAPACITOR	47uF 16V M		C2139	QETN1EM-475Z	E CAPACITOR	4.7uF 25V M	
C537	QEK1HM-106Z	E CAPACITOR	10uF 50V M		C2140	QETN1EM-475Z	E CAPACITOR	4.7uF 25V M	
C538	QEK1HM-106Z	E CAPACITOR	10uF 50V M		C2141	NCF31CZ-104X	C CAPACITOR	0.1uF 16V Z	
C539	QEK1HM-106Z	E CAPACITOR	10uF 50V M		C2142	NCF31CZ-104X	C CAPACITOR	0.1uF 16V Z	
C540	QEK1HM-106Z	E CAPACITOR	10uF 50V M		C2143	NDC31HJ-330X	C CAPACITOR	33pF 50V J	
C541	QEK1HM-106Z	E CAPACITOR	10uF 50V M		C2144	NDC31HJ-330X	C CAPACITOR	33pF 50V J	
C542	QEK1HM-106Z	E CAPACITOR	10uF 50V M		C2149	QETN1EM-475Z	E CAPACITOR	4.7uF 25V M	
C543	QEK1HM-106Z	E CAPACITOR	10uF 50V M		C2150	QETN1EM-475Z	E CAPACITOR	4.7uF 25V M	
C544	QEK1HM-106Z	E CAPACITOR	10uF 50V M		C2161	NCF31CZ-104X	C CAPACITOR	0.1uF 16V Z	
C545	NCB31CK-104X	C CAPACITOR	0.1uF 16V K		C2162	NCF31CZ-104X	C CAPACITOR	0.1uF 16V Z	
C546	NCB31CK-104X	C CAPACITOR	0.1uF 16V K		C2163	NDC31HJ-181X	C CAPACITOR	180pF 50V J	
C547	NCB31CK-104X	C CAPACITOR	0.1uF 16V K		C2164	NDC31HJ-181X	C CAPACITOR	180pF 50V J	
C548	NCB31CK-104X	C CAPACITOR	0.1uF 16V K		C2165	NCB31CK-683X	C CAPACITOR	0.068uF 16V K	
C549	QEK1CM-476Z	E CAPACITOR	47uF 16V M		C2166	NCB31CK-683X	C CAPACITOR	0.068uF 16V K	
C550	QEK1CM-476Z	E CAPACITOR	47uF 16V M		C2167	NCB31HK-182X	C CAPACITOR	1800pF 50V K	
C551	QEK1HM-106Z	E CAPACITOR	10uF 50V M		C2168	NCB31HK-182X	C CAPACITOR	1800pF 50V K	
C552	QEK1HM-106Z	E CAPACITOR	10uF 50V M		C2201	NCB31HK-561X	C CAPACITOR	560pF 50V K	
C553	QEK1HM-475Z	E CAPACITOR	4.7uF 50V M		C2202	NCB31HK-561X	C CAPACITOR	560pF 50V K	

△ Symbol No.	Part No.	Part Name	Description	Local	△ Symbol No.	Part No.	Part Name	Description	Local
C2209	QETN1HM-225Z	E CAPACITOR	2.2uF 50V M		C2623	NCF31CZ-104X	C CAPACITOR	0.1uF 16V Z	
C2210	QETN1HM-225Z	E CAPACITOR	2.2uF 50V M		C2631	NCF31CZ-104X	C CAPACITOR	0.1uF 16V Z	
C2229	QETN1HM-105Z	E CAPACITOR	1uF 50V M		C2632	NCF31CZ-104X	C CAPACITOR	0.1uF 16V Z	
C2230	QETN1HM-105Z	E CAPACITOR	1uF 50V M		C2633	NCF31CZ-104X	C CAPACITOR	0.1uF 16V Z	
C2241	NCF31CZ-104X	C CAPACITOR	0.1uF 16V Z		C2641	NDC31HJ-101X	C CAPACITOR	100pF 50V J	
C2242	NCF31CZ-104X	C CAPACITOR	0.1uF 16V Z		C2642	NDC31HJ-101X	C CAPACITOR	100pF 50V J	
C2243	NCB31HK-562X	C CAPACITOR	5600pF 50V K		C2643	NCF31CZ-104X	C CAPACITOR	0.1uF 16V Z	
C2244	NCB31HK-562X	C CAPACITOR	5600pF 50V K		C2671	QETN1CM-106Z	E CAPACITOR	10uF 16V M	
C2245	NCB31HK-182X	C CAPACITOR	1800pF 50V K		C2672	QETN1CM-106Z	E CAPACITOR	10uF 16V M	
C2246	NCB31HK-182X	C CAPACITOR	1800pF 50V K		C2673	QETN1CM-106Z	E CAPACITOR	10uF 16V M	
C2249	QETN1HM-225Z	E CAPACITOR	2.2uF 50V M		C2674	NCF31CZ-104X	C CAPACITOR	0.1uF 16V Z	
C2250	QETN1HM-225Z	E CAPACITOR	2.2uF 50V M		C2675	NCF31CZ-104X	C CAPACITOR	0.1uF 16V Z	
C2281	NCF31CZ-104X	C CAPACITOR	0.1uF 16V Z		C2676	NCB31HK-221X	C CAPACITOR	220pF 50V K	
C2282	NCF31CZ-104X	C CAPACITOR	0.1uF 16V Z		C2677	NCB31HK-221X	C CAPACITOR	220pF 50V K	
C2283	NCB31HK-331X	C CAPACITOR	330pF 50V K		C2678	QETN1EM-475Z	E CAPACITOR	4.7uF 25V M	
C2284	NCB31HK-331X	C CAPACITOR	330pF 50V K		C2679	NCF31CZ-104X	C CAPACITOR	0.1uF 16V Z	
C2285	NCB31HK-331X	C CAPACITOR	330pF 50V K		C2680	QETN0JM-107Z	E CAPACITOR	100uF 6.3V M	
C2286	NCB31HK-331X	C CAPACITOR	330pF 50V K		C2681	NCF31CZ-104X	C CAPACITOR	0.1uF 16V Z	
C2287	NCB31HK-392X	C CAPACITOR	3900pF 50V K		C2682	NCF31CZ-104X	C CAPACITOR	0.1uF 16V Z	
C2288	NCB31HK-392X	C CAPACITOR	3900pF 50V K		C2683	NCB31CK-223X	C CAPACITOR	0.022uF 16V K	
C2301	NCB31HK-561X	C CAPACITOR	560pF 50V K		C2684	NCB31HK-102X	C CAPACITOR	1000pF 50V K	
C2309	QETN1HM-225Z	E CAPACITOR	2.2uF 50V M		C2685	NCF31CZ-104X	C CAPACITOR	0.1uF 16V Z	
C2323	NCB31HK-562X	C CAPACITOR	5600pF 50V K		C2686	NCF31CZ-104X	C CAPACITOR	0.1uF 16V Z	
C2325	NCB31HK-182X	C CAPACITOR	1800pF 50V K		C2687	NCF31CZ-104X	C CAPACITOR	0.1uF 16V Z	
C2341	NCF31CZ-104X	C CAPACITOR	0.1uF 16V Z		C2688	NCB31HK-103X	C CAPACITOR	0.01uF 50V K	
C2342	NCF31CZ-104X	C CAPACITOR	0.1uF 16V Z		C2690	NCB31HK-103X	C CAPACITOR	0.01uF 50V K	
C2343	NDC31HJ-330X	C CAPACITOR	33pF 50V J		C2691	NCB31HK-103X	C CAPACITOR	0.01uF 50V K	
C2349	QETN1HM-225Z	E CAPACITOR	2.2uF 50V M		C2694	NDC31HJ-120X	C CAPACITOR	12pF 50V J	
C2381	NCF31CZ-104X	C CAPACITOR	0.1uF 16V Z		C2701	QETN0JM-107Z	E CAPACITOR	100uF 6.3V M	
C2382	NCF31CZ-104X	C CAPACITOR	0.1uF 16V Z		C2702	NCB31HK-103X	C CAPACITOR	0.01uF 50V K	
C2383	NCB31HK-471X	C CAPACITOR	470pF 50V K		C2703	NDC31HJ-101X	C CAPACITOR	100pF 50V J	
C2385	NCB31HK-471X	C CAPACITOR	470pF 50V K		C2731	NCF31CZ-104X	C CAPACITOR	0.1uF 16V Z	
C2387	NCB31HK-332X	C CAPACITOR	3300pF 50V K		C2751	NCF31CZ-104X	C CAPACITOR	0.1uF 16V Z	
C2401	NCB31HK-561X	C CAPACITOR	560pF 50V K		C2771	QETN1AM-476Z	E CAPACITOR	47uF 10V M	
C2409	QETN1EM-475Z	E CAPACITOR	4.7uF 25V M		C2801	QETN1CM-106Z	E CAPACITOR	10uF 16V M	
C2411	NCF31CZ-104X	C CAPACITOR	0.1uF 16V Z		C2802	NCF31CZ-104X	C CAPACITOR	0.1uF 16V Z	
C2412	NCF31CZ-104X	C CAPACITOR	0.1uF 16V Z		C2811	QETN1AM-107Z	E CAPACITOR	100uF 10V M	
C2421	NCF31CZ-104X	C CAPACITOR	0.1uF 16V Z		C2812	QETN1AM-107Z	E CAPACITOR	100uF 10V M	
C2422	NCF31CZ-104X	C CAPACITOR	0.1uF 16V Z		C2813	QETN1CM-106Z	E CAPACITOR	10uF 16V M	
C2423	NCB31CK-823X	C CAPACITOR	0.082uF 16V K		C2814	NCF21CZ-155X	C CAPACITOR	1.5uF 16V Z	
C2425	QFN31HJ-333Z	M CAPACITOR	0.033uF 50V J		C2815	NCB30JK-105X	C CAPACITOR	1uF 6.3V K	
C2429	QETN1HM-475Z	E CAPACITOR	4.7uF 50V M		C2816	NCF21CZ-155X	C CAPACITOR	1.5uF 16V Z	
C2433	NCB31CK-823X	C CAPACITOR	0.082uF 16V K		C2817	NCF21CZ-155X	C CAPACITOR	1.5uF 16V Z	
C2435	QFN31HJ-333Z	M CAPACITOR	0.033uF 50V J		C2818	NCB31HK-103X	C CAPACITOR	0.01uF 50V K	
C2449	QETN1EM-475Z	E CAPACITOR	4.7uF 25V M		C2819	NCB31AK-224X	C CAPACITOR	0.22uF 10V K	
C2483	NCB31HK-471X	C CAPACITOR	470pF 50V K		C2820	NCF21CZ-155X	C CAPACITOR	1.5uF 16V Z	
C2485	NCB31HK-471X	C CAPACITOR	470pF 50V K		C2831	NCF31CZ-104X	C CAPACITOR	0.1uF 16V Z	
C2487	NCB31HK-332X	C CAPACITOR	3300pF 50V K		C2832	NCF31CZ-104X	C CAPACITOR	0.1uF 16V Z	
C2501	NCB31HK-561X	C CAPACITOR	560pF 50V K		C2861	NDC31HJ-101X	C CAPACITOR	100pF 50V J	
C2502	NCB31HK-561X	C CAPACITOR	560pF 50V K		C2862	NCF31CZ-104X	C CAPACITOR	0.1uF 16V Z	
C2509	QETN1HM-225Z	E CAPACITOR	2.2uF 50V M		C2863	NCF31CZ-104X	C CAPACITOR	0.1uF 16V Z	
C2510	QETN1HM-225Z	E CAPACITOR	2.2uF 50V M		C2866	NCF31CZ-104X	C CAPACITOR	0.1uF 16V Z	
C2541	NCF31CZ-104X	C CAPACITOR	0.1uF 16V Z		C2867	NCB31AK-105X	C CAPACITOR	1uF 10V K	
C2542	NCF31CZ-104X	C CAPACITOR	0.1uF 16V Z		C2868	NCB31AK-105X	C CAPACITOR	1uF 10V K	
C2543	NCB31HK-562X	C CAPACITOR	5600pF 50V K		C2869	NCB31AK-105X	C CAPACITOR	1uF 10V K	
C2544	NCB31HK-562X	C CAPACITOR	5600pF 50V K		C2881	NCB31HK-103X	C CAPACITOR	0.01uF 50V K	
C2545	NCB31HK-182X	C CAPACITOR	1800pF 50V K		C2882	NCB31HK-103X	C CAPACITOR	0.01uF 50V K	
C2546	NCB31HK-182X	C CAPACITOR	1800pF 50V K		C2883	NCB31HK-103X	C CAPACITOR	0.01uF 50V K	
C2547	NCF31CZ-104X	C CAPACITOR	0.1uF 16V Z		C2884	NCB31HK-103X	C CAPACITOR	0.01uF 50V K	
C2548	NCF31CZ-104X	C CAPACITOR	0.1uF 16V Z		C2885	NCB31HK-103X	C CAPACITOR	0.01uF 50V K	
C2549	QETN1HM-225Z	E CAPACITOR	2.2uF 50V M		C2901	QETN1CM-106Z	E CAPACITOR	10uF 16V M	
C2550	QETN1HM-225Z	E CAPACITOR	2.2uF 50V M		C2902	QETN1CM-106Z	E CAPACITOR	10uF 16V M	
C2583	NCB31HK-331X	C CAPACITOR	330pF 50V K		C2903	QETN1EM-476Z	E CAPACITOR	47uF 25V M	
C2584	NCB31HK-331X	C CAPACITOR	330pF 50V K		C2911	QETN0JM-227Z	E CAPACITOR	220uF 6.3V M	
C2585	NCB31HK-331X	C CAPACITOR	330pF 50V K		C2921	QETN0JM-107Z	E CAPACITOR	100uF 6.3V M	
C2586	NCB31HK-331X	C CAPACITOR	330pF 50V K		C2922	NCF31CZ-104X	C CAPACITOR	0.1uF 16V Z	
C2587	NCB31HK-392X	C CAPACITOR	3900pF 50V K		C2923	QETN0JM-107Z	E CAPACITOR	100uF 6.3V M	
C2588	NCB31HK-392X	C CAPACITOR	3900pF 50V K		C2924	NCF31CZ-104X	C CAPACITOR	0.1uF 16V Z	
C2601	QETN0JM-107Z	E CAPACITOR	100uF 6.3V M		C2925	NCF31CZ-104X	C CAPACITOR	0.1uF 16V Z	
C2606	NCF31CZ-104X	C CAPACITOR	0.1uF 16V Z		C2926	NCB31HK-471X	C CAPACITOR	470pF 50V K	
C2607	NCF31CZ-104X	C CAPACITOR	0.1uF 16V Z		C2951	NCF31AZ-105X	C CAPACITOR	1uF 10V Z	
C2608	NCF31CZ-104X	C CAPACITOR	0.1uF 16V Z		C2952	NCF31AZ-105X	C CAPACITOR	1uF 10V Z	
C2611	NCF31CZ-104X	C CAPACITOR	0.1uF 16V Z		C2953	NCF31AZ-105X	C CAPACITOR	1uF 10V Z	
C2612	NCF31CZ-104X	C CAPACITOR	0.1uF 16V Z		C2954	NCF31AZ-105X	C CAPACITOR	1uF 10V Z	
C2613	NCF31CZ-104X	C CAPACITOR	0.1uF 16V Z		C2955	NCF31AZ-105X	C CAPACITOR	1uF 10V Z	
C2614	NCB31HK-102X	C CAPACITOR	1000pF 50V K		C4501	NCF31CZ-104X	C CAPACITOR	0.1uF 16V Z	
C2621	NCF31CZ-104X	C CAPACITOR	0.1uF 16V Z		C4502	NCF31CZ-104X	C CAPACITOR	0.1uF 16V Z	
C2622	NCF31CZ-104X	C CAPACITOR	0.1uF 16V Z		C4503	NCF31CZ-104X	C CAPACITOR	0.1uF 16V Z	

△ Symbol No.	Part No.	Part Name	Description	Local	△ Symbol No.	Part No.	Part Name	Description	Local
C4543	NDC31HJ-100X	C CAPACITOR	10pF 50V J		C6533	NCB31EK-473X	C CAPACITOR	0.047uF 25V K	
C4544	NDC31HJ-470X	C CAPACITOR	47pF 50V J		C6535	QETN0JM-477Z	E CAPACITOR	470uF 6.3V M	
C4545	NDC31HJ-120X	C CAPACITOR	12pF 50V J		C6537	QETN0JM-477Z	E CAPACITOR	470uF 6.3V M	
C4546	QETN1AM-107Z	E CAPACITOR	100uF 10V M		C6538	NCB31EK-473X	C CAPACITOR	0.047uF 25V K	
C4547	NCB31HK-103X	C CAPACITOR	0.01uF 50V K		C6539	QEKC1HM-475Z	E CAPACITOR	4.7uF 50V M	
C4548	NCB31HK-103X	C CAPACITOR	0.01uF 50V K		C6540	QEKC1HM-475Z	E CAPACITOR	4.7uF 50V M	
C4549	NCB31HK-103X	C CAPACITOR	0.01uF 50V K		C6541	NCB31EK-473X	C CAPACITOR	0.047uF 25V K	
C4550	QETN1AM-107Z	E CAPACITOR	100uF 10V M		C6542	QEKC1HM-475Z	E CAPACITOR	4.7uF 50V M	
C4551	NCF31CZ-474X	C CAPACITOR	0.47uF 16V Z		C6543	QEKC1HM-475Z	E CAPACITOR	4.7uF 50V M	
C4552	NCB31HK-103X	C CAPACITOR	0.01uF 50V K		C6545	NCB31EK-473X	C CAPACITOR	0.047uF 25V K	
C4553	NCB31HK-103X	C CAPACITOR	0.01uF 50V K		C6547	QETN0JM-477Z	E CAPACITOR	470uF 6.3V M	
C4554	QETN1AM-107Z	E CAPACITOR	100uF 10V M		C6549	QETN0JM-477Z	E CAPACITOR	470uF 6.3V M	
C4555	NCB31HK-103X	C CAPACITOR	0.01uF 50V K		C6556	NCB31CK-105X	C CAPACITOR	1uF 16V K	
C4556	NDC31HJ-100X	C CAPACITOR	10pF 50V J		C6557	NCB31CK-105X	C CAPACITOR	1uF 16V K	
C4557	NCB31HK-122X	C CAPACITOR	1200pF 50V K		C6558	NCB31CK-105X	C CAPACITOR	1uF 16V K	
C4558	NDC31HJ-181X	C CAPACITOR	180pF 50V J		C6561	NCF31CZ-104X	C CAPACITOR	0.1uF 16V Z	
C4559	NCB31HK-103X	C CAPACITOR	0.01uF 50V K		C6564	NCF31CZ-104X	C CAPACITOR	0.1uF 16V Z	
C4560	NCB31HK-103X	C CAPACITOR	0.01uF 50V K		C6566	NCB31EK-473X	C CAPACITOR	0.047uF 25V K	
C4561	NCB31HK-103X	C CAPACITOR	0.01uF 50V K		C6567	NCF31CZ-104X	C CAPACITOR	0.1uF 16V Z	
C4562	NCB31HK-103X	C CAPACITOR	0.01uF 50V K		C6569	NCF31CZ-104X	C CAPACITOR	0.1uF 16V Z	
C4563	QETN1AM-107Z	E CAPACITOR	100uF 10V M		C6574	QETN1CM-476Z	E CAPACITOR	47uF 16V M	
C4565	NDC31HJ-820X	C CAPACITOR	82pF 50V J		C6575	QETN1CM-477Z	E CAPACITOR	470uF 16V M	
C4568	NDC31HJ-820X	C CAPACITOR	82pF 50V J		C6599	NDC31HJ-151X	C CAPACITOR	150pF 50V J	
C4570	NCF31CZ-104X	C CAPACITOR	0.1uF 16V Z		C9001	NCF31CZ-104X	C CAPACITOR	0.1uF 16V Z	
C4571	NCF31CZ-104X	C CAPACITOR	0.1uF 16V Z		C9002	NCF31CZ-104X	C CAPACITOR	0.1uF 16V Z	
C4574	NCB31HK-103X	C CAPACITOR	0.01uF 50V K		R501	NRSA63J-113X	MG RESISTOR	11kΩ 1/16W J	
C4580	QEKC1HM-475Z	E CAPACITOR	4.7uF 50V M		R502	NRSA63J-562X	MG RESISTOR	5.6kΩ 1/16W J	
C4581	QETN1HM-106Z	E CAPACITOR	10uF 50V M		R505	NRSA63J-562X	MG RESISTOR	5.6kΩ 1/16W J	
C4582	QETN1HM-106Z	E CAPACITOR	10uF 50V M		R506	NRSA63J-562X	MG RESISTOR	5.6kΩ 1/16W J	
C4583	QEKC1HM-475Z	E CAPACITOR	4.7uF 50V M		R561	NRSA63J-102X	MG RESISTOR	1kΩ 1/16W J	
C4584	QETN1HM-106Z	E CAPACITOR	10uF 50V M		R562	NRSA63J-102X	MG RESISTOR	1kΩ 1/16W J	
C4585	QETN1HM-106Z	E CAPACITOR	10uF 50V M		R563	NRSA63J-511X	MG RESISTOR	510Ω 1/16W J	
C4586	QETN0JM-477Z	E CAPACITOR	470uF 6.3V M		R564	NRSA63J-511X	MG RESISTOR	510Ω 1/16W J	
C4587	QETN0JM-477Z	E CAPACITOR	470uF 6.3V M		R565	NRSA63J-102X	MG RESISTOR	1kΩ 1/16W J	
C4588	QETN0JM-477Z	E CAPACITOR	470uF 6.3V M		R566	NRSA63J-102X	MG RESISTOR	1kΩ 1/16W J	
C4595	QEKC1HM-474Z	E CAPACITOR	0.47uF 50V M		R567	NRSA63J-511X	MG RESISTOR	510Ω 1/16W J	
C4596	QEKC1HM-475Z	E CAPACITOR	4.7uF 50V M		R568	NRSA63J-511X	MG RESISTOR	510Ω 1/16W J	
C4597	NCB31HK-103X	C CAPACITOR	0.01uF 50V K		R569	NRSA63J-241X	MG RESISTOR	240Ω 1/16W J	
C4598	NCB31HK-103X	C CAPACITOR	0.01uF 50V K		R570	NRSA63J-241X	MG RESISTOR	240Ω 1/16W J	
C5538	NCB31HK-103X	C CAPACITOR	0.01uF 50V K		R571	NRSA63J-103X	MG RESISTOR	10kΩ 1/16W J	
C5539	NDC31HJ-561X	C CAPACITOR	560pF 50V J		R572	NRSA63J-103X	MG RESISTOR	10kΩ 1/16W J	
C5540	NDC31HJ-120X	C CAPACITOR	12pF 50V J		R573	NRSA63J-102X	MG RESISTOR	1kΩ 1/16W J	
C5541	NCB31HK-103X	C CAPACITOR	0.01uF 50V K		R574	NRSA63J-473X	MG RESISTOR	47kΩ 1/16W J	
C5542	NDC31HJ-6R0X	C CAPACITOR	6pF 50V J		R575	NRSA63J-473X	MG RESISTOR	47kΩ 1/16W J	
C5543	NCB31HK-103X	C CAPACITOR	0.01uF 50V K		R576	NRSA63J-102X	MG RESISTOR	1kΩ 1/16W J	
C5545	NDC31HJ-391X	C CAPACITOR	390pF 50V J		R577	NRSA63J-102X	MG RESISTOR	1kΩ 1/16W J	
C5560	QETN1HM-106Z	E CAPACITOR	10uF 50V M		R579	NRSA63J-472X	MG RESISTOR	4.7kΩ 1/16W J	
C5561	QEKC1HM-475Z	E CAPACITOR	4.7uF 50V M		R580	NRSA63J-472X	MG RESISTOR	4.7kΩ 1/16W J	
C5562	QEKC1HM-225Z	E CAPACITOR	2.2uF 50V M		R585	NRSA63J-331X	MG RESISTOR	330Ω 1/16W J	
C5563	QEKC1HM-475Z	E CAPACITOR	4.7uF 50V M		R586	NRSA63J-472X	MG RESISTOR	4.7kΩ 1/16W J	
C5576	NCF31CZ-104X	C CAPACITOR	0.1uF 16V Z		R587	NRSA63J-223X	MG RESISTOR	22kΩ 1/16W J	
C5577	NCF31CZ-104X	C CAPACITOR	0.1uF 16V Z		R593	NRSA63J-102X	MG RESISTOR	1kΩ 1/16W J	
C6501	NDC31HJ-331X	C CAPACITOR	330pF 50V J		R594	NRSA63J-102X	MG RESISTOR	1kΩ 1/16W J	
C6502	NDC31HJ-331X	C CAPACITOR	330pF 50V J		R595	NRSA63J-682X	MG RESISTOR	6.8kΩ 1/16W J	
C6503	NDC31HJ-331X	C CAPACITOR	330pF 50V J		R596	NRSA63J-682X	MG RESISTOR	6.8kΩ 1/16W J	
C6504	NDC31HJ-331X	C CAPACITOR	330pF 50V J		R598	NRSA63J-103X	MG RESISTOR	10kΩ 1/16W J	
C6505	NDC31HJ-331X	C CAPACITOR	330pF 50V J		R961	NRSA63J-105X	MG RESISTOR	1MΩ 1/16W J	
C6506	NDC31HJ-331X	C CAPACITOR	330pF 50V J		R962	NRSA63J-152X	MG RESISTOR	1.5kΩ 1/16W J	
C6507	NDC31HJ-331X	C CAPACITOR	330pF 50V J		R963	NRSA63J-152X	MG RESISTOR	1.5kΩ 1/16W J	
C6508	NDC31HJ-331X	C CAPACITOR	330pF 50V J		R964	NRSA63J-152X	MG RESISTOR	1.5kΩ 1/16W J	
C6509	NDC31HJ-331X	C CAPACITOR	330pF 50V J		R965	NRSA63J-270X	MG RESISTOR	27Ω 1/16W J	
C6510	NDC31HJ-331X	C CAPACITOR	330pF 50V J		R966	NRSA63J-270X	MG RESISTOR	27Ω 1/16W J	
C6511	NDC31HJ-331X	C CAPACITOR	330pF 50V J		R968	NRSA63J-152X	MG RESISTOR	1.5kΩ 1/16W J	
C6512	NDC31HJ-331X	C CAPACITOR	330pF 50V J		R969	NRSA63J-152X	MG RESISTOR	1.5kΩ 1/16W J	
C6513	NDC31HJ-331X	C CAPACITOR	330pF 50V J		R970	NRSA63J-152X	MG RESISTOR	1.5kΩ 1/16W J	
C6514	NDC31HJ-331X	C CAPACITOR	330pF 50V J		R972	NRSA63J-152X	MG RESISTOR	1.5kΩ 1/16W J	
C6515	NDC31HJ-331X	C CAPACITOR	330pF 50V J		R973	NRSA63J-101X	MG RESISTOR	100Ω 1/16W J	
C6516	NDC31HJ-331X	C CAPACITOR	330pF 50V J		R974	NRSA63J-106X	MG RESISTOR	10MΩ 1/16W J	
C6517	NDC31HJ-331X	C CAPACITOR	330pF 50V J		△ R1501	QRZ9015-2R2X	FUSI RESISTOR	2.2Ω	
C6518	NDC31HJ-331X	C CAPACITOR	330pF 50V J		△ R1502	QRZ9015-2R2X	FUSI RESISTOR	2.2Ω	
C6519	NDC31HJ-331X	C CAPACITOR	330pF 50V J		R1503	NRSA63J-102X	MG RESISTOR	1kΩ 1/16W J	
C6520	NDC31HJ-331X	C CAPACITOR	330pF 50V J		R1504	NRSA63J-102X	MG RESISTOR	1kΩ 1/16W J	
C6524	NCB31EK-473X	C CAPACITOR	0.047uF 25V K		R1505	NRSA63J-103X	MG RESISTOR	10kΩ 1/16W J	
C6526	QETN0JM-477Z	E CAPACITOR	470uF 6.3V M		R1506	NRSA63J-103X	MG RESISTOR	10kΩ 1/16W J	
C6528	QETN0JM-477Z	E CAPACITOR	470uF 6.3V M		R1507	NRSA63J-104X	MG RESISTOR	100kΩ 1/16W J	
C6529	NCB31EK-473X	C CAPACITOR	0.047uF 25V K		R1508	NRSA63J-104X	MG RESISTOR	100kΩ 1/16W J	
C6530	QEKC1HM-475Z	E CAPACITOR	4.7uF 50V M		R1509	NRSA63J-102X	MG RESISTOR	1kΩ 1/16W J	
C6531	QEKC1HM-475Z	E CAPACITOR	4.7uF 50V M						

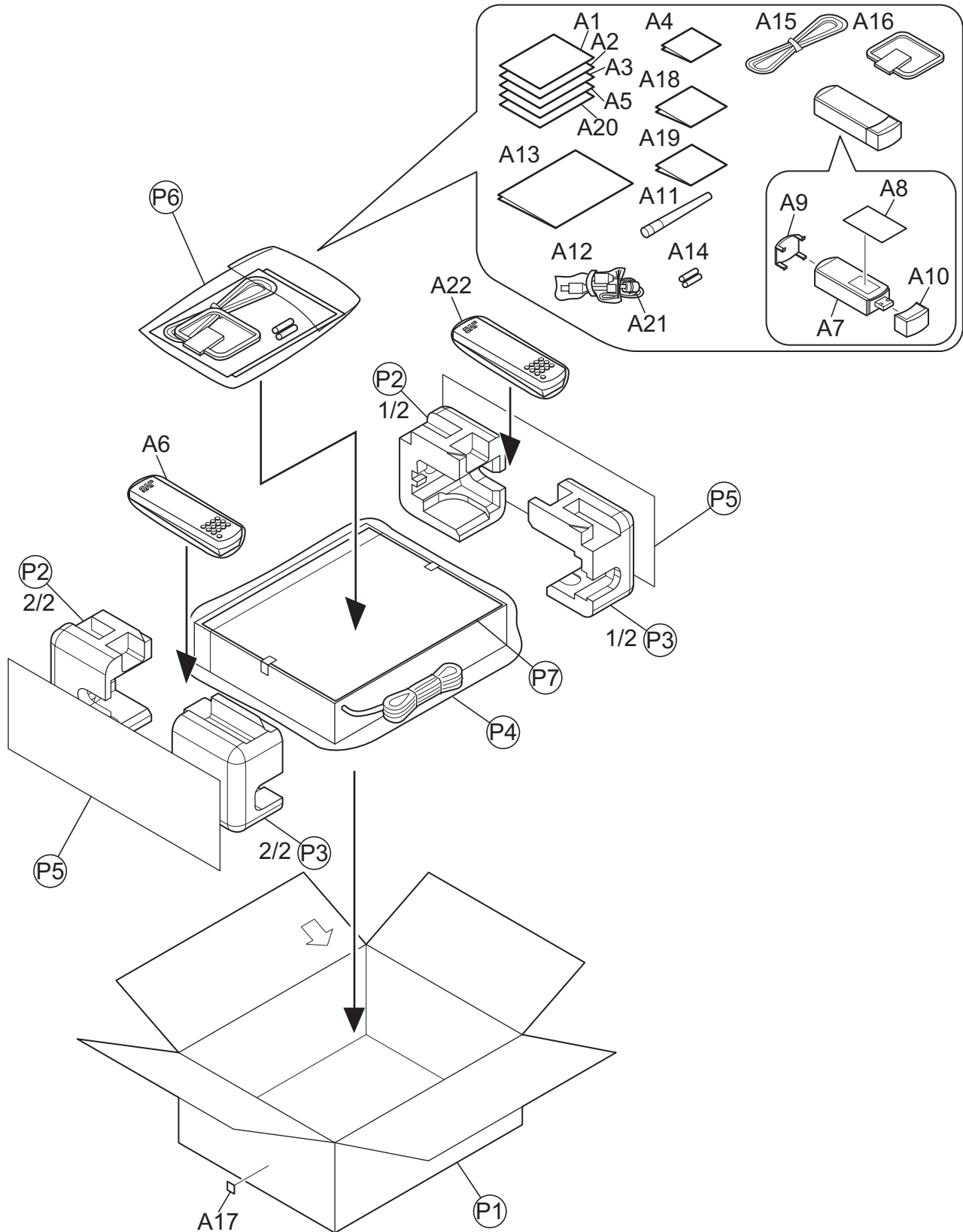
△ Symbol No.	Part No.	Part Name	Description	Local	△ Symbol No.	Part No.	Part Name	Description	Local
R2861	NRSA63J-221X	MG RESISTOR	220Ω 1/16W J		R5542	NRSA63J-153X	MG RESISTOR	15kΩ 1/16W J	
R2862	NRSA63J-392X	MG RESISTOR	3.9kΩ 1/16W J		R5581	NRSA63J-222X	MG RESISTOR	2.2kΩ 1/16W J	
R2863	NRSA63J-392X	MG RESISTOR	3.9kΩ 1/16W J		R5582	NRSA63J-222X	MG RESISTOR	2.2kΩ 1/16W J	
R2864	NRSA63J-202X	MG RESISTOR	2kΩ 1/16W J		R5583	NRSA63J-561X	MG RESISTOR	560Ω 1/16W J	
R2865	NRSA63J-202X	MG RESISTOR	2kΩ 1/16W J		R5584	NRSA63J-222X	MG RESISTOR	2.2kΩ 1/16W J	
R2866	NRSA63J-222X	MG RESISTOR	2.2kΩ 1/16W J		R5585	NRSA63J-222X	MG RESISTOR	2.2kΩ 1/16W J	
R2871	NRSA63J-750X	MG RESISTOR	75Ω 1/16W J		R5586	NRSA63J-561X	MG RESISTOR	560Ω 1/16W J	
R2872	NRSA63J-102X	MG RESISTOR	1kΩ 1/16W J		R5587	NRSA63J-152X	MG RESISTOR	1.5kΩ 1/16W J	
R2873	NRSA63J-102X	MG RESISTOR	1kΩ 1/16W J		R6501	NRSA63J-471X	MG RESISTOR	470Ω 1/16W J	
R2874	NRSA63J-102X	MG RESISTOR	1kΩ 1/16W J		R6502	NRSA63J-471X	MG RESISTOR	470Ω 1/16W J	
R2875	NRSA63J-102X	MG RESISTOR	1kΩ 1/16W J		R6503	NRSA63J-473X	MG RESISTOR	47kΩ 1/16W J	
R2921	NRSA63J-333X	MG RESISTOR	33kΩ 1/16W J		R6504	NRSA63J-473X	MG RESISTOR	47kΩ 1/16W J	
R2922	NRSA63J-223X	MG RESISTOR	22kΩ 1/16W J		R6505	NRSA63J-471X	MG RESISTOR	470Ω 1/16W J	
R2930	NRSA63J-0R0X	MG RESISTOR	0Ω 1/16W J		R6506	NRSA63J-471X	MG RESISTOR	470Ω 1/16W J	
R2931	NRSA63J-0R0X	MG RESISTOR	0Ω 1/16W J		R6507	NRSA63J-101X	MG RESISTOR	100Ω 1/16W J	
R2932	NRSA63J-0R0X	MG RESISTOR	0Ω 1/16W J		R6508	NRSA63J-101X	MG RESISTOR	100Ω 1/16W J	
R2933	NRSA63J-0R0X	MG RESISTOR	0Ω 1/16W J		R6509	NRSA63J-473X	MG RESISTOR	47kΩ 1/16W J	
R2936	NRSA63J-0R0X	MG RESISTOR	0Ω 1/16W J		R6510	NRSA63J-473X	MG RESISTOR	47kΩ 1/16W J	
R2937	NRSA63J-0R0X	MG RESISTOR	0Ω 1/16W J		R6511	NRSA63J-471X	MG RESISTOR	470Ω 1/16W J	
R2940	NRSA63J-0R0X	MG RESISTOR	0Ω 1/16W J		R6512	NRSA63J-471X	MG RESISTOR	470Ω 1/16W J	
R2941	NRSA63J-0R0X	MG RESISTOR	0Ω 1/16W J		R6513	NRSA63J-473X	MG RESISTOR	47kΩ 1/16W J	
R2942	NRSA63J-0R0X	MG RESISTOR	0Ω 1/16W J		R6514	NRSA63J-473X	MG RESISTOR	47kΩ 1/16W J	
R2943	NRSA63J-0R0X	MG RESISTOR	0Ω 1/16W J		R6515	NRSA63J-101X	MG RESISTOR	100Ω 1/16W J	
R2945	NRSA63J-0R0X	MG RESISTOR	0Ω 1/16W J		R6516	NRSA63J-101X	MG RESISTOR	100Ω 1/16W J	
R2946	NRSA63J-0R0X	MG RESISTOR	0Ω 1/16W J		R6517	NRSA63J-473X	MG RESISTOR	47kΩ 1/16W J	
R2947	NRSA63J-0R0X	MG RESISTOR	0Ω 1/16W J		R6518	NRSA63J-473X	MG RESISTOR	47kΩ 1/16W J	
R2948	NRSA63J-0R0X	MG RESISTOR	0Ω 1/16W J		R6519	NRSA63J-471X	MG RESISTOR	470Ω 1/16W J	
R2949	NRSA63J-0R0X	MG RESISTOR	0Ω 1/16W J		R6520	NRSA63J-471X	MG RESISTOR	470Ω 1/16W J	
R2950	NRSA63J-0R0X	MG RESISTOR	0Ω 1/16W J		R6521	NRSA63J-472X	MG RESISTOR	4.7kΩ 1/16W J	
R4501	NRSA63J-470X	MG RESISTOR	47Ω 1/16W J		R6522	NRSA63J-472X	MG RESISTOR	4.7kΩ 1/16W J	
R4502	NRS144J-301X	MG RESISTOR	300Ω 1/4W J		R6525	NRSA63J-680X	MG RESISTOR	68Ω 1/16W J	
R4504	NRSA63J-102X	MG RESISTOR	1kΩ 1/16W J		R6526	NRSA63J-680X	MG RESISTOR	68Ω 1/16W J	
R4505	NRSA63J-0R0X	MG RESISTOR	0Ω 1/16W J		R6527	NRSA63J-680X	MG RESISTOR	68Ω 1/16W J	
R4506	NRSA63J-0R0X	MG RESISTOR	0Ω 1/16W J		R6529	NRSA63J-750X	MG RESISTOR	75Ω 1/16W J	
R4507	NRSA63J-0R0X	MG RESISTOR	0Ω 1/16W J		R6530	NRSA63J-750X	MG RESISTOR	75Ω 1/16W J	
R4508	NRSA63J-0R0X	MG RESISTOR	0Ω 1/16W J		R6531	NRSA63J-0R0X	MG RESISTOR	0Ω 1/16W J	
R4509	NRSA63J-0R0X	MG RESISTOR	0Ω 1/16W J		R6532	NRSA63J-102X	MG RESISTOR	1kΩ 1/16W J	
R4541	NRSA63J-750X	MG RESISTOR	75Ω 1/16W J		R6533	NRSA63J-750X	MG RESISTOR	75Ω 1/16W J	
R4542	NRSA63J-750X	MG RESISTOR	75Ω 1/16W J		R6534	NRSA63J-680X	MG RESISTOR	68Ω 1/16W J	
R4543	NRSA63J-750X	MG RESISTOR	75Ω 1/16W J		R6535	NRSA63J-680X	MG RESISTOR	68Ω 1/16W J	
R4544	NRSA63J-750X	MG RESISTOR	75Ω 1/16W J		R6536	NRSA63J-680X	MG RESISTOR	68Ω 1/16W J	
R4545	NRSA63J-750X	MG RESISTOR	75Ω 1/16W J		R6537	NRSA63J-0R0X	MG RESISTOR	0Ω 1/16W J	
R4546	NRSA63J-750X	MG RESISTOR	75Ω 1/16W J		R6538	NRSA63J-750X	MG RESISTOR	75Ω 1/16W J	
R4547	NRSA63J-680X	MG RESISTOR	68Ω 1/16W J		R6539	NRSA63J-750X	MG RESISTOR	75Ω 1/16W J	
R4548	NRSA63J-750X	MG RESISTOR	75Ω 1/16W J		R6540	NRSA63J-103X	MG RESISTOR	10kΩ 1/16W J	
R4549	NRSA63J-750X	MG RESISTOR	75Ω 1/16W J		R6541	NRSA63J-103X	MG RESISTOR	10kΩ 1/16W J	
R4553	NRSA63J-0R0X	MG RESISTOR	0Ω 1/16W J		R6542	NRSA63J-750X	MG RESISTOR	75Ω 1/16W J	
R4554	NRSA63J-0R0X	MG RESISTOR	0Ω 1/16W J		R6544	NRSA63J-750X	MG RESISTOR	75Ω 1/16W J	
R4556	NRSA63J-152X	MG RESISTOR	1.5kΩ 1/16W J		R6545	NRSA63J-750X	MG RESISTOR	75Ω 1/16W J	
R4557	NRSA63J-152X	MG RESISTOR	1.5kΩ 1/16W J		R6546	NRSA63J-102X	MG RESISTOR	1kΩ 1/16W J	
R4558	NRSA63J-102X	MG RESISTOR	1kΩ 1/16W J		R6547	NRSA63J-0R0X	MG RESISTOR	0Ω 1/16W J	
R4559	NRSA63J-222X	MG RESISTOR	2.2kΩ 1/16W J		R6548	NRSA63J-750X	MG RESISTOR	75Ω 1/16W J	
R4560	NRSA63J-681X	MG RESISTOR	680Ω 1/16W J		R6549	NRSA63J-680X	MG RESISTOR	68Ω 1/16W J	
R4561	NRSA63J-103X	MG RESISTOR	10kΩ 1/16W J		R6550	NRSA63J-680X	MG RESISTOR	68Ω 1/16W J	
R4562	NRSA63J-102X	MG RESISTOR	1kΩ 1/16W J		R6551	NRSA63J-680X	MG RESISTOR	68Ω 1/16W J	
R4563	NRSA63J-101X	MG RESISTOR	100Ω 1/16W J		R6552	NRS144J-271X	MG RESISTOR	270Ω 1/4W J	
R4564	NRSA63J-101X	MG RESISTOR	100Ω 1/16W J		R6553	NRSA63J-102X	MG RESISTOR	1kΩ 1/16W J	
R4579	NRSA63J-561X	MG RESISTOR	560Ω 1/16W J		R6554	NRSA63J-102X	MG RESISTOR	1kΩ 1/16W J	
R4580	NRSA63J-102X	MG RESISTOR	1kΩ 1/16W J		R6555	NRSA63J-103X	MG RESISTOR	10kΩ 1/16W J	
R4581	NRSA63J-361X	MG RESISTOR	360Ω 1/16W J		R6556	NRS144J-301X	MG RESISTOR	300Ω 1/4W J	
R4582	NRSA63J-112X	MG RESISTOR	1.1kΩ 1/16W J		R6557	NRSA63J-102X	MG RESISTOR	1kΩ 1/16W J	
R4583	NRSA63J-182X	MG RESISTOR	1.8kΩ 1/16W J		R6558	NRSA63J-103X	MG RESISTOR	10kΩ 1/16W J	
R4584	NRSA63J-101X	MG RESISTOR	100Ω 1/16W J		R6559	NRS144J-301X	MG RESISTOR	300Ω 1/4W J	
R4585	NRSA63J-101X	MG RESISTOR	100Ω 1/16W J		R6560	NRSA63J-102X	MG RESISTOR	1kΩ 1/16W J	
R4586	NRSA63J-821X	MG RESISTOR	820Ω 1/16W J		R6561	NRSA63J-103X	MG RESISTOR	10kΩ 1/16W J	
R4587	NRSA63J-391X	MG RESISTOR	390Ω 1/16W J		R6562	NRS144J-271X	MG RESISTOR	270Ω 1/4W J	
R4590	NRSA63J-561X	MG RESISTOR	560Ω 1/16W J		R6563	NRSA63J-102X	MG RESISTOR	1kΩ 1/16W J	
R4591	NRSA63J-391X	MG RESISTOR	390Ω 1/16W J		R6564	NRSA63J-103X	MG RESISTOR	10kΩ 1/16W J	
R4592	NRSA63J-133X	MG RESISTOR	13kΩ 1/16W J		R6565	NRS144J-301X	MG RESISTOR	300Ω 1/4W J	
R4593	NRSA63J-182X	MG RESISTOR	1.8kΩ 1/16W J		R6566	NRSA63J-102X	MG RESISTOR	1kΩ 1/16W J	
R4596	NRSA63J-0R0X	MG RESISTOR	0Ω 1/16W J		R6567	NRSA63J-103X	MG RESISTOR	10kΩ 1/16W J	
R4597	NRSA63J-0R0X	MG RESISTOR	0Ω 1/16W J		R6568	NRS144J-301X	MG RESISTOR	300Ω 1/4W J	
R5536	NRSA63J-391X	MG RESISTOR	390Ω 1/16W J		R6569	NRSA63J-102X	MG RESISTOR	1kΩ 1/16W J	
R5537	NRSA63J-224X	MG RESISTOR	220kΩ 1/16W J		R6570	NRSA63J-103X	MG RESISTOR	10kΩ 1/16W J	
R5538	NRSA63J-103X	MG RESISTOR	10kΩ 1/16W J		R6571	NRS144J-271X	MG RESISTOR	270Ω 1/4W J	
R5539	NRSA63J-103X	MG RESISTOR	10kΩ 1/16W J		R6572	QRZ9015-2R2X	FUSI RESISTOR	2.2Ω	
R5540	NRSA63J-432X	MG RESISTOR	4.3kΩ 1/16W J		R6573	QRJ146J-1R0X	UNF C RESISTOR	1Ω 1/4W J	
R5541	NRSA63J-102X	MG RESISTOR	1kΩ 1/16W J		△ R6574	NRS144J-301X	MG RESISTOR	300Ω 1/4W J	

△ Symbol No.	Part No.	Part Name	Description	Local	△ Symbol No.	Part No.	Part Name	Description	Local
△ R6576	NRSA63J-103X	MG RESISTOR	10kΩ 1/16W J		EP681	E409182-001SM	GRAND TERMINAL		
R6577	NRS144J-301X	MG RESISTOR	300Ω 1/4W J		EP682	QNZ0136-001Z	EARTH PLATE		
R6580	NRSA63J-0R0X	MG RESISTOR	0Ω 1/16W J		EP901	QNZ0136-001Z	EARTH PLATE		
R6581	NRSA63J-133X	MG RESISTOR	13kΩ 1/16W J		FL501	QQR1372-001	LPF		
R6582	NRSA63J-332X	MG RESISTOR	3.3kΩ 1/16W J		FL502	QQR1372-001	LPF		
R6583	NRSA63J-473X	MG RESISTOR	47kΩ 1/16W J		FW501	WJS0048-003A-E	E-FL/RB WIRE		
R6584	NRSA63J-473X	MG RESISTOR	47kΩ 1/16W J		J681	QNN0481-001	SURROUND JACK		
R6585	NRSA63J-471X	MG RESISTOR	470Ω 1/16W J		J901	QNS0247-001	JACK		
R6586	NRSA63J-471X	MG RESISTOR	470Ω 1/16W J		J903	QNZ0783-002	USB CONNECTOR		
R6589	NRSA63J-0R0X	MG RESISTOR	0Ω 1/16W J		J4503	QNN0681-001	PIN JACK		
R6590	NRSA63J-0R0X	MG RESISTOR	0Ω 1/16W J		J6501	QNN0476-001	PIN JACK		
R6591	NRSA63J-103X	MG RESISTOR	10kΩ 1/16W J		J6502	QNN0476-001	PIN JACK		
R6592	NRSA63J-103X	MG RESISTOR	10kΩ 1/16W J		J6503	QNN0476-001	PIN JACK		
R6593	NRSA63J-103X	MG RESISTOR	10kΩ 1/16W J		J6504	QNN0690-001	PIN JACK		
R6594	NRSA63J-103X	MG RESISTOR	10kΩ 1/16W J		J6511	QNN0570-001	PIN JACK		
R6596	NRSA63J-0R0X	MG RESISTOR	0Ω 1/16W J		J6512	QNN0570-001	PIN JACK		
R6597	NRSA63J-0R0X	MG RESISTOR	0Ω 1/16W J		J6513	QNN0570-001	PIN JACK		
R9002	NRSA63J-153X	MG RESISTOR	15kΩ 1/16W J		K2801	NQR0007-003X	FERRITE BEADS		
R9003	NRSA63J-153X	MG RESISTOR	15kΩ 1/16W J		K2802	NQR0007-003X	FERRITE BEADS		
R9004	NRSA63J-153X	MG RESISTOR	15kΩ 1/16W J		K2803	NQR0007-003X	FERRITE BEADS		
R9005	NRSA63J-105X	MG RESISTOR	1MΩ 1/16W J		K2804	NQR0007-003X	FERRITE BEADS		
R9006	NRSA63J-153X	MG RESISTOR	15kΩ 1/16W J		K2861	NQR0269-004X	FERRITE BEADS		
R9007	NRSA63J-153X	MG RESISTOR	15kΩ 1/16W J		K4501	NRSA63J-0R0X	MG RESISTOR	0Ω 1/16W J	
R9008	NRSA63J-153X	MG RESISTOR	15kΩ 1/16W J		SW11	QSW0454-001	SW		
R9009	NRSA63J-153X	MG RESISTOR	15kΩ 1/16W J		UN682	TORX177	OPT RECEIVER		
R9010	NRSA63J-153X	MG RESISTOR	15kΩ 1/16W J		UN683	TORX177	OPT RECEIVER		
R9011	NRSA63J-153X	MG RESISTOR	15kΩ 1/16W J		UN686	TOTX177	OPT RECEIVER		
R9012	NRSA63J-153X	MG RESISTOR	15kΩ 1/16W J		X501	QAX0246-001Z	C RESONATOR	8.00MHz	
R9013	NRSA63J-153X	MG RESISTOR	15kΩ 1/16W J		X661	QAX0722-001Z	CRYSTAL	24.576MHz	
R9014	NRSA63J-221X	MG RESISTOR	220Ω 1/16W J		X671	QAX0719-001Z	C RESONATOR	6.144MHz	
R9015	NRSA63J-153X	MG RESISTOR	15kΩ 1/16W J		X905	QAX0320-001Z	CRYSTAL	12.000MHz	
R9016	NRSA63J-153X	MG RESISTOR	15kΩ 1/16W J		X5505	QAX0879-001Z	CRYSTAL		
R9021	NRSA63J-101X	MG RESISTOR	100Ω 1/16W J						
R9022	NRSA63J-221X	MG RESISTOR	220Ω 1/16W J						
R9023	NRSA63J-221X	MG RESISTOR	220Ω 1/16W J						
R9024	NRSA63J-221X	MG RESISTOR	220Ω 1/16W J						
R9025	NRSA63J-221X	MG RESISTOR	220Ω 1/16W J						
R9026	NRSA63J-153X	MG RESISTOR	15kΩ 1/16W J						
L901	NQL085J-100X	COIL	10uH J						
L4501	NQL085J-220X	COIL	22uH J						
L4502	NQL085J-100X	COIL	10uH J						
L4503	NQL085J-100X	COIL	10uH J						
L4504	NQL085J-100X	COIL	10uH J						
L4505	NQL085J-100X	COIL	10uH J						
L4506	NQL085J-6R8X	COIL	6.8uH J						
L4507	NQL085J-6R8X	COIL	6.8uH J						
CN11	WJP0072-001A-E	E-SH C WIRE C-B							
CN12	QGG1201M1-24X	CONNECTOR	(1-24)						
CN13	QGG1201M1-24X	CONNECTOR	(1-24)						
CN502	QGB2510J1-07	CONNECTOR	B-B (1-7)						
CN503	QJK002-141804-E	SIN CR C-B WIRE							
CN505	QGF1205C1-11	CONNECTOR	FFC/FPC (1-11)						
CN509	QJK002-061401-E	SIN CR C-B WIRE							
CN513	QGA2501F1-14	CONNECTOR	W-B (1-14)						
CN521	QJK002-092804-E	SIN CR C-B WIRE							
CN522	QGB2510K1-14	CONNECTOR	B-B (1-14)						
CN523	QJK002-021002-E	SIN CR C-B WIRE							
CN530	QGA2001C1-11	CONNECTOR	W-B (1-11)						
CN531	QGA2001C1-09	CONNECTOR	W-B (1-9)						
CN540	QGA2001C1-06	CONNECTOR	W-B (1-6)						
CN552	QGA2001C1-12	CONNECTOR	W-B (1-12)						
CN555	QJK002-022402-E	SIN CR C-B WIRE							
CN581	QGB2510J1-09	CONNECTOR	B-B (1-9)						
CN582	QGB2510J1-09	CONNECTOR	B-B (1-9)						
CN583	QGB2510J1-11	CONNECTOR	B-B (1-11)						
CN584	QGB2510J1-11	CONNECTOR	B-B (1-11)						
CN661	QGA2501F1-03	CONNECTOR	W-B (1-3)						
CN662	QGA2501F1-05	CONNECTOR	W-B (1-5)						
CN681	QGB2510J1-07	CONNECTOR	B-B (1-7)						
CN682	QGA2001F1-06	CONNECTOR	W-B (1-6)						
CN683	QGA2501F1-09	CONNECTOR	W-B (1-9)						
CN904	QJK021-031203-E	WIRE							
CN905	QJP001-032601-E	SHI CR C-B WIRE							
CN961	QJP001-034201-E	SHI CR C-B WIRE							
EP11	E409182-001SM	GRAND TERMINAL							
EP12	E409182-001SM	GRAND TERMINAL							

Packing materials and accessories parts list

Block No. **M 3 M M**

No additional / supplemental order of WARRANTY CARDS are available



Packing and Accessories

Block No. [M][3][M][M]

△ Symbol No.	Part No.	Part Name	Description	Local
A 1	LVT1321-011A	INST BOOK	ENG	D301SA
A 1	LVT1321-008A	INST BOOK	ENG	D301SB,D302BB
A 1	LVT1321-003A	INST BOOK	GER FRE	D301SE,D301SEN,D302BE,D302BEN
A 2	LVT1496-001A	CAUTION SHEET		D301SB,D301SE,D301SEN, D302BB,D302BE,D302BEN
A 3	LVT1321-004A	INST BOOK	DUT	D301SE,D302BE
A 3	LVT1321-005A	INST BOOK	SWE FIN DAN	D301SEN,D302BEN
A 4	LVT1434-001A	SHEET(WEEE)-J		D301SB,D301SE,D302BB,D302BE
A 4	LVT1434-002A	SHEET(WEEE)-K		D301SEN,D302BEN
A 5	LVT1511-001A	ECDOC SHEET		D301SB,D301SE,D301SEN, D302BB,D302BE,D302BEN
A 6	RM-SRXD301RW1	REMOCON		D301SE,D301SEN,D302BB
A 6	RM-SRXD301R	REMOCON		D301SB,D302BE,D302BEN
A 7	QAL0708-002	LAN MODULE		
A 8	LV36452-002A	SERIAL LABEL		D301SA
A 8	LV36452-001A	SERIAL LABEL		D301SB,D301SE,D301SEN, D302BB,D302BE,D302BEN
A 9	QZW0165-001	COVER		
A 10	QZW0166-001	COVER		
A 11	QAL0706-001	ANTENNA		
A 12	QAM0733-001	USB CABLE		
A 13	-----	WARRANTY CARD	BT-54027-1	D301SB,D301SE,D301SEN, D302BB,D302BE,D302BEN
A 14	-----	BATTERY	(x2)	
A 15	QAL0457-001	ANT.WIRE		
A 16	QAL0476-002	AM LOOP ANT		
A 17	LV44438-001A	LABEL		D301SB,D301SE,D301SEN, D302BB,D302BE,D302BEN
A 18	-----	WARRANTY CARD	BT-56012-1	D301SA
A 19	VNA3000-204	REGISTER CARD		D301SB,D302BB
A 20	LVT1321-006A	INST BOOK	SPA ITA	D301SEN,D302BEN
A 21	QQR0491-001	FERRITE CORE	TDK (GRAY)	D301SB,D301SE,D301SEN, D302BB,D302BE,D302BEN
A 22	RM-SRXD301J	REMOCON		D301SA
P 1	LV22030-004A	CARTON BOX		D301SA
P 1	LV22030-002A	CARTON BOX		D301SB,D301SE,D301SEN
P 1	LV22030-007A	CARTON BOX		D302BB,D302BE,D302BEN
P 2	LV22004-001A	CUCHION(FRONT)		
P 3	LV22005-001A	CUCHION(REAR)		
P 4	QPC06507015P	POLY BAG	65cm x 70cm	
P 5	LV32034-018A	SHEET	(x2)	
P 6	QPA02503505P	POLY BAG	25cm x 35cm	
P 7	LV30256-015A	SHEET		