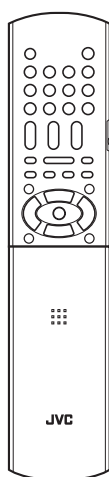


JVC

SERVICE MANUAL

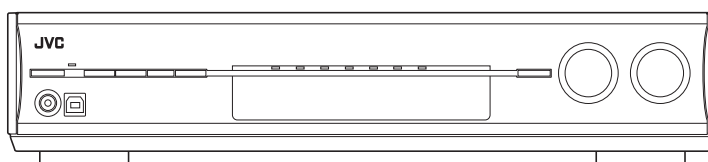
AUDIO/VIDEO CONTROL RECEIVER

RX-D402B, RX-D401S



Area suffix

J-----U.S.A.



Lead free solder used in the board (material : Sn-Ag-Cu, melting point : 219 Centigrade)

TABLE OF CONTENTS

1	PRECAUTION.....	1-3
2	SPECIFIC SERVICE INSTRUCTIONS.....	1-6
3	DISASSEMBLY.....	1-7
4	ADJUSTMENT.....	1-19
5	TROUBLESHOOTING.....	1-19

SPECIFICATION

Amplifier	Output Power	At stereo operation	Front channels	110 W per channel, min. RMS, driven into 6 Ω at 20 Hz to 20 kHz with no more than 0.8% total harmonic distortion.	
		At surround operation	Front channels	110 W per channel, min. RMS, driven into 6 Ω at 1 kHz with no more than 0.8% total harmonic distortion.	
			Center channel	110 W, min. RMS, driven into 6 Ω at 1 kHz, with no more than 0.8% total harmonic distortion.	
			Surround channels	110 W per channel, min. RMS, driven into 6 Ω at 1 kHz, with no more than 0.8% total harmonic distortion.	
			Surround back channels	110 W per channel, min. RMS, driven into 6 Ω at 1 kHz, with no more than 0.8% total harmonic distortion.	
	Audio	Audio Input Sensitivity/Impedance	DVR/DVD, VCR, DBS, TV		270 mV/47 k Ω
		Audio Input (DIGITAL IN)*	Coaxial	DIGITAL IN 1(DVR/DVD): 0.5 V(p-p)/75 Ω	
			Optical	DIGITAL IN 2(DBS), 3(VCR): -21 dBm to -15 dBm (660 nm \pm 30 nm)	
			USB	USB	
		Audio Output Level	DVR, VCR		270 mV
		Signal-to-Noise Ratio ('66 IHF/'78 IHF)		80 dB/62 dB	
		Frequency Response (6 Ω)		20 Hz to 20 kHz (\pm 1 dB)	
		Bass Boost		+4 dB \pm 1 dB at 100 Hz	
		Equalization (at DSP operation)	Center frequency	63 Hz, 250 Hz, 1 kHz, 4 kHz, 16 kHz	
			Control range	\pm 8 dB	
	Video	Video Input Sensitivity/Impedance	Composite video:DVR/DVD, VCR, DBS	1 V(p-p)/75 Ω	
			S-video:DVR/DVD, VCR, DBS	Y (luminance): 1 V(p-p)/75 Ω C (chrominance, burst):0.286 V(p-p)/75 Ω	
			Component:DVR/DVD, VCR (DBS)	Y (luminance): 1 V(p-p)/75 Ω PB, PR: 0.7 V(p-p)/75 Ω	
		Video Output Level/Impedance	Composite video: DVR, VCR, MONITOR OUT	1 V(p-p)/75 Ω	
			S-video: DVR, VCR, MONITOR OUT	Y (luminance): 1 V(p-p)/75 Ω C (chrominance, burst): 0.286 V(p-p)/75 Ω	
			Component: MONITOR OUT	Y (luminance): 1 V(p-p)/75 Ω PB, PR: 0.7 V(p-p)/75 Ω	
			Synchronization	Negative	
	HDMI	HDMI Input (Ver. 1.1)		VCR (DBS), DVR/DVD	
HDMI Output (Ver. 1.0)		MONITOR OUT			
FM tuner (IHF)	Tuning Range			87.5 MHz to 108.0 MHz	
	Usable Sensitivity	Monaural	12.8 dBf (1.2 μ V/75 Ω)		
	50 dB Quieting Sensitivity	Monaural	16.0 dBf (1.7 μ V/75 Ω)		
		Stereo	37.5 dBf (20.5 μ V/75 Ω)		
Stereo Separation at REC OUT			35 dB at 1 kHz		
AM tuner	Tuning Range			530 kHz to 1 710 kHz	
General	Power Requirements			AC 120 V , 60 Hz	
	Power Consumption			150 W/200 VA (at operation) 0.9 W (in standby mode)	
	Dimensions (W \times H \times D)			435 mm \times 91.5 mm \times 371 mm (17 3/16 inches \times 3 5/8 inches \times 14 5/8 inches)	
	Mass			7.1 kg (15.7 lbs)	

*Corresponding to Linear PCM, Dolby Digital, and DTS (with sampling frequency -32 kHz, 44.1 kHz, 48 kHz).

Designs and specifications are subject to change without notice.

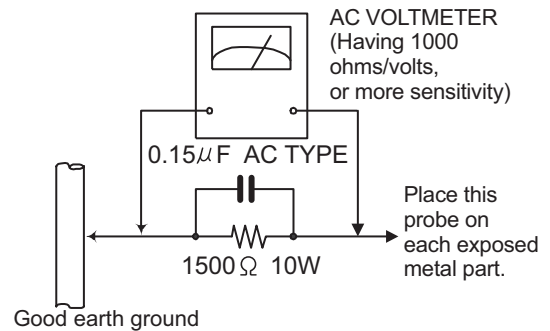
SECTION 1 PRECAUTION

1.1 Safety Precautions

- (1) This design of this product contains special hardware and many circuits and components specially for safety purposes. For continued protection, no changes should be made to the original design unless authorized in writing by the manufacturer. Replacement parts must be identical to those used in the original circuits. Services should be performed by qualified personnel only.
- (2) Alterations of the design or circuitry of the product should not be made. Any design alterations of the product should not be made. Any design alterations or additions will void the manufacturer's warranty and will further relieve the manufacturer of responsibility for personal injury or property damage resulting therefrom.
- (3) Many electrical and mechanical parts in the products have special safety-related characteristics. These characteristics are often not evident from visual inspection nor can the protection afforded by them necessarily be obtained by using replacement components rated for higher voltage, wattage, etc. Replacement parts which have these special safety characteristics are identified in the Parts List of Service Manual. Electrical components having such features are identified by shading on the schematics and by (Δ) on the Parts List in the Service Manual. The use of a substitute replacement which does not have the same safety characteristics as the recommended replacement parts shown in the Parts List of Service Manual may create shock, fire, or other hazards.
- (4) The leads in the products are routed and dressed with ties, clamps, tubings, barriers and the like to be separated from live parts, high temperature parts, moving parts and/or sharp edges for the prevention of electric shock and fire hazard. When service is required, the original lead routing and dress should be observed, and it should be confirmed that they have been returned to normal, after reassembling.
- (5) Leakage shock hazard testing
After reassembling the product, always perform an isolation check on the exposed metal parts of the product (antenna terminals, knobs, metal cabinet, screw heads, headphone jack, control shafts, etc.) to be sure the product is safe to operate without danger of electrical shock. Do not use a line isolation transformer during this check.
 - Plug the AC line cord directly into the AC outlet. Using a "Leakage Current Tester", measure the leakage current from each exposed metal part of the cabinet, particularly any exposed metal part having a return path to the chassis, to a known good earth ground. Any leakage current must not exceed 0.5mA AC (r.m.s.).
 - Alternate check method
Plug the AC line cord directly into the AC outlet. Use an AC voltmeter having, 1,000 Ω per volt or more sensitivity in the following manner. Connect a 1,500 Ω 10W resistor paralleled by a 0.15 μ F AC-type capacitor between an exposed metal part and a known good earth ground. Measure the AC voltage across the resistor with the AC

voltmeter.

Move the resistor connection to each exposed metal part, particularly any exposed metal part having a return path to the chassis, and measure the AC voltage across the resistor. Now, reverse the plug in the AC outlet and repeat each measurement. Voltage measured any must not exceed 0.75 V AC (r.m.s.). This corresponds to 0.5 mA AC (r.m.s.).



1.2 Warning

- (1) This equipment has been designed and manufactured to meet international safety standards.
- (2) It is the legal responsibility of the repairer to ensure that these safety standards are maintained.
- (3) Repairs must be made in accordance with the relevant safety standards.
- (4) It is essential that safety critical components are replaced by approved parts.
- (5) If mains voltage selector is provided, check setting for local voltage.

1.3 Caution

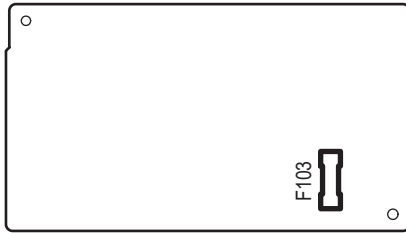
Burrs formed during molding may be left over on some parts of the chassis.
Therefore, pay attention to such burrs in the case of pre-forming repair of this system.

1.4 Critical parts for safety

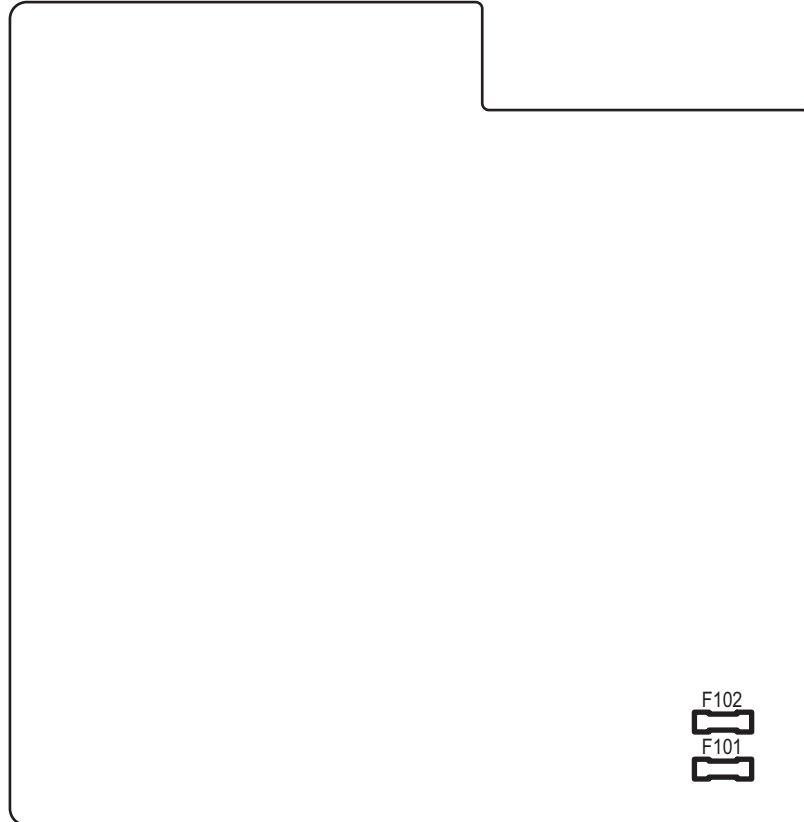
In regard with component parts appearing on the silk-screen printed side (parts side) of the PWB diagrams, the parts that are printed over with black such as the resistor (\blacksquare), diode (\blacksquare) and ICP (\bullet) or identified by the " Δ " mark nearby are critical for safety. When replacing them, be sure to use the parts of the same type and rating as specified by the manufacturer.
(This regulation does not Except the J and C version)

1.5 Importance administering point on the safety

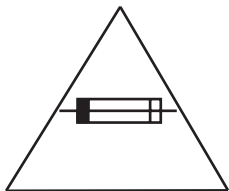
Primary board (Forward side)



Main amplifier board (Forward side)



For USA and Canada / pour Etats - Unis d' Amérique et Canada



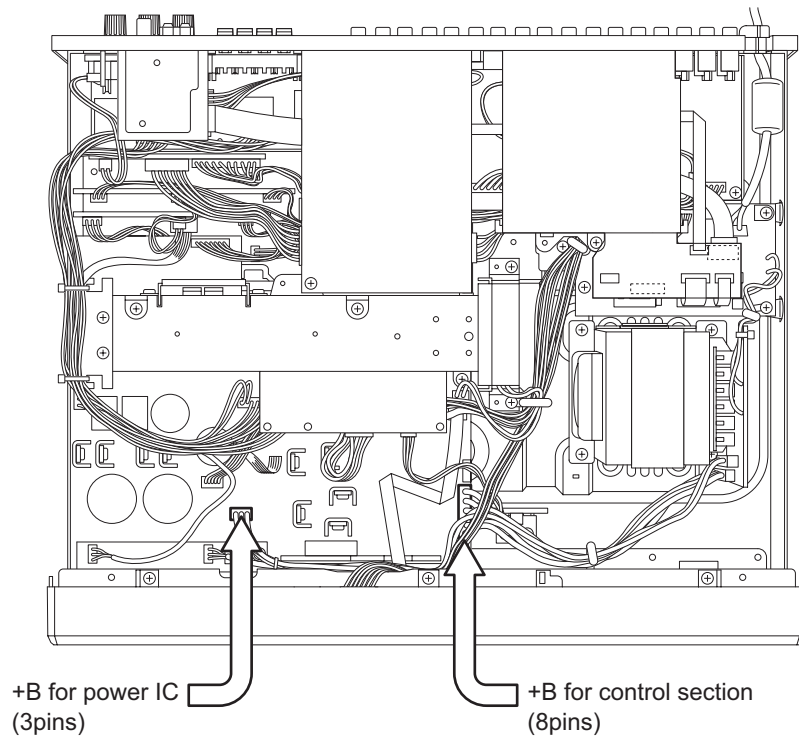
Caution: For continued protection against risk of fire, replace only with same type 4 A/125 V for F101, 4 A/125 V for F102, 6.3 A/125 V for F103. This symbol specifies type of fast operating fuse.

Précaution: Pour éviter risques de feux, remplacez le fusible de sûreté de F101 comme le même type que 4 A/125 V, 4 A/125 V pour F102, et 6,3 A/125V pour F103.
Ce sont des fusibles sûretés qui fonctionnent rapide.

1.6 Caution after repairs

There are two power supply as the second power supply of the transformer.

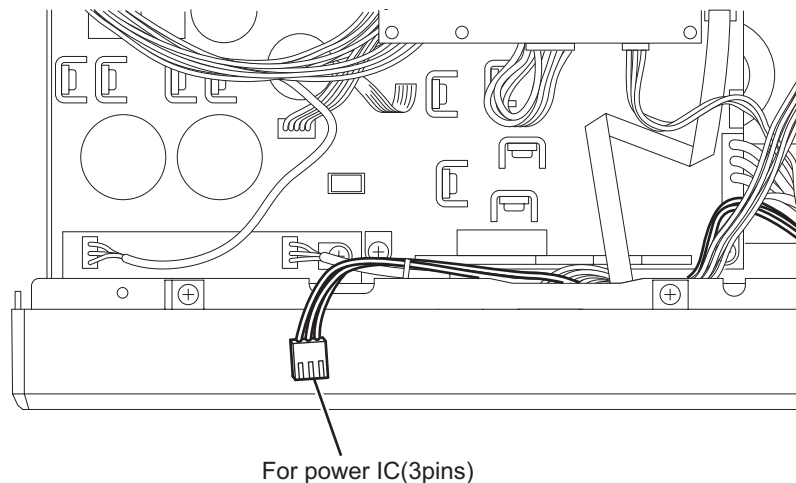
One is a power supply for power IC(3pin), and another is a power supply for the control(5pin).



There are two power supply as the second power supply of the transformer.

One is a power supply for power IC(3pin), and another is a power supply for the control(8pin).

Please connect first of all and confirm the power supply for the control when you do the energizing examination after it completes of the repair.



Please never do the energizing examination in a power supply of power IC alone.

Moreover, when the control system breaks down, power IC is occasionally damaged.

SECTION 2 SPECIFIC SERVICE INSTRUCTIONS

This service manual does not describe SPECIFIC SERVICE INSTRUCTIONS.

SECTION 3 DISASSEMBLY

3.1 Main body section

3.1.1 Removing the top cover

(See Figs.1 and 2)

- (1) From the both sides of the main body, remove the four screws **A** attaching the top cover. (See Fig.1)
- (2) From the back side of the main body, remove the five screws **B** and screw **C** attaching the top cover. (See Fig.2)
- (3) Remove the top cover in the direction of the arrow. (See Fig.1.)

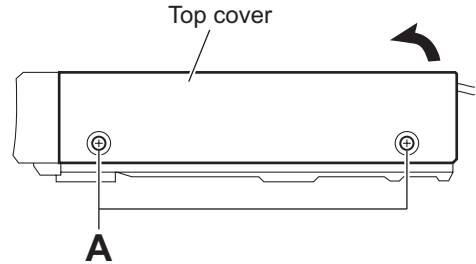


Fig.1

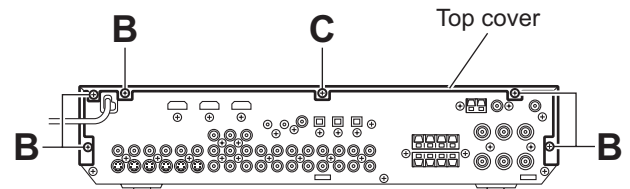


Fig.2

3.1.2 Removing the HDMI board

(See Fig.3)

- Remove the top cover.
 - (1) From the back side of the main body, remove the three screws **D** attaching the HDMI board to the rear panel.
 - (2) From the top side of the main body, remove the screw **E** attaching the HDMI board to the support bracket.
 - (3) Disconnect the card wires from the connectors ([CN731](#), [CN732](#), [CN762](#)) on the HDMI board.
 - (4) Take out the HDMI board from the main body and disconnect the parallel wires from the connectors ([CN771](#), [CN772](#)) on the reverse side of the HDMI board.

Reference:

Remove the shield from the HDMI board as required.

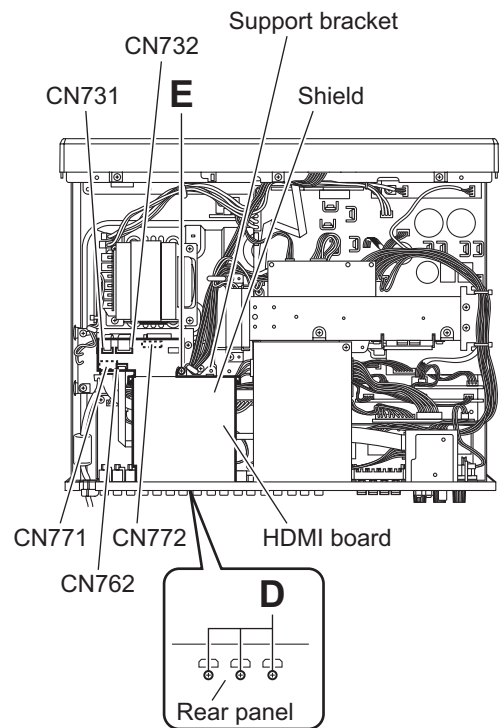


Fig.3

3.1.3 Removing the front panel assembly (See Figs.4 and 5)

- Remove the top cover and HDMI board.
 - From the top side of the main body, remove the tie band bundling the wires. (See Fig.4.)

Reference:

After reassembling, bundle the wires with a new tie band as before. (See Fig.4.)

- Release the wire holders bundling the wires. (See Fig.4)
- Disconnect the card wire from the connector **CN102** on the main amplifier board. (See Fig.4)
- Disconnect the wire from the connector **CN351** on the main amplifier board. (See Fig.4)
- Disconnect the wire from the connector **CN552** on the input board. (See Fig.4)
- Disconnect the wire from the connector **CN661** on the DSP board. (See Fig.4)
- Remove the three screws **F** attaching the front panel assembly. (See Fig.4)
- Remove the screw **F** attaching the OSD connect 2 board. (See Fig.4)
- From the bottom side of the main body, remove the four screws **F** attaching the front panel assembly. (See Fig.5)
- Release the joints **a** and remove the front panel assembly in the direction of the arrow. (See Fig.5)

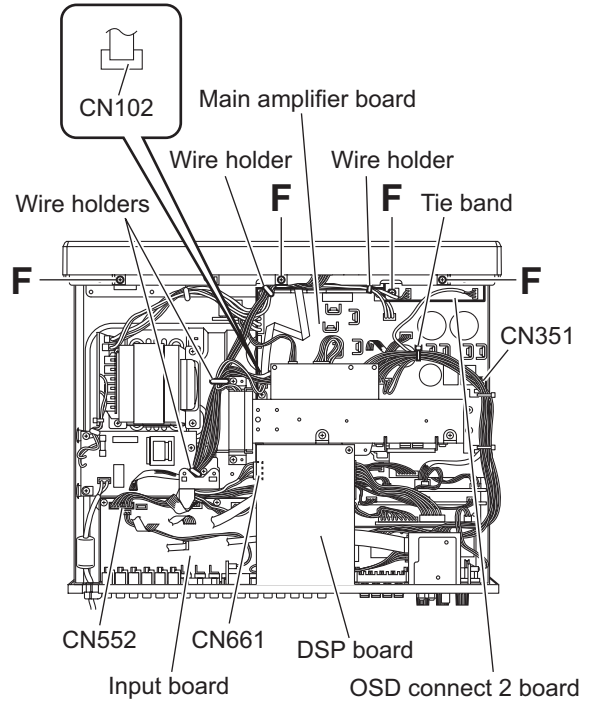


Fig.4

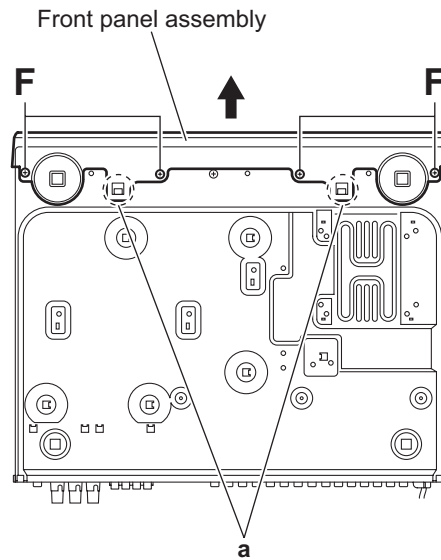


Fig.5

3.1.4 Removing the rear panel (See Fig.6)

- Remove the top cover.
 - (1) From the back side of the main body, remove the strain relief from the rear panel in the direction of the arrow and remove the power cord.
 - (2) Remove the three screws **G** and twenty-seven screws **H** attaching the rear panel.

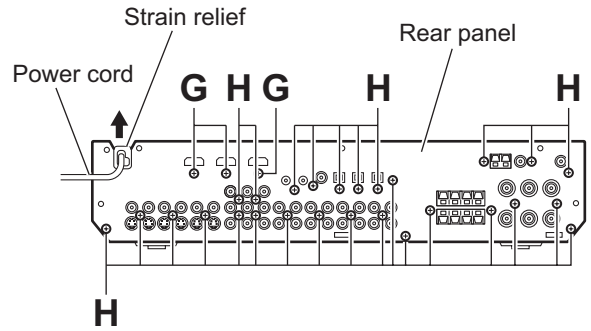


Fig.6

3.1.5 Removing the tuner (See Fig.7)

- Remove the top cover.
 - (1) From the top side of the main body, disconnect the card wire from the connector **CN1** on the tuner.
 - (2) From the back side of the main body, remove the two screws **J** attaching the tuner to the rear panel and take out the tuner.

3.1.6 Removing the subwoofer board (See Fig.7)

- Remove the top cover.
 - (1) From the top side of the main body, disconnect the wire from the connector **CN524** on the subwoofer board.
 - (2) From the back side of the main body, remove the screw **K** attaching the subwoofer board to the rear panel and take out the subwoofer board.

3.1.7 Removing the DSP board (See Fig.7)

- Remove the top cover.
 - (1) From the back side of the main body, remove the five screws **M** attaching the DSP board to the rear panel.
 - (2) Remove the screw **N** attaching the DSP board.
 - (3) Disconnect the DSP board from the DSP connect board while releasing the claw **b** of the connector **CN681** on the DSP board.

Note:

When releasing the claw **b**, take care not to break it.

- (4) Take out the DSP board and disconnect the wires from the connectors (**CN661**, **CN682**, **CN683**) on the forward side of the DSP board.
- (5) Disconnect the card wires from the connectors (**CN651**, **CN652**) on the forward side of the DSP board.

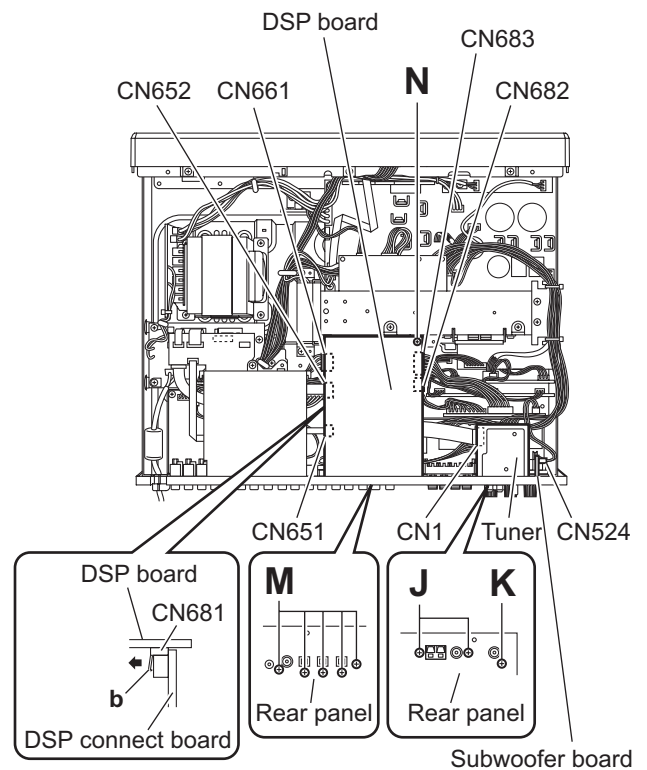


Fig.7

3.1.8 Removing the compulink board (See Fig.8)

- Remove the top cover and HDMI board.
 - (1) From the top side of the main body, disconnect the wire from the connector [CN565](#) on the compulink board.
 - (2) From the back side of the main body, remove the screw **P** attaching the compulink board to the rear panel and take out the compulink board.

3.1.9 Removing the primary board (See Fig.8)

- Remove the top cover and HDMI board.
 - (1) From the top side of the main body, remove the screw **Q** attaching the support bracket on the chassis base.
 - (2) Release the wire holders and disconnect the wire from the connector [CN101](#) on the main amplifier board.
 - (3) Disconnect the power cord from the connector [CN120](#) on the primary board.
 - (4) Remove the two screws **R** and two screws **R'** attaching the primary board.

Reference:

When attaching the screws **R'**, attach the wire holders with them as before.

- (5) Take out the primary board from the main body and remove the wires from the soldered sections **c** on the reverse side of the primary board.

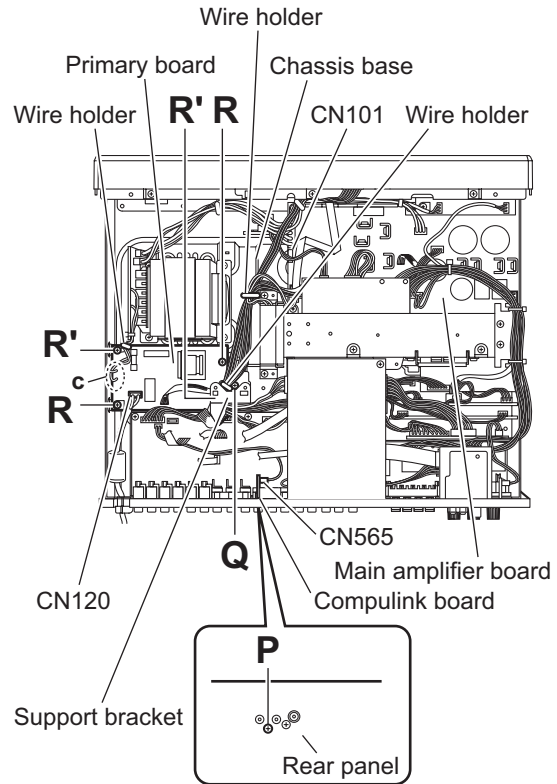


Fig.8

3.1.10 Removing the power transformer (See Fig.9)

- Remove the top cover.
 - From the top side of the main body, remove the tie band bundling the wires.

Reference:

After reassembling, bundle the wires with a new tie band as before.

- Release the wire holders to remove the wires.
- Disconnect the wires from the connectors (CN106, CN111) on the main amplifier board.
- Remove the soldered sections **d** and remove the wires.
- Remove the four screws **S** and take out the power transformer from the main body.

3.1.11 Removing the trans primary board (See Fig.9)

- Remove the top cover.
 - From the top side of the main body, remove the tie band bundling the wires.

Reference:

After reassembling, bundle the wires with a new tie band as before.

- Remove the wires from the soldered sections **d** and remove the wires.
- Remove the solders from the soldered sections **e** and remove the trans primary board.

3.1.12 Removing the trans secondary board (See Fig.9)

- Remove the top cover.

Reference:

Take out the power transformer from the main body as required.

From the side of the power transformer, remove the solders from the soldered sections **f** and remove the trans secondary board.

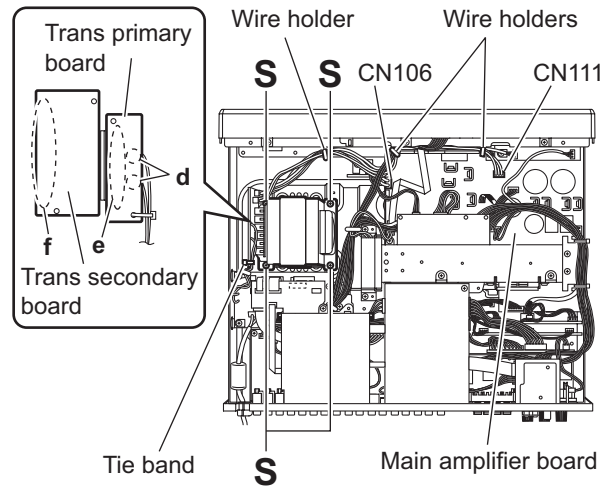


Fig.9

3.1.13 Removing the DCDC control board (See Fig.10)

- Remove the top cover.

From the top side of the main body, disconnect the DCDC control board from the main amplifier board in an upward direction while releasing the claw **g** of the connector **CN152** on the main amplifier board.

Note:

When releasing the claw **g**, take care not to break it.

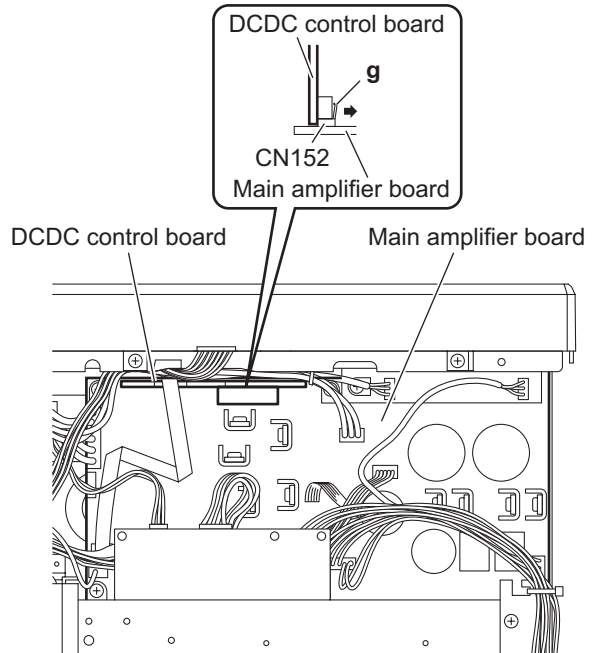


Fig.10

3.1.14 Removing the PWM modulation 1 board (See Fig.11)

- Remove the top cover.

- (1) Disconnect the wire from the connector **CN413** on the PWM modulation 2 board.
- (2) Disconnect the wires from the connectors (**CN311**, **CN312**, **CN313**) on the PWM modulation 1 board.
- (3) Disconnect the PWM modulation 1 board from the main amplifier board in an upward direction while releasing the claw **h** of the connector **CN302** on the main amplifier board.

Note:

When releasing the claw **h**, take care not to break it.

3.1.15 Removing the PWM modulation 2 board (See Fig.11)

- Remove the top cover.

- (1) From the top side of the main body, disconnect the wires from the connectors (**CN411**, **CN412**, **CN413**) on the PWM modulation 2 board.
- (2) Disconnect the PWM modulation 2 board from the main amplifier board in an upward direction while releasing the claw **j** of the connector **CN402** on the main amplifier board.

Note:

When releasing the claw **j**, take care not to break it.

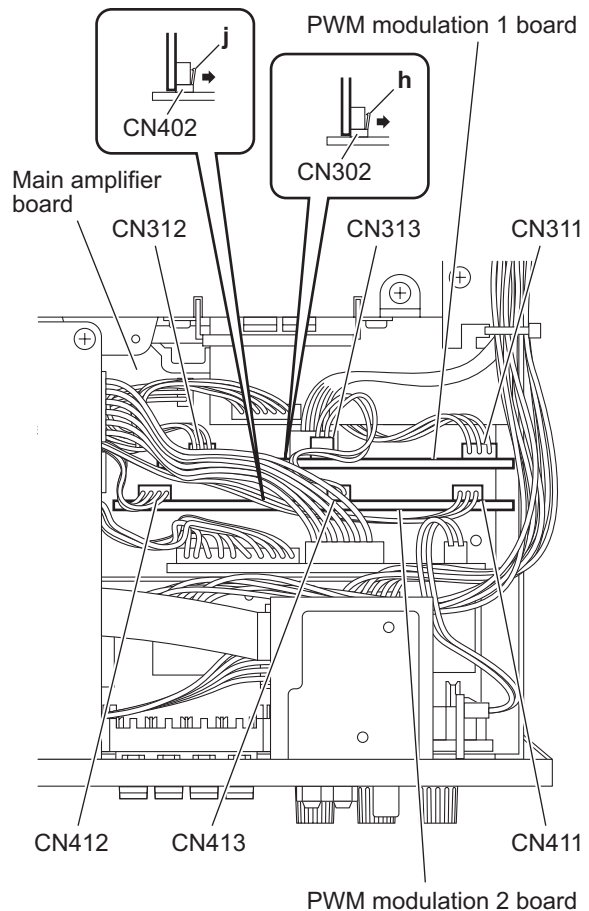


Fig.11

3.1.16 Removing the cooling fan (See Fig.12.)

- Remove the top cover.
 - Disconnect the wire from the connector [CN103](#) on the main amplifier board.
 - Remove the screw **T** and screw **T'**.

Reference:

When attaching the screw **T'**, attach the wire holder with it.

- Take out the cooling fan assembly.
- Remove the four screws **U** attaching the cooling fan to the fan bracket.

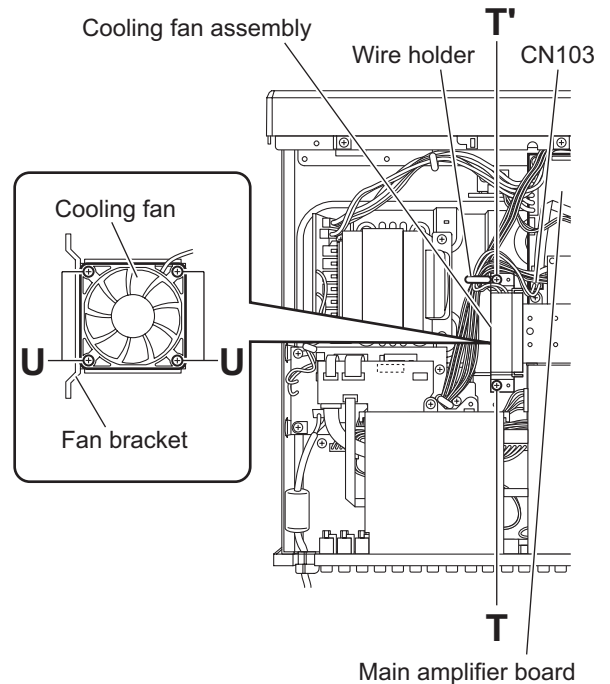


Fig.12

3.1.17 Removing the speaker terminal 1 and speaker terminal 2 boards (See Fig. 13)

- Remove the top cover and rear panel.

Reference:

Remove the tuner, subwoofer board and DSP board as required.

- From the top side of the main body, disconnect the wire from the connector [CN265](#) on the speaker terminal 1 board.
- Disconnect the parallel wire from the connector [CN465](#) on the speaker terminal 1 board.
- Take out the speaker terminal 1 board from the main body.
- Disconnect the wires from the connectors ([CN209](#), [CN262](#)) on the speaker terminal 2 board.
- Take out the speaker terminal 2 board from the main body.

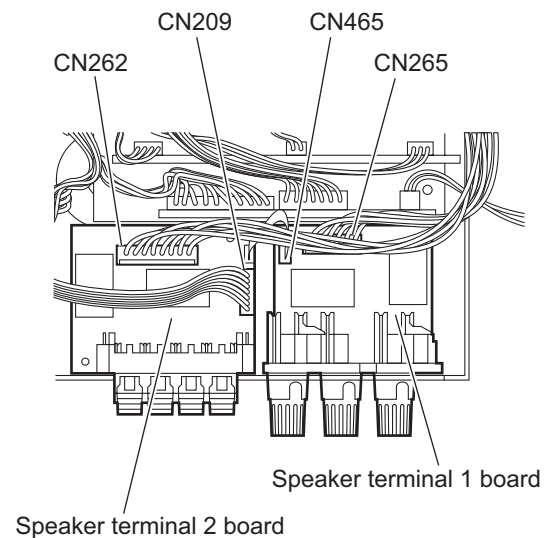


Fig.13

3.1.18 Removing the DSP connect board (See Fig.14)

- Remove the top cover, tuner and DSP board.
 - Disconnect the wire from the connector [CN209](#) on the speaker terminal 2 board.
 - Disconnect the DSP connect board from the input board in an upward direction while releasing the claw **k** of the connector [CN502](#) on the input board.

Note:

When releasing the claw **k**, take care not to break it.

- Disconnect the connector [CN516](#) on the DSP connect board from the input board.

3.1.19 Removing the OSD connect 1 board (See Fig.14)

- Remove the top cover, tuner and DSP board.
 - Disconnect the wire from the connector [CN524](#) on the subwoofer board.
 - Disconnect the wire from the connector [CN513](#) on the OSD connect 1 board.
 - Disconnect the OSD connect 1 board from the main amplifier board in an upward direction while releasing the claw **m** of the connector [CN222](#) on the main amplifier board.

Note:

When releasing the claw **m**, take care not to break it.

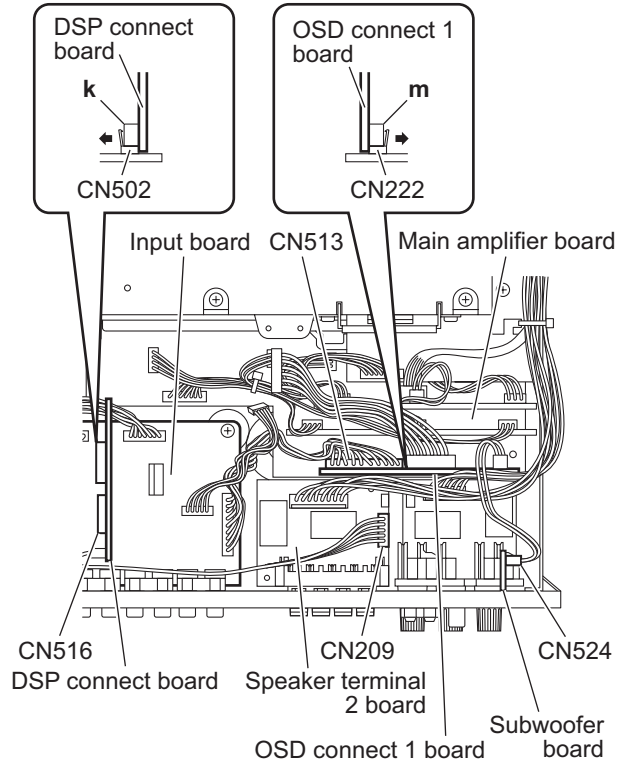


Fig.14

3.1.20 Removing the input board (See Fig. 15)

- Remove the top cover, HDMI board, rear panel, tuner, subwoofer board, DSP board, compulink board and DSP connect board.
 - Disconnect the wire from the connector [CN513](#) on the OSD connect 1 board.
 - Disconnect the wires from the connectors ([CN530](#), [CN531](#), [CN552](#)) on the input board.
 - Disconnect the parallel wire from the connector [CN540](#) on the input board.
 - Remove the three screws **V** and take out the input board from the main body.

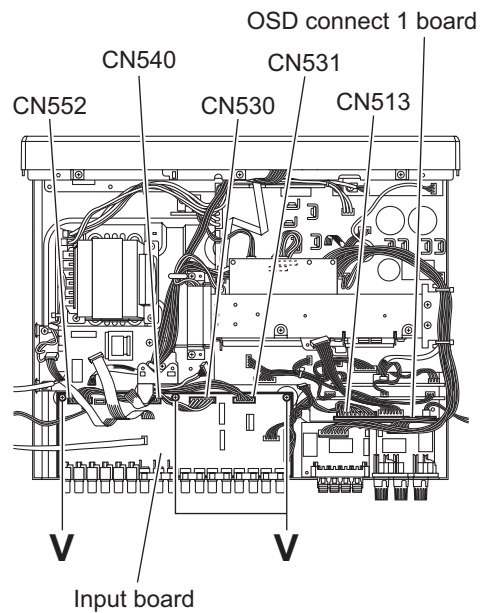


Fig.15

3.1.21 Removing the master clock board (See Fig.16)

- Remove the top cover, tuner, DSP board, PWM modulation 1 board, PWM modulation 2 board and OSD connect 1 board.
 - From the top side of the main body, remove the tie band bundling the wires.

Reference:

After reassembling, bundle the wires with a new tie band as before.

- Disconnect the wire from the connector [CN201](#) on the main amplifier board.
- Remove the two screws **W** with a short driver and remove the transistor hold from the joints **n** of the heat sink.
- Take out the master clock board from the main body.

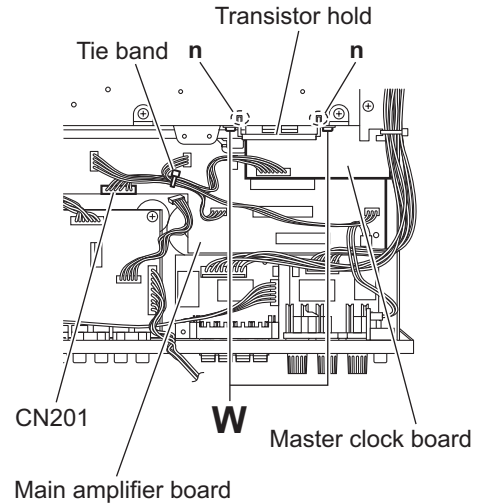


Fig.16

3.1.22 Removing the HDMI-Regulator board (See Fig.17)

- Remove the top cover.
 - From the top side of the main body, disconnect the wire from the connector [CN117](#) on the forward side of the regulator board.
 - Remove the two screws **X** attaching the HDMI-Regulator board on the chassis base.
 - Take out the HDMI-Regulator board from the main body.

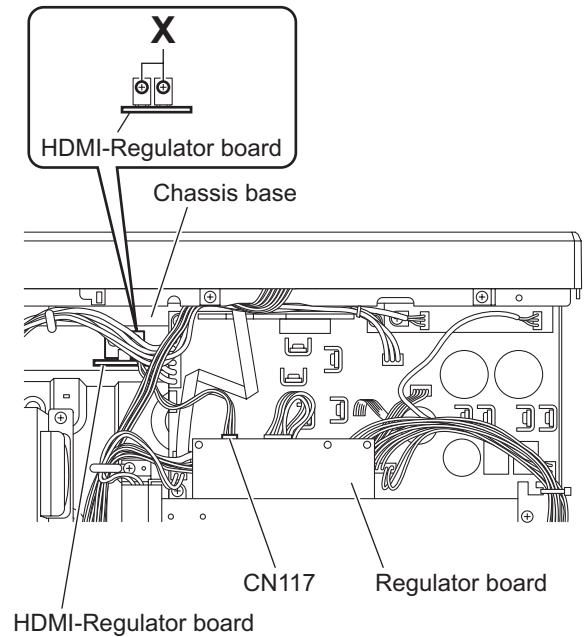


Fig.17

3.1.23 Removing the main amplifier board (See Figs.18 and 19)

- Remove the top cover, HDMI board, front panel assembly, tuner, DSP board, DCD control board, PWM modulation 1 board, PWM modulation 2 board, OSD connect 1 board and master clock board.
- (1) Disconnect the wire from the connector [CN265](#) on the speaker terminal 1 board. (See Fig.18.)
- (2) Disconnect the wire from the connector [CN262](#) on the speaker terminal 2 board. (See Fig.18.)
- (3) Disconnect the wires from the connectors ([CN103](#), [CN106](#), [CN111](#)) on the main amplifier board. (See Fig.18.)
- (4) Disconnect the parallel wire from the connector [CN101](#) on the main amplifier board. (See Fig.18.)
- (5) Disconnect the wire from the connector [CN117](#) on the forward side of the regulator board. (See Fig.18.)
- (6) Disconnect the wires from the connectors ([CN530](#), [CN531](#)) on the input board. (See Fig.19.)
- (7) Disconnect the parallel wire from the connector [CN540](#) on the input board. (See Fig.19.)
- (8) Remove the four screws **Y** and two screws **Z**. (See Fig.19.)
- (9) Take out the main amplifier board with the regulator board from the main body. (See Fig.19.)

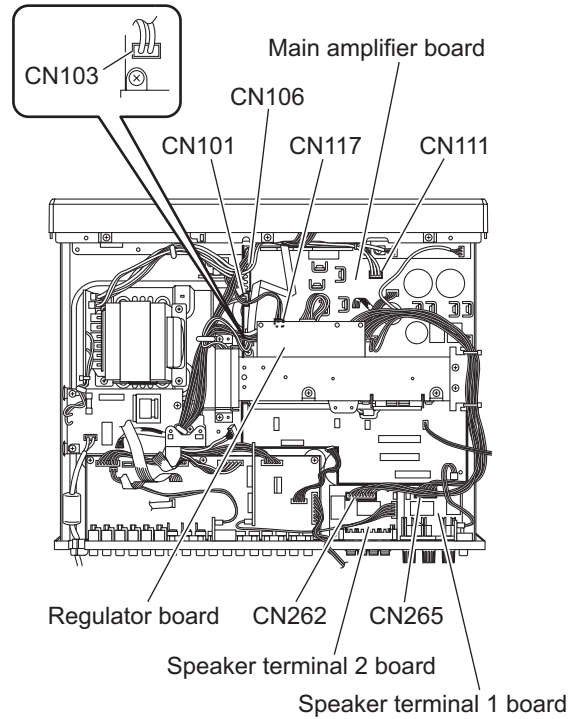


Fig.18

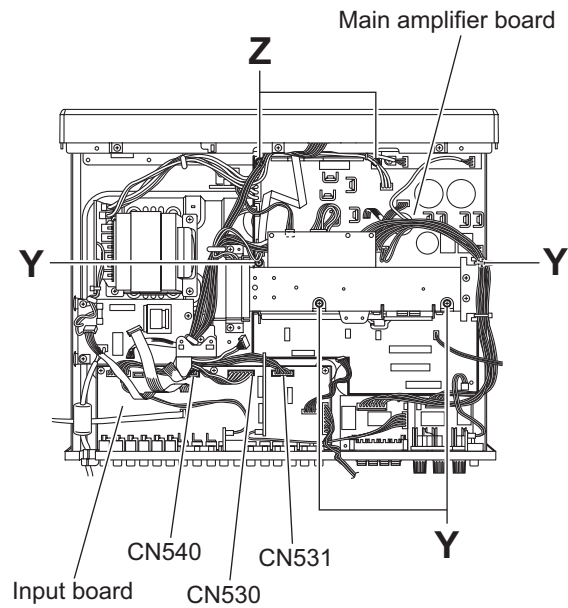


Fig.19

3.1.24 Removing the regulator board

(See Fig.20)

- Remove the top cover, HDMI board, front panel assembly, tuner, DSP board, DCD control board, PWM modulation 1 board, PWM modulation 2 board, OSD connect 1 board, master clock board and main amplifier board.
 - From the forward side of the main amplifier board, disconnect the wire from the connector [CN105](#).
 - Disconnect the wire from the connector [CN114](#) on the regulator board.
 - Remove the two screws **AA** attaching the regulator board.

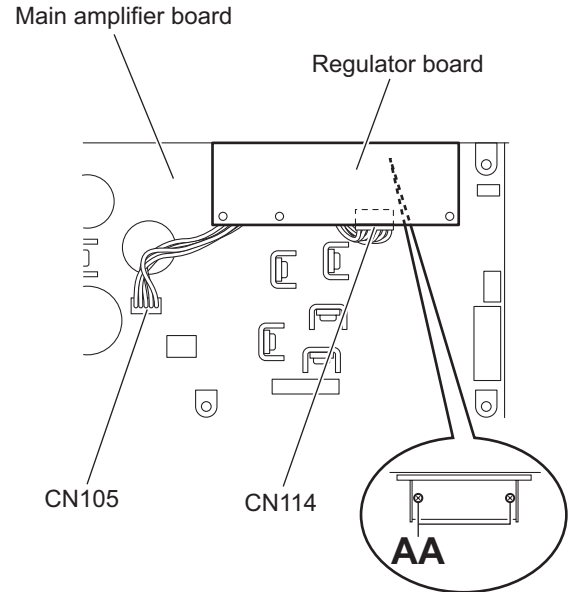


Fig.20

3.1.25 Removing the heat sink

(See Fig.21)

- Remove the top cover, HDMI board, front panel assembly, tuner, DSP board, DCD control board, PWM modulation 1 board, PWM modulation 2 board, OSD connect 1 board, master clock board and main amplifier board.
 - From the forward side of the main amplifier board, remove the screw **AB** and remove the wire holder board with the wires.
 - Remove the five screws **AC** to remove the heat sink.

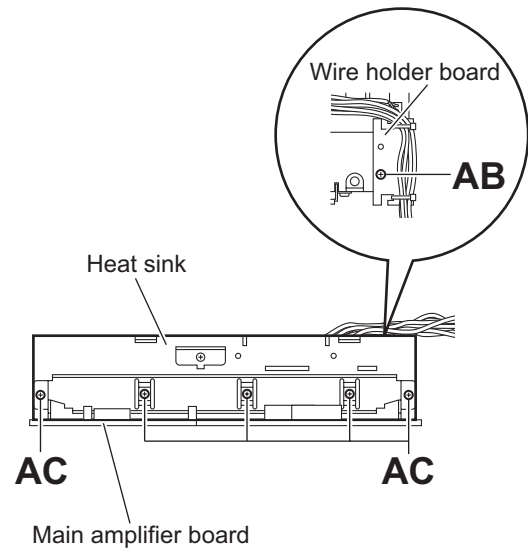


Fig.21

3.2 Front panel assembly section

- Remove the front panel assembly.
(See "3.1.3 Removing the front panel assembly".)

3.2.1 Removing the JOG board (See Figs. 1 and 2)

- From the inside of the front panel assembly, remove the four screws **A** attaching the JOG board. (See Fig.1.)
- Take out the JOG board while lifting it from the front panel assembly little by little.

Reference:

The MASTER VOLUME knob and SOURCE SELECTOR knob are removed from the front side simultaneously. (See Fig.2.)

- From the forward side of the JOG board, disconnect the wire from the connector [CN913](#). (See Fig.1)

3.2.2 Removing the OSD connect 2 board (See Fig. 1)

- From the inside of the front panel assembly, remove the two screws **A** attaching the OSD connect 2 board.
- Disconnect the wire from the connector [CN914](#) on the FL board.

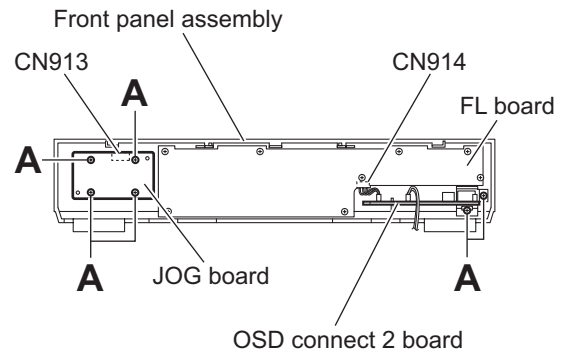


Fig.1

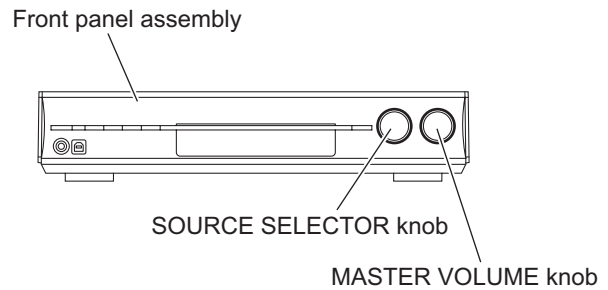


Fig.2

3.2.3 Removing the FL board (See Fig. 3)

- Remove the JOG board.
 - Remove the eight screws **A** and take out the FL board.
 - Disconnect the wire from the connector [CN914](#) on the FL board.

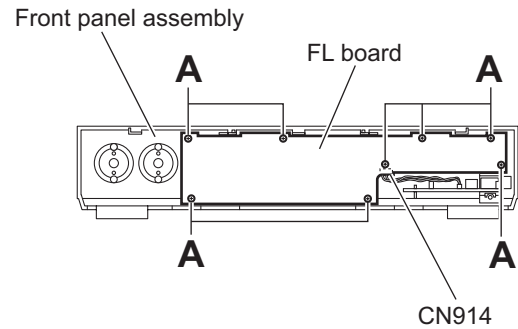


Fig.3

SECTION 4 ADJUSTMENT

This service manual does not describe ADJUSTMENT.

SECTION 5 TROUBLESHOOTING

This service manual does not describe TROUBLESHOOTING.



JVC

Victor Company of Japan, Limited

AV & MULTIMEDIA COMPANY AUDIO/VIDEO SYSTEMS CATEGORY 10-1,1chome,Ohwatari-machi,Maebashi-city,371-8543,Japan

(No.MB448)



Printed in Japan
VPT

JVC

SCHEMATIC DIAGRAMS

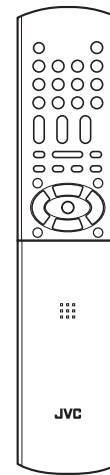
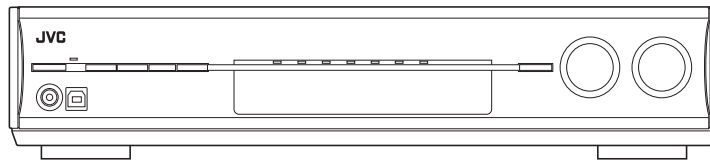
AUDIO / VIDEO CONTROL RECEIVER

RX-D402B, RX-D401S

CD-ROM No.SML200509

Area suffix

J----- U.S.A.



HDMI



AV COMPU LINK

Lead free solder used in the board (material : Sn-Ag-Cu, melting point : 219 Centigrade)

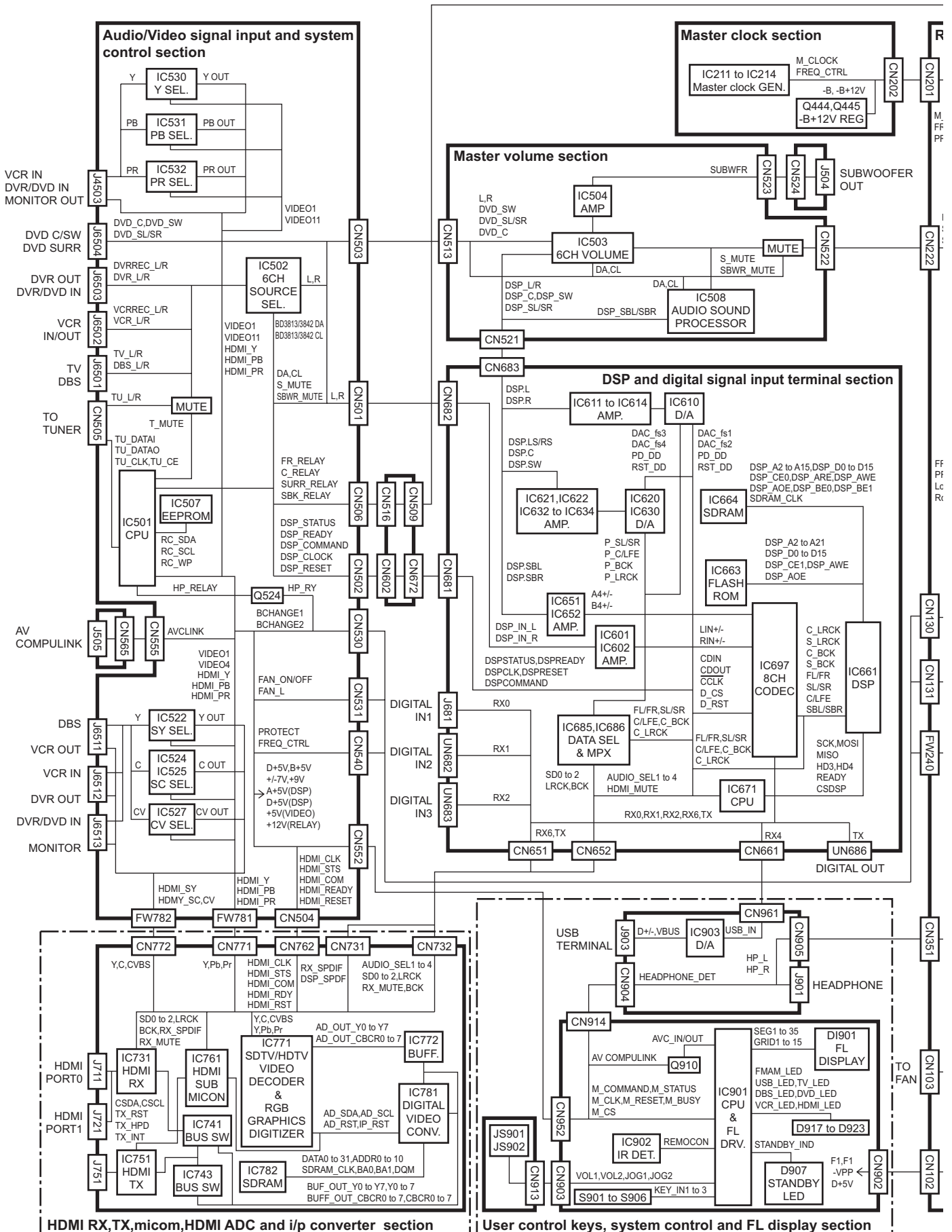
Contents

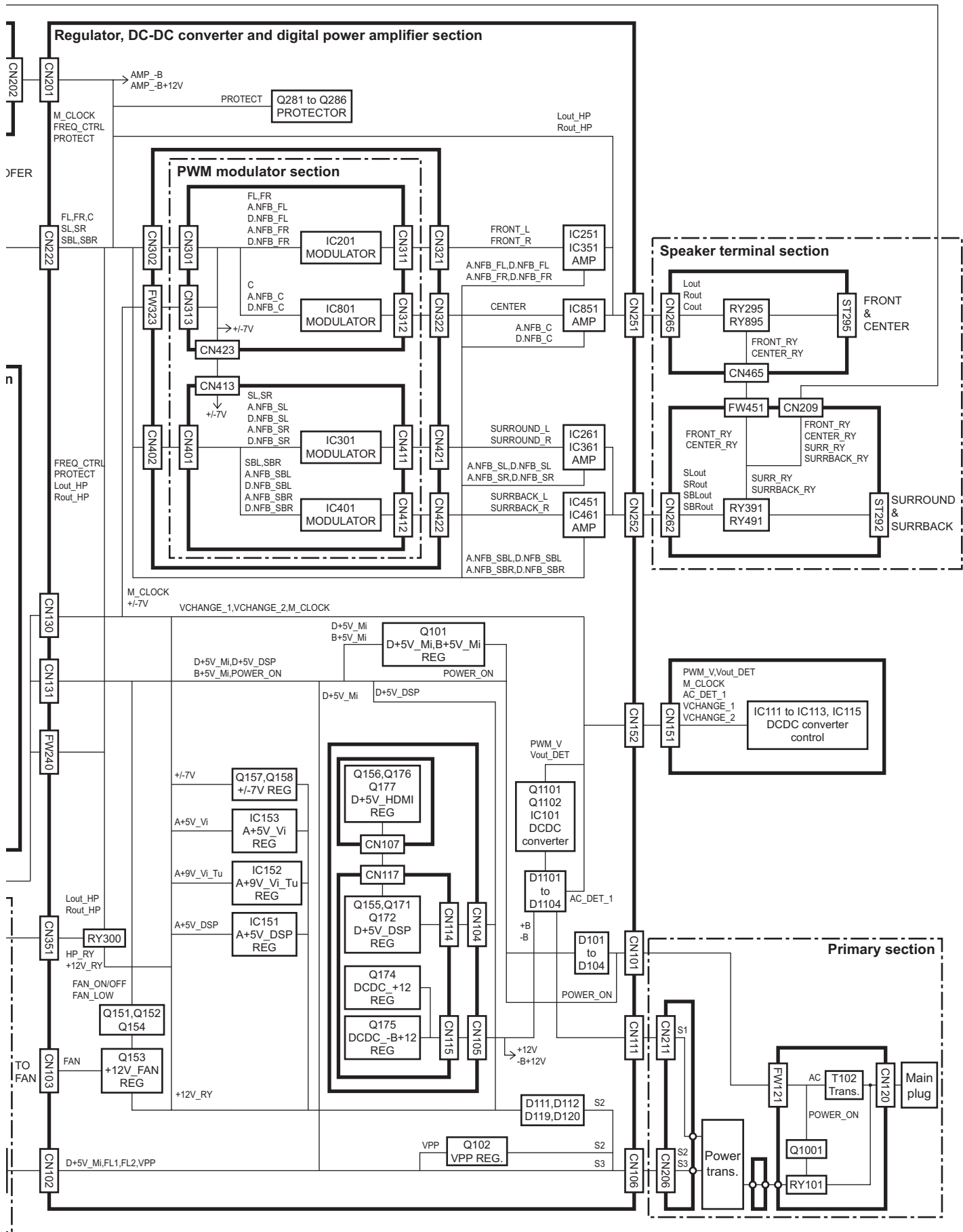
Block diagram	2-1
Standard schematic diagrams	2-3
Printed circuit boards	2-25 to 36

In regard with component parts appearing on the silk-screen printed side (parts side) of the PWB diagrams, the parts that are printed over with black such as the resistor (■), diode (⊣) and ICP (●) or identified by the "⚠" mark nearby are critical for safety.

< MEMO >

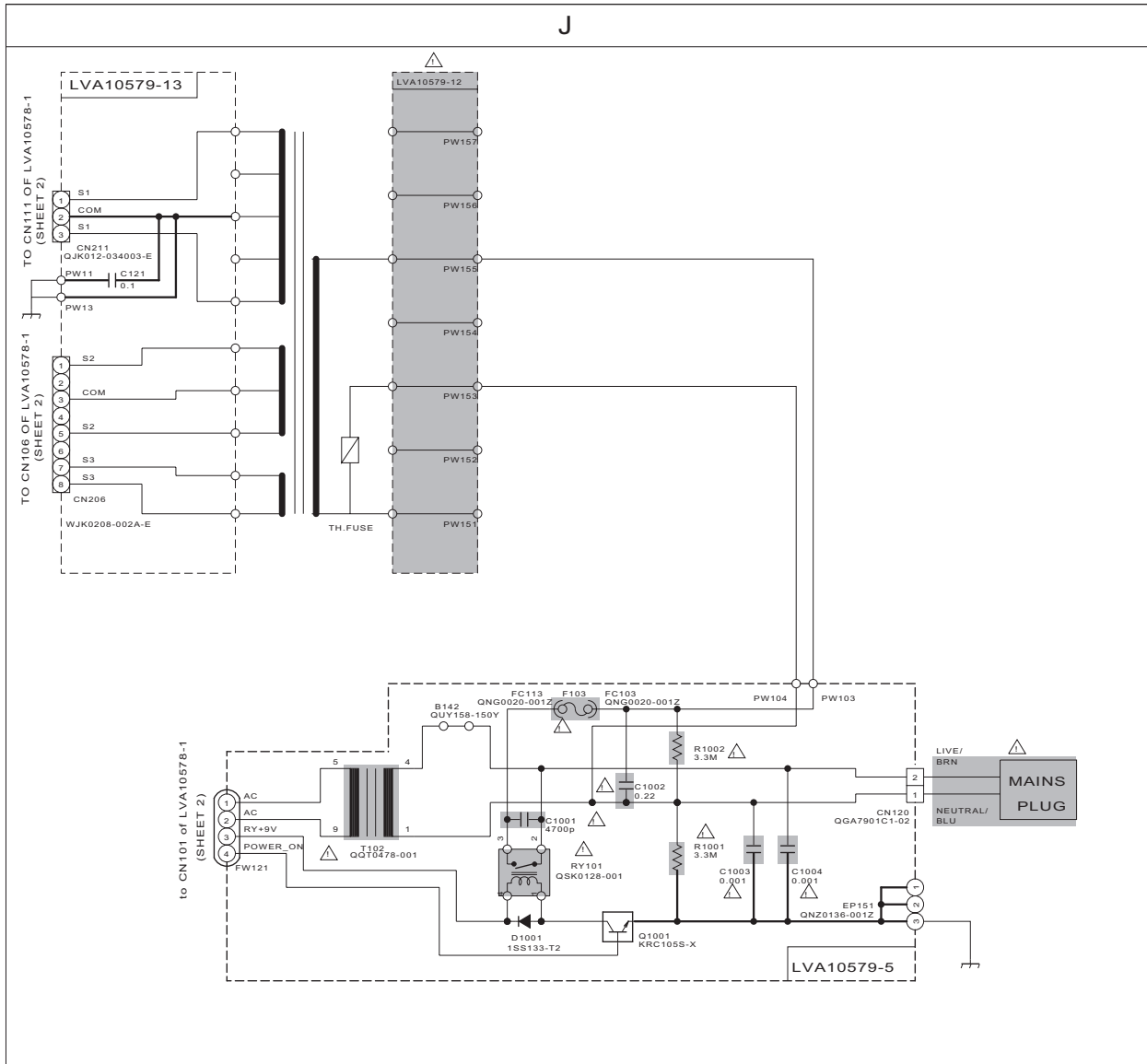
Block diagram





Standard schematic diagrams

■ Primary section



▲ Parts are safety assurance parts.
When replacing those parts make
sure to use the specified one.

J	
F103	OMF51U1-6R3-J8
F104	-

VERSION CODES

J : U.S.A.
C : CANADA

VOLTAGE MEASUREMENT CONDITION

- POWER ON
- SOURCE FM(NO SIGNAL)
- SURROUND OFF
- VOLUME 0

SHEET NUMBER	CIRCUIT DISCRIPTION
1	PRIMARY
2	REGULATOR / DC-DC CONVERTER
3	PWM MODULATOR / MASTER CLOCK
4	DIGITAL POWER AMP / SPKEAKER TERMINAL
5	AUDIO,VIDEO SIGNAL INPUT / SYSTEM CONTROL LSI
6	COMPONENT VIDEO IN/OUT
7	MASTER VOLUME IC
8	USER CONTROL KEYS / SYSTEM CONTROL IC / FL DISPLAY
9	DSP IC / DIGITAL SIGNAL INPUT TERMINAL
10	HDMI RX / TX / MICOM
11	HDMI ADC / i/p CONVERTER

Regulator and DC-DC converter section

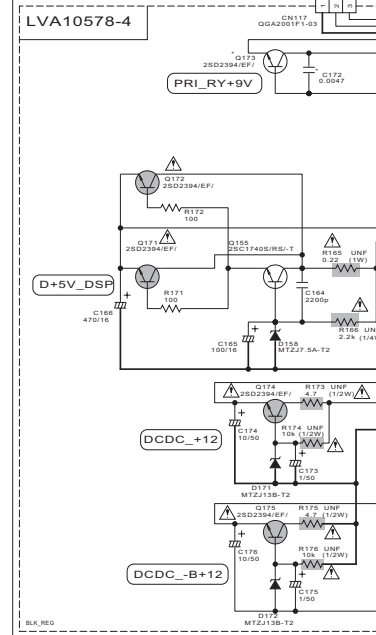
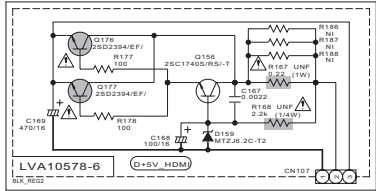
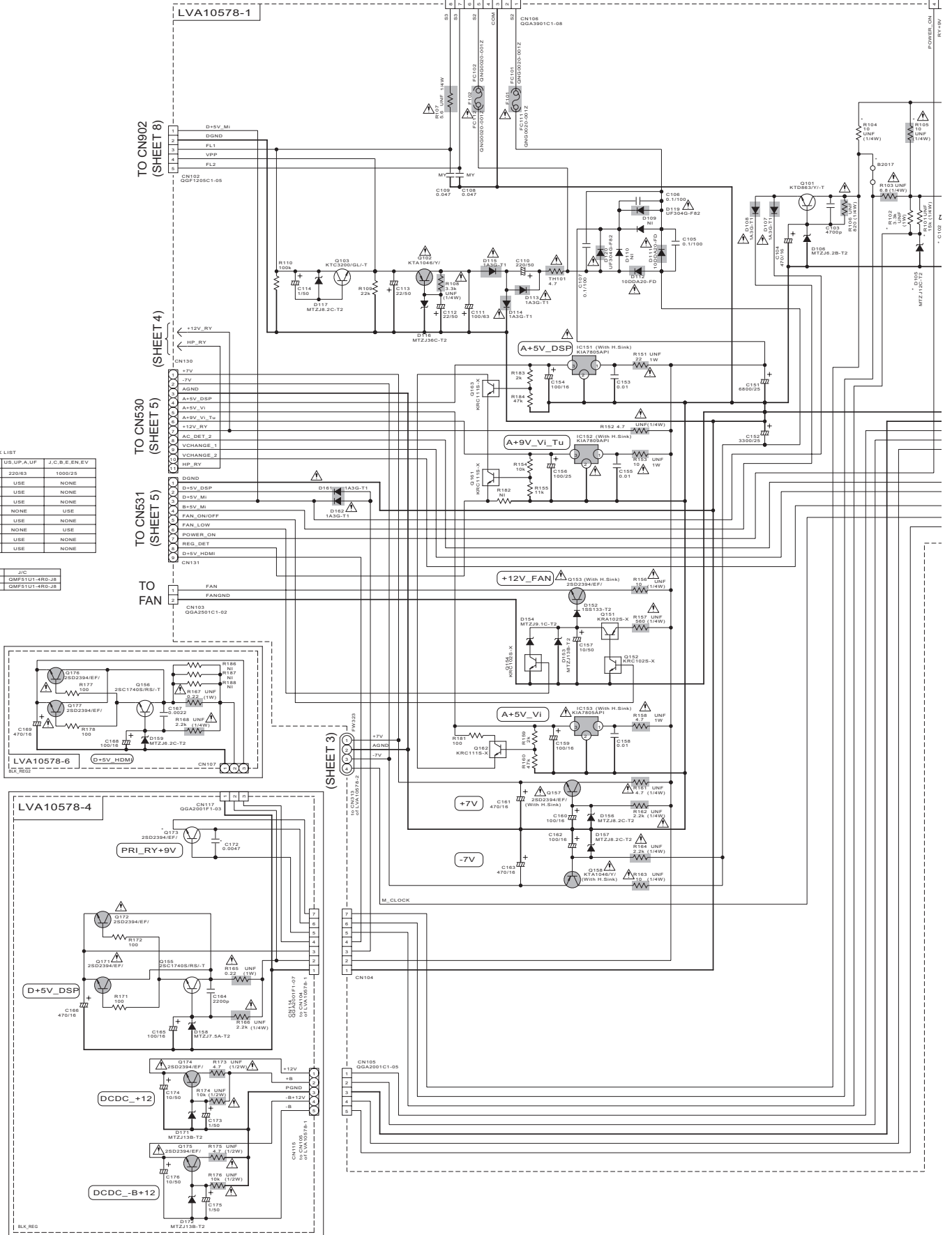
TO CN206
(SHEET 1)

TO I
(SH)

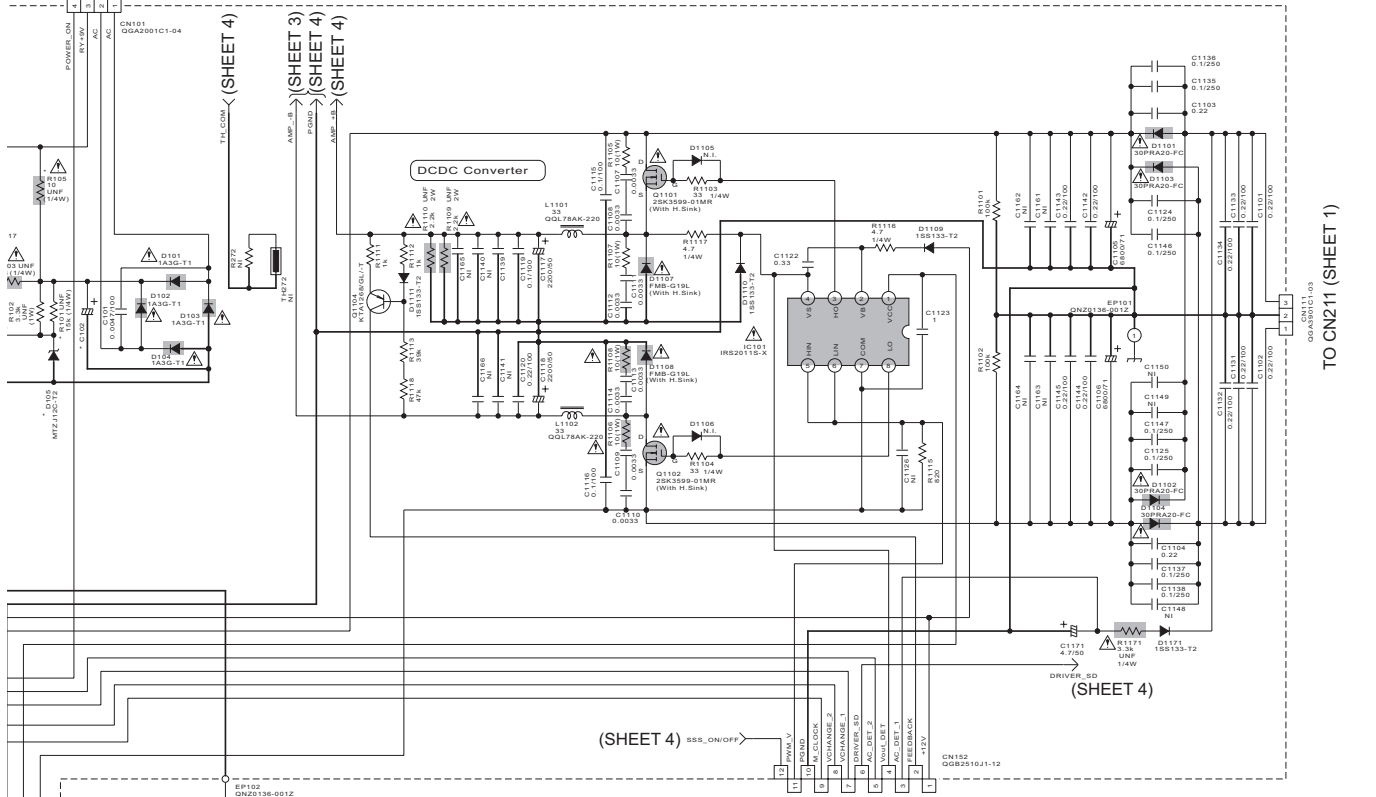
*MARK LIST

US-UP-A-UF	J.C.B.E.EV
C102	220/63 1000/25
R101	USE NONE
R102	USE NONE
R104	USE NONE
R105	USE NONE
D105	USE NONE
B2017	USE NONE
G173	USE NONE
C172	USE NONE

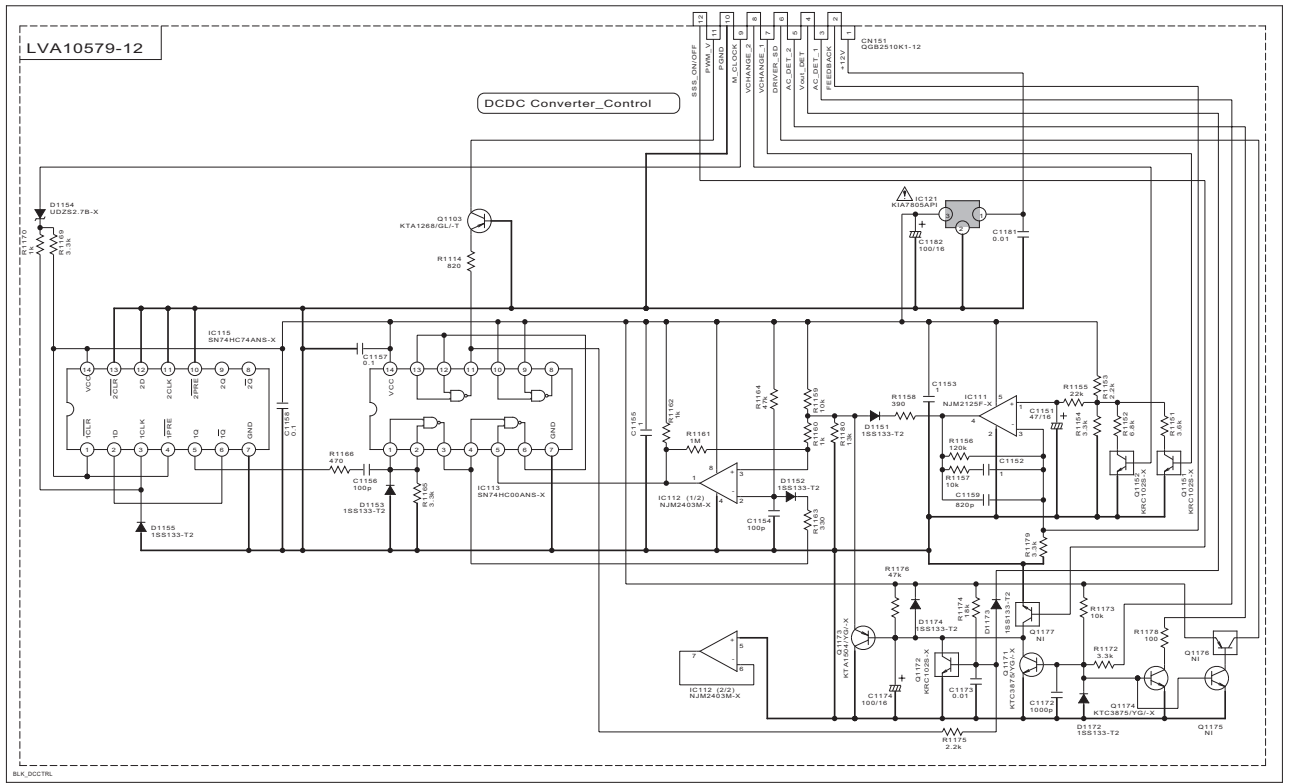
J/C	
F101	QMPF51U1-4RD-08
F102	QMPF51U1-4RD-08



TO FW121
(SHEET 1)

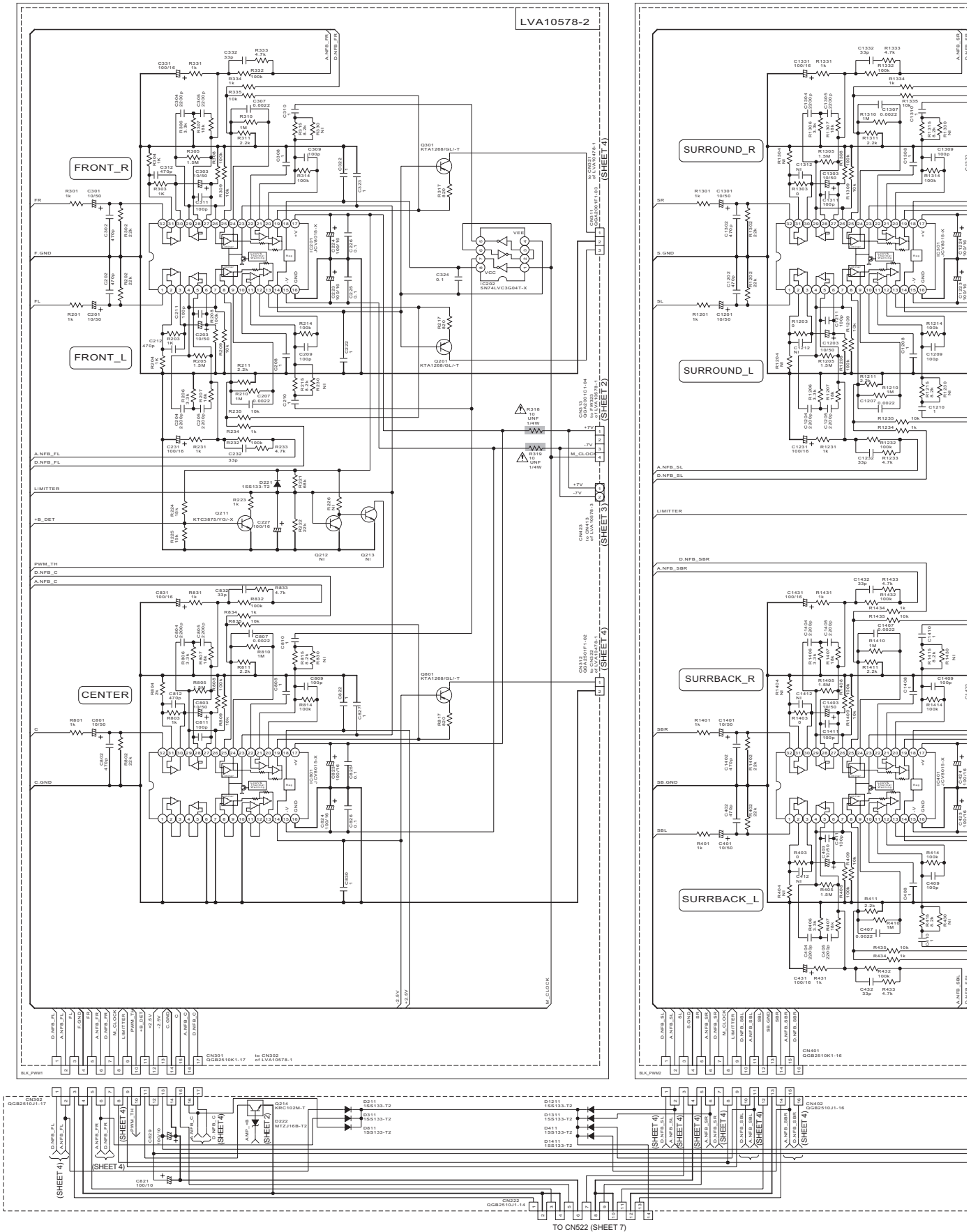


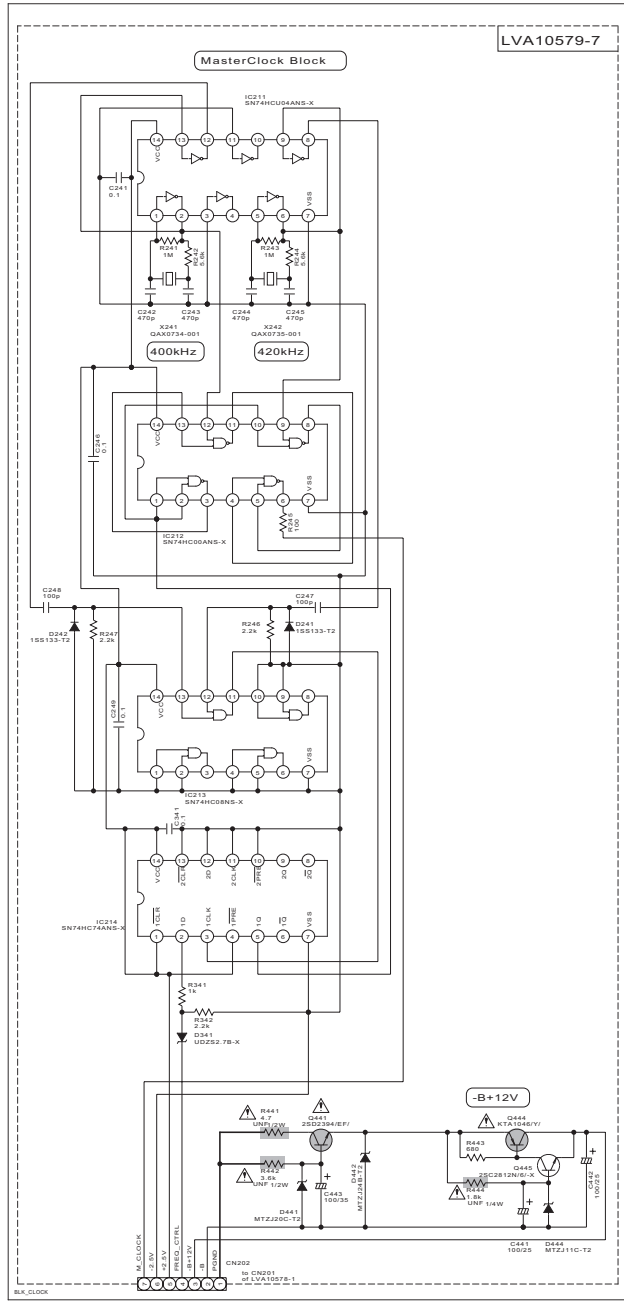
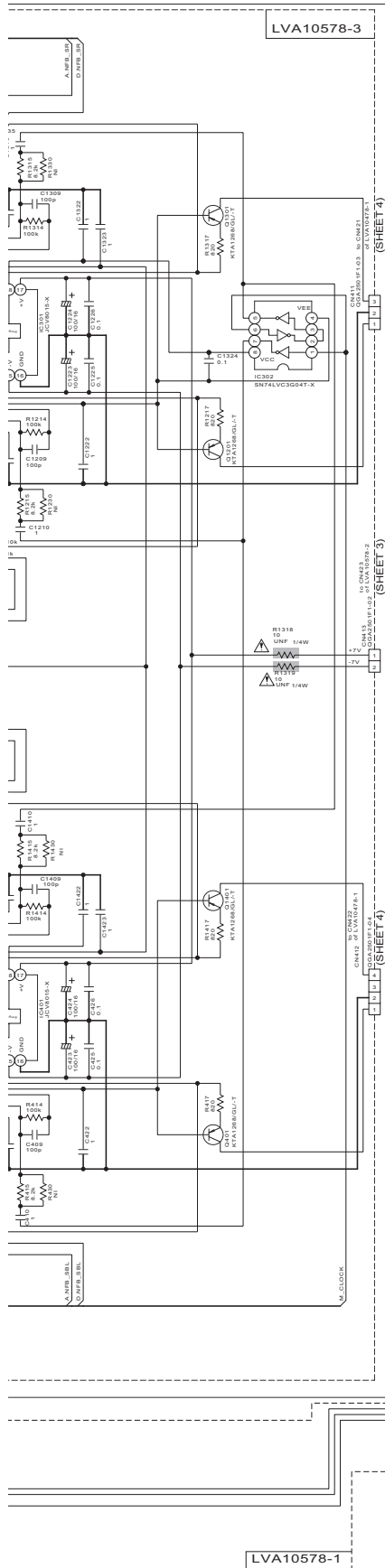
TO CN211 (SHEET 1)



⚠ Parts are safety assurance parts.
When replacing those parts make
sure to use the specified one.

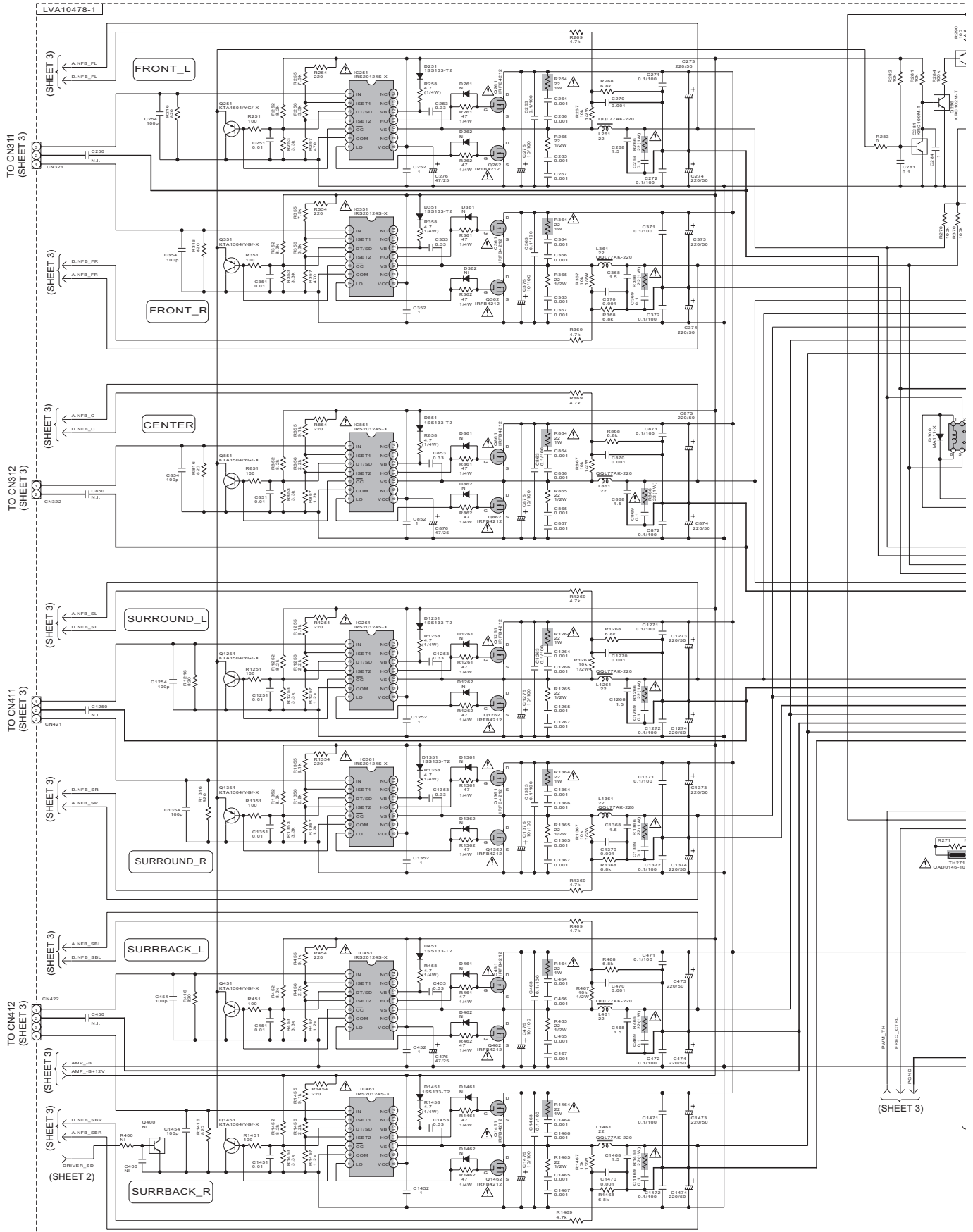
PWM modulator and master clock section

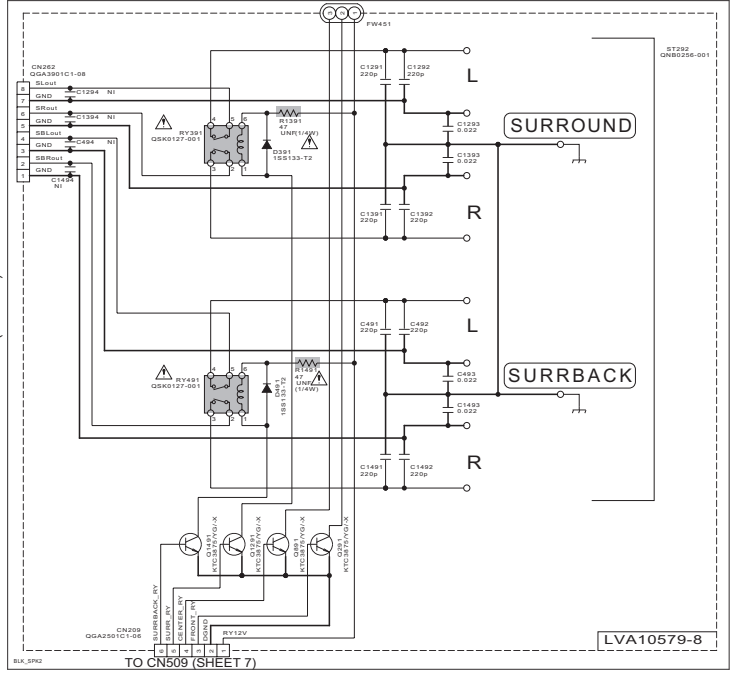
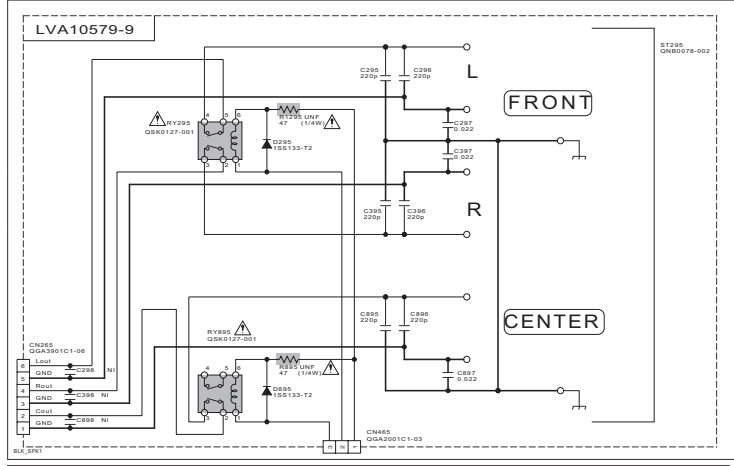
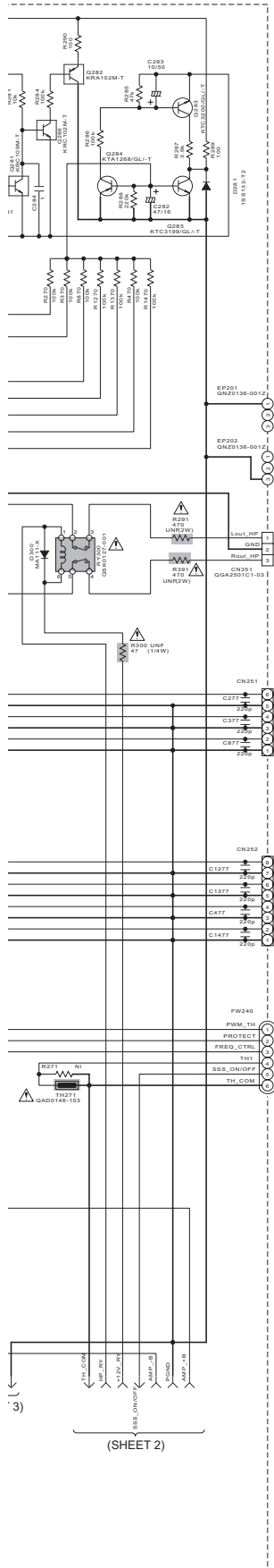




⚠ Parts are safety assurance parts. When replacing those parts make sure to use the specified one.

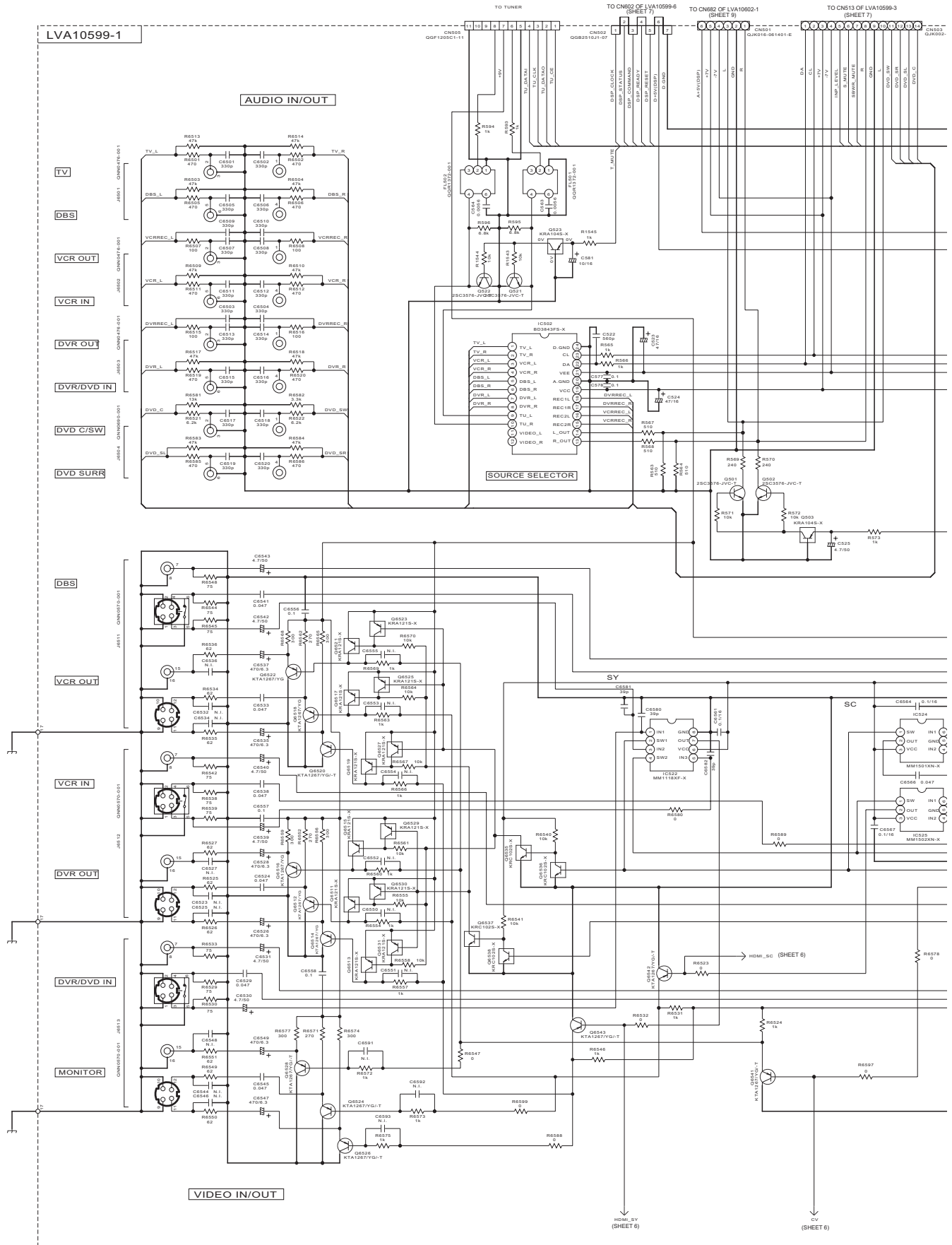
Digital power amplifier and speaker terminal section

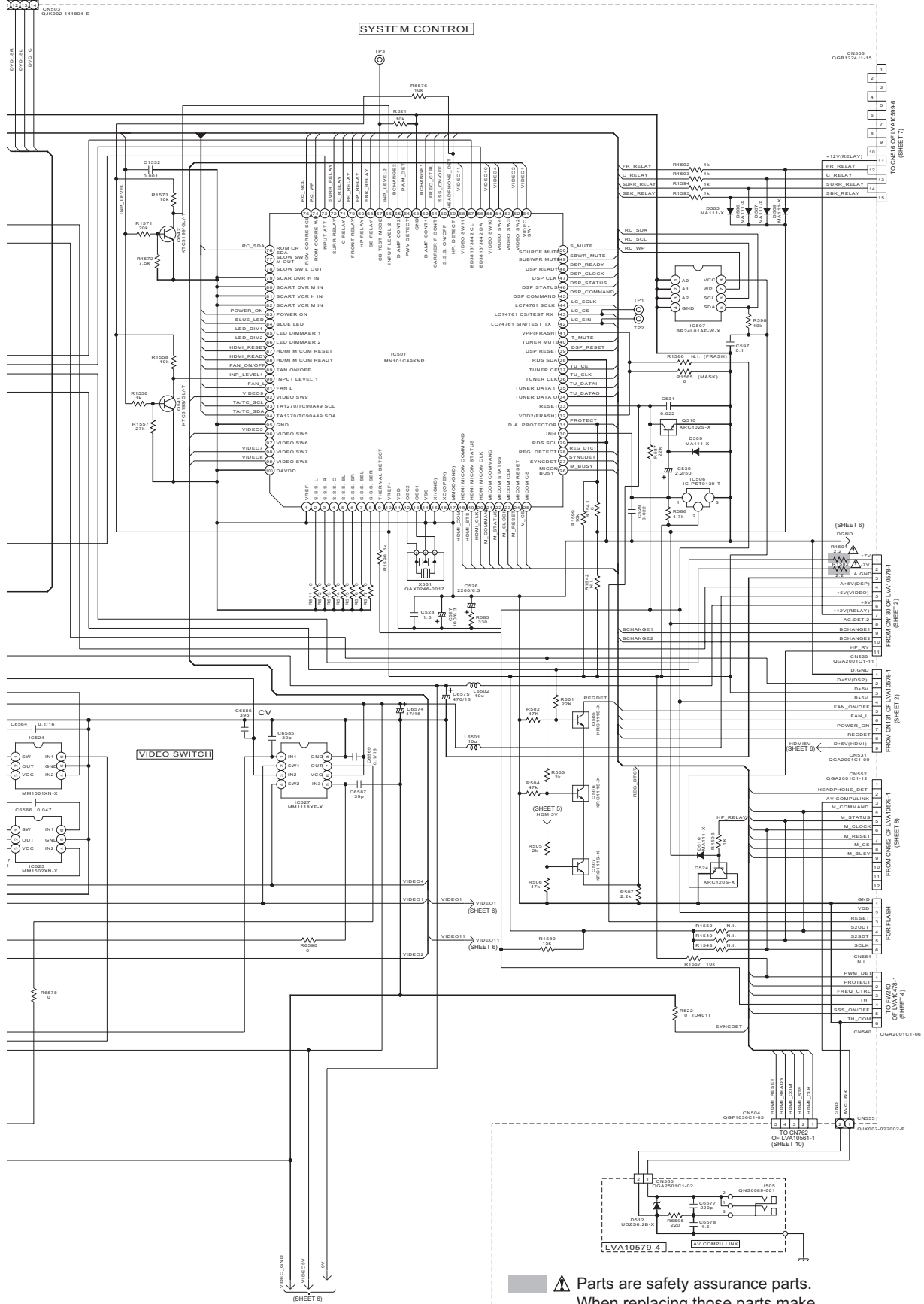




⚠ Parts are safety assurance parts.
When replacing those parts make
sure to use the specified one.

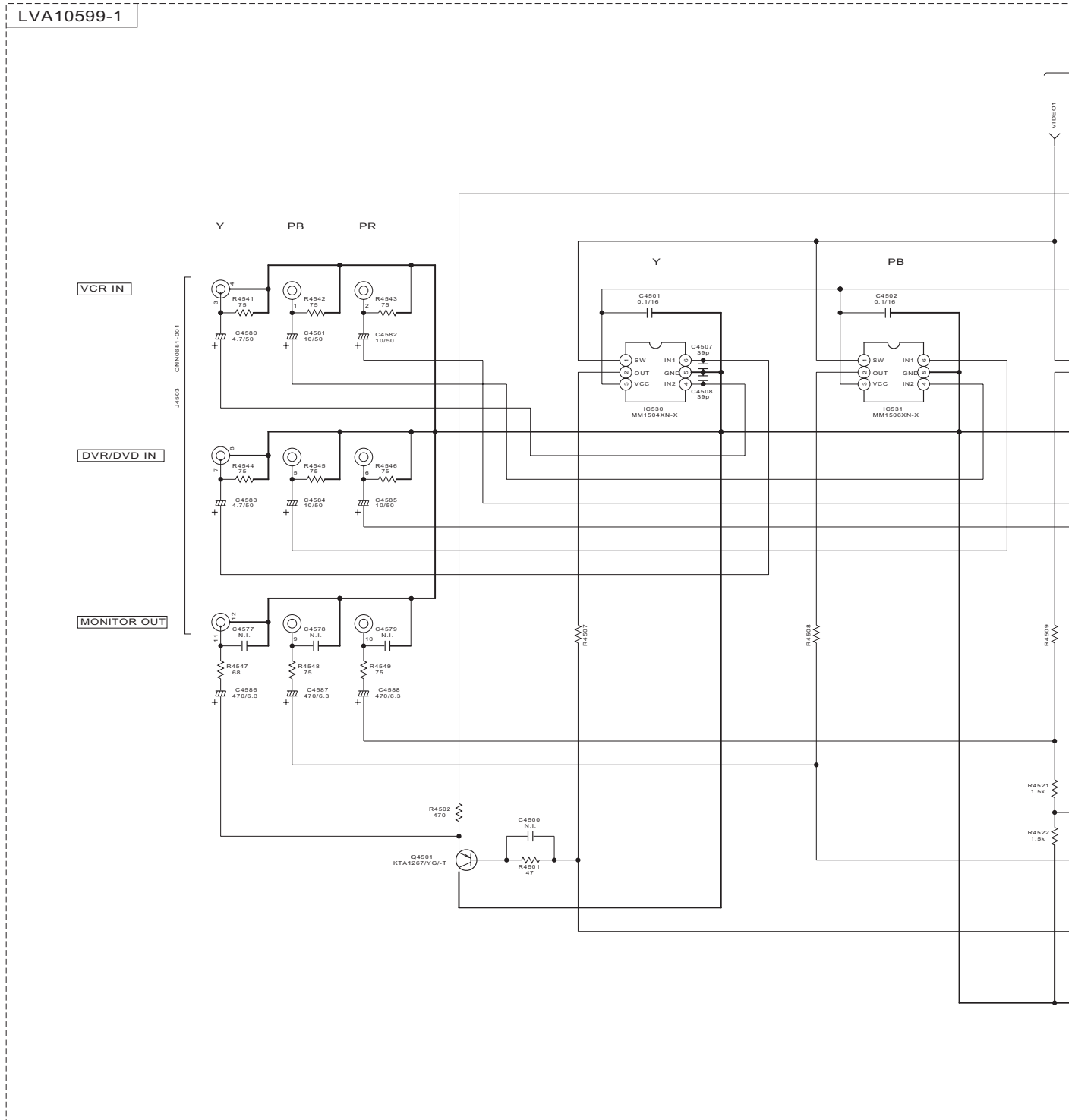
Audio/Video signal input and system control section

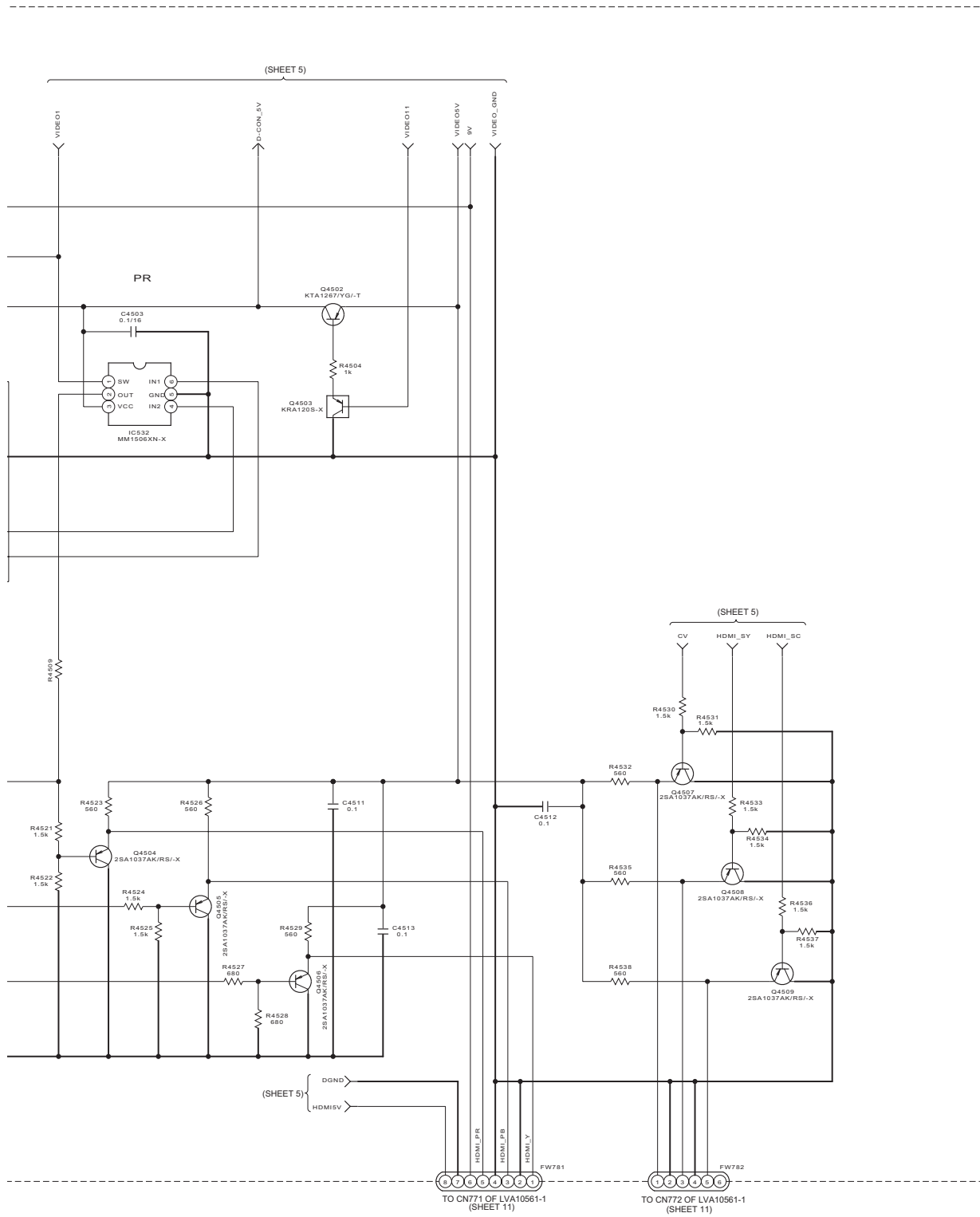




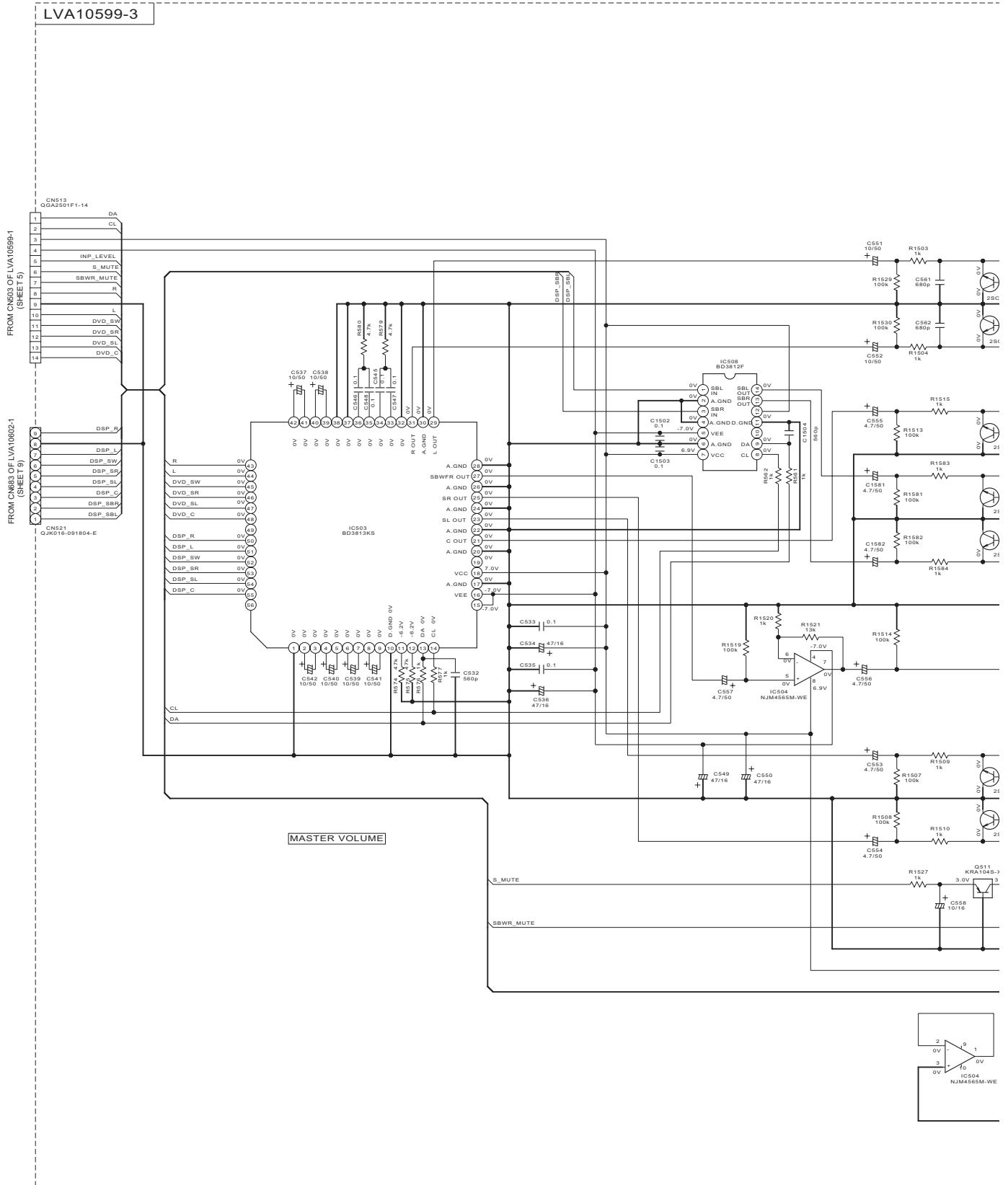
⚠ Parts are safety assurance parts.
When replacing those parts make
sure to use the specified one.

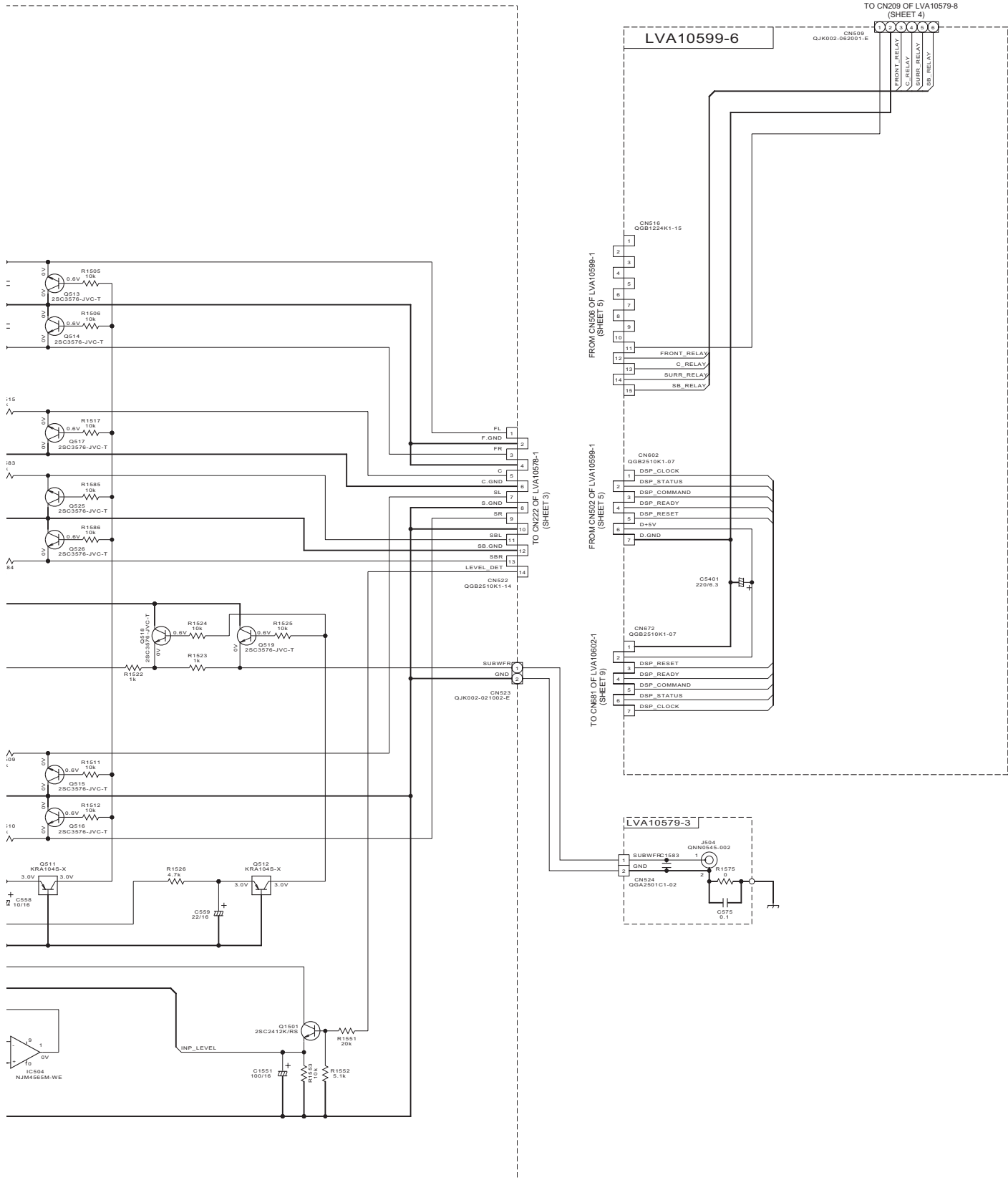
Component video input section



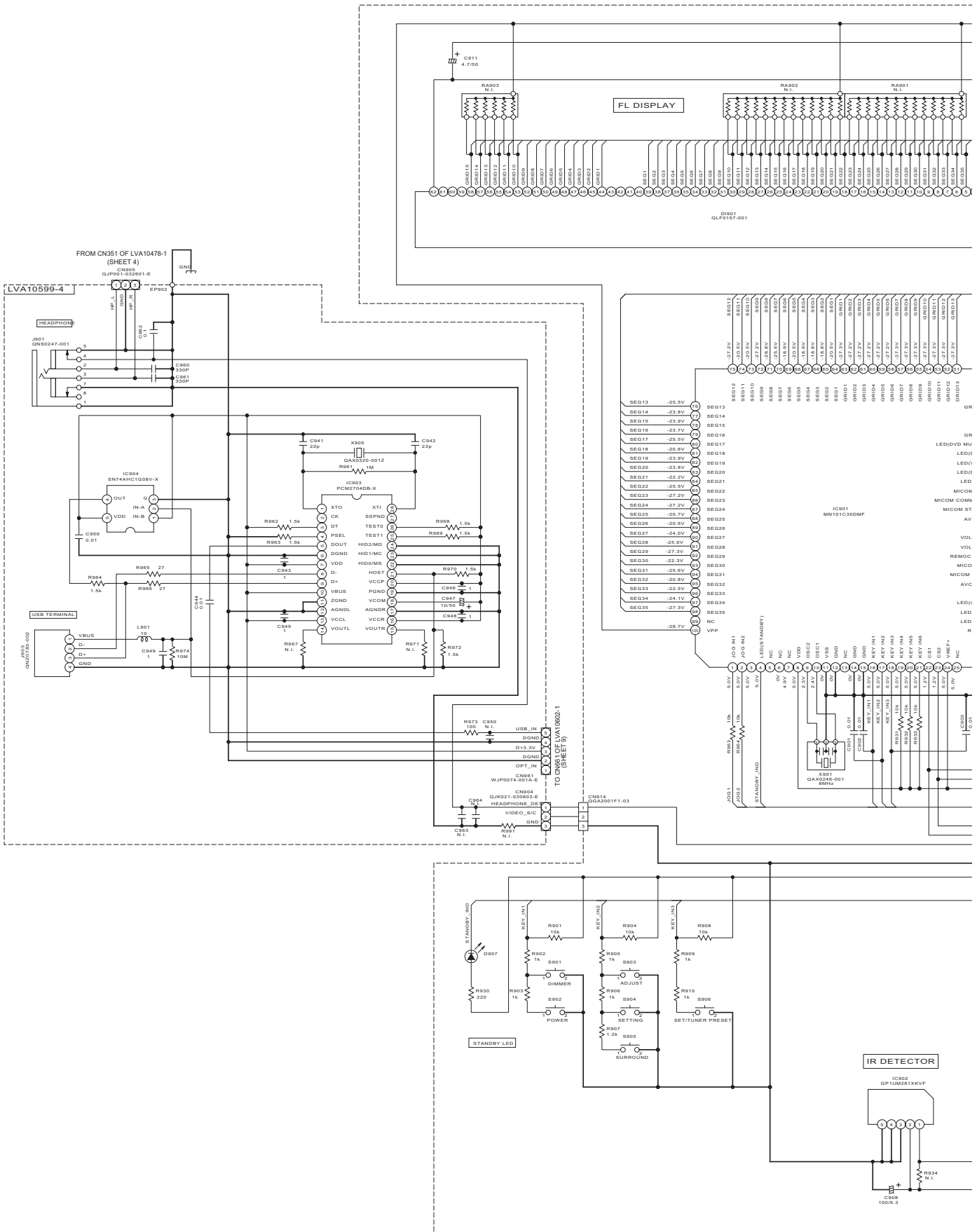


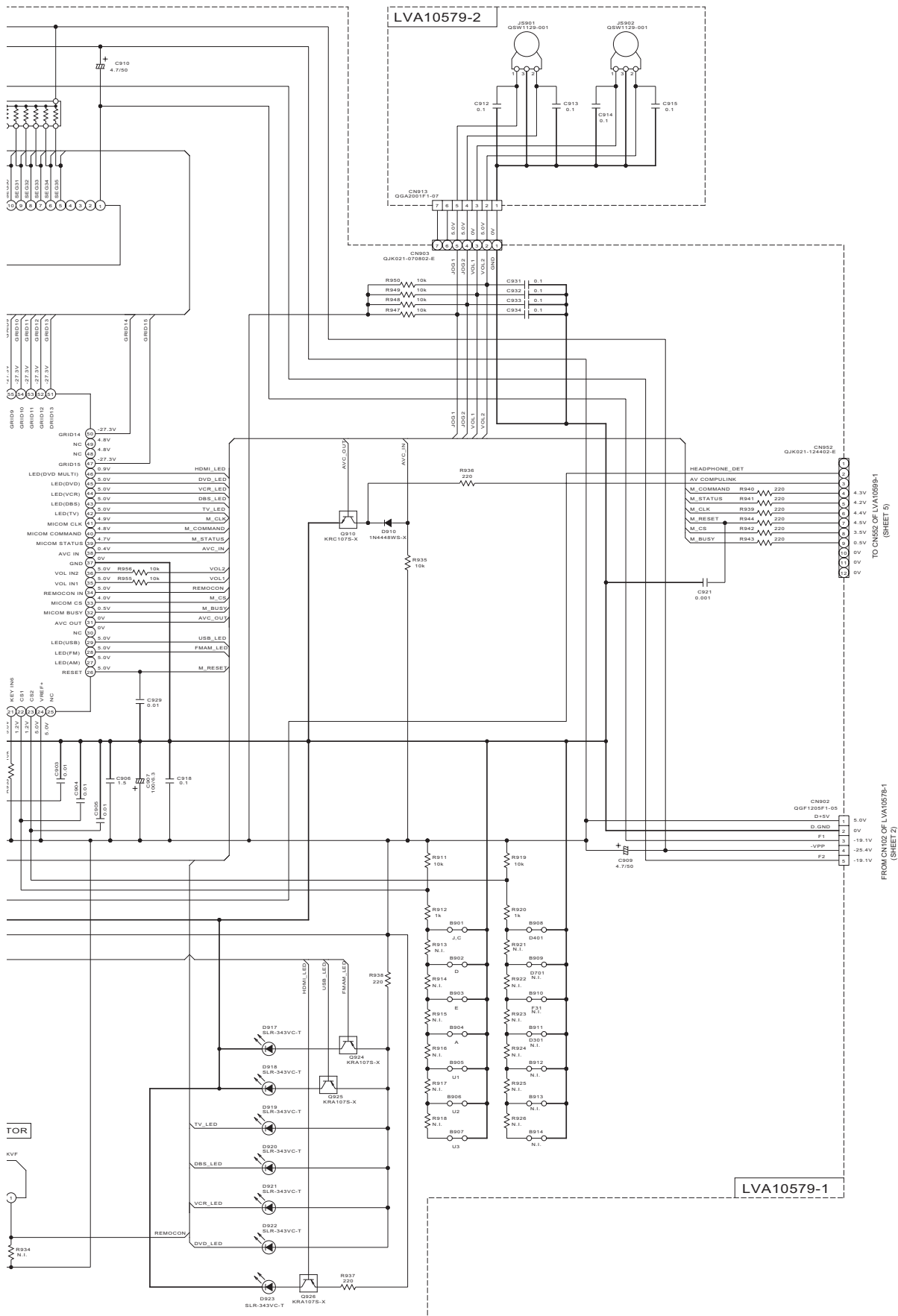
Master volume section



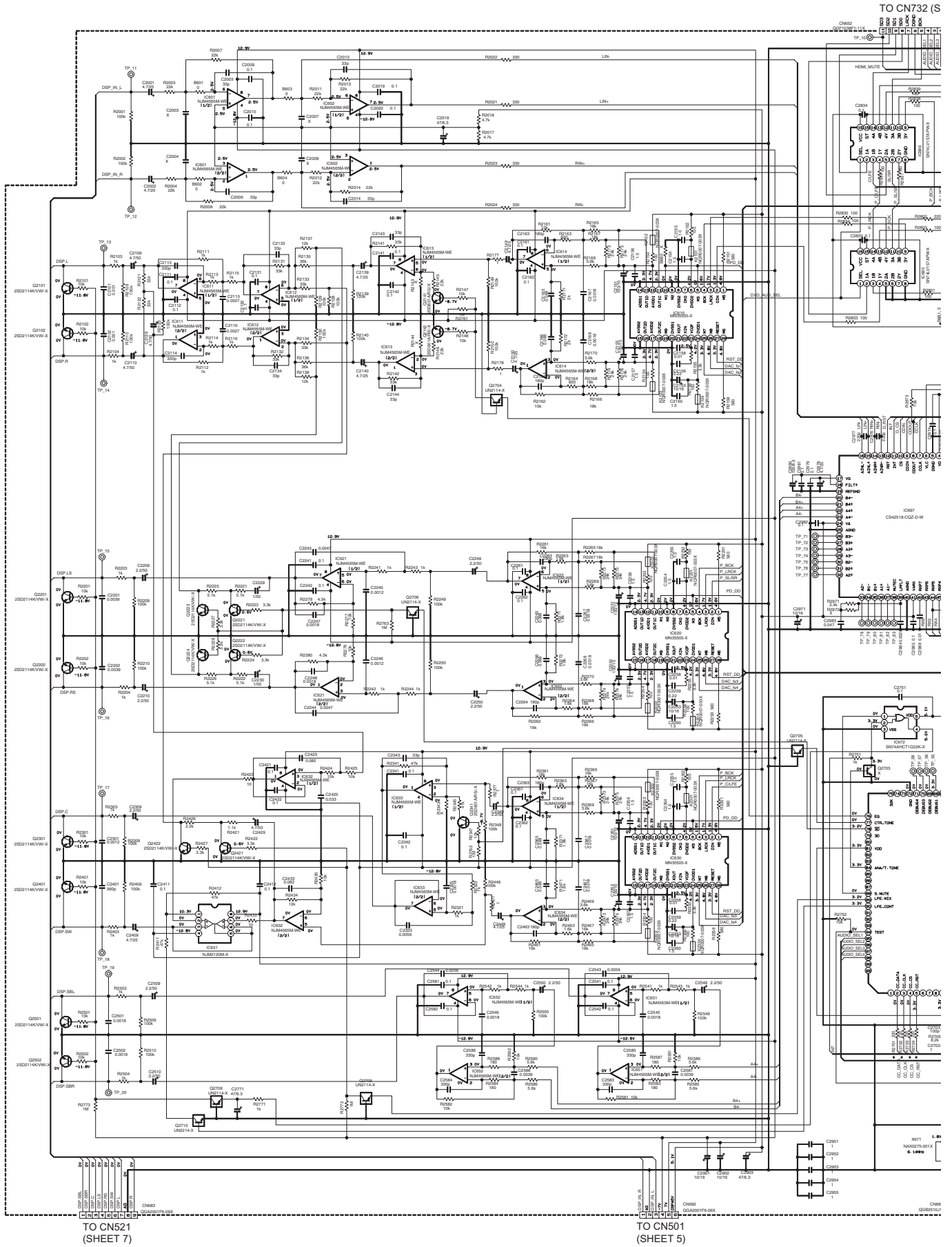


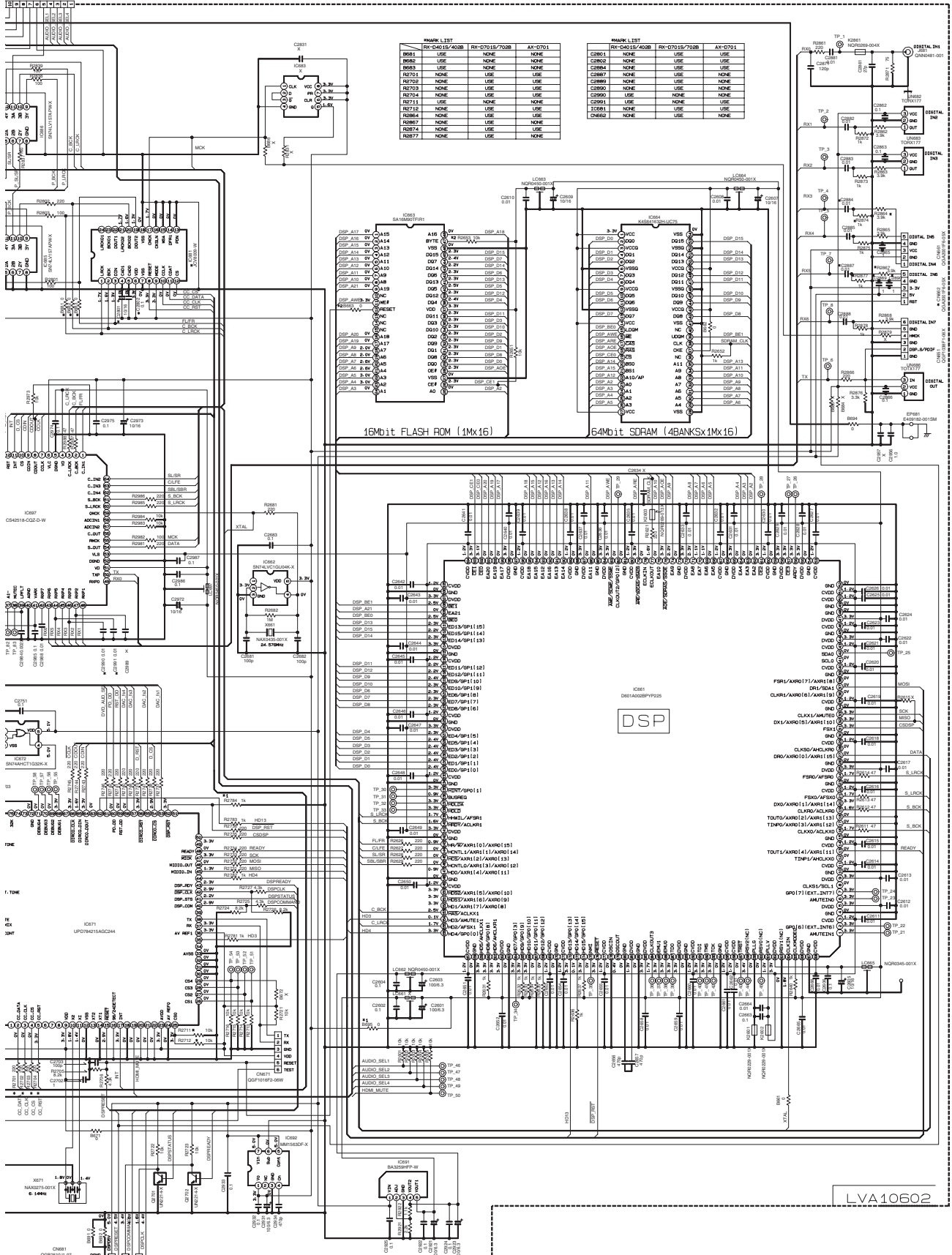
■ User control keys, system control and FL display section





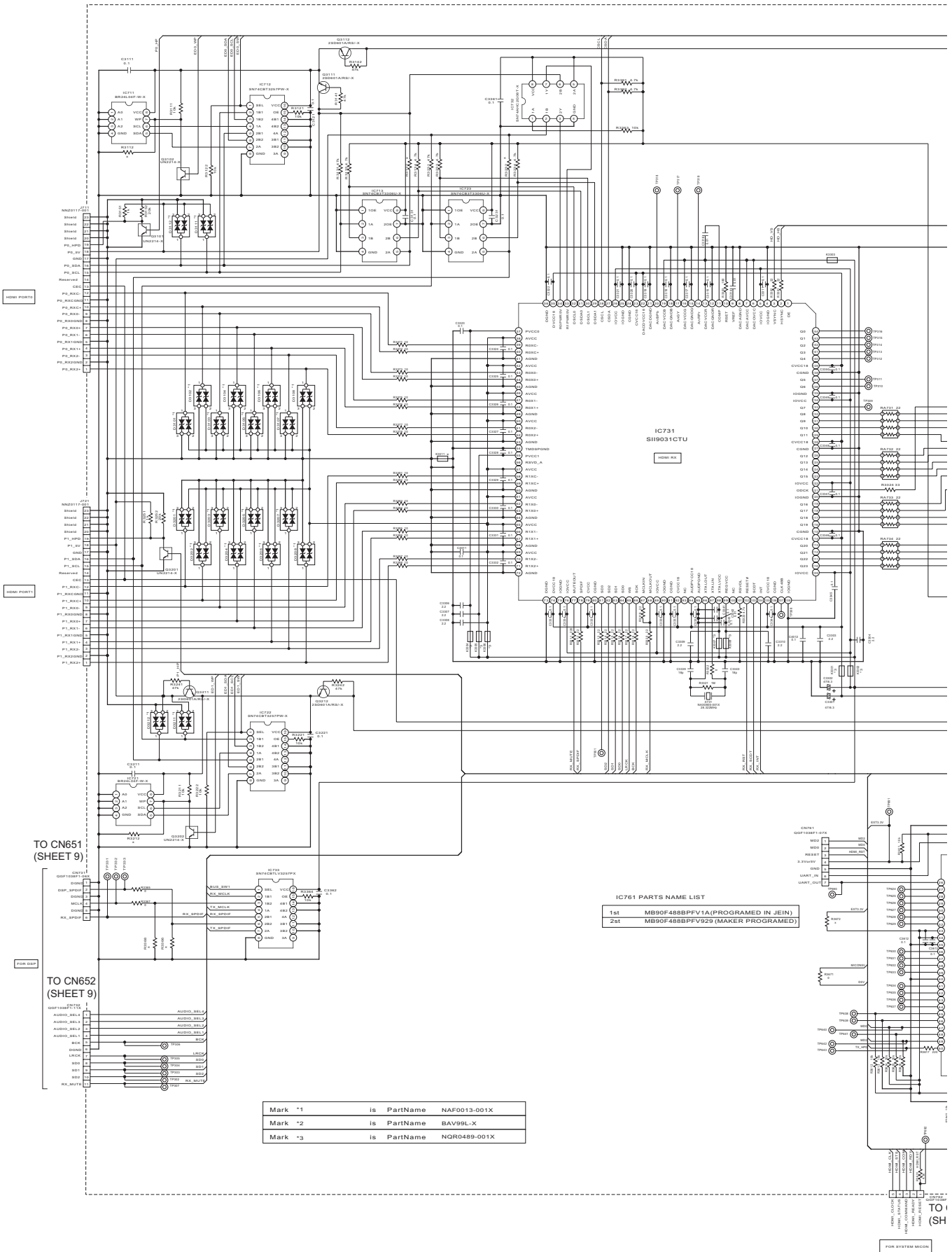
DSP and digital signal input terminal section

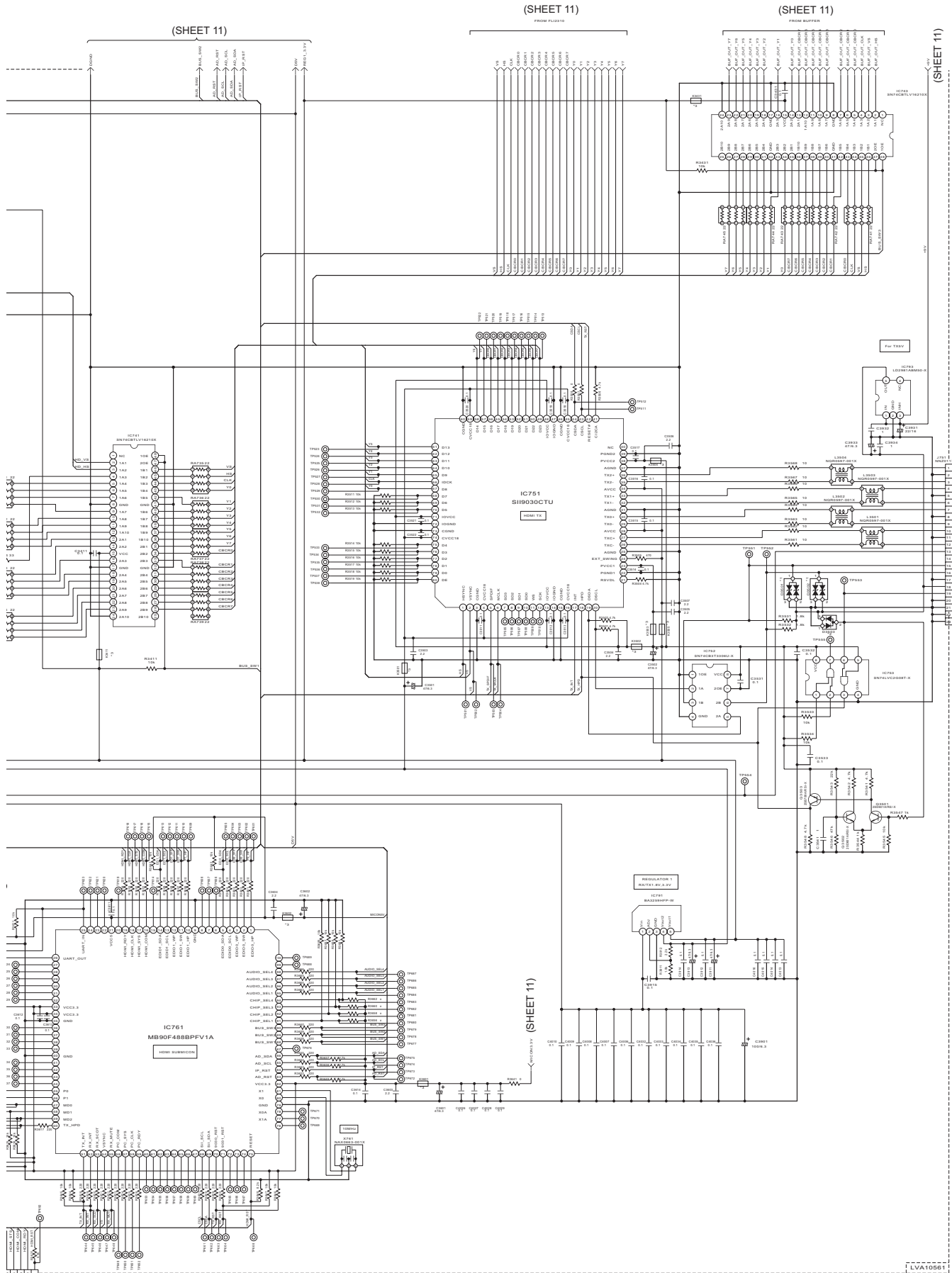




US-100
TO CN961
(SHEET 8)
FRONT-LEFT
US-1-LESS
US-1-STOP
TO CN731
(SHEET 10)
FRONT-LEFT
US-1-LESS

HDMI RX, TX and micom section





(SHEET 11)

(SHEET 11)

(SHEET 11)

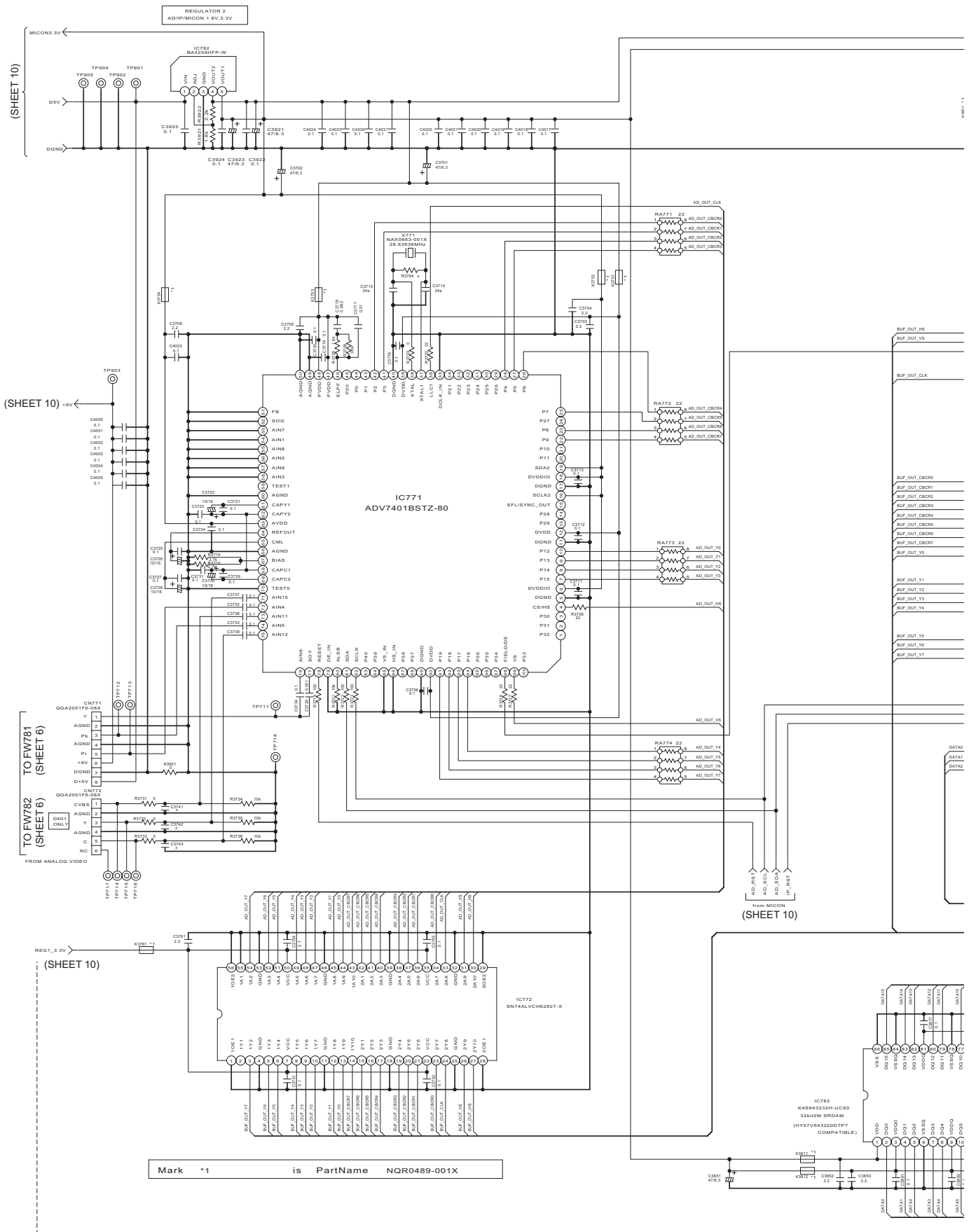
(SHEET 11)

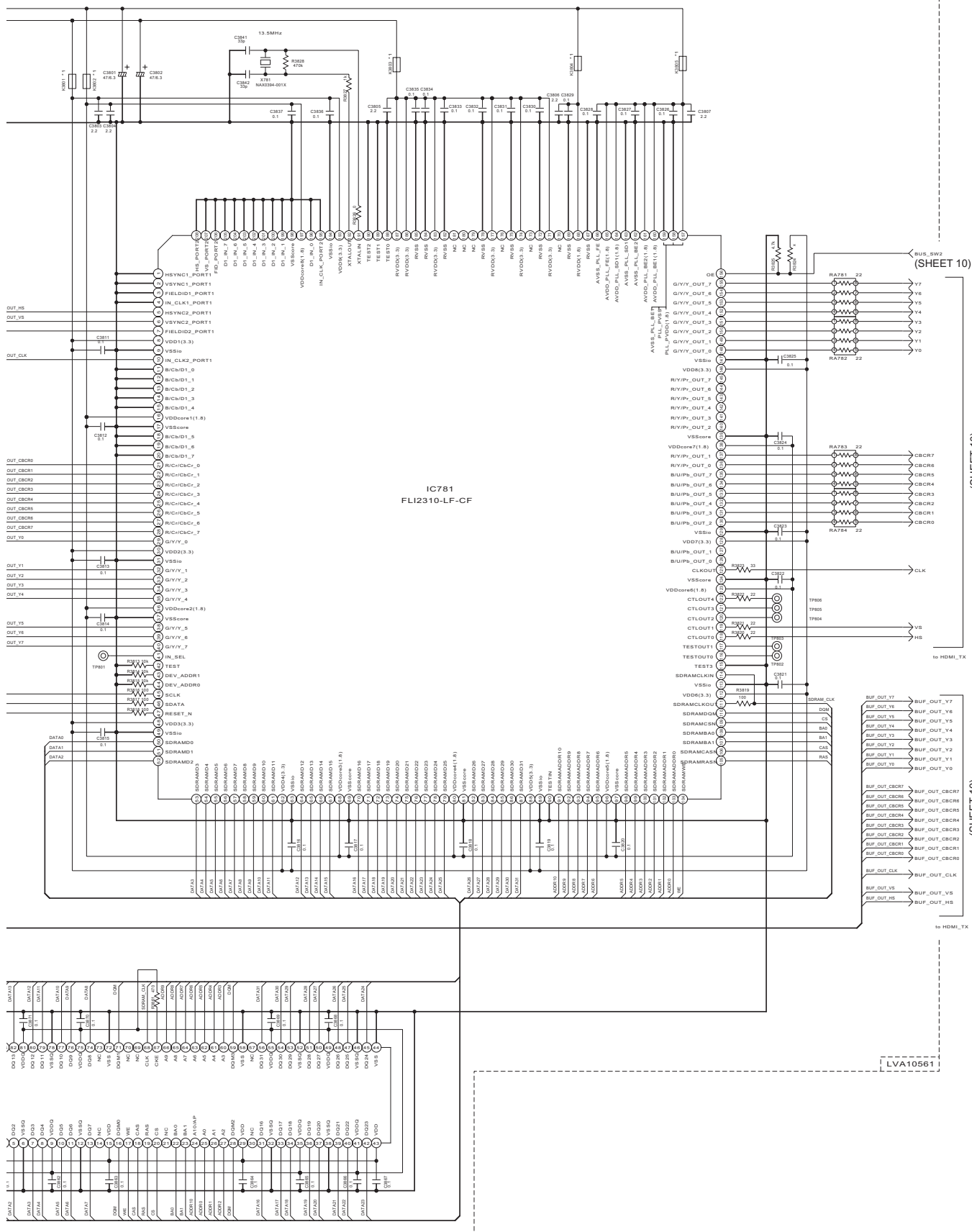
(SHEET 11)

TO CN504
(SHEET 5)

SHEET 10

HDMI ADC and i/p converter section



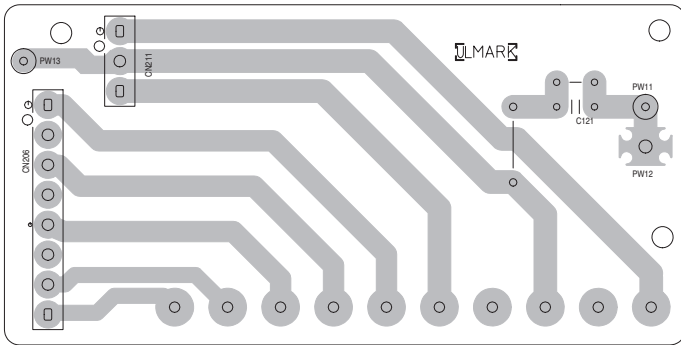
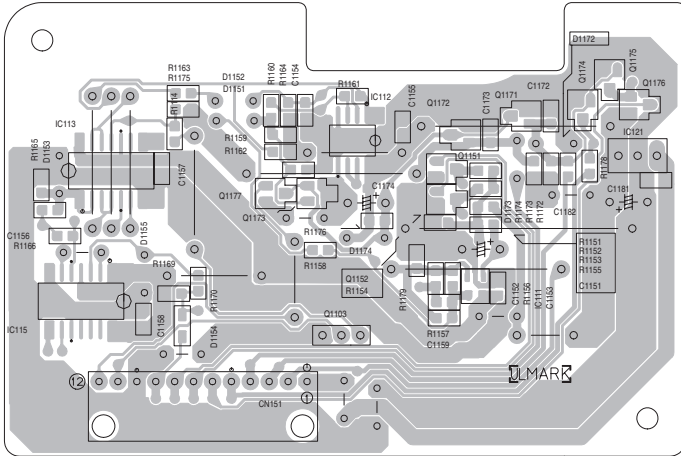


Printed circuit boards

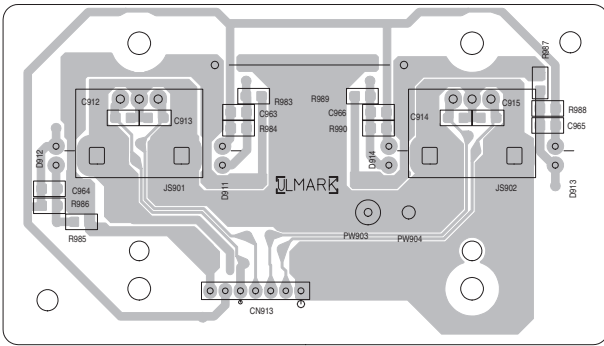
■ Front board

Lead free solder used in the board (material : Sn-Ag-Cu, melting point : 219 Centigrade)

(DCDC control board)

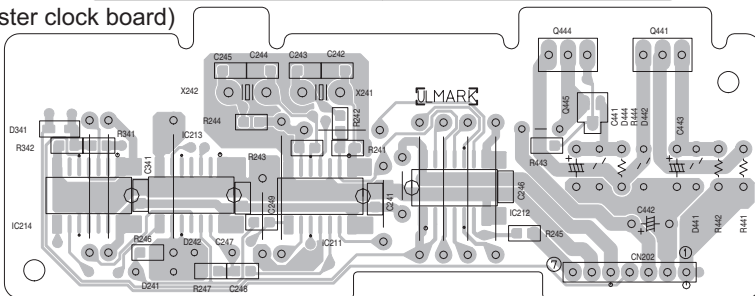


(Trans secondary board)

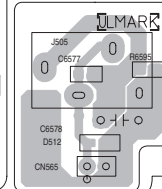


(JOG board)

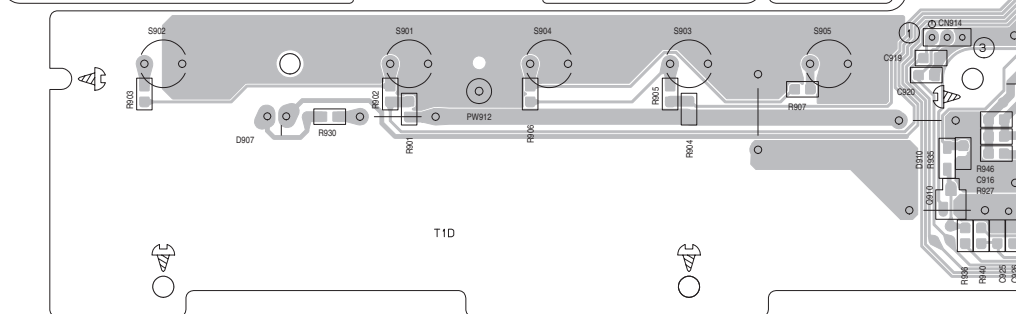
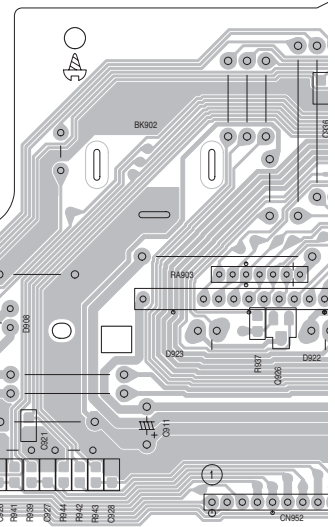
(Master clock board)



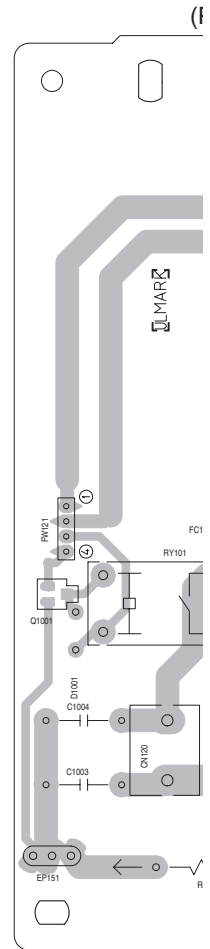
(Complink board)



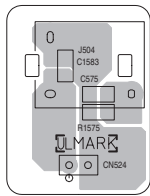
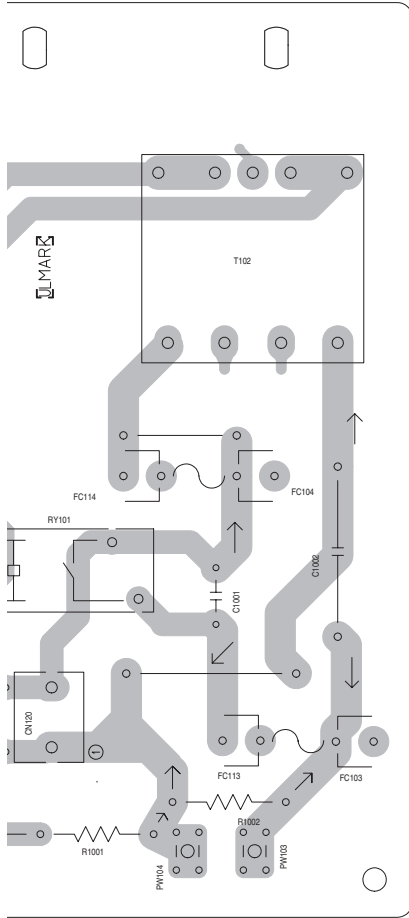
(FL board)



T1D

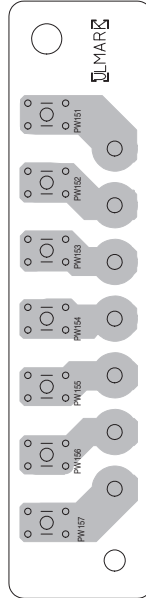


(Primary board)

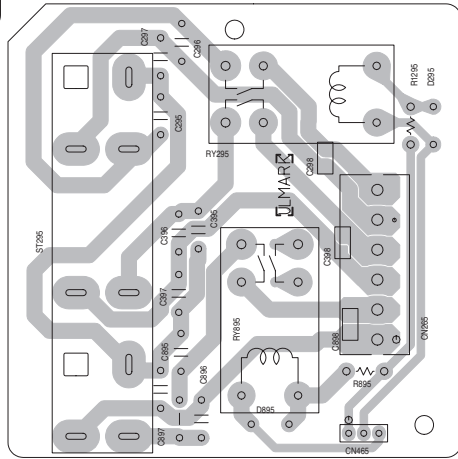
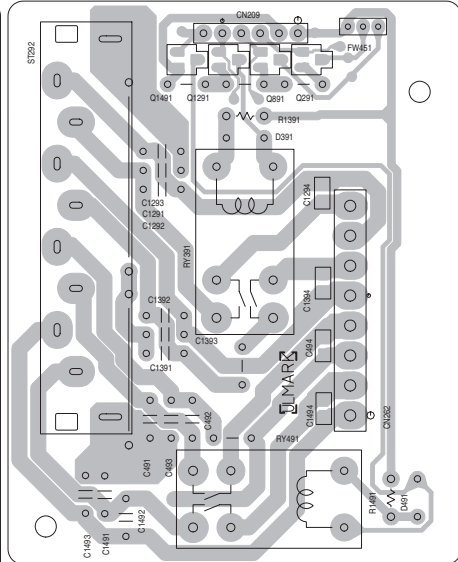


(Subwoofer board)

(Trans primary board)

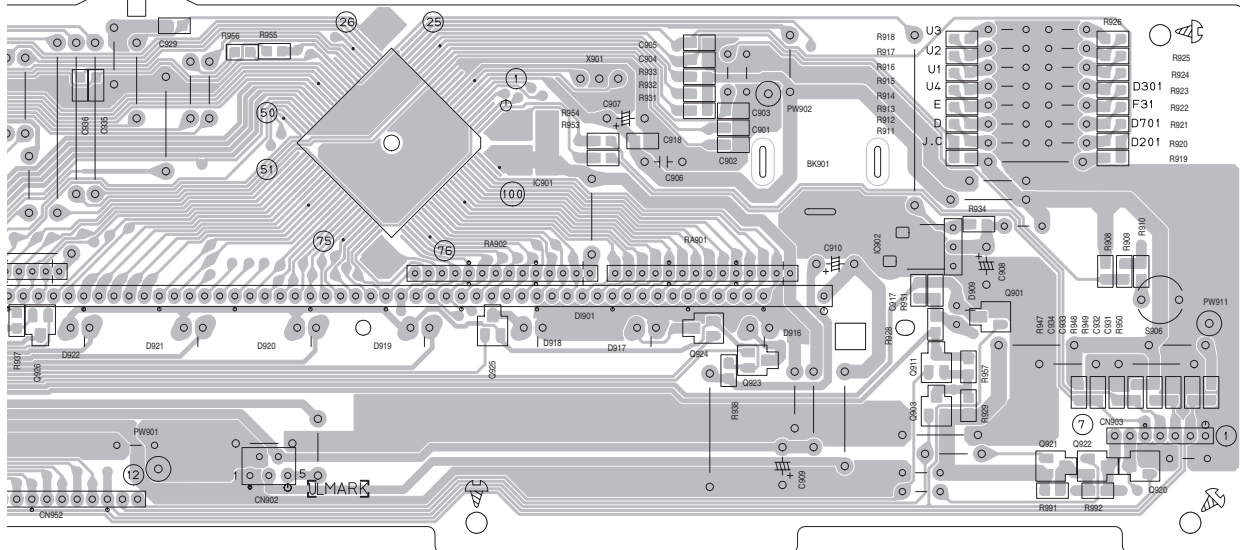


(Speaker terminal 2 board)



(Speaker terminal 1 board)

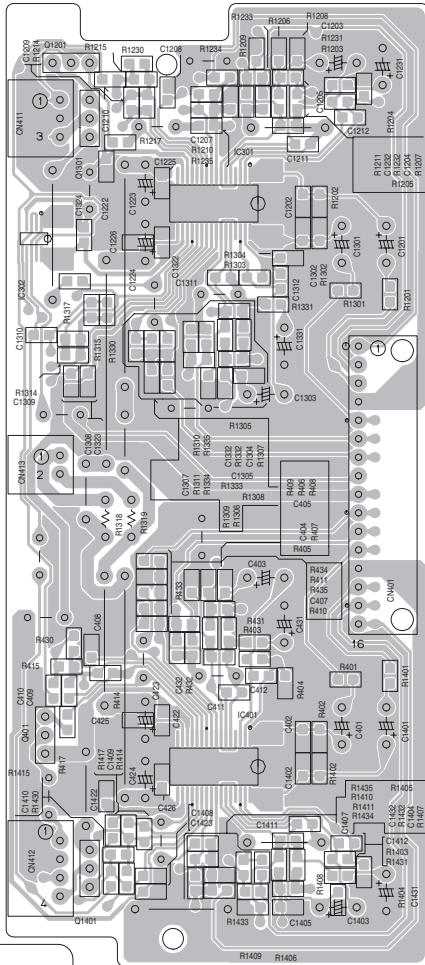
rd)



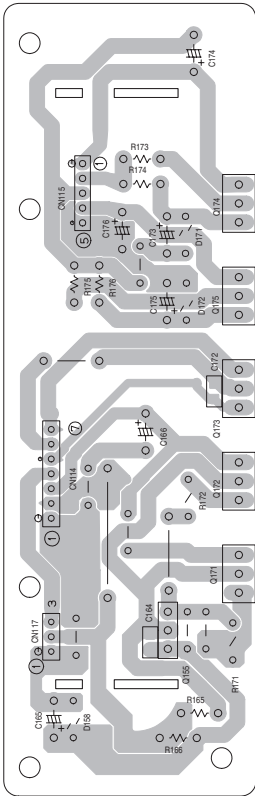
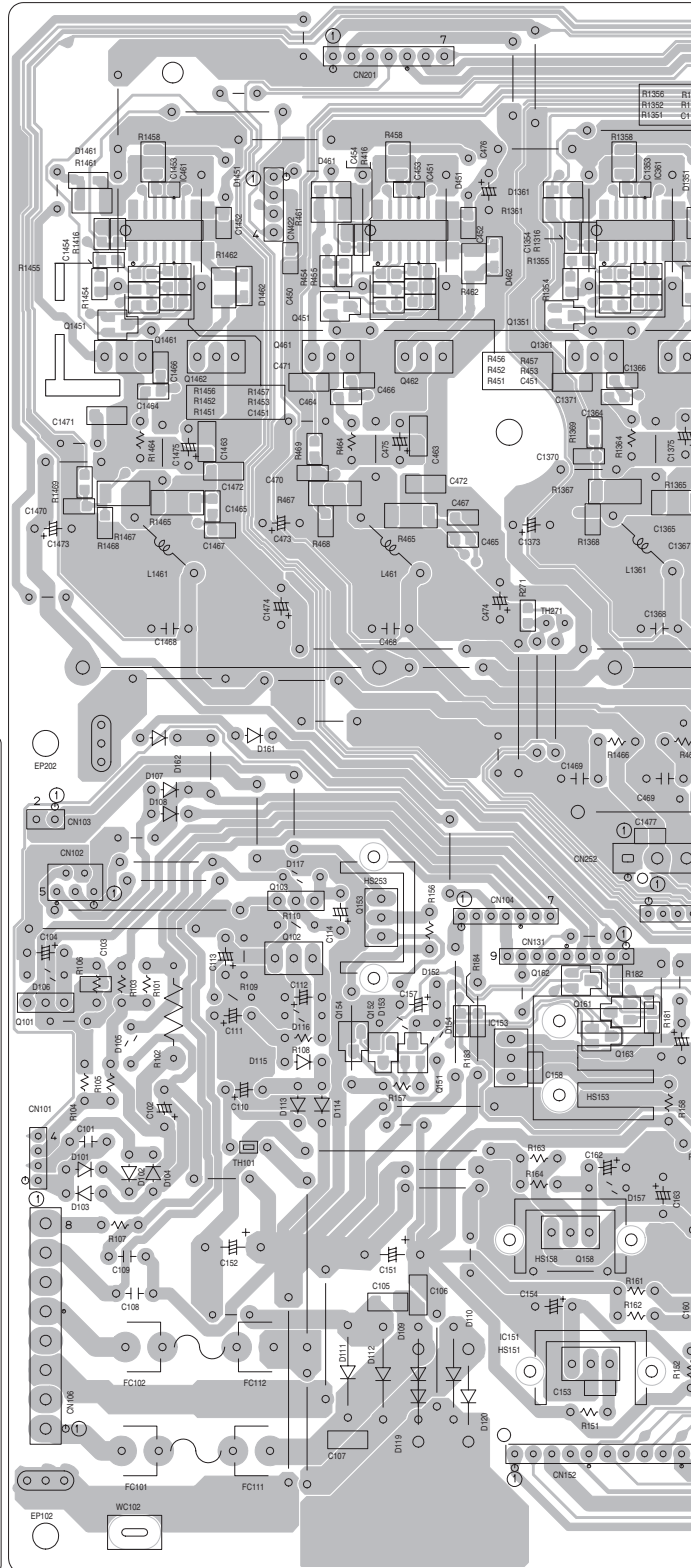
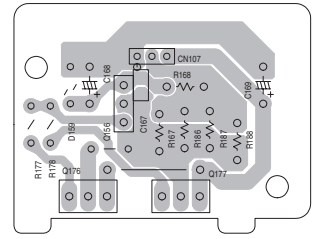
■ Amplifier board

Lead free solder used in the board (material : Sn-Ag-Cu, melting point : 219 Centigrade)

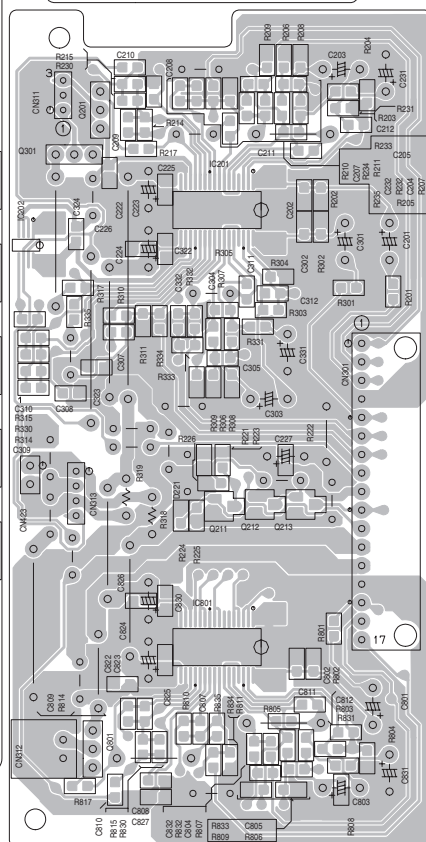
(PWM modulation 2 board)



(HDMI-Regulator board)



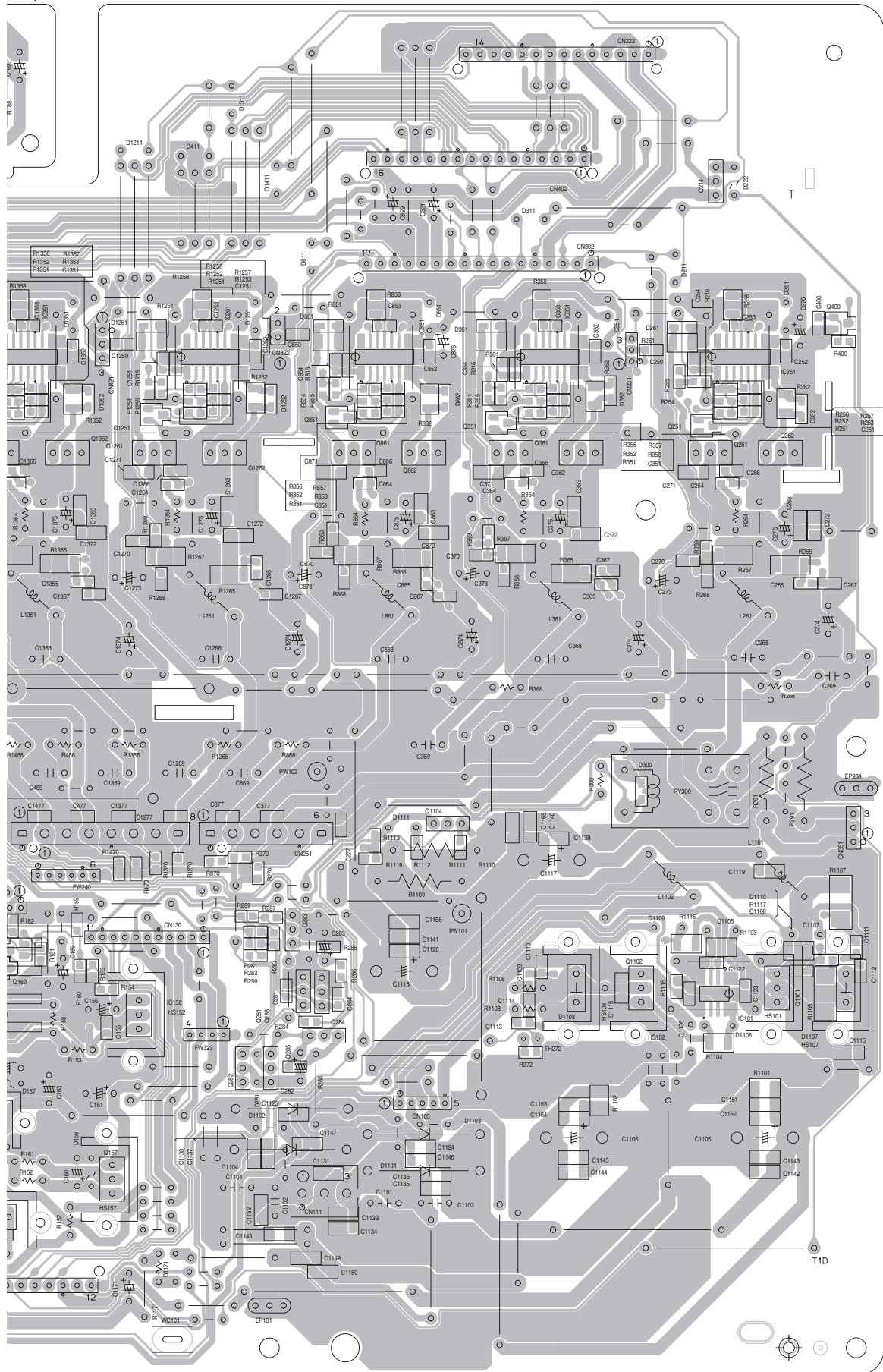
(Regulator board)



(PWM modulation 1 board)

ard

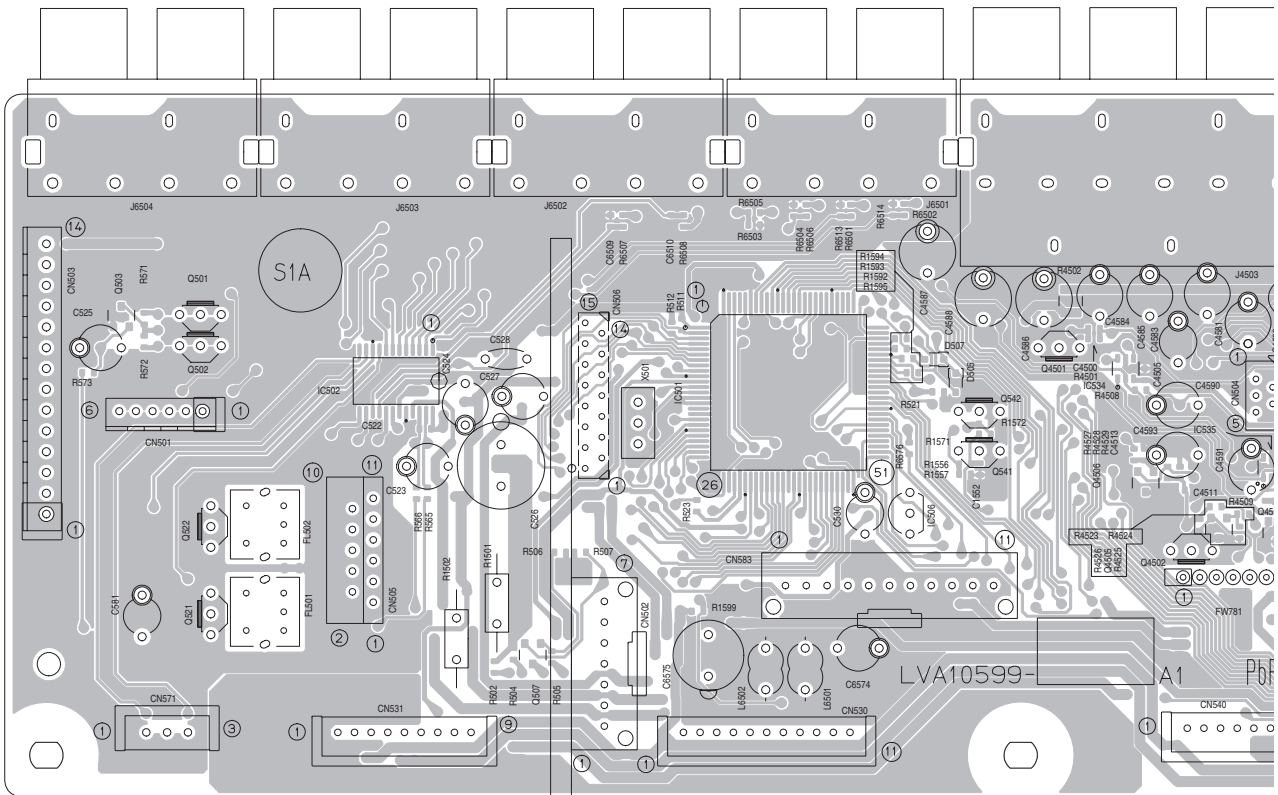
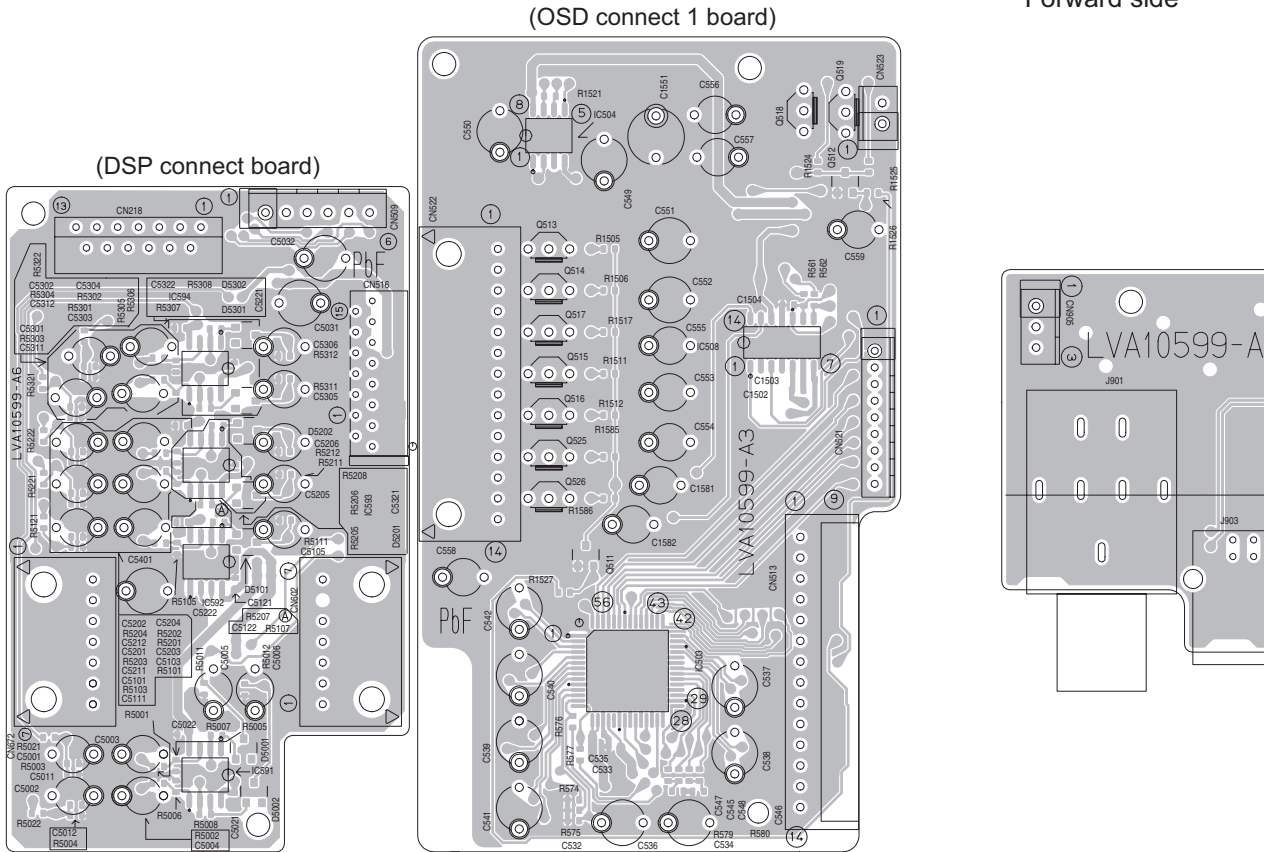
(Main amplifier board)



Input board

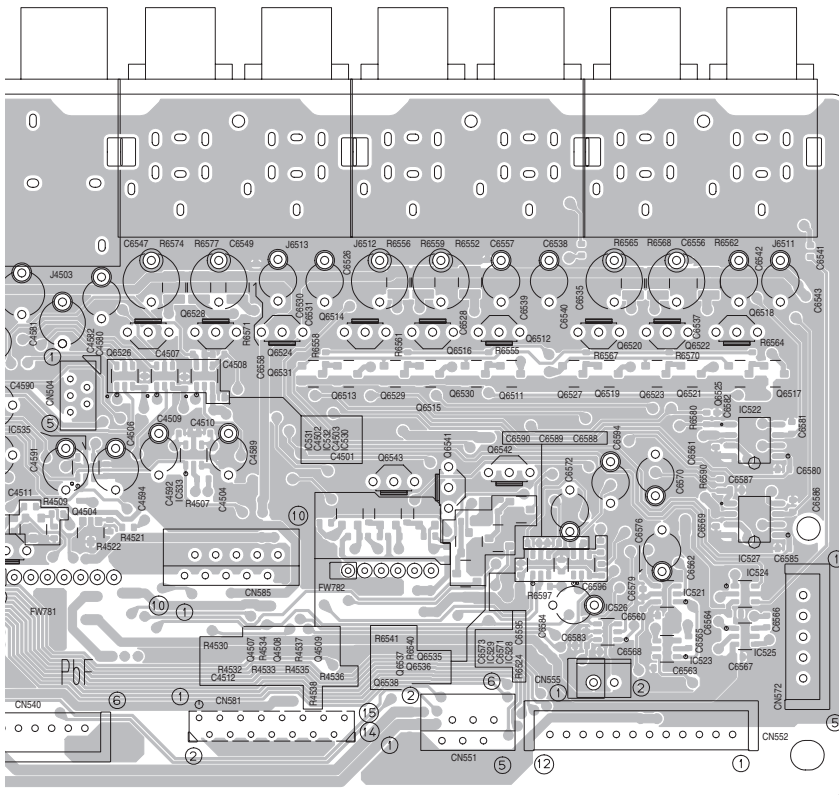
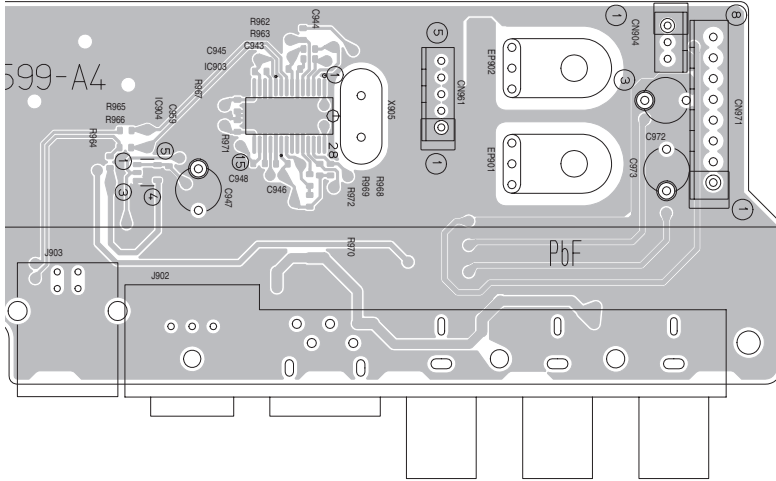
Lead free solder used in the board (material : Sn-Ag-Cu, melting point : 219 Centigrade)

Forward side



(Input board)

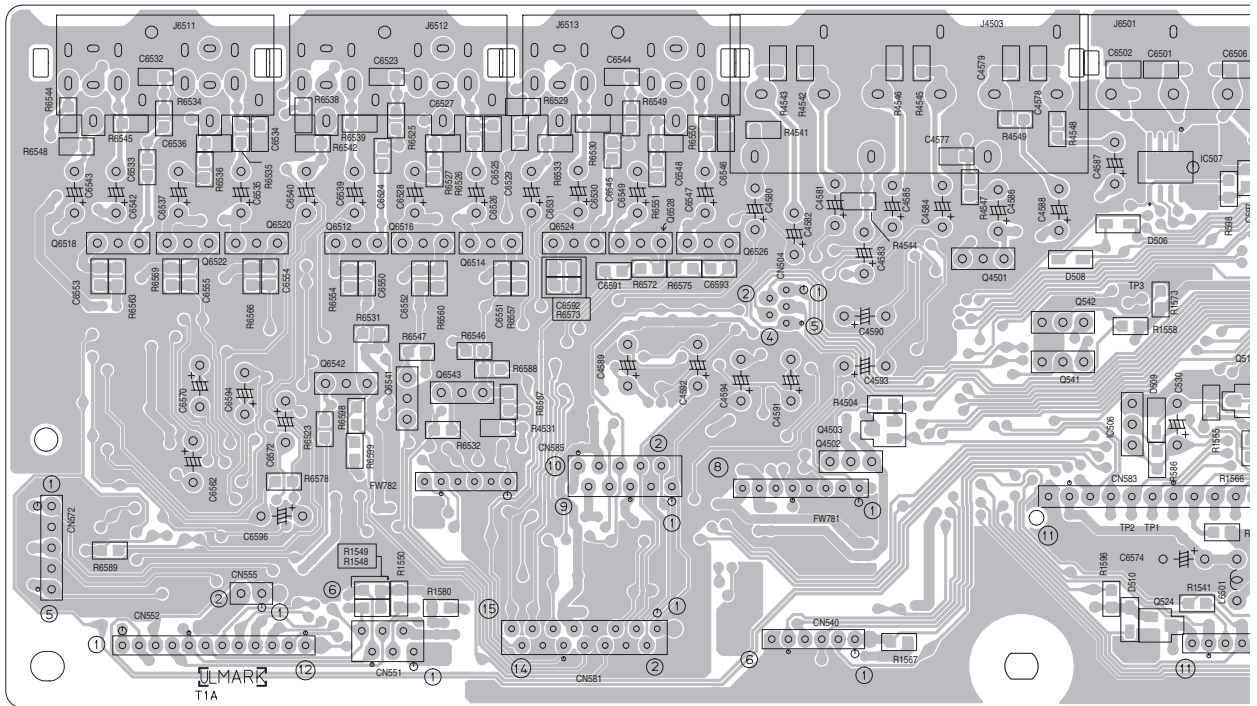
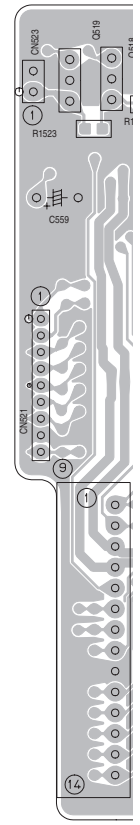
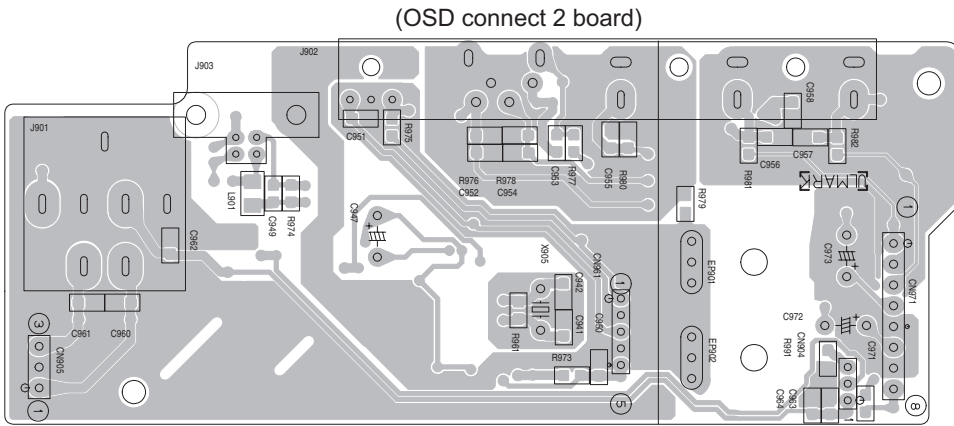
(OSD connect 2 board)



Input board

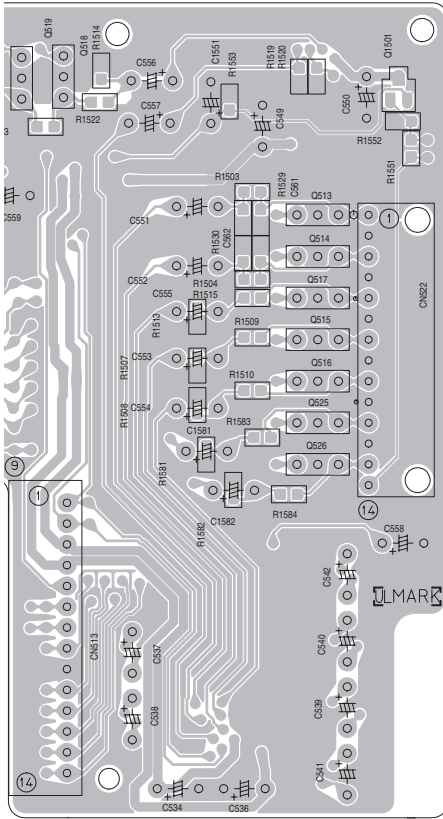
Lead free solder used in the board (material : Sn-Ag-Cu, melting point : 219 Centigrade)

Reverse side

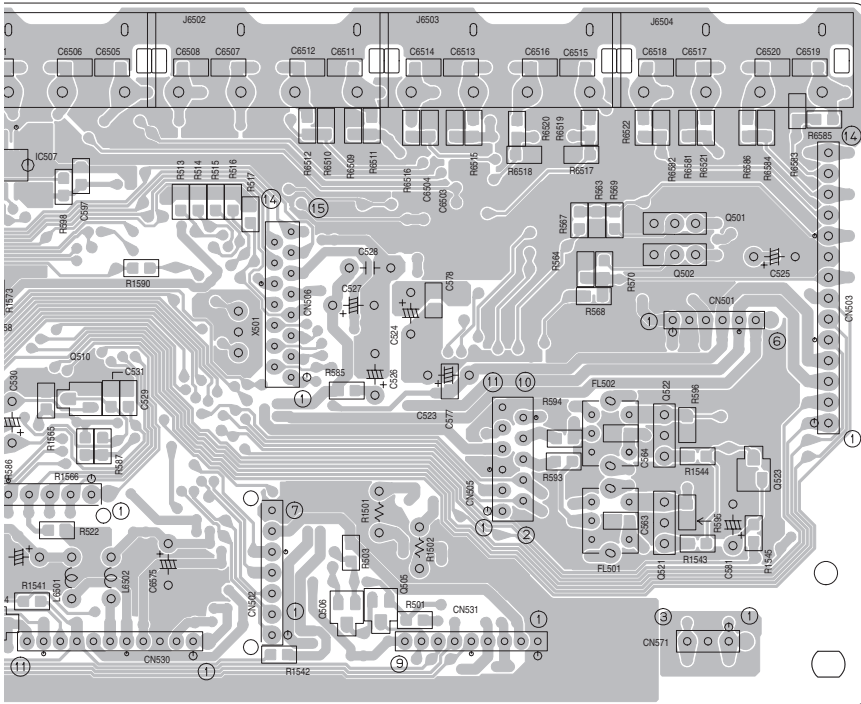
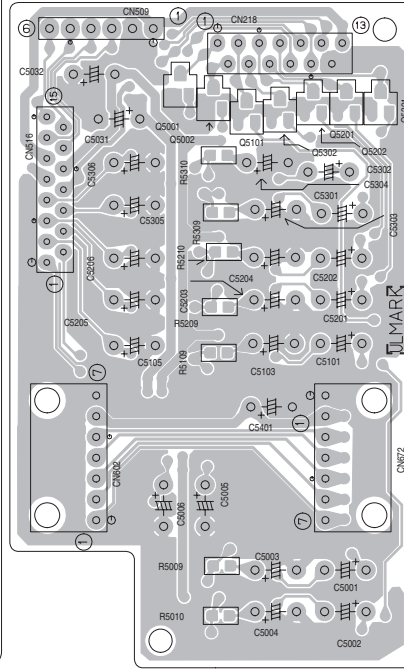


(Input board)

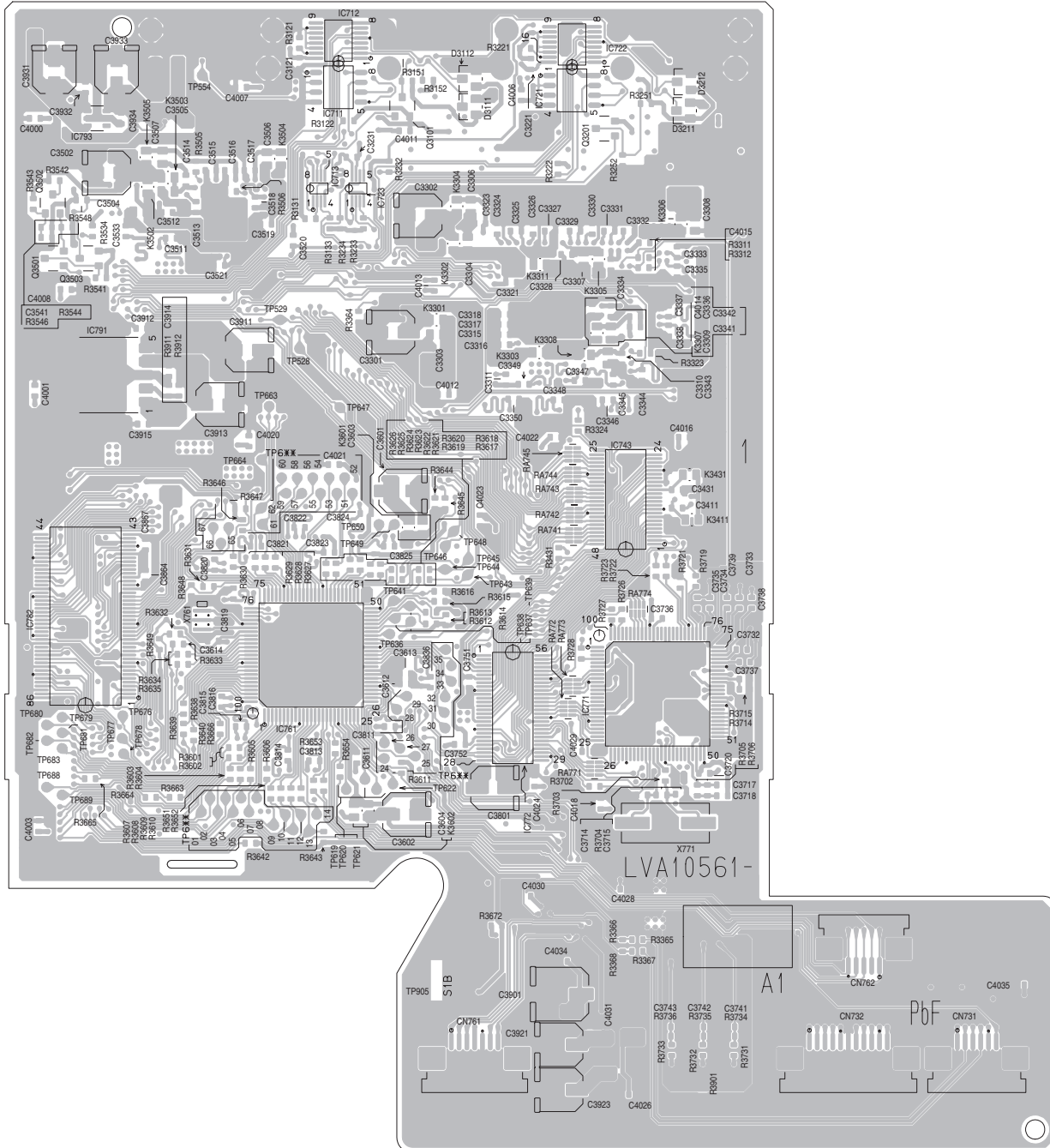
(OSD connect 1 board)



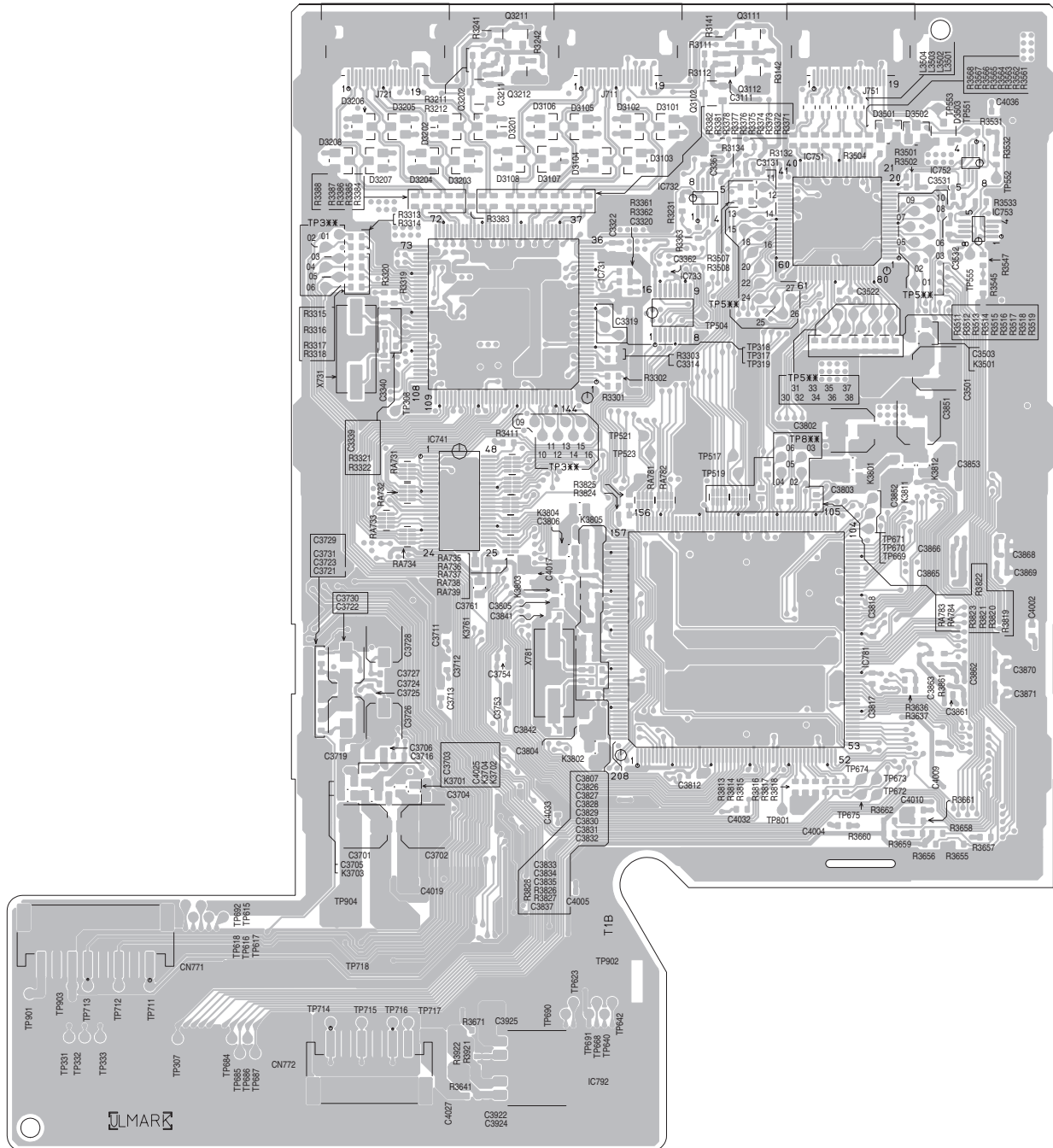
(DSP connect board)



Forward side

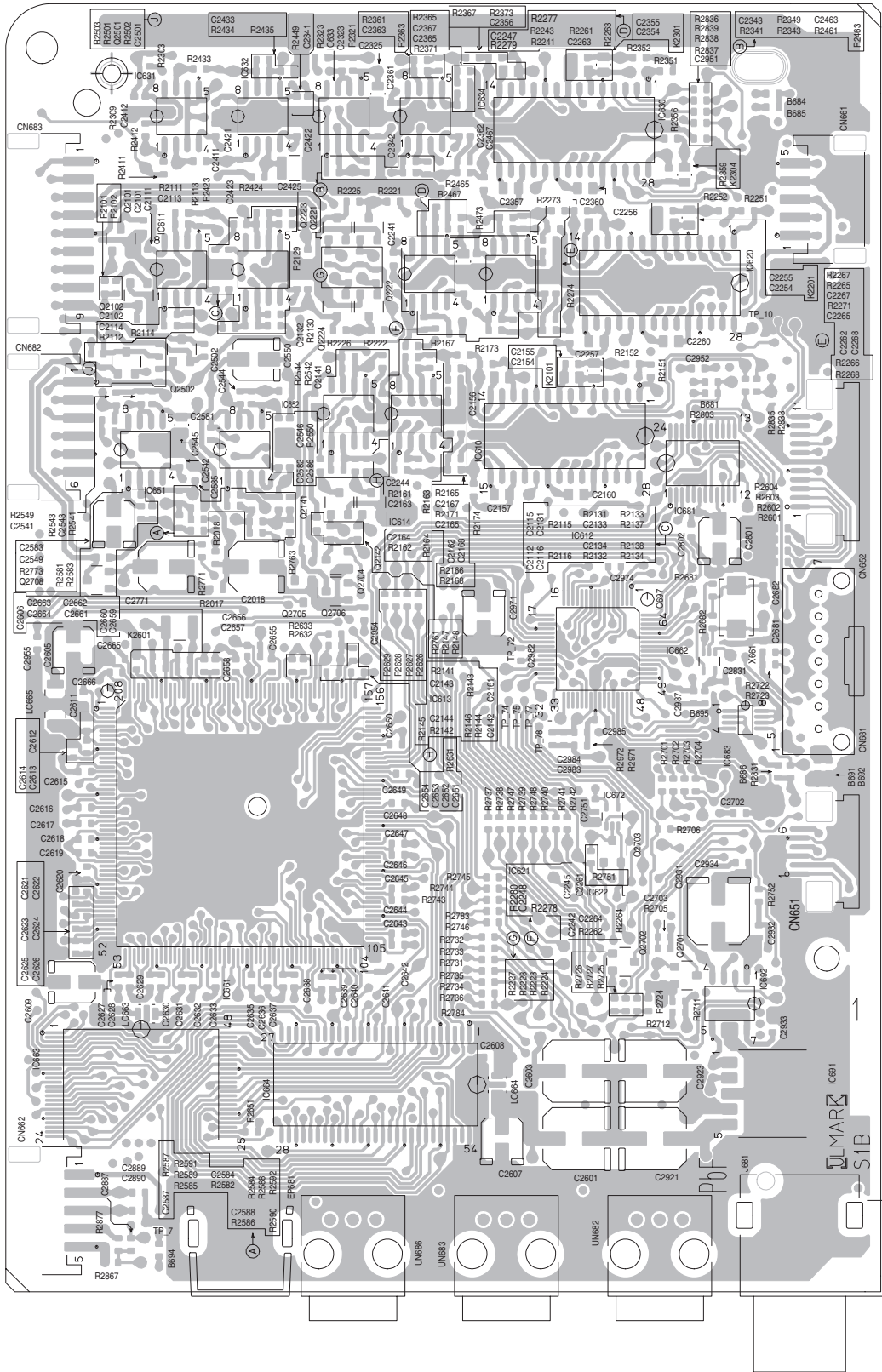


Reverse side

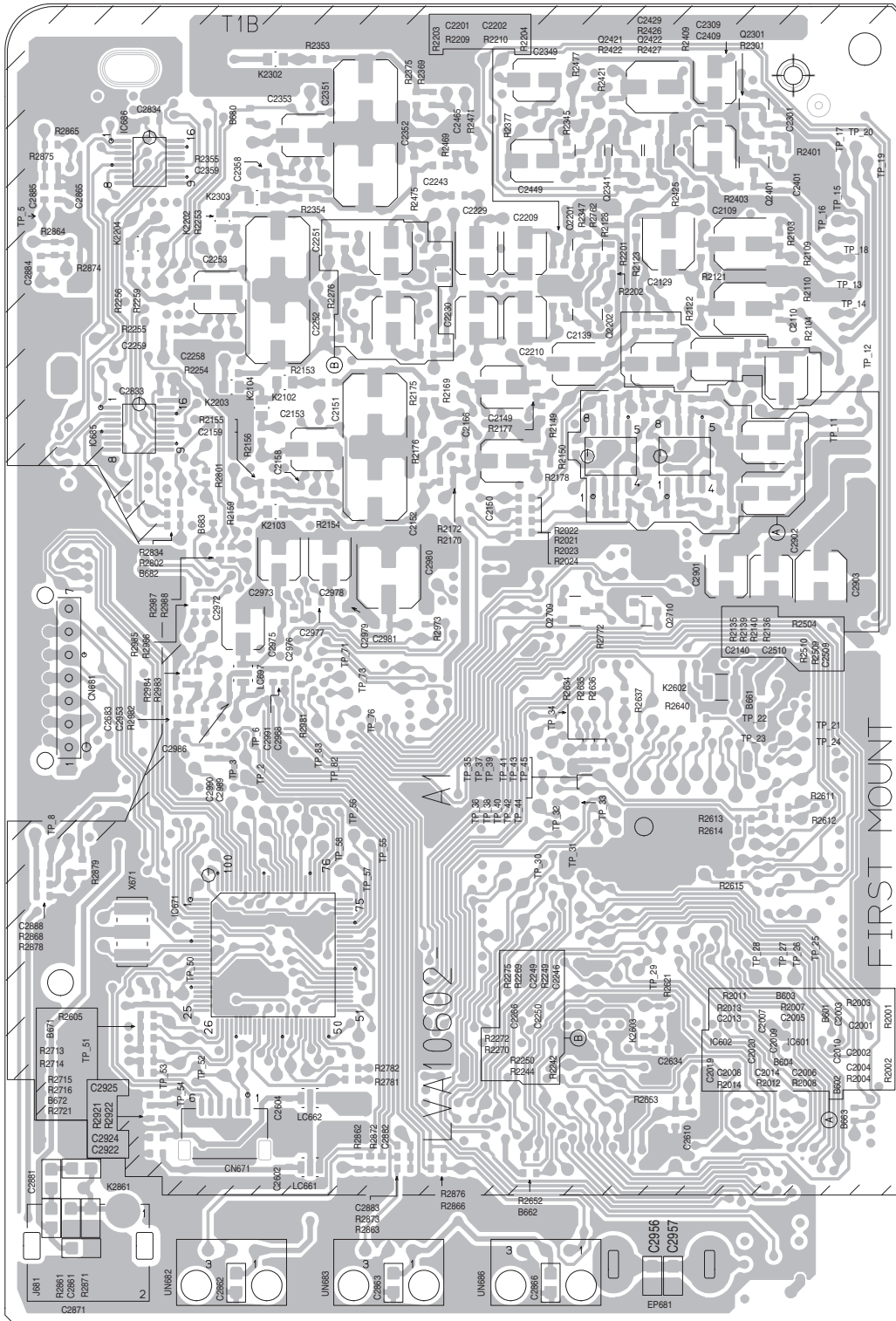


DSP board Lead free solder used in the board (material : Sn-Ag-Cu, melting point : 219 Centigrade)

Forward side



Reverse side



JVC

Victor Company of Japan, Limited

AV & MULTIMEDIA COMPANY AUDIO/VIDEO SYSTEMS CATEGORY 10-1, 1chome, Ohwatari-machi, Maebashi-city, 371-8543, Japan

(No.MB448SCH)



Printed in Japan
VPT

PARTS LIST

[RX-D401S] [RX-D402B]

* All printed circuit boards and its assemblies are not available as service parts.

Area suffix

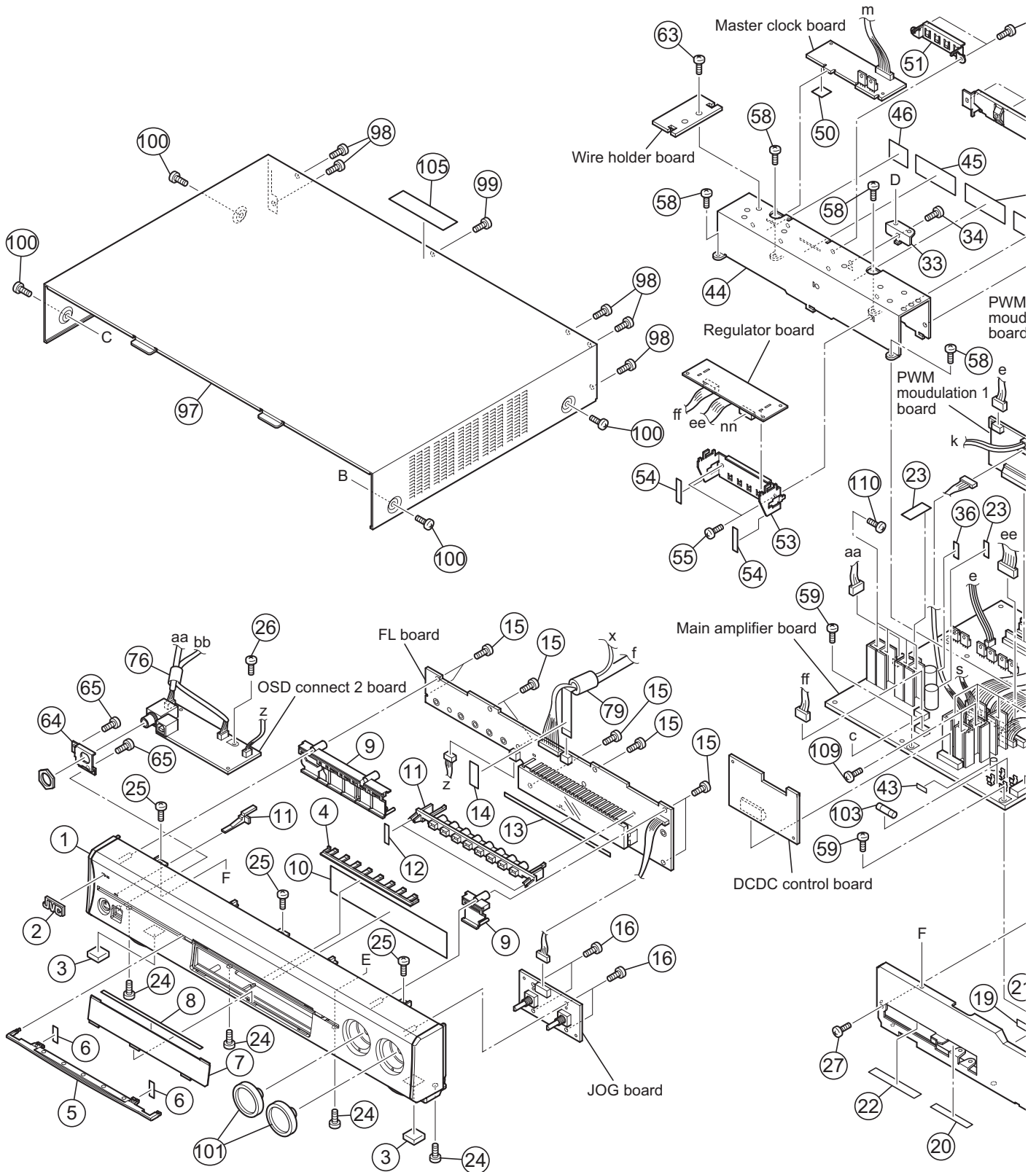
J ----- U.S.A.

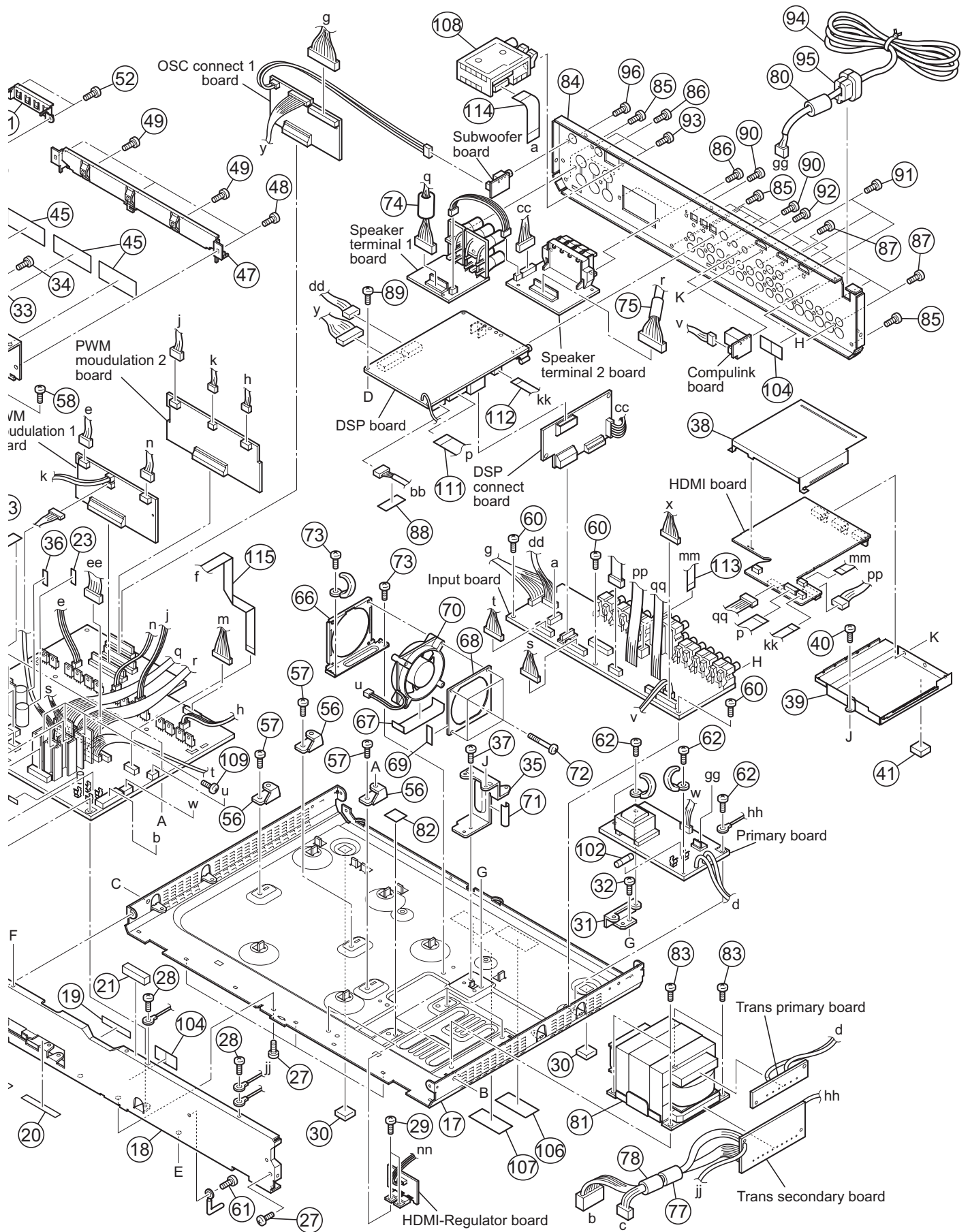
- Contents -

Exploded view of general assembly and parts list (Block No.M1)	3- 2
Electrical parts list (Block No.01~05)	3- 6
Packing materials and accessories parts list (Block No.M3).....	3-26

Exploded view of general assembly and parts list

Block No. **M 1 M M**





General Assembly

Block No. [M]1[M][M]

△	Symbol No.	Part No.	Part Name	Description	Local
	1	LV11052-014A	FRONT PANEL		D401SJ
	1	LV11052-015A	FRONT PANEL		D402BJ
	2	LV43338-002A	JVC MARK		
	3	LV43622-002A	FOOT	(x2)	
	4	LV35714-001A	SOURCE INDICATO		
	5	LV21918-003A	LIGHT LENS		
	6	LV30225-0P9A	SPACER	(x2)	
	7	LV36119-001A	FRONT LENS		D401SJ
	7	LV36119-002A	FRONT LENS		D402BJ
	8	LV30225-0Z9A	SPACER		
	9	LV21919-008A	PUSH BUTTON		
	10	LV43381-004A	FILTER	D701	
	11	LV21920-001A	LED HOLDER		
	12	LV30225-0L9A	SPACER	(x2)	
	13	LV30227-001A	SPACER		
	14	LV30225-0F4A	SPACER		
	15	QYSBSF2608ZA	TAP SCREW	M2.6 x 8mm(x8)	
	16	QYSBSF2608ZA	TAP SCREW	M2.6 x 8mm(x4)	
	17	LV11051-003A	CHASSIS BASE		
	18	LV11055-002A	FRONT BRACKET		
	19	LV30225-0M7A	SPACER		
	20	LV30225-0F4A	SPACER		
	21	LV30227-026A	SPACER		
	22	LV30225-071A	SPACER		
	23	LV30225-0F4A	SPACER	(x2)	
	24	QYSBSG3006ZA	TAP SCREW	M3 x 6mm(x4)	
	25	QYSBSG3006ZA	TAP SCREW	M3 x 6mm(x3)	
	26	QYSBSG3006ZA	TAP SCREW	M3 x 6mm	
	27	QYSBSG3006ZA	TAP SCREW	M3 x 6mm(x6)	
	28	QYSBST3005EA	TAP SCREW	M3 x 5mm(x2)	
	29	QYSBST3006ZA	TAP SCREW	M3 x 6mm(x2)	
	30	LV43622-002A	FOOT	(x2)	
	31	LV34679-001A	PWB BRACKET		
	32	QYSBST3005EA	TAP SCREW	M3 x 5mm	
	33	LV34682-001A	C.B BRACKET		
	34	QYSBSG3006ZA	TAP SCREW	M3 x 6mm	
	35	LV35719-001A	SUPPORT BRACKET		
	36	LV30225-0F4A	SPACER		
	37	QYSBST3005EA	TAP SCREW	M3 x 5mm	
	38	LV22143-001A	SHIELD CASE(U)		
	39	LV22144-001A	SHIELD CASE(L)		
	40	QYSBSG3006ZA	TAP SCREW	M3 x 6mm	
	41	LV30225-0F9A	SPACER		
	43	LV30225-0N9A	SPACER		
	44	LV21923-001A	HEAT SINK		
	45	LV43915-003A	COOLING RUBBER	(x3)	
	46	LV43915-004A	COOLING RUBBER		
	47	LV35721-001A	FET BRACKET		
	48	QYSDSG3005EA	TAP SCREW	M3 x 5mm(x3)	
	49	QYSDSG3005EA	TAP SCREW	M3 x 5mm(x2)	
	50	LV30225-0D4A	SPACER		
	51	LV35043-002A	TRANSISTOR HOLD		
	52	QYSBSG3010ZA	TAP SCREW	M3 x 10mm(x2)	
	53	LV35735-001A	TR BRACKET		
	54	LV30225-0F4A	SPACER	(x2)	
	55	QYSBSG3010ZA	TAP SCREW	M3 x 10mm(x2)	
	56	E68587-223SM	CB BKT	(x3)	
	57	QYSBST3005EA	TAP SCREW	M3 x 5mm(x3)	
	58	QYSBSGY3008EA	TAP SCREW	M3 x 8mm(x4)	
	59	QYSBSG3006ZA	TAP SCREW	M3 x 6mm(x2)	
	60	QYSBSG3006ZA	TAP SCREW	M3 x 6mm(x3)	
	61	QYSBSG3006ZA	TAP SCREW	M3 x 6mm	
	62	QYSBSG3006ZA	TAP SCREW	M3 x 6mm(x4)	
	63	QYSBSG3010ZA	TAP SCREW	M3 x 10mm	
	64	LV44156-001A	H/P BRACKET		
	65	QYSBSF2608ZA	TAP SCREW	M2.6 x 8mm(x2)	
	66	LV35724-001A	FAN BRACKET		
	67	LV30227-025A	SPACER		
	68	LV36668-001A	BRACKET		
	69	LV30225-0F4A	SPACER		
	70	QAR0379-001	COOLING FAN		
	71	LV30225-0F4A	SPACER		
	72	QYSBSG3030ZA	TAP SCREW	M3 x 30mm(x4)	
	73	QYSBST3005EA	TAP SCREW	M3 x 5mm(x2)	

△	Symbol No.	Part No.	Part Name	Description	Local
	74	QQR0491-001	FERRITE CORE	TDK (GRAY)	
	75	QQR0491-001	FERRITE CORE	TDK (GRAY)	
	76	QQR0491-001	FERRITE CORE	TDK (GRAY)	
	77	QQR0491-001	FERRITE CORE	TDK (GRAY)	
	78	QQR0491-001	FERRITE CORE	TDK (GRAY)	
	79	QQR0491-001	FERRITE CORE	TDK (GRAY)	
	80	QQR0491-001	FERRITE CORE	TDK (GRAY)	
△	81	QQT0494-001	POWER TRANSF		
	82	E406309-002	SPACER	(x4)	
	83	QYSDSTL4008EA	TAP SCREW	M4 x 8mm(x4)	
	84	LV21924-069A	REAR PANEL		D401SJ
	84	LV21924-070A	REAR PANEL		D402BJ
	85	QYSBSGY3008EA	TAP SCREW	M3 x 8mm(x3)	
	86	QYSBSGY3008EA	TAP SCREW	M3 x 8mm(x4)	
	87	QYSBSGY3008EA	TAP SCREW	M3 x 8mm(x11)	
	88	LV30225-0F4A	SPACER		
	89	QYSBST3006ZA	TAP SCREW	M3 x 6mm	
	90	QYSBSGY3008EA	TAP SCREW	M3 x 8mm(x5)	
	91	QYSBST3006EA	TAP SCREW	M3 x 6mm(x3)	
	92	QYSBSGY3008EA	TAP SCREW	M3 x 8mm	
	93	QYSBSGY3008EA	TAP SCREW	M3 x 8mm(x2)	
△	94	QMPD380-200-JN	POWER CORD(US/CA)	2m BLACK	
△	95	QZW0033-001	STRAIN RELIEF		
	96	QYSBSGY3008EA	TAP SCREW	M3 x 8mm	
	97	LV21925-001A	TOP COVER		D401SJ
	97	LV21925-002A	TOP COVER		D402BJ
	98	QYSBSGY3008EA	TAP SCREW	M3 x 8mm(x5)	
	99	LV44339-001A	SPECIAL SCREW		
	100	QYSDSG3008NA	TAP SCREW	M3 x 8mm(x4)	D401SJ
	100	QYSDSG3008MA	TAP SCREW	M3 x 8mm(x4)	D402BJ
	101	LV44151-003A	ROTARY KNOB ASS	(x2)	D401SJ
	101	LV44151-004A	ROTARY KNOB ASS	(x2)	D402BJ
△	102	QMF51U1-6R3-J8	FUSE	F103 6.3A AC125V	
△	103	QMF51U1-4R0-J8	FUSE	F101 F102 4A AC125V(x2)	
	104	LV43517-001A	FUSE CAUTION	(x2)	
	105	E409394-001	CAUTION LABEL		
	106	LV43550-004A	LABEL		
	107	LV43835-001A	EMC LABEL		
	108	QAU0346-001	TUNER	TU 1	
	109	QYSBSG3008EA	TAP SCREW	M3 x 8mm(x5)	
	110	QYSBSG3008EA	TAP SCREW	M3 x 8mm(x4)	
	111	QUQ110-1126BJ-E	FFC WIRE	11pin 26cm	
	112	QUQ110-0626BJ-E	FFC WIRE	6pin 26cm	
	113	QUQ110-0516AJ-E	FFC WIRE	5pin 16cm	
	114	QUQ412-1120CJ-E	FFC WIRE	11pin 20cm	
	115	QUQ412-0520CJ-E	FFC WIRE	5pin 20cm	

Electrical parts list

Front board

Block No. [0][1]

△ Symbol No.	Part No.	Part Name	Description	Local
PW11	QUB220-14DMHP-E	SNAPIN-RINGWIRE		
PW13	QUB220-14DMHP-E	SNAPIN-RINGWIRE		
PW153	QUB116-15PPPP-E	SIN TWIST WIRE		
PW155	QUB111-15PPPP-E	SIN TWIST WIRE		
PW902	QUB220-15DMHP-E	SIN TWIST WIRE		
PW903	QUB220-15DMHP-E	SIN TWIST WIRE		
IC111	NJM2125F-X	IC		
IC112	NJM2403M-X	IC		
IC113	SN74HC00ANS-X	IC		
IC115	SN74HC74ANS-X	IC		
△ IC121	KIA7805API	IC		
IC211	SN74HCU04ANS-X	IC		
IC212	SN74HC00ANS-X	IC		
IC213	SN74HC08NS-X	IC		
IC214	SN74HC74ANS-X	IC		
IC901	MN101C35DMF	IC		
IC902	GP1UM281XKVF	IR DETECT UNIT		
Q291	KTC3875/YG/-X	SI TRANSISTOR		
△ Q441	2SD2394/EF/	TRANSISTOR		
△ Q444	KTA1046/Y/	TRANSISTOR		
Q445	2SC2812N/6/-X	TRANSISTOR		
Q891	KTC3875/YG/-X	SI TRANSISTOR		
Q910	KRC107S-X	DIGI TRANSISTOR		
Q924	KRA107S-X	DIGI TRANSISTOR		
Q925	KRA107S-X	DIGI TRANSISTOR		
Q926	KRA107S-X	DIGI TRANSISTOR		
Q1001	KRC105S-X	DIGI TRANSISTOR		
Q1103	KTA1268/GL/-T	TRANSISTOR		
Q1151	KRC102S-X	DIGI TRANSISTOR		
Q1152	KRC102S-X	DIGI TRANSISTOR		
Q1171	KTC3875/YG/-X	SI TRANSISTOR		
Q1172	KRC102S-X	DIGI TRANSISTOR		
Q1173	KTA1504/YG/-X	SI TRANSISTOR		
Q1174	KTC3875/YG/-X	SI TRANSISTOR		
Q1291	KTC3875/YG/-X	SI TRANSISTOR		
Q1491	KTC3875/YG/-X	SI TRANSISTOR		
D241	1SS133-T2	SI DIODE		
D242	1SS133-T2	SI DIODE		
D295	1SS133-T2	SI DIODE		
D341	UDZS2.7B-X	Z DIODE		
D391	1SS133-T2	SI DIODE		
D441	MTZJ20C-T2	Z DIODE		
D442	MTZJ24B-T2	Z DIODE		
D444	MTZJ11C-T2	Z DIODE		
D491	1SS133-T2	SI DIODE		
D512	UDZS6.2B-X	Z DIODE		
D895	1SS133-T2	SI DIODE		
D907	SLR-343VC-T	LED		
D910	1N4448WS-X	SI DIODE		
D917	SLR-343VC-T	LED		
D918	SLR-343VC-T	LED		
D919	SLR-343VC-T	LED		
D920	SLR-343VC-T	LED		
D921	SLR-343VC-T	LED		
D922	SLR-343VC-T	LED		
D923	SLR-343VC-T	LED		
D1001	1SS133-T2	SI DIODE		
D1151	1SS133-T2	SI DIODE		
D1152	1SS133-T2	SI DIODE		
D1153	1SS133-T2	SI DIODE		
D1154	UDZS2.7B-X	Z DIODE		
D1155	1SS133-T2	SI DIODE		
D1172	1SS133-T2	SI DIODE		
D1173	1SS133-T2	SI DIODE		
D1174	1SS133-T2	SI DIODE		
C121	QCFB1HZ-104Y	C CAPACITOR	0.1uF 50V Z	
C241	NCB31CK-104X	C CAPACITOR	0.1uF 16V K	
C242	NDC31HJ-471X	C CAPACITOR	470pF 50V J	

△ Symbol No.	Part No.	Part Name	Description	Local
C243	NDC31HJ-471X	C CAPACITOR	470pF 50V J	
C244	NDC31HJ-471X	C CAPACITOR	470pF 50V J	
C245	NDC31HJ-471X	C CAPACITOR	470pF 50V J	
C246	NCB31CK-104X	C CAPACITOR	0.1uF 16V K	
C247	NDC31HJ-101X	C CAPACITOR	100pF 50V J	
C248	NDC31HJ-101X	C CAPACITOR	100pF 50V J	
C249	NCB31CK-104X	C CAPACITOR	0.1uF 16V K	
C295	QCBB1HK-221Y	C CAPACITOR	220pF 50V K	
C296	QCBB1HK-221Y	C CAPACITOR	220pF 50V K	
C297	QDVB1EZ-223Y	C CAPACITOR	0.022uF 25V Z	
C341	NCB31CK-104X	C CAPACITOR	0.1uF 16V K	
C395	QCBB1HK-221Y	C CAPACITOR	220pF 50V K	
C396	QCBB1HK-221Y	C CAPACITOR	220pF 50V K	
C397	QDVB1EZ-223Y	C CAPACITOR	0.022uF 25V Z	
C441	QETN1EM-107Z	E CAPACITOR	100uF 25V M	
C442	QETN1EM-107Z	E CAPACITOR	100uF 25V M	
C443	QETN1VM-107Z	E CAPACITOR	100uF 35V M	
C491	QCBB1HK-221Y	C CAPACITOR	220pF 50V K	
C492	QCBB1HK-221Y	C CAPACITOR	220pF 50V K	
C493	QDVB1EZ-223Y	C CAPACITOR	0.022uF 25V Z	
C895	QCBB1HK-221Y	C CAPACITOR	220pF 50V K	
C896	QCBB1HK-221Y	C CAPACITOR	220pF 50V K	
C897	QDVB1EZ-223Y	C CAPACITOR	0.022uF 25V Z	
C901	NCB31HK-103X	C CAPACITOR	0.01uF 50V K	
C902	NCB31HK-103X	C CAPACITOR	0.01uF 50V K	
C903	NCB31HK-103X	C CAPACITOR	0.01uF 50V K	
C904	NCB31HK-103X	C CAPACITOR	0.01uF 50V K	
C905	NCB31HK-103X	C CAPACITOR	0.01uF 50V K	
C906	QCZ0202-155Z	C CAPACITOR	1.5uF 25V Z	
C907	QEK0JM-107Z	E CAPACITOR	100uF 6.3V M	
C908	QEK0JM-107Z	E CAPACITOR	100uF 6.3V M	
C909	QEK1HM-475Z	E CAPACITOR	4.7uF 50V M	
C910	QER61HM-475Z	E CAPACITOR	4.7uF 50V M	
C911	QEK1HM-475Z	E CAPACITOR	4.7uF 50V M	
C912	NCF31CZ-104X	C CAPACITOR	0.1uF 16V Z	
C913	NCF31CZ-104X	C CAPACITOR	0.1uF 16V Z	
C914	NCF31CZ-104X	C CAPACITOR	0.1uF 16V Z	
C915	NCF31CZ-104X	C CAPACITOR	0.1uF 16V Z	
C918	NCB31CK-104X	C CAPACITOR	0.1uF 16V K	
C921	NCB31HK-102X	C CAPACITOR	1000pF 50V K	
C929	NCB31HK-103X	C CAPACITOR	0.01uF 50V K	
C931	NCB31EK-104X	C CAPACITOR	0.1uF 25V K	
C932	NCB31EK-104X	C CAPACITOR	0.1uF 25V K	
C933	NCB31EK-104X	C CAPACITOR	0.1uF 25V K	
C934	NCB31EK-104X	C CAPACITOR	0.1uF 25V K	
△ C1001	QCZ9104-472	C CAPACITOR	4700pF	
△ C1002	QFZ9075-224	MPP CAPACITOR	0.22uF AC275V M	
△ C1003	QCZ9079-102	C CAPACITOR	1000pF AC250V M	
△ C1004	QCZ9079-102	C CAPACITOR	1000pF AC250V M	
C1151	QETN1CM-476Z	E CAPACITOR	47uF 16V M	
C1152	NCB31CK-105X	C CAPACITOR	1uF 16V K	
C1153	NCB31CK-105X	C CAPACITOR	1uF 16V K	
C1154	NDC31HJ-101X	C CAPACITOR	100pF 50V J	
C1155	NCB31CK-105X	C CAPACITOR	1uF 16V K	
C1156	NDC31HJ-101X	C CAPACITOR	100pF 50V J	
C1157	NCB31CK-104X	C CAPACITOR	0.1uF 16V K	
C1158	NCB31CK-104X	C CAPACITOR	0.1uF 16V K	
C1159	NCB31HK-821X	C CAPACITOR	820pF 50V K	
C1172	NCB31HK-102X	C CAPACITOR	1000pF 50V K	
C1173	NCB31HK-103X	C CAPACITOR	0.01uF 50V K	
C1174	QETN1CM-107Z	E CAPACITOR	100uF 16V M	
C1181	NCB31HK-103X	C CAPACITOR	0.01uF 50V K	
C1182	QETN1CM-107Z	E CAPACITOR	100uF 16V M	
C1291	QCBB1HK-221Y	C CAPACITOR	220pF 50V K	
C1292	QCBB1HK-221Y	C CAPACITOR	220pF 50V K	
C1293	QDVB1EZ-223Y	C CAPACITOR	0.022uF 25V Z	
C1391	QCBB1HK-221Y	C CAPACITOR	220pF 50V K	
C1392	QCBB1HK-221Y	C CAPACITOR	220pF 50V K	
C1393	QDVB1EZ-223Y	C CAPACITOR	0.022uF 25V Z	
C1491	QCBB1HK-221Y	C CAPACITOR	220pF 50V K	
C1492	QCBB1HK-221Y	C CAPACITOR	220pF 50V K	
C1493	QDVB1EZ-223Y	C CAPACITOR	0.022uF 25V Z	
C6577	NCB31HK-221X	C CAPACITOR	220pF 50V K	
C6578	QCZ0202-155Z	C CAPACITOR	1.5uF 25V Z	
R241	NRSA63J-105X	MG RESISTOR	1MΩ 1/16W J	

△ Symbol No.	Part No.	Part Name	Description	Local	△ Symbol No.	Part No.	Part Name	Description	Local
R242	NRSA63J-562X	MG RESISTOR	5.6kΩ 1/16W J		△ R1295	QRJ146J-470X	UNF C RESISTOR	47Ω 1/4W J	
R243	NRSA63J-105X	MG RESISTOR	1MΩ 1/16W J		△ R1391	QRJ146J-470X	UNF C RESISTOR	47Ω 1/4W J	
R244	NRSA63J-562X	MG RESISTOR	5.6kΩ 1/16W J		△ R1491	QRJ146J-470X	UNF C RESISTOR	47Ω 1/4W J	
R245	NRSA63J-101X	MG RESISTOR	100Ω 1/16W J		R1575	NRSA63J-0R0X	MG RESISTOR	0Ω 1/16W J	
R246	NRSA63J-222X	MG RESISTOR	2.2kΩ 1/16W J		R6595	NRSA63J-221X	MG RESISTOR	220Ω 1/16W J	
R247	NRSA63J-222X	MG RESISTOR	2.2kΩ 1/16W J		△ T102	QQT0478-001	POWER TRANSF		
R341	NRSA63J-102X	MG RESISTOR	1kΩ 1/16W J		BK901	LV34673-001A	FL HOLDER(L)		
R342	NRSA63J-222X	MG RESISTOR	2.2kΩ 1/16W J		BK902	LV34687-001A	FL HOLDER(R)		
△ R441	QRK126J-4R7X	UNF C RESISTOR	4.7Ω 1/2W J		CN120	QGA7901C1-02	CONNECTOR	W-B (1-2)	
△ R442	QRK126J-362X	UNF C RESISTOR	3.6kΩ 1/2W J		CN151	QGB2510K1-12	CONNECTOR	B-B (1-12)	
R443	NRSA63J-681X	MG RESISTOR	680Ω 1/16W J		CN202	QJK002-071802-E	SIN CR C-B WIRE		
△ R444	QRJ146J-182X	UNF C RESISTOR	1.8kΩ 1/4W J		CN206	WJK0208-002A-E	E-SI C WIRE C-B		
△ R895	QRJ146J-470X	UNF C RESISTOR	47Ω 1/4W J		CN209	QGA2501C1-06	CONNECTOR	W-B (1-6)	
R901	NRSA63J-103X	MG RESISTOR	10kΩ 1/16W J		CN211	QJK012-034003-E	SIN CR C-B WIRE		
R902	NRSA63J-102X	MG RESISTOR	1kΩ 1/16W J		CN262	QGA3901C1-08	CONNECTOR	W-B (1-8)	
R903	NRSA63J-102X	MG RESISTOR	1kΩ 1/16W J		CN265	QGA3901C1-06	CONNECTOR	W-B (1-6)	
R904	NRSA63J-103X	MG RESISTOR	10kΩ 1/16W J		CN465	QGA2001C1-03	CONNECTOR	W-B (1-3)	
R905	NRSA63J-102X	MG RESISTOR	1kΩ 1/16W J		CN524	QGA2501C1-02	CONNECTOR	W-B (1-2)	
R906	NRSA63J-102X	MG RESISTOR	1kΩ 1/16W J		CN565	QGA2501C1-02	CONNECTOR	W-B (1-2)	
R907	NRSA63J-122X	MG RESISTOR	1.2kΩ 1/16W J		CN902	QGF1205F1-05	CONNECTOR	FFC/FPC (1-5)	
R908	NRSA63J-103X	MG RESISTOR	10kΩ 1/16W J		CN903	QJK021-070802-E	SIN CR C-B		
R909	NRSA63J-102X	MG RESISTOR	1kΩ 1/16W J		CN913	QGA2001F1-07	CONNECTOR	W-B (1-7)	
R910	NRSA63J-102X	MG RESISTOR	1kΩ 1/16W J		CN914	QGA2001F1-03	CONNECTOR	W-B (1-3)	
R911	NRSA63J-103X	MG RESISTOR	10kΩ 1/16W J		CN952	QJK021-124402-E	SIN CR C-B WIRE		
R912	NRSA63J-102X	MG RESISTOR	1kΩ 1/16W J		DI901	QLF0157-001	FL TUBE		
R919	NRSA63J-103X	MG RESISTOR	10kΩ 1/16W J		EP151	QNZ0136-001Z	EARTH PLATE		
R920	NRSA63J-102X	MG RESISTOR	1kΩ 1/16W J		△ FC103	QNG0020-001Z	FUSE CLIP		
R930	NRSA63J-221X	MG RESISTOR	220Ω 1/16W J		△ FC113	QNG0020-001Z	FUSE CLIP		
R931	NRSA63J-103X	MG RESISTOR	10kΩ 1/16W J		FS900	VYSH101-009	SPACER		
R932	NRSA63J-103X	MG RESISTOR	10kΩ 1/16W J		FS901	VYSH101-009	SPACER		
R933	NRSA63J-103X	MG RESISTOR	10kΩ 1/16W J		FW121	WJS0042-001A-E	E-FL/RB WIRE		
R935	NRSA63J-103X	MG RESISTOR	10kΩ 1/16W J		FW451	WJS0046-003A-E	E-FL/RB WIRE		
R936	NRSA63J-221X	MG RESISTOR	220Ω 1/16W J		J504	QNN0480-001	PIN JACK		
R937	NRSA63J-221X	MG RESISTOR	220Ω 1/16W J		J505	QNS0089-001	3.5 JACK		
R938	NRSA63J-221X	MG RESISTOR	220Ω 1/16W J		JS901	QSW1129-001	ROTARY ENCODER		
R939	NRSA63J-221X	MG RESISTOR	220Ω 1/16W J		JS902	QSW1129-001	ROTARY ENCODER		
R940	NRSA63J-221X	MG RESISTOR	220Ω 1/16W J		△ RY101	QSK0128-001	RELAY		
R941	NRSA63J-221X	MG RESISTOR	220Ω 1/16W J		△ RY295	QSK0127-001	RELAY		
R942	NRSA63J-221X	MG RESISTOR	220Ω 1/16W J		△ RY391	QSK0127-001	RELAY		
R943	NRSA63J-221X	MG RESISTOR	220Ω 1/16W J		△ RY491	QSK0127-001	RELAY		
R944	NRSA63J-221X	MG RESISTOR	220Ω 1/16W J		△ RY895	QSK0127-001	RELAY		
R947	NRSA63J-103X	MG RESISTOR	10kΩ 1/16W J		S901	QSW0683-001Z	PUSH SW		
R948	NRSA63J-103X	MG RESISTOR	10kΩ 1/16W J		S902	QSW0683-001Z	PUSH SW		
R949	NRSA63J-103X	MG RESISTOR	10kΩ 1/16W J		S903	QSW0683-001Z	PUSH SW		
R950	NRSA63J-103X	MG RESISTOR	10kΩ 1/16W J		S904	QSW0683-001Z	PUSH SW		
R953	NRSA63J-103X	MG RESISTOR	10kΩ 1/16W J		S905	QSW0683-001Z	PUSH SW		
R954	NRSA63J-103X	MG RESISTOR	10kΩ 1/16W J		S906	QSW0683-001Z	PUSH SW		
R955	NRSA63J-103X	MG RESISTOR	10kΩ 1/16W J		ST292	QNB0256-001	SPK TERMINAL		
R956	NRSA63J-103X	MG RESISTOR	10kΩ 1/16W J		ST295	QNB0078-002	SPK TERMINAL		
△ R1001	QRZ9037-335	COMP RESISTOR	3.3MΩ 1/2W K		X241	QAX0734-001	C RESONATOR	400.00kHz	
△ R1002	QRZ9037-335	COMP RESISTOR	3.3MΩ 1/2W K		X242	QAX0735-001	C RESONATOR	420.00kHz	
R1114	NRSA63J-821X	MG RESISTOR	820Ω 1/16W J		X901	QAX0246-001Z	C RESONATOR	8.00MHz	
R1151	NRSA63J-362X	MG RESISTOR	3.6kΩ 1/16W J						
R1152	NRSA63J-682X	MG RESISTOR	6.8kΩ 1/16W J						
R1153	NRSA63F-222X	MG RESISTOR	2.2kΩ 1/16W F						
R1154	NRSA63F-332X	MG RESISTOR	3.3kΩ 1/16W F						
R1155	NRSA63J-223X	MG RESISTOR	22kΩ 1/16W J						
R1156	NRSA63J-124X	MG RESISTOR	120kΩ 1/16W J						
R1157	NRSA63J-103X	MG RESISTOR	10kΩ 1/16W J						
R1158	NRSA63J-391X	MG RESISTOR	390Ω 1/16W J						
R1159	NRSA63J-103X	MG RESISTOR	10kΩ 1/16W J						
R1160	NRSA63J-102X	MG RESISTOR	1kΩ 1/16W J						
R1161	NRSA63J-105X	MG RESISTOR	1MΩ 1/16W J						
R1162	NRSA63J-102X	MG RESISTOR	1kΩ 1/16W J						
R1163	NRSA63J-331X	MG RESISTOR	330Ω 1/16W J						
R1164	NRSA63J-473X	MG RESISTOR	47kΩ 1/16W J						
R1165	NRSA63J-332X	MG RESISTOR	3.3kΩ 1/16W J						
R1166	NRSA63J-471X	MG RESISTOR	470Ω 1/16W J						
R1169	NRSA63J-332X	MG RESISTOR	3.3kΩ 1/16W J						
R1170	NRSA63J-102X	MG RESISTOR	1kΩ 1/16W J						
R1172	NRSA02J-332X	MG RESISTOR	3.3kΩ 1/10W J						
R1173	NRSA63J-103X	MG RESISTOR	10kΩ 1/16W J						
R1174	NRSA63J-183X	MG RESISTOR	18kΩ 1/16W J						
R1175	NRSA63J-222X	MG RESISTOR	2.2kΩ 1/16W J						
R1176	NRSA63J-473X	MG RESISTOR	47kΩ 1/16W J						
R1178	NRSA63J-101X	MG RESISTOR	100Ω 1/16W J						
R1179	NRSA63F-332X	MG RESISTOR	3.3kΩ 1/16W F						
R1180	NRSA63J-133X	MG RESISTOR	13kΩ 1/16W J						

Amplifier board

Block No. [0][2]

△ Symbol No.	Part No.	Part Name	Description	Local
△ IC101	IRS2011S-X	IC		
△ IC151	KIA7805API	IC		
△ IC152	KIA7809API	IC		
△ IC153	KIA7805API	IC		
IC201	JCV8015-X	IC		
IC202	SN74LVC3G04T-X	IC		
△ IC251	IRS20124S-X	IC		
△ IC261	IRS20124S-X	IC		
IC301	JCV8015-X	IC		
IC302	SN74LVC3G04T-X	IC		
△ IC351	IRS20124S-X	IC		
△ IC361	IRS20124S-X	IC		
IC401	JCV8015-X	IC		
△ IC451	IRS20124S-X	IC		

△ Symbol No.	Part No.	Part Name	Description	Local	△ Symbol No.	Part No.	Part Name	Description	Local
△ IC461	IRS20124S-X	IC			△ D119	UF304G-F82	FR DIOAE		
IC801	JCV8015-X	IC			△ D120	UF304G-F82	FR DIOAE		
△ IC851	IRS20124S-X	IC			D152	1SS133-T2	SI DIODE		
Q101	KTD863/Y/-T	TRANSISTOR			D153	MTZJ13B-T2	Z DIODE		
△ Q102	KTA1046/Y/	TRANSISTOR			D154	MTZJ7.5A-T2	Z DIODE		
Q103	KTC3200/GLJ-T	TRANSISTOR			D156	MTZJ8.2C-T2	Z DIODE		
Q151	KRA102S-X	DIGI TRANSISTOR			D157	MTZJ8.2C-T2	Z DIODE		
Q152	KRC102S-X	DIGI TRANSISTOR			D158	MTZJ7.5A-T2	Z DIODE		
△ Q153	2SD2394/EF/	TRANSISTOR			D159	MTZJ6.2C-T2	Z DIODE		
Q154	KRC102S-X	DIGI TRANSISTOR			△ D161	1A3G-T1	SI DIODE		
Q155	2SC1740S/RS/-T	TRANSISTOR			△ D162	1A3G-T1	SI DIODE		
Q156	2SC1740S/RS/-T	TRANSISTOR			D171	MTZJ13B-T2	Z DIODE		
△ Q157	2SD2394/EF/	TRANSISTOR			D172	MTZJ13B-T2	Z DIODE		
△ Q158	KTA1046/Y/	TRANSISTOR			D211	1SS133-T2	SI DIODE		
Q161	KRC111S-X	TRANSISTOR			D221	1SS133-T2	SI DIODE		
Q162	KRC111S-X	TRANSISTOR			D222	MTZJ16B-T2	Z DIODE		
Q163	KRC111S-X	TRANSISTOR			D251	1SS133-T2	SI DIODE		
△ Q171	2SD2394/EF/	TRANSISTOR			D281	1SS133-T2	SI DIODE		
△ Q172	2SD2394/EF/	TRANSISTOR			D300	MA111-X	SI DIODE		
△ Q174	2SD2394/EF/	TRANSISTOR			D311	1SS133-T2	SI DIODE		
△ Q175	2SD2394/EF/	TRANSISTOR			D351	1SS133-T2	SI DIODE		
△ Q176	2SD2394/EF/	TRANSISTOR			D411	1SS133-T2	SI DIODE		
△ Q177	2SD2394/EF/	TRANSISTOR			D451	1SS133-T2	SI DIODE		
Q201	KTA1268/GLJ-T	TRANSISTOR			D811	1SS133-T2	SI DIODE		
Q211	KTC3875/YG/-X	SI TRANSISTOR			D851	1SS133-T2	SI DIODE		
Q214	KRC102M-T	DIGI TRANSISTOR			△ D1101	30PRA20-FC	SI DIODE		
Q251	KTA1504/YG/-X	SI TRANSISTOR			△ D1102	30PRA20-FC	SI DIODE		
△ Q261	IRFB4212	FET			△ D1103	30PRA20-FC	SI DIODE		
△ Q262	IRFB4212	FET			△ D1104	30PRA20-FC	SI DIODE		
Q281	KRC109M-T	DIGI TRANSISTOR			△ D1107	FMB-G19L	SB DIODE		
Q282	KRA102M-T	DIGI TRANSISTOR			△ D1108	FMB-G19L	SB DIODE		
Q283	KTC3200/GLJ-T	TRANSISTOR			D1109	1SS133-T2	SI DIODE		
Q284	KTA1268/GLJ-T	TRANSISTOR			D1110	1SS133-T2	SI DIODE		
Q285	KTC3199/GLJ-T	TRANSISTOR			D1111	1SS133-T2	SI DIODE		
Q286	KRC102M-T	DIGI TRANSISTOR			D1171	1SS133-T2	SI DIODE		
Q301	KTA1268/GLJ-T	TRANSISTOR			D1211	1SS133-T2	SI DIODE		
Q351	KTA1504/YG/-X	SI TRANSISTOR			D1251	1SS133-T2	SI DIODE		
△ Q361	IRFB4212	FET			D1311	1SS133-T2	SI DIODE		
△ Q362	IRFB4212	FET			D1351	1SS133-T2	SI DIODE		
Q401	KTA1268/GLJ-T	TRANSISTOR			D1411	1SS133-T2	SI DIODE		
Q451	KTA1504/YG/-X	SI TRANSISTOR			D1451	1SS133-T2	SI DIODE		
△ Q461	IRFB4212	FET			C101	QFLC2AJ-472Z	M CAPACITOR	4700pF 100V J	
△ Q462	IRFB4212	FET			C102	QETM1EM-108	E CAPACITOR	1000uF 25V M	
Q801	KTA1268/GLJ-T	TRANSISTOR			C103	NCB31HK-472X	C CAPACITOR	4700pF 50V K	
Q851	KTA1504/YG/-X	SI TRANSISTOR			C104	QETN1CM-477Z	E CAPACITOR	470uF 16V M	
△ Q861	IRFB4212	FET			C105	NCZ1061-104X	C CAPACITOR	0.1uF	
△ Q862	IRFB4212	FET			C106	NCZ1061-104X	C CAPACITOR	0.1uF	
△ Q1101	2SK3599-01MR	POWER MOS FET			C107	NCZ1061-104X	C CAPACITOR	0.1uF	
△ Q1102	2SK3599-01MR	POWER MOS FET			C108	QFLC1HJ-473Z	M CAPACITOR	0.047uF 50V J	
Q1104	KTA1268/GLJ-T	TRANSISTOR			C109	QFLC1HJ-473Z	M CAPACITOR	0.047uF 50V J	
Q1201	KTA1268/GLJ-T	TRANSISTOR			C110	QETN1HM-227Z	E CAPACITOR	220uF 50V M	
Q1251	KTA1504/YG/-X	SI TRANSISTOR			C111	QETN1JM-107Z	E CAPACITOR	100uF 63V M	
△ Q1261	IRFB4212	FET			C112	QETN1HM-226Z	E CAPACITOR	22uF 50V M	
△ Q1262	IRFB4212	FET			C113	QETN1HM-226Z	E CAPACITOR	22uF 50V M	
Q1301	KTA1268/GLJ-T	TRANSISTOR			C114	QETN1HM-105Z	E CAPACITOR	1uF 50V M	
Q1351	KTA1504/YG/-X	SI TRANSISTOR			C151	QE20774-688	E CAPACITOR	6800uF	
△ Q1361	IRFB4212	FET			C152	QETM1EM-338	E CAPACITOR	3300uF 25V M	
△ Q1362	IRFB4212	FET			C153	NCB31HK-103X	C CAPACITOR	0.01uF 50V K	
Q1401	KTA1268/GLJ-T	TRANSISTOR			C154	QETN1CM-107Z	E CAPACITOR	100uF 16V M	
Q1451	KTA1504/YG/-X	SI TRANSISTOR			C155	NCB31HK-103X	C CAPACITOR	0.01uF 50V K	
△ Q1461	IRFB4212	FET			C156	QETN1EM-107Z	E CAPACITOR	100uF 25V M	
△ Q1462	IRFB4212	FET			C157	QETN1HM-106Z	E CAPACITOR	10uF 50V M	
△ D101	1A3G-T1	SI DIODE			C158	NCB31HK-103X	C CAPACITOR	0.01uF 50V K	
△ D102	1A3G-T1	SI DIODE			C159	QETN1CM-107Z	E CAPACITOR	100uF 16V M	
△ D103	1A3G-T1	SI DIODE			C160	QETN1CM-107Z	E CAPACITOR	100uF 16V M	
△ D104	1A3G-T1	SI DIODE			C161	QETN1CM-477Z	E CAPACITOR	470uF 16V M	
D106	MTZJ6.2B-T2	Z DIODE			C162	QETN1CM-107Z	E CAPACITOR	100uF 16V M	
△ D107	1A3G-T1	SI DIODE			C163	QETN1CM-477Z	E CAPACITOR	470uF 16V M	
△ D108	1A3G-T1	SI DIODE			C164	NCB31HK-222X	C CAPACITOR	2200pF 50V K	
△ D111	10DDA20-FD	DIODE			C165	QETN1CM-107Z	E CAPACITOR	100uF 16V M	
△ D112	10DDA20-FD	DIODE			C166	QETN1CM-477Z	E CAPACITOR	470uF 16V M	
△ D113	1A3G-T1	SI DIODE			C167	NCB31HK-222X	C CAPACITOR	2200pF 50V K	
△ D114	1A3G-T1	SI DIODE			C168	QETN1CM-107Z	E CAPACITOR	100uF 16V M	
△ D115	1A3G-T1	SI DIODE			C169	QETN1CM-477Z	E CAPACITOR	470uF 16V M	
D116	MTZJ36C-T2	Z DIODE			C173	QETN1HM-105Z	E CAPACITOR	1uF 50V M	
D117	MTZJ8.2C-T2	Z DIODE			C174	QETN1HM-106Z	E CAPACITOR	10uF 50V M	
					C175	QETN1HM-105Z	E CAPACITOR	1uF 50V M	

△ Symbol No.	Part No.	Part Name	Description	Local	△ Symbol No.	Part No.	Part Name	Description	Local
C176	QETN1HM-106Z	E CAPACITOR	10uF 50V M		C401	QEKC1HM-106Z	E CAPACITOR	10uF 50V M	
C201	QEKC1HM-106Z	E CAPACITOR	10uF 50V M		C402	NCB31HK-471X	C CAPACITOR	470pF 50V K	
C202	NCB31HK-471X	C CAPACITOR	470pF 50V K		C403	QEKC1HM-106Z	E CAPACITOR	10uF 50V M	
C203	QEKC1HM-106Z	E CAPACITOR	10uF 50V M		C404	NCB31HK-222X	C CAPACITOR	2200pF 50V K	
C204	NCB31HK-222X	C CAPACITOR	2200pF 50V K		C405	NCB31HK-222X	C CAPACITOR	2200pF 50V K	
C205	NCB31HK-222X	C CAPACITOR	2200pF 50V K		C407	NCB31HK-222X	C CAPACITOR	2200pF 50V K	
C207	NCB31HK-222X	C CAPACITOR	2200pF 50V K		C408	NCB31AK-105X	C CAPACITOR	1uF 10V K	
C208	NCB31AK-105X	C CAPACITOR	1uF 10V K		C409	NDC31HG-101X	C CAPACITOR	100pF 50V G	
C209	NDC31HG-101X	C CAPACITOR	100pF 50V G		C410	NCB31CK-105X	C CAPACITOR	1uF 16V K	
C210	NCB31CK-105X	C CAPACITOR	1uF 16V K		C411	NDC31HJ-101X	C CAPACITOR	100pF 50V J	
C211	NDC31HJ-101X	C CAPACITOR	100pF 50V J		C422	NCB31CK-105X	C CAPACITOR	1uF 16V K	
C212	NCB31HK-471X	C CAPACITOR	470pF 50V K		C423	QEKC1CM-107Z	E CAPACITOR	100uF 16V M	
C222	NCB31CK-105X	C CAPACITOR	1uF 16V K		C424	QEKC1CM-107Z	E CAPACITOR	100uF 16V M	
C223	QEKC1CM-107Z	E CAPACITOR	100uF 16V M		C425	NCB31CK-104X	C CAPACITOR	0.1uF 16V K	
C224	QEKC1CM-107Z	E CAPACITOR	100uF 16V M		C426	NCB31CK-104X	C CAPACITOR	0.1uF 16V K	
C225	NCB31CK-104X	C CAPACITOR	0.1uF 16V K		C431	QEKC1CM-107Z	E CAPACITOR	100uF 16V M	
C226	NCB31CK-104X	C CAPACITOR	0.1uF 16V K		C432	NDC31HJ-330X	C CAPACITOR	33pF 50V J	
C227	QEKC1CM-107Z	E CAPACITOR	100uF 16V M		C451	NCB31HK-102X	C CAPACITOR	1000pF 50V K	
C231	QEKC1CM-107Z	E CAPACITOR	100uF 16V M		C452	NCB31CK-105X	C CAPACITOR	1uF 16V K	
C232	NDC31HJ-330X	C CAPACITOR	33pF 50V J		C453	NCB21EK-334X	C CAPACITOR	0.33uF 25V K	
C251	NCB31HK-102X	C CAPACITOR	1000pF 50V K		C454	NDC31HJ-101X	C CAPACITOR	100pF 50V J	
C252	NCB31CK-105X	C CAPACITOR	1uF 16V K		C463	NCZ1061-104X	C CAPACITOR	0.1uF	
C253	NCB21EK-334X	C CAPACITOR	0.33uF 25V K		C464	NCB31HK-102X	C CAPACITOR	1000pF 50V K	
C254	NDC31HJ-101X	C CAPACITOR	100pF 50V J		C465	NCB31HK-102X	C CAPACITOR	1000pF 50V K	
C263	NCZ1061-104X	C CAPACITOR	0.1uF		C466	NCB31HK-102X	C CAPACITOR	1000pF 50V K	
C264	NCB31HK-102X	C CAPACITOR	1000pF 50V K		C467	NCB31HK-102X	C CAPACITOR	1000pF 50V K	
C265	NCB31HK-102X	C CAPACITOR	1000pF 50V K		C468	QFKC2AJ-155Z	MM CAPACITOR	1.5uF 100V J	
C266	NCB31HK-102X	C CAPACITOR	1000pF 50V K		C469	QFVM2AJ-104Z	MF CAPACITOR	0.1uF 100V J	
C267	NCB31HK-102X	C CAPACITOR	1000pF 50V K		C470	NCB31HK-102X	C CAPACITOR	1000pF 50V K	
C268	QFKC2AJ-155Z	MM CAPACITOR	1.5uF 100V J		C471	NCZ1061-104X	C CAPACITOR	0.1uF	
C269	QFVM2AJ-104Z	MF CAPACITOR	0.1uF 100V J		C472	NCZ1061-104X	C CAPACITOR	0.1uF	
C270	NCB31HK-102X	C CAPACITOR	1000pF 50V K		C473	QETN1HM-227Z	E CAPACITOR	220uF 50V M	
C271	NCZ1061-104X	C CAPACITOR	0.1uF		C474	QETN1HM-227Z	E CAPACITOR	220uF 50V M	
C272	NCZ1061-104X	C CAPACITOR	0.1uF		C475	QETN2AM-106Z	E CAPACITOR	10uF 100V M	
C273	QETN1HM-227Z	E CAPACITOR	220uF 50V M		C476	QETN1EM-476Z	E CAPACITOR	47uF 25V M	
C274	QETN1HM-227Z	E CAPACITOR	220uF 50V M		C477	NCB31HK-102X	C CAPACITOR	1000pF 50V K	
C275	QETN2AM-106Z	E CAPACITOR	10uF 100V M		C801	QEKC1HM-106Z	E CAPACITOR	10uF 50V M	
C276	QETN1EM-476Z	E CAPACITOR	47uF 25V M		C802	NCB31HK-471X	C CAPACITOR	470pF 50V K	
C277	NCB31HK-102X	C CAPACITOR	1000pF 50V K		C803	QEKC1HM-106Z	E CAPACITOR	10uF 50V M	
C281	NCB31CK-103X	C CAPACITOR	0.01uF 16V K		C804	NCB31HK-222X	C CAPACITOR	2200pF 50V K	
C282	QETN1CM-476Z	E CAPACITOR	47uF 16V M		C805	NCB31HK-222X	C CAPACITOR	2200pF 50V K	
C283	QETN1HM-106Z	E CAPACITOR	10uF 50V M		C807	NCB31HK-222X	C CAPACITOR	2200pF 50V K	
C284	NCF31CZ-474X	C CAPACITOR	0.47uF 16V Z		C808	NCB31AK-105X	C CAPACITOR	1uF 10V K	
C285	QETN1CM-106Z	E CAPACITOR	10uF 16V M		C809	NDC31HG-101X	C CAPACITOR	100pF 50V G	
C301	QEKC1HM-106Z	E CAPACITOR	10uF 50V M		C810	NCB31CK-105X	C CAPACITOR	1uF 16V K	
C302	NCB31HK-471X	C CAPACITOR	470pF 50V K		C811	NDC31HJ-101X	C CAPACITOR	100pF 50V J	
C303	QEKC1HM-106Z	E CAPACITOR	10uF 50V M		C812	NCB31HK-471X	C CAPACITOR	470pF 50V K	
C304	NCB31HK-222X	C CAPACITOR	2200pF 50V K		C821	QEKC1CM-107Z	E CAPACITOR	100uF 16V M	
C305	NCB31HK-222X	C CAPACITOR	2200pF 50V K		C822	NCB31CK-105X	C CAPACITOR	1uF 16V K	
C307	NCB31HK-222X	C CAPACITOR	2200pF 50V K		C823	QEKC1CM-107Z	E CAPACITOR	100uF 16V M	
C308	NCB31AK-105X	C CAPACITOR	1uF 10V K		C824	QEKC1CM-107Z	E CAPACITOR	100uF 16V M	
C309	NDC31HG-101X	C CAPACITOR	100pF 50V G		C825	NCB31CK-104X	C CAPACITOR	0.1uF 16V K	
C310	NCB31CK-105X	C CAPACITOR	1uF 16V K		C826	NCB31CK-104X	C CAPACITOR	0.1uF 16V K	
C311	NDC31HJ-101X	C CAPACITOR	100pF 50V J		C827	NCB31CK-105X	C CAPACITOR	1uF 16V K	
C312	NCB31HK-471X	C CAPACITOR	470pF 50V K		C829	QEKC1CM-107Z	E CAPACITOR	100uF 16V M	
C322	NCB31CK-105X	C CAPACITOR	1uF 16V K		C830	NCB31CK-105X	C CAPACITOR	1uF 16V K	
C323	NCB31CK-105X	C CAPACITOR	1uF 16V K		C831	QEKC1CM-107Z	E CAPACITOR	100uF 16V M	
C324	NCB31CK-104X	C CAPACITOR	0.1uF 16V K		C832	NDC31HJ-330X	C CAPACITOR	33pF 50V J	
C331	QEKC1CM-107Z	E CAPACITOR	100uF 16V M		C851	NCB31HK-102X	C CAPACITOR	1000pF 50V K	
C332	NDC31HJ-330X	C CAPACITOR	33pF 50V J		C852	NCB31CK-105X	C CAPACITOR	1uF 16V K	
C351	NCB31HK-102X	C CAPACITOR	1000pF 50V K		C853	NCB21EK-334X	C CAPACITOR	0.33uF 25V K	
C352	NCB31CK-105X	C CAPACITOR	1uF 16V K		C854	NDC31HJ-101X	C CAPACITOR	100pF 50V J	
C353	NCB21EK-334X	C CAPACITOR	0.33uF 25V K		C863	NCZ1061-104X	C CAPACITOR	0.1uF	
C354	NDC31HJ-101X	C CAPACITOR	100pF 50V J		C864	NCB31HK-102X	C CAPACITOR	1000pF 50V K	
C363	NCZ1061-104X	C CAPACITOR	0.1uF		C865	NCB31HK-102X	C CAPACITOR	1000pF 50V K	
C364	NCB31HK-102X	C CAPACITOR	1000pF 50V K		C866	NCB31HK-102X	C CAPACITOR	1000pF 50V K	
C365	NCB31HK-102X	C CAPACITOR	1000pF 50V K		C867	NCB31HK-102X	C CAPACITOR	1000pF 50V K	
C366	NCB31HK-102X	C CAPACITOR	1000pF 50V K		C868	QFKC2AJ-155Z	MM CAPACITOR	1.5uF 100V J	
C367	NCB31HK-102X	C CAPACITOR	1000pF 50V K		C869	QFVM2AJ-104Z	MF CAPACITOR	0.1uF 100V J	
C368	QFKC2AJ-155Z	MM CAPACITOR	1.5uF 100V J		C870	NCB31HK-102X	C CAPACITOR	1000pF 50V K	
C369	QFVM2AJ-104Z	MF CAPACITOR	0.1uF 100V J		C871	NCZ1061-104X	C CAPACITOR	0.1uF	
C370	NCB31HK-102X	C CAPACITOR	1000pF 50V K		C872	NCZ1061-104X	C CAPACITOR	0.1uF	
C371	NCZ1061-104X	C CAPACITOR	0.1uF		C873	QETN1HM-227Z	E CAPACITOR	220uF 50V M	
C372	NCZ1061-104X	C CAPACITOR	0.1uF		C874	QETN1HM-227Z	E CAPACITOR	220uF 50V M	
C373	QETN1HM-227Z	E CAPACITOR	220uF 50V M		C875	QETN2AM-106Z	E CAPACITOR	10uF 100V M	
C374	QETN1HM-227Z	E CAPACITOR	220uF 50V M		C876	QETN1EM-476Z	E CAPACITOR	47uF 25V M	
C375	QETN2AM-106Z	E CAPACITOR	10uF 100V M		C877	NCB31HK-102X	C CAPACITOR	1000pF 50V K	
C377	NCB31HK-102X	C CAPACITOR	1000pF 50V K		C1101	QFKC2AJ-224Z	MM CAPACITOR	0.22uF 100V J	

△ Symbol No.	Part No.	Part Name	Description	Local	△ Symbol No.	Part No.	Part Name	Description	Local
C1102	QFKC2AJ-224Z	MM CAPACITOR	0.22uF 100V J		C1307	NCB31HK-222X	C CAPACITOR	2200pF 50V K	
C1103	QFKC2AJ-224Z	MM CAPACITOR	0.22uF 100V J		C1308	NCB31AK-105X	C CAPACITOR	1uF 10V K	
C1104	QFKC2AJ-224Z	MM CAPACITOR	0.22uF 100V J		C1309	NDC31HG-101X	C CAPACITOR	100pF 50V G	
C1105	QEZO742-688	E CAPACITOR	6800uF		C1310	NCB31CK-105X	C CAPACITOR	1uF 16V K	
C1106	QEZO742-688	E CAPACITOR	6800uF		C1311	NDC31HJ-101X	C CAPACITOR	100pF 50V J	
C1107	NCB31HK-332X	C CAPACITOR	3300pF 50V K		C1322	NCB31CK-105X	C CAPACITOR	1uF 16V K	
C1108	NCB31HK-332X	C CAPACITOR	3300pF 50V K		C1323	NCB31CK-105X	C CAPACITOR	1uF 16V K	
C1109	NCB31HK-332X	C CAPACITOR	3300pF 50V K		C1324	NCB31CK-104X	C CAPACITOR	0.1uF 16V K	
C1110	NCB31HK-332X	C CAPACITOR	3300pF 50V K		C1331	QEK1CM-107Z	E CAPACITOR	100uF 16V M	
C1111	NCB31HK-332X	C CAPACITOR	3300pF 50V K		C1332	NDC31HJ-330X	C CAPACITOR	33pF 50V J	
C1112	NCB31HK-332X	C CAPACITOR	3300pF 50V K		C1351	NCB31HK-102X	C CAPACITOR	1000pF 50V K	
C1113	NCB31HK-332X	C CAPACITOR	3300pF 50V K		C1352	NCB31CK-105X	C CAPACITOR	1uF 16V K	
C1114	NCB31HK-332X	C CAPACITOR	3300pF 50V K		C1353	NCB21EK-334X	C CAPACITOR	0.33uF 25V K	
C1115	NCZ1061-104X	C CAPACITOR	0.1uF		C1354	NDC31HJ-101X	C CAPACITOR	100pF 50V J	
C1116	NCZ1061-104X	C CAPACITOR	0.1uF		C1363	NCZ1061-104X	C CAPACITOR	0.1uF	
C1117	QEZO570-228	E CAPACITOR	2200uF		C1364	NCB31HK-102X	C CAPACITOR	1000pF 50V K	
C1118	QEZO570-228	E CAPACITOR	2200uF		C1365	NCB31HK-102X	C CAPACITOR	1000pF 50V K	
C1119	NCZ1061-104X	C CAPACITOR	0.1uF		C1366	NCB31HK-102X	C CAPACITOR	1000pF 50V K	
C1120	NCZ1061-104X	C CAPACITOR	0.1uF		C1367	NCB31HK-102X	C CAPACITOR	1000pF 50V K	
C1122	NCB21EK-334X	C CAPACITOR	0.33uF 25V K		C1368	QFKC2AJ-155Z	MM CAPACITOR	1.5uF 100V J	
C1123	NCB31CK-105X	C CAPACITOR	1uF 16V K		C1369	QFVM2AJ-104Z	MF CAPACITOR	0.1uF 100V J	
C1124	NCZ1008-104X	C CAPACITOR	0.1uF 250V K		C1370	NCB31HK-102X	C CAPACITOR	1000pF 50V K	
C1125	NCZ1008-104X	C CAPACITOR	0.1uF 250V K		C1371	NCZ1061-104X	C CAPACITOR	0.1uF	
C1131	NCZ1069-224X	C CAPACITOR	0.22uF		C1372	NCZ1061-104X	C CAPACITOR	0.1uF	
C1132	NCZ1069-224X	C CAPACITOR	0.22uF		C1373	QETN1HM-227Z	E CAPACITOR	220uF 50V M	
C1133	NCZ1069-224X	C CAPACITOR	0.22uF		C1374	QETN1HM-227Z	E CAPACITOR	220uF 50V M	
C1134	NCZ1069-224X	C CAPACITOR	0.22uF		C1375	QETN2AM-106Z	E CAPACITOR	10uF 100V M	
C1135	NCZ1008-104X	C CAPACITOR	0.1uF 250V K		C1377	NCB31HK-102X	C CAPACITOR	1000pF 50V K	
C1136	NCZ1008-104X	C CAPACITOR	0.1uF 250V K		C1401	QEK1HM-106Z	E CAPACITOR	10uF 50V M	
C1137	NCZ1008-104X	C CAPACITOR	0.1uF 250V K		C1402	NCB31HK-471X	C CAPACITOR	470pF 50V K	
C1138	NCZ1008-104X	C CAPACITOR	0.1uF 250V K		C1403	QEK1HM-106Z	E CAPACITOR	10uF 50V M	
C1142	NCZ1069-224X	C CAPACITOR	0.22uF		C1404	NCB31HK-222X	C CAPACITOR	2200pF 50V K	
C1143	NCZ1069-224X	C CAPACITOR	0.22uF		C1405	NCB31HK-222X	C CAPACITOR	2200pF 50V K	
C1144	NCZ1069-224X	C CAPACITOR	0.22uF		C1407	NCB31HK-222X	C CAPACITOR	2200pF 50V K	
C1145	NCZ1069-224X	C CAPACITOR	0.22uF		C1408	NCB31AK-105X	C CAPACITOR	1uF 10V K	
C1146	NCZ1008-104X	C CAPACITOR	0.1uF 250V K		C1409	NDC31HG-101X	C CAPACITOR	100pF 50V G	
C1147	NCZ1008-104X	C CAPACITOR	0.1uF 250V K		C1410	NCB31CK-105X	C CAPACITOR	1uF 16V K	
C1171	QETN1HM-475Z	E CAPACITOR	4.7uF 50V M		C1411	NDC31HJ-101X	C CAPACITOR	100pF 50V J	
C1201	QEK1HM-106Z	E CAPACITOR	10uF 50V M		C1422	NCB31CK-105X	C CAPACITOR	1uF 16V K	
C1202	NCB31HK-471X	C CAPACITOR	470pF 50V K		C1423	NCB31CK-105X	C CAPACITOR	1uF 16V K	
C1203	QEK1HM-106Z	E CAPACITOR	10uF 50V M		C1431	QEK1CM-107Z	E CAPACITOR	100uF 16V M	
C1204	NCB31HK-222X	C CAPACITOR	2200pF 50V K		C1432	NDC31HJ-330X	C CAPACITOR	33pF 50V J	
C1205	NCB31HK-222X	C CAPACITOR	2200pF 50V K		C1451	NCB31HK-102X	C CAPACITOR	1000pF 50V K	
C1207	NCB31HK-222X	C CAPACITOR	2200pF 50V K		C1452	NCB31CK-105X	C CAPACITOR	1uF 16V K	
C1208	NCB31AK-105X	C CAPACITOR	1uF 10V K		C1453	NCB21EK-334X	C CAPACITOR	0.33uF 25V K	
C1209	NDC31HG-101X	C CAPACITOR	100pF 50V G		C1454	NDC31HJ-101X	C CAPACITOR	100pF 50V J	
C1210	NCB31CK-105X	C CAPACITOR	1uF 16V K		C1463	NCZ1061-104X	C CAPACITOR	0.1uF	
C1211	NDC31HJ-101X	C CAPACITOR	100pF 50V J		C1464	NCB31HK-102X	C CAPACITOR	1000pF 50V K	
C1222	NCB31CK-105X	C CAPACITOR	1uF 16V K		C1465	NCB31HK-102X	C CAPACITOR	1000pF 50V K	
C1223	QEK1CM-107Z	E CAPACITOR	100uF 16V M		C1466	NCB31HK-102X	C CAPACITOR	1000pF 50V K	
C1224	QEK1CM-107Z	E CAPACITOR	100uF 16V M		C1467	NCB31HK-102X	C CAPACITOR	1000pF 50V K	
C1225	NCB31CK-104X	C CAPACITOR	0.1uF 16V K		C1468	QFKC2AJ-155Z	MM CAPACITOR	1.5uF 100V J	
C1226	NCB31CK-104X	C CAPACITOR	0.1uF 16V K		C1469	QFVM2AJ-104Z	MF CAPACITOR	0.1uF 100V J	
C1231	QEK1CM-107Z	E CAPACITOR	100uF 16V M		C1470	NCB31HK-102X	C CAPACITOR	1000pF 50V K	
C1232	NDC31HJ-330X	C CAPACITOR	33pF 50V J		C1471	NCZ1061-104X	C CAPACITOR	0.1uF	
C1251	NCB31HK-102X	C CAPACITOR	1000pF 50V K		C1472	NCZ1061-104X	C CAPACITOR	0.1uF	
C1252	NCB31CK-105X	C CAPACITOR	1uF 16V K		C1473	QETN1HM-227Z	E CAPACITOR	220uF 50V M	
C1253	NCB21EK-334X	C CAPACITOR	0.33uF 25V K		C1474	QETN1HM-227Z	E CAPACITOR	220uF 50V M	
C1254	NDC31HJ-101X	C CAPACITOR	100pF 50V J		C1475	QETN2AM-106Z	E CAPACITOR	10uF 100V M	
C1263	NCZ1061-104X	C CAPACITOR	0.1uF		C1477	NCB31HK-102X	C CAPACITOR	1000pF 50V K	
C1264	NCB31HK-102X	C CAPACITOR	1000pF 50V K						
C1265	NCB31HK-102X	C CAPACITOR	1000pF 50V K		△ R103	QRJ146J-6R8X	UNF C RESISTOR	6.8Ω 1/4W J	
C1266	NCB31HK-102X	C CAPACITOR	1000pF 50V K		△ R105	QRJ146J-100X	UNF C RESISTOR	10Ω 1/4W J	
C1267	NCB31HK-102X	C CAPACITOR	1000pF 50V K		△ R106	QRJ146J-821X	UNF C RESISTOR	820Ω 1/4W J	
C1268	QFKC2AJ-155Z	MM CAPACITOR	1.5uF 100V J		△ R107	QRJ146J-5R6X	UNF C RESISTOR	5.6Ω 1/4W J	
C1269	QFVM2AJ-104Z	MF CAPACITOR	0.1uF 100V J		△ R108	QRJ146J-332X	UNF C RESISTOR	3.3kΩ 1/4W J	
C1270	NCB31HK-102X	C CAPACITOR	1000pF 50V K		R109	QRE141J-223Y	C RESISTOR	22kΩ 1/4W J	
C1271	NCZ1061-104X	C CAPACITOR	0.1uF		R110	QRE141J-104Y	C RESISTOR	100kΩ 1/4W J	
C1272	NCZ1061-104X	C CAPACITOR	0.1uF		△ R151	QRL01DJ-220X	OMF RESISTOR	22Ω 1W J	
C1273	QETN1HM-227Z	E CAPACITOR	220uF 50V M		△ R152	QRJ146J-4R7X	UNF C RESISTOR	4.7Ω 1/4W J	
C1274	QETN1HM-227Z	E CAPACITOR	220uF 50V M		△ R153	QRL01DJ-100X	OMF RESISTOR	10Ω 1W J	
C1275	QETN2AM-106Z	E CAPACITOR	10uF 100V M		R154	NRSA63J-103X	MG RESISTOR	10kΩ 1/16W J	
C1277	NCB31HK-102X	C CAPACITOR	1000pF 50V K		R155	NRSA63J-113X	MG RESISTOR	11kΩ 1/16W J	
C1301	QEK1HM-106Z	E CAPACITOR	10uF 50V M		△ R156	QRJ146J-100X	UNF C RESISTOR	10Ω 1/4W J	
C1302	NCB31HK-471X	C CAPACITOR	470pF 50V K		△ R157	QRJ146J-561X	UNF C RESISTOR	560Ω 1/4W J	
C1303	QEK1HM-106Z	E CAPACITOR	10uF 50V M		△ R158	QRT01DJ-4R7X	MF RESISTOR	4.7Ω 1W J	
C1304	NCB31HK-222X	C CAPACITOR	2200pF 50V K		R159	NRSA63J-202X	MG RESISTOR	2kΩ 1/16W J	
C1305	NCB31HK-222X	C CAPACITOR	2200pF 50V K		R160	NRSA63J-473X	MG RESISTOR	47kΩ 1/16W J	

△ Symbol No.	Part No.	Part Name	Description	Local	△ Symbol No.	Part No.	Part Name	Description	Local
△ R161	QRJ146J-4R7X	UNF C RESISTOR	4.7Ω 1/4W J		R306	NRSA63J-332X	MG RESISTOR	3.3kΩ 1/16W J	
△ R162	QRJ146J-222X	UNF C RESISTOR	2.2kΩ 1/4W J		R307	NRSA63J-183X	MG RESISTOR	18kΩ 1/16W J	
△ R163	QRJ146J-100X	UNF C RESISTOR	10Ω 1/4W J		R308	NRSA63J-104X	MG RESISTOR	100kΩ 1/16W J	
△ R164	QRJ146J-222X	UNF C RESISTOR	2.2kΩ 1/4W J		R309	NRSA63J-103X	MG RESISTOR	10kΩ 1/16W J	
△ R165	QRT01DJ-R22X	MF RESISTOR	0.22Ω 1W J		R310	NRSA63J-105X	MG RESISTOR	1MΩ 1/16W J	
△ R166	QRJ146J-222X	UNF C RESISTOR	2.2kΩ 1/4W J		R311	NRSA63J-222X	MG RESISTOR	2.2kΩ 1/16W J	
△ R167	QRT01DJ-R22X	MF RESISTOR	0.22Ω 1W J		R314	NRSA63J-104X	MG RESISTOR	100kΩ 1/16W J	
△ R168	QRJ146J-222X	UNF C RESISTOR	2.2kΩ 1/4W J		R315	NRSA63F-822X	MG RESISTOR	8.2kΩ 1/16W F	
R171	QRE141J-101Y	C RESISTOR	100Ω 1/4W J		R316	NRSA63J-821X	MG RESISTOR	1kΩ 1/16W J	
R172	QRE141J-101Y	C RESISTOR	100Ω 1/4W J		R317	NRSA63J-821X	MG RESISTOR	820Ω 1/16W J	
△ R173	QRK126J-4R7X	UNF C RESISTOR	4.7Ω 1/2W J		△ R318	QRJ146J-100X	UNF C RESISTOR	10Ω 1/4W J	
△ R174	QRK126J-103X	UNF C RESISTOR	10kΩ 1/2W J		△ R319	QRJ146J-100X	UNF C RESISTOR	10Ω 1/4W J	
△ R175	QRK126J-4R7X	UNF C RESISTOR	4.7Ω 1/2W J		R331	NRSA63J-102X	MG RESISTOR	1kΩ 1/16W J	
△ R176	QRK126J-103X	UNF C RESISTOR	10kΩ 1/2W J		R332	NRSA63J-104X	MG RESISTOR	100kΩ 1/16W J	
R177	QRE141J-101Y	C RESISTOR	100Ω 1/4W J		R333	NRSA63J-472X	MG RESISTOR	4.7kΩ 1/16W J	
R178	QRE141J-101Y	C RESISTOR	100Ω 1/4W J		R334	NRSA63J-102X	MG RESISTOR	1kΩ 1/16W J	
R181	NRSA63J-101X	MG RESISTOR	100Ω 1/16W J		R335	NRSA63J-103X	MG RESISTOR	10kΩ 1/16W J	
R183	NRSA63J-202X	MG RESISTOR	2kΩ 1/16W J		R351	NRSA63J-101X	MG RESISTOR	100Ω 1/16W J	
R184	NRSA63J-473X	MG RESISTOR	47kΩ 1/16W J		R352	NRSA63J-822X	MG RESISTOR	8.2kΩ 1/16W J	
R201	NRSA63J-102X	MG RESISTOR	1kΩ 1/16W J		R353	NRSA63J-332X	MG RESISTOR	3.3kΩ 1/16W J	
R202	NRSA63J-223X	MG RESISTOR	22kΩ 1/16W J		R354	NRSA63J-221X	MG RESISTOR	220Ω 1/16W J	
R203	NRSA63J-102X	MG RESISTOR	1kΩ 1/16W J		R355	NRSA63J-752X	MG RESISTOR	7.5kΩ 1/16W J	
R204	NRSA63J-102X	MG RESISTOR	1kΩ 1/16W J		R356	NRSA63J-332X	MG RESISTOR	3.3kΩ 1/16W J	
R205	NRSA63J-155X	MG RESISTOR	1.5MΩ 1/16W J		R357	NRSA63J-471X	MG RESISTOR	470Ω 1/16W J	
R206	NRSA63J-332X	MG RESISTOR	3.3kΩ 1/16W J		R358	NRS144J-4R7X	MG RESISTOR	4.7Ω 1/4W J	
R207	NRSA63J-183X	MG RESISTOR	18kΩ 1/16W J		R361	NRS144J-470X	MG RESISTOR	47Ω 1/4W J	
R208	NRSA63J-104X	MG RESISTOR	100kΩ 1/16W J		R362	NRS144J-470X	MG RESISTOR	47Ω 1/4W J	
R209	NRSA63J-103X	MG RESISTOR	10kΩ 1/16W J		△ R364	QRL01DJ-220X	OMF RESISTOR	22Ω 1W J	
R210	NRSA63J-105X	MG RESISTOR	1MΩ 1/16W J		R365	NRS125J-220X	MG RESISTOR	22Ω 1/2W J	
R211	NRSA63J-222X	MG RESISTOR	2.2kΩ 1/16W J		△ R366	QRL01DJ-220X	OMF RESISTOR	22Ω 1W J	
R214	NRSA63J-104X	MG RESISTOR	100kΩ 1/16W J		R367	NRS125J-103X	MG RESISTOR	10kΩ 1/2W J	
R215	NRSA63F-822X	MG RESISTOR	8.2kΩ 1/16W F		R368	NRSA63J-682X	MG RESISTOR	6.8kΩ 1/16W J	
R216	NRSA63J-821X	MG RESISTOR	820Ω 1/16W J		R369	NRSA63J-472X	MG RESISTOR	4.7kΩ 1/16W J	
R217	NRSA63J-821X	MG RESISTOR	820Ω 1/16W J		R370	NRSA63J-104X	MG RESISTOR	100kΩ 1/16W J	
R221	NRSA63J-683X	MG RESISTOR	68kΩ 1/16W J		△ R391	QRL027J-471	OMF RESISTOR	470Ω 2W J	
R222	NRSA63J-223X	MG RESISTOR	22kΩ 1/16W J		R401	NRSA63J-102X	MG RESISTOR	1kΩ 1/16W J	
R223	NRSA63J-102X	MG RESISTOR	1kΩ 1/16W J		R402	NRSA63J-223X	MG RESISTOR	22kΩ 1/16W J	
R224	NRSA63J-153X	MG RESISTOR	15kΩ 1/16W J		R403	NRSA63J-0R0X	MG RESISTOR	0Ω 1/16W J	
R225	NRSA63J-153X	MG RESISTOR	15kΩ 1/16W J		R405	NRSA63J-155X	MG RESISTOR	1.5MΩ 1/16W J	
R231	NRSA63J-102X	MG RESISTOR	1kΩ 1/16W J		R406	NRSA63J-332X	MG RESISTOR	3.3kΩ 1/16W J	
R232	NRSA63J-104X	MG RESISTOR	100kΩ 1/16W J		R407	NRSA63J-183X	MG RESISTOR	18kΩ 1/16W J	
R233	NRSA63J-472X	MG RESISTOR	4.7kΩ 1/16W J		R408	NRSA63J-104X	MG RESISTOR	100kΩ 1/16W J	
R234	NRSA63J-102X	MG RESISTOR	1kΩ 1/16W J		R409	NRSA63J-103X	MG RESISTOR	10kΩ 1/16W J	
R235	NRSA63J-103X	MG RESISTOR	10kΩ 1/16W J		R410	NRSA63J-105X	MG RESISTOR	1MΩ 1/16W J	
R251	NRSA63J-101X	MG RESISTOR	100Ω 1/16W J		R411	NRSA63J-222X	MG RESISTOR	2.2kΩ 1/16W J	
R252	NRSA63J-822X	MG RESISTOR	8.2kΩ 1/16W J		R414	NRSA63J-104X	MG RESISTOR	100kΩ 1/16W J	
R253	NRSA63J-332X	MG RESISTOR	3.3kΩ 1/16W J		R415	NRSA63F-682X	MG RESISTOR	6.8kΩ 1/16W F	
R254	NRSA63J-221X	MG RESISTOR	220Ω 1/16W J		R416	NRSA63J-821X	MG RESISTOR	820Ω 1/16W J	
R255	NRSA63J-752X	MG RESISTOR	7.5kΩ 1/16W J		R417	NRSA63J-821X	MG RESISTOR	820Ω 1/16W J	
R256	NRSA63J-332X	MG RESISTOR	3.3kΩ 1/16W J		R431	NRSA63J-102X	MG RESISTOR	1kΩ 1/16W J	
R257	NRSA63J-471X	MG RESISTOR	470Ω 1/16W J		R432	NRSA63J-104X	MG RESISTOR	100kΩ 1/16W J	
R258	NRS144J-4R7X	MG RESISTOR	4.7Ω 1/4W J		R433	NRSA63J-472X	MG RESISTOR	4.7kΩ 1/16W J	
R261	NRS144J-470X	MG RESISTOR	47Ω 1/4W J		R434	NRSA63J-102X	MG RESISTOR	1kΩ 1/16W J	
R262	NRS144J-470X	MG RESISTOR	47Ω 1/4W J		R435	NRSA63J-103X	MG RESISTOR	10kΩ 1/16W J	
△ R264	QRL01DJ-220X	OMF RESISTOR	22Ω 1W J		R451	NRSA63J-101X	MG RESISTOR	100Ω 1/16W J	
R265	NRS125J-220X	MG RESISTOR	22Ω 1/2W J		R452	NRSA63J-822X	MG RESISTOR	8.2kΩ 1/16W J	
△ R266	QRL01DJ-220X	OMF RESISTOR	22Ω 1W J		R453	NRSA63J-332X	MG RESISTOR	3.3kΩ 1/16W J	
R267	NRS125J-103X	MG RESISTOR	10kΩ 1/2W J		R454	NRSA63J-331X	MG RESISTOR	330Ω 1/16W J	
R268	NRSA63J-682X	MG RESISTOR	6.8kΩ 1/16W J		R455	NRSA63J-752X	MG RESISTOR	7.5kΩ 1/16W J	
R269	NRSA63J-472X	MG RESISTOR	4.7kΩ 1/16W J		R456	NRSA63J-152X	MG RESISTOR	1.5kΩ 1/16W J	
R270	NRSA63J-104X	MG RESISTOR	100kΩ 1/16W J		R457	NRSA63J-152X	MG RESISTOR	1.5kΩ 1/16W J	
R281	NRSA63J-103X	MG RESISTOR	10kΩ 1/16W J		R458	NRS144J-4R7X	MG RESISTOR	4.7Ω 1/4W J	
R282	NRSA63J-103X	MG RESISTOR	10kΩ 1/16W J		R461	NRS144J-470X	MG RESISTOR	47Ω 1/4W J	
R283	NRSA63J-0R0X	MG RESISTOR	0Ω 1/16W J		R462	NRS144J-470X	MG RESISTOR	47Ω 1/4W J	
R284	NRSA63J-104X	MG RESISTOR	100kΩ 1/16W J		△ R464	QRL01DJ-220X	OMF RESISTOR	22Ω 1W J	
R285	NRSA63J-473X	MG RESISTOR	47kΩ 1/16W J		R465	NRS125J-220X	MG RESISTOR	22Ω 1/2W J	
R286	NRSA63J-104X	MG RESISTOR	100kΩ 1/16W J		△ R466	QRL01DJ-220X	OMF RESISTOR	22Ω 1W J	
R287	NRSA02J-392X	MG RESISTOR	3.9kΩ 1/10W J		R467	NRS125J-103X	MG RESISTOR	10kΩ 1/2W J	
R288	NRSA63J-224X	MG RESISTOR	220kΩ 1/16W J		R468	NRSA63J-682X	MG RESISTOR	6.8kΩ 1/16W J	
R289	NRSA63J-101X	MG RESISTOR	100Ω 1/16W J		R469	NRSA63J-472X	MG RESISTOR	4.7kΩ 1/16W J	
R290	NRSA63J-101X	MG RESISTOR	100Ω 1/16W J		R470	NRSA63J-104X	MG RESISTOR	100kΩ 1/16W J	
△ R291	QRL027J-471	OMF RESISTOR	470Ω 2W J		R801	NRSA63J-102X	MG RESISTOR	1kΩ 1/16W J	
△ R300	QRJ146J-470X	UNF C RESISTOR	47Ω 1/4W J		R802	NRSA63J-223X	MG RESISTOR	22kΩ 1/16W J	
R301	NRSA63J-102X	MG RESISTOR	1kΩ 1/16W J		R803	NRSA63J-102X	MG RESISTOR	1kΩ 1/16W J	
R302	NRSA63J-223X	MG RESISTOR	22kΩ 1/16W J		R804	NRSA63J-202X	MG RESISTOR	2kΩ 1/16W J	
R303	NRSA63J-102X	MG RESISTOR	1kΩ 1/16W J		R805	NRSA63J-155X	MG RESISTOR	1.5MΩ 1/16W J	
R304	NRSA63J-102X	MG RESISTOR	1kΩ 1/16W J		R806	NRSA63J-332X	MG RESISTOR	3.3kΩ 1/16W J	
R305	NRSA63J-155X	MG RESISTOR	1.5MΩ 1/16W J		R807	NRSA63J-183X	MG RESISTOR	18kΩ 1/16W J	

△ Symbol No.	Part No.	Part Name	Description	Local	△ Symbol No.	Part No.	Part Name	Description	Local
R808	NRSA63J-104X	MG RESISTOR	100kΩ 1/16W J		R1265	NRS125J-220X	MG RESISTOR	22Ω 1/2W J	
R809	NRSA63J-103X	MG RESISTOR	10kΩ 1/16W J		△ R1266	QRL01DJ-220X	OMF RESISTOR	22Ω 1W J	
R810	NRSA63J-105X	MG RESISTOR	1MΩ 1/16W J		R1267	NRS125J-103X	MG RESISTOR	10kΩ 1/2W J	
R811	NRSA63J-222X	MG RESISTOR	2.2kΩ 1/16W J		R1268	NRSA63J-682X	MG RESISTOR	6.8kΩ 1/16W J	
R814	NRSA63J-104X	MG RESISTOR	100kΩ 1/16W J		R1269	NRSA63J-472X	MG RESISTOR	4.7kΩ 1/16W J	
R815	NRSA63F-682X	MG RESISTOR	6.8kΩ 1/16W F		R1270	NRSA63J-104X	MG RESISTOR	100kΩ 1/16W J	
R816	NRSA63J-821X	MG RESISTOR	820Ω 1/16W J		R1301	NRSA63J-102X	MG RESISTOR	1kΩ 1/16W J	
R817	NRSA63J-821X	MG RESISTOR	820Ω 1/16W J		R1302	NRSA63J-223X	MG RESISTOR	22kΩ 1/16W J	
R831	NRSA63J-102X	MG RESISTOR	1kΩ 1/16W J		R1303	NRSA63J-0R0X	MG RESISTOR	0Ω 1/16W J	
R832	NRSA63J-104X	MG RESISTOR	100kΩ 1/16W J		R1305	NRSA63J-155X	MG RESISTOR	1.5MΩ 1/16W J	
R833	NRSA63J-472X	MG RESISTOR	4.7kΩ 1/16W J		R1306	NRSA63J-332X	MG RESISTOR	3.3kΩ 1/16W J	
R834	NRSA63J-102X	MG RESISTOR	1kΩ 1/16W J		R1307	NRSA63J-183X	MG RESISTOR	18kΩ 1/16W J	
R835	NRSA63J-103X	MG RESISTOR	10kΩ 1/16W J		R1308	NRSA63J-104X	MG RESISTOR	100kΩ 1/16W J	
R851	NRSA63J-101X	MG RESISTOR	100Ω 1/16W J		R1309	NRSA63J-103X	MG RESISTOR	10kΩ 1/16W J	
R852	NRSA63J-822X	MG RESISTOR	8.2kΩ 1/16W J		R1310	NRSA63J-105X	MG RESISTOR	1MΩ 1/16W J	
R853	NRSA63J-332X	MG RESISTOR	3.3kΩ 1/16W J		R1311	NRSA63J-222X	MG RESISTOR	2.2kΩ 1/16W J	
R854	NRSA63J-331X	MG RESISTOR	330Ω 1/16W J		R1314	NRSA63J-104X	MG RESISTOR	100kΩ 1/16W J	
R855	NRSA63J-752X	MG RESISTOR	7.5kΩ 1/16W J		R1315	NRSA63F-682X	MG RESISTOR	6.8kΩ 1/16W F	
R856	NRSA63J-152X	MG RESISTOR	1.5kΩ 1/16W J		R1316	NRSA63J-821X	MG RESISTOR	820Ω 1/16W J	
R857	NRSA63J-152X	MG RESISTOR	1.5kΩ 1/16W J		R1317	NRSA63J-821X	MG RESISTOR	820Ω 1/16W J	
R858	NRS144J-4R7X	MG RESISTOR	4.7Ω 1/4W J		△ R1318	QRJ146J-100X	UNF C RESISTOR	10Ω 1/4W J	
R861	NRS144J-470X	MG RESISTOR	47Ω 1/4W J		△ R1319	QRJ146J-100X	UNF C RESISTOR	10Ω 1/4W J	
R862	NRS144J-470X	MG RESISTOR	47Ω 1/4W J		R1331	NRSA63J-102X	MG RESISTOR	1kΩ 1/16W J	
△ R864	QRL01DJ-220X	OMF RESISTOR	22Ω 1W J		R1332	NRSA63J-104X	MG RESISTOR	100kΩ 1/16W J	
R865	NRS125J-220X	MG RESISTOR	22Ω 1/2W J		R1333	NRSA63J-472X	MG RESISTOR	4.7kΩ 1/16W J	
△ R866	QRL01DJ-220X	OMF RESISTOR	22Ω 1W J		R1334	NRSA63J-102X	MG RESISTOR	1kΩ 1/16W J	
R867	NRS125J-103X	MG RESISTOR	10kΩ 1/2W J		R1335	NRSA63J-103X	MG RESISTOR	10kΩ 1/16W J	
R868	NRSA63J-682X	MG RESISTOR	6.8kΩ 1/16W J		R1351	NRSA63J-101X	MG RESISTOR	100Ω 1/16W J	
R869	NRSA63J-472X	MG RESISTOR	4.7kΩ 1/16W J		R1352	NRSA63J-822X	MG RESISTOR	8.2kΩ 1/16W J	
R870	NRSA63J-104X	MG RESISTOR	100kΩ 1/16W J		R1353	NRSA63J-332X	MG RESISTOR	3.3kΩ 1/16W J	
R1101	NRS144J-104X	MG RESISTOR	100kΩ 1/4W J		R1354	NRSA63J-331X	MG RESISTOR	330Ω 1/16W J	
R1102	NRS144J-104X	MG RESISTOR	100kΩ 1/4W J		R1355	NRSA63J-752X	MG RESISTOR	7.5kΩ 1/16W J	
R1103	NRS144J-330X	MG RESISTOR	33Ω 1/4W J		R1356	NRSA63J-152X	MG RESISTOR	1.5kΩ 1/16W J	
R1104	NRS144J-330X	MG RESISTOR	33Ω 1/4W J		R1357	NRSA63J-152X	MG RESISTOR	1.5kΩ 1/16W J	
R1105	NRS016J-100X	MG RESISTOR	10Ω 1W J		R1358	NRS144J-4R7X	MG RESISTOR	4.7Ω 1/4W J	
△ R1106	QRL01DJ-100X	OMF RESISTOR	10Ω 1W J		R1361	NRS144J-470X	MG RESISTOR	47Ω 1/4W J	
R1107	NRS016J-100X	MG RESISTOR	10Ω 1W J		R1362	NRS144J-470X	MG RESISTOR	47Ω 1/4W J	
△ R1108	QRL01DJ-100X	OMF RESISTOR	10Ω 1W J		△ R1364	QRL01DJ-220X	OMF RESISTOR	22Ω 1W J	
△ R1109	QRL027J-222	OMF RESISTOR	2.2kΩ 2W J		R1365	NRS125J-220X	MG RESISTOR	22Ω 1/2W J	
△ R1110	QRL027J-222	OMF RESISTOR	2.2kΩ 2W J		△ R1366	QRL01DJ-220X	OMF RESISTOR	22Ω 1W J	
R1111	NRSA63F-102X	MG RESISTOR	1kΩ 1/16W F		R1367	NRS125J-103X	MG RESISTOR	10kΩ 1/2W J	
R1112	NRSA63F-102X	MG RESISTOR	1kΩ 1/16W F		R1368	NRSA63J-682X	MG RESISTOR	6.8kΩ 1/16W J	
R1113	NRSA63F-393X	MG RESISTOR	39kΩ 1/16W F		R1369	NRSA63J-472X	MG RESISTOR	4.7kΩ 1/16W J	
R1115	NRSA63J-821X	MG RESISTOR	820Ω 1/16W J		R1370	NRSA63J-104X	MG RESISTOR	100kΩ 1/16W J	
R1116	NRS144J-4R7X	MG RESISTOR	4.7Ω 1/4W J		R1401	NRSA63J-102X	MG RESISTOR	1kΩ 1/16W J	
R1117	NRS144J-4R7X	MG RESISTOR	4.7Ω 1/4W J		R1402	NRSA63J-223X	MG RESISTOR	22kΩ 1/16W J	
R1118	NRSA63F-473X	MG RESISTOR	47kΩ 1/16W F		R1403	NRSA63J-0R0X	MG RESISTOR	0Ω 1/16W J	
△ R1117	QRJ146J-332X	UNF C RESISTOR	3.3kΩ 1/4W J		R1405	NRSA63J-155X	MG RESISTOR	1.5MΩ 1/16W J	
R1201	NRSA63J-102X	MG RESISTOR	1kΩ 1/16W J		R1406	NRSA63J-332X	MG RESISTOR	3.3kΩ 1/16W J	
R1202	NRSA63J-223X	MG RESISTOR	22kΩ 1/16W J		R1407	NRSA63J-183X	MG RESISTOR	18kΩ 1/16W J	
R1203	NRSA63J-0R0X	MG RESISTOR	0Ω 1/16W J		R1408	NRSA63J-104X	MG RESISTOR	100kΩ 1/16W J	
R1205	NRSA63J-155X	MG RESISTOR	1.5MΩ 1/16W J		R1409	NRSA63J-103X	MG RESISTOR	10kΩ 1/16W J	
R1206	NRSA63J-332X	MG RESISTOR	3.3kΩ 1/16W J		R1410	NRSA63J-105X	MG RESISTOR	1MΩ 1/16W J	
R1207	NRSA63J-183X	MG RESISTOR	18kΩ 1/16W J		R1411	NRSA63J-222X	MG RESISTOR	2.2kΩ 1/16W J	
R1208	NRSA63J-104X	MG RESISTOR	100kΩ 1/16W J		R1414	NRSA63J-104X	MG RESISTOR	100kΩ 1/16W J	
R1209	NRSA63J-103X	MG RESISTOR	10kΩ 1/16W J		R1415	NRSA63F-682X	MG RESISTOR	6.8kΩ 1/16W F	
R1210	NRSA63J-105X	MG RESISTOR	1MΩ 1/16W J		R1416	NRSA63J-821X	MG RESISTOR	820Ω 1/16W J	
R1211	NRSA63J-222X	MG RESISTOR	2.2kΩ 1/16W J		R1417	NRSA63J-821X	MG RESISTOR	820Ω 1/16W J	
R1214	NRSA63J-104X	MG RESISTOR	100kΩ 1/16W J		R1431	NRSA63J-102X	MG RESISTOR	1kΩ 1/16W J	
R1215	NRSA63F-682X	MG RESISTOR	6.8kΩ 1/16W F		R1432	NRSA63J-104X	MG RESISTOR	100kΩ 1/16W J	
R1216	NRSA63J-821X	MG RESISTOR	820Ω 1/16W J		R1433	NRSA63J-472X	MG RESISTOR	4.7kΩ 1/16W J	
R1217	NRSA63J-821X	MG RESISTOR	820Ω 1/16W J		R1434	NRSA63J-102X	MG RESISTOR	1kΩ 1/16W J	
R1231	NRSA63J-102X	MG RESISTOR	1kΩ 1/16W J		R1435	NRSA63J-103X	MG RESISTOR	10kΩ 1/16W J	
R1232	NRSA63J-104X	MG RESISTOR	100kΩ 1/16W J		R1451	NRSA63J-101X	MG RESISTOR	100Ω 1/16W J	
R1233	NRSA63J-472X	MG RESISTOR	4.7kΩ 1/16W J		R1452	NRSA63J-822X	MG RESISTOR	8.2kΩ 1/16W J	
R1234	NRSA63J-102X	MG RESISTOR	1kΩ 1/16W J		R1453	NRSA63J-332X	MG RESISTOR	3.3kΩ 1/16W J	
R1235	NRSA63J-103X	MG RESISTOR	10kΩ 1/16W J		R1454	NRSA63J-331X	MG RESISTOR	330Ω 1/16W J	
R1251	NRSA63J-101X	MG RESISTOR	100Ω 1/16W J		R1455	NRSA63J-752X	MG RESISTOR	7.5kΩ 1/16W J	
R1252	NRSA63J-822X	MG RESISTOR	8.2kΩ 1/16W J		R1456	NRSA63J-152X	MG RESISTOR	1.5kΩ 1/16W J	
R1253	NRSA63J-332X	MG RESISTOR	3.3kΩ 1/16W J		R1457	NRSA63J-152X	MG RESISTOR	1.5kΩ 1/16W J	
R1254	NRSA63J-331X	MG RESISTOR	330Ω 1/16W J		R1458	NRS144J-4R7X	MG RESISTOR	4.7Ω 1/4W J	
R1255	NRSA63J-752X	MG RESISTOR	7.5kΩ 1/16W J		R1461	NRS144J-470X	MG RESISTOR	47Ω 1/4W J	
R1256	NRSA63J-152X	MG RESISTOR	1.5kΩ 1/16W J		R1462	NRS144J-470X	MG RESISTOR	47Ω 1/4W J	
R1257	NRSA63J-152X	MG RESISTOR	1.5kΩ 1/16W J		△ R1464	QRL01DJ-220X	OMF RESISTOR	22Ω 1W J	
R1258	NRS144J-4R7X	MG RESISTOR	4.7Ω 1/4W J		R1465	NRS125J-220X	MG RESISTOR	22Ω 1/2W J	
R1261	NRS144J-470X	MG RESISTOR	47Ω 1/4W J		△ R1466	QRL01DJ-220X	OMF RESISTOR	22Ω 1W J	
R1262	NRS144J-470X	MG RESISTOR	47Ω 1/4W J		R1467	NRS125J-103X	MG RESISTOR	10kΩ 1/2W J	
△ R1264	QRL01DJ-220X	OMF RESISTOR	22Ω 1W J		R1468	NRSA63J-682X	MG RESISTOR	6.8kΩ 1/16W J	

△ Symbol No.	Part No.	Part Name	Description	Local
R1469	NRSA63J-472X	MG RESISTOR	4.7kΩ 1/16W J	
R1470	NRSA63J-104X	MG RESISTOR	100kΩ 1/16W J	
L261	QQL77AK-220	COIL	22uH K	
L361	QQL77AK-220	COIL	22uH K	
L461	QQL77AK-220	COIL	22uH K	
L861	QQL77AK-220	COIL	22uH K	
L1101	QQL78AK-220	COIL	22uH K	
L1102	QQL78AK-220	COIL	22uH K	
L1261	QQL77AK-220	COIL	22uH K	
L1361	QQL77AK-220	COIL	22uH K	
L1461	QQL77AK-220	COIL	22uH K	
CN101	QGA2001C1-04	CONNECTOR	W-B (1-4)	
CN102	QGF1205C1-05	CONNECTOR	FFC/FPC (1-5)	
CN103	QGA2501C1-02	CONNECTOR	W-B (1-2)	
CN104	QJK016-071002-E	SIN CR C-B WIRE		
CN105	QGA2001C1-05	CONNECTOR	W-B (1-5)	
CN106	QGA3901C1-08	CONNECTOR	W-B (1-8)	
CN107	QJK016-031403-E	SIN CR C-B WIRE		
CN111	QGA3901C1-03	CONNECTOR	W-B (1-3)	
CN114	QGA2001F1-07	CONNECTOR	W-B (1-7)	
CN115	QJK016-051100-E	SIN CR C-B WIRE		
CN117	QGA2001F1-03	CONNECTOR	W-B (1-3)	
CN130	QJK016-113601-E	SIN CR C-B WIRE		
CN131	QJK016-094004-E	SIN CR C-B WIRE		
CN152	QGB2510J1-12	CONNECTOR	B-B (1-12)	
CN201	QGA2501C1-07	CONNECTOR	W-B (1-7)	
CN222	QGB2510J1-14	CONNECTOR	B-B (1-14)	
CN251	QJK015-063601-E	SIN CR C-B WIRE		
CN252	QJK015-083403-E	SIN CR C-B WIRE		
CN301	QGB2510K1-17	CONNECTOR	B-B (1-17)	
CN302	QGB2510J1-17	CONNECTOR	B-B (1-17)	
CN311	QGA2001F1-03	CONNECTOR	W-B (1-3)	
CN312	QGA2501F1-02	CONNECTOR	W-B (1-2)	
CN313	QGA2001C1-04	CONNECTOR	W-B (1-4)	
CN321	QJK016-030903-E	SIN CR C-B WIRE		
CN322	QJK002-021002-E	SIN CR C-B WIRE		
CN351	QGA2501C1-03	CONNECTOR	W-B (1-3)	
CN401	QGB2510K1-16	CONNECTOR	B-B (1-16)	
CN402	QGB2510J1-16	CONNECTOR	B-B (1-16)	
CN411	QGA2501F1-03	CONNECTOR	W-B (1-3)	
CN412	QGA2501F1-04	CONNECTOR	W-B (1-4)	
CN413	QGA2501F1-02	CONNECTOR	W-B (1-2)	
CN421	QJK002-031803-E	SIN CR C-B WIRE		
CN422	QJK002-041404-E	SIN TWIST WIRE		
CN423	QJK002-021002-E	SIN CR C-B WIRE		
EP101	QNZ0136-001Z	EARTH PLATE		
EP102	QNZ0136-001Z	EARTH PLATE		
EP201	QNZ0136-001Z	EARTH PLATE		
△ FC101	QNG0020-001Z	FUSE CLIP		
△ FC102	QNG0020-001Z	FUSE CLIP		
△ FC111	QNG0020-001Z	FUSE CLIP		
△ FC112	QNG0020-001Z	FUSE CLIP		
FS285	VYSH101-009	SPACER		
FW240	WJS0048-004A-E	E-FL/RBWIRE*C-F		
FW323	WJS0047-002A-E	E-FL/RB WIRE		
△ HS101	E70306-001	HEAT SINK	HS 951	
△ HS102	E70306-001	HEAT SINK	HS 951	
△ HS107	E70306-001	HEAT SINK	HS 951	
△ HS108	E70306-001	HEAT SINK	HS 951	
△ HS151	E70306-001	HEAT SINK	HS 951	
△ HS152	E70306-001	HEAT SINK	HS 951	
△ HS153	E70945-H40B	HEAT SINK	HS 921	
△ HS157	E70306-001	HEAT SINK	HS 951	
△ HS158	E70306-001	HEAT SINK	HS 951	
△ RY300	QSK0127-001	RELAY		
△ TH101	QAD0095-4R7Z	P THERMISTOR	4.7Ω M	
△ TH271	QAD0146-103	N THERMISTOR	10kΩ	

Input board

△ Symbol No.	Part No.	Part Name	Description	Local
IC501	MN101C49KNR	IC		
IC502	BD3843FS-X	IC		
IC503	BD3813KS	IC		
IC504	NJM4565M-WE	IC		
IC506	IC-PST9139-T	IC		
IC507	BR24L01AF-W-X	IC		
IC508	BD3812F-X	IC		
IC522	MM1118XF-X	IC		
IC524	MM1501XN-X	IC		
IC525	MM1502XN-X	IC		
IC527	MM1118XF-X	IC		
IC530	MM1504XN-X	IC		
IC531	MM1506XN-X	IC		
IC532	MM1506XN-X	IC		
IC903	PCM2704DB-X	IC		
IC904	SN74AHC1G08V-X	IC		
Q501	2SC3576-JVC-T	TRANSISTOR		
Q502	2SC3576-JVC-T	TRANSISTOR		
Q503	KRA104S-X	DIGI TRANSISTOR		
Q505	KRC111S-X	TRANSISTOR		
Q506	KRC111S-X	TRANSISTOR		
Q507	KRC111S-X	TRANSISTOR		
Q510	KRC102S-X	DIGI TRANSISTOR		
Q511	KRA104S-X	DIGI TRANSISTOR		
Q512	KRA104S-X	DIGI TRANSISTOR		
Q513	2SC3576-JVC-T	TRANSISTOR		
Q514	2SC3576-JVC-T	TRANSISTOR		
Q515	2SC3576-JVC-T	TRANSISTOR		
Q516	2SC3576-JVC-T	TRANSISTOR		
Q517	2SC3576-JVC-T	TRANSISTOR		
Q518	2SC3576-JVC-T	TRANSISTOR		
Q519	2SC3576-JVC-T	TRANSISTOR		
Q521	2SC3576-JVC-T	TRANSISTOR		
Q522	2SC3576-JVC-T	TRANSISTOR		
Q523	KRA104S-X	DIGI TRANSISTOR		
Q524	KRC120S-X	TRANSISTOR		
Q525	2SC3576-JVC-T	TRANSISTOR		
Q526	2SC3576-JVC-T	TRANSISTOR		
Q541	KTC3199/GLJ-T	TRANSISTOR		
Q542	KTC3199/GLJ-T	TRANSISTOR		
Q1501	2SC2412K/RS/-X	TRANSISTOR		
Q4501	KTA1267/YG/-T	TRANSISTOR		
Q4502	KTA1267/YG/-T	TRANSISTOR		
Q4503	KRA120S-X	TRANSISTOR		
Q4504	2SA1037AK/RS/-X	TRANSISTOR		
Q4505	2SA1037AK/RS/-X	TRANSISTOR		
Q4506	2SA1037AK/RS/-X	TRANSISTOR		
Q4507	2SA1037AK/RS/-X	TRANSISTOR		
Q4508	2SA1037AK/RS/-X	TRANSISTOR		
Q4509	2SA1037AK/RS/-X	TRANSISTOR		
Q6511	KRA121S-X	DIGI TRANSISTOR		
Q6512	KTA1267/YG/-T	TRANSISTOR		
Q6513	KRA121S-X	DIGI TRANSISTOR		
Q6514	KTA1267/YG/-T	TRANSISTOR		
Q6515	KRA121S-X	DIGI TRANSISTOR		
Q6516	KTA1267/YG/-T	TRANSISTOR		
Q6517	KRA121S-X	DIGI TRANSISTOR		
Q6518	KTA1267/YG/-T	TRANSISTOR		
Q6519	KRA121S-X	DIGI TRANSISTOR		
Q6520	KTA1267/YG/-T	TRANSISTOR		
Q6521	KRA121S-X	DIGI TRANSISTOR		
Q6522	KTA1267/YG/-T	TRANSISTOR		
Q6523	KRA121S-X	DIGI TRANSISTOR		
Q6524	KTA1267/YG/-T	TRANSISTOR		
Q6525	KRA121S-X	DIGI TRANSISTOR		
Q6526	KTA1267/YG/-T	TRANSISTOR		
Q6527	KRA121S-X	DIGI TRANSISTOR		
Q6528	KTA1267/YG/-T	TRANSISTOR		
Q6529	KRA121S-X	DIGI TRANSISTOR		
Q6530	KRA121S-X	DIGI TRANSISTOR		
Q6531	KRA121S-X	DIGI TRANSISTOR		
Q6535	KRC102S-X	DIGI TRANSISTOR		
Q6536	KRC102S-X	DIGI TRANSISTOR		

Block No. [0][3]

△ Symbol No.	Part No.	Part Name	Description	Local	△ Symbol No.	Part No.	Part Name	Description	Local
Q6537	KRC102S-X	DIGI TRANSISTOR			C4502	NCF31CZ-104X	C CAPACITOR	0.1uF 16V Z	
Q6538	KRC102S-X	DIGI TRANSISTOR			C4503	NCF31CZ-104X	C CAPACITOR	0.1uF 16V Z	
Q6541	KTA1267/YG/-T	TRANSISTOR			C4511	NCF31CZ-104X	C CAPACITOR	0.1uF 16V Z	
Q6542	KTA1267/YG/-T	TRANSISTOR			C4512	NCF31CZ-104X	C CAPACITOR	0.1uF 16V Z	
Q6543	KTA1267/YG/-T	TRANSISTOR			C4513	NCF31CZ-104X	C CAPACITOR	0.1uF 16V Z	
D505	MA111-X	SI DIODE			C4580	QEKCH1M-475Z	E CAPACITOR	4.7uF 50V M	
D506	MA111-X	SI DIODE			C4581	QETN1HM-106Z	E CAPACITOR	10uF 50V M	
D507	MA111-X	SI DIODE			C4582	QETN1HM-106Z	E CAPACITOR	10uF 50V M	
D508	MA111-X	SI DIODE			C4583	QEKCH1M-475Z	E CAPACITOR	4.7uF 50V M	
D509	MA111-X	SI DIODE			C4584	QETN1HM-106Z	E CAPACITOR	10uF 50V M	
D510	MA111-X	SI DIODE			C4585	QETN1HM-106Z	E CAPACITOR	10uF 50V M	
					C4586	QETN0JM-477Z	E CAPACITOR	470uF 6.3V M	
					C4587	QETN0JM-477Z	E CAPACITOR	470uF 6.3V M	
					C4588	QETN0JM-477Z	E CAPACITOR	470uF 6.3V M	
C522	NCB31HK-561X	C CAPACITOR	560pF 50V K		C5401	QETN0JM-227Z	E CAPACITOR	220uF 6.3V M	
C523	QEKCH1CM-476Z	E CAPACITOR	47uF 16V M		C6501	NDC31HJ-331X	C CAPACITOR	330pF 50V J	
C524	QEKCH1CM-476Z	E CAPACITOR	47uF 16V M		C6502	NDC31HJ-331X	C CAPACITOR	330pF 50V J	
C525	QETN1HM-475Z	E CAPACITOR	4.7uF 50V M		C6503	NDC31HJ-331X	C CAPACITOR	330pF 50V J	
C526	QETN0JM-228Z	E CAPACITOR	2200uF 6.3V M		C6504	NDC31HJ-331X	C CAPACITOR	330pF 50V J	
C527	QEKCOJM-107Z	E CAPACITOR	100uF 6.3V M		C6505	NDC31HJ-331X	C CAPACITOR	330pF 50V J	
C528	QCZ0202-155Z	C CAPACITOR	1.5uF 25V Z		C6506	NDC31HJ-331X	C CAPACITOR	330pF 50V J	
C529	NCB31CK-223X	C CAPACITOR	0.022uF 16V K		C6507	NDC31HJ-331X	C CAPACITOR	330pF 50V J	
C530	QEKCH1HM-225Z	E CAPACITOR	2.2uF 50V M		C6508	NDC31HJ-331X	C CAPACITOR	330pF 50V J	
C531	NCB31CK-223X	C CAPACITOR	0.022uF 16V K		C6509	NDC31HJ-331X	C CAPACITOR	330pF 50V J	
C532	NCB31HK-561X	C CAPACITOR	560pF 50V K		C6510	NDC31HJ-331X	C CAPACITOR	330pF 50V J	
C533	NCF31CZ-104X	C CAPACITOR	0.1uF 16V Z		C6511	NDC31HJ-331X	C CAPACITOR	330pF 50V J	
C534	QEKCH1CM-476Z	E CAPACITOR	47uF 16V M		C6512	NDC31HJ-331X	C CAPACITOR	330pF 50V J	
C535	NCF31CZ-104X	C CAPACITOR	0.1uF 16V Z		C6513	NDC31HJ-331X	C CAPACITOR	330pF 50V J	
C536	QEKCH1CM-476Z	E CAPACITOR	47uF 16V M		C6514	NDC31HJ-331X	C CAPACITOR	330pF 50V J	
C537	QEKCH1HM-106Z	E CAPACITOR	10uF 50V M		C6515	NDC31HJ-331X	C CAPACITOR	330pF 50V J	
C538	QEKCH1HM-106Z	E CAPACITOR	10uF 50V M		C6516	NDC31HJ-331X	C CAPACITOR	330pF 50V J	
C539	QEKCH1HM-106Z	E CAPACITOR	10uF 50V M		C6517	NDC31HJ-331X	C CAPACITOR	330pF 50V J	
C540	QEKCH1HM-106Z	E CAPACITOR	10uF 50V M		C6518	NDC31HJ-331X	C CAPACITOR	330pF 50V J	
C541	QEKCH1HM-106Z	E CAPACITOR	10uF 50V M		C6519	NDC31HJ-331X	C CAPACITOR	330pF 50V J	
C542	QEKCH1HM-106Z	E CAPACITOR	10uF 50V M		C6520	NDC31HJ-331X	C CAPACITOR	330pF 50V J	
C545	NCB31CK-104X	C CAPACITOR	0.1uF 16V K		C6524	NCB31EK-473X	C CAPACITOR	0.047uF 25V K	
C546	NCB31CK-104X	C CAPACITOR	0.1uF 16V K		C6526	QETN0JM-477Z	E CAPACITOR	470uF 6.3V M	
C547	NCB31CK-104X	C CAPACITOR	0.1uF 16V K		C6528	QETN0JM-477Z	E CAPACITOR	470uF 6.3V M	
C548	NCB31CK-104X	C CAPACITOR	0.1uF 16V K		C6529	NCB31EK-473X	C CAPACITOR	0.047uF 25V K	
C549	QEKCH1CM-476Z	E CAPACITOR	47uF 16V M		C6530	QEKCH1M-475Z	E CAPACITOR	4.7uF 50V M	
C550	QEKCH1CM-476Z	E CAPACITOR	47uF 16V M		C6531	QEKCH1M-475Z	E CAPACITOR	4.7uF 50V M	
C551	QEKCH1HM-106Z	E CAPACITOR	10uF 50V M		C6533	NCB31EK-473X	C CAPACITOR	0.047uF 25V K	
C552	QEKCH1HM-106Z	E CAPACITOR	10uF 50V M		C6535	QETN0JM-477Z	E CAPACITOR	470uF 6.3V M	
C553	QEKCH1HM-475Z	E CAPACITOR	4.7uF 50V M		C6537	QETN0JM-477Z	E CAPACITOR	470uF 6.3V M	
C554	QEKCH1HM-475Z	E CAPACITOR	4.7uF 50V M		C6538	NCB31EK-473X	C CAPACITOR	0.047uF 25V K	
C555	QEKCH1HM-475Z	E CAPACITOR	4.7uF 50V M		C6539	QEKCH1M-475Z	E CAPACITOR	4.7uF 50V M	
C556	QEKCH1HM-475Z	E CAPACITOR	4.7uF 50V M		C6540	QEKCH1M-475Z	E CAPACITOR	4.7uF 50V M	
C557	QEKCH1HM-475Z	E CAPACITOR	4.7uF 50V M		C6541	NCB31EK-473X	C CAPACITOR	0.047uF 25V K	
C558	QEKCH1CM-106Z	E CAPACITOR	10uF 16V M		C6542	QEKCH1M-475Z	E CAPACITOR	4.7uF 50V M	
C559	QEKCH1CM-226Z	E CAPACITOR	22uF 16V M		C6543	QEKCH1M-475Z	E CAPACITOR	4.7uF 50V M	
C561	NCB31HK-681X	C CAPACITOR	680pF 50V K		C6545	NCB31EK-473X	C CAPACITOR	0.047uF 25V K	
C562	NCB31HK-681X	C CAPACITOR	680pF 50V K		C6547	QETN0JM-477Z	E CAPACITOR	470uF 6.3V M	
C563	NCB31HK-562X	C CAPACITOR	5600pF 50V K		C6549	QETN0JM-477Z	E CAPACITOR	470uF 6.3V M	
C564	NCB31HK-562X	C CAPACITOR	5600pF 50V K		C6556	NCF31CZ-104X	C CAPACITOR	0.1uF 16V Z	
C577	NCF31CZ-104X	C CAPACITOR	0.1uF 16V Z		C6557	NCF31CZ-104X	C CAPACITOR	0.1uF 16V Z	
C578	NCF31CZ-104X	C CAPACITOR	0.1uF 16V Z		C6558	NCF31CZ-104X	C CAPACITOR	0.1uF 16V Z	
C581	QEKCH1CM-106Z	E CAPACITOR	10uF 16V M		C6561	NCF31CZ-104X	C CAPACITOR	0.1uF 16V Z	
C597	NCB31EK-104X	C CAPACITOR	0.1uF 25V K		C6564	NCF31CZ-104X	C CAPACITOR	0.1uF 16V Z	
C941	NDC31HJ-220X	C CAPACITOR	22pF 50V J		C6566	NCB31EK-473X	C CAPACITOR	0.047uF 25V K	
C942	NDC31HJ-220X	C CAPACITOR	22pF 50V J		C6567	NCF31CZ-104X	C CAPACITOR	0.1uF 16V Z	
C943	NCF31AZ-105X	C CAPACITOR	1uF 10V Z		C6569	NCF31CZ-104X	C CAPACITOR	0.1uF 16V Z	
C944	NCB31HK-103X	C CAPACITOR	0.01uF 50V K		C6574	QETN1CM-476Z	E CAPACITOR	47uF 16V M	
C945	NCF31AZ-105X	C CAPACITOR	1uF 10V Z		C6575	QETN1CM-477Z	E CAPACITOR	470uF 16V M	
C946	NCF31AZ-105X	C CAPACITOR	1uF 10V Z						
C947	QETN1HM-106Z	E CAPACITOR	10uF 50V M		R501	NRSA63J-223X	MG RESISTOR	22kΩ 1/16W J	
C948	NCF31AZ-105X	C CAPACITOR	1uF 10V Z		R502	NRSA63J-473X	MG RESISTOR	47kΩ 1/16W J	
C949	NCF31AZ-105X	C CAPACITOR	1uF 10V Z		R503	NRSA63J-202X	MG RESISTOR	2kΩ 1/16W J	
C959	NCB31HK-103X	C CAPACITOR	0.01uF 50V K		R504	NRSA63J-473X	MG RESISTOR	47kΩ 1/16W J	
C960	NDC31HJ-331X	C CAPACITOR	330pF 50V J		R505	NRSA63J-202X	MG RESISTOR	2kΩ 1/16W J	
C961	NDC31HJ-331X	C CAPACITOR	330pF 50V J		R506	NRSA63J-473X	MG RESISTOR	47kΩ 1/16W J	
C962	NCF31CZ-104X	C CAPACITOR	0.1uF 16V Z		R507	NRSA63J-222X	MG RESISTOR	2.2kΩ 1/16W J	
C1502	NCF31CZ-104X	C CAPACITOR	0.1uF 16V Z		R511	NRSA63J-0R0X	MG RESISTOR	0Ω 1/16W J	
C1503	NCF31CZ-104X	C CAPACITOR	0.1uF 16V Z		R512	NRSA63J-0R0X	MG RESISTOR	0Ω 1/16W J	
C1504	NCB31HK-561X	C CAPACITOR	560pF 50V K		R513	NRSA63J-0R0X	MG RESISTOR	0Ω 1/16W J	
C1551	QEKCH1CM-107Z	E CAPACITOR	100uF 16V M		R514	NRSA63J-0R0X	MG RESISTOR	0Ω 1/16W J	
C1552	NCB31HK-102X	C CAPACITOR	1000pF 50V K		R515	NRSA63J-0R0X	MG RESISTOR	0Ω 1/16W J	
C1581	QEKCH1HM-475Z	E CAPACITOR	4.7uF 50V M		R516	NRSA63J-0R0X	MG RESISTOR	0Ω 1/16W J	
C1582	QEKCH1HM-475Z	E CAPACITOR	4.7uF 50V M		R517	NRSA63J-0R0X	MG RESISTOR	0Ω 1/16W J	
C4501	NCF31CZ-104X	C CAPACITOR	0.1uF 16V Z						

△ Symbol No.	Part No.	Part Name	Description	Local	△ Symbol No.	Part No.	Part Name	Description	Local
R521	NRSA63J-103X	MG RESISTOR	10kΩ 1/16W J		R1565	NRSA63J-0R0X	MG RESISTOR	0Ω 1/16W J	
R522	NRSA63J-0R0X	MG RESISTOR	0Ω 1/16W J		R1567	NRSA63J-103X	MG RESISTOR	10kΩ 1/16W J	
R561	NRSA63J-102X	MG RESISTOR	1kΩ 1/16W J		R1571	NRSA63J-203X	MG RESISTOR	20kΩ 1/16W J	
R562	NRSA63J-102X	MG RESISTOR	1kΩ 1/16W J		R1572	NRSA63J-752X	MG RESISTOR	7.5kΩ 1/16W J	
R563	NRSA63J-511X	MG RESISTOR	510Ω 1/16W J		R1573	NRSA63J-103X	MG RESISTOR	10kΩ 1/16W J	
R564	NRSA63J-511X	MG RESISTOR	510Ω 1/16W J		R1580	NRSA63J-153X	MG RESISTOR	15kΩ 1/16W J	
R565	NRSA63J-102X	MG RESISTOR	1kΩ 1/16W J		R1581	NRSA63J-104X	MG RESISTOR	100kΩ 1/16W J	
R566	NRSA63J-102X	MG RESISTOR	1kΩ 1/16W J		R1582	NRSA63J-104X	MG RESISTOR	100kΩ 1/16W J	
R567	NRSA63J-511X	MG RESISTOR	510Ω 1/16W J		R1583	NRSA63J-102X	MG RESISTOR	1kΩ 1/16W J	
R568	NRSA63J-511X	MG RESISTOR	510Ω 1/16W J		R1584	NRSA63J-102X	MG RESISTOR	1kΩ 1/16W J	
R569	NRSA63J-241X	MG RESISTOR	240Ω 1/16W J		R1585	NRSA63J-103X	MG RESISTOR	10kΩ 1/16W J	
R570	NRSA63J-241X	MG RESISTOR	240Ω 1/16W J		R1586	NRSA63J-103X	MG RESISTOR	10kΩ 1/16W J	
R571	NRSA63J-103X	MG RESISTOR	10kΩ 1/16W J		R1590	NRSA63J-102X	MG RESISTOR	1kΩ 1/16W J	
R572	NRSA63J-103X	MG RESISTOR	10kΩ 1/16W J		R1592	NRSA63J-102X	MG RESISTOR	1kΩ 1/16W J	
R573	NRSA63J-102X	MG RESISTOR	1kΩ 1/16W J		R1593	NRSA63J-102X	MG RESISTOR	1kΩ 1/16W J	
R574	NRSA63J-473X	MG RESISTOR	47kΩ 1/16W J		R1594	NRSA63J-102X	MG RESISTOR	1kΩ 1/16W J	
R575	NRSA63J-473X	MG RESISTOR	47kΩ 1/16W J		R1595	NRSA63J-102X	MG RESISTOR	1kΩ 1/16W J	
R576	NRSA63J-102X	MG RESISTOR	1kΩ 1/16W J		R1596	NRSA63J-102X	MG RESISTOR	1kΩ 1/16W J	
R577	NRSA63J-102X	MG RESISTOR	1kΩ 1/16W J		R1599	NRSA63J-103X	MG RESISTOR	10kΩ 1/16W J	
R579	NRSA63J-472X	MG RESISTOR	4.7kΩ 1/16W J		R4501	NRSA63J-470X	MG RESISTOR	47Ω 1/16W J	
R580	NRSA63J-472X	MG RESISTOR	4.7kΩ 1/16W J		R4502	NRS144J-471X	MG RESISTOR	470Ω 1/4W J	
R585	NRSA63J-331X	MG RESISTOR	330Ω 1/16W J		R4504	NRSA63J-102X	MG RESISTOR	1kΩ 1/16W J	
R586	NRSA63J-472X	MG RESISTOR	4.7kΩ 1/16W J		R4507	NRSA63J-0R0X	MG RESISTOR	0Ω 1/16W J	
R587	NRSA63J-223X	MG RESISTOR	22kΩ 1/16W J		R4508	NRSA63J-0R0X	MG RESISTOR	0Ω 1/16W J	
R593	NRSA63J-102X	MG RESISTOR	1kΩ 1/16W J		R4509	NRSA63J-0R0X	MG RESISTOR	0Ω 1/16W J	
R594	NRSA63J-102X	MG RESISTOR	1kΩ 1/16W J		R4521	NRSA63J-152X	MG RESISTOR	1.5kΩ 1/16W J	
R595	NRSA63J-682X	MG RESISTOR	6.8kΩ 1/16W J		R4522	NRSA63J-152X	MG RESISTOR	1.5kΩ 1/16W J	
R596	NRSA63J-682X	MG RESISTOR	6.8kΩ 1/16W J		R4523	NRSA63J-561X	MG RESISTOR	560Ω 1/16W J	
R598	NRSA63J-103X	MG RESISTOR	10kΩ 1/16W J		R4524	NRSA63J-152X	MG RESISTOR	1.5kΩ 1/16W J	
R961	NRSA63J-105X	MG RESISTOR	1MΩ 1/16W J		R4525	NRSA63J-152X	MG RESISTOR	1.5kΩ 1/16W J	
R962	NRSA63J-152X	MG RESISTOR	1.5kΩ 1/16W J		R4526	NRSA63J-561X	MG RESISTOR	560Ω 1/16W J	
R963	NRSA63J-152X	MG RESISTOR	1.5kΩ 1/16W J		R4527	NRSA63J-681X	MG RESISTOR	680Ω 1/16W J	
R964	NRSA63J-152X	MG RESISTOR	1.5kΩ 1/16W J		R4528	NRSA63J-681X	MG RESISTOR	680Ω 1/16W J	
R965	NRSA63J-270X	MG RESISTOR	27Ω 1/16W J		R4529	NRSA63J-561X	MG RESISTOR	560Ω 1/16W J	
R966	NRSA63J-270X	MG RESISTOR	27Ω 1/16W J		R4530	NRSA63J-152X	MG RESISTOR	1.5kΩ 1/16W J	
R968	NRSA63J-152X	MG RESISTOR	1.5kΩ 1/16W J		R4531	NRSA63J-152X	MG RESISTOR	1.5kΩ 1/16W J	
R969	NRSA63J-152X	MG RESISTOR	1.5kΩ 1/16W J		R4532	NRSA63J-561X	MG RESISTOR	560Ω 1/16W J	
R970	NRSA63J-152X	MG RESISTOR	1.5kΩ 1/16W J		R4533	NRSA63J-152X	MG RESISTOR	1.5kΩ 1/16W J	
R972	NRSA63J-152X	MG RESISTOR	1.5kΩ 1/16W J		R4534	NRSA63J-152X	MG RESISTOR	1.5kΩ 1/16W J	
R973	NRSA63J-101X	MG RESISTOR	100Ω 1/16W J		R4535	NRSA63J-561X	MG RESISTOR	560Ω 1/16W J	
R974	NRSA63J-106X	MG RESISTOR	10MΩ 1/16W J		R4536	NRSA63J-152X	MG RESISTOR	1.5kΩ 1/16W J	
△ R1501	QRZ9015-2R2X	FUSI RESISTOR	2.2Ω		R4537	NRSA63J-152X	MG RESISTOR	1.5kΩ 1/16W J	
△ R1502	QRZ9015-2R2X	FUSI RESISTOR	2.2Ω		R4538	NRSA63J-561X	MG RESISTOR	560Ω 1/16W J	
R1503	NRSA63J-102X	MG RESISTOR	1kΩ 1/16W J		R4541	NRSA63J-750X	MG RESISTOR	75Ω 1/16W J	
R1504	NRSA63J-102X	MG RESISTOR	1kΩ 1/16W J		R4542	NRSA63J-750X	MG RESISTOR	75Ω 1/16W J	
R1505	NRSA63J-103X	MG RESISTOR	10kΩ 1/16W J		R4543	NRSA63J-750X	MG RESISTOR	75Ω 1/16W J	
R1506	NRSA63J-103X	MG RESISTOR	10kΩ 1/16W J		R4544	NRSA63J-750X	MG RESISTOR	75Ω 1/16W J	
R1507	NRSA63J-104X	MG RESISTOR	100kΩ 1/16W J		R4545	NRSA63J-750X	MG RESISTOR	75Ω 1/16W J	
R1508	NRSA63J-104X	MG RESISTOR	100kΩ 1/16W J		R4546	NRSA63J-750X	MG RESISTOR	75Ω 1/16W J	
R1509	NRSA63J-102X	MG RESISTOR	1kΩ 1/16W J		R4547	NRSA63J-680X	MG RESISTOR	68Ω 1/16W J	
R1510	NRSA63J-102X	MG RESISTOR	1kΩ 1/16W J		R4548	NRSA63J-750X	MG RESISTOR	75Ω 1/16W J	
R1511	NRSA63J-103X	MG RESISTOR	10kΩ 1/16W J		R4549	NRSA63J-750X	MG RESISTOR	75Ω 1/16W J	
R1512	NRSA63J-103X	MG RESISTOR	10kΩ 1/16W J		R6501	NRSA63J-471X	MG RESISTOR	470Ω 1/16W J	
R1513	NRSA63J-104X	MG RESISTOR	100kΩ 1/16W J		R6502	NRSA63J-471X	MG RESISTOR	470Ω 1/16W J	
R1514	NRSA63J-104X	MG RESISTOR	100kΩ 1/16W J		R6503	NRSA63J-473X	MG RESISTOR	47kΩ 1/16W J	
R1515	NRSA63J-102X	MG RESISTOR	1kΩ 1/16W J		R6504	NRSA63J-473X	MG RESISTOR	47kΩ 1/16W J	
R1517	NRSA63J-103X	MG RESISTOR	10kΩ 1/16W J		R6505	NRSA63J-471X	MG RESISTOR	470Ω 1/16W J	
R1519	NRSA63J-104X	MG RESISTOR	100kΩ 1/16W J		R6506	NRSA63J-471X	MG RESISTOR	470Ω 1/16W J	
R1520	NRSA63J-102X	MG RESISTOR	1kΩ 1/16W J		R6507	NRSA63J-101X	MG RESISTOR	100Ω 1/16W J	
R1521	NRSA63J-133X	MG RESISTOR	13kΩ 1/16W J		R6508	NRSA63J-101X	MG RESISTOR	100Ω 1/16W J	
R1522	NRSA63J-102X	MG RESISTOR	1kΩ 1/16W J		R6509	NRSA63J-473X	MG RESISTOR	47kΩ 1/16W J	
R1523	NRSA63J-102X	MG RESISTOR	1kΩ 1/16W J		R6510	NRSA63J-473X	MG RESISTOR	47kΩ 1/16W J	
R1524	NRSA63J-103X	MG RESISTOR	10kΩ 1/16W J		R6511	NRSA63J-471X	MG RESISTOR	470Ω 1/16W J	
R1525	NRSA63J-103X	MG RESISTOR	10kΩ 1/16W J		R6512	NRSA63J-471X	MG RESISTOR	470Ω 1/16W J	
R1526	NRSA63J-472X	MG RESISTOR	4.7kΩ 1/16W J		R6513	NRSA63J-473X	MG RESISTOR	47kΩ 1/16W J	
R1527	NRSA63J-102X	MG RESISTOR	1kΩ 1/16W J		R6514	NRSA63J-473X	MG RESISTOR	47kΩ 1/16W J	
R1529	NRSA63J-104X	MG RESISTOR	100kΩ 1/16W J		R6515	NRSA63J-101X	MG RESISTOR	100Ω 1/16W J	
R1530	NRSA63J-104X	MG RESISTOR	100kΩ 1/16W J		R6516	NRSA63J-101X	MG RESISTOR	100Ω 1/16W J	
R1541	NRSA63J-0R0X	MG RESISTOR	0Ω 1/16W J		R6517	NRSA63J-473X	MG RESISTOR	47kΩ 1/16W J	
R1543	NRSA63J-103X	MG RESISTOR	10kΩ 1/16W J		R6518	NRSA63J-473X	MG RESISTOR	47kΩ 1/16W J	
R1544	NRSA63J-103X	MG RESISTOR	10kΩ 1/16W J		R6519	NRSA63J-471X	MG RESISTOR	470Ω 1/16W J	
R1545	NRSA63J-102X	MG RESISTOR	1kΩ 1/16W J		R6520	NRSA63J-471X	MG RESISTOR	470Ω 1/16W J	
R1551	NRSA63J-203X	MG RESISTOR	20kΩ 1/16W J		R6521	NRSA63J-622X	MG RESISTOR	6.2kΩ 1/16W J	
R1552	NRSA63J-512X	MG RESISTOR	5.1kΩ 1/16W J		R6522	NRSA63J-622X	MG RESISTOR	6.2kΩ 1/16W J	
R1553	NRSA63J-103X	MG RESISTOR	10kΩ 1/16W J		R6523	NRSA63J-0R0X	MG RESISTOR	0Ω 1/16W J	
R1556	NRSA63J-102X	MG RESISTOR	1kΩ 1/16W J		R6524	NRSA63J-102X	MG RESISTOR	1kΩ 1/16W J	
R1557	NRSA63J-273X	MG RESISTOR	27kΩ 1/16W J		R6525	NRSA63J-620X	MG RESISTOR	62Ω 1/16W J	
R1558	NRSA63J-103X	MG RESISTOR	10kΩ 1/16W J		R6526	NRSA63J-620X	MG RESISTOR	62Ω 1/16W J	

△ Symbol No.	Part No.	Part Name	Description	Local	△ Symbol No.	Part No.	Part Name	Description	Local
R6527	NRSA63J-620X	MG RESISTOR	62Ω 1/16W J		CN531	QGA2001C1-09	CONNECTOR	W-B (1-9)	
R6529	NRSA63J-750X	MG RESISTOR	75Ω 1/16W J		CN540	QGA2001C1-06	CONNECTOR	W-B (1-6)	
R6530	NRSA63J-750X	MG RESISTOR	75Ω 1/16W J		CN552	QGA2001C1-12	CONNECTOR	W-B (1-12)	
R6531	NRSA63J-102X	MG RESISTOR	1kΩ 1/16W J		CN555	QJK002-022002-E	SIN CR C-B WIRE		
R6532	NRSA63J-0R0X	MG RESISTOR	0Ω 1/16W J		CN602	QGB2510K1-07	CONNECTOR	B-B (1-7)	
R6533	NRSA63J-750X	MG RESISTOR	75Ω 1/16W J		CN672	QGB2510K1-07	CONNECTOR	B-B (1-7)	
R6534	NRSA63J-620X	MG RESISTOR	62Ω 1/16W J		CN904	QJK021-030803-E	WIRE		
R6535	NRSA63J-620X	MG RESISTOR	62Ω 1/16W J		CN905	QJP001-032601-E	SHI CR C-B WIRE		
R6536	NRSA63J-620X	MG RESISTOR	62Ω 1/16W J		CN961	WJP0074-001A-E	E-SH C WIRE C-B		
R6538	NRSA63J-750X	MG RESISTOR	75Ω 1/16W J		EP902	QNZ0136-001Z	EARTH PLATE		
R6539	NRSA63J-750X	MG RESISTOR	75Ω 1/16W J		FL501	QQR1372-001	LPF		
R6540	NRSA63J-103X	MG RESISTOR	10kΩ 1/16W J		FL502	QQR1372-001	LPF		
R6541	NRSA63J-103X	MG RESISTOR	10kΩ 1/16W J		FW781	WJS0074-002A-E	E-FL/RB WIRE		
R6542	NRSA63J-750X	MG RESISTOR	75Ω 1/16W J		FW782	WJS0048-003A-E	E-FL/RB WIRE		
R6544	NRSA63J-750X	MG RESISTOR	75Ω 1/16W J		J901	QNS0247-001	JACK		
R6545	NRSA63J-750X	MG RESISTOR	75Ω 1/16W J		J903	QNZ0783-002	USB CONNECTOR		
R6546	NRSA63J-102X	MG RESISTOR	1kΩ 1/16W J		J4503	QNN0681-001	PIN JACK		
R6547	NRSA63J-0R0X	MG RESISTOR	0Ω 1/16W J		J6501	QNN0476-001	PIN JACK		
R6548	NRSA63J-750X	MG RESISTOR	75Ω 1/16W J		J6502	QNN0476-001	PIN JACK		
R6549	NRSA63J-620X	MG RESISTOR	62Ω 1/16W J		J6503	QNN0476-001	PIN JACK		
R6550	NRSA63J-620X	MG RESISTOR	62Ω 1/16W J		J6504	QNN0690-001	PIN JACK		
R6551	NRSA63J-620X	MG RESISTOR	62Ω 1/16W J		J6511	QNN0570-001	PIN JACK		
R6552	NRS144J-271X	MG RESISTOR	270Ω 1/4W J		J6512	QNN0570-001	PIN JACK		
R6554	NRSA63J-102X	MG RESISTOR	1kΩ 1/16W J		J6513	QNN0570-001	PIN JACK		
R6555	NRSA63J-103X	MG RESISTOR	10kΩ 1/16W J		X501	QAX0246-001Z	C RESONATOR	8.00MHz	
R6556	NRS144J-301X	MG RESISTOR	300Ω 1/4W J		X905	QAX0320-001Z	CRYSTAL	12.000MHz	
R6557	NRSA63J-102X	MG RESISTOR	1kΩ 1/16W J						
R6558	NRSA63J-103X	MG RESISTOR	10kΩ 1/16W J						
R6559	NRS144J-301X	MG RESISTOR	300Ω 1/4W J						
R6560	NRSA63J-102X	MG RESISTOR	1kΩ 1/16W J						
R6561	NRSA63J-103X	MG RESISTOR	10kΩ 1/16W J						
R6562	NRS144J-271X	MG RESISTOR	270Ω 1/4W J						
R6563	NRSA63J-102X	MG RESISTOR	1kΩ 1/16W J						
R6564	NRSA63J-103X	MG RESISTOR	10kΩ 1/16W J						
R6565	NRS144J-301X	MG RESISTOR	300Ω 1/4W J						
R6566	NRSA63J-102X	MG RESISTOR	1kΩ 1/16W J						
R6567	NRSA63J-103X	MG RESISTOR	10kΩ 1/16W J		IC711	BR24L02F-W-X	IC		
R6568	NRS144J-301X	MG RESISTOR	300Ω 1/4W J		IC712	SN74CBT3257PW-X	IC		
R6569	NRSA63J-102X	MG RESISTOR	1kΩ 1/16W J		IC713	SN74CB3T3306U-X	IC		
R6570	NRSA63J-103X	MG RESISTOR	10kΩ 1/16W J		IC721	BR24L02F-W-X	IC		
R6571	NRS144J-271X	MG RESISTOR	270Ω 1/4W J		IC722	SN74CBT3257PW-X	IC		
R6572	NRSA63J-102X	MG RESISTOR	1kΩ 1/16W J		IC723	SN74CB3T3306U-X	IC		
R6573	NRSA63J-102X	MG RESISTOR	1kΩ 1/16W J		IC731	SIH9031CTU	IC		
R6574	NRS144J-301X	MG RESISTOR	300Ω 1/4W J		IC732	SN74AHC2G08T-X	IC		
R6575	NRSA63J-102X	MG RESISTOR	1kΩ 1/16W J		IC733	SN74LV157APW-X	IC		
R6576	NRSA63J-103X	MG RESISTOR	10kΩ 1/16W J		IC741	SN74CBTLV16210X	IC		
R6577	NRS144J-301X	MG RESISTOR	300Ω 1/4W J		IC743	SN74CBTLV16210X	IC		
R6578	NRSA63J-0R0X	MG RESISTOR	0Ω 1/16W J		IC751	SIH9030CTU	IC		
R6580	NRSA63J-0R0X	MG RESISTOR	0Ω 1/16W J		IC752	SN74CB3T3306U-X	IC		
R6581	NRSA63J-133X	MG RESISTOR	13kΩ 1/16W J		IC761	MB90F488BPFV2A	IC(PROGRAMED)		
R6582	NRSA63J-332X	MG RESISTOR	3.3kΩ 1/16W J		IC771	ADV7401BSTZ-80	IC(DIGITAL)		
R6583	NRSA63J-473X	MG RESISTOR	47kΩ 1/16W J		IC772	SN74ALCH62827-X	IC		
R6584	NRSA63J-473X	MG RESISTOR	47kΩ 1/16W J		IC781	FLI2310-LF-CF	IC		
R6585	NRSA63J-471X	MG RESISTOR	470Ω 1/16W J		IC782	HY57V643220DTP7	IC		
R6586	NRSA63J-471X	MG RESISTOR	470Ω 1/16W J		IC791	BA3259HFP-W	IC		
R6588	NRSA63J-0R0X	MG RESISTOR	0Ω 1/16W J		IC792	BA3259HFP-W	IC		
R6589	NRSA63J-0R0X	MG RESISTOR	0Ω 1/16W J		IC793	LD2981ABM50-X	IC		
R6590	NRSA63J-0R0X	MG RESISTOR	0Ω 1/16W J						
R6597	NRSA63J-0R0X	MG RESISTOR	0Ω 1/16W J		Q3101	UN2214-X	TRANSISTOR		
R6599	NRSA63J-0R0X	MG RESISTOR	0Ω 1/16W J		Q3102	UN2214-X	TRANSISTOR		
L901	NQL085J-100X	COIL	10uH J		Q3111	2SD601A/RS/-X	TRANSISTOR		
L6501	QLL244K-100Z	COIL	10uH K		Q3112	2SD601A/RS/-X	TRANSISTOR		
L6502	QLL244K-100Z	COIL	10uH K		Q3201	UN2214-X	TRANSISTOR		
CN501	QJK016-061401-E	SIN CR C-B WIRE			Q3202	UN2214-X	TRANSISTOR		
CN502	QGB2510J1-07	CONNECTOR	B-B (1-7)		Q3211	2SD601A/RS/-X	TRANSISTOR		
CN503	QJK002-141804-E	SIN CR C-B WIRE			Q3212	2SD601A/RS/-X	TRANSISTOR		
CN504	QGF1036C1-05	CONNECTOR	FFC/FPC (1-5)		Q3501	2SD601A/RS/-X	TRANSISTOR		
CN505	QGF1205C1-11	CONNECTOR	FFC/FPC (1-11)		Q3502	2SD601A/RS/-X	TRANSISTOR		
CN506	QGB1224J1-15	CONNECTOR	B-B (1-15)		Q3503	2SB709A/RS/-X	TRANSISTOR		
CN509	QJK002-062001-E	E-SH C WIRE C-B			C3111	NCB31CK-104X	C CAPACITOR	0.1uF 16V K	
CN513	QGA2501F1-14	CONNECTOR	W-B (1-14)		C3121	NCB31CK-104X	C CAPACITOR	0.1uF 16V K	
CN516	QGB1224K1-15	CONNECTOR	B-B (1-15)		C3131	NCB31CK-104X	C CAPACITOR	0.1uF 16V K	
CN521	QJK016-091804-E	SIN CR C-B WIRE			C3211	NCB31CK-104X	C CAPACITOR	0.1uF 16V K	
CN522	QGB2510K1-14	CONNECTOR	B-B (1-14)		C3221	NCB31CK-104X	C CAPACITOR	0.1uF 16V K	
CN523	QJK002-021002-E	SIN CR C-B WIRE			C3231	NCB31CK-104X	C CAPACITOR	0.1uF 16V K	
CN530	QGA2001C1-11	CONNECTOR	W-B (1-11)		C3301	NEAF0JM-476X	E CAPACITOR	47uF 6.3V M	
					C3302	NEAF0JM-476X	E CAPACITOR	47uF 6.3V M	

HDMI board

Block No. [0][4]

△ Symbol No.	Part No.	Part Name	Description	Local
IC711	BR24L02F-W-X	IC		
IC712	SN74CBT3257PW-X	IC		
IC713	SN74CB3T3306U-X	IC		
IC721	BR24L02F-W-X	IC		
IC722	SN74CBT3257PW-X	IC		
IC723	SN74CB3T3306U-X	IC		
IC731	SIH9031CTU	IC		
IC732	SN74AHC2G08T-X	IC		
IC733	SN74LV157APW-X	IC		
IC741	SN74CBTLV16210X	IC		
IC743	SN74CBTLV16210X	IC		
IC751	SIH9030CTU	IC		
IC752	SN74CB3T3306U-X	IC		
IC761	MB90F488BPFV2A	IC(PROGRAMED)		
IC771	ADV7401BSTZ-80	IC(DIGITAL)		
IC772	SN74ALCH62827-X	IC		
IC781	FLI2310-LF-CF	IC		
IC782	HY57V643220DTP7	IC		
IC791	BA3259HFP-W	IC		
IC792	BA3259HFP-W	IC		
IC793	LD2981ABM50-X	IC		
Q3101	UN2214-X	TRANSISTOR		
Q3102	UN2214-X	TRANSISTOR		
Q3111	2SD601A/RS/-X	TRANSISTOR		
Q3112	2SD601A/RS/-X	TRANSISTOR		
Q3201	UN2214-X	TRANSISTOR		
Q3202	UN2214-X	TRANSISTOR		
Q3211	2SD601A/RS/-X	TRANSISTOR		
Q3212	2SD601A/RS/-X	TRANSISTOR		
Q3501	2SD601A/RS/-X	TRANSISTOR		
Q3502	2SD601A/RS/-X	TRANSISTOR		
Q3503	2SB709A/RS/-X	TRANSISTOR		
C3111	NCB31CK-104X	C CAPACITOR	0.1uF 16V K	
C3121	NCB31CK-104X	C CAPACITOR	0.1uF 16V K	
C3131	NCB31CK-104X	C CAPACITOR	0.1uF 16V K	
C3211	NCB31CK-104X	C CAPACITOR	0.1uF 16V K	
C3221	NCB31CK-104X	C CAPACITOR	0.1uF 16V K	
C3231	NCB31CK-104X	C CAPACITOR	0.1uF 16V K	
C3301	NEAF0JM-476X	E CAPACITOR	47uF 6.3V M	
C3302	NEAF0JM-476X	E CAPACITOR	47uF 6.3V M	

△ Symbol No.	Part No.	Part Name	Description	Local	△ Symbol No.	Part No.	Part Name	Description	Local
R3562	NRSA63J-100X	MG RESISTOR	10Ω 1/16W J		R3723	NRSA63J-101X	MG RESISTOR	100Ω 1/16W J	
R3563	NRSA63J-100X	MG RESISTOR	10Ω 1/16W J		R3726	NRSA63J-220X	MG RESISTOR	22Ω 1/16W J	
R3564	NRSA63J-100X	MG RESISTOR	10Ω 1/16W J		R3727	NRSA63J-220X	MG RESISTOR	22Ω 1/16W J	
R3565	NRSA63J-100X	MG RESISTOR	10Ω 1/16W J		R3728	NRSA63J-220X	MG RESISTOR	22Ω 1/16W J	
R3566	NRSA63J-100X	MG RESISTOR	10Ω 1/16W J		R3731	NRSA63J-0R0X	MG RESISTOR	0Ω 1/16W J	
R3567	NRSA63J-100X	MG RESISTOR	10Ω 1/16W J		R3732	NRSA63J-0R0X	MG RESISTOR	0Ω 1/16W J	
R3568	NRSA63J-100X	MG RESISTOR	10Ω 1/16W J		R3733	NRSA63J-0R0X	MG RESISTOR	0Ω 1/16W J	
R3601	NRSA63J-221X	MG RESISTOR	220Ω 1/16W J		R3734	NRSA63J-103X	MG RESISTOR	10kΩ 1/16W J	
R3602	NRSA63J-221X	MG RESISTOR	220Ω 1/16W J		R3735	NRSA63J-103X	MG RESISTOR	10kΩ 1/16W J	
R3603	NRSA63J-221X	MG RESISTOR	220Ω 1/16W J		R3736	NRSA63J-103X	MG RESISTOR	10kΩ 1/16W J	
R3604	NRSA63J-221X	MG RESISTOR	220Ω 1/16W J		R3813	NRSA63J-103X	MG RESISTOR	10kΩ 1/16W J	
R3605	NRSA63J-221X	MG RESISTOR	220Ω 1/16W J		R3814	NRSA63J-103X	MG RESISTOR	10kΩ 1/16W J	
R3606	NRSA63J-221X	MG RESISTOR	220Ω 1/16W J		R3815	NRSA63J-103X	MG RESISTOR	10kΩ 1/16W J	
R3607	NRSA63J-221X	MG RESISTOR	220Ω 1/16W J		R3816	NRSA63J-101X	MG RESISTOR	100Ω 1/16W J	
R3608	NRSA63J-221X	MG RESISTOR	220Ω 1/16W J		R3817	NRSA63J-101X	MG RESISTOR	100Ω 1/16W J	
R3609	NRSA63J-221X	MG RESISTOR	220Ω 1/16W J		R3818	NRSA63J-101X	MG RESISTOR	100Ω 1/16W J	
R3610	NRSA63J-221X	MG RESISTOR	220Ω 1/16W J		R3819	NRSA63J-101X	MG RESISTOR	100Ω 1/16W J	
R3611	NRSA63J-103X	MG RESISTOR	10kΩ 1/16W J		R3820	NRSA63J-220X	MG RESISTOR	22Ω 1/16W J	
R3612	NRSA63J-103X	MG RESISTOR	10kΩ 1/16W J		R3821	NRSA63J-220X	MG RESISTOR	22Ω 1/16W J	
R3613	NRSA63J-103X	MG RESISTOR	10kΩ 1/16W J		R3822	NRSA63J-220X	MG RESISTOR	22Ω 1/16W J	
R3614	NRSA63J-103X	MG RESISTOR	10kΩ 1/16W J		R3823	NRSA63J-330X	MG RESISTOR	33Ω 1/16W J	
R3615	NRSA63J-103X	MG RESISTOR	10kΩ 1/16W J		R3825	NRSA63J-472X	MG RESISTOR	4.7kΩ 1/16W J	
R3616	NRSA63J-103X	MG RESISTOR	10kΩ 1/16W J		R3826	NRSA63J-0R0X	MG RESISTOR	0Ω 1/16W J	
R3617	NRSA63J-221X	MG RESISTOR	220Ω 1/16W J		R3827	NRSA63J-102X	MG RESISTOR	1kΩ 1/16W J	
R3618	NRSA63J-221X	MG RESISTOR	220Ω 1/16W J		R3828	NRSA63J-474X	MG RESISTOR	470kΩ 1/16W J	
R3619	NRSA63J-221X	MG RESISTOR	220Ω 1/16W J		R3861	NRSA63J-471X	MG RESISTOR	470Ω 1/16W J	
R3620	NRSA63J-221X	MG RESISTOR	220Ω 1/16W J		R3901	NRSA02J-0R0X	MG RESISTOR	0Ω 1/10W J	
R3621	NRSA63J-221X	MG RESISTOR	220Ω 1/16W J		R3911	NRSA63J-182X	MG RESISTOR	1.8kΩ 1/16W J	
R3622	NRSA63J-221X	MG RESISTOR	220Ω 1/16W J		R3912	NRSA63J-222X	MG RESISTOR	2.2kΩ 1/16W J	
R3623	NRSA63J-221X	MG RESISTOR	220Ω 1/16W J		R3921	NRSA63J-182X	MG RESISTOR	1.8kΩ 1/16W J	
R3624	NRSA63J-221X	MG RESISTOR	220Ω 1/16W J		R3922	NRSA63J-222X	MG RESISTOR	2.2kΩ 1/16W J	
R3625	NRSA63J-221X	MG RESISTOR	220Ω 1/16W J		RA731	NRZ0034-220W	NET RESISTOR	22Ω 1/32W J x4	
R3626	NRSA63J-221X	MG RESISTOR	220Ω 1/16W J		RA732	NRZ0034-220W	NET RESISTOR	22Ω 1/32W J x4	
R3627	NRSA63J-221X	MG RESISTOR	220Ω 1/16W J		RA733	NRZ0034-220W	NET RESISTOR	22Ω 1/32W J x4	
R3628	NRSA63J-221X	MG RESISTOR	220Ω 1/16W J		RA734	NRZ0034-220W	NET RESISTOR	22Ω 1/32W J x4	
R3629	NRSA63J-221X	MG RESISTOR	220Ω 1/16W J		RA735	NRZ0034-220W	NET RESISTOR	22Ω 1/32W J x4	
R3630	NRSA63J-221X	MG RESISTOR	220Ω 1/16W J		RA736	NRZ0034-220W	NET RESISTOR	22Ω 1/32W J x4	
R3631	NRSA63J-432X	MG RESISTOR	4.3kΩ 1/16W J		RA737	NRZ0034-220W	NET RESISTOR	22Ω 1/32W J x4	
R3632	NRSA63J-221X	MG RESISTOR	220Ω 1/16W J		RA738	NRZ0034-220W	NET RESISTOR	22Ω 1/32W J x4	
R3633	NRSA63J-221X	MG RESISTOR	220Ω 1/16W J		RA739	NRZ0034-220W	NET RESISTOR	22Ω 1/32W J x4	
R3634	NRSA63J-221X	MG RESISTOR	220Ω 1/16W J		RA741	NRZ0034-220W	NET RESISTOR	22Ω 1/32W J x4	
R3635	NRSA63J-221X	MG RESISTOR	220Ω 1/16W J		RA742	NRZ0034-220W	NET RESISTOR	22Ω 1/32W J x4	
R3636	NRSA63J-472X	MG RESISTOR	4.7kΩ 1/16W J		RA743	NRZ0034-220W	NET RESISTOR	22Ω 1/32W J x4	
R3637	NRSA63J-472X	MG RESISTOR	4.7kΩ 1/16W J		RA744	NRZ0034-220W	NET RESISTOR	22Ω 1/32W J x4	
R3638	NRSA63J-221X	MG RESISTOR	220Ω 1/16W J		RA745	NRZ0034-220W	NET RESISTOR	22Ω 1/32W J x4	
R3639	NRSA63J-221X	MG RESISTOR	220Ω 1/16W J		RA771	NRZ0034-220W	NET RESISTOR	22Ω 1/32W J x4	
R3640	NRSA63J-221X	MG RESISTOR	220Ω 1/16W J		RA772	NRZ0034-220W	NET RESISTOR	22Ω 1/32W J x4	
R3641	NRSA63J-0R0X	MG RESISTOR	0Ω 1/16W J		RA773	NRZ0034-220W	NET RESISTOR	22Ω 1/32W J x4	
R3642	NRSA63J-103X	MG RESISTOR	10kΩ 1/16W J		RA774	NRZ0034-220W	NET RESISTOR	22Ω 1/32W J x4	
R3643	NRSA63J-103X	MG RESISTOR	10kΩ 1/16W J		RA781	NRZ0034-220W	NET RESISTOR	22Ω 1/32W J x4	
R3644	NRSA63J-103X	MG RESISTOR	10kΩ 1/16W J		RA782	NRZ0034-220W	NET RESISTOR	22Ω 1/32W J x4	
R3645	NRSA63J-103X	MG RESISTOR	10kΩ 1/16W J		RA783	NRZ0034-220W	NET RESISTOR	22Ω 1/32W J x4	
R3646	NRSA63J-103X	MG RESISTOR	10kΩ 1/16W J		RA784	NRZ0034-220W	NET RESISTOR	22Ω 1/32W J x4	
R3647	NRSA63J-103X	MG RESISTOR	10kΩ 1/16W J						
R3648	NRSA63J-822X	MG RESISTOR	8.2kΩ 1/16W J		L3501	NQR0597-001X	EMI FILTER		
R3649	NRSA63J-472X	MG RESISTOR	4.7kΩ 1/16W J		L3502	NQR0597-001X	EMI FILTER		
R3651	NRSA63J-221X	MG RESISTOR	220Ω 1/16W J		L3503	NQR0597-001X	EMI FILTER		
R3652	NRSA63J-221X	MG RESISTOR	220Ω 1/16W J		L3504	NQR0597-001X	EMI FILTER		
R3653	NRSA63J-221X	MG RESISTOR	220Ω 1/16W J						
R3654	NRSA63J-221X	MG RESISTOR	220Ω 1/16W J		CN731	QGF1038F1-06X	CONNECTOR	FFC/FPC (1-6)	
R3655	NRSA63J-103X	MG RESISTOR	10kΩ 1/16W J		CN732	QGF1038F1-11X	CONNECTOR	FFC/FPC (1-11)	
R3657	NRSA63J-103X	MG RESISTOR	10kΩ 1/16W J		CN761	QGF1038F1-07X	CONNECTOR	FFC/FPC (1-7)	
R3659	NRSA63J-103X	MG RESISTOR	10kΩ 1/16W J		CN762	QGF1038F1-05X	CONNECTOR	FFC/FPC (1-5)	
R3661	NRSA63J-103X	MG RESISTOR	10kΩ 1/16W J		CN771	QGA2001F6-08X	CONNECTOR	W-B (1-8)	
R3663	NRSA63J-221X	MG RESISTOR	220Ω 1/16W J		CN772	QGA2001F6-06X	CONNECTOR	W-B (1-6)	
R3664	NRSA63J-221X	MG RESISTOR	220Ω 1/16W J		J711	NNZ0117-001	CONNECTOR		
R3665	NRSA63J-221X	MG RESISTOR	220Ω 1/16W J		J721	NNZ0117-001	CONNECTOR		
R3666	NRSA63J-221X	MG RESISTOR	220Ω 1/16W J		J751	NNZ0117-001	CONNECTOR		
R3671	NRSA63J-0R0X	MG RESISTOR	0Ω 1/16W J		K3301	NQR0489-001X	FERRITE BEADS		
R3702	NRSA63J-220X	MG RESISTOR	22Ω 1/16W J		K3302	NQR0489-001X	FERRITE BEADS		
R3703	NRSA63J-0R0X	MG RESISTOR	0Ω 1/16W J		K3303	NQR0489-001X	FERRITE BEADS		
R3705	NRSA63J-182X	MG RESISTOR	1.8kΩ 1/16W J		K3304	NQR0489-001X	FERRITE BEADS		
R3706	NRSA63J-303X	MG RESISTOR	30kΩ 1/16W J		K3305	NQR0489-001X	FERRITE BEADS		
R3714	NRSA63J-272X	MG RESISTOR	2.7kΩ 1/16W J		K3306	NQR0489-001X	FERRITE BEADS		
R3715	NRSA63J-272X	MG RESISTOR	2.7kΩ 1/16W J		K3307	NQR0489-001X	FERRITE BEADS		
R3719	NRSA63J-101X	MG RESISTOR	100Ω 1/16W J		K3308	NQR0489-001X	FERRITE BEADS		
R3721	NRSA63J-103X	MG RESISTOR	10kΩ 1/16W J		K3411	NQR0489-001X	FERRITE BEADS		
R3722	NRSA63J-101X	MG RESISTOR	100Ω 1/16W J		K3431	NQR0489-001X	FERRITE BEADS		

△ Symbol No.	Part No.	Part Name	Description	Local	△ Symbol No.	Part No.	Part Name	Description	Local
K3501	NQR0489-001X	FERRITE BEADS			Q2501	2SD2114K/VW/-X	TRANSISTOR		
K3502	NQR0489-001X	FERRITE BEADS			Q2502	2SD2114K/VW/-X	TRANSISTOR		
K3503	NQR0489-001X	FERRITE BEADS			Q2701	UN2214-X	TRANSISTOR		
K3504	NQR0489-001X	FERRITE BEADS			Q2702	UN2214-X	TRANSISTOR		
K3505	NQR0489-001X	FERRITE BEADS			Q2704	UN2114-X	TRANSISTOR		
K3601	NQR0489-001X	FERRITE BEADS			Q2705	UN2114-X	TRANSISTOR		
K3602	NQR0489-001X	FERRITE BEADS			Q2706	UN2114-X	TRANSISTOR		
K3701	NQR0489-001X	FERRITE BEADS			Q2708	UN2114-X	TRANSISTOR		
K3702	NQR0489-001X	FERRITE BEADS			Q2709	UN2114-X	TRANSISTOR		
K3703	NQR0489-001X	FERRITE BEADS			Q2710	UN2214-X	TRANSISTOR		
K3704	NQR0489-001X	FERRITE BEADS							
K3761	NQR0489-001X	FERRITE BEADS			C2001	NEAF1EM-475X	E CAPACITOR	4.7uF 25V M	
K3801	NQR0489-001X	FERRITE BEADS			C2002	NEAF1EM-475X	E CAPACITOR	4.7uF 25V M	
K3802	NQR0489-001X	FERRITE BEADS			C2005	NDC31HJ-330X	C CAPACITOR	33pF 50V J	
K3803	NQR0489-001X	FERRITE BEADS			C2006	NDC31HJ-330X	C CAPACITOR	33pF 50V J	
K3804	NQR0489-001X	FERRITE BEADS			C2009	NCF31CZ-104X	C CAPACITOR	0.1uF 16V Z	
K3805	NQR0489-001X	FERRITE BEADS			C2010	NCF31CZ-104X	C CAPACITOR	0.1uF 16V Z	
K3811	NQR0489-001X	FERRITE BEADS			C2013	NDC31HJ-330X	C CAPACITOR	33pF 50V J	
K3812	NQR0489-001X	FERRITE BEADS			C2014	NDC31HJ-330X	C CAPACITOR	33pF 50V J	
X731	NAX0805-001X	CRYSTAL			C2018	NEAF0JM-476X	E CAPACITOR	47uF 6.3V M	
X761	NAX0663-001X	C RESONATOR			C2019	NCF31CZ-104X	C CAPACITOR	0.1uF 16V Z	
X771	NAX0633-001X	CRISTAL			C2020	NCF31CZ-104X	C CAPACITOR	0.1uF 16V Z	
X781	NAX0394-001X	CRISTAL			C2101	NCB31HK-102X	C CAPACITOR	1000pF 50V K	

DSP board

Block No. [0][5]

△ Symbol No.	Part No.	Part Name	Description	Local	△ Symbol No.	Part No.	Part Name	Description	Local
IC601	NJM4565M-WE	IC			C2102	NCB31HK-102X	C CAPACITOR	1000pF 50V K	
IC602	NJM4565M-WE	IC			C2109	NEAF1HM-475X	E CAPACITOR	4.7uF 50V M	
IC610	MN35505-X	IC			C2110	NEAF1HM-475X	E CAPACITOR	4.7uF 50V M	
IC611	NJM4565M-WE	IC			C2111	NCF31CZ-104X	C CAPACITOR	0.1uF 16V Z	
IC612	NJM4565M-WE	IC			C2112	NCF31CZ-104X	C CAPACITOR	0.1uF 16V Z	
IC613	NJM4565M-WE	IC			C2113	NCB31HK-331X	C CAPACITOR	330pF 50V K	
IC614	NJM4565M-WE	IC			C2114	NCB31HK-331X	C CAPACITOR	330pF 50V K	
IC620	MN35505-X	IC			C2115	NCB31HK-272X	C CAPACITOR	2700pF 50V K	
IC621	NJM4565M-WE	IC			C2116	NCB31HK-272X	C CAPACITOR	2700pF 50V K	
IC622	NJM4565M-WE	IC			C2129	NEAF1HM-475X	E CAPACITOR	4.7uF 50V M	
IC630	MN35505-X	IC			C2131	NCF31CZ-104X	C CAPACITOR	0.1uF 16V Z	
IC631	NJM2120M-X	IC			C2132	NCF31CZ-104X	C CAPACITOR	0.1uF 16V Z	
IC632	NJM4565M-WE	IC			C2133	NDC31HJ-330X	C CAPACITOR	33pF 50V J	
IC633	NJM4565M-WE	IC			C2134	NDC31HJ-330X	C CAPACITOR	33pF 50V J	
IC634	NJM4565M-WE	IC			C2139	NEAF1EM-475X	E CAPACITOR	4.7uF 25V M	
IC651	NJM4565M-WE	IC			C2140	NEAF1EM-475X	E CAPACITOR	4.7uF 25V M	
IC652	NJM4565M-WE	IC			C2141	NCF31CZ-104X	C CAPACITOR	0.1uF 16V Z	
IC661	D601A002BPYP225	IC			C2142	NCF31CZ-104X	C CAPACITOR	0.1uF 16V Z	
IC662	SN74LVC1GU04K-X	IC			C2143	NDC31HJ-330X	C CAPACITOR	33pF 50V J	
IC663	-----	IC			C2144	NDC31HJ-330X	C CAPACITOR	33pF 50V J	
IC663	SA16M90TFIR12B	IC(PROGRAMED)			C2149	NEAF1EM-475X	E CAPACITOR	4.7uF 25V M	
IC664	K4S641632H-UC75	IC			C2150	NEAF1EM-475X	E CAPACITOR	4.7uF 25V M	
IC671	UPD784215AGC291	IC			C2151	NEAF1AM-107X	E CAPACITOR	100uF 10V M	
IC672	SN74AHCT1G32K-X	IC			C2152	NEAF1AM-107X	E CAPACITOR	100uF 10V M	
IC685	SN74LV157APW-X	IC			C2153	NEAF1CM-106X	E CAPACITOR	10uF 16V M	
IC686	SN74LV157APW-X	IC			C2154	NCF21CZ-155X	C CAPACITOR	1.5uF 16V Z	
IC691	BA3259HFP-W	IC			C2155	NCB30JK-105X	C CAPACITOR	1uF 6.3V K	
IC692	MM1563DF-X	IC			C2156	NCF21CZ-155X	C CAPACITOR	1.5uF 16V Z	
IC697	CS42518-CQZ-D-W	IC			C2157	NCF21CZ-155X	C CAPACITOR	1.5uF 16V Z	
Q2101	2SD2114K/VW/-X	TRANSISTOR			C2158	NCB31HK-103X	C CAPACITOR	0.01uF 50V K	
Q2102	2SD2114K/VW/-X	TRANSISTOR			C2159	NCB31AK-224X	C CAPACITOR	0.22uF 10V K	
Q2141	2SD601A/RS/-X	TRANSISTOR			C2160	NCF21CZ-155X	C CAPACITOR	1.5uF 16V Z	
Q2142	2SD601A/RS/-X	TRANSISTOR			C2161	NCF31CZ-104X	C CAPACITOR	0.1uF 16V Z	
Q2201	2SD2114K/VW/-X	TRANSISTOR			C2162	NCF31CZ-104X	C CAPACITOR	0.1uF 16V Z	
Q2202	2SD2114K/VW/-X	TRANSISTOR			C2163	NDC31HJ-181X	C CAPACITOR	180pF 50V J	
Q2221	2SD2114K/VW/-X	TRANSISTOR			C2164	NDC31HJ-181X	C CAPACITOR	180pF 50V J	
Q2222	2SD2114K/VW/-X	TRANSISTOR			C2165	NCB31CK-683X	C CAPACITOR	0.068uF 16V K	
Q2223	2SD2114K/VW/-X	TRANSISTOR			C2166	NCB31CK-683X	C CAPACITOR	0.068uF 16V K	
Q2224	2SD2114K/VW/-X	TRANSISTOR			C2167	NCB31HK-182X	C CAPACITOR	1800pF 50V K	
Q2301	2SD2114K/VW/-X	TRANSISTOR			C2168	NCB31HK-182X	C CAPACITOR	1800pF 50V K	
Q2341	2SD601A/RS/-X	TRANSISTOR			C2201	NCB31HK-392X	C CAPACITOR	3900pF 50V K	
Q2401	2SD2114K/VW/-X	TRANSISTOR			C2202	NCB31HK-392X	C CAPACITOR	3900pF 50V K	
Q2421	2SD2114K/VW/-X	TRANSISTOR			C2209	NEAF1HM-225X	E CAPACITOR	2.2uF 50V M	
Q2422	2SD2114K/VW/-X	TRANSISTOR			C2210	NEAF1HM-225X	E CAPACITOR	2.2uF 50V M	
					C2229	NEAF1HM-105X	E CAPACITOR	1uF 50V M	
					C2230	NEAF1HM-105X	E CAPACITOR	1uF 50V M	
					C2241	NCF31CZ-104X	C CAPACITOR	0.1uF 16V Z	
					C2242	NCF31CZ-104X	C CAPACITOR	0.1uF 16V Z	
					C2243	NCB31HK-472X	C CAPACITOR	4700pF 50V K	
					C2244	NCB31HK-472X	C CAPACITOR	4700pF 50V K	
					C2245	NFV41HJ-122X	MPPS CAPACITOR	1200pF 50V J	
					C2246	NFV41HJ-122X	MPPS CAPACITOR	1200pF 50V J	
					C2247	NCB31HK-182X	C CAPACITOR	1800pF 50V K	
					C2248	NCB31HK-182X	C CAPACITOR	1800pF 50V K	
					C2249	NEAF1HM-225X	E CAPACITOR	2.2uF 50V M	

△ Symbol No.	Part No.	Part Name	Description	Local	△ Symbol No.	Part No.	Part Name	Description	Local
C2250	NEAF1HM-225X	E CAPACITOR	2.2uF 50V M		C2603	NEAF0JM-107X	E CAPACITOR	100uF 6.3V M	
C2251	NEAF1AM-107X	E CAPACITOR	100uF 10V M		C2604	NCF31CZ-104X	C CAPACITOR	0.1uF 16V Z	
C2252	NEAF1AM-107X	E CAPACITOR	100uF 10V M		C2605	NEAF1CM-106X	E CAPACITOR	10uF 16V M	
C2253	NEAF1CM-106X	E CAPACITOR	10uF 16V M		C2606	NCF31CZ-104X	C CAPACITOR	0.1uF 16V Z	
C2254	NCF21CZ-155X	C CAPACITOR	1.5uF 16V Z		C2607	NEAF1CM-106X	E CAPACITOR	10uF 16V M	
C2255	NCB30JK-105X	C CAPACITOR	1uF 6.3V K		C2608	NCB31CK-103X	C CAPACITOR	0.01uF 16V K	
C2256	NCF21CZ-155X	C CAPACITOR	1.5uF 16V Z		C2609	NEAF1CM-106X	E CAPACITOR	10uF 16V M	
C2257	NCF21CZ-155X	C CAPACITOR	1.5uF 16V Z		C2610	NCB31CK-103X	C CAPACITOR	0.01uF 16V K	
C2258	NCB31HK-103X	C CAPACITOR	0.01uF 50V K		C2611	NCB31CK-103X	C CAPACITOR	0.01uF 16V K	
C2259	NCB31AK-224X	C CAPACITOR	0.22uF 10V K		C2612	NCB31CK-103X	C CAPACITOR	0.01uF 16V K	
C2260	NCF21CZ-155X	C CAPACITOR	1.5uF 16V Z		C2613	NCB31CK-103X	C CAPACITOR	0.01uF 16V K	
C2261	NCF31CZ-104X	C CAPACITOR	0.1uF 16V Z		C2614	NCB31CK-103X	C CAPACITOR	0.01uF 16V K	
C2262	NCF31CZ-104X	C CAPACITOR	0.1uF 16V Z		C2615	NCB31CK-103X	C CAPACITOR	0.01uF 16V K	
C2263	NDC31HJ-181X	C CAPACITOR	180pF 50V J		C2616	NCB31CK-103X	C CAPACITOR	0.01uF 16V K	
C2264	NDC31HJ-181X	C CAPACITOR	180pF 50V J		C2617	NCB31CK-103X	C CAPACITOR	0.01uF 16V K	
C2265	NCB31CK-683X	C CAPACITOR	0.068uF 16V K		C2618	NCB31CK-103X	C CAPACITOR	0.01uF 16V K	
C2266	NCB31CK-683X	C CAPACITOR	0.068uF 16V K		C2619	NCB31CK-103X	C CAPACITOR	0.01uF 16V K	
C2267	NCB31HK-182X	C CAPACITOR	1800pF 50V K		C2620	NCB31CK-103X	C CAPACITOR	0.01uF 16V K	
C2268	NCB31HK-182X	C CAPACITOR	1800pF 50V K		C2621	NCB31CK-103X	C CAPACITOR	0.01uF 16V K	
C2301	NCB31HK-122X	C CAPACITOR	1200pF 50V K		C2622	NCB31CK-103X	C CAPACITOR	0.01uF 16V K	
C2309	NEAF1HM-225X	E CAPACITOR	2.2uF 50V M		C2623	NCB31CK-103X	C CAPACITOR	0.01uF 16V K	
C2323	NCB31HK-562X	C CAPACITOR	5600pF 50V K		C2624	NCB31CK-103X	C CAPACITOR	0.01uF 16V K	
C2325	NFV41HJ-182X	MPPS CAPACITOR	1800pF 50V J		C2625	NCB31CK-103X	C CAPACITOR	0.01uF 16V K	
C2341	NCF31CZ-104X	C CAPACITOR	0.1uF 16V Z		C2626	NCB31CK-103X	C CAPACITOR	0.01uF 16V K	
C2342	NCF31CZ-104X	C CAPACITOR	0.1uF 16V Z		C2627	NCB31CK-103X	C CAPACITOR	0.01uF 16V K	
C2343	NDC31HJ-330X	C CAPACITOR	33pF 50V J		C2628	NCB31CK-103X	C CAPACITOR	0.01uF 16V K	
C2349	NEAF1HM-225X	E CAPACITOR	2.2uF 50V M		C2629	NCB31CK-103X	C CAPACITOR	0.01uF 16V K	
C2351	NEAF1AM-107X	E CAPACITOR	100uF 10V M		C2630	NCB31CK-103X	C CAPACITOR	0.01uF 16V K	
C2352	NEAF1AM-107X	E CAPACITOR	100uF 10V M		C2631	NCB31CK-103X	C CAPACITOR	0.01uF 16V K	
C2353	NEAF1CM-106X	E CAPACITOR	10uF 16V M		C2632	NCB31CK-103X	C CAPACITOR	0.01uF 16V K	
C2354	NCF21CZ-155X	C CAPACITOR	1.5uF 16V Z		C2633	NCB31CK-103X	C CAPACITOR	0.01uF 16V K	
C2355	NCB30JK-105X	C CAPACITOR	1uF 6.3V K		C2634	NDC31HJ-100X	C CAPACITOR	10pF 50V J	
C2356	NCF21CZ-155X	C CAPACITOR	1.5uF 16V Z		C2635	NCB31CK-103X	C CAPACITOR	0.01uF 16V K	
C2357	NCF21CZ-155X	C CAPACITOR	1.5uF 16V Z		C2636	NCB31CK-103X	C CAPACITOR	0.01uF 16V K	
C2358	NCB31HK-103X	C CAPACITOR	0.01uF 50V K		C2637	NCB31CK-103X	C CAPACITOR	0.01uF 16V K	
C2359	NCB31AK-224X	C CAPACITOR	0.22uF 10V K		C2638	NCB31CK-103X	C CAPACITOR	0.01uF 16V K	
C2360	NCF21CZ-155X	C CAPACITOR	1.5uF 16V Z		C2639	NCB31CK-103X	C CAPACITOR	0.01uF 16V K	
C2361	NCF31CZ-104X	C CAPACITOR	0.1uF 16V Z		C2640	NCB31CK-103X	C CAPACITOR	0.01uF 16V K	
C2362	NCF31CZ-104X	C CAPACITOR	0.1uF 16V Z		C2641	NCB31CK-103X	C CAPACITOR	0.01uF 16V K	
C2363	NDC31HJ-181X	C CAPACITOR	180pF 50V J		C2642	NCB31CK-103X	C CAPACITOR	0.01uF 16V K	
C2365	NCB31CK-683X	C CAPACITOR	0.068uF 16V K		C2643	NCB31CK-103X	C CAPACITOR	0.01uF 16V K	
C2367	NCB31HK-182X	C CAPACITOR	1800pF 50V K		C2644	NCB31CK-103X	C CAPACITOR	0.01uF 16V K	
C2401	NCB31HK-561X	C CAPACITOR	560pF 50V K		C2645	NCB31CK-103X	C CAPACITOR	0.01uF 16V K	
C2409	NEAF1EM-475X	E CAPACITOR	4.7uF 25V M		C2646	NCB31CK-103X	C CAPACITOR	0.01uF 16V K	
C2411	NCF31CZ-104X	C CAPACITOR	0.1uF 16V Z		C2647	NCB31CK-103X	C CAPACITOR	0.01uF 16V K	
C2412	NCF31CZ-104X	C CAPACITOR	0.1uF 16V Z		C2648	NCB31CK-103X	C CAPACITOR	0.01uF 16V K	
C2421	NCF31CZ-104X	C CAPACITOR	0.1uF 16V Z		C2649	NCB31CK-103X	C CAPACITOR	0.01uF 16V K	
C2422	NCF31CZ-104X	C CAPACITOR	0.1uF 16V Z		C2650	NCB31CK-103X	C CAPACITOR	0.01uF 16V K	
C2423	NCB31CK-823X	C CAPACITOR	0.082uF 16V K		C2651	NCB31CK-103X	C CAPACITOR	0.01uF 16V K	
C2425	NFV41HJ-333X	MPPS CAPACITOR	0.033uF 50V J		C2652	NCB31CK-103X	C CAPACITOR	0.01uF 16V K	
C2429	NEAF1HM-475X	E CAPACITOR	4.7uF 50V M		C2653	NCB31CK-103X	C CAPACITOR	0.01uF 16V K	
C2433	NCB31CK-823X	C CAPACITOR	0.082uF 16V K		C2654	NCB31CK-103X	C CAPACITOR	0.01uF 16V K	
C2449	NEAF1EM-475X	E CAPACITOR	4.7uF 25V M		C2655	NCB31CK-103X	C CAPACITOR	0.01uF 16V K	
C2463	NDC31HJ-181X	C CAPACITOR	180pF 50V J		C2656	NCB31HK-471X	C CAPACITOR	470pF 50V K	
C2465	NCB31CK-683X	C CAPACITOR	0.068uF 16V K		C2657	NCB31HK-471X	C CAPACITOR	470pF 50V K	
C2467	NCB31HK-182X	C CAPACITOR	1800pF 50V K		C2658	NCB31CK-103X	C CAPACITOR	0.01uF 16V K	
C2501	NCB31HK-182X	C CAPACITOR	1800pF 50V K		C2659	NCB31CK-103X	C CAPACITOR	0.01uF 16V K	
C2502	NCB31HK-182X	C CAPACITOR	1800pF 50V K		C2660	NCB31CK-103X	C CAPACITOR	0.01uF 16V K	
C2509	NEAF1HM-225X	E CAPACITOR	2.2uF 50V M		C2661	NCB31CK-103X	C CAPACITOR	0.01uF 16V K	
C2510	NEAF1HM-225X	E CAPACITOR	2.2uF 50V M		C2662	NCB31CK-103X	C CAPACITOR	0.01uF 16V K	
C2541	NCF31CZ-104X	C CAPACITOR	0.1uF 16V Z		C2663	NCF31CZ-104X	C CAPACITOR	0.1uF 16V Z	
C2542	NCF31CZ-104X	C CAPACITOR	0.1uF 16V Z		C2664	NCB31CK-103X	C CAPACITOR	0.01uF 16V K	
C2543	NCB31HK-562X	C CAPACITOR	5600pF 50V K		C2665	NCB31CK-103X	C CAPACITOR	0.01uF 16V K	
C2544	NCB31HK-562X	C CAPACITOR	5600pF 50V K		C2666	NCB31CK-103X	C CAPACITOR	0.01uF 16V K	
C2545	NFV41HJ-182X	MPPS CAPACITOR	1800pF 50V J		C2681	NDC31HJ-101X	C CAPACITOR	100pF 50V J	
C2546	NCB31HK-182X	C CAPACITOR	1800pF 50V K		C2682	NDC31HJ-101X	C CAPACITOR	100pF 50V J	
C2549	NEAF1HM-225X	E CAPACITOR	2.2uF 50V M		C2683	NCF31CZ-104X	C CAPACITOR	0.1uF 16V Z	
C2550	NEAF1HM-225X	E CAPACITOR	2.2uF 50V M		C2702	NCF31AZ-105X	C CAPACITOR	1uF 10V Z	
C2581	NCF31CZ-104X	C CAPACITOR	0.1uF 16V Z		C2703	NDC31HJ-101X	C CAPACITOR	100pF 50V J	
C2582	NCF31CZ-104X	C CAPACITOR	0.1uF 16V Z		C2751	NCF31CZ-104X	C CAPACITOR	0.1uF 16V Z	
C2583	NCB31HK-331X	C CAPACITOR	330pF 50V K		C2771	NEAF0JM-476X	E CAPACITOR	47uF 6.3V M	
C2584	NCB31HK-331X	C CAPACITOR	330pF 50V K		C2833	NCF31CZ-104X	C CAPACITOR	0.1uF 16V Z	
C2585	NCB31HK-331X	C CAPACITOR	330pF 50V K		C2834	NCF31CZ-104X	C CAPACITOR	0.1uF 16V Z	
C2586	NCB31HK-331X	C CAPACITOR	330pF 50V K		C2861	NDC31HJ-270X	C CAPACITOR	27pF 50V J	
C2587	NCB31HK-392X	C CAPACITOR	3900pF 50V K		C2862	NCF31CZ-104X	C CAPACITOR	0.1uF 16V Z	
C2588	NCB31HK-392X	C CAPACITOR	3900pF 50V K		C2863	NCF31CZ-104X	C CAPACITOR	0.1uF 16V Z	
C2601	NEAF0JM-107X	E CAPACITOR	100uF 6.3V M		C2865	NCB31AK-105X	C CAPACITOR	1uF 10V K	
C2602	NCF31CZ-104X	C CAPACITOR	0.1uF 16V Z		C2866	NCF31CZ-104X	C CAPACITOR	0.1uF 16V Z	

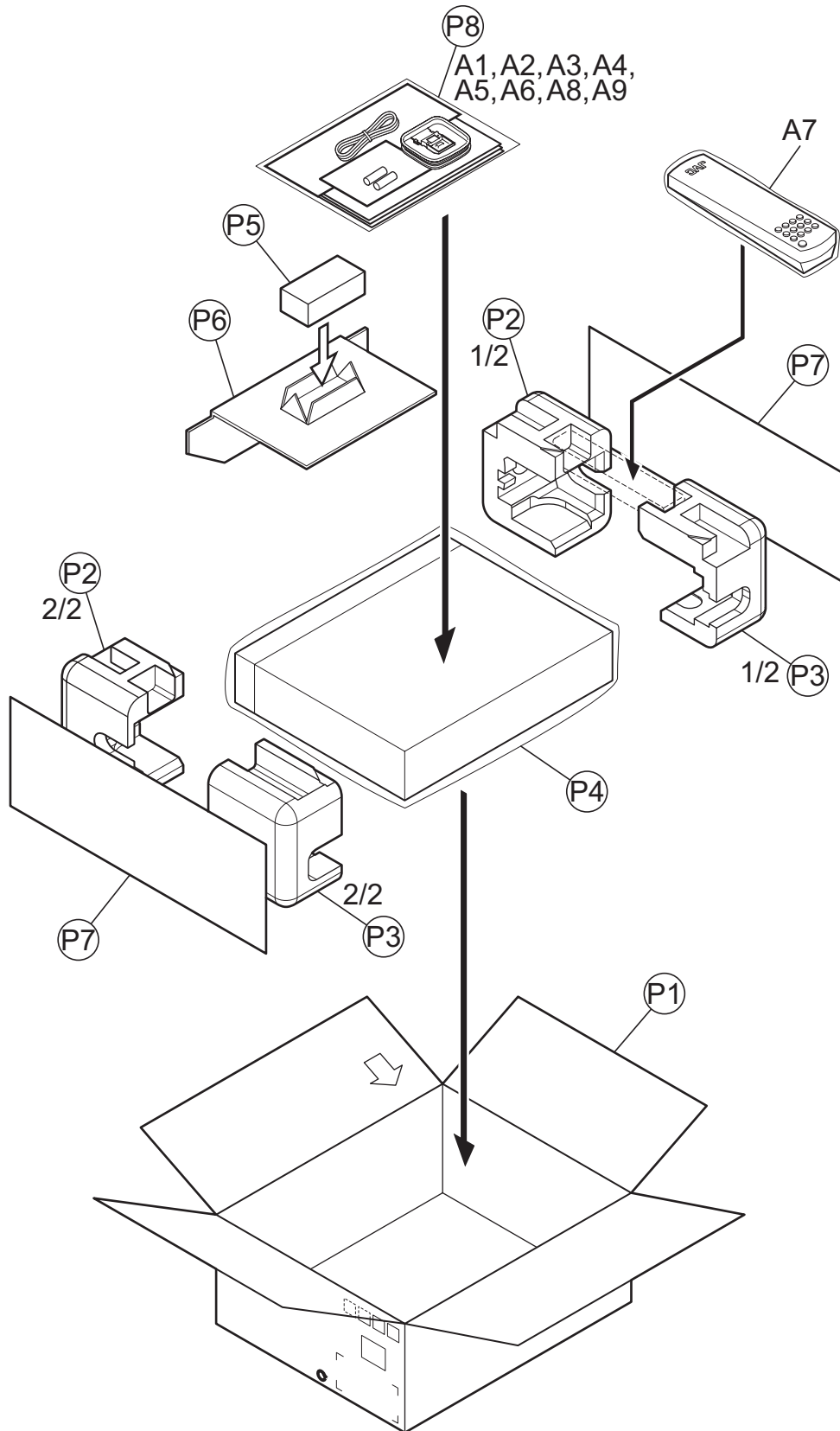
△ Symbol No.	Part No.	Part Name	Description	Local	△ Symbol No.	Part No.	Part Name	Description	Local
C2871	NDC31HJ-121X	C CAPACITOR	120pF 50V J		R2130	NRSA63J-104X	MG RESISTOR	100kΩ 1/16W J	
C2881	NCB31CK-103X	C CAPACITOR	0.01uF 16V K		R2131	NRSA63J-333X	MG RESISTOR	33kΩ 1/16W J	
C2882	NCB31CK-103X	C CAPACITOR	0.01uF 16V K		R2132	NRSA63J-333X	MG RESISTOR	33kΩ 1/16W J	
C2883	NCB31CK-103X	C CAPACITOR	0.01uF 16V K		R2133	NRSA63J-333X	MG RESISTOR	33kΩ 1/16W J	
C2885	NCB31CK-103X	C CAPACITOR	0.01uF 16V K		R2134	NRSA63J-333X	MG RESISTOR	33kΩ 1/16W J	
C2888	NCB31CK-103X	C CAPACITOR	0.01uF 16V K		R2135	NRSA63J-363X	MG RESISTOR	36kΩ 1/16W J	
C2901	NEAF1CM-106X	E CAPACITOR	10uF 16V M		R2136	NRSA63J-363X	MG RESISTOR	36kΩ 1/16W J	
C2902	NEAF1CM-106X	E CAPACITOR	10uF 16V M		R2137	NRSA63J-123X	MG RESISTOR	12kΩ 1/16W J	
C2903	NEAF0JM-476X	E CAPACITOR	47uF 6.3V M		R2138	NRSA63J-123X	MG RESISTOR	12kΩ 1/16W J	
C2921	NEAF0JM-107X	E CAPACITOR	100uF 6.3V M		R2139	NRSA63J-104X	MG RESISTOR	100kΩ 1/16W J	
C2922	NCF31CZ-104X	C CAPACITOR	0.1uF 16V Z		R2140	NRSA63J-104X	MG RESISTOR	100kΩ 1/16W J	
C2923	NEAF0JM-107X	E CAPACITOR	100uF 6.3V M		R2141	NRSA63J-333X	MG RESISTOR	33kΩ 1/16W J	
C2924	NCF31CZ-104X	C CAPACITOR	0.1uF 16V Z		R2142	NRSA63J-333X	MG RESISTOR	33kΩ 1/16W J	
C2925	NCF31CZ-104X	C CAPACITOR	0.1uF 16V Z		R2145	NRSA63J-223X	MG RESISTOR	22kΩ 1/16W J	
C2931	NEAF0JM-107X	E CAPACITOR	100uF 6.3V M		R2146	NRSA63J-223X	MG RESISTOR	22kΩ 1/16W J	
C2932	NCF31CZ-104X	C CAPACITOR	0.1uF 16V Z		R2147	NRSA63J-103X	MG RESISTOR	10kΩ 1/16W J	
C2933	NCF31CZ-104X	C CAPACITOR	0.1uF 16V Z		R2148	NRSA63J-103X	MG RESISTOR	10kΩ 1/16W J	
C2934	NCB31HK-471X	C CAPACITOR	470pF 50V K		R2149	NRSA63J-104X	MG RESISTOR	100kΩ 1/16W J	
C2951	NCF31AZ-105X	C CAPACITOR	1uF 10V Z		R2150	NRSA63J-104X	MG RESISTOR	100kΩ 1/16W J	
C2952	NCF31AZ-105X	C CAPACITOR	1uF 10V Z		R2151	NRSA63J-561X	MG RESISTOR	560Ω 1/16W J	
C2953	NCF31AZ-105X	C CAPACITOR	1uF 10V Z		R2152	NRSA63J-101X	MG RESISTOR	100Ω 1/16W J	
C2954	NCF31AZ-105X	C CAPACITOR	1uF 10V Z		R2153	NRSA63J-101X	MG RESISTOR	100Ω 1/16W J	
C2955	NCF31AZ-105X	C CAPACITOR	1uF 10V Z		R2154	NRSA63J-101X	MG RESISTOR	100Ω 1/16W J	
C2956	NCF31AZ-105X	C CAPACITOR	1uF 10V Z		R2155	NRSA63J-332X	MG RESISTOR	3.3kΩ 1/16W J	
C2971	NEAF1CM-106X	E CAPACITOR	10uF 16V M		R2156	NRSA63J-101X	MG RESISTOR	100Ω 1/16W J	
C2972	NEAF1CM-106X	E CAPACITOR	10uF 16V M		R2159	NRSA63J-561X	MG RESISTOR	560Ω 1/16W J	
C2973	NEAF1CM-106X	E CAPACITOR	10uF 16V M		R2161	NRSA63J-103X	MG RESISTOR	10kΩ 1/16W J	
C2974	NCF31CZ-104X	C CAPACITOR	0.1uF 16V Z		R2162	NRSA63J-103X	MG RESISTOR	10kΩ 1/16W J	
C2975	NCF31CZ-104X	C CAPACITOR	0.1uF 16V Z		R2163	NRSA63J-821X	MG RESISTOR	820Ω 1/16W J	
C2976	NCB31HK-221X	C CAPACITOR	220pF 50V K		R2164	NRSA63J-821X	MG RESISTOR	820Ω 1/16W J	
C2977	NCB31HK-221X	C CAPACITOR	220pF 50V K		R2165	NRSA63J-183X	MG RESISTOR	18kΩ 1/16W J	
C2978	NEAF1EM-475X	E CAPACITOR	4.7uF 25V M		R2166	NRSA63J-183X	MG RESISTOR	18kΩ 1/16W J	
C2979	NCF31CZ-104X	C CAPACITOR	0.1uF 16V Z		R2167	NRSA63J-183X	MG RESISTOR	18kΩ 1/16W J	
C2980	NEAF0JM-107X	E CAPACITOR	100uF 6.3V M		R2168	NRSA63J-183X	MG RESISTOR	18kΩ 1/16W J	
C2981	NCF31CZ-104X	C CAPACITOR	0.1uF 16V Z		R2169	NRSA63J-562X	MG RESISTOR	5.6kΩ 1/16W J	
C2982	NCF31CZ-104X	C CAPACITOR	0.1uF 16V Z		R2170	NRSA63J-562X	MG RESISTOR	5.6kΩ 1/16W J	
C2983	NCB31CK-473X	C CAPACITOR	0.047uF 16V K		R2171	NRSA63J-202X	MG RESISTOR	2kΩ 1/16W J	
C2984	NCB31HK-222X	C CAPACITOR	2200pF 50V K		R2172	NRSA63J-202X	MG RESISTOR	2kΩ 1/16W J	
C2985	NCF31CZ-104X	C CAPACITOR	0.1uF 16V Z		R2173	NRSA63J-243X	MG RESISTOR	24kΩ 1/16W J	
C2986	NCF31CZ-104X	C CAPACITOR	0.1uF 16V Z		R2174	NRSA63J-243X	MG RESISTOR	24kΩ 1/16W J	
C2987	NCF31CZ-104X	C CAPACITOR	0.1uF 16V Z		R2175	NRSA63J-243X	MG RESISTOR	24kΩ 1/16W J	
C2988	NCB31CK-103X	C CAPACITOR	0.01uF 16V K		R2176	NRSA63J-243X	MG RESISTOR	24kΩ 1/16W J	
C2990	NCB31CK-103X	C CAPACITOR	0.01uF 16V K		R2177	NRSA63J-1R0X	MG RESISTOR	1Ω 1/16W J	
C2991	NCB31CK-103X	C CAPACITOR	0.01uF 16V K		R2178	NRSA63J-1R0X	MG RESISTOR	1Ω 1/16W J	
R2001	NRSA63J-104X	MG RESISTOR	100kΩ 1/16W J		R2201	NRSA63J-103X	MG RESISTOR	10kΩ 1/16W J	
R2002	NRSA63J-104X	MG RESISTOR	100kΩ 1/16W J		R2202	NRSA63J-103X	MG RESISTOR	10kΩ 1/16W J	
R2003	NRSA63J-223X	MG RESISTOR	22kΩ 1/16W J		R2203	NRSA63J-102X	MG RESISTOR	1kΩ 1/16W J	
R2004	NRSA63J-223X	MG RESISTOR	22kΩ 1/16W J		R2204	NRSA63J-102X	MG RESISTOR	1kΩ 1/16W J	
R2007	NRSA63J-223X	MG RESISTOR	22kΩ 1/16W J		R2209	NRSA63J-104X	MG RESISTOR	100kΩ 1/16W J	
R2008	NRSA63J-223X	MG RESISTOR	22kΩ 1/16W J		R2210	NRSA63J-104X	MG RESISTOR	100kΩ 1/16W J	
R2011	NRSA63J-223X	MG RESISTOR	22kΩ 1/16W J		R2221	NRSA63J-512X	MG RESISTOR	5.1kΩ 1/16W J	
R2012	NRSA63J-223X	MG RESISTOR	22kΩ 1/16W J		R2222	NRSA63J-512X	MG RESISTOR	5.1kΩ 1/16W J	
R2013	NRSA63J-223X	MG RESISTOR	22kΩ 1/16W J		R2223	NRSA63J-332X	MG RESISTOR	3.3kΩ 1/16W J	
R2014	NRSA63J-223X	MG RESISTOR	22kΩ 1/16W J		R2224	NRSA63J-332X	MG RESISTOR	3.3kΩ 1/16W J	
R2017	NRSA63J-472X	MG RESISTOR	4.7kΩ 1/16W J		R2225	NRSA63J-512X	MG RESISTOR	5.1kΩ 1/16W J	
R2018	NRSA63J-472X	MG RESISTOR	4.7kΩ 1/16W J		R2226	NRSA63J-512X	MG RESISTOR	5.1kΩ 1/16W J	
R2021	NRSA63J-331X	MG RESISTOR	330Ω 1/16W J		R2227	NRSA63J-332X	MG RESISTOR	3.3kΩ 1/16W J	
R2022	NRSA63J-331X	MG RESISTOR	330Ω 1/16W J		R2228	NRSA63J-332X	MG RESISTOR	3.3kΩ 1/16W J	
R2023	NRSA63J-331X	MG RESISTOR	330Ω 1/16W J		R2241	NRSA63J-102X	MG RESISTOR	1kΩ 1/16W J	
R2024	NRSA63J-331X	MG RESISTOR	330Ω 1/16W J		R2242	NRSA63J-102X	MG RESISTOR	1kΩ 1/16W J	
R2101	NRSA63J-103X	MG RESISTOR	10kΩ 1/16W J		R2243	NRSA63J-102X	MG RESISTOR	1kΩ 1/16W J	
R2102	NRSA63J-103X	MG RESISTOR	10kΩ 1/16W J		R2244	NRSA63J-102X	MG RESISTOR	1kΩ 1/16W J	
R2103	NRSA63J-102X	MG RESISTOR	1kΩ 1/16W J		R2249	NRSA63J-104X	MG RESISTOR	100kΩ 1/16W J	
R2104	NRSA63J-102X	MG RESISTOR	1kΩ 1/16W J		R2250	NRSA63J-104X	MG RESISTOR	100kΩ 1/16W J	
R2109	NRSA63J-104X	MG RESISTOR	100kΩ 1/16W J		R2251	NRSA63J-561X	MG RESISTOR	560Ω 1/16W J	
R2110	NRSA63J-104X	MG RESISTOR	100kΩ 1/16W J		R2252	NRSA63J-101X	MG RESISTOR	100Ω 1/16W J	
R2111	NRSA63J-102X	MG RESISTOR	1kΩ 1/16W J		R2253	NRSA63J-101X	MG RESISTOR	100Ω 1/16W J	
R2112	NRSA63J-102X	MG RESISTOR	1kΩ 1/16W J		R2254	NRSA63J-101X	MG RESISTOR	100Ω 1/16W J	
R2113	NRSA63J-102X	MG RESISTOR	1kΩ 1/16W J		R2255	NRSA63J-332X	MG RESISTOR	3.3kΩ 1/16W J	
R2114	NRSA63J-102X	MG RESISTOR	1kΩ 1/16W J		R2256	NRSA63J-101X	MG RESISTOR	100Ω 1/16W J	
R2115	NRSA63J-102X	MG RESISTOR	1kΩ 1/16W J		R2259	NRSA63J-561X	MG RESISTOR	560Ω 1/16W J	
R2116	NRSA63J-102X	MG RESISTOR	1kΩ 1/16W J		R2261	NRSA63J-163X	MG RESISTOR	16kΩ 1/16W J	
R2121	NRSA63J-333X	MG RESISTOR	33kΩ 1/16W J		R2262	NRSA63J-163X	MG RESISTOR	16kΩ 1/16W J	
R2122	NRSA63J-333X	MG RESISTOR	33kΩ 1/16W J		R2263	NRSA63J-162X	MG RESISTOR	1.6kΩ 1/16W J	
R2123	NRSA63J-104X	MG RESISTOR	100kΩ 1/16W J		R2264	NRSA63J-162X	MG RESISTOR	1.6kΩ 1/16W J	
R2128	NRSA63J-104X	MG RESISTOR	100kΩ 1/16W J		R2265	NRSA63J-163X	MG RESISTOR	16kΩ 1/16W J	
R2129	NRSA63J-104X	MG RESISTOR	100kΩ 1/16W J		R2266	NRSA63J-163X	MG RESISTOR	16kΩ 1/16W J	
					R2267	NRSA63J-163X	MG RESISTOR	16kΩ 1/16W J	

Symbol No.	Part No.	Part Name	Description	Local
R2783	NRSA63J-102X	MG RESISTOR	1kΩ 1/16W J	
R2784	NRSA63J-102X	MG RESISTOR	1kΩ 1/16W J	
R2801	NRSA63J-101X	MG RESISTOR	100Ω 1/16W J	
R2802	NRSA63J-221X	MG RESISTOR	220Ω 1/16W J	
R2803	NRSA63J-101X	MG RESISTOR	100Ω 1/16W J	
R2833	NRSA63J-101X	MG RESISTOR	100Ω 1/16W J	
R2834	NRSA63J-101X	MG RESISTOR	100Ω 1/16W J	
R2835	NRSA63J-101X	MG RESISTOR	100Ω 1/16W J	
R2836	NRSA63J-101X	MG RESISTOR	100Ω 1/16W J	
R2837	NRSA63J-101X	MG RESISTOR	100Ω 1/16W J	
R2838	NRSA63J-101X	MG RESISTOR	100Ω 1/16W J	
R2839	NRSA63J-101X	MG RESISTOR	100Ω 1/16W J	
R2861	NRSA63J-221X	MG RESISTOR	220Ω 1/16W J	
R2862	NRSA63J-392X	MG RESISTOR	3.9kΩ 1/16W J	
R2863	NRSA63J-392X	MG RESISTOR	3.9kΩ 1/16W J	
R2865	NRSA63J-392X	MG RESISTOR	3.9kΩ 1/16W J	
R2866	NRSA63J-221X	MG RESISTOR	220Ω 1/16W J	
R2868	NRSA63J-392X	MG RESISTOR	3.9kΩ 1/16W J	
R2871	NRSA63J-750X	MG RESISTOR	75Ω 1/16W J	
R2872	NRSA63J-102X	MG RESISTOR	1kΩ 1/16W J	
R2873	NRSA63J-102X	MG RESISTOR	1kΩ 1/16W J	
R2875	NRSA63J-102X	MG RESISTOR	1kΩ 1/16W J	
R2878	NRSA63J-102X	MG RESISTOR	1kΩ 1/16W J	
R2921	NRSA63J-222X	MG RESISTOR	2.2kΩ 1/16W J	
R2922	NRSA63J-112X	MG RESISTOR	1.1kΩ 1/16W J	
R2971	NRSA63J-242X	MG RESISTOR	2.4kΩ 1/16W J	
R2973	NRSA63J-103X	MG RESISTOR	10kΩ 1/16W J	
R2981	NRSA63J-221X	MG RESISTOR	220Ω 1/16W J	
R2982	NRSA63J-101X	MG RESISTOR	100Ω 1/16W J	
R2983	NRSA63J-103X	MG RESISTOR	10kΩ 1/16W J	
R2984	NRSA63J-103X	MG RESISTOR	10kΩ 1/16W J	
R2985	NRSA63J-221X	MG RESISTOR	220Ω 1/16W J	
R2986	NRSA63J-221X	MG RESISTOR	220Ω 1/16W J	
R2987	NRSA63J-470X	MG RESISTOR	47Ω 1/16W J	
R2988	NRSA63J-470X	MG RESISTOR	47Ω 1/16W J	
CN651	QGF1038F1-06X	CONNECTOR	FFC/FPC (1-6)	
CN652	QGF1038F1-11X	CONNECTOR	FFC/FPC (1-11)	
CN661	QGA2001F6-05X	CONNECTOR	W-B (1-5)	
CN671	QGF1016F2-06W	CONNECTOR	FFC/FPC (1-6)	
CN681	QGB2510J1-07	CONNECTOR	B-B (1-7)	
CN682	QGA2001F6-06X	CONNECTOR	W-B (1-6)	
CN683	QGA2001F6-09X	CONNECTOR	W-B (1-9)	
EP681	E409182-001SM	GRAND TERMINAL		
J681	QNN0481-001	SURROUND JACK		
K2101	NQR0007-003X	FERRITE BEADS		
K2102	NQR0007-003X	FERRITE BEADS		
K2103	NQR0007-003X	FERRITE BEADS		
K2104	NQR0007-003X	FERRITE BEADS		
K2201	NQR0007-003X	FERRITE BEADS		
K2202	NQR0007-003X	FERRITE BEADS		
K2203	NQR0007-003X	FERRITE BEADS		
K2204	NQR0007-003X	FERRITE BEADS		
K2301	NQR0007-003X	FERRITE BEADS		
K2302	NQR0007-003X	FERRITE BEADS		
K2303	NQR0007-003X	FERRITE BEADS		
K2304	NQR0007-003X	FERRITE BEADS		
K2601	NQR0229-001X	FERRITE BEADS		
K2602	NQR0229-001X	FERRITE BEADS		
K2603	NQR0269-013X	FERRITE BEADS		
K2861	NQR0269-004X	FERRITE BEADS		
LC662	NQR0450-001X	EMI FILTER	0.022uF 50V M	
LC663	NQR0450-001X	EMI FILTER	0.022uF 50V M	
LC664	NQR0450-001X	EMI FILTER	0.022uF 50V M	
LC665	NQR0345-001X	FERRITE BEADS		
LC697	NQR0450-001X	EMI FILTER	0.022uF 50V M	
UN682	TORX177	OPT RECEIVER		
UN683	TORX177	OPT RECEIVER		
UN686	TOTX177	OPT RECEIVER		
X661	NAX0435-001X	CRYSTAL	24.576MHz	
X671	NAX0275-001X	C OSCILLATOR	6.144MHz	

< MEMO >

Packing materials and accessories parts list

Block No. M 3 M M



Packing and Accessories

Block No. [M][3][M][M]

△	Symbol No.	Part No.	Part Name	Description	Local
	A 1	LVT1436-001A	INST BOOK	ENG	
	A 2	LVT1487-001A	INST BOOK	ENG	
	A 3	QAL0457-001	ANT.WIRE		
	A 4	QAL0476-002	AM LOOP ANT		
	A 5	BT-51034-2	REGISTRATION CARD		
	A 6	YU20333	SAFETY INST.		
	A 7	RM-SRXD401J	REMOCON		
	A 8	-----	BATTERY	(x2)	
	A 9	LVT1490-001A	NOTICE SHEET		
	P 1	LV22192-001A	CARTON BOX		D401SJ
	P 1	LV22192-002A	CARTON BOX		D402BJ
	P 2	LV21926-001A	CUSHION(FRONT)		
	P 3	LV21927-001A	CUSHION(REAR)		
	P 4	QPC06507015P	POLY BAG	65cm x 70cm	
	P 5	LV36576-001A	CUSHION		
	P 6	LV36577-001A	SHEET		
	P 7	LV32034-017A	SHEET	(x2)	
	P 8	QPA02503505P	POLY BAG	25cm x 35cm	