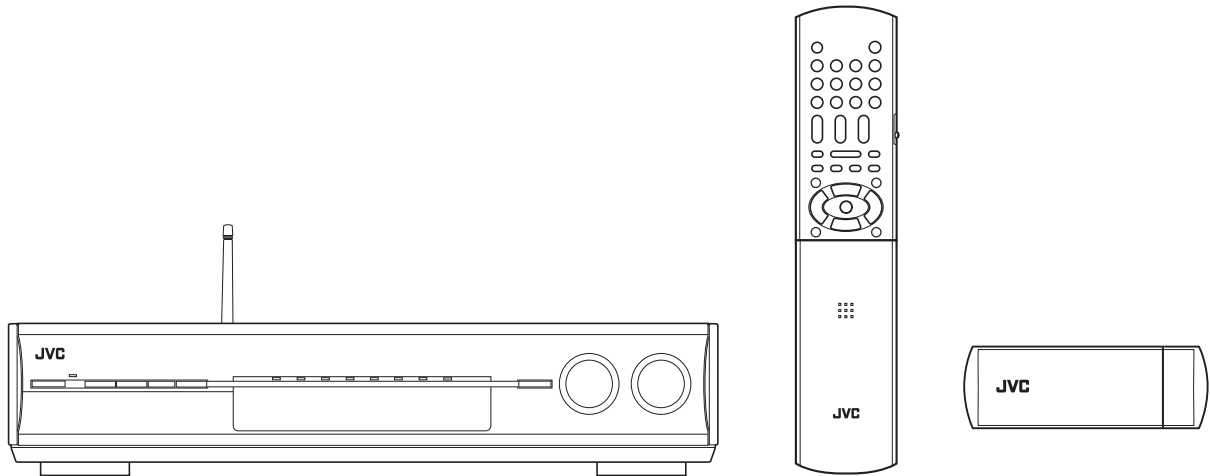


# JVC

## SERVICE MANUAL

AUDIO/VIDEO CONTROL RECEIVER

**RX-D701SB, RX-D701SE, RX-D701SEN  
RX-D702BB, RX-D702BE, RX-D702BEN**



Lead free solder used in the board (material : Sn-Ag-Cu, melting point : 219 Centigrade)

### TABLE OF CONTENTS

1	PRECAUTIONS .....	1-3
2	SPECIFIC SERVICE INSTRUCTIONS .....	1-5
3	DISASSEMBLY .....	1-6
4	ADJUSTMENT .....	1-9
5	TROUBLESHOOTING .....	1-9

# SPECIFICATION

<b>Amplifier</b>			
Output Power	At stereo operation	Front channels	130 W per channel, min. RMS, driven into 6 Ω at 1 kHz with no more than 0.8% total harmonic distortion (IEC268-3/DIN).
	At surround operation	Front channels	130 W per channel, min. RMS, driven into 6 Ω at 1 kHz with no more than 0.8% total harmonic distortion.
		Center channel	130 W, min. RMS, driven into 6 Ω at 1 kHz, with no more than 0.8% total harmonic distortion.
		Surround channels	130 W per channel, min. RMS, driven into 6 Ω at 1 kHz, with no more than 0.8% total harmonic distortion.
		Surround back channels	130 W per channel, min. RMS, driven into 6 Ω at 1 kHz, with no more than 0.8% total harmonic distortion.
Audio	Audio Input Sensitivity/ Impedance	DVR/DVD, VCR, DBS, TV	300 mV/47 kΩ
	Audio Input (DIGITAL IN)	Coaxial: DIGITAL IN 1(DVR/DVD)	0.5 V(p-p)/75Ω
		Optical: DIGITAL IN 2(DBS), 3(VCR)	-21 dBm to -15 dBm (660 nm ±30 nm)
		USB	USB WIRELESS USB TERMINAL
	Audio Output Level	DVR, VCR	300mV
	Signal-to-Noise Ratio ('66 IHF/'78 IHF)		80 dB/62 dB
	Frequency Response (6 Ω)		20 Hz to 20 kHz (±1 dB)
	Bass Boost		+4 dB ±1 dB at 100 Hz
	Equalization (at DSP operation)	Center frequency	63 Hz, 250 Hz, 1 kHz, 4kHz, 16 kHz
		Control range	±8 dB
Video	Video Input Sensitivity/ Impedance	Composite video: DVR/DVD, VCR, DBS	1 V(p-p)/75 Ω
		S-video: DVR/DVD, VCR, DBS	Y (luminance): 1 V(p-p)/75 Ω C (chrominance, burst): 0.3 V(p-p)/75 Ω
		Component: DVR/DVD, VCR (DBS)	Y (luminance): 1 V(p-p)/75 Ω PB, PR: 0.7 V(p-p)/75 Ω
	Video Output Level/ Impedance	Composite video: DVR, VCR, MONITOR OUT	1 V(p-p)/75 Ω
		S-video: DVR, VCR, MONITOR OUT	Y (luminance): 1 V(p-p)/75 Ω C (chrominance, burst): 0.3 V(p-p)/75 Ω
		Component: MONITOR OUT	Y (luminance): 1 V(p-p)/75 Ω PB, PR: 0.7 V(p-p)/75 Ω
	Synchronization		Negative
HDMI	HDMI Input (Ver. 1.1)		VCR (DBS), DVR/DVD
	HDMI Output (Ver. 1.0)		MONITOR OUT
<b>FM tuner (IHF)</b>			
Tuning Range		87.50 MHz to 108.00 MHz	
Usable Sensitivity	Monaural	12.8 dBf (1.2 μV/75 Ω)	
50 dB Quieting Sensitivity	Monaural	16.0 dBf (1.7 μV/75 Ω)	
	Stereo	37.5 dBf (20.5 μV/75 Ω)	
Stereo Separation at REC OUT		35 dB at 1 kHz	
<b>AM tuner</b>			
Tuning Range		531 kHz to 1 710 kHz	
<b>General</b>			
Power Requirements		AC 240 V , 50 Hz	
Power Consumption		180 W (at operation) 5.0 W (in standby mode)	
Dimensions (W × H × D)		435 mm × 91.5 mm × 371 mm	
Mass		7.8 kg	
USB WIRELESS SYSTEM		The USB wireless transmitter supplied with this receiver supports Direct Sequence Spreading Spectrum (DSSS) using 2.4 GHz frequency band.	

Designs and specifications are subject to change without notice.

# SECTION 1 PRECAUTIONS

## 1.1 Safety Precautions

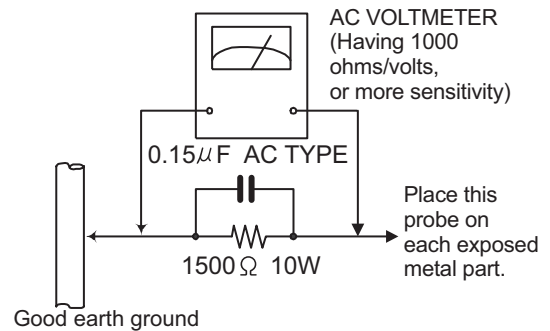
- (1) This design of this product contains special hardware and many circuits and components specially for safety purposes. For continued protection, no changes should be made to the original design unless authorized in writing by the manufacturer. Replacement parts must be identical to those used in the original circuits. Services should be performed by qualified personnel only.
- (2) Alterations of the design or circuitry of the product should not be made. Any design alterations of the product should not be made. Any design alterations or additions will void the manufacturer's warranty and will further relieve the manufacturer of responsibility for personal injury or property damage resulting therefrom.
- (3) Many electrical and mechanical parts in the products have special safety-related characteristics. These characteristics are often not evident from visual inspection nor can the protection afforded by them necessarily be obtained by using replacement components rated for higher voltage, wattage, etc. Replacement parts which have these special safety characteristics are identified in the Parts List of Service Manual. Electrical components having such features are identified by shading on the schematics and by ( $\Delta$ ) on the Parts List in the Service Manual. The use of a substitute replacement which does not have the same safety characteristics as the recommended replacement parts shown in the Parts List of Service Manual may create shock, fire, or other hazards.
- (4) The leads in the products are routed and dressed with ties, clamps, tubings, barriers and the like to be separated from live parts, high temperature parts, moving parts and/or sharp edges for the prevention of electric shock and fire hazard. When service is required, the original lead routing and dress should be observed, and it should be confirmed that they have been returned to normal, after reassembling.
- (5) Leakage shock hazard testing

After reassembling the product, always perform an isolation check on the exposed metal parts of the product (antenna terminals, knobs, metal cabinet, screw heads, headphone jack, control shafts, etc.) to be sure the product is safe to operate without danger of electrical shock. Do not use a line isolation transformer during this check.

  - Plug the AC line cord directly into the AC outlet. Using a "Leakage Current Tester", measure the leakage current from each exposed metal part of the cabinet, particularly any exposed metal part having a return path to the chassis, to a known good earth ground. Any leakage current must not exceed 0.5mA AC (r.m.s.).
  - Alternate check method  
Plug the AC line cord directly into the AC outlet. Use an AC voltmeter having, 1,000 $\Omega$  per volt or more sensitivity in the following manner. Connect a 1,500 $\Omega$  10W resistor paralleled by a 0.15 $\mu$ F AC-type capacitor between an exposed metal part and a known good earth ground. Measure the AC voltage across the resistor with the AC

voltmeter.

Move the resistor connection to each exposed metal part, particularly any exposed metal part having a return path to the chassis, and measure the AC voltage across the resistor. Now, reverse the plug in the AC outlet and repeat each measurement. Voltage measured any must not exceed 0.75 V AC (r.m.s.). This corresponds to 0.5 mA AC (r.m.s.).



## 1.2 Warning

- (1) This equipment has been designed and manufactured to meet international safety standards.
- (2) It is the legal responsibility of the repairer to ensure that these safety standards are maintained.
- (3) Repairs must be made in accordance with the relevant safety standards.
- (4) It is essential that safety critical components are replaced by approved parts.
- (5) If mains voltage selector is provided, check setting for local voltage.

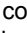
## 1.3 Caution

**Burrs formed during molding may be left over on some parts of the chassis.**  
**Therefore, pay attention to such burrs in the case of pre-forming repair of this system.**

## 1.4 Critical parts for safety

In regard with component parts appearing on the silk-screen printed side (parts side) of the PWB diagrams, the parts that are printed over with black such as the resistor (  $\blacksquare$  ), diode (  $\blacksquare$  ) and ICP (  $\bullet$  ) or identified by the " $\Delta$ " mark nearby are critical for safety. When replacing them, be sure to use the parts of the same type and rating as specified by the manufacturer. (This regulation does not Except the J and C version)

## 1.5 Safety Precautions (U.K only)

- (1) This design of this product contains special hardware and many circuits and components specially for safety purposes. For continued protection, no changes should be made to the original design unless authorized in writing by the manufacturer. Replacement parts must be identical to those used in the original circuits.
- (2) Any unauthorised design alterations or additions will void the manufacturer's guarantee; furthermore the manufacturer cannot accept responsibility for personal injury or property damage resulting therefrom.
- (3) Essential safety critical components are identified by (  ) on the Parts List and by shading on the schematics, and must never be replaced by parts other than those listed in the manual. Please note however that many electrical and mechanical parts in the product have special safety related characteristics. These characteristics are often not evident from visual inspection. Parts other than specified by the manufacturer may not have the same safety characteristics as the recommended replacement parts shown in the Parts List of the Service Manual and may create shock, fire, or other hazards.
- (4) The leads in the products are routed and dressed with ties, clamps, tubings, barriers and the like to be separated from live parts, high temperature parts, moving parts and/or sharp edges for the prevention of electric shock and fire hazard. When service is required, the original lead routing and dress should be observed, and it should be confirmed that they have been returned to normal, after re-assembling.

### 1.5.1 Warning

- (1) Service should be performed by qualified personnel only.
- (2) This equipment has been designed and manufactured to meet international safety standards.
- (3) It is the legal responsibility of the repairer to ensure that these safety standards are maintained.
- (4) Repairs must be made in accordance with the relevant safety standards.
- (5) It is essential that safety critical components are replaced by approved parts.
- (6) If mains voltage selector is provided, check setting for local voltage.



**CAUTION** Burrs formed during molding may be left over on some parts of the chassis. Therefore, pay attention to such burrs in the case of preforming repair of this system.

**SECTION 2**  
**SPECIFIC SERVICE INSTRUCTIONS**

This service manual does not describe SPECIFIC SERVICE INSTRUCTIONS.

## SECTION 3 DISASSEMBLY

### 3.1 Main body section

#### 3.1.1 Removing the top cover

(See Fig.1 and 2)

- (1) From the both sides of the main body, remove the four screws **A** attaching the top cover. (See fig. 1)
- (2) From the back side of the main body, remove the five screws **B** and screw **C** attaching the top cover. (See Fig. 2)

#### Reference:

When removing the screw **C**, use a screwdriver to show as follows.

TORX Driver: size T10

Parts number: DR-L70

- (3) Remove the top cover in the direction of the arrow. (See Fig. 1)

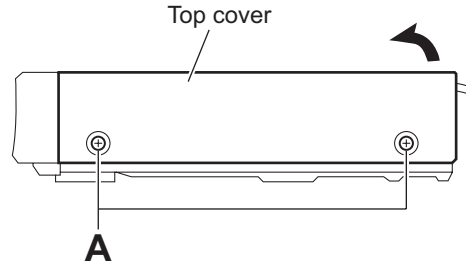


Fig.1

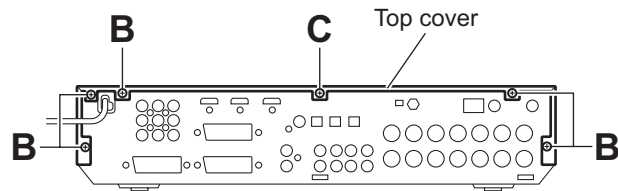


Fig.2

#### 3.1.2 Removing the USB wireless board

(See Fig. 3)

- Remove the top cover.
  - (1) From the top side of the main body, disconnect the LAN module board from USB board.
  - (2) Remove the two screws **D** attaching the USB board.
  - (3) Disconnect the connector wire from connector [CN662](#) of the DSP board.

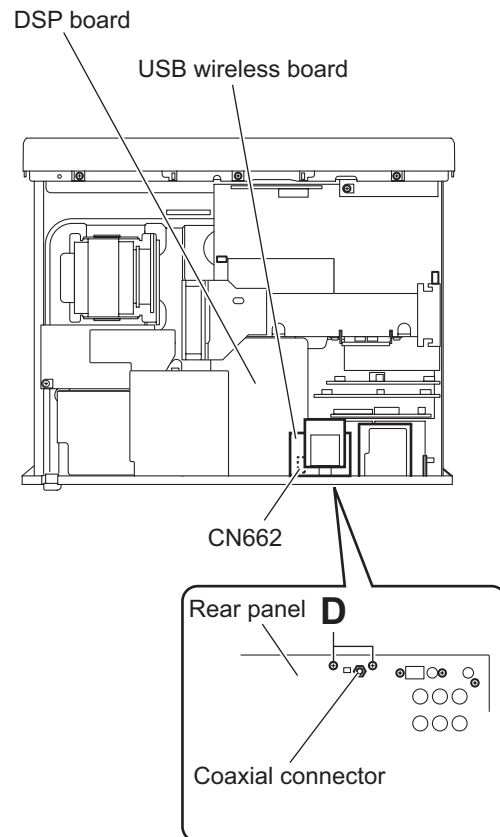


Fig.3

### 3.1.3 Removing the fan motor (See Fig. 4)

- Remove the top cover.
  - (1) Remove the tie band bundling the wires.
  - (2) From the top side of the main body, disconnect the wire from the connector [CN103](#) on the main amplifier board.
  - (3) Remove the three screws **E** and take out the fan motor assembly.
  - (4) Remove the two screws **F** attaching the fan motor to the fan bracket.

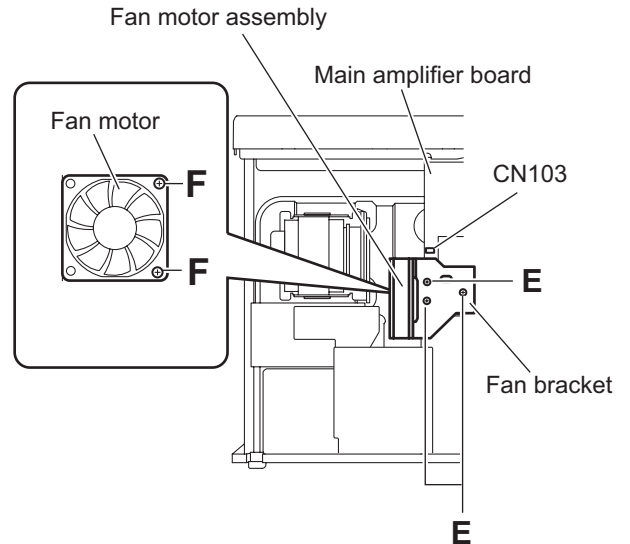


Fig.4

### 3.1.4 Removing the HDMI board (See Figs.5 and 6)

- Remove the top cover.
  - (1) From the back side of the main body, remove the three screws **G** attaching the HDMI board to the rear panel. (See Fig.5)
  - (2) From the top side of the main body, remove the screw **H** attaching the HDMI board. (See Fig.6)
  - (3) Disconnect the card wires from the connectors ([CN731](#), [CN732](#), and [CN762](#)) on the HDMI board. (See Fig.6)
  - (4) Disconnect the parallel wire from the connector [CN711](#) on the HDMI board. (See Fig.6)
  - (5) Take out the HDMI board from the main body. (See Fig.6)

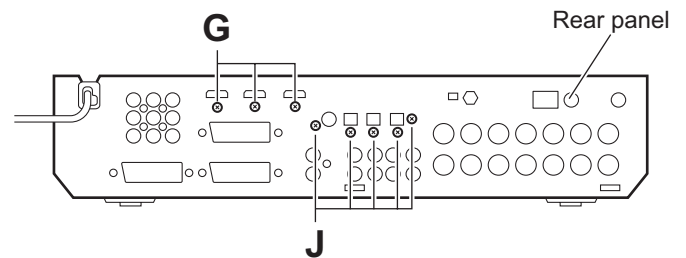


Fig.5

### 3.1.5 Removing the DSP board (See Figs.5 and 6)

- Remove the top cover and fan motor.
  - (1) From the back side of the main body, remove the five screws **J** attaching the DSP board to the rear panel. (See Fig.5)
  - (2) From the top side of the main body, remove the screw **K** attaching the DSP board. (See Fig.6)
  - (3) Disconnect the connector [CN681](#) on the DSP board from the DSP connect board. (See Fig.6)

**Note:**

When removing the DSP board, take care not to break the claw of the connector on it.

- (4) Take out the DSP board and disconnect the wires from the connectors ([CN661](#), [CN682](#), and [CN683](#)) on the forward side of the DSP board. (See Fig.6)
- (5) Disconnect the card wires from the connectors ([CN651](#), [CN652](#)) on the DSP board. (See Fig.6)
- (6) Take out the DSP board from the main body.

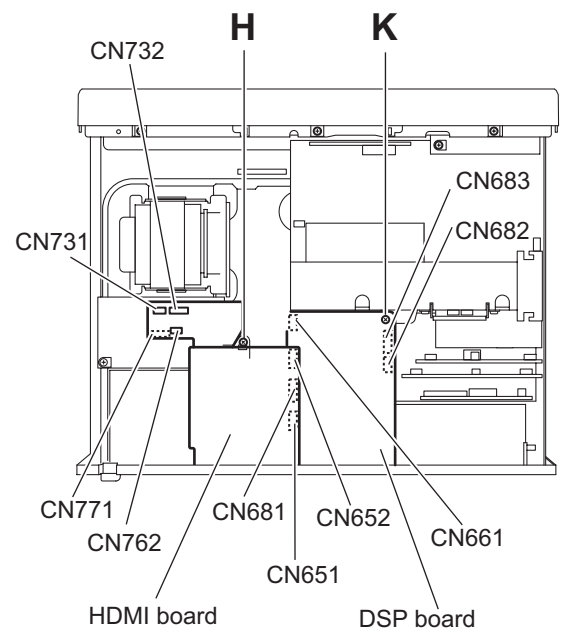


Fig.6

### 3.1.6 Removing the SCART board (See Fig.7 and 8)

- Remove the top cove, USB board, DSP board and HDMI board.
  - Remove the six screws **L** attaching the SCART board.  
(See Fig.7)
  - Disconnect the card wire from [CN537](#) and [CN539](#) of the SCART board. (See Fig.8)

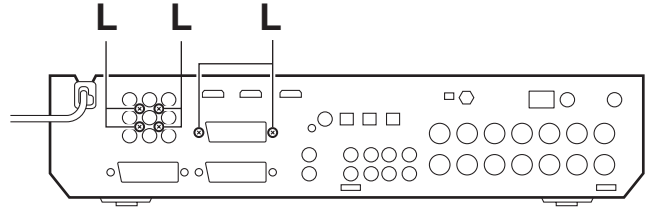


Fig.7

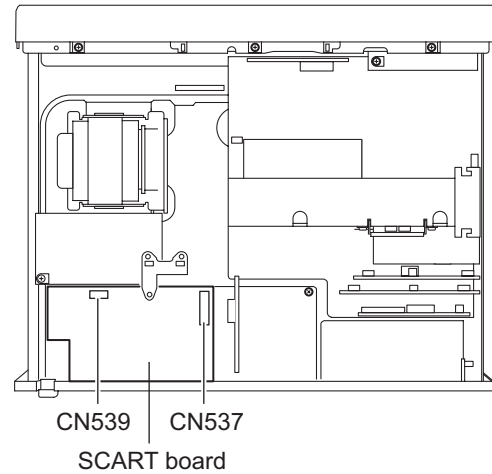


Fig.8

### 3.1.7 Removing the input board (See Fig.9 and 10)

- Remove the seven screws **M** attaching the input board. (See Fig.9)
- Remove the three screws **N** attaching the input board. (See Fig.10)
- Disconnect the each wire from each connector of the input board.

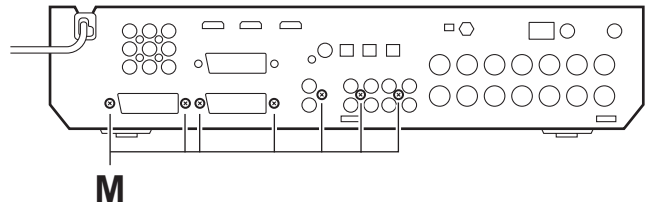


Fig.9

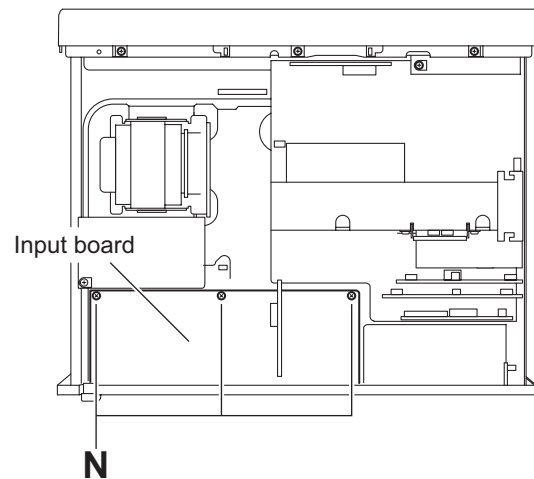


Fig.10

### 3.2 Other item

For the other items, please refer to RX-D701S,RX-D702B No.MB441.



## **SECTION 4 ADJUSTMENT**

This service manual does not describe ADJUSTMENT.

## **SECTION 5 TROUBLESHOOTING**

This service manual does not describe TROUBLESHOOTING.



**JVC**

Victor Company of Japan, Limited  
Audio/Video Systems Category 10-1,1chome,Ohwatari-machi,Maebashi-city,371-8543,Japan

(No.MB500)

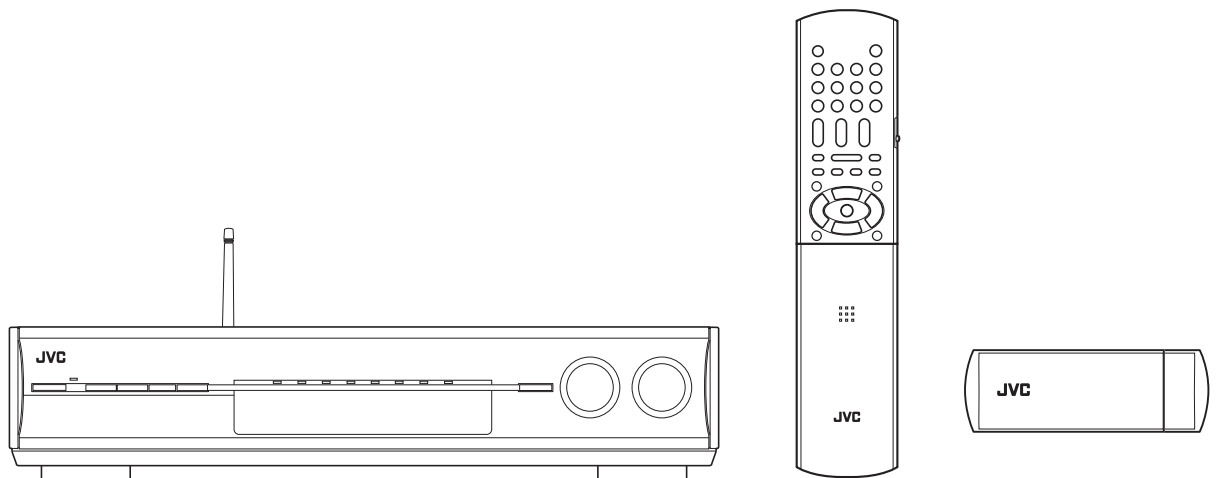
# JVC

## SCHEMATIC DIAGRAMS

AUDIO/VIDEO CONTROL RECEIVER

### RX-D701SB, RX-D701SE, RX-D701SEN RX-D702BB, RX-D702BE, RX-D702BEN

CD-ROM No.SML200601



**DOLBY**  
DIGITAL EX  
PRO LOGIC IIx

**dts** 96 ES  
24 NEO:6

**R-D-S**

**CONVERTER**

**HDMI**

**DCDi**  
by FAROUDJA

**K2**  
TECHNOLOGY

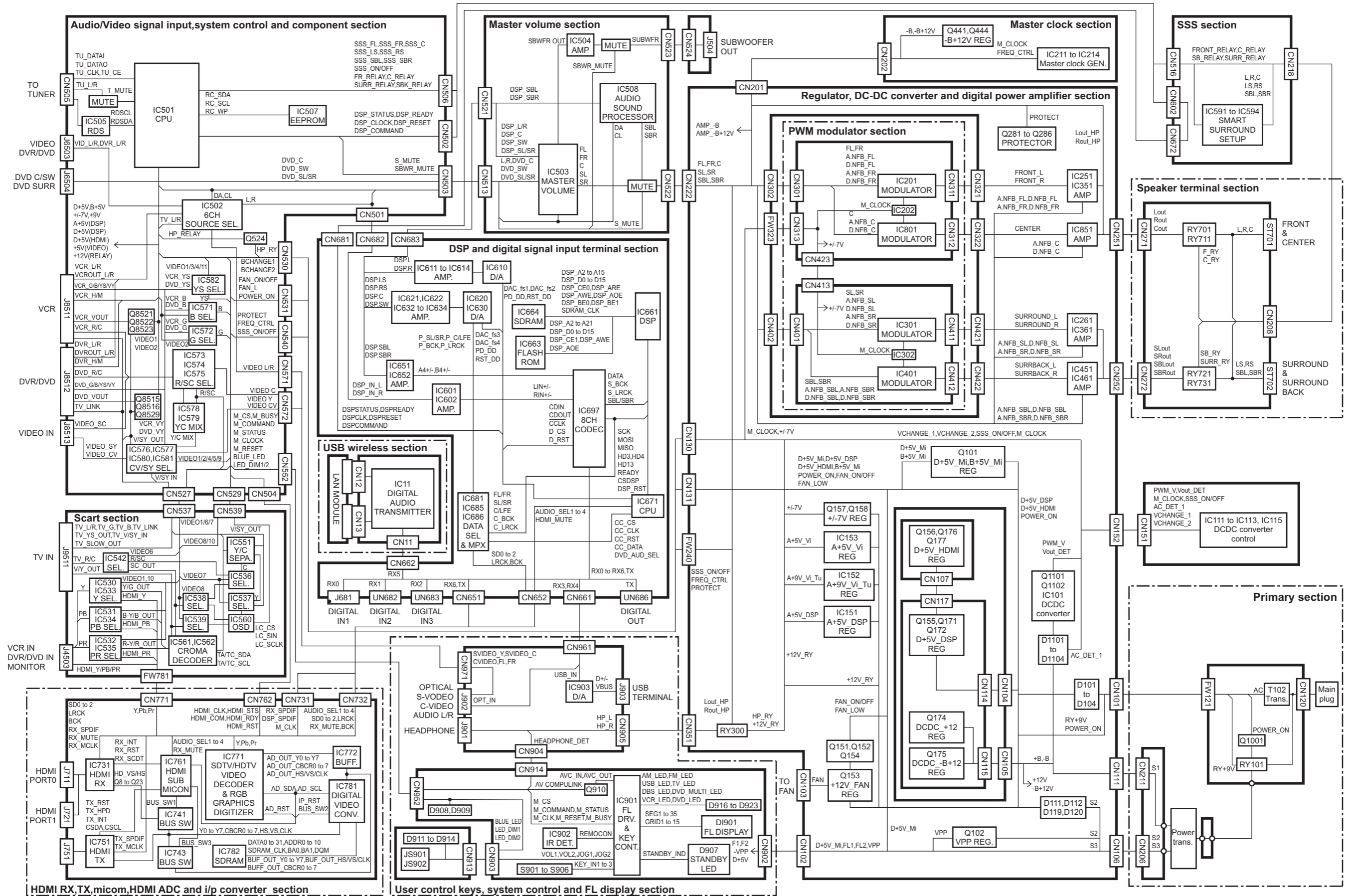
Lead free solder used in the board (material : Sn-Ag-Cu, melting point : 219 Centigrade)

### Contents

Block diagrams .....	2-1
Standard schematic diagrams .....	2-2
Printed circuit boards .....	2-15 to 21

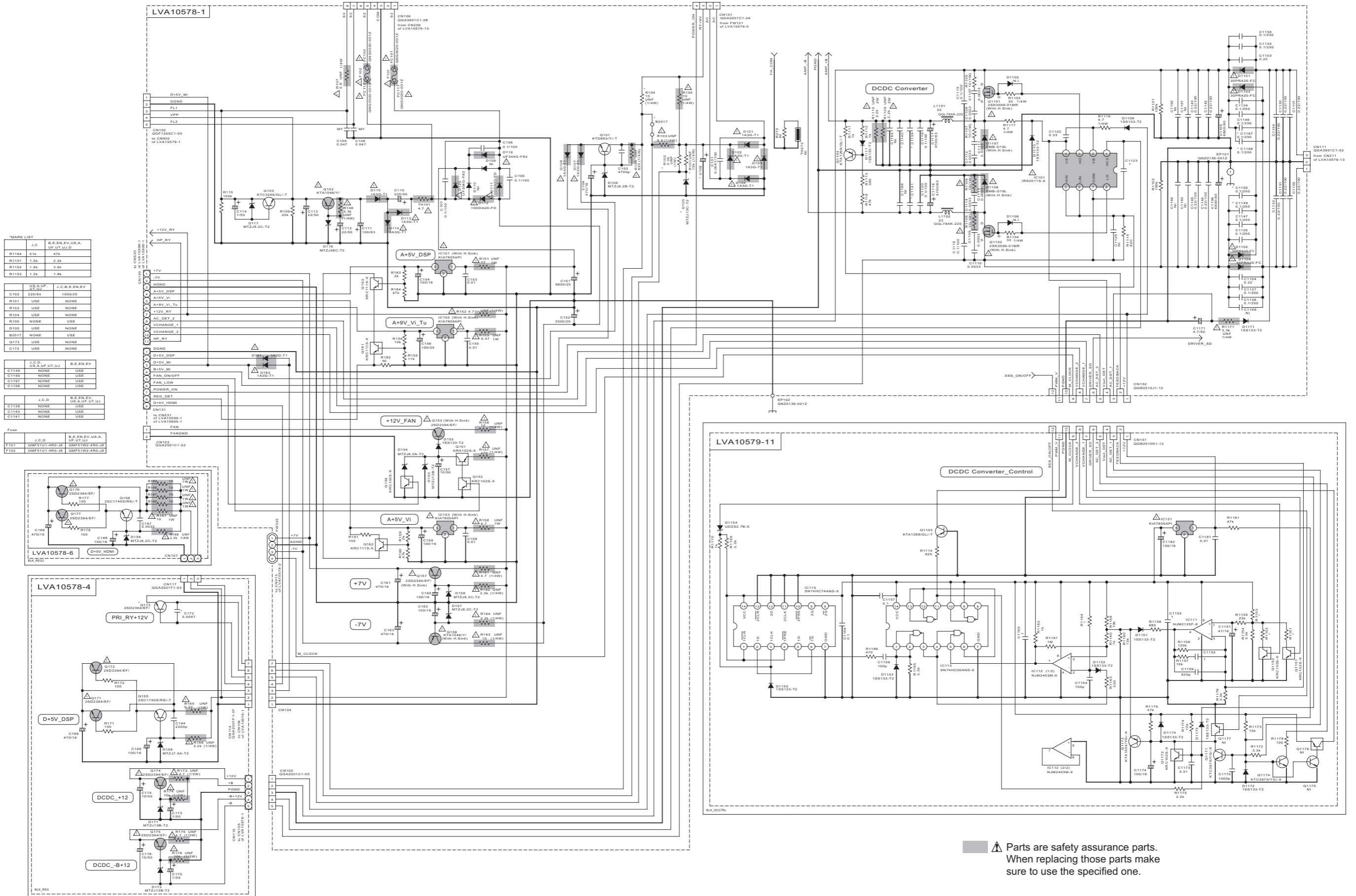
In regard with component parts appearing on the silk-screen printed side (parts side) of the PWB diagrams, the parts that are printed over with black such as the resistor (■), diode (▣) and ICP (●) or identified by the "⚠" mark nearby are critical for safety.

# Block diagram





# Regulator / DC-DC converter section

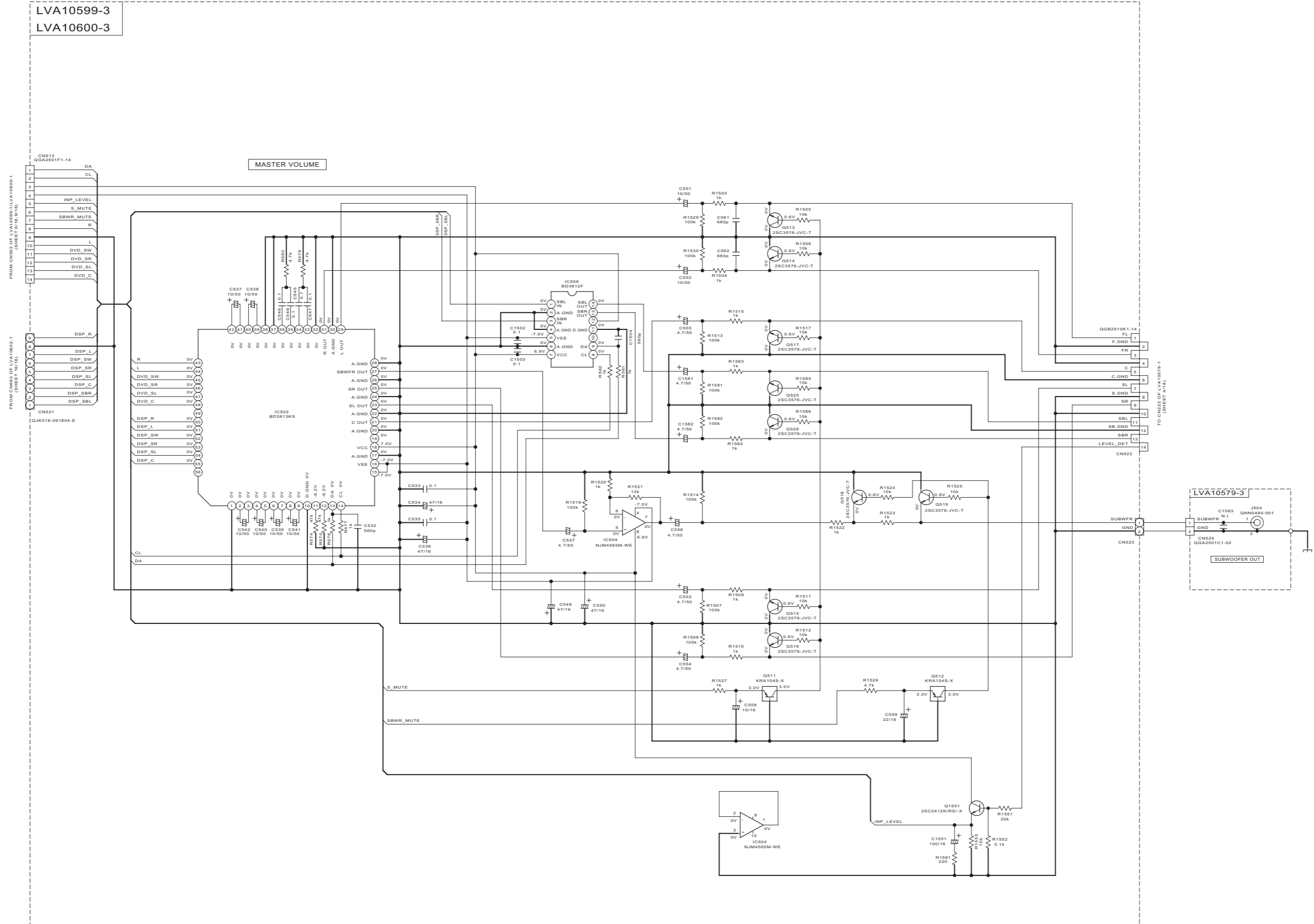


⚠ Parts are safety assurance parts. When replacing those parts make sure to use the specified one.

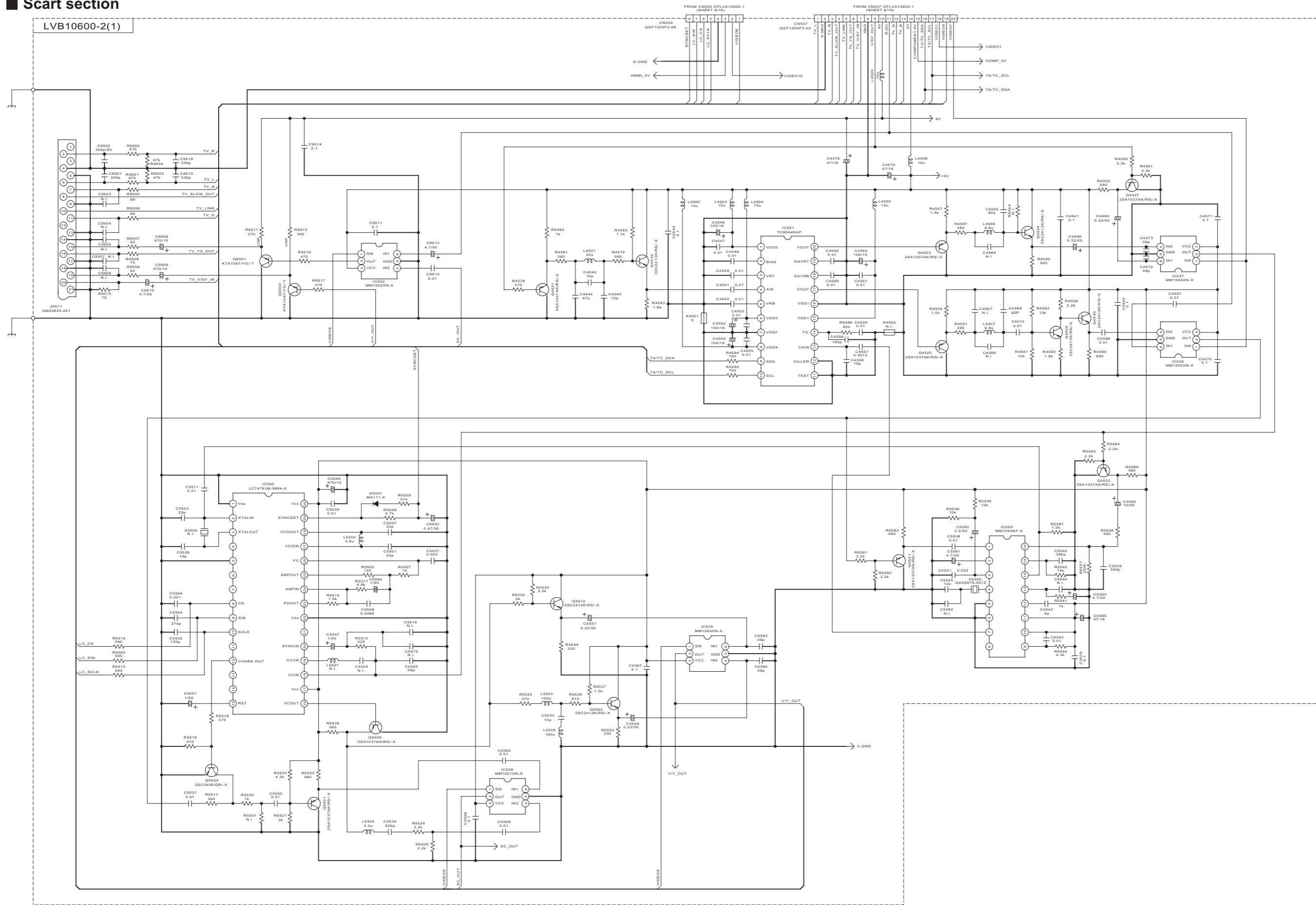




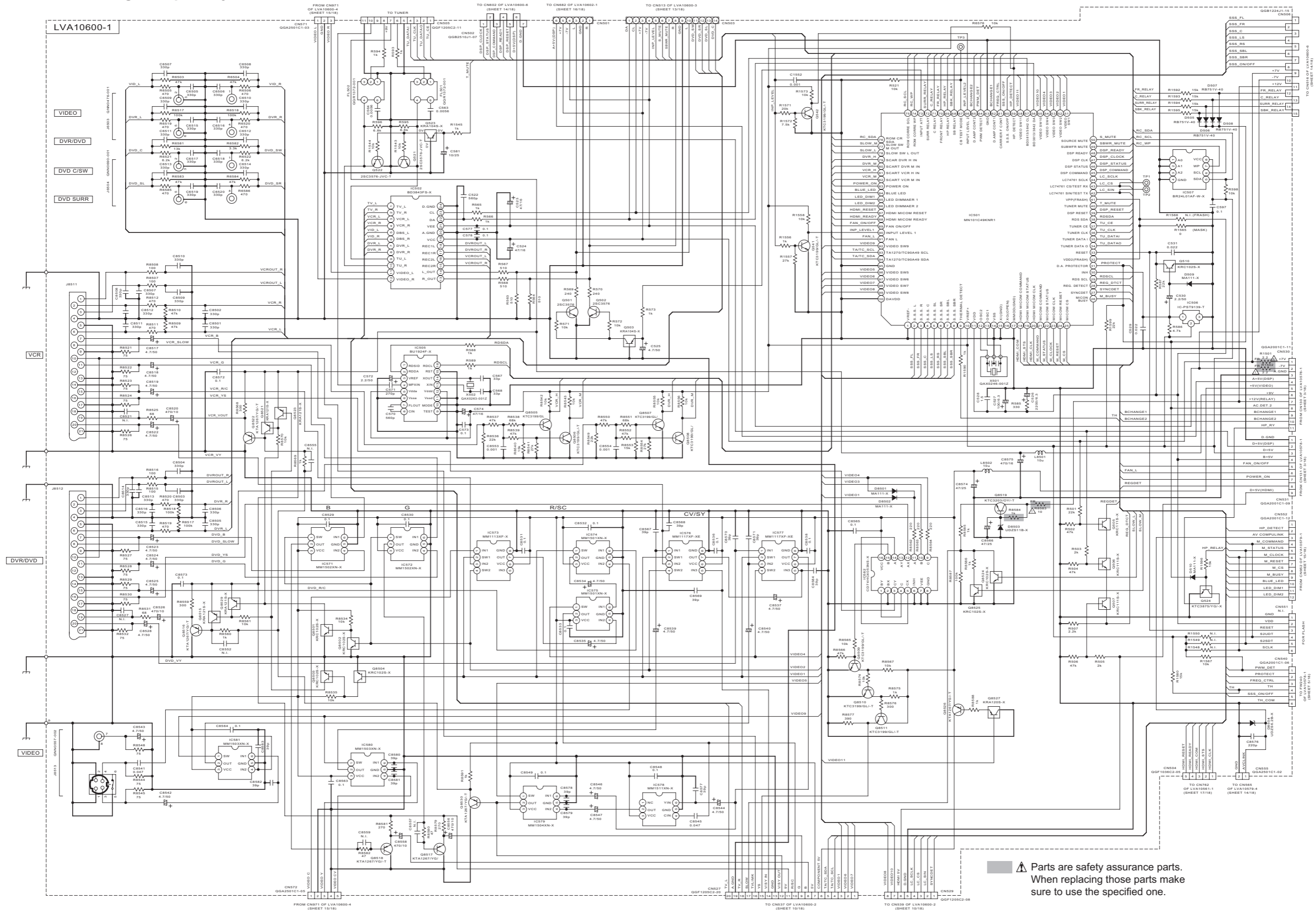
Master volume section



■ Scart section



# Audio, Video signal input / System control section

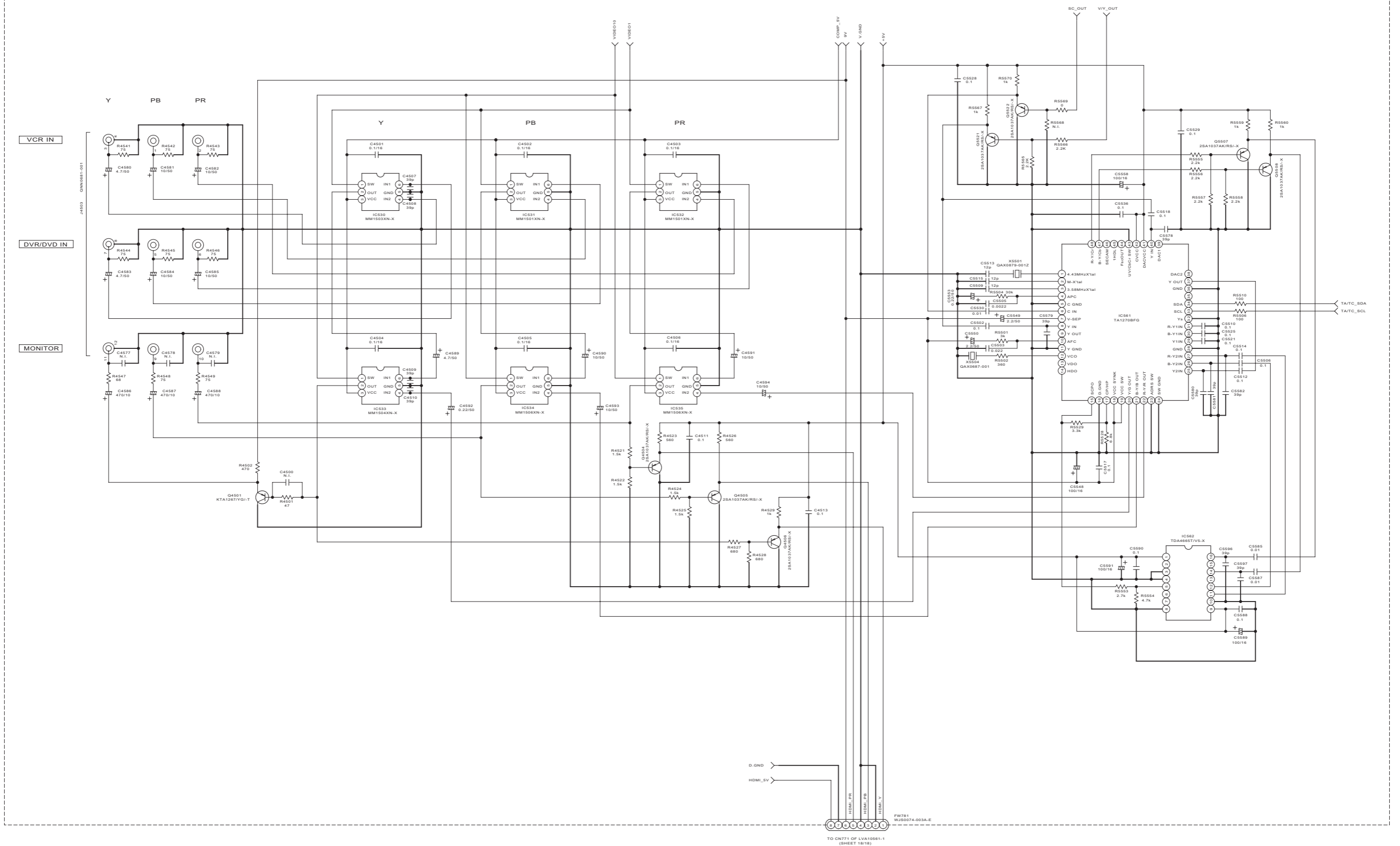


⚠ Parts are safety assurance parts.  
When replacing those parts make  
sure to use the specified one.



Component section

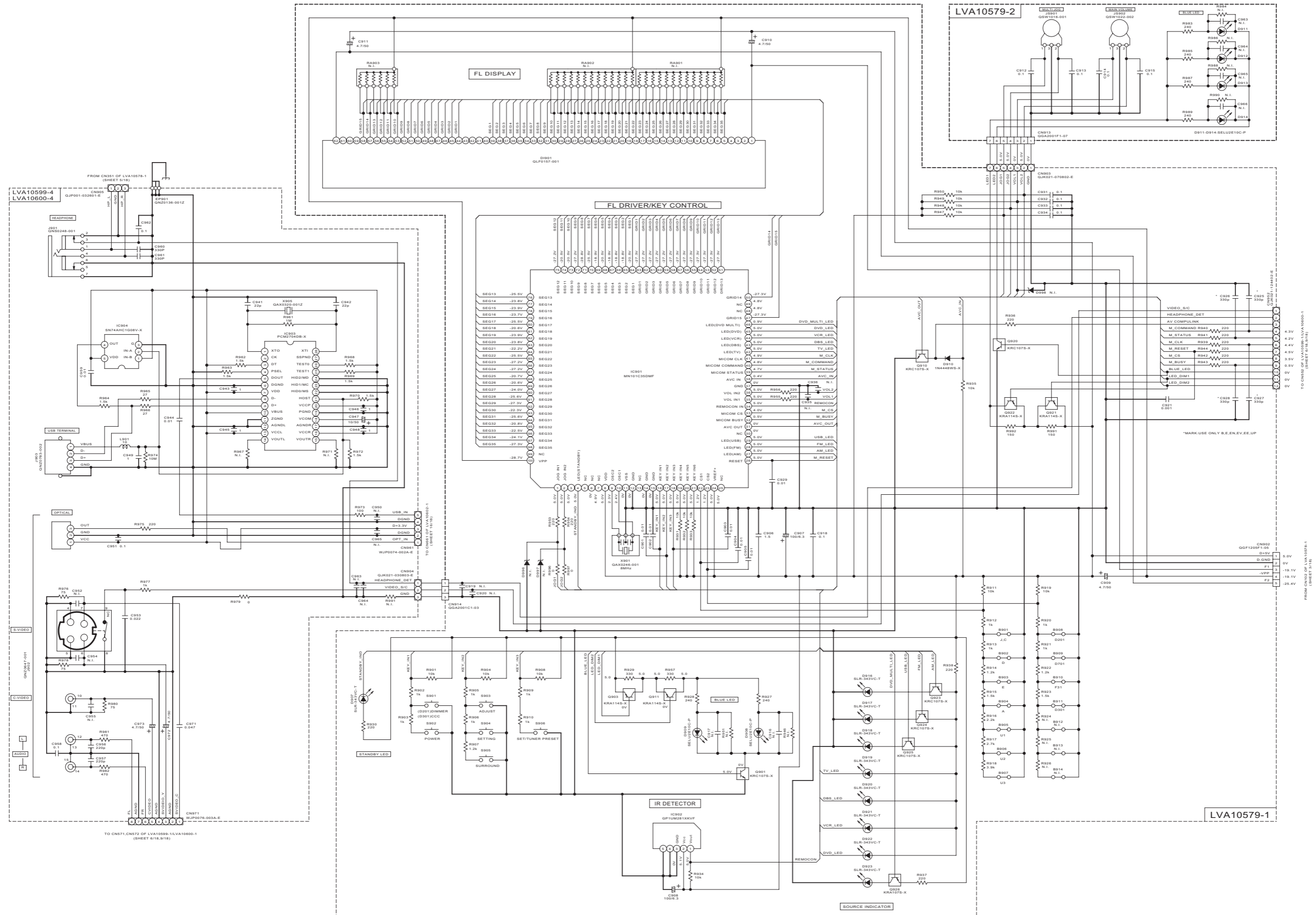
LVB10600-2(2)



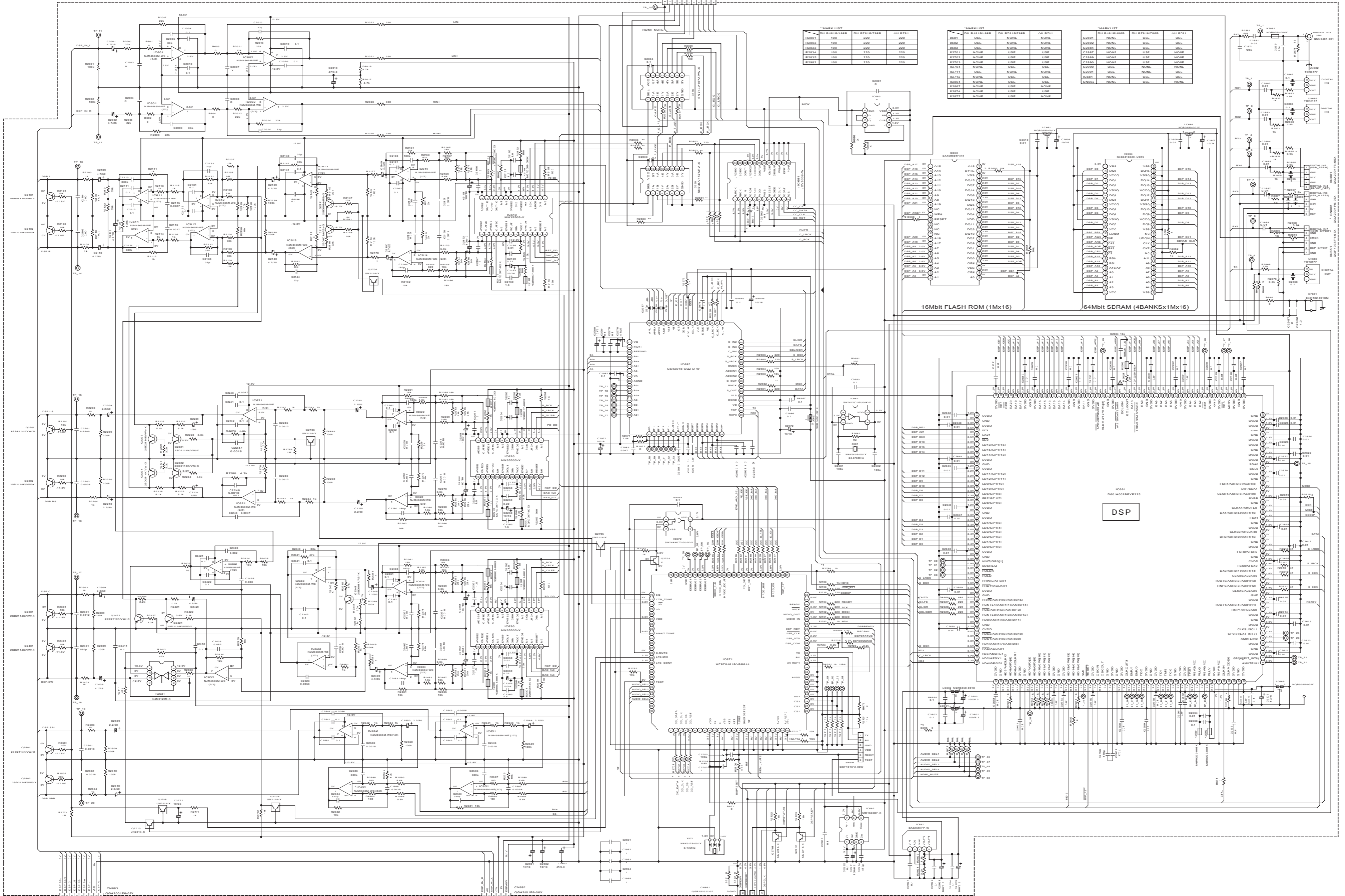
TO CN771 OF LVA10561-1  
(SHEET 18/19)  
FW781  
WJ26074.003A-E



■ User control keys / System control / FL display section



# DSP / Digital signal input terminal section



MARK LIST

MARK	RK-D401S4028	RK-D701S7028	AK-D701
R2001	USE	USE	USE
R2002	USE	USE	USE
R2003	USE	USE	USE
R2004	USE	USE	USE
R2005	USE	USE	USE

MARK LIST

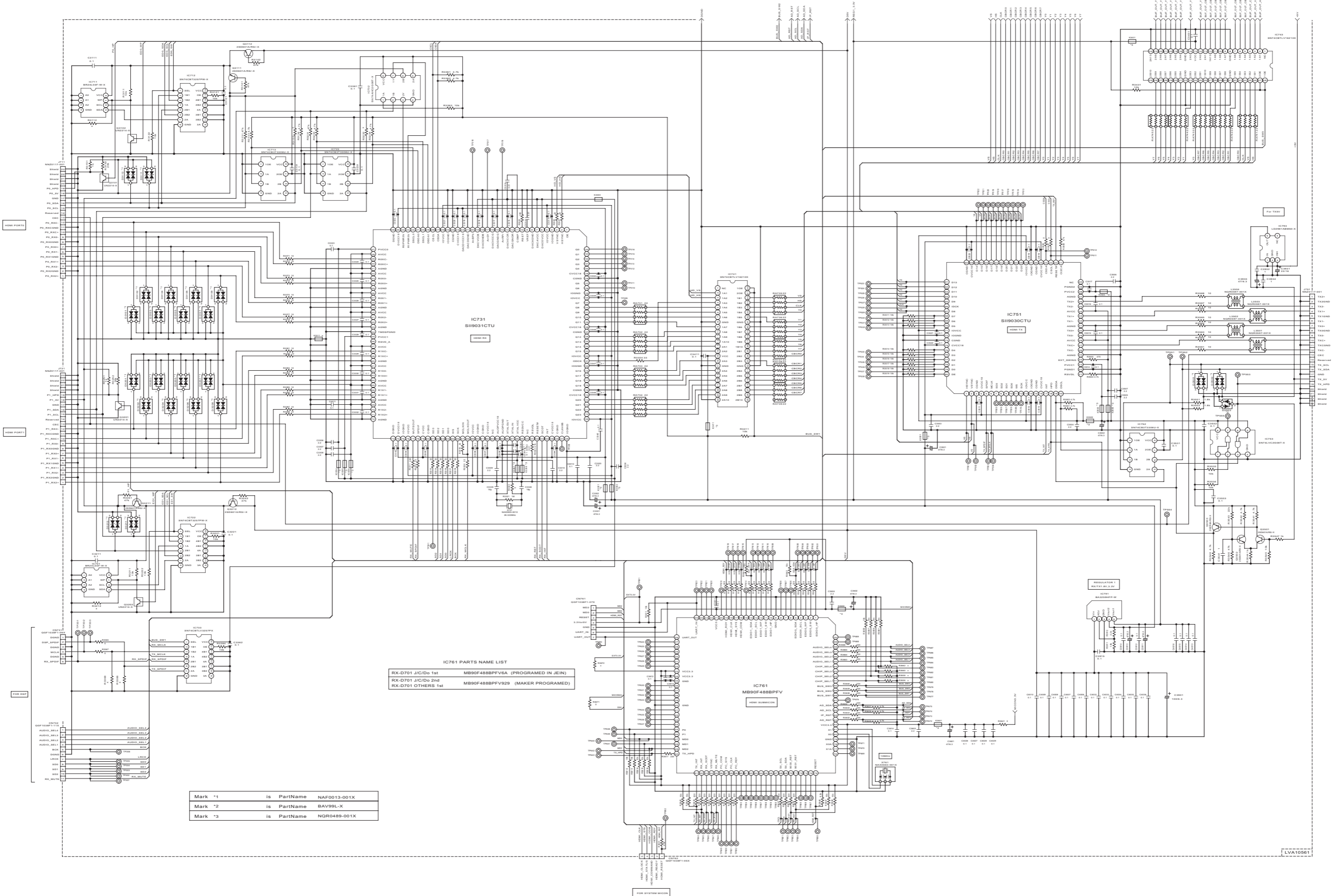
MARK	RK-D401S4028	RK-D701S7028	AK-D701
R2011	USE	USE	USE
R2012	USE	USE	USE
R2013	USE	USE	USE
R2014	USE	USE	USE
R2015	USE	USE	USE

MARK LIST

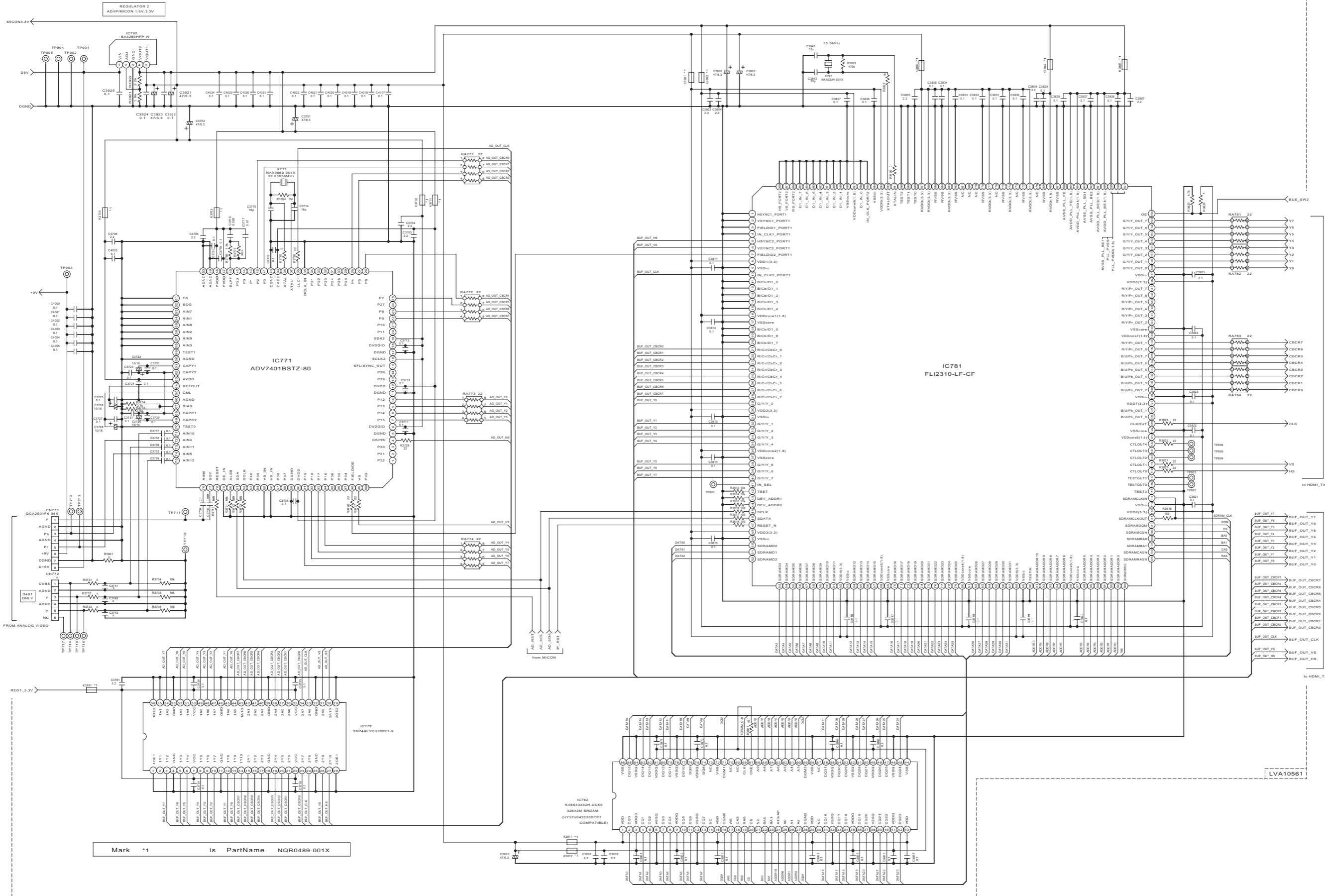
MARK	RK-D401S4028	RK-D701S7028	AK-D701
C2001	USE	USE	USE
C2002	USE	USE	USE
C2003	USE	USE	USE
C2004	USE	USE	USE
C2005	USE	USE	USE



# HDMI RX / TX / Micon section



# HDMI ADC / i/p converter section







■ Input board Lead free solder used in the board (material : Sn-Ag-Cu, melting point : 219 Centigrade)

Forward side

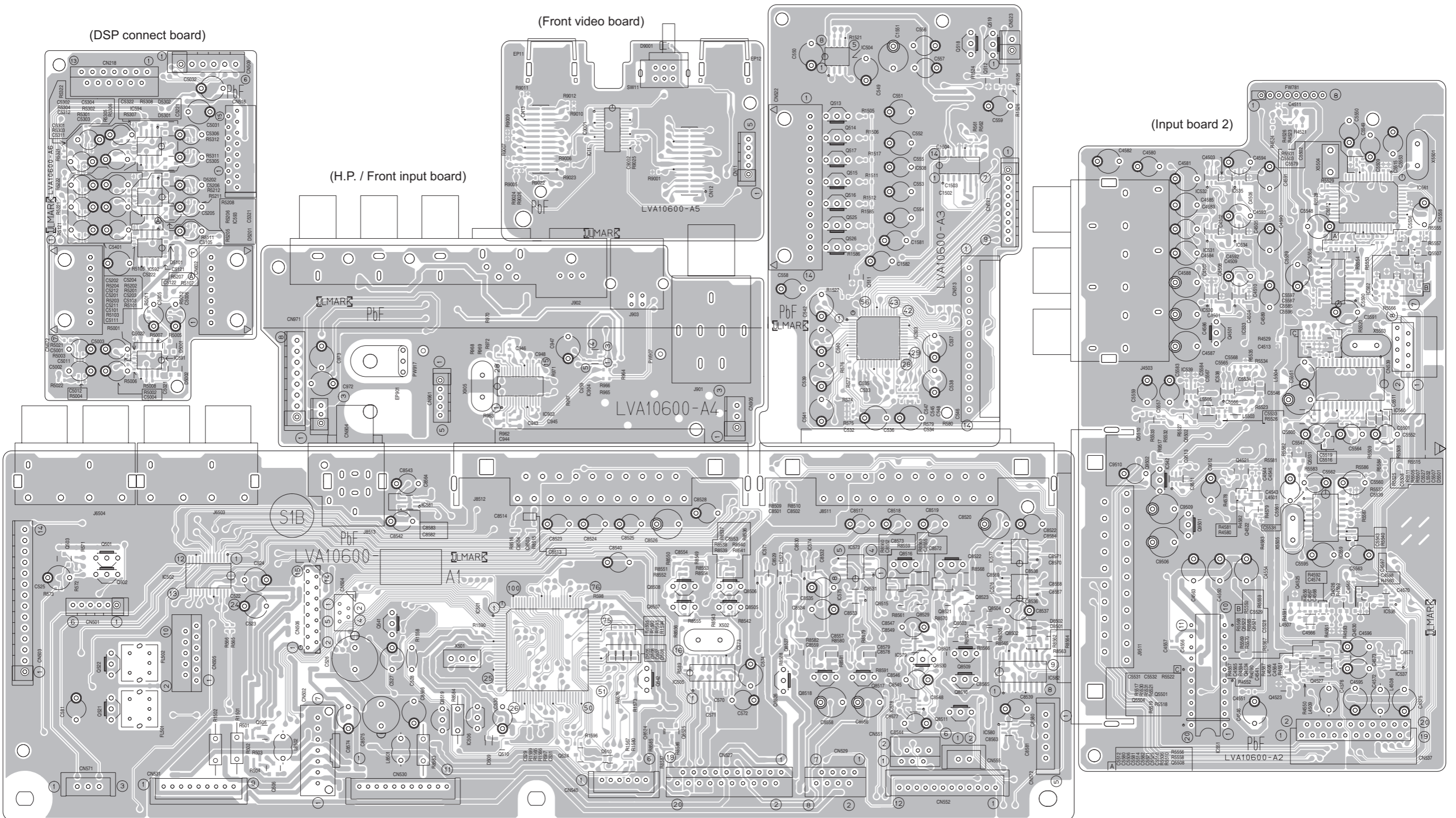
(OSD connect 1 board)

(DSP connect board)

(Front video board)

(H.P. / Front input board)

(Input board 2)

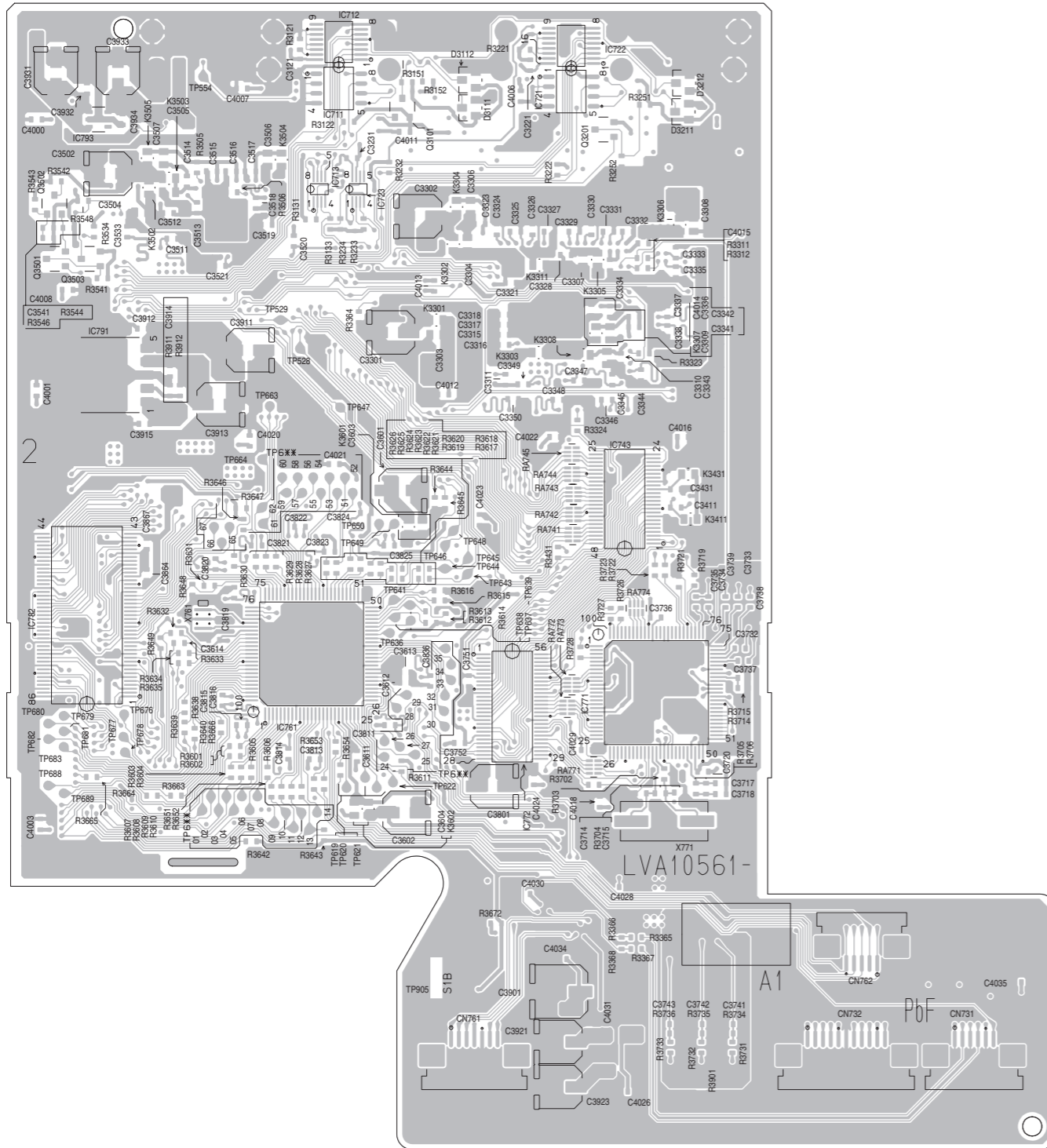


(Input board 1)

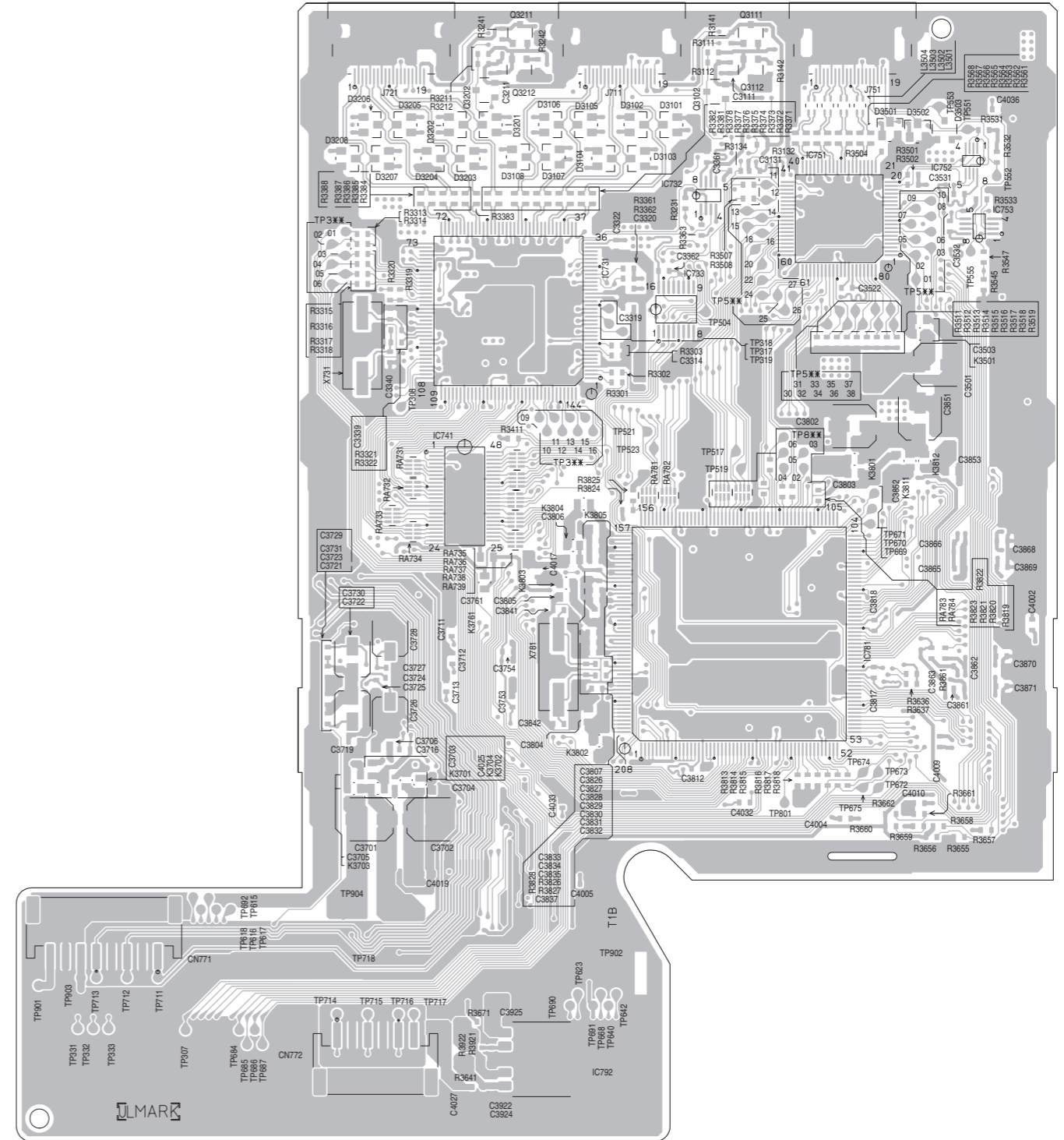


■ **HDMI board** Lead free solder used in the board (material : Sn-Ag-Cu, melting point : 219 Centigrade)

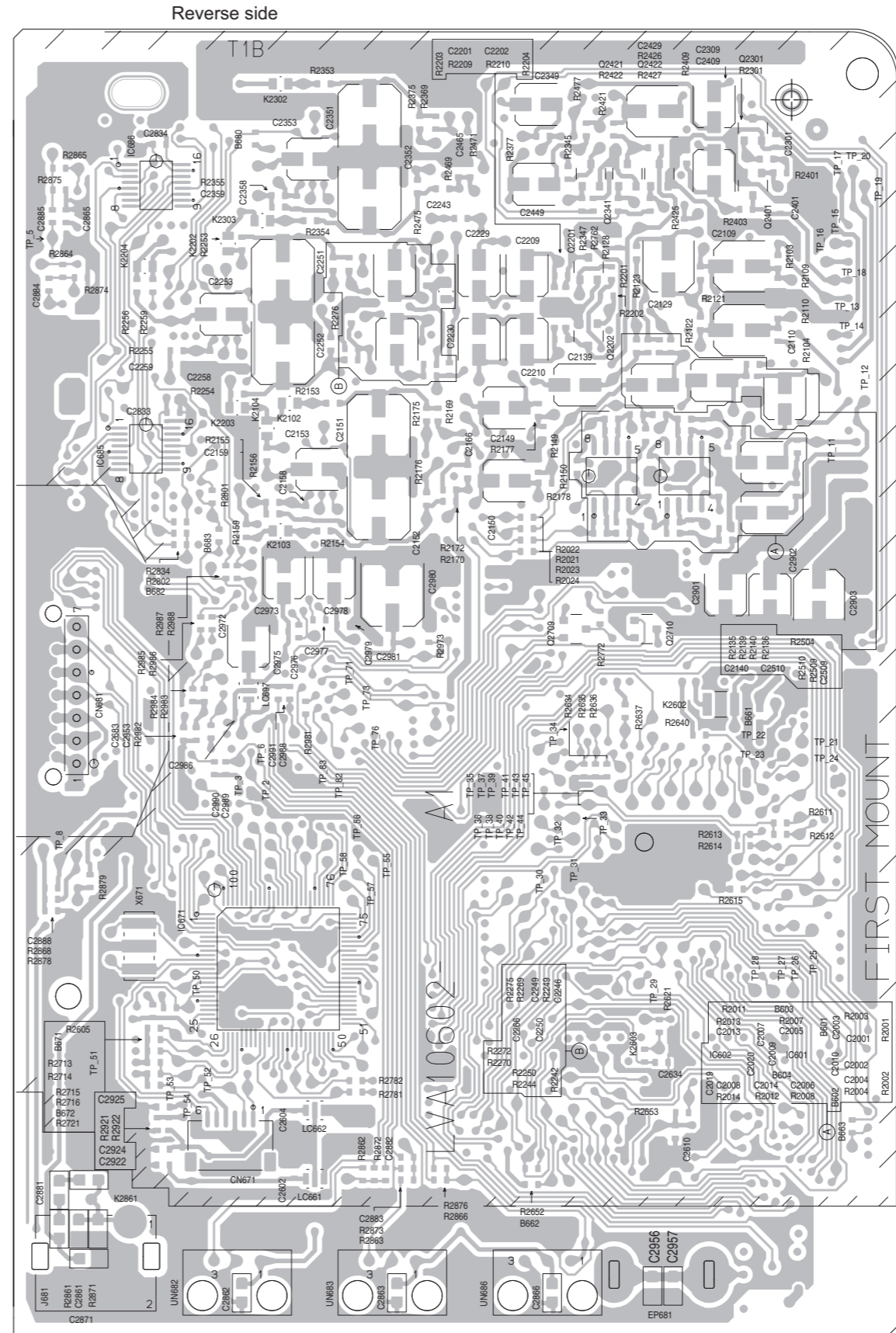
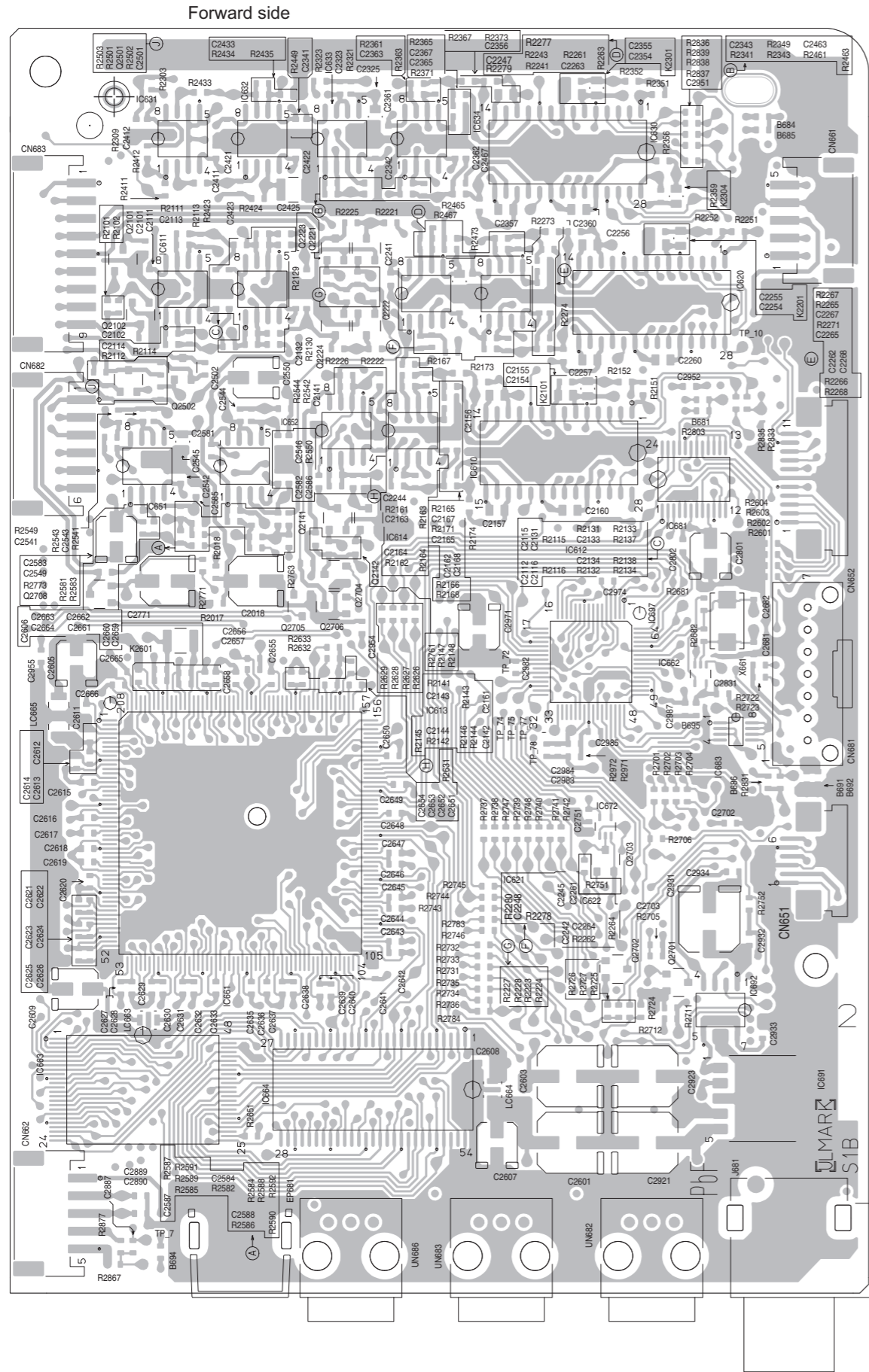
Forward side



Reverse side



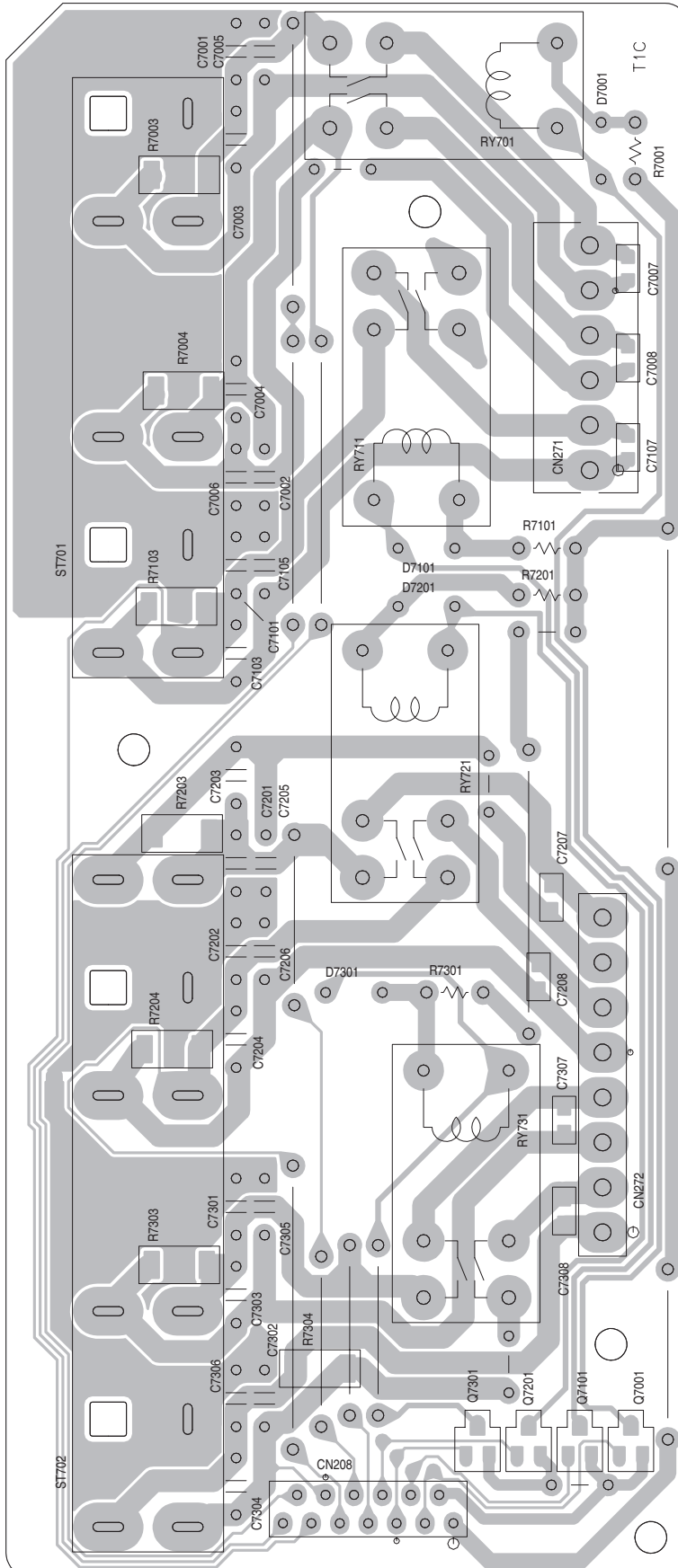
■ DSP board Lead free solder used in the board (material : Sn-Ag-Cu, melting point : 219 Centigrade)





## ■ Speaker terminal board

Lead free solder used in the board (material : Sn-Ag-Cu, melting point : 219 Centigrade)



**JVC**

Victor Company of Japan, Limited

Audio/Video Systems Category 10-1,1chome,Ohwatari-machi,Maebashi-city,371-8543,Japan

(No.MB500SCH)



Printed in Japan  
VPT

# PARTS LIST

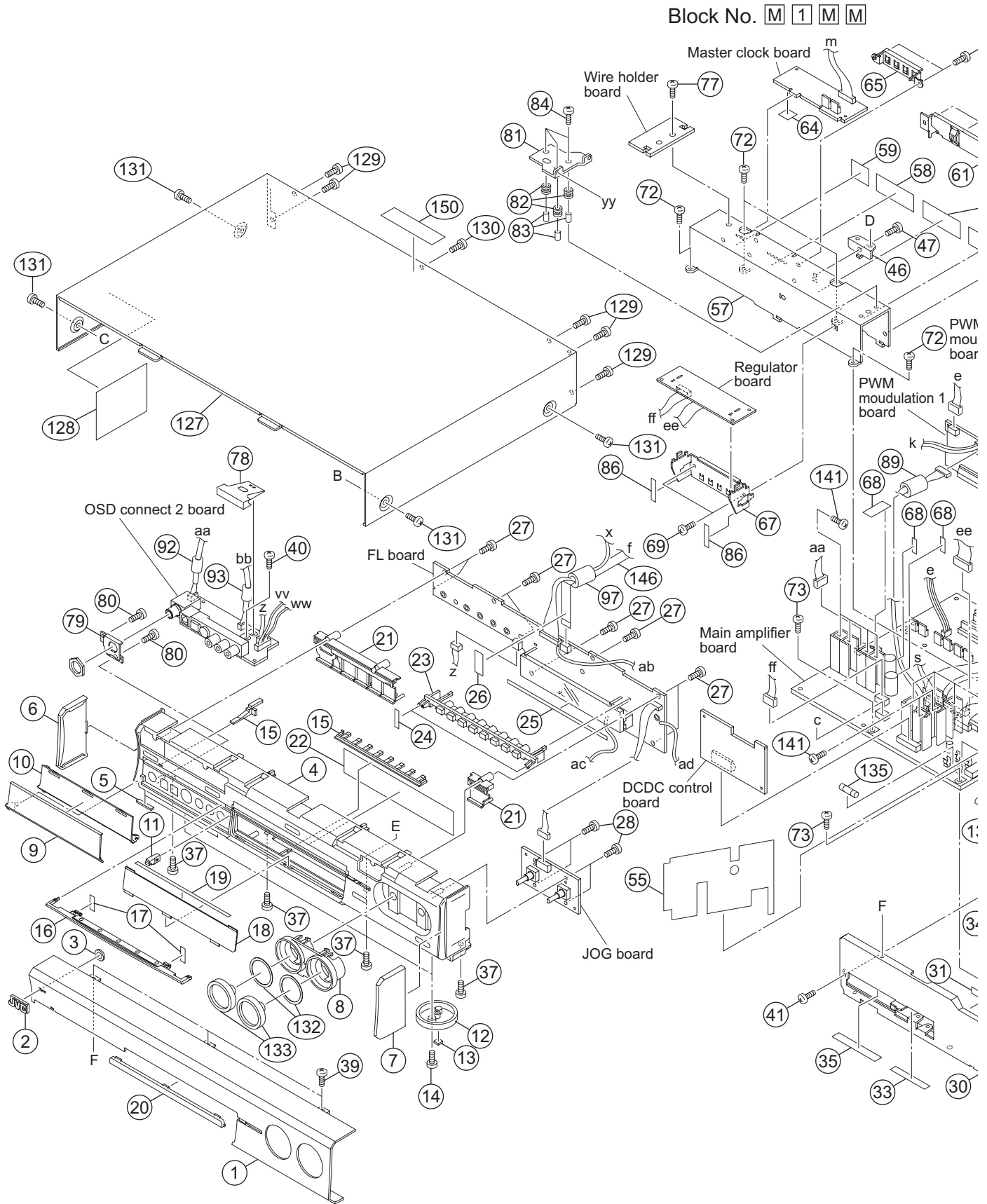
RX-D701SB,RX-D701SE,RX-D701SEN  
RX-D702BB,RX-D702BE,RX-D702BEN

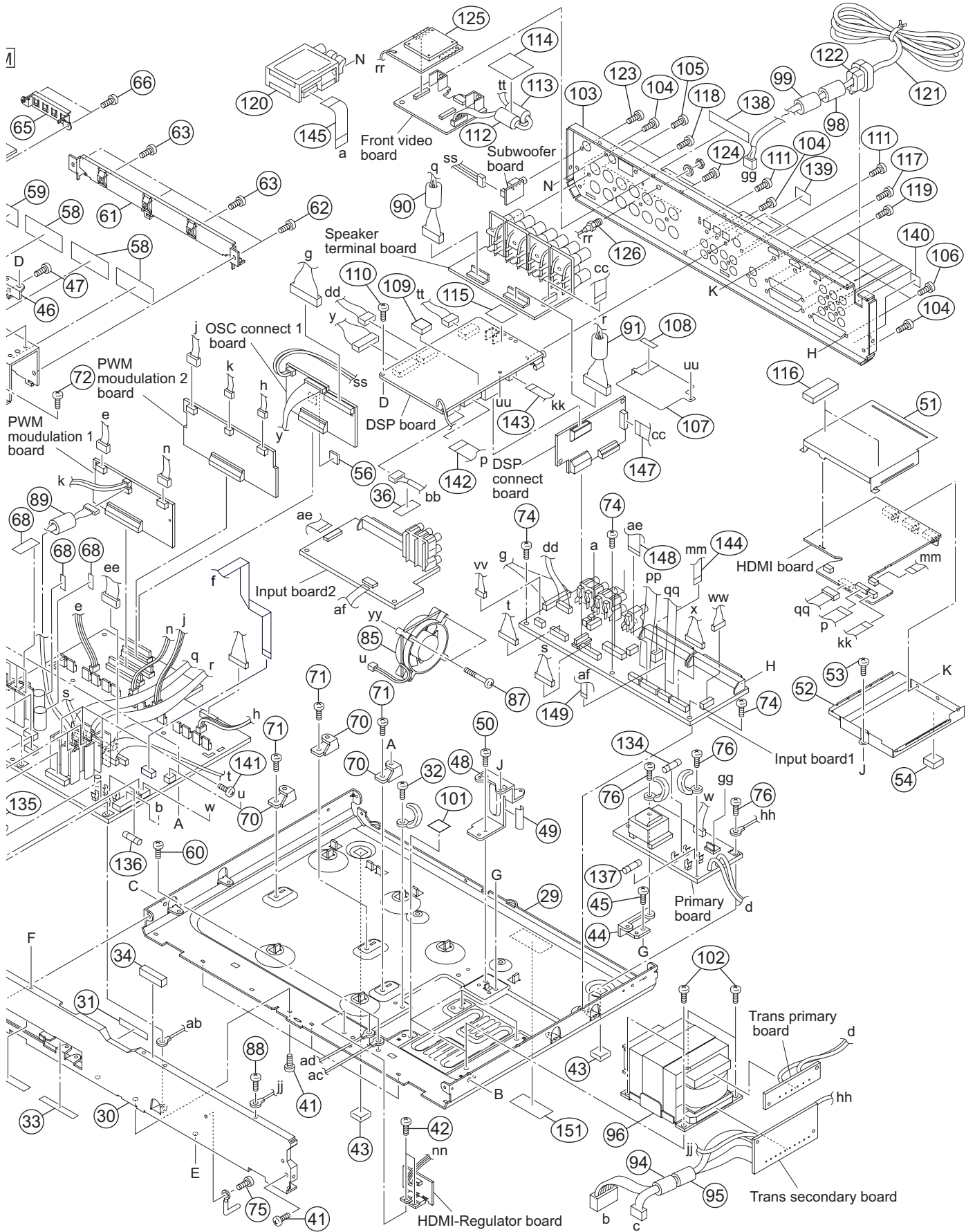
\* All printed circuit boards and its assemblies are not available as service parts.

## - Contents -

Exploded view of general assembly and parts list (Block No.M1) .....	3-2
Electrical parts list (Block No.01~06) .....	3-7
Packing materials and accessories parts list (Block No.M3) .....	3-30

# Exploded view of general assembly and parts list





# General Assembly

Block No. [M][1][M][M]

△	Symbol No.	Part No.	Part Name	Description	Local
	1	LV11053-003A	FRONT PANEL		D701SB,D701SE,D701SEN
	1	LV11053-004A	FRONT PANEL		D702BB,D702BE,D702BEN
	2	PQ45130-7	JVC MARK		
	3	LV40248-001A	PUSH NUT		
	4	LV11054-002A	FRONT BASE		D701SB,D701SE,D701SEN
	4	LV11054-004A	FRONT BASE		D702BB,D702BE,D702BEN
	5	LV30227-035A	SPACER	(x2)	D701SB,D701SE,D701SEN
	5	LV30227-036A	SPACER	(x2)	D702BB,D702BE,D702BEN
	6	LV21916-001A	SIDE FITTING(L)		
	7	LV21917-001A	SIDE FITTING(R)		
	8	LV35762-002A	REFLECTOR		
	9	LV21921-001A	SEARING DOOR		D701SB,D701SE,D701SEN
	9	LV21921-002A	SEARING DOOR		D702BB,D702BE,D702BEN
	10	LV21922-003A	DOOR BASE		D701SB,D701SE,D701SEN
	10	LV21922-004A	DOOR BASE		D702BB,D702BE,D702BEN
	11	QZW0020-001	LATCH		
	12	LV35991-001A	FOOT	(x2)	
	13	LV43622-002A	FOOT	(x2)	
	14	QYSBSG3010ZA	TAP SCREW	M3 x 10mm(x2)	
	15	LV35714-001A	SOURCE INDICATO		
	16	LV21918-007A	LIGHT LENS		
	17	LV30225-0P9A	SPACER	(x2)	
	18	LV36119-001A	FRONT LENS		D701SB,D701SE,D701SEN
	18	LV36119-002A	FRONT LENS		D702BB,D702BE,D702BEN
	19	LV30225-0Z9A	SPACER		
	20	LV35713-001A	DISPLAY LENS		D701SB,D701SE,D701SEN
	20	LV35713-003A	DISPLAY LENS		D702BB,D702BE,D702BEN
	21	LV21919-008A	PUSH BUTTON		
	22	LV43381-004A	FILTER	(x2)	
	23	LV21920-001A	LED HOLDER		
	24	LV30225-0L9A	SPACER	(x2)	
	25	LV30227-001A	SPACER		
	26	LV30225-0F4A	SPACER		
	27	QYSBSF2608ZA	TAP SCREW	M2.6 x 8mm(x8)	
	28	QYSBSF2608ZA	TAP SCREW	M2.6 x 8mm(x4)	
	29	LV11051-004A	CHASSIS BASE		
	30	LV11055-002A	FRONT BRACKET		
	31	LV30225-0M7A	SPACER		
	32	QYSBST3005EA	TAP SCREW	M3 x 5mm	
	33	LV30225-0F4A	SPACER		
	34	LV30227-026A	SPACER		
	35	LV30225-071A	SPACER		
	36	LV30225-0F4A	SPACER		
	37	QYSBSG3006ZA	TAP SCREW	M3 x 6mm(x4)	
	39	QYSBSGY3008EA	TAP SCREW	M3 x 8mm(x3)	
	40	QYSBSG3006ZA	TAP SCREW	M3 x 6mm	
	41	QYSBSG3006ZA	TAP SCREW	M3 x 6mm(x6)	
	42	QYSBST3006ZA	TAP SCREW	M3 x 6mm(x2)	
	43	LV43622-002A	FOOT	(x2)	
	44	LV34679-001A	PWB BRACKET		
	45	QYSBST3005EA	TAP SCREW	M3 x 5mm	
	46	LV34682-001A	C.B BRACKET		
	47	QYSBSG3006ZA	TAP SCREW	M3 x 6mm	
	48	LV35719-001A	SUPPORT BRACKET		
	49	LV30225-0F4A	SPACER		
	50	QYSBST3005EA	TAP SCREW	M3 x 5mm	
	51	LV22143-001A	SHIELD CASE(U)		
	52	LV22144-001A	SHIELD CASE(L)		
	53	QYSBSG3006ZA	TAP SCREW	M3 x 6mm	
	54	LV30225-0F9A	SPACER		
	55	LV44563-002A	BARRIER(AMP)		
	56	LV30225-0D4A	SPACER		
	57	LV21923-001A	HEAT SINK		
	58	LV43915-003A	COOLING RUBBER	(x3)	
	59	LV43915-004A	COOLING RUBBER		
	60	QYSBST3005EA	TAP SCREW	M3 x 5mm(x2)	
	61	LV35721-001A	FET BRACKET		
	62	QYSDSG3005EA	TAP SCREW	M3 x 5mm(x3)	
	63	QYSDSG3005EA	TAP SCREW	M3 x 5mm(x2)	
	64	LV30225-0D4A	SPACER		
	65	LV35043-002A	TRANSISTOR HOLD		
	66	QYSBSG3010ZA	TAP SCREW	M3 x 10mm(x2)	
	67	LV35735-001A	TR BRACKET		
	68	LV30225-0F4A	SPACER	(x3)	

△	Symbol No.	Part No.	Part Name	Description	Local
	69	QYSBSG3010ZA	TAP SCREW	M3 x 10mm(x2)	
	70	E68587-223SM	CB BKT	(x3)	
	71	QYSBST3005EA	TAP SCREW	M3 x 5mm(x3)	
	72	QYSBSGY3008EA	TAP SCREW	M3 x 8mm(x4)	
	73	QYSBSG3006ZA	TAP SCREW	M3 x 6mm(x2)	
	74	QYSBSG3006ZA	TAP SCREW	M3 x 6mm(x3)	
	75	QYSBSG3006ZA	TAP SCREW	M3 x 6mm	
	76	QYSBSG3006ZA	TAP SCREW	M3 x 6mm(x4)	
	77	QYSBSG3010ZA	TAP SCREW	M3 x 10mm	
	78	LV44564-001A	BARRIER (PIN)		
	79	LV44156-001A	H/P BRACKET		
	80	QYSBSF2608ZA	TAP SCREW	M2.6 x 8mm(x2)	
	81	LV36782-001A	FAN BRACKET		
	82	LV42501-201A	INSULATOR	(x3)	
	83	LV44543-001A	SPACER	(x3)	
	84	QYSPSGG3012ZA	TAP SCREW	M3 x 12mm(x3)	
	85	QAR0391-001	COOLING FAN		
	86	LV30225-0F4A	SPACER	(x2)	
	87	QYSBSG3030ZA	TAP SCREW	M3 x 30mm(x2)	
	88	QYSBST3005EA	TAP SCREW	M3 x 5mm	
	89	QQR0491-001	FERRITE CORE	TDK (GRAY)	
	90	QQR0491-001	FERRITE CORE	TDK (GRAY)	
	91	QQR0491-001	FERRITE CORE	TDK (GRAY)	
	92	QQR0491-001	FERRITE CORE	TDK (GRAY)	
	93	QQR0491-001	FERRITE CORE	TDK (GRAY)	
	94	QQR0491-001	FERRITE CORE	TDK (GRAY)	
	95	QQR0491-001	FERRITE CORE	TDK (GRAY)	
△	96	QQT0495-002	POWER TRANSF		
	97	QQR0491-001	FERRITE CORE	TDK (GRAY)	
	98	QQR0491-001	FERRITE CORE	TDK (GRAY)	
	99	QQR0491-001	FERRITE CORE	TDK (GRAY)	
	101	E406309-002	SPACER	(x4)	
	102	QYSDSTL4010EA	TAP SCREW	M4 x 10mm(x4)	
	103	LV21924-075A	REAR PANEL		D701SB,D701SE,D701SEN
	103	LV21924-076A	REAR PANEL		D702BB,D702BE,D702BEN
	104	QYSBSGY3008EA	TAP SCREW	M3 x 8mm(x3)	
	105	QYSBSGY3008EA	TAP SCREW	M3 x 8mm(x4)	
	106	QYSBSGY3008EA	TAP SCREW	M3 x 8mm(x7)	
	107	LV44548-001A	SHIELD		
	108	LV30225-0F4A	SPACER		
	109	LV30225-0D4A	SPACER		
	110	QYSBST3006ZA	TAP SCREW	M3 x 6mm	
	111	QYSBSGY3008EA	TAP SCREW	M3 x 8mm(x5)	
	112	QQR0491-001	FERRITE CORE	TDK (GRAY)	
	113	QQR0491-001	FERRITE CORE	TDK (GRAY)	
	114	LV30227-007A	SPACER		
	115	LV30227-038A	SPACER		
	116	LV43400-003A	SHIELD TIGHT	(x2)	
	117	QYSBST3006EA	TAP SCREW	M3 x 6mm(x3)	
	118	QYSBSGY3008EA	TAP SCREW	M3 x 8mm(x2)	
	119	QYSBSGY3008EA	TAP SCREW	M3 x 8mm(x6)	
	120	QAU0347-001	TUNER		
△	121	QMPN160-200-JD	POWER CORD(EU)	2m BLACK	D701SB,D702BB
△	121	QMPK210-205-JN	POWER CORD(EU)	2.05m BLACK	D701SE,D701SEN,D702BE,D702BEN
	122	QZW0033-001	STRAIN RELIEF		
	123	QYSBSGY3008EA	TAP SCREW	M3 x 8mm	
	124	QYSBSGY3008EA	TAP SCREW	M3 x 8mm(x2)	
	125	QAL0705-001	LAN MODULE		
	126	QAM0732-001	COAXIAL CABLE		
	127	LV21925-001A	TOP COVER		D701SB,D701SE,D701SEN
	127	LV21925-002A	TOP COVER		D702BE,D702BEN
	128	LV30227-037A	SPACER		
	129	QYSBSGY3008EA	TAP SCREW	M3 x 8mm(x5)	
	130	LV44339-001A	SPECIAL SCREW		
	131	QYSDSG3008NA	TAP SCREW	M3 x 8mm(x4)	D701SB,D701SE,D701SEN
	131	QYSDSG3008MA	TAP SCREW	M3 x 8mm(x4)	D702BB,D702BE,D702BEN
	132	LV44540-001A	VOLUME SHEET	(x2)	
	133	LV36609-003A	KNOB ASSY	(x2)	D701SB,D701SE,D701SEN
	133	LV36609-004A	KNOB ASSY	(x2)	D702BB,D702BE,D702BEN
△	134	QMF51W2-2R5-J8	FUSE	2.5A AC250V	
△	135	QMF51W2-4R0-J8	FUSE	4A AC250V	
△	136	QMF51W2-4R0-J8	FUSE	4A AC250V	
△	137	QMF5AE2-R10-J1	FUSE	0.1A AC250V	
	138	LV40232-002A	NUMBER LABEL		
	139	LV44315-001A	LABEL		
	140	LV44385-001A	RECYCLE LABEL		
	141	QYSBSG3008EA	TAP SCREW	M3 x 8mm(x9)	
	142	QUQW10-1126BJ-E	FFC WIRE	11pin 26cm	D701SB,D701SE,D701SEN

Symbol No.	Part No.	Part Name	Description	Local
142	QUQ110-1126BJ-E	FFC WIRE	11pin 26cm	D702BB,D702BE,D702BEN
143	QUQW10-0626BJ-E	FFC WIRE	6pin 26cm	D701SB,D701SE,D701SEN
143	QUQ110-0626BJ-E	FFC WIRE	6pin 26cm	D702BB,D702BE,D702BEN
144	QUQW10-0528AJ-E	FFC WIRE	5pin 28cm	D701SB,D701SE,D701SEN
144	QUQ110-0528AJ-E	FFC WIRE	5pin 28cm	D702BB,D702BE,D702BEN
145	QUQQ12-1120CJ-E	FFC WIRE	11pin 20cm	D701SB,D701SE,D701SEN
145	QUQ412-1120CJ-E	FFC WIRE	11pin 20cm	D702BB,D702BE,D702BEN
146	QUQQ12-0520CJ-E	FFC WIRE	5pin 20cm	D701SB,D701SE,D701SEN
146	QUQ412-0520CJ-E	FFC WIRE	5pin 20cm	D702BB,D702BE,D702BEN
147	QUQQ12-1317CJ-E	FFC WIRE	13pin 17cm	D701SB,D701SE,D701SEN
147	QUQ412-1317CJ-E	FFC WIRE	13pin 17cm	D702BB,D702BE,D702BEN
148	QUQQ12-2020CJ-E	FFC WIRE	20pin 20cm	
149	QUQQ12-0816CJ-E	FFC WIRE	8pin 16cm	
150	E409396-003	CAUTION LABEL		
151	LV43550-004A	LABEL		



# Electrical parts list

## Front board

Block No. [0][1]					Symbol No.	Part No.	Part Name	Description	Local
Symbol No.	Part No.	Part Name	Description	Local					
					D1172	1SS133-T2	SI DIODE		
					D1173	1SS133-T2	SI DIODE		
					D1174	1SS133-T2	SI DIODE		
	PW12	QUB111-15DMPP-E	SIN CR C-B WIRE		C121	QCFB1HZ-474Y	C CAPACITOR	0.47uF 50V Z	
	PW13	QUB220-14DMHP-E	SNAPIN-RING WIR		C241	NCB31CK-104X	C CAPACITOR	0.1uF 16V K	
	PW901	QUB224-14DMHP-E	SIN TWIST WIRE		C242	NDC31HJ-471X	C CAPACITOR	470pF 50V J	
	PW902	QUB226-20DMHP-E	SIN TWIST WIRE		C243	NDC31HJ-471X	C CAPACITOR	470pF 50V J	
	PW911	QUB224-18DMHP-E	SIN TWIST WIRE		C244	NDC31HJ-471X	C CAPACITOR	470pF 50V J	
	PW913	QUB223-16HPPH-E	SIN TWIST WIRE		C245	NDC31HJ-471X	C CAPACITOR	470pF 50V J	
	PW915	QUB223-16HPPH-E	SIN TWIST WIRE		C246	NCB31CK-104X	C CAPACITOR	0.1uF 16V K	
					C247	NDC31HJ-101X	C CAPACITOR	100pF 50V J	
	IC111	NJM2125F-X	IC		C248	NDC31HJ-101X	C CAPACITOR	100pF 50V J	
	IC112	NJM2403M-X	IC		C249	NCB31CK-104X	C CAPACITOR	0.1uF 16V K	
	IC113	SN74HC00ANS-X	IC		C341	NCB31CK-104X	C CAPACITOR	0.1uF 16V K	
	IC115	SN74HC74ANS-X	IC		C441	QETN1EM-107Z	E CAPACITOR	100uF 25V M	
	△ IC121	KIA7805API	IC		C442	QETN1EM-107Z	E CAPACITOR	100uF 25V M	
	IC211	SN74HCU04ANS-X	IC		C443	QETN1VM-107Z	E CAPACITOR	100uF 35V M	
	IC212	SN74HC00ANS-X	IC		C901	NCB31HK-103X	C CAPACITOR	0.01uF 50V K	
	IC213	SN74HC08NS-X	IC		C902	NCB31HK-103X	C CAPACITOR	0.01uF 50V K	
	IC214	SN74HC74ANS-X	IC		C903	NCB31HK-103X	C CAPACITOR	0.01uF 50V K	
	IC901	MN101C35DMF	IC		C904	NCB31HK-103X	C CAPACITOR	0.01uF 50V K	
	IC902	GP1UM281XKVF	IR DETECT UNIT		C905	NCB31HK-103X	C CAPACITOR	0.01uF 50V K	
					C906	QCZ0202-155Z	C CAPACITOR	1.5uF 25V Z	
	△ Q441	2SD2394/EF/	TRANSISTOR		C907	QEKC0JM-227Z	E CAPACITOR	220uF 6.3V M	
	△ Q444	KTA1046/Y/	TRANSISTOR		C908	QEKC0JM-107Z	E CAPACITOR	100uF 6.3V M	
	Q445	2SC2812N/6/-X	TRANSISTOR		C909	QEKC1HM-475Z	E CAPACITOR	4.7uF 50V M	
	Q901	KRC107S-X	DIGI TRANSISTOR		C910	QER61HM-475Z	E CAPACITOR	4.7uF 50V M	
	Q903	KRA114S-X	TRANSISTOR		C911	QEKC1HM-475Z	E CAPACITOR	4.7uF 50V M	
	Q910	KRC107S-X	DIGI TRANSISTOR		C912	NCF31CZ-104X	C CAPACITOR	0.1uF 16V Z	
	Q911	KRA114S-X	TRANSISTOR		C913	NCF31CZ-104X	C CAPACITOR	0.1uF 16V Z	
	Q920	KRC107S-X	DIGI TRANSISTOR		C914	NCF31CZ-104X	C CAPACITOR	0.1uF 16V Z	
	Q921	KRA114S-X	TRANSISTOR		C915	NCF31CZ-104X	C CAPACITOR	0.1uF 16V Z	
	Q922	KRA114S-X	TRANSISTOR		C918	NCB31CK-104X	C CAPACITOR	0.1uF 16V K	
	Q923	KRA107S-X	DIGI TRANSISTOR		C921	NCB31HK-102X	C CAPACITOR	1000pF 50V K	
	Q924	KRA107S-X	DIGI TRANSISTOR		C925	NDC31HJ-331X	C CAPACITOR	330pF 50V J	
	Q925	KRA107S-X	DIGI TRANSISTOR		C926	NDC31HJ-331X	C CAPACITOR	330pF 50V J	
	Q926	KRA107S-X	DIGI TRANSISTOR		C927	NDC31HJ-331X	C CAPACITOR	330pF 50V J	
	Q1001	KRC105S-X	DIGI TRANSISTOR		C928	NDC31HJ-331X	C CAPACITOR	330pF 50V J	
	Q1103	KTA1268/GL/-T	TRANSISTOR		C929	NCB31HK-103X	C CAPACITOR	0.01uF 50V K	
	Q1151	KRC102S-X	DIGI TRANSISTOR		C931	NCB31EK-104X	C CAPACITOR	0.1uF 25V K	
	Q1152	KRC102S-X	DIGI TRANSISTOR		C932	NCB31EK-104X	C CAPACITOR	0.1uF 25V K	
	Q1171	KTC3875/YG/-X	SI TRANSISTOR		C933	NCB31EK-104X	C CAPACITOR	0.1uF 25V K	
	Q1172	KRC102S-X	DIGI TRANSISTOR		C934	NCB31EK-104X	C CAPACITOR	0.1uF 25V K	
	Q1173	KTA1504/YG/-X	SI TRANSISTOR		C935	NCB31HK-103X	C CAPACITOR	0.01uF 50V K	
	Q1174	KTC3875/YG/-X	SI TRANSISTOR		C936	NCB31HK-103X	C CAPACITOR	0.01uF 50V K	
	Q1177	KRC102S-X	DIGI TRANSISTOR		C981	QEKC0JM-227Z	E CAPACITOR	220uF 6.3V M	
					C982	QEKC0JM-227Z	E CAPACITOR	220uF 6.3V M	
	D241	1SS133-T2	SI DIODE		C983	QEKC0JM-227Z	E CAPACITOR	220uF 6.3V M	
	D242	1SS133-T2	SI DIODE		C984	QEKC0JM-227Z	E CAPACITOR	220uF 6.3V M	
	D341	UDZS2.7B-X	Z DIODE		C985	NCB31EK-104X	C CAPACITOR	0.1uF 25V K	
	D441	MTZJ20C-T2	Z DIODE		△ C1001	QCZ9104-472	C CAPACITOR	470pF	
	D442	MTZJ24B-T2	Z DIODE		△ C1002	QFZ9075-224	MPP CAPACITOR	0.22uF AC275V M	
	D444	MTZJ11C-T2	Z DIODE		△ C1003	QCZ9079-102	C CAPACITOR	1000pF AC250V M	
	D907	SLR-343VC-T	LED		△ C1004	QCZ9079-102	C CAPACITOR	1000pF AC250V M	
	D908	SELU2E10C-P	LED		C1151	QETN1EM-476Z	E CAPACITOR	47uF 25V M	
	D909	SELU2E10C-P	LED		C1152	NCB31CK-105X	C CAPACITOR	1uF 16V K	
	D910	1N4448WS-X	SI DIODE		C1153	NCB31CK-105X	C CAPACITOR	1uF 16V K	
	D911	SELU2E10C-P	LED		C1154	NDC31HJ-101X	C CAPACITOR	100pF 50V J	
	D912	SELU2E10C-P	LED		C1155	NCB31CK-105X	C CAPACITOR	1uF 16V K	
	D913	SELU2E10C-P	LED		C1156	NDC31HJ-101X	C CAPACITOR	100pF 50V J	
	D914	SELU2E10C-P	LED		C1157	NCB31CK-104X	C CAPACITOR	0.1uF 16V K	
	D916	SLR-343VC-T	LED		C1158	NCB31CK-104X	C CAPACITOR	0.1uF 16V K	
	D917	SLR-343VC-T	LED		C1159	NCB31HK-821X	C CAPACITOR	820pF 50V K	
	D918	SLR-343VC-T	LED		C1172	NCB31HK-102X	C CAPACITOR	1000pF 50V K	
	D919	SLR-343VC-T	LED		C1173	NCB31HK-103X	C CAPACITOR	0.01uF 50V K	
	D920	SLR-343VC-T	LED		C1174	QETN1CM-107Z	E CAPACITOR	100uF 16V M	
	D921	SLR-343VC-T	LED		C1181	NCB31HK-103X	C CAPACITOR	0.01uF 50V K	
	D922	SLR-343VC-T	LED		C1182	QETN1CM-107Z	E CAPACITOR	100uF 16V M	
	D923	SLR-343VC-T	LED		C1583	NCB31HK-222X	C CAPACITOR	2200pF 50V K	
	D1001	1SS133-T2	SI DIODE						
	D1151	1SS133-T2	SI DIODE		R241	NRSA63J-105X	MG RESISTOR	1MΩ 1/16W J	
	D1152	1SS133-T2	SI DIODE		R242	NRSA63J-562X	MG RESISTOR	5.6kΩ 1/16W J	
	D1153	1SS133-T2	SI DIODE		R243	NRSA63J-105X	MG RESISTOR	1MΩ 1/16W J	
	D1154	UDZS2.7B-X	Z DIODE		R244	NRSA63J-562X	MG RESISTOR	5.6kΩ 1/16W J	
	D1155	1SS133-T2	SI DIODE		R245	NRSA63J-101X	MG RESISTOR	100Ω 1/16W J	

△ Symbol No.	Part No.	Part Name	Description	Local	△ Symbol No.	Part No.	Part Name	Description	Local
R246	NRSA63J-222X	MG RESISTOR	2.2kΩ 1/16W J		R1170	NRSA63J-102X	MG RESISTOR	1kΩ 1/16W J	
R247	NRSA63J-222X	MG RESISTOR	2.2kΩ 1/16W J		R1172	NRSA02J-472X	MG RESISTOR	4.7kΩ 1/10W J	
R341	NRSA63J-102X	MG RESISTOR	1kΩ 1/16W J		R1173	NRSA63J-103X	MG RESISTOR	10kΩ 1/16W J	
R342	NRSA63J-222X	MG RESISTOR	2.2kΩ 1/16W J		R1174	NRSA63J-103X	MG RESISTOR	10kΩ 1/16W J	
△ R441	QRK126J-4R7X	UNF C RESISTOR	4.7Ω 1/2W J		R1175	NRSA63J-222X	MG RESISTOR	2.2kΩ 1/16W J	
△ R442	QRK126J-362X	UNF C RESISTOR	3.6kΩ 1/2W J		R1176	NRSA63J-473X	MG RESISTOR	47kΩ 1/16W J	
R443	NRSA63J-681X	MG RESISTOR	680Ω 1/16W J		R1178	NRSA63J-101X	MG RESISTOR	100Ω 1/16W J	
△ R444	QRJ146J-182X	UNF C RESISTOR	1.8kΩ 1/4W J		R1179	NRSA63F-332X	MG RESISTOR	3.3kΩ 1/16W F	
R901	NRSA63J-103X	MG RESISTOR	10kΩ 1/16W J		R1180	NRSA63J-133X	MG RESISTOR	13kΩ 1/16W J	
R902	NRSA63J-102X	MG RESISTOR	1kΩ 1/16W J		R1181	NRSA63J-473X	MG RESISTOR	47kΩ 1/16W J	
R903	NRSA63J-102X	MG RESISTOR	1kΩ 1/16W J		R1575	NRSA63J-0R0X	MG RESISTOR	0Ω 1/16W J	
R904	NRSA63J-103X	MG RESISTOR	10kΩ 1/16W J		△ T102	QQT0478-002	POWER TRANSF		
R905	NRSA63J-102X	MG RESISTOR	1kΩ 1/16W J		BK901	LV34673-001A	FL HOLDER(L)		
R906	NRSA63J-102X	MG RESISTOR	1kΩ 1/16W J		BK902	LV34687-001A	FL HOLDER(R)		
R907	NRSA63J-122X	MG RESISTOR	1.2kΩ 1/16W J		CN120	QGA7901C1-02	CONNECTOR	W-B (1-2)	
R908	NRSA63J-103X	MG RESISTOR	10kΩ 1/16W J		CN151	QGB2510K1-12	CONNECTOR	B-B (1-12)	
R909	NRSA63J-102X	MG RESISTOR	1kΩ 1/16W J		CN202	QJK002-071802-E	SIN CR C-B WIRE		
R910	NRSA63J-102X	MG RESISTOR	1kΩ 1/16W J		CN206	WJK0208-002A-E	E-SI C WIRE C-B		
R911	NRSA63J-103X	MG RESISTOR	10kΩ 1/16W J		CN211	QJK012-034003-E	SIN CR C-B WIRE		
R912	NRSA63J-102X	MG RESISTOR	1kΩ 1/16W J		CN524	QGA2501C1-02	CONNECTOR	W-B (1-2)	
R913	NRSA63J-102X	MG RESISTOR	1kΩ 1/16W J		CN902	QGF1205F2-05	CONNECTOR	FFC/FCP (1-5)	
R914	NRSA63J-122X	MG RESISTOR	1.2kΩ 1/16W J		CN903	QJK021-070802-E	SIN CR C-B		
R919	NRSA63J-103X	MG RESISTOR	10kΩ 1/16W J		CN913	QGA2001F1-07	CONNECTOR	W-B (1-7)	
R920	NRSA63J-102X	MG RESISTOR	1kΩ 1/16W J		CN914	QGA2001F1-03	CONNECTOR	W-B (1-3)	
R921	NRSA63J-102X	MG RESISTOR	1kΩ 1/16W J		CN952	QJK021-124402-E	SIN CR C-B WIRE		
R927	NRSA63J-241X	MG RESISTOR	240Ω 1/16W J		DI901	QLF0157-001	FL TUBE		
R928	NRSA63J-241X	MG RESISTOR	240Ω 1/16W J		EP151	QNZ0136-001Z	EARTH PLATE		
R929	NRSA63J-331X	MG RESISTOR	330Ω 1/16W J		△ FC103	QNG0020-001Z	FUSE CLIP		
R930	NRSA63J-221X	MG RESISTOR	220Ω 1/16W J		△ FC104	QNG0020-001Z	FUSE CLIP		
R931	NRSA63J-103X	MG RESISTOR	10kΩ 1/16W J		△ FC113	QNG0020-001Z	FUSE CLIP		
R932	NRSA63J-103X	MG RESISTOR	10kΩ 1/16W J		△ FC114	QNG0020-001Z	FUSE CLIP		
R933	NRSA63J-103X	MG RESISTOR	10kΩ 1/16W J		FS900	VYSH101-009	SPACER		
R935	NRSA63J-103X	MG RESISTOR	10kΩ 1/16W J		FS901	VYSH101-009	SPACER		
R936	NRSA63J-221X	MG RESISTOR	220Ω 1/16W J		FS913	VYSH101-009	SPACER		
R937	NRSA63J-221X	MG RESISTOR	220Ω 1/16W J		FS914	VYSH101-009	SPACER		
R938	NRSA63J-221X	MG RESISTOR	220Ω 1/16W J		FW121	WJS0042-001A-E	E-FL/RB WIRE		
R939	NRSA63J-221X	MG RESISTOR	220Ω 1/16W J		J504	QNN0545-002	SURROUND JACK		
R940	NRSA63J-221X	MG RESISTOR	220Ω 1/16W J		JS901	QSW1129-001	ROTARY ENCODER		
R941	NRSA63J-221X	MG RESISTOR	220Ω 1/16W J		JS902	QSW1129-001	ROTARY ENCODER		
R942	NRSA63J-221X	MG RESISTOR	220Ω 1/16W J		△ RY101	QSK0128-001	RELAY		
R943	NRSA63J-221X	MG RESISTOR	220Ω 1/16W J		S901	QSW0683-001Z	PUSH SW		
R944	NRSA63J-221X	MG RESISTOR	220Ω 1/16W J		S902	QSW0683-001Z	PUSH SW		
R947	NRSA63J-102X	MG RESISTOR	1kΩ 1/16W J		S903	QSW0683-001Z	PUSH SW		
R948	NRSA63J-102X	MG RESISTOR	1kΩ 1/16W J		S904	QSW0683-001Z	PUSH SW		
R949	NRSA63J-102X	MG RESISTOR	1kΩ 1/16W J		S905	QSW0683-001Z	PUSH SW		
R950	NRSA63J-102X	MG RESISTOR	1kΩ 1/16W J		S906	QSW0683-001Z	PUSH SW		
R953	NQR0389-003X	FERRITE BEADS			X241	QAX0734-001	C RESONATOR	400.00kHz	
R954	NQR0389-003X	FERRITE BEADS			X242	QAX0735-001	C RESONATOR	420.00kHz	
R955	NRSA63J-0R0X	MG RESISTOR	0Ω 1/16W J		X901	QAX0246-001Z	C RESONATOR	8.00MHz	
R956	NRSA63J-0R0X	MG RESISTOR	0Ω 1/16W J						
R957	NRSA63J-681X	MG RESISTOR	680Ω 1/16W J						
R983	NRSA63J-241X	MG RESISTOR	240Ω 1/16W J						
R985	NRSA63J-241X	MG RESISTOR	240Ω 1/16W J						
R987	NRSA63J-241X	MG RESISTOR	240Ω 1/16W J						
R989	NRSA63J-241X	MG RESISTOR	240Ω 1/16W J						
R991	NRSA63J-151X	MG RESISTOR	150Ω 1/16W J						
R992	NRSA63J-301X	MG RESISTOR	300Ω 1/16W J						
R996	NRSA63J-0R0X	MG RESISTOR	0Ω 1/16W J						
R997	NRSA63J-0R0X	MG RESISTOR	0Ω 1/16W J						
△ R1002	QRZ9037-335	COMP RESISTOR	3.3MΩ 1/2W K						
R1114	NRSA63J-821X	MG RESISTOR	820Ω 1/16W J						
R1151	NRSA63J-222X	MG RESISTOR	2.2kΩ 1/16W J		△ IC101	IRS2011S-X	IC		
R1152	NRSA63J-362X	MG RESISTOR	3.6kΩ 1/16W J		△ IC151	KIA7805API	IC		
R1153	NRSA63F-182X	MG RESISTOR	1.8kΩ 1/16W F		△ IC152	KIA7809API	IC		
R1154	NRSA63F-332X	MG RESISTOR	3.3kΩ 1/16W F		△ IC153	KIA7805API	IC		
R1155	NRSA63J-223X	MG RESISTOR	22kΩ 1/16W J		IC201	JCV8015-X	IC		
R1156	NRSA63J-124X	MG RESISTOR	120kΩ 1/16W J		IC202	SN74LVC3G04T-X	IC		
R1157	NRSA63J-103X	MG RESISTOR	10kΩ 1/16W J		△ IC251	IRS20124S-X	IC		
R1158	NRSA63J-681X	MG RESISTOR	680Ω 1/16W J		△ IC261	IRS20124S-X	IC		
R1159	NRSA63J-103X	MG RESISTOR	10kΩ 1/16W J		IC301	JCV8015-X	IC		
R1160	NRSA63J-102X	MG RESISTOR	1kΩ 1/16W J		IC302	SN74LVC3G04T-X	IC		
R1161	NRSA63J-105X	MG RESISTOR	1MΩ 1/16W J		△ IC351	IRS20124S-X	IC		
R1162	NRSA63J-102X	MG RESISTOR	1kΩ 1/16W J		△ IC361	IRS20124S-X	IC		
R1163	NRSA63J-331X	MG RESISTOR	330Ω 1/16W J		IC401	JCV8015-X	IC		
R1164	NRSA63J-473X	MG RESISTOR	47kΩ 1/16W J		△ IC451	IRS20124S-X	IC		
R1165	NRSA63J-332X	MG RESISTOR	3.3kΩ 1/16W J		△ IC461	IRS20124S-X	IC		
R1166	NRSA63J-471X	MG RESISTOR	470Ω 1/16W J		IC801	JCV8015-X	IC		
R1169	NRSA63J-332X	MG RESISTOR	3.3kΩ 1/16W J		△ IC851	IRS20124S-X	IC		

## Amplifier board

Block No. [0][2]

△ Symbol No.	Part No.	Part Name	Description	Local
△ IC101	IRS2011S-X	IC		
△ IC151	KIA7805API	IC		
△ IC152	KIA7809API	IC		
△ IC153	KIA7805API	IC		
IC201	JCV8015-X	IC		
IC202	SN74LVC3G04T-X	IC		
△ IC251	IRS20124S-X	IC		
△ IC261	IRS20124S-X	IC		
IC301	JCV8015-X	IC		
IC302	SN74LVC3G04T-X	IC		
△ IC351	IRS20124S-X	IC		
△ IC361	IRS20124S-X	IC		
IC401	JCV8015-X	IC		
△ IC451	IRS20124S-X	IC		
△ IC461	IRS20124S-X	IC		
IC801	JCV8015-X	IC		
△ IC851	IRS20124S-X	IC		

△ Symbol No.	Part No.	Part Name	Description	Local	△ Symbol No.	Part No.	Part Name	Description	Local
	Q101	KTD863/Y/-T	TRANSISTOR		D153	MTZJ13B-T2	Z DIODE		
△	Q102	KTA1046/Y/	TRANSISTOR		D154	MTZJ8.2A-T2	Z DIODE		
	Q103	KTC3200/GL/-T	TRANSISTOR		D156	MTZJ8.2C-T2	Z DIODE		
	Q151	KRA102S-X	DIGI TRANSISTOR		D157	MTZJ8.2C-T2	Z DIODE		
	Q152	KRC102S-X	DIGI TRANSISTOR		D158	MTZJ7.5A-T2	Z DIODE		
△	Q153	2SD2394/EF/	TRANSISTOR		D159	MTZJ6.2C-T2	Z DIODE		
	Q154	KRC102S-X	DIGI TRANSISTOR		△	D161	1A3G-T1	SI DIODE	
	Q155	2SC1740S/RS/-T	TRANSISTOR		△	D162	1A3G-T1	SI DIODE	
	Q156	2SC1740S/RS/-T	TRANSISTOR		D171	MTZJ13B-T2	Z DIODE		
△	Q157	2SD2394/EF/	TRANSISTOR		D172	MTZJ13B-T2	Z DIODE		
△	Q158	KTA1046/Y/	TRANSISTOR		D211	1SS244-T2	SI DIODE		
	Q161	KRC111S-X	TRANSISTOR		D221	1SS133-T2	SI DIODE		
	Q162	KRC111S-X	TRANSISTOR		D222	MTZJ16B-T2	Z DIODE		
	Q163	KRC111S-X	TRANSISTOR		D251	1SS244-T2	SI DIODE		
△	Q171	2SD2394/EF/	TRANSISTOR		D281	1SS133-T2	SI DIODE		
△	Q172	2SD2394/EF/	TRANSISTOR		D300	MA111-X	SI DIODE		
△	Q174	2SD2394/EF/	TRANSISTOR		D311	1SS244-T2	SI DIODE		
△	Q175	2SD2394/EF/	TRANSISTOR		D351	1SS244-T2	SI DIODE		
△	Q176	2SD2394/EF/	TRANSISTOR		D411	1SS244-T2	SI DIODE		
△	Q177	2SD2394/EF/	TRANSISTOR		D451	1SS244-T2	SI DIODE		
	Q201	KTA1268/GL/-T	TRANSISTOR		D811	1SS244-T2	SI DIODE		
	Q211	KTC3875/YG/-X	SI TRANSISTOR		D851	1SS244-T2	SI DIODE		
	Q214	KRC102M-T	DIGI TRANSISTOR		△	D1101	30PRA20-FC	SI DIODE	
	Q251	KTA1504/YG/-X	SI TRANSISTOR		△	D1102	30PRA20-FC	SI DIODE	
△	Q261	IRFB4212	FET		△	D1103	30PRA20-FC	SI DIODE	
△	Q262	IRFB4212	FET		△	D1104	30PRA20-FC	SI DIODE	
	Q281	KRC109M-T	DIGI TRANSISTOR		△	D1107	FMB-G19L	SB DIODE	
	Q282	KRA102M-T	DIGI TRANSISTOR		△	D1108	FMB-G19L	SB DIODE	
	Q283	KTC3200/GL/-T	TRANSISTOR		D1109	1SS133-T2	SI DIODE		
	Q284	KTA1268/GL/-T	TRANSISTOR		D1110	1SS133-T2	SI DIODE		
	Q285	KTC3199/GL/-T	TRANSISTOR		D1111	1SS133-T2	SI DIODE		
	Q286	KRC102M-T	DIGI TRANSISTOR		D1171	1SS133-T2	SI DIODE		
	Q301	KTA1268/GL/-T	TRANSISTOR		D1211	1SS244-T2	SI DIODE		
	Q351	KTA1504/YG/-X	SI TRANSISTOR		D1251	1SS244-T2	SI DIODE		
△	Q361	IRFB4212	FET		D1311	1SS244-T2	SI DIODE		
△	Q362	IRFB4212	FET		D1351	1SS244-T2	SI DIODE		
	Q401	KTA1268/GL/-T	TRANSISTOR		D1411	1SS244-T2	SI DIODE		
	Q451	KTA1504/YG/-X	SI TRANSISTOR		D1451	1SS244-T2	SI DIODE		
△	Q461	IRFB4212	FET		C101	QFLC2AJ-472Z	M CAPACITOR	4700pF 100V J	
△	Q462	IRFB4212	FET		C102	QETM1EM-108	E CAPACITOR	1000uF 25V M	
	Q801	KTA1268/GL/-T	TRANSISTOR		C103	NCB31HK-472X	C CAPACITOR	4700pF 50V K	
	Q851	KTA1504/YG/-X	SI TRANSISTOR		C104	QETN1CM-477Z	E CAPACITOR	470uF 16V M	
△	Q861	IRFB4212	FET		C105	NCZ1061-104X	C CAPACITOR	0.1uF	
△	Q862	IRFB4212	FET		C106	NCZ1061-104X	C CAPACITOR	0.1uF	
△	Q1101	2SK3599-01MR	POWER MOS FET		C107	NCZ1061-104X	C CAPACITOR	0.1uF	
△	Q1102	2SK3599-01MR	POWER MOS FET		C108	QFLC1HJ-473Z	M CAPACITOR	0.047uF 50V J	
	Q1104	KTA1268/GL/-T	TRANSISTOR		C109	QFLC1HJ-473Z	M CAPACITOR	0.047uF 50V J	
	Q1201	KTA1268/GL/-T	TRANSISTOR		C110	QETN1HM-227Z	E CAPACITOR	220uF 50V M	
	Q1251	KTA1504/YG/-X	SI TRANSISTOR		C111	QETN1JM-107Z	E CAPACITOR	100uF 63V M	
△	Q1261	IRFB4212	FET		C112	QETN1HM-226Z	E CAPACITOR	22uF 50V M	
△	Q1262	IRFB4212	FET		C113	QETN1HM-226Z	E CAPACITOR	22uF 50V M	
	Q1301	KTA1268/GL/-T	TRANSISTOR		C114	QETN1HM-105Z	E CAPACITOR	1uF 50V M	
	Q1351	KTA1504/YG/-X	SI TRANSISTOR		C151	QEZ0774-688	E CAPACITOR	6800uF	
△	Q1361	IRFB4212	FET		C152	QETM1EM-338	E CAPACITOR	3300uF 25V M	
△	Q1362	IRFB4212	FET		C153	NCB31HK-103X	C CAPACITOR	0.01uF 50V K	
	Q1401	KTA1268/GL/-T	TRANSISTOR		C154	QETN1CM-107Z	E CAPACITOR	100uF 16V M	
	Q1451	KTA1504/YG/-X	SI TRANSISTOR		C155	NCB31HK-103X	C CAPACITOR	0.01uF 50V K	
△	Q1461	IRFB4212	FET		C156	QETN1EM-107Z	E CAPACITOR	100uF 25V M	
△	Q1462	IRFB4212	FET		C157	QETN1HM-106Z	E CAPACITOR	10uF 50V M	
					C158	NCB31HK-103X	C CAPACITOR	0.01uF 50V K	
△	D101	1A3G-T1	SI DIODE		C159	QETN1CM-107Z	E CAPACITOR	100uF 16V M	
△	D102	1A3G-T1	SI DIODE		C160	QETN1CM-107Z	E CAPACITOR	100uF 16V M	
△	D103	1A3G-T1	SI DIODE		C161	QETN1CM-477Z	E CAPACITOR	470uF 16V M	
△	D104	1A3G-T1	SI DIODE		C162	QETN1CM-107Z	E CAPACITOR	100uF 16V M	
	D106	MTZJ6.2B-T2	Z DIODE		C163	QETN1CM-477Z	E CAPACITOR	470uF 16V M	
△	D107	1A3G-T1	SI DIODE		C164	NCB31HK-222X	C CAPACITOR	2200pF 50V K	
△	D108	1A3G-T1	SI DIODE		C165	QETN1CM-107Z	E CAPACITOR	100uF 16V M	
△	D111	10DDA20-FD	DIODE		C166	QETN1CM-477Z	E CAPACITOR	470uF 16V M	
△	D112	10DDA20-FD	DIODE		C167	NCB31HK-222X	C CAPACITOR	2200pF 50V K	
△	D113	1A3G-T1	SI DIODE		C168	QETN1CM-107Z	E CAPACITOR	100uF 16V M	
△	D114	1A3G-T1	SI DIODE		C169	QETN1CM-477Z	E CAPACITOR	470uF 16V M	
△	D115	1A3G-T1	SI DIODE		C173	QETN1HM-105Z	E CAPACITOR	1uF 50V M	
	D116	MTZJ36C-T2	Z DIODE		C174	QETN1HM-106Z	E CAPACITOR	10uF 50V M	
	D117	MTZJ8.2C-T2	Z DIODE		C175	QETN1HM-105Z	E CAPACITOR	1uF 50V M	
△	D119	UF304G-F82	FR DIOAE		C176	QETN1HM-106Z	E CAPACITOR	10uF 50V M	
△	D120	UF304G-F82	FR DIOAE		C201	QEKC1HM-106Z	E CAPACITOR	10uF 50V M	
	D152	1SS133-T2	SI DIODE		C202	NCB31HK-471X	C CAPACITOR	470pF 50V K	

△ Symbol No.	Part No.	Part Name	Description	Local	△ Symbol No.	Part No.	Part Name	Description	Local
C203	QEKC1HM-106Z	E CAPACITOR	10uF 50V M		C402	NCB31HK-471X	C CAPACITOR	470pF 50V K	
C204	NCB31HK-222X	C CAPACITOR	2200pF 50V K		C403	QEKC1HM-106Z	E CAPACITOR	10uF 50V M	
C205	NCB31HK-222X	C CAPACITOR	2200pF 50V K		C404	NCB31HK-222X	C CAPACITOR	2200pF 50V K	
C207	NCB31HK-222X	C CAPACITOR	2200pF 50V K		C405	NCB31HK-222X	C CAPACITOR	2200pF 50V K	
C208	NCB31AK-105X	C CAPACITOR	1uF 10V K		C407	NCB31HK-222X	C CAPACITOR	2200pF 50V K	
C209	NDC31HG-101X	C CAPACITOR	100pF 50V G		C408	NCB31AK-105X	C CAPACITOR	1uF 10V K	
C210	NCB31CK-105X	C CAPACITOR	1uF 16V K		C409	NDC31HG-101X	C CAPACITOR	100pF 50V G	
C211	NDC31HJ-101X	C CAPACITOR	100pF 50V J		C410	NCB31CK-105X	C CAPACITOR	1uF 16V K	
C212	NCB31HK-471X	C CAPACITOR	470pF 50V K		C411	NDC31HJ-101X	C CAPACITOR	100pF 50V J	
C213	NDC31HJ-101X	C CAPACITOR	100pF 50V J		C413	NDC31HJ-101X	C CAPACITOR	100pF 50V J	
C222	NCB31CK-105X	C CAPACITOR	1uF 16V K		C422	NCB31CK-105X	C CAPACITOR	1uF 16V K	
C223	QEKC1CM-107Z	E CAPACITOR	100uF 16V M		C423	QEKC1CM-107Z	E CAPACITOR	100uF 16V M	
C224	QEKC1CM-107Z	E CAPACITOR	100uF 16V M		C424	QEKC1CM-107Z	E CAPACITOR	100uF 16V M	
C225	NCB31CK-104X	C CAPACITOR	0.1uF 16V K		C425	NCB31CK-104X	C CAPACITOR	0.1uF 16V K	
C226	NCB31CK-104X	C CAPACITOR	0.1uF 16V K		C426	NCB31CK-104X	C CAPACITOR	0.1uF 16V K	
C227	QEKC1CM-107Z	E CAPACITOR	100uF 16V M		C431	QEKC1CM-107Z	E CAPACITOR	100uF 16V M	
C231	QEKC1CM-107Z	E CAPACITOR	100uF 16V M		C432	NDC31HJ-330X	C CAPACITOR	33pF 50V J	
C232	NDC31HJ-330X	C CAPACITOR	33pF 50V J		C451	NCB31HK-102X	C CAPACITOR	1000pF 50V K	
C251	NCB31HK-102X	C CAPACITOR	1000pF 50V K		C452	NCB31CK-105X	C CAPACITOR	1uF 16V K	
C252	NCB31CK-105X	C CAPACITOR	1uF 16V K		C453	NCB21EK-334X	C CAPACITOR	0.33uF 25V K	
C253	NCB21EK-334X	C CAPACITOR	0.33uF 25V K		C454	NDC31HJ-101X	C CAPACITOR	100pF 50V J	
C254	NDC31HJ-101X	C CAPACITOR	100pF 50V J		C463	NCZ1061-104X	C CAPACITOR	0.1uF	
C263	NCZ1061-104X	C CAPACITOR	0.1uF		C464	NCB31HK-102X	C CAPACITOR	1000pF 50V K	
C264	NCB31HK-102X	C CAPACITOR	1000pF 50V K		C465	NCB31HK-102X	C CAPACITOR	1000pF 50V K	
C265	NCB31HK-102X	C CAPACITOR	1000pF 50V K		C466	NCB31HK-102X	C CAPACITOR	1000pF 50V K	
C266	NCB31HK-102X	C CAPACITOR	1000pF 50V K		C467	NCB31HK-102X	C CAPACITOR	1000pF 50V K	
C267	NCB31HK-102X	C CAPACITOR	1000pF 50V K		C468	QFKC2AJ-155Z	MM CAPACITOR	1.5uF 100V J	
C268	QFKC2AJ-155Z	MM CAPACITOR	1.5uF 100V J		C469	QFVM2AJ-104Z	MF CAPACITOR	0.1uF 100V J	
C269	QFVM2AJ-104Z	MF CAPACITOR	0.1uF 100V J		C470	NCB31HK-102X	C CAPACITOR	1000pF 50V K	
C270	NCB31HK-102X	C CAPACITOR	1000pF 50V K		C471	NCZ1061-104X	C CAPACITOR	0.1uF	
C271	NCZ1061-104X	C CAPACITOR	0.1uF		C472	NCZ1061-104X	C CAPACITOR	0.1uF	
C272	NCZ1061-104X	C CAPACITOR	0.1uF		C473	QETN1JM-227Z	E CAPACITOR	220uF 63V M	
C273	QETN1JM-227Z	E CAPACITOR	220uF 63V M		C474	QETN1JM-227Z	E CAPACITOR	220uF 63V M	
C274	QETN1JM-227Z	E CAPACITOR	220uF 63V M		C475	QETN2AM-106Z	E CAPACITOR	10uF 100V M	
C275	QETN2AM-106Z	E CAPACITOR	10uF 100V M		C476	QETN1EM-476Z	E CAPACITOR	47uF 25V M	
C276	QETN1EM-476Z	E CAPACITOR	47uF 25V M		C477	NCB31HK-102X	C CAPACITOR	1000pF 50V K	
C277	NCB31HK-102X	C CAPACITOR	1000pF 50V K		C801	QEKC1HM-106Z	E CAPACITOR	10uF 50V M	
C281	NCB31HK-103X	C CAPACITOR	0.01uF 50V K		C802	NCB31HK-471X	C CAPACITOR	470pF 50V K	
C282	QETN1EM-476Z	E CAPACITOR	47uF 25V M		C803	QEKC1HM-106Z	E CAPACITOR	10uF 50V M	
C283	QETN1HM-106Z	E CAPACITOR	10uF 50V M		C804	NCB31HK-222X	C CAPACITOR	2200pF 50V K	
C284	NCF31CZ-474X	C CAPACITOR	0.47uF 16V Z		C805	NCB31HK-222X	C CAPACITOR	2200pF 50V K	
C285	QETN1HM-106Z	E CAPACITOR	10uF 50V M		C807	NCB31HK-222X	C CAPACITOR	2200pF 50V K	
C301	QEKC1HM-106Z	E CAPACITOR	10uF 50V M		C808	NCB31AK-105X	C CAPACITOR	1uF 10V K	
C302	NCB31HK-471X	C CAPACITOR	470pF 50V K		C809	NDC31HG-101X	C CAPACITOR	100pF 50V G	
C303	QEKC1HM-106Z	E CAPACITOR	10uF 50V M		C810	NCB31CK-105X	C CAPACITOR	1uF 16V K	
C304	NCB31HK-222X	C CAPACITOR	2200pF 50V K		C811	NDC31HJ-101X	C CAPACITOR	100pF 50V J	
C305	NCB31HK-222X	C CAPACITOR	2200pF 50V K		C812	NCB31HK-471X	C CAPACITOR	470pF 50V K	
C307	NCB31HK-222X	C CAPACITOR	2200pF 50V K		C813	NDC31HJ-101X	C CAPACITOR	100pF 50V J	
C308	NCB31AK-105X	C CAPACITOR	1uF 10V K		C821	QEKC1CM-107Z	E CAPACITOR	100uF 16V M	
C309	NDC31HG-101X	C CAPACITOR	100pF 50V G		C822	NCB31CK-105X	C CAPACITOR	1uF 16V K	
C310	NCB31CK-105X	C CAPACITOR	1uF 16V K		C823	QEKC1CM-107Z	E CAPACITOR	100uF 16V M	
C311	NDC31HJ-101X	C CAPACITOR	100pF 50V J		C824	QEKC1CM-107Z	E CAPACITOR	100uF 16V M	
C312	NCB31HK-471X	C CAPACITOR	470pF 50V K		C825	NCB31CK-104X	C CAPACITOR	0.1uF 16V K	
C313	NDC31HJ-101X	C CAPACITOR	100pF 50V J		C826	NCB31CK-104X	C CAPACITOR	0.1uF 16V K	
C322	NCB31CK-105X	C CAPACITOR	1uF 16V K		C827	NCB31CK-105X	C CAPACITOR	1uF 16V K	
C323	NCB31CK-105X	C CAPACITOR	1uF 16V K		C829	QEKC1CM-107Z	E CAPACITOR	100uF 16V M	
C324	NCB31CK-104X	C CAPACITOR	0.1uF 16V K		C830	NCB31CK-105X	C CAPACITOR	1uF 16V K	
C331	QEKC1CM-107Z	E CAPACITOR	100uF 16V M		C831	QEKC1CM-107Z	E CAPACITOR	100uF 16V M	
C332	NDC31HJ-330X	C CAPACITOR	33pF 50V J		C832	NDC31HJ-330X	C CAPACITOR	33pF 50V J	
C351	NCB31HK-102X	C CAPACITOR	1000pF 50V K		C851	NCB31HK-102X	C CAPACITOR	1000pF 50V K	
C352	NCB31CK-105X	C CAPACITOR	1uF 16V K		C852	NCB31CK-105X	C CAPACITOR	1uF 16V K	
C353	NCB21EK-334X	C CAPACITOR	0.33uF 25V K		C853	NCB21EK-334X	C CAPACITOR	0.33uF 25V K	
C354	NDC31HJ-101X	C CAPACITOR	100pF 50V J		C854	NDC31HJ-101X	C CAPACITOR	100pF 50V J	
C363	NCZ1061-104X	C CAPACITOR	0.1uF		C863	NCZ1061-104X	C CAPACITOR	0.1uF	
C364	NCB31HK-102X	C CAPACITOR	1000pF 50V K		C864	NCB31HK-102X	C CAPACITOR	1000pF 50V K	
C365	NCB31HK-102X	C CAPACITOR	1000pF 50V K		C865	NCB31HK-102X	C CAPACITOR	1000pF 50V K	
C366	NCB31HK-102X	C CAPACITOR	1000pF 50V K		C866	NCB31HK-102X	C CAPACITOR	1000pF 50V K	
C367	NCB31HK-102X	C CAPACITOR	1000pF 50V K		C867	NCB31HK-102X	C CAPACITOR	1000pF 50V K	
C368	QFKC2AJ-155Z	MM CAPACITOR	1.5uF 100V J		C868	QFKC2AJ-155Z	MM CAPACITOR	1.5uF 100V J	
C369	QFVM2AJ-104Z	MF CAPACITOR	0.1uF 100V J		C869	QFVM2AJ-104Z	MF CAPACITOR	0.1uF 100V J	
C370	NCB31HK-102X	C CAPACITOR	1000pF 50V K		C870	NCB31HK-102X	C CAPACITOR	1000pF 50V K	
C371	NCZ1061-104X	C CAPACITOR	0.1uF		C871	NCZ1061-104X	C CAPACITOR	0.1uF	
C372	NCZ1061-104X	C CAPACITOR	0.1uF		C872	NCZ1061-104X	C CAPACITOR	0.1uF	
C373	QETN1JM-227Z	E CAPACITOR	220uF 63V M		C873	QETN1JM-227Z	E CAPACITOR	220uF 63V M	
C374	QETN1JM-227Z	E CAPACITOR	220uF 63V M		C874	QETN1JM-227Z	E CAPACITOR	220uF 63V M	
C375	QETN2AM-106Z	E CAPACITOR	10uF 100V M		C875	QETN2AM-106Z	E CAPACITOR	10uF 100V M	
C377	NCB31HK-102X	C CAPACITOR	1000pF 50V K		C876	QETN1EM-476Z	E CAPACITOR	47uF 25V M	
C401	QEKC1HM-106Z	E CAPACITOR	10uF 50V M		C877	NCB31HK-102X	C CAPACITOR	1000pF 50V K	

△ Symbol No.	Part No.	Part Name	Description	Local	△ Symbol No.	Part No.	Part Name	Description	Local
C1101	QFKC2AJ-224Z	MM CAPACITOR	0.22uF 100V J		C1273	QETN1JM-227Z	E CAPACITOR	220uF 63V M	
C1102	QFKC2AJ-224Z	MM CAPACITOR	0.22uF 100V J		C1274	QETN1JM-227Z	E CAPACITOR	220uF 63V M	
C1103	QFKC2AJ-224Z	MM CAPACITOR	0.22uF 100V J		C1275	QETN2AM-106Z	E CAPACITOR	10uF 100V M	
C1104	QFKC2AJ-224Z	MM CAPACITOR	0.22uF 100V J		C1277	NCB31HK-102X	C CAPACITOR	1000pF 50V K	
C1105	QEZO773-688	E CAPACITOR	6800uF		C1301	QEKC1HM-106Z	E CAPACITOR	10uF 50V M	
C1106	QEZO773-688	E CAPACITOR	6800uF		C1302	NCB31HK-471X	C CAPACITOR	470pF 50V K	
C1107	NCB31HK-332X	C CAPACITOR	3300pF 50V K		C1303	QEKC1HM-106Z	E CAPACITOR	10uF 50V M	
C1108	NCB31HK-332X	C CAPACITOR	3300pF 50V K		C1304	NCB31HK-222X	C CAPACITOR	2200pF 50V K	
C1109	NCB31HK-332X	C CAPACITOR	3300pF 50V K		C1305	NCB31HK-222X	C CAPACITOR	2200pF 50V K	
C1110	NCB31HK-332X	C CAPACITOR	3300pF 50V K		C1307	NCB31HK-222X	C CAPACITOR	2200pF 50V K	
C1111	NCB31HK-332X	C CAPACITOR	3300pF 50V K		C1308	NCB31AK-105X	C CAPACITOR	1uF 10V K	
C1112	NCB31HK-332X	C CAPACITOR	3300pF 50V K		C1309	NDC31HG-101X	C CAPACITOR	100pF 50V G	
C1113	NCB31HK-332X	C CAPACITOR	3300pF 50V K		C1310	NCB31CK-105X	C CAPACITOR	1uF 16V K	
C1114	NCB31HK-332X	C CAPACITOR	3300pF 50V K		C1311	NDC31HJ-101X	C CAPACITOR	100pF 50V J	
C1115	NCZ1061-104X	C CAPACITOR	0.1uF		C1313	NDC31HJ-101X	C CAPACITOR	100pF 50V J	
C1116	NCZ1061-104X	C CAPACITOR	0.1uF		C1322	NCB31CK-105X	C CAPACITOR	1uF 16V K	
C1117	QEZO571-478	E CAPACITER	4700uF		C1323	NCB31CK-105X	C CAPACITOR	1uF 16V K	
C1118	QEZO571-478	E CAPACITER	4700uF		C1324	NCB31CK-104X	C CAPACITOR	0.1uF 16V K	
C1119	NCZ1061-104X	C CAPACITOR	0.1uF		C1331	QEKC1CM-107Z	E CAPACITOR	100uF 16V M	
C1120	NCZ1061-104X	C CAPACITOR	0.1uF		C1332	NDC31HJ-330X	C CAPACITOR	33pF 50V J	
C1122	NCB21EK-334X	C CAPACITOR	0.33uF 25V K		C1351	NCB31HK-102X	C CAPACITOR	1000pF 50V K	
C1123	NCB31CK-105X	C CAPACITOR	1uF 16V K		C1352	NCB31CK-105X	C CAPACITOR	1uF 16V K	
C1124	NCZ1008-104X	C CAPACITOR	0.1uF 250V K		C1353	NCB21EK-334X	C CAPACITOR	0.33uF 25V K	
C1125	NCZ1008-104X	C CAPACITOR	0.1uF 250V K		C1354	NDC31HJ-101X	C CAPACITOR	100pF 50V J	
C1131	NCZ1069-224X	C CAPACITOR	0.22uF		C1363	NCZ1061-104X	C CAPACITOR	0.1uF	
C1132	NCZ1069-224X	C CAPACITOR	0.22uF		C1364	NCB31HK-102X	C CAPACITOR	1000pF 50V K	
C1133	NCZ1069-224X	C CAPACITOR	0.22uF		C1365	NCB31HK-102X	C CAPACITOR	1000pF 50V K	
C1134	NCZ1069-224X	C CAPACITOR	0.22uF		C1366	NCB31HK-102X	C CAPACITOR	1000pF 50V K	
C1135	NCZ1008-104X	C CAPACITOR	0.1uF 250V K		C1367	NCB31HK-102X	C CAPACITOR	1000pF 50V K	
C1136	NCZ1008-104X	C CAPACITOR	0.1uF 250V K		C1368	QFKC2AJ-155Z	MM CAPACITOR	1.5uF 100V J	
C1137	NCZ1008-104X	C CAPACITOR	0.1uF 250V K		C1369	QFVM2AJ-104Z	MF CAPACITOR	0.1uF 100V J	
C1138	NCZ1008-104X	C CAPACITOR	0.1uF 250V K		C1370	NCB31HK-102X	C CAPACITOR	1000pF 50V K	
C1139	NCZ1069-224X	C CAPACITOR	0.22uF		C1371	NCZ1061-104X	C CAPACITOR	0.1uF	
C1140	NCZ1069-224X	C CAPACITOR	0.22uF		C1372	NCZ1061-104X	C CAPACITOR	0.1uF	
C1141	NCZ1069-224X	C CAPACITOR	0.22uF		C1373	QETN1JM-227Z	E CAPACITOR	220uF 63V M	
C1142	NCZ1069-224X	C CAPACITOR	0.22uF		C1374	QETN1JM-227Z	E CAPACITOR	220uF 63V M	
C1143	NCZ1069-224X	C CAPACITOR	0.22uF		C1375	QETN2AM-106Z	E CAPACITOR	10uF 100V M	
C1144	NCZ1069-224X	C CAPACITOR	0.22uF		C1377	NCB31HK-102X	C CAPACITOR	1000pF 50V K	
C1145	NCZ1069-224X	C CAPACITOR	0.22uF		C1401	QEKC1HM-106Z	E CAPACITOR	10uF 50V M	
C1146	NCZ1008-104X	C CAPACITOR	0.1uF 250V K		C1402	NCB31HK-471X	C CAPACITOR	470pF 50V K	
C1147	NCZ1008-104X	C CAPACITOR	0.1uF 250V K		C1403	QEKC1HM-106Z	E CAPACITOR	10uF 50V M	
C1149	NCZ1008-104X	C CAPACITOR	0.1uF 250V K		C1404	NCB31HK-222X	C CAPACITOR	2200pF 50V K	
C1150	NCZ1008-104X	C CAPACITOR	0.1uF 250V K		C1405	NCB31HK-222X	C CAPACITOR	2200pF 50V K	
C1167	NCZ1008-104X	C CAPACITOR	0.1uF 250V K		C1407	NCB31HK-222X	C CAPACITOR	2200pF 50V K	
C1168	NCZ1008-104X	C CAPACITOR	0.1uF 250V K		C1408	NCB31AK-105X	C CAPACITOR	1uF 10V K	
C1171	QETN1HM-475Z	E CAPACITOR	4.7uF 50V M		C1409	NDC31HG-101X	C CAPACITOR	100pF 50V G	
C1201	QEKC1HM-106Z	E CAPACITOR	10uF 50V M		C1410	NCB31CK-105X	C CAPACITOR	1uF 16V K	
C1202	NCB31HK-471X	C CAPACITOR	470pF 50V K		C1411	NDC31HJ-101X	C CAPACITOR	100pF 50V J	
C1203	QEKC1HM-106Z	E CAPACITOR	10uF 50V M		C1413	NDC31HJ-101X	C CAPACITOR	100pF 50V J	
C1204	NCB31HK-222X	C CAPACITOR	2200pF 50V K		C1422	NCB31CK-105X	C CAPACITOR	1uF 16V K	
C1205	NCB31HK-222X	C CAPACITOR	2200pF 50V K		C1423	NCB31CK-105X	C CAPACITOR	1uF 16V K	
C1207	NCB31HK-222X	C CAPACITOR	2200pF 50V K		C1431	QEKC1CM-107Z	E CAPACITOR	100uF 16V M	
C1208	NCB31AK-105X	C CAPACITOR	1uF 10V K		C1432	NDC31HJ-330X	C CAPACITOR	33pF 50V J	
C1209	NDC31HG-101X	C CAPACITOR	100pF 50V G		C1451	NCB31HK-102X	C CAPACITOR	1000pF 50V K	
C1210	NCB31CK-105X	C CAPACITOR	1uF 16V K		C1452	NCB31CK-105X	C CAPACITOR	1uF 16V K	
C1211	NDC31HJ-101X	C CAPACITOR	100pF 50V J		C1453	NCB21EK-334X	C CAPACITOR	0.33uF 25V K	
C1213	NDC31HJ-101X	C CAPACITOR	100pF 50V J		C1454	NDC31HJ-101X	C CAPACITOR	100pF 50V J	
C1222	NCB31CK-105X	C CAPACITOR	1uF 16V K		C1463	NCZ1061-104X	C CAPACITOR	0.1uF	
C1223	QEKC1CM-107Z	E CAPACITOR	100uF 16V M		C1464	NCB31HK-102X	C CAPACITOR	1000pF 50V K	
C1224	QEKC1CM-107Z	E CAPACITOR	100uF 16V M		C1465	NCB31HK-102X	C CAPACITOR	1000pF 50V K	
C1225	NCB31CK-104X	C CAPACITOR	0.1uF 16V K		C1466	NCB31HK-102X	C CAPACITOR	1000pF 50V K	
C1226	NCB31CK-104X	C CAPACITOR	0.1uF 16V K		C1467	NCB31HK-102X	C CAPACITOR	1000pF 50V K	
C1231	QEKC1CM-107Z	E CAPACITOR	100uF 16V M		C1468	QFKC2AJ-155Z	MM CAPACITOR	1.5uF 100V J	
C1232	NDC31HJ-330X	C CAPACITOR	33pF 50V J		C1469	QFVM2AJ-104Z	MF CAPACITOR	0.1uF 100V J	
C1251	NCB31HK-102X	C CAPACITOR	1000pF 50V K		C1470	NCB31HK-102X	C CAPACITOR	1000pF 50V K	
C1252	NCB31CK-105X	C CAPACITOR	1uF 16V K		C1471	NCZ1061-104X	C CAPACITOR	0.1uF	
C1253	NCB21EK-334X	C CAPACITOR	0.33uF 25V K		C1472	NCZ1061-104X	C CAPACITOR	0.1uF	
C1254	NDC31HJ-101X	C CAPACITOR	100pF 50V J		C1473	QETN1JM-227Z	E CAPACITOR	220uF 63V M	
C1263	NCZ1061-104X	C CAPACITOR	0.1uF		C1474	QETN1JM-227Z	E CAPACITOR	220uF 63V M	
C1264	NCB31HK-102X	C CAPACITOR	1000pF 50V K		C1475	QETN2AM-106Z	E CAPACITOR	10uF 100V M	
C1265	NCB31HK-102X	C CAPACITOR	1000pF 50V K		C1477	NCB31HK-102X	C CAPACITOR	1000pF 50V K	
C1266	NCB31HK-102X	C CAPACITOR	1000pF 50V K						
C1267	NCB31HK-102X	C CAPACITOR	1000pF 50V K						
C1268	QFKC2AJ-155Z	MM CAPACITOR	1.5uF 100V J		△ R103	QRJ146J-6R8X	UNF C RESISTOR	6.8Ω 1/4W J	
C1269	QFVM2AJ-104Z	MF CAPACITOR	0.1uF 100V J		△ R105	QRJ146J-100X	UNF C RESISTOR	10Ω 1/4W J	
C1270	NCB31HK-102X	C CAPACITOR	1000pF 50V K		△ R106	QRJ146J-821X	UNF C RESISTOR	820Ω 1/4W J	
C1271	NCZ1061-104X	C CAPACITOR	0.1uF		△ R107	QRJ146J-5R6X	UNF C RESISTOR	5.6Ω 1/4W J	
C1272	NCZ1061-104X	C CAPACITOR	0.1uF		△ R108	QRJ146J-332X	UNF C RESISTOR	3.3kΩ 1/4W J	
					R109	QRE141J-223Y	C RESISTOR	22kΩ 1/4W J	

△ Symbol No.	Part No.	Part Name	Description	Local	△ Symbol No.	Part No.	Part Name	Description	Local
R110	QRE141J-104Y	C RESISTOR	100kΩ 1/4W J		R283	NRSA63J-0R0X	MG RESISTOR	0Ω 1/16W J	
△ R151	QRL01DJ-220X	OMF RESISTOR	22Ω 1W J		R284	NRSA02J-223X	MG RESISTOR	22kΩ 1/10W J	
△ R152	QRJ146J-4R7X	UNF C RESISTOR	4.7Ω 1/4W J		R285	NRSA63J-473X	MG RESISTOR	47kΩ 1/16W J	
△ R153	QRT01DJ-R47X	MF RESISTOR	0.47Ω 1W J		R286	NRSA63J-104X	MG RESISTOR	100kΩ 1/16W J	
R154	NRSA63J-103X	MG RESISTOR	10kΩ 1/16W J		R287	NRSA02J-392X	MG RESISTOR	3.9kΩ 1/10W J	
R155	NRSA63J-113X	MG RESISTOR	11kΩ 1/16W J		R288	NRSA63J-224X	MG RESISTOR	220kΩ 1/16W J	
△ R156	QRJ146J-100X	UNF C RESISTOR	10Ω 1/4W J		R289	NRSA63J-101X	MG RESISTOR	100Ω 1/16W J	
△ R157	QRK126J-471X	UNF C RESISTOR	470Ω 1/2W J		R290	NRSA63J-101X	MG RESISTOR	100Ω 1/16W J	
△ R158	QRT01DJ-4R7X	MF RESISTOR	4.7Ω 1W J		△ R291	QRL027J-471	OMF RESISTOR	470Ω 2W J	
R159	NRSA63J-202X	MG RESISTOR	2kΩ 1/16W J		△ R300	QRJ146J-470X	UNF C RESISTOR	47Ω 1/4W J	
R160	NRSA63J-473X	MG RESISTOR	47kΩ 1/16W J		R301	NRSA63J-102X	MG RESISTOR	1kΩ 1/16W J	
△ R161	QRJ146J-4R7X	UNF C RESISTOR	4.7Ω 1/4W J		R302	NRSA63J-223X	MG RESISTOR	22kΩ 1/16W J	
△ R162	QRJ146J-222X	UNF C RESISTOR	2.2kΩ 1/4W J		R303	NRSA63J-102X	MG RESISTOR	1kΩ 1/16W J	
△ R163	QRJ146J-100X	UNF C RESISTOR	10Ω 1/4W J		R304	NRSA63J-102X	MG RESISTOR	1kΩ 1/16W J	
△ R164	QRJ146J-222X	UNF C RESISTOR	2.2kΩ 1/4W J		R305	NRSA63J-155X	MG RESISTOR	1.5MΩ 1/16W J	
△ R165	QRT01DJ-R22X	MF RESISTOR	0.22Ω 1W J		R306	NRSA63J-332X	MG RESISTOR	3.3kΩ 1/16W J	
△ R166	QRJ146J-222X	UNF C RESISTOR	2.2kΩ 1/4W J		R307	NRSA63J-183X	MG RESISTOR	18kΩ 1/16W J	
△ R167	QRL01DJ-100X	OMF RESISTOR	10Ω 1W J		R308	NRSA63J-104X	MG RESISTOR	100kΩ 1/16W J	
△ R168	QRJ146J-222X	UNF C RESISTOR	2.2kΩ 1/4W J		R309	NRSA63J-103X	MG RESISTOR	10kΩ 1/16W J	
R171	QRE141J-101Y	C RESISTOR	100Ω 1/4W J		R310	NRSA63J-105X	MG RESISTOR	1MΩ 1/16W J	
R172	QRE141J-101Y	C RESISTOR	100Ω 1/4W J		R311	NRSA63J-222X	MG RESISTOR	2.2kΩ 1/16W J	
△ R173	QRK126J-4R7X	UNF C RESISTOR	4.7Ω 1/2W J		R314	NRSA63J-104X	MG RESISTOR	100kΩ 1/16W J	
△ R174	QRK126J-103X	UNF C RESISTOR	10kΩ 1/2W J		R315	NRSA63F-682X	MG RESISTOR	6.8kΩ 1/16W F	
△ R175	QRK126J-4R7X	UNF C RESISTOR	4.7Ω 1/2W J		R316	NRSA63J-821X	MG RESISTOR	820Ω 1/16W J	
△ R176	QRK126J-103X	UNF C RESISTOR	10kΩ 1/2W J		R317	NRSA63J-821X	MG RESISTOR	820Ω 1/16W J	
R177	QRE141J-101Y	C RESISTOR	100Ω 1/4W J		△ R318	QRJ146J-100X	UNF C RESISTOR	10Ω 1/4W J	
R178	QRE141J-101Y	C RESISTOR	100Ω 1/4W J		△ R319	QRJ146J-100X	UNF C RESISTOR	10Ω 1/4W J	
R181	NRSA63J-101X	MG RESISTOR	100Ω 1/16W J		R331	NRSA63J-102X	MG RESISTOR	1kΩ 1/16W J	
R183	NRSA63J-202X	MG RESISTOR	2kΩ 1/16W J		R332	NRSA63J-104X	MG RESISTOR	100kΩ 1/16W J	
R184	NRSA63J-473X	MG RESISTOR	47kΩ 1/16W J		R333	NRSA63J-472X	MG RESISTOR	4.7kΩ 1/16W J	
△ R186	QRL01DJ-100X	OMF RESISTOR	10Ω 1W J		R334	NRSA63J-102X	MG RESISTOR	1kΩ 1/16W J	
△ R187	QRL01DJ-100X	OMF RESISTOR	10Ω 1W J		R335	NRSA63J-103X	MG RESISTOR	10kΩ 1/16W J	
△ R188	QRL01DJ-100X	OMF RESISTOR	10Ω 1W J		R351	NRSA63J-101X	MG RESISTOR	100Ω 1/16W J	
△ R189	QRL01DJ-100X	OMF RESISTOR	10Ω 1W J		R352	NRSA63J-822X	MG RESISTOR	8.2kΩ 1/16W J	
R201	NRSA63J-102X	MG RESISTOR	1kΩ 1/16W J		R353	NRSA63J-332X	MG RESISTOR	3.3kΩ 1/16W J	
R202	NRSA63J-223X	MG RESISTOR	22kΩ 1/16W J		R354	NRSA63J-331X	MG RESISTOR	330Ω 1/16W J	
R203	NRSA63J-102X	MG RESISTOR	1kΩ 1/16W J		R355	NRSA63J-682X	MG RESISTOR	6.8kΩ 1/16W J	
R204	NRSA63J-102X	MG RESISTOR	1kΩ 1/16W J		R356	NRSA63J-242X	MG RESISTOR	2.4kΩ 1/16W J	
R205	NRSA63J-155X	MG RESISTOR	1.5MΩ 1/16W J		R357	NRSA63J-132X	MG RESISTOR	1.3kΩ 1/16W J	
R206	NRSA63J-332X	MG RESISTOR	3.3kΩ 1/16W J		R358	NRS144J-4R7X	MG RESISTOR	4.7Ω 1/4W J	
R207	NRSA63J-183X	MG RESISTOR	18kΩ 1/16W J		R361	NRS144J-470X	MG RESISTOR	47Ω 1/4W J	
R208	NRSA63J-104X	MG RESISTOR	100kΩ 1/16W J		R362	NRS144J-470X	MG RESISTOR	47Ω 1/4W J	
R209	NRSA63J-103X	MG RESISTOR	10kΩ 1/16W J		△ R364	QRL01DJ-220X	OMF RESISTOR	22Ω 1W J	
R210	NRSA63J-105X	MG RESISTOR	1MΩ 1/16W J		R365	NRS125J-220X	MG RESISTOR	22Ω 1/2W J	
R211	NRSA63J-222X	MG RESISTOR	2.2kΩ 1/16W J		△ R366	QRL01DJ-220X	OMF RESISTOR	22Ω 1W J	
R214	NRSA63J-104X	MG RESISTOR	100kΩ 1/16W J		R367	NRS125J-103X	MG RESISTOR	10kΩ 1/2W J	
R215	NRSA63F-682X	MG RESISTOR	6.8kΩ 1/16W F		R368	NRSA63J-682X	MG RESISTOR	6.8kΩ 1/16W J	
R216	NRSA63J-821X	MG RESISTOR	820Ω 1/16W J		R369	NRSA63J-472X	MG RESISTOR	4.7kΩ 1/16W J	
R217	NRSA63J-821X	MG RESISTOR	820Ω 1/16W J		R370	NRSA63J-104X	MG RESISTOR	100kΩ 1/16W J	
R221	NRSA63J-683X	MG RESISTOR	68kΩ 1/16W J		△ R391	QRL027J-471	OMF RESISTOR	470Ω 2W J	
R222	NRSA63J-223X	MG RESISTOR	22kΩ 1/16W J		R401	NRSA63J-102X	MG RESISTOR	1kΩ 1/16W J	
R223	NRSA63J-102X	MG RESISTOR	1kΩ 1/16W J		R402	NRSA63J-223X	MG RESISTOR	22kΩ 1/16W J	
R224	NRSA63J-153X	MG RESISTOR	15kΩ 1/16W J		R403	NRSA63J-0R0X	MG RESISTOR	0Ω 1/16W J	
R225	NRSA63J-153X	MG RESISTOR	15kΩ 1/16W J		R405	NRSA63J-155X	MG RESISTOR	1.5MΩ 1/16W J	
R231	NRSA63J-102X	MG RESISTOR	1kΩ 1/16W J		R406	NRSA63J-332X	MG RESISTOR	3.3kΩ 1/16W J	
R232	NRSA63J-104X	MG RESISTOR	100kΩ 1/16W J		R407	NRSA63J-183X	MG RESISTOR	18kΩ 1/16W J	
R233	NRSA63J-472X	MG RESISTOR	4.7kΩ 1/16W J		R408	NRSA63J-104X	MG RESISTOR	100kΩ 1/16W J	
R234	NRSA63J-102X	MG RESISTOR	1kΩ 1/16W J		R409	NRSA63J-103X	MG RESISTOR	10kΩ 1/16W J	
R235	NRSA63J-103X	MG RESISTOR	10kΩ 1/16W J		R410	NRSA63J-105X	MG RESISTOR	1MΩ 1/16W J	
R251	NRSA63J-101X	MG RESISTOR	100Ω 1/16W J		R411	NRSA63J-222X	MG RESISTOR	2.2kΩ 1/16W J	
R252	NRSA63J-822X	MG RESISTOR	8.2kΩ 1/16W J		R414	NRSA63J-104X	MG RESISTOR	100kΩ 1/16W J	
R253	NRSA63J-332X	MG RESISTOR	3.3kΩ 1/16W J		R415	NRSA63F-682X	MG RESISTOR	6.8kΩ 1/16W F	
R254	NRSA63J-331X	MG RESISTOR	330Ω 1/16W J		R416	NRSA63J-821X	MG RESISTOR	820Ω 1/16W J	
R255	NRSA63J-682X	MG RESISTOR	6.8kΩ 1/16W J		R417	NRSA63J-821X	MG RESISTOR	820Ω 1/16W J	
R256	NRSA63J-242X	MG RESISTOR	2.4kΩ 1/16W J		R431	NRSA63J-102X	MG RESISTOR	1kΩ 1/16W J	
R257	NRSA63J-132X	MG RESISTOR	1.3kΩ 1/16W J		R432	NRSA63J-104X	MG RESISTOR	100kΩ 1/16W J	
R258	NRS144J-4R7X	MG RESISTOR	4.7Ω 1/4W J		R433	NRSA63J-472X	MG RESISTOR	4.7kΩ 1/16W J	
R261	NRS144J-470X	MG RESISTOR	47Ω 1/4W J		R434	NRSA63J-102X	MG RESISTOR	1kΩ 1/16W J	
R262	NRS144J-470X	MG RESISTOR	47Ω 1/4W J		R435	NRSA63J-103X	MG RESISTOR	10kΩ 1/16W J	
△ R264	QRL01DJ-220X	OMF RESISTOR	22Ω 1W J		R451	NRSA63J-101X	MG RESISTOR	100Ω 1/16W J	
R265	NRS125J-220X	MG RESISTOR	22Ω 1/2W J		R452	NRSA63J-822X	MG RESISTOR	8.2kΩ 1/16W J	
△ R266	QRL01DJ-220X	OMF RESISTOR	22Ω 1W J		R453	NRSA63J-332X	MG RESISTOR	3.3kΩ 1/16W J	
R267	NRS125J-103X	MG RESISTOR	10kΩ 1/2W J		R454	NRSA63J-331X	MG RESISTOR	330Ω 1/16W J	
R268	NRSA63J-682X	MG RESISTOR	6.8kΩ 1/16W J		R455	NRSA63J-682X	MG RESISTOR	6.8kΩ 1/16W J	
R269	NRSA63J-472X	MG RESISTOR	4.7kΩ 1/16W J		R456	NRSA63J-242X	MG RESISTOR	2.4kΩ 1/16W J	
R270	NRSA63J-104X	MG RESISTOR	100kΩ 1/16W J		R457	NRSA63J-132X	MG RESISTOR	1.3kΩ 1/16W J	
R281	NRSA63J-103X	MG RESISTOR	10kΩ 1/16W J		R458	NRS144J-4R7X	MG RESISTOR	4.7Ω 1/4W J	
R282	NRSA63J-103X	MG RESISTOR	10kΩ 1/16W J		R461	NRS144J-470X	MG RESISTOR	47Ω 1/4W J	

△ Symbol No.	Part No.	Part Name	Description	Local	△ Symbol No.	Part No.	Part Name	Description	Local
	R462	NRS144J-470X	MG RESISTOR	47Ω 1/4W J		R1232	NRSA63J-104X	MG RESISTOR	100kΩ 1/16W J
△	R464	QRL01DJ-220X	OMF RESISTOR	22Ω 1W J		R1233	NRSA63J-472X	MG RESISTOR	4.7kΩ 1/16W J
	R465	NRS125J-220X	MG RESISTOR	22Ω 1/2W J		R1234	NRSA63J-102X	MG RESISTOR	1kΩ 1/16W J
△	R466	QRL01DJ-220X	OMF RESISTOR	22Ω 1W J		R1235	NRSA63J-103X	MG RESISTOR	10kΩ 1/16W J
	R467	NRS125J-103X	MG RESISTOR	10kΩ 1/2W J		R1251	NRSA63J-101X	MG RESISTOR	100Ω 1/16W J
	R468	NRSA63J-682X	MG RESISTOR	6.8kΩ 1/16W J		R1252	NRSA63J-822X	MG RESISTOR	8.2kΩ 1/16W J
	R469	NRSA63J-472X	MG RESISTOR	4.7kΩ 1/16W J		R1253	NRSA63J-332X	MG RESISTOR	3.3kΩ 1/16W J
	R470	NRSA63J-104X	MG RESISTOR	100kΩ 1/16W J		R1254	NRSA63J-331X	MG RESISTOR	330Ω 1/16W J
	R801	NRSA63J-102X	MG RESISTOR	1kΩ 1/16W J		R1255	NRSA63J-682X	MG RESISTOR	6.8kΩ 1/16W J
	R802	NRSA63J-223X	MG RESISTOR	22kΩ 1/16W J		R1256	NRSA63J-242X	MG RESISTOR	2.4kΩ 1/16W J
	R803	NRSA63J-102X	MG RESISTOR	1kΩ 1/16W J		R1257	NRSA63J-132X	MG RESISTOR	1.3kΩ 1/16W J
	R804	NRSA63J-202X	MG RESISTOR	2kΩ 1/16W J		R1258	NRS144J-4R7X	MG RESISTOR	4.7Ω 1/4W J
	R805	NRSA63J-155X	MG RESISTOR	1.5MΩ 1/16W J		R1261	NRS144J-470X	MG RESISTOR	47Ω 1/4W J
	R806	NRSA63J-332X	MG RESISTOR	3.3kΩ 1/16W J		R1262	NRS144J-470X	MG RESISTOR	47Ω 1/4W J
	R807	NRSA63J-183X	MG RESISTOR	18kΩ 1/16W J	△	R1264	QRL01DJ-220X	OMF RESISTOR	22Ω 1W J
	R808	NRSA63J-104X	MG RESISTOR	100kΩ 1/16W J		R1265	NRS125J-220X	MG RESISTOR	22Ω 1/2W J
	R809	NRSA63J-103X	MG RESISTOR	10kΩ 1/16W J	△	R1266	QRL01DJ-220X	OMF RESISTOR	22Ω 1W J
	R810	NRSA63J-105X	MG RESISTOR	1MΩ 1/16W J		R1267	NRS125J-103X	MG RESISTOR	10kΩ 1/2W J
	R811	NRSA63J-222X	MG RESISTOR	2.2kΩ 1/16W J		R1268	NRSA63J-682X	MG RESISTOR	6.8kΩ 1/16W J
	R814	NRSA63J-104X	MG RESISTOR	100kΩ 1/16W J		R1269	NRSA63J-472X	MG RESISTOR	4.7kΩ 1/16W J
	R815	NRSA63F-682X	MG RESISTOR	6.8kΩ 1/16W F		R1270	NRSA63J-104X	MG RESISTOR	100kΩ 1/16W J
	R816	NRSA63J-821X	MG RESISTOR	820Ω 1/16W J		R1301	NRSA63J-102X	MG RESISTOR	1kΩ 1/16W J
	R817	NRSA63J-821X	MG RESISTOR	820Ω 1/16W J		R1302	NRSA63J-223X	MG RESISTOR	22kΩ 1/16W J
	R831	NRSA63J-102X	MG RESISTOR	1kΩ 1/16W J		R1303	NRSA63J-0R0X	MG RESISTOR	0Ω 1/16W J
	R832	NRSA63J-104X	MG RESISTOR	100kΩ 1/16W J		R1305	NRSA63J-155X	MG RESISTOR	1.5MΩ 1/16W J
	R833	NRSA63J-472X	MG RESISTOR	4.7kΩ 1/16W J		R1306	NRSA63J-332X	MG RESISTOR	3.3kΩ 1/16W J
	R834	NRSA63J-102X	MG RESISTOR	1kΩ 1/16W J		R1307	NRSA63J-183X	MG RESISTOR	18kΩ 1/16W J
	R835	NRSA63J-103X	MG RESISTOR	10kΩ 1/16W J		R1308	NRSA63J-104X	MG RESISTOR	100kΩ 1/16W J
	R851	NRSA63J-101X	MG RESISTOR	100Ω 1/16W J		R1309	NRSA63J-103X	MG RESISTOR	10kΩ 1/16W J
	R852	NRSA63J-822X	MG RESISTOR	8.2kΩ 1/16W J		R1310	NRSA63J-105X	MG RESISTOR	1MΩ 1/16W J
	R853	NRSA63J-332X	MG RESISTOR	3.3kΩ 1/16W J		R1311	NRSA63J-222X	MG RESISTOR	2.2kΩ 1/16W J
	R854	NRSA63J-331X	MG RESISTOR	330Ω 1/16W J		R1314	NRSA63J-104X	MG RESISTOR	100kΩ 1/16W J
	R855	NRSA63J-682X	MG RESISTOR	6.8kΩ 1/16W J		R1315	NRSA63F-682X	MG RESISTOR	6.8kΩ 1/16W F
	R856	NRSA63J-242X	MG RESISTOR	2.4kΩ 1/16W J		R1316	NRSA63J-821X	MG RESISTOR	820Ω 1/16W J
	R857	NRSA63J-132X	MG RESISTOR	1.3kΩ 1/16W J		R1317	NRSA63J-821X	MG RESISTOR	820Ω 1/16W J
	R858	NRS144J-4R7X	MG RESISTOR	4.7Ω 1/4W J	△	R1318	QRJ146J-100X	UNF C RESISTOR	10Ω 1/4W J
	R861	NRS144J-470X	MG RESISTOR	47Ω 1/4W J	△	R1319	QRJ146J-100X	UNF C RESISTOR	10Ω 1/4W J
	R862	NRS144J-470X	MG RESISTOR	47Ω 1/4W J		R1331	NRSA63J-102X	MG RESISTOR	1kΩ 1/16W J
△	R864	QRL01DJ-220X	OMF RESISTOR	22Ω 1W J		R1332	NRSA63J-104X	MG RESISTOR	100kΩ 1/16W J
	R865	NRS125J-220X	MG RESISTOR	22Ω 1/2W J		R1333	NRSA63J-472X	MG RESISTOR	4.7kΩ 1/16W J
△	R866	QRL01DJ-220X	OMF RESISTOR	22Ω 1W J		R1334	NRSA63J-102X	MG RESISTOR	1kΩ 1/16W J
	R867	NRS125J-103X	MG RESISTOR	10kΩ 1/2W J		R1335	NRSA63J-103X	MG RESISTOR	10kΩ 1/16W J
	R868	NRSA63J-682X	MG RESISTOR	6.8kΩ 1/16W J		R1351	NRSA63J-101X	MG RESISTOR	100Ω 1/16W J
	R869	NRSA63J-472X	MG RESISTOR	4.7kΩ 1/16W J		R1352	NRSA63J-822X	MG RESISTOR	8.2kΩ 1/16W J
	R870	NRSA63J-104X	MG RESISTOR	100kΩ 1/16W J		R1353	NRSA63J-332X	MG RESISTOR	3.3kΩ 1/16W J
	R1101	NRS144J-104X	MG RESISTOR	100kΩ 1/4W J		R1354	NRSA63J-331X	MG RESISTOR	330Ω 1/16W J
	R1102	NRS144J-104X	MG RESISTOR	100kΩ 1/4W J		R1355	NRSA63J-682X	MG RESISTOR	6.8kΩ 1/16W J
	R1103	NRS144J-330X	MG RESISTOR	33Ω 1/4W J		R1356	NRSA63J-242X	MG RESISTOR	2.4kΩ 1/16W J
	R1104	NRS144J-330X	MG RESISTOR	33Ω 1/4W J		R1357	NRSA63J-132X	MG RESISTOR	1.3kΩ 1/16W J
	R1105	NRS016J-100X	MG RESISTOR	10Ω 1W J		R1358	NRS144J-4R7X	MG RESISTOR	4.7Ω 1/4W J
△	R1106	QRL01DJ-100X	OMF RESISTOR	10Ω 1W J		R1361	NRS144J-470X	MG RESISTOR	47Ω 1/4W J
	R1107	NRS016J-100X	MG RESISTOR	10Ω 1W J		R1362	NRS144J-470X	MG RESISTOR	47Ω 1/4W J
△	R1108	QRL01DJ-100X	OMF RESISTOR	10Ω 1W J	△	R1364	QRL01DJ-220X	OMF RESISTOR	22Ω 1W J
△	R1109	QRL027J-222	OMF RESISTOR	2.2kΩ 2W J		R1365	NRS125J-220X	MG RESISTOR	22Ω 1/2W J
△	R1110	QRL027J-222	OMF RESISTOR	2.2kΩ 2W J	△	R1366	QRL01DJ-220X	OMF RESISTOR	22Ω 1W J
	R1111	NRSA63F-102X	MG RESISTOR	1kΩ 1/16W F		R1367	NRS125J-103X	MG RESISTOR	10kΩ 1/2W J
	R1112	NRSA63F-102X	MG RESISTOR	1kΩ 1/16W F		R1368	NRSA63J-682X	MG RESISTOR	6.8kΩ 1/16W J
	R1113	NRSA63F-393X	MG RESISTOR	39kΩ 1/16W F		R1369	NRSA63J-472X	MG RESISTOR	4.7kΩ 1/16W J
	R1115	NRSA63J-821X	MG RESISTOR	820Ω 1/16W J		R1370	NRSA63J-104X	MG RESISTOR	100kΩ 1/16W J
	R1116	NRS144J-4R7X	MG RESISTOR	4.7Ω 1/4W J		R1401	NRSA63J-102X	MG RESISTOR	1kΩ 1/16W J
	R1117	NRS144J-4R7X	MG RESISTOR	4.7Ω 1/4W J		R1402	NRSA63J-223X	MG RESISTOR	22kΩ 1/16W J
	R1118	NRSA63F-473X	MG RESISTOR	47kΩ 1/16W F		R1403	NRSA63J-0R0X	MG RESISTOR	0Ω 1/16W J
△	R1171	QRJ146J-332X	UNF C RESISTOR	3.3kΩ 1/4W J		R1405	NRSA63J-155X	MG RESISTOR	1.5MΩ 1/16W J
	R1201	NRSA63J-102X	MG RESISTOR	1kΩ 1/16W J		R1406	NRSA63J-332X	MG RESISTOR	3.3kΩ 1/16W J
	R1202	NRSA63J-223X	MG RESISTOR	22kΩ 1/16W J		R1407	NRSA63J-183X	MG RESISTOR	18kΩ 1/16W J
	R1203	NRSA63J-0R0X	MG RESISTOR	0Ω 1/16W J		R1408	NRSA63J-104X	MG RESISTOR	100kΩ 1/16W J
	R1205	NRSA63J-155X	MG RESISTOR	1.5MΩ 1/16W J		R1409	NRSA63J-103X	MG RESISTOR	10kΩ 1/16W J
	R1206	NRSA63J-332X	MG RESISTOR	3.3kΩ 1/16W J		R1410	NRSA63J-105X	MG RESISTOR	1MΩ 1/16W J
	R1207	NRSA63J-183X	MG RESISTOR	18kΩ 1/16W J		R1411	NRSA63J-222X	MG RESISTOR	2.2kΩ 1/16W J
	R1208	NRSA63J-104X	MG RESISTOR	100kΩ 1/16W J		R1414	NRSA63J-104X	MG RESISTOR	100kΩ 1/16W J
	R1209	NRSA63J-103X	MG RESISTOR	10kΩ 1/16W J		R1415	NRSA63F-682X	MG RESISTOR	6.8kΩ 1/16W F
	R1210	NRSA63J-105X	MG RESISTOR	1MΩ 1/16W J		R1416	NRSA63J-821X	MG RESISTOR	820Ω 1/16W J
	R1211	NRSA63J-222X	MG RESISTOR	2.2kΩ 1/16W J		R1417	NRSA63J-821X	MG RESISTOR	820Ω 1/16W J
	R1214	NRSA63J-104X	MG RESISTOR	100kΩ 1/16W J		R1431	NRSA63J-102X	MG RESISTOR	1kΩ 1/16W J
	R1215	NRSA63F-682X	MG RESISTOR	6.8kΩ 1/16W F		R1432	NRSA63J-104X	MG RESISTOR	100kΩ 1/16W J
	R1216	NRSA63J-821X	MG RESISTOR	820Ω 1/16W J		R1433	NRSA63J-472X	MG RESISTOR	4.7kΩ 1/16W J
	R1217	NRSA63J-821X	MG RESISTOR	820Ω 1/16W J		R1434	NRSA63J-102X	MG RESISTOR	1kΩ 1/16W J
	R1231	NRSA63J-102X	MG RESISTOR	1kΩ 1/16W J		R1435	NRSA63J-103X	MG RESISTOR	10kΩ 1/16W J

△ Symbol No.	Part No.	Part Name	Description	Local
R1451	NRSA63J-101X	MG RESISTOR	100Ω 1/16W J	
R1452	NRSA63J-822X	MG RESISTOR	8.2kΩ 1/16W J	
R1453	NRSA63J-332X	MG RESISTOR	3.3kΩ 1/16W J	
R1454	NRSA63J-331X	MG RESISTOR	330Ω 1/16W J	
R1455	NRSA63J-682X	MG RESISTOR	6.8kΩ 1/16W J	
R1456	NRSA63J-242X	MG RESISTOR	2.4kΩ 1/16W J	
R1457	NRSA63J-132X	MG RESISTOR	1.3kΩ 1/16W J	
R1458	NRS144J-4R7X	MG RESISTOR	4.7Ω 1/4W J	
R1461	NRS144J-470X	MG RESISTOR	47Ω 1/4W J	
R1462	NRS144J-470X	MG RESISTOR	47Ω 1/4W J	
△ R1464	QRL01DJ-220X	OMF RESISTOR	22Ω 1W J	
R1465	NRS125J-220X	MG RESISTOR	22Ω 1/2W J	
△ R1466	QRL01DJ-220X	OMF RESISTOR	22Ω 1W J	
R1467	NRS125J-103X	MG RESISTOR	10kΩ 1/2W J	
R1468	NRSA63J-682X	MG RESISTOR	6.8kΩ 1/16W J	
R1469	NRSA63J-472X	MG RESISTOR	4.7kΩ 1/16W J	
R1470	NRSA63J-104X	MG RESISTOR	100kΩ 1/16W J	

△ Symbol No.	Part No.	Part Name	Description	Local
△ HS153	E70945-H40B	HEAT SINK	HS 921	
△ HS157	E70306-001	HEAT SINK	HS 951	
△ HS158	E70306-005	HEAT SINK		
△ RY300	QSK0127-001	RELAY		
△ TH101	QAD0095-4R7Z	P THERMISTOR	4.7Ω M	
△ TH271	QAD0146-103	N THERMISTOR	10kΩ	
WC101	QZW0112-001	WIRE CLAMP		
WC102	QZW0112-001	WIRE CLAMP		

## Input board

Block No. [0][3]

△ Symbol No.	Part No.	Part Name	Description	Local
IC11	DIT4096IPW-X	IC(DIGITAL)		
IC501	MN101C49KNR1	IC(MCU)		
IC502	BD3843FS-X	IC		
IC503	BD3813KS	IC		
IC504	NJM4565M-WE	IC		
IC505	BU1924F-X	IC		
IC506	IC-PST9139-T	IC		
IC507	BR24L01AF-W-X	IC		
IC508	BD3812F-X	IC		
IC530	MM1503XN-X	IC		
IC531	MM1501XN-X	IC		
IC532	MM1501XN-X	IC		
IC533	MM1504XN-X	IC		
IC534	MM1506XN-X	IC		
IC535	MM1506XN-X	IC		
IC536	MM1502XN-X	IC		
IC537	MM1504XN-X	IC		
IC538	MM1501XN-X	IC		
IC539	MM1504XN-X	IC		
IC542	MM1502XN-X	IC		
IC551	TC90A49AP	IC		
IC559	MM1093NF-X	IC		
IC560	LC74761M-9894-X	IC		
IC561	TA1270BFG	IC		
IC562	TDA4665T/V5-X	IC		
IC571	MM1502XN-X	IC		
IC572	MM1502XN-X	IC		
IC573	MM1113XF-X	IC		
IC574	MM1501XN-X	IC		
IC575	MM1501XN-X	IC		
IC576	MM1117XF-XE	IC		
IC577	MM1117XF-XE	IC		
IC578	MM1511XN-X	IC		
IC579	MM1504XN-X	IC		
IC580	MM1503XN-X	IC		
IC581	MM1503XN-X	IC		
IC582	CD74HC4053NS-X	IC		
IC591	NJM4565M-WE	IC		
IC592	NJM4565M-WE	IC		
IC593	NJM4565M-WE	IC		
IC594	NJM4565M-WE	IC		
IC903	PCM2704DB-X	IC		
IC904	SN74AHC1G08V-X	IC		

L261	QQL78AK-220	COIL	22uH K	
L361	QQL78AK-220	COIL	22uH K	
L461	QQL78AK-220	COIL	22uH K	
L861	QQL78AK-220	COIL	22uH K	
L1101	QQL78AK-220	COIL	22uH K	
L1102	QQL78AK-220	COIL	22uH K	
L1261	QQL78AK-220	COIL	22uH K	
L1361	QQL78AK-220	COIL	22uH K	
L1461	QQL78AK-220	COIL	22uH K	
CN101	QGA2001C1-04	CONNECTOR	W-B (1-4)	
CN102	QGF1205C2-05	CONNECTOR	FFC/FPC (1-5)	
CN103	QGA2501C1-02	CONNECTOR	W-B (1-2)	
CN104	QJK016-071002-E	SIN CR C-B WIRE		
CN105	QGA2001C1-05	CONNECTOR	W-B (1-5)	
CN106	QGA3901C1-08	CONNECTOR	W-B (1-8)	
CN107	QJK016-031403-E	SIN CR C-B WIRE		
CN111	QGA3901C1-03	CONNECTOR	W-B (1-3)	
CN114	QGA2001F1-07	CONNECTOR	W-B (1-7)	
CN115	QJK016-051100-E	SIN CR C-B WIRE		
CN117	QGA2001F1-03	CONNECTOR	W-B (1-3)	
CN130	QJK016-113601-E	SIN CR C-B WIRE		
CN131	QJK016-094004-E	SIN CR C-B WIRE		
CN152	QGB2510J1-12	CONNECTOR	B-B (1-12)	
CN201	QGA2501C1-07	CONNECTOR	W-B (1-7)	
CN222	QGB2510J1-14	CONNECTOR	B-B (1-14)	
CN251	QJK015-063601-E	SIN CR C-B WIRE		
CN252	QJK015-083003-E	SIN CR C-B WIRE		
CN301	QGB2510K1-17	CONNECTOR	B-B (1-17)	
CN302	QGB2510J1-17	CONNECTOR	B-B (1-17)	
CN311	QGA2001F1-03	CONNECTOR	W-B (1-3)	
CN312	QGA2501F1-02	CONNECTOR	W-B (1-2)	
CN313	QGA2001C1-04	CONNECTOR	W-B (1-4)	
CN321	QJK016-030903-E	SIN CR C-B WIRE		
CN322	QJK002-021002-E	SIN CR C-B WIRE		
CN351	QGA2501C1-03	CONNECTOR	W-B (1-3)	
CN401	QGB2510K1-16	CONNECTOR	B-B (1-16)	
CN402	QGB2510J1-16	CONNECTOR	B-B (1-16)	
CN411	QGA2501F1-03	CONNECTOR	W-B (1-3)	
CN412	QGA2501F1-04	CONNECTOR	W-B (1-4)	
CN413	QGA2501F1-02	CONNECTOR	W-B (1-2)	
CN421	QJK002-031803-E	SIN CR C-B WIRE		
CN422	QJK002-041404-E	SIN TWIST WIRE		
CN423	QJK002-021002-E	SIN CR C-B WIRE		
EP101	QNZ0136-001Z	EARTH PLATE		
EP102	QNZ0136-001Z	EARTH PLATE		
EP201	QNZ0136-001Z	EARTH PLATE		
EP202	QNZ0136-001Z	EARTH PLATE		
△ FC101	QNG0020-001Z	FUSE CLIP		
△ FC102	QNG0020-001Z	FUSE CLIP		
△ FC111	QNG0020-001Z	FUSE CLIP		
△ FC112	QNG0020-001Z	FUSE CLIP		
FW240	WJS0048-004A-E	E-FL/RBWIRE*C-F		
FW323	WJS0047-002A-E	E-FL/RB WIRE		
△ HS101	E70306-005	HEAT SINK		
△ HS102	E70306-005	HEAT SINK		
△ HS107	E70306-005	HEAT SINK		
△ HS108	E70306-005	HEAT SINK		
△ HS151	E70306-001	HEAT SINK	HS 951	
△ HS152	E70306-001	HEAT SINK	HS 951	

Q501	2SC3576-JVC-T	TRANSISTOR		
Q502	2SC3576-JVC-T	TRANSISTOR		
Q503	KRA104S-X	DIGI TRANSISTOR		
Q505	KRC111S-X	TRANSISTOR		
Q506	KRC111S-X	TRANSISTOR		
Q507	KRC111S-X	TRANSISTOR		
Q510	KRC102S-X	DIGI TRANSISTOR		
Q511	KRA104S-X	DIGI TRANSISTOR		
Q512	KRA104S-X	DIGI TRANSISTOR		
Q513	2SC3576-JVC-T	TRANSISTOR		
Q514	2SC3576-JVC-T	TRANSISTOR		
Q515	2SC3576-JVC-T	TRANSISTOR		
Q516	2SC3576-JVC-T	TRANSISTOR		
Q517	2SC3576-JVC-T	TRANSISTOR		
Q518	2SC3576-JVC-T	TRANSISTOR		
Q519	2SC3576-JVC-T	TRANSISTOR		



△ Symbol No.	Part No.	Part Name	Description	Local	△ Symbol No.	Part No.	Part Name	Description	Local
Q521	2SC3576-JVC-T	TRANSISTOR			D5301	MA704A-X	S.K.DIODE		
Q522	2SC3576-JVC-T	TRANSISTOR			D5302	MA704A-X	S.K.DIODE		
Q523	KRA104S-X	DIGI TRANSISTOR			D5501	MA111-X	SI DIODE		
Q524	KTC3875/YG/-X	SI TRANSISTOR			D8501	MA111-X	SI DIODE		
Q525	2SC3576-JVC-T	TRANSISTOR			D8502	MA111-X	SI DIODE		
Q526	2SC3576-JVC-T	TRANSISTOR			D8503	UDZS11B-X	Z DIODE		
Q541	KTC3199/GL/-T	TRANSISTOR			D8504	UDZS6.2B-X	Z DIODE		
Q542	KTC3199/GL/-T	TRANSISTOR			D9001	SML-310PT/KL/-X	LED		
Q1501	2SC2412K/RS/-X	TRANSISTOR			C522	NCB31HK-561X	C CAPACITOR	560pF 50V K	
Q4501	KTA1267/YG/-T	TRANSISTOR			C523	QEKC1CM-476Z	E CAPACITOR	47uF 16V M	
Q4504	2SA1037AK/RS/-X	TRANSISTOR			C524	QEKC1CM-476Z	E CAPACITOR	47uF 16V M	
Q4505	2SA1037AK/RS/-X	TRANSISTOR			C525	QETN1HM-475Z	E CAPACITOR	4.7uF 50V M	
Q4506	2SA1037AK/RS/-X	TRANSISTOR			C526	QETN0JM-228Z	E CAPACITOR	2200uF 6.3V M	
Q4521	2SA1037AK/RS/-X	TRANSISTOR			C527	QEKC0JM-107Z	E CAPACITOR	100uF 6.3V M	
Q4522	2SC2412K/RS/-X	TRANSISTOR			C528	QCZ0202-155Z	C CAPACITOR	1.5uF 25V Z	
Q4523	2SA1037AK/RS/-X	TRANSISTOR			C529	NCB31CK-223X	C CAPACITOR	0.022uF 16V K	
Q4524	2SC2412K/RS/-X	TRANSISTOR			C530	QEKC1HM-225Z	E CAPACITOR	2.2uF 50V M	
Q4525	2SA1037AK/RS/-X	TRANSISTOR			C531	NCB31CK-223X	C CAPACITOR	0.022uF 16V K	
Q4526	2SC2412K/RS/-X	TRANSISTOR			C532	NCB31HK-561X	C CAPACITOR	560pF 50V K	
Q4527	2SA1037AK/RS/-X	TRANSISTOR			C533	NCF31CZ-104X	C CAPACITOR	0.1uF 16V Z	
Q4530	2SC2412K/RS/-X	TRANSISTOR			C534	QEKC1CM-476Z	E CAPACITOR	47uF 16V M	
Q5001	KRC104S-X	TRANSISTOR			C535	NCF31CZ-104X	C CAPACITOR	0.1uF 16V Z	
Q5002	KRC104S-X	TRANSISTOR			C536	QEKC1CM-476Z	E CAPACITOR	47uF 16V M	
Q5101	KRC104S-X	TRANSISTOR			C537	QEKC1HM-106Z	E CAPACITOR	10uF 50V M	
Q5201	KRC104S-X	TRANSISTOR			C538	QEKC1HM-106Z	E CAPACITOR	10uF 50V M	
Q5202	KRC104S-X	TRANSISTOR			C539	QEKC1HM-106Z	E CAPACITOR	10uF 50V M	
Q5301	KRC104S-X	TRANSISTOR			C540	QEKC1HM-106Z	E CAPACITOR	10uF 50V M	
Q5302	KRC104S-X	TRANSISTOR			C541	QEKC1HM-106Z	E CAPACITOR	10uF 50V M	
Q5501	2SA1037AK/RS/-X	TRANSISTOR			C542	QEKC1HM-106Z	E CAPACITOR	10uF 50V M	
Q5502	2SC2412K/RS/-X	TRANSISTOR			C545	NCB31CK-104X	C CAPACITOR	0.1uF 16V K	
Q5504	2SC3938/QR/-X	TRANSISTOR			C546	NCB31CK-104X	C CAPACITOR	0.1uF 16V K	
Q5505	2SA1037AK/RS/-X	TRANSISTOR			C547	NCB31CK-104X	C CAPACITOR	0.1uF 16V K	
Q5507	2SA1037AK/RS/-X	TRANSISTOR			C548	NCB31CK-104X	C CAPACITOR	0.1uF 16V K	
Q5508	2SA1037AK/RS/-X	TRANSISTOR			C549	QEKC1CM-476Z	E CAPACITOR	47uF 16V M	
Q5510	2SC2412K/RS/-X	TRANSISTOR			C550	QEKC1CM-476Z	E CAPACITOR	47uF 16V M	
Q5521	2SA1037AK/RS/-X	TRANSISTOR			C551	QEKC1HM-106Z	E CAPACITOR	10uF 50V M	
Q5522	2SA1037AK/RS/-X	TRANSISTOR			C552	QEKC1HM-106Z	E CAPACITOR	10uF 50V M	
Q5531	2SA1037AK/RS/-X	TRANSISTOR			C553	QEKC1HM-475Z	E CAPACITOR	4.7uF 50V M	
Q5532	2SA1037AK/RS/-X	TRANSISTOR			C554	QEKC1HM-475Z	E CAPACITOR	4.7uF 50V M	
Q8501	KRC102S-X	DIGI TRANSISTOR			C555	QEKC1HM-475Z	E CAPACITOR	4.7uF 50V M	
Q8502	KRC102S-X	DIGI TRANSISTOR			C556	QEKC1HM-475Z	E CAPACITOR	4.7uF 50V M	
Q8503	KRC102S-X	DIGI TRANSISTOR			C557	QEKC1HM-475Z	E CAPACITOR	4.7uF 50V M	
Q8504	KRC102S-X	DIGI TRANSISTOR			C558	QEKC1EM-106Z	E CAPACITOR	10uF 25V M	
Q8505	KTC3199/GL/-T	TRANSISTOR			C559	QEKC1CM-226Z	E CAPACITOR	22uF 16V M	
Q8506	KTC3199/GL/-T	TRANSISTOR			C561	NCB31HK-681X	C CAPACITOR	680pF 50V K	
Q8507	KTC3199/GL/-T	TRANSISTOR			C562	NCB31HK-681X	C CAPACITOR	680pF 50V K	
Q8508	KTC3199/GL/-T	TRANSISTOR			C563	NCB31HK-562X	C CAPACITOR	5600pF 50V K	
Q8509	KTC3199/GL/-T	TRANSISTOR			C564	NCB31HK-562X	C CAPACITOR	5600pF 50V K	
Q8510	KTC3199/GL/-T	TRANSISTOR			C567	NDC31HJ-330X	C CAPACITOR	33pF 50V J	
Q8511	KTC3199/GL/-T	TRANSISTOR			C568	NDC31HJ-330X	C CAPACITOR	33pF 50V J	
Q8515	KRA121S-X	DIGI TRANSISTOR			C570	NCB31HK-561X	C CAPACITOR	560pF 50V K	
Q8516	KTA1267/YG/-T	TRANSISTOR			C571	NDC31HJ-271X	C CAPACITOR	270pF 50V J	
Q8517	KTA1267/YG/-T	TRANSISTOR			C572	QEKC1HM-225Z	E CAPACITOR	2.2uF 50V M	
Q8518	KTA1267/YG/-T	TRANSISTOR			C573	NCF31CZ-104X	C CAPACITOR	0.1uF 16V Z	
Q8519	KTC3203/OY/-T	TRANSISTOR			C574	QEKC1CM-476Z	E CAPACITOR	47uF 16V M	
Q8521	KRA121S-X	DIGI TRANSISTOR			C577	NCF31CZ-104X	C CAPACITOR	0.1uF 16V Z	
Q8522	KTA1267/YG/-T	TRANSISTOR			C578	NCF31CZ-104X	C CAPACITOR	0.1uF 16V Z	
Q8523	KRA121S-X	DIGI TRANSISTOR			C581	QEKC1EM-106Z	E CAPACITOR	10uF 25V M	
Q8524	KRC102S-X	DIGI TRANSISTOR			C597	NCB31EK-104X	C CAPACITOR	0.1uF 25V K	
Q8525	KRC102S-X	DIGI TRANSISTOR			C941	NDC31HJ-220X	C CAPACITOR	22pF 50V J	
Q8526	KTA1267/YG/-T	TRANSISTOR			C942	NDC31HJ-220X	C CAPACITOR	22pF 50V J	
Q8527	KRA120S-X	TRANSISTOR			C943	NCF31AZ-105X	C CAPACITOR	1uF 10V Z	
Q8529	KRA121S-X	DIGI TRANSISTOR			C944	NCB31HK-103X	C CAPACITOR	0.01uF 50V K	
Q8530	KTA1267/YG/-T	TRANSISTOR			C945	NCF31AZ-105X	C CAPACITOR	1uF 10V Z	
Q9501	KTA1267/YG/-T	TRANSISTOR			C946	NCF31AZ-105X	C CAPACITOR	1uF 10V Z	
Q9502	KTA1267/YG/-T	TRANSISTOR			C947	QETN1HM-106Z	E CAPACITOR	10uF 50V M	
D505	RB751V-40-X	DIODE C.M			C948	NCF31AZ-105X	C CAPACITOR	1uF 10V Z	
D506	RB751V-40-X	DIODE C.M			C949	NCF31AZ-105X	C CAPACITOR	1uF 10V Z	
D507	RB751V-40-X	DIODE C.M			C951	NCF31CZ-104X	C CAPACITOR	0.1uF 16V Z	
D508	RB751V-40-X	DIODE C.M			C953	NCB31HK-223X	C CAPACITOR	0.022uF 50V K	
D509	MA111-X	SI DIODE			C956	NDC31HJ-221X	C CAPACITOR	220pF 50V J	
D510	MA111-X	SI DIODE			C957	NDC31HJ-221X	C CAPACITOR	220pF 50V J	
D5001	MA704A-X	S.K.DIODE			C959	NCB31HK-103X	C CAPACITOR	0.01uF 50V K	
D5002	MA704A-X	S.K.DIODE			C960	NDC31HJ-331X	C CAPACITOR	330pF 50V J	
D5101	MA704A-X	S.K.DIODE			C961	NDC31HJ-331X	C CAPACITOR	330pF 50V J	
D5201	MA704A-X	S.K.DIODE			C962	NCF31CZ-104X	C CAPACITOR	0.1uF 16V Z	
D5202	MA704A-X	S.K.DIODE			C971	NCB31EK-473X	C CAPACITOR	0.047uF 25V K	

△ Symbol No.	Part No.	Part Name	Description	Local	△ Symbol No.	Part No.	Part Name	Description	Local
C972	QEKC1HM-475Z	E CAPACITOR	4.7uF 50V M		C5003	QEKC1HM-475Z	E CAPACITOR	4.7uF 50V M	
C973	QEKC1HM-475Z	E CAPACITOR	4.7uF 50V M		C5004	QEKC1HM-475Z	E CAPACITOR	4.7uF 50V M	
C974	NCF31CZ-104X	C CAPACITOR	0.1uF 16V Z		C5005	QEKC1HM-475Z	E CAPACITOR	4.7uF 50V M	
C975	NCF31CZ-104X	C CAPACITOR	0.1uF 16V Z		C5006	QEKC1HM-475Z	E CAPACITOR	4.7uF 50V M	
C976	NCF31CZ-104X	C CAPACITOR	0.1uF 16V Z		C5011	NCB31HK-152X	C CAPACITOR	1500pF 50V K	
C1502	NCF31CZ-104X	C CAPACITOR	0.1uF 16V Z		C5012	NCB31HK-152X	C CAPACITOR	1500pF 50V K	
C1503	NCF31CZ-104X	C CAPACITOR	0.1uF 16V Z		C5021	NCF31CZ-104X	C CAPACITOR	0.1uF 16V Z	
C1504	NCB31HK-561X	C CAPACITOR	560pF 50V K		C5022	NCF31CZ-104X	C CAPACITOR	0.1uF 16V Z	
C1551	QEKC1CM-107Z	E CAPACITOR	100uF 16V M		C5031	QETN1EM-476Z	E CAPACITOR	47uF 25V M	
C1552	NCB31HK-102X	C CAPACITOR	1000pF 50V K		C5032	QETN1EM-476Z	E CAPACITOR	47uF 25V M	
C1581	QEKC1HM-475Z	E CAPACITOR	4.7uF 50V M		C5101	QEKC1HM-105Z	E CAPACITOR	1uF 50V M	
C1582	QEKC1HM-475Z	E CAPACITOR	4.7uF 50V M		C5103	QEKC1HM-475Z	E CAPACITOR	4.7uF 50V M	
C4501	NCF31CZ-104X	C CAPACITOR	0.1uF 16V Z		C5105	QEKC1HM-475Z	E CAPACITOR	4.7uF 50V M	
C4502	NCF31CZ-104X	C CAPACITOR	0.1uF 16V Z		C5111	NCB31HK-152X	C CAPACITOR	1500pF 50V K	
C4503	NCF31CZ-104X	C CAPACITOR	0.1uF 16V Z		C5121	NCF31CZ-104X	C CAPACITOR	0.1uF 16V Z	
C4504	NCF31CZ-104X	C CAPACITOR	0.1uF 16V Z		C5122	NCF31CZ-104X	C CAPACITOR	0.1uF 16V Z	
C4505	NCF31CZ-104X	C CAPACITOR	0.1uF 16V Z		C5201	QEKC1HM-105Z	E CAPACITOR	1uF 50V M	
C4506	NCF31CZ-104X	C CAPACITOR	0.1uF 16V Z		C5202	QEKC1HM-105Z	E CAPACITOR	1uF 50V M	
C4507	NDC31HJ-390X	C CAPACITOR	39pF 50V J		C5203	QEKC1HM-475Z	E CAPACITOR	4.7uF 50V M	
C4508	NDC31HJ-390X	C CAPACITOR	39pF 50V J		C5204	QEKC1HM-475Z	E CAPACITOR	4.7uF 50V M	
C4509	NDC31HJ-390X	C CAPACITOR	39pF 50V J		C5205	QEKC1HM-475Z	E CAPACITOR	4.7uF 50V M	
C4510	NDC31HJ-390X	C CAPACITOR	39pF 50V J		C5206	QEKC1HM-475Z	E CAPACITOR	4.7uF 50V M	
C4511	NCF31CZ-104X	C CAPACITOR	0.1uF 16V Z		C5211	NCB31HK-152X	C CAPACITOR	1500pF 50V K	
C4513	NCF31CZ-104X	C CAPACITOR	0.1uF 16V Z		C5212	NCB31HK-152X	C CAPACITOR	1500pF 50V K	
C4540	NCF31CZ-104X	C CAPACITOR	0.1uF 16V Z		C5221	NCF31CZ-104X	C CAPACITOR	0.1uF 16V Z	
C4541	NCF31CZ-104X	C CAPACITOR	0.1uF 16V Z		C5222	NCF31CZ-104X	C CAPACITOR	0.1uF 16V Z	
C4542	NCF31CZ-104X	C CAPACITOR	0.1uF 16V Z		C5301	QEKC1HM-105Z	E CAPACITOR	1uF 50V M	
C4543	NDC31HJ-100X	C CAPACITOR	10pF 50V J		C5302	QEKC1HM-105Z	E CAPACITOR	1uF 50V M	
C4544	NDC31HJ-470X	C CAPACITOR	47pF 50V J		C5303	QEKC1HM-475Z	E CAPACITOR	4.7uF 50V M	
C4545	NDC31HJ-120X	C CAPACITOR	12pF 50V J		C5304	QEKC1HM-475Z	E CAPACITOR	4.7uF 50V M	
C4546	QETN1CM-107Z	E CAPACITOR	100uF 16V M		C5305	QEKC1HM-475Z	E CAPACITOR	4.7uF 50V M	
C4547	NCB31HK-103X	C CAPACITOR	0.01uF 50V K		C5306	QEKC1HM-475Z	E CAPACITOR	4.7uF 50V M	
C4548	NCB31HK-103X	C CAPACITOR	0.01uF 50V K		C5311	NCB31HK-152X	C CAPACITOR	1500pF 50V K	
C4549	NCB31HK-103X	C CAPACITOR	0.01uF 50V K		C5312	NCB31HK-152X	C CAPACITOR	1500pF 50V K	
C4550	QETN1CM-107Z	E CAPACITOR	100uF 16V M		C5321	NCF31CZ-104X	C CAPACITOR	0.1uF 16V Z	
C4551	NCF31CZ-474X	C CAPACITOR	0.47uF 16V Z		C5322	NCF31CZ-104X	C CAPACITOR	0.1uF 16V Z	
C4552	NCB31HK-103X	C CAPACITOR	0.01uF 50V K		C5401	QETN1AM-227Z	E CAPACITOR	220uF 10V M	
C4553	NCB31HK-103X	C CAPACITOR	0.01uF 50V K		C5501	NDC31HJ-240X	C CAPACITOR	24pF 50V J	
C4554	QETN1CM-107Z	E CAPACITOR	100uF 16V M		C5502	NCF31CZ-104X	C CAPACITOR	0.1uF 16V Z	
C4555	NCB31HK-103X	C CAPACITOR	0.01uF 50V K		C5503	NCB31HK-223X	C CAPACITOR	0.022uF 50V K	
C4556	NDC31HJ-100X	C CAPACITOR	10pF 50V J		C5504	NDC31HJ-271X	C CAPACITOR	270pF 50V J	
C4557	NCB31HK-122X	C CAPACITOR	1200pF 50V K		C5505	NCB31HK-222X	C CAPACITOR	2200pF 50V K	
C4558	NDC31HJ-181X	C CAPACITOR	180pF 50V J		C5506	NCB31CK-104X	C CAPACITOR	0.1uF 16V K	
C4559	NCB31HK-103X	C CAPACITOR	0.01uF 50V K		C5507	NDC31HJ-330X	C CAPACITOR	33pF 50V J	
C4560	NCB31HK-103X	C CAPACITOR	0.01uF 50V K		C5508	NCB31HK-682X	C CAPACITOR	6800pF 50V K	
C4561	NCB31HK-103X	C CAPACITOR	0.01uF 50V K		C5509	NDC31HJ-120X	C CAPACITOR	12pF 50V J	
C4562	NCB31HK-103X	C CAPACITOR	0.01uF 50V K		C5510	NCB31CK-104X	C CAPACITOR	0.1uF 16V K	
C4563	QETN1CM-107Z	E CAPACITOR	100uF 16V M		C5511	NCB31HK-103X	C CAPACITOR	0.01uF 50V K	
C4565	NDC31HJ-820X	C CAPACITOR	82pF 50V J		C5512	NCB31CK-104X	C CAPACITOR	0.1uF 16V K	
C4568	NDC31HJ-820X	C CAPACITOR	82pF 50V J		C5513	NDC31HJ-120X	C CAPACITOR	12pF 50V J	
C4570	NCF31CZ-104X	C CAPACITOR	0.1uF 16V Z		C5514	NCB31CK-104X	C CAPACITOR	0.1uF 16V K	
C4571	NCF31CZ-104X	C CAPACITOR	0.1uF 16V Z		C5515	NDC31HJ-120X	C CAPACITOR	12pF 50V J	
C4572	NDC31HJ-390X	C CAPACITOR	39pF 50V J		C5517	NCF31CZ-104X	C CAPACITOR	0.1uF 16V Z	
C4573	NDC31HJ-390X	C CAPACITOR	39pF 50V J		C5518	NCB31CK-104X	C CAPACITOR	0.1uF 16V K	
C4574	NCB31HK-103X	C CAPACITOR	0.01uF 50V K		C5520	NCB31HK-103X	C CAPACITOR	0.01uF 50V K	
C4575	QEKC1CM-476Z	E CAPACITOR	47uF 16V M		C5521	NCB31CK-104X	C CAPACITOR	0.1uF 16V K	
C4576	QEKC1CM-476Z	E CAPACITOR	47uF 16V M		C5522	NDC31HJ-121X	C CAPACITOR	120pF 50V J	
C4580	QEKC1HM-475Z	E CAPACITOR	4.7uF 50V M		C5523	NDC31HJ-220X	C CAPACITOR	22pF 50V J	
C4581	QETN1HM-106Z	E CAPACITOR	10uF 50V M		C5525	NCB31CK-104X	C CAPACITOR	0.1uF 16V K	
C4582	QETN1HM-106Z	E CAPACITOR	10uF 50V M		C5526	NDC31HJ-100X	C CAPACITOR	10pF 50V J	
C4583	QEKC1HM-475Z	E CAPACITOR	4.7uF 50V M		C5527	NCB31HK-223X	C CAPACITOR	0.022uF 50V K	
C4584	QETN1HM-106Z	E CAPACITOR	10uF 50V M		C5528	NCF31CZ-104X	C CAPACITOR	0.1uF 16V Z	
C4585	QETN1HM-106Z	E CAPACITOR	10uF 50V M		C5529	NCF31CZ-104X	C CAPACITOR	0.1uF 16V Z	
C4586	QETN1AM-477Z	E CAPACITOR	470uF 10V M		C5530	NCB31HK-103X	C CAPACITOR	0.01uF 50V K	
C4587	QETN1AM-477Z	E CAPACITOR	470uF 10V M		C5531	NCB31HK-103X	C CAPACITOR	0.01uF 50V K	
C4588	QETN1AM-477Z	E CAPACITOR	470uF 10V M		C5532	NCB31HK-103X	C CAPACITOR	0.01uF 50V K	
C4589	QEKC1HM-475Z	E CAPACITOR	4.7uF 50V M		C5533	NDC31HJ-100X	C CAPACITOR	10pF 50V J	
C4590	QETN1HM-106Z	E CAPACITOR	10uF 50V M		C5534	NDC31HJ-821X	C CAPACITOR	820pF 50V J	
C4591	QETN1HM-106Z	E CAPACITOR	10uF 50V M		C5536	NCF31CZ-104X	C CAPACITOR	0.1uF 16V Z	
C4592	QEKC1HM-224Z	E CAPACITOR	0.22uF 50V M		C5538	NCB31HK-103X	C CAPACITOR	0.01uF 50V K	
C4593	QETN1HM-106Z	E CAPACITOR	10uF 50V M		C5539	NDC31HJ-561X	C CAPACITOR	560pF 50V J	
C4594	QETN1HM-106Z	E CAPACITOR	10uF 50V M		C5540	NDC31HJ-120X	C CAPACITOR	12pF 50V J	
C4595	QEKC1HM-224Z	E CAPACITOR	0.22uF 50V M		C5541	NCB31HK-223X	C CAPACITOR	0.022uF 50V K	
C4596	QEKC1HM-224Z	E CAPACITOR	0.22uF 50V M		C5542	NDC31HJ-6R0X	C CAPACITOR	6pF 50V J	
C4597	NCB31HK-103X	C CAPACITOR	0.01uF 50V K		C5543	NCB31HK-103X	C CAPACITOR	0.01uF 50V K	
C4598	NCB31HK-103X	C CAPACITOR	0.01uF 50V K		C5545	NDC31HJ-391X	C CAPACITOR	390pF 50V J	
C5001	QEKC1HM-105Z	E CAPACITOR	1uF 50V M		C5546	QETN1AM-477Z	E CAPACITOR	470uF 10V M	
C5002	QEKC1HM-105Z	E CAPACITOR	1uF 50V M		C5547	QEKC1HM-105Z	E CAPACITOR	1uF 50V M	

△ Symbol No.	Part No.	Part Name	Description	Local	△ Symbol No.	Part No.	Part Name	Description	Local
C5548	QETN1CM-107Z	E CAPACITOR	100uF 16V M		C8528	QEKC1HM-475Z	E CAPACITOR	4.7uF 50V M	
C5549	QEKC1HM-225Z	E CAPACITOR	2.2uF 50V M		C8529	NCF31CZ-104X	C CAPACITOR	0.1uF 16V Z	
C5550	QEKC1HM-225Z	E CAPACITOR	2.2uF 50V M		C8530	NCF31CZ-104X	C CAPACITOR	0.1uF 16V Z	
C5551	QEKC1HM-105Z	E CAPACITOR	1uF 50V M		C8531	NCF31CZ-104X	C CAPACITOR	0.1uF 16V Z	
C5552	QEKC1HM-474Z	E CAPACITOR	0.47uF 50V M		C8532	NCF31CZ-104X	C CAPACITOR	0.1uF 16V Z	
C5553	QEKC1HM-224Z	E CAPACITOR	0.22uF 50V M		C8533	NCF31CZ-104X	C CAPACITOR	0.1uF 16V Z	
C5557	QEKC1HM-224Z	E CAPACITOR	0.22uF 50V M		C8534	QEKC1HM-475Z	E CAPACITOR	4.7uF 50V M	
C5558	QETN1CM-107Z	E CAPACITOR	100uF 16V M		C8535	QEKC1HM-475Z	E CAPACITOR	4.7uF 50V M	
C5559	QEKC1HM-224Z	E CAPACITOR	0.22uF 50V M		C8536	NCF31CZ-104X	C CAPACITOR	0.1uF 16V Z	
C5560	QETN1HM-106Z	E CAPACITOR	10uF 50V M		C8537	QEKC1HM-475Z	E CAPACITOR	4.7uF 50V M	
C5561	QEKC1HM-475Z	E CAPACITOR	4.7uF 50V M		C8538	NCF31CZ-104X	C CAPACITOR	0.1uF 16V Z	
C5562	QEKC1HM-225Z	E CAPACITOR	2.2uF 50V M		C8539	QEKC1HM-475Z	E CAPACITOR	4.7uF 50V M	
C5563	QEKC1HM-475Z	E CAPACITOR	4.7uF 50V M		C8540	QEKC1HM-475Z	E CAPACITOR	4.7uF 50V M	
C5564	QEKC1HM-105Z	E CAPACITOR	1uF 50V M		C8541	NCB31EK-473X	C CAPACITOR	0.047uF 25V K	
C5565	NCB31HK-103X	C CAPACITOR	0.01uF 50V K		C8542	QEKC1HM-475Z	E CAPACITOR	4.7uF 50V M	
C5566	NCF31CZ-104X	C CAPACITOR	0.1uF 16V Z		C8543	QEKC1HM-475Z	E CAPACITOR	4.7uF 50V M	
C5567	NCF31CZ-104X	C CAPACITOR	0.1uF 16V Z		C8544	QEKC1HM-475Z	E CAPACITOR	4.7uF 50V M	
C5568	NCB31HK-103X	C CAPACITOR	0.01uF 50V K		C8545	NCB31EK-473X	C CAPACITOR	0.047uF 25V K	
C5576	NCF31CZ-104X	C CAPACITOR	0.1uF 16V Z		C8546	QEKC1HM-475Z	E CAPACITOR	4.7uF 50V M	
C5578	NDC31HJ-390X	C CAPACITOR	39pF 50V J		C8547	QEKC1HM-475Z	E CAPACITOR	4.7uF 50V M	
C5579	NDC31HJ-390X	C CAPACITOR	39pF 50V J		C8548	NCF31CZ-104X	C CAPACITOR	0.1uF 16V Z	
C5580	NDC31HJ-390X	C CAPACITOR	39pF 50V J		C8549	NCF31CZ-104X	C CAPACITOR	0.1uF 16V Z	
C5581	NDC31HJ-390X	C CAPACITOR	39pF 50V J		C8553	NCB31HK-102X	C CAPACITOR	1000pF 50V K	
C5582	NDC31HJ-390X	C CAPACITOR	39pF 50V J		C8554	NCB31HK-102X	C CAPACITOR	1000pF 50V K	
C5583	NDC31HJ-390X	C CAPACITOR	39pF 50V J		C8556	QETN1AM-477Z	E CAPACITOR	470uF 10V M	
C5584	NDC31HJ-390X	C CAPACITOR	39pF 50V J		C8558	QETN1AM-477Z	E CAPACITOR	470uF 10V M	
C5585	NCB31HK-103X	C CAPACITOR	0.01uF 50V K		C8563	NCF31CZ-104X	C CAPACITOR	0.1uF 16V Z	
C5587	NCB31HK-103X	C CAPACITOR	0.01uF 50V K		C8564	NCF31CZ-104X	C CAPACITOR	0.1uF 16V Z	
C5588	NCF31CZ-104X	C CAPACITOR	0.1uF 16V Z		C8565	NCF31CZ-104X	C CAPACITOR	0.1uF 16V Z	
C5589	QETN1CM-107Z	E CAPACITOR	100uF 16V M		C8566	QETN1EM-476Z	E CAPACITOR	47uF 25V M	
C5590	NCF31CZ-104X	C CAPACITOR	0.1uF 16V Z		C8567	NDC31HJ-390X	C CAPACITOR	39pF 50V J	
C5591	QETN1CM-107Z	E CAPACITOR	100uF 16V M		C8568	NDC31HJ-390X	C CAPACITOR	39pF 50V J	
C5593	NDC31HJ-390X	C CAPACITOR	39pF 50V J		C8569	NDC31HJ-390X	C CAPACITOR	39pF 50V J	
C5594	NCB31HK-102X	C CAPACITOR	1000pF 50V K		C8570	NDC31HJ-390X	C CAPACITOR	39pF 50V J	
C5595	QEKC1CM-476Z	E CAPACITOR	47uF 16V M		C8571	NDC31HJ-390X	C CAPACITOR	39pF 50V J	
C5596	NDC31HJ-390X	C CAPACITOR	39pF 50V J		C8572	NCF31CZ-104X	C CAPACITOR	0.1uF 16V Z	
C5597	NDC31HJ-390X	C CAPACITOR	39pF 50V J		C8573	NCF31CZ-104X	C CAPACITOR	0.1uF 16V Z	
C6505	NDC31HJ-331X	C CAPACITOR	330pF 50V J		C8574	QETN1EM-476Z	E CAPACITOR	47uF 25V M	
C6506	NDC31HJ-331X	C CAPACITOR	330pF 50V J		C8575	QETN1CM-477Z	E CAPACITOR	470uF 16V M	
C6507	NDC31HJ-331X	C CAPACITOR	330pF 50V J		C8576	NCB31HK-221X	C CAPACITOR	220pF 50V K	
C6508	NDC31HJ-331X	C CAPACITOR	330pF 50V J		C8577	NDC31HJ-390X	C CAPACITOR	39pF 50V J	
C6509	NDC31HJ-331X	C CAPACITOR	330pF 50V J		C8578	NDC31HJ-390X	C CAPACITOR	39pF 50V J	
C6510	NDC31HJ-331X	C CAPACITOR	330pF 50V J		C8579	NDC31HJ-390X	C CAPACITOR	39pF 50V J	
C6511	NDC31HJ-331X	C CAPACITOR	330pF 50V J		C8580	NDC31HJ-390X	C CAPACITOR	39pF 50V J	
C6512	NDC31HJ-331X	C CAPACITOR	330pF 50V J		C8581	NDC31HJ-390X	C CAPACITOR	39pF 50V J	
C6513	NDC31HJ-331X	C CAPACITOR	330pF 50V J		C8582	NDC31HJ-390X	C CAPACITOR	39pF 50V J	
C6514	NDC31HJ-331X	C CAPACITOR	330pF 50V J		C8583	NDC31HJ-390X	C CAPACITOR	39pF 50V J	
C6515	NDC31HJ-331X	C CAPACITOR	330pF 50V J		C8584	NDC31HJ-390X	C CAPACITOR	39pF 50V J	
C6516	NDC31HJ-331X	C CAPACITOR	330pF 50V J		C9001	NCF31CZ-104X	C CAPACITOR	0.1uF 16V Z	
C6517	NDC31HJ-331X	C CAPACITOR	330pF 50V J		C9002	NCF31CZ-104X	C CAPACITOR	0.1uF 16V Z	
C6518	NDC31HJ-331X	C CAPACITOR	330pF 50V J		C9501	NDC31HJ-331X	C CAPACITOR	330pF 50V J	
C6519	NDC31HJ-331X	C CAPACITOR	330pF 50V J		C9502	NDC31HJ-331X	C CAPACITOR	330pF 50V J	
C6520	NDC31HJ-331X	C CAPACITOR	330pF 50V J		C9506	QETN1AM-477Z	E CAPACITOR	470uF 10V M	
C8501	NDC31HJ-331X	C CAPACITOR	330pF 50V J		C9509	QETN1AM-477Z	E CAPACITOR	470uF 10V M	
C8502	NDC31HJ-331X	C CAPACITOR	330pF 50V J		C9510	QEKC1HM-475Z	E CAPACITOR	4.7uF 50V M	
C8503	NDC31HJ-331X	C CAPACITOR	330pF 50V J		C9511	NCF31CZ-104X	C CAPACITOR	0.1uF 16V Z	
C8504	NDC31HJ-331X	C CAPACITOR	330pF 50V J		C9512	QEKC1HM-475Z	E CAPACITOR	4.7uF 50V M	
C8505	NDC31HJ-331X	C CAPACITOR	330pF 50V J		C9513	NCB31HK-103X	C CAPACITOR	0.01uF 50V K	
C8506	NDC31HJ-331X	C CAPACITOR	330pF 50V J		C9514	NCF31CZ-104X	C CAPACITOR	0.1uF 16V Z	
C8507	NDC31HJ-331X	C CAPACITOR	330pF 50V J		C9515	NDC31HJ-331X	C CAPACITOR	330pF 50V J	
C8508	NDC31HJ-331X	C CAPACITOR	330pF 50V J		C9516	NDC31HJ-331X	C CAPACITOR	330pF 50V J	
C8509	NDC31HJ-331X	C CAPACITOR	330pF 50V J		R501	NRSA63J-223X	MG RESISTOR	22kΩ 1/16W J	
C8510	NDC31HJ-331X	C CAPACITOR	330pF 50V J		R502	NRSA63J-473X	MG RESISTOR	47kΩ 1/16W J	
C8511	NDC31HJ-331X	C CAPACITOR	330pF 50V J		R503	NRSA63J-202X	MG RESISTOR	2kΩ 1/16W J	
C8512	NDC31HJ-331X	C CAPACITOR	330pF 50V J		R504	NRSA63J-473X	MG RESISTOR	47kΩ 1/16W J	
C8513	NDC31HJ-331X	C CAPACITOR	330pF 50V J		R505	NRSA63J-202X	MG RESISTOR	2kΩ 1/16W J	
C8514	NDC31HJ-331X	C CAPACITOR	330pF 50V J		R506	NRSA63J-473X	MG RESISTOR	47kΩ 1/16W J	
C8515	NDC31HJ-331X	C CAPACITOR	330pF 50V J		R507	NRSA63J-222X	MG RESISTOR	2.2kΩ 1/16W J	
C8516	NDC31HJ-331X	C CAPACITOR	330pF 50V J		R507	NRSA63J-222X	MG RESISTOR	2.2kΩ 1/16W J	
C8517	QEKC1HM-475Z	E CAPACITOR	4.7uF 50V M		R521	NRSA63J-103X	MG RESISTOR	10kΩ 1/16W J	
C8518	QEKC1HM-475Z	E CAPACITOR	4.7uF 50V M		R561	NRSA63J-102X	MG RESISTOR	1kΩ 1/16W J	
C8519	QEKC1HM-475Z	E CAPACITOR	4.7uF 50V M		R562	NRSA63J-102X	MG RESISTOR	1kΩ 1/16W J	
C8520	QETN1AM-477Z	E CAPACITOR	470uF 10V M		R563	NRSA63J-511X	MG RESISTOR	510Ω 1/16W J	
C8522	QEKC1HM-475Z	E CAPACITOR	4.7uF 50V M		R564	NRSA63J-511X	MG RESISTOR	510Ω 1/16W J	
C8523	QEKC1HM-475Z	E CAPACITOR	4.7uF 50V M		R565	NRSA63J-102X	MG RESISTOR	1kΩ 1/16W J	
C8524	QEKC1HM-475Z	E CAPACITOR	4.7uF 50V M		R566	NRSA63J-102X	MG RESISTOR	1kΩ 1/16W J	
C8525	QEKC1HM-475Z	E CAPACITOR	4.7uF 50V M		R567	NRSA63J-511X	MG RESISTOR	510Ω 1/16W J	
C8526	QETN1AM-477Z	E CAPACITOR	470uF 10V M		R568	NRSA63J-511X	MG RESISTOR	510Ω 1/16W J	

△ Symbol No.	Part No.	Part Name	Description	Local	△ Symbol No.	Part No.	Part Name	Description	Local
R569	NRSA63J-241X	MG RESISTOR	240Ω 1/16W J		R1558	NRSA63J-103X	MG RESISTOR	10kΩ 1/16W J	
R570	NRSA63J-241X	MG RESISTOR	240Ω 1/16W J		R1561	NRSA63J-221X	MG RESISTOR	220Ω 1/16W J	
R571	NRSA63J-103X	MG RESISTOR	10kΩ 1/16W J		R1565	NRSA63J-0R0X	MG RESISTOR	0Ω 1/16W J	
R572	NRSA63J-103X	MG RESISTOR	10kΩ 1/16W J		R1567	NRSA63J-103X	MG RESISTOR	10kΩ 1/16W J	
R573	NRSA63J-102X	MG RESISTOR	1kΩ 1/16W J		R1571	NRSA63J-203X	MG RESISTOR	20kΩ 1/16W J	
R574	NRSA63J-473X	MG RESISTOR	47kΩ 1/16W J		R1572	NRSA63J-752X	MG RESISTOR	7.5kΩ 1/16W J	
R575	NRSA63J-473X	MG RESISTOR	47kΩ 1/16W J		R1573	NRSA63J-103X	MG RESISTOR	10kΩ 1/16W J	
R576	NRSA63J-102X	MG RESISTOR	1kΩ 1/16W J		R1580	NRSA63J-153X	MG RESISTOR	15kΩ 1/16W J	
R577	NRSA63J-102X	MG RESISTOR	1kΩ 1/16W J		R1581	NRSA63J-104X	MG RESISTOR	100kΩ 1/16W J	
R579	NRSA63J-472X	MG RESISTOR	4.7kΩ 1/16W J		R1582	NRSA63J-104X	MG RESISTOR	100kΩ 1/16W J	
R580	NRSA63J-472X	MG RESISTOR	4.7kΩ 1/16W J		R1583	NRSA63J-102X	MG RESISTOR	1kΩ 1/16W J	
R585	NRSA63J-331X	MG RESISTOR	330Ω 1/16W J		R1584	NRSA63J-102X	MG RESISTOR	1kΩ 1/16W J	
R586	NRSA63J-472X	MG RESISTOR	4.7kΩ 1/16W J		R1585	NRSA63J-103X	MG RESISTOR	10kΩ 1/16W J	
R587	NRSA63J-223X	MG RESISTOR	22kΩ 1/16W J		R1586	NRSA63J-103X	MG RESISTOR	10kΩ 1/16W J	
R588	NRSA63J-102X	MG RESISTOR	1kΩ 1/16W J		R1590	NRSA63J-102X	MG RESISTOR	1kΩ 1/16W J	
R589	NRSA63J-102X	MG RESISTOR	1kΩ 1/16W J		R1592	NRSA63J-153X	MG RESISTOR	15kΩ 1/16W J	
R593	NRSA63J-102X	MG RESISTOR	1kΩ 1/16W J		R1593	NRSA63J-153X	MG RESISTOR	15kΩ 1/16W J	
R594	NRSA63J-102X	MG RESISTOR	1kΩ 1/16W J		R1594	NRSA63J-153X	MG RESISTOR	15kΩ 1/16W J	
R595	NRSA63J-682X	MG RESISTOR	6.8kΩ 1/16W J		R1595	NRSA63J-153X	MG RESISTOR	15kΩ 1/16W J	
R596	NRSA63J-682X	MG RESISTOR	6.8kΩ 1/16W J		R1596	NRSA63J-153X	MG RESISTOR	15kΩ 1/16W J	
R598	NRSA63J-103X	MG RESISTOR	10kΩ 1/16W J		R1599	NRSA63J-223X	MG RESISTOR	22kΩ 1/16W J	
R961	NRSA63J-105X	MG RESISTOR	1MΩ 1/16W J		R4501	NRSA63J-470X	MG RESISTOR	47Ω 1/16W J	
R962	NRSA63J-152X	MG RESISTOR	1.5kΩ 1/16W J		R4502	NRS144J-471X	MG RESISTOR	470Ω 1/4W J	
R963	NRSA63J-152X	MG RESISTOR	1.5kΩ 1/16W J		R4521	NRSA63J-152X	MG RESISTOR	1.5kΩ 1/16W J	
R964	NRSA63J-152X	MG RESISTOR	1.5kΩ 1/16W J		R4522	NRSA63J-152X	MG RESISTOR	1.5kΩ 1/16W J	
R965	NRSA63J-270X	MG RESISTOR	27Ω 1/16W J		R4523	NRSA63J-561X	MG RESISTOR	560Ω 1/16W J	
R966	NRSA63J-270X	MG RESISTOR	27Ω 1/16W J		R4524	NRSA63J-152X	MG RESISTOR	1.5kΩ 1/16W J	
R968	NRSA63J-152X	MG RESISTOR	1.5kΩ 1/16W J		R4525	NRSA63J-152X	MG RESISTOR	1.5kΩ 1/16W J	
R969	NRSA63J-152X	MG RESISTOR	1.5kΩ 1/16W J		R4526	NRSA63J-561X	MG RESISTOR	560Ω 1/16W J	
R970	NRSA63J-152X	MG RESISTOR	1.5kΩ 1/16W J		R4527	NRSA63J-681X	MG RESISTOR	680Ω 1/16W J	
R972	NRSA63J-152X	MG RESISTOR	1.5kΩ 1/16W J		R4528	NRSA63J-681X	MG RESISTOR	680Ω 1/16W J	
R973	NRSA63J-101X	MG RESISTOR	100Ω 1/16W J		R4529	NRSA63J-102X	MG RESISTOR	1kΩ 1/16W J	
R974	NRSA63J-106X	MG RESISTOR	10MΩ 1/16W J		R4541	NRSA63J-750X	MG RESISTOR	75Ω 1/16W J	
R975	NRSA63J-221X	MG RESISTOR	220Ω 1/16W J		R4542	NRSA63J-750X	MG RESISTOR	75Ω 1/16W J	
R976	NRSA63J-750X	MG RESISTOR	75Ω 1/16W J		R4543	NRSA63J-750X	MG RESISTOR	75Ω 1/16W J	
R977	NRSA63J-102X	MG RESISTOR	1kΩ 1/16W J		R4544	NRSA63J-750X	MG RESISTOR	75Ω 1/16W J	
R978	NRSA63J-750X	MG RESISTOR	75Ω 1/16W J		R4545	NRSA63J-750X	MG RESISTOR	75Ω 1/16W J	
R980	NRSA63J-750X	MG RESISTOR	75Ω 1/16W J		R4546	NRSA63J-750X	MG RESISTOR	75Ω 1/16W J	
R981	NRSA63J-471X	MG RESISTOR	470Ω 1/16W J		R4547	NRSA63J-680X	MG RESISTOR	68Ω 1/16W J	
R982	NRSA63J-471X	MG RESISTOR	470Ω 1/16W J		R4548	NRSA63J-750X	MG RESISTOR	75Ω 1/16W J	
R993	NRSA63J-0R0X	MG RESISTOR	0Ω 1/16W J		R4549	NRSA63J-750X	MG RESISTOR	75Ω 1/16W J	
R994	NRSA63J-0R0X	MG RESISTOR	0Ω 1/16W J		R4550	NRSA63J-222X	MG RESISTOR	2.2kΩ 1/16W J	
R999	NRSA63J-0R0X	MG RESISTOR	0Ω 1/16W J		R4551	NRSA63J-222X	MG RESISTOR	2.2kΩ 1/16W J	
△ R1501	QRZ9015-2R2X	FUSI RESISTOR	2.2Ω		R4552	NRSA63J-561X	MG RESISTOR	560Ω 1/16W J	
△ R1502	QRZ9015-2R2X	FUSI RESISTOR	2.2Ω		R4556	NRSA63J-152X	MG RESISTOR	1.5kΩ 1/16W J	
R1503	NRSA63J-102X	MG RESISTOR	1kΩ 1/16W J		R4557	NRSA63J-152X	MG RESISTOR	1.5kΩ 1/16W J	
R1504	NRSA63J-102X	MG RESISTOR	1kΩ 1/16W J		R4559	NRSA63J-222X	MG RESISTOR	2.2kΩ 1/16W J	
R1505	NRSA63J-103X	MG RESISTOR	10kΩ 1/16W J		R4560	NRSA63J-681X	MG RESISTOR	680Ω 1/16W J	
R1506	NRSA63J-103X	MG RESISTOR	10kΩ 1/16W J		R4561	NRSA63J-103X	MG RESISTOR	10kΩ 1/16W J	
R1507	NRSA63J-104X	MG RESISTOR	100kΩ 1/16W J		R4578	NRSA63J-471X	MG RESISTOR	470Ω 1/16W J	
R1508	NRSA63J-104X	MG RESISTOR	100kΩ 1/16W J		R4579	NRSA63J-561X	MG RESISTOR	560Ω 1/16W J	
R1509	NRSA63J-102X	MG RESISTOR	1kΩ 1/16W J		R4580	NRSA63J-102X	MG RESISTOR	1kΩ 1/16W J	
R1510	NRSA63J-102X	MG RESISTOR	1kΩ 1/16W J		R4581	NRSA63J-361X	MG RESISTOR	360Ω 1/16W J	
R1511	NRSA63J-103X	MG RESISTOR	10kΩ 1/16W J		R4582	NRSA63J-112X	MG RESISTOR	1.1kΩ 1/16W J	
R1512	NRSA63J-103X	MG RESISTOR	10kΩ 1/16W J		R4583	NRSA63J-182X	MG RESISTOR	1.8kΩ 1/16W J	
R1513	NRSA63J-104X	MG RESISTOR	100kΩ 1/16W J		R4584	NRSA63J-101X	MG RESISTOR	100Ω 1/16W J	
R1514	NRSA63J-104X	MG RESISTOR	100kΩ 1/16W J		R4585	NRSA63J-101X	MG RESISTOR	100Ω 1/16W J	
R1515	NRSA63J-102X	MG RESISTOR	1kΩ 1/16W J		R4586	NRSA63J-821X	MG RESISTOR	820Ω 1/16W J	
R1517	NRSA63J-103X	MG RESISTOR	10kΩ 1/16W J		R4587	NRSA63J-391X	MG RESISTOR	390Ω 1/16W J	
R1519	NRSA63J-104X	MG RESISTOR	100kΩ 1/16W J		R4590	NRSA63J-561X	MG RESISTOR	560Ω 1/16W J	
R1520	NRSA63J-102X	MG RESISTOR	1kΩ 1/16W J		R4591	NRSA63J-391X	MG RESISTOR	390Ω 1/16W J	
R1521	NRSA63J-133X	MG RESISTOR	13kΩ 1/16W J		R4592	NRSA63J-133X	MG RESISTOR	13kΩ 1/16W J	
R1522	NRSA63J-102X	MG RESISTOR	1kΩ 1/16W J		R4593	NRSA63J-182X	MG RESISTOR	1.8kΩ 1/16W J	
R1523	NRSA63J-102X	MG RESISTOR	1kΩ 1/16W J		R5001	NRSA63J-472X	MG RESISTOR	4.7kΩ 1/16W J	
R1524	NRSA63J-103X	MG RESISTOR	10kΩ 1/16W J		R5002	NRSA63J-472X	MG RESISTOR	4.7kΩ 1/16W J	
R1525	NRSA63J-103X	MG RESISTOR	10kΩ 1/16W J		R5003	NRSA63J-473X	MG RESISTOR	47kΩ 1/16W J	
R1526	NRSA63J-472X	MG RESISTOR	4.7kΩ 1/16W J		R5004	NRSA63J-473X	MG RESISTOR	47kΩ 1/16W J	
R1527	NRSA63J-102X	MG RESISTOR	1kΩ 1/16W J		R5005	NRSA63J-474X	MG RESISTOR	470kΩ 1/16W J	
R1529	NRSA63J-104X	MG RESISTOR	100kΩ 1/16W J		R5006	NRSA63J-474X	MG RESISTOR	470kΩ 1/16W J	
R1530	NRSA63J-104X	MG RESISTOR	100kΩ 1/16W J		R5007	NRSA63J-104X	MG RESISTOR	100kΩ 1/16W J	
R1543	NRSA63J-103X	MG RESISTOR	10kΩ 1/16W J		R5008	NRSA63J-104X	MG RESISTOR	100kΩ 1/16W J	
R1544	NRSA63J-103X	MG RESISTOR	10kΩ 1/16W J		R5009	NRSA63J-820X	MG RESISTOR	82Ω 1/16W J	
R1545	NRSA63J-102X	MG RESISTOR	1kΩ 1/16W J		R5010	NRSA63J-820X	MG RESISTOR	82Ω 1/16W J	
R1551	NRSA63J-203X	MG RESISTOR	20kΩ 1/16W J		R5011	NRSA63J-102X	MG RESISTOR	1kΩ 1/16W J	
R1552	NRSA63J-512X	MG RESISTOR	5.1kΩ 1/16W J		R5012	NRSA63J-102X	MG RESISTOR	1kΩ 1/16W J	
R1553	NRSA63J-103X	MG RESISTOR	10kΩ 1/16W J		R5021	NRSA63J-153X	MG RESISTOR	15kΩ 1/16W J	
R1556	NRSA63J-102X	MG RESISTOR	1kΩ 1/16W J		R5022	NRSA63J-153X	MG RESISTOR	15kΩ 1/16W J	
R1557	NRSA63J-273X	MG RESISTOR	27kΩ 1/16W J		R5101	NRSA63J-472X	MG RESISTOR	4.7kΩ 1/16W J	

△ Symbol No.	Part No.	Part Name	Description	Local	△ Symbol No.	Part No.	Part Name	Description	Local
R5103	NRSA63J-473X	MG RESISTOR	47kΩ 1/16W J		R5556	NRSA63J-222X	MG RESISTOR	2.2kΩ 1/16W J	
R5105	NRSA63J-474X	MG RESISTOR	470kΩ 1/16W J		R5557	NRSA63J-222X	MG RESISTOR	2.2kΩ 1/16W J	
R5107	NRSA63J-104X	MG RESISTOR	100kΩ 1/16W J		R5558	NRSA63J-222X	MG RESISTOR	2.2kΩ 1/16W J	
R5109	NRSA63J-820X	MG RESISTOR	82Ω 1/16W J		R5559	NRSA63J-102X	MG RESISTOR	1kΩ 1/16W J	
R5111	NRSA63J-102X	MG RESISTOR	1kΩ 1/16W J		R5560	NRSA63J-102X	MG RESISTOR	1kΩ 1/16W J	
R5121	NRSA63J-153X	MG RESISTOR	15kΩ 1/16W J		R5565	NRSA63J-222X	MG RESISTOR	2.2kΩ 1/16W J	
R5201	NRSA63J-472X	MG RESISTOR	4.7kΩ 1/16W J		R5566	NRSA63J-222X	MG RESISTOR	2.2kΩ 1/16W J	
R5202	NRSA63J-472X	MG RESISTOR	4.7kΩ 1/16W J		R5567	NRSA63J-102X	MG RESISTOR	1kΩ 1/16W J	
R5203	NRSA63J-473X	MG RESISTOR	47kΩ 1/16W J		R5569	NRSA63J-0R0X	MG RESISTOR	0Ω 1/16W J	
R5204	NRSA63J-473X	MG RESISTOR	47kΩ 1/16W J		R5570	NRSA63J-102X	MG RESISTOR	1kΩ 1/16W J	
R5205	NRSA63J-474X	MG RESISTOR	470kΩ 1/16W J		R5581	NRSA63J-222X	MG RESISTOR	2.2kΩ 1/16W J	
R5206	NRSA63J-474X	MG RESISTOR	470kΩ 1/16W J		R5582	NRSA63J-222X	MG RESISTOR	2.2kΩ 1/16W J	
R5207	NRSA63J-104X	MG RESISTOR	100kΩ 1/16W J		R5583	NRSA63J-561X	MG RESISTOR	560Ω 1/16W J	
R5208	NRSA63J-104X	MG RESISTOR	100kΩ 1/16W J		R5584	NRSA63J-222X	MG RESISTOR	2.2kΩ 1/16W J	
R5209	NRSA63J-820X	MG RESISTOR	82Ω 1/16W J		R5585	NRSA63J-222X	MG RESISTOR	2.2kΩ 1/16W J	
R5210	NRSA63J-820X	MG RESISTOR	82Ω 1/16W J		R5586	NRSA63J-561X	MG RESISTOR	560Ω 1/16W J	
R5211	NRSA63J-102X	MG RESISTOR	1kΩ 1/16W J		R5587	NRSA63J-152X	MG RESISTOR	1.5kΩ 1/16W J	
R5212	NRSA63J-102X	MG RESISTOR	1kΩ 1/16W J		R6503	NRSA63J-473X	MG RESISTOR	47kΩ 1/16W J	
R5221	NRSA63J-153X	MG RESISTOR	15kΩ 1/16W J		R6504	NRSA63J-473X	MG RESISTOR	47kΩ 1/16W J	
R5222	NRSA63J-153X	MG RESISTOR	15kΩ 1/16W J		R6505	NRSA63J-471X	MG RESISTOR	470Ω 1/16W J	
R5301	NRSA63J-472X	MG RESISTOR	4.7kΩ 1/16W J		R6506	NRSA63J-471X	MG RESISTOR	470Ω 1/16W J	
R5302	NRSA63J-472X	MG RESISTOR	4.7kΩ 1/16W J		R6517	NRSA63J-104X	MG RESISTOR	100kΩ 1/16W J	
R5303	NRSA63J-473X	MG RESISTOR	47kΩ 1/16W J		R6518	NRSA63J-104X	MG RESISTOR	100kΩ 1/16W J	
R5304	NRSA63J-473X	MG RESISTOR	47kΩ 1/16W J		R6519	NRSA63J-471X	MG RESISTOR	470Ω 1/16W J	
R5305	NRSA63J-474X	MG RESISTOR	470kΩ 1/16W J		R6520	NRSA63J-471X	MG RESISTOR	470Ω 1/16W J	
R5306	NRSA63J-474X	MG RESISTOR	470kΩ 1/16W J		R6521	NRSA63J-622X	MG RESISTOR	6.2kΩ 1/16W J	
R5307	NRSA63J-104X	MG RESISTOR	100kΩ 1/16W J		R6522	NRSA63J-622X	MG RESISTOR	6.2kΩ 1/16W J	
R5308	NRSA63J-104X	MG RESISTOR	100kΩ 1/16W J		R6576	NRSA63J-103X	MG RESISTOR	10kΩ 1/16W J	
R5309	NRSA63J-820X	MG RESISTOR	82Ω 1/16W J		R6581	NRSA63J-133X	MG RESISTOR	13kΩ 1/16W J	
R5310	NRSA63J-820X	MG RESISTOR	82Ω 1/16W J		R6582	NRSA63J-332X	MG RESISTOR	3.3kΩ 1/16W J	
R5311	NRSA63J-102X	MG RESISTOR	1kΩ 1/16W J		R6583	NRSA63J-473X	MG RESISTOR	47kΩ 1/16W J	
R5312	NRSA63J-102X	MG RESISTOR	1kΩ 1/16W J		R6584	NRSA63J-473X	MG RESISTOR	47kΩ 1/16W J	
R5321	NRSA63J-153X	MG RESISTOR	15kΩ 1/16W J		R6585	NRSA63J-471X	MG RESISTOR	470Ω 1/16W J	
R5322	NRSA63J-153X	MG RESISTOR	15kΩ 1/16W J		R6586	NRSA63J-471X	MG RESISTOR	470Ω 1/16W J	
R5501	NRSA63J-302X	MG RESISTOR	3kΩ 1/16W J		R8507	NRSA63J-101X	MG RESISTOR	100Ω 1/16W J	
R5502	NRSA63J-361X	MG RESISTOR	360Ω 1/16W J		R8508	NRSA63J-101X	MG RESISTOR	100Ω 1/16W J	
R5503	NRSA63J-561X	MG RESISTOR	560Ω 1/16W J		R8509	NRSA63J-473X	MG RESISTOR	47kΩ 1/16W J	
R5504	NRSA63J-303X	MG RESISTOR	30kΩ 1/16W J		R8510	NRSA63J-473X	MG RESISTOR	47kΩ 1/16W J	
R5505	NRSA63J-121X	MG RESISTOR	120Ω 1/16W J		R8511	NRSA63J-471X	MG RESISTOR	470Ω 1/16W J	
R5506	NRSA63J-101X	MG RESISTOR	100Ω 1/16W J		R8512	NRSA63J-471X	MG RESISTOR	470Ω 1/16W J	
R5507	NRSA63J-102X	MG RESISTOR	1kΩ 1/16W J		R8515	NRSA63J-101X	MG RESISTOR	100Ω 1/16W J	
R5508	NRSA63J-272X	MG RESISTOR	2.7kΩ 1/16W J		R8516	NRSA63J-101X	MG RESISTOR	100Ω 1/16W J	
R5509	NRSA63J-513X	MG RESISTOR	51kΩ 1/16W J		R8517	NRSA63J-104X	MG RESISTOR	100kΩ 1/16W J	
R5510	NRSA63J-101X	MG RESISTOR	100Ω 1/16W J		R8518	NRSA63J-104X	MG RESISTOR	100kΩ 1/16W J	
R5511	NRSA63J-682X	MG RESISTOR	6.8kΩ 1/16W J		R8519	NRSA63J-471X	MG RESISTOR	470Ω 1/16W J	
R5512	NRSA63J-561X	MG RESISTOR	560Ω 1/16W J		R8520	NRSA63J-471X	MG RESISTOR	470Ω 1/16W J	
R5513	NRSA63J-221X	MG RESISTOR	220Ω 1/16W J		R8521	NRSA63J-750X	MG RESISTOR	75Ω 1/16W J	
R5515	NRSA63J-152X	MG RESISTOR	1.5kΩ 1/16W J		R8522	NRSA63J-750X	MG RESISTOR	75Ω 1/16W J	
R5516	NRSA63J-561X	MG RESISTOR	560Ω 1/16W J		R8523	NRSA63J-750X	MG RESISTOR	75Ω 1/16W J	
R5517	NRSA63J-561X	MG RESISTOR	560Ω 1/16W J		R8524	NRSA63J-750X	MG RESISTOR	75Ω 1/16W J	
R5518	NRSA63J-471X	MG RESISTOR	470Ω 1/16W J		R8525	NRSA63J-680X	MG RESISTOR	68Ω 1/16W J	
R5519	NRSA63J-471X	MG RESISTOR	470Ω 1/16W J		R8526	NRSA63J-750X	MG RESISTOR	75Ω 1/16W J	
R5520	NRSA63J-432X	MG RESISTOR	4.3kΩ 1/16W J		R8527	NRSA63J-750X	MG RESISTOR	75Ω 1/16W J	
R5521	NRSA63J-302X	MG RESISTOR	3kΩ 1/16W J		R8528	NRSA63J-750X	MG RESISTOR	75Ω 1/16W J	
R5522	NRSA63J-561X	MG RESISTOR	560Ω 1/16W J		R8529	NRSA63J-750X	MG RESISTOR	75Ω 1/16W J	
R5523	NRSA63J-471X	MG RESISTOR	470Ω 1/16W J		R8530	NRSA63J-750X	MG RESISTOR	75Ω 1/16W J	
R5524	NRSA63J-331X	MG RESISTOR	330Ω 1/16W J		R8531	NRSA63J-680X	MG RESISTOR	68Ω 1/16W J	
R5525	NRSA63J-561X	MG RESISTOR	560Ω 1/16W J		R8532	NRSA63J-750X	MG RESISTOR	75Ω 1/16W J	
R5526	NRSA63J-911X	MG RESISTOR	910Ω 1/16W J		R8534	NRSA63J-103X	MG RESISTOR	10kΩ 1/16W J	
R5527	NRSA63J-132X	MG RESISTOR	1.3kΩ 1/16W J		R8535	NRSA63J-103X	MG RESISTOR	10kΩ 1/16W J	
R5528	NRSA63J-682X	MG RESISTOR	6.8kΩ 1/16W J		R8536	NRSA63J-223X	MG RESISTOR	22kΩ 1/16W J	
R5529	NRSA63J-332X	MG RESISTOR	3.3kΩ 1/16W J		R8537	NRSA63J-473X	MG RESISTOR	47kΩ 1/16W J	
R5530	NRSA63J-102X	MG RESISTOR	1kΩ 1/16W J		R8538	NRSA63J-683X	MG RESISTOR	68kΩ 1/16W J	
R5532	NRSA63J-202X	MG RESISTOR	2kΩ 1/16W J		R8539	NRSA63J-473X	MG RESISTOR	47kΩ 1/16W J	
R5533	NRSA63J-222X	MG RESISTOR	2.2kΩ 1/16W J		R8540	NRSA63J-153X	MG RESISTOR	15kΩ 1/16W J	
R5534	NRSA63J-222X	MG RESISTOR	2.2kΩ 1/16W J		R8541	NRSA63J-273X	MG RESISTOR	27kΩ 1/16W J	
R5535	NRSA63J-222X	MG RESISTOR	2.2kΩ 1/16W J		R8542	NRSA63J-103X	MG RESISTOR	10kΩ 1/16W J	
R5536	NRSA63J-391X	MG RESISTOR	390Ω 1/16W J		R8543	NRSA63J-103X	MG RESISTOR	10kΩ 1/16W J	
R5537	NRSA63J-224X	MG RESISTOR	220kΩ 1/16W J		R8544	NRSA63J-750X	MG RESISTOR	75Ω 1/16W J	
R5538	NRSA63J-103X	MG RESISTOR	10kΩ 1/16W J		R8545	NRSA63J-750X	MG RESISTOR	75Ω 1/16W J	
R5539	NRSA63J-103X	MG RESISTOR	10kΩ 1/16W J		R8548	NRSA63J-750X	MG RESISTOR	75Ω 1/16W J	
R5540	NRSA63J-432X	MG RESISTOR	4.3kΩ 1/16W J		R8549	NRSA63J-223X	MG RESISTOR	22kΩ 1/16W J	
R5541	NRSA63J-102X	MG RESISTOR	1kΩ 1/16W J		R8550	NRSA63J-473X	MG RESISTOR	47kΩ 1/16W J	
R5542	NRSA63J-153X	MG RESISTOR	15kΩ 1/16W J		R8551	NRSA63J-683X	MG RESISTOR	68kΩ 1/16W J	
R5544	NRSA63J-331X	MG RESISTOR	330Ω 1/16W J		R8552	NRSA63J-473X	MG RESISTOR	47kΩ 1/16W J	
R5553	NRSA63J-272X	MG RESISTOR	2.7kΩ 1/16W J		R8553	NRSA63J-153X	MG RESISTOR	15kΩ 1/16W J	
R5554	NRSA63J-472X	MG RESISTOR	4.7kΩ 1/16W J		R8554	NRSA63J-273X	MG RESISTOR	27kΩ 1/16W J	
R5555	NRSA63J-222X	MG RESISTOR	2.2kΩ 1/16W J		R8555	NRSA63J-103X	MG RESISTOR	10kΩ 1/16W J	

△ Symbol No.	Part No.	Part Name	Description	Local
R8556	NRSA63J-103X	MG RESISTOR	10kΩ 1/16W J	
R8559	NRS144J-301X	MG RESISTOR	300Ω 1/4W J	
R8560	NRSA63J-102X	MG RESISTOR	1kΩ 1/16W J	
R8561	NRSA63J-103X	MG RESISTOR	10kΩ 1/16W J	
R8562	NRSA63J-221X	MG RESISTOR	220Ω 1/16W J	
R8563	NRSA63J-221X	MG RESISTOR	220Ω 1/16W J	
R8564	NRSA63J-221X	MG RESISTOR	220Ω 1/16W J	
R8565	NRSA63J-103X	MG RESISTOR	10kΩ 1/16W J	
R8566	NRSA63J-473X	MG RESISTOR	47kΩ 1/16W J	
R8567	NRSA63J-103X	MG RESISTOR	10kΩ 1/16W J	
R8568	NRS144J-301X	MG RESISTOR	300Ω 1/4W J	
R8569	NRSA63J-102X	MG RESISTOR	1kΩ 1/16W J	
R8570	NRSA63J-103X	MG RESISTOR	10kΩ 1/16W J	
R8574	NRSA63J-103X	MG RESISTOR	10kΩ 1/16W J	
R8575	NRSA63J-102X	MG RESISTOR	1kΩ 1/16W J	
R8576	NRSA63J-301X	MG RESISTOR	300Ω 1/16W J	
R8577	NRSA63J-391X	MG RESISTOR	390Ω 1/16W J	
R8579	NRS144J-271X	MG RESISTOR	270Ω 1/4W J	
R8580	NRSA63J-470X	MG RESISTOR	47Ω 1/16W J	
R8581	NRS144J-271X	MG RESISTOR	270Ω 1/4W J	
R8582	NRSA63J-470X	MG RESISTOR	47Ω 1/16W J	
△ R8583	QRZ9015-100X	FUSI RESISTOR	10Ω	
△ R8584	QRJ146J-102X	UNF C RESISTOR	1kΩ 1/4W J	
R8585	NRSA63J-102X	MG RESISTOR	1kΩ 1/16W J	
R8586	NRSA63J-102X	MG RESISTOR	1kΩ 1/16W J	
R8587	NRSA63J-104X	MG RESISTOR	100kΩ 1/16W J	
R8588	NRSA63J-102X	MG RESISTOR	1kΩ 1/16W J	
R8591	NRSA63J-102X	MG RESISTOR	1kΩ 1/16W J	
R9002	NRSA63J-153X	MG RESISTOR	15kΩ 1/16W J	
R9003	NRSA63J-153X	MG RESISTOR	15kΩ 1/16W J	
R9004	NRSA63J-153X	MG RESISTOR	15kΩ 1/16W J	
R9005	NRSA63J-105X	MG RESISTOR	1MΩ 1/16W J	
R9006	NRSA63J-153X	MG RESISTOR	15kΩ 1/16W J	
R9007	NRSA63J-153X	MG RESISTOR	15kΩ 1/16W J	
R9008	NRSA63J-153X	MG RESISTOR	15kΩ 1/16W J	
R9009	NRSA63J-153X	MG RESISTOR	15kΩ 1/16W J	
R9010	NRSA63J-153X	MG RESISTOR	15kΩ 1/16W J	
R9011	NRSA63J-153X	MG RESISTOR	15kΩ 1/16W J	
R9012	NRSA63J-153X	MG RESISTOR	15kΩ 1/16W J	
R9013	NRSA63J-153X	MG RESISTOR	15kΩ 1/16W J	
R9014	NRSA63J-221X	MG RESISTOR	220Ω 1/16W J	
R9015	NRSA63J-153X	MG RESISTOR	15kΩ 1/16W J	
R9016	NRSA63J-153X	MG RESISTOR	15kΩ 1/16W J	
R9021	NRSA63J-101X	MG RESISTOR	100Ω 1/16W J	
R9022	NRSA63J-221X	MG RESISTOR	220Ω 1/16W J	
R9023	NRSA63J-221X	MG RESISTOR	220Ω 1/16W J	
R9024	NRSA63J-221X	MG RESISTOR	220Ω 1/16W J	
R9025	NRSA63J-221X	MG RESISTOR	220Ω 1/16W J	
R9026	NRSA63J-153X	MG RESISTOR	15kΩ 1/16W J	
R9501	NRSA63J-471X	MG RESISTOR	470Ω 1/16W J	
R9502	NRSA63J-471X	MG RESISTOR	470Ω 1/16W J	
R9503	NRSA63J-473X	MG RESISTOR	47kΩ 1/16W J	
R9504	NRSA63J-473X	MG RESISTOR	47kΩ 1/16W J	
R9505	NRSA63J-680X	MG RESISTOR	68Ω 1/16W J	
R9506	NRSA63J-680X	MG RESISTOR	68Ω 1/16W J	
R9507	NRSA63J-620X	MG RESISTOR	62Ω 1/16W J	
R9508	NRSA63J-750X	MG RESISTOR	75Ω 1/16W J	
R9509	NRSA63J-620X	MG RESISTOR	62Ω 1/16W J	
R9510	NRSA63J-750X	MG RESISTOR	75Ω 1/16W J	
R9511	NRS144J-271X	MG RESISTOR	270Ω 1/4W J	
R9512	NRS144J-301X	MG RESISTOR	300Ω 1/4W J	
R9516	NRSA63J-471X	MG RESISTOR	470Ω 1/16W J	
R9517	NRSA63J-471X	MG RESISTOR	470Ω 1/16W J	

△ Symbol No.	Part No.	Part Name	Description	Local
L8501	QQL244K-100Z	COIL	10uH K	
L8502	QQL244K-100Z	COIL	10uH K	
CN11	WJP0075-001A-E	E-SH C WIRE C-B		
CN12	QGG1201M1-24X	CONNECTOR	(1-24)	
CN13	QGG1201M1-24X	CONNECTOR	(1-24)	
CN218	QGF1205C2-13	CONNECTOR	FFC/FPC (1-13)	
CN501	QJK016-061401-E	SIN CR C-B WIRE		
CN502	QGB2510J1-07	CONNECTOR	B-B (1-7)	
CN503	QJK002-141804-E	SIN CR C-B WIRE		
CN504	QGF1036C2-05	CONNECTOR	FFC/FPC (1-5)	
CN505	QGF1205C2-11	CONNECTOR	FFC/FPC (1-11)	
CN506	QGB1224J1-15	CONNECTOR	B-B (1-15)	
CN513	QGA2501F1-14	CONNECTOR	W-B (1-14)	
CN516	QGB1224K1-15	CONNECTOR	B-B (1-15)	
CN521	QJK016-091804-E	SIN CR C-B WIRE		
CN522	QGB2510K1-14	CONNECTOR	B-B (1-14)	
CN523	QJK002-021002-E	SIN CR C-B WIRE		
CN527	QGF1205C2-20	CONNECTOR	FFC/FPC (1-20)	
CN529	QGF1205C2-08	CONNECTOR	FFC/FPC (1-8)	
CN530	QGA2001C1-11	CONNECTOR	W-B (1-11)	
CN531	QGA2001C1-09	CONNECTOR	W-B (1-9)	
CN537	QGF1205F2-20	CONNECTOR	FFC/FPC (1-20)	
CN539	QGF1205F2-08	CONNECTOR	FFC/FPC (1-8)	
CN540	QGA2001C1-06	CONNECTOR	W-B (1-6)	
CN552	QGA2001C1-12	CONNECTOR	W-B (1-12)	
CN555	QGA2501C1-02	CONNECTOR	W-B (1-2)	
CN571	QGA2501C1-03	CONNECTOR	W-B (1-3)	
CN572	QGA2501C1-05	CONNECTOR	W-B (1-5)	
CN602	QGB2510K1-07	CONNECTOR	B-B (1-7)	
CN672	QGB2510K1-07	CONNECTOR	B-B (1-7)	
CN904	QJK021-030803-E	WIRE		
CN905	QJP001-032601-E	SHI CR C-B WIRE		
CN961	WJP0074-002A-E	E-SH C WIRE C-B		
CN971	WJP0076-003A-E	E-SH C WIRE C-B		
EP11	E409182-001SM	GRAND TERMINAL		
EP12	E409182-001SM	GRAND TERMINAL		
EP901	QNZ0136-001Z	EARTH PLATE		
FL501	QQR1372-001	LPF		
FL502	QQR1372-001	LPF		
FW781	WJS0074-003A-E	E-FL/RB WIRE		
J901	QNS0248-001	JACK		
J902	QNZ0647-001	JACK UNIT		
J903	QNZ0783-002	USB CONNECTOR		
J4503	QNN0681-001	PIN JACK		
J6503	QNN0476-001	PIN JACK		
J6504	QNN0690-001	PIN JACK		
J8511	QNZ0625-001	RGB CONNECTOR		
J8512	QNZ0625-001	RGB CONNECTOR		
J8513	QNN0557-002	PIN JACK		
J9511	QNZ0625-001	RGB CONNECTOR		
K4501	NRSA63J-0R0X	MG RESISTOR	0Ω 1/16W J	
SW11	QSW0454-001	SW		
X501	QAX0246-001Z	C RESONATOR	8.00MHz	
X502	QAX0263-001Z	CRYSTAL	4.332MHz	
X905	QAX0320-001Z	CRYSTAL	12.000MHz	
X5501	QAX0879-001Z	CRYSTAL		
X5504	QAX0687-001	C RESONATOR	503.50kHz	
X5505	QAX0879-001Z	CRYSTAL		

## HDMI board

△ Symbol No.	Part No.	Part Name	Description	Local
IC711	BR24L02F-W-X	IC		
IC712	SN74CBT3257PW-X	IC		
IC713	SN74CB3T3306U-X	IC		
IC721	BR24L02F-W-X	IC		
IC722	SN74CBT3257PW-X	IC		
IC723	SN74CB3T3306U-X	IC		
IC731	SI9031CTU	IC		
IC732	SN74AHC2G08T-X	IC		
IC733	SN74LV157APW-X	IC		

Block No. [0][4]

△ Symbol No.	Part No.	Part Name	Description	Local	△ Symbol No.	Part No.	Part Name	Description	Local
IC741	SN74CBTLV16210X	IC			C3361	NCB31CK-104X	C CAPACITOR	0.1uF 16V K	
IC743	SN74CBTLV16210X	IC			C3362	NCB31CK-104X	C CAPACITOR	0.1uF 16V K	
IC751	SII9030CTU	IC			C3411	NCB31CK-104X	C CAPACITOR	0.1uF 16V K	
IC752	SN74CB3T3306U-X	IC			C3431	NCB31CK-104X	C CAPACITOR	0.1uF 16V K	
IC761	MB90F488BPFV8A	IC(PROGRAMED)			C3501	NEAF0JM-476X	E CAPACITOR	47uF 6.3V M	
IC771	ADV7401BSTZ-80	IC(DIGITAL)			C3502	NEAF0JM-476X	E CAPACITOR	47uF 6.3V M	
IC772	SN74ALCH62827-X	IC			C3503	NCB21AK-225X	C CAPACITOR	2.2uF 10V K	
IC781	FLI2310-LF-CF	IC			C3504	NCB21AK-225X	C CAPACITOR	2.2uF 10V K	
IC782	K4S643232H-UC60	IC			C3505	NCB21AK-225X	C CAPACITOR	2.2uF 10V K	
IC791	BA3259HFP-W	IC			C3506	NCB21AK-225X	C CAPACITOR	2.2uF 10V K	
IC792	BA3259HFP-W	IC			C3507	NCB21AK-225X	C CAPACITOR	2.2uF 10V K	
IC793	LD2981ABM50-X	IC			C3511	NCB31CK-104X	C CAPACITOR	0.1uF 16V K	
					C3512	NCB31CK-104X	C CAPACITOR	0.1uF 16V K	
Q3101	UN2214-X	TRANSISTOR			C3513	NCB31CK-104X	C CAPACITOR	0.1uF 16V K	
Q3102	UN2214-X	TRANSISTOR			C3514	NCB31CK-104X	C CAPACITOR	0.1uF 16V K	
Q3111	2SD601A/RS/-X	TRANSISTOR			C3515	NCB31CK-104X	C CAPACITOR	0.1uF 16V K	
Q3112	2SD601A/RS/-X	TRANSISTOR			C3516	NCB31CK-104X	C CAPACITOR	0.1uF 16V K	
Q3201	UN2214-X	TRANSISTOR			C3517	NCB31CK-104X	C CAPACITOR	0.1uF 16V K	
Q3202	UN2214-X	TRANSISTOR			C3518	NCB31CK-104X	C CAPACITOR	0.1uF 16V K	
Q3211	2SD601A/RS/-X	TRANSISTOR			C3519	NCB31CK-104X	C CAPACITOR	0.1uF 16V K	
Q3212	2SD601A/RS/-X	TRANSISTOR			C3520	NCB31CK-104X	C CAPACITOR	0.1uF 16V K	
Q3501	2SD601A/RS/-X	TRANSISTOR			C3521	NCB31CK-104X	C CAPACITOR	0.1uF 16V K	
Q3502	2SD601A/RS/-X	TRANSISTOR			C3522	NCB31CK-104X	C CAPACITOR	0.1uF 16V K	
Q3503	2SB709A/RS/-X	TRANSISTOR			C3531	NCB31CK-104X	C CAPACITOR	0.1uF 16V K	
					C3532	NCB31CK-104X	C CAPACITOR	0.1uF 16V K	
C3111	NCB31CK-104X	C CAPACITOR	0.1uF 16V K		C3541	NCB30JK-105X	C CAPACITOR	1uF 6.3V K	
C3121	NCB31CK-104X	C CAPACITOR	0.1uF 16V K		C3601	NEAF0JM-476X	E CAPACITOR	47uF 6.3V M	
C3131	NCB31CK-104X	C CAPACITOR	0.1uF 16V K		C3602	NEAF0JM-476X	E CAPACITOR	47uF 6.3V M	
C3211	NCB31CK-104X	C CAPACITOR	0.1uF 16V K		C3603	NCB21AK-225X	C CAPACITOR	2.2uF 10V K	
C3221	NCB31CK-104X	C CAPACITOR	0.1uF 16V K		C3604	NCB21AK-225X	C CAPACITOR	2.2uF 10V K	
C3231	NCB31CK-104X	C CAPACITOR	0.1uF 16V K		C3611	NCB31CK-104X	C CAPACITOR	0.1uF 16V K	
C3301	NEAF0JM-476X	E CAPACITOR	47uF 6.3V M		C3612	NCB31CK-104X	C CAPACITOR	0.1uF 16V K	
C3302	NEAF0JM-476X	E CAPACITOR	47uF 6.3V M		C3613	NCB31CK-104X	C CAPACITOR	0.1uF 16V K	
C3303	NCB21AK-225X	C CAPACITOR	2.2uF 10V K		C3614	NCB31CK-104X	C CAPACITOR	0.1uF 16V K	
C3304	NCB21AK-225X	C CAPACITOR	2.2uF 10V K		C3701	NEAF0JM-476X	E CAPACITOR	47uF 6.3V M	
C3306	NCB21AK-225X	C CAPACITOR	2.2uF 10V K		C3702	NEAF0JM-476X	E CAPACITOR	47uF 6.3V M	
C3307	NCB21AK-225X	C CAPACITOR	2.2uF 10V K		C3703	NCB21AK-225X	C CAPACITOR	2.2uF 10V K	
C3308	NCB21AK-225X	C CAPACITOR	2.2uF 10V K		C3704	NCB21AK-225X	C CAPACITOR	2.2uF 10V K	
C3309	NCB21AK-225X	C CAPACITOR	2.2uF 10V K		C3705	NCB21AK-225X	C CAPACITOR	2.2uF 10V K	
C3310	NCB21AK-225X	C CAPACITOR	2.2uF 10V K		C3706	NCB21AK-225X	C CAPACITOR	2.2uF 10V K	
C3311	NCB31CK-104X	C CAPACITOR	0.1uF 16V K		C3711	NCB31CK-104X	C CAPACITOR	0.1uF 16V K	
C3314	NCB31HK-103X	C CAPACITOR	0.01uF 50V K		C3712	NCB31CK-104X	C CAPACITOR	0.1uF 16V K	
C3315	NCB31CK-104X	C CAPACITOR	0.1uF 16V K		C3713	NCB31CK-104X	C CAPACITOR	0.1uF 16V K	
C3316	NCB31HK-103X	C CAPACITOR	0.01uF 50V K		C3714	NDC31HJ-160X	C CAPACITOR	16pF 50V J	
C3317	NCB31CK-104X	C CAPACITOR	0.1uF 16V K		C3715	NDC31HJ-160X	C CAPACITOR	16pF 50V J	
C3318	NCB31CK-104X	C CAPACITOR	0.1uF 16V K		C3716	NCB31CK-104X	C CAPACITOR	0.1uF 16V K	
C3319	NCB31CK-104X	C CAPACITOR	0.1uF 16V K		C3717	NCB31HK-103X	C CAPACITOR	0.01uF 50V K	
C3320	NCB31CK-104X	C CAPACITOR	0.1uF 16V K		C3718	NCB31CK-823X	C CAPACITOR	0.082uF 16V K	
C3321	NCB31CK-104X	C CAPACITOR	0.1uF 16V K		C3719	NCB31CK-104X	C CAPACITOR	0.1uF 16V K	
C3322	NCB31CK-104X	C CAPACITOR	0.1uF 16V K		C3720	NCB31CK-104X	C CAPACITOR	0.1uF 16V K	
C3323	NCB31CK-104X	C CAPACITOR	0.1uF 16V K		C3721	NCB31CK-104X	C CAPACITOR	0.1uF 16V K	
C3324	NCB31CK-104X	C CAPACITOR	0.1uF 16V K		C3722	NEAF1CM-106X	E CAPACITOR	10uF 16V M	
C3325	NCB31CK-104X	C CAPACITOR	0.1uF 16V K		C3723	NCB31CK-104X	C CAPACITOR	0.1uF 16V K	
C3326	NCB31CK-104X	C CAPACITOR	0.1uF 16V K		C3724	NCB31CK-104X	C CAPACITOR	0.1uF 16V K	
C3327	NCB31CK-104X	C CAPACITOR	0.1uF 16V K		C3725	NCB31CK-104X	C CAPACITOR	0.1uF 16V K	
C3328	NCB31CK-104X	C CAPACITOR	0.1uF 16V K		C3726	NEAF1CM-106X	E CAPACITOR	10uF 16V M	
C3329	NCB31CK-104X	C CAPACITOR	0.1uF 16V K		C3727	NCB31CK-104X	C CAPACITOR	0.1uF 16V K	
C3330	NCB31CK-104X	C CAPACITOR	0.1uF 16V K		C3728	NEAF1CM-106X	E CAPACITOR	10uF 16V M	
C3331	NCB31CK-104X	C CAPACITOR	0.1uF 16V K		C3729	NCB31CK-104X	C CAPACITOR	0.1uF 16V K	
C3332	NCB31CK-104X	C CAPACITOR	0.1uF 16V K		C3730	NEAF1CM-106X	E CAPACITOR	10uF 16V M	
C3333	NCB31CK-104X	C CAPACITOR	0.1uF 16V K		C3731	NCB31CK-104X	C CAPACITOR	0.1uF 16V K	
C3334	NCB31CK-104X	C CAPACITOR	0.1uF 16V K		C3732	NCB31CK-104X	C CAPACITOR	0.1uF 16V K	
C3335	NCB31CK-104X	C CAPACITOR	0.1uF 16V K		C3733	NCB31CK-104X	C CAPACITOR	0.1uF 16V K	
C3336	NCB31CK-104X	C CAPACITOR	0.1uF 16V K		C3734	NCB31CK-104X	C CAPACITOR	0.1uF 16V K	
C3337	NCB31CK-104X	C CAPACITOR	0.1uF 16V K		C3735	NDC31HJ-102X	C CAPACITOR	1000pF 50V J	
C3338	NCB31CK-104X	C CAPACITOR	0.1uF 16V K		C3736	NCB31CK-104X	C CAPACITOR	0.1uF 16V K	
C3339	NDC31HJ-180X	C CAPACITOR	18pF 50V J		C3737	NCB31CK-104X	C CAPACITOR	0.1uF 16V K	
C3340	NDC31HJ-180X	C CAPACITOR	18pF 50V J		C3738	NCB31CK-104X	C CAPACITOR	0.1uF 16V K	
C3341	NCB31CK-104X	C CAPACITOR	0.1uF 16V K		C3739	NCB31CK-104X	C CAPACITOR	0.1uF 16V K	
C3342	NCB31HK-103X	C CAPACITOR	0.01uF 50V K		C3751	NCB31CK-104X	C CAPACITOR	0.1uF 16V K	
C3343	NCB31CK-104X	C CAPACITOR	0.1uF 16V K		C3752	NCB31CK-104X	C CAPACITOR	0.1uF 16V K	
C3344	NCB31CK-104X	C CAPACITOR	0.1uF 16V K		C3753	NCB31CK-104X	C CAPACITOR	0.1uF 16V K	
C3345	NCB31CK-104X	C CAPACITOR	0.1uF 16V K		C3754	NCB31CK-104X	C CAPACITOR	0.1uF 16V K	
C3346	NCB31CK-104X	C CAPACITOR	0.1uF 16V K		C3761	NCB21AK-225X	C CAPACITOR	2.2uF 10V K	
C3347	NCB31CK-104X	C CAPACITOR	0.1uF 16V K		C3801	NEAF0JM-476X	E CAPACITOR	47uF 6.3V M	
C3348	NCB31CK-104X	C CAPACITOR	0.1uF 16V K		C3802	NEAF0JM-476X	E CAPACITOR	47uF 6.3V M	
C3349	NCB31CK-104X	C CAPACITOR	0.1uF 16V K		C3803	NCB21AK-225X	C CAPACITOR	2.2uF 10V K	
C3350	NCB31CK-104X	C CAPACITOR	0.1uF 16V K		C3804	NCB21AK-225X	C CAPACITOR	2.2uF 10V K	







△ Symbol No.	Part No.	Part Name	Description	Local	△ Symbol No.	Part No.	Part Name	Description	Local
RA772	NRZ0034-220W	NET RESISTOR	22Ω 1/32W J x4		IC633	NJM4565M-WE	IC		
RA773	NRZ0034-220W	NET RESISTOR	22Ω 1/32W J x4		IC634	NJM4565M-WE	IC		
RA774	NRZ0034-220W	NET RESISTOR	22Ω 1/32W J x4		IC651	NJM4565M-WE	IC		
RA781	NRZ0034-220W	NET RESISTOR	22Ω 1/32W J x4		IC652	NJM4565M-WE	IC		
RA782	NRZ0034-220W	NET RESISTOR	22Ω 1/32W J x4		IC661	D601A002BPYP225	IC		
RA783	NRZ0034-220W	NET RESISTOR	22Ω 1/32W J x4		IC662	SN74LVC1GU04K-X	IC		
RA784	NRZ0034-220W	NET RESISTOR	22Ω 1/32W J x4		IC663	SA16M90TFIR12B	IC(PROGRAMED)		
L3501	NQR0597-001X	EMI FILTER			IC664	K4S641632H-UC75	IC		
L3502	NQR0597-001X	EMI FILTER			IC671	UPD784215AGC291	IC		
L3503	NQR0597-001X	EMI FILTER			IC672	SN74AHCT1G32K-X	IC		
L3504	NQR0597-001X	EMI FILTER			IC681	JCV8009-W	IC		
CN731	QGF1038F2-06X	CONNECTOR	FFC/FPC (1-6)		IC685	SN74LV157APW-X	IC		
CN732	QGF1038F2-11X	CONNECTOR	FFC/FPC (1-11)		IC686	SN74LV157APW-X	IC		
CN761	QGF1038F2-07X	CONNECTOR	FFC/FPC (1-7)		IC691	BA3259HFP-W	IC		
CN762	QGF1038F2-05X	CONNECTOR	FFC/FPC (1-5)		IC692	MM1563DF-X	IC		
CN771	QGA2001F6-08X	CONNECTOR	W-B (1-8)		IC697	CS42518-CQZ-D-W	IC		
IC761	MB90F488BPFV	IC			Q2101	2SD2114K/VW/-X	TRANSISTOR		
J711	NNZ0117-001	CONNECTOR			Q2102	2SD2114K/VW/-X	TRANSISTOR		
J721	NNZ0117-001	CONNECTOR			Q2141	2SD601A/RS/-X	TRANSISTOR		
J751	NNZ0117-001	CONNECTOR			Q2142	2SD601A/RS/-X	TRANSISTOR		
K3301	NQR0489-001X	FERRITE BEADS			Q2201	2SD2114K/VW/-X	TRANSISTOR		
K3302	NQR0489-001X	FERRITE BEADS			Q2202	2SD2114K/VW/-X	TRANSISTOR		
K3303	NQR0489-001X	FERRITE BEADS			Q2221	2SD2114K/VW/-X	TRANSISTOR		
K3304	NQR0489-001X	FERRITE BEADS			Q2222	2SD2114K/VW/-X	TRANSISTOR		
K3305	NQR0489-001X	FERRITE BEADS			Q2223	2SD2114K/VW/-X	TRANSISTOR		
K3306	NQR0489-001X	FERRITE BEADS			Q2224	2SD2114K/VW/-X	TRANSISTOR		
K3307	NQR0489-001X	FERRITE BEADS			Q2301	2SD2114K/VW/-X	TRANSISTOR		
K3308	NQR0489-001X	FERRITE BEADS			Q2341	2SD601A/RS/-X	TRANSISTOR		
K3411	NQR0489-001X	FERRITE BEADS			Q2401	2SD2114K/VW/-X	TRANSISTOR		
K3431	NQR0489-001X	FERRITE BEADS			Q2421	2SD2114K/VW/-X	TRANSISTOR		
K3501	NQR0489-001X	FERRITE BEADS			Q2422	2SD2114K/VW/-X	TRANSISTOR		
K3502	NQR0489-001X	FERRITE BEADS			Q2501	2SD2114K/VW/-X	TRANSISTOR		
K3503	NQR0489-001X	FERRITE BEADS			Q2502	2SD2114K/VW/-X	TRANSISTOR		
K3504	NQR0489-001X	FERRITE BEADS			Q2701	UN2214-X	TRANSISTOR		
K3505	NQR0489-001X	FERRITE BEADS			Q2702	UN2214-X	TRANSISTOR		
K3601	NQR0489-001X	FERRITE BEADS			Q2704	UN2114-X	TRANSISTOR		
K3602	NQR0489-001X	FERRITE BEADS			Q2705	UN2114-X	TRANSISTOR		
K3701	NQR0489-001X	FERRITE BEADS			Q2706	UN2114-X	TRANSISTOR		
K3702	NQR0489-001X	FERRITE BEADS			Q2708	UN2114-X	TRANSISTOR		
K3703	NQR0489-001X	FERRITE BEADS			Q2709	UN2114-X	TRANSISTOR		
K3704	NQR0489-001X	FERRITE BEADS			Q2710	UN2214-X	TRANSISTOR		
K3761	NQR0489-001X	FERRITE BEADS			C2001	NEAF1EM-475X	E CAPACITOR	4.7uF 25V M	
K3801	NQR0489-001X	FERRITE BEADS			C2002	NEAF1EM-475X	E CAPACITOR	4.7uF 25V M	
K3802	NQR0489-001X	FERRITE BEADS			C2005	NDC31HJ-330X	C CAPACITOR	33pF 50V J	
K3803	NQR0489-001X	FERRITE BEADS			C2006	NDC31HJ-330X	C CAPACITOR	33pF 50V J	
K3804	NQR0489-001X	FERRITE BEADS			C2009	NCF31CZ-104X	C CAPACITOR	0.1uF 16V Z	
K3805	NQR0489-001X	FERRITE BEADS			C2010	NCF31CZ-104X	C CAPACITOR	0.1uF 16V Z	
K3811	NQR0489-001X	FERRITE BEADS			C2013	NDC31HJ-330X	C CAPACITOR	33pF 50V J	
K3812	NQR0489-001X	FERRITE BEADS			C2014	NDC31HJ-330X	C CAPACITOR	33pF 50V J	
X731	NAX0805-001X	CRYSTAL			C2018	NEAF0JM-476X	E CAPACITOR	47uF 6.3V M	
X761	NAX0663-001X	C RESONATOR			C2019	NCF31CZ-104X	C CAPACITOR	0.1uF 16V Z	
X771	NAX0633-001X	CRISTAL			C2020	NCF31CZ-104X	C CAPACITOR	0.1uF 16V Z	
X781	NAX0394-001X	CRISTAL			C2101	NCB31HK-102X	C CAPACITOR	1000pF 50V K	

## DSP board

Block No. [0][5]

△ Symbol No.	Part No.	Part Name	Description	Local
IC601	NJM4565M-WE	IC		
IC602	NJM4565M-WE	IC		
IC610	MN35505-X	IC		
IC611	NJM4565M-WE	IC		
IC612	NJM4565M-WE	IC		
IC613	NJM4565M-WE	IC		
IC614	NJM4565M-WE	IC		
IC620	MN35505-X	IC		
IC621	NJM4565M-WE	IC		
IC622	NJM4565M-WE	IC		
IC630	MN35505-X	IC		
IC631	NJM2120M-X	IC		
IC632	NJM4565M-WE	IC		
C2129	NEAF1HM-475X	E CAPACITOR	4.7uF 50V M	
C2131	NCF31CZ-104X	C CAPACITOR	0.1uF 16V Z	
C2132	NCF31CZ-104X	C CAPACITOR	0.1uF 16V Z	
C2133	NDC31HJ-330X	C CAPACITOR	33pF 50V J	
C2134	NDC31HJ-330X	C CAPACITOR	33pF 50V J	
C2139	NEAF1EM-475X	E CAPACITOR	4.7uF 25V M	
C2140	NEAF1EM-475X	E CAPACITOR	4.7uF 25V M	
C2141	NCF31CZ-104X	C CAPACITOR	0.1uF 16V Z	
C2142	NCF31CZ-104X	C CAPACITOR	0.1uF 16V Z	
C2143	NDC31HJ-330X	C CAPACITOR	33pF 50V J	
C2144	NDC31HJ-330X	C CAPACITOR	33pF 50V J	
C2149	NEAF1EM-475X	E CAPACITOR	4.7uF 25V M	
C2150	NEAF1EM-475X	E CAPACITOR	4.7uF 25V M	
C2151	NEAF1AM-107X	E CAPACITOR	100uF 10V M	

△ Symbol No.	Part No.	Part Name	Description	Local	△ Symbol No.	Part No.	Part Name	Description	Local
C2152	NEAF1AM-107X	E CAPACITOR	100uF 10V M		C2421	NCF31CZ-104X	C CAPACITOR	0.1uF 16V Z	
C2153	NEAF1CM-106X	E CAPACITOR	10uF 16V M		C2422	NCF31CZ-104X	C CAPACITOR	0.1uF 16V Z	
C2154	NCF21CZ-155X	C CAPACITOR	1.5uF 16V Z		C2423	NCB31CK-823X	C CAPACITOR	0.082uF 16V K	
C2155	NCB30JK-105X	C CAPACITOR	1uF 6.3V K		C2425	NFV41HJ-333X	MPPS CAPACITOR	0.033uF 50V J	
C2156	NCF21CZ-155X	C CAPACITOR	1.5uF 16V Z		C2429	NEAF1HM-475X	E CAPACITOR	4.7uF 50V M	
C2157	NCF21CZ-155X	C CAPACITOR	1.5uF 16V Z		C2433	NCB31CK-823X	C CAPACITOR	0.082uF 16V K	
C2158	NCB31HK-103X	C CAPACITOR	0.01uF 50V K		C2449	NEAF1EM-475X	E CAPACITOR	4.7uF 25V M	
C2159	NCB31AK-224X	C CAPACITOR	0.22uF 10V K		C2463	NDC31HJ-181X	C CAPACITOR	180pF 50V J	
C2160	NCF21CZ-155X	C CAPACITOR	1.5uF 16V Z		C2465	NCB31CK-683X	C CAPACITOR	0.068uF 16V K	
C2161	NCF31CZ-104X	C CAPACITOR	0.1uF 16V Z		C2467	NCB31HK-182X	C CAPACITOR	1800pF 50V K	
C2162	NCF31CZ-104X	C CAPACITOR	0.1uF 16V Z		C2501	NCB31HK-182X	C CAPACITOR	1800pF 50V K	
C2163	NDC31HJ-181X	C CAPACITOR	180pF 50V J		C2502	NCB31HK-182X	C CAPACITOR	1800pF 50V K	
C2164	NDC31HJ-181X	C CAPACITOR	180pF 50V J		C2509	NEAF1HM-225X	E CAPACITOR	2.2uF 50V M	
C2165	NCB31CK-683X	C CAPACITOR	0.068uF 16V K		C2510	NEAF1HM-225X	E CAPACITOR	2.2uF 50V M	
C2166	NCB31CK-683X	C CAPACITOR	0.068uF 16V K		C2541	NCF31CZ-104X	C CAPACITOR	0.1uF 16V Z	
C2167	NCB31HK-182X	C CAPACITOR	1800pF 50V K		C2542	NCF31CZ-104X	C CAPACITOR	0.1uF 16V Z	
C2168	NCB31HK-182X	C CAPACITOR	1800pF 50V K		C2543	NCB31HK-562X	C CAPACITOR	5600pF 50V K	
C2201	NCB31HK-392X	C CAPACITOR	3900pF 50V K		C2544	NCB31HK-562X	C CAPACITOR	5600pF 50V K	
C2202	NCB31HK-392X	C CAPACITOR	3900pF 50V K		C2545	NFV41HJ-182X	MPPS CAPACITOR	1800pF 50V J	
C2209	NEAF1HM-225X	E CAPACITOR	2.2uF 50V M		C2546	NCB31HK-182X	C CAPACITOR	1800pF 50V K	
C2210	NEAF1HM-225X	E CAPACITOR	2.2uF 50V M		C2549	NEAF1HM-225X	E CAPACITOR	2.2uF 50V M	
C2229	NEAF1HM-105X	E CAPACITOR	1uF 50V M		C2550	NEAF1HM-225X	E CAPACITOR	2.2uF 50V M	
C2230	NEAF1HM-105X	E CAPACITOR	1uF 50V M		C2581	NCF31CZ-104X	C CAPACITOR	0.1uF 16V Z	
C2241	NCF31CZ-104X	C CAPACITOR	0.1uF 16V Z		C2582	NCF31CZ-104X	C CAPACITOR	0.1uF 16V Z	
C2242	NCF31CZ-104X	C CAPACITOR	0.1uF 16V Z		C2583	NCB31HK-331X	C CAPACITOR	330pF 50V K	
C2243	NCB31HK-472X	C CAPACITOR	4700pF 50V K		C2584	NCB31HK-331X	C CAPACITOR	330pF 50V K	
C2244	NCB31HK-472X	C CAPACITOR	4700pF 50V K		C2585	NCB31HK-331X	C CAPACITOR	330pF 50V K	
C2245	NFV41HJ-122X	MPPS CAPACITOR	1200pF 50V J		C2586	NCB31HK-331X	C CAPACITOR	330pF 50V K	
C2246	NFV41HJ-122X	MPPS CAPACITOR	1200pF 50V J		C2587	NCB31HK-392X	C CAPACITOR	3900pF 50V K	
C2247	NCB31HK-182X	C CAPACITOR	1800pF 50V K		C2588	NCB31HK-392X	C CAPACITOR	3900pF 50V K	
C2248	NCB31HK-182X	C CAPACITOR	1800pF 50V K		C2601	NEAF0JM-107X	E CAPACITOR	100uF 6.3V M	
C2249	NEAF1HM-225X	E CAPACITOR	2.2uF 50V M		C2602	NCF31CZ-104X	C CAPACITOR	0.1uF 16V Z	
C2250	NEAF1HM-225X	E CAPACITOR	2.2uF 50V M		C2603	NEAF0JM-107X	E CAPACITOR	100uF 6.3V M	
C2251	NEAF1AM-107X	E CAPACITOR	100uF 10V M		C2604	NCF31CZ-104X	C CAPACITOR	0.1uF 16V Z	
C2252	NEAF1AM-107X	E CAPACITOR	100uF 10V M		C2605	NEAF1CM-106X	E CAPACITOR	10uF 16V M	
C2253	NEAF1CM-106X	E CAPACITOR	10uF 16V M		C2606	NCF31CZ-104X	C CAPACITOR	0.1uF 16V Z	
C2254	NCF21CZ-155X	C CAPACITOR	1.5uF 16V Z		C2607	NEAF1CM-106X	E CAPACITOR	10uF 16V M	
C2255	NCB30JK-105X	C CAPACITOR	1uF 6.3V K		C2608	NCB31HK-103X	C CAPACITOR	0.01uF 50V K	
C2256	NCF21CZ-155X	C CAPACITOR	1.5uF 16V Z		C2609	NEAF1CM-106X	E CAPACITOR	10uF 16V M	
C2257	NCF21CZ-155X	C CAPACITOR	1.5uF 16V Z		C2610	NCB31HK-103X	C CAPACITOR	0.01uF 50V K	
C2258	NCB31HK-103X	C CAPACITOR	0.01uF 50V K		C2611	NCB31HK-103X	C CAPACITOR	0.01uF 50V K	
C2259	NCB31AK-224X	C CAPACITOR	0.22uF 10V K		C2612	NCB31HK-103X	C CAPACITOR	0.01uF 50V K	
C2260	NCF21CZ-155X	C CAPACITOR	1.5uF 16V Z		C2613	NCB31HK-103X	C CAPACITOR	0.01uF 50V K	
C2261	NCF31CZ-104X	C CAPACITOR	0.1uF 16V Z		C2614	NCB31HK-103X	C CAPACITOR	0.01uF 50V K	
C2262	NCF31CZ-104X	C CAPACITOR	0.1uF 16V Z		C2615	NCB31HK-103X	C CAPACITOR	0.01uF 50V K	
C2263	NDC31HJ-181X	C CAPACITOR	180pF 50V J		C2616	NCB31HK-103X	C CAPACITOR	0.01uF 50V K	
C2264	NDC31HJ-181X	C CAPACITOR	180pF 50V J		C2617	NCB31HK-103X	C CAPACITOR	0.01uF 50V K	
C2265	NCB31CK-683X	C CAPACITOR	0.068uF 16V K		C2618	NCB31HK-103X	C CAPACITOR	0.01uF 50V K	
C2266	NCB31CK-683X	C CAPACITOR	0.068uF 16V K		C2619	NCB31HK-103X	C CAPACITOR	0.01uF 50V K	
C2267	NCB31HK-182X	C CAPACITOR	1800pF 50V K		C2620	NCB31HK-103X	C CAPACITOR	0.01uF 50V K	
C2268	NCB31HK-182X	C CAPACITOR	1800pF 50V K		C2621	NCB31HK-103X	C CAPACITOR	0.01uF 50V K	
C2301	NCB31HK-122X	C CAPACITOR	1200pF 50V K		C2622	NCB31HK-103X	C CAPACITOR	0.01uF 50V K	
C2309	NEAF1HM-225X	E CAPACITOR	2.2uF 50V M		C2623	NCB31HK-103X	C CAPACITOR	0.01uF 50V K	
C2323	NCB31HK-562X	C CAPACITOR	5600pF 50V K		C2624	NCB31HK-103X	C CAPACITOR	0.01uF 50V K	
C2325	NFV41HJ-182X	MPPS CAPACITOR	1800pF 50V J		C2625	NCB31HK-103X	C CAPACITOR	0.01uF 50V K	
C2341	NCF31CZ-104X	C CAPACITOR	0.1uF 16V Z		C2626	NCB31HK-103X	C CAPACITOR	0.01uF 50V K	
C2342	NCF31CZ-104X	C CAPACITOR	0.1uF 16V Z		C2627	NCB31HK-103X	C CAPACITOR	0.01uF 50V K	
C2343	NDC31HJ-330X	C CAPACITOR	33pF 50V J		C2628	NCB31HK-103X	C CAPACITOR	0.01uF 50V K	
C2349	NEAF1HM-225X	E CAPACITOR	2.2uF 50V M		C2629	NCB31HK-103X	C CAPACITOR	0.01uF 50V K	
C2351	NEAF1AM-107X	E CAPACITOR	100uF 10V M		C2630	NCB31HK-103X	C CAPACITOR	0.01uF 50V K	
C2352	NEAF1AM-107X	E CAPACITOR	100uF 10V M		C2631	NCB31HK-103X	C CAPACITOR	0.01uF 50V K	
C2353	NEAF1CM-106X	E CAPACITOR	10uF 16V M		C2632	NCB31HK-103X	C CAPACITOR	0.01uF 50V K	
C2354	NCF21CZ-155X	C CAPACITOR	1.5uF 16V Z		C2633	NCB31HK-103X	C CAPACITOR	0.01uF 50V K	
C2355	NCB30JK-105X	C CAPACITOR	1uF 6.3V K		C2634	NDC31HJ-100X	C CAPACITOR	10pF 50V J	
C2356	NCF21CZ-155X	C CAPACITOR	1.5uF 16V Z		C2635	NCB31HK-103X	C CAPACITOR	0.01uF 50V K	
C2357	NCF21CZ-155X	C CAPACITOR	1.5uF 16V Z		C2636	NCB31HK-103X	C CAPACITOR	0.01uF 50V K	
C2358	NCB31HK-103X	C CAPACITOR	0.01uF 50V K		C2637	NCB31HK-103X	C CAPACITOR	0.01uF 50V K	
C2359	NCB31AK-224X	C CAPACITOR	0.22uF 10V K		C2638	NCB31HK-103X	C CAPACITOR	0.01uF 50V K	
C2360	NCF21CZ-155X	C CAPACITOR	1.5uF 16V Z		C2639	NCB31HK-103X	C CAPACITOR	0.01uF 50V K	
C2361	NCF31CZ-104X	C CAPACITOR	0.1uF 16V Z		C2640	NCB31HK-103X	C CAPACITOR	0.01uF 50V K	
C2362	NCF31CZ-104X	C CAPACITOR	0.1uF 16V Z		C2641	NCB31HK-103X	C CAPACITOR	0.01uF 50V K	
C2363	NDC31HJ-181X	C CAPACITOR	180pF 50V J		C2642	NCB31HK-103X	C CAPACITOR	0.01uF 50V K	
C2365	NCB31CK-683X	C CAPACITOR	0.068uF 16V K		C2643	NCB31HK-103X	C CAPACITOR	0.01uF 50V K	
C2367	NCB31HK-182X	C CAPACITOR	1800pF 50V K		C2644	NCB31HK-103X	C CAPACITOR	0.01uF 50V K	
C2401	NCB31HK-561X	C CAPACITOR	560pF 50V K		C2645	NCB31HK-103X	C CAPACITOR	0.01uF 50V K	
C2409	NEAF1EM-475X	E CAPACITOR	4.7uF 25V M		C2646	NCB31HK-103X	C CAPACITOR	0.01uF 50V K	
C2411	NCF31CZ-104X	C CAPACITOR	0.1uF 16V Z		C2647	NCB31HK-103X	C CAPACITOR	0.01uF 50V K	
C2412	NCF31CZ-104X	C CAPACITOR	0.1uF 16V Z		C2648	NCB31HK-103X	C CAPACITOR	0.01uF 50V K	

△ Symbol No.	Part No.	Part Name	Description	Local	△ Symbol No.	Part No.	Part Name	Description	Local
C2649	NCB31HK-103X	C CAPACITOR	0.01uF 50V K		C2987	NCF31CZ-104X	C CAPACITOR	0.1uF 16V Z	
C2650	NCB31HK-103X	C CAPACITOR	0.01uF 50V K		C2988	NCB31HK-103X	C CAPACITOR	0.01uF 50V K	
C2651	NCB31HK-103X	C CAPACITOR	0.01uF 50V K						
C2652	NCB31HK-103X	C CAPACITOR	0.01uF 50V K		R2001	NRSA63J-104X	MG RESISTOR	100kΩ 1/16W J	
C2653	NCB31HK-103X	C CAPACITOR	0.01uF 50V K		R2002	NRSA63J-104X	MG RESISTOR	100kΩ 1/16W J	
C2654	NCB31HK-103X	C CAPACITOR	0.01uF 50V K		R2003	NRSA63J-223X	MG RESISTOR	22kΩ 1/16W J	
C2655	NCB31HK-103X	C CAPACITOR	0.01uF 50V K		R2004	NRSA63J-223X	MG RESISTOR	22kΩ 1/16W J	
C2656	NCB31HK-471X	C CAPACITOR	470pF 50V K		R2007	NRSA63J-223X	MG RESISTOR	22kΩ 1/16W J	
C2657	NCB31HK-471X	C CAPACITOR	470pF 50V K		R2008	NRSA63J-223X	MG RESISTOR	22kΩ 1/16W J	
C2658	NCB31HK-103X	C CAPACITOR	0.01uF 50V K		R2011	NRSA63J-223X	MG RESISTOR	22kΩ 1/16W J	
C2659	NCB31HK-103X	C CAPACITOR	0.01uF 50V K		R2012	NRSA63J-223X	MG RESISTOR	22kΩ 1/16W J	
C2660	NCB31HK-103X	C CAPACITOR	0.01uF 50V K		R2013	NRSA63J-223X	MG RESISTOR	22kΩ 1/16W J	
C2661	NCB31HK-103X	C CAPACITOR	0.01uF 50V K		R2014	NRSA63J-223X	MG RESISTOR	22kΩ 1/16W J	
C2662	NCB31HK-103X	C CAPACITOR	0.01uF 50V K		R2017	NRSA63J-472X	MG RESISTOR	4.7kΩ 1/16W J	
C2663	NCF31CZ-104X	C CAPACITOR	0.1uF 16V Z		R2018	NRSA63J-472X	MG RESISTOR	4.7kΩ 1/16W J	
C2664	NCB31HK-103X	C CAPACITOR	0.01uF 50V K		R2021	NRSA63J-331X	MG RESISTOR	330Ω 1/16W J	
C2665	NCB31HK-103X	C CAPACITOR	0.01uF 50V K		R2022	NRSA63J-331X	MG RESISTOR	330Ω 1/16W J	
C2666	NCB31HK-103X	C CAPACITOR	0.01uF 50V K		R2023	NRSA63J-331X	MG RESISTOR	330Ω 1/16W J	
C2681	NDC31HJ-101X	C CAPACITOR	100pF 50V J		R2024	NRSA63J-331X	MG RESISTOR	330Ω 1/16W J	
C2682	NDC31HJ-101X	C CAPACITOR	100pF 50V J		R2101	NRSA63J-103X	MG RESISTOR	10kΩ 1/16W J	
C2683	NCF31CZ-104X	C CAPACITOR	0.1uF 16V Z		R2102	NRSA63J-103X	MG RESISTOR	10kΩ 1/16W J	
C2702	NCF31AZ-105X	C CAPACITOR	1uF 10V Z		R2103	NRSA63J-102X	MG RESISTOR	1kΩ 1/16W J	
C2703	NDC31HJ-101X	C CAPACITOR	100pF 50V J		R2104	NRSA63J-102X	MG RESISTOR	1kΩ 1/16W J	
C2751	NCF31CZ-104X	C CAPACITOR	0.1uF 16V Z		R2109	NRSA63J-104X	MG RESISTOR	100kΩ 1/16W J	
C2771	NEAF1EM-106X	E CAPACITOR	10uF 25V M		R2110	NRSA63J-104X	MG RESISTOR	100kΩ 1/16W J	
C2801	NEAF1CM-106X	E CAPACITOR	10uF 16V M		R2111	NRSA63J-102X	MG RESISTOR	1kΩ 1/16W J	
C2802	NCF31CZ-104X	C CAPACITOR	0.1uF 16V Z		R2112	NRSA63J-102X	MG RESISTOR	1kΩ 1/16W J	
C2833	NCF31CZ-104X	C CAPACITOR	0.1uF 16V Z		R2113	NRSA63J-102X	MG RESISTOR	1kΩ 1/16W J	
C2834	NCF31CZ-104X	C CAPACITOR	0.1uF 16V Z		R2114	NRSA63J-102X	MG RESISTOR	1kΩ 1/16W J	
C2861	NDC31HJ-270X	C CAPACITOR	27pF 50V J		R2115	NRSA63J-102X	MG RESISTOR	1kΩ 1/16W J	
C2862	NCF31CZ-104X	C CAPACITOR	0.1uF 16V Z		R2116	NRSA63J-102X	MG RESISTOR	1kΩ 1/16W J	
C2863	NCF31CZ-104X	C CAPACITOR	0.1uF 16V Z		R2121	NRSA63J-333X	MG RESISTOR	33kΩ 1/16W J	
C2865	NCB31AK-105X	C CAPACITOR	1uF 10V K		R2122	NRSA63J-333X	MG RESISTOR	33kΩ 1/16W J	
C2866	NCF31CZ-104X	C CAPACITOR	0.1uF 16V Z		R2123	NRSA63J-104X	MG RESISTOR	100kΩ 1/16W J	
C2871	NDC31HJ-121X	C CAPACITOR	120pF 50V J		R2128	NRSA63J-104X	MG RESISTOR	100kΩ 1/16W J	
C2881	NCB31HK-103X	C CAPACITOR	0.01uF 50V K		R2129	NRSA63J-104X	MG RESISTOR	100kΩ 1/16W J	
C2882	NCB31HK-103X	C CAPACITOR	0.01uF 50V K		R2130	NRSA63J-104X	MG RESISTOR	100kΩ 1/16W J	
C2883	NCB31HK-103X	C CAPACITOR	0.01uF 50V K		R2131	NRSA63J-333X	MG RESISTOR	33kΩ 1/16W J	
C2884	NCB31HK-103X	C CAPACITOR	0.01uF 50V K		R2132	NRSA63J-333X	MG RESISTOR	33kΩ 1/16W J	
C2885	NCB31HK-103X	C CAPACITOR	0.01uF 50V K		R2133	NRSA63J-333X	MG RESISTOR	33kΩ 1/16W J	
C2887	NCB31HK-103X	C CAPACITOR	0.01uF 50V K		R2134	NRSA63J-333X	MG RESISTOR	33kΩ 1/16W J	
C2888	NCB31HK-103X	C CAPACITOR	0.01uF 50V K		R2135	NRSA63J-363X	MG RESISTOR	36kΩ 1/16W J	
C2889	NCB31AK-105X	C CAPACITOR	1uF 10V K		R2136	NRSA63J-363X	MG RESISTOR	36kΩ 1/16W J	
C2890	NCB31AK-105X	C CAPACITOR	1uF 10V K		R2137	NRSA63J-123X	MG RESISTOR	12kΩ 1/16W J	
C2901	NEAF1CM-106X	E CAPACITOR	10uF 16V M		R2138	NRSA63J-123X	MG RESISTOR	12kΩ 1/16W J	
C2902	NEAF1CM-106X	E CAPACITOR	10uF 16V M		R2139	NRSA63J-104X	MG RESISTOR	100kΩ 1/16W J	
C2903	NEAF0JM-476X	E CAPACITOR	47uF 6.3V M		R2140	NRSA63J-104X	MG RESISTOR	100kΩ 1/16W J	
C2921	NEAF0JM-107X	E CAPACITOR	100uF 6.3V M		R2141	NRSA63J-333X	MG RESISTOR	33kΩ 1/16W J	
C2922	NCF31CZ-104X	C CAPACITOR	0.1uF 16V Z		R2142	NRSA63J-333X	MG RESISTOR	33kΩ 1/16W J	
C2923	NEAF0JM-107X	E CAPACITOR	100uF 6.3V M		R2145	NRSA63J-223X	MG RESISTOR	22kΩ 1/16W J	
C2924	NCF31CZ-104X	C CAPACITOR	0.1uF 16V Z		R2146	NRSA63J-223X	MG RESISTOR	22kΩ 1/16W J	
C2925	NCF31CZ-104X	C CAPACITOR	0.1uF 16V Z		R2147	NRSA63J-103X	MG RESISTOR	10kΩ 1/16W J	
C2931	NEAF0JM-107X	E CAPACITOR	100uF 6.3V M		R2148	NRSA63J-103X	MG RESISTOR	10kΩ 1/16W J	
C2932	NCF31CZ-104X	C CAPACITOR	0.1uF 16V Z		R2149	NRSA63J-104X	MG RESISTOR	100kΩ 1/16W J	
C2933	NCF31CZ-104X	C CAPACITOR	0.1uF 16V Z		R2150	NRSA63J-104X	MG RESISTOR	100kΩ 1/16W J	
C2934	NCB31HK-471X	C CAPACITOR	470pF 50V K		R2151	NRSA63J-561X	MG RESISTOR	560Ω 1/16W J	
C2951	NCF31AZ-105X	C CAPACITOR	1uF 10V Z		R2152	NRSA63J-101X	MG RESISTOR	100Ω 1/16W J	
C2952	NCF31AZ-105X	C CAPACITOR	1uF 10V Z		R2153	NRSA63J-101X	MG RESISTOR	100Ω 1/16W J	
C2953	NCF31AZ-105X	C CAPACITOR	1uF 10V Z		R2154	NRSA63J-101X	MG RESISTOR	100Ω 1/16W J	
C2954	NCF31AZ-105X	C CAPACITOR	1uF 10V Z		R2155	NRSA63J-332X	MG RESISTOR	3.3kΩ 1/16W J	
C2955	NCF31AZ-105X	C CAPACITOR	1uF 10V Z		R2156	NRSA63J-101X	MG RESISTOR	100Ω 1/16W J	
C2956	NCF31AZ-105X	C CAPACITOR	1uF 10V Z		R2159	NRSA63J-561X	MG RESISTOR	560Ω 1/16W J	
C2971	NEAF1CM-106X	E CAPACITOR	10uF 16V M		R2161	NRSA63J-103X	MG RESISTOR	10kΩ 1/16W J	
C2972	NEAF1CM-106X	E CAPACITOR	10uF 16V M		R2162	NRSA63J-103X	MG RESISTOR	10kΩ 1/16W J	
C2973	NEAF1CM-106X	E CAPACITOR	10uF 16V M		R2163	NRSA63J-821X	MG RESISTOR	820Ω 1/16W J	
C2974	NCF31CZ-104X	C CAPACITOR	0.1uF 16V Z		R2164	NRSA63J-821X	MG RESISTOR	820Ω 1/16W J	
C2975	NCF31CZ-104X	C CAPACITOR	0.1uF 16V Z		R2165	NRSA63J-183X	MG RESISTOR	18kΩ 1/16W J	
C2976	NCB31HK-221X	C CAPACITOR	220pF 50V K		R2166	NRSA63J-183X	MG RESISTOR	18kΩ 1/16W J	
C2977	NCB31HK-221X	C CAPACITOR	220pF 50V K		R2167	NRSA63J-183X	MG RESISTOR	18kΩ 1/16W J	
C2978	NEAF1EM-475X	E CAPACITOR	4.7uF 25V M		R2168	NRSA63J-183X	MG RESISTOR	18kΩ 1/16W J	
C2979	NCF31CZ-104X	C CAPACITOR	0.1uF 16V Z		R2169	NRSA63J-562X	MG RESISTOR	5.6kΩ 1/16W J	
C2980	NEAF0JM-107X	E CAPACITOR	100uF 6.3V M		R2170	NRSA63J-562X	MG RESISTOR	5.6kΩ 1/16W J	
C2981	NCF31CZ-104X	C CAPACITOR	0.1uF 16V Z		R2171	NRSA63J-202X	MG RESISTOR	2kΩ 1/16W J	
C2982	NCF31CZ-104X	C CAPACITOR	0.1uF 16V Z		R2172	NRSA63J-202X	MG RESISTOR	2kΩ 1/16W J	
C2983	NCB31CK-473X	C CAPACITOR	0.047uF 16V K		R2173	NRSA63J-243X	MG RESISTOR	24kΩ 1/16W J	
C2984	NCB31HK-222X	C CAPACITOR	2200pF 50V K		R2174	NRSA63J-243X	MG RESISTOR	24kΩ 1/16W J	
C2985	NCF31CZ-104X	C CAPACITOR	0.1uF 16V Z		R2175	NRSA63J-243X	MG RESISTOR	24kΩ 1/16W J	
C2986	NCF31CZ-104X	C CAPACITOR	0.1uF 16V Z		R2176	NRSA63J-243X	MG RESISTOR	24kΩ 1/16W J	



△ Symbol No.	Part No.	Part Name	Description	Local	△ Symbol No.	Part No.	Part Name	Description	Local
R2712	NRSA63J-103X	MG RESISTOR	10kΩ 1/16W J		R2988	NRSA63J-470X	MG RESISTOR	47Ω 1/16W J	
R2713	NRSA63J-103X	MG RESISTOR	10kΩ 1/16W J		CN651	QGF1038F2-06X	CONNECTOR	FFC/FPC (1-6)	
R2714	NRSA63J-103X	MG RESISTOR	10kΩ 1/16W J		CN652	QGF1038F2-11X	CONNECTOR	FFC/FPC (1-11)	
R2715	NRSA63J-103X	MG RESISTOR	10kΩ 1/16W J		CN661	QGA2001F6-05X	CONNECTOR	W-B (1-5)	
R2716	NRSA63J-103X	MG RESISTOR	10kΩ 1/16W J		CN662	QGA2001F6-05X	CONNECTOR	W-B (1-5)	
R2721	NRSA63J-103X	MG RESISTOR	10kΩ 1/16W J		CN671	QGF1016F8-06W	CONNECTOR	FFC/FPC (1-6)	
R2722	NRSA63J-103X	MG RESISTOR	10kΩ 1/16W J		CN681	QGB2510J1-07	CONNECTOR	B-B (1-7)	
R2723	NRSA63J-103X	MG RESISTOR	10kΩ 1/16W J		CN682	QGA2001F6-06X	CONNECTOR	W-B (1-6)	
R2724	NRSA63J-822X	MG RESISTOR	8.2kΩ 1/16W J		CN683	QGA2001F6-09X	CONNECTOR	W-B (1-9)	
R2725	NRSA63J-432X	MG RESISTOR	4.3kΩ 1/16W J		EP681	E409182-001SM	GRAND TERMINAL		
R2726	NRSA63J-822X	MG RESISTOR	8.2kΩ 1/16W J		IC663	-----	IC		
R2727	NRSA63J-432X	MG RESISTOR	4.3kΩ 1/16W J		J681	QNN0481-001	SURROUND JACK		
R2731	NRSA63J-221X	MG RESISTOR	220Ω 1/16W J		K2101	NQR0007-003X	FERRITE BEADS		
R2732	NRSA63J-221X	MG RESISTOR	220Ω 1/16W J		K2102	NQR0007-003X	FERRITE BEADS		
R2733	NRSA63J-221X	MG RESISTOR	220Ω 1/16W J		K2103	NQR0007-003X	FERRITE BEADS		
R2734	NRSA63J-221X	MG RESISTOR	220Ω 1/16W J		K2104	NQR0007-003X	FERRITE BEADS		
R2735	NRSA63J-221X	MG RESISTOR	220Ω 1/16W J		K2201	NQR0007-003X	FERRITE BEADS		
R2736	NRSA63J-221X	MG RESISTOR	220Ω 1/16W J		K2202	NQR0007-003X	FERRITE BEADS		
R2737	NRSA63J-221X	MG RESISTOR	220Ω 1/16W J		K2203	NQR0007-003X	FERRITE BEADS		
R2738	NRSA63J-221X	MG RESISTOR	220Ω 1/16W J		K2204	NQR0007-003X	FERRITE BEADS		
R2739	NRSA63J-221X	MG RESISTOR	220Ω 1/16W J		K2301	NQR0007-003X	FERRITE BEADS		
R2740	NRSA63J-221X	MG RESISTOR	220Ω 1/16W J		K2302	NQR0007-003X	FERRITE BEADS		
R2741	NRSA63J-221X	MG RESISTOR	220Ω 1/16W J		K2303	NQR0007-003X	FERRITE BEADS		
R2742	NRSA63J-221X	MG RESISTOR	220Ω 1/16W J		K2304	NQR0007-003X	FERRITE BEADS		
R2743	NRSA63J-221X	MG RESISTOR	220Ω 1/16W J		K2601	NQR0229-001X	FERRITE BEADS		
R2744	NRSA63J-221X	MG RESISTOR	220Ω 1/16W J		K2602	NQR0229-001X	FERRITE BEADS		
R2745	NRSA63J-221X	MG RESISTOR	220Ω 1/16W J		K2603	NQR0269-013X	FERRITE BEADS		
R2746	NRSA63J-221X	MG RESISTOR	220Ω 1/16W J		K2603	NQR0269-013X	FERRITE BEADS		
R2747	NRSA63J-221X	MG RESISTOR	220Ω 1/16W J		K2861	NQR0269-004X	FERRITE BEADS		
R2748	NRSA63J-221X	MG RESISTOR	220Ω 1/16W J		LC662	NQR0450-001X	EMI FILTER	0.022uF 50V M	
R2751	NRSA63J-102X	MG RESISTOR	1kΩ 1/16W J		LC663	NQR0450-001X	EMI FILTER	0.022uF 50V M	
R2752	NRSA63J-103X	MG RESISTOR	10kΩ 1/16W J		LC664	NQR0450-001X	EMI FILTER	0.022uF 50V M	
R2761	NRSA63J-105X	MG RESISTOR	1MΩ 1/16W J		LC665	NQR0345-001X	FERRITE BEADS		
R2762	NRSA63J-105X	MG RESISTOR	1MΩ 1/16W J		LC697	NQR0450-001X	EMI FILTER	0.022uF 50V M	
R2763	NRSA63J-105X	MG RESISTOR	1MΩ 1/16W J		UN682	TORX177	OPT RECEIVER		
R2771	NRSA63J-102X	MG RESISTOR	1kΩ 1/16W J		UN683	TORX177	OPT RECEIVER		
R2772	NRSA63J-105X	MG RESISTOR	1MΩ 1/16W J		UN686	TOTX177	OPT RECEIVER		
R2773	NRSA63J-105X	MG RESISTOR	1MΩ 1/16W J		X661	NAX0435-001X	CRYSTAL	24.576MHz	
R2781	NRSA63J-102X	MG RESISTOR	1kΩ 1/16W J		X671	NAX0275-001X	C OSCILLATOR	6.144MHz	
R2782	NRSA63J-102X	MG RESISTOR	1kΩ 1/16W J						
R2783	NRSA63J-102X	MG RESISTOR	1kΩ 1/16W J						
R2784	NRSA63J-102X	MG RESISTOR	1kΩ 1/16W J						
R2801	NRSA63J-221X	MG RESISTOR	220Ω 1/16W J						
R2802	NRSA63J-221X	MG RESISTOR	220Ω 1/16W J						
R2803	NRSA63J-221X	MG RESISTOR	220Ω 1/16W J						
R2833	NRSA63J-221X	MG RESISTOR	220Ω 1/16W J						
R2834	NRSA63J-221X	MG RESISTOR	220Ω 1/16W J						
R2835	NRSA63J-221X	MG RESISTOR	220Ω 1/16W J						
R2836	NRSA63J-101X	MG RESISTOR	100Ω 1/16W J						
R2837	NRSA63J-101X	MG RESISTOR	100Ω 1/16W J						
R2838	NRSA63J-101X	MG RESISTOR	100Ω 1/16W J						
R2839	NRSA63J-101X	MG RESISTOR	100Ω 1/16W J						
R2861	NRSA63J-221X	MG RESISTOR	220Ω 1/16W J						
R2862	NRSA63J-392X	MG RESISTOR	3.9kΩ 1/16W J						
R2863	NRSA63J-392X	MG RESISTOR	3.9kΩ 1/16W J						
R2864	NRSA63J-392X	MG RESISTOR	3.9kΩ 1/16W J						
R2865	NRSA63J-392X	MG RESISTOR	3.9kΩ 1/16W J						
R2866	NRSA63J-221X	MG RESISTOR	220Ω 1/16W J						
R2867	NRSA63J-392X	MG RESISTOR	3.9kΩ 1/16W J						
R2868	NRSA63J-392X	MG RESISTOR	3.9kΩ 1/16W J						
R2871	NRSA63J-750X	MG RESISTOR	75Ω 1/16W J						
R2872	NRSA63J-102X	MG RESISTOR	1kΩ 1/16W J						
R2873	NRSA63J-102X	MG RESISTOR	1kΩ 1/16W J						
R2874	NRSA63J-102X	MG RESISTOR	1kΩ 1/16W J						
R2875	NRSA63J-102X	MG RESISTOR	1kΩ 1/16W J						
R2877	NRSA63J-102X	MG RESISTOR	1kΩ 1/16W J						
R2878	NRSA63J-102X	MG RESISTOR	1kΩ 1/16W J						
R2921	NRSA63J-222X	MG RESISTOR	2.2kΩ 1/16W J						
R2922	NRSA63J-112X	MG RESISTOR	1.1kΩ 1/16W J						
R2971	NRSA63J-242X	MG RESISTOR	2.4kΩ 1/16W J						
R2973	NRSA63J-103X	MG RESISTOR	10kΩ 1/16W J						
R2981	NRSA63J-221X	MG RESISTOR	220Ω 1/16W J						
R2982	NRSA63J-221X	MG RESISTOR	220Ω 1/16W J						
R2983	NRSA63J-103X	MG RESISTOR	10kΩ 1/16W J						
R2984	NRSA63J-103X	MG RESISTOR	10kΩ 1/16W J						
R2985	NRSA63J-221X	MG RESISTOR	220Ω 1/16W J						
R2986	NRSA63J-221X	MG RESISTOR	220Ω 1/16W J						
R2987	NRSA63J-470X	MG RESISTOR	47Ω 1/16W J						

### Speaker terminal board

Block No. [0][6]

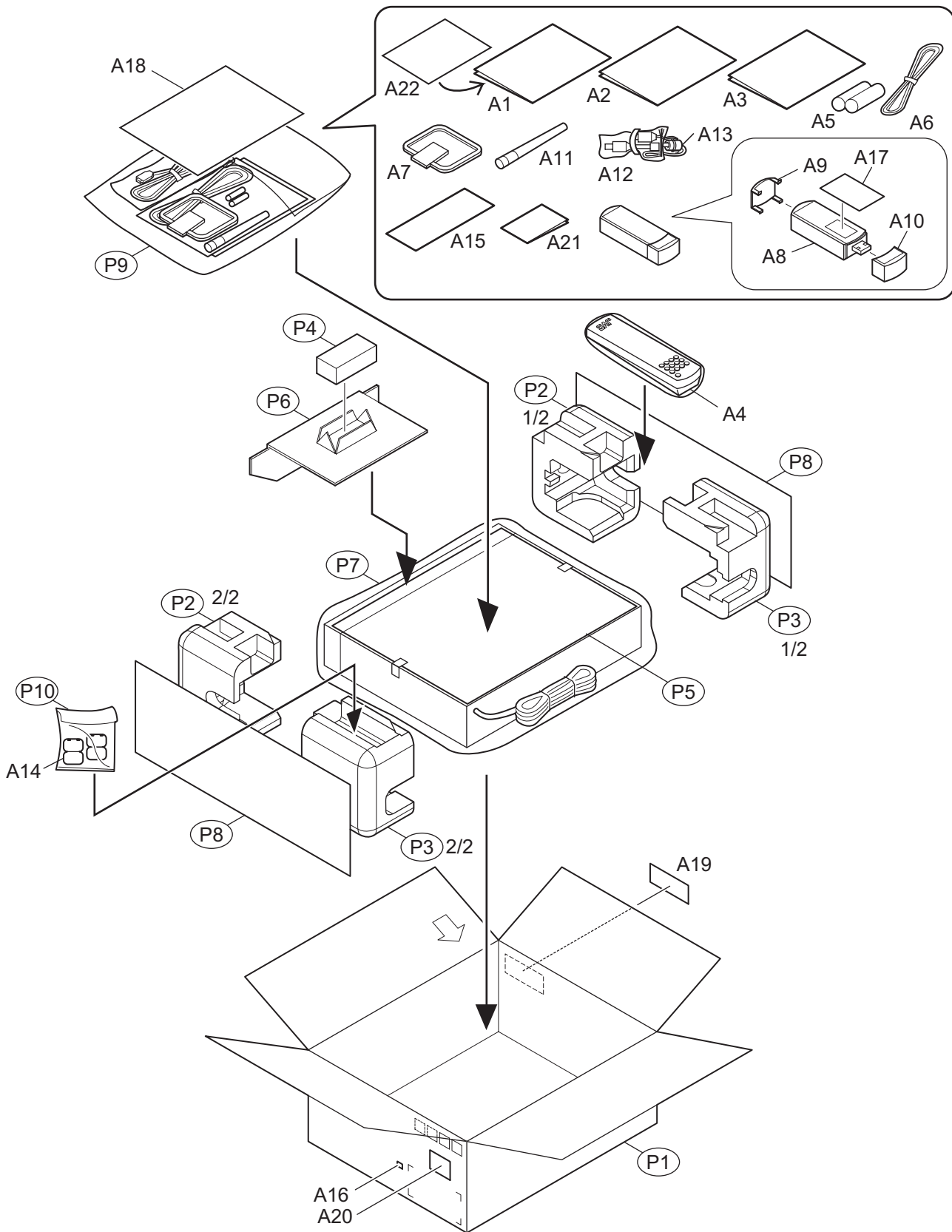
△ Symbol No.	Part No.	Part Name	Description	Local
Q7001	KTC3875/YG/-X	SI TRANSISTOR		
Q7101	KTC3875/YG/-X	SI TRANSISTOR		
Q7201	KTC3875/YG/-X	SI TRANSISTOR		
Q7301	KTC3875/YG/-X	SI TRANSISTOR		
D7001	1SS133-T2	SI DIODE		
D7101	1SS133-T2	SI DIODE		
D7201	1SS133-T2	SI DIODE		
D7301	1SS133-T2	SI DIODE		
C7001	QCBB1HK-221Y	C CAPACITOR	220pF 50V K	
C7002	QCBB1HK-221Y	C CAPACITOR	220pF 50V K	
C7003	QCBB1HK-471Y	C CAPACITOR	470pF 50V K	
C7004	QCBB1HK-471Y	C CAPACITOR	470pF 50V K	
C7005	QCBB1HK-471Y	C CAPACITOR	470pF 50V K	
C7006	QCBB1HK-471Y	C CAPACITOR	470pF 50V K	
C7101	QCBB1HK-221Y	C CAPACITOR	220pF 50V K	
C7103	QCBB1HK-471Y	C CAPACITOR	470pF 50V K	
C7105	QCBB1HK-471Y	C CAPACITOR	470pF 50V K	
C7201	QCBB1HK-221Y	C CAPACITOR	220pF 50V K	
C7202	QCBB1HK-221Y	C CAPACITOR	220pF 50V K	
C7203	QCBB1HK-471Y	C CAPACITOR	470pF 50V K	
C7204	QCBB1HK-471Y	C CAPACITOR	470pF 50V K	
C7205	QCBB1HK-471Y	C CAPACITOR	470pF 50V K	
C7206	QCBB1HK-471Y	C CAPACITOR	470pF 50V K	
C7301	QCBB1HK-221Y	C CAPACITOR	220pF 50V K	
C7302	QCBB1HK-221Y	C CAPACITOR	220pF 50V K	
C7303	QCBB1HK-471Y	C CAPACITOR	470pF 50V K	
C7304	QCBB1HK-471Y	C CAPACITOR	470pF 50V K	

△ Symbol No.	Part No.	Part Name	Description	Local
C7305	QCBB1HK-471Y	C CAPACITOR	470pF 50V K	
C7306	QCBB1HK-471Y	C CAPACITOR	470pF 50V K	
△ R7001	QRJ146J-470X	UNF C RESISTOR	47Ω 1/4W J	
△ R7003	NRS125J-103X	MG RESISTOR	10kΩ 1/2W J	
△ R7004	NRS125J-103X	MG RESISTOR	10kΩ 1/2W J	
△ R7101	QRJ146J-470X	UNF C RESISTOR	47Ω 1/4W J	
△ R7103	NRS125J-103X	MG RESISTOR	10kΩ 1/2W J	
△ R7201	QRJ146J-470X	UNF C RESISTOR	47Ω 1/4W J	
△ R7203	NRS125J-103X	MG RESISTOR	10kΩ 1/2W J	
△ R7204	NRS125J-103X	MG RESISTOR	10kΩ 1/2W J	
△ R7301	QRJ146J-470X	UNF C RESISTOR	47Ω 1/4W J	
△ R7303	NRS125J-103X	MG RESISTOR	10kΩ 1/2W J	
△ R7304	NRS125J-103X	MG RESISTOR	10kΩ 1/2W J	
CN208	QGF1205C2-13	CONNECTOR	FFC/FPC (1-13)	
CN271	QGA3901C1-06	CONNECTOR	W-B (1-6)	
CN272	QGA3901C1-08	CONNECTOR	W-B (1-8)	
RY701	QSK0127-001	RELAY		
RY711	QSK0127-001	RELAY		
RY721	QSK0127-001	RELAY		
RY731	QSK0127-001	RELAY		
ST701	QNB0079-001	SPK TERMINAL		
ST702	QNB0111-001	SPK.TERMINAL		

# Packing materials and accessories parts list

Block No. **M 3 M M**

No additional / supplemental order of WARRANTY CARDS are available





# Packing and Accessories

Block No. [M][3][M][M]

△ Symbol No.	Part No.	Part Name	Description	Local
A 1	LVT1437-001A	INST BOOK	ENG	D701SB,D702BB
A 1	LVT1437-002A	INST BOOK	GER FRE	D701SE,D701SEN,D702BE,D702BEN
A 2	LVT1437-003A	INST BOOK	DUT	D701SE,D702BE
A 2	LVT1437-004A	INST BOOK	DAN FIN SWE	D701SEN,D702BEN
A 3	LVT1437-005A	INST BOOK	SPA ITA	D701SEN,D702BEN
A 4	RM-SRXD701RW2	REMOCON		
A 5	-----	BATTERY	(x2)	
A 6	QAL0457-001	ANT.WIRE		
A 7	QAL0476-002	AM LOOP ANT		
A 8	QAL0708-002	LAN MODULE		
A 9	QZW0165-001	COVER		
A 10	QZW0166-001	COVER		
A 11	QAL0706-001	ANTENNA		
A 12	QAM0733-001	USB CABLE		
A 13	QQR0491-001	FERRITE CORE	TDK (GRAY)	
A 14	QQR0491-001	FERRITE CORE	TDK (GRAY)(x2)	
A 15	-----	WARRANTY CARD	BT-54027-1	
A 16	LV44438-001A	LABEL		
A 17	LV36452-001A	SERIAL LABEL		
A 18	LVT1515-001A	NOTICE SHEET		
A 19	LV44449-001A	COUNTRY LABEL		
A 20	LV30189-001A	LABEL(W-)		
A 21	VNA3000-204	REGISTER CARD		D701SB,D702BB
A 22	LV44390-001A	CUSTOM PART		D701SB,D701SE,D702BB,D702BE,D702BEN
P 1	LV22031-001A	CARTON BOX		D701SB,D701SE,D701SEN
P 1	LV22031-005A	CARTON BOX		D702BB,D702BE,D702BEN
P 2	LV22004-001A	CUCHION(FRONT)		
P 3	LV22005-001A	CUCHION(REAR)		
P 4	LV36576-001A	CUSHION		
P 5	LV30256-015A	SHEET		
P 6	LV36577-001A	SHEET		
P 7	QPC06507015P	POLY BAG	65cm x 70cm	
P 8	LV32034-018A	SHEET	(x2)	
P 9	QPA02503505P	POLY BAG	25cm x 35cm	
P 10	QPA00801205	POLY BAG	8cm x 12cm	