

# JVC

# SCHEMATIC DIAGRAMS

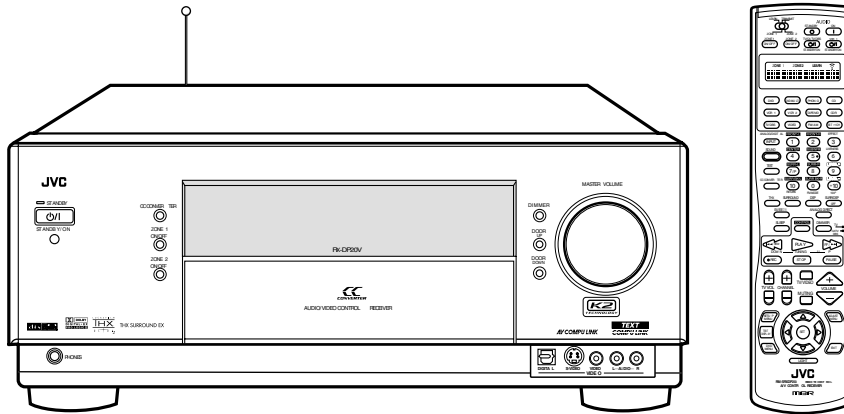
## AUDIO/VIDEO CONTROL RECEIVER

# RX-DP20VBK

CD-ROM No.SML200307

Area suffix

J ----- U.S.A.  
C ----- Canada



THX SURROUND EX



AV COMPU LINK



### Contents

Block diagrams-----	2-1
Standard schematic diagrams -----	2-4
Printed circuit boards -----	2-15 to 25

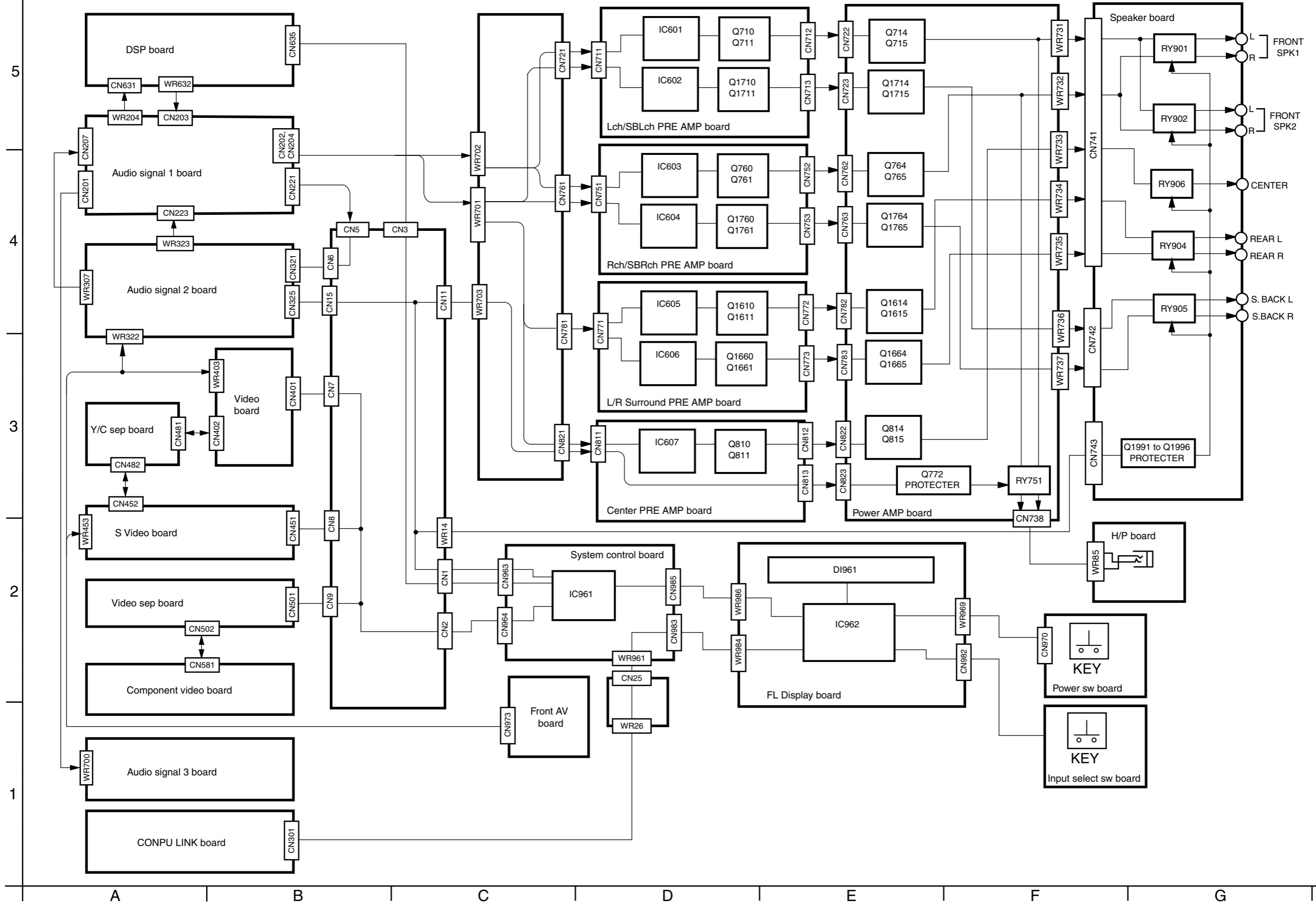
## RX-DP20VBK

In regard with component parts appearing on the silk-screen printed side (parts side) of the PWB diagrams, the parts that are printed over with black such as the resistor (■), diode (⬤) and ICP (●) or identified by the "⚠" mark nearby are critical for safety.

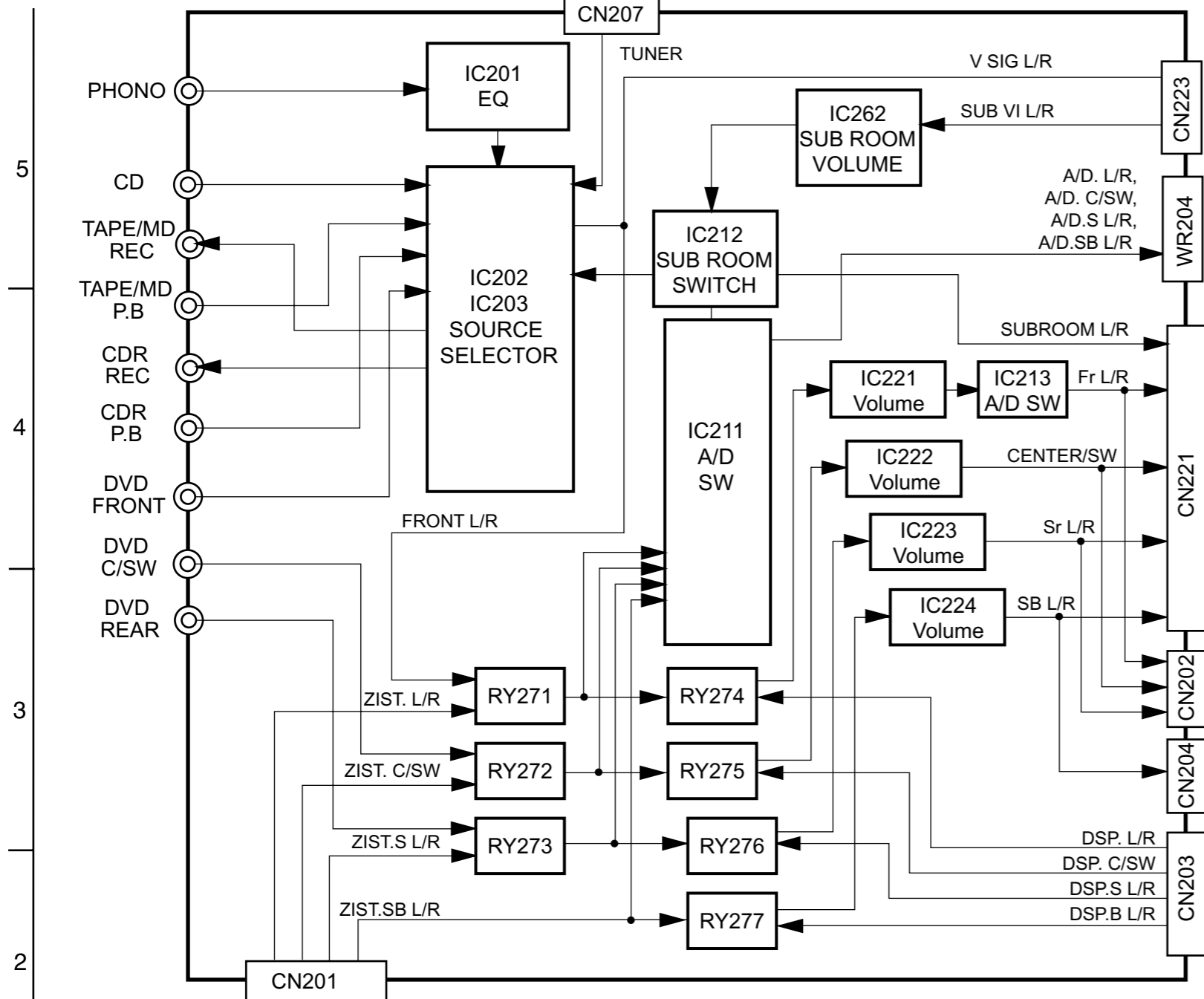
(This regulation does not correspond to J and C version.)

# Block diagrams

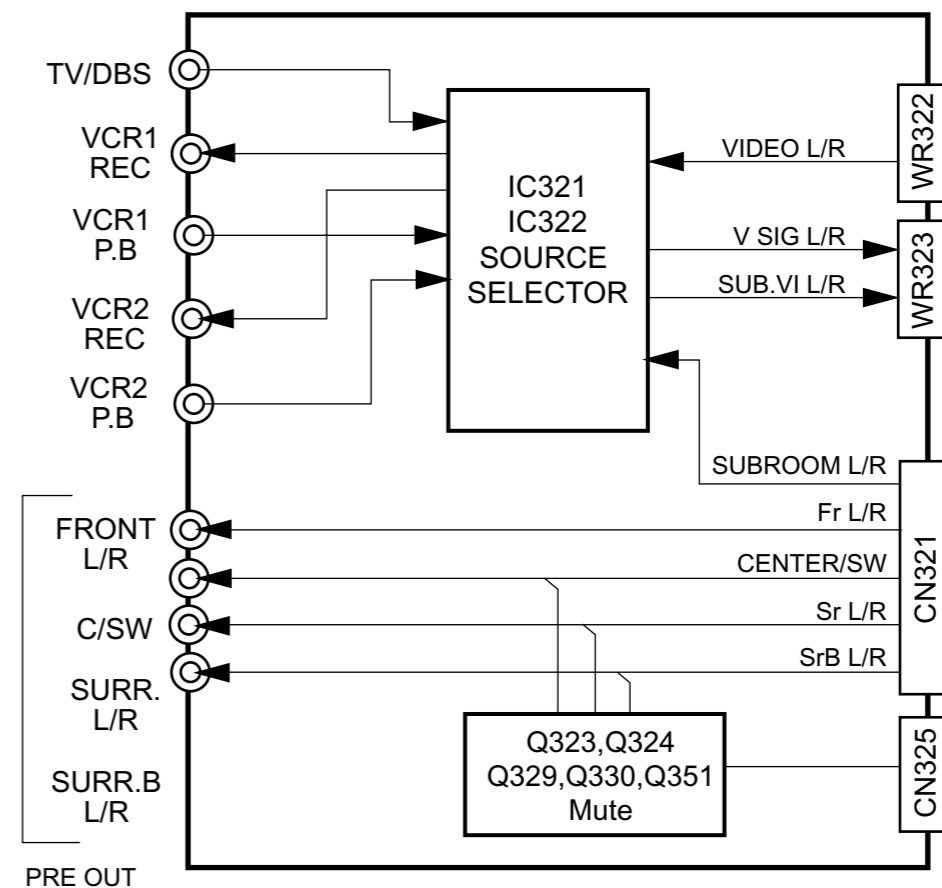
## ■ Signal input/output & Main section



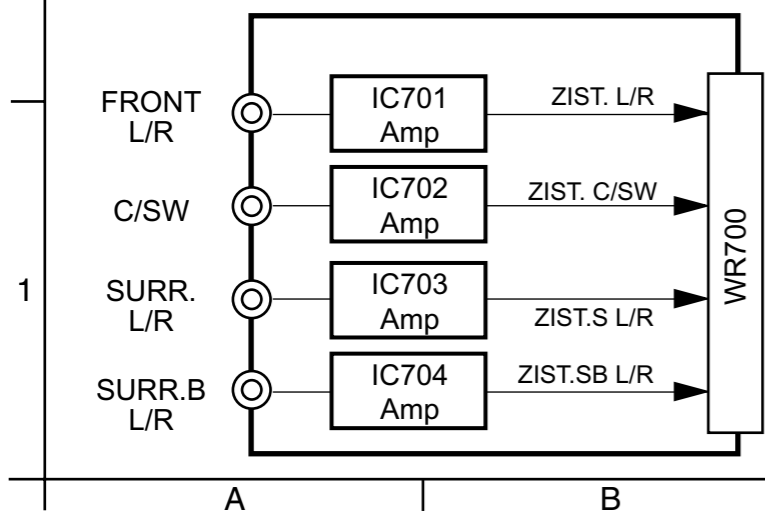
■ Audio signal 1 section



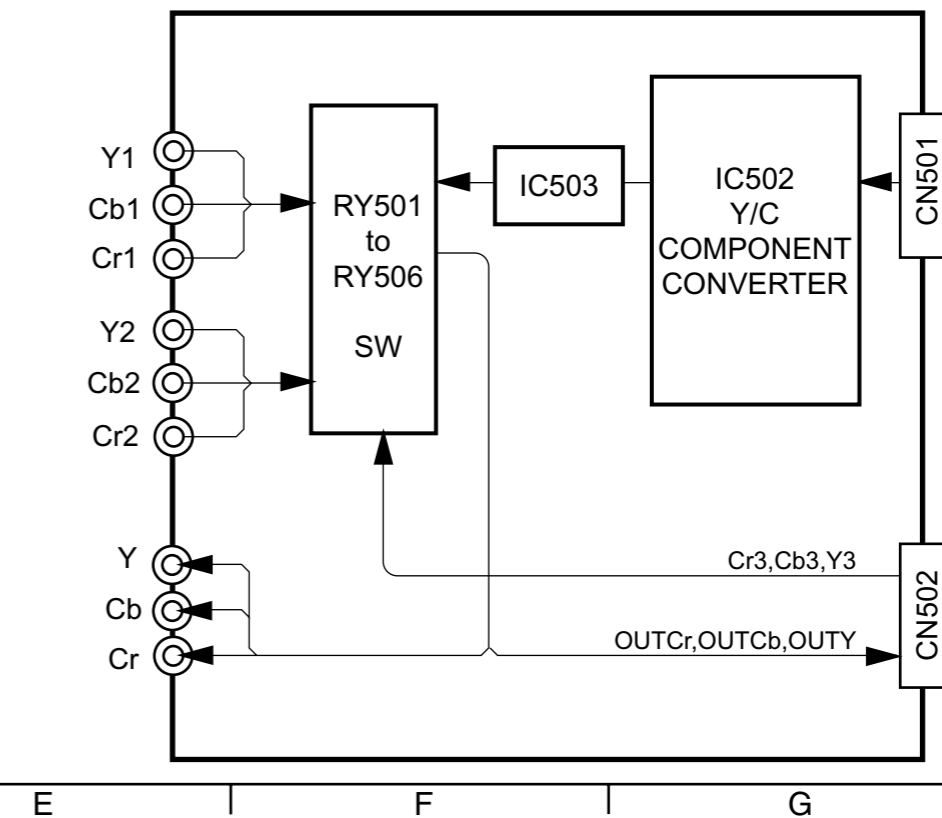
■ Audio signal 2 section



■ Audio signal 3 section



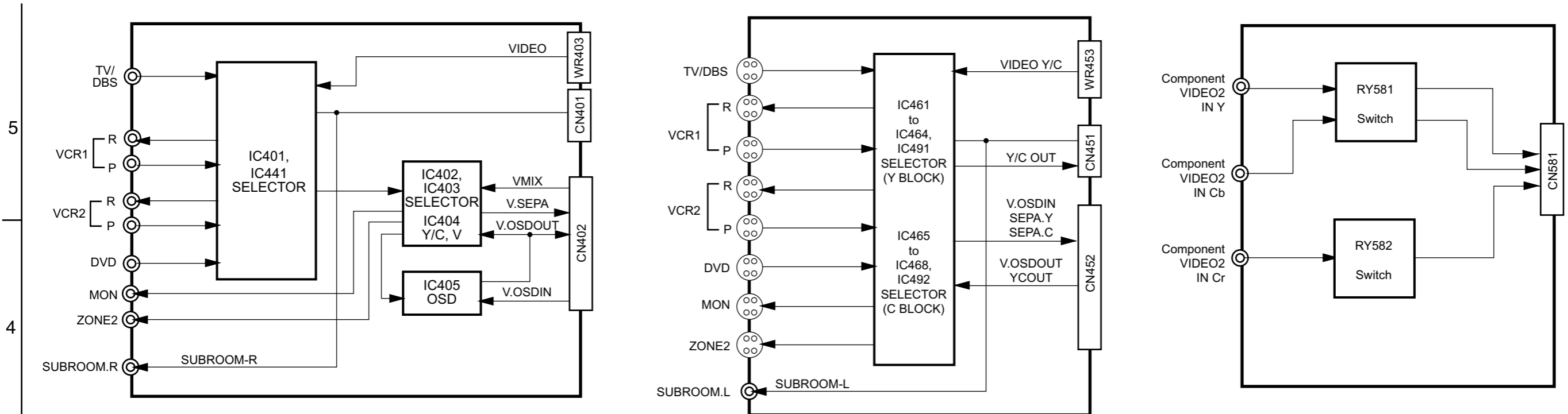
■ Video SEP section



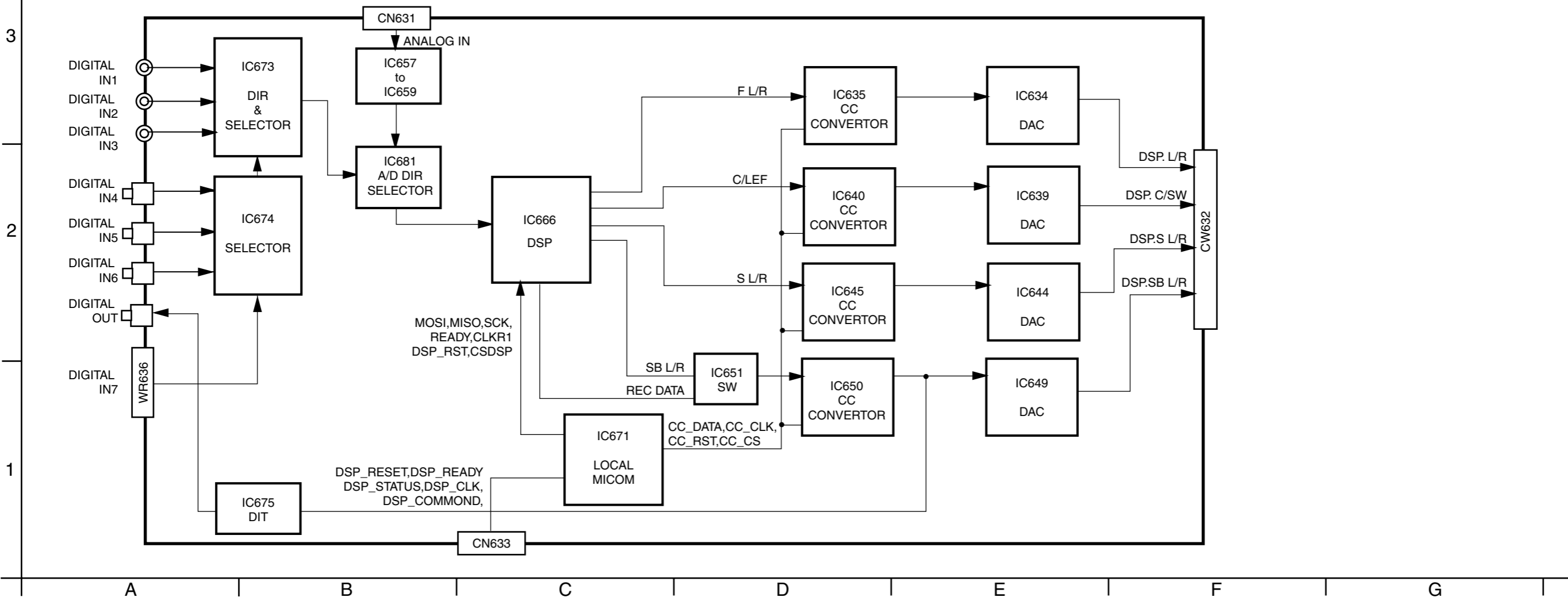
Video section

S-video section

Component video section



DSP section



# Standard schematic diagrams

## Primary / regulator section

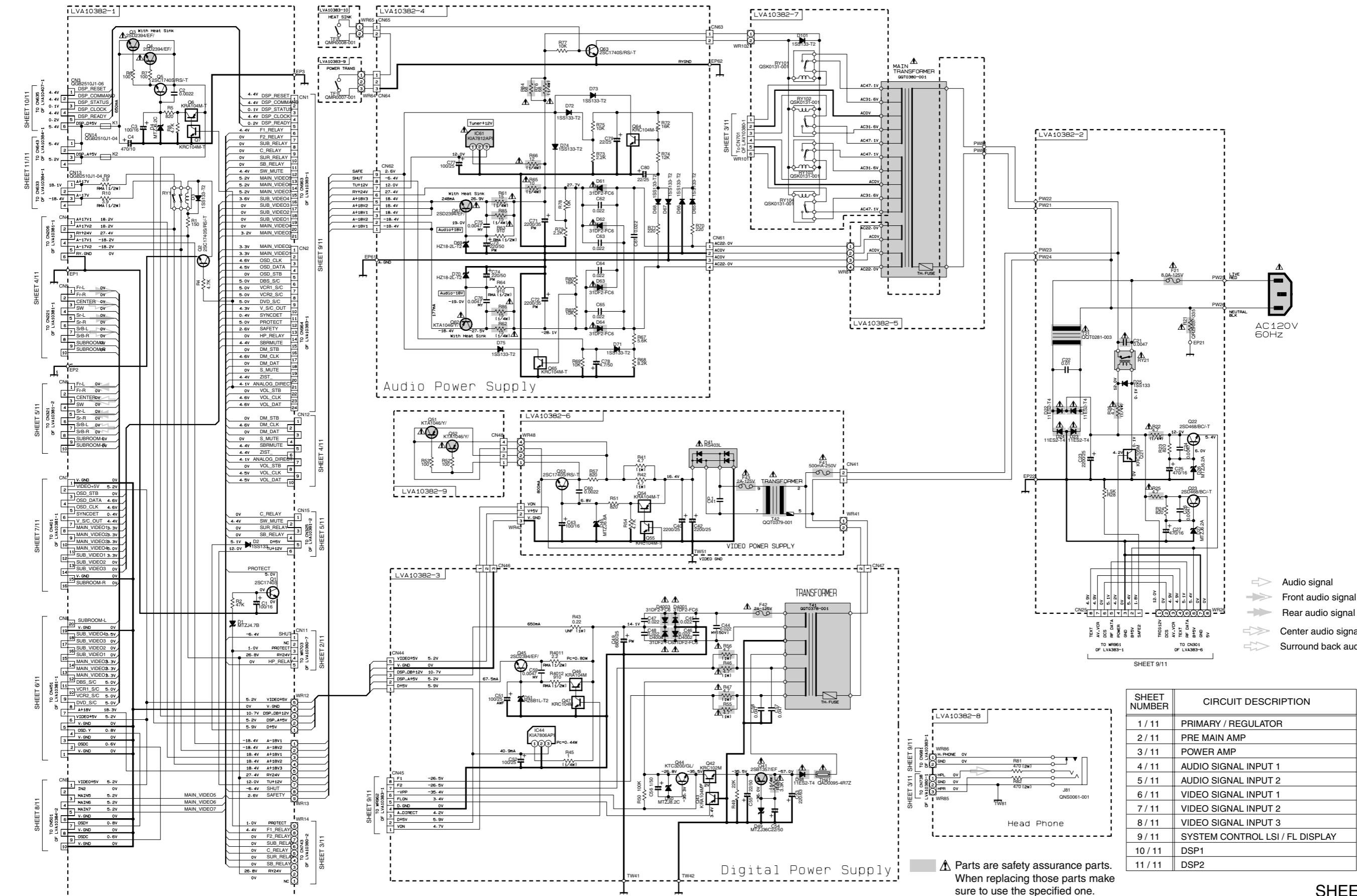
5

4

3

2

1

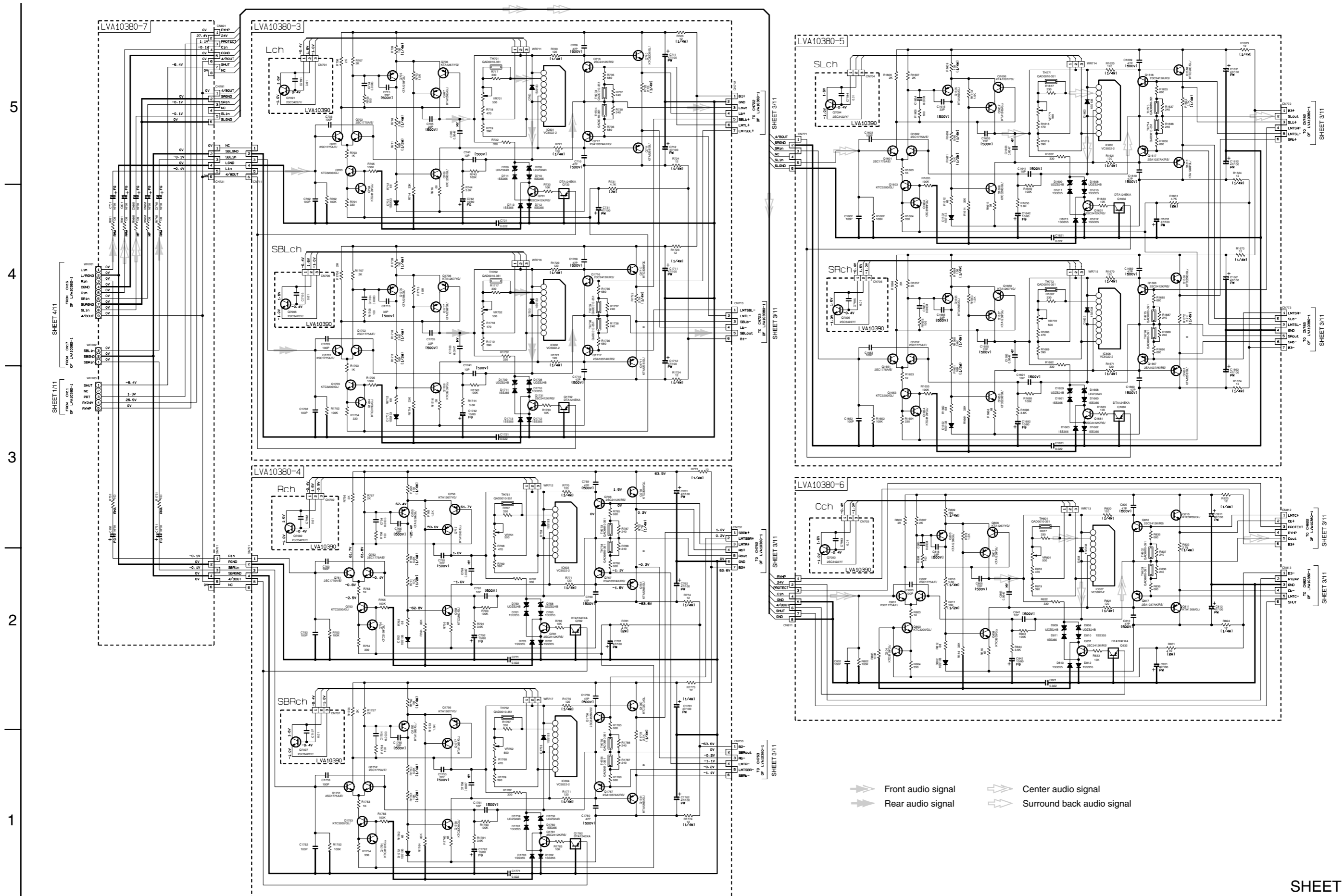


- ➡ Audio signal
- ➡ Front audio signal
- ➡ Rear audio signal
- ➡ Center audio signal
- ➡ Surround back audio signal

⚠ Parts are safety assurance parts. When replacing those parts make sure to use the specified one.

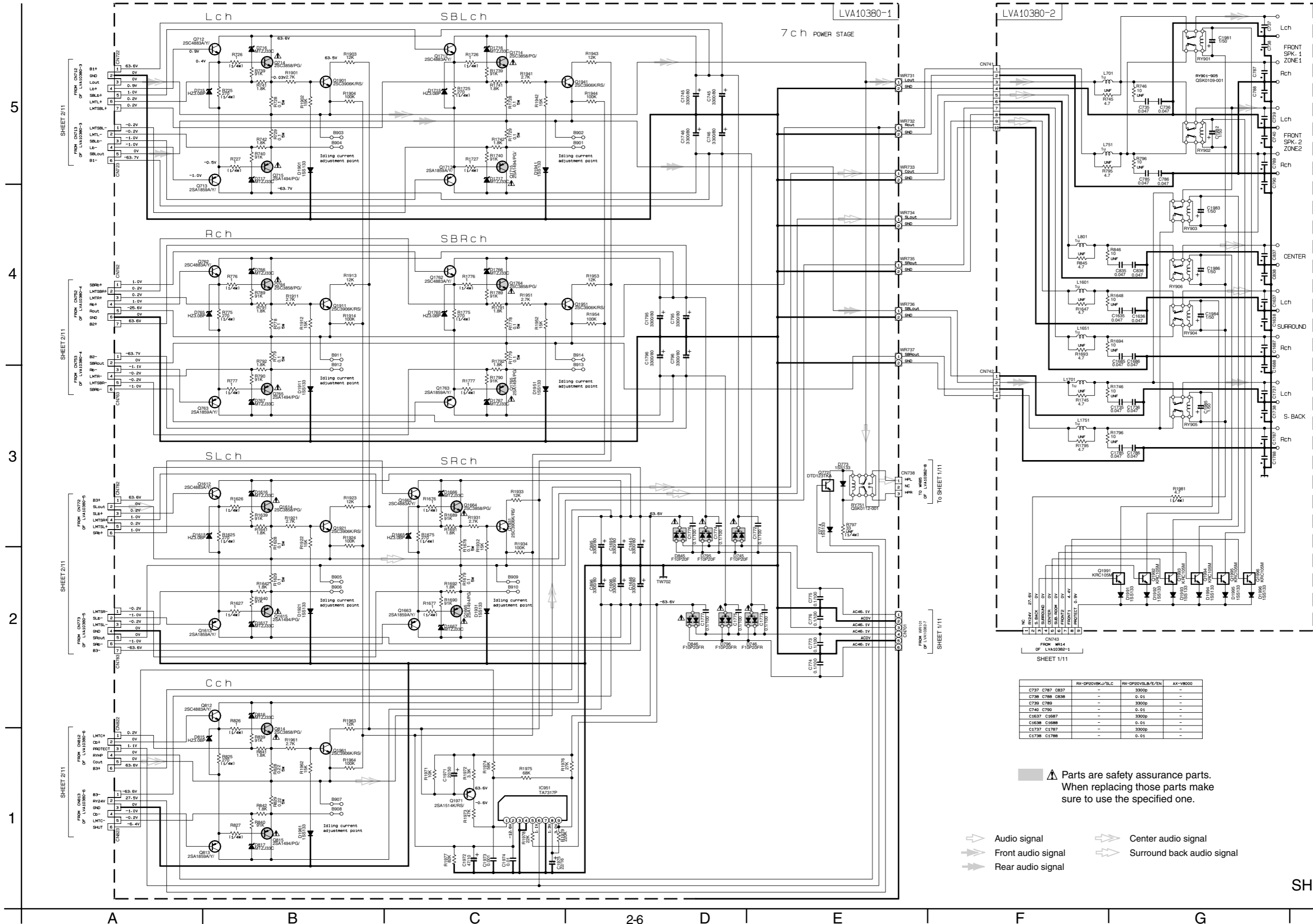
SHEET NUMBER	CIRCUIT DESCRIPTION
1 / 11	PRIMARY / REGULATOR
2 / 11	PRE MAIN AMP
3 / 11	POWER AMP
4 / 11	AUDIO SIGNAL INPUT 1
5 / 11	AUDIO SIGNAL INPUT 2
6 / 11	VIDEO SIGNAL INPUT 1
7 / 11	VIDEO SIGNAL INPUT 2
8 / 11	VIDEO SIGNAL INPUT 3
9 / 11	SYSTEM CONTROL LSI / FL DISPLAY
10 / 11	DSP1
11 / 11	DSP2

Pre main amp section



⇨ Front audio signal  
 ⇨ Rear audio signal  
 ⇨ Center audio signal  
 ⇨ Surround back audio signal

Power amp section



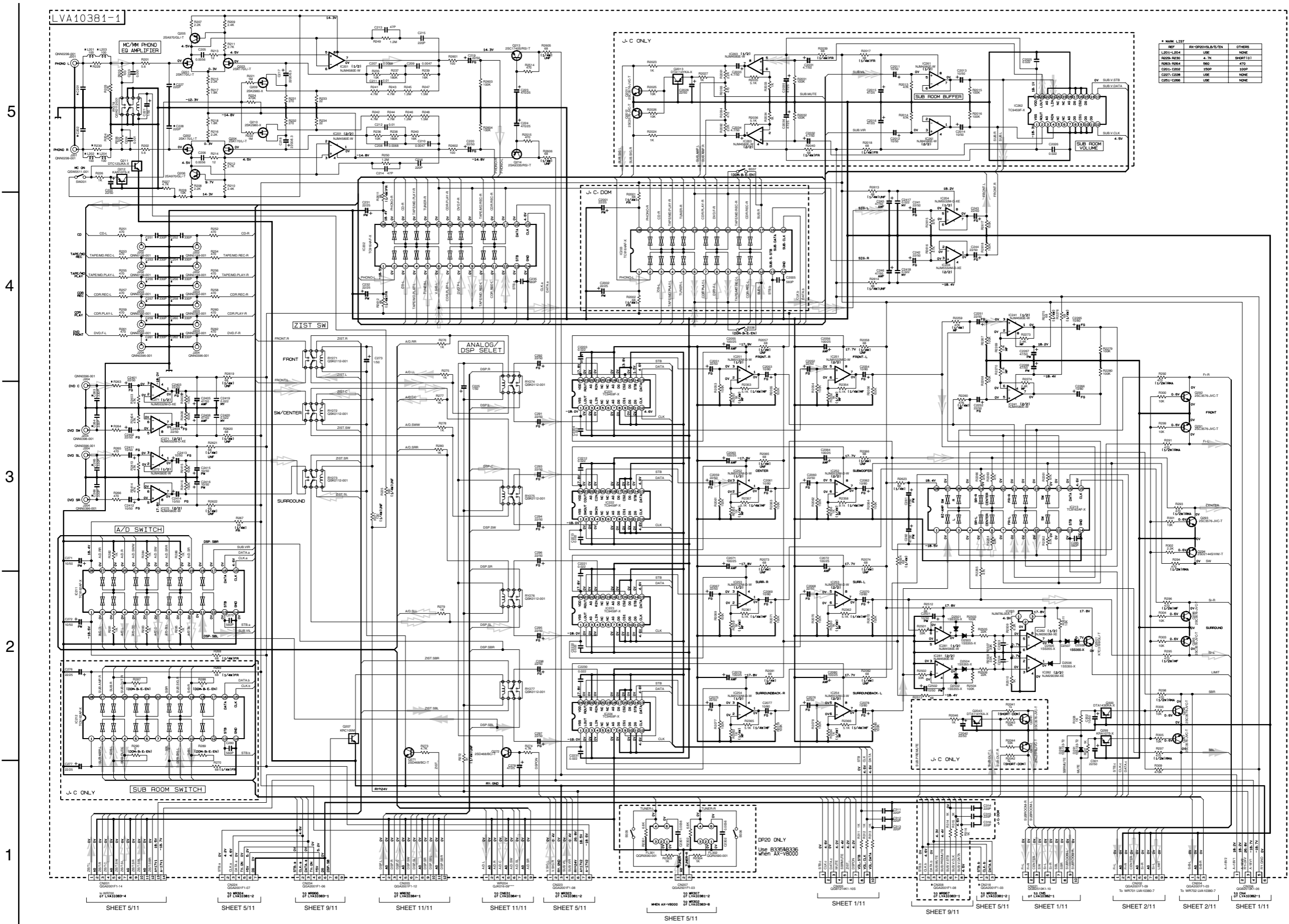
	RX-DP20VBK/SLC	RX-DP20VSLB/E/EN	AX-VB000
C737 C787 C837	-	-	3300p
C738 C788 C838	-	-	0.01
C739 C789	-	-	3300p
C740 C790	-	-	0.01
C1637 C1687	-	-	3300p
C1638 C1688	-	-	0.01
C1737 C1787	-	-	3300p
C1738 C1788	-	-	0.01

⚠ Parts are safety assurance parts. When replacing those parts make sure to use the specified one.

- ➡ Audio signal
- ➡ Front audio signal
- ➡ Rear audio signal
- ➡ Center audio signal
- ➡ Surround back audio signal



Audio signal input 1 section



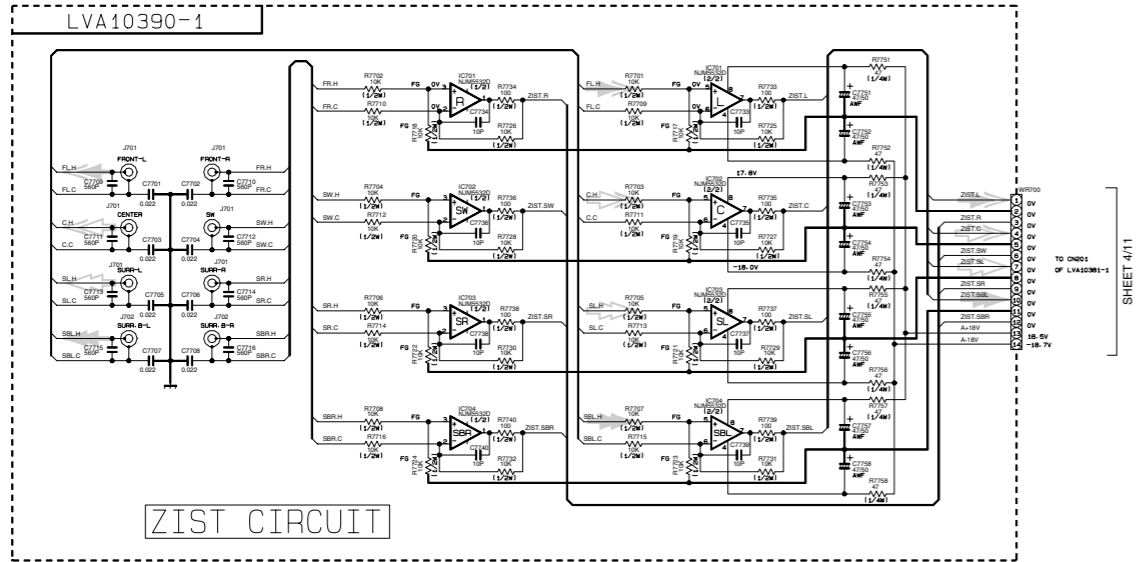
REF	REV-PROD/BL/E/EN	OTHERS
L201-L204	USE	NONE
R205-R207	A, 7X	RC01(1)
R208, R209	D60	470
C201-C202	TR0P	330P
C203-C208	USE	NONE
C209-C206	USE	NONE

- ⇨ Audio signal
- ⇨ Tuner signal
- ⇨ Front audio signal
- ⇨ Rear audio signal
- ⇨ Center audio signal
- ⇨ Surround back audio signal
- ⇨ Main audio signal
- ⇨ Sub audio signal

Audio signal input 2 section

5

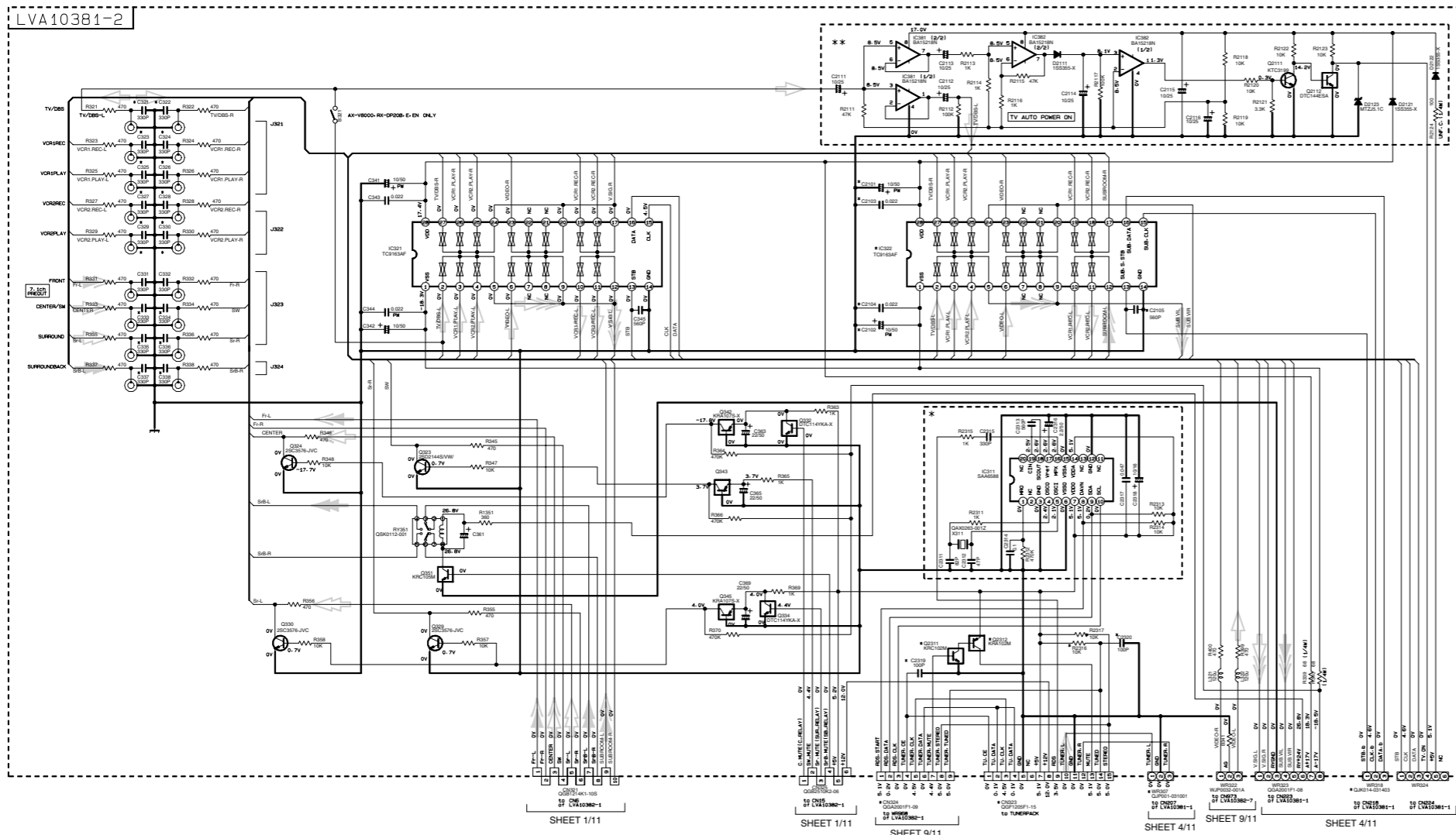
4



3

2

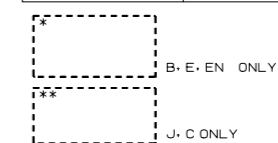
1



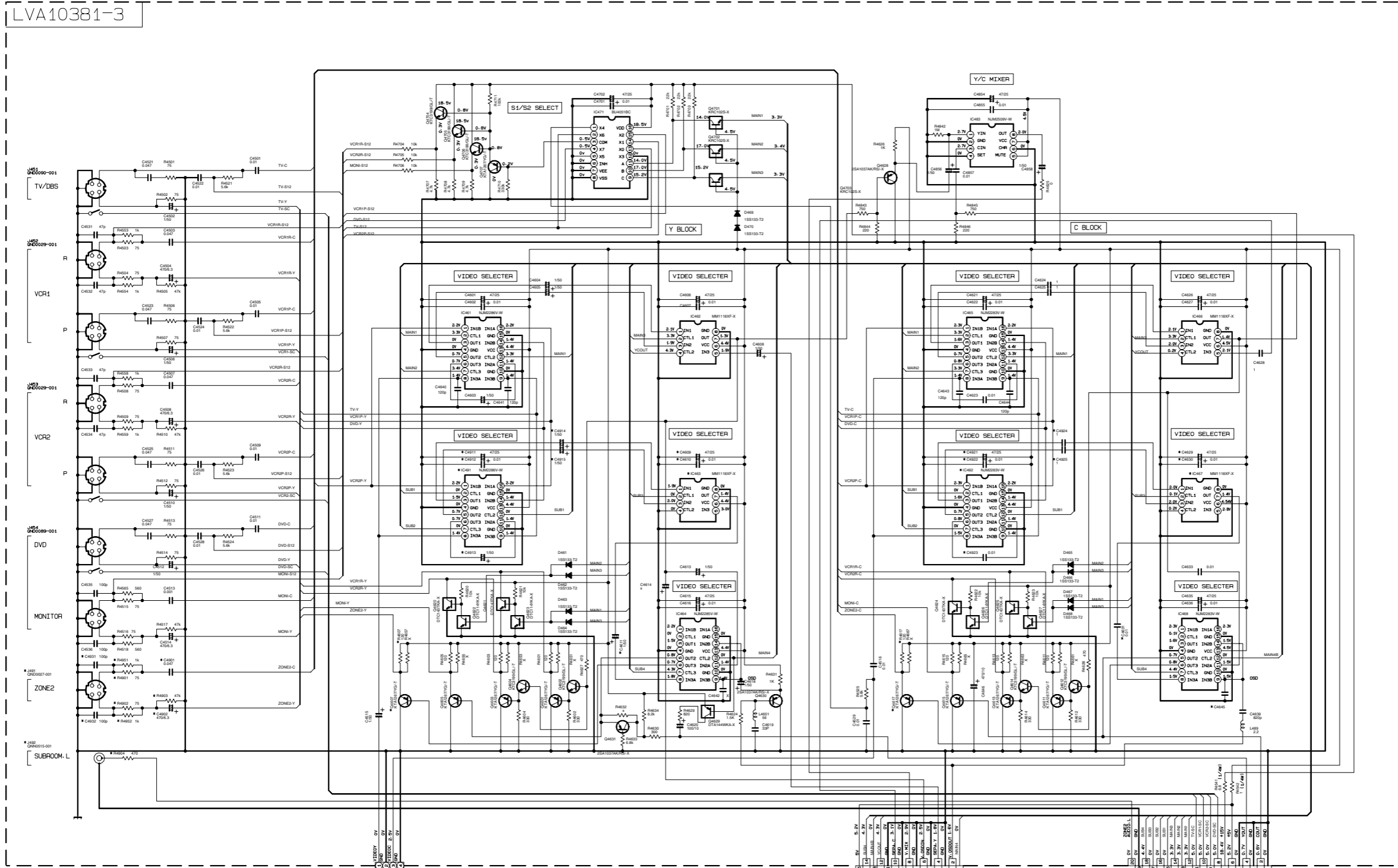
- ▶ Audio signal
- ▶ Tuner signal
- ▶ Front audio signal
- ▶ Rear audio signal
- ▶ Center audio signal
- ▶ Surround back audio signal
- ▶ Main audio signal
- ▶ Sub audio signal

\* MARK LIST

	J. C	B. E. EN	DOM
C321-C338	NONE	USED	NONE
C2101-C2105	USED	NONE	USED
IC322	USED	NONE	USED
WR307, CN323, 324	USED	USED	NONE
WR318	USED	NONE	USED
C2319, C2320	USED	USED	NONE
R2316, R2317	USED	USED	NONE
Q2311, Q2312	USED	USED	NONE



Video signal input 1 section



LVA10381-3

WFO03-021A  
 00 04879  
 of LVA10381-3  
 SHEET 9/11

0482  
 00812443-15  
 to 0482  
 of LVA10407-2  
 SHEET 7/11

0481  
 011461-205  
 to 0481  
 of LVA10382-1  
 SHEET 1/11

MARK LIST

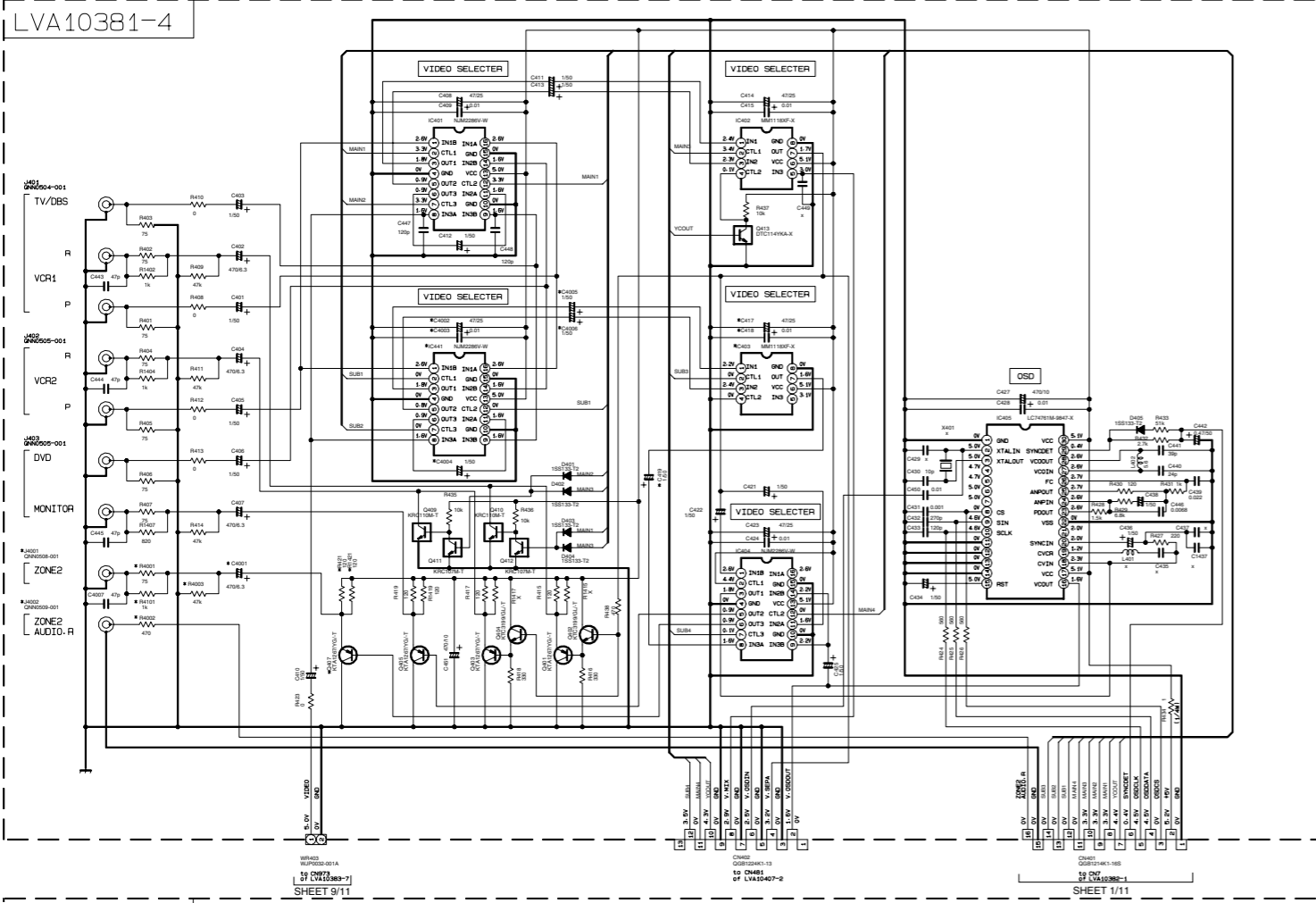
MARK	Q101/Q102	Q103/Q104	Q105
*	USED	NONE	NONE
C464	20p	20p	20p

Video signal input 2 section

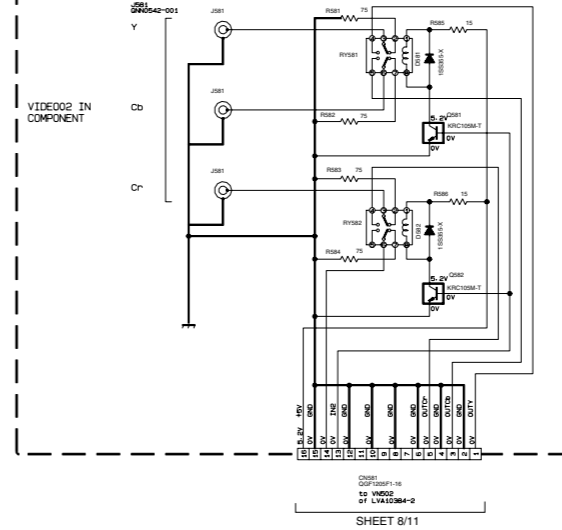
5

4

3



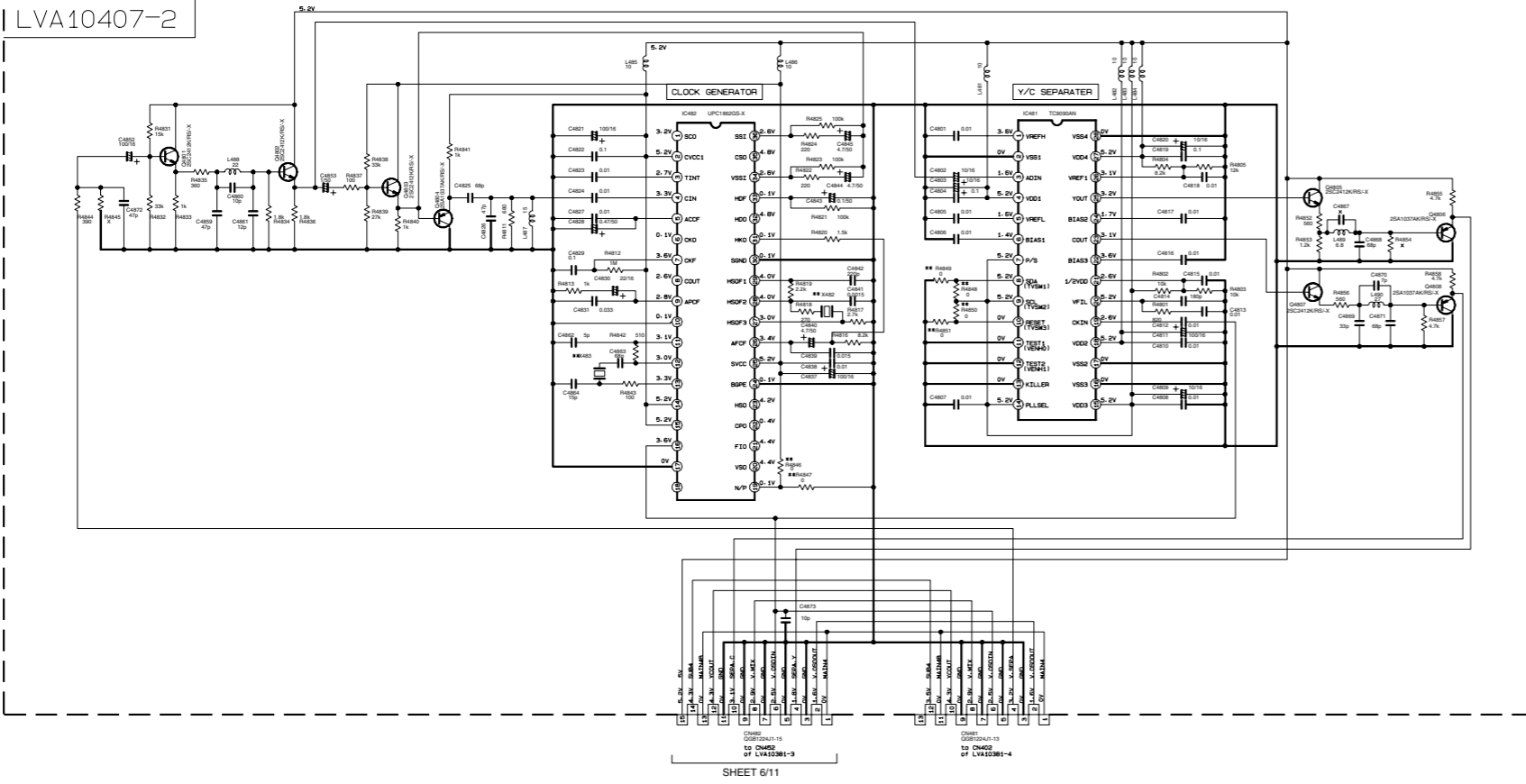
LVA10384-5 FOR DP20



SHEET 8/11

2

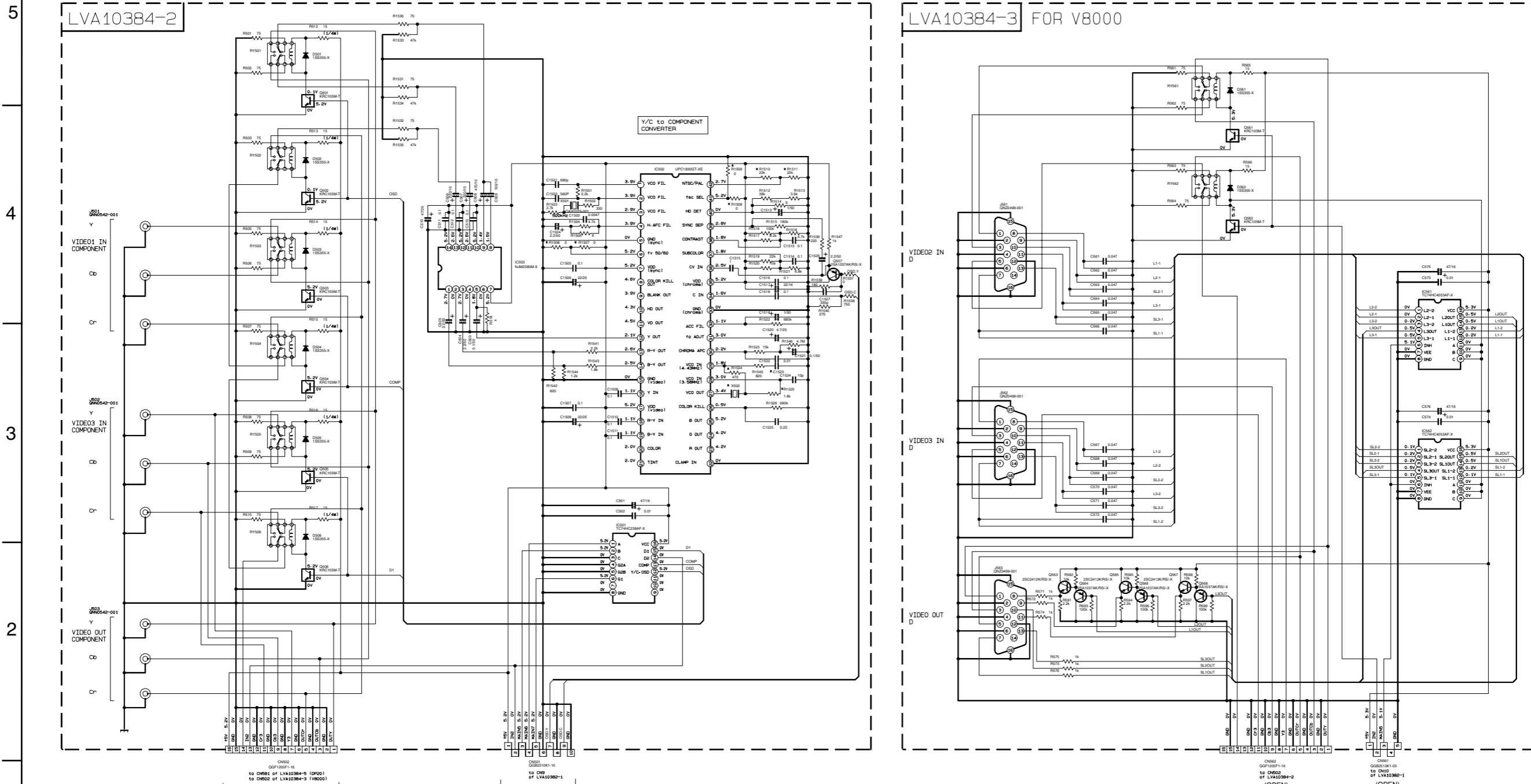
1



MARK LIST

#	MARK	USED	DP01(LV/C)	DP01(E/VB)	VB00
**	R402	0	NONE	NONE	
**	R403	0	NONE	NONE	
**	R404	0	NONE	NONE	
**	R405	0	NONE	NONE	
**	R406	0	NONE	NONE	
**	R407	0	NONE	NONE	
**	R408	0	NONE	NONE	
**	R409	0	NONE	NONE	
**	R410	0	NONE	NONE	

Video signal input section



MARK LIST

	DP20(L/C)	DP20(E/EN/B)	V8000
X502	0A0703-001Z	0A0703-001Z	0A0703-001Z
R502	NONE	0	NONE
R507	0	NONE	0
R508	0	NONE	0
R509	NONE	0	NONE
R510	20K	NONE	20K
R511	20K	0	20K
R514	NONE	470	NONE
R515	1.0K	NONE	1.0K
C1003	10P	15P	10P

CG802  
GGP1205P1-16  
to CH01 of LVA10384-5 (DP20)  
to CH02 of LVA10384-3 (V8000)  
SHEET 7/11

CG501  
GGP1205P1-10  
to CH01 of LVA10384-1  
SHEET 1/11

CG801  
GGP1205P1-16  
to CH02 of LVA10384-2  
(OPEN)

CG801  
GGP1205P1-05  
to CH01 of LVA10384-1  
(OPEN)

System control LSI / FL display section

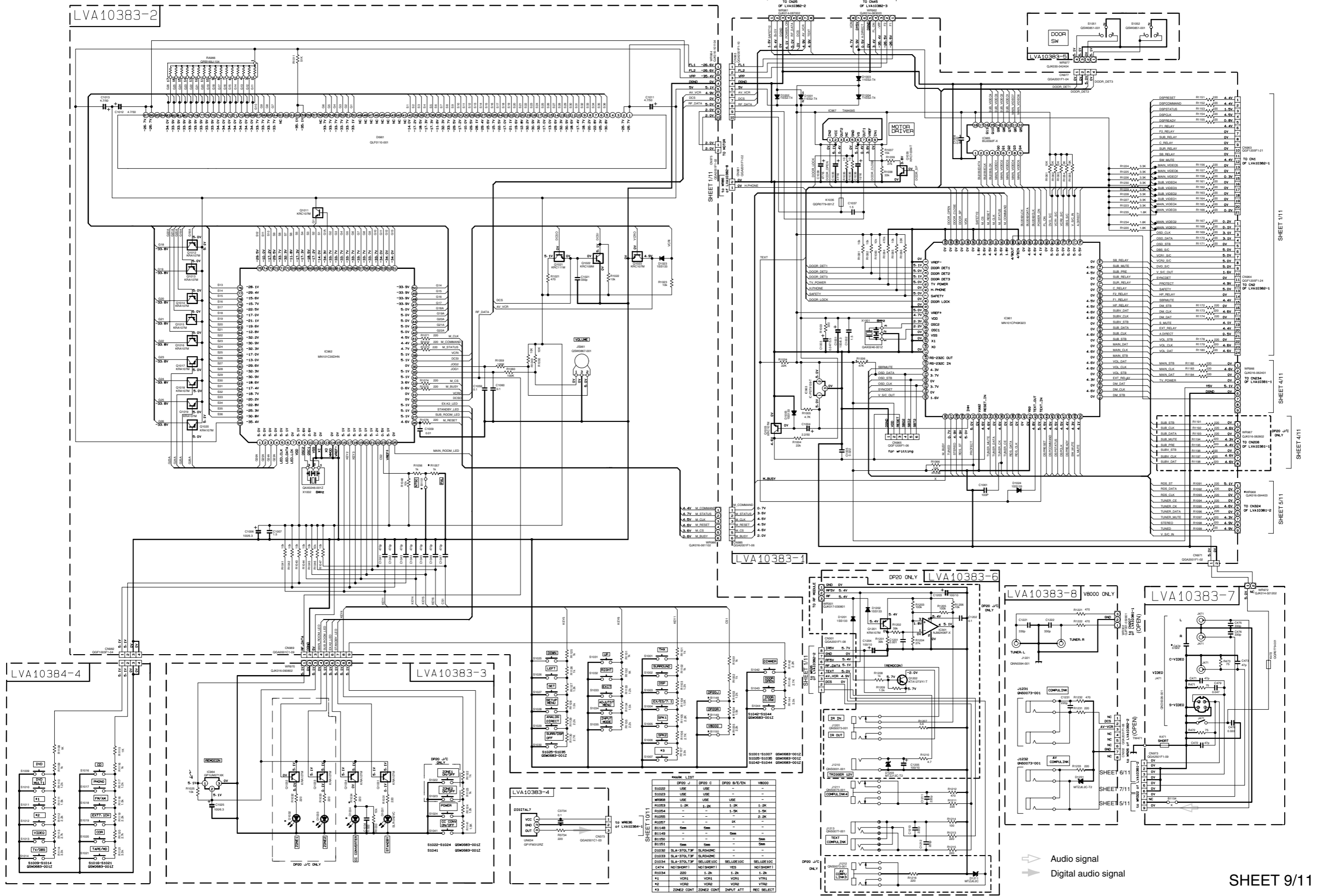
5

4

3

2

1



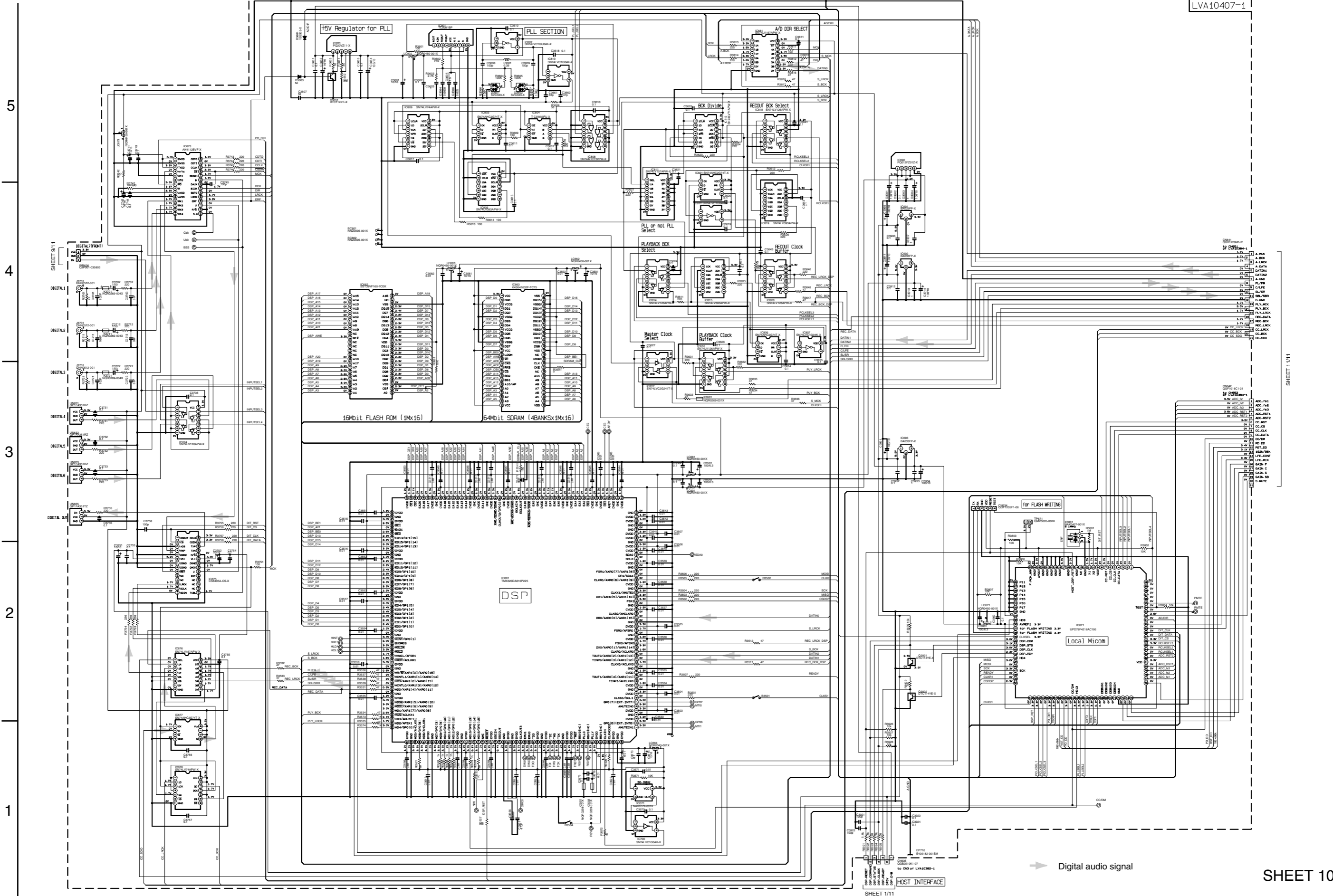
MARK LIST

MARK	DP20 J	DP20 C	DP20 B/E/EN	VB000
S1022	USE	USE	-	-
S1023	USE	USE	-	-
W1009	USE	USE	USE	-
R1093	1.2k	1.2k	1.2k	1.2k
R1094	-	-	1.5k	1.5k
R1095	-	-	1k	2.2k
R1097	-	-	1k	-
B1148	5mm	5mm	-	-
B1149	-	-	0mm	-
B1150	-	-	-	5mm
B1151	5mm	5mm	-	-
D1030	SLA-370L17F	BLK44MC	-	-
D1033	SLA-370L17F	BLK44MC	-	-
D1034	SLA-370L17F	BELLS10C	BELLS10C	BELLS10C
C474	NO19H01T1	NO19H01T1	YES	NO19H01T1
R1034	200	1.2k	1.2k	1.2k
K1	VCR1	VCR1	VCR1	VTR1
K2	VCR2	VCR2	VCR2	VTR2
K3	ZONE2 CONT	ZONE2 CONT	INPUT ATT	REC SELECT

Audio signal  
Digital audio signal

DSP 1 section

LVA10407-1



5  
4  
3  
2  
1

A B C D E F G

DSP 2 section

LVA10384-1

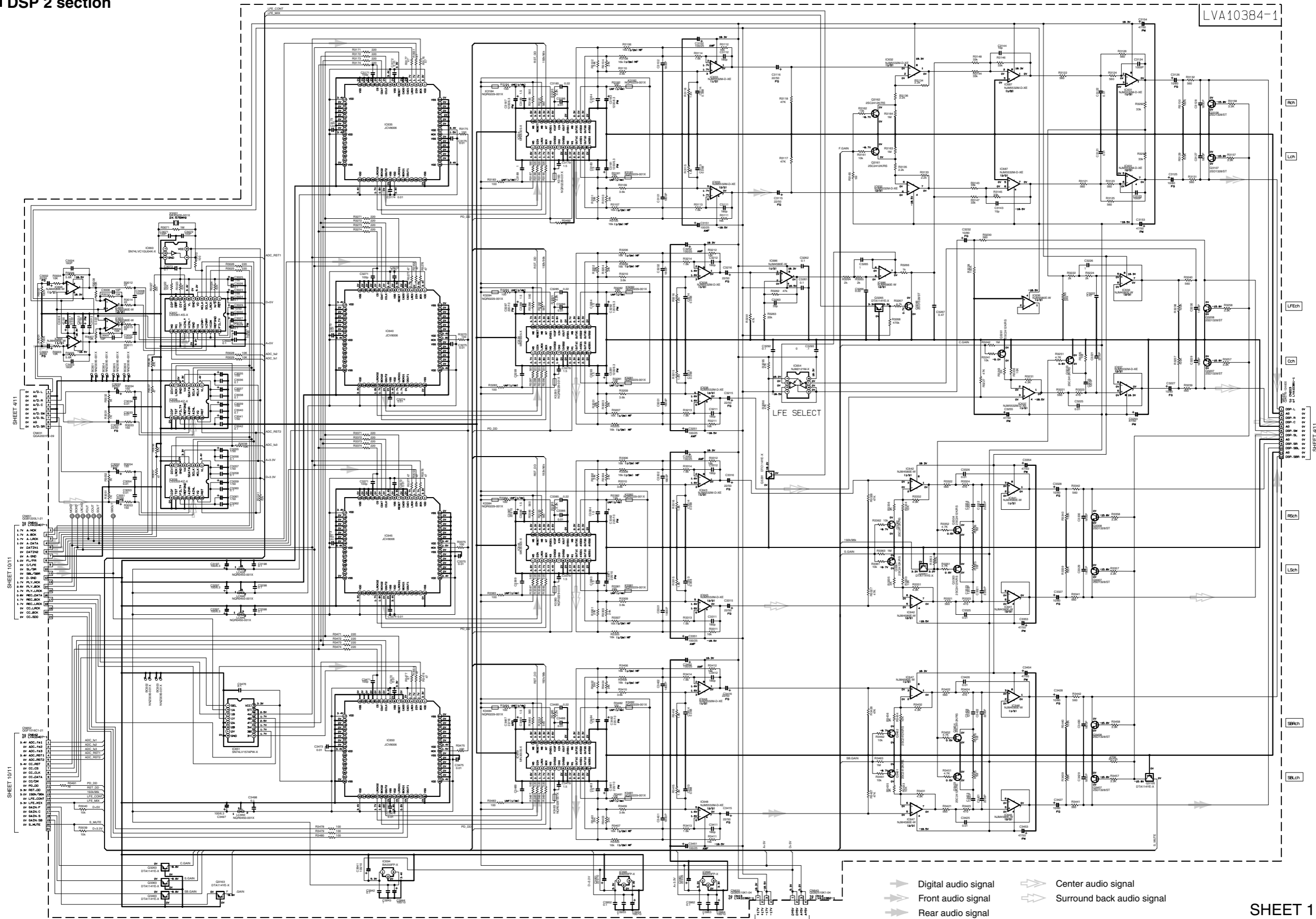
5

4

3

2

1



SHEET 10/11  
SHEET 4/11  
SHEET 10/11  
SHEET 4/11



A B C 2-14 D E F G H



# Printed circuit board

## ■ Amp board

Foward side

Speaker board

Power amp board

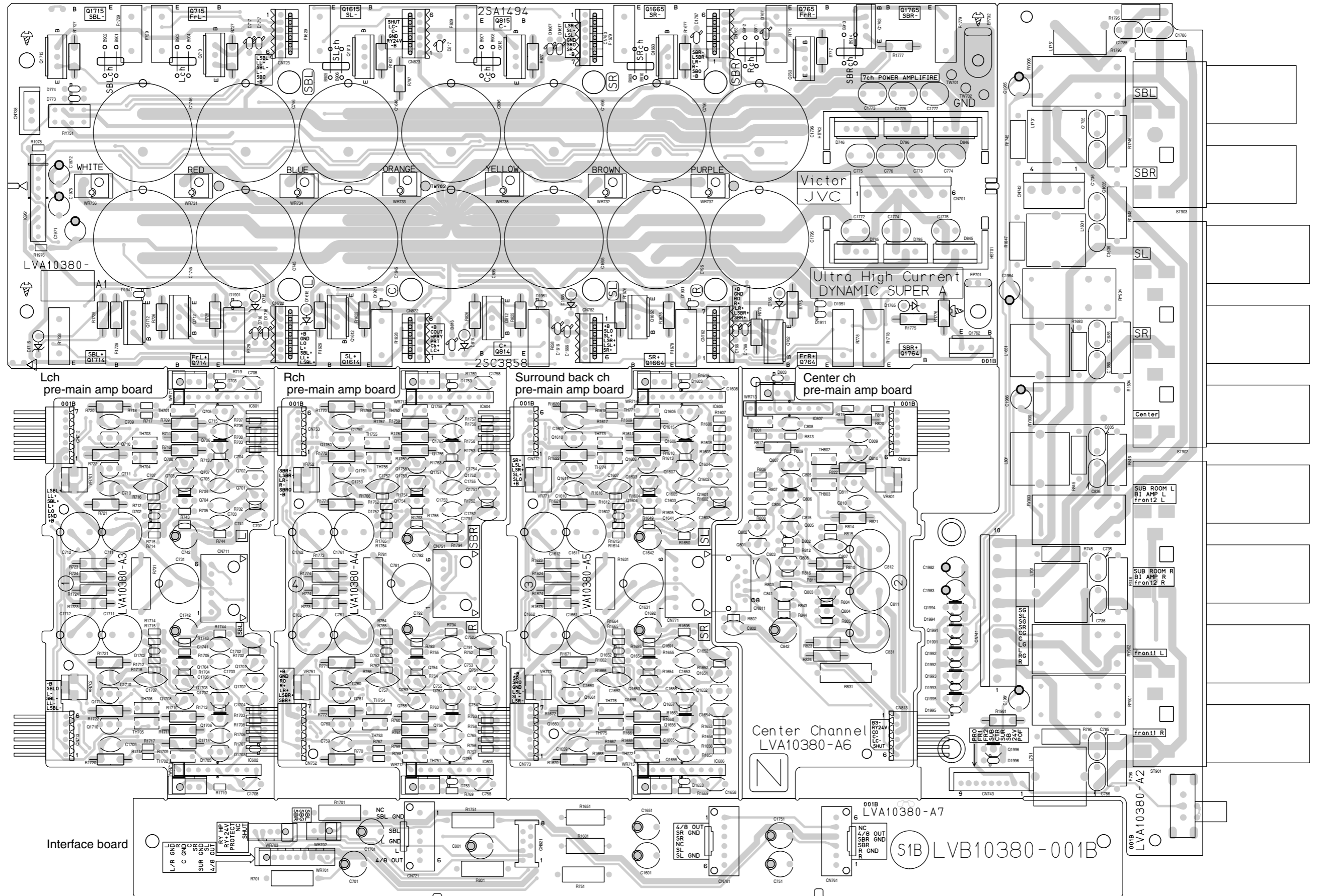
5

4

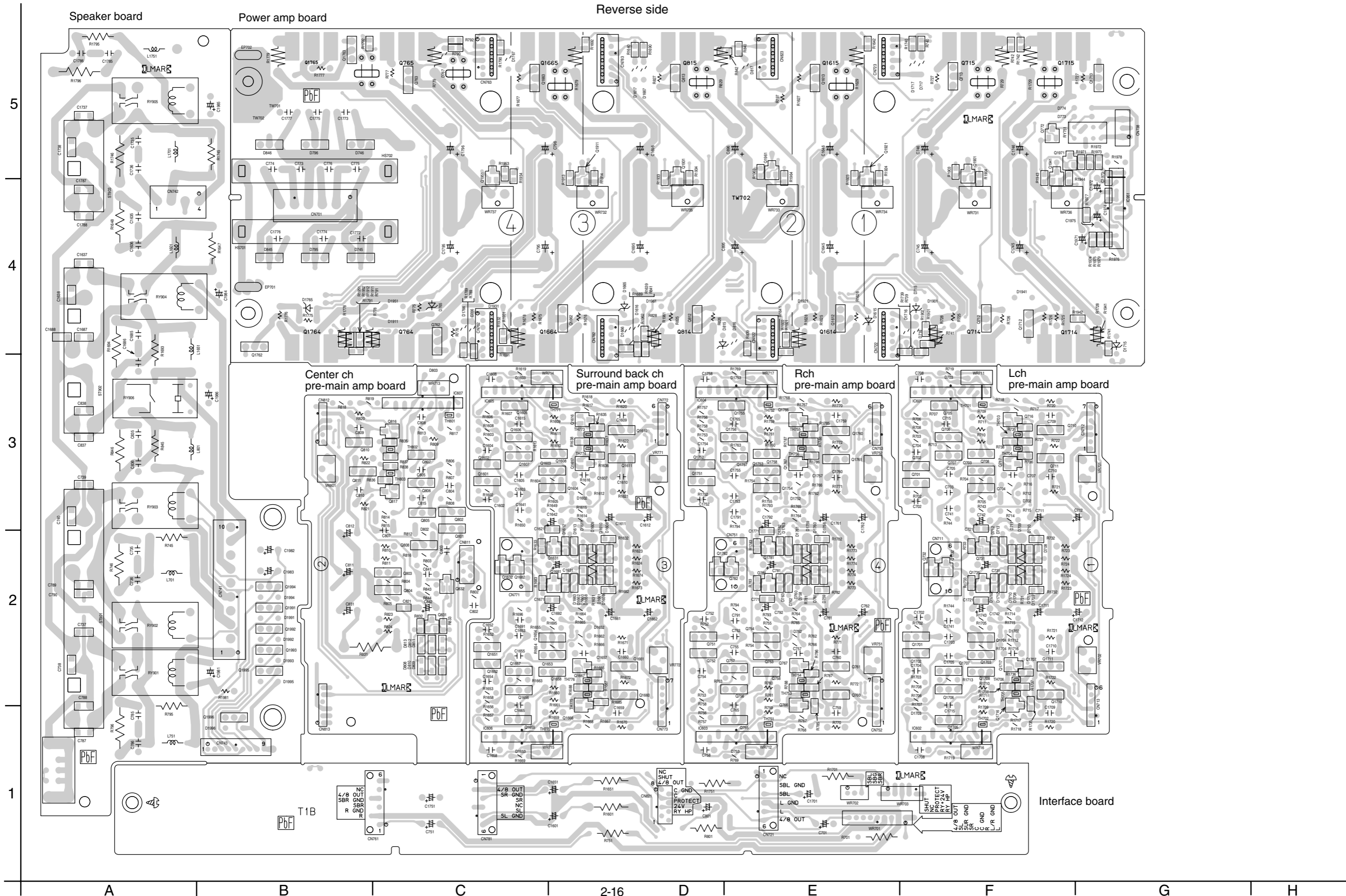
3

2

1



**Amp board**



Speaker board

Power amp board

Reverse side

Center ch pre-main amp board

Surround back ch pre-main amp board

Rch pre-main amp board

Lch pre-main amp board

Interface board

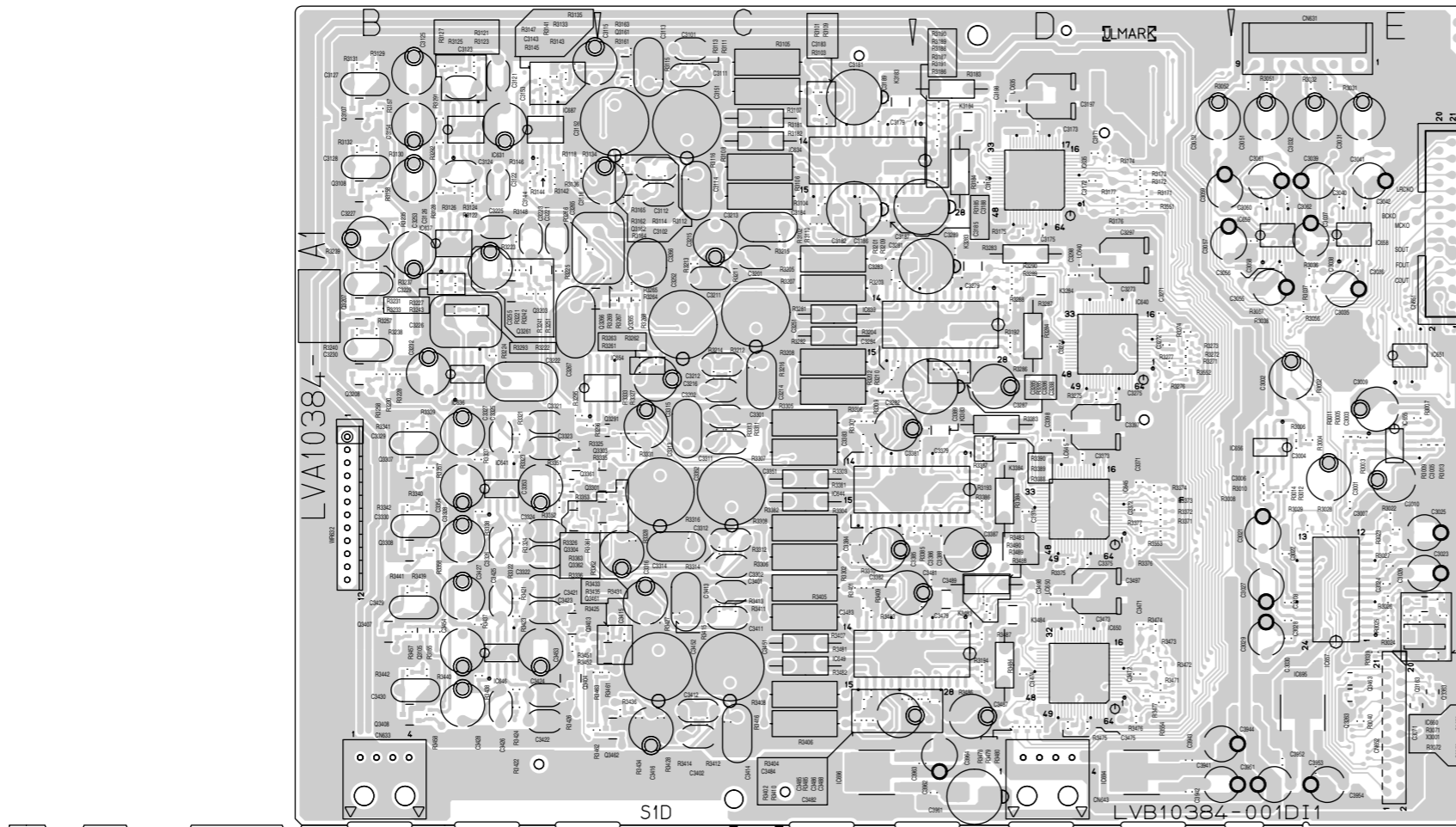
PbF T1B

■ Audio & Video board

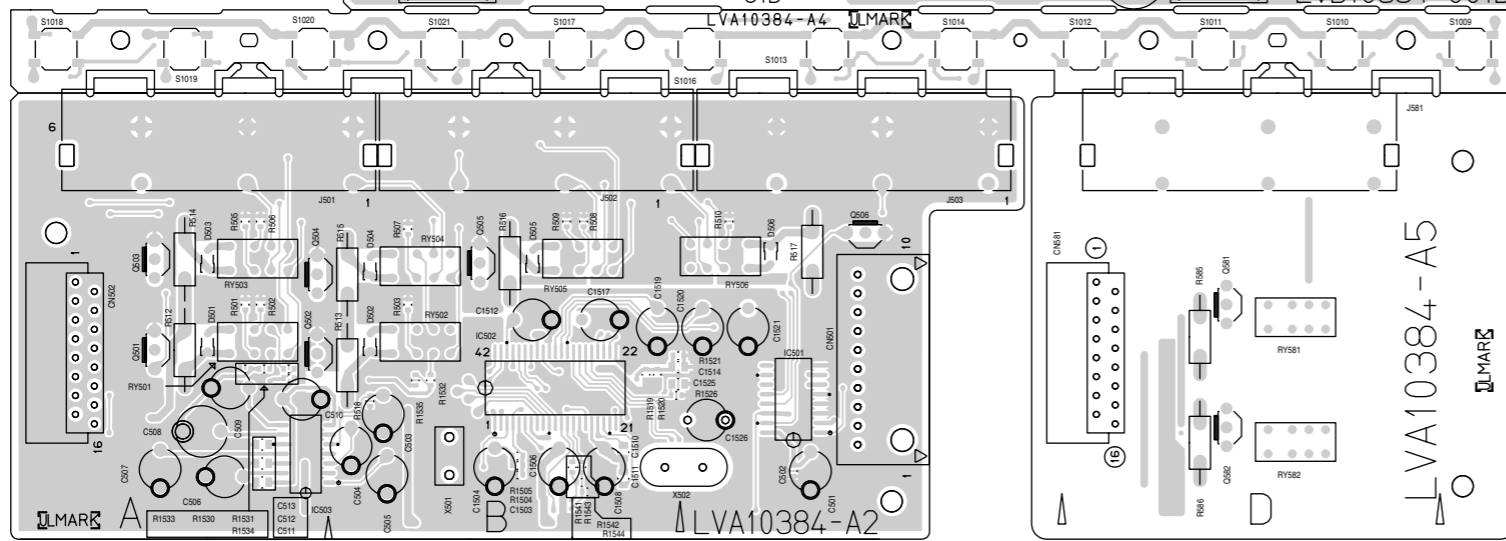
Foward side

A/D convertor board

5  
4  
3  
2  
1



Door input board

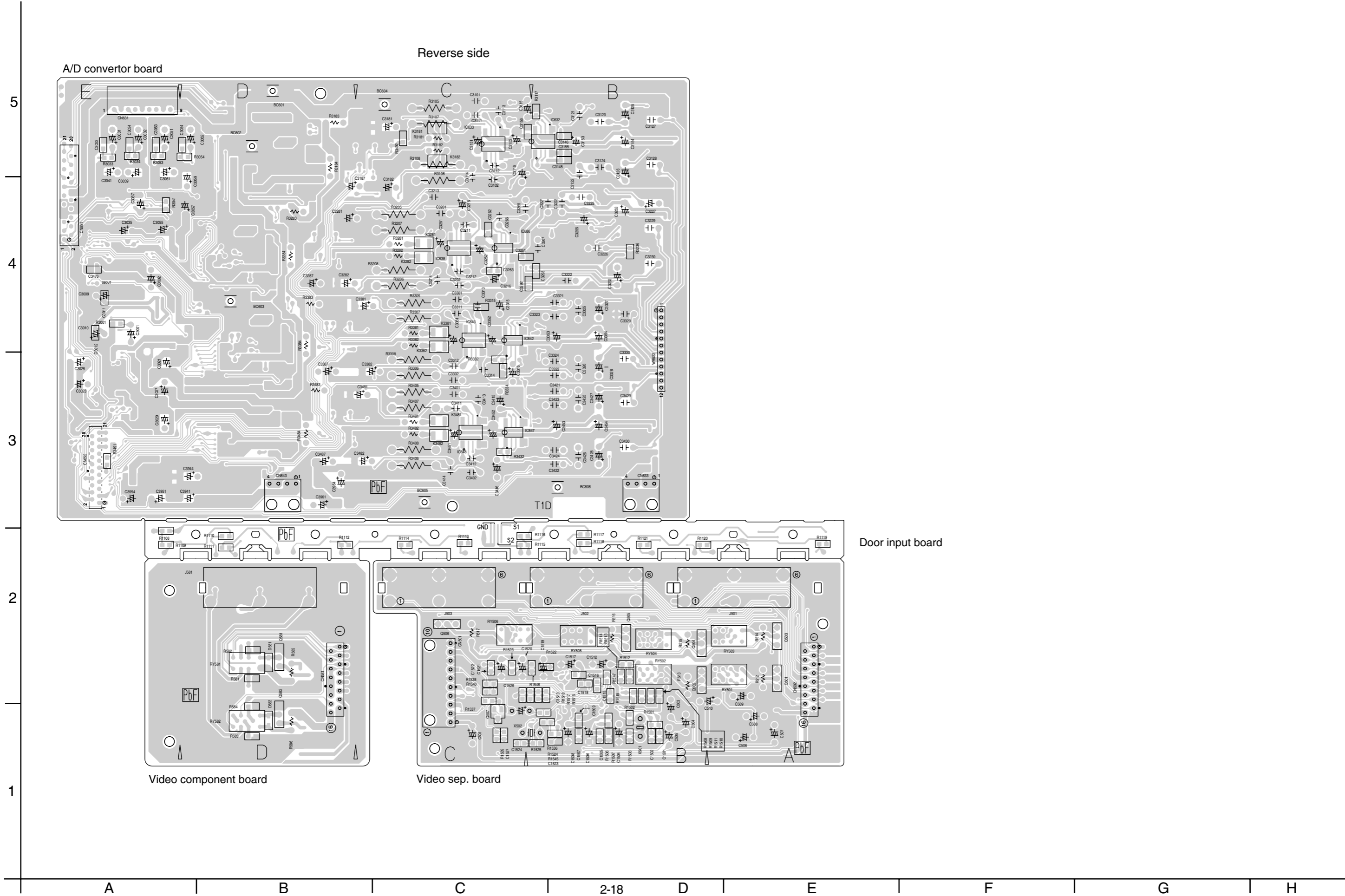


Video sep. board

Video component board

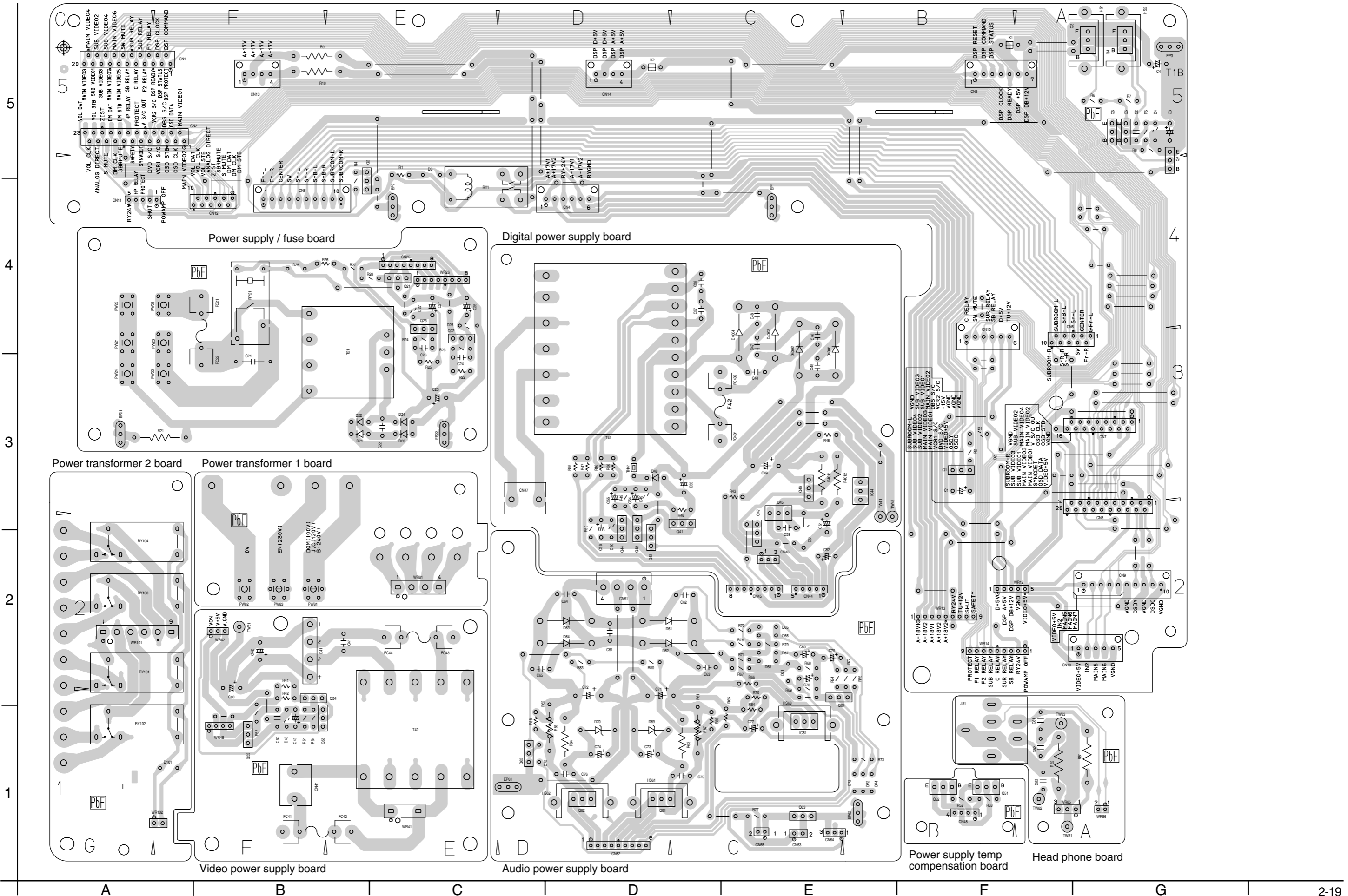
A B C D E F G 2-17

■ Audio & Video board



Power supply board

Main board



Front board

5

4

3

2

1

Power switch board

Compu link board

Door switch board

Front AV board

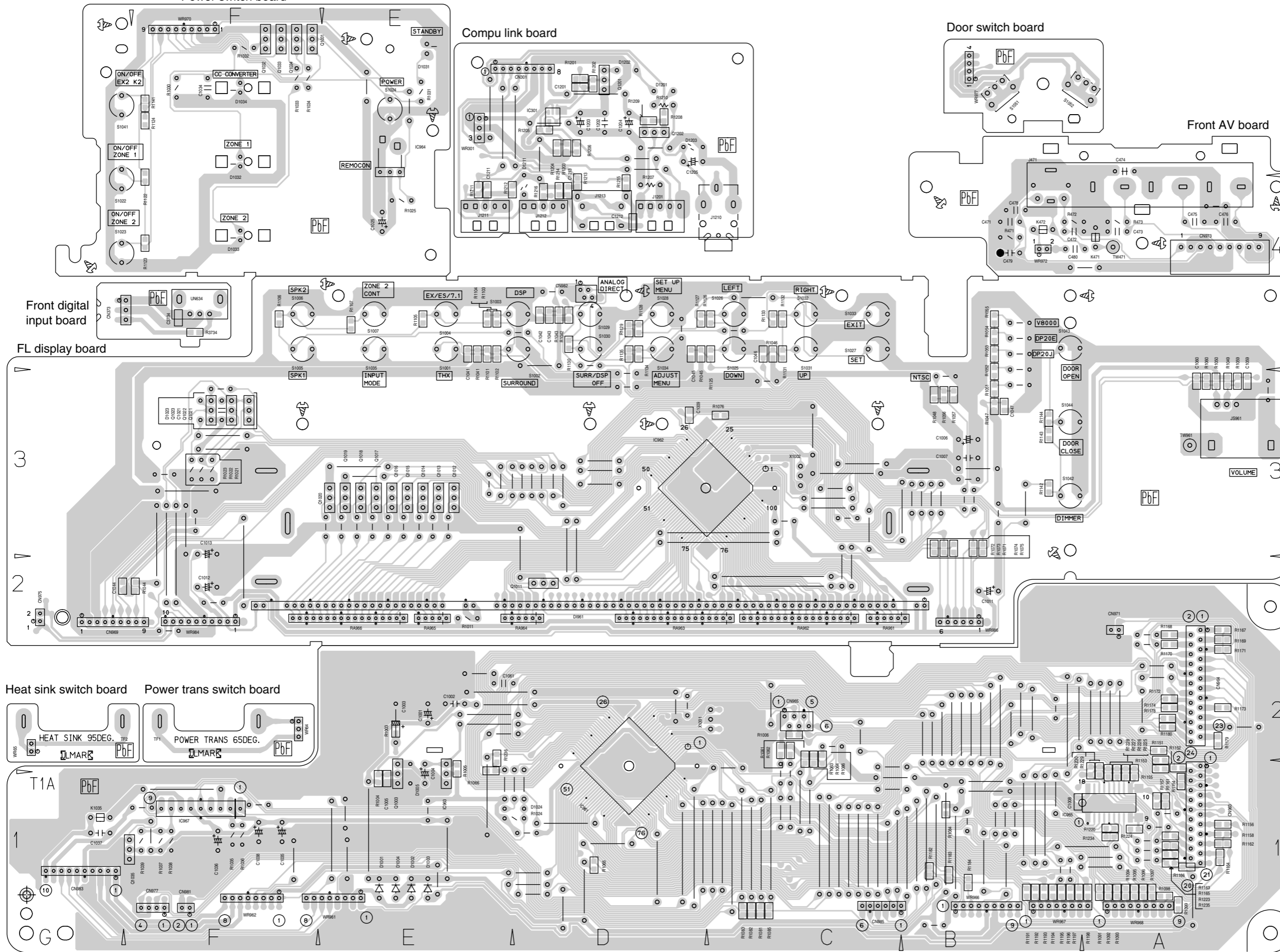
Front digital input board

FL display board

Heat sink switch board

Power trans switch board

System control board



A

B

C

2-20

D

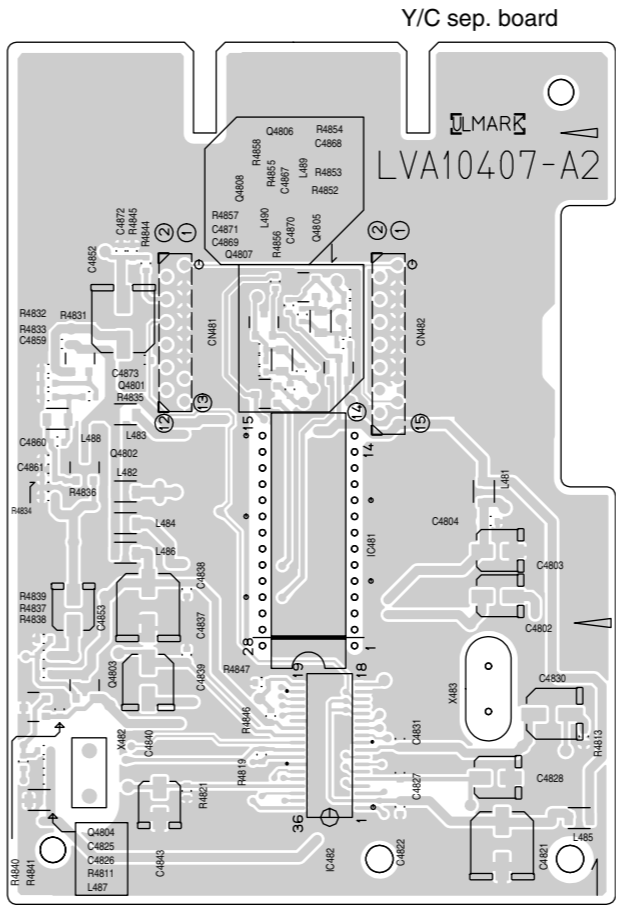
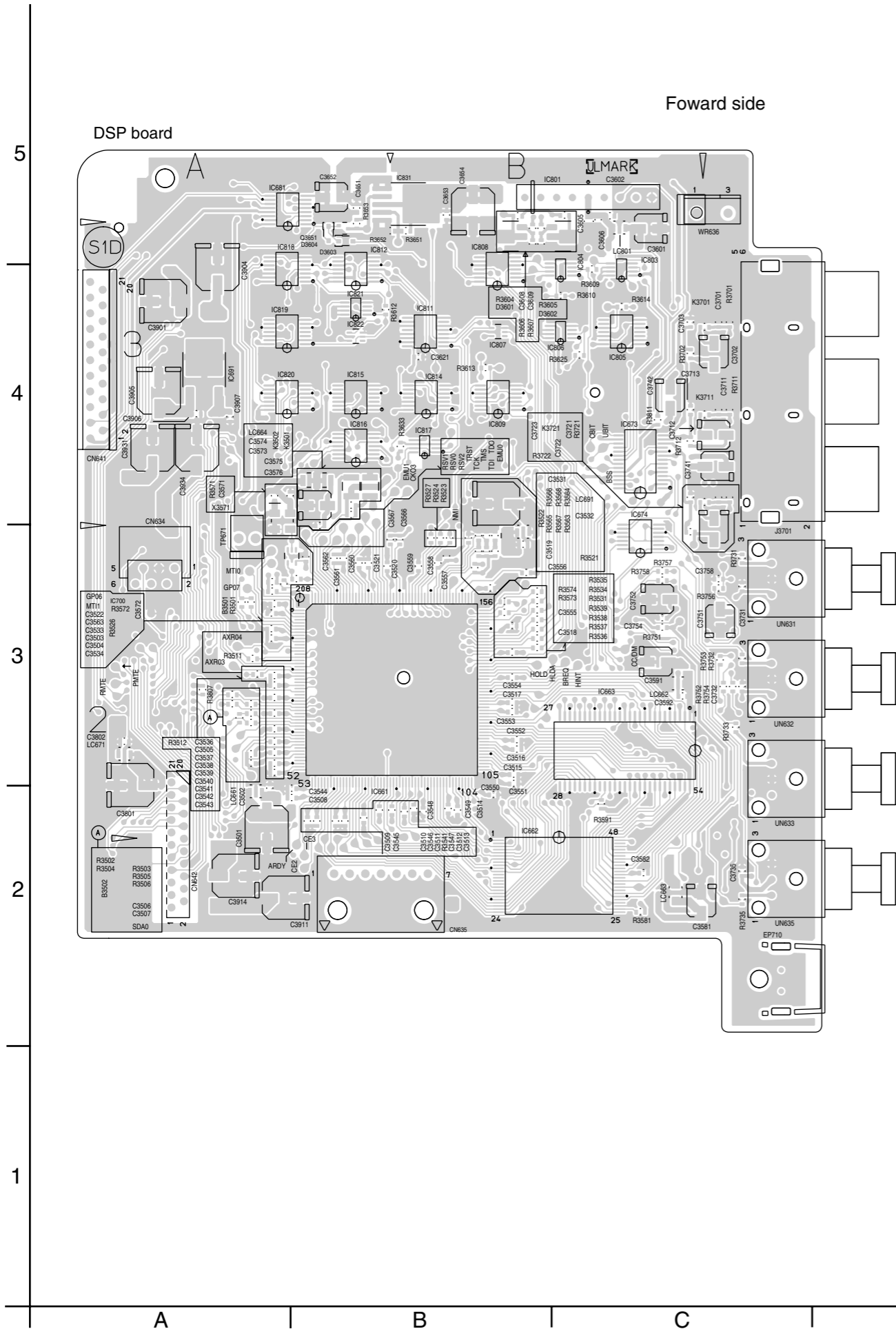
E

F

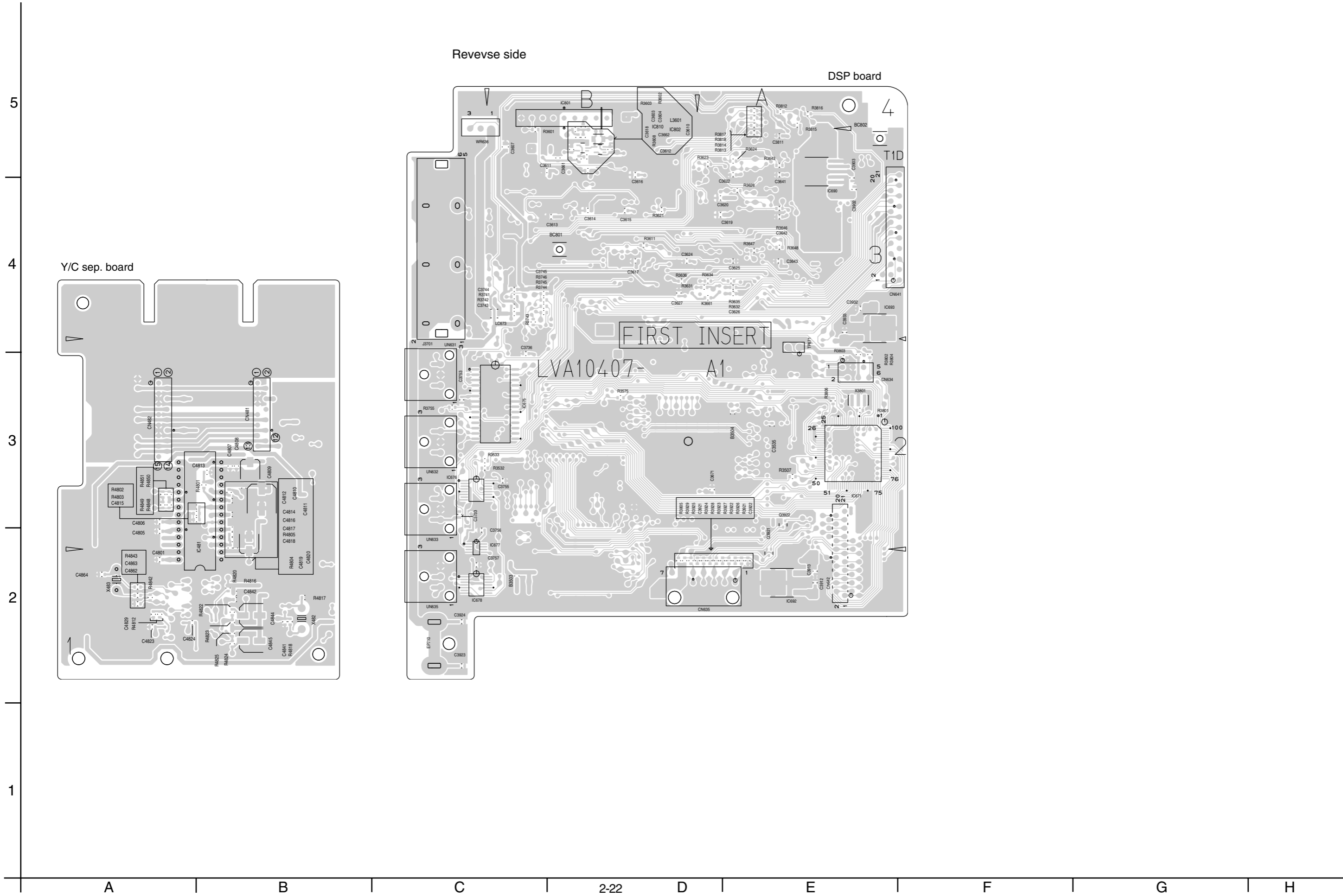
G

H

■ DSP board

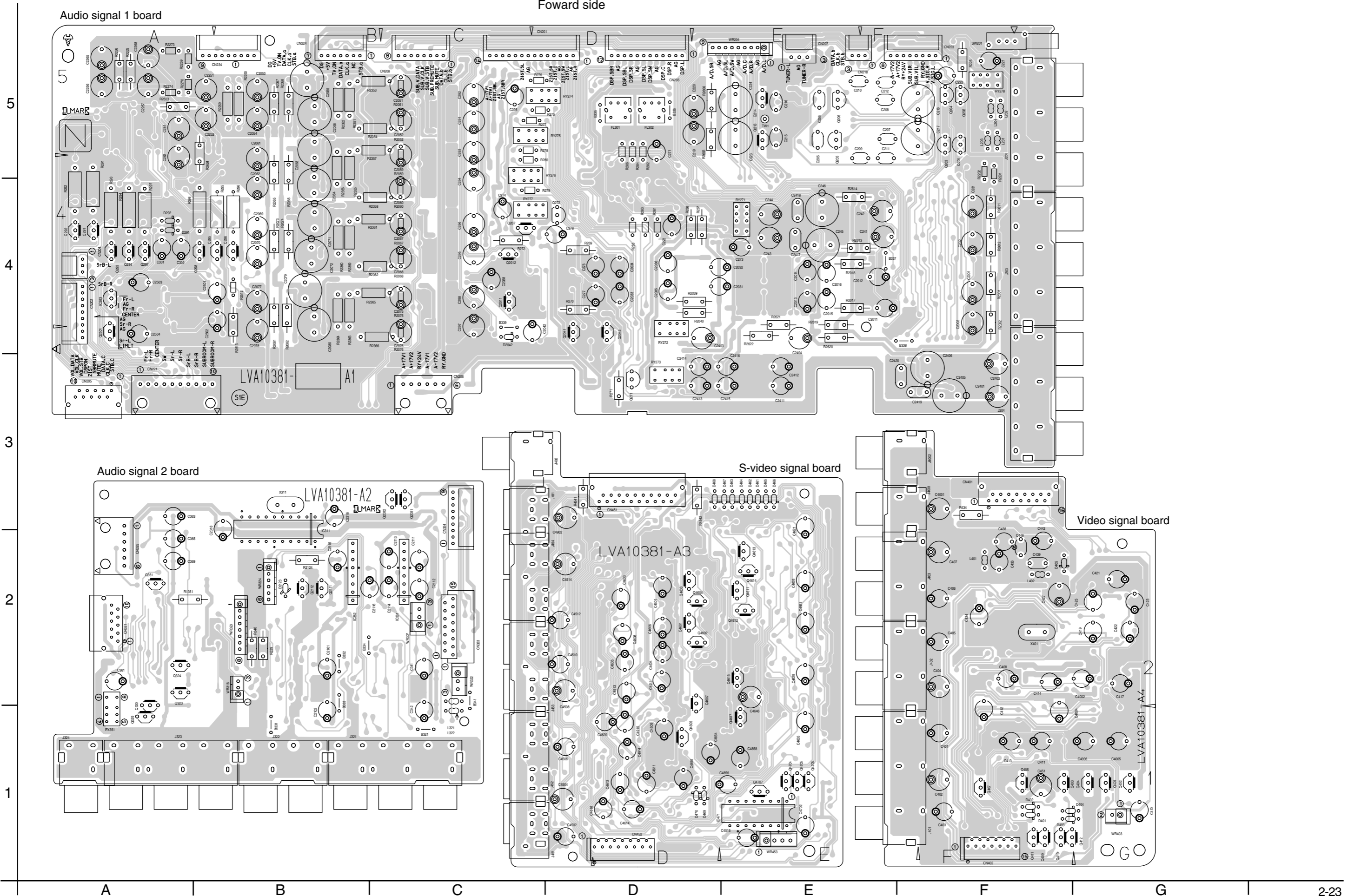


■ DSP boards





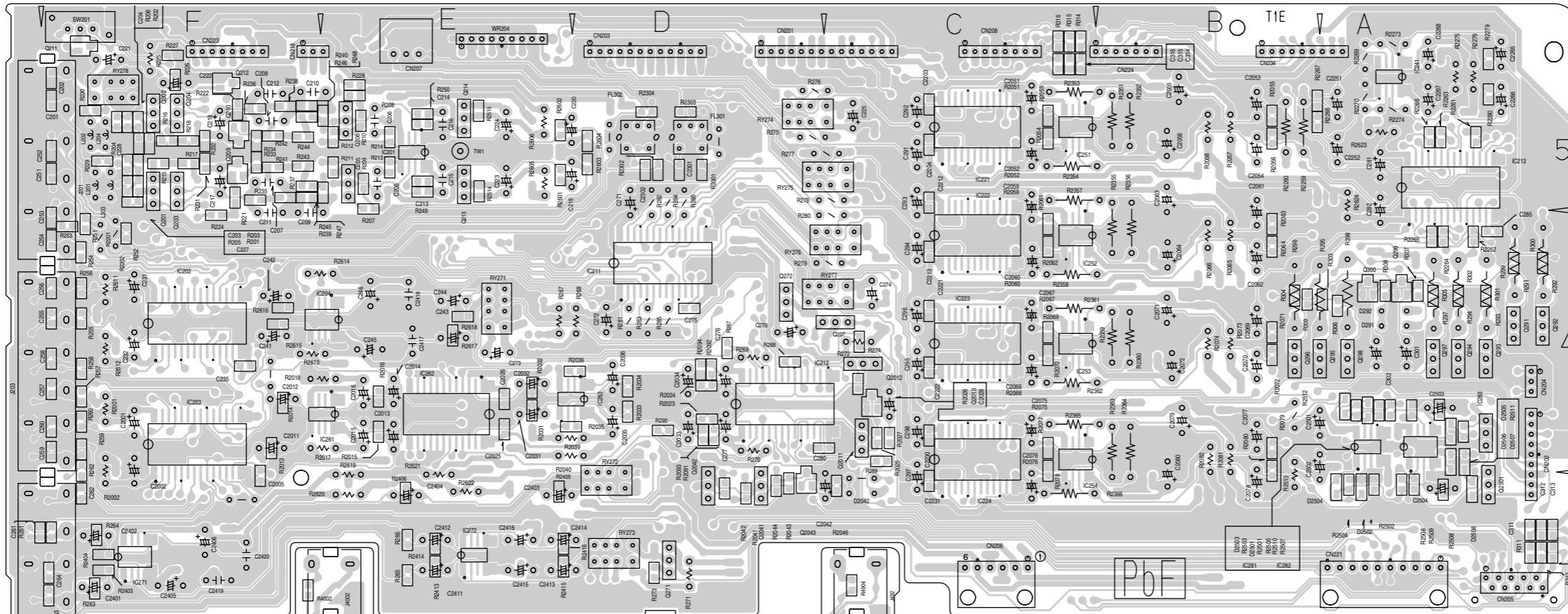
■ Audio & Video signal I/O board



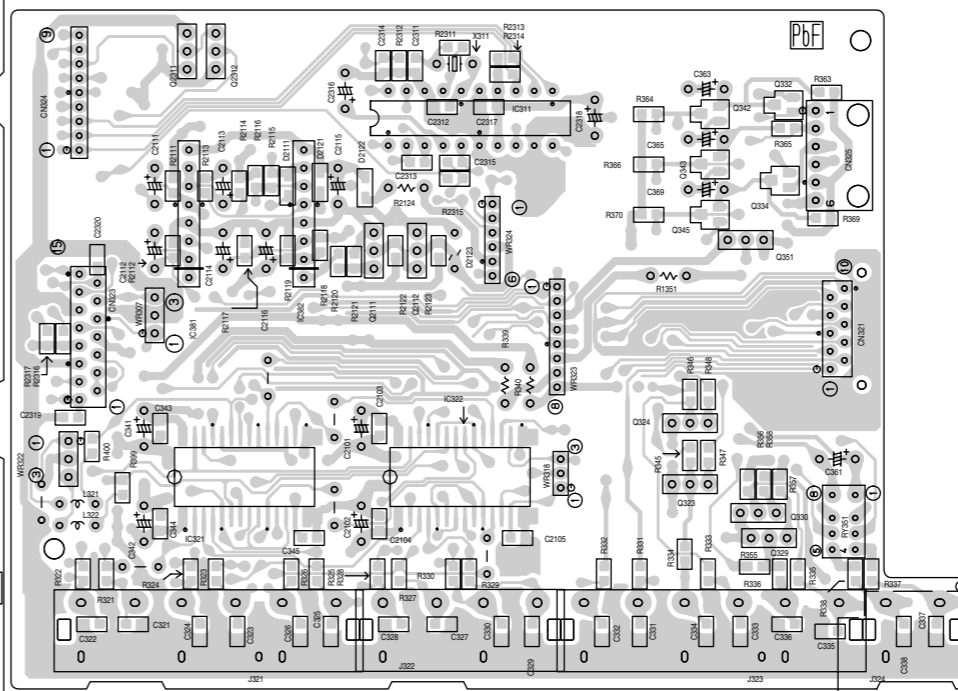
Audio & Video signal I/O board

Reverse side

Audio signal 1 board

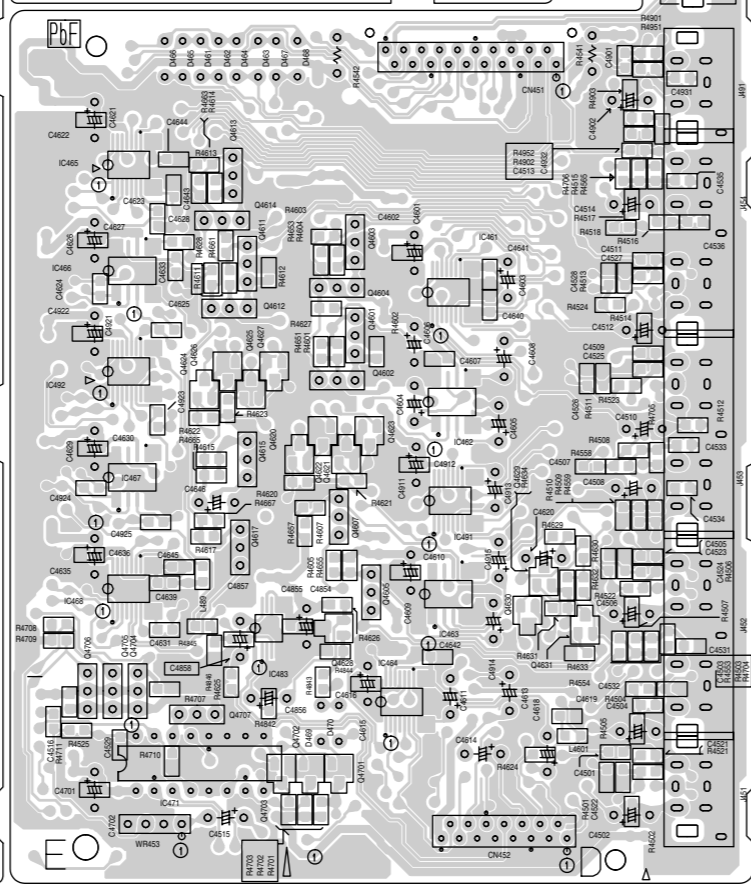
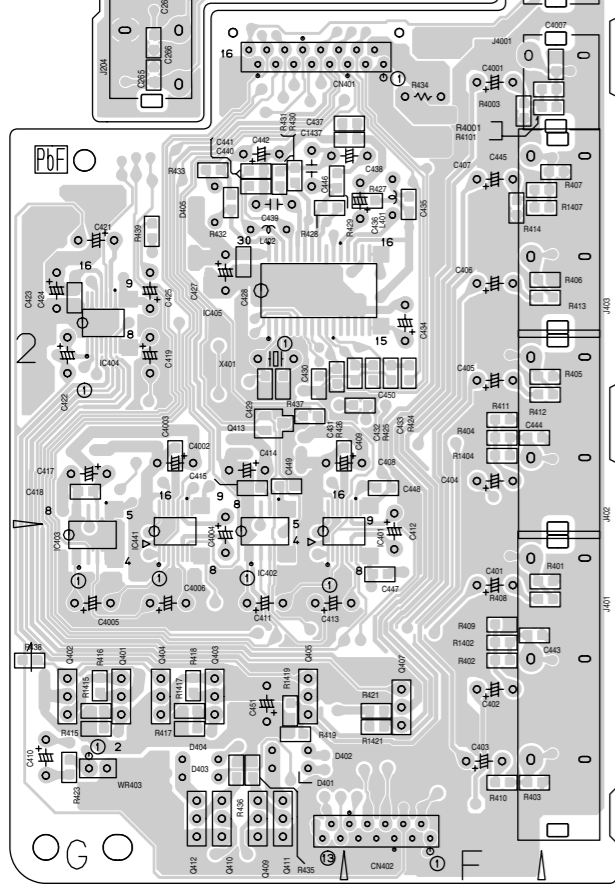


Audio signal 2 board



Video signal board

S-video signal board



A

B

C

2-24

D

E

F

G

H

5

4

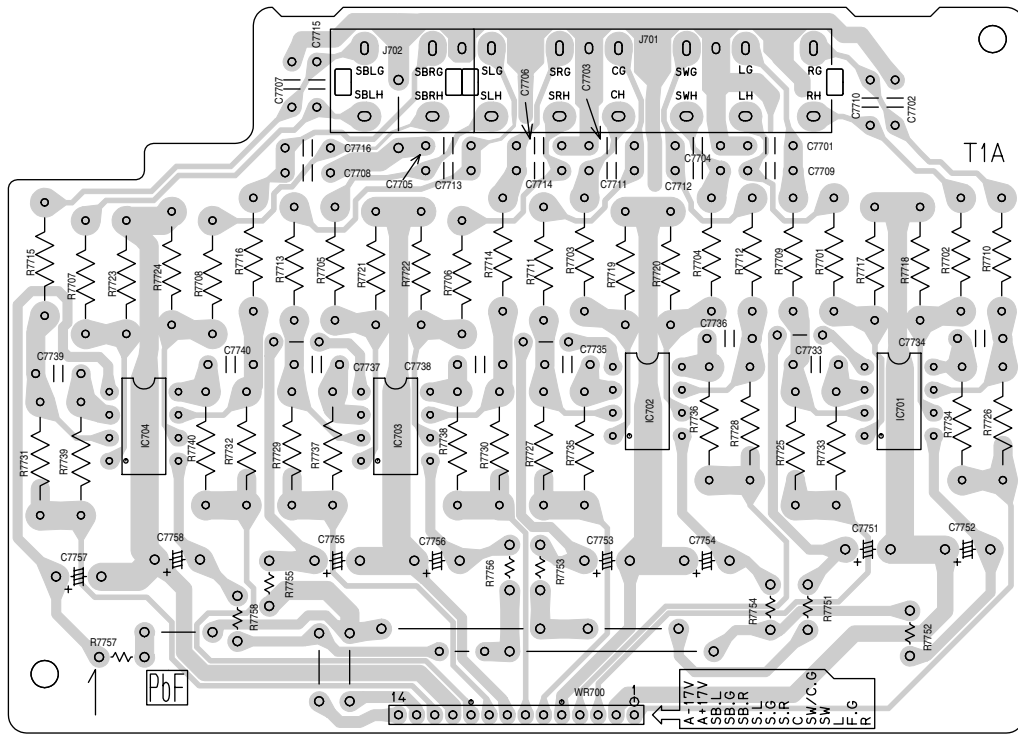
3

2

1

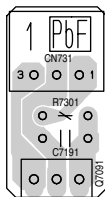
■ Audio signal I/O board

Audio signal 3 board



■ Temp compensation board

Temp compensation board



**JVC**

**VICTOR COMPANY OF JAPAN, LIMITED**

AV & MULTIMEDIA COMPANY AUDIO/VIDEO SYSTEMS CATEGORY 10-1, 1chome, Ohwatari-machi, Maebashi-city, 371-8543, Japan

(No.22008SCH)



Printed in Japan  
WPC

# PARTS LIST

[ RX-DP20VBK ]

\* All printed circuit boards and its assemblies are not available as service parts.

## Area suffix

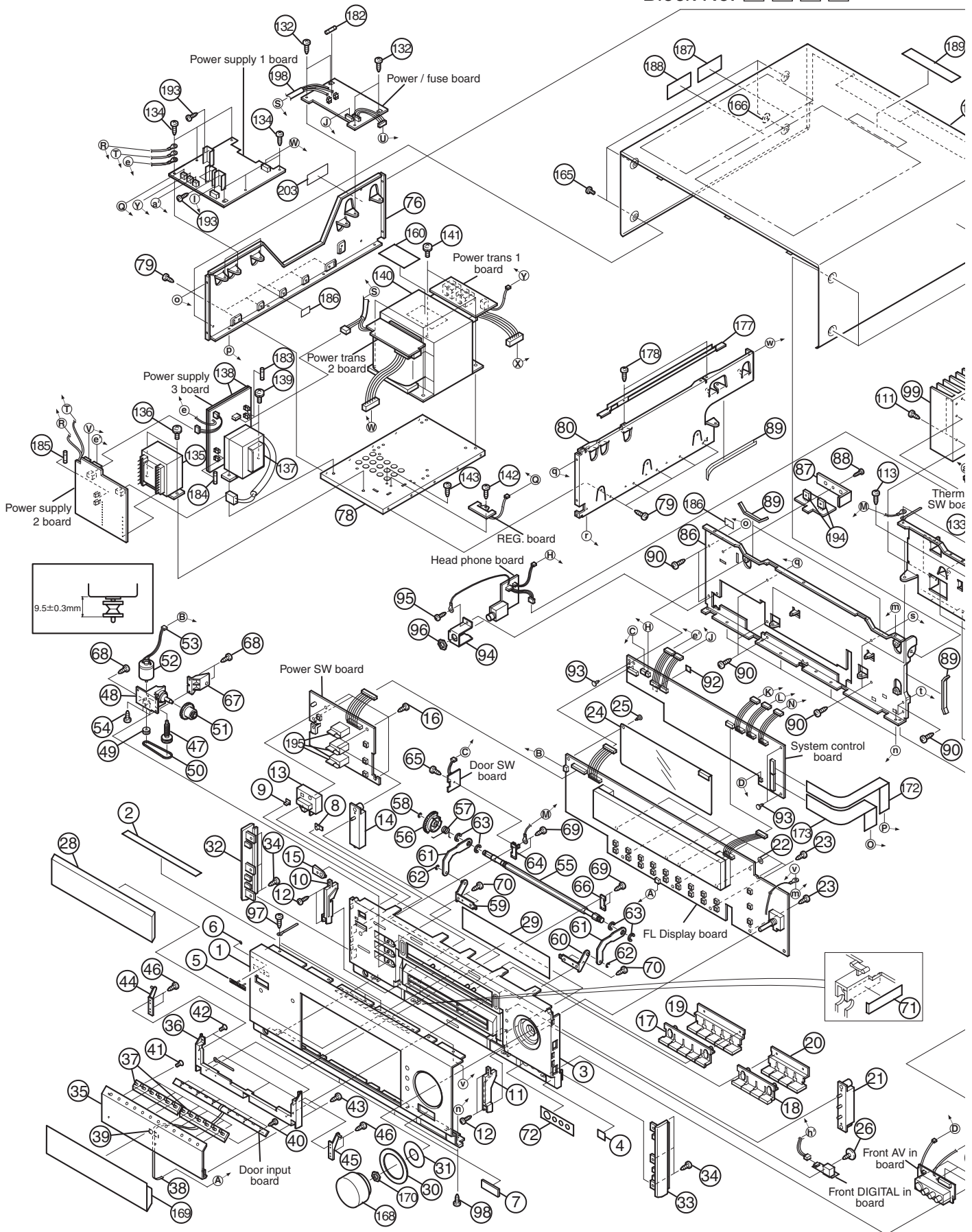
J ----- U.S.A.  
C ----- Canada

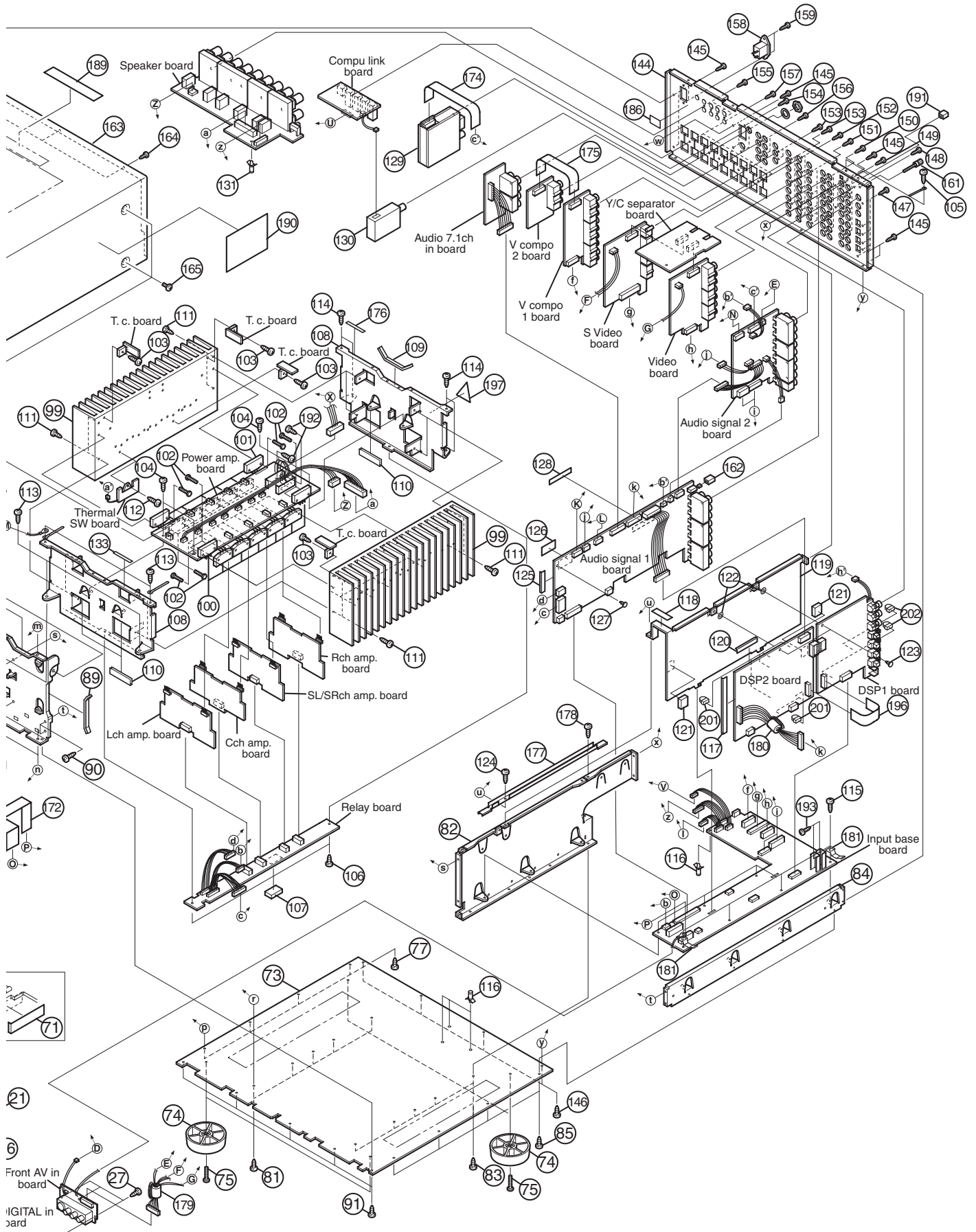
## - Contents -

Exploded view of general assembly and parts list (Block No.M1) .....	3- 2
Electrical parts list (Block No.01~07) .....	3- 6
Packing materials and accessories parts list (Block No.M3).....	3-32

# Exploded view of general assembly and parts list

Block No. **M 1 M M**





# General assembly

## Block No. [M][1][M][M]

Symbol No.	Part No.	Part Name	Description	Local
1	LV10535-020A	FRONT PANEL		
2	EXO150010H09S11	FELT SPACER		
3	LV10536-024A	FRONT BASE		
4	LV30225-0D5A	SPACER		
5	PQ45130-1-1	JVC MARK		
6	E60912-003	SPEED NUT		
7	LV43263-001A	K2 MARK		
8	E408131-002	REMOTE LENS		
9	LV42395-001A	INDICATOR		
10	LV32831-002A	GUIDE(L)		
11	LV32832-002A	GUIDE(R)		
12	QYSDSF2608M	TAPPING SCREW	2.6mm x 8mm(x4)	
13	LV32812-002A	PUSH BUTTON		
14	LV32813-003A	PUSH BUTTON		
15	LV32826-003A	INDICATOR	(x3)	
16	QYSDSF2608Z	SCREW	2.6mm x 8mm(x4)	
17	LV32815-006A	PUSH BUTTON		
18	LV32816-004A	PUSH BUTTON		
19	LV32817-006A	PUSH BUTTON		
20	LV32818-004A	PUSH BUTTON		
21	LV32814-002A	PUSH BUTTON		
22	FSYS4004-004	WASHER		
23	QYSDSF2608Z	SCREW	2.6mm x 8mm(x9)	
24	LV42684-001A	BARRIER		
25	E310243-002	PLASTIC RIVET		
26	E65923-003	TAPPING SCREW		
27	QYSDSF2608Z	SCREW	2.6mm x 8mm(x3)	
28	LV32811-008A	LENS		
29	LV42095-003A	FL SCREEN		
30	LV42405-002A	VOL RING		
31	LV42726-002A	VOL.SPACER		
32	LV21375-001A	SIDE FITTING(L)		
33	LV21376-001A	SIDE FITTING(R)		
34	QYSBSF3008Z	SCREW	3mm x 8mm(x6)	
35	LV21061-007A	DOOR		
36	LV21062-004A	DOOR BASE		
37	LV21065-002A	PUSH BUTTON	(x2)	
38	WJT0073-001A	E-CARD WIRE		
39	LV30225-074A	SPACER		
40	QYSDSF2004Z	SCREW	2mm x 4mm(x6)	
41	QYSSSG2004Z	SCREW	2mm x 4mm(x8)	
42	QYSSSG2004Z	SCREW	2mm x 4mm(x2)	
43	QYSDSF2606Z	SCREW	2.6mm x 6mm(x3)	
44	LV32835-002A	G.P. BKT(L) ASSY		
45	LV32836-002A	G.P.BKT(R) ASSY		
46	QYSDSF2606Z	SCREW	2.6mm x 6mm(x4)	
47	LV42478-001A	WORM GEAR		
48	LV32837-002A	MOTOR BASE		
49	LV41536-201A	PULLEY		
50	LV41598-001A	BELT		
51	LV32838-001A	WORM WHEEL		
52	QAR0100-001	DC MOTOR		
53	WJM0233-001A	E-SI C WIRE C-F		
54	QYSPSP3004Z	SCREW	M3 x 4mm(x2)	
55	LV32830-001A	MAIN SHAFT		
56	LV42400-001A	MAIN GEAR		
57	LV42729-002A	SPRING		
58	QYREE3000X	E RING	M3	
59	LV32833-002A	H.BKT(L) ASSY		
60	LV32834-002A	H.BKT(R) ASSY		
61	LV42396-002A	ARM	(x2)	
62	QYREE3000X	E RING	M3(x2)	
63	QYREE6000X	E RING	M6(x4)	
64	LV42397-001A	S.STOPPER(L)		
65	QYSDSG2606Z	SCREW	2.6mm x 6mm	
66	LV42398-001A	S.STOPPER(R)		
67	LV32839-001A	WHEEL STOPPER		
68	QYSBSF3008Z	SCREW	3mm x 8mm(x3)	
69	QYSDSF2608Z	SCREW	2.6mm x 8mm(x4)	
70	QYSDSF2606M	SCREW	2.6mm x 6mm(x4)	
71	LV42783-001A	EARTH PLATE		
72	LV43235-004A	SHEET		
73	LV10537-005A	BOTTOM PLATE		
74	QZF6018-001	FOOT	60mm x 18mm(x4)	

Symbol No.	Part No.	Part Name	Description	Local
75	QYSBST3010Z	TAPPING SCREW	M3 x 10mm(x4)	
76	LV10541-003A	SIDE BKT(L)		
77	QYSBSGG3008E	TAPPING SCREW	3mm x 8mm(x4)	
78	LV10542-004A	TRANS BASE		
79	QYSDSG3008E	TAPPING SCREW	3mm x 8mm(x10)	
80	LV10543-003A	CENTER BKT(L)		
81	QYSBSGG3008E	TAPPING SCREW	3mm x 8mm(x5)	
82	LV10544-002A	CENTER BKT(R)		
83	QYSBSGG3008E	TAPPING SCREW	3mm x 8mm(x5)	
84	LV21066-002A	SIDE BKT(R)		
85	QYSBSGG3008E	TAPPING SCREW	3mm x 8mm(x4)	
86	LV10539-003A	FRONT BKT		
87	LV41603-001A	LEAF SPRING		
88	QYSBSGG3008E	TAPPING SCREW	3mm x 8mm	
89	LV30225-071A	SPACER	(x4)	
90	QYSBSGG3008E	TAPPING SCREW	3mm x 8mm(x9)	
91	QYSBSGG3008E	TAPPING SCREW	3mm x 8mm(x5)	
92	LV30225-0C8A	SPACER		
93	E310243-002	PLASTIC RIVET	(x3)	
94	LV43600-001A	H.P.JACK BKT		
95	QYSBSGG3006Z	SCREW	3mm x 6mm	
96	VKZ4150-001	SPECIAL NUT		
97	QYSDSG3008E	TAPPING SCREW	3mm x 8mm(x3)	
98	QYSBSGG3008E	TAPPING SCREW	3mm x 8mm(x4)	
99	LV32828-006A	HEAT SINK	(x2)	
			Q714 Q764 Q814	
			Q1614 Q1664	
			Q1714 Q1764(x7)	
			Q715 Q765 Q815	
			Q1615 Q1665	
			Q1715 Q1765(x7)	
			(x28)	
			3mm x 10mm(x7)	
			3mm x 10mm(x4)	
			3mm x 8mm	
			3mm x 10mm(x2)	
			SPACER	
			H.SINK BKT	(x2)
			SPACER	
			LV30225-071A	
			LV30225-074A	
			SPACER	(x3)
			TAPPING SCREW	3mm x 10mm(x8)
			TAPPING SCREW	3mm x 10mm
			TAPPING SCREW	3mm x 8mm(x4)
			TAPPING SCREW	3mm x 8mm(x4)
			TAPPING SCREW	3mm x 8mm(x7)
			FASTENER	(x4)
			E310244-003	
			LV30225-0P2A	
			SPACER	
			LV30225-0N9A	
			SHIELD COVER	
			LV30225-0N9A	
			SPACER	
			LV30225-0D4A	
			SPACER	(x2)
			LV30226-034A	
			SPACER	(x2)
			E310243-002	
			PLASTIC RIVET	(x2)
			TAPPING SCREW	3mm x 8mm
			QYSBSGG3008E	
			LV30225-0P1A	
			SPACER	
			LV30225-0P3A	
			SPACER	
			E310243-002	
			PLASTIC RIVET	
			LV30225-0C7A	
			SPACER	
			QAU0233-001	
			TUNER	
			QAU0237-002	
			TUNER	
			E310244-003	
			FASTENER	
			QYSBSGG3008E	
			TAPPING SCREW	3mm x 8mm(x4)
			LV30225-074A	
			SPACER	
			QYSBSGG3008E	
			TAPPING SCREW	3mm x 8mm(x6)
			QQT0378-001	
			POWER TRANSF	T 41
			QYSDSTL4008E	
			TAP SCREW	M4 x 8mm(x2)
			QQT0379-001	
			POWER TRANSF	T 42
			LV43364-001A	
			BARRIER	(x2)
			QYSDSTL4008E	
			TAP SCREW	M4 x 8mm(x2)
			QQT0380-001	
			POWER TRANSF	T 1
			QYSDSTL4008E	
			TAP SCREW	M4 x 8mm(x4)
			QYSBSG3008E	
			TAPPING SCREW	3mm x 8mm
			QYSDSG3008E	
			TAPPING SCREW	3mm x 8mm
			LV10728-015A	
			REAR PANEL	
			DP20	
			VBKC	
			LV10728-009A	
			REAR PANEL	
			DP20	
			VBKJ	



△ Symbol No.	Part No.	Part Name	Description	Local
145	QYSBSGY3008E	SPECIAL SCREW	3mm x 8mm(x8)	
146	QYSBSGY3008E	SPECIAL SCREW	3mm x 8mm(x4)	
147	QYSBSGY3008E	SPECIAL SCREW	3mm x 8mm(x6)	
148	QYSBSGY3008E	SPECIAL SCREW	3mm x 8mm	
149	QYSBSGY3008E	SPECIAL SCREW	3mm x 8mm(x4)	
150	QYSBSGY3008E	SPECIAL SCREW	3mm x 8mm(x4)	
151	QYSBSGY3008E	SPECIAL SCREW	3mm x 8mm(x5)	
152	QYSBSGY3008E	SPECIAL SCREW	3mm x 8mm(x6)	
153	QYSBSGY3008E	SPECIAL SCREW	3mm x 8mm(x5)	
154	QYSBSGY3008E	SPECIAL SCREW	3mm x 8mm(x2)	
155	QYSBSGY3008E	SPECIAL SCREW	3mm x 8mm(x4)	
156	QYSBSGY3008E	SPECIAL SCREW	3mm x 8mm(x2)	
157	QYSBSGY3008E	SPECIAL SCREW	3mm x 8mm(x5)	
158	QNC0095-001	AC INLET(2PIN)		
159	QYSBSGY3008E	SPECIAL SCREW	3mm x 8mm(x2)	
160	LV40911-001A	LABEL		
161	E409257-001	GND TERMINAL		
162	LV43356-001A	KNOB		
163	LV10538-006A	TOP COVER		
164	QYSBSGY3008E	SPECIAL SCREW	3mm x 8mm(x3)	
165	E406308-003	SPECIAL SCREW	(x8)	
166	LV30226-029A	SPACER		
168	LV32819-002A	VOL KNOB		
169	LV33243-001A	PROTECT SHEET		
170	E71862-003T	VOL.NUT		
172	QUQ412-2119DJ	FFC WIRE		
173	QUQ412-2419DJ	FFC WIRE		
174	QUQ412-1522DJ	FFC WIRE		
175	QUQ412-1605DJ	FFC WIRE		
176	LV30225-074A	SPACER		
177	LV33163-001A	BARRIER	(x2)	
178	QYSBSGG3008E	TAPPING SCREW	3mm x 8mm(x3)	
179	QQR0594-001	NOISE FILTER	FL 1	
180	QQR1406-001	NOISE FILTER	FL 2	
181	QNZ0649-001	EARTH TERMINAL	(x2)	
△ 182	QMF51U1-8R0-J1	FUSE	F 21 8A AC125V	
△ 183	QMF51N2-R50-J1	FUSE	F 41 0.5A AC250V	
△ 184	QMF51U1-2R0-J1	FUSE	F 43 2A AC125V	
△ 185	QMF51U1-2R0-J1	FUSE	F 42 2A AC125V	
186	LV42388-001A	FUSE CAUTION	(x3)	
187	E67199-001	J=FISE C.LABEL		DP20 VBKJ
188	E75803-001	J=FUZE C.LABEL		DP20 VBKJ
189	E409396-003	CAUTION LABEL		DP20 VBKC
189	E409394-001	CAUTION LABEL		DP20 VBKJ
190	LV43341-006A	LICENSE LABEL		DP20 VBKC
190	LV43341-005A	LICENSE LABEL		DP20 VBKJ
191	QAM0486-001	SHORT PI PLUG	(x2)	
192	QYSBSG3008E	TAPPING SCREW	3mm x 8mm(x6)	
193	QYSBSG3008E	TAPPING SCREW	3mm x 8mm(x5)	
△ 194	KTA1046/Y/	TRANSISTOR	Q 51 Q 52(x2)	
195	LV32827-002A	LED HOLDER	(x3)	
196	QUQ110-2105BJ	FFC WIRE		
197	VND4113-001	G.CAUTION		
198	QWTJ809-210	GLASS TUBE		
201	NNZ0095-001X	EARTH TERMINAL	BC601 BC602 BC603 BC604 BC605 BC606(x6)	
202	NNZ0095-001X	EARTH TERMINAL	BC 801 BC 802(x2)	
203	E65507-001	CAUTION LABEL		DP20 VBKC

# Electrical parts list

## Power amp. board

Block No. [0][1][0][0]

△ Symbol No.	Part No.	Part Name	Description	Local	△ Symbol No.	Part No.	Part Name	Description	Local
IC601	VC5022-2	IC	Super A		Q1631	2SC2412K/RS/-X	TRANSISTOR		
IC602	VC5022-2	IC	Super A		Q1632	DTA124EKA-X	DIGI TRANSISTOR		
IC603	VC5022-2	IC	Super A		Q1651	2SC1775A/E/-T	TRANSISTOR		
IC604	VC5022-2	IC	Super A		Q1652	2SC1775A/E/-T	TRANSISTOR		
IC605	VC5022-2	IC	Super A		Q1653	KTC3200/GL/-T	TRANSISTOR		
IC606	VC5022-2	IC	Super A		Q1654	KTC3199/GL/-T	TRANSISTOR		
IC607	VC5022-2	IC	Super A		Q1655	KTA1268/GL/-T	TRANSISTOR		
IC951	TA7317P	IC	Protector		Q1656	KTA1267/YG/-T	TRANSISTOR		
Q701	2SC1775A/E/-T	TRANSISTOR			Q1657	KTA1268/GL/-T	TRANSISTOR		
Q702	2SC1775A/E/-T	TRANSISTOR			Q1658	KTC3200/GL/-T	TRANSISTOR		
Q703	KTC3200/GL/-T	TRANSISTOR			Q1660	KTC3200/GL/-T	TRANSISTOR		
Q704	KTC3199/GL/-T	TRANSISTOR			Q1661	KTA1268/GL/-T	TRANSISTOR		
Q705	KTA1268/GL/-T	TRANSISTOR			Q1662	2SC4883A/Y/	POW TRANSISTOR		
Q706	KTA1267/YG/-T	TRANSISTOR			Q1663	2SA1859A/Y/	POW TRANSISTOR		
Q707	KTA1268/GL/-T	TRANSISTOR			Q1666	2SC2412K/RS/-X	TRANSISTOR		
Q708	KTC3200/GL/-T	TRANSISTOR			Q1667	2SA1037AK/RS/-X	TRANSISTOR		
Q710	KTC3200/GL/-T	TRANSISTOR			Q1681	2SC2412K/RS/-X	TRANSISTOR		
Q711	KTA1268/GL/-T	TRANSISTOR			Q1682	DTA124EKA-X	DIGI TRANSISTOR		
Q712	2SC4883A/Y/	POW TRANSISTOR			Q1701	2SC1775A/E/-T	TRANSISTOR		
Q713	2SA1859A/Y/	POW TRANSISTOR			Q1702	2SC1775A/E/-T	TRANSISTOR		
Q716	2SC2412K/RS/-X	TRANSISTOR			Q1703	KTC3200/GL/-T	TRANSISTOR		
Q717	2SA1037AK/RS/-X	TRANSISTOR			Q1704	KTC3199/GL/-T	TRANSISTOR		
Q731	2SC2412K/RS/-X	TRANSISTOR			Q1705	KTA1268/GL/-T	TRANSISTOR		
Q732	DTA124EKA-X	DIGI TRANSISTOR			Q1706	KTA1267/YG/-T	TRANSISTOR		
Q751	2SC1775A/E/-T	TRANSISTOR			Q1707	KTA1268/GL/-T	TRANSISTOR		
Q752	2SC1775A/E/-T	TRANSISTOR			Q1708	KTC3200/GL/-T	TRANSISTOR		
Q753	KTC3200/GL/-T	TRANSISTOR			Q1710	KTC3200/GL/-T	TRANSISTOR		
Q754	KTC3199/GL/-T	TRANSISTOR			Q1711	KTA1268/GL/-T	TRANSISTOR		
Q755	KTA1268/GL/-T	TRANSISTOR			Q1712	2SC4883A/Y/	POW TRANSISTOR		
Q756	KTA1267/YG/-T	TRANSISTOR			Q1713	2SA1859A/Y/	POW TRANSISTOR		
Q757	KTA1268/GL/-T	TRANSISTOR			Q1716	2SC2412K/RS/-X	TRANSISTOR		
Q758	KTC3200/GL/-T	TRANSISTOR			Q1717	2SA1037AK/RS/-X	TRANSISTOR		
Q760	KTC3200/GL/-T	TRANSISTOR			Q1731	2SC2412K/RS/-X	TRANSISTOR		
Q761	KTA1268/GL/-T	TRANSISTOR			Q1732	DTA124EKA-X	DIGI TRANSISTOR		
Q762	2SC4883A/Y/	POW TRANSISTOR			Q1751	2SC1775A/E/-T	TRANSISTOR		
Q763	2SA1859A/Y/	POW TRANSISTOR			Q1752	2SC1775A/E/-T	TRANSISTOR		
Q766	2SC2412K/RS/-X	TRANSISTOR			Q1753	KTC3200/GL/-T	TRANSISTOR		
Q767	2SA1037AK/RS/-X	TRANSISTOR			Q1754	KTC3199/GL/-T	TRANSISTOR		
Q772	DTD123TK-X	CHIP D.TRANSISTOR			Q1755	KTA1268/GL/-T	TRANSISTOR		
Q781	2SC2412K/RS/-X	TRANSISTOR			Q1756	KTA1267/YG/-T	TRANSISTOR		
Q782	DTA124EKA-X	DIGI TRANSISTOR			Q1757	KTA1268/GL/-T	TRANSISTOR		
Q801	2SC1775A/E/-T	TRANSISTOR			Q1758	KTC3200/GL/-T	TRANSISTOR		
Q802	2SC1775A/E/-T	TRANSISTOR			Q1760	KTC3200/GL/-T	TRANSISTOR		
Q803	KTC3200/GL/-T	TRANSISTOR			Q1761	KTA1268/GL/-T	TRANSISTOR		
Q804	KTC3199/GL/-T	TRANSISTOR			Q1762	2SC4883A/Y/	POW TRANSISTOR		
Q805	KTA1268/GL/-T	TRANSISTOR			Q1763	2SA1859A/Y/	POW TRANSISTOR		
Q806	KTA1267/YG/-T	TRANSISTOR			Q1766	2SC2412K/RS/-X	TRANSISTOR		
Q807	KTA1268/GL/-T	TRANSISTOR			Q1767	2SA1037AK/RS/-X	TRANSISTOR		
Q808	KTC3200/GL/-T	TRANSISTOR			Q1781	2SC2412K/RS/-X	TRANSISTOR		
Q810	KTC3200/GL/-T	TRANSISTOR			Q1782	DTA124EKA-X	DIGI TRANSISTOR		
Q811	KTA1268/GL/-T	TRANSISTOR			Q1901	2SC3906K/RS/-X	P TRANSISTOR		
Q812	2SC4883A/Y/	POW TRANSISTOR			Q1911	2SC3906K/RS/-X	P TRANSISTOR		
Q813	2SA1859A/Y/	POW TRANSISTOR			Q1921	2SC3906K/RS/-X	P TRANSISTOR		
Q816	2SC2412K/RS/-X	TRANSISTOR			Q1931	2SC3906K/RS/-X	P TRANSISTOR		
Q817	2SA1037AK/RS/-X	TRANSISTOR			Q1941	2SC3906K/RS/-X	P TRANSISTOR		
Q831	2SC2412K/RS/-X	TRANSISTOR			Q1951	2SC3906K/RS/-X	P TRANSISTOR		
Q832	DTA124EKA-X	DIGI TRANSISTOR			Q1961	2SC3906K/RS/-X	P TRANSISTOR		
Q1601	2SC1775A/E/-T	TRANSISTOR			Q1971	2SA1514K/RS/-X	TRANSISTOR		
Q1602	2SC1775A/E/-T	TRANSISTOR			Q1991	KRC105M-T	DIGI TRANSISTOR		
Q1603	KTC3200/GL/-T	TRANSISTOR			Q1992	KRC105M-T	DIGI TRANSISTOR		
Q1604	KTC3199/GL/-T	TRANSISTOR			Q1993	KRC105M-T	DIGI TRANSISTOR		
Q1605	KTA1268/GL/-T	TRANSISTOR			Q1994	KRC105M-T	DIGI TRANSISTOR		
Q1606	KTA1267/YG/-T	TRANSISTOR			Q1995	KRC105M-T	DIGI TRANSISTOR		
Q1607	KTA1268/GL/-T	TRANSISTOR			Q1996	KRC105M-T	DIGI TRANSISTOR		
Q1608	KTC3200/GL/-T	TRANSISTOR			D702	1SS133-T2	DIODE		
Q1610	KTC3200/GL/-T	TRANSISTOR			D703	1SS133-T2	DIODE		
Q1611	KTA1268/GL/-T	TRANSISTOR			D708	UDZS24B-X	Z DIODE		
Q1612	2SC4883A/Y/	POW TRANSISTOR			D709	UDZS24B-X	Z DIODE		
Q1613	2SA1859A/Y/	POW TRANSISTOR			D710	1SS355-X	SI DIODE		
Q1616	2SC2412K/RS/-X	TRANSISTOR			D711	1SS355-X	SI DIODE		
Q1617	2SA1037AK/RS/-X	TRANSISTOR			D712	1SS355-X	SI DIODE		
					D713	1SS355-X	SI DIODE		
					D715	HZ3.0BP	Z DIODE		

△ Symbol No.	Part No.	Part Name	Description	Local	△ Symbol No.	Part No.	Part Name	Description	Local
	D716	MTZJ33C-T2	Z DIODE		D1921	1SS133-T2	DIODE		
	D717	MTZJ33C-T2	Z DIODE		D1931	1SS133-T2	DIODE		
△	D745	F10P20F	DIODE		D1941	1SS133-T2	DIODE		
△	D746	F10P20FR	DIODE		D1951	1SS133-T2	DIODE		
	D752	1SS133-T2	DIODE		D1961	1SS133-T2	DIODE		
	D753	1SS133-T2	DIODE		D1991	1SS133-T2	DIODE		
	D758	UDZS24B-X	Z DIODE		D1992	1SS133-T2	DIODE		
	D759	UDZS24B-X	Z DIODE		D1993	1SS133-T2	DIODE		
	D760	1SS355-X	SI DIODE		D1994	1SS133-T2	DIODE		
	D761	1SS355-X	SI DIODE		D1995	1SS133-T2	DIODE		
	D762	1SS355-X	SI DIODE		D1996	1SS133-T2	DIODE		
	D763	1SS355-X	SI DIODE						
	D765	HZ3.0BP	Z DIODE		C701	QTE1K44-106Z	E CAPACITOR	10uF 80V	
	D766	MTZJ33C-T2	Z DIODE		C702	QCS32HJ-101Z	C CAPACITOR	100pF 500V J	
	D767	MTZJ33C-T2	Z DIODE		C703	QCS32HJ-101Z	C CAPACITOR	100pF 500V J	
	D773	1SS133-T2	DIODE		C704	QFN31HJ-332Z	M CAPACITOR	3300pF 50V J	
	D774	1SS133-T2	DIODE		C705	QCS32HJ-220Z	C CAPACITOR	22pF 500V J	
△	D795	F10P20F	DIODE		C708	QFN31HJ-472Z	M CAPACITOR	4700pF 50V J	
△	D796	F10P20FR	DIODE		C709	QCS32HJ-470Z	C CAPACITOR	47pF 500V J	
	D802	1SS133-T2	DIODE		C710	QCS32HJ-470Z	C CAPACITOR	47pF 500V J	
	D803	1SS133-T2	DIODE		C711	QEZO539-476Z	E CAPACITOR	47uF	
	D808	UDZS24B-X	Z DIODE		C712	QEZO539-476Z	E CAPACITOR	47uF	
	D809	UDZS24B-X	Z DIODE		C715	QCS32HJ-330Z	C CAPACITOR	33pF 500V J	
	D810	1SS355-X	SI DIODE		C721	NCF21EZ-224X	E CAPACITOR	0.22uF 25V Z	
	D811	1SS355-X	SI DIODE		C731	QEZO539-476Z	E CAPACITOR	47uF	
	D812	1SS355-X	SI DIODE		C735	QFLC1HJ-473Z	M CAPACITOR	0.047uF 50V J	
	D813	1SS355-X	SI DIODE		C736	QFLC1HJ-473Z	M CAPACITOR	0.047uF 50V J	
	D815	HZ3.0BP	Z DIODE		C741	QCS32HJ-100Z	C CAPACITOR	10pF 500V J	
	D816	MTZJ33C-T2	Z DIODE		C742	QTE1K44-106Z	E CAPACITOR	10uF 80V	
	D817	MTZJ33C-T2	Z DIODE		C745	QEZO545-338	E CAPACITOR	3300uF	
△	D845	F10P20F	DIODE		C746	QEZO545-338	E CAPACITOR	3300uF	
△	D846	F10P20FR	DIODE		C751	QTE1K44-106Z	E CAPACITOR	10uF 80V	
	D1602	1SS133-T2	DIODE		C752	QCS32HJ-101Z	C CAPACITOR	100pF 500V J	
	D1603	1SS133-T2	DIODE		C753	QCS32HJ-101Z	C CAPACITOR	100pF 500V J	
	D1608	UDZS24B-X	Z DIODE		C754	QFN31HJ-332Z	M CAPACITOR	3300pF 50V J	
	D1609	UDZS24B-X	Z DIODE		C755	QCS32HJ-220Z	C CAPACITOR	22pF 500V J	
	D1610	1SS355-X	SI DIODE		C758	QFN31HJ-472Z	M CAPACITOR	4700pF 50V J	
	D1611	1SS355-X	SI DIODE		C759	QCS32HJ-470Z	C CAPACITOR	47pF 500V J	
	D1612	1SS355-X	SI DIODE		C760	QCS32HJ-470Z	C CAPACITOR	47pF 500V J	
	D1613	1SS355-X	SI DIODE		C761	QEZO539-476Z	E CAPACITOR	47uF	
	D1615	HZ3.0BP	Z DIODE		C762	QEZO539-476Z	E CAPACITOR	47uF	
	D1616	MTZJ33C-T2	Z DIODE		C765	QCS32HJ-330Z	C CAPACITOR	33pF 500V J	
	D1617	MTZJ33C-T2	Z DIODE		C771	NCF21EZ-224X	E CAPACITOR	0.22uF 25V Z	
	D1652	1SS133-T2	DIODE		C773	QFV72AJ-104Z	MF CAPACITOR	0.1uF 100V J	
	D1653	1SS133-T2	DIODE		C774	QFV72AJ-104Z	MF CAPACITOR	0.1uF 100V J	
	D1658	UDZS24B-X	Z DIODE		C775	QFV72AJ-104Z	MF CAPACITOR	0.1uF 100V J	
	D1659	UDZS24B-X	Z DIODE		C776	QFV72AJ-104Z	MF CAPACITOR	0.1uF 100V J	
	D1660	1SS355-X	SI DIODE		C781	QEZO539-476Z	E CAPACITOR	47uF	
	D1661	1SS355-X	SI DIODE		C785	QFLC1HJ-473Z	M CAPACITOR	0.047uF 50V J	
	D1662	1SS355-X	SI DIODE		C786	QFLC1HJ-473Z	M CAPACITOR	0.047uF 50V J	
	D1663	1SS355-X	SI DIODE		C791	QCS32HJ-100Z	C CAPACITOR	10pF 500V J	
	D1665	HZ3.0BP	Z DIODE		C792	QTE1K44-106Z	E CAPACITOR	10uF 80V	
	D1666	MTZJ33C-T2	Z DIODE		C795	QEZO545-338	E CAPACITOR	3300uF	
	D1667	MTZJ33C-T2	Z DIODE		C796	QEZO545-338	E CAPACITOR	3300uF	
	D1702	1SS133-T2	DIODE		C801	QTE1K44-106Z	E CAPACITOR	10uF 80V	
	D1703	1SS133-T2	DIODE		C802	QCS32HJ-101Z	C CAPACITOR	100pF 500V J	
	D1708	UDZS24B-X	Z DIODE		C803	QCS32HJ-101Z	C CAPACITOR	100pF 500V J	
	D1709	UDZS24B-X	Z DIODE		C804	QFN31HJ-332Z	M CAPACITOR	3300pF 50V J	
	D1710	1SS355-X	SI DIODE		C805	QCS32HJ-220Z	C CAPACITOR	22pF 500V J	
	D1711	1SS355-X	SI DIODE		C808	QFN31HJ-472Z	M CAPACITOR	4700pF 50V J	
	D1712	1SS355-X	SI DIODE		C809	QCS32HJ-470Z	C CAPACITOR	47pF 500V J	
	D1713	1SS355-X	SI DIODE		C810	QCS32HJ-470Z	C CAPACITOR	47pF 500V J	
	D1715	HZ3.0BP	Z DIODE		C811	QEZO539-476Z	E CAPACITOR	47uF	
	D1716	MTZJ33C-T2	Z DIODE		C812	QEZO539-476Z	E CAPACITOR	47uF	
	D1717	MTZJ33C-T2	Z DIODE		C815	QCS32HJ-330Z	C CAPACITOR	33pF 500V J	
	D1752	1SS133-T2	DIODE		C821	NCF21EZ-224X	E CAPACITOR	0.22uF 25V Z	
	D1753	1SS133-T2	DIODE		C831	QEZO539-476Z	E CAPACITOR	47uF	
	D1758	UDZS24B-X	Z DIODE		C835	QFLC1HJ-473Z	M CAPACITOR	0.047uF 50V J	
	D1759	UDZS24B-X	Z DIODE		C836	QFLC1HJ-473Z	M CAPACITOR	0.047uF 50V J	
	D1760	1SS355-X	SI DIODE		C841	QCS32HJ-100Z	C CAPACITOR	10pF 500V J	
	D1761	1SS355-X	SI DIODE		C842	QTE1K44-106Z	E CAPACITOR	10uF 80V	
	D1762	1SS355-X	SI DIODE		C895	QEZO545-338	E CAPACITOR	3300uF	
	D1763	1SS355-X	SI DIODE		C896	QEZO545-338	E CAPACITOR	3300uF	
	D1765	HZ3.0BP	Z DIODE		C1601	QTE1K44-106Z	E CAPACITOR	10uF 80V	
	D1766	MTZJ33C-T2	Z DIODE		C1602	QCS32HJ-101Z	C CAPACITOR	100pF 500V J	
	D1767	MTZJ33C-T2	Z DIODE		C1603	QCS32HJ-101Z	C CAPACITOR	100pF 500V J	
	D1901	1SS133-T2	DIODE		C1604	QFN31HJ-332Z	M CAPACITOR	3300pF 50V J	
	D1911	1SS133-T2	DIODE		C1605	QCS32HJ-220Z	C CAPACITOR	22pF 500V J	

△ Symbol No.	Part No.	Part Name	Description	Local	△ Symbol No.	Part No.	Part Name	Description	Local
C1608	QFN31HJ-472Z	M CAPACITOR	4700pF 50V J		C1975	QETN1HM-226Z	E CAPACITOR	22uF 50V M	
C1609	QCS32HJ-470Z	C CAPACITOR	47pF 500V J		C1981	QETN1HM-105Z	E CAPACITOR	1uF 50V M	
C1610	QCS32HJ-470Z	C CAPACITOR	47pF 500V J		C1982	QETN1HM-105Z	E CAPACITOR	1uF 50V M	
C1611	QEZO539-476Z	E CAPACITOR	47uF		C1983	QETN1HM-105Z	E CAPACITOR	1uF 50V M	
C1612	QEZO539-476Z	E CAPACITOR	47uF		C1984	QETN1HM-105Z	E CAPACITOR	1uF 50V M	
C1615	QCS32HJ-330Z	C CAPACITOR	33pF 500V J		C1985	QETN1HM-105Z	E CAPACITOR	1uF 50V M	
C1621	NCF21EZ-224X	E CAPACITOR	0.22uF 25V Z		C1986	QETN1HM-105Z	E CAPACITOR	1uF 50V M	
C1631	QEZO539-476Z	E CAPACITOR	47uF						
C1635	QFLC1HJ-473Z	M CAPACITOR	0.047uF 50V J		R701	QRZ0133-101	C.RES RMA	100Ω	
C1636	QFLC1HJ-473Z	M CAPACITOR	0.047uF 50V J		R702	QRA14CF-1003Y	CMF RESISTOR	100kΩ 1/4W F	
C1641	QCS32HJ-100Z	C CAPACITOR	10pF 500V J		R703	QRE141J-102Y	C RESISTOR	1kΩ 1/4W J	
C1642	QTE1K44-106Z	E CAPACITOR	10uF 80V		R704	QRE141J-331Y	C RESISTOR	330Ω 1/4W J	
C1645	QEZO545-338	E CAPACITOR	3300uF		R705	QRE141J-104Y	C RESISTOR	100kΩ 1/4W J	
C1646	QEZO545-338	E CAPACITOR	3300uF		R706	QRE141J-202Y	C RESISTOR	2kΩ 1/4W J	
C1651	QTE1K44-106Z	E CAPACITOR	10uF 80V		R707	QRE141J-202Y	C RESISTOR	2kΩ 1/4W J	
C1652	QCS32HJ-101Z	C CAPACITOR	100pF 500V J		R708	QRE141J-101Y	C RESISTOR	100Ω 1/4W J	
C1653	QCS32HJ-101Z	C CAPACITOR	100pF 500V J		R709	QRJ146J-151X	UNF C RESISTOR	150Ω 1/4W J	
C1654	QFN31HJ-332Z	M CAPACITOR	3300pF 50V J		R710	QRJ146J-562X	UNF C RESISTOR	5.6kΩ 1/4W J	
C1655	QCS32HJ-220Z	C CAPACITOR	22pF 500V J		R711	QRK126J-103X	UNF C RESISTOR	10kΩ 1/2W J	
C1658	QFN31HJ-472Z	M CAPACITOR	4700pF 50V J		R712	QRE141J-680Y	C RESISTOR	68Ω 1/4W J	
C1659	QCS32HJ-470Z	C CAPACITOR	47pF 500V J		R713	QRE141J-152Y	C RESISTOR	1.5kΩ 1/4W J	
C1660	QCS32HJ-470Z	C CAPACITOR	47pF 500V J		R714	QRE141J-333Y	C RESISTOR	33kΩ 1/4W J	
C1661	QEZO539-476Z	E CAPACITOR	47uF		R716	QRE141J-680Y	C RESISTOR	68Ω 1/4W J	
C1662	QEZO539-476Z	E CAPACITOR	47uF		R717	QRE141J-331Y	C RESISTOR	330Ω 1/4W J	
C1665	QCS32HJ-330Z	C CAPACITOR	33pF 500V J		R718	QRE141J-471Y	C RESISTOR	470Ω 1/4W J	
C1671	NCF21EZ-224X	E CAPACITOR	0.22uF 25V Z		R719	QRE141J-391Y	C RESISTOR	390Ω 1/4W J	
C1685	QFLC1HJ-473Z	M CAPACITOR	0.047uF 50V J		R720	QRJ146J-121X	UNF C RESISTOR	120Ω 1/4W J	
C1686	QFLC1HJ-473Z	M CAPACITOR	0.047uF 50V J		R721	QRJ146J-121X	UNF C RESISTOR	120Ω 1/4W J	
C1691	QCS32HJ-100Z	C CAPACITOR	10pF 500V J		R722	QRJ146J-272X	UNF C RESISTOR	2.7kΩ 1/4W J	
C1692	QTE1K44-106Z	E CAPACITOR	10uF 80V		R723	QRJ146J-120X	UNF C RESISTOR	12Ω 1/4W J	
C1695	QEZO545-338	E CAPACITOR	3300uF		R724	QRJ146J-120X	UNF C RESISTOR	12Ω 1/4W J	
C1696	QEZO545-338	E CAPACITOR	3300uF		R725	QRJ146J-271X	UNF C RESISTOR	270Ω 1/4W J	
C1701	QTE1K44-106Z	E CAPACITOR	10uF 80V		R726	QRJ146J-1R0X	UNF C RESISTOR	1Ω 1/4W J	
C1702	QCS32HJ-101Z	C CAPACITOR	100pF 500V J		R727	QRJ146J-1R0X	UNF C RESISTOR	1Ω 1/4W J	
C1703	QCS32HJ-101Z	C CAPACITOR	100pF 500V J		R728	QRZ0182-R10	EMIT.RESISTOR	0.1Ω	
C1704	QFN31HJ-332Z	M CAPACITOR	3300pF 50V J		R729	QRZ0182-R10	EMIT.RESISTOR	0.1Ω	
C1705	QCS32HJ-220Z	C CAPACITOR	22pF 500V J		R731	QRL027J-472	OMF RESISTOR	4.7kΩ 2W J	
C1708	QFN31HJ-472Z	M CAPACITOR	4700pF 50V J		R732	NRSA02J-331X	MG RESISTOR	330Ω 1/10W J	
C1709	QCS32HJ-470Z	C CAPACITOR	47pF 500V J		R733	NRSA02J-103X	MG RESISTOR	10kΩ 1/10W J	
C1710	QCS32HJ-470Z	C CAPACITOR	47pF 500V J		R735	NRSA02J-681X	MG RESISTOR	680Ω 1/10W J	
C1711	QEZO539-476Z	E CAPACITOR	47uF		R736	NRSA02J-681X	MG RESISTOR	680Ω 1/10W J	
C1712	QEZO539-476Z	E CAPACITOR	47uF		R737	NRSA02J-241X	MG RESISTOR	240Ω 1/10W J	
C1715	QCS32HJ-330Z	C CAPACITOR	33pF 500V J		R738	NRSA02J-241X	MG RESISTOR	240Ω 1/10W J	
C1721	NCF21EZ-224X	E CAPACITOR	0.22uF 25V Z		R739	NRSA02J-913X	MG RESISTOR	91kΩ 1/10W J	
C1735	QFLC1HJ-473Z	M CAPACITOR	0.047uF 50V J		R740	NRSA02J-913X	MG RESISTOR	91kΩ 1/10W J	
C1736	QFLC1HJ-473Z	M CAPACITOR	0.047uF 50V J		R741	NRSA02J-182X	MG RESISTOR	1.8kΩ 1/10W J	
C1741	QCS32HJ-100Z	C CAPACITOR	10pF 500V J		R742	NRSA02J-182X	MG RESISTOR	1.8kΩ 1/10W J	
C1742	QTE1K44-106Z	E CAPACITOR	10uF 80V		R743	QRA14CF-1003Y	CMF RESISTOR	100kΩ 1/4W F	
C1745	QEZO545-338	E CAPACITOR	3300uF		R744	QRA14CF-3601Y	CMF RESISTOR	3.6kΩ 1/4W F	
C1746	QEZO545-338	E CAPACITOR	3300uF		R745	QRJ125J-4R7	UNF C RESISTOR	4.7Ω 1/2W J	
C1751	QTE1K44-106Z	E CAPACITOR	10uF 80V		R746	QRL027J-100	OMF RESISTOR	10Ω 2W J	
C1752	QCS32HJ-101Z	C CAPACITOR	100pF 500V J		R751	QRZ0133-101	C.RES RMA	100Ω	
C1753	QCS32HJ-101Z	C CAPACITOR	100pF 500V J		R752	QRA14CF-1003Y	CMF RESISTOR	100kΩ 1/4W F	
C1754	QFN31HJ-332Z	M CAPACITOR	3300pF 50V J		R753	QRE141J-102Y	C RESISTOR	1kΩ 1/4W J	
C1755	QCS32HJ-220Z	C CAPACITOR	22pF 500V J		R754	QRE141J-331Y	C RESISTOR	330Ω 1/4W J	
C1758	QFN31HJ-472Z	M CAPACITOR	4700pF 50V J		R755	QRE141J-104Y	C RESISTOR	100kΩ 1/4W J	
C1759	QCS32HJ-470Z	C CAPACITOR	47pF 500V J		R756	QRE141J-202Y	C RESISTOR	2kΩ 1/4W J	
C1760	QCS32HJ-470Z	C CAPACITOR	47pF 500V J		R757	QRE141J-202Y	C RESISTOR	2kΩ 1/4W J	
C1761	QEZO539-476Z	E CAPACITOR	47uF		R758	QRE141J-101Y	C RESISTOR	100Ω 1/4W J	
C1762	QEZO539-476Z	E CAPACITOR	47uF		R759	QRJ146J-151X	UNF C RESISTOR	150Ω 1/4W J	
C1765	QCS32HJ-330Z	C CAPACITOR	33pF 500V J		R760	QRJ146J-562X	UNF C RESISTOR	5.6kΩ 1/4W J	
C1771	NCF21EZ-224X	E CAPACITOR	0.22uF 25V Z		R761	QRK126J-103X	UNF C RESISTOR	10kΩ 1/2W J	
C1772	QFV72AJ-104Z	MF CAPACITOR	0.1uF 100V J		R762	QRE141J-680Y	C RESISTOR	68Ω 1/4W J	
C1773	QFV72AJ-104Z	MF CAPACITOR	0.1uF 100V J		R763	QRE141J-152Y	C RESISTOR	1.5kΩ 1/4W J	
C1774	QFV72AJ-104Z	MF CAPACITOR	0.1uF 100V J		R764	QRE141J-333Y	C RESISTOR	33kΩ 1/4W J	
C1775	QFV72AJ-104Z	MF CAPACITOR	0.1uF 100V J		R766	QRE141J-680Y	C RESISTOR	68Ω 1/4W J	
C1776	QFV72AJ-104Z	MF CAPACITOR	0.1uF 100V J		R767	QRE141J-331Y	C RESISTOR	330Ω 1/4W J	
C1777	QFV72AJ-104Z	MF CAPACITOR	0.1uF 100V J		R768	QRE141J-471Y	C RESISTOR	470Ω 1/4W J	
C1785	QFLC1HJ-473Z	M CAPACITOR	0.047uF 50V J		R769	QRE141J-391Y	C RESISTOR	390Ω 1/4W J	
C1786	QFLC1HJ-473Z	M CAPACITOR	0.047uF 50V J		R770	QRJ146J-121X	UNF C RESISTOR	120Ω 1/4W J	
C1791	QCS32HJ-100Z	C CAPACITOR	10pF 500V J		R771	QRJ146J-121X	UNF C RESISTOR	120Ω 1/4W J	
C1792	QTE1K44-106Z	E CAPACITOR	10uF 80V		R772	QRJ146J-272X	UNF C RESISTOR	2.7kΩ 1/4W J	
C1795	QEZO545-338	E CAPACITOR	3300uF		R773	QRJ146J-120X	UNF C RESISTOR	12Ω 1/4W J	
C1796	QEZO545-338	E CAPACITOR	3300uF		R774	QRJ146J-120X	UNF C RESISTOR	12Ω 1/4W J	
C1971	QETN1HM-226Z	E CAPACITOR	22uF 50V M		R775	QRJ146J-271X	UNF C RESISTOR	270Ω 1/4W J	
C1972	QETN1EM-476Z	E CAPACITOR	47uF 25V M		R776	QRJ146J-1R0X	UNF C RESISTOR	1Ω 1/4W J	
C1973	NCS21HJ-102X	C CAPACITOR	1000pF 50V J		R777	QRJ146J-1R0X	UNF C RESISTOR	1Ω 1/4W J	
C1974	NCF21HZ-103X	C CAPACITOR	0.01uF 50V Z		R778	QRZ0182-R10	EMIT.RESISTOR	0.1Ω	

△ Symbol No.	Part No.	Part Name	Description	Local	△ Symbol No.	Part No.	Part Name	Description	Local
R779	QRZ0182-R10	EMIT.RESISTOR	0.1Ω		R1620	QRJ146J-121X	UNF C RESISTOR	120Ω 1/4W J	
R781	QRL027J-472	OMF RESISTOR	4.7kΩ 2W J		R1621	QRJ146J-121X	UNF C RESISTOR	120Ω 1/4W J	
R782	NRSA02J-331X	MG RESISTOR	330Ω 1/10W J		R1622	QRJ146J-272X	UNF C RESISTOR	2.7kΩ 1/4W J	
R783	NRSA02J-103X	MG RESISTOR	10kΩ 1/10W J		R1623	QRJ146J-120X	UNF C RESISTOR	12Ω 1/4W J	
R785	NRSA02J-681X	MG RESISTOR	680Ω 1/10W J		R1624	QRJ146J-120X	UNF C RESISTOR	12Ω 1/4W J	
R786	NRSA02J-681X	MG RESISTOR	680Ω 1/10W J		R1625	QRJ146J-271X	UNF C RESISTOR	270Ω 1/4W J	
R787	NRSA02J-241X	MG RESISTOR	240Ω 1/10W J		R1626	QRJ146J-1R0X	UNF C RESISTOR	1Ω 1/4W J	
R788	NRSA02J-241X	MG RESISTOR	240Ω 1/10W J		R1627	QRJ146J-1R0X	UNF C RESISTOR	1Ω 1/4W J	
R789	NRSA02J-913X	MG RESISTOR	91kΩ 1/10W J		R1628	QRZ0182-R10	EMIT.RESISTOR	0.1Ω	
R790	NRSA02J-913X	MG RESISTOR	91kΩ 1/10W J		R1629	QRZ0182-R10	EMIT.RESISTOR	0.1Ω	
R791	NRSA02J-182X	MG RESISTOR	1.8kΩ 1/10W J		R1631	QRL027J-472	OMF RESISTOR	4.7kΩ 2W J	
R792	NRSA02J-182X	MG RESISTOR	1.8kΩ 1/10W J		R1632	NRSA02J-331X	MG RESISTOR	330Ω 1/10W J	
R793	QRA14CF-1003Y	CMF RESISTOR	100kΩ 1/4W F		R1633	NRSA02J-103X	MG RESISTOR	10kΩ 1/10W J	
R794	QRA14CF-3601Y	CMF RESISTOR	3.6kΩ 1/4W F		R1635	NRSA02J-681X	MG RESISTOR	680Ω 1/10W J	
R795	QRJ125J-4R7	UNF C RESISTOR	4.7Ω 1/2W J		R1636	NRSA02J-681X	MG RESISTOR	680Ω 1/10W J	
R796	QRL027J-100	OMF RESISTOR	10Ω 2W J		R1637	NRSA02J-241X	MG RESISTOR	240Ω 1/10W J	
R797	QRJ146J-330X	UNF C RESISTOR	33Ω 1/4W J		R1638	NRSA02J-241X	MG RESISTOR	240Ω 1/10W J	
R801	QRZ0133-101	C.RES RMA	100Ω		R1639	NRSA02J-913X	MG RESISTOR	91kΩ 1/10W J	
R802	QRA14CF-1003Y	CMF RESISTOR	100kΩ 1/4W F		R1640	NRSA02J-913X	MG RESISTOR	91kΩ 1/10W J	
R803	QRE141J-102Y	C RESISTOR	1kΩ 1/4W J		R1641	NRSA02J-182X	MG RESISTOR	1.8kΩ 1/10W J	
R804	QRE141J-331Y	C RESISTOR	330Ω 1/4W J		R1642	NRSA02J-182X	MG RESISTOR	1.8kΩ 1/10W J	
R805	QRE141J-104Y	C RESISTOR	100kΩ 1/4W J		R1647	QRJ125J-4R7	UNF C RESISTOR	4.7Ω 1/2W J	
R806	QRE141J-202Y	C RESISTOR	2kΩ 1/4W J		R1648	QRL027J-100	OMF RESISTOR	10Ω 2W J	
R807	QRE141J-202Y	C RESISTOR	2kΩ 1/4W J		R1649	QRA14CF-1003Y	CMF RESISTOR	100kΩ 1/4W F	
R808	QRE141J-101Y	C RESISTOR	100Ω 1/4W J		R1650	QRA14CF-3601Y	CMF RESISTOR	3.6kΩ 1/4W F	
R809	QRJ146J-151X	UNF C RESISTOR	150Ω 1/4W J		R1651	QRV12DF-1000	CMF RESISTOR	100Ω 1/2W F	
R810	QRJ146J-562X	UNF C RESISTOR	5.6kΩ 1/4W J		R1652	QRA14CF-1003Y	CMF RESISTOR	100kΩ 1/4W F	
R811	QRK126J-103X	UNF C RESISTOR	10kΩ 1/2W J		R1653	QRE141J-102Y	C RESISTOR	1kΩ 1/4W J	
R812	QRE141J-680Y	C RESISTOR	68Ω 1/4W J		R1654	QRE141J-331Y	C RESISTOR	330Ω 1/4W J	
R813	QRE141J-152Y	C RESISTOR	1.5kΩ 1/4W J		R1655	QRE141J-104Y	C RESISTOR	100kΩ 1/4W J	
R814	QRE141J-333Y	C RESISTOR	33kΩ 1/4W J		R1656	QRE141J-202Y	C RESISTOR	2kΩ 1/4W J	
R816	QRE141J-680Y	C RESISTOR	68Ω 1/4W J		R1657	QRE141J-202Y	C RESISTOR	2kΩ 1/4W J	
R817	QRE141J-331Y	C RESISTOR	330Ω 1/4W J		R1658	QRE141J-101Y	C RESISTOR	100Ω 1/4W J	
R818	QRE141J-471Y	C RESISTOR	470Ω 1/4W J		R1659	QRJ146J-151X	UNF C RESISTOR	150Ω 1/4W J	
R819	QRE141J-391Y	C RESISTOR	390Ω 1/4W J		R1660	QRJ146J-562X	UNF C RESISTOR	5.6kΩ 1/4W J	
R820	QRJ146J-121X	UNF C RESISTOR	120Ω 1/4W J		R1661	QRK126J-103X	UNF C RESISTOR	10kΩ 1/2W J	
R821	QRJ146J-121X	UNF C RESISTOR	120Ω 1/4W J		R1662	QRE141J-680Y	C RESISTOR	68Ω 1/4W J	
R822	QRJ146J-272X	UNF C RESISTOR	2.7kΩ 1/4W J		R1663	QRE141J-152Y	C RESISTOR	1.5kΩ 1/4W J	
R823	QRJ146J-120X	UNF C RESISTOR	12Ω 1/4W J		R1664	QRE141J-333Y	C RESISTOR	33kΩ 1/4W J	
R824	QRJ146J-120X	UNF C RESISTOR	12Ω 1/4W J		R1666	QRE141J-680Y	C RESISTOR	68Ω 1/4W J	
R825	QRJ146J-271X	UNF C RESISTOR	270Ω 1/4W J		R1667	QRE141J-331Y	C RESISTOR	330Ω 1/4W J	
R826	QRJ146J-1R0X	UNF C RESISTOR	1Ω 1/4W J		R1668	QRE141J-471Y	C RESISTOR	470Ω 1/4W J	
R827	QRJ146J-1R0X	UNF C RESISTOR	1Ω 1/4W J		R1669	QRE141J-391Y	C RESISTOR	390Ω 1/4W J	
R828	QRZ0182-R10	EMIT.RESISTOR	0.1Ω		R1670	QRJ146J-121X	UNF C RESISTOR	120Ω 1/4W J	
R829	QRZ0182-R10	EMIT.RESISTOR	0.1Ω		R1671	QRJ146J-121X	UNF C RESISTOR	120Ω 1/4W J	
R831	QRL027J-472	OMF RESISTOR	4.7kΩ 2W J		R1672	QRJ146J-272X	UNF C RESISTOR	2.7kΩ 1/4W J	
R832	NRSA02J-331X	MG RESISTOR	330Ω 1/10W J		R1673	QRJ146J-120X	UNF C RESISTOR	12Ω 1/4W J	
R833	NRSA02J-103X	MG RESISTOR	10kΩ 1/10W J		R1674	QRJ146J-120X	UNF C RESISTOR	12Ω 1/4W J	
R835	NRSA02J-681X	MG RESISTOR	680Ω 1/10W J		R1675	QRJ146J-271X	UNF C RESISTOR	270Ω 1/4W J	
R836	NRSA02J-681X	MG RESISTOR	680Ω 1/10W J		R1676	QRJ146J-1R0X	UNF C RESISTOR	1Ω 1/4W J	
R837	NRSA02J-241X	MG RESISTOR	240Ω 1/10W J		R1677	QRJ146J-1R0X	UNF C RESISTOR	1Ω 1/4W J	
R838	NRSA02J-241X	MG RESISTOR	240Ω 1/10W J		R1678	QRZ0182-R10	EMIT.RESISTOR	0.1Ω	
R839	NRSA02J-913X	MG RESISTOR	91kΩ 1/10W J		R1679	QRZ0182-R10	EMIT.RESISTOR	0.1Ω	
R840	NRSA02J-913X	MG RESISTOR	91kΩ 1/10W J		R1682	NRSA02J-331X	MG RESISTOR	330Ω 1/10W J	
R841	NRSA02J-182X	MG RESISTOR	1.8kΩ 1/10W J		R1683	NRSA02J-103X	MG RESISTOR	10kΩ 1/10W J	
R842	NRSA02J-182X	MG RESISTOR	1.8kΩ 1/10W J		R1685	NRSA02J-681X	MG RESISTOR	680Ω 1/10W J	
R843	QRA14CF-1003Y	CMF RESISTOR	100kΩ 1/4W F		R1686	NRSA02J-681X	MG RESISTOR	680Ω 1/10W J	
R844	QRA14CF-3601Y	CMF RESISTOR	3.6kΩ 1/4W F		R1687	NRSA02J-241X	MG RESISTOR	240Ω 1/10W J	
R845	QRJ125J-4R7	UNF C RESISTOR	4.7Ω 1/2W J		R1688	NRSA02J-241X	MG RESISTOR	240Ω 1/10W J	
R846	QRL027J-100	OMF RESISTOR	10Ω 2W J		R1689	NRSA02J-913X	MG RESISTOR	91kΩ 1/10W J	
R1601	QRV12DF-1000	CMF RESISTOR	100Ω 1/2W F		R1690	NRSA02J-913X	MG RESISTOR	91kΩ 1/10W J	
R1602	QRA14CF-1003Y	CMF RESISTOR	100kΩ 1/4W F		R1691	NRSA02J-182X	MG RESISTOR	1.8kΩ 1/10W J	
R1603	QRE141J-102Y	C RESISTOR	1kΩ 1/4W J		R1692	NRSA02J-182X	MG RESISTOR	1.8kΩ 1/10W J	
R1604	QRE141J-331Y	C RESISTOR	330Ω 1/4W J		R1693	QRJ125J-4R7	UNF C RESISTOR	4.7Ω 1/2W J	
R1605	QRE141J-104Y	C RESISTOR	100kΩ 1/4W J		R1694	QRL027J-100	OMF RESISTOR	10Ω 2W J	
R1606	QRE141J-202Y	C RESISTOR	2kΩ 1/4W J		R1695	QRA14CF-1003Y	CMF RESISTOR	100kΩ 1/4W F	
R1607	QRE141J-202Y	C RESISTOR	2kΩ 1/4W J		R1696	QRA14CF-3601Y	CMF RESISTOR	3.6kΩ 1/4W F	
R1608	QRE141J-101Y	C RESISTOR	100Ω 1/4W J		R1701	QRZ0133-101	C.RES RMA	100Ω	
R1609	QRJ146J-151X	UNF C RESISTOR	150Ω 1/4W J		R1702	QRA14CF-1003Y	CMF RESISTOR	100kΩ 1/4W F	
R1610	QRJ146J-562X	UNF C RESISTOR	5.6kΩ 1/4W J		R1703	QRE141J-102Y	C RESISTOR	1kΩ 1/4W J	
R1611	QRK126J-103X	UNF C RESISTOR	10kΩ 1/2W J		R1704	QRE141J-331Y	C RESISTOR	330Ω 1/4W J	
R1612	QRE141J-680Y	C RESISTOR	68Ω 1/4W J		R1705	QRE141J-104Y	C RESISTOR	100kΩ 1/4W J	
R1613	QRE141J-152Y	C RESISTOR	1.5kΩ 1/4W J		R1706	QRE141J-202Y	C RESISTOR	2kΩ 1/4W J	
R1614	QRE141J-333Y	C RESISTOR	33kΩ 1/4W J		R1707	QRE141J-202Y	C RESISTOR	2kΩ 1/4W J	
R1616	QRE141J-680Y	C RESISTOR	68Ω 1/4W J		R1708	QRE141J-101Y	C RESISTOR	100Ω 1/4W J	
R1617	QRE141J-331Y	C RESISTOR	330Ω 1/4W J		R1709	QRJ146J-151X	UNF C RESISTOR	150Ω 1/4W J	
R1618	QRE141J-471Y	C RESISTOR	470Ω 1/4W J		R1710	QRJ146J-562X	UNF C RESISTOR	5.6kΩ 1/4W J	
R1619	QRE141J-391Y	C RESISTOR	390Ω 1/4W J		R1711	QRK126J-103X	UNF C RESISTOR	10kΩ 1/2W J	

△ Symbol No.	Part No.	Part Name	Description	Local	△ Symbol No.	Part No.	Part Name	Description	Local
R1712	QRE141J-680Y	C RESISTOR	68Ω 1/4W J		R1912	NRSA02J-153X	MG RESISTOR	15kΩ 1/10W J	
R1713	QRE141J-152Y	C RESISTOR	1.5kΩ 1/4W J		R1913	NRSA02J-123X	MG RESISTOR	12kΩ 1/10W J	
R1714	QRE141J-333Y	C RESISTOR	33kΩ 1/4W J		R1914	NRSA02J-104X	MG RESISTOR	100kΩ 1/10W J	
R1716	QRE141J-680Y	C RESISTOR	68Ω 1/4W J		R1921	NRSA02J-122X	MG RESISTOR	1.2kΩ 1/10W J	
R1717	QRE141J-331Y	C RESISTOR	330Ω 1/4W J		R1922	NRSA02J-153X	MG RESISTOR	15kΩ 1/10W J	
R1718	QRE141J-471Y	C RESISTOR	470Ω 1/4W J		R1923	NRSA02J-123X	MG RESISTOR	12kΩ 1/10W J	
R1719	QRE141J-391Y	C RESISTOR	390Ω 1/4W J		R1924	NRSA02J-104X	MG RESISTOR	100kΩ 1/10W J	
R1720	QRJ146J-121X	UNF C RESISTOR	120Ω 1/4W J		R1931	NRSA02J-122X	MG RESISTOR	1.2kΩ 1/10W J	
R1721	QRJ146J-121X	UNF C RESISTOR	120Ω 1/4W J		R1932	NRSA02J-153X	MG RESISTOR	15kΩ 1/10W J	
R1722	QRJ146J-272X	UNF C RESISTOR	2.7kΩ 1/4W J		R1933	NRSA02J-123X	MG RESISTOR	12kΩ 1/10W J	
R1723	QRJ146J-120X	UNF C RESISTOR	12Ω 1/4W J		R1934	NRSA02J-104X	MG RESISTOR	100kΩ 1/10W J	
R1724	QRJ146J-120X	UNF C RESISTOR	12Ω 1/4W J		R1941	NRSA02J-122X	MG RESISTOR	1.2kΩ 1/10W J	
R1725	QRJ146J-271X	UNF C RESISTOR	270Ω 1/4W J		R1942	NRSA02J-153X	MG RESISTOR	15kΩ 1/10W J	
R1726	QRJ146J-1R0X	UNF C RESISTOR	1Ω 1/4W J		R1943	NRSA02J-123X	MG RESISTOR	12kΩ 1/10W J	
R1727	QRJ146J-1R0X	UNF C RESISTOR	1Ω 1/4W J		R1944	NRSA02J-104X	MG RESISTOR	100kΩ 1/10W J	
R1728	QRZ0182-R10	EMIT.RESISTOR	0.1Ω		R1951	NRSA02J-122X	MG RESISTOR	1.2kΩ 1/10W J	
R1729	QRZ0182-R10	EMIT.RESISTOR	0.1Ω		R1952	NRSA02J-153X	MG RESISTOR	15kΩ 1/10W J	
R1732	NRSA02J-331X	MG RESISTOR	330Ω 1/10W J		R1953	NRSA02J-123X	MG RESISTOR	12kΩ 1/10W J	
R1733	NRSA02J-103X	MG RESISTOR	10kΩ 1/10W J		R1954	NRSA02J-104X	MG RESISTOR	100kΩ 1/10W J	
R1735	NRSA02J-681X	MG RESISTOR	680Ω 1/10W J		R1961	NRSA02J-122X	MG RESISTOR	1.2kΩ 1/10W J	
R1736	NRSA02J-681X	MG RESISTOR	680Ω 1/10W J		R1962	NRSA02J-153X	MG RESISTOR	15kΩ 1/10W J	
R1737	NRSA02J-241X	MG RESISTOR	240Ω 1/10W J		R1963	NRSA02J-123X	MG RESISTOR	12kΩ 1/10W J	
R1738	NRSA02J-241X	MG RESISTOR	240Ω 1/10W J		R1964	NRSA02J-104X	MG RESISTOR	100kΩ 1/10W J	
R1739	NRSA02J-913X	MG RESISTOR	91kΩ 1/10W J		R1971	NRSA02J-103X	MG RESISTOR	10kΩ 1/10W J	
R1740	NRSA02J-913X	MG RESISTOR	91kΩ 1/10W J		R1972	NRSA02J-332X	MG RESISTOR	3.3kΩ 1/10W J	
R1741	NRSA02J-182X	MG RESISTOR	1.8kΩ 1/10W J		R1973	NRSA02J-473X	MG RESISTOR	47kΩ 1/10W J	
R1742	NRSA02J-182X	MG RESISTOR	1.8kΩ 1/10W J		R1974	NRSA02J-563X	MG RESISTOR	56kΩ 1/10W J	
R1743	QRA14CF-1003Y	CMF RESISTOR	100kΩ 1/4W F		R1975	NRSA02J-683X	MG RESISTOR	68kΩ 1/10W J	
R1744	QRA14CF-3601Y	CMF RESISTOR	3.6kΩ 1/4W F		R1976	QRE141J-273Y	C RESISTOR	27kΩ 1/4W J	
R1745	QRJ125J-4R7	UNF C RESISTOR	4.7Ω 1/2W J		R1977	NRSA02J-224X	MG RESISTOR	220kΩ 1/10W J	
R1746	QRL027J-100	OMF RESISTOR	10Ω 2W J		R1978	QRE141J-223Y	C RESISTOR	22kΩ 1/4W J	
R1751	QRZ0133-101	C.RES RMA	100Ω		R1979	NRSA02J-224X	MG RESISTOR	220kΩ 1/10W J	
R1752	QRA14CF-1003Y	CMF RESISTOR	100kΩ 1/4W F		R1981	QRJ146J-4R7X	UNF C RESISTOR	4.7Ω 1/4W J	
R1753	QRE141J-102Y	C RESISTOR	1kΩ 1/4W J		VR701	QVP0008-501Z	TRIM RESISTOR	500Ω	
R1754	QRE141J-331Y	C RESISTOR	330Ω 1/4W J		VR702	QVP0008-501Z	TRIM RESISTOR	500Ω	
R1755	QRE141J-104Y	C RESISTOR	100kΩ 1/4W J		VR751	QVP0008-501Z	TRIM RESISTOR	500Ω	
R1756	QRE141J-202Y	C RESISTOR	2kΩ 1/4W J		VR752	QVP0008-501Z	TRIM RESISTOR	500Ω	
R1757	QRE141J-202Y	C RESISTOR	2kΩ 1/4W J		VR771	QVP0008-501Z	TRIM RESISTOR	500Ω	
R1758	QRE141J-101Y	C RESISTOR	100Ω 1/4W J		VR772	QVP0008-501Z	TRIM RESISTOR	500Ω	
R1759	QRJ146J-151X	UNF C RESISTOR	150Ω 1/4W J		VR801	QVP0008-501Z	TRIM RESISTOR	500Ω	
R1760	QRJ146J-562X	UNF C RESISTOR	5.6kΩ 1/4W J						
R1761	QRK126J-103X	UNF C RESISTOR	10kΩ 1/2W J		L701	QQR1339-001	COIL		
R1762	QRE141J-680Y	C RESISTOR	68Ω 1/4W J		L751	QQR1339-001	COIL		
R1763	QRE141J-152Y	C RESISTOR	1.5kΩ 1/4W J		L801	QQR1339-001	COIL		
R1764	QRE141J-333Y	C RESISTOR	33kΩ 1/4W J		L1601	QQR1339-001	COIL		
R1766	QRE141J-680Y	C RESISTOR	68Ω 1/4W J		L1651	QQR1339-001	COIL		
R1767	QRE141J-331Y	C RESISTOR	330Ω 1/4W J		L1701	QQR1339-001	COIL		
R1768	QRE141J-471Y	C RESISTOR	470Ω 1/4W J		L1751	QQR1339-001	COIL		
R1769	QRE141J-391Y	C RESISTOR	390Ω 1/4W J						
R1770	QRJ146J-121X	UNF C RESISTOR	120Ω 1/4W J		CN701	QGA3901C1-06	CONNECTOR	W-B (1-6)	
R1771	QRJ146J-121X	UNF C RESISTOR	120Ω 1/4W J		CN711	QGB2510K2-06	CONNECTOR	B-B (1-6)	
R1772	QRJ146J-272X	UNF C RESISTOR	2.7kΩ 1/4W J		CN712	QGB2012K1-07	CONNECTOR	B-B (1-7)	
R1773	QRJ146J-120X	UNF C RESISTOR	12Ω 1/4W J		CN713	QGB2012K1-06	CONNECTOR	B-B (1-6)	
R1774	QRJ146J-120X	UNF C RESISTOR	12Ω 1/4W J		CN721	QGB2510J1-06	CONNECTOR	B-B (1-6)	
R1775	QRJ146J-271X	UNF C RESISTOR	270Ω 1/4W J		CN722	QGB2012J1-07	CONNECTOR	B-B (1-7)	
R1776	QRJ146J-1R0X	UNF C RESISTOR	1Ω 1/4W J		CN723	QGB2012J1-06	CONNECTOR	B-B (1-6)	
R1777	QRJ146J-1R0X	UNF C RESISTOR	1Ω 1/4W J		CN738	QGA2501C1-03	CONNECTOR	W-B (1-3)	
R1778	QRZ0182-R10	EMIT.RESISTOR	0.1Ω		CN741	QGA3901C1-10	CONNECTOR	W-B (1-10)	
R1779	QRZ0182-R10	EMIT.RESISTOR	0.1Ω		CN742	QGA3901C1-04	CONNECTOR	W-B (1-4)	
R1782	NRSA02J-331X	MG RESISTOR	330Ω 1/10W J		CN743	QGA2001C1-09	CONNECTOR	W-B (1-9)	
R1783	NRSA02J-103X	MG RESISTOR	10kΩ 1/10W J		CN751	QGB2510K2-06	CONNECTOR	B-B (1-6)	
R1785	NRSA02J-681X	MG RESISTOR	680Ω 1/10W J		CN752	QGB2012K1-07	CONNECTOR	B-B (1-7)	
R1786	NRSA02J-681X	MG RESISTOR	680Ω 1/10W J		CN753	QGB2012K1-06	CONNECTOR	B-B (1-6)	
R1787	NRSA02J-241X	MG RESISTOR	240Ω 1/10W J		CN761	QGB2510J1-06	CONNECTOR	B-B (1-6)	
R1788	NRSA02J-241X	MG RESISTOR	240Ω 1/10W J		CN762	QGB2012J1-07	CONNECTOR	B-B (1-7)	
R1789	NRSA02J-913X	MG RESISTOR	91kΩ 1/10W J		CN763	QGB2012J1-06	CONNECTOR	B-B (1-6)	
R1790	NRSA02J-913X	MG RESISTOR	91kΩ 1/10W J		CN771	QGB2510K2-06	CONNECTOR	B-B (1-6)	
R1791	NRSA02J-182X	MG RESISTOR	1.8kΩ 1/10W J		CN772	QGB2012K1-06	CONNECTOR	B-B (1-6)	
R1792	NRSA02J-182X	MG RESISTOR	1.8kΩ 1/10W J		CN773	QGB2012K1-07	CONNECTOR	B-B (1-7)	
R1793	QRA14CF-1003Y	CMF RESISTOR	100kΩ 1/4W F		CN781	QGB2510J1-06	CONNECTOR	B-B (1-6)	
R1794	QRA14CF-3601Y	CMF RESISTOR	3.6kΩ 1/4W F		CN782	QGB2012J1-06	CONNECTOR	B-B (1-6)	
R1795	QRJ125J-4R7	UNF C RESISTOR	4.7Ω 1/2W J		CN783	QGB2012J1-07	CONNECTOR	B-B (1-7)	
R1796	QRL027J-100	OMF RESISTOR	10Ω 2W J		CN811	QGB1214K1-08S	CONNECTOR	B-B (1-8)	
R1901	NRSA02J-122X	MG RESISTOR	1.2kΩ 1/10W J		CN812	QGB2012K1-06	CONNECTOR	B-B (1-6)	
R1902	NRSA02J-153X	MG RESISTOR	15kΩ 1/10W J		CN813	QGB2012K1-06	CONNECTOR	B-B (1-6)	
R1903	NRSA02J-123X	MG RESISTOR	12kΩ 1/10W J		CN821	QGB1214J1-08S	CONNECTOR	B-B (1-8)	
R1904	NRSA02J-104X	MG RESISTOR	100kΩ 1/10W J		CN822	QGB2012J1-06	CONNECTOR	B-B (1-6)	
R1911	NRSA02J-122X	MG RESISTOR	1.2kΩ 1/10W J		CN823	QGB2012J1-06	CONNECTOR	B-B (1-6)	

△ Symbol No.	Part No.	Part Name	Description	Local	△ Symbol No.	Part No.	Part Name	Description	Local
EP701	QNZ0136-001Z	EARTH PLATE			IC272	NJM4580E-W	IC	Ope amp.	
HS701	LV43256-001A	HEAT SINK			IC281	NJM4580E-W	IC	Ope amp.	
HS702	LV43256-001A	HEAT SINK			IC282	NJM2903M-XE	IC		
RY751	QSK0112-001	RELAY			IC283	NJM78L05A-T	IC		
RY901	QSK0109-001	RELAY			IC321	TC9163AF-X	IC		
RY902	QSK0109-001	RELAY			IC322	TC9163AF-X	IC		
RY903	QSK0109-001	RELAY			IC381	BA15218N	IC	Dual Ope. Amp.	
RY904	QSK0109-001	RELAY			IC382	BA15218N	IC	Dual Ope. Amp.	
RY905	QSK0109-001	RELAY			IC401	NJM2286V-W	IC		
RY906	QSK0149-001	RELAY			IC402	MM1118XF-X	IC		
ST901	QNB0110-001	SPK TERMINAL			IC403	MM1118XF-X	IC		
ST902	QNB0109-001	SPK TERMINAL			IC404	NJM2286V-W	IC		
ST903	QNB0108-001	SPK TERMINAL			IC405	LC74761M-9847-X	IC		
TH701	QAD0010-351	THERMISTOR	350Ω		IC441	NJM2286V-W	IC		
TH702	QAD0010-351	THERMISTOR	350Ω		IC461	NJM2286V-W	IC		
TH703	QAD0010-351	THERMISTOR	350Ω		IC462	MM1118XF-X	IC		
TH704	QAD0010-351	THERMISTOR	350Ω		IC463	MM1118XF-X	IC		
TH705	QAD0010-351	THERMISTOR	350Ω		IC464	NJM2285V-W	IC		
TH706	QAD0010-351	THERMISTOR	350Ω		IC465	NJM2283V-W	IC		
TH751	QAD0010-351	THERMISTOR	350Ω		IC466	MM1118XF-X	IC		
TH752	QAD0010-351	THERMISTOR	350Ω		IC467	MM1118XF-X	IC		
TH753	QAD0010-351	THERMISTOR	350Ω		IC468	NJM2283V-W	IC		
TH754	QAD0010-351	THERMISTOR	350Ω						
TH755	QAD0010-351	THERMISTOR	350Ω		IC471	BU4051BC	IC	Analog multiplexers/DE multiplexers	
TH756	QAD0010-351	THERMISTOR	350Ω						
TH771	QAD0010-351	THERMISTOR	350Ω		IC483	NJM2509V-W	IC		
TH772	QAD0010-351	THERMISTOR	350Ω		IC491	NJM2286V-W	IC		
TH773	QAD0010-351	THERMISTOR	350Ω		IC492	NJM2283V-W	IC		
TH774	QAD0010-351	THERMISTOR	350Ω						
TH775	QAD0010-351	THERMISTOR	350Ω		Q201	2SK170/L-T	FET		
TH776	QAD0010-351	THERMISTOR	350Ω		Q202	2SK170/L-T	FET		
TH801	QAD0010-351	THERMISTOR	350Ω		Q203	2SK170/L-T	FET		
TH802	QAD0010-351	THERMISTOR	350Ω		Q204	2SK170/L-T	FET		
TH803	QAD0010-351	THERMISTOR	350Ω		Q205	2SA970/GL-T	TRANSISTOR		
TW701	QUB050-40FMQP	LUG WIRE			Q206	2SA970/GL-T	TRANSISTOR		
TW702	QUB111-32PPPP	SIN TWIST WIRE			Q207	KRC105M-T	DIGI TRANSISTOR		
WR701	WJK0159-001A	E-SI C WIRE C-B			Q209	2SK2980-X	MOS FET		
WR702	QJK016-033603	SIN CR C-B WIRE			Q210	2SK2980-X	MOS FET		
WR703	QJK016-053800	SIN CR C-B WIRE			Q211	DTC123JKA-X	CHIP D.TRANSISTOR		
WR711	WJK0139-001A	E-SI C WIRE C-B			Q212	KRA107S-X	TRANSISTOR		
WR712	WJK0139-001A	E-SI C WIRE C-B			Q213	2SC1740S/RS/-T	TRANSISTOR		
WR713	WJK0139-002A	E-SI C WIRE C-B			Q214	2SA933S/RS/-T	TRANSISTOR		
WR714	WJK0139-003A	E-SI C WIRE C-B			Q271	2SD468/BC/-T	TRANSISTOR		
WR715	WJK0139-002A	E-SI C WIRE C-B			Q272	2SD468/BC/-T	TRANSISTOR		
WR716	WJK0140-001A	E-SI C WIRE C-B			Q291	2SC3576-JVC-T	TRANSISTOR		
WR717	WJK0140-002A	E-SI C WIRE C-B			Q292	2SC3576-JVC-T	TRANSISTOR		
WR731	WJK0149-001A	E-SI C WIRE C-B			Q293	2SC3576-JVC-T	TRANSISTOR		
WR736	WJK0150-001A	E-SI C WIRE C-B			Q294	2SD2144S/VW/-T	TRANSISTOR		

## Input board

Block No. [0][2][0][0]

△ Symbol No.	Part No.	Part Name	Description	Local
IC201	NJM4580E-W	IC	Ope amp.	
IC202	TC9164AF-X	IC		
IC203	TC9164AF-X	IC		
IC204	NJM5532M-D-XE	IC		
IC211	TC9162AF-X	IC	Analog switch	
IC212	TC9162AF-X	IC	Analog switch	
IC213	TC9162AF-X	IC	Analog switch	
IC221	TC9459F-X	IC		
IC222	TC9459F-X	IC		
IC223	TC9459F-X	IC		
IC224	TC9459F-X	IC		
IC241	NJM4580E-W	IC	Ope amp.	
IC251	NJM5532M-D-XE	IC		
IC252	NJM5532M-D-XE	IC		
IC253	NJM5532M-D-XE	IC		
IC254	NJM5532M-D-XE	IC		
IC261	NJM4580E-W	IC	Ope amp.	
IC262	TC9459F-X	IC		
IC263	NJM4580E-W	IC	Ope amp.	
IC271	NJM5532M-D-XE	IC		

△ Symbol No.	Part No.	Part Name	Description	Local	△ Symbol No.	Part No.	Part Name	Description	Local
Q2041	2SC3576-JVC-T	TRANSISTOR			C209	QFN31HJ-472Z	M CAPACITOR	4700pF 50V J	
Q2042	2SC3576-JVC-T	TRANSISTOR			C210	QFN31HJ-472Z	M CAPACITOR	4700pF 50V J	
Q2043	KRA107S-X	TRANSISTOR			C211	QFN31HJ-103Z	M CAPACITOR	0.01uF 50V J	
Q2111	KTC3199/GLJ-T	TRANSISTOR			C212	QFN31HJ-103Z	M CAPACITOR	0.01uF 50V J	
Q2112	DTC144ESA-T	DIGI TRANSISTOR			C213	NCS31HJ-470X	C CAPACITOR	47pF 50V J	
Q2311	KRC102M-T	DIGI TRANSISTOR			C214	NCS31HJ-470X	C CAPACITOR	47pF 50V J	
Q2312	KRA102M-T	DIGI TRANSISTOR			C215	QCS31HJ-221Z	C CAPACITOR	220pF 50V J	
Q2501	KTC3199/GLJ-T	TRANSISTOR			C216	QCS31HJ-221Z	C CAPACITOR	220pF 50V J	
Q4601	KTA1267/YG/T	TRANSISTOR			C217	QETN0JM-228Z	E CAPACITOR	2200uF 6.3V M	
Q4602	KTC3199/GLJ-T	TRANSISTOR			C218	QETN0JM-228Z	E CAPACITOR	2200uF 6.3V M	
Q4603	KTA1267/YG/T	TRANSISTOR			C219	QTE1H44-226Z	E CAPACITOR	22uF 50V	
Q4604	KTC3199/GLJ-T	TRANSISTOR			C220	QTE1H44-226Z	E CAPACITOR	22uF 50V	
Q4605	KTA1267/YG/T	TRANSISTOR			C221	QETN1HM-226Z	E CAPACITOR	22uF 50V M	
Q4607	KTA1267/YG/T	TRANSISTOR			C222	QETN1HM-226Z	E CAPACITOR	22uF 50V M	
Q4611	KTA1267/YG/T	TRANSISTOR			C223	QETN1EM-477Z	E CAPACITOR	470uF 25V M	
Q4612	KTC3199/GLJ-T	TRANSISTOR			C224	QETN1EM-477Z	E CAPACITOR	470uF 25V M	
Q4613	KTA1267/YG/T	TRANSISTOR			C225	QETN1HM-105Z	E CAPACITOR	1uF 50V M	
Q4614	KTC3199/GLJ-T	TRANSISTOR			C231	QEZ0538-476Z	C CAPACITOR	47uF	
Q4615	KTA1267/YG/T	TRANSISTOR			C232	QEZ0538-476Z	C CAPACITOR	47uF	
Q4617	KTA1267/YG/T	TRANSISTOR			C235	NCB31HK-561X	C CAPACITOR	560pF 50V K	
Q4620	DTC143TKA-X	DIGI TRANSISTOR			C241	QTE1H44-226Z	E CAPACITOR	22uF 50V	
Q4621	DTC143TKA-X	DIGI TRANSISTOR			C242	QTE1H44-226Z	E CAPACITOR	22uF 50V	
Q4622	DTC114YKA-X	DIGI TRANSISTOR			C243	QTE1H44-226Z	E CAPACITOR	22uF 50V	
Q4623	DTC114YKA-X	DIGI TRANSISTOR			C244	QTE1H44-226Z	E CAPACITOR	22uF 50V	
Q4624	DTC143TKA-X	DIGI TRANSISTOR			C245	QEZ0630-476	E.CAPA AWF	47uF	
Q4625	DTC143TKA-X	DIGI TRANSISTOR			C246	QEZ0630-476	E.CAPA AWF	47uF	
Q4626	DTC114YKA-X	DIGI TRANSISTOR			C271	QEZ0538-106Z	E CAPACITOR	10uF	
Q4627	DTC114YKA-X	DIGI TRANSISTOR			C272	QEZ0538-106Z	E CAPACITOR	10uF	
Q4628	2SA1037AK/RS/-X	TRANSISTOR			C273	QETN1HM-105Z	E CAPACITOR	1uF 50V M	
Q4629	DTA144WKA-X	TRANSISTOR			C274	QETN1HM-105Z	E CAPACITOR	1uF 50V M	
Q4630	2SA1037AK/RS/-X	TRANSISTOR			C275	NCB31HK-561X	C CAPACITOR	560pF 50V K	
Q4631	2SA1037AK/RS/-X	TRANSISTOR			C276	QETN1EM-226Z	E CAPACITOR	22uF 25V M	
Q4701	KRC102S-X	DIGI TRANSISTOR			C277	QETN1EM-226Z	E CAPACITOR	22uF 25V M	
Q4702	KRC102S-X	DIGI TRANSISTOR			C278	QETN1EM-476Z	E CAPACITOR	47uF 25V M	
Q4703	KRC102S-X	DIGI TRANSISTOR			C280	NCB31HK-561X	C CAPACITOR	560pF 50V K	
Q4704	KTC3199/GLJ-T	TRANSISTOR			C281	QEZ0538-476Z	C CAPACITOR	47uF	
Q4705	KTC3199/GLJ-T	TRANSISTOR			C282	QEZ0538-476Z	C CAPACITOR	47uF	
Q4706	KTC3199/GLJ-T	TRANSISTOR			C285	NCB31HK-561X	C CAPACITOR	560pF 50V K	
Q4707	KTA1267/YG/T	TRANSISTOR			C291	QTE1H44-226Z	E CAPACITOR	22uF 50V	
					C292	QTE1H44-226Z	E CAPACITOR	22uF 50V	
D291	1SS133-T2	DIODE			C293	QTE1H44-226Z	E CAPACITOR	22uF 50V	
D292	1SS133-T2	DIODE			C294	QTE1H44-226Z	E CAPACITOR	22uF 50V	
D401	1SS133-T2	DIODE			C295	QTE1H44-226Z	E CAPACITOR	22uF 50V	
D402	1SS133-T2	DIODE			C296	QTE1H44-226Z	E CAPACITOR	22uF 50V	
D403	1SS133-T2	DIODE			C297	QTE1H44-226Z	E CAPACITOR	22uF 50V	
D404	1SS133-T2	DIODE			C298	QTE1H44-226Z	E CAPACITOR	22uF 50V	
D405	1SS133-T2	DIODE			C301	QETN1HM-226Z	E CAPACITOR	22uF 50V M	
D461	1SS133-T2	DIODE			C302	QETN1HM-106Z	E CAPACITOR	10uF 50V M	
D462	1SS133-T2	DIODE			C311	NCS31HJ-221X	C CAPACITOR	220pF 50V J	
D463	1SS133-T2	DIODE			C312	NCS31HJ-221X	C CAPACITOR	220pF 50V J	
D464	1SS133-T2	DIODE			C313	NCS31HJ-221X	C CAPACITOR	220pF 50V J	
D465	1SS133-T2	DIODE			C314	NCS31HJ-221X	C CAPACITOR	220pF 50V J	
D466	1SS133-T2	DIODE			C315	NCS31HJ-221X	C CAPACITOR	220pF 50V J	
D467	1SS133-T2	DIODE			C316	NCS31HJ-221X	C CAPACITOR	220pF 50V J	
D468	1SS133-T2	DIODE			C341	QEZ0538-106Z	E CAPACITOR	10uF	
D469	1SS133-T2	DIODE			C342	QEZ0538-106Z	E CAPACITOR	10uF	
D470	1SS133-T2	DIODE			C343	NCB31HK-223X	C CAPACITOR	0.022uF 50V K	
D2111	1SS355-X	SI DIODE			C344	NCB31HK-223X	C CAPACITOR	0.022uF 50V K	
D2121	1SS355-X	SI DIODE			C345	NCB31HK-561X	C CAPACITOR	560pF 50V K	
D2122	1SS355-X	SI DIODE			C361	QETN1HM-105Z	E CAPACITOR	1uF 50V M	
D2123	MTZJ5.1C-T2	Z DIODE			C363	QETN1HM-226Z	E CAPACITOR	22uF 50V M	
D2501	1SS355-X	SI DIODE			C365	QETN1HM-226Z	E CAPACITOR	22uF 50V M	
D2502	1SS355-X	SI DIODE			C369	QETN1HM-226Z	E CAPACITOR	22uF 50V M	
D2503	1SS355-X	SI DIODE			C401	QETN1HM-105Z	E CAPACITOR	1uF 50V M	
D2504	1SS355-X	SI DIODE			C402	QETN0JM-477Z	E CAPACITOR	470uF 6.3V M	
D2505	1SS355-X	SI DIODE			C403	QETN1HM-105Z	E CAPACITOR	1uF 50V M	
D2506	1SS355-X	SI DIODE			C404	QETN0JM-477Z	E CAPACITOR	470uF 6.3V M	
D2507	1SS355-X	SI DIODE			C405	QETN1HM-105Z	E CAPACITOR	1uF 50V M	
D2508	1SS355-X	SI DIODE			C406	QETN1HM-105Z	E CAPACITOR	1uF 50V M	
					C407	QETN0JM-477Z	E CAPACITOR	470uF 6.3V M	
C201	NCS31HJ-101X	C CAPACITOR	100pF 50V J		C408	QETN1EM-476Z	E CAPACITOR	47uF 25V M	
C202	NCS31HJ-101X	C CAPACITOR	100pF 50V J		C409	NCB31HK-103X	C CAPACITOR	0.01uF 50V K	
C203	NCS31HJ-102X	C CAPACITOR	1000pF 50V J		C410	QETN1HM-105Z	E CAPACITOR	1uF 50V M	
C204	NCS31HJ-102X	C CAPACITOR	1000pF 50V J		C411	QETN1HM-105Z	E CAPACITOR	1uF 50V M	
C205	QFN31HJ-562Z	M CAPACITOR	5600pF 50V J		C412	QETN1HM-105Z	E CAPACITOR	1uF 50V M	
C206	QFN31HJ-562Z	M CAPACITOR	5600pF 50V J		C413	QETN1HM-105Z	E CAPACITOR	1uF 50V M	
C207	QFN31HJ-682Z	M CAPACITOR	6800pF 50V J		C414	QETN1EM-476Z	E CAPACITOR	47uF 25V M	
C208	QFN31HJ-682Z	M CAPACITOR	6800pF 50V J		C415	NCB31HK-103X	C CAPACITOR	0.01uF 50V K	



△ Symbol No.	Part No.	Part Name	Description	Local	△ Symbol No.	Part No.	Part Name	Description	Local
C417	QETN1EM-476Z	E CAPACITOR	47uF 25V M		C2213	NCB31HK-223X	C CAPACITOR	0.022uF 50V K	
C418	NCB31HK-103X	C CAPACITOR	0.01uF 50V K		C2221	NCB31HK-223X	C CAPACITOR	0.022uF 50V K	
C419	QETN1HM-105Z	E CAPACITOR	1uF 50V M		C2222	NCB31HK-223X	C CAPACITOR	0.022uF 50V K	
C421	QETN1HM-105Z	E CAPACITOR	1uF 50V M		C2230	NCB31HK-223X	C CAPACITOR	0.022uF 50V K	
C422	QETN1HM-105Z	E CAPACITOR	1uF 50V M		C2231	NCB31HK-223X	C CAPACITOR	0.022uF 50V K	
C423	QETN1EM-476Z	E CAPACITOR	47uF 25V M		C2251	QTE1H44-226Z	E CAPACITOR	22uF 50V	
C424	NCB31HK-103X	C CAPACITOR	0.01uF 50V K		C2252	QTE1H44-226Z	E CAPACITOR	22uF 50V	
C425	QETN1HM-105Z	E CAPACITOR	1uF 50V M		C2265	QTE1K44-106Z	E CAPACITOR	10uF 80V	
C427	QETN1AM-477Z	E CAPACITOR	470uF 10V M		C2266	QTE1K44-106Z	E CAPACITOR	10uF 80V	
C428	NCB31HK-103X	C CAPACITOR	0.01uF 50V K		C2267	QEZO538-476Z	C CAPACITOR	47uF	
C430	NCS31HJ-100X	C CAPACITOR	10pF 50V J		C2268	QEZO538-476Z	C CAPACITOR	47uF	
C431	NCB31HK-102X	C CAPACITOR	1000pF 50V K		C2301	NCB31HK-562X	C CAPACITOR	5600pF 50V K	
C432	NCS31HJ-271X	C CAPACITOR	270pF 50V J		C2302	NCB31HK-562X	C CAPACITOR	5600pF 50V K	
C433	NCS31HJ-121X	C CAPACITOR	120pF 50V J		C2319	NCS31HJ-101X	C CAPACITOR	100pF 50V J	
C434	QETN1HM-105Z	E CAPACITOR	1uF 50V M		C2320	NCS31HJ-101X	C CAPACITOR	100pF 50V J	
C436	QETN1HM-105Z	E CAPACITOR	1uF 50V M		C2401	QTE1H44-226Z	E CAPACITOR	22uF 50V	
C438	QENC1HM-105Z	BP E CAPACITOR	1uF 50V M		C2402	QTE1H44-226Z	E CAPACITOR	22uF 50V	
C439	QFN31HJ-223Z	M CAPACITOR	0.022uF 50V J		C2403	QTE1H44-226Z	E CAPACITOR	22uF 50V	
C440	NCS31HJ-240X	C CAPACITOR	24pF 50V J		C2404	QTE1H44-226Z	E CAPACITOR	22uF 50V	
C441	NCS31HJ-390X	C CAPACITOR	39pF 50V J		C2405	QEZO630-476	E.CAPA AWF	47uF	
C442	QETN1HM-474Z	E CAPACITOR	0.47uF 50V M		C2406	QEZO630-476	E.CAPA AWF	47uF	
C443	NCS31HJ-470X	C CAPACITOR	47pF 50V J		C2411	QTE1H44-106Z	E CAPACITOR	10uF 50V	
C444	NCS31HJ-470X	C CAPACITOR	47pF 50V J		C2412	QTE1H44-106Z	E CAPACITOR	10uF 50V	
C445	NCS31HJ-470X	C CAPACITOR	47pF 50V J		C2413	QTE1H44-106Z	E CAPACITOR	10uF 50V	
C446	QFN31HJ-682Z	M CAPACITOR	6800pF 50V J		C2414	QTE1H44-106Z	E CAPACITOR	10uF 50V	
C447	NCS31HJ-121X	C CAPACITOR	120pF 50V J		C2415	QEZO538-106Z	E CAPACITOR	10uF	
C448	NCS31HJ-121X	C CAPACITOR	120pF 50V J		C2416	QEZO538-106Z	E CAPACITOR	10uF	
C450	NCB31HK-103X	C CAPACITOR	0.01uF 50V K		C2417	QFVJ1HJ-223Z	MF CAPACITOR	0.022uF 50V J	
C451	QETN1AM-477Z	E CAPACITOR	470uF 10V M		C2418	QFVJ1HJ-223Z	MF CAPACITOR	0.022uF 50V J	
C2001	QEZO538-476Z	C CAPACITOR	47uF		C2419	QFVJ1HJ-223Z	MF CAPACITOR	0.022uF 50V J	
C2002	QEZO538-476Z	C CAPACITOR	47uF		C2420	QFVJ1HJ-223Z	MF CAPACITOR	0.022uF 50V J	
C2005	NCB31HK-561X	C CAPACITOR	560pF 50V K		C2501	QETN1HM-226Z	E CAPACITOR	22uF 50V M	
C2011	QETN1HM-106Z	E CAPACITOR	10uF 50V M		C2502	QETN1HM-226Z	E CAPACITOR	22uF 50V M	
C2012	QETN1HM-106Z	E CAPACITOR	10uF 50V M		C2503	QETN1CM-107Z	E CAPACITOR	100uF 16V M	
C2013	QETN1HM-106Z	E CAPACITOR	10uF 50V M		C2504	QETN1CM-107Z	E CAPACITOR	100uF 16V M	
C2014	QETN1HM-106Z	E CAPACITOR	10uF 50V M		C4001	QETN0JM-477Z	E CAPACITOR	470uF 6.3V M	
C2015	QETN1EM-476Z	E CAPACITOR	47uF 25V M		C4002	QETN1EM-476Z	E CAPACITOR	47uF 25V M	
C2016	QETN1EM-476Z	E CAPACITOR	47uF 25V M		C4003	NCB31HK-103X	C CAPACITOR	0.01uF 50V K	
C2025	NCB31HK-223X	C CAPACITOR	0.022uF 50V K		C4004	QETN1HM-105Z	E CAPACITOR	1uF 50V M	
C2026	NCB31HK-223X	C CAPACITOR	0.022uF 50V K		C4005	QETN1HM-105Z	E CAPACITOR	1uF 50V M	
C2028	QETN1HM-226Z	E CAPACITOR	22uF 50V M		C4006	QETN1HM-105Z	E CAPACITOR	1uF 50V M	
C2031	QETN1HM-475Z	E CAPACITOR	4.7uF 50V M		C4007	NCS31HJ-470X	C CAPACITOR	47pF 50V J	
C2032	QETN1HM-475Z	E CAPACITOR	4.7uF 50V M		C4501	NCF31HZ-103X	C CAPACITOR	0.01uF 50V Z	
C2033	QETN1HM-475Z	E CAPACITOR	4.7uF 50V M		C4502	QETN1HM-105Z	E CAPACITOR	1uF 50V M	
C2034	QETN1HM-475Z	E CAPACITOR	4.7uF 50V M		C4503	NCF31HZ-473X	C CAPACITOR	0.047uF 50V Z	
C2035	QETN1EM-476Z	E CAPACITOR	47uF 25V M		C4504	QETN0JM-477Z	E CAPACITOR	470uF 6.3V M	
C2036	QETN1EM-476Z	E CAPACITOR	47uF 25V M		C4505	NCF31HZ-103X	C CAPACITOR	0.01uF 50V Z	
C2042	QETN1HM-226Z	E CAPACITOR	22uF 50V M		C4506	QETN1HM-105Z	E CAPACITOR	1uF 50V M	
C2053	QTE1K44-106Z	E CAPACITOR	10uF 80V		C4507	NCF31HZ-473X	C CAPACITOR	0.047uF 50V Z	
C2054	QTE1K44-106Z	E CAPACITOR	10uF 80V		C4508	QETN0JM-477Z	E CAPACITOR	470uF 6.3V M	
C2055	QEZO629-107	E.CAPA AWF	100uF		C4509	NCF31HZ-103X	C CAPACITOR	0.01uF 50V Z	
C2056	QEZO629-107	E.CAPA AWF	100uF		C4510	QETN1HM-105Z	E CAPACITOR	1uF 50V M	
C2061	QTE1K44-106Z	E CAPACITOR	10uF 80V		C4511	NCF31HZ-103X	C CAPACITOR	0.01uF 50V Z	
C2062	QTE1K44-106Z	E CAPACITOR	10uF 80V		C4512	QETN1HM-105Z	E CAPACITOR	1uF 50V M	
C2063	QEZO629-107	E.CAPA AWF	100uF		C4513	NCS31HJ-102X	C CAPACITOR	1000pF 50V J	
C2064	QEZO629-107	E.CAPA AWF	100uF		C4514	QETN0JM-477Z	E CAPACITOR	470uF 6.3V M	
C2069	QTE1K44-106Z	E CAPACITOR	10uF 80V		C4515	QETN1HM-105Z	E CAPACITOR	1uF 50V M	
C2070	QTE1K44-106Z	E CAPACITOR	10uF 80V		C4516	NCF31HZ-103X	C CAPACITOR	0.01uF 50V Z	
C2071	QEZO629-107	E.CAPA AWF	100uF		C4521	NCF31HZ-473X	C CAPACITOR	0.047uF 50V Z	
C2072	QEZO629-107	E.CAPA AWF	100uF		C4522	NCB31HK-103X	C CAPACITOR	0.01uF 50V K	
C2077	QTE1K44-106Z	E CAPACITOR	10uF 80V		C4523	NCF31HZ-473X	C CAPACITOR	0.047uF 50V Z	
C2078	QTE1K44-106Z	E CAPACITOR	10uF 80V		C4524	NCB31HK-103X	C CAPACITOR	0.01uF 50V K	
C2079	QEZO629-107	E.CAPA AWF	100uF		C4525	NCF31HZ-473X	C CAPACITOR	0.047uF 50V Z	
C2080	QEZO629-107	E.CAPA AWF	100uF		C4526	NCB31HK-103X	C CAPACITOR	0.01uF 50V K	
C2101	QEZO538-106Z	E CAPACITOR	10uF		C4527	NCF31HZ-473X	C CAPACITOR	0.047uF 50V Z	
C2102	QEZO538-106Z	E CAPACITOR	10uF		C4528	NCB31HK-103X	C CAPACITOR	0.01uF 50V K	
C2103	NCB31HK-223X	C CAPACITOR	0.022uF 50V K		C4529	NCB31HK-103X	C CAPACITOR	0.01uF 50V K	
C2104	NCB31HK-223X	C CAPACITOR	0.022uF 50V K		C4531	NCS31HJ-470X	C CAPACITOR	47pF 50V J	
C2105	NCB31HK-561X	C CAPACITOR	560pF 50V K		C4532	NCS31HJ-470X	C CAPACITOR	47pF 50V J	
C2111	QETN1EM-106Z	E CAPACITOR	10uF 25V M		C4533	NCS31HJ-470X	C CAPACITOR	47pF 50V J	
C2112	QETN1EM-106Z	E CAPACITOR	10uF 25V M		C4534	NCS31HJ-470X	C CAPACITOR	47pF 50V J	
C2113	QETN1EM-106Z	E CAPACITOR	10uF 25V M		C4535	NCS31HJ-101X	C CAPACITOR	100pF 50V J	
C2114	QETN1EM-106Z	E CAPACITOR	10uF 25V M		C4536	NCS31HJ-101X	C CAPACITOR	100pF 50V J	
C2115	QETN1EM-106Z	E CAPACITOR	10uF 25V M		C4601	QETN1EM-476Z	E CAPACITOR	47uF 25V M	
C2116	QETN1EM-106Z	E CAPACITOR	10uF 25V M		C4602	NCB31HK-103X	C CAPACITOR	0.01uF 50V K	
C2203	NCB31HK-223X	C CAPACITOR	0.022uF 50V K		C4603	QETN1HM-105Z	E CAPACITOR	1uF 50V M	
C2204	NCB31HK-223X	C CAPACITOR	0.022uF 50V K		C4604	QETN1HM-105Z	E CAPACITOR	1uF 50V M	
C2212	NCB31HK-223X	C CAPACITOR	0.022uF 50V K		C4605	QETN1HM-105Z	E CAPACITOR	1uF 50V M	

△ Symbol No.	Part No.	Part Name	Description	Local	△ Symbol No.	Part No.	Part Name	Description	Local
C4606	QETN1EM-476Z	E CAPACITOR	47uF 25V M		R227	NRSA63J-472X	MG RESISTOR	4.7kΩ 1/16W J	
C4607	NCB31HK-103X	C CAPACITOR	0.01uF 50V K		R228	NRSA63J-103X	MG RESISTOR	10kΩ 1/16W J	
C4608	QETN1HM-105Z	E CAPACITOR	1uF 50V M		R229	NRSA63J-0R0X	MG RESISTOR	0Ω 1/16W J	
C4609	QETN1EM-476Z	E CAPACITOR	47uF 25V M		R230	NRSA63J-0R0X	MG RESISTOR	0Ω 1/16W J	
C4610	NCB31HK-103X	C CAPACITOR	0.01uF 50V K		R231	NRSA63J-271X	MG RESISTOR	270Ω 1/16W J	
C4611	QETN1HM-105Z	E CAPACITOR	1uF 50V M		R232	NRSA63J-271X	MG RESISTOR	270Ω 1/16W J	
C4613	QETN1HM-105Z	E CAPACITOR	1uF 50V M		R233	NRSA63J-270X	MG RESISTOR	27Ω 1/16W J	
C4615	QETN1EM-476Z	E CAPACITOR	47uF 25V M		R234	NRSA63J-270X	MG RESISTOR	27Ω 1/16W J	
C4616	NCB31HK-103X	C CAPACITOR	0.01uF 50V K		R235	NRSA63J-103X	MG RESISTOR	10kΩ 1/16W J	
C4618	QETN1HM-105Z	E CAPACITOR	1uF 50V M		R236	NRSA63J-103X	MG RESISTOR	10kΩ 1/16W J	
C4619	NCS31HJ-330X	C CAPACITOR	33pF 50V J		R237	NRSA63J-184X	MG RESISTOR	180kΩ 1/16W J	
C4620	QETN1AM-107Z	E CAPACITOR	100uF 10V M		R238	NRSA63J-184X	MG RESISTOR	180kΩ 1/16W J	
C4621	QETN1EM-476Z	E CAPACITOR	47uF 25V M		R239	NRSA63J-163X	MG RESISTOR	16kΩ 1/16W J	
C4622	NCB31HK-103X	C CAPACITOR	0.01uF 50V K		R240	NRSA63J-163X	MG RESISTOR	16kΩ 1/16W J	
C4623	NCF31HZ-103X	C CAPACITOR	0.01uF 50V Z		R241	NRSA63J-475X	MG RESISTOR	4.7MΩ 1/16W J	
C4624	NCF31AZ-105X	C CAPACITOR	1uF 10V Z		R242	NRSA63J-475X	MG RESISTOR	4.7MΩ 1/16W J	
C4625	NCF31AZ-105X	C CAPACITOR	1uF 10V Z		R243	NRSA63J-475X	MG RESISTOR	4.7MΩ 1/16W J	
C4626	QETN1EM-476Z	E CAPACITOR	47uF 25V M		R244	NRSA63J-475X	MG RESISTOR	4.7MΩ 1/16W J	
C4627	NCB31HK-103X	C CAPACITOR	0.01uF 50V K		R245	NRSA63J-125X	MG RESISTOR	1MΩ 1/16W J	
C4628	NCF31AZ-105X	C CAPACITOR	1uF 10V Z		R246	NRSA63J-125X	MG RESISTOR	1MΩ 1/16W J	
C4629	QETN1EM-476Z	E CAPACITOR	47uF 25V M		R247	NRSA63J-155X	MG RESISTOR	1.5MΩ 1/16W J	
C4630	NCB31HK-103X	C CAPACITOR	0.01uF 50V K		R248	NRSA63J-155X	MG RESISTOR	1.5MΩ 1/16W J	
C4631	NCF31HZ-103X	C CAPACITOR	0.01uF 50V Z		R249	NRSA63J-125X	MG RESISTOR	1MΩ 1/16W J	
C4633	NCF31HZ-103X	C CAPACITOR	0.01uF 50V Z		R250	NRSA63J-125X	MG RESISTOR	1MΩ 1/16W J	
C4635	QETN1EM-476Z	E CAPACITOR	47uF 25V M		R251	NRSA63J-471X	MG RESISTOR	470Ω 1/16W J	
C4636	NCB31HK-103X	C CAPACITOR	0.01uF 50V K		R252	NRSA63J-471X	MG RESISTOR	470Ω 1/16W J	
C4639	NCS31HJ-821X	C CAPACITOR	820pF 50V J		R253	NRSA63J-471X	MG RESISTOR	470Ω 1/16W J	
C4640	NCS31HJ-121X	C CAPACITOR	120pF 50V J		R254	NRSA63J-471X	MG RESISTOR	470Ω 1/16W J	
C4641	NCS31HJ-121X	C CAPACITOR	120pF 50V J		R255	NRSA63J-471X	MG RESISTOR	470Ω 1/16W J	
C4643	NCS31HJ-121X	C CAPACITOR	120pF 50V J		R256	NRSA63J-471X	MG RESISTOR	470Ω 1/16W J	
C4644	NCS31HJ-121X	C CAPACITOR	120pF 50V J		R257	NRSA63J-471X	MG RESISTOR	470Ω 1/16W J	
C4645	NCS31HJ-820X	C CAPACITOR	82pF 50V J		R258	NRSA63J-471X	MG RESISTOR	470Ω 1/16W J	
C4646	QETN1AM-477Z	E CAPACITOR	470uF 10V M		R259	NRSA63J-471X	MG RESISTOR	470Ω 1/16W J	
C4701	NCB31HK-103X	C CAPACITOR	0.01uF 50V K		R260	NRSA63J-471X	MG RESISTOR	470Ω 1/16W J	
C4702	QETN1EM-476Z	E CAPACITOR	47uF 25V M		R261	NRSA63J-471X	MG RESISTOR	470Ω 1/16W J	
C4854	QETN1EM-476Z	E CAPACITOR	47uF 25V M		R262	NRSA63J-471X	MG RESISTOR	470Ω 1/16W J	
C4855	NCB31HK-103X	C CAPACITOR	0.01uF 50V K		R263	NRSA63J-471X	MG RESISTOR	470Ω 1/16W J	
C4856	QETN1HM-105Z	E CAPACITOR	1uF 50V M		R264	NRSA63J-471X	MG RESISTOR	470Ω 1/16W J	
C4857	NCB31HK-103X	C CAPACITOR	0.01uF 50V K		R265	NRSA63J-471X	MG RESISTOR	470Ω 1/16W J	
C4858	QETN1HM-105Z	E CAPACITOR	1uF 50V M		R266	NRSA63J-471X	MG RESISTOR	470Ω 1/16W J	
C4901	NCF31HZ-473X	C CAPACITOR	0.047uF 50V Z		R267	QRZ9005-680X	FUSI RESISTOR	68Ω	
C4902	QETN0JM-477Z	E CAPACITOR	470uF 6.3V M		R268	QRZ9005-680X	FUSI RESISTOR	68Ω	
C4911	QETN1EM-476Z	E CAPACITOR	47uF 25V M		R269	QRZ9005-680X	FUSI RESISTOR	68Ω	
C4912	NCB31HK-103X	C CAPACITOR	0.01uF 50V K		R270	QRZ9005-680X	FUSI RESISTOR	68Ω	
C4913	QETN1HM-105Z	E CAPACITOR	1uF 50V M		R271	QRJ146J-121X	UNF C RESISTOR	120Ω 1/4W J	
C4914	QETN1HM-105Z	E CAPACITOR	1uF 50V M		R272	QRJ146J-820X	UNF C RESISTOR	82Ω 1/4W J	
C4915	QETN1HM-105Z	E CAPACITOR	1uF 50V M		R273	NRSA63J-472X	MG RESISTOR	4.7kΩ 1/16W J	
C4921	QETN1EM-476Z	E CAPACITOR	47uF 25V M		R274	NRSA63J-472X	MG RESISTOR	4.7kΩ 1/16W J	
C4922	NCB31HK-103X	C CAPACITOR	0.01uF 50V K		R275	QRA14CF-1001Y	CMF RESISTOR	1kΩ 1/4W F	
C4923	NCF31HZ-103X	C CAPACITOR	0.01uF 50V Z		R276	QRA14CF-1001Y	CMF RESISTOR	1kΩ 1/4W F	
C4924	NCF31AZ-105X	C CAPACITOR	1uF 10V Z		R277	QRA14CF-1001Y	CMF RESISTOR	1kΩ 1/4W F	
C4925	NCF31AZ-105X	C CAPACITOR	1uF 10V Z		R278	QRA14CF-1001Y	CMF RESISTOR	1kΩ 1/4W F	
C4931	NCS31HJ-101X	C CAPACITOR	100pF 50V J		R279	QRA14CF-1001Y	CMF RESISTOR	1kΩ 1/4W F	
C4932	NCS31HJ-101X	C CAPACITOR	100pF 50V J		R280	QRA14CF-1001Y	CMF RESISTOR	1kΩ 1/4W F	
R201	NRSA63J-5R6X	MG RESISTOR	5.6Ω 1/16W J		R281	QRA14CF-1001Y	CMF RESISTOR	1kΩ 1/4W F	
R202	NRSA63J-5R6X	MG RESISTOR	5.6Ω 1/16W J		R282	QRA14CF-1001Y	CMF RESISTOR	1kΩ 1/4W F	
R203	NRSA63J-473X	MG RESISTOR	47kΩ 1/16W J		R283	QRA14CF-1001Y	CMF RESISTOR	1kΩ 1/4W F	
R204	NRSA63J-473X	MG RESISTOR	47kΩ 1/16W J		R284	QRA14CF-1001Y	CMF RESISTOR	1kΩ 1/4W F	
R205	NRSA63J-101X	MG RESISTOR	100Ω 1/16W J		R285	QRA14CF-1001Y	CMF RESISTOR	1kΩ 1/4W F	
R206	NRSA63J-101X	MG RESISTOR	100Ω 1/16W J		R286	QRA14CF-1001Y	CMF RESISTOR	1kΩ 1/4W F	
R207	NRSA63J-222X	MG RESISTOR	2.2kΩ 1/16W J		R291	QRZ0133-471	C.RES RMA	470Ω	
R208	NRSA63J-222X	MG RESISTOR	2.2kΩ 1/16W J		R292	QRZ0133-471	C.RES RMA	470Ω	
R209	NRSA63J-242X	MG RESISTOR	2.4kΩ 1/16W J		R293	QRZ0133-471	C.RES RMA	470Ω	
R210	NRSA63J-242X	MG RESISTOR	2.4kΩ 1/16W J		R294	QRZ0133-471	C.RES RMA	470Ω	
R211	NRSA63J-272X	MG RESISTOR	2.7kΩ 1/16W J		R295	QRV12DF-4700	CMF RESISTOR	470Ω 1/2W F	
R212	NRSA63J-272X	MG RESISTOR	2.7kΩ 1/16W J		R296	QRV12DF-4700	CMF RESISTOR	470Ω 1/2W F	
R213	NRSA63J-120X	MG RESISTOR	12Ω 1/16W J		R297	QRZ0133-471	C.RES RMA	470Ω	
R214	NRSA63J-120X	MG RESISTOR	12Ω 1/16W J		R298	QRZ0133-471	C.RES RMA	470Ω	
R215	NRSA63J-222X	MG RESISTOR	2.2kΩ 1/16W J		R299	NRSA63J-103X	MG RESISTOR	10kΩ 1/16W J	
R216	NRSA63J-222X	MG RESISTOR	2.2kΩ 1/16W J		R300	NRSA63J-103X	MG RESISTOR	10kΩ 1/16W J	
R217	NRSA63J-182X	MG RESISTOR	1.8kΩ 1/16W J		R301	NRSA63J-103X	MG RESISTOR	10kΩ 1/16W J	
R218	NRSA63J-182X	MG RESISTOR	1.8kΩ 1/16W J		R302	NRSA63J-222X	MG RESISTOR	2.2kΩ 1/16W J	
R221	NRSA63J-105X	MG RESISTOR	1MΩ 1/16W J		R303	NRSA63J-103X	MG RESISTOR	10kΩ 1/16W J	
R222	NRSA63J-105X	MG RESISTOR	1MΩ 1/16W J		R304	NRSA63J-103X	MG RESISTOR	10kΩ 1/16W J	
R224	NRSA63J-474X	MG RESISTOR	470kΩ 1/16W J		R305	NRSA63J-103X	MG RESISTOR	10kΩ 1/16W J	
R225	QRJ146J-331X	UNF C RESISTOR	330Ω 1/4W J		R306	NRSA63J-103X	MG RESISTOR	10kΩ 1/16W J	
R226	NRSA63J-102X	MG RESISTOR	1kΩ 1/16W J		R307	NRSA63J-102X	MG RESISTOR	1kΩ 1/16W J	
					R308	NRSA63J-102X	MG RESISTOR	1kΩ 1/16W J	

△ Symbol No.	Part No.	Part Name	Description	Local	△ Symbol No.	Part No.	Part Name	Description	Local
R309	NRSA63J-474X	MG RESISTOR	470kΩ 1/16W J		R438	NRSA63J-471X	MG RESISTOR	470Ω 1/16W J	
R311	NRSA63J-102X	MG RESISTOR	1kΩ 1/16W J		R439	NRSA63J-0R0X	MG RESISTOR	0Ω 1/16W J	
R312	NRSA63J-102X	MG RESISTOR	1kΩ 1/16W J		R1351	QRZ9005-331X	FUSI RESISTOR	330Ω	
R313	NRSA63J-102X	MG RESISTOR	1kΩ 1/16W J		R1402	NRSA63J-102X	MG RESISTOR	1kΩ 1/16W J	
R314	NRSA63J-102X	MG RESISTOR	1kΩ 1/16W J		R1404	NRSA63J-102X	MG RESISTOR	1kΩ 1/16W J	
R315	NRSA63J-102X	MG RESISTOR	1kΩ 1/16W J		R1407	NRSA63J-821X	MG RESISTOR	820Ω 1/16W J	
R316	NRSA63J-102X	MG RESISTOR	1kΩ 1/16W J		R1419	NRSA02J-121X	MG RESISTOR	120Ω 1/10W J	
R321	NRSA63J-471X	MG RESISTOR	470Ω 1/16W J		R1421	NRSA02J-121X	MG RESISTOR	120Ω 1/10W J	
R322	NRSA63J-471X	MG RESISTOR	470Ω 1/16W J		R2001	QRZ9005-680X	FUSI RESISTOR	68Ω	
R323	NRSA63J-471X	MG RESISTOR	470Ω 1/16W J		R2002	QRZ9005-680X	FUSI RESISTOR	68Ω	
R324	NRSA63J-471X	MG RESISTOR	470Ω 1/16W J		R2013	NRSA63J-473X	MG RESISTOR	47kΩ 1/16W J	
R325	NRSA63J-471X	MG RESISTOR	470Ω 1/16W J		R2014	NRSA63J-473X	MG RESISTOR	47kΩ 1/16W J	
R326	NRSA63J-471X	MG RESISTOR	470Ω 1/16W J		R2015	NRSA63J-104X	MG RESISTOR	100kΩ 1/16W J	
R327	NRSA63J-471X	MG RESISTOR	470Ω 1/16W J		R2016	NRSA63J-104X	MG RESISTOR	100kΩ 1/16W J	
R328	NRSA63J-471X	MG RESISTOR	470Ω 1/16W J		R2017	QRZ9005-680X	FUSI RESISTOR	68Ω	
R329	NRSA63J-471X	MG RESISTOR	470Ω 1/16W J		R2018	QRZ9005-680X	FUSI RESISTOR	68Ω	
R330	NRSA63J-471X	MG RESISTOR	470Ω 1/16W J		R2023	NRSA63J-102X	MG RESISTOR	1kΩ 1/16W J	
R331	NRSA63J-471X	MG RESISTOR	470Ω 1/16W J		R2024	NRSA63J-102X	MG RESISTOR	1kΩ 1/16W J	
R332	NRSA63J-471X	MG RESISTOR	470Ω 1/16W J		R2025	NRSA63J-103X	MG RESISTOR	10kΩ 1/16W J	
R333	NRSA63J-471X	MG RESISTOR	470Ω 1/16W J		R2026	NRSA63J-103X	MG RESISTOR	10kΩ 1/16W J	
R334	NRSA63J-471X	MG RESISTOR	470Ω 1/16W J		R2027	NRSA63J-102X	MG RESISTOR	1kΩ 1/16W J	
R335	NRSA63J-471X	MG RESISTOR	470Ω 1/16W J		R2031	NRSA63J-104X	MG RESISTOR	100kΩ 1/16W J	
R336	NRSA63J-471X	MG RESISTOR	470Ω 1/16W J		R2032	NRSA63J-104X	MG RESISTOR	100kΩ 1/16W J	
R337	NRSA63J-471X	MG RESISTOR	470Ω 1/16W J		R2033	NRSA63J-102X	MG RESISTOR	1kΩ 1/16W J	
R338	NRSA63J-471X	MG RESISTOR	470Ω 1/16W J		R2034	NRSA63J-102X	MG RESISTOR	1kΩ 1/16W J	
R339	QRZ9005-680X	FUSI RESISTOR	68Ω		R2035	NRSA63J-512X	MG RESISTOR	5.1kΩ 1/16W J	
R340	QRZ9005-680X	FUSI RESISTOR	68Ω		R2036	NRSA63J-512X	MG RESISTOR	5.1kΩ 1/16W J	
R345	NRSA63J-471X	MG RESISTOR	470Ω 1/16W J		R2039	QRZ9005-680X	FUSI RESISTOR	68Ω	
R346	NRSA63J-471X	MG RESISTOR	470Ω 1/16W J		R2040	QRZ9005-680X	FUSI RESISTOR	68Ω	
R347	NRSA63J-103X	MG RESISTOR	10kΩ 1/16W J		R2041	NRSA63J-102X	MG RESISTOR	1kΩ 1/16W J	
R348	NRSA63J-103X	MG RESISTOR	10kΩ 1/16W J		R2042	NRSA63J-102X	MG RESISTOR	1kΩ 1/16W J	
R355	NRSA63J-471X	MG RESISTOR	470Ω 1/16W J		R2043	NRSA63J-103X	MG RESISTOR	10kΩ 1/16W J	
R356	NRSA63J-471X	MG RESISTOR	470Ω 1/16W J		R2044	NRSA63J-103X	MG RESISTOR	10kΩ 1/16W J	
R357	NRSA63J-103X	MG RESISTOR	10kΩ 1/16W J		R2046	NRSA63J-102X	MG RESISTOR	1kΩ 1/16W J	
R358	NRSA63J-103X	MG RESISTOR	10kΩ 1/16W J		R2051	QRE141J-101Y	C RESISTOR	100Ω 1/4W J	
R363	NRSA63J-102X	MG RESISTOR	1kΩ 1/16W J		R2052	QRE141J-101Y	C RESISTOR	100Ω 1/4W J	
R364	NRSA63J-474X	MG RESISTOR	470kΩ 1/16W J		R2055	NRSA63J-104X	MG RESISTOR	100kΩ 1/16W J	
R365	NRSA63J-102X	MG RESISTOR	1kΩ 1/16W J		R2056	NRSA63J-104X	MG RESISTOR	100kΩ 1/16W J	
R366	NRSA63J-474X	MG RESISTOR	470kΩ 1/16W J		R2057	QRJ146J-680X	UNF C RESISTOR	68Ω 1/4W J	
R369	NRSA63J-102X	MG RESISTOR	1kΩ 1/16W J		R2058	QRJ146J-680X	UNF C RESISTOR	68Ω 1/4W J	
R370	NRSA63J-474X	MG RESISTOR	470kΩ 1/16W J		R2059	QRE141J-101Y	C RESISTOR	100Ω 1/4W J	
R399	NRSA63J-471X	MG RESISTOR	470Ω 1/16W J		R2060	QRE141J-101Y	C RESISTOR	100Ω 1/4W J	
R400	NRSA63J-471X	MG RESISTOR	470Ω 1/16W J		R2063	NRSA63J-104X	MG RESISTOR	100kΩ 1/16W J	
R401	NRSA63J-750X	MG RESISTOR	75Ω 1/16W J		R2064	NRSA63J-104X	MG RESISTOR	100kΩ 1/16W J	
R402	NRSA63J-750X	MG RESISTOR	75Ω 1/16W J		R2065	QRJ146J-680X	UNF C RESISTOR	68Ω 1/4W J	
R403	NRSA63J-750X	MG RESISTOR	75Ω 1/16W J		R2066	QRJ146J-680X	UNF C RESISTOR	68Ω 1/4W J	
R404	NRSA63J-750X	MG RESISTOR	75Ω 1/16W J		R2067	QRE141J-101Y	C RESISTOR	100Ω 1/4W J	
R405	NRSA63J-750X	MG RESISTOR	75Ω 1/16W J		R2068	QRE141J-101Y	C RESISTOR	100Ω 1/4W J	
R406	NRSA63J-750X	MG RESISTOR	75Ω 1/16W J		R2071	NRSA63J-104X	MG RESISTOR	100kΩ 1/16W J	
R407	NRSA63J-750X	MG RESISTOR	75Ω 1/16W J		R2072	NRSA63J-104X	MG RESISTOR	100kΩ 1/16W J	
R408	NRSA63J-0R0X	MG RESISTOR	0Ω 1/16W J		R2073	QRJ146J-680X	UNF C RESISTOR	68Ω 1/4W J	
R409	NRSA63J-473X	MG RESISTOR	47kΩ 1/16W J		R2074	QRJ146J-680X	UNF C RESISTOR	68Ω 1/4W J	
R410	NRSA63J-0R0X	MG RESISTOR	0Ω 1/16W J		R2075	QRE141J-101Y	C RESISTOR	100Ω 1/4W J	
R411	NRSA63J-473X	MG RESISTOR	47kΩ 1/16W J		R2076	QRE141J-101Y	C RESISTOR	100Ω 1/4W J	
R412	NRSA63J-0R0X	MG RESISTOR	0Ω 1/16W J		R2079	NRSA63J-104X	MG RESISTOR	100kΩ 1/16W J	
R413	NRSA63J-0R0X	MG RESISTOR	0Ω 1/16W J		R2080	NRSA63J-104X	MG RESISTOR	100kΩ 1/16W J	
R414	NRSA63J-473X	MG RESISTOR	47kΩ 1/16W J		R2081	QRJ146J-680X	UNF C RESISTOR	68Ω 1/4W J	
R415	NRSA02J-121X	MG RESISTOR	120Ω 1/10W J		R2082	QRJ146J-680X	UNF C RESISTOR	68Ω 1/4W J	
R416	NRSA63J-331X	MG RESISTOR	330Ω 1/16W J		R2091	NRSA63J-122X	MG RESISTOR	1.2kΩ 1/16W J	
R417	NRSA02J-121X	MG RESISTOR	120Ω 1/10W J		R2092	NRSA63J-122X	MG RESISTOR	1.2kΩ 1/16W J	
R418	NRSA63J-331X	MG RESISTOR	330Ω 1/16W J		R2093	NRSA63J-471X	MG RESISTOR	470Ω 1/16W J	
R419	NRSA02J-121X	MG RESISTOR	120Ω 1/10W J		R2094	NRSA63J-471X	MG RESISTOR	470Ω 1/16W J	
R421	NRSA63J-121X	MG RESISTOR	120Ω 1/16W J		R2111	NRSA63J-473X	MG RESISTOR	47kΩ 1/16W J	
R423	NRSA63J-0R0X	MG RESISTOR	0Ω 1/16W J		R2112	NRSA63J-104X	MG RESISTOR	100kΩ 1/16W J	
R424	NRSA63J-561X	MG RESISTOR	560Ω 1/16W J		R2113	NRSA63J-102X	MG RESISTOR	1kΩ 1/16W J	
R425	NRSA63J-561X	MG RESISTOR	560Ω 1/16W J		R2114	NRSA63J-102X	MG RESISTOR	1kΩ 1/16W J	
R426	NRSA63J-561X	MG RESISTOR	560Ω 1/16W J		R2115	NRSA63J-473X	MG RESISTOR	47kΩ 1/16W J	
R427	NRSA63J-221X	MG RESISTOR	220Ω 1/16W J		R2116	NRSA63J-102X	MG RESISTOR	1kΩ 1/16W J	
R428	NRSA63J-152X	MG RESISTOR	1.5kΩ 1/16W J		R2117	NRSA63J-104X	MG RESISTOR	100kΩ 1/16W J	
R429	NRSA63J-682X	MG RESISTOR	6.8kΩ 1/16W J		R2118	NRSA63J-103X	MG RESISTOR	10kΩ 1/16W J	
R430	NRSA63J-121X	MG RESISTOR	120Ω 1/16W J		R2119	NRSA63J-103X	MG RESISTOR	10kΩ 1/16W J	
R431	NRSA63J-102X	MG RESISTOR	1kΩ 1/16W J		R2120	NRSA63J-103X	MG RESISTOR	10kΩ 1/16W J	
R432	NRSA63J-272X	MG RESISTOR	2.7kΩ 1/16W J		R2121	NRSA63J-332X	MG RESISTOR	3.3kΩ 1/16W J	
R433	NRSA63J-513X	MG RESISTOR	51kΩ 1/16W J		R2122	NRSA63J-103X	MG RESISTOR	10kΩ 1/16W J	
R434	QRJ146J-1R0X	UNF C RESISTOR	1Ω 1/4W J		R2123	NRSA63J-103X	MG RESISTOR	10kΩ 1/16W J	
R435	NRSA63J-103X	MG RESISTOR	10kΩ 1/16W J		R2124	QRJ146J-101Y	UNF C RESISTOR	100Ω 1/4W J	
R436	NRSA63J-103X	MG RESISTOR	10kΩ 1/16W J		R2259	QRV14CF-4702Y	MG RESISTOR	47kΩ 1/4W F	
R437	NRSA63J-103X	MG RESISTOR	10kΩ 1/16W J		R2260	QRV14CF-4702Y	MG RESISTOR	47kΩ 1/4W F	

△ Symbol No.	Part No.	Part Name	Description	Local	△ Symbol No.	Part No.	Part Name	Description	Local
R2261	NRSA63J-473X	MG RESISTOR	47kΩ 1/16W J		R2622	QRJ146J-680X	UNF C RESISTOR	68Ω 1/4W J	
R2262	NRSA63J-473X	MG RESISTOR	47kΩ 1/16W J		R2623	QRJ146J-680X	UNF C RESISTOR	68Ω 1/4W J	
R2263	NRSA63J-473X	MG RESISTOR	47kΩ 1/16W J		R2624	QRJ146J-680X	UNF C RESISTOR	68Ω 1/4W J	
R2264	NRSA63J-473X	MG RESISTOR	47kΩ 1/16W J		R4001	NRSA63J-750X	MG RESISTOR	75Ω 1/16W J	
R2265	NRSA63J-473X	MG RESISTOR	47kΩ 1/16W J		R4002	NRSA63J-471X	MG RESISTOR	470Ω 1/16W J	
R2266	NRSA63J-473X	MG RESISTOR	47kΩ 1/16W J		R4003	NRSA63J-473X	MG RESISTOR	47kΩ 1/16W J	
R2267	NRSA63J-104X	MG RESISTOR	100kΩ 1/16W J		R4101	NRSA63J-102X	MG RESISTOR	1kΩ 1/16W J	
R2268	NRSA63J-104X	MG RESISTOR	100kΩ 1/16W J		R4501	NRSA63J-750X	MG RESISTOR	75Ω 1/16W J	
R2269	QRA14CF-2401Y	CMF RESISTOR	2.4kΩ 1/4W F		R4502	NRSA63J-750X	MG RESISTOR	75Ω 1/16W J	
R2270	QRA14CF-2401Y	CMF RESISTOR	2.4kΩ 1/4W F		R4503	NRSA63J-750X	MG RESISTOR	75Ω 1/16W J	
R2273	QRA14CF-2401Y	CMF RESISTOR	2.4kΩ 1/4W F		R4504	NRSA63J-750X	MG RESISTOR	75Ω 1/16W J	
R2274	QRA14CF-2401Y	CMF RESISTOR	2.4kΩ 1/4W F		R4505	NRSA63J-473X	MG RESISTOR	47kΩ 1/16W J	
R2275	QRJ146J-680X	UNF C RESISTOR	68Ω 1/4W J		R4506	NRSA63J-750X	MG RESISTOR	75Ω 1/16W J	
R2276	QRJ146J-680X	UNF C RESISTOR	68Ω 1/4W J		R4507	NRSA63J-750X	MG RESISTOR	75Ω 1/16W J	
R2279	NRSA63J-104X	MG RESISTOR	100kΩ 1/16W J		R4508	NRSA63J-750X	MG RESISTOR	75Ω 1/16W J	
R2280	NRSA63J-104X	MG RESISTOR	100kΩ 1/16W J		R4509	NRSA63J-750X	MG RESISTOR	75Ω 1/16W J	
R2301	NRSA63J-682X	MG RESISTOR	6.8kΩ 1/16W J		R4510	NRSA63J-473X	MG RESISTOR	47kΩ 1/16W J	
R2302	NRSA63J-682X	MG RESISTOR	6.8kΩ 1/16W J		R4511	NRSA63J-750X	MG RESISTOR	75Ω 1/16W J	
R2303	NRSA63J-102X	MG RESISTOR	1kΩ 1/16W J		R4512	NRSA63J-750X	MG RESISTOR	75Ω 1/16W J	
R2304	NRSA63J-102X	MG RESISTOR	1kΩ 1/16W J		R4513	NRSA63J-750X	MG RESISTOR	75Ω 1/16W J	
R2316	NRSA63J-103X	MG RESISTOR	10kΩ 1/16W J		R4514	NRSA63J-750X	MG RESISTOR	75Ω 1/16W J	
R2317	NRSA63J-103X	MG RESISTOR	10kΩ 1/16W J		R4515	NRSA63J-750X	MG RESISTOR	75Ω 1/16W J	
R2351	QRV14CF-1001Y	CMF RESISTOR	1kΩ 1/4W F		R4516	NRSA63J-750X	MG RESISTOR	75Ω 1/16W J	
R2352	QRV14CF-1001Y	CMF RESISTOR	1kΩ 1/4W F		R4517	NRSA63J-473X	MG RESISTOR	47kΩ 1/16W J	
R2353	QRV14CF-4701Y	CMF RESISTOR	4.7kΩ 1/4W F		R4518	NRSA63J-561X	MG RESISTOR	560Ω 1/16W J	
R2354	QRV14CF-4701Y	CMF RESISTOR	4.7kΩ 1/4W F		R4521	NRSA63J-562X	MG RESISTOR	5.6kΩ 1/16W J	
R2355	QRV14CF-1001Y	CMF RESISTOR	1kΩ 1/4W F		R4522	NRSA63J-562X	MG RESISTOR	5.6kΩ 1/16W J	
R2356	QRV14CF-1001Y	CMF RESISTOR	1kΩ 1/4W F		R4523	NRSA63J-562X	MG RESISTOR	5.6kΩ 1/16W J	
R2357	QRV14CF-4701Y	CMF RESISTOR	4.7kΩ 1/4W F		R4524	NRSA63J-562X	MG RESISTOR	5.6kΩ 1/16W J	
R2358	QRV14CF-9101Y	CMF RESISTOR	9.1kΩ 1/4W F		R4525	NRSA63J-562X	MG RESISTOR	5.6kΩ 1/16W J	
R2359	QRV14CF-1001Y	CMF RESISTOR	1kΩ 1/4W F		R4541	QRJ146J-6R8X	UNF C RESISTOR	6.8Ω 1/4W J	
R2360	QRV14CF-1001Y	CMF RESISTOR	1kΩ 1/4W F		R4542	QRJ146J-1R0X	UNF C RESISTOR	1Ω 1/4W J	
R2361	QRV14CF-4701Y	CMF RESISTOR	4.7kΩ 1/4W F		R4553	NRSA63J-102X	MG RESISTOR	1kΩ 1/16W J	
R2362	QRV14CF-4701Y	CMF RESISTOR	4.7kΩ 1/4W F		R4554	NRSA63J-102X	MG RESISTOR	1kΩ 1/16W J	
R2363	QRV14CF-1001Y	CMF RESISTOR	1kΩ 1/4W F		R4558	NRSA63J-102X	MG RESISTOR	1kΩ 1/16W J	
R2364	QRV14CF-1001Y	CMF RESISTOR	1kΩ 1/4W F		R4559	NRSA63J-102X	MG RESISTOR	1kΩ 1/16W J	
R2365	QRV14CF-4701Y	CMF RESISTOR	4.7kΩ 1/4W F		R4565	NRSA63J-561X	MG RESISTOR	560Ω 1/16W J	
R2366	QRV14CF-4701Y	CMF RESISTOR	4.7kΩ 1/4W F		R4601	NRSA02J-121X	MG RESISTOR	120Ω 1/10W J	
R2403	NRSA63J-473X	MG RESISTOR	47kΩ 1/16W J		R4602	NRSA63J-331X	MG RESISTOR	330Ω 1/16W J	
R2404	NRSA63J-473X	MG RESISTOR	47kΩ 1/16W J		R4603	NRSA02J-121X	MG RESISTOR	120Ω 1/10W J	
R2405	NRSA63J-104X	MG RESISTOR	100kΩ 1/16W J		R4604	NRSA63J-331X	MG RESISTOR	330Ω 1/16W J	
R2406	NRSA63J-104X	MG RESISTOR	100kΩ 1/16W J		R4605	NRSA02J-121X	MG RESISTOR	120Ω 1/10W J	
R2413	NRSA63J-473X	MG RESISTOR	47kΩ 1/16W J		R4607	NRSA02J-121X	MG RESISTOR	120Ω 1/10W J	
R2414	NRSA63J-473X	MG RESISTOR	47kΩ 1/16W J		R4611	NRSA02J-121X	MG RESISTOR	120Ω 1/10W J	
R2415	NRSA63J-104X	MG RESISTOR	100kΩ 1/16W J		R4612	NRSA63J-331X	MG RESISTOR	330Ω 1/16W J	
R2416	NRSA63J-104X	MG RESISTOR	100kΩ 1/16W J		R4613	NRSA02J-121X	MG RESISTOR	120Ω 1/10W J	
R2501	NRSA63J-333X	MG RESISTOR	33kΩ 1/16W J		R4614	NRSA63J-331X	MG RESISTOR	330Ω 1/16W J	
R2502	NRSA63J-333X	MG RESISTOR	33kΩ 1/16W J		R4615	NRSA02J-121X	MG RESISTOR	120Ω 1/10W J	
R2503	NRSA63J-104X	MG RESISTOR	100kΩ 1/16W J		R4617	NRSA02J-121X	MG RESISTOR	120Ω 1/10W J	
R2504	NRSA63J-104X	MG RESISTOR	100kΩ 1/16W J		R4620	NRSA63J-103X	MG RESISTOR	10kΩ 1/16W J	
R2505	NRSA63J-223X	MG RESISTOR	22kΩ 1/16W J		R4621	NRSA63J-103X	MG RESISTOR	10kΩ 1/16W J	
R2506	NRSA63J-223X	MG RESISTOR	22kΩ 1/16W J		R4622	NRSA63J-103X	MG RESISTOR	10kΩ 1/16W J	
R2507	NRSA63J-333X	MG RESISTOR	33kΩ 1/16W J		R4623	NRSA63J-103X	MG RESISTOR	10kΩ 1/16W J	
R2508	NRSA63J-333X	MG RESISTOR	33kΩ 1/16W J		R4624	NRSA63J-152X	MG RESISTOR	1.5kΩ 1/16W J	
R2509	NRSA63J-622X	MG RESISTOR	6.2kΩ 1/16W J		R4625	NRSA63J-0R0X	MG RESISTOR	0Ω 1/16W J	
R2510	NRSA63J-102X	MG RESISTOR	1kΩ 1/16W J		R4626	NRSA63J-102X	MG RESISTOR	1kΩ 1/16W J	
R2511	NRSA63J-103X	MG RESISTOR	10kΩ 1/16W J		R4627	NRSA02J-471X	MG RESISTOR	470Ω 1/10W J	
R2512	QRE141J-680Y	C RESISTOR	68Ω 1/4W J		R4628	NRSA02J-471X	MG RESISTOR	470Ω 1/10W J	
R2513	QRJ146J-680X	UNF C RESISTOR	68Ω 1/4W J		R4629	NRSA63J-821X	MG RESISTOR	820Ω 1/16W J	
R2514	NRSA63J-471X	MG RESISTOR	470Ω 1/16W J		R4630	NRSA63J-301X	MG RESISTOR	300Ω 1/16W J	
R2515	NRSA63J-471X	MG RESISTOR	470Ω 1/16W J		R4631	NRSA63J-102X	MG RESISTOR	1kΩ 1/16W J	
R2601	NRSA63J-101X	MG RESISTOR	100Ω 1/16W J		R4633	NRSA63J-682X	MG RESISTOR	6.8kΩ 1/16W J	
R2602	NRSA63J-101X	MG RESISTOR	100Ω 1/16W J		R4634	NRSA63J-822X	MG RESISTOR	8.2kΩ 1/16W J	
R2603	NRSA63J-104X	MG RESISTOR	100kΩ 1/16W J		R4701	NRSA63J-223X	MG RESISTOR	22kΩ 1/16W J	
R2604	NRSA63J-104X	MG RESISTOR	100kΩ 1/16W J		R4702	NRSA63J-223X	MG RESISTOR	22kΩ 1/16W J	
R2605	QRJ146J-680X	UNF C RESISTOR	68Ω 1/4W J		R4703	NRSA63J-223X	MG RESISTOR	22kΩ 1/16W J	
R2606	QRJ146J-680X	UNF C RESISTOR	68Ω 1/4W J		R4704	NRSA63J-103X	MG RESISTOR	10kΩ 1/16W J	
R2611	QRZ9005-680X	FUSI RESISTOR	68Ω		R4705	NRSA63J-103X	MG RESISTOR	10kΩ 1/16W J	
R2612	QRZ9005-680X	FUSI RESISTOR	68Ω		R4706	NRSA63J-103X	MG RESISTOR	10kΩ 1/16W J	
R2613	QRJ146J-680X	UNF C RESISTOR	68Ω 1/4W J		R4707	NRSA63J-472X	MG RESISTOR	4.7kΩ 1/16W J	
R2614	QRJ146J-680X	UNF C RESISTOR	68Ω 1/4W J		R4708	NRSA63J-472X	MG RESISTOR	4.7kΩ 1/16W J	
R2615	NRSA63J-473X	MG RESISTOR	47kΩ 1/16W J		R4709	NRSA63J-472X	MG RESISTOR	4.7kΩ 1/16W J	
R2616	NRSA63J-473X	MG RESISTOR	47kΩ 1/16W J		R4710	NRSA63J-334X	MG RESISTOR	330kΩ 1/16W J	
R2617	NRSA63J-104X	MG RESISTOR	100kΩ 1/16W J		R4711	NRSA63J-104X	MG RESISTOR	100kΩ 1/16W J	
R2618	NRSA63J-104X	MG RESISTOR	100kΩ 1/16W J		R4842	NRSA63J-105X	MG RESISTOR	1MΩ 1/16W J	
R2619	QRJ146J-680X	UNF C RESISTOR	68Ω 1/4W J		R4843	NRSA63J-751X	MG RESISTOR	750Ω 1/16W J	
R2620	QRJ146J-680X	UNF C RESISTOR	68Ω 1/4W J		R4844	NRSA63J-221X	MG RESISTOR	220Ω 1/16W J	
R2621	QRJ146J-680X	UNF C RESISTOR	68Ω 1/4W J		R4845	NRSA63J-751X	MG RESISTOR	750Ω 1/16W J	

△ Symbol No. Part No. Part Name Description Local

## AC supply board

Block No. [0][3][0][0]

R4846	NRSA63J-221X	MG RESISTOR	220Ω 1/16W J
R4901	NRSA63J-750X	MG RESISTOR	75Ω 1/16W J
R4902	NRSA63J-750X	MG RESISTOR	75Ω 1/16W J
R4903	NRSA63J-473X	MG RESISTOR	47kΩ 1/16W J
R4904	NRSA63J-471X	MG RESISTOR	470Ω 1/16W J
R4951	NRSA63J-102X	MG RESISTOR	1kΩ 1/16W J
R4952	NRSA63J-102X	MG RESISTOR	1kΩ 1/16W J

L321	QQL231K-121Y	COIL	120uH K
L322	QQL231K-121Y	COIL	120uH K
L402	QQL231K-5R6Y	COIL	5.6uH K
L489	NQL012K-2R2X	COIL	2.2uH K
L4601	NQL012K-560X	COIL	56uH K

CN201	QGA2001F1-14	CONNECTOR	W-B (1-14)
CN202	QGA2001F1-09	CONNECTOR	W-B (1-9)
CN203	QGA2001F1-12	CONNECTOR	W-B (1-12)
CN204	QGA2001F1-03	CONNECTOR	W-B (1-3)
CN205	QGB1214K1-10S	CONNECTOR	B-B (1-10)
CN206	QGB2510K1-06	CONNECTOR	B-B (1-6)
CN207	QGA2501F1-03	CONNECTOR	W-B (1-3)
CN208	QGA2001F1-08	CONNECTOR	W-B (1-8)
CN218	QGA2001F1-03	CONNECTOR	W-B (1-3)
CN221	QGB2510K1-10	CONNECTOR	B-B (1-10)
CN223	QGA2001F1-08	CONNECTOR	W-B (1-8)
CN224	QGA2001F1-07	CONNECTOR	W-B (1-7)
CN234	QGA2001F1-09	CONNECTOR	W-B (1-9)
CN321	QGB1214K1-10S	CONNECTOR	B-B (1-10)
CN323	QGF1205F1-15	CONNECTOR	FFC/FPC (1-15)
CN324	QGA2001F1-09	CONNECTOR	W-B (1-9)
CN325	QGB2510K2-06	CONNECTOR	B-B (1-6)
CN401	QGB1214K1-16S	CONNECTOR	B-B (1-16)
CN402	QGB1224K1-13	CONNECTOR	B-B (1-13)
CN451	QGB1214K1-20S	CONNECTOR	B-B (1-20)
CN452	QGB1224K1-15	CONNECTOR	B-B (1-15)
FL301	QQR0590-001	FILTER	
FL302	QQR0590-001	FILTER	
J201	QNN0502-001	PIN JACK	
J203	QNN0502-001	PIN JACK	
J204	QNN0503-001	PIN JACK	
J321	QNN0502-001	PIN JACK	
J322	QNN0506-001	4PIN JACK ASSY	
J323	QNN0503-001	PIN JACK	
J324	QNN0507-001	PIN JACK	
J401	QNN0504-001	PIN JACK	
J402	QNN0505-001	PIN JACK	
J403	QNN0505-001	PIN JACK	
J451	QND0090-001	S JACK	
J452	QND0029-001	DIN CONNECTOR	
J453	QND0029-001	DIN CONNECTOR	
J454	QND0089-001	S JACK	
J491	QND0027-001	DIN CONNECTOR	
J492	QNN0515-001	PIN JACK	
J4001	QNN0508-001	PIN JACK	
J4002	QNN0509-001	PIN JACK	
RY271	QSK0151-001	RELAY	
RY272	QSK0151-001	RELAY	
RY273	QSK0151-001	RELAY	
RY274	QSK0151-001	RELAY	
RY275	QSK0151-001	RELAY	
RY276	QSK0151-001	RELAY	
RY277	QSK0151-001	RELAY	
RY278	QSK0151-001	RELAY	
RY351	QSK0151-001	RELAY	
SW201	QSW0511-001	PUSH SWITCH	
WR204	QJK016-091804	SIN CR C-B WIRE	
WR307	QJP001-031001	SHI CR C-B WIRE	
WR318	QJK016-031403	SIN CR C-B WIRE	
WR322	WJP0032-002A	E-SH C WIRE C-B	
WR323	QJK016-081403	SIN CR C-B WIRE	
WR324	WJK0130-001A	E-SI C WIRE C-B	

△ Symbol No. Part No. Part Name Description Local

PW21	QUB056-32QPQP	SIN TWIST WIRE
PW22	QUB051-32QPQP	SIN TWIST WIRE
PW23	WJK0132-002A	E-SI C WIRE C-B
PW25	QUB052-10QPA8	SIN TWIST WIRE
PW26	QUB050-10QPA8	SIN TWIST WIRE

IC44	KIA7806API	IC	Regulator
△ IC61	KIA7812API	IC	Regulator

Q1	2SC1740S/RS/-T	TRANSISTOR
Q2	2SC1740S/RS/-T	TRANSISTOR
△ Q3	2SD2394/EF/	TRANSISTOR
△ Q4	2SD2394/EF/	TRANSISTOR
Q5	2SC1740S/RS/-T	TRANSISTOR
Q6	KRA104M-T	DIGI TRANSISTOR
Q7	KRC104M-T	DIGI TRANSISTOR
Q21	KRC105M-T	DIGI TRANSISTOR
Q22	2SD468/BC/-T	TRANSISTOR
Q23	2SD468/BC/-T	TRANSISTOR
△ Q41	2SB1357/EF/-T	TRANSISTOR
Q42	KRC102M-T	DIGI TRANSISTOR
Q43	KRA104M-T	DIGI TRANSISTOR
Q44	KTC3200/GL/-T	TRANSISTOR
Q45	2SD2394/EF/	TRANSISTOR
Q46	KRA104M-T	DIGI TRANSISTOR
Q47	KRC104M-T	DIGI TRANSISTOR
Q53	2SC1740S/RS/-T	TRANSISTOR
Q54	KRA104M-T	DIGI TRANSISTOR
Q55	KRC104M-T	DIGI TRANSISTOR
△ Q61	2SD2394/EF/	TRANSISTOR
△ Q62	KTA1046/Y/	TRANSISTOR
Q63	2SC1740S/RS/-T	TRANSISTOR
Q64	KRC104M-T	DIGI TRANSISTOR
Q65	KRC104M-T	DIGI TRANSISTOR

D1	MTZJ4.7B-T2	Z DIODE
D2	1SS133-T2	DIODE
D3	1SS133-T2	DIODE
D4	MTZJ6.8B-T2	Z DIODE
△ D21	11ES2-T4	DIODE
△ D22	11ES2-T4	DIODE
△ D23	11ES2-T4	DIODE
△ D24	11ES2-T4	DIODE
D25	1SS133-T2	DIODE
D26	MTZJ6.2A-T2	Z DIODE
D27	MTZJ6.2A-T2	Z DIODE
△ D41	RS403L	DIODE
D45	MTZJ5.6C-T2	Z DIODE
△ D48	11ES2-T4	DIODE
D49	MTZJ36C-T2	Z DIODE
D50	MTZJ8.2C-T2	Z DIODE
D51	HZ6B1L-T2	Z DIODE
△ D61	31DF2-FC6	FR DIODE
△ D62	31DF2-FC6	FR DIODE
△ D63	31DF2-FC6	FR DIODE
△ D64	31DF2-FC6	FR DIODE
D65	1SS133-T2	DIODE
D66	1SS133-T2	DIODE
D67	1SS133-T2	DIODE
D68	1SS133-T2	DIODE
D69	HZ18-2L-T2	Z DIODE
D70	HZ18-2L-T2	Z DIODE
D71	1SS133-T2	DIODE
D72	1SS133-T2	DIODE
D73	1SS133-T2	DIODE
D74	1SS133-T2	DIODE
D75	1SS133-T2	DIODE
D101	1SS133-T2	DIODE
△ D4001	31DF2-FC6	FR DIODE
△ D4002	31DF2-FC6	FR DIODE
△ D4003	31DF2-FC6	FR DIODE
△ D4004	31DF2-FC6	FR DIODE

C1	QETN1CM-107Z	E CAPACITOR	100uF 16V M
----	--------------	-------------	-------------

△ Symbol No.	Part No.	Part Name	Description	Local	△ Symbol No.	Part No.	Part Name	Description	Local
C2	QCBB1HK-222Y	C CAPACITOR	2200pF 50V K		R63	QRZ0133-911	C RESISTOR	910Ω	
C3	QETN1CM-107Z	E CAPACITOR	100uF 16V M		R64	QRZ0133-911	C RESISTOR	910Ω	
C4	QETN1AM-227Z	E CAPACITOR	220uF 10V M		△ R65	QRZ9005-100X	FUSI RESISTOR	10Ω	
△ C21	QCZ9105-472	C CAPACITOR	4700pF 250V M		△ R66	QRZ9005-120X	FUSI RESISTOR	12Ω	
C22	QCF31HZ-103Z	C CAPACITOR	0.01uF 50V Z		R67	QRE141J-562Y	C RESISTOR	5.6kΩ 1/4W J	
C23	QETM1EM-228	E CAPACITOR	2200uF 25V M		R68	QRE141J-822Y	C RESISTOR	8.2kΩ 1/4W J	
C24	QCF31HZ-472Z	C CAPACITOR	4700pF 50V Z		R69	QRE141J-103Y	C RESISTOR	10kΩ 1/4W J	
C25	QETN1CM-477Z	E CAPACITOR	470uF 16V M		R70	QRE141J-221Y	C RESISTOR	220Ω 1/4W J	
C26	QCF31HZ-472Z	C CAPACITOR	4700pF 50V Z		R71	QRE141J-221Y	C RESISTOR	220Ω 1/4W J	
C27	QETN1CM-477Z	E CAPACITOR	470uF 16V M		R72	QRE141J-163Y	C RESISTOR	16kΩ 1/4W J	
C28	QCF31HZ-472Z	C CAPACITOR	4700pF 50V Z		R73	QRE141J-222Y	C RESISTOR	2.2kΩ 1/4W J	
C40	QETM1EM-228	E CAPACITOR	2200uF 25V M		R74	QRE141J-123Y	C RESISTOR	12kΩ 1/4W J	
C41	QFVC1HJ-104Z	MF CAPACITOR	0.1uF 50V J		R75	QRE141J-103Y	C RESISTOR	10kΩ 1/4W J	
C42	QETM1EM-228	E CAPACITOR	2200uF 25V M		△ R76	QRZ9005-680X	FUSI RESISTOR	68Ω	
C43	QETN1CM-107Z	E CAPACITOR	100uF 16V M		R77	QRE141J-103Y	C RESISTOR	10kΩ 1/4W J	
C44	QFN31HJ-223Z	M CAPACITOR	0.022uF 50V J		R78	QRE141J-103Y	C RESISTOR	10kΩ 1/4W J	
C45	QFN31HJ-223Z	M CAPACITOR	0.022uF 50V J		R79	QRE141J-222Y	C RESISTOR	2.2kΩ 1/4W J	
C46	QFN31HJ-223Z	M CAPACITOR	0.022uF 50V J		R80	QRE141J-163Y	C RESISTOR	16kΩ 1/4W J	
C47	QFN31HJ-223Z	M CAPACITOR	0.022uF 50V J		R81	QRL027J-471	OMF RESISTOR	470Ω 2W J	
C48	QFN31HJ-223Z	M CAPACITOR	0.022uF 50V J		R82	QRL027J-471	OMF RESISTOR	470Ω 2W J	
C49	QEZO558-688	E CAPACITOR	6800uF		R83	QRE141J-103Y	C RESISTOR	10kΩ 1/4W J	
C51	QEZO629-107	E.CAPA AWF	100uF		△ R84	QRZ9005-680X	FUSI RESISTOR	68Ω	
C52	QETN1EM-107Z	E CAPACITOR	100uF 25V M		△ R85	QRZ9005-150X	FUSI RESISTOR	15Ω	
C53	QETN1JM-227Z	E CAPACITOR	220uF 63V M		△ R86	QRZ9005-150X	FUSI RESISTOR	15Ω	
C54	QETN1HM-226Z	E CAPACITOR	22uF 50V M		△ R87	QRZ9005-150X	FUSI RESISTOR	15Ω	
C55	QETN1HM-226Z	E CAPACITOR	22uF 50V M		△ R88	QRZ9005-150X	FUSI RESISTOR	15Ω	
C56	QETN1HM-105Z	E CAPACITOR	1uF 50V M		R4011	QRZ0133-2R2	C.RES RMA	2.2Ω	
C57	QFVC1HJ-473Z	MF CAPACITOR	0.047uF 50V J		R4012	QRZ0133-911	C RESISTOR	910Ω	
C58	QFVC1HJ-473Z	MF CAPACITOR	0.047uF 50V J						
C59	QFN31HJ-472Z	M CAPACITOR	4700pF 50V J		△ T21	QQT0317-001	POWER TRANSF		
C60	QCBB1HK-222Y	C CAPACITOR	2200pF 50V K						
C61	QFZO160-223Z	PP CAPACITOR	0.022uF		CN1	QGF1205C1-21	CONNECTOR	FFC/FPC (1-21)	
C62	QFZO160-223Z	PP CAPACITOR	0.022uF		CN2	QGF1205C1-24	CONNECTOR	FFC/FPC (1-24)	
C63	QFZO160-223Z	PP CAPACITOR	0.022uF		CN3	QGB2510J1-07	CONNECTOR	B-B (1-7)	
C64	QFZO160-223Z	PP CAPACITOR	0.022uF		CN4	QGB2510J1-06	CONNECTOR	B-B (1-6)	
C65	QFZO160-223Z	PP CAPACITOR	0.022uF		CN5	QGB2510J1-10	CONNECTOR	B-B (1-10)	
C71	QEZO596-228	C CAPACITOR	2200uF		CN6	QGB1214J1-10S	CONNECTOR	B-B (1-10)	
C72	QEZO596-228	C CAPACITOR	2200uF		CN7	QGB1214J1-16S	CONNECTOR	B-B (1-16)	
C73	QEZO538-227Z	C CAPACITOR	220uF		CN8	QGB1214J1-20S	CONNECTOR	B-B (1-20)	
C74	QEZO538-227Z	C CAPACITOR	220uF		CN9	QGB2510J1-10	CONNECTOR	B-B (1-10)	
C75	QFN31HJ-472Z	M CAPACITOR	4700pF 50V J		CN11	QGA2001C1-05	CONNECTOR	W-B (1-5)	
C76	QFN31HJ-472Z	M CAPACITOR	4700pF 50V J		CN12	QGB1214J1-10S	CONNECTOR	B-B (1-10)	
C77	QETN1EM-107Z	E CAPACITOR	100uF 25V M		CN13	QGB2510J1-04	CONNECTOR	B-B (1-4)	
C78	QETN1HM-475Z	E CAPACITOR	4.7uF 50V M		CN14	QGB2510J1-04	CONNECTOR	B-B (1-4)	
C79	QETN1HM-226Z	E CAPACITOR	22uF 50V M		CN15	QGB2510J1-06	CONNECTOR	B-B (1-6)	
C80	QETN1HM-226Z	E CAPACITOR	22uF 50V M		CN25	QGA2001C1-08	CONNECTOR	W-B (1-8)	
					CN41	QGA7901C1-02	CONNECTOR	W-B (1-2)	
R1	QRJ146J-151X	UNF C RESISTOR	150Ω 1/4W J		CN44	QGA2001F1-05	CONNECTOR	W-B (1-5)	
R2	QRE141J-473Y	C RESISTOR	47kΩ 1/4W J		CN45	QGA2001F1-08	CONNECTOR	W-B (1-8)	
R4	QRE141J-472Y	C RESISTOR	4.7kΩ 1/4W J		CN46	QGA2001C1-03	CONNECTOR	W-B (1-3)	
R5	QRE141J-821Y	C RESISTOR	820Ω 1/4W J		CN47	QGA7901C1-02	CONNECTOR	W-B (1-2)	
R6	QRE141J-101Y	C RESISTOR	100Ω 1/4W J		CN48	QGA2001C1-04	CONNECTOR	W-B (1-4)	
R7	QRE141J-101Y	C RESISTOR	100Ω 1/4W J		CN61	QGA3901C1-04	CONNECTOR	W-B (1-4)	
R8	QRE141J-472Y	C RESISTOR	4.7kΩ 1/4W J		CN62	QGA2001C1-09	CONNECTOR	W-B (1-9)	
R9	QRZ0133-3R9	C.RES RMA	3.9Ω		CN63	QGA2501C1-02	CONNECTOR	W-B (1-2)	
R10	QRZ0133-3R9	C.RES RMA	3.9Ω		CN64	QGA2001C1-03	CONNECTOR	W-B (1-3)	
△ R21	QRZ9037-335	COMP RESISTOR	3.3MΩ 1/2W K		CN65	QGA2001C1-02	CONNECTOR	W-B (1-2)	
△ R22	QRZ9006-4R7X	FUSI RESISTOR	4.7Ω 1/4W J		EP1	QNZ0136-001Z	EARTH PLATE		
R23	QRE141J-821Y	C RESISTOR	820Ω 1/4W J		EP2	QNZ0136-001Z	EARTH PLATE		
R24	QRE141J-821Y	C RESISTOR	820Ω 1/4W J		EP3	QNZ0136-001Z	EARTH PLATE		
△ R25	QRZ9006-4R7X	FUSI RESISTOR	4.7Ω 1/4W J		EP21	QNZ0136-001Z	EARTH PLATE		
△ R26	QRZ9006-4R7X	FUSI RESISTOR	4.7Ω 1/4W J		EP22	QNZ0136-001Z	EARTH PLATE		
R28	QRE141J-152Y	C RESISTOR	1.5kΩ 1/4W J		EP61	QNZ0136-001Z	EARTH PLATE		
R41	QRT01DJ-R22X	MF RESISTOR	0.22Ω 1W J		EP62	QNZ0136-001Z	EARTH PLATE		
R43	QRT01DJ-R22X	MF RESISTOR	0.22Ω 1W J		FC21	QNG0020-001Z	FUSE CLIP		
R45	QRJ146J-1R0X	UNF C RESISTOR	1Ω 1/4W J		FC22	QNG0020-001Z	FUSE CLIP		
△ R46	QRT01DJ-4R7X	MF RESISTOR	4.7Ω 1W J		FC41	QNG0020-001Z	FUSE CLIP		
△ R47	QRT01DJ-4R7X	MF RESISTOR	4.7Ω 1W J		FC42	QNG0020-001Z	FUSE CLIP		
△ R48	QRJ146J-332X	UNF C RESISTOR	3.3kΩ 1/4W J		FC43	QNG0020-001Z	FUSE CLIP		
R49	QRE141J-223Y	C RESISTOR	22kΩ 1/4W J		FC44	QNG0020-001Z	FUSE CLIP		
R50	QRE141J-104Y	C RESISTOR	100kΩ 1/4W J		FC401	QNG0020-001Z	FUSE CLIP		
R51	QRE141J-821Y	C RESISTOR	820Ω 1/4W J		FC402	QNG0020-001Z	FUSE CLIP		
R52	QRE141J-101Y	C RESISTOR	100Ω 1/4W J		HS1	E70306-005	HEAT SINK		
R53	QRE141J-101Y	C RESISTOR	100Ω 1/4W J		HS2	E70306-005	HEAT SINK		
R54	QRE141J-472Y	C RESISTOR	4.7kΩ 1/4W J		HS61	E70306-001	HEAT SINK		
△ R55	QRT01DJ-4R7X	MF RESISTOR	4.7Ω 1W J		HS62	E70306-001	HEAT SINK		
△ R56	QRT01DJ-4R7X	MF RESISTOR	4.7Ω 1W J		HS63	E70306-001	HEAT SINK		
R57	QRE141J-821Y	C RESISTOR	820Ω 1/4W J		J81	QNS0061-001	6.3 JACK		

△ Symbol No.	Part No.	Part Name	Description	Local	△ Symbol No.	Part No.	Part Name	Description	Local
K1	QQR0779-001Z	COIL			D1202	1SS133-T2	DIODE		
K2	QQR0779-001Z	COIL			D1203	MTZJ12C-T2	Z DIODE		
RY1	QSK0109-001	RELAY			D1211	MTZJ6.2C-T2	Z DIODE		
△ RY21	QSK0098-001	RELAY			C28	QCF31HZ-472Z	C CAPACITOR	4700pF 50V Z	
RY101	QSK0131-001	RELAY			C471	QCSB1HJ-470Y	C CAPACITOR	47pF 50V J	
RY102	QSK0131-001	RELAY			C472	QCSB1HJ-470Y	C CAPACITOR	47pF 50V J	
RY103	QSK0131-001	RELAY			C473	QCSB1HJ-470Y	C CAPACITOR	47pF 50V J	
RY104	QSK0131-001	RELAY			C475	QCSB1HJ-470Y	C CAPACITOR	47pF 50V J	
△ TH41	QAD0095-4R7Z	P THERMISTOR	4.7Ω M		C476	QCSB1HJ-470Y	C CAPACITOR	47pF 50V J	
TW41	QUB220-08HPDM	SIN TWIST WIRE			C477	QCB11HK-331Y	C CAPACITOR	330pF 50V K	
TW42	QUB220-08HPDM	SIN TWIST WIRE			C478	QCB11HK-331Y	C CAPACITOR	330pF 50V K	
TW51	QUB220-10HPDM	LUG WIRE			C479	QDVB1EZ-223Y	C CAPACITOR	0.022uF 25V Z	
TW81	QUB270-07HPDM	SIN TWIST WIRE			C1001	QFN31HJ-473Z	M CAPACITOR	0.047uF 50V J	
WR12	QJK016-056500	SIN CR C-B WIRE			C1002	QEKCOJM-107Z	E CAPACITOR	100uF 6.3V M	
WR13	QJK016-096004	SIN CR C-B WIRE			C1003	QCZ0202-155Z	C CAPACITOR	1.5uF 25V Z	
WR14	QJK016-090802	SIN CR C-B WIRE			C1004	QEZ0361-479	E.D.L. CAPACITOR	0.047F	
WR26	QJK016-081103	SIN CR C-B WIRE			C1005	QEKCOJM-107Z	E CAPACITOR	100uF 6.3V M	
WR41	WJK0153-001A	E-SI C WIRE C-B			C1006	QCZ0202-155Z	C CAPACITOR	1.5uF 25V Z	
WR42	QJK016-031503	E-SI C WIRE C-B			C1007	NCF21HZ-223X	C CAPACITOR	0.022uF 50V Z	
WR48	QJK016-041204	E-SI C WIRE C-B			C1008	NCF21HZ-223X	C CAPACITOR	0.022uF 50V Z	
WR81	QJK015-041204	E-SI C WIRE C-B			C1009	NCB31HK-103X	C CAPACITOR	0.01uF 50V K	
WR85	QJP001-033801	SHI CR C-B WIRE			C1011	QCB11HK-331Y	C CAPACITOR	330pF 50V K	
WR86	QJK016-022202	SIN CR C-B WIRE			C1012	QEKCOJM-107Z	E CAPACITOR	100uF 6.3V M	
WR101	QJK012-063801	E-SI C WIRE C-B			C1013	QDVB1EZ-223Y	C CAPACITOR	0.022uF 25V Z	
WR102	QJK017-025202	E-SI C WIRE C-B			C1035	QEKCOJM-107Z	E CAPACITOR	100uF 6.3V M	

## Front board

Block No. [0][4][0][0]

△ Symbol No.	Part No.	Part Name	Description	Local
IC301	NJM2406F-X	IC		
IC961	MN101CP49K923	IC		
IC962	MN101C35DHN	IC		
IC963	IC-PST9139-T	IC		
IC964	GP1UM271XK	IR DETECT UNIT	IR detecting unit for remote control	
IC965	BU2092F-X	IC		
IC967	TA8409S	IC	Motor driver	
Q1003	KRC107M-T	DIGI TRANSISTOR		
Q1011	KRC107M-T	DIGI TRANSISTOR		
Q1012	KRA107M-T	DIGI TRANSISTOR		
Q1013	KRA107M-T	DIGI TRANSISTOR		
Q1014	KRA107M-T	DIGI TRANSISTOR		
Q1015	KRA107M-T	DIGI TRANSISTOR		
Q1016	KRA107M-T	DIGI TRANSISTOR		
Q1017	KRA107M-T	DIGI TRANSISTOR		
Q1018	KRA107M-T	DIGI TRANSISTOR		
Q1019	KRA107M-T	DIGI TRANSISTOR		
Q1020	KRA107M-T	DIGI TRANSISTOR		
Q1021	KRC111M-T	TRANSISTOR		
Q1022	KRC109M-T	DIGI TRANSISTOR		
Q1023	KRC107M-T	DIGI TRANSISTOR		
Q1031	KRA107M-T	DIGI TRANSISTOR		
Q1032	KRA107M-T	DIGI TRANSISTOR		
Q1033	KRA107M-T	DIGI TRANSISTOR		
Q1034	KRA107M-T	DIGI TRANSISTOR		
Q1035	KRC103M-T	TRANSISTOR		
Q1201	KRA107M-T	DIGI TRANSISTOR		
Q1202	KTA1273Y/-T	TRANSISTOR		
D1001	11ES2-T4	DIODE		
D1002	11ES2-T4	DIODE		
D1003	11ES2-T4	DIODE		
D1004	11ES2-T4	DIODE		
D1005	1SS133-T2	DIODE		
D1023	1SS133-T2	DIODE		
D1024	1SS133-T2	DIODE		
D1031	SLR-342VC-T	LED		
D1032	SLA-370LT3F	LED		
D1033	SLA-370LT3F	LED		
D1034	SLA-370LT3F	LED		
D1201	1SS133-T2	DIODE		
R471	QRE141J-750Y	C RESISTOR	75Ω 1/4W J	
R472	QRE141J-750Y	C RESISTOR	75Ω 1/4W J	
R473	QRE141J-750Y	C RESISTOR	75Ω 1/4W J	
R1003	NRSA63J-331X	MG RESISTOR	330Ω 1/16W J	
R1004	NRSA63J-223X	MG RESISTOR	22kΩ 1/16W J	
R1005	NRSA63J-472X	MG RESISTOR	4.7kΩ 1/16W J	
R1006	NRSA63J-473X	MG RESISTOR	47kΩ 1/16W J	
R1011	QRE141J-513Y	C RESISTOR	51kΩ 1/4W J	
R1021	QRE141J-471Y	C RESISTOR	470Ω 1/4W J	
R1022	QRE141J-103Y	C RESISTOR	10kΩ 1/4W J	
R1023	QRE141J-103Y	C RESISTOR	10kΩ 1/4W J	
R1024	QRE141J-223Y	C RESISTOR	22kΩ 1/4W J	
R1025	QRE141J-103Y	C RESISTOR	10kΩ 1/4W J	
R1030	QRE141J-103Y	C RESISTOR	10kΩ 1/4W J	
R1031	QRE141J-221Y	C RESISTOR	220Ω 1/4W J	
R1032	QRE141J-221Y	C RESISTOR	220Ω 1/4W J	
R1033	QRE141J-221Y	C RESISTOR	220Ω 1/4W J	
R1034	QRE141J-221Y	C RESISTOR	220Ω 1/4W J	
R1035	QRE141J-100Y	C RESISTOR	10Ω 1/4W J	
R1036	QRE141J-100Y	C RESISTOR	10Ω 1/4W J	
R1037	QRE141J-153Y	C RESISTOR	15kΩ 1/4W J	
R1038	QRE141J-333Y	C RESISTOR	33kΩ 1/4W J	
R1039	QRE141J-273Y	C RESISTOR	27kΩ 1/4W J	
R1041	NRSA63J-103X	MG RESISTOR	10kΩ 1/16W J	
R1042	NRSA63J-103X	MG RESISTOR	10kΩ 1/16W J	
R1043	NRSA63J-103X	MG RESISTOR	10kΩ 1/16W J	
R1044	NRSA63J-103X	MG RESISTOR	10kΩ 1/16W J	

△ Symbol No.	Part No.	Part Name	Description	Local	△ Symbol No.	Part No.	Part Name	Description	Local
R1045	NRSA63J-103X	MG RESISTOR	10kΩ	1/16W J	R1164	NRSA63J-221X	MG RESISTOR	220Ω	1/16W J
R1046	NRSA63J-103X	MG RESISTOR	10kΩ	1/16W J	R1165	NRSA63J-221X	MG RESISTOR	220Ω	1/16W J
R1047	NRSA63J-103X	MG RESISTOR	10kΩ	1/16W J	R1166	NRSA63J-221X	MG RESISTOR	220Ω	1/16W J
R1048	NRSA63J-103X	MG RESISTOR	10kΩ	1/16W J	R1167	NRSA63J-221X	MG RESISTOR	220Ω	1/16W J
R1049	NRSA63J-103X	MG RESISTOR	10kΩ	1/16W J	R1168	NRSA63J-221X	MG RESISTOR	220Ω	1/16W J
R1050	NRSA63J-103X	MG RESISTOR	10kΩ	1/16W J	R1169	NRSA63J-221X	MG RESISTOR	220Ω	1/16W J
R1051	NRSA63J-102X	MG RESISTOR	1kΩ	1/16W J	R1170	NRSA63J-221X	MG RESISTOR	220Ω	1/16W J
R1052	NRSA63J-102X	MG RESISTOR	1kΩ	1/16W J	R1171	NRSA63J-221X	MG RESISTOR	220Ω	1/16W J
R1053	NRSA63J-122X	MG RESISTOR	1.2kΩ	1/16W J	R1172	NRSA63J-221X	MG RESISTOR	220Ω	1/16W J
R1054	NRSA63J-152X	MG RESISTOR	1.5kΩ	1/16W J	R1173	NRSA63J-221X	MG RESISTOR	220Ω	1/16W J
R1055	NRSA63J-222X	MG RESISTOR	2.2kΩ	1/16W J	R1174	NRSA63J-221X	MG RESISTOR	220Ω	1/16W J
R1056	NRSA63J-102X	MG RESISTOR	1kΩ	1/16W J	R1178	NRSA63J-221X	MG RESISTOR	220Ω	1/16W J
R1057	NRSA63J-102X	MG RESISTOR	1kΩ	1/16W J	R1179	NRSA63J-221X	MG RESISTOR	220Ω	1/16W J
R1059	NRSA63J-104X	MG RESISTOR	100kΩ	1/16W J	R1180	NRSA63J-221X	MG RESISTOR	220Ω	1/16W J
R1060	NRSA63J-104X	MG RESISTOR	100kΩ	1/16W J	R1182	NRSA63J-221X	MG RESISTOR	220Ω	1/16W J
R1061	NRSA63J-103X	MG RESISTOR	10kΩ	1/16W J	R1183	NRSA63J-221X	MG RESISTOR	220Ω	1/16W J
R1062	NRSA63J-103X	MG RESISTOR	10kΩ	1/16W J	R1184	NRSA63J-221X	MG RESISTOR	220Ω	1/16W J
R1063	NRSA63J-103X	MG RESISTOR	10kΩ	1/16W J	R1191	NRSA63J-221X	MG RESISTOR	220Ω	1/16W J
R1064	NRSA63J-103X	MG RESISTOR	10kΩ	1/16W J	R1192	NRSA63J-221X	MG RESISTOR	220Ω	1/16W J
R1065	NRSA63J-103X	MG RESISTOR	10kΩ	1/16W J	R1193	NRSA63J-221X	MG RESISTOR	220Ω	1/16W J
R1066	NRSA63J-103X	MG RESISTOR	10kΩ	1/16W J	R1194	NRSA63J-221X	MG RESISTOR	220Ω	1/16W J
R1071	NRSA63J-221X	MG RESISTOR	220Ω	1/16W J	R1195	NRSA63J-221X	MG RESISTOR	220Ω	1/16W J
R1072	NRSA63J-221X	MG RESISTOR	220Ω	1/16W J	R1196	NRSA63J-221X	MG RESISTOR	220Ω	1/16W J
R1073	NRSA63J-221X	MG RESISTOR	220Ω	1/16W J	R1197	NRSA63J-221X	MG RESISTOR	220Ω	1/16W J
R1074	NRSA63J-221X	MG RESISTOR	220Ω	1/16W J	R1198	NRSA63J-221X	MG RESISTOR	220Ω	1/16W J
R1075	NRSA63J-221X	MG RESISTOR	220Ω	1/16W J	R1201	NRSA63J-393X	MG RESISTOR	39kΩ	1/16W J
R1076	NRSA63J-221X	MG RESISTOR	220Ω	1/16W J	R1202	NRSA63J-393X	MG RESISTOR	39kΩ	1/16W J
R1081	NRSA63J-103X	MG RESISTOR	10kΩ	1/16W J	R1203	NRSA63J-104X	MG RESISTOR	100kΩ	1/16W J
R1082	NRSA63J-103X	MG RESISTOR	10kΩ	1/16W J	R1204	NRSA63J-273X	MG RESISTOR	27kΩ	1/16W J
R1083	NRSA63J-103X	MG RESISTOR	10kΩ	1/16W J	R1205	NRSA63J-104X	MG RESISTOR	100kΩ	1/16W J
R1084	NRSA63J-474X	MG RESISTOR	470kΩ	1/16W J	R1206	NRSA63J-103X	MG RESISTOR	10kΩ	1/16W J
R1085	NRSA63J-103X	MG RESISTOR	10kΩ	1/16W J	R1207	QRJ146J-5R6X	UNF C RESISTOR	5.6Ω	1/4W J
R1086	NRSA63J-333X	MG RESISTOR	33kΩ	1/16W J	R1208	NRSA63J-102X	MG RESISTOR	1kΩ	1/16W J
R1091	NRSA63J-221X	MG RESISTOR	220Ω	1/16W J	R1209	NRSA63J-152X	MG RESISTOR	1.5kΩ	1/16W J
R1092	NRSA63J-221X	MG RESISTOR	220Ω	1/16W J	R1210	QRZ9006-4R7X	FUSI RESISTOR	4.7Ω	1/4W J
R1093	NRSA63J-221X	MG RESISTOR	220Ω	1/16W J	R1211	NRSA63J-221X	MG RESISTOR	220Ω	1/16W J
R1094	NRSA63J-221X	MG RESISTOR	220Ω	1/16W J	R1212	NRSA63J-471X	MG RESISTOR	470Ω	1/16W J
R1095	NRSA63J-221X	MG RESISTOR	220Ω	1/16W J	R1213	NRSA63J-221X	MG RESISTOR	220Ω	1/16W J
R1096	NRSA63J-221X	MG RESISTOR	220Ω	1/16W J	R1214	NRSA63J-101X	MG RESISTOR	100Ω	1/16W J
R1097	NRSA63J-221X	MG RESISTOR	220Ω	1/16W J	R1215	NRSA63J-221X	MG RESISTOR	220Ω	1/16W J
R1098	NRSA63J-221X	MG RESISTOR	220Ω	1/16W J	R1216	NRSA63J-221X	MG RESISTOR	220Ω	1/16W J
R1099	NRSA63J-221X	MG RESISTOR	220Ω	1/16W J	R1220	NRSA63J-182X	MG RESISTOR	1.8kΩ	1/16W J
R1101	NRSA63J-102X	MG RESISTOR	1kΩ	1/16W J	R1223	NRSA63J-332X	MG RESISTOR	3.3kΩ	1/16W J
R1102	NRSA63J-102X	MG RESISTOR	1kΩ	1/16W J	R1224	NRSA63J-332X	MG RESISTOR	3.3kΩ	1/16W J
R1103	NRSA63J-122X	MG RESISTOR	1.2kΩ	1/16W J	R1225	NRSA63J-332X	MG RESISTOR	3.3kΩ	1/16W J
R1104	NRSA63J-152X	MG RESISTOR	1.5kΩ	1/16W J	R1226	NRSA63J-332X	MG RESISTOR	3.3kΩ	1/16W J
R1105	NRSA63J-222X	MG RESISTOR	2.2kΩ	1/16W J	R1227	NRSA63J-332X	MG RESISTOR	3.3kΩ	1/16W J
R1106	NRSA63J-272X	MG RESISTOR	2.7kΩ	1/16W J	R1228	NRSA63J-332X	MG RESISTOR	3.3kΩ	1/16W J
R1107	NRSA63J-332X	MG RESISTOR	3.3kΩ	1/16W J	R1229	NRSA63J-332X	MG RESISTOR	3.3kΩ	1/16W J
R1122	NRSA63J-102X	MG RESISTOR	1kΩ	1/16W J	R1230	NRSA63J-332X	MG RESISTOR	3.3kΩ	1/16W J
R1123	NRSA63J-102X	MG RESISTOR	1kΩ	1/16W J	R1234	NRSA63J-182X	MG RESISTOR	1.8kΩ	1/16W J
R1124	NRSA63J-122X	MG RESISTOR	1.2kΩ	1/16W J	R1235	NRSA63J-182X	MG RESISTOR	1.8kΩ	1/16W J
R1125	NRSA63J-102X	MG RESISTOR	1kΩ	1/16W J	R3734	NRSA63J-221X	MG RESISTOR	220Ω	1/16W J
R1126	NRSA63J-102X	MG RESISTOR	1kΩ	1/16W J	RA966	QRB169J-104	NET RESISTOR	100kΩ	J
R1127	NRSA63J-122X	MG RESISTOR	1.2kΩ	1/16W J	BK961	LV42093-001A	FL HOLDER(L)		
R1128	NRSA63J-152X	MG RESISTOR	1.5kΩ	1/16W J	BK962	LV42092-001A	FL HOLDER(R)		
R1129	NRSA63J-222X	MG RESISTOR	2.2kΩ	1/16W J	CN301	QGA2001F1-08	CONNECTOR	W-B (1-8)	
R1130	NRSA63J-272X	MG RESISTOR	2.7kΩ	1/16W J	CN373	QGA2501C1-03	CONNECTOR	W-B (1-3)	
R1131	NRSA63J-102X	MG RESISTOR	1kΩ	1/16W J	CN963	QGF1205F1-21	CONNECTOR	FFC/FPC (1-21)	
R1132	NRSA63J-102X	MG RESISTOR	1kΩ	1/16W J	CN964	QGF1205F1-24	CONNECTOR	FFC/FPC (1-24)	
R1133	NRSA63J-122X	MG RESISTOR	1.2kΩ	1/16W J	CN965	QGF1205F1-06	CONNECTOR	FFC/FPC (1-6)	
R1134	NRSA63J-152X	MG RESISTOR	1.5kΩ	1/16W J	CN969	QGA2001C1-09	CONNECTOR	W-B (1-9)	
R1135	NRSA63J-222X	MG RESISTOR	2.2kΩ	1/16W J	CN971	QGA2001F1-02	CONNECTOR	W-B (1-2)	
R1141	NRSA63J-152X	MG RESISTOR	1.5kΩ	1/16W J	CN973	QGA2501F1-09	CONNECTOR	W-B (1-9)	
R1142	NRSA63J-222X	MG RESISTOR	2.2kΩ	1/16W J	CN975	QGA2001F1-02	CONNECTOR	W-B (1-2)	
R1143	NRSA63J-272X	MG RESISTOR	2.7kΩ	1/16W J	CN977	QGA2001F1-04	CONNECTOR	W-B (1-4)	
R1144	NRSA63J-332X	MG RESISTOR	3.3kΩ	1/16W J	CN981	QGA2001F1-02	CONNECTOR	W-B (1-2)	
R1151	NRSA63J-221X	MG RESISTOR	220Ω	1/16W J	CN982	QGF1005F1-04	CONNECTOR	FFC/FPC (1-4)	
R1152	NRSA63J-221X	MG RESISTOR	220Ω	1/16W J	CN983	QGA2001F1-10	CONNECTOR	W-B (1-10)	
R1153	NRSA63J-221X	MG RESISTOR	220Ω	1/16W J	CN985	QGA2001F1-06	CONNECTOR	W-B (1-6)	
R1154	NRSA63J-221X	MG RESISTOR	220Ω	1/16W J	DI961	QLF0110-001	FL TUBE		
R1155	NRSA63J-221X	MG RESISTOR	220Ω	1/16W J	FS28	VYSH101-009	SPECER		
R1156	NRSA63J-221X	MG RESISTOR	220Ω	1/16W J	FS961	E3400-444	FELT SPACER		
R1157	NRSA63J-221X	MG RESISTOR	220Ω	1/16W J	FS962	E3400-444	FELT SPACER		
R1158	NRSA63J-221X	MG RESISTOR	220Ω	1/16W J	J471	QND0026-001	S JACK		
R1161	NRSA63J-221X	MG RESISTOR	220Ω	1/16W J	J1201	QNS0073-001	JACK		
R1162	NRSA63J-221X	MG RESISTOR	220Ω	1/16W J	J1210	QNS0001-001	3.5 JACK		
R1163	NRSA63J-221X	MG RESISTOR	220Ω	1/16W J					



△ Symbol No.	Part No.	Part Name	Description	Local	△ Symbol No.	Part No.	Part Name	Description	Local
J1211	QNS0073-001	JACK			IC691	BA033FP-X	IC	Regulator	
J1212	QNS0073-001	JACK			IC692	BA033FP-X	IC	Regulator	
J1213	QNS0077-001	3.5 JACK			IC693	BA033FP-X	IC	Regulator	
JS961	QSW0867-001	SWITCH			IC700	SN74LVC1G04K-X	IC		
K472	QQR0779-001Z	COIL			IC801	TC5081BP	IC		
K1035	QQR1183-001Z	FERRITE BEADS			IC802	SN74LVC1GU04K-X	IC		
S1001	QSW0683-001Z	PUSH SW			IC803	SN74AHC2G74T-X	IC		
S1002	QSW0683-001Z	PUSH SW			IC804	TC3W03FU-X	IC		
S1003	QSW0683-001Z	PUSH SW			IC805	SN74LV393APW-X	IC		
S1004	QSW0683-001Z	PUSH SW			IC806	SN74AHC2G74T-X	IC		
S1005	QSW0683-001Z	PUSH SW			IC807	SN74LVC1G04K-X	IC		
S1006	QSW0683-001Z	PUSH SW			IC808	SN74AHC2G74T-X	IC(DIGITAL)		
S1007	QSW0683-001Z	PUSH SW			IC809	SN74LV74APW-X	IC		
S1022	QSW0683-001Z	PUSH SW			IC810	SN74LVC1G04K-X	IC		
S1023	QSW0683-001Z	PUSH SW			IC811	SN74LV157APW-X	IC		
S1024	QSW0683-001Z	PUSH SW			IC812	SN74LV74APW-X	IC		
S1025	QSW0683-001Z	PUSH SW			IC814	SN74LV126APW-X	IC		
S1026	QSW0683-001Z	PUSH SW			IC815	SN74LV393APW-X	IC		
S1027	QSW0683-001Z	PUSH SW			IC816	SN74LV126APW-X	IC		
S1028	QSW0683-001Z	PUSH SW			IC817	SN74LVC2G241T-X	IC		
S1029	QSW0683-001Z	PUSH SW			IC818	SN74LV126APW-X	IC		
S1030	QSW0683-001Z	PUSH SW			IC819	SN74LV393APW-X	IC		
S1031	QSW0683-001Z	PUSH SW			IC820	SN74LV126APW-X	IC		
S1032	QSW0683-001Z	PUSH SW			IC821	SN74AHC2G74T-X	IC		
S1033	QSW0683-001Z	PUSH SW			IC822	SN74LVC1G04K-X	IC		
S1034	QSW0683-001Z	PUSH SW			IC831	PQ20VZ11-X	IC	Regulator	
S1035	QSW0683-001Z	PUSH SW							
S1041	QSW0683-001Z	PUSH SW			Q3651	DTC114YE-X	TRANSISTOR		
S1042	QSW0683-001Z	PUSH SW			Q3921	DTC114YE-X	TRANSISTOR		
S1043	QSW0683-001Z	PUSH SW			Q3922	DTC114YE-X	TRANSISTOR		
S1044	QSW0683-001Z	PUSH SW			Q4801	2SC2412K/RS/-X	TRANSISTOR		
S1051	QSW0851-001	SWITCH			Q4802	2SC2412K/RS/-X	TRANSISTOR		
S1052	QSW0851-001	SWITCH			Q4803	2SC2412K/RS/-X	TRANSISTOR		
TF1	QMR0010-001	TH PROTECTOR			Q4804	2SA1037AK/RS/-X	TRANSISTOR		
TF2	QMR0008-001	TH PROTECTOR			Q4805	2SC2412K/RS/-X	TRANSISTOR		
TW471	QUB220-14HPDM	TER.WIRE			Q4806	2SA1037AK/RS/-X	TRANSISTOR		
UN634	GP1FM313RZ	OPT RECEIVER			Q4807	2SC2412K/RS/-X	TRANSISTOR		
WR64	QJK030-033403	SIN CR C-B WIRE			Q4808	2SA1037AK/RS/-X	TRANSISTOR		
WR65	QJK030-023002	SIN CR C-B WIRE							
WR301	QJK017-030803	SIN CR C-B WIRE			D3601	SVC343-X	VARI CAP		
WR961	QJK030-084803	SIN CR C-B WIRE			D3602	SVC343-X	VARI CAP		
WR962	QJK030-082003	SIN CR C-B WIRE			D3604	1SS355-X	SI DIODE		
WR966	QJK016-092004	SIN CR C-B WIRE							
WR967	QJK016-082402	SIN CR C-B WIRE			C3501	NEA70JM-107X	E CAPACITOR	100uF 6.3V M	
WR968	QJK016-094403	SIN CR C-B WIRE			C3502	NCF31CZ-104X	C CAPACITOR	0.1uF 16V Z	
WR970	QJK016-090802	SIN CR C-B WIRE			C3503	NCB31HK-103X	C CAPACITOR	0.01uF 50V K	
WR972	QJK016-021002	SIN CR C-B WIRE			C3504	NCB31HK-103X	C CAPACITOR	0.01uF 50V K	
WR977	QJK030-042004	SIN CR C-B WIRE			C3505	NCB31HK-103X	C CAPACITOR	0.01uF 50V K	
WR984	QJK016-101104	SIN CR C-B WIRE			C3506	NCB31HK-103X	C CAPACITOR	0.01uF 50V K	
WR986	QJK016-061102	SIN CR C-B WIRE			C3507	NCB31HK-103X	C CAPACITOR	0.01uF 50V K	
X1001	QAX0246-001Z	C RESONATOR	8.00MHZ		C3508	NCB31HK-103X	C CAPACITOR	0.01uF 50V K	
X1002	QAX0246-001Z	C RESONATOR	8.00MHZ		C3509	NCB31HK-103X	C CAPACITOR	0.01uF 50V K	
					C3510	NCB31HK-103X	C CAPACITOR	0.01uF 50V K	
					C3511	NCB31HK-103X	C CAPACITOR	0.01uF 50V K	
					C3512	NCB31HK-103X	C CAPACITOR	0.01uF 50V K	
					C3513	NCB31HK-103X	C CAPACITOR	0.01uF 50V K	
					C3514	NCB31HK-103X	C CAPACITOR	0.01uF 50V K	
					C3515	NCB31HK-103X	C CAPACITOR	0.01uF 50V K	
					C3516	NCB31HK-103X	C CAPACITOR	0.01uF 50V K	
					C3517	NCB31HK-103X	C CAPACITOR	0.01uF 50V K	
					C3518	NCB31HK-103X	C CAPACITOR	0.01uF 50V K	
					C3519	NCB31HK-103X	C CAPACITOR	0.01uF 50V K	
					C3520	NCB31HK-103X	C CAPACITOR	0.01uF 50V K	
					C3521	NCB31HK-103X	C CAPACITOR	0.01uF 50V K	
					C3522	NCB31HK-103X	C CAPACITOR	0.01uF 50V K	
					C3531	NEA70JM-107X	E CAPACITOR	100uF 6.3V M	
					C3532	NCF31CZ-104X	C CAPACITOR	0.1uF 16V Z	
					C3533	NCB31HK-103X	C CAPACITOR	0.01uF 50V K	
					C3534	NCB31HK-103X	C CAPACITOR	0.01uF 50V K	
					C3535	NCB31HK-103X	C CAPACITOR	0.01uF 50V K	
					C3536	NCB31HK-103X	C CAPACITOR	0.01uF 50V K	
					C3537	NCB31HK-103X	C CAPACITOR	0.01uF 50V K	
					C3538	NCB31HK-103X	C CAPACITOR	0.01uF 50V K	
					C3539	NCB31HK-103X	C CAPACITOR	0.01uF 50V K	
					C3540	NCB31HK-103X	C CAPACITOR	0.01uF 50V K	
					C3541	NCB31HK-103X	C CAPACITOR	0.01uF 50V K	
					C3542	NCB31HK-103X	C CAPACITOR	0.01uF 50V K	
					C3543	NCB31HK-103X	C CAPACITOR	0.01uF 50V K	

## DSP board

Block No. [0][5][0][0]

△ Symbol No.	Part No.	Part Name	Description	Local
IC481	TC9090AN	IC		
IC482	UPC1862GS-X	IC		
IC661	TMX320DA610P225	IC		
IC662	SST39VF160-7CEK	IC (FLASH)	16 Mbit multi-purpose flash memory	
IC663	HY57641620HGT7	IC		
IC671	UPD78F4216AC924	IC		
IC673	AK4112BVF-X	IC(MICRO C ROM)	Digital audio receiver	
IC674	SN74LV126APW-X	IC		
IC675	CS8405A-CS-X	IC		
IC676	SN74LV157APW-X	IC		
IC677	SN74AHC2G74T-X	IC		
IC678	SN74LV74APW-X	IC		
IC681	SN74LV157APW-X	IC		
IC690	PQ012FZ01Z-X	IC		

△ Symbol No.	Part No.	Part Name	Description	Local	△ Symbol No.	Part No.	Part Name	Description	Local
C3544	NCB31HK-103X	C CAPACITOR	0.01uF 50V K		C3735	NCF31CZ-104X	C CAPACITOR	0.1uF 16V Z	
C3545	NCB31HK-103X	C CAPACITOR	0.01uF 50V K		C3736	NCF31CZ-104X	C CAPACITOR	0.1uF 16V Z	
C3546	NCB31HK-103X	C CAPACITOR	0.01uF 50V K		C3741	NEA71CM-106X	E CAPACITOR	10uF 16V M	
C3547	NCB31HK-103X	C CAPACITOR	0.01uF 50V K		C3742	NEA71CM-106X	E CAPACITOR	10uF 16V M	
C3548	NCB31HK-103X	C CAPACITOR	0.01uF 50V K		C3743	NCF31CZ-104X	C CAPACITOR	0.1uF 16V Z	
C3549	NCB31HK-103X	C CAPACITOR	0.01uF 50V K		C3744	NCF31CZ-104X	C CAPACITOR	0.1uF 16V Z	
C3550	NCB31HK-103X	C CAPACITOR	0.01uF 50V K		C3745	NCS31HJ-101X	C CAPACITOR	100pF 50V J	
C3551	NCB31HK-103X	C CAPACITOR	0.01uF 50V K		C3751	NEA71CM-106X	E CAPACITOR	10uF 16V M	
C3552	NCB31HK-103X	C CAPACITOR	0.01uF 50V K		C3752	NEA71CM-106X	E CAPACITOR	10uF 16V M	
C3553	NCB31HK-103X	C CAPACITOR	0.01uF 50V K		C3753	NCF31CZ-104X	C CAPACITOR	0.1uF 16V Z	
C3554	NCB31HK-103X	C CAPACITOR	0.01uF 50V K		C3754	NCF31CZ-104X	C CAPACITOR	0.1uF 16V Z	
C3555	NCB31HK-103X	C CAPACITOR	0.01uF 50V K		C3755	NCF31CZ-104X	C CAPACITOR	0.1uF 16V Z	
C3556	NCB31HK-103X	C CAPACITOR	0.01uF 50V K		C3756	NCF31CZ-104X	C CAPACITOR	0.1uF 16V Z	
C3557	NCB31HK-103X	C CAPACITOR	0.01uF 50V K		C3757	NCF31CZ-104X	C CAPACITOR	0.1uF 16V Z	
C3558	NCB31HK-103X	C CAPACITOR	0.01uF 50V K		C3758	NCS31HJ-101X	C CAPACITOR	100pF 50V J	
C3559	NCB31HK-103X	C CAPACITOR	0.01uF 50V K		C3801	NEA70JM-107X	E CAPACITOR	100uF 6.3V M	
C3560	NCB31HK-103X	C CAPACITOR	0.01uF 50V K		C3802	NCF31CZ-104X	C CAPACITOR	0.1uF 16V Z	
C3561	NCB31HK-103X	C CAPACITOR	0.01uF 50V K		C3811	NCF31CZ-104X	C CAPACITOR	0.1uF 16V Z	
C3562	NCB31HK-103X	C CAPACITOR	0.01uF 50V K		C3901	NEA71AM-107X	E CAPACITOR	100uF 10V M	
C3563	NCB31HK-103X	C CAPACITOR	0.01uF 50V K		C3902	NCF31CZ-104X	C CAPACITOR	0.1uF 16V Z	
C3566	NCS31HJ-471X	C CAPACITOR	470pF 50V J		C3903	NCB30JK-105X	C CAPACITOR	1uF 6.3V K	
C3567	NCS31HJ-471X	C CAPACITOR	470pF 50V J		C3904	NEA71AM-107X	E CAPACITOR	100uF 10V M	
C3571	NCB31HK-103X	C CAPACITOR	0.01uF 50V K		C3905	NEA71AM-107X	E CAPACITOR	100uF 10V M	
C3572	NCF31CZ-104X	C CAPACITOR	0.1uF 16V Z		C3906	NCF31CZ-104X	C CAPACITOR	0.1uF 16V Z	
C3573	NCF31CZ-104X	C CAPACITOR	0.1uF 16V Z		C3907	NCB30JK-105X	C CAPACITOR	1uF 6.3V K	
C3574	NEA71CM-106X	E CAPACITOR	10uF 16V M		C3911	NEA71AM-107X	E CAPACITOR	100uF 10V M	
C3575	NCF31CZ-104X	C CAPACITOR	0.1uF 16V Z		C3912	NCF31CZ-104X	C CAPACITOR	0.1uF 16V Z	
C3576	NCB31HK-103X	C CAPACITOR	0.01uF 50V K		C3913	NCB30JK-105X	C CAPACITOR	1uF 6.3V K	
C3581	NEA71CM-106X	E CAPACITOR	10uF 16V M		C3914	NEA71AM-107X	E CAPACITOR	100uF 10V M	
C3582	NCB31HK-103X	C CAPACITOR	0.01uF 50V K		C3921	NCS31HJ-101X	C CAPACITOR	100pF 50V J	
C3591	NEA71CM-106X	E CAPACITOR	10uF 16V M		C3922	NCS31HJ-101X	C CAPACITOR	100pF 50V J	
C3592	NCB31HK-103X	C CAPACITOR	0.01uF 50V K		C3923	NCF31CZ-104X	C CAPACITOR	0.1uF 16V Z	
C3601	NEA71CM-106X	E CAPACITOR	10uF 16V M		C3924	NCF31CZ-104X	C CAPACITOR	0.1uF 16V Z	
C3602	NCF31CZ-104X	C CAPACITOR	0.1uF 16V Z		C3931	NEA71AM-107X	E CAPACITOR	100uF 10V M	
C3603	NCB30JK-105X	C CAPACITOR	1uF 6.3V K		C3932	NCF31CZ-104X	C CAPACITOR	0.1uF 16V Z	
C3604	NCB31HK-682X	C CAPACITOR	6800pF 50V K		C3933	NCB30JK-105X	C CAPACITOR	1uF 6.3V K	
C3605	NCF21CZ-155X	C CAPACITOR	1.5uF 16V Z		C3934	NEA71AM-107X	E CAPACITOR	100uF 10V M	
C3606	NCB31HK-223X	C CAPACITOR	0.022uF 50V K		C4801	NCB31HK-103X	C CAPACITOR	0.01uF 50V K	
C3608	NCS31HJ-101X	C CAPACITOR	100pF 50V J		C4802	NEA71CM-106X	E CAPACITOR	10uF 16V M	
C3609	NCS31HJ-101X	C CAPACITOR	100pF 50V J		C4803	NEA71CM-106X	E CAPACITOR	10uF 16V M	
C3610	NCF31CZ-104X	C CAPACITOR	0.1uF 16V Z		C4804	NCF31CZ-104X	C CAPACITOR	0.1uF 16V Z	
C3611	NCF31CZ-104X	C CAPACITOR	0.1uF 16V Z		C4805	NCB31HK-103X	C CAPACITOR	0.01uF 50V K	
C3612	NCF31CZ-104X	C CAPACITOR	0.1uF 16V Z		C4806	NCB31HK-103X	C CAPACITOR	0.01uF 50V K	
C3613	NCF31CZ-104X	C CAPACITOR	0.1uF 16V Z		C4807	NCB31HK-103X	C CAPACITOR	0.01uF 50V K	
C3614	NCF31CZ-104X	C CAPACITOR	0.1uF 16V Z		C4808	NCB31HK-103X	C CAPACITOR	0.01uF 50V K	
C3615	NCF31CZ-104X	C CAPACITOR	0.1uF 16V Z		C4809	NEA71CM-106X	E CAPACITOR	10uF 16V M	
C3616	NCF31CZ-104X	C CAPACITOR	0.1uF 16V Z		C4810	NCB31HK-103X	C CAPACITOR	0.01uF 50V K	
C3617	NCF31CZ-104X	C CAPACITOR	0.1uF 16V Z		C4811	NEA71CM-107X	E CAPACITOR	100uF 16V M	
C3618	NCF31CZ-104X	C CAPACITOR	0.1uF 16V Z		C4812	NCB31HK-103X	C CAPACITOR	0.01uF 50V K	
C3619	NCF31CZ-104X	C CAPACITOR	0.1uF 16V Z		C4813	NCB31HK-103X	C CAPACITOR	0.01uF 50V K	
C3620	NCF31CZ-104X	C CAPACITOR	0.1uF 16V Z		C4814	NCS31HJ-181X	C CAPACITOR	180pF 50V J	
C3621	NCF31CZ-104X	C CAPACITOR	0.1uF 16V Z		C4815	NCB31HK-103X	C CAPACITOR	0.01uF 50V K	
C3622	NCF31CZ-104X	C CAPACITOR	0.1uF 16V Z		C4816	NCB31HK-103X	C CAPACITOR	0.01uF 50V K	
C3624	NCF31CZ-104X	C CAPACITOR	0.1uF 16V Z		C4817	NCB31HK-103X	C CAPACITOR	0.01uF 50V K	
C3625	NCF31CZ-104X	C CAPACITOR	0.1uF 16V Z		C4818	NCB31HK-103X	C CAPACITOR	0.01uF 50V K	
C3626	NCF31CZ-104X	C CAPACITOR	0.1uF 16V Z		C4819	NCF31EZ-104X	C CAPACITOR	0.1uF 25V Z	
C3627	NCF31CZ-104X	C CAPACITOR	0.1uF 16V Z		C4820	NEA71CM-106X	E CAPACITOR	10uF 16V M	
C3641	NCF31CZ-104X	C CAPACITOR	0.1uF 16V Z		C4821	NEA71CM-107X	E CAPACITOR	100uF 16V M	
C3642	NCF31CZ-104X	C CAPACITOR	0.1uF 16V Z		C4822	NCF31CZ-104X	C CAPACITOR	0.1uF 16V Z	
C3643	NCF31CZ-104X	C CAPACITOR	0.1uF 16V Z		C4823	NCB31HK-103X	C CAPACITOR	0.01uF 50V K	
C3651	NCF31CZ-104X	C CAPACITOR	0.1uF 16V Z		C4824	NCB31HK-103X	C CAPACITOR	0.01uF 50V K	
C3652	NEA71CM-106X	E CAPACITOR	10uF 16V M		C4825	NCS31HJ-680X	C CAPACITOR	68pF 50V J	
C3653	NCF31CZ-104X	C CAPACITOR	0.1uF 16V Z		C4826	NCS31HJ-470X	C CAPACITOR	47pF 50V J	
C3654	NEA71AM-107X	E CAPACITOR	100uF 10V M		C4827	NCB31HK-103X	C CAPACITOR	0.01uF 50V K	
C3661	NCS31HJ-330X	C CAPACITOR	33pF 50V J		C4828	NEA71HM-474X	E CAPACITOR	0.47uF 50V M	
C3662	NCS31HJ-470X	C CAPACITOR	47pF 50V J		C4829	NCF31CZ-104X	C CAPACITOR	0.1uF 16V Z	
C3701	NCS31HJ-101X	C CAPACITOR	100pF 50V J		C4830	NEA71CM-226X	E CAPACITOR	22uF 16V M	
C3702	NEA71HM-105X	E CAPACITOR	1uF 50V M		C4831	NCB31CK-333X	C CAPACITOR	0.033uF 16V K	
C3703	NCS31HJ-330X	C CAPACITOR	33pF 50V J		C4837	NEA71CM-107X	E CAPACITOR	100uF 16V M	
C3711	NCS31HJ-101X	C CAPACITOR	100pF 50V J		C4838	NCB31HK-103X	C CAPACITOR	0.01uF 50V K	
C3712	NEA71HM-105X	E CAPACITOR	1uF 50V M		C4839	NCB31HK-153X	C CAPACITOR	0.015uF 50V K	
C3713	NCS31HJ-330X	C CAPACITOR	33pF 50V J		C4840	NEA71HM-475X	E CAPACITOR	4.7uF 50V M	
C3721	NCS31HJ-101X	C CAPACITOR	100pF 50V J		C4841	NCB31HK-152X	C CAPACITOR	1500pF 50V K	
C3722	NEA71HM-105X	E CAPACITOR	1uF 50V M		C4842	NCB31HK-221X	C CAPACITOR	220pF 50V K	
C3723	NCS31HJ-330X	C CAPACITOR	33pF 50V J		C4843	NEA71HM-104X	E CAPACITOR	0.1uF 50V M	
C3731	NCF31CZ-104X	C CAPACITOR	0.1uF 16V Z		C4844	NEA71HM-475X	E CAPACITOR	4.7uF 50V M	
C3732	NCF31CZ-104X	C CAPACITOR	0.1uF 16V Z		C4845	NEA71HM-475X	E CAPACITOR	4.7uF 50V M	
C3733	NCF31CZ-104X	C CAPACITOR	0.1uF 16V Z		C4852	NEA71CM-107X	E CAPACITOR	100uF 16V M	

△ Symbol No.	Part No.	Part Name	Description	Local	△ Symbol No.	Part No.	Part Name	Description	Local
C4853	NEA71HM-105X	E CAPACITOR	1uF 50V M		R3651	NRSA63J-302X	MG RESISTOR	3kΩ 1/16W J	
C4859	NCS31HJ-470X	C CAPACITOR	47pF 50V J		R3652	NRSA63J-102X	MG RESISTOR	1kΩ 1/16W J	
C4860	NCS31HJ-100X	C CAPACITOR	10pF 50V J		R3653	NRSA63J-102X	MG RESISTOR	1kΩ 1/16W J	
C4861	NCS31HJ-120X	C CAPACITOR	12pF 50V J		R3701	NRSA63J-750X	MG RESISTOR	75Ω 1/16W J	
C4862	NCS31HJ-5R0X	C CAPACITOR	5pF 50V J		R3702	NRSA63J-221X	MG RESISTOR	220Ω 1/16W J	
C4863	NCS31HJ-680X	C CAPACITOR	68pF 50V J		R3711	NRSA63J-750X	MG RESISTOR	75Ω 1/16W J	
C4864	NCS31HJ-150X	C CAPACITOR	15pF 50V J		R3712	NRSA63J-221X	MG RESISTOR	220Ω 1/16W J	
C4868	NCS31HJ-680X	C CAPACITOR	68pF 50V J		R3721	NRSA63J-750X	MG RESISTOR	75Ω 1/16W J	
C4869	NCS31HJ-330X	C CAPACITOR	33pF 50V J		R3722	NRSA63J-221X	MG RESISTOR	220Ω 1/16W J	
C4870	NCS31HJ-7R0X	C CAPACITOR	7pF 50V J		R3731	NRSA63J-221X	MG RESISTOR	220Ω 1/16W J	
C4871	NCS31HJ-680X	C CAPACITOR	68pF 50V J		R3732	NRSA63J-221X	MG RESISTOR	220Ω 1/16W J	
C4872	NCS31HJ-470X	C CAPACITOR	47pF 50V J		R3733	NRSA63J-221X	MG RESISTOR	220Ω 1/16W J	
C4873	NCS31HJ-100X	C CAPACITOR	10pF 50V J		R3735	NRSA63J-221X	MG RESISTOR	220Ω 1/16W J	
					R3741	NRSA63F-183X	MG RESISTOR	18kΩ 1/16W F	
R3501	NRSA63J-221X	MG RESISTOR	220Ω 1/16W J		R3742	NRSA63J-100X	MG RESISTOR	10Ω 1/16W J	
R3502	NRSA63J-221X	MG RESISTOR	220Ω 1/16W J		R3743	NRSA63J-221X	MG RESISTOR	220Ω 1/16W J	
R3503	NRSA63J-221X	MG RESISTOR	220Ω 1/16W J		R3744	NRSA63J-221X	MG RESISTOR	220Ω 1/16W J	
R3504	NRSA63J-221X	MG RESISTOR	220Ω 1/16W J		R3745	NRSA63J-221X	MG RESISTOR	220Ω 1/16W J	
R3505	NRSA63J-221X	MG RESISTOR	220Ω 1/16W J		R3746	NRSA63J-221X	MG RESISTOR	220Ω 1/16W J	
R3506	NRSA63J-221X	MG RESISTOR	220Ω 1/16W J		R3751	NRSA63J-101X	MG RESISTOR	100Ω 1/16W J	
R3507	NRSA63J-221X	MG RESISTOR	220Ω 1/16W J		R3752	NRSA63J-221X	MG RESISTOR	220Ω 1/16W J	
R3511	NRSA63J-470X	MG RESISTOR	47Ω 1/16W J		R3753	NRSA63J-221X	MG RESISTOR	220Ω 1/16W J	
R3512	NRSA63J-470X	MG RESISTOR	47Ω 1/16W J		R3754	NRSA63J-221X	MG RESISTOR	220Ω 1/16W J	
R3521	NRSA63J-102X	MG RESISTOR	1kΩ 1/16W J		R3755	NRSA63J-221X	MG RESISTOR	220Ω 1/16W J	
R3522	NRSA63J-102X	MG RESISTOR	1kΩ 1/16W J		R3756	NRSA63J-221X	MG RESISTOR	220Ω 1/16W J	
R3523	NRSA63J-102X	MG RESISTOR	1kΩ 1/16W J		R3757	NRSA63J-221X	MG RESISTOR	220Ω 1/16W J	
R3524	NRSA63J-102X	MG RESISTOR	1kΩ 1/16W J		R3758	NRSA63J-221X	MG RESISTOR	220Ω 1/16W J	
R3526	NRSA63J-102X	MG RESISTOR	1kΩ 1/16W J		R3801	NRSA63J-105X	MG RESISTOR	1MΩ 1/16W J	
R3527	NRSA63J-102X	MG RESISTOR	1kΩ 1/16W J		R3802	NRSA63J-103X	MG RESISTOR	10kΩ 1/16W J	
R3531	NRSA63J-470X	MG RESISTOR	47Ω 1/16W J		R3803	NRSA63J-103X	MG RESISTOR	10kΩ 1/16W J	
R3532	NRSA63J-470X	MG RESISTOR	47Ω 1/16W J		R3804	NRSA63J-103X	MG RESISTOR	10kΩ 1/16W J	
R3533	NRSA63J-470X	MG RESISTOR	47Ω 1/16W J		R3805	NRSA63J-103X	MG RESISTOR	10kΩ 1/16W J	
R3534	NRSA63J-470X	MG RESISTOR	47Ω 1/16W J		R3806	NRSA63J-103X	MG RESISTOR	10kΩ 1/16W J	
R3535	NRSA63J-470X	MG RESISTOR	47Ω 1/16W J		R3807	NRSA63J-103X	MG RESISTOR	10kΩ 1/16W J	
R3536	NRSA63J-470X	MG RESISTOR	47Ω 1/16W J		R3811	NRSA63J-101X	MG RESISTOR	100Ω 1/16W J	
R3537	NRSA63J-470X	MG RESISTOR	47Ω 1/16W J		R3812	NRSA63J-221X	MG RESISTOR	220Ω 1/16W J	
R3538	NRSA63J-470X	MG RESISTOR	47Ω 1/16W J		R3813	NRSA63J-221X	MG RESISTOR	220Ω 1/16W J	
R3539	NRSA63J-470X	MG RESISTOR	47Ω 1/16W J		R3814	NRSA63J-221X	MG RESISTOR	220Ω 1/16W J	
R3541	NRSA63J-101X	MG RESISTOR	100Ω 1/16W J		R3815	NRSA63J-470X	MG RESISTOR	47Ω 1/16W J	
R3563	NRSA63J-102X	MG RESISTOR	1kΩ 1/16W J		R3816	NRSA63J-470X	MG RESISTOR	47Ω 1/16W J	
R3565	NRSA63J-102X	MG RESISTOR	1kΩ 1/16W J		R3817	NRSA63J-470X	MG RESISTOR	47Ω 1/16W J	
R3568	NRSA63J-102X	MG RESISTOR	1kΩ 1/16W J		R3818	NRSA63J-470X	MG RESISTOR	47Ω 1/16W J	
R3571	NRSA63J-103X	MG RESISTOR	10kΩ 1/16W J		R3921	NRSA63J-512X	MG RESISTOR	5.1kΩ 1/16W J	
R3572	NRSA63J-470X	MG RESISTOR	47Ω 1/16W J		R3922	NRSA63J-512X	MG RESISTOR	5.1kΩ 1/16W J	
R3573	NRSA63J-102X	MG RESISTOR	1kΩ 1/16W J		R3923	NRSA63J-221X	MG RESISTOR	220Ω 1/16W J	
R3574	NRSA63J-102X	MG RESISTOR	1kΩ 1/16W J		R3924	NRSA63J-512X	MG RESISTOR	5.1kΩ 1/16W J	
R3575	NRSA63J-102X	MG RESISTOR	1kΩ 1/16W J		R3925	NRSA63J-221X	MG RESISTOR	220Ω 1/16W J	
R3581	NRSA63J-103X	MG RESISTOR	10kΩ 1/16W J		R3926	NRSA63J-103X	MG RESISTOR	10kΩ 1/16W J	
R3591	NRSA63J-0R0X	MG RESISTOR	0Ω 1/16W J		R3927	NRSA63J-103X	MG RESISTOR	10kΩ 1/16W J	
R3601	NRSA63J-101X	MG RESISTOR	100Ω 1/16W J		R3928	NRSA63J-103X	MG RESISTOR	10kΩ 1/16W J	
R3602	NRSA63J-273X	MG RESISTOR	27kΩ 1/16W J		R3929	NRSA63J-103X	MG RESISTOR	10kΩ 1/16W J	
R3603	NRSA63J-272X	MG RESISTOR	2.7kΩ 1/16W J		R4801	NRSA63J-821X	MG RESISTOR	820Ω 1/16W J	
R3604	NRSA63J-104X	MG RESISTOR	100kΩ 1/16W J		R4802	NRSA63J-103X	MG RESISTOR	10kΩ 1/16W J	
R3605	NRSA63J-104X	MG RESISTOR	100kΩ 1/16W J		R4803	NRSA63J-103X	MG RESISTOR	10kΩ 1/16W J	
R3606	NRSA63J-104X	MG RESISTOR	100kΩ 1/16W J		R4804	NRSA63J-822X	MG RESISTOR	8.2kΩ 1/16W J	
R3607	NRSA63J-104X	MG RESISTOR	100kΩ 1/16W J		R4805	NRSA63J-123X	MG RESISTOR	12kΩ 1/16W J	
R3608	NRSA63J-560X	MG RESISTOR	56Ω 1/16W J		R4811	NRSA63J-681X	MG RESISTOR	680Ω 1/16W J	
R3609	NRSA63J-151X	MG RESISTOR	150Ω 1/16W J		R4812	NRSA63J-105X	MG RESISTOR	1MΩ 1/16W J	
R3610	NRSA63J-221X	MG RESISTOR	220Ω 1/16W J		R4813	NRSA63J-102X	MG RESISTOR	1kΩ 1/16W J	
R3611	NRSA63J-221X	MG RESISTOR	220Ω 1/16W J		R4816	NRSA63J-822X	MG RESISTOR	8.2kΩ 1/16W J	
R3612	NRSA63J-221X	MG RESISTOR	220Ω 1/16W J		R4817	NRSA63J-272X	MG RESISTOR	2.7kΩ 1/16W J	
R3613	NRSA63J-101X	MG RESISTOR	100Ω 1/16W J		R4818	NRSA63J-271X	MG RESISTOR	270Ω 1/16W J	
R3614	NRSA63J-101X	MG RESISTOR	100Ω 1/16W J		R4819	NRSA63J-222X	MG RESISTOR	2.2kΩ 1/16W J	
R3621	NRSA63J-221X	MG RESISTOR	220Ω 1/16W J		R4820	NRSA63J-152X	MG RESISTOR	1.5kΩ 1/16W J	
R3623	NRSA63J-221X	MG RESISTOR	220Ω 1/16W J		R4821	NRSA63J-104X	MG RESISTOR	100kΩ 1/16W J	
R3624	NRSA63J-221X	MG RESISTOR	220Ω 1/16W J		R4822	NRSA63J-221X	MG RESISTOR	220Ω 1/16W J	
R3625	NRSA63J-221X	MG RESISTOR	220Ω 1/16W J		R4823	NRSA63J-104X	MG RESISTOR	100kΩ 1/16W J	
R3626	NRSA63J-221X	MG RESISTOR	220Ω 1/16W J		R4824	NRSA63J-221X	MG RESISTOR	220Ω 1/16W J	
R3631	NRSA63J-221X	MG RESISTOR	220Ω 1/16W J		R4825	NRSA63J-104X	MG RESISTOR	100kΩ 1/16W J	
R3632	NRSA63J-221X	MG RESISTOR	220Ω 1/16W J		R4831	NRSA63J-153X	MG RESISTOR	15kΩ 1/16W J	
R3633	NRSA63J-470X	MG RESISTOR	47Ω 1/16W J		R4832	NRSA63J-333X	MG RESISTOR	33kΩ 1/16W J	
R3634	NRSA63J-470X	MG RESISTOR	47Ω 1/16W J		R4833	NRSA63J-102X	MG RESISTOR	1kΩ 1/16W J	
R3635	NRSA63J-470X	MG RESISTOR	47Ω 1/16W J		R4834	NRSA63J-182X	MG RESISTOR	1.8kΩ 1/16W J	
R3636	NRSA63J-470X	MG RESISTOR	47Ω 1/16W J		R4835	NRSA63J-361X	MG RESISTOR	360Ω 1/16W J	
R3643	NRSA63J-221X	MG RESISTOR	220Ω 1/16W J		R4836	NRSA63J-182X	MG RESISTOR	1.8kΩ 1/16W J	
R3646	NRSA63J-221X	MG RESISTOR	220Ω 1/16W J		R4837	NRSA63J-101X	MG RESISTOR	100Ω 1/16W J	
R3647	NRSA63J-470X	MG RESISTOR	47Ω 1/16W J		R4838	NRSA63J-333X	MG RESISTOR	33kΩ 1/16W J	
R3648	NRSA63J-470X	MG RESISTOR	47Ω 1/16W J		R4839	NRSA63J-273X	MG RESISTOR	27kΩ 1/16W J	

△ Symbol No.	Part No.	Part Name	Description	Local	△ Symbol No.	Part No.	Part Name	Description	Local
R4840	NRSA63J-102X	MG RESISTOR	1kΩ 1/16W J		Q7096	2SC3422/OY/	TRANSISTOR		
R4841	NRSA63J-102X	MG RESISTOR	1kΩ 1/16W J		Q7097	2SC3422/OY/	TRANSISTOR		
R4842	NRSA63J-511X	MG RESISTOR	510Ω 1/16W J						
R4843	NRSA63J-101X	MG RESISTOR	100Ω 1/16W J		C7191	QDVB1EZ-103Y	C CAPACITOR	0.01uF 25V Z	
R4844	NRSA63J-391X	MG RESISTOR	390Ω 1/16W J		C7192	QDVB1EZ-103Y	C CAPACITOR	0.01uF 25V Z	
R4847	NRSA63J-0R0X	MG RESISTOR	0Ω 1/16W J		C7193	QDVB1EZ-103Y	C CAPACITOR	0.01uF 25V Z	
R4848	NRSA63J-0R0X	MG RESISTOR	0Ω 1/16W J		C7194	QDVB1EZ-103Y	C CAPACITOR	0.01uF 25V Z	
R4851	NRSA63J-0R0X	MG RESISTOR	0Ω 1/16W J		C7195	QDVB1EZ-103Y	C CAPACITOR	0.01uF 25V Z	
R4852	NRSA63J-561X	MG RESISTOR	560Ω 1/16W J		C7196	QDVB1EZ-103Y	C CAPACITOR	0.01uF 25V Z	
R4853	NRSA63J-122X	MG RESISTOR	1.2kΩ 1/16W J		C7197	QDVB1EZ-103Y	C CAPACITOR	0.01uF 25V Z	
R4855	NRSA63J-472X	MG RESISTOR	4.7kΩ 1/16W J		C7701	QCBB1HK-223Y	C CAPACITOR	0.022uF 50V K	
R4856	NRSA63J-561X	MG RESISTOR	560Ω 1/16W J		C7702	QCBB1HK-223Y	C CAPACITOR	0.022uF 50V K	
R4857	NRSA63J-472X	MG RESISTOR	4.7kΩ 1/16W J		C7703	QCBB1HK-223Y	C CAPACITOR	0.022uF 50V K	
R4858	NRSA63J-472X	MG RESISTOR	4.7kΩ 1/16W J		C7704	QCBB1HK-223Y	C CAPACITOR	0.022uF 50V K	
					C7705	QCBB1HK-223Y	C CAPACITOR	0.022uF 50V K	
L481	NQL085J-100X	COIL	10uH J		C7706	QCBB1HK-223Y	C CAPACITOR	0.022uF 50V K	
L482	NQL085J-100X	COIL	10uH J		C7707	QCBB1HK-223Y	C CAPACITOR	0.022uF 50V K	
L483	NQL085J-100X	COIL	10uH J		C7708	QCBB1HK-223Y	C CAPACITOR	0.022uF 50V K	
L484	NQL085J-100X	COIL	10uH J		C7709	QCBB1HK-561Y	C CAPACITOR	560pF 50V K	
L485	NQL085J-100X	COIL	10uH J		C7710	QCBB1HK-561Y	C CAPACITOR	560pF 50V K	
L486	NQL085J-100X	COIL	10uH J		C7711	QCBB1HK-561Y	C CAPACITOR	560pF 50V K	
L487	NQL085J-150X	COIL	15uH J		C7712	QCBB1HK-561Y	C CAPACITOR	560pF 50V K	
L488	NQL085J-220X	COIL	22uH J		C7713	QCBB1HK-561Y	C CAPACITOR	560pF 50V K	
L489	NQL085J-6R8X	COIL	6.8uH J		C7714	QCBB1HK-561Y	C CAPACITOR	560pF 50V K	
L490	NQL085J-270X	COIL	27uH J		C7715	QCBB1HK-561Y	C CAPACITOR	560pF 50V K	
L3601	NQL025J-R39X	P COIL	0.39uH J		C7716	QCBB1HK-561Y	C CAPACITOR	560pF 50V K	
					C7733	QCSB1HJ-100Y	C CAPACITOR	10pF 50V J	
CN481	QGB1224J1-13	CONNECTOR	B-B (1-13)		C7734	QCSB1HJ-100Y	C CAPACITOR	10pF 50V J	
CN482	QGB1224J1-15	CONNECTOR	B-B (1-15)		C7735	QCSB1HJ-100Y	C CAPACITOR	10pF 50V J	
CN634	QGF1205F1-06	CONNECTOR	FFC/FPC (1-6)		C7736	QCSB1HJ-100Y	C CAPACITOR	10pF 50V J	
CN635	QGB2510K1-07	CONNECTOR	B-B (1-7)		C7737	QCSB1HJ-100Y	C CAPACITOR	10pF 50V J	
CN641	QGB1220M1-21	CONNECTOR	B-B (1-21)		C7738	QCSB1HJ-100Y	C CAPACITOR	10pF 50V J	
CN642	QGF1016C1-21	CONNECTOR	FFC/FPC (1-21)		C7739	QCSB1HJ-100Y	C CAPACITOR	10pF 50V J	
EP710	E409182-001SM	GRAND TERMINAL			C7740	QCSB1HJ-100Y	C CAPACITOR	10pF 50V J	
J3701	QNN0512-001	PIN JACK			C7751	QEZ0630-476	E.CAPA AWF	47uF	
K3501	NQR0229-001X	FERRITE BEADS			C7752	QEZ0630-476	E.CAPA AWF	47uF	
K3502	NQR0229-001X	FERRITE BEADS			C7753	QEZ0630-476	E.CAPA AWF	47uF	
K3661	NQR0269-013X	FERRITE BEADS			C7754	QEZ0630-476	E.CAPA AWF	47uF	
K3701	NQR0269-004X	FERRITE BEADS			C7755	QEZ0630-476	E.CAPA AWF	47uF	
K3711	NQR0269-004X	FERRITE BEADS			C7756	QEZ0630-476	E.CAPA AWF	47uF	
K3721	NQR0269-004X	FERRITE BEADS			C7757	QEZ0630-476	E.CAPA AWF	47uF	
LC661	NQR0450-001X	EMI FILTER	0.022uF 50V M		C7758	QEZ0630-476	E.CAPA AWF	47uF	
LC662	NQR0450-001X	EMI FILTER	0.022uF 50V M						
LC663	NQR0450-001X	EMI FILTER	0.022uF 50V M		R7701	QRV12DF-1002	CMF RESISTOR	10kΩ 1/2W F	
LC664	NQR0345-001X	FERRITE BEADS			R7702	QRV12DF-1002	CMF RESISTOR	10kΩ 1/2W F	
LC671	NQR0450-001X	EMI FILTER	0.022uF 50V M		R7703	QRV12DF-1002	CMF RESISTOR	10kΩ 1/2W F	
LC673	NQR0450-001X	EMI FILTER	0.022uF 50V M		R7704	QRV12DF-1002	CMF RESISTOR	10kΩ 1/2W F	
LC691	NQR0450-001X	EMI FILTER	0.022uF 50V M		R7705	QRV12DF-1002	CMF RESISTOR	10kΩ 1/2W F	
LC801	NQR0450-001X	EMI FILTER	0.022uF 50V M		R7706	QRV12DF-1002	CMF RESISTOR	10kΩ 1/2W F	
UN631	GP1FA351RZ	OPT RECEIVER	Fiber optic receiver		R7707	QRV12DF-1002	CMF RESISTOR	10kΩ 1/2W F	
UN632	GP1FA351RZ	OPT RECEIVER	Fiber optic receiver		R7708	QRV12DF-1002	CMF RESISTOR	10kΩ 1/2W F	
UN633	GP1FA351RZ	OPT RECEIVER	Fiber optic receiver		R7709	QRV12DF-1002	CMF RESISTOR	10kΩ 1/2W F	
UN635	GP1FA351TZ	OPT TRANSMITTER			R7710	QRV12DF-1002	CMF RESISTOR	10kΩ 1/2W F	
WR636	QJP001-035803	SIN CR C-B WIRE			R7711	QRV12DF-1002	CMF RESISTOR	10kΩ 1/2W F	
X482	QAX0687-001	C RESONATOR	503.50kHz		R7712	QRV12DF-1002	CMF RESISTOR	10kΩ 1/2W F	
X483	QAX0260-001Z	CRYSTAL	14.31818MHz		R7713	QRV12DF-1002	CMF RESISTOR	10kΩ 1/2W F	
X3571	NAX0572-001X	CXO			R7714	QRV12DF-1002	CMF RESISTOR	10kΩ 1/2W F	
X3801	NAX0427-001X	C RESONATOR			R7715	QRV12DF-1002	CMF RESISTOR	10kΩ 1/2W F	
					R7716	QRV12DF-1002	CMF RESISTOR	10kΩ 1/2W F	
					R7717	QRV12DF-1002	CMF RESISTOR	10kΩ 1/2W F	
					R7718	QRV12DF-1002	CMF RESISTOR	10kΩ 1/2W F	
					R7719	QRV12DF-1002	CMF RESISTOR	10kΩ 1/2W F	
					R7720	QRV12DF-1002	CMF RESISTOR	10kΩ 1/2W F	
					R7721	QRV12DF-1002	CMF RESISTOR	10kΩ 1/2W F	
					R7722	QRV12DF-1002	CMF RESISTOR	10kΩ 1/2W F	
					R7723	QRV12DF-1002	CMF RESISTOR	10kΩ 1/2W F	
					R7724	QRV12DF-1002	CMF RESISTOR	10kΩ 1/2W F	
					R7725	QRV12DF-1002	CMF RESISTOR	10kΩ 1/2W F	
					R7726	QRV12DF-1002	CMF RESISTOR	10kΩ 1/2W F	
					R7727	QRV12DF-1002	CMF RESISTOR	10kΩ 1/2W F	
					R7728	QRV12DF-1002	CMF RESISTOR	10kΩ 1/2W F	
					R7729	QRV12DF-1002	CMF RESISTOR	10kΩ 1/2W F	
					R7730	QRV12DF-1002	CMF RESISTOR	10kΩ 1/2W F	
Q7091	2SC3422/OY/	TRANSISTOR			R7731	QRV12DF-1002	CMF RESISTOR	10kΩ 1/2W F	
Q7092	2SC3422/OY/	TRANSISTOR			R7732	QRV12DF-1002	CMF RESISTOR	10kΩ 1/2W F	
Q7093	2SC3422/OY/	TRANSISTOR			R7733	QRV12DF-1000	CMF RESISTOR	100Ω 1/2W F	
Q7094	2SC3422/OY/	TRANSISTOR			R7734	QRV12DF-1000	CMF RESISTOR	100Ω 1/2W F	
Q7095	2SC3422/OY/	TRANSISTOR			R7735	QRV12DF-1000	CMF RESISTOR	100Ω 1/2W F	

## Exit 7.1ch input board

Block No. [0][6][0][0]

△ Symbol No.	Part No.	Part Name	Description	Local
IC701	NJM5532D-D	IC		
IC702	NJM5532D-D	IC		
IC703	NJM5532D-D	IC		
IC704	NJM5532D-D	IC		
Q7091	2SC3422/OY/	TRANSISTOR		
Q7092	2SC3422/OY/	TRANSISTOR		
Q7093	2SC3422/OY/	TRANSISTOR		
Q7094	2SC3422/OY/	TRANSISTOR		
Q7095	2SC3422/OY/	TRANSISTOR		

△ Symbol No.	Part No.	Part Name	Description	Local	△ Symbol No.	Part No.	Part Name	Description	Local
R7736	QRV12DF-1000	CMF RESISTOR	100Ω 1/2W F		Q581	KRC105M-T	DIGI TRANSISTOR		
R7737	QRV12DF-1000	CMF RESISTOR	100Ω 1/2W F		Q582	KRC105M-T	DIGI TRANSISTOR		
R7738	QRV12DF-1000	CMF RESISTOR	100Ω 1/2W F		Q3105	DTA114YE-X	TRANSISTOR		
R7739	QRV12DF-1000	CMF RESISTOR	100Ω 1/2W F		Q3107	2SD1328/ST/-X	TRANSISTOR		
R7740	QRV12DF-1000	CMF RESISTOR	100Ω 1/2W F		Q3108	2SD1328/ST/-X	TRANSISTOR		
R7751	QRZ9005-470X	FUSI RESISTOR	47Ω		Q3161	2SC2412K/RS/-X	TRANSISTOR		
R7752	QRZ9005-470X	FUSI RESISTOR	47Ω		Q3162	2SC2412K/RS/-X	TRANSISTOR		
R7753	QRZ9005-470X	FUSI RESISTOR	47Ω		Q3163	DTA114YE-X	TRANSISTOR		
R7754	QRZ9005-470X	FUSI RESISTOR	47Ω		Q3203	2SC2412K/RS/-X	TRANSISTOR		
R7755	QRZ9005-470X	FUSI RESISTOR	47Ω		Q3207	2SD1328/ST/-X	TRANSISTOR		
R7756	QRZ9005-470X	FUSI RESISTOR	47Ω		Q3208	2SD1328/ST/-X	TRANSISTOR		
R7757	QRZ9005-470X	FUSI RESISTOR	47Ω		Q3261	2SC2412K/RS/-X	TRANSISTOR		
R7758	QRZ9005-470X	FUSI RESISTOR	47Ω		Q3263	DTA114YE-X	TRANSISTOR		
CN731	QGA2501F1-03	CONNECTOR	W-B (1-3)		Q3265	DTA114YE-X	TRANSISTOR		
CN732	QGA2501F1-03	CONNECTOR	W-B (1-3)		Q3266	2SD1328/ST/-X	TRANSISTOR		
CN733	QGA2501F1-03	CONNECTOR	W-B (1-3)		Q3291	DTC114YE-X	TRANSISTOR		
CN734	QGA2501F1-03	CONNECTOR	W-B (1-3)		Q3301	DTA114YE-X	TRANSISTOR		
CN735	QGA2501F1-03	CONNECTOR	W-B (1-3)		Q3303	2SC2412K/RS/-X	TRANSISTOR		
CN736	QGA2501F1-03	CONNECTOR	W-B (1-3)		Q3304	2SC2412K/RS/-X	TRANSISTOR		
CN737	QGA2501F1-03	CONNECTOR	W-B (1-3)		Q3307	2SD1328/ST/-X	TRANSISTOR		
J701	QNN0510-001	PIN JACK 6PIN			Q3308	2SD1328/ST/-X	TRANSISTOR		
J702	QNN0511-001	PIN JACK			Q3361	2SC2412K/RS/-X	TRANSISTOR		
WR700	QJK016-143504	14P PLUG ASSY			Q3362	2SC2412K/RS/-X	TRANSISTOR		
					Q3363	DTA114YE-X	TRANSISTOR		
					Q3403	2SC2412K/RS/-X	TRANSISTOR		
					Q3404	2SC2412K/RS/-X	TRANSISTOR		
					Q3407	2SD1328/ST/-X	TRANSISTOR		
					Q3408	2SD1328/ST/-X	TRANSISTOR		
					Q3461	2SC2412K/RS/-X	TRANSISTOR		
					Q3462	2SC2412K/RS/-X	TRANSISTOR		
					Q3463	DTA114YE-X	TRANSISTOR		

## Audio board

Block No. [0][7][0][0]

△ Symbol No.	Part No.	Part Name	Description	Local	△ Symbol No.	Part No.	Part Name	Description	Local
IC501	TC74HC238AF-X	IC			D501	1SS355-X	SI DIODE		
IC502	UPC1830GT-XE	IC			D502	1SS355-X	SI DIODE		
IC503	NJM2580M-X	IC	Video amp.		D503	1SS355-X	SI DIODE		
IC631	NJM5532M-D-XE	IC			D504	1SS355-X	SI DIODE		
IC632	NJM5532M-D-XE	IC			D505	1SS355-X	SI DIODE		
IC633	NJM5532M-D-XE	IC			D506	1SS355-X	SI DIODE		
IC634	MN35505-X	IC	DAC		D581	1SS355-X	SI DIODE		
IC635	JCV8006	IC			D582	1SS355-X	SI DIODE		
IC636	NJM4580E-W	IC	Ope amp.		C501	QETN1CM-476Z	E CAPACITOR	47uF 16V M	
IC637	NJM5532M-D-XE	IC			C502	NCB31HK-103X	C CAPACITOR	0.01uF 50V K	
IC638	NJM5532M-D-XE	IC			C503	QETN1HM-104Z	E CAPACITOR	0.1uF 50V M	
IC639	MN35505-X	IC	DAC		C504	QETN1HM-225Z	E CAPACITOR	2.2uF 50V M	
IC640	JCV8006	IC			C505	QETN1HM-225Z	E CAPACITOR	2.2uF 50V M	
IC641	NJM4580E-W	IC	Ope amp.		C506	QETN1AM-227Z	E CAPACITOR	220uF 10V M	
IC642	NJM4580E-W	IC	Ope amp.		C507	QETN1AM-227Z	E CAPACITOR	220uF 10V M	
IC643	NJM5532M-D-XE	IC			C508	QETN1AM-477Z	E CAPACITOR	470uF 10V M	
IC644	MN35505-X	IC	DAC		C509	QETN1AM-107Z	E CAPACITOR	100uF 10V M	
IC645	JCV8006	IC			C510	QETN1EM-476Z	E CAPACITOR	47uF 25V M	
IC646	NJM4580E-W	IC	Ope amp.		C511	NCF21CZ-104X	C CAPACITOR	0.1uF 16V Z	
IC647	NJM4580E-W	IC	Ope amp.		C512	NCF21CZ-104X	C CAPACITOR	0.1uF 16V Z	
IC648	NJM5532M-D-XE	IC			C513	NCF21CZ-104X	C CAPACITOR	0.1uF 16V Z	
IC649	MN35505-X	IC	DAC		C1501	NCS31HJ-681X	C CAPACITOR	680pF 50V J	
IC650	JCV8006	IC			C1502	NCS31HJ-561X	C CAPACITOR	560pF 50V J	
IC651	SN74LV157APW-X	IC			C1503	NCB31HK-472X	C CAPACITOR	4700pF 50V K	
IC654	NJM2121M-X	IC	Op amp.		C1504	QETN1HM-225Z	E CAPACITOR	2.2uF 50V M	
IC655	NJM4580E-W	IC	Ope amp.		C1505	NCF21CZ-104X	C CAPACITOR	0.1uF 16V Z	
IC656	NJM4580E-W	IC	Ope amp.		C1506	QETN1EM-226Z	E CAPACITOR	22uF 25V M	
IC657	CS5361-KS-X	IC			C1507	NCF21CZ-104X	C CAPACITOR	0.1uF 16V Z	
IC658	CS5333-KZ-X	IC			C1508	QETN1EM-226Z	E CAPACITOR	22uF 25V M	
IC659	CS5333-KZ-X	IC			C1509	NCF21CZ-104X	C CAPACITOR	0.1uF 16V Z	
IC660	SN74LVC1GU04K-X	IC			C1510	NCF21CZ-104X	C CAPACITOR	0.1uF 16V Z	
IC686	NJM4580E-W	IC	Ope amp.		C1511	NCF21CZ-104X	C CAPACITOR	0.1uF 16V Z	
IC687	NJM5532M-D-XE	IC			C1512	QETN1HM-105Z	E CAPACITOR	1uF 50V M	
IC694	BA033FP-X	IC	Regulator		C1513	NCF21CZ-104X	C CAPACITOR	0.1uF 16V Z	
IC695	BA033FP-X	IC	Regulator		C1514	NCF21CZ-104X	C CAPACITOR	0.1uF 16V Z	
IC696	BA033FP-X	IC	Regulator		C1515	NCF31AZ-105X	C CAPACITOR	1uF 10V Z	
Q501	KRC105M-T	DIGI TRANSISTOR			C1516	NCF21CZ-104X	C CAPACITOR	0.1uF 16V Z	
Q502	KRC105M-T	DIGI TRANSISTOR			C1517	QETN1CM-226Z	E CAPACITOR	22uF 16V M	
Q503	KRC105M-T	DIGI TRANSISTOR			C1518	NCF21CZ-104X	C CAPACITOR	0.1uF 16V Z	
Q504	KRC105M-T	DIGI TRANSISTOR			C1519	QETN1HM-105Z	E CAPACITOR	1uF 50V M	
Q505	KRC105M-T	DIGI TRANSISTOR			C1520	QETN1EM-475Z	E CAPACITOR	4.7uF 25V M	
Q506	KRC105M-T	DIGI TRANSISTOR			C1521	QETN1HM-104Z	E CAPACITOR	0.1uF 50V M	
Q507	2SA1037AK/RS/-X	TRANSISTOR			C1522	NCF21HZ-103X	C CAPACITOR	0.01uF 50V Z	
					C1523	NCS31HJ-100X	C CAPACITOR	10pF 50V J	
					C1524	NCS31HJ-100X	C CAPACITOR	10pF 50V J	

△ Symbol No.	Part No.	Part Name	Description	Local	△ Symbol No.	Part No.	Part Name	Description	Local
C1525	NCF21EZ-224X	E CAPACITOR	0.22uF 25V Z		C3175	NCB31HK-103X	C CAPACITOR	0.01uF 50V K	
C1526	QETN1HM-225Z	E CAPACITOR	2.2uF 50V M		C3179	NCF21CZ-155X	C CAPACITOR	1.5uF 16V Z	
C1527	NCS31HJ-331X	C CAPACITOR	330pF 50V J		C3181	QEZO636-128	E CAPACITOR	1200uF	
C3001	QTE1H44-226Z	E CAPACITOR	22uF 50V		C3182	QEZO636-128	E CAPACITOR	1200uF	
C3002	QTE1H44-226Z	E CAPACITOR	22uF 50V		C3183	NCF21CZ-155X	C CAPACITOR	1.5uF 16V Z	
C3003	NCS31HJ-181X	C CAPACITOR	180pF 50V J		C3184	NCF21CZ-155X	C CAPACITOR	1.5uF 16V Z	
C3004	NCS31HJ-181X	C CAPACITOR	180pF 50V J		C3185	NCB31AK-224X	C CAPACITOR	0.22uF 10V K	
C3005	NCS31HJ-100X	C CAPACITOR	10pF 50V J		C3186	NCB31HK-103X	C CAPACITOR	0.01uF 50V K	
C3006	NCS31HJ-100X	C CAPACITOR	10pF 50V J		C3187	QEZO636-128	E CAPACITOR	1200uF	
C3007	NCS31HJ-102X	C CAPACITOR	1000pF 50V J		C3188	NCF21CZ-155X	C CAPACITOR	1.5uF 16V Z	
C3008	NCS31HJ-102X	C CAPACITOR	1000pF 50V J		C3189	NCB30JK-105X	C CAPACITOR	1uF 6.3V K	
C3009	QEZO538-476Z	C CAPACITOR	47uF		C3197	NEA70JM-107X	E CAPACITOR	100uF 6.3V M	
C3010	QEZO538-476Z	C CAPACITOR	47uF		C3198	NCF31CZ-104X	C CAPACITOR	0.1uF 16V Z	
C3011	NCB31HK-223X	C CAPACITOR	0.022uF 50V K		C3201	QFLC1HJ-182Z	M CAPACITOR	1800pF 50V J	
C3012	NCB31HK-223X	C CAPACITOR	0.022uF 50V K		C3202	QFLC1HJ-182Z	M CAPACITOR	1800pF 50V J	
C3021	QEZO538-106Z	E CAPACITOR	10uF		C3211	QFN31HJ-181Z	M CAPACITOR	180pF 50V J	
C3022	NCB31CK-104X	C CAPACITOR	0.1uF 16V K		C3212	QFN31HJ-181Z	M CAPACITOR	180pF 50V J	
C3023	QETN1HM-105Z	E CAPACITOR	1uF 50V M		C3213	QFLC1HJ-683Z	M CAPACITOR	0.068uF 50V J	
C3024	NCB31CK-104X	C CAPACITOR	0.1uF 16V K		C3214	QFLC1HJ-683Z	M CAPACITOR	0.068uF 50V J	
C3025	QETN1HM-105Z	E CAPACITOR	1uF 50V M		C3215	QTE1H44-226Z	E CAPACITOR	22uF 50V	
C3026	NCB31CK-104X	C CAPACITOR	0.1uF 16V K		C3216	QTE1H44-226Z	E CAPACITOR	22uF 50V	
C3027	QETN1AM-227Z	E CAPACITOR	220uF 10V M		C3221	QFN31HJ-222Z	M CAPACITOR	2200pF 50V J	
C3028	NCB31CK-104X	C CAPACITOR	0.1uF 16V K		C3222	QFVJ1HJ-474Z	MF CAPACITOR	0.47uF 50V J	
C3029	QETN1HM-106Z	E CAPACITOR	10uF 50V M		C3223	QFN31HJ-122Z	M CAPACITOR	1200pF 50V J	
C3030	NCB31CK-104X	C CAPACITOR	0.1uF 16V K		C3225	QFN31HJ-103Z	M CAPACITOR	0.01uF 50V J	
C3031	QTE1H44-226Z	E CAPACITOR	22uF 50V		C3226	QFVJ1HJ-105Z	MF CAPACITOR	1uF 50V J	
C3032	QTE1H44-226Z	E CAPACITOR	22uF 50V		C3227	QTE1K44-106Z	E CAPACITOR	10uF 80V	
C3033	NCB31HK-103X	C CAPACITOR	0.01uF 50V K		C3229	QFLC1HJ-182Z	M CAPACITOR	1800pF 50V J	
C3034	NCB31HK-103X	C CAPACITOR	0.01uF 50V K		C3230	QFLC1HJ-182Z	M CAPACITOR	1800pF 50V J	
C3035	QETN1HM-105Z	E CAPACITOR	1uF 50V M		C3232	QTE1K44-106Z	E CAPACITOR	10uF 80V	
C3036	NCB31CK-104X	C CAPACITOR	0.1uF 16V K		C3251	QEZO629-107	E.CAPA AWF	100uF	
C3037	QETN1HM-105Z	E CAPACITOR	1uF 50V M		C3252	QEZO629-107	E.CAPA AWF	100uF	
C3038	NCB31CK-104X	C CAPACITOR	0.1uF 16V K		C3253	QEZO538-476Z	C CAPACITOR	47uF	
C3039	QETN1HM-105Z	E CAPACITOR	1uF 50V M		C3255	QEZO538-476Z	C CAPACITOR	47uF	
C3040	NCB31CK-104X	C CAPACITOR	0.1uF 16V K		C3261	NCF31CZ-104X	C CAPACITOR	0.1uF 16V Z	
C3041	QETN1HM-105Z	E CAPACITOR	1uF 50V M		C3262	NCF31CZ-104X	C CAPACITOR	0.1uF 16V Z	
C3042	NCB31CK-104X	C CAPACITOR	0.1uF 16V K		C3263	NCS31HJ-330X	C CAPACITOR	33pF 50V J	
C3051	QTE1H44-226Z	E CAPACITOR	22uF 50V		C3265	QFVJ1HJ-105Z	MF CAPACITOR	1uF 50V J	
C3052	QTE1H44-226Z	E CAPACITOR	22uF 50V		C3266	QFVC1HJ-224Z	MF CAPACITOR	0.22uF 50V J	
C3053	NCB31HK-103X	C CAPACITOR	0.01uF 50V K		C3267	QFVJ1HJ-474Z	MF CAPACITOR	0.47uF 50V J	
C3054	NCB31HK-103X	C CAPACITOR	0.01uF 50V K		C3271	NCS31HJ-101X	C CAPACITOR	100pF 50V J	
C3055	QETN1HM-105Z	E CAPACITOR	1uF 50V M		C3272	NCB31HK-103X	C CAPACITOR	0.01uF 50V K	
C3056	NCB31CK-104X	C CAPACITOR	0.1uF 16V K		C3273	NCB31HK-103X	C CAPACITOR	0.01uF 50V K	
C3057	QETN1HM-105Z	E CAPACITOR	1uF 50V M		C3274	NCB31HK-103X	C CAPACITOR	0.01uF 50V K	
C3058	NCB31CK-104X	C CAPACITOR	0.1uF 16V K		C3275	NCB31HK-103X	C CAPACITOR	0.01uF 50V K	
C3059	QETN1HM-105Z	E CAPACITOR	1uF 50V M		C3279	NCF21CZ-155X	C CAPACITOR	1.5uF 16V Z	
C3060	NCB31CK-104X	C CAPACITOR	0.1uF 16V K		C3281	QEZO636-128	E CAPACITOR	1200uF	
C3061	QETN1HM-105Z	E CAPACITOR	1uF 50V M		C3282	QEZO636-128	E CAPACITOR	1200uF	
C3062	NCB31CK-104X	C CAPACITOR	0.1uF 16V K		C3283	NCF21CZ-155X	C CAPACITOR	1.5uF 16V Z	
C3071	NCS31HJ-101X	C CAPACITOR	100pF 50V J		C3284	NCF21CZ-155X	C CAPACITOR	1.5uF 16V Z	
C3072	NCS31HJ-101X	C CAPACITOR	100pF 50V J		C3285	NCB31AK-224X	C CAPACITOR	0.22uF 10V K	
C3073	NCB31CK-104X	C CAPACITOR	0.1uF 16V K		C3286	NCB31HK-103X	C CAPACITOR	0.01uF 50V K	
C3101	QFLC1HJ-182Z	M CAPACITOR	1800pF 50V J		C3287	QEZO555-227Z	E.CAPA.PW	220uF	
C3102	QFLC1HJ-182Z	M CAPACITOR	1800pF 50V J		C3288	NCF21CZ-155X	C CAPACITOR	1.5uF 16V Z	
C3111	QFN31HJ-181Z	M CAPACITOR	180pF 50V J		C3289	NCB30JK-105X	C CAPACITOR	1uF 6.3V K	
C3112	QFN31HJ-181Z	M CAPACITOR	180pF 50V J		C3292	NCF31CZ-104X	C CAPACITOR	0.1uF 16V Z	
C3113	QFLC1HJ-683Z	M CAPACITOR	0.068uF 50V J		C3293	NCF31CZ-104X	C CAPACITOR	0.1uF 16V Z	
C3114	QFLC1HJ-683Z	M CAPACITOR	0.068uF 50V J		C3297	NEA70JM-107X	E CAPACITOR	100uF 6.3V M	
C3115	QTE1H44-226Z	E CAPACITOR	22uF 50V		C3298	NCF31CZ-104X	C CAPACITOR	0.1uF 16V Z	
C3116	QTE1H44-226Z	E CAPACITOR	22uF 50V		C3301	QFLC1HJ-182Z	M CAPACITOR	1800pF 50V J	
C3121	QFLC1HJ-103Z	M CAPACITOR	0.01uF 50V J		C3302	QFLC1HJ-182Z	M CAPACITOR	1800pF 50V J	
C3122	QFLC1HJ-103Z	M CAPACITOR	0.01uF 50V J		C3311	QFN31HJ-181Z	M CAPACITOR	180pF 50V J	
C3123	QFN31HJ-102Z	M CAPACITOR	1000pF 50V J		C3312	QFN31HJ-181Z	M CAPACITOR	180pF 50V J	
C3124	QFN31HJ-102Z	M CAPACITOR	1000pF 50V J		C3313	QFLC1HJ-683Z	M CAPACITOR	0.068uF 50V J	
C3125	QTE1K44-106Z	E CAPACITOR	10uF 80V		C3314	QFLC1HJ-683Z	M CAPACITOR	0.068uF 50V J	
C3126	QTE1K44-106Z	E CAPACITOR	10uF 80V		C3315	QTE1H44-226Z	E CAPACITOR	22uF 50V	
C3127	QFLC1HJ-182Z	M CAPACITOR	1800pF 50V J		C3316	QTE1H44-226Z	E CAPACITOR	22uF 50V	
C3128	QFLC1HJ-182Z	M CAPACITOR	1800pF 50V J		C3321	QFN31HJ-222Z	M CAPACITOR	2200pF 50V J	
C3143	NCS31HJ-100X	C CAPACITOR	10pF 50V J		C3322	QFN31HJ-222Z	M CAPACITOR	2200pF 50V J	
C3144	NCS31HJ-100X	C CAPACITOR	10pF 50V J		C3323	QFN31HJ-122Z	M CAPACITOR	1200pF 50V J	
C3151	QEZO629-107	E.CAPA AWF	100uF		C3324	QFN31HJ-122Z	M CAPACITOR	1200pF 50V J	
C3152	QEZO629-107	E.CAPA AWF	100uF		C3325	QFN31HJ-103Z	M CAPACITOR	0.01uF 50V J	
C3153	QEZO538-476Z	C CAPACITOR	47uF		C3326	QFN31HJ-103Z	M CAPACITOR	0.01uF 50V J	
C3154	QEZO538-476Z	C CAPACITOR	47uF		C3327	QTE1K44-106Z	E CAPACITOR	10uF 80V	
C3171	NCS31HJ-101X	C CAPACITOR	100pF 50V J		C3328	QTE1K44-106Z	E CAPACITOR	10uF 80V	
C3172	NCB31HK-103X	C CAPACITOR	0.01uF 50V K		C3329	QFLC1HJ-182Z	M CAPACITOR	1800pF 50V J	
C3173	NCB31HK-103X	C CAPACITOR	0.01uF 50V K		C3330	QFLC1HJ-182Z	M CAPACITOR	1800pF 50V J	
C3174	NCB31HK-103X	C CAPACITOR	0.01uF 50V K		C3351	QEZO629-107	E.CAPA AWF	100uF	

△ Symbol No.	Part No.	Part Name	Description	Local	△ Symbol No.	Part No.	Part Name	Description	Local
C3352	QEZO629-107	E.CAPA AWF	100uF		R507	NRSA63J-750X	MG RESISTOR	75Ω 1/16W J	
C3353	QEZO538-476Z	C CAPACITOR	47uF		R508	NRSA63J-750X	MG RESISTOR	75Ω 1/16W J	
C3354	QEZO538-476Z	C CAPACITOR	47uF		R509	NRSA63J-750X	MG RESISTOR	75Ω 1/16W J	
C3371	NCS31HJ-101X	C CAPACITOR	100pF 50V J		R510	NRSA63J-750X	MG RESISTOR	75Ω 1/16W J	
C3372	NCB31HK-103X	C CAPACITOR	0.01uF 50V K		R512	QRZ9005-150X	FUSI RESISTOR	15Ω	
C3373	NCB31HK-103X	C CAPACITOR	0.01uF 50V K		R513	QRZ9005-150X	FUSI RESISTOR	15Ω	
C3374	NCB31HK-103X	C CAPACITOR	0.01uF 50V K		R514	QRZ9005-150X	FUSI RESISTOR	15Ω	
C3375	NCB31HK-103X	C CAPACITOR	0.01uF 50V K		R515	QRZ9005-150X	FUSI RESISTOR	15Ω	
C3379	NCF21CZ-155X	C CAPACITOR	1.5uF 16V Z		R516	QRZ9005-150X	FUSI RESISTOR	15Ω	
C3381	QEZO555-227Z	E.CAPA.PW	220uF		R517	QRZ9005-150X	FUSI RESISTOR	15Ω	
C3382	QEZO555-227Z	E.CAPA.PW	220uF		R581	NRSA63J-750X	MG RESISTOR	75Ω 1/16W J	
C3383	NCF21CZ-155X	C CAPACITOR	1.5uF 16V Z		R582	NRSA63J-750X	MG RESISTOR	75Ω 1/16W J	
C3384	NCF21CZ-155X	C CAPACITOR	1.5uF 16V Z		R583	NRSA63J-750X	MG RESISTOR	75Ω 1/16W J	
C3385	NCB31AK-224X	C CAPACITOR	0.22uF 10V K		R584	NRSA63J-750X	MG RESISTOR	75Ω 1/16W J	
C3386	NCB31HK-103X	C CAPACITOR	0.01uF 50V K		R585	QRZ9005-150X	FUSI RESISTOR	15Ω	
C3387	QEZO555-227Z	E.CAPA.PW	220uF		R586	QRZ9005-150X	FUSI RESISTOR	15Ω	
C3388	NCF21CZ-155X	C CAPACITOR	1.5uF 16V Z		R1108	NRSA63J-102X	MG RESISTOR	1kΩ 1/16W J	
C3389	NCB30JK-105X	C CAPACITOR	1uF 6.3V K		R1109	NRSA63J-102X	MG RESISTOR	1kΩ 1/16W J	
C3397	NEA70JM-107X	E CAPACITOR	100uF 6.3V M		R1110	NRSA63J-122X	MG RESISTOR	1.2kΩ 1/16W J	
C3398	NCF31CZ-104X	C CAPACITOR	0.1uF 16V Z		R1111	NRSA63J-152X	MG RESISTOR	1.5kΩ 1/16W J	
C3401	QFN31HJ-182Z	M CAPACITOR	1800pF 50V J		R1112	NRSA63J-222X	MG RESISTOR	2.2kΩ 1/16W J	
C3402	QFN31HJ-182Z	M CAPACITOR	1800pF 50V J		R1113	NRSA63J-272X	MG RESISTOR	2.7kΩ 1/16W J	
C3411	QFN31HJ-181Z	M CAPACITOR	180pF 50V J		R1114	NRSA63J-332X	MG RESISTOR	3.3kΩ 1/16W J	
C3412	QFN31HJ-181Z	M CAPACITOR	180pF 50V J		R1115	NRSA63J-102X	MG RESISTOR	1kΩ 1/16W J	
C3413	QFN31HJ-683Z	M CAPACITOR	0.068uF 50V J		R1116	NRSA63J-102X	MG RESISTOR	1kΩ 1/16W J	
C3414	QFN31HJ-683Z	M CAPACITOR	0.068uF 50V J		R1117	NRSA63J-122X	MG RESISTOR	1.2kΩ 1/16W J	
C3415	QTE1H44-226Z	E CAPACITOR	22uF 50V		R1118	NRSA63J-152X	MG RESISTOR	1.5kΩ 1/16W J	
C3416	QTE1H44-226Z	E CAPACITOR	22uF 50V		R1119	NRSA63J-222X	MG RESISTOR	2.2kΩ 1/16W J	
C3421	QFN31HJ-222Z	M CAPACITOR	2200pF 50V J		R1120	NRSA63J-272X	MG RESISTOR	2.7kΩ 1/16W J	
C3422	QFN31HJ-222Z	M CAPACITOR	2200pF 50V J		R1121	NRSA63J-332X	MG RESISTOR	3.3kΩ 1/16W J	
C3423	QFN31HJ-122Z	M CAPACITOR	1200pF 50V J		R1501	NRSA63J-222X	MG RESISTOR	2.2kΩ 1/16W J	
C3424	QFN31HJ-122Z	M CAPACITOR	1200pF 50V J		R1502	NRSA63J-331X	MG RESISTOR	330Ω 1/16W J	
C3425	QFN31HJ-103Z	M CAPACITOR	0.01uF 50V J		R1503	NRSA63J-272X	MG RESISTOR	2.7kΩ 1/16W J	
C3426	QFN31HJ-103Z	M CAPACITOR	0.01uF 50V J		R1504	NRSA63J-472X	MG RESISTOR	4.7kΩ 1/16W J	
C3427	QTE1K44-106Z	E CAPACITOR	10uF 80V		R1507	NRSA63J-0R0X	MG RESISTOR	0Ω 1/16W J	
C3428	QTE1K44-106Z	E CAPACITOR	10uF 80V		R1508	NRSA63J-0R0X	MG RESISTOR	0Ω 1/16W J	
C3429	QFLC1HJ-182Z	M CAPACITOR	1800pF 50V J		R1510	NRSA63J-223X	MG RESISTOR	22kΩ 1/16W J	
C3430	QFLC1HJ-182Z	M CAPACITOR	1800pF 50V J		R1511	NRSA63J-223X	MG RESISTOR	22kΩ 1/16W J	
C3451	QEZO629-107	E.CAPA AWF	100uF		R1512	NRSA63J-393X	MG RESISTOR	39kΩ 1/16W J	
C3452	QEZO629-107	E.CAPA AWF	100uF		R1513	NRSA63J-392X	MG RESISTOR	3.9kΩ 1/16W J	
C3453	QEZO538-476Z	C CAPACITOR	47uF		R1515	NRSA63J-184X	MG RESISTOR	180kΩ 1/16W J	
C3454	QEZO538-476Z	C CAPACITOR	47uF		R1516	NRSA63J-104X	MG RESISTOR	100kΩ 1/16W J	
C3471	NCS31HJ-101X	C CAPACITOR	100pF 50V J		R1517	NRSA63D-822X	MG RESISTOR	8.2kΩ 1/16W D	
C3472	NCB31HK-103X	C CAPACITOR	0.01uF 50V K		R1518	NRSA63D-472X	MG RESISTOR	4.7kΩ 1/16W D	
C3473	NCB31HK-103X	C CAPACITOR	0.01uF 50V K		R1519	NRSA63J-223X	MG RESISTOR	22kΩ 1/16W J	
C3474	NCB31HK-103X	C CAPACITOR	0.01uF 50V K		R1520	NRSA63J-153X	MG RESISTOR	15kΩ 1/16W J	
C3475	NCB31HK-103X	C CAPACITOR	0.01uF 50V K		R1521	NRSA63J-682X	MG RESISTOR	6.8kΩ 1/16W J	
C3476	NCF31CZ-104X	C CAPACITOR	0.1uF 16V Z		R1522	NRSA63J-684X	MG RESISTOR	680kΩ 1/16W J	
C3479	NCF21CZ-155X	C CAPACITOR	1.5uF 16V Z		R1523	NRSA63J-153X	MG RESISTOR	15kΩ 1/16W J	
C3481	QEZO555-227Z	E.CAPA.PW	220uF		R1525	NRSA63J-182X	MG RESISTOR	1.8kΩ 1/16W J	
C3482	QEZO555-227Z	E.CAPA.PW	220uF		R1526	NRSA63J-684X	MG RESISTOR	680kΩ 1/16W J	
C3483	NCF21CZ-155X	C CAPACITOR	1.5uF 16V Z		R1530	NRSA63J-750X	MG RESISTOR	75Ω 1/16W J	
C3484	NCF21CZ-155X	C CAPACITOR	1.5uF 16V Z		R1531	NRSA63J-750X	MG RESISTOR	75Ω 1/16W J	
C3485	NCB31AK-224X	C CAPACITOR	0.22uF 10V K		R1532	NRSA63J-750X	MG RESISTOR	75Ω 1/16W J	
C3486	NCB31HK-103X	C CAPACITOR	0.01uF 50V K		R1533	NRSA63J-473X	MG RESISTOR	47kΩ 1/16W J	
C3487	QTE1C06-226Z	E CAPACITOR	22uF 16V		R1534	NRSA63J-473X	MG RESISTOR	47kΩ 1/16W J	
C3488	NCF21CZ-155X	C CAPACITOR	1.5uF 16V Z		R1535	NRSA63J-473X	MG RESISTOR	47kΩ 1/16W J	
C3489	NCB30JK-105X	C CAPACITOR	1uF 6.3V K		R1536	NRSA63J-221X	MG RESISTOR	220Ω 1/16W J	
C3497	NEA70JM-107X	E CAPACITOR	100uF 6.3V M		R1537	NRSA63J-0R0X	MG RESISTOR	0Ω 1/16W J	
C3498	NCF31CZ-104X	C CAPACITOR	0.1uF 16V Z		R1538	NRSA63J-751X	MG RESISTOR	750Ω 1/16W J	
C3941	QETN1AM-107Z	E CAPACITOR	100uF 10V M		R1539	NRSA63J-181X	MG RESISTOR	180Ω 1/16W J	
C3942	NCF31CZ-104X	C CAPACITOR	0.1uF 16V Z		R1540	NRSA63J-271X	MG RESISTOR	270Ω 1/16W J	
C3943	NCB30JK-105X	C CAPACITOR	1uF 6.3V K		R1541	NRSA63J-222X	MG RESISTOR	2.2kΩ 1/16W J	
C3944	QETN1AM-107Z	E CAPACITOR	100uF 10V M		R1542	NRSA63J-821X	MG RESISTOR	820Ω 1/16W J	
C3951	QETN1AM-227Z	E CAPACITOR	220uF 10V M		R1543	NRSA63J-182X	MG RESISTOR	1.8kΩ 1/16W J	
C3952	NCF31CZ-104X	C CAPACITOR	0.1uF 16V Z		R1544	NRSA63J-122X	MG RESISTOR	1.2kΩ 1/16W J	
C3953	NCB30JK-105X	C CAPACITOR	1uF 6.3V K		R1545	NRSA63J-821X	MG RESISTOR	820Ω 1/16W J	
C3954	QETN1AM-107Z	E CAPACITOR	100uF 10V M		R1546	NRSA63J-475X	MG RESISTOR	4.7MΩ 1/16W J	
C3961	QEHC1EM-227Z	E CAPACITOR	220uF 25V M		R1547	NRSA63J-102X	MG RESISTOR	1kΩ 1/16W J	
C3962	NCF31CZ-104X	C CAPACITOR	0.1uF 16V Z		R3001	NRSA63J-104X	MG RESISTOR	100kΩ 1/16W J	
C3963	NCB30JK-105X	C CAPACITOR	1uF 6.3V K		R3002	NRSA63J-104X	MG RESISTOR	100kΩ 1/16W J	
C3964	QETN1AM-107Z	E CAPACITOR	100uF 10V M		R3003	NRSA63J-103X	MG RESISTOR	10kΩ 1/16W J	
					R3004	NRSA63J-103X	MG RESISTOR	10kΩ 1/16W J	
R501	NRSA63J-750X	MG RESISTOR	75Ω 1/16W J		R3005	NRSA63J-562X	MG RESISTOR	5.6kΩ 1/16W J	
R502	NRSA63J-750X	MG RESISTOR	75Ω 1/16W J		R3006	NRSA63J-562X	MG RESISTOR	5.6kΩ 1/16W J	
R503	NRSA63J-750X	MG RESISTOR	75Ω 1/16W J		R3007	NRSA63J-103X	MG RESISTOR	10kΩ 1/16W J	
R505	NRSA63J-750X	MG RESISTOR	75Ω 1/16W J		R3008	NRSA63J-103X	MG RESISTOR	10kΩ 1/16W J	
R506	NRSA63J-750X	MG RESISTOR	75Ω 1/16W J		R3009	NRSA63J-103X	MG RESISTOR	10kΩ 1/16W J	





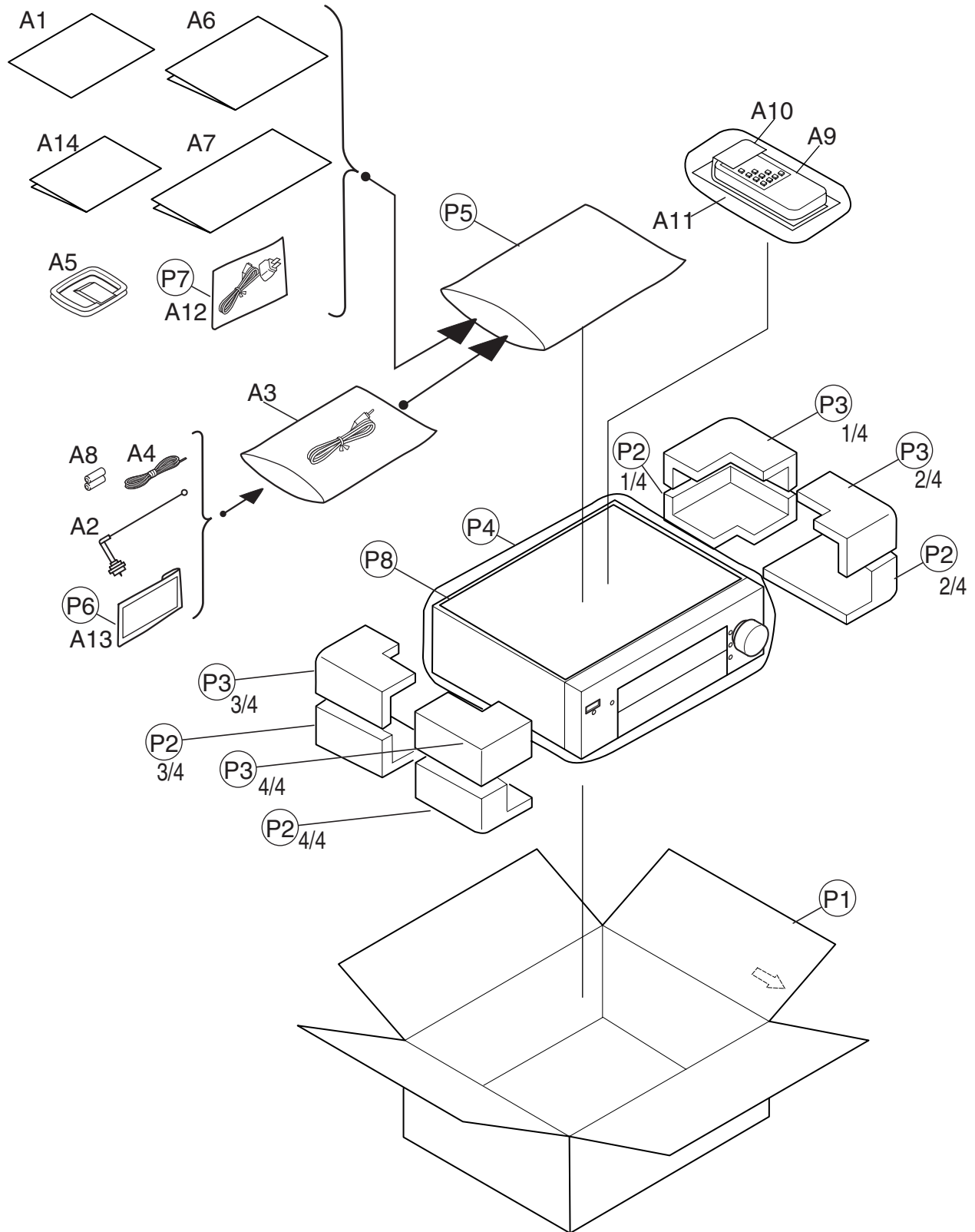
△ Symbol No.	Part No.	Part Name	Description	Local	△ Symbol No.	Part No.	Part Name	Description	Local
R3288	NRSA63J-221X	MG RESISTOR	220Ω 1/16W J		R3412	NRSA63J-163X	MG RESISTOR	16kΩ 1/16W J	
R3289	NRSA63J-221X	MG RESISTOR	220Ω 1/16W J		R3413	NRSA63J-162X	MG RESISTOR	1.6kΩ 1/16W J	
R3290	NRSA63J-221X	MG RESISTOR	220Ω 1/16W J		R3414	NRSA63J-162X	MG RESISTOR	1.6kΩ 1/16W J	
R3291	NRSA63J-333X	MG RESISTOR	33kΩ 1/16W J		R3415	NRSA63J-182X	MG RESISTOR	1.8kΩ 1/16W J	
R3292	NRSA63J-333X	MG RESISTOR	33kΩ 1/16W J		R3416	NRSA63J-182X	MG RESISTOR	1.8kΩ 1/16W J	
R3293	NRSA63J-243X	MG RESISTOR	24kΩ 1/16W J		R3421	NRSA63J-561X	MG RESISTOR	560Ω 1/16W J	
R3295	NRSA63J-473X	MG RESISTOR	47kΩ 1/16W J		R3422	NRSA63J-561X	MG RESISTOR	560Ω 1/16W J	
R3296	NRSA63J-473X	MG RESISTOR	47kΩ 1/16W J		R3423	NRSA63J-471X	MG RESISTOR	470Ω 1/16W J	
R3301	NRSA63J-243X	MG RESISTOR	24kΩ 1/16W J		R3424	NRSA63J-471X	MG RESISTOR	470Ω 1/16W J	
R3302	NRSA63J-243X	MG RESISTOR	24kΩ 1/16W J		R3425	NRSA63J-105X	MG RESISTOR	1MΩ 1/16W J	
R3303	NRSA63J-243X	MG RESISTOR	24kΩ 1/16W J		R3426	NRSA63J-105X	MG RESISTOR	1MΩ 1/16W J	
R3304	NRSA63J-243X	MG RESISTOR	24kΩ 1/16W J		R3427	NRSA63J-473X	MG RESISTOR	47kΩ 1/16W J	
R3305	QRV12DF-1602	CMF RESISTOR	16kΩ 1/2W F		R3428	NRSA63J-473X	MG RESISTOR	47kΩ 1/16W J	
R3306	QRV12DF-1602	CMF RESISTOR	16kΩ 1/2W F		R3431	NRSA63J-432X	MG RESISTOR	4.3kΩ 1/16W J	
R3307	QRV12DF-1602	CMF RESISTOR	16kΩ 1/2W F		R3432	NRSA63J-432X	MG RESISTOR	4.3kΩ 1/16W J	
R3308	QRV12DF-1602	CMF RESISTOR	16kΩ 1/2W F		R3433	NRSA63J-103X	MG RESISTOR	10kΩ 1/16W J	
R3309	NRSA63J-362X	MG RESISTOR	3.6kΩ 1/16W J		R3434	NRSA63J-103X	MG RESISTOR	10kΩ 1/16W J	
R3310	NRSA63J-362X	MG RESISTOR	3.6kΩ 1/16W J		R3435	NRSA63J-302X	MG RESISTOR	3kΩ 1/16W J	
R3311	NRSA63J-163X	MG RESISTOR	16kΩ 1/16W J		R3436	NRSA63J-302X	MG RESISTOR	3kΩ 1/16W J	
R3312	NRSA63J-163X	MG RESISTOR	16kΩ 1/16W J		R3439	NRSA63J-104X	MG RESISTOR	100kΩ 1/16W J	
R3313	NRSA63J-162X	MG RESISTOR	1.6kΩ 1/16W J		R3440	NRSA63J-104X	MG RESISTOR	100kΩ 1/16W J	
R3314	NRSA63J-162X	MG RESISTOR	1.6kΩ 1/16W J		R3441	NRSA63J-561X	MG RESISTOR	560Ω 1/16W J	
R3315	NRSA63J-182X	MG RESISTOR	1.8kΩ 1/16W J		R3442	NRSA63J-561X	MG RESISTOR	560Ω 1/16W J	
R3316	NRSA63J-182X	MG RESISTOR	1.8kΩ 1/16W J		R3451	NRSA63J-472X	MG RESISTOR	4.7kΩ 1/16W J	
R3321	NRSA63J-561X	MG RESISTOR	560Ω 1/16W J		R3452	NRSA63J-472X	MG RESISTOR	4.7kΩ 1/16W J	
R3322	NRSA63J-561X	MG RESISTOR	560Ω 1/16W J		R3457	NRSA63J-332X	MG RESISTOR	3.3kΩ 1/16W J	
R3323	NRSA63J-471X	MG RESISTOR	470Ω 1/16W J		R3458	NRSA63J-332X	MG RESISTOR	3.3kΩ 1/16W J	
R3324	NRSA63J-471X	MG RESISTOR	470Ω 1/16W J		R3461	NRSA63J-103X	MG RESISTOR	10kΩ 1/16W J	
R3325	NRSA63J-105X	MG RESISTOR	1MΩ 1/16W J		R3462	NRSA63J-103X	MG RESISTOR	10kΩ 1/16W J	
R3326	NRSA63J-105X	MG RESISTOR	1MΩ 1/16W J		R3463	NRSA63J-105X	MG RESISTOR	1MΩ 1/16W J	
R3327	NRSA63J-473X	MG RESISTOR	47kΩ 1/16W J		R3471	NRSA63J-221X	MG RESISTOR	220Ω 1/16W J	
R3328	NRSA63J-473X	MG RESISTOR	47kΩ 1/16W J		R3472	NRSA63J-221X	MG RESISTOR	220Ω 1/16W J	
R3331	NRSA63J-432X	MG RESISTOR	4.3kΩ 1/16W J		R3473	NRSA63J-221X	MG RESISTOR	220Ω 1/16W J	
R3332	NRSA63J-432X	MG RESISTOR	4.3kΩ 1/16W J		R3474	NRSA63J-221X	MG RESISTOR	220Ω 1/16W J	
R3333	NRSA63J-103X	MG RESISTOR	10kΩ 1/16W J		R3475	NRSA63J-101X	MG RESISTOR	100Ω 1/16W J	
R3334	NRSA63J-103X	MG RESISTOR	10kΩ 1/16W J		R3476	NRSA63J-470X	MG RESISTOR	47Ω 1/16W J	
R3335	NRSA63J-302X	MG RESISTOR	3kΩ 1/16W J		R3477	NRSA63J-470X	MG RESISTOR	47Ω 1/16W J	
R3336	NRSA63J-302X	MG RESISTOR	3kΩ 1/16W J		R3478	NRSA63J-101X	MG RESISTOR	100Ω 1/16W J	
R3339	NRSA63J-104X	MG RESISTOR	100kΩ 1/16W J		R3479	NRSA63J-101X	MG RESISTOR	100Ω 1/16W J	
R3340	NRSA63J-104X	MG RESISTOR	100kΩ 1/16W J		R3480	NRSA63J-101X	MG RESISTOR	100Ω 1/16W J	
R3341	NRSA63J-561X	MG RESISTOR	560Ω 1/16W J		R3481	QRJ146J-101X	UNF C RESISTOR	100Ω 1/4W J	
R3342	NRSA63J-561X	MG RESISTOR	560Ω 1/16W J		R3482	QRJ146J-101X	UNF C RESISTOR	100Ω 1/4W J	
R3351	NRSA63J-472X	MG RESISTOR	4.7kΩ 1/16W J		R3483	QRJ146J-101X	UNF C RESISTOR	100Ω 1/4W J	
R3352	NRSA63J-472X	MG RESISTOR	4.7kΩ 1/16W J		R3484	QRJ146J-101X	UNF C RESISTOR	100Ω 1/4W J	
R3353	NRSA63J-474X	MG RESISTOR	470kΩ 1/16W J		R3485	NRSA63J-332X	MG RESISTOR	3.3kΩ 1/16W J	
R3357	NRSA63J-332X	MG RESISTOR	3.3kΩ 1/16W J		R3486	NRSA63J-561X	MG RESISTOR	560Ω 1/16W J	
R3358	NRSA63J-332X	MG RESISTOR	3.3kΩ 1/16W J		R3487	NRSA63J-561X	MG RESISTOR	560Ω 1/16W J	
R3361	NRSA63J-103X	MG RESISTOR	10kΩ 1/16W J		R3488	NRSA63J-221X	MG RESISTOR	220Ω 1/16W J	
R3362	NRSA63J-103X	MG RESISTOR	10kΩ 1/16W J		R3489	NRSA63J-221X	MG RESISTOR	220Ω 1/16W J	
R3363	NRSA63J-105X	MG RESISTOR	1MΩ 1/16W J		R3490	NRSA63J-221X	MG RESISTOR	220Ω 1/16W J	
R3371	NRSA63J-221X	MG RESISTOR	220Ω 1/16W J		R3492	NRSA63J-0R0X	MG RESISTOR	0Ω 1/16W J	
R3372	NRSA63J-221X	MG RESISTOR	220Ω 1/16W J		R3551	NRSA63J-470X	MG RESISTOR	47Ω 1/16W J	
R3373	NRSA63J-221X	MG RESISTOR	220Ω 1/16W J		R3552	NRSA63J-470X	MG RESISTOR	47Ω 1/16W J	
R3374	NRSA63J-221X	MG RESISTOR	220Ω 1/16W J		R3553	NRSA63J-470X	MG RESISTOR	47Ω 1/16W J	
R3375	NRSA63J-101X	MG RESISTOR	100Ω 1/16W J		R3554	NRSA63J-470X	MG RESISTOR	47Ω 1/16W J	
R3376	NRSA63J-470X	MG RESISTOR	47Ω 1/16W J						
R3377	NRSA63J-470X	MG RESISTOR	47Ω 1/16W J		CN501	QGB2510K1-10	CONNECTOR	B-B (1-10)	
R3381	QRJ146J-101X	UNF C RESISTOR	100Ω 1/4W J		CN502	QGF1205F1-16	CONNECTOR	FFC/FPC (1-16)	
R3382	QRJ146J-101X	UNF C RESISTOR	100Ω 1/4W J		CN581	QGF1205F1-16	CONNECTOR	FFC/FPC (1-16)	
R3383	QRJ146J-101X	UNF C RESISTOR	100Ω 1/4W J		CN631	QGA2001F1-09	CONNECTOR	W-B (1-9)	
R3384	QRJ146J-101X	UNF C RESISTOR	100Ω 1/4W J		CN633	QGB2510K1-04	CONNECTOR	B-B (1-4)	
R3385	NRSA63J-332X	MG RESISTOR	3.3kΩ 1/16W J		CN643	QGB2510K1-04	CONNECTOR	B-B (1-4)	
R3386	NRSA63J-561X	MG RESISTOR	560Ω 1/16W J		CN651	QGB1220L1-21	CONNECTOR	B-B (1-21)	
R3387	NRSA63J-561X	MG RESISTOR	560Ω 1/16W J		CN652	QGF1016C1-21	CONNECTOR	FFC/FPC (1-21)	
R3388	NRSA63J-221X	MG RESISTOR	220Ω 1/16W J		FS181	VYH8231-006	SPECER		
R3389	NRSA63J-221X	MG RESISTOR	220Ω 1/16W J		FS182	VYH8231-006	SPECER		
R3390	NRSA63J-221X	MG RESISTOR	220Ω 1/16W J		FS187	VYH8231-006	SPECER		
R3401	NRSA63J-243X	MG RESISTOR	24kΩ 1/16W J		FS281	VYH8231-006	SPECER		
R3402	NRSA63J-243X	MG RESISTOR	24kΩ 1/16W J		FS282	VYH8231-006	SPECER		
R3403	NRSA63J-243X	MG RESISTOR	24kΩ 1/16W J		J501	QNN0542-001	PIN JACK		
R3404	NRSA63J-243X	MG RESISTOR	24kΩ 1/16W J		J502	QNN0542-001	PIN JACK		
R3405	QRV12DF-1602	CMF RESISTOR	16kΩ 1/2W F		J503	QNN0542-001	PIN JACK		
R3406	QRV12DF-1602	CMF RESISTOR	16kΩ 1/2W F		J581	QNN0542-001	PIN JACK		
R3407	QRV12DF-1602	CMF RESISTOR	16kΩ 1/2W F		K3181	NQR0229-001X	FERRITE BEADS		
R3408	QRV12DF-1602	CMF RESISTOR	16kΩ 1/2W F		K3182	NQR0229-001X	FERRITE BEADS		
R3409	NRSA63J-362X	MG RESISTOR	3.6kΩ 1/16W J		K3183	NQR0229-001X	FERRITE BEADS		
R3410	NRSA63J-362X	MG RESISTOR	3.6kΩ 1/16W J		K3184	NQR0229-001X	FERRITE BEADS		
R3411	NRSA63J-163X	MG RESISTOR	16kΩ 1/16W J		K3281	NQR0229-001X	FERRITE BEADS		

Symbol No.	Part No.	Part Name	Description	Local
K3282	NQR0229-001X	FERRITE BEADS		
K3283	NQR0229-001X	FERRITE BEADS		
K3284	NQR0229-001X	FERRITE BEADS		
K3381	NQR0229-001X	FERRITE BEADS		
K3382	NQR0229-001X	FERRITE BEADS		
K3383	NQR0229-001X	FERRITE BEADS		
K3384	NQR0229-001X	FERRITE BEADS		
K3481	NQR0229-001X	FERRITE BEADS		
K3482	NQR0229-001X	FERRITE BEADS		
K3483	NQR0229-001X	FERRITE BEADS		
K3484	NQR0229-001X	FERRITE BEADS		
LC635	NQR0450-001X	EMI FILTER	0.022uF 50V M	
LC640	NQR0450-001X	EMI FILTER	0.022uF 50V M	
LC645	NQR0450-001X	EMI FILTER	0.022uF 50V M	
LC650	NQR0450-001X	EMI FILTER	0.022uF 50V M	
RY501	QSK0150-001	RELAY		
RY502	QSK0150-001	RELAY		
RY503	QSK0150-001	RELAY		
RY504	QSK0150-001	RELAY		
RY505	QSK0150-001	RELAY		
RY506	QSK0150-001	RELAY		
RY581	QSK0150-001	RELAY		
RY582	QSK0150-001	RELAY		
S1009	NSW0059-001X	TACT SW		
S1010	NSW0059-001X	TACT SW		
S1011	NSW0059-001X	TACT SW		
S1012	NSW0059-001X	TACT SW		
S1013	NSW0059-001X	TACT SW		
S1014	NSW0059-001X	TACT SW		
S1016	NSW0059-001X	TACT SW		
S1017	NSW0059-001X	TACT SW		
S1018	NSW0059-001X	TACT SW		
S1019	NSW0059-001X	TACT SW		
S1020	NSW0059-001X	TACT SW		
S1021	NSW0059-001X	TACT SW		
WR632	QJK016-124600	SIN CR C-B WIRE		
X501	QAX0529-001	C RESONATOR	500.00kHz	
X502	QAX0703-001Z	CRYSTAL	3.579545MHz	
X3001	NAX0435-001X	CRYSTAL	24.576MHz	

< MEMO >

# Packing materials and accessories parts list

Block No. M 3 M M



# Packing and accessories

Block No. [M][3][M][M]

△ Symbol No.	Part No.	Part Name	Description	Local
A 1	LVT0965-002A	INST BOOK	ENG,FRE	DP20 VBKC
A 1	LVT0965-001A	INST BOOK	ENG	DP20 VBKJ
A 2	QAL0236-001	ANTENNA		
A 3	QAL0219-001	LED CABLE ASSY		
A 4	EWP503-001C	ANT.WIRE		
A 5	QAL0204-001	AM LOOP ANT		
A 6	BT-51028-2	J=REGIST CARD		DP20 VBKJ
A 7	YU20333	SAFETY INST.		DP20 VBKJ
A 8	-----	AL BATTERY	(x2)	
A 9	RM-SRXDP20J	REMOCON		
A 10	LV42570-001A	SHEET		
A 11	LV30256-007A	SHEET		
△ A 12	QMPE250-200-K	POWER CORD(US/ CA)	2m BLACK	
A 13	LV32823-003A	COVER ASSY		
A 14	BT-52006-2	WARRANTY CARD		DP20 VBKC
P 1	LV21378-012A	CARTON BOX		
P 2	LV21069-001A	CUSHION		
P 3	LV21070-001A	CUSHION		
P 4	QPC08008015P	POLY BAG	80cm x 80cm	
P 5	QPA02503505P	POLY BAG	25cm x 35cm	
P 6	QPC00501205	POLY BAG	5cm x 12cm	
P 7	QPA02503505P	POLY BAG	25cm x 35cm	
P 8	LV30256-012A	SHEET		