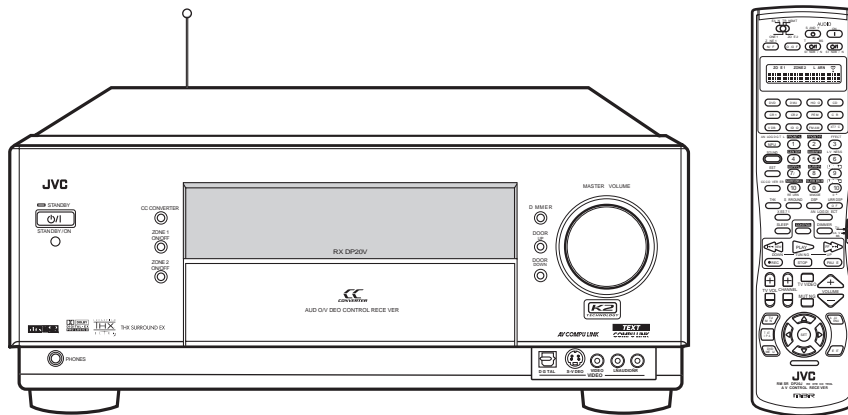


# JVC

## SERVICE MANUAL

AUDIO/VIDEO CONTROL RECEIVER

### RX-DP20VBK



**Area Suffix**  
J ----- U.S.A.  
C ----- Canada

### TABLE OF CONTENTS

1	PRECAUTION.....	1-4
2	SPECIFIC SERVICE INSTRUCTIONS.....	1-6
3	DISASSEMBLY.....	1-7
4	ADJUSTMENT.....	1-18
5	TROUBLE SHOOTING.....	1-21

# SPECIFICATION

Amplifier	Output Power	At Stereo operation (Analog Direct On)	Front channels 120 W per channel, min. RMS, driven into 8 Ω, 20 Hz to 20 kHz with no more than 0.02% total harmonic distortion. 120 W per channel, min. RMS, driven into 4 Ω, 20 Hz to 20 kHz with no more than 0.07% total harmonic distortion.		
		At Surround operation (Analog Direct On)	Front channels 120 W per channel, min. RMS, driven into 8 Ω, 20 Hz to 20 kHz with no more than 0.02% total harmonic distortion.		
			Center channel 120 W, min. RMS, driven into 8 Ω, 20 Hz to 20 kHz with no more than 0.02% total harmonic distortion.		
			Surround channels 120 W per channel, min. RMS, driven into 8 Ω, 20 Hz to 20 kHz with no more than 0.02% total harmonic distortion.		
			Surround back channels 120 W per channel, min. RMS, driven into 8 Ω, 20 Hz to 20 kHz with no more than 0.02% total harmonic distortion.		
Audio	Audio Input Sensitivity /Impedance (1 kHz)	PHONO IN (MC)		0.25 mV/100 Ω	
		(MM)		2.5 mV/47 kΩ	
		CD IN, CDR IN, TAPE/MD IN, EXT 7.1CH IN		200 mV/47 kΩ	
		DVD IN, VCR 1 IN, VCR 2 IN, TV SOUND/DBS IN, VIDEO		200 mV/47 kΩ	
		Audio Input (DIGITAL IN)*	Coaxial	1(DVD), 2(CD), 3(TV/DBS)	0.5 V(p-p)/75 Ω
			Optical	4(CDR), 5(MD), 6(VCR1)	-21 dBm to -15 dBm (660 nm ±30 nm)
		* Corresponding to Linear PCM, Dolby Digital, and DTS Digital Surround (with sampling frequency - 32 kHz, 44.1 kHz, 48 kHz)			
		Audio Output Level	ZONE 2 PREOUT		200 mV
			PREOUT		1 V
		Recording Output Level	TAPE/MD OUT, CDR OUT, VCR 1 OUT, VCR 2 OUT		200 mV
		Digital output	Optical		DIGITAL OUT
		Signal wave length		660 nm	
		Output level			
		Signal-to-Noise Ratio ('66 IHF/'78 IHF) (Analog Direct On)	PHONO IN (MC)		60 dB/72 dB (at REC OUT)
			(MM)		72 dB/80 dB (at REC OUT)
		CD IN, CDR IN, TAPE/MD IN, EXT 7.1CH IN		92 dB/80 dB	
		DVD IN, VCR 1 IN, VCR 2 IN, TV SOUND/DBS IN, VIDEO		92 dB/80 dB	
		Frequency Response (8 Ω)	PHONO IN (MC)		20 Hz to 20 kHz (±1 dB)
			(MM)		20 Hz to 20 kHz (±1 dB)
		CD IN, CDR IN, TAPE/MD IN, EXT 7.1CH IN		10 Hz to 100 kHz (+1 dB, -3 dB)	
		DVD IN, VCR 1 IN, VCR 2 IN, TV SOUND/DBS IN, VIDEO		10 Hz to 100 kHz (+1 dB, -3 dB)	
		RIAA Phono Equalization		±1.0 dB (20 Hz to 20 kHz)	
Video	Video Input Sensitivity /Impedance	Composite video		1 V(p-p)/75 Ω	
		DVD IN, VCR 1 IN, VCR 2 IN, TV SOUND/DBS IN, VIDEO			
		S-video	(Y: luminance)	1 V(p-p)/75Ω	
		DVD IN, VCR 1 IN, VCR 2 IN, TV SOUND/DBS IN, VIDEO	(C: chrominance, burst)	0.286 V(p-p)/75 Ω	
		Component 1 IN (DVD), 2 IN,3 IN	(Y: luminance)	1 V(p-p)/75 Ω	
			(PB, PR)	0.7 V(p-p)/75 Ω	
	Video Output Level	Composite video		1 V(p-p)/75 Ω	
		VCR 1 OUT,VCR 2 OUT,MONITOR OUT			
		S-video	(Y: luminance)	1 V(p-p)/75Ω	
		VCR 1 OUT, VCR 2 OUT, MONITOR OUT	(C: chrominance, burst)	0.286 V(p-p)/75 Ω	
		Component MONITOR OUT	(Y: luminance)	1 V(p-p)/75 Ω	
			(PB, PR):	0.7 V(p-p)/75 Ω	
Synchronization		Negative			
Signal-to-Noise Ratio		45 dB			

FM tuner (IHF)	Tuning Range		87.5 MHz to 108.0 MHz
	Usable Sensitivity	Monaural	12.8 dBf (1.2 $\mu$ V/75 $\Omega$ )
	50 dB Quieting Sensitivity	Monaural	18.2 dBf (2.2 $\mu$ V/75 $\Omega$ )
	Stereo		38.2 dBf (22.3 $\mu$ V/75 $\Omega$ )
	Signal-to-Noise Ratio (IHF-A weighted)	Monaural	78 dB at 85 dBf
	Stereo		73 dB at 85 dBf
	Total Harmonic Distortion	Monaural	0.2% at 1 kHz
	Stereo		0.3% at 1 kHz
	Stereo Separation at REC OUT		40 dB at 1 kHz
	Alternate Channel Selectivity		60 dB ( $\pm$ 400 kHz)
Frequency Response		30 Hz to 15 kHz (+0.5 dB, -3 dB)	
AM tuner	Tuning Range		530 kHz to 1 710 kHz
	Usable Sensitivity		Loop antenna: 400 $\mu$ V/m
	Signal-to-Noise Ratio		50 dB (100 mV/m)
General	Power Requirements		AC 120V~, 60 Hz
	Power Consumption		580 W/690 VA (at operation)
	2.7 watts (in standby mode)		
	Dimensions (W $\times$ H $\times$ D)		445 mm $\times$ 177 mm $\times$ 475 mm (17 9/16 in. $\times$ 7 in. $\times$ 18 3/4 in.)
	Mass		23.5 kg (52 lbs)

Designs & specifications are subject to change without notice.

# SECTION 1 PRECAUTION

## 1.1 Safety Precautions

- (1) This design of this product contains special hardware and many circuits and components specially for safety purposes. For continued protection, no changes should be made to the original design unless authorized in writing by the manufacturer. Replacement parts must be identical to those used in the original circuits. Services should be performed by qualified personnel only.
- (2) Alterations of the design or circuitry of the product should not be made. Any design alterations of the product should not be made. Any design alterations or additions will void the manufacturer's warranty and will further relieve the manufacturer of responsibility for personal injury or property damage resulting therefrom.
- (3) Many electrical and mechanical parts in the products have special safety-related characteristics. These characteristics are often not evident from visual inspection nor can the protection afforded by them necessarily be obtained by using replacement components rated for higher voltage, wattage, etc. Replacement parts which have these special safety characteristics are identified in the Parts List of Service Manual. Electrical components having such features are identified by shading on the schematics and by ( $\Delta$ ) on the Parts List in the Service Manual. The use of a substitute replacement which does not have the same safety characteristics as the recommended replacement parts shown in the Parts List of Service Manual may create shock, fire, or other hazards.
- (4) The leads in the products are routed and dressed with ties, clamps, tubings, barriers and the like to be separated from live parts, high temperature parts, moving parts and/or sharp edges for the prevention of electric shock and fire hazard. When service is required, the original lead routing and dress should be observed, and it should be confirmed that they have been returned to normal, after reassembling.

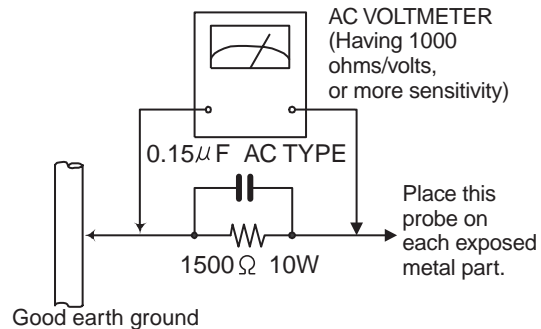
### (5) Leakage shock hazard testing

After reassembling the product, always perform an isolation check on the exposed metal parts of the product (antenna terminals, knobs, metal cabinet, screw heads, headphone jack, control shafts, etc.) to be sure the product is safe to operate without danger of electrical shock. Do not use a line isolation transformer during this check.

- Plug the AC line cord directly into the AC outlet. Using a "Leakage Current Tester", measure the leakage current from each exposed metal part of the cabinet, particularly any exposed metal part having a return path to the chassis, to a known good earth ground. Any leakage current must not exceed 0.5mA AC (r.m.s.).
- Alternate check method  
Plug the AC line cord directly into the AC outlet. Use an AC voltmeter having, 1,000 $\Omega$  per volt or more sensitivity in the following manner. Connect a 1,500 $\Omega$  10W resistor paralleled by a 0.15 $\mu$ F AC-type capacitor between an exposed metal part and a known good earth ground. Measure the AC voltage across the resistor with the AC

voltmeter.

Move the resistor connection to each exposed metal part, particularly any exposed metal part having a return path to the chassis, and measure the AC voltage across the resistor. Now, reverse the plug in the AC outlet and repeat each measurement. Voltage measured any must not exceed 0.75 V AC (r.m.s.). This corresponds to 0.5 $\mu$  mA AC (r.m.s.).



## 1.2 Warning

- (1) This equipment has been designed and manufactured to meet international safety standards.
- (2) It is the legal responsibility of the repairer to ensure that these safety standards are maintained.
- (3) Repairs must be made in accordance with the relevant safety standards.
- (4) It is essential that safety critical components are replaced by approved parts.
- (5) If mains voltage selector is provided, check setting for local voltage.

## 1.3 Caution

**Burrs formed during molding may be left over on some parts of the chassis.**

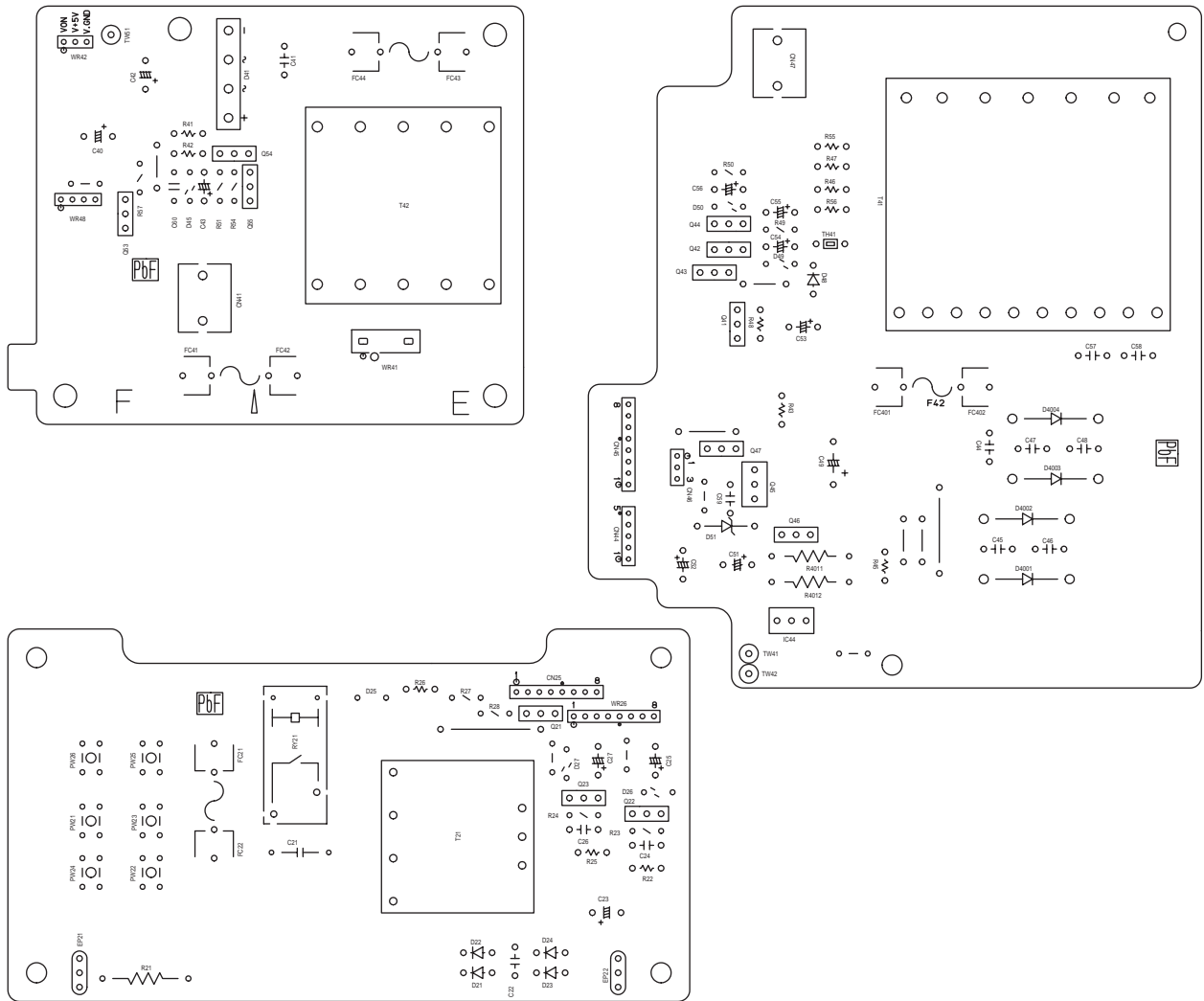
**Therefore, pay attention to such burrs in the case of pre-forming repair of this system.**

## 1.4 Critical parts for safety

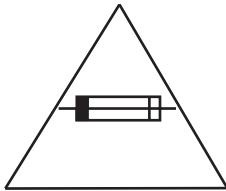
In regard with component parts appearing on the silk-screen printed side (parts side) of the PWB diagrams, the parts that are printed over with black such as the resistor (■), diode (■) and ICP (●) or identified by the " $\Delta$ " mark nearby are critical for safety. When replacing them, be sure to use the parts of the same type and rating as specified by the manufacturer.

(This regulation does not Except the J and C version)

## 1.5 Importance administering point on the safety



For USA and Canada / pour États - Unis d' Amérique et Canada



Caution: For continued protection against risk of fire, replace only with same type 8A/250V for F21, 0.5A/250V for F41 and 2A/125V for F42 and F43. This symbol specifies type of fast operating fuse.

Precaution: Pour éviter risques de feux, remplacez le fusible de sûreté de F21 comme le même type que 8A/250V, et 0.5A/250V pour F41, et 2A/125V pour F42 et F43.

Ce sont des fusibles sûretés qui fonctionnent rapide.

**SECTION 2**  
**SPECIFIC SERVICE INSTRUCTIONS**

This service manual does not describe SPECIFIC SERVICE INSTRUCTIONS.

## SECTION 3 DISASSEMBLY

### 3.1 Main body section

#### 3.1.1 Removing the top cover

(See Fig.1)

- (1) Remove the eight screws **A** attaching the top cover on both sides of the body.
- (2) Remove the three screws **B** on back of the body.
- (3) Remove the top cover from behind in the direction of the arrow while pulling both sides outward.

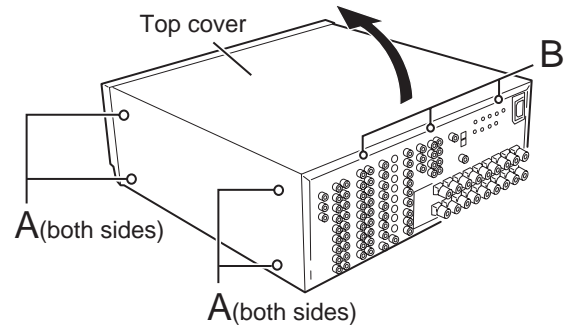


Fig.1

#### 3.1.2 Removing the front panel assembly

(See Fig.2 and 3)

- Prior to performing the following procedure, remove the top cover.
  - (1) Cut off the tie band 1 fixing the harness.
  - (2) Remove the screw **a**, and remove the lug wire.
  - (3) Remove the three screws **C** attaching the front panel assembly.
  - (4) Remove the four screws **D** attaching the front panel assembly on bottom of the body. Detach the front panel assembly toward the front.
  - (5) Disconnect the harness from the connector [CN971](#), [CN977](#), [CN983](#) and [CN985](#) on the system control board (see fig.5), [CN973](#) on the front AV in board and [CN373](#) on the front DIGITAL board (see 2-3.Front panel assembly section/ fig.2).

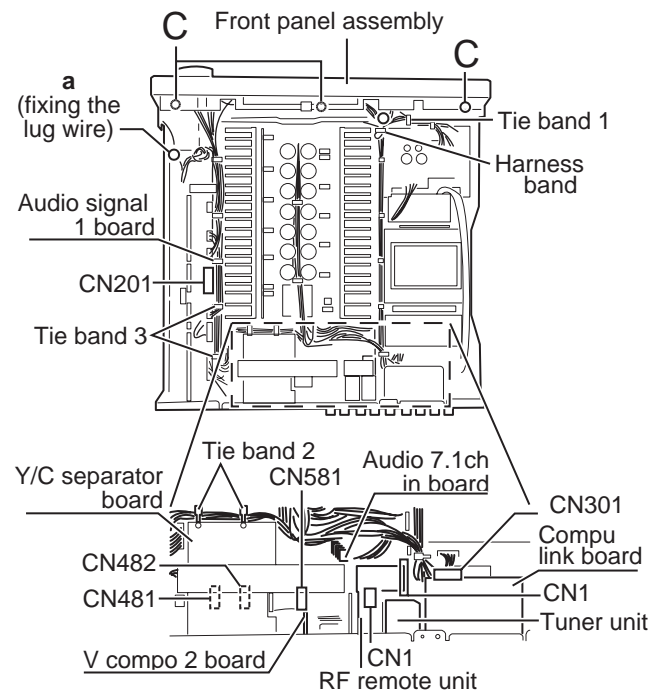


Fig.2

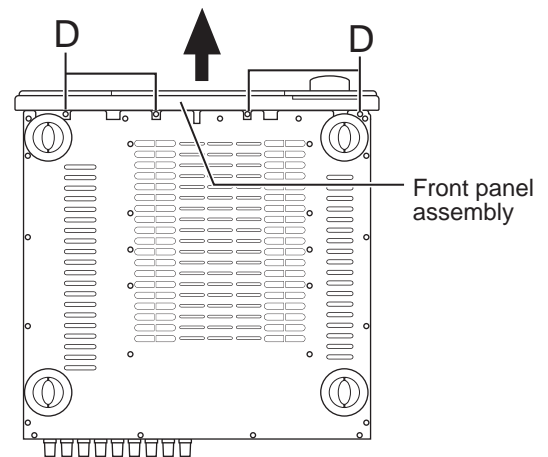
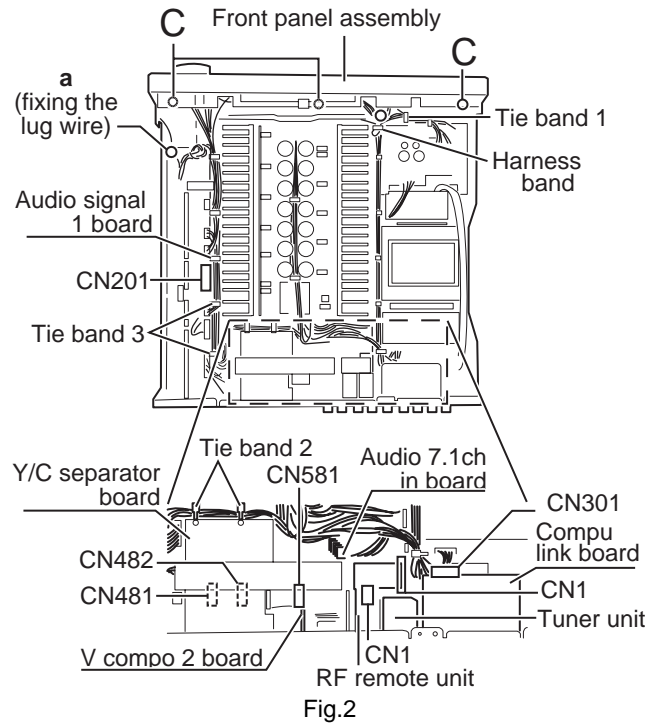


Fig.3

**3.1.3 Removing the V compo 2 board & RF remote unit & tuner unit & compu link board**  
(See Fig.2 and 4)

- Prior to performing the following procedure, remove the top cover.
  - Disconnect the harness from the connector **CN581** on the V compo 2 board.  
Remove the two screws **E'** attaching the V compo 2 board to the rear panel.
  - Disconnect the harness from the connector **CN1** on the RF remote unit.  
Remove the nut **b** attaching the RF remote unit to the rear panel.
  - Disconnect the card wire from the connector **CN1** on the tuner unit.  
Remove the two screws **E''** attaching the tuner unit to the rear panel.
  - Disconnect the harness from the connector **CN301** on the compu link board.  
Remove the four screws **E'''** attaching the compu link board to the rear panel.



**3.1.4 Removing the Y/C separator board**  
(See Fig.2)

- Prior to performing the following procedure, remove the top cover.
  - Cut off the tie band 2 fixing the harness.
  - Draw out up the Y/C separator board, disconnecting the connectors **CN481** and **CN482** on the Y/C separator board.

**3.1.5 Removing the audio 7.1ch in board**  
(See Fig.2 and 4)

- Prior to performing the following procedure, remove the top cover.
  - Cut off the tie band 2 & 3 fixing the harness.
  - Disconnect the harness from the connector **CN201** on the audio signal 1 board.
  - Remove the two screws **E''''** attaching the audio 7.1ch in board to the rear panel.

**3.1.6 Removing the rear panel**  
(See Fig.4)

- Prior to performing the following procedure, remove the top cover.
  - Unsolder the two solder parts on the AC inlet.
  - Remove the forty four screws **E** & **E'** & **E''** & **E'''** & **E''''** and the nut **b** attaching each board to the rear panel.
  - Remove the thirteen screws **F** attaching the rear panel on the back of the body and bottom.

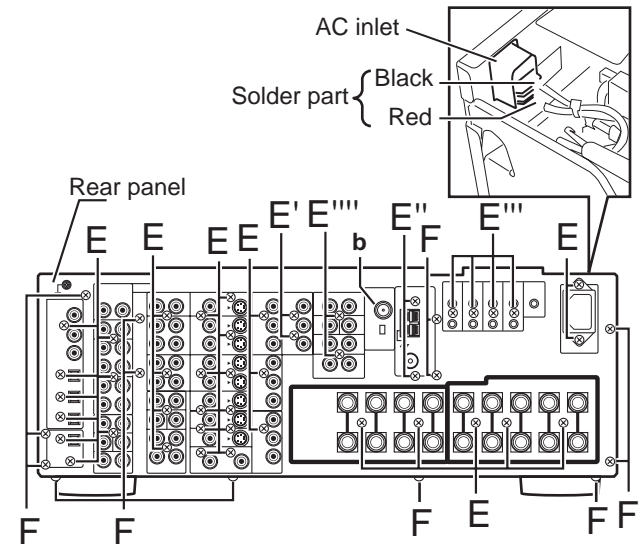


Fig.4



### 3.1.7 Removing the system control board (See Fig.5 and 6)

- Prior to performing the following procedure, remove the top cover and front panel assembly.
  - (1) Disconnect the card wires and harness from the connector [CN963](#), [CN964](#) and [CN981](#) on the system control board.
  - (2) Cut off the tie bands fixing the harness.
  - (3) Disconnect the harness from the connector [CN45](#) on the power supply 2 board and [CN25](#) on the power/ fuse board.
  - (4) Disconnect the connector [CN324](#) on the audio signal 2 board and [CN234](#), [CN208](#) on the audio signal 1 board.
  - (5) Remove the three plastic rivet.

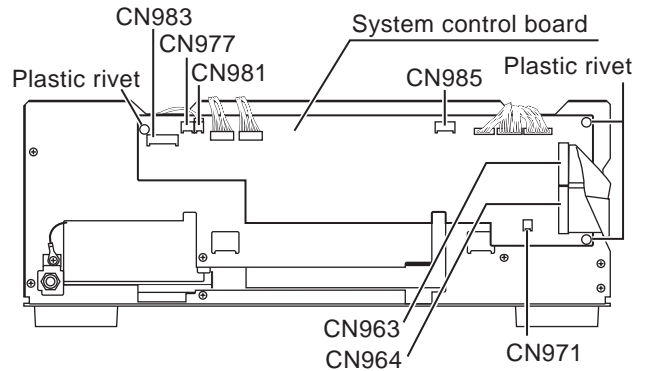


Fig.5

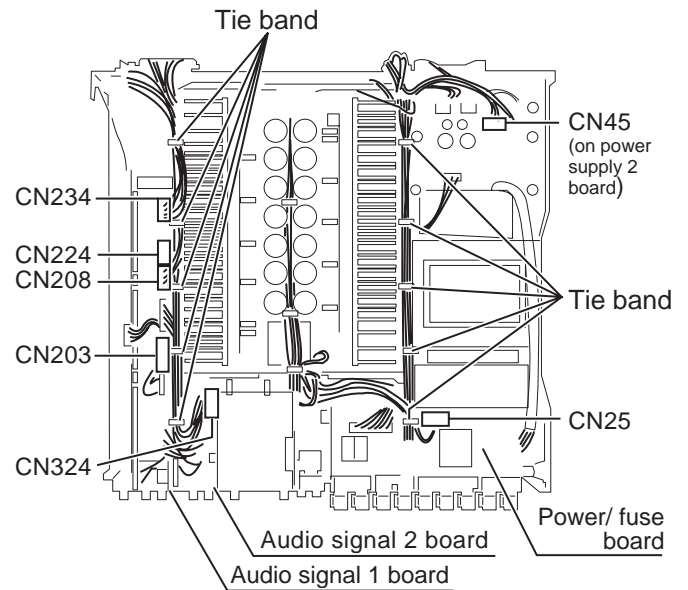


Fig.6

### 3.1.8 Removing the DSP board & shield cover (See Fig.7)

- Prior to performing the following procedure, remove the top cover, rear panel and front panel assembly.
  - (1) Disconnect the connector [CN631](#) on the DSP board.
  - (2) Disconnect the connector [CN203](#) on the audio signal 1 board.  
And cut off the tie bands fixing the harness.
  - (3) Removing the two plastic rivet, and disconnect the connector [CN633](#), [CN643](#) and [CN635](#) on the DSP board.
  - (4) Removing the screw **G** attaching the shield cover and remove the shield cover.

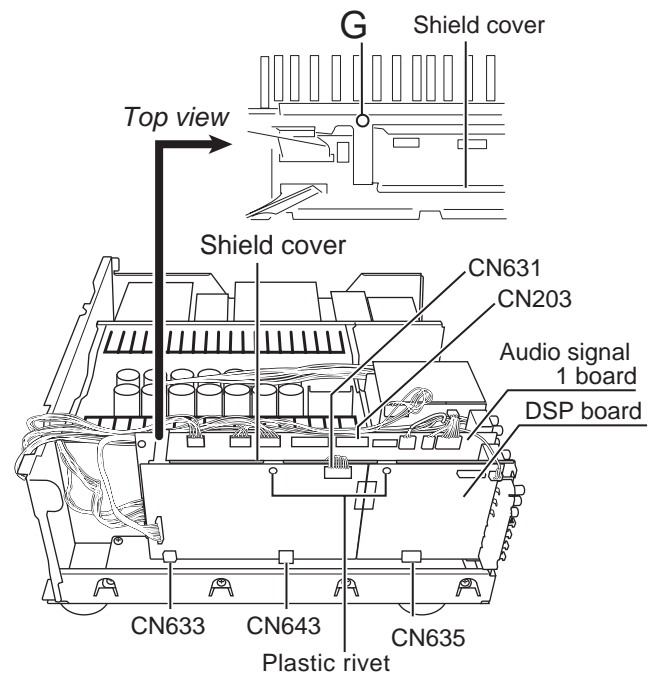


Fig.7

### 3.1.9 Removing the audio signal 1 board (See Fig.8)

- Prior to performing the following procedure, remove the top cover, rear panel and DSP board.
  - (1) Disconnect the harness from the connector [CN202](#), [CN204](#), [CN234](#), [CN224](#), [CN208](#), [CN207](#), [CN218](#) and [CN223](#) on the audio signal 1 board.
  - (2) Remove the plastic rivet.
  - (3) Disconnect the connector [CN205](#), [CN221](#) and [CN206](#) on the audio signal 1 board.

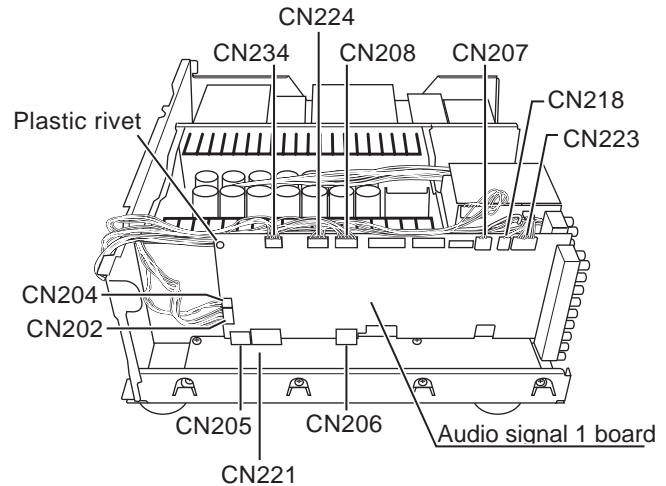


Fig.8

### 3.1.10 Removing the audio signal 2 board & video board & S video board (See Fig.9 to 11)

- Prior to performing the following procedure, remove the top cover, rear panel, Y/C separator board, DSP board and audio signal 1 board.
  - (1) Disconnect the harness from the connector [CN973](#) on the front AV in board (see 2-3.Front panel assembly section/fig.2).
  - (2) Disconnect the harness from the connector [CN324](#) on the audio signal 2 board.
  - (3) Remove the audio signal 2 board from the connector [CN15](#) and [CN6](#) on the input base board.
  - (4) Remove the video board from the connector [CN7](#) on the input base board.
  - (5) Remove the S video board from the connector [CN8](#) on the input base board.

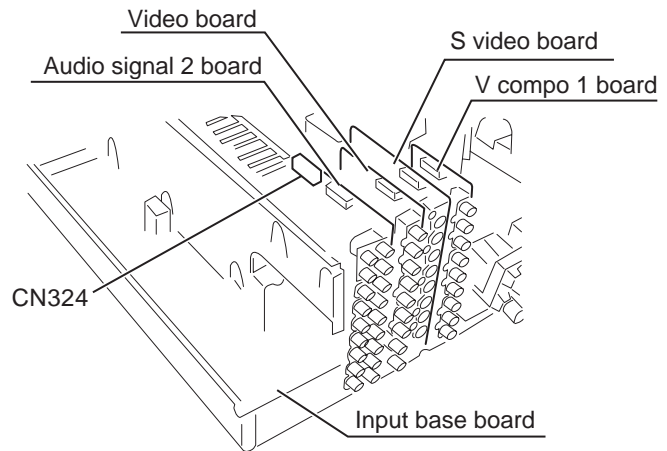


Fig.9

### 3.1.11 Removing the V compo 1 board (See Fig.9 to 11)

- Prior to performing the following procedure, remove the top cover and rear panel.
  - (1) Remove the V compo 1 board from the connector [CN9](#) on the input base board.

Connection between the Input base board and each board.

CN15/CN6	↔	Audio signal 2 board (CN325/CN321)
CN7	↔	Video board (CN401)
CN8	↔	S video board (CN451)
CN9	↔	V compo 1 board (CN501)

Fig.10

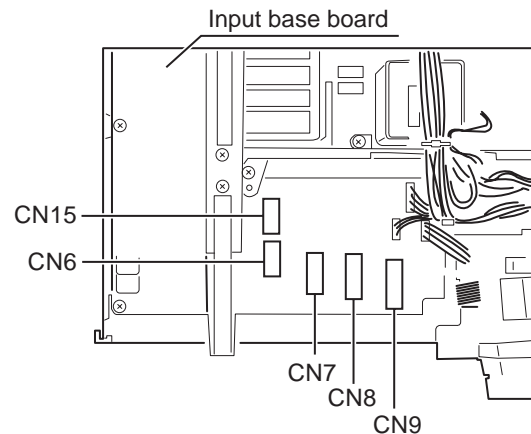


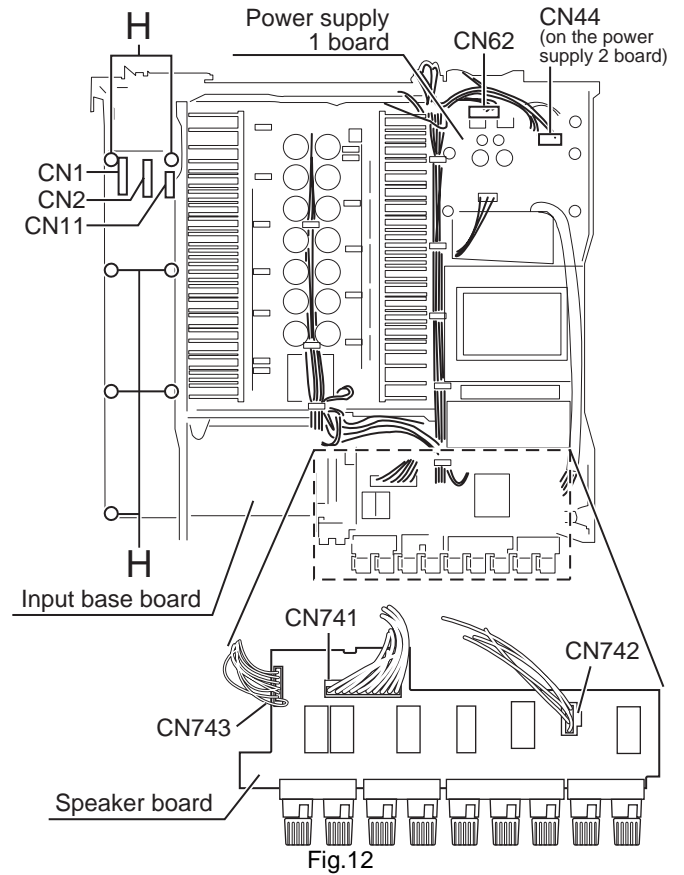
Fig.11

### 3.1.12 Removing the input base board (See Fig.12)

- Prior to performing the following procedure, remove the top cover, rear panel, DSP board, audio signal 1 board, audio signal 2 board, video board, S video board and V compo 1 board.
  - (1) Disconnect the harness from the connector [CN62](#) on the power supply 1 board and [CN44](#) on the power supply 2 board.  
And cut off the tie bands fixing the harness.
  - (2) Disconnect the harness from the connector [CN743](#) on the speaker board.
  - (3) Disconnect the card wire from the connector [CN1](#), [CN2](#) and the harness from the connector [CN11](#) on the input base board.
  - (4) Remove the seven screws **H** attaching the input base board.

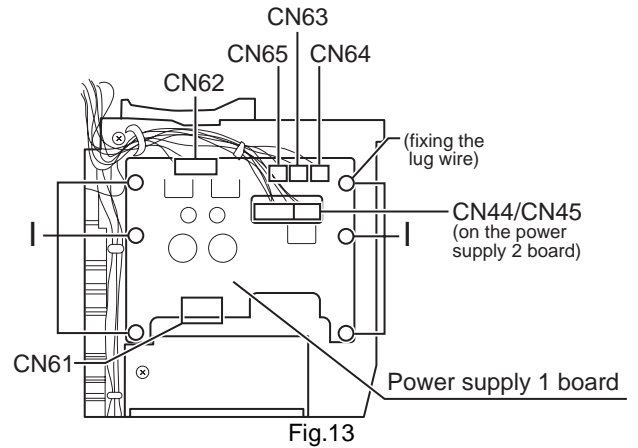
### 3.1.13 Removing the speaker board (See Fig.12)

- Prior to performing the following procedure, remove the top cover and rear panel.
  - (1) Disconnect the harness from the connector [CN741](#), [CN742](#) and [CN743](#) on the speaker board.



### 3.1.14 Removing the power supply 1 board (See Fig.13)

- Prior to performing the following procedure, remove the top cover.
  - (1) Disconnect the harness from the connector [CN61](#), [CN62](#), [CN63](#), [CN64](#) and [CN65](#) on the power supply 1 board.
  - (2) Disconnect the harness from the connector [CN44](#) and [CN45](#) on the power supply 2 board.
  - (3)



**3.1.15 Removing the power transformer 1 with the power supply 2 board**  
**(See Fig.14)**

- Prior to performing the following procedure, remove the top cover and power supply 1 board.
  - (1) Disconnect the harness from the connector [CN46](#) and [CN47](#) on the power supply 2 board.
  - (2) Remove the two screws **J** attaching the power transformer 1.

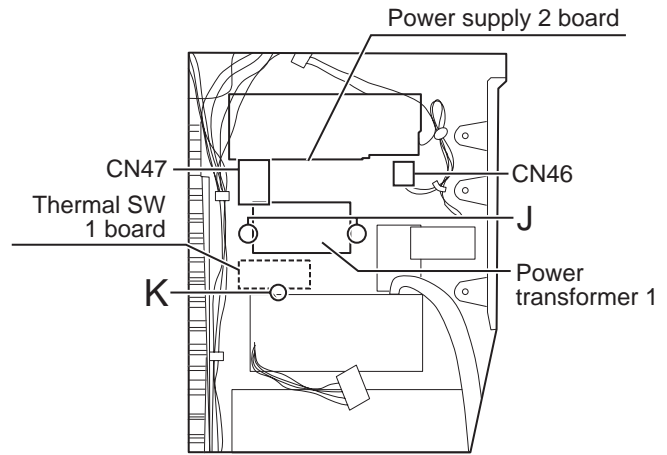


Fig.14

**3.1.16 Removing the thermal SW 1 board**  
**(See Fig.14)**

- Prior to performing the following procedure, remove the top cover and power supply 1 board.
  - (1) Remove the screw **K** attaching the thermal SW 1 board.

**3.1.17 Removing the power transformer 2**  
**(See Fig.15 and 16)**

- Prior to performing the following procedure, remove the top cover and power supply 1 board.
  - (1) Disconnect the harness from the connector [CN701](#) on the power amp. board.
  - (2) Unsolder the solder points [PW81](#) and [PW82](#) on the power trans board.
  - (3) Remove the four screws **L** attaching the power transformer 2.

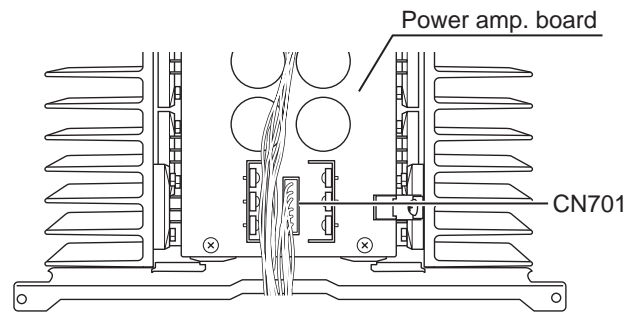


Fig.15

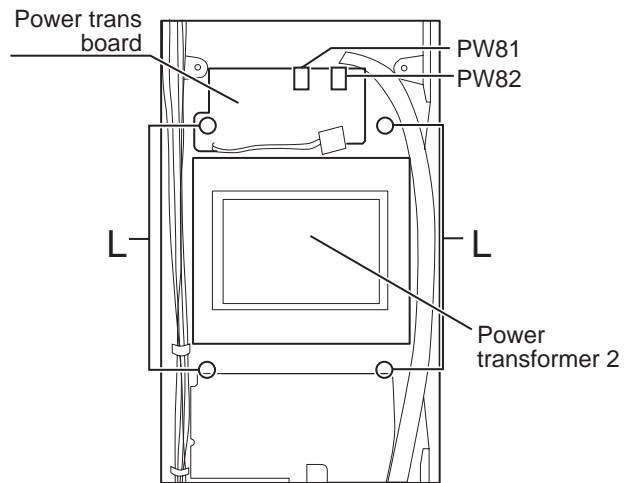


Fig.16

### 3.1.18 Removing the power transformer 3 with the power supply 3 board (See Fig.17)

- Prior to performing the following procedure, remove the top cover, power supply 1 board, power transformer 1 and power transformer 2.
  - (1) Disconnect the harness from the connector [CN41](#) on the power supply 3 board.
  - (2) Remove the two screws **M** attaching the power transformer 3.

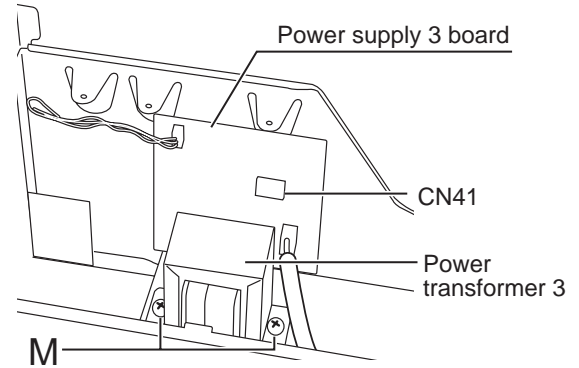


Fig.17

### 3.1.19 Removing the power/ fuse board (See Fig.18)

- Prior to performing the following procedure, remove the top cover, rear panel, power supply 1 board and power transformer 2.
  - (1) Disconnect the harness from the connector [CN25](#) on the power/ fuse board.
  - (2) Remove the four screws **N** attaching the power/ fuse board.
  - (3) Unsolder the solder points [PW21](#), [PW22](#), [PW23](#) and [PW24](#) on the power/ fuse board.

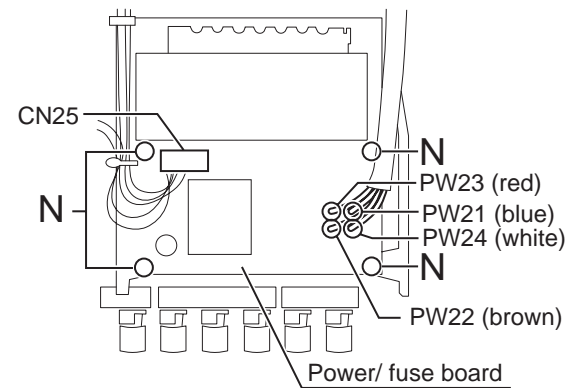


Fig.18

### 3.1.20 Removing the head phone board (See Fig.19 and 20)

- Prior to performing the following procedures, remove the top cover and front panel assembly.
  - (1) Disconnect the harnesses from the connector [CN981](#) on the system control board (see fig.5) and [CN738](#) on the power amp. board.
  - (2) Removing the nut **O** fixing the head phone board.
  - (3) Removing the screw **P** attaching the lug wire and bracket.

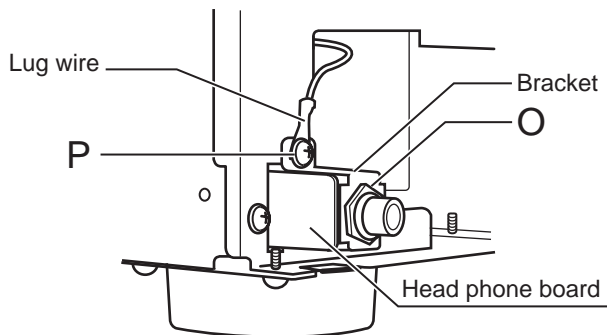


Fig.19

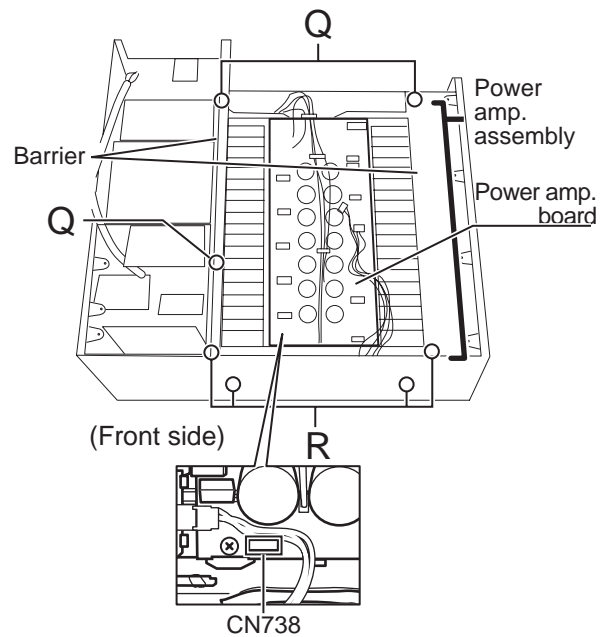


Fig.20

### 3.1.21 Removing the power amp. Assembly (See Fig.20 and 21)

- Prior to performing the following procedures, remove the top cover, rear panel, front panel assembly, system control board, DSP board, audio signal 1 board, audio signal 2 board, video board, S video board, V compo 1 board and speaker board.
  - (1) Remove the three screws **Q** fixing the barriers, and remove the tow barriers.
  - (2) Remove the eight screws **R** attaching the power amp. assembly.
  - (3) Pull up the power amp. assembly.

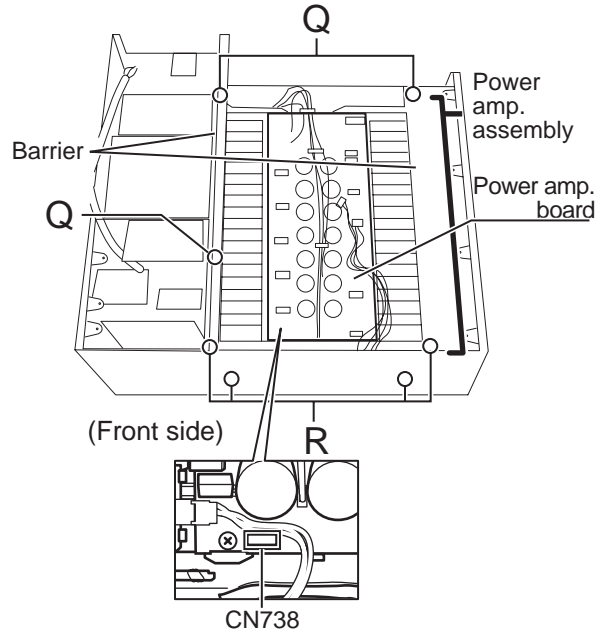


Fig.20

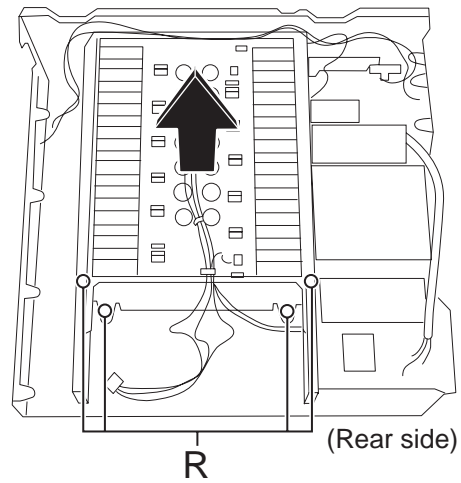


Fig.21

### 3.2 Power amp. assembly section

#### 3.2.1 Removing the relay board & Rch amp. board & Lch amp. board & Cch amp. board & SL/SRch amp. board (See Fig.1 to 3)

- Prior to performing the following procedure, remove the power amp. assembly.
- (1) Disconnect the harness from the two connectors on each thermal compensation board (top side).
- (2) Remove the two screws A attaching the relay board.
- (3) Disconnect the harness from the five connectors on each thermal compensation board (bottom side).
- (4) Pull up each amp. board of Lch, Cch, SL/SRch and Rch from the power amp. board with the relay board.
- (5) Remove each amp. board from the connector [CN721](#), [CN821](#), [CN781](#) and [CN761](#) on the relay board.

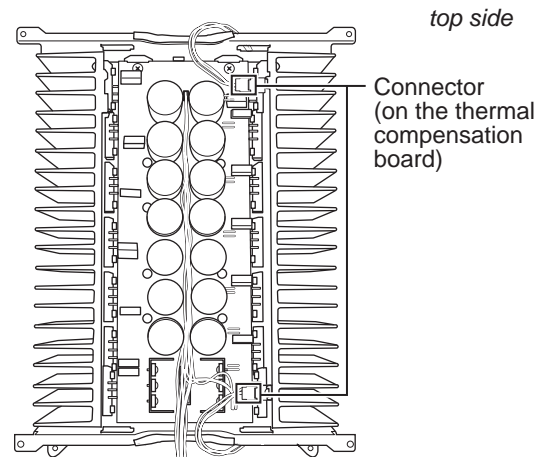


Fig.1

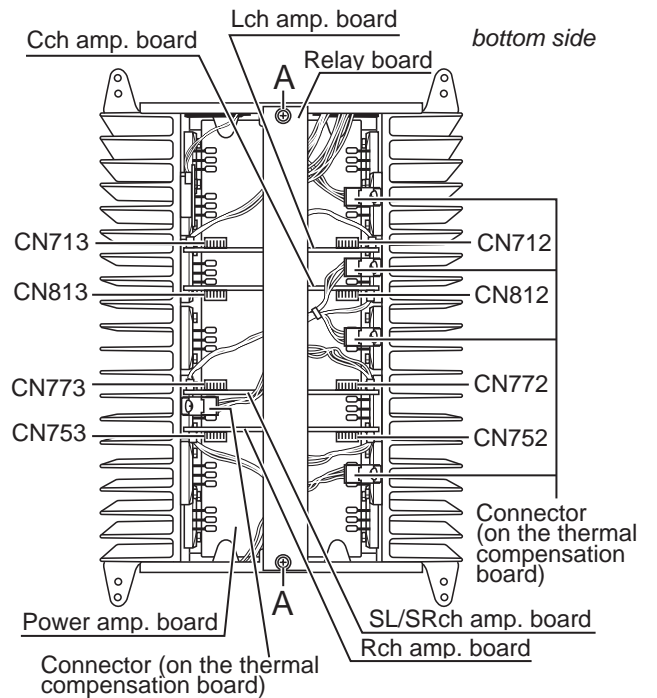


Fig.2

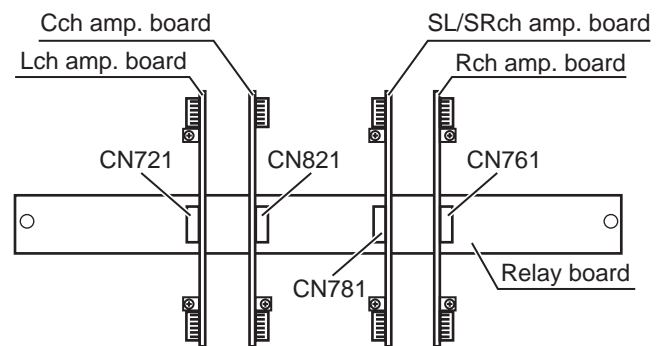
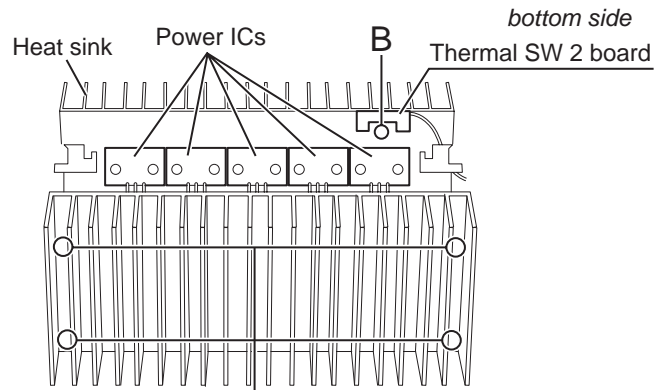


Fig.3

**3.2.2 Removing the thermal SW 2 board  
(See Fig.4)**

- Prior to performing the following procedure, remove the power amp. assembly, relay board and each amp. board of Lch, Cch, SL/SRch, Rch.
- (1) Remove the screw **B** attaching the thermal SW 2 board.



**C** (both sides)

**3.2.3 Removing the heat sink  
(See Fig.4 to 6)**

- Prior to performing the following procedure, remove the power amp. assembly, relay board and each amp. board of Lch, Cch, SL/SRch, Rch.
- (1) Remove the eight screws **C** attaching the heat sink on the both sides of the power amp. assembly.
- (2) Remove the eight screws **D** attaching the power ICs (top side).
- (3) Remove the twenty screws **D** attaching the power ICs (bottom side).

Fig.4

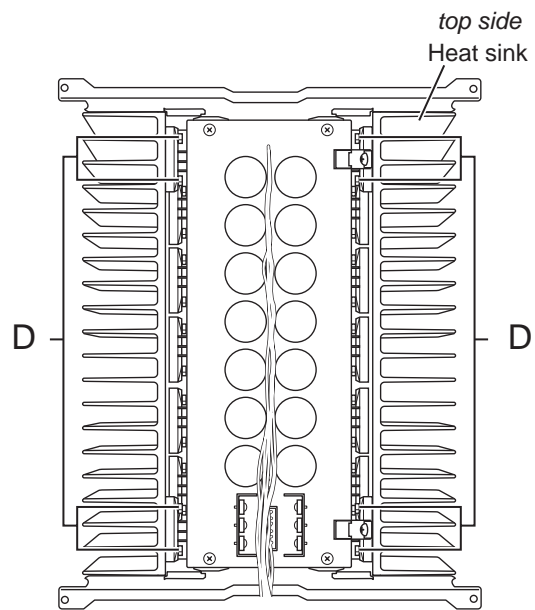


Fig.5

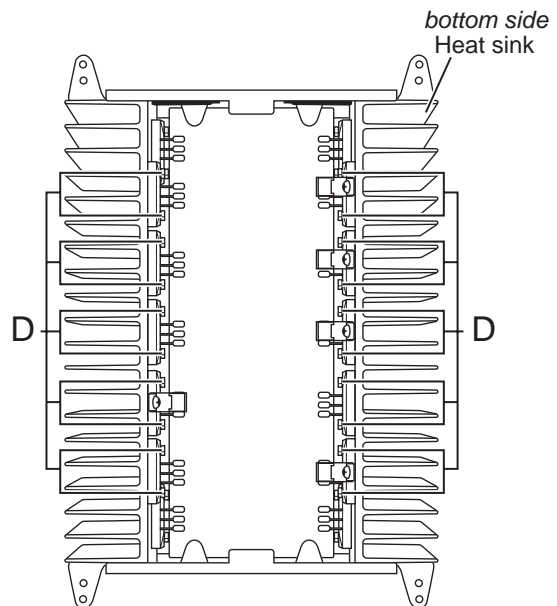


Fig.6



### 3.3 Front panel assembly section

#### 3.3.1 Removing the FL display board & front AV in board (See Fig.1 and 2)

- Prior to performing the following procedure, remove the top cover and front panel assembly.
- (1) Pull out the volume knob on the front side of the front panel assembly and remove the nut attaching the FL display board.
- (2) Remove the three screws **A** attaching the front AV in board and remove the front AV in board.
- (3) Remove the nine screws **B** attaching the FL display board on the back of the front panel assembly.
- (4) Disconnect the harness from the connector [CN969](#), [CN975](#) and [CN982](#) on the FL display board.

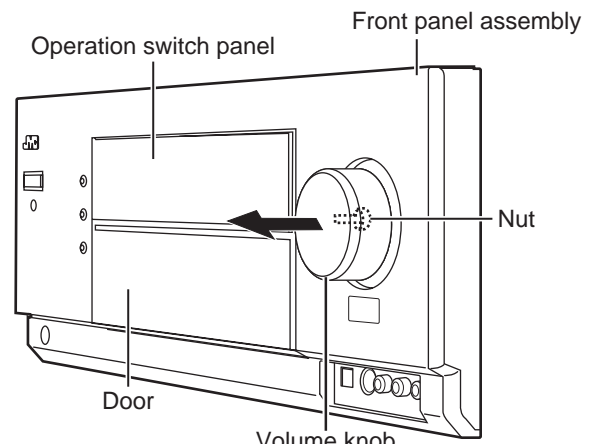


Fig.1

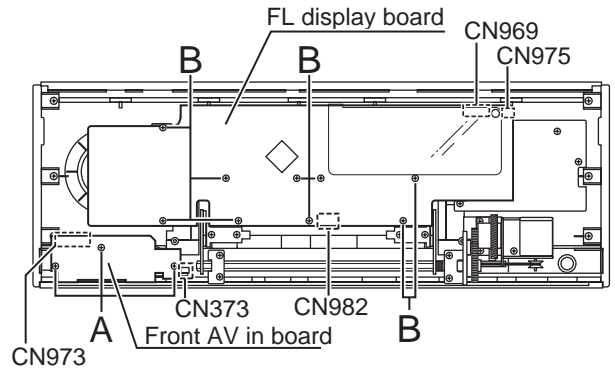


Fig.2

#### 3.3.2 Removing the power switch board & front DIGITAL in board & motor assembly (See Fig.3)

- Prior to performing the following procedure, remove the front panel assembly and FL display board.
- (1) Remove the four screws **C** attaching the power switch board and remove the power switch board.
- (2) Remove the screw **D** attaching the front DIGITAL in board and remove the front DIGITAL in board.
- (3) Remove the three screws **E** attaching the motor assembly on the back of the front panel assembly.
- (4) Remove the belt and the two screws **a** attaching the motor.

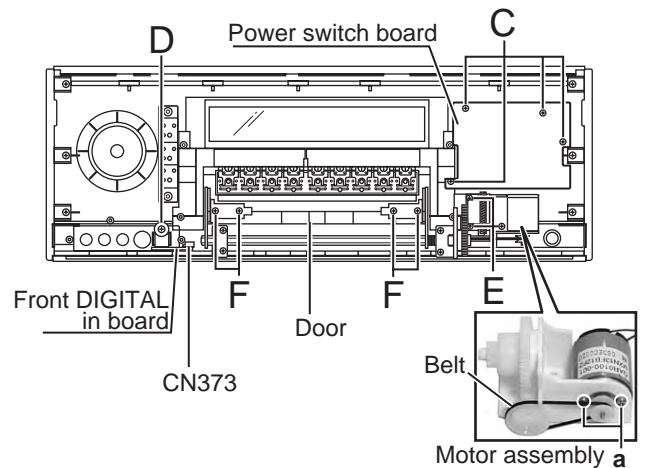


Fig.3

#### 3.3.3 Removing the door input board (See Fig.3 and 4)

- Prior to performing the following procedure, remove the front panel assembly and FL display board.
- (1) Remove the four screws **F** attaching the door and remove the door from the front panel assembly.
- (2) Remove the six screws **G** attaching the door input board.

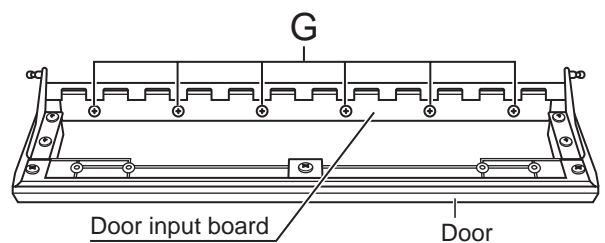


Fig.4

# SECTION 4 ADJUSTMENT

## 4.1 Adjustment of idling current

	Measuring point	Alignment point	Measuring condition
Lch	<a href="#">B903</a> & <a href="#">B904</a>	<a href="#">VR701</a>	No load and No signal. Rated line voltage SURROUND : OFF Room temperature : 20~25°C
Rch	<a href="#">B911</a> & <a href="#">B912</a>	<a href="#">VR751</a>	
Cch	<a href="#">B907</a> & <a href="#">B908</a>	<a href="#">VR801</a>	
SLch	<a href="#">B907</a> & <a href="#">B908</a>	<a href="#">VR771</a>	
SRch	<a href="#">B909</a> & <a href="#">B910</a>	<a href="#">VR772</a>	
SBLch	<a href="#">B901</a> & <a href="#">B902</a>	<a href="#">VR702</a>	
SBRch	<a href="#">B913</a> & <a href="#">B914</a>	<a href="#">VR752</a>	

### Attention:

This adjustment does not obtain a correct adjustment value immediately after the amplifier is used (state that an internal temperature has risen).

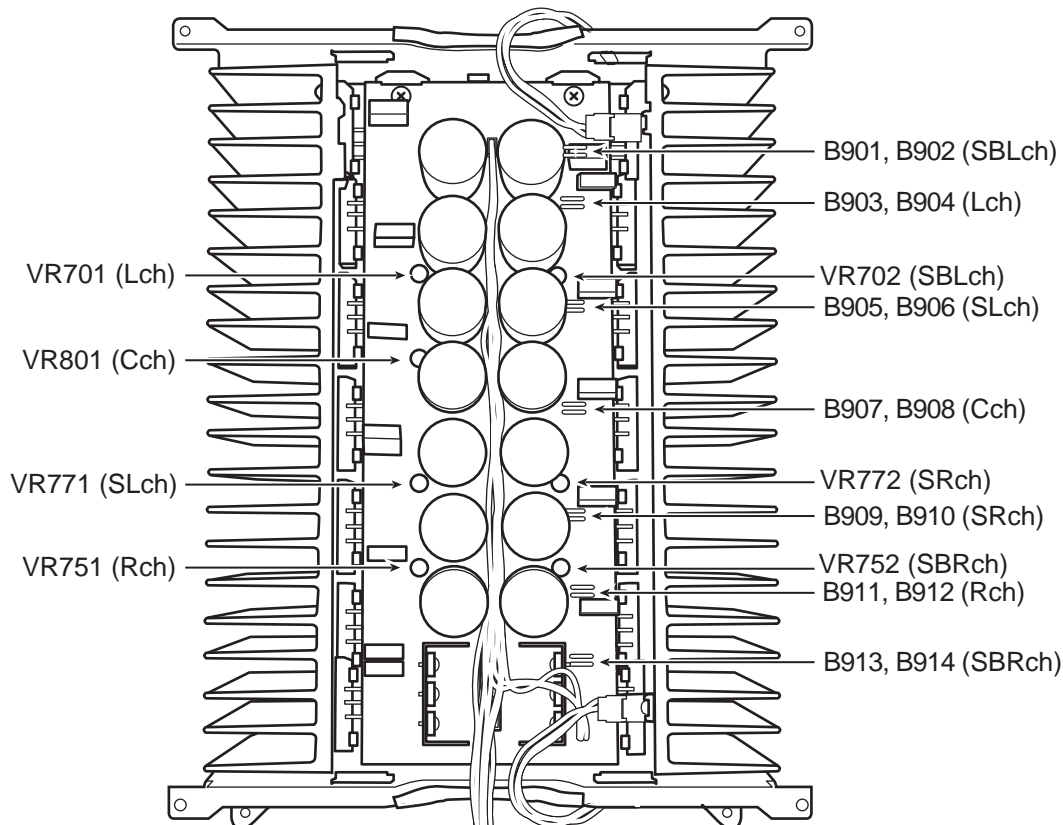
Please adjust immediately after using the amplifier after turning off the power supply of the amplifier and falling an internal temperature.

### Adjustment method

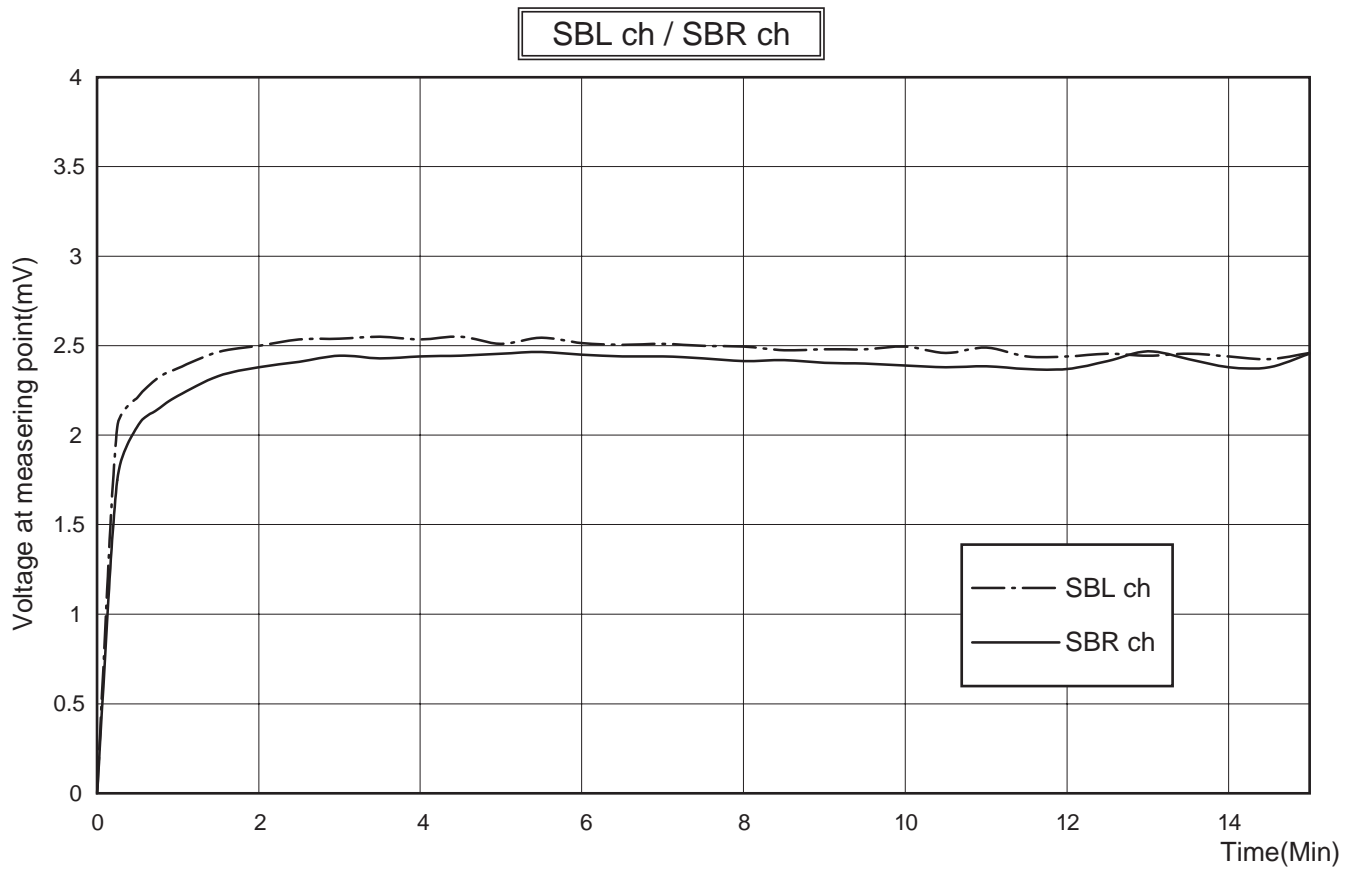
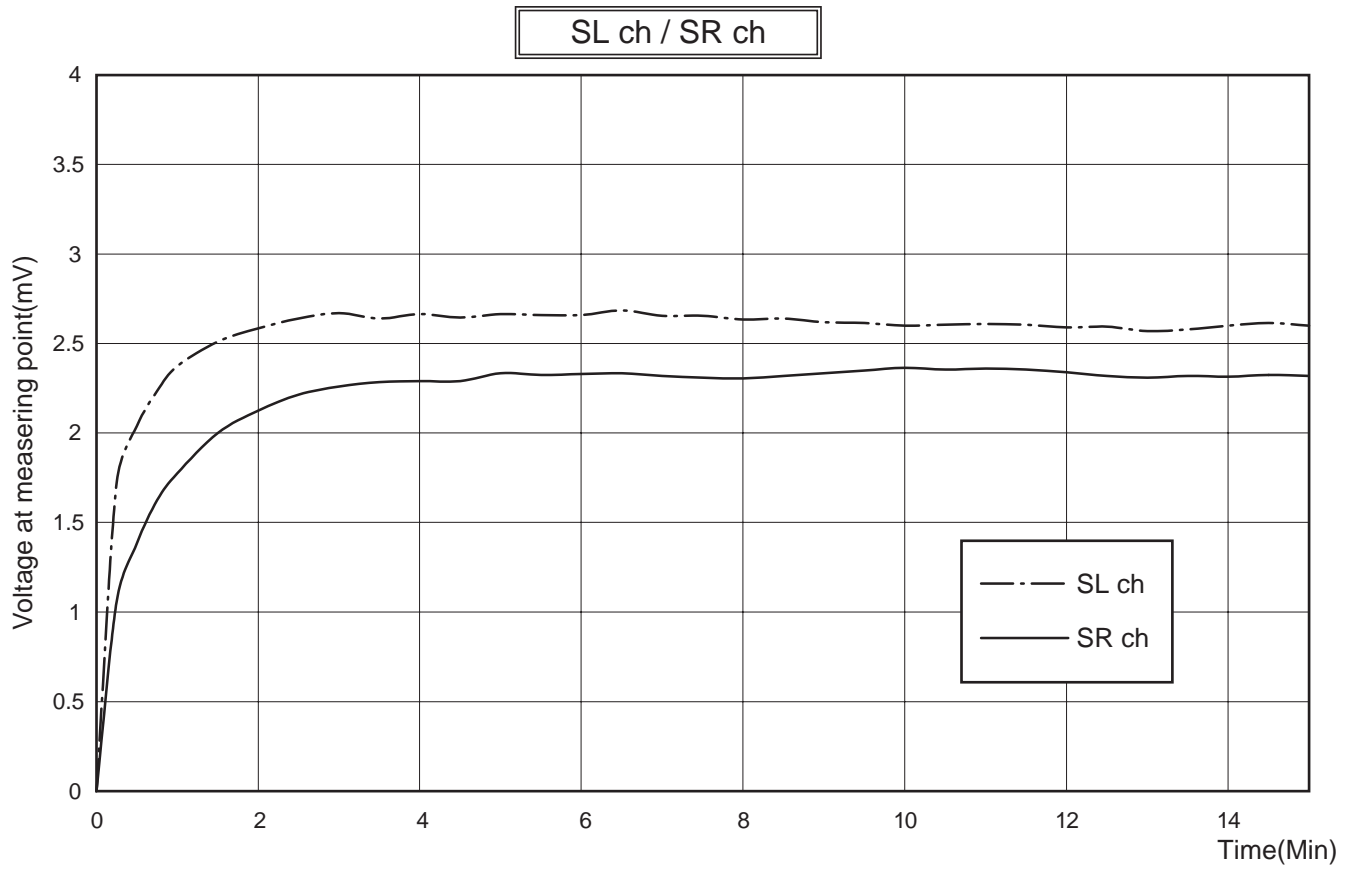
- (1) Prior to turning the power ON, fully turn the adjusting resistor ([VR701](#), [VR702](#), [VR751](#), [VR752](#), [VR771](#), [VR772](#), [VR801](#)) counterclockwise direction and connect the DC voltmeter to the measuring terminal ([B901-B902](#), [B903-B904](#), [B905-B906](#), [B907-B908](#), [B909-B910](#), [B911-B912](#), [B913-B914](#)).
- (2) Adjust the resistor so that the measured value becomes 2.0mV just after the power supply is turned on.
- (3) Adjust the resistor so that the measured value becomes 2.5mV more than 60 seconds after the power supply is turned on.
- (4) After stability is 1.0-4.0mV.

Refer to following page "Idling Current graph".

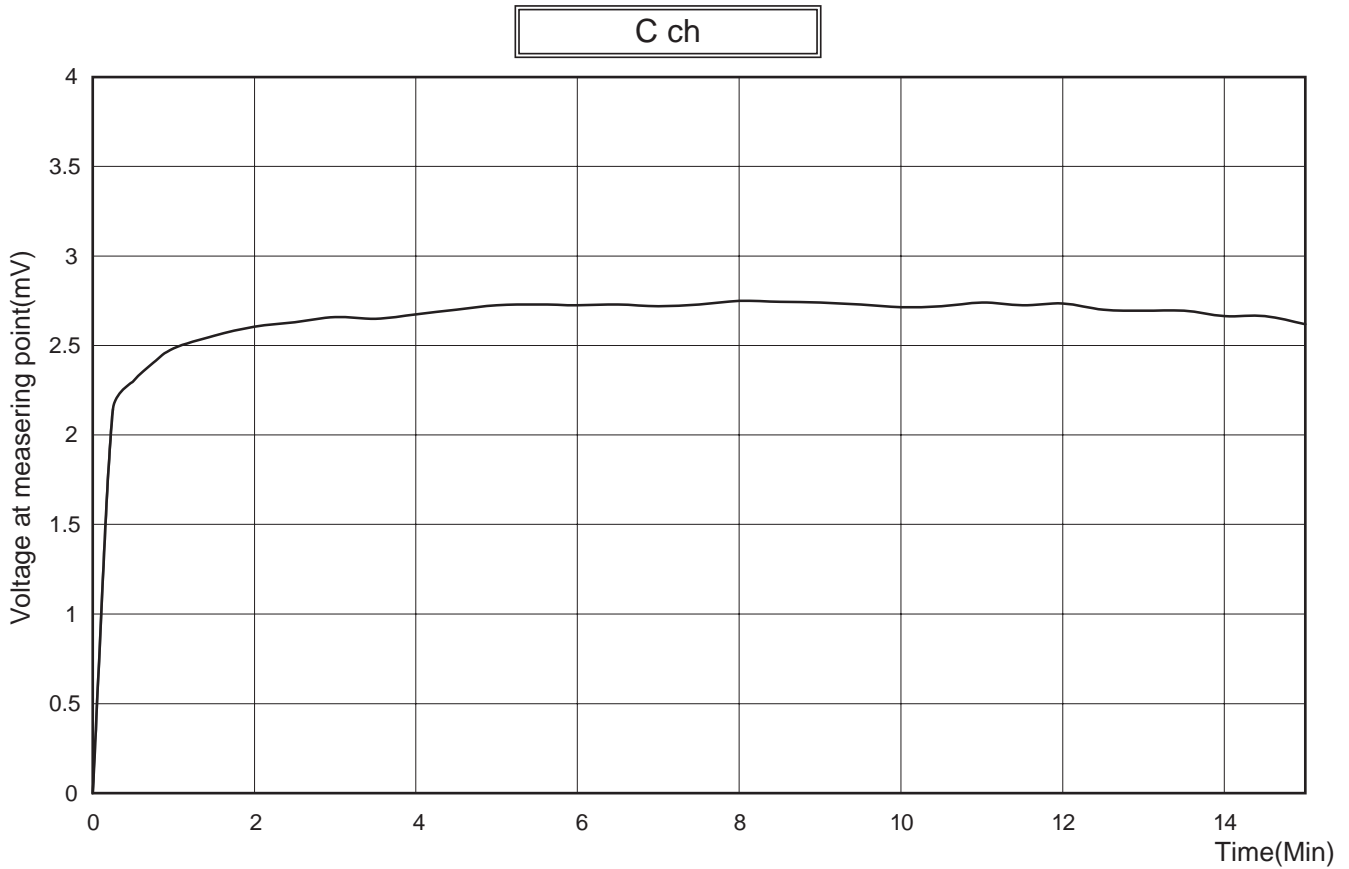
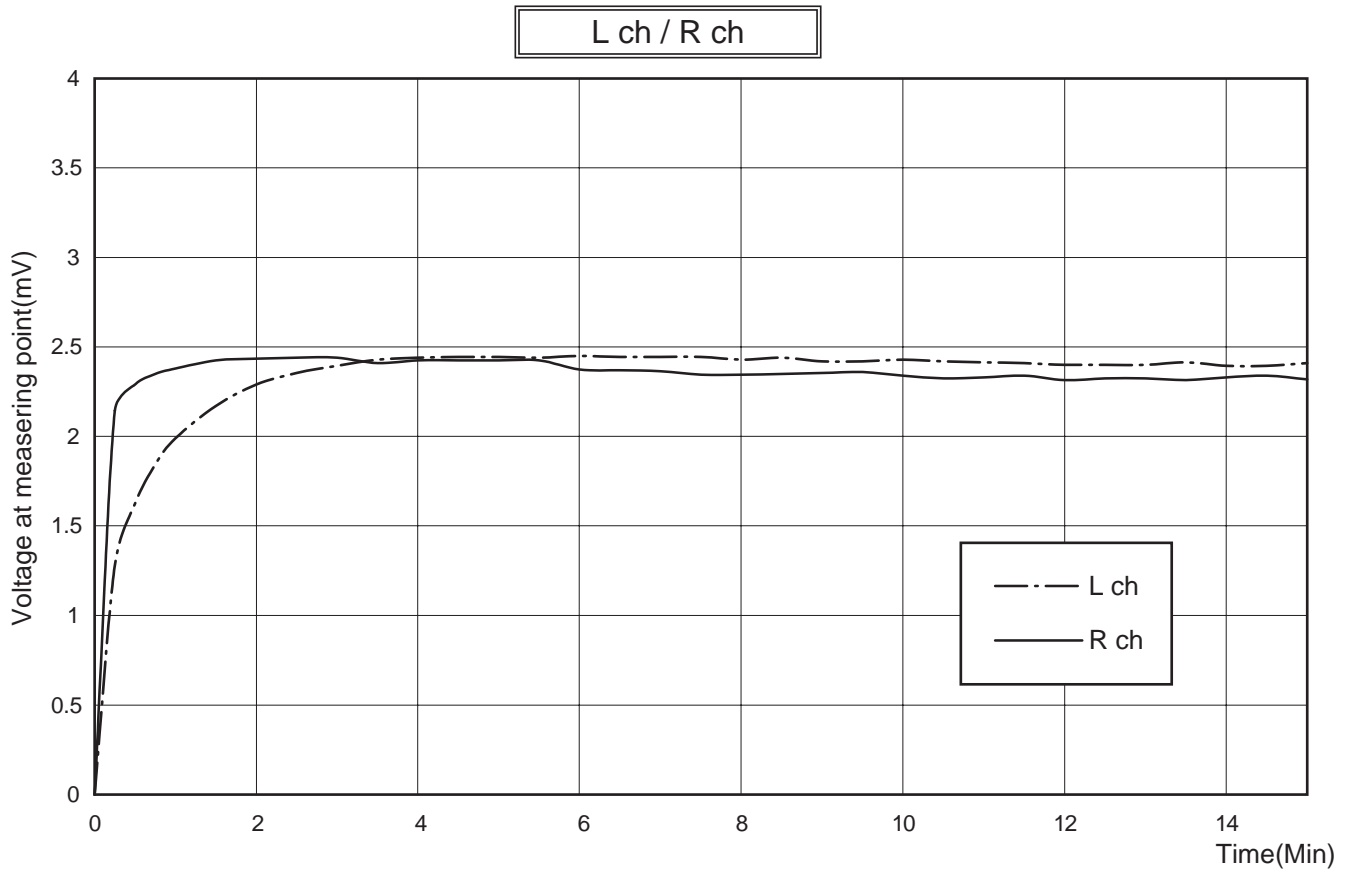
\* It is not abnormal though the idling current might not become 0mA even if it is finished to turn variable resistance ([VR701](#), [VR702](#), [VR751](#), [VR752](#), [VR771](#), [VR772](#), [VR801](#)) in the direction of counterclockwise.



#### 4.2 Idling Current graph (1/2)



### 4.3 Idling Current graph (2/2)



## **SECTION 5 TROUBLE SHOOTING**

This service manual does not describe TROUBLE SHOOTING.



# JVC

VICTOR COMPANY OF JAPAN, LIMITED

AV & MULTIMEDIA COMPANY AUDIO/VIDEO SYSTEMS CATEGORY 10-1,1chome,Ohwatari-machi,Maebashi-city,371-8543,Japan

(No.22008)



Printed in Japan  
WPC

# JVC

## SCHEMATIC DIAGRAMS

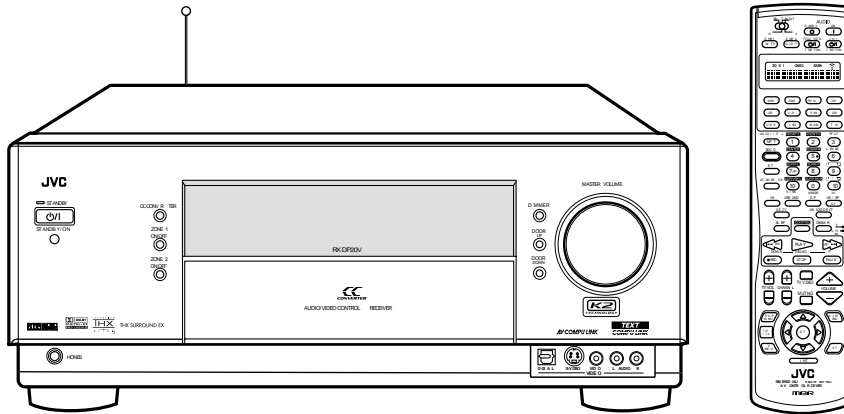
### AUDIO/VIDEO CONTROL RECEIVER

# RX-DP20VBK

CD-ROM No.SML200307

Area suffix

J ----- U.S.A.  
C ----- Canada



THX SURROUND EX



AV COMPU LINK



### Contents

Block diagrams-----	2-1
Standard schematic diagrams -----	2-7
Printed circuit boards -----	2-29 to 49

In regard with component parts appearing on the silk-screen printed side (parts side) of the PWB diagrams, the parts that are printed over with black such as the resistor (■), diode (⊕) and ICP (●) or identified by the "△" mark nearby are critical for safety.

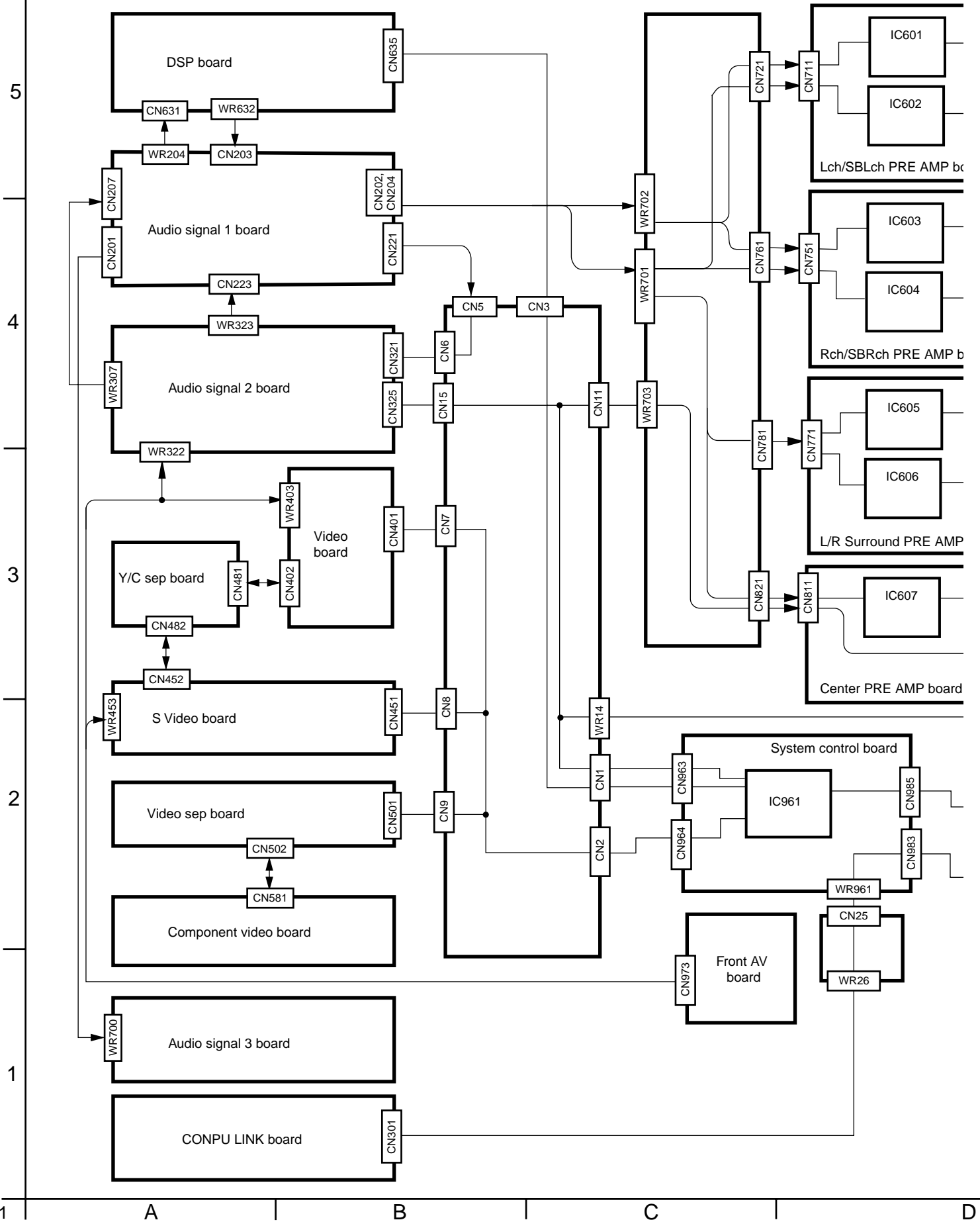
(This regulation does not correspond to J and C version.)

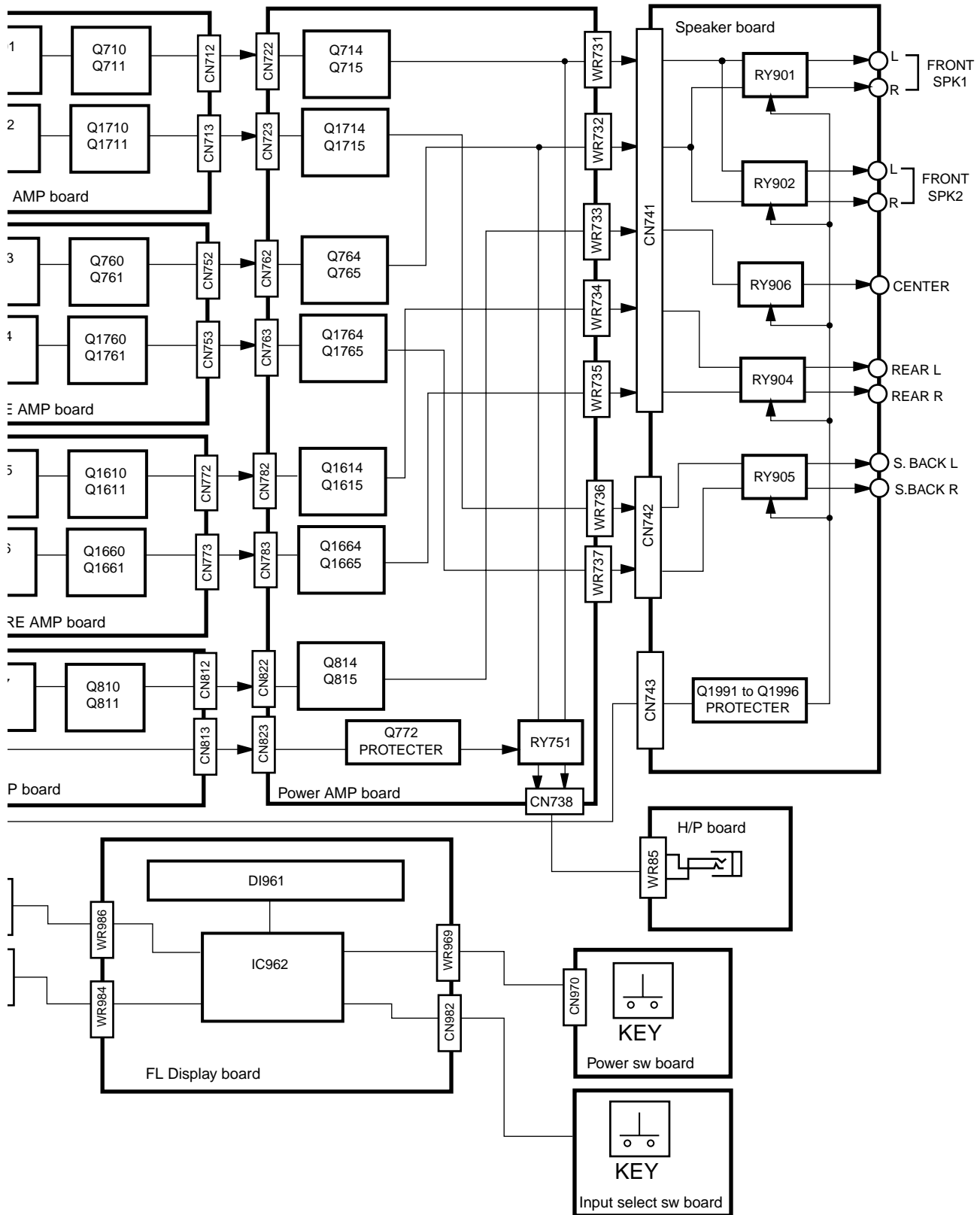


< M E M O >

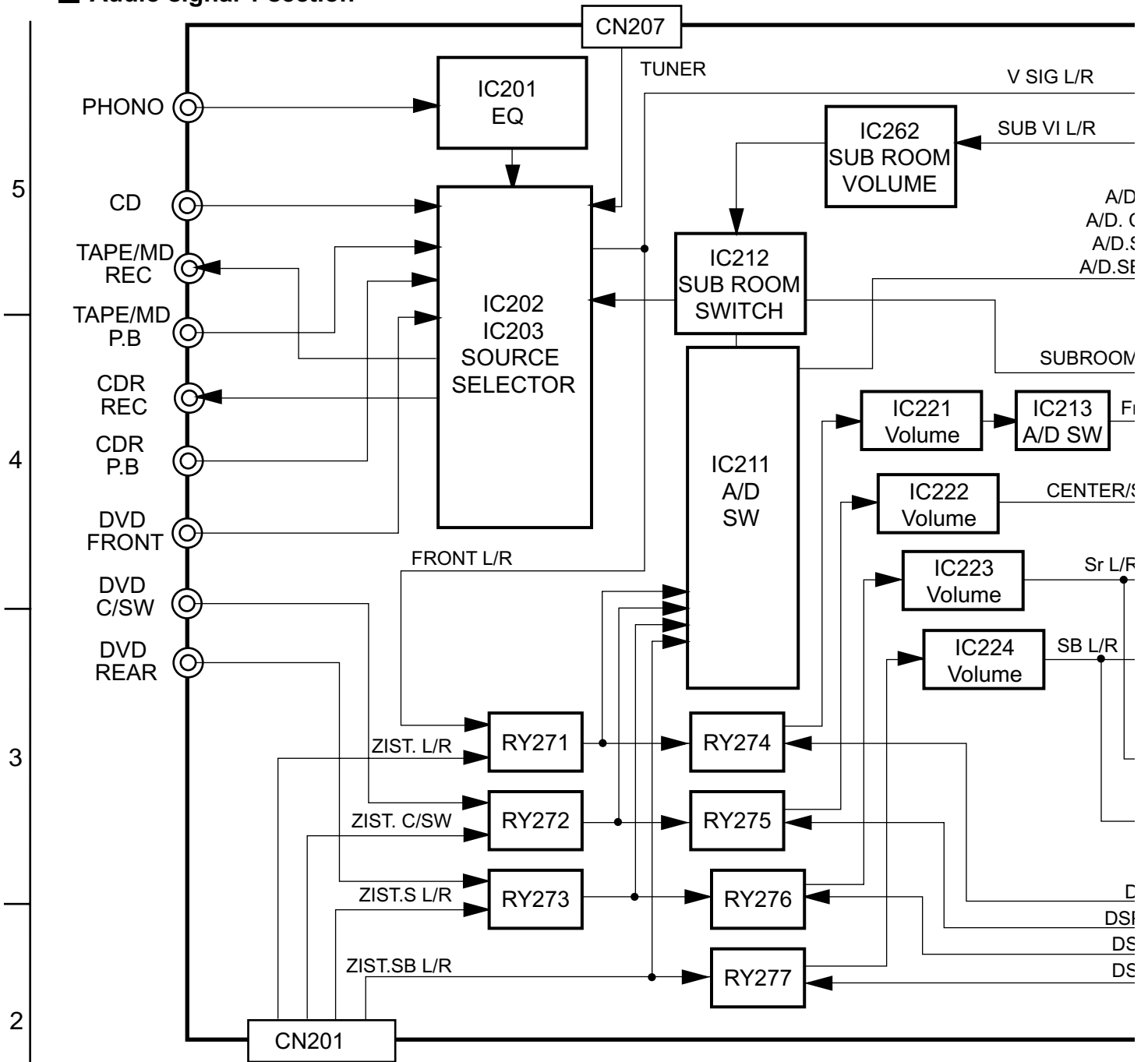
# Block diagrams

## ■ Signal input/output & Main section

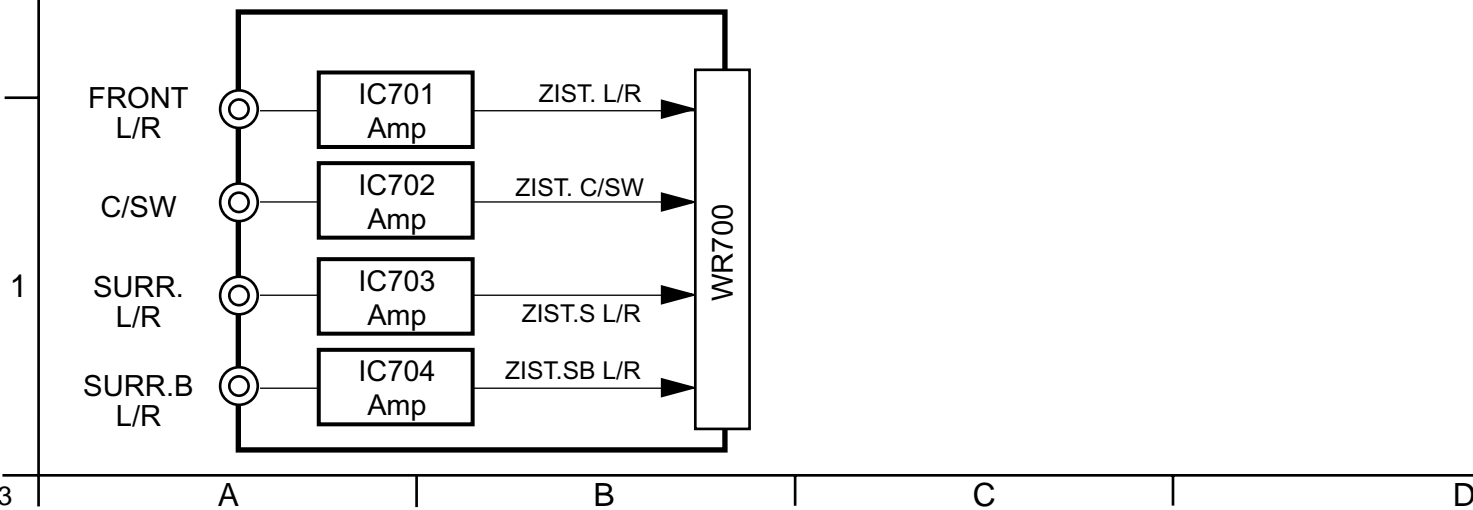




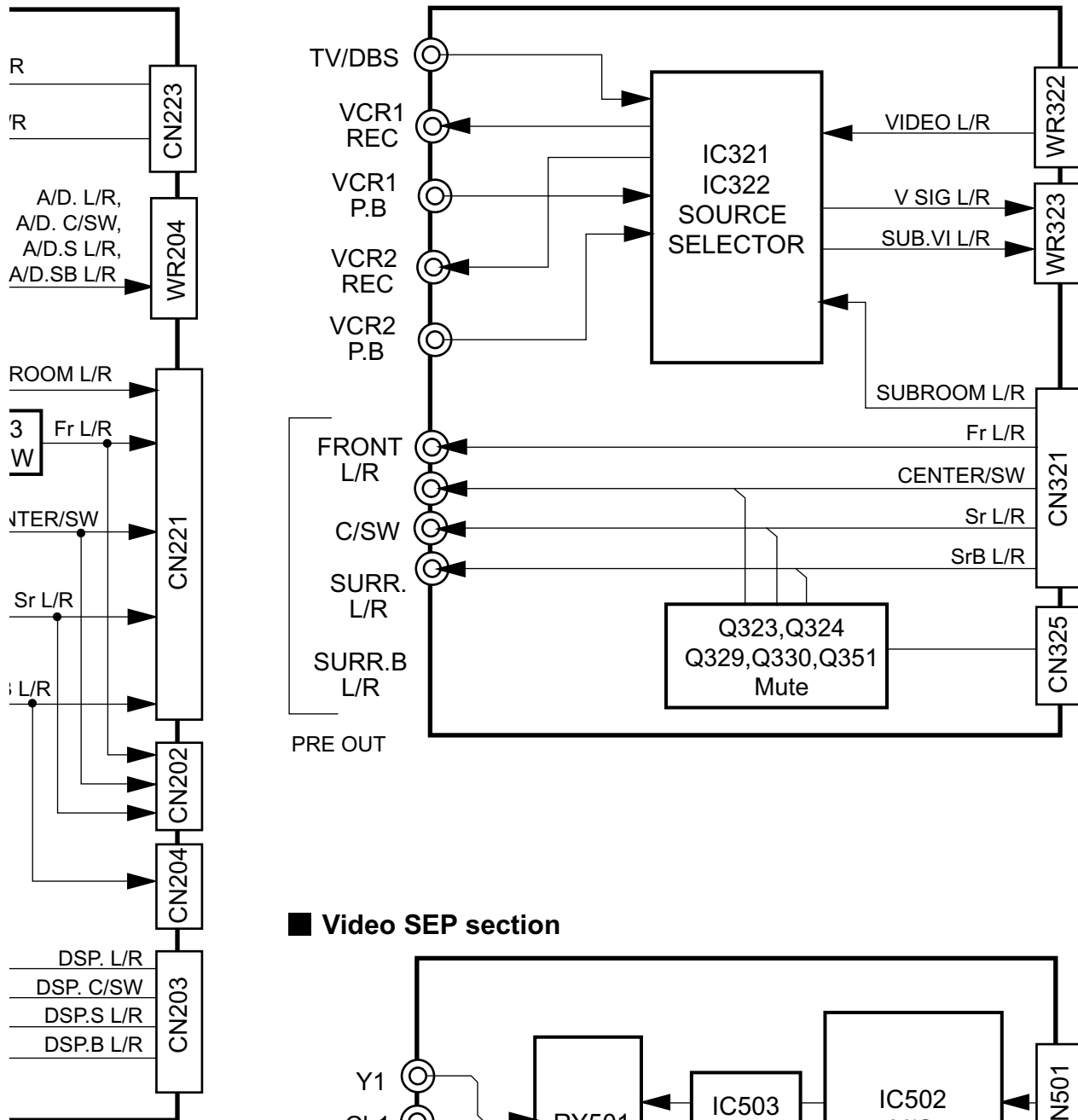
■ Audio signal 1 section



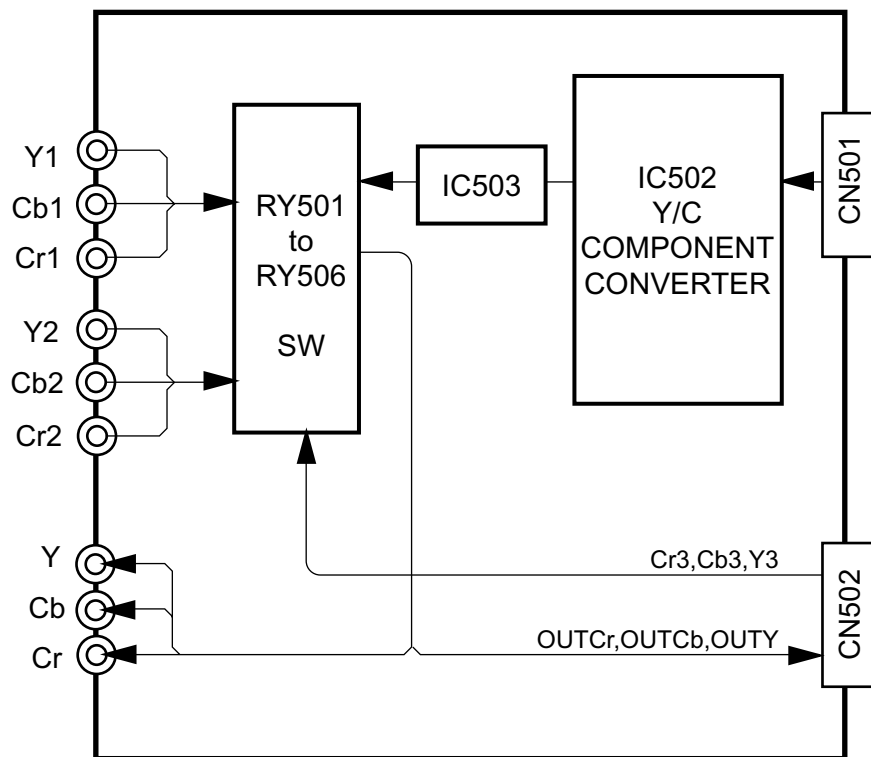
■ Audio signal 3 section



■ Audio signal 2 section

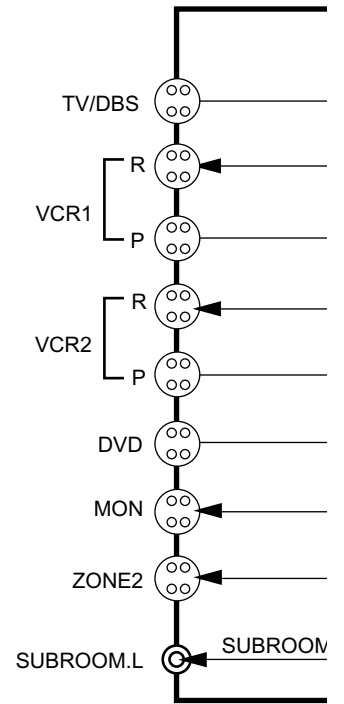
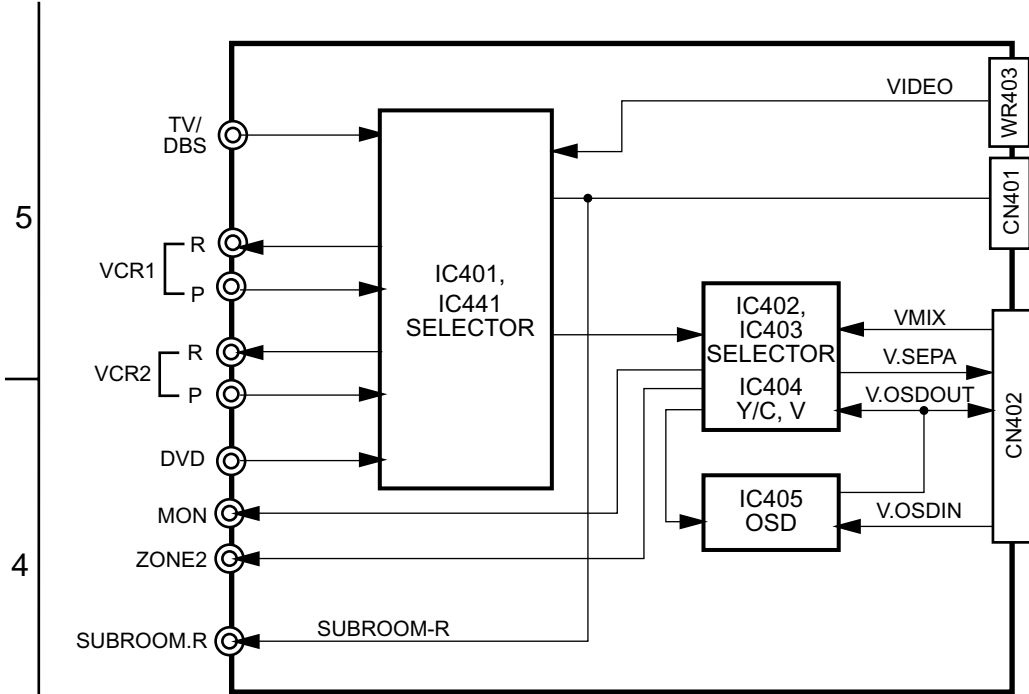


■ Video SEP section

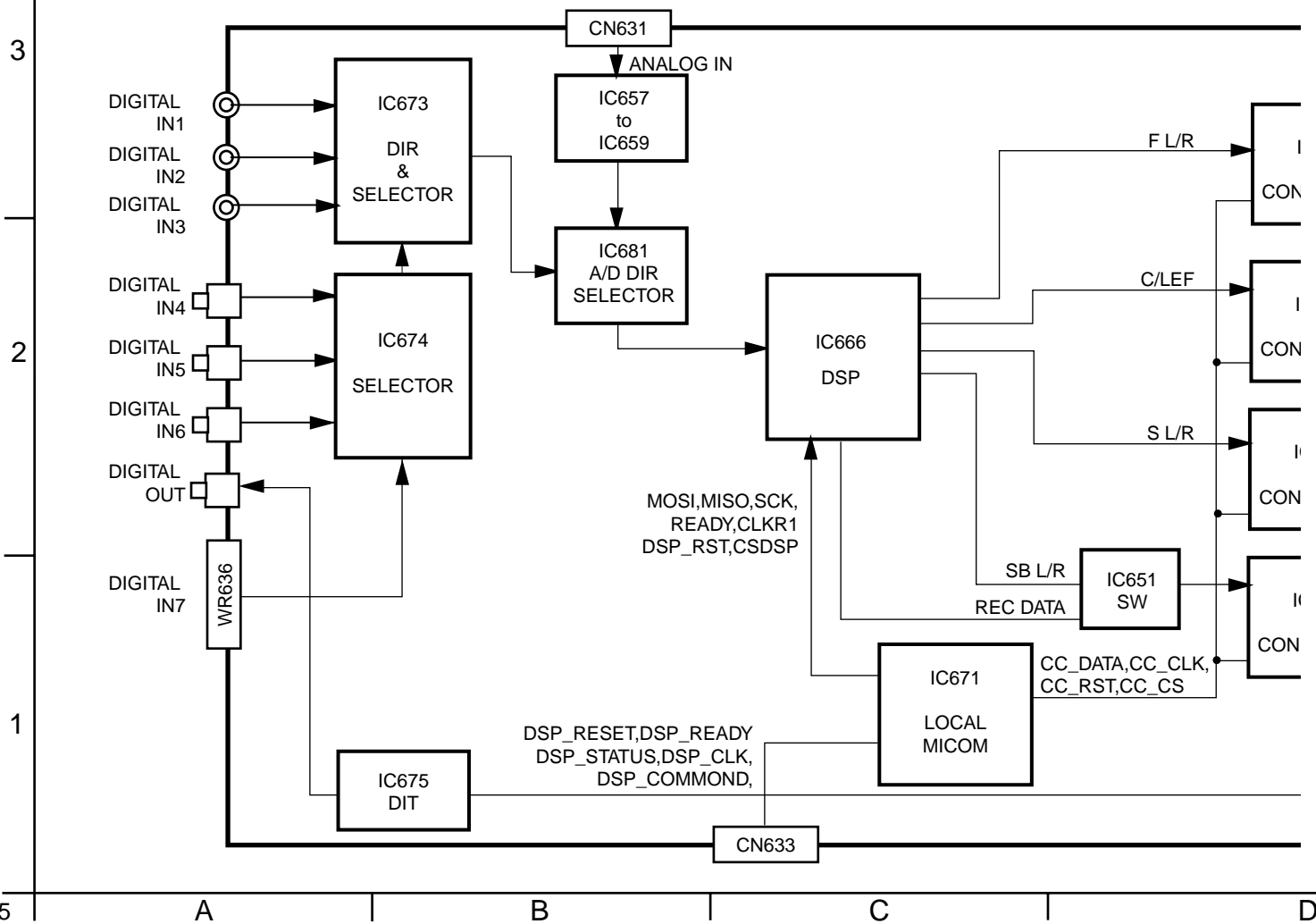


■ Video section

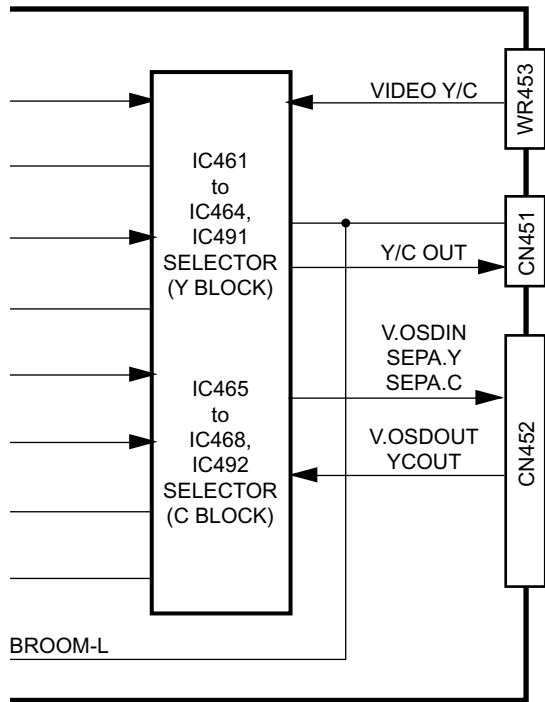
■ S-video section



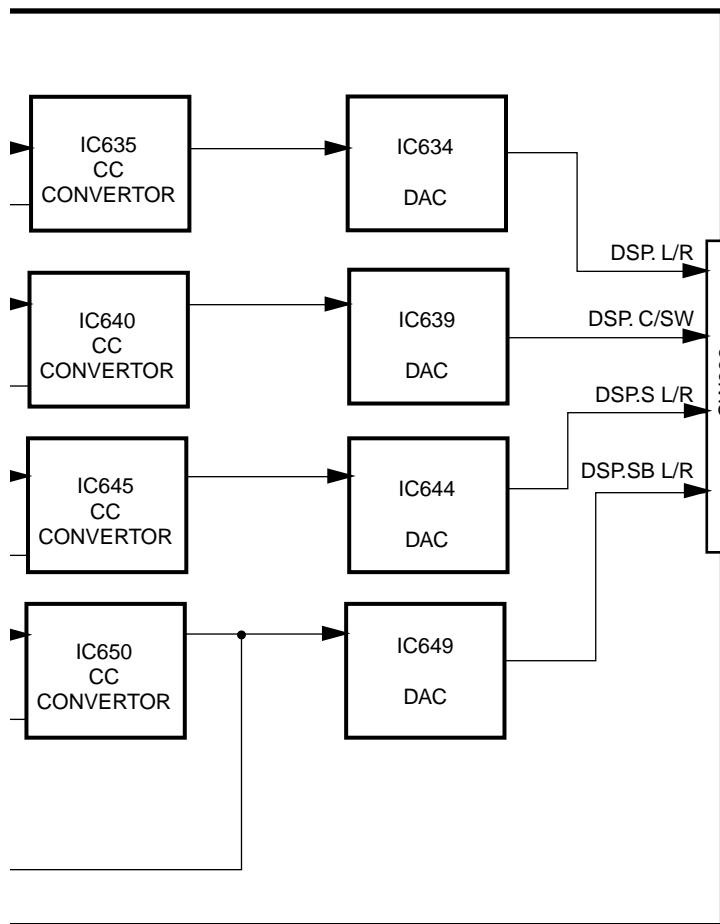
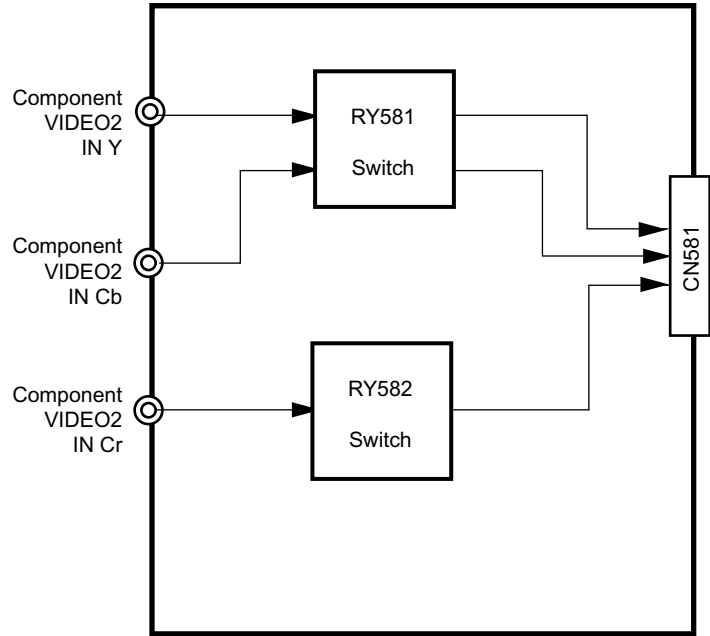
■ DSP section



ction



■ Component video section



# Standard schematic diagrams

## Primary / Regulator section

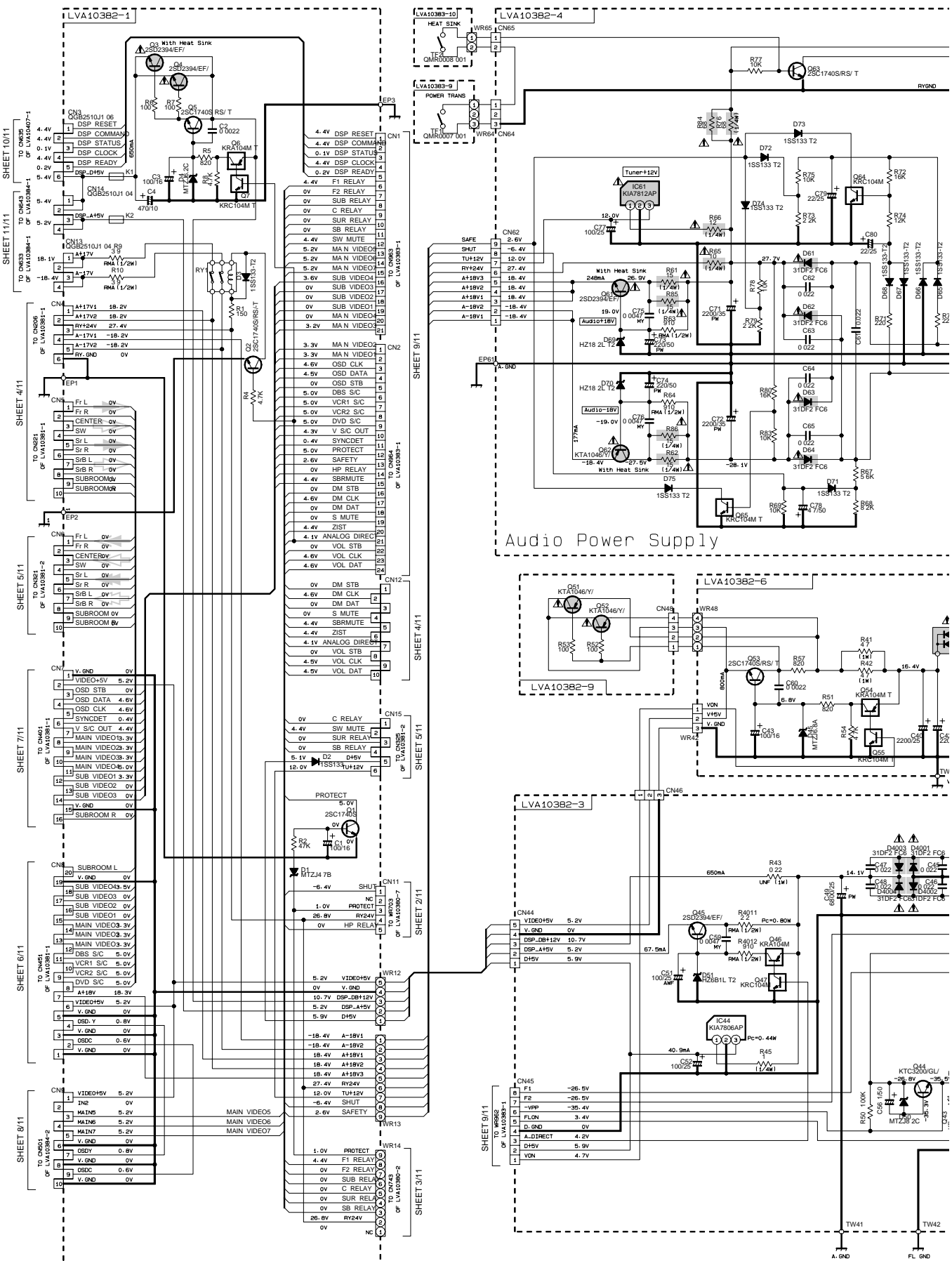
5

4

3

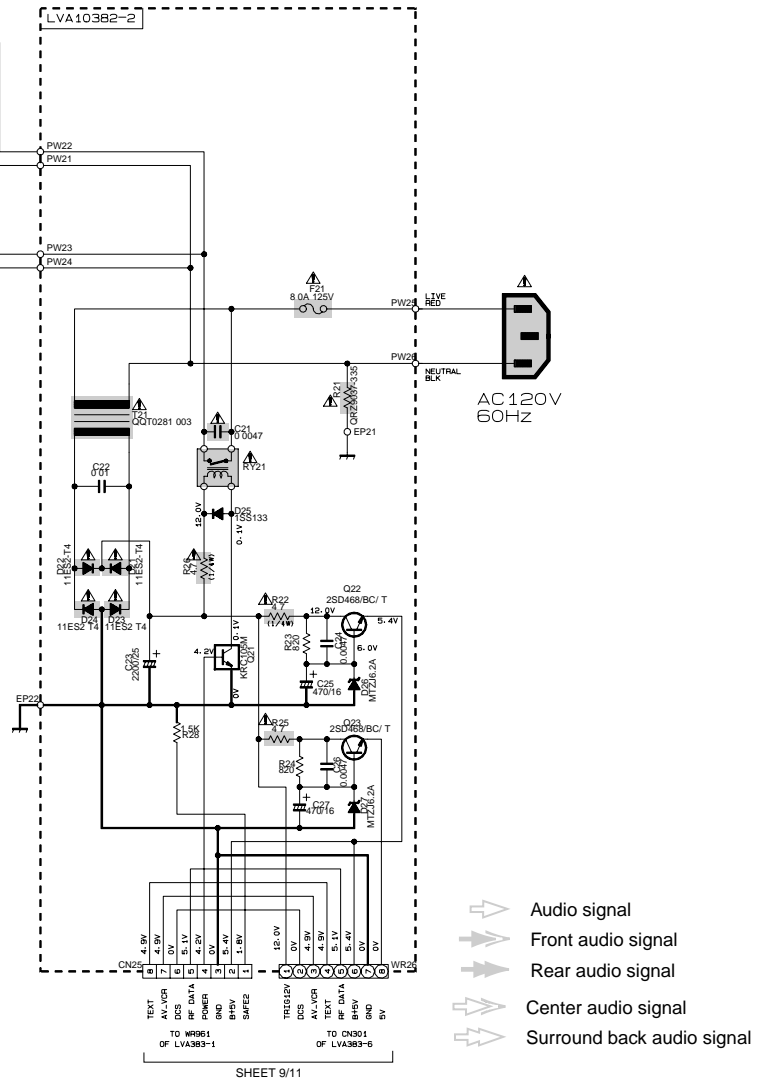
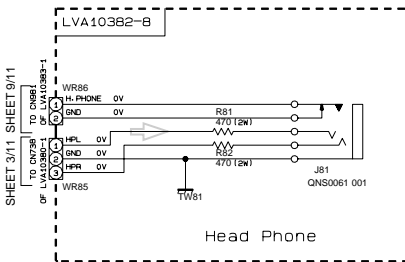
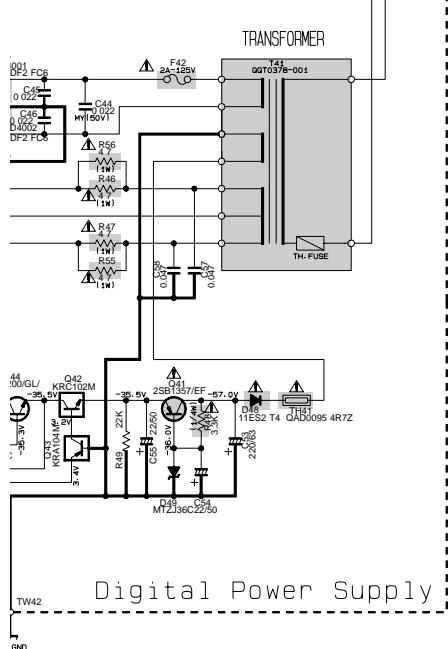
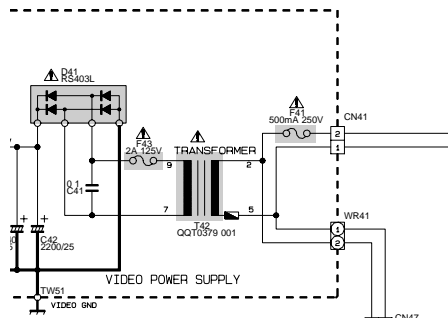
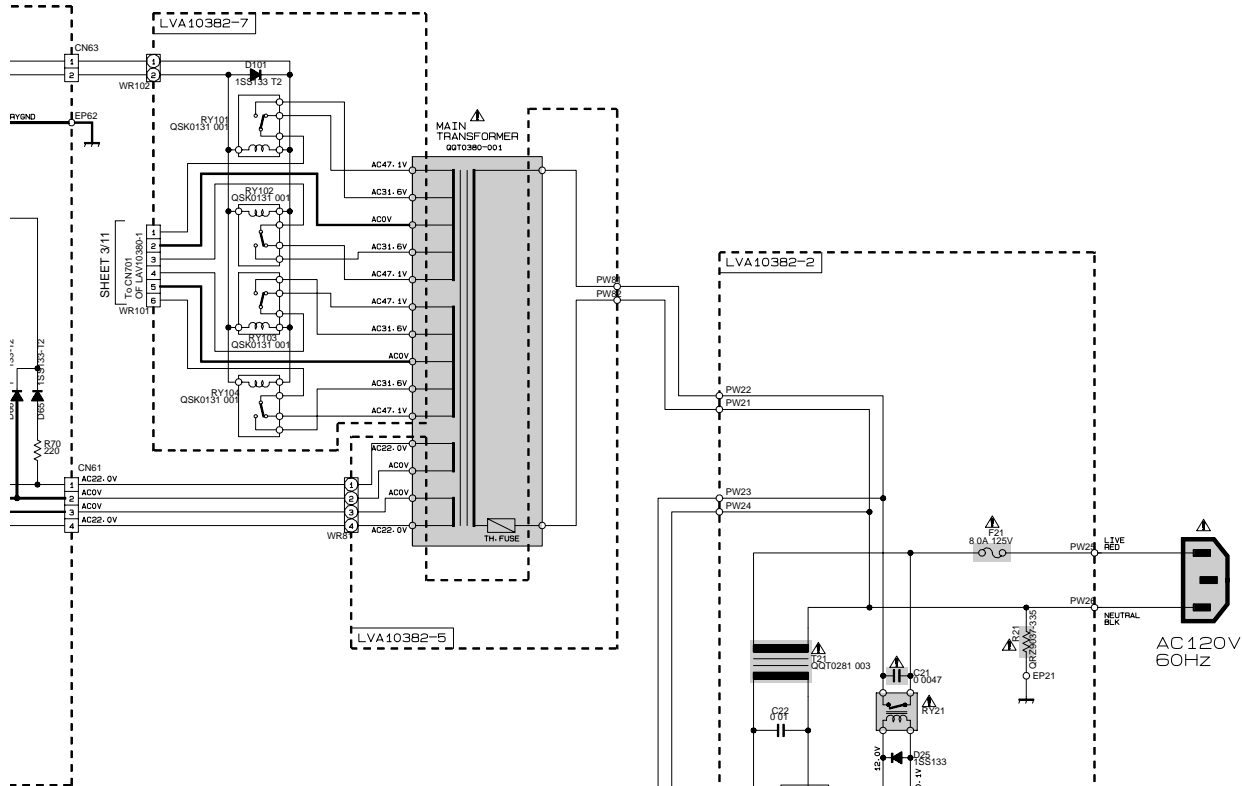
2

1



Audio Power Supply





- Audio signal
- Front audio signal
- Rear audio signal
- Center audio signal
- Surround back audio signal

SHEET NUMBER	CIRCUIT DESCRIPTION
1 / 11	PRIMARY / REGULATOR
2 / 11	PRE MAIN AMP
3 / 11	POWER AMP
4 / 11	AUDIO SIGNAL INPUT 1
5 / 11	AUDIO SIGNAL INPUT 2
6 / 11	VIDEO SIGNAL INPUT 1
7 / 11	VIDEO SIGNAL INPUT 2
8 / 11	VIDEO SIGNAL INPUT 3
9 / 11	SYSTEM CONTROL LSI / FL DISPLAY
10 / 11	DSP1
11 / 11	DSP2

▲ Parts are safety assurance parts. When replacing those parts make sure to use the specified one.

■ Pre main amp section

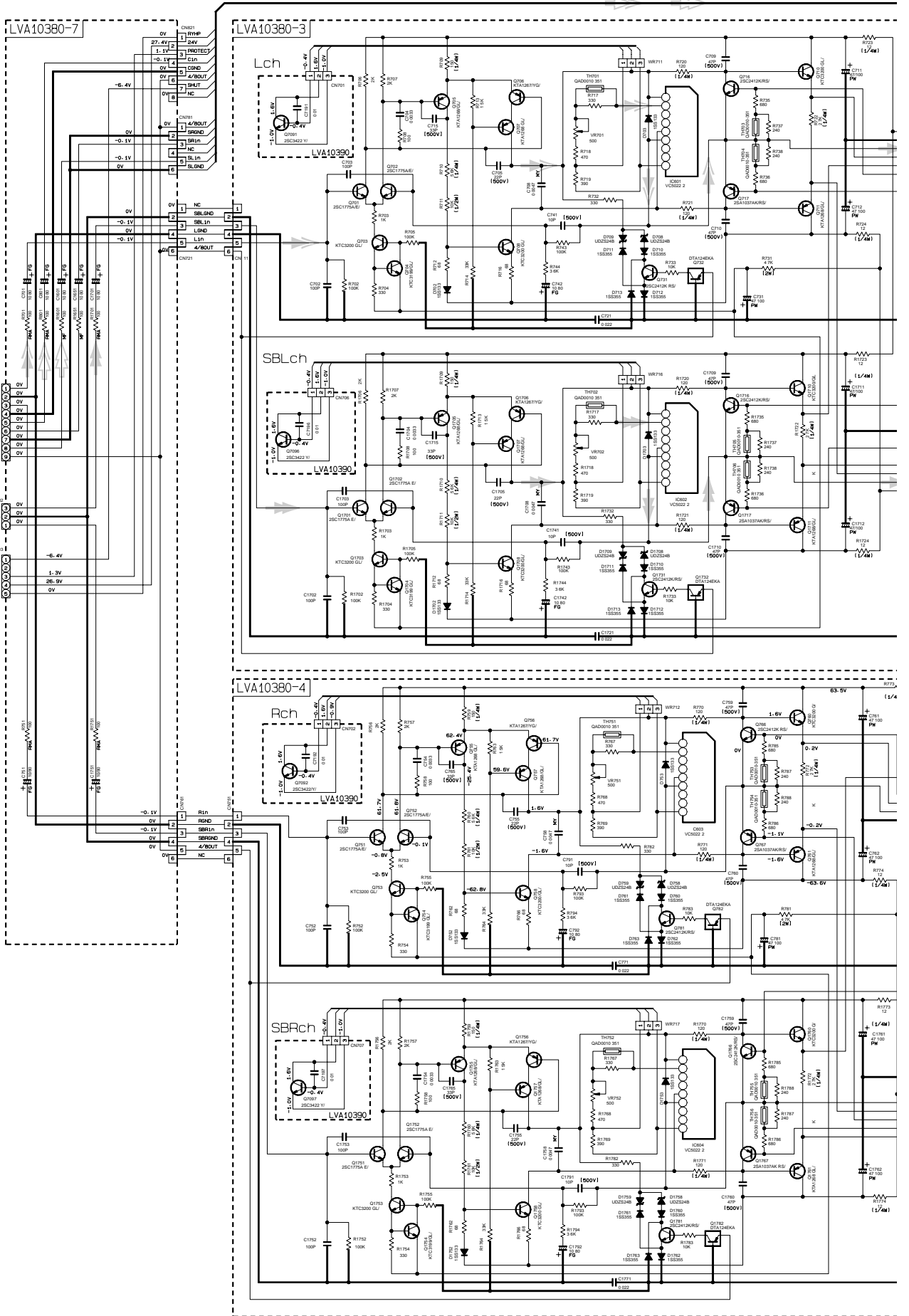
5

4

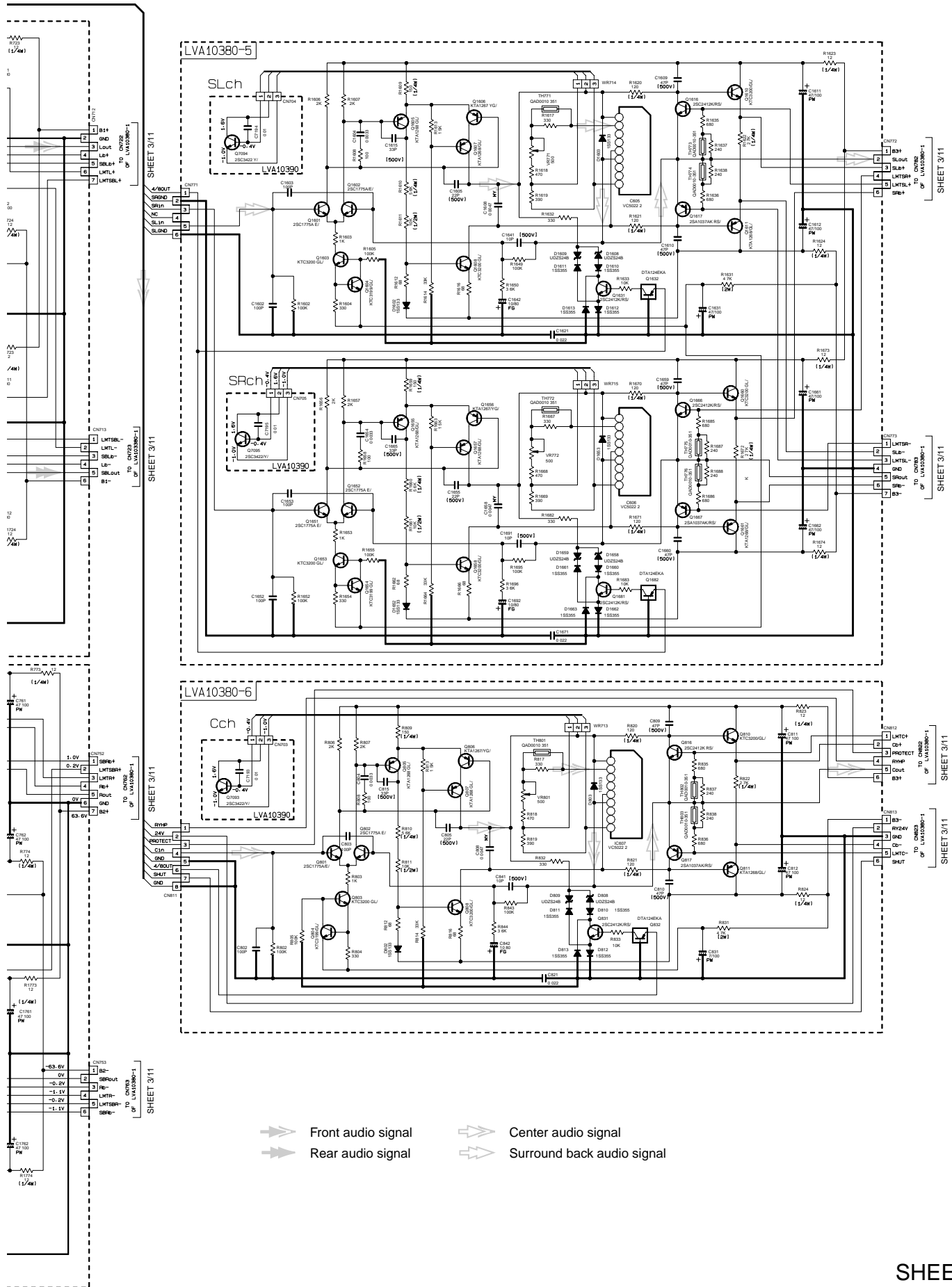
3

2

1

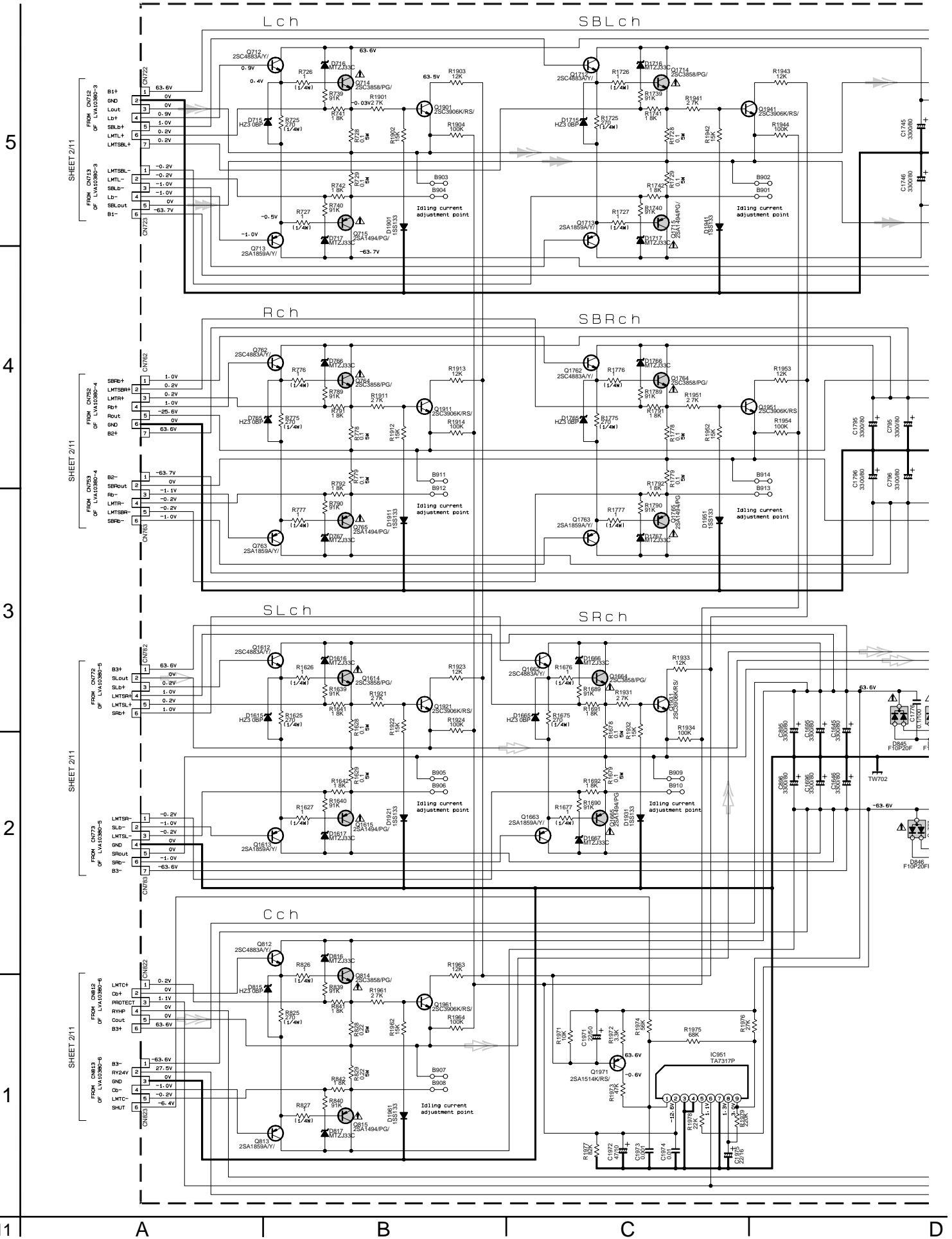


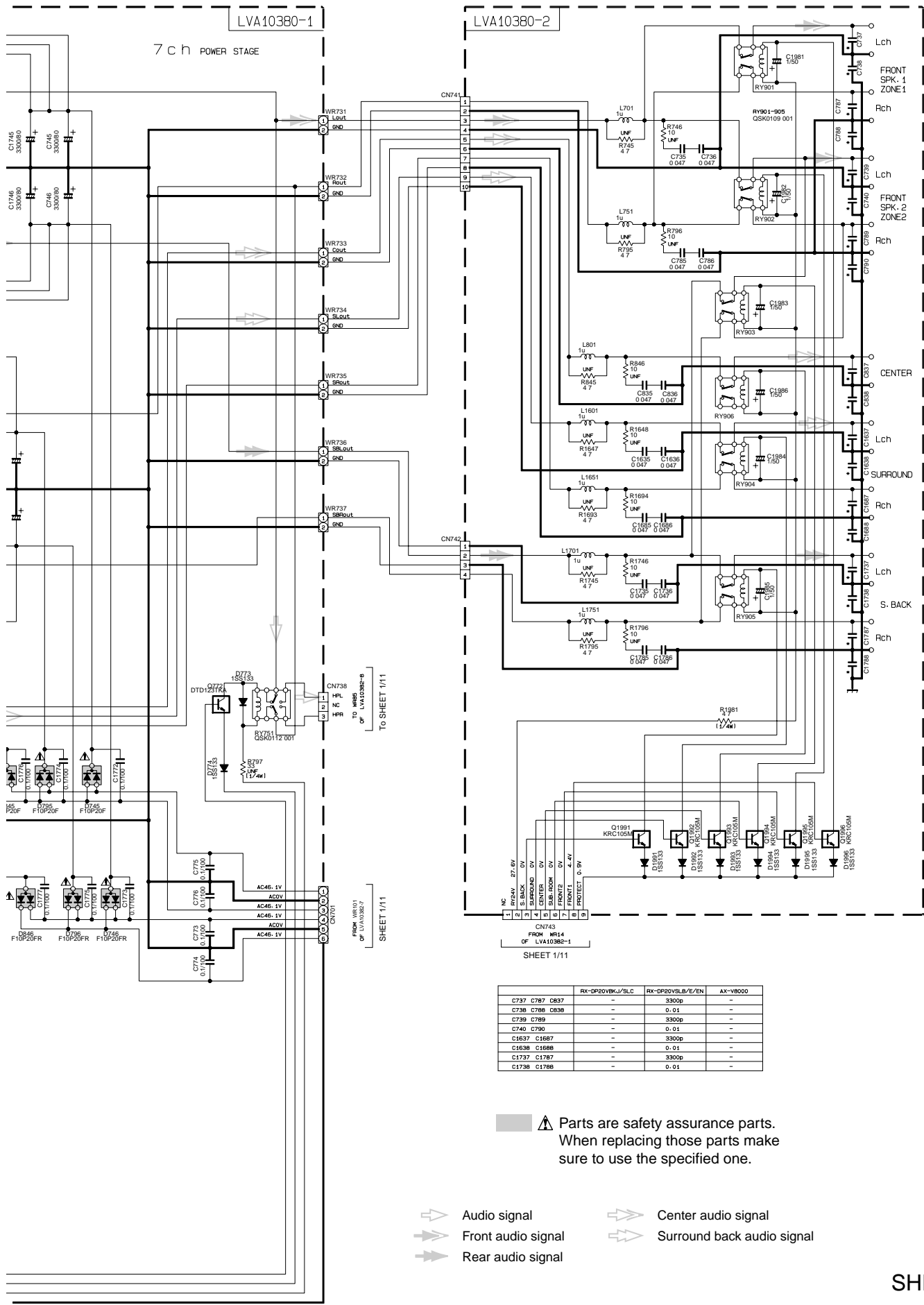
SHEET 4/11  
SHEET 1/11



⇨⇨ Front audio signal  
 ⇨⇨ Rear audio signal  
 ⇨⇨ Center audio signal  
 ⇨⇨ Surround back audio signal

Power amp section





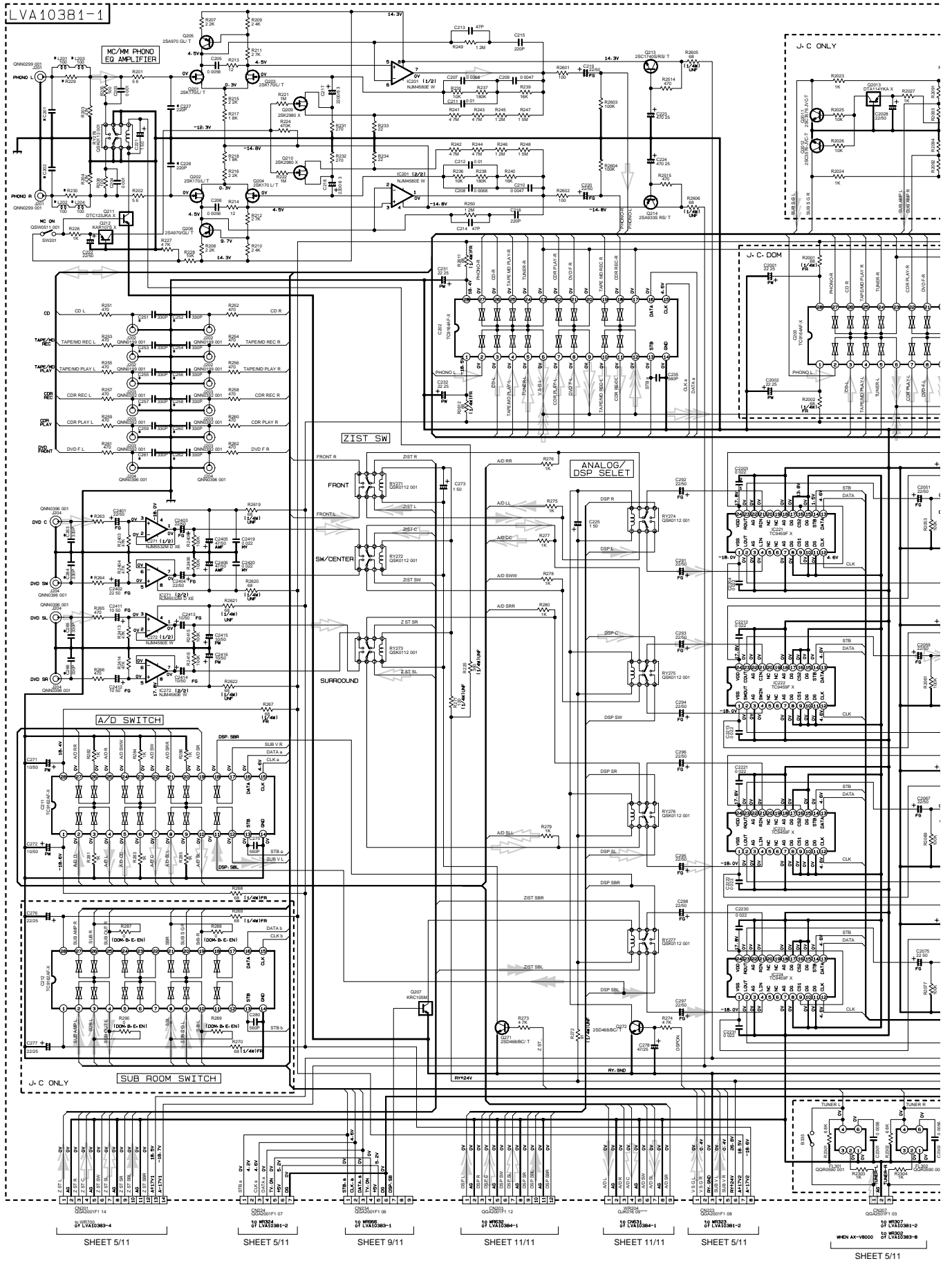
RX-DP20VBK/J/SLC		RX-DP20VSLB/E/EN		AX-V8000	
C737	C787	C837	-	-	3300p
C738	C788	C838	-	-	0.01
C739	C789	-	-	-	3300p
C740	C790	-	-	-	0.01
C1637	C1687	-	-	-	3300p
C1638	C1688	-	-	-	0.01
C1737	C1787	-	-	-	3300p
C1738	C1788	-	-	-	0.01

**⚠ Parts are safety assurance parts.**  
When replacing those parts make sure to use the specified one.

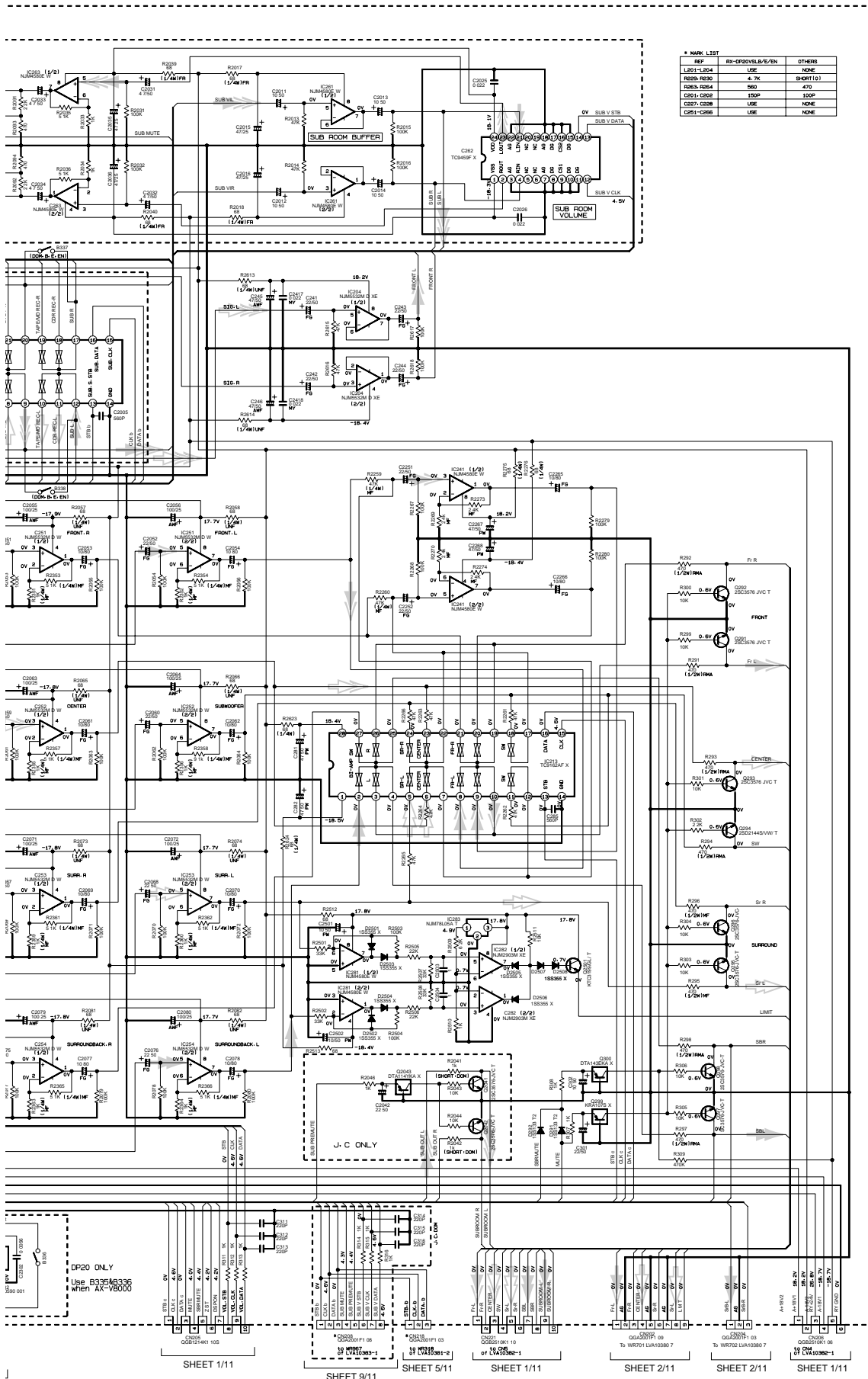
- ➡ Audio signal
- ➡ Front audio signal
- ➡ Rear audio signal
- ➡ Center audio signal
- ➡ Surround back audio signal

Audio signal input 1 section

5  
4  
3  
2  
1



SHEET 5/11 SHEET 5/11 SHEET 9/11 SHEET 11/11 SHEET 11/11 SHEET 5/11 SHEET 5/11



MARK LIST

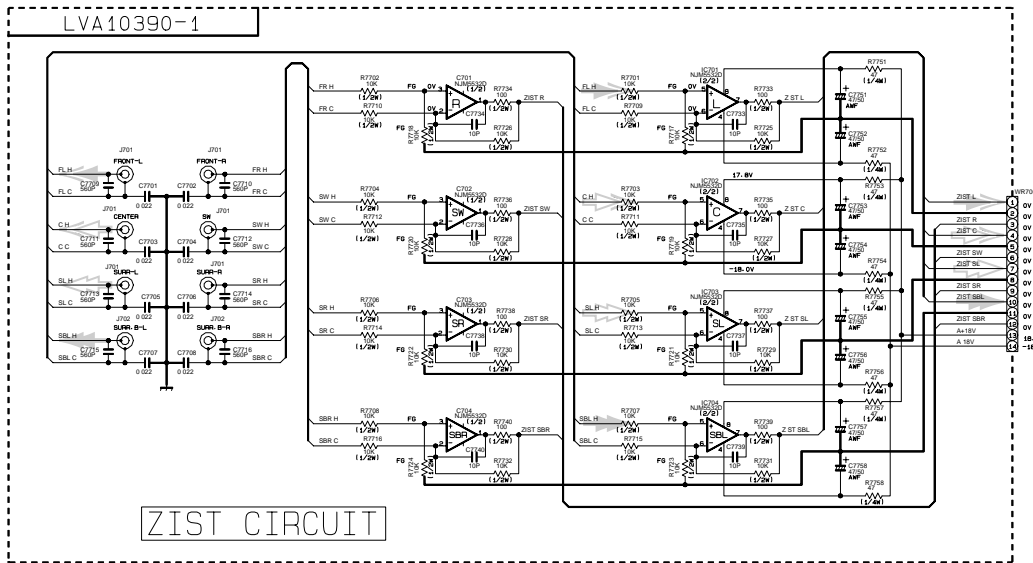
REF	AX-CR00VSLB/E/EN	OTHERS
L201-L204	USE	NONE
R205-R206	4.7K	SHR1103
R203-R204	500	470
C201-C202	150P	150P
C207-C208	USE	NONE
C211-C216	USE	NONE

- ➡ Audio signal
- ➡ Tuner signal
- ➡ Front audio signal
- ➡ Rear audio signal
- ➡ Center audio signal
- ➡ Surround back audio signal
- ➡ Main audio signal
- ➡ Sub audio signal

■ Audio signal input 2 section

5

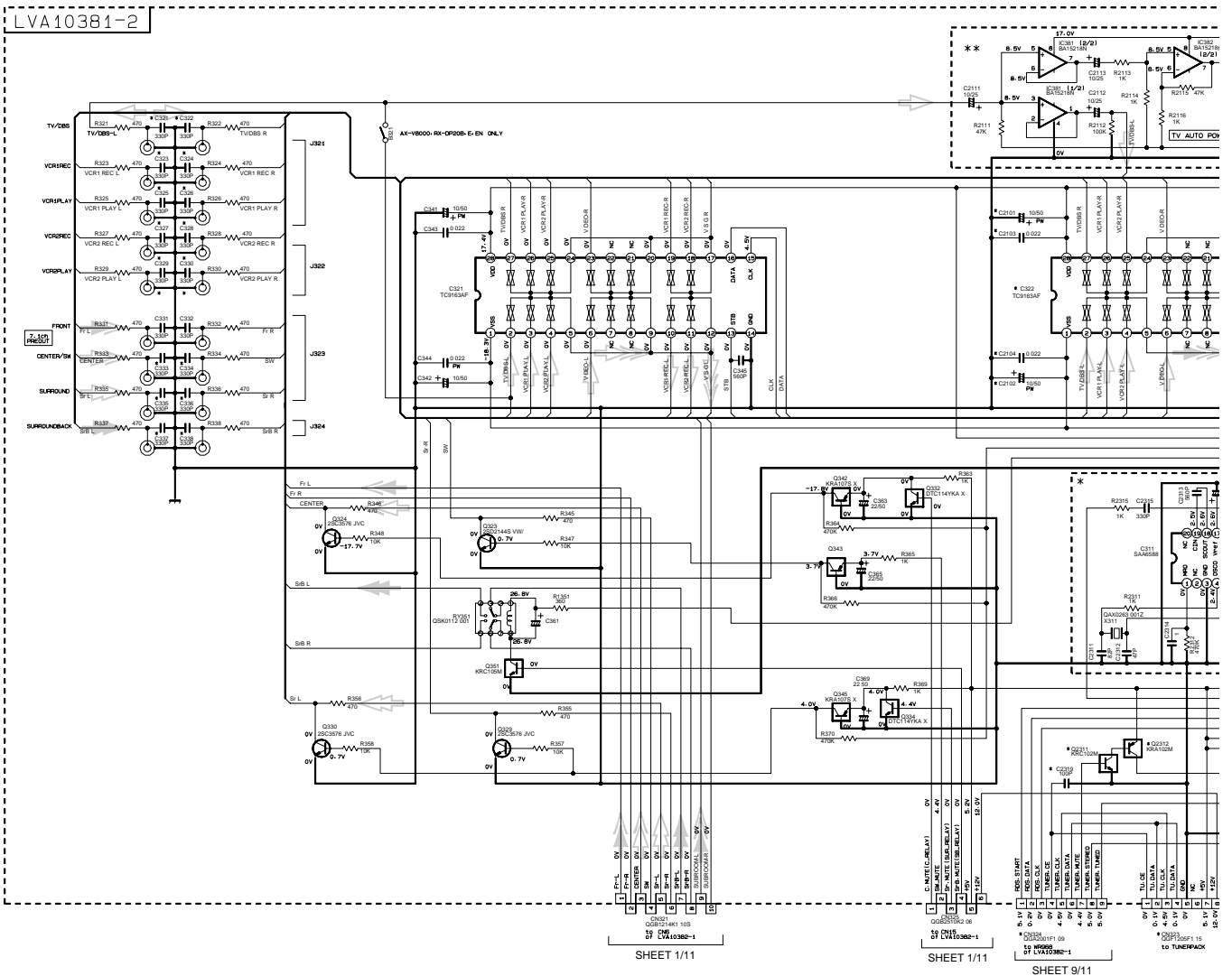
4



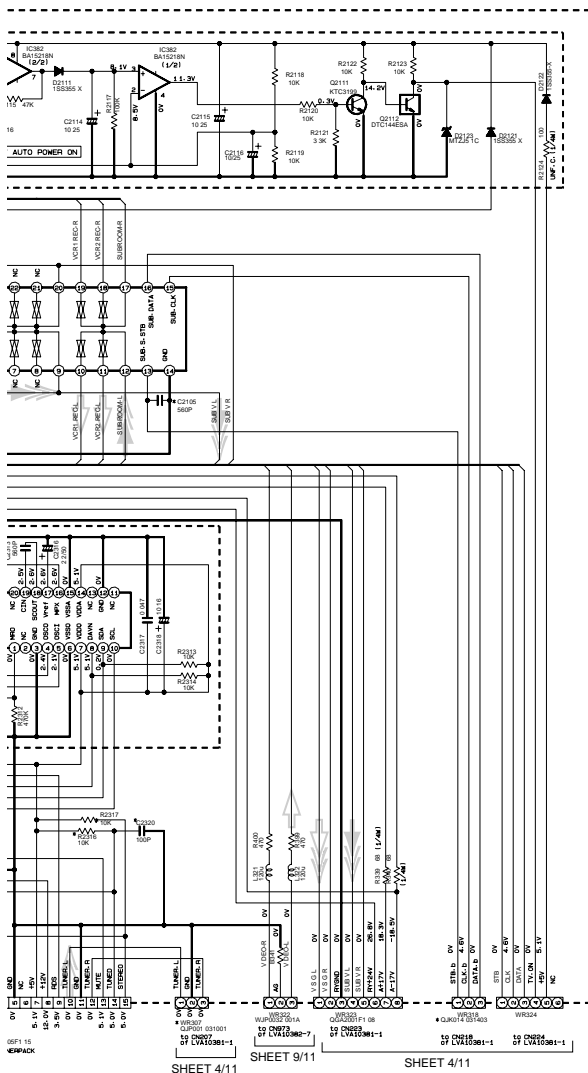
3

2

1



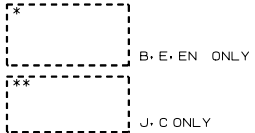




- Audio signal
- ⇨ Tuner signal
- ⇨ Front audio signal
- ⇨ Rear audio signal
- ⇨ Center audio signal
- ⇨ Surround back audio signal
- ⇨ Main audio signal
- ⇨ Sub audio signal

\* MARK LIST

	J. C	B. E. EN	DOM
C321-C338	NONE	USED	NONE
C2101-C2105	USED	NONE	USED
IC322	NONE	NONE	USED
WR307, CN323, 324	USED	USED	NONE
WR318	USED	NONE	USED
C2319, C2320	USED	USED	NONE
R2316, R2317	USED	USED	NONE
Q2311, Q2312	USED	USED	NONE



Video signal input 1 section

LVA10381-3

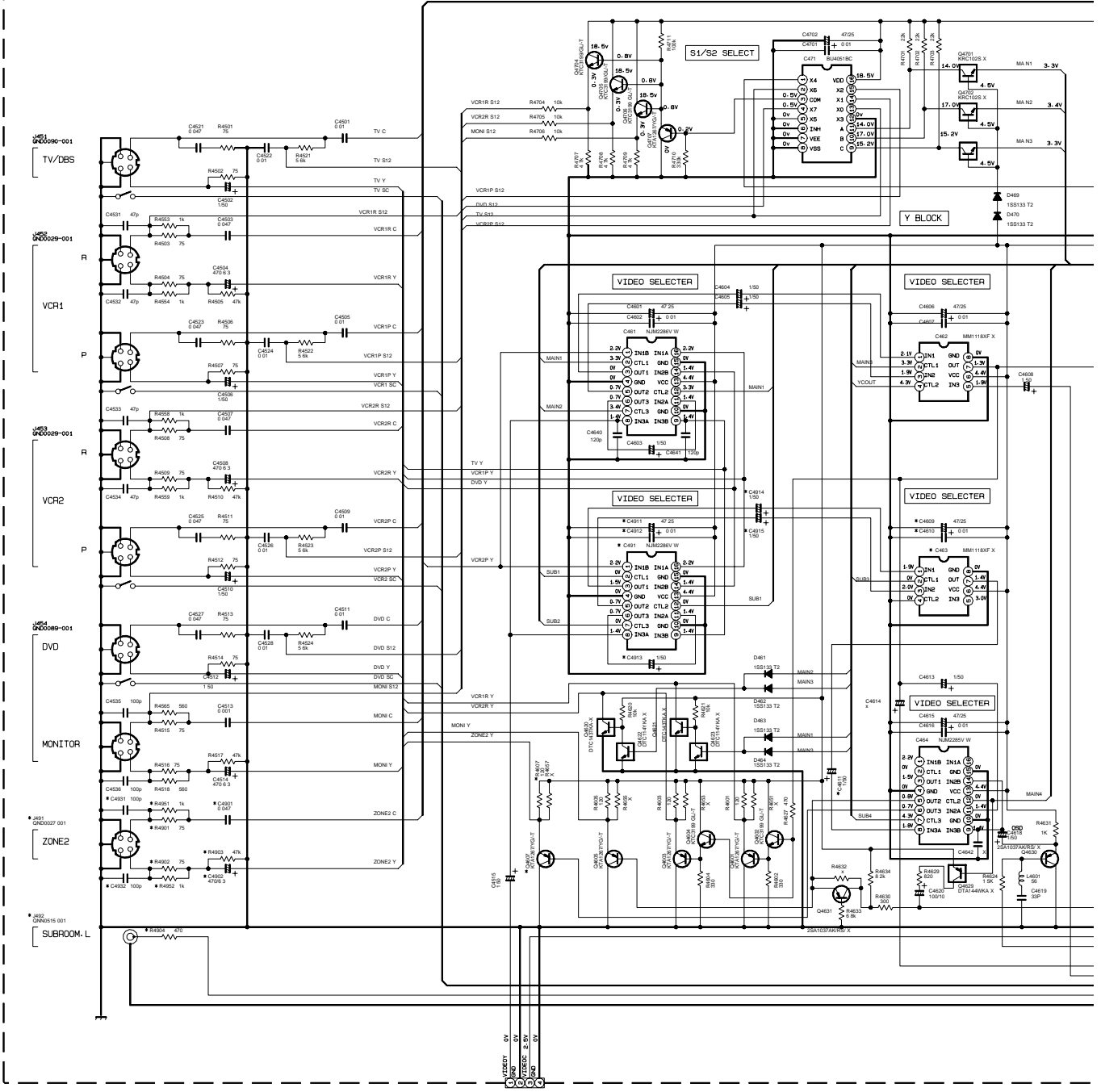
5

4

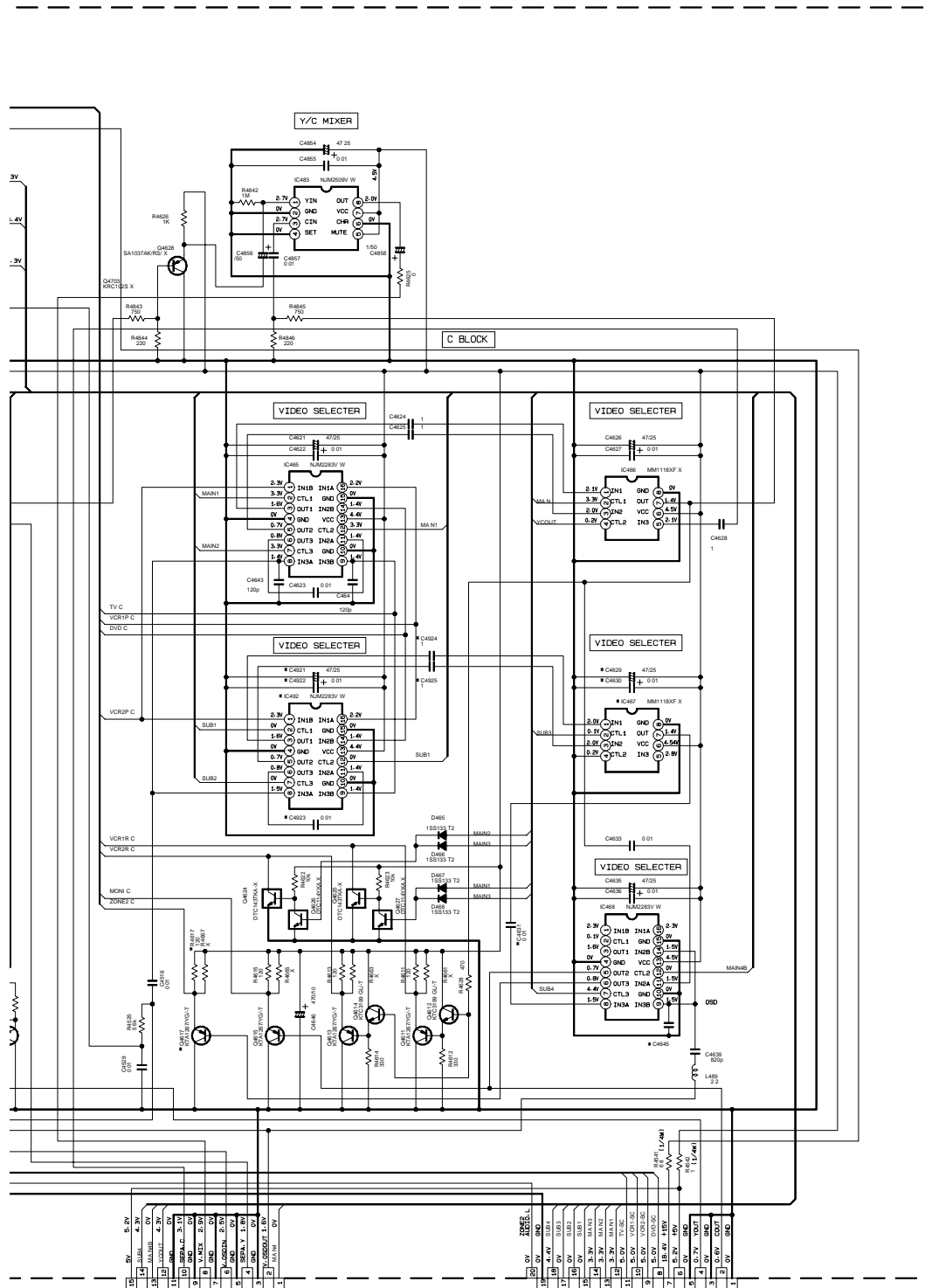
3

2

1



WS463  
WSP002.001A  
13 04973  
of LVA10381-3  
SHEET 9/11



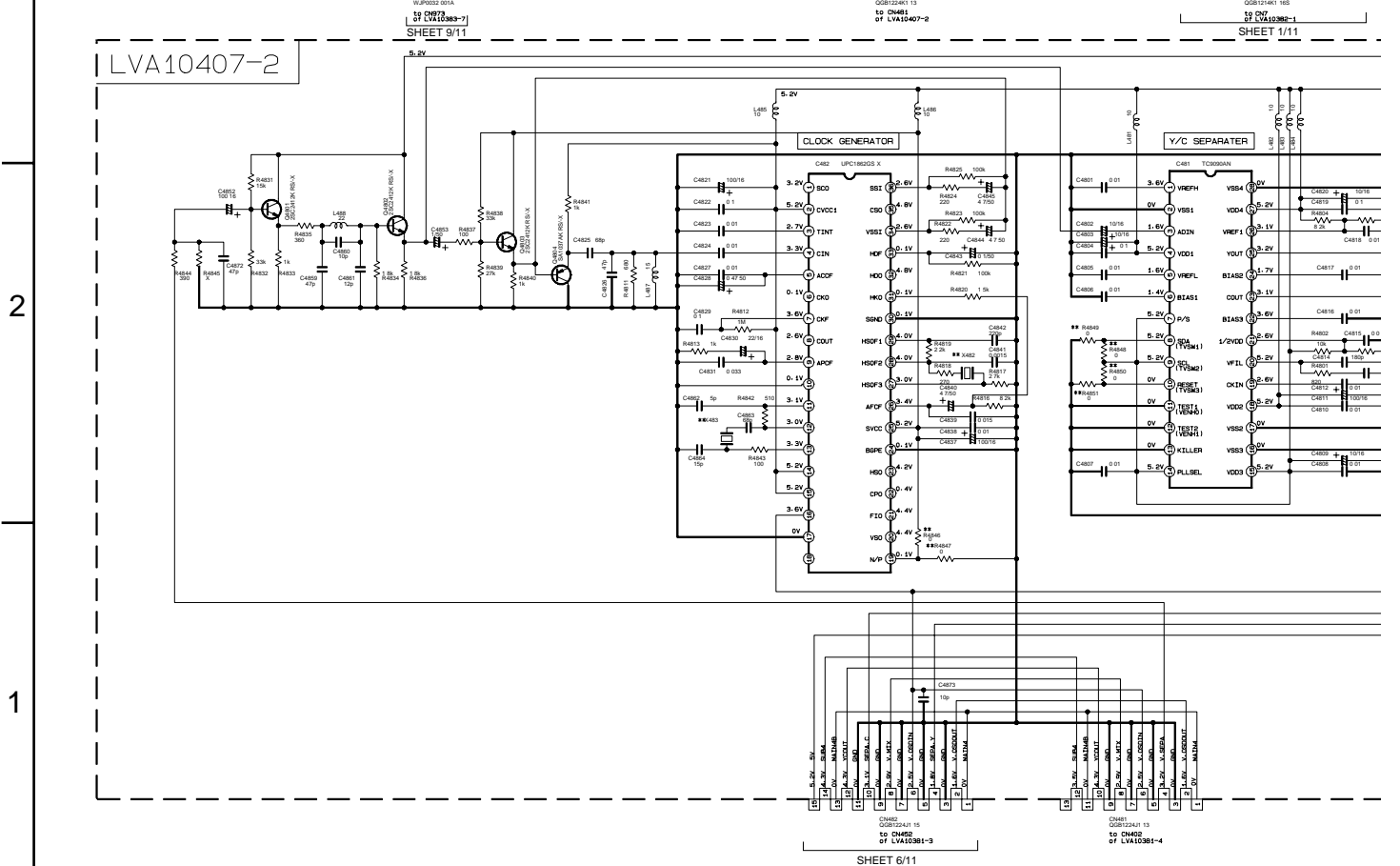
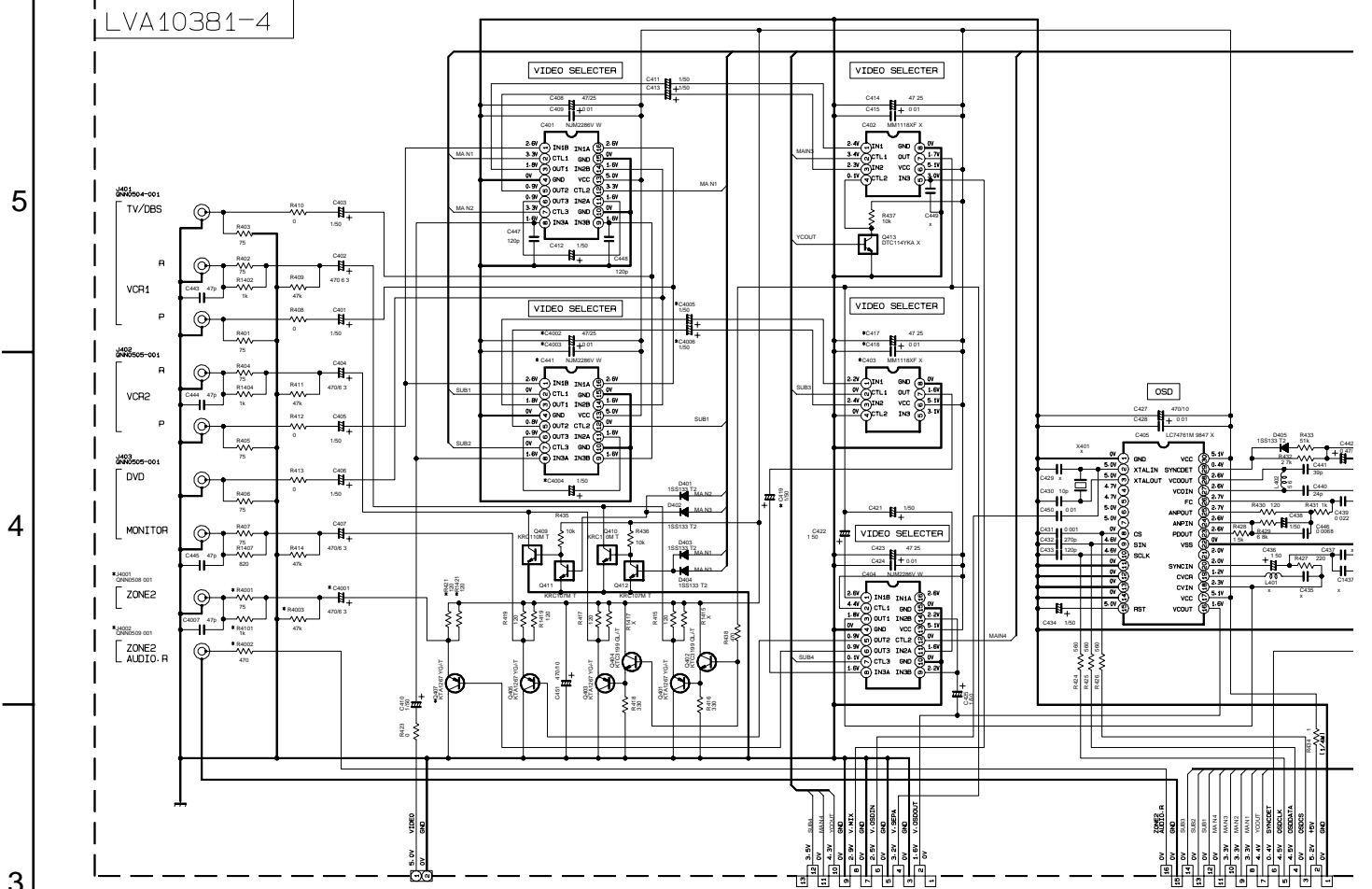
IC482  
Q8B124K1 15  
to CN482  
of LV410407-2  
SHEET 7/11

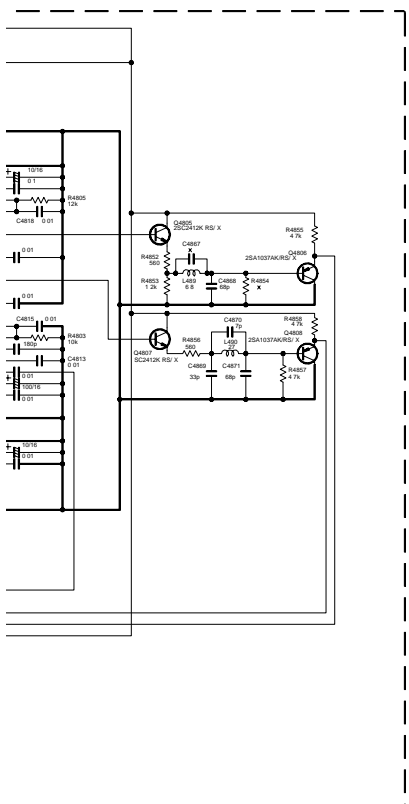
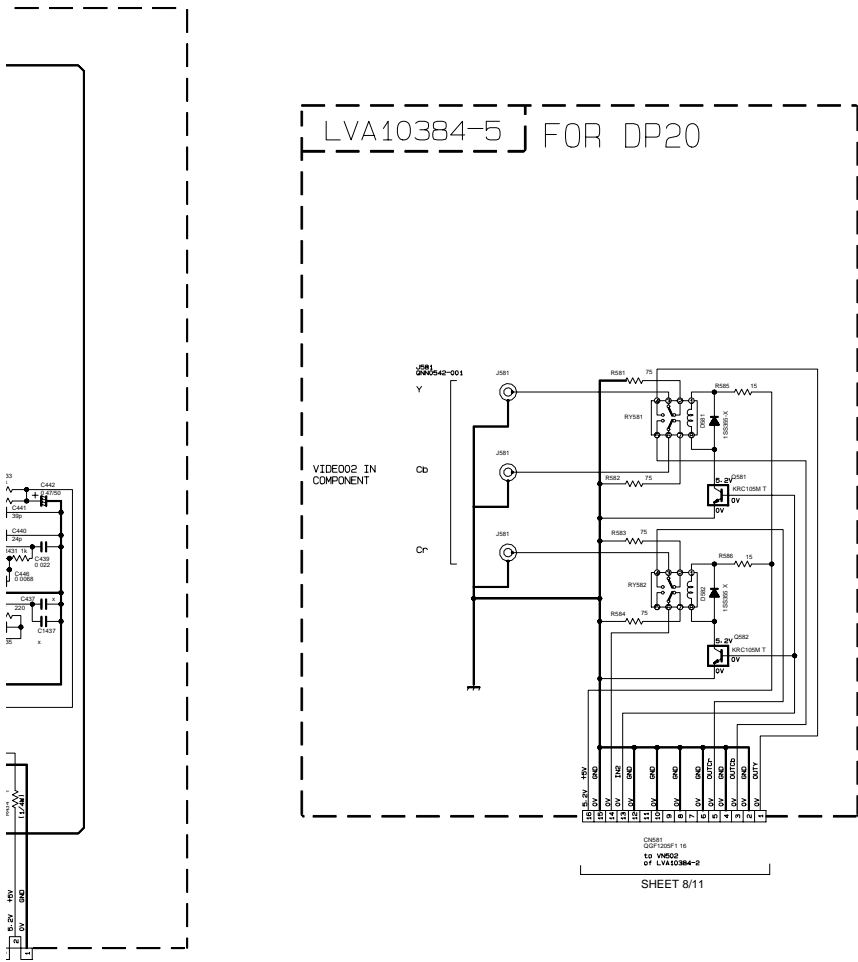
IC461  
Q8B124K1 205  
to CN461  
of LV410382-1  
SHEET 1/11

MARK LIST

+	USED	NONE	NONE	W000
C484	22p	22p	22p	

Video signal input 2 section



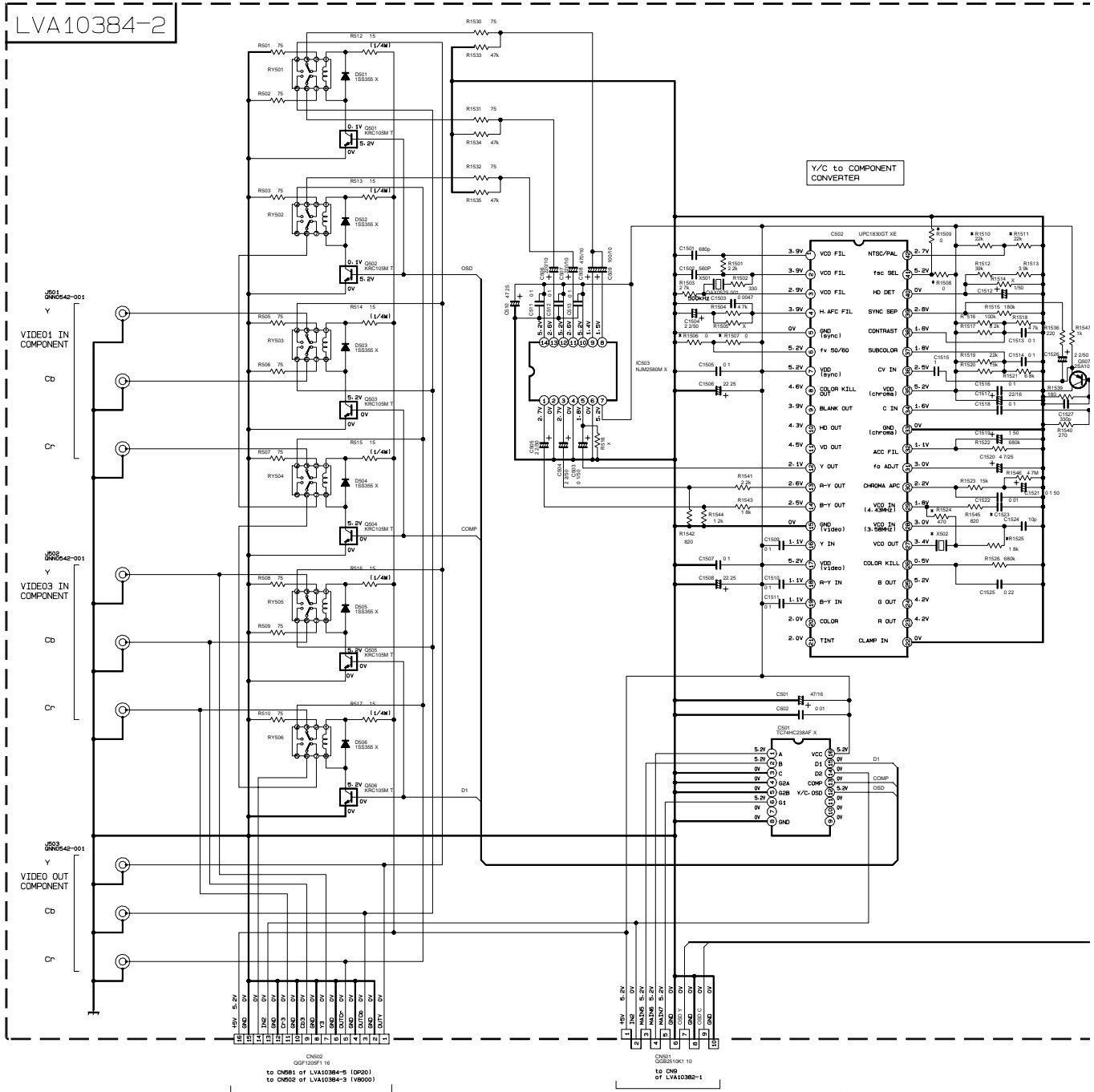


\*\*\*MARK LIST

#	USED	DR01(L/C)	DR01(E/DN/B)	VIDEO
X482	Q4X06B7-001		NONE	NONE
R483	Q4X06B7-001	Q4X06B7-001	Q4X06B7-001	Q4X06B7-001
R484	Q4X06B7-001	Q4X06B7-001	Q4X06B7-001	Q4X06B7-001
R485	Q4X06B7-001	Q4X06B7-001	Q4X06B7-001	Q4X06B7-001
R486	Q4X06B7-001	Q4X06B7-001	Q4X06B7-001	Q4X06B7-001
R487	Q4X06B7-001	Q4X06B7-001	Q4X06B7-001	Q4X06B7-001
R488	Q4X06B7-001	Q4X06B7-001	Q4X06B7-001	Q4X06B7-001
R489	Q4X06B7-001	Q4X06B7-001	Q4X06B7-001	Q4X06B7-001
R490	Q4X06B7-001	Q4X06B7-001	Q4X06B7-001	Q4X06B7-001
R491	Q4X06B7-001	Q4X06B7-001	Q4X06B7-001	Q4X06B7-001

Video signal input section

5  
4  
3  
2  
1



CH502  
QGF1205F1 18  
to CH502 of LVA10384-5 (DP20)  
to CH502 of LVA10384-3 (V8000)

SHEET 7/11

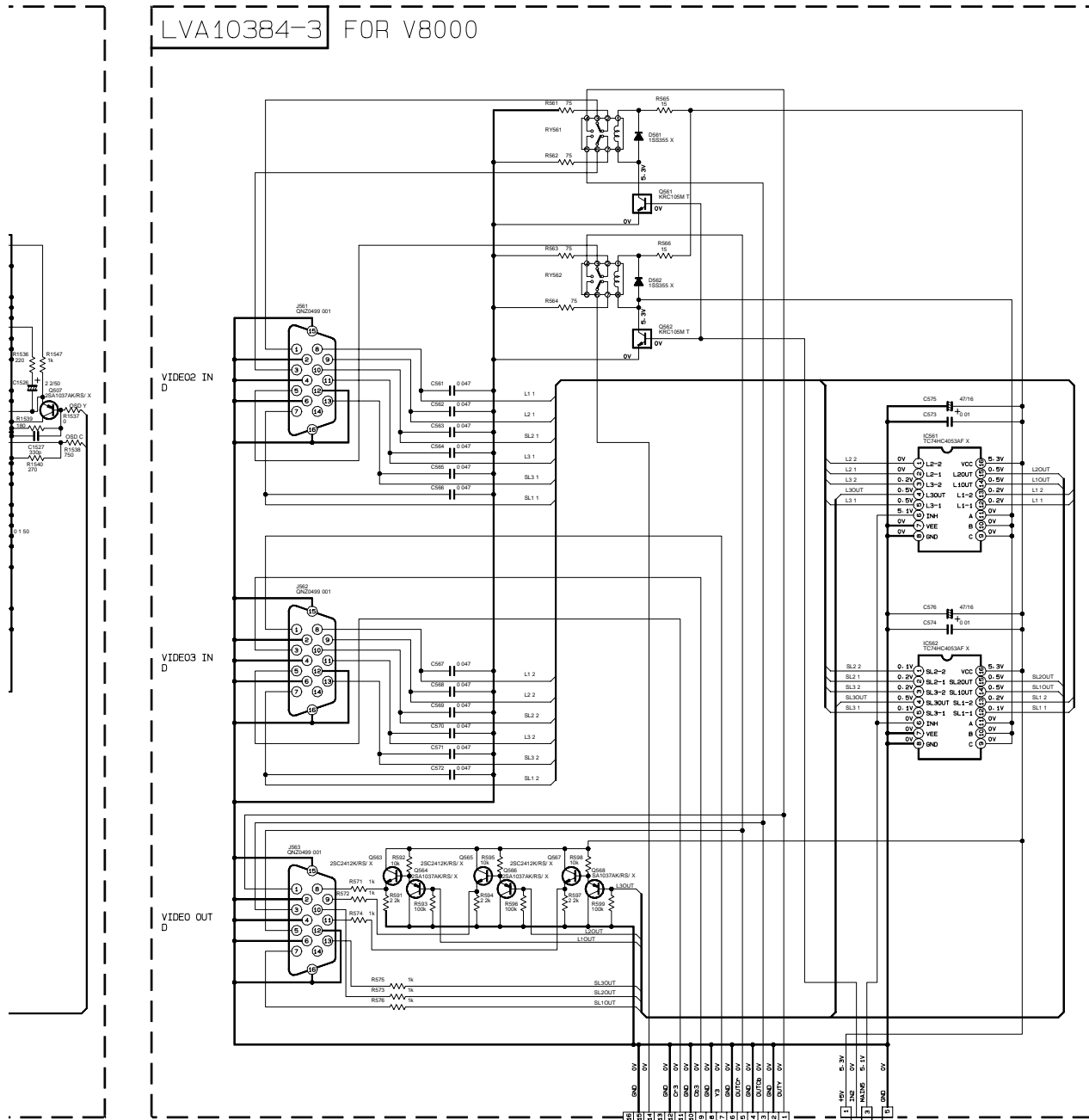
CH501  
Q55210K1 10  
to CH501 of LVA10382-1

SHEET 1/11

MARK LIST

	DP20 (J/C)	DP20E/EN/B1	V8000
X502	GA10703-0012	GA10705-0012	GA10703-0012
R1506	NONE	0	NONE
R1507	0	NONE	0
R1508	0	NONE	0
R1509	NONE	0	NONE
R1510	22k	NONE	22k
R1511	22k	0	22k
R1524	NONE	470	NONE
R1525	1.8k	NONE	1.8k
C1523	100	150	100

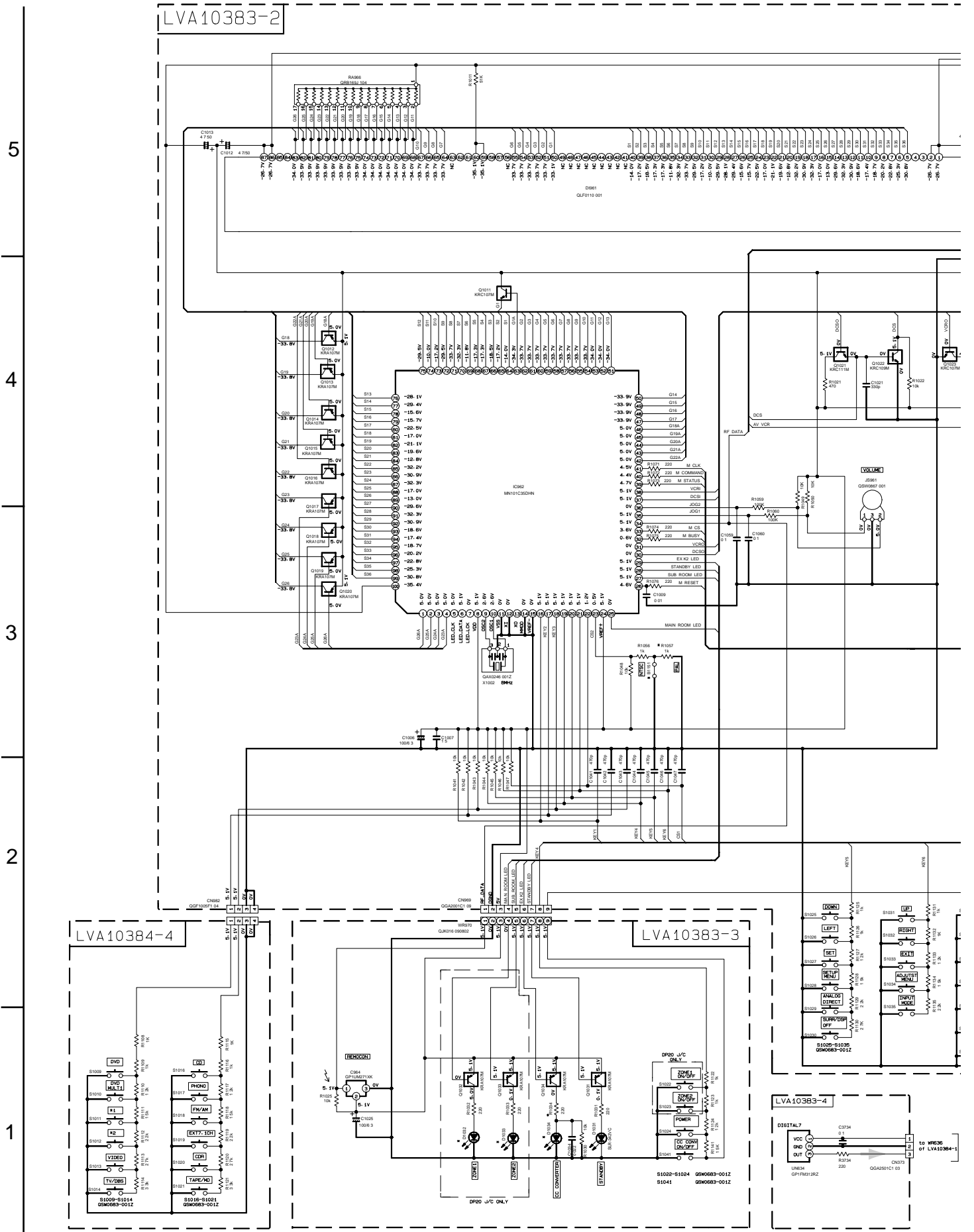
LVA10384-3 FOR V8000



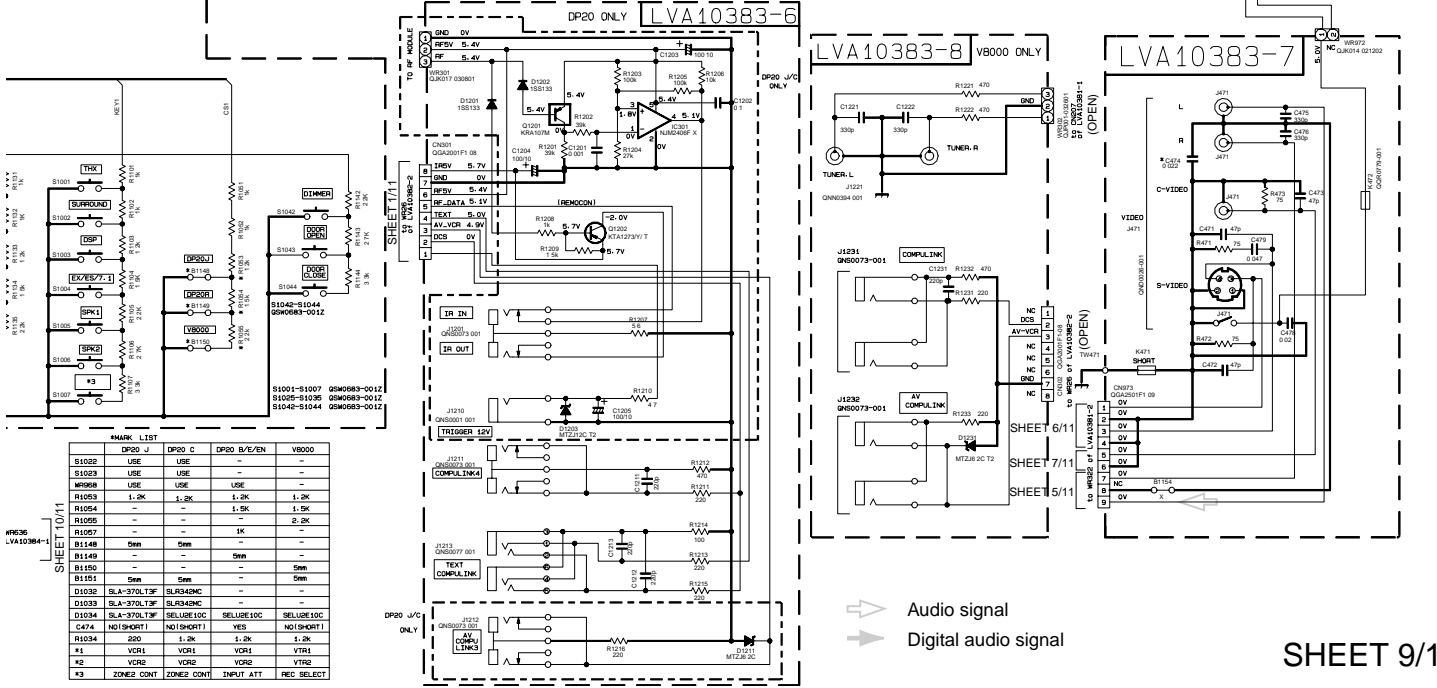
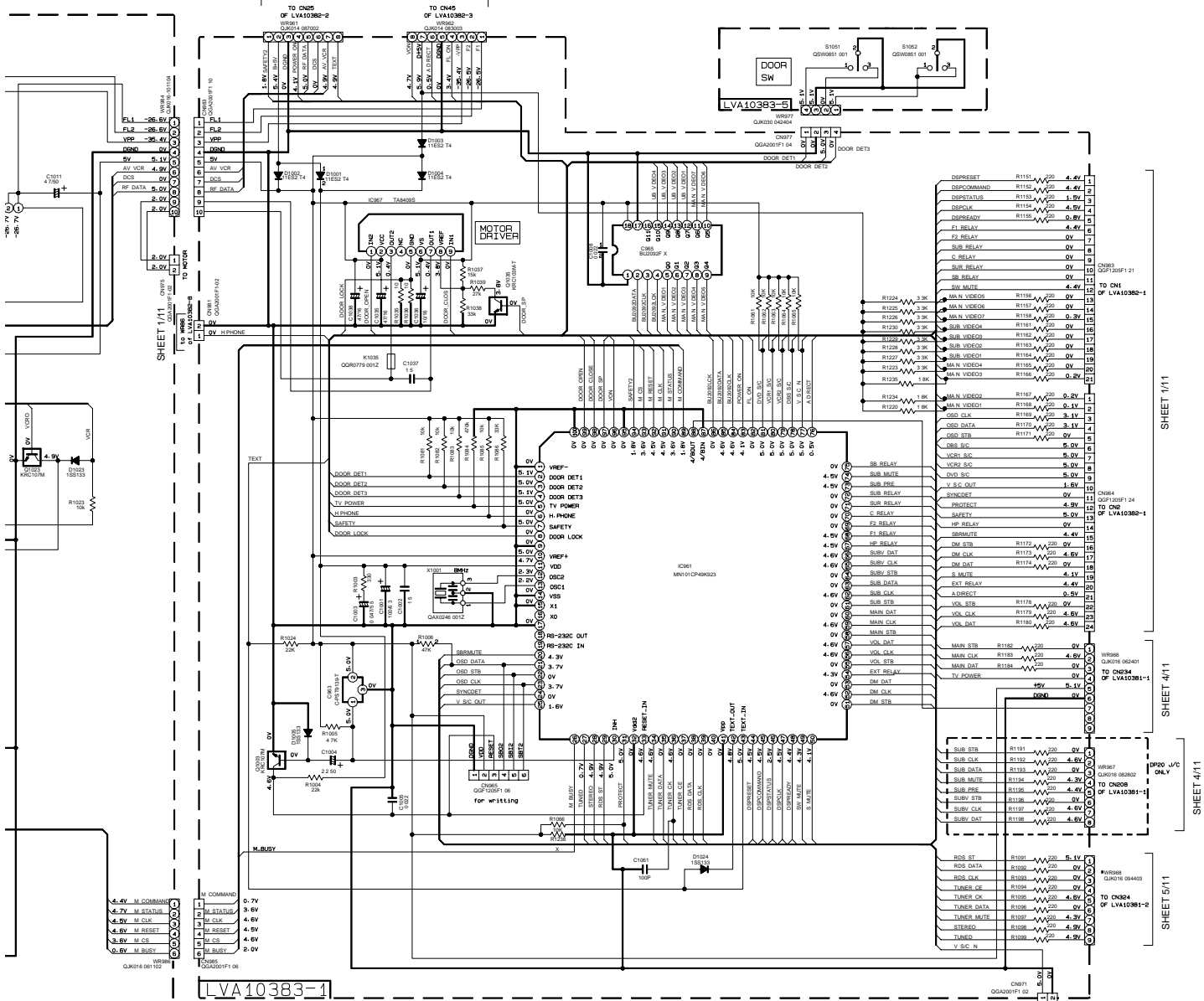
0N662  
0GF129F1 18  
10 0N662  
01 LVA10384-2  
(OPEN)

0N661  
0GB21091 05  
10 0N661  
01 LVA10384-1  
(OPEN)

### System control LSI / FL display section







MARK LIST

MARK	DP20 U	DP20 C	DP20 B/E/EN	V8000
S1029	USE	USE	-	-
S1029	USE	USE	-	-
M0009	USE	USE	USE	-
R1009	1.2k	1.2k	1.2k	1.2k
R1004	-	-	1.5k	1.5k
R1005	-	-	1k	2.2k
R1007	-	-	1k	-
B1148	5mm	5mm	-	-
B1149	-	-	5mm	-
B1150	-	-	5mm	-
R1151	5mm	5mm	-	5mm
D1032	SLA-370L7F	SLR342NC	-	-
D1033	SLA-370L7F	SLR342NC	-	-
D1034	SLA-370L7F	SELURE10C	SELURE10C	SELURE10C
C474	NO SHORT	NO SHORT	YES	NO SHORT
R1034	200	1.2k	1.2k	1.2k
#1	VCR1	VCR1	VCR1	VTR1
#2	VCR2	VCR2	VCR2	VTR2
#3	ZONE CH	ZONE CH	INPUT ATT	REC SELECT

Audio signal  
Digital audio signal

DSP 1 section

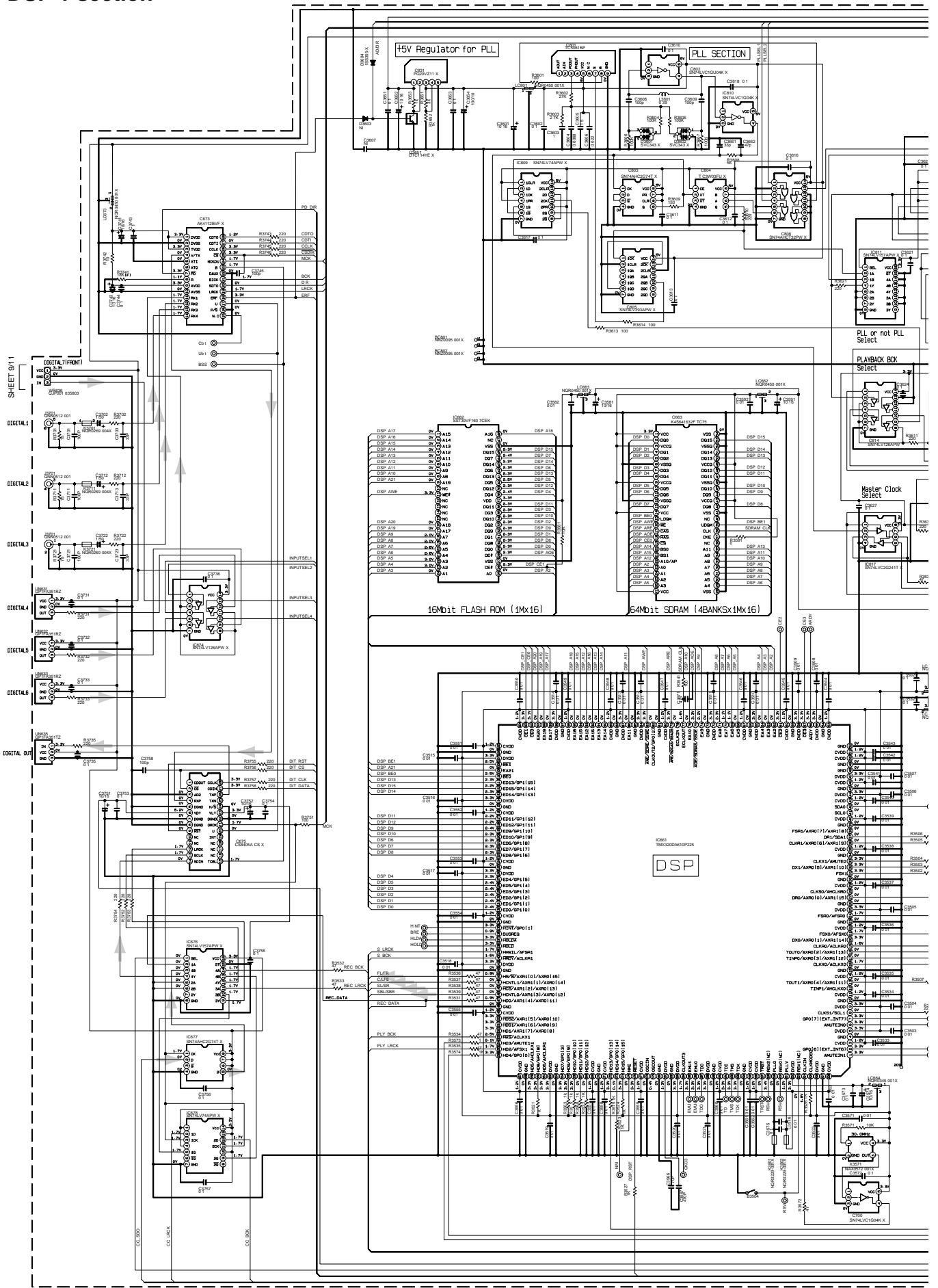
5

4

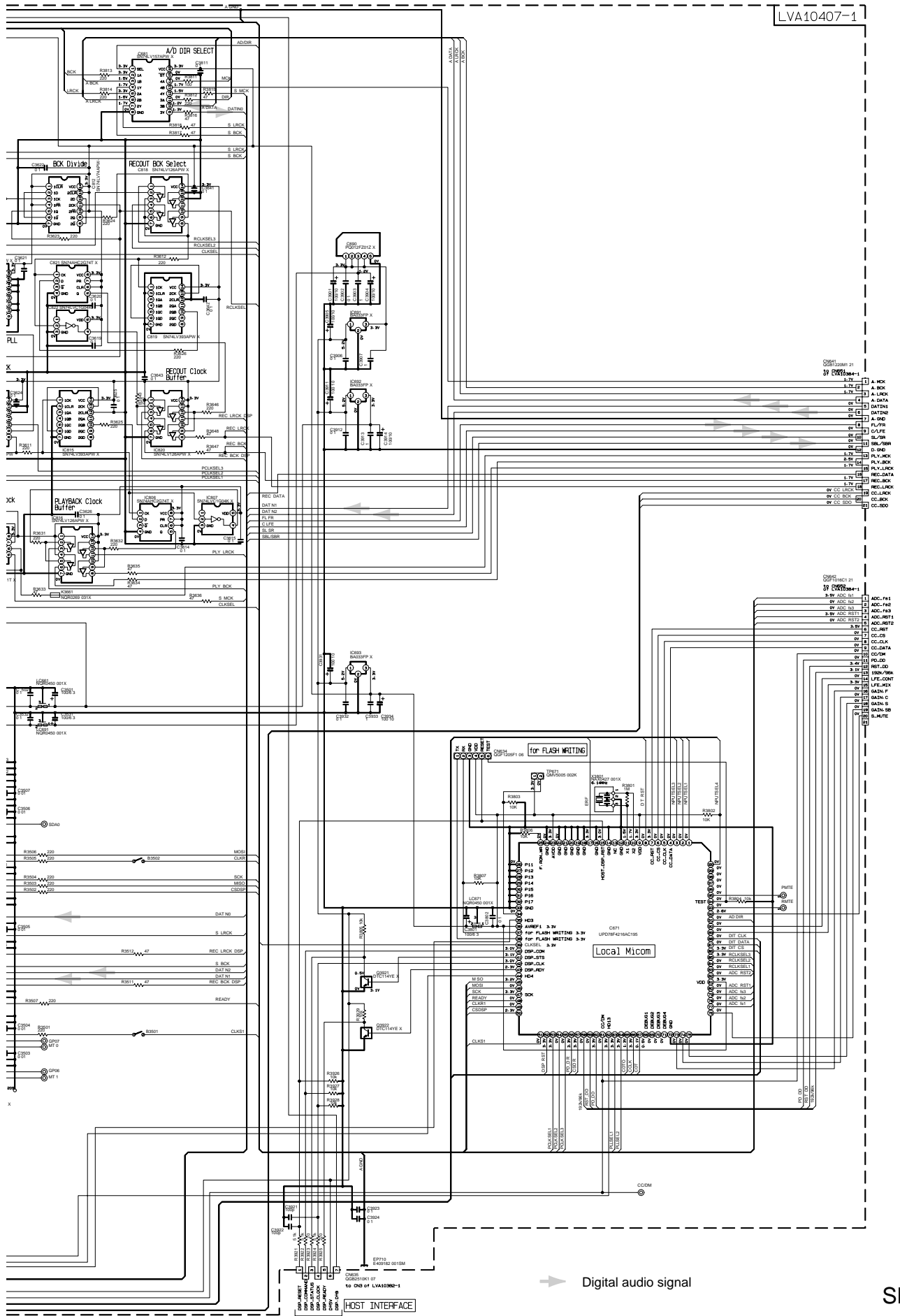
3

2

1



LVA10407-1



SHEET 11/11

➔ Digital audio signal

SHEET 10/11

DSP 2 section

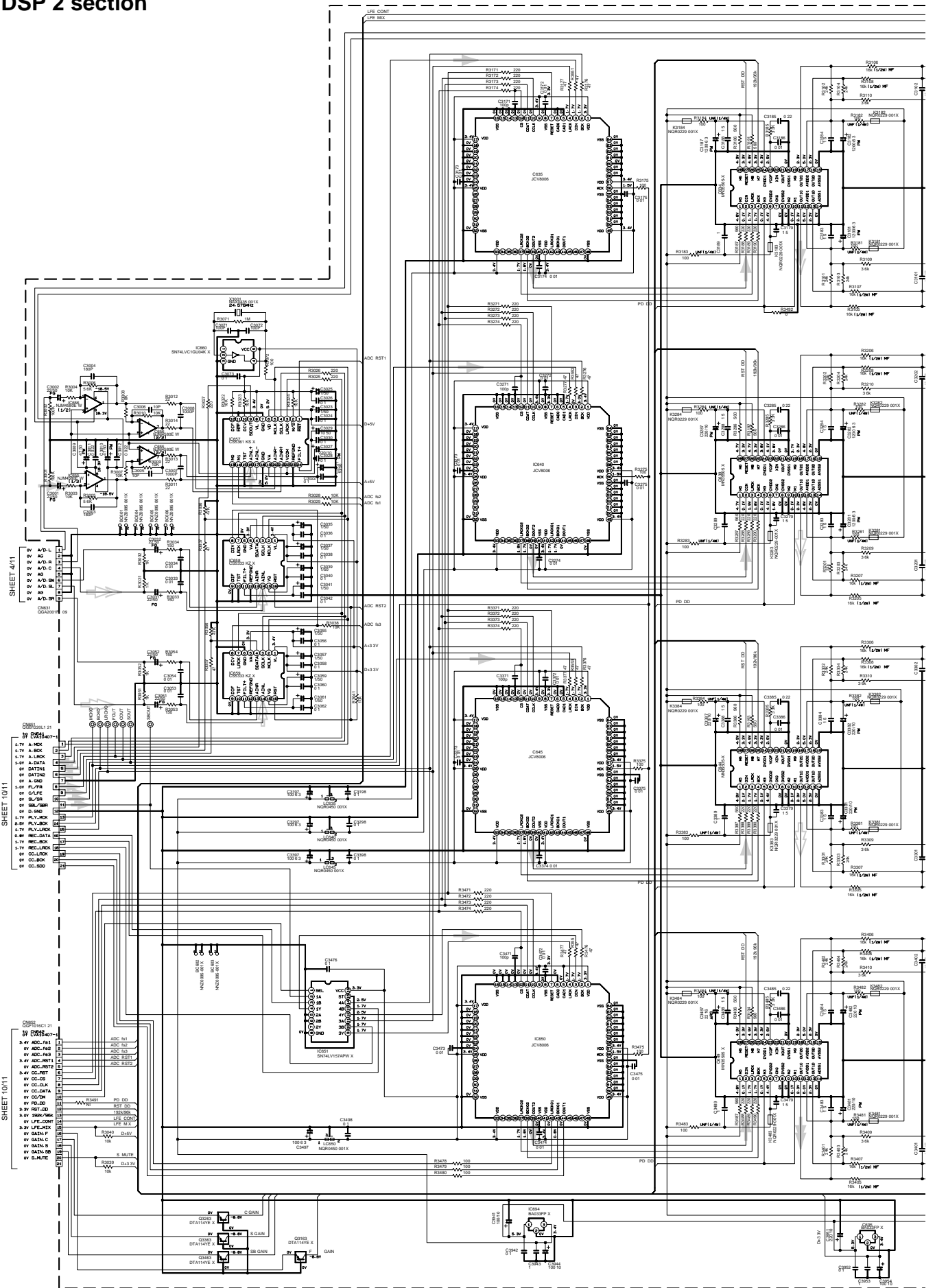
5

4

3

2

1



SHEET 4/11

SHEET 10/11

SHEET 10/11

SHEET 10/11

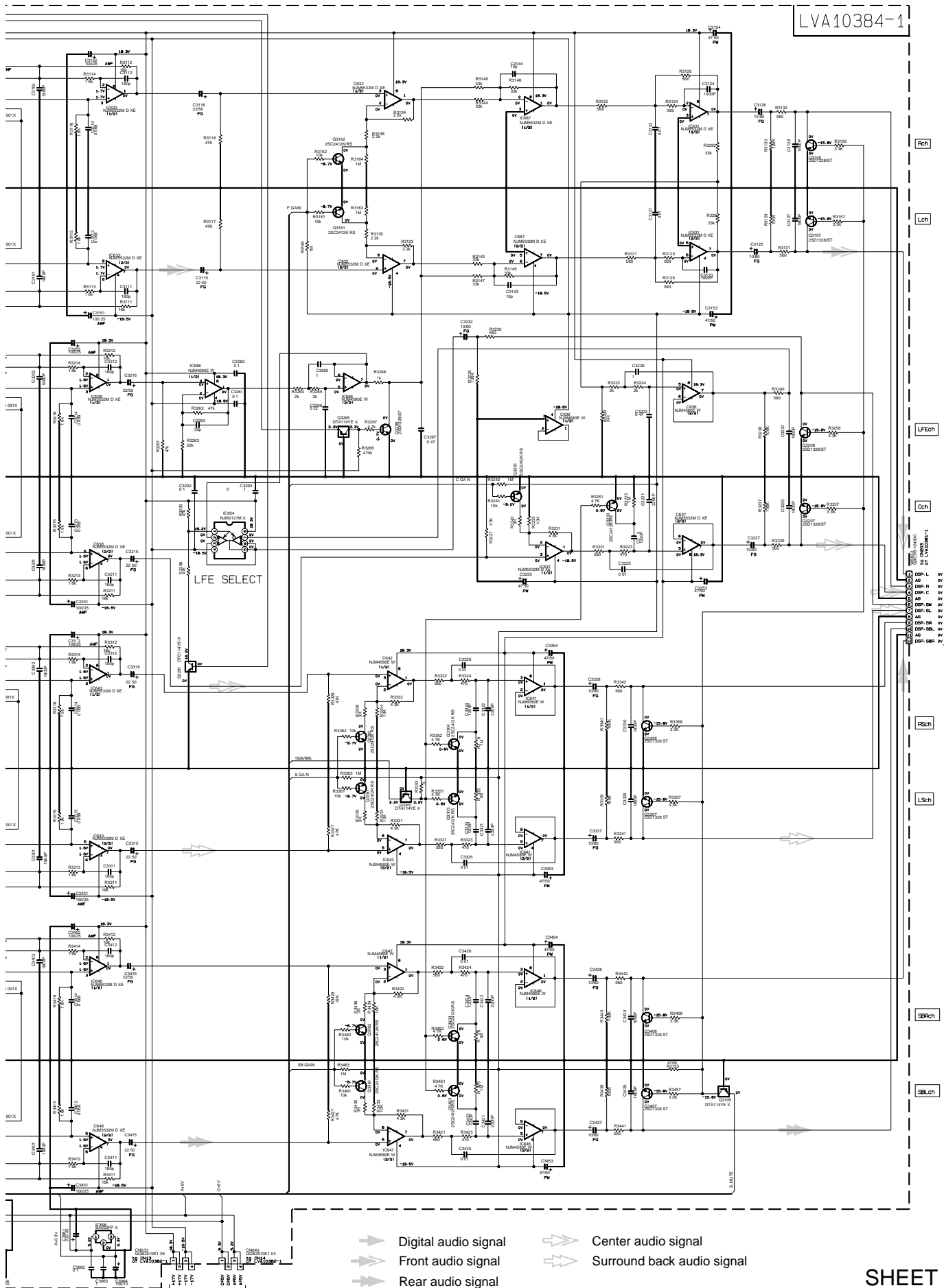
A

B

C

D

LVA10384-1



Rch

LCh

LFEch

Ch

Rch

LCh

SFBch

SBLch

DSP-L  
 DSP-R  
 DSP-C  
 DSP-BL  
 DSP-BR  
 DSP-SBL  
 DSP-SBR

SHEET 4/11

- ➔ Digital audio signal
- ➔ Front audio signal
- ➔ Rear audio signal
- ➔ Center audio signal
- ➔ Surround back audio signal

# Printed circuit board

## ■ Amp board

Power amp board

Foward side

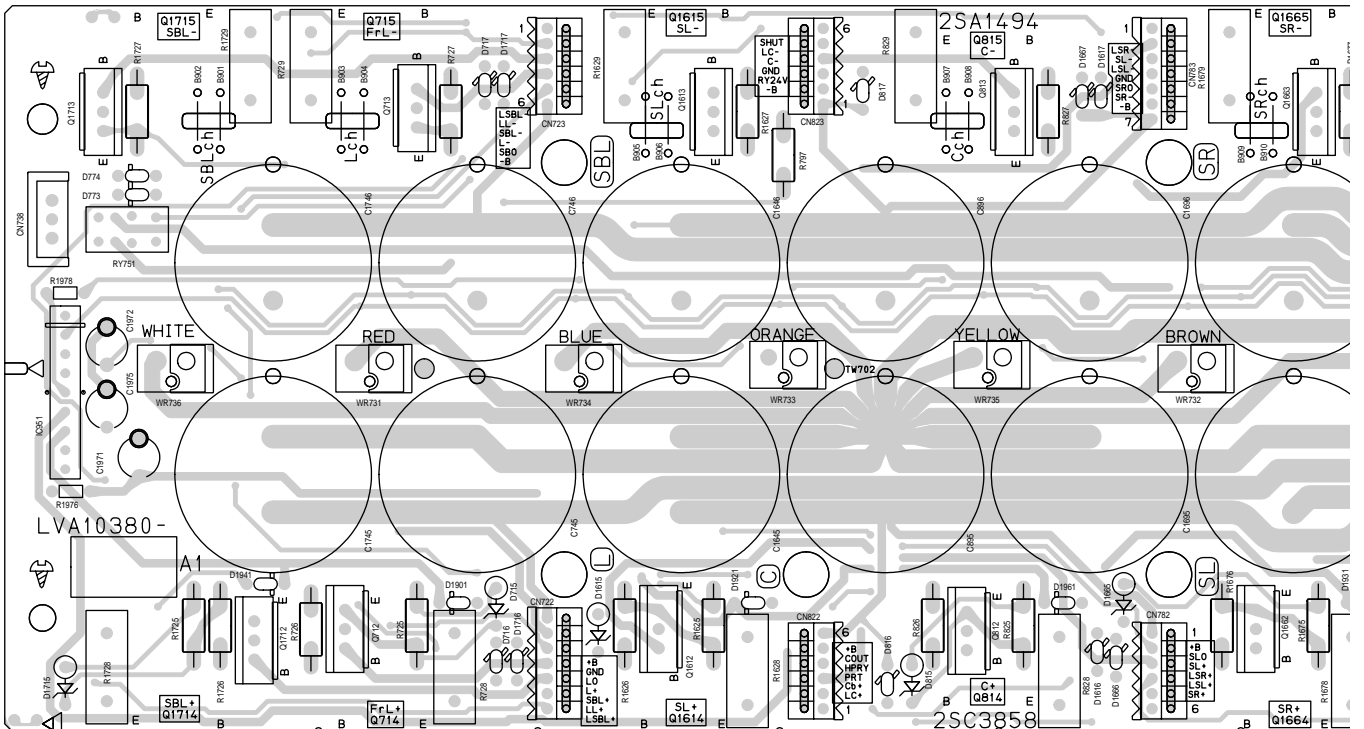
5

4

3

2

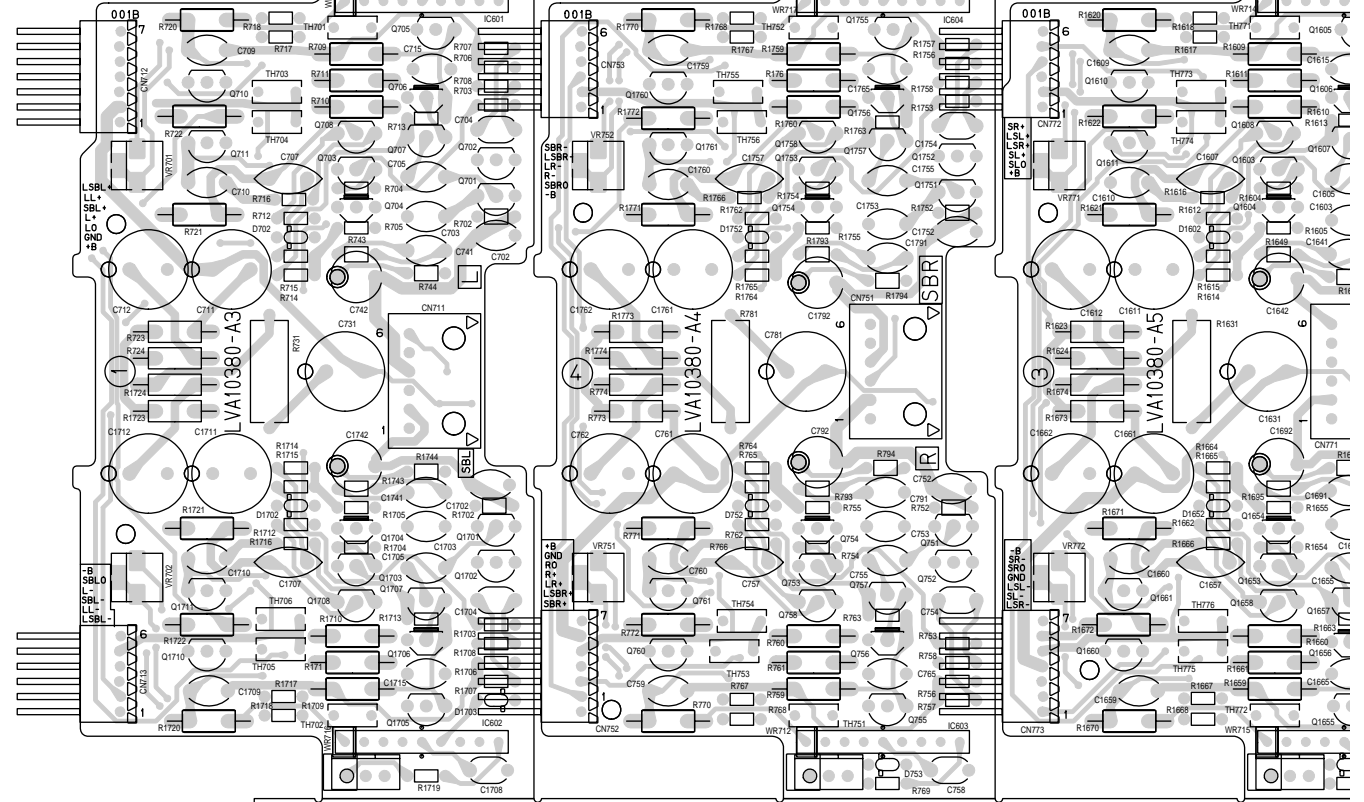
1



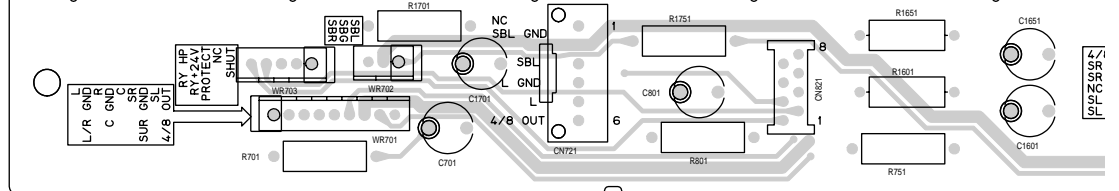
Lch pre-main amp board

Rch pre-main amp board

Surround back ch pre-main amp board

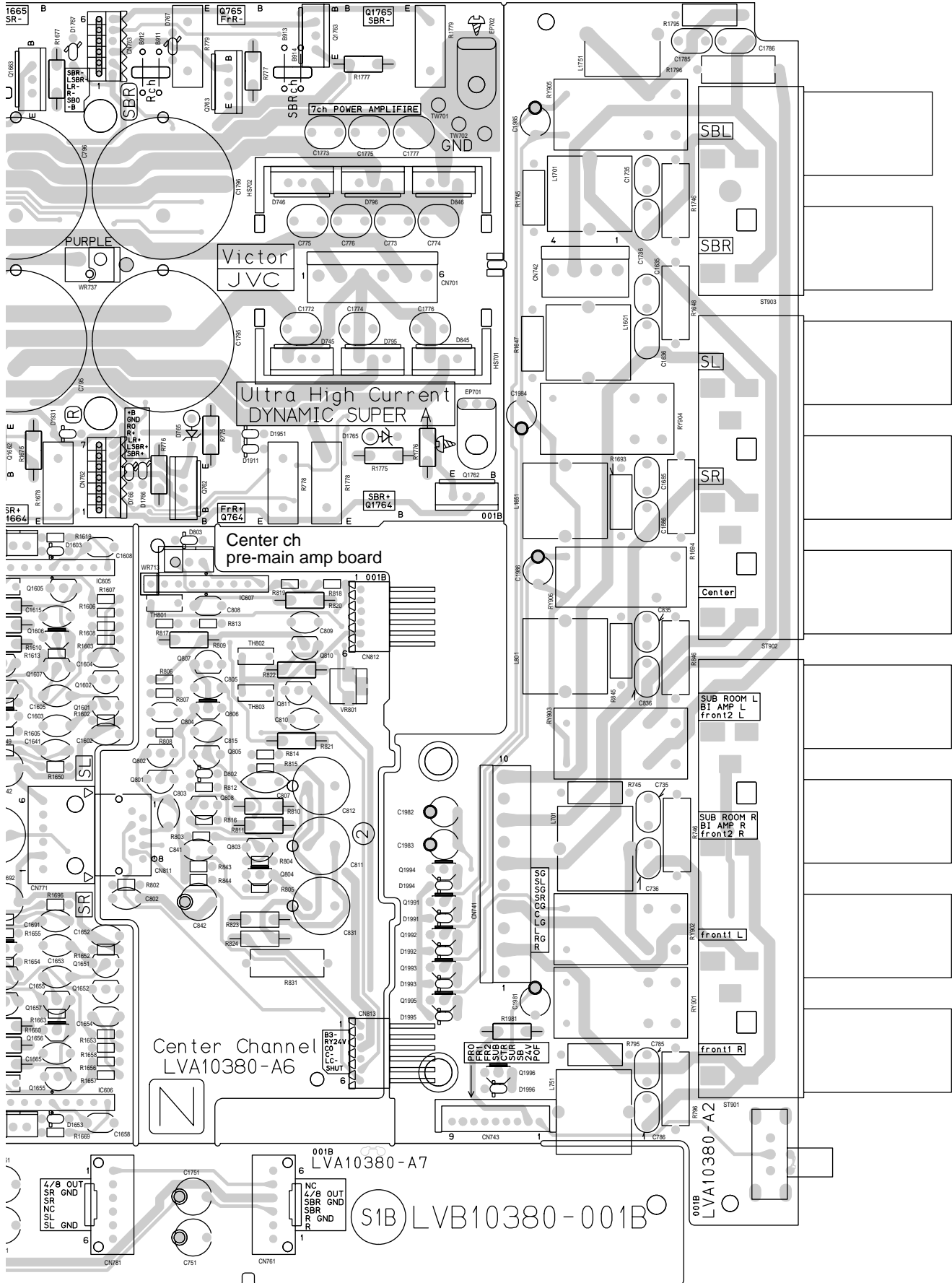


Interface board



le

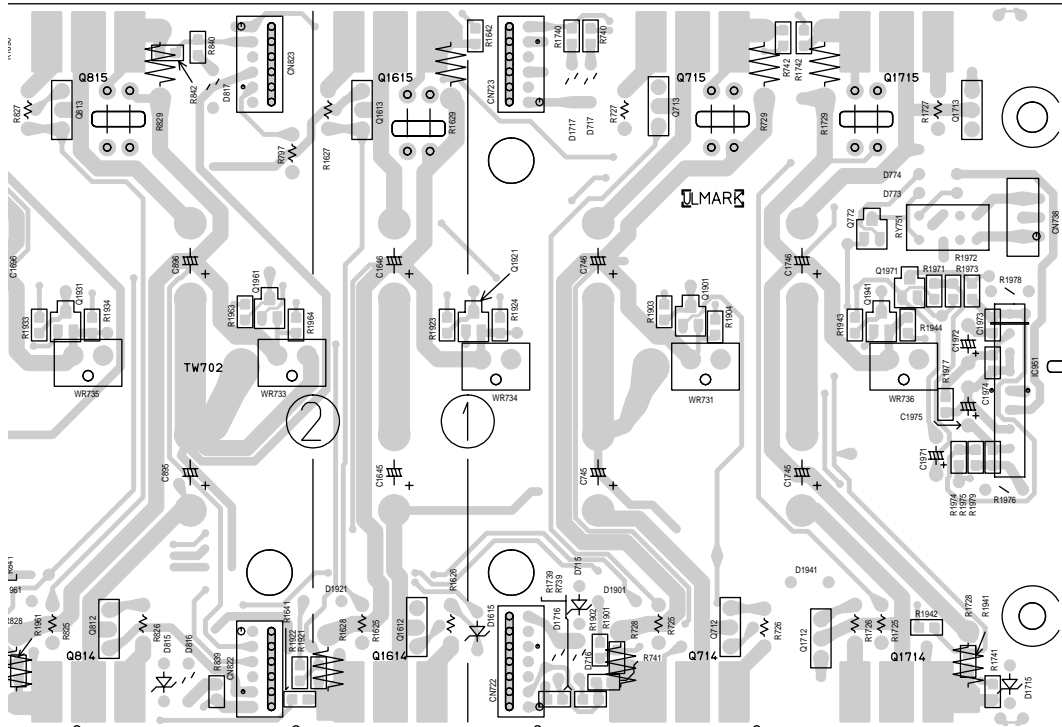
Speaker board







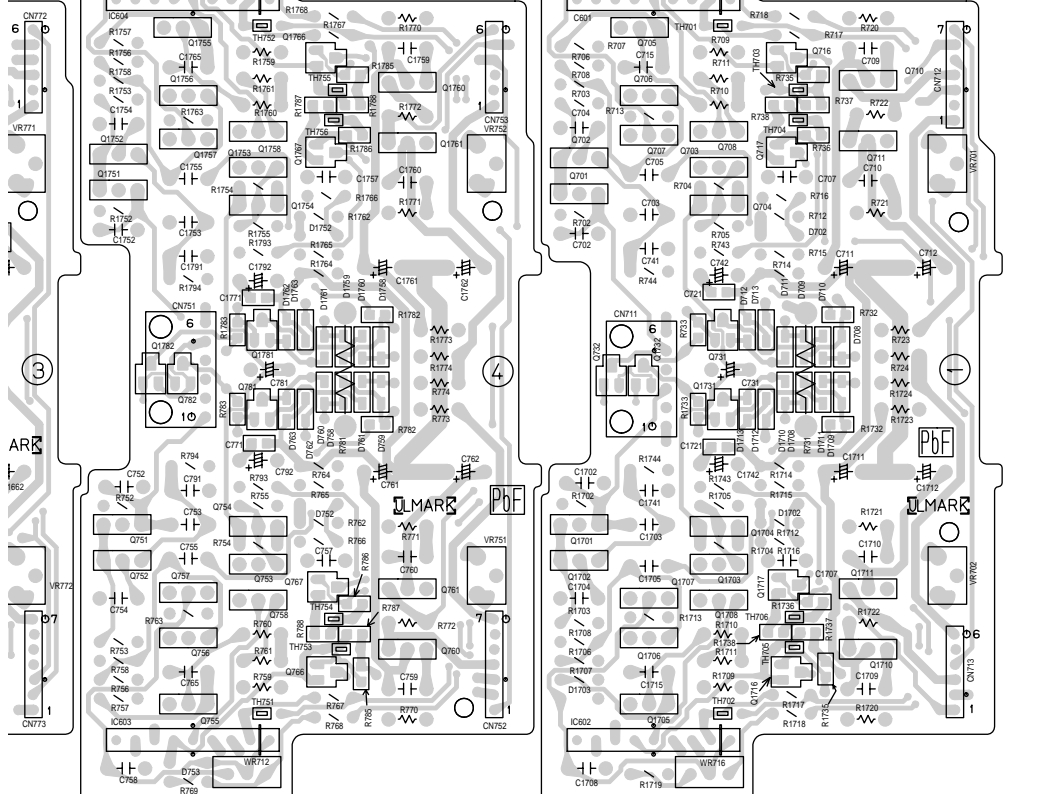
side



ch board

Rch pre-main amp board

Lch pre-main amp board



NC SHUT 4/8 OUT

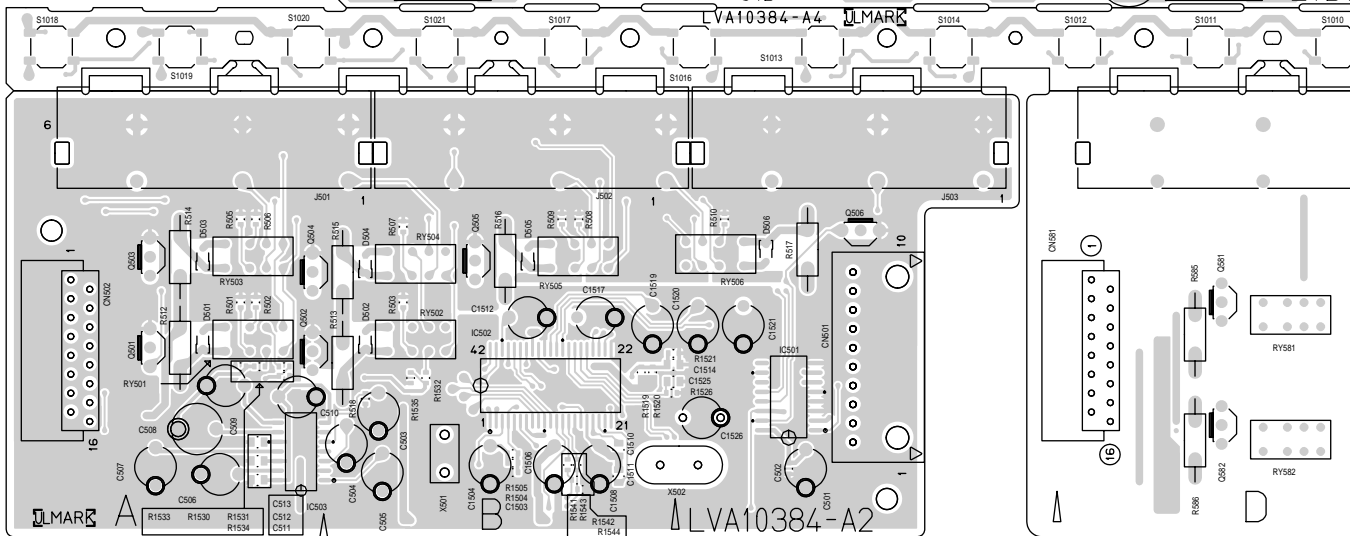
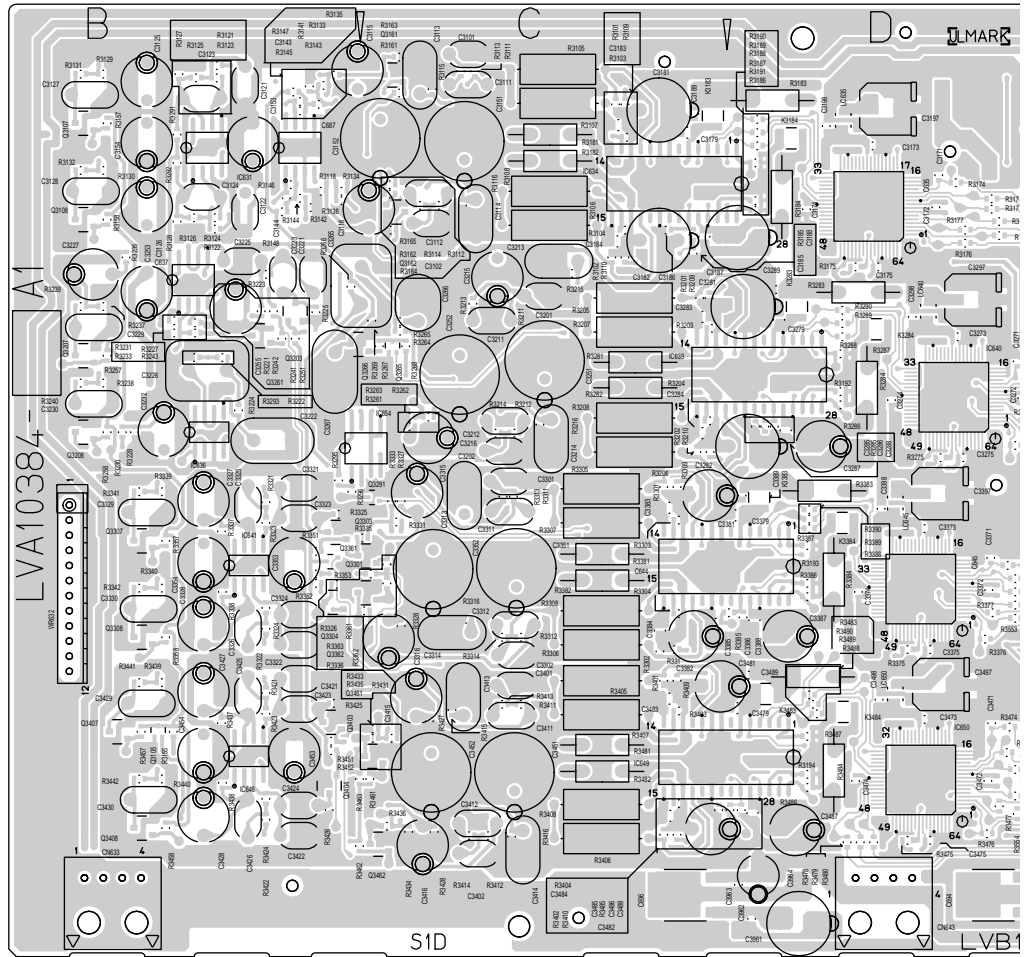
SBL GND SBL L GND

SHUT PROTECT RY 24V RY HP

Interface board

■ Audio & Video board

Foward side



Video sep. board

Video component board

5

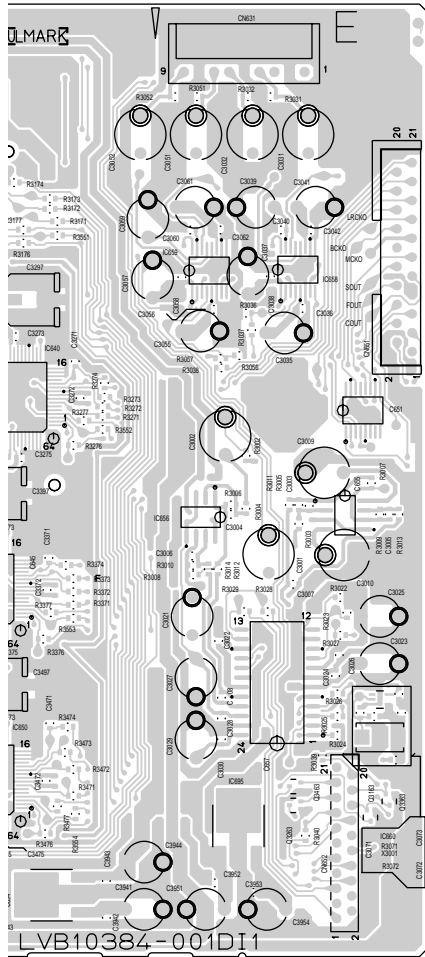
4

3

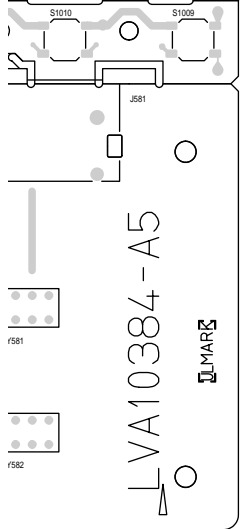
2

1

A/D converter board



Door input board

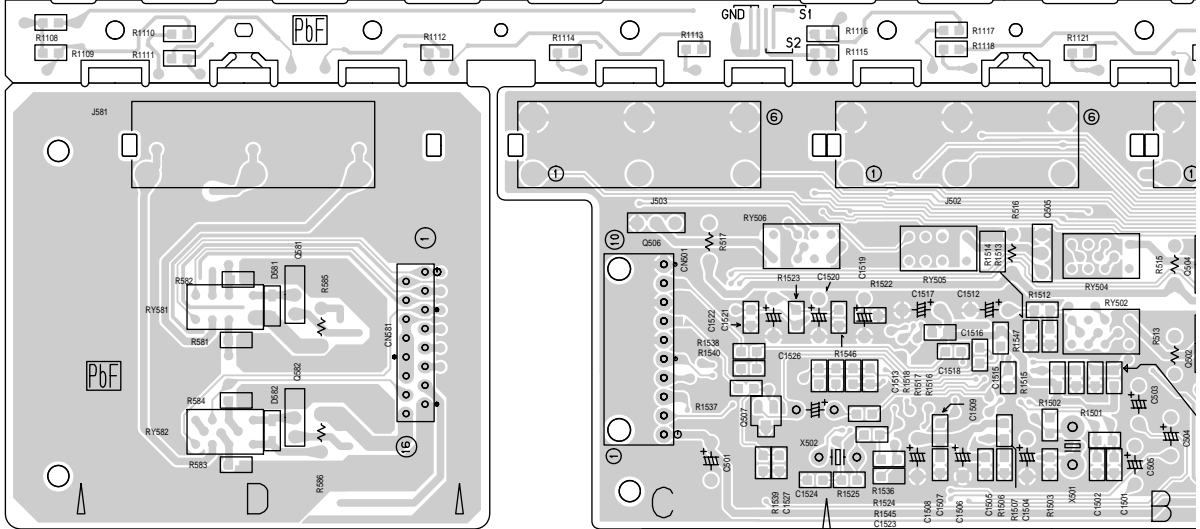
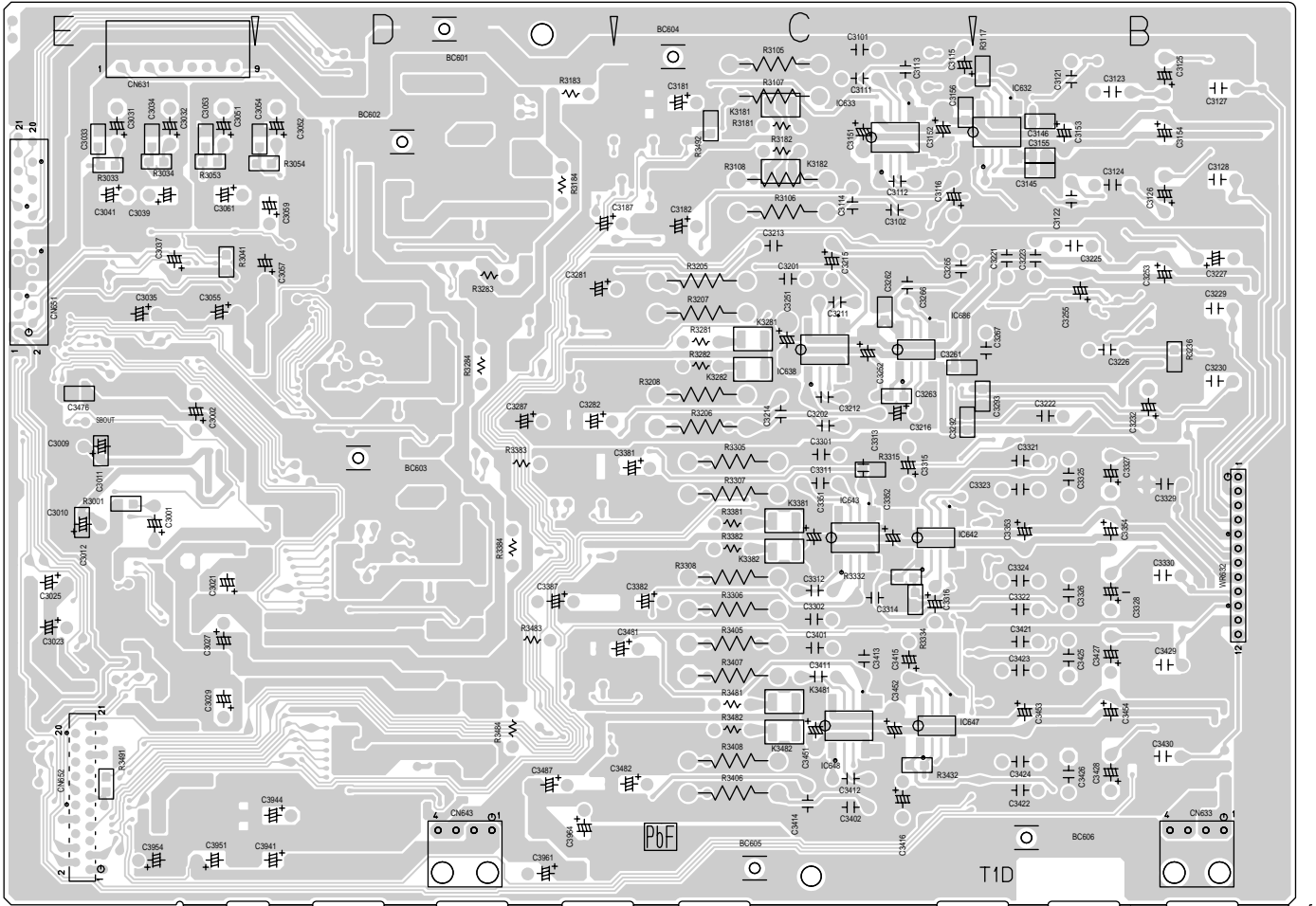


1

**Audio & Video board**

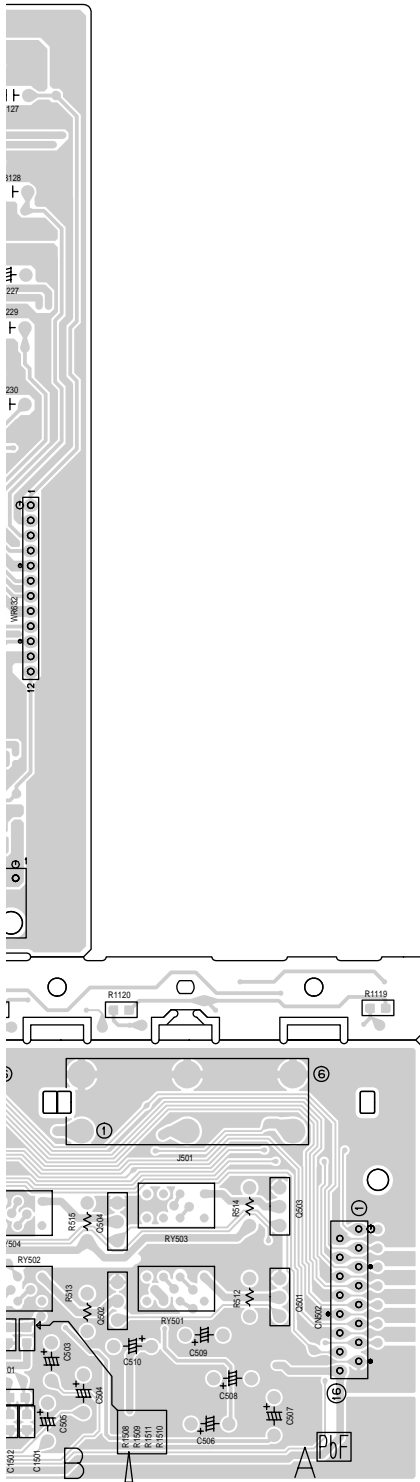
Reverse side

A/D converter board



Video component board

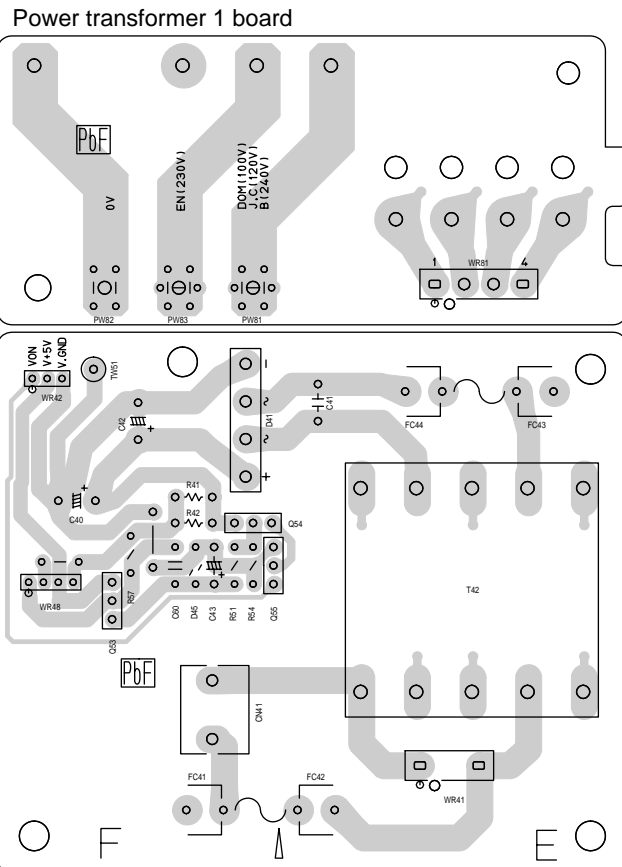
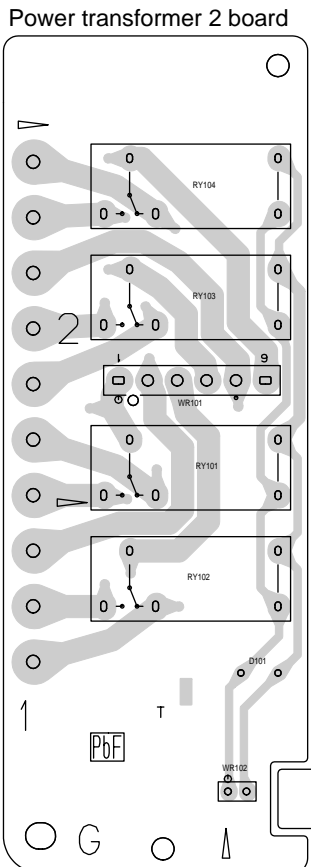
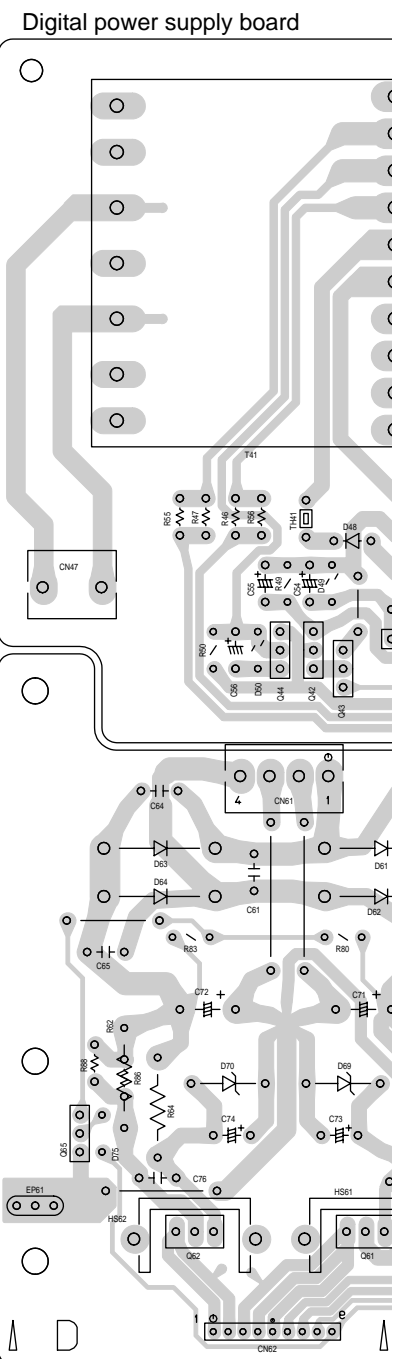
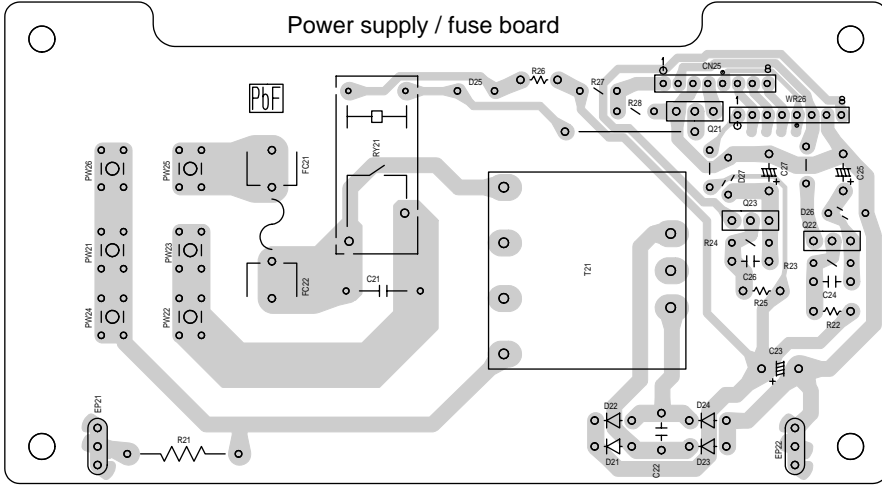
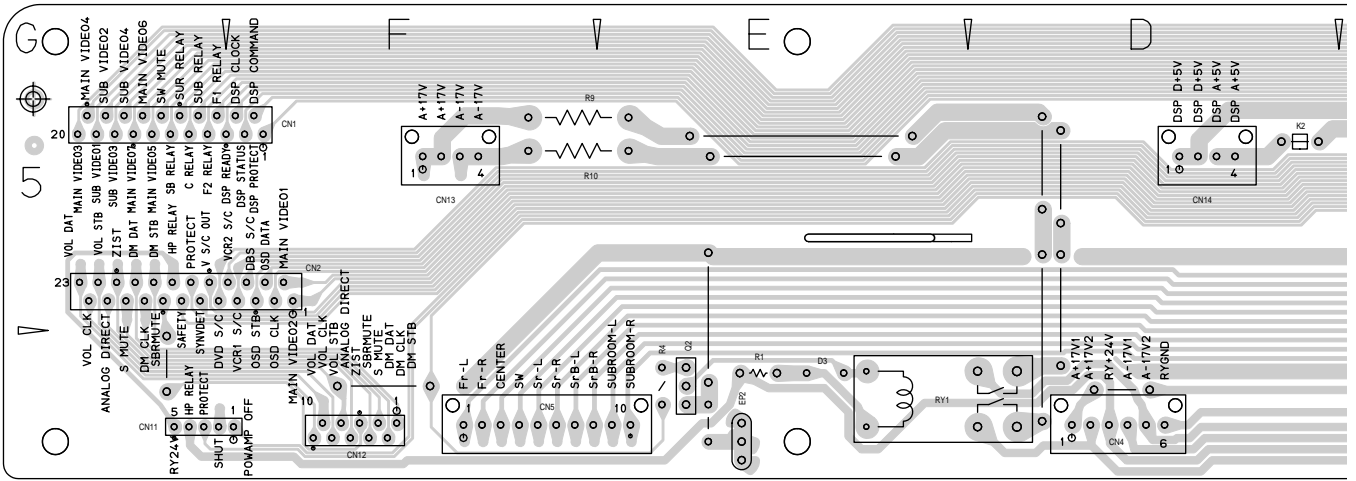
Video sep. board



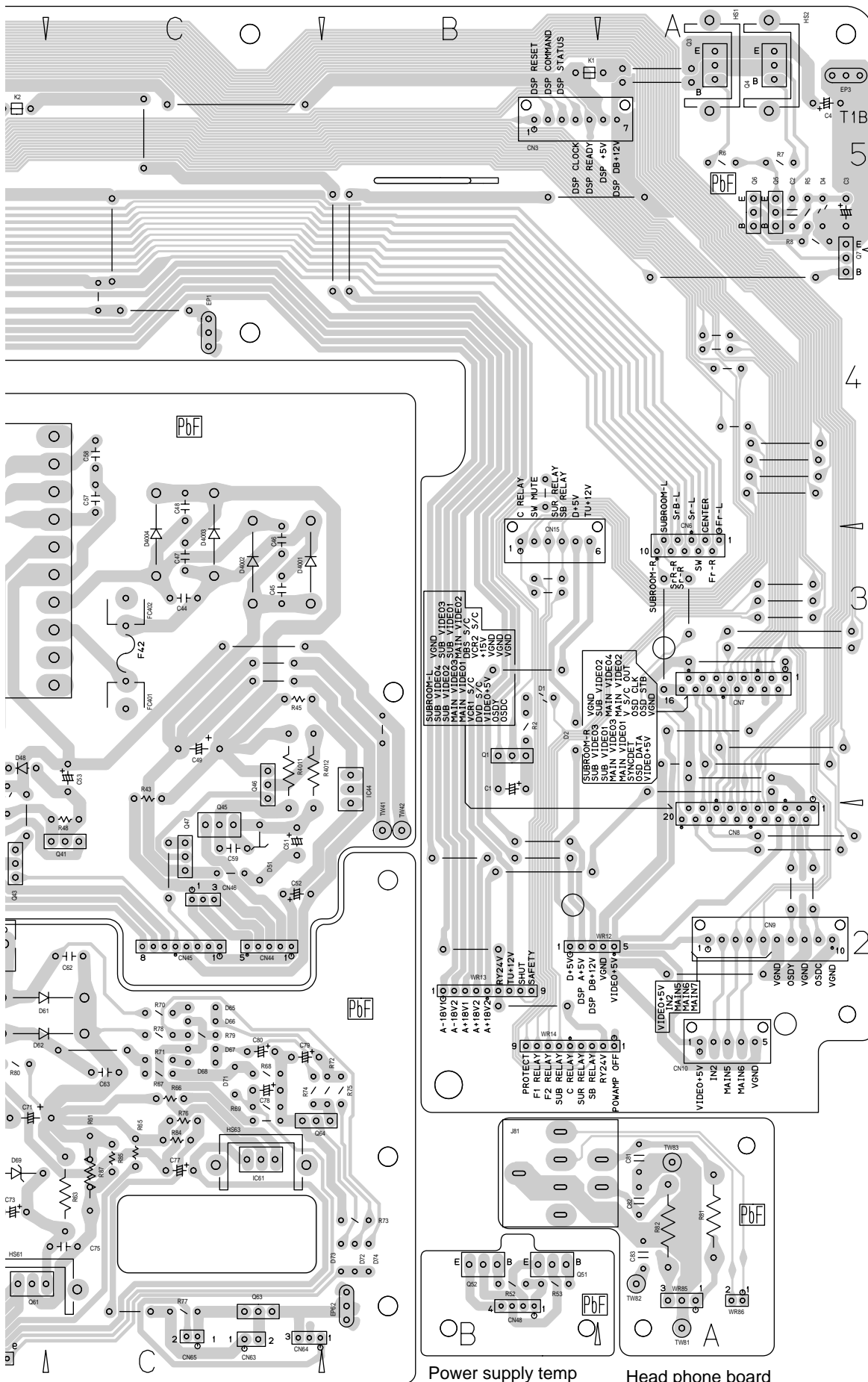
Door input board

Power supply board

Main board



Audio power supply board

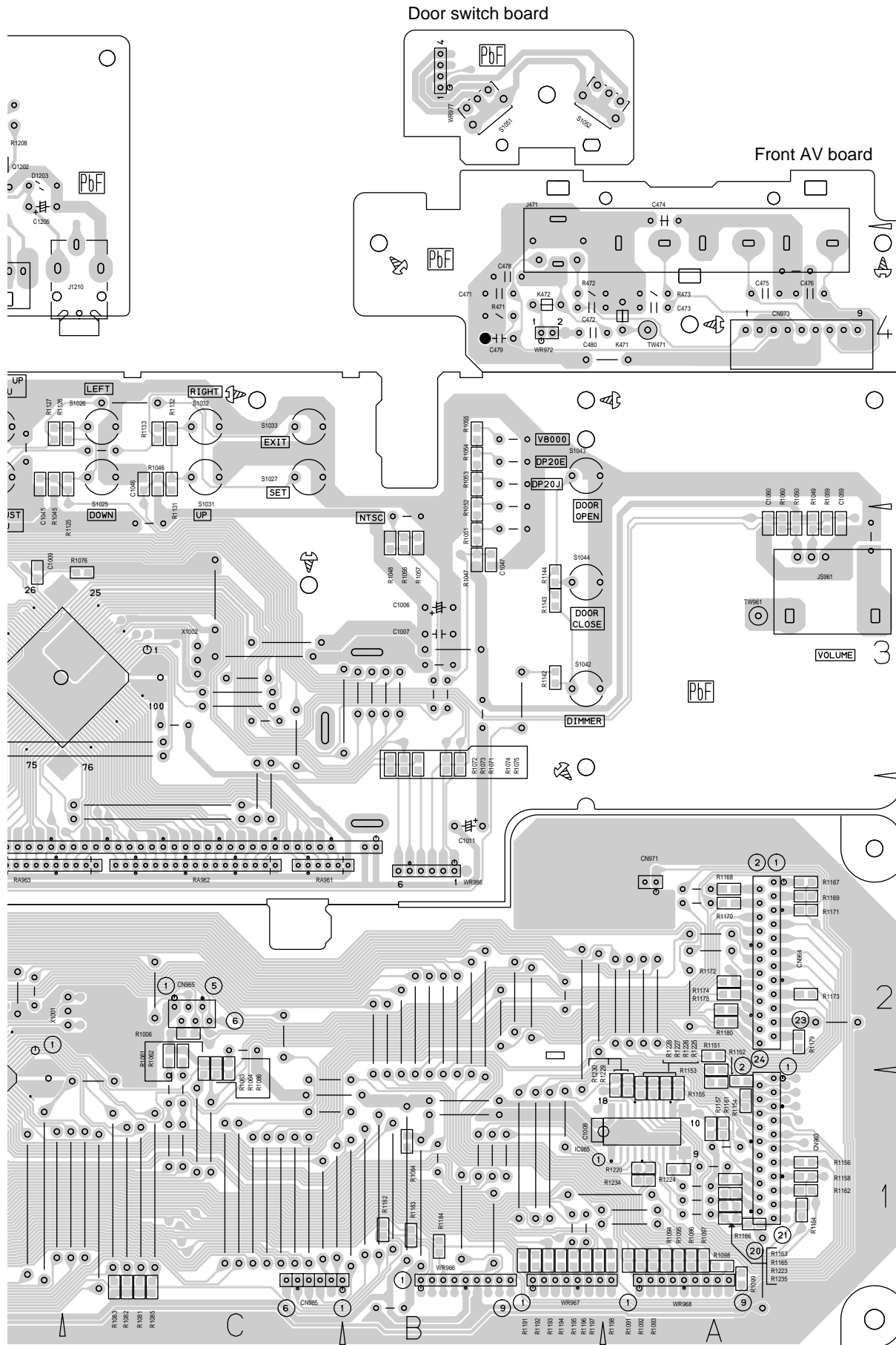


Power supply temp compensation board

Head phone board







D

E

F

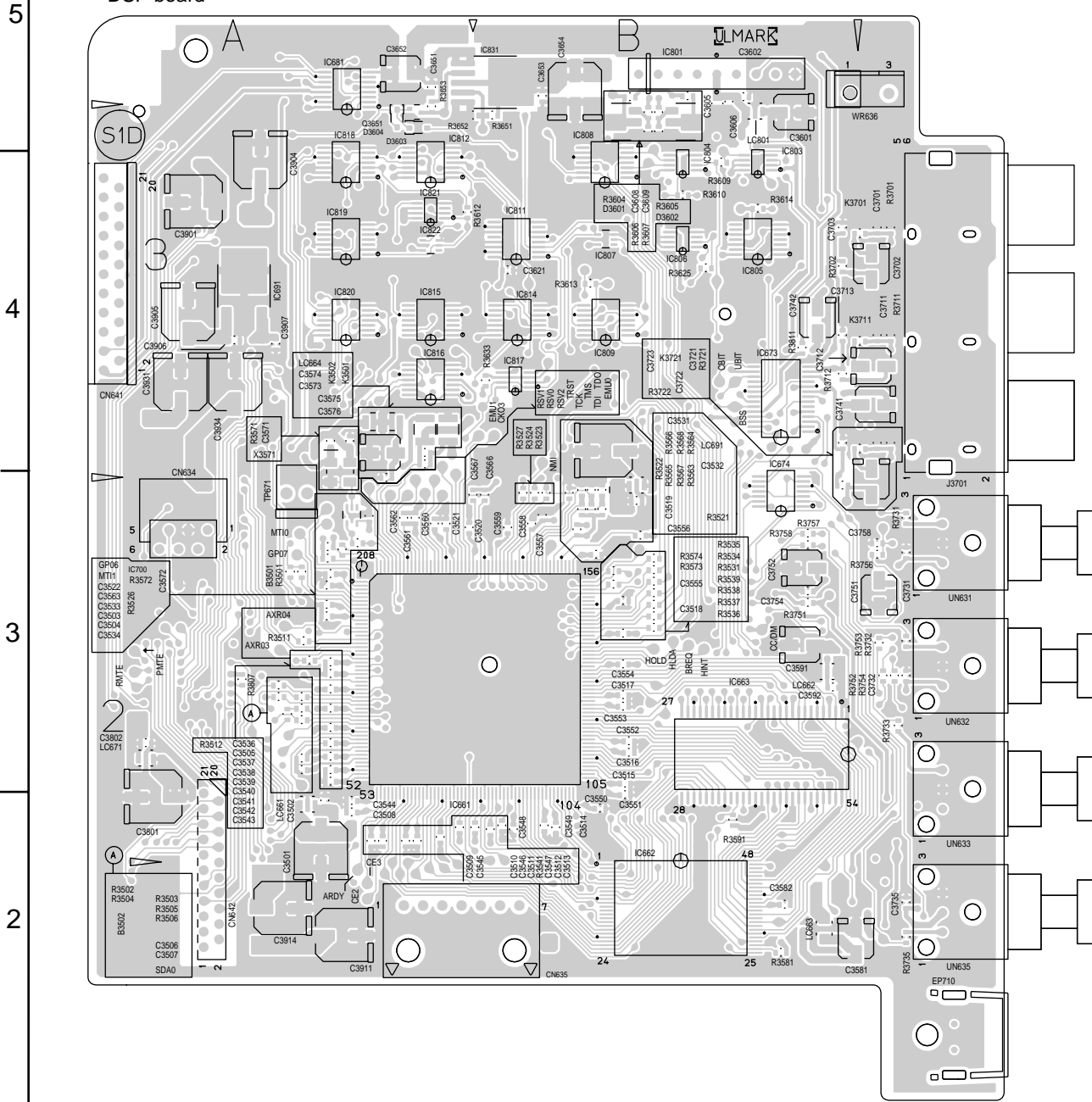
G

H

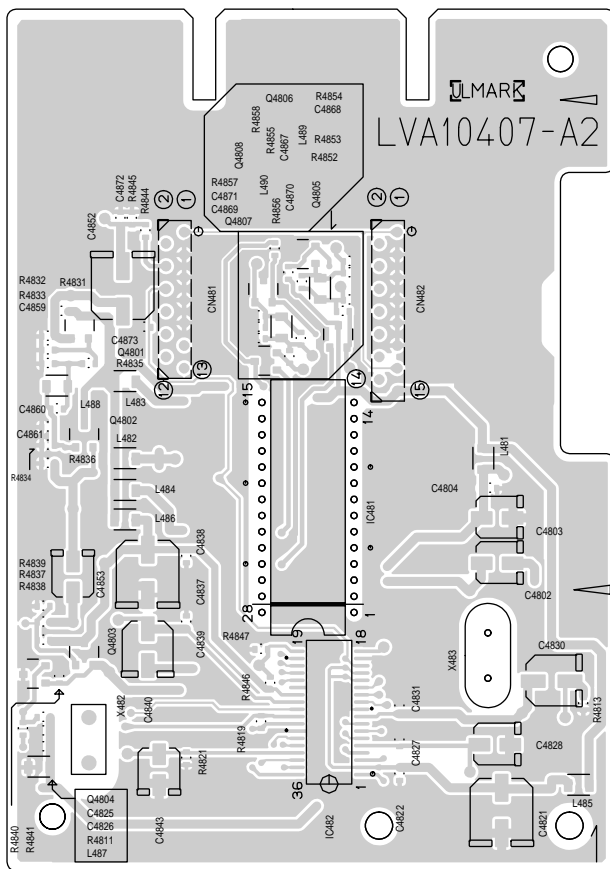
**■ DSP board**

Foward side

DSP board



Y/C sep. board



■ DSP boards

5

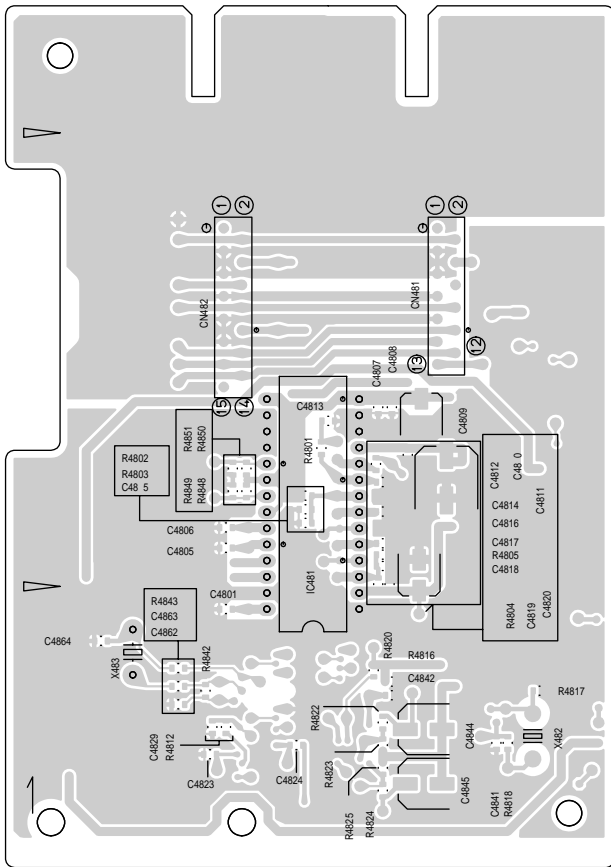
4

3

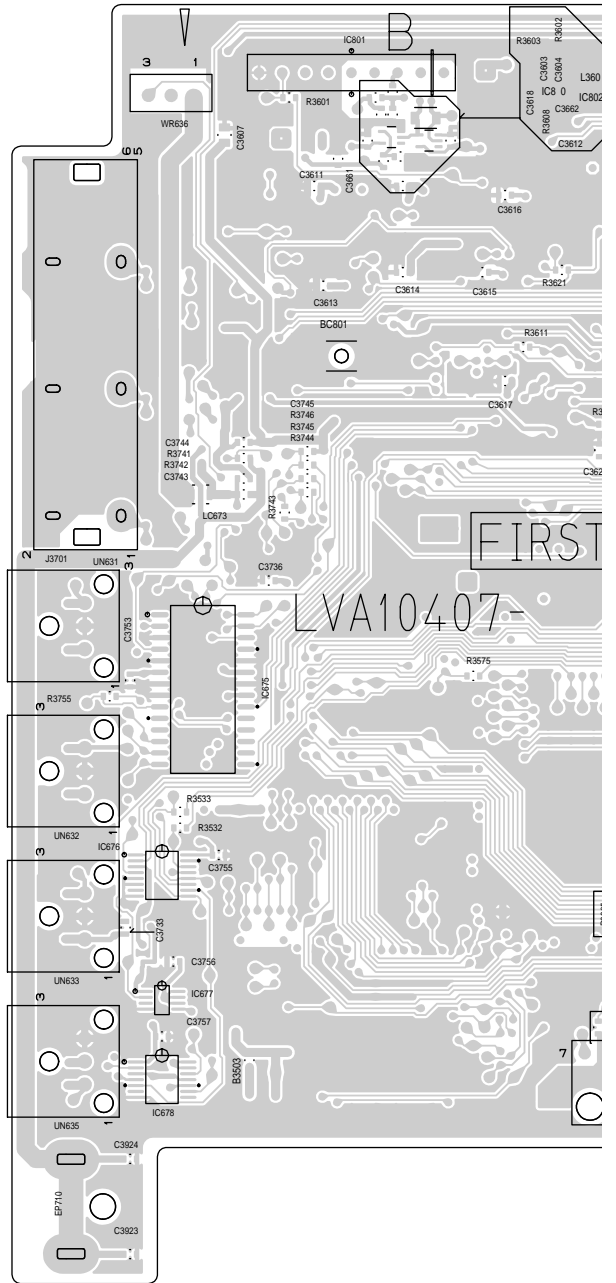
2

1

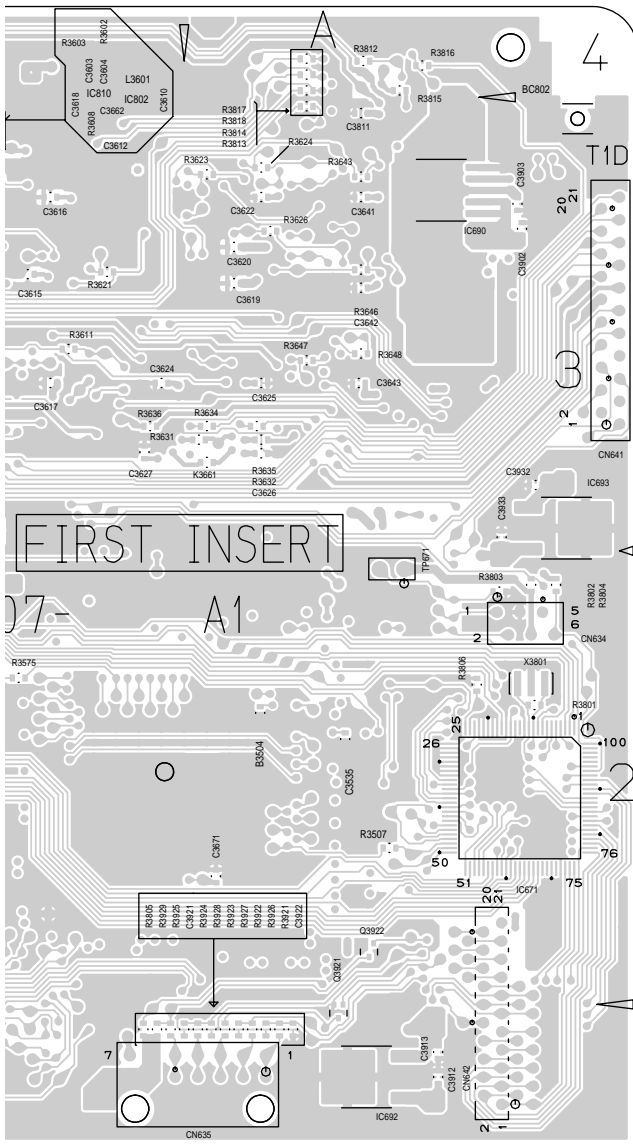
Y/C sep. board



Reverse side



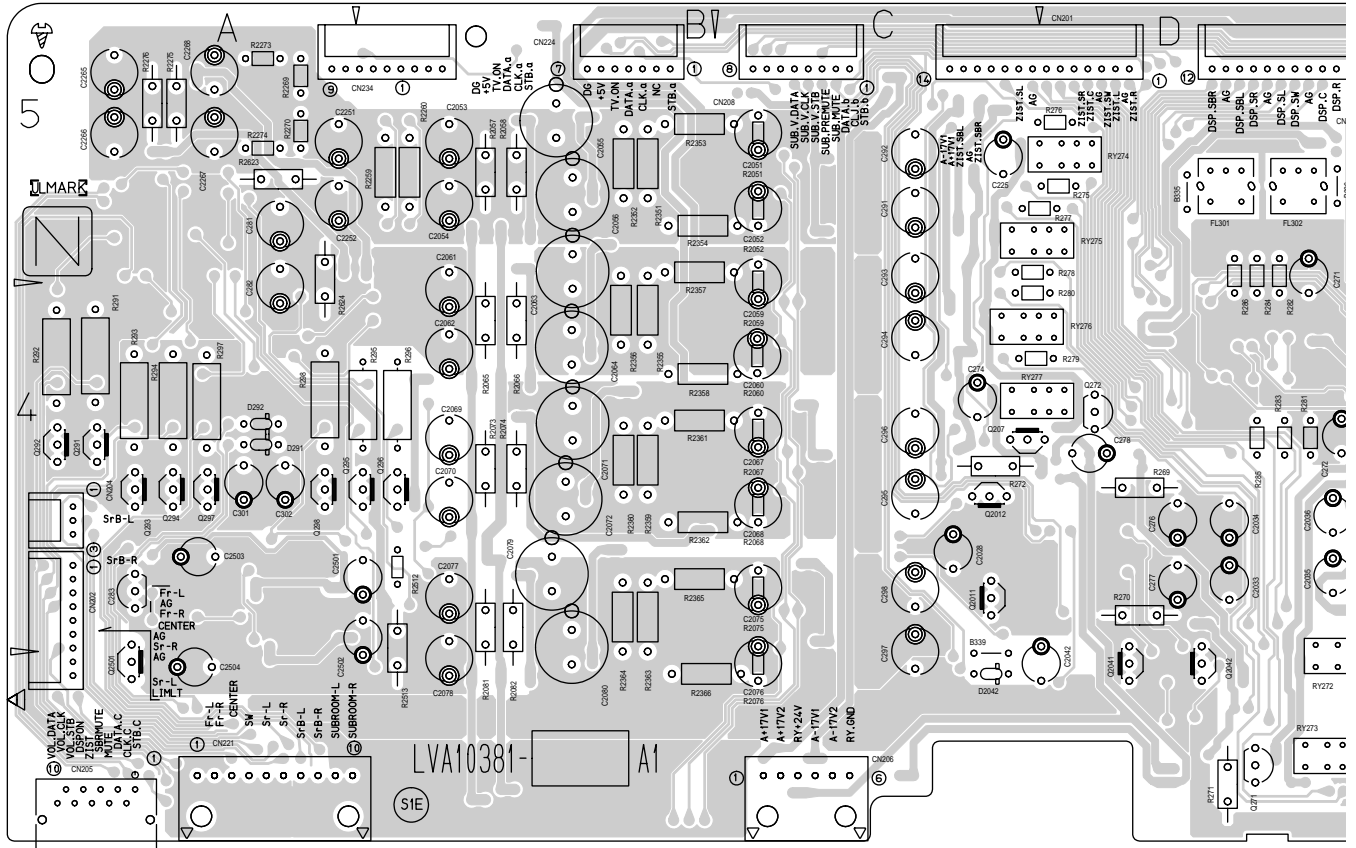
DSP board



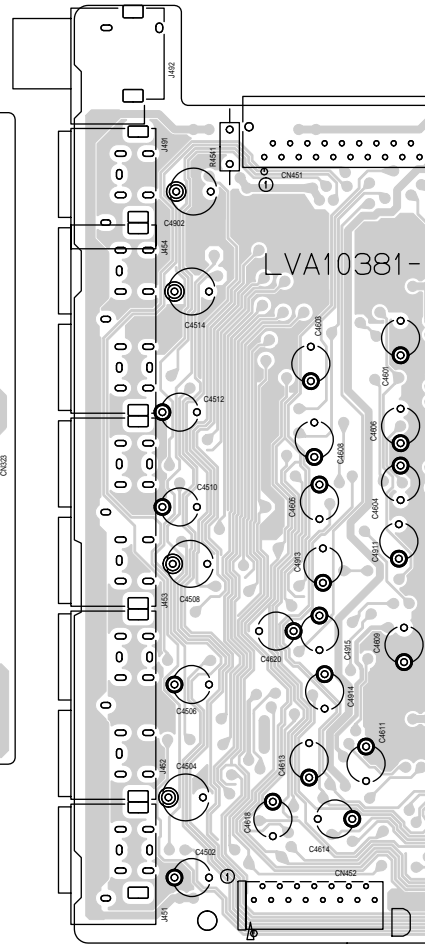
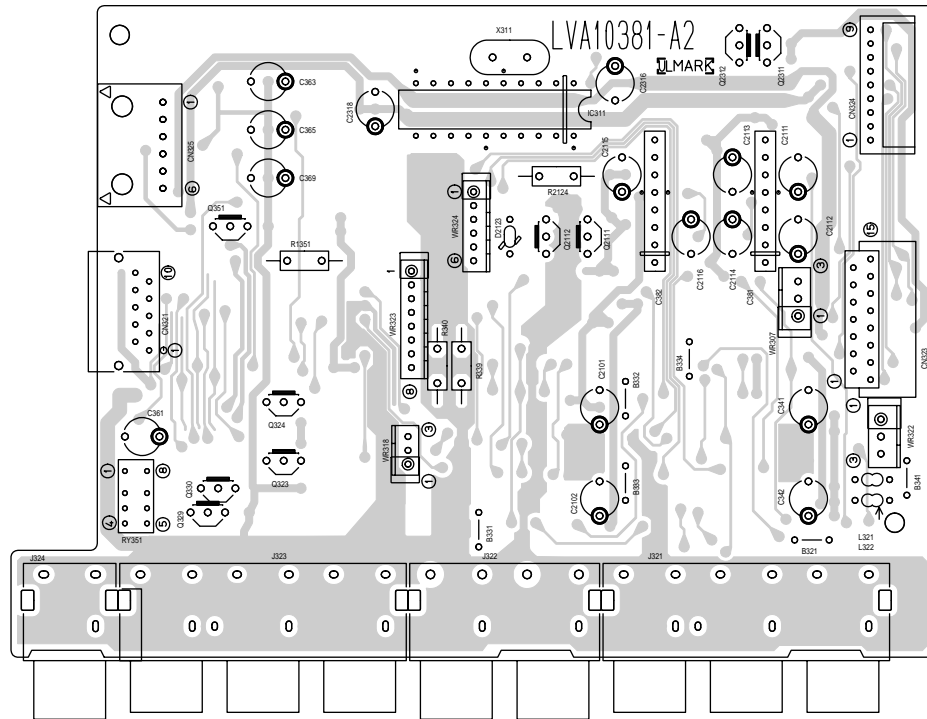
■ Audio & Video signal I/O board

Foward side

Audio signal 1 board



Audio signal 2 board



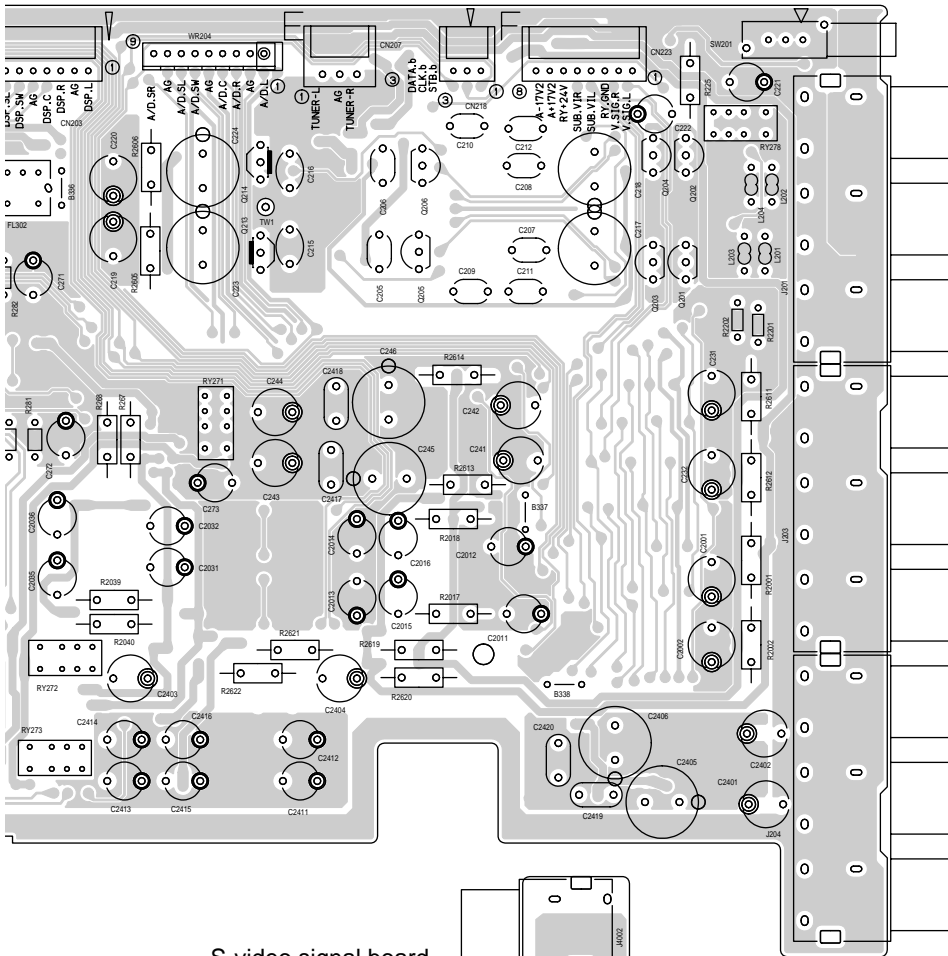
5

4

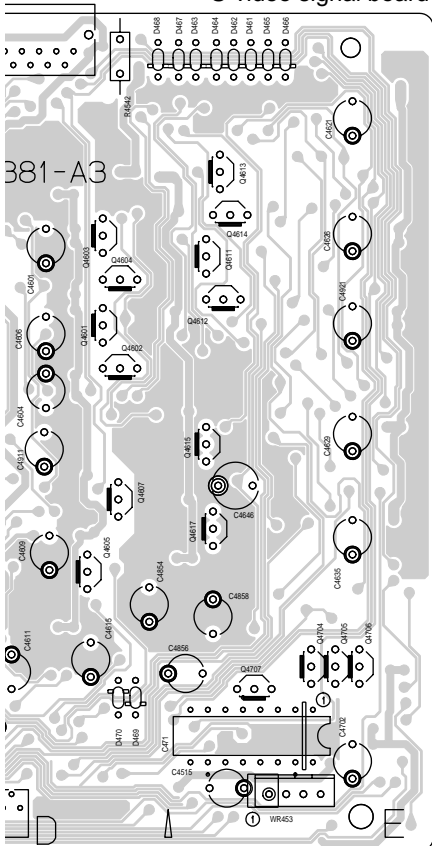
3

2

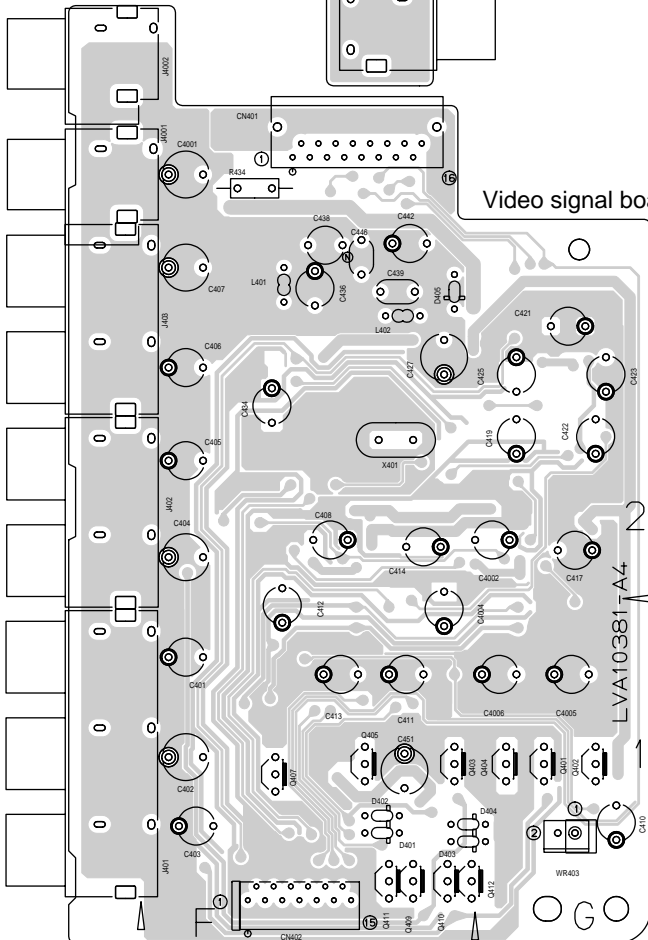
1



S-video signal board



Video signal board



D

E

F

G

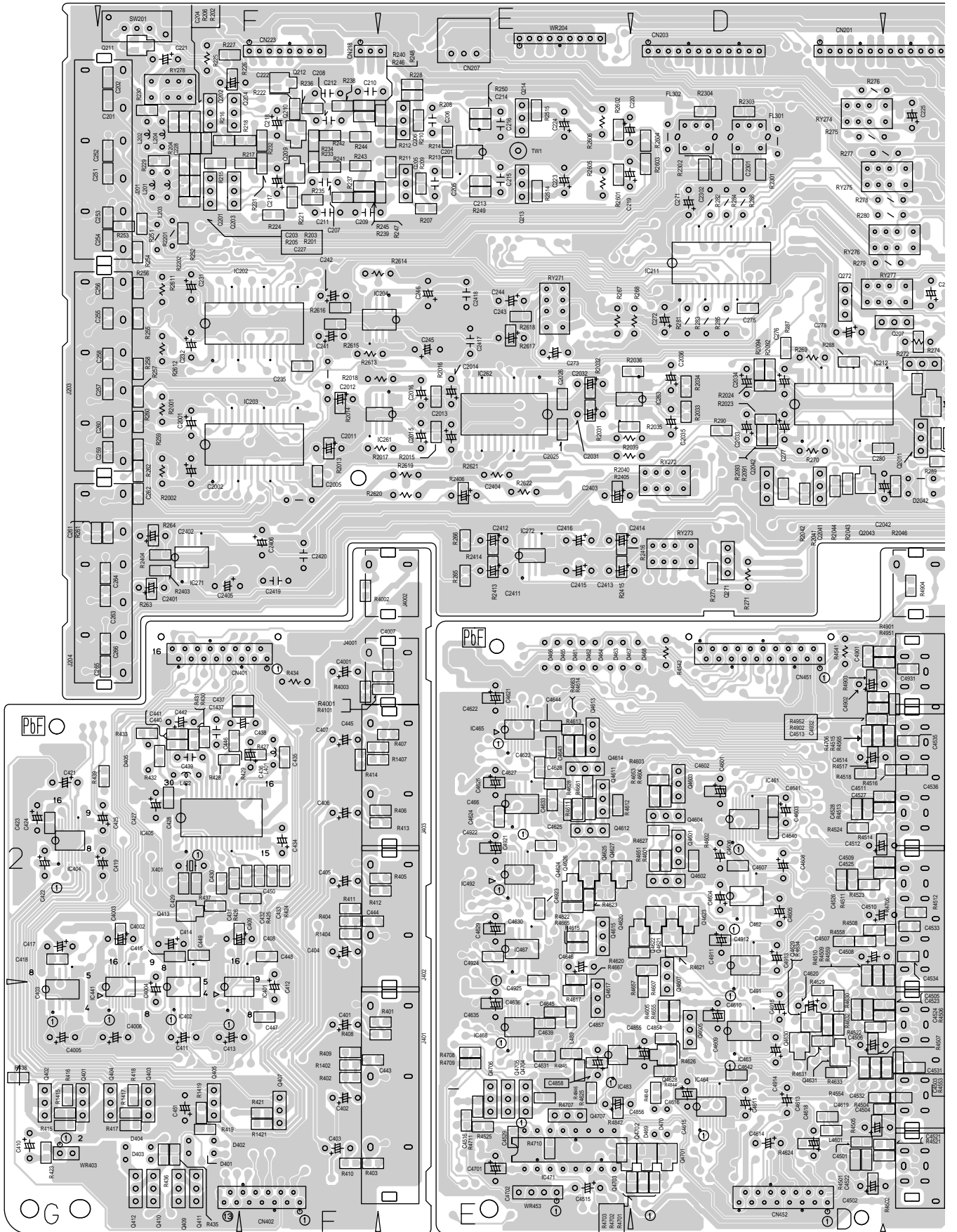
H

2-46

■ Audio & Video signal I/O board

Reverse side

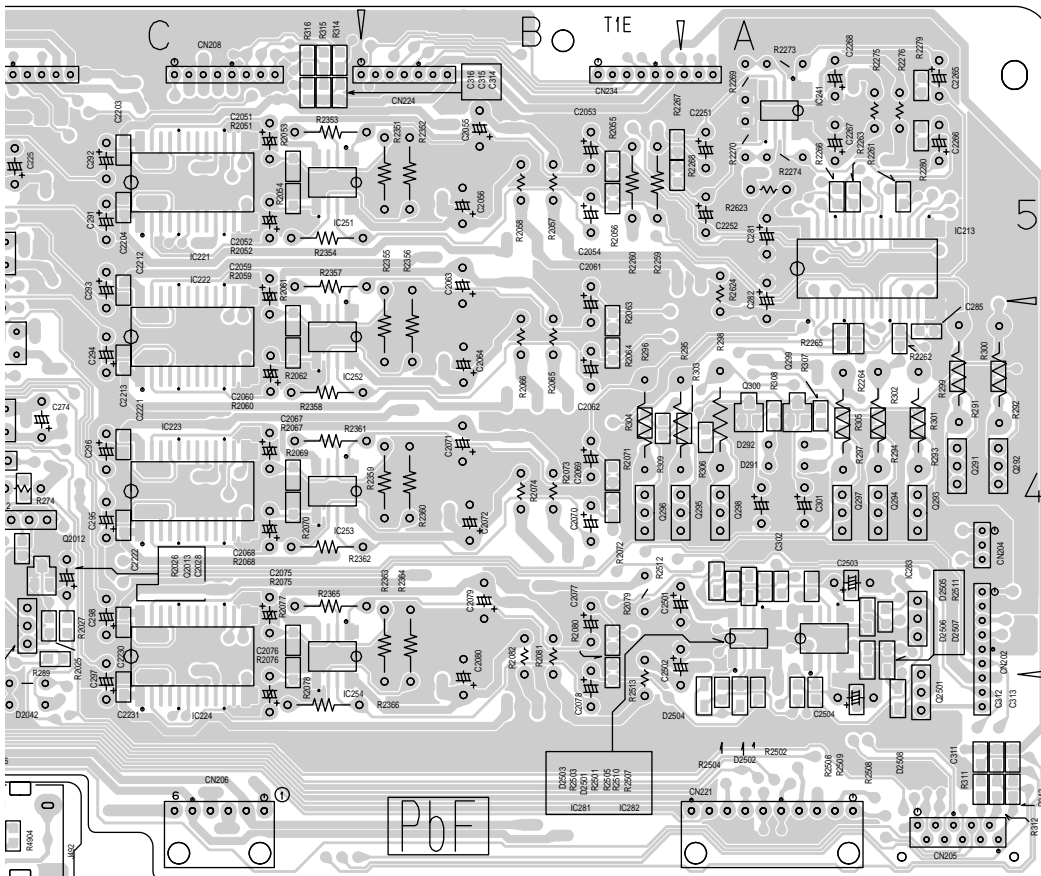
Audio signal 1 board



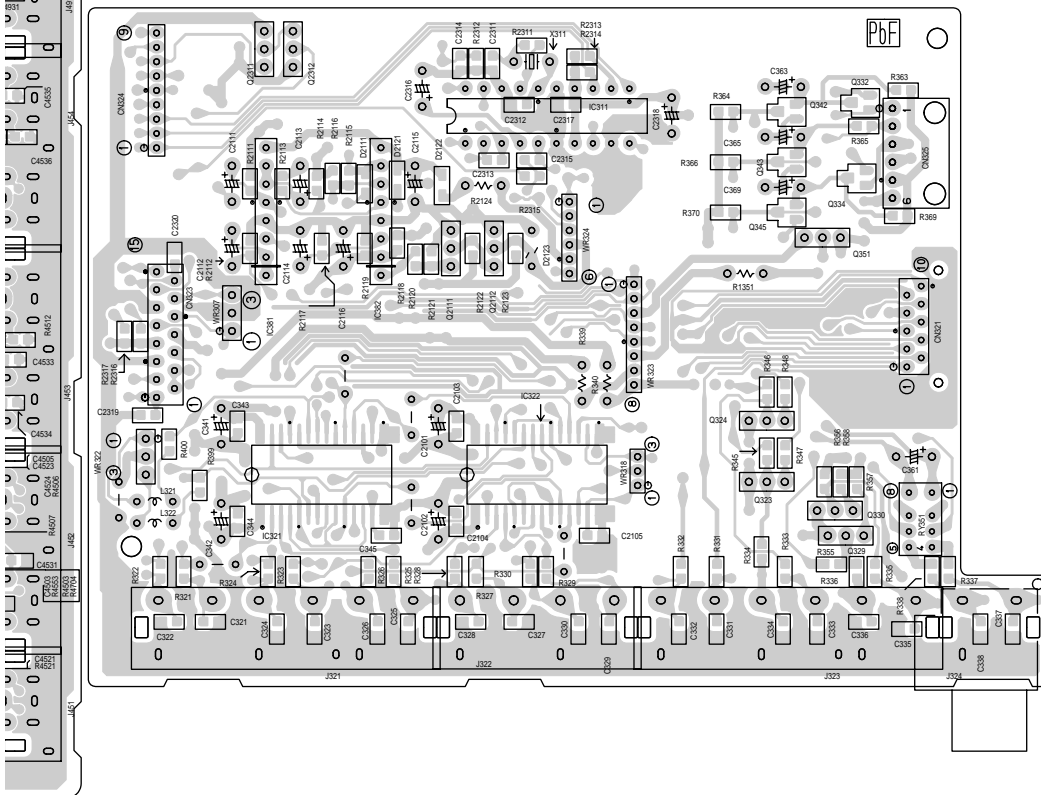
Video signal board

S-video signal board



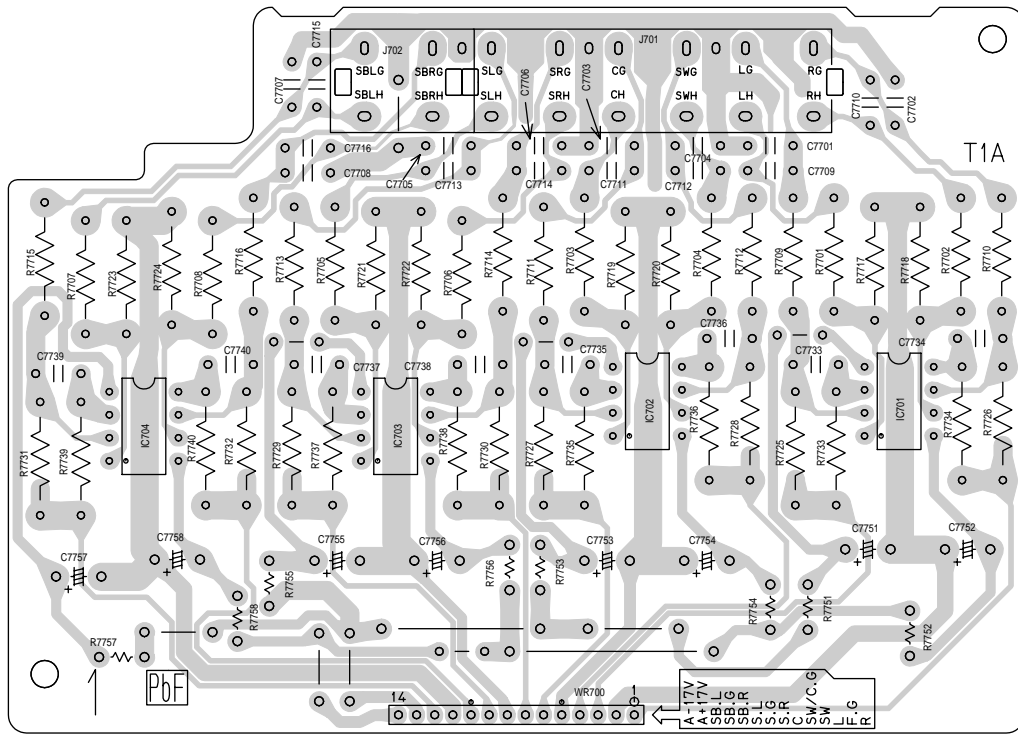


Audio signal 2 board



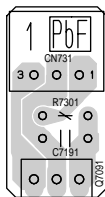
■ Audio signal I/O board

Audio signal 3 board



■ Temp compensation board

Temp compensation board



A

B

C

< M E M O >

**JVC**

VICTOR COMPANY OF JAPAN, LIMITED

AV & MULTIMEDIA COMPANY AUDIO/VIDEO SYSTEMS CATEGORY 10-1, 1chome, Ohwatari-machi, Maebashi-city, 371-8543, Japan

(No.22008SCH)



Printed in Japan  
WPC

# PARTS LIST

[ RX-DP20VBK ]

\* All printed circuit boards and its assemblies are not available as service parts.

## Area suffix

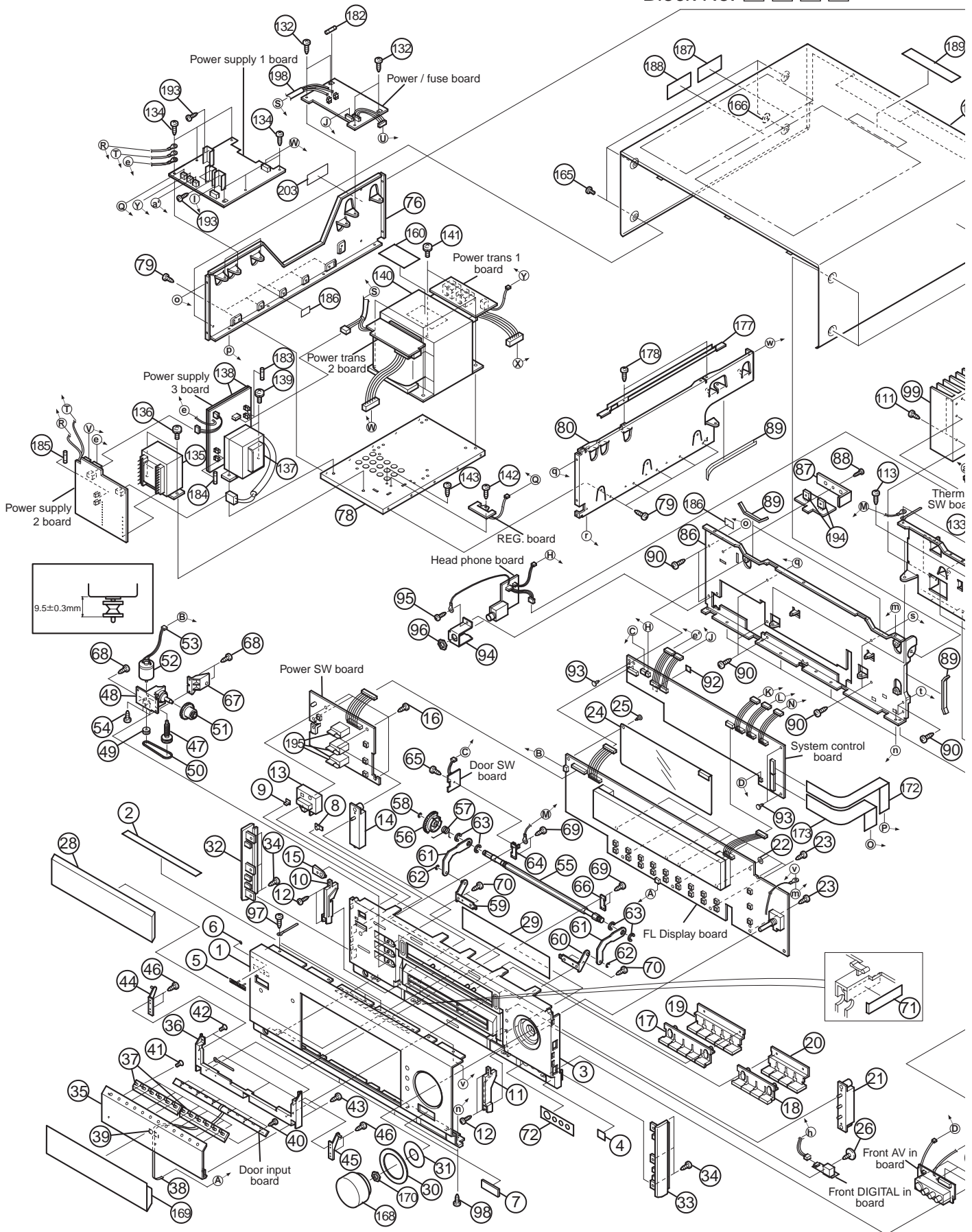
J ----- U.S.A.  
C ----- Canada

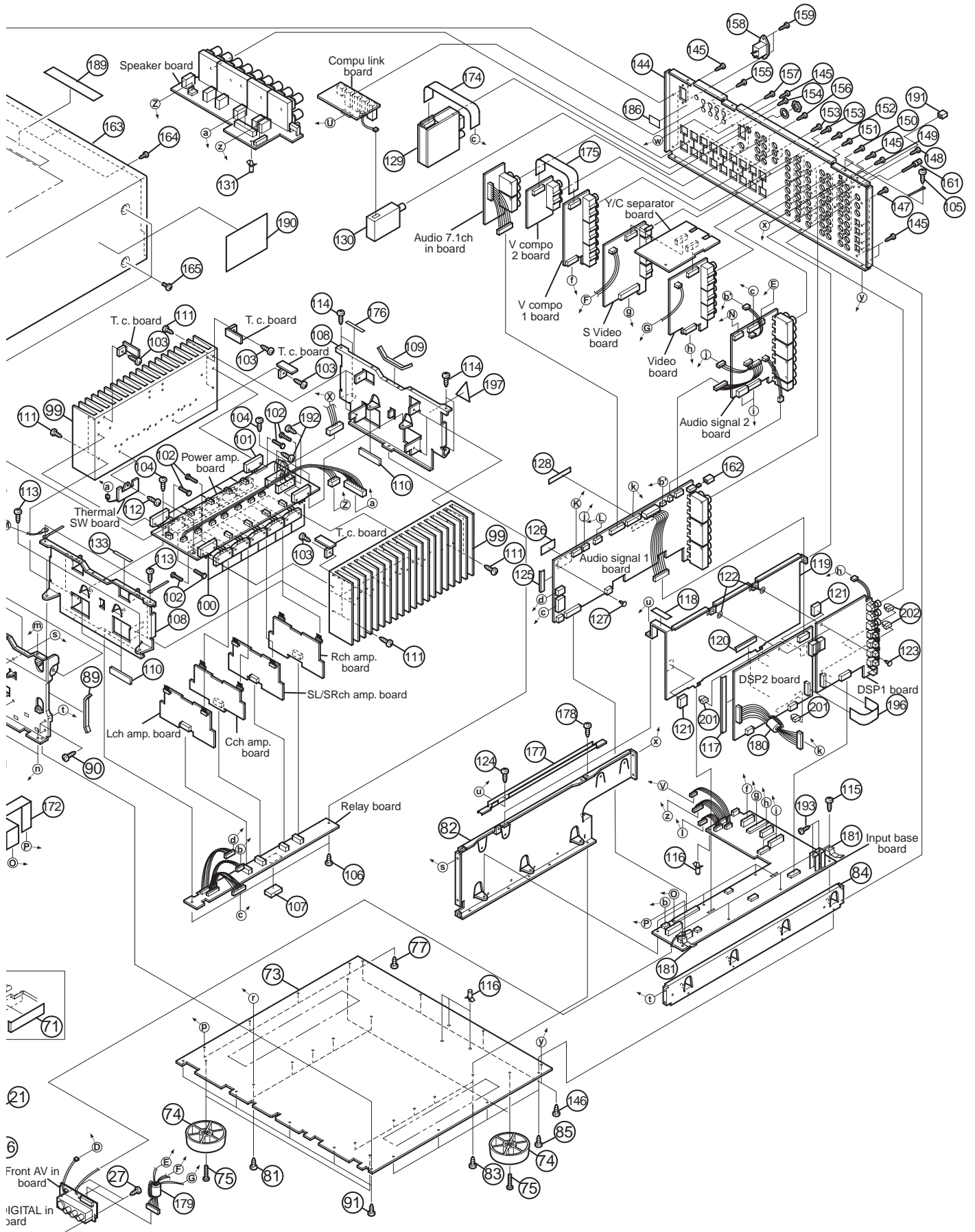
## - Contents -

Exploded view of general assembly and parts list (Block No.M1) .....	3- 2
Electrical parts list (Block No.01~07) .....	3- 6
Packing materials and accessories parts list (Block No.M3).....	3-32

# Exploded view of general assembly and parts list

Block No. **M 1 M M**





# General assembly

## Block No. [M][1][M][M]

△ Symbol No.	Part No.	Part Name	Description	Local
1	LV10535-020A	FRONT PANEL		
2	EXO150010H09S11	FELT SPACER		
3	LV10536-024A	FRONT BASE		
4	LV30225-0D5A	SPACER		
5	PQ45130-1-1	JVC MARK		
6	E60912-003	SPEED NUT		
7	LV43263-001A	K2 MARK		
8	E408131-002	REMOTE LENS		
9	LV42395-001A	INDICATOR		
10	LV32831-002A	GUIDE(L)		
11	LV32832-002A	GUIDE(R)		
12	QYSDSF2608M	TAPPING SCREW	2.6mm x 8mm(x4)	
13	LV32812-002A	PUSH BUTTON		
14	LV32813-003A	PUSH BUTTON		
15	LV32826-003A	INDICATOR	(x3)	
16	QYSDSF2608Z	SCREW	2.6mm x 8mm(x4)	
17	LV32815-006A	PUSH BUTTON		
18	LV32816-004A	PUSH BUTTON		
19	LV32817-006A	PUSH BUTTON		
20	LV32818-004A	PUSH BUTTON		
21	LV32814-002A	PUSH BUTTON		
22	FSYS4004-004	WASHER		
23	QYSDSF2608Z	SCREW	2.6mm x 8mm(x9)	
24	LV42684-001A	BARRIER		
25	E310243-002	PLASTIC RIVET		
26	E65923-003	TAPP NG SCREW		
27	QYSDSF2608Z	SCREW	2.6mm x 8mm(x3)	
28	LV32811-008A	LENS		
29	LV42095-003A	FL SCREEN		
30	LV42405-002A	VOL RING		
31	LV42726-002A	VOL.SPACER		
32	LV21375-001A	S DE FITTING(L)		
33	LV21376-001A	S DE FITTING(R)		
34	QYSBSF3008Z	SCREW	3mm x 8mm(x6)	
35	LV21061-007A	DOOR		
36	LV21062-004A	DOOR BASE		
37	LV21065-002A	PUSH BUTTON	(x2)	
38	WJT0073-001A	E-CARD W RE		
39	LV30225-074A	SPACER		
40	QYSDSF2004Z	SCREW	2mm x 4mm(x6)	
41	QYSSSG2004Z	SCREW	2mm x 4mm(x8)	
42	QYSSSG2004Z	SCREW	2mm x 4mm(x2)	
43	QYSDSF2606Z	SCREW	2.6mm x 6mm(x3)	
44	LV32835-002A	G.P.BKT(L)ASSY		
45	LV32836-002A	G.P.BKT(R)ASSY		
46	QYSDSF2606Z	SCREW	2.6mm x 6mm(x4)	
47	LV42478-001A	WORM GEAR		
48	LV32837-002A	MOTOR BASE		
49	LV41536-201A	PULLEY		
50	LV41598-001A	BELT		
51	LV32838-001A	WORM WHEEL		
52	QAR0100-001	DC MOTOR		
53	WJM0233-001A	E-SI C WIRE C-F		
54	QYSPSP3004Z	SCREW	M3 x 4mm(x2)	
55	LV32830-001A	MAIN SHAFT		
56	LV42400-001A	MAIN GEAR		
57	LV42729-002A	SPRING		
58	QYREE3000X	E RING	M3	
59	LV32833-002A	H.BKT(L) ASSY		
60	LV32834-002A	H.BKT(R) ASSY		
61	LV42396-002A	ARM	(x2)	
62	QYREE3000X	E RING	M3(x2)	
63	QYREE6000X	E RING	M6(x4)	
64	LV42397-001A	S.STOPPER(L)		
65	QYSDSG2606Z	SCREW	2.6mm x 6mm	
66	LV42398-001A	S.STOPPER(R)		
67	LV32839-001A	WHEEL STOPPER		
68	QYSBSF3008Z	SCREW	3mm x 8mm(x3)	
69	QYSDSF2608Z	SCREW	2.6mm x 8mm(x4)	
70	QYSDSF2606M	SCREW	2.6mm x 6mm(x4)	
71	LV42783-001A	EARTH PLATE		
72	LV43235-004A	SHEET		
73	LV10537-005A	BOTTOM PLATE		
74	QZF6018-001	FOOT	60mm x 18mm(x4)	

△ Symbol No.	Part No.	Part Name	Description	Local
75	QYSBST3010Z	TAPP NG SCREW	M3 x 10mm(x4)	
76	LV10541-003A	SIDE BKT(L)		
77	QYSBSGG3008E	TAPP NG SCREW	3mm x 8mm(x4)	
78	LV10542-004A	TRANS BASE		
79	QYSDSG3008E	TAPP NG SCREW	3mm x 8mm(x10)	
80	LV10543-003A	CENTER BKT(L)		
81	QYSBSGG3008E	TAPP NG SCREW	3mm x 8mm(x5)	
82	LV10544-002A	CENTER BKT(R)		
83	QYSBSGG3008E	TAPP NG SCREW	3mm x 8mm(x5)	
84	LV21066-002A	SIDE BKT(R)		
85	QYSBSGG3008E	TAPP NG SCREW	3mm x 8mm(x4)	
86	LV10539-003A	FRONT BKT		
87	LV41603-001A	LEAF SPRING		
88	QYSBSGG3008E	TAPP NG SCREW	3mm x 8mm	
89	LV30225-071A	SPACER	(x4)	
90	QYSBSGG3008E	TAPP NG SCREW	3mm x 8mm(x9)	
91	QYSBSGG3008E	TAPP NG SCREW	3mm x 8mm(x5)	
92	LV30225-0C8A	SPACER		
93	E310243-002	PLASTIC RIVET	(x3)	
94	LV43600-001A	H.P.JACK BKT		
95	QYSBSGG3006Z	SCREW	3mm x 6mm	
96	VKZ4150-001	SPECIAL NUT		
97	QYSDSG3008E	TAPP NG SCREW	3mm x 8mm(x3)	
98	QYSBSGG3008E	TAPP NG SCREW	3mm x 8mm(x4)	
99	LV32828-006A	HEAT SINK	(x2)	
△ 100	2SC3858/PG/-F1	TRANSISTOR	Q714 Q764 Q814 Q1614 Q1664 Q1714 Q1764(x7)	
△ 101	2SA1494/PG/-F1	TRANSISTOR	Q715 Q765 Q815 Q1615 Q1665 Q1715 Q1765(x7)	
102	E73525-003SS	SCREW	(x28)	
103	QYSBSGG3010E	TAPP NG SCREW	3mm x 10mm(x7)	
104	QYSBSGG3010E	TAPP NG SCREW	3mm x 10mm(x4)	
105	QYSBSGG3008E	TAPPING SCREW	3mm x 8mm	
106	QYSBSGG3010E	TAPP NG SCREW	3mm x 10mm(x2)	
107	LV30225-0D3A	SPACER		
108	LV21067-002A	H.SINK BKT	(x2)	
109	LV30225-071A	SPACER		
110	LV30225-074A	SPACER	(x3)	
111	QYSBSGG3010E	TAPP NG SCREW	3mm x 10mm(x8)	
112	QYSBSGG3010E	TAPP NG SCREW	3mm x 10mm	
113	QYSBSGG3008E	TAPP NG SCREW	3mm x 8mm(x4)	
114	QYSBSGG3008E	TAPP NG SCREW	3mm x 8mm(x4)	
115	QYSBSGG3008E	TAPP NG SCREW	3mm x 8mm(x7)	
116	E310244-003	FASTENER	(x4)	
117	LV30225-0P2A	SPACER		
118	LV30225-0N9A	SPACER		
119	LV21068-003A	SHIELD COVER		
120	LV30225-0N9A	SPACER		
121	LV30225-0D4A	SPACER	(x2)	
122	LV30226-034A	SPACER	(x2)	
123	E310243-002	PLASTIC RIVET	(x2)	
124	QYSBSGG3008E	TAPPING SCREW	3mm x 8mm	
125	LV30225-0P1A	SPACER		
126	LV30225-0P3A	SPACER		
127	E310243-002	PLASTIC RIVET		
128	LV30225-0C7A	SPACER		
129	QAU0233-001	TUNER		
130	QAU0237-002	TUNER		
131	E310244-003	FASTENER		
132	QYSBSGG3008E	TAPP NG SCREW	3mm x 8mm(x4)	
133	LV30225-074A	SPACER		
134	QYSBSGG3008E	TAPP NG SCREW	3mm x 8mm(x6)	
△ 135	QQT0378-001	POWER TRANSF	T 41	
136	QYSDSTL4008E	TAP SCREW	M4 x 8mm(x2)	
△ 137	QQT0379-001	POWER TRANSF	T 42	
138	LV43364-001A	BARRIER	(x2)	
139	QYSDSTL4008E	TAP SCREW	M4 x 8mm(x2)	
△ 140	QQT0380-001	POWER TRANSF	T 1	
141	QYSDSTL4008E	TAP SCREW	M4 x 8mm(x4)	
142	QYSBSGG3008E	TAPP NG SCREW	3mm x 8mm	
143	QYSDSG3008E	TAPP NG SCREW	3mm x 8mm	
144	LV10728-015A	REAR PANEL		DP20 VBKC
144	LV10728-009A	REAR PANEL		DP20 VBKJ



△ Symbol No.	Part No.	Part Name	Description	Local
145	QYSBSGY3008E	SPECIAL SCREW	3mm x 8mm(x8)	
146	QYSBSGY3008E	SPECIAL SCREW	3mm x 8mm(x4)	
147	QYSBSGY3008E	SPECIAL SCREW	3mm x 8mm(x6)	
148	QYSBSGY3008E	SPECIAL SCREW	3mm x 8mm	
149	QYSBSGY3008E	SPECIAL SCREW	3mm x 8mm(x4)	
150	QYSBSGY3008E	SPECIAL SCREW	3mm x 8mm(x4)	
151	QYSBSGY3008E	SPECIAL SCREW	3mm x 8mm(x5)	
152	QYSBSGY3008E	SPECIAL SCREW	3mm x 8mm(x6)	
153	QYSBSGY3008E	SPECIAL SCREW	3mm x 8mm(x5)	
154	QYSBSGY3008E	SPECIAL SCREW	3mm x 8mm(x2)	
155	QYSBSGY3008E	SPECIAL SCREW	3mm x 8mm(x4)	
156	QYSBSGY3008E	SPECIAL SCREW	3mm x 8mm(x2)	
157	QYSBSGY3008E	SPECIAL SCREW	3mm x 8mm(x5)	
158	QNC0095-001	AC INLET(2PIN)		
159	QYSBSGY3008E	SPECIAL SCREW	3mm x 8mm(x2)	
160	LV40911-001A	LABEL		
161	E409257-001	GND TERM NAL		
162	LV43356-001A	KNOB		
163	LV10538-006A	TOP COVER		
164	QYSBSGY3008E	SPECIAL SCREW	3mm x 8mm(x3)	
165	E406308-003	SPECIAL SCREW	(x8)	
166	LV30226-029A	SPACER		
168	LV32819-002A	VOL KNOB		
169	LV33243-001A	PROTECT SHEET		
170	E71862-003T	VOL.NUT		
172	QUQ412-2119DJ	FFC WIRE		
173	QUQ412-2419DJ	FFC WIRE		
174	QUQ412-1522DJ	FFC WIRE		
175	QUQ412-1605DJ	FFC WIRE		
176	LV30225-074A	SPACER		
177	LV33163-001A	BARRIER	(x2)	
178	QYSBSGG3008E	TAPPING SCREW	3mm x 8mm(x3)	
179	QQR0594-001	NOISE FILTER	FL 1	
180	QQR1406-001	NOISE FILTER	FL 2	
181	QNZ0649-001	EARTH TERMINAL	(x2)	
△ 182	QMF51U1-8R0-J1	FUSE	F 21 8A AC125V	
△ 183	QMF51N2-R50-J1	FUSE	F 41 0.5A AC250V	
△ 184	QMF51U1-2R0-J1	FUSE	F 43 2A AC125V	
△ 185	QMF51U1-2R0-J1	FUSE	F 42 2A AC125V	
186	LV42388-001A	FUSE CAUTION	(x3)	
187	E67199-001	J=FISE C.LABEL		DP20 VBKJ
188	E75803-001	J=FUZE C.LABEL		DP20 VBKJ
189	E409396-003	CAUTION LABEL		DP20 VBKC
189	E409394-001	CAUTION LABEL		DP20 VBKJ
190	LV43341-006A	LICENSE LABEL		DP20 VBKC
190	LV43341-005A	LICENSE LABEL		DP20 VBKJ
191	QAM0486-001	SHORT PI PLUG	(x2)	
192	QYSBSG3008E	TAPPING SCREW	3mm x 8mm(x6)	
193	QYSBSG3008E	TAPPING SCREW	3mm x 8mm(x5)	
△ 194	KTA1046/Y/	TRANSISTOR	Q 51 Q 52(x2)	
195	LV32827-002A	LED HOLDER	(x3)	
196	QUQ110-2105BJ	FFC WIRE		
197	VND4113-001	G.CAUTION		
198	QWTJ809-210	GLASS TUBE		
201	NNZ0095-001X	EARTH TERMINAL	BC601 BC602 BC603 BC604 BC605 BC606(x6)	
202	NNZ0095-001X	EARTH TERMINAL	BC 801 BC 802(x2)	
203	E65507-001	CAUTION LABEL		DP20 VBKC

# Electrical parts list

## Power amp. board

Block No. [0][1][0][0]

△ Symbol No.	Part No.	Part Name	Description	Local	△ Symbol No.	Part No.	Part Name	Description	Local
IC601	VC5022-2	IC	Super A		Q1631	2SC2412K/RS/-X	TRANSISTOR		
IC602	VC5022-2	IC	Super A		Q1632	DTA124EKA-X	DIGI TRANSISTOR		
IC603	VC5022-2	IC	Super A		Q1651	2SC1775A/E/-T	TRANSISTOR		
IC604	VC5022-2	IC	Super A		Q1652	2SC1775A/E/-T	TRANSISTOR		
IC605	VC5022-2	IC	Super A		Q1653	KTC3200/GL/-T	TRANSISTOR		
IC606	VC5022-2	IC	Super A		Q1654	KTC3199/GL/-T	TRANSISTOR		
IC607	VC5022-2	IC	Super A		Q1655	KTA1268/GL/-T	TRANSISTOR		
IC951	TA7317P	IC	Protector		Q1656	KTA1267/YG/-T	TRANSISTOR		
Q701	2SC1775A/E/-T	TRANSISTOR			Q1657	KTA1268/GL/-T	TRANSISTOR		
Q702	2SC1775A/E/-T	TRANSISTOR			Q1658	KTC3200/GL/-T	TRANSISTOR		
Q703	KTC3200/GL/-T	TRANSISTOR			Q1660	KTC3200/GL/-T	TRANSISTOR		
Q704	KTC3199/GL/-T	TRANSISTOR			Q1661	KTA1268/GL/-T	TRANSISTOR		
Q705	KTA1268/GL/-T	TRANSISTOR			Q1662	2SC4883A/Y/	POW TRANSISTOR		
Q706	KTA1267/YG/-T	TRANSISTOR			Q1663	2SA1859A/Y/	POW TRANSISTOR		
Q707	KTA1268/GL/-T	TRANSISTOR			Q1666	2SC2412K/RS/-X	TRANSISTOR		
Q708	KTC3200/GL/-T	TRANSISTOR			Q1667	2SA1037AK/RS/-X	TRANSISTOR		
Q710	KTC3200/GL/-T	TRANSISTOR			Q1681	2SC2412K/RS/-X	TRANSISTOR		
Q711	KTA1268/GL/-T	TRANSISTOR			Q1682	DTA124EKA-X	DIGI TRANSISTOR		
Q712	2SC4883A/Y/	POW TRANSISTOR			Q1701	2SC1775A/E/-T	TRANSISTOR		
Q713	2SA1859A/Y/	POW TRANSISTOR			Q1702	2SC1775A/E/-T	TRANSISTOR		
Q716	2SC2412K/RS/-X	TRANSISTOR			Q1703	KTC3200/GL/-T	TRANSISTOR		
Q717	2SA1037AK/RS/-X	TRANSISTOR			Q1704	KTC3199/GL/-T	TRANSISTOR		
Q731	2SC2412K/RS/-X	TRANSISTOR			Q1705	KTA1268/GL/-T	TRANSISTOR		
Q732	DTA124EKA-X	DIGI TRANSISTOR			Q1706	KTA1267/YG/-T	TRANSISTOR		
Q751	2SC1775A/E/-T	TRANSISTOR			Q1707	KTA1268/GL/-T	TRANSISTOR		
Q752	2SC1775A/E/-T	TRANSISTOR			Q1708	KTC3200/GL/-T	TRANSISTOR		
Q753	KTC3200/GL/-T	TRANSISTOR			Q1710	KTC3200/GL/-T	TRANSISTOR		
Q754	KTC3199/GL/-T	TRANSISTOR			Q1711	KTA1268/GL/-T	TRANSISTOR		
Q755	KTA1268/GL/-T	TRANSISTOR			Q1712	2SC4883A/Y/	POW TRANSISTOR		
Q756	KTA1267/YG/-T	TRANSISTOR			Q1713	2SA1859A/Y/	POW TRANSISTOR		
Q757	KTA1268/GL/-T	TRANSISTOR			Q1716	2SC2412K/RS/-X	TRANSISTOR		
Q758	KTC3200/GL/-T	TRANSISTOR			Q1717	2SA1037AK/RS/-X	TRANSISTOR		
Q760	KTC3200/GL/-T	TRANSISTOR			Q1731	2SC2412K/RS/-X	TRANSISTOR		
Q761	KTA1268/GL/-T	TRANSISTOR			Q1732	DTA124EKA-X	DIGI TRANSISTOR		
Q762	2SC4883A/Y/	POW TRANSISTOR			Q1751	2SC1775A/E/-T	TRANSISTOR		
Q763	2SA1859A/Y/	POW TRANSISTOR			Q1752	2SC1775A/E/-T	TRANSISTOR		
Q766	2SC2412K/RS/-X	TRANSISTOR			Q1753	KTC3200/GL/-T	TRANSISTOR		
Q767	2SA1037AK/RS/-X	TRANSISTOR			Q1754	KTC3199/GL/-T	TRANSISTOR		
Q772	DTD123TK-X	CH P D.TRANSISTOR			Q1755	KTA1268/GL/-T	TRANSISTOR		
Q781	2SC2412K/RS/-X	TRANSISTOR			Q1756	KTA1267/YG/-T	TRANSISTOR		
Q782	DTA124EKA-X	DIGI TRANSISTOR			Q1757	KTA1268/GL/-T	TRANSISTOR		
Q801	2SC1775A/E/-T	TRANSISTOR			Q1758	KTC3200/GL/-T	TRANSISTOR		
Q802	2SC1775A/E/-T	TRANSISTOR			Q1760	KTC3200/GL/-T	TRANSISTOR		
Q803	KTC3200/GL/-T	TRANSISTOR			Q1761	KTA1268/GL/-T	TRANSISTOR		
Q804	KTC3199/GL/-T	TRANSISTOR			Q1762	2SC4883A/Y/	POW TRANSISTOR		
Q805	KTA1268/GL/-T	TRANSISTOR			Q1763	2SA1859A/Y/	POW TRANSISTOR		
Q806	KTA1267/YG/-T	TRANSISTOR			Q1766	2SC2412K/RS/-X	TRANSISTOR		
Q807	KTA1268/GL/-T	TRANSISTOR			Q1767	2SA1037AK/RS/-X	TRANSISTOR		
Q808	KTC3200/GL/-T	TRANSISTOR			Q1781	2SC2412K/RS/-X	TRANSISTOR		
Q810	KTC3200/GL/-T	TRANSISTOR			Q1782	DTA124EKA-X	DIGI TRANSISTOR		
Q811	KTA1268/GL/-T	TRANSISTOR			Q1901	2SC3906K/RS/-X	P TRANSISTOR		
Q812	2SC4883A/Y/	POW TRANSISTOR			Q1911	2SC3906K/RS/-X	P TRANSISTOR		
Q813	2SA1859A/Y/	POW TRANSISTOR			Q1921	2SC3906K/RS/-X	P TRANSISTOR		
Q816	2SC2412K/RS/-X	TRANSISTOR			Q1931	2SC3906K/RS/-X	P TRANSISTOR		
Q817	2SA1037AK/RS/-X	TRANSISTOR			Q1941	2SC3906K/RS/-X	P TRANSISTOR		
Q831	2SC2412K/RS/-X	TRANSISTOR			Q1951	2SC3906K/RS/-X	P TRANSISTOR		
Q832	DTA124EKA-X	DIGI TRANSISTOR			Q1961	2SC3906K/RS/-X	P TRANSISTOR		
Q1601	2SC1775A/E/-T	TRANSISTOR			Q1971	2SA1514K/RS/-X	TRANSISTOR		
Q1602	2SC1775A/E/-T	TRANSISTOR			Q1991	KRC105M-T	DIGI TRANSISTOR		
Q1603	KTC3200/GL/-T	TRANSISTOR			Q1992	KRC105M-T	DIGI TRANSISTOR		
Q1604	KTC3199/GL/-T	TRANSISTOR			Q1993	KRC105M-T	DIGI TRANSISTOR		
Q1605	KTA1268/GL/-T	TRANSISTOR			Q1994	KRC105M-T	DIGI TRANSISTOR		
Q1606	KTA1267/YG/-T	TRANSISTOR			Q1995	KRC105M-T	DIGI TRANSISTOR		
Q1607	KTA1268/GL/-T	TRANSISTOR			Q1996	KRC105M-T	DIGI TRANSISTOR		
Q1608	KTC3200/GL/-T	TRANSISTOR			D702	1SS133-T2	DIODE		
Q1610	KTC3200/GL/-T	TRANSISTOR			D703	1SS133-T2	DIODE		
Q1611	KTA1268/GL/-T	TRANSISTOR			D708	UDZS24B-X	Z DIODE		
Q1612	2SC4883A/Y/	POW TRANSISTOR			D709	UDZS24B-X	Z DIODE		
Q1613	2SA1859A/Y/	POW TRANSISTOR			D710	1SS355-X	SI DIODE		
Q1616	2SC2412K/RS/-X	TRANSISTOR			D711	1SS355-X	SI DIODE		
Q1617	2SA1037AK/RS/-X	TRANSISTOR			D712	1SS355-X	SI DIODE		
					D713	1SS355-X	SI DIODE		
					D715	HZ3.0BP	Z DIODE		

△ Symbol No.	Part No.	Part Name	Description	Local	△ Symbol No.	Part No.	Part Name	Description	Local
	D716	MTZJ33C-T2	Z DIODE		D1921	1SS133-T2	DIODE		
	D717	MTZJ33C-T2	Z DIODE		D1931	1SS133-T2	DIODE		
△	D745	F10P20F	DIODE		D1941	1SS133-T2	DIODE		
△	D746	F10P20FR	DIODE		D1951	1SS133-T2	DIODE		
	D752	1SS133-T2	DIODE		D1961	1SS133-T2	DIODE		
	D753	1SS133-T2	DIODE		D1991	1SS133-T2	DIODE		
	D758	UDZS24B-X	Z DIODE		D1992	1SS133-T2	DIODE		
	D759	UDZS24B-X	Z DIODE		D1993	1SS133-T2	DIODE		
	D760	1SS355-X	SI DIODE		D1994	1SS133-T2	DIODE		
	D761	1SS355-X	SI DIODE		D1995	1SS133-T2	DIODE		
	D762	1SS355-X	SI DIODE		D1996	1SS133-T2	DIODE		
	D763	1SS355-X	SI DIODE						
	D765	HZ3.0BP	Z DIODE		C701	QTE1K44-106Z	E CAPACITOR	10uF 80V	
	D766	MTZJ33C-T2	Z DIODE		C702	QCS32HJ-101Z	C CAPACITOR	100pF 500V J	
	D767	MTZJ33C-T2	Z DIODE		C703	QCS32HJ-101Z	C CAPACITOR	100pF 500V J	
	D773	1SS133-T2	DIODE		C704	QFN31HJ-332Z	M CAPACITOR	3300pF 50V J	
	D774	1SS133-T2	DIODE		C705	QCS32HJ-220Z	C CAPACITOR	22pF 500V J	
△	D795	F10P20F	DIODE		C708	QFN31HJ-472Z	M CAPACITOR	4700pF 50V J	
△	D796	F10P20FR	DIODE		C709	QCS32HJ-470Z	C CAPACITOR	47pF 500V J	
	D802	1SS133-T2	DIODE		C710	QCS32HJ-470Z	C CAPACITOR	47pF 500V J	
	D803	1SS133-T2	DIODE		C711	QEZO539-476Z	E CAPACITOR	47uF	
	D808	UDZS24B-X	Z DIODE		C712	QEZO539-476Z	E CAPACITOR	47uF	
	D809	UDZS24B-X	Z DIODE		C715	QCS32HJ-330Z	C CAPACITOR	33pF 500V J	
	D810	1SS355-X	SI DIODE		C721	NCF21EZ-224X	E CAPACITOR	0 22uF 25V Z	
	D811	1SS355-X	SI DIODE		C731	QEZO539-476Z	E CAPACITOR	47uF	
	D812	1SS355-X	SI DIODE		C735	QFLC1HJ-473Z	M CAPACITOR	0 047uF 50V J	
	D813	1SS355-X	SI DIODE		C736	QFLC1HJ-473Z	M CAPACITOR	0 047uF 50V J	
	D815	HZ3.0BP	Z DIODE		C741	QCS32HJ-100Z	C CAPACITOR	10pF 500V J	
	D816	MTZJ33C-T2	Z DIODE		C742	QTE1K44-106Z	E CAPACITOR	10uF 80V	
	D817	MTZJ33C-T2	Z DIODE		C745	QEZO545-338	E CAPACITOR	3300uF	
△	D845	F10P20F	DIODE		C746	QEZO545-338	E CAPACITOR	3300uF	
△	D846	F10P20FR	DIODE		C751	QTE1K44-106Z	E CAPACITOR	10uF 80V	
	D1602	1SS133-T2	DIODE		C752	QCS32HJ-101Z	C CAPACITOR	100pF 500V J	
	D1603	1SS133-T2	DIODE		C753	QCS32HJ-101Z	C CAPACITOR	100pF 500V J	
	D1608	UDZS24B-X	Z DIODE		C754	QFN31HJ-332Z	M CAPACITOR	3300pF 50V J	
	D1609	UDZS24B-X	Z DIODE		C755	QCS32HJ-220Z	C CAPACITOR	22pF 500V J	
	D1610	1SS355-X	SI DIODE		C758	QFN31HJ-472Z	M CAPACITOR	4700pF 50V J	
	D1611	1SS355-X	SI DIODE		C759	QCS32HJ-470Z	C CAPACITOR	47pF 500V J	
	D1612	1SS355-X	SI DIODE		C760	QCS32HJ-470Z	C CAPACITOR	47pF 500V J	
	D1613	1SS355-X	SI DIODE		C761	QEZO539-476Z	E CAPACITOR	47uF	
	D1615	HZ3.0BP	Z DIODE		C762	QEZO539-476Z	E CAPACITOR	47uF	
	D1616	MTZJ33C-T2	Z DIODE		C765	QCS32HJ-330Z	C CAPACITOR	33pF 500V J	
	D1617	MTZJ33C-T2	Z DIODE		C771	NCF21EZ-224X	E CAPACITOR	0 22uF 25V Z	
	D1652	1SS133-T2	DIODE		C773	QFV72AJ-104Z	MF CAPACITOR	0.1uF 100V J	
	D1653	1SS133-T2	DIODE		C774	QFV72AJ-104Z	MF CAPACITOR	0.1uF 100V J	
	D1658	UDZS24B-X	Z DIODE		C775	QFV72AJ-104Z	MF CAPACITOR	0.1uF 100V J	
	D1659	UDZS24B-X	Z DIODE		C776	QFV72AJ-104Z	MF CAPACITOR	0.1uF 100V J	
	D1660	1SS355-X	SI DIODE		C781	QEZO539-476Z	E CAPACITOR	47uF	
	D1661	1SS355-X	SI DIODE		C785	QFLC1HJ-473Z	M CAPACITOR	0 047uF 50V J	
	D1662	1SS355-X	SI DIODE		C786	QFLC1HJ-473Z	M CAPACITOR	0 047uF 50V J	
	D1663	1SS355-X	SI DIODE		C791	QCS32HJ-100Z	C CAPACITOR	10pF 500V J	
	D1665	HZ3.0BP	Z DIODE		C792	QTE1K44-106Z	E CAPACITOR	10uF 80V	
	D1666	MTZJ33C-T2	Z DIODE		C795	QEZO545-338	E CAPACITOR	3300uF	
	D1667	MTZJ33C-T2	Z DIODE		C796	QEZO545-338	E CAPACITOR	3300uF	
	D1702	1SS133-T2	DIODE		C801	QTE1K44-106Z	E CAPACITOR	10uF 80V	
	D1703	1SS133-T2	DIODE		C802	QCS32HJ-101Z	C CAPACITOR	100pF 500V J	
	D1708	UDZS24B-X	Z DIODE		C803	QCS32HJ-101Z	C CAPACITOR	100pF 500V J	
	D1709	UDZS24B-X	Z DIODE		C804	QFN31HJ-332Z	M CAPACITOR	3300pF 50V J	
	D1710	1SS355-X	SI DIODE		C805	QCS32HJ-220Z	C CAPACITOR	22pF 500V J	
	D1711	1SS355-X	SI DIODE		C808	QFN31HJ-472Z	M CAPACITOR	4700pF 50V J	
	D1712	1SS355-X	SI DIODE		C809	QCS32HJ-470Z	C CAPACITOR	47pF 500V J	
	D1713	1SS355-X	SI DIODE		C810	QCS32HJ-470Z	C CAPACITOR	47pF 500V J	
	D1715	HZ3.0BP	Z DIODE		C811	QEZO539-476Z	E CAPACITOR	47uF	
	D1716	MTZJ33C-T2	Z DIODE		C812	QEZO539-476Z	E CAPACITOR	47uF	
	D1717	MTZJ33C-T2	Z DIODE		C815	QCS32HJ-330Z	C CAPACITOR	33pF 500V J	
	D1752	1SS133-T2	DIODE		C821	NCF21EZ-224X	E CAPACITOR	0 22uF 25V Z	
	D1753	1SS133-T2	DIODE		C831	QEZO539-476Z	E CAPACITOR	47uF	
	D1758	UDZS24B-X	Z DIODE		C835	QFLC1HJ-473Z	M CAPACITOR	0 047uF 50V J	
	D1759	UDZS24B-X	Z DIODE		C836	QFLC1HJ-473Z	M CAPACITOR	0 047uF 50V J	
	D1760	1SS355-X	SI DIODE		C841	QCS32HJ-100Z	C CAPACITOR	10pF 500V J	
	D1761	1SS355-X	SI DIODE		C842	QTE1K44-106Z	E CAPACITOR	10uF 80V	
	D1762	1SS355-X	SI DIODE		C895	QEZO545-338	E CAPACITOR	3300uF	
	D1763	1SS355-X	SI DIODE		C896	QEZO545-338	E CAPACITOR	3300uF	
	D1765	HZ3.0BP	Z DIODE		C1601	QTE1K44-106Z	E CAPACITOR	10uF 80V	
	D1766	MTZJ33C-T2	Z DIODE		C1602	QCS32HJ-101Z	C CAPACITOR	100pF 500V J	
	D1767	MTZJ33C-T2	Z DIODE		C1603	QCS32HJ-101Z	C CAPACITOR	100pF 500V J	
	D1901	1SS133-T2	DIODE		C1604	QFN31HJ-332Z	M CAPACITOR	3300pF 50V J	
	D1911	1SS133-T2	DIODE		C1605	QCS32HJ-220Z	C CAPACITOR	22pF 500V J	

△ Symbol No.	Part No.	Part Name	Description	Local	△ Symbol No.	Part No.	Part Name	Description	Local
C1608	QFN31HJ-472Z	M CAPACITOR	4700pF 50V J		C1975	QETN1HM-226Z	E CAPACITOR	22uF 50V M	
C1609	QCS32HJ-470Z	C CAPACITOR	47pF 500V J		C1981	QETN1HM-105Z	E CAPACITOR	1uF 50V M	
C1610	QCS32HJ-470Z	C CAPACITOR	47pF 500V J		C1982	QETN1HM-105Z	E CAPACITOR	1uF 50V M	
C1611	QEZO539-476Z	E CAPACITOR	47uF		C1983	QETN1HM-105Z	E CAPACITOR	1uF 50V M	
C1612	QEZO539-476Z	E CAPACITOR	47uF		C1984	QETN1HM-105Z	E CAPACITOR	1uF 50V M	
C1615	QCS32HJ-330Z	C CAPACITOR	33pF 500V J		C1985	QETN1HM-105Z	E CAPACITOR	1uF 50V M	
C1621	NCF21EZ-224X	E CAPACITOR	0.22uF 25V Z		C1986	QETN1HM-105Z	E CAPACITOR	1uF 50V M	
C1631	QEZO539-476Z	E CAPACITOR	47uF						
C1635	QFLC1HJ-473Z	M CAPACITOR	0.047uF 50V J		R701	QRZ0133-101	C.RES RMA	100Ω	
C1636	QFLC1HJ-473Z	M CAPACITOR	0.047uF 50V J		R702	QRA14CF-1003Y	CMF RESISTOR	100kΩ 1/4W F	
C1641	QCS32HJ-100Z	C CAPACITOR	10pF 500V J		R703	QRE141J-102Y	C RESISTOR	1kΩ 1/4W J	
C1642	QTE1K44-106Z	E CAPACITOR	10uF 80V		R704	QRE141J-331Y	C RESISTOR	330Ω 1/4W J	
C1645	QEZO545-338	E CAPACITOR	3300uF		R705	QRE141J-104Y	C RESISTOR	100kΩ 1/4W J	
C1646	QEZO545-338	E CAPACITOR	3300uF		R706	QRE141J-202Y	C RESISTOR	2kΩ 1/4W J	
C1651	QTE1K44-106Z	E CAPACITOR	10uF 80V		R707	QRE141J-202Y	C RESISTOR	2kΩ 1/4W J	
C1652	QCS32HJ-101Z	C CAPACITOR	100pF 500V J		R708	QRE141J-101Y	C RESISTOR	100Ω 1/4W J	
C1653	QCS32HJ-101Z	C CAPACITOR	100pF 500V J		R709	QRJ146J-151X	UNF C RESISTOR	150Ω 1/4W J	
C1654	QFN31HJ-332Z	M CAPACITOR	3300pF 50V J		R710	QRJ146J-562X	UNF C RESISTOR	5.6kΩ 1/4W J	
C1655	QCS32HJ-220Z	C CAPACITOR	22pF 500V J		R711	QRK126J-103X	UNF C RESISTOR	10kΩ 1/2W J	
C1658	QFN31HJ-472Z	M CAPACITOR	4700pF 50V J		R712	QRE141J-680Y	C RESISTOR	68Ω 1/4W J	
C1659	QCS32HJ-470Z	C CAPACITOR	47pF 500V J		R713	QRE141J-152Y	C RESISTOR	1.5kΩ 1/4W J	
C1660	QCS32HJ-470Z	C CAPACITOR	47pF 500V J		R714	QRE141J-333Y	C RESISTOR	33kΩ 1/4W J	
C1661	QEZO539-476Z	E CAPACITOR	47uF		R716	QRE141J-680Y	C RESISTOR	68Ω 1/4W J	
C1662	QEZO539-476Z	E CAPACITOR	47uF		R717	QRE141J-331Y	C RESISTOR	330Ω 1/4W J	
C1665	QCS32HJ-330Z	C CAPACITOR	33pF 500V J		R718	QRE141J-471Y	C RESISTOR	470Ω 1/4W J	
C1671	NCF21EZ-224X	E CAPACITOR	0.22uF 25V Z		R719	QRE141J-391Y	C RESISTOR	390Ω 1/4W J	
C1685	QFLC1HJ-473Z	M CAPACITOR	0.047uF 50V J		R720	QRJ146J-121X	UNF C RESISTOR	120Ω 1/4W J	
C1686	QFLC1HJ-473Z	M CAPACITOR	0.047uF 50V J		R721	QRJ146J-121X	UNF C RESISTOR	120Ω 1/4W J	
C1691	QCS32HJ-100Z	C CAPACITOR	10pF 500V J		R722	QRJ146J-272X	UNF C RESISTOR	2.7kΩ 1/4W J	
C1692	QTE1K44-106Z	E CAPACITOR	10uF 80V		R723	QRJ146J-120X	UNF C RESISTOR	12Ω 1/4W J	
C1695	QEZO545-338	E CAPACITOR	3300uF		R724	QRJ146J-120X	UNF C RESISTOR	12Ω 1/4W J	
C1696	QEZO545-338	E CAPACITOR	3300uF		R725	QRJ146J-271X	UNF C RESISTOR	270Ω 1/4W J	
C1701	QTE1K44-106Z	E CAPACITOR	10uF 80V		R726	QRJ146J-1R0X	UNF C RESISTOR	1Ω 1/4W J	
C1702	QCS32HJ-101Z	C CAPACITOR	100pF 500V J		R727	QRJ146J-1R0X	UNF C RESISTOR	1Ω 1/4W J	
C1703	QCS32HJ-101Z	C CAPACITOR	100pF 500V J		R728	QRZ0182-R10	EMIT.RESISTOR	0.1Ω	
C1704	QFN31HJ-332Z	M CAPACITOR	3300pF 50V J		R729	QRZ0182-R10	EMIT.RESISTOR	0.1Ω	
C1705	QCS32HJ-220Z	C CAPACITOR	22pF 500V J		R731	QRL027J-472	OMF RESISTOR	4.7kΩ 2W J	
C1708	QFN31HJ-472Z	M CAPACITOR	4700pF 50V J		R732	NRSA02J-331X	MG RESISTOR	330Ω 1/10W J	
C1709	QCS32HJ-470Z	C CAPACITOR	47pF 500V J		R733	NRSA02J-103X	MG RESISTOR	10kΩ 1/10W J	
C1710	QCS32HJ-470Z	C CAPACITOR	47pF 500V J		R735	NRSA02J-681X	MG RESISTOR	680Ω 1/10W J	
C1711	QEZO539-476Z	E CAPACITOR	47uF		R736	NRSA02J-681X	MG RESISTOR	680Ω 1/10W J	
C1712	QEZO539-476Z	E CAPACITOR	47uF		R737	NRSA02J-241X	MG RESISTOR	240Ω 1/10W J	
C1715	QCS32HJ-330Z	C CAPACITOR	33pF 500V J		R738	NRSA02J-241X	MG RESISTOR	240Ω 1/10W J	
C1721	NCF21EZ-224X	E CAPACITOR	0.22uF 25V Z		R739	NRSA02J-913X	MG RESISTOR	91kΩ 1/10W J	
C1735	QFLC1HJ-473Z	M CAPACITOR	0.047uF 50V J		R740	NRSA02J-913X	MG RESISTOR	91kΩ 1/10W J	
C1736	QFLC1HJ-473Z	M CAPACITOR	0.047uF 50V J		R741	NRSA02J-182X	MG RESISTOR	1.8kΩ 1/10W J	
C1741	QCS32HJ-100Z	C CAPACITOR	10pF 500V J		R742	NRSA02J-182X	MG RESISTOR	1.8kΩ 1/10W J	
C1742	QTE1K44-106Z	E CAPACITOR	10uF 80V		R743	QRA14CF-1003Y	CMF RESISTOR	100kΩ 1/4W F	
C1745	QEZO545-338	E CAPACITOR	3300uF		R744	QRA14CF-3601Y	CMF RESISTOR	3.6kΩ 1/4W F	
C1746	QEZO545-338	E CAPACITOR	3300uF		R745	QRJ125J-4R7	UNF C RESISTOR	4.7Ω 1/2W J	
C1751	QTE1K44-106Z	E CAPACITOR	10uF 80V		R746	QRL027J-100	OMF RESISTOR	10Ω 2W J	
C1752	QCS32HJ-101Z	C CAPACITOR	100pF 500V J		R751	QRZ0133-101	C.RES RMA	100Ω	
C1753	QCS32HJ-101Z	C CAPACITOR	100pF 500V J		R752	QRA14CF-1003Y	CMF RESISTOR	100kΩ 1/4W F	
C1754	QFN31HJ-332Z	M CAPACITOR	3300pF 50V J		R753	QRE141J-102Y	C RESISTOR	1kΩ 1/4W J	
C1755	QCS32HJ-220Z	C CAPACITOR	22pF 500V J		R754	QRE141J-331Y	C RESISTOR	330Ω 1/4W J	
C1758	QFN31HJ-472Z	M CAPACITOR	4700pF 50V J		R755	QRE141J-104Y	C RESISTOR	100kΩ 1/4W J	
C1759	QCS32HJ-470Z	C CAPACITOR	47pF 500V J		R756	QRE141J-202Y	C RESISTOR	2kΩ 1/4W J	
C1760	QCS32HJ-470Z	C CAPACITOR	47pF 500V J		R757	QRE141J-202Y	C RESISTOR	2kΩ 1/4W J	
C1761	QEZO539-476Z	E CAPACITOR	47uF		R758	QRE141J-101Y	C RESISTOR	100Ω 1/4W J	
C1762	QEZO539-476Z	E CAPACITOR	47uF		R759	QRJ146J-151X	UNF C RESISTOR	150Ω 1/4W J	
C1765	QCS32HJ-330Z	C CAPACITOR	33pF 500V J		R760	QRJ146J-562X	UNF C RESISTOR	5.6kΩ 1/4W J	
C1771	NCF21EZ-224X	E CAPACITOR	0.22uF 25V Z		R761	QRK126J-103X	UNF C RESISTOR	10kΩ 1/2W J	
C1772	QFV72AJ-104Z	MF CAPACITOR	0.1uF 100V J		R762	QRE141J-680Y	C RESISTOR	68Ω 1/4W J	
C1773	QFV72AJ-104Z	MF CAPACITOR	0.1uF 100V J		R763	QRE141J-152Y	C RESISTOR	1.5kΩ 1/4W J	
C1774	QFV72AJ-104Z	MF CAPACITOR	0.1uF 100V J		R764	QRE141J-333Y	C RESISTOR	33kΩ 1/4W J	
C1775	QFV72AJ-104Z	MF CAPACITOR	0.1uF 100V J		R766	QRE141J-680Y	C RESISTOR	68Ω 1/4W J	
C1776	QFV72AJ-104Z	MF CAPACITOR	0.1uF 100V J		R767	QRE141J-331Y	C RESISTOR	330Ω 1/4W J	
C1777	QFV72AJ-104Z	MF CAPACITOR	0.1uF 100V J		R768	QRE141J-471Y	C RESISTOR	470Ω 1/4W J	
C1785	QFLC1HJ-473Z	M CAPACITOR	0.047uF 50V J		R769	QRE141J-391Y	C RESISTOR	390Ω 1/4W J	
C1786	QFLC1HJ-473Z	M CAPACITOR	0.047uF 50V J		R770	QRJ146J-121X	UNF C RESISTOR	120Ω 1/4W J	
C1791	QCS32HJ-100Z	C CAPACITOR	10pF 500V J		R771	QRJ146J-121X	UNF C RESISTOR	120Ω 1/4W J	
C1792	QTE1K44-106Z	E CAPACITOR	10uF 80V		R772	QRJ146J-272X	UNF C RESISTOR	2.7kΩ 1/4W J	
C1795	QEZO545-338	E CAPACITOR	3300uF		R773	QRJ146J-120X	UNF C RESISTOR	12Ω 1/4W J	
C1796	QEZO545-338	E CAPACITOR	3300uF		R774	QRJ146J-120X	UNF C RESISTOR	12Ω 1/4W J	
C1971	QETN1HM-226Z	E CAPACITOR	22uF 50V M		R775	QRJ146J-271X	UNF C RESISTOR	270Ω 1/4W J	
C1972	QETN1EM-476Z	E CAPACITOR	47uF 25V M		R776	QRJ146J-1R0X	UNF C RESISTOR	1Ω 1/4W J	
C1973	NCS21HJ-102X	C CAPACITOR	1000pF 50V J		R777	QRJ146J-1R0X	UNF C RESISTOR	1Ω 1/4W J	
C1974	NCF21HZ-103X	C CAPACITOR	0.01uF 50V Z		R778	QRZ0182-R10	EMIT.RESISTOR	0.1Ω	

△ Symbol No.	Part No.	Part Name	Description	Local	△ Symbol No.	Part No.	Part Name	Description	Local
R779	QRZ0182-R10	EMIT.RESISTOR	0.1Ω		R1620	QRJ146J-121X	UNF C RESISTOR	120Ω 1/4W J	
R781	QRL027J-472	OMF RESISTOR	4.7kΩ 2W J		R1621	QRJ146J-121X	UNF C RESISTOR	120Ω 1/4W J	
R782	NRSA02J-331X	MG RESISTOR	330Ω 1/10W J		R1622	QRJ146J-272X	UNF C RESISTOR	2.7kΩ 1/4W J	
R783	NRSA02J-103X	MG RESISTOR	10kΩ 1/10W J		R1623	QRJ146J-120X	UNF C RESISTOR	12Ω 1/4W J	
R785	NRSA02J-681X	MG RESISTOR	680Ω 1/10W J		R1624	QRJ146J-120X	UNF C RESISTOR	12Ω 1/4W J	
R786	NRSA02J-681X	MG RESISTOR	680Ω 1/10W J		R1625	QRJ146J-271X	UNF C RESISTOR	270Ω 1/4W J	
R787	NRSA02J-241X	MG RESISTOR	240Ω 1/10W J		R1626	QRJ146J-1R0X	UNF C RESISTOR	1Ω 1/4W J	
R788	NRSA02J-241X	MG RESISTOR	240Ω 1/10W J		R1627	QRJ146J-1R0X	UNF C RESISTOR	1Ω 1/4W J	
R789	NRSA02J-913X	MG RESISTOR	91kΩ 1/10W J		R1628	QRZ0182-R10	EMIT.RESISTOR	0.1Ω	
R790	NRSA02J-913X	MG RESISTOR	91kΩ 1/10W J		R1629	QRZ0182-R10	EMIT.RESISTOR	0.1Ω	
R791	NRSA02J-182X	MG RESISTOR	1.8kΩ 1/10W J		R1631	QRL027J-472	OMF RESISTOR	4.7kΩ 2W J	
R792	NRSA02J-182X	MG RESISTOR	1.8kΩ 1/10W J		R1632	NRSA02J-331X	MG RESISTOR	330Ω 1/10W J	
R793	QRA14CF-1003Y	CMF RESISTOR	100kΩ 1/4W F		R1633	NRSA02J-103X	MG RESISTOR	10kΩ 1/10W J	
R794	QRA14CF-3601Y	CMF RESISTOR	3.6kΩ 1/4W F		R1635	NRSA02J-681X	MG RESISTOR	680Ω 1/10W J	
R795	QRJ125J-4R7	UNF C RESISTOR	4.7Ω 1/2W J		R1636	NRSA02J-681X	MG RESISTOR	680Ω 1/10W J	
R796	QRL027J-100	OMF RESISTOR	10Ω 2W J		R1637	NRSA02J-241X	MG RESISTOR	240Ω 1/10W J	
R797	QRJ146J-330X	UNF C RESISTOR	33Ω 1/4W J		R1638	NRSA02J-241X	MG RESISTOR	240Ω 1/10W J	
R801	QRZ0133-101	C.RES RMA	100Ω		R1639	NRSA02J-913X	MG RESISTOR	91kΩ 1/10W J	
R802	QRA14CF-1003Y	CMF RESISTOR	100kΩ 1/4W F		R1640	NRSA02J-913X	MG RESISTOR	91kΩ 1/10W J	
R803	QRE141J-102Y	C RESISTOR	1kΩ 1/4W J		R1641	NRSA02J-182X	MG RESISTOR	1 8kΩ 1/10W J	
R804	QRE141J-331Y	C RESISTOR	330Ω 1/4W J		R1642	NRSA02J-182X	MG RESISTOR	1 8kΩ 1/10W J	
R805	QRE141J-104Y	C RESISTOR	100kΩ 1/4W J		R1647	QRJ125J-4R7	UNF C RESISTOR	4.7Ω 1/2W J	
R806	QRE141J-202Y	C RESISTOR	2kΩ 1/4W J		R1648	QRL027J-100	OMF RESISTOR	10Ω 2W J	
R807	QRE141J-202Y	C RESISTOR	2kΩ 1/4W J		R1649	QRA14CF-1003Y	CMF RESISTOR	100kΩ 1/4W F	
R808	QRE141J-101Y	C RESISTOR	100Ω 1/4W J		R1650	QRA14CF-3601Y	CMF RESISTOR	3.6kΩ 1/4W F	
R809	QRJ146J-151X	UNF C RESISTOR	150Ω 1/4W J		R1651	QRV12DF-1000	CMF RESISTOR	100Ω 1/2W F	
R810	QRJ146J-562X	UNF C RESISTOR	5.6kΩ 1/4W J		R1652	QRA14CF-1003Y	CMF RESISTOR	100kΩ 1/4W F	
R811	QRK126J-103X	UNF C RESISTOR	10kΩ 1/2W J		R1653	QRE141J-102Y	C RESISTOR	1kΩ 1/4W J	
R812	QRE141J-680Y	C RESISTOR	68Ω 1/4W J		R1654	QRE141J-331Y	C RESISTOR	330Ω 1/4W J	
R813	QRE141J-152Y	C RESISTOR	1.5kΩ 1/4W J		R1655	QRE141J-104Y	C RESISTOR	100kΩ 1/4W J	
R814	QRE141J-333Y	C RESISTOR	33kΩ 1/4W J		R1656	QRE141J-202Y	C RESISTOR	2kΩ 1/4W J	
R816	QRE141J-680Y	C RESISTOR	68Ω 1/4W J		R1657	QRE141J-202Y	C RESISTOR	2kΩ 1/4W J	
R817	QRE141J-331Y	C RESISTOR	330Ω 1/4W J		R1658	QRE141J-101Y	C RESISTOR	100Ω 1/4W J	
R818	QRE141J-471Y	C RESISTOR	470Ω 1/4W J		R1659	QRJ146J-151X	UNF C RESISTOR	150Ω 1/4W J	
R819	QRE141J-391Y	C RESISTOR	390Ω 1/4W J		R1660	QRJ146J-562X	UNF C RESISTOR	5.6kΩ 1/4W J	
R820	QRJ146J-121X	UNF C RESISTOR	120Ω 1/4W J		R1661	QRK126J-103X	UNF C RESISTOR	10kΩ 1/2W J	
R821	QRJ146J-121X	UNF C RESISTOR	120Ω 1/4W J		R1662	QRE141J-680Y	C RESISTOR	68Ω 1/4W J	
R822	QRJ146J-272X	UNF C RESISTOR	2.7kΩ 1/4W J		R1663	QRE141J-152Y	C RESISTOR	1 5kΩ 1/4W J	
R823	QRJ146J-120X	UNF C RESISTOR	12Ω 1/4W J		R1664	QRE141J-333Y	C RESISTOR	33kΩ 1/4W J	
R824	QRJ146J-120X	UNF C RESISTOR	12Ω 1/4W J		R1666	QRE141J-680Y	C RESISTOR	68Ω 1/4W J	
R825	QRJ146J-271X	UNF C RESISTOR	270Ω 1/4W J		R1667	QRE141J-331Y	C RESISTOR	330Ω 1/4W J	
R826	QRJ146J-1R0X	UNF C RESISTOR	1Ω 1/4W J		R1668	QRE141J-471Y	C RESISTOR	470Ω 1/4W J	
R827	QRJ146J-1R0X	UNF C RESISTOR	1Ω 1/4W J		R1669	QRE141J-391Y	C RESISTOR	390Ω 1/4W J	
R828	QRZ0182-R10	EMIT.RESISTOR	0.1Ω		R1670	QRJ146J-121X	UNF C RESISTOR	120Ω 1/4W J	
R829	QRZ0182-R10	EMIT.RESISTOR	0.1Ω		R1671	QRJ146J-121X	UNF C RESISTOR	120Ω 1/4W J	
R831	QRL027J-472	OMF RESISTOR	4.7kΩ 2W J		R1672	QRJ146J-272X	UNF C RESISTOR	2.7kΩ 1/4W J	
R832	NRSA02J-331X	MG RESISTOR	330Ω 1/10W J		R1673	QRJ146J-120X	UNF C RESISTOR	12Ω 1/4W J	
R833	NRSA02J-103X	MG RESISTOR	10kΩ 1/10W J		R1674	QRJ146J-120X	UNF C RESISTOR	12Ω 1/4W J	
R835	NRSA02J-681X	MG RESISTOR	680Ω 1/10W J		R1675	QRJ146J-271X	UNF C RESISTOR	270Ω 1/4W J	
R836	NRSA02J-681X	MG RESISTOR	680Ω 1/10W J		R1676	QRJ146J-1R0X	UNF C RESISTOR	1Ω 1/4W J	
R837	NRSA02J-241X	MG RESISTOR	240Ω 1/10W J		R1677	QRJ146J-1R0X	UNF C RESISTOR	1Ω 1/4W J	
R838	NRSA02J-241X	MG RESISTOR	240Ω 1/10W J		R1678	QRZ0182-R10	EMIT.RESISTOR	0.1Ω	
R839	NRSA02J-913X	MG RESISTOR	91kΩ 1/10W J		R1679	QRZ0182-R10	EMIT.RESISTOR	0.1Ω	
R840	NRSA02J-913X	MG RESISTOR	91kΩ 1/10W J		R1682	NRSA02J-331X	MG RESISTOR	330Ω 1/10W J	
R841	NRSA02J-182X	MG RESISTOR	1.8kΩ 1/10W J		R1683	NRSA02J-103X	MG RESISTOR	10kΩ 1/10W J	
R842	NRSA02J-182X	MG RESISTOR	1.8kΩ 1/10W J		R1685	NRSA02J-681X	MG RESISTOR	680Ω 1/10W J	
R843	QRA14CF-1003Y	CMF RESISTOR	100kΩ 1/4W F		R1686	NRSA02J-681X	MG RESISTOR	680Ω 1/10W J	
R844	QRA14CF-3601Y	CMF RESISTOR	3.6kΩ 1/4W F		R1687	NRSA02J-241X	MG RESISTOR	240Ω 1/10W J	
R845	QRJ125J-4R7	UNF C RESISTOR	4.7Ω 1/2W J		R1688	NRSA02J-241X	MG RESISTOR	240Ω 1/10W J	
R846	QRL027J-100	OMF RESISTOR	10Ω 2W J		R1689	NRSA02J-913X	MG RESISTOR	91kΩ 1/10W J	
R1601	QRV12DF-1000	CMF RESISTOR	100Ω 1/2W F		R1690	NRSA02J-913X	MG RESISTOR	91kΩ 1/10W J	
R1602	QRA14CF-1003Y	CMF RESISTOR	100kΩ 1/4W F		R1691	NRSA02J-182X	MG RESISTOR	1 8kΩ 1/10W J	
R1603	QRE141J-102Y	C RESISTOR	1kΩ 1/4W J		R1692	NRSA02J-182X	MG RESISTOR	1 8kΩ 1/10W J	
R1604	QRE141J-331Y	C RESISTOR	330Ω 1/4W J		R1693	QRJ125J-4R7	UNF C RESISTOR	4.7Ω 1/2W J	
R1605	QRE141J-104Y	C RESISTOR	100kΩ 1/4W J		R1694	QRL027J-100	OMF RESISTOR	10Ω 2W J	
R1606	QRE141J-202Y	C RESISTOR	2kΩ 1/4W J		R1695	QRA14CF-1003Y	CMF RESISTOR	100kΩ 1/4W F	
R1607	QRE141J-202Y	C RESISTOR	2kΩ 1/4W J		R1696	QRA14CF-3601Y	CMF RESISTOR	3.6kΩ 1/4W F	
R1608	QRE141J-101Y	C RESISTOR	100Ω 1/4W J		R1701	QRZ0133-101	C.RES RMA	100Ω	
R1609	QRJ146J-151X	UNF C RESISTOR	150Ω 1/4W J		R1702	QRA14CF-1003Y	CMF RESISTOR	100kΩ 1/4W F	
R1610	QRJ146J-562X	UNF C RESISTOR	5.6kΩ 1/4W J		R1703	QRE141J-102Y	C RESISTOR	1kΩ 1/4W J	
R1611	QRK126J-103X	UNF C RESISTOR	10kΩ 1/2W J		R1704	QRE141J-331Y	C RESISTOR	330Ω 1/4W J	
R1612	QRE141J-680Y	C RESISTOR	68Ω 1/4W J		R1705	QRE141J-104Y	C RESISTOR	100kΩ 1/4W J	
R1613	QRE141J-152Y	C RESISTOR	1.5kΩ 1/4W J		R1706	QRE141J-202Y	C RESISTOR	2kΩ 1/4W J	
R1614	QRE141J-333Y	C RESISTOR	33kΩ 1/4W J		R1707	QRE141J-202Y	C RESISTOR	2kΩ 1/4W J	
R1616	QRE141J-680Y	C RESISTOR	68Ω 1/4W J		R1708	QRE141J-101Y	C RESISTOR	100Ω 1/4W J	
R1617	QRE141J-331Y	C RESISTOR	330Ω 1/4W J		R1709	QRJ146J-151X	UNF C RESISTOR	150Ω 1/4W J	
R1618	QRE141J-471Y	C RESISTOR	470Ω 1/4W J		R1710	QRJ146J-562X	UNF C RESISTOR	5.6kΩ 1/4W J	
R1619	QRE141J-391Y	C RESISTOR	390Ω 1/4W J		R1711	QRK126J-103X	UNF C RESISTOR	10kΩ 1/2W J	

△ Symbol No.	Part No.	Part Name	Description	Local	△ Symbol No.	Part No.	Part Name	Description	Local
R1712	QRE141J-680Y	C RESISTOR	68Ω 1/4W J		R1912	NRSA02J-153X	MG RESISTOR	15kΩ 1/10W J	
R1713	QRE141J-152Y	C RESISTOR	1.5kΩ 1/4W J		R1913	NRSA02J-123X	MG RESISTOR	12kΩ 1/10W J	
R1714	QRE141J-333Y	C RESISTOR	33kΩ 1/4W J		R1914	NRSA02J-104X	MG RESISTOR	100kΩ 1/10W J	
R1716	QRE141J-680Y	C RESISTOR	68Ω 1/4W J		R1921	NRSA02J-122X	MG RESISTOR	1.2kΩ 1/10W J	
R1717	QRE141J-331Y	C RESISTOR	330Ω 1/4W J		R1922	NRSA02J-153X	MG RESISTOR	15kΩ 1/10W J	
R1718	QRE141J-471Y	C RESISTOR	470Ω 1/4W J		R1923	NRSA02J-123X	MG RESISTOR	12kΩ 1/10W J	
R1719	QRE141J-391Y	C RESISTOR	390Ω 1/4W J		R1924	NRSA02J-104X	MG RESISTOR	100kΩ 1/10W J	
R1720	QRJ146J-121X	UNF C RESISTOR	120Ω 1/4W J		R1931	NRSA02J-122X	MG RESISTOR	1.2kΩ 1/10W J	
R1721	QRJ146J-121X	UNF C RESISTOR	120Ω 1/4W J		R1932	NRSA02J-153X	MG RESISTOR	15kΩ 1/10W J	
R1722	QRJ146J-272X	UNF C RESISTOR	2.7kΩ 1/4W J		R1933	NRSA02J-123X	MG RESISTOR	12kΩ 1/10W J	
R1723	QRJ146J-120X	UNF C RESISTOR	12Ω 1/4W J		R1934	NRSA02J-104X	MG RESISTOR	100kΩ 1/10W J	
R1724	QRJ146J-120X	UNF C RESISTOR	12Ω 1/4W J		R1941	NRSA02J-122X	MG RESISTOR	1.2kΩ 1/10W J	
R1725	QRJ146J-271X	UNF C RESISTOR	270Ω 1/4W J		R1942	NRSA02J-153X	MG RESISTOR	15kΩ 1/10W J	
R1726	QRJ146J-1R0X	UNF C RESISTOR	1Ω 1/4W J		R1943	NRSA02J-123X	MG RESISTOR	12kΩ 1/10W J	
R1727	QRJ146J-1R0X	UNF C RESISTOR	1Ω 1/4W J		R1944	NRSA02J-104X	MG RESISTOR	100kΩ 1/10W J	
R1728	QRZ0182-R10	EMIT.RESISTOR	0.1Ω		R1951	NRSA02J-122X	MG RESISTOR	1.2kΩ 1/10W J	
R1729	QRZ0182-R10	EMIT.RESISTOR	0.1Ω		R1952	NRSA02J-153X	MG RESISTOR	15kΩ 1/10W J	
R1732	NRSA02J-331X	MG RESISTOR	330Ω 1/10W J		R1953	NRSA02J-123X	MG RESISTOR	12kΩ 1/10W J	
R1733	NRSA02J-103X	MG RESISTOR	10kΩ 1/10W J		R1954	NRSA02J-104X	MG RESISTOR	100kΩ 1/10W J	
R1735	NRSA02J-681X	MG RESISTOR	680Ω 1/10W J		R1961	NRSA02J-122X	MG RESISTOR	1.2kΩ 1/10W J	
R1736	NRSA02J-681X	MG RESISTOR	680Ω 1/10W J		R1962	NRSA02J-153X	MG RESISTOR	15kΩ 1/10W J	
R1737	NRSA02J-241X	MG RESISTOR	240Ω 1/10W J		R1963	NRSA02J-123X	MG RESISTOR	12kΩ 1/10W J	
R1738	NRSA02J-241X	MG RESISTOR	240Ω 1/10W J		R1964	NRSA02J-104X	MG RESISTOR	100kΩ 1/10W J	
R1739	NRSA02J-913X	MG RESISTOR	91kΩ 1/10W J		R1971	NRSA02J-103X	MG RESISTOR	10kΩ 1/10W J	
R1740	NRSA02J-913X	MG RESISTOR	91kΩ 1/10W J		R1972	NRSA02J-332X	MG RESISTOR	3.3kΩ 1/10W J	
R1741	NRSA02J-182X	MG RESISTOR	1.8kΩ 1/10W J		R1973	NRSA02J-473X	MG RESISTOR	47kΩ 1/10W J	
R1742	NRSA02J-182X	MG RESISTOR	1.8kΩ 1/10W J		R1974	NRSA02J-563X	MG RESISTOR	56kΩ 1/10W J	
R1743	QRA14CF-1003Y	CMF RESISTOR	100kΩ 1/4W F		R1975	NRSA02J-683X	MG RESISTOR	68kΩ 1/10W J	
R1744	QRA14CF-3601Y	CMF RESISTOR	3.6kΩ 1/4W F		R1976	QRE141J-273Y	C RESISTOR	27kΩ 1/4W J	
R1745	QRJ125J-4R7	UNF C RESISTOR	4.7Ω 1/2W J		R1977	NRSA02J-224X	MG RESISTOR	220kΩ 1/10W J	
R1746	QRL027J-100	OMF RESISTOR	10Ω 2W J		R1978	QRE141J-223Y	C RESISTOR	22kΩ 1/4W J	
R1751	QRZ0133-101	C.RES RMA	100Ω		R1979	NRSA02J-224X	MG RESISTOR	220kΩ 1/10W J	
R1752	QRA14CF-1003Y	CMF RESISTOR	100kΩ 1/4W F		R1981	QRJ146J-4R7X	UNF C RESISTOR	4.7Ω 1/4W J	
R1753	QRE141J-102Y	C RESISTOR	1kΩ 1/4W J		VR701	QVP0008-501Z	TRIM RESISTOR	500Ω	
R1754	QRE141J-331Y	C RESISTOR	330Ω 1/4W J		VR702	QVP0008-501Z	TRIM RESISTOR	500Ω	
R1755	QRE141J-104Y	C RESISTOR	100kΩ 1/4W J		VR751	QVP0008-501Z	TRIM RESISTOR	500Ω	
R1756	QRE141J-202Y	C RESISTOR	2kΩ 1/4W J		VR752	QVP0008-501Z	TRIM RESISTOR	500Ω	
R1757	QRE141J-202Y	C RESISTOR	2kΩ 1/4W J		VR771	QVP0008-501Z	TRIM RESISTOR	500Ω	
R1758	QRE141J-101Y	C RESISTOR	100Ω 1/4W J		VR772	QVP0008-501Z	TRIM RESISTOR	500Ω	
R1759	QRJ146J-151X	UNF C RESISTOR	150Ω 1/4W J		VR801	QVP0008-501Z	TRIM RESISTOR	500Ω	
R1760	QRJ146J-562X	UNF C RESISTOR	5.6kΩ 1/4W J						
R1761	QRK126J-103X	UNF C RESISTOR	10kΩ 1/2W J		L701	QQR1339-001	COIL		
R1762	QRE141J-680Y	C RESISTOR	68Ω 1/4W J		L751	QQR1339-001	COIL		
R1763	QRE141J-152Y	C RESISTOR	1.5kΩ 1/4W J		L801	QQR1339-001	COIL		
R1764	QRE141J-333Y	C RESISTOR	33kΩ 1/4W J		L1601	QQR1339-001	COIL		
R1766	QRE141J-680Y	C RESISTOR	68Ω 1/4W J		L1651	QQR1339-001	COIL		
R1767	QRE141J-331Y	C RESISTOR	330Ω 1/4W J		L1701	QQR1339-001	COIL		
R1768	QRE141J-471Y	C RESISTOR	470Ω 1/4W J		L1751	QQR1339-001	COIL		
R1769	QRE141J-391Y	C RESISTOR	390Ω 1/4W J						
R1770	QRJ146J-121X	UNF C RESISTOR	120Ω 1/4W J		CN701	QGA3901C1-06	CONNECTOR	W-B (1-6)	
R1771	QRJ146J-121X	UNF C RESISTOR	120Ω 1/4W J		CN711	QGB2510K2-06	CONNECTOR	B-B (1-6)	
R1772	QRJ146J-272X	UNF C RESISTOR	2.7kΩ 1/4W J		CN712	QGB2012K1-07	CONNECTOR	B-B (1-7)	
R1773	QRJ146J-120X	UNF C RESISTOR	12Ω 1/4W J		CN713	QGB2012K1-06	CONNECTOR	B-B (1-6)	
R1774	QRJ146J-120X	UNF C RESISTOR	12Ω 1/4W J		CN721	QGB2510J1-06	CONNECTOR	B-B (1-6)	
R1775	QRJ146J-271X	UNF C RESISTOR	270Ω 1/4W J		CN722	QGB2012J1-07	CONNECTOR	B-B (1-7)	
R1776	QRJ146J-1R0X	UNF C RESISTOR	1Ω 1/4W J		CN723	QGB2012J1-06	CONNECTOR	B-B (1-6)	
R1777	QRJ146J-1R0X	UNF C RESISTOR	1Ω 1/4W J		CN738	QGA2501C1-03	CONNECTOR	W-B (1-3)	
R1778	QRZ0182-R10	EMIT.RESISTOR	0.1Ω		CN741	QGA3901C1-10	CONNECTOR	W-B (1-10)	
R1779	QRZ0182-R10	EMIT.RESISTOR	0.1Ω		CN742	QGA3901C1-04	CONNECTOR	W-B (1-4)	
R1782	NRSA02J-331X	MG RESISTOR	330Ω 1/10W J		CN743	QGA2001C1-09	CONNECTOR	W-B (1-9)	
R1783	NRSA02J-103X	MG RESISTOR	10kΩ 1/10W J		CN751	QGB2510K2-06	CONNECTOR	B-B (1-6)	
R1785	NRSA02J-681X	MG RESISTOR	680Ω 1/10W J		CN752	QGB2012K1-07	CONNECTOR	B-B (1-7)	
R1786	NRSA02J-681X	MG RESISTOR	680Ω 1/10W J		CN753	QGB2012K1-06	CONNECTOR	B-B (1-6)	
R1787	NRSA02J-241X	MG RESISTOR	240Ω 1/10W J		CN761	QGB2510J1-06	CONNECTOR	B-B (1-6)	
R1788	NRSA02J-241X	MG RESISTOR	240Ω 1/10W J		CN762	QGB2012J1-07	CONNECTOR	B-B (1-7)	
R1789	NRSA02J-913X	MG RESISTOR	91kΩ 1/10W J		CN763	QGB2012J1-06	CONNECTOR	B-B (1-6)	
R1790	NRSA02J-913X	MG RESISTOR	91kΩ 1/10W J		CN771	QGB2510K2-06	CONNECTOR	B-B (1-6)	
R1791	NRSA02J-182X	MG RESISTOR	1.8kΩ 1/10W J		CN772	QGB2012K1-06	CONNECTOR	B-B (1-6)	
R1792	NRSA02J-182X	MG RESISTOR	1.8kΩ 1/10W J		CN773	QGB2012K1-07	CONNECTOR	B-B (1-7)	
R1793	QRA14CF-1003Y	CMF RESISTOR	100kΩ 1/4W F		CN781	QGB2510J1-06	CONNECTOR	B-B (1-6)	
R1794	QRA14CF-3601Y	CMF RESISTOR	3.6kΩ 1/4W F		CN782	QGB2012J1-06	CONNECTOR	B-B (1-6)	
R1795	QRJ125J-4R7	UNF C RESISTOR	4.7Ω 1/2W J		CN783	QGB2012J1-07	CONNECTOR	B-B (1-7)	
R1796	QRL027J-100	OMF RESISTOR	10Ω 2W J		CN811	QGB1214K1-08S	CONNECTOR	B-B (1-8)	
R1901	NRSA02J-122X	MG RESISTOR	1.2kΩ 1/10W J		CN812	QGB2012K1-06	CONNECTOR	B-B (1-6)	
R1902	NRSA02J-153X	MG RESISTOR	15kΩ 1/10W J		CN813	QGB2012K1-06	CONNECTOR	B-B (1-6)	
R1903	NRSA02J-123X	MG RESISTOR	12kΩ 1/10W J		CN821	QGB1214J1-08S	CONNECTOR	B-B (1-8)	
R1904	NRSA02J-104X	MG RESISTOR	100kΩ 1/10W J		CN822	QGB2012J1-06	CONNECTOR	B-B (1-6)	
R1911	NRSA02J-122X	MG RESISTOR	1.2kΩ 1/10W J		CN823	QGB2012J1-06	CONNECTOR	B-B (1-6)	

△ Symbol No.	Part No.	Part Name	Description	Local	△ Symbol No.	Part No.	Part Name	Description	Local
EP701	QNZ0136-001Z	EARTH PLATE			IC272	NJM4580E-W	IC	Ope amp.	
HS701	LV43256-001A	HEAT SINK			IC281	NJM4580E-W	IC	Ope amp.	
HS702	LV43256-001A	HEAT SINK			IC282	NJM2903M-XE	IC		
RY751	QSK0112-001	RELAY			IC283	NJM78L05A-T	IC		
RY901	QSK0109-001	RELAY			IC321	TC9163AF-X	IC		
RY902	QSK0109-001	RELAY			IC322	TC9163AF-X	IC		
RY903	QSK0109-001	RELAY			IC381	BA15218N	IC	Dual Ope. Amp.	
RY904	QSK0109-001	RELAY			IC382	BA15218N	IC	Dual Ope. Amp.	
RY905	QSK0109-001	RELAY			IC401	NJM2286V-W	IC		
RY906	QSK0149-001	RELAY			IC402	MM1118XF-X	IC		
ST901	QNB0110-001	SPK TERMINAL			IC403	MM1118XF-X	IC		
ST902	QNB0109-001	SPK TERMINAL			IC404	NJM2286V-W	IC		
ST903	QNB0108-001	SPK TERMINAL			IC405	LC74761M-9847-X	IC		
TH701	QAD0010-351	THERMISTOR	350Ω		IC441	NJM2286V-W	IC		
TH702	QAD0010-351	THERMISTOR	350Ω		IC461	NJM2286V-W	IC		
TH703	QAD0010-351	THERMISTOR	350Ω		IC462	MM1118XF-X	IC		
TH704	QAD0010-351	THERMISTOR	350Ω		IC463	MM1118XF-X	IC		
TH705	QAD0010-351	THERMISTOR	350Ω		IC464	NJM2285V-W	IC		
TH706	QAD0010-351	THERMISTOR	350Ω		IC465	NJM2283V-W	IC		
TH751	QAD0010-351	THERMISTOR	350Ω		IC466	MM1118XF-X	IC		
TH752	QAD0010-351	THERMISTOR	350Ω		IC467	MM1118XF-X	IC		
TH753	QAD0010-351	THERMISTOR	350Ω		IC468	NJM2283V-W	IC		
TH754	QAD0010-351	THERMISTOR	350Ω						
TH755	QAD0010-351	THERMISTOR	350Ω		IC471	BU4051BC	IC	Analog multiplexers/DE multiplexers	
TH756	QAD0010-351	THERMISTOR	350Ω						
TH771	QAD0010-351	THERMISTOR	350Ω		IC483	NJM2509V-W	IC		
TH772	QAD0010-351	THERMISTOR	350Ω		IC491	NJM2286V-W	IC		
TH773	QAD0010-351	THERMISTOR	350Ω		IC492	NJM2283V-W	IC		
TH774	QAD0010-351	THERMISTOR	350Ω						
TH775	QAD0010-351	THERMISTOR	350Ω		Q201	2SK170/L-T	FET		
TH776	QAD0010-351	THERMISTOR	350Ω		Q202	2SK170/L-T	FET		
TH801	QAD0010-351	THERMISTOR	350Ω		Q203	2SK170/L-T	FET		
TH802	QAD0010-351	THERMISTOR	350Ω		Q204	2SK170/L-T	FET		
TH803	QAD0010-351	THERMISTOR	350Ω		Q205	2SA970/GL-T	TRANSISTOR		
TW701	QUB050-40FMQP	LUG W RE			Q206	2SA970/GL-T	TRANSISTOR		
TW702	QUB111-32PPPP	SIN TWIST W RE			Q207	KRC105M-T	DIGI TRANSISTOR		
WR701	WJK0159-001A	E-SI C WIRE C-B			Q209	2SK2980-X	MOS FET		
WR702	QJK016-033603	SIN CR C-B WIRE			Q210	2SK2980-X	MOS FET		
WR703	QJK016-053800	SIN CR C-B WIRE			Q211	DTC123JKA-X	CHIP D.TRANSISTOR		
WR711	WJK0139-001A	E-SI C WIRE C-B			Q212	KRA107S-X	TRANSISTOR		
WR712	WJK0139-001A	E-SI C WIRE C-B			Q213	2SC1740S/RS/-T	TRANSISTOR		
WR713	WJK0139-002A	E-SI C WIRE C-B			Q214	2SA933S/RS/-T	TRANSISTOR		
WR714	WJK0139-003A	E-SI C WIRE C-B			Q271	2SD468/BC/-T	TRANSISTOR		
WR715	WJK0139-002A	E-SI C WIRE C-B			Q272	2SD468/BC/-T	TRANSISTOR		
WR716	WJK0140-001A	E-SI C WIRE C-B			Q291	2SC3576-JVC-T	TRANSISTOR		
WR717	WJK0140-002A	E-SI C WIRE C-B			Q292	2SC3576-JVC-T	TRANSISTOR		
WR731	WJK0149-001A	E-SI C WIRE C-B			Q293	2SC3576-JVC-T	TRANSISTOR		
WR736	WJK0150-001A	E-SI C WIRE C-B			Q294	2SD2144S/VW/-T	TRANSISTOR		

## Input board

Block No. [0][2][0][0]

△ Symbol No.	Part No.	Part Name	Description	Local
IC201	NJM4580E-W	IC	Ope amp.	
IC202	TC9164AF-X	IC		
IC203	TC9164AF-X	IC		
IC204	NJM5532M-D-XE	IC		
IC211	TC9162AF-X	IC	Analog switch	
IC212	TC9162AF-X	IC	Analog switch	
IC213	TC9162AF-X	IC	Analog switch	
IC221	TC9459F-X	IC		
IC222	TC9459F-X	IC		
IC223	TC9459F-X	IC		
IC224	TC9459F-X	IC		
IC241	NJM4580E-W	IC	Ope amp.	
IC251	NJM5532M-D-XE	IC		
IC252	NJM5532M-D-XE	IC		
IC253	NJM5532M-D-XE	IC		
IC254	NJM5532M-D-XE	IC		
IC261	NJM4580E-W	IC	Ope amp.	
IC262	TC9459F-X	IC		
IC263	NJM4580E-W	IC	Ope amp.	
IC271	NJM5532M-D-XE	IC		

△ Symbol No.	Part No.	Part Name	Description	Local	△ Symbol No.	Part No.	Part Name	Description	Local
Q2041	2SC3576-JVC-T	TRANSISTOR			C209	QFN31HJ-472Z	M CAPACITOR	4700pF 50V J	
Q2042	2SC3576-JVC-T	TRANSISTOR			C210	QFN31HJ-472Z	M CAPACITOR	4700pF 50V J	
Q2043	KRA107S-X	TRANSISTOR			C211	QFN31HJ-103Z	M CAPACITOR	0.01uF 50V J	
Q2111	KTC3199/GLJ-T	TRANSISTOR			C212	QFN31HJ-103Z	M CAPACITOR	0.01uF 50V J	
Q2112	DTC144ESA-T	DIGI TRANSISTOR			C213	NCS31HJ-470X	C CAPACITOR	47pF 50V J	
Q2311	KRC102M-T	DIGI TRANSISTOR			C214	NCS31HJ-470X	C CAPACITOR	47pF 50V J	
Q2312	KRA102M-T	DIGI TRANSISTOR			C215	QCS31HJ-221Z	C CAPACITOR	220pF 50V J	
Q2501	KTC3199/GLJ-T	TRANSISTOR			C216	QCS31HJ-221Z	C CAPACITOR	220pF 50V J	
Q4601	KTA1267/YG/T	TRANSISTOR			C217	QETN0JM-228Z	E CAPACITOR	2200uF 6.3V M	
Q4602	KTC3199/GLJ-T	TRANSISTOR			C218	QETN0JM-228Z	E CAPACITOR	2200uF 6.3V M	
Q4603	KTA1267/YG/T	TRANSISTOR			C219	QTE1H44-226Z	E CAPACITOR	22uF 50V	
Q4604	KTC3199/GLJ-T	TRANSISTOR			C220	QTE1H44-226Z	E CAPACITOR	22uF 50V	
Q4605	KTA1267/YG/T	TRANSISTOR			C221	QETN1HM-226Z	E CAPACITOR	22uF 50V M	
Q4607	KTA1267/YG/T	TRANSISTOR			C222	QETN1HM-226Z	E CAPACITOR	22uF 50V M	
Q4611	KTA1267/YG/T	TRANSISTOR			C223	QETN1EM-477Z	E CAPACITOR	470uF 25V M	
Q4612	KTC3199/GLJ-T	TRANSISTOR			C224	QETN1EM-477Z	E CAPACITOR	470uF 25V M	
Q4613	KTA1267/YG/T	TRANSISTOR			C225	QETN1HM-105Z	E CAPACITOR	1uF 50V M	
Q4614	KTC3199/GLJ-T	TRANSISTOR			C231	QE20538-476Z	C CAPACITOR	47uF	
Q4615	KTA1267/YG/T	TRANSISTOR			C232	QE20538-476Z	C CAPACITOR	47uF	
Q4617	KTA1267/YG/T	TRANSISTOR			C235	NCB31HK-561X	C CAPACITOR	560pF 50V K	
Q4620	DTC143TKA-X	DIGI TRANSISTOR			C241	QTE1H44-226Z	E CAPACITOR	22uF 50V	
Q4621	DTC143TKA-X	DIGI TRANSISTOR			C242	QTE1H44-226Z	E CAPACITOR	22uF 50V	
Q4622	DTC114YKA-X	DIGI TRANSISTOR			C243	QTE1H44-226Z	E CAPACITOR	22uF 50V	
Q4623	DTC114YKA-X	DIGI TRANSISTOR			C244	QTE1H44-226Z	E CAPACITOR	22uF 50V	
Q4624	DTC143TKA-X	DIGI TRANSISTOR			C245	QE20630-476	E.CAPA AWF	47uF	
Q4625	DTC143TKA-X	DIGI TRANSISTOR			C246	QE20630-476	E.CAPA AWF	47uF	
Q4626	DTC114YKA-X	DIGI TRANSISTOR			C271	QE20538-106Z	E CAPACITOR	10uF	
Q4627	DTC114YKA-X	DIGI TRANSISTOR			C272	QE20538-106Z	E CAPACITOR	10uF	
Q4628	2SA1037AK/RS/-X	TRANSISTOR			C273	QETN1HM-105Z	E CAPACITOR	1uF 50V M	
Q4629	DTA144WKA-X	TRANSISTOR			C274	QETN1HM-105Z	E CAPACITOR	1uF 50V M	
Q4630	2SA1037AK/RS/-X	TRANSISTOR			C275	NCB31HK-561X	C CAPACITOR	560pF 50V K	
Q4631	2SA1037AK/RS/-X	TRANSISTOR			C276	QETN1EM-226Z	E CAPACITOR	22uF 25V M	
Q4701	KRC102S-X	DIGI TRANSISTOR			C277	QETN1EM-226Z	E CAPACITOR	22uF 25V M	
Q4702	KRC102S-X	DIGI TRANSISTOR			C278	QETN1EM-476Z	E CAPACITOR	47uF 25V M	
Q4703	KRC102S-X	DIGI TRANSISTOR			C280	NCB31HK-561X	C CAPACITOR	560pF 50V K	
Q4704	KTC3199/GLJ-T	TRANSISTOR			C281	QE20538-476Z	C CAPACITOR	47uF	
Q4705	KTC3199/GLJ-T	TRANSISTOR			C282	QE20538-476Z	C CAPACITOR	47uF	
Q4706	KTC3199/GLJ-T	TRANSISTOR			C285	NCB31HK-561X	C CAPACITOR	560pF 50V K	
Q4707	KTA1267/YG/T	TRANSISTOR			C291	QTE1H44-226Z	E CAPACITOR	22uF 50V	
					C292	QTE1H44-226Z	E CAPACITOR	22uF 50V	
D291	1SS133-T2	DIODE			C293	QTE1H44-226Z	E CAPACITOR	22uF 50V	
D292	1SS133-T2	DIODE			C294	QTE1H44-226Z	E CAPACITOR	22uF 50V	
D401	1SS133-T2	DIODE			C295	QTE1H44-226Z	E CAPACITOR	22uF 50V	
D402	1SS133-T2	DIODE			C296	QTE1H44-226Z	E CAPACITOR	22uF 50V	
D403	1SS133-T2	DIODE			C297	QTE1H44-226Z	E CAPACITOR	22uF 50V	
D404	1SS133-T2	DIODE			C298	QTE1H44-226Z	E CAPACITOR	22uF 50V	
D405	1SS133-T2	DIODE			C301	QETN1HM-226Z	E CAPACITOR	22uF 50V M	
D461	1SS133-T2	DIODE			C302	QETN1HM-106Z	E CAPACITOR	10uF 50V M	
D462	1SS133-T2	DIODE			C311	NCS31HJ-221X	C CAPACITOR	220pF 50V J	
D463	1SS133-T2	DIODE			C312	NCS31HJ-221X	C CAPACITOR	220pF 50V J	
D464	1SS133-T2	DIODE			C313	NCS31HJ-221X	C CAPACITOR	220pF 50V J	
D465	1SS133-T2	DIODE			C314	NCS31HJ-221X	C CAPACITOR	220pF 50V J	
D466	1SS133-T2	DIODE			C315	NCS31HJ-221X	C CAPACITOR	220pF 50V J	
D467	1SS133-T2	DIODE			C316	NCS31HJ-221X	C CAPACITOR	220pF 50V J	
D468	1SS133-T2	DIODE			C341	QE20538-106Z	E CAPACITOR	10uF	
D469	1SS133-T2	DIODE			C342	QE20538-106Z	E CAPACITOR	10uF	
D470	1SS133-T2	DIODE			C343	NCB31HK-223X	C CAPACITOR	0.022uF 50V K	
D2111	1SS355-X	SI DIODE			C344	NCB31HK-223X	C CAPACITOR	0.022uF 50V K	
D2121	1SS355-X	SI DIODE			C345	NCB31HK-561X	C CAPACITOR	560pF 50V K	
D2122	1SS355-X	SI DIODE			C361	QETN1HM-105Z	E CAPACITOR	1uF 50V M	
D2123	MTZJ5.1C-T2	Z DIODE			C363	QETN1HM-226Z	E CAPACITOR	22uF 50V M	
D2501	1SS355-X	SI DIODE			C365	QETN1HM-226Z	E CAPACITOR	22uF 50V M	
D2502	1SS355-X	SI DIODE			C369	QETN1HM-226Z	E CAPACITOR	22uF 50V M	
D2503	1SS355-X	SI DIODE			C401	QETN1HM-105Z	E CAPACITOR	1uF 50V M	
D2504	1SS355-X	SI DIODE			C402	QETN0JM-477Z	E CAPACITOR	470uF 6.3V M	
D2505	1SS355-X	SI DIODE			C403	QETN1HM-105Z	E CAPACITOR	1uF 50V M	
D2506	1SS355-X	SI DIODE			C404	QETN0JM-477Z	E CAPACITOR	470uF 6.3V M	
D2507	1SS355-X	SI DIODE			C405	QETN1HM-105Z	E CAPACITOR	1uF 50V M	
D2508	1SS355-X	SI DIODE			C406	QETN1HM-105Z	E CAPACITOR	1uF 50V M	
					C407	QETN0JM-477Z	E CAPACITOR	470uF 6.3V M	
C201	NCS31HJ-101X	C CAPACITOR	100pF 50V J		C408	QETN1EM-476Z	E CAPACITOR	47uF 25V M	
C202	NCS31HJ-101X	C CAPACITOR	100pF 50V J		C409	NCB31HK-103X	C CAPACITOR	0.01uF 50V K	
C203	NCS31HJ-102X	C CAPACITOR	1000pF 50V J		C410	QETN1HM-105Z	E CAPACITOR	1uF 50V M	
C204	NCS31HJ-102X	C CAPACITOR	1000pF 50V J		C411	QETN1HM-105Z	E CAPACITOR	1uF 50V M	
C205	QFN31HJ-562Z	M CAPACITOR	5600pF 50V J		C412	QETN1HM-105Z	E CAPACITOR	1uF 50V M	
C206	QFN31HJ-562Z	M CAPACITOR	5600pF 50V J		C413	QETN1HM-105Z	E CAPACITOR	1uF 50V M	
C207	QFN31HJ-682Z	M CAPACITOR	6800pF 50V J		C414	QETN1EM-476Z	E CAPACITOR	47uF 25V M	
C208	QFN31HJ-682Z	M CAPACITOR	6800pF 50V J		C415	NCB31HK-103X	C CAPACITOR	0.01uF 50V K	



△ Symbol No.	Part No.	Part Name	Description	Local	△ Symbol No.	Part No.	Part Name	Description	Local
C417	QETN1EM-476Z	E CAPACITOR	47uF 25V M		C2213	NCB31HK-223X	C CAPACITOR	0 022uF 50V K	
C418	NCB31HK-103X	C CAPACITOR	0.01uF 50V K		C2221	NCB31HK-223X	C CAPACITOR	0 022uF 50V K	
C419	QETN1HM-105Z	E CAPACITOR	1uF 50V M		C2222	NCB31HK-223X	C CAPACITOR	0 022uF 50V K	
C421	QETN1HM-105Z	E CAPACITOR	1uF 50V M		C2230	NCB31HK-223X	C CAPACITOR	0 022uF 50V K	
C422	QETN1HM-105Z	E CAPACITOR	1uF 50V M		C2231	NCB31HK-223X	C CAPACITOR	0 022uF 50V K	
C423	QETN1EM-476Z	E CAPACITOR	47uF 25V M		C2251	QTE1H44-226Z	E CAPACITOR	22uF 50V	
C424	NCB31HK-103X	C CAPACITOR	0.01uF 50V K		C2252	QTE1H44-226Z	E CAPACITOR	22uF 50V	
C425	QETN1HM-105Z	E CAPACITOR	1uF 50V M		C2265	QTE1K44-106Z	E CAPACITOR	10uF 80V	
C427	QETN1AM-477Z	E CAPACITOR	470uF 10V M		C2266	QTE1K44-106Z	E CAPACITOR	10uF 80V	
C428	NCB31HK-103X	C CAPACITOR	0.01uF 50V K		C2267	QEZO538-476Z	C CAPACITOR	47uF	
C430	NCS31HJ-100X	C CAPACITOR	10pF 50V J		C2268	QEZO538-476Z	C CAPACITOR	47uF	
C431	NCB31HK-102X	C CAPACITOR	1000pF 50V K		C2301	NCB31HK-562X	C CAPACITOR	5600pF 50V K	
C432	NCS31HJ-271X	C CAPACITOR	270pF 50V J		C2302	NCB31HK-562X	C CAPACITOR	5600pF 50V K	
C433	NCS31HJ-121X	C CAPACITOR	120pF 50V J		C2319	NCS31HJ-101X	C CAPACITOR	100pF 50V J	
C434	QETN1HM-105Z	E CAPACITOR	1uF 50V M		C2320	NCS31HJ-101X	C CAPACITOR	100pF 50V J	
C436	QETN1HM-105Z	E CAPACITOR	1uF 50V M		C2401	QTE1H44-226Z	E CAPACITOR	22uF 50V	
C438	QENC1HM-105Z	BP E CAPACITOR	1uF 50V M		C2402	QTE1H44-226Z	E CAPACITOR	22uF 50V	
C439	QFN31HJ-223Z	M CAPACITOR	0.022uF 50V J		C2403	QTE1H44-226Z	E CAPACITOR	22uF 50V	
C440	NCS31HJ-240X	C CAPACITOR	24pF 50V J		C2404	QTE1H44-226Z	E CAPACITOR	22uF 50V	
C441	NCS31HJ-390X	C CAPACITOR	39pF 50V J		C2405	QEZO630-476	E.CAPA AWF	47uF	
C442	QETN1HM-474Z	E CAPACITOR	0.47uF 50V M		C2406	QEZO630-476	E.CAPA AWF	47uF	
C443	NCS31HJ-470X	C CAPACITOR	47pF 50V J		C2411	QTE1H44-106Z	E CAPACITOR	10uF 50V	
C444	NCS31HJ-470X	C CAPACITOR	47pF 50V J		C2412	QTE1H44-106Z	E CAPACITOR	10uF 50V	
C445	NCS31HJ-470X	C CAPACITOR	47pF 50V J		C2413	QTE1H44-106Z	E CAPACITOR	10uF 50V	
C446	QFN31HJ-682Z	M CAPACITOR	6800pF 50V J		C2414	QTE1H44-106Z	E CAPACITOR	10uF 50V	
C447	NCS31HJ-121X	C CAPACITOR	120pF 50V J		C2415	QEZO538-106Z	E CAPACITOR	10uF	
C448	NCS31HJ-121X	C CAPACITOR	120pF 50V J		C2416	QEZO538-106Z	E CAPACITOR	10uF	
C450	NCB31HK-103X	C CAPACITOR	0.01uF 50V K		C2417	QFVJ1HJ-223Z	MF CAPACITOR	0 022uF 50V J	
C451	QETN1AM-477Z	E CAPACITOR	470uF 10V M		C2418	QFVJ1HJ-223Z	MF CAPACITOR	0 022uF 50V J	
C2001	QEZO538-476Z	C CAPACITOR	47uF		C2419	QFVJ1HJ-223Z	MF CAPACITOR	0 022uF 50V J	
C2002	QEZO538-476Z	C CAPACITOR	47uF		C2420	QFVJ1HJ-223Z	MF CAPACITOR	0 022uF 50V J	
C2005	NCB31HK-561X	C CAPACITOR	560pF 50V K		C2501	QETN1HM-226Z	E CAPACITOR	22uF 50V M	
C2011	QETN1HM-106Z	E CAPACITOR	10uF 50V M		C2502	QETN1HM-226Z	E CAPACITOR	22uF 50V M	
C2012	QETN1HM-106Z	E CAPACITOR	10uF 50V M		C2503	QETN1CM-107Z	E CAPACITOR	100uF 16V M	
C2013	QETN1HM-106Z	E CAPACITOR	10uF 50V M		C2504	QETN1CM-107Z	E CAPACITOR	100uF 16V M	
C2014	QETN1HM-106Z	E CAPACITOR	10uF 50V M		C4001	QETN0JM-477Z	E CAPACITOR	470uF 6.3V M	
C2015	QETN1EM-476Z	E CAPACITOR	47uF 25V M		C4002	QETN1EM-476Z	E CAPACITOR	47uF 25V M	
C2016	QETN1EM-476Z	E CAPACITOR	47uF 25V M		C4003	NCB31HK-103X	C CAPACITOR	0 01uF 50V K	
C2025	NCB31HK-223X	C CAPACITOR	0.022uF 50V K		C4004	QETN1HM-105Z	E CAPACITOR	1uF 50V M	
C2026	NCB31HK-223X	C CAPACITOR	0.022uF 50V K		C4005	QETN1HM-105Z	E CAPACITOR	1uF 50V M	
C2028	QETN1HM-226Z	E CAPACITOR	22uF 50V M		C4006	QETN1HM-105Z	E CAPACITOR	1uF 50V M	
C2031	QETN1HM-475Z	E CAPACITOR	4.7uF 50V M		C4007	NCS31HJ-470X	C CAPACITOR	47pF 50V J	
C2032	QETN1HM-475Z	E CAPACITOR	4.7uF 50V M		C4501	NCF31HZ-103X	C CAPACITOR	0 01uF 50V Z	
C2033	QETN1HM-475Z	E CAPACITOR	4.7uF 50V M		C4502	QETN1HM-105Z	E CAPACITOR	1uF 50V M	
C2034	QETN1HM-475Z	E CAPACITOR	4.7uF 50V M		C4503	NCF31HZ-473X	C CAPACITOR	0 047uF 50V Z	
C2035	QETN1EM-476Z	E CAPACITOR	47uF 25V M		C4504	QETN0JM-477Z	E CAPACITOR	470uF 6.3V M	
C2036	QETN1EM-476Z	E CAPACITOR	47uF 25V M		C4505	NCF31HZ-103X	C CAPACITOR	0 01uF 50V Z	
C2042	QETN1HM-226Z	E CAPACITOR	22uF 50V M		C4506	QETN1HM-105Z	E CAPACITOR	1uF 50V M	
C2053	QTE1K44-106Z	E CAPACITOR	10uF 80V		C4507	NCF31HZ-473X	C CAPACITOR	0 047uF 50V Z	
C2054	QTE1K44-106Z	E CAPACITOR	10uF 80V		C4508	QETN0JM-477Z	E CAPACITOR	470uF 6.3V M	
C2055	QEZO629-107	E.CAPA AWF	100uF		C4509	NCF31HZ-103X	C CAPACITOR	0 01uF 50V Z	
C2056	QEZO629-107	E.CAPA AWF	100uF		C4510	QETN1HM-105Z	E CAPACITOR	1uF 50V M	
C2061	QTE1K44-106Z	E CAPACITOR	10uF 80V		C4511	NCF31HZ-103X	C CAPACITOR	0 01uF 50V Z	
C2062	QTE1K44-106Z	E CAPACITOR	10uF 80V		C4512	QETN1HM-105Z	E CAPACITOR	1uF 50V M	
C2063	QEZO629-107	E.CAPA AWF	100uF		C4513	NCS31HJ-102X	C CAPACITOR	1000pF 50V J	
C2064	QEZO629-107	E.CAPA AWF	100uF		C4514	QETN0JM-477Z	E CAPACITOR	470uF 6.3V M	
C2069	QTE1K44-106Z	E CAPACITOR	10uF 80V		C4515	QETN1HM-105Z	E CAPACITOR	1uF 50V M	
C2070	QTE1K44-106Z	E CAPACITOR	10uF 80V		C4516	NCF31HZ-103X	C CAPACITOR	0 01uF 50V Z	
C2071	QEZO629-107	E.CAPA AWF	100uF		C4521	NCF31HZ-473X	C CAPACITOR	0 047uF 50V Z	
C2072	QEZO629-107	E.CAPA AWF	100uF		C4522	NCB31HK-103X	C CAPACITOR	0 01uF 50V K	
C2077	QTE1K44-106Z	E CAPACITOR	10uF 80V		C4523	NCF31HZ-473X	C CAPACITOR	0 047uF 50V Z	
C2078	QTE1K44-106Z	E CAPACITOR	10uF 80V		C4524	NCB31HK-103X	C CAPACITOR	0 01uF 50V K	
C2079	QEZO629-107	E.CAPA AWF	100uF		C4525	NCF31HZ-473X	C CAPACITOR	0 047uF 50V Z	
C2080	QEZO629-107	E.CAPA AWF	100uF		C4526	NCB31HK-103X	C CAPACITOR	0 01uF 50V K	
C2101	QEZO538-106Z	E CAPACITOR	10uF		C4527	NCF31HZ-473X	C CAPACITOR	0 047uF 50V Z	
C2102	QEZO538-106Z	E CAPACITOR	10uF		C4528	NCB31HK-103X	C CAPACITOR	0 01uF 50V K	
C2103	NCB31HK-223X	C CAPACITOR	0.022uF 50V K		C4529	NCB31HK-103X	C CAPACITOR	0 01uF 50V K	
C2104	NCB31HK-223X	C CAPACITOR	0.022uF 50V K		C4531	NCS31HJ-470X	C CAPACITOR	47pF 50V J	
C2105	NCB31HK-561X	C CAPACITOR	560pF 50V K		C4532	NCS31HJ-470X	C CAPACITOR	47pF 50V J	
C2111	QETN1EM-106Z	E CAPACITOR	10uF 25V M		C4533	NCS31HJ-470X	C CAPACITOR	47pF 50V J	
C2112	QETN1EM-106Z	E CAPACITOR	10uF 25V M		C4534	NCS31HJ-470X	C CAPACITOR	47pF 50V J	
C2113	QETN1EM-106Z	E CAPACITOR	10uF 25V M		C4535	NCS31HJ-101X	C CAPACITOR	100pF 50V J	
C2114	QETN1EM-106Z	E CAPACITOR	10uF 25V M		C4536	NCS31HJ-101X	C CAPACITOR	100pF 50V J	
C2115	QETN1EM-106Z	E CAPACITOR	10uF 25V M		C4601	QETN1EM-476Z	E CAPACITOR	47uF 25V M	
C2116	QETN1EM-106Z	E CAPACITOR	10uF 25V M		C4602	NCB31HK-103X	C CAPACITOR	0 01uF 50V K	
C2203	NCB31HK-223X	C CAPACITOR	0.022uF 50V K		C4603	QETN1HM-105Z	E CAPACITOR	1uF 50V M	
C2204	NCB31HK-223X	C CAPACITOR	0.022uF 50V K		C4604	QETN1HM-105Z	E CAPACITOR	1uF 50V M	
C2212	NCB31HK-223X	C CAPACITOR	0.022uF 50V K		C4605	QETN1HM-105Z	E CAPACITOR	1uF 50V M	

△ Symbol No.	Part No.	Part Name	Description	Local	△ Symbol No.	Part No.	Part Name	Description	Local
C4606	QETN1EM-476Z	E CAPACITOR	47uF 25V M		R227	NRSA63J-472X	MG RESISTOR	4.7kΩ 1/16W J	
C4607	NCB31HK-103X	C CAPACITOR	0.01uF 50V K		R228	NRSA63J-103X	MG RESISTOR	10kΩ 1/16W J	
C4608	QETN1HM-105Z	E CAPACITOR	1uF 50V M		R229	NRSA63J-0R0X	MG RESISTOR	0Ω 1/16W J	
C4609	QETN1EM-476Z	E CAPACITOR	47uF 25V M		R230	NRSA63J-0R0X	MG RESISTOR	0Ω 1/16W J	
C4610	NCB31HK-103X	C CAPACITOR	0.01uF 50V K		R231	NRSA63J-271X	MG RESISTOR	270Ω 1/16W J	
C4611	QETN1HM-105Z	E CAPACITOR	1uF 50V M		R232	NRSA63J-271X	MG RESISTOR	270Ω 1/16W J	
C4613	QETN1HM-105Z	E CAPACITOR	1uF 50V M		R233	NRSA63J-270X	MG RESISTOR	27Ω 1/16W J	
C4615	QETN1EM-476Z	E CAPACITOR	47uF 25V M		R234	NRSA63J-270X	MG RESISTOR	27Ω 1/16W J	
C4616	NCB31HK-103X	C CAPACITOR	0.01uF 50V K		R235	NRSA63J-103X	MG RESISTOR	10kΩ 1/16W J	
C4618	QETN1HM-105Z	E CAPACITOR	1uF 50V M		R236	NRSA63J-103X	MG RESISTOR	10kΩ 1/16W J	
C4619	NCS31HJ-330X	C CAPACITOR	33pF 50V J		R237	NRSA63J-184X	MG RESISTOR	180kΩ 1/16W J	
C4620	QETN1AM-107Z	E CAPACITOR	100uF 10V M		R238	NRSA63J-184X	MG RESISTOR	180kΩ 1/16W J	
C4621	QETN1EM-476Z	E CAPACITOR	47uF 25V M		R239	NRSA63J-163X	MG RESISTOR	16kΩ 1/16W J	
C4622	NCB31HK-103X	C CAPACITOR	0.01uF 50V K		R240	NRSA63J-163X	MG RESISTOR	16kΩ 1/16W J	
C4623	NCF31HZ-103X	C CAPACITOR	0.01uF 50V Z		R241	NRSA63J-475X	MG RESISTOR	4.7MΩ 1/16W J	
C4624	NCF31AZ-105X	C CAPACITOR	1uF 10V Z		R242	NRSA63J-475X	MG RESISTOR	4.7MΩ 1/16W J	
C4625	NCF31AZ-105X	C CAPACITOR	1uF 10V Z		R243	NRSA63J-475X	MG RESISTOR	4.7MΩ 1/16W J	
C4626	QETN1EM-476Z	E CAPACITOR	47uF 25V M		R244	NRSA63J-475X	MG RESISTOR	4.7MΩ 1/16W J	
C4627	NCB31HK-103X	C CAPACITOR	0.01uF 50V K		R245	NRSA63J-125X	MG RESISTOR	1MΩ 1/16W J	
C4628	NCF31AZ-105X	C CAPACITOR	1uF 10V Z		R246	NRSA63J-125X	MG RESISTOR	1MΩ 1/16W J	
C4629	QETN1EM-476Z	E CAPACITOR	47uF 25V M		R247	NRSA63J-155X	MG RESISTOR	1.5MΩ 1/16W J	
C4630	NCB31HK-103X	C CAPACITOR	0.01uF 50V K		R248	NRSA63J-155X	MG RESISTOR	1.5MΩ 1/16W J	
C4631	NCF31HZ-103X	C CAPACITOR	0.01uF 50V Z		R249	NRSA63J-125X	MG RESISTOR	1MΩ 1/16W J	
C4633	NCF31HZ-103X	C CAPACITOR	0.01uF 50V Z		R250	NRSA63J-125X	MG RESISTOR	1MΩ 1/16W J	
C4635	QETN1EM-476Z	E CAPACITOR	47uF 25V M		R251	NRSA63J-471X	MG RESISTOR	470Ω 1/16W J	
C4636	NCB31HK-103X	C CAPACITOR	0.01uF 50V K		R252	NRSA63J-471X	MG RESISTOR	470Ω 1/16W J	
C4639	NCS31HJ-821X	C CAPACITOR	820pF 50V J		R253	NRSA63J-471X	MG RESISTOR	470Ω 1/16W J	
C4640	NCS31HJ-121X	C CAPACITOR	120pF 50V J		R254	NRSA63J-471X	MG RESISTOR	470Ω 1/16W J	
C4641	NCS31HJ-121X	C CAPACITOR	120pF 50V J		R255	NRSA63J-471X	MG RESISTOR	470Ω 1/16W J	
C4643	NCS31HJ-121X	C CAPACITOR	120pF 50V J		R256	NRSA63J-471X	MG RESISTOR	470Ω 1/16W J	
C4644	NCS31HJ-121X	C CAPACITOR	120pF 50V J		R257	NRSA63J-471X	MG RESISTOR	470Ω 1/16W J	
C4645	NCS31HJ-820X	C CAPACITOR	82pF 50V J		R258	NRSA63J-471X	MG RESISTOR	470Ω 1/16W J	
C4646	QETN1AM-477Z	E CAPACITOR	470uF 10V M		R259	NRSA63J-471X	MG RESISTOR	470Ω 1/16W J	
C4701	NCB31HK-103X	C CAPACITOR	0.01uF 50V K		R260	NRSA63J-471X	MG RESISTOR	470Ω 1/16W J	
C4702	QETN1EM-476Z	E CAPACITOR	47uF 25V M		R261	NRSA63J-471X	MG RESISTOR	470Ω 1/16W J	
C4854	QETN1EM-476Z	E CAPACITOR	47uF 25V M		R262	NRSA63J-471X	MG RESISTOR	470Ω 1/16W J	
C4855	NCB31HK-103X	C CAPACITOR	0.01uF 50V K		R263	NRSA63J-471X	MG RESISTOR	470Ω 1/16W J	
C4856	QETN1HM-105Z	E CAPACITOR	1uF 50V M		R264	NRSA63J-471X	MG RESISTOR	470Ω 1/16W J	
C4857	NCB31HK-103X	C CAPACITOR	0.01uF 50V K		R265	NRSA63J-471X	MG RESISTOR	470Ω 1/16W J	
C4858	QETN1HM-105Z	E CAPACITOR	1uF 50V M		R266	NRSA63J-471X	MG RESISTOR	470Ω 1/16W J	
C4901	NCF31HZ-473X	C CAPACITOR	0.047uF 50V Z		R267	QRZ9005-680X	FUSI RESISTOR	68Ω	
C4902	QETNOJM-477Z	E CAPACITOR	470uF 6.3V M		R268	QRZ9005-680X	FUSI RESISTOR	68Ω	
C4911	QETN1EM-476Z	E CAPACITOR	47uF 25V M		R269	QRZ9005-680X	FUSI RESISTOR	68Ω	
C4912	NCB31HK-103X	C CAPACITOR	0.01uF 50V K		R270	QRZ9005-680X	FUSI RESISTOR	68Ω	
C4913	QETN1HM-105Z	E CAPACITOR	1uF 50V M		R271	QRJ146J-121X	UNF C RESISTOR	120Ω 1/4W J	
C4914	QETN1HM-105Z	E CAPACITOR	1uF 50V M		R272	QRJ146J-820X	UNF C RESISTOR	82Ω 1/4W J	
C4915	QETN1HM-105Z	E CAPACITOR	1uF 50V M		R273	NRSA63J-472X	MG RESISTOR	4.7kΩ 1/16W J	
C4921	QETN1EM-476Z	E CAPACITOR	47uF 25V M		R274	NRSA63J-472X	MG RESISTOR	4.7kΩ 1/16W J	
C4922	NCB31HK-103X	C CAPACITOR	0.01uF 50V K		R275	QRA14CF-1001Y	CMF RESISTOR	1kΩ 1/4W F	
C4923	NCF31HZ-103X	C CAPACITOR	0.01uF 50V Z		R276	QRA14CF-1001Y	CMF RESISTOR	1kΩ 1/4W F	
C4924	NCF31AZ-105X	C CAPACITOR	1uF 10V Z		R277	QRA14CF-1001Y	CMF RESISTOR	1kΩ 1/4W F	
C4925	NCF31AZ-105X	C CAPACITOR	1uF 10V Z		R278	QRA14CF-1001Y	CMF RESISTOR	1kΩ 1/4W F	
C4931	NCS31HJ-101X	C CAPACITOR	100pF 50V J		R279	QRA14CF-1001Y	CMF RESISTOR	1kΩ 1/4W F	
C4932	NCS31HJ-101X	C CAPACITOR	100pF 50V J		R280	QRA14CF-1001Y	CMF RESISTOR	1kΩ 1/4W F	
					R281	QRA14CF-1001Y	CMF RESISTOR	1kΩ 1/4W F	
R201	NRSA63J-5R6X	MG RESISTOR	5.6Ω 1/16W J		R282	QRA14CF-1001Y	CMF RESISTOR	1kΩ 1/4W F	
R202	NRSA63J-5R6X	MG RESISTOR	5.6Ω 1/16W J		R283	QRA14CF-1001Y	CMF RESISTOR	1kΩ 1/4W F	
R203	NRSA63J-473X	MG RESISTOR	47kΩ 1/16W J		R284	QRA14CF-1001Y	CMF RESISTOR	1kΩ 1/4W F	
R204	NRSA63J-473X	MG RESISTOR	47kΩ 1/16W J		R285	QRA14CF-1001Y	CMF RESISTOR	1kΩ 1/4W F	
R205	NRSA63J-101X	MG RESISTOR	100Ω 1/16W J		R286	QRA14CF-1001Y	CMF RESISTOR	1kΩ 1/4W F	
R206	NRSA63J-101X	MG RESISTOR	100Ω 1/16W J		R291	QRZ0133-471	C.RES RMA	470Ω	
R207	NRSA63J-222X	MG RESISTOR	2.2kΩ 1/16W J		R292	QRZ0133-471	C.RES RMA	470Ω	
R208	NRSA63J-222X	MG RESISTOR	2.2kΩ 1/16W J		R293	QRZ0133-471	C.RES RMA	470Ω	
R209	NRSA63J-242X	MG RESISTOR	2.4kΩ 1/16W J		R294	QRZ0133-471	C.RES RMA	470Ω	
R210	NRSA63J-242X	MG RESISTOR	2.4kΩ 1/16W J		R295	QRV12DF-4700	CMF RESISTOR	470Ω 1/2W F	
R211	NRSA63J-272X	MG RESISTOR	2.7kΩ 1/16W J		R296	QRV12DF-4700	CMF RESISTOR	470Ω 1/2W F	
R212	NRSA63J-272X	MG RESISTOR	2.7kΩ 1/16W J		R297	QRZ0133-471	C.RES RMA	470Ω	
R213	NRSA63J-120X	MG RESISTOR	12Ω 1/16W J		R298	QRZ0133-471	C.RES RMA	470Ω	
R214	NRSA63J-120X	MG RESISTOR	12Ω 1/16W J		R299	NRSA63J-103X	MG RESISTOR	10kΩ 1/16W J	
R215	NRSA63J-222X	MG RESISTOR	2.2kΩ 1/16W J		R300	NRSA63J-103X	MG RESISTOR	10kΩ 1/16W J	
R216	NRSA63J-222X	MG RESISTOR	2.2kΩ 1/16W J		R301	NRSA63J-103X	MG RESISTOR	10kΩ 1/16W J	
R217	NRSA63J-182X	MG RESISTOR	1.8kΩ 1/16W J		R302	NRSA63J-222X	MG RESISTOR	2.2kΩ 1/16W J	
R218	NRSA63J-182X	MG RESISTOR	1.8kΩ 1/16W J		R303	NRSA63J-103X	MG RESISTOR	10kΩ 1/16W J	
R221	NRSA63J-105X	MG RESISTOR	1MΩ 1/16W J		R304	NRSA63J-103X	MG RESISTOR	10kΩ 1/16W J	
R222	NRSA63J-105X	MG RESISTOR	1MΩ 1/16W J		R305	NRSA63J-103X	MG RESISTOR	10kΩ 1/16W J	
R224	NRSA63J-474X	MG RESISTOR	470kΩ 1/16W J		R306	NRSA63J-103X	MG RESISTOR	10kΩ 1/16W J	
R225	QRJ146J-331X	UNF C RESISTOR	330Ω 1/4W J		R307	NRSA63J-102X	MG RESISTOR	1kΩ 1/16W J	
R226	NRSA63J-102X	MG RESISTOR	1kΩ 1/16W J		R308	NRSA63J-102X	MG RESISTOR	1kΩ 1/16W J	

△ Symbol No.	Part No.	Part Name	Description	Local	△ Symbol No.	Part No.	Part Name	Description	Local
R309	NRSA63J-474X	MG RESISTOR	470kΩ	1/16W J	R438	NRSA63J-471X	MG RESISTOR	470Ω	1/16W J
R311	NRSA63J-102X	MG RESISTOR	1kΩ	1/16W J	R439	NRSA63J-0R0X	MG RESISTOR	0Ω	1/16W J
R312	NRSA63J-102X	MG RESISTOR	1kΩ	1/16W J	R1351	QRZ9005-331X	FUSI RESISTOR	330Ω	
R313	NRSA63J-102X	MG RESISTOR	1kΩ	1/16W J	R1402	NRSA63J-102X	MG RESISTOR	1kΩ	1/16W J
R314	NRSA63J-102X	MG RESISTOR	1kΩ	1/16W J	R1404	NRSA63J-102X	MG RESISTOR	1kΩ	1/16W J
R315	NRSA63J-102X	MG RESISTOR	1kΩ	1/16W J	R1407	NRSA63J-821X	MG RESISTOR	820Ω	1/16W J
R316	NRSA63J-102X	MG RESISTOR	1kΩ	1/16W J	R1419	NRSA02J-121X	MG RESISTOR	120Ω	1/10W J
R321	NRSA63J-471X	MG RESISTOR	470Ω	1/16W J	R1421	NRSA02J-121X	MG RESISTOR	120Ω	1/10W J
R322	NRSA63J-471X	MG RESISTOR	470Ω	1/16W J	R2001	QRZ9005-680X	FUSI RESISTOR	68Ω	
R323	NRSA63J-471X	MG RESISTOR	470Ω	1/16W J	R2002	QRZ9005-680X	FUSI RESISTOR	68Ω	
R324	NRSA63J-471X	MG RESISTOR	470Ω	1/16W J	R2013	NRSA63J-473X	MG RESISTOR	47kΩ	1/16W J
R325	NRSA63J-471X	MG RESISTOR	470Ω	1/16W J	R2014	NRSA63J-473X	MG RESISTOR	47kΩ	1/16W J
R326	NRSA63J-471X	MG RESISTOR	470Ω	1/16W J	R2015	NRSA63J-104X	MG RESISTOR	100kΩ	1/16W J
R327	NRSA63J-471X	MG RESISTOR	470Ω	1/16W J	R2016	NRSA63J-104X	MG RESISTOR	100kΩ	1/16W J
R328	NRSA63J-471X	MG RESISTOR	470Ω	1/16W J	R2017	QRZ9005-680X	FUSI RESISTOR	68Ω	
R329	NRSA63J-471X	MG RESISTOR	470Ω	1/16W J	R2018	QRZ9005-680X	FUSI RESISTOR	68Ω	
R330	NRSA63J-471X	MG RESISTOR	470Ω	1/16W J	R2023	NRSA63J-102X	MG RESISTOR	1kΩ	1/16W J
R331	NRSA63J-471X	MG RESISTOR	470Ω	1/16W J	R2024	NRSA63J-102X	MG RESISTOR	1kΩ	1/16W J
R332	NRSA63J-471X	MG RESISTOR	470Ω	1/16W J	R2025	NRSA63J-103X	MG RESISTOR	10kΩ	1/16W J
R333	NRSA63J-471X	MG RESISTOR	470Ω	1/16W J	R2026	NRSA63J-103X	MG RESISTOR	10kΩ	1/16W J
R334	NRSA63J-471X	MG RESISTOR	470Ω	1/16W J	R2027	NRSA63J-102X	MG RESISTOR	1kΩ	1/16W J
R335	NRSA63J-471X	MG RESISTOR	470Ω	1/16W J	R2031	NRSA63J-104X	MG RESISTOR	100kΩ	1/16W J
R336	NRSA63J-471X	MG RESISTOR	470Ω	1/16W J	R2032	NRSA63J-104X	MG RESISTOR	100kΩ	1/16W J
R337	NRSA63J-471X	MG RESISTOR	470Ω	1/16W J	R2033	NRSA63J-102X	MG RESISTOR	1kΩ	1/16W J
R338	NRSA63J-471X	MG RESISTOR	470Ω	1/16W J	R2034	NRSA63J-102X	MG RESISTOR	1kΩ	1/16W J
R339	QRZ9005-680X	FUSI RESISTOR	68Ω		R2035	NRSA63J-512X	MG RESISTOR	5.1kΩ	1/16W J
R340	QRZ9005-680X	FUSI RESISTOR	68Ω		R2036	NRSA63J-512X	MG RESISTOR	5.1kΩ	1/16W J
R345	NRSA63J-471X	MG RESISTOR	470Ω	1/16W J	R2039	QRZ9005-680X	FUSI RESISTOR	68Ω	
R346	NRSA63J-471X	MG RESISTOR	470Ω	1/16W J	R2040	QRZ9005-680X	FUSI RESISTOR	68Ω	
R347	NRSA63J-103X	MG RESISTOR	10kΩ	1/16W J	R2041	NRSA63J-102X	MG RESISTOR	1kΩ	1/16W J
R348	NRSA63J-103X	MG RESISTOR	10kΩ	1/16W J	R2042	NRSA63J-102X	MG RESISTOR	1kΩ	1/16W J
R355	NRSA63J-471X	MG RESISTOR	470Ω	1/16W J	R2043	NRSA63J-103X	MG RESISTOR	10kΩ	1/16W J
R356	NRSA63J-471X	MG RESISTOR	470Ω	1/16W J	R2044	NRSA63J-103X	MG RESISTOR	10kΩ	1/16W J
R357	NRSA63J-103X	MG RESISTOR	10kΩ	1/16W J	R2046	NRSA63J-102X	MG RESISTOR	1kΩ	1/16W J
R358	NRSA63J-103X	MG RESISTOR	10kΩ	1/16W J	R2051	QRE141J-101Y	C RESISTOR	100Ω	1/4W J
R363	NRSA63J-102X	MG RESISTOR	1kΩ	1/16W J	R2052	QRE141J-101Y	C RESISTOR	100Ω	1/4W J
R364	NRSA63J-474X	MG RESISTOR	470kΩ	1/16W J	R2055	NRSA63J-104X	MG RESISTOR	100kΩ	1/16W J
R365	NRSA63J-102X	MG RESISTOR	1kΩ	1/16W J	R2056	NRSA63J-104X	MG RESISTOR	100kΩ	1/16W J
R366	NRSA63J-474X	MG RESISTOR	470kΩ	1/16W J	R2057	QRJ146J-680X	UNF C RESISTOR	68Ω	1/4W J
R369	NRSA63J-102X	MG RESISTOR	1kΩ	1/16W J	R2058	QRJ146J-680X	UNF C RESISTOR	68Ω	1/4W J
R370	NRSA63J-474X	MG RESISTOR	470kΩ	1/16W J	R2059	QRE141J-101Y	C RESISTOR	100Ω	1/4W J
R399	NRSA63J-471X	MG RESISTOR	470Ω	1/16W J	R2060	QRE141J-101Y	C RESISTOR	100Ω	1/4W J
R400	NRSA63J-471X	MG RESISTOR	470Ω	1/16W J	R2063	NRSA63J-104X	MG RESISTOR	100kΩ	1/16W J
R401	NRSA63J-750X	MG RESISTOR	75Ω	1/16W J	R2064	NRSA63J-104X	MG RESISTOR	100kΩ	1/16W J
R402	NRSA63J-750X	MG RESISTOR	75Ω	1/16W J	R2065	QRJ146J-680X	UNF C RESISTOR	68Ω	1/4W J
R403	NRSA63J-750X	MG RESISTOR	75Ω	1/16W J	R2066	QRJ146J-680X	UNF C RESISTOR	68Ω	1/4W J
R404	NRSA63J-750X	MG RESISTOR	75Ω	1/16W J	R2067	QRE141J-101Y	C RESISTOR	100Ω	1/4W J
R405	NRSA63J-750X	MG RESISTOR	75Ω	1/16W J	R2068	QRE141J-101Y	C RESISTOR	100Ω	1/4W J
R406	NRSA63J-750X	MG RESISTOR	75Ω	1/16W J	R2071	NRSA63J-104X	MG RESISTOR	100kΩ	1/16W J
R407	NRSA63J-750X	MG RESISTOR	75Ω	1/16W J	R2072	NRSA63J-104X	MG RESISTOR	100kΩ	1/16W J
R408	NRSA63J-0R0X	MG RESISTOR	0Ω	1/16W J	R2073	QRJ146J-680X	UNF C RESISTOR	68Ω	1/4W J
R409	NRSA63J-473X	MG RESISTOR	47kΩ	1/16W J	R2074	QRJ146J-680X	UNF C RESISTOR	68Ω	1/4W J
R410	NRSA63J-0R0X	MG RESISTOR	0Ω	1/16W J	R2075	QRE141J-101Y	C RESISTOR	100Ω	1/4W J
R411	NRSA63J-473X	MG RESISTOR	47kΩ	1/16W J	R2076	QRE141J-101Y	C RESISTOR	100Ω	1/4W J
R412	NRSA63J-0R0X	MG RESISTOR	0Ω	1/16W J	R2079	NRSA63J-104X	MG RESISTOR	100kΩ	1/16W J
R413	NRSA63J-0R0X	MG RESISTOR	0Ω	1/16W J	R2080	NRSA63J-104X	MG RESISTOR	100kΩ	1/16W J
R414	NRSA63J-473X	MG RESISTOR	47kΩ	1/16W J	R2081	QRJ146J-680X	UNF C RESISTOR	68Ω	1/4W J
R415	NRSA02J-121X	MG RESISTOR	120Ω	1/10W J	R2082	QRJ146J-680X	UNF C RESISTOR	68Ω	1/4W J
R416	NRSA63J-331X	MG RESISTOR	330Ω	1/16W J	R2091	NRSA63J-122X	MG RESISTOR	1.2kΩ	1/16W J
R417	NRSA02J-121X	MG RESISTOR	120Ω	1/10W J	R2092	NRSA63J-122X	MG RESISTOR	1.2kΩ	1/16W J
R418	NRSA63J-331X	MG RESISTOR	330Ω	1/16W J	R2093	NRSA63J-471X	MG RESISTOR	470Ω	1/16W J
R419	NRSA02J-121X	MG RESISTOR	120Ω	1/10W J	R2094	NRSA63J-471X	MG RESISTOR	470Ω	1/16W J
R421	NRSA63J-121X	MG RESISTOR	120Ω	1/16W J	R2111	NRSA63J-473X	MG RESISTOR	47kΩ	1/16W J
R423	NRSA63J-0R0X	MG RESISTOR	0Ω	1/16W J	R2112	NRSA63J-104X	MG RESISTOR	100kΩ	1/16W J
R424	NRSA63J-561X	MG RESISTOR	560Ω	1/16W J	R2113	NRSA63J-102X	MG RESISTOR	1kΩ	1/16W J
R425	NRSA63J-561X	MG RESISTOR	560Ω	1/16W J	R2114	NRSA63J-102X	MG RESISTOR	1kΩ	1/16W J
R426	NRSA63J-561X	MG RESISTOR	560Ω	1/16W J	R2115	NRSA63J-473X	MG RESISTOR	47kΩ	1/16W J
R427	NRSA63J-221X	MG RESISTOR	220Ω	1/16W J	R2116	NRSA63J-102X	MG RESISTOR	1kΩ	1/16W J
R428	NRSA63J-152X	MG RESISTOR	1.5kΩ	1/16W J	R2117	NRSA63J-104X	MG RESISTOR	100kΩ	1/16W J
R429	NRSA63J-682X	MG RESISTOR	6.8kΩ	1/16W J	R2118	NRSA63J-103X	MG RESISTOR	10kΩ	1/16W J
R430	NRSA63J-121X	MG RESISTOR	120Ω	1/16W J	R2119	NRSA63J-103X	MG RESISTOR	10kΩ	1/16W J
R431	NRSA63J-102X	MG RESISTOR	1kΩ	1/16W J	R2120	NRSA63J-103X	MG RESISTOR	10kΩ	1/16W J
R432	NRSA63J-272X	MG RESISTOR	2.7kΩ	1/16W J	R2121	NRSA63J-332X	MG RESISTOR	3.3kΩ	1/16W J
R433	NRSA63J-513X	MG RESISTOR	51kΩ	1/16W J	R2122	NRSA63J-103X	MG RESISTOR	10kΩ	1/16W J
R434	QRJ146J-1R0X	UNF C RESISTOR	1Ω	1/4W J	R2123	NRSA63J-103X	MG RESISTOR	10kΩ	1/16W J
R435	NRSA63J-103X	MG RESISTOR	10kΩ	1/16W J	R2124	QRJ146J-101Y	UNF C RESISTOR	100Ω	1/4W J
R436	NRSA63J-103X	MG RESISTOR	10kΩ	1/16W J	R2259	QRV14CF-4702Y	MG RESISTOR	47kΩ	1/4W F
R437	NRSA63J-103X	MG RESISTOR	10kΩ	1/16W J	R2260	QRV14CF-4702Y	MG RESISTOR	47kΩ	1/4W F

△ Symbol No.	Part No.	Part Name	Description	Local	△ Symbol No.	Part No.	Part Name	Description	Local
R2261	NRSA63J-473X	MG RESISTOR	47kΩ 1/16W J		R2622	QRJ146J-680X	UNF C RESISTOR	68Ω 1/4W J	
R2262	NRSA63J-473X	MG RESISTOR	47kΩ 1/16W J		R2623	QRJ146J-680X	UNF C RESISTOR	68Ω 1/4W J	
R2263	NRSA63J-473X	MG RESISTOR	47kΩ 1/16W J		R2624	QRJ146J-680X	UNF C RESISTOR	68Ω 1/4W J	
R2264	NRSA63J-473X	MG RESISTOR	47kΩ 1/16W J		R4001	NRSA63J-750X	MG RESISTOR	75Ω 1/16W J	
R2265	NRSA63J-473X	MG RESISTOR	47kΩ 1/16W J		R4002	NRSA63J-471X	MG RESISTOR	470Ω 1/16W J	
R2266	NRSA63J-473X	MG RESISTOR	47kΩ 1/16W J		R4003	NRSA63J-473X	MG RESISTOR	47kΩ 1/16W J	
R2267	NRSA63J-104X	MG RESISTOR	100kΩ 1/16W J		R4101	NRSA63J-102X	MG RESISTOR	1kΩ 1/16W J	
R2268	NRSA63J-104X	MG RESISTOR	100kΩ 1/16W J		R4501	NRSA63J-750X	MG RESISTOR	75Ω 1/16W J	
R2269	QRA14CF-2401Y	CMF RESISTOR	2.4kΩ 1/4W F		R4502	NRSA63J-750X	MG RESISTOR	75Ω 1/16W J	
R2270	QRA14CF-2401Y	CMF RESISTOR	2.4kΩ 1/4W F		R4503	NRSA63J-750X	MG RESISTOR	75Ω 1/16W J	
R2273	QRA14CF-2401Y	CMF RESISTOR	2.4kΩ 1/4W F		R4504	NRSA63J-750X	MG RESISTOR	75Ω 1/16W J	
R2274	QRA14CF-2401Y	CMF RESISTOR	2.4kΩ 1/4W F		R4505	NRSA63J-473X	MG RESISTOR	47kΩ 1/16W J	
R2275	QRJ146J-680X	UNF C RESISTOR	68Ω 1/4W J		R4506	NRSA63J-750X	MG RESISTOR	75Ω 1/16W J	
R2276	QRJ146J-680X	UNF C RESISTOR	68Ω 1/4W J		R4507	NRSA63J-750X	MG RESISTOR	75Ω 1/16W J	
R2279	NRSA63J-104X	MG RESISTOR	100kΩ 1/16W J		R4508	NRSA63J-750X	MG RESISTOR	75Ω 1/16W J	
R2280	NRSA63J-104X	MG RESISTOR	100kΩ 1/16W J		R4509	NRSA63J-750X	MG RESISTOR	75Ω 1/16W J	
R2301	NRSA63J-682X	MG RESISTOR	6.8kΩ 1/16W J		R4510	NRSA63J-473X	MG RESISTOR	47kΩ 1/16W J	
R2302	NRSA63J-682X	MG RESISTOR	6.8kΩ 1/16W J		R4511	NRSA63J-750X	MG RESISTOR	75Ω 1/16W J	
R2303	NRSA63J-102X	MG RESISTOR	1kΩ 1/16W J		R4512	NRSA63J-750X	MG RESISTOR	75Ω 1/16W J	
R2304	NRSA63J-102X	MG RESISTOR	1kΩ 1/16W J		R4513	NRSA63J-750X	MG RESISTOR	75Ω 1/16W J	
R2316	NRSA63J-103X	MG RESISTOR	10kΩ 1/16W J		R4514	NRSA63J-750X	MG RESISTOR	75Ω 1/16W J	
R2317	NRSA63J-103X	MG RESISTOR	10kΩ 1/16W J		R4515	NRSA63J-750X	MG RESISTOR	75Ω 1/16W J	
R2351	QRV14CF-1001Y	CMF RESISTOR	1kΩ 1/4W F		R4516	NRSA63J-750X	MG RESISTOR	75Ω 1/16W J	
R2352	QRV14CF-1001Y	CMF RESISTOR	1kΩ 1/4W F		R4517	NRSA63J-473X	MG RESISTOR	47kΩ 1/16W J	
R2353	QRV14CF-4701Y	CMF RESISTOR	4.7kΩ 1/4W F		R4518	NRSA63J-561X	MG RESISTOR	560Ω 1/16W J	
R2354	QRV14CF-4701Y	CMF RESISTOR	4.7kΩ 1/4W F		R4521	NRSA63J-562X	MG RESISTOR	5.6kΩ 1/16W J	
R2355	QRV14CF-1001Y	CMF RESISTOR	1kΩ 1/4W F		R4522	NRSA63J-562X	MG RESISTOR	5.6kΩ 1/16W J	
R2356	QRV14CF-1001Y	CMF RESISTOR	1kΩ 1/4W F		R4523	NRSA63J-562X	MG RESISTOR	5.6kΩ 1/16W J	
R2357	QRV14CF-4701Y	CMF RESISTOR	4.7kΩ 1/4W F		R4524	NRSA63J-562X	MG RESISTOR	5.6kΩ 1/16W J	
R2358	QRV14CF-9101Y	CMF RESISTOR	9.1kΩ 1/4W F		R4525	NRSA63J-562X	MG RESISTOR	5.6kΩ 1/16W J	
R2359	QRV14CF-1001Y	CMF RESISTOR	1kΩ 1/4W F		R4541	QRJ146J-6R8X	UNF C RESISTOR	6.8Ω 1/4W J	
R2360	QRV14CF-1001Y	CMF RESISTOR	1kΩ 1/4W F		R4542	QRJ146J-1R0X	UNF C RESISTOR	1Ω 1/4W J	
R2361	QRV14CF-4701Y	CMF RESISTOR	4.7kΩ 1/4W F		R4553	NRSA63J-102X	MG RESISTOR	1kΩ 1/16W J	
R2362	QRV14CF-4701Y	CMF RESISTOR	4.7kΩ 1/4W F		R4554	NRSA63J-102X	MG RESISTOR	1kΩ 1/16W J	
R2363	QRV14CF-1001Y	CMF RESISTOR	1kΩ 1/4W F		R4558	NRSA63J-102X	MG RESISTOR	1kΩ 1/16W J	
R2364	QRV14CF-1001Y	CMF RESISTOR	1kΩ 1/4W F		R4559	NRSA63J-102X	MG RESISTOR	1kΩ 1/16W J	
R2365	QRV14CF-4701Y	CMF RESISTOR	4.7kΩ 1/4W F		R4565	NRSA63J-561X	MG RESISTOR	560Ω 1/16W J	
R2366	QRV14CF-4701Y	CMF RESISTOR	4.7kΩ 1/4W F		R4601	NRSA02J-121X	MG RESISTOR	120Ω 1/10W J	
R2403	NRSA63J-473X	MG RESISTOR	47kΩ 1/16W J		R4602	NRSA63J-331X	MG RESISTOR	330Ω 1/16W J	
R2404	NRSA63J-473X	MG RESISTOR	47kΩ 1/16W J		R4603	NRSA02J-121X	MG RESISTOR	120Ω 1/10W J	
R2405	NRSA63J-104X	MG RESISTOR	100kΩ 1/16W J		R4604	NRSA63J-331X	MG RESISTOR	330Ω 1/16W J	
R2406	NRSA63J-104X	MG RESISTOR	100kΩ 1/16W J		R4605	NRSA02J-121X	MG RESISTOR	120Ω 1/10W J	
R2413	NRSA63J-473X	MG RESISTOR	47kΩ 1/16W J		R4607	NRSA02J-121X	MG RESISTOR	120Ω 1/10W J	
R2414	NRSA63J-473X	MG RESISTOR	47kΩ 1/16W J		R4611	NRSA02J-121X	MG RESISTOR	120Ω 1/10W J	
R2415	NRSA63J-104X	MG RESISTOR	100kΩ 1/16W J		R4612	NRSA63J-331X	MG RESISTOR	330Ω 1/16W J	
R2416	NRSA63J-104X	MG RESISTOR	100kΩ 1/16W J		R4613	NRSA02J-121X	MG RESISTOR	120Ω 1/10W J	
R2501	NRSA63J-333X	MG RESISTOR	33kΩ 1/16W J		R4614	NRSA63J-331X	MG RESISTOR	330Ω 1/16W J	
R2502	NRSA63J-333X	MG RESISTOR	33kΩ 1/16W J		R4615	NRSA02J-121X	MG RESISTOR	120Ω 1/10W J	
R2503	NRSA63J-104X	MG RESISTOR	100kΩ 1/16W J		R4617	NRSA02J-121X	MG RESISTOR	120Ω 1/10W J	
R2504	NRSA63J-104X	MG RESISTOR	100kΩ 1/16W J		R4620	NRSA63J-103X	MG RESISTOR	10kΩ 1/16W J	
R2505	NRSA63J-223X	MG RESISTOR	22kΩ 1/16W J		R4621	NRSA63J-103X	MG RESISTOR	10kΩ 1/16W J	
R2506	NRSA63J-223X	MG RESISTOR	22kΩ 1/16W J		R4622	NRSA63J-103X	MG RESISTOR	10kΩ 1/16W J	
R2507	NRSA63J-333X	MG RESISTOR	33kΩ 1/16W J		R4623	NRSA63J-103X	MG RESISTOR	10kΩ 1/16W J	
R2508	NRSA63J-333X	MG RESISTOR	33kΩ 1/16W J		R4624	NRSA63J-152X	MG RESISTOR	1.5kΩ 1/16W J	
R2509	NRSA63J-622X	MG RESISTOR	6.2kΩ 1/16W J		R4625	NRSA63J-0R0X	MG RESISTOR	0Ω 1/16W J	
R2510	NRSA63J-102X	MG RESISTOR	1kΩ 1/16W J		R4626	NRSA63J-102X	MG RESISTOR	1kΩ 1/16W J	
R2511	NRSA63J-103X	MG RESISTOR	10kΩ 1/16W J		R4627	NRSA02J-471X	MG RESISTOR	470Ω 1/10W J	
R2512	QRE141J-680Y	C RESISTOR	68Ω 1/4W J		R4628	NRSA02J-471X	MG RESISTOR	470Ω 1/10W J	
R2513	QRJ146J-680X	UNF C RESISTOR	68Ω 1/4W J		R4629	NRSA63J-821X	MG RESISTOR	820Ω 1/16W J	
R2514	NRSA63J-471X	MG RESISTOR	470Ω 1/16W J		R4630	NRSA63J-301X	MG RESISTOR	300Ω 1/16W J	
R2515	NRSA63J-471X	MG RESISTOR	470Ω 1/16W J		R4631	NRSA63J-102X	MG RESISTOR	1kΩ 1/16W J	
R2601	NRSA63J-101X	MG RESISTOR	100Ω 1/16W J		R4633	NRSA63J-682X	MG RESISTOR	6.8kΩ 1/16W J	
R2602	NRSA63J-101X	MG RESISTOR	100Ω 1/16W J		R4634	NRSA63J-822X	MG RESISTOR	8.2kΩ 1/16W J	
R2603	NRSA63J-104X	MG RESISTOR	100kΩ 1/16W J		R4701	NRSA63J-223X	MG RESISTOR	22kΩ 1/16W J	
R2604	NRSA63J-104X	MG RESISTOR	100kΩ 1/16W J		R4702	NRSA63J-223X	MG RESISTOR	22kΩ 1/16W J	
R2605	QRJ146J-680X	UNF C RESISTOR	68Ω 1/4W J		R4703	NRSA63J-223X	MG RESISTOR	22kΩ 1/16W J	
R2606	QRJ146J-680X	UNF C RESISTOR	68Ω 1/4W J		R4704	NRSA63J-103X	MG RESISTOR	10kΩ 1/16W J	
R2611	QRZ9005-680X	FUSI RESISTOR	68Ω		R4705	NRSA63J-103X	MG RESISTOR	10kΩ 1/16W J	
R2612	QRZ9005-680X	FUSI RESISTOR	68Ω		R4706	NRSA63J-103X	MG RESISTOR	10kΩ 1/16W J	
R2613	QRJ146J-680X	UNF C RESISTOR	68Ω 1/4W J		R4707	NRSA63J-472X	MG RESISTOR	4.7kΩ 1/16W J	
R2614	QRJ146J-680X	UNF C RESISTOR	68Ω 1/4W J		R4708	NRSA63J-472X	MG RESISTOR	4.7kΩ 1/16W J	
R2615	NRSA63J-473X	MG RESISTOR	47kΩ 1/16W J		R4709	NRSA63J-472X	MG RESISTOR	4.7kΩ 1/16W J	
R2616	NRSA63J-473X	MG RESISTOR	47kΩ 1/16W J		R4710	NRSA63J-334X	MG RESISTOR	330kΩ 1/16W J	
R2617	NRSA63J-104X	MG RESISTOR	100kΩ 1/16W J		R4711	NRSA63J-104X	MG RESISTOR	100kΩ 1/16W J	
R2618	NRSA63J-104X	MG RESISTOR	100kΩ 1/16W J		R4842	NRSA63J-105X	MG RESISTOR	1MΩ 1/16W J	
R2619	QRJ146J-680X	UNF C RESISTOR	68Ω 1/4W J		R4843	NRSA63J-751X	MG RESISTOR	750Ω 1/16W J	
R2620	QRJ146J-680X	UNF C RESISTOR	68Ω 1/4W J		R4844	NRSA63J-221X	MG RESISTOR	220Ω 1/16W J	
R2621	QRJ146J-680X	UNF C RESISTOR	68Ω 1/4W J		R4845	NRSA63J-751X	MG RESISTOR	750Ω 1/16W J	

△ Symbol No. Part No. Part Name Description Local

## AC supply board

Block No. [0][3][0][0]

R4846	NRSA63J-221X	MG RESISTOR	220Ω 1/16W J
R4901	NRSA63J-750X	MG RESISTOR	75Ω 1/16W J
R4902	NRSA63J-750X	MG RESISTOR	75Ω 1/16W J
R4903	NRSA63J-473X	MG RESISTOR	47kΩ 1/16W J
R4904	NRSA63J-471X	MG RESISTOR	470Ω 1/16W J
R4951	NRSA63J-102X	MG RESISTOR	1kΩ 1/16W J
R4952	NRSA63J-102X	MG RESISTOR	1kΩ 1/16W J

L321	QQL231K-121Y	COIL	120uH K
L322	QQL231K-121Y	COIL	120uH K
L402	QQL231K-5R6Y	COIL	5.6uH K
L489	NQL012K-2R2X	COIL	2.2uH K
L4601	NQL012K-560X	COIL	56uH K

CN201	QGA2001F1-14	CONNECTOR	W-B (1-14)
CN202	QGA2001F1-09	CONNECTOR	W-B (1-9)
CN203	QGA2001F1-12	CONNECTOR	W-B (1-12)
CN204	QGA2001F1-03	CONNECTOR	W-B (1-3)
CN205	QGB1214K1-10S	CONNECTOR	B-B (1-10)
CN206	QGB2510K1-06	CONNECTOR	B-B (1-6)
CN207	QGA2501F1-03	CONNECTOR	W-B (1-3)
CN208	QGA2001F1-08	CONNECTOR	W-B (1-8)
CN218	QGA2001F1-03	CONNECTOR	W-B (1-3)
CN221	QGB2510K1-10	CONNECTOR	B-B (1-10)
CN223	QGA2001F1-08	CONNECTOR	W-B (1-8)
CN224	QGA2001F1-07	CONNECTOR	W-B (1-7)
CN234	QGA2001F1-09	CONNECTOR	W-B (1-9)
CN321	QGB1214K1-10S	CONNECTOR	B-B (1-10)
CN323	QGF1205F1-15	CONNECTOR	FFC/FPC (1-15)
CN324	QGA2001F1-09	CONNECTOR	W-B (1-9)
CN325	QGB2510K2-06	CONNECTOR	B-B (1-6)
CN401	QGB1214K1-16S	CONNECTOR	B-B (1-16)
CN402	QGB1224K1-13	CONNECTOR	B-B (1-13)
CN451	QGB1214K1-20S	CONNECTOR	B-B (1-20)
CN452	QGB1224K1-15	CONNECTOR	B-B (1-15)
FL301	QQR0590-001	F LTER	
FL302	QQR0590-001	F LTER	
J201	QNN0502-001	PIN JACK	
J203	QNN0502-001	PIN JACK	
J204	QNN0503-001	PIN JACK	
J321	QNN0502-001	PIN JACK	
J322	QNN0506-001	4P N JACK ASSY	
J323	QNN0503-001	PIN JACK	
J324	QNN0507-001	PIN JACK	
J401	QNN0504-001	PIN JACK	
J402	QNN0505-001	PIN JACK	
J403	QNN0505-001	PIN JACK	
J451	QND0090-001	S JACK	
J452	QND0029-001	DIN CONNECTOR	
J453	QND0029-001	DIN CONNECTOR	
J454	QND0089-001	S JACK	
J491	QND0027-001	DIN CONNECTOR	
J492	QNN0515-001	PIN JACK	
J4001	QNN0508-001	PIN JACK	
J4002	QNN0509-001	PIN JACK	
RY271	QSK0151-001	RELAY	
RY272	QSK0151-001	RELAY	
RY273	QSK0151-001	RELAY	
RY274	QSK0151-001	RELAY	
RY275	QSK0151-001	RELAY	
RY276	QSK0151-001	RELAY	
RY277	QSK0151-001	RELAY	
RY278	QSK0151-001	RELAY	
RY351	QSK0151-001	RELAY	
SW201	QSW0511-001	PUSH SWITCH	
WR204	QJK016-091804	SIN CR C-B WIRE	
WR307	QJP001-031001	SHI CR C-B WIRE	
WR318	QJK016-031403	SIN CR C-B WIRE	
WR322	WJP0032-002A	E-SH C WIRE C-B	
WR323	QJK016-081403	SIN CR C-B WIRE	
WR324	WJK0130-001A	E-SI C WIRE C-B	

△ Symbol No. Part No. Part Name Description Local

PW21	QUB056-32QPQP	SIN TWIST WIRE
PW22	QUB051-32QPQP	SIN TWIST WIRE
PW23	WJK0132-002A	E-SI C WIRE C-B
PW25	QUB052-10QPA8	SIN TWIST WIRE
PW26	QUB050-10QPA8	SIN TWIST WIRE

IC44	KIA7806API	IC	Regulator
△ IC61	KIA7812API	IC	Regulator

Q1	2SC1740S/RS/-T	TRANSISTOR
Q2	2SC1740S/RS/-T	TRANSISTOR
△ Q3	2SD2394/EF/	TRANSISTOR
△ Q4	2SD2394/EF/	TRANSISTOR
Q5	2SC1740S/RS/-T	TRANSISTOR
Q6	KRA104M-T	DIGI TRANSISTOR
Q7	KRC104M-T	DIGI TRANSISTOR
Q21	KRC105M-T	DIGI TRANSISTOR
Q22	2SD468/BC/-T	TRANSISTOR
Q23	2SD468/BC/-T	TRANSISTOR
△ Q41	2SB1357/EF/-T	TRANSISTOR
Q42	KRC102M-T	DIGI TRANSISTOR
Q43	KRA104M-T	DIGI TRANSISTOR
Q44	KTC3200/GL/-T	TRANSISTOR
Q45	2SD2394/EF/	TRANSISTOR
Q46	KRA104M-T	DIGI TRANSISTOR
Q47	KRC104M-T	DIGI TRANSISTOR
Q53	2SC1740S/RS/-T	TRANSISTOR
Q54	KRA104M-T	DIGI TRANSISTOR
Q55	KRC104M-T	DIGI TRANSISTOR
△ Q61	2SD2394/EF/	TRANSISTOR
△ Q62	KTA1046/Y/	TRANSISTOR
Q63	2SC1740S/RS/-T	TRANSISTOR
Q64	KRC104M-T	DIGI TRANSISTOR
Q65	KRC104M-T	DIGI TRANSISTOR

D1	MTZJ4.7B-T2	Z DIODE
D2	1SS133-T2	DIODE
D3	1SS133-T2	DIODE
D4	MTZJ6 8B-T2	Z DIODE
△ D21	11ES2-T4	DIODE
△ D22	11ES2-T4	DIODE
△ D23	11ES2-T4	DIODE
△ D24	11ES2-T4	DIODE
D25	1SS133-T2	DIODE
D26	MTZJ6 2A-T2	Z DIODE
D27	MTZJ6 2A-T2	Z DIODE
△ D41	RS403L	DIODE
D45	MTZJ5.6C-T2	Z DIODE
△ D48	11ES2-T4	DIODE
D49	MTZJ36C-T2	Z DIODE
D50	MTZJ8 2C-T2	Z DIODE
D51	HZ6B1L-T2	Z DIODE
△ D61	31DF2-FC6	FR DIODE
△ D62	31DF2-FC6	FR DIODE
△ D63	31DF2-FC6	FR DIODE
△ D64	31DF2-FC6	FR DIODE
D65	1SS133-T2	DIODE
D66	1SS133-T2	DIODE
D67	1SS133-T2	DIODE
D68	1SS133-T2	DIODE
D69	HZ18-2L-T2	Z DIODE
D70	HZ18-2L-T2	Z DIODE
D71	1SS133-T2	DIODE
D72	1SS133-T2	DIODE
D73	1SS133-T2	DIODE
D74	1SS133-T2	DIODE
D75	1SS133-T2	DIODE
D101	1SS133-T2	DIODE
△ D4001	31DF2-FC6	FR DIODE
△ D4002	31DF2-FC6	FR DIODE
△ D4003	31DF2-FC6	FR DIODE
△ D4004	31DF2-FC6	FR DIODE

C1	QETN1CM-107Z	E CAPACITOR	100uF 16V M
----	--------------	-------------	-------------

△ Symbol No.	Part No.	Part Name	Description	Local	△ Symbol No.	Part No.	Part Name	Description	Local
C2	QCBB1HK-222Y	C CAPACITOR	2200pF 50V K		R63	QRZ0133-911	C RESISTOR	910Ω	
C3	QETN1CM-107Z	E CAPACITOR	100uF 16V M		R64	QRZ0133-911	C RESISTOR	910Ω	
C4	QETN1AM-227Z	E CAPACITOR	220uF 10V M		△ R65	QRZ9005-100X	FUSI RESISTOR	10Ω	
△ C21	QCZ9105-472	C CAPACITOR	4700pF 250V M		△ R66	QRZ9005-120X	FUSI RESISTOR	12Ω	
C22	QCF31HZ-103Z	C CAPACITOR	0.01uF 50V Z		R67	QRE141J-562Y	C RESISTOR	5.6kΩ 1/4W J	
C23	QETM1EM-228	E CAPACITOR	2200uF 25V M		R68	QRE141J-822Y	C RESISTOR	8.2kΩ 1/4W J	
C24	QCF31HZ-472Z	C CAPACITOR	4700pF 50V Z		R69	QRE141J-103Y	C RESISTOR	10kΩ 1/4W J	
C25	QETN1CM-477Z	E CAPACITOR	470uF 16V M		R70	QRE141J-221Y	C RESISTOR	220Ω 1/4W J	
C26	QCF31HZ-472Z	C CAPACITOR	4700pF 50V Z		R71	QRE141J-221Y	C RESISTOR	220Ω 1/4W J	
C27	QETN1CM-477Z	E CAPACITOR	470uF 16V M		R72	QRE141J-163Y	C RESISTOR	16kΩ 1/4W J	
C28	QCF31HZ-472Z	C CAPACITOR	4700pF 50V Z		R73	QRE141J-222Y	C RESISTOR	2.2kΩ 1/4W J	
C40	QETM1EM-228	E CAPACITOR	2200uF 25V M		R74	QRE141J-123Y	C RESISTOR	12kΩ 1/4W J	
C41	QFVC1HJ-104Z	MF CAPACITOR	0.1uF 50V J		R75	QRE141J-103Y	C RESISTOR	10kΩ 1/4W J	
C42	QETM1EM-228	E CAPACITOR	2200uF 25V M		△ R76	QRZ9005-680X	FUSI RESISTOR	68Ω	
C43	QETN1CM-107Z	E CAPACITOR	100uF 16V M		R77	QRE141J-103Y	C RESISTOR	10kΩ 1/4W J	
C44	QFN31HJ-223Z	M CAPACITOR	0.022uF 50V J		R78	QRE141J-103Y	C RESISTOR	10kΩ 1/4W J	
C45	QFN31HJ-223Z	M CAPACITOR	0.022uF 50V J		R79	QRE141J-222Y	C RESISTOR	2.2kΩ 1/4W J	
C46	QFN31HJ-223Z	M CAPACITOR	0.022uF 50V J		R80	QRE141J-163Y	C RESISTOR	16kΩ 1/4W J	
C47	QFN31HJ-223Z	M CAPACITOR	0.022uF 50V J		R81	QRL027J-471	OMF RESISTOR	470Ω 2W J	
C48	QFN31HJ-223Z	M CAPACITOR	0.022uF 50V J		R82	QRL027J-471	OMF RESISTOR	470Ω 2W J	
C49	QEZ0558-688	E CAPACITOR	6800uF		R83	QRE141J-103Y	C RESISTOR	10kΩ 1/4W J	
C51	QEZ0629-107	E.CAPA AWF	100uF		△ R84	QRZ9005-680X	FUSI RESISTOR	68Ω	
C52	QETN1EM-107Z	E CAPACITOR	100uF 25V M		△ R85	QRZ9005-150X	FUSI RESISTOR	15Ω	
C53	QETN1JM-227Z	E CAPACITOR	220uF 63V M		△ R86	QRZ9005-150X	FUSI RESISTOR	15Ω	
C54	QETN1HM-226Z	E CAPACITOR	22uF 50V M		△ R87	QRZ9005-150X	FUSI RESISTOR	15Ω	
C55	QETN1HM-226Z	E CAPACITOR	22uF 50V M		△ R88	QRZ9005-150X	FUSI RESISTOR	15Ω	
C56	QETN1HM-105Z	E CAPACITOR	1uF 50V M		R4011	QRZ0133-2R2	C.RES RMA	2.2Ω	
C57	QFVC1HJ-473Z	MF CAPACITOR	0.047uF 50V J		R4012	QRZ0133-911	C RESISTOR	910Ω	
C58	QFVC1HJ-473Z	MF CAPACITOR	0.047uF 50V J						
C59	QFN31HJ-472Z	M CAPACITOR	4700pF 50V J		△ T21	QQT0317-001	POWER TRANSF		
C60	QCBB1HK-222Y	C CAPACITOR	2200pF 50V K						
C61	QFZ0160-223Z	PP CAPACITOR	0.022uF		CN1	QGF1205C1-21	CONNECTOR	FFC/FPC (1-21)	
C62	QFZ0160-223Z	PP CAPACITOR	0.022uF		CN2	QGF1205C1-24	CONNECTOR	FFC/FPC (1-24)	
C63	QFZ0160-223Z	PP CAPACITOR	0.022uF		CN3	QGB2510J1-07	CONNECTOR	B-B (1-7)	
C64	QFZ0160-223Z	PP CAPACITOR	0.022uF		CN4	QGB2510J1-06	CONNECTOR	B-B (1-6)	
C65	QFZ0160-223Z	PP CAPACITOR	0.022uF		CN5	QGB2510J1-10	CONNECTOR	B-B (1-10)	
C71	QEZ0596-228	C CAPACITOR	2200uF		CN6	QGB1214J1-10S	CONNECTOR	B-B (1-10)	
C72	QEZ0596-228	C CAPACITOR	2200uF		CN7	QGB1214J1-16S	CONNECTOR	B-B (1-16)	
C73	QEZ0538-227Z	C CAPACITOR	220uF		CN8	QGB1214J1-20S	CONNECTOR	B-B (1-20)	
C74	QEZ0538-227Z	C CAPACITOR	220uF		CN9	QGB2510J1-10	CONNECTOR	B-B (1-10)	
C75	QFN31HJ-472Z	M CAPACITOR	4700pF 50V J		CN11	QGA2001C1-05	CONNECTOR	W-B (1-5)	
C76	QFN31HJ-472Z	M CAPACITOR	4700pF 50V J		CN12	QGB1214J1-10S	CONNECTOR	B-B (1-10)	
C77	QETN1EM-107Z	E CAPACITOR	100uF 25V M		CN13	QGB2510J1-04	CONNECTOR	B-B (1-4)	
C78	QETN1HM-475Z	E CAPACITOR	4.7uF 50V M		CN14	QGB2510J1-04	CONNECTOR	B-B (1-4)	
C79	QETN1HM-226Z	E CAPACITOR	22uF 50V M		CN15	QGB2510J1-06	CONNECTOR	B-B (1-6)	
C80	QETN1HM-226Z	E CAPACITOR	22uF 50V M		CN25	QGA2001C1-08	CONNECTOR	W-B (1-8)	
					CN41	QGA7901C1-02	CONNECTOR	W-B (1-2)	
R1	QRJ146J-151X	UNF C RESISTOR	150Ω 1/4W J		CN44	QGA2001F1-05	CONNECTOR	W-B (1-5)	
R2	QRE141J-473Y	C RESISTOR	47kΩ 1/4W J		CN45	QGA2001F1-08	CONNECTOR	W-B (1-8)	
R4	QRE141J-472Y	C RESISTOR	4.7kΩ 1/4W J		CN46	QGA2001C1-03	CONNECTOR	W-B (1-3)	
R5	QRE141J-821Y	C RESISTOR	820Ω 1/4W J		CN47	QGA7901C1-02	CONNECTOR	W-B (1-2)	
R6	QRE141J-101Y	C RESISTOR	100Ω 1/4W J		CN48	QGA2001C1-04	CONNECTOR	W-B (1-4)	
R7	QRE141J-101Y	C RESISTOR	100Ω 1/4W J		CN61	QGA3901C1-04	CONNECTOR	W-B (1-4)	
R8	QRE141J-472Y	C RESISTOR	4.7kΩ 1/4W J		CN62	QGA2001C1-09	CONNECTOR	W-B (1-9)	
R9	QRZ0133-3R9	C.RES RMA	3.9Ω		CN63	QGA2501C1-02	CONNECTOR	W-B (1-2)	
R10	QRZ0133-3R9	C.RES RMA	3.9Ω		CN64	QGA2001C1-03	CONNECTOR	W-B (1-3)	
△ R21	QRZ9037-335	COMP RESISTOR	3.3MΩ 1/2W K		CN65	QGA2001C1-02	CONNECTOR	W-B (1-2)	
△ R22	QRZ9006-4R7X	FUSI RESISTOR	4.7Ω 1/4W J		EP1	QNZ0136-001Z	EARTH PLATE		
R23	QRE141J-821Y	C RESISTOR	820Ω 1/4W J		EP2	QNZ0136-001Z	EARTH PLATE		
R24	QRE141J-821Y	C RESISTOR	820Ω 1/4W J		EP3	QNZ0136-001Z	EARTH PLATE		
△ R25	QRZ9006-4R7X	FUSI RESISTOR	4.7Ω 1/4W J		EP21	QNZ0136-001Z	EARTH PLATE		
△ R26	QRZ9006-4R7X	FUSI RESISTOR	4.7Ω 1/4W J		EP22	QNZ0136-001Z	EARTH PLATE		
R28	QRE141J-152Y	C RESISTOR	1.5kΩ 1/4W J		EP61	QNZ0136-001Z	EARTH PLATE		
R41	QRT01DJ-R22X	MF RESISTOR	0.22Ω 1W J		EP62	QNZ0136-001Z	EARTH PLATE		
R43	QRT01DJ-R22X	MF RESISTOR	0.22Ω 1W J		FC21	QNG0020-001Z	FUSE CLIP		
R45	QRJ146J-1R0X	UNF C RESISTOR	1Ω 1/4W J		FC22	QNG0020-001Z	FUSE CLIP		
△ R46	QRT01DJ-4R7X	MF RESISTOR	4.7Ω 1W J		FC41	QNG0020-001Z	FUSE CLIP		
△ R47	QRT01DJ-4R7X	MF RESISTOR	4.7Ω 1W J		FC42	QNG0020-001Z	FUSE CLIP		
△ R48	QRJ146J-332X	UNF C RESISTOR	3.3kΩ 1/4W J		FC43	QNG0020-001Z	FUSE CLIP		
R49	QRE141J-223Y	C RESISTOR	22kΩ 1/4W J		FC44	QNG0020-001Z	FUSE CLIP		
R50	QRE141J-104Y	C RESISTOR	100kΩ 1/4W J		FC401	QNG0020-001Z	FUSE CLIP		
R51	QRE141J-821Y	C RESISTOR	820Ω 1/4W J		FC402	QNG0020-001Z	FUSE CLIP		
R52	QRE141J-101Y	C RESISTOR	100Ω 1/4W J		HS1	E70306-005	HEAT SINK		
R53	QRE141J-101Y	C RESISTOR	100Ω 1/4W J		HS2	E70306-005	HEAT SINK		
R54	QRE141J-472Y	C RESISTOR	4.7kΩ 1/4W J		HS61	E70306-001	HEAT SINK		
△ R55	QRT01DJ-4R7X	MF RESISTOR	4.7Ω 1W J		HS62	E70306-001	HEAT SINK		
△ R56	QRT01DJ-4R7X	MF RESISTOR	4.7Ω 1W J		HS63	E70306-001	HEAT SINK		
R57	QRE141J-821Y	C RESISTOR	820Ω 1/4W J		J81	QNS0061-001	6.3 JACK		

△ Symbol No.	Part No.	Part Name	Description	Local	△ Symbol No.	Part No.	Part Name	Description	Local
K1	QQR0779-001Z	COIL			D1202	1SS133-T2	DIODE		
K2	QQR0779-001Z	COIL			D1203	MTZJ12C-T2	Z DIODE		
RY1	QSK0109-001	RELAY			D1211	MTZJ6 2C-T2	Z DIODE		
△ RY21	QSK0098-001	RELAY			C28	QCF31HZ-472Z	C CAPACITOR	4700pF 50V Z	
RY101	QSK0131-001	RELAY			C471	QCSB1HJ-470Y	C CAPACITOR	47pF 50V J	
RY102	QSK0131-001	RELAY			C472	QCSB1HJ-470Y	C CAPACITOR	47pF 50V J	
RY103	QSK0131-001	RELAY			C473	QCSB1HJ-470Y	C CAPACITOR	47pF 50V J	
RY104	QSK0131-001	RELAY			C475	QCB1HK-331Y	C CAPACITOR	330pF 50V K	
△ TH41	QAD0095-4R7Z	P THERMISTOR	4.7Ω M		C476	QCB1HK-331Y	C CAPACITOR	330pF 50V K	
TW41	QUB220-08HPDM	SIN TWIST W RE			C478	QDVB1EZ-223Y	C CAPACITOR	0.022uF 25V Z	
TW42	QUB220-08HPDM	SIN TWIST W RE			C479	QFN31HJ-473Z	M CAPACITOR	0.047uF 50V J	
TW51	QUB220-10HPDM	LUG W RE			C1001	QEKC0JM-107Z	E CAPACITOR	100uF 6.3V M	
TW81	QUB270-07HPDM	SIN TWIST W RE			C1002	QCZ0202-155Z	C CAPACITOR	1.5uF 25V Z	
WR12	QJK016-056500	SIN CR C-B WIRE			C1003	QEZ0361-479	E.D.L. CAPACITOR	0.047F	
WR13	QJK016-096004	SIN CR C-B WIRE			C1004	QEKC1HM-225Z	E CAPACITOR	2.2uF 50V M	
WR14	QJK016-090802	SIN CR C-B WIRE			C1005	NCF21HZ-223X	C CAPACITOR	0.022uF 50V Z	
WR26	QJK016-081103	SIN CR C-B WIRE			C1006	QEKC0JM-107Z	E CAPACITOR	100uF 6.3V M	
WR41	WJK0153-001A	E-SI C WIRE C-B			C1007	QCZ0202-155Z	C CAPACITOR	1.5uF 25V Z	
WR42	QJK016-031503	E-SI C WIRE C-B			C1008	NCF21HZ-223X	C CAPACITOR	0.022uF 50V Z	
WR48	QJK016-041204	E-SI C WIRE C-B			C1009	NCB31HK-103X	C CAPACITOR	0.01uF 50V K	
WR81	QJK015-041204	E-SI C WIRE C-B			C1011	QEKC1HM-475Z	E CAPACITOR	4.7uF 50V M	
WR85	QJP001-033801	SHI CR C-B WIRE			C1012	QEKC1HM-475Z	E CAPACITOR	4.7uF 50V M	
WR86	QJK016-022202	SIN CR C-B WIRE			C1013	QEKC1HM-475Z	E CAPACITOR	4.7uF 50V M	
WR101	QJK012-063801	E-SI C WIRE C-B			C1021	QCB1HK-331Y	C CAPACITOR	330pF 50V K	
WR102	QJK017-025202	E-SI C WIRE C-B			C1025	QEKC0JM-107Z	E CAPACITOR	100uF 6.3V M	

## Front board

Block No. [0][4][0][0]

△ Symbol No.	Part No.	Part Name	Description	Local
IC301	NJM2406F-X	IC		
IC961	MN101CP49K923	IC		
IC962	MN101C35DHN	IC		
IC963	IC-PST9139-T	IC		
IC964	GP1UM271XK	IR DETECT UNIT	IR detecting unit for remote control	
IC965	BU2092F-X	IC		
IC967	TA8409S	IC	Motor driver	
Q1003	KRC107M-T	DIGI TRANSISTOR		
Q1011	KRC107M-T	DIGI TRANSISTOR		
Q1012	KRA107M-T	DIGI TRANSISTOR		
Q1013	KRA107M-T	DIGI TRANSISTOR		
Q1014	KRA107M-T	DIGI TRANSISTOR		
Q1015	KRA107M-T	DIGI TRANSISTOR		
Q1016	KRA107M-T	DIGI TRANSISTOR		
Q1017	KRA107M-T	DIGI TRANSISTOR		
Q1018	KRA107M-T	DIGI TRANSISTOR		
Q1019	KRA107M-T	DIGI TRANSISTOR		
Q1020	KRA107M-T	DIGI TRANSISTOR		
Q1021	KRC111M-T	TRANSISTOR		
Q1022	KRC109M-T	DIGI TRANSISTOR		
Q1023	KRC107M-T	DIGI TRANSISTOR		
Q1031	KRA107M-T	DIGI TRANSISTOR		
Q1032	KRA107M-T	DIGI TRANSISTOR		
Q1033	KRA107M-T	DIGI TRANSISTOR		
Q1034	KRA107M-T	DIGI TRANSISTOR		
Q1035	KRC103M-T	TRANSISTOR		
Q1201	KRA107M-T	DIGI TRANSISTOR		
Q1202	KTA1273/Y/-T	TRANSISTOR		
D1001	11ES2-T4	DIODE		
D1002	11ES2-T4	DIODE		
D1003	11ES2-T4	DIODE		
D1004	11ES2-T4	DIODE		
D1005	1SS133-T2	DIODE		
D1023	1SS133-T2	DIODE		
D1024	1SS133-T2	DIODE		
D1031	SLR-342VC-T	LED		
D1032	SLA-370LT3F	LED		
D1033	SLA-370LT3F	LED		
D1034	SLA-370LT3F	LED		
D1201	1SS133-T2	DIODE		
R471	QRE141J-750Y	C RESISTOR	75Ω 1/4W J	
R472	QRE141J-750Y	C RESISTOR	75Ω 1/4W J	
R473	QRE141J-750Y	C RESISTOR	75Ω 1/4W J	
R1003	NRSA63J-331X	MG RESISTOR	330Ω 1/16W J	
R1004	NRSA63J-223X	MG RESISTOR	22kΩ 1/16W J	
R1005	NRSA63J-472X	MG RESISTOR	4.7kΩ 1/16W J	
R1006	NRSA63J-473X	MG RESISTOR	47kΩ 1/16W J	
R1011	QRE141J-513Y	C RESISTOR	51kΩ 1/4W J	
R1021	QRE141J-471Y	C RESISTOR	470Ω 1/4W J	
R1022	QRE141J-103Y	C RESISTOR	10kΩ 1/4W J	
R1023	QRE141J-103Y	C RESISTOR	10kΩ 1/4W J	
R1024	QRE141J-223Y	C RESISTOR	22kΩ 1/4W J	
R1025	QRE141J-103Y	C RESISTOR	10kΩ 1/4W J	
R1030	QRE141J-103Y	C RESISTOR	10kΩ 1/4W J	
R1031	QRE141J-221Y	C RESISTOR	220Ω 1/4W J	
R1032	QRE141J-221Y	C RESISTOR	220Ω 1/4W J	
R1033	QRE141J-221Y	C RESISTOR	220Ω 1/4W J	
R1034	QRE141J-221Y	C RESISTOR	220Ω 1/4W J	
R1035	QRE141J-100Y	C RESISTOR	10Ω 1/4W J	
R1036	QRE141J-100Y	C RESISTOR	10Ω 1/4W J	
R1037	QRE141J-153Y	C RESISTOR	15kΩ 1/4W J	
R1038	QRE141J-333Y	C RESISTOR	33kΩ 1/4W J	
R1039	QRE141J-273Y	C RESISTOR	27kΩ 1/4W J	
R1041	NRSA63J-103X	MG RESISTOR	10kΩ 1/16W J	
R1042	NRSA63J-103X	MG RESISTOR	10kΩ 1/16W J	
R1043	NRSA63J-103X	MG RESISTOR	10kΩ 1/16W J	
R1044	NRSA63J-103X	MG RESISTOR	10kΩ 1/16W J	

△ Symbol No.	Part No.	Part Name	Description	Local	△ Symbol No.	Part No.	Part Name	Description	Local
R1045	NRSA63J-103X	MG RESISTOR	10kΩ	1/16W J	R1164	NRSA63J-221X	MG RESISTOR	220Ω	1/16W J
R1046	NRSA63J-103X	MG RESISTOR	10kΩ	1/16W J	R1165	NRSA63J-221X	MG RESISTOR	220Ω	1/16W J
R1047	NRSA63J-103X	MG RESISTOR	10kΩ	1/16W J	R1166	NRSA63J-221X	MG RESISTOR	220Ω	1/16W J
R1048	NRSA63J-103X	MG RESISTOR	10kΩ	1/16W J	R1167	NRSA63J-221X	MG RESISTOR	220Ω	1/16W J
R1049	NRSA63J-103X	MG RESISTOR	10kΩ	1/16W J	R1168	NRSA63J-221X	MG RESISTOR	220Ω	1/16W J
R1050	NRSA63J-103X	MG RESISTOR	10kΩ	1/16W J	R1169	NRSA63J-221X	MG RESISTOR	220Ω	1/16W J
R1051	NRSA63J-102X	MG RESISTOR	1kΩ	1/16W J	R1170	NRSA63J-221X	MG RESISTOR	220Ω	1/16W J
R1052	NRSA63J-102X	MG RESISTOR	1kΩ	1/16W J	R1171	NRSA63J-221X	MG RESISTOR	220Ω	1/16W J
R1053	NRSA63J-122X	MG RESISTOR	1.2kΩ	1/16W J	R1172	NRSA63J-221X	MG RESISTOR	220Ω	1/16W J
R1054	NRSA63J-152X	MG RESISTOR	1.5kΩ	1/16W J	R1173	NRSA63J-221X	MG RESISTOR	220Ω	1/16W J
R1055	NRSA63J-222X	MG RESISTOR	2.2kΩ	1/16W J	R1174	NRSA63J-221X	MG RESISTOR	220Ω	1/16W J
R1056	NRSA63J-102X	MG RESISTOR	1kΩ	1/16W J	R1178	NRSA63J-221X	MG RESISTOR	220Ω	1/16W J
R1057	NRSA63J-102X	MG RESISTOR	1kΩ	1/16W J	R1179	NRSA63J-221X	MG RESISTOR	220Ω	1/16W J
R1059	NRSA63J-104X	MG RESISTOR	100kΩ	1/16W J	R1180	NRSA63J-221X	MG RESISTOR	220Ω	1/16W J
R1060	NRSA63J-104X	MG RESISTOR	100kΩ	1/16W J	R1182	NRSA63J-221X	MG RESISTOR	220Ω	1/16W J
R1061	NRSA63J-103X	MG RESISTOR	10kΩ	1/16W J	R1183	NRSA63J-221X	MG RESISTOR	220Ω	1/16W J
R1062	NRSA63J-103X	MG RESISTOR	10kΩ	1/16W J	R1184	NRSA63J-221X	MG RESISTOR	220Ω	1/16W J
R1063	NRSA63J-103X	MG RESISTOR	10kΩ	1/16W J	R1191	NRSA63J-221X	MG RESISTOR	220Ω	1/16W J
R1064	NRSA63J-103X	MG RESISTOR	10kΩ	1/16W J	R1192	NRSA63J-221X	MG RESISTOR	220Ω	1/16W J
R1065	NRSA63J-103X	MG RESISTOR	10kΩ	1/16W J	R1193	NRSA63J-221X	MG RESISTOR	220Ω	1/16W J
R1066	NRSA63J-103X	MG RESISTOR	10kΩ	1/16W J	R1194	NRSA63J-221X	MG RESISTOR	220Ω	1/16W J
R1071	NRSA63J-221X	MG RESISTOR	220Ω	1/16W J	R1195	NRSA63J-221X	MG RESISTOR	220Ω	1/16W J
R1072	NRSA63J-221X	MG RESISTOR	220Ω	1/16W J	R1196	NRSA63J-221X	MG RESISTOR	220Ω	1/16W J
R1073	NRSA63J-221X	MG RESISTOR	220Ω	1/16W J	R1197	NRSA63J-221X	MG RESISTOR	220Ω	1/16W J
R1074	NRSA63J-221X	MG RESISTOR	220Ω	1/16W J	R1198	NRSA63J-221X	MG RESISTOR	220Ω	1/16W J
R1075	NRSA63J-221X	MG RESISTOR	220Ω	1/16W J	R1201	NRSA63J-393X	MG RESISTOR	39kΩ	1/16W J
R1076	NRSA63J-221X	MG RESISTOR	220Ω	1/16W J	R1202	NRSA63J-393X	MG RESISTOR	39kΩ	1/16W J
R1081	NRSA63J-103X	MG RESISTOR	10kΩ	1/16W J	R1203	NRSA63J-104X	MG RESISTOR	100kΩ	1/16W J
R1082	NRSA63J-103X	MG RESISTOR	10kΩ	1/16W J	R1204	NRSA63J-273X	MG RESISTOR	27kΩ	1/16W J
R1083	NRSA63J-103X	MG RESISTOR	10kΩ	1/16W J	R1205	NRSA63J-104X	MG RESISTOR	100kΩ	1/16W J
R1084	NRSA63J-474X	MG RESISTOR	470kΩ	1/16W J	R1206	NRSA63J-103X	MG RESISTOR	10kΩ	1/16W J
R1085	NRSA63J-103X	MG RESISTOR	10kΩ	1/16W J	R1207	QRJ146J-5R6X	UNF C RESISTOR	5.6Ω	1/4W J
R1086	NRSA63J-333X	MG RESISTOR	33kΩ	1/16W J	R1208	NRSA63J-102X	MG RESISTOR	1kΩ	1/16W J
R1091	NRSA63J-221X	MG RESISTOR	220Ω	1/16W J	R1209	NRSA63J-152X	MG RESISTOR	1.5kΩ	1/16W J
R1092	NRSA63J-221X	MG RESISTOR	220Ω	1/16W J	R1210	QRZ9006-4R7X	FUSI RESISTOR	4.7Ω	1/4W J
R1093	NRSA63J-221X	MG RESISTOR	220Ω	1/16W J	R1211	NRSA63J-221X	MG RESISTOR	220Ω	1/16W J
R1094	NRSA63J-221X	MG RESISTOR	220Ω	1/16W J	R1212	NRSA63J-471X	MG RESISTOR	470Ω	1/16W J
R1095	NRSA63J-221X	MG RESISTOR	220Ω	1/16W J	R1213	NRSA63J-221X	MG RESISTOR	220Ω	1/16W J
R1096	NRSA63J-221X	MG RESISTOR	220Ω	1/16W J	R1214	NRSA63J-221X	MG RESISTOR	220Ω	1/16W J
R1097	NRSA63J-221X	MG RESISTOR	220Ω	1/16W J	R1215	NRSA63J-101X	MG RESISTOR	100Ω	1/16W J
R1098	NRSA63J-221X	MG RESISTOR	220Ω	1/16W J	R1216	NRSA63J-221X	MG RESISTOR	220Ω	1/16W J
R1099	NRSA63J-221X	MG RESISTOR	220Ω	1/16W J	R1220	NRSA63J-182X	MG RESISTOR	1.8kΩ	1/16W J
R1101	NRSA63J-102X	MG RESISTOR	1kΩ	1/16W J	R1223	NRSA63J-332X	MG RESISTOR	3.3kΩ	1/16W J
R1102	NRSA63J-102X	MG RESISTOR	1kΩ	1/16W J	R1224	NRSA63J-332X	MG RESISTOR	3.3kΩ	1/16W J
R1103	NRSA63J-122X	MG RESISTOR	1.2kΩ	1/16W J	R1225	NRSA63J-332X	MG RESISTOR	3.3kΩ	1/16W J
R1104	NRSA63J-152X	MG RESISTOR	1.5kΩ	1/16W J	R1226	NRSA63J-332X	MG RESISTOR	3.3kΩ	1/16W J
R1105	NRSA63J-222X	MG RESISTOR	2.2kΩ	1/16W J	R1227	NRSA63J-332X	MG RESISTOR	3.3kΩ	1/16W J
R1106	NRSA63J-272X	MG RESISTOR	2.7kΩ	1/16W J	R1228	NRSA63J-332X	MG RESISTOR	3.3kΩ	1/16W J
R1107	NRSA63J-332X	MG RESISTOR	3.3kΩ	1/16W J	R1229	NRSA63J-332X	MG RESISTOR	3.3kΩ	1/16W J
R1122	NRSA63J-102X	MG RESISTOR	1kΩ	1/16W J	R1230	NRSA63J-332X	MG RESISTOR	3.3kΩ	1/16W J
R1123	NRSA63J-102X	MG RESISTOR	1kΩ	1/16W J	R1234	NRSA63J-182X	MG RESISTOR	1.8kΩ	1/16W J
R1124	NRSA63J-122X	MG RESISTOR	1.2kΩ	1/16W J	R1235	NRSA63J-182X	MG RESISTOR	1.8kΩ	1/16W J
R1125	NRSA63J-102X	MG RESISTOR	1kΩ	1/16W J	R3734	NRSA63J-221X	MG RESISTOR	220Ω	1/16W J
R1126	NRSA63J-102X	MG RESISTOR	1kΩ	1/16W J	RA966	QRB169J-104	NET RESISTOR	100kΩ	J
R1127	NRSA63J-122X	MG RESISTOR	1.2kΩ	1/16W J					
R1128	NRSA63J-152X	MG RESISTOR	1.5kΩ	1/16W J	BK961	LV42093-001A	FL HOLDER(L)		
R1129	NRSA63J-222X	MG RESISTOR	2.2kΩ	1/16W J	BK962	LV42092-001A	FL HOLDER(R)		
R1130	NRSA63J-272X	MG RESISTOR	2.7kΩ	1/16W J	CN301	QGA2001F1-08	CONNECTOR	W-B (1-8)	
R1131	NRSA63J-102X	MG RESISTOR	1kΩ	1/16W J	CN373	QGA2501C1-03	CONNECTOR	W-B (1-3)	
R1132	NRSA63J-102X	MG RESISTOR	1kΩ	1/16W J	CN963	QGF1205F1-21	CONNECTOR	FFC/FPC (1-21)	
R1133	NRSA63J-122X	MG RESISTOR	1.2kΩ	1/16W J	CN964	QGF1205F1-24	CONNECTOR	FFC/FPC (1-24)	
R1134	NRSA63J-152X	MG RESISTOR	1.5kΩ	1/16W J	CN965	QGF1205F1-06	CONNECTOR	FFC/FPC (1-6)	
R1135	NRSA63J-222X	MG RESISTOR	2.2kΩ	1/16W J	CN969	QGA2001C1-09	CONNECTOR	W-B (1-9)	
R1141	NRSA63J-152X	MG RESISTOR	1.5kΩ	1/16W J	CN971	QGA2001F1-02	CONNECTOR	W-B (1-2)	
R1142	NRSA63J-222X	MG RESISTOR	2.2kΩ	1/16W J	CN973	QGA2501F1-09	CONNECTOR	W-B (1-9)	
R1143	NRSA63J-272X	MG RESISTOR	2.7kΩ	1/16W J	CN975	QGA2001F1-02	CONNECTOR	W-B (1-2)	
R1144	NRSA63J-332X	MG RESISTOR	3.3kΩ	1/16W J	CN977	QGA2001F1-04	CONNECTOR	W-B (1-4)	
R1151	NRSA63J-221X	MG RESISTOR	220Ω	1/16W J	CN981	QGA2001F1-02	CONNECTOR	W-B (1-2)	
R1152	NRSA63J-221X	MG RESISTOR	220Ω	1/16W J	CN982	QGF1005F1-04	CONNECTOR	FFC/FPC (1-4)	
R1153	NRSA63J-221X	MG RESISTOR	220Ω	1/16W J	CN983	QGA2001F1-10	CONNECTOR	W-B (1-10)	
R1154	NRSA63J-221X	MG RESISTOR	220Ω	1/16W J	CN985	QGA2001F1-06	CONNECTOR	W-B (1-6)	
R1155	NRSA63J-221X	MG RESISTOR	220Ω	1/16W J	DI961	QLF0110-001	FL TUBE		
R1156	NRSA63J-221X	MG RESISTOR	220Ω	1/16W J	FS28	VYSH101-009	SPECER		
R1157	NRSA63J-221X	MG RESISTOR	220Ω	1/16W J	FS961	E3400-444	FELT SPACER		
R1158	NRSA63J-221X	MG RESISTOR	220Ω	1/16W J	FS962	E3400-444	FELT SPACER		
R1161	NRSA63J-221X	MG RESISTOR	220Ω	1/16W J	J471	QND0026-001	S JACK		
R1162	NRSA63J-221X	MG RESISTOR	220Ω	1/16W J	J1201	QNS0073-001	JACK		
R1163	NRSA63J-221X	MG RESISTOR	220Ω	1/16W J	J1210	QNS0001-001	3.5 JACK		



△ Symbol No.	Part No.	Part Name	Description	Local	△ Symbol No.	Part No.	Part Name	Description	Local
J1211	QNS0073-001	JACK			IC691	BA033FP-X	IC	Regulator	
J1212	QNS0073-001	JACK			IC692	BA033FP-X	IC	Regulator	
J1213	QNS0077-001	3.5 JACK			IC693	BA033FP-X	IC	Regulator	
JS961	QSW0867-001	SWITCH			IC700	SN74LVC1G04K-X	IC		
K472	QQR0779-001Z	COIL			IC801	TC5081BP	IC		
K1035	QQR1183-001Z	FERRITE BEADS			IC802	SN74LVC1GU04K-X	IC		
S1001	QSW0683-001Z	PUSH SW			IC803	SN74AHC2G74T-X	IC		
S1002	QSW0683-001Z	PUSH SW			IC804	TC3W03FU-X	IC		
S1003	QSW0683-001Z	PUSH SW			IC805	SN74LV393APW-X	IC		
S1004	QSW0683-001Z	PUSH SW			IC806	SN74AHC2G74T-X	IC		
S1005	QSW0683-001Z	PUSH SW			IC807	SN74LVC1G04K-X	IC		
S1006	QSW0683-001Z	PUSH SW			IC808	SN74AHC2G74T-X	IC(DIGITAL)		
S1007	QSW0683-001Z	PUSH SW			IC809	SN74LV74APW-X	IC		
S1022	QSW0683-001Z	PUSH SW			IC810	SN74LVC1G04K-X	IC		
S1023	QSW0683-001Z	PUSH SW			IC811	SN74LV157APW-X	IC		
S1024	QSW0683-001Z	PUSH SW			IC812	SN74LV74APW-X	IC		
S1025	QSW0683-001Z	PUSH SW			IC814	SN74LV126APW-X	IC		
S1026	QSW0683-001Z	PUSH SW			IC815	SN74LV393APW-X	IC		
S1027	QSW0683-001Z	PUSH SW			IC816	SN74LV126APW-X	IC		
S1028	QSW0683-001Z	PUSH SW			IC817	SN74LVC2G241T-X	IC		
S1029	QSW0683-001Z	PUSH SW			IC818	SN74LV126APW-X	IC		
S1030	QSW0683-001Z	PUSH SW			IC819	SN74LV393APW-X	IC		
S1031	QSW0683-001Z	PUSH SW			IC820	SN74LV126APW-X	IC		
S1032	QSW0683-001Z	PUSH SW			IC821	SN74AHC2G74T-X	IC		
S1033	QSW0683-001Z	PUSH SW			IC822	SN74LVC1G04K-X	IC		
S1034	QSW0683-001Z	PUSH SW			IC831	PQ20VZ11-X	IC	Regulator	
S1035	QSW0683-001Z	PUSH SW							
S1041	QSW0683-001Z	PUSH SW			Q3651	DTC114YE-X	TRANSISTOR		
S1042	QSW0683-001Z	PUSH SW			Q3921	DTC114YE-X	TRANSISTOR		
S1043	QSW0683-001Z	PUSH SW			Q3922	DTC114YE-X	TRANSISTOR		
S1044	QSW0683-001Z	PUSH SW			Q4801	2SC2412K/RS/-X	TRANSISTOR		
S1051	QSW0851-001	SWITCH			Q4802	2SC2412K/RS/-X	TRANSISTOR		
S1052	QSW0851-001	SWITCH			Q4803	2SC2412K/RS/-X	TRANSISTOR		
TF1	QMR0010-001	TH PROTECTOR			Q4804	2SA1037AK/RS/-X	TRANSISTOR		
TF2	QMR0008-001	TH PROTECTOR			Q4805	2SC2412K/RS/-X	TRANSISTOR		
TW471	QUB220-14HPDM	TER.WIRE			Q4806	2SA1037AK/RS/-X	TRANSISTOR		
UN634	GP1FM313RZ	OPT RECEIVER			Q4807	2SC2412K/RS/-X	TRANSISTOR		
WR64	QJK030-033403	SIN CR C-B WIRE			Q4808	2SA1037AK/RS/-X	TRANSISTOR		
WR65	QJK030-023002	SIN CR C-B WIRE							
WR301	QJK017-030803	SIN CR C-B WIRE			D3601	SVC343-X	VARI CAP		
WR961	QJK030-084803	SIN CR C-B WIRE			D3602	SVC343-X	VARI CAP		
WR962	QJK030-082003	SIN CR C-B WIRE			D3604	1SS355-X	SI DIODE		
WR966	QJK016-092004	SIN CR C-B WIRE							
WR967	QJK016-082402	SIN CR C-B WIRE			C3501	NEA70JM-107X	E CAPACITOR	100uF 6.3V M	
WR968	QJK016-094403	SIN CR C-B WIRE			C3502	NCF31CZ-104X	C CAPACITOR	0.1uF 16V Z	
WR970	QJK016-090802	SIN CR C-B WIRE			C3503	NCB31HK-103X	C CAPACITOR	0.01uF 50V K	
WR972	QJK016-021002	SIN CR C-B WIRE			C3504	NCB31HK-103X	C CAPACITOR	0.01uF 50V K	
WR977	QJK030-042004	SIN CR C-B WIRE			C3505	NCB31HK-103X	C CAPACITOR	0.01uF 50V K	
WR984	QJK016-101104	SIN CR C-B WIRE			C3506	NCB31HK-103X	C CAPACITOR	0.01uF 50V K	
WR986	QJK016-061102	SIN CR C-B WIRE			C3507	NCB31HK-103X	C CAPACITOR	0.01uF 50V K	
X1001	QAX0246-001Z	C RESONATOR	8.00MHZ		C3508	NCB31HK-103X	C CAPACITOR	0.01uF 50V K	
X1002	QAX0246-001Z	C RESONATOR	8.00MHZ		C3509	NCB31HK-103X	C CAPACITOR	0.01uF 50V K	
					C3510	NCB31HK-103X	C CAPACITOR	0.01uF 50V K	
					C3511	NCB31HK-103X	C CAPACITOR	0.01uF 50V K	
					C3512	NCB31HK-103X	C CAPACITOR	0.01uF 50V K	
					C3513	NCB31HK-103X	C CAPACITOR	0.01uF 50V K	
					C3514	NCB31HK-103X	C CAPACITOR	0.01uF 50V K	
					C3515	NCB31HK-103X	C CAPACITOR	0.01uF 50V K	
					C3516	NCB31HK-103X	C CAPACITOR	0.01uF 50V K	
					C3517	NCB31HK-103X	C CAPACITOR	0.01uF 50V K	
					C3518	NCB31HK-103X	C CAPACITOR	0.01uF 50V K	
					C3519	NCB31HK-103X	C CAPACITOR	0.01uF 50V K	
					C3520	NCB31HK-103X	C CAPACITOR	0.01uF 50V K	
					C3521	NCB31HK-103X	C CAPACITOR	0.01uF 50V K	
					C3522	NCB31HK-103X	C CAPACITOR	0.01uF 50V K	
					C3531	NEA70JM-107X	E CAPACITOR	100uF 6.3V M	
					C3532	NCF31CZ-104X	C CAPACITOR	0.1uF 16V Z	
					C3533	NCB31HK-103X	C CAPACITOR	0.01uF 50V K	
					C3534	NCB31HK-103X	C CAPACITOR	0.01uF 50V K	
					C3535	NCB31HK-103X	C CAPACITOR	0.01uF 50V K	
					C3536	NCB31HK-103X	C CAPACITOR	0.01uF 50V K	
					C3537	NCB31HK-103X	C CAPACITOR	0.01uF 50V K	
					C3538	NCB31HK-103X	C CAPACITOR	0.01uF 50V K	
					C3539	NCB31HK-103X	C CAPACITOR	0.01uF 50V K	
					C3540	NCB31HK-103X	C CAPACITOR	0.01uF 50V K	
					C3541	NCB31HK-103X	C CAPACITOR	0.01uF 50V K	
					C3542	NCB31HK-103X	C CAPACITOR	0.01uF 50V K	
					C3543	NCB31HK-103X	C CAPACITOR	0.01uF 50V K	

## DSP board

Block No. [0][5][0][0]

△ Symbol No.	Part No.	Part Name	Description	Local
IC481	TC9090AN	IC		
IC482	UPC1862GS-X	IC		
IC661	TMX320DA610P225	IC		
IC662	SST39VF160-7CEK	IC (FLASH)	16 Mbit multi-purpose flash memory	
IC663	HY57641620HGT7	IC		
IC671	UPD78F4216AC924	IC		
IC673	AK4112BVF-X	IC(MICRO C ROM)	Digital audio receiver	
IC674	SN74LV126APW-X	IC		
IC675	CS8405A-CS-X	IC		
IC676	SN74LV157APW-X	IC		
IC677	SN74AHC2G74T-X	IC		
IC678	SN74LV74APW-X	IC		
IC681	SN74LV157APW-X	IC		
IC690	PQ012FZ01Z-X	IC		







△ Symbol No.	Part No.	Part Name	Description	Local	△ Symbol No.	Part No.	Part Name	Description	Local
R7736	QRV12DF-1000	CMF RESISTOR	100Ω 1/2W F		Q581	KRC105M-T	DIGI TRANSISTOR		
R7737	QRV12DF-1000	CMF RESISTOR	100Ω 1/2W F		Q582	KRC105M-T	DIGI TRANSISTOR		
R7738	QRV12DF-1000	CMF RESISTOR	100Ω 1/2W F		Q3105	DTA114YE-X	TRANSISTOR		
R7739	QRV12DF-1000	CMF RESISTOR	100Ω 1/2W F		Q3107	2SD1328/ST/-X	TRANSISTOR		
R7740	QRV12DF-1000	CMF RESISTOR	100Ω 1/2W F		Q3108	2SD1328/ST/-X	TRANSISTOR		
R7751	QRZ9005-470X	FUSI RESISTOR	47Ω		Q3161	2SC2412K/RS/-X	TRANSISTOR		
R7752	QRZ9005-470X	FUSI RESISTOR	47Ω		Q3162	2SC2412K/RS/-X	TRANSISTOR		
R7753	QRZ9005-470X	FUSI RESISTOR	47Ω		Q3163	DTA114YE-X	TRANSISTOR		
R7754	QRZ9005-470X	FUSI RESISTOR	47Ω		Q3203	2SC2412K/RS/-X	TRANSISTOR		
R7755	QRZ9005-470X	FUSI RESISTOR	47Ω		Q3207	2SD1328/ST/-X	TRANSISTOR		
R7756	QRZ9005-470X	FUSI RESISTOR	47Ω		Q3208	2SD1328/ST/-X	TRANSISTOR		
R7757	QRZ9005-470X	FUSI RESISTOR	47Ω		Q3261	2SC2412K/RS/-X	TRANSISTOR		
R7758	QRZ9005-470X	FUSI RESISTOR	47Ω		Q3263	DTA114YE-X	TRANSISTOR		
CN731	QGA2501F1-03	CONNECTOR	W-B (1-3)		Q3265	DTA114YE-X	TRANSISTOR		
CN732	QGA2501F1-03	CONNECTOR	W-B (1-3)		Q3266	2SD1328/ST/-X	TRANSISTOR		
CN733	QGA2501F1-03	CONNECTOR	W-B (1-3)		Q3291	DTC114YE-X	TRANSISTOR		
CN734	QGA2501F1-03	CONNECTOR	W-B (1-3)		Q3301	DTA114YE-X	TRANSISTOR		
CN735	QGA2501F1-03	CONNECTOR	W-B (1-3)		Q3303	2SC2412K/RS/-X	TRANSISTOR		
CN736	QGA2501F1-03	CONNECTOR	W-B (1-3)		Q3304	2SC2412K/RS/-X	TRANSISTOR		
CN737	QGA2501F1-03	CONNECTOR	W-B (1-3)		Q3307	2SD1328/ST/-X	TRANSISTOR		
J701	QNN0510-001	PIN JACK 6PIN			Q3308	2SD1328/ST/-X	TRANSISTOR		
J702	QNN0511-001	PIN JACK			Q3361	2SC2412K/RS/-X	TRANSISTOR		
WR700	QJK016-143504	14P PLUG ASSY			Q3362	2SC2412K/RS/-X	TRANSISTOR		
					Q3363	DTA114YE-X	TRANSISTOR		
					Q3403	2SC2412K/RS/-X	TRANSISTOR		
					Q3404	2SC2412K/RS/-X	TRANSISTOR		
					Q3407	2SD1328/ST/-X	TRANSISTOR		
					Q3408	2SD1328/ST/-X	TRANSISTOR		
					Q3461	2SC2412K/RS/-X	TRANSISTOR		
					Q3462	2SC2412K/RS/-X	TRANSISTOR		
					Q3463	DTA114YE-X	TRANSISTOR		

## Audio board

Block No. [0][7][0][0]

△ Symbol No.	Part No.	Part Name	Description	Local	△ Symbol No.	Part No.	Part Name	Description	Local
IC501	TC74HC238AF-X	IC			D501	1SS355-X	SI DIODE		
IC502	UPC1830GT-XE	IC			D502	1SS355-X	SI DIODE		
IC503	NJM2580M-X	IC	Video amp.		D503	1SS355-X	SI DIODE		
IC631	NJM5532M-D-XE	IC			D504	1SS355-X	SI DIODE		
IC632	NJM5532M-D-XE	IC			D505	1SS355-X	SI DIODE		
IC633	NJM5532M-D-XE	IC			D506	1SS355-X	SI DIODE		
IC634	MN35505-X	IC	DAC		D581	1SS355-X	SI DIODE		
IC635	JCV8006	IC			D582	1SS355-X	SI DIODE		
IC636	NJM4580E-W	IC	Ope amp.		C501	QETN1CM-476Z	E CAPACITOR	47uF 16V M	
IC637	NJM5532M-D-XE	IC			C502	NCB31HK-103X	C CAPACITOR	0.01uF 50V K	
IC638	NJM5532M-D-XE	IC			C503	QETN1HM-104Z	E CAPACITOR	0.1uF 50V M	
IC639	MN35505-X	IC	DAC		C504	QETN1HM-225Z	E CAPACITOR	2.2uF 50V M	
IC640	JCV8006	IC			C505	QETN1HM-225Z	E CAPACITOR	2.2uF 50V M	
IC641	NJM4580E-W	IC	Ope amp.		C506	QETN1AM-227Z	E CAPACITOR	220uF 10V M	
IC642	NJM4580E-W	IC	Ope amp.		C507	QETN1AM-227Z	E CAPACITOR	220uF 10V M	
IC643	NJM5532M-D-XE	IC			C508	QETN1AM-477Z	E CAPACITOR	470uF 10V M	
IC644	MN35505-X	IC	DAC		C509	QETN1AM-107Z	E CAPACITOR	100uF 10V M	
IC645	JCV8006	IC			C510	QETN1EM-476Z	E CAPACITOR	47uF 25V M	
IC646	NJM4580E-W	IC	Ope amp.		C511	NCF21CZ-104X	C CAPACITOR	0.1uF 16V Z	
IC647	NJM4580E-W	IC	Ope amp.		C512	NCF21CZ-104X	C CAPACITOR	0.1uF 16V Z	
IC648	NJM5532M-D-XE	IC			C513	NCF21CZ-104X	C CAPACITOR	0.1uF 16V Z	
IC649	MN35505-X	IC	DAC		C1501	NCS31HJ-681X	C CAPACITOR	680pF 50V J	
IC650	JCV8006	IC			C1502	NCS31HJ-561X	C CAPACITOR	560pF 50V J	
IC651	SN74LV157APW-X	IC			C1503	NCB31HK-472X	C CAPACITOR	4700pF 50V K	
IC654	NJM2121M-X	IC	Op amp.		C1504	QETN1HM-225Z	E CAPACITOR	2.2uF 50V M	
IC655	NJM4580E-W	IC	Ope amp.		C1505	NCF21CZ-104X	C CAPACITOR	0.1uF 16V Z	
IC656	NJM4580E-W	IC	Ope amp.		C1506	QETN1EM-226Z	E CAPACITOR	22uF 25V M	
IC657	CS5361-KS-X	IC			C1507	NCF21CZ-104X	C CAPACITOR	0.1uF 16V Z	
IC658	CS5333-KZ-X	IC			C1508	QETN1EM-226Z	E CAPACITOR	22uF 25V M	
IC659	CS5333-KZ-X	IC			C1509	NCF21CZ-104X	C CAPACITOR	0.1uF 16V Z	
IC660	SN74LVC1GU04K-X	IC			C1510	NCF21CZ-104X	C CAPACITOR	0.1uF 16V Z	
IC686	NJM4580E-W	IC	Ope amp.		C1511	NCF21CZ-104X	C CAPACITOR	0.1uF 16V Z	
IC687	NJM5532M-D-XE	IC			C1512	QETN1HM-105Z	E CAPACITOR	1uF 50V M	
IC694	BA033FP-X	IC	Regulator		C1513	NCF21CZ-104X	C CAPACITOR	0.1uF 16V Z	
IC695	BA033FP-X	IC	Regulator		C1514	NCF21CZ-104X	C CAPACITOR	0.1uF 16V Z	
IC696	BA033FP-X	IC	Regulator		C1515	NCF31AZ-105X	C CAPACITOR	1uF 10V Z	
Q501	KRC105M-T	DIGI TRANSISTOR			C1516	NCF21CZ-104X	C CAPACITOR	0.1uF 16V Z	
Q502	KRC105M-T	DIGI TRANSISTOR			C1517	QETN1CM-226Z	E CAPACITOR	22uF 16V M	
Q503	KRC105M-T	DIGI TRANSISTOR			C1518	NCF21CZ-104X	C CAPACITOR	0.1uF 16V Z	
Q504	KRC105M-T	DIGI TRANSISTOR			C1519	QETN1HM-105Z	E CAPACITOR	1uF 50V M	
Q505	KRC105M-T	DIGI TRANSISTOR			C1520	QETN1EM-475Z	E CAPACITOR	4.7uF 25V M	
Q506	KRC105M-T	DIGI TRANSISTOR			C1521	QETN1HM-104Z	E CAPACITOR	0.1uF 50V M	
Q507	2SA1037AK/RS/-X	TRANSISTOR			C1522	NCF21HZ-103X	C CAPACITOR	0.01uF 50V Z	
					C1523	NCS31HJ-100X	C CAPACITOR	10pF 50V J	
					C1524	NCS31HJ-100X	C CAPACITOR	10pF 50V J	









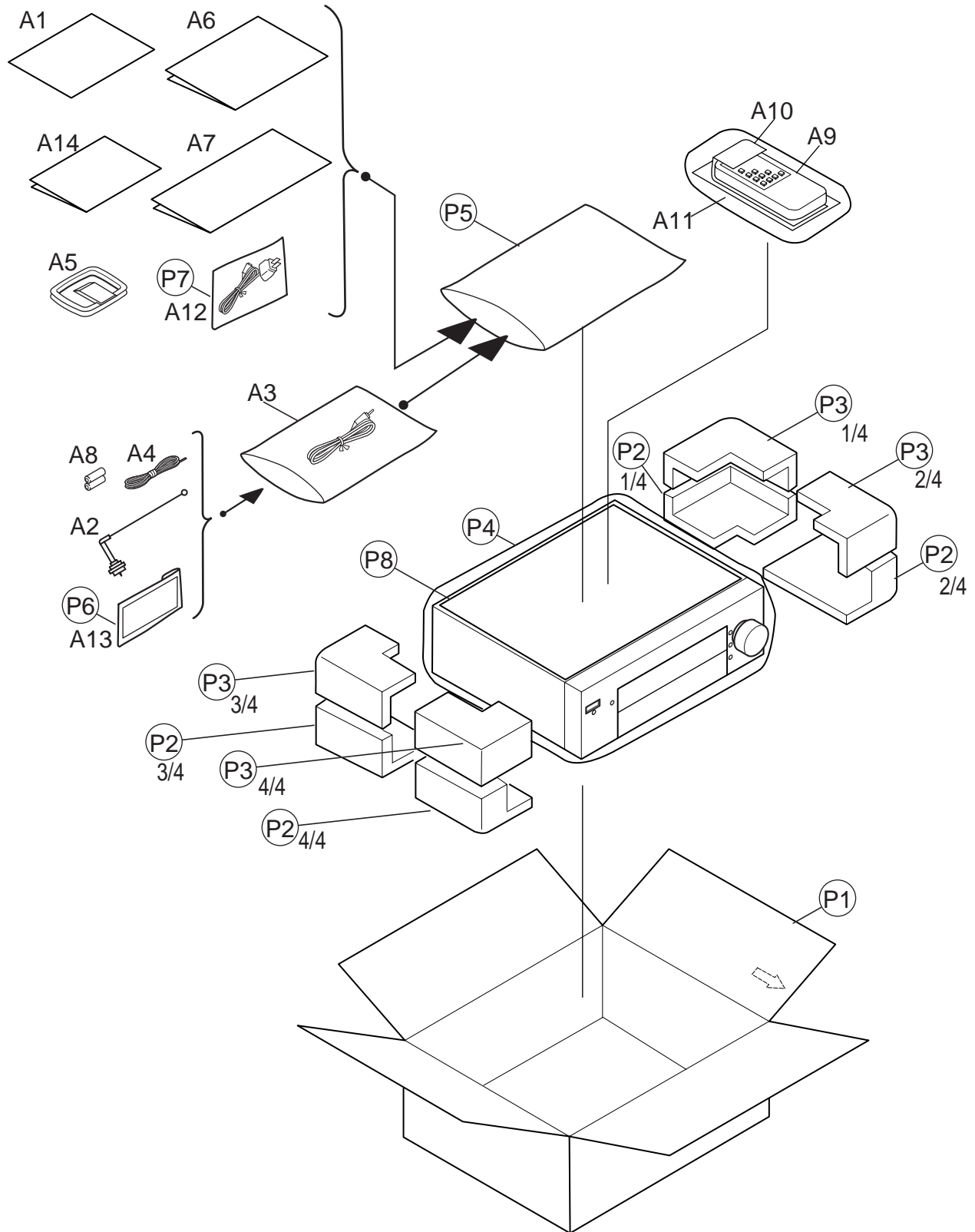
△ Symbol No.	Part No.	Part Name	Description	Local	△ Symbol No.	Part No.	Part Name	Description	Local
R3288	NRSA63J-221X	MG RESISTOR	220Ω 1/16W J		R3412	NRSA63J-163X	MG RESISTOR	16kΩ 1/16W J	
R3289	NRSA63J-221X	MG RESISTOR	220Ω 1/16W J		R3413	NRSA63J-162X	MG RESISTOR	1.6kΩ 1/16W J	
R3290	NRSA63J-221X	MG RESISTOR	220Ω 1/16W J		R3414	NRSA63J-162X	MG RESISTOR	1.6kΩ 1/16W J	
R3291	NRSA63J-333X	MG RESISTOR	33kΩ 1/16W J		R3415	NRSA63J-182X	MG RESISTOR	1 8kΩ 1/16W J	
R3292	NRSA63J-333X	MG RESISTOR	33kΩ 1/16W J		R3416	NRSA63J-182X	MG RESISTOR	1 8kΩ 1/16W J	
R3293	NRSA63J-243X	MG RESISTOR	24kΩ 1/16W J		R3421	NRSA63J-561X	MG RESISTOR	560Ω 1/16W J	
R3295	NRSA63J-473X	MG RESISTOR	47kΩ 1/16W J		R3422	NRSA63J-561X	MG RESISTOR	560Ω 1/16W J	
R3296	NRSA63J-473X	MG RESISTOR	47kΩ 1/16W J		R3423	NRSA63J-471X	MG RESISTOR	470Ω 1/16W J	
R3301	NRSA63J-243X	MG RESISTOR	24kΩ 1/16W J		R3424	NRSA63J-471X	MG RESISTOR	470Ω 1/16W J	
R3302	NRSA63J-243X	MG RESISTOR	24kΩ 1/16W J		R3425	NRSA63J-105X	MG RESISTOR	1MΩ 1/16W J	
R3303	NRSA63J-243X	MG RESISTOR	24kΩ 1/16W J		R3426	NRSA63J-105X	MG RESISTOR	1MΩ 1/16W J	
R3304	NRSA63J-243X	MG RESISTOR	24kΩ 1/16W J		R3427	NRSA63J-473X	MG RESISTOR	47kΩ 1/16W J	
R3305	QRV12DF-1602	CMF RESISTOR	16kΩ 1/2W F		R3428	NRSA63J-473X	MG RESISTOR	47kΩ 1/16W J	
R3306	QRV12DF-1602	CMF RESISTOR	16kΩ 1/2W F		R3431	NRSA63J-432X	MG RESISTOR	4.3kΩ 1/16W J	
R3307	QRV12DF-1602	CMF RESISTOR	16kΩ 1/2W F		R3432	NRSA63J-432X	MG RESISTOR	4.3kΩ 1/16W J	
R3308	QRV12DF-1602	CMF RESISTOR	16kΩ 1/2W F		R3433	NRSA63J-103X	MG RESISTOR	10kΩ 1/16W J	
R3309	NRSA63J-362X	MG RESISTOR	3.6kΩ 1/16W J		R3434	NRSA63J-103X	MG RESISTOR	10kΩ 1/16W J	
R3310	NRSA63J-362X	MG RESISTOR	3.6kΩ 1/16W J		R3435	NRSA63J-302X	MG RESISTOR	3kΩ 1/16W J	
R3311	NRSA63J-163X	MG RESISTOR	16kΩ 1/16W J		R3436	NRSA63J-302X	MG RESISTOR	3kΩ 1/16W J	
R3312	NRSA63J-163X	MG RESISTOR	16kΩ 1/16W J		R3439	NRSA63J-104X	MG RESISTOR	100kΩ 1/16W J	
R3313	NRSA63J-162X	MG RESISTOR	1.6kΩ 1/16W J		R3440	NRSA63J-104X	MG RESISTOR	100kΩ 1/16W J	
R3314	NRSA63J-162X	MG RESISTOR	1.6kΩ 1/16W J		R3441	NRSA63J-561X	MG RESISTOR	560Ω 1/16W J	
R3315	NRSA63J-182X	MG RESISTOR	1.8kΩ 1/16W J		R3442	NRSA63J-561X	MG RESISTOR	560Ω 1/16W J	
R3316	NRSA63J-182X	MG RESISTOR	1.8kΩ 1/16W J		R3451	NRSA63J-472X	MG RESISTOR	4.7kΩ 1/16W J	
R3321	NRSA63J-561X	MG RESISTOR	560Ω 1/16W J		R3452	NRSA63J-472X	MG RESISTOR	4.7kΩ 1/16W J	
R3322	NRSA63J-561X	MG RESISTOR	560Ω 1/16W J		R3457	NRSA63J-332X	MG RESISTOR	3.3kΩ 1/16W J	
R3323	NRSA63J-471X	MG RESISTOR	470Ω 1/16W J		R3458	NRSA63J-332X	MG RESISTOR	3.3kΩ 1/16W J	
R3324	NRSA63J-471X	MG RESISTOR	470Ω 1/16W J		R3461	NRSA63J-103X	MG RESISTOR	10kΩ 1/16W J	
R3325	NRSA63J-105X	MG RESISTOR	1MΩ 1/16W J		R3462	NRSA63J-103X	MG RESISTOR	10kΩ 1/16W J	
R3326	NRSA63J-105X	MG RESISTOR	1MΩ 1/16W J		R3463	NRSA63J-105X	MG RESISTOR	1MΩ 1/16W J	
R3327	NRSA63J-473X	MG RESISTOR	47kΩ 1/16W J		R3471	NRSA63J-221X	MG RESISTOR	220Ω 1/16W J	
R3328	NRSA63J-473X	MG RESISTOR	47kΩ 1/16W J		R3472	NRSA63J-221X	MG RESISTOR	220Ω 1/16W J	
R3331	NRSA63J-432X	MG RESISTOR	4.3kΩ 1/16W J		R3473	NRSA63J-221X	MG RESISTOR	220Ω 1/16W J	
R3332	NRSA63J-432X	MG RESISTOR	4.3kΩ 1/16W J		R3474	NRSA63J-221X	MG RESISTOR	220Ω 1/16W J	
R3333	NRSA63J-103X	MG RESISTOR	10kΩ 1/16W J		R3475	NRSA63J-101X	MG RESISTOR	100Ω 1/16W J	
R3334	NRSA63J-103X	MG RESISTOR	10kΩ 1/16W J		R3476	NRSA63J-470X	MG RESISTOR	47Ω 1/16W J	
R3335	NRSA63J-302X	MG RESISTOR	3kΩ 1/16W J		R3477	NRSA63J-470X	MG RESISTOR	47Ω 1/16W J	
R3336	NRSA63J-302X	MG RESISTOR	3kΩ 1/16W J		R3478	NRSA63J-101X	MG RESISTOR	100Ω 1/16W J	
R3339	NRSA63J-104X	MG RESISTOR	100kΩ 1/16W J		R3479	NRSA63J-101X	MG RESISTOR	100Ω 1/16W J	
R3340	NRSA63J-104X	MG RESISTOR	100kΩ 1/16W J		R3480	NRSA63J-101X	MG RESISTOR	100Ω 1/16W J	
R3341	NRSA63J-561X	MG RESISTOR	560Ω 1/16W J		R3481	QRJ146J-101X	UNF C RESISTOR	100Ω 1/4W J	
R3342	NRSA63J-561X	MG RESISTOR	560Ω 1/16W J		R3482	QRJ146J-101X	UNF C RESISTOR	100Ω 1/4W J	
R3351	NRSA63J-472X	MG RESISTOR	4.7kΩ 1/16W J		R3483	QRJ146J-101X	UNF C RESISTOR	100Ω 1/4W J	
R3352	NRSA63J-472X	MG RESISTOR	4.7kΩ 1/16W J		R3484	QRJ146J-101X	UNF C RESISTOR	100Ω 1/4W J	
R3353	NRSA63J-474X	MG RESISTOR	470kΩ 1/16W J		R3485	NRSA63J-332X	MG RESISTOR	3.3kΩ 1/16W J	
R3357	NRSA63J-332X	MG RESISTOR	3.3kΩ 1/16W J		R3486	NRSA63J-561X	MG RESISTOR	560Ω 1/16W J	
R3358	NRSA63J-332X	MG RESISTOR	3.3kΩ 1/16W J		R3487	NRSA63J-561X	MG RESISTOR	560Ω 1/16W J	
R3361	NRSA63J-103X	MG RESISTOR	10kΩ 1/16W J		R3488	NRSA63J-221X	MG RESISTOR	220Ω 1/16W J	
R3362	NRSA63J-103X	MG RESISTOR	10kΩ 1/16W J		R3489	NRSA63J-221X	MG RESISTOR	220Ω 1/16W J	
R3363	NRSA63J-105X	MG RESISTOR	1MΩ 1/16W J		R3490	NRSA63J-221X	MG RESISTOR	220Ω 1/16W J	
R3371	NRSA63J-221X	MG RESISTOR	220Ω 1/16W J		R3492	NRSA63J-0R0X	MG RESISTOR	0Ω 1/16W J	
R3372	NRSA63J-221X	MG RESISTOR	220Ω 1/16W J		R3551	NRSA63J-470X	MG RESISTOR	47Ω 1/16W J	
R3373	NRSA63J-221X	MG RESISTOR	220Ω 1/16W J		R3552	NRSA63J-470X	MG RESISTOR	47Ω 1/16W J	
R3374	NRSA63J-221X	MG RESISTOR	220Ω 1/16W J		R3553	NRSA63J-470X	MG RESISTOR	47Ω 1/16W J	
R3375	NRSA63J-101X	MG RESISTOR	100Ω 1/16W J		R3554	NRSA63J-470X	MG RESISTOR	47Ω 1/16W J	
R3376	NRSA63J-470X	MG RESISTOR	47Ω 1/16W J						
R3377	NRSA63J-470X	MG RESISTOR	47Ω 1/16W J		CN501	QGB2510K1-10	CONNECTOR	B-B (1-10)	
R3381	QRJ146J-101X	UNF C RESISTOR	100Ω 1/4W J		CN502	QGF1205F1-16	CONNECTOR	FFC/FPC (1-16)	
R3382	QRJ146J-101X	UNF C RESISTOR	100Ω 1/4W J		CN581	QGF1205F1-16	CONNECTOR	FFC/FPC (1-16)	
R3383	QRJ146J-101X	UNF C RESISTOR	100Ω 1/4W J		CN631	QGA2001F1-09	CONNECTOR	W-B (1-9)	
R3384	QRJ146J-101X	UNF C RESISTOR	100Ω 1/4W J		CN633	QGB2510K1-04	CONNECTOR	B-B (1-4)	
R3385	NRSA63J-332X	MG RESISTOR	3.3kΩ 1/16W J		CN643	QGB2510K1-04	CONNECTOR	B-B (1-4)	
R3386	NRSA63J-561X	MG RESISTOR	560Ω 1/16W J		CN651	QGB1220L1-21	CONNECTOR	B-B (1-21)	
R3387	NRSA63J-561X	MG RESISTOR	560Ω 1/16W J		CN652	QGF1016C1-21	CONNECTOR	FFC/FPC (1-21)	
R3388	NRSA63J-221X	MG RESISTOR	220Ω 1/16W J		FS181	VYH8231-006	SPECER		
R3389	NRSA63J-221X	MG RESISTOR	220Ω 1/16W J		FS182	VYH8231-006	SPECER		
R3390	NRSA63J-221X	MG RESISTOR	220Ω 1/16W J		FS187	VYH8231-006	SPECER		
R3401	NRSA63J-243X	MG RESISTOR	24kΩ 1/16W J		FS281	VYH8231-006	SPECER		
R3402	NRSA63J-243X	MG RESISTOR	24kΩ 1/16W J		FS282	VYH8231-006	SPECER		
R3403	NRSA63J-243X	MG RESISTOR	24kΩ 1/16W J		J501	QNN0542-001	PIN JACK		
R3404	NRSA63J-243X	MG RESISTOR	24kΩ 1/16W J		J502	QNN0542-001	PIN JACK		
R3405	QRV12DF-1602	CMF RESISTOR	16kΩ 1/2W F		J503	QNN0542-001	PIN JACK		
R3406	QRV12DF-1602	CMF RESISTOR	16kΩ 1/2W F		J581	QNN0542-001	PIN JACK		
R3407	QRV12DF-1602	CMF RESISTOR	16kΩ 1/2W F		K3181	NQR0229-001X	FERRITE BEADS		
R3408	QRV12DF-1602	CMF RESISTOR	16kΩ 1/2W F		K3182	NQR0229-001X	FERRITE BEADS		
R3409	NRSA63J-362X	MG RESISTOR	3.6kΩ 1/16W J		K3183	NQR0229-001X	FERRITE BEADS		
R3410	NRSA63J-362X	MG RESISTOR	3.6kΩ 1/16W J		K3184	NQR0229-001X	FERRITE BEADS		
R3411	NRSA63J-163X	MG RESISTOR	16kΩ 1/16W J		K3281	NQR0229-001X	FERRITE BEADS		

Symbol No.	Part No.	Part Name	Description	Local
K3282	NQR0229-001X	FERRITE BEADS		
K3283	NQR0229-001X	FERRITE BEADS		
K3284	NQR0229-001X	FERRITE BEADS		
K3381	NQR0229-001X	FERRITE BEADS		
K3382	NQR0229-001X	FERRITE BEADS		
K3383	NQR0229-001X	FERRITE BEADS		
K3384	NQR0229-001X	FERRITE BEADS		
K3481	NQR0229-001X	FERRITE BEADS		
K3482	NQR0229-001X	FERRITE BEADS		
K3483	NQR0229-001X	FERRITE BEADS		
K3484	NQR0229-001X	FERRITE BEADS		
LC635	NQR0450-001X	EMI FILTER	0.022uF 50V M	
LC640	NQR0450-001X	EMI FILTER	0.022uF 50V M	
LC645	NQR0450-001X	EMI FILTER	0.022uF 50V M	
LC650	NQR0450-001X	EMI FILTER	0.022uF 50V M	
RY501	QSK0150-001	RELAY		
RY502	QSK0150-001	RELAY		
RY503	QSK0150-001	RELAY		
RY504	QSK0150-001	RELAY		
RY505	QSK0150-001	RELAY		
RY506	QSK0150-001	RELAY		
RY581	QSK0150-001	RELAY		
RY582	QSK0150-001	RELAY		
S1009	NSW0059-001X	TACT SW		
S1010	NSW0059-001X	TACT SW		
S1011	NSW0059-001X	TACT SW		
S1012	NSW0059-001X	TACT SW		
S1013	NSW0059-001X	TACT SW		
S1014	NSW0059-001X	TACT SW		
S1016	NSW0059-001X	TACT SW		
S1017	NSW0059-001X	TACT SW		
S1018	NSW0059-001X	TACT SW		
S1019	NSW0059-001X	TACT SW		
S1020	NSW0059-001X	TACT SW		
S1021	NSW0059-001X	TACT SW		
WR632	QJK016-124600	S N CR C-B WIRE		
X501	QAX0529-001	C RESONATOR	500.00kHz	
X502	QAX0703-001Z	CRYSTAL	3.579545MHz	
X3001	NAX0435-001X	CRYSTAL	24 576MHz	

< MEMO >

# Packing materials and accessories parts list

Block No. M 3 M M



# Packing and accessories

Block No. [M][3][M][M]

△ Symbol No.	Part No.	Part Name	Description	Local
A 1	LVT0965-002A	INST BOOK	ENG,FRE	DP20 VBKC
A 1	LVT0965-001A	INST BOOK	ENG	DP20 VBKJ
A 2	QAL0236-001	ANTENNA		
A 3	QAL0219-001	LED CABLE ASSY		
A 4	EWP503-001C	ANT.WIRE		
A 5	QAL0204-001	AM LOOP ANT		
A 6	BT-51028-2	J=REGIST CARD		DP20 VBKJ
A 7	YU20333	SAFETY INST.		DP20 VBKJ
A 8	-----	AL BATTERY	(x2)	
A 9	RM-SRXDP20J	REMOCON		
A 10	LV42570-001A	SHEET		
A 11	LV30256-007A	SHEET		
△ A 12	QMPE250-200-K	POWER CORD(US/ CA)	2m BLACK	
A 13	LV32823-003A	COVER ASSY		
A 14	BT-52006-2	WARRANTY CARD		DP20 VBKC
P 1	LV21378-012A	CARTON BOX		
P 2	LV21069-001A	CUSHION		
P 3	LV21070-001A	CUSHION		
P 4	QPC08008015P	POLY BAG	80cm x 80cm	
P 5	QPA02503505P	POLY BAG	25cm x 35cm	
P 6	QPC00501205	POLY BAG	5cm x 12cm	
P 7	QPA02503505P	POLY BAG	25cm x 35cm	
P 8	LV30256-012A	SHEET		