

JVC

SCHEMATIC DIAGRAMS

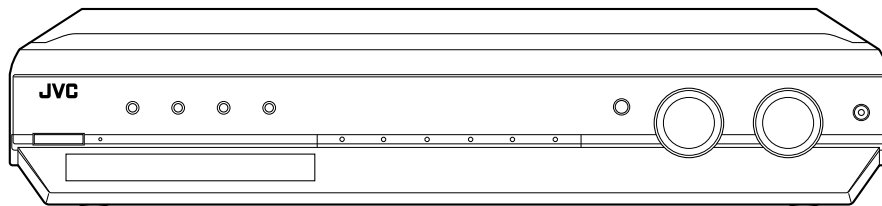
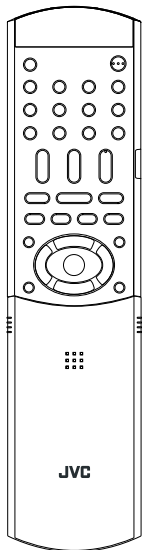
HOME CINEMA CONTROL CENTER

RX-ES1SL

CD-ROM No.SML200307

Area suffix

B ----- U.K.
E ----- Continental Europe
EN ----- Northern Europe



Contents

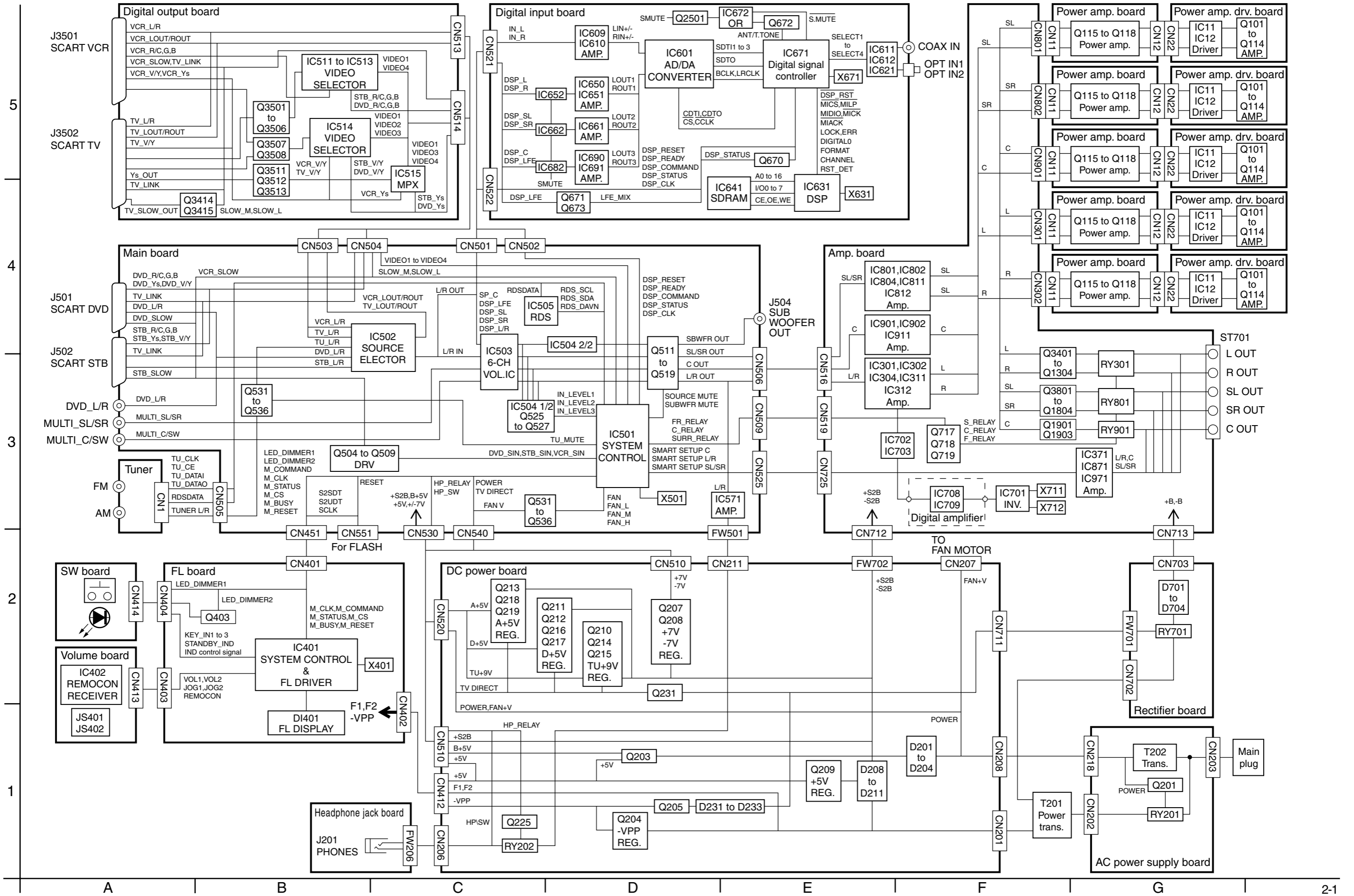
Block diagram	2-1
Standard schematic diagrams	2-2
Printed circuit boards	2-10 to 16

RX-ES1SL

In regard with component parts appearing on the silk-screen printed side (parts side) of the PWB diagrams, the parts that are printed over with black such as the resistor (■), diode (⬤) and ICP (●) or identified by the "▲" mark nearby are critical for safety.

(This regulation does not correspond to J and C version.)

Block diagram



Standard schematic diagrams

Primary / Regulator section

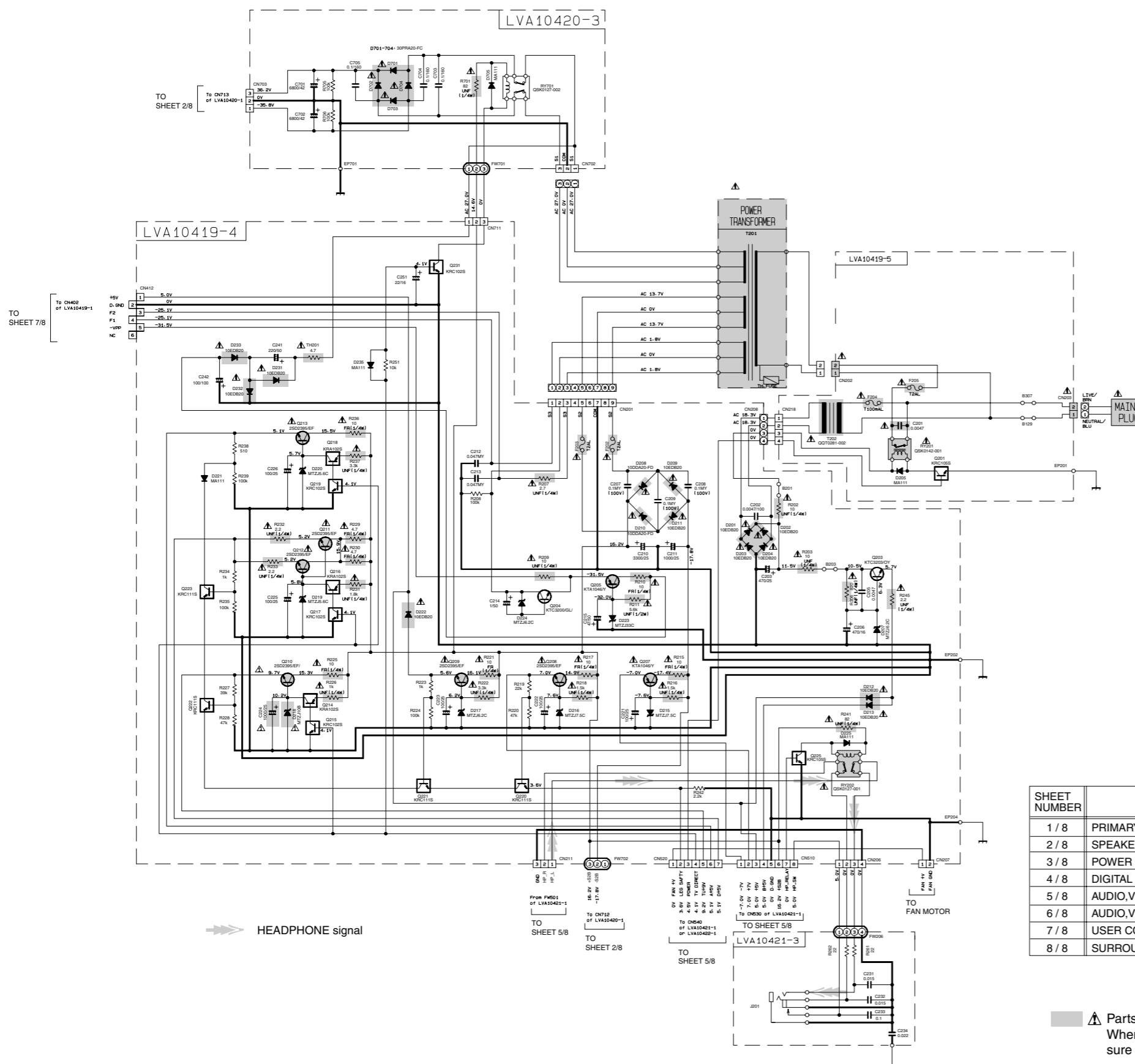
5

4

3

2

1



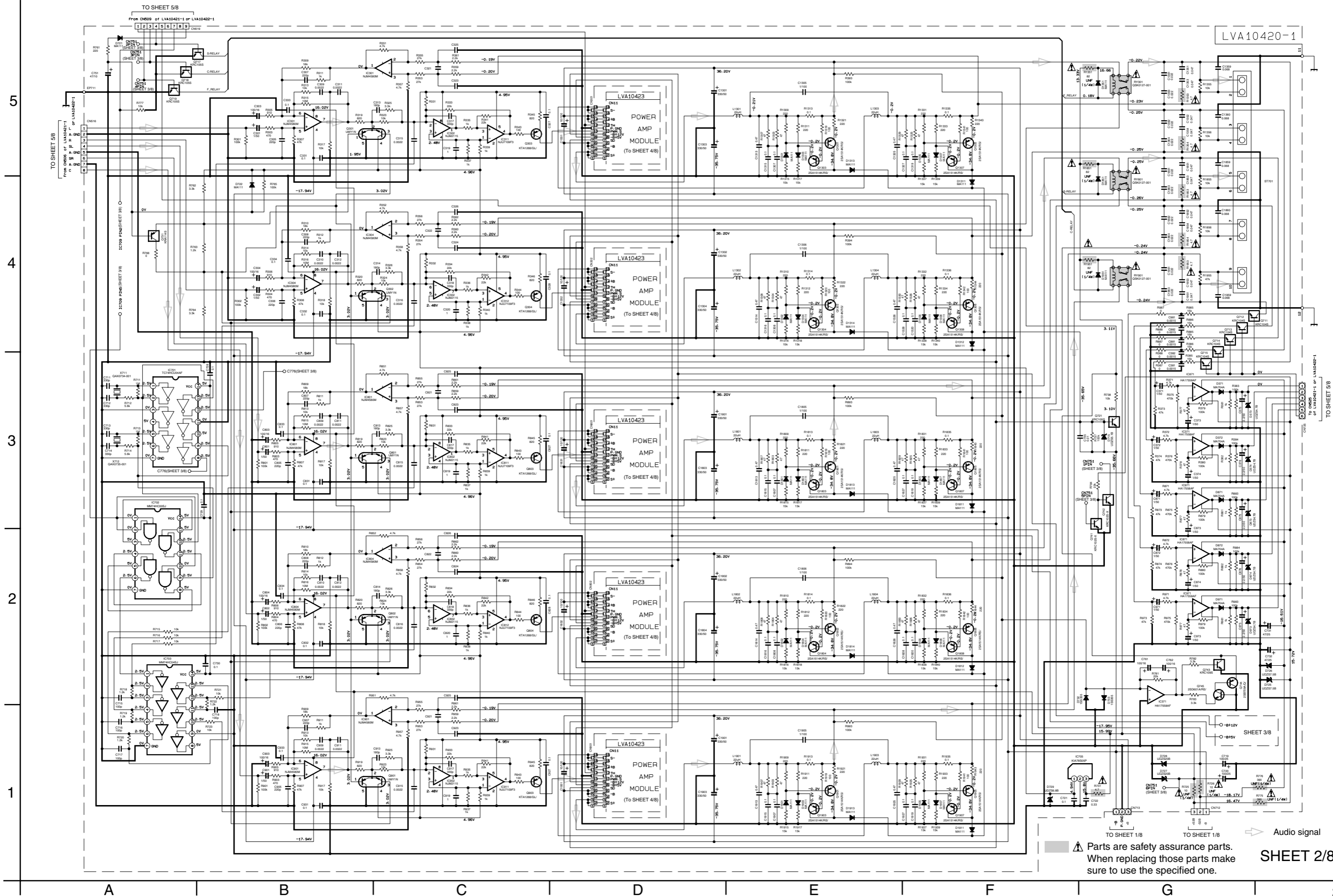
VOLTAGE MEASUREMENT CONDITION

- POWER ON
- SOURCE FMINO SIGNAL I
- SURROUND OFF
- VOLUME 0

SHEET NUMBER	CIRCUIT DESCRIPTION
1 / 8	PRIMARY / REGULATOR
2 / 8	SPEAKER TERMINAL / PWM MODULATOR / LOW PASS FILTER
3 / 8	POWER SUPPLY (DIGITAL AMP)
4 / 8	DIGITAL AMP MODULE
5 / 8	AUDIO, VIDEO SIGNAL INPUT / SOUND IC / SYSTEM CONTROL LSI
6 / 8	AUDIO, VIDEO INPUT TERMINAL (SCART)
7 / 8	USER CONTROL KEYS / SYSTEM CONTROL LSI / FL DISPLAY
8 / 8	SURROUND IC / DIGITAL SIGNAL INPUT TERMINAL

▲ Parts are safety assurance parts. When replacing those parts make sure to use the specified one.

Speaker terminal / PWM modulator / Low pass filter section



▲ Parts are safety assurance parts. When replacing those parts make sure to use the specified one.

A Audio signal

SHEET 2/8

Power supply (Digital amplifier) section

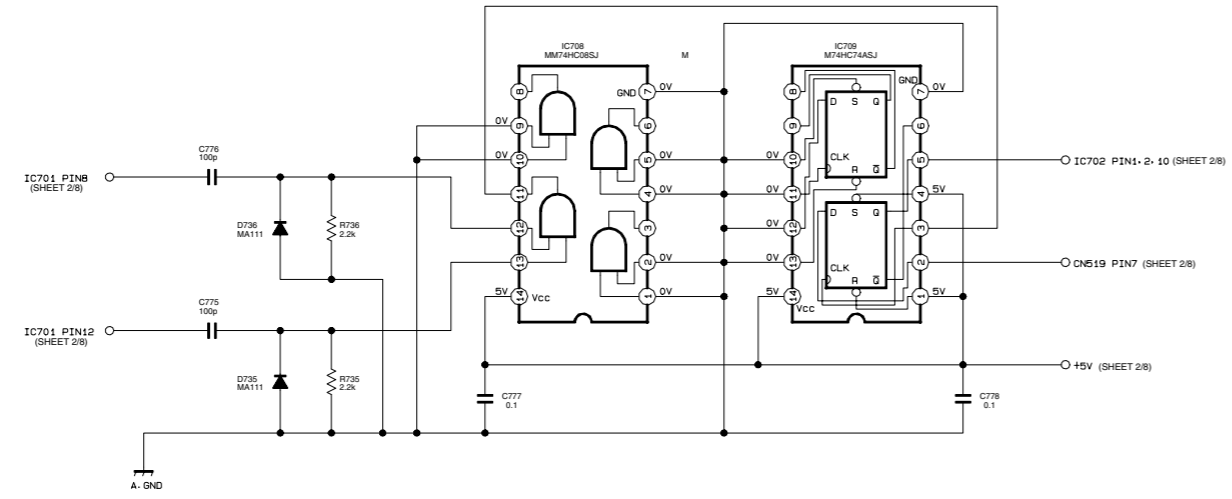
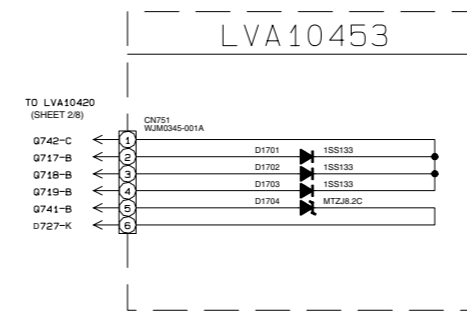
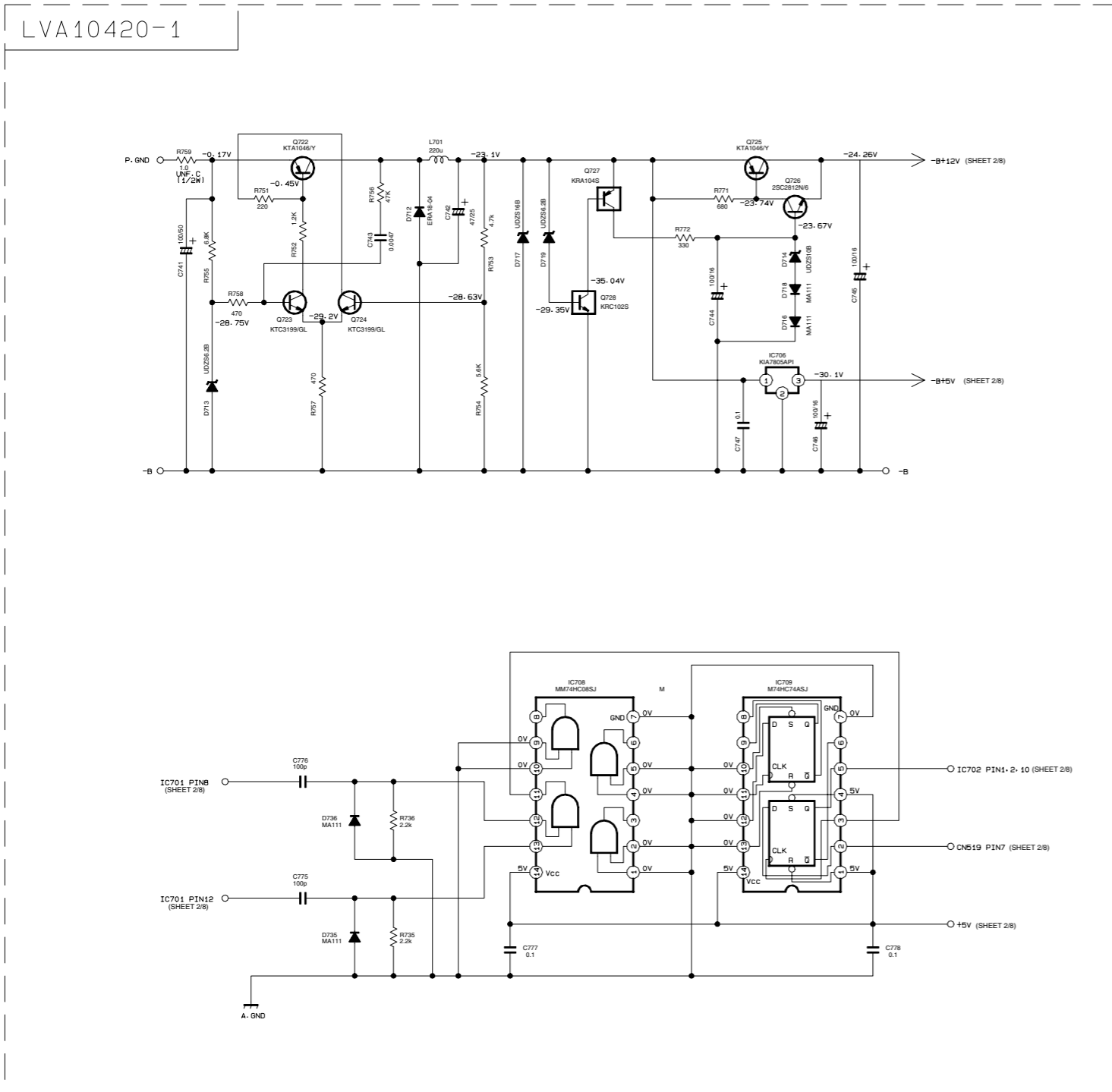
5

4

3

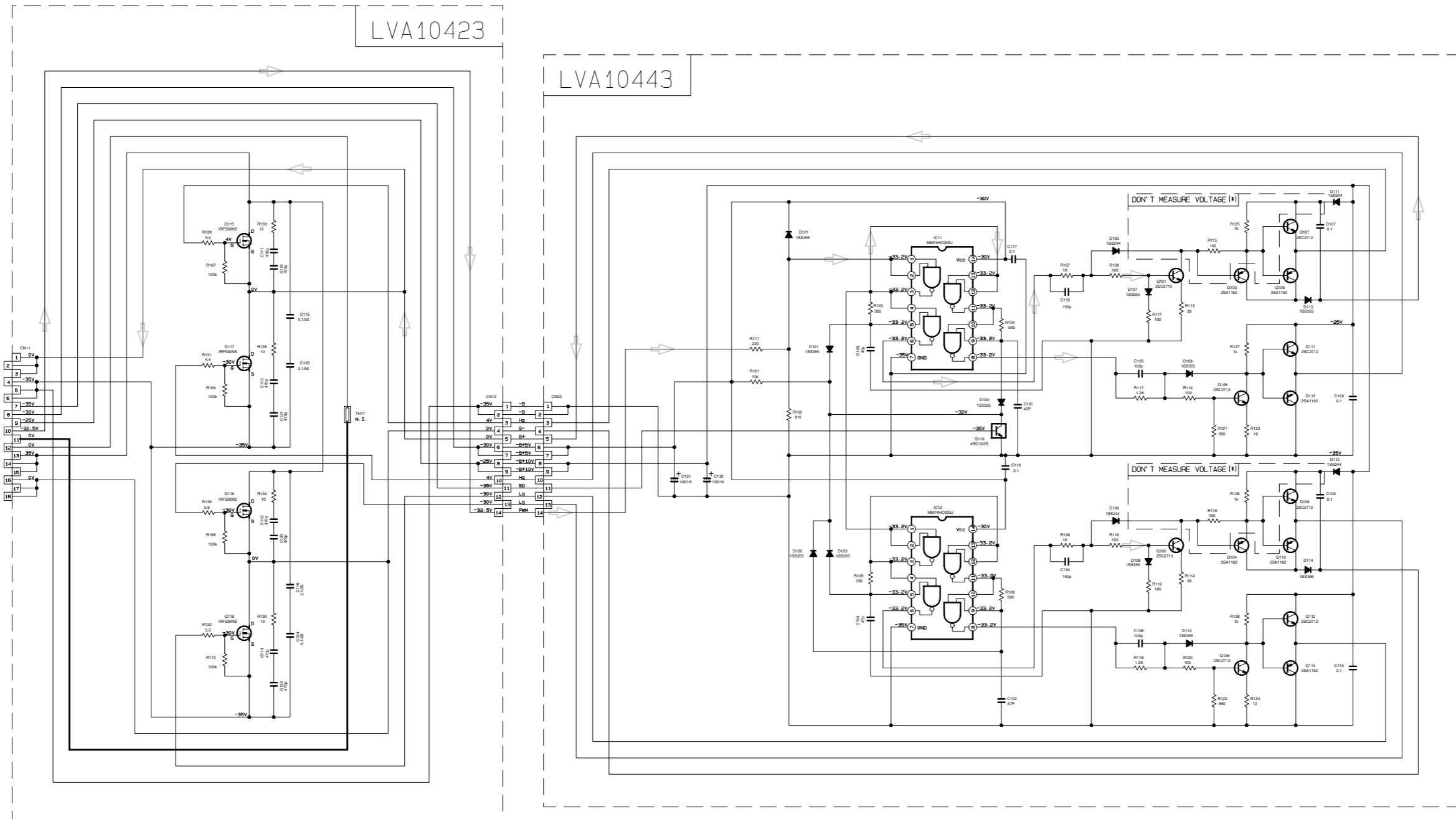
2

1



■ Digital amplifier module section

5
4
3
2
1



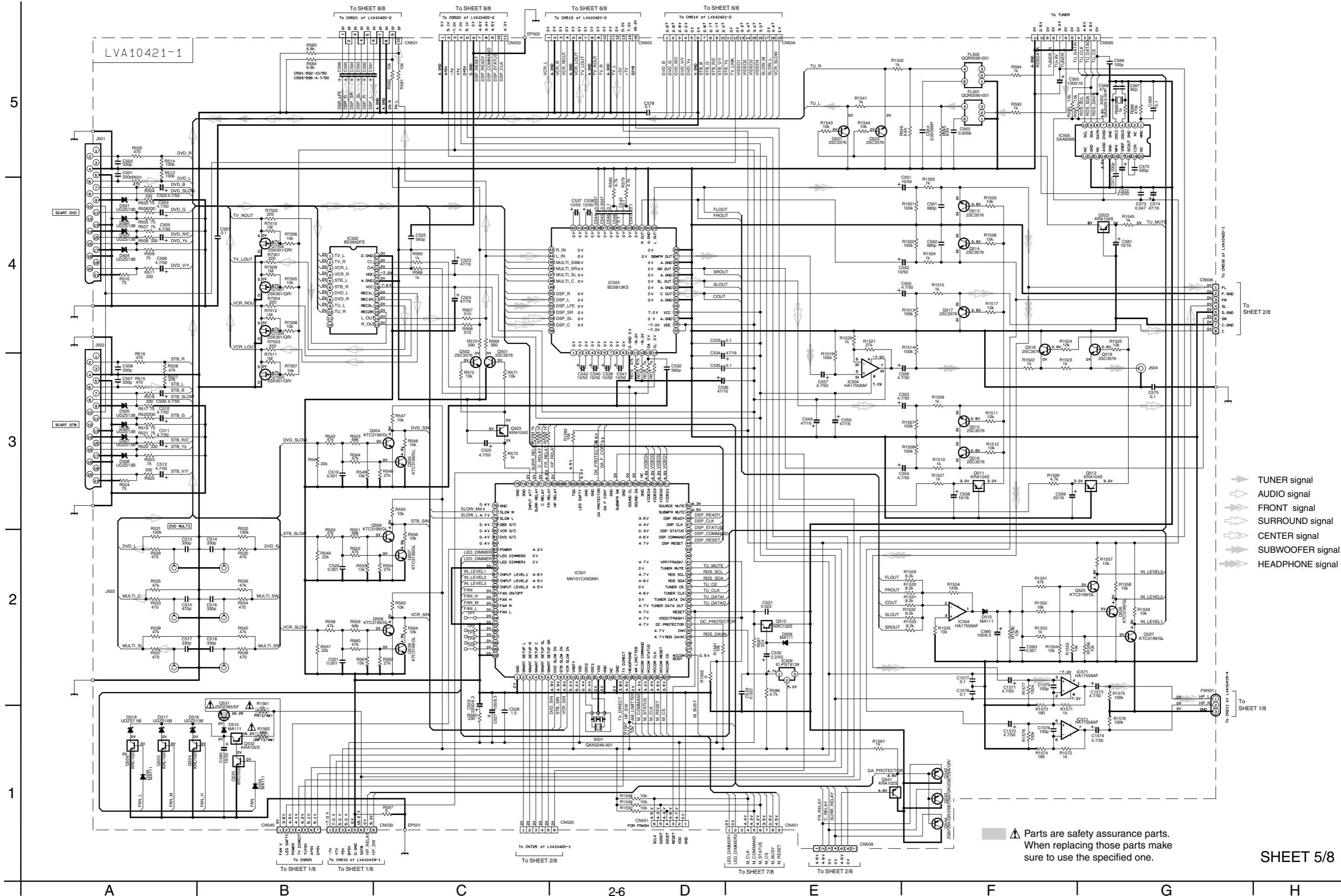
TO SHEET 2/8
From 0301, 300, 801, 802, 901
of LVA10423-1

⇒ Audio signal

NOTE
DON'T MEASURE VOLTAGE AT THIS AREA BECAUSE THE UNIT IS BROKEN.

A B C D E F G

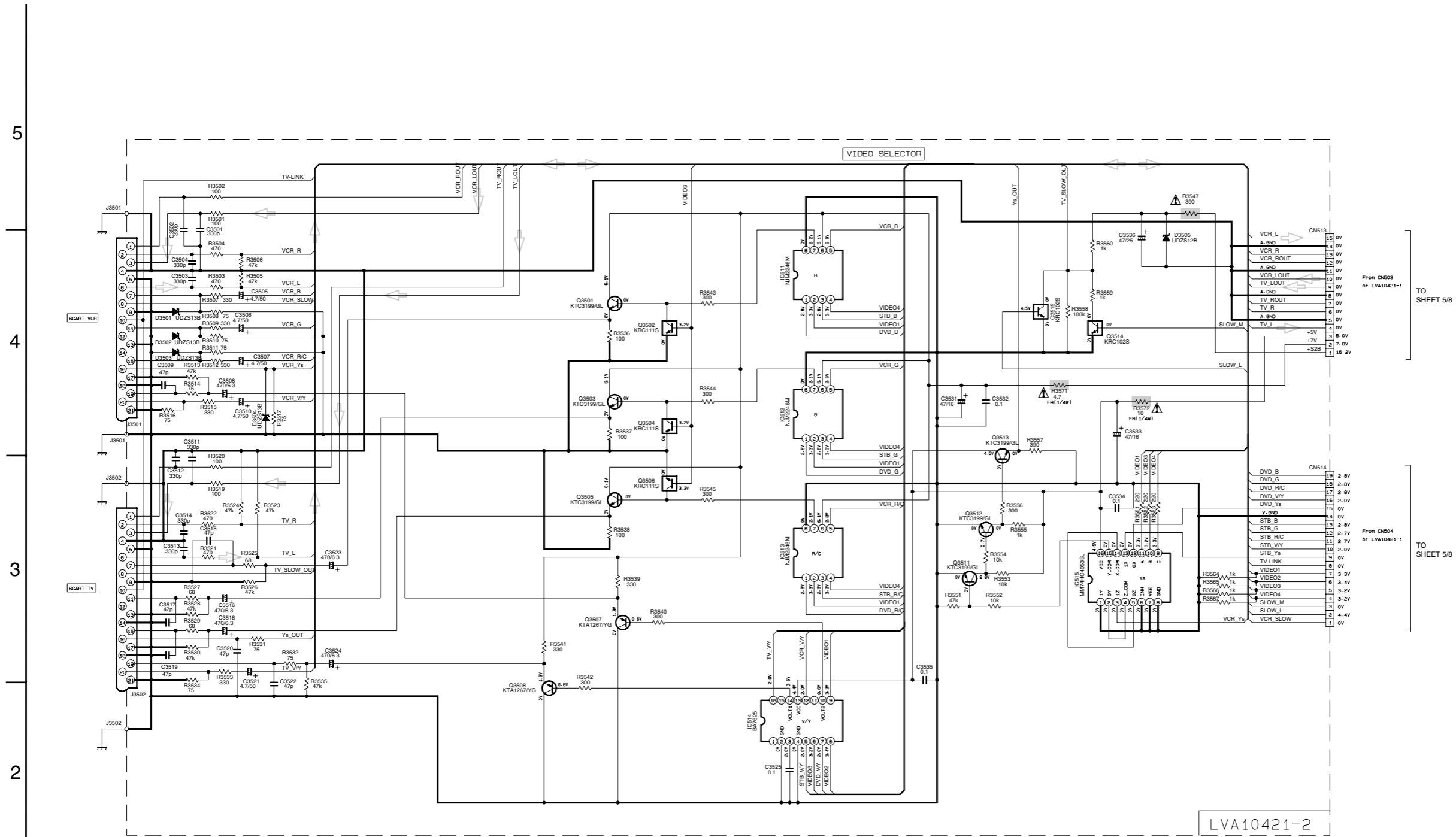
Audio, video signal input / Sound IC / System control LSI section



- ➔ TUNER signal
- ➔ AUDIO signal
- ➔ FRONT signal
- ➔ SURROUND signal
- ➔ CENTER signal
- ➔ SUBWOOFER signal
- ➔ HEADPHONE signal

⚠ Parts are safety assurance parts. When replacing those parts make sure to use the specified one.

■ Audio, video input terminal (SCART) section



⇒ Audio signal

▲ Parts are safety assurance parts.
When replacing those parts make sure to use the specified one.

CONTROL LOGIC

SOURCE	VIDEO1	VIDEO2	VIDEO3	VIDEO4
DVD MULTI	L	H	L	L
DVD	L	H	L	L
STB	H	H	L	L
VCR	H	L	L	H
TV	L	L	H	L
FM/AM	H	H	H	H

■ User control keys / System control LSI / FL display section

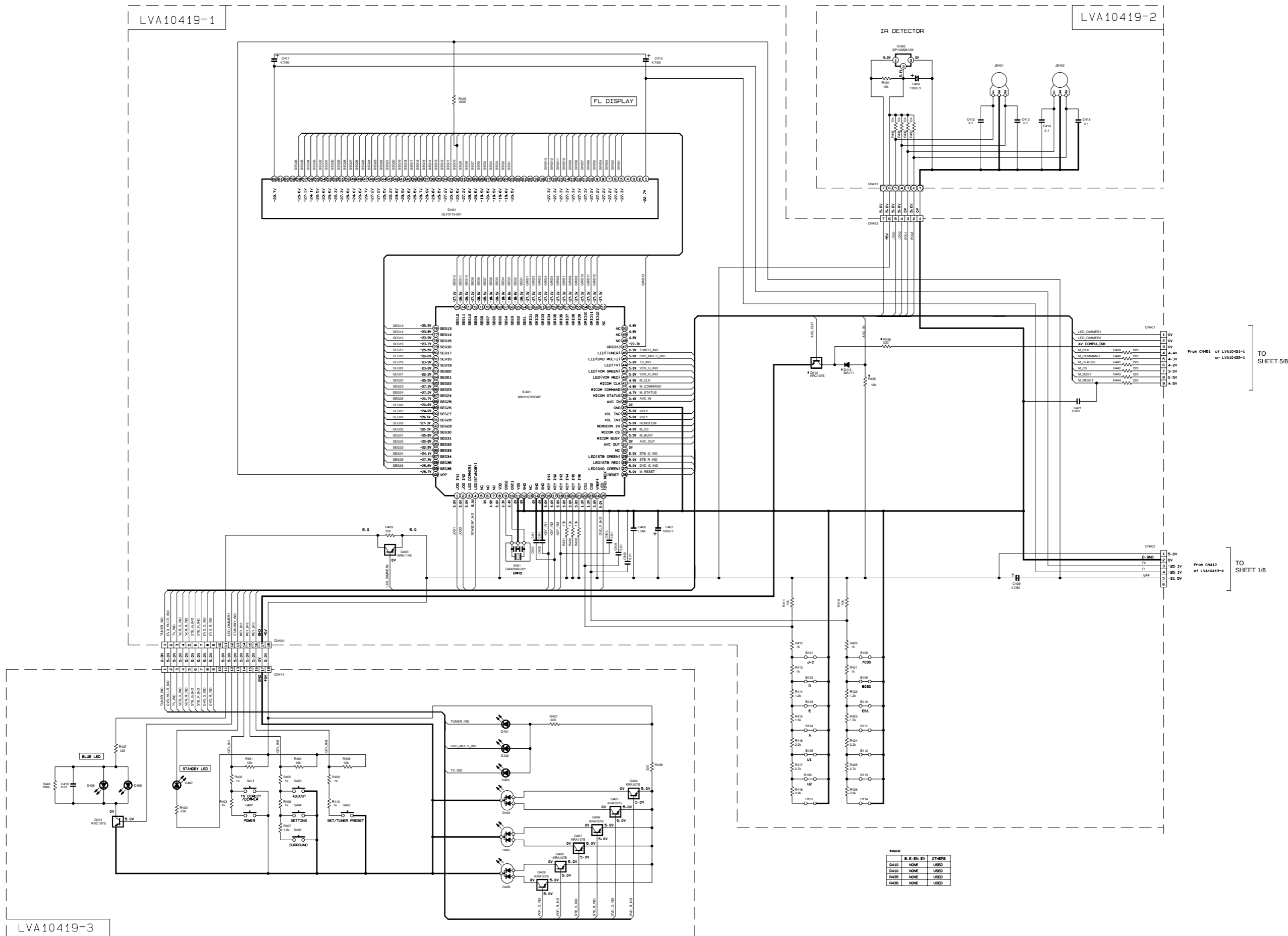
5

4

3

2

1



Surround IC / Digital signal input terminal

LVA10420-2

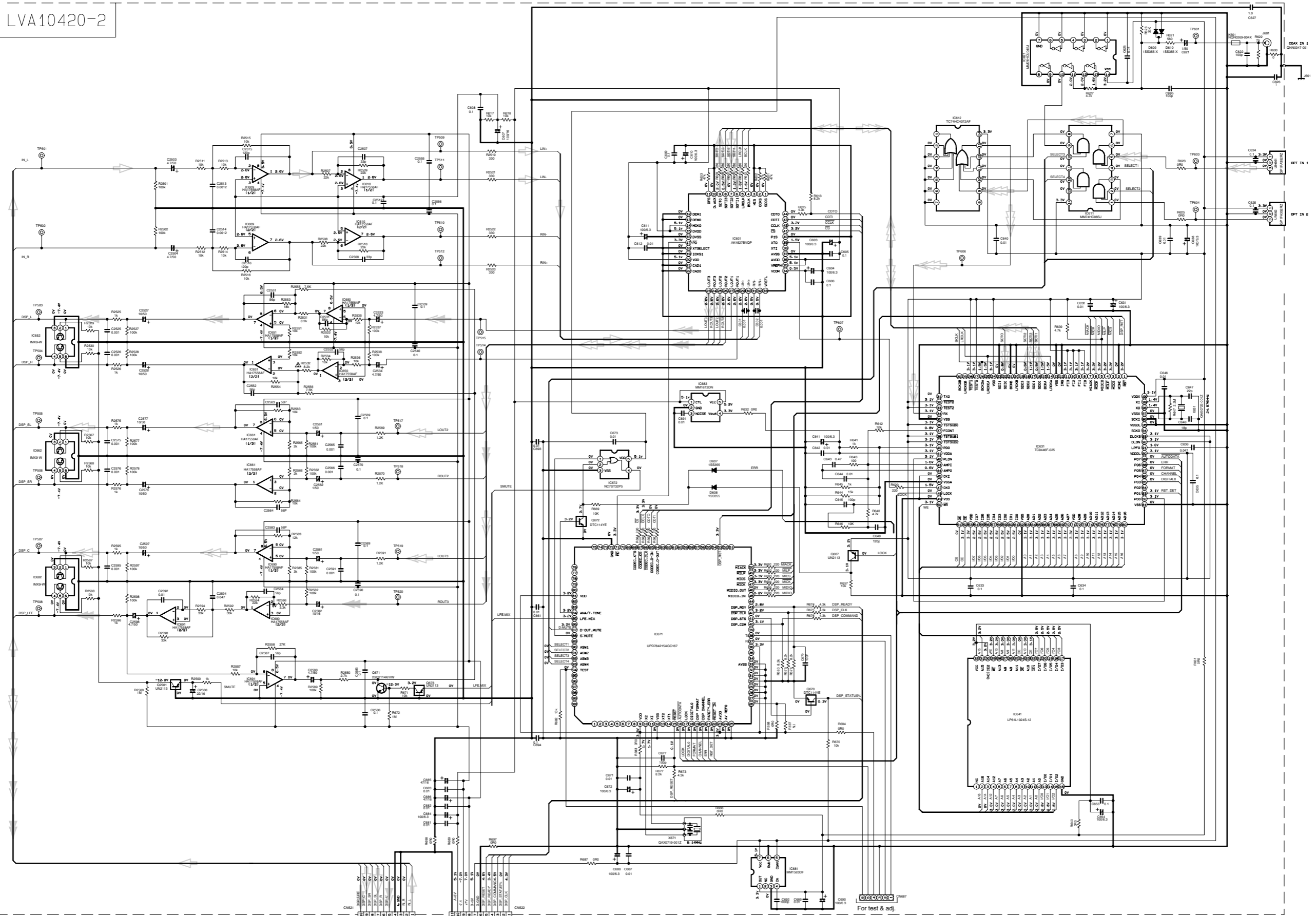
5

4

3

2

1



From CH01 of LVA10421-1 or LVA10422-1 TO SHEET 5/8

From CH02 of LVA10421-1 or LVA10422-1 TO SHEET 5/8

- ➡ AUDIO signal
- ➡ DIGITAL signal
- ➡ CENTER signal
- ➡ SURROUND signal
- ➡ FRONT signal
- ➡ SUBWOOFER signal

For test & adj.

Printed circuit boards

■ Front board

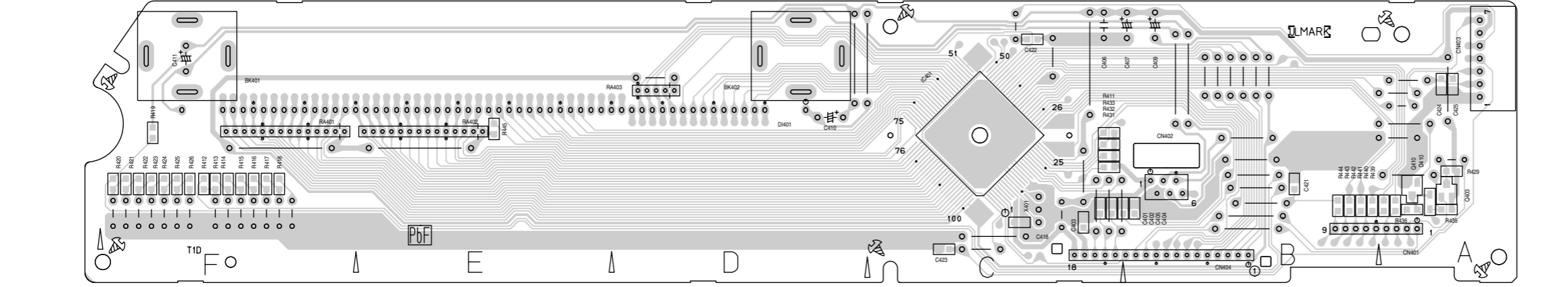
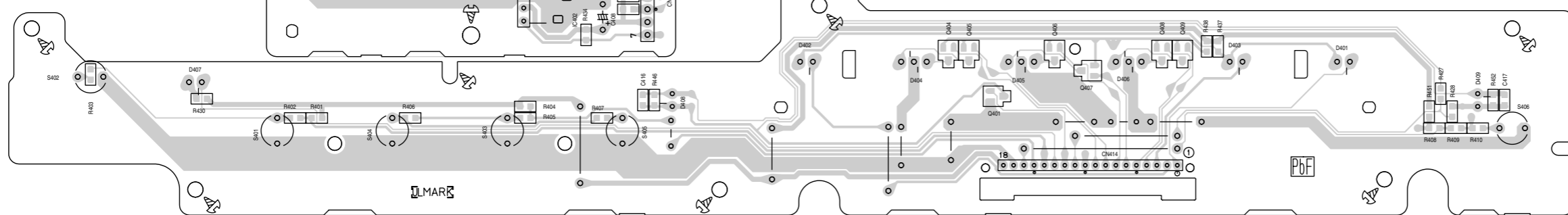
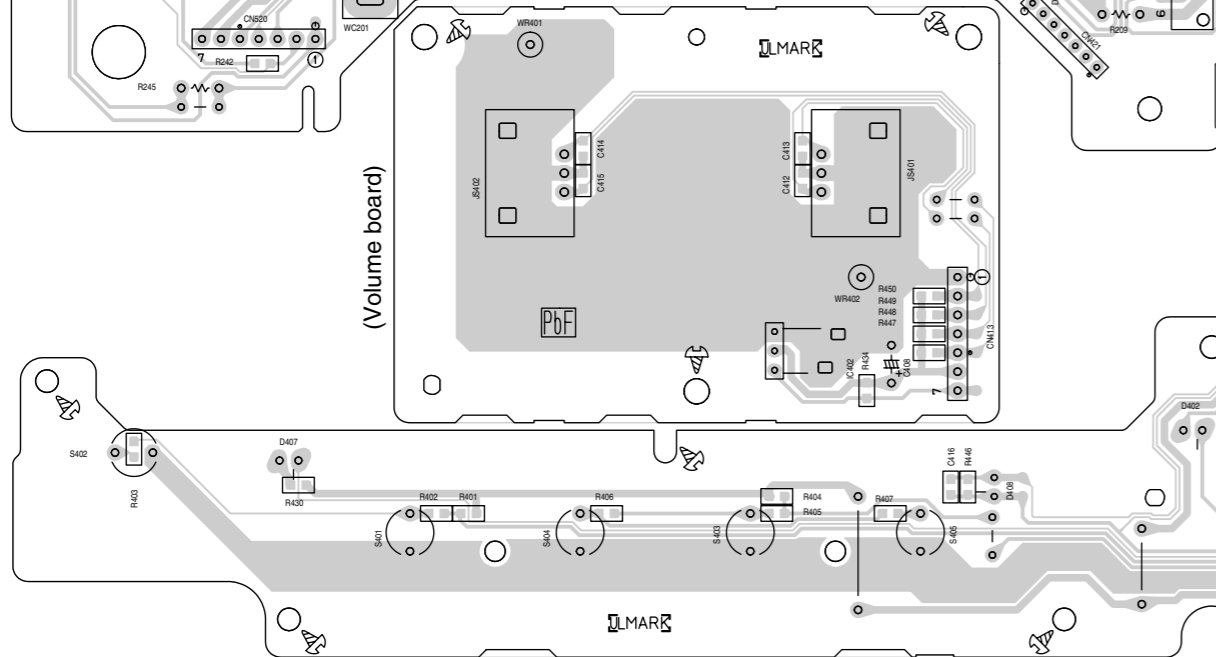
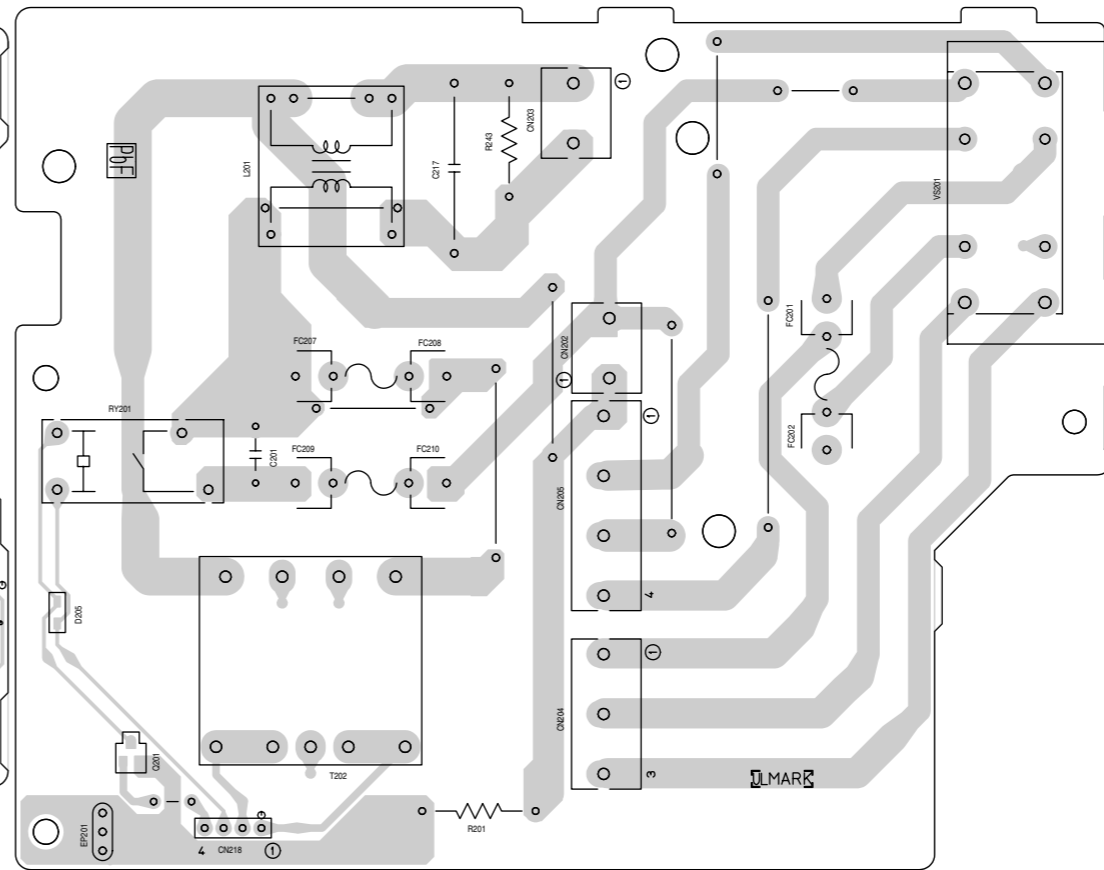
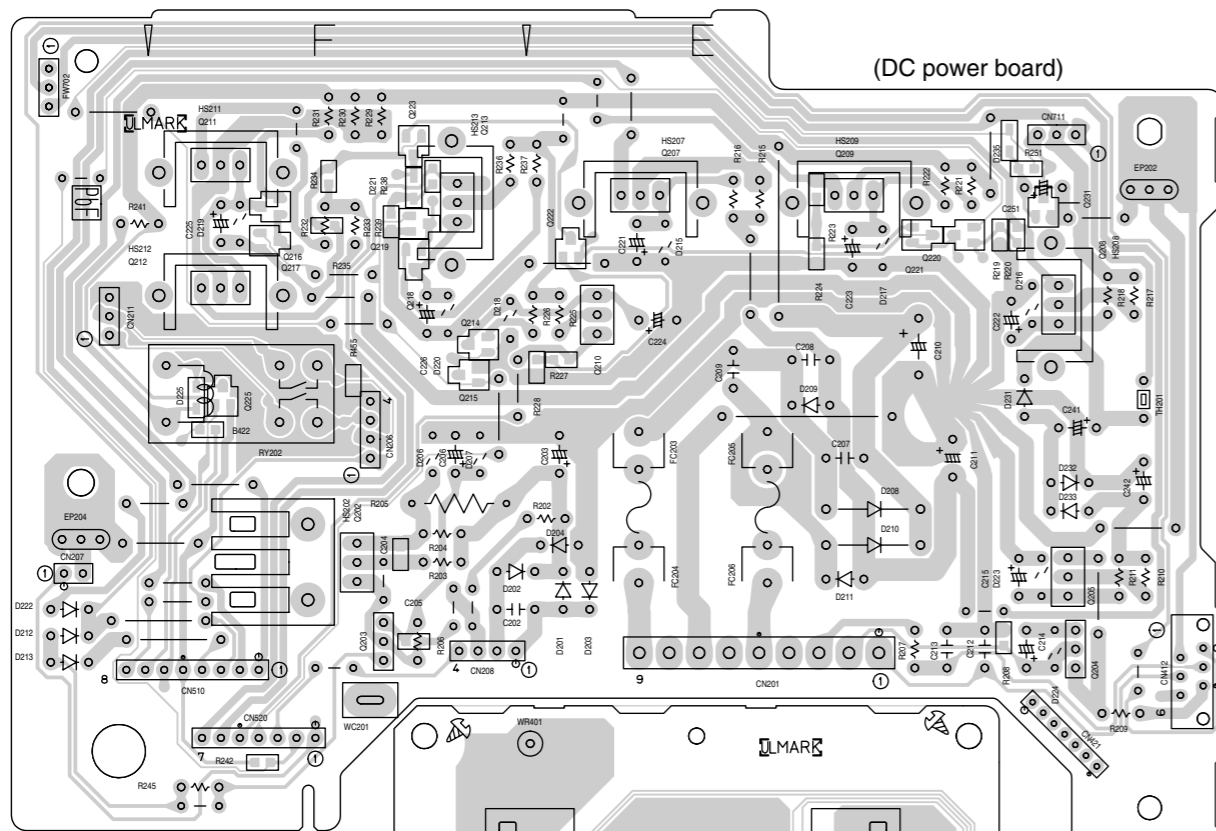
5

4

3

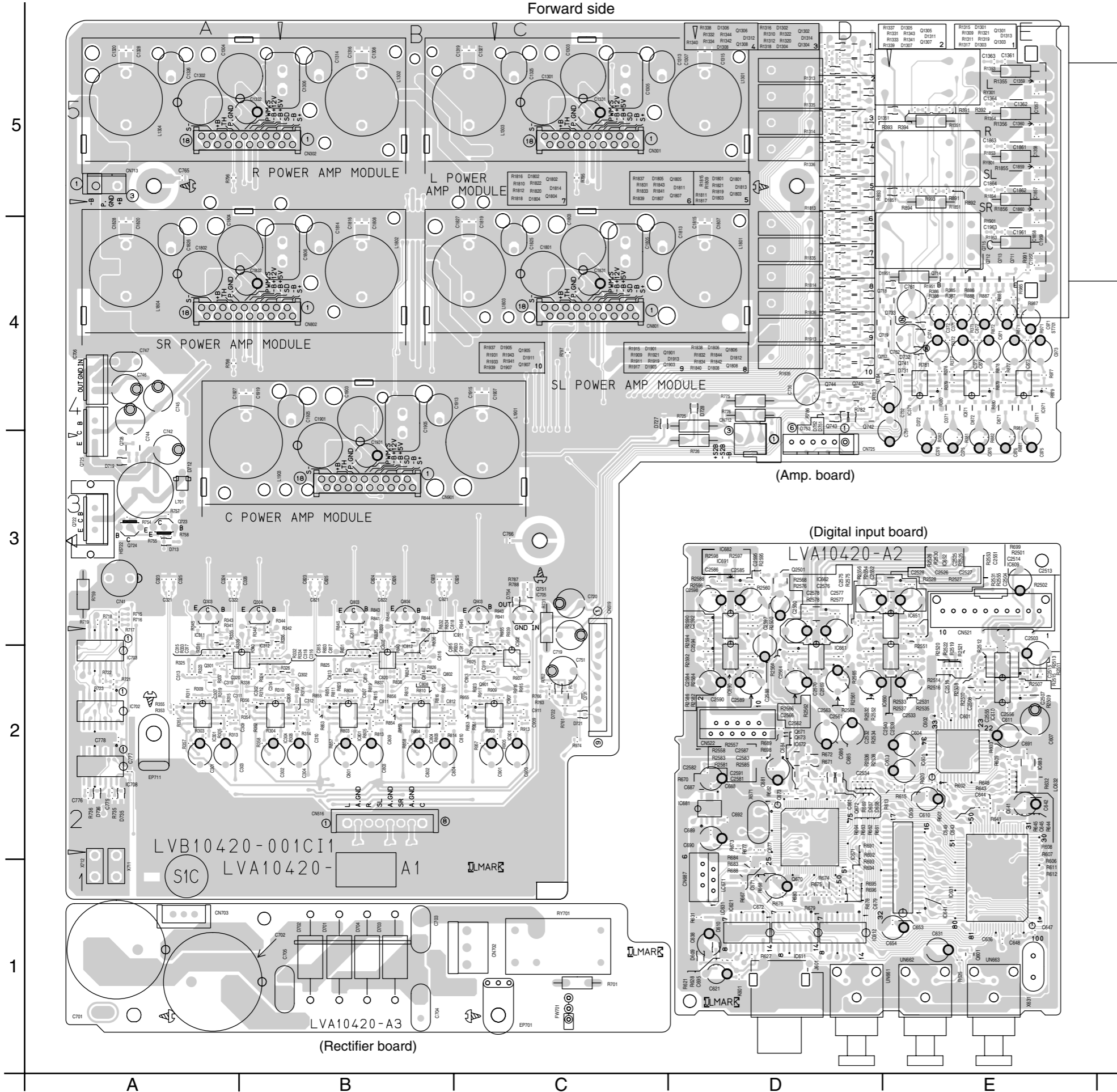
2

1

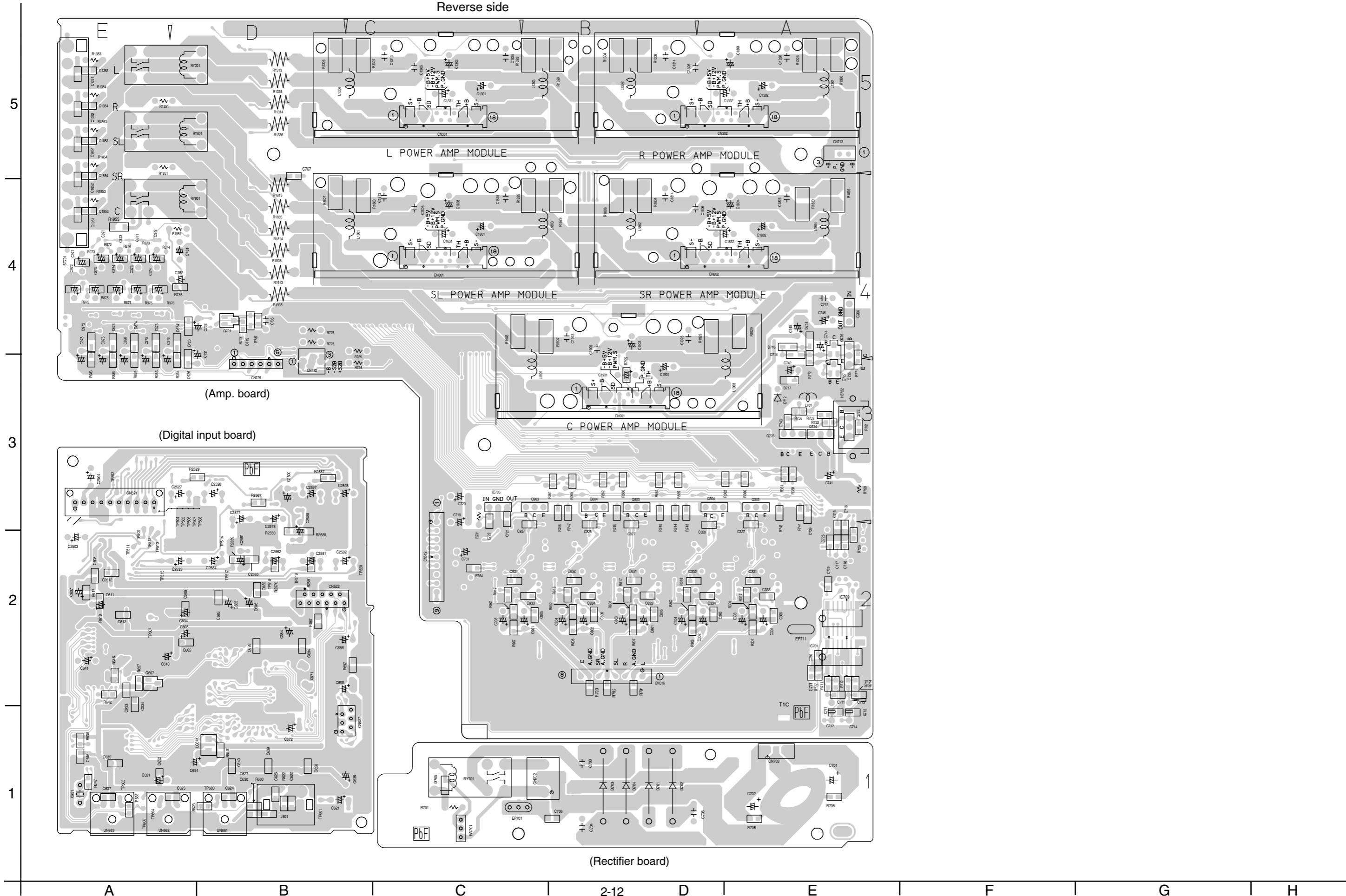


A B C D 2-10 E F G H

■ Amp. board



■ Amp. board



Reverse side

L POWER AMP MODULE

R POWER AMP MODULE

SL POWER AMP MODULE

SR POWER AMP MODULE

C POWER AMP MODULE

(Amp. board)

(Digital input board)

(Rectifier board)

5

4

3

2

1

A

B

C

2-12

D

E

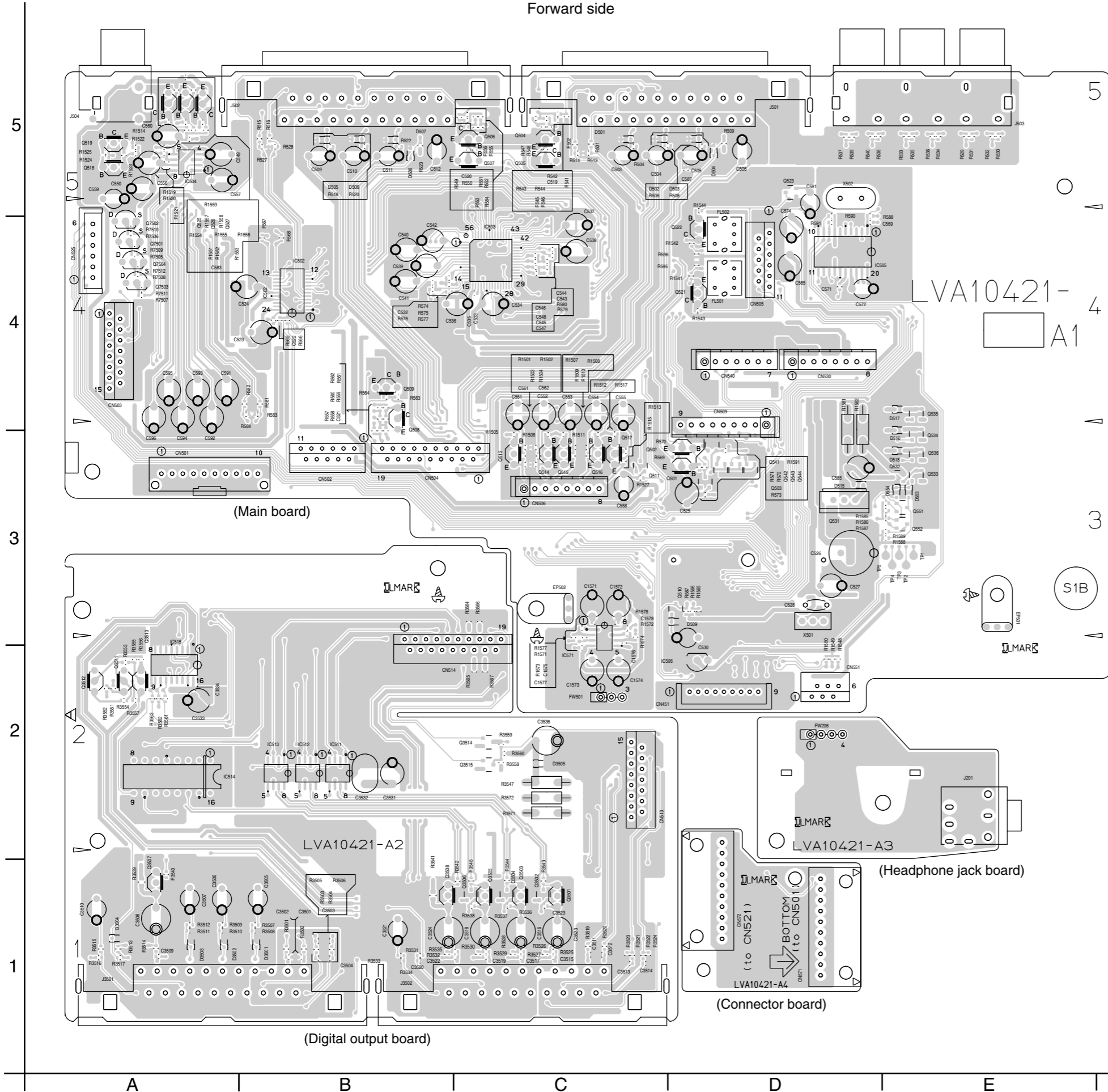
F

G

H

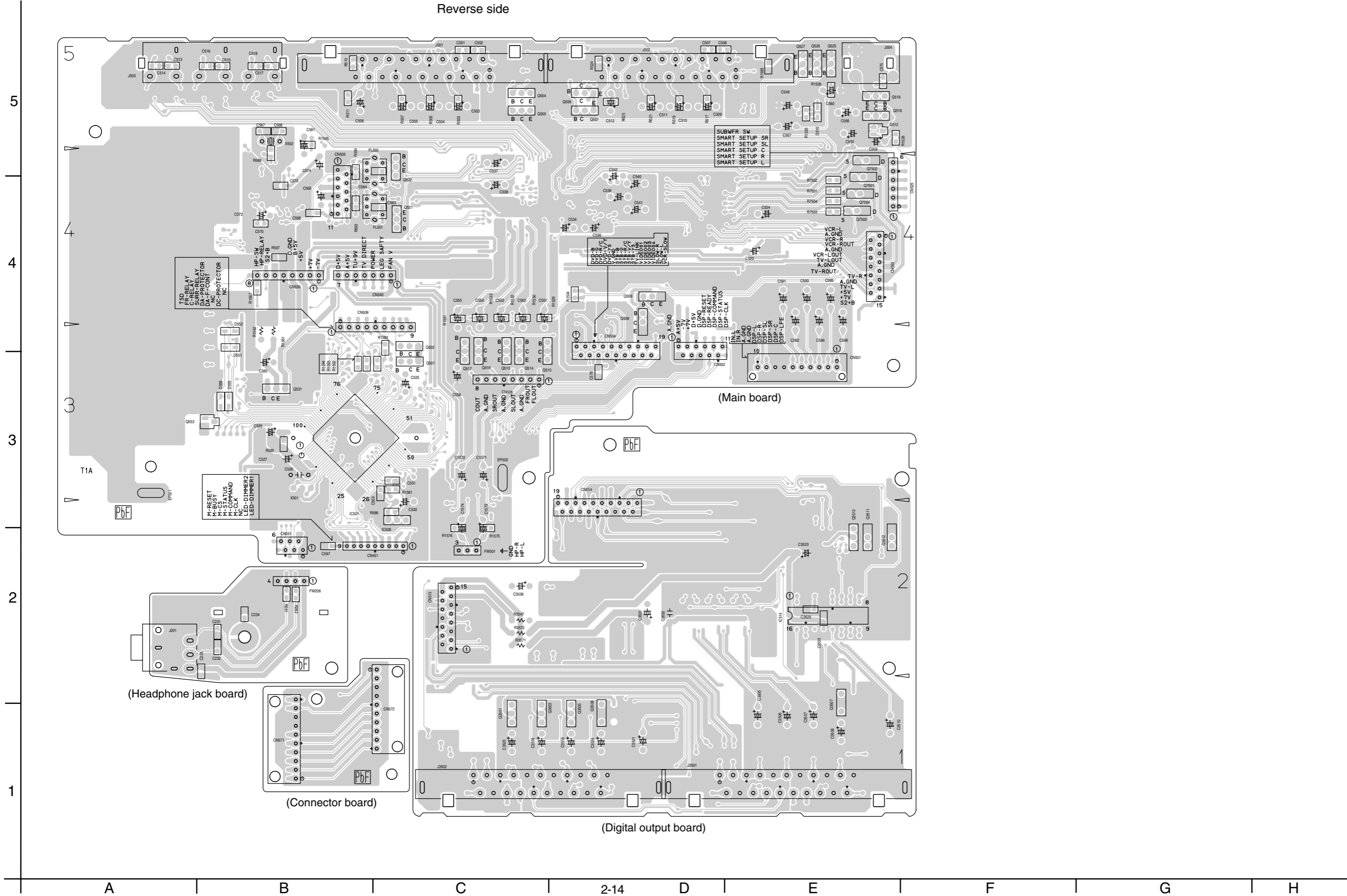
Input board

Forward side



Input board

Reverse side



(Headphone jack board)

(Connector board)

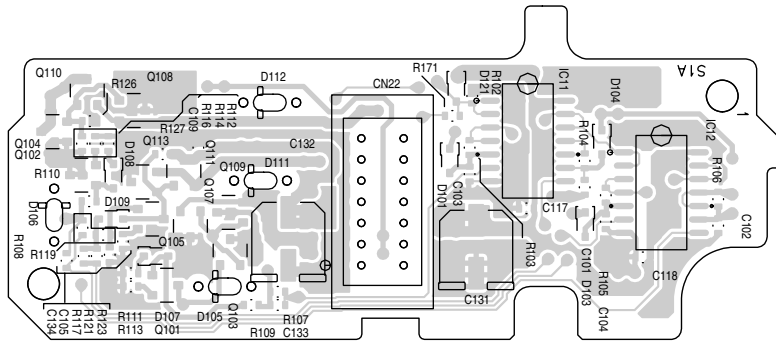
(Digital output board)

(Main board)

■ Power amp. driver board

5

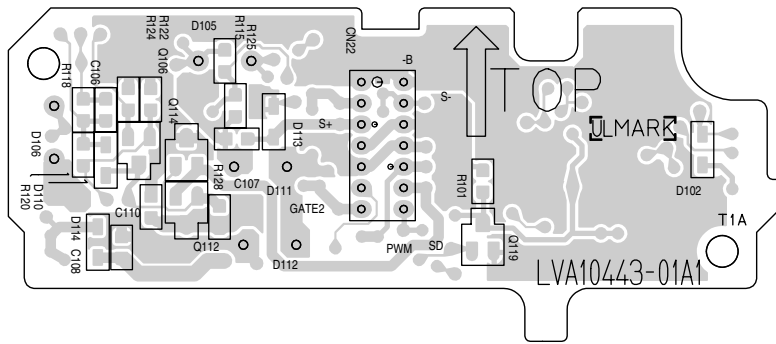
Forward side



4

3

Reverse side



2

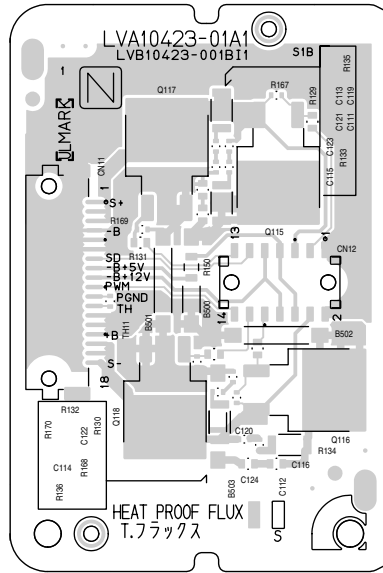
1

A

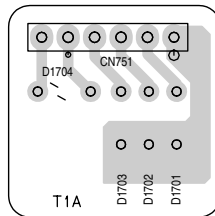
B

C

■ Power amp. board



■ Support board



< MEMO >

JVC

VICTOR COMPANY OF JAPAN, LIMITED

AV & MULTIMEDIA COMPANY AUDIO/VIDEO SYSTEMS CATEGORY 10-1, 1chome, Ohwatari-machi, Maebashi-city, 371-8543, Japan

(No.22070SCH)



Printed in Japan
WPC

PARTS LIST

[RX-ES1SL]

* All printed circuit boards and its assemblies are not available as service parts.

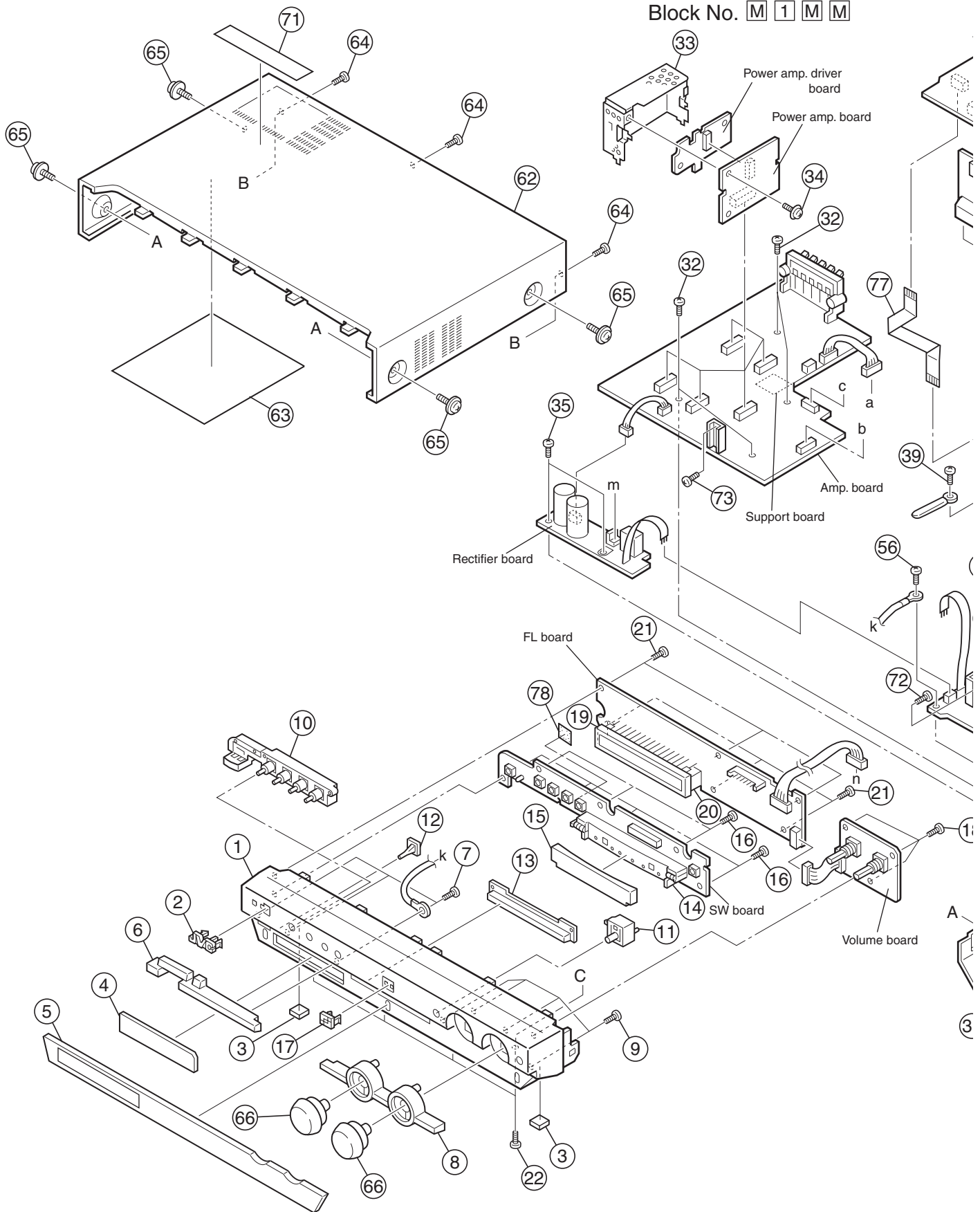
Area suffix

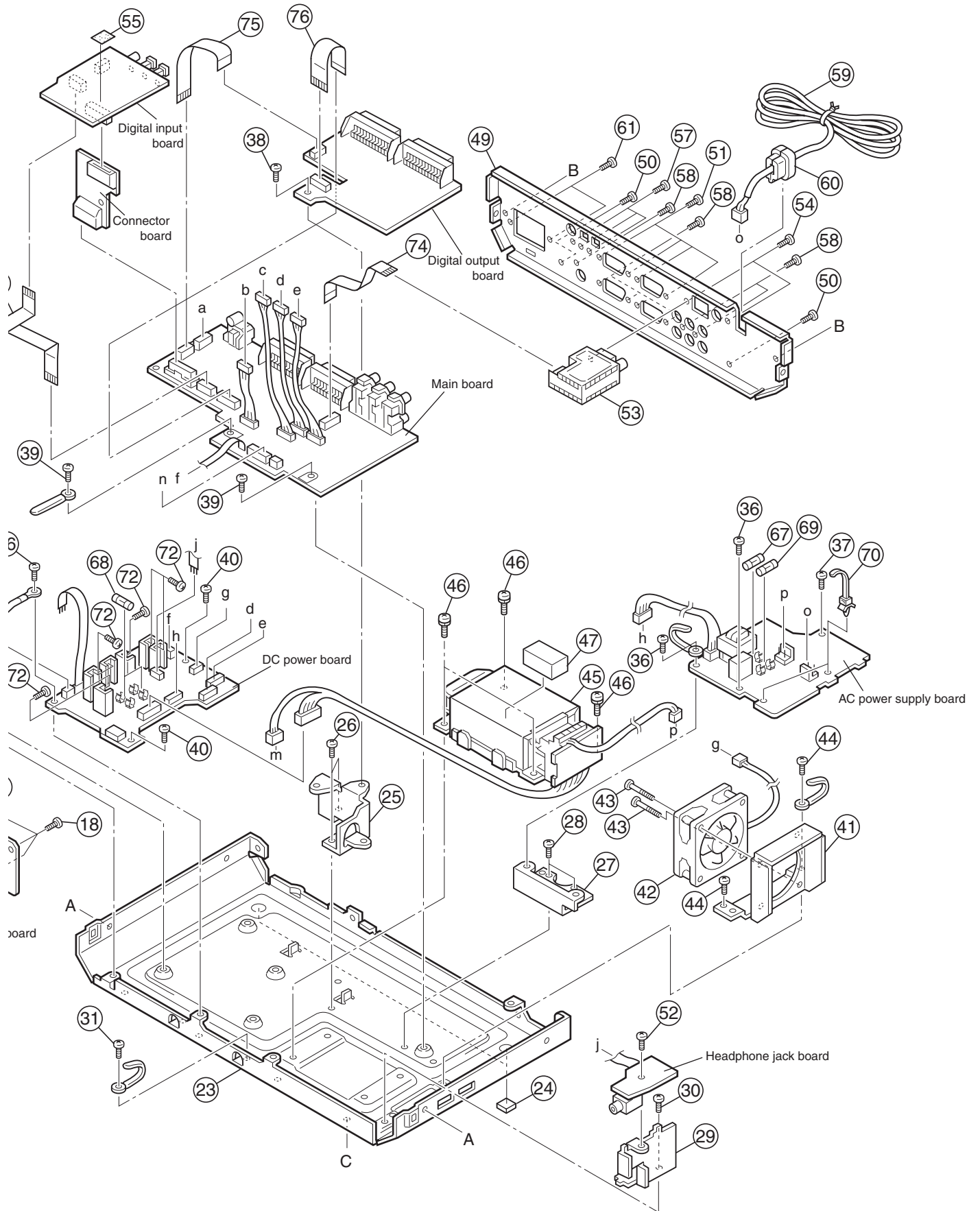
B ----- U.K.
 E ----- Continental Europe
 EN ----- Northern Europe

- Contents -

Exploded view of general assembly and parts list (Block No.M1)	3- 2
Electrical parts list (Block No.01~06)	3- 5
Packing materials and accessories parts list (Block No.M3)	3-18

Exploded view of general assembly and parts list





General assembly

Block No. [M][1][M][M]

△ Symbol No.	Part No.	Part Name	Description	Local
1	LV10781-006A	FRONT PANEL		
2	LV43338-002A	JVC MARK		
3	LV43622-001A	FOOT	(x2)	
4	LV43381-002A	FILTER		
5	LV21463-004A	FRONT LENS		
6	LV34151-002A	ORNAMENT(L)		
7	QYSBSF2608Z	TAPPING SCREW	2.6mm x 8mm(x3)	
8	LV34152-002A	ORNAMENT(R)		
9	QYSBSF2608Z	TAPPING SCREW	2.6mm x 8mm(x4)	
10	LV34155-002A	BUTTON(FUNCTION		
11	LV34156-001A	BUTTON(SET)		
12	LV43382-001A	INDICATOR		
13	LV34153-002A	DISPLAY LENS		
14	LV34159-003A	LED HOLDER		
15	LV34154-001A	REFRECTOR		
16	QYSBSF2608Z	TAPPING SCREW	2.6mm x 8mm(x7)	
17	LV43380-001A	MARK		
18	QYSBSF2608Z	TAPPING SCREW	2.6mm x 8mm(x3)	
19	LV34158-001A	FL HOLDER(L)	BK 401	
20	LV34158-002A	FL HOLDER(R)	BK 402	
21	QYSBSF2608Z	TAPPING SCREW	2.6mm x 8mm(x6)	
22	QYSBSG3008Z	TAPPING SCREW	3mm x 8mm(x4)	
23	LV10782-003A	CHASSIS BASE		
24	LV43622-001A	FOOT	(x2)	
25	LV34163-001A	SUPPORT BRACKET		
26	QYSBSG3005M	TAPPING SCREW	M3 x 5mm(x2)	
27	LV34161-001A	PWB BRACKET		
28	QYSBSG3005M	TAPPING SCREW	M3 x 5mm(x2)	
29	LV34164-002A	H.PHONE BRACKET		
30	QYSBSG3005M	TAPPING SCREW	M3 x 5mm	
31	QYSBST3006Z	TAPPING SCREW	3mm x 6mm	
32	QYSBST3006Z	TAPPING SCREW	3mm x 6mm(x4)	
33	LV34160-002A	SHIELD CASE	(x5)	
34	QYSDST2605Z	SCREW	2.6mm x 5mm(x5)	
35	QYSBST3006Z	TAPPING SCREW	3mm x 6mm(x2)	
36	QYSBST3006Z	TAPPING SCREW	3mm x 6mm(x2)	
37	QYSBST3006Z	TAPPING SCREW	3mm x 6mm	
38	QYSBST3006Z	TAPPING SCREW	3mm x 6mm	
39	QYSBST3006Z	TAPPING SCREW	3mm x 6mm(x2)	
40	QYSBST3006Z	TAPPING SCREW	3mm x 6mm(x2)	
41	LV34162-001A	FAN BRACKET		
42	QAR0283-001	FAN MOTER		
43	QYSBSG3030Z	TAPPING SCREW	M3 x 30mm(x2)	
44	LV43451-001A	SPECIAL SCREW	(x2)	
△ 45	QQT0402-003	POWER TRANSF		
46	QYSDSTL4008E	TAP SCREW	M4 x 8mm(x4)	
47	LV30225-0N8A	SPECER		
49	LV21464-003A	REAR PANEL		
50	QYSBSGY3008M	SPECIAL SCREW	3mm x 8mm(x2)	
51	QYSBSGY3008M	SPECIAL SCREW	3mm x 8mm(x4)	
52	QYSBST3006Z	TAPPING SCREW	3mm x 6mm	
53	QAU0278-003	TUNER		
54	QYSBSGY3008M	SPECIAL SCREW	3mm x 8mm(x2)	
55	LV30225-0D4A	SPECER		
56	QYSBST3006Z	TAPPING SCREW	3mm x 6mm	
57	QYSBSGY3008M	SPECIAL SCREW	3mm x 8mm(x3)	
58	QYSBSGY3008M	SPECIAL SCREW	3mm x 8mm(x7)	
△ 59	QMPK210-205-JN	POWER CORD	2.05m BLACK	ES1SL E ES1SL EN ES1SL B
△ 59	QMPN160-200-JD	POWER CORD		
△ 60	QZW0033-001	STRAIN RELIEF		
61	QYSBSGY3008M	SPECIAL SCREW	3mm x 8mm(x2)	
62	LV21465-001A/S/	TOP COVER		
63	LV43565-002A	TOP BARRIER		
64	QYSBSGY3008M	SPECIAL SCREW	3mm x 8mm(x3)	
65	QYSDSG3008N	TAPPING SCREW	3mm x 8mm(x4)	
66	LV43601-002A	JOG KNOB ASSY	(x2)	
△ 67	QMF51W2-1R6-J8	FUSE	F 205 1.6A AC250V	
△ 68	QMF51W2-2R0-J8	FUSE	F 202 F 203(x2)	
△ 69	QMF51E2-R10-J1	FUSE	F 204 0.1A AC250V	

△ Symbol No.	Part No.	Part Name	Description	Local
70	E307572-001	FASTENER	(x2)	
71	E409396-003	CAUTION LABEL		
72	QYSBSG3008E	TAPPING SCREW	3mm x 8mm(x6)	
73	QYSBSG3008E	TAPPING SCREW	3mm x 8mm	
74	QUQ412-1107CJ	FFC WIRE		
75	QUQ412-1508CJ	FFC WIRE		
76	QUQ412-1908CJ	FFC WIRE		
77	QUQ412-1114CJ	FFC WIRE		
78	VYSH101-009	SPECER		

Electrical parts list

Front board

Block No. [0][1][0][0]

△ Symbol No.	Part No.	Part Name	Description	Local
	IC401	MN101C35DMF	IC	
	IC402	GP1UM261XK	IR DETECT UNIT	Receiver
	Q201	KRC105S-X	CHIP D.TRANSISTOR	
	Q203	KTC3203/OY/-T	TRANSISTOR	
	Q204	KTC3200/GL/-T	TRANSISTOR	
△	Q205	KTA1046/Y/	TRANSISTOR	
△	Q207	KTA1046/Y/	TRANSISTOR	
△	Q208	2SD2395/EF/	TRANSTRANSISTOR	
△	Q209	2SD2395/EF/	TRANSTRANSISTOR	
△	Q210	2SD2395/EF/	TRANSTRANSISTOR	
△	Q211	2SD2395/EF/	TRANSTRANSISTOR	
△	Q212	2SD2395/EF/	TRANSTRANSISTOR	
△	Q213	2SD2395/EF/	TRANSTRANSISTOR	
	Q214	KRA102S-X	DIGI TRANSISTOR	
	Q215	KRC102S-X	DIGI TRANSISTOR	
	Q216	KRA102S-X	DIGI TRANSISTOR	
	Q217	KRC102S-X	DIGI TRANSISTOR	
	Q218	KRA102S-X	DIGI TRANSISTOR	
	Q219	KRC102S-X	DIGI TRANSISTOR	
	Q220	KRC111S-X	TRANSISTOR	
	Q221	KRC111S-X	TRANSISTOR	
	Q222	KRC111S-X	TRANSISTOR	
	Q223	KRC111S-X	TRANSISTOR	
	Q225	KRC105S-X	CHIP D.TRANSISTOR	
	Q231	KRC102S-X	DIGI TRANSISTOR	
	Q401	KRC107S-X	DIGI TRANSISTOR	
	Q403	KRA114S-X	TRANSISTOR	
	Q404	KRA107S-X	TRANSISTOR	
	Q405	KRA107S-X	TRANSISTOR	
	Q406	KRA107S-X	TRANSISTOR	
	Q407	KRA107S-X	TRANSISTOR	
	Q408	KRA107S-X	TRANSISTOR	
	Q409	KRA107S-X	TRANSISTOR	
△	D201	10EDB20-T4	DIODE	
△	D202	10EDB20-T4	DIODE	
△	D203	10EDB20-T4	DIODE	
△	D204	10EDB20-T4	DIODE	
	D205	MA111-X	SI DIODE	
	D207	MTZJ6.2C-T2	Z DIODE	
△	D208	10DDA20-FD	DIODE	
△	D209	10EDB20-T4	DIODE	
△	D210	10DDA20-FD	DIODE	
△	D211	10EDB20-T4	DIODE	
△	D212	10EDB20-T4	DIODE	
△	D213	10EDB20-T4	DIODE	
	D215	MTZJ7.5C-T2	Z DIODE	
	D216	MTZJ7.5C-T2	Z DIODE	
	D217	MTZJ6.2C-T2	Z DIODE	
△	D218	MTZJ10B-T2	Z DIODE	
	D219	MTZJ5.6C-T2	Z DIODE	
	D220	MTZJ5.6C-T2	Z DIODE	
	D221	MA111-X	SI DIODE	
△	D222	10EDB20-T4	DIODE	
	D223	MTZJ33C-T2	Z DIODE	
	D224	MTZJ6.2C-T2	Z DIODE	
	D225	MA111-X	SI DIODE	
△	D231	10EDB20-T4	DIODE	
△	D232	10EDB20-T4	DIODE	
△	D233	10EDB20-T4	DIODE	
	D235	MA111-X	SI DIODE	
	D401	SLR-342VC-T	LED	
	D402	SLR-342VC-T	LED	
	D403	SLR-342VC-T	LED	
	D404	SPR-325MVW/L/-T	LED	GREEN-RED
	D405	SPR-325MVW/L/-T	LED	GREEN-RED
	D406	SPR-325MVW/L/-T	LED	GREEN-RED
	D407	SLR-342VC-T	LED	
	D408	204-10SUBC/A4UV	LED	
	D409	204-10SUBC/A4UV	LED	

△ Symbol No.	Part No.	Part Name	Description	Local
△	C201	QCZ9104-472	C CAPACITOR	4700pF
	C202	QFLC2AJ-472Z	M CAPACITOR	4700pF 100V J
	C203	QETN1EM-477Z	E CAPACITOR	470uF 25V M
	C205	NCB31HK-472X	C CAPACITOR	4700pF 50V K
	C206	QETN1CM-477Z	E CAPACITOR	470uF 16V M
	C207	QFLC2AJ-104Z	M CAPACITOR	0.1uF 100V J
	C208	QFLC2AJ-104Z	M CAPACITOR	0.1uF 100V J
	C209	QFLC2AJ-104Z	M CAPACITOR	0.1uF 100V J
	C210	QETM1EM-338	E CAPACITOR	3300uF 25V M
	C211	QETM1EM-108	E CAPACITOR	1000uF 25V M
	C212	QFLC1HJ-473Z	M CAPACITOR	0.047uF 50V J
	C213	QFLC1HJ-473Z	M CAPACITOR	0.047uF 50V J
	C214	QEKC1HM-105Z	E CAPACITOR	1uF 50V M
	C215	QETN1HM-476Z	E CAPACITOR	47uF 50V M
	C221	QETN1EM-107Z	E CAPACITOR	100uF 25V M
	C222	QETN1EM-107Z	E CAPACITOR	100uF 25V M
	C223	QETN1EM-107Z	E CAPACITOR	100uF 25V M
△	C224	QETM1EM-108	E CAPACITOR	1000uF 25V M
	C225	QETN1EM-107Z	E CAPACITOR	100uF 25V M
	C226	QETN1EM-107Z	E CAPACITOR	100uF 25V M
	C241	QETN1HM-227Z	E CAPACITOR	220uF 50V M
	C242	QETN2AM-107Z	E CAPACITOR	100uF 100V M
	C251	QETN1CM-226Z	E CAPACITOR	22uF 16V M
	C401	NCB31HK-103X	C CAPACITOR	0.01uF 50V K
	C402	NCB31HK-103X	C CAPACITOR	0.01uF 50V K
	C403	NCB31HK-103X	C CAPACITOR	0.01uF 50V K
	C404	NCB31HK-103X	C CAPACITOR	0.01uF 50V K
	C405	NCB31HK-103X	C CAPACITOR	0.01uF 50V K
	C406	QCZ0202-155Z	C CAPACITOR	1.5uF 25V Z
	C407	QEKC0JM-107Z	E CAPACITOR	100uF 6.3V M
	C408	QEKC0JM-107Z	E CAPACITOR	100uF 6.3V M
	C409	QEKC1HM-475Z	E CAPACITOR	4.7uF 50V M
	C410	QEKC1HM-475Z	E CAPACITOR	4.7uF 50V M
	C410	QER61HM-475Z	E CAPACITOR	4.7uF 50V M
	C411	QEKC1HM-475Z	E CAPACITOR	4.7uF 50V M
	C412	NCF31CZ-104X	C CAPACITOR	0.1uF 16V Z
	C413	NCF31CZ-104X	C CAPACITOR	0.1uF 16V Z
	C414	NCF31CZ-104X	C CAPACITOR	0.1uF 16V Z
	C415	NCF31CZ-104X	C CAPACITOR	0.1uF 16V Z
	C416	NCB31HK-103X	C CAPACITOR	0.01uF 50V K
	C417	NCB31HK-103X	C CAPACITOR	0.01uF 50V K
	C421	NCB31HK-102X	C CAPACITOR	1000pF 50V K
△	R202	QRJ146J-100X	UNF C RESISTOR	10Ω 1/4W J
△	R203	QRJ146J-100X	UNF C RESISTOR	10Ω 1/4W J
△	R206	QRJ146J-821X	UNF C RESISTOR	820Ω 1/4W J
△	R207	QRJ146J-2R7X	UNF C RESISTOR	2.7Ω 1/4W J
	R208	NRSA63J-104X	MG RESISTOR	100kΩ 1/16W J
△	R209	QRJ146J-100X	UNF C RESISTOR	10Ω 1/4W J
△	R210	QRZ9005-100X	FUSI RESISTOR	10Ω
△	R211	QRK126J-562X	UNF C RESISTOR	5.6kΩ 1/2W J
△	R215	QRZ9005-100X	FUSI RESISTOR	10Ω
△	R216	QRJ146J-152X	UNF C RESISTOR	1.5kΩ 1/4W J
△	R217	QRZ9005-100X	FUSI RESISTOR	10Ω
△	R218	QRJ146J-152X	UNF C RESISTOR	1.5kΩ 1/4W J
	R219	NRSA63J-223X	MG RESISTOR	22kΩ 1/16W J
	R220	NRSA63J-473X	MG RESISTOR	47kΩ 1/16W J
△	R221	QRZ9005-100X	FUSI RESISTOR	10Ω
△	R222	QRJ146J-332X	UNF C RESISTOR	3.3kΩ 1/4W J
	R223	NRSA63J-102X	MG RESISTOR	1kΩ 1/16W J
	R224	NRSA63J-104X	MG RESISTOR	100kΩ 1/16W J
△	R225	QRZ9005-100X	FUSI RESISTOR	10Ω
△	R226	QRJ146J-102X	UNF C RESISTOR	1kΩ 1/4W J
	R227	NRSA63J-393X	MG RESISTOR	39kΩ 1/16W J
	R228	NRSA63J-473X	MG RESISTOR	47kΩ 1/16W J
△	R229	QRZ9006-4R7X	FUSI RESISTOR	4.7Ω 1/4W J
△	R230	QRZ9006-4R7X	FUSI RESISTOR	4.7Ω 1/4W J
△	R231	QRJ146J-182X	UNF C RESISTOR	1.8kΩ 1/4W J
△	R232	QRJ146J-2R2X	UNF C RESISTOR	2.2Ω 1/4W J
△	R233	QRJ146J-2R2X	UNF C RESISTOR	2.2Ω 1/4W J
	R234	NRSA63J-102X	MG RESISTOR	1kΩ 1/16W J
	R235	NRSA63J-104X	MG RESISTOR	100kΩ 1/16W J
△	R236	QRZ9005-100X	FUSI RESISTOR	10Ω
△	R237	QRJ146J-332X	UNF C RESISTOR	3.3kΩ 1/4W J

Symbol No.	Part No.	Part Name	Description	Local
R238	NRSA63J-511X	MG RESISTOR	510Ω 1/16W J	
R239	NRSA63J-104X	MG RESISTOR	100kΩ 1/16W J	
△ R241	QRJ146J-820X	UNF C RESISTOR	82Ω 1/4W J	
R242	NRSA63J-222X	MG RESISTOR	2.2kΩ 1/16W J	
△ R245	QRJ146J-2R2X	UNF C RESISTOR	2.2Ω 1/4W J	
R251	NRSA63J-103X	MG RESISTOR	10kΩ 1/16W J	
R401	NRSA63J-103X	MG RESISTOR	10kΩ 1/16W J	
R402	NRSA63J-102X	MG RESISTOR	1kΩ 1/16W J	
R403	NRSA63J-102X	MG RESISTOR	1kΩ 1/16W J	
R404	NRSA63J-103X	MG RESISTOR	10kΩ 1/16W J	
R405	NRSA63J-102X	MG RESISTOR	1kΩ 1/16W J	
R406	NRSA63J-102X	MG RESISTOR	1kΩ 1/16W J	
R407	NRSA63J-122X	MG RESISTOR	1.2kΩ 1/16W J	
R408	NRSA63J-103X	MG RESISTOR	10kΩ 1/16W J	
R409	NRSA63J-102X	MG RESISTOR	1kΩ 1/16W J	
R410	NRSA63J-102X	MG RESISTOR	1kΩ 1/16W J	
R411	NRSA63J-103X	MG RESISTOR	10kΩ 1/16W J	
R412	NRSA63J-102X	MG RESISTOR	1kΩ 1/16W J	
R413	NRSA63J-102X	MG RESISTOR	1kΩ 1/16W J	
R414	NRSA63J-122X	MG RESISTOR	1.2kΩ 1/16W J	
R415	NRSA63J-152X	MG RESISTOR	1.5kΩ 1/16W J	
R416	NRSA63J-222X	MG RESISTOR	2.2kΩ 1/16W J	
R417	NRSA63J-272X	MG RESISTOR	2.7kΩ 1/16W J	
R418	NRSA63J-392X	MG RESISTOR	3.9kΩ 1/16W J	
R419	NRSA63J-103X	MG RESISTOR	10kΩ 1/16W J	
R420	NRSA63J-102X	MG RESISTOR	1kΩ 1/16W J	
R421	NRSA63J-102X	MG RESISTOR	1kΩ 1/16W J	
R422	NRSA63J-122X	MG RESISTOR	1.2kΩ 1/16W J	
R423	NRSA63J-152X	MG RESISTOR	1.5kΩ 1/16W J	
R424	NRSA63J-222X	MG RESISTOR	2.2kΩ 1/16W J	
R425	NRSA63J-272X	MG RESISTOR	2.7kΩ 1/16W J	
R426	NRSA63J-392X	MG RESISTOR	3.9kΩ 1/16W J	
R427	NRSA63J-241X	MG RESISTOR	240Ω 1/16W J	
R428	NRSA63J-241X	MG RESISTOR	240Ω 1/16W J	
R429	NRSA63J-331X	MG RESISTOR	330Ω 1/16W J	
R430	NRSA63J-221X	MG RESISTOR	220Ω 1/16W J	
R431	NRSA63J-103X	MG RESISTOR	10kΩ 1/16W J	
R432	NRSA63J-103X	MG RESISTOR	10kΩ 1/16W J	
R433	NRSA63J-103X	MG RESISTOR	10kΩ 1/16W J	
R434	NRSA63J-103X	MG RESISTOR	10kΩ 1/16W J	
R437	NRSA63J-221X	MG RESISTOR	220Ω 1/16W J	
R438	NRSA63J-221X	MG RESISTOR	220Ω 1/16W J	
R439	NRSA63J-221X	MG RESISTOR	220Ω 1/16W J	
R440	NRSA63J-221X	MG RESISTOR	220Ω 1/16W J	
R441	NRSA63J-221X	MG RESISTOR	220Ω 1/16W J	
R442	NRSA63J-221X	MG RESISTOR	220Ω 1/16W J	
R443	NRSA63J-221X	MG RESISTOR	220Ω 1/16W J	
R444	NRSA63J-221X	MG RESISTOR	220Ω 1/16W J	
R445	NRSA63J-104X	MG RESISTOR	100kΩ 1/16W J	
R446	NRSA63J-104X	MG RESISTOR	100kΩ 1/16W J	
R447	NRSA63J-103X	MG RESISTOR	10kΩ 1/16W J	
R448	NRSA63J-103X	MG RESISTOR	10kΩ 1/16W J	
R449	NRSA63J-103X	MG RESISTOR	10kΩ 1/16W J	
R450	NRSA63J-103X	MG RESISTOR	10kΩ 1/16W J	
R451	NRSA63J-0R0X	MG RESISTOR	0Ω 1/16W J	
R452	NRSA63J-104X	MG RESISTOR	100kΩ 1/16W J	
R455	NRSA63J-0R0X	MG RESISTOR	0Ω 1/16W J	
△ T202	QQT0281-002	POWER TRANSF		
CN201	QGA3901C1-09	CONNECTOR	W-B (1-9)	
△ CN202	QGA7901C1-02	CONNECTOR	W-B (1-2)	
△ CN203	QGA7901C1-02	CONNECTOR	W-B (1-2)	
CN206	QGD2501C1-04Z	CONNECTOR	(1-4)	
CN207	QGA2501C1-02	CONNECTOR	W-B (1-2)	
CN208	QJK017-041704	SIN CR C-B WIRE		
CN211	QGD2501C1-03Z	CONNECTOR	(1-3)	
CN218	QGA2501C1-04	CONNECTOR	W-B (1-4)	
CN401	QJK018-092804	SIN CR C-B WIRE		
CN402	QGB1216K1-06S	CONNECTOR	B-B (1-6)	
CN403	QGA2501F1-07	CONNECTOR	W-B (1-7)	
CN404	QGB2011MQ-18	CONNECTOR	B-B (1-18)	
CN412	QGB1216J1-06S	CONNECTOR	B-B (1-6)	
CN413	QJK025-070702	SIN CR C-B WIRE		
CN414	QGB2011L3-18	CONNECTOR	B-B (1-18)	
CN510	QGA2501C1-08	CONNECTOR	W-B (1-8)	
CN520	QGA2501C1-07	CONNECTOR	W-B (1-7)	
CN711	QGD2501C1-03Z	CONNECTOR	(1-3)	

Symbol No.	Part No.	Part Name	Description	Local
DI401	QLF0116-001	FL TUBE		
EP201	QNZ0136-001Z	EARTH PLATE		
EP202	QNZ0136-001Z	EARTH PLATE		
EP204	QNZ0136-001Z	EARTH PLATE		
FC203	QNG0020-001Z	FUSE CLIP		
FC204	QNG0020-001Z	FUSE CLIP		
FC205	QNG0020-001Z	FUSE CLIP		
FC206	QNG0020-001Z	FUSE CLIP		
FC207	QNG0020-001Z	FUSE CLIP		
FC208	QNG0020-001Z	FUSE CLIP		
FC209	QNG0020-001Z	FUSE CLIP		
FC210	QNG0020-001Z	FUSE CLIP		
FS224	VYSH101-034	SPECER		
FS400	LV30225-0N3A	FELT SPACER		
FS401	LV30225-0N3A	FELT SPACER		
FW702	QUM213-10DGZ3	PARA RIBON WIRE		
HS207	E70306-006	HEAT SINK		
HS208	E70306-006	HEAT SINK		
HS209	E70306-006	HEAT SINK		
HS211	E70306-006	HEAT SINK		
HS212	E70306-006	HEAT SINK		
HS213	E70306-006	HEAT SINK		
JS401	QSW1016-001	ROTARY ENCODER		
JS402	QSW1022-002	ROTARY ENCODER		
△ RY201	QSK0142-001	RELAY		
△ RY202	QSK0127-001	RELAY		
S401	QSW0683-001Z	PUSH SW		
S402	QSW0683-001Z	PUSH SW		
S403	QSW0683-001Z	PUSH SW		
S404	QSW0683-001Z	PUSH SW		
S405	QSW0683-001Z	PUSH SW		
S406	QSW0683-001Z	PUSH SW		
△ TH201	QAD0095-4R7Z	P THERMISTOR	4.7Ω M	
X401	QAX0246-001Z	C RESONATOR	8.00MHz	

Amp. board

Block No. [0][2][0][0]

Symbol No.	Part No.	Part Name	Description	Local
IC301	NJM4580M-X	IC	Ope. Amp	
IC302	NJM2115V-W	IC	Regulator	
IC304	NJM4580M-X	IC	Ope. Amp	
IC311	NJU7109F3-X	IC		
IC312	NJU7109F3-X	IC		
IC371	HA17558AF-X	IC		
IC601	AK4527BVQP	IC	A/D D/A converter	
IC609	HA17558AF-X	IC		
IC610	HA17558AF-X	IC		
IC611	MM74HC08SJ-X	IC	Quad. 2-input AND gates	
IC612	TC74HC4072AF-X	IC	OR gate	
IC621	MM74HCU04SJ-X	IC	Inverter	
IC631	TC9446F-025	IC	Audio digital processor	
IC641	LP61L1024S-12-X	IC	SRAM	
IC650	HA17558AF-X	IC		
IC651	HA17558AF-X	IC		
IC652	IMX9-W	TRANSISTOR	Driver	
IC661	HA17558AF-X	IC		
IC662	IMX9-W	TRANSISTOR	Driver	
IC671	UPD784215AGC167	IC(MICRO C ROM)	Digital signal controller	
IC672	NC7ST32P5-X	IC(DIGITAL)	2-Input OR Gate	
IC681	MM1563DF-X	IC	3.3V Regulator	
IC682	IMX9-W	TRANSISTOR	Driver	
IC683	MM1613DN-X	IC	Regulator	
IC690	HA17558AF-X	IC		
IC691	HA17558AF-X	IC		
IC701	MM74HCU04SJ-X	IC	Inverter	
IC702	MM74HC00SJ-X	IC		
IC703	MM74HC04SJ-X	IC(DIGITAL)		
IC705	KIA78S05P-T	IC		
IC706	KIA7805API	IC	Regulator	

△ Symbol No.	Part No.	Part Name	Description	Local	△ Symbol No.	Part No.	Part Name	Description	Local
IC708	MM74HC08SJ-X	IC	Quad. 2-input AND gates		D608	1SS355-X	SI DIODE		
IC709	MM74HC74ASJ-X	IC			D609	1SS355-X	SI DIODE		
IC801	NJM4580M-X	IC	Ope. Amp		D610	1SS355-X	SI DIODE		
IC802	NJM2115V-W	IC	Regulator		△D701	30PRA20-FC	SI DIODE		
IC804	NJM4580M-X	IC	Ope. Amp		△D702	30PRA20-FC	SI DIODE		
IC811	NJU7109F3-X	IC			△D703	30PRA20-FC	SI DIODE		
IC812	NJU7109F3-X	IC			△D704	30PRA20-FC	SI DIODE		
IC871	HA17558AF-X	IC			D705	MA111-X	SI DIODE		
IC901	NJM4580M-X	IC	Ope. Amp		D712	ERA18-04-T1	FR DIODE		
IC902	NJM2115V-W	IC	Regulator		D713	UDZS6.2B-X	Z DIODE		
IC911	NJU7109F3-X	IC			D714	UDZS10B-X	Z DIODE		
IC971	HA17558AF-X	IC			D715	UDZS5.1B-X	Z DIODE		
Q301	UMY1N-W	TRANSISTOR			D716	MA111-X	SI DIODE		
Q302	UMY1N-W	TRANSISTOR			D717	UDZS16B-X	Z DIODE		
Q303	KTA1268/GL-T	TRANSISTOR			D718	MA111-X	SI DIODE		
Q304	KTA1268/GL-T	TRANSISTOR			D719	UDZS6.2B-X	Z DIODE		
Q607	UN2113-X	TRANSISTOR			D721	MA111-X	SI DIODE		
Q670	DTC114YE-X	TRANSISTOR			D722	MA111-X	SI DIODE		
Q671	2SD2114K/VW/-X	TRANSISTOR			D725	UDZS7.5B-X	Z DIODE		
Q672	DTC114YE-X	TRANSISTOR			D726	UDZS7.5B-X	Z DIODE		
Q673	UN2113-X	TRANSISTOR			D727	UDZS20B-X	Z DIODE		
Q711	KRC104S-X	TRANSISTOR			D728	UDZS20B-X	Z DIODE		
Q712	KRC104S-X	TRANSISTOR			D729	UDZS6.8B-X	SI DIODE		
Q713	KRC104S-X	TRANSISTOR			D731	UDZS6.8B-X	SI DIODE		
Q714	KRC104S-X	TRANSISTOR			D732	1SS355-X	SI DIODE		
Q715	KRC104S-X	TRANSISTOR			D733	1SS355-X	SI DIODE		
Q717	KRC102S-X	DIGI TRANSISTOR			D735	MA111-X	SI DIODE		
Q718	KRC102S-X	DIGI TRANSISTOR			D736	MA111-X	SI DIODE		
Q719	KRC102S-X	DIGI TRANSISTOR			D751	MA111-X	SI DIODE		
Q721	KRC105S-X	CHIP D. TRANSISTOR			D752	MA111-X	SI DIODE		
Q722	KTA1046/Y/	TRANSISTOR			D753	MA111-X	SI DIODE		
Q723	KTC3199/GL-T	TRANSISTOR			D871	MA704A-X	S.K.DIODE		
Q724	KTC3199/GL-T	TRANSISTOR			D872	MA704A-X	S.K.DIODE		
Q725	KTA1046/Y/	TRANSISTOR			D873	UDZS4.7B-X	Z DIODE		
Q726	2SC2812N/6/-X	TRANSISTOR			D874	UDZS4.7B-X	Z DIODE		
Q727	KRA104S-X	DIGI TRANSISTOR			D971	MA704A-X	S.K.DIODE		
Q728	KRC102S-X	DIGI TRANSISTOR			D973	UDZS4.7B-X	Z DIODE		
Q731	KRA114S-X	TRANSISTOR			D1301	MA111-X	SI DIODE		
Q741	KRC102S-X	DIGI TRANSISTOR			D1302	MA111-X	SI DIODE		
Q742	KRC105S-X	CHIP D. TRANSISTOR			D1303	MA111-X	SI DIODE		
Q743	2SD601A/RS/-X	TRANSISTOR			D1304	MA111-X	SI DIODE		
Q744	2SB709A/Q/-X	TRANSISTOR			D1305	MA111-X	SI DIODE		
Q745	2SD601A/RS/-X	TRANSISTOR			D1306	MA111-X	SI DIODE		
Q801	UMY1N-W	TRANSISTOR			D1307	MA111-X	SI DIODE		
Q802	UMY1N-W	TRANSISTOR			D1308	MA111-X	SI DIODE		
Q803	KTA1268/GL-T	TRANSISTOR			D1311	MA111-X	SI DIODE		
Q804	KTA1268/GL-T	TRANSISTOR			D1312	MA111-X	SI DIODE		
Q901	UMY1N-W	TRANSISTOR			D1313	MA111-X	SI DIODE		
Q903	KTA1268/GL-T	TRANSISTOR			D1314	MA111-X	SI DIODE		
Q1301	2SA1514K/RS/-X	TRANSISTOR			D1351	MA111-X	SI DIODE		
Q1302	2SA1514K/RS/-X	TRANSISTOR			D1801	MA111-X	SI DIODE		
Q1303	2SA1514K/RS/-X	TRANSISTOR			D1802	MA111-X	SI DIODE		
Q1304	2SA1514K/RS/-X	TRANSISTOR			D1803	MA111-X	SI DIODE		
Q1305	2SA1514K/RS/-X	TRANSISTOR			D1804	MA111-X	SI DIODE		
Q1306	2SA1514K/RS/-X	TRANSISTOR			D1805	MA111-X	SI DIODE		
Q1307	2SA1514K/RS/-X	TRANSISTOR			D1806	MA111-X	SI DIODE		
Q1308	2SA1514K/RS/-X	TRANSISTOR			D1807	MA111-X	SI DIODE		
Q1801	2SA1514K/RS/-X	TRANSISTOR			D1808	MA111-X	SI DIODE		
Q1802	2SA1514K/RS/-X	TRANSISTOR			D1811	MA111-X	SI DIODE		
Q1803	2SA1514K/RS/-X	TRANSISTOR			D1812	MA111-X	SI DIODE		
Q1804	2SA1514K/RS/-X	TRANSISTOR			D1813	MA111-X	SI DIODE		
Q1805	2SA1514K/RS/-X	TRANSISTOR			D1814	MA111-X	SI DIODE		
Q1806	2SA1514K/RS/-X	TRANSISTOR			D1851	MA111-X	SI DIODE		
Q1807	2SA1514K/RS/-X	TRANSISTOR			D1901	MA111-X	SI DIODE		
Q1808	2SA1514K/RS/-X	TRANSISTOR			D1903	MA111-X	SI DIODE		
Q1901	2SA1514K/RS/-X	TRANSISTOR			D1905	MA111-X	SI DIODE		
Q1903	2SA1514K/RS/-X	TRANSISTOR			D1907	MA111-X	SI DIODE		
Q1905	2SA1514K/RS/-X	TRANSISTOR			D1911	MA111-X	SI DIODE		
Q1907	2SA1514K/RS/-X	TRANSISTOR			D1913	MA111-X	SI DIODE		
Q2501	UN2113-X	TRANSISTOR			D1951	MA111-X	SI DIODE		
D371	MA704A-X	S.K.DIODE			C301	QETN1HM-105Z	E CAPACITOR	1uF 50V M	
D372	MA704A-X	S.K.DIODE			C302	QETN1HM-105Z	E CAPACITOR	1uF 50V M	
D373	UDZS4.7B-X	Z DIODE			C303	QETN1CM-107Z	E CAPACITOR	100uF 16V M	
D374	UDZS4.7B-X	Z DIODE			C304	QETN1CM-107Z	E CAPACITOR	100uF 16V M	
D607	1SS355-X	SI DIODE			C305	NCB31HK-221X	C CAPACITOR	220pF 50V K	
					C306	NCB31HK-221X	C CAPACITOR	220pF 50V K	
					C307	NCS31HJ-221X	C CAPACITOR	220pF 50V J	

△ Symbol No.	Part No.	Part Name	Description	Local	△ Symbol No.	Part No.	Part Name	Description	Local
C308	NCS31HJ-221X	C CAPACITOR	220pF 50V J		C687	NCB31CK-103X	C CAPACITOR	0.01uF 16V K	
C309	NCB31HK-222X	C CAPACITOR	2200pF 50V K		C688	QEKC0JM-107Z	E CAPACITOR	100uF 6.3V M	
C310	NCB31HK-222X	C CAPACITOR	2200pF 50V K		C689	NCB31CK-103X	C CAPACITOR	0.01uF 16V K	
C311	NCB31HK-222X	C CAPACITOR	2200pF 50V K		C690	QEKC0JM-107Z	E CAPACITOR	100uF 6.3V M	
C312	NCB31HK-222X	C CAPACITOR	2200pF 50V K		C691	NCB31HK-103X	C CAPACITOR	0.01uF 50V K	
C313	NCS31HJ-181X	C CAPACITOR	180pF 50V J		C692	NCB31HK-102X	C CAPACITOR	1000pF 50V K	
C314	NCS31HJ-181X	C CAPACITOR	180pF 50V J		C693	NCB31CK-103X	C CAPACITOR	0.01uF 16V K	
C315	NCB31HK-222X	C CAPACITOR	2200pF 50V K		C694	NCF31CZ-104X	C CAPACITOR	0.1uF 16V Z	
C316	NCB31HK-222X	C CAPACITOR	2200pF 50V K		C695	NCS31HJ-101X	C CAPACITOR	100pF 50V J	
C317	NCB31HK-331X	C CAPACITOR	330pF 50V K		C701	QEZ0631-688	E CAPACITOR	6800uF	
C318	NCB31HK-331X	C CAPACITOR	330pF 50V K		C702	QEZ0631-688	E CAPACITOR	6800uF	
C319	NCF31AZ-105X	C CAPACITOR	1uF 10V Z		C703	QFZ9076-104Z	MM CAPACITOR	0.1uF	
C320	NCF31AZ-105X	C CAPACITOR	1uF 10V Z		C704	QFZ9076-104Z	MM CAPACITOR	0.1uF	
C327	NCB31EK-104X	C CAPACITOR	0.1uF 25V K		C705	QFZ9076-104Z	MM CAPACITOR	0.1uF	
C328	NCB31EK-104X	C CAPACITOR	0.1uF 25V K		C711	NCS31HJ-331X	C CAPACITOR	330pF 50V J	
C331	NCB31EK-104X	C CAPACITOR	0.1uF 25V K		C712	NCS31HJ-331X	C CAPACITOR	330pF 50V J	
C332	NCB31EK-104X	C CAPACITOR	0.1uF 25V K		C713	NCS31HJ-331X	C CAPACITOR	330pF 50V J	
C333	NCB31EK-104X	C CAPACITOR	0.1uF 25V K		C714	NCS31HJ-331X	C CAPACITOR	330pF 50V J	
C334	NCB31EK-104X	C CAPACITOR	0.1uF 25V K		C715	NCS31HJ-101X	C CAPACITOR	100pF 50V J	
C371	QEKC1HM-105Z	E CAPACITOR	1uF 50V M		C716	NCS31HJ-101X	C CAPACITOR	100pF 50V J	
C372	QEKC1HM-105Z	E CAPACITOR	1uF 50V M		C717	NCS31HJ-101X	C CAPACITOR	100pF 50V J	
C373	QEKC1HM-105Z	E CAPACITOR	1uF 50V M		C718	NCS31HJ-101X	C CAPACITOR	100pF 50V J	
C374	QEKC1HM-105Z	E CAPACITOR	1uF 50V M		C719	QETN1EM-107Z	E CAPACITOR	100uF 25V M	
C375	QEKC1HM-225Z	E CAPACITOR	2.2uF 50V M		C720	QETN1EM-107Z	E CAPACITOR	100uF 25V M	
C376	QEKC1HM-225Z	E CAPACITOR	2.2uF 50V M		C721	NCB31CK-104X	C CAPACITOR	0.1uF 16V K	
C381	NCB31HK-152X	C CAPACITOR	1500pF 50V K		C722	NCB21CK-334X	C CAPACITOR	0.33uF 16V K	
C382	NCB31HK-152X	C CAPACITOR	1500pF 50V K		C728	NCB31EK-104X	C CAPACITOR	0.1uF 25V K	
C601	NCB31HK-102X	C CAPACITOR	1000pF 50V K		C729	NCB31EK-104X	C CAPACITOR	0.1uF 25V K	
C602	NCB31HK-102X	C CAPACITOR	1000pF 50V K		C730	NCB31EK-104X	C CAPACITOR	0.1uF 25V K	
C603	QEKC0JM-107Z	E CAPACITOR	100uF 6.3V M		C731	QETN1EM-476Z	E CAPACITOR	47uF 25V M	
C604	QEKC0JM-107Z	E CAPACITOR	100uF 6.3V M		C732	QETN1EM-476Z	E CAPACITOR	47uF 25V M	
C605	NCF31CZ-104X	C CAPACITOR	0.1uF 16V Z		C735	QFVJ1HJ-103Z	MF CAPACITOR	0.01uF 50V J	
C606	NCF31CZ-104X	C CAPACITOR	0.1uF 16V Z		C741	QETN1HM-107Z	E CAPACITOR	100uF 50V M	
C607	QEKC1CM-107Z	E CAPACITOR	100uF 16V M		C742	QETN1EM-476Z	E CAPACITOR	47uF 25V M	
C608	NCF31CZ-104X	C CAPACITOR	0.1uF 16V Z		C743	NCB31HK-472X	C CAPACITOR	4700pF 50V K	
C609	NCF31CZ-104X	C CAPACITOR	0.1uF 16V Z		C744	QETN1CM-107Z	E CAPACITOR	100uF 16V M	
C610	QEKC0JM-107Z	E CAPACITOR	100uF 6.3V M		C745	QETN1CM-107Z	E CAPACITOR	100uF 16V M	
C611	QEKC0JM-107Z	E CAPACITOR	100uF 6.3V M		C746	QETN1CM-107Z	E CAPACITOR	100uF 16V M	
C612	NCB31CK-103X	C CAPACITOR	0.01uF 16V K		C747	QFVF1HJ-104Z	MF CAPACITOR	0.1uF 50V J	
C621	QEKC1HM-105Z	E CAPACITOR	1uF 50V M		C751	QETN1AM-476Z	E CAPACITOR	47uF 10V M	
C622	NCS31HJ-101X	C CAPACITOR	100pF 50V J		C761	QENC1CM-476Z	BP E CAPACITOR	47uF 16V M	
C624	NCF31CZ-104X	C CAPACITOR	0.1uF 16V Z		C762	QENC1CM-476Z	BP E CAPACITOR	47uF 16V M	
C625	NCB31CK-104X	C CAPACITOR	0.1uF 16V K		C775	NCS31HJ-101X	C CAPACITOR	100pF 50V J	
C626	NCF31AZ-105X	C CAPACITOR	1uF 10V Z		C776	NCS31HJ-101X	C CAPACITOR	100pF 50V J	
C627	NCF31AZ-105X	C CAPACITOR	1uF 10V Z		C777	NCF31CZ-104X	C CAPACITOR	0.1uF 16V Z	
C628	NCB31CK-103X	C CAPACITOR	0.01uF 16V K		C778	NCF31CZ-104X	C CAPACITOR	0.1uF 16V Z	
C631	QEKC0JM-107Z	E CAPACITOR	100uF 6.3V M		C801	QETN1HM-105Z	E CAPACITOR	1uF 50V M	
C632	NCB31CK-103X	C CAPACITOR	0.01uF 16V K		C802	QETN1HM-105Z	E CAPACITOR	1uF 50V M	
C633	NCF31CZ-104X	C CAPACITOR	0.1uF 16V Z		C803	QETN1CM-107Z	E CAPACITOR	100uF 16V M	
C634	NCF31CZ-104X	C CAPACITOR	0.1uF 16V Z		C804	QETN1CM-107Z	E CAPACITOR	100uF 16V M	
C635	NCF31CZ-104X	C CAPACITOR	0.1uF 16V Z		C805	NCB31HK-221X	C CAPACITOR	220pF 50V K	
C636	NCB31CK-473X	C CAPACITOR	0.047uF 16V K		C806	NCB31HK-221X	C CAPACITOR	220pF 50V K	
C638	QEKC0JM-107Z	E CAPACITOR	100uF 6.3V M		C807	NCS31HJ-221X	C CAPACITOR	220pF 50V J	
C639	NCB31CK-103X	C CAPACITOR	0.01uF 16V K		C808	NCS31HJ-221X	C CAPACITOR	220pF 50V J	
C640	NCB31CK-103X	C CAPACITOR	0.01uF 16V K		C809	NCB31HK-222X	C CAPACITOR	2200pF 50V K	
C641	QEKC0JM-107Z	E CAPACITOR	100uF 6.3V M		C810	NCB31HK-222X	C CAPACITOR	2200pF 50V K	
C642	NCB31CK-103X	C CAPACITOR	0.01uF 16V K		C811	NCB31HK-222X	C CAPACITOR	2200pF 50V K	
C643	NCB31AK-474X	C CAPACITOR	0.47uF 10V K		C812	NCB31HK-222X	C CAPACITOR	2200pF 50V K	
C644	NCB31CK-103X	C CAPACITOR	0.01uF 16V K		C813	NCS31HJ-181X	C CAPACITOR	180pF 50V J	
C645	NCS31HJ-101X	C CAPACITOR	100pF 50V J		C814	NCS31HJ-181X	C CAPACITOR	180pF 50V J	
C646	NCB31CK-103X	C CAPACITOR	0.01uF 16V K		C815	NCB31HK-222X	C CAPACITOR	2200pF 50V K	
C647	NCS31HJ-220X	C CAPACITOR	22pF 50V J		C816	NCB31HK-222X	C CAPACITOR	2200pF 50V K	
C648	NCS31HJ-180X	C CAPACITOR	18pF 50V J		C817	NCB31HK-331X	C CAPACITOR	330pF 50V K	
C649	NCS31HJ-121X	C CAPACITOR	120pF 50V J		C818	NCB31HK-331X	C CAPACITOR	330pF 50V K	
C653	NCB31CK-104X	C CAPACITOR	0.1uF 16V K		C819	NCF31AZ-105X	C CAPACITOR	1uF 10V Z	
C654	QEKC0JM-107Z	E CAPACITOR	100uF 6.3V M		C820	NCF31AZ-105X	C CAPACITOR	1uF 10V Z	
C661	NCB31CK-103X	C CAPACITOR	0.01uF 16V K		C827	NCB31EK-104X	C CAPACITOR	0.1uF 25V K	
C671	NCB31CK-103X	C CAPACITOR	0.01uF 16V K		C828	NCB31EK-104X	C CAPACITOR	0.1uF 25V K	
C672	QEKC0JM-107Z	E CAPACITOR	100uF 6.3V M		C831	NCB31EK-104X	C CAPACITOR	0.1uF 25V K	
C673	NCB31CK-103X	C CAPACITOR	0.01uF 16V K		C832	NCB31EK-104X	C CAPACITOR	0.1uF 25V K	
C677	NCS31HJ-101X	C CAPACITOR	100pF 50V J		C833	NCB31EK-104X	C CAPACITOR	0.1uF 25V K	
C679	NCS31HJ-101X	C CAPACITOR	100pF 50V J		C834	NCB31EK-104X	C CAPACITOR	0.1uF 25V K	
C681	NCB31CK-103X	C CAPACITOR	0.01uF 16V K		C871	QEKC1HM-105Z	E CAPACITOR	1uF 50V M	
C682	NCB31CK-103X	C CAPACITOR	0.01uF 16V K		C872	QEKC1HM-105Z	E CAPACITOR	1uF 50V M	
C683	NCB31CK-103X	C CAPACITOR	0.01uF 16V K		C873	QEKC1HM-105Z	E CAPACITOR	1uF 50V M	
C684	QEKC0JM-107Z	E CAPACITOR	100uF 6.3V M		C874	QEKC1HM-105Z	E CAPACITOR	1uF 50V M	
C685	QEKC1CM-476Z	E CAPACITOR	47uF 16V M		C875	QEKC1HM-225Z	E CAPACITOR	2.2uF 50V M	
C686	QEKC1CM-476Z	E CAPACITOR	47uF 16V M		C876	QEKC1HM-225Z	E CAPACITOR	2.2uF 50V M	

△ Symbol No.	Part No.	Part Name	Description	Local	△ Symbol No.	Part No.	Part Name	Description	Local
C881	NCB31HK-152X	C CAPACITOR	1500pF 50V K		C1864	NCB31HK-223X	C CAPACITOR	0.022uF 50V K	
C882	NCB31HK-152X	C CAPACITOR	1500pF 50V K		C1901	QEHR1HM-337Z	E CAPACITOR	330uF 50V M	
C901	QETN1HM-105Z	E CAPACITOR	1uF 50V M		C1903	QEHR1HM-337Z	E CAPACITOR	330uF 50V M	
C903	QETN1CM-107Z	E CAPACITOR	100uF 16V M		C1905	QFZ0212-105Z	MF CAPACITOR	1uF	
C905	NCB31HK-221X	C CAPACITOR	220pF 50V K		C1907	NCB21HK-104X	C CAPACITOR	0.1uF 50V K	
C907	NCS31HJ-221X	C CAPACITOR	220pF 50V J		C1913	QFVF1HJ-474Z	MF CAPACITOR	0.47uF 50V J	
C909	NCB31HK-222X	C CAPACITOR	2200pF 50V K		C1915	NCB21HK-104X	C CAPACITOR	0.1uF 50V K	
C911	NCB31HK-222X	C CAPACITOR	2200pF 50V K		C1919	NCB21HK-104X	C CAPACITOR	0.1uF 50V K	
C913	NCS31HJ-181X	C CAPACITOR	180pF 50V J		C1925	QFVF1HJ-474Z	MF CAPACITOR	0.47uF 50V J	
C915	NCB31HK-222X	C CAPACITOR	2200pF 50V K		C1927	NCB21HK-104X	C CAPACITOR	0.1uF 50V K	
C917	NCB31HK-331X	C CAPACITOR	330pF 50V K		C1931	QETN2AM-106Z	E CAPACITOR	10uF 100V M	
C919	NCF31AZ-105X	C CAPACITOR	1uF 10V Z		C1951	NCB21HK-473X	C CAPACITOR	0.047uF 50V K	
C927	NCB31EK-104X	C CAPACITOR	0.1uF 25V K		C1953	NCB21HK-473X	C CAPACITOR	0.047uF 50V K	
C931	NCB31EK-104X	C CAPACITOR	0.1uF 25V K		C1959	NCB21HK-683X	C CAPACITOR	0.068uF 50V K	
C933	NCB31EK-104X	C CAPACITOR	0.1uF 25V K		C1961	NCB31HK-223X	C CAPACITOR	0.022uF 50V K	
C971	QEKC1HM-105Z	E CAPACITOR	1uF 50V M		C1963	NCB31HK-223X	C CAPACITOR	0.022uF 50V K	
C973	QEKC1HM-105Z	E CAPACITOR	1uF 50V M		C2500	QEKC1CM-226Z	E CAPACITOR	22uF 16V M	
C975	QEKC1HM-225Z	E CAPACITOR	2.2uF 50V M		C2503	QEKC1HM-475Z	E CAPACITOR	4.7uF 50V M	
C981	NCB31HK-152X	C CAPACITOR	1500pF 50V K		C2504	QEKC1HM-475Z	E CAPACITOR	4.7uF 50V M	
C1301	QEHR1HM-337Z	E CAPACITOR	330uF 50V M		C2507	NCS31HJ-330X	C CAPACITOR	33pF 50V J	
C1302	QEHR1HM-337Z	E CAPACITOR	330uF 50V M		C2508	NCS31HJ-330X	C CAPACITOR	33pF 50V J	
C1303	QEHR1HM-337Z	E CAPACITOR	330uF 50V M		C2512	NCF31CZ-104X	C CAPACITOR	0.1uF 16V Z	
C1304	QEHR1HM-337Z	E CAPACITOR	330uF 50V M		C2513	NCB31HK-122X	C CAPACITOR	1200pF 50V K	
C1305	QFZ0212-105Z	MF CAPACITOR	1uF		C2514	NCB31HK-122X	C CAPACITOR	1200pF 50V K	
C1306	QFZ0212-105Z	MF CAPACITOR	1uF		C2515	NCS31HJ-121X	C CAPACITOR	120pF 50V J	
C1307	NCB21HK-104X	C CAPACITOR	0.1uF 50V K		C2516	NCS31HJ-121X	C CAPACITOR	120pF 50V J	
C1308	NCB21HK-104X	C CAPACITOR	0.1uF 50V K		C2525	NCB31HK-102X	C CAPACITOR	1000pF 50V K	
C1313	QFVF1HJ-474Z	MF CAPACITOR	0.47uF 50V J		C2526	NCB31HK-102X	C CAPACITOR	1000pF 50V K	
C1314	QFVF1HJ-474Z	MF CAPACITOR	0.47uF 50V J		C2527	QETN1HM-106Z	E CAPACITOR	10uF 50V M	
C1315	NCB21HK-104X	C CAPACITOR	0.1uF 50V K		C2528	QETN1HM-106Z	E CAPACITOR	10uF 50V M	
C1316	NCB21HK-104X	C CAPACITOR	0.1uF 50V K		C2531	NCS31HJ-560X	C CAPACITOR	56pF 50V J	
C1319	NCB21HK-104X	C CAPACITOR	0.1uF 50V K		C2532	NCS31HJ-560X	C CAPACITOR	56pF 50V J	
C1320	NCB21HK-104X	C CAPACITOR	0.1uF 50V K		C2533	QETN1HM-475Z	E CAPACITOR	4.7uF 50V M	
C1325	QFVF1HJ-474Z	MF CAPACITOR	0.47uF 50V J		C2534	QETN1HM-475Z	E CAPACITOR	4.7uF 50V M	
C1326	QFVF1HJ-474Z	MF CAPACITOR	0.47uF 50V J		C2539	NCF31CZ-104X	C CAPACITOR	0.1uF 16V Z	
C1327	NCB21HK-104X	C CAPACITOR	0.1uF 50V K		C2540	NCF31CZ-104X	C CAPACITOR	0.1uF 16V Z	
C1328	NCB21HK-104X	C CAPACITOR	0.1uF 50V K		C2551	NCS31HJ-560X	C CAPACITOR	56pF 50V J	
C1331	QETN2AM-106Z	E CAPACITOR	10uF 100V M		C2552	NCS31HJ-560X	C CAPACITOR	56pF 50V J	
C1332	QETN2AM-106Z	E CAPACITOR	10uF 100V M		C2555	NCF31CZ-104X	C CAPACITOR	0.1uF 16V Z	
C1351	NCB21HK-473X	C CAPACITOR	0.047uF 50V K		C2556	NCF31CZ-104X	C CAPACITOR	0.1uF 16V Z	
C1352	NCB21HK-473X	C CAPACITOR	0.047uF 50V K		C2561	QETN1HM-105Z	E CAPACITOR	1uF 50V M	
C1353	NCB21HK-473X	C CAPACITOR	0.047uF 50V K		C2562	QETN1HM-105Z	E CAPACITOR	1uF 50V M	
C1354	NCB21HK-473X	C CAPACITOR	0.047uF 50V K		C2563	NCS31HJ-560X	C CAPACITOR	56pF 50V J	
C1359	NCB21HK-683X	C CAPACITOR	0.068uF 50V K		C2564	NCS31HJ-560X	C CAPACITOR	56pF 50V J	
C1360	NCB21HK-683X	C CAPACITOR	0.068uF 50V K		C2565	NCB31HK-102X	C CAPACITOR	1000pF 50V K	
C1361	NCB31HK-223X	C CAPACITOR	0.022uF 50V K		C2566	NCB31HK-102X	C CAPACITOR	1000pF 50V K	
C1362	NCB31HK-223X	C CAPACITOR	0.022uF 50V K		C2569	NCF31CZ-104X	C CAPACITOR	0.1uF 16V Z	
C1363	NCB31HK-223X	C CAPACITOR	0.022uF 50V K		C2570	NCF31CZ-104X	C CAPACITOR	0.1uF 16V Z	
C1364	NCB31HK-223X	C CAPACITOR	0.022uF 50V K		C2575	NCB31HK-102X	C CAPACITOR	1000pF 50V K	
C1801	QEHR1HM-337Z	E CAPACITOR	330uF 50V M		C2576	NCB31HK-102X	C CAPACITOR	1000pF 50V K	
C1802	QEHR1HM-337Z	E CAPACITOR	330uF 50V M		C2577	QETN1HM-106Z	E CAPACITOR	10uF 50V M	
C1803	QEHR1HM-337Z	E CAPACITOR	330uF 50V M		C2578	QETN1HM-106Z	E CAPACITOR	10uF 50V M	
C1804	QEHR1HM-337Z	E CAPACITOR	330uF 50V M		C2581	QETN1HM-105Z	E CAPACITOR	1uF 50V M	
C1805	QFZ0212-105Z	MF CAPACITOR	1uF		C2582	QETN1CM-106Z	E CAPACITOR	10uF 16V M	
C1806	QFZ0212-105Z	MF CAPACITOR	1uF		C2583	NCS31HJ-560X	C CAPACITOR	56pF 50V J	
C1807	NCB21HK-104X	C CAPACITOR	0.1uF 50V K		C2584	NCS31HJ-560X	C CAPACITOR	56pF 50V J	
C1808	NCB21HK-104X	C CAPACITOR	0.1uF 50V K		C2585	NCF31CZ-104X	C CAPACITOR	0.1uF 16V Z	
C1813	QFVF1HJ-474Z	MF CAPACITOR	0.47uF 50V J		C2586	NCF31CZ-104X	C CAPACITOR	0.1uF 16V Z	
C1814	QFVF1HJ-474Z	MF CAPACITOR	0.47uF 50V J		C2587	NCS31HJ-560X	C CAPACITOR	56pF 50V J	
C1815	NCB21HK-104X	C CAPACITOR	0.1uF 50V K		C2588	QETN1HM-475Z	E CAPACITOR	4.7uF 50V M	
C1816	NCB21HK-104X	C CAPACITOR	0.1uF 50V K		C2589	NCF31CZ-104X	C CAPACITOR	0.1uF 16V Z	
C1819	NCB21HK-104X	C CAPACITOR	0.1uF 50V K		C2590	NCF31CZ-104X	C CAPACITOR	0.1uF 16V Z	
C1820	NCB21HK-104X	C CAPACITOR	0.1uF 50V K		C2591	NCB31HK-102X	C CAPACITOR	1000pF 50V K	
C1825	QFVF1HJ-474Z	MF CAPACITOR	0.47uF 50V J		C2592	NCB31HK-103X	C CAPACITOR	0.01uF 50V K	
C1826	QFVF1HJ-474Z	MF CAPACITOR	0.47uF 50V J		C2594	NCB31CK-473X	C CAPACITOR	0.047uF 16V K	
C1827	NCB21HK-104X	C CAPACITOR	0.1uF 50V K		C2595	NCB31HK-102X	C CAPACITOR	1000pF 50V K	
C1828	NCB21HK-104X	C CAPACITOR	0.1uF 50V K		C2597	QETN1HM-106Z	E CAPACITOR	10uF 50V M	
C1831	QETN2AM-106Z	E CAPACITOR	10uF 100V M		C2598	QETN1HM-475Z	E CAPACITOR	4.7uF 50V M	
C1832	QETN2AM-106Z	E CAPACITOR	10uF 100V M						
C1851	NCB21HK-473X	C CAPACITOR	0.047uF 50V K		R301	NRSA63J-104X	MG RESISTOR	100kΩ 1/16W J	
C1852	NCB21HK-473X	C CAPACITOR	0.047uF 50V K		R302	NRSA63J-104X	MG RESISTOR	100kΩ 1/16W J	
C1853	NCB21HK-473X	C CAPACITOR	0.047uF 50V K		R303	NRSA63J-471X	MG RESISTOR	470Ω 1/16W J	
C1854	NCB21HK-473X	C CAPACITOR	0.047uF 50V K		R304	NRSA63J-471X	MG RESISTOR	470Ω 1/16W J	
C1859	NCB21HK-683X	C CAPACITOR	0.068uF 50V K		R305	NRSA63J-911X	MG RESISTOR	910Ω 1/16W J	
C1860	NCB21HK-683X	C CAPACITOR	0.068uF 50V K		R306	NRSA63J-911X	MG RESISTOR	910Ω 1/16W J	
C1861	NCB31HK-223X	C CAPACITOR	0.022uF 50V K		R307	NRSA63J-473X	MG RESISTOR	47kΩ 1/16W J	
C1862	NCB31HK-223X	C CAPACITOR	0.022uF 50V K		R308	NRSA63J-473X	MG RESISTOR	47kΩ 1/16W J	
C1863	NCB31HK-223X	C CAPACITOR	0.022uF 50V K		R309	NRSA63J-183X	MG RESISTOR	18kΩ 1/16W J	

△ Symbol No.	Part No.	Part Name	Description	Local	△ Symbol No.	Part No.	Part Name	Description	Local
R310	NRSA63J-183X	MG RESISTOR	18kΩ 1/16W J		R621	NRSA63J-561X	MG RESISTOR	560Ω 1/16W J	
R311	NRSA63J-102X	MG RESISTOR	1kΩ 1/16W J		R622	NRSA63J-750X	MG RESISTOR	75Ω 1/16W J	
R312	NRSA63J-102X	MG RESISTOR	1kΩ 1/16W J		R623	NRSA63J-0R0X	MG RESISTOR	0Ω 1/16W J	
R313	NRSA63J-103X	MG RESISTOR	10kΩ 1/16W J		R625	NRSA63J-0R0X	MG RESISTOR	0Ω 1/16W J	
R314	NRSA63J-103X	MG RESISTOR	10kΩ 1/16W J		R627	NRSA63J-472X	MG RESISTOR	4.7kΩ 1/16W J	
R315	NRSA63J-106X	MG RESISTOR	10MΩ 1/16W J		R628	NRSA63J-333X	MG RESISTOR	33kΩ 1/16W J	
R316	NRSA63J-106X	MG RESISTOR	10MΩ 1/16W J		R631	NRSA63J-0R0X	MG RESISTOR	0Ω 1/16W J	
R317	NRSA63J-103X	MG RESISTOR	10kΩ 1/16W J		R632	NRSA63J-0R0X	MG RESISTOR	0Ω 1/16W J	
R318	NRSA63J-103X	MG RESISTOR	10kΩ 1/16W J		R639	NRSA63J-472X	MG RESISTOR	4.7kΩ 1/16W J	
R319	NRSA63J-821X	MG RESISTOR	820Ω 1/16W J		R640	NRSA63J-0R0X	MG RESISTOR	0Ω 1/16W J	
R320	NRSA63J-821X	MG RESISTOR	820Ω 1/16W J		R641	NRSA63F-102X	MG RESISTOR	1kΩ 1/16W F	
R323	NRSA63J-103X	MG RESISTOR	10kΩ 1/16W J		R642	NRSA63J-103X	MG RESISTOR	10kΩ 1/16W J	
R324	NRSA63J-103X	MG RESISTOR	10kΩ 1/16W J		R643	NRSA63J-101X	MG RESISTOR	100Ω 1/16W J	
R325	NRSA63J-332X	MG RESISTOR	3.3kΩ 1/16W J		R644	NRSA63J-153X	MG RESISTOR	15kΩ 1/16W J	
R326	NRSA63J-332X	MG RESISTOR	3.3kΩ 1/16W J		R645	NRSA63F-102X	MG RESISTOR	1kΩ 1/16W F	
R333	NRSA63J-223X	MG RESISTOR	22kΩ 1/16W J		R646	NRSA63J-103X	MG RESISTOR	10kΩ 1/16W J	
R334	NRSA63J-223X	MG RESISTOR	22kΩ 1/16W J		R647	NRSA63J-225X	MG RESISTOR	2.2MΩ 1/16W J	
R335	NRSA63J-102X	MG RESISTOR	1kΩ 1/16W J		R648	NRSA63J-472X	MG RESISTOR	4.7kΩ 1/16W J	
R336	NRSA63J-102X	MG RESISTOR	1kΩ 1/16W J		R657	NRSA63J-103X	MG RESISTOR	10kΩ 1/16W J	
R337	NRSA63J-102X	MG RESISTOR	1kΩ 1/16W J		R661	NRSA63J-221X	MG RESISTOR	220Ω 1/16W J	
R338	NRSA63J-102X	MG RESISTOR	1kΩ 1/16W J		R662	NRSA63J-221X	MG RESISTOR	220Ω 1/16W J	
R339	NRSA63J-102X	MG RESISTOR	1kΩ 1/16W J		R663	NRSA63J-221X	MG RESISTOR	220Ω 1/16W J	
R340	NRSA63J-102X	MG RESISTOR	1kΩ 1/16W J		R664	NRSA63J-221X	MG RESISTOR	220Ω 1/16W J	
R341	NRSA63J-223X	MG RESISTOR	22kΩ 1/16W J		R668	NRSA63J-0R0X	MG RESISTOR	0Ω 1/16W J	
R342	NRSA63J-223X	MG RESISTOR	22kΩ 1/16W J		R669	NRSA63J-103X	MG RESISTOR	10kΩ 1/16W J	
R343	NRSA63J-101X	MG RESISTOR	100Ω 1/16W J		R670	NRSA63J-103X	MG RESISTOR	10kΩ 1/16W J	
R344	NRSA63J-101X	MG RESISTOR	100Ω 1/16W J		R671	NRSA63J-103X	MG RESISTOR	10kΩ 1/16W J	
R345	NRSA63J-821X	MG RESISTOR	820Ω 1/16W J		R672	NRSA63J-105X	MG RESISTOR	1MΩ 1/16W J	
R346	NRSA63J-821X	MG RESISTOR	820Ω 1/16W J		R673	NRSA63J-432X	MG RESISTOR	4.3kΩ 1/16W J	
R351	NRSA63J-472X	MG RESISTOR	4.7kΩ 1/16W J		R674	NRSA63J-432X	MG RESISTOR	4.3kΩ 1/16W J	
R352	NRSA63J-472X	MG RESISTOR	4.7kΩ 1/16W J		R675	NRSA63J-432X	MG RESISTOR	4.3kΩ 1/16W J	
R353	NRSA63J-273X	MG RESISTOR	27kΩ 1/16W J		R676	NRSA63J-432X	MG RESISTOR	4.3kΩ 1/16W J	
R354	NRSA63J-273X	MG RESISTOR	27kΩ 1/16W J		R677	NRSA63J-822X	MG RESISTOR	8.2kΩ 1/16W J	
R355	NRSA63J-273X	MG RESISTOR	27kΩ 1/16W J		R678	NRSA63J-822X	MG RESISTOR	8.2kΩ 1/16W J	
R356	NRSA63J-273X	MG RESISTOR	27kΩ 1/16W J		R679	NRSA63J-822X	MG RESISTOR	8.2kΩ 1/16W J	
R357	NRSA63J-472X	MG RESISTOR	4.7kΩ 1/16W J		R680	NRSA63J-822X	MG RESISTOR	8.2kΩ 1/16W J	
R358	NRSA63J-472X	MG RESISTOR	4.7kΩ 1/16W J		R682	NRSA63J-103X	MG RESISTOR	10kΩ 1/16W J	
R359	NRSA63J-222X	MG RESISTOR	2.2kΩ 1/16W J		R683	NRSA63J-0R0X	MG RESISTOR	0Ω 1/16W J	
R360	NRSA63J-222X	MG RESISTOR	2.2kΩ 1/16W J		R684	NRSA63J-0R0X	MG RESISTOR	0Ω 1/16W J	
R361	NRSA63J-222X	MG RESISTOR	2.2kΩ 1/16W J		R687	NRSA63J-0R0X	MG RESISTOR	0Ω 1/16W J	
R362	NRSA63J-222X	MG RESISTOR	2.2kΩ 1/16W J		R688	NRSA63J-0R0X	MG RESISTOR	0Ω 1/16W J	
R371	NRSA63J-472X	MG RESISTOR	4.7kΩ 1/16W J		R689	NRSA63J-0R0X	MG RESISTOR	0Ω 1/16W J	
R372	NRSA63J-472X	MG RESISTOR	4.7kΩ 1/16W J		R691	NRSA63J-221X	MG RESISTOR	220Ω 1/16W J	
R373	NRSA63J-473X	MG RESISTOR	47kΩ 1/16W J		R692	NRSA63J-221X	MG RESISTOR	220Ω 1/16W J	
R374	NRSA63J-473X	MG RESISTOR	47kΩ 1/16W J		R693	NRSA63J-221X	MG RESISTOR	220Ω 1/16W J	
R375	NRSA63J-474X	MG RESISTOR	470kΩ 1/16W J		R694	NRSA63J-221X	MG RESISTOR	220Ω 1/16W J	
R376	NRSA63J-474X	MG RESISTOR	470kΩ 1/16W J		R695	NRSA63J-221X	MG RESISTOR	220Ω 1/16W J	
R377	NRSA63J-470X	MG RESISTOR	47Ω 1/16W J		R696	NRSA63J-221X	MG RESISTOR	220Ω 1/16W J	
R378	NRSA63J-470X	MG RESISTOR	47Ω 1/16W J		R697	NRSA63J-0R0X	MG RESISTOR	0Ω 1/16W J	
R379	NRSA63J-104X	MG RESISTOR	100kΩ 1/16W J		R698	NRSA63J-0R0X	MG RESISTOR	0Ω 1/16W J	
R380	NRSA63J-104X	MG RESISTOR	100kΩ 1/16W J		R699	NRSA63J-0R0X	MG RESISTOR	0Ω 1/16W J	
R381	NRSA63J-102X	MG RESISTOR	1kΩ 1/16W J		△ R701	QRJ146J-820X	UNF C RESISTOR	82Ω 1/4W J	
R382	NRSA63J-102X	MG RESISTOR	1kΩ 1/16W J		R705	NRSA63J-104X	MG RESISTOR	100kΩ 1/16W J	
R383	NRSA63J-104X	MG RESISTOR	100kΩ 1/16W J		R706	NRSA63J-104X	MG RESISTOR	100kΩ 1/16W J	
R384	NRSA63J-104X	MG RESISTOR	100kΩ 1/16W J		R711	NRSA63J-105X	MG RESISTOR	1MΩ 1/16W J	
R385	NRSA63J-153X	MG RESISTOR	15kΩ 1/16W J		R712	NRSA63J-822X	MG RESISTOR	8.2kΩ 1/16W J	
R386	NRSA63J-153X	MG RESISTOR	15kΩ 1/16W J		R713	NRSA63J-105X	MG RESISTOR	1MΩ 1/16W J	
R387	NRSA63J-0R0X	MG RESISTOR	0Ω 1/16W J		R714	NRSA63J-822X	MG RESISTOR	8.2kΩ 1/16W J	
R388	NRSA63J-0R0X	MG RESISTOR	0Ω 1/16W J		R715	NRSA63J-103X	MG RESISTOR	10kΩ 1/16W J	
R391	NRSA63J-104X	MG RESISTOR	100kΩ 1/16W J		R716	NRSA63J-103X	MG RESISTOR	10kΩ 1/16W J	
R392	NRSA63J-104X	MG RESISTOR	100kΩ 1/16W J		R717	NRSA63J-103X	MG RESISTOR	10kΩ 1/16W J	
R393	NRSA63J-104X	MG RESISTOR	100kΩ 1/16W J		R718	NRSA63J-122X	MG RESISTOR	1.2kΩ 1/16W J	
R394	NRSA63J-104X	MG RESISTOR	100kΩ 1/16W J		R719	NRSA63J-122X	MG RESISTOR	1.2kΩ 1/16W J	
R600	NRSA63J-0R0X	MG RESISTOR	0Ω 1/16W J		R720	NRSA63J-122X	MG RESISTOR	1.2kΩ 1/16W J	
R601	NRSA63J-473X	MG RESISTOR	47kΩ 1/16W J		R721	NRSA63J-103X	MG RESISTOR	10kΩ 1/16W J	
R602	NRSA63J-473X	MG RESISTOR	47kΩ 1/16W J		R722	NRSA63J-122X	MG RESISTOR	1.2kΩ 1/16W J	
R603	NRSA63J-473X	MG RESISTOR	47kΩ 1/16W J		R723	NRSA63J-103X	MG RESISTOR	10kΩ 1/16W J	
R606	NRSA63J-221X	MG RESISTOR	220Ω 1/16W J		△ R725	QRJ146J-100X	UNF C RESISTOR	10Ω 1/4W J	
R607	NRSA63J-221X	MG RESISTOR	220Ω 1/16W J		△ R726	QRJ146J-100X	UNF C RESISTOR	10Ω 1/4W J	
R608	NRSA63J-221X	MG RESISTOR	220Ω 1/16W J		△ R731	QRZ9006-4R7X	FUSI RESISTOR	4.7Ω 1/4W J	
R609	NRSA63J-221X	MG RESISTOR	220Ω 1/16W J		R735	NRSA63J-222X	MG RESISTOR	2.2kΩ 1/16W J	
R611	NRSA63J-221X	MG RESISTOR	220Ω 1/16W J		R736	NRSA63J-222X	MG RESISTOR	2.2kΩ 1/16W J	
R612	NRSA63J-221X	MG RESISTOR	220Ω 1/16W J		R737	NRSA63J-104X	MG RESISTOR	100kΩ 1/16W J	
R613	NRSA63J-822X	MG RESISTOR	8.2kΩ 1/16W J		R738	NRSA63J-103X	MG RESISTOR	10kΩ 1/16W J	
R615	NRSA63J-432X	MG RESISTOR	4.3kΩ 1/16W J		R751	NRSA63J-221X	MG RESISTOR	220Ω 1/16W J	
R617	NRSA63J-103X	MG RESISTOR	10kΩ 1/16W J		R752	NRSA63J-122X	MG RESISTOR	1.2kΩ 1/16W J	
R618	NRSA63J-103X	MG RESISTOR	10kΩ 1/16W J		R753	NRSA63J-472X	MG RESISTOR	4.7kΩ 1/16W J	
R620	NRSA63J-221X	MG RESISTOR	220Ω 1/16W J		R754	NRSA63J-562X	MG RESISTOR	5.6kΩ 1/16W J	

△ Symbol No.	Part No.	Part Name	Description	Local	△ Symbol No.	Part No.	Part Name	Description	Local
R755	NRSA63J-682X	MG RESISTOR	6.8kΩ 1/16W J		R877	NRSA63J-470X	MG RESISTOR	47Ω 1/16W J	
R756	NRSA63J-473X	MG RESISTOR	47kΩ 1/16W J		R878	NRSA63J-470X	MG RESISTOR	47Ω 1/16W J	
R757	NRSA63J-471X	MG RESISTOR	470Ω 1/16W J		R879	NRSA63J-104X	MG RESISTOR	100kΩ 1/16W J	
R758	NRSA63J-471X	MG RESISTOR	470Ω 1/16W J		R880	NRSA63J-104X	MG RESISTOR	100kΩ 1/16W J	
△ R759	QRK126J-1R0X	UNF C RESISTOR	1Ω 1/2W J		R881	NRSA63J-102X	MG RESISTOR	1kΩ 1/16W J	
R761	NRSA63J-221X	MG RESISTOR	220Ω 1/16W J		R882	NRSA63J-102X	MG RESISTOR	1kΩ 1/16W J	
R762	NRSA63J-332X	MG RESISTOR	3.3kΩ 1/16W J		R883	NRSA63J-104X	MG RESISTOR	100kΩ 1/16W J	
R763	NRSA63J-122X	MG RESISTOR	1.2kΩ 1/16W J		R884	NRSA63J-104X	MG RESISTOR	100kΩ 1/16W J	
R764	NRSA63J-332X	MG RESISTOR	3.3kΩ 1/16W J		R885	NRSA63J-153X	MG RESISTOR	15kΩ 1/16W J	
R765	NRSA63J-104X	MG RESISTOR	100kΩ 1/16W J		R886	NRSA63J-153X	MG RESISTOR	15kΩ 1/16W J	
R766	NRSA63J-0R0X	MG RESISTOR	0Ω 1/16W J		R887	NRSA63J-0R0X	MG RESISTOR	0Ω 1/16W J	
R771	NRSA63J-681X	MG RESISTOR	680Ω 1/16W J		R888	NRSA63J-0R0X	MG RESISTOR	0Ω 1/16W J	
R772	NRSA63J-331X	MG RESISTOR	330Ω 1/16W J		R891	NRSA63J-104X	MG RESISTOR	100kΩ 1/16W J	
△ R775	QRJ146J-391X	UNF C RESISTOR	390Ω 1/4W J		R892	NRSA63J-104X	MG RESISTOR	100kΩ 1/16W J	
△ R776	QRJ146J-391X	UNF C RESISTOR	390Ω 1/4W J		R893	NRSA63J-104X	MG RESISTOR	100kΩ 1/16W J	
R777	NRSA63J-103X	MG RESISTOR	10kΩ 1/16W J		R894	NRSA63J-104X	MG RESISTOR	100kΩ 1/16W J	
R781	NRSA63J-183X	MG RESISTOR	18kΩ 1/16W J		R901	NRSA63J-104X	MG RESISTOR	100kΩ 1/16W J	
R782	NRSA63J-332X	MG RESISTOR	3.3kΩ 1/16W J		R903	NRSA63J-471X	MG RESISTOR	470Ω 1/16W J	
R783	NRSA63J-332X	MG RESISTOR	3.3kΩ 1/16W J		R905	NRSA63J-911X	MG RESISTOR	910Ω 1/16W J	
R784	NRSA63J-223X	MG RESISTOR	22kΩ 1/16W J		R907	NRSA63J-473X	MG RESISTOR	47kΩ 1/16W J	
R785	NRSA63J-183X	MG RESISTOR	18kΩ 1/16W J		R909	NRSA63J-183X	MG RESISTOR	18kΩ 1/16W J	
R786	NRSA63J-103X	MG RESISTOR	10kΩ 1/16W J		R911	NRSA63J-102X	MG RESISTOR	1kΩ 1/16W J	
R801	NRSA63J-104X	MG RESISTOR	100kΩ 1/16W J		R913	NRSA63J-103X	MG RESISTOR	10kΩ 1/16W J	
R802	NRSA63J-104X	MG RESISTOR	100kΩ 1/16W J		R915	NRSA63J-106X	MG RESISTOR	10MΩ 1/16W J	
R803	NRSA63J-471X	MG RESISTOR	470Ω 1/16W J		R917	NRSA63J-103X	MG RESISTOR	10kΩ 1/16W J	
R804	NRSA63J-471X	MG RESISTOR	470Ω 1/16W J		R919	NRSA63J-821X	MG RESISTOR	820Ω 1/16W J	
R805	NRSA63J-911X	MG RESISTOR	910Ω 1/16W J		R923	NRSA63J-103X	MG RESISTOR	10kΩ 1/16W J	
R806	NRSA63J-911X	MG RESISTOR	910Ω 1/16W J		R925	NRSA63J-332X	MG RESISTOR	3.3kΩ 1/16W J	
R807	NRSA63J-473X	MG RESISTOR	47kΩ 1/16W J		R933	NRSA63J-223X	MG RESISTOR	22kΩ 1/16W J	
R808	NRSA63J-473X	MG RESISTOR	47kΩ 1/16W J		R935	NRSA63J-102X	MG RESISTOR	1kΩ 1/16W J	
R809	NRSA63J-183X	MG RESISTOR	18kΩ 1/16W J		R937	NRSA63J-102X	MG RESISTOR	1kΩ 1/16W J	
R810	NRSA63J-183X	MG RESISTOR	18kΩ 1/16W J		R939	NRSA63J-102X	MG RESISTOR	1kΩ 1/16W J	
R811	NRSA63J-102X	MG RESISTOR	1kΩ 1/16W J		R941	NRSA63J-223X	MG RESISTOR	22kΩ 1/16W J	
R812	NRSA63J-102X	MG RESISTOR	1kΩ 1/16W J		R943	NRSA63J-101X	MG RESISTOR	100Ω 1/16W J	
R813	NRSA63J-103X	MG RESISTOR	10kΩ 1/16W J		R945	NRSA63J-821X	MG RESISTOR	820Ω 1/16W J	
R814	NRSA63J-103X	MG RESISTOR	10kΩ 1/16W J		R951	NRSA63J-472X	MG RESISTOR	4.7kΩ 1/16W J	
R815	NRSA63J-106X	MG RESISTOR	10MΩ 1/16W J		R953	NRSA63J-273X	MG RESISTOR	27kΩ 1/16W J	
R816	NRSA63J-106X	MG RESISTOR	10MΩ 1/16W J		R955	NRSA63J-273X	MG RESISTOR	27kΩ 1/16W J	
R817	NRSA63J-103X	MG RESISTOR	10kΩ 1/16W J		R957	NRSA63J-472X	MG RESISTOR	4.7kΩ 1/16W J	
R818	NRSA63J-103X	MG RESISTOR	10kΩ 1/16W J		R959	NRSA63J-222X	MG RESISTOR	2.2kΩ 1/16W J	
R819	NRSA63J-821X	MG RESISTOR	820Ω 1/16W J		R961	NRSA63J-222X	MG RESISTOR	2.2kΩ 1/16W J	
R820	NRSA63J-821X	MG RESISTOR	820Ω 1/16W J		R971	NRSA63J-472X	MG RESISTOR	4.7kΩ 1/16W J	
R823	NRSA63J-103X	MG RESISTOR	10kΩ 1/16W J		R973	NRSA63J-473X	MG RESISTOR	47kΩ 1/16W J	
R824	NRSA63J-103X	MG RESISTOR	10kΩ 1/16W J		R974	NRSA63J-0R0X	MG RESISTOR	0Ω 1/16W J	
R825	NRSA63J-332X	MG RESISTOR	3.3kΩ 1/16W J		R975	NRSA63J-474X	MG RESISTOR	470kΩ 1/16W J	
R826	NRSA63J-332X	MG RESISTOR	3.3kΩ 1/16W J		R977	NRSA63J-470X	MG RESISTOR	47Ω 1/16W J	
R833	NRSA63J-223X	MG RESISTOR	22kΩ 1/16W J		R979	NRSA63J-104X	MG RESISTOR	100kΩ 1/16W J	
R834	NRSA63J-223X	MG RESISTOR	22kΩ 1/16W J		R981	NRSA63J-102X	MG RESISTOR	1kΩ 1/16W J	
R835	NRSA63J-102X	MG RESISTOR	1kΩ 1/16W J		R983	NRSA63J-104X	MG RESISTOR	100kΩ 1/16W J	
R836	NRSA63J-102X	MG RESISTOR	1kΩ 1/16W J		R985	NRSA63J-153X	MG RESISTOR	15kΩ 1/16W J	
R837	NRSA63J-102X	MG RESISTOR	1kΩ 1/16W J		R987	NRSA63J-0R0X	MG RESISTOR	0Ω 1/16W J	
R838	NRSA63J-102X	MG RESISTOR	1kΩ 1/16W J		R991	NRSA63J-104X	MG RESISTOR	100kΩ 1/16W J	
R839	NRSA63J-102X	MG RESISTOR	1kΩ 1/16W J		R993	NRSA63J-104X	MG RESISTOR	100kΩ 1/16W J	
R840	NRSA63J-102X	MG RESISTOR	1kΩ 1/16W J		R1303	NRS016J-470X	MG RESISTOR	47Ω 1W J	
R841	NRSA63J-223X	MG RESISTOR	22kΩ 1/16W J		R1304	NRS016J-470X	MG RESISTOR	47Ω 1W J	
R842	NRSA63J-223X	MG RESISTOR	22kΩ 1/16W J		R1307	NRS016J-470X	MG RESISTOR	47Ω 1W J	
R843	NRSA63J-101X	MG RESISTOR	100Ω 1/16W J		R1308	NRS016J-470X	MG RESISTOR	47Ω 1W J	
R844	NRSA63J-101X	MG RESISTOR	100Ω 1/16W J		R1309	NRSA63J-221X	MG RESISTOR	220Ω 1/16W J	
R845	NRSA63J-821X	MG RESISTOR	820Ω 1/16W J		R1310	NRSA63J-221X	MG RESISTOR	220Ω 1/16W J	
R846	NRSA63J-821X	MG RESISTOR	820Ω 1/16W J		R1311	NRSA63J-221X	MG RESISTOR	220Ω 1/16W J	
R851	NRSA63J-472X	MG RESISTOR	4.7kΩ 1/16W J		R1312	NRSA63J-221X	MG RESISTOR	220Ω 1/16W J	
R852	NRSA63J-472X	MG RESISTOR	4.7kΩ 1/16W J		R1313	QRM034J-R10	MP RESISTOR	0.1Ω 3W J	
R853	NRSA63J-273X	MG RESISTOR	27kΩ 1/16W J		R1314	QRM034J-R10	MP RESISTOR	0.1Ω 3W J	
R854	NRSA63J-273X	MG RESISTOR	27kΩ 1/16W J		R1315	NRSA63J-153X	MG RESISTOR	15kΩ 1/16W J	
R855	NRSA63J-273X	MG RESISTOR	27kΩ 1/16W J		R1316	NRSA63J-153X	MG RESISTOR	15kΩ 1/16W J	
R856	NRSA63J-273X	MG RESISTOR	27kΩ 1/16W J		R1317	NRSA63J-153X	MG RESISTOR	15kΩ 1/16W J	
R857	NRSA63J-472X	MG RESISTOR	4.7kΩ 1/16W J		R1318	NRSA63J-153X	MG RESISTOR	15kΩ 1/16W J	
R858	NRSA63J-472X	MG RESISTOR	4.7kΩ 1/16W J		R1319	NRSA63J-101X	MG RESISTOR	100Ω 1/16W J	
R859	NRSA63J-222X	MG RESISTOR	2.2kΩ 1/16W J		R1320	NRSA63J-101X	MG RESISTOR	100Ω 1/16W J	
R860	NRSA63J-222X	MG RESISTOR	2.2kΩ 1/16W J		R1321	NRSA63J-221X	MG RESISTOR	220Ω 1/16W J	
R861	NRSA63J-222X	MG RESISTOR	2.2kΩ 1/16W J		R1322	NRSA63J-221X	MG RESISTOR	220Ω 1/16W J	
R862	NRSA63J-222X	MG RESISTOR	2.2kΩ 1/16W J		R1325	NRS016J-470X	MG RESISTOR	47Ω 1W J	
R871	NRSA63J-472X	MG RESISTOR	4.7kΩ 1/16W J		R1326	NRS016J-470X	MG RESISTOR	47Ω 1W J	
R872	NRSA63J-472X	MG RESISTOR	4.7kΩ 1/16W J		R1329	NRS016J-470X	MG RESISTOR	47Ω 1W J	
R873	NRSA63J-473X	MG RESISTOR	47kΩ 1/16W J		R1330	NRS016J-470X	MG RESISTOR	47Ω 1W J	
R874	NRSA63J-473X	MG RESISTOR	47kΩ 1/16W J		R1331	NRSA63J-221X	MG RESISTOR	220Ω 1/16W J	
R875	NRSA63J-474X	MG RESISTOR	470kΩ 1/16W J		R1332	NRSA63J-221X	MG RESISTOR	220Ω 1/16W J	
R876	NRSA63J-474X	MG RESISTOR	470kΩ 1/16W J		R1333	NRSA63J-221X	MG RESISTOR	220Ω 1/16W J	

△ Symbol No.	Part No.	Part Name	Description	Local	△ Symbol No.	Part No.	Part Name	Description	Local
R1334	NRSA63J-221X	MG RESISTOR	220Ω 1/16W J		R2500	NRSA63J-102X	MG RESISTOR	1kΩ 1/16W J	
R1335	QRM034J-R10	MP RESISTOR	0.1Ω 3W J		R2501	NRSA63J-104X	MG RESISTOR	100kΩ 1/16W J	
R1336	QRM034J-R10	MP RESISTOR	0.1Ω 3W J		R2502	NRSA63J-104X	MG RESISTOR	100kΩ 1/16W J	
R1337	NRSA63J-153X	MG RESISTOR	15kΩ 1/16W J		R2507	NRSA63J-223X	MG RESISTOR	22kΩ 1/16W J	
R1338	NRSA63J-153X	MG RESISTOR	15kΩ 1/16W J		R2508	NRSA63J-223X	MG RESISTOR	22kΩ 1/16W J	
R1339	NRSA63J-153X	MG RESISTOR	15kΩ 1/16W J		R2509	NRSA63J-223X	MG RESISTOR	22kΩ 1/16W J	
R1340	NRSA63J-153X	MG RESISTOR	15kΩ 1/16W J		R2510	NRSA63J-223X	MG RESISTOR	22kΩ 1/16W J	
R1341	NRSA63J-101X	MG RESISTOR	100Ω 1/16W J		R2511	NRSA63J-103X	MG RESISTOR	10kΩ 1/16W J	
R1342	NRSA63J-101X	MG RESISTOR	100Ω 1/16W J		R2512	NRSA63J-103X	MG RESISTOR	10kΩ 1/16W J	
R1343	NRSA63J-221X	MG RESISTOR	220Ω 1/16W J		R2513	NRSA63J-103X	MG RESISTOR	10kΩ 1/16W J	
R1344	NRSA63J-221X	MG RESISTOR	220Ω 1/16W J		R2514	NRSA63J-103X	MG RESISTOR	10kΩ 1/16W J	
△ R1351	QRJ146J-820X	UNF C RESISTOR	82Ω 1/4W J		R2515	NRSA63J-103X	MG RESISTOR	10kΩ 1/16W J	
△ R1353	QRZ9006-4R7X	FUSI RESISTOR	4.7Ω 1/4W J		R2516	NRSA63J-103X	MG RESISTOR	10kΩ 1/16W J	
△ R1354	QRZ9006-4R7X	FUSI RESISTOR	4.7Ω 1/4W J		R2519	NRSA63J-331X	MG RESISTOR	330Ω 1/16W J	
R1355	NRS016J-103X	MG RESISTOR	10kΩ 1W J		R2520	NRSA63J-331X	MG RESISTOR	330Ω 1/16W J	
R1356	NRS016J-103X	MG RESISTOR	10kΩ 1W J		R2521	NRSA63J-331X	MG RESISTOR	330Ω 1/16W J	
R1803	NRS016J-470X	MG RESISTOR	47Ω 1W J		R2522	NRSA63J-331X	MG RESISTOR	330Ω 1/16W J	
R1804	NRS016J-470X	MG RESISTOR	47Ω 1W J		R2525	NRSA63J-102X	MG RESISTOR	1kΩ 1/16W J	
R1807	NRS016J-470X	MG RESISTOR	47Ω 1W J		R2526	NRSA63J-102X	MG RESISTOR	1kΩ 1/16W J	
R1808	NRS016J-470X	MG RESISTOR	47Ω 1W J		R2527	NRSA63J-104X	MG RESISTOR	100kΩ 1/16W J	
R1809	NRSA63J-221X	MG RESISTOR	220Ω 1/16W J		R2528	NRSA63J-104X	MG RESISTOR	100kΩ 1/16W J	
R1810	NRSA63J-221X	MG RESISTOR	220Ω 1/16W J		R2529	NRSA63J-103X	MG RESISTOR	10kΩ 1/16W J	
R1811	NRSA63J-221X	MG RESISTOR	220Ω 1/16W J		R2530	NRSA63J-103X	MG RESISTOR	10kΩ 1/16W J	
R1812	NRSA63J-221X	MG RESISTOR	220Ω 1/16W J		R2531	NRSA63J-822X	MG RESISTOR	8.2kΩ 1/16W J	
R1813	QRM034J-R10	MP RESISTOR	0.1Ω 3W J		R2532	NRSA63J-822X	MG RESISTOR	8.2kΩ 1/16W J	
R1814	QRM034J-R10	MP RESISTOR	0.1Ω 3W J		R2533	NRSA63J-103X	MG RESISTOR	10kΩ 1/16W J	
R1815	NRSA63J-153X	MG RESISTOR	15kΩ 1/16W J		R2534	NRSA63J-103X	MG RESISTOR	10kΩ 1/16W J	
R1816	NRSA63J-153X	MG RESISTOR	15kΩ 1/16W J		R2535	NRSA63J-103X	MG RESISTOR	10kΩ 1/16W J	
R1817	NRSA63J-153X	MG RESISTOR	15kΩ 1/16W J		R2536	NRSA63J-103X	MG RESISTOR	10kΩ 1/16W J	
R1818	NRSA63J-153X	MG RESISTOR	15kΩ 1/16W J		R2537	NRSA63J-104X	MG RESISTOR	100kΩ 1/16W J	
R1819	NRSA63J-101X	MG RESISTOR	100Ω 1/16W J		R2538	NRSA63J-104X	MG RESISTOR	100kΩ 1/16W J	
R1820	NRSA63J-101X	MG RESISTOR	100Ω 1/16W J		R2550	NRSA63J-272X	MG RESISTOR	2.7kΩ 1/16W J	
R1821	NRSA63J-221X	MG RESISTOR	220Ω 1/16W J		R2551	NRSA63J-103X	MG RESISTOR	10kΩ 1/16W J	
R1822	NRSA63J-221X	MG RESISTOR	220Ω 1/16W J		R2552	NRSA63J-103X	MG RESISTOR	10kΩ 1/16W J	
R1825	NRS016J-470X	MG RESISTOR	47Ω 1W J		R2553	NRSA63J-183X	MG RESISTOR	18kΩ 1/16W J	
R1826	NRS016J-470X	MG RESISTOR	47Ω 1W J		R2554	NRSA63J-183X	MG RESISTOR	18kΩ 1/16W J	
R1829	NRS016J-470X	MG RESISTOR	47Ω 1W J		R2555	NRSA63J-752X	MG RESISTOR	7.5kΩ 1/16W J	
R1830	NRS016J-470X	MG RESISTOR	47Ω 1W J		R2556	NRSA63J-752X	MG RESISTOR	7.5kΩ 1/16W J	
R1831	NRSA63J-221X	MG RESISTOR	220Ω 1/16W J		R2557	NRSA63J-103X	MG RESISTOR	10kΩ 1/16W J	
R1832	NRSA63J-221X	MG RESISTOR	220Ω 1/16W J		R2558	NRSA63J-273X	MG RESISTOR	27kΩ 1/16W J	
R1833	NRSA63J-221X	MG RESISTOR	220Ω 1/16W J		R2560	NRSA63J-105X	MG RESISTOR	1MΩ 1/16W J	
R1834	NRSA63J-221X	MG RESISTOR	220Ω 1/16W J		R2561	NRSA63J-104X	MG RESISTOR	100kΩ 1/16W J	
R1835	QRM034J-R10	MP RESISTOR	0.1Ω 3W J		R2562	NRSA63J-104X	MG RESISTOR	100kΩ 1/16W J	
R1836	QRM034J-R10	MP RESISTOR	0.1Ω 3W J		R2563	NRSA63J-103X	MG RESISTOR	10kΩ 1/16W J	
R1837	NRSA63J-153X	MG RESISTOR	15kΩ 1/16W J		R2564	NRSA63J-103X	MG RESISTOR	10kΩ 1/16W J	
R1838	NRSA63J-153X	MG RESISTOR	15kΩ 1/16W J		R2565	NRSA63J-202X	MG RESISTOR	2kΩ 1/16W J	
R1839	NRSA63J-153X	MG RESISTOR	15kΩ 1/16W J		R2566	NRSA63J-202X	MG RESISTOR	2kΩ 1/16W J	
R1840	NRSA63J-153X	MG RESISTOR	15kΩ 1/16W J		R2567	NRSA63J-103X	MG RESISTOR	10kΩ 1/16W J	
R1841	NRSA63J-101X	MG RESISTOR	100Ω 1/16W J		R2568	NRSA63J-103X	MG RESISTOR	10kΩ 1/16W J	
R1842	NRSA63J-101X	MG RESISTOR	100Ω 1/16W J		R2569	NRSA63J-122X	MG RESISTOR	1.2kΩ 1/16W J	
R1843	NRSA63J-221X	MG RESISTOR	220Ω 1/16W J		R2570	NRSA63J-122X	MG RESISTOR	1.2kΩ 1/16W J	
R1844	NRSA63J-221X	MG RESISTOR	220Ω 1/16W J		R2575	NRSA63J-102X	MG RESISTOR	1kΩ 1/16W J	
△ R1851	QRJ146J-820X	UNF C RESISTOR	82Ω 1/4W J		R2576	NRSA63J-102X	MG RESISTOR	1kΩ 1/16W J	
△ R1853	QRZ9006-4R7X	FUSI RESISTOR	4.7Ω 1/4W J		R2577	NRSA63J-104X	MG RESISTOR	100kΩ 1/16W J	
△ R1854	QRZ9006-4R7X	FUSI RESISTOR	4.7Ω 1/4W J		R2578	NRSA63J-104X	MG RESISTOR	100kΩ 1/16W J	
R1855	NRS016J-103X	MG RESISTOR	10kΩ 1W J		R2581	NRSA63J-104X	MG RESISTOR	100kΩ 1/16W J	
R1856	NRS016J-103X	MG RESISTOR	10kΩ 1W J		R2582	NRSA63J-104X	MG RESISTOR	100kΩ 1/16W J	
R1903	NRS016J-470X	MG RESISTOR	47Ω 1W J		R2583	NRSA63J-123X	MG RESISTOR	12kΩ 1/16W J	
R1907	NRS016J-470X	MG RESISTOR	47Ω 1W J		R2584	NRSA63J-223X	MG RESISTOR	22kΩ 1/16W J	
R1909	NRSA63J-221X	MG RESISTOR	220Ω 1/16W J		R2585	NRSA63J-302X	MG RESISTOR	3kΩ 1/16W J	
R1911	NRSA63J-221X	MG RESISTOR	220Ω 1/16W J		R2586	NRSA63J-332X	MG RESISTOR	3.3kΩ 1/16W J	
R1913	QRM034J-R10	MP RESISTOR	0.1Ω 3W J		R2587	NRSA63J-103X	MG RESISTOR	10kΩ 1/16W J	
R1915	NRSA63J-153X	MG RESISTOR	15kΩ 1/16W J		R2588	NRSA63J-103X	MG RESISTOR	10kΩ 1/16W J	
R1917	NRSA63J-153X	MG RESISTOR	15kΩ 1/16W J		R2589	NRSA63J-104X	MG RESISTOR	100kΩ 1/16W J	
R1919	NRSA63J-101X	MG RESISTOR	100Ω 1/16W J		R2590	NRSA63J-333X	MG RESISTOR	33kΩ 1/16W J	
R1921	NRSA63J-221X	MG RESISTOR	220Ω 1/16W J		R2591	NRSA63J-122X	MG RESISTOR	1.2kΩ 1/16W J	
R1925	NRS016J-470X	MG RESISTOR	47Ω 1W J		R2592	NRSA63J-333X	MG RESISTOR	33kΩ 1/16W J	
R1929	NRS016J-470X	MG RESISTOR	47Ω 1W J		R2594	NRSA63J-333X	MG RESISTOR	33kΩ 1/16W J	
R1931	NRSA63J-221X	MG RESISTOR	220Ω 1/16W J		R2595	NRSA63J-102X	MG RESISTOR	1kΩ 1/16W J	
R1933	NRSA63J-221X	MG RESISTOR	220Ω 1/16W J		R2596	NRSA63J-102X	MG RESISTOR	1kΩ 1/16W J	
R1935	QRM034J-R10	MP RESISTOR	0.1Ω 3W J		R2597	NRSA63J-104X	MG RESISTOR	100kΩ 1/16W J	
R1937	NRSA63J-153X	MG RESISTOR	15kΩ 1/16W J		R2598	NRSA63J-104X	MG RESISTOR	100kΩ 1/16W J	
R1939	NRSA63J-153X	MG RESISTOR	15kΩ 1/16W J						
R1941	NRSA63J-101X	MG RESISTOR	100Ω 1/16W J		L701	QQL28AK-221	CHOKE COIL	220uH K	
R1943	NRSA63J-221X	MG RESISTOR	220Ω 1/16W J		L1301	QQL67AM-220	COIL	22uH M	
△ R1951	QRJ146J-820X	UNF C RESISTOR	82Ω 1/4W J		L1302	QQL67AM-220	COIL	22uH M	
△ R1953	QRZ9006-4R7X	FUSI RESISTOR	4.7Ω 1/4W J		L1303	QQL67AM-220	COIL	22uH M	
R1955	NRS181J-473X	MG RESISTOR	47kΩ 1/8W J		L1304	QQL67AM-220	COIL	22uH M	

△ Symbol No.	Part No.	Part Name	Description	Local	△ Symbol No.	Part No.	Part Name	Description	Local
L1801	QQL67AM-220	COIL	22uH M		Q515	2SC3576-JVC-T	TRANSISTOR		
L1802	QQL67AM-220	COIL	22uH M		Q516	2SC3576-JVC-T	TRANSISTOR		
L1803	QQL67AM-220	COIL	22uH M		Q517	2SC3576-JVC-T	TRANSISTOR		
L1804	QQL67AM-220	COIL	22uH M		Q518	2SC3576-JVC-T	TRANSISTOR		
L1901	QQL67AM-220	COIL	22uH M		Q519	2SC3576-JVC-T	TRANSISTOR		
L1903	QQL67AM-220	COIL	22uH M		Q521	2SC3576-JVC-T	TRANSISTOR		
CN301	QGB1214J3-18S	CONNECTOR	B-B (1-18)		Q522	2SC3576-JVC-T	TRANSISTOR		
CN302	QGB1214J3-18S	CONNECTOR	B-B (1-18)		Q523	KRA104S-X	DIGI TRANSISTOR		
CN516	QGA2501C1-08	CONNECTOR	W-B (1-8)		Q525	KTC3199/GL/-T	TRANSISTOR		
CN519	QGA2501C1-09	CONNECTOR	W-B (1-9)		Q526	KTC3199/GL/-T	TRANSISTOR		
CN521	QGB2510J1-10	CONNECTOR	B-B (1-10)		Q527	KTC3199/GL/-T	TRANSISTOR		
CN522	QGF1205C1-11	CONNECTOR	FFC/FPC (1-11)		△ Q531	2SD2395/EF/	TRANSTRANSISTOR		
CN687	QGF1205C1-06	CONNECTOR	FFC/FPC (1-6)		Q532	KRA102S-X	DIGI TRANSISTOR		
CN702	QGA3901C1-03	CONNECTOR	W-B (1-3)		Q533	KRC102S-X	DIGI TRANSISTOR		
CN703	QGA2501C1-03	CONNECTOR	W-B (1-3)		Q534	KRC102S-X	DIGI TRANSISTOR		
CN712	QGD2501C1-03Z	CONNECTOR	(1-3)		Q535	KRC102S-X	DIGI TRANSISTOR		
CN713	QJK019-030703	SIN CR C-B WIRE			Q536	KRC102S-X	DIGI TRANSISTOR		
CN725	QJK025-060801	SIN CR C-B WIRE			Q541	KRA102S-X	DIGI TRANSISTOR		
CN801	QGB1214J3-18S	CONNECTOR	B-B (1-18)		Q542	2SB709A/QR/-X	TRANSISTOR		
CN802	QGB1214J3-18S	CONNECTOR	B-B (1-18)		Q543	2SB709A/QR/-X	TRANSISTOR		
CN901	QGB1214J3-18S	CONNECTOR	B-B (1-18)		Q544	2SB709A/QR/-X	TRANSISTOR		
EP701	QNZ0136-001Z	EARTH PLATE			Q3501	KTC3199/GL/-T	TRANSISTOR		
EP711	QNZ0136-001Z	EARTH PLATE			Q3502	KRC111S-X	TRANSISTOR		
FS751	LV30225-0N1A	SPECER			Q3503	KTC3199/GL/-T	TRANSISTOR		
FS752	LV30225-0N1A	SPECER			Q3504	KRC111S-X	TRANSISTOR		
FW701	QUM213-08DGZ3	PARA RIBON WIRE			Q3505	KTC3199/GL/-T	TRANSISTOR		
HS722	E70306-001	HEAT SINK			Q3506	KRC111S-X	TRANSISTOR		
J601	QNN0347-001	SURROUND JACK			Q3507	KTA1267/YG/-T	TRANSISTOR		
K601	NQR0269-004X	FERRITE BEADS			Q3508	KTA1267/YG/-T	TRANSISTOR		
△ RY301	QSK0127-001	RELAY			Q3511	KTC3199/GL/-T	TRANSISTOR		
RY701	QSK0127-002	RELAY			Q3512	KTC3199/GL/-T	TRANSISTOR		
△ RY801	QSK0127-001	RELAY			Q3513	KTC3199/GL/-T	TRANSISTOR		
△ RY901	QSK0127-001	RELAY			Q3514	KRC102S-X	DIGI TRANSISTOR		
ST701	QNB0173-001	SPEAKER TERMINA			Q3515	KRC102S-X	DIGI TRANSISTOR		
UN661	GP1FA352RZ	OPT RECEIVER			Q7501	2SK301/QR/-T	FET		
UN662	GP1FA352RZ	OPT RECEIVER			Q7502	2SK301/QR/-T	FET		
X631	QAX0722-001Z	CRYSTAL	24.576MHz		Q7503	2SK301/QR/-T	FET		
X671	QAX0719-001Z	C RESONATOR	6.144MHz		Q7504	2SK301/QR/-T	FET		
X711	QAX0734-001	C RESONATOR	400.00kHz		D501	UDZS13B-X	Z DIODE		
X712	QAX0735-001	C RESONATOR	420.00kHz		D502	UDZS13B-X	Z DIODE		
					D503	UDZS13B-X	Z DIODE		
					D504	UDZS13B-X	Z DIODE		
					D505	UDZS13B-X	Z DIODE		
					D506	UDZS13B-X	Z DIODE		
					D507	UDZS13B-X	Z DIODE		
					D508	UDZS13B-X	Z DIODE		
					D509	MA111-X	SI DIODE		
					D510	MA111-X	SI DIODE		
					D515	MA111-X	SI DIODE		
					D516	UDZS13B-X	Z DIODE		
					D517	UDZS10B-X	Z DIODE		
					D518	UDZS7.5B-X	Z DIODE		
					D554	MA111-X	SI DIODE		
					D556	MA111-X	SI DIODE		
					D3501	UDZS13B-X	Z DIODE		
					D3502	UDZS13B-X	Z DIODE		
					D3503	UDZS13B-X	Z DIODE		
					D3504	UDZS13B-X	Z DIODE		
					D3505	UDZS12B-X	Z DIODE		
					C231	NCB31HK-153X	C CAPACITOR	0.015uF 50V K	
					C232	NCB31HK-153X	C CAPACITOR	0.015uF 50V K	
					C233	NCF31CZ-104X	C CAPACITOR	0.1uF 16V Z	
					C234	NCB31HK-223X	C CAPACITOR	0.022uF 50V K	
					C501	NCS31HJ-331X	C CAPACITOR	330pF 50V J	
					C502	NCS31HJ-331X	C CAPACITOR	330pF 50V J	
					C503	QEKC1HM-475Z	E CAPACITOR	4.7uF 50V M	
					C504	QEKC1HM-475Z	E CAPACITOR	4.7uF 50V M	
					C505	QEKC1HM-475Z	E CAPACITOR	4.7uF 50V M	
					C506	QEKC1HM-475Z	E CAPACITOR	4.7uF 50V M	
					C507	NCS31HJ-331X	C CAPACITOR	330pF 50V J	
					C508	NCS31HJ-331X	C CAPACITOR	330pF 50V J	
					C509	QEKC1HM-475Z	E CAPACITOR	4.7uF 50V M	
					C510	QEKC1HM-475Z	E CAPACITOR	4.7uF 50V M	
					C511	QEKC1HM-475Z	E CAPACITOR	4.7uF 50V M	
					C512	QEKC1HM-475Z	E CAPACITOR	4.7uF 50V M	
					C513	NCS31HJ-331X	C CAPACITOR	330pF 50V J	

Input board

Block No. [0][3][0][0]

△ Symbol No.	Part No.	Part Name	Description	Local
IC501	MN101C49GMH	IC		
IC502	BD3842FS-X	IC		
IC503	BD3813KS	IC		
IC504	HA17558AF-X	IC		
IC505	SAA6588T/V2-X	IC		
IC506	IC-PST9139-T	IC		
IC511	NJM2246M-X	IC		
IC512	NJM2246M-X	IC		
IC513	NJM2246M-X	IC		
IC514	BA7625	IC	Video selector	
IC515	MM74HC4053SJ-X	IC		
IC571	HA17558AF-X	IC		
Q501	2SC3576-JVC-T	TRANSISTOR		
Q502	2SC3576-JVC-T	TRANSISTOR		
Q503	KRA104S-X	DIGI TRANSISTOR		
Q504	KTC3199/GL/-T	TRANSISTOR		
Q505	KTC3199/GL/-T	TRANSISTOR		
Q506	KTC3199/GL/-T	TRANSISTOR		
Q507	KTC3199/GL/-T	TRANSISTOR		
Q508	KTC3199/GL/-T	TRANSISTOR		
Q509	KTC3199/GL/-T	TRANSISTOR		
Q510	KRC102S-X	DIGI TRANSISTOR		
Q511	KRA104S-X	DIGI TRANSISTOR		
Q512	KRA104S-X	DIGI TRANSISTOR		
Q513	2SC3576-JVC-T	TRANSISTOR		
Q514	2SC3576-JVC-T	TRANSISTOR		

△ Symbol No.	Part No.	Part Name	Description	Local	△ Symbol No.	Part No.	Part Name	Description	Local
C514	NCS31HJ-331X	C CAPACITOR	330pF 50V J		C1576	NCS31HJ-101X	C CAPACITOR	100pF 50V J	
C515	NCS31HJ-471X	C CAPACITOR	470pF 50V J		C1577	NCB31EK-104X	C CAPACITOR	0.1uF 25V K	
C516	NCS31HJ-331X	C CAPACITOR	330pF 50V J		C1578	NCB31EK-104X	C CAPACITOR	0.1uF 25V K	
C517	NCS31HJ-331X	C CAPACITOR	330pF 50V J		C3501	NCS31HJ-331X	C CAPACITOR	330pF 50V J	
C518	NCS31HJ-331X	C CAPACITOR	330pF 50V J		C3502	NCS31HJ-331X	C CAPACITOR	330pF 50V J	
C519	NCB31HK-102X	C CAPACITOR	1000pF 50V K		C3503	NCS31HJ-331X	C CAPACITOR	330pF 50V J	
C520	NCB31HK-102X	C CAPACITOR	1000pF 50V K		C3504	NCS31HJ-331X	C CAPACITOR	330pF 50V J	
C521	NCB31HK-102X	C CAPACITOR	1000pF 50V K		C3505	QEK1HM-475Z	E CAPACITOR	4.7uF 50V M	
C522	NCB31HK-561X	C CAPACITOR	560pF 50V K		C3506	QEK1HM-475Z	E CAPACITOR	4.7uF 50V M	
C523	QEK1CM-476Z	E CAPACITOR	47uF 16V M		C3507	QEK1HM-475Z	E CAPACITOR	4.7uF 50V M	
C524	QEK1CM-476Z	E CAPACITOR	47uF 16V M		C3508	QETN0JM-477Z	E CAPACITOR	470uF 6.3V M	
C525	QETN1HM-475Z	E CAPACITOR	4.7uF 50V M		C3509	NCS31HJ-470X	C CAPACITOR	47pF 50V J	
C526	QETN0JM-228Z	E CAPACITOR	2200uF 6.3V M		C3510	QEK1HM-475Z	E CAPACITOR	4.7uF 50V M	
C527	QEK0JM-107Z	E CAPACITOR	100uF 6.3V M		C3511	NCS31HJ-331X	C CAPACITOR	330pF 50V J	
C528	QCZ0202-155Z	C CAPACITOR	1.5uF 25V Z		C3512	NCS31HJ-331X	C CAPACITOR	330pF 50V J	
C529	NCB31CK-223X	C CAPACITOR	0.022uF 16V K		C3513	NCS31HJ-331X	C CAPACITOR	330pF 50V J	
C530	QEK1HM-225Z	E CAPACITOR	2.2uF 50V M		C3514	NCS31HJ-331X	C CAPACITOR	330pF 50V J	
C531	NCB31CK-223X	C CAPACITOR	0.022uF 16V K		C3515	NCS31HJ-470X	C CAPACITOR	47pF 50V J	
C532	NCB31HK-561X	C CAPACITOR	560pF 50V K		C3516	QETN0JM-477Z	E CAPACITOR	470uF 6.3V M	
C533	NCF31CZ-104X	C CAPACITOR	0.1uF 16V Z		C3517	NCS31HJ-470X	C CAPACITOR	47pF 50V J	
C534	QEK1CM-476Z	E CAPACITOR	47uF 16V M		C3518	QETN0JM-477Z	E CAPACITOR	470uF 6.3V M	
C535	NCF31CZ-104X	C CAPACITOR	0.1uF 16V Z		C3519	NCS31HJ-470X	C CAPACITOR	47pF 50V J	
C536	QEK1CM-476Z	E CAPACITOR	47uF 16V M		C3520	NCS31HJ-470X	C CAPACITOR	47pF 50V J	
C537	QETN1HM-106Z	E CAPACITOR	10uF 50V M		C3521	QEK1HM-475Z	E CAPACITOR	4.7uF 50V M	
C538	QETN1HM-106Z	E CAPACITOR	10uF 50V M		C3522	NCS31HJ-470X	C CAPACITOR	47pF 50V J	
C539	QETN1HM-106Z	E CAPACITOR	10uF 50V M		C3523	QETN0JM-477Z	E CAPACITOR	470uF 6.3V M	
C540	QETN1HM-106Z	E CAPACITOR	10uF 50V M		C3524	QETN0JM-477Z	E CAPACITOR	470uF 6.3V M	
C541	QETN1HM-106Z	E CAPACITOR	10uF 50V M		C3525	NCF31CZ-104X	C CAPACITOR	0.1uF 16V Z	
C542	QETN1HM-106Z	E CAPACITOR	10uF 50V M		C3531	QEK1CM-476Z	E CAPACITOR	47uF 16V M	
C543	NCB31HK-472X	C CAPACITOR	4700pF 50V K		C3532	QFLC1HJ-104Z	M CAPACITOR	0.1uF 50V J	
C544	NCB31HK-472X	C CAPACITOR	4700pF 50V K		C3533	QEK1CM-476Z	E CAPACITOR	47uF 16V M	
C545	NCB31CK-104X	C CAPACITOR	0.1uF 16V K		C3534	NCF31CZ-104X	C CAPACITOR	0.1uF 16V Z	
C546	NCB31CK-104X	C CAPACITOR	0.1uF 16V K		C3535	NCF31CZ-104X	C CAPACITOR	0.1uF 16V Z	
C547	NCB31CK-104X	C CAPACITOR	0.1uF 16V K		C3536	QEK1EM-476Z	E CAPACITOR	47uF 25V M	
C548	NCB31CK-104X	C CAPACITOR	0.1uF 16V K		R261	NRSA63J-220X	MG RESISTOR	22Ω 1/16W J	
C549	QEK1CM-476Z	E CAPACITOR	47uF 16V M		R262	NRSA63J-220X	MG RESISTOR	22Ω 1/16W J	
C550	QEK1CM-476Z	E CAPACITOR	47uF 16V M		R501	NRSA63J-471X	MG RESISTOR	470Ω 1/16W J	
C551	QETN1HM-106Z	E CAPACITOR	10uF 50V M		R502	NRSA63J-471X	MG RESISTOR	470Ω 1/16W J	
C552	QETN1HM-106Z	E CAPACITOR	10uF 50V M		R503	NRSA63J-750X	MG RESISTOR	75Ω 1/16W J	
C553	QETN1HM-475Z	E CAPACITOR	4.7uF 50V M		R504	NRSA63J-331X	MG RESISTOR	330Ω 1/16W J	
C554	QETN1HM-475Z	E CAPACITOR	4.7uF 50V M		R505	NRSA63J-750X	MG RESISTOR	75Ω 1/16W J	
C555	QETN1HM-475Z	E CAPACITOR	4.7uF 50V M		R506	NRSA63J-331X	MG RESISTOR	330Ω 1/16W J	
C556	QETN1HM-475Z	E CAPACITOR	4.7uF 50V M		R507	NRSA63J-750X	MG RESISTOR	75Ω 1/16W J	
C557	QETN1HM-475Z	E CAPACITOR	4.7uF 50V M		R508	NRSA63J-331X	MG RESISTOR	330Ω 1/16W J	
C558	QEK1CM-106Z	E CAPACITOR	10uF 16V M		R509	NRSA63J-750X	MG RESISTOR	75Ω 1/16W J	
C559	QEK1CM-226Z	E CAPACITOR	22uF 16V M		R510	NRSA63J-750X	MG RESISTOR	75Ω 1/16W J	
C560	QEK0JM-107Z	E CAPACITOR	100uF 6.3V M		R511	NRSA63J-331X	MG RESISTOR	330Ω 1/16W J	
C561	NCS31HJ-681X	C CAPACITOR	680pF 50V J		R513	NRSA63J-104X	MG RESISTOR	100kΩ 1/16W J	
C562	NCS31HJ-681X	C CAPACITOR	680pF 50V J		R514	NRSA63J-104X	MG RESISTOR	100kΩ 1/16W J	
C563	NCB31HK-562X	C CAPACITOR	5600pF 50V K		R515	NRSA63J-471X	MG RESISTOR	470Ω 1/16W J	
C564	NCB31HK-562X	C CAPACITOR	5600pF 50V K		R516	NRSA63J-471X	MG RESISTOR	470Ω 1/16W J	
C565	QETN1CM-108Z	E CAPACITOR	1000uF 16V M		R517	NRSA63J-750X	MG RESISTOR	75Ω 1/16W J	
C566	NCS31HJ-101X	C CAPACITOR	100pF 50V J		R518	NRSA63J-331X	MG RESISTOR	330Ω 1/16W J	
C567	NCS31HJ-820X	C CAPACITOR	82pF 50V J		R519	NRSA63J-750X	MG RESISTOR	75Ω 1/16W J	
C568	NCS31HJ-470X	C CAPACITOR	47pF 50V J		R520	NRSA63J-331X	MG RESISTOR	330Ω 1/16W J	
C569	NCF31CZ-104X	C CAPACITOR	0.1uF 16V Z		R521	NRSA63J-750X	MG RESISTOR	75Ω 1/16W J	
C570	NCB31HK-561X	C CAPACITOR	560pF 50V K		R522	NRSA63J-331X	MG RESISTOR	330Ω 1/16W J	
C571	NCS31HJ-331X	C CAPACITOR	330pF 50V J		R523	NRSA63J-750X	MG RESISTOR	75Ω 1/16W J	
C572	QEK1HM-225Z	E CAPACITOR	2.2uF 50V M		R524	NRSA63J-750X	MG RESISTOR	75Ω 1/16W J	
C573	NCB31EK-473X	C CAPACITOR	0.047uF 25V K		R525	NRSA63J-331X	MG RESISTOR	330Ω 1/16W J	
C574	QEK1CM-476Z	E CAPACITOR	47uF 16V M		R527	NRSA63J-473X	MG RESISTOR	47kΩ 1/16W J	
C575	NCF31CZ-104X	C CAPACITOR	0.1uF 16V Z		R528	NRSA63J-473X	MG RESISTOR	47kΩ 1/16W J	
C578	NCF31CZ-104X	C CAPACITOR	0.1uF 16V Z		R529	NRSA63J-471X	MG RESISTOR	470Ω 1/16W J	
C581	QEK1CM-106Z	E CAPACITOR	10uF 16V M		R530	NRSA63J-471X	MG RESISTOR	470Ω 1/16W J	
C583	NCB31HK-102X	C CAPACITOR	1000pF 50V K		R531	NRSA63J-104X	MG RESISTOR	100kΩ 1/16W J	
C585	QETN1HM-106Z	E CAPACITOR	10uF 50V M		R532	NRSA63J-104X	MG RESISTOR	100kΩ 1/16W J	
C587	NCB31EK-104X	C CAPACITOR	0.1uF 25V K		R533	NRSA63J-471X	MG RESISTOR	470Ω 1/16W J	
C591	QETN1HM-106Z	E CAPACITOR	10uF 50V M		R534	NRSA63J-471X	MG RESISTOR	470Ω 1/16W J	
C592	QETN1HM-106Z	E CAPACITOR	10uF 50V M		R535	NRSA63J-473X	MG RESISTOR	47kΩ 1/16W J	
C593	QETN1HM-475Z	E CAPACITOR	4.7uF 50V M		R536	NRSA63J-473X	MG RESISTOR	47kΩ 1/16W J	
C594	QETN1HM-475Z	E CAPACITOR	4.7uF 50V M		R537	NRSA63J-471X	MG RESISTOR	470Ω 1/16W J	
C595	QETN1HM-475Z	E CAPACITOR	4.7uF 50V M		R538	NRSA63J-471X	MG RESISTOR	470Ω 1/16W J	
C596	QETN1HM-475Z	E CAPACITOR	4.7uF 50V M		R539	NRSA63J-473X	MG RESISTOR	47kΩ 1/16W J	
C1571	QEK1HM-475Z	E CAPACITOR	4.7uF 50V M		R540	NRSA63J-473X	MG RESISTOR	47kΩ 1/16W J	
C1572	QEK1HM-475Z	E CAPACITOR	4.7uF 50V M		R541	NRSA63J-223X	MG RESISTOR	22kΩ 1/16W J	
C1573	QEK1HM-475Z	E CAPACITOR	4.7uF 50V M		R542	NRSA63J-473X	MG RESISTOR	47kΩ 1/16W J	
C1574	QEK1HM-475Z	E CAPACITOR	4.7uF 50V M		R543	NRSA63J-683X	MG RESISTOR	68kΩ 1/16W J	
C1575	NCS31HJ-101X	C CAPACITOR	100pF 50V J						

△ Symbol No.	Part No.	Part Name	Description	Local	△ Symbol No.	Part No.	Part Name	Description	Local
R544	NRSA63J-473X	MG RESISTOR	47kΩ 1/16W J		R1530	NRSA63J-822X	MG RESISTOR	8.2kΩ 1/16W J	
R545	NRSA63J-153X	MG RESISTOR	15kΩ 1/16W J		R1531	NRSA63J-822X	MG RESISTOR	8.2kΩ 1/16W J	
R546	NRSA63J-273X	MG RESISTOR	27kΩ 1/16W J		R1532	NRSA63J-822X	MG RESISTOR	8.2kΩ 1/16W J	
R547	NRSA63J-103X	MG RESISTOR	10kΩ 1/16W J		R1533	NRSA63J-822X	MG RESISTOR	8.2kΩ 1/16W J	
R548	NRSA63J-103X	MG RESISTOR	10kΩ 1/16W J		R1534	NRSA63J-124X	MG RESISTOR	120kΩ 1/16W J	
R549	NRSA63J-223X	MG RESISTOR	22kΩ 1/16W J		R1535	NRSA63J-103X	MG RESISTOR	10kΩ 1/16W J	
R550	NRSA63J-473X	MG RESISTOR	47kΩ 1/16W J		R1536	NRSA63J-103X	MG RESISTOR	10kΩ 1/16W J	
R551	NRSA63J-683X	MG RESISTOR	68kΩ 1/16W J		R1541	NRSA63J-102X	MG RESISTOR	1kΩ 1/16W J	
R552	NRSA63J-473X	MG RESISTOR	47kΩ 1/16W J		R1542	NRSA63J-102X	MG RESISTOR	1kΩ 1/16W J	
R553	NRSA63J-153X	MG RESISTOR	15kΩ 1/16W J		R1543	NRSA63J-103X	MG RESISTOR	10kΩ 1/16W J	
R554	NRSA63J-273X	MG RESISTOR	27kΩ 1/16W J		R1544	NRSA63J-103X	MG RESISTOR	10kΩ 1/16W J	
R555	NRSA63J-103X	MG RESISTOR	10kΩ 1/16W J		R1545	NRSA63J-102X	MG RESISTOR	1kΩ 1/16W J	
R556	NRSA63J-103X	MG RESISTOR	10kΩ 1/16W J		R1548	NRSA63J-103X	MG RESISTOR	10kΩ 1/16W J	
R557	NRSA63J-223X	MG RESISTOR	22kΩ 1/16W J		R1549	NRSA63J-103X	MG RESISTOR	10kΩ 1/16W J	
R558	NRSA63J-473X	MG RESISTOR	47kΩ 1/16W J		R1550	NRSA63J-103X	MG RESISTOR	10kΩ 1/16W J	
R559	NRSA63J-683X	MG RESISTOR	68kΩ 1/16W J		R1551	NRSA63J-473X	MG RESISTOR	47kΩ 1/16W J	
R560	NRSA63J-473X	MG RESISTOR	47kΩ 1/16W J		R1552	NRSA63J-183X	MG RESISTOR	18kΩ 1/16W J	
R561	NRSA63J-153X	MG RESISTOR	15kΩ 1/16W J		R1553	NRSA63J-102X	MG RESISTOR	1kΩ 1/16W J	
R562	NRSA63J-273X	MG RESISTOR	27kΩ 1/16W J		R1554	NRSA63J-103X	MG RESISTOR	10kΩ 1/16W J	
R563	NRSA63J-103X	MG RESISTOR	10kΩ 1/16W J		R1555	NRSA63J-103X	MG RESISTOR	10kΩ 1/16W J	
R564	NRSA63J-103X	MG RESISTOR	10kΩ 1/16W J		R1556	NRSA63J-103X	MG RESISTOR	10kΩ 1/16W J	
R565	NRSA63J-102X	MG RESISTOR	1kΩ 1/16W J		R1557	NRSA63J-103X	MG RESISTOR	10kΩ 1/16W J	
R566	NRSA63J-102X	MG RESISTOR	1kΩ 1/16W J		R1558	NRSA63J-103X	MG RESISTOR	10kΩ 1/16W J	
R567	NRSA63J-511X	MG RESISTOR	510Ω 1/16W J		R1559	NRSA63J-103X	MG RESISTOR	10kΩ 1/16W J	
R568	NRSA63J-511X	MG RESISTOR	510Ω 1/16W J		△ R1561	QRZ9005-100X	FUSI RESISTOR	10Ω	
R569	NRSA63J-391X	MG RESISTOR	390Ω 1/16W J		△ R1562	QRJ146J-561X	UNF C RESISTOR	560Ω 1/4W J	
R570	NRSA63J-391X	MG RESISTOR	390Ω 1/16W J		R1565	NRSA63J-0R0X	MG RESISTOR	0Ω 1/16W J	
R571	NRSA63J-103X	MG RESISTOR	10kΩ 1/16W J		R1567	NRSA63J-103X	MG RESISTOR	10kΩ 1/16W J	
R572	NRSA63J-103X	MG RESISTOR	10kΩ 1/16W J		R1571	NRSA63J-102X	MG RESISTOR	1kΩ 1/16W J	
R573	NRSA63J-102X	MG RESISTOR	1kΩ 1/16W J		R1572	NRSA63J-102X	MG RESISTOR	1kΩ 1/16W J	
R574	NRSA63J-473X	MG RESISTOR	47kΩ 1/16W J		R1573	NRSA63J-181X	MG RESISTOR	180Ω 1/16W J	
R575	NRSA63J-473X	MG RESISTOR	47kΩ 1/16W J		R1574	NRSA63J-181X	MG RESISTOR	180Ω 1/16W J	
R576	NRSA63J-102X	MG RESISTOR	1kΩ 1/16W J		R1575	NRSA63J-104X	MG RESISTOR	100kΩ 1/16W J	
R577	NRSA63J-102X	MG RESISTOR	1kΩ 1/16W J		R1576	NRSA63J-104X	MG RESISTOR	100kΩ 1/16W J	
R579	NRSA63J-472X	MG RESISTOR	4.7kΩ 1/16W J		R1577	NRSA63J-104X	MG RESISTOR	100kΩ 1/16W J	
R580	NRSA63J-472X	MG RESISTOR	4.7kΩ 1/16W J		R1578	NRSA63J-104X	MG RESISTOR	100kΩ 1/16W J	
R581	NRSA63J-103X	MG RESISTOR	10kΩ 1/16W J		R1581	NRSA63J-103X	MG RESISTOR	10kΩ 1/16W J	
R582	NRSA63J-103X	MG RESISTOR	10kΩ 1/16W J		R1582	NRSA63J-103X	MG RESISTOR	10kΩ 1/16W J	
R583	NRSA63J-682X	MG RESISTOR	6.8kΩ 1/16W J		R1591	NRSA63J-102X	MG RESISTOR	1kΩ 1/16W J	
R584	NRSA63J-682X	MG RESISTOR	6.8kΩ 1/16W J		R1592	NRSA63J-102X	MG RESISTOR	1kΩ 1/16W J	
R585	NRSA63J-331X	MG RESISTOR	330Ω 1/16W J		R1593	NRSA63J-102X	MG RESISTOR	1kΩ 1/16W J	
R586	NRSA63J-472X	MG RESISTOR	4.7kΩ 1/16W J		R1594	NRSA63J-102X	MG RESISTOR	1kΩ 1/16W J	
R587	NRSA63J-223X	MG RESISTOR	22kΩ 1/16W J		R3501	NRSA63J-101X	MG RESISTOR	100Ω 1/16W J	
R588	NRSA63J-474X	MG RESISTOR	470kΩ 1/16W J		R3502	NRSA63J-101X	MG RESISTOR	100Ω 1/16W J	
R589	NRSA63J-102X	MG RESISTOR	1kΩ 1/16W J		R3503	NRSA63J-471X	MG RESISTOR	470Ω 1/16W J	
R590	NRSA63J-103X	MG RESISTOR	10kΩ 1/16W J		R3504	NRSA63J-471X	MG RESISTOR	470Ω 1/16W J	
R591	NRSA63J-103X	MG RESISTOR	10kΩ 1/16W J		R3505	NRSA63J-473X	MG RESISTOR	47kΩ 1/16W J	
R593	NRSA63J-102X	MG RESISTOR	1kΩ 1/16W J		R3506	NRSA63J-473X	MG RESISTOR	47kΩ 1/16W J	
R594	NRSA63J-102X	MG RESISTOR	1kΩ 1/16W J		R3507	NRSA63J-331X	MG RESISTOR	330Ω 1/16W J	
R595	NRSA63J-682X	MG RESISTOR	6.8kΩ 1/16W J		R3508	NRSA63J-750X	MG RESISTOR	75Ω 1/16W J	
R596	NRSA63J-682X	MG RESISTOR	6.8kΩ 1/16W J		R3509	NRSA63J-331X	MG RESISTOR	330Ω 1/16W J	
R597	NRSA63J-0R0X	MG RESISTOR	0Ω 1/16W J		R3510	NRSA63J-750X	MG RESISTOR	75Ω 1/16W J	
R1501	NRSA63J-104X	MG RESISTOR	100kΩ 1/16W J		R3511	NRSA63J-750X	MG RESISTOR	75Ω 1/16W J	
R1502	NRSA63J-104X	MG RESISTOR	100kΩ 1/16W J		R3512	NRSA63J-331X	MG RESISTOR	330Ω 1/16W J	
R1503	NRSA63J-102X	MG RESISTOR	1kΩ 1/16W J		R3513	NRSA63J-473X	MG RESISTOR	47kΩ 1/16W J	
R1504	NRSA63J-102X	MG RESISTOR	1kΩ 1/16W J		R3514	NRSA63J-750X	MG RESISTOR	75Ω 1/16W J	
R1505	NRSA63J-103X	MG RESISTOR	10kΩ 1/16W J		R3515	NRSA63J-331X	MG RESISTOR	330Ω 1/16W J	
R1506	NRSA63J-103X	MG RESISTOR	10kΩ 1/16W J		R3516	NRSA63J-750X	MG RESISTOR	75Ω 1/16W J	
R1507	NRSA63J-104X	MG RESISTOR	100kΩ 1/16W J		R3517	NRSA63J-750X	MG RESISTOR	75Ω 1/16W J	
R1508	NRSA63J-104X	MG RESISTOR	100kΩ 1/16W J		R3519	NRSA63J-101X	MG RESISTOR	100Ω 1/16W J	
R1509	NRSA63J-102X	MG RESISTOR	1kΩ 1/16W J		R3520	NRSA63J-101X	MG RESISTOR	100Ω 1/16W J	
R1510	NRSA63J-102X	MG RESISTOR	1kΩ 1/16W J		R3521	NRSA63J-471X	MG RESISTOR	470Ω 1/16W J	
R1511	NRSA63J-103X	MG RESISTOR	10kΩ 1/16W J		R3522	NRSA63J-471X	MG RESISTOR	470Ω 1/16W J	
R1512	NRSA63J-103X	MG RESISTOR	10kΩ 1/16W J		R3523	NRSA63J-473X	MG RESISTOR	47kΩ 1/16W J	
R1513	NRSA63J-104X	MG RESISTOR	100kΩ 1/16W J		R3524	NRSA63J-473X	MG RESISTOR	47kΩ 1/16W J	
R1514	NRSA63J-104X	MG RESISTOR	100kΩ 1/16W J		R3525	NRSA63J-680X	MG RESISTOR	68Ω 1/16W J	
R1515	NRSA63J-102X	MG RESISTOR	1kΩ 1/16W J		R3526	NRSA63J-473X	MG RESISTOR	47kΩ 1/16W J	
R1517	NRSA63J-103X	MG RESISTOR	10kΩ 1/16W J		R3527	NRSA63J-680X	MG RESISTOR	68Ω 1/16W J	
R1519	NRSA63J-104X	MG RESISTOR	100kΩ 1/16W J		R3528	NRSA63J-473X	MG RESISTOR	47kΩ 1/16W J	
R1520	NRSA63J-102X	MG RESISTOR	1kΩ 1/16W J		R3529	NRSA63J-680X	MG RESISTOR	68Ω 1/16W J	
R1521	NRSA63J-273X	MG RESISTOR	27kΩ 1/16W J		R3530	NRSA63J-473X	MG RESISTOR	47kΩ 1/16W J	
R1522	NRSA63J-102X	MG RESISTOR	1kΩ 1/16W J		R3531	NRSA63J-750X	MG RESISTOR	75Ω 1/16W J	
R1523	NRSA63J-102X	MG RESISTOR	1kΩ 1/16W J		R3532	NRSA63J-750X	MG RESISTOR	75Ω 1/16W J	
R1524	NRSA63J-103X	MG RESISTOR	10kΩ 1/16W J		R3533	NRSA63J-331X	MG RESISTOR	330Ω 1/16W J	
R1525	NRSA63J-103X	MG RESISTOR	10kΩ 1/16W J		R3534	NRSA63J-750X	MG RESISTOR	75Ω 1/16W J	
R1526	NRSA63J-472X	MG RESISTOR	4.7kΩ 1/16W J		R3535	NRSA63J-473X	MG RESISTOR	47kΩ 1/16W J	
R1527	NRSA63J-102X	MG RESISTOR	1kΩ 1/16W J		R3536	NRSA63J-101X	MG RESISTOR	100Ω 1/16W J	
R1529	NRSA63J-822X	MG RESISTOR	8.2kΩ 1/16W J		R3537	NRSA63J-101X	MG RESISTOR	100Ω 1/16W J	

Symbol No.	Part No.	Part Name	Description	Local
R3538	NRSA63J-101X	MG RESISTOR	100Ω 1/16W J	
R3539	NRSA02J-331X	MG RESISTOR	330Ω 1/10W J	
R3540	NRSA63J-301X	MG RESISTOR	300Ω 1/16W J	
R3541	NRSA02J-331X	MG RESISTOR	330Ω 1/10W J	
R3542	NRSA63J-301X	MG RESISTOR	300Ω 1/16W J	
R3543	NRSA63J-301X	MG RESISTOR	300Ω 1/16W J	
R3544	NRSA63J-301X	MG RESISTOR	300Ω 1/16W J	
R3545	NRSA63J-301X	MG RESISTOR	300Ω 1/16W J	
△R3547	QRJ146J-391X	UNF C RESISTOR	390Ω 1/4W J	
R3551	NRSA63J-473X	MG RESISTOR	47kΩ 1/16W J	
R3552	NRSA63J-103X	MG RESISTOR	10kΩ 1/16W J	
R3553	NRSA63J-103X	MG RESISTOR	10kΩ 1/16W J	
R3554	NRSA63J-103X	MG RESISTOR	10kΩ 1/16W J	
R3555	NRSA63J-102X	MG RESISTOR	1kΩ 1/16W J	
R3556	NRSA63J-301X	MG RESISTOR	300Ω 1/16W J	
R3557	NRSA63J-391X	MG RESISTOR	390Ω 1/16W J	
R3558	NRSA63J-104X	MG RESISTOR	100kΩ 1/16W J	
R3559	NRSA63J-102X	MG RESISTOR	1kΩ 1/16W J	
R3560	NRSA63J-102X	MG RESISTOR	1kΩ 1/16W J	
R3561	NRSA63J-221X	MG RESISTOR	220Ω 1/16W J	
R3562	NRSA63J-221X	MG RESISTOR	220Ω 1/16W J	
R3563	NRSA63J-221X	MG RESISTOR	220Ω 1/16W J	
R3564	NRSA63J-102X	MG RESISTOR	1kΩ 1/16W J	
R3565	NRSA63J-102X	MG RESISTOR	1kΩ 1/16W J	
R3566	NRSA63J-102X	MG RESISTOR	1kΩ 1/16W J	
R3567	NRSA63J-102X	MG RESISTOR	1kΩ 1/16W J	
△R3571	QRZ9006-4R7X	FUSI RESISTOR	4.7Ω 1/4W J	
△R3572	QRZ9005-100X	FUSI RESISTOR	10Ω	
R7501	NRSA63J-221X	MG RESISTOR	220Ω 1/16W J	
R7502	NRSA63J-221X	MG RESISTOR	220Ω 1/16W J	
R7503	NRSA63J-221X	MG RESISTOR	220Ω 1/16W J	
R7504	NRSA63J-221X	MG RESISTOR	220Ω 1/16W J	
R7505	NRSA63J-103X	MG RESISTOR	10kΩ 1/16W J	
R7506	NRSA63J-103X	MG RESISTOR	10kΩ 1/16W J	
R7507	NRSA63J-103X	MG RESISTOR	10kΩ 1/16W J	
R7508	NRSA63J-103X	MG RESISTOR	10kΩ 1/16W J	
R7509	NRSA63J-105X	MG RESISTOR	1MΩ 1/16W J	
R7510	NRSA63J-105X	MG RESISTOR	1MΩ 1/16W J	
R7511	NRSA63J-105X	MG RESISTOR	1MΩ 1/16W J	
R7512	NRSA63J-105X	MG RESISTOR	1MΩ 1/16W J	

CN451	QGA2001C1-09	CONNECTOR	W-B (1-9)	
CN501	QGB2510J1-10	CONNECTOR	B-B (1-10)	
CN502	QGF1205C1-11	CONNECTOR	FFC/FPC (1-11)	
CN503	QGF1205C1-15	CONNECTOR	FFC/FPC (1-15)	
CN504	QGF1205C1-19	CONNECTOR	FFC/FPC (1-19)	
CN505	QGF1205C1-11	CONNECTOR	FFC/FPC (1-11)	
CN506	WJP0044-001A	E-SH C WIRE C-B		
CN509	WJK0110-002A	E-SI C WIRE C-B		
CN513	QGF1205C1-15	CONNECTOR	FFC/FPC (1-15)	
CN514	QGF1205C1-19	CONNECTOR	FFC/FPC (1-19)	
CN525	QGA2501C1-06	CONNECTOR	W-B (1-6)	
CN530	QJK025-081603	SIN CR C-B WIRE		
CN540	QJK025-071402	SIN CR C-B WIRE		
CN571	QGB2510K1-10	CONNECTOR	B-B (1-10)	
CN572	QGB2510K1-10	CONNECTOR	B-B (1-10)	
EP501	QNZ0136-001Z	EARTH PLATE		
EP502	QNZ0136-001Z	EARTH PLATE		
FL501	QQR0590-001	FILTER		
FL502	QQR0590-001	FILTER		
FW206	QUM214-34DGZ3	PARA RIBON WIRE		
FW501	QUM213-16DGZ3	PARA RIBON WIRE		
J201	QNS0204-001	PHONE JACK		
J501	QNZ0516-001	RGB CONNECTOR		
J502	QNZ0516-001	RGB CONNECTOR		
J503	QNN0544-001	SURROUND JACK		
J504	QNN0545-002	SURROUND JACK		
J3501	QNZ0516-001	RGB CONNECTOR		
J3502	QNZ0516-001	RGB CONNECTOR		
X501	QAX0246-001Z	C RESONATOR	8.00MHz	
X502	QAX0263-001Z	CRYSTAL	4.332MHz	

Power amp. board

Block No. [0][4][0][0]

Symbol No.	Part No.	Part Name	Description	Local
Q115	IRF530NS-W	TRANSISTOR		
Q116	IRF530NS-W	TRANSISTOR		
Q117	IRF530NS-W	TRANSISTOR		
Q118	IRF530NS-W	TRANSISTOR		
C111	NCB31HK-471X	C CAPACITOR	470pF 50V K	
C112	NCB31HK-471X	C CAPACITOR	470pF 50V K	
C113	NCB31HK-471X	C CAPACITOR	470pF 50V K	
C114	NCB31HK-471X	C CAPACITOR	470pF 50V K	
C115	NCB21HK-104X	C CAPACITOR	0.1uF 50V K	
C116	NCB21HK-104X	C CAPACITOR	0.1uF 50V K	
C119	NCB31HK-471X	C CAPACITOR	470pF 50V K	
C120	NCB31HK-471X	C CAPACITOR	470pF 50V K	
C121	NCB31HK-471X	C CAPACITOR	470pF 50V K	
C122	NCB31HK-471X	C CAPACITOR	470pF 50V K	
C123	NCB21HK-104X	C CAPACITOR	0.1uF 50V K	
C124	NCB21HK-104X	C CAPACITOR	0.1uF 50V K	
R129	NRSA02J-5R6X	MG RESISTOR	5.6Ω 1/10W J	
R130	NRSA02J-5R6X	MG RESISTOR	5.6Ω 1/10W J	
R131	NRSA02J-5R6X	MG RESISTOR	5.6Ω 1/10W J	
R132	NRSA02J-5R6X	MG RESISTOR	5.6Ω 1/10W J	
R133	NRS125J-100X	MG RESISTOR	10Ω 1/2W J	
R134	NRS125J-100X	MG RESISTOR	10Ω 1/2W J	
R135	NRS125J-100X	MG RESISTOR	10Ω 1/2W J	
R136	NRS125J-100X	MG RESISTOR	10Ω 1/2W J	
R150	NRS181J-0R0X	MG RESISTOR	0Ω 1/8W J	
R167	NRSA63J-104X	MG RESISTOR	100kΩ 1/16W J	
R168	NRSA63J-104X	MG RESISTOR	100kΩ 1/16W J	
R169	NRSA63J-104X	MG RESISTOR	100kΩ 1/16W J	
R170	NRSA63J-104X	MG RESISTOR	100kΩ 1/16W J	
CN11	QGB1214K3-18W	CONNECTOR	B-B (1-18)	
CN12	QGB2027L1-14X	CONNECTOR	B-B (1-14)	

Power amp. driver board

Block No. [0][5][0][0]

Symbol No.	Part No.	Part Name	Description	Local
IC11	MM74HC00SJ-X	IC		
IC12	MM74HC00SJ-X	IC		
Q101	2SC2713/L-X	TRANSISTOR		
Q102	2SC2713/L-X	TRANSISTOR		
Q103	2SA1162/G-X	TRANSISTOR		
Q104	2SA1162/G-X	TRANSISTOR		
Q105	2SC2712/G-X	TRANSISTOR		
Q106	2SC2712/G-X	TRANSISTOR		
Q107	2SC2712/G-X	TRANSISTOR		
Q108	2SC2712/G-X	TRANSISTOR		
Q109	2SA1162/G-X	TRANSISTOR		
Q110	2SA1162/G-X	TRANSISTOR		
Q111	2SC2712/G-X	TRANSISTOR		
Q112	2SC2712/G-X	TRANSISTOR		
Q113	2SA1162/G-X	TRANSISTOR		
Q114	2SA1162/G-X	TRANSISTOR		
Q119	KRC102S-X	DIGI TRANSISTOR		
D101	1SS355-X	SI DIODE		
D102	1SS355-X	SI DIODE		
D103	1SS355-X	SI DIODE		
D104	1SS355-X	SI DIODE		
D105	1SS244-T2	SI DIODE		
D106	1SS244-T2	SI DIODE		
D107	1SS355-X	SI DIODE		
D108	1SS355-X	SI DIODE		
D109	1SS355-X	SI DIODE		
D110	1SS355-X	SI DIODE		
D111	1SS244-T2	SI DIODE		

△ Symbol No.	Part No.	Part Name	Description	Local
D112	1SS244-T2	SI DIODE		
D113	1SS355-X	SI DIODE		
D114	1SS355-X	SI DIODE		
D121	1SS355-X	SI DIODE		
C101	NCS31HJ-470X	C CAPACITOR	47pF 50V J	
C102	NCS31HJ-470X	C CAPACITOR	47pF 50V J	
C103	NCS31HJ-470X	C CAPACITOR	47pF 50V J	
C104	NCS31HJ-470X	C CAPACITOR	47pF 50V J	
C105	NCS31HJ-101X	C CAPACITOR	100pF 50V J	
C106	NCS31HJ-101X	C CAPACITOR	100pF 50V J	
C107	NCB21HK-104X	C CAPACITOR	0.1uF 50V K	
C108	NCB21HK-104X	C CAPACITOR	0.1uF 50V K	
C109	NCB31EK-104X	C CAPACITOR	0.1uF 25V K	
C110	NCB31EK-104X	C CAPACITOR	0.1uF 25V K	
C117	NCB31EK-104X	C CAPACITOR	0.1uF 25V K	
C118	NCB31EK-104X	C CAPACITOR	0.1uF 25V K	
C131	NEA71CM-107X	E CAPACITOR	100uF 16V M	
C132	NEA71CM-107X	E CAPACITOR	100uF 16V M	
C133	NCS31HJ-151X	C CAPACITOR	150pF 50V J	
C134	NCS31HJ-151X	C CAPACITOR	150pF 50V J	
R101	NRSA63J-103X	MG RESISTOR	10kΩ 1/16W J	
R102	NRSA63J-911X	MG RESISTOR	910Ω 1/16W J	
R103	NRSA63J-331X	MG RESISTOR	330Ω 1/16W J	
R104	NRSA63J-561X	MG RESISTOR	560Ω 1/16W J	
R105	NRSA63J-331X	MG RESISTOR	330Ω 1/16W J	
R106	NRSA63J-561X	MG RESISTOR	560Ω 1/16W J	
R107	NRSA63J-102X	MG RESISTOR	1kΩ 1/16W J	
R108	NRSA63J-102X	MG RESISTOR	1kΩ 1/16W J	
R109	NRSA63J-101X	MG RESISTOR	100Ω 1/16W J	
R110	NRSA63J-101X	MG RESISTOR	100Ω 1/16W J	
R111	NRSA63J-101X	MG RESISTOR	100Ω 1/16W J	
R112	NRSA63J-101X	MG RESISTOR	100Ω 1/16W J	
R113	NRSA63J-390X	MG RESISTOR	39Ω 1/16W J	
R114	NRSA63J-390X	MG RESISTOR	39Ω 1/16W J	
R115	NRSA63J-101X	MG RESISTOR	100Ω 1/16W J	
R116	NRSA63J-101X	MG RESISTOR	100Ω 1/16W J	
R117	NRSA63J-122X	MG RESISTOR	1.2kΩ 1/16W J	
R118	NRSA63J-122X	MG RESISTOR	1.2kΩ 1/16W J	
R119	NRSA63J-101X	MG RESISTOR	100Ω 1/16W J	
R120	NRSA63J-101X	MG RESISTOR	100Ω 1/16W J	
R121	NRSA63J-561X	MG RESISTOR	560Ω 1/16W J	
R122	NRSA63J-561X	MG RESISTOR	560Ω 1/16W J	
R123	NRSA63J-100X	MG RESISTOR	10Ω 1/16W J	
R124	NRSA63J-100X	MG RESISTOR	10Ω 1/16W J	
R125	NRSA63J-102X	MG RESISTOR	1kΩ 1/16W J	
R126	NRSA63J-102X	MG RESISTOR	1kΩ 1/16W J	
R127	NRSA63J-102X	MG RESISTOR	1kΩ 1/16W J	
R128	NRSA63J-102X	MG RESISTOR	1kΩ 1/16W J	
R171	NRSA63J-221X	MG RESISTOR	220Ω 1/16W J	
CN22	QGB2027M9-14	CONNECTOR	B-B (1-14)	

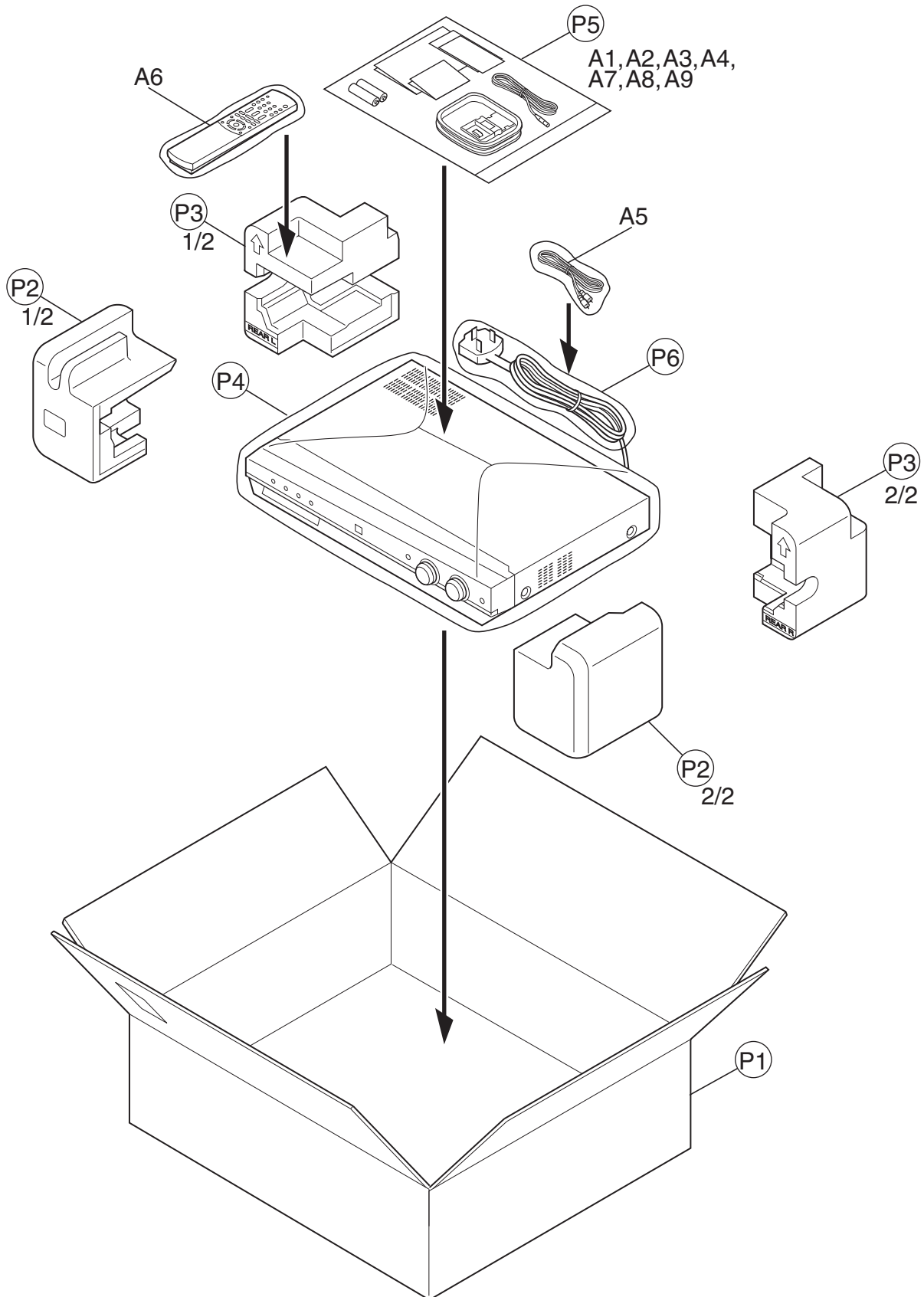
Support board

Block No. [0][6][0][0]

△ Symbol No.	Part No.	Part Name	Description	Local
D1701	1SS133-T2	DIODE		
D1702	1SS133-T2	DIODE		
D1703	1SS133-T2	DIODE		
D1704	MTZJ8.2C-T2	Z DIODE		
CN751	WJZ0116-001A	E-HARNESS ASSY		

Packing materials and accessories parts list

Block No. M 3 M M



Packing and accessories

Block No. [M][3][M][M]

△ Symbol No.	Part No.	Part Name	Description	Local
A 1	LVT1002-002E	INST BOOK	GER,FRE,DUT	ES1SL E
A 1	LVT1002-001E	INST BOOK	ENG	ES1SL B
A 1	LVT1002-003E	INST BOOK	SWE,FIN,DAN,GE R,FRE,SPA,ITA	ES1SL EN
A 2	QAL0457-001	ANT.WIRE		
A 3	QAL0476-001	AM LOOP ANT		
A 4	BT-54013-6	WARRANTY CARD		
A 5	LV42656-001A	SYSTEM CABLE		
A 6	RM-SQPES1R	REMOCON		
A 7	-----	BATTERY	(x2)	
A 8	LV43594-004A	CAUTION SHEET		
A 9	VNA3000-204	REGISTER CARD		ES1SL B
P 1	LV34165-001A	CARTON BOX		
P 2	LV21466-001A	CUSHION(FRONT)		
P 3	LV21467-001A	CUSHION(REAR)		
P 4	QPC06507015P	POLY BAG	65cm x 70cm	
P 5	QPA02503505P	POLY BAG	25cm x 35cm	
P 6	QPA01203505	ENVELOPE	12cm x 35cm	ES1SL B