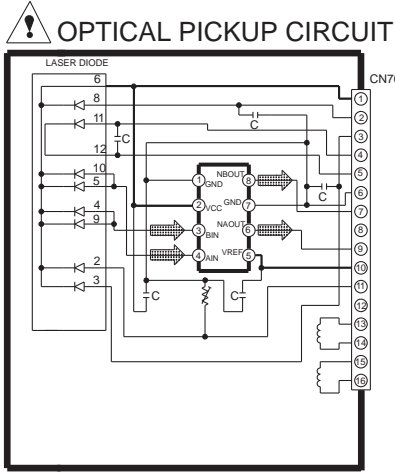
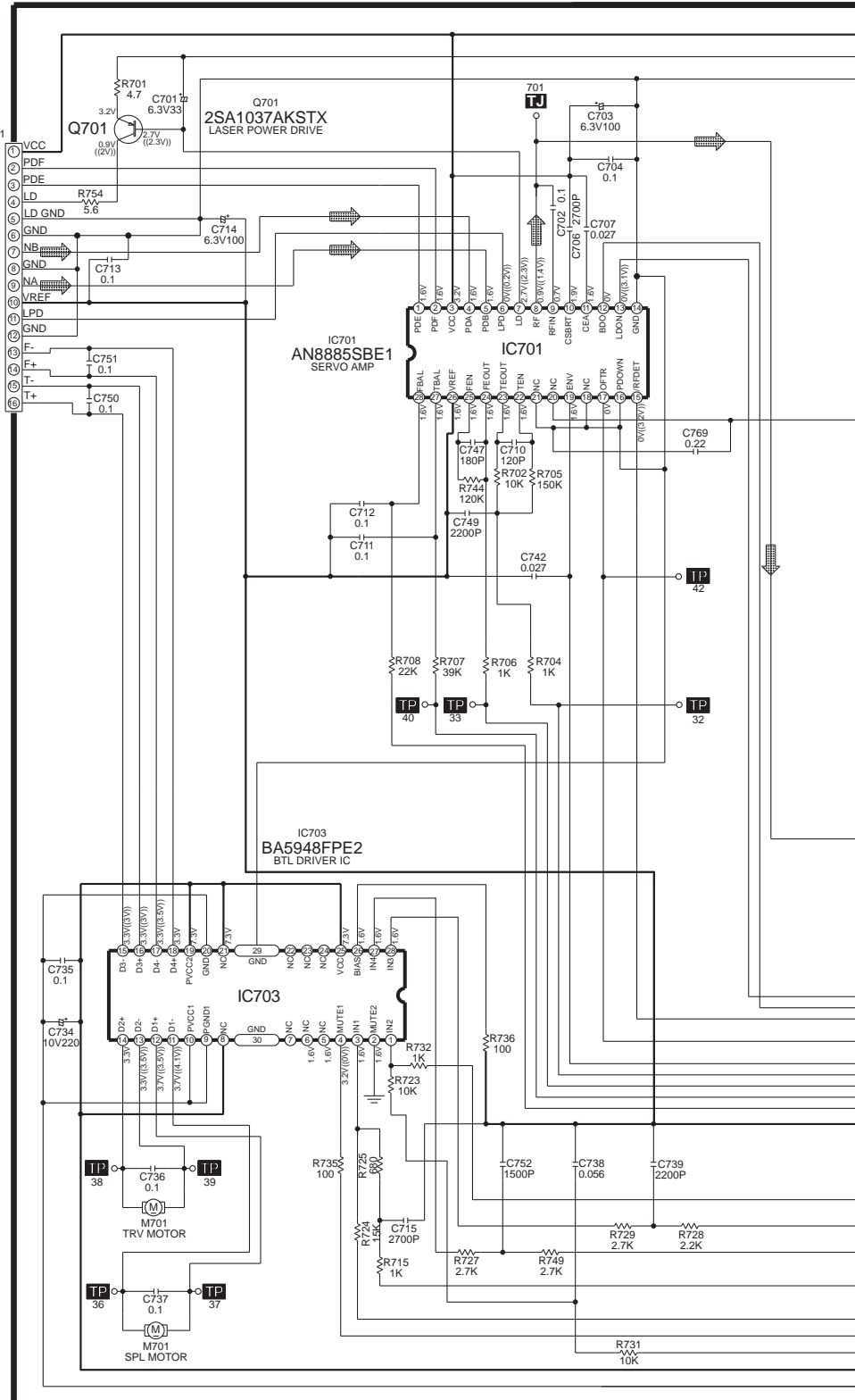


SCHEMATIC DIAGRAM -1



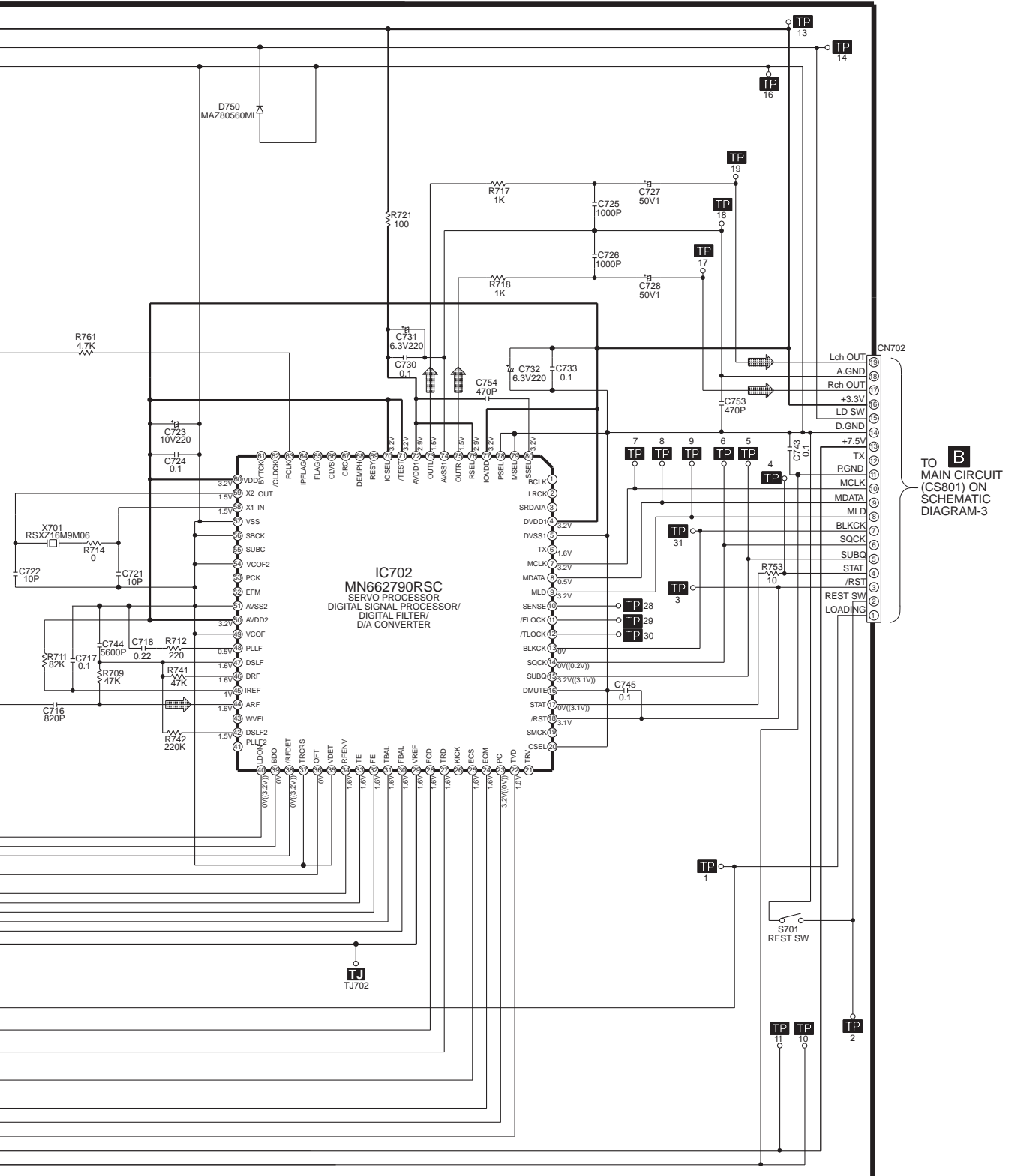
**A** CD SERVO CIRCUIT — : +B SIGNAL LINE    ⇨ : CD SIGNAL LINE



# SCHEMATIC DIAGRAM - 2

## A CD SERVO CIRCUIT

— : +B SIGNAL LINE     : CD SIGNAL LINE



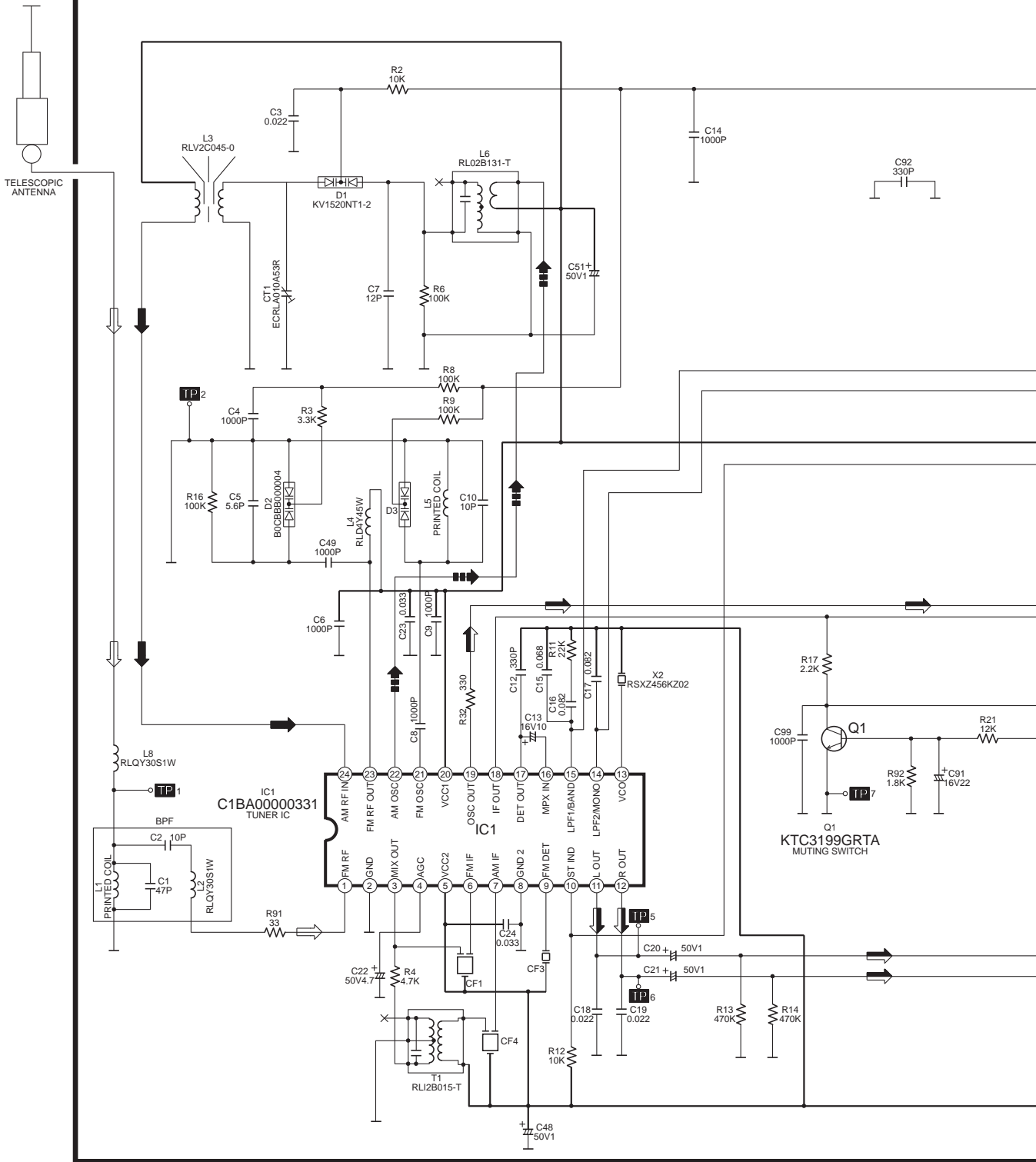
SCHEMATIC DIAGRAM - 4

**B** MAIN (TUNER) CIRCUIT

→ : FM/AM SIGNAL LINE  
 → : +B SIGNAL LINE

→ : AM SIGNAL LINE  
 → : AM OSC SIGNAL LINE

→ : FM OSC SIGNAL LINE

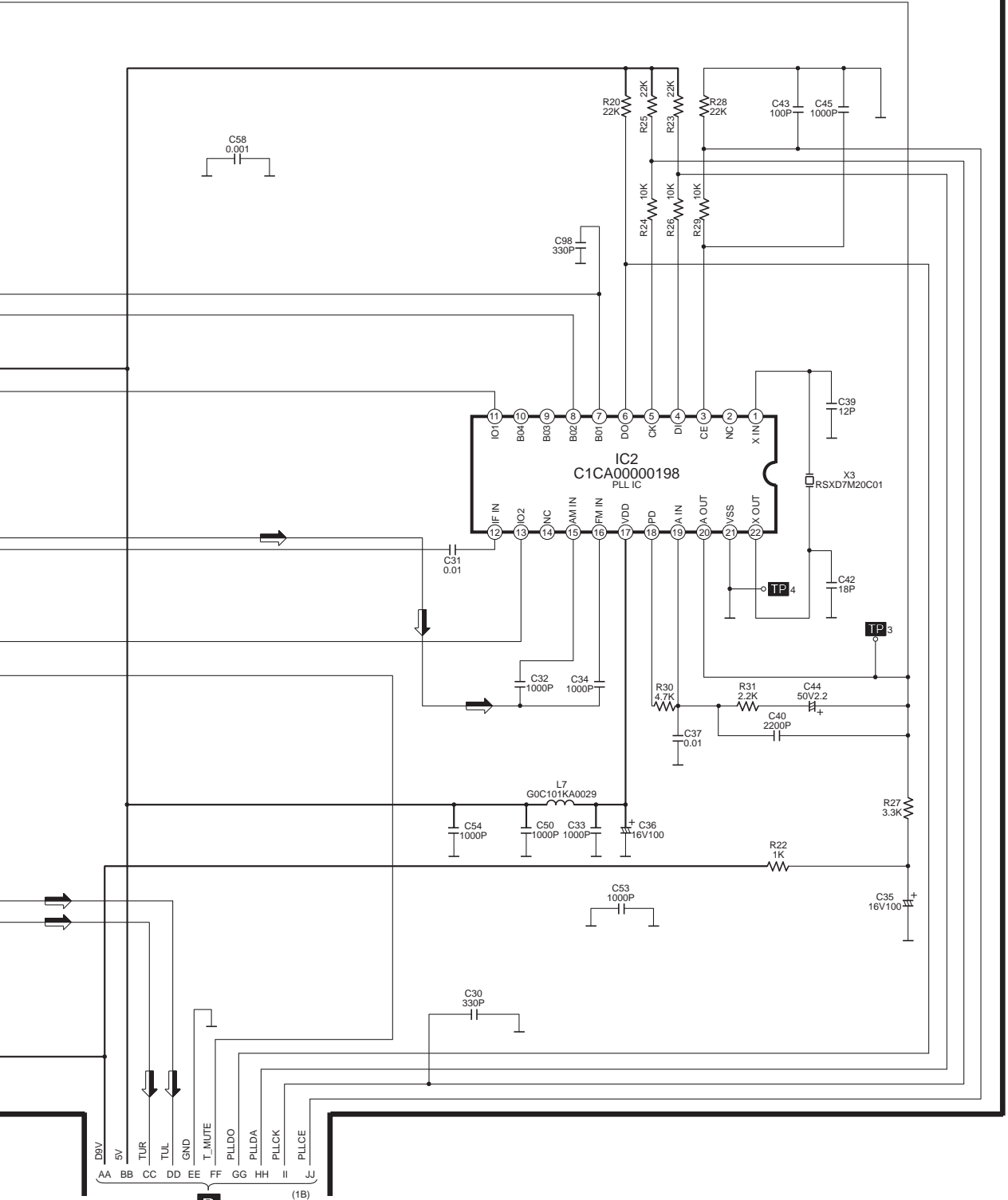


SCHEMATIC DIAGRAM - 5

**B** MAIN (TUNER) CIRCUIT

➔ : FM/AM SIGNAL LINE

— : +B SIGNAL LINE

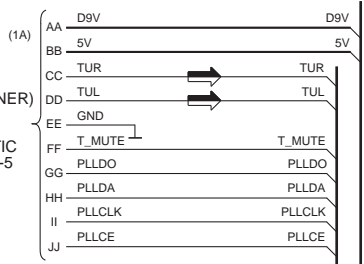
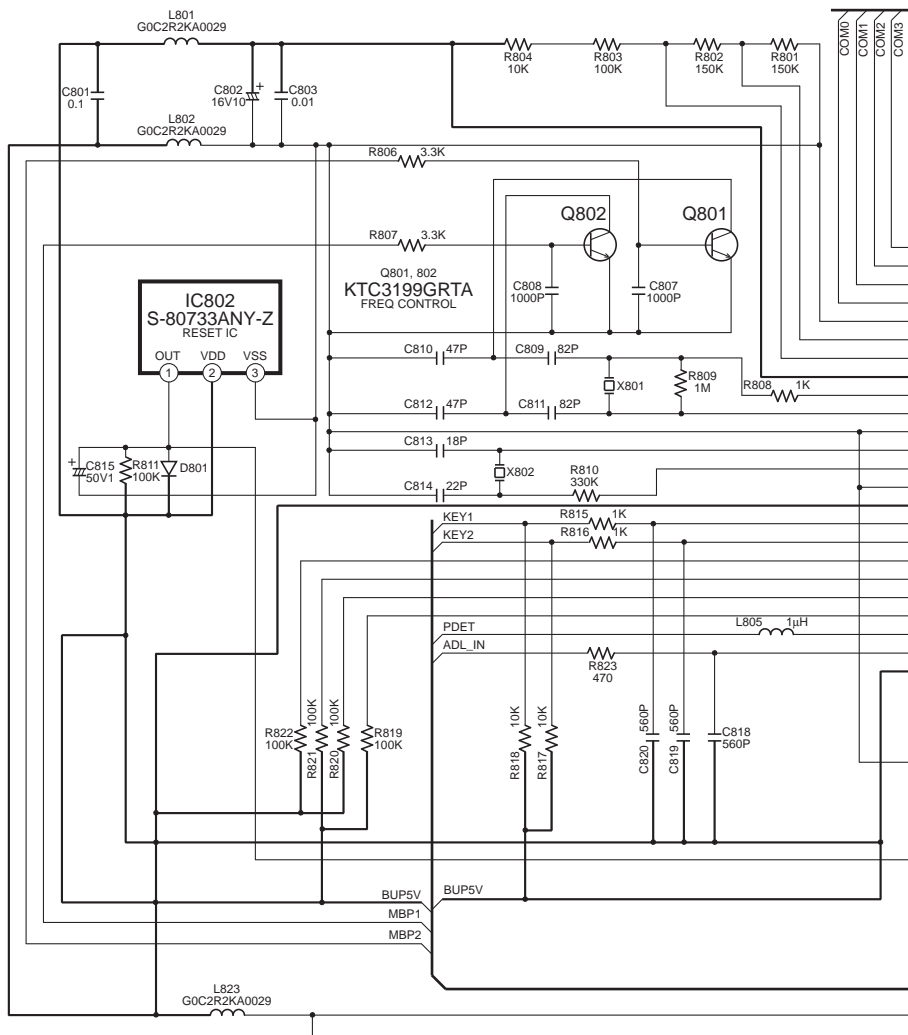


TO **B** MAIN CIRCUIT (1A) ON SCHEMATIC DIAGRAM-3

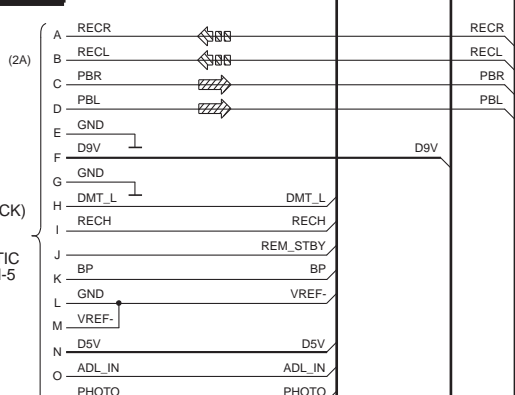
# SCHEMATIC DIAGRAM-3

## B MAIN CIRCUIT

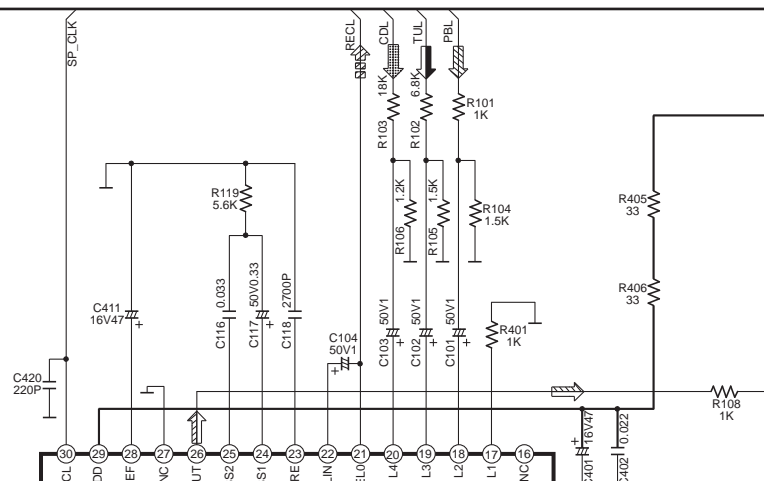
- : +B SIGNAL LINE
- ▢ : CD SIGNAL LINE
- ▨ : PLAYBACK SIGNAL LINE
- ▧ : MAIN SIGNAL LINE
- ➡ : FM/AM SIGNAL LINE
- ▩ : RECORD SIGNAL LINE



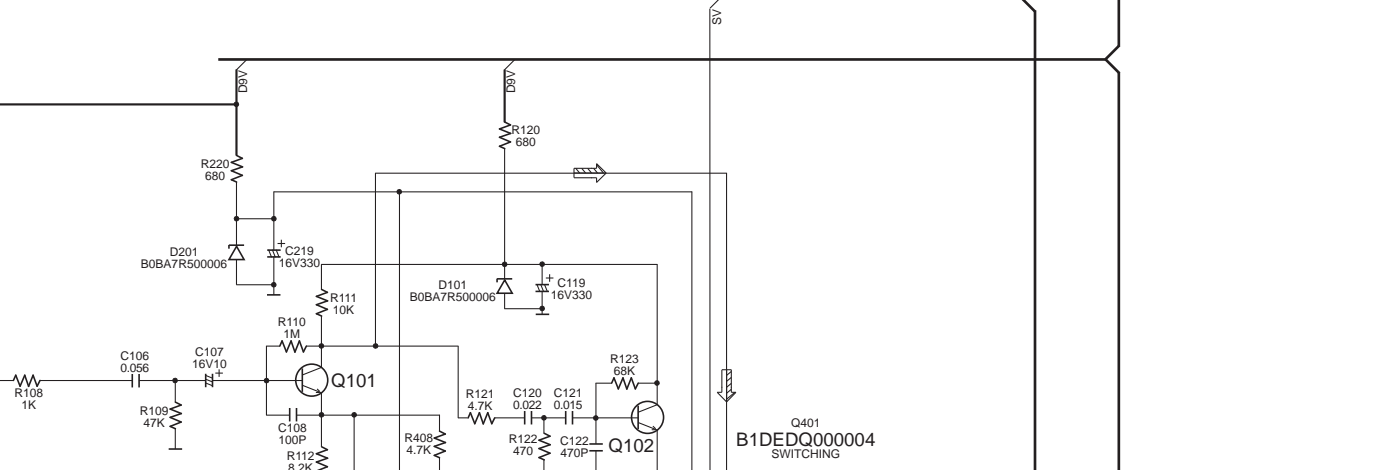
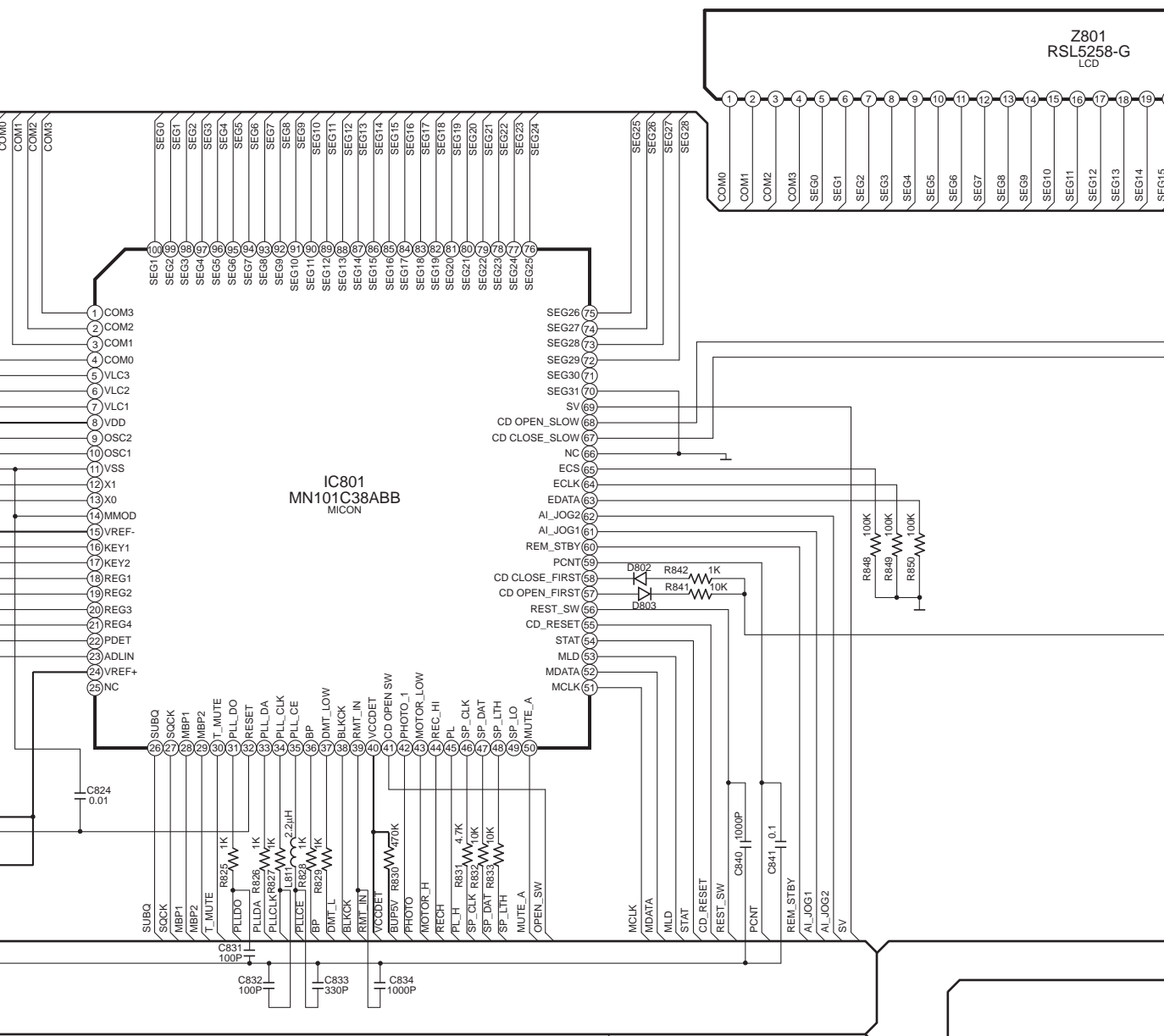
TO MAIN (TUNER) CIRCUIT (1B) ON SCHEMATIC DIAGRAM-5



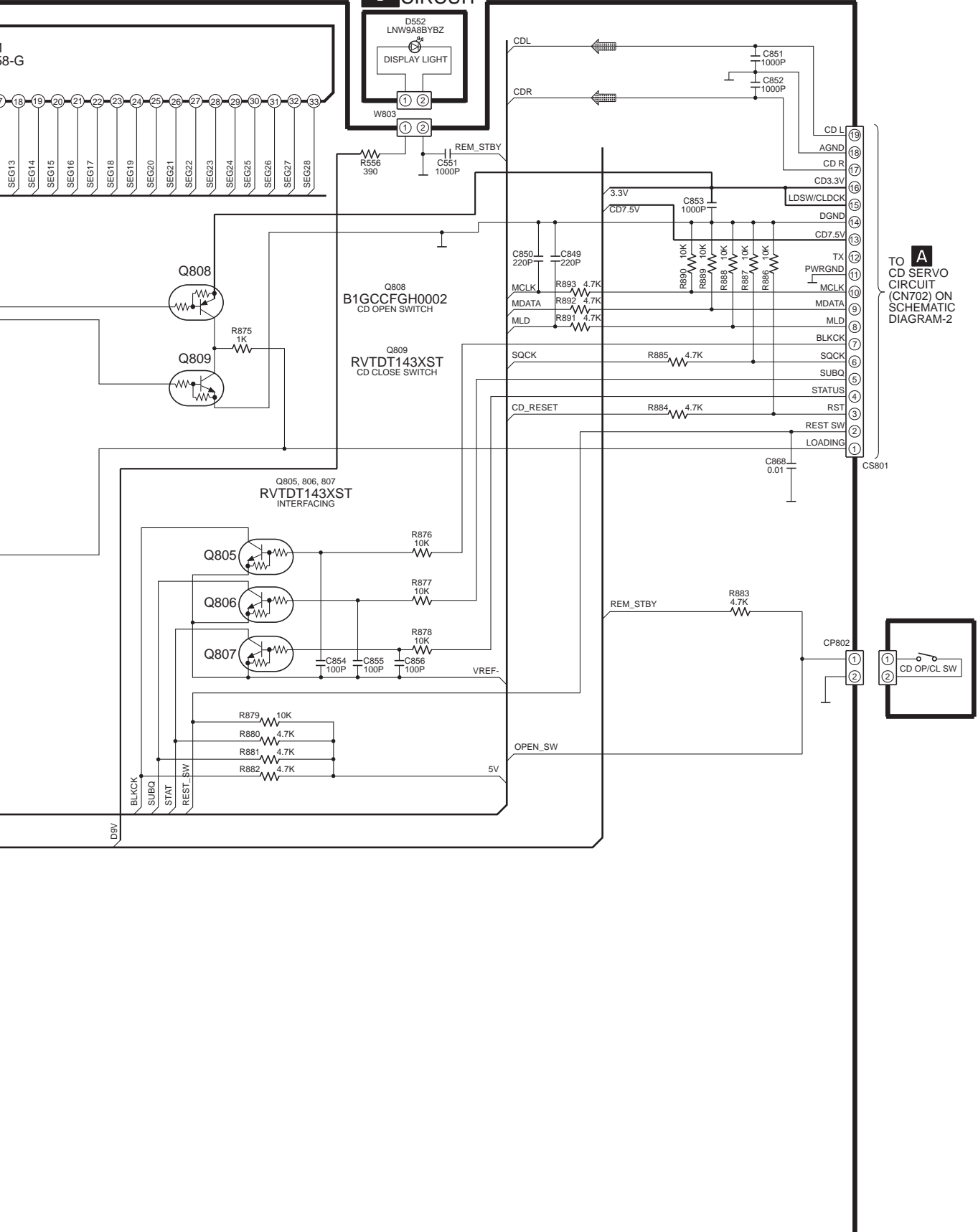
TO MAIN (DECK) CIRCUIT (2B) ON SCHEMATIC DIAGRAM-5



Z801  
RSL5258-G  
LCD

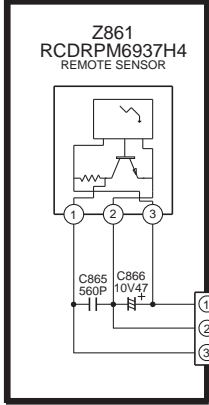


# G POWER-ON CIRCUIT

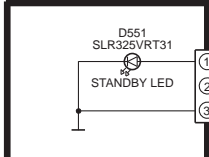


M	PHOTO	
N	D5V	D5V
O	ADL_IN	ADL_IN
P	PHOTO	PHOTO
Q	PL_H	PL_H
R	MOTOR_H	MOTOR_H

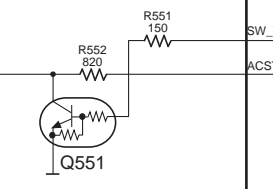
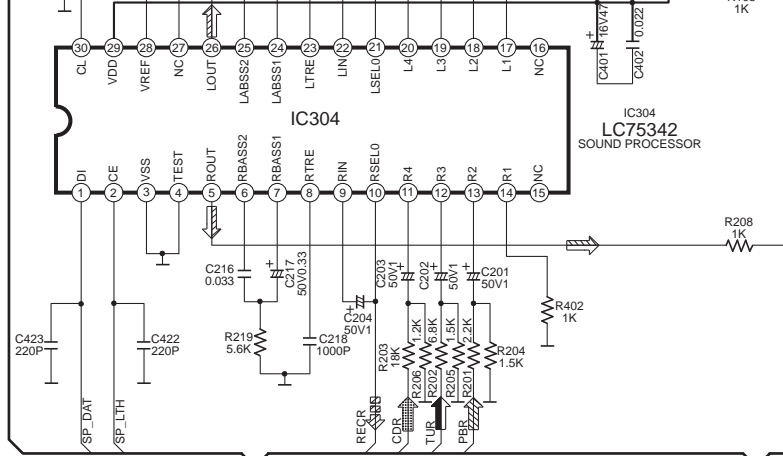
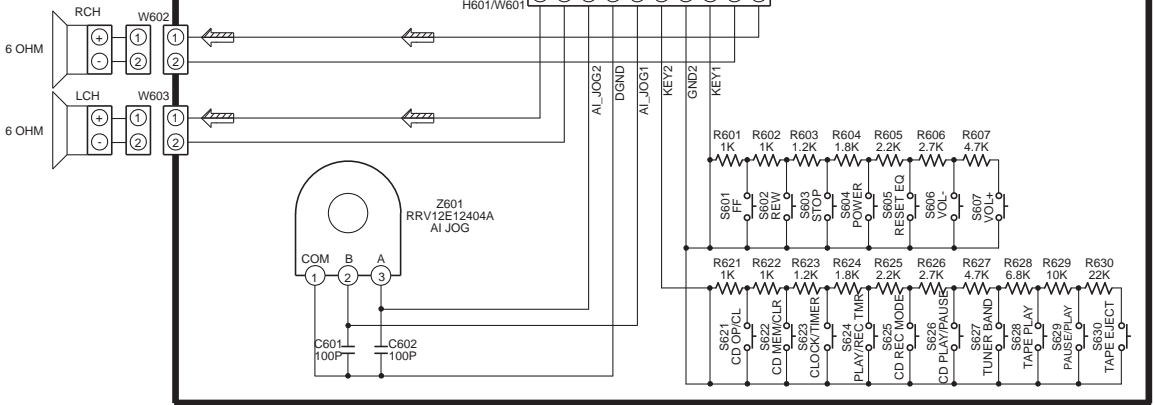
### I SENSOR CIRCUIT



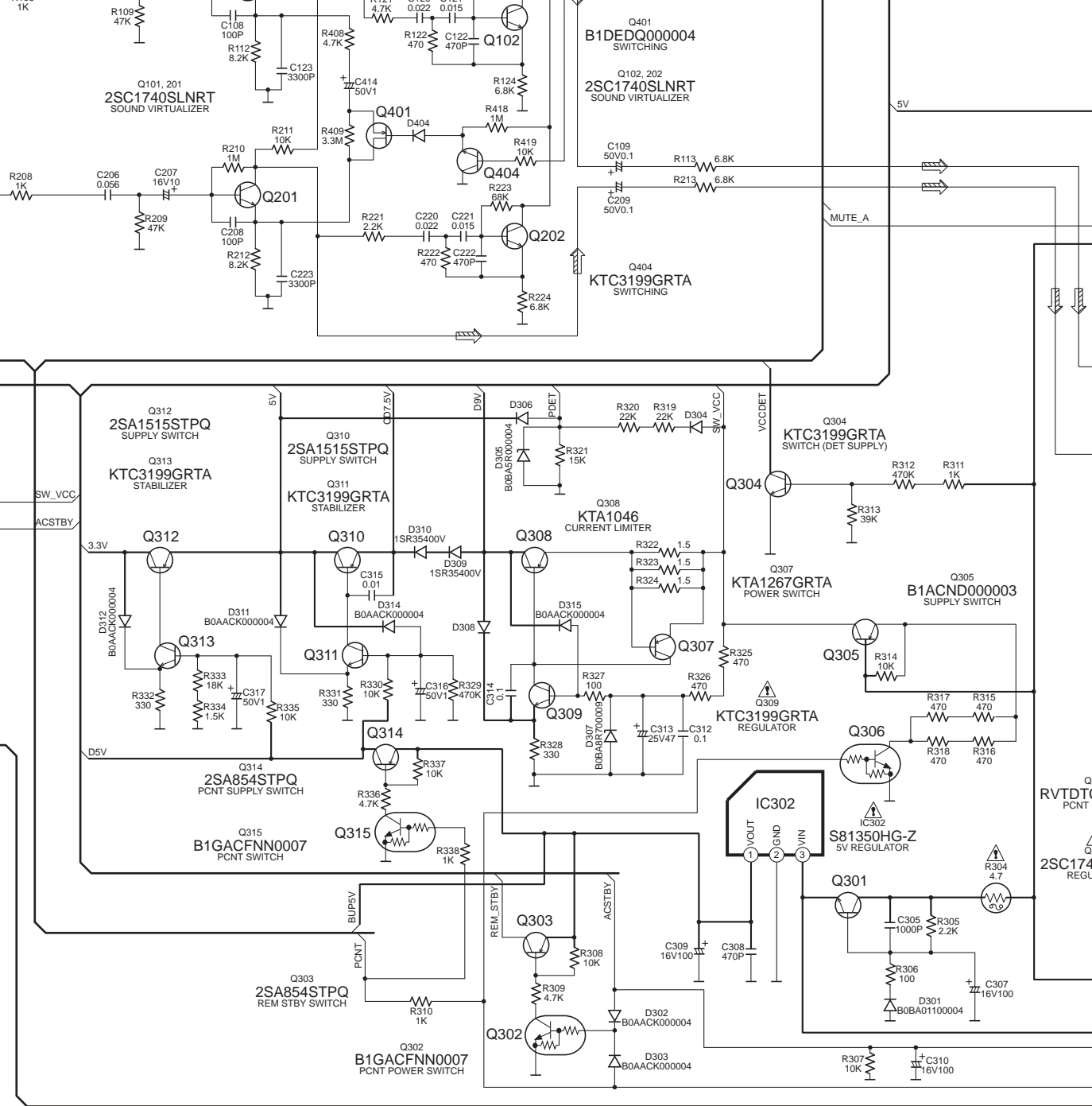
### E STANDBY LED CIRCUIT

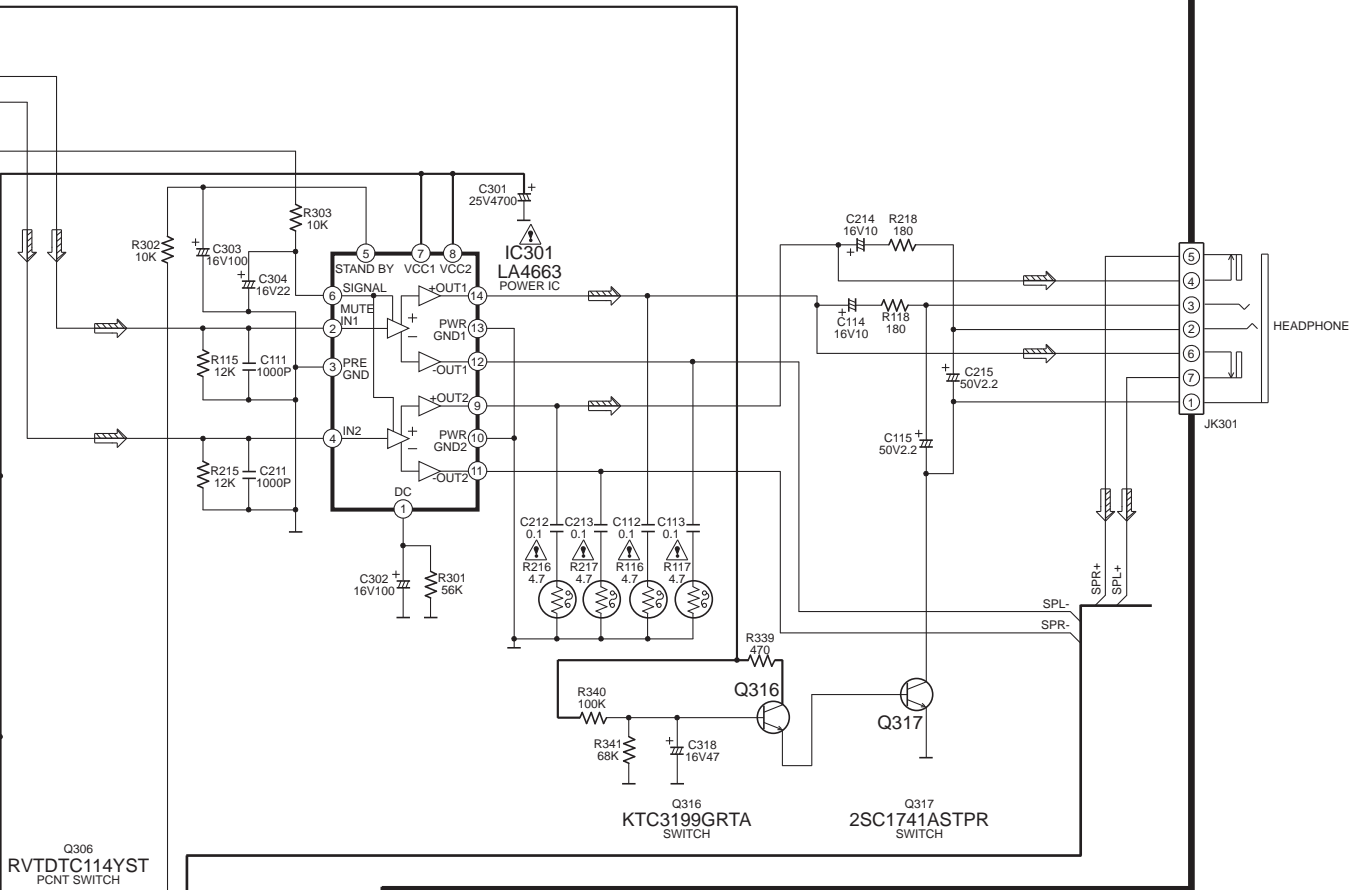


### C PANEL CIRCUIT



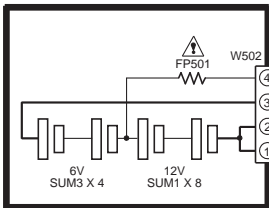
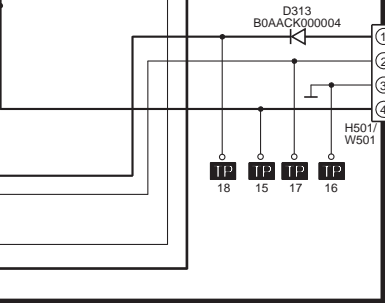




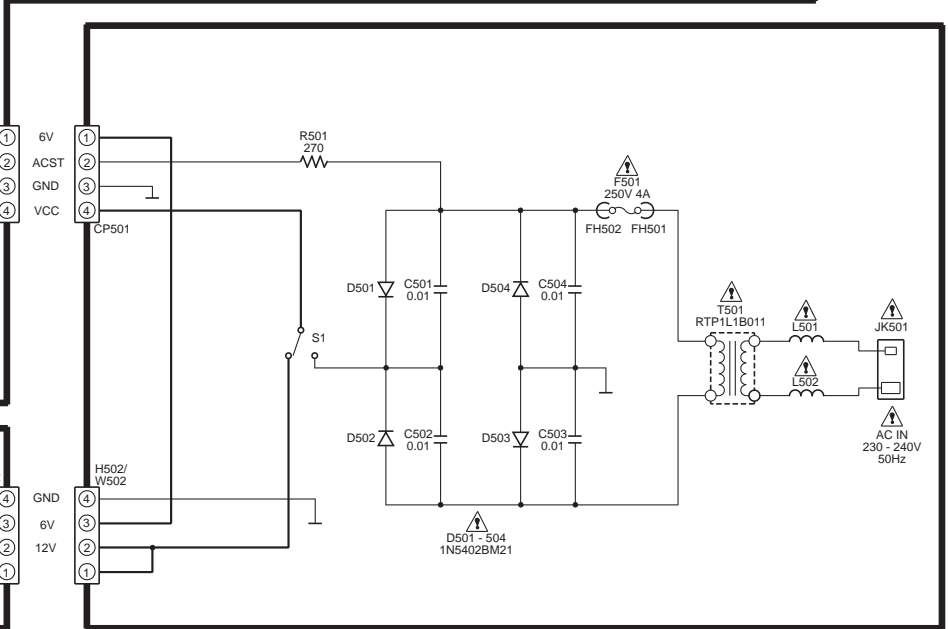


Q306  
RVTDTTC114YST  
PCNT SWITCH

Q301  
2SC1741ASTPR  
REGULATOR



**F** BATTERY  
CIRCUIT



**H** POWER  
CIRCUIT

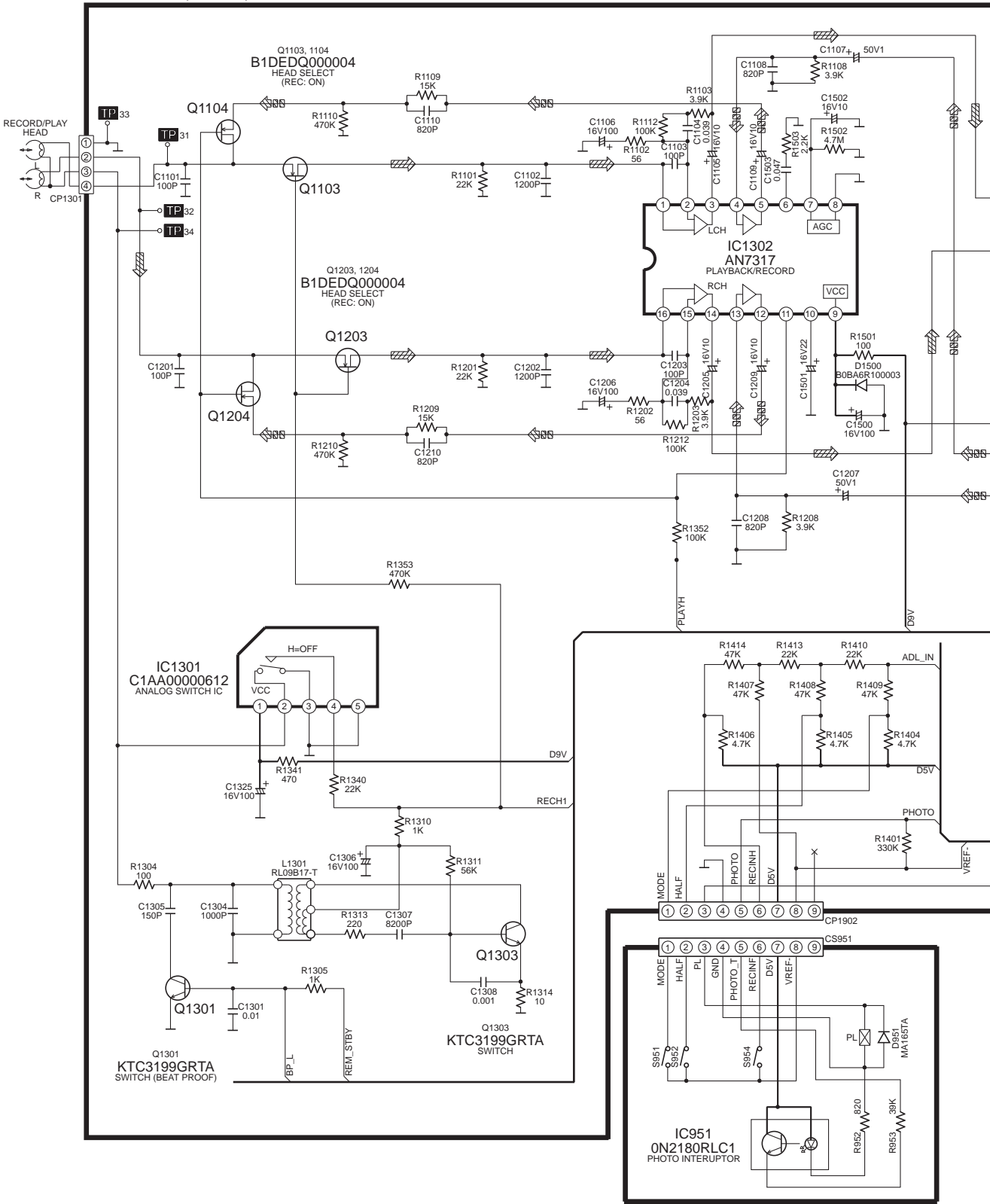
# SCHEMATIC DIAGRAM-6

## B MAIN (DECK) CIRCUIT

▨ : PLAYBACK SIGNAL LINE

— : +B SIGNAL LINE

▨ : +B SIGNAL LINE



## D DECK MECHANISM CIRCUIT

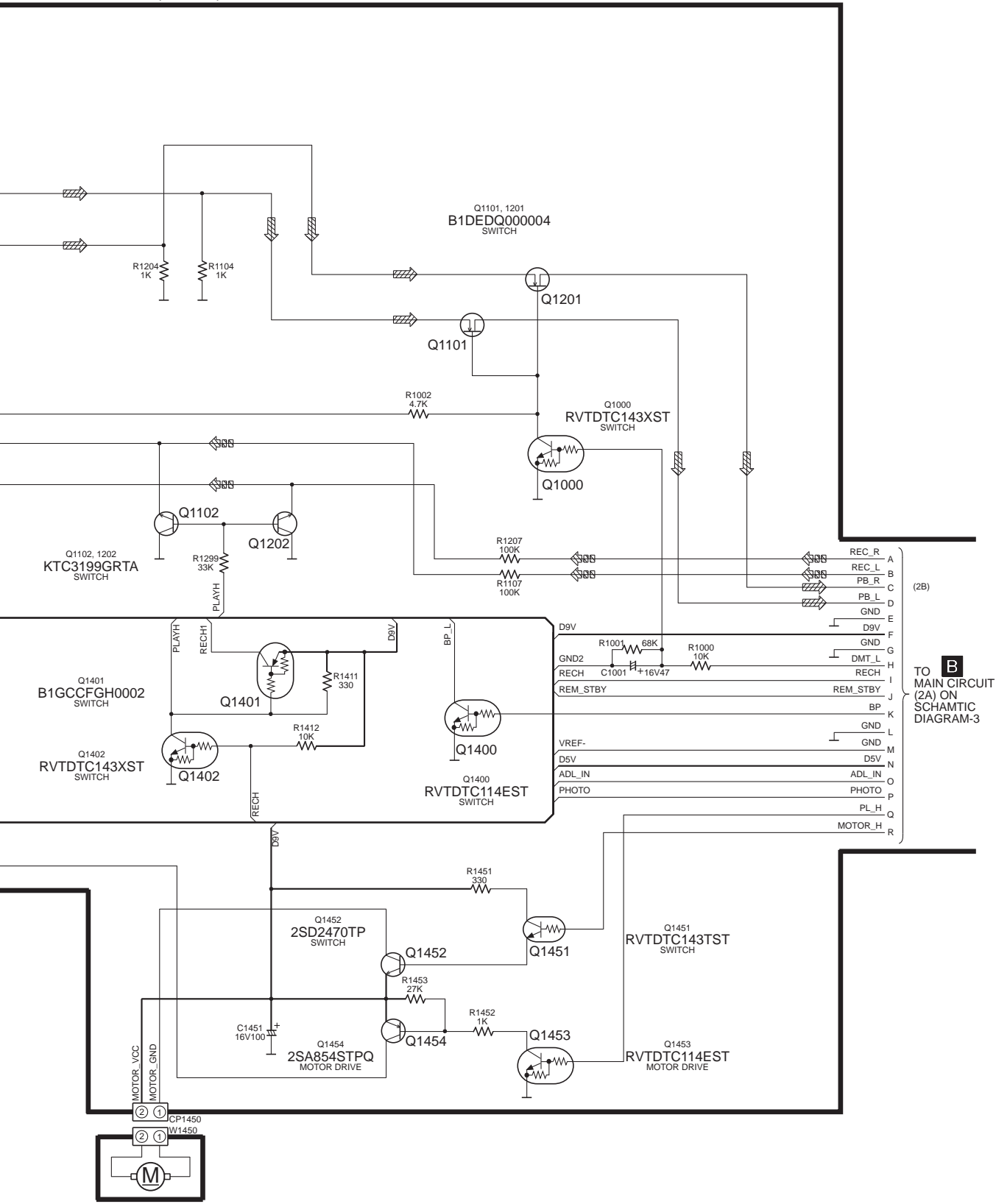
SCHEMATIC DIAGRAM-7

**B** MAIN (DECK) CIRCUIT

▨ : PLAYBACK SIGNAL LINE

— : +B SIGNAL LINE

▨ : +B SIGNAL LINE



(2B)

TO **B** MAIN CIRCUIT (2A) ON SCHEMATIC DIAGRAM-3