

# JVC

## SCHEMATIC DIAGRAMS

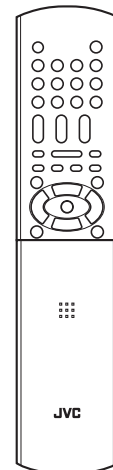
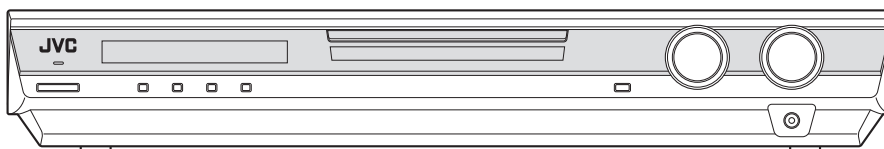
### HOME THEATER RECEIVER

# RX-F10S

CD-ROM No.SML200406

#### Area suffix

J ----- U.S.A.  
C ----- Canada



AV COMPU LINK

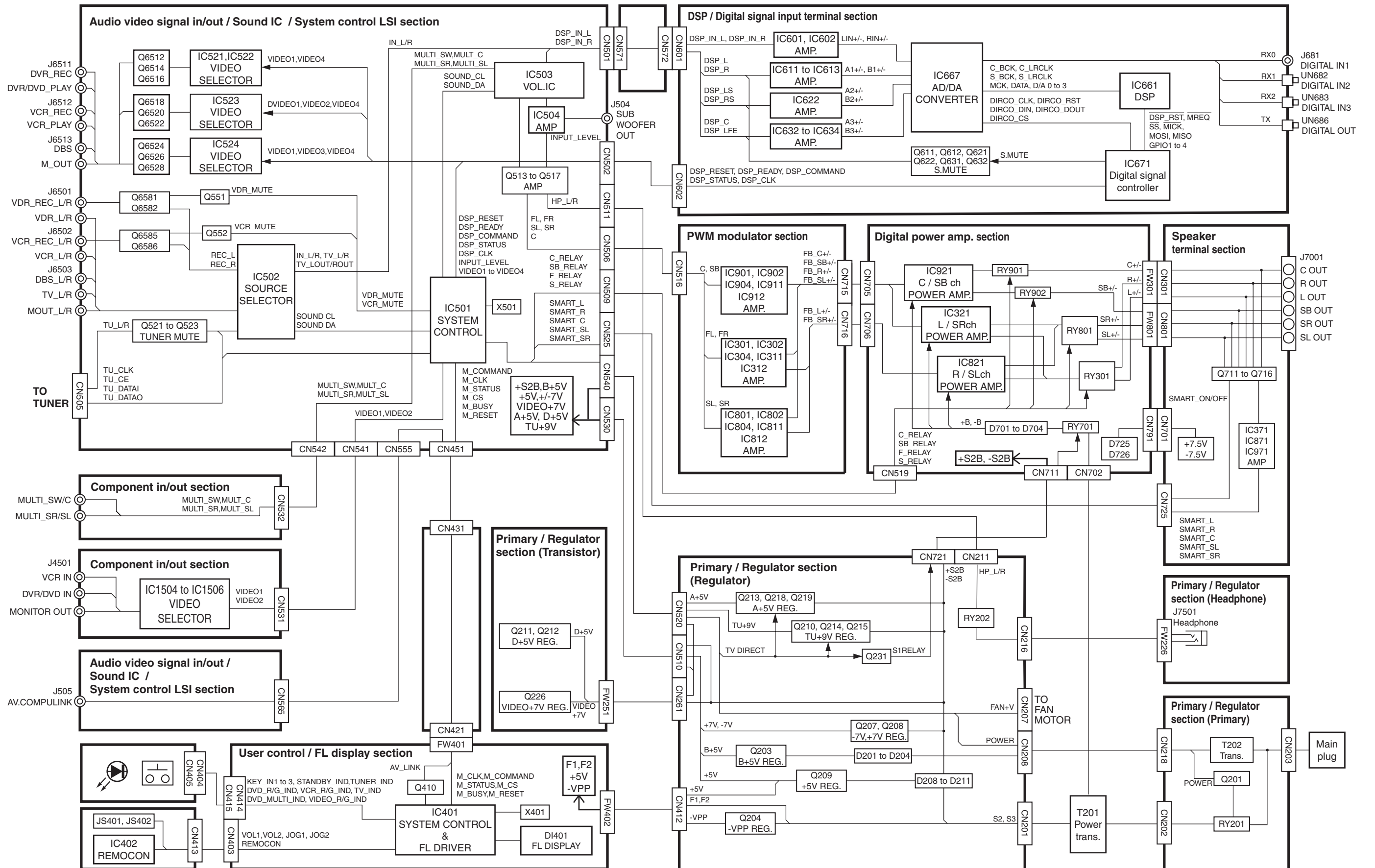
### Contents

Block diagram .....	2-1
Standard schematic diagrams .....	2-2
Printed circuit boards .....	2-10 to 14

In regard with component parts appearing on the silk-screen printed side (parts side) of the PWB diagrams, the parts that are printed over with black such as the resistor (■), diode (⬤) and ICP (●) or identified by the "▲" mark nearby are critical for safety.

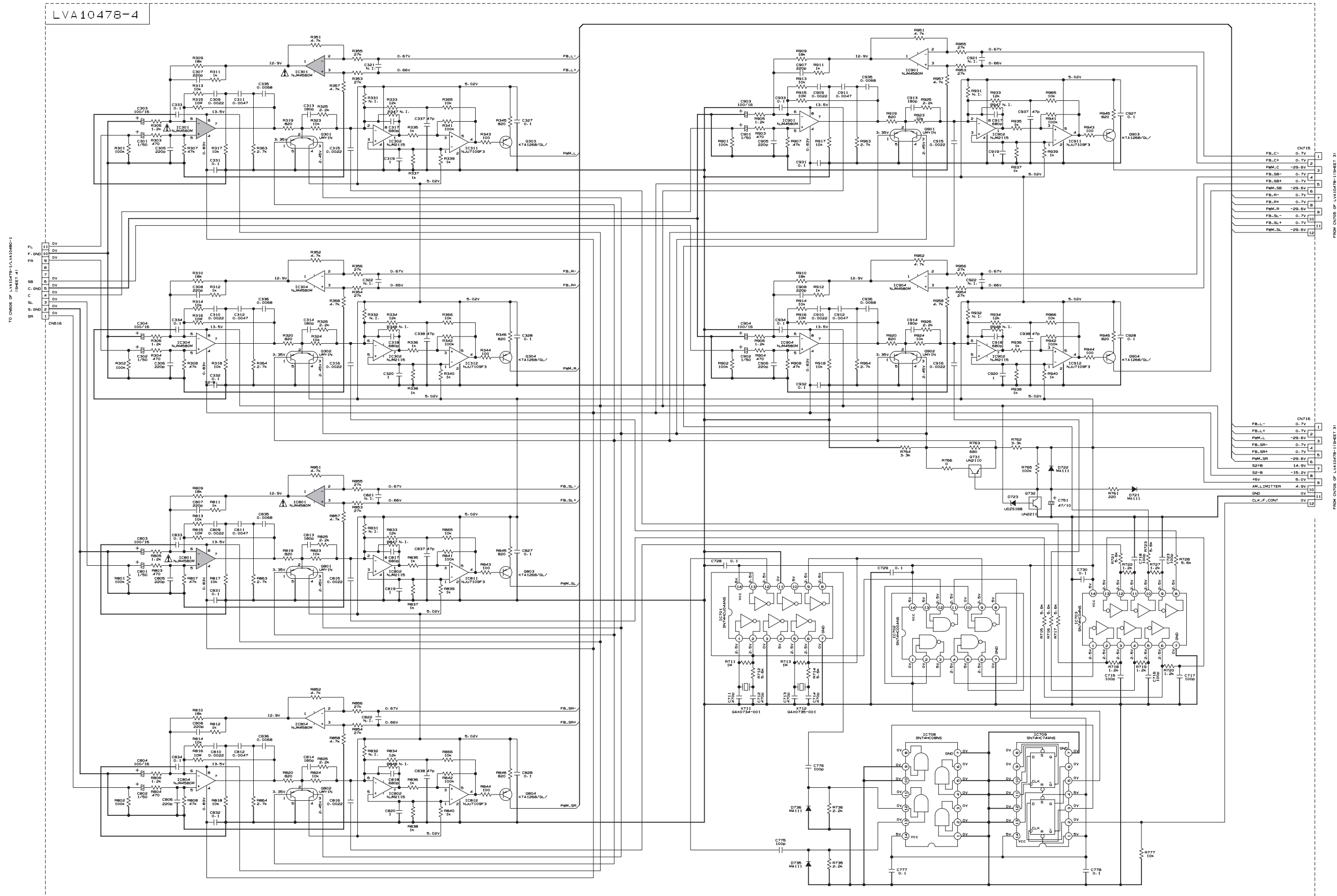
(This regulation does not correspond to J and C version.)

# Block diagram



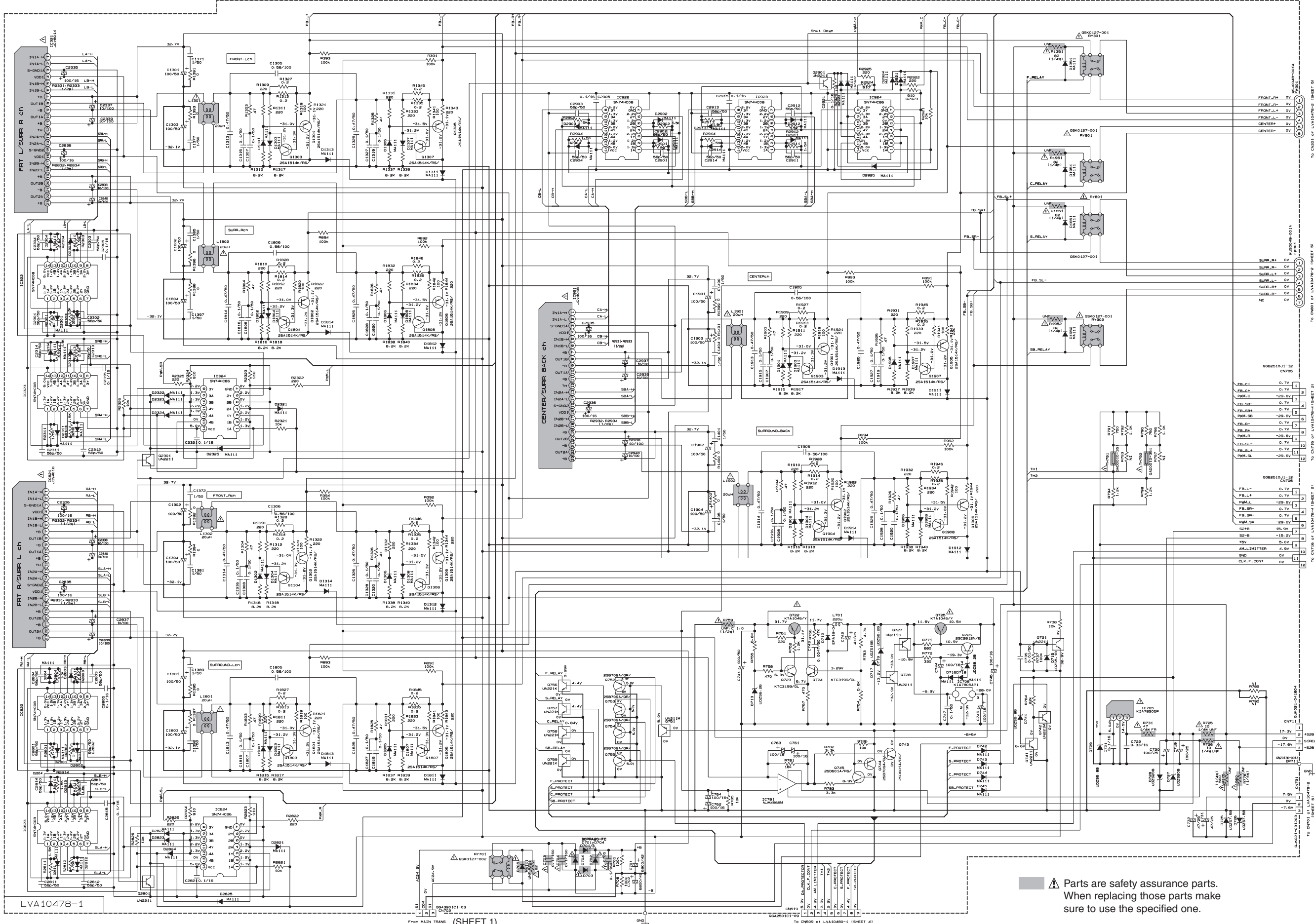


■ PWM modulator section



▲ Parts are safety assurance parts.  
When replacing those parts make  
sure to use the specified one.

■ Digital power amp. section



LVA1047B-1

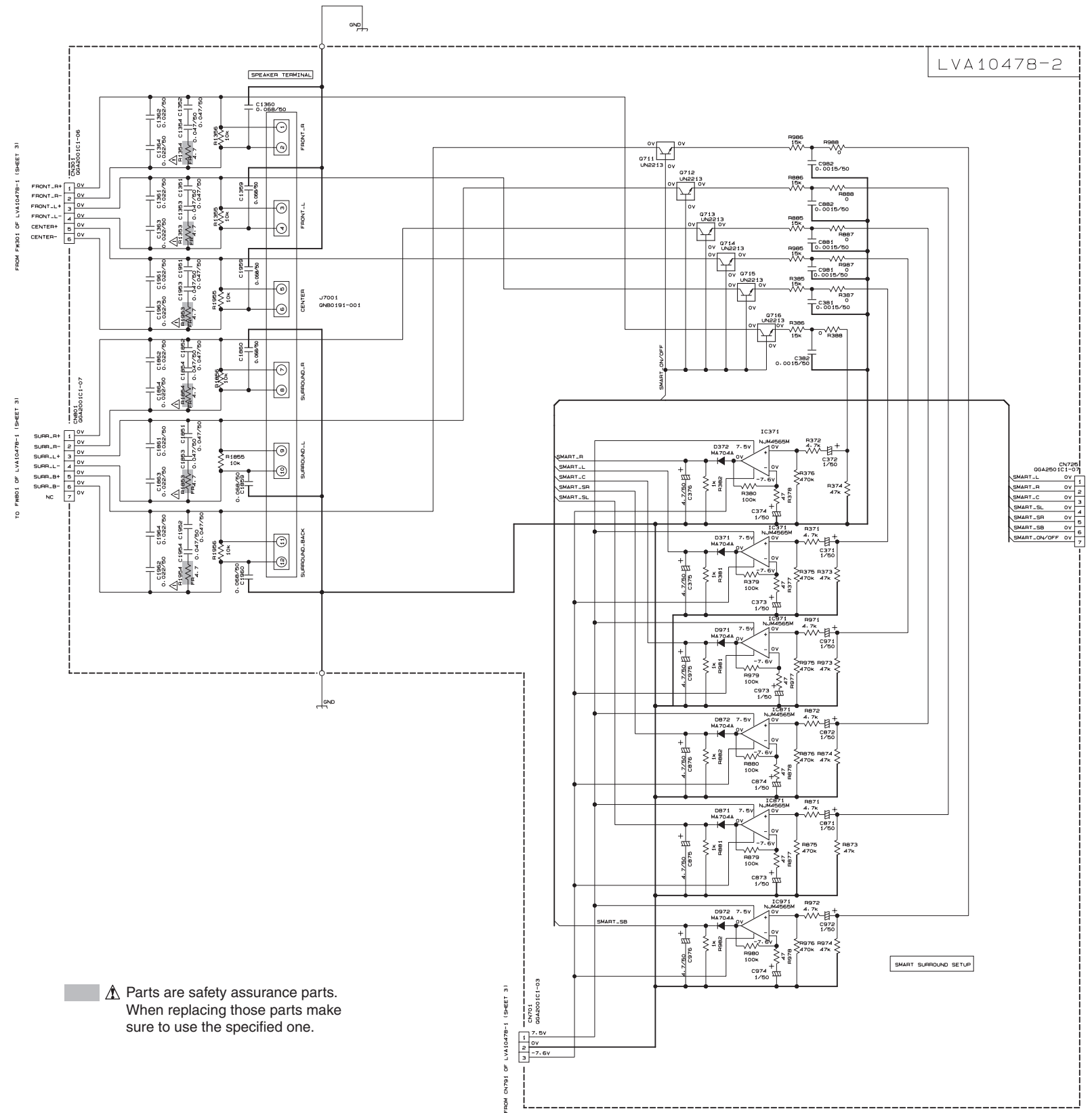
▲ Parts are safety assurance parts. When replacing those parts make sure to use the specified one.

From MAIN TRANS (SHEET 1) To C0909 OF LVA10480-1 (SHEET 4)

- FRONT\_R+ 0V
- FRONT\_R- 0V
- FRONT\_L+ 0V
- FRONT\_L- 0V
- CENTER+ 0V
- CENTER- 0V
- SURR\_R+ 0V
- SURR\_R- 0V
- SURR\_L+ 0V
- SURR\_L- 0V
- NC 0V
- FB\_L+ 0.7V
- FB\_L- 0.7V
- PWM\_C -29.6V
- FB\_SR+ 0.7V
- FB\_SR- -29.6V
- FB\_SL+ 0.7V
- FB\_SL- -29.6V
- PWM\_R -29.6V
- FB\_R+ 0.7V
- FB\_R- -29.6V
- PWM\_S -29.6V
- FB\_S+ 0.7V
- FB\_S- -29.6V
- 5V 5.0V
- AMPLIMITTER 4.9V
- GND 0V
- CLK\_F-COMT 0V

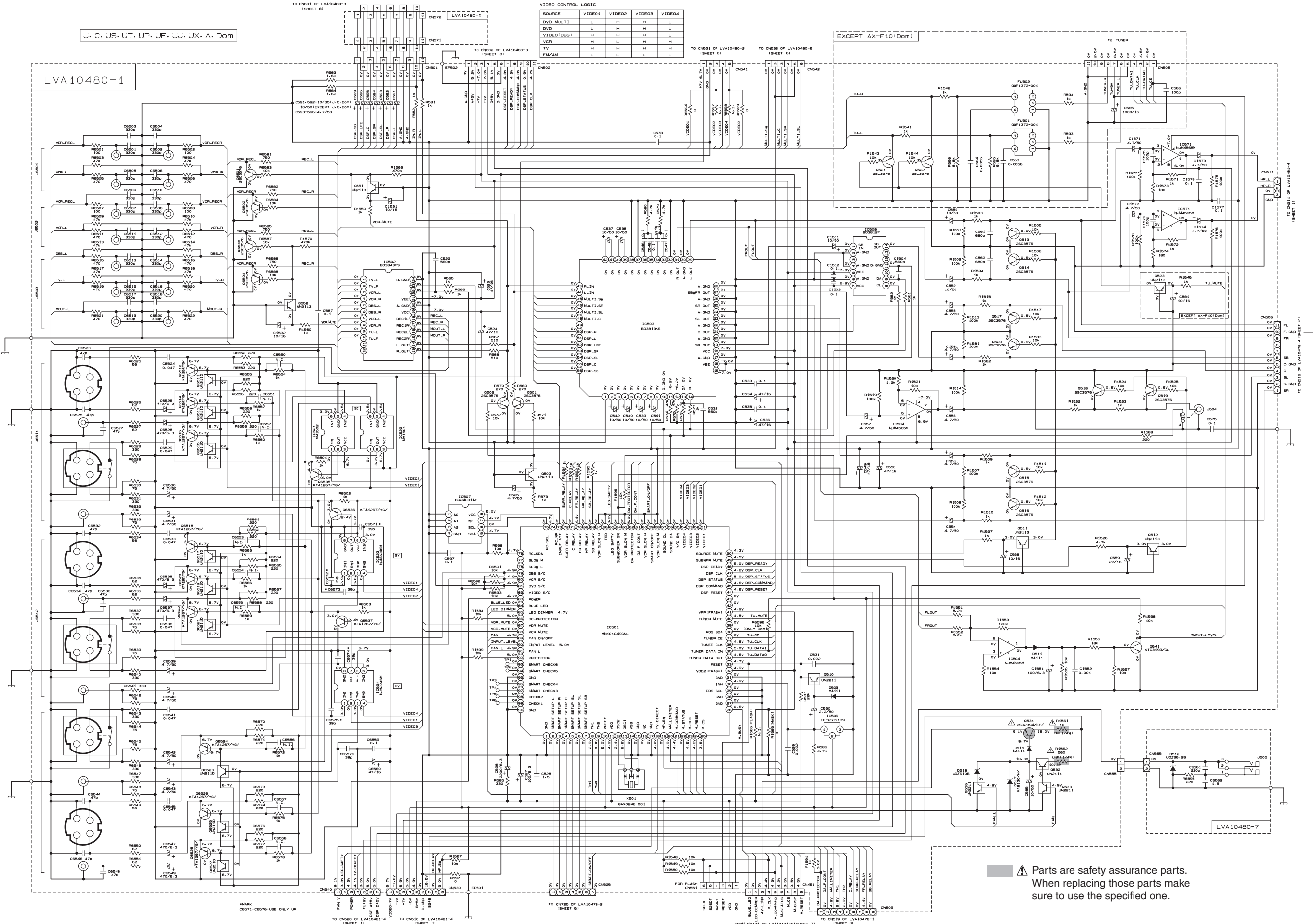


# Speaker terminal section



⚠ Parts are safety assurance parts.  
When replacing those parts make  
sure to use the specified one.

■ Audio video signal in / out / Sound IC / System control LSI section

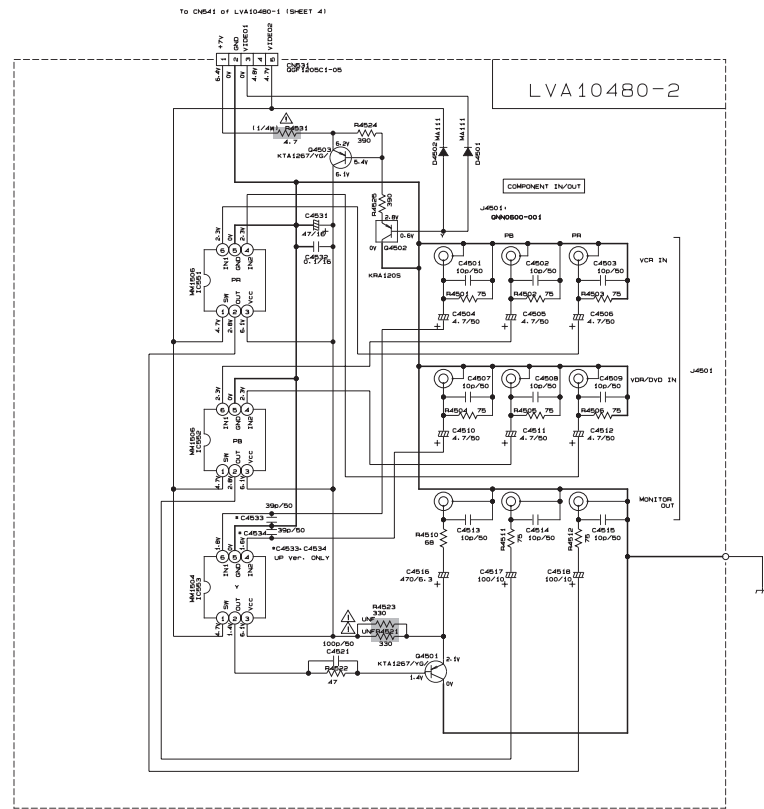


⚠ Parts are safety assurance parts.  
When replacing those parts make  
sure to use the specified one.

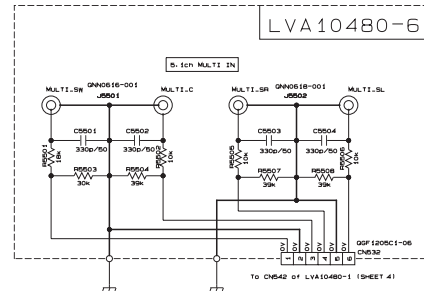


■ Component in / out section

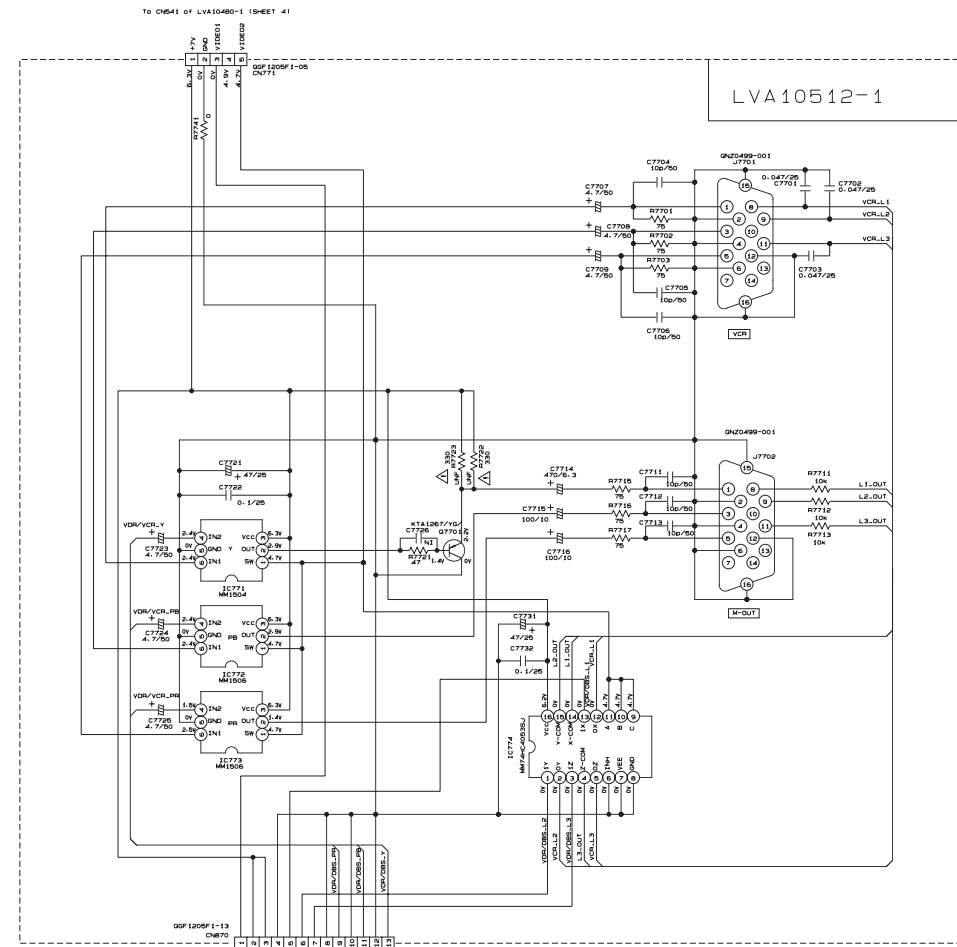
COMPONENT IN/OUT  
EXCEPT Ver. D·B·E·EN·EV·EEP·EP·ENP



DVD MULTI IN (FOR DVD AUDIO)  
EXCEPT Ver. B·E·EN·EV·EEP·EP·ENP



AX-F10 ONLY (Ver. D)

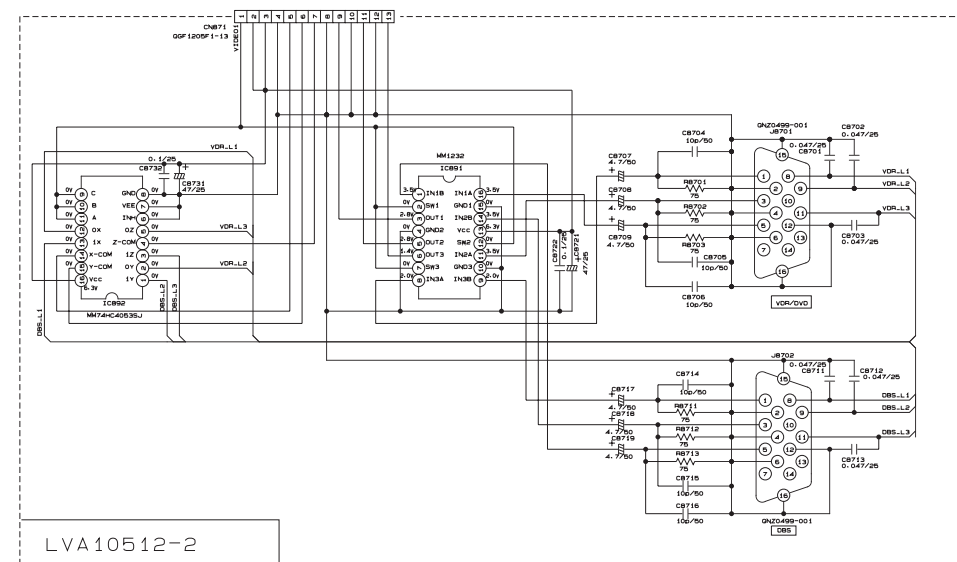


CONTROL LOGIC

SOURCE	VIDEO1	VIDEO2	VIDEO3	VIDEO4
DVD MULTI	L	H	H	L
DVD	L	H	H	L
VIDEO (DBS)	H	H	H	L
VCR	H	L	H	H
TV	H	H	(H)	H
FM/AM	L	L	L	L

VERSION LIST

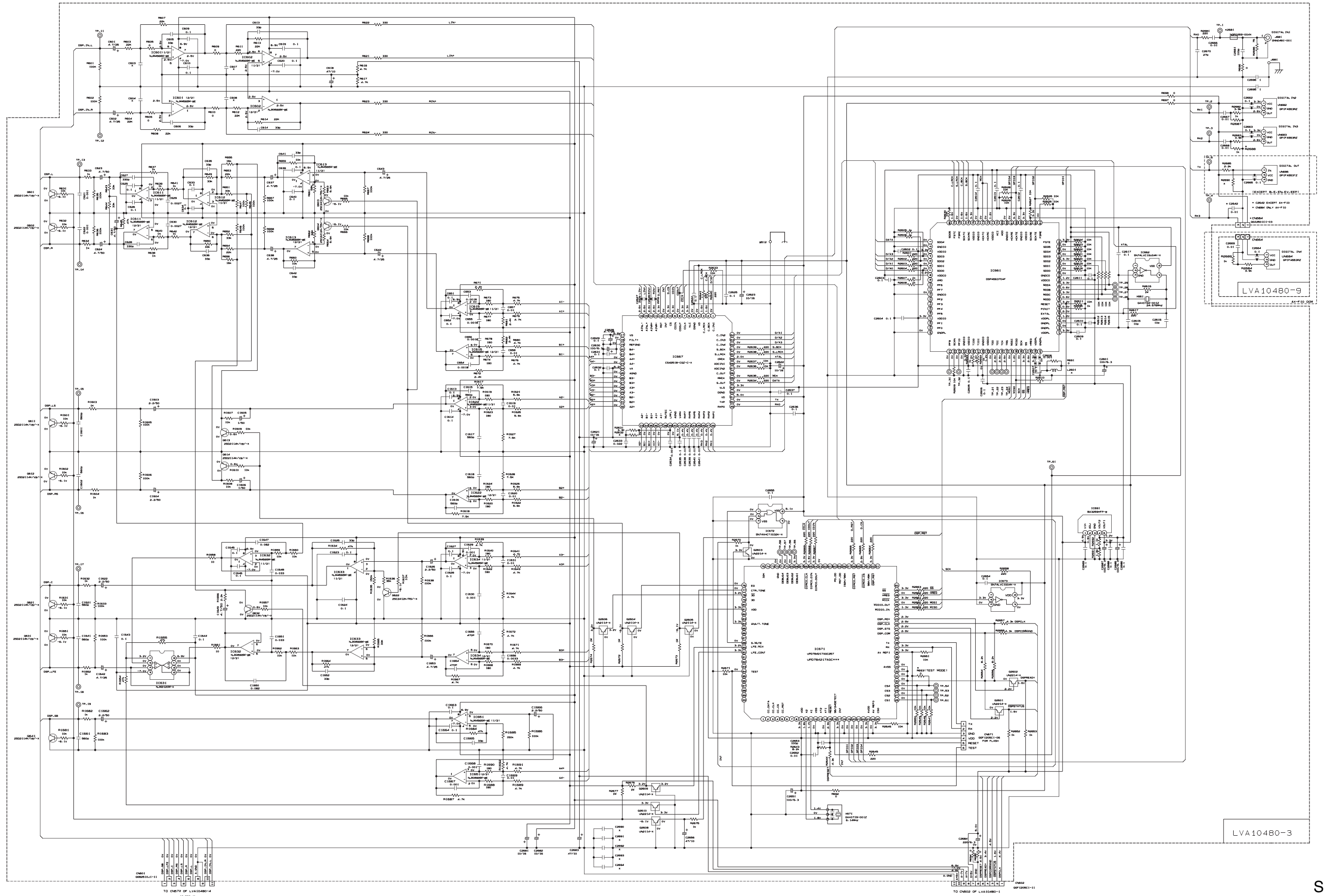
	LVA10480-2	LVA10480-6	LVA10512-1	LVA10512-2
US·UT·LP·LF A·UX·LJ	○	○	△	△
J·C	○	○	△	△
D	△	○	○	○



▲ Parts are safety assurance parts.  
When replacing those parts make  
sure to use the specified one.

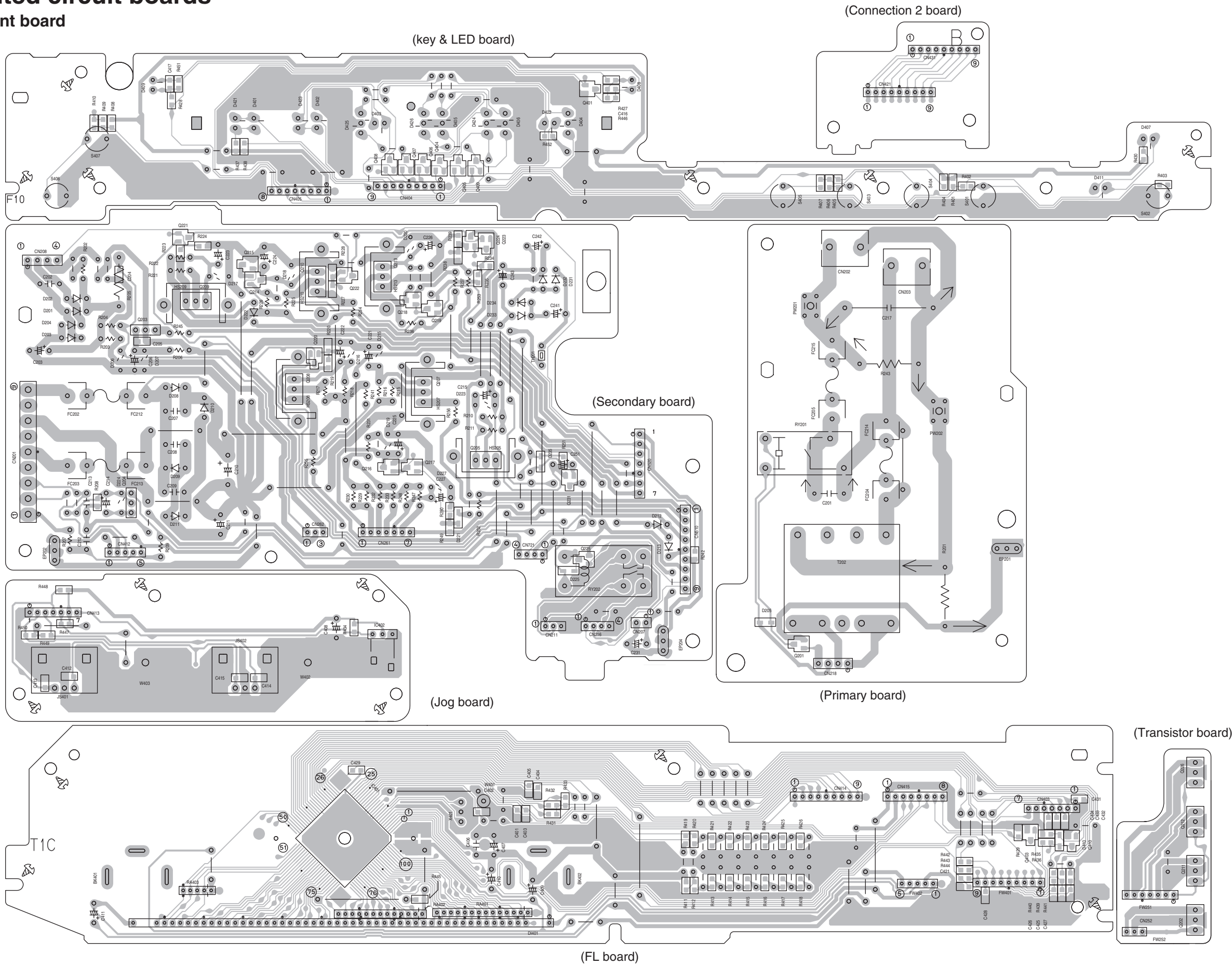


■ DSP / Digital signal input terminal section



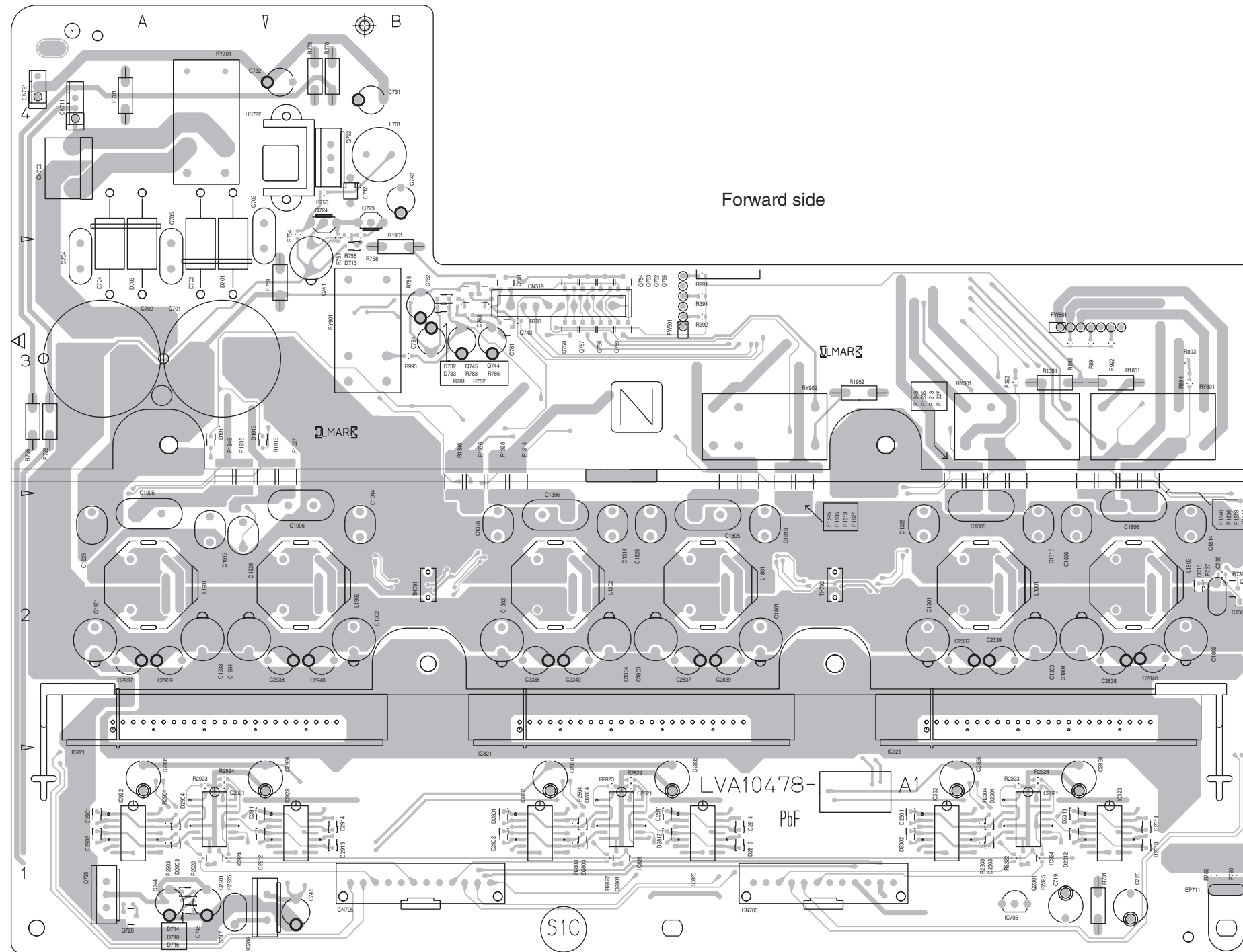
# Printed circuit boards

## ■ Front board

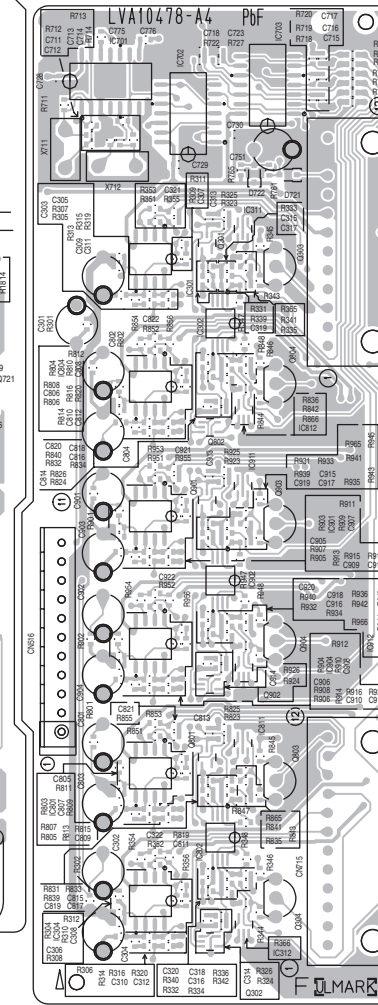
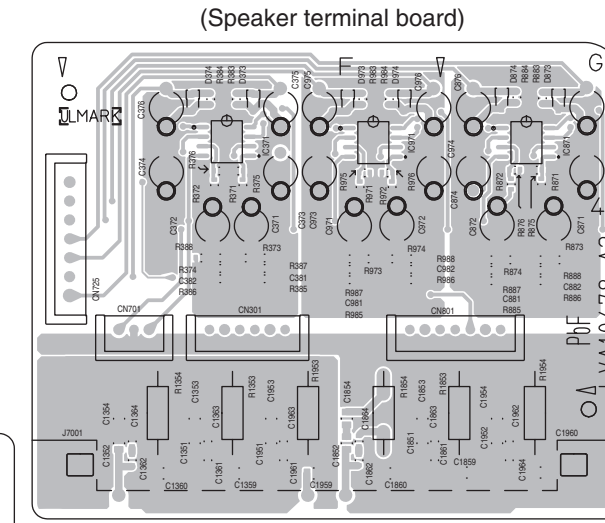




■ Amp. board



(Main amplifier board)

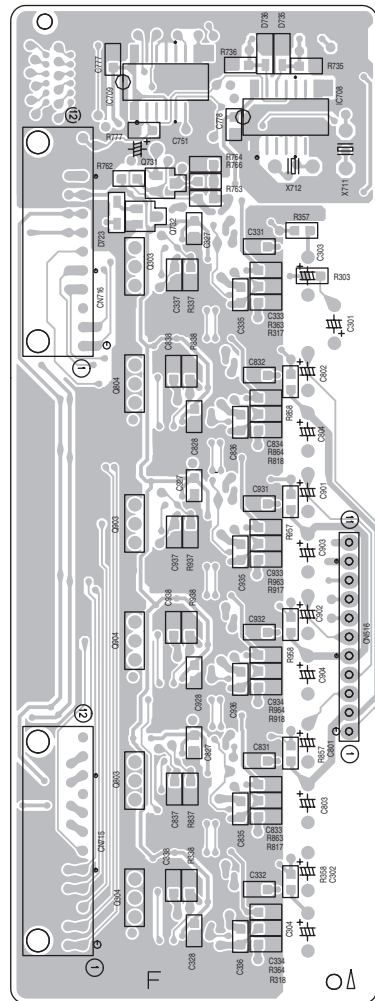
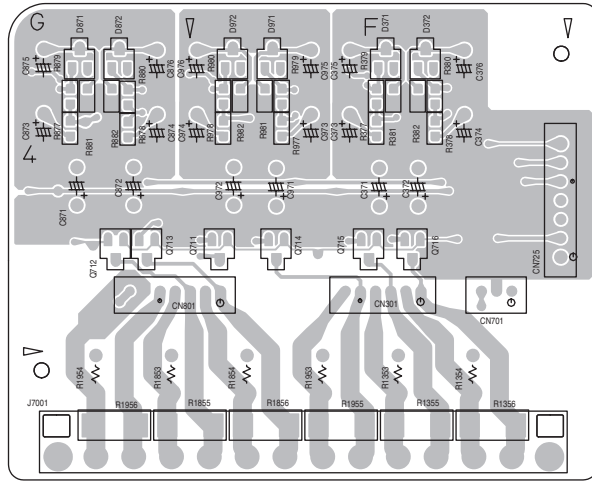


(PWM modulator board)



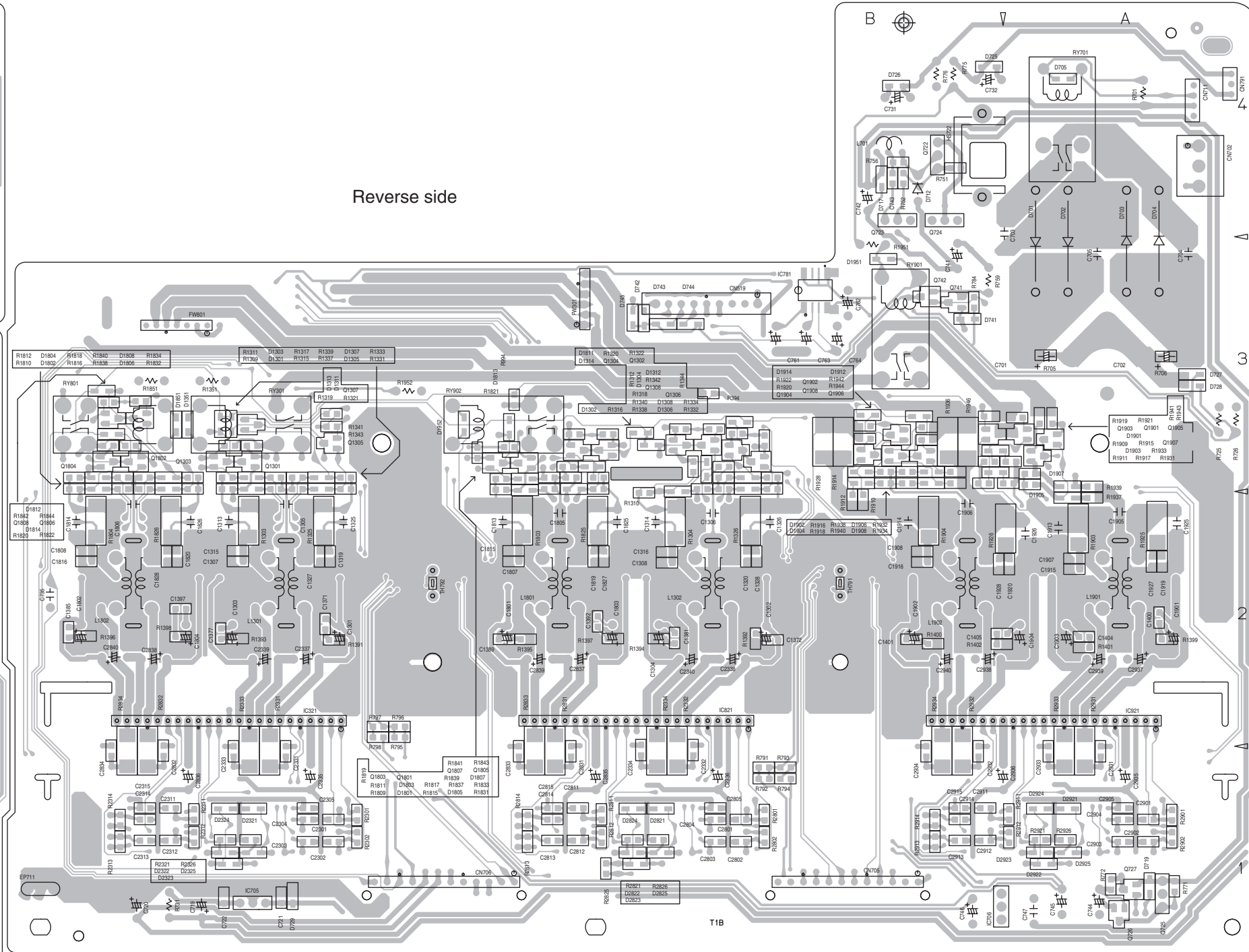
■ Amp. board

(Speaker terminal board)



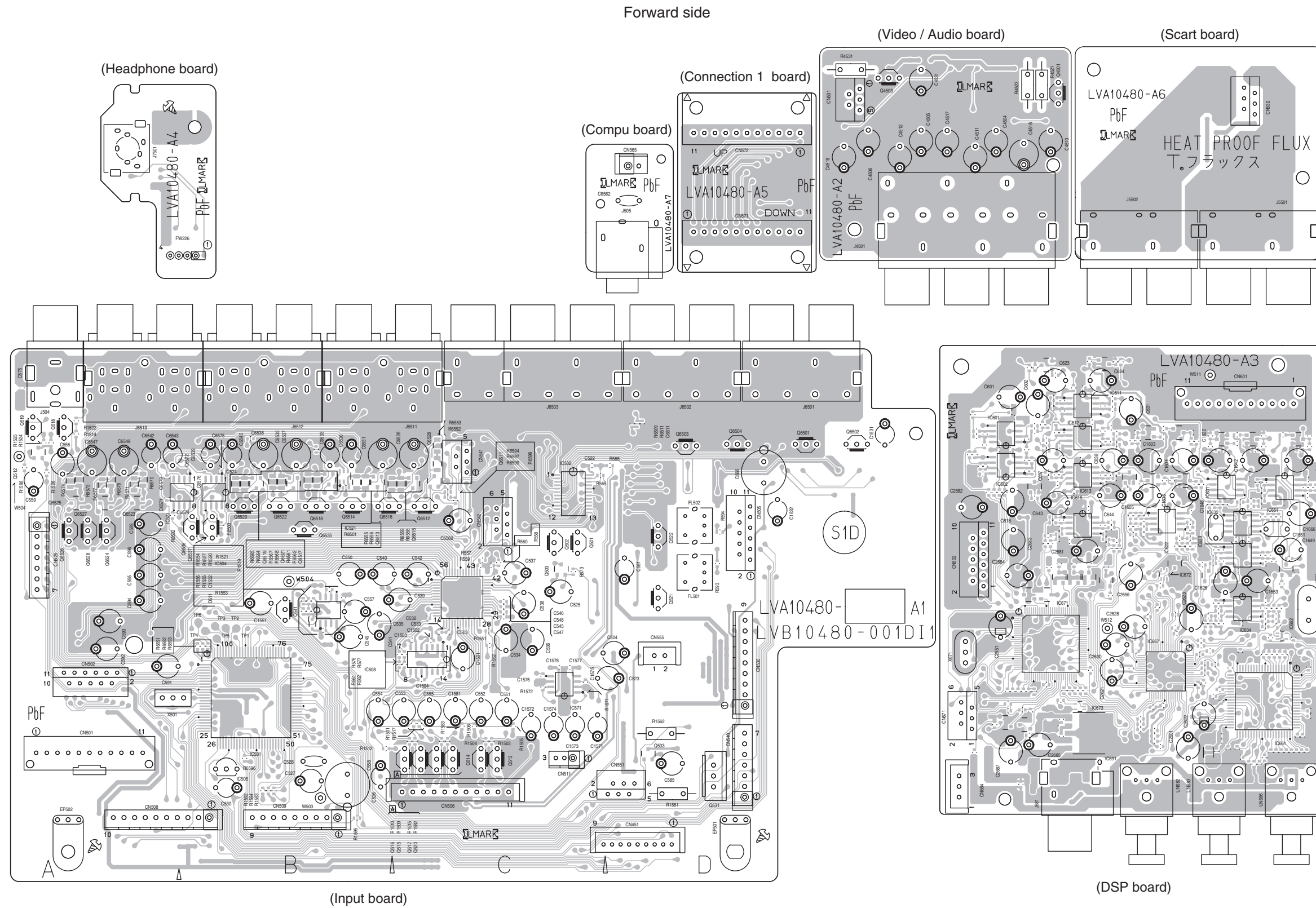
(PWM modulator board)

Reverse side



(Main amplifier board)

■ DSP board





< MEMO >

**JVC**

Victor Company of Japan, Limited

AV & MULTIMEDIA COMPANY AUDIO/VIDEO SYSTEMS CATEGORY 10-1, 1chome, Ohwatari-machi, Maebashi-city, 371-8543, Japan

(No.MB264SCH)



Printed in Japan  
WPC