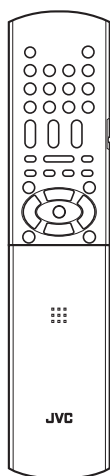


JVC

SERVICE MANUAL

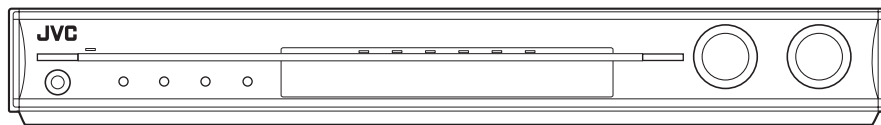
HOME CINEMA CONTROL CENTER

RX-F31S



Area suffix

A	-----	Australia
US	-----	Singapore
UF	-----	China
UJ	-----	U.S.Military



AV COMPU LINK

Lead free solder used in the board (material : Sn-Ag-Cu, melting point : 219 Centigrade)

TABLE OF CONTENTS

1	PRECAUTION	1-3
2	SPECIFIC SERVICE INSTRUCTIONS	1-4
3	DISASSEMBLY	1-5
4	ADJUSTMENT	1-15
5	TROUBLESHOOTING	1-15

SPECIFICATION

Amplifier	Output Power	At stereo operation	Front channels	100 W*1 per channel, min. RMS, driven into 6 Ω at 1 kHz with no more than 10% total harmonic distortion.	
		At surround operation	Front channels	100 W*1 per channel, min. RMS, driven into 6 Ω at 1 kHz with no more than 0.8% total harmonic distortion.	
			Center channel	100 W*1, min. RMS, driven into 6 Ω at 1 kHz, with no more than 0.8% total harmonic distortion.	
			Surround channels	100 W*1 per channel, min. RMS, driven into 6 Ω at 1 kHz with no more than 0.8% total harmonic distortion.	
			Surround back channel	100 W*1, min. RMS, driven into 6 Ω at 1 kHz, with no more than 0.8% total harmonic distortion.	
	Audio	Audio Input Sensitivity /Impedance	DVR/DVD (DVD MULTI), VCR, DBS, TV		330 mV/47 kΩ
		Audio Input (DIGITAL IN)*2	Coaxial: DIGITAL IN 1(DVR/DVD)		0.5 V(p-p)/75 Ω
			Optical: DIGITAL IN 2(DBS), 3(VCR)		-21 dBm to -15 dBm (660 nm ±30 nm)
		Audio Output Level	DVR, VCR, MONITOR OUT		330 mV
		Signal-to-Noise Ratio ('66 IHF/DIN)			80 dB/62 dB
		Frequency Response (8 Ω)			20 Hz to 20 kHz (±1 dB)
		Bass Boost			+4 dB ±1 dB at 100 Hz
		Equalization (at DSP operation)	Center frequency		63 Hz, 250 Hz, 1 kHz, 4 kHz, 16 kHz
			Control range		±8 dB
		Video	Video Input Sensitivity/ Impedance	Composite video: DVR/DVD, VCR, DBS	
	S-video: DVR/DVD, VCR, DBS			Y (luminance): 1 V(p-p)/75 Ω C (chrominance, burst): 0.286 V(p-p)/75 Ω	
	Component: DVR/DVD, VCR			Y (luminance): 1 V(p-p)/75 Ω PB, PR: 0.7 V(p-p)/75 Ω	
	Video Output Level/ Impedance		Composite video: DVR, VCR, MONITOR OUT		1 V(p-p)/75 Ω
			S-video: DVR, VCR, MONITOR OUT		Y (luminance): 1 V(p-p)/75 Ω C (chrominance, burst): 0.286 V(p-p)/75 Ω
			Component: MONITOR OUT		Y (luminance): 1 V(p-p)/75 Ω PB, PR: 0.7 V(p-p)/75 Ω
	Synchronization				Negative
	FM tuner (IHF)	Tuning Range		87.50 MHz to 108.00 MHz	
		Usable Sensitivity	Monaural	12.8 dBf (1.2 μV/75 Ω)	
50 dB Quietening Sensitivity		Monaural	16.0 dBf (1.7 μV/75 Ω)		
		Stereo	37.5 dBf (20.5 μV/75 Ω)		
Stereo Separation at OUT(REC)		35 dB at 1 kHz			
AM tuner	Tuning Range		531 kHz to 1 710 kHz (at 9 kHz intervals) 530 kHz to 1 710 kHz (at 10 kHz intervals)		
General	Power Requirements		AC 110 V/127 V/220 V/230 V - 240 V , adjustable with the voltage selector, 50 Hz/60 Hz		
	Power Consumption		120 W (at operation) 5 W (in standby mode)		
	Dimensions (W × H × D)		435 mm × 70 mm × 317.2 mm		
	Mass		6.3 kg		

*1: Measured on AC 110 V, 127 V, 220 V, and 240 V.

*2: Corresponding to Linear PCM, Dolby Digital, and DTS (with sampling frequency -32 kHz, 44.1 kHz, 48 kHz).

Designs and specifications are subject to change without notice.

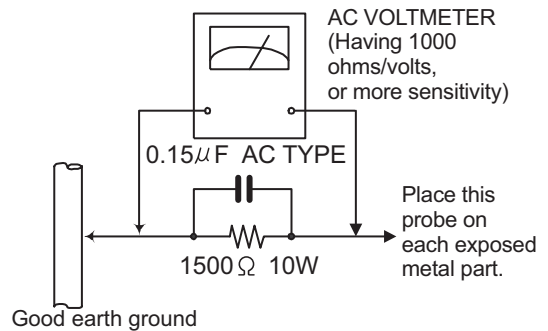
SECTION 1 PRECAUTION

1.1 Safety Precautions

- (1) This design of this product contains special hardware and many circuits and components specially for safety purposes. For continued protection, no changes should be made to the original design unless authorized in writing by the manufacturer. Replacement parts must be identical to those used in the original circuits. Services should be performed by qualified personnel only.
- (2) Alterations of the design or circuitry of the product should not be made. Any design alterations of the product should not be made. Any design alterations or additions will void the manufacturer's warranty and will further relieve the manufacturer of responsibility for personal injury or property damage resulting therefrom.
- (3) Many electrical and mechanical parts in the products have special safety-related characteristics. These characteristics are often not evident from visual inspection nor can the protection afforded by them necessarily be obtained by using replacement components rated for higher voltage, wattage, etc. Replacement parts which have these special safety characteristics are identified in the Parts List of Service Manual. Electrical components having such features are identified by shading on the schematics and by (Δ) on the Parts List in the Service Manual. The use of a substitute replacement which does not have the same safety characteristics as the recommended replacement parts shown in the Parts List of Service Manual may create shock, fire, or other hazards.
- (4) The leads in the products are routed and dressed with ties, clamps, tubings, barriers and the like to be separated from live parts, high temperature parts, moving parts and/or sharp edges for the prevention of electric shock and fire hazard. When service is required, the original lead routing and dress should be observed, and it should be confirmed that they have been returned to normal, after reassembling.
- (5) Leakage shock hazard testing
After reassembling the product, always perform an isolation check on the exposed metal parts of the product (antenna terminals, knobs, metal cabinet, screw heads, headphone jack, control shafts, etc.) to be sure the product is safe to operate without danger of electrical shock. Do not use a line isolation transformer during this check.
 - Plug the AC line cord directly into the AC outlet. Using a "Leakage Current Tester", measure the leakage current from each exposed metal part of the cabinet, particularly any exposed metal part having a return path to the chassis, to a known good earth ground. Any leakage current must not exceed 0.5mA AC (r.m.s.).
 - Alternate check method
Plug the AC line cord directly into the AC outlet. Use an AC voltmeter having, 1,000 Ω per volt or more sensitivity in the following manner. Connect a 1,500 Ω 10W resistor paralleled by a 0.15 μ F AC-type capacitor between an exposed metal part and a known good earth ground. Measure the AC voltage across the resistor with the AC

voltmeter.

Move the resistor connection to each exposed metal part, particularly any exposed metal part having a return path to the chassis, and measure the AC voltage across the resistor. Now, reverse the plug in the AC outlet and repeat each measurement. Voltage measured any must not exceed 0.75 V AC (r.m.s.). This corresponds to 0.5 mA AC (r.m.s.).



1.2 Warning

- (1) This equipment has been designed and manufactured to meet international safety standards.
- (2) It is the legal responsibility of the repairer to ensure that these safety standards are maintained.
- (3) Repairs must be made in accordance with the relevant safety standards.
- (4) It is essential that safety critical components are replaced by approved parts.
- (5) If mains voltage selector is provided, check setting for local voltage.

1.3 Caution

Burrs formed during molding may be left over on some parts of the chassis.
Therefore, pay attention to such burrs in the case of pre-forming repair of this system.

1.4 Critical parts for safety

In regard with component parts appearing on the silk-screen printed side (parts side) of the PWB diagrams, the parts that are printed over with black such as the resistor (\blacksquare), diode (\blacksquare) and ICP (\bullet) or identified by the " Δ " mark nearby are critical for safety. When replacing them, be sure to use the parts of the same type and rating as specified by the manufacturer.
(This regulation does not Except the J and C version)

SECTION 2 SPECIFIC SERVICE INSTRUCTIONS

This service manual does not describe SPECIFIC SERVICE INSTRUCTIONS.

SECTION 3 DISASSEMBLY

3.1 Main body section

3.1.1 Removing the top cover

(See Figs.1 and 2)

- (1) From the both sides of the main body, remove the four screws **A** attaching the top cover. (See Fig.1)
- (2) From the back side of the main body, remove the five screws **B** attaching the top cover. (See Fig.2)
- (3) Remove the top cover in the direction of the arrow. (See Fig.1.)

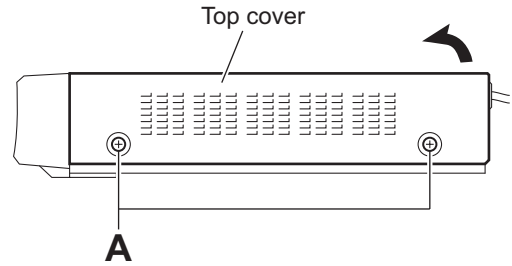


Fig.1

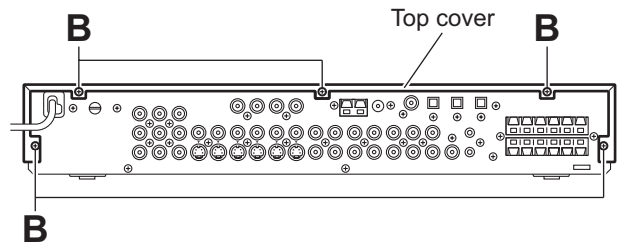


Fig.2

3.1.2 Removing the front panel assembly (See Figs.3 and 4)

- Remove the top cover.

(1) From the top side of the main body, remove the tie bands bundling the wires. (See Fig.3.)

Reference:

After reassembling, bundle the wires with the new tie bands as before. (See Fig.3.)

- (2) Disconnect the parallel wire from the connector [CN412](#) on the regulator connect board. (See Fig.3)
 (3) Disconnect the wire from the connector [CN451](#) on the input mother board. (See Fig.3)
 (4) Remove the four screws **C** and screw **C'** attaching the front panel assembly. (See Fig.3)

Reference:

When attaching the screw **C'**, attach the earth wires with it as before. (See Fig.3.)

- (5) From the bottom side of the main body, remove the four screws **C** attaching the front panel assembly. (See Fig.4)
 (6) From the both and bottom sides of the main body, release the joints (**a**, **b**) and remove the front panel assembly in the direction of the arrow. (See Figs.3 and 4)

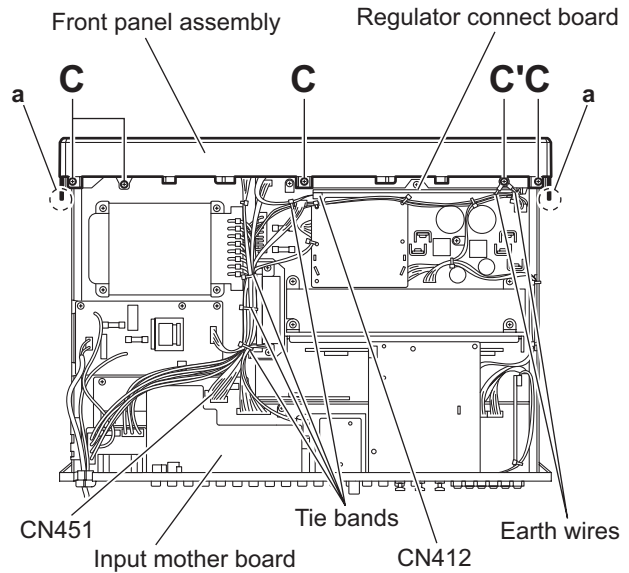


Fig.3

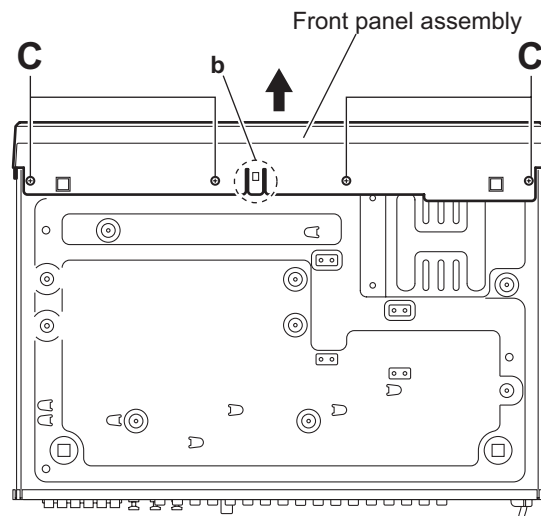


Fig.4

3.1.3 Removing the rear panel (See Fig.5)

- Remove the top cover.

- (1) From the back side of the main body, remove the strain relief from the rear panel in the direction of the arrow and remove the power cord.
 (2) Remove the twenty-nine screws **D** attaching the rear panel.

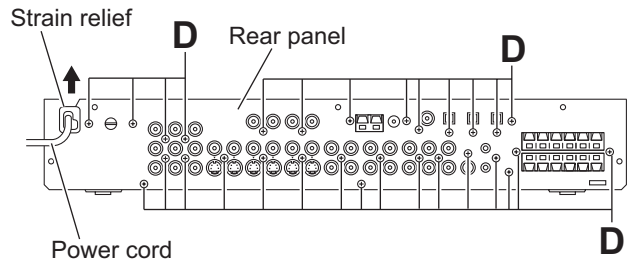


Fig.5

3.1.4 Removing the tuner (See Fig.6)

- Remove the top cover.
 - From the top side of the main body, disconnect the card wire from the connector [CN1](#) on the tuner.
 - From the back side of the main body, remove the two screws **E** attaching the tuner to the rear panel and take out the tuner.

3.1.5 Removing the DSP board (See Fig.6)

- Remove the top cover.
 - From the back side of the main body, remove the five screws **E** attaching the DSP board to the rear panel.
 - From the top side of the main body, disconnect the DSP board from the vol IC board while releasing the claw **c** of the connector [CN601](#) on the DSP board.

Note:

When releasing the claw **c**, take care not to break it.

- Take out the DSP board and disconnect the card wire from the connector [CN602](#) on the forward side of the DSP board.

Reference:

When attaching the DSP board, align the section **d** of the speaker relay board in hole on the DSP board.

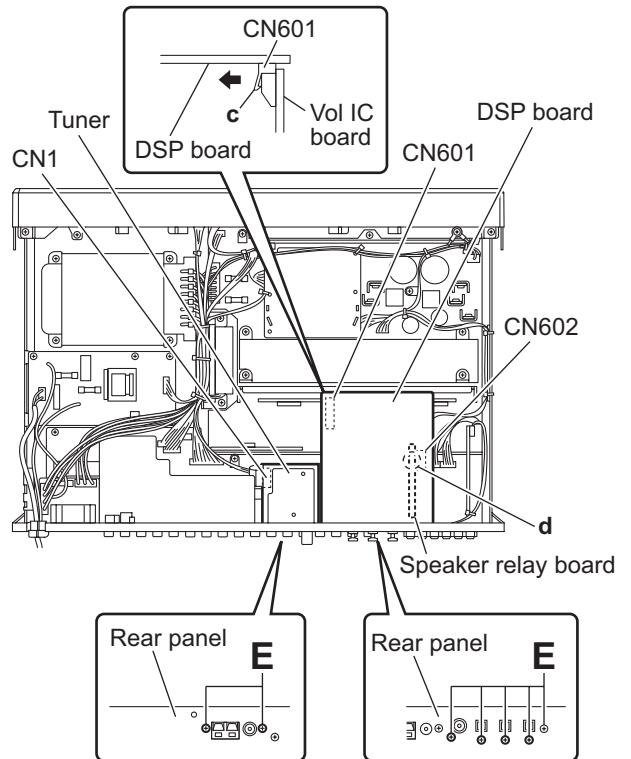


Fig.6

3.1.6 Removing the master clock board (See Fig.7)

- Remove the top cover.
 - From the top side of the main body, remove the screw **F**.

Reference:

When attaching the screw **F**, attach the holder with it as before.

- Disconnect the connector [CN771](#) on the master clock board from the main amplifier board in an upward direction.

3.1.7 Removing the gate drive-2 board (See Fig.7)

- Remove the top cover.

From the top side of the main body, disconnect the connector [CN311](#) on the gate drive-2 board from the main amplifier board in an upward direction.

3.1.8 Removing the S.S. setup board (See Fig.7)

- Remove the top cover.
 - From the top side of the main body, remove the tie band fixing the wire.

Reference:

After reassembling, fix the wire with a new tie band as before.

- Disconnect the wire from the connector [CN725](#) on the S.S. setup board.
- Disconnect the S.S. setup board from the main amplifier board while releasing the claw **e** of the connector [CN727](#) on the main amplifier board.

Note:

When releasing the claw **e**, take care not to break it.

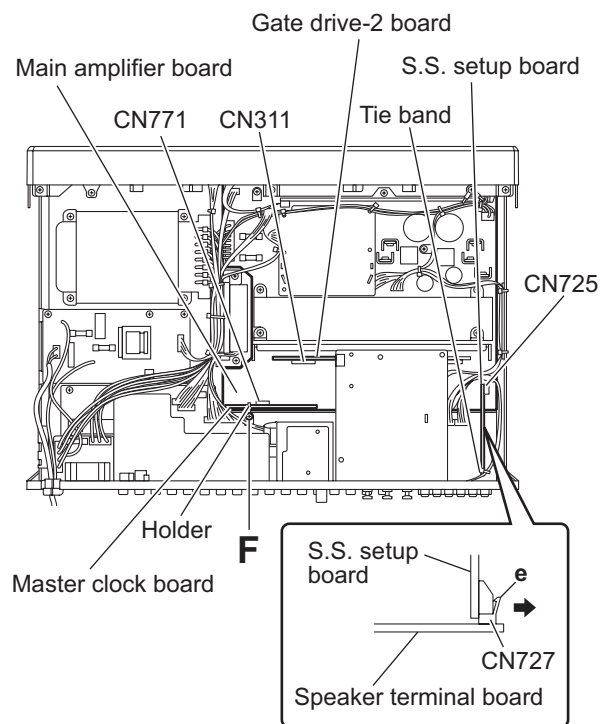


Fig.7

3.1.9 Removing the vol sel board (See Fig.8)

- Remove the top cover.
 - Remove the strain relief from the rear panel in the direction of the arrow.
 - From the back side of the main body, remove the two screws **G** attaching the vol sel board to the rear panel.
 - From the top side of the main body, disconnect the wires from the connectors (CN204, CN205) on the vol sel board.
 - Take out the vol sel board from the main body and remove the wires from the soldered sections **f** on the reverse side of the vol sel board.

3.1.10 Removing the audio input/output board (See Fig.8)

- Remove the top cover.
 - From the back side of the main body, remove the two screws **G** attaching the audio input/output board to the rear panel.
 - Disconnect the audio input/output board from the video connect board while releasing the claw **g** of the connector CN516 on the audio input/output board.

Note:

When releasing the claw **g**, take care not to break it.

- Disconnect the card wires from the connectors (CN508, CN514) on the forward side of the audio input/output board.

3.1.11 Removing the primary board (See Fig.8)

- Remove the top cover.
 - From the top side of the main body, disconnect the power cord from the connector CN203 on the primary board.
 - Disconnect the wires from the connector CN218 on the primary board.
 - Remove the six screws **H** attaching the primary board on the chassis base assembly.
 - Take out the primary board from the main body and remove the wires from the soldered sections **h** on the reverse side of the primary board.

3.1.12 Removing the power transformer (See Fig.9)

- Remove the top cover.
 - From the top side of the main body, remove the tie bands bundling the wires.

Reference:

After reassembling, bundle the wires with the new tie bands as before.

- Disconnect the wires from the connectors (CN201, CN702) on the main amplifier board.
- Disconnect the wire from the connector CN202 on the primary board.
- Remove the four screws **J** attaching the power transformer on the chassis base assembly.

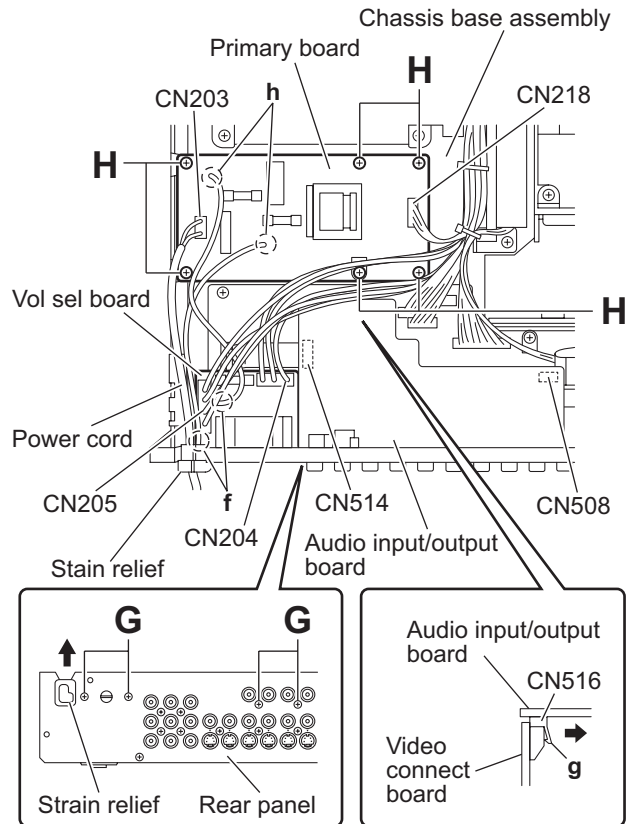


Fig.8

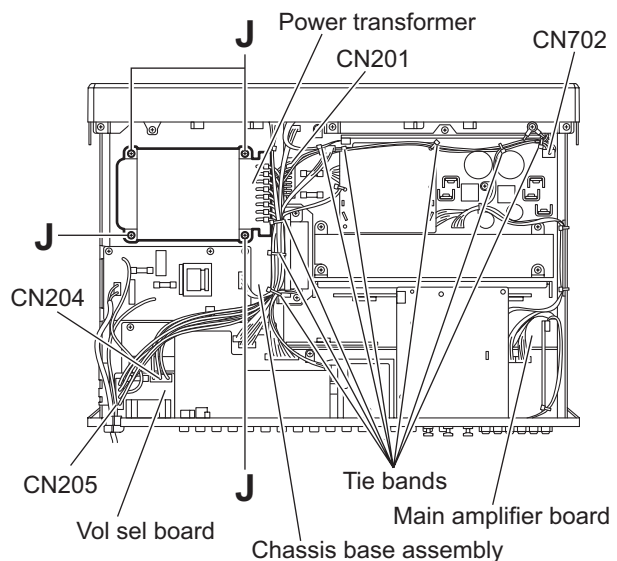


Fig.9

3.1.13 Removing the fan motor (See Fig.10)

- Remove the top cover.
 - From the top side of the main body, remove the tie bands bundling the wires.

Reference:

After reassembling, bundle the wires with the new tie bands as before.

- Disconnect the wire from the connector [CN552](#) on the input mother board.
- Remove the two screws **K** attaching the fan motor assembly on the chassis base assembly.
- Take out the fan motor assembly from the main body.
- Remove the two screws **M** attaching the fan motor on the fan holder.

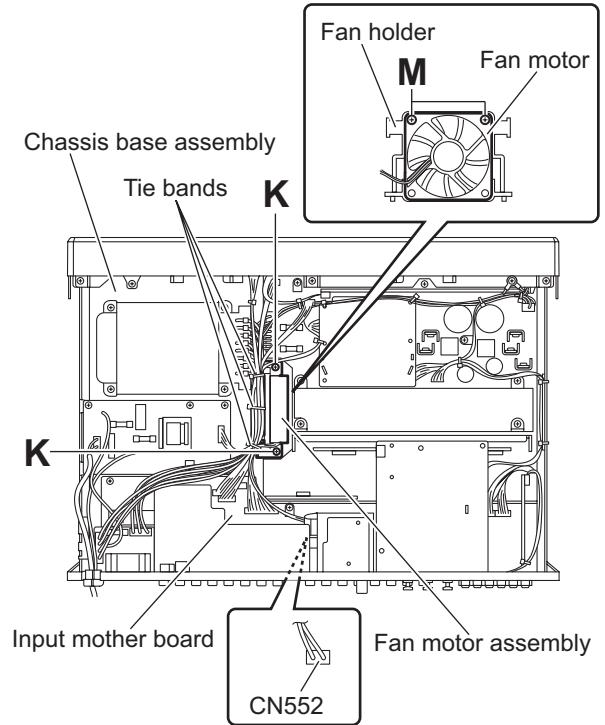


Fig.10

3.1.14 Removing the gate drive-1 board (See Fig.11)

- Remove the top cover and DSP board.

From the top side of the main body, disconnect the connectors ([CN811](#), [CN911](#)) on the gate drive-1 board from the main amplifier board in an upward direction.

3.1.15 Removing the speaker relay board (See Fig.11)

- Remove the top cover and DSP board.
 - From the top side of the main body, disconnect the parallel wire from the connector [CN301](#) on the speaker relay board.
 - Disconnect the speaker relay board from the main amplifier board while releasing the claw **j** of the connector [CN392](#) on the main amplifier board.

Note:

When releasing the claw **j**, take care not to break it.

3.1.16 Removing the vol IC board (See Fig.11)

- Remove the top cover and DSP board.
 - From the top side of the main body, disconnect the card wire from the connector [CN518](#) on the vol IC board.
 - Disconnect the vol IC board from the main amplifier board while releasing the claw **k** of the connector [CN501](#) on the input mother board.

Note:

When releasing the claw **k**, take care not to break it.

- Disconnect the connector [CN512](#) on the vol IC board from the main amplifier board in an upward direction.

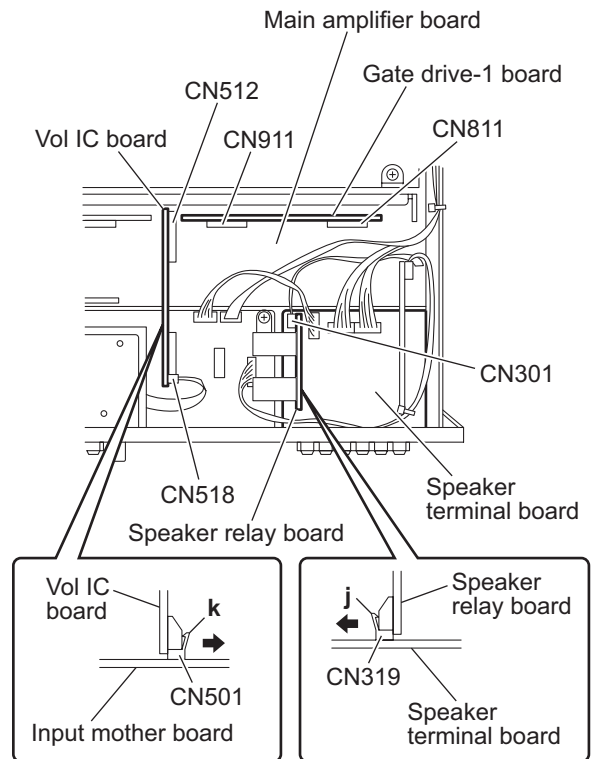


Fig.11

3.1.17 Removing the speaker terminal board (See Fig.12)

- Remove the top cover, DSP board, S.S. setup board and speaker relay board.
 - Disconnect the wire from the connector [CN751](#) on the speaker terminal board.
 - Disconnect the parallel wires from the connectors ([CN701](#), [CN801](#)) on the speaker terminal board.
 - From the back side of the main body, remove the two screws **N** attaching the speaker terminal board to the rear panel and take out the speaker terminal board from the main body.

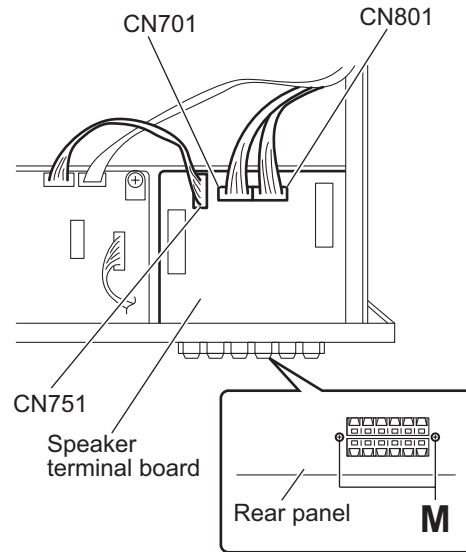


Fig.12

3.1.18 Removing the video connect board (See Fig.13)

- Remove the top cover and audio input/output board. Disconnect the video connect board from the input mother board while releasing the claw **m** of the connector [CN506](#) on the input mother board.

Note:

When releasing the claw **m**, take care not to break it.

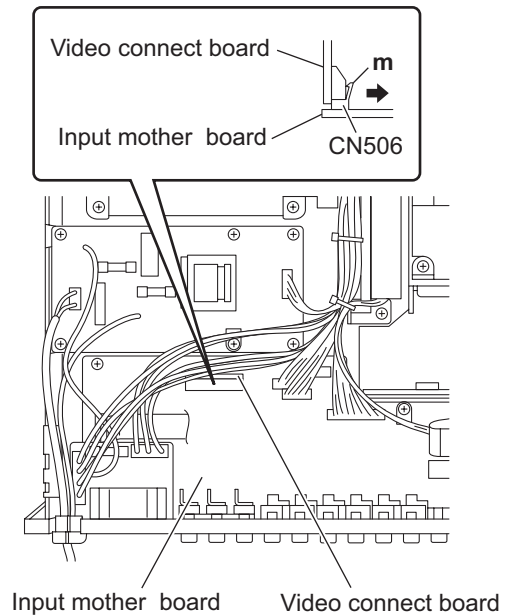


Fig.13

3.1.19 Removing the input mother board

(See Fig.14)

- Remove the top cover, rear panel, tuner, DSP board, vol sel board, audio input/output board, vol IC board and video connect board.

(1) Remove the tie band fixing the wire.

Reference:

After reassembling, fix the wire with the new tie band as before.

- Disconnect the wire from the connector [CN725](#) on the S.S. setup board.
- Disconnect the wire from the connector [CN751](#) on the speaker terminal board.
- Disconnect the parallel wire from the connector [CN509](#) on the input mother board.
- Disconnect the wires from the connectors ([CN451](#), [CN530](#), [CN540](#), [CN552](#)) on the input mother board.
- Remove the three screws **P** and take out the input mother board.

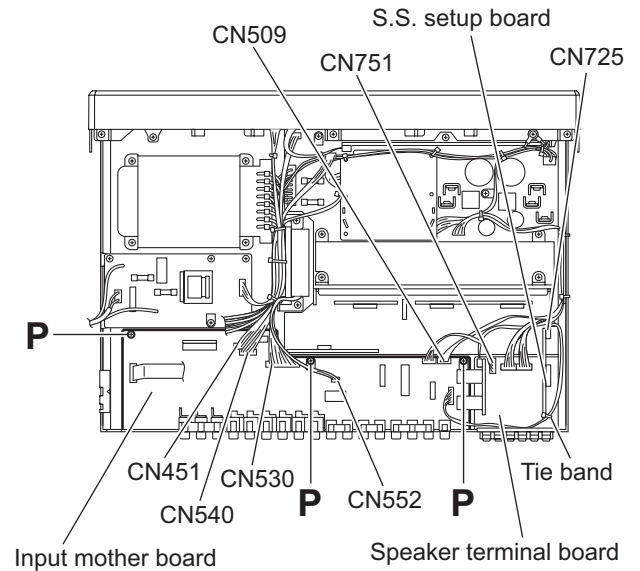


Fig.14

3.1.20 Removing the main amplifier board (See Figs.15 and 16)

- Remove the top cover, tuner, DSP board, master clock board, gate drive-2 board, S.S. setup board, gate drive-1 board and vol IC board.

(1) Remove the tie bands bundling the wires. (See Fig.15.)

Reference:

- After reassembling, bundle the wires with the new tie bands as before. (See Fig.15.)
 - After reassembling, fix the support board with the new tie bands as before. (See Fig.15.)
- Disconnect the parallel wires from the connectors [CN701](#), [CN801](#) on the speaker terminal board. (See Fig.15.)
 - Disconnect the parallel wire from the connector [CN301](#) on the speaker relay board. (See Fig.15.)
 - Disconnect the parallel wire from the connector [CN509](#) on the input mother board. (See Fig.15.)
 - Disconnect the wires from the connectors [CN530](#), [CN540](#) on the input mother board. (See Fig.15.)
 - Disconnect the wire from the connector [CN218](#) on the primary board. (See Fig.15.)
 - Disconnect the parallel wire from the connector [CN412](#) on the regulator connect board. (See Fig.16.)
 - Disconnect the parallel wire from the connector [CN216](#) on the headphone board. (See Fig.16.)
 - Disconnect the wires from the connectors [CN201](#), [CN702](#) on the main amplifier board. (See Fig.16.)
- (10) Remove the four screws **Q** and three screws **R** and take out the main amplifier board with the regulator and regulator connect boards from the main body. (See Fig.16.)

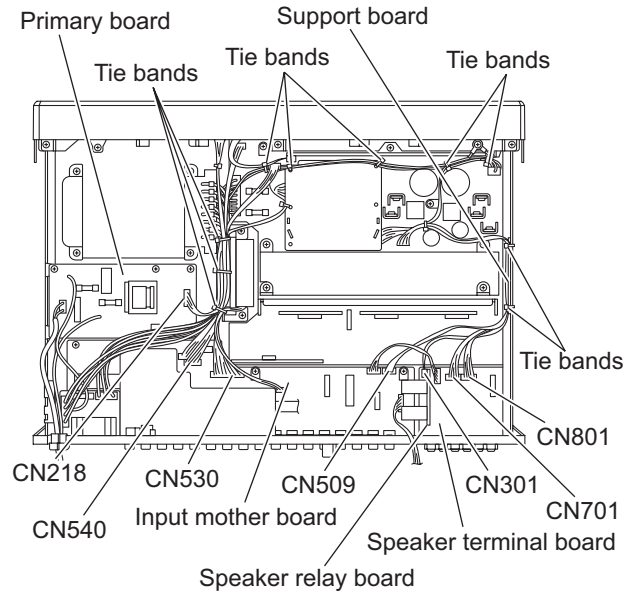


Fig.15

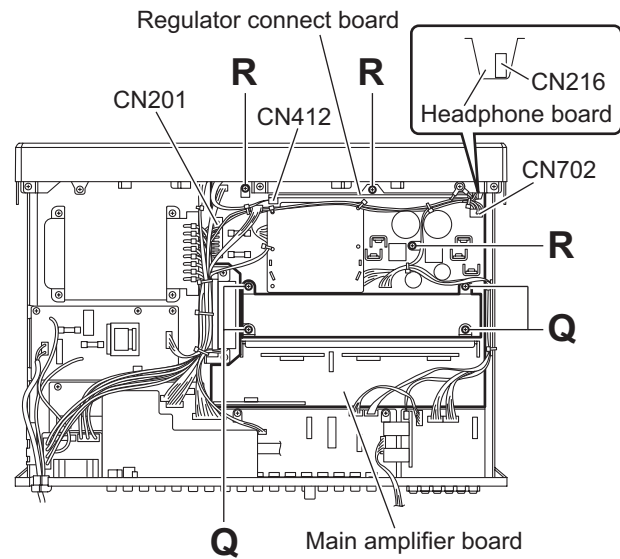


Fig.16

3.1.21 Removing the regulator connect board (See Fig.17)

- Remove the top cover, tuner, DSP board, master clock board, gate drive-2 board, S.S. setup board, gate drive-1 board, vol IC board and main amplifier board.
 - From the forward side of the main amplifier board, disconnect the parallel wire from the connector [CN705](#) on the regulator board.
 - Disconnect the regulator connect board from the main amplifier board while releasing the claws (**n**, **p**) of the connectors ([CN703](#), [CN704](#)) on the main amplifier board.

Note:

When releasing the claws (**n**, **p**), take care not to break them.

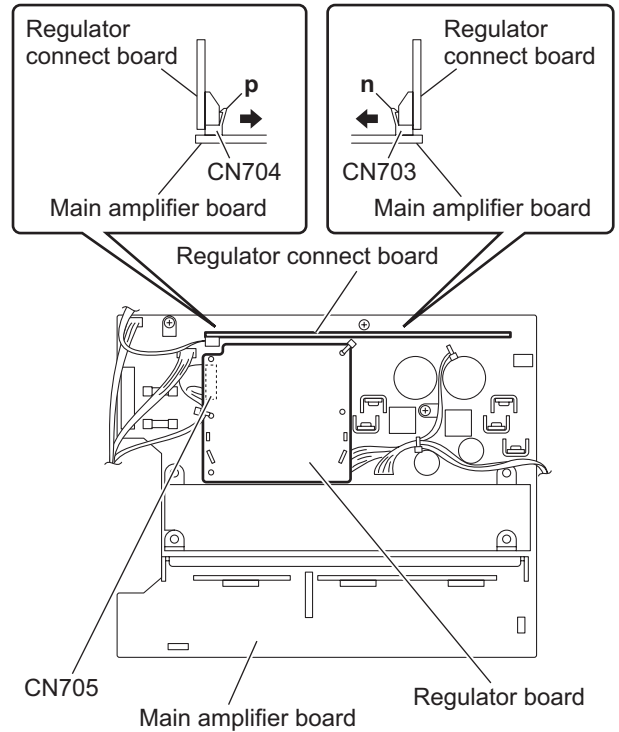


Fig.17

3.1.22 Removing the regulator board (See Fig.18)

- Remove the top cover, tuner, DSP board, master clock board, gate drive-2 board, S.S. setup board, gate drive-1 board, vol IC board, main amplifier board and regulator connect board.
 - From the forward side of the main amplifier board, remove the tie band fixing the wire.

Reference:

After reassembling, fix the wire with a new tie band as before.

- From the front side of the main amplifier board, remove the two screws **S** attaching the TR bracket to the heat sink.

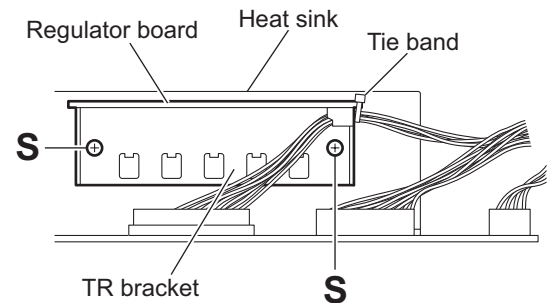


Fig.18

3.1.23 Removing the regulator connect board (See Fig.19)

- Remove the top cover, tuner, DSP board, master clock board, gate drive-2 board, S.S. setup board, gate drive-1 board, vol IC board, main amplifier board, regulator connect board and regulator board.
 - From the back side of the main amplifier board, remove the four screws **T** attaching the FET bracket to the heat sink.
 - Remove the cooling rubbers on the heat sink from the FET bracket and remove the heat sink from the main amplifier board in the direction of the arrow.

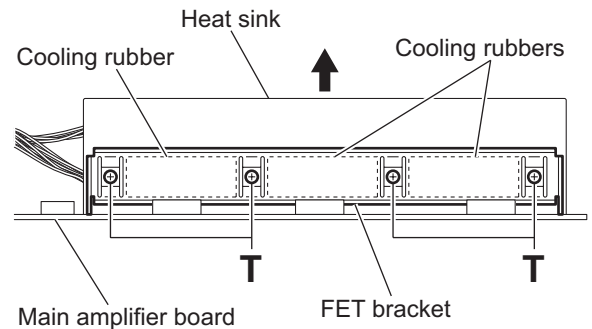


Fig.19

3.2 Front panel assembly section

- Remove the front panel assembly.
(See "3.1.2 Removing the front panel assembly".)

3.2.1 Removing the volume & JOG board (See Figs.1 and 2)

- From the inside of the front panel assembly, remove the four screws **A** and screw **A'** attaching the volume & JOG board. (See Fig.1.)

Reference:

When attaching the screw **A'**, attach the earth bracket with it as before. (See Fig.1.)

- Take out the volume & JOG board while lifting it from the front panel assembly little by little.

Reference:

The master volume knob and source selector knob are removed from the front side simultaneously. (See Fig.2.)

- From the forward side of the volume & JOG board, disconnect the wire from the connector [CN413](#). (See Fig.1)

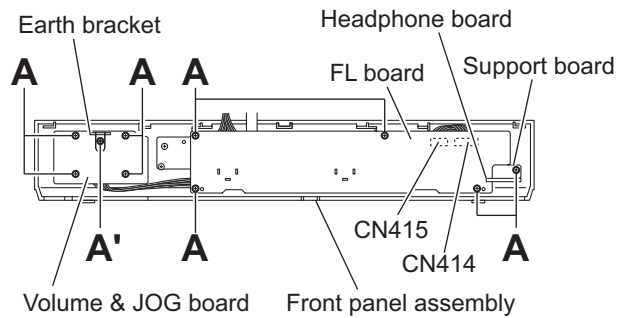


Fig.1

3.2.2 Removing the headphone board (See Fig.1)

- From the inside of the front panel assembly, remove the screw **A** attaching the support board.
- Take out the headphone board from the front panel assembly.

3.2.3 Removing the FL board (See Fig.1)

- Remove the volume & JOG board and headphone board.
 - Remove the four screws **A** and take out the FL board from the front panel assembly.
 - From the forward side of the FL board, disconnect the wires from the connectors ([CN414](#), [CN415](#)).

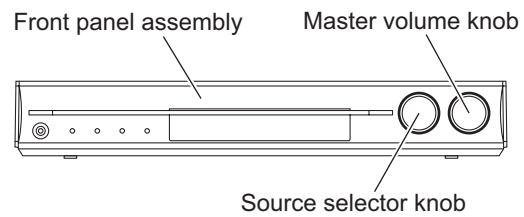


Fig.2

3.2.4 Removing the key & LED board (See Fig.3)

- Remove the volume & JOG board, headphone board and FL board.
 - From the seven screws **A** attaching the key & LED board.
 - Take out the key & LED board from the front panel assembly.

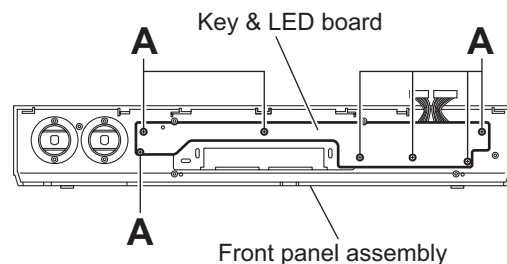


Fig.3

SECTION 4 ADJUSTMENT

This service manual does not describe ADJUSTMENT.

SECTION 5 TROUBLESHOOTING

This service manual does not describe TROUBLESHOOTING.



JVC

Victor Company of Japan, Limited
AV & MULTIMEDIA COMPANY AUDIO/VIDEO SYSTEMS CATEGORY 10-1,1chome,Ohwatari-machi,Maebashi-city,371-8543,Japan

(No.MB449)

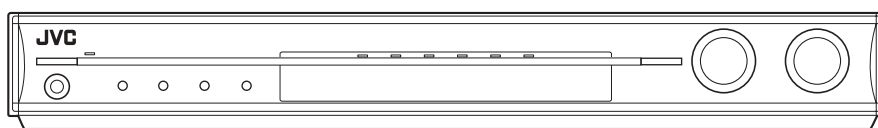
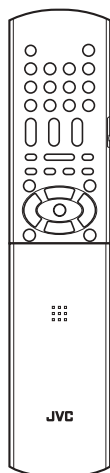
JVC

SCHEMATIC DIAGRAMS

HOME CINEMA CONTROL CENTER

RX-F31S

CD-ROM No.SML200507



Area suffix

A	-----	Australia
US	-----	Singapore
UF	-----	China
UJ	-----	U.S.Military



AV COMPU LINK

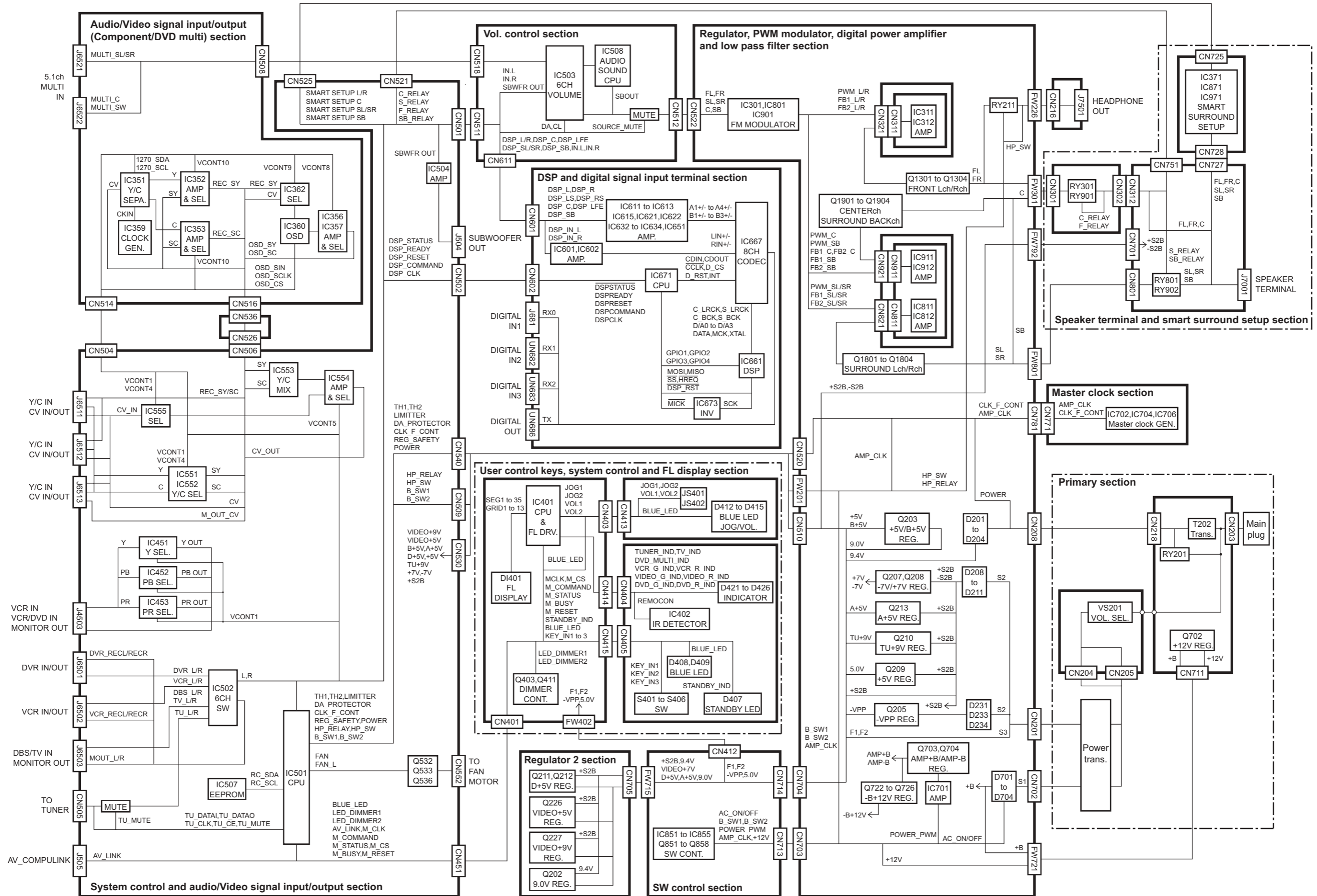
Lead free solder used in the board (material : Sn-Ag-Cu, melting point : 219 Centigrade)

Contents

Block diagram	-----	2-1
Standard schematic diagrams	-----	2-2
Printed circuit boards	-----	2-13 to 16

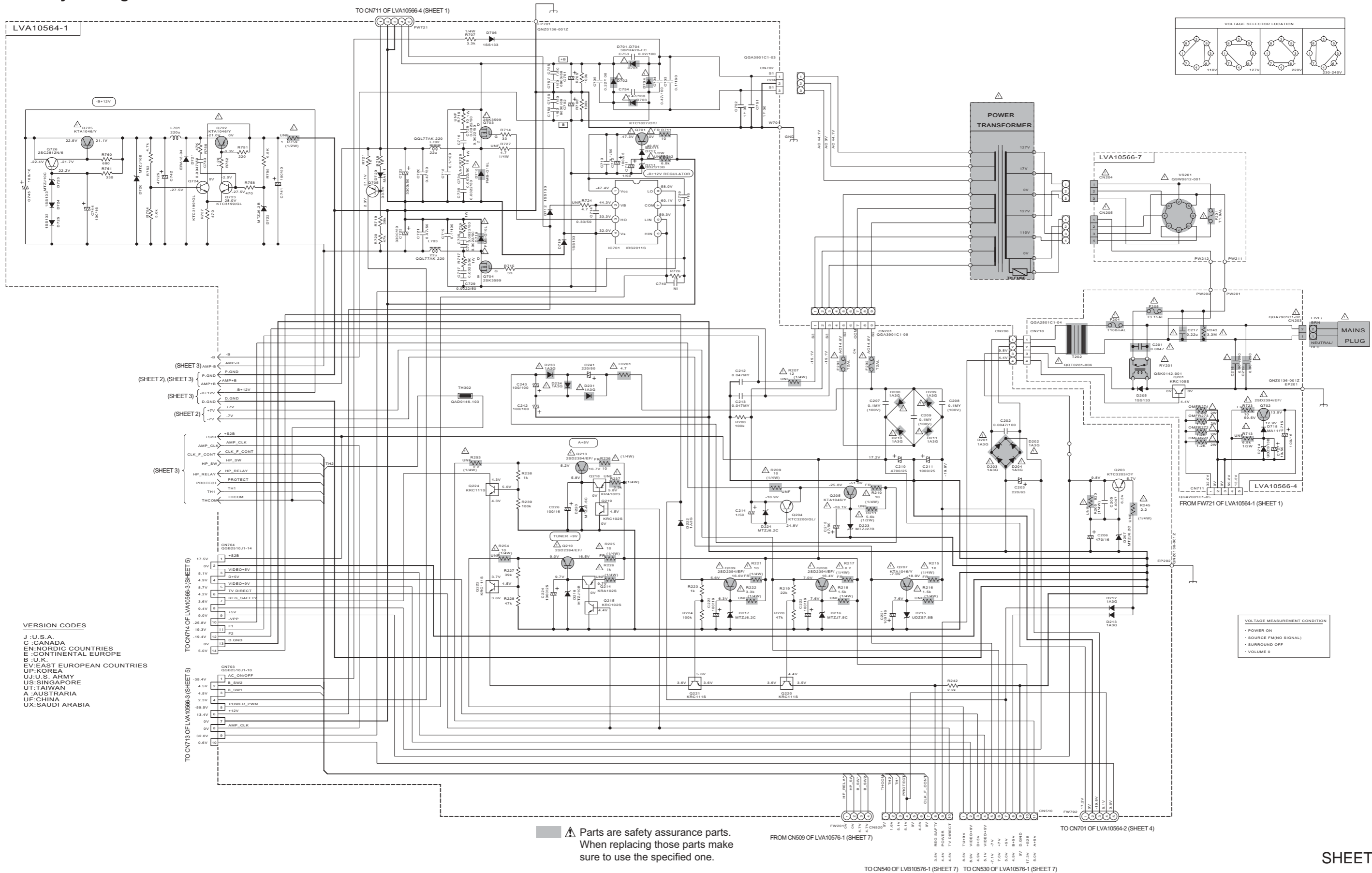
In regard with component parts appearing on the silk-screen printed side (parts side) of the PWB diagrams, the parts that are printed over with black such as the resistor (■), diode (⊣) and ICP (●) or identified by the "⚠" mark nearby are critical for safety.

Block diagram



Standard schematic diagrams

Primary and regulator section



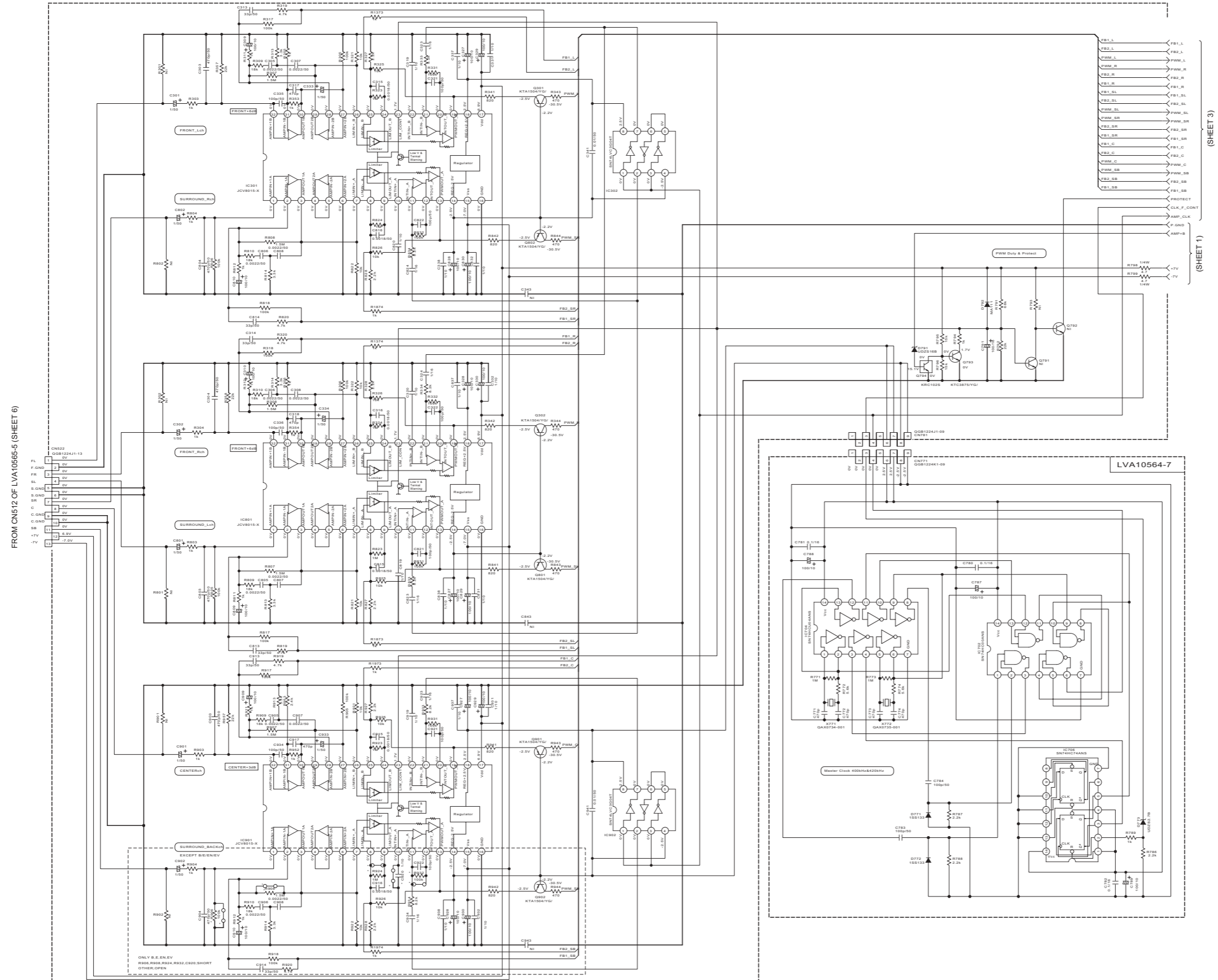
VERSION CODES

J : U.S.A.
 C : CANADA
 EN : NORDIC COUNTRIES
 E : CONTINENTAL EUROPE
 B : U.K.
 EV : EAST EUROPEAN COUNTRIES
 UP : KOREA
 UJ : U.S. ARMY
 US : SINGAPORE
 UT : TAIWAN
 A : AUSTRARIA
 UF : CHINA
 UX : SAUDI ARABIA

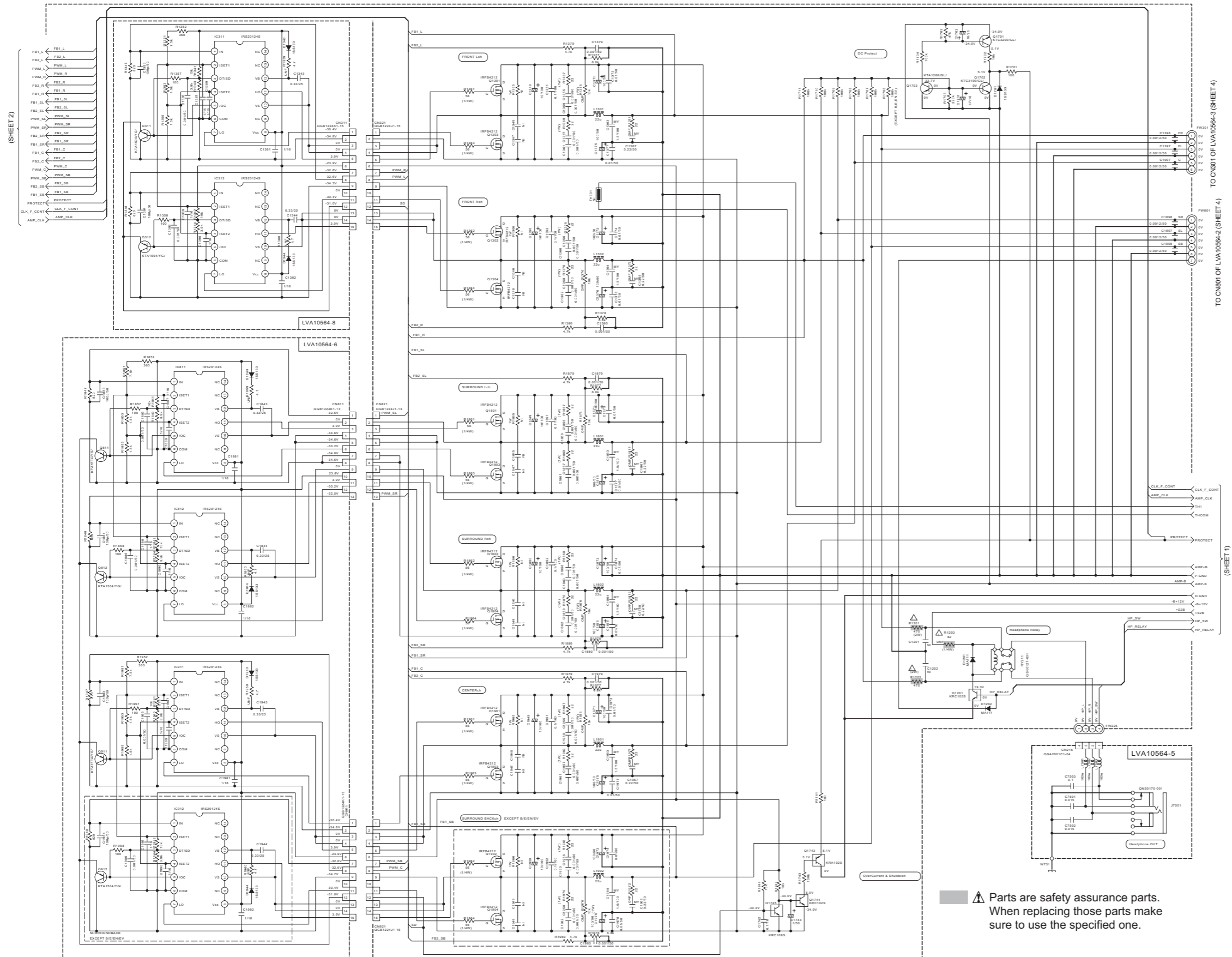
VOLTAGE MEASUREMENT CONDITION

- POWER ON
- SOURCE F(M)NO SIGNAL
- SURROUND OFF
- VOLUME 0

PWM modulator section



■ Digital power amplifier and low pass filter section



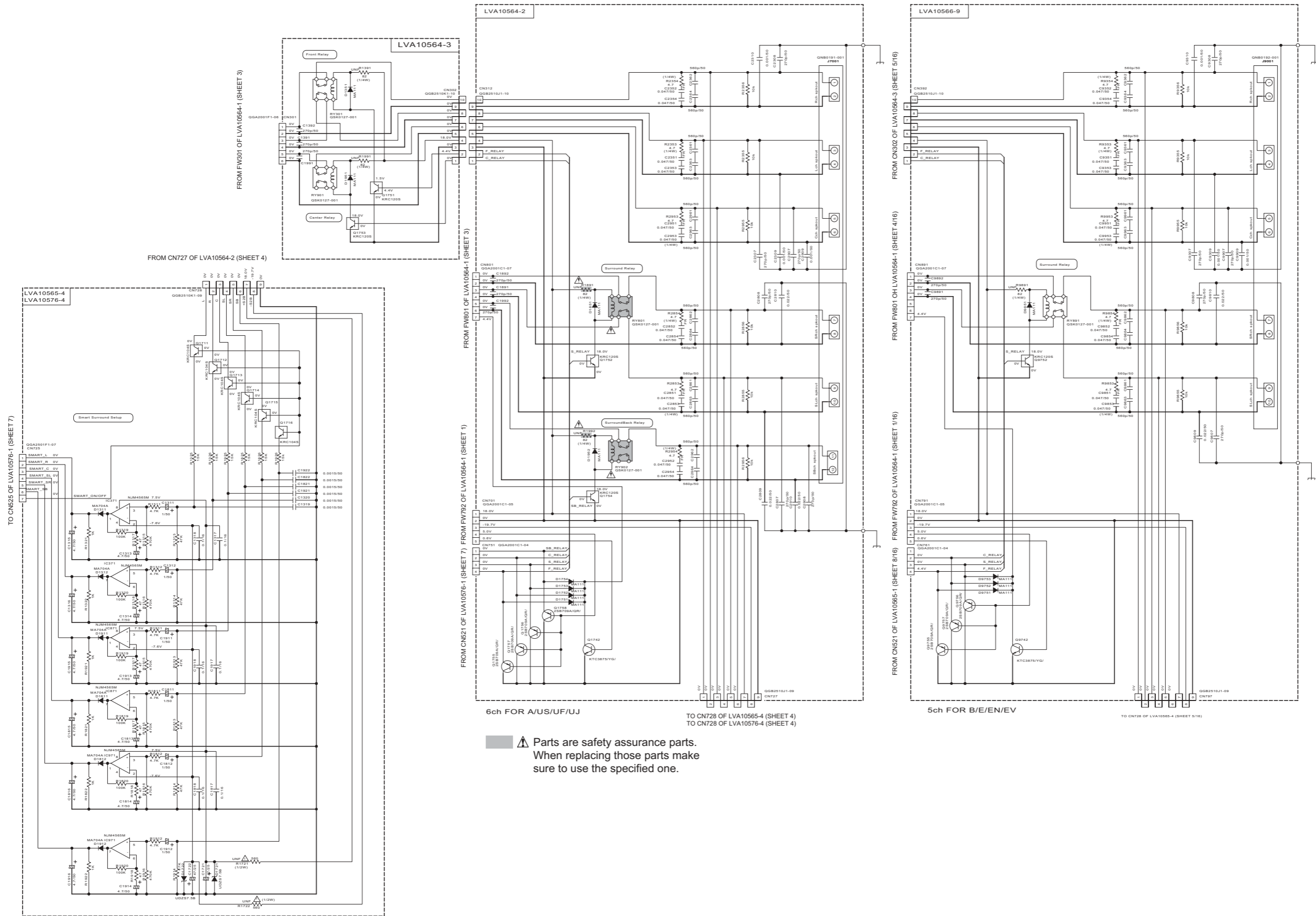
TO CN801 OF LVA10564-2 (SHEET 4)

TO CN802 OF LVA10564-3 (SHEET 4)

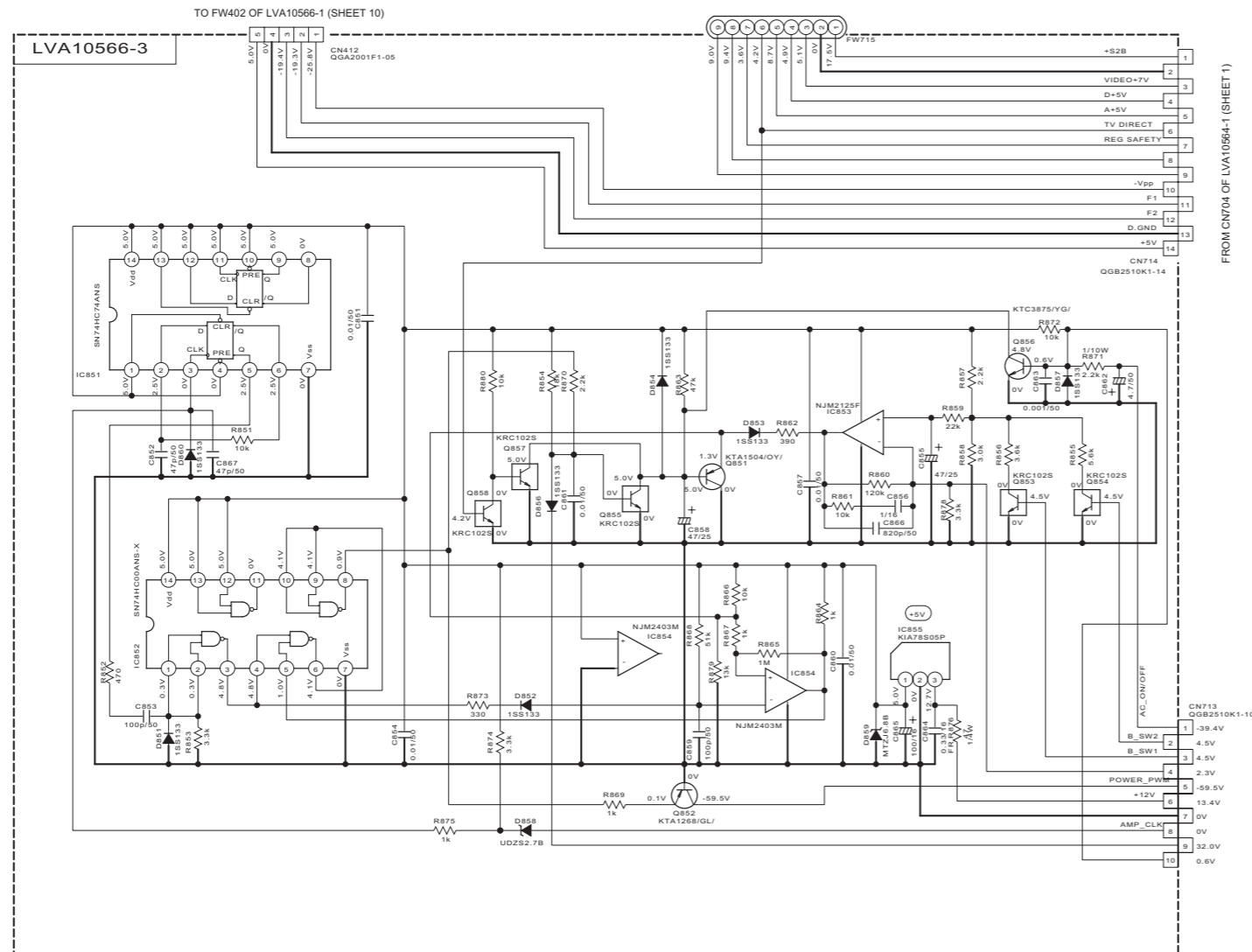
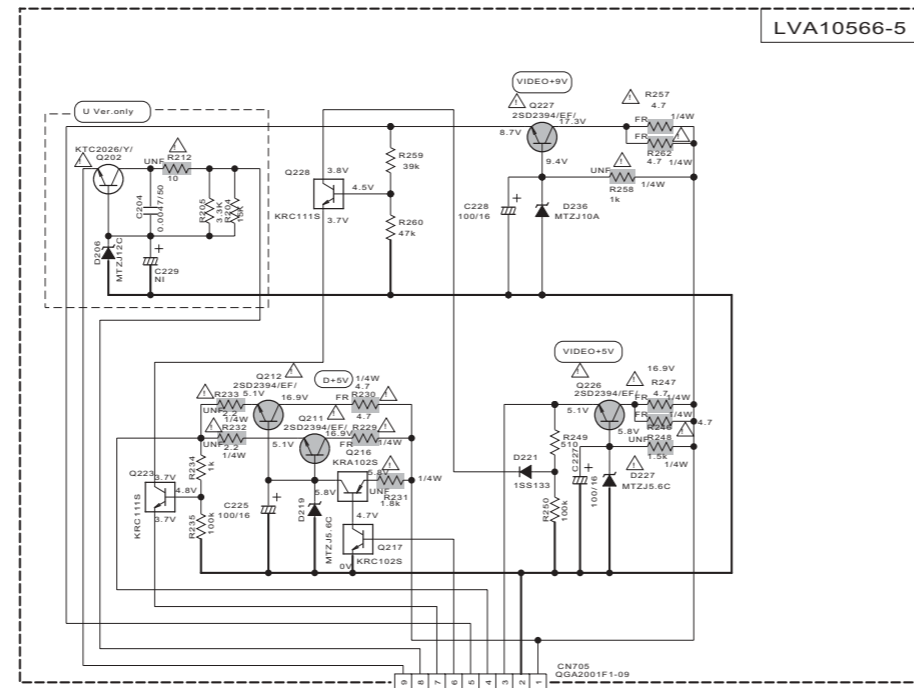
TO CN801 OF LVA10564-2 (SHEET 4)

⚠ Parts are safety assurance parts.
When replacing those parts make
sure to use the specified one.

Speaker terminal and smart surround setup section



SW control and regulator 2 section



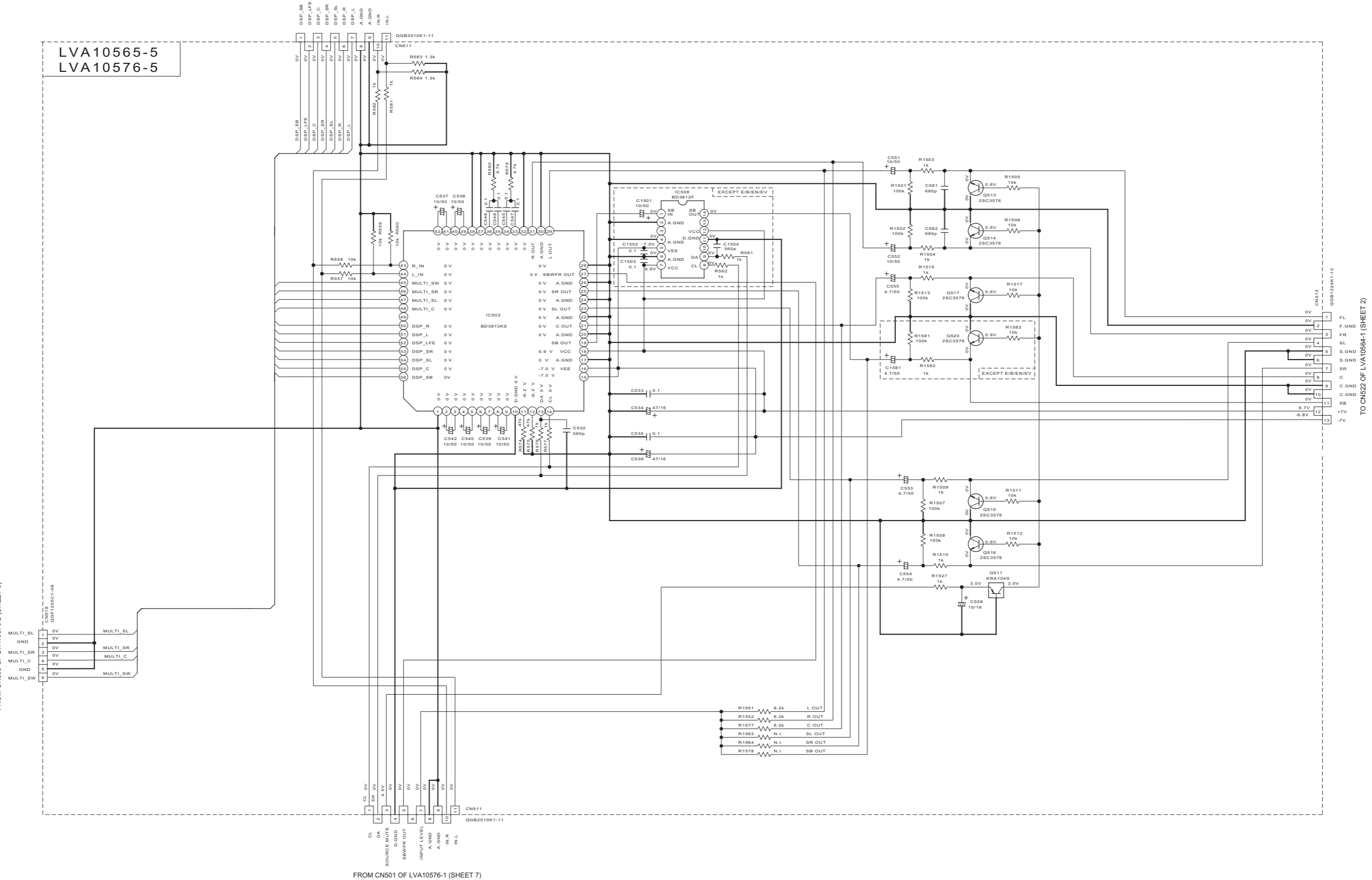
⚠ Parts are safety assurance parts.
When replacing those parts make
sure to use the specified one.

■ Vol. control section

TO CN601 OF LVA10565-3 OR LVA10576-3 (SHEET 11)

LVA10565-5
LVA10576-5

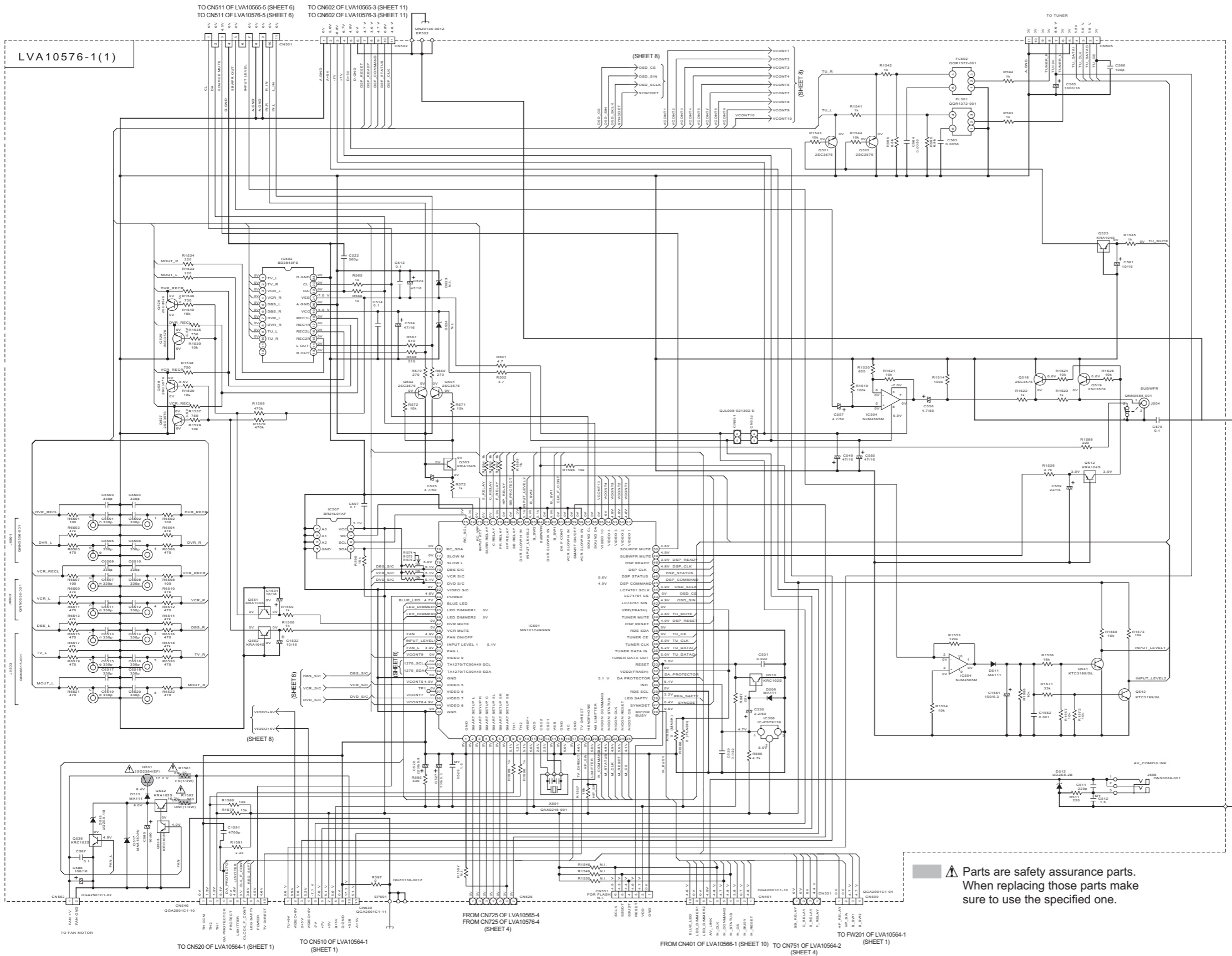
FROM CN508 OF LVA10576-2 (SHEET 9)



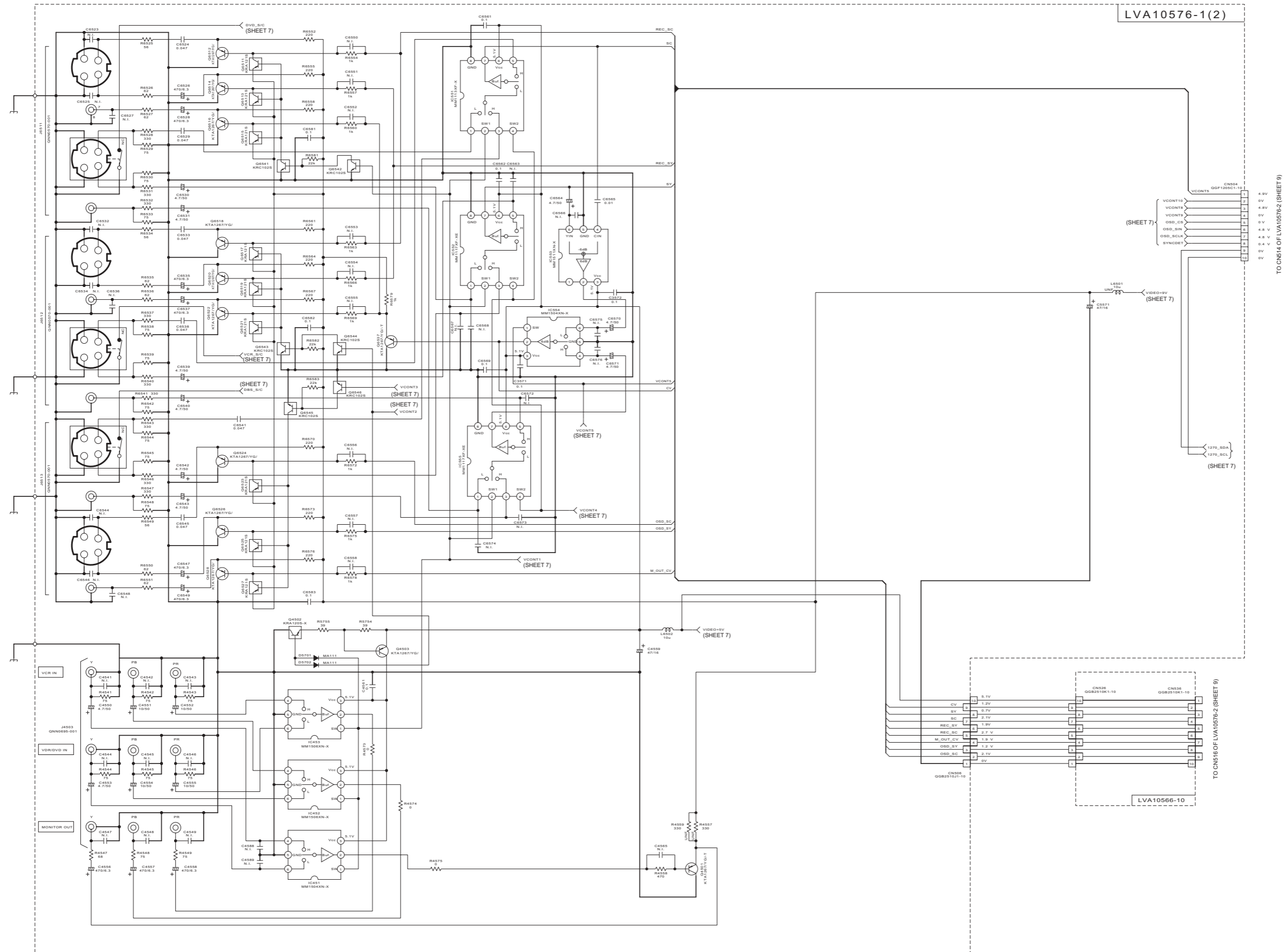
FROM CN501 OF LVA10576-1 (SHEET 7)

TO CN522 OF LVA10564-1 (SHEET 2)

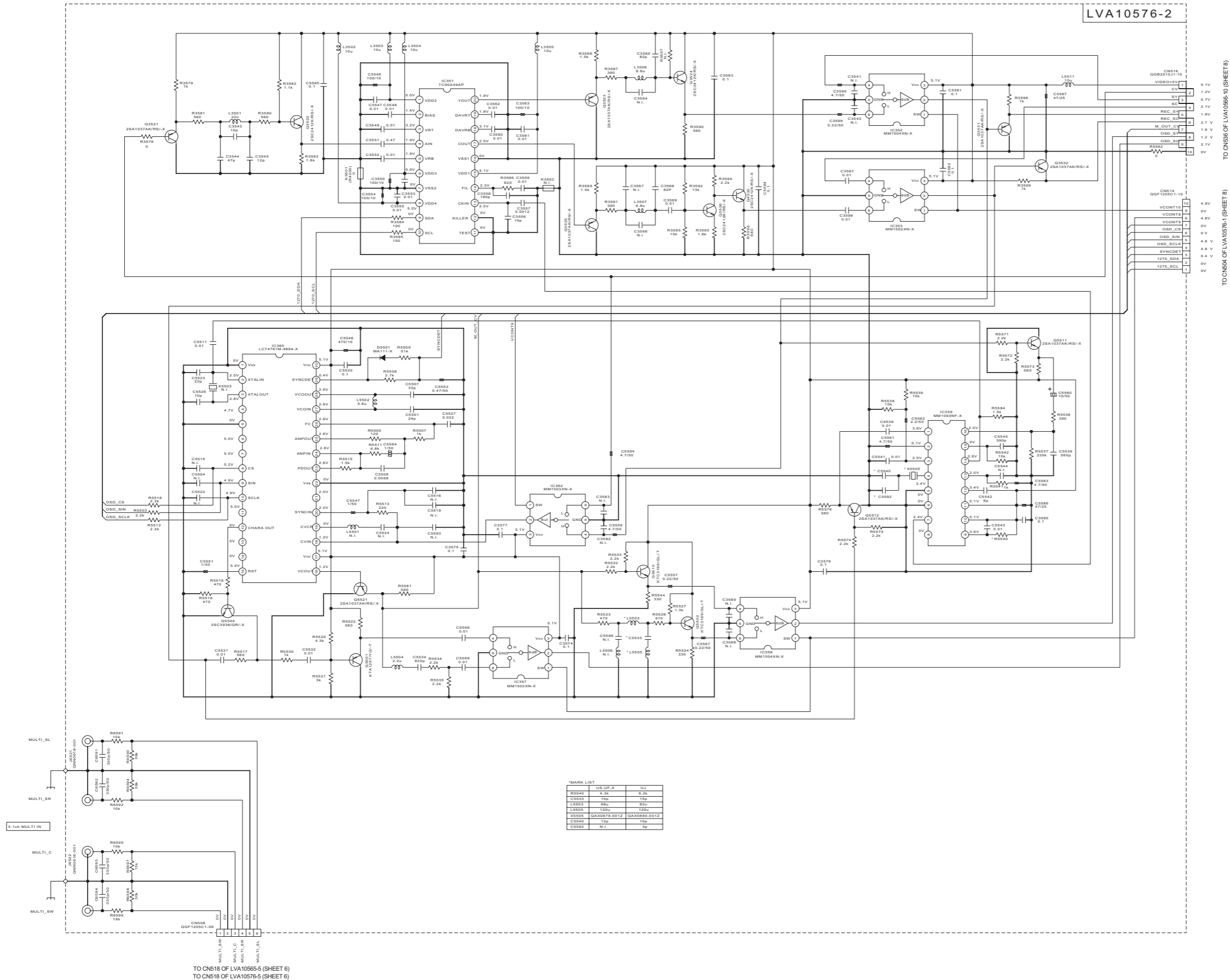
System control section



Audio, video signal input/output section



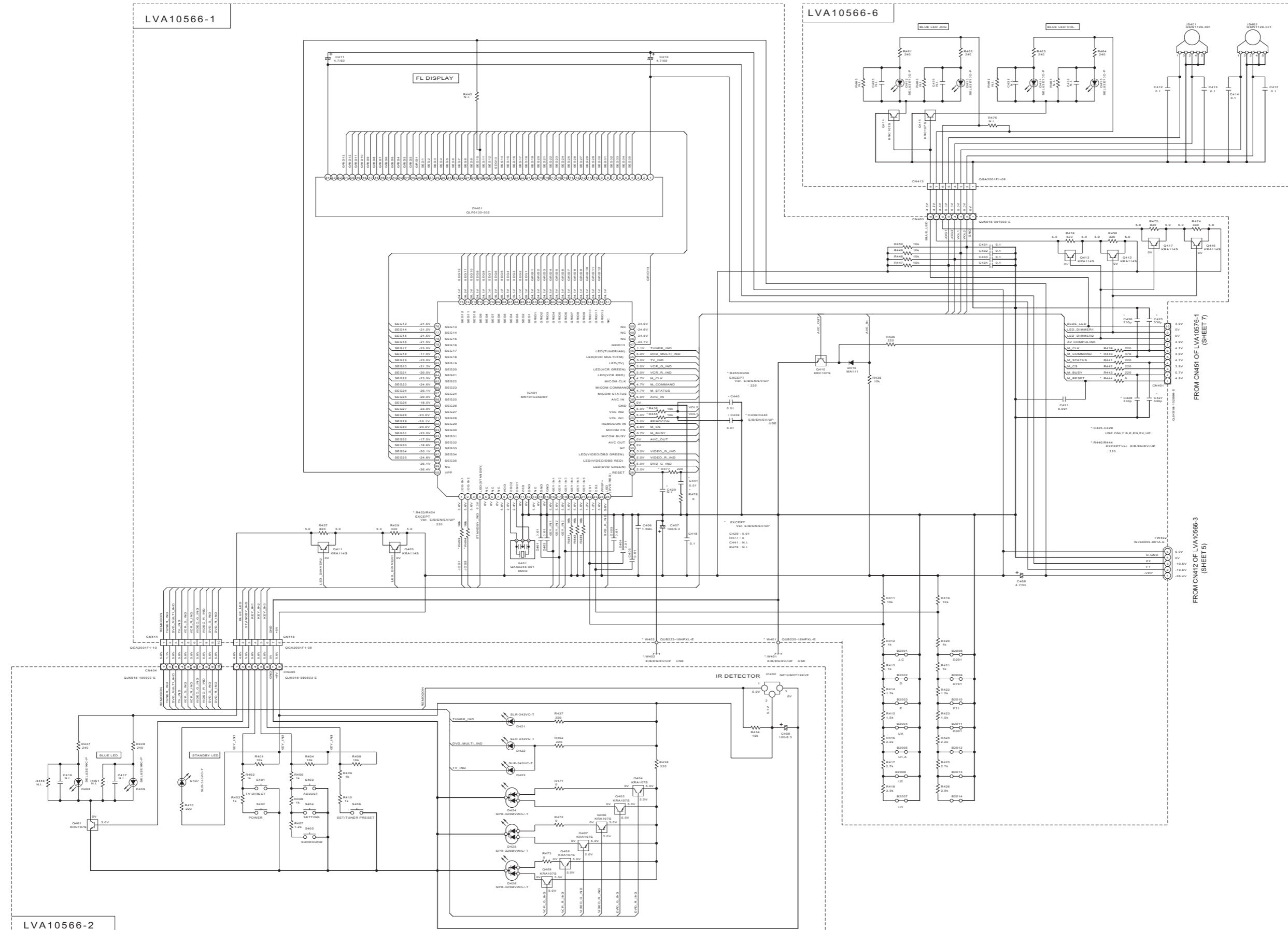
■ Audio, video signal input/output (Component/DVD multi) section



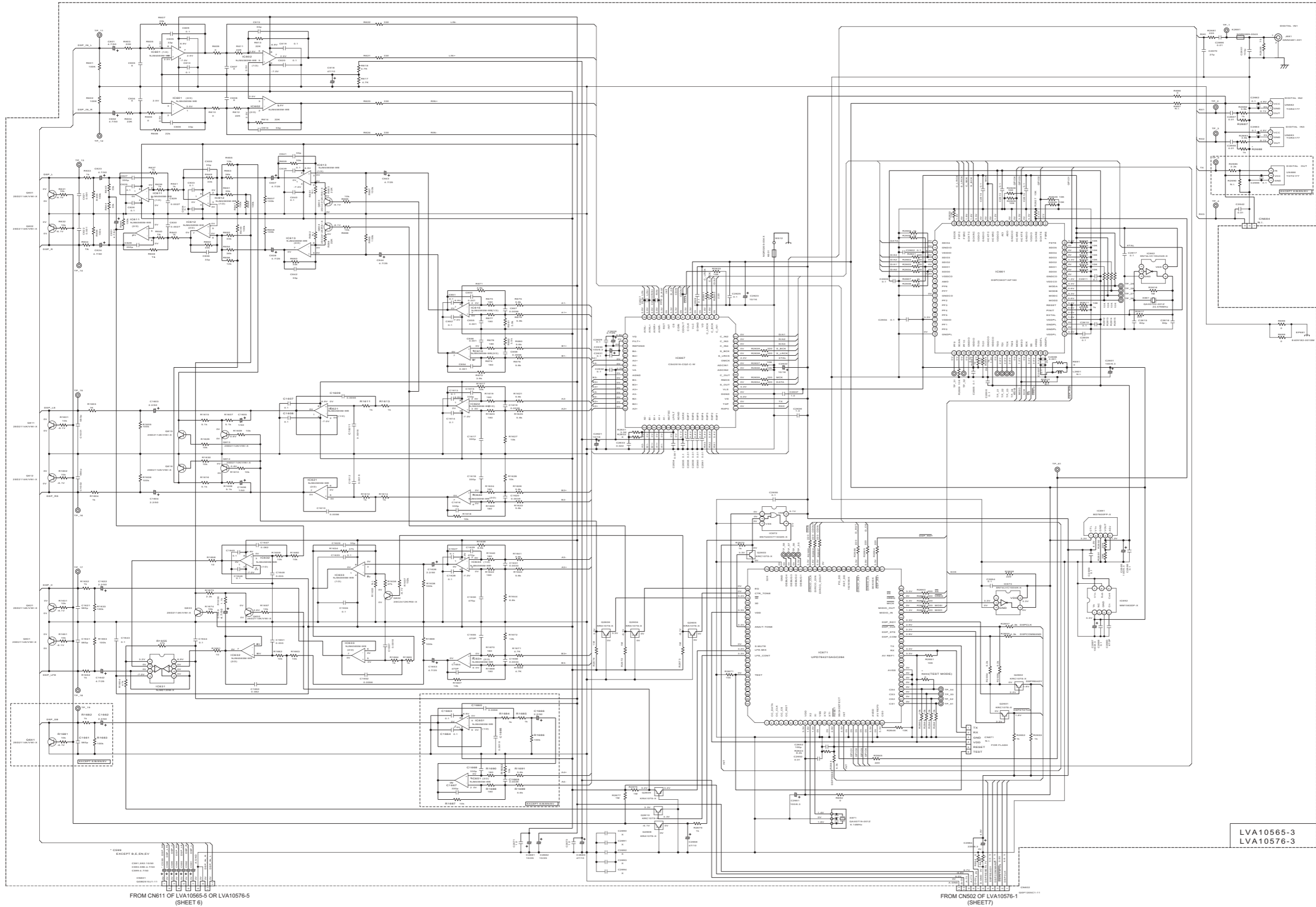
TO CNS18 OF LVA10576-1 (SHEET 8)
TO CNS18 OF LVA10576-1 (SHEET 8)
TO CNS18 OF LVA10576-1 (SHEET 8)

TO CNS18 OF LVA10565-5 (SHEET 6)
TO CNS18 OF LVA10576-5 (SHEET 6)

■ User control keys, system control and FL display section



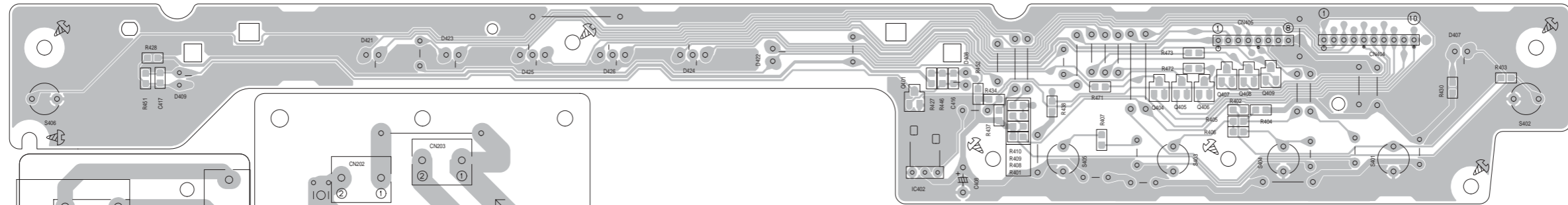
■ DSP and digital signal input section



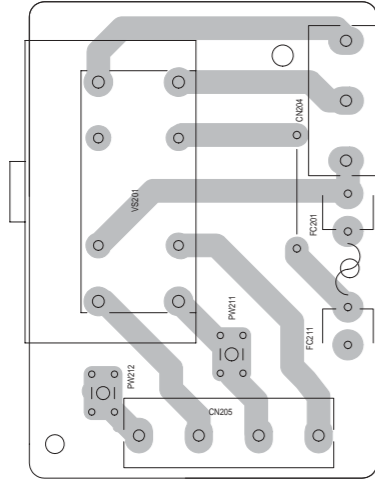
Printed circuit boards

■ FL board Lead free solder used in the board (material : Sn-Ag-Cu, melting point : 219 Centigrade)

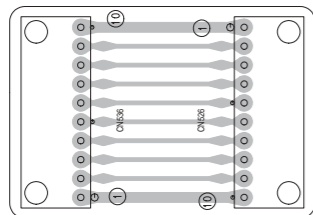
(Key & LED board)



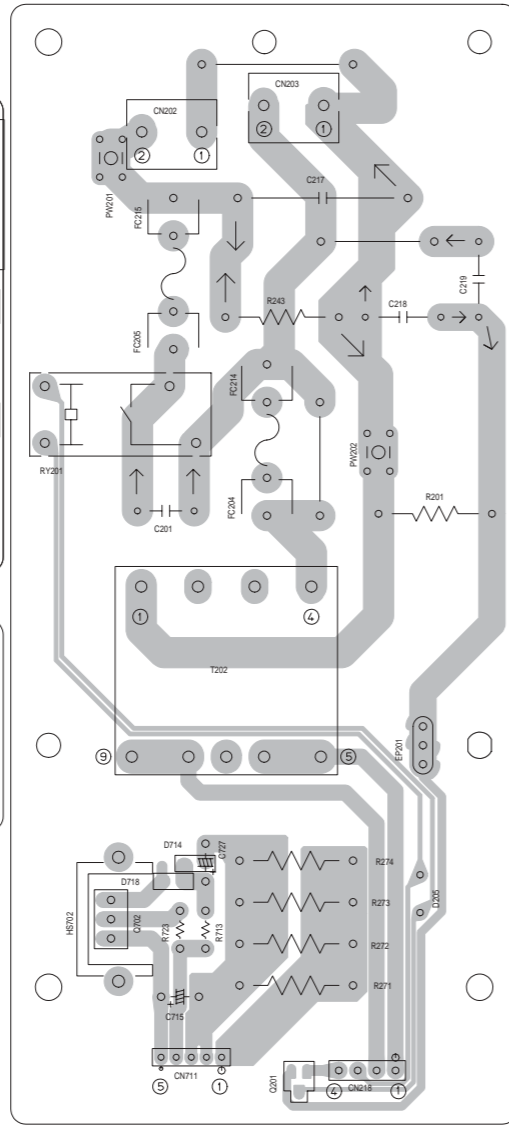
(Vol sel board)



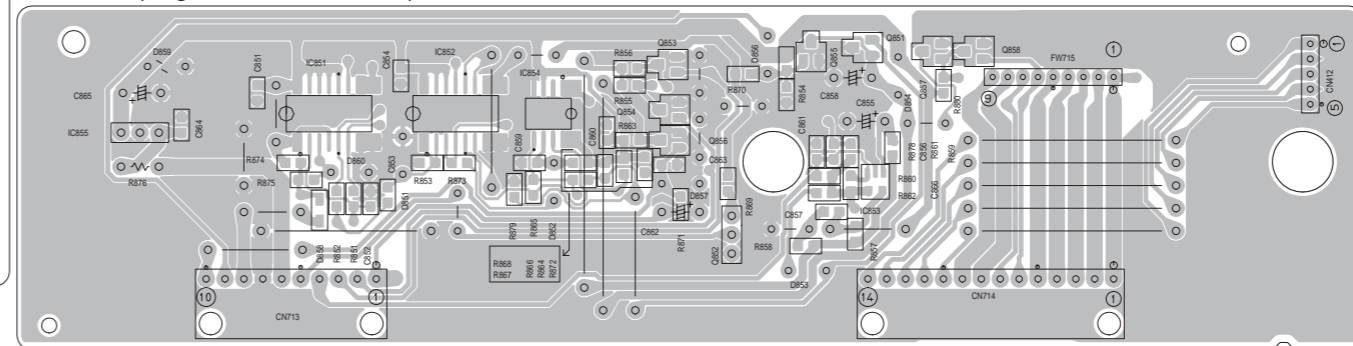
(Video connect board)



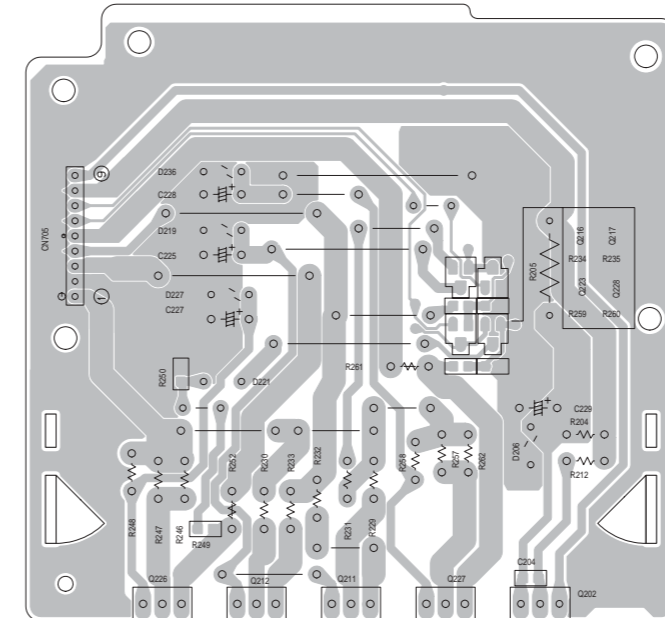
(Primary board)



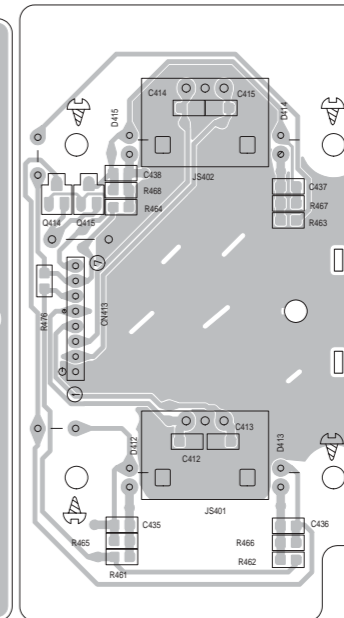
(Regulator connect board)



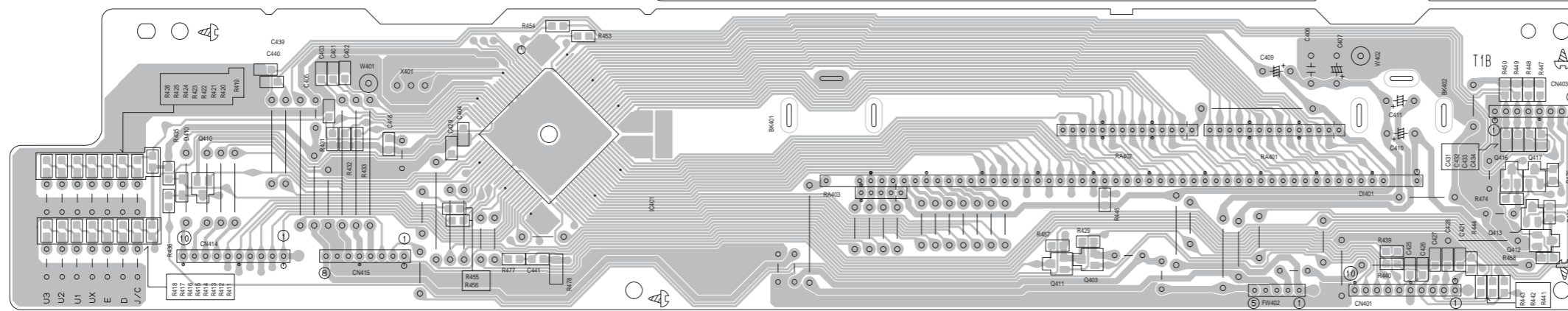
(Regulator board)



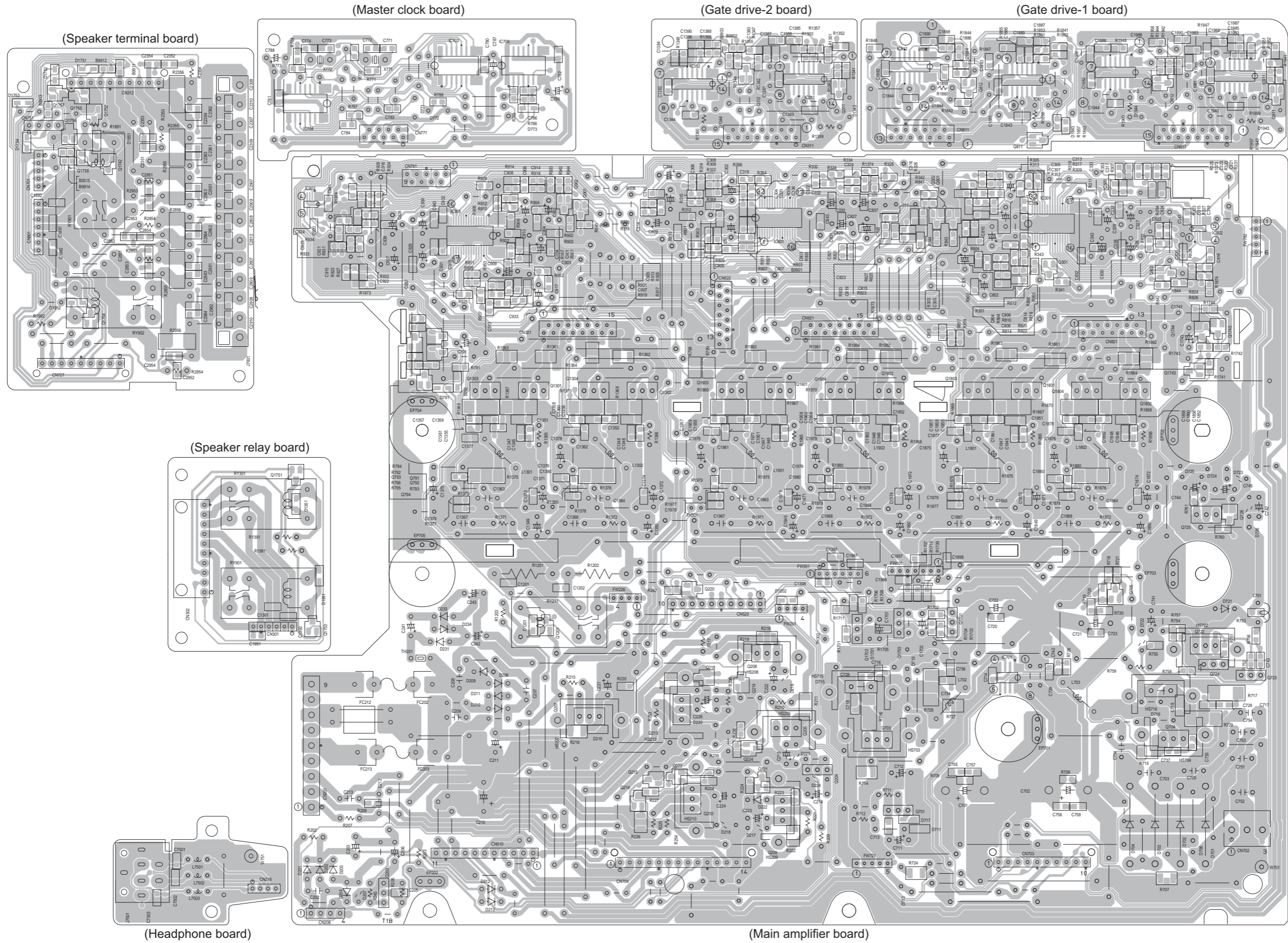
(Volume & Jog board)



(FL board)

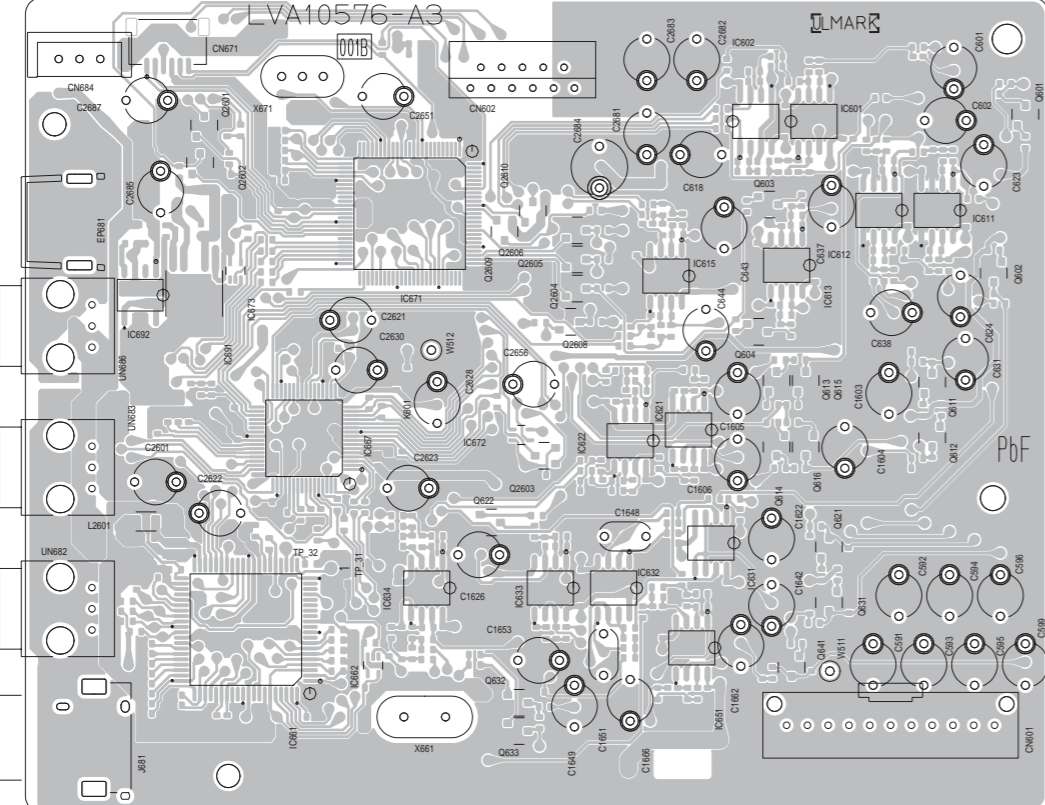
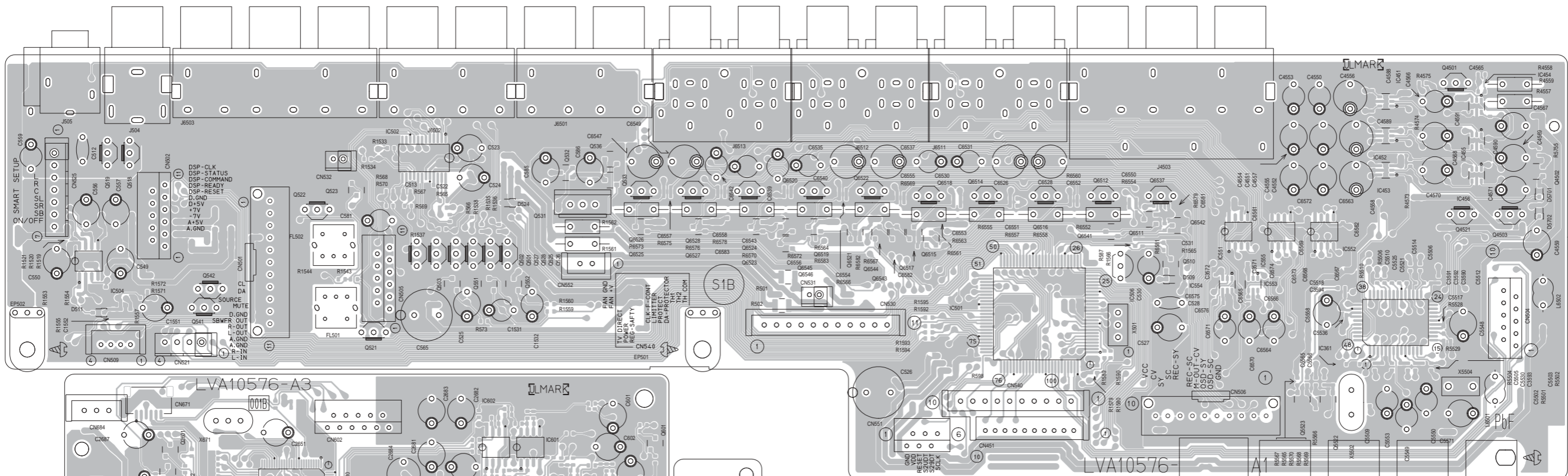


■ Main amplifier board Lead free solder used in the board (material : Sn-Ag-Cu, melting point : 219 Centigrade)

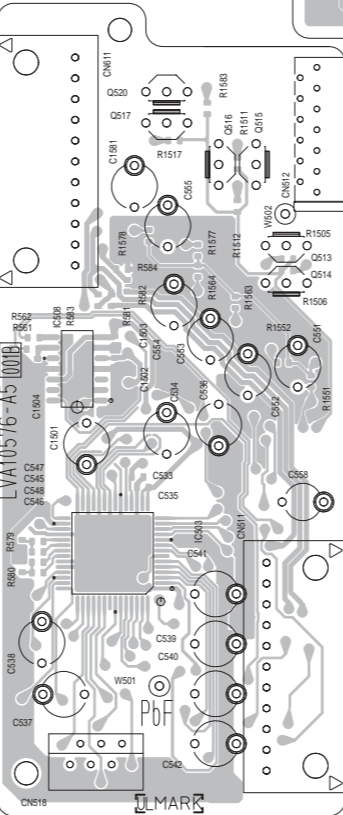


Input mother board Lead free solder used in the board (material : Sn-Ag-Cu, melting point : 219 Centigrade)

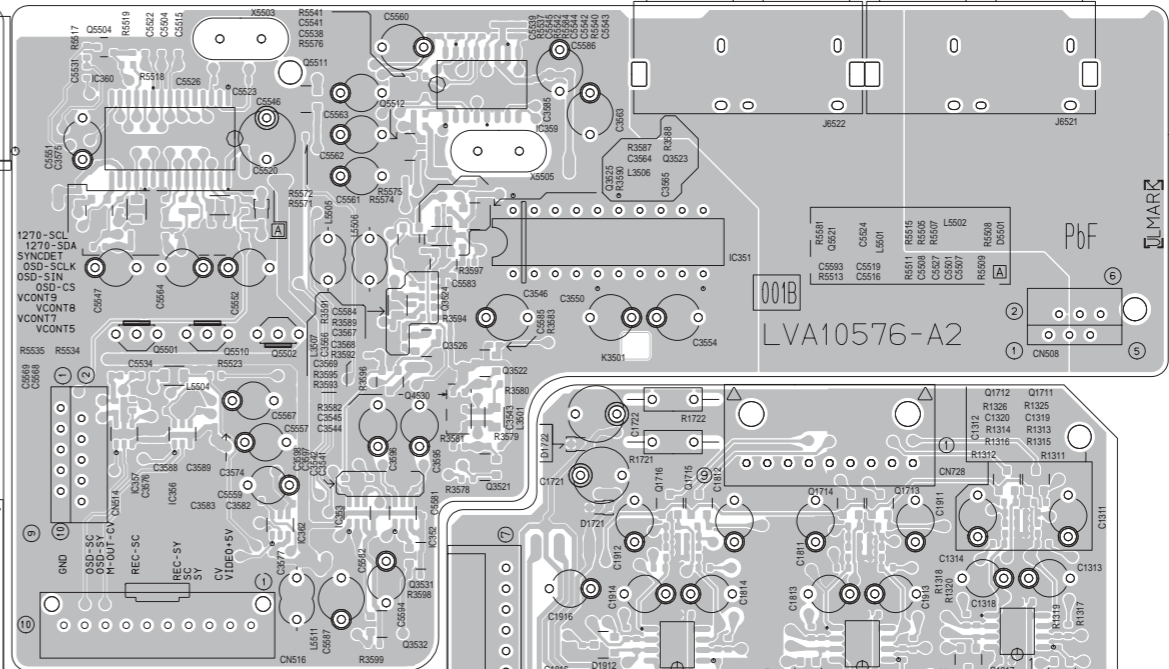
Forward side
(Input mother board)



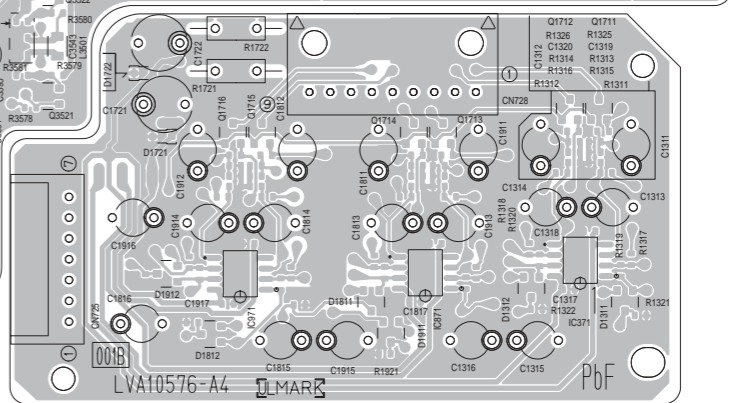
(DSP board)



(Vol IC board)



(Audio input/output board)

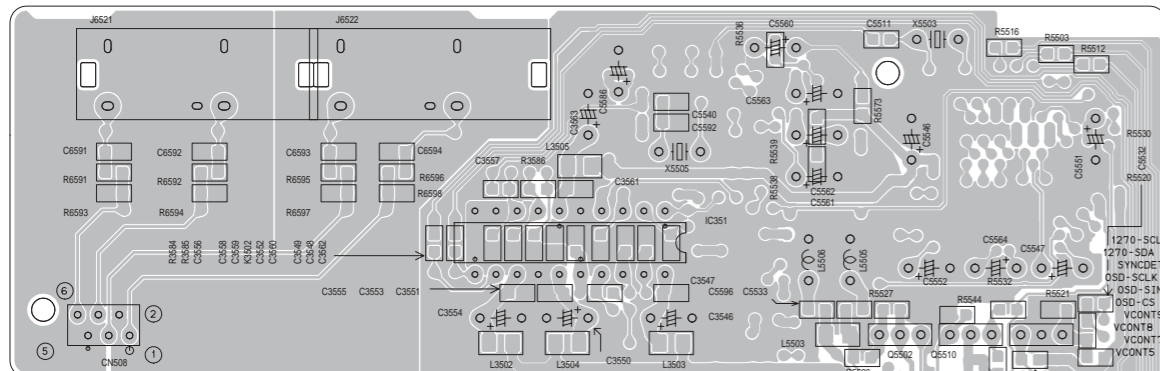
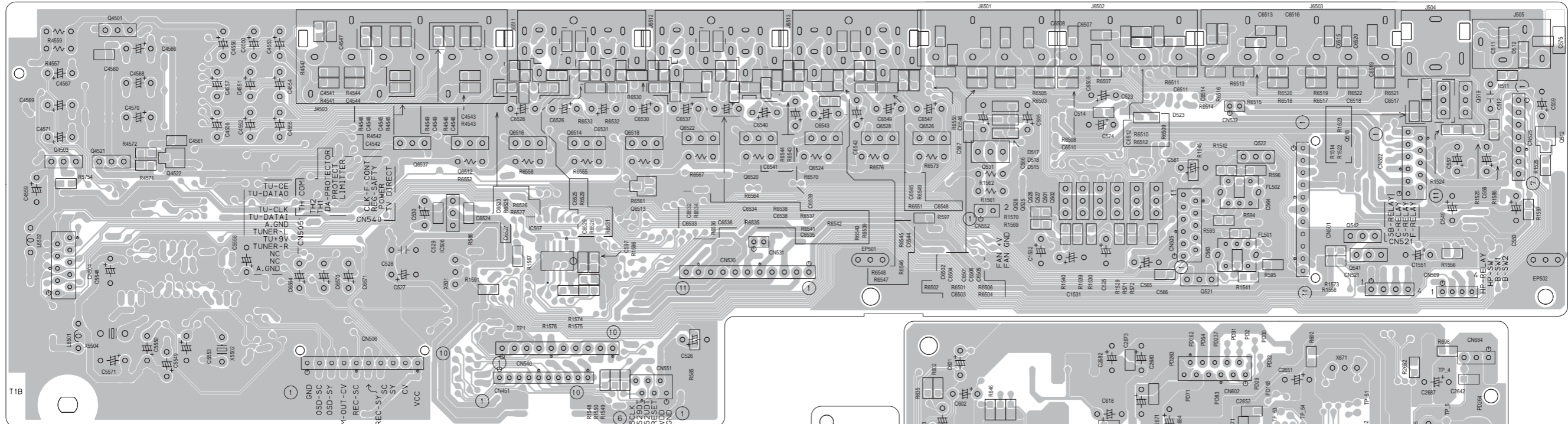


(S.S. setup board)

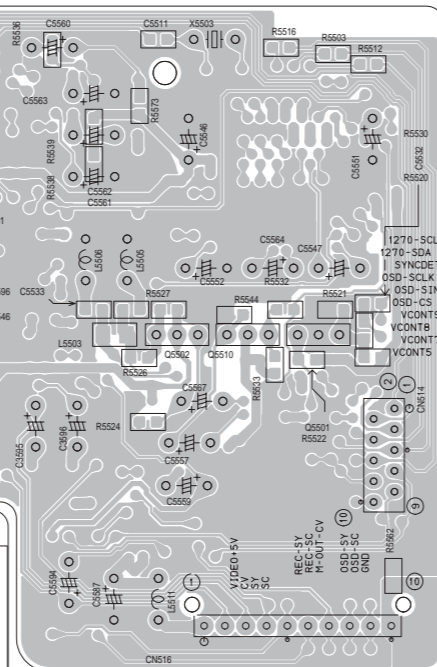
■ Input mother board Lead free solder used in the board (material : Sn-Ag-Cu, melting point : 219 Centigrade)

Reverse side

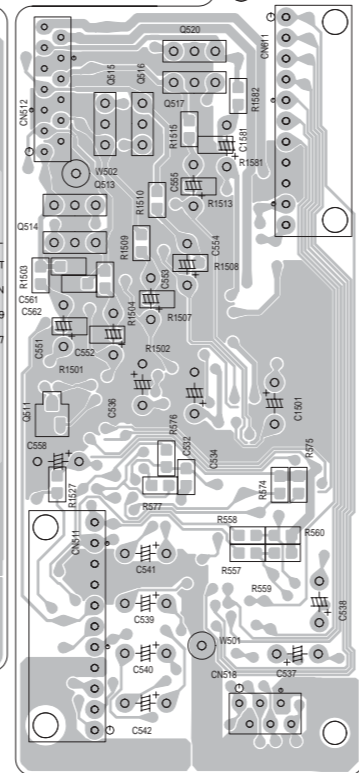
(Input mother board)



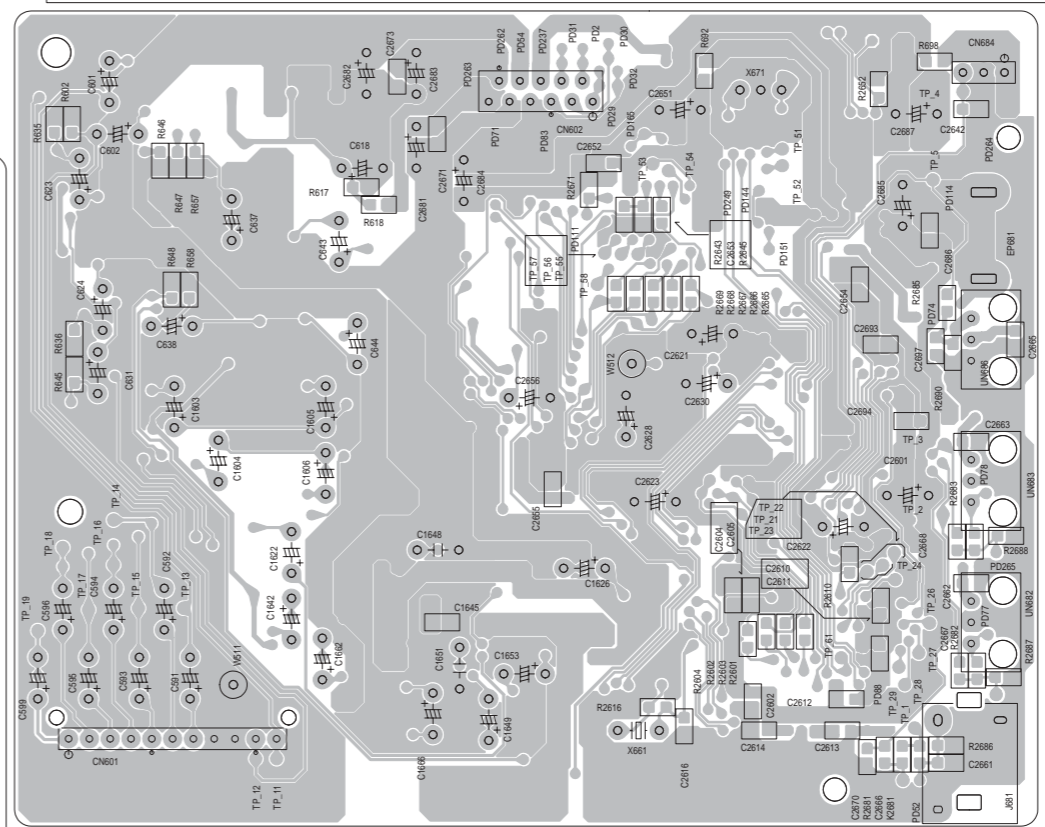
(S.S. setup board)



(Audio input/output board)



(Vol IC board)



(DSP board)

< MEMO >

JVC

Victor Company of Japan, Limited

AV & MULTIMEDIA COMPANY AUDIO/VIDEO SYSTEMS CATEGORY 10-1,1chome,Ohwatari-machi,Maebashi-city,371-8543,Japan

(No.MB449SCH)



Printed in Japan
VPT

PARTS LIST

[RX-F31S]

* All printed circuit boards and its assemblies are not available as service parts.

Area suffix

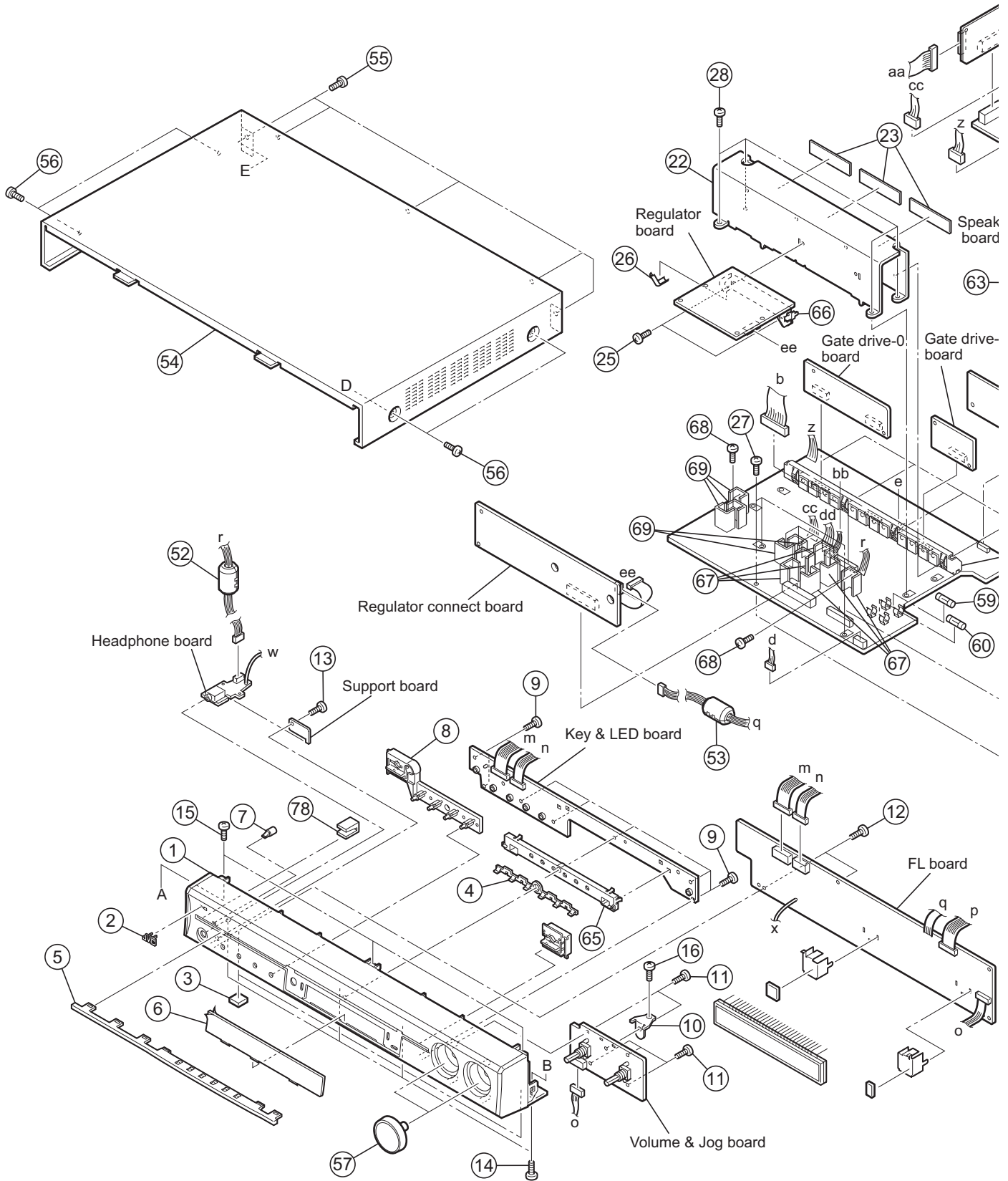
A ----- Australia
US ----- Singapore
UF ----- China
UJ ----- U.S.Military

- Contents -

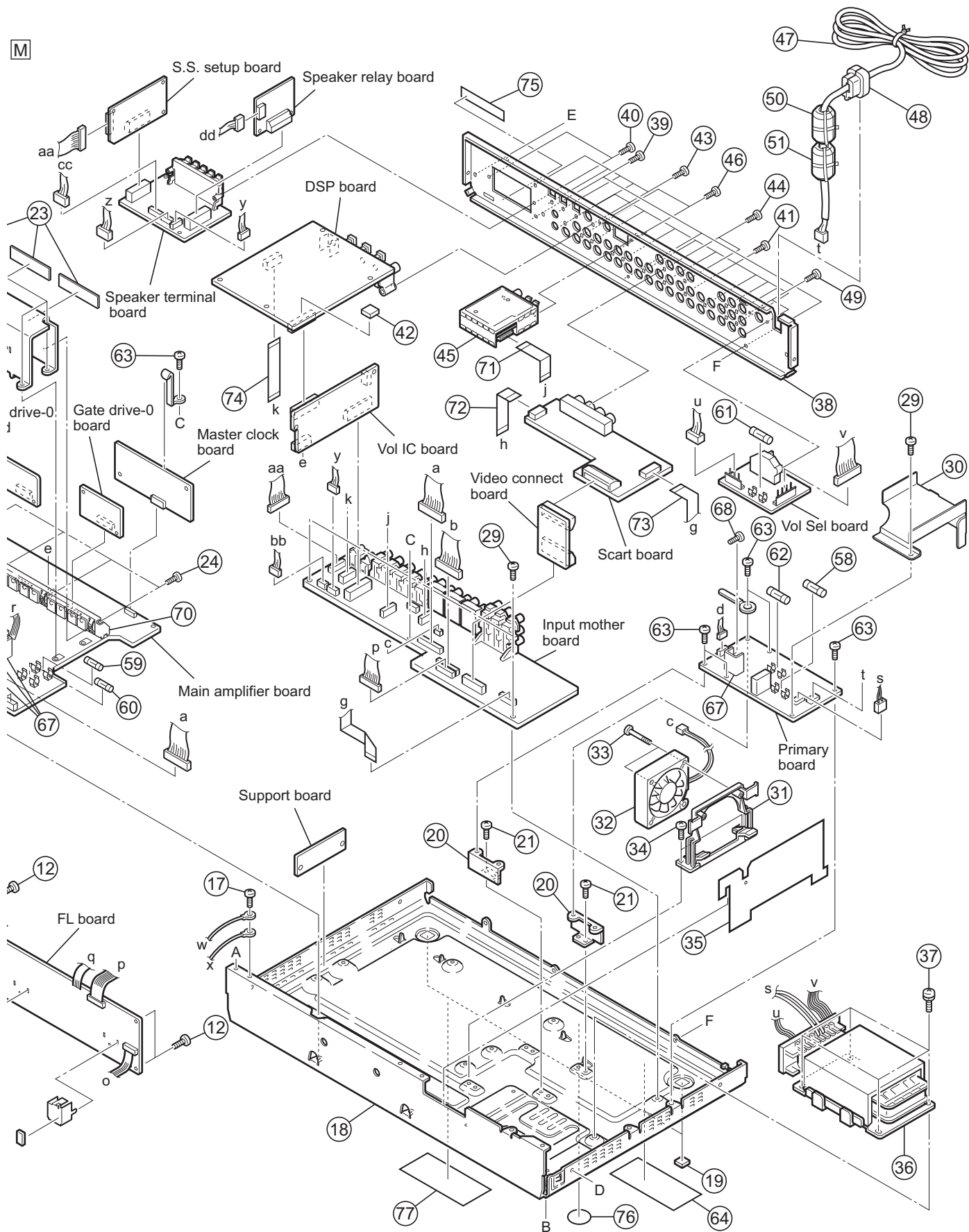
Exploded view of general assembly and parts list (Block No.M1)	3-2
Electrical parts list (Block No.01~03).....	3-6
Packing materials and accessories parts list (Block No.M3)	3-28

Exploded view of general assembly and parts list

Block No. M 1 M M



M



General Assembly

Block No. [M][1][M][M]

△	Symbol No.	Part No.	Part Name	Description	Local
	1	LV11056-008A	FRONT PANEL		
	2	LV43338-002A	JVC MARK		
	3	LV43622-002A	FOOT	(x2)	
	4	LV35732-001A	INDICATOR(SOURC		
	5	LV21936-002A	LIGHT LENS		
	6	LV35730-002A	LENS		
	7	LV44154-001A	INDICATOR(POWER		
	8	LV21930-002A	P.BUTTON		
	9	QYSBSF2608ZA	TAP SCREW	M2.6 x 8mm(x7)	
	10	LV44155-001A	EARTH BKT		
	11	QYSBSF2608ZA	TAP SCREW	M2.6 x 8mm(x5)	
	12	QYSBSF2608ZA	TAP SCREW	M2.6 x 8mm(x4)	
	13	QYSBSF2608ZA	TAP SCREW	M2.6 x 8mm	
	14	QYSDSG3006ZA	TAP SCREW	M3 x 6mm(x4)	
	15	QYSDSG3006ZA	TAP SCREW	M3 x 6mm(x3)	
	16	QYSDSG3006ZA	TAP SCREW	M3 x 6mm	
	17	QYSDSG3006ZA	TAP SCREW	M3 x 6mm	
	18	LV11057-002A	CHASSIS BASE		
	19	LV43622-002A	FOOT	(x2)	
	20	LV34679-001A	PWB BRACKET	(x2)	
	21	QYSBST3005EA	TAP SCREW	M3 x 5mm(x2)	
	22	LV21931-002A	HEAT SINK		
	23	LV43915-003A	COOLING RUBBER	(x3)	
	24	QYSBSG3006ZA	TAP SCREW	M3 x 6mm(x4)	
	25	QYSBSG3010ZA	TAP SCREW	M3 x 10mm(x2)	
	26	LV30225-0F4A	SPACER		
	27	QYSBSG3006ZA	TAP SCREW	M3 x 6mm(x3)	
	28	QYSBSGY3008EA	TAP SCREW	M3 x 8mm(x4)	
	29	QYSBSG3006ZA	TAP SCREW	M3 x 6mm(x3)	
	30	LV36459-001A	BARRIER		
	31	LV35736-001A	FAN HOLDER		
	32	QAR0312-001	FAN MOTOR		
	33	QYSBSG3020ZA	TAP SCREW	M3 x 20mm(x2)	
	34	QYSBSG3006ZA	TAP SCREW	M3 x 6mm(x2)	
	35	LV44414-001A	COVER		
△	36	QQT0488-003	POWER TRANSF		
	37	QYSDSTL4006EA	TAP SCREW	M4 x 6mm(x4)	
	38	LV21932-012A	REAR PANEL		A
	38	LV21932-013A	REAR PANEL		UF
	38	LV21932-014A	REAR PANEL		UJ,US
	39	QYSBSGY3008EA	TAP SCREW	M3 x 8mm(x3)	
	40	QYSBSGY3008EA	TAP SCREW	M3 x 8mm(x2)	
	41	QYSBSGY3008EA	TAP SCREW	M3 x 8mm(x13)	
	42	LV30227-002A	SPACER		
	43	QYSBSGY3008EA	TAP SCREW	M3 x 8mm(x5)	
	44	QYSBSGY3008EA	TAP SCREW	M3 x 8mm(x2)	
	45	QAU0307-003	TUNER		
	46	QYSBSGY3008EA	TAP SCREW	M3 x 8mm(x2)	
△	47	QMPG150-244-JC	POWER CORD(EU)	2.44m BLACK	A
△	47	QMPR480-200-JC	POWER CORD(EU)	2m BLACK	UF
△	47	QMPK210-205-JN	POWER CORD(EU)	2.05m BLACK	UJ,US
△	48	QZW0033-001	STRAIN RELIEF		
	49	QYSBSGY3008EA	TAP SCREW	M3 x 8mm(x2)	
	50	QQR0491-001	FERRITE CORE	TDK (GRAY)	
	51	QQR0491-001	FERRITE CORE	TDK (GRAY)	
	52	QQR0491-001	FERRITE CORE	TDK (GRAY)	
	53	QQR0491-001	FERRITE CORE	TDK (GRAY)	
	54	LV21933-002A	TOP COVER		
	55	QYSBSGY3008EA	TAP SCREW	M3 x 8mm(x5)	
	56	QYSDSG3006NA	TAP SCREW	M3 x 6mm(x4)	
	57	LV44151-005A	ROTARY KNOB ASS	(x2)	
△	58	QMF51W2-3R15-J8	FUSE	3.15A AC250V	
△	59	QMF51W2-2R0-J8	FUSE	2A AC250V	
△	60	QMF51W2-2R0-J8	FUSE	2A AC250V	
△	61	QMF51W2-1R6-J8	FUSE	1.6A AC250V	
△	62	QMF5AE2-R10-J1	FUSE	0.1A AC250V	
	63	QYSBSG3006ZA	TAP SCREW	M3 x 6mm(x6)	
	64	LV43550-004A	LABEL		
	65	LV35733-001A	LED HOLDER		
	66	LV35735-001A	TR BRACKET		
	67	E70306-006	HEAT SINK	(x7)	
	68	QYSBSG3008EA	TAP SCREW	M3 x 8mm(x12)	
	69	E70306-001	HEAT SINK	HS 951(x5)	
	70	LV35734-002A	FET BRACKET		

△ Symbol No.	Part No.	Part Name	Description	Local
71	QUQ412-1110CJ-E	FFC WIRE	11pin 10cm	
72	QUQ412-0618CJ-E	FFC WIRE	6pin 18cm	
73	QUQ412-1009CJ-E	FFC WIRE	10pin 9cm	
74	QUQ412-1116CJ-E	FFC WIRE	11pin 16cm	
75	LV40232-001A	NUMBER LABEL		UF
75	LV40232-002A	NUMBER LABEL		A,UJ,US
76	LV43268-001	CCC LABEL		UF
77	LV30092-0H2A	UF LABEL		UF
78	LV30227-013A	SPACER		

Electrical parts list

FL board

Block No. [0][1]

△ Symbol No.	Part No.	Part Name	Description	Local
PW201	QUB111-18PPPP-E	SIN TWIST WIRE		
PW202	QUB116-15PPPP-E	SIN TWIST WIRE		
IC401	MN101C35DMF	IC		
IC402	GP1UM271XKVF	IR DETECT UNIT		
IC851	SN74HC74ANS-X	IC		
IC852	SN74HC00ANS-X	IC		
IC853	NJM2125F-X	IC		
IC854	NJM2403M-X	IC		
IC855	KIA78S05P-T	IC		
Q201	KRC105S-X	DIGI TRANSISTOR		
△ Q202	2SD2394/EF/	TRANSISTOR		
△ Q211	2SD2394/EF/	TRANSISTOR		
△ Q212	2SD2394/EF/	TRANSISTOR		
Q216	KRA102S-X	DIGI TRANSISTOR		
Q217	KRC102S-X	DIGI TRANSISTOR		
Q223	KRC111S-X	TRANSISTOR		
△ Q226	2SD2394/EF/	TRANSISTOR		
△ Q227	2SD2394/EF/	TRANSISTOR		
Q228	KRC111S-X	TRANSISTOR		
Q401	KRC107S-X	DIGI TRANSISTOR		
Q403	KRA114S-X	TRANSISTOR		
Q404	KRA107S-X	DIGI TRANSISTOR	A,UF, US	
Q405	KRA107S-X	DIGI TRANSISTOR		
Q406	KRA107S-X	DIGI TRANSISTOR	A,UF, US	
Q407	KRA107S-X	DIGI TRANSISTOR		
Q408	KRA107S-X	DIGI TRANSISTOR	A,UF, US	
Q409	KRA107S-X	DIGI TRANSISTOR		
Q410	KRC107S-X	DIGI TRANSISTOR		
Q411	KRA114S-X	TRANSISTOR		
Q412	KRA114S-X	TRANSISTOR		
Q413	KRA114S-X	TRANSISTOR		
Q414	KRC107S-X	DIGI TRANSISTOR		
Q415	KRC107S-X	DIGI TRANSISTOR		
Q416	KRA114S-X	TRANSISTOR		
Q417	KRA114S-X	TRANSISTOR		
△ Q702	2SD2394/EF/	TRANSISTOR		
Q851	KTA1504/YG/-X	SI TRANSISTOR		
Q852	KTA1268/GL/-T	TRANSISTOR		
Q853	KRC102S-X	DIGI TRANSISTOR		
Q854	KRC102S-X	DIGI TRANSISTOR		
Q855	KRC102S-X	DIGI TRANSISTOR		
Q856	KTC3875/YG/-X	SI TRANSISTOR		
Q857	KRC102S-X	DIGI TRANSISTOR		
Q858	KRC102S-X	DIGI TRANSISTOR		
D205	1SS133-T2	SI DIODE		
D206	MTZJ12C-T2	Z DIODE		
D219	MTZJ5.6C-T2	Z DIODE		
D221	1SS133-T2	SI DIODE		
D227	MTZJ5.6C-T2	Z DIODE		
D236	MTZJ10A-T2	Z DIODE		
D407	SLR-343VC-T	LED		
D408	SELU2E10C-P	LED	A,UF, US	
D409	SELU2E10C-P	LED		
D410	MA111-X	SI DIODE		
D412	SELU2E10C-P	LED	A,UF, US	
D413	SELU2E10C-P	LED		
D414	SELU2E10C-P	LED	A,UF, US	
D415	SELU2E10C-P	LED		
D421	SLR-343VC-T	LED		
D422	SLR-343VC-T	LED		
D423	SLR-343VC-T	LED		
D424	SPR-325MVWL/-T	LED	GREEN-RED	
D425	SPR-325MVWL/-T	LED	GREEN-RED	
D426	SPR-325MVWL/-T	LED	GREEN-RED	

△ Symbol No.	Part No.	Part Name	Description	Local
D714	UDZS13B-X	Z DIODE		
D718	MA111-X	SI DIODE		
D851	1SS133-T2	SI DIODE		
D852	1SS133-T2	SI DIODE		
D853	1SS133-T2	SI DIODE		
D854	1SS133-T2	SI DIODE		
D856	1SS133-T2	SI DIODE		
D857	1SS133-T2	SI DIODE		
D858	UDZS2.7B-X	Z DIODE		
D859	MTZJ6.8B-T2	Z DIODE		
D860	1SS133-T2	SI DIODE		
△ C201	QCZ9104-472	C CAPACITOR	4700pF	
C204	NCB31HK-472X	C CAPACITOR	4700pF 50V K	
△ C217	QFZ9075-224	MPP CAPACITOR	0.22uF AC275V M	
△ C218	QCZ9079-102	C CAPACITOR	1000pF AC250V M	
△ C219	QCZ9079-102	C CAPACITOR	1000pF AC250V M	
C225	QETN1CM-107Z	E CAPACITOR	100uF 16V M	
C227	QETN1CM-107Z	E CAPACITOR	100uF 16V M	
C228	QETN1CM-107Z	E CAPACITOR	100uF 16V M	
C401	NCB31HK-103X	C CAPACITOR	0.01uF 50V K	
C402	NCB31HK-103X	C CAPACITOR	0.01uF 50V K	
C403	NCB31HK-103X	C CAPACITOR	0.01uF 50V K	
C404	NCB31HK-103X	C CAPACITOR	0.01uF 50V K	
C405	NCB31HK-103X	C CAPACITOR	0.01uF 50V K	
C406	QCZ0202-155Z	C CAPACITOR	1.5uF 25V Z	
C407	QEK0JM-107Z	E CAPACITOR	100uF 6.3V M	
C408	QEK0JM-107Z	E CAPACITOR	100uF 6.3V M	
C409	QEK1HM-475Z	E CAPACITOR	4.7uF 50V M	
C410	QER61HM-475Z	E CAPACITOR	4.7uF 50V M	
C411	QEK1HM-475Z	E CAPACITOR	4.7uF 50V M	
C412	NCF31CZ-104X	C CAPACITOR	0.1uF 16V Z	A,UF, US
C413	NCF31CZ-104X	C CAPACITOR	0.1uF 16V Z	
C414	NCF31CZ-104X	C CAPACITOR	0.1uF 16V Z	A,UF, US
C415	NCF31CZ-104X	C CAPACITOR	0.1uF 16V Z	
C418	NCB31CK-104X	C CAPACITOR	0.1uF 16V K	
C421	NCB31HK-102X	C CAPACITOR	1000pF 50V K	
C425	NDC31HJ-331X	C CAPACITOR	330pF 50V J	
C426	NDC31HJ-331X	C CAPACITOR	330pF 50V J	
C427	NDC31HJ-331X	C CAPACITOR	330pF 50V J	
C428	NDC31HJ-331X	C CAPACITOR	330pF 50V J	
C429	NCB31HK-103X	C CAPACITOR	0.01uF 50V K	
C431	NCB31EK-104X	C CAPACITOR	0.1uF 25V K	A,UF, US
C432	NCB31EK-104X	C CAPACITOR	0.1uF 25V K	
C433	NCB31EK-104X	C CAPACITOR	0.1uF 25V K	A,UF, US
C434	NCB31EK-104X	C CAPACITOR	0.1uF 25V K	
C715	QETN1CM-107Z	E CAPACITOR	100uF 16V M	
C727	QETN1HM-106Z	E CAPACITOR	10uF 50V M	
C851	NCB31HK-103X	C CAPACITOR	0.01uF 50V K	
C852	NDC31HJ-470X	C CAPACITOR	47pF 50V J	
C853	NDC31HJ-101X	C CAPACITOR	100pF 50V J	
C854	NCB31HK-103X	C CAPACITOR	0.01uF 50V K	
C855	QETN1EM-476Z	E CAPACITOR	47uF 25V M	
C856	NCB31CK-105X	C CAPACITOR	1uF 16V K	
C857	NCB31HK-103X	C CAPACITOR	0.01uF 50V K	
C858	QETN1EM-476Z	E CAPACITOR	47uF 25V M	
C859	NDC31HJ-101X	C CAPACITOR	100pF 50V J	
C860	NCB31HK-103X	C CAPACITOR	0.01uF 50V K	
C861	NCB31HK-103X	C CAPACITOR	0.01uF 50V K	
C862	QETN2AM-475Z	E CAPACITOR	4.7uF 100V M	
C863	NCB31HK-102X	C CAPACITOR	1000pF 50V K	
C864	NCB21CK-334X	C CAPACITOR	0.33uF 16V K	
C865	QETN1CM-107Z	E CAPACITOR	100uF 16V M	
C866	NDC31HJ-821X	C CAPACITOR	820pF 50V J	
C867	QCSB1HJ-470Y	C CAPACITOR	47pF 50V J	
△ R204	QRJ146J-153X	UNF C RESISTOR	15kΩ 1/4W J	
△ R205	QRL017J-332	OMF RESISTOR	3.3kΩ 1W J	
△ R212	QRJ146J-100X	UNF C RESISTOR	10Ω 1/4W J	
△ R229	QRZ9006-4R7X	F.RESISTOR	4.7Ω 1/4W J	
△ R230	QRZ9006-4R7X	F.RESISTOR	4.7Ω 1/4W J	
△ R231	QRJ146J-182X	UNF C RESISTOR	1.8kΩ 1/4W J	

△ Symbol No.	Part No.	Part Name	Description	Local	△ Symbol No.	Part No.	Part Name	Description	Local
△ R232	QRJ146J-2R2X	UNF C RESISTOR	2.2Ω 1/4W J	A,UF, US	R463	NRSA63J-241X	MG RESISTOR	240Ω 1/16W J	
△ R233	QRJ146J-2R2X	UNF C RESISTOR	2.2Ω 1/4W J		R464	NRSA63J-241X	MG RESISTOR	240Ω 1/16W J	
R234	NRSA63J-102X	MG RESISTOR	1kΩ 1/16W J		R471	NRSA63J-0R0X	MG RESISTOR	0Ω 1/16W J	
R235	NRSA63J-104X	MG RESISTOR	100kΩ 1/16W J		R472	NRSA63J-0R0X	MG RESISTOR	0Ω 1/16W J	
△ R243	QRZ9037-335	COMP RESISTOR	3.3MΩ 1/2W K		R473	NRSA63J-0R0X	MG RESISTOR	0Ω 1/16W J	
△ R246	QRZ9006-4R7X	F.RESISTOR	4.7Ω 1/4W J		R474	NRSA63J-331X	MG RESISTOR	330Ω 1/16W J	
△ R247	QRZ9006-4R7X	F.RESISTOR	4.7Ω 1/4W J		R475	NRSA63J-821X	MG RESISTOR	820Ω 1/16W J	
△ R248	QRJ146J-152X	UNF C RESISTOR	1.5kΩ 1/4W J		R477	NRSA63J-0R0X	MG RESISTOR	0Ω 1/16W J	
R249	NRSA63J-511X	MG RESISTOR	510Ω 1/16W J		△ R713	QRK126J-682X	UNF C RESISTOR	6.8kΩ 1/2W J	
R250	NRSA63J-104X	MG RESISTOR	100kΩ 1/16W J		△ R723	QRZ9005-100X	FUSI RESISTOR	10Ω	
△ R257	QRZ9006-4R7X	F.RESISTOR	4.7Ω 1/4W J		R851	NRSA63J-103X	MG RESISTOR	10kΩ 1/16W J	
△ R258	QRJ146J-102X	UNF C RESISTOR	1kΩ 1/4W J		R852	NRSA63J-471X	MG RESISTOR	470Ω 1/16W J	
R259	NRSA63J-393X	MG RESISTOR	39kΩ 1/16W J		R853	NRSA63J-332X	MG RESISTOR	3.3kΩ 1/16W J	
R260	NRSA63J-473X	MG RESISTOR	47kΩ 1/16W J		R854	NRSA63J-183X	MG RESISTOR	18kΩ 1/16W J	
△ R262	QRZ9006-4R7X	F.RESISTOR	4.7Ω 1/4W J		R855	NRSA63J-562X	MG RESISTOR	5.6kΩ 1/16W J	
△ R271	QRL027J-122	OMF RESISTOR	1.2kΩ 2W J		R856	NRSA63J-362X	MG RESISTOR	3.6kΩ 1/16W J	
△ R272	QRL027J-122	OMF RESISTOR	1.2kΩ 2W J		R857	NRSA63J-222X	MG RESISTOR	2.2kΩ 1/16W J	
△ R273	QRL027J-122	OMF RESISTOR	1.2kΩ 2W J		R858	NRSA63J-302X	MG RESISTOR	3kΩ 1/16W J	
△ R274	QRL027J-122	OMF RESISTOR	1.2kΩ 2W J		R859	NRSA63J-223X	MG RESISTOR	22kΩ 1/16W J	
R401	NRSA63J-103X	MG RESISTOR	10kΩ 1/16W J		R860	NRSA63J-124X	MG RESISTOR	120kΩ 1/16W J	
R402	NRSA63J-102X	MG RESISTOR	1kΩ 1/16W J		R861	NRSA63J-103X	MG RESISTOR	10kΩ 1/16W J	
R403	NRSA63J-102X	MG RESISTOR	1kΩ 1/16W J		R862	NRSA63J-391X	MG RESISTOR	390Ω 1/16W J	
R404	NRSA63J-103X	MG RESISTOR	10kΩ 1/16W J		R863	NRSA63J-473X	MG RESISTOR	47kΩ 1/16W J	
R405	NRSA63J-102X	MG RESISTOR	1kΩ 1/16W J		R864	NRSA63J-102X	MG RESISTOR	1kΩ 1/16W J	
R406	NRSA63J-102X	MG RESISTOR	1kΩ 1/16W J		R865	NRSA63J-105X	MG RESISTOR	1MΩ 1/16W J	
R407	NRSA63J-122X	MG RESISTOR	1.2kΩ 1/16W J		R866	NRSA63J-103X	MG RESISTOR	10kΩ 1/16W J	
R408	NRSA63J-103X	MG RESISTOR	10kΩ 1/16W J		R867	NRSA63J-102X	MG RESISTOR	1kΩ 1/16W J	
R409	NRSA63J-102X	MG RESISTOR	1kΩ 1/16W J		R868	NRSA63J-513X	MG RESISTOR	51kΩ 1/16W J	
R410	NRSA63J-102X	MG RESISTOR	1kΩ 1/16W J		R869	NRSA63J-102X	MG RESISTOR	1kΩ 1/16W J	
R411	NRSA63J-103X	MG RESISTOR	10kΩ 1/16W J		R870	NRSA63J-222X	MG RESISTOR	2.2kΩ 1/16W J	
R412	NRSA63J-102X	MG RESISTOR	1kΩ 1/16W J		R871	NRSA02J-103X	MG RESISTOR	10kΩ 1/10W J	
R413	NRSA63J-102X	MG RESISTOR	1kΩ 1/16W J		R872	NRSA63J-103X	MG RESISTOR	10kΩ 1/16W J	
R414	NRSA63J-122X	MG RESISTOR	1.2kΩ 1/16W J		R873	NRSA63J-331X	MG RESISTOR	330Ω 1/16W J	
R415	NRSA63J-152X	MG RESISTOR	1.5kΩ 1/16W J		R874	NRSA63J-332X	MG RESISTOR	3.3kΩ 1/16W J	
R416	NRSA63J-222X	MG RESISTOR	2.2kΩ 1/16W J		R875	NRSA63J-102X	MG RESISTOR	1kΩ 1/16W J	
R417	NRSA63J-272X	MG RESISTOR	2.7kΩ 1/16W J	UJ	△ R876	QRK126J-470X	UNF C RESISTOR	47Ω 1/2W J	
R418	NRSA63J-392X	MG RESISTOR	3.9kΩ 1/16W J	UJ	R878	NRSA63J-332X	MG RESISTOR	3.3kΩ 1/16W J	
R419	NRSA63J-103X	MG RESISTOR	10kΩ 1/16W J		R879	NRSA63J-133X	MG RESISTOR	13kΩ 1/16W J	
R420	NRSA63J-102X	MG RESISTOR	1kΩ 1/16W J		R880	NRSA63J-103X	MG RESISTOR	10kΩ 1/16W J	
R421	NRSA63J-102X	MG RESISTOR	1kΩ 1/16W J		△ T202	QQT0281-006	POWER TRANSF		
R422	NRSA63J-122X	MG RESISTOR	1.2kΩ 1/16W J		BK401	LV34673-001A	FL HOLDER(L)		
R427	NRSA63J-241X	MG RESISTOR	240Ω 1/16W J		BK402	LV34687-001A	FL HOLDER(R)		
R428	NRSA63J-241X	MG RESISTOR	240Ω 1/16W J		△ CN203	QGA7901C1-02	CONNECTOR	W-B (1-2)	
R429	NRSA63J-331X	MG RESISTOR	330Ω 1/16W J		△ CN204	QGA7901C1-03	CONNECTOR	W-B (1-3)	
R430	NRSA63J-221X	MG RESISTOR	220Ω 1/16W J		△ CN205	QGA7901C1-04	CONNECTOR	W-B (1-4)	
R431	NRSA63J-103X	MG RESISTOR	10kΩ 1/16W J		CN218	QGA2501C1-04	CONNECTOR	W-B (1-4)	
R432	NRSA63J-103X	MG RESISTOR	10kΩ 1/16W J		CN401	QJK018-102800-E	SIN CR C-B WIR		
R433	NRSA63J-103X	MG RESISTOR	10kΩ 1/16W J		CN403	QJK018-081003-E	SIN CR C-B WIR		
R434	NRSA63J-103X	MG RESISTOR	10kΩ 1/16W J		CN404	QJK018-100600-E	SIN CR C-B WIR		
R435	NRSA63J-103X	MG RESISTOR	10kΩ 1/16W J		CN405	QJK018-080603-E	SIN CR C-B WIR		
R436	NRSA63J-221X	MG RESISTOR	220Ω 1/16W J		CN412	QGA2001F1-05	CONNECTOR	W-B (1-5)	
R437	NRSA63J-221X	MG RESISTOR	220Ω 1/16W J		CN413	QGA2001F1-08	CONNECTOR	W-B (1-8)	
R438	NRSA63J-221X	MG RESISTOR	220Ω 1/16W J		CN414	QGA2001F1-10	CONNECTOR	W-B (1-10)	
R439	NRSA63J-221X	MG RESISTOR	220Ω 1/16W J	A,UF, US	CN415	QGA2001F1-08	CONNECTOR	W-B (1-8)	
R440	NRSA63J-221X	MG RESISTOR	220Ω 1/16W J		CN526	QGB2510K1-10	CONNECTOR	B-B (1-10)	
R441	NRSA63J-221X	MG RESISTOR	220Ω 1/16W J	A,UF, US	CN536	QGB2510K1-10	CONNECTOR	B-B (1-10)	
R442	NRSA63J-221X	MG RESISTOR	220Ω 1/16W J		CN705	QGA2001F1-09	CONNECTOR	W-B (1-9)	
R443	NRSA63J-221X	MG RESISTOR	220Ω 1/16W J	A,UF, US	CN711	QGA2001C1-05	CONNECTOR	W-B (1-5)	
R444	NRSA63J-221X	MG RESISTOR	220Ω 1/16W J		CN713	QGB2510K1-10	CONNECTOR	B-B (1-10)	
R447	NRSA63J-103X	MG RESISTOR	10kΩ 1/16W J	A,UF, US	CN714	QGB2510K1-14	CONNECTOR	B-B (1-14)	
R448	NRSA63J-103X	MG RESISTOR	10kΩ 1/16W J		DI401	QLF0135-002	FL TUBE		
R449	NRSA63J-103X	MG RESISTOR	10kΩ 1/16W J	A,UF, US	EP201	QNZ0136-001Z	EARTH PLATE		
R450	NRSA63J-103X	MG RESISTOR	10kΩ 1/16W J		FC201	QNG0020-001Z	FUSE CLIP		A,UF, US
R452	NRSA63J-221X	MG RESISTOR	220Ω 1/16W J		FC204	QNG0020-001Z	FUSE CLIP		
R453	NRSA63J-221X	MG RESISTOR	220Ω 1/16W J		FC205	QNG0020-001Z	FUSE CLIP		
R454	NRSA63J-221X	MG RESISTOR	220Ω 1/16W J		FC211	QNG0020-001Z	FUSE CLIP		
R455	NRSA63J-221X	MG RESISTOR	220Ω 1/16W J		FC214	QNG0020-001Z	FUSE CLIP		
R456	NRSA63J-221X	MG RESISTOR	220Ω 1/16W J		FC215	QNG0020-001Z	FUSE CLIP		
R457	NRSA63J-821X	MG RESISTOR	820Ω 1/16W J		FS400	LV30225-0S4A	SPACER		A,UJ, US
R458	NRSA63J-331X	MG RESISTOR	330Ω 1/16W J		FS401	VYSH101-009	SPACER		A,UJ, US
R459	NRSA63J-821X	MG RESISTOR	820Ω 1/16W J		FW402	WJS0059-001A-E	E-FL/RB WIRE		
R461	NRSA63J-241X	MG RESISTOR	240Ω 1/16W J		FW715	WJS0064-002A-E	E-FL/RB WIRE		
R462	NRSA63J-241X	MG RESISTOR	240Ω 1/16W J		HS702	E70306-006	HEAT SINK		A,UJ, US

△ Symbol No.	Part No.	Part Name	Description	Local	△ Symbol No.	Part No.	Part Name	Description	Local
JS401	QSW1129-001	ROTARY ENCODER			Q901	KTA1504/YG/-X	SI TRANSISTOR		A,UF,US
JS402	QSW1129-001	ROTARY ENCODER			Q902	KTA1504/YG/-X	SI TRANSISTOR		
△ RY201	QSK0142-001	RELAY			Q911	KTA1504/YG/-X	SI TRANSISTOR		A,UF,US
S401	QSW0683-001Z	PUSH SW			Q912	KTA1504/YG/-X	SI TRANSISTOR		
S402	QSW0683-001Z	PUSH SW			Q1201	KRC105S-X	DIGI TRANSISTOR		
S403	QSW0683-001Z	PUSH SW			△ Q1301	IRFB4212	FET		A,UF,US
S404	QSW0683-001Z	PUSH SW			△ Q1302	IRFB4212	FET		
S405	QSW0683-001Z	PUSH SW			△ Q1303	IRFB4212	FET		A,UF,US
S406	QSW0683-001Z	PUSH SW			△ Q1304	IRFB4212	FET		
△ VS201	QSW0812-001	VOLTAGE SWITCH			Q1701	KTC3200/GL/-T	TRANSISTOR		
X401	QAX0246-001Z	C RESONATOR	8.00MHz		Q1702	KTC3199/GL/-T	TRANSISTOR		

Main amp. board

Block No. [0][2]

△ Symbol No.	Part No.	Part Name	Description	Local	△ Symbol No.	Part No.	Part Name	Description	Local
IC301	JCV8015-X	IC			Q1752	KRC120S-X	TRANSISTOR		A,UF,US
IC302	SN74LVC3G04T-X	IC			Q1753	KRC120S-X	TRANSISTOR		
IC311	IRS20124S-X	IC			Q1754	KRC120S-X	TRANSISTOR		
IC312	IRS20124S-X	IC			Q1755	2SB709A/QR/-X	TRANSISTOR		A,UF,US
IC507	BR24L01AF-W-X	IC		UF	Q1756	2SB709A/QR/-X	TRANSISTOR		
IC701	IRS2011S-X	IC			Q1757	2SB709A/QR/-X	TRANSISTOR		A,UF,US
IC702	SN74HC00ANS-X	IC			Q1758	2SB709A/QR/-X	TRANSISTOR		
IC704	SN74HCU04ANS-X	IC			△ Q1801	IRFB4212	FET		A,UF,US
IC706	SN74HC74ANS-X	IC			△ Q1802	IRFB4212	FET		
IC801	JCV8015-X	IC			△ Q1803	IRFB4212	FET		A,UF,US
IC811	IRS20124S-X	IC			△ Q1804	IRFB4212	FET		
IC812	IRS20124S-X	IC			△ Q1901	IRFB4212	FET		A,UF,US
IC901	JCV8015-X	IC			△ Q1902	IRFB4212	FET		
IC902	SN74LVC3G04T-X	IC			△ Q1903	IRFB4212	FET		A,UF,US
IC911	IRS20124S-X	IC			△ Q1904	IRFB4212	FET		
IC912	IRS20124S-X	IC			Q6513	KRA121S-X	DIGI TRANSISTOR		UF
Q203	KTC3203/OY/-T	TRANSISTOR			△ D201	1A3G-T1	SI DIODE		A,UF,US
Q204	KTC3200/GL/-T	TRANSISTOR			△ D202	1A3G-T1	SI DIODE		
△ Q205	KTA1046/Y/	TRANSISTOR			△ D203	1A3G-T1	SI DIODE		A,UF,US
△ Q207	KTA1046/Y/	TRANSISTOR			△ D204	1A3G-T1	SI DIODE		
△ Q208	2SD2394/EF/	TRANSISTOR			D207	MTZJ6.2C-T2	Z DIODE		
△ Q209	2SD2394/EF/	TRANSISTOR			△ D208	1A3G-T1	SI DIODE		
△ Q210	2SD2394/EF/	TRANSISTOR			△ D209	1A3G-T1	SI DIODE		
△ Q213	2SD2394/EF/	TRANSISTOR			△ D210	1A3G-T1	SI DIODE		
Q214	KRA102S-X	DIGI TRANSISTOR			△ D211	1A3G-T1	SI DIODE		
Q215	KRC102S-X	DIGI TRANSISTOR			D212	1A3G-T1	SI DIODE		A,UF,US
Q218	KRA102S-X	DIGI TRANSISTOR			D213	1A3G-T1	SI DIODE		
Q219	KRC102S-X	DIGI TRANSISTOR			D215	UDZS7.5B-X	Z DIODE		
Q220	KRC111S-X	TRANSISTOR			D216	MTZJ7.5C-T2	Z DIODE		
Q221	KRC111S-X	TRANSISTOR			D217	MTZJ6.2C-T2	Z DIODE		
Q222	KRC111S-X	TRANSISTOR			D218	MTZJ10B-T2	Z DIODE		
Q224	KRC111S-X	TRANSISTOR			D220	MTZJ5.6C-T2	Z DIODE		
Q301	KTA1504/YG/-X	SI TRANSISTOR		A,UF,US	D222	1A3G-T1	SI DIODE		
Q302	KTA1504/YG/-X	SI TRANSISTOR			D223	MTZJ27B-T2	Z DIODE		
Q311	KTA1504/YG/-X	SI TRANSISTOR		A,UF,US	D224	MTZJ6.2C-T2	Z DIODE		
Q312	KTA1504/YG/-X	SI TRANSISTOR			△ D231	1A3G-T1	SI DIODE		
Q511	KRA104S-X	DIGI TRANSISTOR		UF	△ D233	1A3G-T1	SI DIODE		
Q512	KRA104S-X	DIGI TRANSISTOR		UF	△ D234	1A3G-T1	SI DIODE		
△ Q701	KTC1027/OY/-T	TRANSISTOR			D512	UDZS6.2B-X	Z DIODE		UF
△ Q703	2SK3599-01MR	POWER MOS FET			D515	MA111-X	SI DIODE		UF
△ Q704	2SK3599-01MR	POWER MOS FET			D517	MA8130/H/-X	Z DIODE		UF
Q705	KTA1504/YG/-X	SI TRANSISTOR			D518	UDZS9.1B-X	Z DIODE		UF
△ Q722	KTA1046/Y/	TRANSISTOR			△ D701	30PRA20-FC	SI DIODE		
Q723	KTC3199/GL/-T	TRANSISTOR			△ D702	30PRA20-FC	SI DIODE		
Q724	KTC3199/GL/-T	TRANSISTOR			△ D703	30PRA20-FC	SI DIODE		
△ Q725	KTA1046/Y/	TRANSISTOR			△ D704	30PRA20-FC	SI DIODE		
Q726	2SC2812N/6/-X	TRANSISTOR			D706	1S5133-T2	SI DIODE		
Q793	KTC3875/YG/-X	SI TRANSISTOR			D711	UDZS13B-X	Z DIODE		
Q794	KRC102S-X	DIGI TRANSISTOR							
Q801	KTA1504/YG/-X	SI TRANSISTOR		A,UF,US					
Q802	KTA1504/YG/-X	SI TRANSISTOR							
Q811	KTA1504/YG/-X	SI TRANSISTOR		A,UF,US					
Q812	KTA1504/YG/-X	SI TRANSISTOR							

△ Symbol No.	Part No.	Part Name	Description	Local	△ Symbol No.	Part No.	Part Name	Description	Local
D712	1SS133-T2	SI DIODE			C317	NDC31HJ-471X	C CAPACITOR	470pF 50V J	A,UF, US
△ D715	FMB-G19L	SB DIODE			C318	NDC31HJ-471X	C CAPACITOR	470pF 50V J	
△ D716	FMB-G19L	SB DIODE			C319	NCB31AK-105X	C CAPACITOR	1uF 10V K	A,UF, US
D717	MA111-X	SI DIODE			C320	NCB31AK-105X	C CAPACITOR	1uF 10V K	
D719	1SS133-T2	SI DIODE			C321	NDC31HG-101X	C CAPACITOR	100pF 50V G	A,UF, US
D720	MA111-X	SI DIODE			C322	NDC31HG-101X	C CAPACITOR	100pF 50V G	
D721	ERA18-04-T1	FR DIODE			C323	NCB31CK-105X	C CAPACITOR	1uF 16V K	A,UF, US
D722	MTZJ6.2B-T2	Z DIODE			C324	NCB31CK-105X	C CAPACITOR	1uF 16V K	
D723	MTZJ10C-T2	Z DIODE			C327	QETN1AM-107Z	E CAPACITOR	100uF 10V M	A,UF, US
D724	1SS133-T2	SI DIODE			C328	QETN1AM-107Z	E CAPACITOR	100uF 10V M	
D725	1SS133-T2	SI DIODE			C329	QETN1AM-107Z	E CAPACITOR	100uF 10V M	A,UF, US
D726	MTZJ16B-T2	Z DIODE			C330	QETN1AM-107Z	E CAPACITOR	100uF 10V M	
D771	1SS133-T2	SI DIODE			C331	NCB31AK-105X	C CAPACITOR	1uF 10V K	A,UF, US
D772	1SS133-T2	SI DIODE			C332	NCB31AK-105X	C CAPACITOR	1uF 10V K	
D773	UDZS2.7B-X	Z DIODE			C333	QEK1HM-105Z	E CAPACITOR	1uF 50V M	
D791	UDZS16B-X	Z DIODE			C334	QEK1HM-105Z	E CAPACITOR	1uF 50V M	
D792	MA111-X	SI DIODE			C335	NDC31HJ-101X	C CAPACITOR	100pF 50V J	A,UF, US
D1201	MA111-X	SI DIODE			C336	NDC31HJ-101X	C CAPACITOR	100pF 50V J	
D1202	MA111-X	SI DIODE			C337	NCB31AK-105X	C CAPACITOR	1uF 10V K	A,UF, US
D1343	1SS133-T2	SI DIODE		A,UF, US	C338	NCB31AK-105X	C CAPACITOR	1uF 10V K	
D1344	1SS133-T2	SI DIODE			C341	NCB31HK-103X	C CAPACITOR	0.01uF 50V K	
D1351	MA111-X	SI DIODE			C511	NCB31HK-221X	C CAPACITOR	220pF 50V K	UF
D1701	1SS133-T2	SI DIODE			C514	NCF31CZ-104X	C CAPACITOR	0.1uF 16V Z	UF
D1751	MA111-X	SI DIODE			C529	NCB31CK-223X	C CAPACITOR	0.022uF 16V K	UF
D1752	MA111-X	SI DIODE			C532	NCB31HK-561X	C CAPACITOR	560pF 50V K	UF
D1753	MA111-X	SI DIODE			C561	NCB31HK-681X	C CAPACITOR	680pF 50V K	UF
D1754	MA111-X	SI DIODE			C562	NCB31HK-681X	C CAPACITOR	680pF 50V K	UF
D1843	1SS133-T2	SI DIODE		A,UF, US	C563	NCB31HK-562X	C CAPACITOR	5600pF 50V K	UF
D1844	1SS133-T2	SI DIODE			C564	NCB31HK-562X	C CAPACITOR	5600pF 50V K	UF
D1851	MA111-X	SI DIODE			C566	NDC31HJ-101X	C CAPACITOR	100pF 50V J	UF
D1943	1SS133-T2	SI DIODE			C575	NCF31CZ-104X	C CAPACITOR	0.1uF 16V Z	UF
D1944	1SS133-T2	SI DIODE			C587	NCF31CZ-104X	C CAPACITOR	0.1uF 16V Z	UF
D1951	MA111-X	SI DIODE			C597	NCB31EK-104X	C CAPACITOR	0.1uF 25V K	UF
D1952	MA111-X	SI DIODE			C701	QE20741-688	E CAPACITOR	6800uF	A,UF, US
C202	QFLC2AJ-472Z	M CAPACITOR	4700pF 100V J		C702	QE20741-688	E CAPACITOR	6800uF	
C203	QETN1JM-227Z	E CAPACITOR	220uF 63V M		C703	QFZ9076-104Z	MM CAPACITOR	0.1uF	
C205	NCB31HK-472X	C CAPACITOR	4700pF 50V K		C704	QFVM2AJ-474Z	MF CAPACITOR	0.47uF 100V J	
C206	QETN1CM-477Z	E CAPACITOR	470uF 16V M		C705	QFVM2AJ-224Z	MF CAPACITOR	0.22uF 100V J	
C207	QFLC2AJ-104Z	M CAPACITOR	0.1uF 100V J		C711	QETN1HM-105Z	E CAPACITOR	1uF 50V M	
C208	QFLC2AJ-104Z	M CAPACITOR	0.1uF 100V J		C712	QETN1EM-107Z	E CAPACITOR	100uF 25V M	
C209	QFLC2AJ-104Z	M CAPACITOR	0.1uF 100V J		C713	NCB21HK-104X	C CAPACITOR	0.1uF 50V K	
C210	QETM1EM-478	E CAPACITOR	4700uF 25V M		C714	NCB21EK-334X	C CAPACITOR	0.33uF 25V K	
C211	QETM1EM-108	E CAPACITOR	1000uF 25V M		C716	NCB31HK-222X	C CAPACITOR	2200pF 50V K	A,UF, US
C212	QFLC1HJ-473Z	M CAPACITOR	0.047uF 50V J		C717	NCB31HK-222X	C CAPACITOR	2200pF 50V K	
C213	QFLC1HJ-473Z	M CAPACITOR	0.047uF 50V J		C718	NCZ1061-104X	C CAPACITOR	0.1uF	
C214	QEK1HM-105Z	E CAPACITOR	1uF 50V M		C719	NCZ1061-104X	C CAPACITOR	0.1uF	
C215	QETN1HM-476Z	E CAPACITOR	47uF 50V M		C720	NCF21HZ-474X	C CAPACITOR	0.47uF 50V Z	A,UF, US
C221	QETN1CM-107Z	E CAPACITOR	100uF 16V M		C721	NCF21HZ-474X	C CAPACITOR	0.47uF 50V Z	
C222	QETN1CM-107Z	E CAPACITOR	100uF 16V M		C722	QETM1HM-338	E CAPACITOR	3300uF 50V M	A,UF, US
C223	QETN1CM-107Z	E CAPACITOR	100uF 16V M		C723	QETM1HM-338	E CAPACITOR	3300uF 50V M	
C224	QETM1EM-108	E CAPACITOR	1000uF 25V M		C728	NCB31HK-222X	C CAPACITOR	2200pF 50V K	A,UF, US
C226	QETN1CM-107Z	E CAPACITOR	100uF 16V M		C729	NCB31HK-222X	C CAPACITOR	2200pF 50V K	
C241	QETN1HM-227Z	E CAPACITOR	220uF 50V M		C734	NCB31HK-222X	C CAPACITOR	2200pF 50V K	A,UF, US
C242	QETN2AM-107Z	E CAPACITOR	100uF 100V M		C735	NCB31HK-222X	C CAPACITOR	2200pF 50V K	
C243	QETN2AM-107Z	E CAPACITOR	100uF 100V M		C736	NCB31HK-222X	C CAPACITOR	2200pF 50V K	A,UF, US
C301	QEK1HM-105Z	E CAPACITOR	1uF 50V M	A,UF, US	C737	NCB31HK-222X	C CAPACITOR	2200pF 50V K	
C302	QEK1HM-105Z	E CAPACITOR	1uF 50V M		C739	NCB31CK-105X	C CAPACITOR	1uF 16V K	
C303	NDC31HJ-471X	C CAPACITOR	470pF 50V J	A,UF, US	C741	QETN1HM-107Z	E CAPACITOR	100uF 50V M	
C304	NDC31HJ-471X	C CAPACITOR	470pF 50V J		C742	QETN1EM-476Z	E CAPACITOR	47uF 25V M	
C305	NCB31HK-222X	C CAPACITOR	2200pF 50V K	A,UF, US	C743	NCB31HK-472X	C CAPACITOR	4700pF 50V K	
C306	NCB31HK-222X	C CAPACITOR	2200pF 50V K		C744	QETN1CM-107Z	E CAPACITOR	100uF 16V M	
C307	NCB31HK-222X	C CAPACITOR	2200pF 50V K	A,UF, US	C745	QETN1CM-107Z	E CAPACITOR	100uF 16V M	
C308	NCB31HK-222X	C CAPACITOR	2200pF 50V K		C751	QFZ0214-105Z	MF CAPACITOR	1uF	
C309	QETN1CM-107Z	E CAPACITOR	100uF 16V M		C752	QFZ0214-105Z	MF CAPACITOR	1uF	
C310	QEK1AM-107Z	E CAPACITOR	100uF 10V M						
C313	NDC31HJ-330X	C CAPACITOR	33pF 50V J	A,UF, US					
C314	NDC31HJ-330X	C CAPACITOR	33pF 50V J						
C315	NCB31HK-182X	C CAPACITOR	1800pF 50V K	A,UF, US					
C316	NCB31HK-182X	C CAPACITOR	1800pF 50V K						

△ Symbol No.	Part No.	Part Name	Description	Local	△ Symbol No.	Part No.	Part Name	Description	Local
C753	QFVM2AJ-224Z	MF CAPACITOR	0.22uF 100V J		C913	NDC31HJ-330X	C CAPACITOR	33pF 50V J	A,UF,US
C754	QFVM2AJ-474Z	MF CAPACITOR	0.47uF 100V J		C914	NDC31HJ-330X	C CAPACITOR	33pF 50V J	
C755	NCF21HZ-105X	C CAPACITOR	1uF 50V Z	A,UF,US	C915	NCB31HK-182X	C CAPACITOR	1800pF 50V K	A,UF,US
C756	NCF21HZ-105X	C CAPACITOR	1uF 50V Z		C916	NCB31HK-182X	C CAPACITOR	1800pF 50V K	
C757	NCF21HZ-105X	C CAPACITOR	1uF 50V Z	A,UF,US	C917	NDC31HJ-471X	C CAPACITOR	470pF 50V J	
C758	NCF21HZ-105X	C CAPACITOR	1uF 50V Z		C919	NCB31AK-105X	C CAPACITOR	1uF 10V K	
C771	NDC31HJ-471X	C CAPACITOR	470pF 50V J	A,UF,US	C920	NCB31AK-105X	C CAPACITOR	1uF 10V K	
C772	NDC31HJ-471X	C CAPACITOR	470pF 50V J		C921	NDC31HG-101X	C CAPACITOR	100pF 50V G	A,UF,US
C773	NDC31HJ-471X	C CAPACITOR	470pF 50V J	A,UF,US	C922	NDC31HG-101X	C CAPACITOR	100pF 50V G	
C774	NDC31HJ-471X	C CAPACITOR	470pF 50V J		C923	NCB31CK-105X	C CAPACITOR	1uF 16V K	A,UF,US
C780	NCB31CK-104X	C CAPACITOR	0.1uF 16V K		C924	NCB31CK-105X	C CAPACITOR	1uF 16V K	
C781	NCB31CK-104X	C CAPACITOR	0.1uF 16V K		C927	QETN1AM-107Z	E CAPACITOR	100uF 10V M	A,UF,US
C782	NCB31CK-104X	C CAPACITOR	0.1uF 16V K		C928	QETN1AM-107Z	E CAPACITOR	100uF 10V M	
C783	NDC31HJ-101X	C CAPACITOR	100pF 50V J		C929	QETN1AM-107Z	E CAPACITOR	100uF 10V M	A,UF,US
C784	NDC31HJ-101X	C CAPACITOR	100pF 50V J		C930	QETN1AM-107Z	E CAPACITOR	100uF 10V M	
C787	QETN1AM-107Z	E CAPACITOR	100uF 10V M		C931	NCB31AK-105X	C CAPACITOR	1uF 10V K	A,UF,US
C788	QETN1AM-107Z	E CAPACITOR	100uF 10V M		C932	NCB31AK-105X	C CAPACITOR	1uF 10V K	
C789	QETN1AM-107Z	E CAPACITOR	100uF 10V M		C933	QEK1HM-105Z	E CAPACITOR	1uF 50V M	
C791	QETN1CM-107Z	E CAPACITOR	100uF 16V M		C934	NDC31HJ-101X	C CAPACITOR	100pF 50V J	
C801	QEK1HM-105Z	E CAPACITOR	1uF 50V M	A,UF,US	C937	NCB31AK-105X	C CAPACITOR	1uF 10V K	A,UF,US
C802	QEK1HM-105Z	E CAPACITOR	1uF 50V M		C938	NCB31AK-105X	C CAPACITOR	1uF 10V K	
C803	NDC31HJ-471X	C CAPACITOR	470pF 50V J	A,UF,US	C941	NCB31HK-103X	C CAPACITOR	0.01uF 50V K	
C804	NDC31HJ-471X	C CAPACITOR	470pF 50V J		C1343	NCB21EK-334X	C CAPACITOR	0.33uF 25V K	A,UF,US
C805	NCB31HK-222X	C CAPACITOR	2200pF 50V K	A,UF,US	C1344	NCB21EK-334X	C CAPACITOR	0.33uF 25V K	
C806	NCB31HK-222X	C CAPACITOR	2200pF 50V K		C1349	QETN2AM-106Z	E CAPACITOR	10uF 100V M	A,UF,US
C807	NCB31HK-222X	C CAPACITOR	2200pF 50V K	A,UF,US	C1350	QETN2AM-106Z	E CAPACITOR	10uF 100V M	
C808	NCB31HK-222X	C CAPACITOR	2200pF 50V K		C1351	NCZ1061-104X	C CAPACITOR	0.1uF	A,UF,US
C809	QETN1CM-107Z	E CAPACITOR	100uF 16V M	A,UF,US	C1352	NCZ1061-104X	C CAPACITOR	0.1uF	
C810	QETN1CM-107Z	E CAPACITOR	100uF 16V M		C1355	NCB31HK-102X	C CAPACITOR	1000pF 50V K	A,UF,US
C813	NDC31HJ-330X	C CAPACITOR	33pF 50V J	A,UF,US	C1356	NCB31HK-102X	C CAPACITOR	1000pF 50V K	
C814	NDC31HJ-330X	C CAPACITOR	33pF 50V J		C1357	NCB31HK-102X	C CAPACITOR	1000pF 50V K	A,UF,US
C815	NCB31HK-182X	C CAPACITOR	1800pF 50V K	A,UF,US	C1358	NCB31HK-102X	C CAPACITOR	1000pF 50V K	
C816	NCB31HK-182X	C CAPACITOR	1800pF 50V K		C1359	NCB31HK-102X	C CAPACITOR	1000pF 50V K	A,UF,US
C819	NCB31AK-105X	C CAPACITOR	1uF 10V K	A,UF,US	C1360	NCB31HK-102X	C CAPACITOR	1000pF 50V K	
C820	NCB31AK-105X	C CAPACITOR	1uF 10V K		C1361	NCB31HK-102X	C CAPACITOR	1000pF 50V K	A,UF,US
C821	NDC31HG-101X	C CAPACITOR	100pF 50V G	A,UF,US	C1362	NCB31HK-102X	C CAPACITOR	1000pF 50V K	
C822	NDC31HG-101X	C CAPACITOR	100pF 50V G		C1363	QFKC2AJ-155Z	MM CAPACITOR	1.5uF 100V J	A,UF,US
C823	NCB31CK-105X	C CAPACITOR	1uF 16V K	A,UF,US	C1364	QFKC2AJ-155Z	MM CAPACITOR	1.5uF 100V J	
C824	NCB31CK-105X	C CAPACITOR	1uF 16V K		C1367	QFVF1HJ-224Z	MF CAPACITOR	0.22uF 50V J	A,UF,US
C827	QETN1AM-107Z	E CAPACITOR	100uF 10V M	A,UF,US	C1368	QFVF1HJ-224Z	MF CAPACITOR	0.22uF 50V J	
C828	QETN1AM-107Z	E CAPACITOR	100uF 10V M		C1371	QETN1HM-107Z	E CAPACITOR	100uF 50V M	A,UF,US
C829	QETN1AM-107Z	E CAPACITOR	100uF 10V M	A,UF,US	C1372	QETN1HM-107Z	E CAPACITOR	100uF 50V M	
C830	QETN1AM-107Z	E CAPACITOR	100uF 10V M		C1373	NCB31HK-103X	C CAPACITOR	0.01uF 50V K	A,UF,US
C831	NCB31AK-105X	C CAPACITOR	1uF 10V K	A,UF,US	C1374	NCB31HK-103X	C CAPACITOR	0.01uF 50V K	
C832	NCB31AK-105X	C CAPACITOR	1uF 10V K		C1375	QETN1HM-107Z	E CAPACITOR	100uF 50V M	A,UF,US
C837	NCB31AK-105X	C CAPACITOR	1uF 10V K	A,UF,US	C1376	QETN1HM-107Z	E CAPACITOR	100uF 50V M	
C838	NCB31AK-105X	C CAPACITOR	1uF 10V K		C1377	NCB31HK-103X	C CAPACITOR	0.01uF 50V K	A,UF,US
C901	QEK1HM-105Z	E CAPACITOR	1uF 50V M	A,UF,US	C1378	NCB31HK-103X	C CAPACITOR	0.01uF 50V K	
C902	QEK1HM-105Z	E CAPACITOR	1uF 50V M		C1379	NCB31HK-102X	C CAPACITOR	1000pF 50V K	A,UF,US
C903	NDC31HJ-471X	C CAPACITOR	470pF 50V J	A,UF,US	C1380	NCB31HK-102X	C CAPACITOR	1000pF 50V K	
C904	NDC31HJ-471X	C CAPACITOR	470pF 50V J		C1381	NCB31CK-105X	C CAPACITOR	1uF 16V K	A,UF,US
C905	NCB31HK-222X	C CAPACITOR	2200pF 50V K	A,UF,US	C1382	NCB31CK-105X	C CAPACITOR	1uF 16V K	
C906	NCB31HK-222X	C CAPACITOR	2200pF 50V K		C1383	NDC31HJ-101X	C CAPACITOR	100pF 50V J	A,UF,US
C907	NCB31HK-222X	C CAPACITOR	2200pF 50V K	A,UF,US	C1384	NDC31HJ-101X	C CAPACITOR	100pF 50V J	
C908	NCB31HK-222X	C CAPACITOR	2200pF 50V K		C1385	NCB31HK-102X	C CAPACITOR	1000pF 50V K	A,UF,US
C909	QETN1CM-107Z	E CAPACITOR	100uF 16V M	A,UF,US	C1386	NCB31HK-102X	C CAPACITOR	1000pF 50V K	
C910	QETN1CM-107Z	E CAPACITOR	100uF 16V M						

△ Symbol No.	Part No.	Part Name	Description	Local	△ Symbol No.	Part No.	Part Name	Description	Local
C1387	NCB31CK-105X	C CAPACITOR	1uF 16V K	A,UF,US	C1951	NCZ1061-104X	C CAPACITOR	0.1uF	A,UF,US
C1388	NCB31CK-105X	C CAPACITOR	1uF 16V K		C1952	NCZ1061-104X	C CAPACITOR	0.1uF	
C1389	NCB31CK-105X	C CAPACITOR	1uF 16V K	A,UF,US	C1955	NCB31HK-102X	C CAPACITOR	1000pF 50V K	A,UF,US
C1390	NCB31CK-105X	C CAPACITOR	1uF 16V K		C1956	NCB31HK-102X	C CAPACITOR	1000pF 50V K	
C1391	NDC31HJ-271X	C CAPACITOR	270pF 50V J		C1957	NCB31HK-102X	C CAPACITOR	1000pF 50V K	A,UF,US
C1392	NDC31HJ-271X	C CAPACITOR	270pF 50V J		C1958	NCB31HK-102X	C CAPACITOR	1000pF 50V K	
C1397	NCB31HK-122X	C CAPACITOR	1200pF 50V K		C1959	NCB31HK-102X	C CAPACITOR	1000pF 50V K	A,UF,US
C1398	NCB31HK-122X	C CAPACITOR	1200pF 50V K		C1960	NCB31HK-102X	C CAPACITOR	1000pF 50V K	
C1645	NCF31CZ-104X	C CAPACITOR	0.1uF 16V Z	UF	C1961	NCB31HK-102X	C CAPACITOR	1000pF 50V K	A,UF,US
C1701	QETN1CM-476Z	E CAPACITOR	47uF 16V M		C1962	NCB31HK-102X	C CAPACITOR	1000pF 50V K	
C1702	QETN1EM-106Z	E CAPACITOR	10uF 25V M		C1963	QFKC2AJ-155Z	MM CAPACITOR	1.5uF 100V J	A,UF,US
C1742	NCB31CK-104X	C CAPACITOR	0.1uF 16V K		C1964	QFKC2AJ-155Z	MM CAPACITOR	1.5uF 100V J	
C1743	QEK1HM-105Z	E CAPACITOR	1uF 50V M		C1967	QFVF1HJ-224Z	MF CAPACITOR	0.22uF 50V J	A,UF,US
C1843	NCB21EK-334X	C CAPACITOR	0.33uF 25V K	A,UF,US	C1968	QFVF1HJ-224Z	MF CAPACITOR	0.22uF 50V J	
C1844	NCB21EK-334X	C CAPACITOR	0.33uF 25V K		C1971	QETN1HM-107Z	E CAPACITOR	100uF 50V M	A,UF,US
C1849	QETN2AM-106Z	E CAPACITOR	10uF 100V M	A,UF,US	C1972	QETN1HM-107Z	E CAPACITOR	100uF 50V M	
C1850	QETN2AM-106Z	E CAPACITOR	10uF 100V M		C1973	NCB31HK-103X	C CAPACITOR	0.01uF 50V K	A,UF,US
C1851	NCZ1061-104X	C CAPACITOR	0.1uF	A,UF,US	C1974	NCB31HK-103X	C CAPACITOR	0.01uF 50V K	
C1852	NCZ1061-104X	C CAPACITOR	0.1uF		C1975	QETN1HM-107Z	E CAPACITOR	100uF 50V M	A,UF,US
C1855	NCB31HK-102X	C CAPACITOR	1000pF 50V K	A,UF,US	C1976	QETN1HM-107Z	E CAPACITOR	100uF 50V M	
C1856	NCB31HK-102X	C CAPACITOR	1000pF 50V K		C1977	NCB31HK-103X	C CAPACITOR	0.01uF 50V K	A,UF,US
C1857	NCB31HK-102X	C CAPACITOR	1000pF 50V K	A,UF,US	C1978	NCB31HK-103X	C CAPACITOR	0.01uF 50V K	
C1858	NCB31HK-102X	C CAPACITOR	1000pF 50V K		C1979	NCB31HK-102X	C CAPACITOR	1000pF 50V K	A,UF,US
C1859	NCB31HK-102X	C CAPACITOR	1000pF 50V K	A,UF,US	C1980	NCB31HK-102X	C CAPACITOR	1000pF 50V K	
C1860	NCB31HK-102X	C CAPACITOR	1000pF 50V K		C1981	NCB31CK-105X	C CAPACITOR	1uF 16V K	
C1861	NCB31HK-102X	C CAPACITOR	1000pF 50V K	A,UF,US	C1982	NCB31CK-105X	C CAPACITOR	1uF 16V K	
C1862	NCB31HK-102X	C CAPACITOR	1000pF 50V K		C1983	NDC31HJ-101X	C CAPACITOR	100pF 50V J	A,UF,US
C1863	QFKC2AJ-155Z	MM CAPACITOR	1.5uF 100V J	A,UF,US	C1984	NDC31HJ-101X	C CAPACITOR	100pF 50V J	
C1864	QFKC2AJ-155Z	MM CAPACITOR	1.5uF 100V J		C1985	NCB31HK-102X	C CAPACITOR	1000pF 50V K	A,UF,US
C1867	QFVF1HJ-224Z	MF CAPACITOR	0.22uF 50V J	A,UF,US	C1986	NCB31HK-102X	C CAPACITOR	1000pF 50V K	
C1868	QFVF1HJ-224Z	MF CAPACITOR	0.22uF 50V J		C1987	NCB31CK-105X	C CAPACITOR	1uF 16V K	A,UF,US
C1871	QETN1HM-107Z	E CAPACITOR	100uF 50V M	A,UF,US	C1988	NCB31CK-105X	C CAPACITOR	1uF 16V K	
C1872	QETN1HM-107Z	E CAPACITOR	100uF 50V M		C1989	NCB31CK-105X	C CAPACITOR	1uF 16V K	A,UF,US
C1873	NCB31HK-103X	C CAPACITOR	0.01uF 50V K	A,UF,US	C1990	NCB31CK-105X	C CAPACITOR	1uF 16V K	
C1874	NCB31HK-103X	C CAPACITOR	0.01uF 50V K		C1991	NDC31HJ-271X	C CAPACITOR	270pF 50V J	
C1875	QETN1HM-107Z	E CAPACITOR	100uF 50V M	A,UF,US	C1992	NDC31HJ-271X	C CAPACITOR	270pF 50V J	
C1876	QETN1HM-107Z	E CAPACITOR	100uF 50V M		C1997	NCB31HK-122X	C CAPACITOR	1200pF 50V K	
C1877	NCB31HK-103X	C CAPACITOR	0.01uF 50V K	A,UF,US	C1998	NCB31HK-122X	C CAPACITOR	1200pF 50V K	
C1878	NCB31HK-103X	C CAPACITOR	0.01uF 50V K		C2307	NDC31HJ-271X	C CAPACITOR	270pF 50V J	A,UF,US
C1879	NCB31HK-102X	C CAPACITOR	1000pF 50V K	A,UF,US	C2308	NDC31HJ-271X	C CAPACITOR	270pF 50V J	
C1880	NCB31HK-102X	C CAPACITOR	1000pF 50V K		C2309	NDC31HJ-102X	C CAPACITOR	1000pF 50V J	A,UF,US
C1881	NCB31CK-105X	C CAPACITOR	1uF 16V K	A,UF,US	C2310	NDC31HJ-102X	C CAPACITOR	1000pF 50V J	
C1882	NCB31CK-105X	C CAPACITOR	1uF 16V K		C2351	NCB21HK-473X	C CAPACITOR	0.047uF 50V K	A,UF,US
C1883	NDC31HJ-101X	C CAPACITOR	100pF 50V J	A,UF,US	C2352	NCB21HK-473X	C CAPACITOR	0.047uF 50V K	
C1884	NDC31HJ-101X	C CAPACITOR	100pF 50V J		C2353	NCB21HK-473X	C CAPACITOR	0.047uF 50V K	A,UF,US
C1885	NCB31HK-102X	C CAPACITOR	1000pF 50V K	A,UF,US	C2354	NCB21HK-473X	C CAPACITOR	0.047uF 50V K	
C1886	NCB31HK-102X	C CAPACITOR	1000pF 50V K		C2361	NDC31HJ-561X	C CAPACITOR	560pF 50V J	A,UF,US
C1887	NCB31CK-105X	C CAPACITOR	1uF 16V K	A,UF,US	C2362	NDC31HJ-561X	C CAPACITOR	560pF 50V J	
C1888	NCB31CK-105X	C CAPACITOR	1uF 16V K		C2363	NDC31HJ-561X	C CAPACITOR	560pF 50V J	A,UF,US
C1889	NCB31CK-105X	C CAPACITOR	1uF 16V K	A,UF,US	C2364	NDC31HJ-561X	C CAPACITOR	560pF 50V J	
C1890	NCB31CK-105X	C CAPACITOR	1uF 16V K		C2602	NCF31CZ-104X	C CAPACITOR	0.1uF 16V Z	UF
C1891	NDC31HJ-271X	C CAPACITOR	270pF 50V J		C2604	NCF31CZ-104X	C CAPACITOR	0.1uF 16V Z	UF
C1892	NDC31HJ-271X	C CAPACITOR	270pF 50V J		C2605	NCF31CZ-104X	C CAPACITOR	0.1uF 16V Z	UF
C1897	NCB31HK-122X	C CAPACITOR	1200pF 50V K		C2610	NCF31CZ-104X	C CAPACITOR	0.1uF 16V Z	UF
C1898	NCB31HK-122X	C CAPACITOR	1200pF 50V K		C2611	NCF31CZ-104X	C CAPACITOR	0.1uF 16V Z	UF
C1943	NCB21EK-334X	C CAPACITOR	0.33uF 25V K		C2612	NCF31CZ-104X	C CAPACITOR	0.1uF 16V Z	UF
C1944	NCB21EK-334X	C CAPACITOR	0.33uF 25V K		C2613	NCF31CZ-104X	C CAPACITOR	0.1uF 16V Z	UF
C1949	QETN2AM-106Z	E CAPACITOR	10uF 100V M	A,UF,US	C2614	NCF31CZ-104X	C CAPACITOR	0.1uF 16V Z	UF
C1950	QETN2AM-106Z	E CAPACITOR	10uF 100V M		C2616	NDC31HJ-820X	C CAPACITOR	82pF 50V J	UF

△ Symbol No.	Part No.	Part Name	Description	Local	△ Symbol No.	Part No.	Part Name	Description	Local
C2642	NCB31CK-103X	C CAPACITOR	0.01uF 16V K	UF	C6510	NDC31HJ-331X	C CAPACITOR	330pF 50V J	UF
C2652	NCB31CK-103X	C CAPACITOR	0.01uF 16V K	UF	C6511	NDC31HJ-331X	C CAPACITOR	330pF 50V J	UF
C2653	NDC31HJ-101X	C CAPACITOR	100pF 50V J	UF	C6512	NDC31HJ-331X	C CAPACITOR	330pF 50V J	UF
C2654	NCF31CZ-104X	C CAPACITOR	0.1uF 16V Z	UF	C6513	NDC31HJ-331X	C CAPACITOR	330pF 50V J	UF
C2655	NCF31CZ-104X	C CAPACITOR	0.1uF 16V Z	UF	C6514	NDC31HJ-331X	C CAPACITOR	330pF 50V J	UF
C2661	NDC31HJ-101X	C CAPACITOR	100pF 50V J	UF	C6515	NDC31HJ-331X	C CAPACITOR	330pF 50V J	UF
C2662	NCF31CZ-104X	C CAPACITOR	0.1uF 16V Z	UF	C6516	NDC31HJ-331X	C CAPACITOR	330pF 50V J	UF
C2663	NCF31CZ-104X	C CAPACITOR	0.1uF 16V Z	UF	C6517	NDC31HJ-331X	C CAPACITOR	330pF 50V J	UF
C2665	NCF31CZ-104X	C CAPACITOR	0.1uF 16V Z	UF	C6518	NDC31HJ-331X	C CAPACITOR	330pF 50V J	UF
C2666	NCB31CK-103X	C CAPACITOR	0.01uF 16V K	UF	C6519	NDC31HJ-331X	C CAPACITOR	330pF 50V J	UF
C2667	NCB31CK-103X	C CAPACITOR	0.01uF 16V K	UF	C6520	NDC31HJ-331X	C CAPACITOR	330pF 50V J	UF
C2668	NCB31CK-103X	C CAPACITOR	0.01uF 16V K	UF	C6524	NCB31EK-473X	C CAPACITOR	0.047uF 25V K	UF
C2670	NDC31HJ-270X	C CAPACITOR	27pF 50V J	UF	C6529	NCB31EK-473X	C CAPACITOR	0.047uF 25V K	UF
C2671	NCB31CK-105X	C CAPACITOR	1uF 16V K	UF	C6533	NCB31EK-473X	C CAPACITOR	0.047uF 25V K	UF
C2673	NCB31CK-105X	C CAPACITOR	1uF 16V K	UF	C6538	NCB31EK-473X	C CAPACITOR	0.047uF 25V K	UF
C2686	NCF31CZ-104X	C CAPACITOR	0.1uF 16V Z	UF	C6541	NCB31EK-473X	C CAPACITOR	0.047uF 25V K	UF
C2807	NDC31HJ-271X	C CAPACITOR	270pF 50V J	A,UF, US	C6545	NCB31EK-473X	C CAPACITOR	0.047uF 25V K	UF
C2808	NDC31HJ-271X	C CAPACITOR	270pF 50V J	A,UF, US	C6591	NDC31HJ-331X	C CAPACITOR	330pF 50V J	UF
C2809	NCB31HK-223X	C CAPACITOR	0.022uF 50V K	A,UF, US	C6592	NDC31HJ-331X	C CAPACITOR	330pF 50V J	UF
C2810	NCB31HK-223X	C CAPACITOR	0.022uF 50V K	A,UF, US	C6593	NDC31HJ-331X	C CAPACITOR	330pF 50V J	UF
C2851	NCB21HK-473X	C CAPACITOR	0.047uF 50V K	A,UF, US	C6594	NDC31HJ-331X	C CAPACITOR	330pF 50V J	UF
C2852	NCB21HK-473X	C CAPACITOR	0.047uF 50V K	A,UF, US	C7501	NCB31HK-153X	C CAPACITOR	0.015uF 50V K	A,UF, US
C2853	NCB21HK-473X	C CAPACITOR	0.047uF 50V K	A,UF, US	C7502	NCB31HK-153X	C CAPACITOR	0.015uF 50V K	A,UF, US
C2854	NCB21HK-473X	C CAPACITOR	0.047uF 50V K	A,UF, US	C7503	NCF31CZ-104X	C CAPACITOR	0.1uF 16V Z	A,UF, US
C2861	NDC31HJ-561X	C CAPACITOR	560pF 50V J	A,UF, US	△ R206	QRJ146J-821X	UNF C RESISTOR	820Ω 1/4W J	
C2862	NDC31HJ-561X	C CAPACITOR	560pF 50V J	A,UF, US	△ R207	QRJ146J-120X	UNF C RESISTOR	12Ω 1/4W J	
C2863	NDC31HJ-561X	C CAPACITOR	560pF 50V J	A,UF, US	R208	NRSA63J-104X	MG RESISTOR	100kΩ 1/16W J	
C2864	NDC31HJ-561X	C CAPACITOR	560pF 50V J	A,UF, US	△ R209	QRJ146J-100X	UNF C RESISTOR	10Ω 1/4W J	
C2907	NDC31HJ-271X	C CAPACITOR	270pF 50V J	A,UF, US	△ R210	QRZ9005-100X	FUSI RESISTOR	10Ω	
C2908	NDC31HJ-271X	C CAPACITOR	270pF 50V J	A,UF, US	△ R211	NRS125J-562X	MG RESISTOR	5.6kΩ 1/2W J	
C2909	NDC31HJ-102X	C CAPACITOR	1000pF 50V J	A,UF, US	△ R215	QRZ9005-100X	FUSI RESISTOR	10Ω	
C2910	NCB31HK-223X	C CAPACITOR	0.022uF 50V K	A,UF, US	△ R216	NRS144J-152X	MG RESISTOR	1.5kΩ 1/4W J	
C2951	NCB21HK-473X	C CAPACITOR	0.047uF 50V K	A,UF, US	△ R217	QRZ9006-8R2X	FUSI RESISTOR	8.2Ω	
C2952	NCB21HK-473X	C CAPACITOR	0.047uF 50V K	A,UF, US	△ R218	NRS144J-152X	MG RESISTOR	1.5kΩ 1/4W J	
C2953	NCB21HK-473X	C CAPACITOR	0.047uF 50V K	A,UF, US	R219	NRSA63J-223X	MG RESISTOR	22kΩ 1/16W J	
C2954	NCB21HK-473X	C CAPACITOR	0.047uF 50V K	A,UF, US	R220	NRSA63J-473X	MG RESISTOR	47kΩ 1/16W J	
C2961	NDC31HJ-561X	C CAPACITOR	560pF 50V J	A,UF, US	△ R221	QRZ9005-100X	FUSI RESISTOR	10Ω	
C2962	NDC31HJ-561X	C CAPACITOR	560pF 50V J	A,UF, US	△ R222	NRS144J-332X	MG RESISTOR	3.3kΩ 1/4W J	
C2963	NDC31HJ-561X	C CAPACITOR	560pF 50V J	A,UF, US	R223	NRSA63J-102X	MG RESISTOR	1kΩ 1/16W J	
C2964	NDC31HJ-561X	C CAPACITOR	560pF 50V J	A,UF, US	R224	NRSA63J-104X	MG RESISTOR	100kΩ 1/16W J	
C3547	NCB31HK-103X	C CAPACITOR	0.01uF 50V K	UF	△ R225	QRZ9005-100X	FUSI RESISTOR	10Ω	
C3548	NCB31HK-103X	C CAPACITOR	0.01uF 50V K	UF	△ R226	NRS144J-102X	MG RESISTOR	1kΩ 1/4W J	
C3549	NCB31HK-103X	C CAPACITOR	0.01uF 50V K	UF	R227	NRSA63J-393X	MG RESISTOR	39kΩ 1/16W J	
C3551	NCB31AK-474X	C CAPACITOR	0.47uF 10V K	UF	R228	NRSA63J-473X	MG RESISTOR	47kΩ 1/16W J	
C3552	NCB31HK-103X	C CAPACITOR	0.01uF 50V K	UF	△ R236	QRZ9005-100X	FUSI RESISTOR	10Ω	
C3553	NCB31HK-103X	C CAPACITOR	0.01uF 50V K	UF	△ R237	NRS144J-332X	MG RESISTOR	3.3kΩ 1/4W J	
C3555	NCB31HK-103X	C CAPACITOR	0.01uF 50V K	UF	R238	NRSA63J-102X	MG RESISTOR	1kΩ 1/16W J	
C3556	NDC31HJ-100X	C CAPACITOR	10pF 50V J	UF	R239	NRSA63J-104X	MG RESISTOR	100kΩ 1/16W J	
C3557	NCB31HK-122X	C CAPACITOR	1200pF 50V K	UF	R242	NRSA63J-222X	MG RESISTOR	2.2kΩ 1/16W J	
C3558	NDC31HJ-181X	C CAPACITOR	180pF 50V J	UF	△ R245	QRJ146J-2R2X	UNF C RESISTOR	2.2Ω 1/4W J	
C3559	NCB31HK-103X	C CAPACITOR	0.01uF 50V K	UF	△ R253	QRJ146J-2R2X	UNF C RESISTOR	2.2Ω 1/4W J	
C3560	NCB31HK-103X	C CAPACITOR	0.01uF 50V K	UF	△ R254	QRJ146J-100X	UNF C RESISTOR	10Ω 1/4W J	
C3562	NCB31HK-103X	C CAPACITOR	0.01uF 50V K	UF	R303	NRSA63J-102X	MG RESISTOR	1kΩ 1/16W J	A,UF, US
C4561	NCF31CZ-104X	C CAPACITOR	0.1uF 16V Z	UF	R304	NRSA63J-102X	MG RESISTOR	1kΩ 1/16W J	A,UF, US
C5511	NCB31HK-103X	C CAPACITOR	0.01uF 50V K	UF	R305	NRSA63J-104X	MG RESISTOR	100kΩ 1/16W J	A,UF, US
C5532	NCB31HK-103X	C CAPACITOR	0.01uF 50V K	UF	R306	NRSA63J-104X	MG RESISTOR	100kΩ 1/16W J	A,UF, US
C5533	NDC31HJ-100X	C CAPACITOR	10pF 50V J	UF	R307	NRSA63J-155X	MG RESISTOR	1.5MΩ 1/16W J	A,UF, US
C5540	NDC31HJ-120X	C CAPACITOR	12pF 50V J	UF	R308	NRSA63J-155X	MG RESISTOR	1.5MΩ 1/16W J	A,UF, US
C6501	NDC31HJ-331X	C CAPACITOR	330pF 50V J	UF	R309	NRSA63J-183X	MG RESISTOR	18kΩ 1/16W J	A,UF, US
C6502	NDC31HJ-331X	C CAPACITOR	330pF 50V J	UF	R310	NRSA63J-183X	MG RESISTOR	18kΩ 1/16W J	A,UF, US
C6503	NDC31HJ-331X	C CAPACITOR	330pF 50V J	UF	R311	NRSA63J-102X	MG RESISTOR	1kΩ 1/16W J	A,UF, US
C6504	NDC31HJ-331X	C CAPACITOR	330pF 50V J	UF	R312	NRSA63J-102X	MG RESISTOR	1kΩ 1/16W J	A,UF, US
C6505	NDC31HJ-331X	C CAPACITOR	330pF 50V J	UF	R313	NRSA63J-332X	MG RESISTOR	3.3kΩ 1/16W J	A,UF, US
C6506	NDC31HJ-331X	C CAPACITOR	330pF 50V J	UF	R314	NRSA63J-332X	MG RESISTOR	3.3kΩ 1/16W J	A,UF, US
C6507	NDC31HJ-331X	C CAPACITOR	330pF 50V J	UF	R317	NRSA63J-104X	MG RESISTOR	100kΩ 1/16W J	A,UF, US
C6508	NDC31HJ-331X	C CAPACITOR	330pF 50V J	UF	R318	NRSA63J-104X	MG RESISTOR	100kΩ 1/16W J	A,UF, US
C6509	NDC31HJ-331X	C CAPACITOR	330pF 50V J	UF	R319	NRSA63J-472X	MG RESISTOR	4.7kΩ 1/16W J	A,UF, US
					R320	NRSA63J-472X	MG RESISTOR	4.7kΩ 1/16W J	A,UF, US

△ Symbol No.	Part No.	Part Name	Description	Local	△ Symbol No.	Part No.	Part Name	Description	Local
R321	NRSA63J-103X	MG RESISTOR	10kΩ 1/16W J	A,UF,US	R727	NRS144J-4R7X	MG RESISTOR	4.7Ω 1/4W J	
R322	NRSA63J-103X	MG RESISTOR	10kΩ 1/16W J		R728	NRS016J-100X	MG RESISTOR	10Ω 1W J	
R323	NRSA63J-105X	MG RESISTOR	1MΩ 1/16W J	A,UF,US	R729	NRS016J-100X	MG RESISTOR	10Ω 1W J	
R324	NRSA63J-105X	MG RESISTOR	1MΩ 1/16W J		R751	NRSA63J-221X	MG RESISTOR	220Ω 1/16W J	
R325	NRSA63J-103X	MG RESISTOR	10kΩ 1/16W J	A,UF,US	R752	NRSA63J-122X	MG RESISTOR	1.2kΩ 1/16W J	
R326	NRSA63J-103X	MG RESISTOR	10kΩ 1/16W J		R753	NRSA63J-472X	MG RESISTOR	4.7kΩ 1/16W J	
R327	NRSA63J-222X	MG RESISTOR	2.2kΩ 1/16W J	A,UF,US	R754	NRSA63J-472X	MG RESISTOR	4.7kΩ 1/16W J	
R328	NRSA63J-222X	MG RESISTOR	2.2kΩ 1/16W J		R755	NRSA63J-682X	MG RESISTOR	6.8kΩ 1/16W J	
R331	NRSA63J-104X	MG RESISTOR	100kΩ 1/16W J	A,UF,US	R756	NRSA63J-473X	MG RESISTOR	47kΩ 1/16W J	
R332	NRSA63J-104X	MG RESISTOR	100kΩ 1/16W J		R757	NRSA63J-471X	MG RESISTOR	470Ω 1/16W J	
R333	NRSA63F-822X	MG RESISTOR	8.2kΩ 1/16W F	A,UF,US	R758	NRSA63J-471X	MG RESISTOR	470Ω 1/16W J	
R334	NRSA63F-822X	MG RESISTOR	8.2kΩ 1/16W F		R759	QRK126J-1R0X	UNF C RESISTOR	1Ω 1/2W J	
R341	NRSA63J-821X	MG RESISTOR	820Ω 1/16W J	A,UF,US	R760	NRSA63J-681X	MG RESISTOR	680Ω 1/16W J	
R342	NRSA63J-821X	MG RESISTOR	820Ω 1/16W J		R761	NRSA63J-331X	MG RESISTOR	330Ω 1/16W J	
R343	NRSA63J-471X	MG RESISTOR	470Ω 1/16W J	A,UF,US	R771	NRSA63J-105X	MG RESISTOR	1MΩ 1/16W J	
R344	NRSA63J-471X	MG RESISTOR	470Ω 1/16W J		R772	NRSA63J-562X	MG RESISTOR	5.6kΩ 1/16W J	
R353	NRSA63J-102X	MG RESISTOR	1kΩ 1/16W J	A,UF,US	R773	NRSA63J-105X	MG RESISTOR	1MΩ 1/16W J	
R354	NRSA63J-102X	MG RESISTOR	1kΩ 1/16W J		R774	NRSA63J-562X	MG RESISTOR	5.6kΩ 1/16W J	
R355	NRSA63J-102X	MG RESISTOR	1kΩ 1/16W J	A,UF,US	R786	NRSA63J-222X	MG RESISTOR	2.2kΩ 1/16W J	
R356	NRSA63J-102X	MG RESISTOR	1kΩ 1/16W J		R787	NRSA63J-222X	MG RESISTOR	2.2kΩ 1/16W J	
R357	NRSA63J-223X	MG RESISTOR	22kΩ 1/16W J	A,UF,US	R788	NRSA63J-222X	MG RESISTOR	2.2kΩ 1/16W J	
R358	NRSA63J-223X	MG RESISTOR	22kΩ 1/16W J		R789	NRSA63J-102X	MG RESISTOR	1kΩ 1/16W J	
R511	NRSA63J-221X	MG RESISTOR	220Ω 1/16W J	UF	R791	NRSA63J-683X	MG RESISTOR	68kΩ 1/16W J	
R557	NRSA63J-103X	MG RESISTOR	10kΩ 1/16W J	UF	R792	NRSA63J-223X	MG RESISTOR	22kΩ 1/16W J	
R558	NRSA63J-103X	MG RESISTOR	10kΩ 1/16W J	UF	R794	NRSA63J-102X	MG RESISTOR	1kΩ 1/16W J	
R559	NRSA63J-103X	MG RESISTOR	10kΩ 1/16W J	UF	R795	NRSA63J-153X	MG RESISTOR	15kΩ 1/16W J	
R560	NRSA63J-103X	MG RESISTOR	10kΩ 1/16W J	UF	R796	NRSA63J-153X	MG RESISTOR	15kΩ 1/16W J	
R571	NRSA63J-103X	MG RESISTOR	10kΩ 1/16W J	UF	R798	NRS144J-4R7X	MG RESISTOR	4.7Ω 1/4W J	
R572	NRSA63J-103X	MG RESISTOR	10kΩ 1/16W J	UF	R799	NRS144J-4R7X	MG RESISTOR	4.7Ω 1/4W J	
R574	NRSA63J-473X	MG RESISTOR	47kΩ 1/16W J	UF	R803	NRSA63J-102X	MG RESISTOR	1kΩ 1/16W J	A,UF,US
R575	NRSA63J-473X	MG RESISTOR	47kΩ 1/16W J	UF	R804	NRSA63J-102X	MG RESISTOR	1kΩ 1/16W J	
R576	NRSA63J-102X	MG RESISTOR	1kΩ 1/16W J	UF	R805	NRSA63J-104X	MG RESISTOR	100kΩ 1/16W J	A,UF,US
R577	NRSA63J-102X	MG RESISTOR	1kΩ 1/16W J	UF	R806	NRSA63J-104X	MG RESISTOR	100kΩ 1/16W J	
R585	NRSA63J-331X	MG RESISTOR	330Ω 1/16W J	UF	R807	NRSA63J-155X	MG RESISTOR	1.5MΩ 1/16W J	A,UF,US
R586	NRSA63J-472X	MG RESISTOR	4.7kΩ 1/16W J	UF	R808	NRSA63J-155X	MG RESISTOR	1.5MΩ 1/16W J	
R593	NRSA63J-102X	MG RESISTOR	1kΩ 1/16W J	UF	R809	NRSA63J-183X	MG RESISTOR	18kΩ 1/16W J	A,UF,US
R594	NRSA63J-102X	MG RESISTOR	1kΩ 1/16W J	UF	R810	NRSA63J-183X	MG RESISTOR	18kΩ 1/16W J	
R595	NRSA63J-682X	MG RESISTOR	6.8kΩ 1/16W J	UF	R811	NRSA63J-102X	MG RESISTOR	1kΩ 1/16W J	A,UF,US
R596	NRSA63J-682X	MG RESISTOR	6.8kΩ 1/16W J	UF	R812	NRSA63J-102X	MG RESISTOR	1kΩ 1/16W J	
R597	NRSA63J-0R0X	MG RESISTOR	0Ω 1/16W J	UF	R813	NRSA63J-332X	MG RESISTOR	3.3kΩ 1/16W J	A,UF,US
R602	NRSA63J-104X	MG RESISTOR	100kΩ 1/16W J	UF	R814	NRSA63J-332X	MG RESISTOR	3.3kΩ 1/16W J	
R617	NRSA63J-472X	MG RESISTOR	4.7kΩ 1/16W J	UF	R817	NRSA63J-104X	MG RESISTOR	100kΩ 1/16W J	A,UF,US
R618	NRSA63J-472X	MG RESISTOR	4.7kΩ 1/16W J	UF	R818	NRSA63J-104X	MG RESISTOR	100kΩ 1/16W J	
R635	NRSA63J-104X	MG RESISTOR	100kΩ 1/16W J	UF	R819	NRSA63J-472X	MG RESISTOR	4.7kΩ 1/16W J	A,UF,US
R636	NRSA63J-104X	MG RESISTOR	100kΩ 1/16W J	UF	R820	NRSA63J-472X	MG RESISTOR	4.7kΩ 1/16W J	
R645	NRSA63J-104X	MG RESISTOR	100kΩ 1/16W J	UF	R821	NRSA63J-103X	MG RESISTOR	10kΩ 1/16W J	A,UF,US
R646	NRSA63J-104X	MG RESISTOR	100kΩ 1/16W J	UF	R822	NRSA63J-103X	MG RESISTOR	10kΩ 1/16W J	
R647	NRSA63J-104X	MG RESISTOR	100kΩ 1/16W J	UF	R823	NRSA63J-105X	MG RESISTOR	1MΩ 1/16W J	A,UF,US
R648	NRSA63J-104X	MG RESISTOR	100kΩ 1/16W J	UF	R824	NRSA63J-105X	MG RESISTOR	1MΩ 1/16W J	
R657	NRSA63J-104X	MG RESISTOR	100kΩ 1/16W J	UF	R825	NRSA63J-103X	MG RESISTOR	10kΩ 1/16W J	A,UF,US
R658	NRSA63J-104X	MG RESISTOR	100kΩ 1/16W J	UF	R826	NRSA63J-103X	MG RESISTOR	10kΩ 1/16W J	
R692	NRSA63J-0R0X	MG RESISTOR	0Ω 1/16W J	UF	R827	NRSA63J-222X	MG RESISTOR	2.2kΩ 1/16W J	A,UF,US
R698	NRSA63J-0R0X	MG RESISTOR	0Ω 1/16W J	UF	R828	NRSA63J-222X	MG RESISTOR	2.2kΩ 1/16W J	
R705	NRSA63J-104X	MG RESISTOR	100kΩ 1/16W J	A,UF,US	R831	NRSA63J-104X	MG RESISTOR	100kΩ 1/16W J	A,UF,US
R706	NRSA63J-104X	MG RESISTOR	100kΩ 1/16W J		R832	NRSA63J-104X	MG RESISTOR	100kΩ 1/16W J	
R707	NRS144J-332X	MG RESISTOR	3.3kΩ 1/4W J		R833	NRSA63F-822X	MG RESISTOR	8.2kΩ 1/16W F	A,UF,US
△ R711	QRZ9005-100X	FUSI RESISTOR	10Ω		R834	NRSA63F-822X	MG RESISTOR	8.2kΩ 1/16W F	
△ R712	QRK126J-682X	UNF C RESISTOR	6.8kΩ 1/2W J		R841	NRSA63J-821X	MG RESISTOR	820Ω 1/16W J	A,UF,US
R714	NRS144J-330X	MG RESISTOR	33Ω 1/4W J		R842	NRSA63J-821X	MG RESISTOR	820Ω 1/16W J	
R715	NRS144J-330X	MG RESISTOR	33Ω 1/4W J		R843	NRSA63J-471X	MG RESISTOR	470Ω 1/16W J	A,UF,US
R716	NRS016J-100X	MG RESISTOR	10Ω 1W J		R844	NRSA63J-471X	MG RESISTOR	470Ω 1/16W J	
R717	NRS016J-100X	MG RESISTOR	10Ω 1W J		R903	NRSA63J-102X	MG RESISTOR	1kΩ 1/16W J	A,UF,US
R718	NRSA63F-102X	MG RESISTOR	1kΩ 1/16W F		R904	NRSA63J-102X	MG RESISTOR	1kΩ 1/16W J	
R719	NRSA63F-393X	MG RESISTOR	39kΩ 1/16W F						
R720	NRSA63F-473X	MG RESISTOR	47kΩ 1/16W F						
R721	NRSA63F-102X	MG RESISTOR	1kΩ 1/16W F						
R724	NRS144J-4R7X	MG RESISTOR	4.7Ω 1/4W J						
R726	NRSA63J-102X	MG RESISTOR	1kΩ 1/16W J						

△ Symbol No.	Part No.	Part Name	Description	Local	△ Symbol No.	Part No.	Part Name	Description	Local
R905	NRSA63J-104X	MG RESISTOR	100kΩ 1/16W J		R1373	NRSA63J-102X	MG RESISTOR	1kΩ 1/16W J	A,UF,US
R906	NRSA63J-104X	MG RESISTOR	100kΩ 1/16W J		R1374	NRSA63J-102X	MG RESISTOR	1kΩ 1/16W J	
R907	NRSA63J-155X	MG RESISTOR	1.5MΩ 1/16W J		R1375	NRS016J-103X	MG RESISTOR	10kΩ 1W J	A,UF,US
R908	NRSA63J-155X	MG RESISTOR	1.5MΩ 1/16W J		R1376	NRS016J-103X	MG RESISTOR	10kΩ 1W J	
R909	NRSA63J-183X	MG RESISTOR	18kΩ 1/16W J	A,UF,US	R1377	NRSA63J-682X	MG RESISTOR	6.8kΩ 1/16W J	A,UF,US
R910	NRSA63J-183X	MG RESISTOR	18kΩ 1/16W J		R1378	NRSA63J-682X	MG RESISTOR	6.8kΩ 1/16W J	
R911	NRSA63J-102X	MG RESISTOR	1kΩ 1/16W J	A,UF,US	R1379	NRSA63J-472X	MG RESISTOR	4.7kΩ 1/16W J	A,UF,US
R912	NRSA63J-102X	MG RESISTOR	1kΩ 1/16W J		R1380	NRSA63J-472X	MG RESISTOR	4.7kΩ 1/16W J	
R913	NRSA63J-332X	MG RESISTOR	3.3kΩ 1/16W J	A,UF,US	△ R1391	QRJ146J-820X	UNF C RESISTOR	82Ω 1/4W J	
R914	NRSA63J-332X	MG RESISTOR	3.3kΩ 1/16W J		R1501	NRSA63J-104X	MG RESISTOR	100kΩ 1/16W J	UF
R917	NRSA63J-104X	MG RESISTOR	100kΩ 1/16W J	A,UF,US	R1502	NRSA63J-104X	MG RESISTOR	100kΩ 1/16W J	UF
R918	NRSA63J-104X	MG RESISTOR	100kΩ 1/16W J		R1503	NRSA63J-102X	MG RESISTOR	1kΩ 1/16W J	UF
R919	NRSA63J-472X	MG RESISTOR	4.7kΩ 1/16W J	A,UF,US	R1504	NRSA63J-102X	MG RESISTOR	1kΩ 1/16W J	UF
R920	NRSA63J-472X	MG RESISTOR	4.7kΩ 1/16W J		R1507	NRSA63J-104X	MG RESISTOR	100kΩ 1/16W J	UF
R921	NRSA63J-103X	MG RESISTOR	10kΩ 1/16W J		R1508	NRSA63J-104X	MG RESISTOR	100kΩ 1/16W J	UF
R922	NRSA63J-103X	MG RESISTOR	10kΩ 1/16W J		R1509	NRSA63J-102X	MG RESISTOR	1kΩ 1/16W J	UF
R923	NRSA63J-105X	MG RESISTOR	1MΩ 1/16W J		R1510	NRSA63J-102X	MG RESISTOR	1kΩ 1/16W J	UF
R924	NRSA63J-105X	MG RESISTOR	1MΩ 1/16W J		R1513	NRSA63J-104X	MG RESISTOR	100kΩ 1/16W J	UF
R925	NRSA63J-103X	MG RESISTOR	10kΩ 1/16W J	A,UF,US	R1514	NRSA63J-104X	MG RESISTOR	100kΩ 1/16W J	UF
R926	NRSA63J-103X	MG RESISTOR	10kΩ 1/16W J		R1515	NRSA63J-102X	MG RESISTOR	1kΩ 1/16W J	UF
R927	NRSA63J-222X	MG RESISTOR	2.2kΩ 1/16W J	A,UF,US	R1522	NRSA63J-102X	MG RESISTOR	1kΩ 1/16W J	UF
R928	NRSA63J-222X	MG RESISTOR	2.2kΩ 1/16W J		R1523	NRSA63J-102X	MG RESISTOR	1kΩ 1/16W J	UF
R931	NRSA63J-104X	MG RESISTOR	100kΩ 1/16W J		R1524	NRSA63J-103X	MG RESISTOR	10kΩ 1/16W J	UF
R932	NRSA63J-104X	MG RESISTOR	100kΩ 1/16W J		R1525	NRSA63J-103X	MG RESISTOR	10kΩ 1/16W J	UF
R933	NRSA63F-822X	MG RESISTOR	8.2kΩ 1/16W F	A,UF,US	R1526	NRSA63J-472X	MG RESISTOR	4.7kΩ 1/16W J	UF
R934	NRSA63F-822X	MG RESISTOR	8.2kΩ 1/16W F		R1527	NRSA63J-102X	MG RESISTOR	1kΩ 1/16W J	UF
R941	NRSA63J-821X	MG RESISTOR	820Ω 1/16W J	A,UF,US	R1529	NRSA63J-103X	MG RESISTOR	10kΩ 1/16W J	UF
R942	NRSA63J-821X	MG RESISTOR	820Ω 1/16W J		R1530	NRSA63J-103X	MG RESISTOR	10kΩ 1/16W J	UF
R943	NRSA63J-471X	MG RESISTOR	470Ω 1/16W J	A,UF,US	R1539	NRSA63J-103X	MG RESISTOR	10kΩ 1/16W J	UF
R944	NRSA63J-471X	MG RESISTOR	470Ω 1/16W J		R1540	NRSA63J-103X	MG RESISTOR	10kΩ 1/16W J	UF
R952	NRSA63J-102X	MG RESISTOR	1kΩ 1/16W J		R1541	NRSA63J-102X	MG RESISTOR	1kΩ 1/16W J	UF
R953	NRSA63J-242X	MG RESISTOR	2.4kΩ 1/16W J		R1542	NRSA63J-102X	MG RESISTOR	1kΩ 1/16W J	UF
R957	NRSA63J-223X	MG RESISTOR	22kΩ 1/16W J		R1545	NRSA63J-102X	MG RESISTOR	1kΩ 1/16W J	UF
△ R1201	QRL027J-471	OMF RESISTOR	470Ω 2W J	A,UF,US	R1556	NRSA63J-183X	MG RESISTOR	18kΩ 1/16W J	UF
△ R1202	QRL027J-471	OMF RESISTOR	470Ω 2W J		R1558	NRSA63J-103X	MG RESISTOR	10kΩ 1/16W J	UF
△ R1203	QRJ146J-820X	UNF C RESISTOR	82Ω 1/4W J		R1567	NRSA63J-103X	MG RESISTOR	10kΩ 1/16W J	UF
R1341	NRSA63J-103X	MG RESISTOR	10kΩ 1/16W J	A,UF,US	R1569	NRSA63J-474X	MG RESISTOR	470kΩ 1/16W J	UF
R1342	NRSA63J-103X	MG RESISTOR	10kΩ 1/16W J		R1570	NRSA63J-474X	MG RESISTOR	470kΩ 1/16W J	UF
R1343	NRSA63J-392X	MG RESISTOR	3.9kΩ 1/16W J	A,UF,US	R1573	NRSA63J-103X	MG RESISTOR	10kΩ 1/16W J	UF
R1344	NRSA63J-392X	MG RESISTOR	3.9kΩ 1/16W J		R1574	NRSA63J-103X	MG RESISTOR	10kΩ 1/16W J	UF
R1347	NRSA63J-821X	MG RESISTOR	820Ω 1/16W J	A,UF,US	R1575	NRSA63J-103X	MG RESISTOR	10kΩ 1/16W J	UF
R1348	NRSA63J-821X	MG RESISTOR	820Ω 1/16W J		R1576	NRSA63J-103X	MG RESISTOR	10kΩ 1/16W J	UF
R1351	NRSA63J-752X	MG RESISTOR	7.5kΩ 1/16W J		R1581	NRSA63J-104X	MG RESISTOR	100kΩ 1/16W J	UF
R1352	NRSA63J-361X	MG RESISTOR	360Ω 1/16W J		R1582	NRSA63J-102X	MG RESISTOR	1kΩ 1/16W J	UF
R1353	NRSA63J-152X	MG RESISTOR	1.5kΩ 1/16W J		R1588	NRSA63J-221X	MG RESISTOR	220Ω 1/16W J	UF
R1355	NRSA63J-152X	MG RESISTOR	1.5kΩ 1/16W J		R1591	NRSA63J-222X	MG RESISTOR	2.2kΩ 1/16W J	UF
R1357	NRSA63J-101X	MG RESISTOR	100Ω 1/16W J	A,UF,US	R1596	NRSA63J-103X	MG RESISTOR	10kΩ 1/16W J	UF
R1358	NRSA63J-101X	MG RESISTOR	100Ω 1/16W J		R1701	NRSA63J-101X	MG RESISTOR	100Ω 1/16W J	UF
△ R1359	QRJ146J-4R7X	UNF C RESISTOR	4.7Ω 1/4W J	A,UF,US	R1702	NRSA02J-103X	MG RESISTOR	10kΩ 1/10W J	
△ R1360	QRJ146J-4R7X	UNF C RESISTOR	4.7Ω 1/4W J		R1703	NRSA63J-473X	MG RESISTOR	47kΩ 1/16W J	
R1361	NRS144J-470X	MG RESISTOR	47Ω 1/4W J	A,UF,US	R1704	NRSA63J-104X	MG RESISTOR	100kΩ 1/16W J	
R1362	NRS144J-470X	MG RESISTOR	47Ω 1/4W J		R1705	NRSA63J-224X	MG RESISTOR	220kΩ 1/16W J	
R1363	NRS144J-470X	MG RESISTOR	47Ω 1/4W J	A,UF,US	R1706	NRSA63J-104X	MG RESISTOR	100kΩ 1/16W J	
R1364	NRS144J-470X	MG RESISTOR	47Ω 1/4W J		R1707	NRSA63J-104X	MG RESISTOR	100kΩ 1/16W J	
R1367	NRS016J-220X	MG RESISTOR	22Ω 1W J	A,UF,US	R1708	NRSA63J-104X	MG RESISTOR	100kΩ 1/16W J	
R1368	NRS016J-220X	MG RESISTOR	22Ω 1W J		R1709	NRSA63J-104X	MG RESISTOR	100kΩ 1/16W J	
R1369	NRS016J-220X	MG RESISTOR	22Ω 1W J	A,UF,US	R1710	NRSA63J-104X	MG RESISTOR	100kΩ 1/16W J	
R1370	NRS016J-220X	MG RESISTOR	22Ω 1W J		R1711	NRSA63J-104X	MG RESISTOR	100kΩ 1/16W J	
△ R1371	QRL01DJ-220X	OMF RESISTOR	22Ω 1W J	A,UF,US	R1741	NRSA63J-101X	MG RESISTOR	100Ω 1/16W J	
△ R1372	QRL01DJ-220X	OMF RESISTOR	22Ω 1W J		R1742	NRSA63J-103X	MG RESISTOR	10kΩ 1/16W J	
					R1743	NRSA63J-104X	MG RESISTOR	100kΩ 1/16W J	
					R1744	NRSA63J-103X	MG RESISTOR	10kΩ 1/16W J	
					R1841	NRSA63J-103X	MG RESISTOR	10kΩ 1/16W J	A,UF,US
					R1842	NRSA63J-103X	MG RESISTOR	10kΩ 1/16W J	
					R1843	NRSA63J-392X	MG RESISTOR	3.9kΩ 1/16W J	A,UF,US
					R1844	NRSA63J-392X	MG RESISTOR	3.9kΩ 1/16W J	
					R1847	NRSA63J-821X	MG RESISTOR	820Ω 1/16W J	A,UF,US
					R1848	NRSA63J-821X	MG RESISTOR	820Ω 1/16W J	
					R1851	NRSA63J-752X	MG RESISTOR	7.5kΩ 1/16W J	
					R1852	NRSA63J-361X	MG RESISTOR	360Ω 1/16W J	
					R1853	NRSA63J-152X	MG RESISTOR	1.5kΩ 1/16W J	
					R1855	NRSA63J-152X	MG RESISTOR	1.5kΩ 1/16W J	

△ Symbol No.	Part No.	Part Name	Description	Local	△ Symbol No.	Part No.	Part Name	Description	Local
R1857	NRSA63J-101X	MG RESISTOR	100Ω 1/16W J	A,UF,US	△ R2353	QRZ9006-4R7X	F.RESISTOR	4.7Ω 1/4W J	A,UF,US
R1858	NRSA63J-101X	MG RESISTOR	100Ω 1/16W J		△ R2354	QRZ9006-4R7X	F.RESISTOR	4.7Ω 1/4W J	
△ R1859	QRJ146J-4R7X	UNF C RESISTOR	4.7Ω 1/4W J	A,UF,US	R2355	NRS016J-103X	MG RESISTOR	10kΩ 1W J	A,UF,US
△ R1860	QRJ146J-4R7X	UNF C RESISTOR	4.7Ω 1/4W J		R2356	NRS016J-103X	MG RESISTOR	10kΩ 1W J	
R1861	NRS144J-470X	MG RESISTOR	47Ω 1/4W J	A,UF,US	R2601	NRSA63J-221X	MG RESISTOR	220Ω 1/16W J	UF
R1862	NRS144J-470X	MG RESISTOR	47Ω 1/4W J		R2602	NRSA63J-221X	MG RESISTOR	220Ω 1/16W J	UF
R1863	NRS144J-470X	MG RESISTOR	47Ω 1/4W J	A,UF,US	R2603	NRSA63J-221X	MG RESISTOR	220Ω 1/16W J	UF
R1864	NRS144J-470X	MG RESISTOR	47Ω 1/4W J		R2604	NRSA63J-221X	MG RESISTOR	220Ω 1/16W J	UF
R1867	NRS016J-220X	MG RESISTOR	22Ω 1W J	A,UF,US	R2616	NRSA63J-105X	MG RESISTOR	1MΩ 1/16W J	UF
R1868	NRS016J-220X	MG RESISTOR	22Ω 1W J		R2643	NRSA63J-822X	MG RESISTOR	8.2kΩ 1/16W J	UF
R1869	NRS016J-220X	MG RESISTOR	22Ω 1W J	A,UF,US	R2645	NRSA63J-221X	MG RESISTOR	220Ω 1/16W J	UF
R1870	NRS016J-220X	MG RESISTOR	22Ω 1W J		R2652	NRSA63J-102X	MG RESISTOR	1kΩ 1/16W J	UF
△ R1871	QRL01DJ-220X	OMF RESISTOR	22Ω 1W J	A,UF,US	R2665	NRSA63J-221X	MG RESISTOR	220Ω 1/16W J	UF
△ R1872	QRL01DJ-220X	OMF RESISTOR	22Ω 1W J		R2666	NRSA63J-221X	MG RESISTOR	220Ω 1/16W J	UF
R1873	NRSA63J-102X	MG RESISTOR	1kΩ 1/16W J	A,UF,US	R2667	NRSA63J-221X	MG RESISTOR	220Ω 1/16W J	UF
R1874	NRSA63J-102X	MG RESISTOR	1kΩ 1/16W J		R2668	NRSA63J-221X	MG RESISTOR	220Ω 1/16W J	UF
R1875	NRS016J-103X	MG RESISTOR	10kΩ 1W J	A,UF,US	R2669	NRSA63J-221X	MG RESISTOR	220Ω 1/16W J	UF
R1876	NRS016J-103X	MG RESISTOR	10kΩ 1W J		R2671	NRSA63J-103X	MG RESISTOR	10kΩ 1/16W J	UF
R1877	NRSA63J-682X	MG RESISTOR	6.8kΩ 1/16W J	A,UF,US	R2681	NRSA63J-221X	MG RESISTOR	220Ω 1/16W J	UF
R1878	NRSA63J-682X	MG RESISTOR	6.8kΩ 1/16W J		R2682	NRSA63J-392X	MG RESISTOR	3.9kΩ 1/16W J	UF
R1879	NRSA63J-472X	MG RESISTOR	4.7kΩ 1/16W J	A,UF,US	R2683	NRSA63J-392X	MG RESISTOR	3.9kΩ 1/16W J	UF
R1880	NRSA63J-472X	MG RESISTOR	4.7kΩ 1/16W J		R2685	NRSA63J-222X	MG RESISTOR	2.2kΩ 1/16W J	UF
△ R1891	QRJ146J-820X	UNF C RESISTOR	82Ω 1/4W J	A,UF,US	R2686	NRSA63J-750X	MG RESISTOR	75Ω 1/16W J	UF
R1941	NRSA63J-103X	MG RESISTOR	10kΩ 1/16W J	A,UF,US	R2687	NRSA63J-102X	MG RESISTOR	1kΩ 1/16W J	UF
R1942	NRSA63J-103X	MG RESISTOR	10kΩ 1/16W J		R2688	NRSA63J-102X	MG RESISTOR	1kΩ 1/16W J	UF
R1943	NRSA63J-392X	MG RESISTOR	3.9kΩ 1/16W J	A,UF,US	△ R2853	QRZ9006-4R7X	F.RESISTOR	4.7Ω 1/4W J	A,UF,US
R1944	NRSA63J-392X	MG RESISTOR	3.9kΩ 1/16W J		△ R2854	QRZ9006-4R7X	F.RESISTOR	4.7Ω 1/4W J	
R1947	NRSA63J-821X	MG RESISTOR	820Ω 1/16W J	A,UF,US	R2855	NRS016J-103X	MG RESISTOR	10kΩ 1W J	A,UF,US
R1948	NRSA63J-821X	MG RESISTOR	820Ω 1/16W J		R2856	NRS016J-103X	MG RESISTOR	10kΩ 1W J	
R1951	NRSA63J-752X	MG RESISTOR	7.5kΩ 1/16W J	A,UF,US	△ R2953	QRZ9006-4R7X	F.RESISTOR	4.7Ω 1/4W J	A,UF,US
R1952	NRSA63J-361X	MG RESISTOR	360Ω 1/16W J		△ R2954	QRZ9006-4R7X	F.RESISTOR	4.7Ω 1/4W J	
R1953	NRSA63J-152X	MG RESISTOR	1.5kΩ 1/16W J	A,UF,US	R2955	NRS016J-103X	MG RESISTOR	10kΩ 1W J	A,UF,US
R1955	NRSA63J-152X	MG RESISTOR	1.5kΩ 1/16W J		R2956	NRS016J-103X	MG RESISTOR	10kΩ 1W J	
R1957	NRSA63J-101X	MG RESISTOR	100Ω 1/16W J	A,UF,US	R3584	NRSA63J-101X	MG RESISTOR	100Ω 1/16W J	UF
R1958	NRSA63J-101X	MG RESISTOR	100Ω 1/16W J		R3585	NRSA63J-101X	MG RESISTOR	100Ω 1/16W J	UF
△ R1959	QRJ146J-4R7X	UNF C RESISTOR	4.7Ω 1/4W J	A,UF,US	R3586	NRSA63J-821X	MG RESISTOR	820Ω 1/16W J	UF
△ R1960	QRJ146J-4R7X	UNF C RESISTOR	4.7Ω 1/4W J		R4541	NRSA63J-750X	MG RESISTOR	75Ω 1/16W J	UF
R1961	NRS144J-470X	MG RESISTOR	47Ω 1/4W J	A,UF,US	R4542	NRSA63J-750X	MG RESISTOR	75Ω 1/16W J	UF
R1962	NRS144J-470X	MG RESISTOR	47Ω 1/4W J		R4543	NRSA63J-750X	MG RESISTOR	75Ω 1/16W J	UF
R1963	NRS144J-470X	MG RESISTOR	47Ω 1/4W J	A,UF,US	R4544	NRSA63J-750X	MG RESISTOR	75Ω 1/16W J	UF
R1964	NRS144J-470X	MG RESISTOR	47Ω 1/4W J		R4545	NRSA63J-750X	MG RESISTOR	75Ω 1/16W J	UF
R1967	NRS016J-220X	MG RESISTOR	22Ω 1W J	A,UF,US	R4546	NRSA63J-750X	MG RESISTOR	75Ω 1/16W J	UF
R1968	NRS016J-220X	MG RESISTOR	22Ω 1W J		R4547	NRSA63J-680X	MG RESISTOR	68Ω 1/16W J	UF
R1969	NRS016J-220X	MG RESISTOR	22Ω 1W J	A,UF,US	R4548	NRSA63J-750X	MG RESISTOR	75Ω 1/16W J	UF
R1970	NRS016J-220X	MG RESISTOR	22Ω 1W J		R4549	NRSA63J-750X	MG RESISTOR	75Ω 1/16W J	UF
△ R1971	QRL01DJ-220X	OMF RESISTOR	22Ω 1W J	A,UF,US	R5503	NRSA63J-222X	MG RESISTOR	2.2kΩ 1/16W J	UF
△ R1972	QRL01DJ-220X	OMF RESISTOR	22Ω 1W J		R5512	NRSA63J-222X	MG RESISTOR	2.2kΩ 1/16W J	UF
R1973	NRSA63J-102X	MG RESISTOR	1kΩ 1/16W J	A,UF,US	R5516	NRSA63J-222X	MG RESISTOR	2.2kΩ 1/16W J	UF
R1974	NRSA63J-102X	MG RESISTOR	1kΩ 1/16W J		R5520	NRSA63J-432X	MG RESISTOR	4.3kΩ 1/16W J	UF
R1975	NRS016J-103X	MG RESISTOR	10kΩ 1W J	A,UF,US	R5521	NRSA63J-302X	MG RESISTOR	3kΩ 1/16W J	UF
R1976	NRS016J-103X	MG RESISTOR	10kΩ 1W J		R5522	NRSA63J-561X	MG RESISTOR	560Ω 1/16W J	UF
R1977	NRSA63J-682X	MG RESISTOR	6.8kΩ 1/16W J	A,UF,US	R5524	NRSA63J-331X	MG RESISTOR	330Ω 1/16W J	UF
R1978	NRSA63J-682X	MG RESISTOR	6.8kΩ 1/16W J		R5526	NRSA63J-911X	MG RESISTOR	910Ω 1/16W J	UF
R1979	NRSA63J-472X	MG RESISTOR	4.7kΩ 1/16W J	A,UF,US	R5527	NRSA63J-132X	MG RESISTOR	1.3kΩ 1/16W J	UF
R1980	NRSA63J-472X	MG RESISTOR	4.7kΩ 1/16W J		R5530	NRSA63J-102X	MG RESISTOR	1kΩ 1/16W J	UF
△ R1991	QRJ146J-820X	UNF C RESISTOR	82Ω 1/4W J	A,UF,US	R5532	NRSA63J-222X	MG RESISTOR	2.2kΩ 1/16W J	UF
△ R1992	QRJ146J-820X	UNF C RESISTOR	82Ω 1/4W J		R5533	NRSA63J-222X	MG RESISTOR	2.2kΩ 1/16W J	UF
					R5536	NRSA63J-391X	MG RESISTOR	390Ω 1/16W J	UF
					R5538	NRSA63J-103X	MG RESISTOR	10kΩ 1/16W J	UF
					R5539	NRSA63J-103X	MG RESISTOR	10kΩ 1/16W J	UF
					R5544	NRSA63J-331X	MG RESISTOR	330Ω 1/16W J	UF
					R5562	NRSA63J-0R0X	MG RESISTOR	0Ω 1/16W J	UF
					R5573	NRSA63J-561X	MG RESISTOR	560Ω 1/16W J	UF
					R5754	NRSA63J-390X	MG RESISTOR	39Ω 1/16W J	UF
					R6501	NRSA63J-101X	MG RESISTOR	100Ω 1/16W J	UF
					R6502	NRSA63J-101X	MG RESISTOR	100Ω 1/16W J	UF
					R6503	NRSA63J-473X	MG RESISTOR	47kΩ 1/16W J	UF
					R6504	NRSA63J-473X	MG RESISTOR	47kΩ 1/16W J	UF
					R6505	NRSA63J-471X	MG RESISTOR	470Ω 1/16W J	UF
					R6506	NRSA63J-471X	MG RESISTOR	470Ω 1/16W J	UF
					R6507	NRSA63J-101X	MG RESISTOR	100Ω 1/16W J	UF
					R6508	NRSA63J-101X	MG RESISTOR	100Ω 1/16W J	UF
					R6509	NRSA63J-473X	MG RESISTOR	47kΩ 1/16W J	UF

△ Symbol No.	Part No.	Part Name	Description	Local	△ Symbol No.	Part No.	Part Name	Description	Local
R6510	NRSA63J-473X	MG RESISTOR	47kΩ 1/16W J	UF	CN321	QGB1224J1-15	CONNECTOR	B-B (1-15)	
R6511	NRSA63J-471X	MG RESISTOR	470Ω 1/16W J	UF	CN510	QJK025-112601-E	SIN CR C-B WIR		
R6512	NRSA63J-471X	MG RESISTOR	470Ω 1/16W J	UF	CN520	QJK025-103200-E	SIN CR C-B WIR		
R6513	NRSA63J-473X	MG RESISTOR	47kΩ 1/16W J	UF	CN522	QGB1224J1-13	CONNECTOR	B-B (1-13)	
R6514	NRSA63J-473X	MG RESISTOR	47kΩ 1/16W J	UF	CN701	QGA2001C1-05	CONNECTOR	W-B (1-5)	
R6515	NRSA63J-471X	MG RESISTOR	470Ω 1/16W J	UF	CN702	QGA3901C1-03	CONNECTOR	W-B (1-3)	
R6516	NRSA63J-471X	MG RESISTOR	470Ω 1/16W J	UF	CN703	QGB2510J1-10	CONNECTOR	B-B (1-10)	
R6517	NRSA63J-473X	MG RESISTOR	47kΩ 1/16W J	UF	CN704	QGB2510J1-14	CONNECTOR	B-B (1-14)	
R6518	NRSA63J-473X	MG RESISTOR	47kΩ 1/16W J	UF	CN727	QGB2510J1-09	CONNECTOR	B-B (1-9)	
R6519	NRSA63J-471X	MG RESISTOR	470Ω 1/16W J	UF	CN751	QGA2501C1-04	CONNECTOR	W-B (1-4)	
R6520	NRSA63J-471X	MG RESISTOR	470Ω 1/16W J	UF	CN771	QGB1224K1-09	CONNECTOR	B-B (1-9)	
R6521	NRSA63J-471X	MG RESISTOR	470Ω 1/16W J	UF	CN781	QGB1224J1-09	CONNECTOR	B-B (1-9)	
R6522	NRSA63J-471X	MG RESISTOR	470Ω 1/16W J	UF	CN801	QGA2001C1-07	CONNECTOR	W-B (1-7)	
R6525	NRSA63J-560X	MG RESISTOR	56Ω 1/16W J	UF	CN811	QGB1224K1-13	CONNECTOR	B-B (1-13)	
R6526	NRSA63J-620X	MG RESISTOR	62Ω 1/16W J	UF	CN821	QGB1224J1-13	CONNECTOR	B-B (1-13)	
R6527	NRSA63J-620X	MG RESISTOR	62Ω 1/16W J	UF	CN911	QGB1224K1-15	CONNECTOR	B-B (1-15)	
R6528	NRSA63J-331X	MG RESISTOR	330Ω 1/16W J	UF	CN921	QGB1224J1-15	CONNECTOR	B-B (1-15)	
R6529	NRSA63J-750X	MG RESISTOR	75Ω 1/16W J	UF	EP202	QNZ0136-001Z	EARTH PLATE		
R6530	NRSA63J-750X	MG RESISTOR	75Ω 1/16W J	UF	EP701	QNZ0136-001Z	EARTH PLATE		
R6531	NRSA63J-331X	MG RESISTOR	330Ω 1/16W J	UF	EP702	QNZ0136-001Z	EARTH PLATE		
R6532	NRSA63J-331X	MG RESISTOR	330Ω 1/16W J	UF	EP703	QNZ0136-001Z	EARTH PLATE		
R6533	NRSA63J-750X	MG RESISTOR	75Ω 1/16W J	UF	EP704	QNZ0136-001Z	EARTH PLATE		
R6534	NRSA63J-560X	MG RESISTOR	56Ω 1/16W J	UF	EP705	QNZ0136-001Z	EARTH PLATE		
R6535	NRSA63J-620X	MG RESISTOR	62Ω 1/16W J	UF	FC202	QNG0020-001Z	FUSE CLIP		
R6536	NRSA63J-620X	MG RESISTOR	62Ω 1/16W J	UF	FC203	QNG0020-001Z	FUSE CLIP		
R6537	NRSA63J-331X	MG RESISTOR	330Ω 1/16W J	UF	FC212	QNG0020-001Z	FUSE CLIP		
R6538	NRSA63J-750X	MG RESISTOR	75Ω 1/16W J	UF	FC213	QNG0020-001Z	FUSE CLIP		
R6539	NRSA63J-750X	MG RESISTOR	75Ω 1/16W J	UF	FW201	WJS0056-001A-E	E-FL/RB WIRE		
R6540	NRSA63J-331X	MG RESISTOR	330Ω 1/16W J	UF	FW226	WJS0058-001A-E	E-FL/RB WIRE		
R6541	NRSA63J-331X	MG RESISTOR	330Ω 1/16W J	UF	FW301	WJS0057-001A-E	E-FL/RB WIRE		
R6542	NRSA63J-750X	MG RESISTOR	75Ω 1/16W J	UF	FW721	WJS0073-001A-E	E-FL/RB WIRE		
R6543	NRSA63J-331X	MG RESISTOR	330Ω 1/16W J	UF	FW792	WJS0055-001A-E	E-FL/RB WIRE		
R6544	NRSA63J-750X	MG RESISTOR	75Ω 1/16W J	UF	FW801	WJS0054-001A-E	E-FL/RB WIRE		
R6545	NRSA63J-750X	MG RESISTOR	75Ω 1/16W J	UF	HS205	E70306-006	HEAT SINK		A,UJ, US
R6546	NRSA63J-331X	MG RESISTOR	330Ω 1/16W J	UF	HS207	E70306-006	HEAT SINK		A,UJ, US
R6547	NRSA63J-331X	MG RESISTOR	330Ω 1/16W J	UF	HS208	E70306-006	HEAT SINK		A,UJ, US
R6548	NRSA63J-750X	MG RESISTOR	75Ω 1/16W J	UF	HS209	E70306-006	HEAT SINK		A,UJ, US
R6549	NRSA63J-560X	MG RESISTOR	56Ω 1/16W J	UF	HS210	E70306-006	HEAT SINK		A,UJ, US
R6550	NRSA63J-620X	MG RESISTOR	62Ω 1/16W J	UF	HS210	E70306-006	HEAT SINK		A,UJ, US
R6551	NRSA63J-620X	MG RESISTOR	62Ω 1/16W J	UF	HS210	E70306-006	HEAT SINK		A,UJ, US
R6591	NRSA63J-103X	MG RESISTOR	10kΩ 1/16W J	UF	HS703	E70306-001	HEAT SINK	HS 951	A,UJ, US
R6592	NRSA63J-103X	MG RESISTOR	10kΩ 1/16W J	UF	HS704	E70306-001	HEAT SINK	HS 951	A,UJ, US
R6593	NRSA63J-393X	MG RESISTOR	39kΩ 1/16W J	UF	HS715	E70306-001	HEAT SINK	HS 951	A,UJ, US
R6594	NRSA63J-393X	MG RESISTOR	39kΩ 1/16W J	UF	HS716	E70306-001	HEAT SINK	HS 951	A,UJ, US
R6595	NRSA63J-103X	MG RESISTOR	10kΩ 1/16W J	UF	J7001	QNB0191-001	SPEAKER TERMINA		
R6596	NRSA63J-183X	MG RESISTOR	18kΩ 1/16W J	UF	J7501	QNS0170-001	HEADPHONE JACK		
R6597	NRSA63J-133X	MG RESISTOR	13kΩ 1/16W J	UF	K2681	NQR0269-004X	FERRITE BEADS		UF
R6598	NRSA63J-303X	MG RESISTOR	30kΩ 1/16W J	UF	RY211	QSK0127-001	RELAY		
L701	QQL28AK-221	CHOKE COIL	220uH K		△ RY301	QSK0127-001	RELAY		
L702	QQL78AK-220	COIL	22uH K	A,UF, US	△ RY801	QSK0127-001	RELAY		
L703	QQL78AK-220	COIL	22uH K		△ RY901	QSK0127-001	RELAY		
L1301	QQL77AK-220	COIL	22uH K	A,UF, US	△ RY902	QSK0127-001	RELAY		
L1302	QQL77AK-220	COIL	22uH K		△ TH201	QAD0095-4R7Z	P THERMISTOR	4.7Ω M	
L1801	QQL77AK-220	COIL	22uH K	A,UF, US	△ TH302	QAD0146-103	N THERMISTOR	10kΩ	
L1802	QQL77AK-220	COIL	22uH K		X771	QAX0734-001	C RESONATOR	400.00kHz	
L1901	QQL77AK-220	COIL	22uH K	A,UF, US	X772	QAX0735-001	C RESONATOR	420.00kHz	
L1902	QQL77AK-220	COIL	22uH K						
L3502	NQL085J-100X	COIL	10uH J	UF					
L3503	NQL085J-100X	COIL	10uH J	UF					
L3504	NQL085J-100X	COIL	10uH J	UF					
L3505	NQL085J-100X	COIL	10uH J	UF					
L5503	NQL085J-680X	COIL	68uH J	UF					
L7501	QQL231K-101Y	COIL	100uH K	A,UF, US					
L7502	QQL231K-101Y	COIL	100uH K						
L7503	QQL231K-101Y	COIL	100uH K						
CN201	QGA3901C1-09	CONNECTOR	W-B (1-9)		IC351	TC90A49AP	IC		
CN208	QJK025-042404-E	SIN CR C-B WIR			IC352	MM1504XN-X	IC		
CN216	QGA2001C1-04	CONNECTOR	W-B (1-4)		IC353	MM1502XN-X	IC		
CN301	QGA2001F1-06	CONNECTOR	W-B (1-6)		IC356	MM1504XN-X	IC		
CN302	QGB2510K1-10	CONNECTOR	B-B (1-10)		IC357	MM1502XN-X	IC		
CN311	QGB1224K1-15	CONNECTOR	B-B (1-15)		IC359	MM1093NF-X	IC		
CN312	QGB2510J1-10	CONNECTOR	B-B (1-10)						

Input mother board

Block No. [0][3]

△ Symbol No.	Part No.	Part Name	Description	Local
IC351	TC90A49AP	IC		
IC352	MM1504XN-X	IC		
IC353	MM1502XN-X	IC		
IC356	MM1504XN-X	IC		
IC357	MM1502XN-X	IC		
IC359	MM1093NF-X	IC		

△ Symbol No.	Part No.	Part Name	Description	Local	△ Symbol No.	Part No.	Part Name	Description	Local
IC360	LC74761M-9894-X	IC			Q551	KRA104S-X	DIGI TRANSISTOR		A,U,F, US
IC362	MM1503XN-X	IC			Q552	KRA104S-X	DIGI TRANSISTOR		
IC371	NJM4565M-WE	IC			Q601	2SD2114K/VW/-X	TRANSISTOR		A,U,F, US
IC451	MM1504XN-X	IC			Q602	2SD2114K/VW/-X	TRANSISTOR		
IC452	MM1506XN-X	IC			Q603	2SC2412K/RS/-X	TRANSISTOR		A,U,F, US
IC453	MM1506XN-X	IC			Q604	2SC2412K/RS/-X	TRANSISTOR		
IC501	MN101C49GNN	IC FRASH			Q611	2SD2114K/VW/-X	TRANSISTOR		A,U,F, US
IC502	BD3843FS-X	IC			Q612	2SD2114K/VW/-X	TRANSISTOR		
IC503	BD3813KS	IC			Q613	2SD2114K/VW/-X	TRANSISTOR		A,U,F, US
IC504	NJM4565M-WE	IC			Q614	2SD2114K/VW/-X	TRANSISTOR		
IC506	IC-PST9139-T	IC			Q615	2SD2114K/VW/-X	TRANSISTOR		A,U,F, US
IC507	BR24L01AF-W-X	IC		A,U,J, US	Q616	2SD2114K/VW/-X	TRANSISTOR		
IC508	BD3812F-X	IC			Q621	2SD2114K/VW/-X	TRANSISTOR		
IC551	MM1113XF-X	IC			Q622	2SC2412K/RS/-X	TRANSISTOR		
IC552	MM1117XF-XE	IC			Q631	2SD2114K/VW/-X	TRANSISTOR		A,U,F, US
IC553	MM1511XN-X	IC			Q632	2SD2114K/VW/-X	TRANSISTOR		
IC554	MM1504XN-X	IC			Q633	2SD2114K/VW/-X	TRANSISTOR		
IC555	MM1117XF-XE	IC			Q641	2SD2114K/VW/-X	TRANSISTOR		
IC601	NJM4565M-WE	IC			Q1711	KRC104S-X	TRANSISTOR		A,U,F, US
IC602	NJM4565M-WE	IC			Q1712	KRC104S-X	TRANSISTOR		
IC611	NJM4565M-WE	IC			Q1713	KRC104S-X	TRANSISTOR		A,U,F, US
IC612	NJM4565M-WE	IC			Q1714	KRC104S-X	TRANSISTOR		
IC613	NJM4565M-WE	IC			Q1715	KRC104S-X	TRANSISTOR		
IC615	NJM4565M-WE	IC			Q1716	KRC104S-X	TRANSISTOR		
IC621	NJM4565M-WE	IC			Q2601	KRC107S-X	DIGI TRANSISTOR		
IC622	NJM4565M-WE	IC			Q2602	KRC107S-X	DIGI TRANSISTOR		
IC631	NJM2120M-X	IC			Q2603	KRC107S-X	DIGI TRANSISTOR		
IC632	NJM4565M-WE	IC			Q2604	KRA107S-X	DIGI TRANSISTOR		
IC633	NJM4565M-WE	IC			Q2605	KRA107S-X	DIGI TRANSISTOR		
IC634	NJM4565M-WE	IC			Q2606	KRA107S-X	DIGI TRANSISTOR		
IC651	NJM4565M-WE	IC			Q2608	KRA107S-X	DIGI TRANSISTOR		
IC661	DSPC56371AF180	IC			Q2609	KRA107S-X	DIGI TRANSISTOR		
IC662	SN74LVC1GU04K-X	IC			Q2610	KRC107S-X	DIGI TRANSISTOR		
IC667	CS42518-CQZ-C-W	IC			Q3521	2SA1037AK/RS/-X	TRANSISTOR		
IC671	UPD784215AGC284	IC			Q3522	2SC2412K/RS/-X	TRANSISTOR		
IC672	SN74AHCT1G32K-X	IC			Q3523	2SA1037AK/RS/-X	TRANSISTOR		
IC673	SN74LVC1G04K-X	IC			Q3524	2SC2412K/RS/-X	TRANSISTOR		
IC691	BD7800FP-X	IC			Q3525	2SA1037AK/RS/-X	TRANSISTOR		
IC692	MM1563DF-X	IC			Q3526	2SC2412K/RS/-X	TRANSISTOR		
IC871	NJM4565M-WE	IC			Q3531	2SA1037AK/RS/-X	TRANSISTOR		
IC971	NJM4565M-WE	IC			Q3532	2SA1037AK/RS/-X	TRANSISTOR		
Q501	2SC3576-JVC-T	TRANSISTOR		A,U,F, US	Q4501	KTA1267/YG/-T	TRANSISTOR		
Q502	2SC3576-JVC-T	TRANSISTOR			Q4502	KRA120S-X	TRANSISTOR		
Q503	KRA104S-X	DIGI TRANSISTOR			Q4503	KTA1267/YG/-T	TRANSISTOR		
Q510	KRC102S-X	DIGI TRANSISTOR			Q4530	2SC2412K/RS/-X	TRANSISTOR		
Q511	KRA104S-X	DIGI TRANSISTOR		A,U,J, US	Q5501	KTA1267/YG/-T	TRANSISTOR		
Q512	KRA104S-X	DIGI TRANSISTOR		A,U,J, US	Q5502	KTC3199/GL/-T	TRANSISTOR		
Q513	2SC3576-JVC-T	TRANSISTOR		A,U,F, US	Q5504	2SC3938/QR/-X	TRANSISTOR		
Q514	2SC3576-JVC-T	TRANSISTOR			Q5510	KTC3199/GL/-T	TRANSISTOR		
Q515	2SC3576-JVC-T	TRANSISTOR		A,U,F, US	Q5511	2SA1037AK/RS/-X	TRANSISTOR		
Q516	2SC3576-JVC-T	TRANSISTOR			Q5512	2SA1037AK/RS/-X	TRANSISTOR		
Q517	2SC3576-JVC-T	TRANSISTOR			Q5521	2SA1037AK/RS/-X	TRANSISTOR		
Q518	2SC3576-JVC-T	TRANSISTOR			Q6511	KRA121S-X	DIGI TRANSISTOR		
Q519	2SC3576-JVC-T	TRANSISTOR			Q6512	KTA1267/YG/-T	TRANSISTOR		
Q520	2SC3576-JVC-T	TRANSISTOR			Q6513	KRA121S-X	DIGI TRANSISTOR		A,U,J, US
Q521	2SC3576-JVC-T	TRANSISTOR		A,U,F, US	Q6514	KTA1267/YG/-T	TRANSISTOR		
Q522	2SC3576-JVC-T	TRANSISTOR			Q6515	KRA121S-X	DIGI TRANSISTOR		
Q523	KRA104S-X	DIGI TRANSISTOR			Q6516	KTA1267/YG/-T	TRANSISTOR		
Q525	2SC3576-JVC-T	TRANSISTOR		A,U,F, US	Q6517	KRA121S-X	DIGI TRANSISTOR		
Q526	2SC3576-JVC-T	TRANSISTOR			Q6518	KTA1267/YG/-T	TRANSISTOR		
Q527	2SC3576-JVC-T	TRANSISTOR		A,U,F, US	Q6519	KRA121S-X	DIGI TRANSISTOR		
Q528	2SC3576-JVC-T	TRANSISTOR			Q6520	KTA1267/YG/-T	TRANSISTOR		
△ Q531	2SD2394/EF/	TRANSISTOR			Q6521	KRA121S-X	DIGI TRANSISTOR		
Q532	KRA102S-X	DIGI TRANSISTOR			Q6522	KTA1267/YG/-T	TRANSISTOR		
Q533	KRC102S-X	DIGI TRANSISTOR			Q6523	KRA121S-X	DIGI TRANSISTOR		
Q536	KRC102S-X	DIGI TRANSISTOR			Q6524	KTA1267/YG/-T	TRANSISTOR		
Q541	KTC3199/GL/-T	TRANSISTOR			Q6525	KRA121S-X	DIGI TRANSISTOR		
Q542	KTC3199/GL/-T	TRANSISTOR			Q6526	KTA1267/YG/-T	TRANSISTOR		
					Q6527	KRA121S-X	DIGI TRANSISTOR		
					Q6528	KTA1267/YG/-T	TRANSISTOR		

△ Symbol No.	Part No.	Part Name	Description	Local	△ Symbol No.	Part No.	Part Name	Description	Local
Q6537	KTA1267/YG/-T	TRANSISTOR			C555	QETN1HM-475Z	E CAPACITOR	4.7uF 50V M	
Q6541	KRC102S-X	DIGI TRANSISTOR			C556	QETN1HM-475Z	E CAPACITOR	4.7uF 50V M	
Q6542	KRC102S-X	DIGI TRANSISTOR			C557	QETN1HM-475Z	E CAPACITOR	4.7uF 50V M	
Q6543	KRC102S-X	DIGI TRANSISTOR			C558	QEK1CM-106Z	E CAPACITOR	10uF 16V M	
Q6544	KRC102S-X	DIGI TRANSISTOR			C559	QEK1CM-226Z	E CAPACITOR	22uF 16V M	
Q6545	KRC102S-X	DIGI TRANSISTOR			C561	NCB31HK-681X	C CAPACITOR	680pF 50V K	A,US
Q6546	KRC102S-X	DIGI TRANSISTOR			C562	NCB31HK-681X	C CAPACITOR	680pF 50V K	A,UJ, US
D509	MA111-X	SI DIODE			C563	NCB31HK-562X	C CAPACITOR	5600pF 50V K	A,US
D511	MA111-X	SI DIODE			C564	NCB31HK-562X	C CAPACITOR	5600pF 50V K	A,UJ, US
D512	UDZS6.2B-X	Z DIODE		A,UJ, US	C565	QETN1CM-108Z	E CAPACITOR	1000uF 16V M	
D515	MA111-X	SI DIODE		A,UJ, US	C566	NDC31HJ-101X	C CAPACITOR	100pF 50V J	A,UJ, US
D517	MA8130/H/-X	Z DIODE		A,UJ, US	C575	NCF31CZ-104X	C CAPACITOR	0.1uF 16V Z	A,UJ, US
D518	UDZS9.1B-X	Z DIODE		A,UJ, US	C581	QEK1CM-106Z	E CAPACITOR	10uF 16V M	
D1311	MA704A-X	S.K.DIODE		A,UF, US	C585	QETN1HM-106Z	E CAPACITOR	10uF 50V M	
D1312	MA704A-X	S.K.DIODE		A,UF, US	C586	QETN1CM-107Z	E CAPACITOR	100uF 16V M	
D1721	UDZS7.5B-X	Z DIODE		A,UF, US	C587	NCF31CZ-104X	C CAPACITOR	0.1uF 16V Z	A,UJ, US
D1722	UDZS7.5B-X	Z DIODE		A,UF, US	C591	QETN1HM-106Z	E CAPACITOR	10uF 50V M	A,UF, US
D1811	MA704A-X	S.K.DIODE		A,UF, US	C592	QETN1HM-106Z	E CAPACITOR	10uF 50V M	
D1812	MA704A-X	S.K.DIODE			C593	QEK1HM-475Z	E CAPACITOR	4.7uF 50V M	A,UF, US
D1911	MA704A-X	S.K.DIODE			C594	QEK1HM-475Z	E CAPACITOR	4.7uF 50V M	
D1912	MA704A-X	S.K.DIODE			C595	QEK1HM-475Z	E CAPACITOR	4.7uF 50V M	A,UF, US
D5501	MA111-X	SI DIODE			C596	QEK1HM-475Z	E CAPACITOR	4.7uF 50V M	
D5701	MA111-X	SI DIODE			C597	NCB31EK-104X	C CAPACITOR	0.1uF 25V K	A,UJ, US
D5702	MA111-X	SI DIODE			C599	QEK1HM-475Z	E CAPACITOR	4.7uF 50V M	
C511	NCB31HK-221X	C CAPACITOR	220pF 50V K	A,UJ, US	C601	QEK1HM-475Z	E CAPACITOR	4.7uF 50V M	A,UF, US
C512	QCZ0202-155Z	C CAPACITOR	1.5uF 25V Z		C602	QEK1HM-475Z	E CAPACITOR	4.7uF 50V M	
C513	NCF31CZ-104X	C CAPACITOR	0.1uF 16V Z		C605	NDC31HJ-330X	C CAPACITOR	33pF 50V J	A,UF, US
C514	NCF31CZ-104X	C CAPACITOR	0.1uF 16V Z	A,UJ, US	C606	NDC31HJ-330X	C CAPACITOR	33pF 50V J	
C522	NCB31HK-561X	C CAPACITOR	560pF 50V K		C609	NCF31CZ-104X	C CAPACITOR	0.1uF 16V Z	A,UF, US
C523	QEK1CM-476Z	E CAPACITOR	47uF 16V M	A,UF, US	C610	NCF31CZ-104X	C CAPACITOR	0.1uF 16V Z	
C524	QEK1CM-476Z	E CAPACITOR	47uF 16V M		C613	NDC31HJ-330X	C CAPACITOR	33pF 50V J	A,UF, US
C525	QETN1HM-475Z	E CAPACITOR	4.7uF 50V M		C614	NDC31HJ-330X	C CAPACITOR	33pF 50V J	
C526	QETN0JM-228Z	E CAPACITOR	2200uF 6.3V M		C618	QEK1AM-476Z	E CAPACITOR	47uF 10V M	
C527	QEK1CM-107Z	E CAPACITOR	100uF 6.3V M		C619	NCF31CZ-104X	C CAPACITOR	0.1uF 16V Z	A,UF, US
C528	QCZ0202-155Z	C CAPACITOR	1.5uF 25V Z		C620	NCF31CZ-104X	C CAPACITOR	0.1uF 16V Z	
C529	NCB31CK-223X	C CAPACITOR	0.022uF 16V K	A,UJ, US	C621	NCB31HK-102X	C CAPACITOR	1000pF 50V K	A,UF, US
C530	QEK1HM-225Z	E CAPACITOR	2.2uF 50V M		C622	NCB31HK-102X	C CAPACITOR	1000pF 50V K	
C531	NCB31CK-223X	C CAPACITOR	0.022uF 16V K		C623	QEK1HM-475Z	E CAPACITOR	4.7uF 50V M	A,UF, US
C532	NCB31HK-561X	C CAPACITOR	560pF 50V K	A,UJ, US	C624	QEK1HM-475Z	E CAPACITOR	4.7uF 50V M	
C533	NCF31CZ-104X	C CAPACITOR	0.1uF 16V Z		C625	NCF31CZ-104X	C CAPACITOR	0.1uF 16V Z	A,UF, US
C534	QEK1CM-476Z	E CAPACITOR	47uF 16V M		C626	NCF31CZ-104X	C CAPACITOR	0.1uF 16V Z	
C535	NCF31CZ-104X	C CAPACITOR	0.1uF 16V Z		C627	NCB31HK-331X	C CAPACITOR	330pF 50V K	A,UF, US
C536	QEK1CM-476Z	E CAPACITOR	47uF 16V M		C628	NCB31HK-331X	C CAPACITOR	330pF 50V K	
C537	QETN1HM-106Z	E CAPACITOR	10uF 50V M	A,UF, US	C629	NCB31HK-272X	C CAPACITOR	2700pF 50V K	A,UF, US
C538	QETN1HM-106Z	E CAPACITOR	10uF 50V M		C630	NCB31HK-272X	C CAPACITOR	2700pF 50V K	
C539	QETN1HM-106Z	E CAPACITOR	10uF 50V M	A,UF, US	C631	QEK1HM-475Z	E CAPACITOR	4.7uF 50V M	
C540	QETN1HM-106Z	E CAPACITOR	10uF 50V M		C633	NCF31CZ-104X	C CAPACITOR	0.1uF 16V Z	A,UF, US
C541	QETN1HM-106Z	E CAPACITOR	10uF 50V M	A,UF, US	C634	NCF31CZ-104X	C CAPACITOR	0.1uF 16V Z	
C542	QETN1HM-106Z	E CAPACITOR	10uF 50V M		C635	NDC31HJ-330X	C CAPACITOR	33pF 50V J	A,UF, US
C545	NCB31CK-104X	C CAPACITOR	0.1uF 16V K	A,UF, US	C636	NDC31HJ-330X	C CAPACITOR	33pF 50V J	
C546	NCB31CK-104X	C CAPACITOR	0.1uF 16V K		C637	QETN1EM-475Z	E CAPACITOR	4.7uF 25V M	A,UF, US
C547	NCB31CK-104X	C CAPACITOR	0.1uF 16V K	A,UF, US	C638	QETN1EM-475Z	E CAPACITOR	4.7uF 25V M	
C548	NCB31CK-104X	C CAPACITOR	0.1uF 16V K		C639	NCF31CZ-104X	C CAPACITOR	0.1uF 16V Z	A,UF, US
C549	QEK1CM-476Z	E CAPACITOR	47uF 16V M	A,UF, US	C640	NCF31CZ-104X	C CAPACITOR	0.1uF 16V Z	
C550	QEK1CM-476Z	E CAPACITOR	47uF 16V M		C641	NDC31HJ-330X	C CAPACITOR	33pF 50V J	A,UF, US
C551	QEK1HM-106Z	E CAPACITOR	10uF 50V M	A,UF, US	C642	NDC31HJ-330X	C CAPACITOR	33pF 50V J	
C552	QEK1HM-106Z	E CAPACITOR	10uF 50V M						
C553	QETN1HM-475Z	E CAPACITOR	4.7uF 50V M	A,UF, US					
C554	QETN1HM-475Z	E CAPACITOR	4.7uF 50V M						

△ Symbol No.	Part No.	Part Name	Description	Local	△ Symbol No.	Part No.	Part Name	Description	Local
C643	QETN1EM-475Z	E CAPACITOR	4.7uF 25V M	A,UF,US	C1628	NCF31CZ-104X	C CAPACITOR	0.1uF 16V Z	
C644	QETN1EM-475Z	E CAPACITOR	4.7uF 25V M		C1629	NCB31HK-471X	C CAPACITOR	470pF 50V K	
C651	NCF31CZ-104X	C CAPACITOR	0.1uF 16V Z	A,UF,US	C1630	NCB31HK-471X	C CAPACITOR	470pF 50V K	
C652	NCF31CZ-104X	C CAPACITOR	0.1uF 16V Z		C1631	NCB31HK-332X	C CAPACITOR	330pF 50V K	
C653	NCB31HK-102X	C CAPACITOR	1000pF 50V K	A,UF,US	C1641	NCB31HK-561X	C CAPACITOR	560pF 50V K	
C654	NCB31HK-102X	C CAPACITOR	1000pF 50V K		C1642	QETN1EM-475Z	E CAPACITOR	4.7uF 25V M	
C655	NCB31HK-102X	C CAPACITOR	1000pF 50V K	A,UF,US	C1643	NCF31CZ-104X	C CAPACITOR	0.1uF 16V Z	
C656	NCB31HK-102X	C CAPACITOR	1000pF 50V K		C1644	NCF31CZ-104X	C CAPACITOR	0.1uF 16V Z	A,UJ,US
C657	NCB31HK-562X	C CAPACITOR	5600pF 50V K	A,UF,US	C1645	NCF31CZ-104X	C CAPACITOR	0.1uF 16V Z	
C658	NCB31HK-562X	C CAPACITOR	5600pF 50V K		C1646	NCF31CZ-104X	C CAPACITOR	0.1uF 16V Z	
C1311	QEKC1HM-105Z	E CAPACITOR	1uF 50V M	A,UF,US	C1647	NCB31CK-823X	C CAPACITOR	0.082uF 16V K	
C1312	QEKC1HM-105Z	E CAPACITOR	1uF 50V M		C1648	QFN31HJ-333Z	M CAPACITOR	0.033uF 50V J	
C1313	QEKC1HM-475Z	E CAPACITOR	4.7uF 50V M	A,UF,US	C1649	QEKC1HM-475Z	E CAPACITOR	4.7uF 50V M	
C1314	QEKC1HM-475Z	E CAPACITOR	4.7uF 50V M		C1650	NCB31CK-823X	C CAPACITOR	0.082uF 16V K	
C1315	QEKC1HM-475Z	E CAPACITOR	4.7uF 50V M	A,UF,US	C1651	QFN31HJ-333Z	M CAPACITOR	0.033uF 50V J	
C1316	QEKC1HM-475Z	E CAPACITOR	4.7uF 50V M		C1652	NCB31HK-562X	C CAPACITOR	5600pF 50V K	
C1317	NCB31CK-104X	C CAPACITOR	0.1uF 16V K	A,UF,US	C1653	QETN1EM-475Z	E CAPACITOR	4.7uF 25V M	
C1318	NCB31CK-104X	C CAPACITOR	0.1uF 16V K		C1654	NCB31HK-471X	C CAPACITOR	470pF 50V K	
C1319	NCB31HK-152X	C CAPACITOR	1500pF 50V K	A,UF,US	C1655	NCB31HK-471X	C CAPACITOR	470pF 50V K	
C1320	NCB31HK-152X	C CAPACITOR	1500pF 50V K		C1656	NCB31HK-332X	C CAPACITOR	330pF 50V K	
C1501	QEKC1HM-106Z	E CAPACITOR	10uF 50V M		C1657	NCB31HK-182X	C CAPACITOR	1800pF 50V K	
C1502	NCF31CZ-104X	C CAPACITOR	0.1uF 16V Z	A,UF,US	C1660	NCB31HK-562X	C CAPACITOR	5600pF 50V K	
C1503	NCF31CZ-104X	C CAPACITOR	0.1uF 16V Z		C1661	NCB31HK-561X	C CAPACITOR	560pF 50V K	
C1504	NCB31HK-561X	C CAPACITOR	560pF 50V K		C1662	QETN1HM-225Z	E CAPACITOR	2.2uF 50V M	
C1531	QEKC1CM-106Z	E CAPACITOR	10uF 16V M	A,UF,US	C1663	NCF31CZ-104X	C CAPACITOR	0.1uF 16V Z	A,UF,US
C1532	QEKC1CM-106Z	E CAPACITOR	10uF 16V M		C1664	NCF31CZ-104X	C CAPACITOR	0.1uF 16V Z	
C1551	QEKC0JM-107Z	E CAPACITOR	100uF 6.3V M		C1665	NCB31HK-182X	C CAPACITOR	1800pF 50V K	
C1552	NCB31HK-102X	C CAPACITOR	1000pF 50V K		C1666	QEKC1HM-225Z	E CAPACITOR	2.2uF 50V M	
C1581	QETN1HM-475Z	E CAPACITOR	4.7uF 50V M		C1667	NCB31HK-331X	C CAPACITOR	330pF 50V K	
C1591	QCBB1HK-472Y	C CAPACITOR	4700pF 50V K		C1668	NCB31HK-331X	C CAPACITOR	330pF 50V K	
C1601	NCB31HK-561X	C CAPACITOR	560pF 50V K	A,UF,US	C1669	NCB31HK-392X	C CAPACITOR	3900pF 50V K	
C1602	NCB31HK-561X	C CAPACITOR	560pF 50V K		C1721	QEKC1EM-476Z	E CAPACITOR	47uF 25V M	A,UF,US
C1603	QETN1HM-225Z	E CAPACITOR	2.2uF 50V M	A,UF,US	C1722	QEKC1EM-476Z	E CAPACITOR	47uF 25V M	
C1604	QETN1HM-225Z	E CAPACITOR	2.2uF 50V M		C1811	QEKC1HM-105Z	E CAPACITOR	1uF 50V M	A,UF,US
C1605	QETN1HM-105Z	E CAPACITOR	1uF 50V M	A,UF,US	C1812	QEKC1HM-105Z	E CAPACITOR	1uF 50V M	
C1606	QETN1HM-105Z	E CAPACITOR	1uF 50V M		C1813	QEKC1HM-105Z	E CAPACITOR	1uF 50V M	A,UF,US
C1607	NCF31CZ-104X	C CAPACITOR	0.1uF 16V Z	A,UF,US	C1814	QEKC1HM-475Z	E CAPACITOR	4.7uF 50V M	
C1608	NCF31CZ-104X	C CAPACITOR	0.1uF 16V Z		C1815	QEKC1HM-475Z	E CAPACITOR	4.7uF 50V M	A,UF,US
C1609	NCB31HK-562X	C CAPACITOR	5600pF 50V K	A,UF,US	C1816	QEKC1HM-475Z	E CAPACITOR	4.7uF 50V M	
C1610	NCB31HK-562X	C CAPACITOR	5600pF 50V K		C1817	NCB31CK-104X	C CAPACITOR	0.1uF 16V K	A,UF,US
C1611	NCB31HK-182X	C CAPACITOR	1800pF 50V K	A,UF,US	C1818	NCB31CK-104X	C CAPACITOR	0.1uF 16V K	
C1612	NCB31HK-182X	C CAPACITOR	1800pF 50V K		C1821	NCB31HK-152X	C CAPACITOR	1500pF 50V K	A,UF,US
C1613	NCF31CZ-104X	C CAPACITOR	0.1uF 16V Z	A,UF,US	C1822	NCB31HK-152X	C CAPACITOR	1500pF 50V K	
C1614	NCF31CZ-104X	C CAPACITOR	0.1uF 16V Z		C1911	QEKC1HM-105Z	E CAPACITOR	1uF 50V M	
C1615	NCB31HK-331X	C CAPACITOR	330pF 50V K	A,UF,US	C1912	QEKC1HM-105Z	E CAPACITOR	1uF 50V M	
C1616	NCB31HK-331X	C CAPACITOR	330pF 50V K		C1913	QEKC1HM-475Z	E CAPACITOR	4.7uF 50V M	
C1617	NCB31HK-331X	C CAPACITOR	330pF 50V K	A,UF,US	C1914	QEKC1HM-475Z	E CAPACITOR	4.7uF 50V M	
C1618	NCB31HK-331X	C CAPACITOR	330pF 50V K		C1915	QEKC1HM-475Z	E CAPACITOR	4.7uF 50V M	
C1619	NCB31HK-392X	C CAPACITOR	3900pF 50V K	A,UF,US	C1916	QEKC1HM-475Z	E CAPACITOR	4.7uF 50V M	
C1620	NCB31HK-392X	C CAPACITOR	3900pF 50V K		C1917	NCB31CK-104X	C CAPACITOR	0.1uF 16V K	
C1621	NCB31HK-561X	C CAPACITOR	560pF 50V K		C1918	NCB31CK-104X	C CAPACITOR	0.1uF 16V K	
C1622	QETN1HM-225Z	E CAPACITOR	2.2uF 50V M		C1921	NCB31HK-152X	C CAPACITOR	1500pF 50V K	
C1623	NCF31CZ-104X	C CAPACITOR	0.1uF 16V Z	A,UF,US	C1922	NCB31HK-152X	C CAPACITOR	1500pF 50V K	
C1624	NCF31CZ-104X	C CAPACITOR	0.1uF 16V Z		C2601	QETN0JM-107Z	E CAPACITOR	100uF 6.3V M	
C1625	NDC31HJ-330X	C CAPACITOR	33pF 50V J		C2602	NCF31CZ-104X	C CAPACITOR	0.1uF 16V Z	A,UJ,US
C1626	QETN1HM-225Z	E CAPACITOR	2.2uF 50V M		C2603	NCF31CZ-104X	C CAPACITOR	0.1uF 16V Z	
C1627	NCF31CZ-104X	C CAPACITOR	0.1uF 16V Z	A,UF,US	C2604	NCF31CZ-104X	C CAPACITOR	0.1uF 16V Z	A,UJ,US
					C2605	NCF31CZ-104X	C CAPACITOR	0.1uF 16V Z	A,UJ,US
					C2606	NCF31CZ-104X	C CAPACITOR	0.1uF 16V Z	
					C2607	NCF31CZ-104X	C CAPACITOR	0.1uF 16V Z	
					C2608	NCB31HK-102X	C CAPACITOR	1000pF 50V K	
					C2609	NCF31CZ-104X	C CAPACITOR	0.1uF 16V Z	
					C2610	NCF31CZ-104X	C CAPACITOR	0.1uF 16V Z	A,UJ,US
					C2611	NCF31CZ-104X	C CAPACITOR	0.1uF 16V Z	A,UJ,US
					C2612	NCF31CZ-104X	C CAPACITOR	0.1uF 16V Z	A,UJ,US

△ Symbol No.	Part No.	Part Name	Description	Local	△ Symbol No.	Part No.	Part Name	Description	Local
C2613	NCF31CZ-104X	C CAPACITOR	0.1uF 16V Z	A,UJ, US	C3549	NCB31HK-103X	C CAPACITOR	0.01uF 50V K	A,UJ, US
C2614	NCF31CZ-104X	C CAPACITOR	0.1uF 16V Z	A,UJ, US	C3550	QETN1AM-107Z	E CAPACITOR	100uF 10V M	A,UJ, US
C2615	NDC31HJ-820X	C CAPACITOR	82pF 50V J	A,UJ, US	C3551	NCB31AK-474X	C CAPACITOR	0.47uF 10V K	A,UJ, US
C2616	NDC31HJ-820X	C CAPACITOR	82pF 50V J	A,UJ, US	C3552	NCB31HK-103X	C CAPACITOR	0.01uF 50V K	A,UJ, US
C2617	NCF31CZ-104X	C CAPACITOR	0.1uF 16V Z		C3553	NCB31HK-103X	C CAPACITOR	0.01uF 50V K	A,UJ, US
C2621	QETN1CM-106Z	E CAPACITOR	10uF 16V M		C3554	QETN1AM-107Z	E CAPACITOR	100uF 10V M	
C2622	QETN1CM-106Z	E CAPACITOR	10uF 16V M		C3555	NCB31HK-103X	C CAPACITOR	0.01uF 50V K	A,UJ, US
C2623	QETN1CM-106Z	E CAPACITOR	10uF 16V M						
C2624	NCF31CZ-104X	C CAPACITOR	0.1uF 16V Z						A,UJ, US
C2625	NCF31CZ-104X	C CAPACITOR	0.1uF 16V Z		C3556	NDC31HJ-100X	C CAPACITOR	10pF 50V J	A,UJ, US
C2626	NCB31HK-221X	C CAPACITOR	220pF 50V K						A,UJ, US
C2627	NCB31HK-221X	C CAPACITOR	220pF 50V K		C3557	NCB31HK-122X	C CAPACITOR	1200pF 50V K	A,UJ, US
C2628	QETN1EM-475Z	E CAPACITOR	4.7uF 25V M						A,UJ, US
C2629	NCF31CZ-104X	C CAPACITOR	0.1uF 16V Z		C3558	NDC31HJ-181X	C CAPACITOR	180pF 50V J	A,UJ, US
C2630	QETN0JM-107Z	E CAPACITOR	100uF 6.3V M						A,UJ, US
C2631	NCF31CZ-104X	C CAPACITOR	0.1uF 16V Z		C3559	NCB31HK-103X	C CAPACITOR	0.01uF 50V K	A,UJ, US
C2632	NCF31CZ-104X	C CAPACITOR	0.1uF 16V Z						A,UJ, US
C2633	NCB31CK-223X	C CAPACITOR	0.022uF 16V K		C3560	NCB31HK-103X	C CAPACITOR	0.01uF 50V K	A,UJ, US
C2634	NCB31HK-102X	C CAPACITOR	1000pF 50V K		C3561	NCB31HK-103X	C CAPACITOR	0.01uF 50V K	A,UJ, US
C2635	NCF31CZ-104X	C CAPACITOR	0.1uF 16V Z						A,UJ, US
C2636	NCB31CK-105X	C CAPACITOR	1uF 16V K		C3562	NCB31HK-103X	C CAPACITOR	0.01uF 50V K	A,UJ, US
C2637	NCB31CK-105X	C CAPACITOR	1uF 16V K		C3563	QETN1AM-107Z	E CAPACITOR	100uF 10V M	
C2638	NCB31CK-103X	C CAPACITOR	0.01uF 16V K		C3565	NDC31HJ-820X	C CAPACITOR	82pF 50V J	
C2639	NCB31CK-103X	C CAPACITOR	0.01uF 16V K		C3568	NDC31HJ-820X	C CAPACITOR	82pF 50V J	
C2640	NCB31CK-103X	C CAPACITOR	0.01uF 16V K		C3569	NCB31HK-103X	C CAPACITOR	0.01uF 50V K	
C2641	NCB31CK-103X	C CAPACITOR	0.01uF 16V K		C3571	NCF31CZ-104X	C CAPACITOR	0.1uF 16V Z	
C2642	NCB31CK-103X	C CAPACITOR	0.01uF 16V K	A,UJ, US	C3572	NCF31CZ-104X	C CAPACITOR	0.1uF 16V Z	
C2651	QEKCOJM-107Z	E CAPACITOR	100uF 6.3V M		C3574	NCF31CZ-104X	C CAPACITOR	0.1uF 16V Z	
C2652	NCB31CK-103X	C CAPACITOR	0.01uF 16V K	A,UJ, US	C3575	NCF31CZ-104X	C CAPACITOR	0.1uF 16V Z	
C2653	NDC31HJ-101X	C CAPACITOR	100pF 50V J	A,UJ, US	C3576	NCF31CZ-104X	C CAPACITOR	0.1uF 16V Z	
C2654	NCF31CZ-104X	C CAPACITOR	0.1uF 16V Z	A,UJ, US	C3577	NCF31CZ-104X	C CAPACITOR	0.1uF 16V Z	
C2655	NCF31CZ-104X	C CAPACITOR	0.1uF 16V Z	A,UJ, US	C3585	NCF31CZ-104X	C CAPACITOR	0.1uF 16V Z	
C2656	QETN1AM-476Z	E CAPACITOR	47uF 10V M		C3595	QEKCH1M-475Z	E CAPACITOR	4.7uF 50V M	
C2661	NDC31HJ-101X	C CAPACITOR	100pF 50V J	A,UJ, US	C3596	QEKCH1M-224Z	E CAPACITOR	0.22uF 50V M	
C2662	NCF31CZ-104X	C CAPACITOR	0.1uF 16V Z	A,UJ, US	C3597	NCB31HK-103X	C CAPACITOR	0.01uF 50V K	
C2663	NCF31CZ-104X	C CAPACITOR	0.1uF 16V Z	A,UJ, US	C3598	NCB31HK-103X	C CAPACITOR	0.01uF 50V K	
C2665	NCF31CZ-104X	C CAPACITOR	0.1uF 16V Z	A,UJ, US	C4550	QEKCH1M-475Z	E CAPACITOR	4.7uF 50V M	
C2666	NCB31CK-103X	C CAPACITOR	0.01uF 16V K	A,UJ, US	C4551	QETN1HM-106Z	E CAPACITOR	10uF 50V M	
C2667	NCB31CK-103X	C CAPACITOR	0.01uF 16V K	A,UJ, US	C4552	QETN1HM-106Z	E CAPACITOR	10uF 50V M	
C2668	NCB31CK-103X	C CAPACITOR	0.01uF 16V K	A,UJ, US	C4553	QEKCH1M-475Z	E CAPACITOR	4.7uF 50V M	
C2670	NDC31HJ-270X	C CAPACITOR	27pF 50V J	A,UJ, US	C4554	QETN1HM-106Z	E CAPACITOR	10uF 50V M	
C2671	NCB31CK-105X	C CAPACITOR	1uF 16V K	A,UJ, US	C4555	QETN1HM-106Z	E CAPACITOR	10uF 50V M	
C2673	NCB31CK-105X	C CAPACITOR	1uF 16V K	A,UJ, US	C4556	QETN0JM-477Z	E CAPACITOR	470uF 6.3V M	
C2680	NCB31HK-471X	C CAPACITOR	470pF 50V K		C4557	QETN0JM-477Z	E CAPACITOR	470uF 6.3V M	
C2681	QEKCH1EM-106Z	E CAPACITOR	10uF 25V M		C4558	QETN0JM-477Z	E CAPACITOR	470uF 6.3V M	
C2682	QEKCH1EM-106Z	E CAPACITOR	10uF 25V M		C4559	QETN1CM-476Z	E CAPACITOR	47uF 16V M	
C2683	QEKCH1AM-476Z	E CAPACITOR	47uF 10V M						A,UJ, US
C2684	QEKCOJM-227Z	E CAPACITOR	220uF 6.3V M		C4561	NCF31CZ-104X	C CAPACITOR	0.1uF 16V Z	A,UJ, US
C2685	QEKCOJM-107Z	E CAPACITOR	100uF 6.3V M		C5501	NDC31HJ-240X	C CAPACITOR	24pF 50V J	
C2686	NCF31CZ-104X	C CAPACITOR	0.1uF 16V Z	A,UJ, US	C5507	NDC31HJ-330X	C CAPACITOR	33pF 50V J	
C2687	QEKCOJM-107Z	E CAPACITOR	100uF 6.3V M		C5508	NCB31HK-682X	C CAPACITOR	6800pF 50V K	
C2688	NCF31CZ-104X	C CAPACITOR	0.1uF 16V Z						A,UJ, US
C2689	NCF31CZ-104X	C CAPACITOR	0.1uF 16V Z		C5511	NCB31HK-103X	C CAPACITOR	0.01uF 50V K	A,UJ, US
C3543	NDC31HJ-100X	C CAPACITOR	10pF 50V J		C5520	NCB31CK-104X	C CAPACITOR	0.1uF 16V K	
C3544	NDC31HJ-470X	C CAPACITOR	47pF 50V J		C5523	NDC31HJ-220X	C CAPACITOR	22pF 50V J	
C3545	NDC31HJ-120X	C CAPACITOR	12pF 50V J		C5526	NDC31HJ-100X	C CAPACITOR	10pF 50V J	
C3546	QETN1AM-107Z	E CAPACITOR	100uF 10V M		C5527	NCB31HK-223X	C CAPACITOR	0.022uF 50V K	
C3547	NCB31HK-103X	C CAPACITOR	0.01uF 50V K	A,UJ, US	C5531	NCB31HK-103X	C CAPACITOR	0.01uF 50V K	
C3548	NCB31HK-103X	C CAPACITOR	0.01uF 50V K	A,UJ, US	C5532	NCB31HK-103X	C CAPACITOR	0.01uF 50V K	A,UJ, US
					C5533	NDC31HJ-150X	C CAPACITOR	15pF 50V J	UJ
					C5533	NDC31HJ-100X	C CAPACITOR	10pF 50V J	A,US
					C5534	NDC31HJ-821X	C CAPACITOR	820pF 50V J	
					C5538	NCB31HK-103X	C CAPACITOR	0.01uF 50V K	
					C5539	NDC31HJ-561X	C CAPACITOR	560pF 50V J	
					C5540	NDC31HJ-100X	C CAPACITOR	10pF 50V J	UJ
									A,UJ, US
					C5540	NDC31HJ-120X	C CAPACITOR	12pF 50V J	
					C5541	NCB31HK-103X	C CAPACITOR	0.01uF 50V K	
					C5542	NDC31HJ-6R0X	C CAPACITOR	6pF 50V J	
					C5543	NCB31HK-103X	C CAPACITOR	0.01uF 50V K	
					C5545	NDC31HJ-391X	C CAPACITOR	390pF 50V J	
					C5546	QETN1AM-477Z	E CAPACITOR	470uF 10V M	
					C5547	QEKCH1M-105Z	E CAPACITOR	1uF 50V M	
					C5551	QEKCH1M-105Z	E CAPACITOR	1uF 50V M	

△ Symbol No.	Part No.	Part Name	Description	Local	△ Symbol No.	Part No.	Part Name	Description	Local
C5552	QEKC1HM-474Z	E CAPACITOR	0.47uF 50V M		C6571	QEKC1HM-475Z	E CAPACITOR	4.7uF 50V M	
C5557	QEKC1HM-224Z	E CAPACITOR	0.22uF 50V M		C6581	NCB31CK-104X	C CAPACITOR	0.1uF 16V K	
C5559	QEKC1HM-475Z	E CAPACITOR	4.7uF 50V M		C6582	NCB31CK-104X	C CAPACITOR	0.1uF 16V K	
C5560	QETN1HM-106Z	E CAPACITOR	10uF 50V M		C6583	NCB31CK-104X	C CAPACITOR	0.1uF 16V K	
C5561	QEKC1HM-475Z	E CAPACITOR	4.7uF 50V M		C6591	NDC31HJ-331X	C CAPACITOR	330pF 50V J	A,US
C5562	QEKC1HM-225Z	E CAPACITOR	2.2uF 50V M		C6592	NDC31HJ-331X	C CAPACITOR	330pF 50V J	A,UJ, US
C5563	QEKC1HM-475Z	E CAPACITOR	4.7uF 50V M		C6593	NDC31HJ-331X	C CAPACITOR	330pF 50V J	A,US
C5564	QEKC1HM-105Z	E CAPACITOR	1uF 50V M		C6594	NDC31HJ-331X	C CAPACITOR	330pF 50V J	A,UJ, US
C5567	QEKC1HM-224Z	E CAPACITOR	0.22uF 50V M						
C5568	NCB31HK-103X	C CAPACITOR	0.01uF 50V K		R501	NRSA144J-4R7X	MG RESISTOR	4.7Ω 1/4W J	
C5571	QEKC1CM-476Z	E CAPACITOR	47uF 16V M		R502	NRSA144J-4R7X	MG RESISTOR	4.7Ω 1/4W J	
C5581	NCF31CZ-104X	C CAPACITOR	0.1uF 16V Z		R511	NRSA63J-221X	MG RESISTOR	220Ω 1/16W J	A,UJ, US
C5582	NCF31CZ-104X	C CAPACITOR	0.1uF 16V Z		R557	NRSA63J-103X	MG RESISTOR	10kΩ 1/16W J	A,US
C5583	NCF31CZ-104X	C CAPACITOR	0.1uF 16V Z		R558	NRSA63J-103X	MG RESISTOR	10kΩ 1/16W J	A,UJ, US
C5584	NCF31CZ-104X	C CAPACITOR	0.1uF 16V Z		R559	NRSA63J-103X	MG RESISTOR	10kΩ 1/16W J	A,US
C5585	NCF31CZ-104X	C CAPACITOR	0.1uF 16V Z		R560	NRSA63J-103X	MG RESISTOR	10kΩ 1/16W J	A,UJ, US
C5586	QETN1EM-476Z	E CAPACITOR	47uF 25V M		R561	NRSA63J-102X	MG RESISTOR	1kΩ 1/16W J	A,UJ, US
C5587	QETN1EM-476Z	E CAPACITOR	47uF 25V M		R562	NRSA63J-102X	MG RESISTOR	1kΩ 1/16W J	
C5592	NDC31HJ-3R0X	C CAPACITOR	3pF 50V J	UJ	R565	NRSA63J-102X	MG RESISTOR	1kΩ 1/16W J	A,UJ, US
C5594	QEKC1HM-475Z	E CAPACITOR	4.7uF 50V M		R566	NRSA63J-102X	MG RESISTOR	1kΩ 1/16W J	
C6501	NDC31HJ-331X	C CAPACITOR	330pF 50V J	A,US	R567	NRSA63J-511X	MG RESISTOR	510Ω 1/16W J	A,UJ, US
C6502	NDC31HJ-331X	C CAPACITOR	330pF 50V J	A,UJ, US	R568	NRSA63J-511X	MG RESISTOR	510Ω 1/16W J	
C6503	NDC31HJ-331X	C CAPACITOR	330pF 50V J	A,US	R569	NRSA63J-271X	MG RESISTOR	270Ω 1/16W J	A,UJ, US
C6504	NDC31HJ-331X	C CAPACITOR	330pF 50V J	A,UJ, US	R570	NRSA63J-271X	MG RESISTOR	270Ω 1/16W J	
C6505	NDC31HJ-331X	C CAPACITOR	330pF 50V J	A,US	R571	NRSA63J-103X	MG RESISTOR	10kΩ 1/16W J	A,US
C6506	NDC31HJ-331X	C CAPACITOR	330pF 50V J	A,UJ, US	R572	NRSA63J-103X	MG RESISTOR	10kΩ 1/16W J	A,UJ, US
C6507	NDC31HJ-331X	C CAPACITOR	330pF 50V J	A,US	R573	NRSA63J-102X	MG RESISTOR	1kΩ 1/16W J	
C6508	NDC31HJ-331X	C CAPACITOR	330pF 50V J	A,UJ, US	R574	NRSA63J-473X	MG RESISTOR	47kΩ 1/16W J	A,US
C6509	NDC31HJ-331X	C CAPACITOR	330pF 50V J	A,US	R575	NRSA63J-473X	MG RESISTOR	47kΩ 1/16W J	A,UJ, US
C6510	NDC31HJ-331X	C CAPACITOR	330pF 50V J	A,UJ, US	R576	NRSA63J-102X	MG RESISTOR	1kΩ 1/16W J	A,US
C6511	NDC31HJ-331X	C CAPACITOR	330pF 50V J	A,US	R577	NRSA63J-102X	MG RESISTOR	1kΩ 1/16W J	A,UJ, US
C6512	NDC31HJ-331X	C CAPACITOR	330pF 50V J	A,UJ, US	R579	NRSA63J-472X	MG RESISTOR	4.7kΩ 1/16W J	A,UJ, US
C6513	NDC31HJ-331X	C CAPACITOR	330pF 50V J	A,US	R580	NRSA63J-472X	MG RESISTOR	4.7kΩ 1/16W J	
C6514	NDC31HJ-331X	C CAPACITOR	330pF 50V J	A,UJ, US	R581	NRSA63J-102X	MG RESISTOR	1kΩ 1/16W J	A,UJ, US
C6515	NDC31HJ-331X	C CAPACITOR	330pF 50V J	A,US	R582	NRSA63J-102X	MG RESISTOR	1kΩ 1/16W J	
C6516	NDC31HJ-331X	C CAPACITOR	330pF 50V J	A,UJ, US	R583	NRSA63J-132X	MG RESISTOR	1.3kΩ 1/16W J	A,UJ, US
C6517	NDC31HJ-331X	C CAPACITOR	330pF 50V J	A,US	R584	NRSA63J-132X	MG RESISTOR	1.3kΩ 1/16W J	
C6518	NDC31HJ-331X	C CAPACITOR	330pF 50V J	A,UJ, US	R585	NRSA63J-331X	MG RESISTOR	330Ω 1/16W J	A,UJ, US
C6519	NDC31HJ-331X	C CAPACITOR	330pF 50V J	A,US	R586	NRSA63J-472X	MG RESISTOR	4.7kΩ 1/16W J	A,UJ, US
C6520	NDC31HJ-331X	C CAPACITOR	330pF 50V J	A,UJ, US	R587	NRSA63J-223X	MG RESISTOR	22kΩ 1/16W J	
C6524	NCB31EK-473X	C CAPACITOR	0.047uF 25V K	A,UJ, US	R593	NRSA63J-102X	MG RESISTOR	1kΩ 1/16W J	A,US
C6526	QETN0JM-477Z	E CAPACITOR	470uF 6.3V M		R594	NRSA63J-102X	MG RESISTOR	1kΩ 1/16W J	A,UJ, US
C6528	QETN0JM-477Z	E CAPACITOR	470uF 6.3V M		R595	NRSA63J-682X	MG RESISTOR	6.8kΩ 1/16W J	A,US
C6529	NCB31EK-473X	C CAPACITOR	0.047uF 25V K	A,UJ, US	R596	NRSA63J-682X	MG RESISTOR	6.8kΩ 1/16W J	A,UJ, US
C6530	QEKC1HM-475Z	E CAPACITOR	4.7uF 50V M		R597	NRSA63J-0R0X	MG RESISTOR	0Ω 1/16W J	A,UJ, US
C6531	QEKC1HM-475Z	E CAPACITOR	4.7uF 50V M		R598	NRSA63J-103X	MG RESISTOR	10kΩ 1/16W J	
C6533	NCB31EK-473X	C CAPACITOR	0.047uF 25V K	A,UJ, US	R601	NRSA63J-104X	MG RESISTOR	100kΩ 1/16W J	
C6535	QETN0JM-477Z	E CAPACITOR	470uF 6.3V M		R602	NRSA63J-104X	MG RESISTOR	100kΩ 1/16W J	A,UJ, US
C6537	QETN0JM-477Z	E CAPACITOR	470uF 6.3V M		R603	NRSA63J-223X	MG RESISTOR	22kΩ 1/16W J	A,UJ, US
C6538	NCB31EK-473X	C CAPACITOR	0.047uF 25V K	A,UJ, US	R604	NRSA63J-223X	MG RESISTOR	22kΩ 1/16W J	
C6539	QEKC1HM-475Z	E CAPACITOR	4.7uF 50V M		R605	NRSA63J-0R0X	MG RESISTOR	0Ω 1/16W J	
C6540	QEKC1HM-475Z	E CAPACITOR	4.7uF 50V M		R606	NRSA63J-0R0X	MG RESISTOR	0Ω 1/16W J	
C6541	NCB31EK-473X	C CAPACITOR	0.047uF 25V K	A,UJ, US	R607	NRSA63J-223X	MG RESISTOR	22kΩ 1/16W J	A,UJ, US
C6542	QEKC1HM-475Z	E CAPACITOR	4.7uF 50V M		R608	NRSA63J-223X	MG RESISTOR	22kΩ 1/16W J	
C6543	QEKC1HM-475Z	E CAPACITOR	4.7uF 50V M		R609	NRSA63J-0R0X	MG RESISTOR	0Ω 1/16W J	
C6545	NCB31EK-473X	C CAPACITOR	0.047uF 25V K	A,UJ, US	R610	NRSA63J-0R0X	MG RESISTOR	0Ω 1/16W J	
C6547	QETN0JM-477Z	E CAPACITOR	470uF 6.3V M		R611	NRSA63J-223X	MG RESISTOR	22kΩ 1/16W J	A,UJ, US
C6549	QETN0JM-477Z	E CAPACITOR	470uF 6.3V M						
C6561	NCB31CK-104X	C CAPACITOR	0.1uF 16V K						
C6562	NCB31CK-104X	C CAPACITOR	0.1uF 16V K						
C6564	QEKC1HM-475Z	E CAPACITOR	4.7uF 50V M						
C6565	NCB31HK-103X	C CAPACITOR	0.01uF 50V K						
C6569	NCB31CK-104X	C CAPACITOR	0.1uF 16V K						
C6570	QEKC1HM-475Z	E CAPACITOR	4.7uF 50V M						

△ Symbol No.	Part No.	Part Name	Description	Local	△ Symbol No.	Part No.	Part Name	Description	Local
R612	NRSA63J-223X	MG RESISTOR	22kΩ 1/16W J		R679	NRSA63J-562X	MG RESISTOR	5.6kΩ 1/16W J	A,UF,US
R613	NRSA63J-223X	MG RESISTOR	22kΩ 1/16W J	A,UF,US	R680	NRSA63J-562X	MG RESISTOR	5.6kΩ 1/16W J	
R614	NRSA63J-223X	MG RESISTOR	22kΩ 1/16W J		R681	NRSA63J-392X	MG RESISTOR	3.9kΩ 1/16W J	A,UF,US
R617	NRSA63J-472X	MG RESISTOR	4.7kΩ 1/16W J	A,US	R682	NRSA63J-392X	MG RESISTOR	3.9kΩ 1/16W J	
R618	NRSA63J-472X	MG RESISTOR	4.7kΩ 1/16W J	A,UJ,US	R691	NRSA63J-0R0X	MG RESISTOR	0Ω 1/16W J	
R621	NRSA63J-331X	MG RESISTOR	330Ω 1/16W J	A,UF,US	R692	NRSA63J-0R0X	MG RESISTOR	0Ω 1/16W J	A,UJ,US
R622	NRSA63J-331X	MG RESISTOR	330Ω 1/16W J		R694	NRSA63J-0R0X	MG RESISTOR	0Ω 1/16W J	
R623	NRSA63J-331X	MG RESISTOR	330Ω 1/16W J	A,UF,US	R695	NRSA63J-0R0X	MG RESISTOR	0Ω 1/16W J	
R624	NRSA63J-331X	MG RESISTOR	330Ω 1/16W J		R696	NRSA63J-0R0X	MG RESISTOR	0Ω 1/16W J	
R631	NRSA63J-103X	MG RESISTOR	10kΩ 1/16W J	A,UF,US	R698	NRSA63J-0R0X	MG RESISTOR	0Ω 1/16W J	A,UJ,US
R632	NRSA63J-103X	MG RESISTOR	10kΩ 1/16W J		R699	NRSA63J-0R0X	MG RESISTOR	0Ω 1/16W J	
R633	NRSA63J-102X	MG RESISTOR	1kΩ 1/16W J	A,UF,US	R1311	NRSA63J-472X	MG RESISTOR	4.7kΩ 1/16W J	A,UF,US
R634	NRSA63J-102X	MG RESISTOR	1kΩ 1/16W J		R1312	NRSA63J-472X	MG RESISTOR	4.7kΩ 1/16W J	
R635	NRSA63J-104X	MG RESISTOR	100kΩ 1/16W J	A,US	R1313	NRSA63J-473X	MG RESISTOR	47kΩ 1/16W J	A,UF,US
R636	NRSA63J-104X	MG RESISTOR	100kΩ 1/16W J	A,UJ,US	R1314	NRSA63J-473X	MG RESISTOR	47kΩ 1/16W J	
R637	NRSA63J-102X	MG RESISTOR	1kΩ 1/16W J	A,UF,US	R1315	NRSA63J-474X	MG RESISTOR	470kΩ 1/16W J	A,UF,US
R638	NRSA63J-102X	MG RESISTOR	1kΩ 1/16W J		R1316	NRSA63J-474X	MG RESISTOR	470kΩ 1/16W J	
R639	NRSA63J-102X	MG RESISTOR	1kΩ 1/16W J	A,UF,US	R1317	NRSA63J-470X	MG RESISTOR	47Ω 1/16W J	A,UF,US
R640	NRSA63J-102X	MG RESISTOR	1kΩ 1/16W J		R1318	NRSA63J-470X	MG RESISTOR	47Ω 1/16W J	
R641	NRSA63J-102X	MG RESISTOR	1kΩ 1/16W J	A,UF,US	R1319	NRSA63J-104X	MG RESISTOR	100kΩ 1/16W J	A,UF,US
R642	NRSA63J-102X	MG RESISTOR	1kΩ 1/16W J		R1320	NRSA63J-104X	MG RESISTOR	100kΩ 1/16W J	
R643	NRSA63J-333X	MG RESISTOR	33kΩ 1/16W J	A,UF,US	R1321	NRSA63J-102X	MG RESISTOR	1kΩ 1/16W J	A,UF,US
R644	NRSA63J-333X	MG RESISTOR	33kΩ 1/16W J		R1322	NRSA63J-102X	MG RESISTOR	1kΩ 1/16W J	
R645	NRSA63J-104X	MG RESISTOR	100kΩ 1/16W J	A,UJ,US	R1325	NRSA63J-153X	MG RESISTOR	15kΩ 1/16W J	A,UF,US
R646	NRSA63J-104X	MG RESISTOR	100kΩ 1/16W J	A,UJ,US	R1326	NRSA63J-153X	MG RESISTOR	15kΩ 1/16W J	
R647	NRSA63J-104X	MG RESISTOR	100kΩ 1/16W J	A,US	R1501	NRSA63J-104X	MG RESISTOR	100kΩ 1/16W J	A,US
R648	NRSA63J-104X	MG RESISTOR	100kΩ 1/16W J	A,UJ,US	R1502	NRSA63J-104X	MG RESISTOR	100kΩ 1/16W J	A,UJ,US
R649	NRSA63J-333X	MG RESISTOR	33kΩ 1/16W J	A,UF,US	R1503	NRSA63J-102X	MG RESISTOR	1kΩ 1/16W J	A,US
R650	NRSA63J-333X	MG RESISTOR	33kΩ 1/16W J		R1504	NRSA63J-102X	MG RESISTOR	1kΩ 1/16W J	A,UJ,US
R651	NRSA63J-333X	MG RESISTOR	33kΩ 1/16W J	A,UF,US	R1505	NRSA63J-103X	MG RESISTOR	10kΩ 1/16W J	A,UF,US
R652	NRSA63J-333X	MG RESISTOR	33kΩ 1/16W J		R1506	NRSA63J-103X	MG RESISTOR	10kΩ 1/16W J	
R653	NRSA63J-363X	MG RESISTOR	36kΩ 1/16W J	A,UF,US	R1507	NRSA63J-104X	MG RESISTOR	100kΩ 1/16W J	A,US
R654	NRSA63J-363X	MG RESISTOR	36kΩ 1/16W J		R1508	NRSA63J-104X	MG RESISTOR	100kΩ 1/16W J	A,UJ,US
R655	NRSA63J-123X	MG RESISTOR	12kΩ 1/16W J	A,UF,US	R1509	NRSA63J-102X	MG RESISTOR	1kΩ 1/16W J	A,US
R656	NRSA63J-123X	MG RESISTOR	12kΩ 1/16W J		R1510	NRSA63J-102X	MG RESISTOR	1kΩ 1/16W J	A,UJ,US
R657	NRSA63J-104X	MG RESISTOR	100kΩ 1/16W J	A,US	R1511	NRSA63J-103X	MG RESISTOR	10kΩ 1/16W J	A,UF,US
R658	NRSA63J-104X	MG RESISTOR	100kΩ 1/16W J	A,UJ,US	R1512	NRSA63J-103X	MG RESISTOR	10kΩ 1/16W J	
R659	NRSA63J-333X	MG RESISTOR	33kΩ 1/16W J	A,UF,US	R1513	NRSA63J-104X	MG RESISTOR	100kΩ 1/16W J	A,UJ,US
R660	NRSA63J-333X	MG RESISTOR	33kΩ 1/16W J		R1514	NRSA63J-104X	MG RESISTOR	100kΩ 1/16W J	A,UJ,US
R663	NRSA63J-223X	MG RESISTOR	22kΩ 1/16W J	A,UF,US	R1515	NRSA63J-102X	MG RESISTOR	1kΩ 1/16W J	A,UJ,US
R664	NRSA63J-223X	MG RESISTOR	22kΩ 1/16W J		R1517	NRSA63J-103X	MG RESISTOR	10kΩ 1/16W J	
R665	NRSA63J-103X	MG RESISTOR	10kΩ 1/16W J	A,UF,US	R1519	NRSA63J-104X	MG RESISTOR	100kΩ 1/16W J	
R666	NRSA63J-103X	MG RESISTOR	10kΩ 1/16W J		R1520	NRSA63J-821X	MG RESISTOR	820Ω 1/16W J	
R667	NRSA63J-104X	MG RESISTOR	100kΩ 1/16W J	A,UF,US	R1521	NRSA63J-103X	MG RESISTOR	10kΩ 1/16W J	
R668	NRSA63J-104X	MG RESISTOR	100kΩ 1/16W J		R1522	NRSA63J-102X	MG RESISTOR	1kΩ 1/16W J	A,UJ,US
R671	NRSA63J-392X	MG RESISTOR	3.9kΩ 1/16W J	A,UF,US	R1523	NRSA63J-102X	MG RESISTOR	1kΩ 1/16W J	A,UJ,US
R672	NRSA63J-392X	MG RESISTOR	3.9kΩ 1/16W J		R1524	NRSA63J-103X	MG RESISTOR	10kΩ 1/16W J	A,UJ,US
R673	NRSA63J-181X	MG RESISTOR	180Ω 1/16W J	A,UF,US	R1525	NRSA63J-103X	MG RESISTOR	10kΩ 1/16W J	A,UJ,US
R674	NRSA63J-181X	MG RESISTOR	180Ω 1/16W J		R1526	NRSA63J-472X	MG RESISTOR	4.7kΩ 1/16W J	A,UJ,US
R675	NRSA63J-562X	MG RESISTOR	5.6kΩ 1/16W J	A,UF,US	R1527	NRSA63J-102X	MG RESISTOR	1kΩ 1/16W J	A,UJ,US
R676	NRSA63J-562X	MG RESISTOR	5.6kΩ 1/16W J		R1529	NRSA63J-103X	MG RESISTOR	10kΩ 1/16W J	A,US
R677	NRSA63J-181X	MG RESISTOR	180Ω 1/16W J	A,UF,US	R1530	NRSA63J-103X	MG RESISTOR	10kΩ 1/16W J	A,UJ,US
R678	NRSA63J-181X	MG RESISTOR	180Ω 1/16W J		R1533	NRSA63J-221X	MG RESISTOR	220Ω 1/16W J	A,UF,US

△ Symbol No.	Part No.	Part Name	Description	Local	△ Symbol No.	Part No.	Part Name	Description	Local
R1534	NRSA63J-221X	MG RESISTOR	220Ω 1/16W J		R1609	NRSA63J-103X	MG RESISTOR	10kΩ 1/16W J	A,UF,US
R1535	NRSA63J-751X	MG RESISTOR	750Ω 1/16W J	A,UF,US	R1610	NRSA63J-103X	MG RESISTOR	10kΩ 1/16W J	
R1536	NRSA63J-751X	MG RESISTOR	750Ω 1/16W J		R1611	NRSA63J-102X	MG RESISTOR	1kΩ 1/16W J	A,UF,US
R1537	NRSA63J-751X	MG RESISTOR	750Ω 1/16W J	A,UF,US	R1612	NRSA63J-102X	MG RESISTOR	1kΩ 1/16W J	
R1538	NRSA63J-751X	MG RESISTOR	750Ω 1/16W J		R1613	NRSA63J-102X	MG RESISTOR	1kΩ 1/16W J	A,UF,US
R1539	NRSA63J-103X	MG RESISTOR	10kΩ 1/16W J	A,US	R1614	NRSA63J-102X	MG RESISTOR	1kΩ 1/16W J	
R1540	NRSA63J-103X	MG RESISTOR	10kΩ 1/16W J	A,UJ,US	R1615	NRSA63J-512X	MG RESISTOR	5.1kΩ 1/16W J	A,UF,US
R1541	NRSA63J-102X	MG RESISTOR	1kΩ 1/16W J	A,US	R1616	NRSA63J-512X	MG RESISTOR	5.1kΩ 1/16W J	
R1542	NRSA63J-102X	MG RESISTOR	1kΩ 1/16W J	A,UJ,US	R1617	NRSA63J-103X	MG RESISTOR	10kΩ 1/16W J	A,UF,US
R1543	NRSA63J-103X	MG RESISTOR	10kΩ 1/16W J	A,UF,US	R1618	NRSA63J-103X	MG RESISTOR	10kΩ 1/16W J	
R1544	NRSA63J-103X	MG RESISTOR	10kΩ 1/16W J		R1619	NRSA63J-181X	MG RESISTOR	180Ω 1/16W J	A,UF,US
R1545	NRSA63J-102X	MG RESISTOR	1kΩ 1/16W J	A,UJ,US	R1620	NRSA63J-181X	MG RESISTOR	180Ω 1/16W J	
R1551	NRSA63J-822X	MG RESISTOR	8.2kΩ 1/16W J		R1621	NRSA63J-562X	MG RESISTOR	5.6kΩ 1/16W J	A,UF,US
R1552	NRSA63J-822X	MG RESISTOR	8.2kΩ 1/16W J		R1622	NRSA63J-562X	MG RESISTOR	5.6kΩ 1/16W J	
R1553	NRSA63J-124X	MG RESISTOR	120kΩ 1/16W J		R1623	NRSA63J-181X	MG RESISTOR	180Ω 1/16W J	A,UF,US
R1554	NRSA63J-103X	MG RESISTOR	10kΩ 1/16W J		R1624	NRSA63J-181X	MG RESISTOR	180Ω 1/16W J	
R1555	NRSA63J-103X	MG RESISTOR	10kΩ 1/16W J		R1625	NRSA63J-562X	MG RESISTOR	5.6kΩ 1/16W J	A,UF,US
R1556	NRSA63J-183X	MG RESISTOR	18kΩ 1/16W J	A,UJ,US	R1626	NRSA63J-562X	MG RESISTOR	5.6kΩ 1/16W J	
R1557	NRSA63J-103X	MG RESISTOR	10kΩ 1/16W J		R1627	NRSA63J-103X	MG RESISTOR	10kΩ 1/16W J	A,UF,US
R1558	NRSA63J-103X	MG RESISTOR	10kΩ 1/16W J	A,UJ,US	R1628	NRSA63J-103X	MG RESISTOR	10kΩ 1/16W J	
R1559	NRSA63J-102X	MG RESISTOR	1kΩ 1/16W J	A,UF,US	R1629	NRSA63J-103X	MG RESISTOR	10kΩ 1/16W J	A,UF,US
R1560	NRSA63J-102X	MG RESISTOR	1kΩ 1/16W J		R1630	NRSA63J-103X	MG RESISTOR	10kΩ 1/16W J	
△ R1561	QRZ9005-100X	FUSI RESISTOR	10Ω		R1631	NRSA63J-103X	MG RESISTOR	10kΩ 1/16W J	
△ R1562	QRJ146J-561X	UNF C RESISTOR	560Ω 1/4W J		R1632	NRSA63J-102X	MG RESISTOR	1kΩ 1/16W J	
R1565	NRSA63J-OR0X	MG RESISTOR	0Ω 1/16W J		R1633	NRSA63J-104X	MG RESISTOR	100kΩ 1/16W J	
R1567	NRSA63J-103X	MG RESISTOR	10kΩ 1/16W J	A,UJ,US	R1634	NRSA63J-473X	MG RESISTOR	47kΩ 1/16W J	
R1569	NRSA63J-474X	MG RESISTOR	470kΩ 1/16W J	A,US	R1636	NRSA63J-473X	MG RESISTOR	47kΩ 1/16W J	
R1570	NRSA63J-474X	MG RESISTOR	470kΩ 1/16W J	A,UJ,US	R1637	NRSA63J-103X	MG RESISTOR	10kΩ 1/16W J	
R1571	NRSA63J-333X	MG RESISTOR	33kΩ 1/16W J		R1638	NRSA63J-104X	MG RESISTOR	100kΩ 1/16W J	
R1572	NRSA63J-103X	MG RESISTOR	10kΩ 1/16W J		R1639	NRSA63J-682X	MG RESISTOR	6.8kΩ 1/16W J	
R1573	NRSA63J-103X	MG RESISTOR	10kΩ 1/16W J	A,UJ,US	R1640	NRSA63J-181X	MG RESISTOR	180Ω 1/16W J	
R1574	NRSA63J-103X	MG RESISTOR	10kΩ 1/16W J	A,UJ,US	R1641	NRSA63J-562X	MG RESISTOR	5.6kΩ 1/16W J	
R1575	NRSA63J-103X	MG RESISTOR	10kΩ 1/16W J	A,UJ,US	R1642	NRSA63J-181X	MG RESISTOR	180Ω 1/16W J	
R1576	NRSA63J-103X	MG RESISTOR	10kΩ 1/16W J	A,UJ,US	R1643	NRSA63J-562X	MG RESISTOR	5.6kΩ 1/16W J	
R1577	NRSA63J-822X	MG RESISTOR	8.2kΩ 1/16W J		R1644	NRSA63J-682X	MG RESISTOR	6.8kΩ 1/16W J	
R1579	NRSA63J-153X	MG RESISTOR	15kΩ 1/16W J		R1651	NRSA63J-103X	MG RESISTOR	10kΩ 1/16W J	
R1580	NRSA63J-123X	MG RESISTOR	12kΩ 1/16W J		R1652	NRSA63J-102X	MG RESISTOR	1kΩ 1/16W J	
R1581	NRSA63J-104X	MG RESISTOR	100kΩ 1/16W J	A,UJ,US	R1653	NRSA63J-104X	MG RESISTOR	100kΩ 1/16W J	
R1582	NRSA63J-102X	MG RESISTOR	1kΩ 1/16W J	A,UJ,US	R1654	NRSA63J-473X	MG RESISTOR	47kΩ 1/16W J	
R1583	NRSA63J-103X	MG RESISTOR	10kΩ 1/16W J		R1655	NRSA63J-473X	MG RESISTOR	47kΩ 1/16W J	
R1588	NRSA63J-221X	MG RESISTOR	220Ω 1/16W J	A,UJ,US	R1656	NRSA63J-112X	MG RESISTOR	1.1kΩ 1/16W J	
R1589	NRSA63J-102X	MG RESISTOR	1kΩ 1/16W J		R1657	NRSA63J-103X	MG RESISTOR	10kΩ 1/16W J	
R1590	NRSA63J-102X	MG RESISTOR	1kΩ 1/16W J		R1658	NRSA63J-100X	MG RESISTOR	10Ω 1/16W J	
R1591	NRSA63J-222X	MG RESISTOR	2.2kΩ 1/16W J	A,UJ,US	R1659	NRSA63J-103X	MG RESISTOR	10kΩ 1/16W J	
R1592	NRSA63J-102X	MG RESISTOR	1kΩ 1/16W J		R1660	NRSA63J-103X	MG RESISTOR	10kΩ 1/16W J	
R1593	NRSA63J-102X	MG RESISTOR	1kΩ 1/16W J		R1661	NRSA63J-100X	MG RESISTOR	10Ω 1/16W J	
R1594	NRSA63J-102X	MG RESISTOR	1kΩ 1/16W J		R1662	NRSA63J-103X	MG RESISTOR	10kΩ 1/16W J	
R1595	NRSA63J-102X	MG RESISTOR	1kΩ 1/16W J		R1663	NRSA63J-103X	MG RESISTOR	10kΩ 1/16W J	
R1596	NRSA63J-103X	MG RESISTOR	10kΩ 1/16W J	A,UJ,US	R1664	NRSA63J-102X	MG RESISTOR	1kΩ 1/16W J	
R1601	NRSA63J-103X	MG RESISTOR	10kΩ 1/16W J	A,UF,US	R1665	NRSA63J-102X	MG RESISTOR	1kΩ 1/16W J	
R1602	NRSA63J-103X	MG RESISTOR	10kΩ 1/16W J		R1666	NRSA63J-104X	MG RESISTOR	100kΩ 1/16W J	
R1603	NRSA63J-102X	MG RESISTOR	1kΩ 1/16W J	A,UF,US	R1667	NRSA63J-123X	MG RESISTOR	12kΩ 1/16W J	
R1604	NRSA63J-102X	MG RESISTOR	1kΩ 1/16W J		R1668	NRSA63J-181X	MG RESISTOR	180Ω 1/16W J	
R1605	NRSA63J-104X	MG RESISTOR	100kΩ 1/16W J	A,UF,US	R1669	NRSA63J-472X	MG RESISTOR	4.7kΩ 1/16W J	
R1606	NRSA63J-104X	MG RESISTOR	100kΩ 1/16W J		R1670	NRSA63J-181X	MG RESISTOR	180Ω 1/16W J	
R1607	NRSA63J-512X	MG RESISTOR	5.1kΩ 1/16W J	A,UF,US	R1671	NRSA63J-472X	MG RESISTOR	4.7kΩ 1/16W J	
R1608	NRSA63J-512X	MG RESISTOR	5.1kΩ 1/16W J		R1672	NRSA63J-123X	MG RESISTOR	12kΩ 1/16W J	
					R1673	NRSA63J-222X	MG RESISTOR	2.2kΩ 1/16W J	
					R1674	NRSA63J-103X	MG RESISTOR	10kΩ 1/16W J	
					R1681	NRSA63J-103X	MG RESISTOR	10kΩ 1/16W J	
					R1682	NRSA63J-102X	MG RESISTOR	1kΩ 1/16W J	
					R1683	NRSA63J-104X	MG RESISTOR	100kΩ 1/16W J	
					R1684	NRSA63J-102X	MG RESISTOR	1kΩ 1/16W J	
					R1685	NRSA63J-102X	MG RESISTOR	1kΩ 1/16W J	
					R1686	NRSA63J-104X	MG RESISTOR	100kΩ 1/16W J	
					R1687	NRSA63J-103X	MG RESISTOR	10kΩ 1/16W J	
					R1688	NRSA63J-181X	MG RESISTOR	180Ω 1/16W J	
					R1689	NRSA63J-562X	MG RESISTOR	5.6kΩ 1/16W J	

△ Symbol No.	Part No.	Part Name	Description	Local	△ Symbol No.	Part No.	Part Name	Description	Local
R1690	NRSA63J-181X	MG RESISTOR	180Ω 1/16W J		R2637	NRSA63J-103X	MG RESISTOR	10kΩ 1/16W J	
R1691	NRSA63J-562X	MG RESISTOR	5.6kΩ 1/16W J		R2638	NRSA63J-221X	MG RESISTOR	220Ω 1/16W J	
R1692	NRSA63J-103X	MG RESISTOR	10kΩ 1/16W J		R2639	NRSA63J-221X	MG RESISTOR	220Ω 1/16W J	
△ R1721	QRK126J-561X	UNF C RESISTOR	560Ω 1/2W J	A,UF, US	R2640	NRSA63J-221X	MG RESISTOR	220Ω 1/16W J	
△ R1722	QRK126J-561X	UNF C RESISTOR	560Ω 1/2W J		R2641	NRSA63J-221X	MG RESISTOR	220Ω 1/16W J	
R1811	NRSA63J-472X	MG RESISTOR	4.7kΩ 1/16W J	A,UF, US	R2643	NRSA63J-822X	MG RESISTOR	8.2kΩ 1/16W J	A,UJ, US
R1812	NRSA63J-472X	MG RESISTOR	4.7kΩ 1/16W J		R2644	NRSA63J-432X	MG RESISTOR	4.3kΩ 1/16W J	
R1813	NRSA63J-473X	MG RESISTOR	47kΩ 1/16W J	A,UF, US	R2645	NRSA63J-221X	MG RESISTOR	220Ω 1/16W J	A,UJ, US
R1814	NRSA63J-473X	MG RESISTOR	47kΩ 1/16W J		R2646	NRSA63J-103X	MG RESISTOR	10kΩ 1/16W J	
R1815	NRSA63J-474X	MG RESISTOR	470kΩ 1/16W J	A,UF, US	R2647	NRSA63J-103X	MG RESISTOR	10kΩ 1/16W J	
R1816	NRSA63J-474X	MG RESISTOR	470kΩ 1/16W J		R2648	NRSA63J-103X	MG RESISTOR	10kΩ 1/16W J	
R1817	NRSA63J-470X	MG RESISTOR	47Ω 1/16W J	A,UF, US	R2649	NRSA63J-103X	MG RESISTOR	10kΩ 1/16W J	
R1818	NRSA63J-470X	MG RESISTOR	47Ω 1/16W J		R2650	NRSA63J-103X	MG RESISTOR	10kΩ 1/16W J	
R1819	NRSA63J-104X	MG RESISTOR	100kΩ 1/16W J	A,UF, US	R2651	NRSA63J-103X	MG RESISTOR	10kΩ 1/16W J	
R1820	NRSA63J-104X	MG RESISTOR	100kΩ 1/16W J		R2652	NRSA63J-102X	MG RESISTOR	1kΩ 1/16W J	A,UJ, US
R1821	NRSA63J-102X	MG RESISTOR	1kΩ 1/16W J	A,UF, US	R2653	NRSA63J-102X	MG RESISTOR	1kΩ 1/16W J	
R1822	NRSA63J-102X	MG RESISTOR	1kΩ 1/16W J		R2654	NRSA63J-822X	MG RESISTOR	8.2kΩ 1/16W J	
R1825	NRSA63J-153X	MG RESISTOR	15kΩ 1/16W J	A,UF, US	R2655	NRSA63J-432X	MG RESISTOR	4.3kΩ 1/16W J	
R1826	NRSA63J-153X	MG RESISTOR	15kΩ 1/16W J		R2656	NRSA63J-822X	MG RESISTOR	8.2kΩ 1/16W J	
R1911	NRSA63J-472X	MG RESISTOR	4.7kΩ 1/16W J		R2657	NRSA63J-432X	MG RESISTOR	4.3kΩ 1/16W J	
R1912	NRSA63J-472X	MG RESISTOR	4.7kΩ 1/16W J		R2658	NRSA63J-221X	MG RESISTOR	220Ω 1/16W J	
R1913	NRSA63J-473X	MG RESISTOR	47kΩ 1/16W J		R2659	NRSA63J-221X	MG RESISTOR	220Ω 1/16W J	
R1914	NRSA63J-473X	MG RESISTOR	47kΩ 1/16W J		R2660	NRSA63J-221X	MG RESISTOR	220Ω 1/16W J	
R1915	NRSA63J-474X	MG RESISTOR	470kΩ 1/16W J		R2661	NRSA63J-221X	MG RESISTOR	220Ω 1/16W J	
R1916	NRSA63J-474X	MG RESISTOR	470kΩ 1/16W J		R2662	NRSA63J-221X	MG RESISTOR	220Ω 1/16W J	
R1917	NRSA63J-470X	MG RESISTOR	47Ω 1/16W J		R2663	NRSA63J-221X	MG RESISTOR	220Ω 1/16W J	
R1918	NRSA63J-470X	MG RESISTOR	47Ω 1/16W J		R2664	NRSA63J-221X	MG RESISTOR	220Ω 1/16W J	
R1919	NRSA63J-104X	MG RESISTOR	100kΩ 1/16W J		R2665	NRSA63J-221X	MG RESISTOR	220Ω 1/16W J	A,UJ, US
R1920	NRSA63J-104X	MG RESISTOR	100kΩ 1/16W J		R2666	NRSA63J-221X	MG RESISTOR	220Ω 1/16W J	A,UJ, US
R1921	NRSA63J-102X	MG RESISTOR	1kΩ 1/16W J		R2667	NRSA63J-221X	MG RESISTOR	220Ω 1/16W J	A,UJ, US
R1922	NRSA63J-102X	MG RESISTOR	1kΩ 1/16W J		R2668	NRSA63J-221X	MG RESISTOR	220Ω 1/16W J	A,UJ, US
R1925	NRSA63J-153X	MG RESISTOR	15kΩ 1/16W J		R2669	NRSA63J-221X	MG RESISTOR	220Ω 1/16W J	A,UJ, US
R1926	NRSA63J-153X	MG RESISTOR	15kΩ 1/16W J		R2670	NRSA63J-102X	MG RESISTOR	1kΩ 1/16W J	
R2601	NRSA63J-221X	MG RESISTOR	220Ω 1/16W J	A,UJ, US	R2671	NRSA63J-103X	MG RESISTOR	10kΩ 1/16W J	A,UJ, US
R2602	NRSA63J-221X	MG RESISTOR	220Ω 1/16W J	A,UJ, US	R2672	NRSA63J-105X	MG RESISTOR	1MΩ 1/16W J	
R2603	NRSA63J-221X	MG RESISTOR	220Ω 1/16W J	A,UJ, US	R2673	NRSA63J-105X	MG RESISTOR	1MΩ 1/16W J	
R2604	NRSA63J-221X	MG RESISTOR	220Ω 1/16W J	A,UJ, US	R2674	NRSA63J-105X	MG RESISTOR	1MΩ 1/16W J	
R2605	NRSA63J-102X	MG RESISTOR	1kΩ 1/16W J		R2675	NRSA63J-102X	MG RESISTOR	1kΩ 1/16W J	
R2606	NRSA63J-102X	MG RESISTOR	1kΩ 1/16W J		R2676	NRSA63J-105X	MG RESISTOR	1MΩ 1/16W J	
R2607	NRSA63J-102X	MG RESISTOR	1kΩ 1/16W J		R2677	NRSA63J-105X	MG RESISTOR	1MΩ 1/16W J	
R2608	NRSA63J-102X	MG RESISTOR	1kΩ 1/16W J		R2681	NRSA63J-221X	MG RESISTOR	220Ω 1/16W J	A,UJ, US
R2609	NRSA63J-103X	MG RESISTOR	10kΩ 1/16W J		R2682	NRSA63J-392X	MG RESISTOR	3.9kΩ 1/16W J	A,UJ, US
R2611	NRSA63J-103X	MG RESISTOR	10kΩ 1/16W J		R2683	NRSA63J-392X	MG RESISTOR	3.9kΩ 1/16W J	A,UJ, US
R2612	NRSA63J-103X	MG RESISTOR	10kΩ 1/16W J		R2685	NRSA63J-222X	MG RESISTOR	2.2kΩ 1/16W J	A,UJ, US
R2613	NRSA63J-103X	MG RESISTOR	10kΩ 1/16W J		R2686	NRSA63J-750X	MG RESISTOR	75Ω 1/16W J	A,UJ, US
R2614	NRSA63J-103X	MG RESISTOR	10kΩ 1/16W J		R2687	NRSA63J-102X	MG RESISTOR	1kΩ 1/16W J	A,UJ, US
R2615	NRSA63J-103X	MG RESISTOR	10kΩ 1/16W J		R2688	NRSA63J-102X	MG RESISTOR	1kΩ 1/16W J	A,UJ, US
R2616	NRSA63J-105X	MG RESISTOR	1MΩ 1/16W J	A,UJ, US	R2691	NRSA63J-333X	MG RESISTOR	33kΩ 1/16W J	
R2617	NRSA63J-221X	MG RESISTOR	220Ω 1/16W J		R2692	NRSA63J-223X	MG RESISTOR	22kΩ 1/16W J	
R2618	NRSA63J-103X	MG RESISTOR	10kΩ 1/16W J		R2693	NRSA63J-102X	MG RESISTOR	1kΩ 1/16W J	
R2619	NRSA63J-103X	MG RESISTOR	10kΩ 1/16W J		R2694	NRSA63J-102X	MG RESISTOR	1kΩ 1/16W J	
R2620	NRSA63J-103X	MG RESISTOR	10kΩ 1/16W J		R2695	NRSA63J-102X	MG RESISTOR	1kΩ 1/16W J	
R2621	NRSA63J-103X	MG RESISTOR	10kΩ 1/16W J		R3578	NRSA63J-0R0X	MG RESISTOR	0Ω 1/16W J	
R2622	NRSA63J-103X	MG RESISTOR	10kΩ 1/16W J		R3579	NRSA63J-102X	MG RESISTOR	1kΩ 1/16W J	
R2623	NRSA63J-103X	MG RESISTOR	10kΩ 1/16W J		R3580	NRSA63J-561X	MG RESISTOR	560Ω 1/16W J	
R2624	NRSA63J-103X	MG RESISTOR	10kΩ 1/16W J		R3581	NRSA63J-361X	MG RESISTOR	360Ω 1/16W J	
R2625	NRSA63J-103X	MG RESISTOR	10kΩ 1/16W J		R3582	NRSA63J-112X	MG RESISTOR	1.1kΩ 1/16W J	
R2626	NRSA63J-103X	MG RESISTOR	10kΩ 1/16W J		R3583	NRSA63J-182X	MG RESISTOR	1.8kΩ 1/16W J	
R2627	NRSA63J-103X	MG RESISTOR	10kΩ 1/16W J		R3584	NRSA63J-101X	MG RESISTOR	100Ω 1/16W J	A,UJ, US
R2628	NRSA63J-103X	MG RESISTOR	10kΩ 1/16W J		R3585	NRSA63J-101X	MG RESISTOR	100Ω 1/16W J	A,UJ, US
R2629	NRSA63J-103X	MG RESISTOR	10kΩ 1/16W J		R3586	NRSA63J-821X	MG RESISTOR	820Ω 1/16W J	A,UJ, US
R2630	NRSA63J-103X	MG RESISTOR	10kΩ 1/16W J						
R2631	NRSA63J-332X	MG RESISTOR	3.3kΩ 1/16W J						
R2633	NRSA63J-103X	MG RESISTOR	10kΩ 1/16W J						
R2634	NRSA63J-221X	MG RESISTOR	220Ω 1/16W J						
R2635	NRSA63J-221X	MG RESISTOR	220Ω 1/16W J						
R2636	NRSA63J-103X	MG RESISTOR	10kΩ 1/16W J						

△ Symbol No.	Part No.	Part Name	Description	Local	△ Symbol No.	Part No.	Part Name	Description	Local
R3587	NRSA63J-391X	MG RESISTOR	390Ω 1/16W J		R5540	NRSA63J-622X	MG RESISTOR	6.2kΩ 1/16W J	UJ
R3588	NRSA63J-152X	MG RESISTOR	1.5kΩ 1/16W J		R5540	NRSA63J-432X	MG RESISTOR	4.3kΩ 1/16W J	A,U,F, US
R3589	NRSA63J-152X	MG RESISTOR	1.5kΩ 1/16W J		R5541	NRSA63J-102X	MG RESISTOR	1kΩ 1/16W J	
R3590	NRSA63J-561X	MG RESISTOR	560Ω 1/16W J		R5542	NRSA63J-153X	MG RESISTOR	15kΩ 1/16W J	
R3591	NRSA63J-391X	MG RESISTOR	390Ω 1/16W J		R5544	NRSA63J-331X	MG RESISTOR	330Ω 1/16W J	A,U,J, US
R3592	NRSA63J-133X	MG RESISTOR	13kΩ 1/16W J		R5562	NRSA63J-0R0X	MG RESISTOR	0Ω 1/16W J	A,U,J, US
R3593	NRSA63J-182X	MG RESISTOR	1.8kΩ 1/16W J		R5571	NRSA63J-222X	MG RESISTOR	2.2kΩ 1/16W J	
R3594	NRSA63J-222X	MG RESISTOR	2.2kΩ 1/16W J		R5572	NRSA63J-222X	MG RESISTOR	2.2kΩ 1/16W J	
R3595	NRSA63J-103X	MG RESISTOR	10kΩ 1/16W J		R5573	NRSA63J-561X	MG RESISTOR	560Ω 1/16W J	A,U,J, US
R3596	NRSA63J-681X	MG RESISTOR	680Ω 1/16W J		R5574	NRSA63J-222X	MG RESISTOR	2.2kΩ 1/16W J	
R3598	NRSA63J-102X	MG RESISTOR	1kΩ 1/16W J		R5575	NRSA63J-222X	MG RESISTOR	2.2kΩ 1/16W J	
R3599	NRSA63J-102X	MG RESISTOR	1kΩ 1/16W J		R5576	NRSA63J-561X	MG RESISTOR	560Ω 1/16W J	
R4000	NRSA63J-0R0X	MG RESISTOR	0Ω 1/16W J		R5581	NRSA63J-561X	MG RESISTOR	560Ω 1/16W J	
R4541	NRSA63J-750X	MG RESISTOR	75Ω 1/16W J	A,U,J, US	R5584	NRSA63J-152X	MG RESISTOR	1.5kΩ 1/16W J	
R4542	NRSA63J-750X	MG RESISTOR	75Ω 1/16W J	A,U,J, US	R5754	NRSA63J-390X	MG RESISTOR	39Ω 1/16W J	A,U,J, US
R4543	NRSA63J-750X	MG RESISTOR	75Ω 1/16W J	A,U,J, US	R5755	NRSA63J-390X	MG RESISTOR	39Ω 1/16W J	
R4544	NRSA63J-750X	MG RESISTOR	75Ω 1/16W J	A,U,J, US	R6501	NRSA63J-101X	MG RESISTOR	100Ω 1/16W J	A,U,S
R4545	NRSA63J-750X	MG RESISTOR	75Ω 1/16W J	A,U,J, US	R6502	NRSA63J-101X	MG RESISTOR	100Ω 1/16W J	A,U,J, US
R4546	NRSA63J-750X	MG RESISTOR	75Ω 1/16W J	A,U,J, US	R6503	NRSA63J-473X	MG RESISTOR	47kΩ 1/16W J	A,U,S
R4547	NRSA63J-680X	MG RESISTOR	68Ω 1/16W J	A,U,J, US	R6504	NRSA63J-473X	MG RESISTOR	47kΩ 1/16W J	A,U,J, US
R4548	NRSA63J-750X	MG RESISTOR	75Ω 1/16W J	A,U,J, US	R6505	NRSA63J-471X	MG RESISTOR	470Ω 1/16W J	A,U,S
R4549	NRSA63J-750X	MG RESISTOR	75Ω 1/16W J	A,U,J, US	R6506	NRSA63J-471X	MG RESISTOR	470Ω 1/16W J	A,U,J, US
△ R4557	QRJ146J-331X	UNF C RESISTOR	330Ω 1/4W J		R6507	NRSA63J-101X	MG RESISTOR	100Ω 1/16W J	A,U,S
R4558	NRSA63J-471X	MG RESISTOR	470Ω 1/16W J		R6508	NRSA63J-101X	MG RESISTOR	100Ω 1/16W J	A,U,J, US
△ R4559	QRJ146J-331X	UNF C RESISTOR	330Ω 1/4W J		R6509	NRSA63J-473X	MG RESISTOR	47kΩ 1/16W J	A,U,S
R4573	NRSA63J-0R0X	MG RESISTOR	0Ω 1/16W J		R6510	NRSA63J-473X	MG RESISTOR	47kΩ 1/16W J	A,U,J, US
R4574	NRSA63J-0R0X	MG RESISTOR	0Ω 1/16W J		R6511	NRSA63J-471X	MG RESISTOR	470Ω 1/16W J	A,U,S
R4575	NRSA63J-0R0X	MG RESISTOR	0Ω 1/16W J		R6512	NRSA63J-471X	MG RESISTOR	470Ω 1/16W J	A,U,J, US
R5503	NRSA63J-222X	MG RESISTOR	2.2kΩ 1/16W J	A,U,J, US	R6513	NRSA63J-473X	MG RESISTOR	47kΩ 1/16W J	A,U,S
R5505	NRSA63J-121X	MG RESISTOR	120Ω 1/16W J		R6514	NRSA63J-473X	MG RESISTOR	47kΩ 1/16W J	A,U,J, US
R5507	NRSA63J-102X	MG RESISTOR	1kΩ 1/16W J		R6515	NRSA63J-471X	MG RESISTOR	470Ω 1/16W J	A,U,S
R5508	NRSA63J-272X	MG RESISTOR	2.7kΩ 1/16W J		R6516	NRSA63J-471X	MG RESISTOR	470Ω 1/16W J	A,U,J, US
R5509	NRSA63J-513X	MG RESISTOR	51kΩ 1/16W J		R6517	NRSA63J-473X	MG RESISTOR	47kΩ 1/16W J	A,U,S
R5511	NRSA63J-682X	MG RESISTOR	6.8kΩ 1/16W J		R6518	NRSA63J-473X	MG RESISTOR	47kΩ 1/16W J	A,U,J, US
R5512	NRSA63J-222X	MG RESISTOR	2.2kΩ 1/16W J	A,U,J, US	R6519	NRSA63J-471X	MG RESISTOR	470Ω 1/16W J	A,U,S
R5513	NRSA63J-221X	MG RESISTOR	220Ω 1/16W J		R6520	NRSA63J-471X	MG RESISTOR	470Ω 1/16W J	A,U,J, US
R5515	NRSA63J-152X	MG RESISTOR	1.5kΩ 1/16W J		R6521	NRSA63J-471X	MG RESISTOR	470Ω 1/16W J	A,U,S
R5516	NRSA63J-222X	MG RESISTOR	2.2kΩ 1/16W J	A,U,J, US	R6522	NRSA63J-471X	MG RESISTOR	470Ω 1/16W J	A,U,J, US
R5517	NRSA63J-561X	MG RESISTOR	560Ω 1/16W J		R6525	NRSA63J-560X	MG RESISTOR	56Ω 1/16W J	A,U,J, US
R5518	NRSA63J-471X	MG RESISTOR	470Ω 1/16W J		R6526	NRSA63J-620X	MG RESISTOR	62Ω 1/16W J	A,U,J, US
R5519	NRSA63J-471X	MG RESISTOR	470Ω 1/16W J		R6527	NRSA63J-620X	MG RESISTOR	62Ω 1/16W J	A,U,J, US
R5520	NRSA63J-432X	MG RESISTOR	4.3kΩ 1/16W J	A,U,J, US	R6528	NRSA63J-331X	MG RESISTOR	330Ω 1/16W J	A,U,J, US
R5521	NRSA63J-302X	MG RESISTOR	3kΩ 1/16W J	A,U,J, US	R6529	NRSA63J-750X	MG RESISTOR	75Ω 1/16W J	A,U,J, US
R5522	NRSA63J-561X	MG RESISTOR	560Ω 1/16W J	A,U,J, US	R6530	NRSA63J-750X	MG RESISTOR	75Ω 1/16W J	A,U,J, US
R5523	NRSA63J-471X	MG RESISTOR	470Ω 1/16W J	A,U,J, US	R6531	NRSA63J-331X	MG RESISTOR	330Ω 1/16W J	A,U,J, US
R5524	NRSA63J-331X	MG RESISTOR	330Ω 1/16W J	A,U,J, US	R6532	NRSA63J-331X	MG RESISTOR	330Ω 1/16W J	A,U,J, US
R5526	NRSA63J-911X	MG RESISTOR	910Ω 1/16W J	A,U,J, US	R6533	NRSA63J-750X	MG RESISTOR	75Ω 1/16W J	A,U,J, US
R5527	NRSA63J-132X	MG RESISTOR	1.3kΩ 1/16W J	A,U,J, US	R6534	NRSA63J-560X	MG RESISTOR	56Ω 1/16W J	A,U,J, US
R5530	NRSA63J-102X	MG RESISTOR	1kΩ 1/16W J	A,U,J, US	R6535	NRSA63J-620X	MG RESISTOR	62Ω 1/16W J	A,U,J, US
R5532	NRSA63J-222X	MG RESISTOR	2.2kΩ 1/16W J	A,U,J, US	R6536	NRSA63J-620X	MG RESISTOR	62Ω 1/16W J	A,U,J, US
R5533	NRSA63J-222X	MG RESISTOR	2.2kΩ 1/16W J	A,U,J, US	R6537	NRSA63J-331X	MG RESISTOR	330Ω 1/16W J	A,U,J, US
R5534	NRSA63J-222X	MG RESISTOR	2.2kΩ 1/16W J		R6538	NRSA63J-750X	MG RESISTOR	75Ω 1/16W J	A,U,J, US
R5535	NRSA63J-222X	MG RESISTOR	2.2kΩ 1/16W J						
R5536	NRSA63J-391X	MG RESISTOR	390Ω 1/16W J	A,U,J, US					
R5537	NRSA63J-224X	MG RESISTOR	220kΩ 1/16W J						
R5538	NRSA63J-103X	MG RESISTOR	10kΩ 1/16W J	A,U,J, US					
R5539	NRSA63J-103X	MG RESISTOR	10kΩ 1/16W J	A,U,J, US					

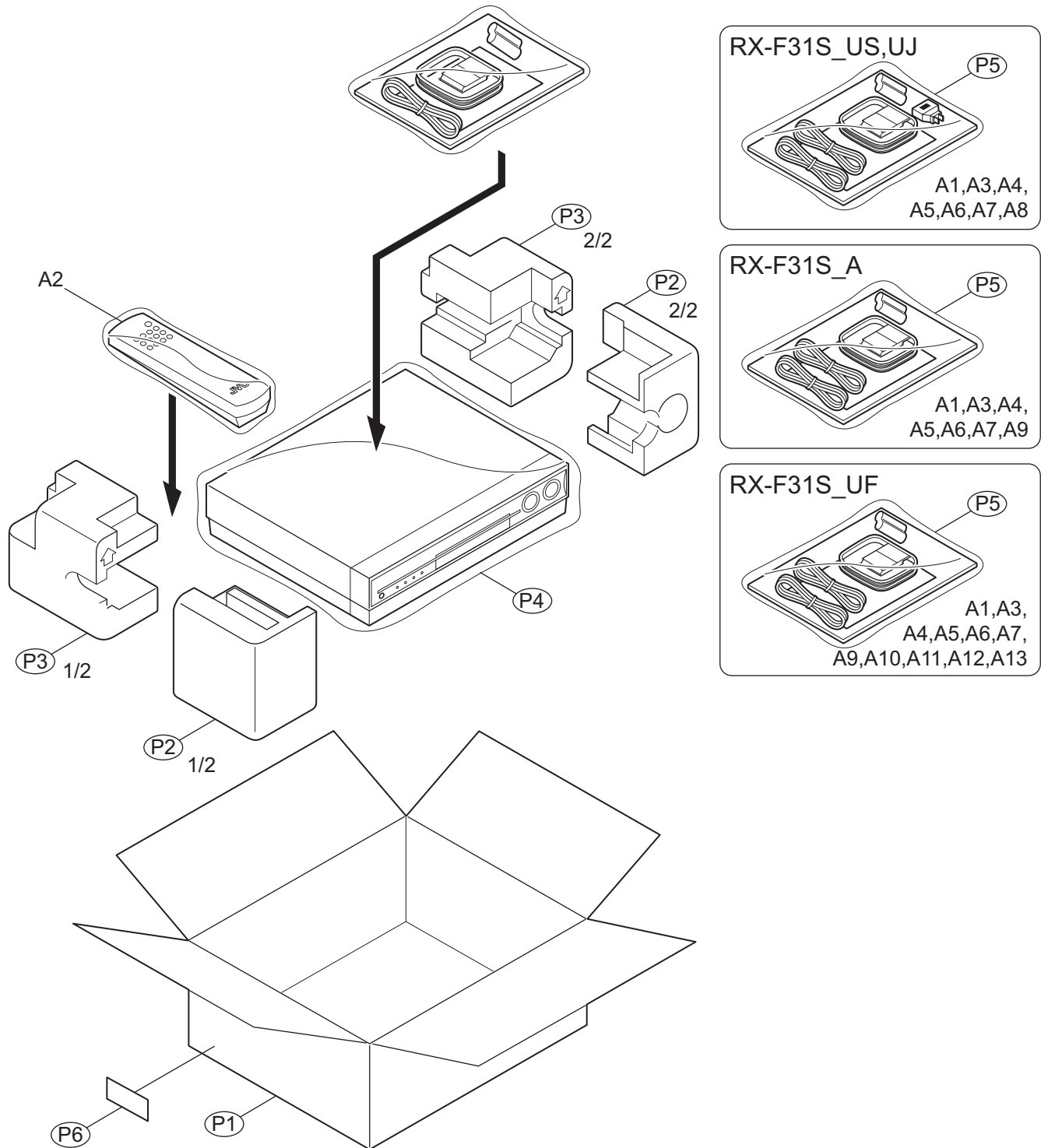
△ Symbol No.	Part No.	Part Name	Description	Local	△ Symbol No.	Part No.	Part Name	Description	Local
R6539	NRSA63J-750X	MG RESISTOR	75Ω 1/16W J	A,UJ, US	L5511	QQL244K-100Z	COIL	10uH K	
R6540	NRSA63J-331X	MG RESISTOR	330Ω 1/16W J	A,UJ, US	L6501	QQL244K-100Z	COIL	10uH K	
R6541	NRSA63J-331X	MG RESISTOR	330Ω 1/16W J	A,UJ, US	L6502	QQL244K-100Z	COIL	10uH K	
R6542	NRSA63J-750X	MG RESISTOR	75Ω 1/16W J	A,UJ, US	C5569	NCB31HK-103X	C CAPACITOR	0.01uF 50V K	
R6543	NRSA63J-331X	MG RESISTOR	330Ω 1/16W J	A,UJ, US	CN451	QGA2001C1-10	CONNECTOR	W-B (1-10)	
R6544	NRSA63J-750X	MG RESISTOR	75Ω 1/16W J	A,UJ, US	CN501	QGB2510J1-11	CONNECTOR	B-B (1-11)	
R6545	NRSA63J-750X	MG RESISTOR	75Ω 1/16W J	A,UJ, US	CN502	QGF1205C1-11	CONNECTOR	FFC/FPC (1-11)	
R6546	NRSA63J-331X	MG RESISTOR	330Ω 1/16W J	A,UJ, US	CN504	QGF1205C1-10	CONNECTOR	FFC/FPC (1-10)	
R6547	NRSA63J-331X	MG RESISTOR	330Ω 1/16W J	A,UJ, US	CN505	QGF1205C1-11	CONNECTOR	FFC/FPC (1-11)	
R6548	NRSA63J-750X	MG RESISTOR	75Ω 1/16W J	A,UJ, US	CN506	QGB2510J1-10	CONNECTOR	B-B (1-10)	
R6549	NRSA63J-560X	MG RESISTOR	56Ω 1/16W J	A,UJ, US	CN508	QGF1205C1-06	CONNECTOR	FFC/FPC (1-6)	
R6550	NRSA63J-620X	MG RESISTOR	62Ω 1/16W J	A,UJ, US	CN509	QGA2001C1-04	CONNECTOR	W-B (1-4)	
R6551	NRSA63J-620X	MG RESISTOR	62Ω 1/16W J	A,UJ, US	CN511	QGB2510K1-11	CONNECTOR	B-B (1-11)	
△ R6552	QRJ146J-221X	UNF C RESISTOR	220Ω 1/4W J	A,UJ, US	CN512	QGB1224K1-13	CONNECTOR	B-B (1-13)	
R6554	NRSA63J-102X	MG RESISTOR	1kΩ 1/16W J	A,UJ, US	CN514	QGF1205C1-10	CONNECTOR	FFC/FPC (1-10)	
△ R6555	QRJ146J-221X	UNF C RESISTOR	220Ω 1/4W J	A,UJ, US	CN516	QGB2510J1-10	CONNECTOR	B-B (1-10)	
R6557	NRSA63J-102X	MG RESISTOR	1kΩ 1/16W J	A,UJ, US	CN518	QGF1205C1-06	CONNECTOR	FFC/FPC (1-6)	
△ R6558	QRJ146J-221X	UNF C RESISTOR	220Ω 1/4W J	A,UJ, US	CN521	QJK025-041004-E	SIN CR C-B WIR		
R6560	NRSA63J-102X	MG RESISTOR	1kΩ 1/16W J	A,UJ, US	CN525	QJK025-072202-E	SIN CR C-B WIR		
△ R6561	QRJ146J-221X	UNF C RESISTOR	220Ω 1/4W J	A,UJ, US	CN530	QGA2501C1-11	CONNECTOR	W-B (1-11)	
R6563	NRSA63J-102X	MG RESISTOR	1kΩ 1/16W J	A,UJ, US	CN532	QJL008-021302-E	SIN TWIST WIRE		
△ R6564	QRJ146J-221X	UNF C RESISTOR	220Ω 1/4W J	A,UJ, US	CN540	QGA2501C1-10	CONNECTOR	W-B (1-10)	
R6566	NRSA63J-102X	MG RESISTOR	1kΩ 1/16W J	A,UJ, US	CN552	QGA2501C1-02	CONNECTOR	W-B (1-2)	
△ R6567	QRJ146J-221X	UNF C RESISTOR	220Ω 1/4W J	A,UJ, US	CN601	QGB2510J1-11	CONNECTOR	B-B (1-11)	
R6569	NRSA63J-102X	MG RESISTOR	1kΩ 1/16W J	A,UJ, US	CN602	QGF1205C1-11	CONNECTOR	FFC/FPC (1-11)	
△ R6570	QRJ146J-221X	UNF C RESISTOR	220Ω 1/4W J	A,UJ, US	CN611	QGB2510K1-11	CONNECTOR	B-B (1-11)	
R6572	NRSA63J-102X	MG RESISTOR	1kΩ 1/16W J	A,UJ, US	CN725	QGA2501F1-07	CONNECTOR	W-B (1-7)	
△ R6573	QRJ146J-221X	UNF C RESISTOR	220Ω 1/4W J	A,UJ, US	CN728	QGB2510K1-09	CONNECTOR	B-B (1-9)	
R6575	NRSA63J-102X	MG RESISTOR	1kΩ 1/16W J	A,UJ, US	EP501	QNZ0136-001Z	EARTH PLATE		
△ R6576	QRJ146J-221X	UNF C RESISTOR	220Ω 1/4W J	A,UJ, US	EP502	QNZ0136-001Z	EARTH PLATE		
R6578	NRSA63J-102X	MG RESISTOR	1kΩ 1/16W J	A,UJ, US	EP681	E409182-001SM	GRAND TERMINAL		
R6579	NRSA63J-102X	MG RESISTOR	1kΩ 1/16W J	A,UJ, US	FL501	QQR1372-001	LPF		A,UF, US
R6581	NRSA63J-223X	MG RESISTOR	22kΩ 1/16W J	A,UJ, US	FL502	QQR1372-001	LPF		
R6582	NRSA63J-223X	MG RESISTOR	22kΩ 1/16W J	A,UJ, US	J504	QNN0688-001	PIN JACK		
R6583	NRSA63J-223X	MG RESISTOR	22kΩ 1/16W J	A,UJ, US	J505	QNS0089-001	3.5 JACK		
R6591	NRSA63J-103X	MG RESISTOR	10kΩ 1/16W J	A,UJ, US	J681	QNN0481-001	SURROUND JACK		
R6592	NRSA63J-103X	MG RESISTOR	10kΩ 1/16W J	A,UJ, US	J4503	QNN0695-001	PIN JACK		
R6593	NRSA63J-393X	MG RESISTOR	39kΩ 1/16W J	A,UJ, US	J6501	QNN0556-001	PIN JACK		
R6594	NRSA63J-393X	MG RESISTOR	39kΩ 1/16W J	A,UJ, US	J6502	QNN0556-001	PIN JACK		
R6595	NRSA63J-103X	MG RESISTOR	10kΩ 1/16W J	A,UJ, US	J6503	QNN0615-001	PIN JACK		
R6596	NRSA63J-183X	MG RESISTOR	18kΩ 1/16W J	A,UJ, US	J6511	QNN0570-001	PIN JACK		
R6597	NRSA63J-133X	MG RESISTOR	13kΩ 1/16W J	A,UJ, US	J6512	QNN0570-001	PIN JACK		
R6598	NRSA63J-303X	MG RESISTOR	30kΩ 1/16W J	A,UJ, US	J6513	QNN0570-001	PIN JACK		
L3501	NQL085J-220X	COIL	22uH J	A,UJ, US	J6521	QNN0618-001	PIN JACK		
L3502	NQL085J-100X	COIL	10uH J	A,UJ, US	J6522	QNN0616-001	PIN JACK		
L3503	NQL085J-100X	COIL	10uH J	A,UJ, US	K601	NQR0269-004X	FERRITE BEADS		A,UJ, US
L3504	NQL085J-100X	COIL	10uH J	A,UJ, US	K2681	NQR0269-004X	FERRITE BEADS		
L3505	NQL085J-100X	COIL	10uH J	A,UJ, US	UN682	TORX177	OPT RECEIVER		
L3506	NQL085J-6R8X	COIL	6.8uH J	A,UJ, US	UN683	TORX177	OPT RECEIVER		
L3507	NQL085J-6R8X	COIL	6.8uH J	A,UJ, US	UN686	TOTX177	OPT RECEIVER		
L5502	NQL085J-5R6X	COIL	5.6uH J	A,UJ, US	X501	QAX0246-001Z	C RESONATOR	8.00MHz	
L5503	NQL085J-820X	COIL	82uH J	A,UJ, US	X661	QAX0722-001Z	CRYSTAL	24.576MHz	
L5504	NQL085J-680X	COIL	68uH J	A,UJ, US	X671	QAX0719-001Z	C RESONATOR	6.144MHz	
L5505	NQL085J-2R2X	COIL	2.2uH J	A,UJ, US	X5505	QAX0880-001Z	CRYSTAL		UJ A,UF, US
L5505	QQL244J-121Z	COIL	120uH J	A,UJ, US	X5505	QAX0879-001Z	CRYSTAL		
L5505	QQL244J-101Z	COIL	100uH J	A,UJ, US					

<MEMO>

Packing materials and accessories parts list

Block No. **M** **3** **M** **M**

No additional / supplemental order of WARRANTY CARDS are available.



Packing and Accessories

Block No. [M][3][M][M]

△ Symbol No.	Part No.	Part Name	Description	Local
A 1	LVT1306-012A	INST BOOK	ENG	A
A 1	LVT1306-016A	INST BOOK	CHI(PEKIN)	UF
A 1	LVT1306-011B	INST BOOK	ENG	UJ
A 1	LVT1306-009B	INST BOOK	ENG CHI(PEKIN)	US
A 2	RM-SRXF31U	REMOCON		
A 3	-----	BATTERY	(x2)	
A 4	LV43880-003A	SETTING SHEET		
A 5	QAL0457-001	ANT.WIRE		
A 6	QAL0476-002	AM LOOP ANT		
A 7	QAM0199-002	PIN CABLE		
A 8	QAM0112-002	PLUG ADAPTOR		UJ,US
A 9	-----	WARRANTY CARD	BT-56012-1	A
A 9	-----	WARRANTY CARD	BT-59019-1	UF
A 10	BT-59020-1	SEAL		UF
A 11	BT-59021-4	SVC CENTRE LIST		UF
A 12	E310162-001	CERTIFICATE TAG		UF
A 13	GN30020-004A	SURVEY CARD		UF
P 1	LV35738-005A	CARTON BOX		A
P 1	LV35738-007A	CARTON BOX		UF
P 1	LV35738-003A	CARTON BOX		UJ,US
P 2	LV21940-001A	CUSHION(FRONT)		A
P 2	LV22027-001A	CUSHION(FRONT)		UF
P 2	LV22002-001A	CUSHION(FRONT)		UJ,US
P 3	LV21941-001A	CUSHION(REAR)		A
P 3	LV22028-001A	CUSHION(REAR)		UF
P 3	LV22003-001A	CUSHION(REAR)		UJ,US
P 4	QPC06507015P	POLY BAG	65cm x 70cm	
P 5	QPA02503505P	POLY BAG	25cm x 35cm	
P 6	LV33572-046A	UF CARTON LABEL		UF