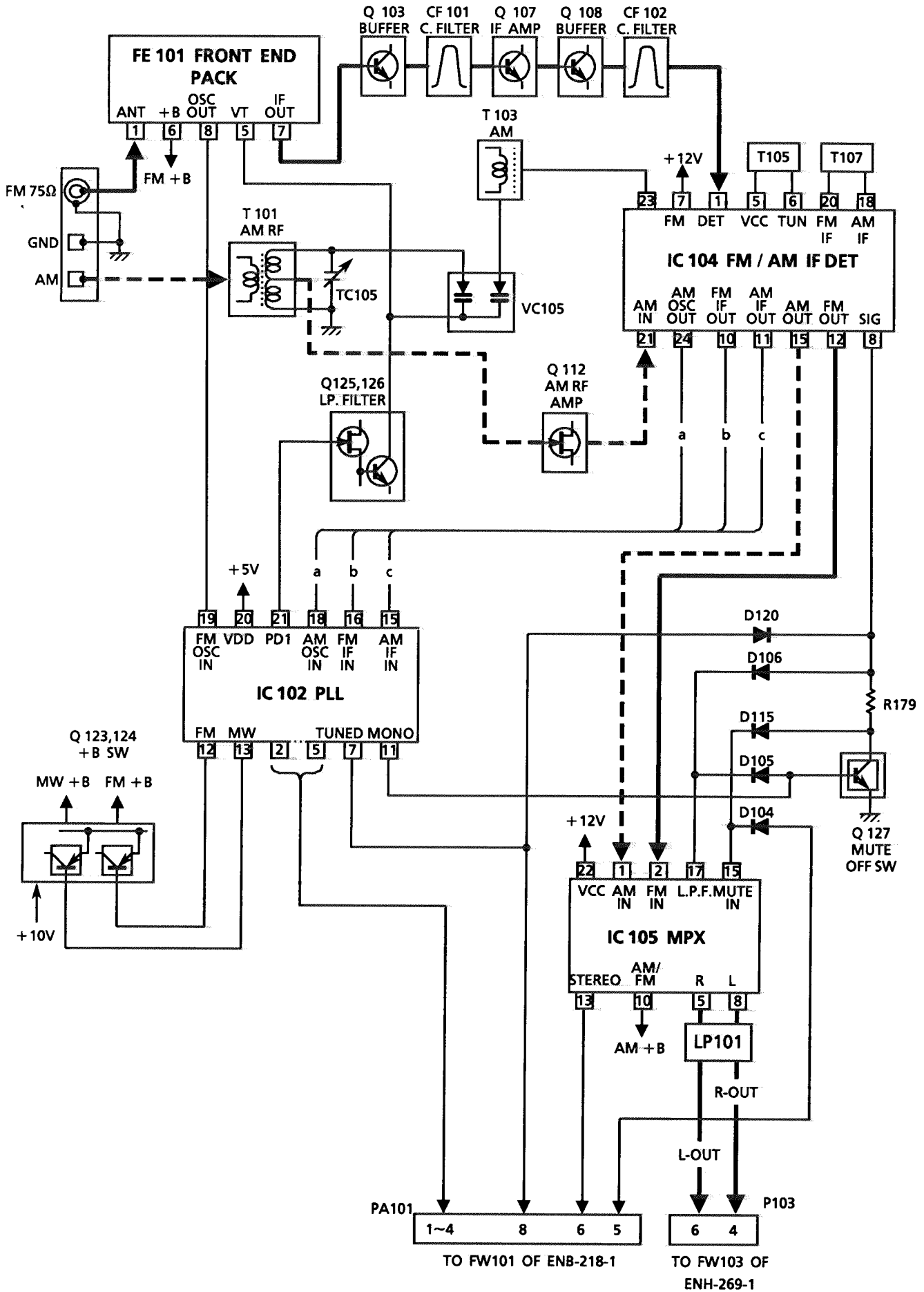
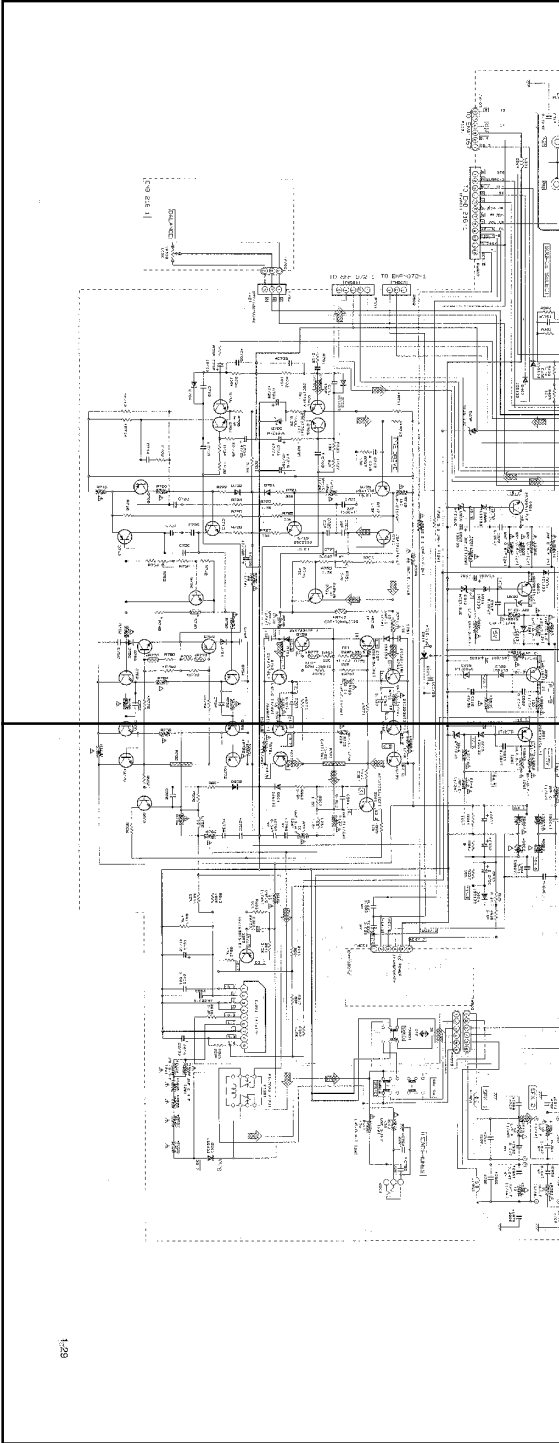


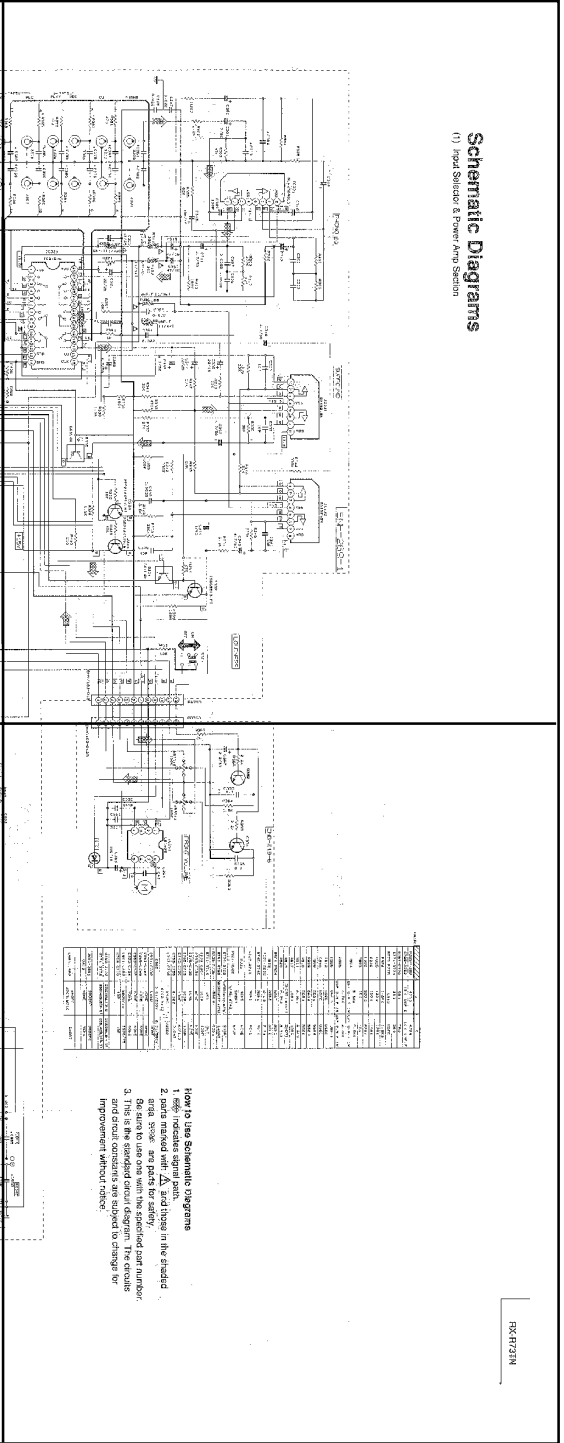
■ Tuner Section



P1-29-a



P1-29-b

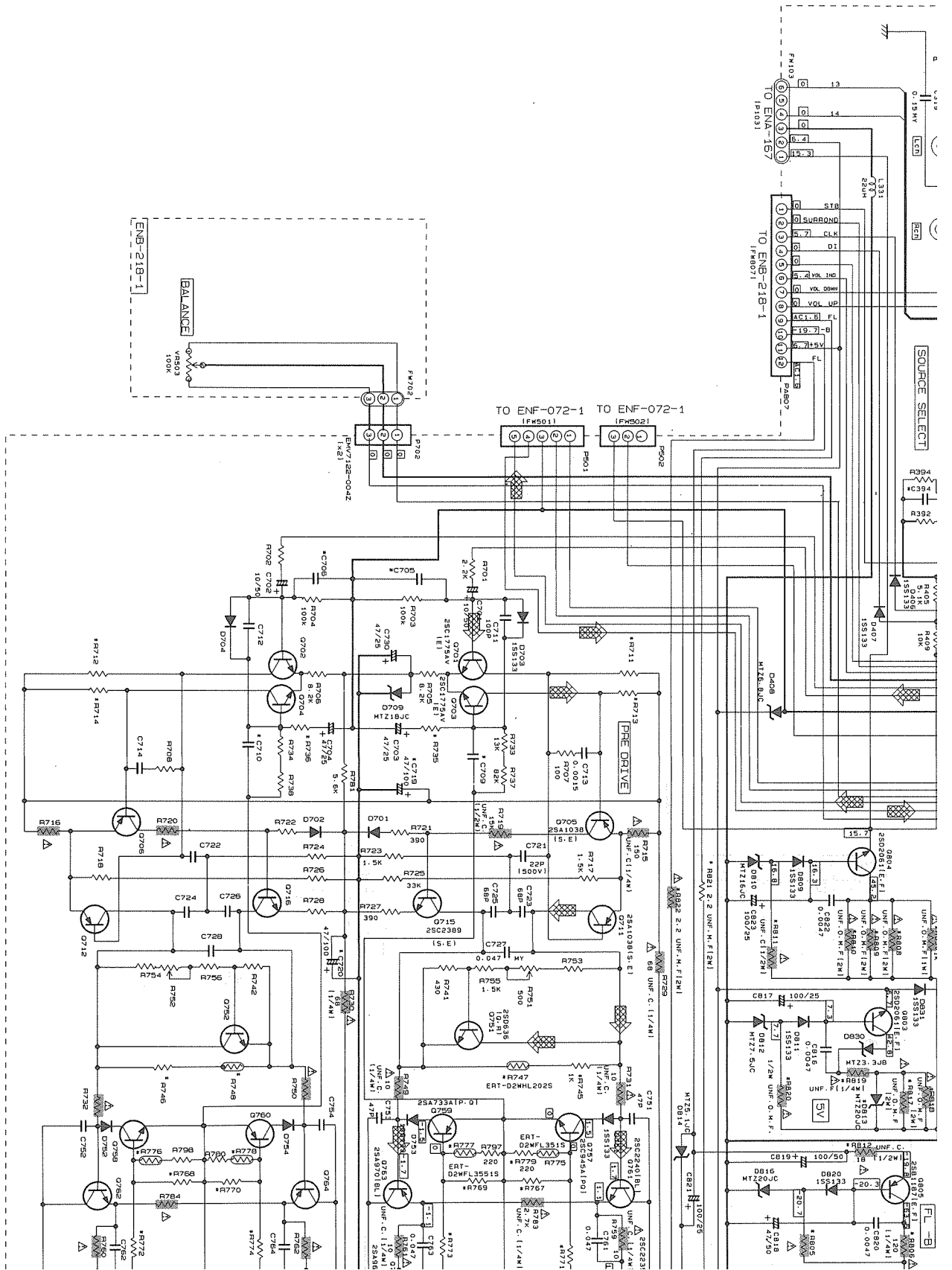


P1-29-c



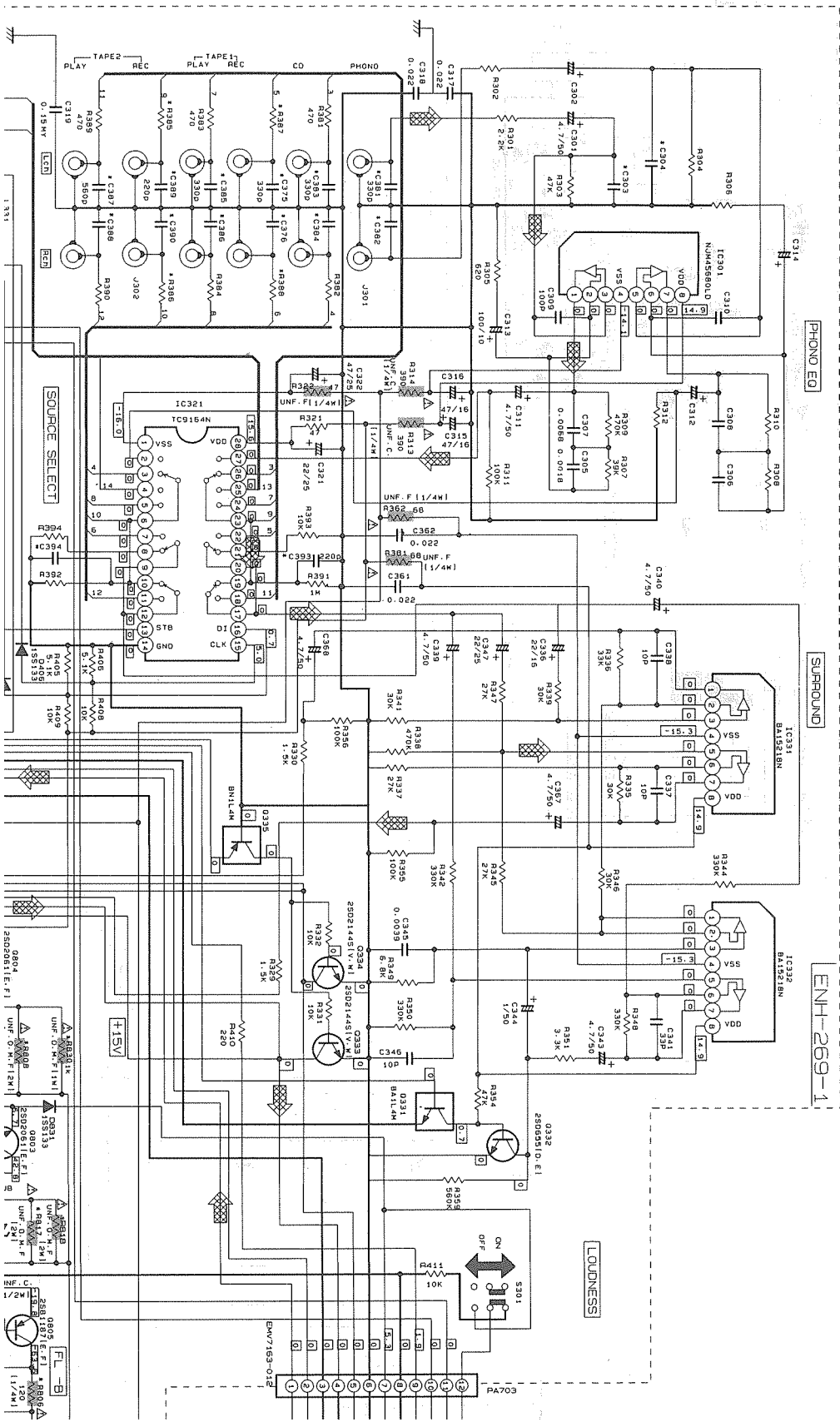
P1-29-d

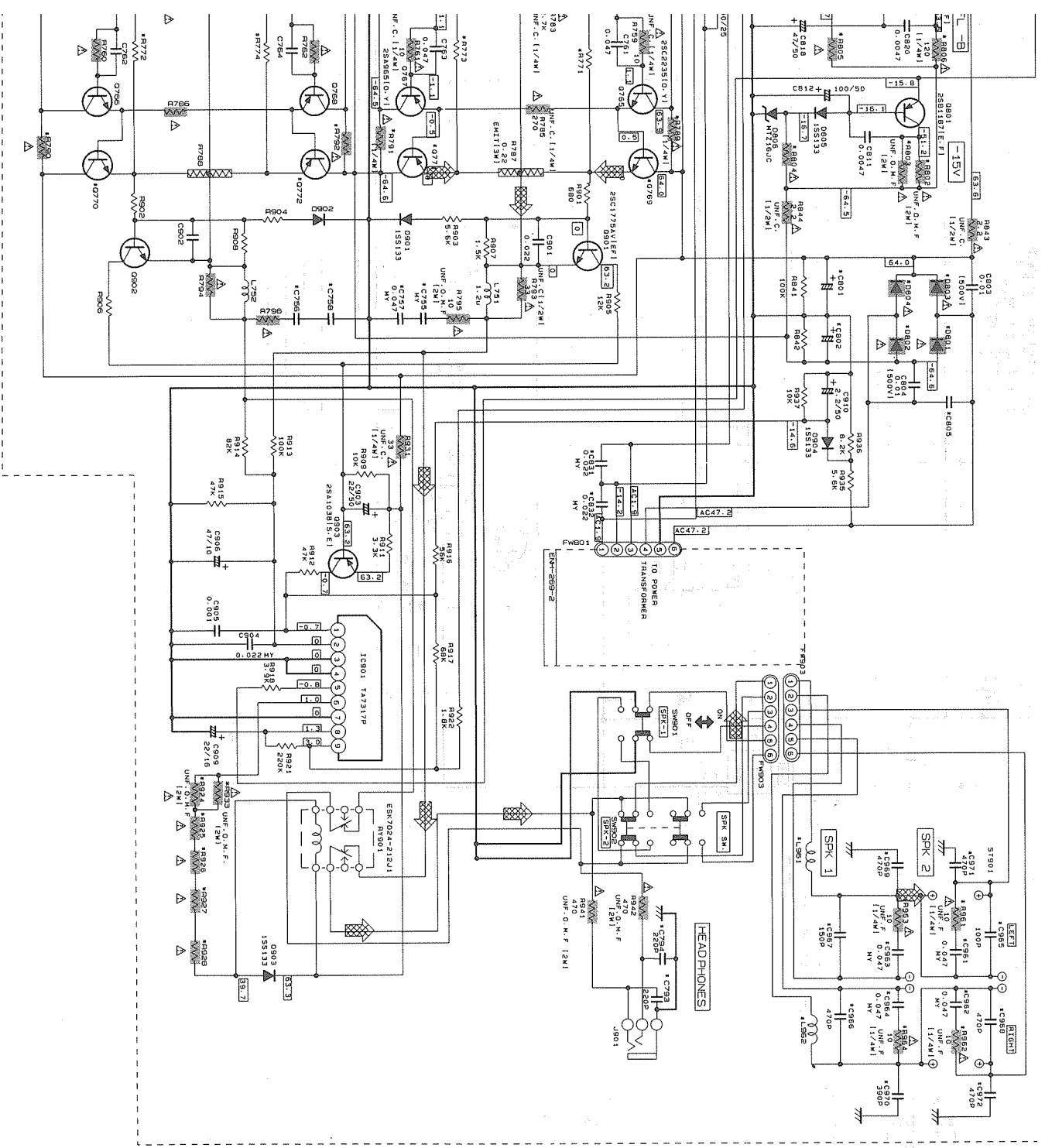


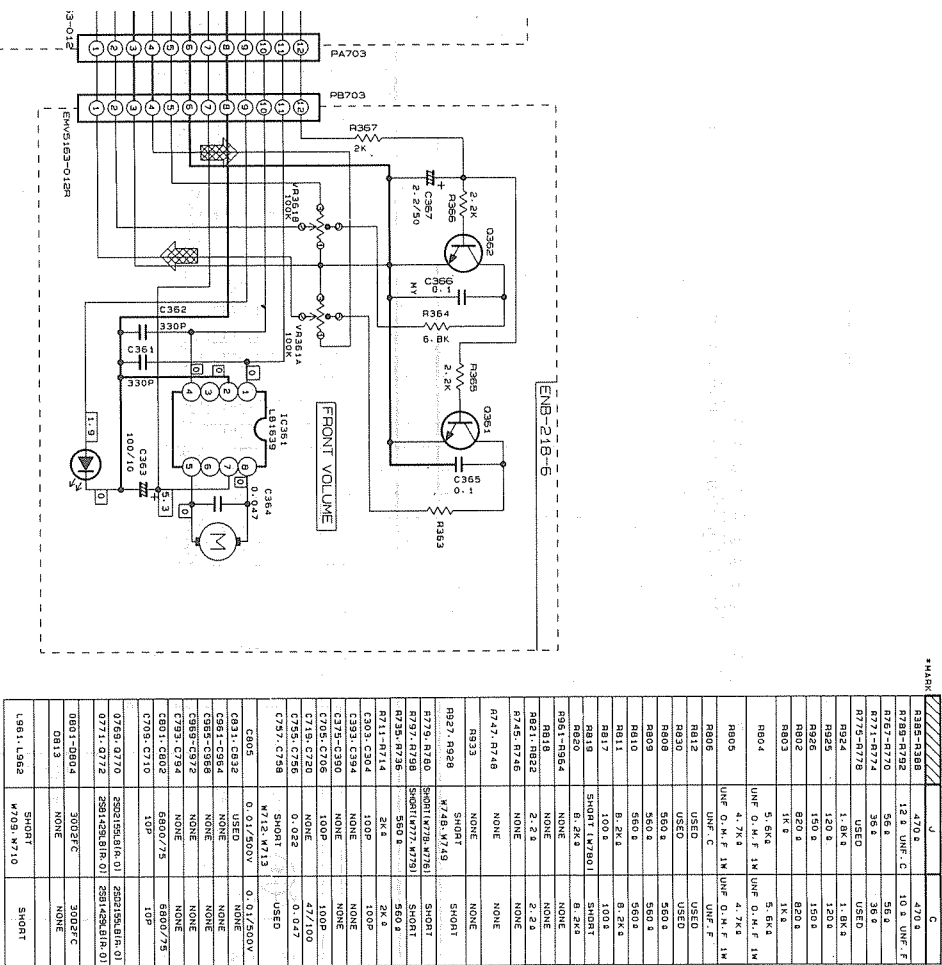


# Schematic Diagrams

(1) Input Selector & Power Amp Section

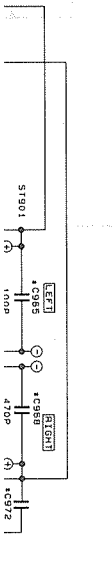




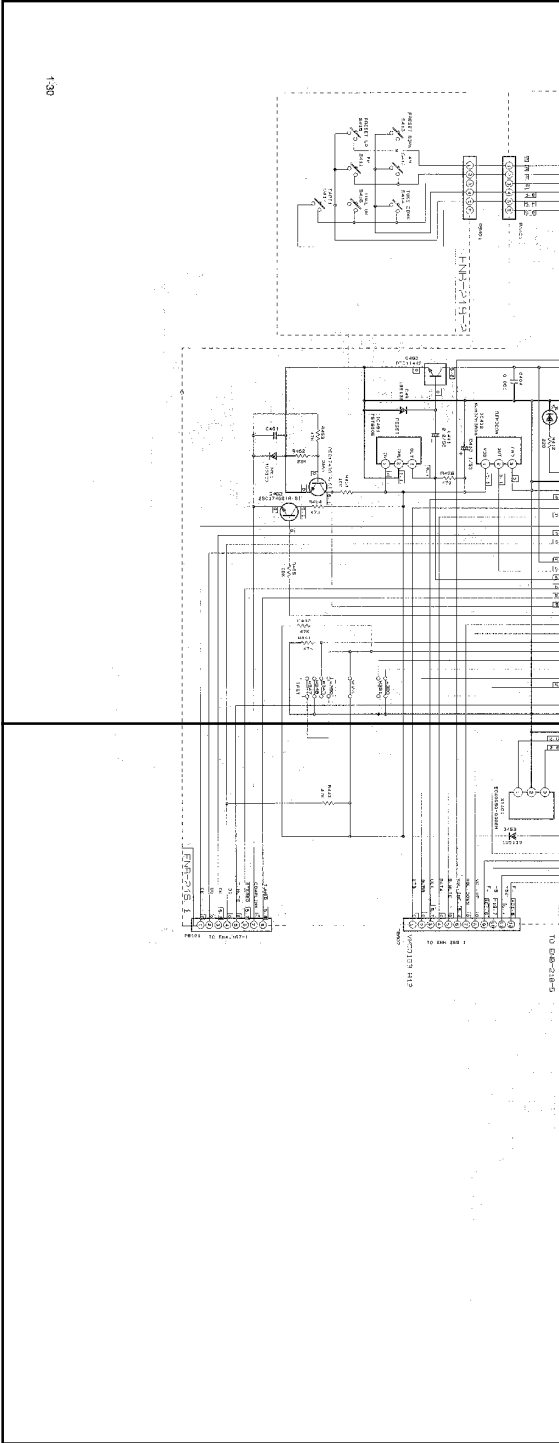


**How to Use Schematic Diagrams**

1. indicates signal path.
2. parts marked with and those in the shaded area are parts for safety.
3. This is the standard circuit diagram. The circuits and circuit constants are subject to change for improvement without notice.



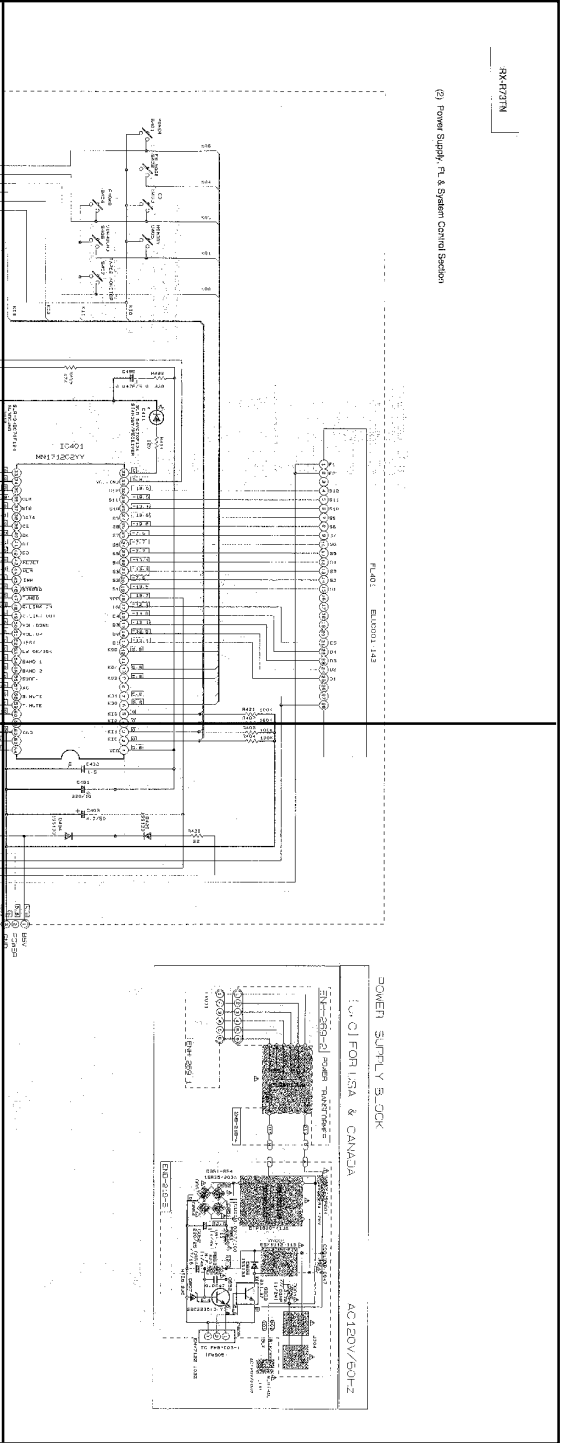
P1-30-a



1-30

P1-30-c

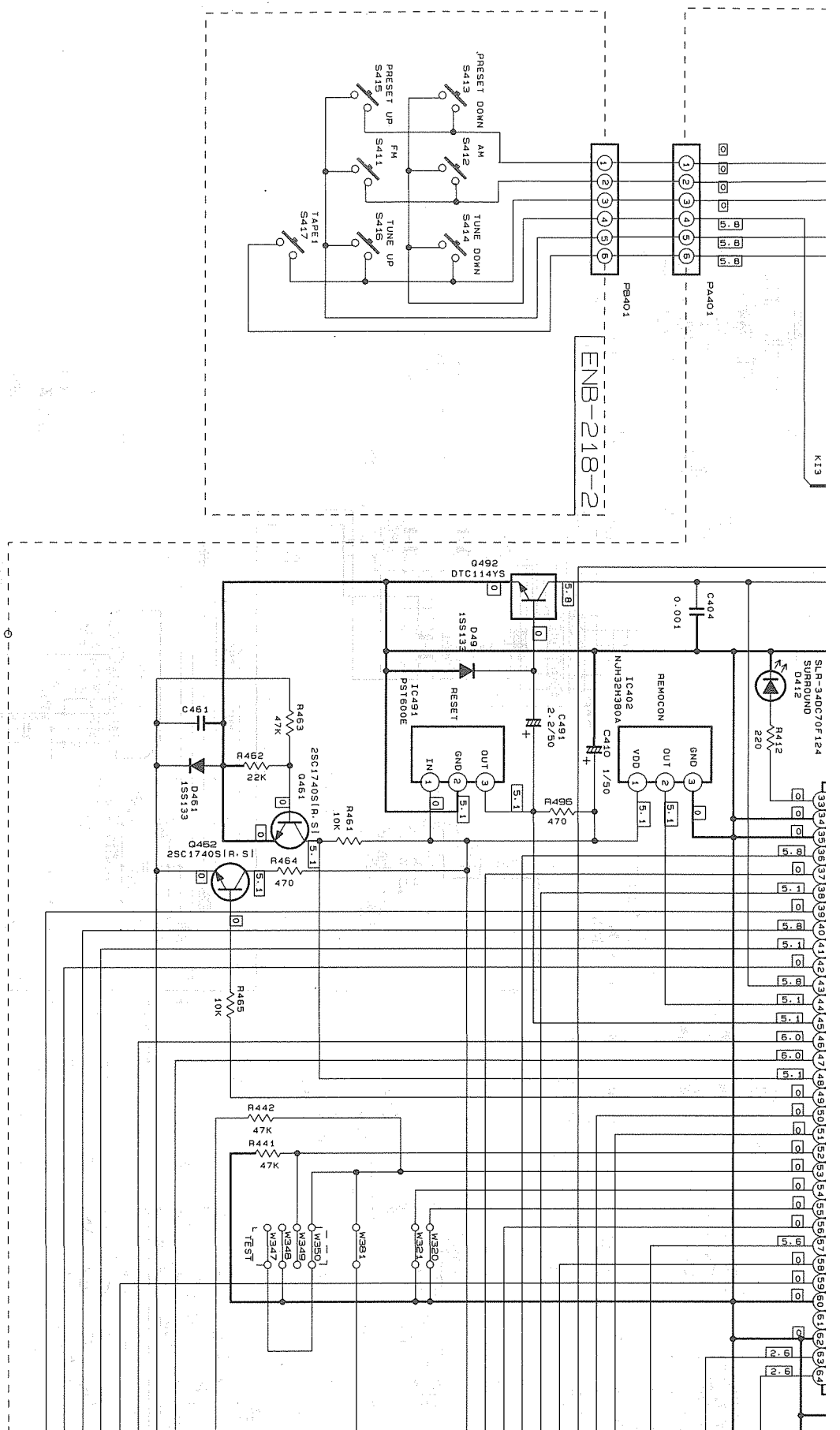
P1-30-b



Power Supply, RL & System Control Section

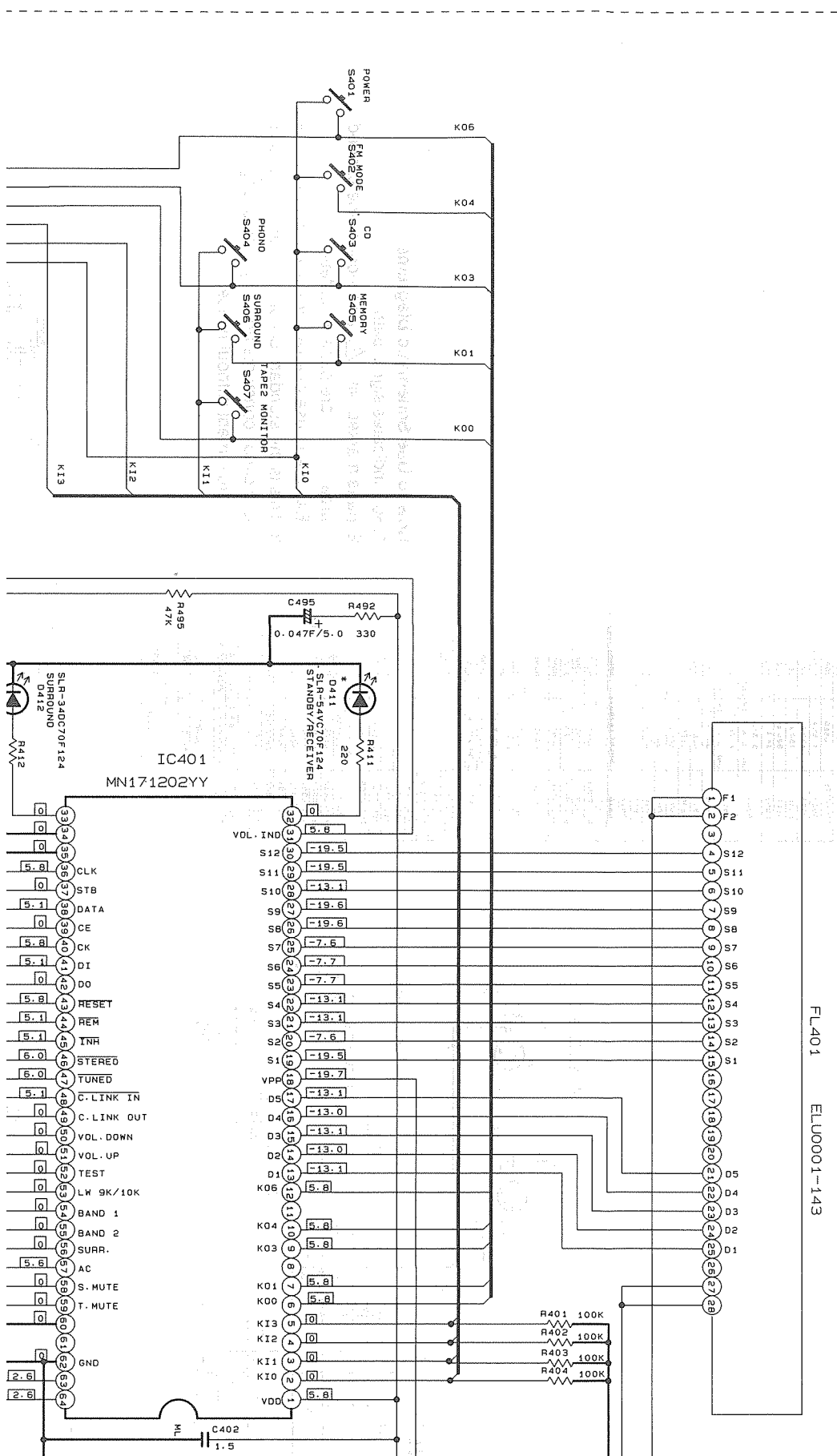
REVISION

P1-30-d

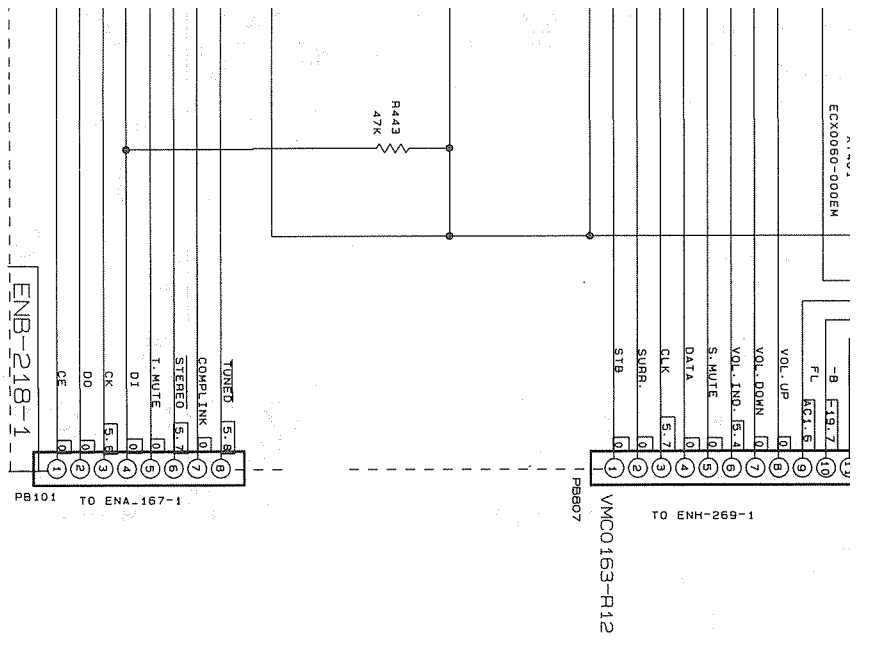




(2) Power Supply, FL & System Control Section

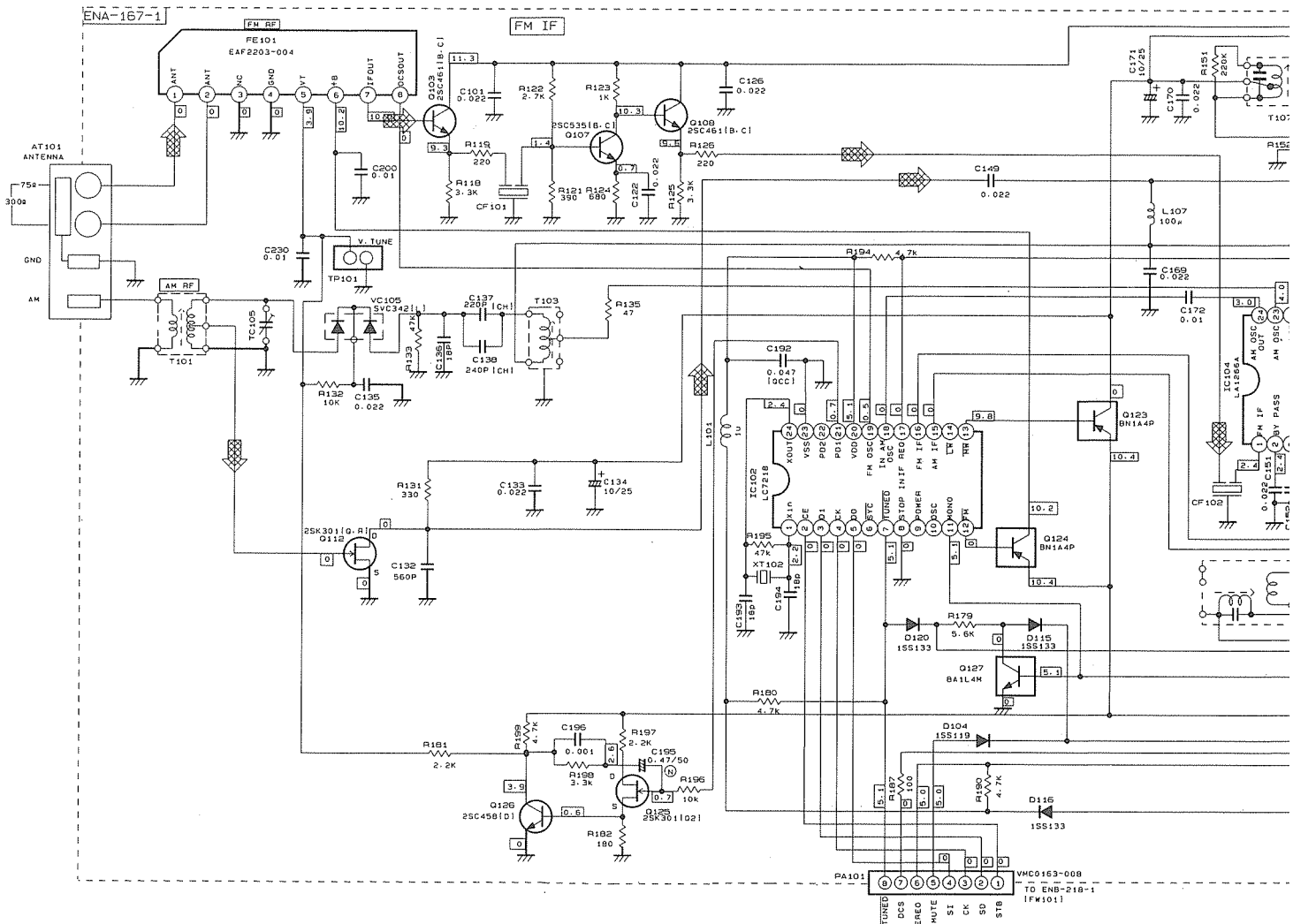


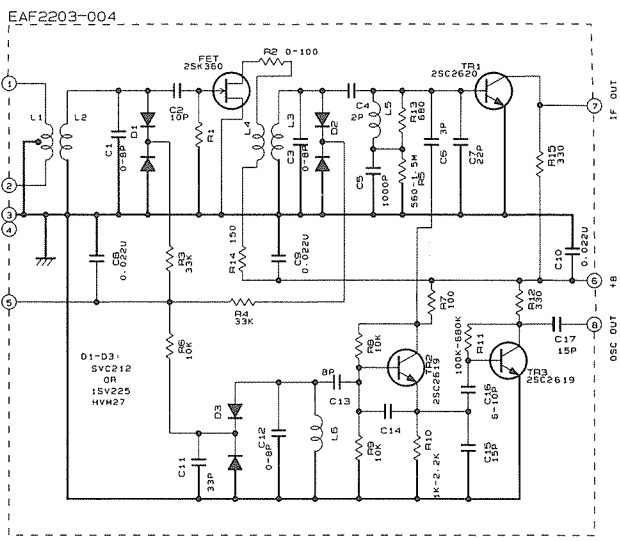
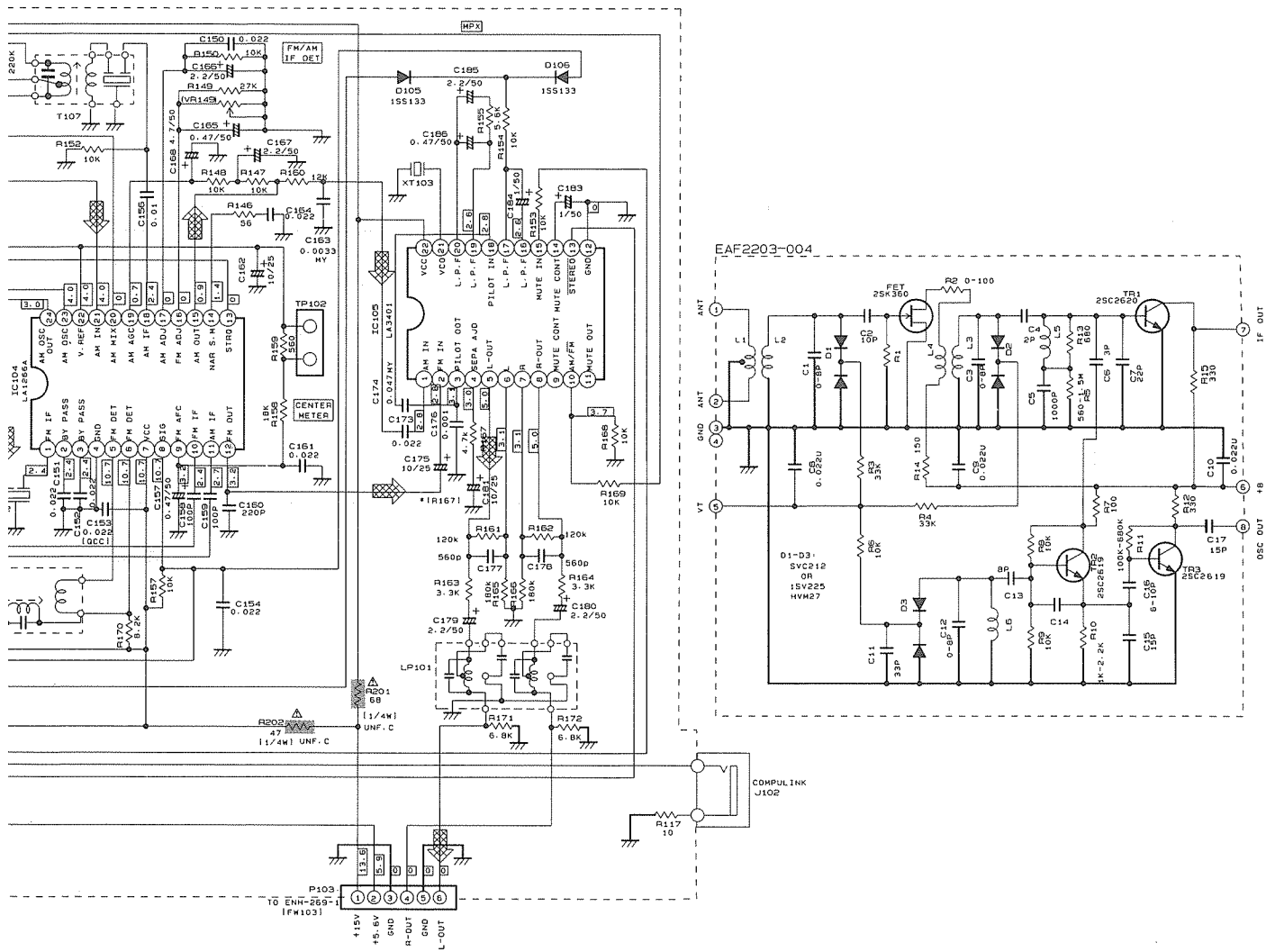
FL401 ELU0001-143





(3) Tuner Section





(4) S.E.A. Section

