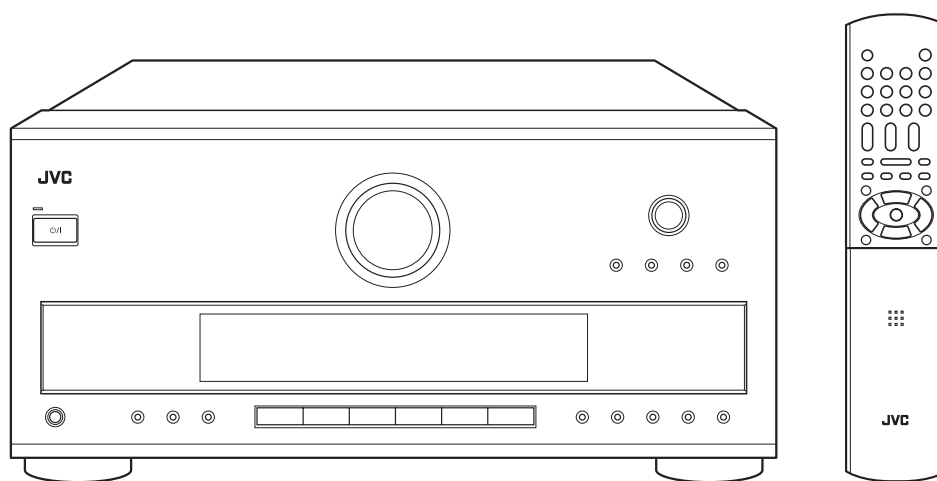


JVC

SERVICE MANUAL

AUDIO/VIDEO CONTROL RECEIVER

RX-V7000UF



AV COMPU LINK

Lead free solder used in the board (material : Sn-Ag-Cu, melting point : 219 Centigrade)

TABLE OF CONTENTS

1	PRECAUTION.....	1-3
2	SPECIFIC SERVICE INSTRUCTIONS.....	1-4
3	DISASSEMBLY.....	1-5
4	ADJUSTMENT.....	1-14
5	TROUBLESHOOTING.....	1-15

SPECIFICATION

Amplifier			
Output Power	At Stereo operation	Front channels	100 W per channel, min. RMS, driven into 8 Ω, at 1 kHz with no more than 0.8% total harmonic distortion (IEC268-3/DIN).
		Front channels	100 W per channel, min. RMS, driven into 8 Ω, at 1 kHz with no more than 0.8% total harmonic distortion.
	At Surround operation	Center channel	100 W, min. RMS, driven into 8 Ω, at 1 kHz with no more than 0.8% total harmonic distortion.
		Surround channels	100 W per channel, min. RMS, driven into 8 Ω, at 1 kHz with no more than 0.8% total harmonic distortion.
Audio	Audio Input Sensitivity/Impedance (1 kHz)		TAPE, VCR, TV SOUND/DBS, DVD:220 mV/47 kΩ
	Audio Input (DIGITAL IN)*	Coaxial	DIGITAL 1 (DVD):0.5 V(p-p)/75 Ω
		Optical	DIGITAL 2 (VCR), DIGITAL 3 (TV SOUND/DBS):-21 dBm to -15 dBm (660 nm ±30 nm)
	Recording Output Level		TAPE, VCR:220 mV
	Signal-to-Noise Ratio ('66 IHF/DIN)		TAPE, VCR, TV SOUND/DBS, DVD:96 dB/62 dB
	Frequency Response (8 Ω)		TAPE, VCR, TV SOUND/DBS, DVD:20 Hz to 50 kHz (+1 dB, -3 dB)
	Bass Boost		+4 dB ±1 dB at 100 Hz
	Equalization (5 bands)		63 Hz, 250 Hz, 1 kHz, 4 kHz, 16 kHz:±8 dB (in 2 dB steps)
Video	Video Input Sensitivity/Impedance	Composite video:DVD, VCR, DBS	1 V(p-p)/75 Ω
		S-video:DVD, VCR,DBS	(Y: luminance):1 V(p-p)/75 Ω (C: chrominance, burst):0.3 V(p-p)/75 Ω
		Component:DVD, VCR	(Y: luminance):1 V(p-p)/75 Ω (PB, PR):0.7 V(p-p)/75 Ω
	Video Output Level	Composite video:VCR, MONITOR OUT	1 V(p-p)/75 Ω
		S-video:VCR, MONITOR OUT	(Y: luminance):1 V(p-p)/75 Ω (C: chrominance, burst)0.3 V(p-p)/75 Ω
		Component:MONITOR OUT	(Y: luminance):1 V(p-p)/75 Ω (PB, PR):0.7 V(p-p)/75 Ω
	Synchronization		Negative
	Signal-to-Noise Ratio		45 dB
FM tuner (IHF)			
Tuning Range		87.50 MHz to 108.00 MHz	
Usable Sensitivity		Monaural:12.8 dBf (1.2 μV/75 Ω)	
50 dB Quieting Sensitivity		Monaural:16.0 dBf (1.7 μV/75 Ω) Stereo:37.5 dBf (20.5 μV/75 Ω)	
Stereo Separation at OUT (REC)		35 dB at 1 kHz	
AM tuner			
Tuning Range		531 kHz to 1 710 kHz (at 9 kHz intervals) 530 kHz to 1 710 kHz (at 10 kHz intervals)	
General			
Power Requirements		AC 220 V, 50 Hz	
Power Consumption		200 W (at operation) 0.9 W (in standby mode)	
Dimensions (W × H × D)		435 mm × 200 mm × 425 mm	
Mass		11.4 kg	

* : Corresponding to Linear PCM, Dolby Digital, and DTS Digital Surround (with sampling frequency -32 kHz, 44.1 kHz, 48 kHz)

Designs and Specifications are subject to change without notice.

SECTION 1 PRECAUTION

1.1 Safety Precautions

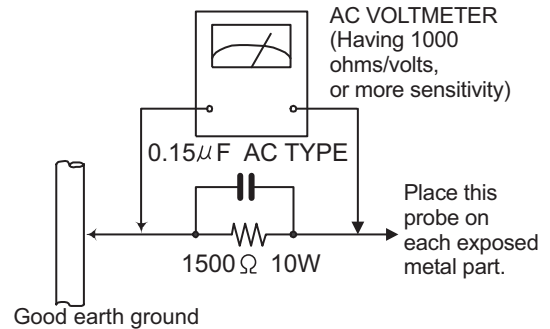
- (1) This design of this product contains special hardware and many circuits and components specially for safety purposes. For continued protection, no changes should be made to the original design unless authorized in writing by the manufacturer. Replacement parts must be identical to those used in the original circuits. Services should be performed by qualified personnel only.
- (2) Alterations of the design or circuitry of the product should not be made. Any design alterations of the product should not be made. Any design alterations or additions will void the manufacturer's warranty and will further relieve the manufacturer of responsibility for personal injury or property damage resulting therefrom.
- (3) Many electrical and mechanical parts in the products have special safety-related characteristics. These characteristics are often not evident from visual inspection nor can the protection afforded by them necessarily be obtained by using replacement components rated for higher voltage, wattage, etc. Replacement parts which have these special safety characteristics are identified in the Parts List of Service Manual. Electrical components having such features are identified by shading on the schematics and by (Δ) on the Parts List in the Service Manual. The use of a substitute replacement which does not have the same safety characteristics as the recommended replacement parts shown in the Parts List of Service Manual may create shock, fire, or other hazards.
- (4) The leads in the products are routed and dressed with ties, clamps, tubings, barriers and the like to be separated from live parts, high temperature parts, moving parts and/or sharp edges for the prevention of electric shock and fire hazard. When service is required, the original lead routing and dress should be observed, and it should be confirmed that they have been returned to normal, after reassembling.
- (5) Leakage shock hazard testing

After reassembling the product, always perform an isolation check on the exposed metal parts of the product (antenna terminals, knobs, metal cabinet, screw heads, headphone jack, control shafts, etc.) to be sure the product is safe to operate without danger of electrical shock. Do not use a line isolation transformer during this check.

 - Plug the AC line cord directly into the AC outlet. Using a "Leakage Current Tester", measure the leakage current from each exposed metal part of the cabinet, particularly any exposed metal part having a return path to the chassis, to a known good earth ground. Any leakage current must not exceed 0.5mA AC (r.m.s.).
 - Alternate check method
Plug the AC line cord directly into the AC outlet. Use an AC voltmeter having, 1,000 Ω per volt or more sensitivity in the following manner. Connect a 1,500 Ω 10W resistor paralleled by a 0.15 μ F AC-type capacitor between an exposed metal part and a known good earth ground. Measure the AC voltage across the resistor with the AC

voltmeter.

Move the resistor connection to each exposed metal part, particularly any exposed metal part having a return path to the chassis, and measure the AC voltage across the resistor. Now, reverse the plug in the AC outlet and repeat each measurement. Voltage measured any must not exceed 0.75 V AC (r.m.s.). This corresponds to 0.5 mA AC (r.m.s.).



1.2 Warning

- (1) This equipment has been designed and manufactured to meet international safety standards.
- (2) It is the legal responsibility of the repairer to ensure that these safety standards are maintained.
- (3) Repairs must be made in accordance with the relevant safety standards.
- (4) It is essential that safety critical components are replaced by approved parts.
- (5) If mains voltage selector is provided, check setting for local voltage.

1.3 Caution

Burrs formed during molding may be left over on some parts of the chassis.
Therefore, pay attention to such burrs in the case of pre-forming repair of this system.

1.4 Critical parts for safety

In regard with component parts appearing on the silk-screen printed side (parts side) of the PWB diagrams, the parts that are printed over with black such as the resistor (\blacksquare), diode (\blacksquare) and ICP (\bullet) or identified by the " Δ " mark nearby are critical for safety. When replacing them, be sure to use the parts of the same type and rating as specified by the manufacturer. (This regulation does not Except the J and C version)

SECTION 2 SPECIFIC SERVICE INSTRUCTIONS

This service manual does not describe SPECIFIC SERVICE INSTRUCTIONS.

SECTION 3 DISASSEMBLY

3.1 Removing the top cover (See Fig.1)

- (1) From the right and left sides of the main body, remove the four screws **A** attaching the top cover.
- (2) From the top side of the main body, remove the six screws **A'** attaching the top cover.
- (3) From the back side of the main body, remove the six screws **B** attaching the top cover.
- (4) Remove the top cover in the direction of the arrow 2 while extending the lower sections of the top cover in the direction of the arrow 1.

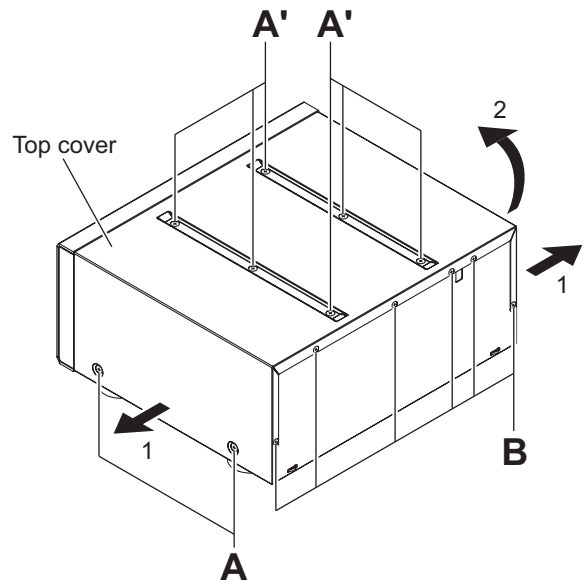


Fig.1

3.2 Removing the front panel assembly (See Figs.2 and 3)

- Prior to performing the following procedure, remove the top cover.
 - (1) From the top side of the main body, disconnect the card wire from the connector [CN402](#) on the front board. (See Fig.2)
 - (2) Disconnect the card wire from the connector [CN201](#) on the power supply board. (See Fig.2)
 - (3) Remove the wire protection board fixing the card wire. (See Fig.2)
 - (4) Remove the four screws **C** attaching the front panel assembly. (See Fig.2)
 - (5) Remove the four screws **D** attaching the stay bracket. (See Fig.2)
 - (6) From the bottom side of the main body, remove the four screws **E** attaching the front panel assembly. (See Fig.3)
 - (7) Remove the front panel assembly in the direction of the arrow. (See Fig.3)

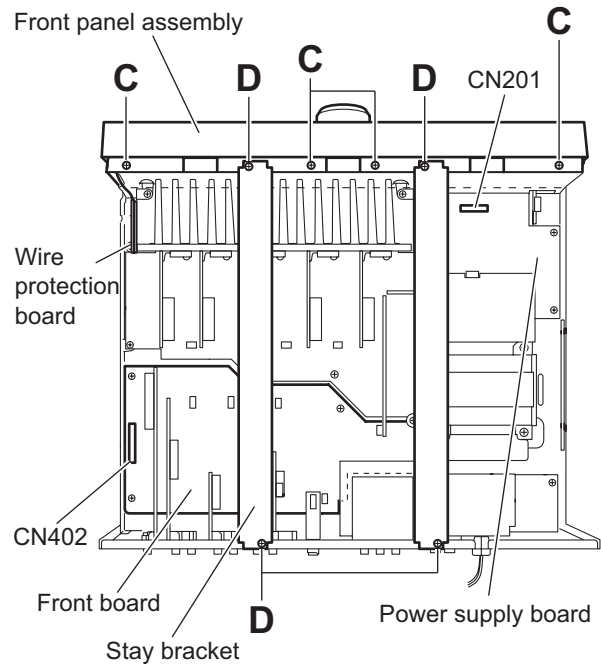


Fig.2

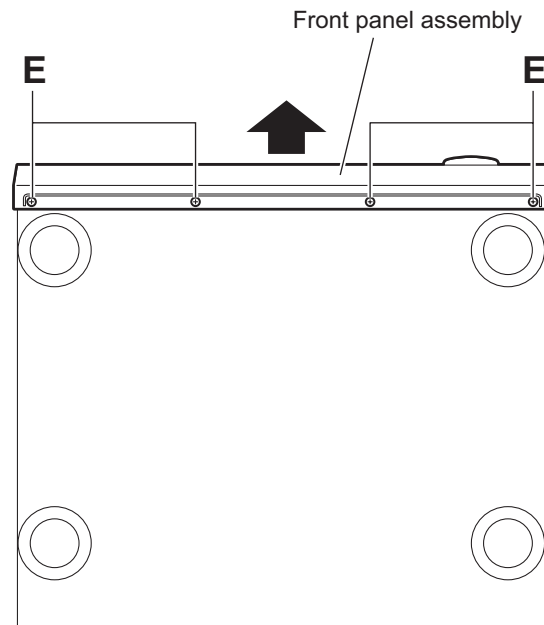


Fig.3

3.3 Removing the rear panel (See Fig.4)

- Prior to performing the following procedure, remove the top cover and stay bracket.
 - (1) From the back side of the main body, remove the strain relief from the rear panel in the direction of the arrow.
 - (2) Remove the thirty screws **F** attaching the rear panel.

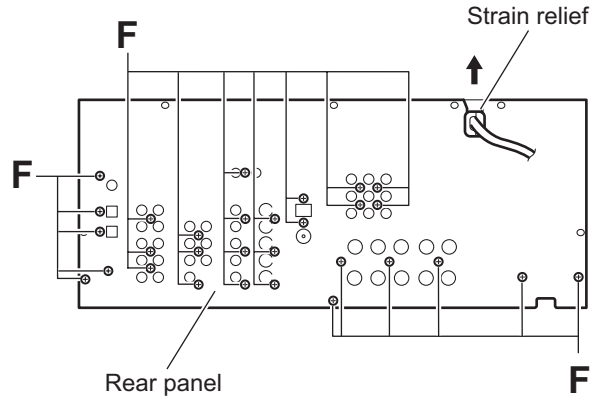


Fig.4

3.4 Removing the component board and tuner unit (See Figs.5 and 6)

- Prior to performing the following procedure, remove the top cover and stay bracket.
 - (1) From the top side of the main body, disconnect the parallel wire from the connector **CN511** on the S-video board. (See Fig.5)
 - (2) From the back side of the main body, remove the four screws **G** attaching the component board. (See Fig.6)
 - (3) From the top side of the main body, disconnect the card wire from the connector **CN1** on the tuner unit. (See Fig.5)
 - (4) From the back side of the main body, remove the two screws **H** attaching the tuner unit. (See Fig.6)

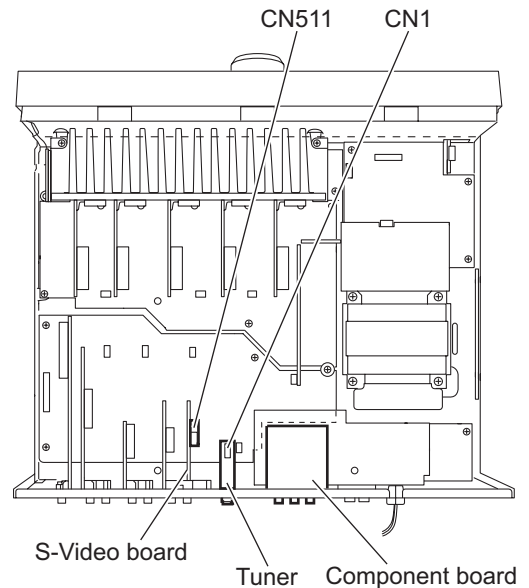


Fig.5

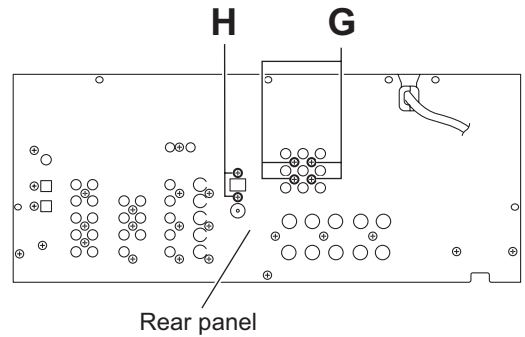


Fig.6

3.5 Removing the DSP board, audio input board, DVD board and video board (See Fig.7)

- Prior to performing the following procedure, remove the top cover, stay bracket and rear panel.
 - (1) From the top side of the main body, disconnect the DSP board from the connector [CN481](#) on the front board.
 - (2) Disconnect the audio input board from the connector [CN421](#) on the front board.
 - (3) Disconnect the DVD board from the connector [CN431](#) on the front board.
 - (4) Disconnect the video board from the connector [CN441](#) on the front board.

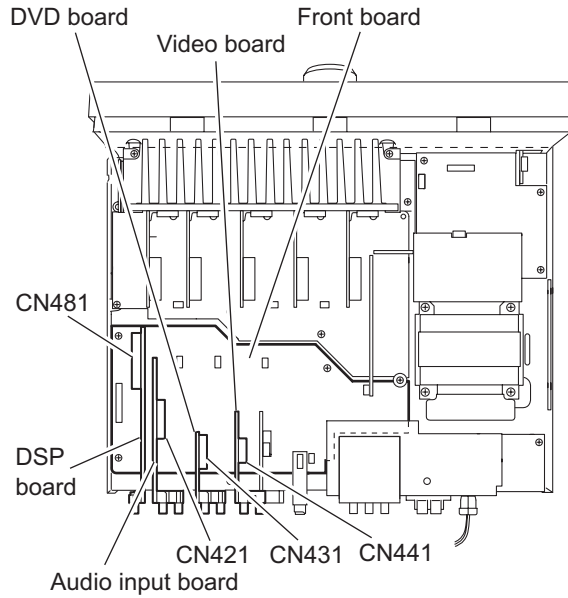


Fig.7

3.6 Removing the S-video board (See Fig.8)

- Prior to performing the following procedure, remove the top cover, stay bracket and rear panel.
 - (1) From the top side of the main body, disconnect the parallel wire from the connector [CN511](#) on the S-video board.
 - (2) Disconnect the S-video board from the connector [CN461](#) on the front board.

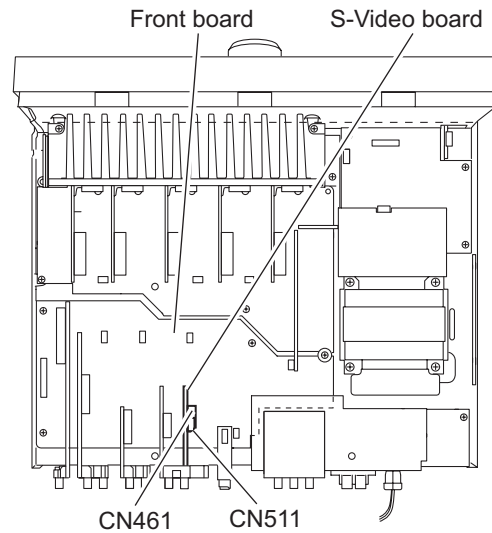


Fig.8

3.7 Removing the front board (See Fig.9)

- Prior to performing the following procedure, remove the top cover, rear panel, stay bracket, component video board, DSP board, audio input board, DVD board, video board, S-video board and tuner unit.
 - (1) From the top side of the main body, disconnect the card wire from the connector [CN402](#) on the front board.
 - (2) Disconnect the relay board from the connector [CN491](#) on the front board.
 - (3) Disconnect the wires from the connectors [CN471](#), [CN472](#) and [CN473](#) on the front board.
 - (4) Remove the three screws **J** attaching the front board.
 - (5) Loosen the screw **K** attaching the front board.

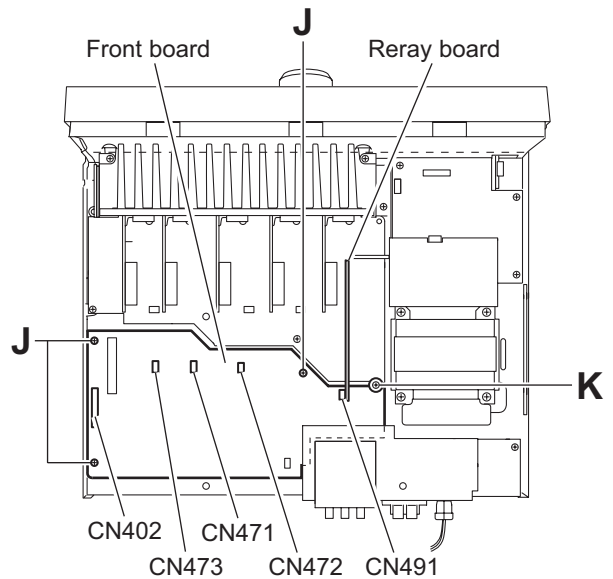


Fig.9

3.8 Removing the speaker terminal board (See Fig.10)

- Prior to performing the following procedure, remove the top cover, stay bracket, component board and rear panel.
 - (1) From the top side of the main body, remove the solders from the soldered sections **a** on the speaker terminal board.

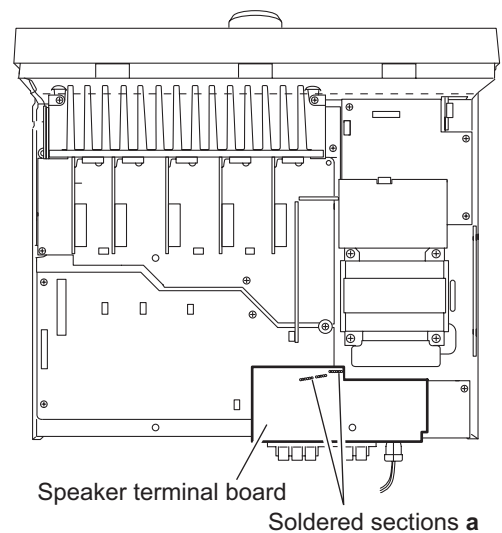


Fig.10

3.9 Removing the main board (See Fig.11)

- Prior to performing the following procedure, remove the top cover and stay bracket.
- (1) From the top side of the main body, remove the solders from the soldered section **b** on the speaker terminal board attaching the parallel wires.
- (2) Disconnect the relay board from the connectors [CN291](#) and [CN491](#) on the power supply board and front board.
- (3) Disconnect the parallel wire from the connector [CN241](#) on the power supply board.
- (4) Disconnect the wire from the connector [CN251](#) on the power transformer board 1.
- (5) Disconnect the wires from the connectors [CN471](#), [CN472](#) and [CN473](#) on the front board.
- (6) Remove the screw **M**, two screws **N** and four screws **P** attaching the main board.

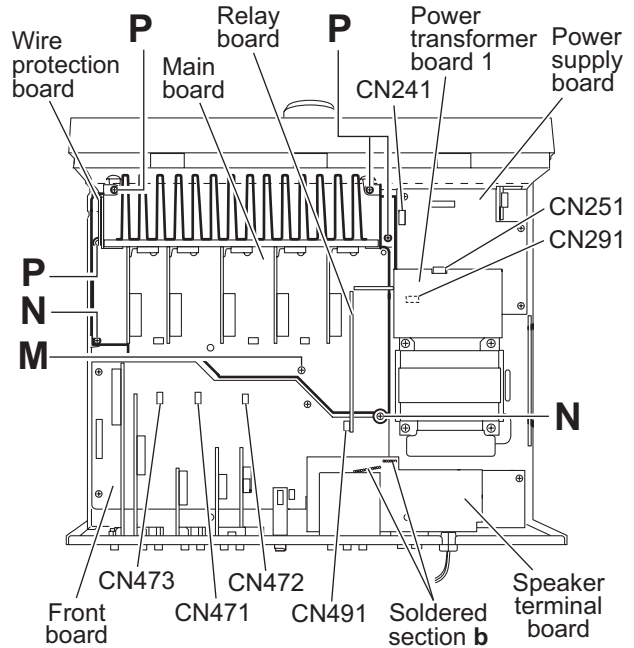


Fig.11

3.10 Removing the heat sink (See Figs.12 and 13)

- Prior to performing the following procedure, remove the top cover, stay bracket and main board.
- (1) Remove the ten screws **Q** attaching the heat sink of the main board. (See Fig.12)
- (2) From the reverse side of the main board, remove the two screws **R** attaching the heat sink. (See Fig.13)

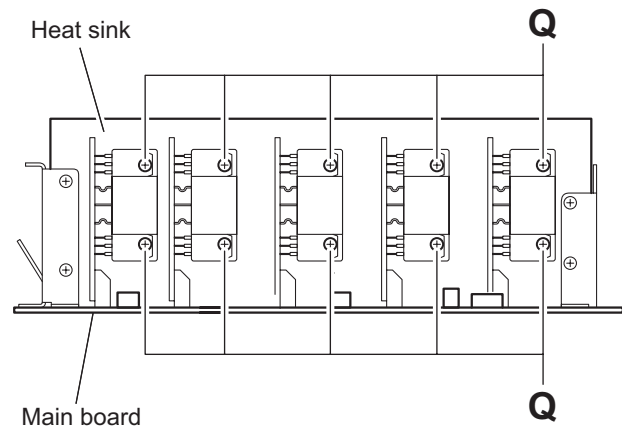


Fig.12

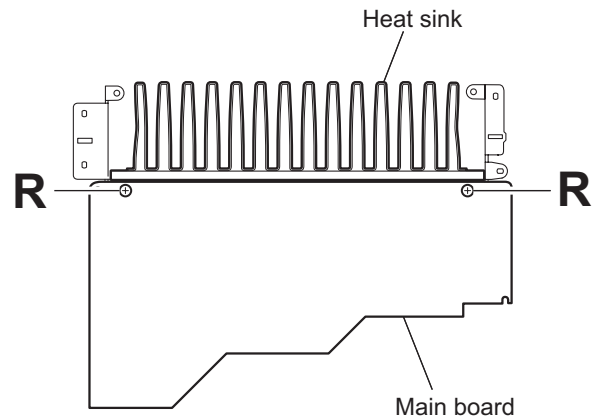


Fig.13

3.11 Removing the center amp. board, front amp. boards (L/R) and rear amp. boards (L/R)
(See Figs.12 and 14)

- Prior to performing the following procedure, remove the top cover, stay bracket and main board.
- (1) Remove the ten screws **Q** attaching the heat sink of the main board. (See Fig.12)
- (2) Disconnect the center amp. board from the connector [CN321](#) on the main board. (See Fig.14)
- (3) Disconnect the front amp. board (L) from the connector [CN311](#) on the main board. (See Fig.14)
- (4) Disconnect the front amp. board (R) from the connector [CN312](#) on the main board. (See Fig.14)
- (5) Disconnect the rear amp. board (L) from the connector [CN331](#) on the main board. (See Fig.14)
- (6) Disconnect the rear amp. board (R) from the connector [CN332](#) on the main board. (See Fig.14)

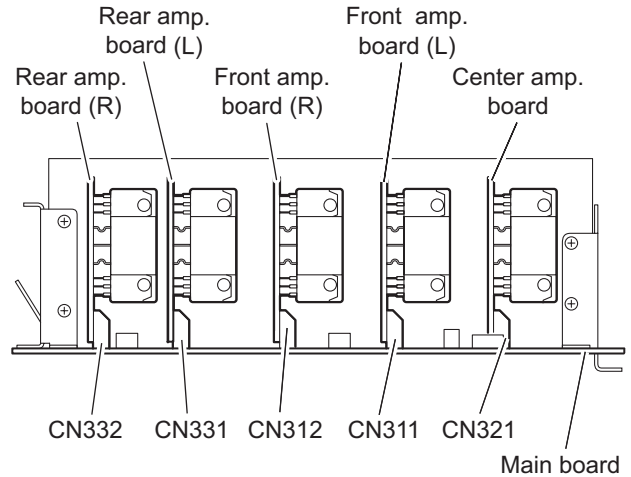


Fig.14

3.12 Removing the power transformer
(See Fig.15)

- Prior to performing the following procedure, remove the top cover and stay bracket.
- (1) From the top side of the main body, remove the solders from the soldered section **c** on the power transformer board 1.
- (2) Remove the solders from the soldered sections **d** on the power transformer board 2.
- (3) Disconnect the wire from the connector [CN251](#) on the power transformer board 1.
- (4) Remove the four screws **S** attaching the power transformer.

3.13 Removing the power/fuse board
(See Fig.15)

- Prior to performing the following procedure, remove the top cover and stay bracket.
- (1) From the back and top sides of the main body, remove the screw **T** and screw **U** attaching the power/fuse board.
- (2) Remove the solders from the soldered sections **e** attaching the power cord.
- (3) From the reverse side of the power/fuse board, remove the solders from the soldered sections **f** attaching the wires.

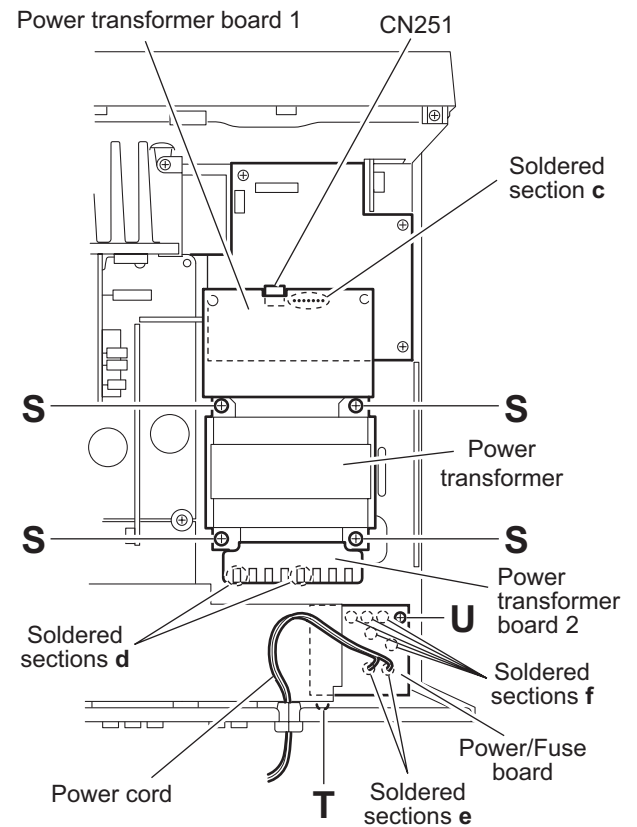


Fig.15

3.14 Removing the power supply board
(See Fig.16)

- Prior to performing the following procedure, remove the top cover and stay bracket.
- (1) From the top side of the main body, disconnect the parallel wires from the connectors [CN203](#) and [CN241](#) on the power supply board.
- (2) Disconnect the card wire from the connector [CN201](#) on the power supply board.

- (3) Disconnect the relay board from the connector [CN291](#) on the power supply board.
- (4) Disconnect the parallel wire from the connector [CN101](#) on the headphone jack board.
- (5) Remove the solders from the soldered section **c** on the power transformer board 1.

- (6) Remove the two screws **V** and the screw **W** attaching the power supply board.
- (7) Remove the power supply board from the hook **g** of the chassis base bracket in the direction of the arrow, take out the power supply board.
- (8) Turn over the power supply board, remove the solders from the soldered sections **h** attaching the wires.

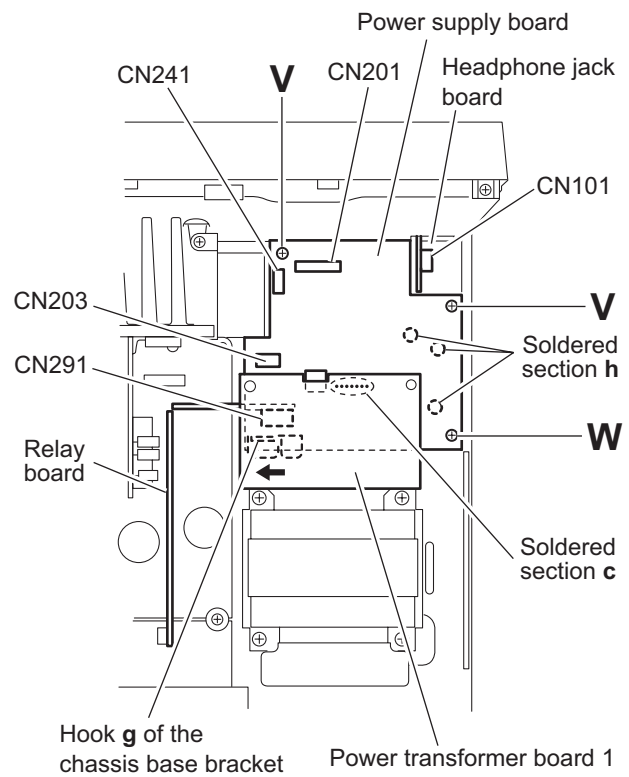


Fig.16

3.15 Removing the headphone jack board (See Fig.17)

- Prior to performing the following procedure, remove the top cover, stay bracket and front panel assembly.
 - (1) From the top side of the main body, disconnect the parallel wire from the connector **CN101** on the headphone jack board.
 - (2) From the front side of the main body, remove the nut and screw **X** attaching the bracket (phones) to the chassis base.

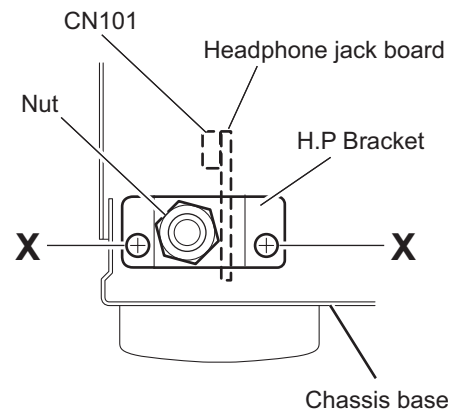


Fig.17

3.16 Removing the system control board (See Fig.18)

- Prior to performing the following procedure, remove the top cover, stay bracket and front panel assembly.
 - (1) From the back side of the front panel assembly, remove the seven screws **Y** attaching the system control board.
 - (2) Disconnect the parallel wires from the connectors [CN705](#), [CN707](#) and [CN714](#) on the volume board, jog board and power switch board.
 - (3) Disconnect the wire from the connector [CN706](#) on the switch board.

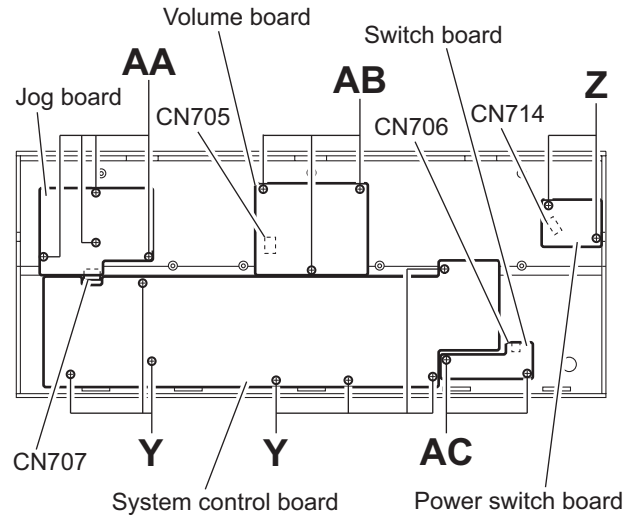


Fig.18

3.17 Removing the jog board, volume board, power switch board and switch board (See Figs. 18 and 19)

- Prior to performing the following procedure, remove the top cover, stay bracket, front panel assembly and system control board.
 - (1) From the back side of the front panel assembly, remove the two screws **Z** attaching the power switch board. (See Fig.18)
 - (2) Remove the four screws **AA** attaching the jog board. (See Fig.18)
 - (3) Remove the three screws **AB** attaching the volume board. (See Fig.18)
 - (4) Remove the two screws **AC** attaching the switch board. (See Fig.18)
 - (5) Pull out the volume and jog knobs from the front side of the front panel assembly, remove the nut attaching the front panel assembly. (See Fig.19)

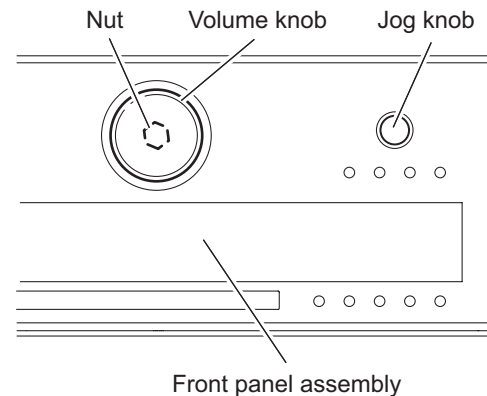


Fig.19

SECTION 4 ADJUSTMENT

This service manual does not describe ADJUSTMENT.

SECTION 5 TROUBLESHOOTING

This service manual does not describe TROUBLESHOOTING.



JVC

Victor Company of Japan, Limited
Audio/Video Systems Category 10-1,1chome,Ohwatari-machi,Maebashi-city,371-8543,Japan

(No.MB502)

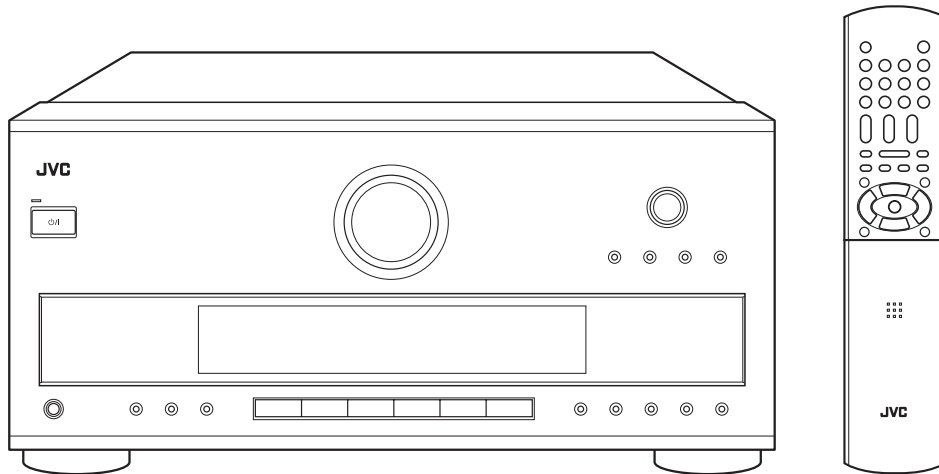
JVC

SCHEMATIC DIAGRAMS

AUDIO/VIDEO CONTROL RECEIVER

RX-V7000UF

CD-ROM No.SML200601



AV COMPU LINK

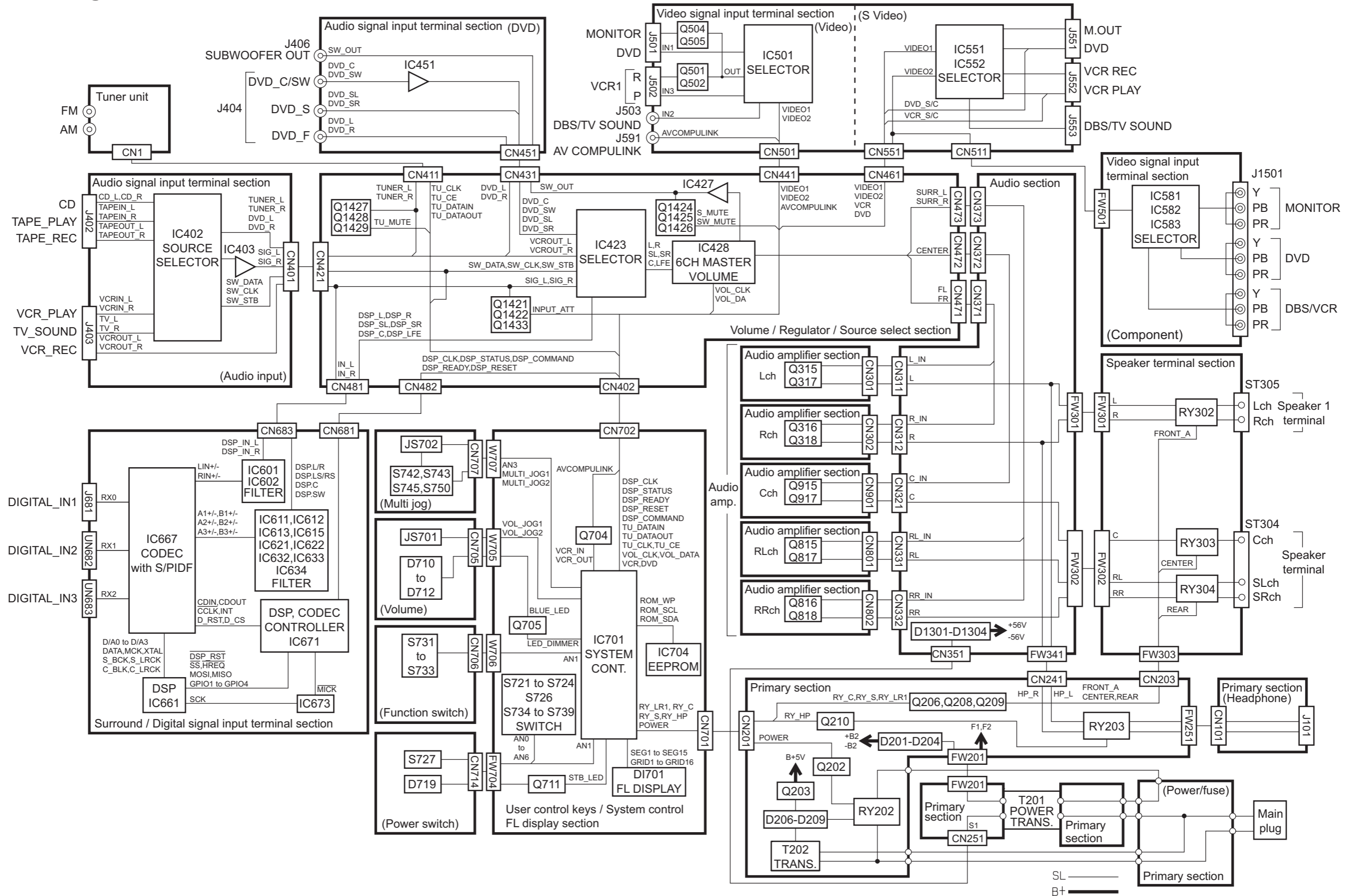
Lead free solder used in the board (material : Sn-Ag-Cu, melting point : 219 Centigrade)

Contents

Block diagrams	2-1
Standard schematic diagrams	2-2
Printed circuit boards	2-10 to 14

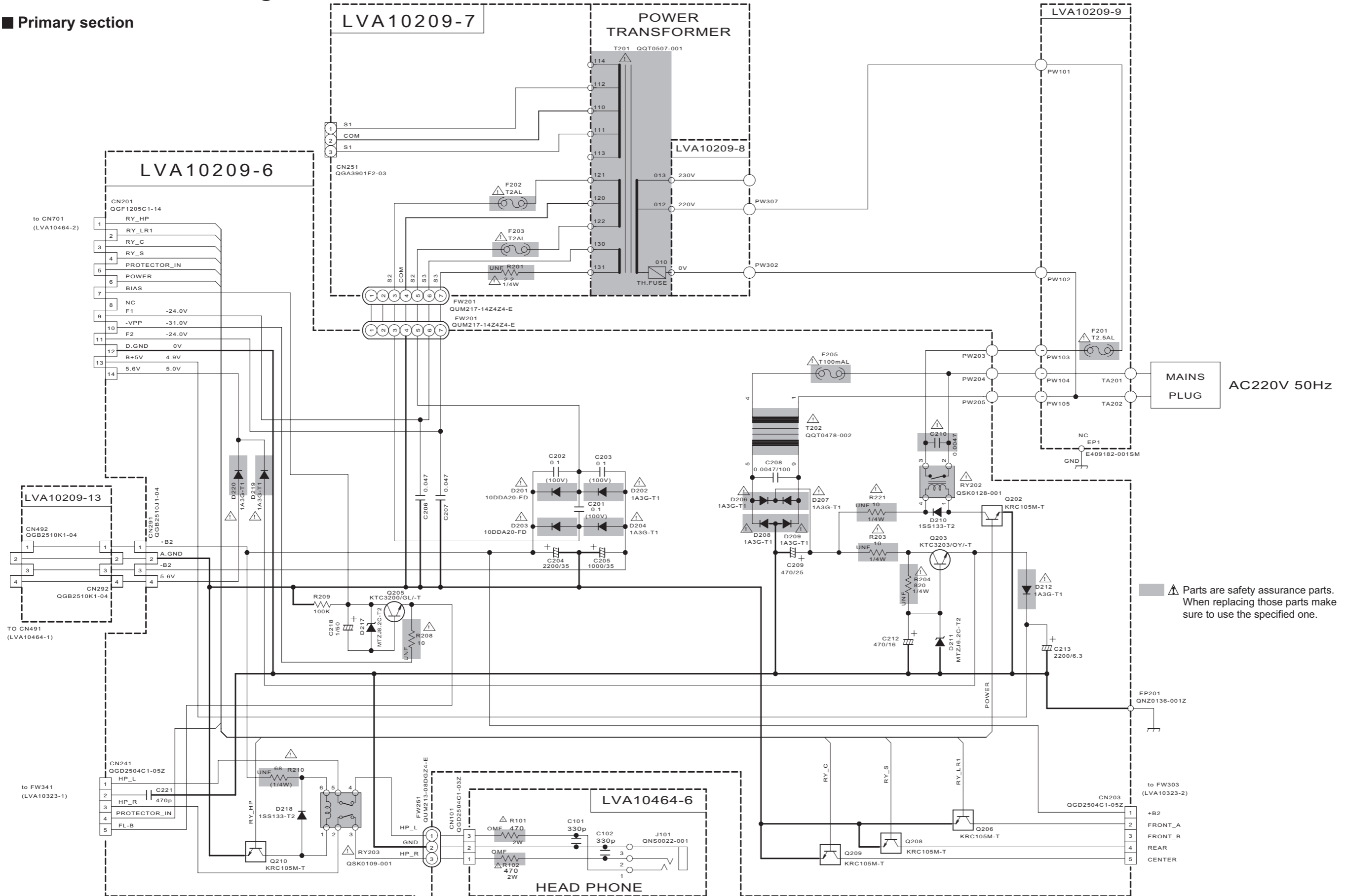
In regard with component parts appearing on the silk-screen printed side (parts side) of the PWB diagrams, the parts that are printed over with black such as the resistor (■), diode (▣) and ICP (●) or identified by the "⚠" mark nearby are critical for safety.

Block diagram

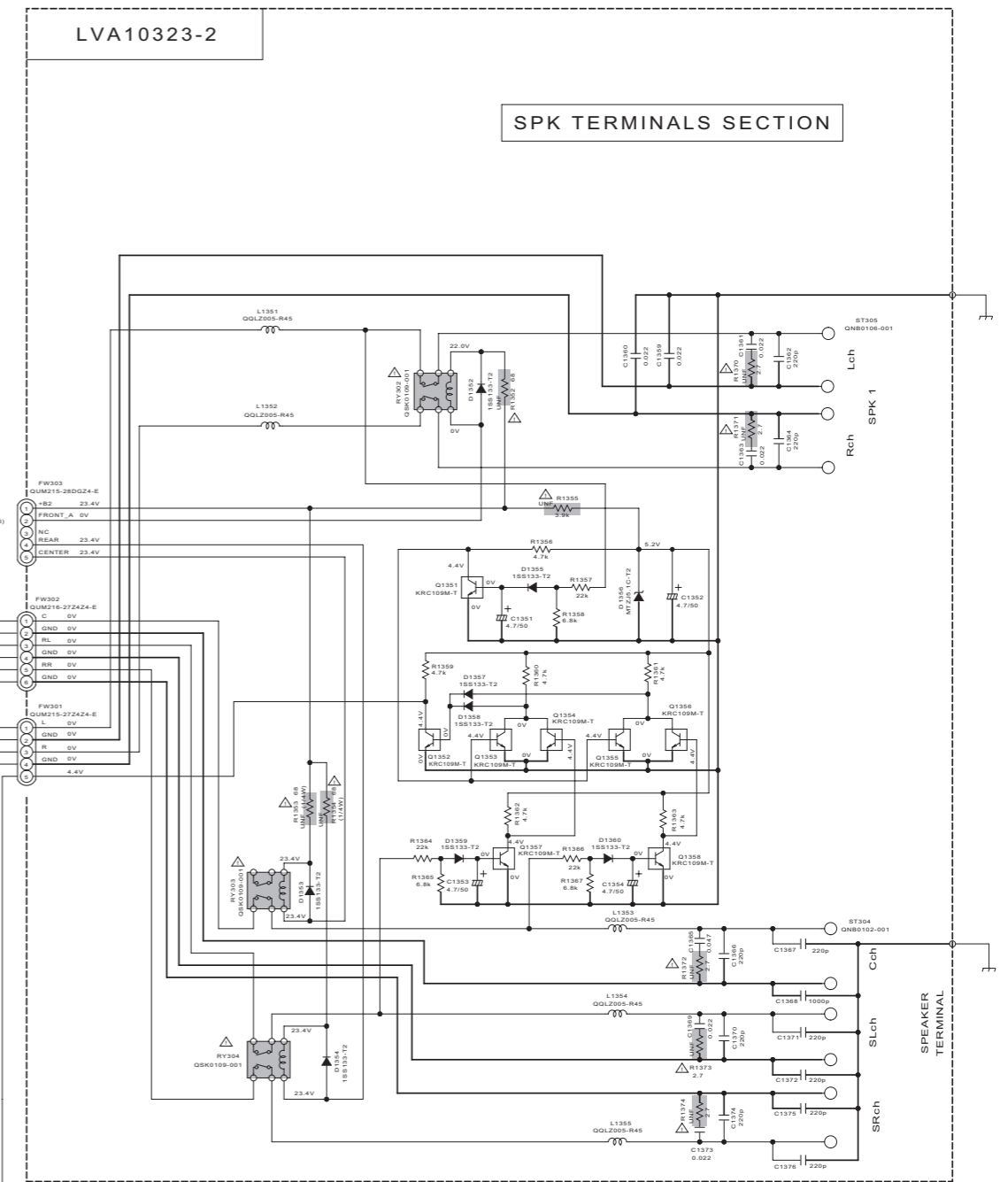
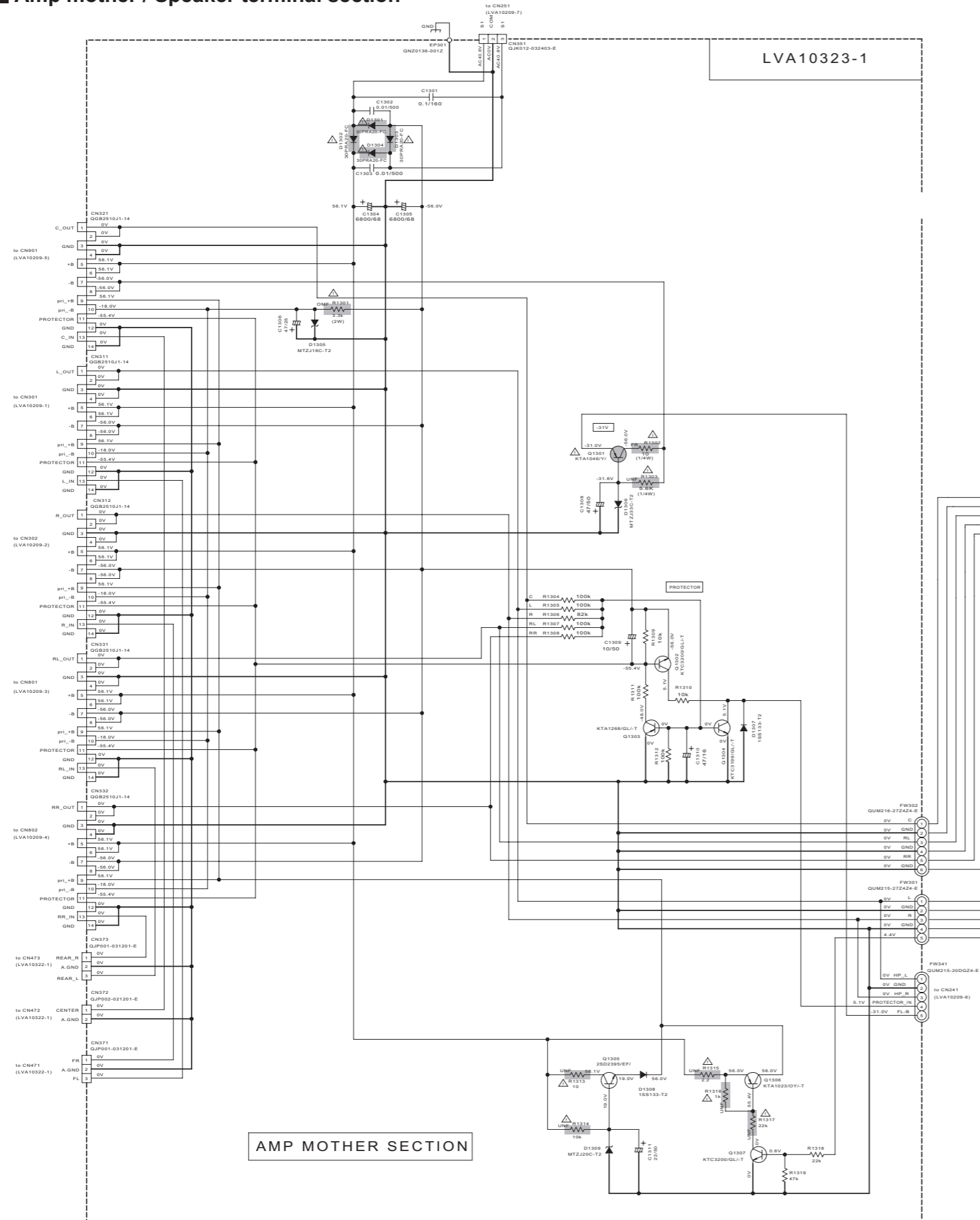


Standard schematic diagrams

Primary section

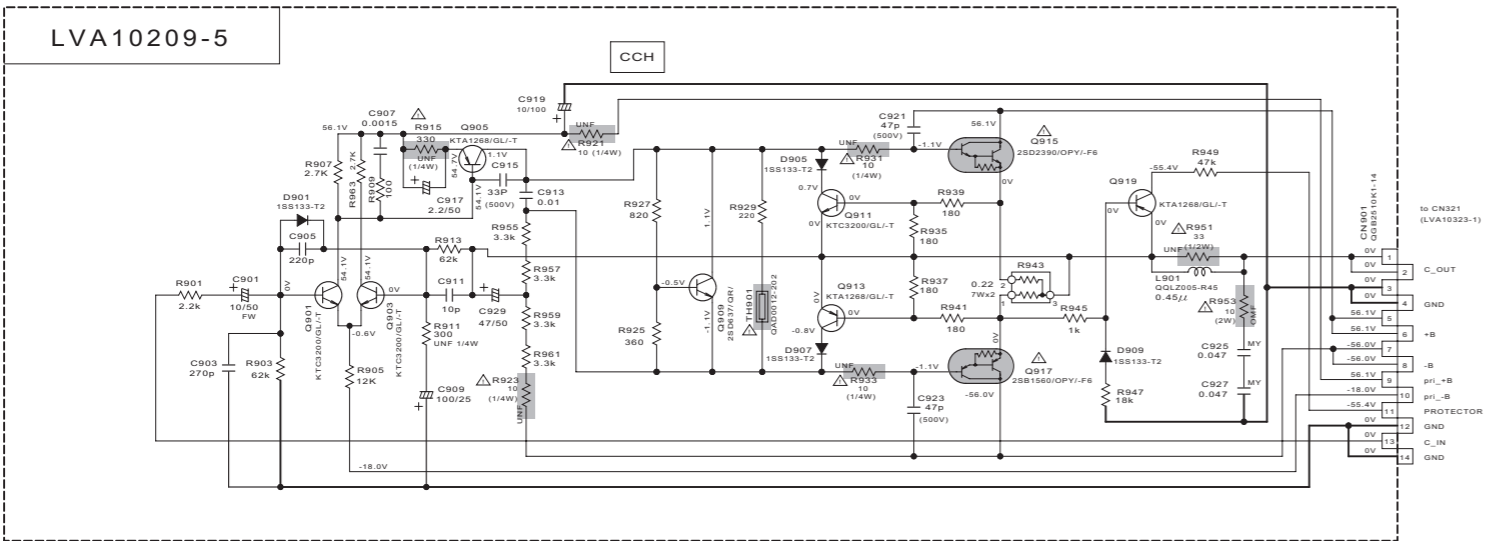
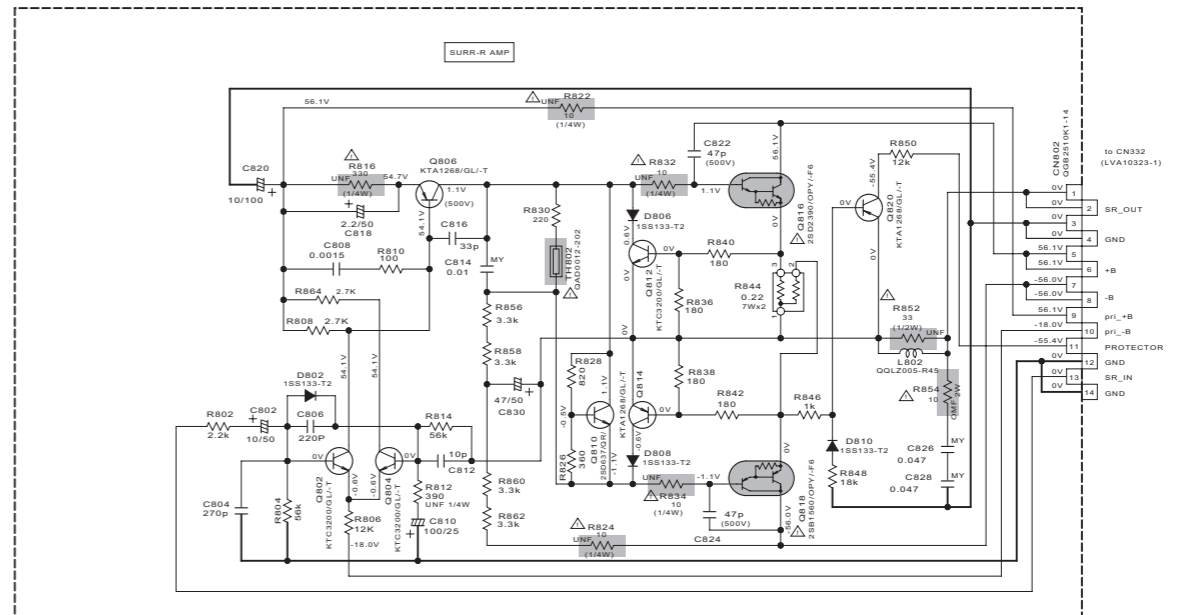
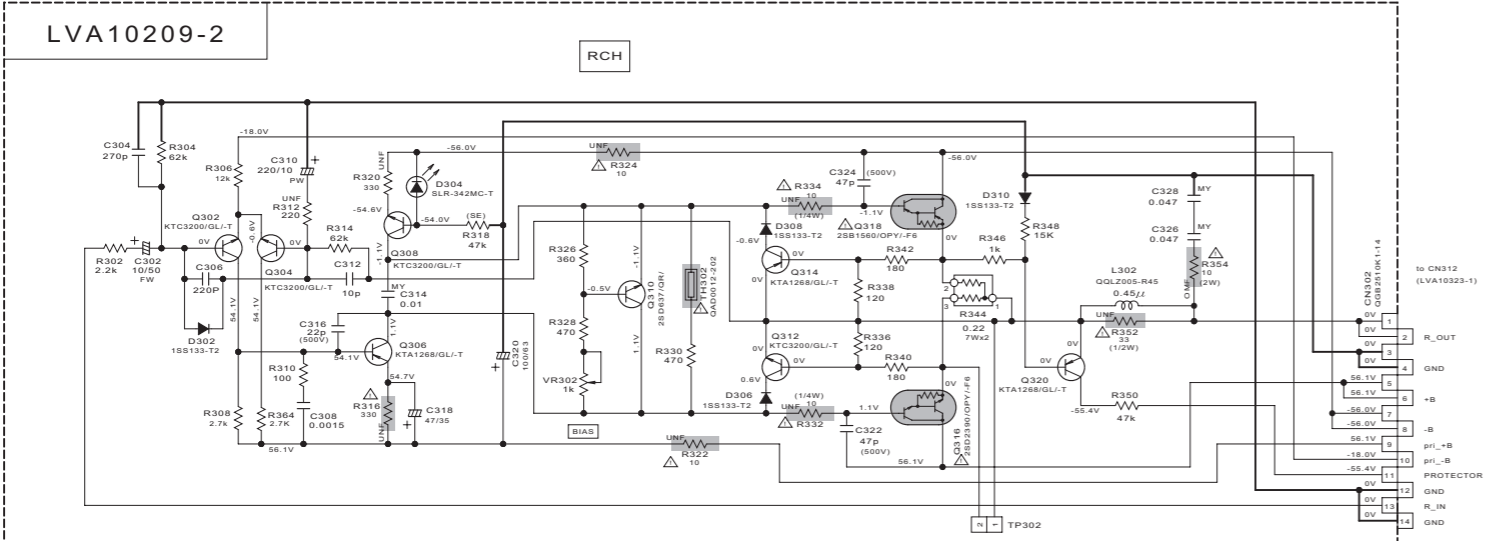
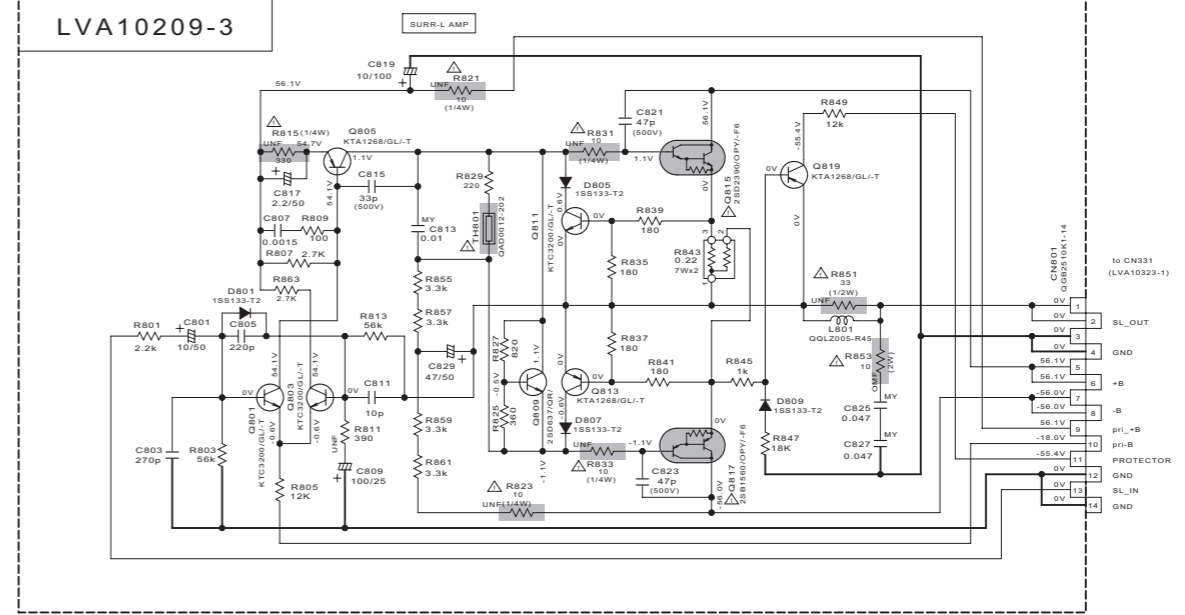
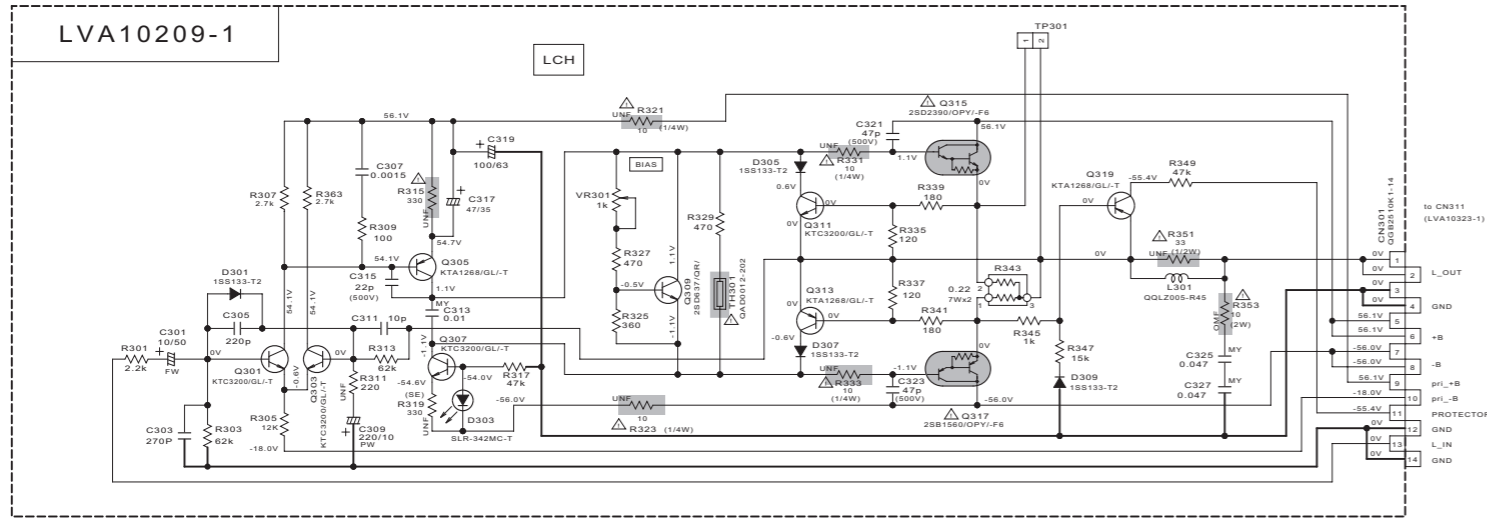


■ Amp mother / Speaker terminal section



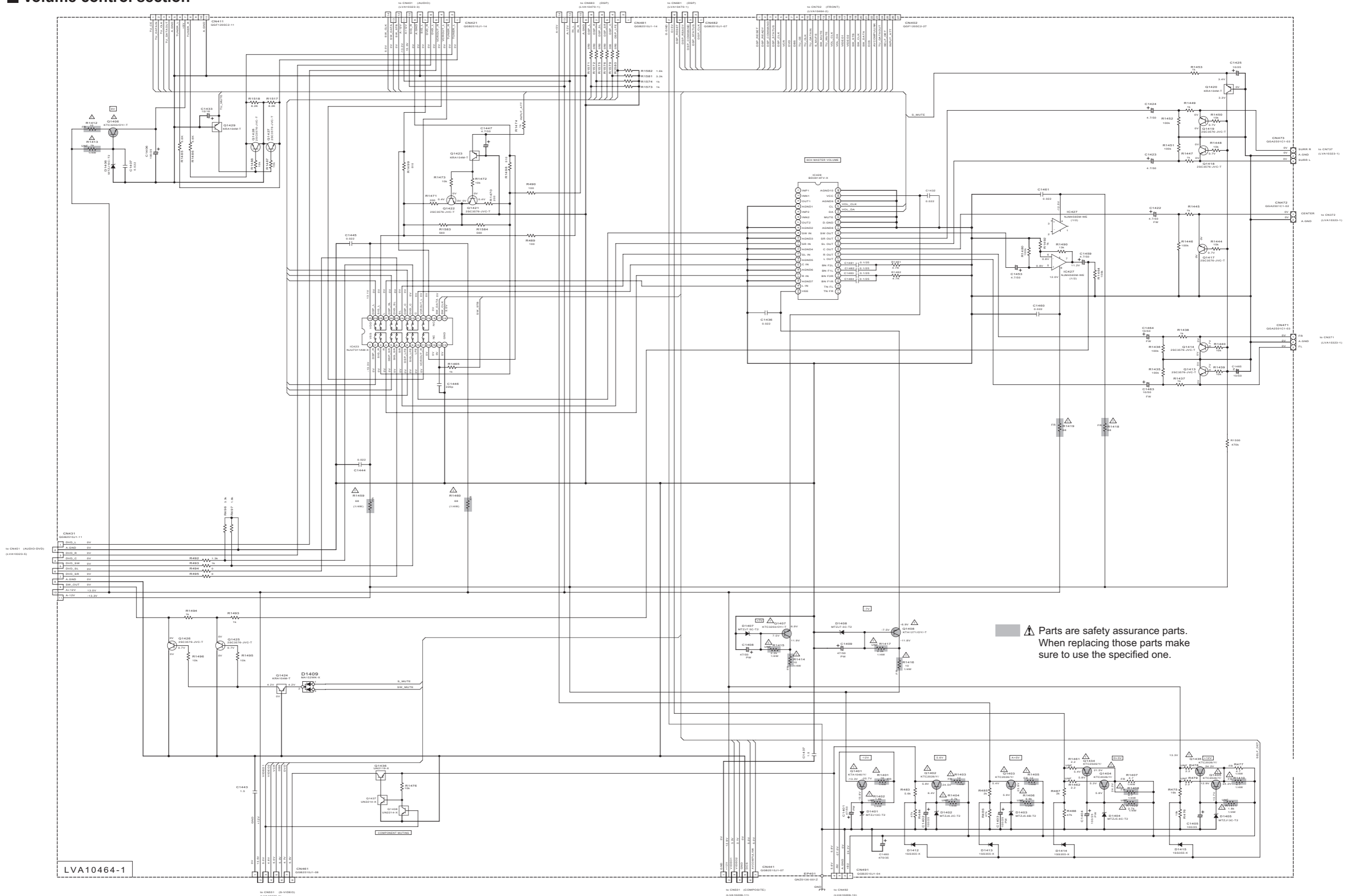
▲ Parts are safety assurance parts. When replacing those parts make sure to use the specified one.

■ Power amplifier section



▲ Parts are safety assurance parts.
When replacing those parts make
sure to use the specified one.

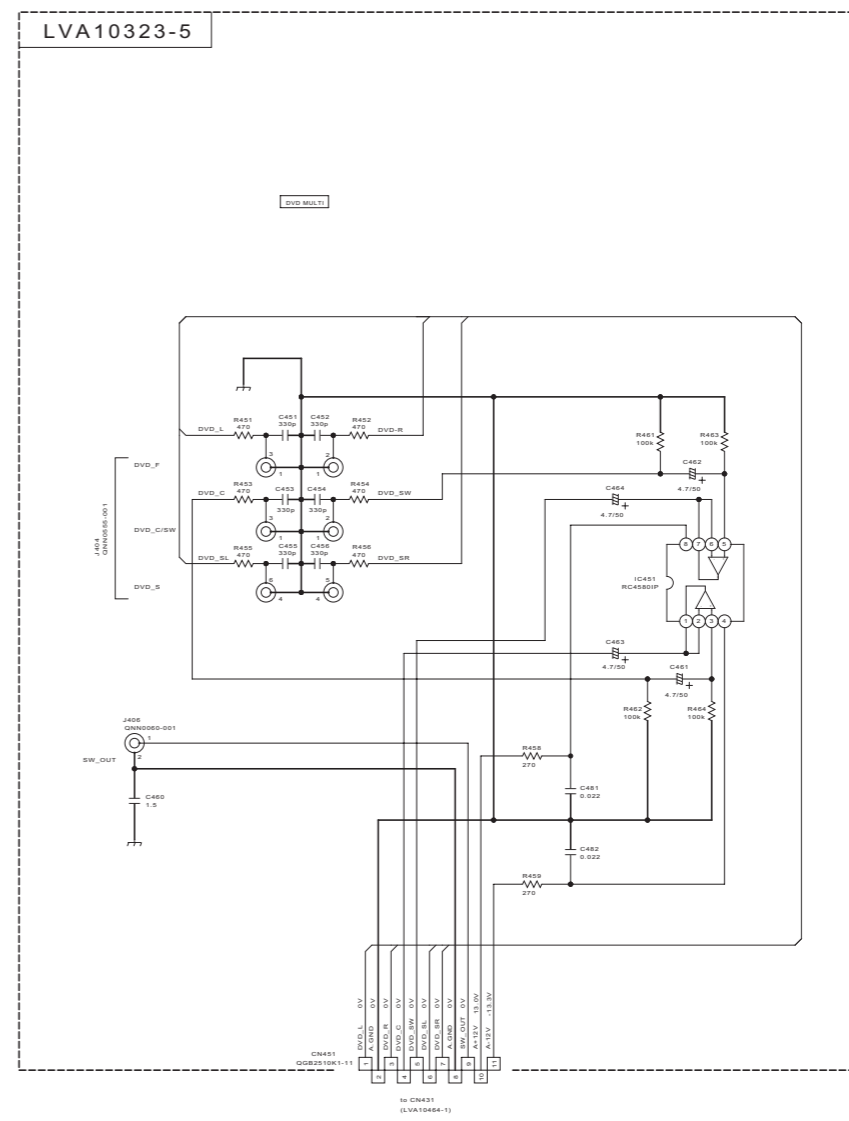
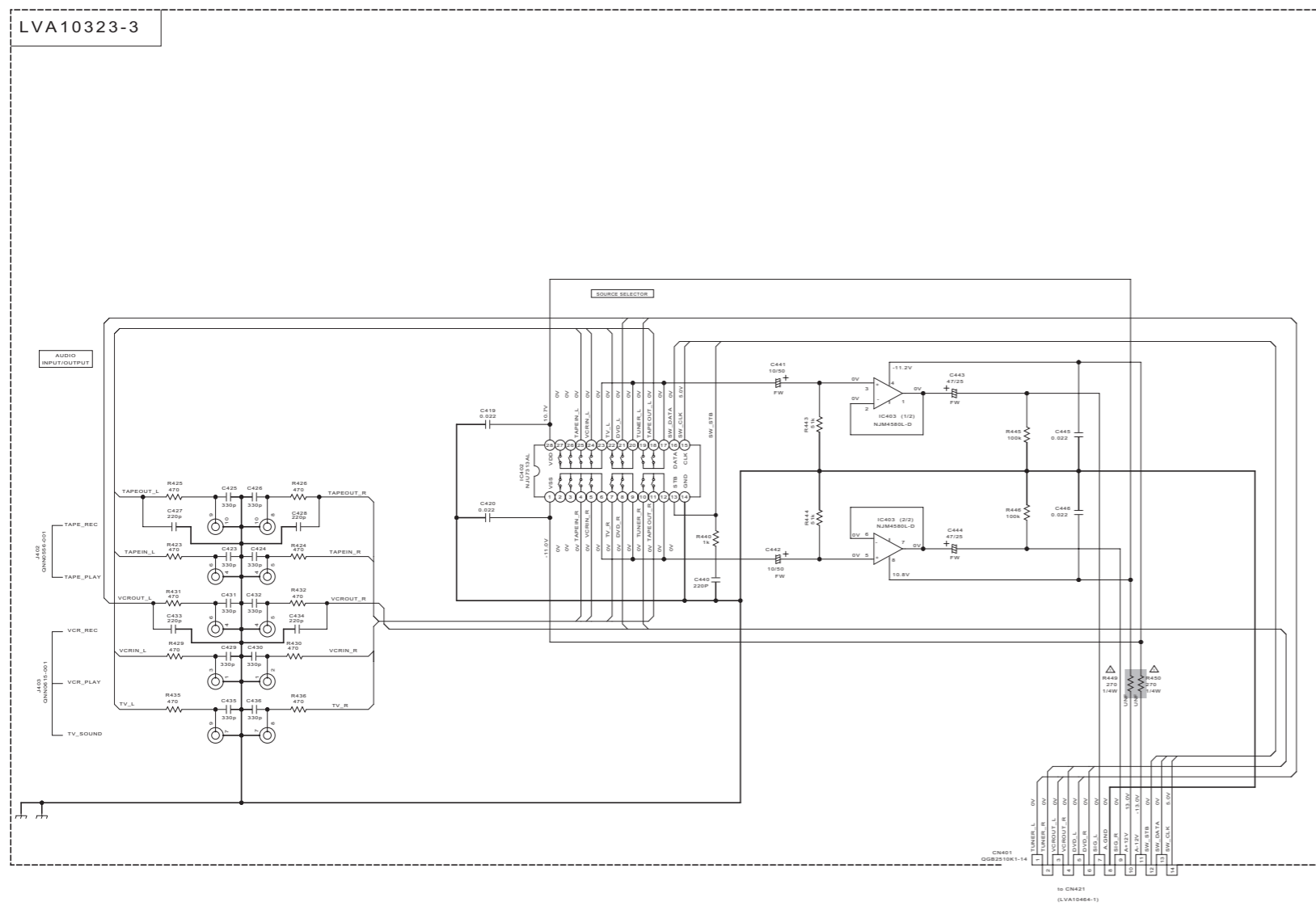
Volume control section



Parts are safety assurance parts. When replacing those parts make sure to use the specified one.

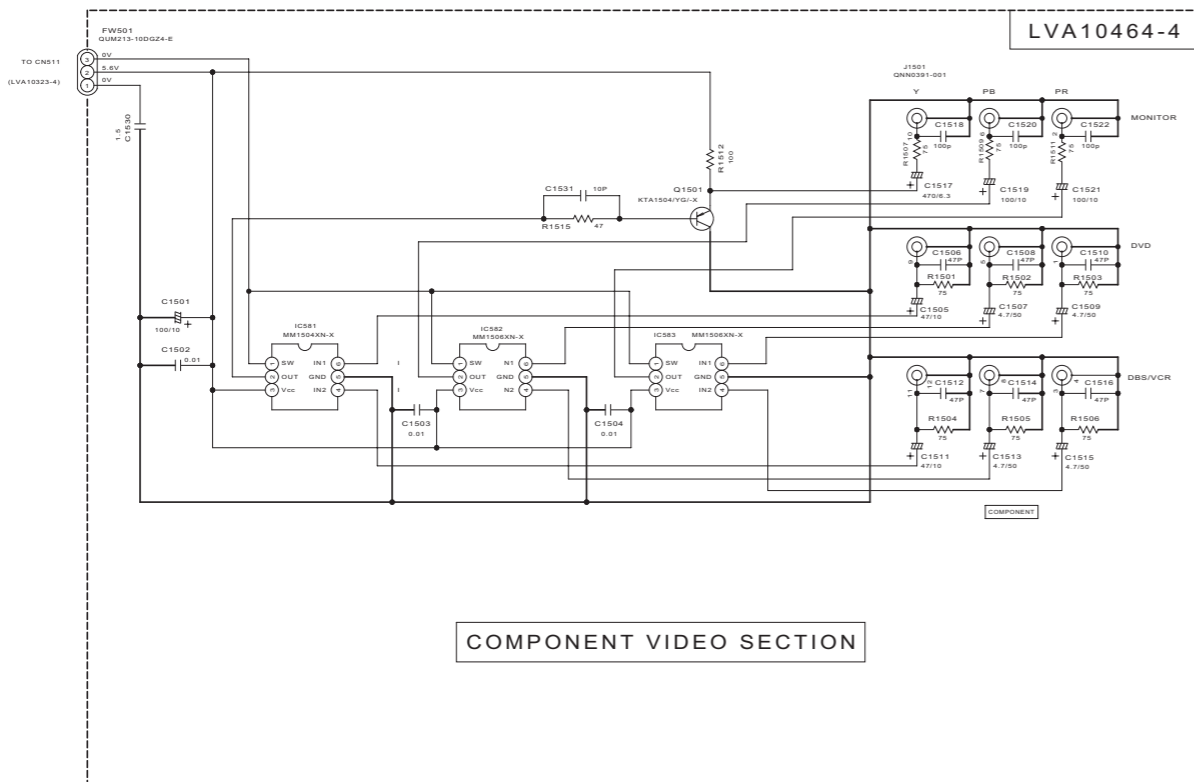
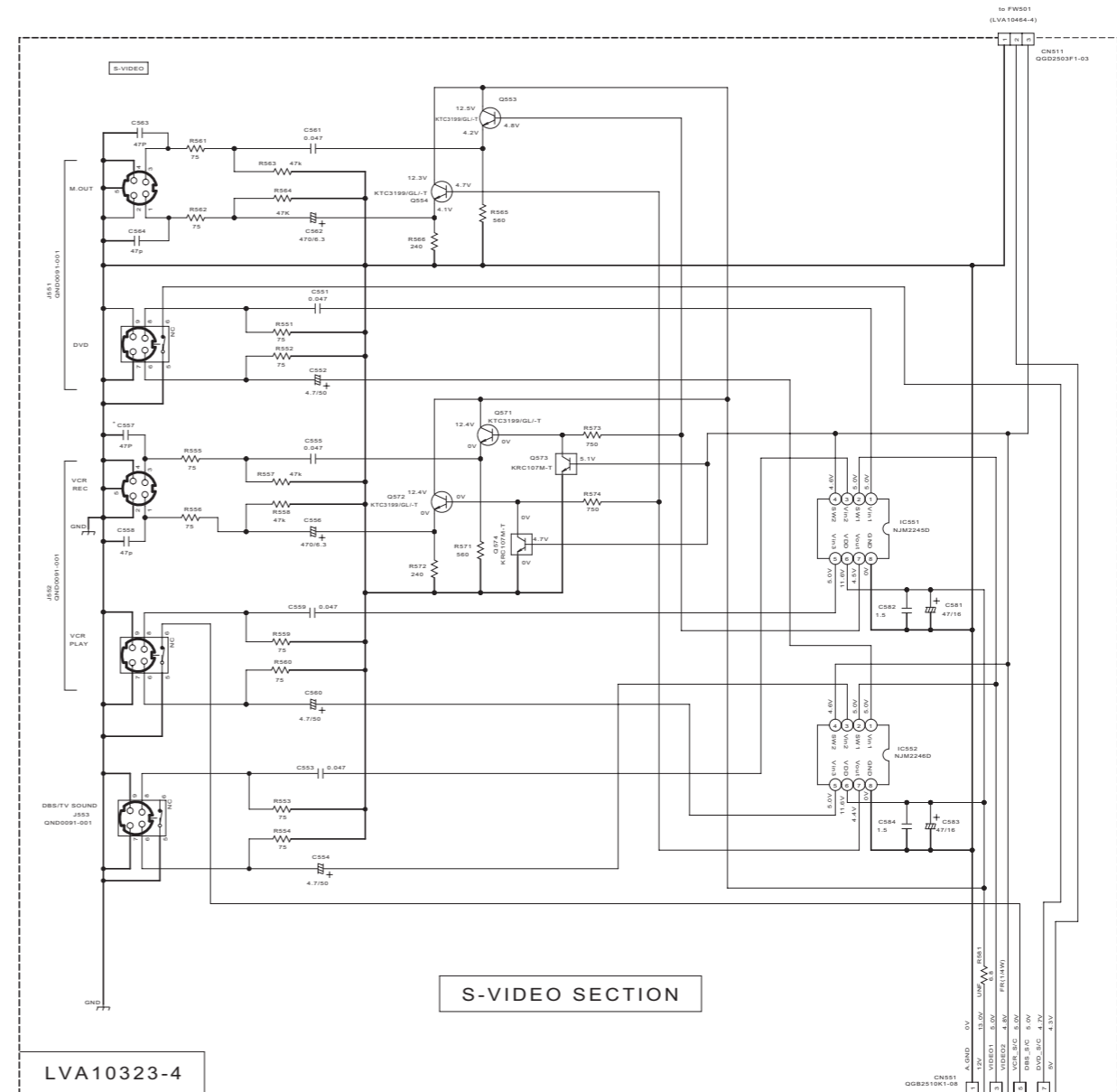
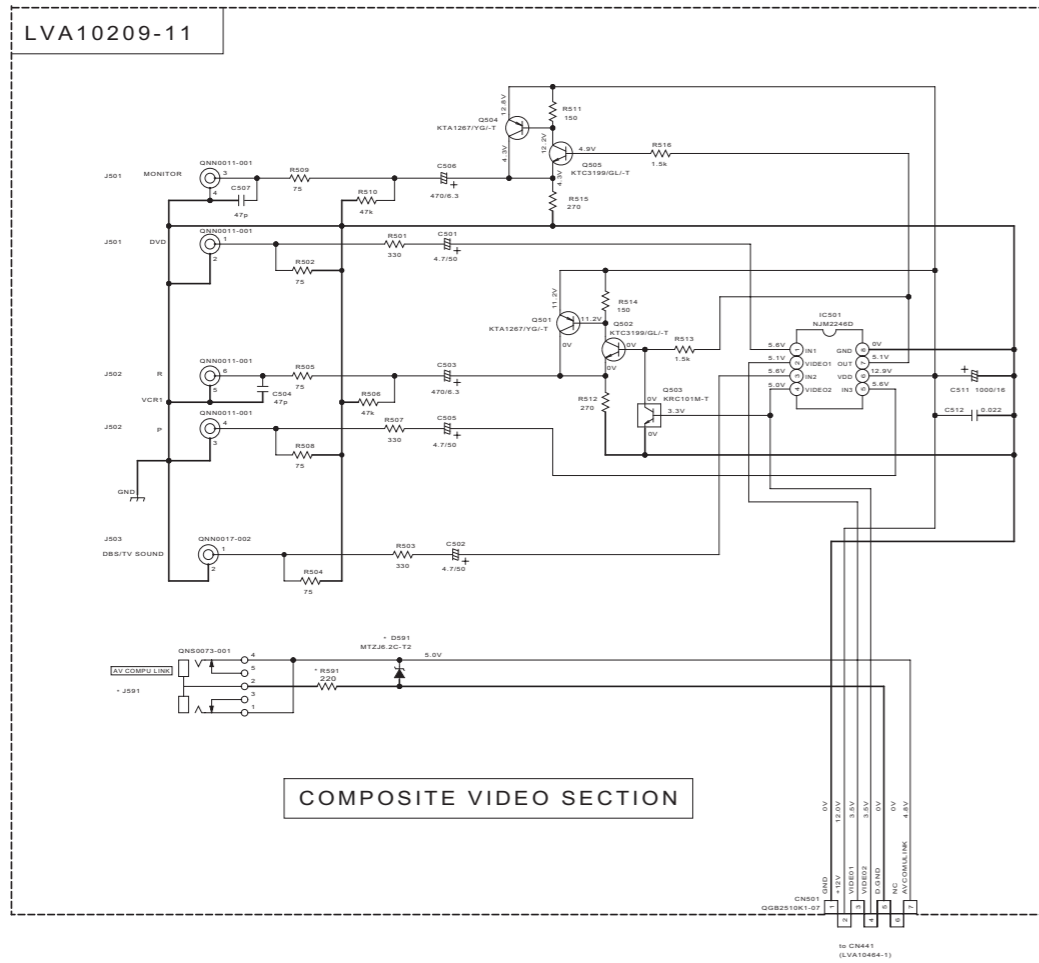
LVA10464-1

■ Audio input section

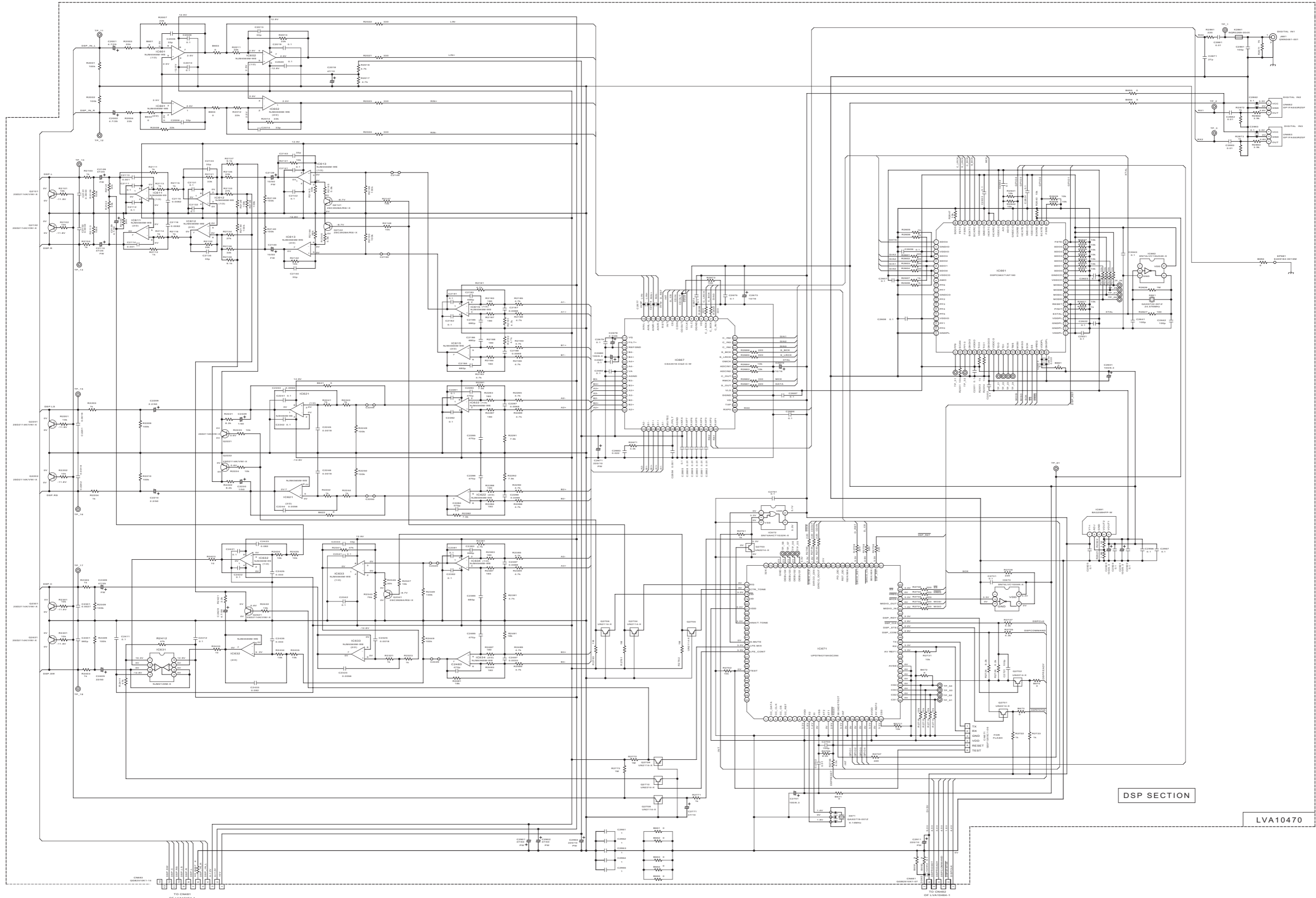


⚠ Parts are safety assurance parts.
When replacing those parts make
sure to use the specified one.

Video section

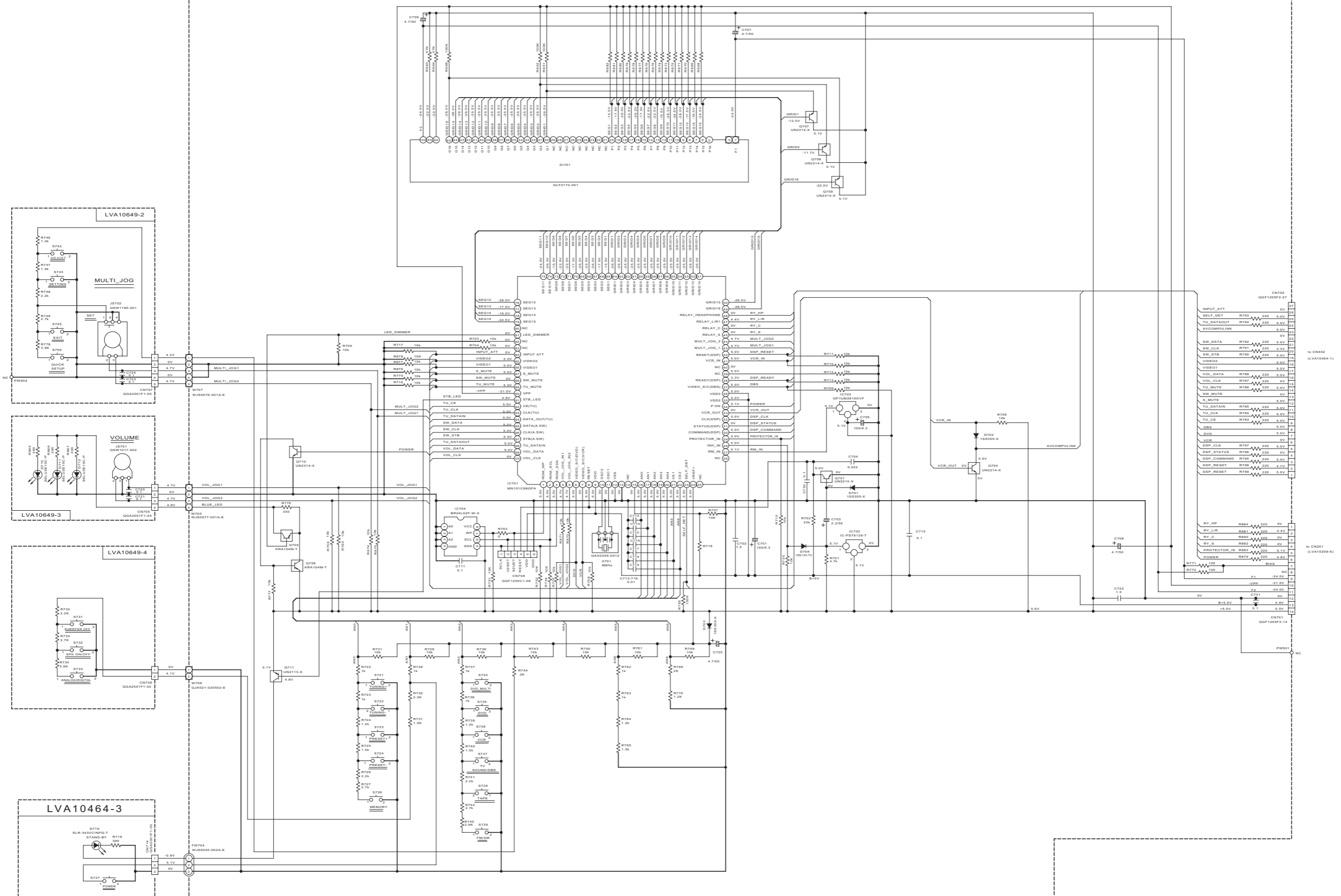


■ DSP section



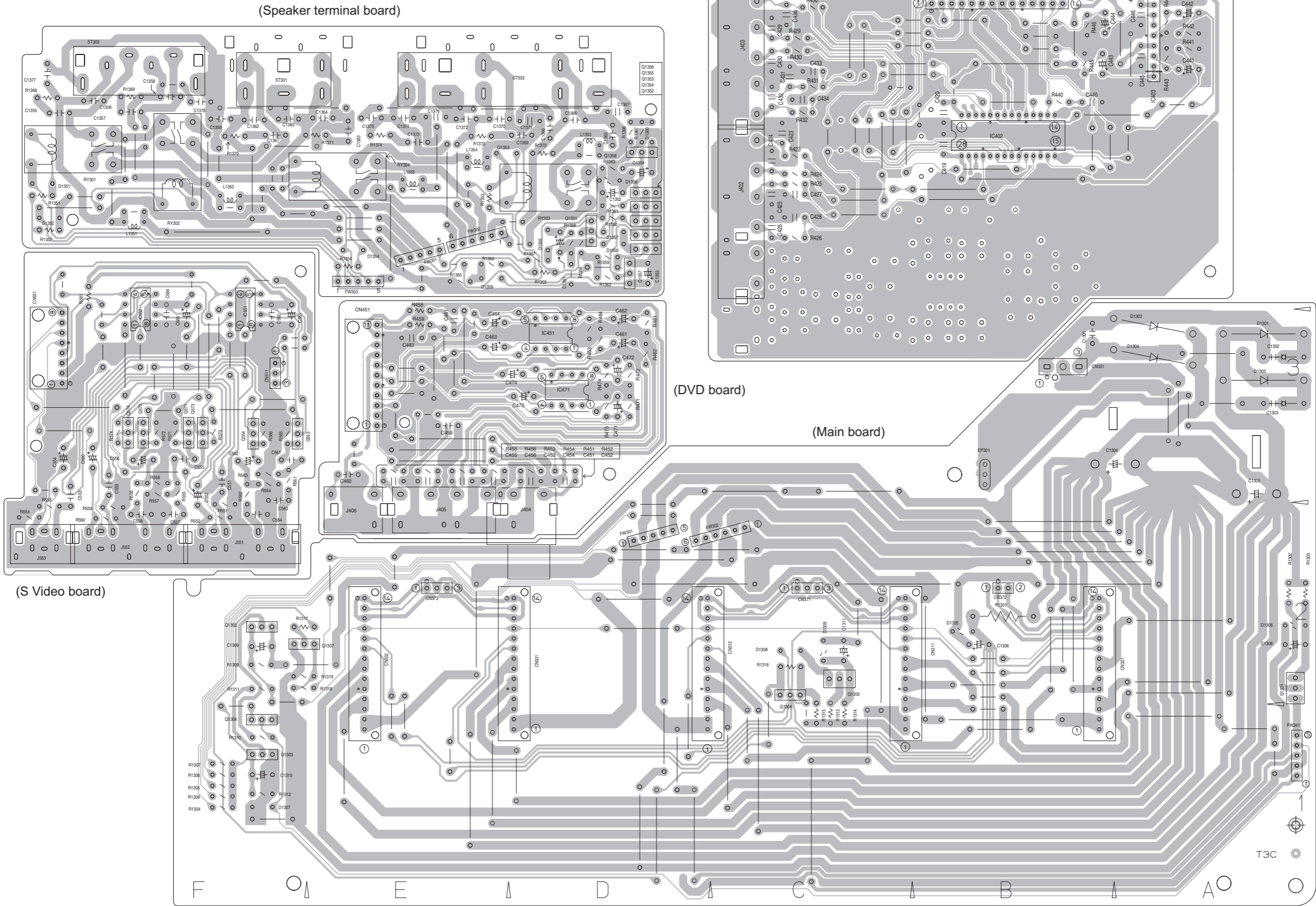
FL & Key control section

LVA10649-1

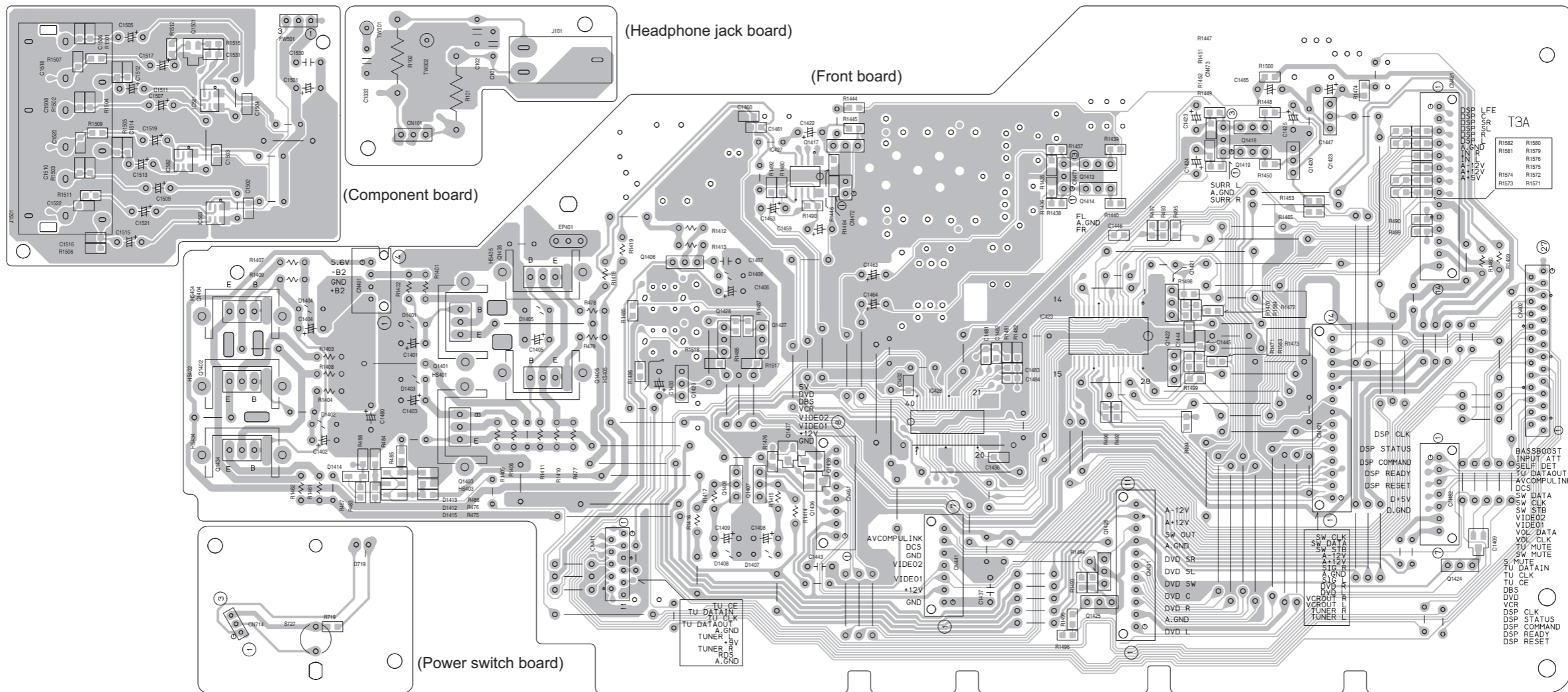


Printed circuit boards

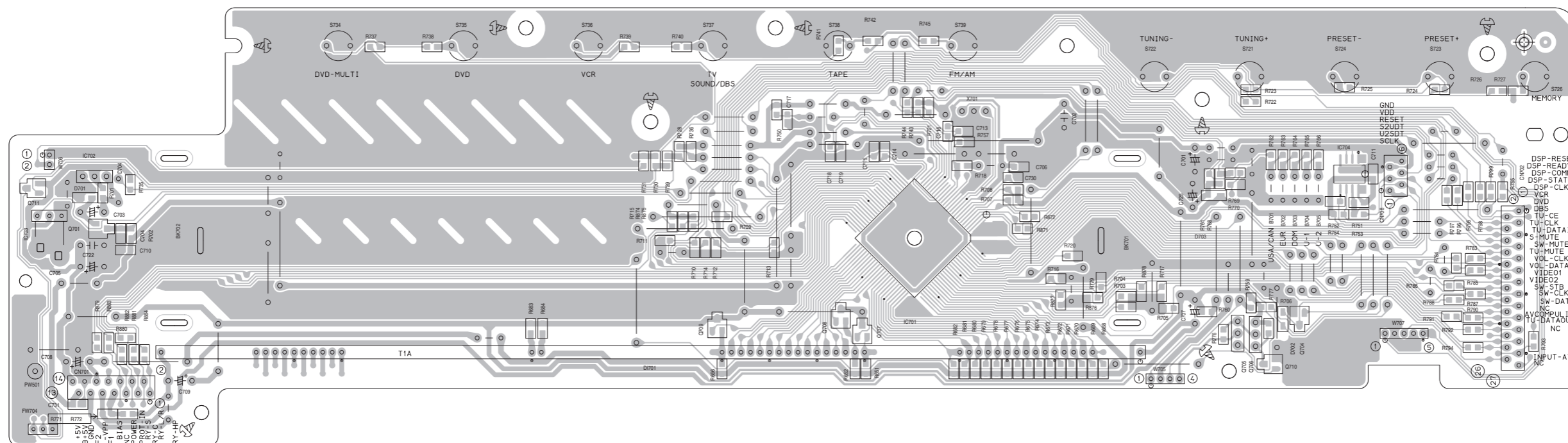
■ Main board Lead free solder used in the board (material : Sn-Ag-Cu, melting point : 219 Centigrade)



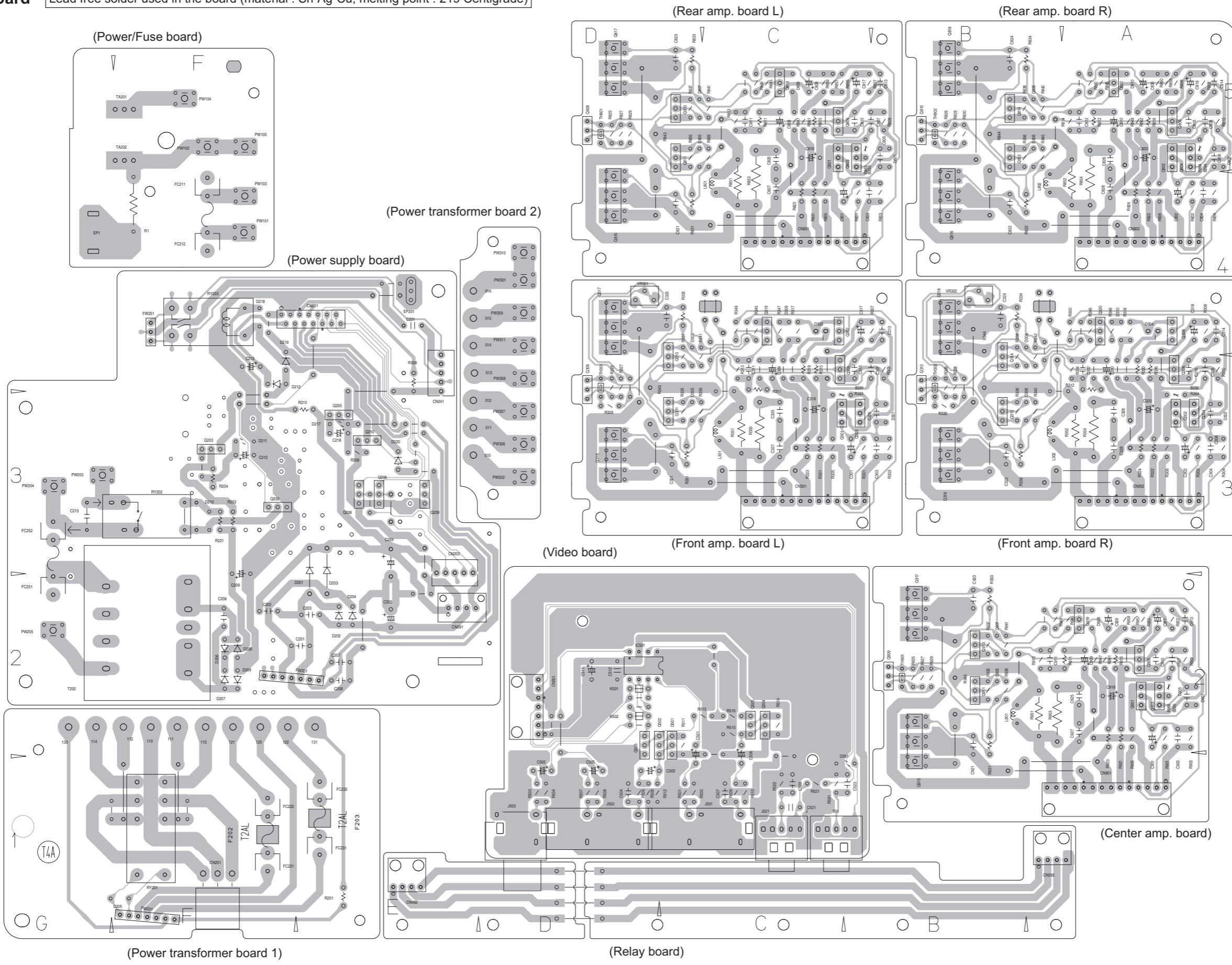
■ **Mother board** Lead free solder used in the board (material : Sn-Ag-Cu, melting point : 219 Centigrade)



■ **System control board** Lead free solder used in the board (material : Sn-Ag-Cu, melting point : 219 Centigrade)



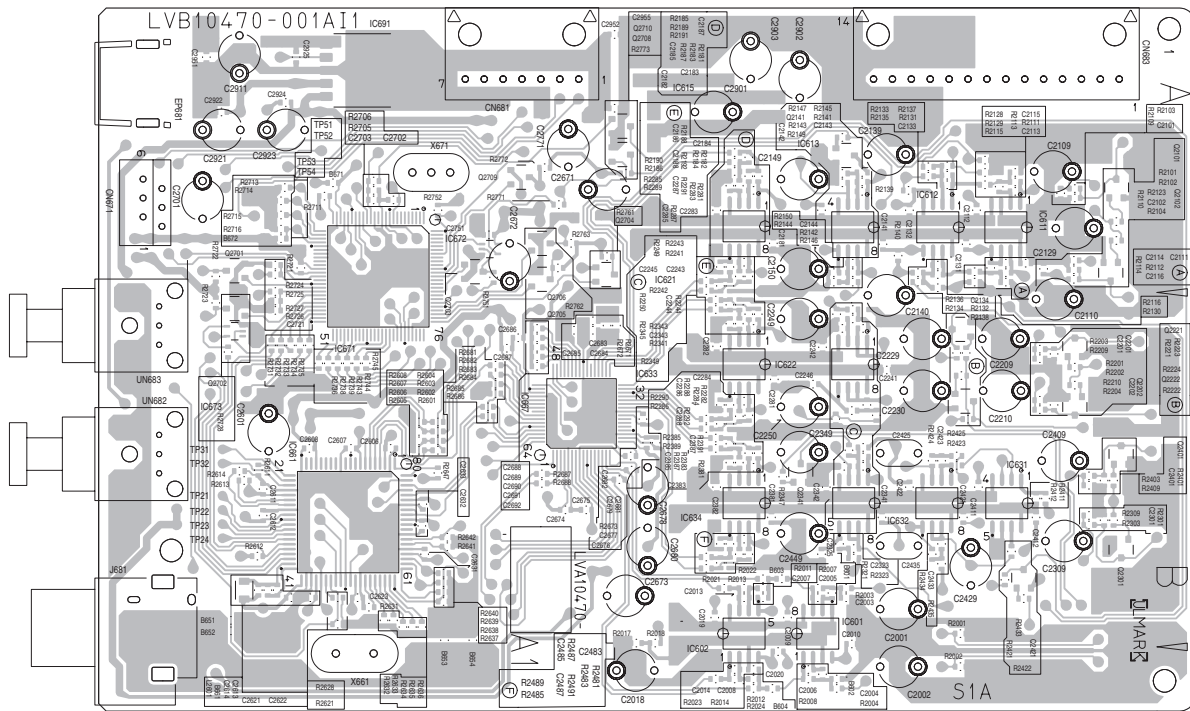
■ Amplifier board Lead free solder used in the board (material : Sn-Ag-Cu, melting point : 219 Centigrade)



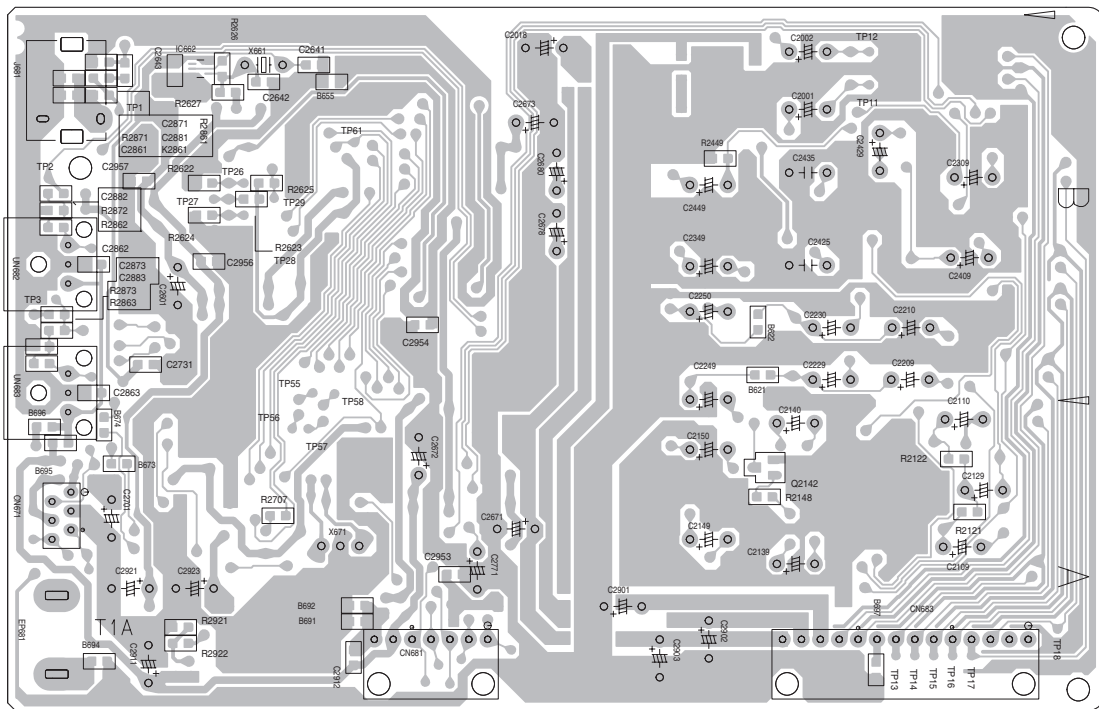
■ DSP board

Lead free solder used in the board (material : Sn-Ag-Cu, melting point : 219 Centgrade)

Forward side

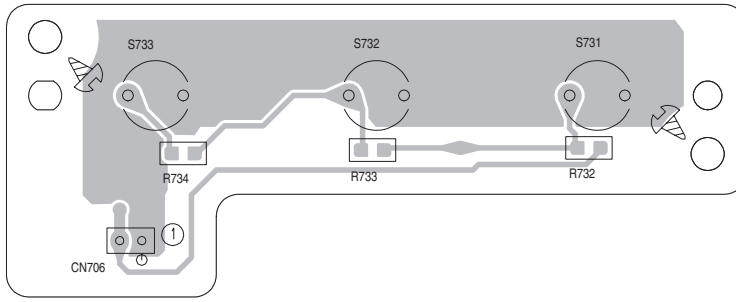


Reverse side



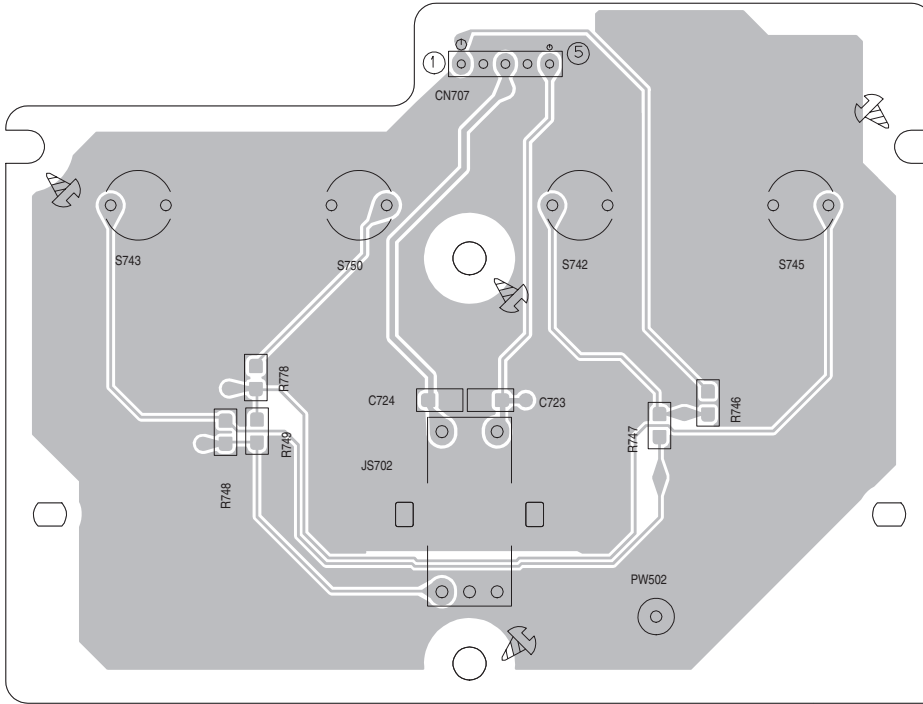
■ **Switch board**

Lead free solder used in the board (material : Sn-Ag-Cu, melting point : 219 Centigrade)



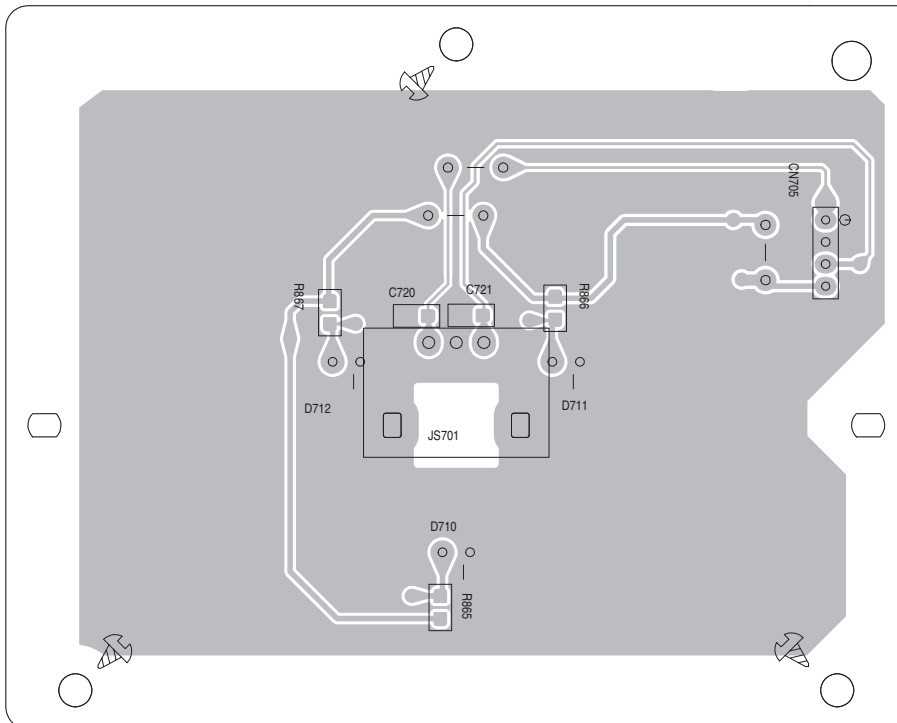
■ **Jog board**

Lead free solder used in the board (material : Sn-Ag-Cu, melting point : 219 Centigrade)



■ **Volume board**

Lead free solder used in the board (material : Sn-Ag-Cu, melting point : 219 Centigrade)



< MEMO >

JVC

Victor Company of Japan, Limited

Audio/Video Systems Category 10-1,1chome,Ohwatari-machi,Maebashi-city,371-8543,Japan

(No.MB502SCH)



Printed in Japan
VPT

PARTS LIST

RX-V7000UF

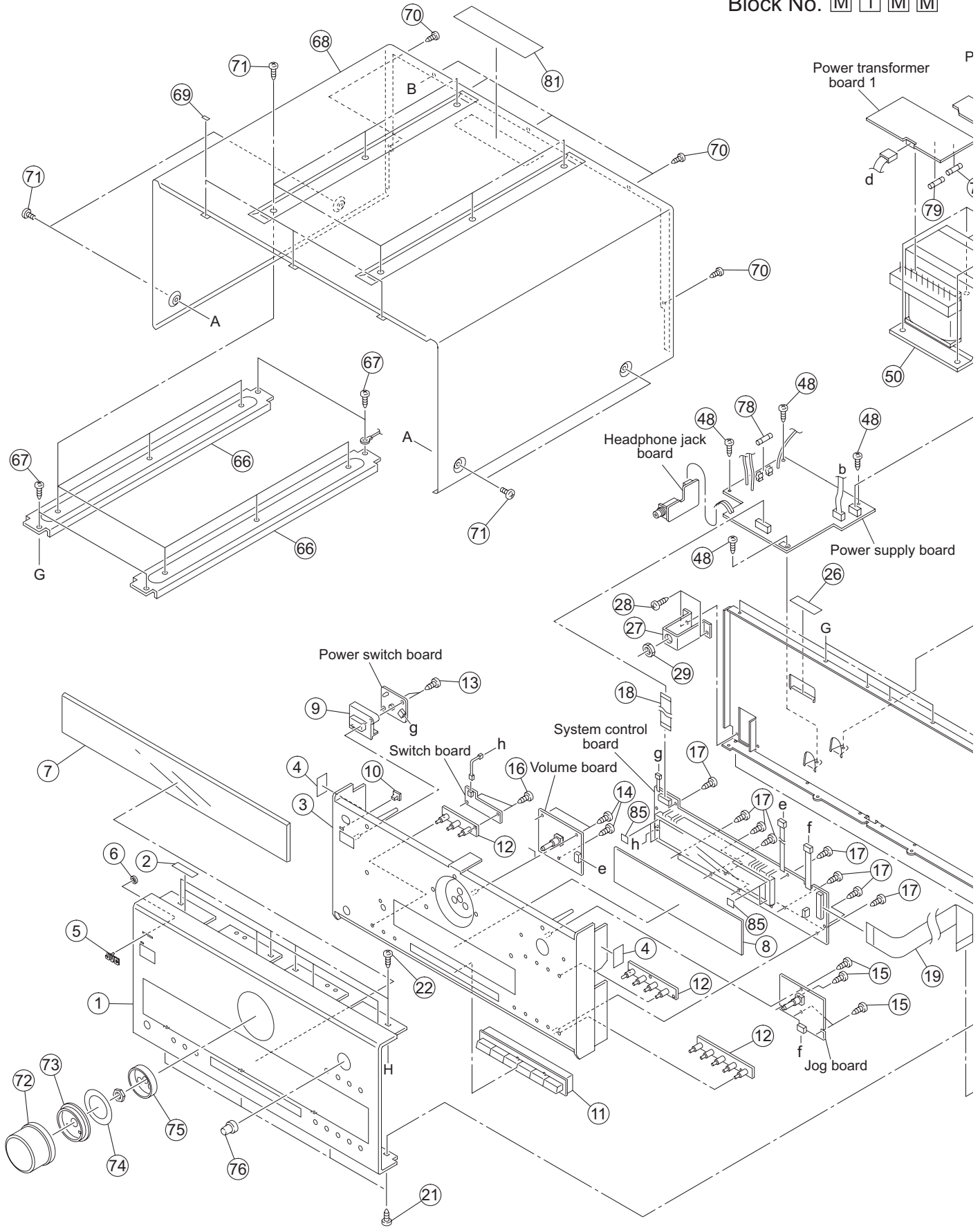
* All printed circuit boards and its assemblies are not available as service parts.

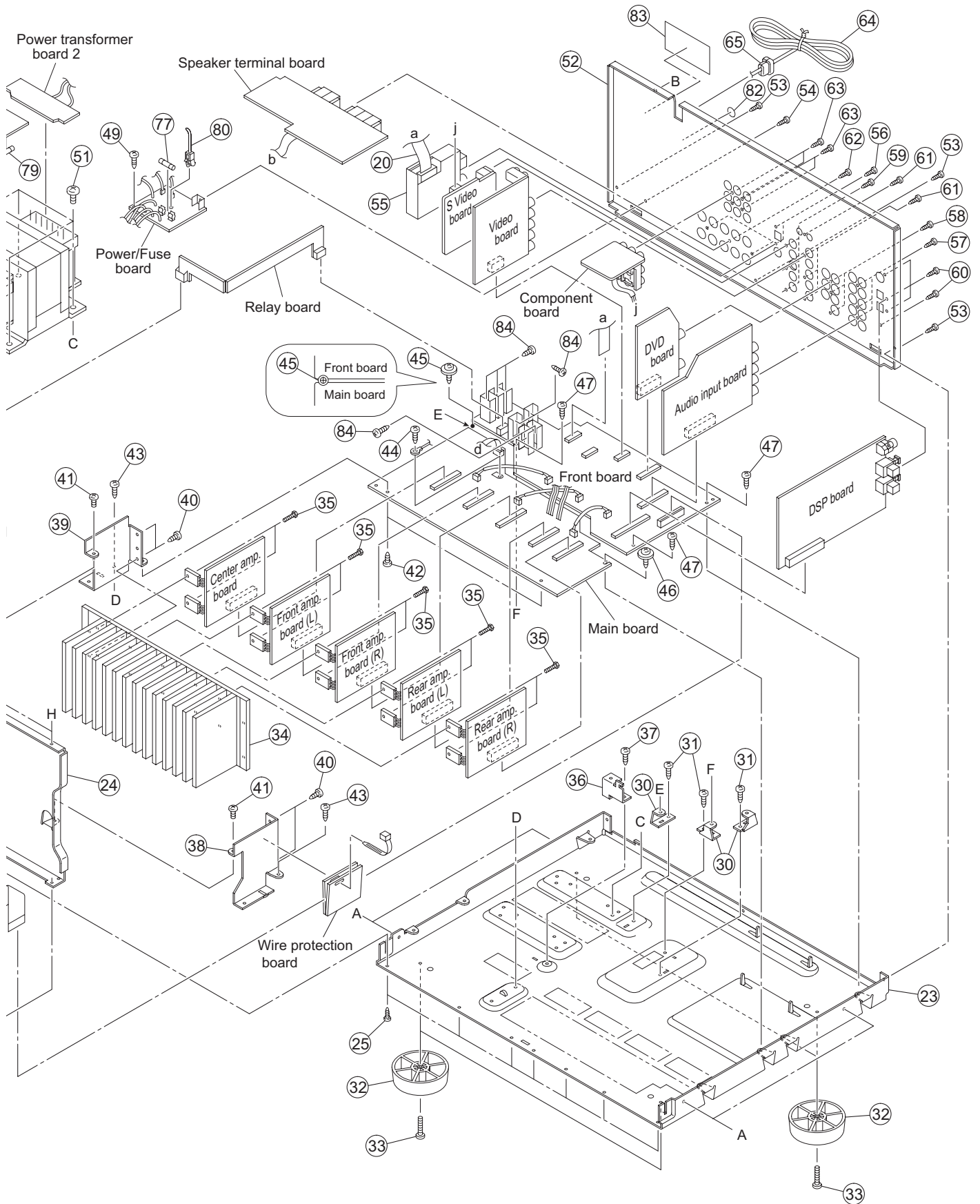
- Contents -

Exploded view of general assembly and parts list (Block No.M1)	3- 2
Electrical parts list (Block No.01~05)	3- 6
Packing materials and accessories parts list (Block No.M3).....	3-18

Exploded view of general assembly and parts list

Block No. M 1 M M





General Assembly

Block No. [M][1][M][M]

△	Symbol No.	Part No.	Part Name	Description	Local
	1	LV11213-001A	FRONT PANEL		
	2	LV30227-046A	SPACER	(x4)	
	3	LV11214-002A	FRONT BASE		
	4	LV30227-047A	SPACER	(x2)	
	5	LV43855-001A	JVC MARK		
	6	E60912-003	SPEED NUT		
	7	LV22254-002A	FRONT LENS		
	8	LV44499-001A	FL FILTER		
	9	LV36614-001A	PUSH BUTTON(POW		
	10	LV42395-001A	INDICATOR		
	11	LV22255-001A	PUSH BUTTON		
	12	LV22256-001A	PUSH BUTTON(FM)		
	13	QYSDSF2610ZA	TAP SCREW	M2.6 x 10mm(x2)	
	14	QYSDSF2610ZA	TAP SCREW	M2.6 x 10mm(x3)	
	15	QYSDSF2610ZA	TAP SCREW	M2.6 x 10mm(x4)	
	16	QYSDSF2610ZA	TAP SCREW	M2.6 x 10mm(x2)	
	17	QYSDSF2610ZA	TAP SCREW	M2.6 x 10mm(x10)	
	18	QUQQ12-1415CJ-E	FFC WIRE	14pin 15cm	
	19	QUQQ12-2734CJ-E	FFC WIRE	27pin 34cm	
	20	QUQQ12-1110CJ-E	FFC WIRE	11pin 10cm	
	21	QYSBSG3008ZA	TAP SCREW	M3 x 8mm(x4)	
	22	QYSBSG3008ZA	TAP SCREW	M3 x 8mm(x4)	
	23	LV10019-003A	CHASSIS BASE		
	24	LV11215-001A	FRONT BRACKET		
	25	QYSBSG3008ZA	TAP SCREW	M3 x 8mm(x7)	
	26	LV30227-041A	SPACER		
	27	LV44501-001A	H.P BRACKET		
	28	QYSBSG3008ZA	TAP SCREW	M3 x 8mm(x2)	
	29	VKZ4150-001	SPECIAL NUT		
	30	E68587-223SM	CB BKT	(x3)	
	31	QYSBST3006ZA	TAP SCREW	M3 x 6mm(x3)	
	32	QZF6018-003	FOOT	60mm x 18mm(x4)	
	33	QYSBSG3010ZA	TAP SCREW	M3 x 10mm(x4)	
	34	LV20916-002A	HEAT SINK		
	35	QYSBSG3012EA	TAP SCREW	M3 x 12mm(x10)	
	36	LV42098-001A	C.B BKT		
	37	QYSBST3006ZA	TAP SCREW	M3 x 6mm	
	38	LV32433-001A	H.S BRACKET(R)		
	39	LV32434-001A	H.S BRACKET(L)		
	40	QYSBSG3008ZA	TAP SCREW	M3 x 8mm(x4)	
	41	QYSBST3006ZA	TAP SCREW	M3 x 6mm(x2)	
	42	QYSBSG3008ZA	TAP SCREW	M3 x 8mm(x2)	
	43	QYSBST3006ZA	TAP SCREW	M3 x 6mm(x2)	
	44	QYSBSG3008ZA	TAP SCREW	M3 x 8mm	
	45	E65923-009	TAPPING SCREW		
	46	E65923-009	TAPPING SCREW		
	47	QYSBSG3008ZA	TAP SCREW	M3 x 8mm(x3)	
	48	QYSBSG3008ZA	TAP SCREW	M3 x 8mm(x4)	
	49	QYSBSG3008ZA	TAP SCREW	M3 x 8mm	
△	50	QQT0507-001	POWER TRANSF		
	51	QYSDSTL4008EA	TAP SCREW	M4 x 8mm(x4)	
	52	LV22258-001A	REAR PANEL		
	53	QYSBSGY3008EA	TAP SCREW	M3 x 8mm(x3)	
	54	QYSBSGY3008EA	TAP SCREW	M3 x 8mm	
	55	QAU0412-001	TUNER		
	56	QYSBSGY3008EA	TAP SCREW	M3 x 8mm(x2)	
	57	QYSBSGY3008EA	TAP SCREW	M3 x 8mm(x3)	
	58	QYSBSGY3008EA	TAP SCREW	M3 x 8mm(x3)	
	59	QYSBSGY3008EA	TAP SCREW	M3 x 8mm(x3)	
	60	QYSBSGY3008EA	TAP SCREW	M3 x 8mm(x4)	
	61	QYSBSGY3008EA	TAP SCREW	M3 x 8mm(x4)	
	62	QYSBSGY3008EA	TAP SCREW	M3 x 8mm(x3)	
	63	QYSBSGY3008EA	TAP SCREW	M3 x 8mm(x4)	
△	64	QMPR490-200-JC	POWER CORD	2m BLACK	
△	65	QZW0033-001	STRAIN RELIEF		
	66	LV22257-001A	STAY BKT	(x2)	
	67	QYSBSG3008ZA	TAP SCREW	M3 x 8mm(x4)	
	68	LV11216-001A	TOP COVER		
	69	LV30227-047A	SPACER	(x3)	
	70	QYSBSGY3008EA	TAP SCREW	M3 x 8mm(x6)	
	71	E406308-007	SCREW	(x10)	
	72	LV36615-003A	VOL KNOB ASSY		
	73	LV36619-001A	REFLECTOR		
	74	LV44500-001A	VOLUME SHEET		

△	Symbol No.	Part No.	Part Name	Description	Local
	75	LV36618-001A	KNOB LENS		
	76	LV43458-002A	JOG KNOB ASSY		
△	77	QMF51W2-2R5-J8	FUSE	F201 2.5A AC250V	
△	78	QMF5AE2-R10-J1	FUSE	F205 0.1A AC250V	
△	79	QMF51W2-2R0-J8	FUSE	F202 F203 2A AC250V(x2)	
	80	E307572-001	FASTENER		
	81	E409396-003	CAUTION LABEL		
	82	LV43268-001A	CCC LABEL		
	83	LV30092-0H9A	UF LABEL		
	84	QYSBSG3008EA	TAP SCREW	M3 x 8mm(x7)	
	85	VYSH101-009	SPACER	(x4)	

Electrical parts list

Amplifier board

Block No. [0][1]

△ Symbol No.	Part No.	Part Name	Description	Local
PW101	QUB112-14PPPP-E	SIN TWIST WIRE		
PW102	QUB116-16PPPP-E	PIN WIRE		
PW103	QUB112-34PPPP-E	SIN TWIST WIRE		
PW104	QUB111-34PPPP-E	SIN TWIST WIRE		
PW105	QUB116-26PPPP-E	SIN TWIST WIRE		
IC501	NJM2246D	IC		
Q202	KRC105M-T	DIGI TRANSISTOR		
Q203	KTC3203/OY/-T	TRANSISTOR		
Q205	KTC3200/GL/-T	TRANSISTOR		
Q206	KRC105M-T	DIGI TRANSISTOR		
Q208	KRC105M-T	DIGI TRANSISTOR		
Q209	KRC105M-T	DIGI TRANSISTOR		
Q210	KRC105M-T	DIGI TRANSISTOR		
Q301	KTC3200/GL/-T	TRANSISTOR		
Q302	KTC3200/GL/-T	TRANSISTOR		
Q303	KTC3200/GL/-T	TRANSISTOR		
Q304	KTC3200/GL/-T	TRANSISTOR		
Q305	KTA1268/GL/-T	TRANSISTOR		
Q306	KTA1268/GL/-T	TRANSISTOR		
Q307	KTC3200/GL/-T	TRANSISTOR		
Q308	KTC3200/GL/-T	TRANSISTOR		
Q309	2SD637/QR/	TRANSISTOR		
Q310	2SD637/QR/	TRANSISTOR		
Q311	KTC3200/GL/-T	TRANSISTOR		
Q312	KTC3200/GL/-T	TRANSISTOR		
Q313	KTA1268/GL/-T	TRANSISTOR		
Q314	KTA1268/GL/-T	TRANSISTOR		
△ Q315	2SD2390/OPY/-F6	TRANSISTOR		
△ Q316	2SD2390/OPY/-F6	TRANSISTOR		
△ Q317	2SB1560/OPY/-F6	TRANSISTOR		
△ Q318	2SB1560/OPY/-F6	TRANSISTOR		
Q319	KTA1268/GL/-T	TRANSISTOR		
Q320	KTA1268/GL/-T	TRANSISTOR		
Q501	KTA1267/YG/-T	TRANSISTOR		
Q502	KTC3199/GL/-T	TRANSISTOR		
Q503	KRC101M-T	TRANSISTOR		
Q504	KTA1267/YG/-T	TRANSISTOR		
Q505	KTC3199/GL/-T	TRANSISTOR		
Q801	KTC3200/GL/-T	TRANSISTOR		
Q802	KTC3200/GL/-T	TRANSISTOR		
Q803	KTC3200/GL/-T	TRANSISTOR		
Q804	KTC3200/GL/-T	TRANSISTOR		
Q805	KTA1268/GL/-T	TRANSISTOR		
Q806	KTA1268/GL/-T	TRANSISTOR		
Q809	2SD637/QR/	TRANSISTOR		
Q810	2SD637/QR/	TRANSISTOR		
Q811	KTC3200/GL/-T	TRANSISTOR		
Q812	KTC3200/GL/-T	TRANSISTOR		
Q813	KTA1268/GL/-T	TRANSISTOR		
Q814	KTA1268/GL/-T	TRANSISTOR		
△ Q815	2SD2390/OPY/-F6	TRANSISTOR		
△ Q816	2SD2390/OPY/-F6	TRANSISTOR		
△ Q817	2SB1560/OPY/-F6	TRANSISTOR		
△ Q818	2SB1560/OPY/-F6	TRANSISTOR		
Q819	KTA1268/GL/-T	TRANSISTOR		
Q820	KTA1268/GL/-T	TRANSISTOR		
Q901	KTC3200/GL/-T	TRANSISTOR		
Q903	KTC3200/GL/-T	TRANSISTOR		
Q905	KTA1268/GL/-T	TRANSISTOR		
Q909	2SD637/QR/	TRANSISTOR		
Q911	KTC3200/GL/-T	TRANSISTOR		
Q913	KTA1268/GL/-T	TRANSISTOR		
△ Q915	2SD2390/OPY/-F6	TRANSISTOR		
△ Q917	2SB1560/OPY/-F6	TRANSISTOR		
Q919	KTA1268/GL/-T	TRANSISTOR		
△ D201	10DDA20-FD	DIODE		
△ D202	1A3G-T1	SI DIODE		
△ D203	10DDA20-FD	DIODE		
△ D204	1A3G-T1	SI DIODE		

△ Symbol No.	Part No.	Part Name	Description	Local
△ D206	1A3G-T1	SI DIODE		
△ D207	1A3G-T1	SI DIODE		
△ D208	1A3G-T1	SI DIODE		
△ D209	1A3G-T1	SI DIODE		
D210	1SS133-T2	SI DIODE		
D211	MTZJ6.2C-T2	Z DIODE		
△ D212	1A3G-T1	SI DIODE		
D217	MTZJ8.2C-T2	Z DIODE		
D218	1SS133-T2	SI DIODE		
△ D219	1A3G-T1	SI DIODE		
△ D220	1A3G-T1	SI DIODE		
D221	1SS133-T2	SI DIODE		
D301	1SS133-T2	SI DIODE		
D302	1SS133-T2	SI DIODE		
D303	SLR-342MC-T	LED		
D304	SLR-342MC-T	LED		
D305	1SS133-T2	SI DIODE		
D306	1SS133-T2	SI DIODE		
D307	1SS133-T2	SI DIODE		
D308	1SS133-T2	SI DIODE		
D309	1SS133-T2	SI DIODE		
D310	1SS133-T2	SI DIODE		
D591	MTZJ6.2C-T2	Z DIODE		
D801	1SS133-T2	SI DIODE		
D802	1SS133-T2	SI DIODE		
D805	1SS133-T2	SI DIODE		
D806	1SS133-T2	SI DIODE		
D807	1SS133-T2	SI DIODE		
D808	1SS133-T2	SI DIODE		
D809	1SS133-T2	SI DIODE		
D810	1SS133-T2	SI DIODE		
D901	1SS133-T2	SI DIODE		
D905	1SS133-T2	SI DIODE		
D907	1SS133-T2	SI DIODE		
D909	1SS133-T2	SI DIODE		
C201	QFLC2AJ-104Z	M CAPACITOR	0.1uF 100V J	
C202	QFLC2AJ-104Z	M CAPACITOR	0.1uF 100V J	
C203	QFLC2AJ-104Z	M CAPACITOR	0.1uF 100V J	
C204	QETM1VM-228	E CAPACITOR	2200uF 35V M	
C205	QETM1VM-108	E CAPACITOR	1000uF 35V M	
C206	QFLC1HJ-473Z	M CAPACITOR	0.047uF 50V J	
C207	QFLC1HJ-473Z	M CAPACITOR	0.047uF 50V J	
C208	QFLC2AJ-472Z	M CAPACITOR	4700pF 100V J	
C209	QETN1EM-477Z	E CAPACITOR	470uF 25V M	
△ C210	QCZ9104-472	C CAPACITOR	4700pF	
C212	QETN1CM-477Z	E CAPACITOR	470uF 16V M	
C213	QETN0JM-228Z	E CAPACITOR	2200uF 6.3V M	
C218	QEKC1HM-105Z	E CAPACITOR	1uF 50V M	
C221	QCB31HK-471Y	C CAPACITOR	470pF 50V K	
C301	QTE1H46-106Z	E CAPACITOR	10uF 50V	
C302	QTE1H46-106Z	E CAPACITOR	10uF 50V	
C303	QCS31HJ-271Z	C CAPACITOR	270pF 50V J	
C304	QCS31HJ-271Z	C CAPACITOR	270pF 50V J	
C305	QCS31HJ-221Z	C CAPACITOR	220pF 50V J	
C306	QCS31HJ-221Z	C CAPACITOR	220pF 50V J	
C307	QCB31HK-152Z	C CAPACITOR	1500pF 50V K	
C308	QCB31HK-152Z	C CAPACITOR	1500pF 50V K	
C309	QEZ0716-227Z	E.CAPA.PW	220uF	
C310	QEZ0716-227Z	E.CAPA.PW	220uF	
C311	QCS31HJ-100Z	C CAPACITOR	10pF 50V J	
C312	QCS31HJ-100Z	C CAPACITOR	10pF 50V J	
C313	QFLC1HJ-103Z	M CAPACITOR	0.01uF 50V J	
C314	QFLC1HJ-103Z	M CAPACITOR	0.01uF 50V J	
C315	QCS32HJ-220Z	C CAPACITOR	22pF 500V J	
C316	QCS32HJ-220Z	C CAPACITOR	22pF 500V J	
C317	QEHR1VM-476Z	E CAPACITOR	47uF 35V M	
C318	QEHR1VM-476Z	E CAPACITOR	47uF 35V M	
C319	QETN1JM-107Z	E CAPACITOR	100uF 63V M	
C320	QETN1JM-107Z	E CAPACITOR	100uF 63V M	
C321	QCS32HJ-470Z	C CAPACITOR	47pF 500V J	
C322	QCS32HJ-470Z	C CAPACITOR	47pF 500V J	
C323	QCS32HJ-470Z	C CAPACITOR	47pF 500V J	
C324	QCS32HJ-470Z	C CAPACITOR	47pF 500V J	
C325	QFLC1HJ-473Z	M CAPACITOR	0.047uF 50V J	
C326	QFLC1HJ-473Z	M CAPACITOR	0.047uF 50V J	

△ Symbol No.	Part No.	Part Name	Description	Local	△ Symbol No.	Part No.	Part Name	Description	Local
C327	QFLC1HJ-473Z	M CAPACITOR	0.047uF 50V J		△ R315	QRJ146J-331X	UNF C RESISTOR	330Ω 1/4W J	
C328	QFLC1HJ-473Z	M CAPACITOR	0.047uF 50V J		△ R316	QRJ146J-331X	UNF C RESISTOR	330Ω 1/4W J	
C501	QKEC1HM-475Z	E CAPACITOR	4.7uF 50V M		R317	QRE141J-473Y	C RESISTOR	47kΩ 1/4W J	
C502	QKEC1HM-475Z	E CAPACITOR	4.7uF 50V M		R318	QRE141J-473Y	C RESISTOR	47kΩ 1/4W J	
C503	QETN1AM-477Z	E CAPACITOR	470uF 10V M		R319	QRJ146J-331X	UNF C RESISTOR	330Ω 1/4W J	
C504	QCS31HJ-470Z	C CAPACITOR	47pF 50V J		R320	QRJ146J-331X	UNF C RESISTOR	330Ω 1/4W J	
C505	QKEC1HM-475Z	E CAPACITOR	4.7uF 50V M		△ R321	QRJ146J-100X	UNF C RESISTOR	10Ω 1/4W J	
C506	QETN1AM-477Z	E CAPACITOR	470uF 10V M		△ R322	QRJ146J-100X	UNF C RESISTOR	10Ω 1/4W J	
C507	QCS31HJ-470Z	C CAPACITOR	47pF 50V J		△ R323	QRJ146J-100X	UNF C RESISTOR	10Ω 1/4W J	
C511	QETN1CM-108Z	E CAPACITOR	1000uF 16V M		△ R324	QRJ146J-100X	UNF C RESISTOR	10Ω 1/4W J	
C512	QCB1HK-223Y	C CAPACITOR	0.022uF 50V K		R325	QRE141J-361Y	C RESISTOR	360Ω 1/4W J	
C801	QEHR1HM-106Z	E CAPACITOR	10uF 50V M		R326	QRE141J-361Y	C RESISTOR	360Ω 1/4W J	
C802	QEHR1HM-106Z	E CAPACITOR	10uF 50V M		R327	QRE141J-471Y	C RESISTOR	470Ω 1/4W J	
C803	QCS31HJ-271Z	C CAPACITOR	270pF 50V J		R328	QRE141J-471Y	C RESISTOR	470Ω 1/4W J	
C804	QCS31HJ-271Z	C CAPACITOR	270pF 50V J		R329	QRE141J-471Y	C RESISTOR	470Ω 1/4W J	
C805	QCS31HJ-221Z	C CAPACITOR	220pF 50V J		R330	QRE141J-471Y	C RESISTOR	470Ω 1/4W J	
C806	QCS31HJ-221Z	C CAPACITOR	220pF 50V J		△ R331	QRJ146J-100X	UNF C RESISTOR	10Ω 1/4W J	
C807	QCB31HK-152Z	C CAPACITOR	1500pF 50V K		△ R332	QRJ146J-100X	UNF C RESISTOR	10Ω 1/4W J	
C808	QCB31HK-152Z	C CAPACITOR	1500pF 50V K		△ R333	QRJ146J-100X	UNF C RESISTOR	10Ω 1/4W J	
C809	QETN1EM-107Z	E CAPACITOR	100uF 25V M		△ R334	QRJ146J-100X	UNF C RESISTOR	10Ω 1/4W J	
C810	QETN1EM-107Z	E CAPACITOR	100uF 25V M		R335	QRE141J-121Y	C RESISTOR	120Ω 1/4W J	
C811	QCS31HJ-100Z	C CAPACITOR	10pF 50V J		R336	QRE141J-121Y	C RESISTOR	120Ω 1/4W J	
C812	QCS31HJ-100Z	C CAPACITOR	10pF 50V J		R337	QRE141J-121Y	C RESISTOR	120Ω 1/4W J	
C813	QFLC1HJ-103Z	M CAPACITOR	0.01uF 50V J		R338	QRE141J-121Y	C RESISTOR	120Ω 1/4W J	
C814	QFLC1HJ-103Z	M CAPACITOR	0.01uF 50V J		R339	QRE141J-181Y	C RESISTOR	180Ω 1/4W J	
C815	QCS32HJ-330Z	C CAPACITOR	33pF 500V J		R340	QRE141J-181Y	C RESISTOR	180Ω 1/4W J	
C816	QCS32HJ-330Z	C CAPACITOR	33pF 500V J		R341	QRE141J-181Y	C RESISTOR	180Ω 1/4W J	
C817	QEHR1HM-225Z	E CAPACITOR	2.2uF 50V M		R342	QRE141J-181Y	C RESISTOR	180Ω 1/4W J	
C818	QEHR1HM-225Z	E CAPACITOR	2.2uF 50V M		R343	QRZ0218-R22	EMIT RESISTOR	0.22Ω	
C819	QEHR2AM-106Z	E CAPACITOR	10uF 100V M		R344	QRZ0218-R22	EMIT RESISTOR	0.22Ω	
C820	QEHR2AM-106Z	E CAPACITOR	10uF 100V M		R345	QRE141J-102Y	C RESISTOR	1kΩ 1/4W J	
C821	QCS32HJ-470Z	C CAPACITOR	47pF 500V J		R346	QRE141J-102Y	C RESISTOR	1kΩ 1/4W J	
C822	QCS32HJ-470Z	C CAPACITOR	47pF 500V J		R347	QRE141J-153Y	C RESISTOR	15kΩ 1/4W J	
C823	QCS32HJ-470Z	C CAPACITOR	47pF 500V J		R348	QRE141J-153Y	C RESISTOR	15kΩ 1/4W J	
C824	QCS32HJ-470Z	C CAPACITOR	47pF 500V J		R349	QRE141J-473Y	C RESISTOR	47kΩ 1/4W J	
C825	QFLC1HJ-473Z	M CAPACITOR	0.047uF 50V J		R350	QRE141J-473Y	C RESISTOR	47kΩ 1/4W J	
C826	QFLC1HJ-473Z	M CAPACITOR	0.047uF 50V J		△ R351	QRJ125J-330	UNF C RESISTOR	33Ω 1/2W J	
C827	QFLC1HJ-473Z	M CAPACITOR	0.047uF 50V J		△ R352	QRJ125J-330	UNF C RESISTOR	33Ω 1/2W J	
C828	QFLC1HJ-473Z	M CAPACITOR	0.047uF 50V J		△ R353	QRL027J-100	OMF RESISTOR	10Ω 2W J	
C829	QETN1HM-476Z	E CAPACITOR	47uF 50V M		△ R354	QRL027J-100	OMF RESISTOR	10Ω 2W J	
C830	QETN1HM-476Z	E CAPACITOR	47uF 50V M		R363	QRE141J-272Y	C RESISTOR	2.7kΩ 1/4W J	
C901	QTE1H46-106Z	E CAPACITOR	10uF 50V		R364	QRE141J-272Y	C RESISTOR	2.7kΩ 1/4W J	
C903	QCS31HJ-271Z	C CAPACITOR	270pF 50V J		R501	QRE141J-331Y	C RESISTOR	330Ω 1/4W J	
C905	QCS31HJ-221Z	C CAPACITOR	220pF 50V J		R502	QRE141J-750Y	C RESISTOR	75Ω 1/4W J	
C907	QCB31HK-152Z	C CAPACITOR	1500pF 50V K		R503	QRE141J-331Y	C RESISTOR	330Ω 1/4W J	
C909	QETN1EM-107Z	E CAPACITOR	100uF 25V M		R504	QRE141J-750Y	C RESISTOR	75Ω 1/4W J	
C911	QCS31HJ-100Z	C CAPACITOR	10pF 50V J		R505	QRE141J-750Y	C RESISTOR	75Ω 1/4W J	
C913	QFLC1HJ-103Z	M CAPACITOR	0.01uF 50V J		R506	QRE141J-473Y	C RESISTOR	47kΩ 1/4W J	
C915	QCS32HJ-330Z	C CAPACITOR	33pF 500V J		R507	QRE141J-331Y	C RESISTOR	330Ω 1/4W J	
C917	QEHR1HM-225Z	E CAPACITOR	2.2uF 50V M		R508	QRE141J-750Y	C RESISTOR	75Ω 1/4W J	
C919	QEHR2AM-106Z	E CAPACITOR	10uF 100V M		R509	QRE141J-750Y	C RESISTOR	75Ω 1/4W J	
C921	QCS32HJ-470Z	C CAPACITOR	47pF 500V J		R510	QRE141J-473Y	C RESISTOR	47kΩ 1/4W J	
C923	QCS32HJ-470Z	C CAPACITOR	47pF 500V J		R511	QRE141J-151Y	C RESISTOR	150Ω 1/4W J	
C925	QFLC1HJ-473Z	M CAPACITOR	0.047uF 50V J		R512	QRE141J-271Y	C RESISTOR	270Ω 1/4W J	
C927	QFLC1HJ-473Z	M CAPACITOR	0.047uF 50V J		R513	QRE141J-152Y	C RESISTOR	1.5kΩ 1/4W J	
C929	QETN1HM-476Z	E CAPACITOR	47uF 50V M		R514	QRE141J-151Y	C RESISTOR	150Ω 1/4W J	
△ R201	QRJ146J-2R2X	UNF C RESISTOR	2.2Ω 1/4W J		R515	QRE141J-271Y	C RESISTOR	270Ω 1/4W J	
△ R203	QRJ146J-100X	UNF C RESISTOR	10Ω 1/4W J		R516	QRE141J-152Y	C RESISTOR	1.5kΩ 1/4W J	
△ R204	QRJ146J-821X	UNF C RESISTOR	820Ω 1/4W J		R591	QRE141J-221Y	C RESISTOR	220Ω 1/4W J	
△ R208	QRJ146J-100X	UNF C RESISTOR	10Ω 1/4W J		R801	QRE141J-222Y	C RESISTOR	2.2kΩ 1/4W J	
R209	QRE141J-104Y	C RESISTOR	100kΩ 1/4W J		R802	QRE141J-222Y	C RESISTOR	2.2kΩ 1/4W J	
△ R210	QRJ146J-680X	UNF C RESISTOR	68Ω 1/4W J		R803	QRE141J-563Y	C RESISTOR	56kΩ 1/4W J	
△ R221	QRJ146J-100X	UNF C RESISTOR	10Ω 1/4W J		R804	QRE141J-563Y	C RESISTOR	56kΩ 1/4W J	
R301	QRE141J-222Y	C RESISTOR	2.2kΩ 1/4W J		R805	QRE141J-123Y	C RESISTOR	12kΩ 1/4W J	
R302	QRE141J-222Y	C RESISTOR	2.2kΩ 1/4W J		R806	QRE141J-123Y	C RESISTOR	12kΩ 1/4W J	
R303	QRE141J-623Y	C RESISTOR	62kΩ 1/4W J		R807	QRE141J-272Y	C RESISTOR	2.7kΩ 1/4W J	
R304	QRE141J-623Y	C RESISTOR	62kΩ 1/4W J		R808	QRE141J-272Y	C RESISTOR	2.7kΩ 1/4W J	
R305	QRE141J-123Y	C RESISTOR	12kΩ 1/4W J		R809	QRE141J-101Y	C RESISTOR	100Ω 1/4W J	
R306	QRE141J-123Y	C RESISTOR	12kΩ 1/4W J		R810	QRE141J-101Y	C RESISTOR	100Ω 1/4W J	
R307	QRE141J-272Y	C RESISTOR	2.7kΩ 1/4W J		R811	QRJ146J-391X	UNF C RESISTOR	390Ω 1/4W J	
R308	QRE141J-272Y	C RESISTOR	2.7kΩ 1/4W J		R812	QRJ146J-391X	UNF C RESISTOR	390Ω 1/4W J	
R309	QRE141J-101Y	C RESISTOR	100Ω 1/4W J		R813	QRE141J-563Y	C RESISTOR	56kΩ 1/4W J	
R310	QRE141J-101Y	C RESISTOR	100Ω 1/4W J		R814	QRE141J-563Y	C RESISTOR	56kΩ 1/4W J	
R311	QRJ146J-221X	UNF C RESISTOR	220Ω 1/4W J		△ R815	QRJ146J-331X	UNF C RESISTOR	330Ω 1/4W J	
R312	QRJ146J-221X	UNF C RESISTOR	220Ω 1/4W J		△ R816	QRJ146J-331X	UNF C RESISTOR	330Ω 1/4W J	
R313	QRE141J-623Y	C RESISTOR	62kΩ 1/4W J		△ R821	QRJ146J-100X	UNF C RESISTOR	10Ω 1/4W J	
R314	QRE141J-623Y	C RESISTOR	62kΩ 1/4W J		△ R822	QRJ146J-100X	UNF C RESISTOR	10Ω 1/4W J	
					△ R823	QRJ146J-100X	UNF C RESISTOR	10Ω 1/4W J	

△ Symbol No.	Part No.	Part Name	Description	Local	△ Symbol No.	Part No.	Part Name	Description	Local
△ R824	QRJ146J-100X	UNF C RESISTOR	10Ω 1/4W J		L901	QQLZ005-R45	COIL	0.45uH	
R825	QRE141J-361Y	C RESISTOR	360Ω 1/4W J		△ T202	QQT0478-002	POWER TRANSF		
R826	QRE141J-361Y	C RESISTOR	360Ω 1/4W J						
R827	QRE141J-821Y	C RESISTOR	820Ω 1/4W J		CN201	QGF1205C2-14	CONNECTOR	FFC/FPC (1-14)	
R828	QRE141J-821Y	C RESISTOR	820Ω 1/4W J		CN203	QGD2504C1-05Z	CONNECTOR	(1-5)	
R829	QRE141J-221Y	C RESISTOR	220Ω 1/4W J		CN241	QGD2504C1-05Z	CONNECTOR	(1-5)	
R830	QRE141J-221Y	C RESISTOR	220Ω 1/4W J		CN251	QGA3901F2-03	CONNECTOR	W-B (1-3)	
△ R831	QRJ146J-100X	UNF C RESISTOR	10Ω 1/4W J		CN291	QGB2510J1-04	CONNECTOR	B-B (1-4)	
△ R832	QRJ146J-100X	UNF C RESISTOR	10Ω 1/4W J		CN292	QGB2510K1-04	CONNECTOR	B-B (1-4)	
△ R833	QRJ146J-100X	UNF C RESISTOR	10Ω 1/4W J		CN301	QGB2510K1-14	CONNECTOR	B-B (1-14)	
△ R834	QRJ146J-100X	UNF C RESISTOR	10Ω 1/4W J		CN302	QGB2510K1-14	CONNECTOR	B-B (1-14)	
R835	QRE141J-181Y	C RESISTOR	180Ω 1/4W J		CN492	QGB2510K1-04	CONNECTOR	B-B (1-4)	
R836	QRE141J-181Y	C RESISTOR	180Ω 1/4W J		CN501	QGB2510K1-07	CONNECTOR	B-B (1-7)	
R837	QRE141J-181Y	C RESISTOR	180Ω 1/4W J		CN801	QGB2510K1-14	CONNECTOR	B-B (1-14)	
R838	QRE141J-181Y	C RESISTOR	180Ω 1/4W J		CN802	QGB2510K1-14	CONNECTOR	B-B (1-14)	
R839	QRE141J-181Y	C RESISTOR	180Ω 1/4W J		CN901	QGB2510K1-14	CONNECTOR	B-B (1-14)	
R840	QRE141J-181Y	C RESISTOR	180Ω 1/4W J		EP1	E409182-001SM	GRAND TERMINAL		
R841	QRE141J-181Y	C RESISTOR	180Ω 1/4W J		EP201	QNZ0136-001Z	EARTH PLATE		
R842	QRE141J-181Y	C RESISTOR	180Ω 1/4W J		FC211	QNG0020-001Z	FUSE CLIP		
R843	QRZ0218-R22	EMIT RESISTOR	0.22Ω		FC212	QNG0020-001Z	FUSE CLIP		
R844	QRZ0218-R22	EMIT RESISTOR	0.22Ω		FC221	QNG0020-001Z	FUSE CLIP		
R845	QRE141J-102Y	C RESISTOR	1kΩ 1/4W J		FC222	QNG0020-001Z	FUSE CLIP		
R846	QRE141J-102Y	C RESISTOR	1kΩ 1/4W J		FC231	QNG0020-001Z	FUSE CLIP		
R847	QRE141J-183Y	C RESISTOR	18kΩ 1/4W J		FC232	QNG0020-001Z	FUSE CLIP		
R848	QRE141J-183Y	C RESISTOR	18kΩ 1/4W J		FC251	QNG0020-001Z	FUSE CLIP		
R849	QRE141J-123Y	C RESISTOR	12kΩ 1/4W J		FC252	QNG0020-001Z	FUSE CLIP		
R850	QRE141J-123Y	C RESISTOR	12kΩ 1/4W J		FW201	QUM217-14Z4Z4-E	PARA RIBON WIRE		
△ R851	QRJ125J-330	UNF C RESISTOR	33Ω 1/2W J		FW251	QUM213-08DGZ4-E	PARA RIBON WIRE		
△ R852	QRJ125J-330	UNF C RESISTOR	33Ω 1/2W J		J501	QNN0011-001	PIN JACK		
△ R853	QRL027J-100	OMF RESISTOR	10Ω 2W J		J502	QNN0011-001	PIN JACK		
△ R854	QRL027J-100	OMF RESISTOR	10Ω 2W J		J503	QNN0017-002	PIN JACK		
R855	QRE141J-332Y	C RESISTOR	3.3kΩ 1/4W J		J591	QNS0073-001	JACK		
R856	QRE141J-332Y	C RESISTOR	3.3kΩ 1/4W J		△ RY202	QSK0128-001	RELAY		
R857	QRE141J-332Y	C RESISTOR	3.3kΩ 1/4W J		△ RY203	QSK0109-001	RELAY		
R858	QRE141J-332Y	C RESISTOR	3.3kΩ 1/4W J		TA201	QNZ0079-001Z	TAB		
R859	QRE141J-332Y	C RESISTOR	3.3kΩ 1/4W J		TA202	QNZ0079-001Z	TAB		
R860	QRE141J-332Y	C RESISTOR	3.3kΩ 1/4W J		△ TH301	QAD0012-202	THERMISTOR	2kΩ L	
R861	QRE141J-332Y	C RESISTOR	3.3kΩ 1/4W J		△ TH302	QAD0012-202	THERMISTOR	2kΩ L	
R862	QRE141J-332Y	C RESISTOR	3.3kΩ 1/4W J		△ TH801	QAD0012-202	THERMISTOR	2kΩ L	
R863	QRE141J-272Y	C RESISTOR	2.7kΩ 1/4W J		△ TH802	QAD0012-202	THERMISTOR	2kΩ L	
R864	QRE141J-272Y	C RESISTOR	2.7kΩ 1/4W J		△ TH901	QAD0012-202	THERMISTOR	2kΩ L	
R901	QRE141J-222Y	C RESISTOR	2.2kΩ 1/4W J						
R903	QRE141J-623Y	C RESISTOR	62kΩ 1/4W J						
R905	QRE141J-123Y	C RESISTOR	12kΩ 1/4W J						
R907	QRE141J-272Y	C RESISTOR	2.7kΩ 1/4W J						
R909	QRE141J-101Y	C RESISTOR	100Ω 1/4W J						
R911	QRJ146J-301X	UNF C RESISTOR	300Ω 1/4W J						
R913	QRE141J-623Y	C RESISTOR	62kΩ 1/4W J						
△ R915	QRJ146J-331X	UNF C RESISTOR	330Ω 1/4W J						
△ R921	QRJ146J-100X	UNF C RESISTOR	10Ω 1/4W J						
△ R923	QRJ146J-100X	UNF C RESISTOR	10Ω 1/4W J						
R925	QRE141J-361Y	C RESISTOR	360Ω 1/4W J						
R927	QRE141J-821Y	C RESISTOR	820Ω 1/4W J						
R929	QRE141J-221Y	C RESISTOR	220Ω 1/4W J						
△ R931	QRJ146J-100X	UNF C RESISTOR	10Ω 1/4W J						
△ R933	QRJ146J-100X	UNF C RESISTOR	10Ω 1/4W J						
R935	QRE141J-181Y	C RESISTOR	180Ω 1/4W J						
R937	QRE141J-181Y	C RESISTOR	180Ω 1/4W J						
R939	QRE141J-181Y	C RESISTOR	180Ω 1/4W J						
R941	QRE141J-181Y	C RESISTOR	180Ω 1/4W J						
R943	QRZ0218-R22	EMIT RESISTOR	0.22Ω						
R945	QRE141J-102Y	C RESISTOR	1kΩ 1/4W J						
R947	QRE141J-183Y	C RESISTOR	18kΩ 1/4W J						
R949	QRE141J-473Y	C RESISTOR	47kΩ 1/4W J						
△ R951	QRJ125J-330	UNF C RESISTOR	33Ω 1/2W J						
△ R953	QRL027J-100	OMF RESISTOR	10Ω 2W J						
R955	QRE141J-332Y	C RESISTOR	3.3kΩ 1/4W J						
R957	QRE141J-332Y	C RESISTOR	3.3kΩ 1/4W J						
R959	QRE141J-332Y	C RESISTOR	3.3kΩ 1/4W J						
R961	QRE141J-332Y	C RESISTOR	3.3kΩ 1/4W J						
R963	QRE141J-272Y	C RESISTOR	2.7kΩ 1/4W J						
VR301	QVP0008-102Z	TRIM RESISTOR	1kΩ						
VR302	QVP0008-102Z	TRIM RESISTOR	1kΩ						
L301	QQLZ005-R45	COIL	0.45uH						
L302	QQLZ005-R45	COIL	0.45uH						
L801	QQLZ005-R45	COIL	0.45uH						
L802	QQLZ005-R45	COIL	0.45uH						

Audio board

Block No. [0][2]

△ Symbol No.	Part No.	Part Name	Description	Local
IC402	NJU7313AL	IC		
IC403	NJM4580L-D	IC		
IC451	RC4580IP	IC		
IC551	NJM2245D	IC		
IC552	NJM2246D	IC		
Q553	KTC3199/GL-T	TRANSISTOR		
Q554	KTC3199/GL-T	TRANSISTOR		
Q571	KTC3199/GL-T	TRANSISTOR		
Q572	KTC3199/GL-T	TRANSISTOR		
Q573	KRC107M-T	DIGI TRANSISTOR		
Q574	KRC107M-T	DIGI TRANSISTOR		
△ Q1301	KTA1046/Y/	TRANSISTOR		
Q1302	KTC3200/GL-T	TRANSISTOR		
Q1303	KTA1268/GL-T	TRANSISTOR		
Q1304	KTC3199/GL-T	TRANSISTOR		
Q1305	2SD2395/EF/	TRANSTRANSISTOR		
Q1306	KTA1023/OY/T	TRANSISTOR		
Q1307	KTC3200/GL-T	TRANSISTOR		
Q1351	KRC109M-T	DIGI TRANSISTOR		
Q1352	KRC109M-T	DIGI TRANSISTOR		
Q1353	KRC109M-T	DIGI TRANSISTOR		
Q1354	KRC109M-T	DIGI TRANSISTOR		
Q1355	KRC109M-T	DIGI TRANSISTOR		
Q1356	KRC109M-T	DIGI TRANSISTOR		
Q1357	KRC109M-T	DIGI TRANSISTOR		
Q1358	KRC109M-T	DIGI TRANSISTOR		

△ Symbol No.	Part No.	Part Name	Description	Local	△ Symbol No.	Part No.	Part Name	Description	Local
△ D1301	30PRA20-FC	SI DIODE			C1305	QEZ0741-688	E CAPACITOR	6800uF	
△ D1302	30PRA20-FC	SI DIODE			C1306	QETN1EM-476Z	E CAPACITOR	47uF 25V M	
△ D1303	30PRA20-FC	SI DIODE			C1308	QETN1HM-476Z	E CAPACITOR	47uF 50V M	
△ D1304	30PRA20-FC	SI DIODE			C1309	QEK1HM-106Z	E CAPACITOR	10uF 50V M	
D1305	MTZJ18C-T2	Z DIODE			C1310	QEK1CM-476Z	E CAPACITOR	47uF 16V M	
D1306	MTZJ33C-T2	Z DIODE			C1311	QEK1HM-226Z	E CAPACITOR	22uF 50V M	
D1307	1SS133-T2	SI DIODE			C1351	QEK1HM-475Z	E CAPACITOR	4.7uF 50V M	
D1308	1SS133-T2	SI DIODE			C1352	QEK1HM-475Z	E CAPACITOR	4.7uF 50V M	
D1309	MTZJ20C-T2	Z DIODE			C1353	QEK1HM-475Z	E CAPACITOR	4.7uF 50V M	
D1352	1SS133-T2	SI DIODE			C1354	QEK1HM-475Z	E CAPACITOR	4.7uF 50V M	
D1353	1SS133-T2	SI DIODE			C1359	QFLC1HJ-223Z	M CAPACITOR	0.022uF 50V J	
D1354	1SS133-T2	SI DIODE			C1360	QFLC1HJ-223Z	M CAPACITOR	0.022uF 50V J	
D1355	1SS133-T2	SI DIODE			C1361	QFLC1HJ-223Z	M CAPACITOR	0.022uF 50V J	
D1356	MTZJ5.1C-T2	Z DIODE			C1362	QCS31HJ-221Z	C CAPACITOR	220pF 50V J	
D1357	1SS133-T2	SI DIODE			C1363	QFLC1HJ-223Z	M CAPACITOR	0.022uF 50V J	
D1358	1SS133-T2	SI DIODE			C1364	QCS31HJ-221Z	C CAPACITOR	220pF 50V J	
D1359	1SS133-T2	SI DIODE			C1365	QFLC1HJ-473Z	M CAPACITOR	0.047uF 50V J	
D1360	1SS133-T2	SI DIODE			C1366	QCS31HJ-221Z	C CAPACITOR	220pF 50V J	
C419	QCBB1HK-223Y	C CAPACITOR	0.022uF 50V K		C1367	QCBB1HK-221Y	C CAPACITOR	220pF 50V K	
C420	QCBB1HK-223Y	C CAPACITOR	0.022uF 50V K		C1368	QFLC1HJ-102Z	M CAPACITOR	1000pF 50V J	
C423	QCBB1HK-331Y	C CAPACITOR	330pF 50V K		C1369	QFLC1HJ-223Z	M CAPACITOR	0.022uF 50V J	
C424	QCBB1HK-331Y	C CAPACITOR	330pF 50V K		C1370	QCS31HJ-221Z	C CAPACITOR	220pF 50V J	
C425	QCBB1HK-331Y	C CAPACITOR	330pF 50V K		C1371	QCBB1HK-221Y	C CAPACITOR	220pF 50V K	
C426	QCBB1HK-331Y	C CAPACITOR	330pF 50V K		C1372	QCS31HJ-221Z	C CAPACITOR	220pF 50V J	
C427	QCBB1HK-221Y	C CAPACITOR	220pF 50V K		C1373	QFLC1HJ-223Z	M CAPACITOR	0.022uF 50V J	
C428	QCBB1HK-221Y	C CAPACITOR	220pF 50V K		C1374	QCS31HJ-221Z	C CAPACITOR	220pF 50V J	
C429	QCBB1HK-331Y	C CAPACITOR	330pF 50V K		C1375	QCS31HJ-221Z	C CAPACITOR	220pF 50V J	
C430	QCBB1HK-331Y	C CAPACITOR	330pF 50V K		C1376	QCBB1HK-221Y	C CAPACITOR	220pF 50V K	
C431	QCBB1HK-331Y	C CAPACITOR	330pF 50V K		R423	QRE141J-471Y	C RESISTOR	470Ω 1/4W J	
C432	QCBB1HK-331Y	C CAPACITOR	330pF 50V K		R424	QRE141J-471Y	C RESISTOR	470Ω 1/4W J	
C433	QCBB1HK-221Y	C CAPACITOR	220pF 50V K		R425	QRE141J-471Y	C RESISTOR	470Ω 1/4W J	
C434	QCBB1HK-221Y	C CAPACITOR	220pF 50V K		R426	QRE141J-471Y	C RESISTOR	470Ω 1/4W J	
C435	QCBB1HK-331Y	C CAPACITOR	330pF 50V K		R429	QRE141J-471Y	C RESISTOR	470Ω 1/4W J	
C436	QCBB1HK-331Y	C CAPACITOR	330pF 50V K		R430	QRE141J-471Y	C RESISTOR	470Ω 1/4W J	
C440	QCBB1HK-221Y	C CAPACITOR	220pF 50V K		R431	QRE141J-471Y	C RESISTOR	470Ω 1/4W J	
C441	QTE1H46-106Z	E CAPACITOR	10uF 50V		R432	QRE141J-471Y	C RESISTOR	470Ω 1/4W J	
C442	QTE1H46-106Z	E CAPACITOR	10uF 50V		R435	QRE141J-471Y	C RESISTOR	470Ω 1/4W J	
C443	QTE1E46-476Z	E CAPACITOR	47uF 25V		R436	QRE141J-471Y	C RESISTOR	470Ω 1/4W J	
C444	QTE1E46-476Z	E CAPACITOR	47uF 25V		R440	QRE141J-102Y	C RESISTOR	1kΩ 1/4W J	
C445	QCBB1HK-223Y	C CAPACITOR	0.022uF 50V K		R443	QRE141J-513Y	C RESISTOR	51kΩ 1/4W J	
C446	QCBB1HK-223Y	C CAPACITOR	0.022uF 50V K		R444	QRE141J-513Y	C RESISTOR	51kΩ 1/4W J	
C451	QCBB1HK-331Y	C CAPACITOR	330pF 50V K		R445	QRE141J-104Y	C RESISTOR	100kΩ 1/4W J	
C452	QCBB1HK-331Y	C CAPACITOR	330pF 50V K		R446	QRE141J-104Y	C RESISTOR	100kΩ 1/4W J	
C453	QCBB1HK-331Y	C CAPACITOR	330pF 50V K		△ R449	QRJ146J-271X	UNF C RESISTOR	270Ω 1/4W J	
C454	QCBB1HK-331Y	C CAPACITOR	330pF 50V K		△ R450	QRJ146J-271X	UNF C RESISTOR	270Ω 1/4W J	
C455	QCBB1HK-331Y	C CAPACITOR	330pF 50V K		R451	QRE141J-471Y	C RESISTOR	470Ω 1/4W J	
C456	QCBB1HK-331Y	C CAPACITOR	330pF 50V K		R452	QRE141J-471Y	C RESISTOR	470Ω 1/4W J	
C460	QCZ0202-155Z	C CAPACITOR	1.5uF 25V Z		R453	QRE141J-471Y	C RESISTOR	470Ω 1/4W J	
C461	QEK1HM-475Z	E CAPACITOR	4.7uF 50V M		R454	QRE141J-471Y	C RESISTOR	470Ω 1/4W J	
C462	QEK1HM-475Z	E CAPACITOR	4.7uF 50V M		R455	QRE141J-471Y	C RESISTOR	470Ω 1/4W J	
C463	QEK1HM-475Z	E CAPACITOR	4.7uF 50V M		R456	QRE141J-471Y	C RESISTOR	470Ω 1/4W J	
C464	QEK1HM-475Z	E CAPACITOR	4.7uF 50V M		R458	QRJ146J-271X	UNF C RESISTOR	270Ω 1/4W J	
C481	QCBB1HK-223Y	C CAPACITOR	0.022uF 50V K		R459	QRJ146J-271X	UNF C RESISTOR	270Ω 1/4W J	
C482	QCBB1HK-223Y	C CAPACITOR	0.022uF 50V K		R461	QRE141J-104Y	C RESISTOR	100kΩ 1/4W J	
C551	QDX31EM-473Z	C CAPACITOR	0.047uF 25V M		R462	QRE141J-104Y	C RESISTOR	100kΩ 1/4W J	
C552	QEK1HM-475Z	E CAPACITOR	4.7uF 50V M		R463	QRE141J-104Y	C RESISTOR	100kΩ 1/4W J	
C553	QDX31EM-473Z	C CAPACITOR	0.047uF 25V M		R464	QRE141J-104Y	C RESISTOR	100kΩ 1/4W J	
C554	QEK1HM-475Z	E CAPACITOR	4.7uF 50V M		R551	QRE141J-750Y	C RESISTOR	75Ω 1/4W J	
C555	QDX31EM-473Z	C CAPACITOR	0.047uF 25V M		R552	QRE141J-750Y	C RESISTOR	75Ω 1/4W J	
C556	QETN1AM-477Z	E CAPACITOR	470uF 10V M		R553	QRE141J-750Y	C RESISTOR	75Ω 1/4W J	
C557	QCS31HJ-470Z	C CAPACITOR	47pF 50V J		R554	QRE141J-750Y	C RESISTOR	75Ω 1/4W J	
C558	QCS31HJ-470Z	C CAPACITOR	47pF 50V J		R555	QRE141J-750Y	C RESISTOR	75Ω 1/4W J	
C559	QDX31EM-473Z	C CAPACITOR	0.047uF 25V M		R556	QRE141J-750Y	C RESISTOR	75Ω 1/4W J	
C560	QEK1HM-475Z	E CAPACITOR	4.7uF 50V M		R557	QRE141J-473Y	C RESISTOR	47kΩ 1/4W J	
C561	QDX31EM-473Z	C CAPACITOR	0.047uF 25V M		R558	QRE141J-473Y	C RESISTOR	47kΩ 1/4W J	
C562	QETN1AM-477Z	E CAPACITOR	470uF 10V M		R559	QRE141J-750Y	C RESISTOR	75Ω 1/4W J	
C563	QCS31HJ-470Z	C CAPACITOR	47pF 50V J		R560	QRE141J-750Y	C RESISTOR	75Ω 1/4W J	
C564	QCS31HJ-470Z	C CAPACITOR	47pF 50V J		R561	QRE141J-750Y	C RESISTOR	75Ω 1/4W J	
C581	QEK1CM-476Z	E CAPACITOR	47uF 16V M		R562	QRE141J-750Y	C RESISTOR	75Ω 1/4W J	
C582	QCZ0202-155Z	C CAPACITOR	1.5uF 25V Z		R563	QRE141J-473Y	C RESISTOR	47kΩ 1/4W J	
C583	QEK1CM-476Z	E CAPACITOR	47uF 16V M		R564	QRE141J-473Y	C RESISTOR	47kΩ 1/4W J	
C584	QCZ0202-155Z	C CAPACITOR	1.5uF 25V Z		R565	QRE141J-561Y	C RESISTOR	560Ω 1/4W J	
C1301	QFZ9076-104Z	MM CAPACITOR	0.1uF		R566	QRE141J-241Y	C RESISTOR	240Ω 1/4W J	
C1302	QCE22HP-103	C CAPACITOR	0.01uF 500V P		R571	QRE141J-561Y	C RESISTOR	560Ω 1/4W J	
C1303	QCE22HP-103	C CAPACITOR	0.01uF 500V P		R572	QRE141J-241Y	C RESISTOR	240Ω 1/4W J	
C1304	QEZ0741-688	E CAPACITOR	6800uF		R573	QRE141J-751Y	C RESISTOR	750Ω 1/4W J	
					R574	QRE141J-751Y	C RESISTOR	750Ω 1/4W J	

Symbol No.	Part No.	Part Name	Description	Local
R581	QRJ146J-6R8X	UNF C RESISTOR	6.8Ω 1/4W J	
△ R1301	QRL027J-332	OMF RESISTOR	3.3kΩ 2W J	
△ R1302	QRZ9005-100X	FUSI RESISTOR	10Ω	
△ R1303	QRJ146J-562X	UNF C RESISTOR	5.6kΩ 1/4W J	
R1304	QRE141J-104Y	C RESISTOR	100kΩ 1/4W J	
R1305	QRE141J-104Y	C RESISTOR	100kΩ 1/4W J	
R1306	QRE141J-823Y	C RESISTOR	82kΩ 1/4W J	
R1307	QRE141J-104Y	C RESISTOR	100kΩ 1/4W J	
R1308	QRE141J-104Y	C RESISTOR	100kΩ 1/4W J	
R1309	QRE141J-103Y	C RESISTOR	10kΩ 1/4W J	
R1310	QRE141J-103Y	C RESISTOR	10kΩ 1/4W J	
R1311	QRE141J-104Y	C RESISTOR	100kΩ 1/4W J	
R1312	QRE141J-104Y	C RESISTOR	100kΩ 1/4W J	
△ R1313	QRZ9005-100X	FUSI RESISTOR	10Ω	
△ R1314	QRJ146J-103X	UNF C RESISTOR	10kΩ 1/4W J	
△ R1315	QRJ146J-2R2X	UNF C RESISTOR	2.2Ω 1/4W J	
△ R1316	QRJ146J-102X	UNF C RESISTOR	1kΩ 1/4W J	
△ R1317	QRJ146J-223X	UNF C RESISTOR	22kΩ 1/4W J	
R1318	QRE141J-223Y	C RESISTOR	22kΩ 1/4W J	
R1319	QRE141J-473Y	C RESISTOR	47kΩ 1/4W J	
△ R1352	QRJ146J-680X	UNF C RESISTOR	68Ω 1/4W J	
△ R1353	QRJ146J-680X	UNF C RESISTOR	68Ω 1/4W J	
△ R1354	QRJ146J-680X	UNF C RESISTOR	68Ω 1/4W J	
△ R1355	QRJ146J-392X	UNF C RESISTOR	3.9kΩ 1/4W J	
R1356	QRE141J-472Y	C RESISTOR	4.7kΩ 1/4W J	
R1357	QRE141J-223Y	C RESISTOR	22kΩ 1/4W J	
R1358	QRE141J-682Y	C RESISTOR	6.8kΩ 1/4W J	
R1359	QRE141J-472Y	C RESISTOR	4.7kΩ 1/4W J	
R1360	QRE141J-472Y	C RESISTOR	4.7kΩ 1/4W J	
R1361	QRE141J-472Y	C RESISTOR	4.7kΩ 1/4W J	
R1362	QRE141J-472Y	C RESISTOR	4.7kΩ 1/4W J	
R1363	QRE141J-472Y	C RESISTOR	4.7kΩ 1/4W J	
R1364	QRE141J-223Y	C RESISTOR	22kΩ 1/4W J	
R1365	QRE141J-682Y	C RESISTOR	6.8kΩ 1/4W J	
R1366	QRE141J-223Y	C RESISTOR	22kΩ 1/4W J	
R1367	QRE141J-682Y	C RESISTOR	6.8kΩ 1/4W J	
△ R1370	QRJ146J-2R7X	UNF C RESISTOR	2.7Ω 1/4W J	
△ R1371	QRJ146J-2R7X	UNF C RESISTOR	2.7Ω 1/4W J	
△ R1372	QRJ146J-2R7X	UNF C RESISTOR	2.7Ω 1/4W J	
△ R1373	QRJ146J-2R7X	UNF C RESISTOR	2.7Ω 1/4W J	
△ R1374	QRJ146J-2R7X	UNF C RESISTOR	2.7Ω 1/4W J	

L1351	QQLZ005-R45	COIL	0.45uH	
L1352	QQLZ005-R45	COIL	0.45uH	
L1353	QQLZ005-R45	COIL	0.45uH	
L1354	QQLZ005-R45	COIL	0.45uH	
L1355	QQLZ005-R45	COIL	0.45uH	

CN311	QGB2510J1-14	CONNECTOR	B-B (1-14)	
CN312	QGB2510J1-14	CONNECTOR	B-B (1-14)	
CN321	QGB2510J1-14	CONNECTOR	B-B (1-14)	
CN331	QGB2510J1-14	CONNECTOR	B-B (1-14)	
CN332	QGB2510J1-14	CONNECTOR	B-B (1-14)	
CN351	QJK012-032403-E	SKT WIRE ASSY		
CN371	QJP001-031201-E	SHI CR C-B WIRE		
CN372	QJP002-021201-E	SHI CR C-B WIRE		
CN373	QJP001-031201-E	SHI CR C-B WIRE		
CN401	QGB2510K1-14	CONNECTOR	B-B (1-14)	
CN451	QGB2510K1-11	CONNECTOR	B-B (1-11)	
CN511	QGD2503F1-03	CONNECTOR	(1-3)	
CN551	QGB2510K1-08	CONNECTOR	B-B (1-8)	
EP301	QNZ0136-001Z	EARTH PLATE		
FW301	QUM215-27Z4Z4-E	PARA RIBON WIRE		
FW302	QUM216-27Z4Z4-E	PARA RIBON WIRE		
FW303	QUM215-28DGZ4-E	PARA RIBON WIRE		
FW341	QUM215-20DGZ4-E	SOCKET I.M		
J402	QNN0556-001	PIN JACK		
J403	QNN0615-001	PIN JACK		
J404	QNN0555-001	PIN JACK		
J406	QNN0060-001	PIN JACK		
J551	QND0091-001	S JACK		
J552	QND0091-001	S JACK		
J553	QND0092-001	S JACK		
△ RY302	QSK0109-001	RELAY		
△ RY303	QSK0109-001	RELAY		
△ RY304	QSK0109-001	RELAY		
ST301	QNB0293-001	SPK TERMINAL		
ST303	QNB0294-001	SPK TERMINAL		

Mother board

Symbol No.	Part No.	Part Name	Description	Local
IC423	NJU7311AM-X	IC		
IC427	NJM4565M-WE	IC		
IC428	BD3814FV-X	IC		
IC581	MM1504XN-X	IC		
IC582	MM1504XN-X	IC		
IC583	MM1506XN-X	IC		
△ Q1401	KTA1046/Y/	TRANSISTOR		
△ Q1402	KTC2026/Y/	TRANSISTOR		
△ Q1403	KTC2026/Y/	TRANSISTOR		
△ Q1404	KTC2026/Y/	TRANSISTOR		
△ Q1405	KTC2026/Y/	TRANSISTOR		
△ Q1406	KTC3203/OY/-T	TRANSISTOR		
△ Q1407	KTC3203/OY/-T	TRANSISTOR		
△ Q1408	KTA1271/OY/-T	TRANSISTOR		
Q1413	2SC3576-JVC-T	TRANSISTOR		
Q1414	2SC3576-JVC-T	TRANSISTOR		
Q1417	2SC3576-JVC-T	TRANSISTOR		
Q1418	2SC3576-JVC-T	TRANSISTOR		
Q1419	2SC3576-JVC-T	TRANSISTOR		
Q1420	KRA104M-T	DIGI TRANSISTOR		
Q1421	2SC3576-JVC-T	TRANSISTOR		
Q1422	2SC3576-JVC-T	TRANSISTOR		
Q1423	KRA104M-T	DIGI TRANSISTOR		
Q1424	KRA104M-T	DIGI TRANSISTOR		
Q1425	2SC3576-JVC-T	TRANSISTOR		
Q1426	2SC3576-JVC-T	TRANSISTOR		
Q1427	2SC3576-JVC-T	TRANSISTOR		
Q1428	2SC3576-JVC-T	TRANSISTOR		
Q1429	KRA104M-T	DIGI TRANSISTOR		
△ Q1434	KTC2026/Y/	TRANSISTOR		
△ Q1435	KTC2026/Y/	TRANSISTOR		
Q1436	UN2119-X	TRANSISTOR		
Q1437	UN2214-X	TRANSISTOR		
Q1438	UN2214-X	TRANSISTOR		
Q1501	KTA1504/YG/-X	SI TRANSISTOR		
D719	SLR-343VC/NPQ-T	LED		
D1401	MTZJ13C-T2	Z DIODE		
D1402	MTZJ6.2C-T2	Z DIODE		
D1403	MTZJ5.6B-T2	Z DIODE		
D1404	MTZJ5.6C-T2	Z DIODE		
D1405	MTZJ13C-T2	Z DIODE		
D1406	MTZJ10C-T2	Z DIODE		
D1407	MTZJ7.5C-T2	Z DIODE		
D1408	MTZJ7.5C-T2	Z DIODE		
D1409	MA152WK-X	SI DIODE		
D1412	1SS355-X	SI DIODE		
D1413	1SS355-X	SI DIODE		
D1414	1SS355-X	SI DIODE		
D1415	1SS355-X	SI DIODE		
C101	QCBB1HK-331Y	C CAPACITOR	330pF 50V K	
C102	QCBB1HK-331Y	C CAPACITOR	330pF 50V K	
C1401	QEZ0717-476Z	E.CAPA PW	47uF	
C1402	QETN1EM-107Z	E CAPACITOR	100uF 25V M	
C1403	QEZ0807-107Z	E CAPA I/M PW	100uF	
C1404	QEZ0807-107Z	E CAPA I/M PW	100uF	
C1405	QEZ0807-107Z	E CAPA I/M PW	100uF	
C1406	QETN1EM-107Z	E CAPACITOR	100uF 25V M	
C1407	QCF31HZ-223Z	C CAPACITOR	0.022uF 50V Z	
C1408	QEZ0717-476Z	E.CAPA PW	47uF	
C1409	QEZ0717-476Z	E.CAPA PW	47uF	
C1422	QTE1H46-475Z	E CAPACITOR	4.7uF 50V	
C1423	QEK1HM-475Z	E CAPACITOR	4.7uF 50V M	
C1424	QEK1HM-475Z	E CAPACITOR	4.7uF 50V M	
C1425	QEK1EM-106Z	E CAPACITOR	10uF 25V M	
C1432	NCB31CK-223X	C CAPACITOR	0.022uF 16V K	
C1433	QEK1EM-106Z	E CAPACITOR	10uF 25V M	
C1436	NCB31CK-223X	C CAPACITOR	0.022uF 16V K	
C1437	QCZ0202-155Z	C CAPACITOR	1.5uF 25V Z	
C1443	QCZ0202-155Z	C CAPACITOR	1.5uF 25V Z	
C1444	NCB31CK-223X	C CAPACITOR	0.022uF 16V K	
C1445	NCB31CK-223X	C CAPACITOR	0.022uF 16V K	

Block No. [0][3]

△ Symbol No.	Part No.	Part Name	Description	Local	△ Symbol No.	Part No.	Part Name	Description	Local
C1446	NCB31HK-221X	C CAPACITOR	220pF 50V K		△ R1418	QRZ9005-680X	F RESISTOR	68Ω	
C1447	QEKC1HM-475Z	E CAPACITOR	4.7uF 50V M		△ R1419	QRZ9005-680X	F RESISTOR	68Ω	
C1453	QEKC1HM-475Z	E CAPACITOR	4.7uF 50V M		R1435	NRSA63J-104X	MG RESISTOR	100kΩ 1/16W J	
C1459	QEKC1HM-475Z	E CAPACITOR	4.7uF 50V M		R1436	NRSA63J-104X	MG RESISTOR	100kΩ 1/16W J	
C1460	NCB31CK-223X	C CAPACITOR	0.022uF 16V K		R1437	NRSA63J-102X	MG RESISTOR	1kΩ 1/16W J	
C1461	NCB31CK-223X	C CAPACITOR	0.022uF 16V K		R1438	NRSA63J-102X	MG RESISTOR	1kΩ 1/16W J	
C1463	QTE1H46-106Z	E CAPACITOR	10uF 50V		R1439	NRSA63J-103X	MG RESISTOR	10kΩ 1/16W J	
C1464	QTE1H46-106Z	E CAPACITOR	10uF 50V		R1440	NRSA63J-103X	MG RESISTOR	10kΩ 1/16W J	
C1465	QENC1HM-106Z	BP E CAPACITOR	10uF 50V M		R1444	NRSA63J-103X	MG RESISTOR	10kΩ 1/16W J	
C1480	QETN1VM-477Z	E CAPACITOR	470uF 35V M		R1445	NRSA63J-102X	MG RESISTOR	1kΩ 1/16W J	
C1481	NCB31EK-104X	C CAPACITOR	0.1uF 25V K		R1446	NRSA63J-104X	MG RESISTOR	100kΩ 1/16W J	
C1482	NCB31EK-104X	C CAPACITOR	0.1uF 25V K		R1447	NRSA63J-102X	MG RESISTOR	1kΩ 1/16W J	
C1483	NCB31EK-104X	C CAPACITOR	0.1uF 25V K		R1448	NRSA63J-103X	MG RESISTOR	10kΩ 1/16W J	
C1484	NCB31EK-104X	C CAPACITOR	0.1uF 25V K		R1449	NRSA63J-102X	MG RESISTOR	1kΩ 1/16W J	
C1501	QEKC1AM-107Z	E CAPACITOR	100uF 10V M		R1450	NRSA63J-103X	MG RESISTOR	10kΩ 1/16W J	
C1502	NCB31HK-103X	C CAPACITOR	0.01uF 50V K		R1451	NRSA63J-104X	MG RESISTOR	100kΩ 1/16W J	
C1503	NCB31HK-103X	C CAPACITOR	0.01uF 50V K		R1452	NRSA63J-104X	MG RESISTOR	100kΩ 1/16W J	
C1504	NCB31HK-103X	C CAPACITOR	0.01uF 50V K		R1453	NRSA63J-102X	MG RESISTOR	1kΩ 1/16W J	
C1505	QEKC1AM-476Z	E CAPACITOR	47uF 10V M		△ R1459	QRZ9005-680X	F RESISTOR	68Ω	
C1506	NDC31HJ-470X	C CAPACITOR	47pF 50V J		△ R1460	QRZ9005-680X	F RESISTOR	68Ω	
C1507	QEKC1HM-475Z	E CAPACITOR	4.7uF 50V M		R1461	QRJ146J-2R2X	UNF C RESISTOR	2.2Ω 1/4W J	
C1508	NDC31HJ-470X	C CAPACITOR	47pF 50V J		R1462	QRJ146J-2R2X	UNF C RESISTOR	2.2Ω 1/4W J	
C1509	QEKC1HM-475Z	E CAPACITOR	4.7uF 50V M		R1464	NRSA63J-104X	MG RESISTOR	100kΩ 1/16W J	
C1510	NDC31HJ-470X	C CAPACITOR	47pF 50V J		R1465	NRSA63J-102X	MG RESISTOR	1kΩ 1/16W J	
C1511	QEKC1AM-476Z	E CAPACITOR	47uF 10V M		R1470	NRSA63J-201X	MG RESISTOR	200Ω 1/16W J	
C1512	NDC31HJ-470X	C CAPACITOR	47pF 50V J		R1471	NRSA63J-201X	MG RESISTOR	200Ω 1/16W J	
C1513	QEKC1HM-475Z	E CAPACITOR	4.7uF 50V M		R1472	NRSA63J-103X	MG RESISTOR	10kΩ 1/16W J	
C1514	NDC31HJ-470X	C CAPACITOR	47pF 50V J		R1473	NRSA63J-103X	MG RESISTOR	10kΩ 1/16W J	
C1515	QEKC1HM-475Z	E CAPACITOR	4.7uF 50V M		R1474	NRSA63J-102X	MG RESISTOR	1kΩ 1/16W J	
C1516	NDC31HJ-470X	C CAPACITOR	47pF 50V J		R1476	NRSA63J-103X	MG RESISTOR	10kΩ 1/16W J	
C1517	QETN1AM-477Z	E CAPACITOR	470uF 10V M		R1480	NRSA63J-104X	MG RESISTOR	100kΩ 1/16W J	
C1518	NDC31HJ-101X	C CAPACITOR	100pF 50V J		R1481	NRSA63J-472X	MG RESISTOR	4.7kΩ 1/16W J	
C1519	QETN1CM-107Z	E CAPACITOR	100uF 16V M		R1482	NRSA63J-472X	MG RESISTOR	4.7kΩ 1/16W J	
C1520	NDC31HJ-101X	C CAPACITOR	100pF 50V J		R1485	NRSA63J-562X	MG RESISTOR	5.6kΩ 1/16W J	
C1521	QETN1CM-107Z	E CAPACITOR	100uF 16V M		R1486	NRSA63J-562X	MG RESISTOR	5.6kΩ 1/16W J	
C1522	NDC31HJ-101X	C CAPACITOR	100pF 50V J		R1487	NRSA63J-103X	MG RESISTOR	10kΩ 1/16W J	
C1530	QCZ0202-155Z	C CAPACITOR	1.5uF 25V Z		R1488	NRSA63J-103X	MG RESISTOR	10kΩ 1/16W J	
C1531	NDC31HJ-100X	C CAPACITOR	10pF 50V J		R1490	NRSA63J-133X	MG RESISTOR	13kΩ 1/16W J	
△ R101	QRL027J-471	OMF RESISTOR	470Ω 2W J		R1492	NRSA63J-102X	MG RESISTOR	1kΩ 1/16W J	
△ R102	QRL027J-471	OMF RESISTOR	470Ω 2W J		R1493	NRSA63J-102X	MG RESISTOR	1kΩ 1/16W J	
R475	NRSA63J-163X	MG RESISTOR	16kΩ 1/16W J		R1494	NRSA63J-102X	MG RESISTOR	1kΩ 1/16W J	
R476	NRSA63J-103X	MG RESISTOR	10kΩ 1/16W J		R1495	NRSA63J-103X	MG RESISTOR	10kΩ 1/16W J	
R477	QRZ9006-4R7X	F.RESISTOR	4.7Ω 1/4W J		R1496	NRSA63J-103X	MG RESISTOR	10kΩ 1/16W J	
R478	QRJ146J-2R2X	UNF C RESISTOR	2.2Ω 1/4W J		R1498	NRSA63J-511X	MG RESISTOR	510Ω 1/16W J	
R479	QRJ146J-2R2X	UNF C RESISTOR	2.2Ω 1/4W J		R1499	NRSA63J-511X	MG RESISTOR	510Ω 1/16W J	
R483	NRSA63J-562X	MG RESISTOR	5.6kΩ 1/16W J		R1500	NRSA63J-474X	MG RESISTOR	470kΩ 1/16W J	
R484	NRSA63J-473X	MG RESISTOR	47kΩ 1/16W J		R1501	NRSA63J-750X	MG RESISTOR	75Ω 1/16W J	
R485	NRSA63J-202X	MG RESISTOR	2kΩ 1/16W J		R1502	NRSA63J-750X	MG RESISTOR	75Ω 1/16W J	
R486	NRSA63J-473X	MG RESISTOR	47kΩ 1/16W J		R1503	NRSA63J-750X	MG RESISTOR	75Ω 1/16W J	
R487	NRSA63J-202X	MG RESISTOR	2kΩ 1/16W J		R1504	NRSA63J-750X	MG RESISTOR	75Ω 1/16W J	
R488	NRSA63J-473X	MG RESISTOR	47kΩ 1/16W J		R1505	NRSA63J-750X	MG RESISTOR	75Ω 1/16W J	
R489	NRSA63J-101X	MG RESISTOR	100Ω 1/16W J		R1506	NRSA63J-750X	MG RESISTOR	75Ω 1/16W J	
R490	NRSA63J-101X	MG RESISTOR	100Ω 1/16W J		R1507	NRSA63J-750X	MG RESISTOR	75Ω 1/16W J	
R492	NRSA63J-132X	MG RESISTOR	1.3kΩ 1/16W J		R1511	NRSA63J-750X	MG RESISTOR	75Ω 1/16W J	
R493	NRSA63J-102X	MG RESISTOR	1kΩ 1/16W J		R1512	NRSA63J-101X	MG RESISTOR	100Ω 1/16W J	
R494	NRSA63J-0R0X	MG RESISTOR	0Ω 1/16W J		R1515	NRSA63J-470X	MG RESISTOR	47Ω 1/16W J	
R495	NRSA63J-0R0X	MG RESISTOR	0Ω 1/16W J		R1517	NRSA63J-822X	MG RESISTOR	8.2kΩ 1/16W J	
R496	NRSA63J-332X	MG RESISTOR	3.3kΩ 1/16W J		R1518	NRSA63J-822X	MG RESISTOR	8.2kΩ 1/16W J	
R497	NRSA63J-162X	MG RESISTOR	1.6kΩ 1/16W J		R1571	NRSA63J-0R0X	MG RESISTOR	0Ω 1/16W J	
R719	NRSA63J-391X	MG RESISTOR	390Ω 1/16W J		R1572	NRSA63J-0R0X	MG RESISTOR	0Ω 1/16W J	
△ R1401	QRZ9005-100X	FUSI RESISTOR	10Ω		R1573	NRSA63J-102X	MG RESISTOR	1kΩ 1/16W J	
△ R1402	QRJ146J-182X	UNF C RESISTOR	1.8kΩ 1/4W J		R1574	NRSA63J-102X	MG RESISTOR	1kΩ 1/16W J	
△ R1403	QRZ9005-120X	FUSI RESISTOR	12Ω		R1575	NRSA63J-0R0X	MG RESISTOR	0Ω 1/16W J	
△ R1404	QRJ146J-272X	UNF C RESISTOR	2.7kΩ 1/4W J		R1576	NRSA63J-0R0X	MG RESISTOR	0Ω 1/16W J	
△ R1405	QRZ9005-120X	FUSI RESISTOR	12Ω		R1579	NRSA63J-301X	MG RESISTOR	300Ω 1/16W J	
△ R1406	QRK126J-682X	UNF C RESISTOR	6.8kΩ 1/2W J		R1580	NRSA63J-0R0X	MG RESISTOR	0Ω 1/16W J	
△ R1407	QRZ9006-4R7X	F.RESISTOR	4.7Ω 1/4W J		R1581	NRSA63J-332X	MG RESISTOR	3.3kΩ 1/16W J	
△ R1408	QRZ9006-4R7X	F.RESISTOR	4.7Ω 1/4W J		R1582	NRSA63J-162X	MG RESISTOR	1.6kΩ 1/16W J	
△ R1409	QRJ146J-272X	UNF C RESISTOR	2.7kΩ 1/4W J		R1583	NRSA63J-561X	MG RESISTOR	560Ω 1/16W J	
△ R1410	QRZ9006-4R7X	F.RESISTOR	4.7Ω 1/4W J		R1584	NRSA63J-561X	MG RESISTOR	560Ω 1/16W J	
△ R1411	QRJ146J-182X	UNF C RESISTOR	1.8kΩ 1/4W J		CN101	QGD2504C1-03Z	CONNECTOR	(1-3)	
△ R1412	QRZ9005-100X	FUSI RESISTOR	10Ω		CN402	QGF1205C2-27	CONNECTOR	FFC/FPC (1-27)	
△ R1413	QRJ146J-102X	UNF C RESISTOR	1kΩ 1/4W J		CN411	QGF1205C2-11	CONNECTOR	FFC/FPC (1-11)	
△ R1414	QRZ9005-100X	FUSI RESISTOR	10Ω		CN421	QGB2510J1-14	CONNECTOR	B-B (1-14)	
△ R1415	QRJ146J-222X	UNF C RESISTOR	2.2kΩ 1/4W J		CN431	QGB2510J1-11	CONNECTOR	B-B (1-11)	
△ R1416	QRZ9005-100X	FUSI RESISTOR	10Ω		CN441	QGB2510J1-07	CONNECTOR	B-B (1-7)	
△ R1417	QRJ146J-222X	UNF C RESISTOR	2.2kΩ 1/4W J						

△ Symbol No.	Part No.	Part Name	Description	Local
CN461	QGB2510J1-08	CONNECTOR	B-B (1-8)	
CN471	QGA2501C1-03	CONNECTOR	W-B (1-3)	
CN472	QGA2501C1-02	CONNECTOR	W-B (1-2)	
CN473	QGA2501C1-03	CONNECTOR	W-B (1-3)	
CN481	QGB2510J1-14	CONNECTOR	B-B (1-14)	
CN482	QGB2510J1-07	CONNECTOR	B-B (1-7)	
CN491	QGB2510J1-04	CONNECTOR	B-B (1-4)	
CN714	QGA2001F1-03	CONNECTOR	W-B (1-3)	
EP401	QNZ0136-001Z	EARTH PLATE		
FW501	QUM213-10DGZ4-E	PARA RIBON WIRE		
HS401	E70306-001	HEAT SINK	HS 951	
HS402	E70306-005	HEAT SINK		
HS403	E70306-001	HEAT SINK	HS 951	
HS404	E70306-005	HEAT SINK		
HS405	E70306-001	HEAT SINK	HS 951	
HS434	E70306-001	HEAT SINK	HS 951	
HS435	E70306-001	HEAT SINK	HS 951	
J101	QNS0022-001	JACK		
J1501	QNN0391-001	PIN JACK		
S727	QSW0683-001Z	PUSH SW		

△ Symbol No.	Part No.	Part Name	Description	Local
C2013	NDC31HJ-330X	C CAPACITOR	33pF 50V J	
C2014	NDC31HJ-330X	C CAPACITOR	33pF 50V J	
C2018	QETN1EM-476Z	E CAPACITOR	47uF 25V M	
C2019	NCF31CZ-104X	C CAPACITOR	0.1uF 16V Z	
C2020	NCF31CZ-104X	C CAPACITOR	0.1uF 16V Z	
C2101	NCB31HK-332X	C CAPACITOR	3300pF 50V K	
C2102	NCB31HK-332X	C CAPACITOR	3300pF 50V K	
C2109	QTE1E46-476Z	E CAPACITOR	47uF 25V	
C2110	QTE1E46-476Z	E CAPACITOR	47uF 25V	
C2111	NCF31CZ-104X	C CAPACITOR	0.1uF 16V Z	
C2112	NCF31CZ-104X	C CAPACITOR	0.1uF 16V Z	
C2113	NCB31HK-102X	C CAPACITOR	1000pF 50V K	
C2114	NCB31HK-102X	C CAPACITOR	1000pF 50V K	
C2115	NCB31HK-822X	C CAPACITOR	8200pF 50V K	
C2116	NCB31HK-822X	C CAPACITOR	8200pF 50V K	
C2129	QEK1HM-475Z	E CAPACITOR	4.7uF 50V M	
C2131	NCF31CZ-104X	C CAPACITOR	0.1uF 16V Z	
C2132	NCF31CZ-104X	C CAPACITOR	0.1uF 16V Z	
C2133	NDC31HJ-330X	C CAPACITOR	33pF 50V J	
C2134	NDC31HJ-330X	C CAPACITOR	33pF 50V J	
C2139	QTE1H46-106Z	E CAPACITOR	10uF 50V	
C2140	QTE1H46-106Z	E CAPACITOR	10uF 50V	
C2141	NCF31CZ-104X	C CAPACITOR	0.1uF 16V Z	
C2142	NCF31CZ-104X	C CAPACITOR	0.1uF 16V Z	
C2143	NDC31HJ-330X	C CAPACITOR	33pF 50V J	
C2144	NDC31HJ-330X	C CAPACITOR	33pF 50V J	
C2181	NCF31CZ-104X	C CAPACITOR	0.1uF 16V Z	
C2182	NCF31CZ-104X	C CAPACITOR	0.1uF 16V Z	
C2183	NCB31HK-681X	C CAPACITOR	680pF 50V K	
C2184	NCB31HK-681X	C CAPACITOR	680pF 50V K	
C2185	NCB31HK-681X	C CAPACITOR	680pF 50V K	
C2186	NCB31HK-681X	C CAPACITOR	680pF 50V K	
C2187	NCB31HK-682X	C CAPACITOR	6800pF 50V K	
C2188	NCB31HK-682X	C CAPACITOR	6800pF 50V K	
C2201	NCB31HK-182X	C CAPACITOR	1800pF 50V K	
C2202	NCB31HK-182X	C CAPACITOR	1800pF 50V K	
C2209	QEK1HM-225Z	E CAPACITOR	2.2uF 50V M	
C2210	QEK1HM-225Z	E CAPACITOR	2.2uF 50V M	
C2229	QEK1HM-105Z	E CAPACITOR	1uF 50V M	
C2230	QEK1HM-105Z	E CAPACITOR	1uF 50V M	
C2241	NCF31CZ-104X	C CAPACITOR	0.1uF 16V Z	
C2242	NCF31CZ-104X	C CAPACITOR	0.1uF 16V Z	
C2243	NCB31HK-562X	C CAPACITOR	5600pF 50V K	
C2244	NCB31HK-562X	C CAPACITOR	5600pF 50V K	
C2245	NCB31HK-182X	C CAPACITOR	1800pF 50V K	
C2246	NCB31HK-182X	C CAPACITOR	1800pF 50V K	
C2281	NCF31CZ-104X	C CAPACITOR	0.1uF 16V Z	
C2282	NCF31CZ-104X	C CAPACITOR	0.1uF 16V Z	
C2283	NCB31HK-471X	C CAPACITOR	470pF 50V K	
C2284	NCB31HK-471X	C CAPACITOR	470pF 50V K	
C2285	NCB31HK-471X	C CAPACITOR	470pF 50V K	
C2286	NCB31HK-471X	C CAPACITOR	470pF 50V K	
C2287	NCB31HK-682X	C CAPACITOR	6800pF 50V K	
C2288	NCB31HK-682X	C CAPACITOR	6800pF 50V K	
C2301	NCB31HK-272X	C CAPACITOR	2700pF 50V K	
C2309	QTE1E46-476Z	E CAPACITOR	47uF 25V	
C2323	NCB31HK-562X	C CAPACITOR	5600pF 50V K	
C2325	NCB31HK-182X	C CAPACITOR	1800pF 50V K	
C2341	NCF31CZ-104X	C CAPACITOR	0.1uF 16V Z	
C2342	NCF31CZ-104X	C CAPACITOR	0.1uF 16V Z	
C2343	NDC31HJ-330X	C CAPACITOR	33pF 50V J	
C2381	NCF31CZ-104X	C CAPACITOR	0.1uF 16V Z	
C2382	NCF31CZ-104X	C CAPACITOR	0.1uF 16V Z	
C2383	NCB31HK-681X	C CAPACITOR	680pF 50V K	
C2385	NCB31HK-681X	C CAPACITOR	680pF 50V K	
C2387	NCB31HK-682X	C CAPACITOR	6800pF 50V K	
C2401	NCB31HK-561X	C CAPACITOR	560pF 50V K	
C2409	QETN1HM-226Z	E CAPACITOR	22uF 50V M	
C2411	NCF31CZ-104X	C CAPACITOR	0.1uF 16V Z	
C2412	NCF31CZ-104X	C CAPACITOR	0.1uF 16V Z	
C2421	NCF31CZ-104X	C CAPACITOR	0.1uF 16V Z	
C2422	NCF31CZ-104X	C CAPACITOR	0.1uF 16V Z	
C2423	NCB31CK-823X	C CAPACITOR	0.082uF 16V K	
C2425	QFN31HJ-333Z	M CAPACITOR	0.033uF 50V J	
C2429	QEK1HM-475Z	E CAPACITOR	4.7uF 50V M	
C2433	NCB31CK-823X	C CAPACITOR	0.082uF 16V K	
C2435	QFN31HJ-333Z	M CAPACITOR	0.033uF 50V J	
C2483	NCB31HK-471X	C CAPACITOR	470pF 50V K	

DSP board

Block No. [0][4]

△ Symbol No.	Part No.	Part Name	Description	Local
IC601	NJM4565M-WE	IC		
IC602	NJM4565M-WE	IC		
IC611	NJM4565M-WE	IC		
IC612	NJM4565M-WE	IC		
IC613	NJM4565M-WE	IC		
IC615	NJM4565M-WE	IC		
IC621	NJM4565M-WE	IC		
IC622	NJM4565M-WE	IC		
IC631	NJM2120M-X	IC		
IC632	NJM4565M-WE	IC		
IC633	NJM4565M-WE	IC		
IC634	NJM4565M-WE	IC		
IC661	DSPC56371AF180	IC		
IC662	SN74LVC1GU04K-X	IC		
IC667	CS42518-CQZ-C-W	IC		
IC671	UPD784215AGC284	IC		
IC672	SN74AHCT1G32K-X	IC		
IC673	SN74LVC1G04K-X	IC		
IC691	BA3259HFP-W	IC		
Q2101	2SD2114K/VW/-X	TRANSISTOR		
Q2102	2SD2114K/VW/-X	TRANSISTOR		
Q2141	2SC3928A/RS/-X	TRANSISTOR		
Q2142	2SC3928A/RS/-X	TRANSISTOR		
Q2201	2SD2114K/VW/-X	TRANSISTOR		
Q2202	2SD2114K/VW/-X	TRANSISTOR		
Q2221	2SD2114K/VW/-X	TRANSISTOR		
Q2222	2SD2114K/VW/-X	TRANSISTOR		
Q2301	2SD2114K/VW/-X	TRANSISTOR		
Q2341	2SC3928A/RS/-X	TRANSISTOR		
Q2401	2SD2114K/VW/-X	TRANSISTOR		
Q2421	2SD2114K/VW/-X	TRANSISTOR		
Q2701	UN2214-X	TRANSISTOR		
Q2702	UN2214-X	TRANSISTOR		
Q2703	UN2214-X	TRANSISTOR		
Q2704	UN2114-X	TRANSISTOR		
Q2705	UN2114-X	TRANSISTOR		
Q2706	UN2114-X	TRANSISTOR		
Q2708	UN2114-X	TRANSISTOR		
Q2709	UN2114-X	TRANSISTOR		
Q2710	UN2214-X	TRANSISTOR		
C2001	QEK1HM-475Z	E CAPACITOR	4.7uF 50V M	
C2002	QEK1HM-475Z	E CAPACITOR	4.7uF 50V M	
C2005	NDC31HJ-330X	C CAPACITOR	33pF 50V J	
C2006	NDC31HJ-330X	C CAPACITOR	33pF 50V J	
C2009	NCF31CZ-104X	C CAPACITOR	0.1uF 16V Z	
C2010	NCF31CZ-104X	C CAPACITOR	0.1uF 16V Z	

△ Symbol No.	Part No.	Part Name	Description	Local	△ Symbol No.	Part No.	Part Name	Description	Local
C2485	NCB31HK-471X	C CAPACITOR	470pF 50V K		R2008	NRSA63J-223X	MG RESISTOR	22kΩ 1/16W J	
C2487	NCB31HK-332X	C CAPACITOR	3300pF 50V K		R2011	NRSA63J-223X	MG RESISTOR	22kΩ 1/16W J	
C2601	QETN1CM-107Z	E CAPACITOR	100uF 16V M		R2012	NRSA63J-223X	MG RESISTOR	22kΩ 1/16W J	
C2606	NCF31CZ-104X	C CAPACITOR	0.1uF 16V Z		R2013	NRSA63J-223X	MG RESISTOR	22kΩ 1/16W J	
C2607	NCF31CZ-104X	C CAPACITOR	0.1uF 16V Z		R2014	NRSA63J-223X	MG RESISTOR	22kΩ 1/16W J	
C2608	NCF31CZ-104X	C CAPACITOR	0.1uF 16V Z		R2017	NRSA63J-472X	MG RESISTOR	4.7kΩ 1/16W J	
C2611	NCF31CZ-104X	C CAPACITOR	0.1uF 16V Z		R2018	NRSA63J-472X	MG RESISTOR	4.7kΩ 1/16W J	
C2612	NCF31CZ-104X	C CAPACITOR	0.1uF 16V Z		R2021	NRSA63J-331X	MG RESISTOR	330Ω 1/16W J	
C2613	NCF31CZ-104X	C CAPACITOR	0.1uF 16V Z		R2022	NRSA63J-331X	MG RESISTOR	330Ω 1/16W J	
C2614	NCB31HK-102X	C CAPACITOR	1000pF 50V K		R2023	NRSA63J-331X	MG RESISTOR	330Ω 1/16W J	
C2621	NCF31CZ-104X	C CAPACITOR	0.1uF 16V Z		R2024	NRSA63J-331X	MG RESISTOR	330Ω 1/16W J	
C2622	NCF31CZ-104X	C CAPACITOR	0.1uF 16V Z		R2101	NRSA63J-103X	MG RESISTOR	10kΩ 1/16W J	
C2623	NCF31CZ-104X	C CAPACITOR	0.1uF 16V Z		R2102	NRSA63J-103X	MG RESISTOR	10kΩ 1/16W J	
C2631	NCF31CZ-104X	C CAPACITOR	0.1uF 16V Z		R2103	NRSA63J-102X	MG RESISTOR	1kΩ 1/16W J	
C2632	NCF31CZ-104X	C CAPACITOR	0.1uF 16V Z		R2104	NRSA63J-102X	MG RESISTOR	1kΩ 1/16W J	
C2633	NCF31CZ-104X	C CAPACITOR	0.1uF 16V Z		R2109	NRSA63J-104X	MG RESISTOR	100kΩ 1/16W J	
C2641	NDC31HJ-101X	C CAPACITOR	100pF 50V J		R2110	NRSA63J-104X	MG RESISTOR	100kΩ 1/16W J	
C2642	NDC31HJ-101X	C CAPACITOR	100pF 50V J		R2111	NRSA63J-102X	MG RESISTOR	1kΩ 1/16W J	
C2643	NCF31CZ-104X	C CAPACITOR	0.1uF 16V Z		R2112	NRSA63J-102X	MG RESISTOR	1kΩ 1/16W J	
C2671	QEZ0716-227Z	E.CAPA.PW	220uF		R2113	NRSA63J-102X	MG RESISTOR	1kΩ 1/16W J	
C2672	QEK1EM-106Z	E CAPACITOR	10uF 25V M		R2114	NRSA63J-102X	MG RESISTOR	1kΩ 1/16W J	
C2673	QEK1EM-106Z	E CAPACITOR	10uF 25V M		R2115	NRSA63J-102X	MG RESISTOR	1kΩ 1/16W J	
C2674	NCF31CZ-104X	C CAPACITOR	0.1uF 16V Z		R2116	NRSA63J-102X	MG RESISTOR	1kΩ 1/16W J	
C2675	NCF31CZ-104X	C CAPACITOR	0.1uF 16V Z		R2121	NRSA63J-333X	MG RESISTOR	33kΩ 1/16W J	
C2676	NCB31HK-221X	C CAPACITOR	220pF 50V K		R2122	NRSA63J-333X	MG RESISTOR	33kΩ 1/16W J	
C2677	NCB31HK-221X	C CAPACITOR	220pF 50V K		R2123	NRSA63J-243X	MG RESISTOR	24kΩ 1/16W J	
C2678	QEK1HM-475Z	E CAPACITOR	4.7uF 50V M		R2128	NRSA63J-104X	MG RESISTOR	100kΩ 1/16W J	
C2679	NCF31CZ-104X	C CAPACITOR	0.1uF 16V Z		R2129	NRSA63J-104X	MG RESISTOR	100kΩ 1/16W J	
C2680	QETN1CM-107Z	E CAPACITOR	100uF 16V M		R2130	NRSA63J-104X	MG RESISTOR	100kΩ 1/16W J	
C2681	NCF31CZ-104X	C CAPACITOR	0.1uF 16V Z		R2131	NRSA63J-333X	MG RESISTOR	33kΩ 1/16W J	
C2682	NCF31CZ-104X	C CAPACITOR	0.1uF 16V Z		R2132	NRSA63J-333X	MG RESISTOR	33kΩ 1/16W J	
C2683	NCB31CK-223X	C CAPACITOR	0.022uF 16V K		R2133	NRSA63J-273X	MG RESISTOR	27kΩ 1/16W J	
C2684	NCB31HK-102X	C CAPACITOR	1000pF 50V K		R2134	NRSA63J-273X	MG RESISTOR	27kΩ 1/16W J	
C2685	NCF31CZ-104X	C CAPACITOR	0.1uF 16V Z		R2135	NRSA63J-333X	MG RESISTOR	33kΩ 1/16W J	
C2686	NCF31CZ-104X	C CAPACITOR	0.1uF 16V Z		R2136	NRSA63J-333X	MG RESISTOR	33kΩ 1/16W J	
C2687	NCF31CZ-104X	C CAPACITOR	0.1uF 16V Z		R2137	NRSA63J-912X	MG RESISTOR	9.1kΩ 1/16W J	
C2688	NCB31HK-103X	C CAPACITOR	0.01uF 50V K		R2138	NRSA63J-912X	MG RESISTOR	9.1kΩ 1/16W J	
C2689	NCB31HK-103X	C CAPACITOR	0.01uF 50V K		R2139	NRSA63J-104X	MG RESISTOR	100kΩ 1/16W J	
C2690	NCB31HK-103X	C CAPACITOR	0.01uF 50V K		R2140	NRSA63J-104X	MG RESISTOR	100kΩ 1/16W J	
C2691	NCB31HK-103X	C CAPACITOR	0.01uF 50V K		R2141	NRSA63J-103X	MG RESISTOR	10kΩ 1/16W J	
C2692	NCB31HK-103X	C CAPACITOR	0.01uF 50V K		R2142	NRSA63J-103X	MG RESISTOR	10kΩ 1/16W J	
C2701	QETN1CM-107Z	E CAPACITOR	100uF 16V M		R2143	NRSA63J-683X	MG RESISTOR	68kΩ 1/16W J	
C2702	NCB31HK-103X	C CAPACITOR	0.01uF 50V K		R2144	NRSA63J-683X	MG RESISTOR	68kΩ 1/16W J	
C2703	NDC31HJ-101X	C CAPACITOR	100pF 50V J		R2145	NRSA63J-562X	MG RESISTOR	5.6kΩ 1/16W J	
C2721	NDC31HJ-101X	C CAPACITOR	100pF 50V J		R2146	NRSA63J-562X	MG RESISTOR	5.6kΩ 1/16W J	
C2731	NCF31CZ-104X	C CAPACITOR	0.1uF 16V Z		R2147	NRSA63J-103X	MG RESISTOR	10kΩ 1/16W J	
C2751	NCF31CZ-104X	C CAPACITOR	0.1uF 16V Z		R2148	NRSA63J-103X	MG RESISTOR	10kΩ 1/16W J	
C2771	QETN1EM-476Z	E CAPACITOR	47uF 25V M		R2149	NRSA63J-104X	MG RESISTOR	100kΩ 1/16W J	
C2861	NDC31HJ-101X	C CAPACITOR	100pF 50V J		R2150	NRSA63J-104X	MG RESISTOR	100kΩ 1/16W J	
C2862	NCF31CZ-104X	C CAPACITOR	0.1uF 16V Z		R2181	NRSA63J-472X	MG RESISTOR	4.7kΩ 1/16W J	
C2863	NCF31CZ-104X	C CAPACITOR	0.1uF 16V Z		R2182	NRSA63J-472X	MG RESISTOR	4.7kΩ 1/16W J	
C2871	NDC31HJ-270X	C CAPACITOR	27pF 50V J		R2183	NRSA63J-181X	MG RESISTOR	180Ω 1/16W J	
C2881	NCB31HK-103X	C CAPACITOR	0.01uF 50V K		R2184	NRSA63J-181X	MG RESISTOR	180Ω 1/16W J	
C2882	NCB31HK-103X	C CAPACITOR	0.01uF 50V K		R2185	NRSA63J-472X	MG RESISTOR	4.7kΩ 1/16W J	
C2883	NCB31HK-103X	C CAPACITOR	0.01uF 50V K		R2186	NRSA63J-472X	MG RESISTOR	4.7kΩ 1/16W J	
C2901	QEZ0717-476Z	E.CAPA.PW	47uF		R2187	NRSA63J-181X	MG RESISTOR	180Ω 1/16W J	
C2902	QEZ0717-476Z	E.CAPA.PW	47uF		R2188	NRSA63J-181X	MG RESISTOR	180Ω 1/16W J	
C2903	QEZ0716-227Z	E.CAPA.PW	220uF		R2189	NRSA63J-472X	MG RESISTOR	4.7kΩ 1/16W J	
C2911	QEZ0716-227Z	E.CAPA.PW	220uF		R2190	NRSA63J-472X	MG RESISTOR	4.7kΩ 1/16W J	
C2912	NCF31CZ-104X	C CAPACITOR	0.1uF 16V Z		R2191	NRSA63J-472X	MG RESISTOR	4.7kΩ 1/16W J	
C2921	QETN1CM-107Z	E CAPACITOR	100uF 16V M		R2192	NRSA63J-472X	MG RESISTOR	4.7kΩ 1/16W J	
C2922	NCF31CZ-104X	C CAPACITOR	0.1uF 16V Z		R2201	NRSA63J-103X	MG RESISTOR	10kΩ 1/16W J	
C2923	QETN1CM-107Z	E CAPACITOR	100uF 16V M		R2202	NRSA63J-103X	MG RESISTOR	10kΩ 1/16W J	
C2924	NCF31CZ-104X	C CAPACITOR	0.1uF 16V Z		R2203	NRSA63J-102X	MG RESISTOR	1kΩ 1/16W J	
C2925	NCF31CZ-104X	C CAPACITOR	0.1uF 16V Z		R2204	NRSA63J-102X	MG RESISTOR	1kΩ 1/16W J	
C2951	NCF31AZ-105X	C CAPACITOR	1uF 10V Z		R2209	NRSA63J-104X	MG RESISTOR	100kΩ 1/16W J	
C2952	NCF31AZ-105X	C CAPACITOR	1uF 10V Z		R2210	NRSA63J-104X	MG RESISTOR	100kΩ 1/16W J	
C2953	NCF31AZ-105X	C CAPACITOR	1uF 10V Z		R2221	NRSA63J-822X	MG RESISTOR	8.2kΩ 1/16W J	
C2954	NCF31AZ-105X	C CAPACITOR	1uF 10V Z		R2222	NRSA63J-822X	MG RESISTOR	8.2kΩ 1/16W J	
C2955	NCF31AZ-105X	C CAPACITOR	1uF 10V Z		R2223	NRSA63J-103X	MG RESISTOR	10kΩ 1/16W J	
C2956	NCF31CZ-104X	C CAPACITOR	0.1uF 16V Z		R2224	NRSA63J-103X	MG RESISTOR	10kΩ 1/16W J	
C2957	NCF31CZ-104X	C CAPACITOR	0.1uF 16V Z		R2241	NRSA63J-102X	MG RESISTOR	1kΩ 1/16W J	
					R2242	NRSA63J-102X	MG RESISTOR	1kΩ 1/16W J	
R2001	NRSA63J-104X	MG RESISTOR	100kΩ 1/16W J		R2243	NRSA63J-102X	MG RESISTOR	1kΩ 1/16W J	
R2002	NRSA63J-104X	MG RESISTOR	100kΩ 1/16W J		R2244	NRSA63J-102X	MG RESISTOR	1kΩ 1/16W J	
R2003	NRSA63J-223X	MG RESISTOR	22kΩ 1/16W J		R2249	NRSA63J-104X	MG RESISTOR	100kΩ 1/16W J	
R2004	NRSA63J-223X	MG RESISTOR	22kΩ 1/16W J		R2250	NRSA63J-104X	MG RESISTOR	100kΩ 1/16W J	
R2007	NRSA63J-223X	MG RESISTOR	22kΩ 1/16W J		R2281	NRSA63J-752X	MG RESISTOR	7.5kΩ 1/16W J	

Symbol No.	Part No.	Part Name	Description	Local	Symbol No.	Part No.	Part Name	Description	Local
R2282	NRSA63J-752X	MG RESISTOR	7.5kΩ 1/16W J		R2647	NRSA63J-103X	MG RESISTOR	10kΩ 1/16W J	
R2283	NRSA63J-181X	MG RESISTOR	180Ω 1/16W J		R2671	NRSA63J-332X	MG RESISTOR	3.3kΩ 1/16W J	
R2284	NRSA63J-181X	MG RESISTOR	180Ω 1/16W J		R2673	NRSA63J-103X	MG RESISTOR	10kΩ 1/16W J	
R2285	NRSA63J-472X	MG RESISTOR	4.7kΩ 1/16W J		R2681	NRSA63J-221X	MG RESISTOR	220Ω 1/16W J	
R2286	NRSA63J-472X	MG RESISTOR	4.7kΩ 1/16W J		R2682	NRSA63J-331X	MG RESISTOR	330Ω 1/16W J	
R2287	NRSA63J-181X	MG RESISTOR	180Ω 1/16W J		R2683	NRSA63J-103X	MG RESISTOR	10kΩ 1/16W J	
R2288	NRSA63J-181X	MG RESISTOR	180Ω 1/16W J		R2684	NRSA63J-103X	MG RESISTOR	10kΩ 1/16W J	
R2289	NRSA63J-472X	MG RESISTOR	4.7kΩ 1/16W J		R2685	NRSA63J-221X	MG RESISTOR	220Ω 1/16W J	
R2290	NRSA63J-472X	MG RESISTOR	4.7kΩ 1/16W J		R2686	NRSA63J-221X	MG RESISTOR	220Ω 1/16W J	
R2291	NRSA63J-752X	MG RESISTOR	7.5kΩ 1/16W J		R2687	NRSA63J-221X	MG RESISTOR	220Ω 1/16W J	
R2292	NRSA63J-752X	MG RESISTOR	7.5kΩ 1/16W J		R2688	NRSA63J-221X	MG RESISTOR	220Ω 1/16W J	
R2301	NRSA63J-103X	MG RESISTOR	10kΩ 1/16W J		R2705	NRSA63J-822X	MG RESISTOR	8.2kΩ 1/16W J	
R2303	NRSA63J-102X	MG RESISTOR	1kΩ 1/16W J		R2706	NRSA63J-432X	MG RESISTOR	4.3kΩ 1/16W J	
R2309	NRSA63J-104X	MG RESISTOR	100kΩ 1/16W J		R2707	NRSA63J-221X	MG RESISTOR	220Ω 1/16W J	
R2321	NRSA63J-102X	MG RESISTOR	1kΩ 1/16W J		R2711	NRSA63J-103X	MG RESISTOR	10kΩ 1/16W J	
R2323	NRSA63J-102X	MG RESISTOR	1kΩ 1/16W J		R2713	NRSA63J-103X	MG RESISTOR	10kΩ 1/16W J	
R2341	NRSA63J-473X	MG RESISTOR	47kΩ 1/16W J		R2714	NRSA63J-103X	MG RESISTOR	10kΩ 1/16W J	
R2343	NRSA63J-753X	MG RESISTOR	75kΩ 1/16W J		R2715	NRSA63J-103X	MG RESISTOR	10kΩ 1/16W J	
R2345	NRSA63J-303X	MG RESISTOR	30kΩ 1/16W J		R2716	NRSA63J-103X	MG RESISTOR	10kΩ 1/16W J	
R2347	NRSA63J-103X	MG RESISTOR	10kΩ 1/16W J		R2721	NRSA63J-103X	MG RESISTOR	10kΩ 1/16W J	
R2349	NRSA63J-104X	MG RESISTOR	100kΩ 1/16W J		R2722	NRSA63J-102X	MG RESISTOR	1kΩ 1/16W J	
R2381	NRSA63J-472X	MG RESISTOR	4.7kΩ 1/16W J		R2723	NRSA63J-102X	MG RESISTOR	1kΩ 1/16W J	
R2383	NRSA63J-181X	MG RESISTOR	180Ω 1/16W J		R2724	NRSA63J-822X	MG RESISTOR	8.2kΩ 1/16W J	
R2385	NRSA63J-472X	MG RESISTOR	4.7kΩ 1/16W J		R2725	NRSA63J-432X	MG RESISTOR	4.3kΩ 1/16W J	
R2387	NRSA63J-181X	MG RESISTOR	180Ω 1/16W J		R2726	NRSA63J-822X	MG RESISTOR	8.2kΩ 1/16W J	
R2389	NRSA63J-472X	MG RESISTOR	4.7kΩ 1/16W J		R2727	NRSA63J-432X	MG RESISTOR	4.3kΩ 1/16W J	
R2391	NRSA63J-472X	MG RESISTOR	4.7kΩ 1/16W J		R2728	NRSA63J-221X	MG RESISTOR	220Ω 1/16W J	
R2401	NRSA63J-103X	MG RESISTOR	10kΩ 1/16W J		R2731	NRSA63J-221X	MG RESISTOR	220Ω 1/16W J	
R2403	NRSA63J-102X	MG RESISTOR	1kΩ 1/16W J		R2732	NRSA63J-221X	MG RESISTOR	220Ω 1/16W J	
R2409	NRSA63J-104X	MG RESISTOR	100kΩ 1/16W J		R2733	NRSA63J-221X	MG RESISTOR	220Ω 1/16W J	
R2411	NRSA63J-473X	MG RESISTOR	47kΩ 1/16W J		R2734	NRSA63J-221X	MG RESISTOR	220Ω 1/16W J	
R2412	NRSA63J-473X	MG RESISTOR	47kΩ 1/16W J		R2735	NRSA63J-221X	MG RESISTOR	220Ω 1/16W J	
R2421	NRSA63J-222X	MG RESISTOR	2.2kΩ 1/16W J		R2736	NRSA63J-221X	MG RESISTOR	220Ω 1/16W J	
R2422	NRSA63J-103X	MG RESISTOR	10kΩ 1/16W J		R2738	NRSA63J-221X	MG RESISTOR	220Ω 1/16W J	
R2423	NRSA63J-100X	MG RESISTOR	10Ω 1/16W J		R2739	NRSA63J-221X	MG RESISTOR	220Ω 1/16W J	
R2424	NRSA63J-103X	MG RESISTOR	10kΩ 1/16W J		R2743	NRSA63J-221X	MG RESISTOR	220Ω 1/16W J	
R2425	NRSA63J-103X	MG RESISTOR	10kΩ 1/16W J		R2744	NRSA63J-221X	MG RESISTOR	220Ω 1/16W J	
R2433	NRSA63J-100X	MG RESISTOR	10Ω 1/16W J		R2745	NRSA63J-221X	MG RESISTOR	220Ω 1/16W J	
R2434	NRSA63J-103X	MG RESISTOR	10kΩ 1/16W J		R2751	NRSA63J-102X	MG RESISTOR	1kΩ 1/16W J	
R2435	NRSA63J-103X	MG RESISTOR	10kΩ 1/16W J		R2752	NRSA63J-103X	MG RESISTOR	10kΩ 1/16W J	
R2449	NRSA63J-104X	MG RESISTOR	100kΩ 1/16W J		R2761	NRSA63J-105X	MG RESISTOR	1MΩ 1/16W J	
R2481	NRSA63J-183X	MG RESISTOR	18kΩ 1/16W J		R2762	NRSA63J-105X	MG RESISTOR	1MΩ 1/16W J	
R2483	NRSA63J-181X	MG RESISTOR	180Ω 1/16W J		R2763	NRSA63J-105X	MG RESISTOR	1MΩ 1/16W J	
R2485	NRSA63J-472X	MG RESISTOR	4.7kΩ 1/16W J		R2771	NRSA63J-102X	MG RESISTOR	1kΩ 1/16W J	
R2487	NRSA63J-181X	MG RESISTOR	180Ω 1/16W J		R2772	NRSA63J-105X	MG RESISTOR	1MΩ 1/16W J	
R2489	NRSA63J-472X	MG RESISTOR	4.7kΩ 1/16W J		R2773	NRSA63J-105X	MG RESISTOR	1MΩ 1/16W J	
R2491	NRSA63J-183X	MG RESISTOR	18kΩ 1/16W J		R2861	NRSA63J-221X	MG RESISTOR	220Ω 1/16W J	
R2601	NRSA63J-221X	MG RESISTOR	220Ω 1/16W J		R2862	NRSA63J-392X	MG RESISTOR	3.9kΩ 1/16W J	
R2602	NRSA63J-221X	MG RESISTOR	220Ω 1/16W J		R2863	NRSA63J-392X	MG RESISTOR	3.9kΩ 1/16W J	
R2603	NRSA63J-221X	MG RESISTOR	220Ω 1/16W J		R2871	NRSA63J-750X	MG RESISTOR	75Ω 1/16W J	
R2604	NRSA63J-221X	MG RESISTOR	220Ω 1/16W J		R2872	NRSA63J-102X	MG RESISTOR	1kΩ 1/16W J	
R2605	NRSA63J-102X	MG RESISTOR	1kΩ 1/16W J		R2873	NRSA63J-102X	MG RESISTOR	1kΩ 1/16W J	
R2606	NRSA63J-102X	MG RESISTOR	1kΩ 1/16W J		R2921	NRSA63J-182X	MG RESISTOR	1.8kΩ 1/16W J	
R2607	NRSA63J-102X	MG RESISTOR	1kΩ 1/16W J		R2922	NRSA63J-112X	MG RESISTOR	1.1kΩ 1/16W J	
R2608	NRSA63J-102X	MG RESISTOR	1kΩ 1/16W J						
R2611	NRSA63J-103X	MG RESISTOR	10kΩ 1/16W J		CN681	QGB2510K1-07	CONNECTOR	B-B (1-7)	
R2613	NRSA63J-102X	MG RESISTOR	1kΩ 1/16W J		CN683	QGB2510K1-14	CONNECTOR	B-B (1-14)	
R2614	NRSA63J-102X	MG RESISTOR	1kΩ 1/16W J		EP681	E409182-001SM	GRAND TERMINAL		
R2621	NRSA63J-103X	MG RESISTOR	10kΩ 1/16W J		J681	QNN0481-001	SURROUND JACK		
R2622	NRSA63J-103X	MG RESISTOR	10kΩ 1/16W J		K2861	NQR0269-004X	FERRITE BEADS		
R2623	NRSA63J-103X	MG RESISTOR	10kΩ 1/16W J		UN682	GP1FA553RZ0F	IC		
R2624	NRSA63J-103X	MG RESISTOR	10kΩ 1/16W J		UN683	GP1FA553RZ0F	IC		
R2625	NRSA63J-103X	MG RESISTOR	10kΩ 1/16W J		X661	QAX0722-001Z	CRYSTAL	24.576MHz	
R2626	NRSA63J-105X	MG RESISTOR	1MΩ 1/16W J		X671	QAX0719-001Z	C RESONATOR	6.144MHz	
R2627	NRSA63J-101X	MG RESISTOR	100Ω 1/16W J						
R2628	NRSA63J-102X	MG RESISTOR	1kΩ 1/16W J						
R2631	NRSA63J-103X	MG RESISTOR	10kΩ 1/16W J						
R2632	NRSA63J-103X	MG RESISTOR	10kΩ 1/16W J						
R2633	NRSA63J-103X	MG RESISTOR	10kΩ 1/16W J						
R2634	NRSA63J-103X	MG RESISTOR	10kΩ 1/16W J						
R2635	NRSA63J-103X	MG RESISTOR	10kΩ 1/16W J						
R2636	NRSA63J-103X	MG RESISTOR	10kΩ 1/16W J						
R2637	NRSA63J-103X	MG RESISTOR	10kΩ 1/16W J						
R2638	NRSA63J-103X	MG RESISTOR	10kΩ 1/16W J						
R2639	NRSA63J-103X	MG RESISTOR	10kΩ 1/16W J						
R2640	NRSA63J-103X	MG RESISTOR	10kΩ 1/16W J						
R2641	NRSA63J-103X	MG RESISTOR	10kΩ 1/16W J						
R2642	NRSA63J-103X	MG RESISTOR	10kΩ 1/16W J						

Front board

Block No. [0][5]

Symbol No.	Part No.	Part Name	Description	Local
IC701	MN101C88GPA	IC		
IC702	IC-PST9139-T	IC		
IC703	GP1UM281XKVF	IR DETECT UNIT		
IC704	BR24L02F-W-X	IC		

△ Symbol No.	Part No.	Part Name	Description	Local	△ Symbol No.	Part No.	Part Name	Description	Local
Q701	UN2214-X	TRANSISTOR			R733	NRSA63J-272X	MG RESISTOR	2.7kΩ 1/16W J	
Q704	UN2214-X	TRANSISTOR			R734	NRSA63J-392X	MG RESISTOR	3.9kΩ 1/16W J	
Q705	KRA104M-T	DIGI TRANSISTOR			R735	NRSA63J-103X	MG RESISTOR	10kΩ 1/16W J	
Q706	KRA104M-T	DIGI TRANSISTOR			R736	NRSA63J-103X	MG RESISTOR	10kΩ 1/16W J	
Q707	UN2214-X	TRANSISTOR			R737	NRSA63J-102X	MG RESISTOR	1kΩ 1/16W J	
Q708	UN2214-X	TRANSISTOR			R738	NRSA63J-102X	MG RESISTOR	1kΩ 1/16W J	
Q709	UN2214-X	TRANSISTOR			R739	NRSA63J-122X	MG RESISTOR	1.2kΩ 1/16W J	
Q710	UN2214-X	TRANSISTOR			R740	NRSA63J-152X	MG RESISTOR	1.5kΩ 1/16W J	
Q711	UN2113-X	TRANSISTOR			R741	NRSA63J-222X	MG RESISTOR	2.2kΩ 1/16W J	
D701	1SS355-X	SI DIODE			R742	NRSA63J-272X	MG RESISTOR	2.7kΩ 1/16W J	
D702	1SS355-X	SI DIODE			R743	NRSA63J-103X	MG RESISTOR	10kΩ 1/16W J	
D703	1SS355-X	SI DIODE			R744	NRSA63J-202X	MG RESISTOR	2kΩ 1/16W J	
D704	1SS133-T2	SI DIODE			R745	NRSA63J-392X	MG RESISTOR	3.9kΩ 1/16W J	
D710	SELU2E10C-P	LED			R746	NRSA63J-122X	MG RESISTOR	1.2kΩ 1/16W J	
D711	SELU2E10C-P	LED			R747	NRSA63J-152X	MG RESISTOR	1.5kΩ 1/16W J	
D712	SELU2E10C-P	LED			R748	NRSA63J-222X	MG RESISTOR	2.2kΩ 1/16W J	
C701	QEKC0JM-107Z	E CAPACITOR	100uF 6.3V M		R749	NRSA63J-272X	MG RESISTOR	2.7kΩ 1/16W J	
C702	QCZ0202-155Z	C CAPACITOR	1.5uF 25V Z		R750	NRSA63J-103X	MG RESISTOR	10kΩ 1/16W J	
C703	QEKC1HM-225Z	E CAPACITOR	2.2uF 50V M		R751	NRSA63J-103X	MG RESISTOR	10kΩ 1/16W J	
C704	NCB31CK-223X	C CAPACITOR	0.022uF 16V K		R752	NRSA63J-103X	MG RESISTOR	10kΩ 1/16W J	
C705	QEKC0JM-107Z	E CAPACITOR	100uF 6.3V M		R753	NRSA63J-0R0X	MG RESISTOR	0Ω 1/16W J	
C707	QEKC1HM-475Z	E CAPACITOR	4.7uF 50V M		R754	NRSA63J-103X	MG RESISTOR	10kΩ 1/16W J	
C708	QEKC1HM-475Z	E CAPACITOR	4.7uF 50V M		R755	NRSA63J-104X	MG RESISTOR	100kΩ 1/16W J	
C709	QEKC1HM-475Z	E CAPACITOR	4.7uF 50V M		R757	NRSA63J-103X	MG RESISTOR	10kΩ 1/16W J	
C710	NCB21HK-104X	C CAPACITOR	0.1uF 50V K		R759	NRSA63J-103X	MG RESISTOR	10kΩ 1/16W J	
C711	NCB31CK-104X	C CAPACITOR	0.1uF 16V K		R760	NRSA63J-103X	MG RESISTOR	10kΩ 1/16W J	
C713	NCB21HK-103X	C CAPACITOR	0.01uF 50V K		R761	NRSA63J-103X	MG RESISTOR	10kΩ 1/16W J	
C714	NCB21HK-103X	C CAPACITOR	0.01uF 50V K		R762	NRSA63J-102X	MG RESISTOR	1kΩ 1/16W J	
C715	NCB21HK-103X	C CAPACITOR	0.01uF 50V K		R763	NRSA63J-102X	MG RESISTOR	1kΩ 1/16W J	
C716	NCB21HK-103X	C CAPACITOR	0.01uF 50V K		R764	NRSA63J-122X	MG RESISTOR	1.2kΩ 1/16W J	
C717	NCB21HK-103X	C CAPACITOR	0.01uF 50V K		R765	NRSA63J-152X	MG RESISTOR	1.5kΩ 1/16W J	
C718	NCB21HK-103X	C CAPACITOR	0.01uF 50V K		R766	NRSA63J-222X	MG RESISTOR	2.2kΩ 1/16W J	
C719	NCB21HK-103X	C CAPACITOR	0.01uF 50V K		R768	NRSA63J-103X	MG RESISTOR	10kΩ 1/16W J	
C720	NCB31CK-104X	C CAPACITOR	0.1uF 16V K		R769	NRSA63J-202X	MG RESISTOR	2kΩ 1/16W J	
C721	NCB31CK-104X	C CAPACITOR	0.1uF 16V K		R770	NRSA63J-122X	MG RESISTOR	1.2kΩ 1/16W J	
C722	QCZ0202-155Z	C CAPACITOR	1.5uF 25V Z		R771	NRSA63J-101X	MG RESISTOR	100Ω 1/16W J	
C723	NCB31CK-104X	C CAPACITOR	0.1uF 16V K		R772	NRSA63J-101X	MG RESISTOR	100Ω 1/16W J	
C724	NCB31CK-104X	C CAPACITOR	0.1uF 16V K		R776	NRSA63J-331X	MG RESISTOR	330Ω 1/16W J	
C725	QEKC1HM-475Z	E CAPACITOR	4.7uF 50V M		R777	NRSA63J-103X	MG RESISTOR	10kΩ 1/16W J	
C730	NCB31CK-104X	C CAPACITOR	0.1uF 16V K		R778	NRSA63J-392X	MG RESISTOR	3.9kΩ 1/16W J	
C731	NCB21HK-104X	C CAPACITOR	0.1uF 50V K		R779	NRSA63J-103X	MG RESISTOR	10kΩ 1/16W J	
R651	NRSA63J-104X	MG RESISTOR	100kΩ 1/16W J		R783	NRSA63J-221X	MG RESISTOR	220Ω 1/16W J	
R652	NRSA63J-104X	MG RESISTOR	100kΩ 1/16W J		R784	NRSA63J-221X	MG RESISTOR	220Ω 1/16W J	
R666	NRSA63J-104X	MG RESISTOR	100kΩ 1/16W J		R785	NRSA63J-221X	MG RESISTOR	220Ω 1/16W J	
R683	NRSA63J-473X	MG RESISTOR	47kΩ 1/16W J		R786	NRSA63J-221X	MG RESISTOR	220Ω 1/16W J	
R684	NRSA63J-473X	MG RESISTOR	47kΩ 1/16W J		R787	NRSA63J-221X	MG RESISTOR	220Ω 1/16W J	
R701	NRSA63J-472X	MG RESISTOR	4.7kΩ 1/16W J		R788	NRSA63J-221X	MG RESISTOR	220Ω 1/16W J	
R702	NRSA63J-223X	MG RESISTOR	22kΩ 1/16W J		R790	NRSA63J-221X	MG RESISTOR	220Ω 1/16W J	
R703	NRSA63J-103X	MG RESISTOR	10kΩ 1/16W J		R791	NRSA63J-221X	MG RESISTOR	220Ω 1/16W J	
R704	NRSA63J-103X	MG RESISTOR	10kΩ 1/16W J		R792	NRSA63J-221X	MG RESISTOR	220Ω 1/16W J	
R705	NRSA63J-103X	MG RESISTOR	10kΩ 1/16W J		R793	NRSA63J-221X	MG RESISTOR	220Ω 1/16W J	
R706	NRSA63J-103X	MG RESISTOR	10kΩ 1/16W J		R794	NRSA63J-221X	MG RESISTOR	220Ω 1/16W J	
R707	NRSA63J-103X	MG RESISTOR	10kΩ 1/16W J		R795	NRSA63J-221X	MG RESISTOR	220Ω 1/16W J	
R708	NRSA63J-103X	MG RESISTOR	10kΩ 1/16W J		R796	NRSA63J-221X	MG RESISTOR	220Ω 1/16W J	
R709	NRSA63J-103X	MG RESISTOR	10kΩ 1/16W J		R797	NRSA63J-221X	MG RESISTOR	220Ω 1/16W J	
R710	NRSA63J-103X	MG RESISTOR	10kΩ 1/16W J		R798	NRSA63J-221X	MG RESISTOR	220Ω 1/16W J	
R711	NRSA63J-103X	MG RESISTOR	10kΩ 1/16W J		R799	NRSA63J-221X	MG RESISTOR	220Ω 1/16W J	
R712	NRSA63J-103X	MG RESISTOR	10kΩ 1/16W J		R865	NRSA63J-391X	MG RESISTOR	390Ω 1/16W J	
R713	NRSA63J-103X	MG RESISTOR	10kΩ 1/16W J		R866	NRSA63J-391X	MG RESISTOR	390Ω 1/16W J	
R715	NRSA63J-103X	MG RESISTOR	10kΩ 1/16W J		R867	NRSA63J-391X	MG RESISTOR	390Ω 1/16W J	
R716	NRSA63J-103X	MG RESISTOR	10kΩ 1/16W J		R871	NRSA63J-103X	MG RESISTOR	10kΩ 1/16W J	
R717	NRSA63J-103X	MG RESISTOR	10kΩ 1/16W J		R872	NRSA63J-103X	MG RESISTOR	10kΩ 1/16W J	
R721	NRSA63J-103X	MG RESISTOR	10kΩ 1/16W J		R874	NRSA63J-103X	MG RESISTOR	10kΩ 1/16W J	
R722	NRSA63J-102X	MG RESISTOR	1kΩ 1/16W J		R875	NRSA63J-103X	MG RESISTOR	10kΩ 1/16W J	
R723	NRSA63J-102X	MG RESISTOR	1kΩ 1/16W J		R876	NRSA63J-103X	MG RESISTOR	10kΩ 1/16W J	
R724	NRSA63J-122X	MG RESISTOR	1.2kΩ 1/16W J		R877	NRSA63J-103X	MG RESISTOR	10kΩ 1/16W J	
R725	NRSA63J-152X	MG RESISTOR	1.5kΩ 1/16W J		R878	NRSA63J-103X	MG RESISTOR	10kΩ 1/16W J	
R726	NRSA63J-222X	MG RESISTOR	2.2kΩ 1/16W J		R879	NRSA63J-221X	MG RESISTOR	220Ω 1/16W J	
R727	NRSA63J-272X	MG RESISTOR	2.7kΩ 1/16W J		R880	NRSA63J-221X	MG RESISTOR	220Ω 1/16W J	
R728	NRSA63J-103X	MG RESISTOR	10kΩ 1/16W J		R881	NRSA63J-221X	MG RESISTOR	220Ω 1/16W J	
R729	NRSA63J-102X	MG RESISTOR	1kΩ 1/16W J		R882	NRSA63J-221X	MG RESISTOR	220Ω 1/16W J	
R730	NRSA63J-222X	MG RESISTOR	2.2kΩ 1/16W J		R883	NRSA63J-221X	MG RESISTOR	220Ω 1/16W J	
R731	NRSA63J-152X	MG RESISTOR	1.5kΩ 1/16W J		R884	NRSA63J-221X	MG RESISTOR	220Ω 1/16W J	
R732	NRSA63J-222X	MG RESISTOR	2.2kΩ 1/16W J		BK701	LV36620-001A	FL HOLDER		
					BK702	LV36620-001A	FL HOLDER		
					CN701	QGF1205F2-14	CONNECTOR	FFC/FPC (1-14)	
					CN702	QGF1205F2-27	CONNECTOR	FFC/FPC (1-27)	

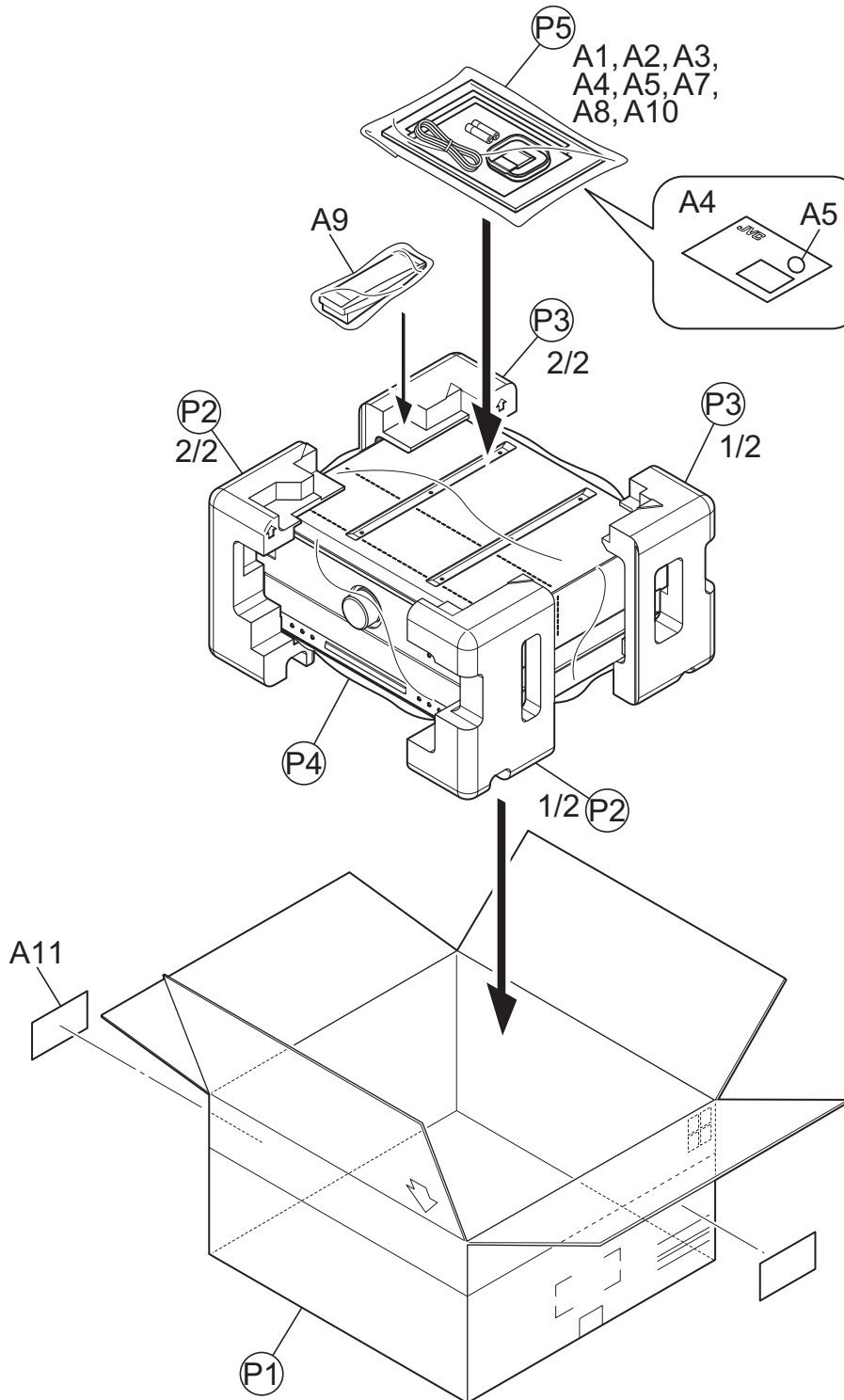
Symbol No.	Part No.	Part Name	Description	Local
CN705	QGA2001F1-04	CONNECTOR	W-B (1-4)	
CN706	QGA2001F1-02	CONNECTOR	W-B (1-2)	
CN707	QGA2001F1-05	CONNECTOR	W-B (1-5)	
DI701	QLF0172-001	FL TUBE		
FW704	WJS0020-002A-E	SKT.WIRE ASSY		
JS701	QSW1017-002	JOG VOLUME		
JS702	QSW1185-001	ROTARY ENCODER		
S721	QSW0683-001Z	PUSH SW		
S722	QSW0683-001Z	PUSH SW		
S723	QSW0683-001Z	PUSH SW		
S724	QSW0683-001Z	PUSH SW		
S726	QSW0683-001Z	PUSH SW		
S731	QSW0683-001Z	PUSH SW		
S732	QSW0683-001Z	PUSH SW		
S733	QSW0683-001Z	PUSH SW		
S734	QSW0683-001Z	PUSH SW		
S735	QSW0683-001Z	PUSH SW		
S736	QSW0683-001Z	PUSH SW		
S737	QSW0683-001Z	PUSH SW		
S738	QSW0683-001Z	PUSH SW		
S739	QSW0683-001Z	PUSH SW		
S742	QSW0683-001Z	PUSH SW		
S743	QSW0683-001Z	PUSH SW		
S745	QSW0683-001Z	PUSH SW		
S750	QSW0683-001Z	PUSH SW		
X701	QAX0246-001Z	C RESONATOR	8.00MHz	

< MEMO >

Packing materials and accessories parts list

Block No. M 3 M M

No additional / supplemental order of WARRANTY CARDS are available.



Packing and Accessories

Block No. [M][3][M][M]

△ Symbol No.	Part No.	Part Name	Description	Local
A 1	LVT1488-001A	INST BOOK	CHI(PEKIN)	
A 2	QAL0595-001	ANTENNA		
A 3	QAL0014-003	AM LOOP ANT		
A 4	-----	WARRANTY CARD	BT-59019-1	
A 5	BT-59020-1	SEAL		
A 7	E310162-001	CERTIFICATE TAG		
A 8	GN30020-004A	SURVEY CARD		
A 9	RM-SRXV7000	REMOCON		
A 10	-----	BATTERY	(x2)	
A 11	LV33572-053A	UF CARTON LABEL		
P 1	LV22279-001A	CARTON BOX		
P 2	LV11217-001A	CUSHION(FRONT)		
P 3	LV11218-001A	CUSHION		
P 4	QPC07508015P	POLY BAG	75cm x 80cm	
P 5	QPA02503505P	POLY BAG	25cm x 35cm	