

SERVICE MANUAL



MODEL SRP-471E (RUN NO. 3) SRP-471E (RUN NO. 4)

FEATHER TOUCH RECORD PLAYER

DIMENSION : H-10 $\frac{3}{4}$ " , W-13 $\frac{1}{2}$ " , D-15" WEIGHT : 19 lbs.

The difference among Model SRP-471E and its Run No. 2, 3 and 4 is as listed belows.

Model	SRP-471E	Run No. 2	Run No. 3	Run No. 4
Items				
Player deck ass'y	SRP-93E or SRP-93L	SRP-95E	SRP-95E	SRP-95E
Turntable	11 inch Aluminum Diecasting	11 inch Punched	11 inch Punched	11 inch Punched
Turntable Speed	SRP-93E (4-Speed) SRP-93L (3-Speed)	3-Speed	3-Speed	3-Speed
Power Supply	100~240V 50/60Hz Pre-wired	100~240V 50/60Hz Pre-wired	100~240V 50/60Hz Pre-wired	100~240V 50/60Hz Plug Selectable
Cabinet	Ready for accepting the NIVICO amplifier AST-103EH	Ready for the optional NIVICO amplifier AST-103EH	Not ready	Not ready

As to servicing method and parts of SRP-471E and its Run No. 2, refer to Service Manual No. 2074 (SRP-471E) and No. 2074B (SRP-471E Run No. 2).



SPECIFICATION

Type :	3-speed auto-return type record player
Cartridge :	Moving magnet with diamond stylus
Tone Arm :	Perfect type dynamic balanced pipe arm with feather-touch elevating system
Motor :	6-pole outer-rotor condenser motor
Turntable :	11-inch
Frequency Response :	20-21,000Hz \pm 2 db.
Crosstalk :	Better than 25 db.
Wow & Flutter :	Less than 0.1%
Distortion :	Less than 1%
S/N :	Better than 50 db.
Needle Pressure :	3 grams
Needle No. :	DT-16 (Diamond) for ST • LP.
Power Consumption :	7.5 watts (50Hz) 9.0 watts (60Hz)
Power Source :	100~240 volt, SRP-471E Run No. 3 (Pre-wired) 50/60 Hz. SRP-471E Run No. 4 (Selectable)

◆

HOW TO REMOVE THE PLAYER DECK

- ① Disconnect 4-Pin connector from bottom side.
- ② Remove the player deck from top of cabinet.

MAINS VOLTAGE ADJUSTMENT

This player is designed for use on 100~240 volts, 50/60 Hz power supply. To adjust, disconnect power cord from outlet and insert the adjusting plug into proper position.

CYCLE ALTERATION

Phase condenser and motor winding are not to be altered.

Replace motor pulley only.

50 Hz pulley : M4813-A

60 Hz pulley : M4813-B

REPLACING NEEDLE

In excess of the following playing hours, replace the needle.

DT-16 diamond needle for ST • LP :

Approximate 800~1500 hours.

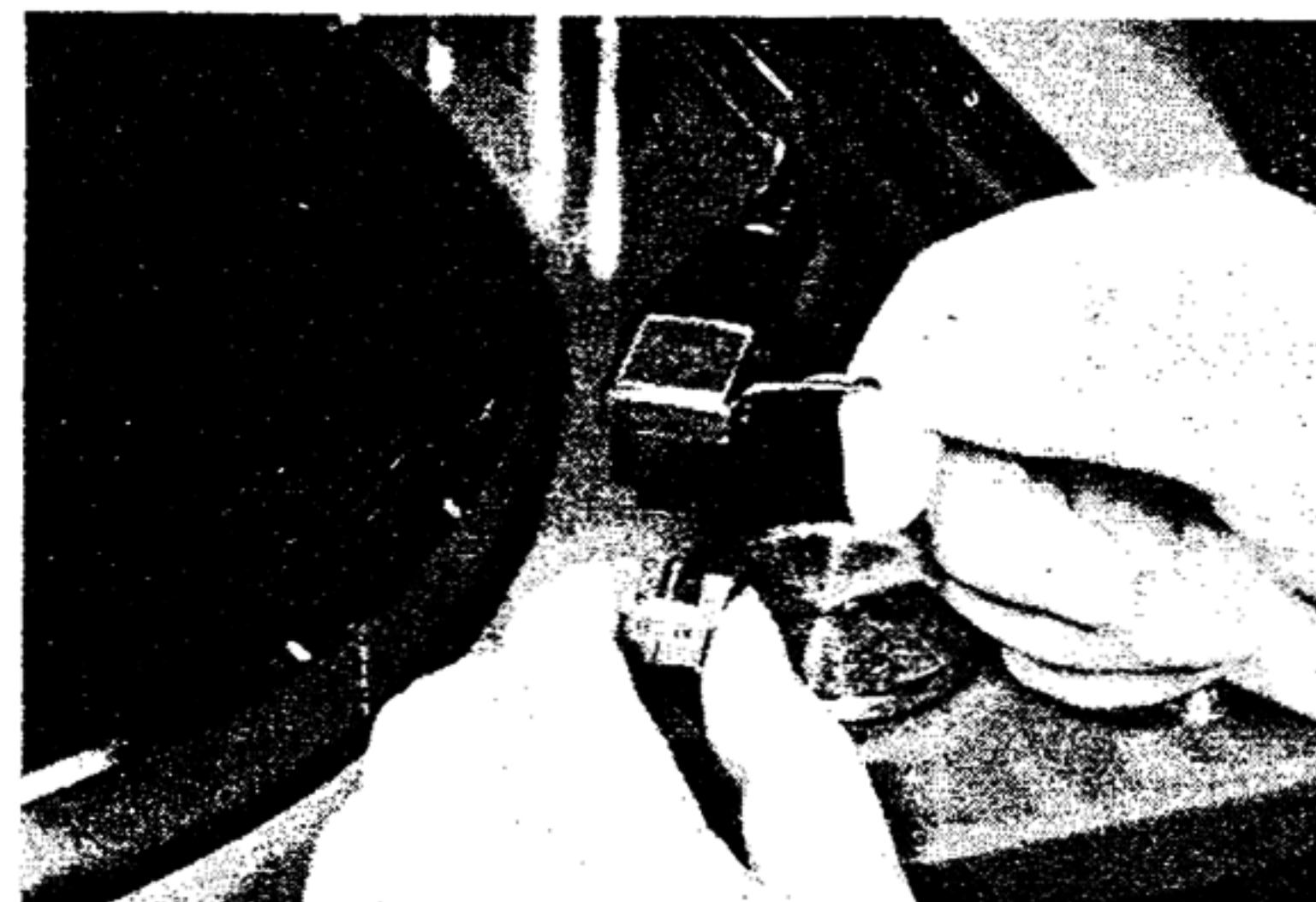


Fig. 1 Replacing needle.

REPLACING CARTRIDGE

Tone arm accepts universal cartridge at your choice. Refer to Fig. 2 for connection.

Replacing with the same cartridge (NIVICO MD-1004) requires needle pressure adjustment for 3 grammes.

Replacing with the another type cartridge requires balance and needle pressure adjustments. (Fig. 3)

To adjust tone arm balanced :

1. Remove needle pressure adjusting spring and balance weight adjusting screw.
2. Adjust tone arm balance weight and fix the balance weight adjusting screw.
3. Attach the needle pressure adjusting spring and adjust needle pressure adjusting screw for the specified needle pressure.

RED : R (+)
GREEN : R (-)
WHITE : L (+)
BLUE : L (-)

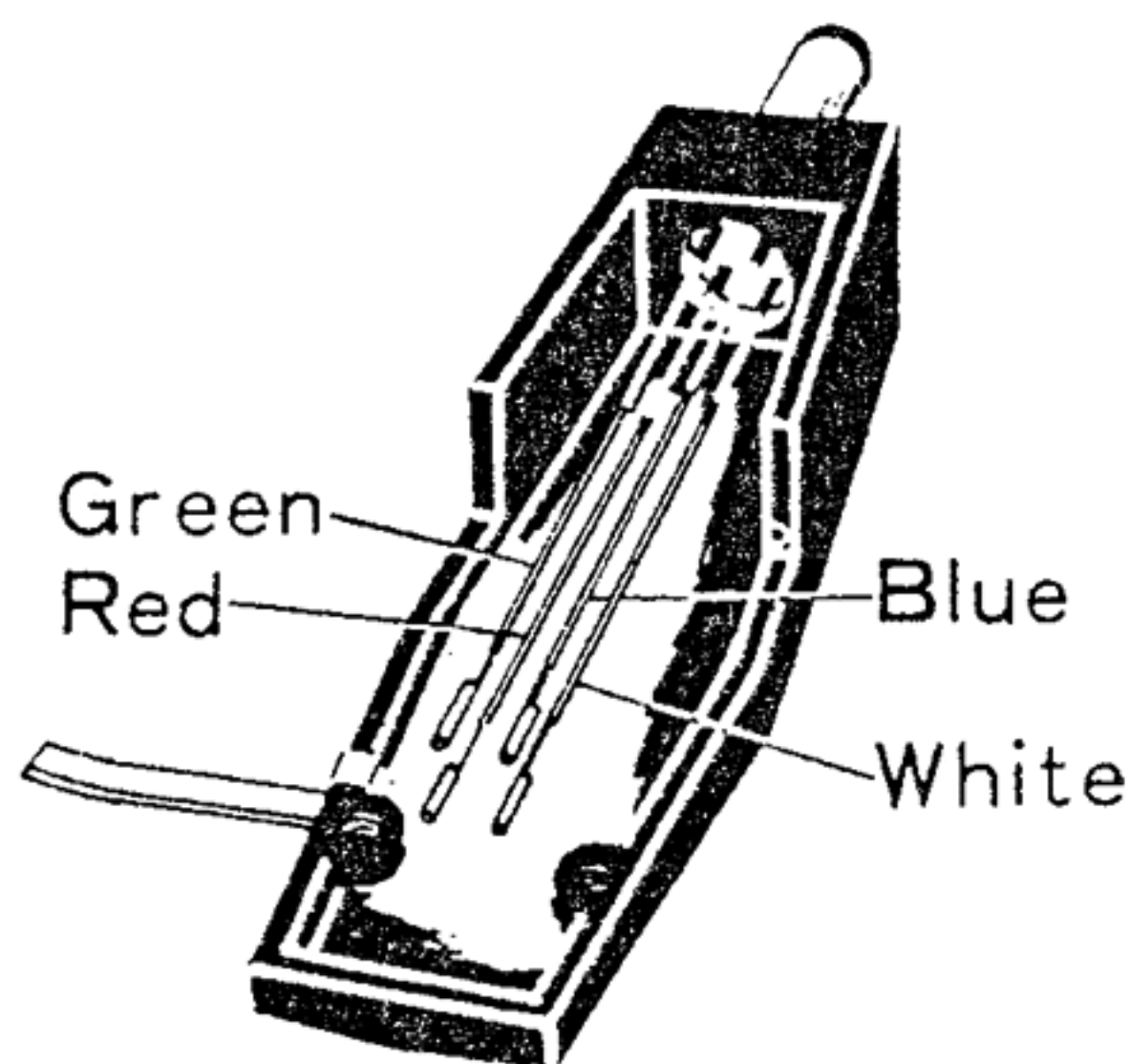


Fig. 2

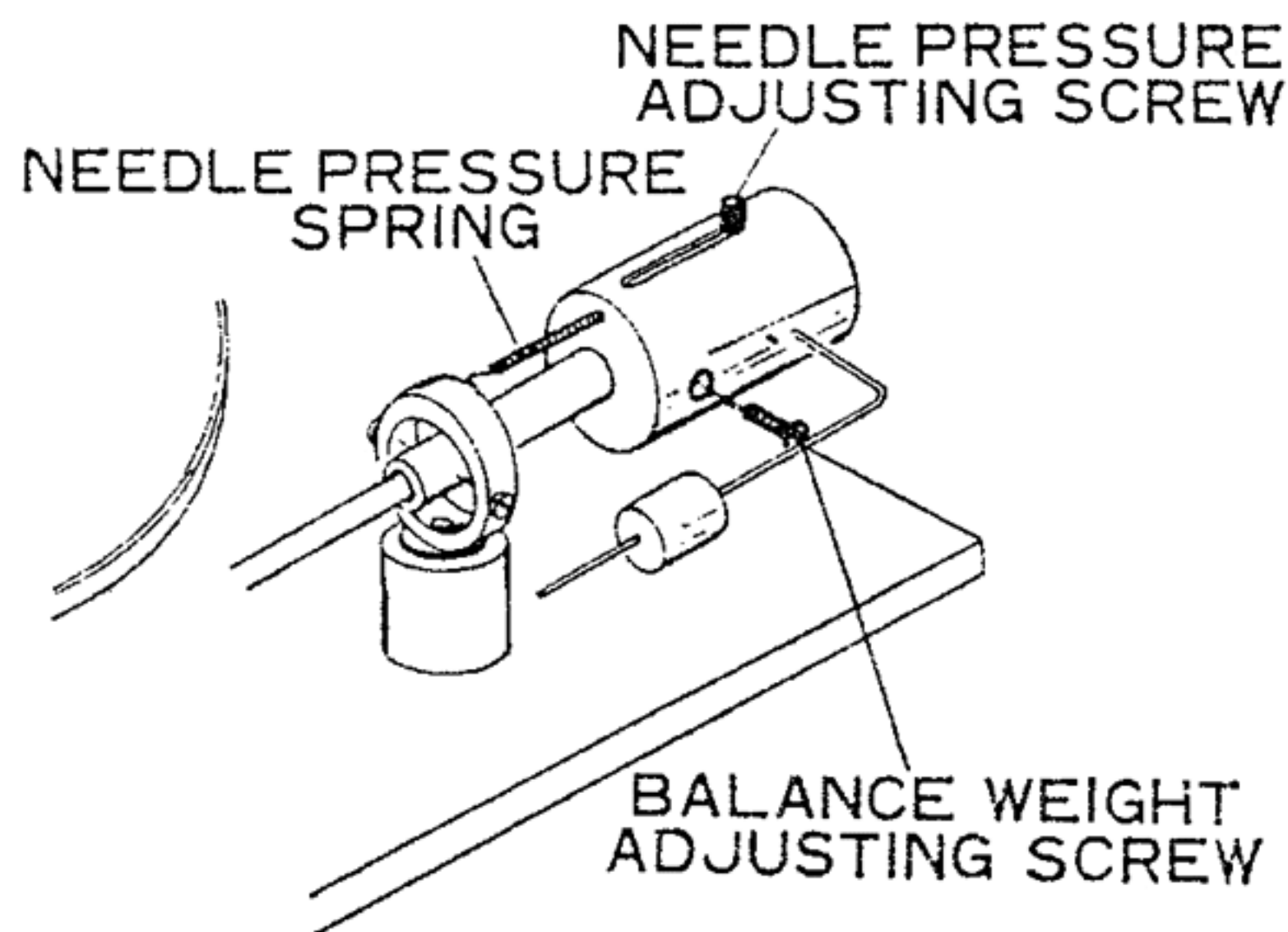


Fig. 3

CABINET PARTS ILLUSTRATION

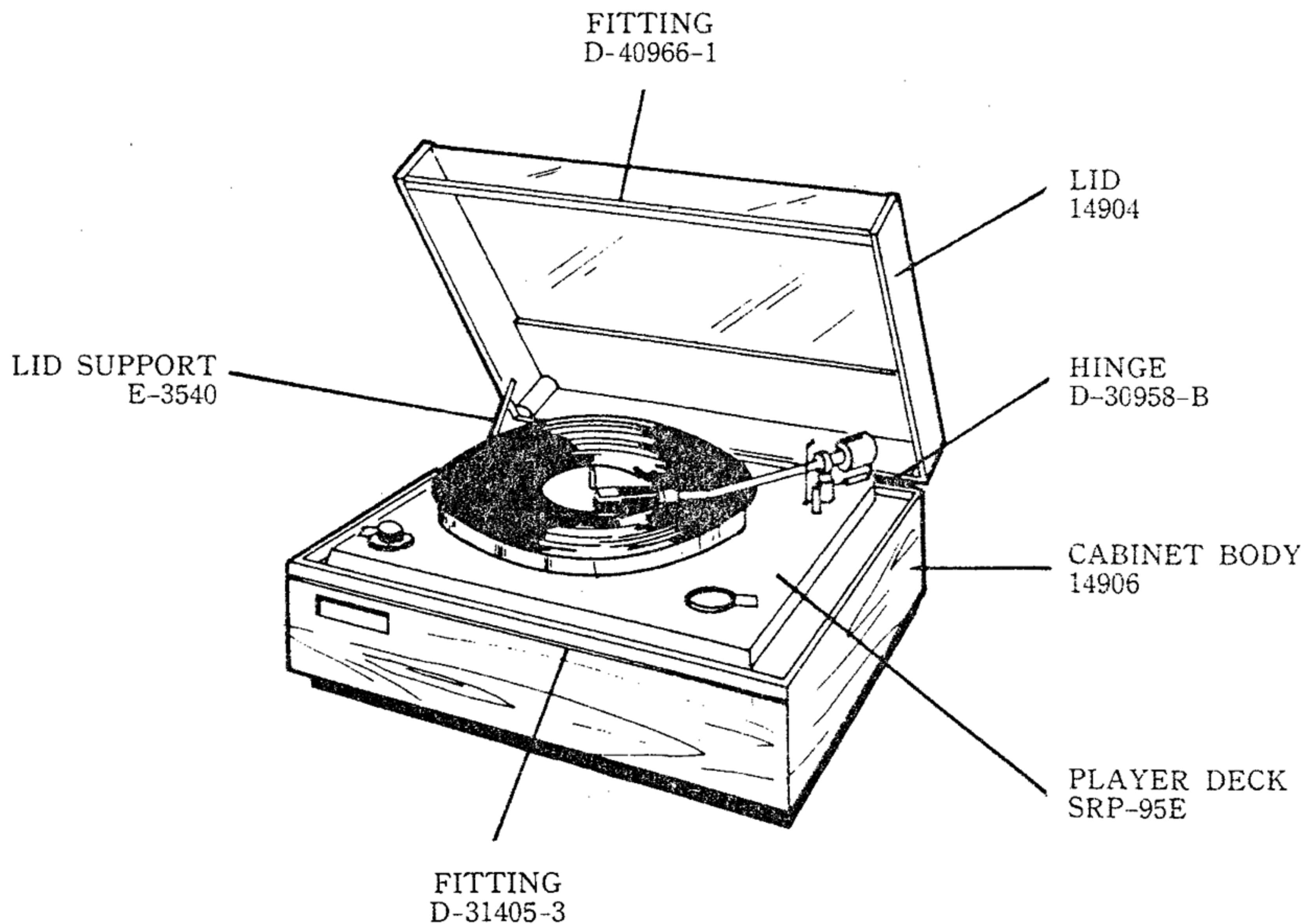


Fig. 4

Note: If possible please give an order for spare cabinet in early opportunity since it is very difficult to remanufacture after production of the set was discontinued.

DISASSEMBLY DIAGRAM OF OVERALL MECHANISM PARTS

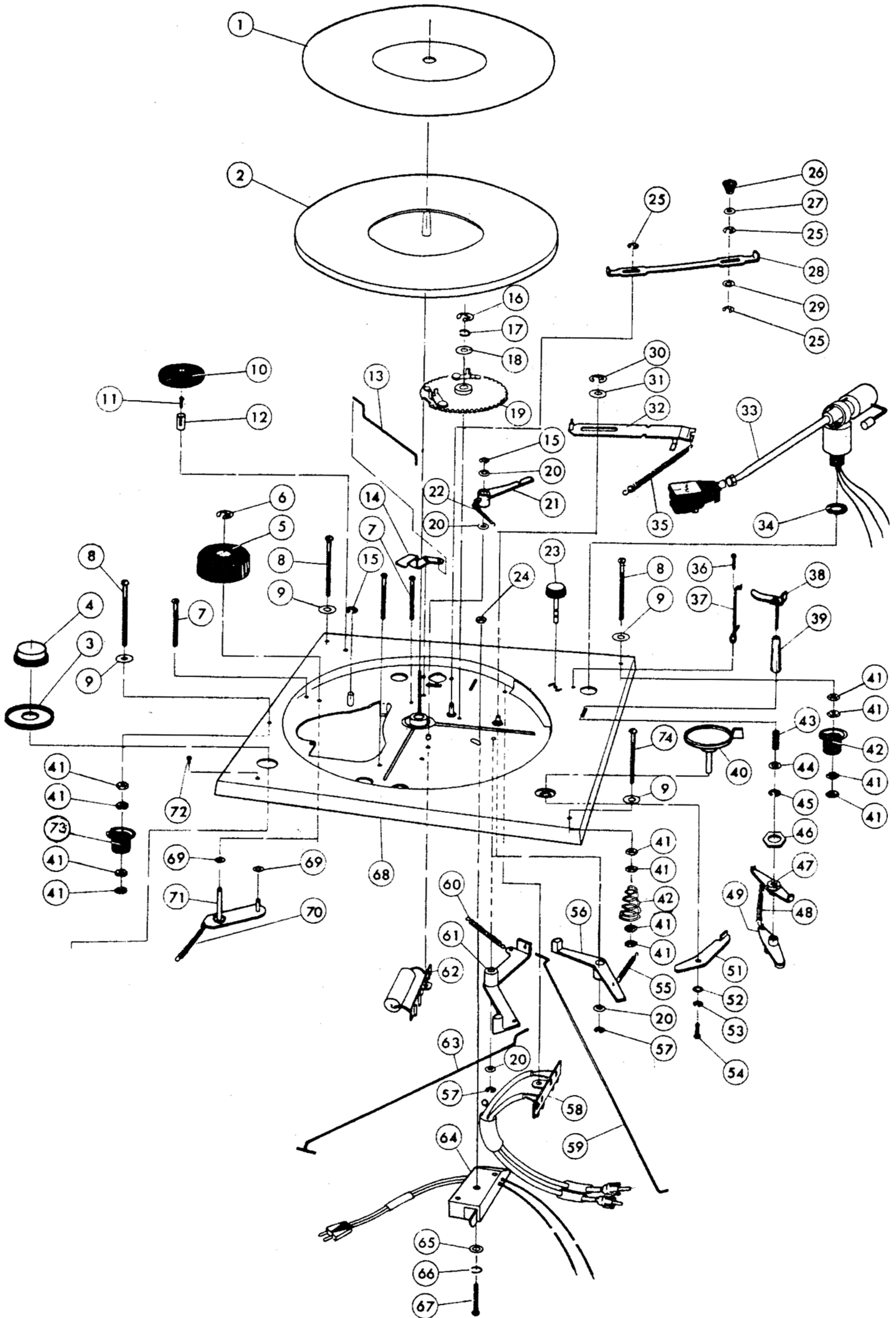


Fig. 5

EXPLODED VIEW OF PHONOMOTOR ASSEMBLY

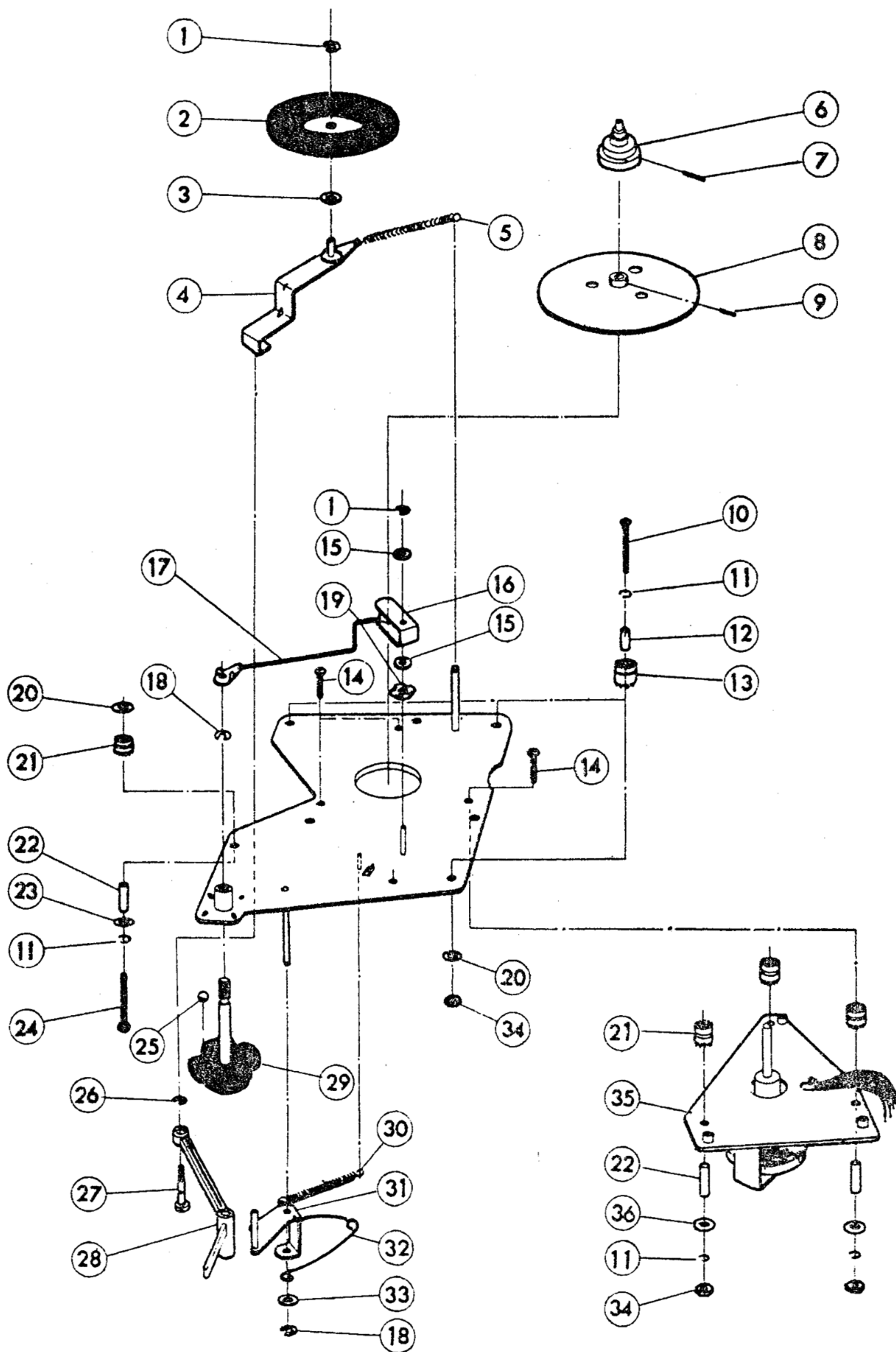


Fig. 6

SCHEMATIC DIAGRAM

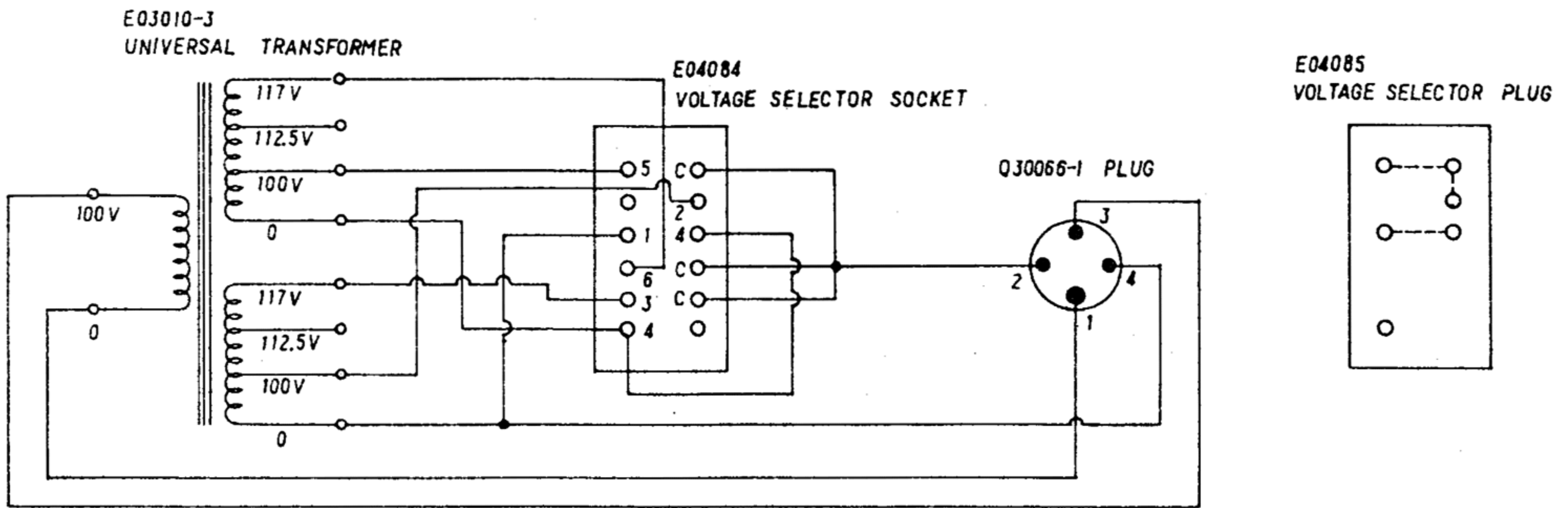
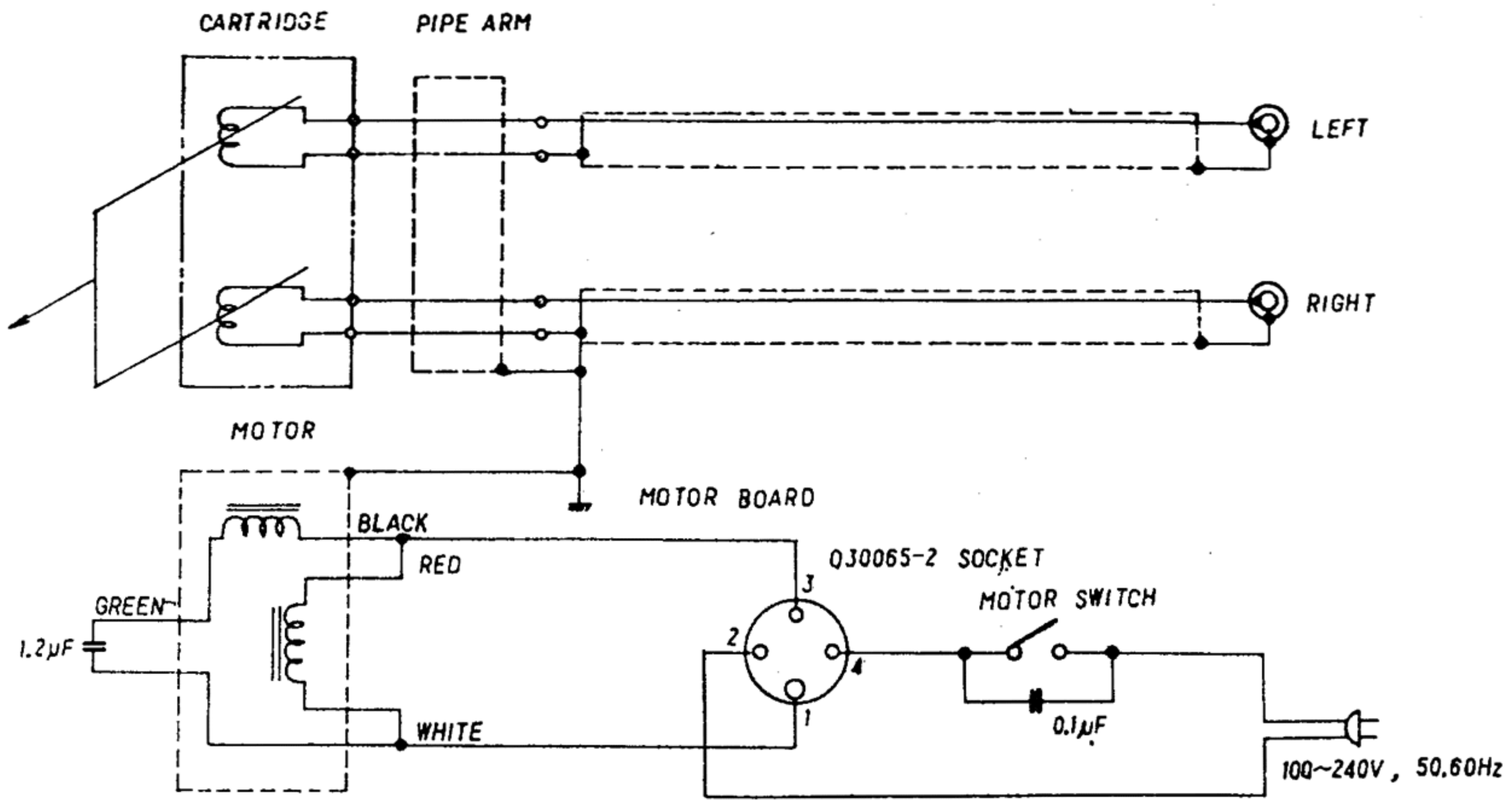


Fig. 7

REPLACEMENT PARTS LIST FOR MECHANISM

- Note : 1. The parts marked with ※ are recommendable to keep as spare parts.
 2. The drawing No. correspond to those of Fig. 5.

DWG. NO.	PARTS NO.	PARTS NAME	DWG. NO.	PARTS NO.	PARTS NAME
1	※E2521-A	Turntable Covering Ass'y	38	G4821-A	Elevator Ass'y
2	※G2069-A	Turntable Ass'y	39	G4805	Elevator Base
3	※M-4823-A	Speed Regulator Knob Ass'y	40	※G4678-A	"Start-Reject" Knob Ass'y
4	※M3206-A	Speed Selector Knob Ass'y	41	NTS6000Z	Nut
5	※M4801-A	Idler Ass'y	42	E50024-C	Spring Ass'y
6	M0303-414	Washer	43	G4806	Spring
7	SPSP4035Z	Screw	44	G4675-1	Washer
8	G4848-1	Mounting Screw	45	G4035-6	"E" Washer
9	G5093-2	Washer	46	G4799	Nut
10	E5641-2	Adaptor	47	G4206-B	Pick-up Lever Ass'y
11	RTA3008	Rivet	48	G4212-2	Coil Spring
12	52738	Adaptor Holder	49	G4808-A	Adjusting Plate Ass'y
13	G4790-2	Connecting Rod	50	E50024-A	Spring Ass'y
14	G6307-A	Reject Lever Ass'y	51	G4673	Start Lever
15	45646-5	"E" Washer	52	03037-126	Washer
16	REE5000	"E" Washer	53	WLS2600	Lock Washer
17	M0303-103	Washer	54	SPSP2606Z	Screw
18	03037-305	Fiber Washer	55	G6303	Spring
19	G3130-C	Gear Ass'y	56	G4680	Key
20	03037-308	Fiber Washer	57	REE3000	"E" Washer
21	G4621	Stopper	58	G4813-C	Signal Wire Ass'y
22	G4276	Spring	59	G4791	Connecting Rod
23	G4231-C	Knob Ass'y	60	G6318	Spring
24	NTB3000	Nut	61	G6300	Idler OFF Lever Ass'y
25	※G4035-1	"E" Washer	62	{E3386-56	Lug Spring Ass'y
26	G5067	Conical Spring		{Q03229 904	Condenser
27	M0303-302	Fiber Washer	63	G4790-1	Connecting Rod
28	G3134	Trip Slide	64	G3109	Switch Ass'y
29	WNB3000N	Washer	65	WNB3000	Washer
30	REE4000	"E" Washer	66	WLS3000	Lock Washer
31	G4252	Washer	67	SPSP3025Z	Screw
32	G4811-A	Return Lever Ass'y	68	G1000-A	Motor Board Ass'y
33	※MP-81S	Pick up Ass'y	69	03037-405	Washer
34	G4675-2	Washer (Needle Height Adj.)	70	G6303	Spring
35	52563	Coil Spring	71	M4815-A	Idler Arm Ass'y
36	SPSP3010N	Screw	72	53185-2	Indicator
37	G4803	Pole	73	E50024-A	Spring Ass'y
			74	G4848-2	Mounting screw

Requirement to Customers

For the purpose of prompt supply of service parts, inscribe parts number, parts name, and model name correctly when you order.

REPLACEMENT PARTS LIST FOR PHONOMOTOR

(Note : The drawing No. correspond to those of Fig. 6)

DWG. NO.	PARTS NO.	PARTS NAME	DWG. NO.	PARTS NO.	PARTS NAME
1	45646-5	"E" Washer	19	52997	Spring Washer
2	※45403-A	Idler Ass'y	20	M0303-105	Washer
3	03037-405	Washer	21	52992-1	Rubber Bushing
4	M4784-A	Idler Arm Ass'y	22	M5118	Tube Spacer
5	※M4792	Idler Spring	23	M0303-103	Washer
6	※ { M4813-A M4813-B	Pulley Ass'y (50 ∞)	24	SPSP4025Z	Screw
		Pulley Ass'y (60 ∞)	25	5/32D	Steel Ball
7	TFB3012	Set Screw	26	52514	Spring Washer
8	M4812-B	Regulator Plate Ass'y	27	M4786	Screw
9	TFB3003	Set Screw	28	M4785	Idler Arm
10	SPSP4035Z	Screw	29	M4781-A	Cam Ass'y
11	WLS4000	Lock Washer	30	M4791	Spring
12	M0302-109	Tube Spacer	31	M4789-A	Bracket Ass'y
13	M4728	Rubber Bushing	32	M4790	Spring
14	SPSP4025Z	Screw	33	WNS4000	Washer
15	03037-305	Washer	34	NTB4000	Nut
16	M4044-B	Magnet Ass'y	35	※M510-A	Induction Motor
17	M4795-A	Regulator Rod Ass'y	36	03037-114	Washer
18	45646-6	"E" Washer			

(Note : The parts marked with ※ are recommendable to keep as spare parts.)

MISCELLANEOUS REPLACEMENT PARTS LIST

PARTS NO.	PARTS NAME
※MD-1004	Cartridge Ass'y (Moving magnet type)
DT-16	Diamond Needle Ass'y for ST · LP record
DL-D742 (Run No. 3)	Cabinet Ass'y
DL-D742 (Run No. 4)	Cabinet Ass'y
Arm-321	Pick-up arm
※E03010-3	Universal Supply Transformer
※E40708	Bracket (for Universal Transf.)
※E0407	4-pin Socket for Power Supply
※Q30066-1	4-pin Plug for Power Supply
E04084	Voltage Selector Socket
E04085	Voltage Selector Plug
E43196-001	Plate (Fixing Voltage Selector Socket)

Note : Kindly use ONE-WRITING order form when you request service parts as this will facilitate prompt and accurate execution.

The List of NIVICO Service Manual

(Phonograph)

No.	Model	No.	Model	No.	Model	No.	Model	No.	Model	No.	Model	No.	Model
2081	4TR-3U	2091	ARC-30A,30B	2101	N760MG,N99U	2111(B)	{STC-707C (R#-2)}	2121	5007	2131	STP-808A	2141	5320,5340
2082	N-55T	2092	4TR-55T	2102	SRP-472E	2112	SST-61	2122	L-21M	2132	ARC-41,42	2142	L311D
2083	SRE-103E	2093	{N670, N770 4TR-99u, etc}	2103	SRP-469E	2113	{FRS-103EH.V (R#-2)}	2123	ARC-10 Series	2133	TRE-666C	2143	6102,6103,6104
2084	{N590F, 4TR-590F}	2094	STP-7LA	2104	ARC-10L	2114	STP-808C	2124(B)	5003 (Revised)	2134(B)	4TR-990(D)	2144	ARC-10Y
2085	ARC-40A	2095	TRE-26C	2105	{BLA-204,208 BLA-304,30E}	2115	SSL-95E	2125	L-311C	2135	5001	2145	{501/PST-1000E 5012/MST-1000E}
2086	TRE-12F	2096	STP-7F	2106	AST-140E	2116	MSL-16T	2126	5204	2136	{SRP-B30E/ 5230}	2146	5201
2087	SRP-467E	2097	N880 (R#-2)	2107	ARC-12C,E	2117	AST-215E	2127	{4210,4220,4230 & (R#-2)}	2137	N-65F	2147	MSL-300E
2088	SRP-468E	2098	N163	2108	CSL-1E	2118	SRC-700U	2128	5305	2138	{4TR-511D, L511D}	2148	5310
2089	ECA-101E	2099	4TR-6U	2109	MSL-8E	2119	AST-102E	2129	TRE-12T	2139(B)	SRP-B40E/5240	2149	MSL-110S
2090	STC-19	2100	MSL-15E	2110	SST-31	2120	{No. 200E Series}	2130	5304	2140	5203	2150	5205

No.	Model	No.	Model	No.	Model	No.	Model	No.	Model	No.	Model
2151	5040										
2152	{SSL-46E SSL-46EA}										
2153	MSL-300ES										
2154	4330										
2155	N-404, N-404Y										
2156	MSL-501E										
2157	N202, 303										
2158	4211										
2159											
2160											