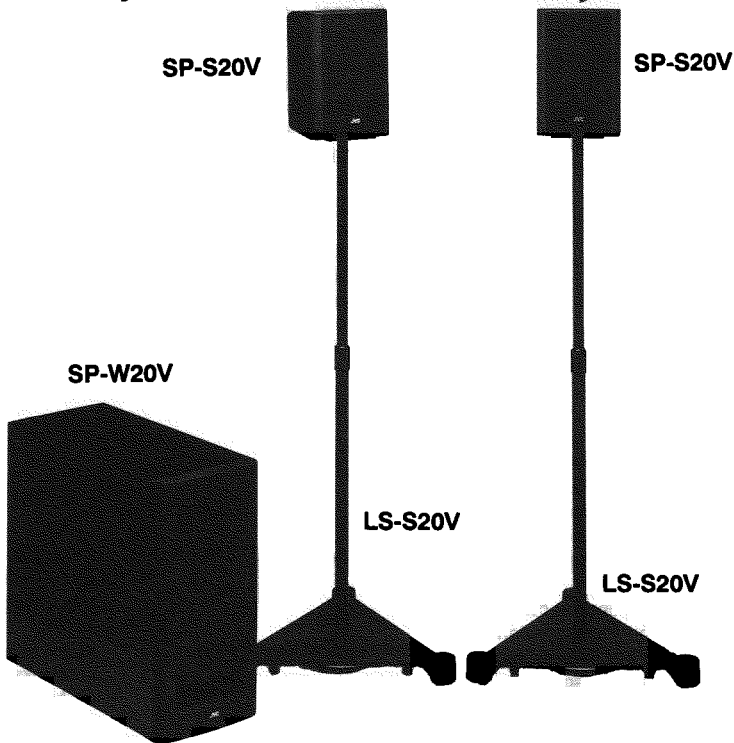


JVC

SERVICE MANUAL

SPEAKER SYSTEM

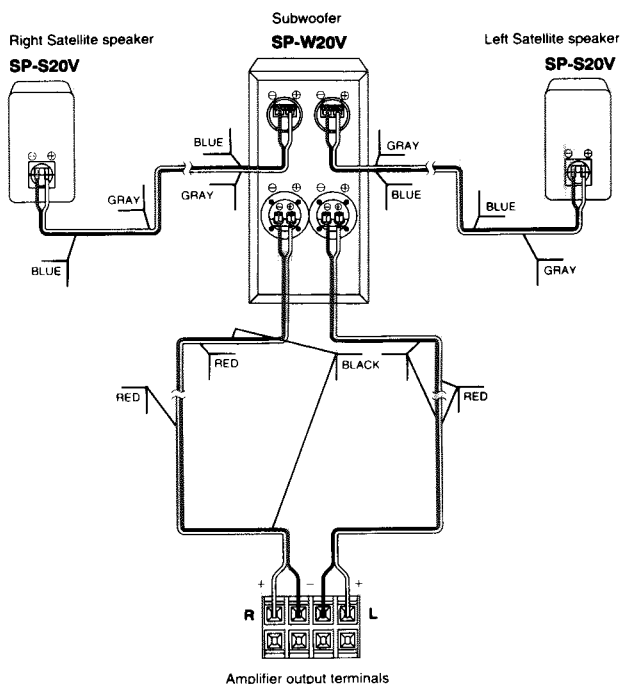
SX-SW20V (SP-S20V, SP-W20V, LS-S20V)



Content

Instruction Book	2	NetWork Assembly and	
Repair instruction(SP-S20V)	5	Part List (SP-W20V).....	10
Repair instruction(SP-W20V)	6	Exploded Viw and Part List (LS-S20V).....	11
Exploded Viw and Part List (SP-S20V).....	7	Schmatic Diagram.....	12
NetWork Assembly and		Packing Materials and Part Numbers(SX-SW20V).....	13
Part List (SP-S20V).....	8	Packing Materials and Part Numbers(SP-S20V).....	14
Exploded Viw and Part List (SP-W20V).....	9	Packing Materials and Part Numbers(SP-W20V).....	15
		Packing Materials and Part Numbers(LS-S20V).....	16

Amplifier connection



- Using the speaker with audio and visual equipment
If you want to enjoy Dolby surround playback with more emphasized bass, install a subwoofer system (SP-W20V) with its back on a large, rigid wall by making use of the setup free feature of the speaker. It is recommended that the SP-X50 be used as the central speaker and surround speaker to reproduce the Dolby Pro-logic effectively.
- The speakers have been demagnetized to prevent uneven colors on color television screens. However, colors on the television screen may become uneven in some system configurations. Therefore, take the following precautions when installing speakers.
 - If you combine a television set with speakers, turn the main power switch of the television set off before installing speakers. When the main power switch is turned off, it should be turned on again after at least 30 minutes.
 - If there is a non-demagnetized speaker system other than this JVC system near a television set, it may cause uneven colors.
 - If colors become uneven due to some types of televisions, move the speaker system away from the television set.

CONNECTION

- Turn off power to the whole system before connecting the speakers to the amplifier.
- The nominal impedance of the SX-SW20V is 6 ohms. Connect them to an amplifier with the load impedance of 6 ohms speaker.
- Connect the SP-S20V satellite speakers to the output terminals on the SP-W20V subwoofer.
If another satellite speaker is connected or only the SP-W20V is used, the amplifier may be damaged.
- Do not connect speakers other than the SP-S20V to the output terminals on the SP-W20V subwoofer.
(The amplifier will perform poorly and may be damaged.)
- Do not connect the SP-S20V directly to the amplifier.
The SX-SW20V satellite speaker system (consisting of an SP-W20V subwoofer and two SP-S20V satellite speakers) is rated at 100 watts.
(They may get overloaded and so be damaged.)
- The maximum power handling capacity is shown in the SPECIFICATIONS.
Excessive input to the speaker will result in abnormal noise and possible damage. 70% of the maximum amplifier output is normally available when the volume control is set to its center position. The following cases described below may cause an overload of the speakers. Be sure to lower the amplifier volume beforehand.
 - Noise during FM tuning.
 - High level signals containing high frequency components produced by a tape deck in the fast forward mode.
 - Click noise produced when turning power of other components on and off.
 - Click noise produced when connecting or disconnecting cords with the power on.
 - Click noise produced when the cartridge is replaced with the power on.
 - Click noise produced when operating amplifier switches.
 - Continuous high frequency oscillation or high pitch electronically produced musical instrument sound.
 - Howling when using a microphones.

SPECIFICATIONS

Type	SP-S20V SATELLITE SPEAKER : 2-way 2-speaker acoustic suspension type
	: Low leakage magnetic flux type for A/V
	SP-W20V SUBWOOFER : Kelton type
	: Low leakage magnetic flux type for A/V
Speakers	SP-S20V SATELLITE SPEAKER : 10.0 cm (3-15/16") cone
	: 2.5 cm (1") soft dome
	SP-W20V SUBWOOFER : 13.5 cm (5-3/8") cone
Power Handling Capacity	: 100 watts + 100 watts (Left + Right)
Impedance	: 6 ohms (each)
Frequency Range	: 45 Hz – 20,000 Hz
Sound Pressure Level	: 86.0 dB/w · m
Dimensions (W × H × D)	SP-S20V SATELLITE SPEAKER : 137 × 205 × 142 mm (5-7/16" × 8-1/8" × 5-5/8")
	SP-W20V SUBWOOFER : 185 × 385 × 451 mm (7-5/16" × 15-3/16" × 17-13/16")
Mass	SP-S20V SATELLITE SPEAKER : 1.9 kg (4.2 lbs)(each)
	SP-W20V SUBWOOFER : 11.0 kg (24.3 lbs)

Design and specifications subject to change without notice.

SPEAKER STAND : LS-S20V

These speaker stands are for the SP-S20V SATELLITE SPEAKER only.

SUPPORT DE HAUT-PARLEUR : LS-S20V

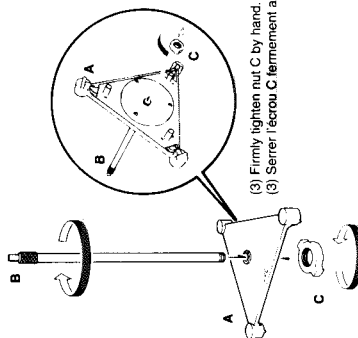
Ces supports de haut-parleur sont prévus seulement pour le haut-parleur de satellite SP-S20V.

**PARTS LIST
LISTE DES PIÈCES**

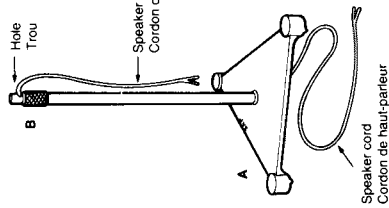
A	B, C, D	E	F
2	2	2	4

- 1**
- (1) Remove C from B.
 - (2) Screw B to A.
- (1) Enlever C de B.
(2) Visser B à A

- 2**
- Slowly pass the speaker cord through the hole at the top of B so it goes down through B, tilt A slightly, and pull the cord out at the bottom.
Faire passer lentement le cordon du haut-parleur au trou situé au sommet de B de sorte qu'il se déplace en bas à B, incliner A légèrement et tirer le cordon en dehors au fond.

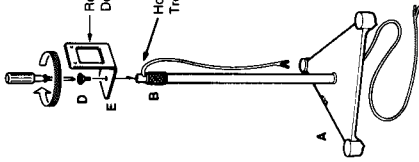


- (3) Firmly tighten nut C by hand.
(3) Serrer l'écrou C fermement avec la main.



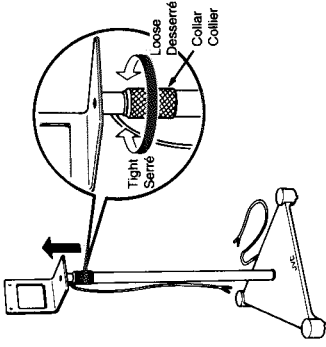
- 3**
- (1) Remove D from B.
 - (2) Align the speaker cord hole in B with the rear of E, and firmly tighten D.

- (1) Enlever D de B.
(2) Aligner le trou du cordon du haut-parleur dans B avec l'arrière de E, et serrer D fermement.

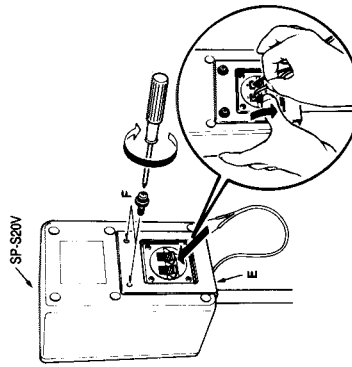


- 4**
- Set the height of the stand by holding the lower part of B, carefully turning the collar counterclockwise to loosen it, and sliding the inner tubes.

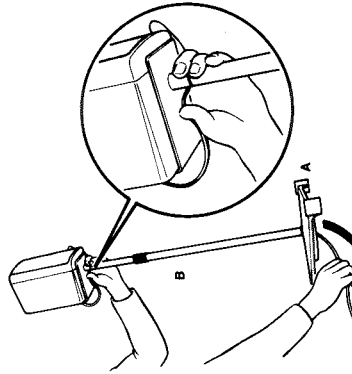
Régler la hauteur du support en maintenant la partie inférieure de B, tout en tournant le collier soigneusement et en sens contraire des aiguilles d'une montre, pour le desserrer et tout en coulisant les tubes internes.



- 5**
- Put the speaker on E, firmly tighten F and connect the speaker cord to the speaker terminals.
Placer le haut-parleur sur E, serrer F fermement et connecter le cordon du haut-parleur aux bornes du haut-parleur.



- 6**
- Tilt the stand slightly, and pull the speaker cord gently until it is taut.
Incliner le support légèrement et tirer le cordon du haut-parleur doucement jusqu'à ce qu'il soit bien serré.



Continued on back page.
Suite à la page arrière.

Precautions

PLEASE TAKE NOTICE THAT JVC ASSUMES NO RESPONSIBILITY FOR CONSEQUENTIAL OR OTHER DAMAGES FOR ANY REASON WHATSOEVER EXCEPT AS MAY BE SPECIFIED IN THE LIMITED WARRANTY ACCOMPANYING THIS INSTRUCTION.

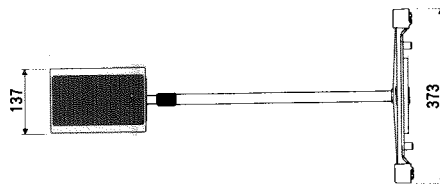
- Don't pull it hard, or you may break the wires.
- Always hold A and B when moving the stands.
- Do not place this speaker stand in the following places to avoid tipping.
 - (1) Sloping floor
 - (2) Uneven floor
 - (3) The place where people, children or pet can knock SPEAKER STAND over.

Précautions

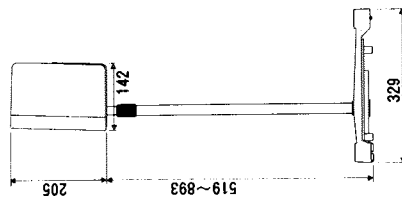
PRIERE DE PRENDRE NOTICE QUE JVC NE PREND AUCUNE RESPONSABILITE POUR TOUTS ENDOMMAGEMENTS DE TOUT GENRE SAUF CEUX SPECIFIES DANS LA GARANTIE LIMITEE ACCOMPAGNANT CE MODE D'EMPLOI.

- Ne pas le tirer fortement, car on pourrait rompre les fils.
- Toujours maintenir A et B lorsque l'on déplace les supports.
- Ne pas placer le support du haut-parleur sur les surfaces mentionnées ci-après pour éviter de renverser l'équipement.
 - (1) Plancher incliné
 - (2) Plancher avec irrégularité
 - (3) Emplacement où des personnes, enfants ou animaux peuvent renverser le support de haut-parleur.

Dimensions



Dimensions et poids



LS-S20V
Dimensions (W x H x D) : 373 x 1004 x 329 mm
(14-11/16" x 36-9/16" x 13")
Mass
: 3.6 kg(8 lbs)

LS-S20V
Dimensions (L x H x P) : 373 x 1004 x 329 mm
Masse
: 3.6 kg



Repair Instruction (SP-S20V)

■ Removing the Ornament Assembly

The ornament assembly is held in place by six screws from the rear. Remove the screws, then replace the ornament assembly. (Fig. 1-1)

■ Removing the Speaker Unit

The speaker units are held in place by screws from the rear of the ornament. Remove the ornament, then replace the speaker units.

■ Removing the Network Assembly

The Network Assembly is mounted on the inside of the cabinet back. Remove the ornament, then replace the Network Assembly. (Fig. 1-2)

■ Acoustic Absorber

The cabinet contains Acoustic Absorber. If this material is taken out to replace parts, put it back into the cabinet as shown in Figure 1-3.

Note:

When doing the work, cover the ornament, cabinet, and speaker units with felt or soft cloth to prevent damaging them or leaving tool marks.

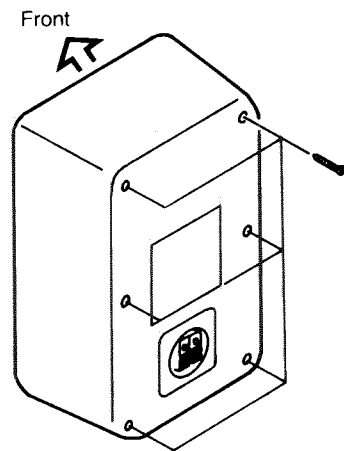


Fig. 1-1

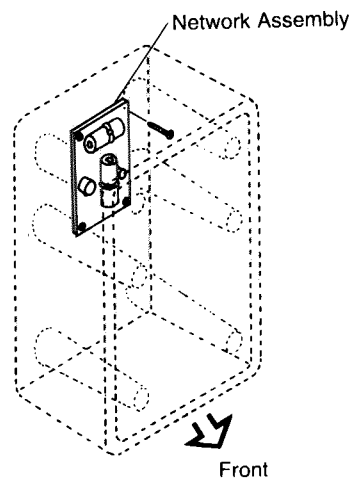


Fig. 1-2

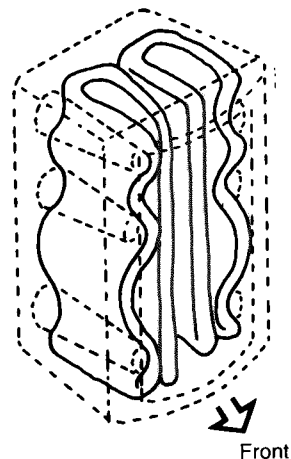


Fig. 1-3

Repair Instruction (SP-W20V)

■ Removing the Ornament Assembly

1. Remove the ten screws holding the back of the cabinet in place.
2. Remove the twelve screws holding the speaker unit and duct mounted on the partition inside the cabinet.
3. Remove the four screws from the back of the cabinet front. (Fig. 2-1)

■ Removing the Speaker Unit

The speaker units are mounted on the rear of the partition inside the cabinet. Remove the back board, then replace the speaker unit. (Fig. 2-1).

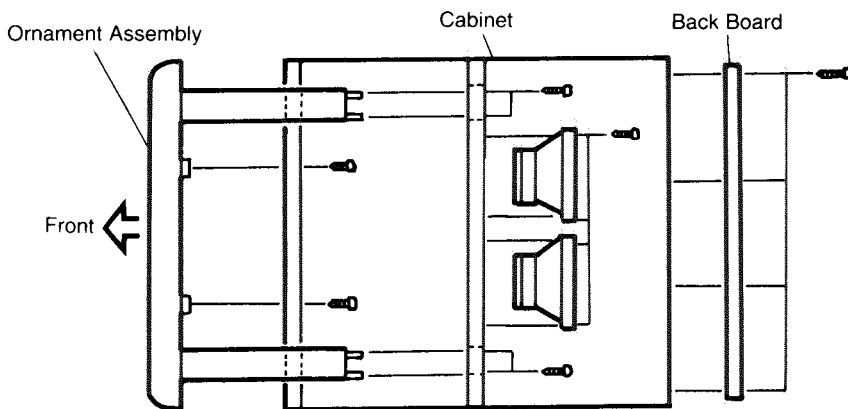


Fig. 2-1

■ Replacing the Speaker Terminal

① Output Side

The speaker terminal, which is located at the backboard, is provided with two cutouts (top and bottom). (See Fig. 2-2)
To remove the speaker terminal, alternately insert a flat screwdriver into these two cutouts, lift the speaker terminal up and off. (See Fig. 2-3).

Note:

When the speaker terminal is replaced, secure the inside of the new speaker terminal using rubber adhesive to prevent air leakage.

② Input Side

Secured by screws at the backboard.
Take out four screws to remove and replace.

Note:

When doing the work, cover the ornament, cabinet, and speaker units with felt or soft cloth to prevent damaging them or leaving tool marks.

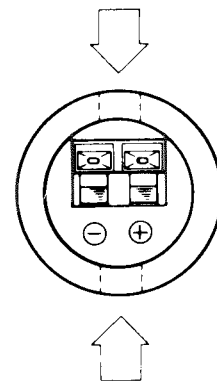


Fig. 2-2

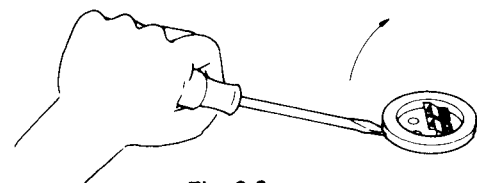
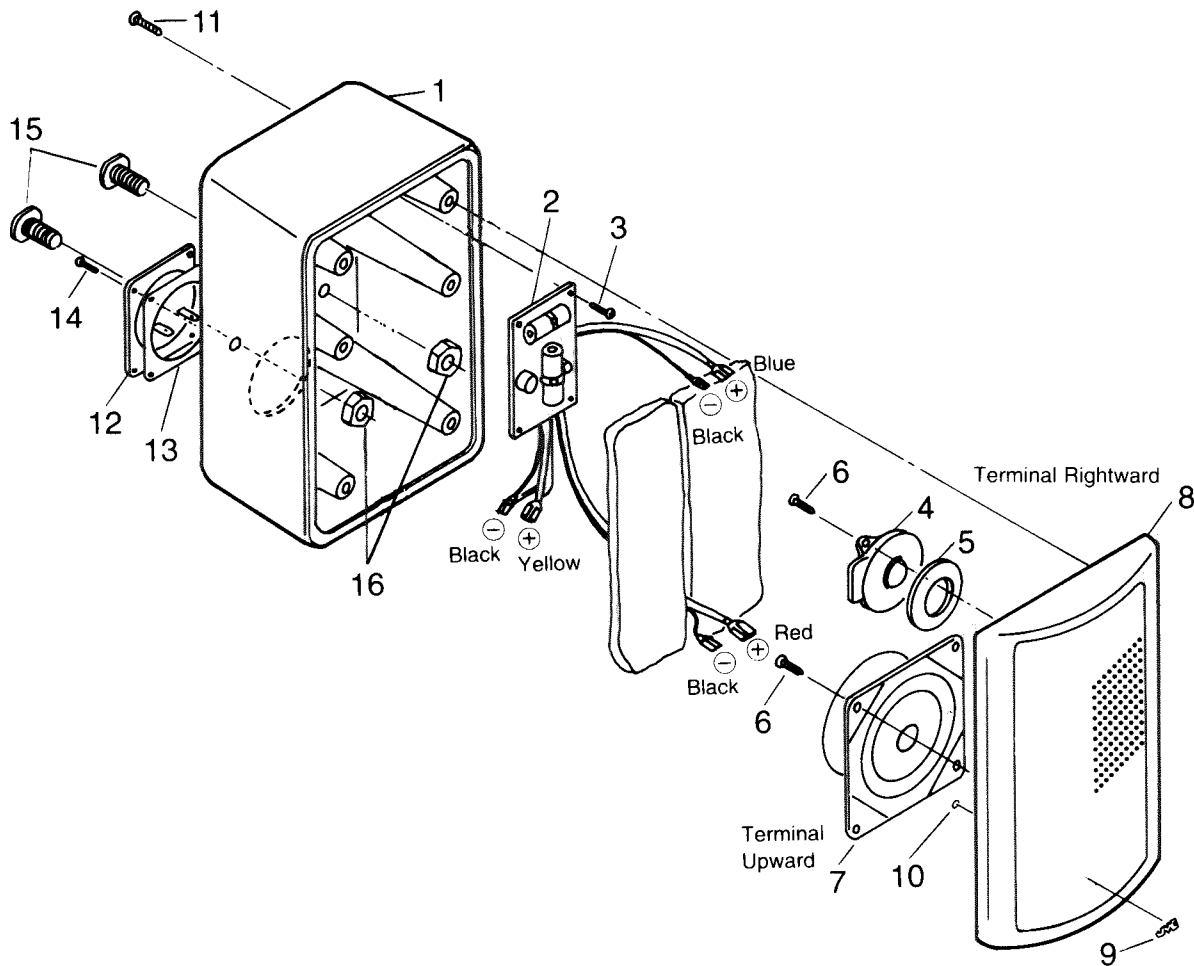


Fig. 2-3

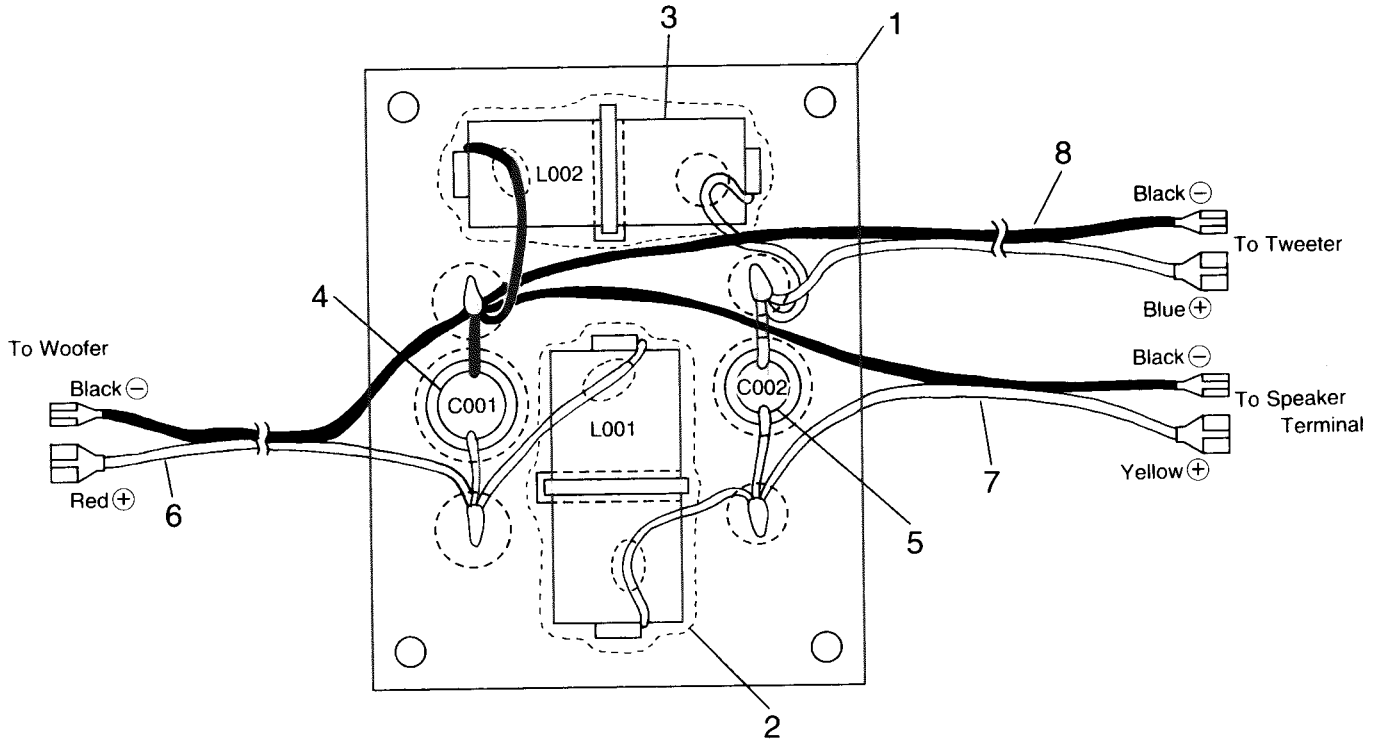
Exploded View and Parts List (SP-S20V)



■ Part List

Item	Part Number	Part Name	Q'ty	Description	Areas
1	EZC-SP-S77J	Cabinet Assembly	1		
2	E309045-001	Network Assembly	1		
3	SPSA4018Z	Screw	4		
4	HSD2599-01R	Speaker Unit	1	Tweeter SP-21	
5	E407275-001	Spacer	1		
6	SDSA4010Z	Screw	7		
7	HSA1099-01Z	Speaker Unit	1	Woofer SP-11	
8	E308312-001	Ornament Assembly	1		
9	E75939-221	JVC Mark	1		
10	NSS3000	Nut	1		
11	SPSA4018Z	Screw	6		
12	E03823-091	Speaker Terminal	1		
13	E407276-001	Spacer	1		
14	SDSA3010M	Screw	4		
15	E74599-001	S.Screw	2		
16	HEW2015-003	Flange Nut	2		

Network Assembly and Parts List (SP-S20V)

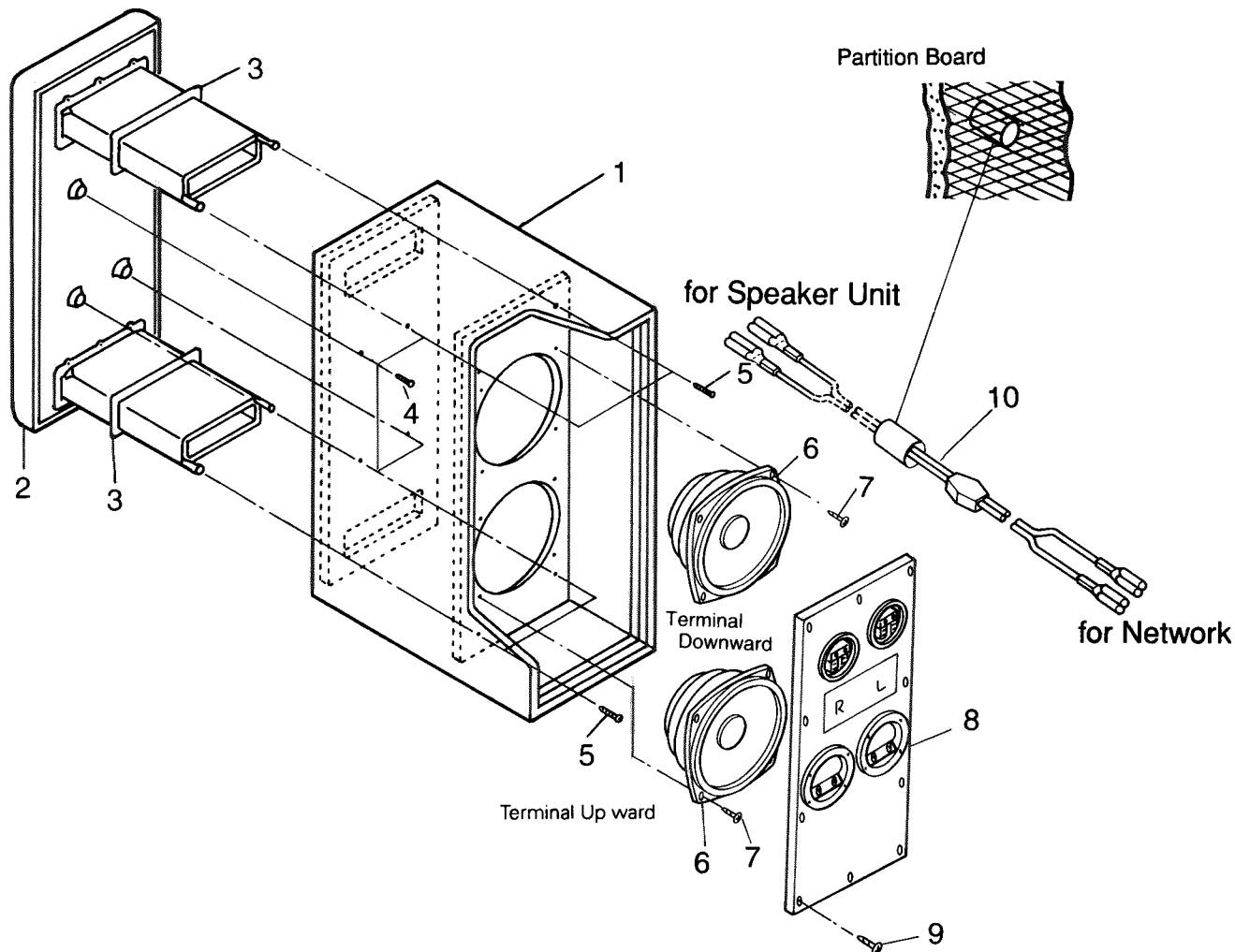


■ Part List

△	Item	Part Number	Part Name	Q'ty	Description	Areas
	1	E407278-001	Mounting Board	1		
	2	ENZ4403-82108	Reactor	1	L001, 0.82mH	
	3	ENZ4403-56108	Reactor	1	L002, 0.56 mH	
	4	EEN0001-685	N.P.E. Capacitor	1	C001, 6.8 μ F/50 V	
	5	EEN0001-335	N.P.E. Capacitor	1	C002, 3.3 μ F/50 V	
	6	WE11697-00A	Wire Kit	1	Black & Red	
	7	WE11697-00B	Wire Kit	1	Black & Yellow	
	8	WE11697-00C	Wire Kit	1	Black & Blue	

△ : Safety parts

Exploded View and Parts List (SP-W20V)

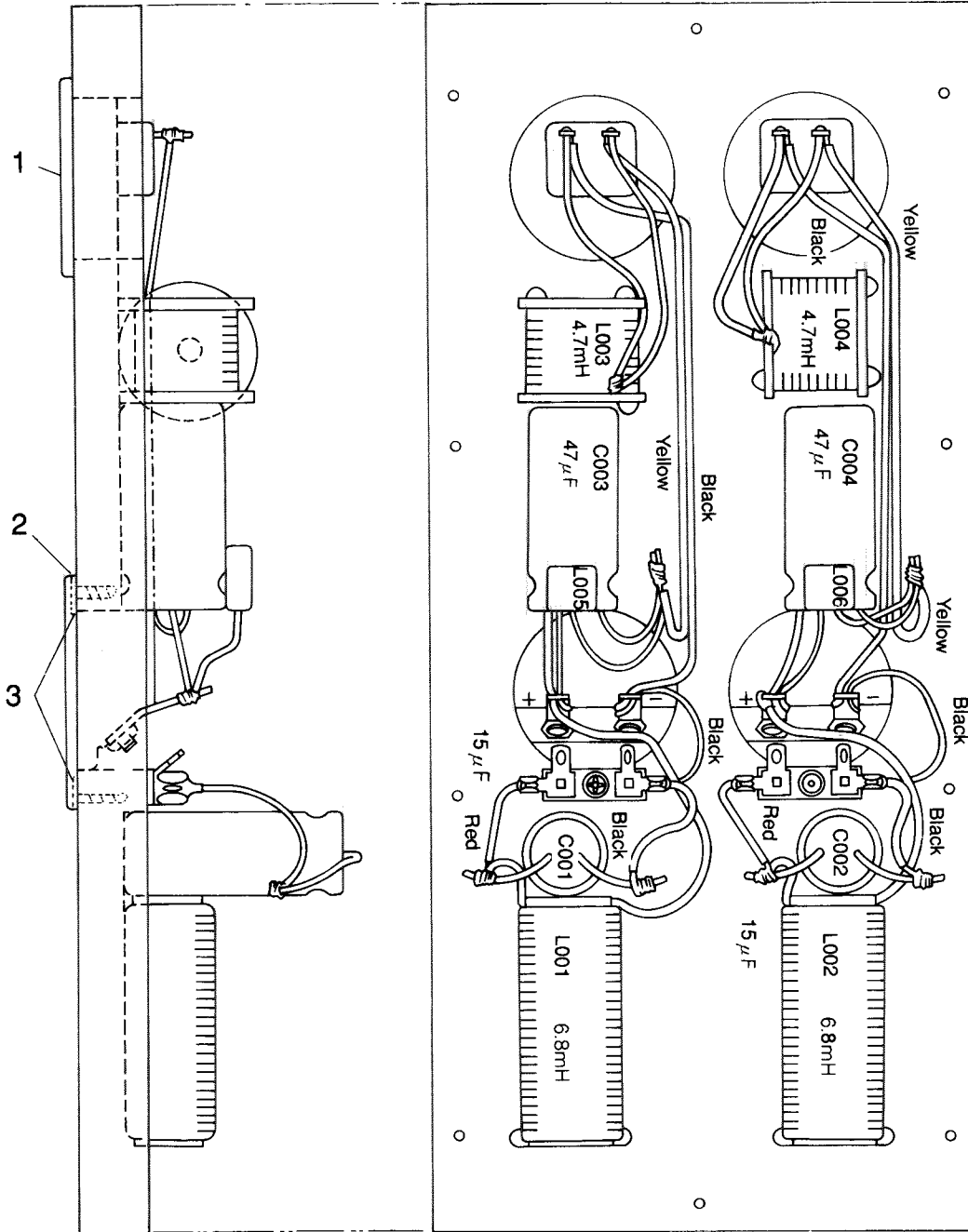


■ Part List

△	Item	Part Number	Part Name	Q'ty	Description	Areas
	1	EZC-SP-W9J	Cabinet Assembly	1	(ED22289-002)	
	2	E308215-002	Ornament Assembly	1		
	3	E407245-001	Spacer	2		
	4	GPSA3525Z	Screw	4		
	5	GPSA3530Z	Screw	4		
	6	HSA1499-01L	Speaker Unit	2	SP-11 With Spacer	
	7	SDSA4020Z	Screw	8		
	8	E308800-001	Network Assembly	2		
	9	GPSA3530M	Screw	10		
	10	WE07126-00A	Wire	2	Black & Red	

△ : Safety parts

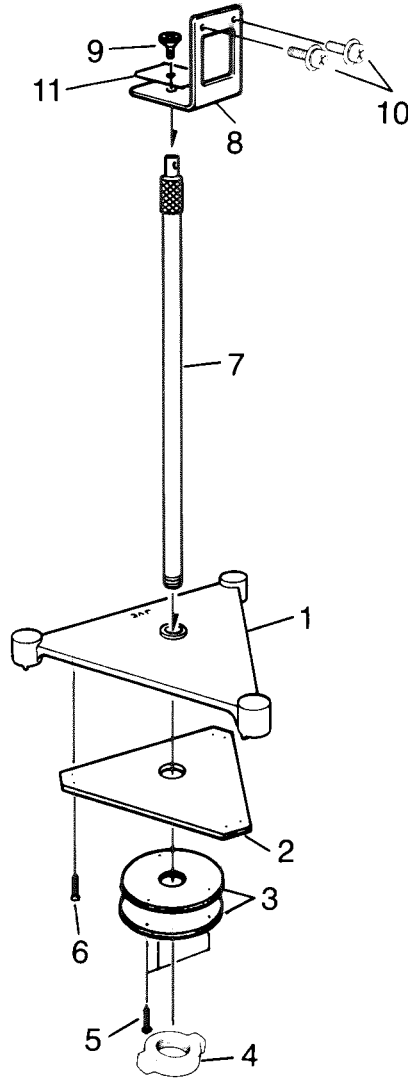
Network Assembly and Parts List (SP-W20V)



■ Part List

Item	Part Number	Part Name	Q'ty	Description	Areas
1	E03823-094	Speaker Terminal	2		
2	E03823-100	Speaker Terminal	2		
3	SDSA3014M	Screw	8		

Exploded View and Parts List (LS-S20V)



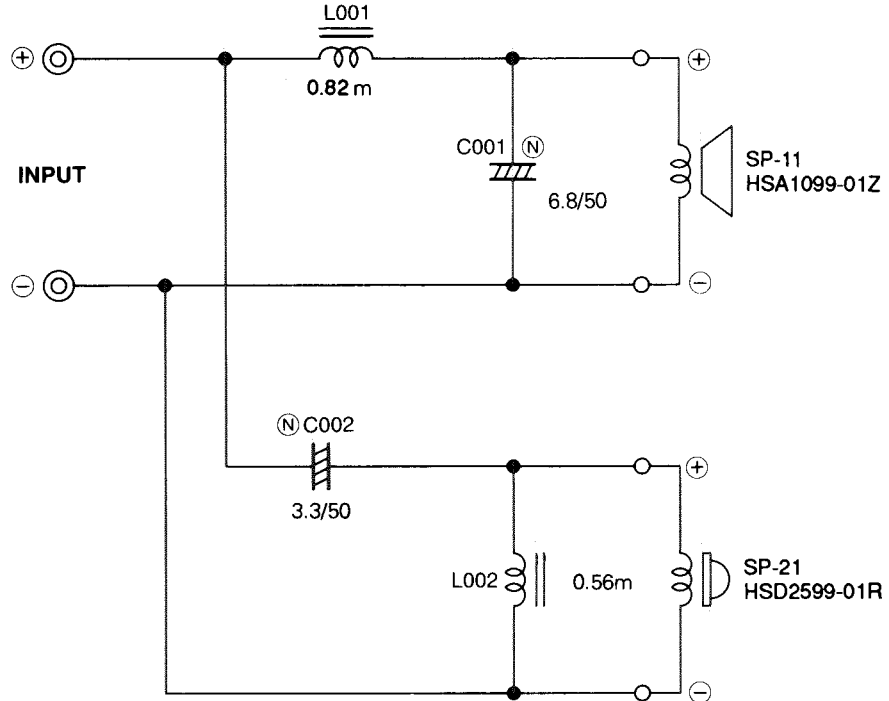
■ Part List

⚠	Item	Part Number	Part Name	Q'ty	Description	Areas
	1	E102644-001	Stand Base	1		
	2	E207671-001	Base Plate (A)	1		
	3	E308252-001	Base Plate (B)	2		
	4	PB-07	M22. Plate Nut	1		
	5	E407346-002	S. Screw	3		
	6	E407346-001	S. Screw	6		
	7	E407361-001	Pole Assembly	1		
	8	PB-09	Bracket	1		
	9	PB-10	Bracket Screw	1		
	10	DPSP5012M	Screw	2		
	11	PB-11	Pad	1		

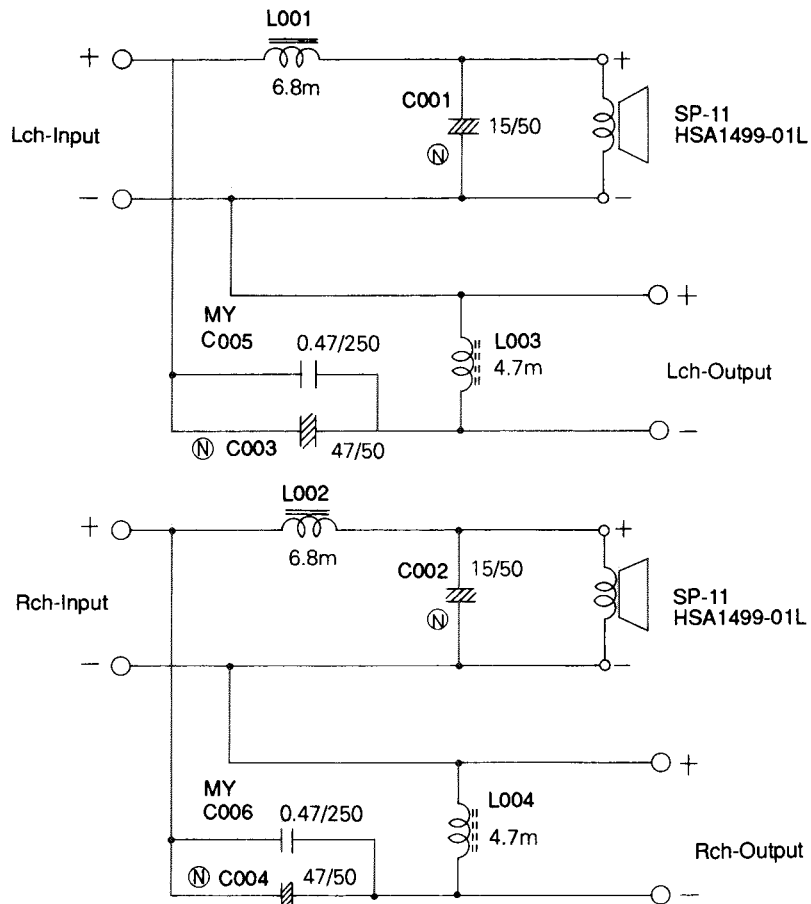
⚠ : Safety parts

Schematic Diagram

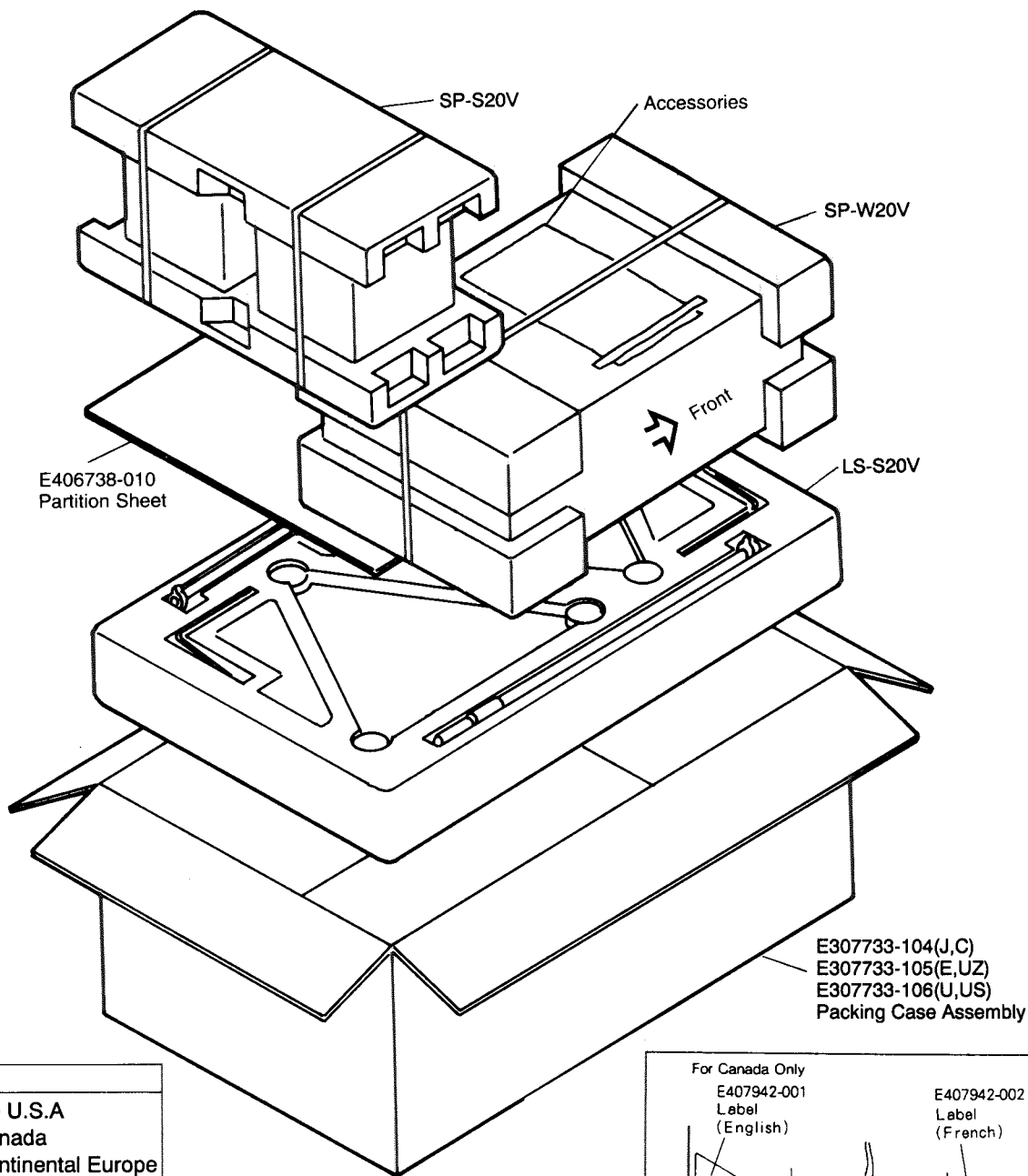
■ SP-S20V



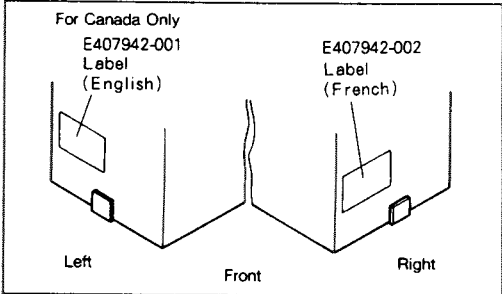
■ SP-W20V



Packing Materials and Part Numbers (SX-SW20V)



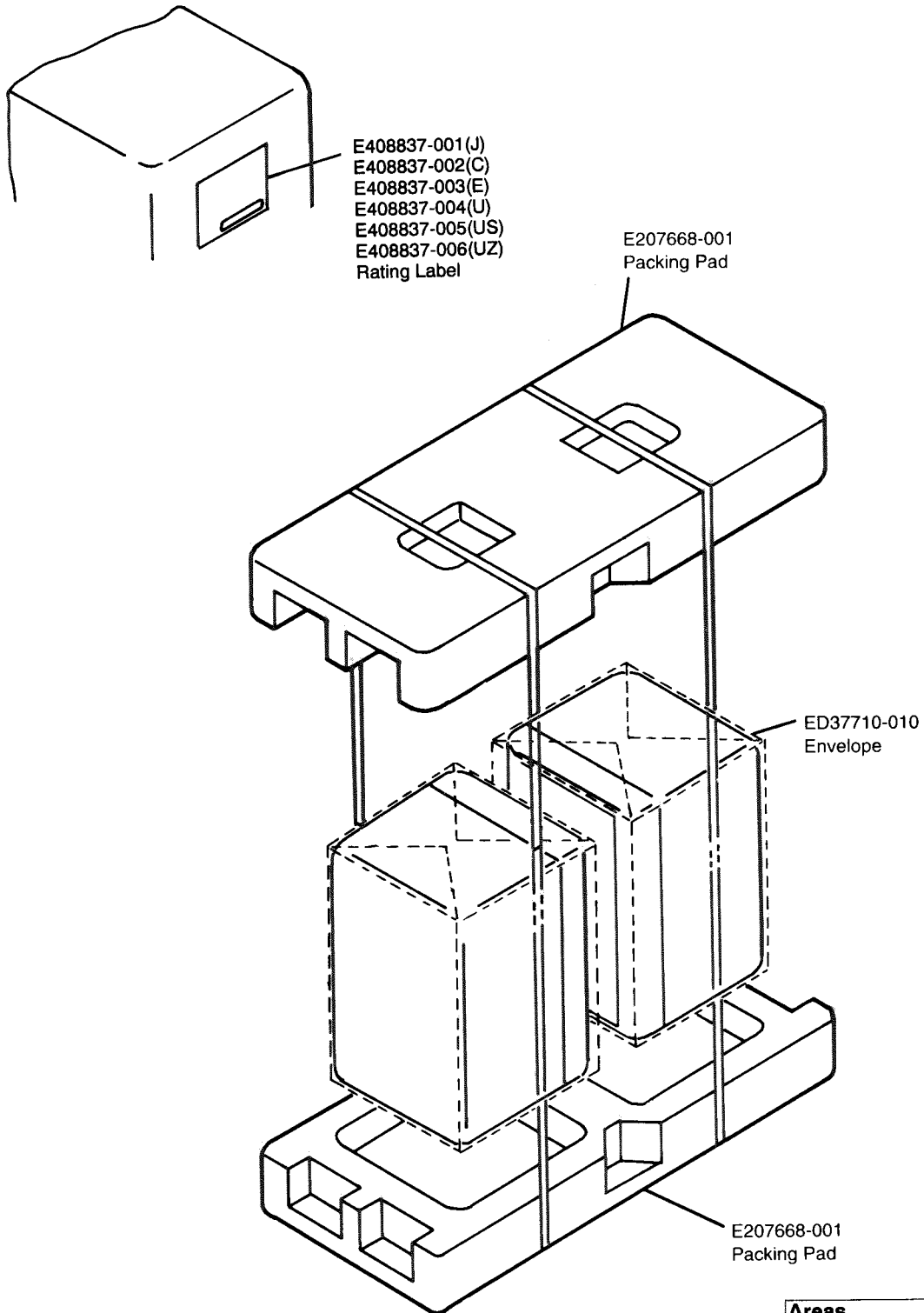
Areas	
J.....	the U.S.A
C.....	Canada
E.....	Continental Europe
U.....	Universal Type
US.....	Singapore
UZ.....	other
No mark indicates all areas	



Accessories List

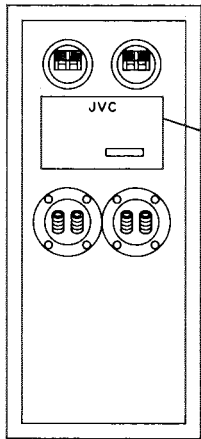
Part Number	Part Name	Q.ty	Description	Areas
E30580-2341A	Instruction Book	1		J,C
E30580-2342A	Instruction Book	1		E.U.US.UZ
E408249-001	Speaker Cord	2	Red&Black	
E408267-001	Speaker Cord	2	Gly&Blue	
BT-51003-1T	Waranty Card	1		J
BT-51006-1T	P.S.R. Card	1		J
BT-52002-1T	Waranty Card	1		C
BT20071B	Service Network Crad	1		C
ED37710-005	Envelope	1		

Packing Materials and Part Numbers (SP-S20V)

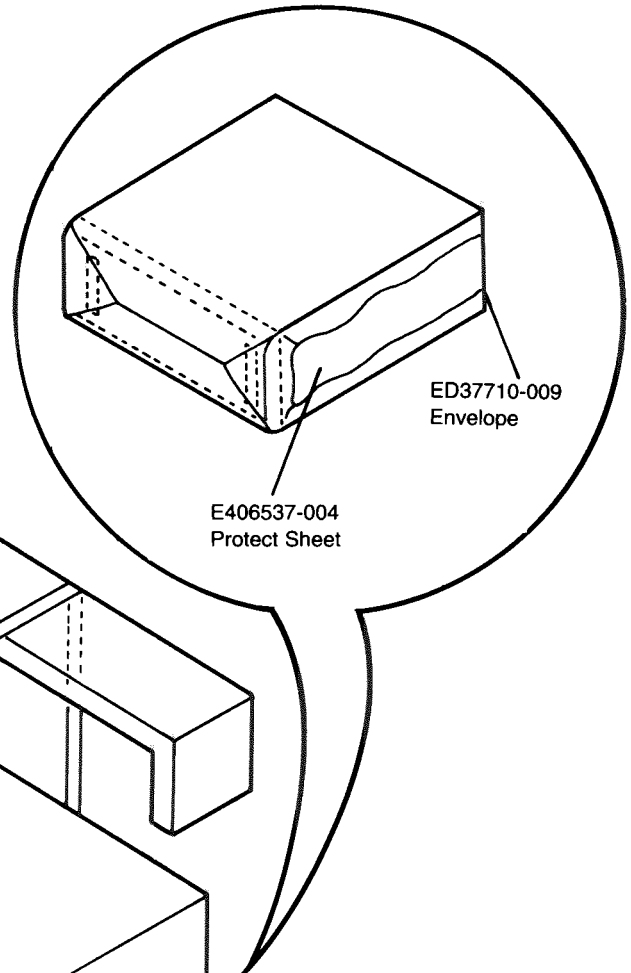


Areas	
J.....	the U.S.A
C.....	Canada
E.....	Continental Europe
U.....	Universal Type
US.....	Singapore
UZ.....	other
No mark indicates all areas	

Packing Materials and Part Numbers (SP-W20V)



- E408838-001(J)
- E408838-002(C)
- E408838-003(E)
- E408838-004(U)
- E408838-005(US)
- E408838-006(UZ)
- Rating Label

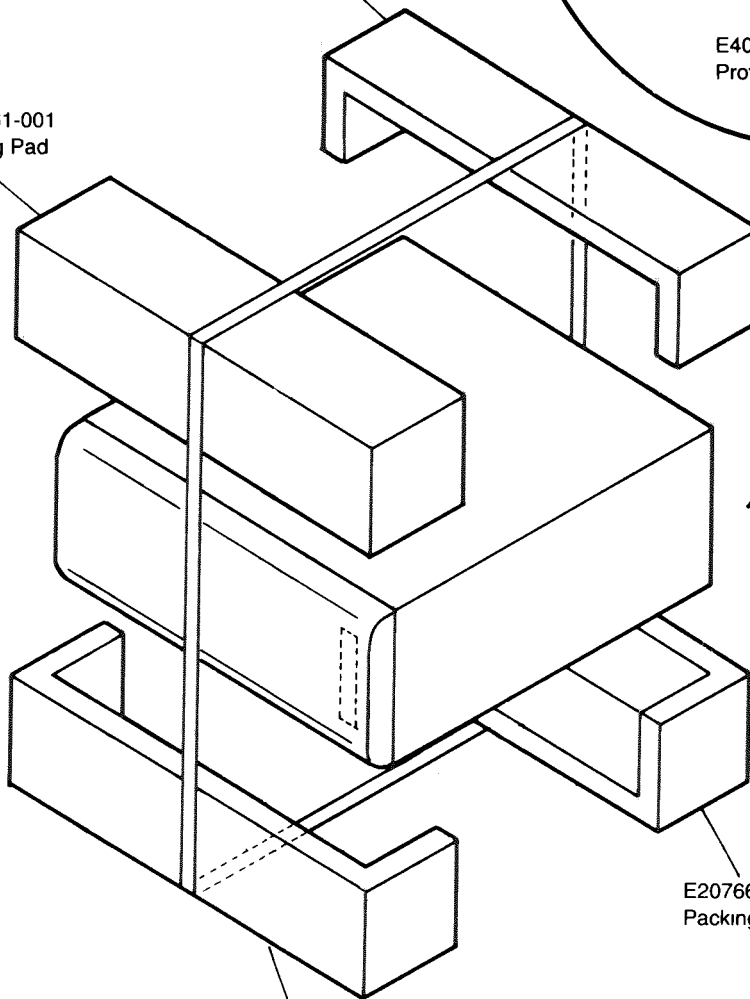


ED37710-009
Envelope

E406537-004
Protect Sheet

E207661-002
Packing Pad

E207661-001
Packing Pad

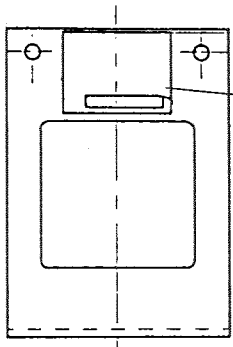


E207661-002
Packing Pad

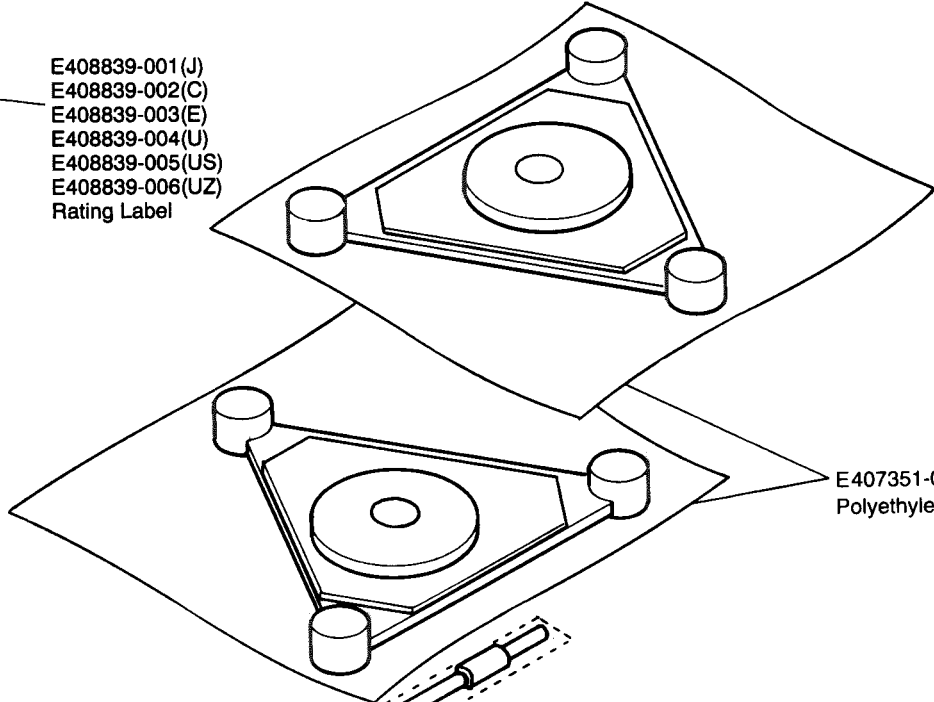
E207661-001
Packing Pad

Areas	
J.....	the U.S.A
C.....	Canada
E.....	Continental Europe
U.....	Universal Type
US.....	Singapole
UZ.....	other
No mark indicates all areas	

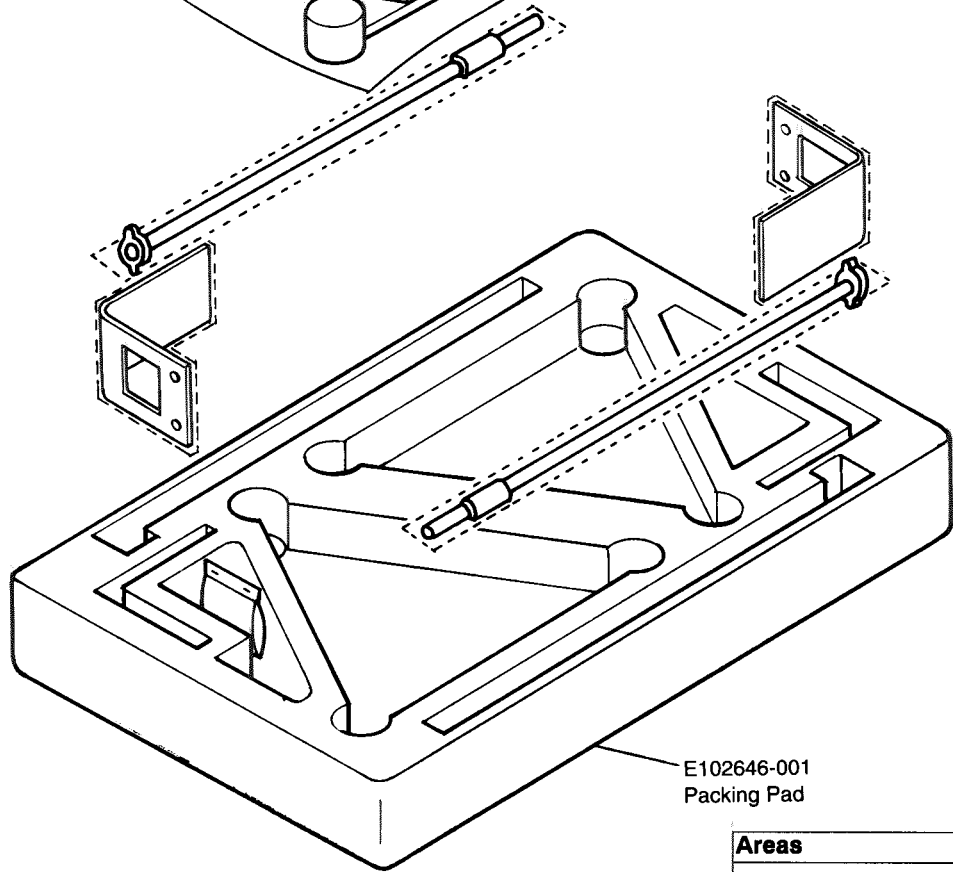
Packing Materials And Part Numbers (LS-S20V)



- E408839-001 (J)
- E408839-002 (C)
- E408839-003 (E)
- E408839-004 (U)
- E408839-005 (US)
- E408839-006 (UZ)
- Rating Label



E407351-001
Polyethylene Sheet



E102646-001
Packing Pad

Areas	
J.....	the U.S.A
C.....	Canada
E.....	Continental Europe
U.....	Universal Type
US.....	Singapore
UZ.....	other
No mark indicates all areas	



VICTOR COMPANY OF JAPAN, LIMETED

AUDIO DIVISION, YAMATO PLANT, 1644, SHIMOTSURUMA, YAMATO-SHI, KANAGAWA-KEN, 242, JAPAN